

PARTS CATALOGUE



SCOOTERS

TH25AD(RO)

Skytown 125



Release Date : 2024/04/15
Print Date : 2024/07/06

ABOUT THIS PARTS LIST

- This parts list is compiled all service parts for model TH25AD(RO).
- Any difference between color chart and motorcycle will be revised according to motorcycle.
- The Mark:
 1. Marking "***" must add color code in the end before ordering parts.
 2. Marking "#" are parts with modification, Please find the details from e-Parts system.
- When modification or additions to this parts list are made a revised edition at an appropriate time.



CONTENTS

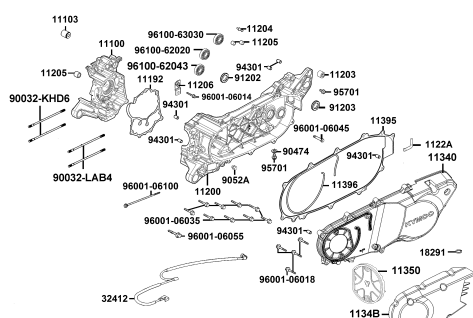
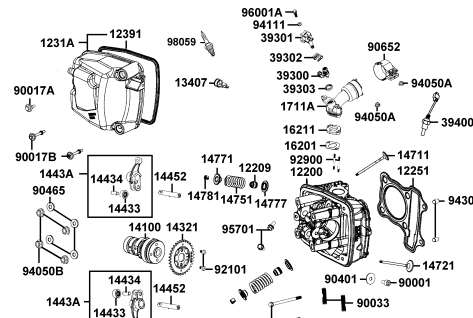
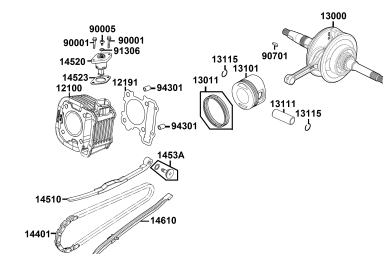
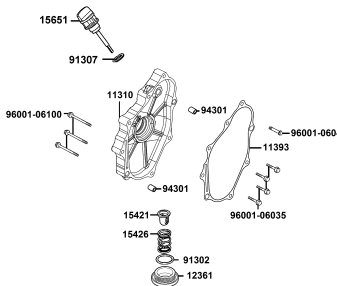
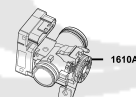
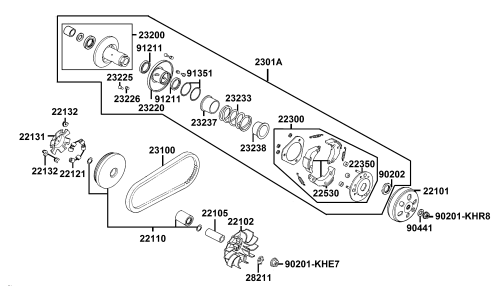
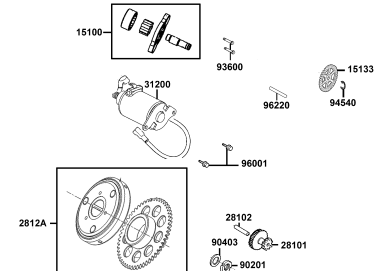
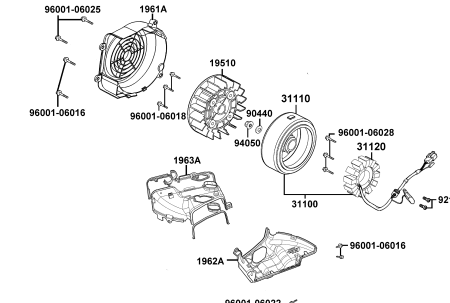
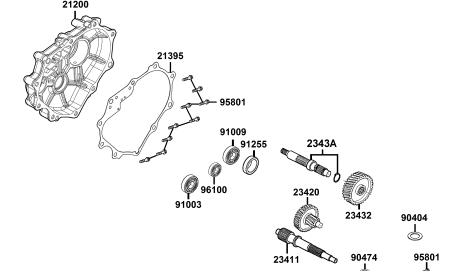
● ABOUT THIS PARTS LIST	1
● COLOR CHART OF TH25AD(RO)	3
● CONTENTS-ENGINE GROUP	6
● CONTENTS-FRAME GROUP	7
● ENGINE PARTS LIST	10
● FRAME PARTS LIST	36
● PART NO. INDEX	96

NO	MODEL			COLOR CHART OF TH25AD(RO)			
	PHOTO NO			NO. 1	NO. 2	NO. 3	
	BASIC COLOR			Golden Brown	Flat Black	Starry Night Blue	
	CODE			Golden Brown	Flat Black	Starry Night Blue	
	PARTS NAME	PARTS NO.	VERSION	CY667MA	CN397FA	CG411MA	
1	CUSHION ASSY RR R	52400-BLB3-E10	0	M2A			
2	CUSHION ASSY RR L	52500-BLB3-E10	0				
3	LEVER R STRG HANDLE	53175-LEB9-E00	0				
4	LEVER L. STRG.	53178-KBNA-C00	0				
5	CASE BATTERY	50325-BLB3-E10	0	N1R			
6	COVER BATTERY	50326-BLB3-E10	0				
7	COVER UNDER	50613-BLB3-E10	0				
8	COVER METER	53204-BLB3-E10	0				
9	"COVER, HANDLE UP"	53205-BLB3-E10	0				
10	"COVER, HANDLE LOW"	53206-BLB3-E10	0				
11	FENDER FR INNER	61110-BLB3-E10	0				
12	COVER, L WIND	64140-BLB3-E10	0				
13	COVER, L WIND	64240-BLB3-E10	0				
14	"COVER, FR. LOW"	64304-BLB3-E10	0				
15	FLOOR PANEL R	64310-BLB3-E10	0				
16	"MAT ,R FLOOR"	64320-BLB3-E10	0				
17	FLOOR PANEL L	64330-BLB3-E10	0				
18	"MAT ,L FLOOR"	64340-BLB3-E10	0				
19	COWL UNDER	64400-BLB3-E10	0				
20	ASSY FENDER, RR.TIRE	80100-BLB3-E10	0				
21	FENDER RR INNER	80101-BLB3-E10	0				
22	LID MAINT. TAIL LIGHT	80102-BLB3-E10	0				
23	FENDER RR UP	80105-BLB3-E10	0				
24	"LID,FUEL CAP MAINT."	80152-BLB3-E10	0				
25	LEG SHIELD	81131-BLB3-E10	0				
DATE OF STARTING-SALES							
DATE OF END-SALES							

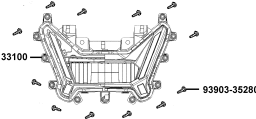
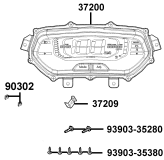
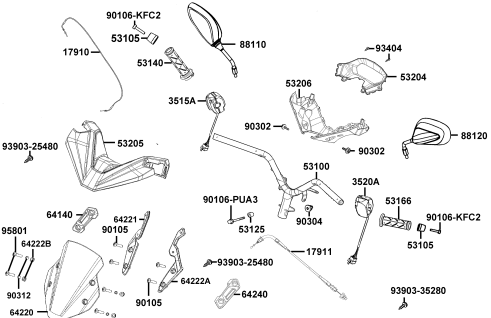
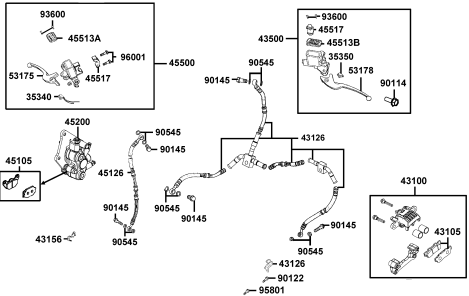
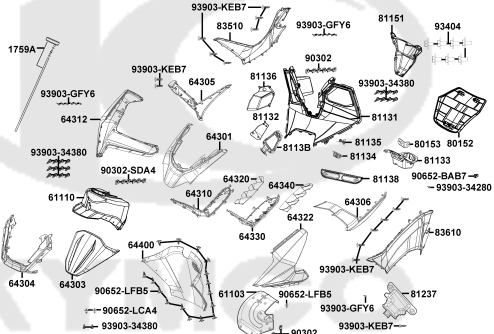
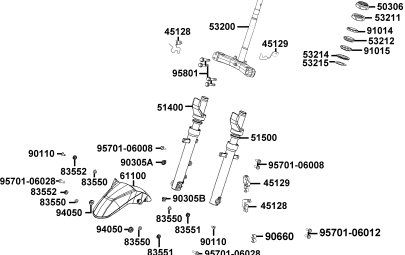
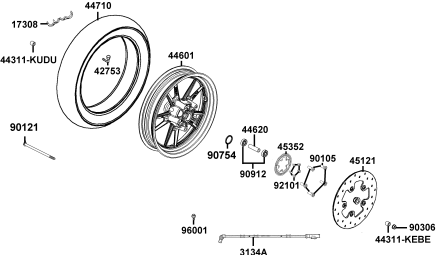
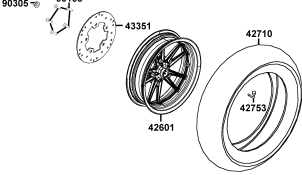
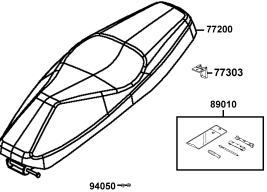
NO	MODEL			COLOR CHART OF TH25AD(RO)			
	PHOTO NO			NO. 1	NO. 2	NO. 3	
	BASIC COLOR			Golden Brown	Flat Black	Starry Night Blue	
	CODE			Golden Brown	Flat Black	Starry Night Blue	
	PARTS NAME	PARTS NO.	VERSION	CY667MA	CN397FA	CG411MA	
26	"LID, L. FR INNER BOX"	81132-BLB3-E10	0	N1R			
27	"BOX, FUEL TANKX"	81133-BLB3-E10	0				
28	"LID, R. FR INNER BOX"	81136-BLB3-E10	0				
29	"LID, L. FR INNER BOX"	8113B-BLB3-E10	0				
30	COVER A KEY	81151-BLB3-E10	0				
31	BOX LUGGAGE	81250-BLB3-E10	0				
32	COVER R RR SIDE	83510-BLB3-E10	0				
33	COVER B R SIDE	83520-BLB3-E10	0				
34	COVER L RR SIDE	83610-BLB3-E10	0				
35	COVER B L SIDE	83620-BLB3-E10	0				
36	REAR CENTER COVER	83750-BLB3-E10	0	N8A			
37	FORK ASSY R	52000-BLB3-E10	0				
38	COVER COMP L SIDE	11340-BLB3-E00	0	NEA			
39	WHEEL FR CAST	42601-BLB3-E10	0				
40	WHEEL FR CAST	44601-BLB3-E10	0				
41	FORK ASSY RH FR	51400-BLB3-E10	0				
42	FORK ASSY LH FR	51500-BLB3-E10	0	NEP			
43	MUFF. PROTECTOR	18318-BLB3-E10	0				
44	MUFFLER ASSY EXH	1830A-BLB3-E10	0	NES			
45	"END,R HANDLE"	53105-LGR5-E10	1				
46	CALIPER ASSY RR BRK	43100-LHJ8-C00	0	NJA			
47	COVER FR TOP	64303-BLB3-E10	0				
48	SEAT ASSY	77200-BLB3-E10	0	S2P			
49	EMB HANDLE COVER	86020-BLB3-E00	0				
50	EMB BODY COVER	86202-BLB3-E00	0				
DATE OF STARTING-SALES							
DATE OF END-SALES							

NO	MODEL			COLOR CHART OF TH25AD(RO)			
	PHOTO NO			NO. 1	NO. 2	NO. 3	
	BASIC COLOR			Golden Brown	Flat Black	Starry Night Blue	
	CODE			Golden Brown	Flat Black	Starry Night Blue	
	PARTS NAME	PARTS NO.	VERSION	CY667MA	CN397FA	CG411MA	
51	EMB MARK 125 TAPE A	87140-ALJ9-E10	0	T01			
52	EMB K-LOGO	87206-YZA6-E00	0				
53	LABEL CLEANNESS	87508-ABD2-E00	0				
54	CAUTION SIDE STAND	87541-GAR1-C01	1				
55	LABEL OIL CAP	87541-KUDU-E00	1				
56	MARK MAINT CAUTION	87542-GAR1-C01	2				
57	LABEL FUEL TANK	87546-AGE3-E00	0				
58	MARK DRIVE CAUTION	87560-BLB3-E00	0				
59	EMB GREEN POWER	87567-BLB3-E00	0				
60	EMB MARK K-LOGO	86102-ALJ8-E00	0	T02	T01		
61	CARRIER RR	81200-BLB3-E10	0	59A	CN397A	UZA	
62	"ARM COMP,SWING"	61100-BLB3-E10	0	S2P			
63	FRONT COVER	64301-BLB3-E11	0				
64	SKIRT R SIDE	64305-BLB3-E10	0				
65	SKIRT L SIDE	64306-BLB3-E10	0				
66	"MOLDING, R FR"	64312-BLB3-E10	0				
67	"MOLDING, L FR."	64322-BLB3-E10	0				
68	COVER CENTER	80151-BLB3-E10	0				
69	BOX LUGGAGE RR	8150A-ALJ8-E11	0				
70	COVER RR BOX 2016	8150L-LFC4-E10	0				
71	COVER R BODY	83500-BLB3-E10	0	59P	UZZP		
72	COVER L BODY	83600-BLB3-E10	0				
DATE OF STARTING-SALES							
DATE OF END-SALES							

CONTENTS - ENGINE GROUP

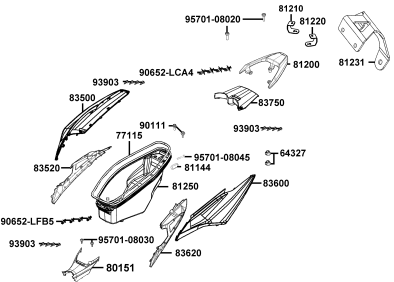
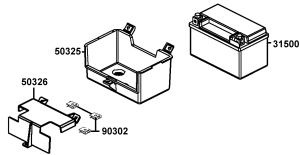
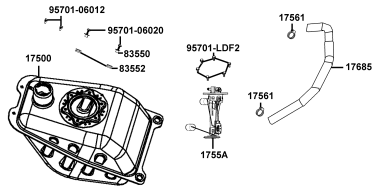
E01 Crank Case	E02 Cylinder Head	E03 Cylinder Piston Crankshaft
		
E04 Right Crankcase Cover	E05 THROTTLE BODY ASSY	E06 Driven Pulley
		
E07 Starting Motor Oil Pump	E08 Fan Cover Generator	E09 Transmission
		

CONTENTS - FRAME GROUP

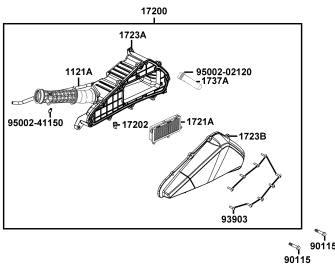
<p>F01 Head Light</p> 	<p>F02 Speedometer</p> 	<p>F03 Handle Steering Handle Cover</p> 
<p>F04 Brake Master Cylinder</p> 	<p>F05 Front Cover Front Fender</p> 	<p>F06 Stem Steering Front Cushion</p> 
<p>F07 Front Wheel</p> 	<p>F08 Rear Wheel</p> 	<p>F09 Seat</p> 

CONTENTS - FRAME GROUP

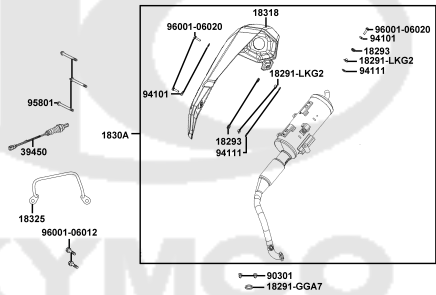
F10 Fuel Tank F11 Battery F12 Body Cover Luggage Box



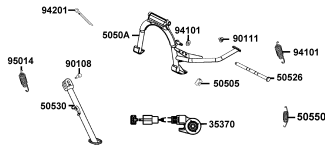
F13 Air Cleaner



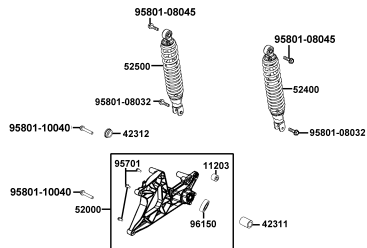
F14 Exhaust Muffler



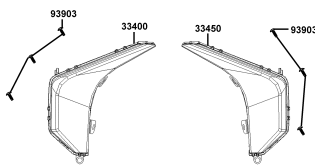
F15 Stand Kick Starter Arm



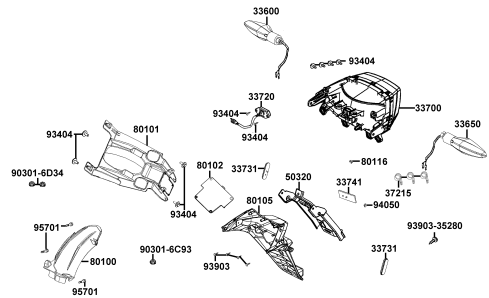
F16 Rear Cushion



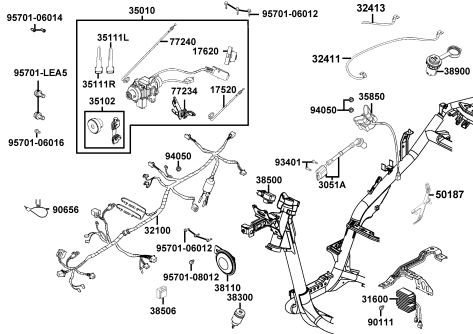
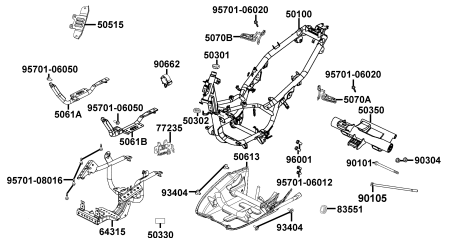

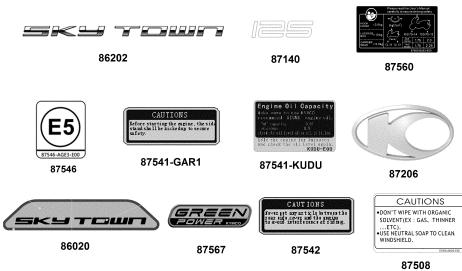
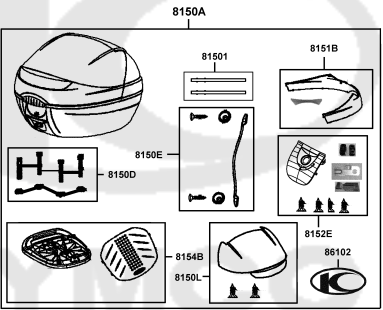
F17 Front Winker



F18 Tail Light

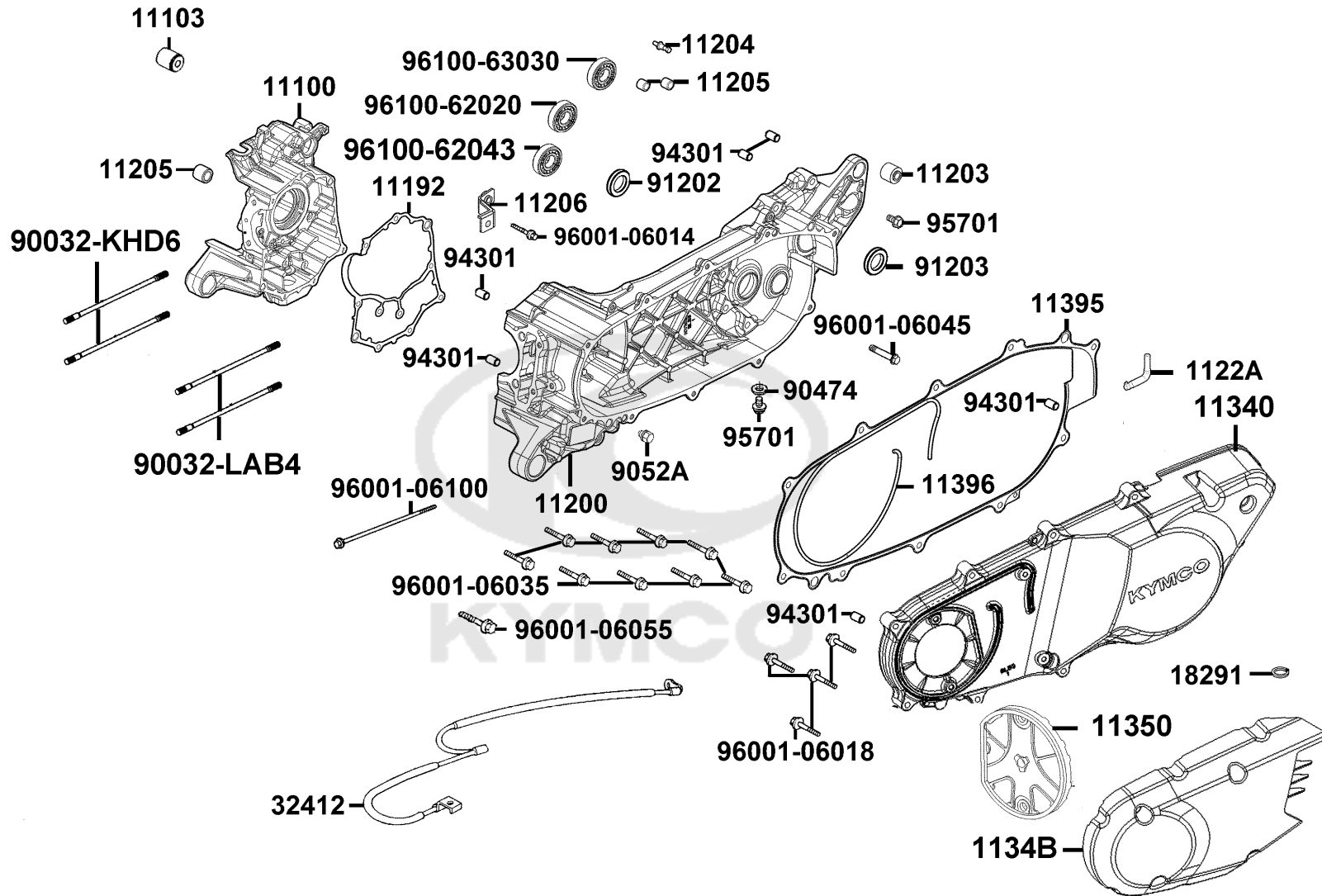


CONTENTS - FRAME GROUP

F19 Wire Harness	F20 Frame Body	F21 CANISTER-PCV ASSY
		
F22 Emblem Stripe	F23 RR BOX	
		

E01

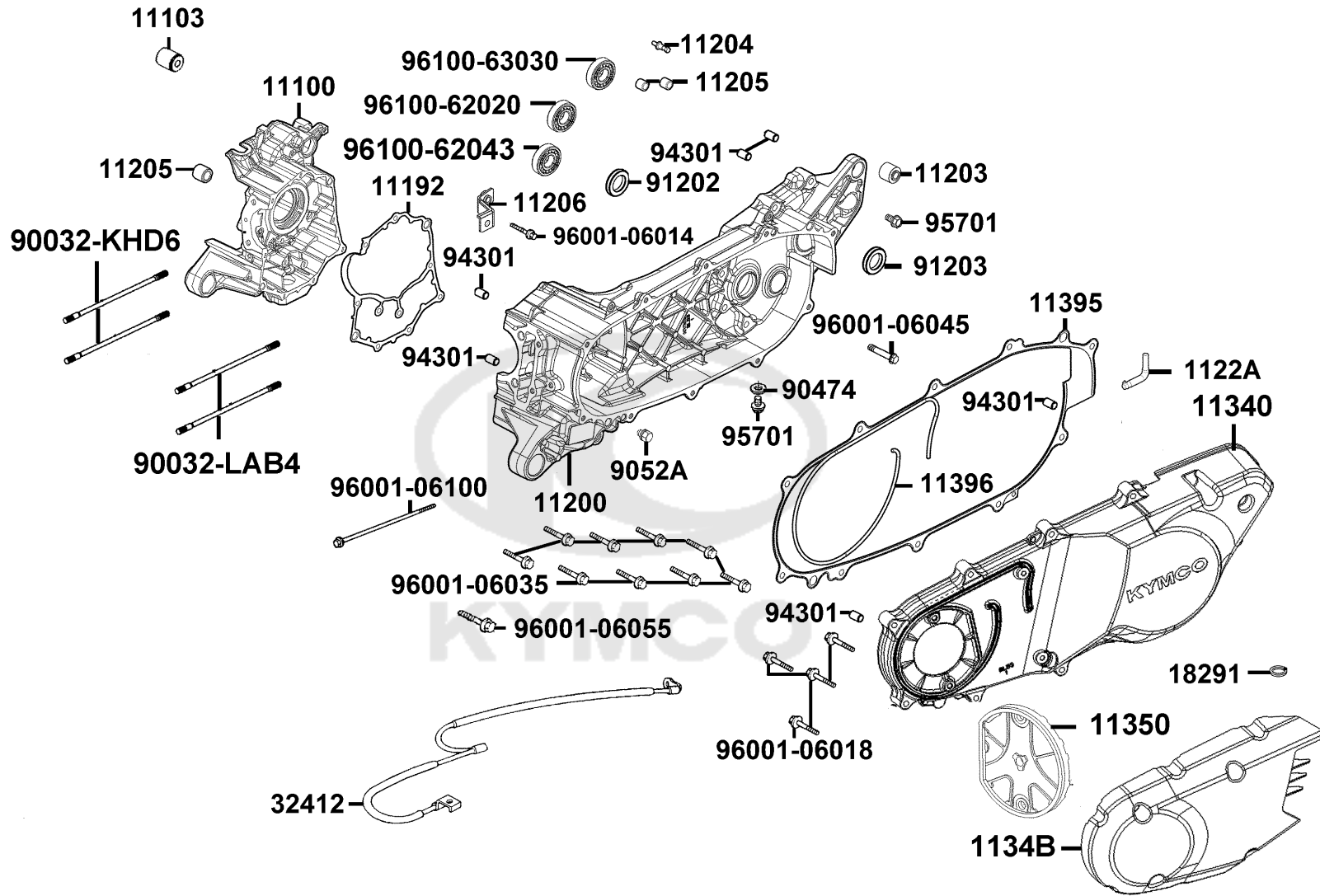
Crank Case



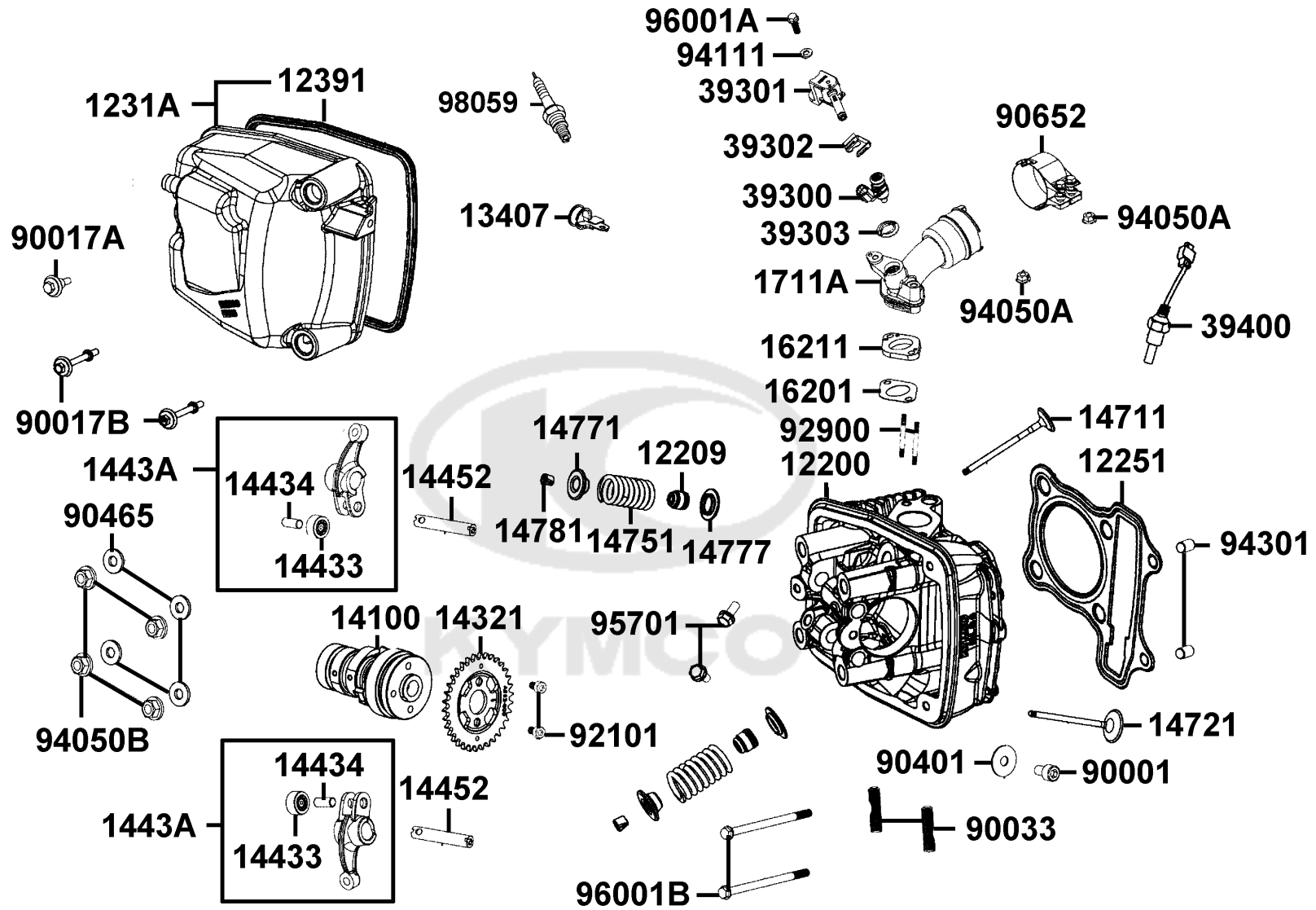
Sales mark	Ref no	Part no	Description	Reg description	Regd no	E01
	11100	11100-BLB3-E00	CRANK CASE COMP RIGHT	CRANK CASE COMP RIGHT	1	
	11103	11103-KHE7-C00	RUB BUSH ENG HANGER	RUB BUSH ENG HANGER	2	
	11192	11192-BLB5-E00	GASKET CRANK CASE @ A	GASKET CRANK CASE @ A	1	
	11200	11200-BLB3-E00	CRANK CASE COMP LEFT	CRANK CASE COMP LEFT	1	
	11203	11203-GGC7-W10	UNDER RUBBER BUSH REAR CUSHION	UNDER RUBBER BUSH REAR CUSHION	1	
	11204	11204-ACH6-C00	PIN SPG HOOK	PIN SPG HOOK	1	
	11205	11205-ACH6-C00	"BUSH, MAIN STAND"	"BUSH, MAIN STAND"	2	
	11206	11206-BLB3-E10	STAY RR FENDER	STAY RR FENDER	1	
	1122A	1122A-BLB3-E00	TUBE ASSY MISSION BREATHER	TUBE ASSY MISSION BREATHER	1	
**	11340	11340-BLB3-E00	COVER COMP L SIDE	COVER COMP L SIDE	1	
	1134B	1134B-BLB3-E00	COVER LEFT	COVER LEFT	1	
	11350	11350-AEE2-C00	"ELEMENT COMP., L COVER"	"ELEMENT COMP., L COVER"	1	
	11395	11395-BLB3-E00	GASKET L COVER@A	GASKET L COVER@A	1	
	11396	11396-BLB3-E00	GASKET L COVER	GASKET L COVER	1	
	18291	18291-KKC4-C00	COLLAR	COLLAR	2	
	32412	32412-BLB3-E10	CABLE EARTH A	CABLE EARTH A	1	
	90032-KHD6	90032-KHD6-C01	BOLT B STUD 8*208.5	BOLT B STUD 8*208.5	2	
	90032-LAB4	90032-LAB4-C00	BOLT B STUD 8*203.5	BOLT B STUD 8*203.5	2	
	90474	90474-3C33-C00	WASHER 8MM (T*2)	WASHER 8MM (T*2)	1	
	9052A	9052A-PUA3-B50	BOLT ASSY DRAIN PLUG 12*15	BOLT ASSY DRAIN PLUG 12*15	1	

E01

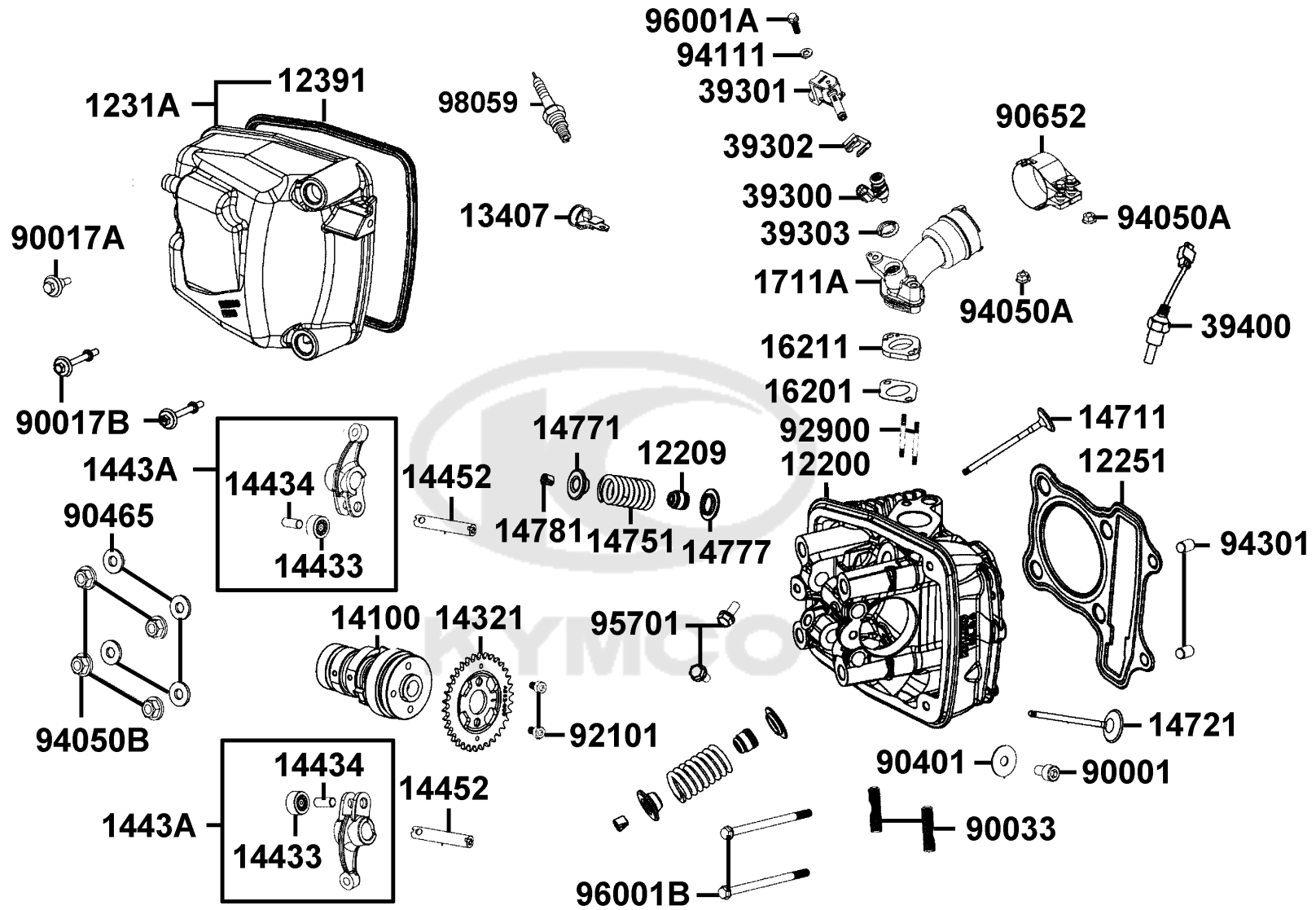
Crank Case



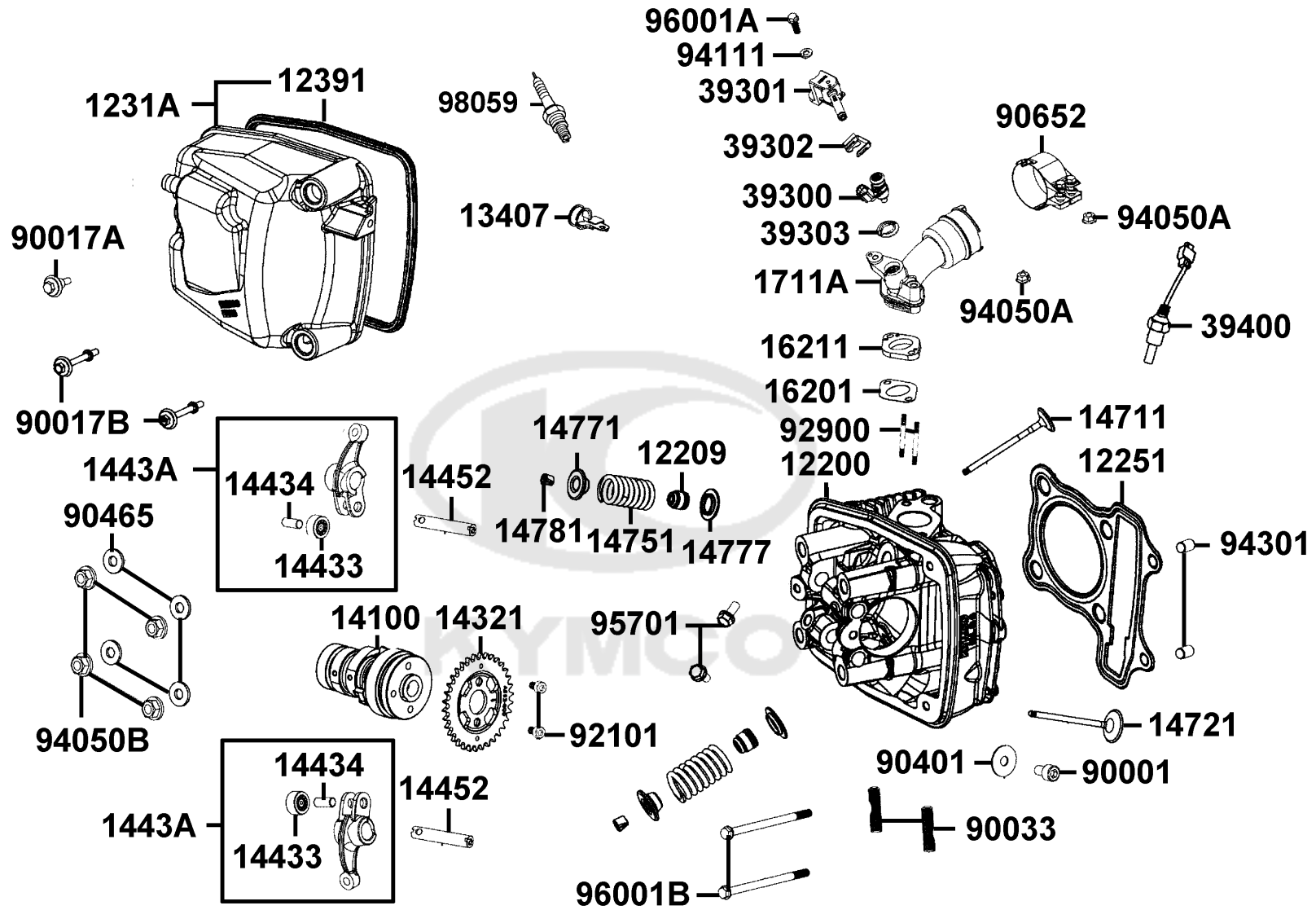
Sales mark	Ref no	Part no	Description	Reg description	Regd no	E01
91202		91202-LEB1-900	OIL SEAL 25*35*5	OIL SEAL 25*35*5	1	
91203		91203-AFF8-90A	OIL SEAL 20X32X6	OIL SEAL 20X32X6	1	
94301		94301-10160	DOWEL PIN 10*16	DOWEL PIN 10*16	6	
95701		95701-08012-07G	BOLT FLANGE 8*12 (K)	BOLT FLANGE 8*12 (K)	1	
96001-06014		96001-06014-08G	BOLT FLANGE SH 6*14 (C)	BOLT FLANGE SH 6*14 (C)	1	
96001-06018		96001-06018-08G	BOLT FLANGE SH 6*18 (C)	BOLT FLANGE SH 6*18 (CR3+)	4	
96001-06035		96001-06035-07G	BOLT FLANGE SH 6*35 (KG)	BOLT FLANGE SH 6*35 (KG)	9	
96001-06045		96001-06045-07G	BOLT FLANGE SH 6*45 (G)	BOLT FLANGE SH 6*45 (G)	1	
96001-06055		96001-06055-07G	BOLT FLANGE SH 6*55 (G)	BOLT FLANGE SH 6*55 (G)	1	
96001-06100		96001-06100-07G	BOLT FLANGE 6*100	BOLT FLANGE 6*100	1	
96100-62020		96100-62020-00	BEARING BALL RADIAL 6202	BEARING BALL RADIAL 6202	1	
96100-62043		96100-62043-00	BEARING BALL RADIAL 6204	BEARING BALL RADIAL 6204	1	
96100-63030		96100-63030-00	BEARING BALL RADIAL 6303	BEARING BALL RADIAL 6303	1	



Sales mark	Ref no	Part no	Description	Reg description	Regd no	E02
12200		12200-BLB3-900	HEAD COMP CYLINDER	HEAD COMP CYLN	1	
12209		12209-BLA6-900	SEAL VALVE STEM	SEAL VALVE STEM	2	
12251		12251-BLB3-900	GASKET CYLINDER HEAD	GASKET CYLINDER HEAD	1	
1231A		1231A-BLB3-E00	HEAD COVER SET	HEAD COVER SET	1	
12391		12391-BLB3-E00	GASKET HEAD COVER	GASKETHEAD COVER	1	
13407		13407-LHJ8-900	PLATE A ECU MODULE	PLATE A ECU MODULE	1	
14100		14100-BLB3-900	SHAFT COMP CAM	SHAFT COMP CAM	1	
14321		14321-AEE2-800	SPROCKET CAM SHAFT	SPROCKET CAM	1	
14433		14433-ZSA7-M00	ROLLER ASSY ROCKER ARM	"ROLLER ASSY, ROCKER ARM"	2	
14434		14434-ZSA7-M00	PIN ROCKER ARM	PIN ROCKER ARM	2	
1443A		1443A-BLB3-E00	ARM ASSY. VALVE ROCKER	"ARM ASSY.,VALVE ROCKER"	2	
14452		14452-BLB3-E00	SHAFT IN ROCKER ARM	SHAFT EXH ROCKER ARM	2	
14711		14711-BLB3-900	VALVE INLET	VALVE.IN	1	
14721		14721-BLB3-900	VALVE EXHAUST	VALVE EXHAUST	1	
14751		14751-KHD6-900	SPG VALVE OUTER	SPG VALVE OUTER	2	
14771		14771-LEA2-900	RETAINER UPPER SPRING	RETAINER UPPER SPRING	2	
14777		14777-LFA7-E00	SEAT VALVE SPG	SEAT VALVE SPG	2	
14781		14781-KKE5-E00	COTTER VALVE	COTTER VALVE	4	
16201		16201-BLB3-E00	GASKET CARB INSULATOR	GASKET CARB INSULATOR	1	
16211		16211-BLB3-900	INSULATOR CARB	INSULATOR CARB	1	



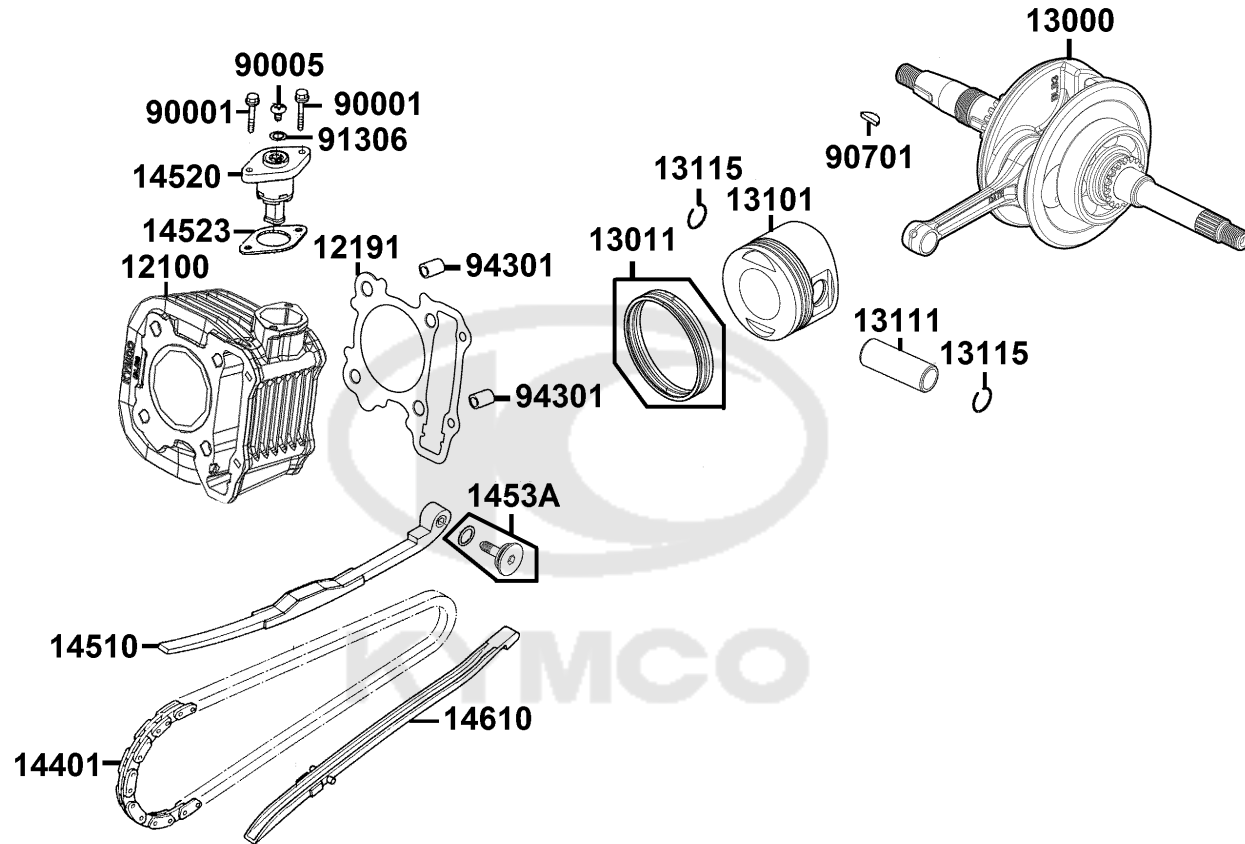
Sales mark	Ref no	Part no	Description	Reg description	Regd no	E02
	1711A	1711A-BLB3-E00	PIPE ASSY. INLET	PIPE ASSY. INLET	1	
	39300	39300-BLB9-900	FUEL INJECTOR	"INJECTOR,FUEL"	1	
	39301	39301-BLB3-E00	CUP COMP FUEL INJECTOR	CUP COMP FUEL INJECTOR	1	
	39302	39302-KKE3-C00	CLIP SPRING FUEL INJECTOR	CLIP SPRING FUEL INJECTOR	1	
	39303	39303-BLB9-900	SEAL HIGH TENSION FUEL INJECTOR	"SEAL,HIGH TENSION FUEL INJECT"	1	
	39400	39400-LHJ3-900	SENSOR. HEAD TEMPERATURE	SENSOR. HEAD TEMPERATURE	1	
	90001	90001-GFY6-C01	SOCKET BOLT 6*10	SOCKET BOLT 6*10	1	
	90017A	90017-KED9-C00	BOLT ASSY HEAD COVER	BOLT ASSY HEAD COVER	1	
	90017B	90017-KKE5-C00	BOLT FLANGE 6*64	BOLT FLANGE 6*64	2	
	90033	90033-GFY6-C01	BOLT STUD 8*32	BOLT STUD 8*32	2	
	90401	90401-LLF5-900	WASHER 6.2*20*1 **(0) C.2005.09.26	WASHER 6.2X20X1	1	
	90465	90465-MDC4-C00	WASHER 8MM	WASHER 8MM	4	
	90652	90652-ADE1-C00	BAND 48 INLET-PIPE	BAND 48 INLET-PIPE	1	
	92101	92101-05008-0G	BOLT HEX 5*8	BOLT HEX 5*8	1	
	92900	92900-06050-08G	SANG TOU LUO MU	BOLT STUD 6*50	2	
	94050A	94050-06080	NUT FLANGE 6MM	NUT FLANGE 6MM	2	
	94050B	94050-08080	NUT FLANGE 8MM	NUT FLANGE 8MM	4	
	94111	94111-06800-G	WASHER SPG 6MM(C)	WASHER SPG 6MM(C)	1	
	94301	94301-10160	DOWEL PIN 10*16	DOWEL PIN 10*16	4	
	95701	95701-06014-07G	BOLT FLANGE 6*14 (K)	BOLT FLANGE 6*14 (K)	2	



Sales mark	Ref no	Part no	Description	Reg description	Regd no	E02
------------	--------	---------	-------------	-----------------	---------	------------

96001A		96001-06018-08G	BOLT FLANGE SH 6*18 (C)	BOLT FLANGE SH 6*18 (CR3+)	1	E02
96001B		96001-06100-07G	BOLT FLANGE 6*100	BOLT FLANGE 6*100	2	
98059		98059-AAC9-900	SPARK PLUG LR7D	"SPARK PLUG, LR7D"	1	

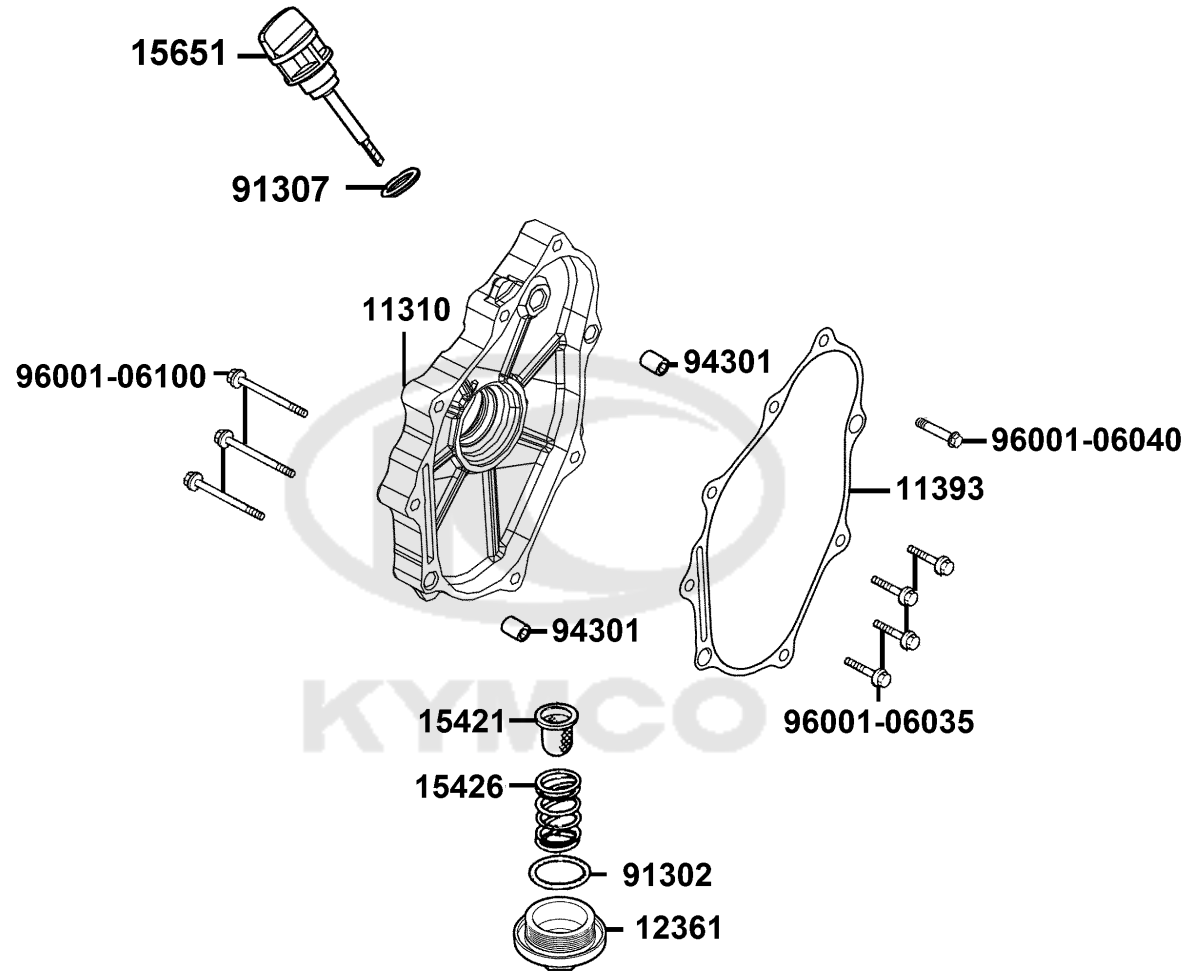




Sales mark	Ref no	Part no	Description	Reg description	Regd no	E03
	12100	12100-BLB3-E00	CYLINDER	CYLINDER COMP	1	
	12191	12191-BLB3-E00	GASKET CYLINDER	GASKET CYLINDER	1	
	13000	13000-BLB3-910	CRANK SHAFT COMP	CRANK SHAFT COMP	1	
	13011	13011-AFF8-900	RING ASSY. PISTON	RING ASSY PISTON	1	
	13101	13101-BLB3-900	PISTON	PISTON	1	
	13111	13111-LKB9-C00	PIN PISTON	PIN PISTON	1	
	13115	13115-0A01-C00	PISTON PIN CLIP	PISTON PIN CLIP	2	
	14401	14401-LHJ8-C00	CHAIN CAM	CHAIN CAM	1	
	14510	14510-BLB3-900	TENSIONER CAM CHAIN	TENSIONER CAM CHAIN	1	
	14520	14520-GFY6-C00	LIFTER ASSY TENSIONER	LIFTER ASSY TENSIONER	1	
	14523	14523-KED9-C00	GASKET TENSIONER LIFTER @A	GASKET TENSIONER LIFTER @A	1	
	1453A	1453A-GFY6-W10	PIVOT CAM CHAIN TENSIONER	PIVOT CAM CHAIN TENSIONER	1	
	14610	14610-LHJ8-900	GUIDE COMP CAM CHAIN	GUIDE COMP CAM CHAIN	1	
	90001	90001-GBHB-C06	BOLT FLANGE SHF 6*22	BOLT FLANGE SHF 6*22	2	
	90005	90005-KAW1-C00	SCREW PAN 6*6(G)	SCREW PAN 6*6(G)	1	
	90701	90701-HFB6-C00	KEY WOODRUFF 25*14*4	KEY WOODRUFF 25*14*4	1	
	91306	91306-1E05-C00	O-RING 1.5*9.5	O-RING 1.5*9.5	1	
	94301	94301-10160	DOWEL PIN 10*16	DOWEL PIN 10*16	2	

E04

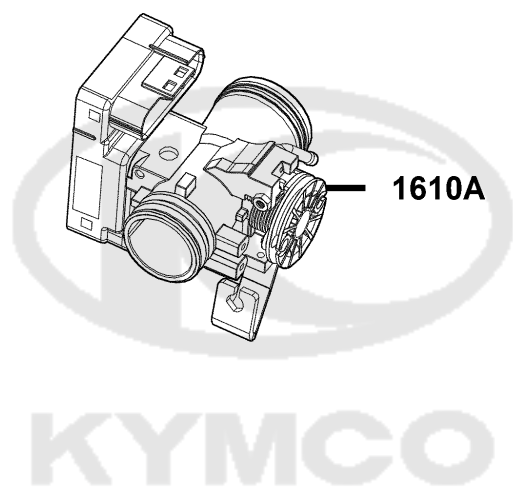
Right Crankcase Cover



Sales mark	Ref no	Part no	Description	Reg description	Regd no	E04
11310		11310-BLB3-E00	COVER COMP ONE WAY	COVER R CRANK CASE	1	
11393		11393-BLB3-E00	GASKET ONE WAY COVER	GASKET RIGHT CRANK CASE COVER	1	
12361		12361-GFY6-C00	HOLE CAP TAPPET ADJUSTING	HOLE CAP TAPPET ADJUSTING	1	
15421		15421-1G07-C00	SCREEN OIL FILTER	SCREEN OIL FILTER	1	
15426		15426-GAE1-C00	SPG OIL FILTER SCREEN	SPG OIL FILTER SCREEN	1	
15651		15651-KUDU-W10	GUAGE OIL LEVEL	GUAGE OIL LEVEL	1	
91302		91302-0A01-C00	O-RING 30.8MM	O-RING 30.8MM	1	
91307		91307-0E35-W10	O-RING 18*3	O-RING 18*3	1	
94301		94301-08140	DOWEL PIN 8*14	DOWEL PIN 8*14	2	
96001-06035		96001-06035-07G	BOLT FLANGE SH 6*35 (KG)	BOLT FLANGE SH 6*35 (KG)	4	
96001-06040		96001-06040-07G	BOLT FLANGE SH 6*40 (G)	BOLT FLANGE SH 6*40 (G)	1	
96001-06100		96001-06100-07G	BOLT FLANGE 6*100	BOLT FLANGE 6*100	3	

E05

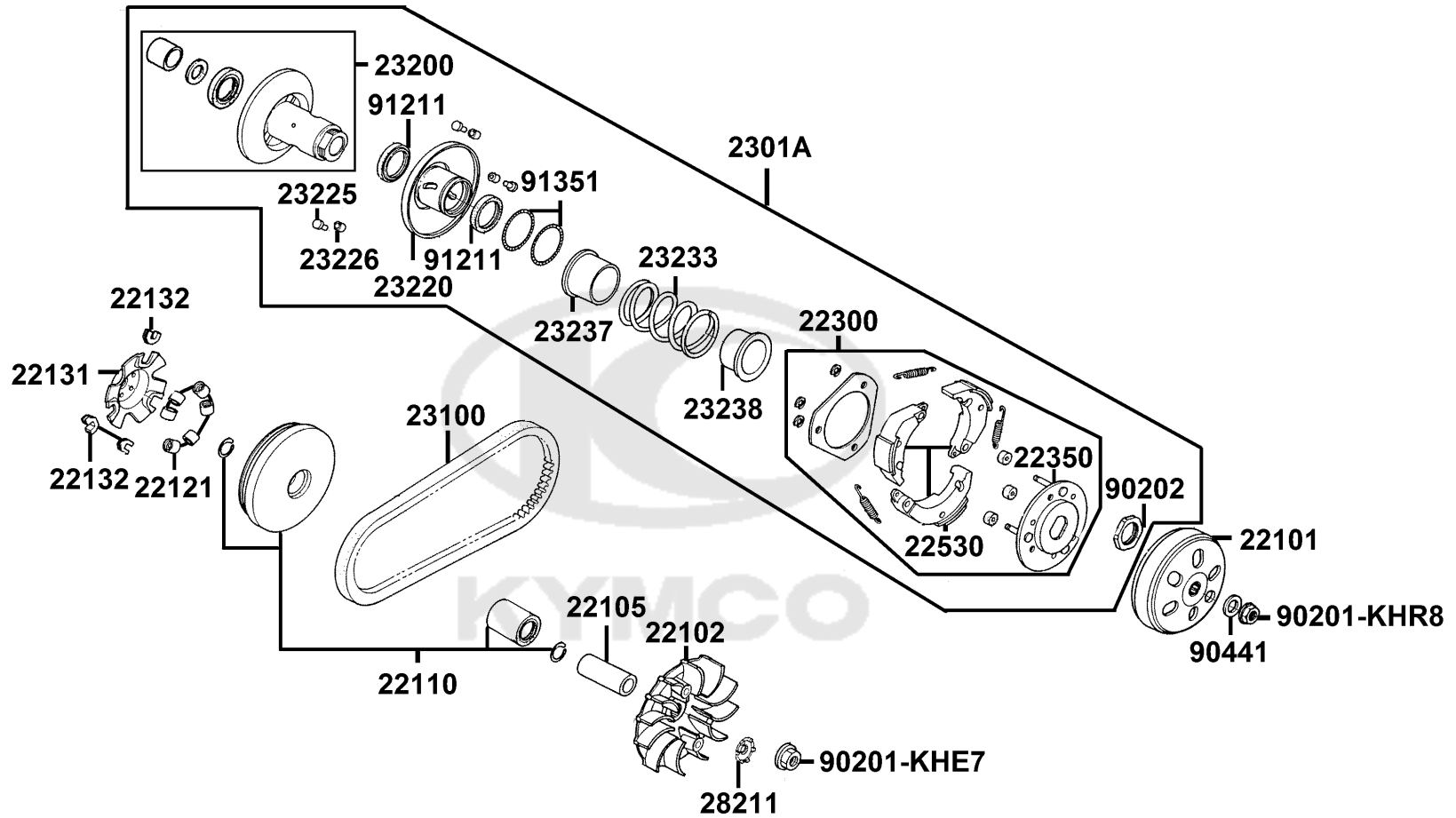
THROTTLE BODY ASSY



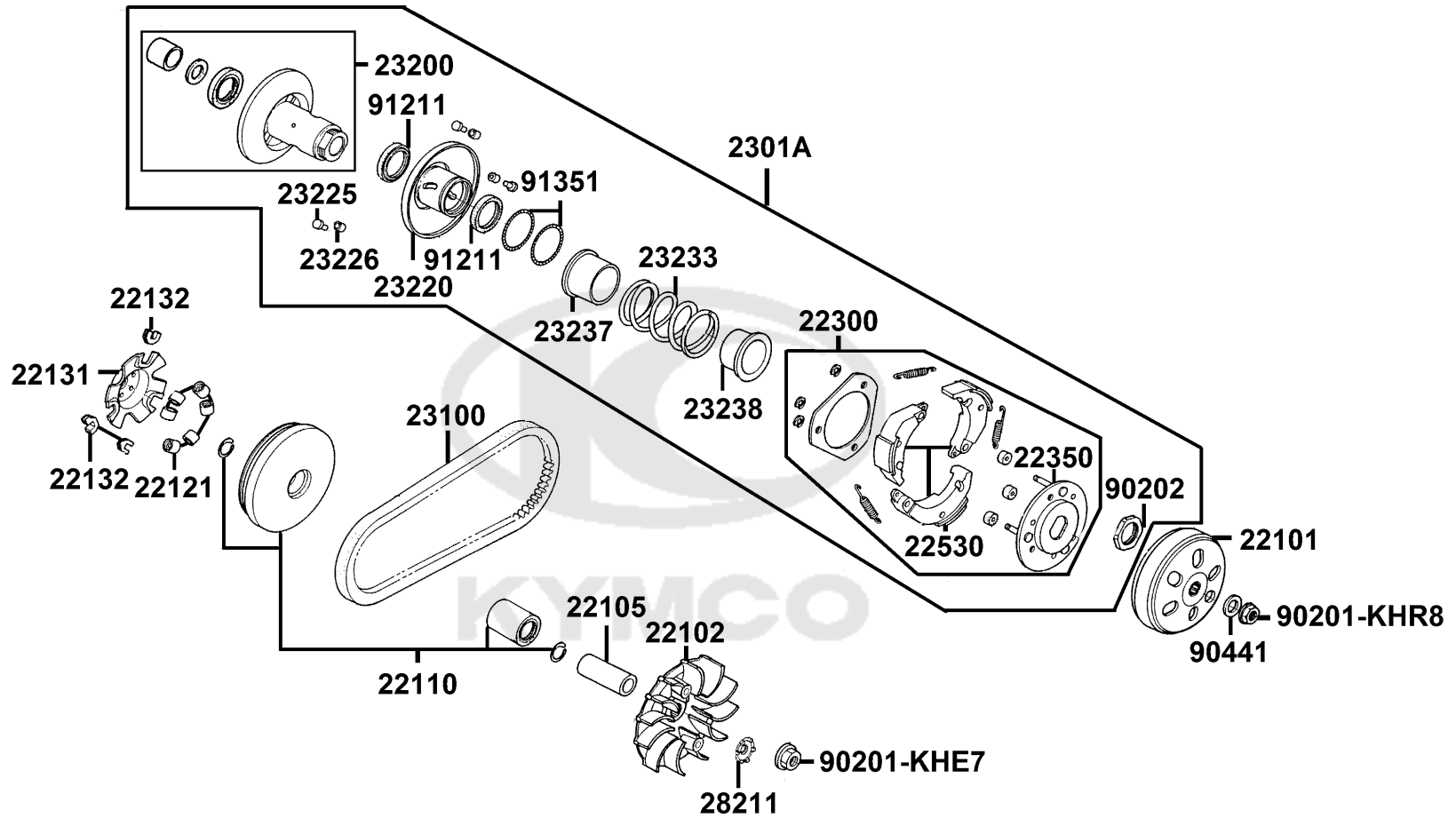
Sales mark	Ref no	Part no	Description	Reg description	Regd no	E05
------------	--------	---------	-------------	-----------------	---------	------------

1610A	1610A-BLB3-E10	1610A-BLB3-E10	THROTTLE BODY ASSY	THROTTLE BODY ASSY	1	
-------	----------------	----------------	--------------------	--------------------	---	--





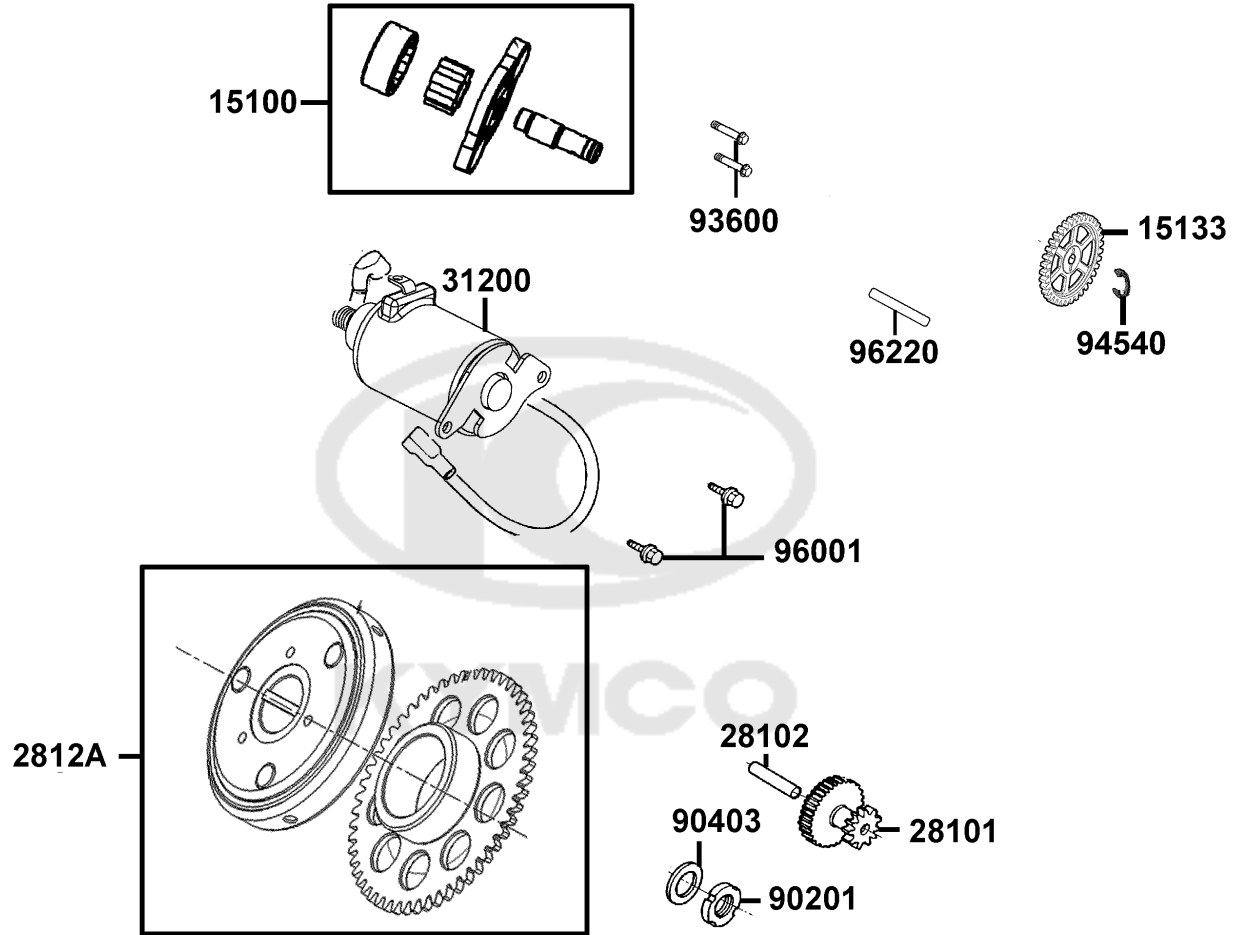
Sales mark	Ref no	Part no	Description	Reg description	Regd no	E06
	22101	22101-LCD3-C00	OUTER CLUTCH	OUTER CLUTCH	1	
	22102	22102-BLB3-910	FACE DRIVE	FACE DRIVE	1	
	22105	22105-LEB1-900	BOSS DRIVE FACE	BOSS DRIVE FACE	1	
	22110	22110-AFF8-900	FACE COMP MOVABLE DRIVE	FACE COMP MOVABLE DRIVE	1	
	22121	22121-KFAF-305	ROLLER SET WEIGHT (1SET:6PCS)	ROLLER SET WEIGHT (1SET:6PCS)	1	
	22131	22131-BLB3-910	PLATE RAMP	PLATE RAMP	1	
	22132	22132-AFF8-305	PIECE SLIDE SET (1SET:3PCS)	PIECE SLIDE	1	
	22300	22300-BLB3-910	PLATE ASSY DRIVE	PLATE ASSY DRIVE	1	
	22350	22350-BBA2-900	PLATE COMP DRIVE	PLATE COMP. DRIVE	1	
	22530	22530-BBA2-900	WEIGHT CLUTCH	"WEIGHT,CLUTCH"	3	
	2301A	2301A-BLB3-910	PULLEY SUB ASSY	PULLEY SUB ASSY	1	
	23100	23100-BLB3-900	BELT DRIVE	BELT DRIVE	1	
	23200	23200-GFY6-901	FACE ASSY DRIVEN	FACE ASSY DRIVEN	1	
	23220	23220-GFY6-921	FACE COMP MOVABLE DRIVEN	FACE COMP MOVABLE DRIVEN	1	
	23225	23225-GHC8-004	PIN ROLLER GUIDE	PIN ROLLER GUIDE	3	
	23226	23226-GHC8-004	ROLLER GUIDE	ROLLER GUIDE	3	
	23233	23233-BLB3-910	SPG DRIVEN FACE	SPG DRIVEN FACE	1	
	23237	23237-GFY6-941	COLLAR SEAL	COLLAR SEAL	1	
	23238	23238-AAC9-900	COLLAR SPG	COLLAR SPG	1	
	28211	28211-LFA7-E00	WASHER 16.6*24*5	WASHER 16.6*24*5	1	



Sales mark	Ref no	Part no	Description	Reg description	Regd no	E06
	90201-KHE7	90201-KHE7-C01	NUT C FLANGE M12(C)	NUT C FLANGE M12(C)	1	
	90201-KHR8	90201-KHR8-C01	NUT FLANGE 14MM(C)	NUT FLANGE 14MM(C)	1	
	90202	90202-1G87-001	NUT SPECIAL 28MM	NUT SPECIAL 28MM	1	
	90441	90441-GFY6-C01	WASHER 12.2*29*2.5	WASHER 12.2*29*2.5	1	
	91211	91211-KEBE-900	SEAL DRIVEN FACE 34*41*4	SEAL DRIVEN FACE 34*41*4	2	
	91351	91351-KEBE-W00	O RING 36.7X1.9	O RING 36.7X1.9	2	



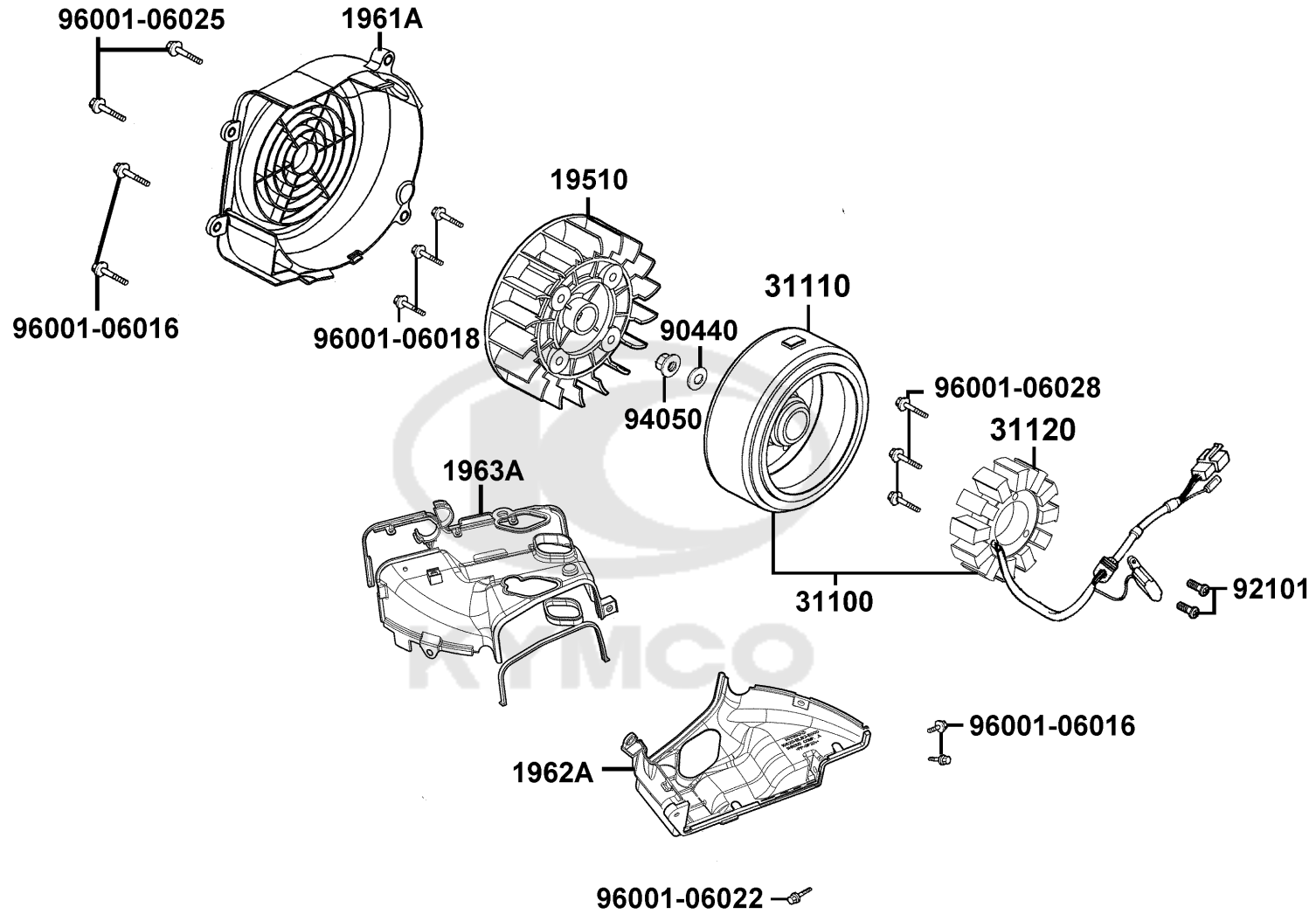
Starting Motor Oil Pump



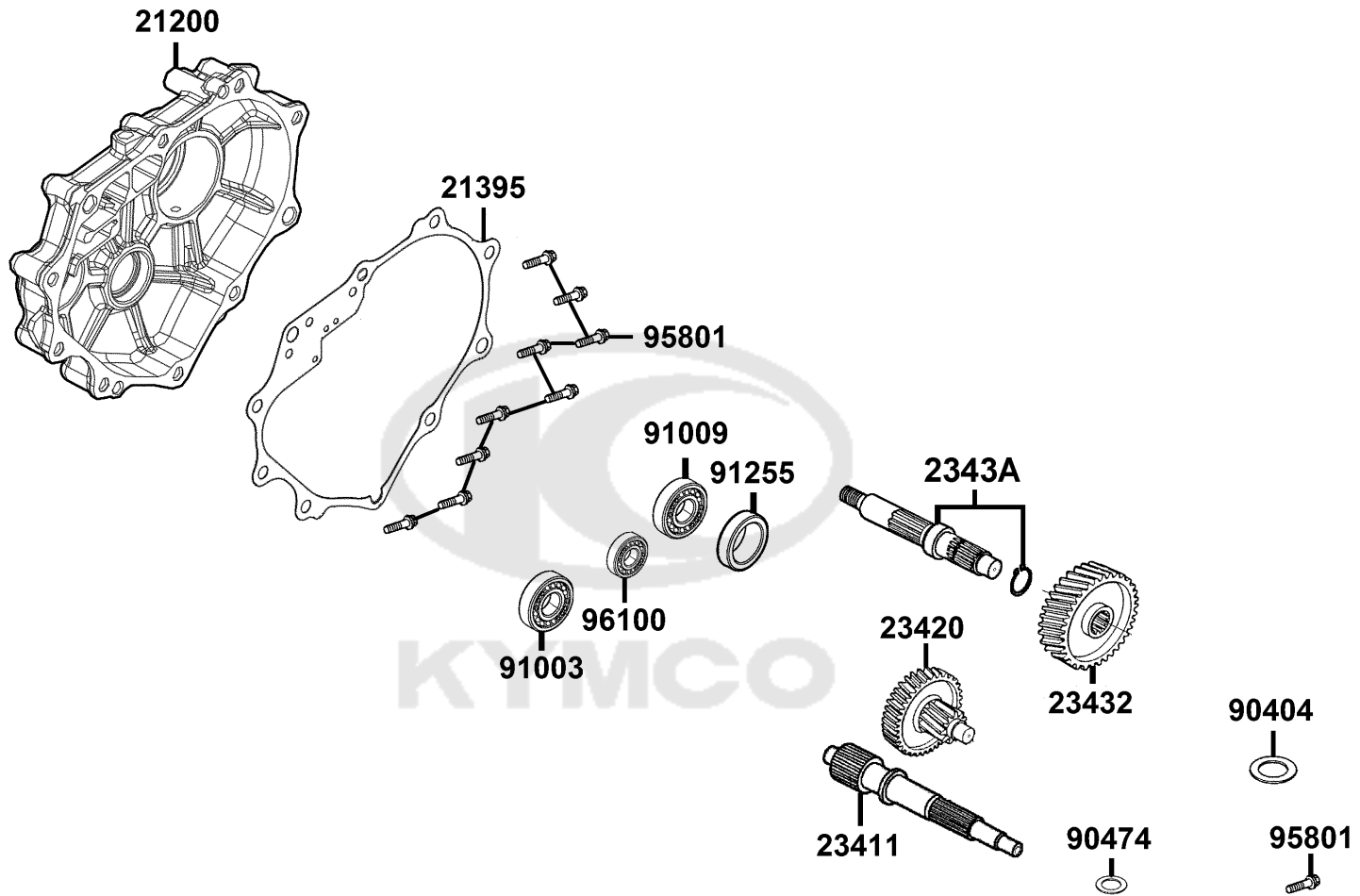
Sales mark	Ref no	Part no	Description	Reg description	Regd no	E07
15100		15100-BLB3-E01	OIL PUMP ASSY	PUMP ASSY OIL	1	
15133		15133-BLB3-E00	GEAR OIL PUMP DRIVEN	SPROCKET OIL PUMP DRIVE	1	
28101		28101-BLB3-E00	GEAR COMP STARTER REDUCTION	GEAR STARTER REDUCTION	1	
28102		28102-BLB3-E00	SHAFT STARTER REDUCTION GEAR	SHAFT STARTER REDUCTION GEAR	1	
2812A		2812A-BLB3-E00	OUTER ASSY START CLUTCH	OUTER COMP STARTING CLUTCH	1	
31200		31200-BLB3-E10	MOTOR ASSY START	MOTOR ASSY START	1	
90201		90201-GFY6-901	NUT LOCK 22MM	NUT LOCK 22MM	1	
90403		90403-LEA2-C00	WASHER THRUST 22.1*31*1.5	WASHER THRUST 22.1*31*1.5	1	
93600		93600-06020-0G	SCREW FLAT 6*20	SCREW FLAT 6*20	2	
94540		94540-05018	E RING 5	E RING 5	1	
96001		96001-06025-07G	BOLT FLANGE SH 6*25 (K)	BOLT FLANGE SH 6*25 (K)	2	
96220		96220-LDC5-C00	ROLLER 2*14.8	ROLLER 2*14.8	1	

E08

Fan Cover Generator



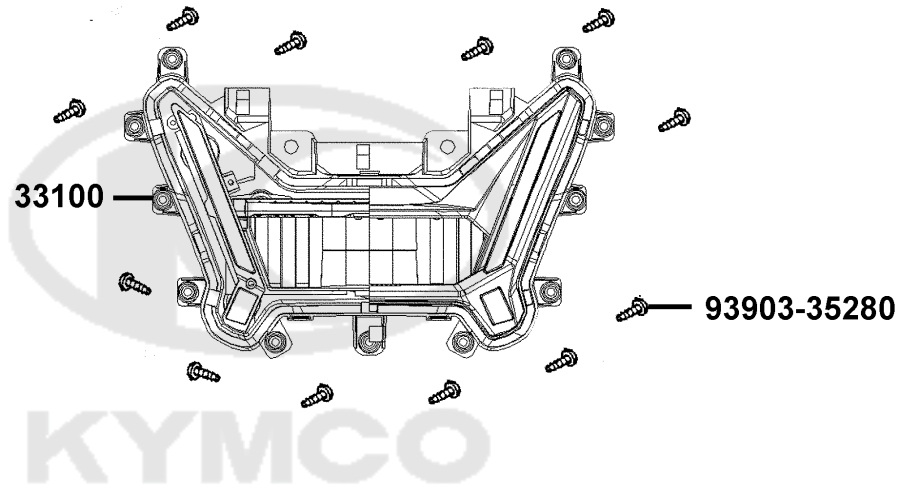
Sales mark	Ref no	Part no	Description	Reg description	Regd no	E08
19510		19510-BAD6-C00	FAN COMP COOLING	FAN COMP COOLING	1	
1961A		1961A-BLB3-E00	COVER ASSY FAN	COVER ASSY FAN	1	
1962A		1962A-BLB3-E00	SHROUD ASSY A	SHROUD ASSY A	1	
1963A		1963A-BLB3-E00	SHROUD ASSY B	SHROUD ASSY B	1	
31100		31100-BLB3-E10	AC GEN ASS'Y	AC GEN ASS'Y	1	
31110		31110-BLB3-E10	FLYWHEEL COMP	FLYWHEEL COMP	1	
31120		31120-BLB3-E10	STATOR COMP	STATOR COMP	1	
90440		90440-1F66-C00	WASHER PLAIN 12MM	WASHER PLAIN 12MM	1	
92101		92101-05012-07G	BOLT HEX 5*12(G)	BOLT HEX 5*12(G)	2	
94050		94050-12080-G	NUT C FLANGE 12MM	NUT FLANGE 12MM (C)	1	
96001-06016		96001-06016-07G	BOLT FLANGE SH 6*16 (KG)	BOLT FLANGE SH 6*16 (KG)	4	
96001-06018		96001-06018-07G	BOLT FLANGE 6*18	BOLT FLANGE 6*18	3	
96001-06022		96001-06022-07G	BOLT FLANGE SH 6X22(KC)	BOLT FLANGE SH 6*22 (K)	1	
96001-06025		96001-06025-07G	BOLT FLANGE SH 6*25 (K)	BOLT FLANGE SH 6*25 (K)	2	
96001-06028		96001-06028-07G	BOLT FLANGE SH 6*28 (G)	BOLT FLANGE SH 6*28 (G)	3	



Sales mark	Ref no	Part no	Description	Reg description	Regd no	E09
21200		21200-BLB3-E00	CASE COMP MISSION	CASE COMP MISSION	1	
21395		21395-BLB3-E00	GASKET MISSION CASE	GASKET MISSION CASE	1	
23411		23411-BLB3-E00	SHAFT DRIVE	SHAFT DRIVE	1	
23420		23420-BLB3-E00	SHAFT COMP COUNTER	SHAFT COMP COUNTER	1	
23432		23432-BLB3-E00	GEAR FINALV	GEAR FINALV	1	
2343A		2343A-BLB3-E00	SHAFT FINAL	SHAFT FINAL	1	
90404		90404-AFF8-900	WASHER BELEVILLE 17MM	"WASHER, BELEVILLE 17MM"	1	
90474		90474-3C33-C00	WASHER 8MM (T*2)	WASHER 8MM (T*2)	1	
91003		91003-KDS4-C00	BRG BALL RADIAL 6301TMB	BRG BALL RADIAL 6301TMB	1	
91009		91009-KHE7-900	BRG BALL RADIAL 6205LLU	BRG BALL RADIAL 6205LLU	1	
91255		91255-KHE7-90A	OIL SEAL 34*52*7	OIL SEAL 34*52*7	1	
95801		95801-08045-07G	BOLT FLANGE 8*45 (K)	BOLT FLANGE 8*45 (K)	10	
96100		96100-60020-00	BRG BALL RADIAL 6002	BRG BALL RADIAL 6002	1	

F01

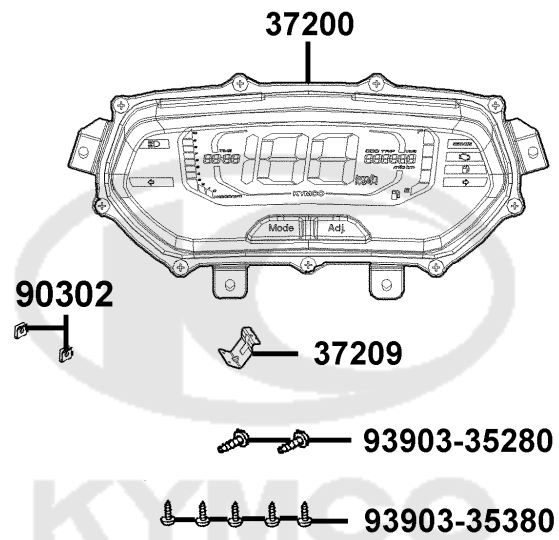
Head Light




Sales mark	Ref no	Part no	Description	Reg description	Regd no	F01
------------	--------	---------	-------------	-----------------	---------	------------

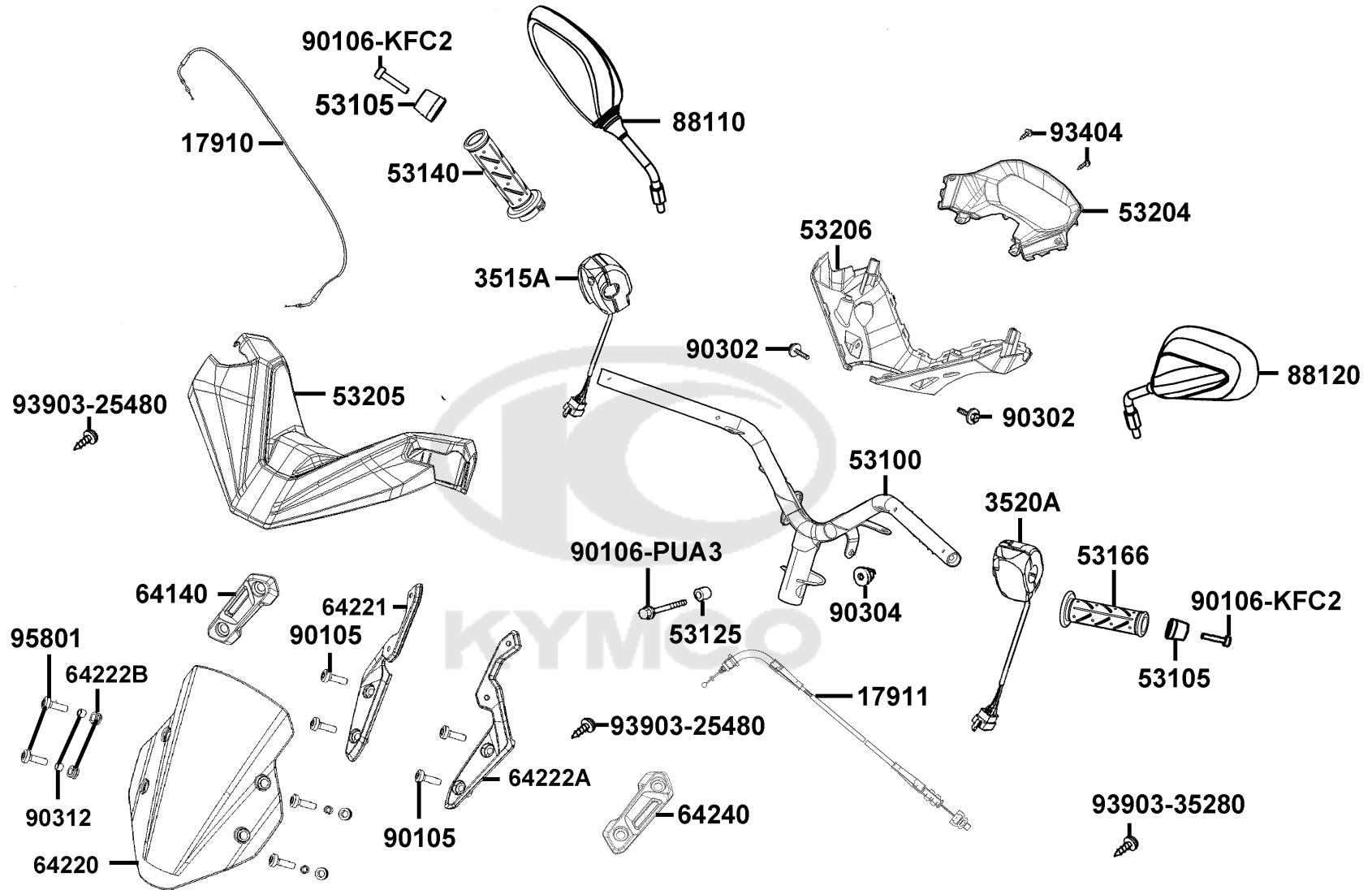
33100		33100-BLB3-E10	LIGHT ASSY HEAD	LIGHT ASSY HEAD	1	
93903		93903-35280-G	SCREW TAPPING 5*12 (K)	SCREW TAPPING 5*12 (K)	12	





Sales mark	Ref no	Part no	Description	Reg description	Regd no	F02
	37200	37200-BLB3-E10	METER ASSY SPEED	METER ASSY SPEED	1	
	37209	37209-BLB3-E10	STAY METER	STAY METER	1	
	90302	90302-SDA4-C01	"NUT,SPPING 4MM"	"NUT,SPPING 4MM"	2	
	93903-35280	93903-35280-G	SCREW TAPPING 5*12 (K)	SCREW TAPPING 5*12 (K)	2	
	93903-35380	93903-35380-G	SCREW TAPPING 5*16 (K)	SCREW TAPPING 5*16 (K)	5	
						

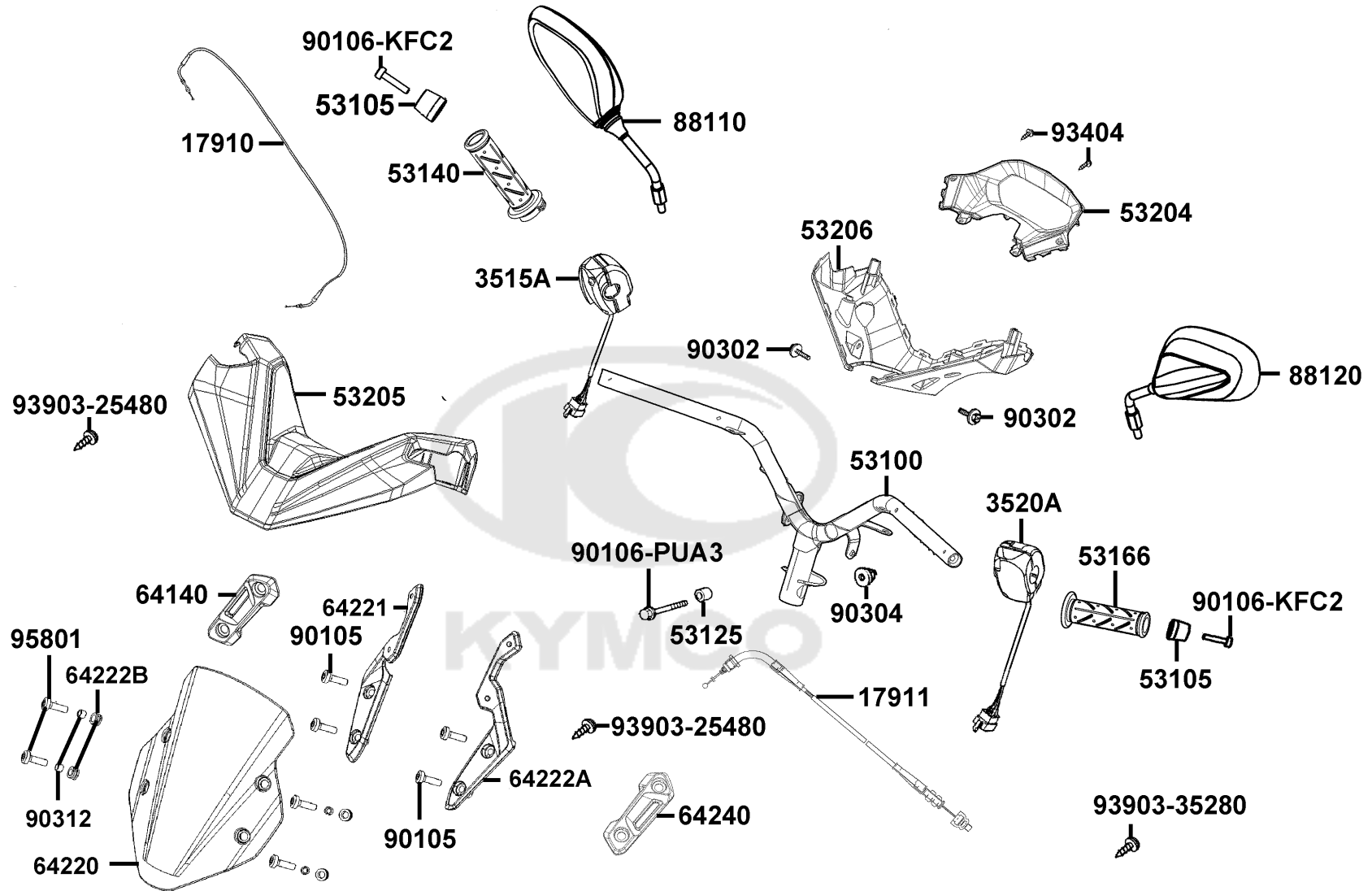
Handle Steering Handle Cover



Sales mark	Ref no	Part no	Description	Reg description	Regd no	F03
	17910	17910-BLB3-E10	CABLE COMP THROT	CABLE COMP THROT	1	
	17911	17911-BLB3-E10	"CABLE B COMP.,THROT"	"CABLE B COMP.,THROT"	1	
	3515A	3515A-BLB3-E10	SW ASSY RH HANDLE COMP	SW ASSY RH HANDLE COMP	1	
	3520A	3520A-BLB3-E10	SW ASSY LH HANDLE COMP	SW ASSY LH HANDLE COMP	1	
	53100	53100-BLB3-E10	HANDLE COMP STRG	HANDLE COMP STRG	1	
**	53105	53105-LGR5-E10	END R HANDLE	END R HANDLE	2	
	53125	53125-GEN5-C00	COLLAR HANDLE SET	COLLAR HANDLE SET	1	
	53140	53140-AEE2-C00	GRIP COMP THROT	GRIP COMP THROT	1	
	53166	53166-AEE2-C00	GRIP L HANDLE	GRIP L HANDLE	1	
**	53204	53204-BLB3-E10	COVER METER	COVER METER	1	
**	53205	53205-BLB3-E10	"COVER, HANDLE UP"	"COVER, HANDLE UP"	1	
**	53206	53206-BLB3-E10	COVER, HANDLE LOW	COVER, HANDLE LOW	1	
**	64140	64140-BLB3-E10	COVER, L WIND SCREEN	COVER, L WIND SCREEN	1	
	64220	64220-BAC5-C00	WIND SCREEN	WIND SCREEN	1	
	64221	64221-BLB5-E10	BRKE VISOR R	BRKE VISOR R	1	
	64222A	64222-BLB5-E10	BRKE VISOR L	BRKE VISOR L	1	
	64222B	64222-LLJ3-C00	RUBBER WIND SCREEN	RUBBER WIND SCREEN	1	
**	64240	64240-BLB3-E10	COVER, L WIND SCREEN	COVER, L WIND SCREEN	1	
	88110	88110-ABD6-C02	MIRROR ASSY R BACK	MIRROR ASSY R BACK	1	
	88120	88120-ABD6-C02	MIRROR ASSY L BACK	MIRROR ASSY L BACK	1	

F03

Handle Steering Handle Cover

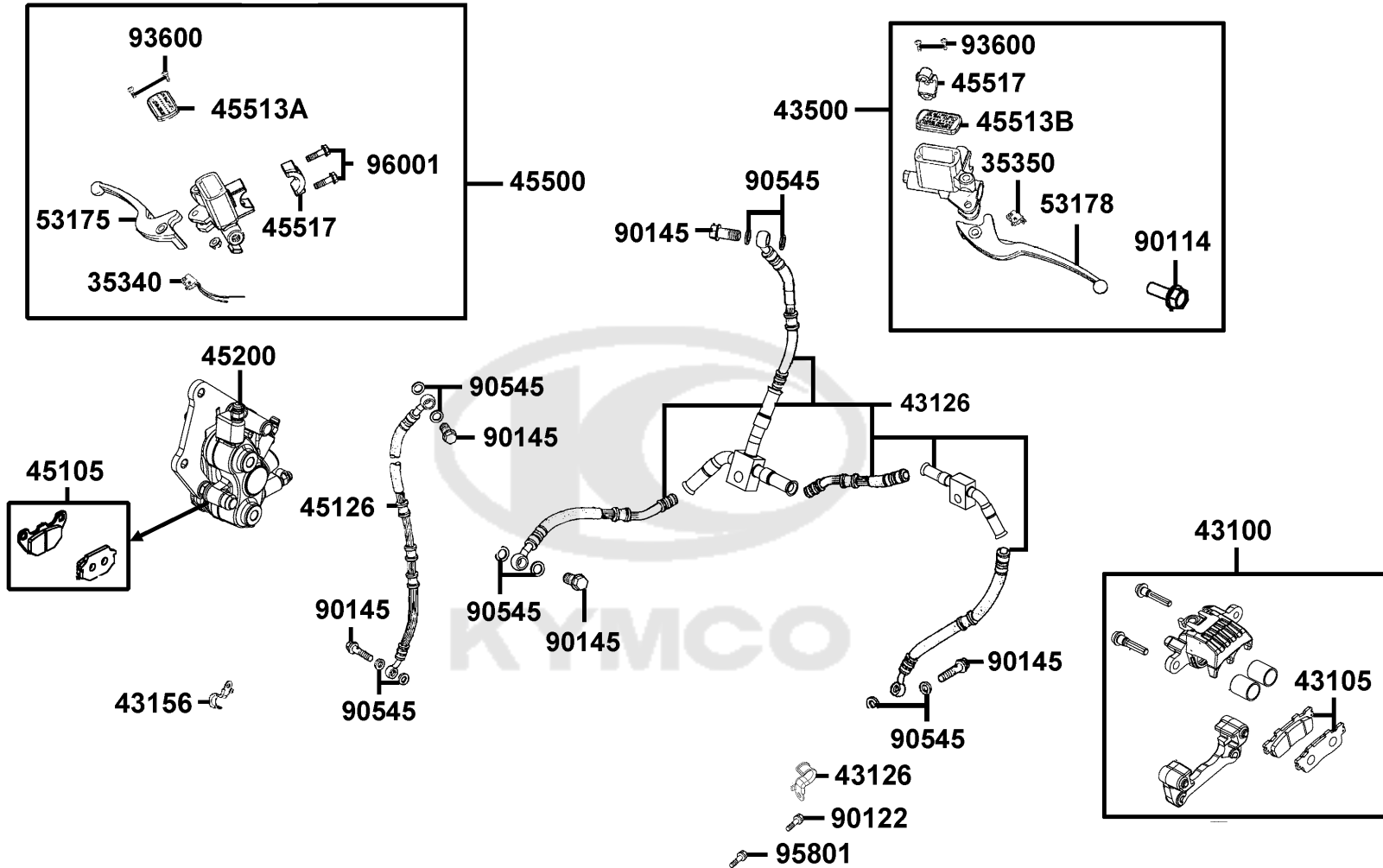


Sales mark	Ref no	Part no	Description	Reg description	Regd no	F03
	90106-KFC2	90106-KFC2-900	BOLT-WASH 8MM	BOLT-WASH 8MM	2	
#	90106-KKE5	90106-KKE5-C00	BOLT SPECIAL M8*45(G)	BOLT SPECIAL M8*45(G)	4	
#	90106	90106-KUDU-900	BOLT SPECIAL 8MM	BOLT SPECIAL 8MM	4	
	90106-PUA3	90106-PUA3-B50	BOLT FLANGE 10*50	BOLT FLANGE 10*50	1	
	90302	90302-PUA3-B51	BOLT-WASH 5*12	BOLT-WASH 5*12	2	
	90304	90304-GHE8-C01	NUT U 10MM (C)	NUT U 10MM (C)	1	
	90312	90312-BLB3-E10	COLLAR	COLLAR	4	
	93404	93404-06012-07G	BOLT WASHER 6*12 (K)	BOLT WASHER 6*12 (K)	2	
	93903-25480	93903-25480-07	SCREW TAPPING 5*20 (K)	SCREW TAPPING 5*20(K)	2	
	93903-35280	93903-35280-G	SCREW TAPPING 5*12 (K)	SCREW TAPPING 5*12 (K)	2	



F04

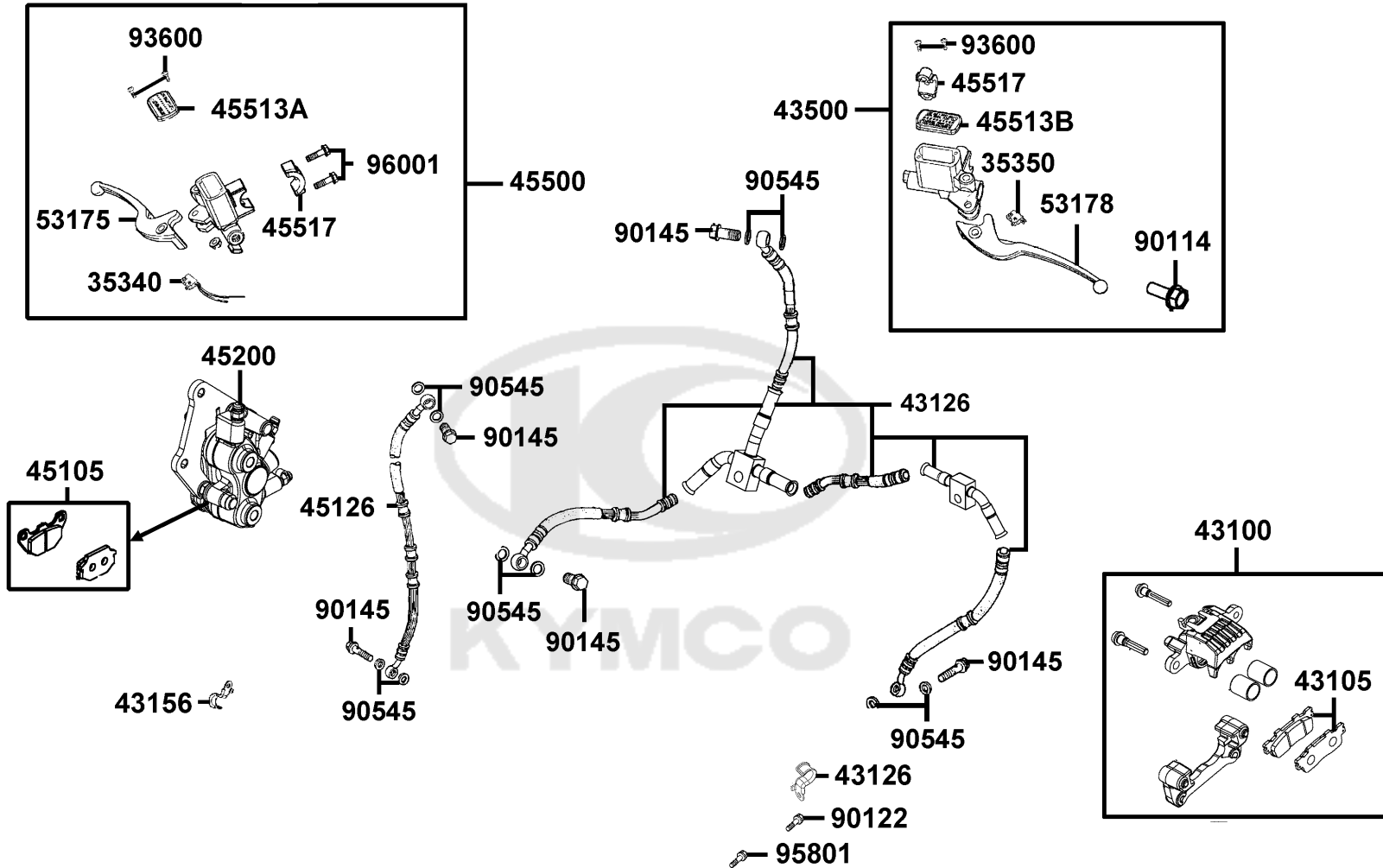
Brake Master Cylinder



Sales mark	Ref no	Part no	Description	Reg description	Regd no	F04
	35340	35340-KNBN-C00	SW ASSY FR STOP	SW ASSY FR STOP	1	
	35350	35350-KNBN-C00	SW ASSY RR STOP	SW ASSY RR STOP	1	
**	43100	43100-LHJ8-C00	CALIPER ASSY RR BRK	CALIPER ASSY RR BRK	1	
	43105	43105-LHJ8-305	PAD SET	PAD SET	1	
	43126	43126-BLB3-E10	HOSE ASSY RR BRK	HOSE ASSY RR BRK	1	
	43156	43156-KKC4-C00	CLAMPER HOSE RR	CLAMPER HOSE RR	1	
	43500	43500-AEH9-C00	CYLINDER ASSY RR(MASTER)	CYLINDER ASSY RR(MASTER)	1	
	45105	45105-ACC1-305	PAD COMP A+B	PAD COMP A&B	1	
	45126	45126-BLB3-E10	HOSE ASSY FR BRK	HOSE ASSY FR BRK	1	
	45200	45200-ACC1-E10	CALIPER ASSY FR BRK	CALIPER ASSY FR BRK	1	
	45500	45500-AEH9-C00	CYLINDER ASSY FR (MASTER)	CYLINDER ASSY FR (MASTER)	1	
	45513A	45513-GOWO-C00	CAP M/C	CAP M/C	1	
	45513B	45513-LFB5-C00	CAP MASTER CYLINDER	CAP MASTER CYLINDER	1	
	45517	45517-KFAF-910	HOLDER M/C	HOLDER M/C	1	
**	53175	53175-LEB9-E00	LEVER R STRG HANDLE	LEVER R STRG HANDLE	1	
**	53178	53178-KBNA-C00	LEVER L. STRG. HANDLE	LEVER L. STRG. HANDLE	1	
	90114	90114-1F66-C00	BOLT HANDLE LEVER	BOLT HANDLE LEVER	1	
	90122	90122-KHC7-C01	BOLT FLANGE 8*38	BOLT FLANGE 8*38	4	
	90145	90145-MKS9-C00	OIL BOLT 10*22(G)	OIL BOLT 10*22(G)	4	
	90545	90545-3L00-C01	WASHER OIL BOLT	WASHER OIL BOLT	16	

F04

Brake Master Cylinder



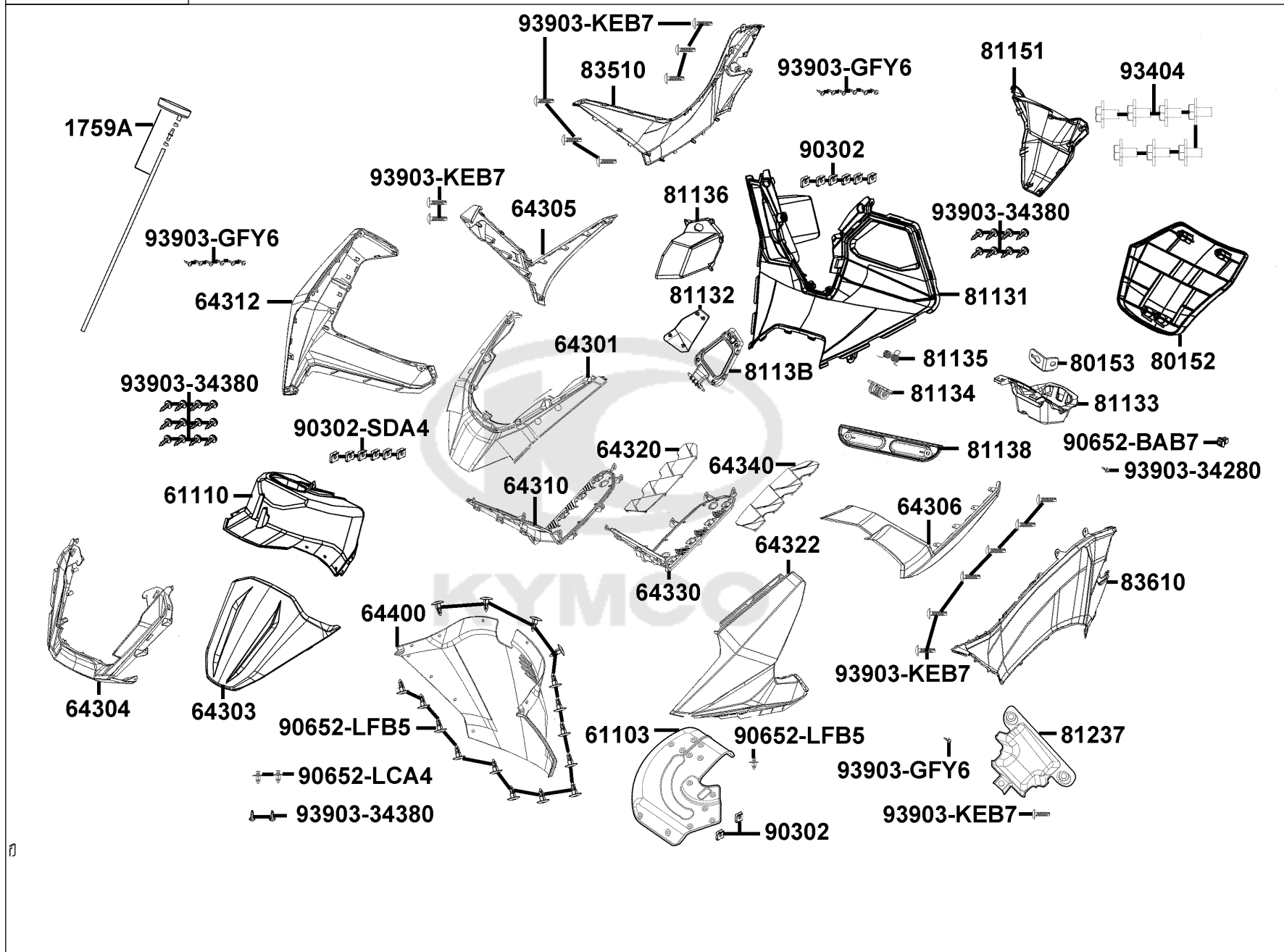
Sales mark	Ref no	Part no	Description	Reg description	Regd no	F04
------------	--------	---------	-------------	-----------------	---------	------------

93600		93600-04012-1G	SCREW FLAT 4*12	SCREW FLAT 4*12	2	
95801		95801-08045-07G	BOLT FLANGE 8*45 (K)	BOLT FLANGE 8*45 (K)	1	
96001		96001-06022-06	BOLT FLANGE SH 6X22	BOLT FLANGE SH 6X22	2	



F05

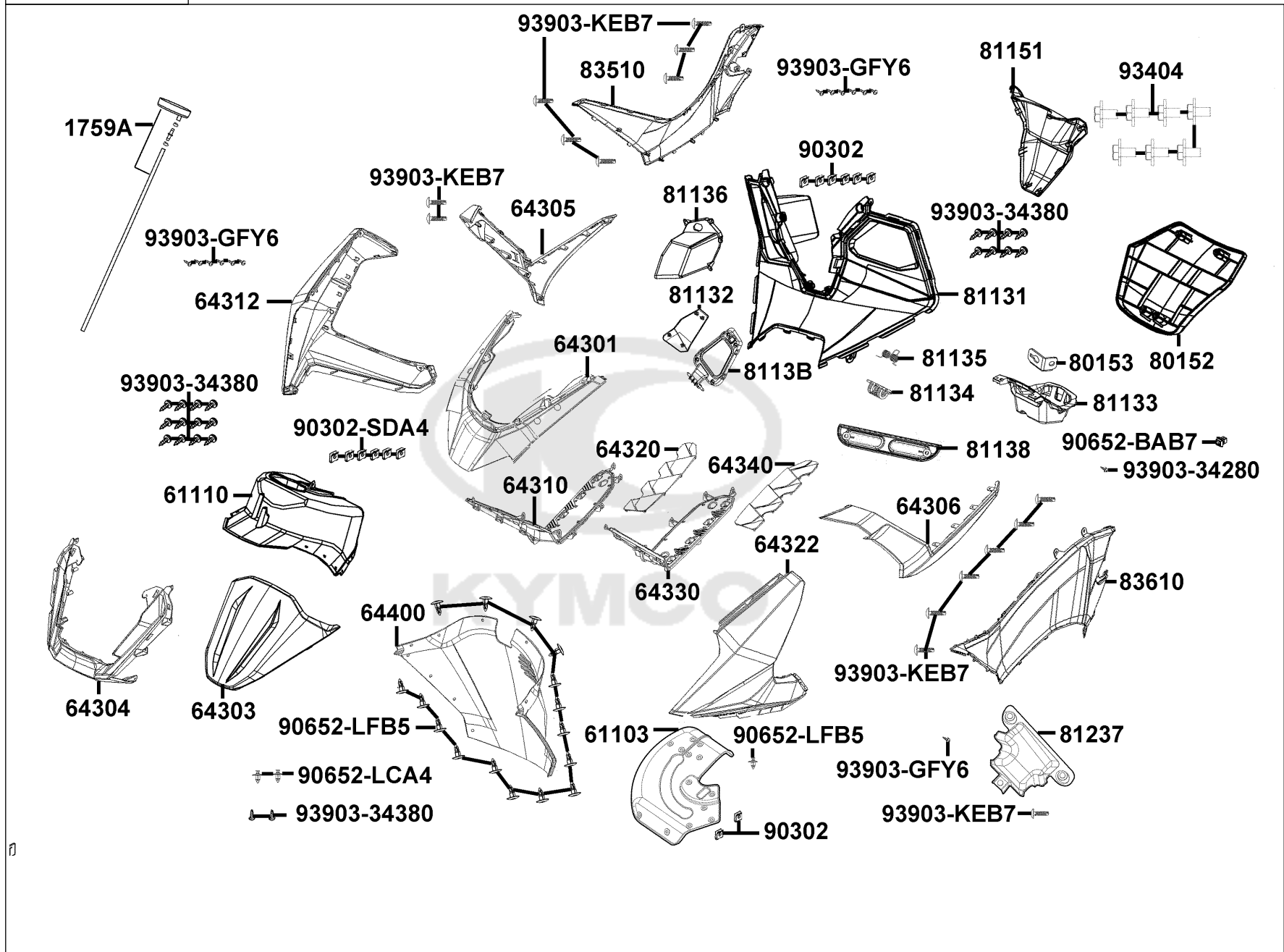
Front Cover Front Fender



Sales mark	Ref no	Part no	Description	Reg description	Regd no	F05
	1759A	1759A-BLB3-E10	TRAY ASSY FUEL CAP	TRAY ASSY FUEL CAP	1	
	61103	61103-BLB3-E10	RUBBER FENDER FR	RUBBER FENDER FR	1	
**	61110	61110-BLB3-E10	FENDER FR INNER	FENDER FR INNER	1	
**	64301	64301-BLB3-E11	FRONT COVER	FRONT COVER	1	
**	64303	64303-BLB3-E10	COVER FR TOP	COVER FR TOP	1	
**	64304	64304-BLB3-E10	"COVER, FR. LOW"	"COVER, FR. LOW"	1	
**	64305	64305-BLB3-E10	SKIRT R SIDE	SKIRT R SIDE	1	
**	64306	64306-BLB3-E10	SKIRT L SIDE	SKIRT L SIDE	1	
**	64310	64310-BLB3-E10	FLOOR PANEL R	FLOOR PANEL R	1	
**	64312	64312-BLB3-E10	"MOLDING, R FR"	"MOLDING, R FR"	1	
**	64320	64320-BLB3-E10	"MAT ,R FLOOR"	"MAT ,R FLOOR"	1	
**	64322	64322-BLB3-E10	"MOLDING, L FR."	"MOLDING, L FR."	1	
**	64330	64330-BLB3-E10	FLOOR PANEL L	FLOOR PANEL L	1	
**	64340	64340-BLB3-E10	"MAT ,L FLOOR"	"MAT ,L FLOOR"	1	
**	64400	64400-BLB3-E10	COWL UNDER	COWL UNDER	1	
**	80152	80152-BLB3-E10	"LID,FUEL CAP MAINT."	"LID,FUEL CAP MAINT."	1	
	80153	80153-BLB3-E10	"STAY , FUEL COVER"	"STAY , FUEL COVER"	1	
**	81131	81131-BLB3-E10	LEG SHIELD	LEG SHIELD	1	
**	81132	81132-BLB3-E10	"LID, L. FR INNER BOX"	"LID, L. FR INNER BOX"	1	
**	81133	81133-BLB3-E10	"BOX, FUEL TANKX"	"BOX, FUEL TANKX"	1	

F05

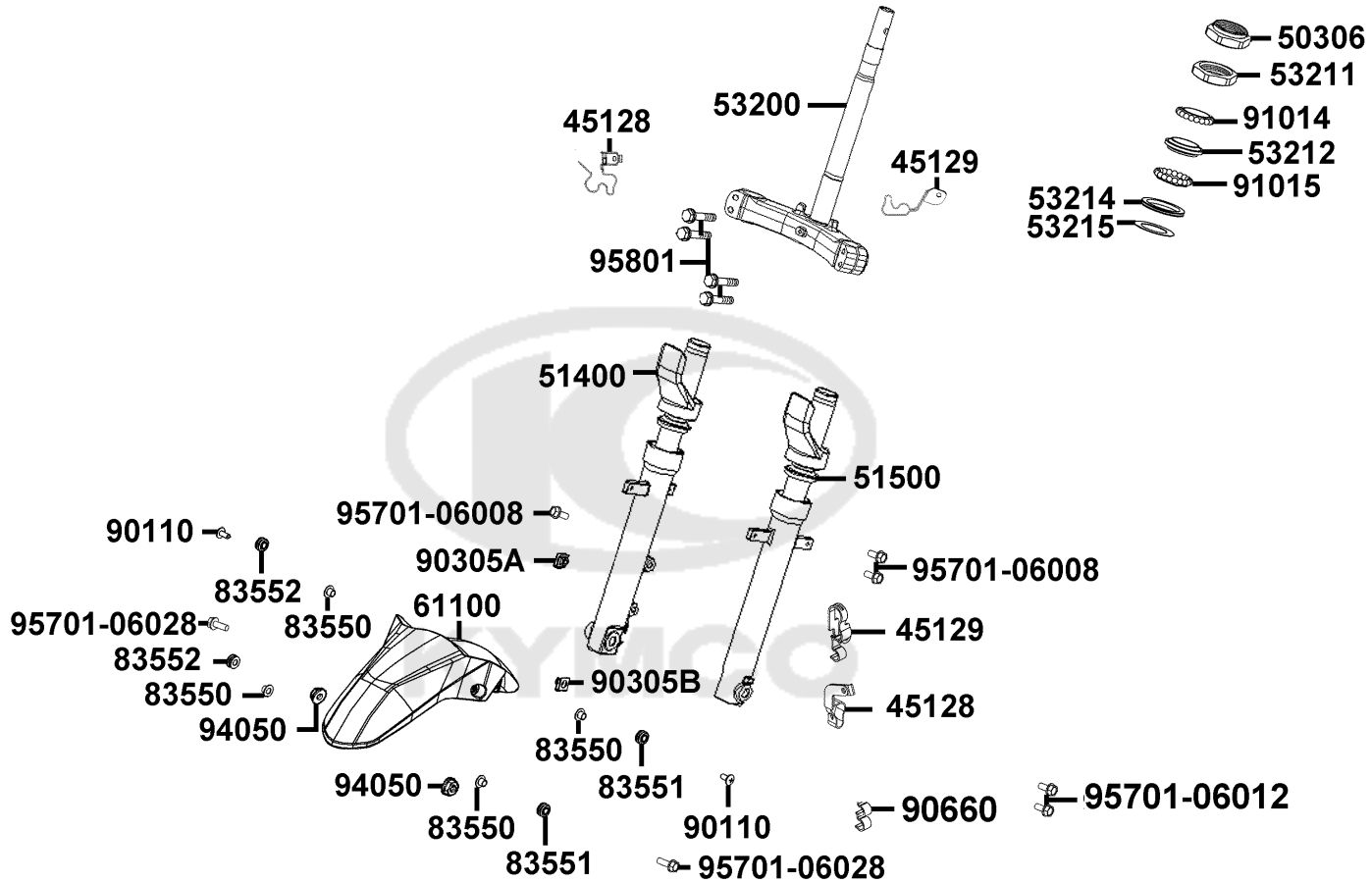
Front Cover Front Fender



Sales mark	Ref no	Part no	Description	Reg description	Regd no	F05
	81135	81135-BLB3-E10	SPRING	SPRING	1	
**	81136	81136-BLB3-E10	"LID, R. FR INNER BOX"	"LID, R. FR INNER BOX"	1	
	81138	81138-BLB3-E10	"SPRING, COVER"	"SPRING, COVER"	1	
**	8113B	8113B-BLB3-E10	"LID, L. FR INNER BOX"	"LID, L. FR INNER BOX"	1	
**	81151	81151-BLB3-E10	COVER A KEY	COVER A KEY	1	
	81237	81237-BLB3-E10	"MESH,SKIRT L., SIDE"	"MESH,SKIRT L., SIDE"	1	
**	83510	83510-BLB3-E10	COVER R RR SIDE	COVER R RR SIDE	1	
**	83610	83610-BLB3-E10	COVER L RR SIDE	COVER L RR SIDE	1	
	90302	90302-SDA4-C01	"NUT,SPPING 4MM"	"NUT,SPPING 4MM"	20	
	90652-BAB7	90652-BAB7-900	LATCH COVER	LATCH COVER	1	
	90652-LCA4	90652-LCA4-C10	CLIP MUDGUARD	CLIP MUDGUARD	2	
	90652-LFB5	90652-LFB5-C00	"CLIP,MUDGUARD"	"CLIP,MUDGUARD"	33	
	93404	93404-06012-07G	BOLT WASHER 6*12 (K)	BOLT WASHER 6*12 (K)	7	
	93903-34280	93903-34280-G	SCREW TAPPING 4*10	SCREW TAPPING 4*10	2	
	93903-34380	93903-34380-G	SCREW TAPPING 4x12	SCREW TAPPING 4x12	20	
	93903-GFY6	93903-GFY6-C01	SCREW TAPPING 4*14(K)	SCREW TAPPING 4*14	20	
	93903-KEB7	93903-KEB7-C01	SCREW WASHER 4MM	SCREW WASHER 4MM	21	

F06

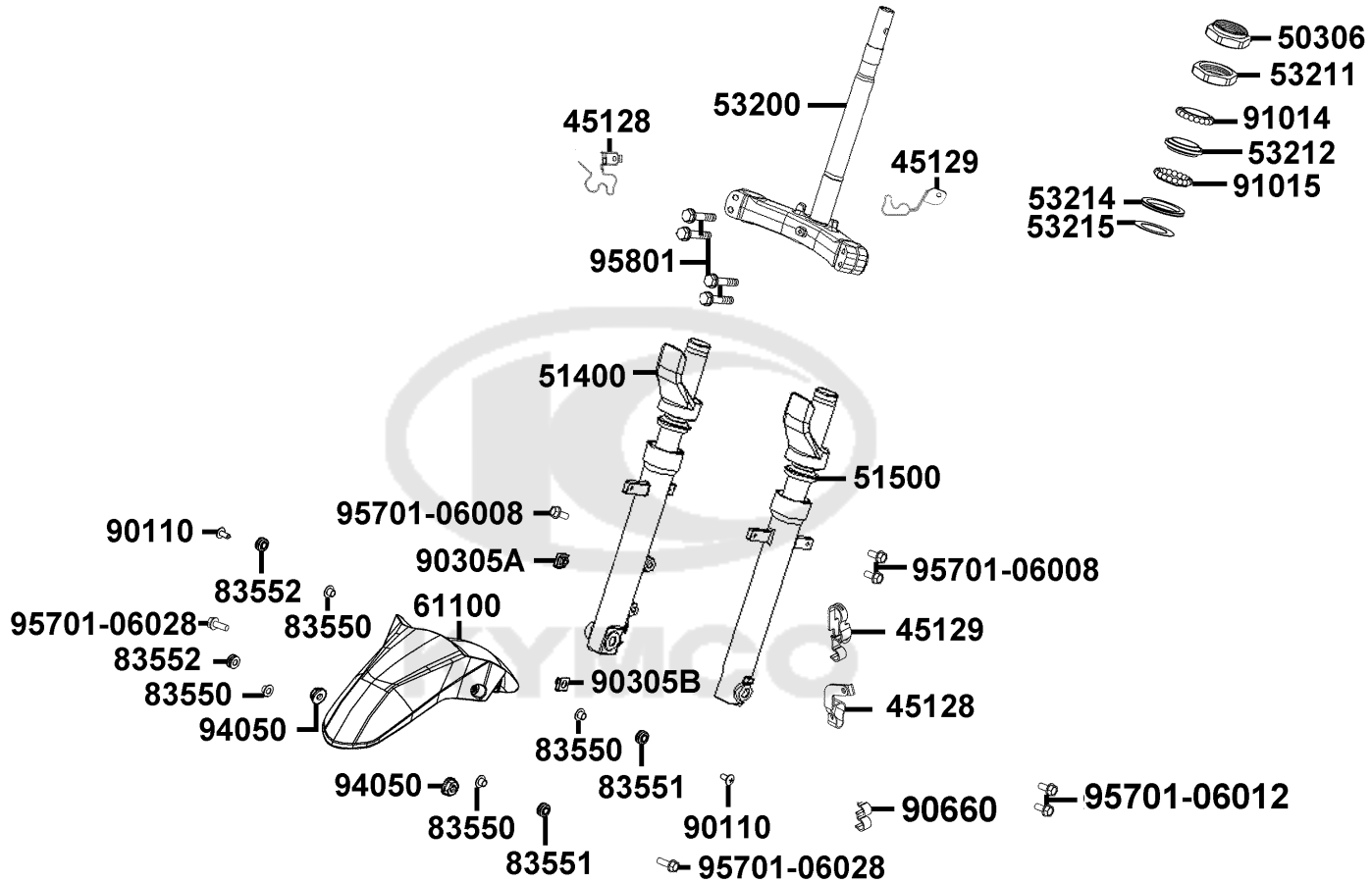
Stem Steering Front Cushion



Sales mark	Ref no	Part no	Description	Reg description	Regd no	F06
	45128	45128-BLB3-E10	CLAMPER FR BRK HOSE	CLAMPER FR BRK HOSE	1	
	45129	45129-BLB3-E10	CLAMPER FR BRK HOSE	CLAMPER FR BRK HOSE	1	
	50306	50306-1F96-C00	NUT STRG STEM LOCK	NUT STRG STEM LOCK	1	
**	51400	51400-BLB3-E10	FORK ASSY RH FR	FORK ASSY RH FR	1	
**	51500	51500-BLB3-E10	FORK ASSY LH FR	FORK ASSY LH FR	1	
	53200	53200-BLB3-E10	STEM COMP STEERING	STEM COMP STEERING	1	
	53211	53211-GFY6-C00	RACE STRG. CONE TOP	RACE STRG TOP CONE	1	
	53212	53212-2L50-C00	RACE STRG. BOTTOM CONE	RACE (STRG BOTTOM) CONE	1	
	53214	53214-2L50-C00	DUST SEAL STRG HEAD	DUST SEAL STRG HEAD	1	
	53215	53215-2L50-C00	WASHER STRG HDL DUST-SEAL	WASHER STRG HDL DUST-SEAL	1	
**	61100	61100-BLB3-E10	"ARM COMP,SWING"	"ARM COMP,SWING"	1	
	83550	83550-KEC8-C00	COLLAR SET METER	COLLAR SET METER	2	
	83551	83551-KEC8-C10	GROMMET COVER	GROMMET COVER	2	
	83552	83552-BLB3-E10	RUBBER	RUBBER	2	
	90110	90110-KEB7-C01	SCREW SPECIAL 6*14	SCREW SPECIAL 6*14	2	
#	90305	90305-LBA2-C00	"NUT.CLIP 6MM"	"NUT.CLIP 6MM"	4	
	90660	90660-PWA2-900	CLAMP TUBE	CLAMP TUBE	1	
	91014	91014-LLJ3-C00	CAGE STRG TOPP	CAGE STRG TOPP	1	
	91015	91015-LLJ3-C00	CAGE STRG BOT	CAGE STRG BOT	1	
	94050	94050-05080-G	NUT FLANGE 5MM	NUT FLANGE 5MM	2	

F06

Stem Steering Front Cushion



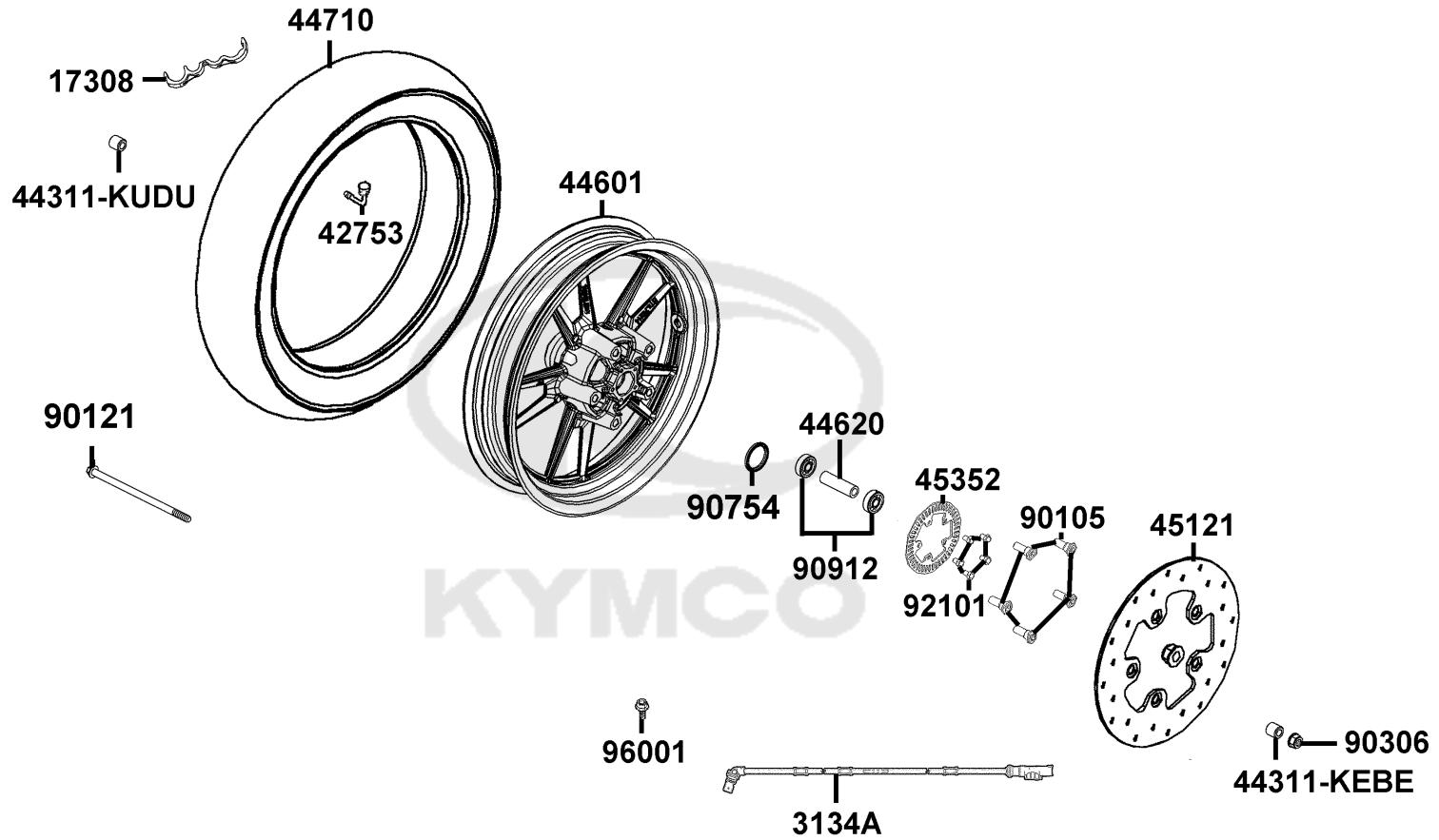
Sales mark	Ref no	Part no	Description	Reg description	Regd no	F06
------------	--------	---------	-------------	-----------------	---------	------------

	95701-06008	95701-06008-07G	BOLT FLANGE 6*12(G)	BOLT FLANGE 6X8(KG)	1	
	95701-06012	95701-06012-07G	BOLT FLANGE 6*12	BOLT FLANGE 6*12 (G)	1	
	95701-06028	95701-06028-07G	BOLT FLANGE 6*28 (K)	BOLT FLANGE 6*28 (K)	2	
	95801	95801-08040-08G	BOLT FLANGE 8*40	BOLT FLANGE 8*40	4	

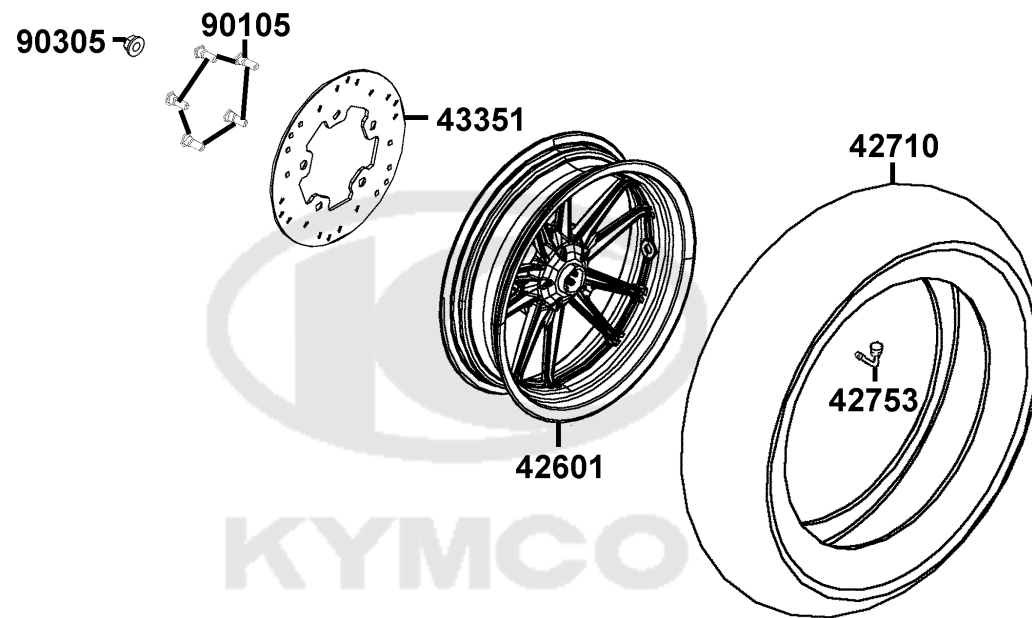


F07

Front Wheel



Sales mark	Ref no	Part no	Description	Reg description	Regd no	F07
	17308	17308-LKF5-900	CLAMP. TUBE	CLAMP. TUBE	1	
	3134A	3134A-BLB3-E10	SPEED SENSOR ASSY	SPEED SENSOR ASSY	1	
	42753	42753-0A01-C00	VALVE (TR 412) & CAP (C)	VALVE (TR 412) & CAP (C)	1	
#	44311-KEBE	44311-BLB3-E10	COLLAR FR WHEEL SIDE	COLLAR FR WHEEL SIDE	1	
#	44311-KUDU	44312-BLB3-E10	COLLAR FR WHEEL SIDE	COLLAR FR WHEEL SIDE	1	
**	44601	44601-BLB3-E10	WHEEL FR CAST	WHEEL FR CAST	1	
	44620	44620-KHD8-C00	COLLAR FR AXLE DISTANCE	COLLAR FR AXLE DISTANCE	1	
	44710	44710-BLB3-E10	TIRE ASSY FR 110/70-14	TIRE ASSY FR 110/70-14	1	
	45121	45121-LGR5-E80	DISK FR BRK	DISK FR BRK	1	
	45352	45352-BAA3-900	TOOTHED RING FR SENSOR	DISK FR BRK	1	
	90105	90105-KCR3-C02	BOLT FR DISK 8*24	BOLT FR DISK 8*24	5	
	90121	90121-KBE2-C01	BOLT RR FORK PIVOT M12*255	BOLT RR FORK PIVOT M12*255	1	
	90306	90306-KLF0-C02	NUT FLANGE 12MM(B)	NUT FLANGE 12MM(B)	1	
#	90754	90754-LLJ3-C00	DUST SEAL 22X32X7	DUST SEAL 22X32X7	2	
	90912	90912-KFLF-C00	BEARING 6201 LLU	BEARING 6201 (U)	2	
	92101	92101-05012-0HG	BOLT HEX 5*12	BOLT HEX 5*12	5	
	96001	96001-06012-07G	BOLT FLANGE SH 6X12	BOLT FLANGE SH6*12	1	

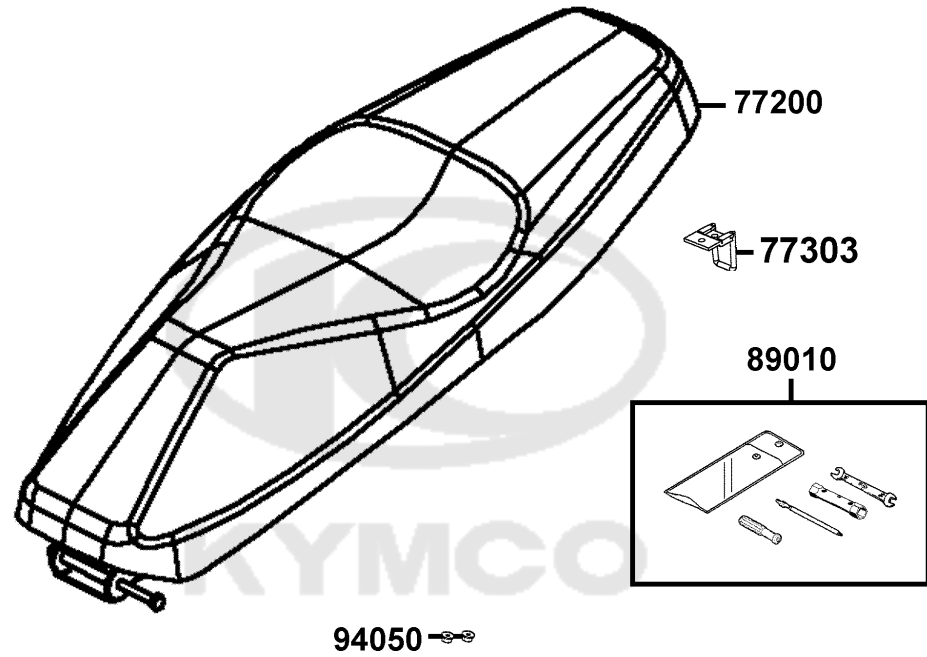


Sales mark	Ref no	Part no	Description	Reg description	Regd no	F08
**	42601	42601-BLB3-E10	WHEEL FR CAST	WHEEL FR CAST	1	
	42710	42710-BLB3-E10	TIRE ASSY RR 130/70-13	TIRE ASSY RR 130/70-13	1	
	42753	42753-0A01-C00	VALVE (TR 412) & CAP (C)	VALVE (TR 412) & CAP (C)	1	
	43351	43351-LFB5-E80	DISK FR BRK	DISK FR BRK	1	
	90105	90105-KCR3-C02	BOLT FR DISK 8*24	BOLT FR DISK 8*24	5	
	90305	90305-LKL5-E31	NUT U FLANGE 16MM(K)	NUT U FLANGE 16MM(K)	1	



F09

Seat



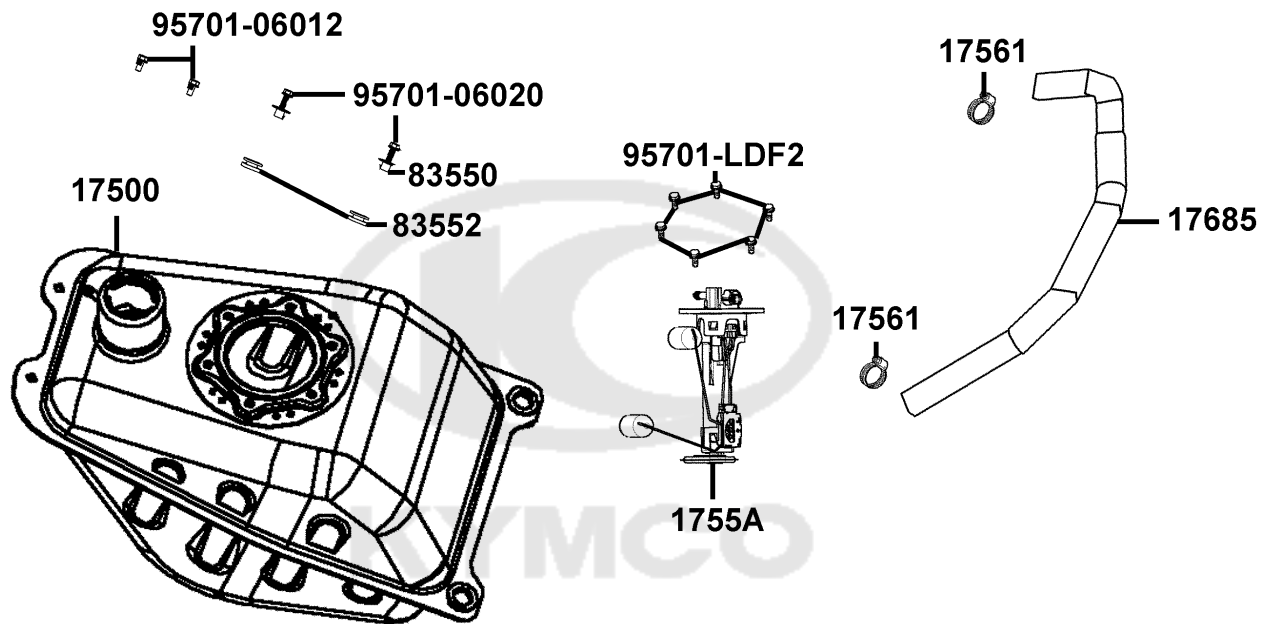
Sales mark	Ref no	Part no	Description	Reg description	Regd no	F09
------------	--------	---------	-------------	-----------------	---------	------------

**	77200	77200-BLB3-E10	SEAT ASSY	SEAT ASSY	1	
	77303	77303-BLB3-E10	HOOK, SEAT LOCK	HOOK, SEAT LOCK	1	
	89010	89010-KGBG-C00	TOOL SET	TOOL SET	1	
	94050	94050-06070-G	NUT FLANGE 6MM (KG)	NUT FLANGE 6MM (G)	2	

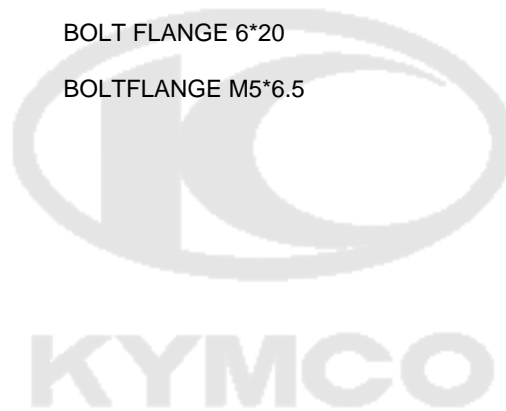


F10

Fuel Tank

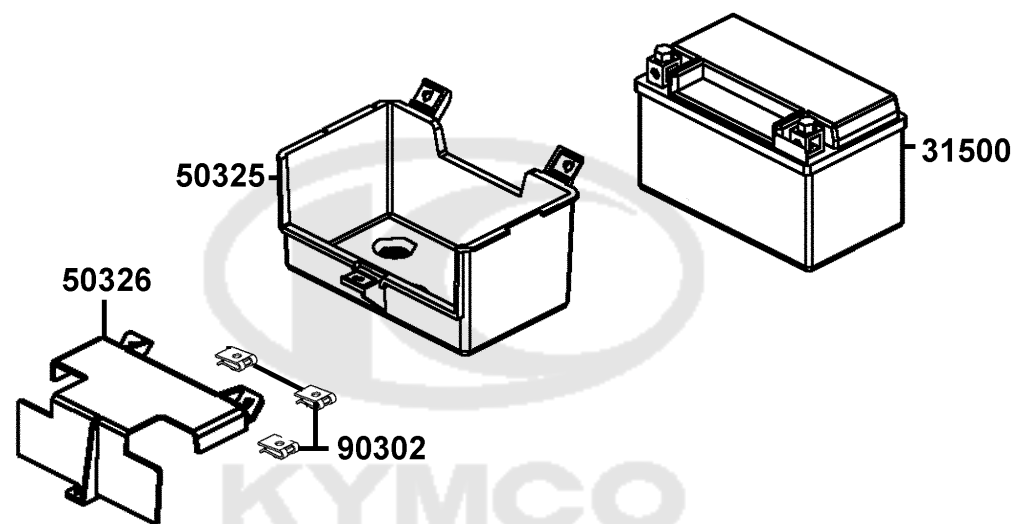


Sales mark	Ref no	Part no	Description	Reg description	Regd no	F10
	17500	17500-BLB3-E10	TANK COMP FUEL	TANK COMP FUEL	1	
	1755A	1755A-BLB3-E10	FUEL PUMP ASSY	FUEL PUMP ASSY	1	
	17561	17561-LKB9-900	CLIP 12.5	CLIP 12.5	2	
	17685	17685-BLB3-E10	"TUBE,FUEL"	"TUBE,FUEL"	1	
	83550	83550-AEB9-E00	COLLAR	COLLAR	2	
	83552	83552-AEB9-E00	DAMPER RUBBER	DAMPER RUBBER	2	
	95701-06012	95701-06012-07G	BOLT FLANGE 6*12	BOLT FLANGE 6*12 (G)	2	
	95701-06020	95701-06020-07G	BOLT FLANGE 6*20	BOLT FLANGE 6*20 (C)	2	
	95701-LDF2	95701-LDF2-C00	BOLTFLANGE M5*6.5	BOLTFLANGE M5*6.5	6	



F11

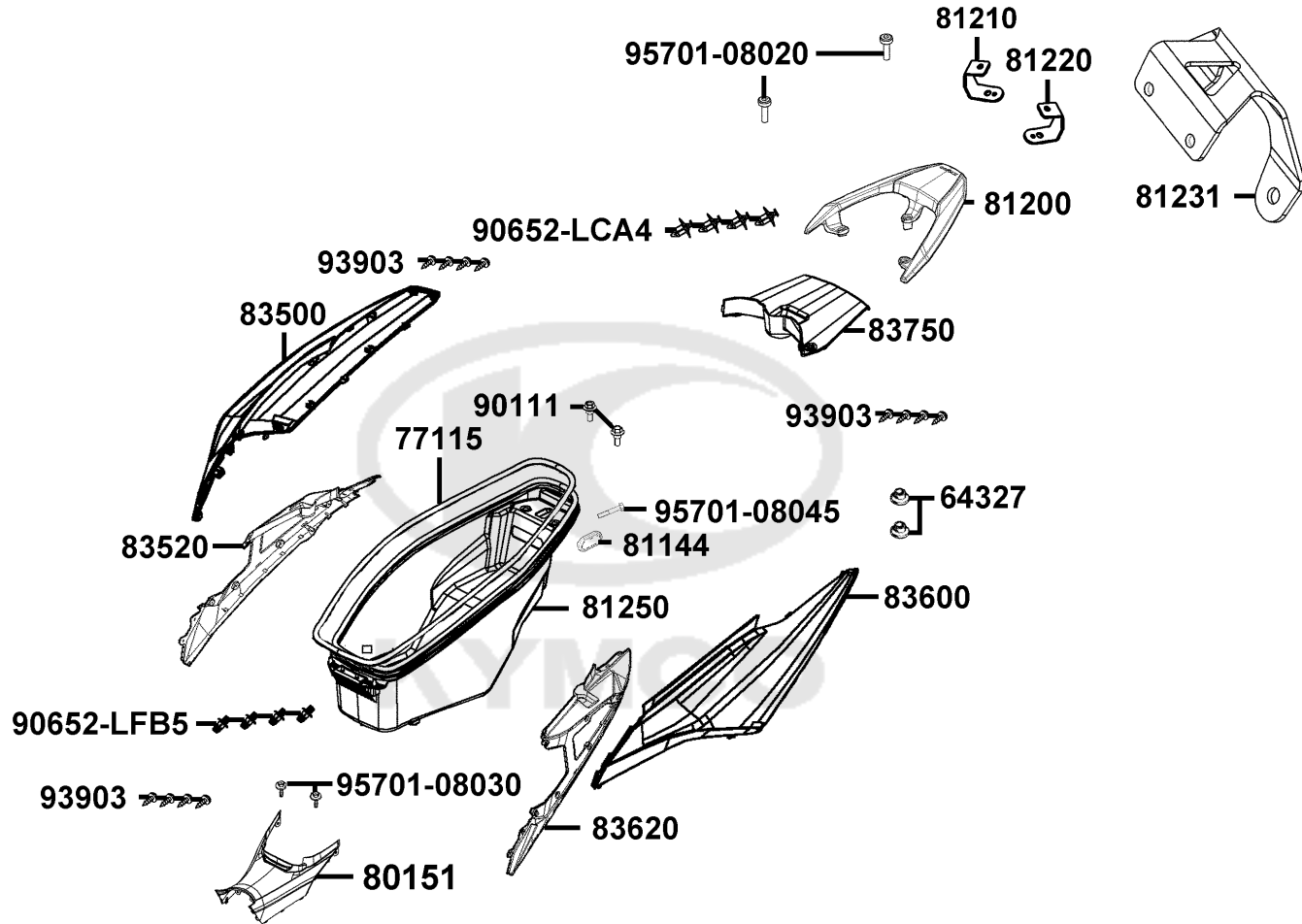
Battery



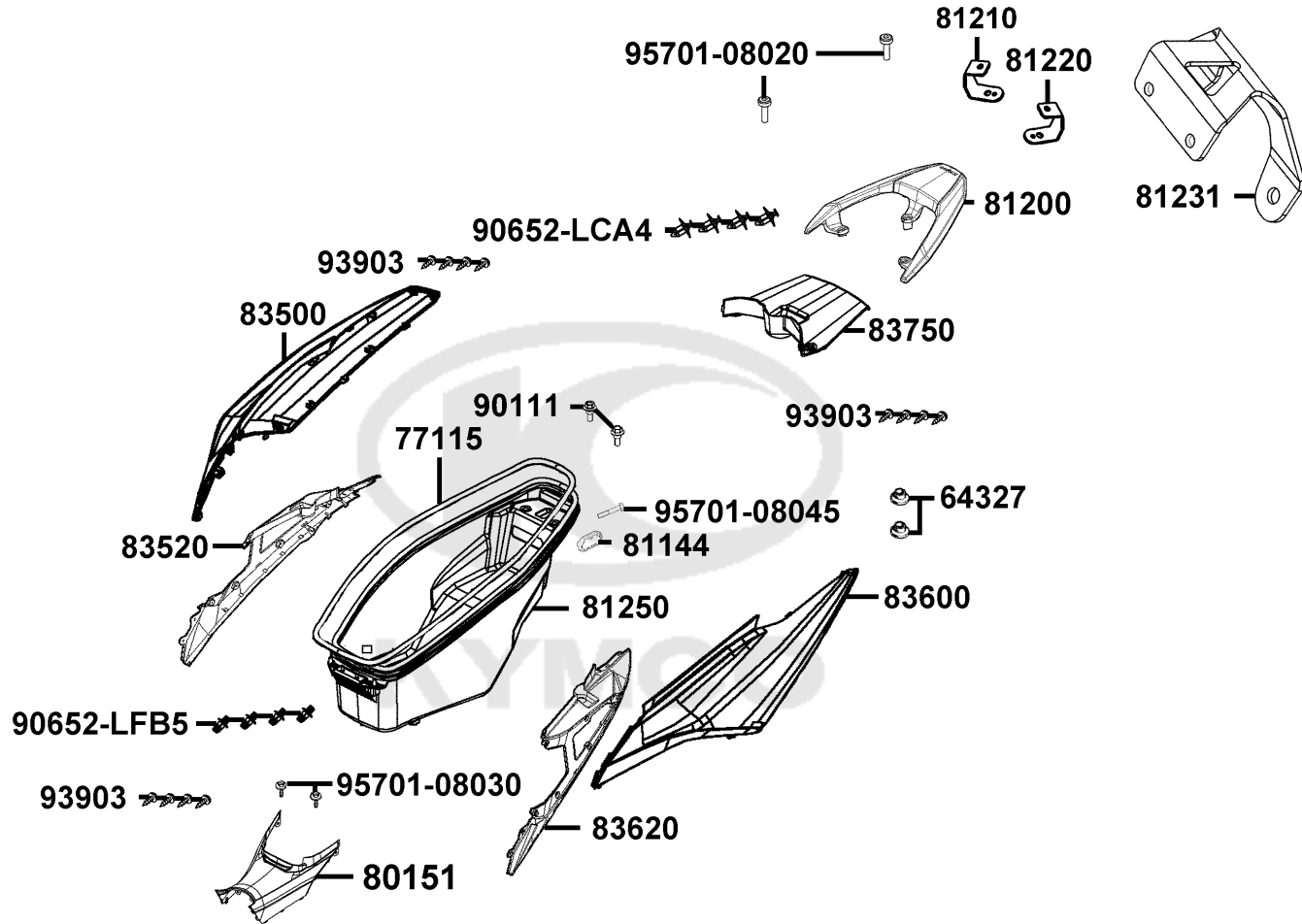
Sales mark	Ref no	Part no	Description	Reg description	Regd no	F11
------------	--------	---------	-------------	-----------------	---------	-----

	31500	31500-ALC8-EZ0	BATTERY YTX7A-BS	BATTERY	1	
**	50325	50325-BLB3-E10	CASE BATTERY	CASE BATTERY	1	
**	50326	50326-BLB3-E10	COVER BATTERY	COVER BATTERY	1	
	90302	90302-SDA4-C01	"NUT,SPPING 4MM"	"NUT,SPPING 4MM"	1	





Sales mark	Ref no	Part no	Description	Reg description	Regd no	F12
	64327	64327-BLB3-E10	"MESH,SKIRT L., SIDE"	"MESH,SKIRT L., SIDE"	2	
	77115	77115-BLB3-E10	"BOTTOM PLATE COMP,SEAT"	"BOTTOM PLATE COMP,SEAT"	1	
**	80151	80151-BLB3-E10	COVER CENTER	COVER CENTER	1	
	81144	81144-ALJ8-E10	LID LEG SHIELD	LID LEG SHIELD	1	
**	81200	81200-BLB3-E10	CARRIER RR	CARRIER RR	1	
	81210	81210-AKC6-E10	STAY FR. R., CARRIER	STAY FR. R., CARRIER	1	
	81220	81220-AKC6-E10	STAY FR. L., CARRIER	STAY FR. L., CARRIER	1	
	81231	81231-BLB3-E10	STAY CARRIER ASSY	STAY CARRIER ASSY	1	
**	81250	81250-BLB3-E10	BOX LUGGAGE	BOX LUGGAGE	1	
**	83500	83500-BLB3-E10	COVER R BODY	COVER R BODY	1	
**	83520	83520-BLB3-E10	COVER B R SIDE	COVER B R SIDE	1	
**	83600	83600-BLB3-E10	COVER L BODY	COVER L BODY	1	
**	83620	83620-BLB3-E10	COVER B L SIDE	COVER B L SIDE	1	
**	83750	83750-BLB3-E10	REAR CENTER COVER	REAR CENTER COVER	1	
	90111	90111-06016-07G	BOLT FLANGE 6*16 (K)	BOLT FLANGE 6*16 (K)	4	
	90652-LCA4	90652-LCA4-C10	CLIP MUDGUARD	CLIP MUDGUARD	8	
	90652-LFB5	90652-LFB5-C00	"CLIP,MUDGUARD"	"CLIP,MUDGUARD"	8	
	93903	93903-34380-G	SCREW TAPPING 4x12	SCREW TAPPING 4x12	18	
	95701-08020	95701-08020-07G	BOLT FLANGE 8*20 (K)	BOLT FLANGE 8*20 (K)	4	
	95701-08030	95701-08030-07G	BOLT FLANGE 8*30 (G)	BOLT FLANGE 8*30 (G)	2	



Sales mark	Ref no	Part no	Description	Reg description	Regd no	F12
------------	--------	---------	-------------	-----------------	---------	------------

95701-08045

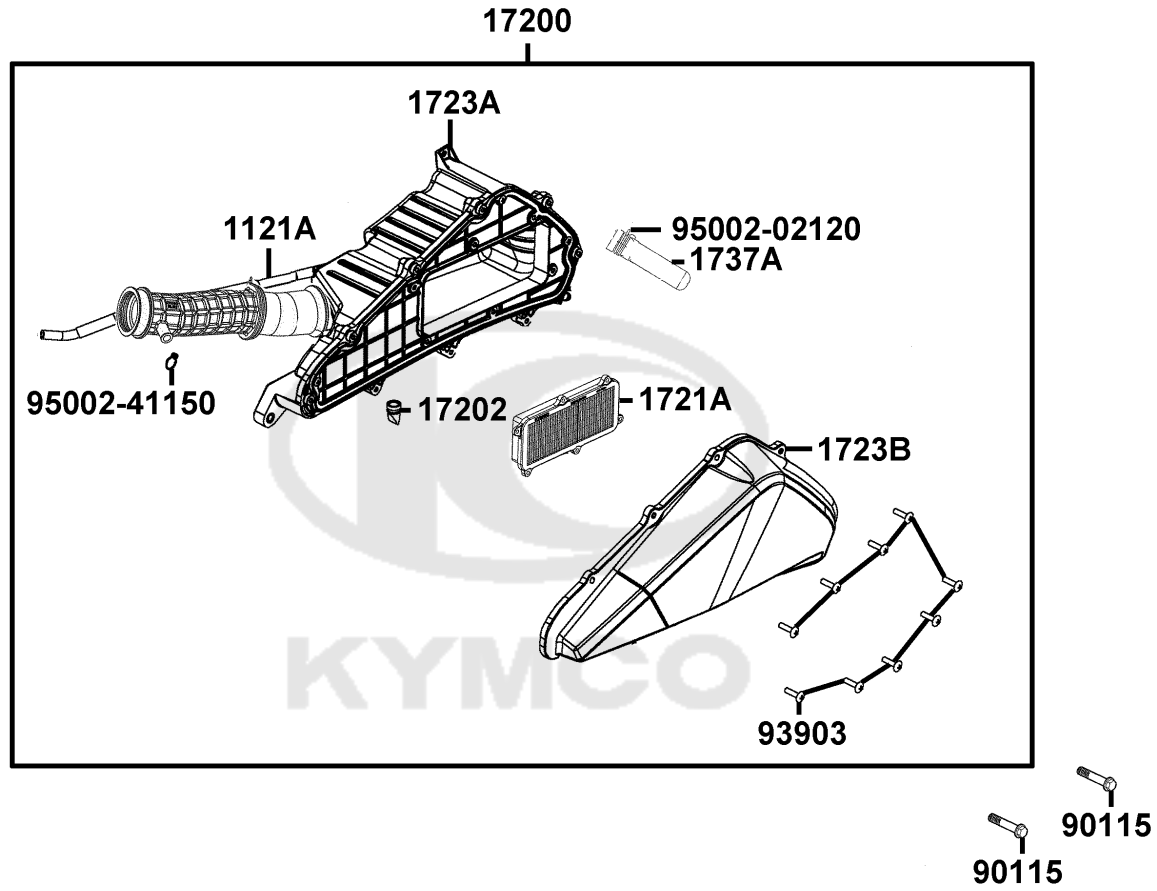
95701-08045-07G

BOLT FLANGE 8*45(KG)

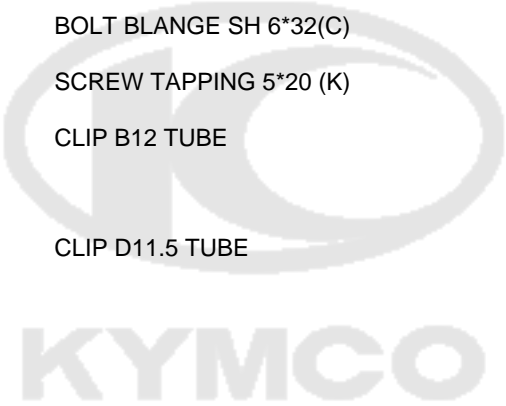
BOLT FLANGE 8*45 (K)

1



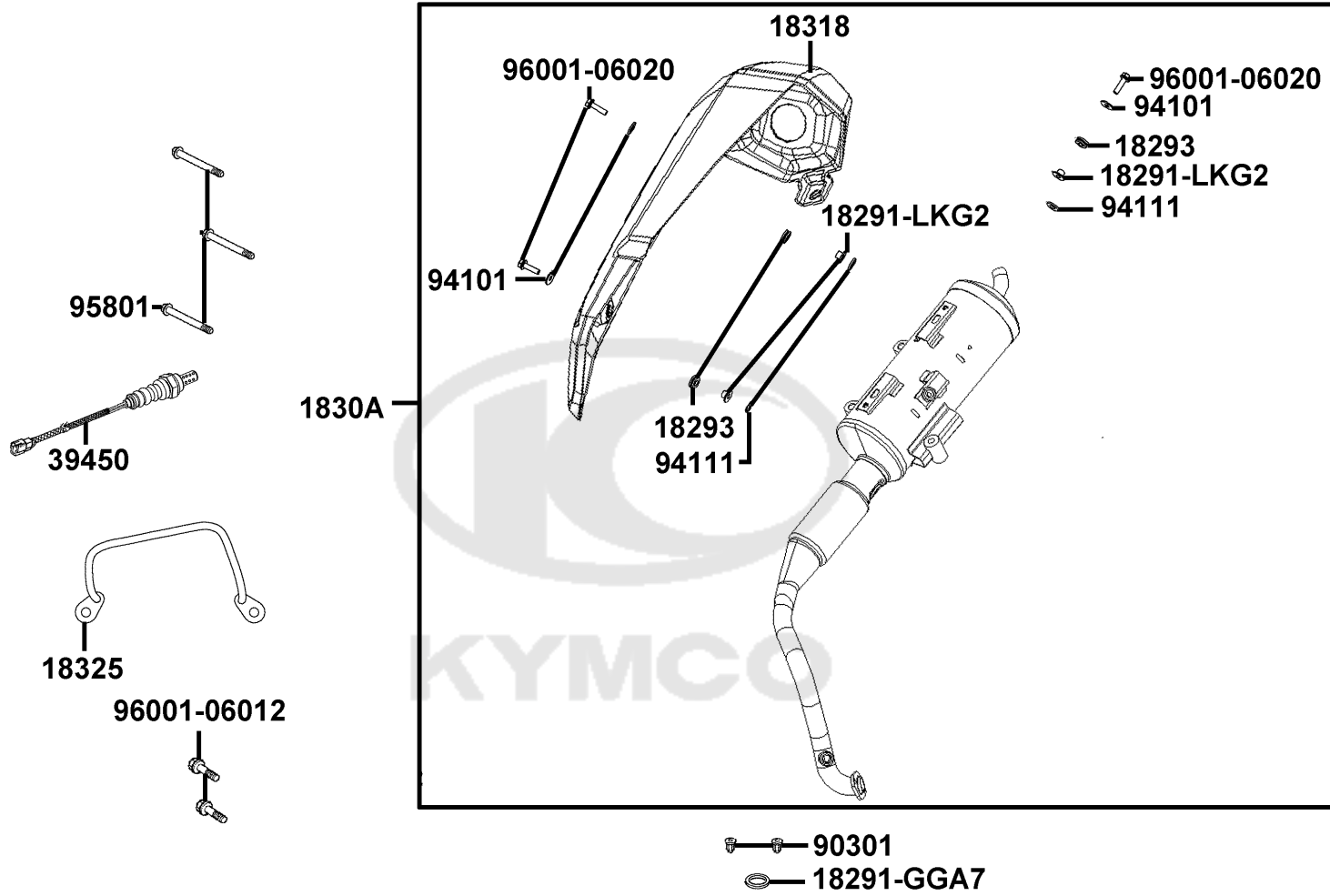


Sales mark	Ref no	Part no	Description	Reg description	Regd no	F13
1121A		1121A-BLB3-E10	TUBE BREATHER	TUBE BREATHER	1	
17200		17200-BLB3-E10	AIR/C ASSY	AIR/C ASSY	1	
17202		17202-LCA3-B50	DRAIN AIR/C CASE	DRAIN AIR/C CASE	1	
1721A		1721A-BLB3-E10	ELEMENT COMP AIR/C	ELEMENT COMP AIR/C	1	
1723A		1723A-BLB3-E10	CASE COMP AIR/C	CASE COMP AIR/C	1	
1723B		1723B-BLB3-E10	COVER COMP AIR/C	COVER COMP AIR/C	1	
1737A		1737A-AEB9-E00	V TUBE ASSY	V TUBE ASSY	1	
90115		90115-KXCX-C01	BOLT BLANGE SH 6*32(C)	BOLT BLANGE SH 6*32(C)	2	
93903		93903-25480	SCREW TAPPING 5*20 (K)	SCREW TAPPING 5*20 (K)	15	
95002-02120		95002-02120	CLIP B12 TUBE	CLIP B12 TUBE	1	
95002-41150		95002-41150-00	CLIP D11.5 TUBE	CLIP D11.5 TUBE	1	

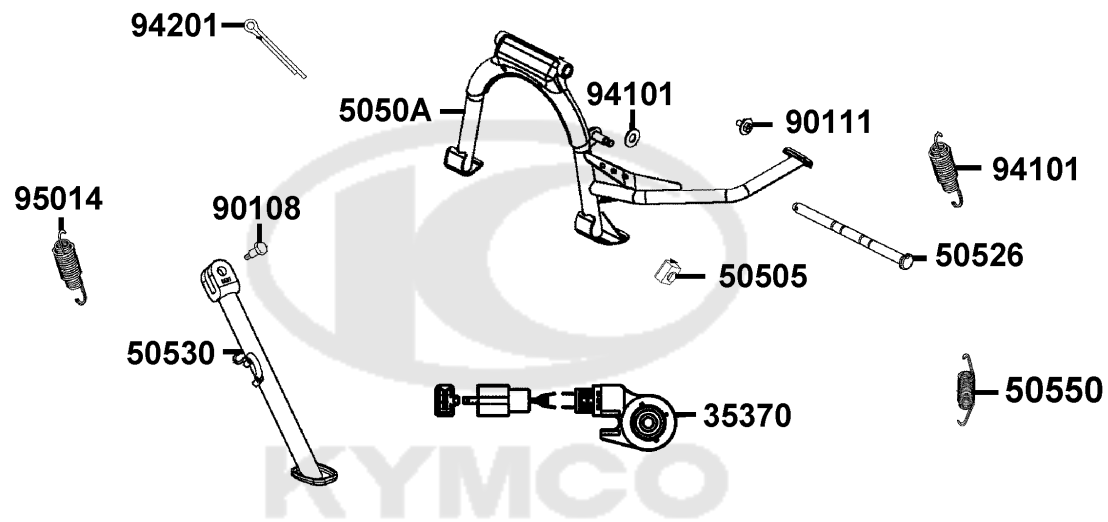


F14

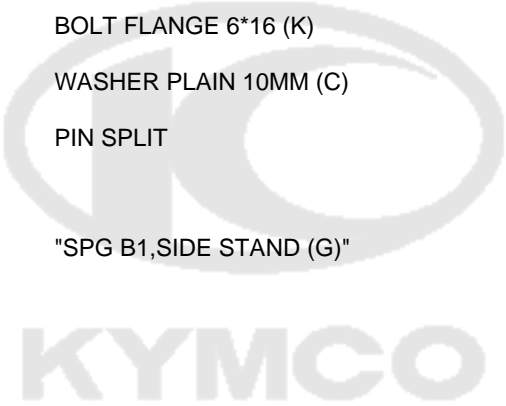
Exhaust Muffler

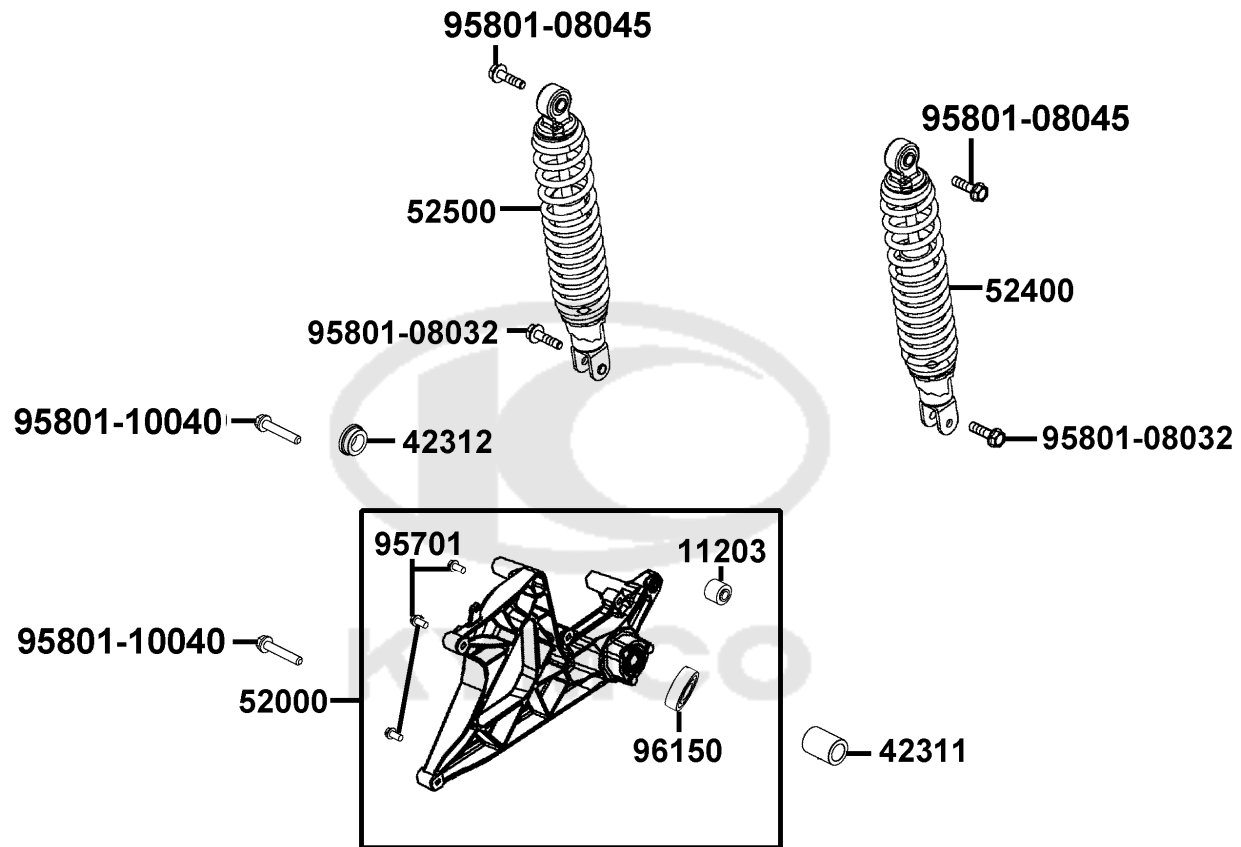


Sales mark	Ref no	Part no	Description	Reg description	Regd no	F14
	18291-GGA7	18291-GGA7-C01	GASKET EXH PIPE	GASKET EXH PIPE	1	
	18291-LKG2	18291-LKG2-C00	COLLAR	COLLAR	3	
	18293	18293-LHJ8-900	RUBBER PKG PROTR	RUBBER PKG PROTR	3	
**	1830A	1830A-BLB3-E10	MUFFLER ASSY EXH	MUFFLER ASSY EXH	1	
**	18318	18318-BLB3-E10	MUFF. PROTECTOR	MUFF. PROTECTOR	1	
	18325	18325-BLB3-E10	PROTECTOR EXHAUST PIPE	PROTECTOR EXHAUST PIPE	1	
	39450	39450-ZVA6-M00	O2 SENSOR	O2 SENSOR	2	
	90301	90301-GFY6-C01	NUT (HEX) CAP 8MM	NUT (HEX) CAP 8MM	2	
	94101	94101-LEA2-C00	"WASHER PLAIN.6.5X18X1.5"	"WASHER PLAIN.6.5X18X1.5"	3	
	94111	94111-ACD5-C00	WASHER SPG	WASHER SPG	3	
	95801	95801-08055-07G	BOLT FLANGE 8*55	BOLT FLANGE 8*55 (K)	3	
	96001-06012	96001-06012-07G	BOLT FLANGE SH 6X12	BOLT FLANGE SH6*12	2	
	96001-06020	96001-06020-06	BOLT FLANGE SH 6*20	BOLT FLANGE SH 6*20	3	



Sales mark	Ref no	Part no	Description	Reg description	Regd no	F15
35370		35370-LLJ3-C00	SW UNIT SIDE STAND	SW UNIT SIDE STAND	1	
50505		50505-PUA3-B50	STOPPER RUBBER	STOPPER RUBBER	1	
5050A		5050A-BLB3-E10	STAND COMP MAIN	STAND COMP MAIN	1	
50526		50526-BLB3-E10	SHAFT MAIN STAND PIVOT	SHAFT MAIN STAND PIVOT	1	
50530		50530-AHA7-C00	"STAND COMP.,SIDE"	"STAND COMP.,SIDE"	1	
50550		50550-KKC2-C00	SPG ASSY MAIN STAND	SPG ASSY MAIN STAND	1	
90108		90108-KKC4-C00	SCREW SIDE STAND PIVOT	SCREW SIDE STAND PIVOT	1	
90111		90111-06016-07G	BOLT FLANGE 6*16 (K)	BOLT FLANGE 6*16 (K)	1	
94101		94101-10800-G	WASHER PLAIN 10MM (C)	WASHER PLAIN 10MM (C)	1	
94201		94201-25250-G	PIN SPLIT	PIN SPLIT	1	
95014		95014-72204-G	"SPG B1,SIDE STAND (G)"	"SPG B1,SIDE STAND (G)"	1	

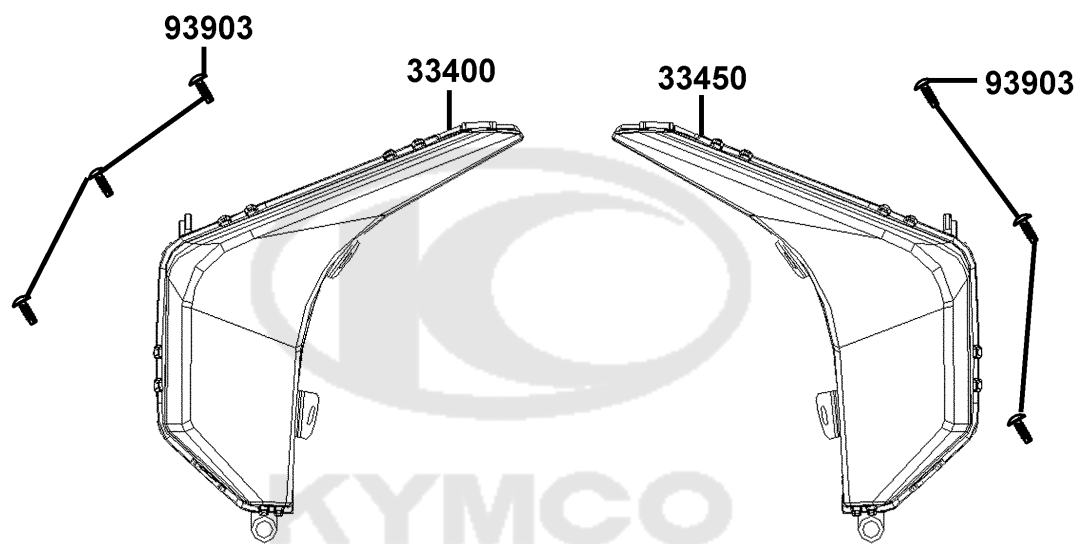




Sales mark	Ref no	Part no	Description	Reg description	Regd no	F16
	11203	11203-GGC7-W10	UNDER RUBBER BUSH REAR CUSHION	UNDER RUBBER BUSH REAR CUSHION	1	
	42311	42311-KED9-C00	COLLAR RR PANDL SIDE	COLLAR RR PANDL SIDE	1	
	42312	42312-LEJ2-E10	COLLAR RR AXLE SIDE	COLLAR RR AXLE SIDE	1	
**	52000	52000-BLB3-E10	FORK ASSY R	FORK ASSY R	1	
**	52400	52400-BLB3-E10	CUSHION ASSY RR R	CUSHION ASSY RR R	1	
**	52500	52500-BLB3-E10	CUSHION ASSY RR L	CUSHION ASSY RR L	1	
	95701	95701-06010-07G	BOLT FLANGE 6*10 (K)	BOLT FLANGE 6*10 (K)	3	
	95801-08032	95801-08032-07G	BOLT FLANGE 8*32(KG)	BOLT FLANGE 8*32(K)	2	
	95801-08045	95801-08045-07G	BOLT FLANGE 8*45 (K)	BOLT FLANGE 8*45 (K)	2	
	95801-10040	95801-10040-07G	BOLT FLANGE 10*40	BOLT FLANGE 10*40	2	
	96150	96150-62030-10	BEARING BALL RADIAL 6203	BEARING BALL RADIAL 6203	1	

F17

Front Winker



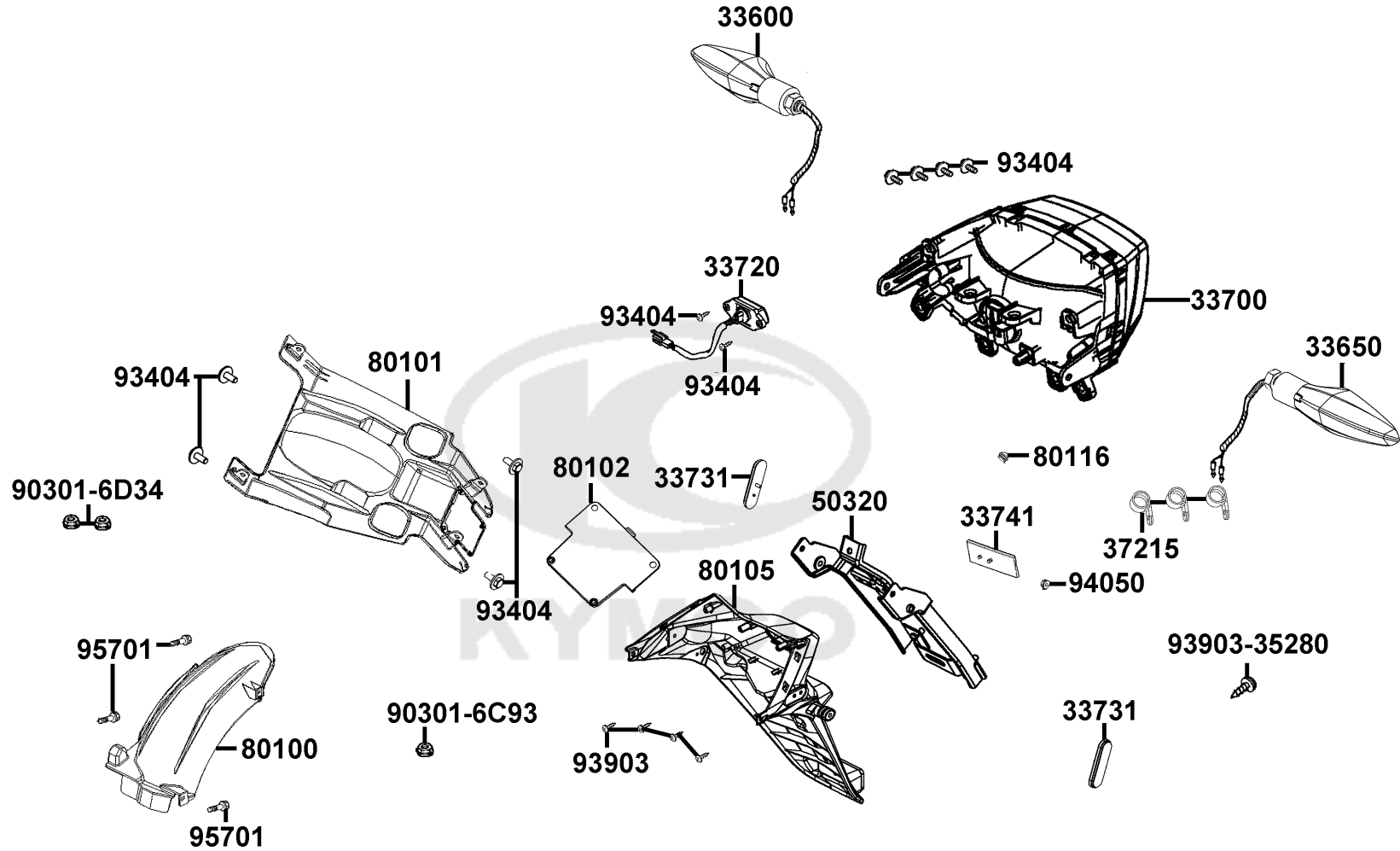
Sales mark	Ref no	Part no	Description	Reg description	Regd no	F17
------------	--------	---------	-------------	-----------------	---------	------------

33400		33400-BLB3-E10	WINKER ASSY R FR	WINKER ASSY R FR	1	
33450		33450-BLB3-E10	WINKER ASSY L FR	WINKER ASSY L FR	1	
93903		93903-34380-G	SCREW TAPPING 4x12	SCREW TAPPING 4x12	6	



F18

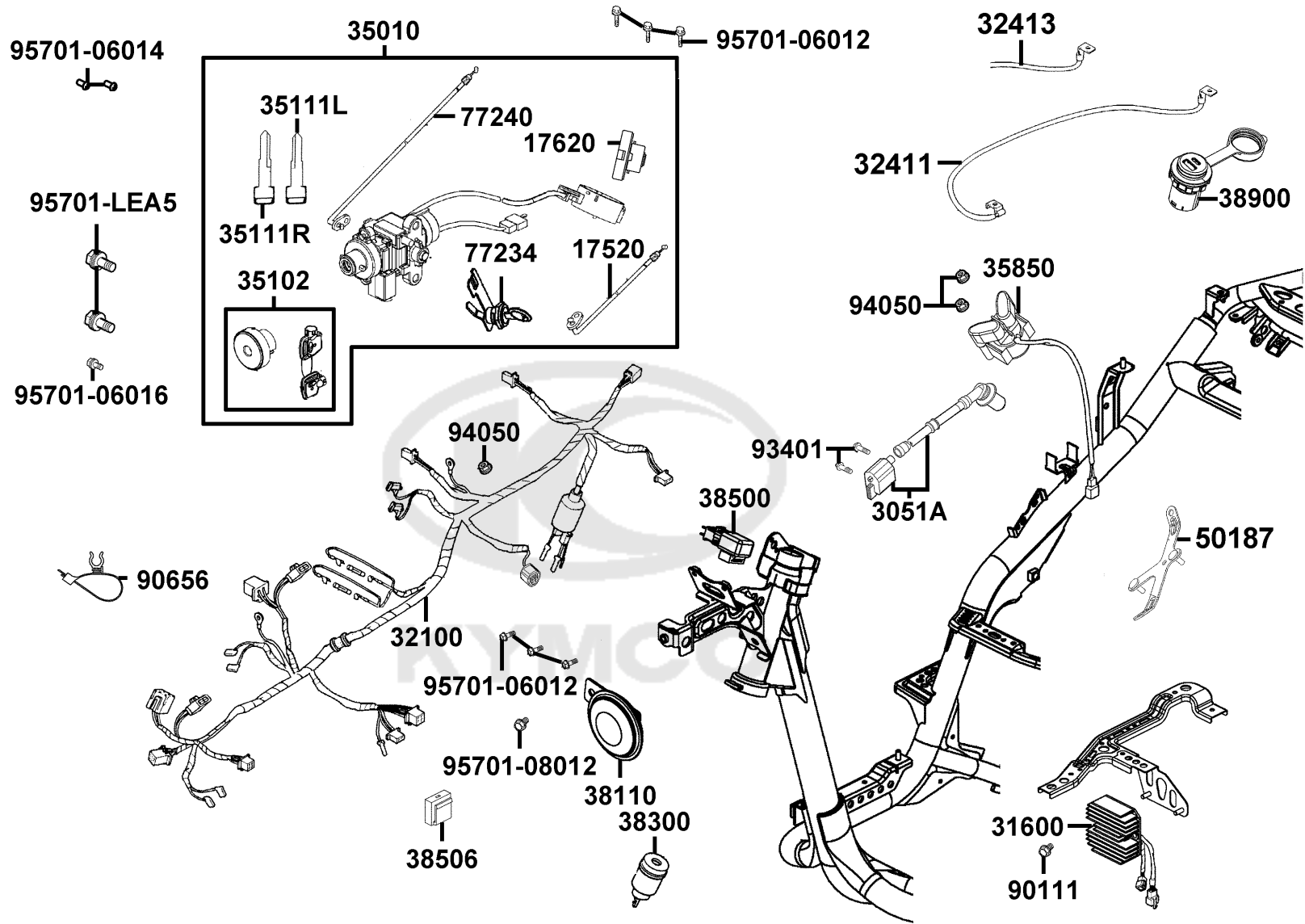
Tail Light



Sales mark	Ref no	Part no	Description	Reg description	Regd no	F18
	33600	33600-BLB3-E10	WINKER ASSY RH RR	WINKER ASSY RH RR	1	
	33650	33650-BLB3-E10	WINKER ASSY LH RR	WINKER ASSY LH RR	1	
	33700	33700-BLB3-E10	LIGHT ASSY RR COMB	LIGHT ASSY RR COMB	1	
	33720	33720-LGB5-E10	LIGHT ASSY LICENSE	LIGHT ASSY LICENSE	1	
	33731	33731-BAB7-C00	REFLEX REFLECTOR SIDE	REFLEX REFLECTOR SIDE	2	
	33741	33741-LEH3-EZ0	REFLEX REFLECTOR	REFLEX REFLECTOR	1	
	37215	37215-LGM9-C00	CLAMP	CLAMP	1	
	50320	50320-BLB3-E10	"STAY,REAR FENDER"	"STAY,REAR FENDER"	1	
**	80100	80100-BLB3-E10	ASSY FENDER, RR.TIRE	ASSY FENDER, RR.TIRE	1	
**	80101	80101-BLB3-E10	FENDER RR INNER	FENDER RR INNER	1	
**	80102	80102-BLB3-E10	LID MAINT. TAIL LIGHT	LID MAINT. TAIL LIGHT	1	
**	80105	80105-BLB3-E10	FENDER RR UP	FENDER RR UP	1	
	80116	80116-ACC1-E10	RUBBER LICENSE PLATE STOP	RUBBER LICENSE PLATE STOP	1	
	90301-6C93	90301-6C93-C01	NUT 6MM OPENSTAY	NUT 6MM OPENSTAY	2	
	90301-6D34	90301-6D34-C01	NUT FLANGE 6MM(C)	NUT FLANGE 6MM(C)	2	
	93404	93404-06012-07G	BOLT WASHER 6*12 (K)	BOLT WASHER 6*12 (K)	8	
	93903-35280	93903-35280-G	SCREW TAPPING 5*12 (K)	SCREW TAPPING 5*12 (K)	1	
	93903	93903-35380-G	SCREW TAPPING 5*16 (K)	SCREW TAPPING 5*16 (K)	6	
	94050	94050-05080-G	NUT FLANGE 5MM	NUT FLANGE 5MM	3	
	95701	95701-06012-07G	BOLT FLANGE 6*12	BOLT FLANGE 6*12 (G)	3	

F19

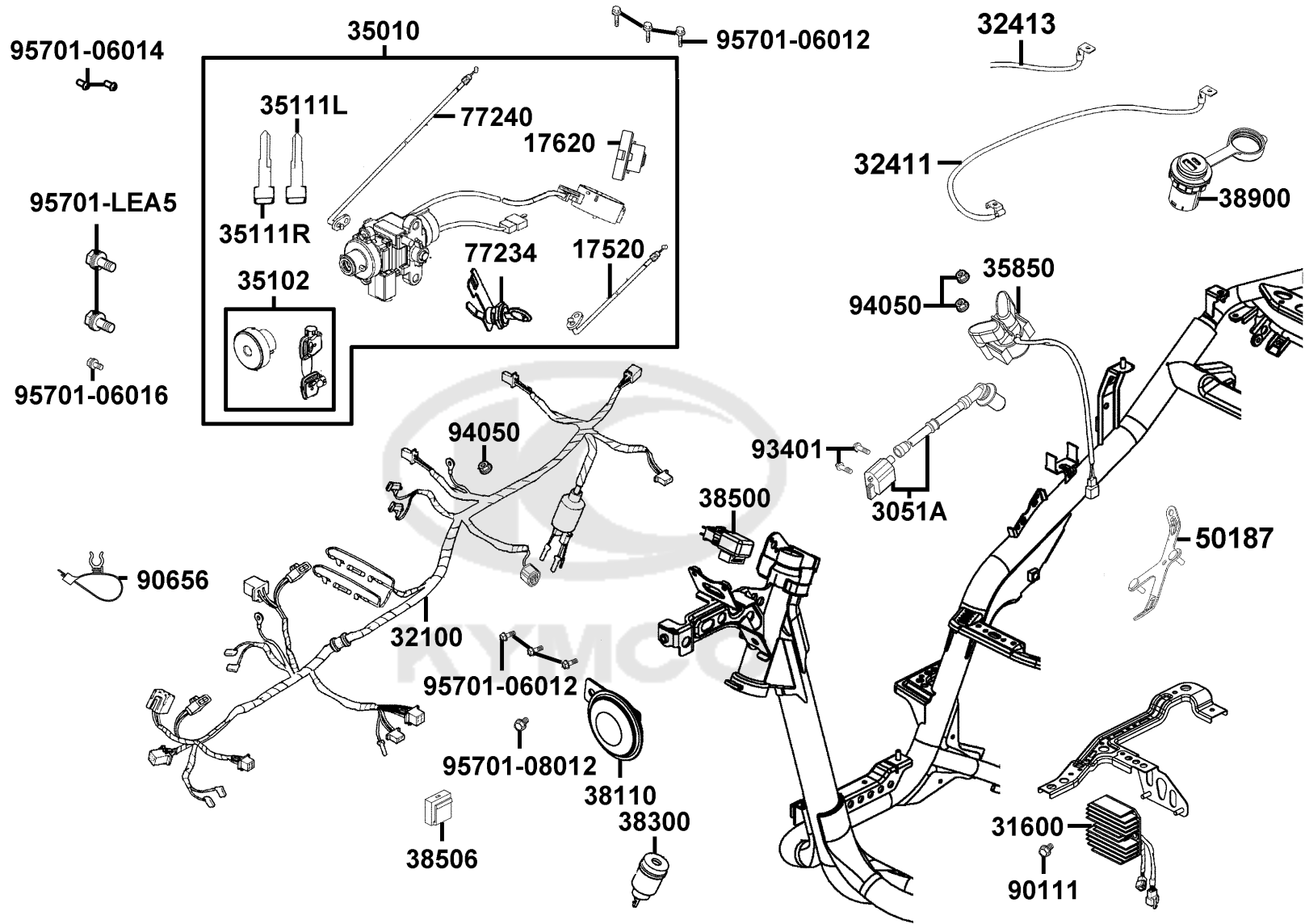
Wire Harness



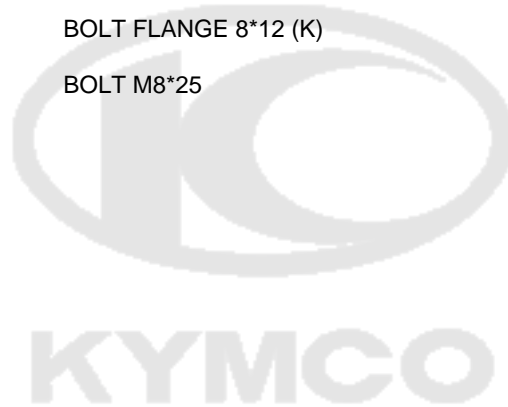
Sales mark	Ref no	Part no	Description	Reg description	Regd no	F19
	17520	17520-BLB3-E10	CABLE COMP FUEL CAP	CABLE COMP FUEL CAP	1	
	17620	17620-BLB3-E10	CAP COMP FUEL FILLER	CAP COMP FUEL FILLER	1	
	3051A	3051A-KKE3-C01	COIL ASSY IGN	COIL ASSY IGN	1	
	31600	31600-BLB3-E10	REG REC COMP	REG REC COMP	1	
	32100	32100-BLB3-E12	HARNESS WIRE	HARNESS WIRE	1	
	32411	32411-BLB3-E10	CABLE BAT	CABLE BAT	1	
	32413	32413-BLB3-E10	CABLE EARTH B	CABLE EARTH B	1	
	35010	35010-BLB3-E13	KEY SET	KEY SET	1	
	35102	35102-AKF3-307	SHUTTER MAGNETIC LOCK	SHUTTER MAGNETIC LOCK	1	
	35111R	35111-LDC1-305	KEY COMP (R TANGENT PLANE/SD)	KEY COMP (R TANGENT PLANE/SD)	1	
	35111L	35111-LDC1-306	KEY COMP (L TANGENT PLANE/SD)	KEY COMP (L TANGENT PLANE/SD)	1	
	35850	35850-LCA3-B50	SET START MAG	SET START MAG	1	
	38110	38110-LEF1-C10	HORN COMP	HORN COMP	1	
	38300	38300-ADA9-M30	RELAY ASSY WINKER	RELAY ASSY WINKER	1	
	38500	38500-AAD2-C00	RELAY ASSY LIGHT	RELAY ASSY LIGHT	2	
	38506	38506-AEE2-900	CUSHION FUSE	CUSHION FUSE	1	
	38900	38900-BLB3-E10	CONTROLLER USB CHARGER	CONTROLLER USB CHARGER	1	
	50187	50187-BLB3-E10	RECTIFIER STAY	RECTIFIER STAY	1	
	77234	77234-LFC4-E10	LOCK ASSY RR BOX	LOCK ASSY RR BOX	1	
	77240	77240-BLB3-E10	CABLE SEAT LOCK	CABLE SEAT LOCK	1	

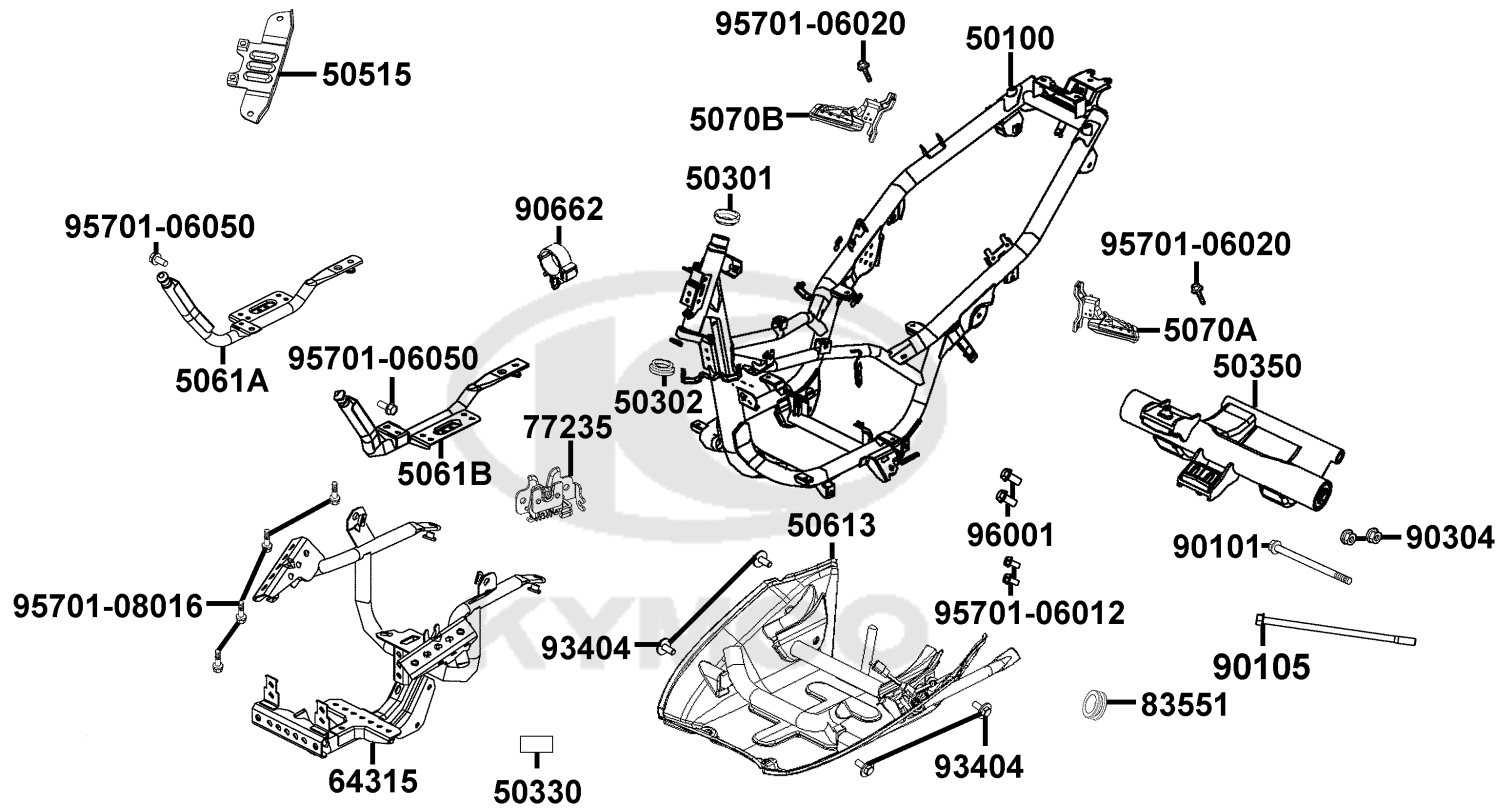
F19

Wire Harness

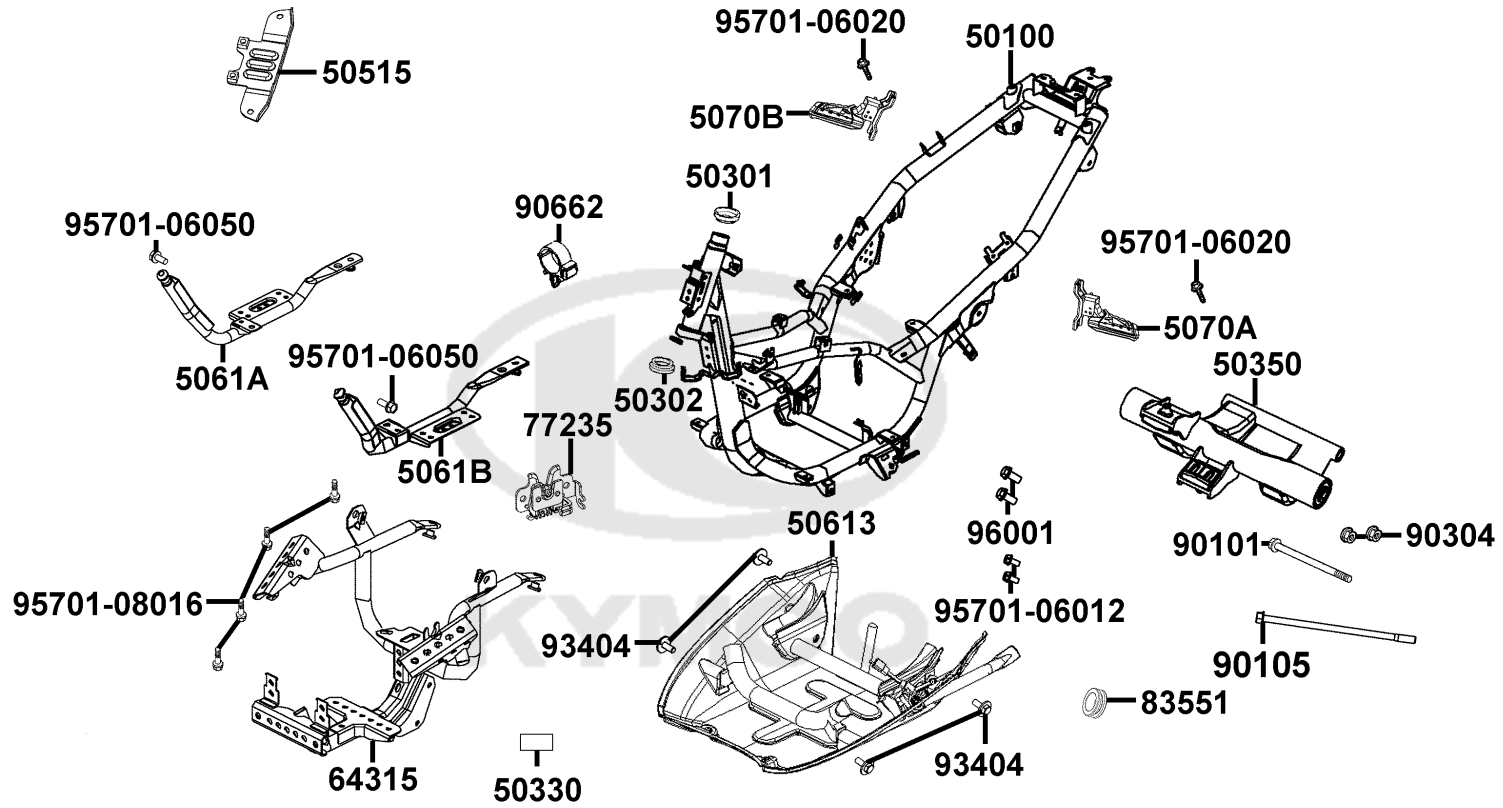


Sales mark	Ref no	Part no	Description	Reg description	Regd no	F19
	90111	90111-06016-07G	BOLT FLANGE 6*16 (K)	BOLT FLANGE 6*16 (K)	1	
	90656	90656-ZZA6-E04	CABLE STRAP D9 X 120	"CLIP,MUDGUAR"	1	
	93401	93401-04025-08	BOLT WASHER 4*25	BOLT WASHER 4*25	2	
	94050	94050-08080-G	NUT FLANGE 8MM	NUT FLANGE 8MM	1	
	95701-06012	95701-06012-07G	BOLT FLANGE 6*12	BOLT FLANGE 6*12 (G)	3	
	95701-06014	95701-06014-07G	BOLT FLANGE 6*14 (K)	BOLT FLANGE 6*14 (K)	2	
	95701-06016	95701-06016-07G	BOLT FLANGE SH 6*16 (KG)	BOLT FLANGE SH 6*16 (KG)	1	
	95701-08012	95701-08012-07G	BOLT FLANGE 8*12 (K)	BOLT FLANGE 8*12 (K)	1	
#	95701-LEA5	95701-LEA5-C00	BOLT M8*25	BOLT M8*25	2	





Sales mark	Ref no	Part no	Description	Reg description	Regd no	F20
	50100	50100-BLB3-E10	BODY COMP FRAME	BODY COMP FRAME	1	
	50301	50301-KGN7-C00	RACE UPPER STRG BALL	RACE UPPER STRG BALL	1	
	50302	50302-2H68-C00	RACE (STRG BOT) BALL	RACE (STRG BOT) BALL	1	
	50330	50330-ALK5-C00	SEAL BATTER FRONT	SEAL BATTER FRONT	2	
	50350	50350-BLB3-E10	ENG HANGER COMP	ENG HANGER COMP	1	
	50515	50515-BLB3-E10	"STAY, CANSITER"	"STAY, CANSITER"	1	
**	50613	50613-BLB3-E10	COVER UNDER	COVER UNDER	1	
	5061A	5061A-BLB3-E10	"RNFCT. R.,FLOOR"	"RNFCT. R.,FLOOR"	1	
	5061B	5061B-BLB3-E10	"RNFCT. L.,FLOOR"	"RNFCT. L.,FLOOR"	1	
	5070A	5070A-BLB3-E10	RR R STER ASSY.	RR R STER ASSY.	1	
	5070B	5070B-BLB3-E10	RR L STER ASSY.	RR L STER ASSY.	1	
	64315	64315-BLB3-E10	"CARRIER FR,CONNECT"	"CARRIER FR,CONNECT"	1	
	77235	77235-LEA1-C00	CATCH COMP. SEAT.	CATCH COMP. SEAT.	1	
	83551	83551-BLB3-E10	GROMMET AIR CLEANER CASE	GROMMET AIR CLEANER CASE	1	
	90101	90101-LKF5-C01	SCREW FLAT 10*275	SCREW FLAT 10*275	1	
	90105	90105-BLB3-E10	BOLT FLANGE 10*255	BOLT FLANGE 10*255	1	
	90304	90304-LEA1-C00	NUT U FLANGE 10MM (G)	NUT U FLANGE 10MM (G)	2	
	90662	90662-AFB5-900	PIPE CLAMP 36	PIPE CLAMP 36	1	
	93404	93404-06012-07G	BOLT WASHER 6*12 (K)	BOLT WASHER 6*12 (K)	4	
	95701-06012	95701-06012-07G	BOLT FLANGE 6*12	BOLT FLANGE 6*12 (G)	2	



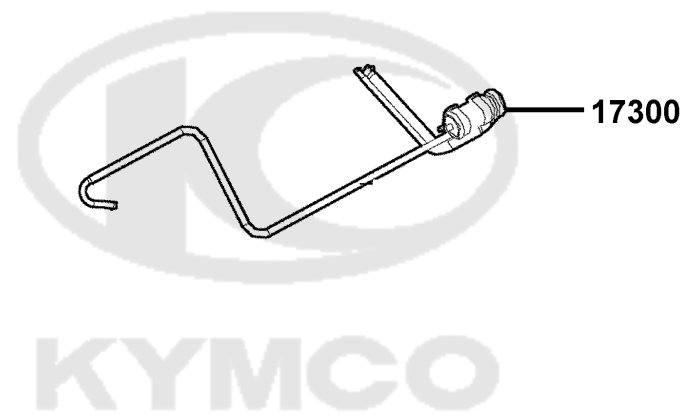
Sales mark	Ref no	Part no	Description	Reg description	Regd no	F20
------------	--------	---------	-------------	-----------------	---------	------------

	95701-06020	95701-06020-07G	BOLT FLANGE 6*20	BOLT FLANGE 6*20 (C)	2	
	95701-06050	95701-06050-07G	BOLT FLANGE 6*50 (K)	BOLT FLANGE 6*50 (G)	2	
	95701-08016	95701-08016-07G	BOLT FLANGE 8*16(KG)	BOLT FLANGE 8*16(K)	4	
	96001	96001-06012-07G	BOLT FLANGE SH 6X12	BOLT FLANGE SH6*12	2	



F21

CANISTER-PCV ASSY



Sales mark	Ref no	Part no	Description	Reg description	Regd no	F21
------------	--------	---------	-------------	-----------------	---------	------------

17300

17300-BLB3-E10

CANISTER-PCV ASSY

CANISTER-PCV ASSY

1



SKY TOWN

86202

125

87140

Please read the User's Manual carefully to secure driving safety

HOOK FRONT	< 3.0kg	(kg/cm ²)	110/70-14		130/70-13
LUGGAGE BOX	< 10kg		(max)	ONE	2.0
CARRIER REAR	< 5.0kg		(2.5)	1.75	2.25
			100	1.75	2.25

87560-BLB3-E00

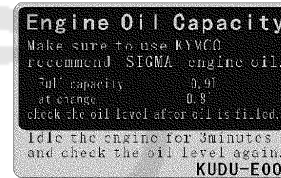
87560



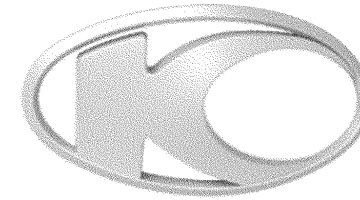
87546



87541-GAR1



87541-KUDU



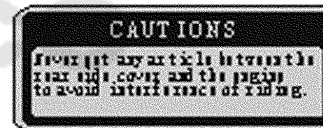
87206



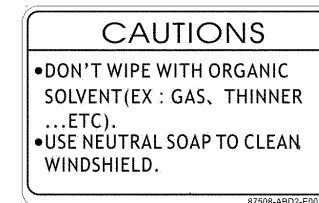
86020



87567

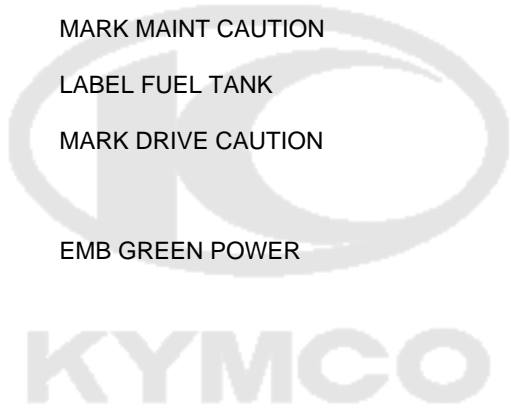


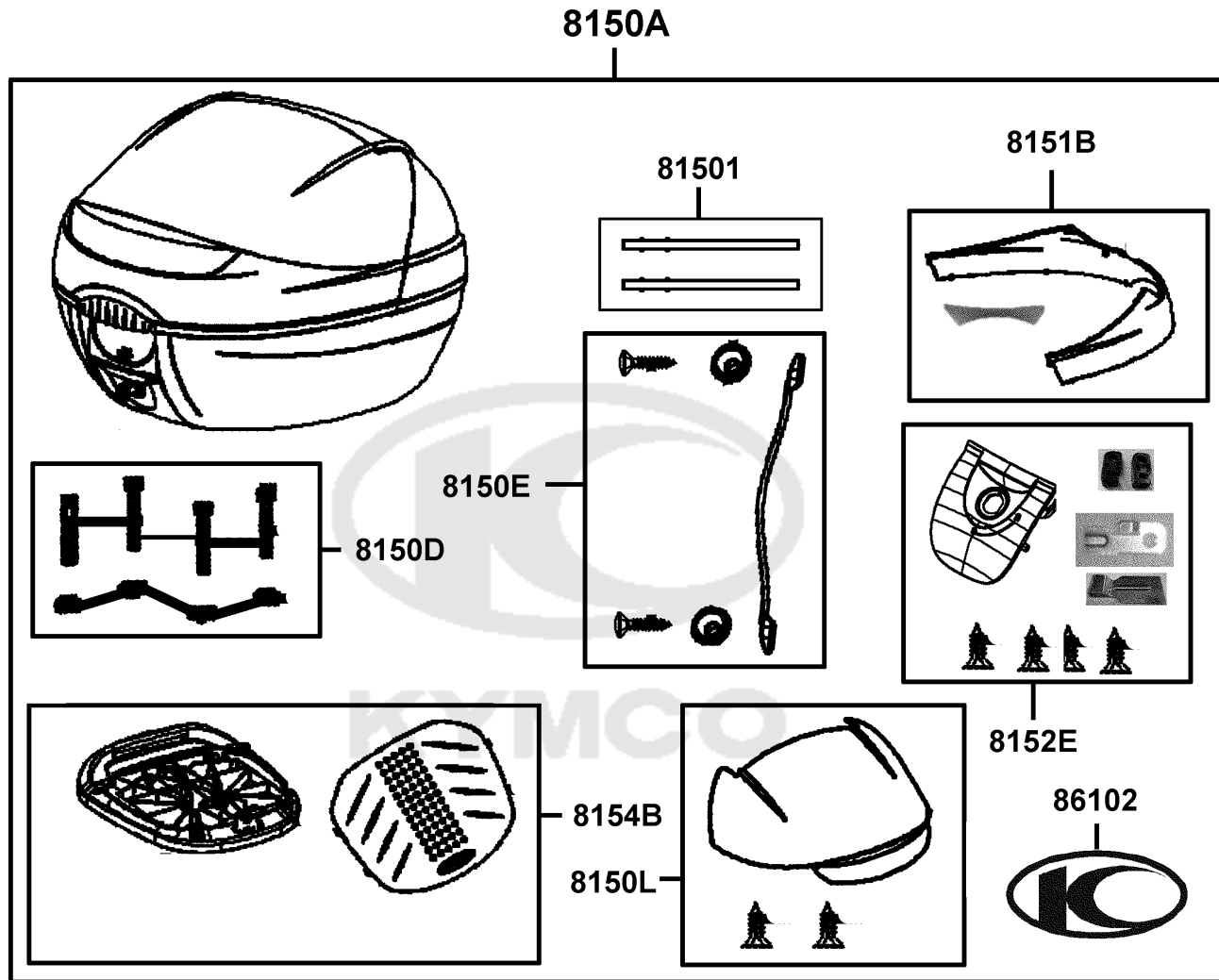
87542



87508

Sales mark	Ref no	Part no	Description	Reg description	Regd no	F22
**	86020	86020-BLB3-E00	EMB HANDLE COVER	EMB HANDLE COVER	1	
**	86202	86202-BLB3-E00	EMB BODY COVER	EMB BODY COVER	2	
**	87140	87140-ALJ9-E10	EMB MARK 125	EMB MARK 125	2	
**	87206	87206-YZA6-E00	EMB K-LOGO	EMB K-LOGO	1	
**	87508	87508-ABD2-E00	LABEL CLEANNESS CAUTION	LABEL CLEANNESS CAUTION	1	
**	87541-GAR1	87541-GAR1-C01	CAUTION SIDE STAND	CAUTION SIDE STAND	1	
**	87541-KUDU	87541-KUDU-E00	LABEL OIL CAP	LABEL OIL CAP	1	
**	87542	87542-GAR1-C01	MARK MAINT CAUTION	MARK MAINT CAUTION	1	
**	87546	87546-AGE3-E00	LABEL FUEL TANK	LABEL FUEL TANK	1	
**	87560	87560-BLB3-E00	MARK DRIVE CAUTION	MARK DRIVE CAUTION	1	
**	87567	87567-BLB3-E00	EMB GREEN POWER	EMB GREEN POWER	1	





Sales mark	Ref no	Part no	Description	Reg description	Regd no	F23
	81501	81501-LFC4-E10	AXIS HINGE SH29 ? 3x58.5	AXIS HINGE SH29	1	
**	8150A	8150A-ALJ8-E11	BOX LUGGAGE RR	BOX LUGGAGE RR	1	
	8150D	8150D-AAD2-C00	SCREW BAG KY33 5 KYMCO	SCREW BAG KY33 5 KYMCO	1	
	8150E	8150E-LFC4-E10	INTERIOR STRIP	INTERIOR STRIP	1	
**	8150L	8150L-LFC4-E10	COVER RR BOX 2016	COVER RR BOX 2016	1	
	8151B	8151B-LFC4-E10	SPARE PART REFLECTOR WHITE SH33	SPARE PART REFLECTOR WHITE SH33	1	
	8152E	8152E-LFC4-E10	HOOK KY33 KYMCO	HOOK KY33 KYMCO	1	
	8154B	8154B-LFC4-E10	SET CASE SUPPORT KYMCO SH33	SET CASE SUPPORT KYMCO SH33	1	
**	86102	86102-ALJ8-E00	EMB MARK K-LOGO	EMB MARK K-LOGO	1	



PART NO. INDEX

PART NO.	VERSION	PAGE	PART NO.	VERSION	PAGE	PART NO.	VERSION	PAGE
11000			12200-BLB3-900	0	E02	14520-GFY6-C00	1	E03
11100-BLB3-E00	0	E01	12209-BLA6-900	0	E02	14523-KED9-C00	1	E03
11103-KHE7-C00	0	E01	12251-BLB3-900	0	E02	1453A-GFY6-W10	1	E03
11192-BLB5-E00	0	E01	1231A-BLB3-E00	0	E02	14610-LHJ8-900	4	E03
11200-BLB3-E00	0	E01	12361-GFY6-C00	5	E04	14711-BLB3-900	0	E02
11203-GGC7-W10	2	E01	12391-BLB3-E00	0	E02	14721-BLB3-900	0	E02
11203-GGC7-W10	2	F16	13000			14751-KHD6-900	0	E02
11204-ACH6-C00	0	E01	13000-BLB3-910	0	E03	14771-LEA2-900	2	E02
11205-ACH6-C00	0	E01	13011-AFF8-900	0	E03	14777-LFA7-E00	2	E02
11206-BLB3-E10	0	E01	13101-BLB3-900	0	E03	14781-KKE5-E00	2	E02
1121A-BLB3-E10	0	F13	13111-LKB9-C00	0	E03	15000		
1122A-BLB3-E00	0	E01	13115-0A01-C00	2	E03	15100-BLB3-E01	0	E07
11310-BLB3-E00	0	E04	13407-LHJ8-900	0	E02	15133-BLB3-E00	0	E07
11340-BLB3-E00	0	E01	14000			15421-1G07-C00	1	E04
1134B-BLB3-E00	0	E01	14100-BLB3-900	0	E02	15426-GAE1-C00	1	E04
11350-AEE2-C00	0	E01	14321-AEE2-800	0	E02	15651-KUDU-W10	5	E04
11393-BLB3-E00	0	E04	14401-LHJ8-C00	0	E03	16000		
11395-BLB3-E00	0	E01	14433-ZSA7-M00	0	E02	1610A-BLB3-E10	0	E05
11396-BLB3-E00	0	E01	14434-ZSA7-M00	0	E02	16201-BLB3-E00	0	E02
12000			1443A-BLB3-E00	0	E02	16211-BLB3-900	0	E02
12100-BLB3-E00	0	E03	14452-BLB3-E00	0	E02			
12191-BLB3-E00	0	E03	14510-BLB3-900	0	E03			

PART NO. INDEX

PART NO.	VERSION	PAGE	PART NO.	VERSION	PAGE	PART NO.	VERSION	PAGE	
17000			18291-LKG2-C00	0	F14	22132-AFF8-305	0	E06	
			18293-LHJ8-900	2	F14	22300-BLB3-910	0	E06	
			1830A-BLB3-E10	0	F14	22350-BBA2-900	0	E06	
	1711A-BLB3-E00	0	E02	18318-BLB3-E10	0	F14	22530-BBA2-900	0	E06
	17200-BLB3-E10	0	F13	18325-BLB3-E10	0	F14			
	17202-LCA3-B50	0	F13						
	1721A-BLB3-E10	0	F13	19000					
	1723A-BLB3-E10	0	F13						
	1723B-BLB3-E10	0	F13	19510-BAD6-C00	0	E08	2301A-BLB3-910	0	E06
	17300-BLB3-E10	0	F21	1961A-BLB3-E00	0	E08	23100-BLB3-900	0	E06
	17308-LKF5-900	2	F07	1962A-BLB3-E00	0	E08	23200-GFY6-901	3	E06
	1737A-AEB9-E00	0	F13	1963A-BLB3-E00	0	E08	23220-GFY6-921	1	E06
	17500-BLB3-E10	0	F10				23225-GHC8-004	0	E06
	17520-BLB3-E10	0	F19	21000			23226-GHC8-004	0	E06
	1755A-BLB3-E10	0	F10				23233-BLB3-910	0	E06
	17561-LKB9-900	1	F10	21200-BLB3-E00	0	E09	23237-GFY6-941	0	E06
	1759A-BLB3-E10	0	F05	21395-BLB3-E00	0	E09	23238-AAC9-900	0	E06
17620-BLB3-E10	0	F19				23411-BLB3-E00	0	E09	
17685-BLB3-E10	0	F10	22000			23420-BLB3-E00	0	E09	
17910-BLB3-E10	0	F03				23432-BLB3-E00	0	E09	
17911-BLB3-E10	0	F03	22101-LCD3-C00	3	E06	2343A-BLB3-E00	0	E09	
			22102-BLB3-910	0	E06				
			22105-LEB1-900	0	E06	28000			
			22110-AFF8-900	0	E06	28101-BLB3-E00	0	E07	
18000			22121-KFAF-305	0	E06	28102-BLB3-E00	0	E07	
18291-GGA7-C01	1	F14	22131-BLB3-910	0	E06	2812A-BLB3-E00	0	E07	
18291-KKC4-C00	0	E01							

PART NO. INDEX

PART NO.	VERSION	PAGE	PART NO.	VERSION	PAGE	PART NO.	VERSION	PAGE
28211-LFA7-E00	5	E06	33400-BLB3-E10	0	F17	37215-LGM9-C00	1	F18
30000			33450-BLB3-E10	0	F17			
			33600-BLB3-E10	0	F18	38000		
			33650-BLB3-E10	0	F18			
3051A-KKE3-C01	1	F19	33700-BLB3-E10	0	F18	38110-LEF1-C10	0	F19
31000			33720-LGB5-E10	1	F18	38300-ADA9-M30	0	F19
			33731-BAB7-C00	0	F18	38500-AAD2-C00	5	F19
			33741-LEH3-EZ0	1	F18	38506-AEE2-900	0	F19
31100-BLB3-E10	0	E08				38900-BLB3-E10	0	F19
31110-BLB3-E10	0	E08	35000					
31120-BLB3-E10	0	E08				39000		
31200-BLB3-E10	0	E07	35010-BLB3-E13	0	F19			
3134A-BLB3-E10	0	F07	35102-AKF3-307	0	F19	39300-BLB9-900	0	E02
31500-ALC8-EZ0	0	F11	35111-LDC1-305	0	F19	39301-BLB3-E00	0	E02
31600-BLB3-E10	0	F19	35111-LDC1-306	0	F19	39302-KKE3-C00	1	E02
32000			3515A-BLB3-E10	0	F03	39303-BLB9-900	0	E02
			3520A-BLB3-E10	0	F03	39400-LHJ3-900	1	E02
			35340-KNBN-C00	1	F04	39450-ZVA6-M00	1	F14
32100-BLB3-E12	0	F19	35350-KNBN-C00	1	F04			
32411-BLB3-E10	0	F19	35370-LLJ3-C00	0	F15	42000		
32412-BLB3-E10	0	E01	35850-LCA3-B50	0	F19			
32413-BLB3-E10	0	F19				42311-KED9-C00	0	F16
33000			37000			42312-LEJ2-E10	1	F16
						42601-BLB3-E10	0	F08
			37200-BLB3-E10	0	F02	42710-BLB3-E10	0	F08
33100-BLB3-E10	0	F01	37209-BLB3-E10	0	F02	42753-0A01-C00	1	F07

PART NO. INDEX

PART NO.	VERSION	PAGE	PART NO.	VERSION	PAGE	PART NO.	VERSION	PAGE
42753-0A01-C00	1	F08	45200-ACC1-E10	1	F04	5061A-BLB3-E10	0	F20
43000			45352-BAA3-900	0	F07	5061B-BLB3-E10	0	F20
			45500-AEH9-C00	1	F04	5070A-BLB3-E10	0	F20
			45513-GOWO-C00	0	F04	5070B-BLB3-E10	0	F20
			45513-LFB5-C00	0	F04			
43100-LHJ8-C00	0	F04	45517-KFAF-910	1	F04	51000		
43105-LHJ8-305	0	F04						
43126-BLB3-E10	0	F04	50000					
43156-KKC4-C00	1	F04			51400-BLB3-E10	0	F06	
43351-LFB5-E80	2	F08			51500-BLB3-E10	0	F06	
43500-AEH9-C00	0	F04	50100-BLB3-E10	0	F20			
44000			50187-BLB3-E10	0	F19	52000		
			50301-KGN7-C00	2	F20			
			50302-2H68-C00	2	F20	52000-BLB3-E10	0	F16
			50306-1F96-C00	1	F06	52400-BLB3-E10	0	F16
44311-BLB3-E10	0	F07	50320-BLB3-E10	0	F18	52500-BLB3-E10	0	F16
44312-BLB3-E10	0	F07	50325-BLB3-E10	0	F11			
44601-BLB3-E10	0	F07	50326-BLB3-E10	0	F11	53000		
44620-KHD8-C00	1	F07	50330-ALK5-C00	1	F20			
44710-BLB3-E10	0	F07	50350-BLB3-E10	0	F20	53100-BLB3-E10	0	F03
45000			50505-PUA3-B50	2	F15	53105-LGR5-E10	1	F03
			5050A-BLB3-E10	0	F15	53125-GEN5-C00	1	F03
			50515-BLB3-E10	0	F20	53140-AEE2-C00	0	F03
45105-ACC1-305	0	F04	50526-BLB3-E10	0	F15	53166-AEE2-C00	0	F03
45121-LGR5-E80	1	F07	50530-AHA7-C00	0	F15	53175-LEB9-E00	0	F04
45126-BLB3-E10	0	F04	50550-KKC2-C00	0	F15	53178-KBNA-C00	0	F04
45128-BLB3-E10	0	F06	50613-BLB3-E10	0	F20	53200-BLB3-E10	0	F06
45129-BLB3-E10	0	F06						

PART NO. INDEX

PART NO.	VERSION	PAGE	PART NO.	VERSION	PAGE	PART NO.	VERSION	PAGE
53204-BLB3-E10	0	F03	64306-BLB3-E10	0	F05	80116-ACC1-E10	1	F18
53205-BLB3-E10	0	F03	64310-BLB3-E10	0	F05	80151-BLB3-E10	0	F12
53206-BLB3-E10	0	F03	64312-BLB3-E10	0	F05	80152-BLB3-E10	0	F05
53211-GFY6-C00	1	F06	64315-BLB3-E10	0	F20	80153-BLB3-E10	0	F05
53212-2L50-C00	1	F06	64320-BLB3-E10	0	F05			
53214-2L50-C00	5	F06	64322-BLB3-E10	0	F05	81000		
53215-2L50-C00	1	F06	64327-BLB3-E10	0	F12			
			64330-BLB3-E10	0	F05	81131-BLB3-E10	0	F05
61000			64340-BLB3-E10	0	F05	81132-BLB3-E10	0	F05
61100-BLB3-E10	0	F06	64400-BLB3-E10	0	F05	81133-BLB3-E10	0	F05
61103-BLB3-E10	0	F05				81134-BLB3-E10	0	F05
61110-BLB3-E10	0	F05	77000			81135-BLB3-E10	0	F05
			77115-BLB3-E10	0	F12	81136-BLB3-E10	0	F05
64000			77200-BLB3-E10	0	F09	81138-BLB3-E10	0	F05
64140-BLB3-E10	0	F03	77234-LFC4-E10	0	F19	8113B-BLB3-E10	0	F05
64220-BAC5-C00	0	F03	77235-LEA1-C00	0	F20	81144-ALJ8-E10	2	F12
64221-BLB5-E10	0	F03	77240-BLB3-E10	0	F19	81151-BLB3-E10	0	F05
64222-BLB5-E10	0	F03	77303-BLB3-E10	0	F09	81200-BLB3-E10	0	F12
64222-LLJ3-C00	0	F03				81210-AKC6-E10	0	F12
64240-BLB3-E10	0	F03	80000			81220-AKC6-E10	0	F12
64301-BLB3-E11	0	F05	80100-BLB3-E10	0	F18	81231-BLB3-E10	0	F12
64303-BLB3-E10	0	F05	80101-BLB3-E10	0	F18	81237-BLB3-E10	0	F05
64304-BLB3-E10	0	F05	80102-BLB3-E10	0	F18	81250-BLB3-E10	0	F12
64305-BLB3-E10	0	F05	80105-BLB3-E10	0	F18	81501-LFC4-E10	0	F23
						8150A-ALJ8-E11	0	F23
						8150D-AAD2-C00	0	F23

PART NO. INDEX

PART NO.	VERSION	PAGE	PART NO.	VERSION	PAGE	PART NO.	VERSION	PAGE
8150E-LFC4-E10	0	F23	86202-BLB3-E00	0	F22	90001-GFY6-C01	0	E02
8150L-LFC4-E10	0	F23				90005-KAW1-C00	0	E03
8151B-LFC4-E10	0	F23	87000			90017-KED9-C00	0	E02
8152E-LFC4-E10	0	F23				90017-KKE5-C00	0	E02
8154B-LFC4-E10	0	F23	87140-ALJ9-E10	0	F22	90032-KHD6-C01	1	E01
			87206-YZA6-E00	0	F22	90032-LAB4-C00	0	E01
83000			87508-ABD2-E00	0	F22	90033-GFY6-C01	1	E02
			87541-GAR1-C01	1	F22	90101-LKF5-C01	0	F20
83500-BLB3-E10	0	F12	87541-KUDU-E00	1	F22	90105-BLB3-E10	0	F20
83510-BLB3-E10	0	F05	87542-GAR1-C01	2	F22	90105-KCR3-C02	1	F07
83520-BLB3-E10	0	F12	87546-AGE3-E00	0	F22	90105-KCR3-C02	1	F08
83550-AEB9-E00	1	F10	87560-BLB3-E00	0	F22	90106-KFC2-900	2	F03
83550-KEC8-C00	4	F06	87567-BLB3-E00	0	F22	90106-KKE5-C00	0	F03
83551-BLB3-E10	0	F20				90106-KUDU-900	2	F03
83551-KEC8-C10	4	F06	88000			90106-PUA3-B50	0	F03
83552-AEB9-E00	1	F10				90108-KKC4-C00	0	F15
83552-BLB3-E10	0	F06	88110-ABD6-C02	0	F03	90110-KEB7-C01	1	F06
83600-BLB3-E10	0	F12	88120-ABD6-C02	0	F03	90111-06016-07G	0	F12
83610-BLB3-E10	0	F05				90111-06016-07G	0	F15
83620-BLB3-E10	0	F12	89000			90111-06016-07G	0	F19
83750-BLB3-E10	0	F12				90114-1F66-C00	2	F04
			89010-KGBG-C00	1	F09	90115-KXCX-C01	1	F13
86000						90121-KBE2-C01	1	F07
			90000			90122-KHC7-C01	1	F04
86020-BLB3-E00	0	F22				90145-MKS9-C00	0	F04
86102-ALJ8-E00	0	F23	90001-GBHB-C06	1	E03	90201-GFY6-901	1	E07

PART NO. INDEX

PART NO.	VERSION	PAGE	PART NO.	VERSION	PAGE	PART NO.	VERSION	PAGE
90201-KHE7-C01	0	E06	90652-ADE1-C00	0	E02	91351-KEBE-W00	0	E06
90201-KHR8-C01	1	E06	90652-BAB7-900	0	F05			
90202-1G87-001	1	E06	90652-LCA4-C10	6	F05	92000		
90301-6C93-C01	1	F18	90652-LCA4-C10	6	F12			
90301-6D34-C01	1	F18	90652-LFB5-C00	1	F05	92101-05008-0G	0	E02
90301-GFY6-C01	0	F14	90652-LFB5-C00	1	F12	92101-05012-07G	0	E08
90302-PUA3-B51	1	F03	90656-ZZA6-E04	0	F19	92101-05012-0HG	1	F07
90302-SDA4-C01	0	F02	90660-PWA2-900	1	F06	92900-06050-08G	1	E02
90302-SDA4-C01	0	F05	90662-AFB5-900	1	F20			
90302-SDA4-C01	0	F11	90701-HFB6-C00	0	E03	93000		
90304-GHE8-C01	0	F03	90754-LLJ3-C00	0	F07			
90304-LEA1-C00	1	F20	90912-KFLF-C00	1	F07	93401-04025-08	0	F19
90305-LBA2-C00	0	F06				93404-06012-07G	0	F03
90305-LKL5-E31	0	F08	91000			93404-06012-07G	0	F05
90306-KLF0-C02	0	F07				93404-06012-07G	0	F18
90312-BLB3-E10	0	F03	91003-KDS4-C00	1	E09	93404-06012-07G	0	F20
90401-LLF5-900	1	E02	91009-KHE7-900	0	E09	93600-04012-1G	1	F04
90403-LEA2-C00	0	E07	91014-LLJ3-C00	1	F06	93600-06020-0G	0	E07
90404-AFF8-900	0	E09	91015-LLJ3-C00	1	F06	93903-25480	1	F13
90440-1F66-C00	1	E08	91202-LEB1-900	1	E01	93903-25480-07	0	F03
90441-GFY6-C01	1	E06	91203-AFF8-90A	0	E01	93903-34280-G	0	F05
90465-MDC4-C00	1	E02	91211-KEBE-900	0	E06	93903-34380-G	0	F05
90474-3C33-C00	1	E01	91255-KHE7-90A	1	E09	93903-34380-G	0	F12
90474-3C33-C00	1	E09	91302-0A01-C00	10	E04	93903-34380-G	0	F17
9052A-PUA3-B50	1	E01	91306-1E05-C00	1	E03	93903-35280-G	1	F01
90545-3L00-C01	0	F04	91307-0E35-W10	1	E04	93903-35280-G	1	F02

PART NO. INDEX

PART NO.	VERSION	PAGE	PART NO.	VERSION	PAGE	PART NO.	VERSION	PAGE	
93903-35280-G	1	F03	95000			95701-LDF2-C00	1	F10	
93903-35280-G	1	F18				95701-LEA5-C00	0	F19	
93903-35380-G	1	F02				95801-08032-07G	1	F16	
93903-35380-G	1	F18		95002-02120	1	F13	95801-08040-08G	1	F06
93903-GFY6-C01	1	F05		95002-41150-00	0	F13	95801-08045-07G	0	E09
93903-KEB7-C01	1	F05		95014-72204-G	0	F15	95801-08045-07G	0	F04
94000			95701-06008-07G	1	F06	95801-08045-07G	0	F16	
			95701-06010-07G	0	F16	95801-08055-07G	1	F14	
			95701-06012-07G	1	F06	95801-10040-07G	1	F16	
94050-05080-G	1	F06	95701-06012-07G	1	F10	96000			
94050-05080-G	1	F18	95701-06012-07G	1	F18				
94050-06070-G	0	F09	95701-06012-07G	1	F19				
94050-06080	2	E02	95701-06012-07G	1	F20		96001-06012-07G	1	F07
94050-08080	4	E02	95701-06014-07G	1	E02		96001-06012-07G	1	F14
94050-08080-G	1	F19	95701-06014-07G	1	F19		96001-06012-07G	1	F20
94050-12080-G	0	E08	95701-06016-07G	1	F19	96001-06014-08G	0	E01	
94101-10800-G	1	F15	95701-06020-07G	1	F10	96001-06016-07G	0	E08	
94101-LEA2-C00	0	F14	95701-06020-07G	1	F20	96001-06018-07G	0	E08	
94111-06800-G	0	E02	95701-06028-07G	1	F06	96001-06018-08G	1	E01	
94111-ACD5-C00	0	F14	95701-06050-07G	1	F20	96001-06018-08G	1	E02	
94201-25250-G	0	F15	95701-08012-07G	0	E01	96001-06020-06	0	F14	
94301-08140	4	E04	95701-08012-07G	0	F19	96001-06022-06	1	F04	
94301-10160	4	E01	95701-08016-07G	1	F20	96001-06022-07G	1	E08	
94301-10160	4	E02	95701-08020-07G	1	F12	96001-06025-07G	0	E07	
94301-10160	4	E03	95701-08030-07G	0	F12	96001-06025-07G	0	E08	
94540-05018	0	E07	95701-08045-07G	0	F12	96001-06028-07G	1	E08	

PART NO. INDEX

PART NO.	VERSION	PAGE	PART NO.	VERSION	PAGE	PART NO.	VERSION	PAGE
96001-06035-07G	0	E01						
96001-06035-07G	0	E04						
96001-06040-07G	1	E04						
96001-06045-07G	1	E01						
96001-06055-07G	0	E01						
96001-06100-07G	0	E01						
96001-06100-07G	0	E02						
96001-06100-07G	0	E04						
96100-60020-00	1	E09						
96100-62020-00	1	E01						
96100-62043-00	1	E01						
96100-63030-00	1	E01						
96150-62030-10	0	F16						
96220-LDC5-C00	1	E07						
98000								
98059-AAC9-900	0	E02						