

PARTS CATALOGUE



SCOOTERS

TE25CA(RO)

New Like 125 CBS E5



Release Date : 2023/05/08
Print Date : 2024/07/06

ABOUT THIS PARTS LIST

- This parts list is compiled all service parts for model TE25CA(RO).
- Any difference between color chart and motorcycle will be revised according to motorcycle.
- The Mark:
 1. Marking "***" must add color code in the end before ordering parts.
 2. Marking "#" are parts with modification, Please find the details from e-Parts system.
- When modification or additions to this parts list are made a revised edition at an appropriate time.



CONTENTS

● ABOUT THIS PARTS LIST	1
● COLOR CHART OF TE25CA(RO)	3
● CONTENTS-ENGINE GROUP	6
● CONTENTS-FRAME GROUP	7
● ENGINE PARTS LIST	10
● FRAME PARTS LIST	36
● PART NO. INDEX	94

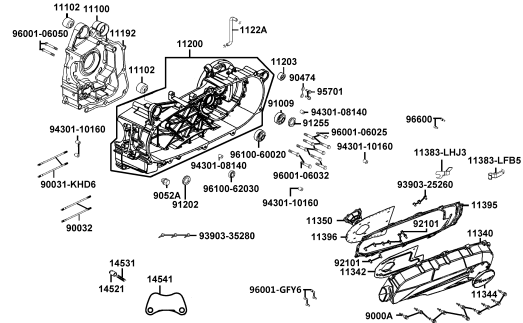
NO	MODEL			COLOR CHART OF TE25CA(RO)			
	PHOTO NO			NO. 1			
	BASIC COLOR			Mat Silver Crystal			
	CODE			Mat Silver Crystal			
	PARTS NAME	PARTS NO.	VERSION	NH263FA			
1	CUSHION ASSY REAR	52400-ACC1-E10	0	F1A			
2	COVER ASSESSORY	11344-ACC1-E10	0	F1P			
3	COVER HEAD LIGHT	53207-ACC1-E10	0				
4	LID FR.COVER LOW	64304-ACC1-E10	0				
5	COVER FR DEC TOP	64307-ACC1-E10	0				
6	COVER FR DEC R	64313-ACC1-E10	0				
7	COVER FR DEC L	64314-ACC1-E10	0				
8	COVER FLOOR DEC R	64317-ACC1-E10	0				
9	COVER FLOOR DEC L	64318-ACC1-E10	0				
10	FENDER REAR UP	80105-ACC1-E10	0				
11	"LID, COVER LEG	81142-ACC1-E11	0				
12	COVER BATTERY	81201-AKB7-C00	0				
13	MIRROR ASSY R BACK	88110-ACC1-E10	0				
14	MIRROR ASSY L BACK	88120-ACC1-E10	1				
15	MUFFLER ASSY EXH	1830A-ACC1-EZ5	0				
16	PTOTECTOR MUFFLER	18318-ACC1-E10	0				
17	COVER METER	53204-ACC1-E10	0				
18	COVER HANDLE FR	53205-ACC1-E10	0	J2P			
19	COVER HANDLE RR	53206-ACC1-E10	0				
20	COVER SWITCH	53208-ACC1-E10	1				
21	COVER L SIDE HANDLE	53209-ACC1-E10	0				
22	FRONT FENDER A	61100-ACC1-E10	4				
23	FRONT FENDER B	61101-ACC1-E10	0				
24	FRONT COVER	64301-ACC1-E10	0				
25	SKIRT R SIDE	64305-ACC1-E10	0				
DATE OF STARTING-SALES							
DATE OF END-SALES							

NO	MODEL			COLOR CHART OF TE25CA(RO)			
	PHOTO NO			NO. 1			
	BASIC COLOR			Mat Silver Crystal			
	CODE			Mat Silver Crystal			
	PARTS NAME	PARTS NO.	VERSION	NH263FA			
26	SKIRT L SIDE	64306-ACC1-E10	0	J2P			
27	FUEL COVER	80152-ACC1-E10	0				
28	LEG SHIELD	81131-ACC1-E10	1				
29	COVER LEG SHIELD	81141-ACC1-E10	0				
30	BODY COVER R	83500-ACC1-E10	1				
31	BODY COVER L	83600-ACC1-E10	1				
32	LEVER R STRG HNDL	53175-KXBX-E00	1	M3A			
33	LEVER L STRG HANDLE	53178-KNBN-C00	0				
34	"HEAT GUARD, FUEL	17582-ACC1-E10	1	N1R			
35	LID R RR COMB	33718-ACC1-E10	1				
36	LID L RR COMB	33719-ACC1-E10	1				
37	COVER BATTERY	50326-ACC1-E10	1				
38	COVER ASSY BATTERY	50329-ACC1-E11	0				
39	UNDER COVER	50613-ACC1-E10	1				
40	STAND COVER	50623-ACC1-E10	1				
41	FENDER FR INNER	61110-ACC1-E10	1				
42	COVER PUMP	64311-ACC1-E10	1				
43	PLUG FLOOR	64316-LCB9-C10	5				
44	"ASSY., PANEL FLOOR"	6431A-ACC1-E10	1				
45	FLOOR PANEL UP	64320-ACC1-E10	1				
46	UNDER COWL	64400-ACC1-E10	1				
47	FENDER RR TIRE	80100-ACC1-E10	1				
48	FENDER RR INNER	80101-ACC1-E10	1				
49	FENDER RR LOW	80106-ACC1-E10	1				
50	"COVER, CENTER"	80151-ACC1-E10	1				
DATE OF STARTING-SALES							
DATE OF END-SALES							

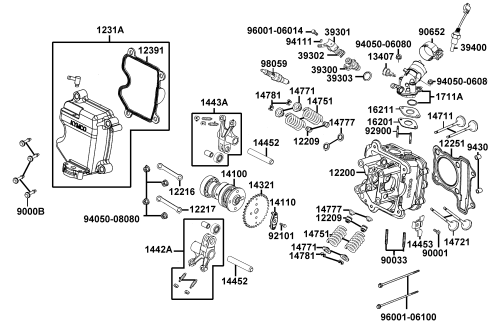
NO	MODEL			COLOR CHART OF TE25CA(RO)				
	PHOTO NO			NO. 1				
	BASIC COLOR			Mat Silver Crystal				
	CODE			Mat Silver Crystal				
	PARTS NAME	PARTS NO.	VERSION	NH263FA				
51	BOX ASSY LUGGAGE	81260-ACC1-E10	1	N1R				
52	REAR CENTER COVER	83750-ACC1-E10	1					
53	COVER COMP L SIDE	11340-ACC1-E10	0	N8A				
54	FORK ASSY FR R	51400-ACC1-E10	1					
55	BOTTOM CASE RH	51420-ACC1-E10	0					
56	FORK ASSY FR L	51500-ACC1-E10	1					
57	BOTTOM CASE L	51520-ACC1-E10	0					
58	FORK ASSY RR	52000-AFA9-C01	0					
59	WHEEL COMP RR CAST	42601-ACC1-E11	1	NEA				
60	WHEEL FR CAST	44601-ACC1-E11	0					
61	SEAT ASSY.	77200-ACC1-E10	1	T01				
62	EMB KYMCO	86102-ALG1-E00	2					
63	CAUTION SIDE STAND	87541-GAR1-C01	1					
64	LABEL OIL CAP	87541-KUDU-E00	1					
65	MARK MAINT CAUTION	87542-GAR1-C01	2					
66	LABEL FUEL TANK	87546-AGE3-E00	0					
67	MARK DRIVE CAUTION	87560-ACC1-E00	1					
68	EMB MARK 125 TAPE A	87140-ACC1-E00	0		T04			
69	EMB K-LOGO 28.5MM	86102-ACC1-C00	0		T05			
70	EMB BODY COVER	86202-ACC1-E10	0					
DATE OF STARTING-SALES								
DATE OF END-SALES								

CONTENTS - ENGINE GROUP

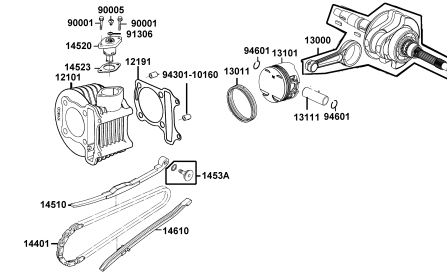
E01 Crank Case



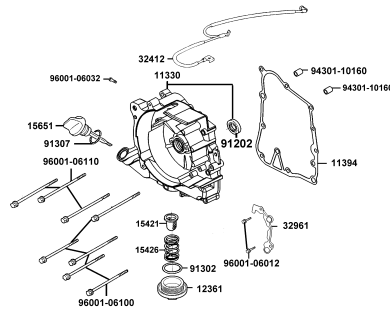
E02 Cylinder Head



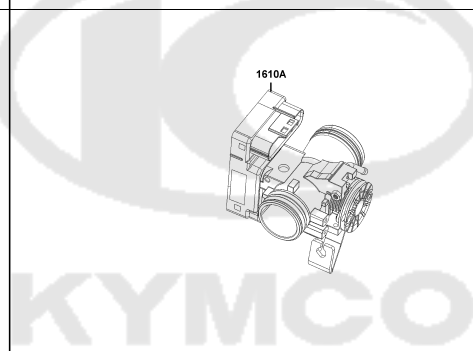
E03 Cylinder Piston Crankshaft



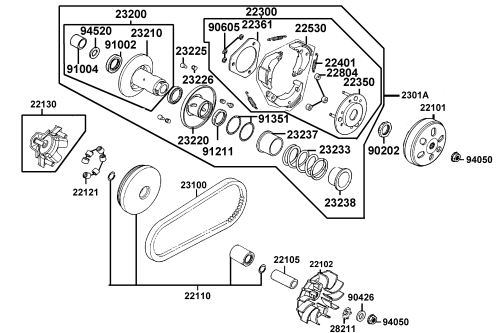
E04 Right Crankcase Cover



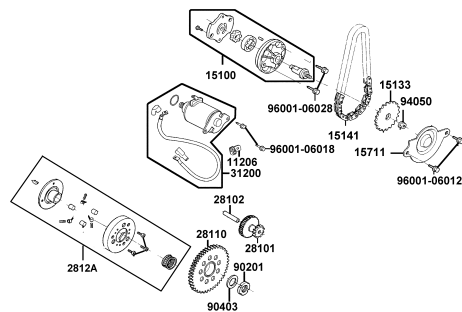
E05 THROTTLE BODY ASSY



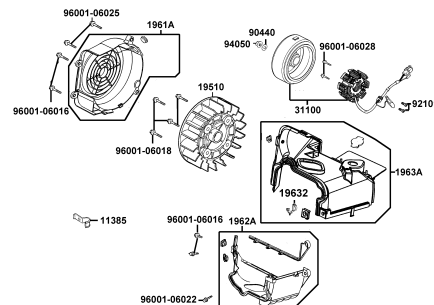
E06 Driven Pulley



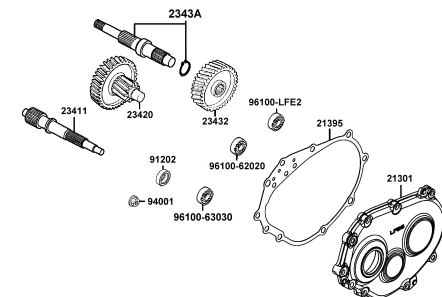
E07 Starting Motor Oil Pump



E08 Fan Cover Generator

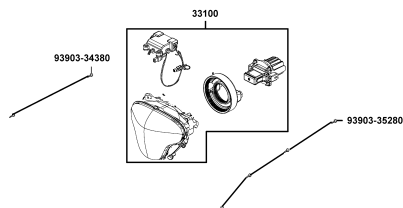


E09 Transmission

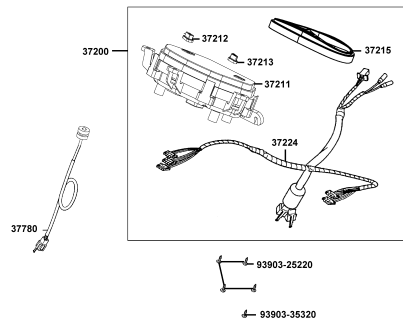


CONTENTS - FRAME GROUP

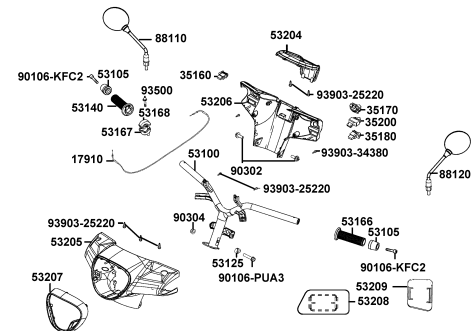
F01 Head Light



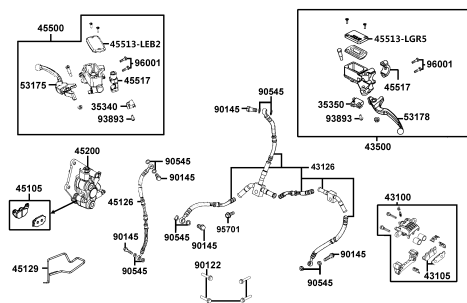
F02 Speedometer



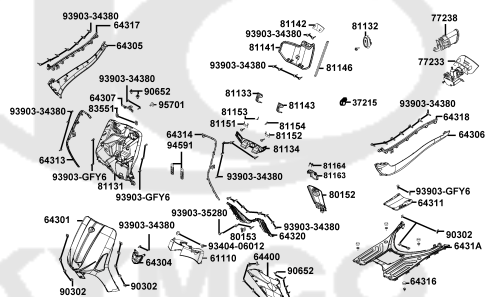
F03 Handle Steering Handle Cover



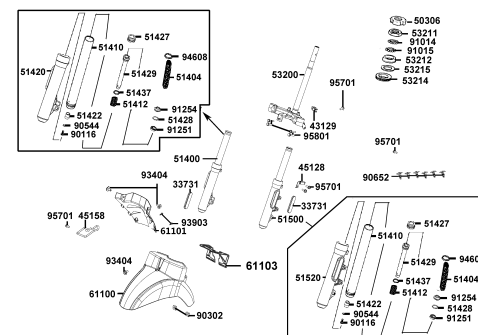
F04 Brake Master Cylinder



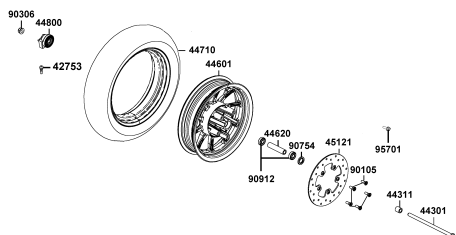
F05 Front Cover Front Fender



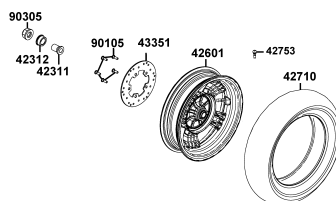
F06 Stem Steering Front Cushion



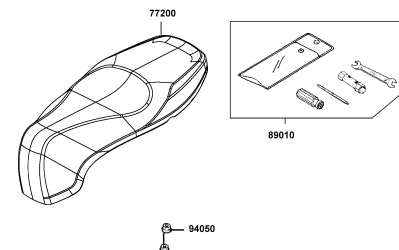
F07 Front Wheel



F08 Rear Wheel

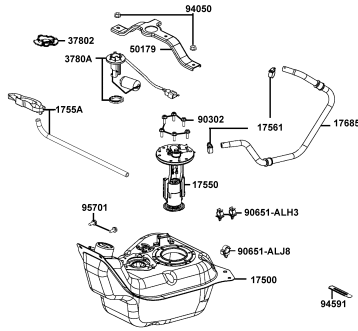


F09 Seat

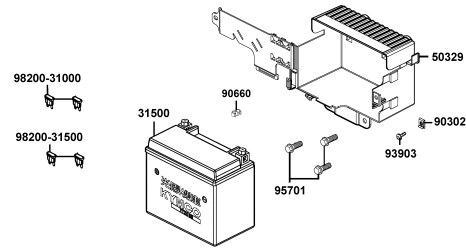


CONTENTS - FRAME GROUP

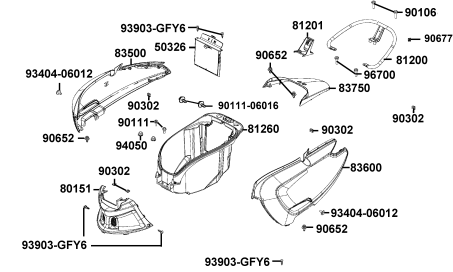
F10 Fuel Tank



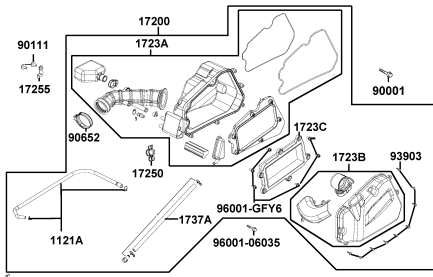
F11 Battery



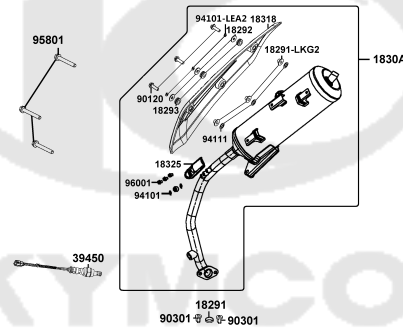
F12 Body Cover Luggage Box



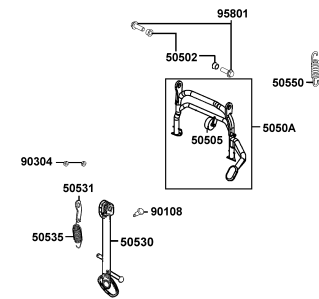
F13 Air Cleaner



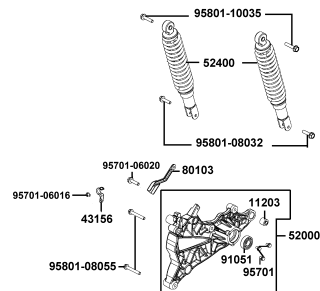
F14 Exhaust Muffler



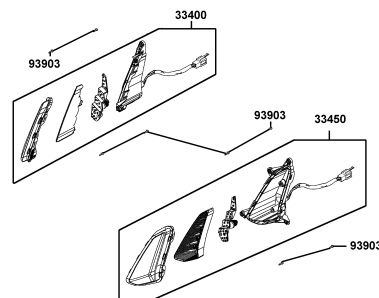
F15 Stand Kick Starter Arm



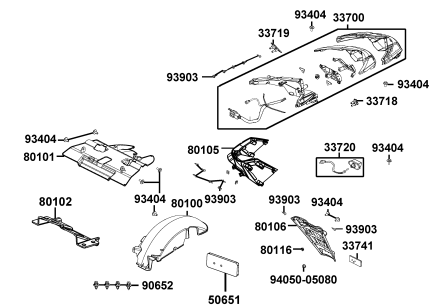
F16 Rear Cushion



F17 Front Winker

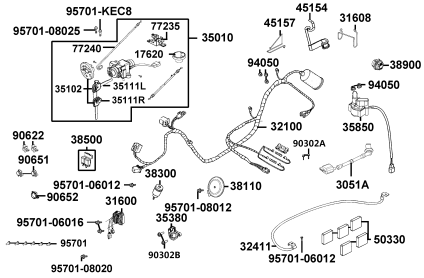


F18 Tail Light

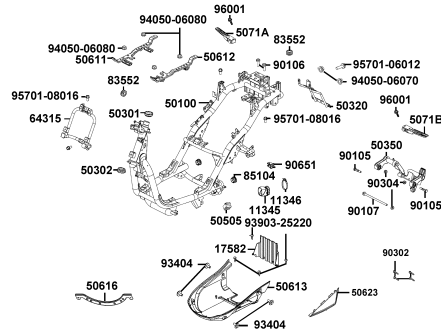


CONTENTS - FRAME GROUP

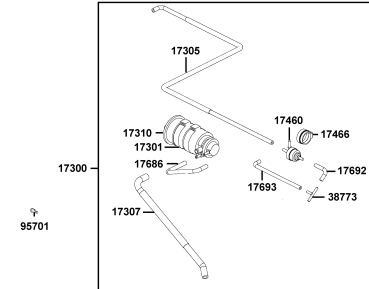
F19 Wire Harness



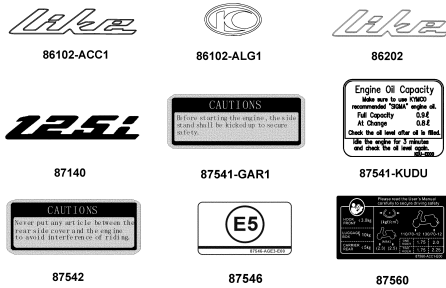
F20 Frame Body



F21 Air Cleaner Two

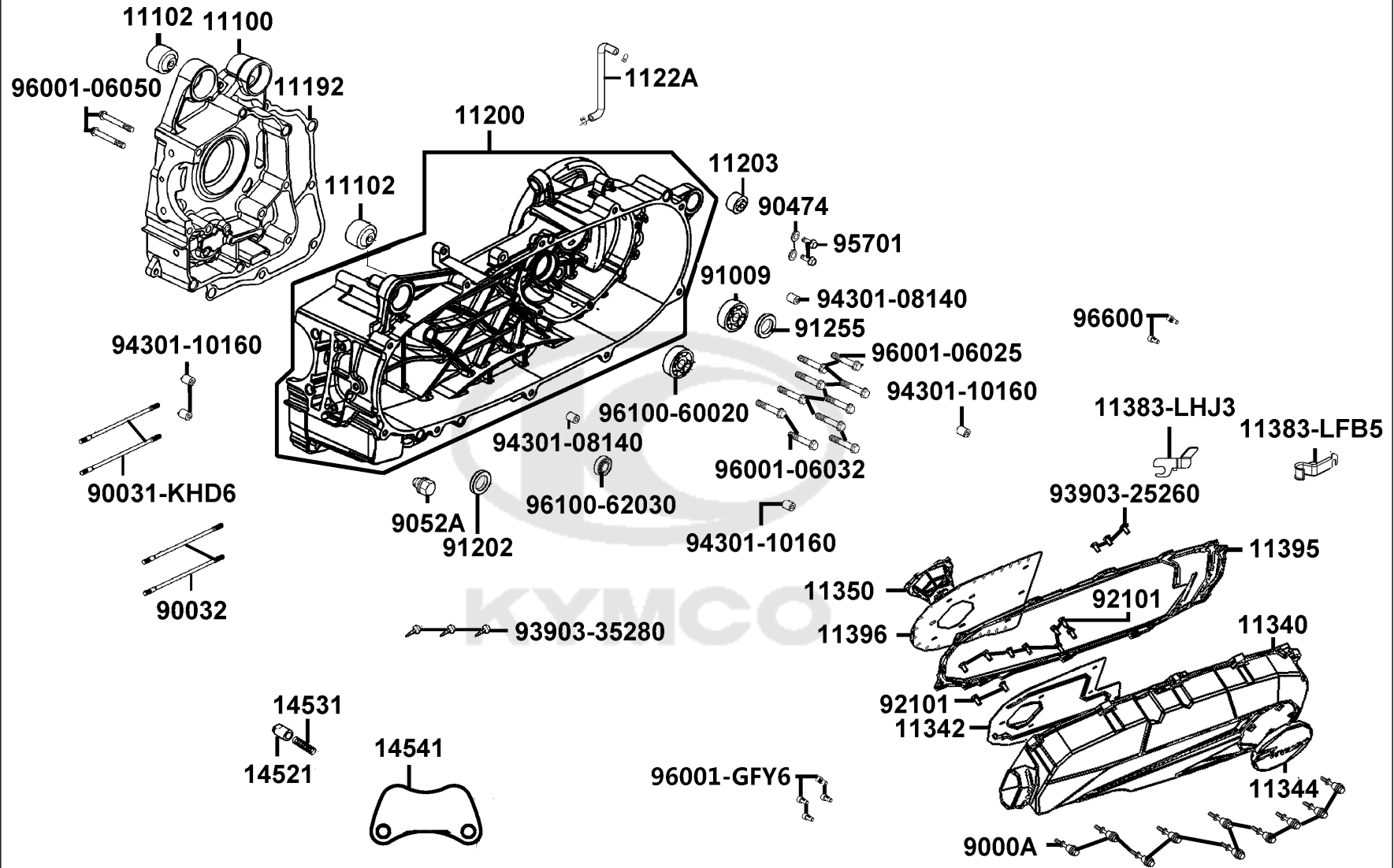


F22 Emblem Stripe



E01

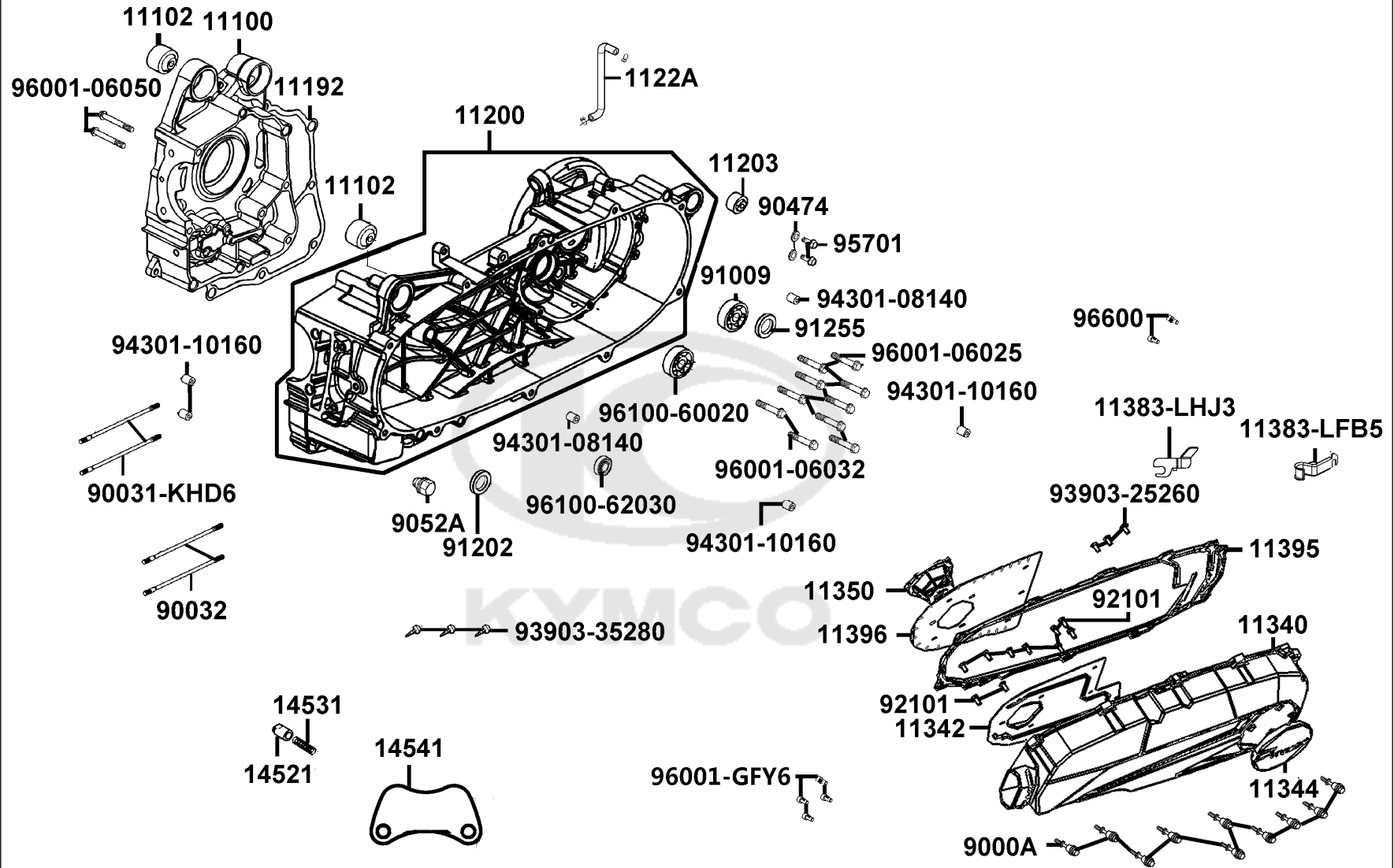
Crank Case



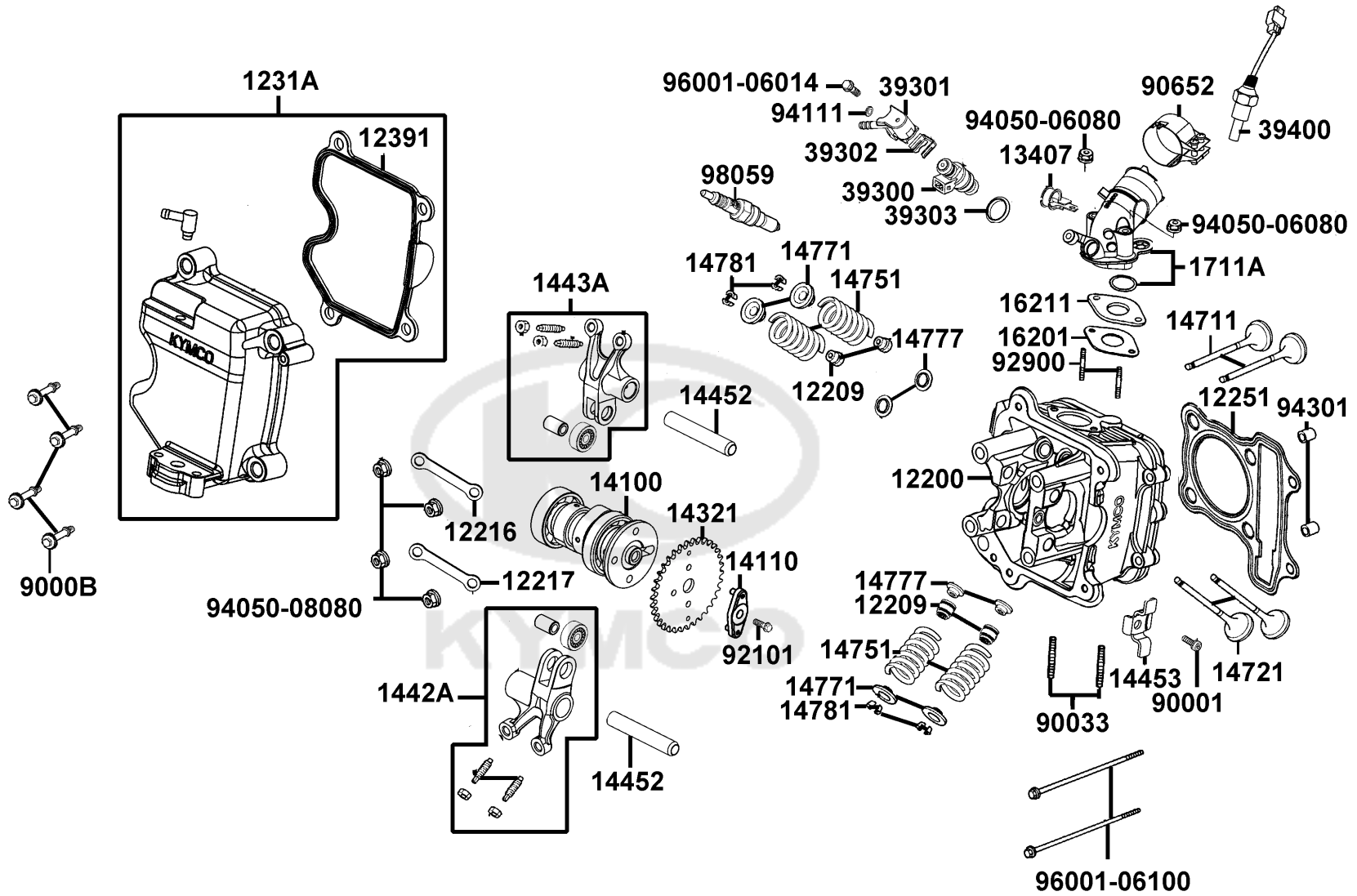
Sales mark	Ref no	Part no	Description	Reg description	Regd no	E01
	11100	11100-ACC1-E10	CRANK CASE COMP RIGHT	CRANK CASE COMP RIGHT	1	
	11102	11102-1G87-C00	RUB BUSH ENG HANGER	RUB BUSH ENG HANGER	1	
	11192	11192-LEB1-C00	GASKET CRANK CASE @ A	GASKET CRANK CASE @ A	1	
	11200	11200-LFB5-C00	CRANK CASE COMP LEFT	CRANK CASE COMP LEFT	1	
	11203	11203-GGC7-W10	UNDER RUBBER BUSH REAR CUSHION	UNDER RUBBER BUSH REAR CUSHION	1	
	1122A	1122A-ACC1-E10	TUBE ASSY MISSION BREATHER	TUBE ASSY MISSION BREATHER	1	
**	11340	11340-ACC1-E10	COVER COMP L SIDE	COVER COMP L SIDE	1	
	11342	11342-ACC1-E10	PLATE L COVER	PLATE L COVER	1	
**	11344	11344-ACC1-E10	COVER ASSESSORY	COVER ASSESSORY	1	
	11350	11350-LFB5-C00	"ELEMENT COMP., L COVER"	"ELEMENT COMP., L COVER"	1	
	11383-LFB5	11383-LFB5-C00	CLAMP(C)	CLAMP(C)	1	
	11383-LHJ3	11383-LHJ3-C00	CLAMPER DRAIN TUBE	CLAMPER DRAIN TUBE	1	
	11395	11395-LFB5-C00	GASKET L COVER @A	GASKET L COVER @A	1	
	11396	11396-ACC1-E10	GASKET L COVER PLATE	GASKET L COVER PLATE	1	
	14521	14521-AAG1-C00	"PLUG,BEARING PUSH"	"PLUG,BEARING PUSH"	1	
	14531	14531-AAG1-C00	PIVOT CAM CHIAN TENSIONER	PIVOT CAM CHIAN TENSIONER	1	
	14541	14541-ALH4-C00	"PLATE, BEARING PUSH"	"PLATE, BEARING PUSH"	1	
	9000A	9000A-ADG1-C01	BOLT ASSY SPECIAL	BOLT ASSY SPECIAL	10	
	90031-KHD6	90031-KHD6-C01	BOLT A STUD 8*218	BOLT A STUD 8*218	2	
	90032	90032-KHD6-C01	BOLT B STUD 8*208.5	BOLT B STUD 8*208.5	2	

E01

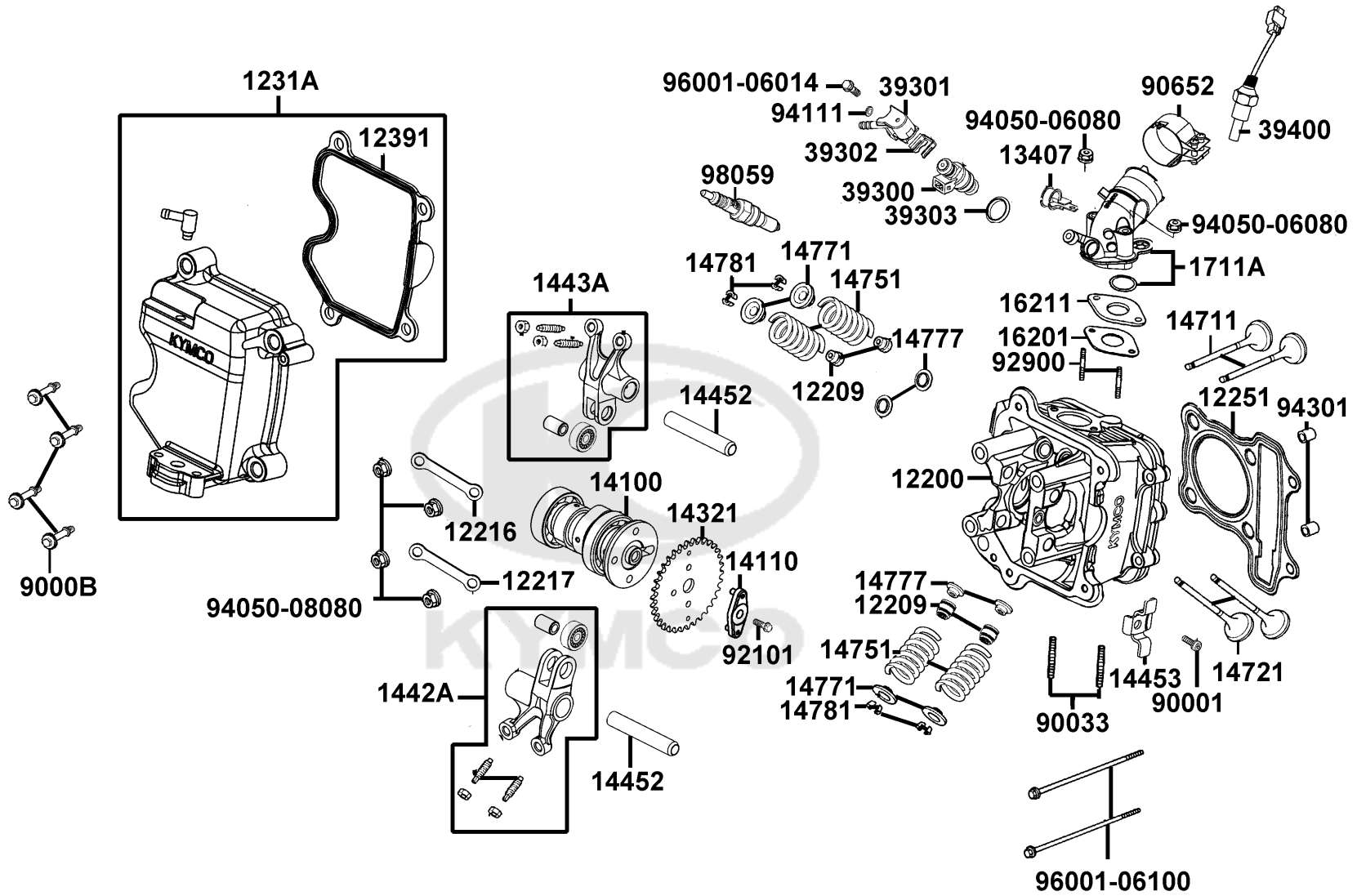
Crank Case



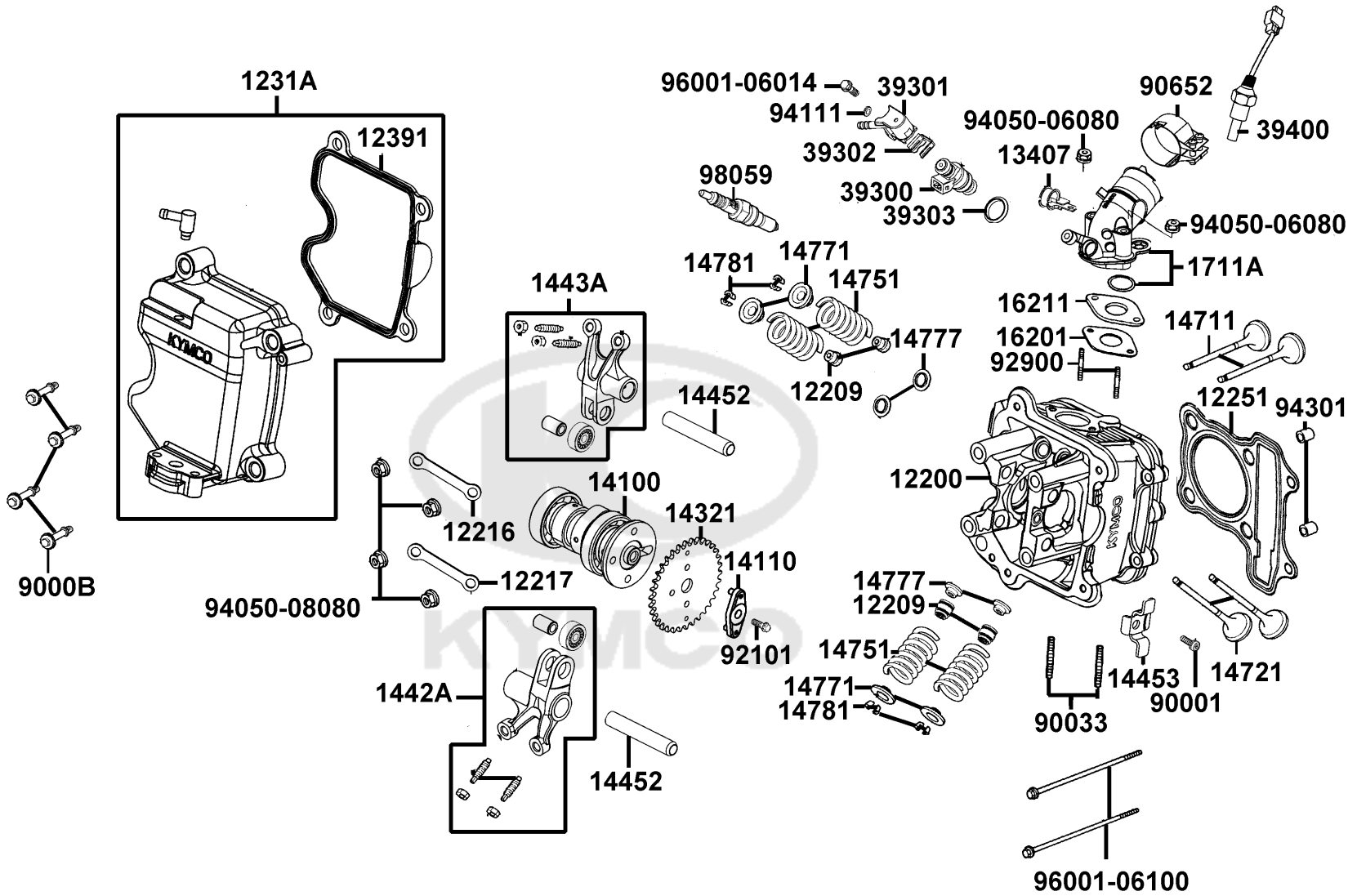
Sales mark	Ref no	Part no	Description	Reg description	Regd no	E01
90474		90474-3C33-C00	WASHER 8MM (T*2)	WASHER 8MM (T*2)	2	
9052A		9052A-LEB1-C01	BOLT ASSY DRAIN PLUG12*15(C)	BOLT ASSY DRAIN PLUG12*15(C)	1	
91009		91009-GLE0-C00	BRG BALL RADIAL 6004 UU	BRG BALL RADIAL 6004 UU	1	
91202		91202-LEB1-900	OIL SEAL 25*35*5	OIL SEAL 25*35*5	1	
91255		91255-LDC8-E10	OIL SEAL 27*42*7(C?)	OIL SEAL 27*42*7(C?)	1	
92101		92101-05012-0HG	BOLT HEX 5*12	BOLT HEX 5*12	7	
93903-25260		93903-25260-G	SCREW TAPPING 5*12(G)	SCREW TAPPING 5*12(G)	3	
93903-35280		93903-35280-G	SCREW TAPPING 5*12 (K)	SCREW TAPPING 5*12 (K)	3	
94301-08140		94301-08140	DOWEL PIN 8*14	DOWEL PIN 8*14	1	
94301-10160		94301-10160	DOWEL PIN 10*16	DOWEL PIN 10*16	2	
95701		95701-08012-07G	BOLT FLANGE 8*12 (K)	BOLT FLANGE 8*12 (K)	2	
96001-06025		96001-06025-07G	BOLT FLANGE SH 6*25 (K)	BOLT FLANGE SH 6*25 (K)	8	
96001-06032		96001-06032-07G	BOLT FLANGE 6*32	BOLT FLANGE 6*32	2	
96001-06050		96001-06050-07G	BOLT FLANGE SH 6*50 (K)	BOLT FLANGE SH 6*50 (K)	2	
96001-GFY6		96001-GFY6-C01	BOLT SPECIAL 5X10	BOLT SPECIAL 5*10	4	
96100-60020		96100-60020-00	BRG BALL RADIAL 6002	BRG BALL RADIAL 6002	1	
96100-62030		96100-62030-00	BRG BALL RADIAL 6203	BRG BALL RADIAL 6203	1	
96600		96600-06016-08G	SOCKET BOLT 6*16(B)	SOCKET BOLT 6*16(B)	2	



Sales mark	Ref no	Part no	Description	Reg description	Regd no	E02
12200		12200-LKE6-C00	HEAD COMP CYL N	HEAD COMP CYL N	1	
12209		12209-LEA2-C00	SEAL VALVE STEM	SEAL VALVE STEM	4	
12216		12216-LEB1-C00	"FORK A, HOLDER"	"FORK A, HOLDER"	1	
12217		12217-LEB1-C00	"FORK B, HOLDER"	"FORK B, HOLDER"	1	
12251		12251-LKE6-C00	GASKET CYLINDER HEAD	GASKET CYLINDER HEAD	1	
1231A		1231A-LHJ3-C00	HEAD COVER SET	HEAD COVER SET	1	
12391		12391-LEB1-C00	GASEKT HEAD COVER	GASEKT HEAD COVER	1	
13407		13407-LKC6-C00	PLATE A ECU MODULE	PLATE A ECU MODULE	1	
14100		14100-LKE6-C00	CAM SHAFT COMP	CAM SHAFT COMP	1	
14110		14110-LEB1-C00	"FIXTURE,CAMSHAFT"	"FIXTURE,CAMSHAFT"	1	
14321		14321-LEB1-C00	SPROCKET CAM	SPROCKET CAM	1	
1442A		1442A-LEB1-C00	"ARM ASSY, VALVE ROCKER"	"ARM ASSY, VALVE ROCKER"	1	
1443A		1443A-LEB1-C00	"ARM ASSY.,VALVE ROCKER"	"ARM ASSY.,VALVE ROCKER"	1	
14452		14452-LFA7-C00	SHAFT EXH ROCKER ARM	SHAFT EXH ROCKER ARM	1	
14453		14453-LKE6-C00	SET PLATE ROCKER ARM SHAFT	SET PLATE ROCKER ARM SHAFT	1	
14711		14711-LKE6-C00	VALVE INLET	VALVE INLET	2	
14721		14721-LKE6-C00	VALVE EXHAUST	VALVE EXHAUST	2	
14751		14751-KHD6-C00	SPG VALVE OUTER	SPG VALVE OUTER	4	
14771		14771-LEA2-900	RETAINER UPPER SPRING	RETAINER UPPER SPRING	1	
14777		14777-LFA7-C00	SEAT VALVE SPG	"SEAT,VALVE SPG"	4	



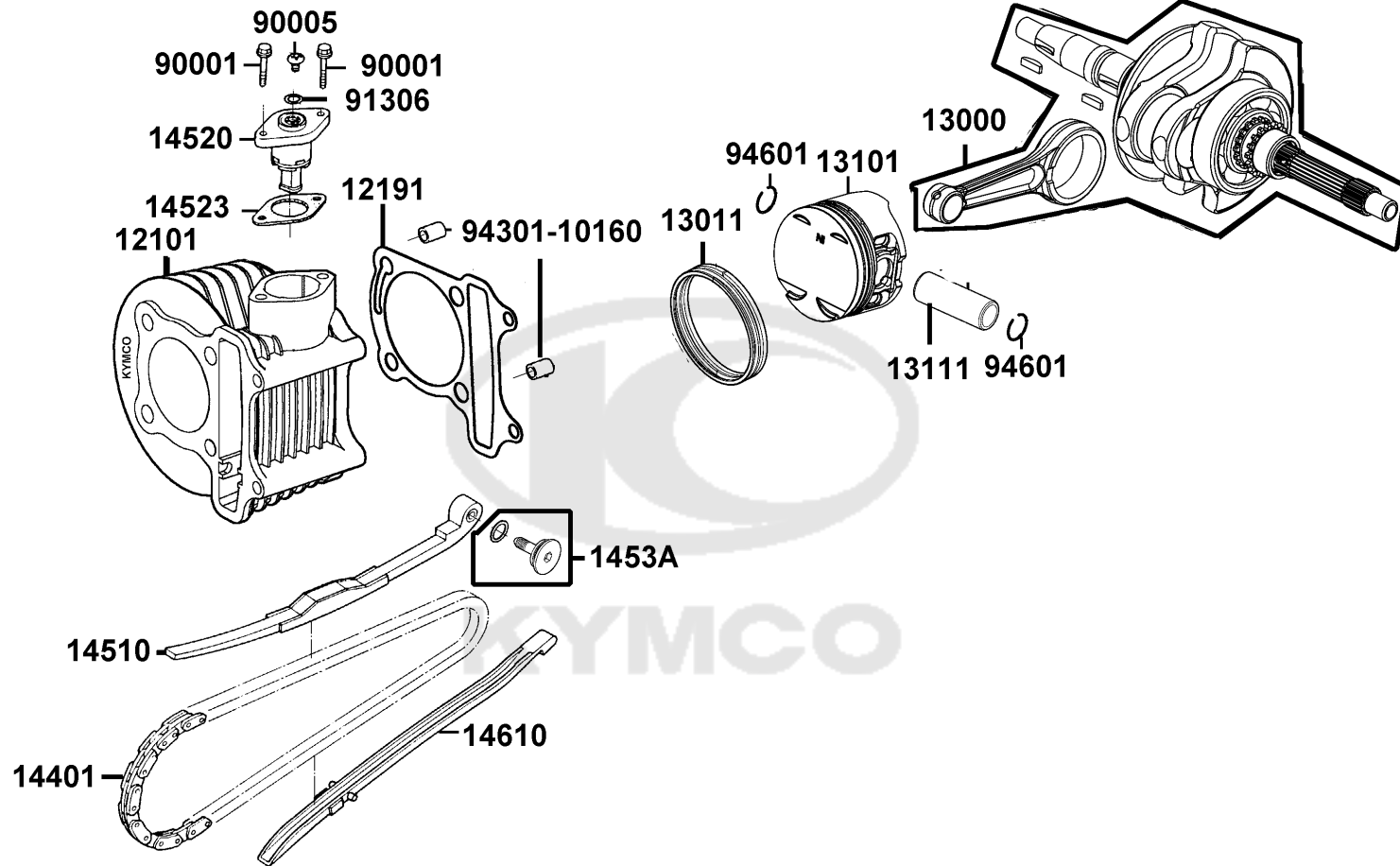
Sales mark	Ref no	Part no	Description	Reg description	Regd no	E02
	14781	14781-KKE5-C00	COTTER VALVE	COTTER VALVE	8	
	16201	16201-LEB1-C00	GASKET CARB INSULATOR	GASKET CARB INSULATOR	1	
	16211	16211-LEB1-C00	INSULATOR CARB	INSULATOR CARB	1	
	1711A	1711A-ACC1-EZ5	PIPE ASSY INLET	PIPE ASSY INLET	1	
	39300	39300-LEB2-800	FUEL INJECTOR	FUEL INJECTOR	1	
	39301	39301-ACC1-EZ5	HOLDER ASSY FUEL	HOLDER ASSY FUEL	1	
	39302	39302-KKE3-C00	CLIP SPRING FUEL INJECTOR	CLIP SPRING FUEL INJECTOR	1	
	39303	39303-LEB2-C00	SEAL,HIGH TENSION FUEL INJECT	SEAL,HIGH TENSION FUEL INJECT	1	
	39400	39400-LHJ3-900	SENSOR. HEAD TEMPERATURE	SENSOR. HEAD TEMPERATURE	1	
	90001	90001-GFY6-C01	SOCKET BOLT 6*10	SOCKET BOLT 6*10	1	
	9000B	9000B-KHD6-C02	BOLT ASSY SPECIAL 6X41.5(G)	BOLT ASSY SPECIAL 6X41.5(G)	1	
	90033	90033-KGB4-C11	BOLT STUD 8*40	BOLT STUD 8*40	1	
	90652	90652-ALB8-C00	BAND 48 INLET-PIPE	BAND 48 INLET-PIPE	1	
	92101	92101-06014-07G	BOLT HEX 6*14	BOLT HEX 6*14	1	
	92900	92900-06060-0BG	BOLT STUD 6*60	BOLT STUD 6*60	1	
	94050-06080	94050-06080-G	NUT FLANGE 6MM	NUT FLANGE 6MM	1	
	94050-08080	94050-08080-G	NUT FLANGE 8MM	NUT FLANGE 8MM	1	
	94111	94111-06800-G	WASHER SPG 6MM(C)	WASHER SPG 6MM(C)	1	
	94301	94301-10160	DOWEL PIN 10*16	DOWEL PIN 10*16	1	
	96001-06014	96001-06014-08G	BOLT FLANGE SH 6*14 (C)	BOLT FLANGE SH 6*14 (C)	1	



Sales mark	Ref no	Part no	Description	Reg description	Regd no	E02
------------	--------	---------	-------------	-----------------	---------	------------

	96001-06100	96001-06100-07G	BOLT FLANGE 6*100	BOLT FLANGE 6*100	1	
	98059	98059-58916-00	PLUG SPARK(CR8E)	PLUG SPARK(CR8E)	1	

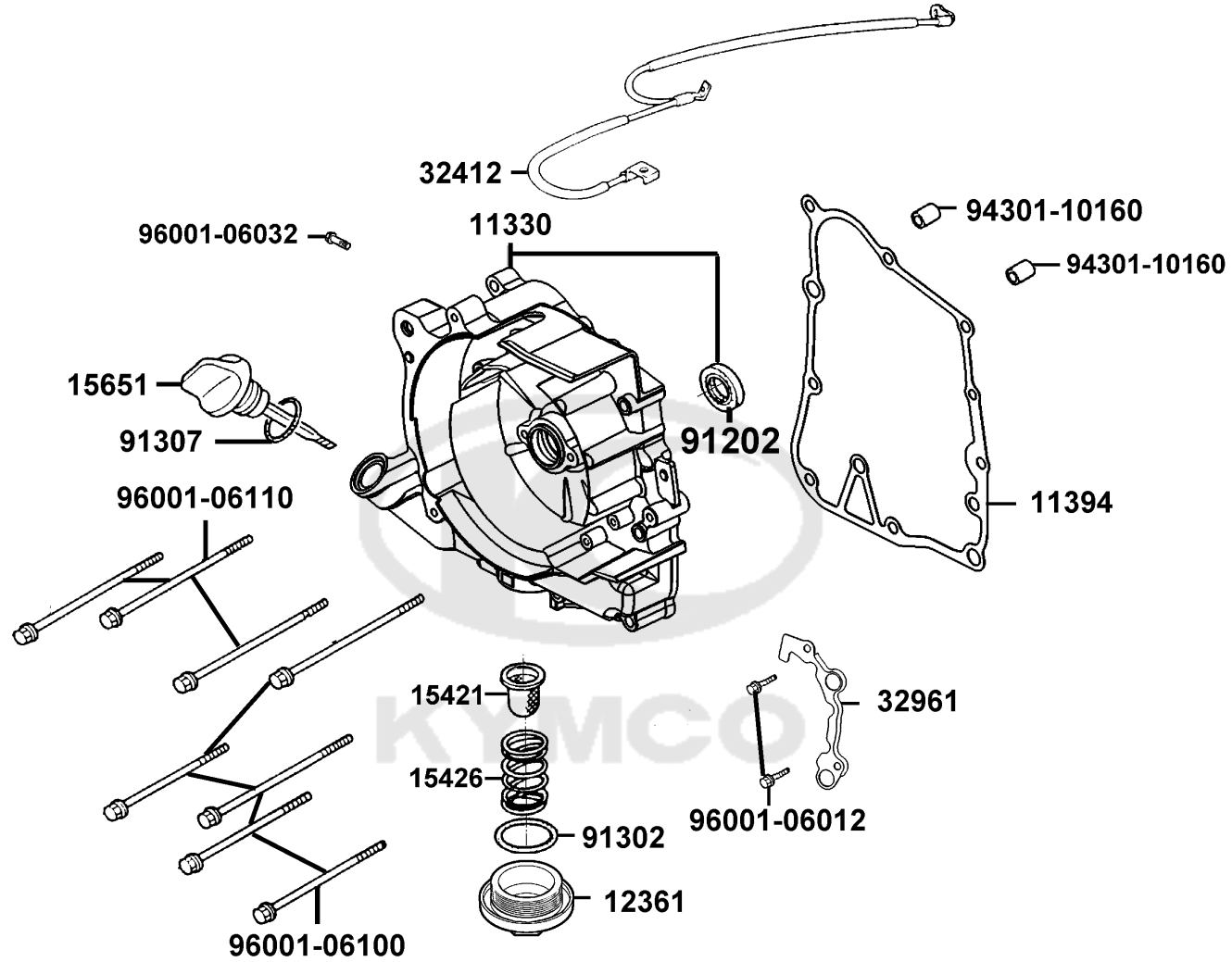




Sales mark	Ref no	Part no	Description	Reg description	Regd no	E03
#	12101	12100-LEB1-900	CYLINDER COMP	CYLINDER COMP	1	
	12191	12191-LEB1-C00	GASKET CYLINDER @A	GASKET CYLINDER @A	1	
	13000	13000-LKE6-C00	CRANK SHAFT COMP	CRANK SHAFT COMP	1	
	13011	13011-LKE6-C00	RING ASSY PISTON	RING ASSY PISTON	1	
	13101	13101-LKE6-C00	PISTON	PISTON	1	
	13111	13111-LFA7-C00	PIN PISTON	PIN PISTON	1	
	14401	14401-KUDU-C00	CHAIN CAM	CHAIN CAM	1	
	14510	14510-LEB1-C00	TENSIONER CAM CHAIN	TENSIONER CAM CHAIN	1	
	14520	14520-LFA7-C00	LIFTER ASSY TENSIONER	LIFTER ASSY TENSIONER	1	
	14523	14523-KED9-C00	GASKET TENSIONER LIFTER @A	GASKET TENSIONER LIFTER @A	1	
	1453A	1453A-GFY6-W10	PIVOT CAM CHAIN TENSIONER	PIVOT CAM CHAIN TENSIONER	1	
	14610	14610-LEB1-C00	GUIDE,CAM CHAIN	GUIDE,CAM CHAIN	1	
	90001	90001-GBHB-C06	BOLT FLANGE SHF 6*22	BOLT FLANGE SHF 6*22	2	
	90005	90005-KAW1-C00	SCREW PAN 6*6(G)	SCREW PAN 6*6(G)	1	
	91306	91306-1E05-C00	O-RING 1.5*9.5	O-RING 1.5*9.5	1	
	94301-10160	94301-10160	DOWEL PIN 10*16	DOWEL PIN 10*16	2	
	94601	94601-14000	CLIP PISTON PIN 12MM	CLIP PISTON PIN 12MM	2	

E04

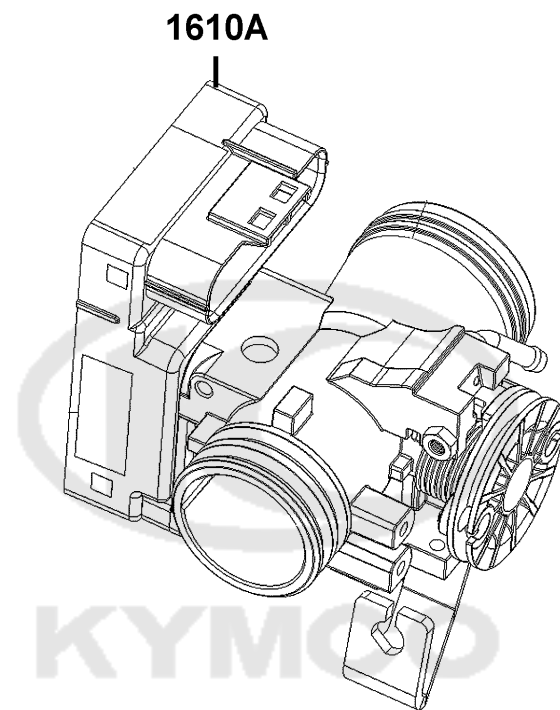
Right Crankcase Cover



Sales mark	Ref no	Part no	Description	Reg description	Regd no	E04
11330		11330-LHJ3-C00	COVER COMP R CRANK CASE	COVER COMP R CRANK CASE	1	
11394		11394-LEB1-C00	GASKET R COVER @A	GASKET R COVER @A	1	
12361		12361-GFY6-C00	HOLE CAP TAPPET ADJUSTING	HOLE CAP TAPPET ADJUSTING	1	
15421		15421-1G07-C00	SCREEN OIL FILTER	SCREEN OIL FILTER	1	
15426		15426-GAE1-C00	SPG OIL FILTER SCREEN	SPG OIL FILTER SCREEN	1	
15651		15651-KUDU-W10	GUAGE OIL LEVEL	GUAGE OIL LEVEL	1	
32412		32412-ACC1-E10	CABLE EARTH	CABLE EARTH	1	
32961		32961-LEB1-C00	CLAMPER ACG CORD	CLAMPER ACG CORD	1	
91202		91202-GFY6-90C	OIL SEAL 19.8*30*5	OIL SEAL 19.8*30*5	4	
91302		91302-0A01-C00	O-RING 30.8MM	O-RING 30.8MM	1	
91307		91307-0E35-W10	O-RING 18*3	O-RING 18*3	1	
94301-10160		94301-10160	DOWEL PIN 10*16	DOWEL PIN 10*16	1	
96001-06012		96001-06012-07G	BOLT FLANGE SH 6X12	BOLT FLANGE SH6*12	2	
96001-06032		96001-06032-07G	BOLT FLANGE 6*32	BOLT FLANGE 6*32	1	
96001-06100		96001-06100-07G	BOLT FLANGE 6*100	BOLT FLANGE 6*100	5	
96001-06110		96001-06110-07G	BOLT FLANGE SH 6*110 (G)	BOLT FLANGE SH 6*110 (G)	3	

E05

THROTTLE BODY ASSY



Sales mark	Ref no	Part no	Description	Reg description	Regd no	E05
------------	--------	---------	-------------	-----------------	---------	------------

1610A

1610A-ACC1-EZ5

THROTTLE BODY ASSY

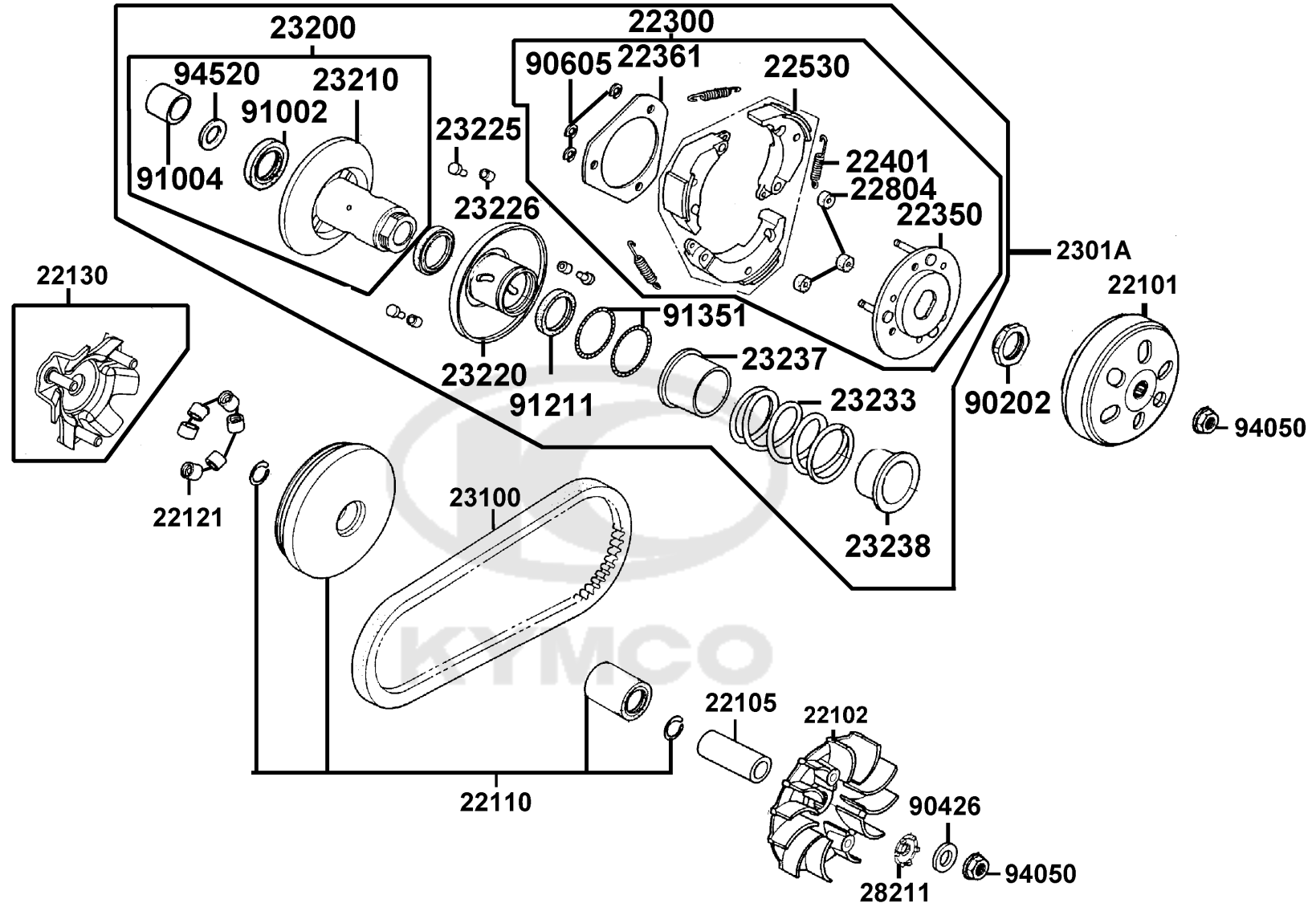
THROTTLE BODY ASSY

1



E06

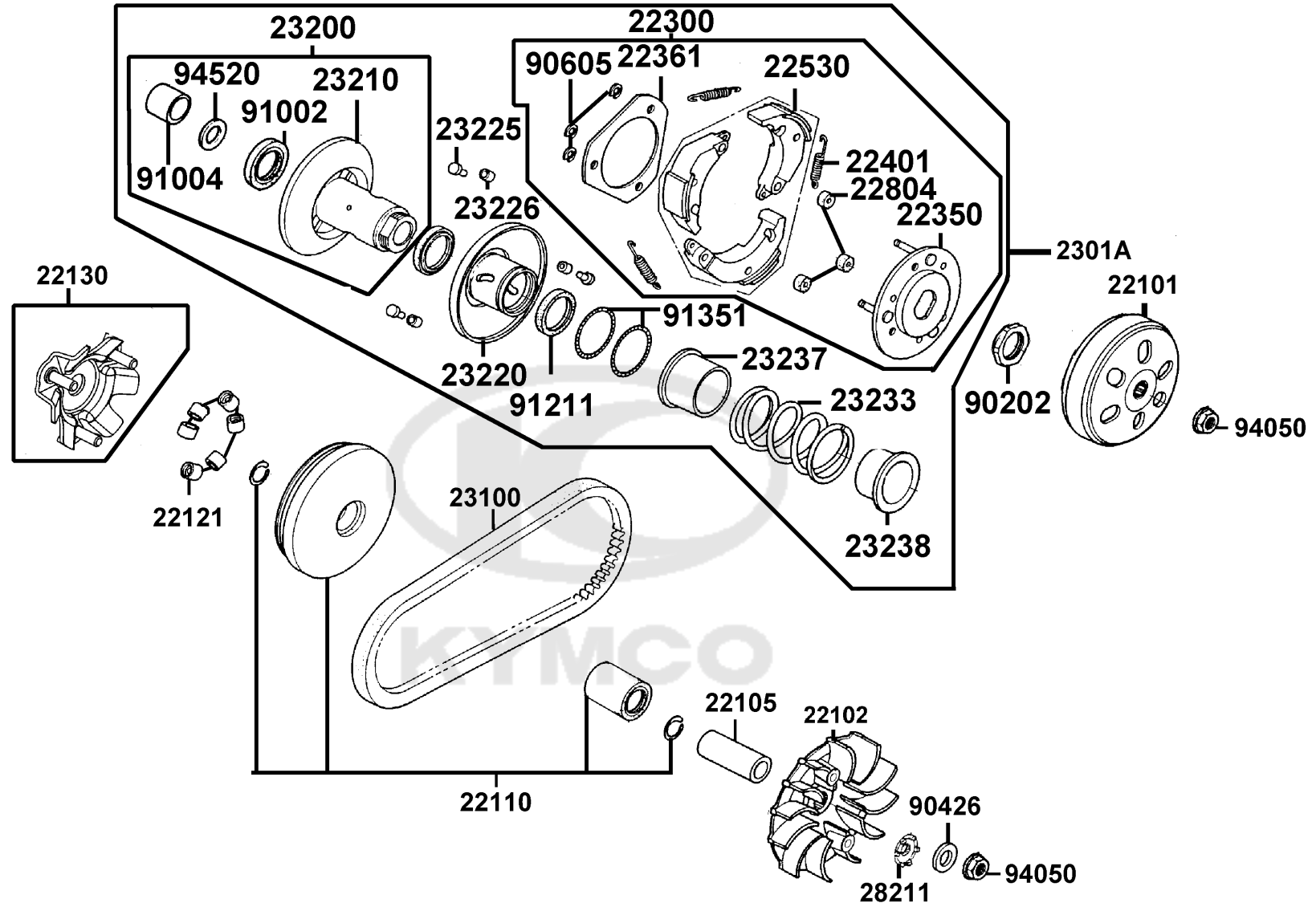
Driven Pulley



Sales mark	Ref no	Part no	Description	Reg description	Regd no	E06
22101		22101-LCD3-C00	OUTER CLUTCH	OUTER CLUTCH	1	
22102		22102-LEB1-C00	FACE DRIVE	FACE DRIVE	1	
22105		22105-LFE2-C00	BOSS DRIVE FACE	BOSS DRIVE FACE	1	
22110		22110-LEB1-C00	FACE COMP MOVABLE DRIVE	FACE COMP MOVABLE DRIVE	1	
22121		22121-GFY6-325	ROLLER SET WEIGHT (1SET:6PCS)	ROLLER SET WEIGHT (1SET:6PCS)	1	
22130		22130-LEB1-C00	RAMP PLATE COMP.	RAMP PLATE COMP.	1	
22300		22300-LHJ3-C00	PLATE ASSY. DRIVE	PLATE ASSY. DRIVE	1	
22350		22350-LHJ3-C00	PLATE COMP.DRIVE	PLATE COMP. DRIVE	1	
22361		22361-LHJ3-C00	PLATE CLUTCH SIDE	PLATE CLUTCH SIDE	1	
22401		22401-LHJ3-C00	SPRIMH GLUTCH	SPRING CLUTCH	1	
22530		22530-LHJ3-C00	WEIGHT CLUTCH	WEIGHT CLUTCH	1	
22804		22804-GBB2-C00	RUBBER CLUTCH DAMPER	RUBBER CLUTCH DAMPER	1	
2301A		2301A-LKE6-C00	PULLEY SUB ASSY	PULLEY SUB ASSY	1	
23100		23100-LFB6-C00	BELTDRIVE	BELTDRIVE	1	
23200		23200-LFE2-C00	"FACE ASSY., DRIVEN"	"FACE ASSY., DRIVEN"	1	
23210		23210-GFY6-C00	FACE COMP DRIVEN A	FACE COMP DRIVEN A	1	
23220		23220-GFY6-C00	FACE COMP DRIVEN H1	FACE COMP DRIVEN H1	1	
23225		23225-GHC8-C00	PIN ROLLER GUIDE	PIN ROLLER GUIDE	1	
23226		23226-GHC8-C00	ROLLER GUIDE	ROLLER GUIDE	1	
23233		23233-LFB6-C00	SPG DRIVEN FACE	SPG DRIVEN FACE	1	

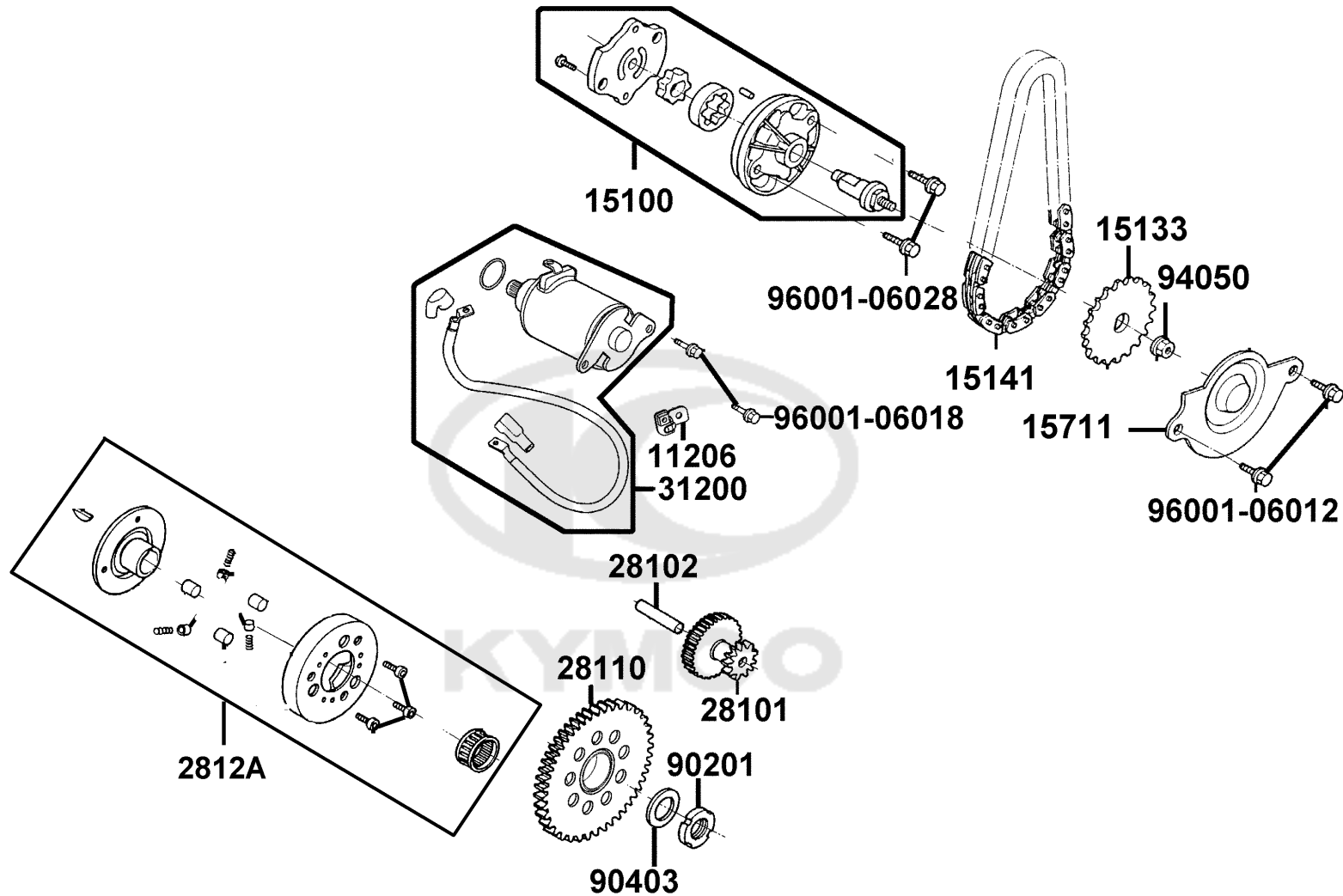
E06

Driven Pulley

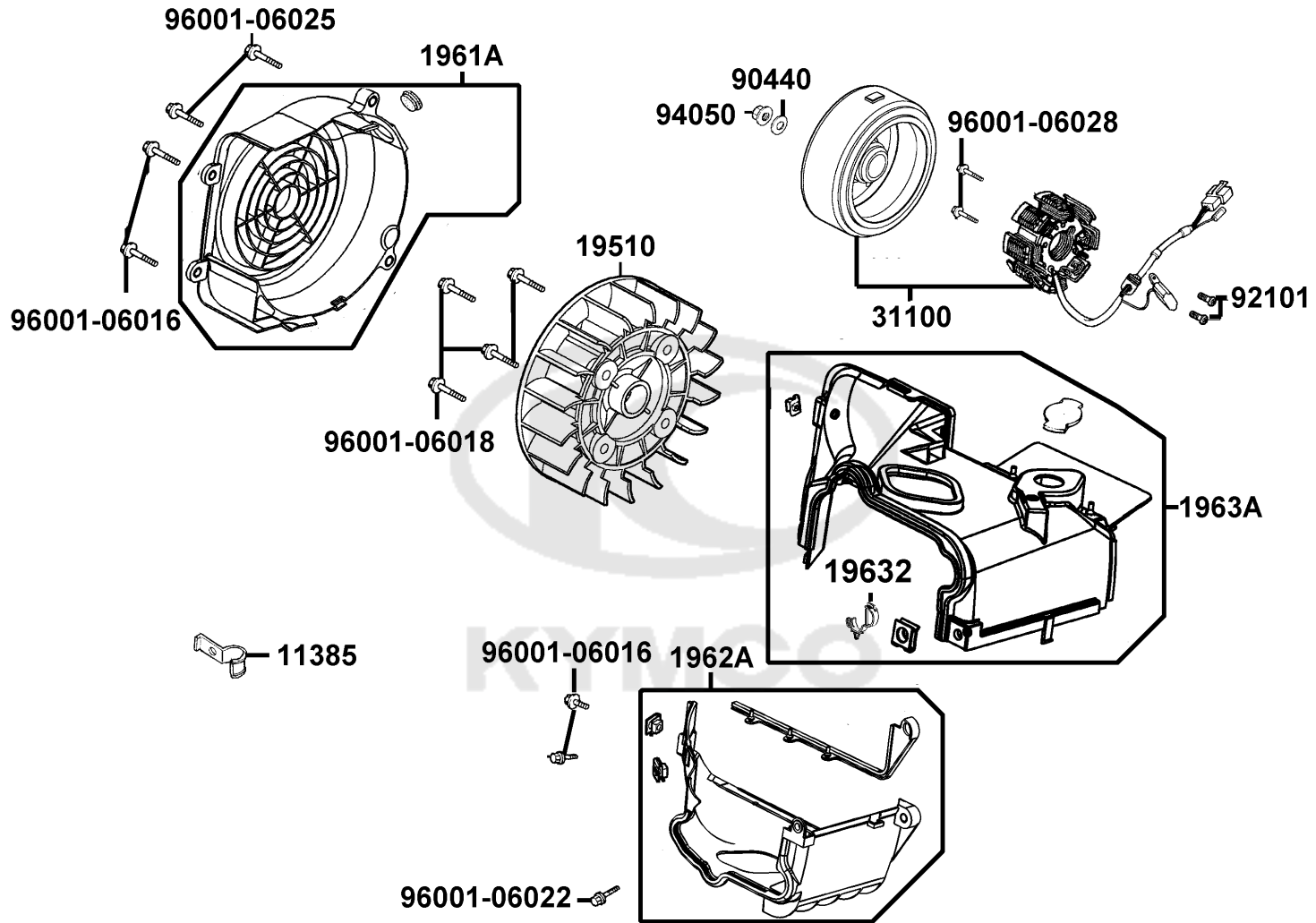


Sales mark	Ref no	Part no	Description	Reg description	Regd no	E06
23237		23237-GFY6-C00	COLLAR SEAL	COLLAR SEAL	1	
23238		23238-LEB1-C00	COLLAR SPG	COLLAR SPG	1	
28211		28211-ADG1-C00	RATCHET KICK STARTER	RATCHET KICK STARTER	1	
90202		90202-1G87-C00	NUT SPECIAL 28MM	NUT SPECIAL 28MM	1	
90426		90426-KNBN-C01	WASHER SPECIAL 12MM	WASHER SPECIAL 12MM	1	
90605		90605-1F66-C00	CIR CLIP 7MM	CIR CLIP 7MM	1	
91002		91002-GGA7-C00	BRG BALL RADIAL 6902U	BRG BALL RADIAL 6902U	1	
91004		91004-KHE7-C00	BRG NDL 22*29*18	BRG NDL 22*29*18	1	
91211		91211-KEBE-C00	SEAL DRIVEN FACE 34*41*4	SEAL DRIVEN FACE 34*41*4	2	
91351		91351-6B42-C00	O-RING PINION CAP	O-RING PINION CAP	1	
94050		94050-12080-G	NUT C FLANGE 12MM	NUT FLANGE 12MM (C)	1	
94520		94520-28000	CIR CLIP IN 28	CIR CLIP IN 28	1	

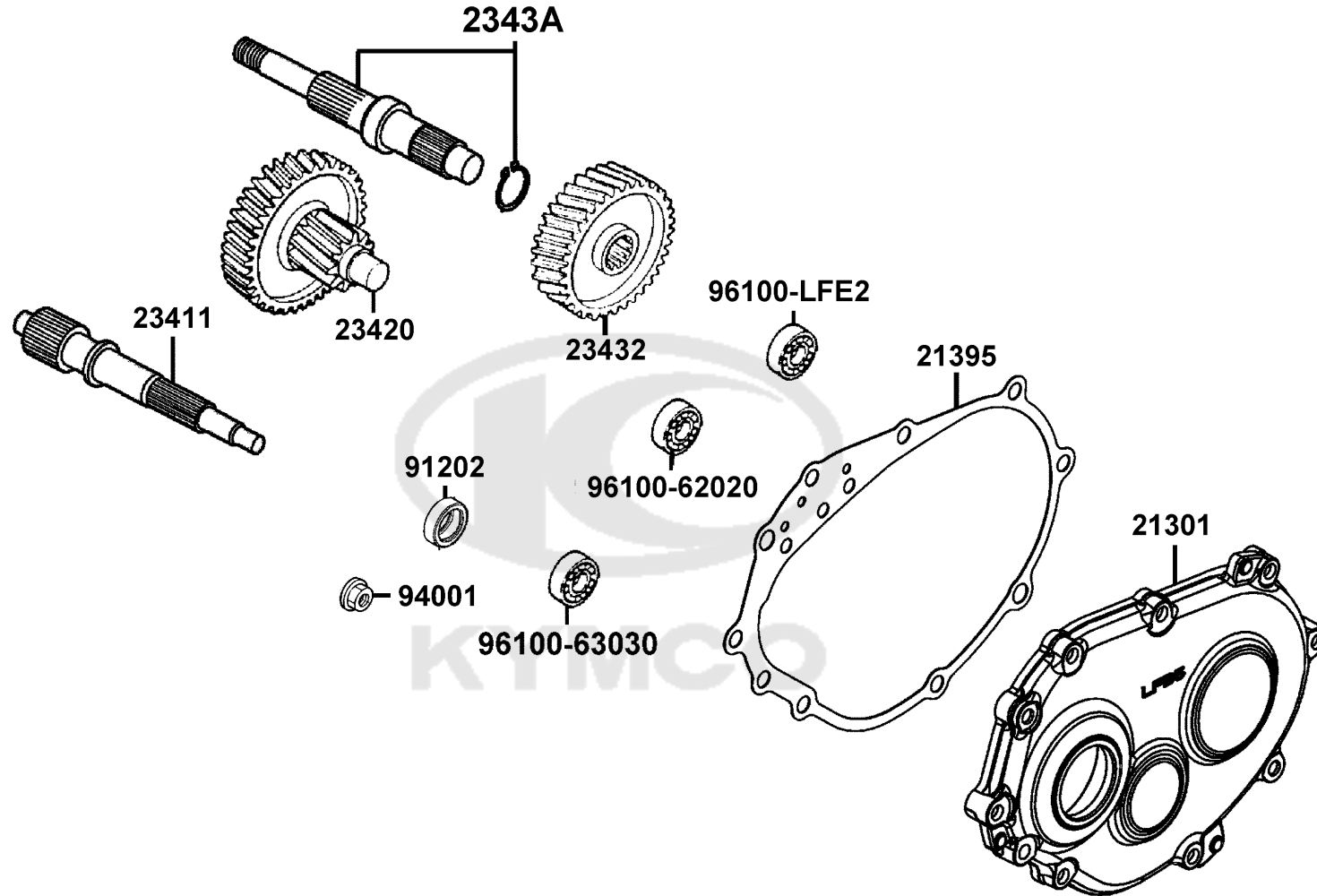
Starting Motor Oil Pump



Sales mark	Ref no	Part no	Description	Reg description	Regd no	E07
11206		11206-LFB5-C00	STAY A RR FENDER	STAY A RR FENDER	1	
15100		15100-KFB7-C00	OIL PUMP ASSY	PUMP ASSY OIL	1	
15133		15133-GFY6-W10	SPROCKET OIL PUMP DRIVE	SPROCKET OIL PUMP DRIVE	1	
15141		15141-GFY6-C00	CHAIN OIL PUMP	CHAIN OIL PUMP	1	
15711		15711-GFY6-C00	SEPARATER OIL	SEPARATER OIL	1	
28101		28101-ADG1-C00	GEAR STARTER REDUCTION	GEAR STARTER REDUCTION	1	
28102		28102-GFY6-C00	SHAFT STARTER REDUCTION GEAR	SHAFT STARTER REDUCTION GEAR	1	
28110		28110-LEB1-C00	GEAR COMP. STARTING CLUTCH	GEAR COMP. STARTING CLUTCH	1	
2812A		2812A-ADG1-C00	OUTER COMP STARTING CLUTCH	OUTER COMP STARTING CLUTCH	1	
31200		31200-ACC1-E10	MOTOR ASSY START	MOTOR ASSY START	1	
90201		90201-GFY6-901	NUT LOCK 22MM	NUT LOCK 22MM	1	
90403		90403-GFY6-C00	WASHER THRUST 22.2*31*2.5	WASHER THRUST 22. 2*31*2.5	1	
94050		94050-06080-G	NUT FLANGE 6MM	NUT FLANGE 6MM	1	
96001-06012		96001-06012-07G	BOLT FLANGE SH 6X12	BOLT FLANGE SH6*12	2	
96001-06018		96001-06018-07G	BOLT FLANGE 6*18	BOLT FLANGE 6*18	1	
96001-06028		96001-06028-07G	BOLT FLANGE SH 6*28 (G)	BOLT FLANGE SH 6*28 (G)	1	



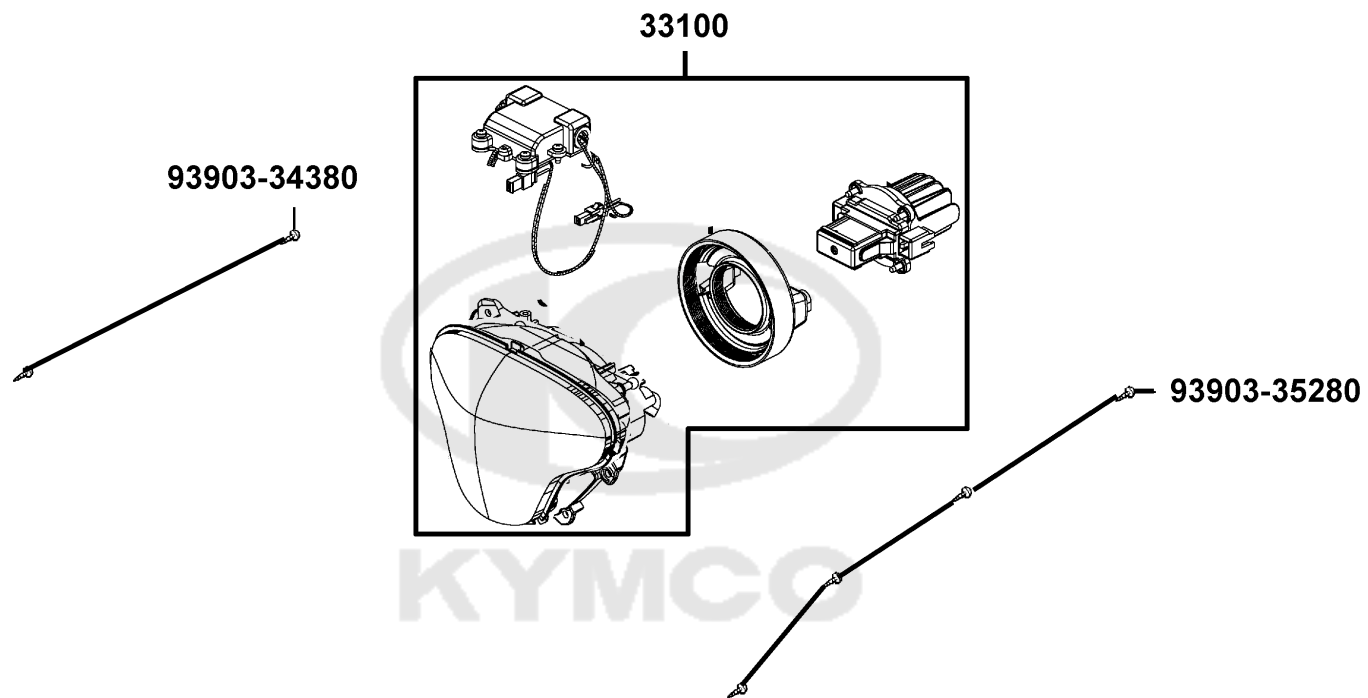
Sales mark	Ref no	Part no	Description	Reg description	Regd no	E08
11385		11385-ACC1-EZ5	CLAMPER CARB DRAIN TUBE	CLAMPER CARB DRAIN TUBE	1	
19510		19510-LEB1-C01	FAN COMP COOLING	FAN COMP COOLING	1	
1961A		1961A-LEB1-C00	COVER ASSY FAN	COVER ASSY FAN	1	
1962A		1962A-LKE6-C00	SHROUD ASSY A	SHROUD ASSY A	1	
19632		19632-LFB6-C00	CLIP??FUEL HOSE	CLIP??FUEL HOSE	1	
1963A		1963A-ACC1-E10	SHROUD ASSY B	SHROUD ASSY B	1	
31100		31100-ACC1-E10	AC GEN ASS'Y	AC GEN ASS'Y	1	
90440		90440-1F66-C00	WASHER PLAIN 12MM	WASHER PLAIN 12MM	1	
92101		92101-05012-0HG	BOLT HEX 5*12	BOLT HEX 5*12	2	
94050		94050-12080-G	NUT C FLANGE 12MM	NUT FLANGE 12MM (C)	1	
96001-06016		96001-06016-07G	BOLT FLANGE SH 6*16 (KG)	BOLT FLANGE SH 6*16 (KG)	1	
96001-06018		96001-06018-07G	BOLT FLANGE 6*18	BOLT FLANGE 6*18	4	
96001-06022		96001-06022-07G	BOLT FLANGE SH 6X22(KC)	BOLT FLANGE SH 6*22 (K)	1	
96001-06025		96001-06025-07G	BOLT FLANGE SH 6*25 (K)	BOLT FLANGE SH 6*25 (K)	2	
96001-06028		96001-06028-07G	BOLT FLANGE SH 6*28 (G)	BOLT FLANGE SH 6*28 (G)	2	



Sales mark	Ref no	Part no	Description	Reg description	Regd no	E09
	21301	21301-LFB5-C00	COVER MISSION	COVER MISSION	1	
	21395	21395-LFB5-C00	GASKET MISSION CASE	GASKET MISSION CASE	1	
	23411	23411-LFB5-C00	SHAFT DRIVE	SHAFT DRIVE	1	
	23420	23420-LGH5-C00	SHAFT COMP COUNTER	SHAFT COMP COUNTER	1	
	23432	23432-LGH5-C00	SHAFT COMP COUNTER	SHAFT COMP COUNTER	1	
	2343A	2343A-LFB5-C00	SHAFT FINAL	SHAFT FINAL	1	
	91202	91202-LFE2-C00	OIL SEAL 22X32X6	OIL SEAL 22X32X6	1	
	94001	94001-12280-0SG	NUT HEX 12MM(C)	NUT HEX 12MM(C)	1	
	96100-62020	96100-62020-00	BEARING BALL RADIAL 6202	BEARING BALL RADIAL 6202	1	
	96100-63030	96100-63030-00	BEARING BALL RADIAL 6303	BEARING BALL RADIAL 6303	1	
	96100-LFE2	96100-LFE2-C00	BEARING BALL RADIAL TMB2/22CC4	BEARING BALL RADIAL TMB2/22CC4	1	

F01

Head Light



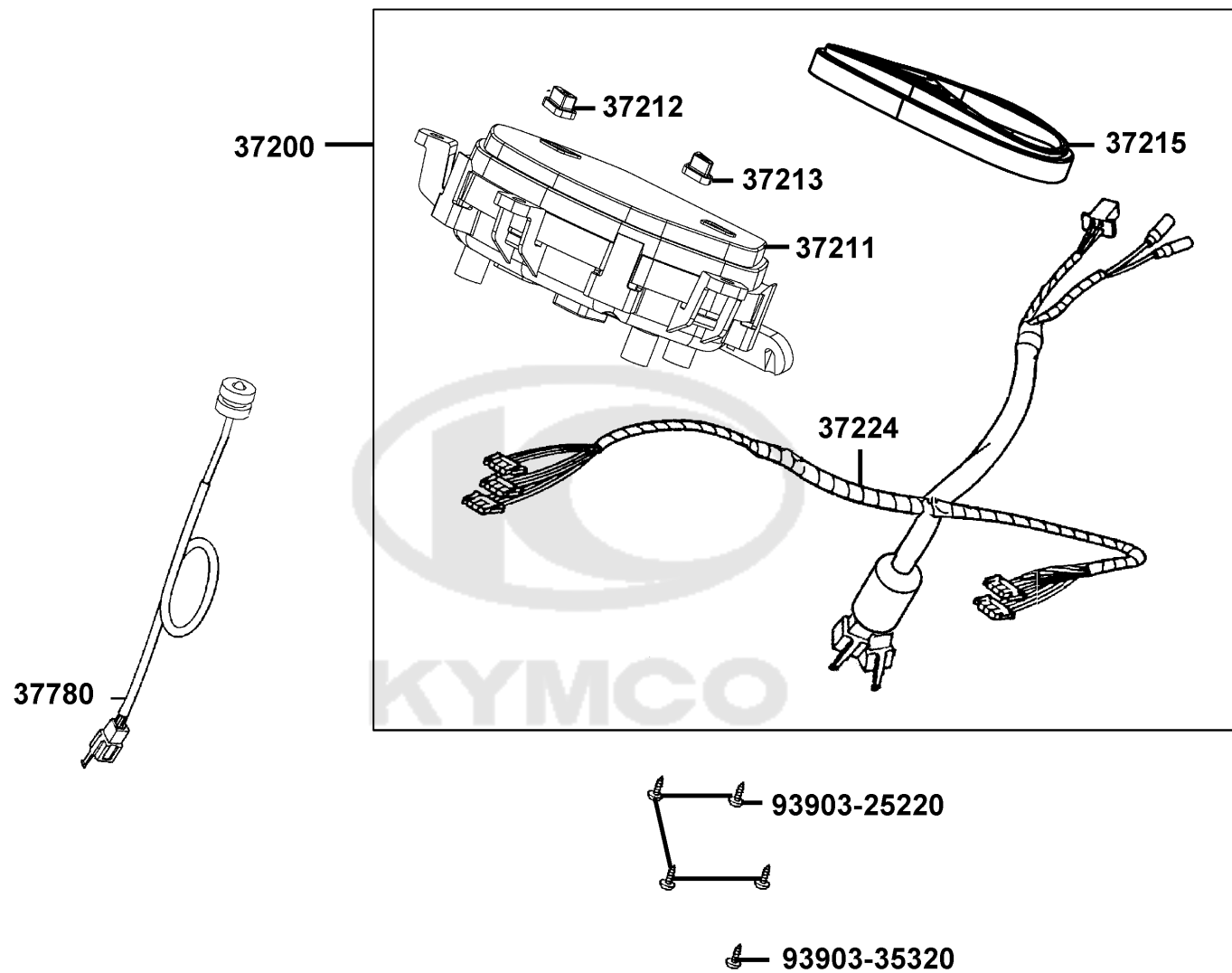
Sales mark	Ref no	Part no	Description	Reg description	Regd no	F01
------------	--------	---------	-------------	-----------------	---------	------------

	33100	33100-ACC1-E01	LIGHT ASSY HAED	LIGHT ASSY HEAD	1	
	93903-34380	93903-34380-G	SCREW TAPPING 4x12	SCREW TAPPING 4x12	2	
	93903-35280	93903-35280-G	SCREW TAPPING 5*12 (K)	SCREW TAPPING 5*12 (K)	4	



F02

Speedometer

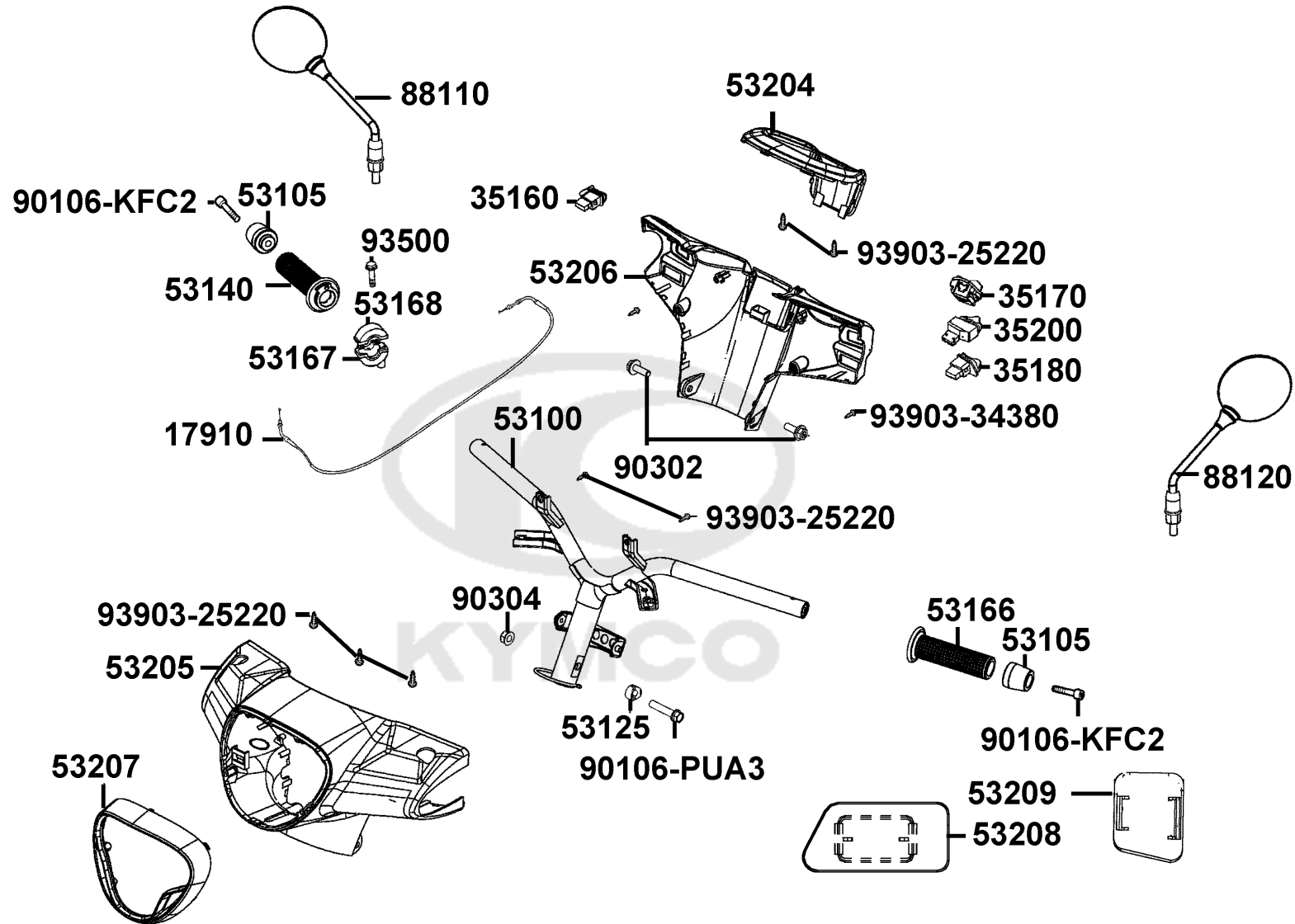


Sales mark	Ref no	Part no	Description	Reg description	Regd no	F02
	37200	37200-ACC1-E10	METER ASS'Y, SPEED	METER ASS'Y, SPEED	1	
	37211	37211-ACC1-E10	LENS	LENS	1	
	37212	37212-ACC1-E10	BUTTON MODE	BUTTON MODE	1	
	37213	37213-ACC1-E10	BUTTON ADJ	BUTTON ADJ	1	
	37215	37215-ACC1-E10	PLATE,COSMETIC	"PLATE,COSMETIC"	1	
	37224	37224-ACC1-E10	"METER COMP.,METER"	"METER COMP.,METER"	1	
	37780	37780-ACD5-C00	SENSOR ASSY. ROOM TEMP	SENSOR ASSY. ROOM TEMP	1	
	93903-25220	93903-25220-G	SCREW TAPPING 5*12	SCREW TAPPING 5*12	4	
	93903-35320	93903-35320-G	SCREW TAPPING 5*16	SCREW TAPPING 5*16	1	



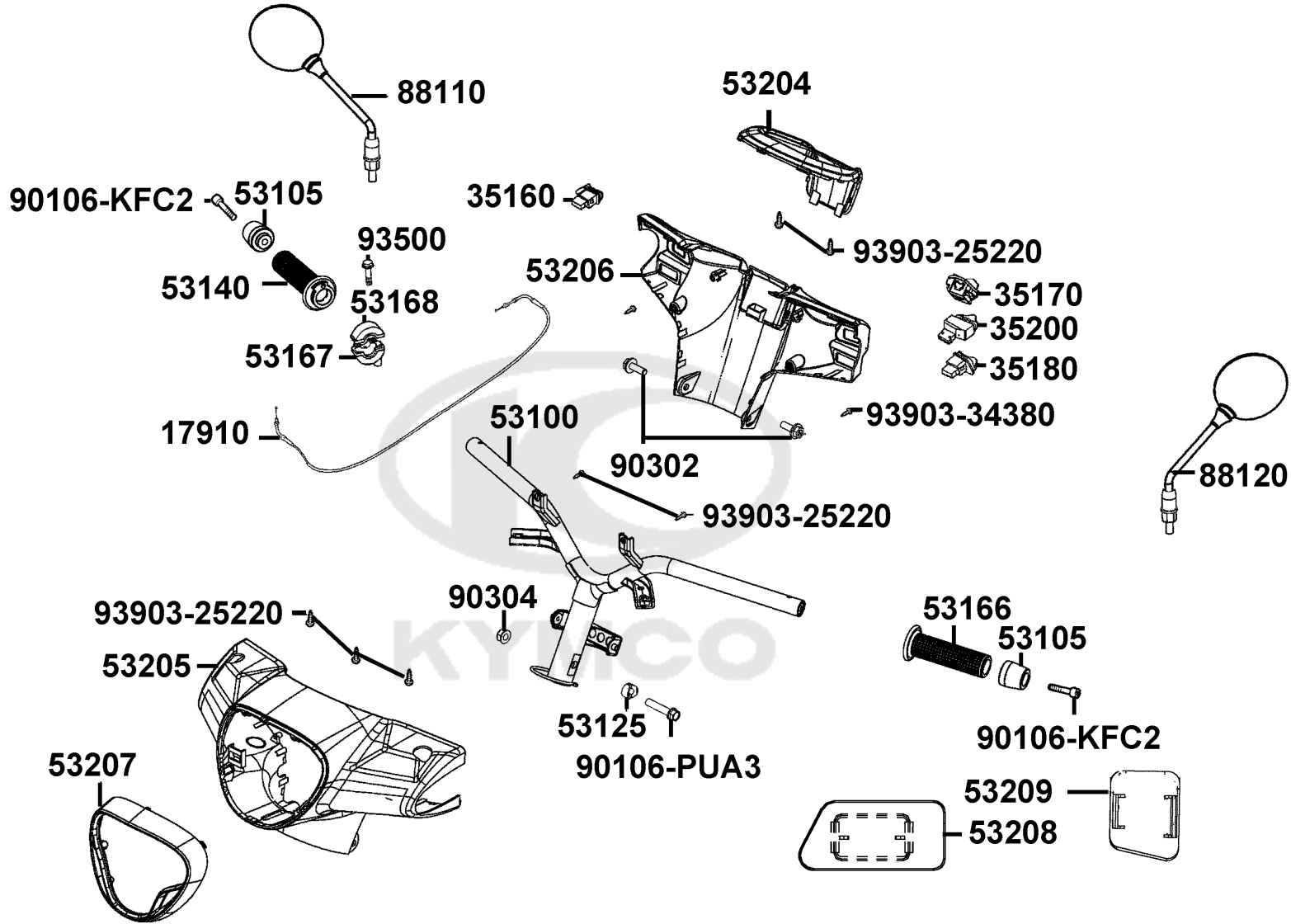
F03


Handle Steering Handle Cover



Sales mark	Ref no	Part no	Description	Reg description	Regd no	F03
	17910	17910-ACC1-EZ5	CABLE COMP THROT	CABLE COMP THROT	1	
	35160	35160-GFY6-C00	SW UNIT START	SW UNIT START	1	
	35170	35170-KNBN-C00	SW UNIT DIMMER	SW UNIT DIMMER	1	
	35180	35180-GFY6-C00	SW UNIT HORN	SW UNIT HORN	1	
	35200	35200-GFY6-C00	SW. ASSY. LH HNDL COMP.	SW. ASSY. LH HNDL COMP.	1	
	53100	53100-ACC1-E10	HANDLE COMP STRG	HANDLE COMP STRG	1	
	53105	53105-LGR5-E10	END, R HANDLE	END, R HANDLE	1	
	53125	53125-GEN5-C00	COLLAR HANDLE SET	COLLAR HANDLE SET	1	
	53140	53140-ACC1-E10	GRIP COMP THROT	GRIP COMP THROT	1	
	53166	53166-ACC1-E10	GRIP L HANDLE	GRIP L HANDLE	1	
	53167	53167-GBN2-C00	HOUSING UND THROT	HOUSING UND THROT	1	
	53168	53168-GBN2-C00	HOUSING UP THROT	HOUSING UP THROT	1	
**	53204	53204-ACC1-E10	COVER METER	COVER METER	1	
**	53205	53205-ACC1-E10	COVER HANDLE FR	COVER HANDLE FR	1	
**	53206	53206-ACC1-E10	COVER HANDLE RR	COVER HANDLE RR	1	
**	53207	53207-ACC1-E10	COVER HEAD LIGHT	COVER HEAD LIGHT	1	
**	53208	53208-ACC1-E10	COVER SWITCH	COVER SWITCH	1	
**	53209	53209-ACC1-E10	COVER L SIDE HANDLE	COVER L SIDE HANDLE	1	
**	88110	88110-ACC1-E10	MIRROR ASSY R BACK	MIRROR ASSY R BACK	1	
**	88120	88120-ACC1-E10	MIRROR ASSY L BACK	MIRROR ASSY L BACK	1	

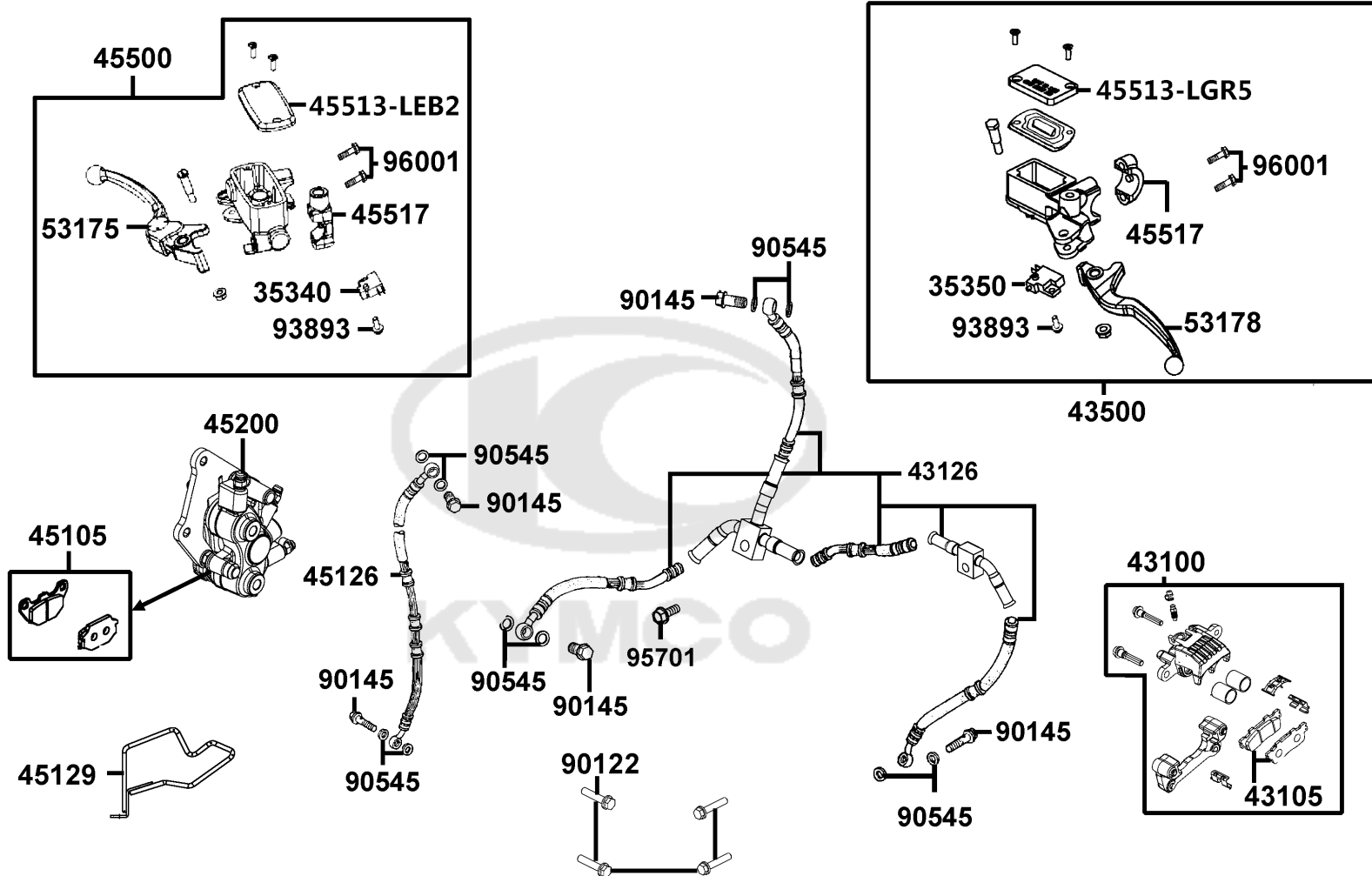
Handle Steering Handle Cover



Sales mark	Ref no	Part no	Description	Reg description	Regd no	F03
	90106-KFC2	90106-KFC2-900	BOLT-WASH 8MM	BOLT-WASH 8MM	2	
	90106-PUA3	90106-PUA3-B50	BOLT FLANGE 10*50	BOLT FLANGE 10*50	1	
	90302	90302-PUA3-B51	BOLT-WASH 5*12	BOLT-WASH 5*12	2	
	90304	90304-PUA3-B50	NUT U 10MM (C)	NUT U 10MM (C)	1	
	93500	93500-05022-07G	SCREW PAN 5*22	SCREW PAN 5*22	1	
	93903-25220	93903-25220-G	SCREW TAPPING 5*12	SCREW TAPPING 5*12	7	
	93903-34380	93903-34380-G	SCREW TAPPING 4x12	SCREW TAPPING 4x12	2	
						

F04

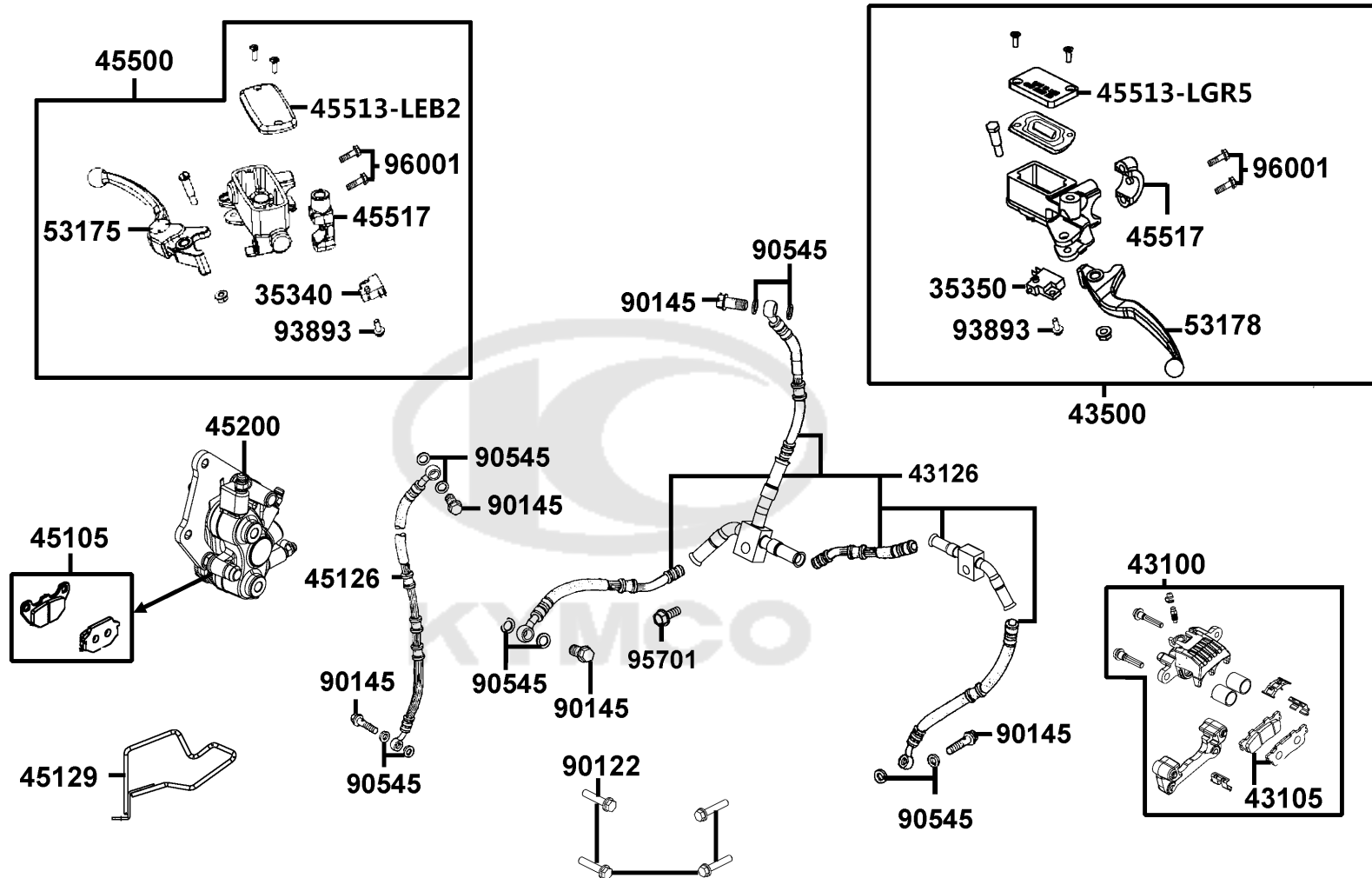
Brake Master Cylinder



Sales mark	Ref no	Part no	Description	Reg description	Regd no	F04
	35340	35340-KNBN-C00	SW ASSY FR STOP	SW ASSY FR STOP	1	
	35350	35350-KNBN-C00	SW ASSY RR STOP	SW ASSY RR STOP	1	
	43100	43100-ACC1-E10	CALIPER ASSY RR (RH)	CALIPER ASSY RR	1	
	43105	43105-ACC1-305	PAD SET (A+B)	PAD SET	1	
	43126	43126-ACC1-E10	HOSE ASSY RR BRK	HOSE ASSY RR BRK	1	
	43500	43500-ACC1-E10	M/C ASY FR BRK	M/C ASY FR BRK	1	
	45105	45105-ACC1-305	PAD COMP A+B	PAD COMP A&B	1	
	45126	45126-ACC1-E10	HOSE ASSY FR BRK	HOSE ASSY FR BRK	1	
	45129	45129-ACC1-E10	CLAMPER FR BRAKE	CLAMPER FR BRK HOSE	1	
	45200	45200-ACC1-E10	CALIPER ASSY FR BRK	CALIPER ASSY FR BRK	1	
	45500	45500-LGR5-E10	M/C ASSY FR	M/C ASSY FR	1	
	45513-LEB2	45513-LEB2-900	CAP. M/C	CAP. M/C	1	
	45513-LGR5	45513-LGR5-E10	CAP M/C	CAP M/C	1	
	45517	45517-KFAF-910	HOLDER M/C	HOLDER M/C	1	
**	53175	53175-KXBX-E00	LEVER R STRG HNDL	LEVER R STRG HNDL	1	
**	53178	53178-KNBN-C00	LEVER L STRG HANDLE	LEVER L STRG HANDLE	1	
	90122	90122-KHC7-C01	BOLT FLANGE 8*38	BOLT FLANGE 8*38	4	
	90145	90145-9A61-C00	OIL BOLT 10*22	OIL BOLT 10*22	6	
	90545	90545-3L00-C00	WASHER OIL BOLT	WASHER OIL BOLT	12	
	93893	93893-04012-18	SCREW WASHER 4*12	SCREW WASHER 4*12	2	

F04

Brake Master Cylinder



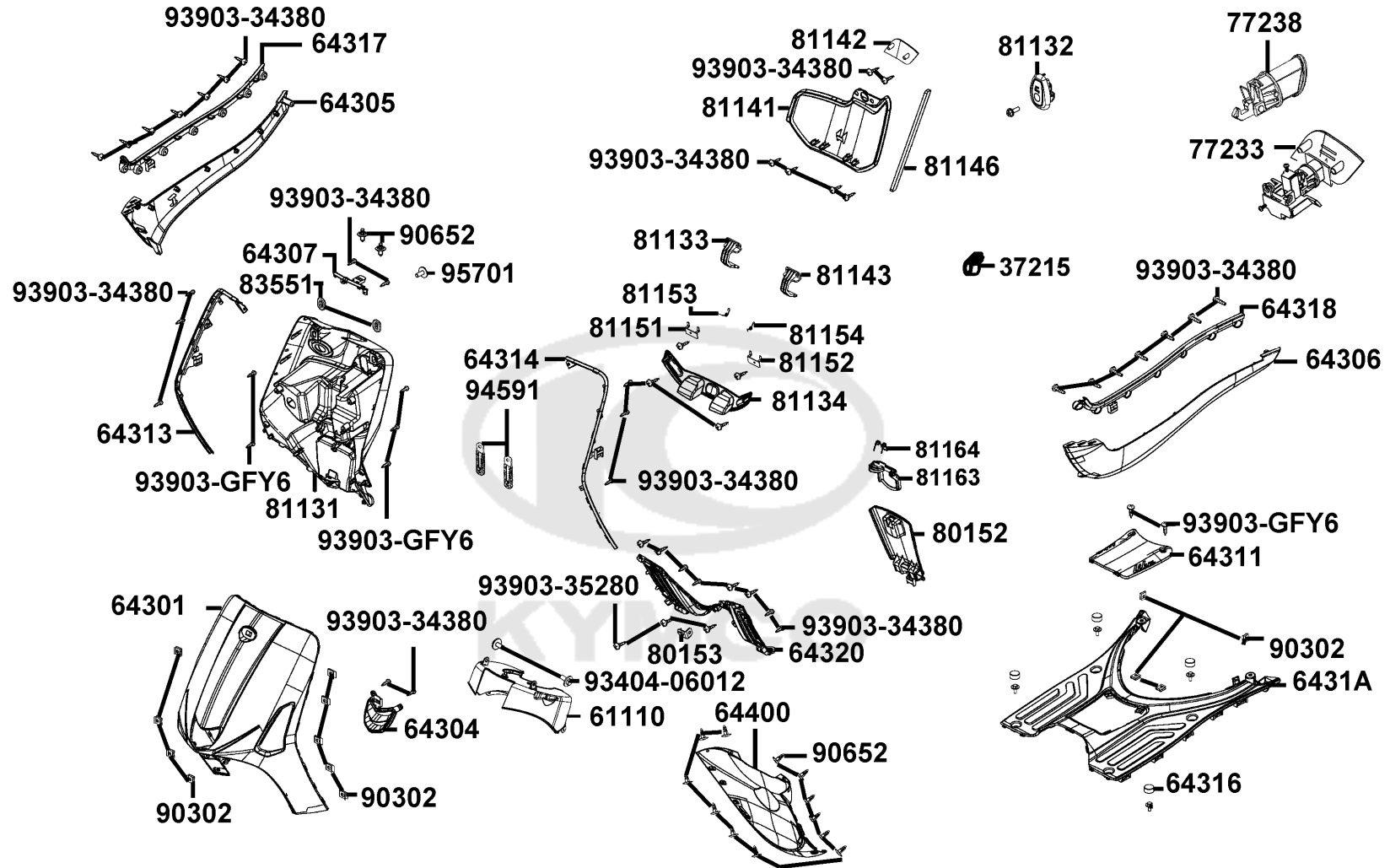
Sales mark	Ref no	Part no	Description	Reg description	Regd no	F04
------------	--------	---------	-------------	-----------------	---------	------------

95701	95701-06020-08G	95701-06020-08G	BOLT FLANGE 6*20	BOLT FLANGE 6*20 (C)	1	
96001	96001-06025-02	96001-06025-02	BOLT FLANGE SH 6*25	BOLT FLANGE SH 6*25	4	

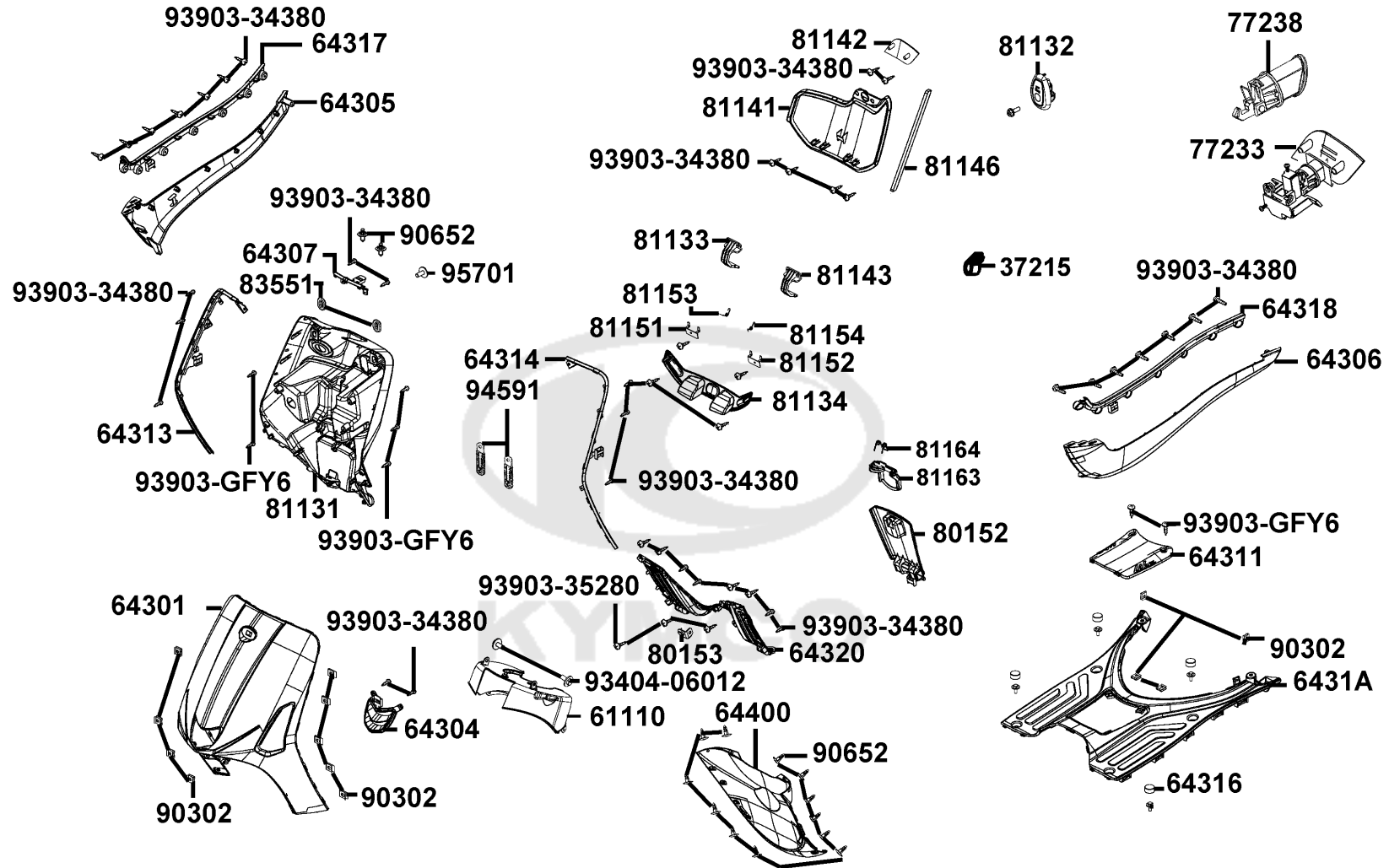


F05

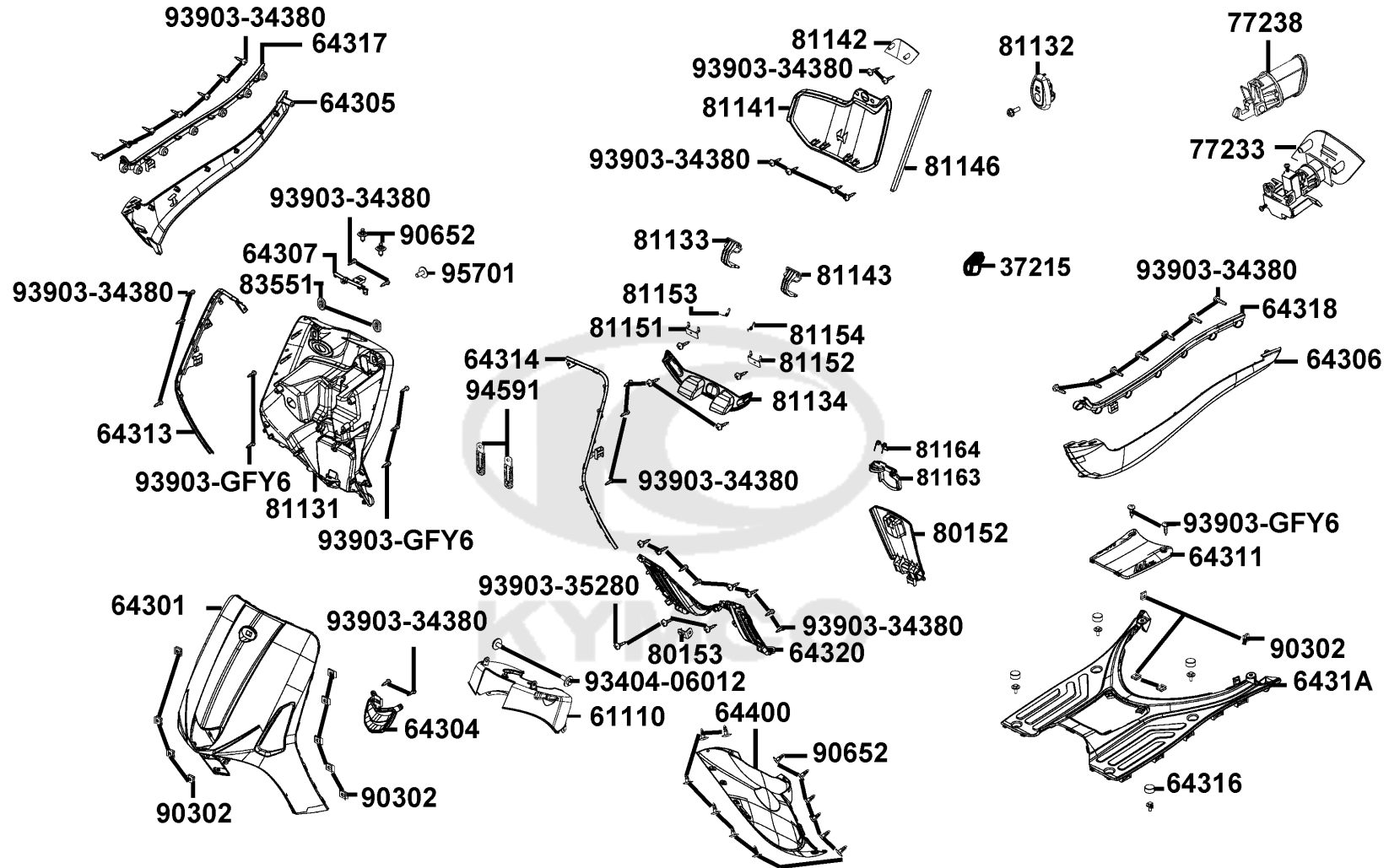
Front Cover Front Fender



Sales mark	Ref no	Part no	Description	Reg description	Regd no	F05
	37215	37215-LGM9-C00	CLAMP	CLAMP	1	
**	61110	61110-ACC1-E10	FENDER FR INNER	FENDER FR INNER	1	
**	64301	64301-ACC1-E10	COVER FR (Flat Orange)	COVER FR (Flat Orange)	1	
**	64304	64304-ACC1-E10	LID FR.COVER LOW	LID FR.COVER LOW	1	
**	64305	64305-ACC1-E10	SKIRT R SIDE	SKIRT R SIDE	1	
**	64306	64306-ACC1-E10	SKIRT L SIDE (Flat Orange)	SKIRT L SIDE (Flat Orange)	1	
**	64307	64307-ACC1-E10	COVER FR DEC TOP	COVER FR DEC TOP	1	
**	64311	64311-ACC1-E10	COVER PUMP	COVER PUMP	1	
**	64313	64313-ACC1-E10	COVER FR DEC R	COVER FR DEC R	1	
**	64314	64314-ACC1-E10	COVER FR DEC L	COVER FR DEC L	1	
**	64316	64316-LCB9-C10	PLUG FLOOR	PLUG FLOOR	4	
**	64317	64317-ACC1-E10	COVER FLOOR DEC R	COVER FLOOR DEC R	1	
**	64318	64318-ACC1-E10	COVER FLOOR DEC L	COVER FLOOR DEC L	1	
**	6431A	6431A-ACC1-E10	"ASSY., PANEL FLOOR"	FLOOR PANEL	1	
**	64320	64320-ACC1-E10	FLOOR PANEL UP	FLOOR PANEL UP	1	
**	64400	64400-ACC1-E10	COWL UNDER	COWL UNDER	1	
	77233	77233-ACC1-E10	INNER BOX KEY	INNER BOX KEY	1	
	77238	77238-ACC1-E11	HOOK COMP PUSH	HOOK COMP PUSH LOCK	1	
**	80152	80152-ACC1-E10	COVER CENTER (Flat Orange)	COVER CENTER (Flat Orange)	1	
	80153	80153-ACC1-E10	"STAY , FUEL COVER"	"STAY , FUEL COVER"	1	



Sales mark	Ref no	Part no	Description	Reg description	Regd no	F05
**	81131	81131-ACC1-E10	LEG SHIELD	LEG SHIELD	1	
	81132	81132-ACC1-C00	HOOK LUGGAGE	HOOK LUGGAGE	1	
	81133	81133-ACC1-E10	HINDE R COVER LEG SHIE	HINDE R COVER LEG SHIE	1	
	81134	81134-ACC1-E10	PLATE INNER BOX	PLATE INNER BOX	1	
**	81141	81141-ACC1-E10	LID INNER BOX (Flat Orange)	LID INNER BOX (Flat Orange)	1	
**	81142	81142-ACC1-E11	LID PUSH PRESS	LID PUSH PRESS	1	
	81143	81143-ACC1-E10	HINGE L COVER LEGSHIE	HINGE L COVER LEGSHIE	1	
	81146	81146-ACC1-E10	FOAM STRIP	FOAM STRIP	1	
	81151	81151-ACC1-E10	STAY R LID INNER BOX	STAY R LID INNER BOX	1	
	81152	81152-ACC1-E10	STAY L LID INNER BOX	STAY L LID INNER BOX	1	
	81153	81153-ACC1-E10	SPRING R COVER LEG SHIE	SPRING R COVER LEG SHIE	1	
	81154	81154-ACC1-E10	SPRING L COVER LEG SHIE	SPRING L COVER LEG SHIE	1	
	81163	81163-LKJ1-900	LID LATCH LEG SHIELD	LID LATCH LEG SHIELD	1	
	81164	81164-LKJ1-900	LID SPRING LEG SHIELD	LID SPRING LEG SHIELD	1	
	83551	83551-ACC1-E10	GROMMET COVER	GROMMET COVER	2	
	90302	90302-SDA4-C01	"NUT,SPPING 4MM"	"NUT,SPPING 4MM"	13	
	90652	90652-LFB5-C00	"CLIP,MUDGUARD"	"CLIP,MUDGUARD"	12	
	93404-06012	93404-06012-07G	BOLT WASHER 6*12 (K)	BOLT WASHER 6*12 (K)	4	
	93903-34380	93903-34380-G	SCREW TAPPING 4x12	SCREW TAPPING 4x12	47	
	93903-35280	93903-35280-G	SCREW TAPPING 5*12 (K)	SCREW TAPPING 5*12 (K)	1	



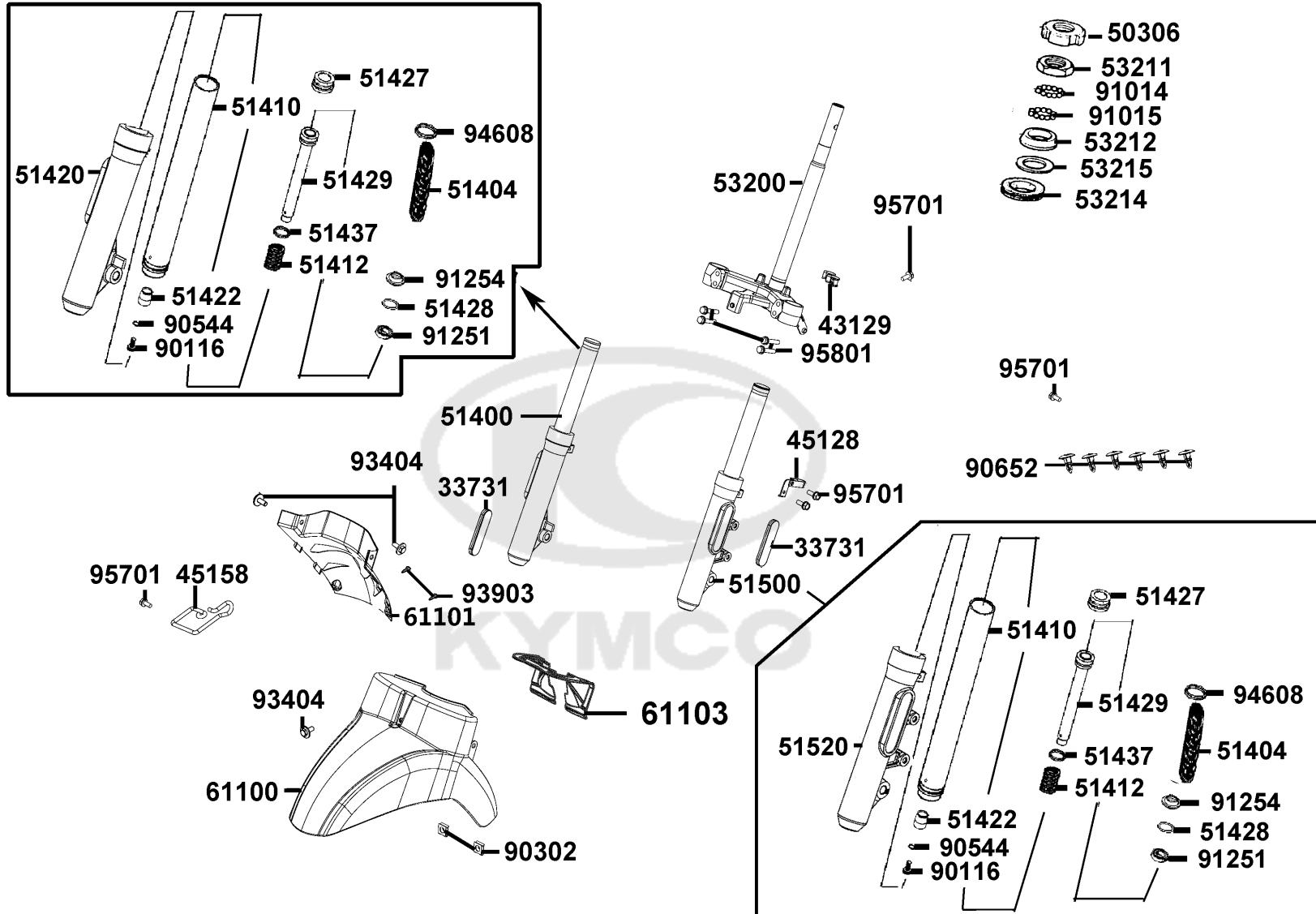
Sales mark	Ref no	Part no	Description	Reg description	Regd no	F05
------------	--------	---------	-------------	-----------------	---------	------------

	93903-GFY6	93903-GFY6-C01	SCREW TAPPING 4*14(K)	SCREW TAPPING 4*14	7	
	94591	94591-LGR5-E10	CLIP 1*100	CLIP 1*100	2	
	95701	95701-06014-07G	BOLT FLANGE 6*14 (K)	BOLT FLANGE 6*14 (K)	1	



F06

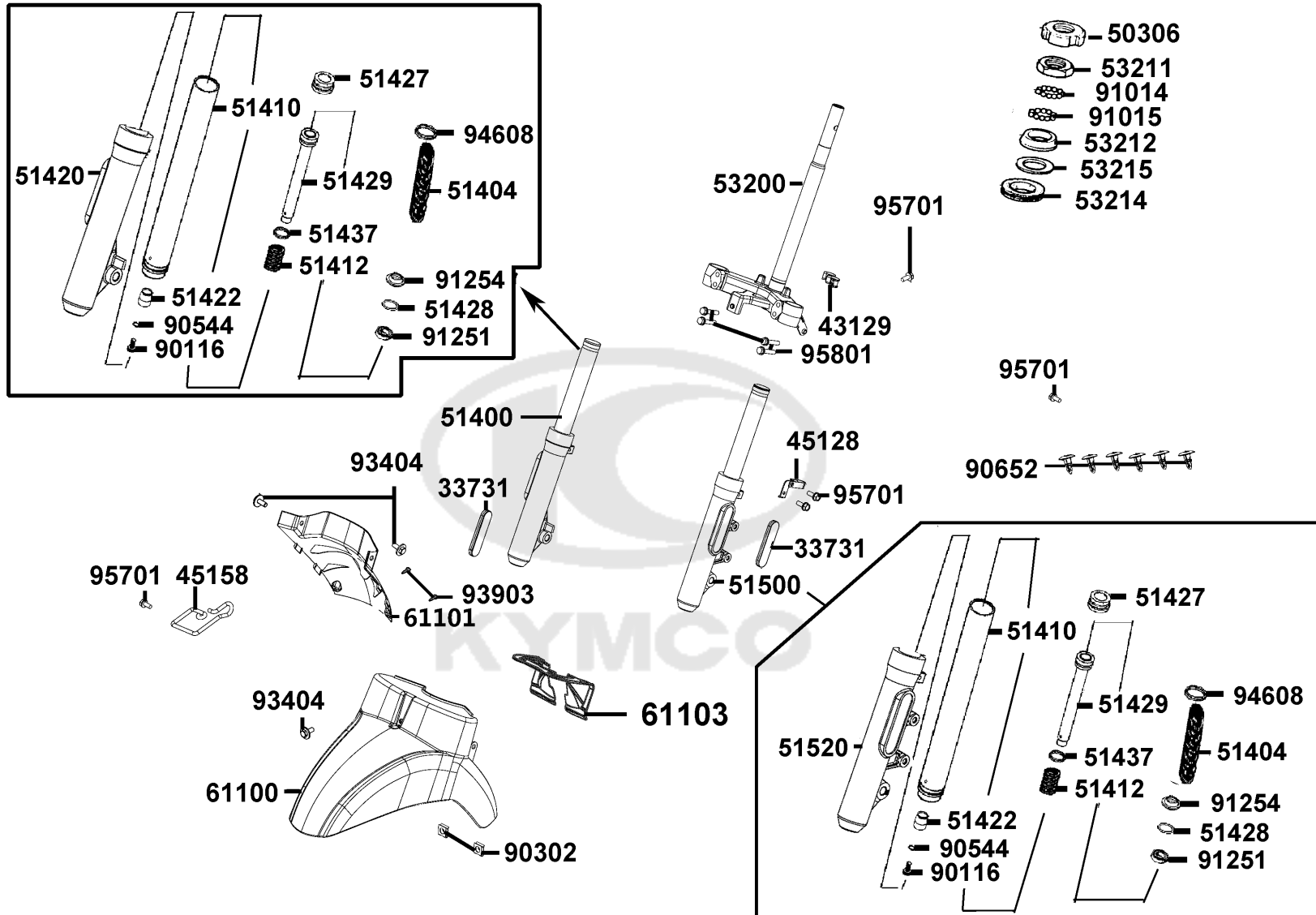
Stem Steering Front Cushion



Sales mark	Ref no	Part no	Description	Reg description	Regd no	F06
	33731	33731-ALH3-EZ0	REFLEX REFLECTOR SIDE	REFLEX REFLECTOR SIDE	2	
	43129	43129-ALD9-E14	CLAMPER BRK HOSE	CLAMPER BRK HOSE	1	
	45128	45128-ACC1-E10	CLAMPER FR BRK HOSE	CLAMPER FR BRK HOSE	1	
	45158	45158-ACC1-E10	CLIP WIRE	CLIP WIRE	1	
	50306	50306-1F96-C00	NUT STRG STEM LOCK	NUT STRG STEM LOCK	1	
**	51400	51400-ACC1-E10	FORK ASSY FR R	FORK ASSY FR R	1	
	51404	51404-ACC1-E10	SPRING COLLAR	SPRING	2	
	51410	51410-ACC1-E10	FORK PIPE COMP	FORK PIPE COMP	2	
	51412	51412-LEJ2-E10	REBOUND SPRING	REBOUND SPRING	2	
**	51420	51420-ACC1-E10	BOTTOM CASE RH	BOTTOM CASE RH	1	
	51422	51422-LEJ2-E10	OIL LOCK PIECE	OIL LOCK PIECE	2	
	51427	51427-LEJ2-E10	FORK BOLT	FORK BOLT	2	
	51428	51428-LEJ2-E10	OIL SEAL STOP RING	OIL SEAL STOP RING	2	
	51429	51429-ACC1-E10	PIPE SEAT COMP	PIPE SEAT	2	
	51437	51437-LEJ2-E10	PISTON RING	PISTON RING	2	
**	51500	51500-ACC1-E10	FORK ASSY FR L	FORK ASSY FR L	1	
**	51520	51520-ACC1-E10	BOTTOM CASE L	BOTTOM CASE L	1	
	53200	53200-ACC1-E10	STEM COMP STRG	STEM COMP STRG	1	
	53211	53211-GFY6-C00	RACE STRG. CONE TOP	RACE STRG TOP CONE	1	
	53212	53212-2L50-C00	RACE STRG. BOTTOM CONE	RACE (STRG BOTTOM) CONE	1	

F06

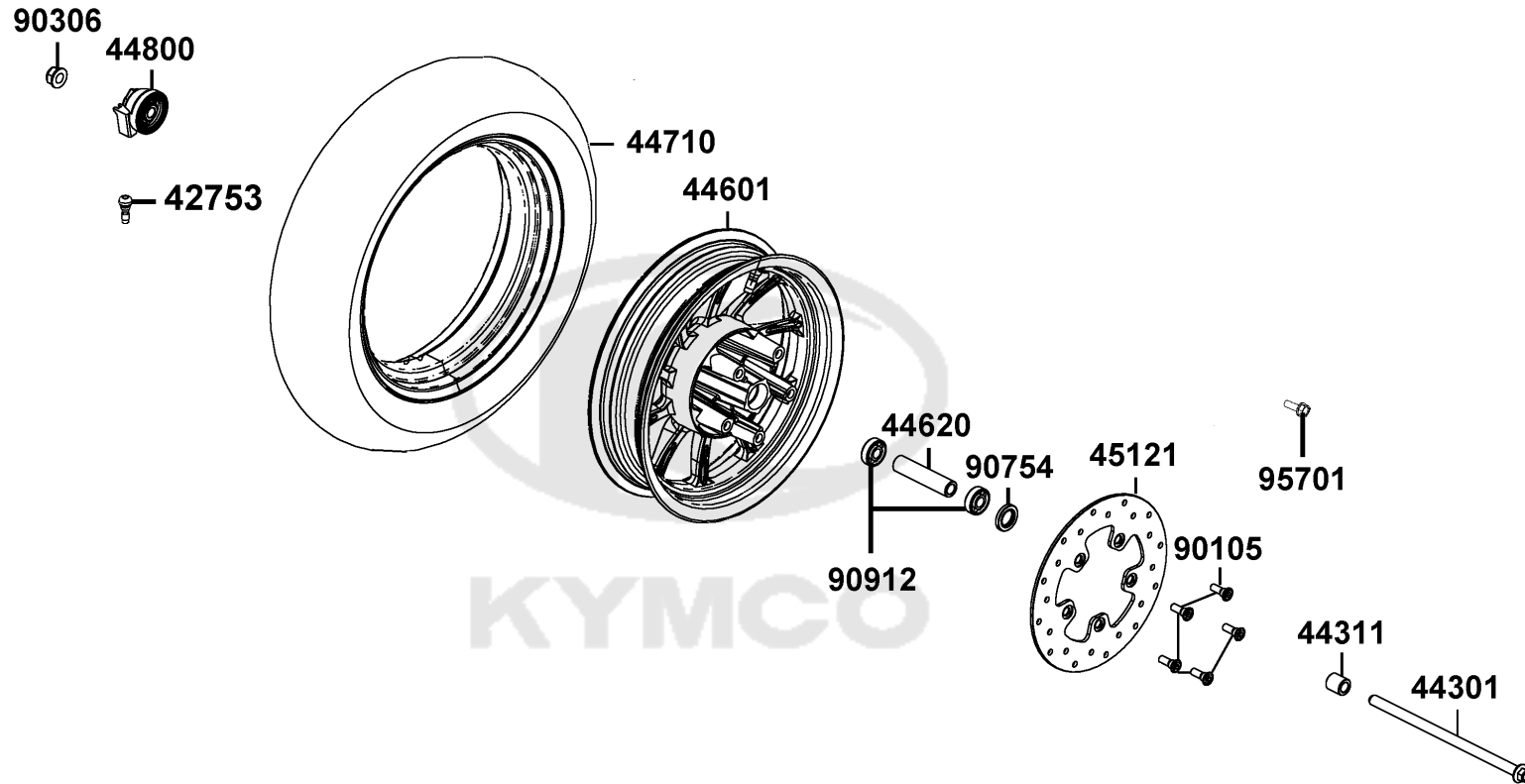
Stem Steering Front Cushion



Sales mark	Ref no	Part no	Description	Reg description	Regd no	F06
	53214	53214-2L50-C00	DUST SEAL STRG HEAD	DUST SEAL STRG HEAD	1	
	53215	53215-2L50-C00	WASHER STRG HDL DUST-SEAL	WASHER STRG HDL DUST-SEAL	1	
**	61100	61100-ACC1-E10	FENDER FR (Flat Orange)	FENDER FR (Flat Orange)	1	
**	61101	61101-ACC1-E10	FENDER B FR (Flat Orange)	FENDER B FR (Flat Orange)	1	
	61103	61103-ACC1-E10	PLATE SPLASH BOARD	PLATE SPLASH BOARD	1	
	90116	90116-LEJ2-E10	BOLT	BOLT	2	
	90302	90302-SDA4-C01	"NUT,SPPING 4MM"	"NUT,SPPING 4MM"	2	
	90544	90544-LEJ2-E10	PACKINGCUB	PACKINGCUB	2	
	90652	90652-LFB5-C00	"CLIP,MUDGUARD"	"CLIP,MUDGUARD"	6	
	91014	91014-LLJ3-C00	CAGE STRG TOPP	CAGE STRG TOPP	1	
	91015	91015-LLJ3-C00	CAGE STRG BOT	CAGE STRG BOT	1	
	91251	91251-LEJ2-E10	OIL SEAL	OIL SEAL	2	
	91254	91254-LEJ2-E10	DUST SEAL	DUST SEAL	2	
	93404	93404-06012-07G	BOLT WASHER 6*12 (K)	BOLT WASHER 6*12 (K)	3	
	93903	93903-GFY6-C01	SCREW TAPPING 4*14(K)	SCREW TAPPING 4*14	2	
	94608	94608-LEJ2-E10	O-RING 23X2.4	O-RING 23X2.4	2	
	95701	95701-06012-07G	BOLT FLANGE 6*12	BOLT FLANGE 6*12 (G)	5	
	95801	95801-08040-08G	BOLT FLANGE 8*40	BOLT FLANGE 8*40	4	

F07

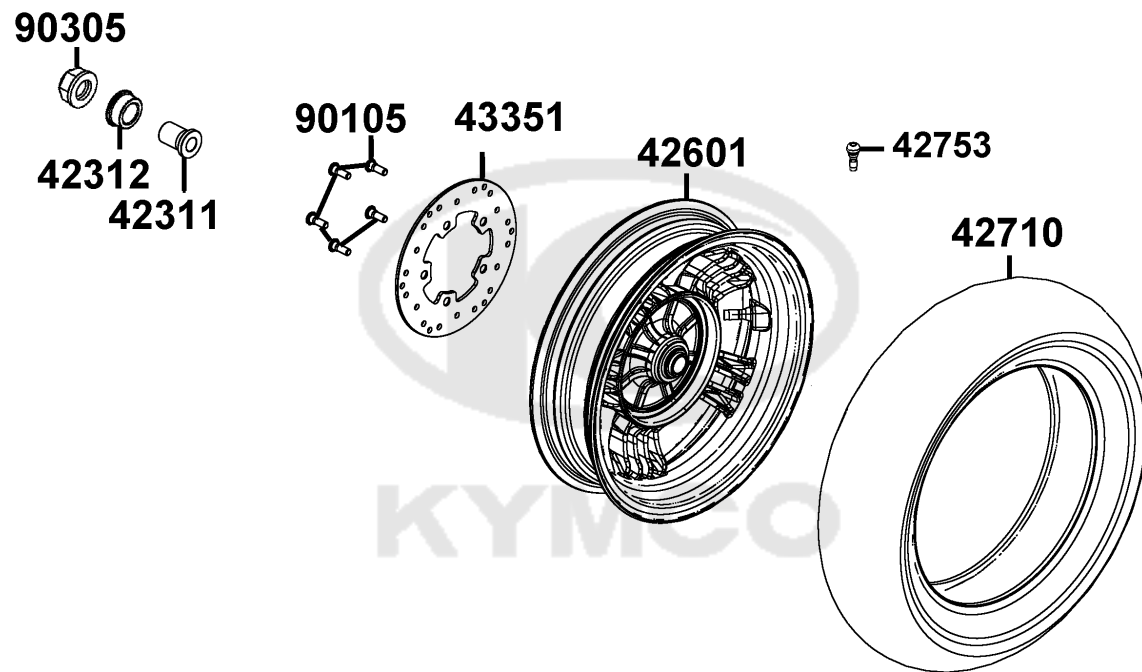
Front Wheel



Sales mark	Ref no	Part no	Description	Reg description	Regd no	F07
	42753	42753-0A01-C00	VALVE (TR 412) & CAP (C)	VALVE (TR 412) & CAP (C)	1	
	44301	44301-LEJ2-E13	AXLE FR WHEEL 12*243(K)	AXLE FR WHEEL 12*243(K)	1	
	44311	44311-KEBE-C00	COLLAR FR WHEEL SIDE	COLLAR FR WHEEL SIDE	1	
**	44601	44601-ACC1-E11	WHEEL FR CAST	WHEEL FR CAST	1	
	44620	44620-KHD8-C00	COLLAR FR AXLE DISTANCE	COLLAR FR AXLE DISTANCE	1	
	44710	44710-ACC1-E10	TIRE ASSY FR(110/70-12)	TIRE ASSY FR(110/70-12)	1	
	44800	44800-ACC1-E10	GEAR BOX ASSY	GEAR BOX ASSY	1	
	45121	45121-LGR5-E80	DISK FR BRK	DISK FR BRK	1	
	90105	90105-KCR3-C02	BOLT FR DISK 8*24	BOLT FR DISK 8*24	5	
	90306	90306-LKL5-E31	NUT U FLANGE 12MM(K)	NUT U FLANGE 12MM(K)	1	
	90754	90754-GHC8-C00	DUST SEAL 20*32*5	DUST SEAL 20*32*5	1	
	90912	90912-KFLF-C00	BEARING 6201 LLU	BEARING 6201 (U)	2	
	95701	95701-06025-07G	BOLT FLANGE 6*25 (C)	BOLT FLANGE 6*25 (C)	1	

F08

Rear Wheel

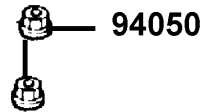
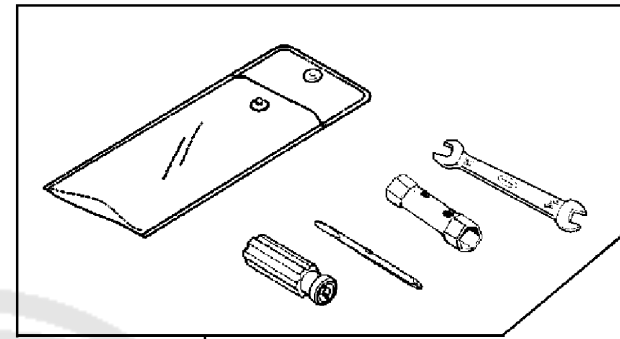
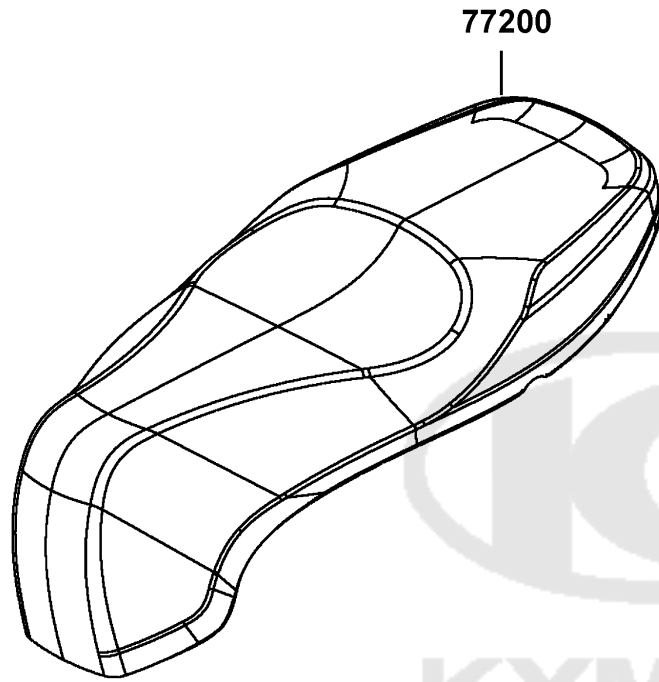


Sales mark	Ref no	Part no	Description	Reg description	Regd no	F08
	42311	42311-LFB5-C00	COLLAR REAR HUB SIDE	COLLAR REAR HUB SIDE	1	
	42312	42312-KHB4-C00	CLOLLAR RR AXLE SIDE	CLOLLAR RR AXLE SIDE	1	
**	42601	42601-ACC1-E11	WHEEL COMP RR CAST	WHEEL COMP RR CAST	1	
	42710	42710-LGS6-C10	TIRE ASSY RR	TIRE ASSY RR	1	
	42753	42753-0A01-C00	VALVE (TR 412) & CAP (C)	VALVE (TR 412) & CAP (C)	1	
	43351	43351-LFB5-E80	DISK FR BRK	DISK FR BRK	1	
	90105	90105-KCR3-C02	BOLT FR DISK 8*24	BOLT FR DISK 8*24	5	
	90305	90305-KFW6-C00	NUT U FLANGE 16MM(C)	NUT U FLANGE 16MM(C)	1	



F09

Seat



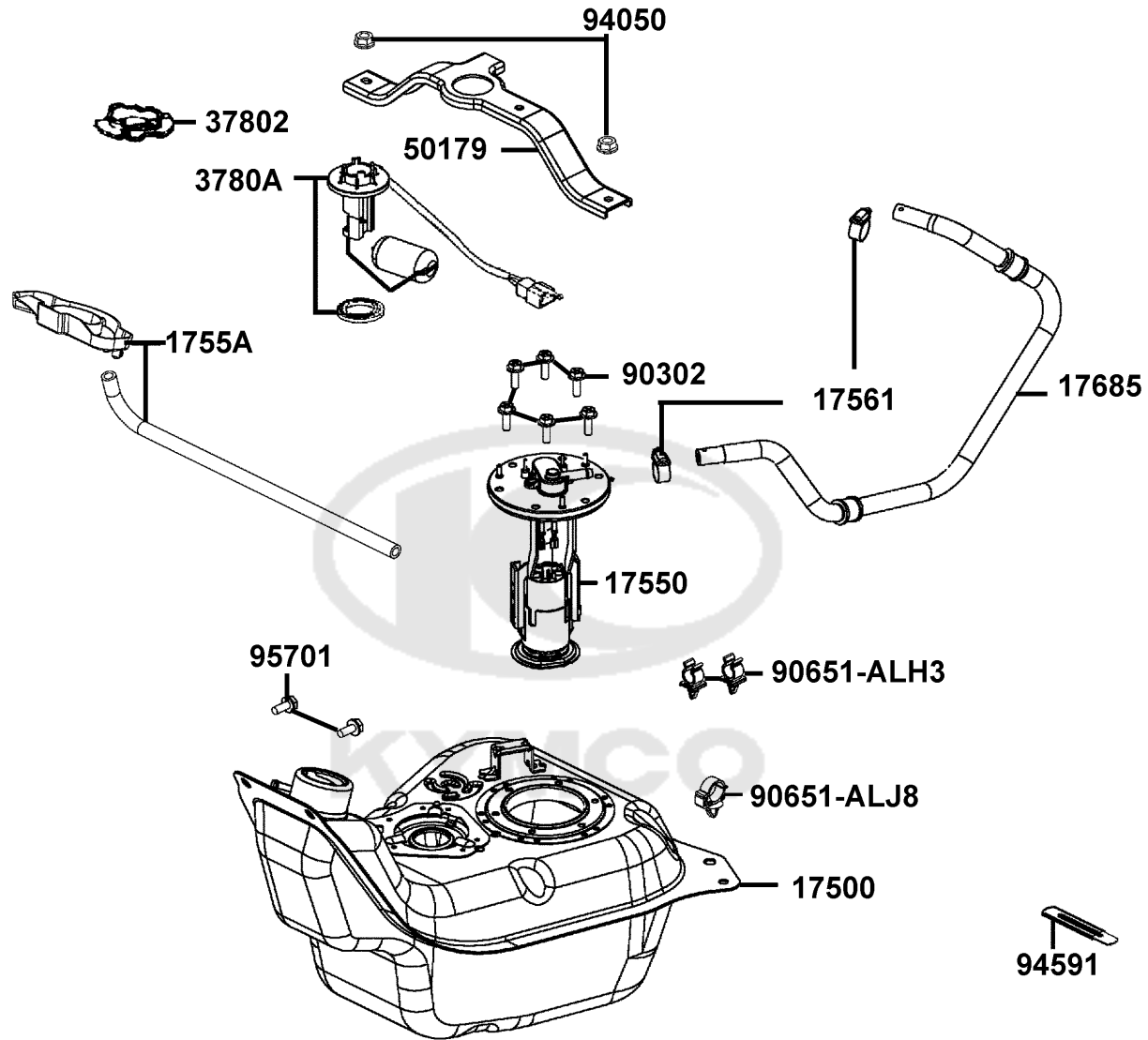
Sales mark	Ref no	Part no	Description	Reg description	Regd no	F09
------------	--------	---------	-------------	-----------------	---------	------------

**	77200	77200-ACC1-E10	SEAT ASSY	SEAT ASSY	1	
	89010	89010-KGBG-C00	TOOL SET	TOOL SET	1	
	94050	94050-06080-G	NUT FLANGE 6MM	NUT FLANGE 6MM	2	



F10

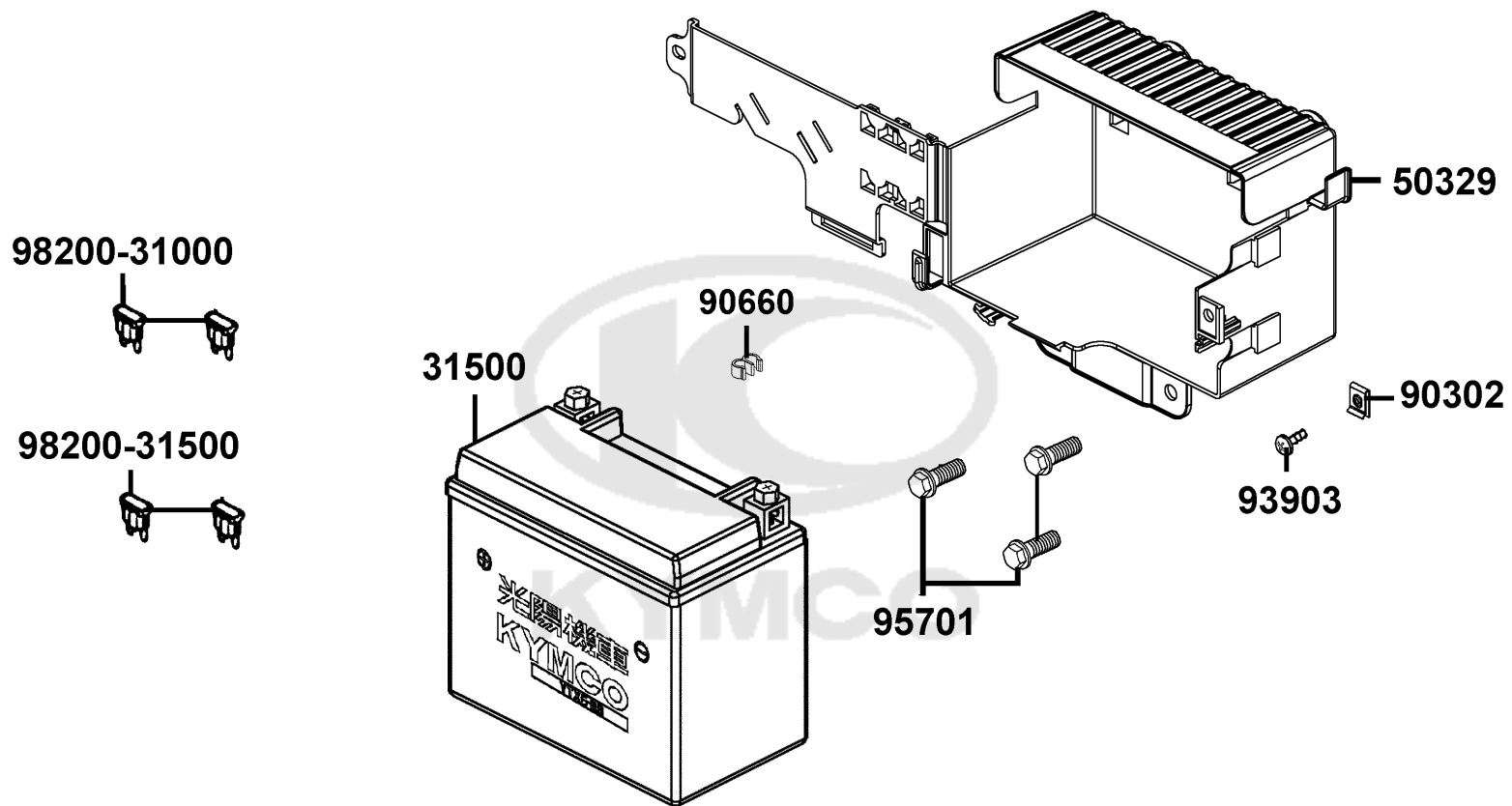
Fuel Tank



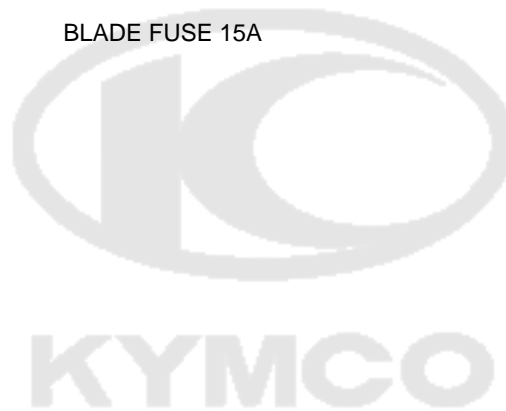
Sales mark	Ref no	Part no	Description	Reg description	Regd no	F10
17500		17500-ACC1-E10	TANK COMP FUEL	TANK COMP FUEL	1	
17550		17550-ACC1-E10	FUEL PUMP ASSY	FUEL PUMP ASSY	1	
1755A		1755A-ACC1-E10	TRAY ASSY FUEL CAP	TRAY ASSY FUEL CAP	1	
17561		17561-LGK8-900	CLIP 12.0	CLIP 12.0	2	
17685		17685-ACC1-E10	TUBE FUEL	TUBE FUEL	1	
37802		37802-GGA7-C00	RET FUEL UNIT	RET FUEL UNIT	1	
3780A		3780A-ACC1-E10	FUEL UNIT ASSY	FUEL UNIT ASSY	1	
50179		50179-ACC1-E10	BRKT FLOOR PANEL	BRKT FLOOR PANEL	1	
90302		90302-PUA3-B51	BOLT-WASH 5*12	BOLT-WASH 5*12	6	
90651-ALH3		90651-ALH3-700	CLIP WIRE HARN	CLIP WIRE HARN	2	
90651-ALJ8		90651-ALJ8-C00	CLIP,MUDGUARD	CLIP,MUDGUARD	1	
94050		94050-06080-G	NUT FLANGE 6MM	NUT FLANGE 6MM	2	
94591		94591-KFBF-C00	CLIP 2*71	CLIP 2*71	1	
95701		95701-06012-08G	BOLT FLANGE 6*12	BOLT FLANGE 6*12	2	

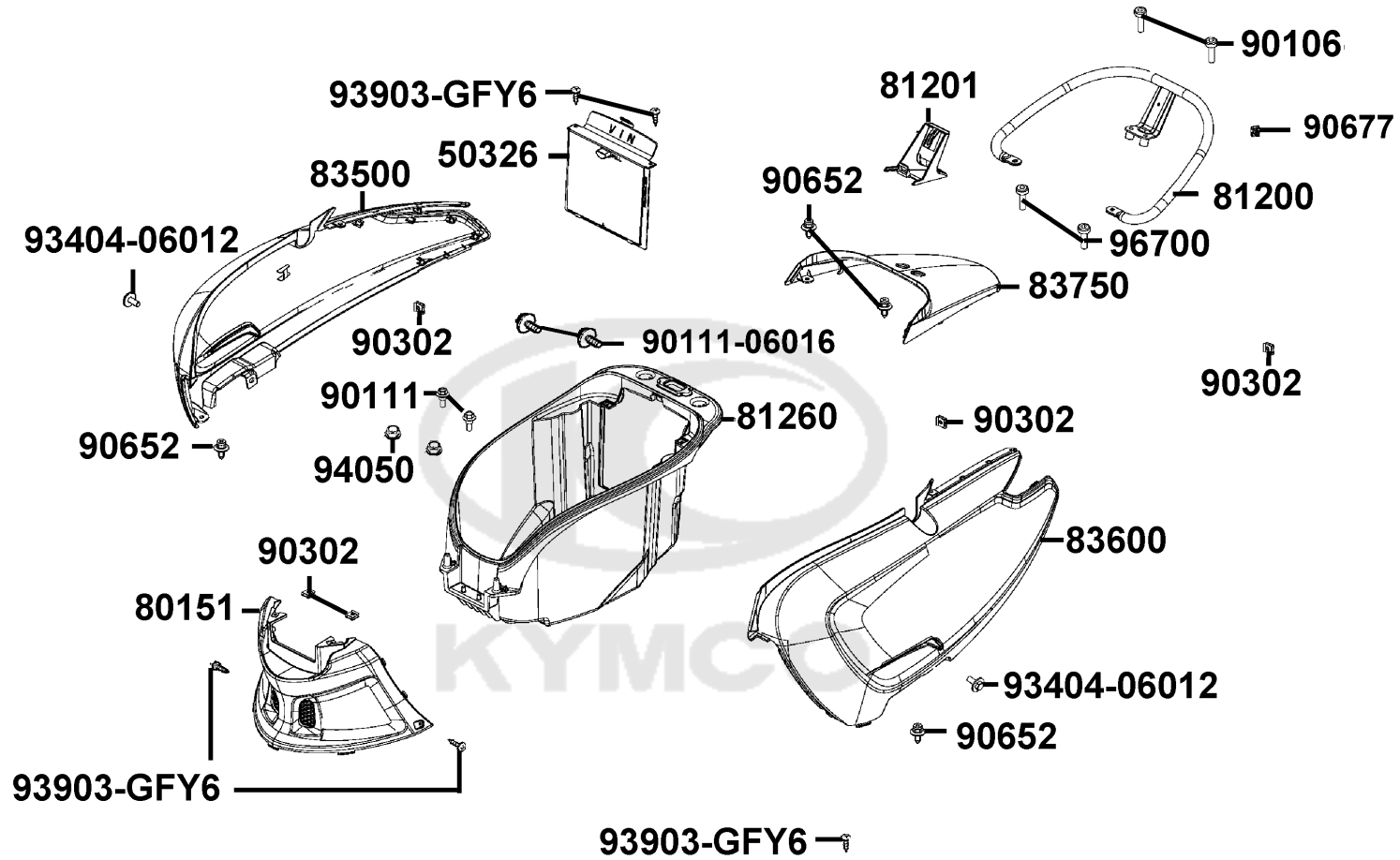
F11

Battery



Sales mark	Ref no	Part no	Description	Reg description	Regd no	F11
	31500	31500-KFAF-EZ0	BATTERY EB9-4	BATTERY GTX9-BS	1	
**	50329	50329-ACC1-E11	COVER ASSY BATTERY	COVER ASSY BATTERY	1	
	90302	90302-SDA4-C01	"NUT,SPPING 4MM"	"NUT,SPPING 4MM"	1	
	90660	90660-PWA2-900	CLAMP TUBE	CLAMP TUBE	1	
	93903	93903-GFY6-C01	SCREW TAPPING 4*14(K)	SCREW TAPPING 4*14	1	
	95701	95701-06012-08G	BOLT FLANGE 6*12	BOLT FLANGE 6*12	3	
	98200-31000	98200-31000	BLADE FUSE 10A	BLADE FUSE 10A	2	
	98200-31500	98200-31500	BLADE FUSE 15A	BLADE FUSE 15A	2	

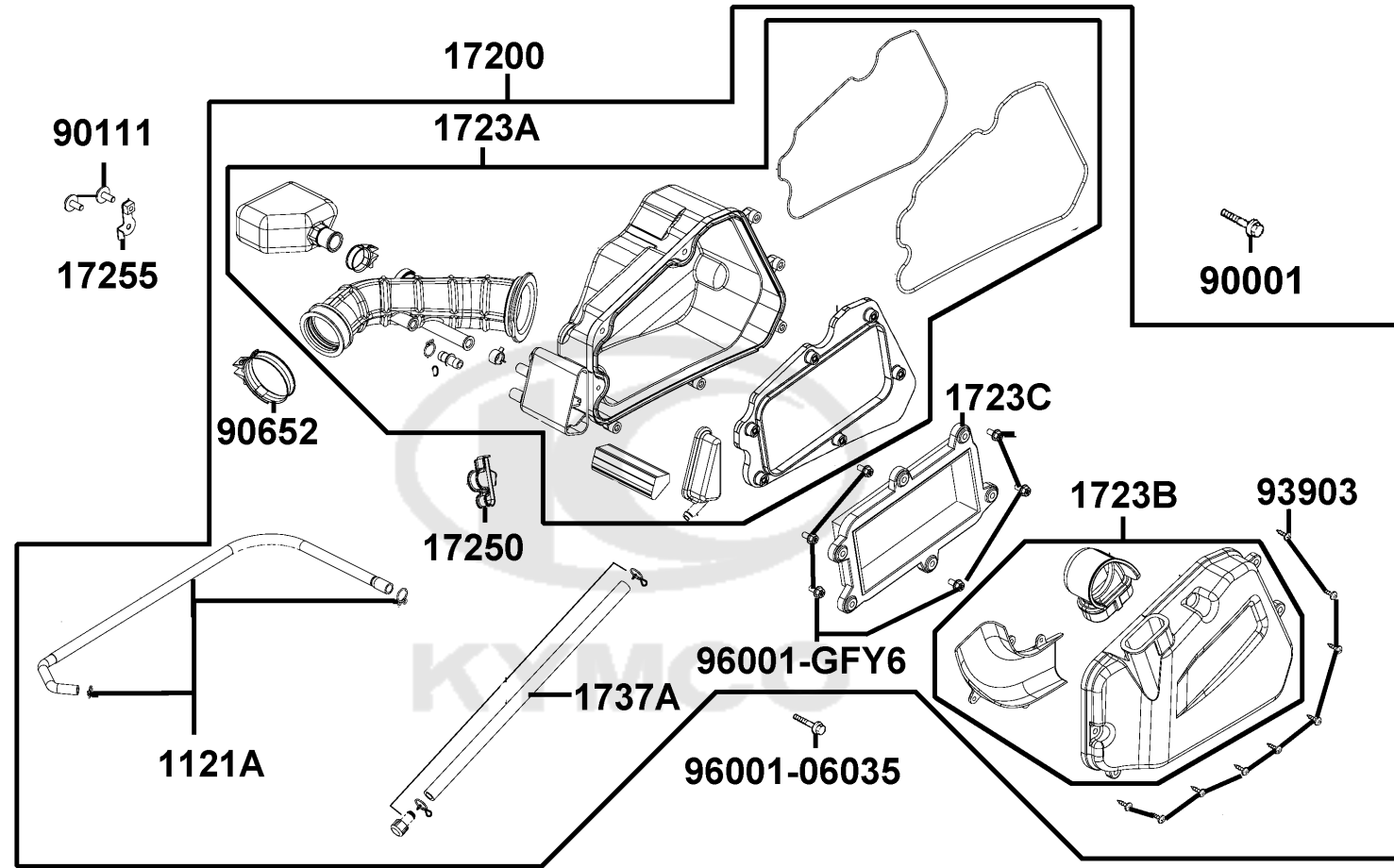




Sales mark	Ref no	Part no	Description	Reg description	Regd no	F12
**	50326	50326-ACC1-E10	COVER BATTERY	COVER BATTERY	1	
**	80151	80151-ACC1-E10	COVER CENTER	COVER CENTER	1	
	81200	81200-ACC1-E10	CARRIER RR ASSY	CARRIER RR ASSY	1	
**	81201	81201-AKB7-C00	COVER BATTERY	COVER BATTERY	1	
**	81260	81260-ACC1-E10	BOX ASSY LUGGAGE	BOX ASSY LUGGAGE	1	
**	83500	83500-ACC1-E10	COVER R BODY	COVER R BODY	1	
**	83600	83600-ACC1-E10	COVER L BODY	COVER L BODY	1	
**	83750	83750-ACC1-E10	REAR CENTER COVER	REAR CENTER COVER	1	
	90106	90106-KFAF-C10	BOLT SPECIAL 8MM	BOLT SPECIAL 8MM	2	
	90111-06016	90111-06016-07G	BOLT FLANGE 6*16 (K)	BOLT FLANGE 6*16 (K)	2	
	90111	90111-1G87-C01	BOLT FLANGE 6MM	BOLT FLANGE 6MM	2	
	90302	90302-SDA4-C01	"NUT,SPPING 4MM"	"NUT,SPPING 4MM"	5	
	90652	90652-LCA4-C10	CLIP MUDGUARD	CLIP MUDGUARD	4	
	90677	90677-GAR1-C01	NUT CLIP 5MM	NUT CLIP 5MM	1	
	93404-06012	93404-06012-07G	BOLT WASHER 6*12 (K)	BOLT WASHER 6*12 (K)	2	
	93903-GFY6	93903-GFY6-C01	SCREW TAPPING 4*14(K)	SCREW TAPPING 4*14	5	
	94050	94050-06080-G	NUT FLANGE 6MM	NUT FLANGE 6MM	2	
	96700	96700-08016-02	SOCKET BOLT 8*16(G)	SOCKET BOLT 8*16(G)	2	

F13

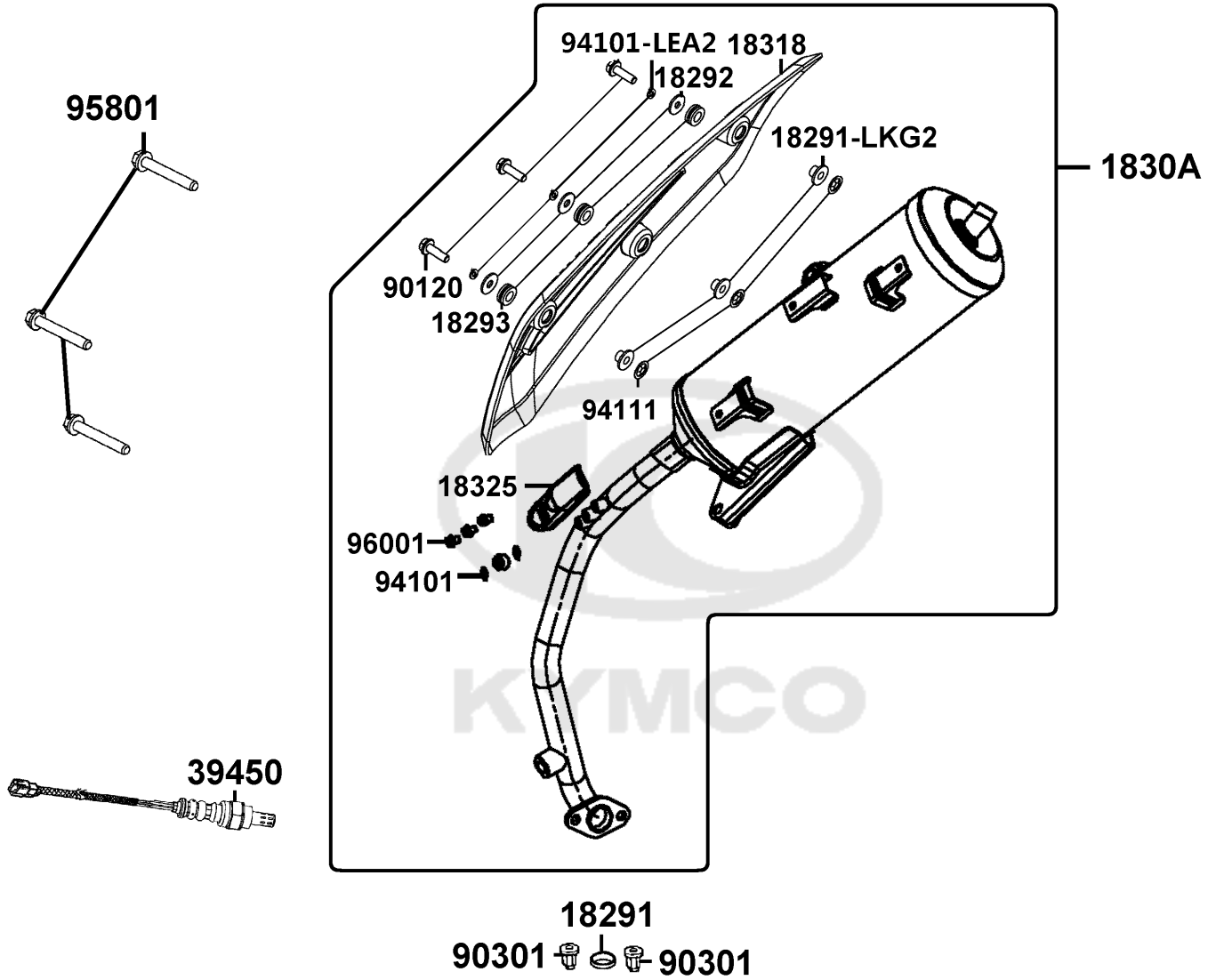
Air Cleaner



Sales mark	Ref no	Part no	Description	Reg description	Regd no	F13
1121A		11211-ACC1-E10	TUBE BREATHER	TUBE BREATHER	1	
17200		17200-ACC1-E10	AIR/C ASSY	AIR/C ASSY	1	
1723A		1723A-ACC1-E10	CASE ASSY AIR/C	CASE ASSY AIR/C	1	
1723B		1723B-ACC1-E10	COVER ASSY AIR/C	COVER ASSY AIR/C	1	
1723C		1723C-ACC1-E10	ELEMENT ASSY AIR/C	ELEMENT ASSY AIR/C	1	
17250		17250-ACC1-E10	"STAY, AIR/C CASE"	"STAY, AIR/C CASE"	1	
17255		17255-ACC1-E10	BAND CONNECT TUBE	BAND CONNECT TUBE	1	
1737A		1737A-LCD3-E00	V TUBE ASSY	V TUBE ASSY	1	
90001		90001-GBHB-C13	BOLT FLANGE SHF 6*40	BOLT FLANGE 6*32	1	
90111		90111-06016-07G	BOLT FLANGE 6*16 (K)	BOLT FLANGE 6*16 (K)	2	
90652		90652-LKH3-C00	BAND AIR/C CONN TUBE	BAND AIR/C CONN TUBE	1	
93903		93903-25480	SCREW TAPPING 5*20 (K)	SCREW TAPPING 5*20 (K)	9	
96001-06035		96001-06035-08G	BOLT FLANGE SH 6*35	BOLT FLANGE SH 6*35 (C)	1	
96001-GFY6		96001-GFY6-C00	BOLT SPECIAL 5*10	BOLT SPECIAL 5*10	6	

F14

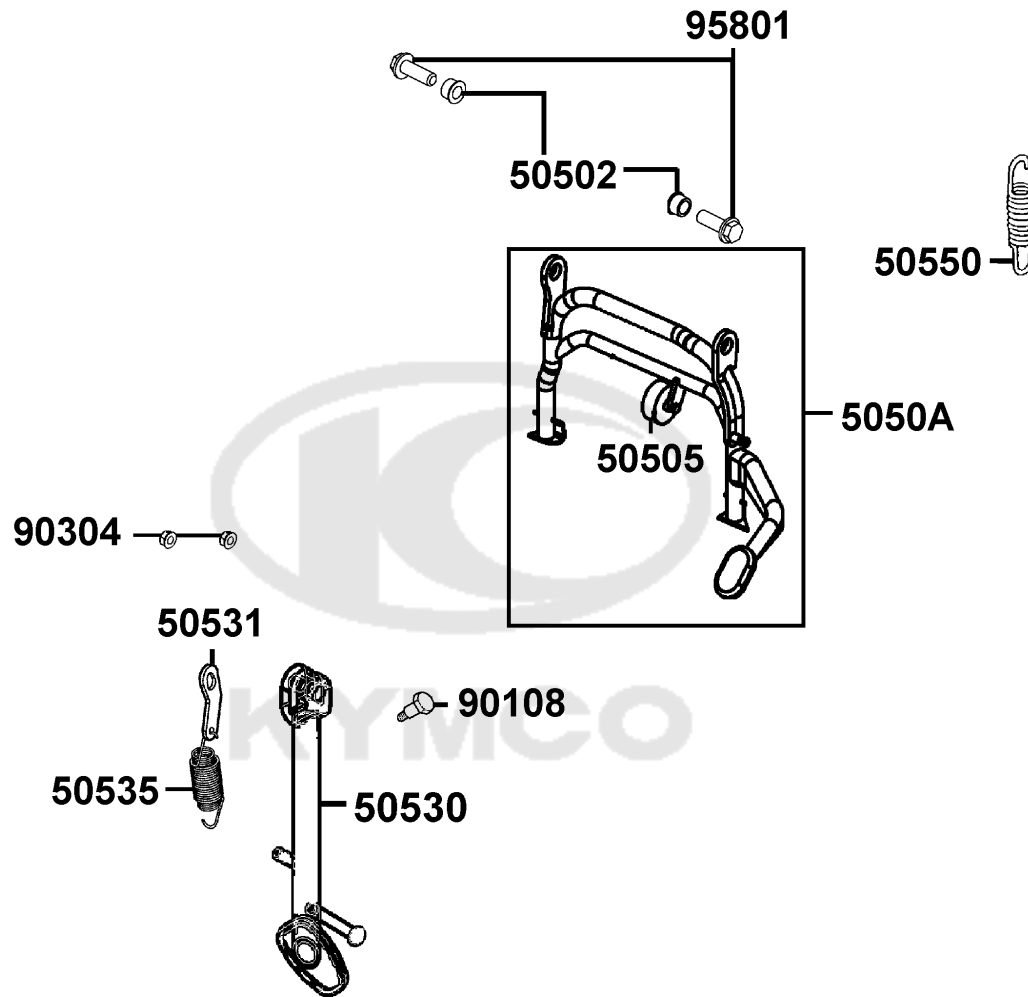
Exhaust Muffler



Sales mark	Ref no	Part no	Description	Reg description	Regd no	F14
	18291	18291-LEA5-C00	GASKET EXH PIPE	GASKET EXH PIPE	3	
	18291-LKG2	18291-LKG2-C00	COLLAR	COLLAR	3	
	18292	18292-KEBE-C00	PACKING PROTECTOR	PACKING PROTECTOR	3	
	18293	18293-LHJ8-900	RUBBER PKG PROTR	RUBBER PKG PROTR	3	
**	1830A	1830A-ACC1-EZ5	MUFFLER ASSY EXH	MUFFLER ASSY EXH	1	
**	18318	18318-ACC1-E10	PTOTECTOR MUFFLER	PTOTECTOR MUFFLER	1	
	18325	18325-ACC1-E10	PROTECTOR EXH PIPE	PROTECTOR EXH PIPE	1	
	39450	39450-ZVA6-M00	O2 SENSOR	O2 SENSOR	1	
	90120	90120-LEJ3-C00	BOLT SPECIAL	BOLT SPECIAL	3	
	90301	90301-GFY6-C01	NUT (HEX) CAP 8MM	NUT (HEX) CAP 8MM	2	
	94101	94101-06700	WASHER PLAIN 6MM	WASHER PLAIN 6MM	3	
	94101-LEA2	94101-LEA2-C00	"WASHER PLAIN.6.5X18X1.5"	"WASHER PLAIN.6.5X18X1.5"	3	
	94111	94111-ACD5-E00	WASHER.SPG	WASHER.SPG	3	
	95801	95801-08042-07G	BOLT FLANGE 8*42	BOLT FLANGE 8*42 (K)	3	
	96001	96001-06008-07	BOLT FLANGE SH 6*8	BOLT FLANGE SH 6*8	3	

F15

Stand Kick Starter Arm

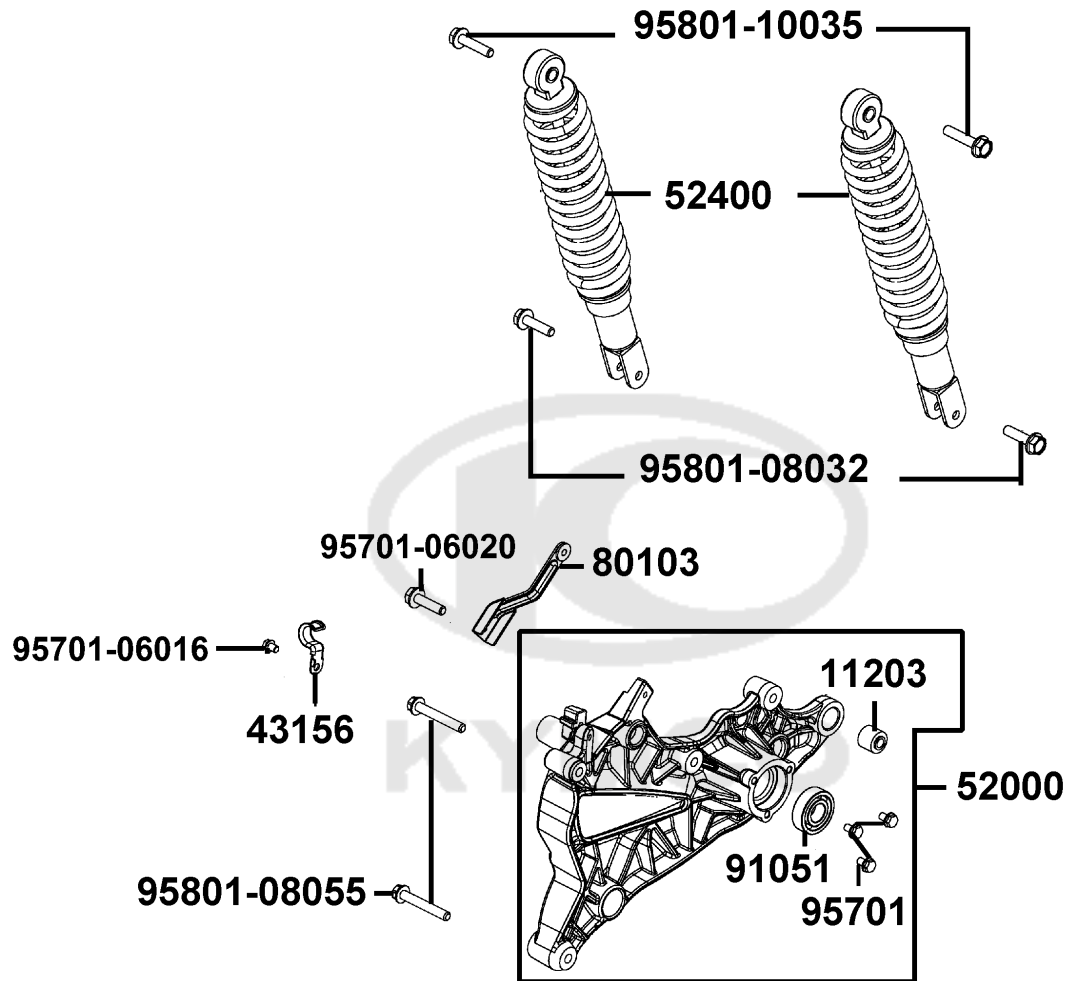


Sales mark	Ref no	Part no	Description	Reg description	Regd no	F15
	50502	50502-GFY6-C00	COLLAR MAIN STAND	COLLAR MAIN STAND	2	
	50505	50505-LCB9-C00	STOPPER RUBBER	STOPPER RUBBER	1	
	5050A	5050A-ACC1-E10	STAND COMP MAIN	STAND COMP MAIN	1	
	50530	50530-ACC1-E10	SIDE STAND COMP	SIDE STAND COMP	1	
	50531	50531-KEB7-C00	PLATE SPRING STOPPER	PLATE SPRING STOPPER	1	
	50535	50535-KEB7-W10	SPRING COMP SIDE STAND	SPRING COMP SIDE STAND	1	
	50550	50550-KFA6-C00	SPG ASSY MAIN STAND	SPG ASSY MAIN STAND	1	
#	90108	90108-KUDU-C01	SCREW SIDE STAND PIVOT	SCREW SIDE STAND PIVOT	1	
	90304	90304-PUA3-B50	NUT U 10MM (C)	NUT U 10MM (C)	2	
	95801	95801-10030-07G	BOLT FLANGE 10X30	BOLT FLANGE 10*30 (G)	2	



F16

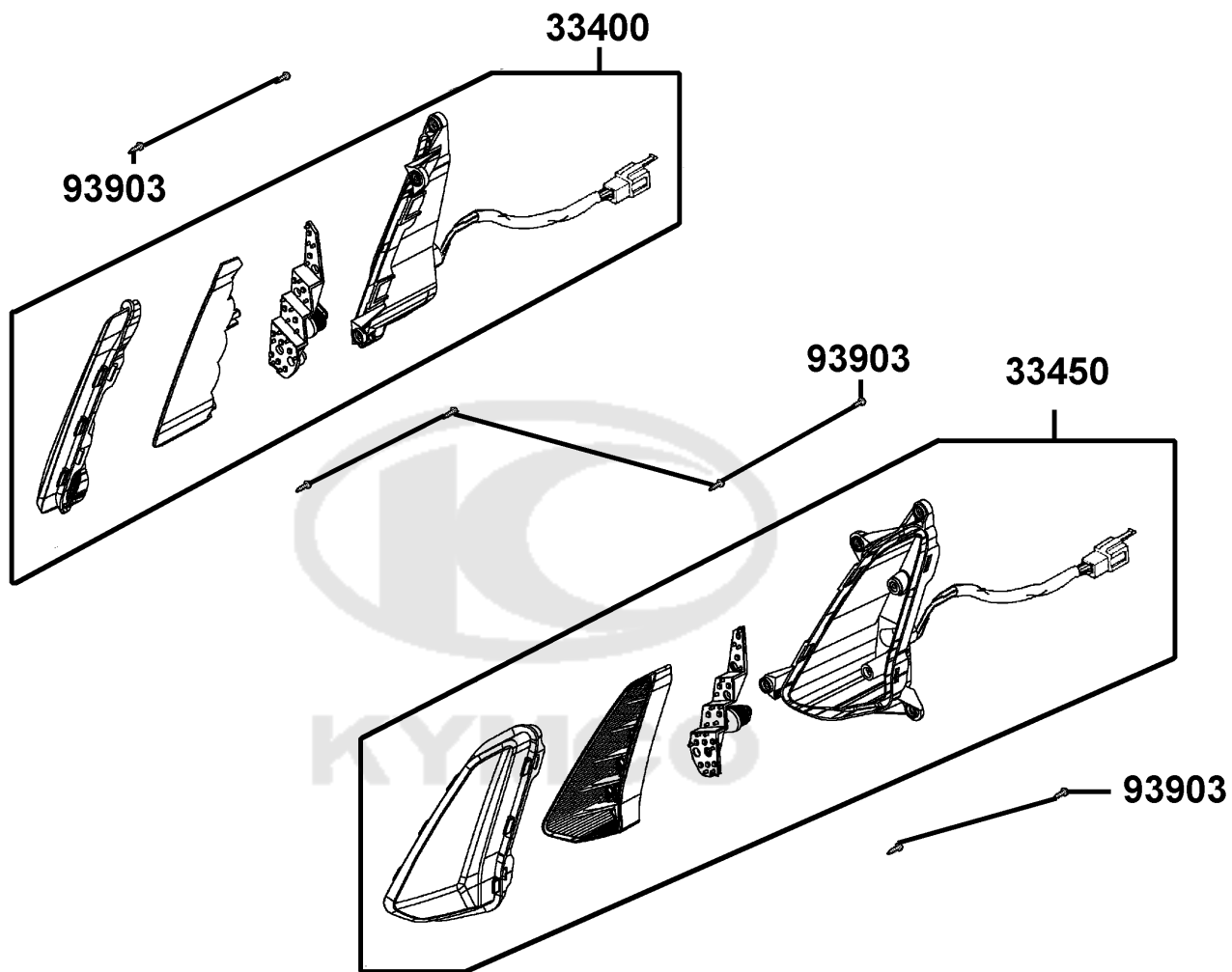
Rear Cushion



Sales mark	Ref no	Part no	Description	Reg description	Regd no	F16
	11203	11203-GGC7-W10	UNDER RUBBER BUSH REAR CUSHION	UNDER RUBBER BUSH REAR CUSHION	1	
	43156	43156-KKC4-900	CLAMPER HOSE RR	CLAMPER HOSE RR	1	
**	52000	52000-AFA9-C01	FORK ASSY RR	FORK ASSY RR	1	
**	52400	52400-ACC1-E10	CUSHION ASSY REAR	CUSHION ASSY REAR	2	
	80103	80103-LKG2-C00	PLATE SPLASH BOARD	PLATE SPLASH BOARD	1	
	91051	91051-KFBF-C00	BRG BALL RADIAL 6203 LLU	BRG BALL RADIAL 6203 LLU	1	
	95701	95701-06010-07G	BOLT FLANGE 6*10 (K)	BOLT FLANGE 6*10 (K)	3	
	95701-06016	95701-06016-07G	BOLT FLANGE SH 6*16 (KG)	BOLT FLANGE SH 6*16 (KG)	1	
	95701-06020	95701-06020-07G	BOLT FLANGE 6*20	BOLT FLANGE 6*20 (C)	1	
	95801-08032	95801-08032-07G	BOLT FLANGE 8*32(KG)	BOLT FLANGE 8*32(K)	2	
	95801-08055	95801-08055-07G	BOLT FLANGE 8*55	BOLT FLANGE 8*55 (K)	2	
	95801-10035	95801-10035-08G	BOLT FLANGE 10X35	BOLT FLANGE 10X35	2	

F17

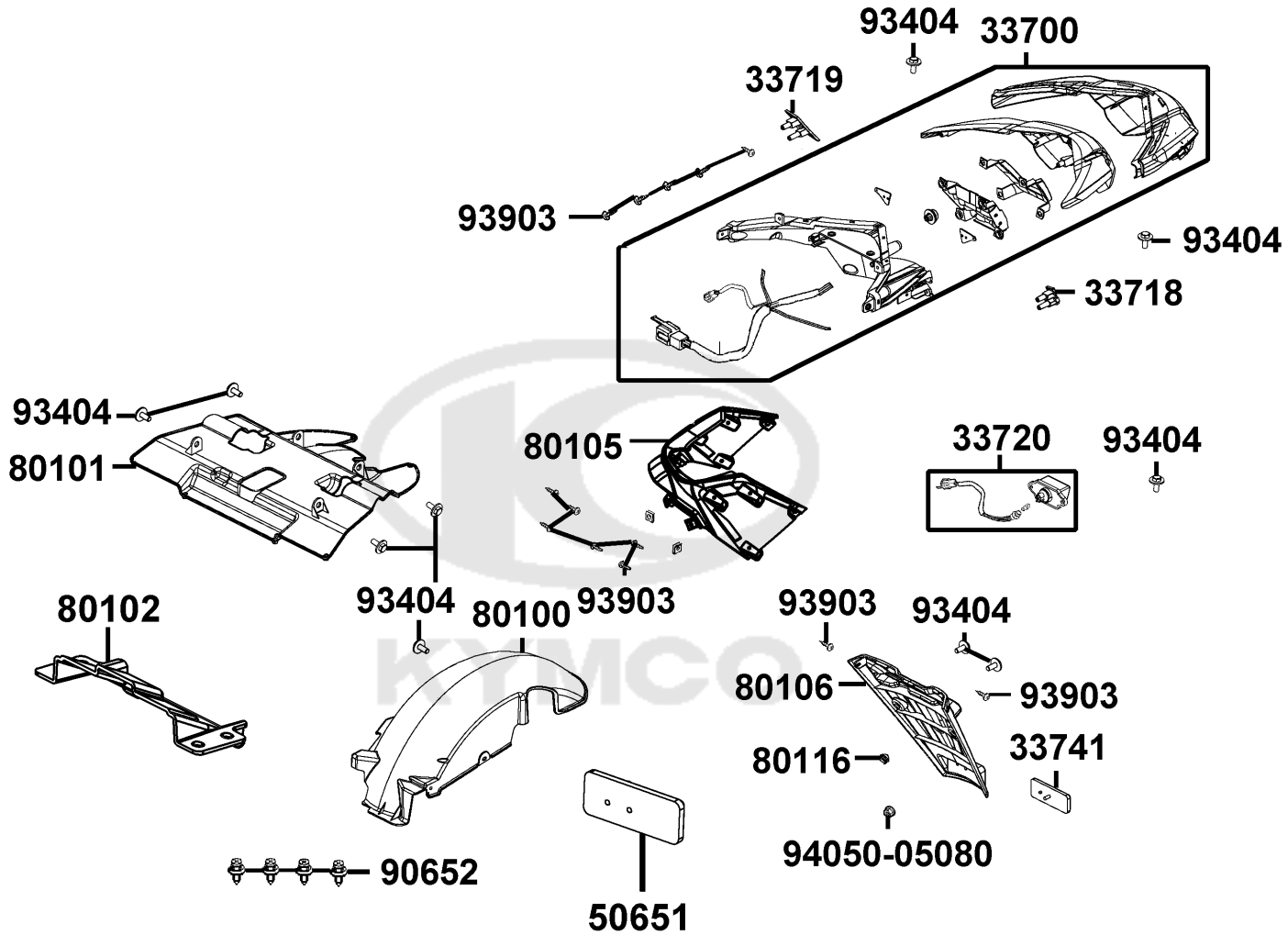
Front Winker



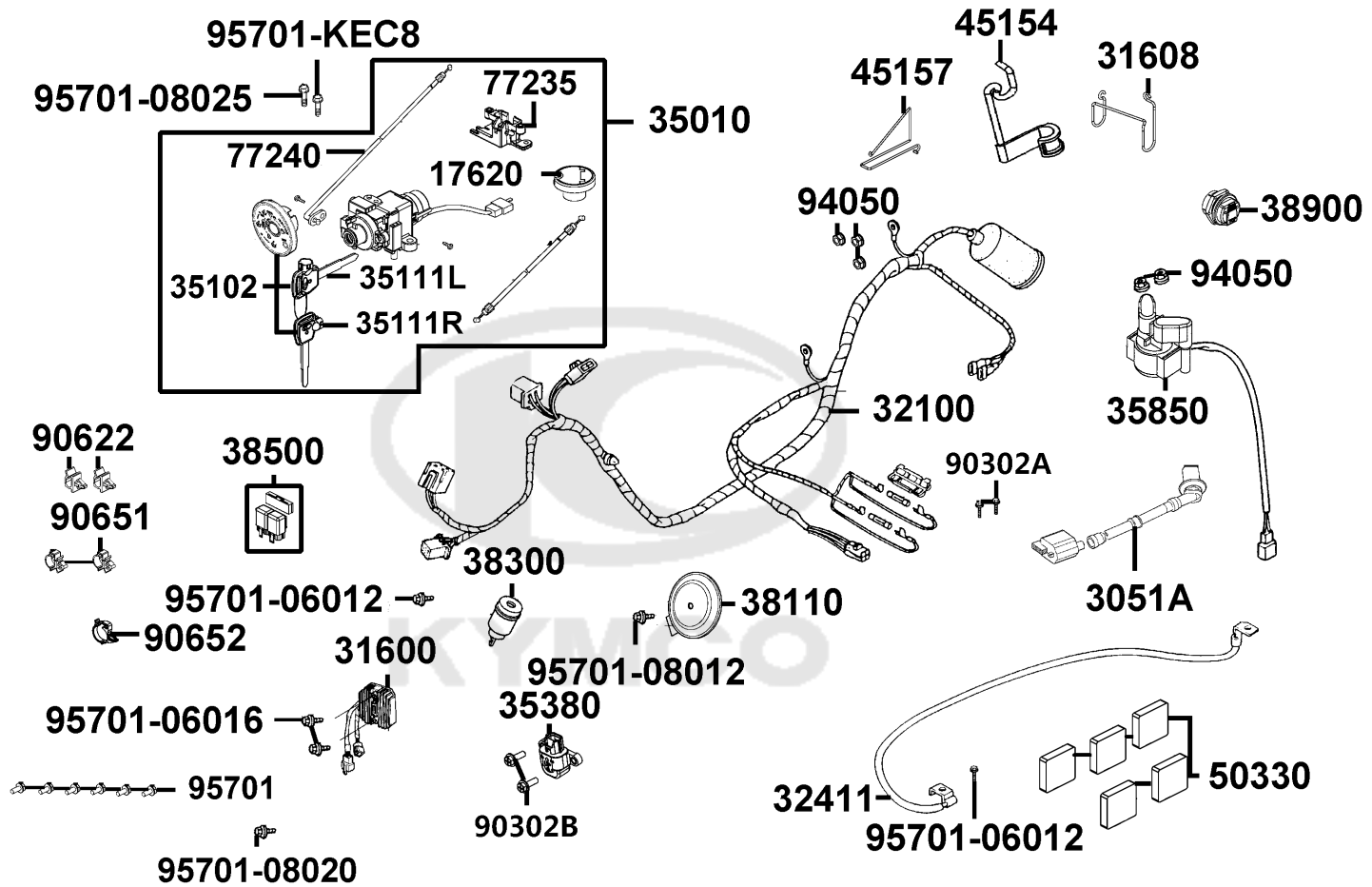
Sales mark	Ref no	Part no	Description	Reg description	Regd no	F17
------------	--------	---------	-------------	-----------------	---------	------------

33400		33400-ACC1-E10	WINKER ASSY R FR	WINKER ASSY R FR	1	
33450		33450-ACC1-E10	WINKER ASSY L FR	WINKER ASSY L FR	1	
93903		93903-34380-G	SCREW TAPPING 4x12	SCREW TAPPING 4x12	8	

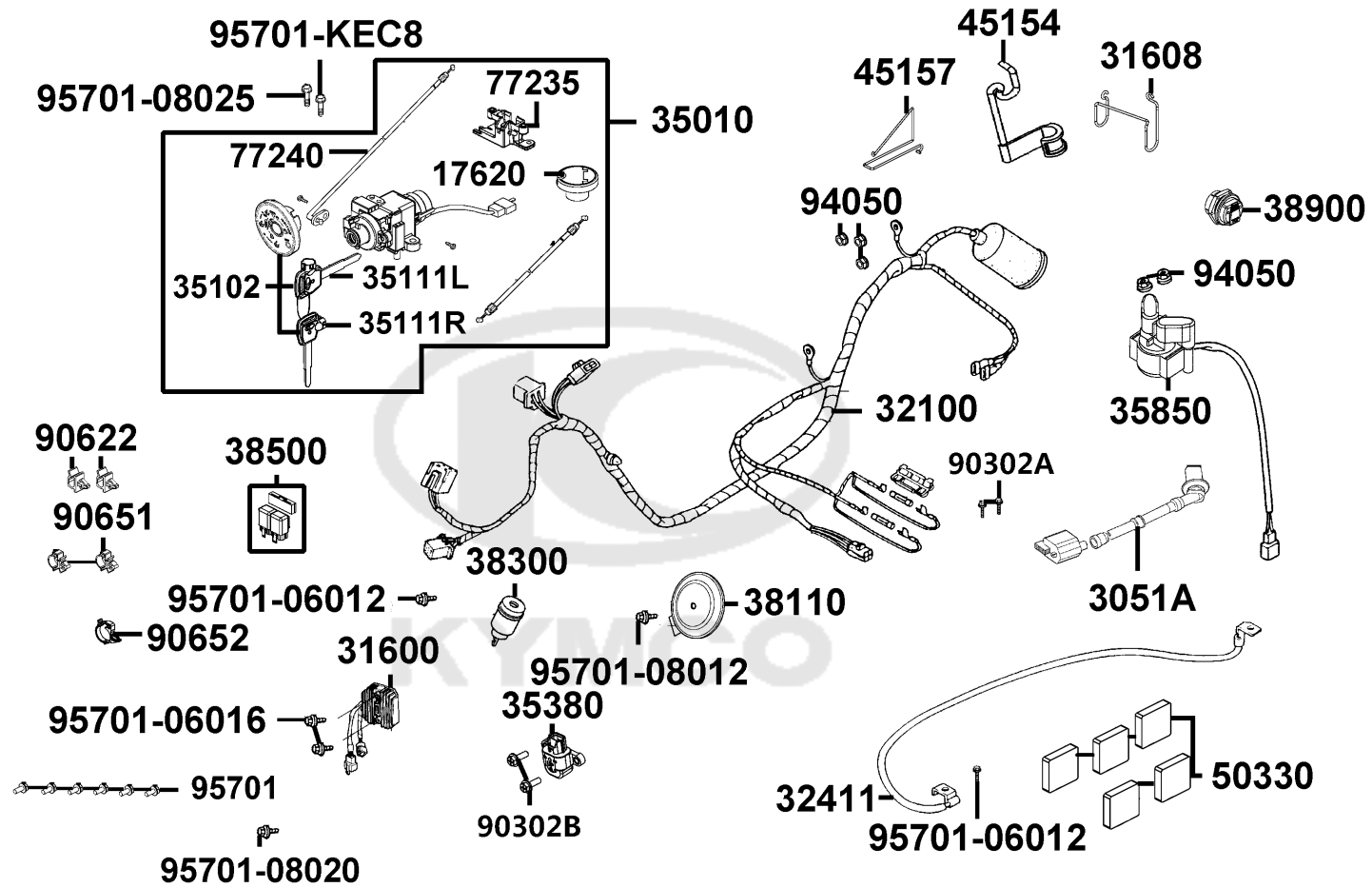




Sales mark	Ref no	Part no	Description	Reg description	Regd no	F18
	33700	33700-ACC1-E10	LIGHT ASSY RR COMB	LIGHT ASSY RR COMB	1	
**	33718	33718-ACC1-E10	LID R RR	LID R RR	1	
**	33719	33719-ACC1-E10	LID L RR	LID L RR	1	
	33720	33720-LGB5-E10	LIGHT ASSY LICENSE	LIGHT ASSY LICENSE	1	
	33741	33741-LEH3-EZ0	REFLEX REFLECTOR	REFLEX REFLECTOR	1	
	50651	50651-LFC4-E10	STAY RR FENDER BALANCE	STAY RR FENDER BALANCE	1	
**	80100	80100-ACC1-E10	FENDER RR TIRE	FENDER RR TIRE	1	
**	80101	80101-ACC1-E10	FENDER RR INNER	FENDER RR INNER	1	
	80102	80102-ACC1-E10	PLATE SPLASH BOARD	PLATE SPLASH BOARD	1	
**	80105	80105-ACC1-E10	FENDER REAR UP	FENDER REAR UP	1	
**	80106	80106-ACC1-E10	FENDER RR LOW	FENDER RR LOW	1	
	80116	80116-ACC1-E10	RUBBER LICENSE PLATE STOP	RUBBER LICENSE PLATE STOP	1	
	90652	90652-LCA4-C10	CLIP MUDGUARD	CLIP MUDGUARD	4	
	93404	93404-06012-07G	BOLT WASHER 6*12 (K)	BOLT WASHER 6*12 (K)	10	
	93903	93903-34380-G	SCREW TAPPING 4x12	SCREW TAPPING 4x12	13	
	94050-05080	94050-05080-G	NUT FLANGE 5MM	NUT FLANGE 5MM	1	



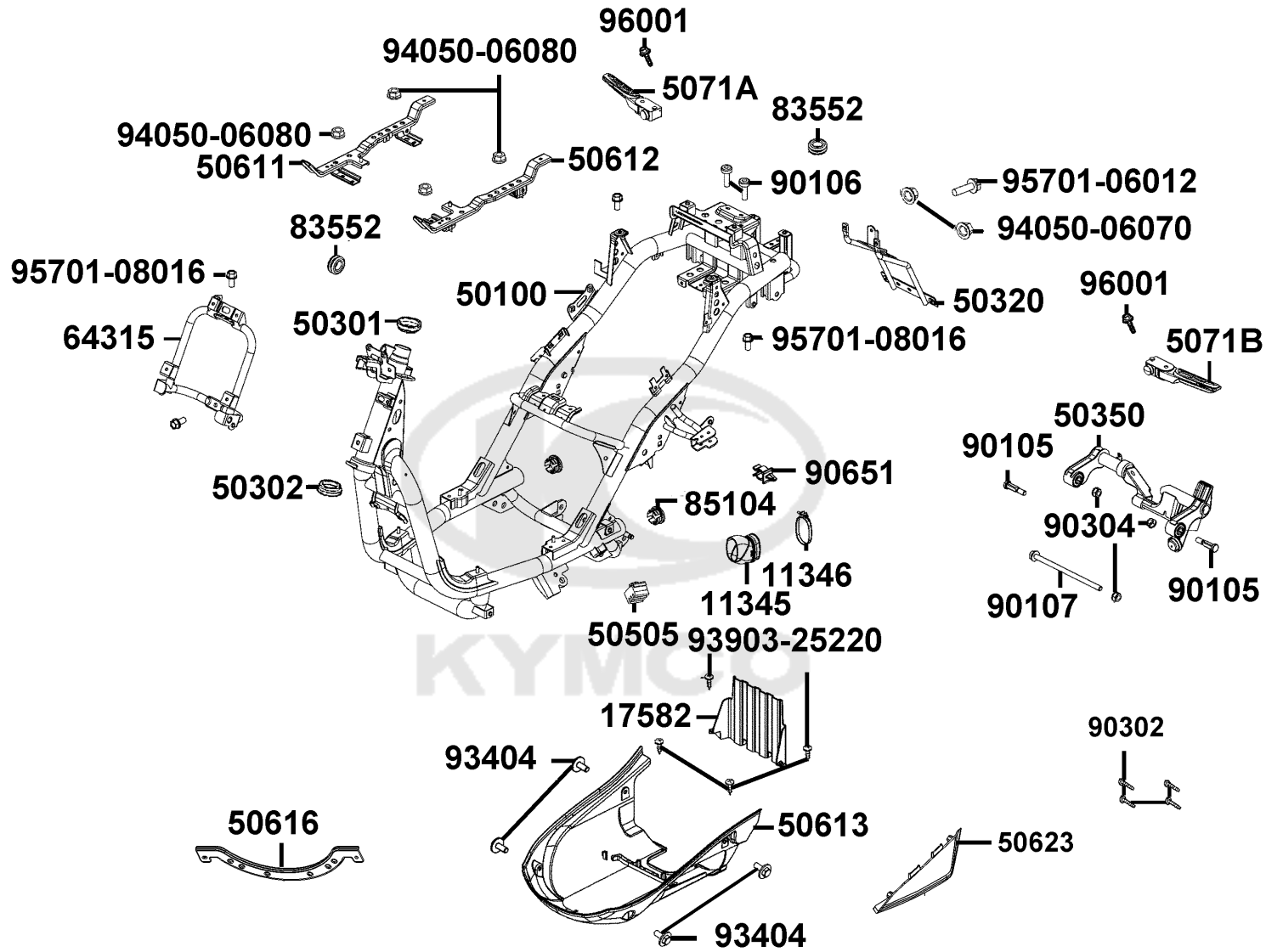
Sales mark	Ref no	Part no	Description	Reg description	Regd no	F19
	17620	17620-ALJ9-E15	CAP COMP FUEL FILLER	CAP COMP FUEL FILLER	1	
	3051A	3051A-ACC1-EZ5	COIL ASSY IGN	COIL ASSY IGN	1	
	31600	31600-ACC1-E10	REG REC COMP	REG REC COMP	1	
	31608	31608-ACC1-E10	CLIP WIRE	CLIP WIRE	1	
	32100	32100-ACC1-EZ5	HARNESS WIRE	HARNESS WIRE	1	
	32411	32411-ACC1-E10	CABLE BAT	CABLE BAT	1	
	35010	35010-ACC1-E10	KEY SET	KEY SET	1	
	35102	35102-ACC1-E10	SHUTTER MAGNETIC LOCK	SHUTTER MAGNETIC LOCK	1	
	35111R	35111-LDC1-305	KEY COMP (R TANGENT PLANE/SD)	KEY COMP (R TANGENT PLANE/SD)	1	
	35111L	35111-LDC1-306	KEY COMP (L TANGENT PLANE/SD)	KEY COMP (L TANGENT PLANE/SD)	1	
	35380	35380-ABE1-C00	SENSOR ANGLE	SENSOR ANGLE DETECT	1	
	35850	35850-ALL1-C00	SET START MAG	SET START MAG	1	
	38110	38110-KKC3-90B	HORN COMP	HORN COMP	1	
	38300	38300-ACC1-E10	RELAY ASS'Y WINKER	RELAY ASS'Y WINKER	1	
	38500	38500-AAD2-C00	RELAY ASSY LIGHT	RELAY ASSY LIGHT	1	
	38900	38900-ACC1-E10	CONTROLLER USB CHARGER	CONTROLLER USB CHARGER	1	
	45154	45154-ACC1-E10	CLIP WIRE	CLIP WIRE	1	
	45157	45157-ACC1-E10	CLIP WIRE	CLIP WIRE	1	
	50330	50330-ALK5-C00	SEAL BATTER FRONT	SEAL BATTER FRONT	5	
	77235	77235-KGC4-C00	SEAT CATCH	SEAT CATCH	1	



Sales mark	Ref no	Part no	Description	Reg description	Regd no	F19
	77240	77240-ACC1-E10	CABLE SEAT LOCK	CABLE SEAT LOCK	1	
	90302A	90302-LLB1-C01	BOLT-WASH 5*12	BOLT-WASH 5*12	2	
	90302B	90302-PUA3-B51	BOLT-WASH 5*12	BOLT-WASH 5*12	2	
	90622	90622-LHJ8-900	CLAMP	CLAMP	2	
	90651	90651-LKE6-C00	CLIP,MUDGUARD	CLIP,MUDGUARD	2	
	90652	90652-LHJ6-900	"CLIP,MUDGUARD"	"CLIP,MUDGUARD"	1	
	94050	94050-06080-G	NUT FLANGE 6MM	NUT FLANGE 6MM	3	
	95701	95701-06012-07G	BOLT FLANGE 6*12	BOLT FLANGE 6*12 (G)	6	
	95701-06012	95701-06012-08G	BOLT FLANGE 6*12	BOLT FLANGE 6*12	2	
	95701-06016	95701-06016-08G	BOLT FLANGE 6*16 (C)	BOLT FLANGE 6*16 (C)	2	
	95701-08012	95701-08012-08G	BOLT FLANGE 8X12(C)	BOLT FLANGE 8X12(C)	1	
	95701-08020	95701-08020-08G	BOLT FLANGE 8*20	BOLT FLANGE 8*20 (C)	1	
	95701-08025	95701-08025-08G	BOLT FLANGE	BOLT FLANGE 8*25 (C)	1	
	95701-KEC8	95701-KEC8-E01	BOLT FLANGE 8*19	BOLT FLANGE 8*19	1	

F20

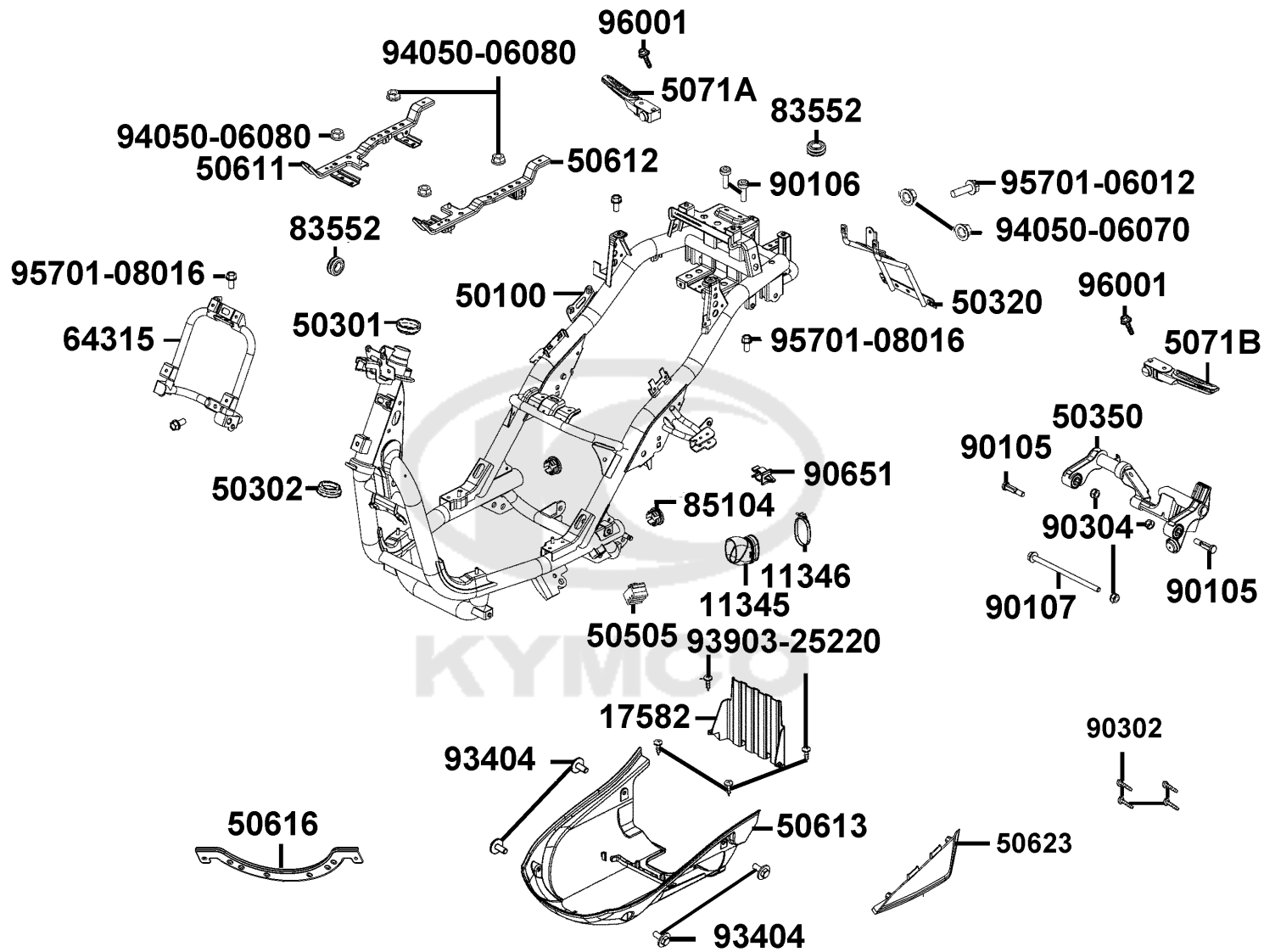
Frame Body



Sales mark	Ref no	Part no	Description	Reg description	Regd no	F20
	11345	11345-LEA7-C00	DUCT L COVER	DUCT L COVER	1	
	11346	11346-GFY6-C00	BAND L COVER DUCT	BAND L COVER DUCT	1	
**	17582	17582-ACC1-E10	HEAT GUARD FUEL TANKE	HEAT GUARD FUEL TANKE	1	
	50100	50100-ACC1-EZ5	BODY COMP FRAME	BODY COMP FRAME	1	
	50301	50301-KGN7-C00	RACE UPPER STRG BALL	RACE UPPER STRG BALL	1	
	50302	50302-2H68-C00	RACE (STRG BOT) BALL	RACE (STRG BOT) BALL	1	
	50320	50320-ACC1-E10	STAY REAR FENDER	STAY REAR FENDER	1	
	50350	50350-ACC1-EZ5	ENG HANGER COMP	ENG HANGER COMP	1	
	50505	50505-LDC8-E10	STOPPER RUBBER	STOPPER RUBBER	1	
	50611	50611-ACC1-E10	RNFCT R FLOOR	RNFCT R FLOOR	1	
	50612	50612-ACC1-E10	RNFCT L FLOOR	RNFCT L FLOOR	1	
**	50613	50613-ACC1-E10	COVER UNDER	COVER UNDER	1	
	50616	50616-ACC1-E10	STAY C,FLOOR PANEL	"STAY C,FLOOR PANEL"	1	
**	50623	50623-ACC1-E10	COVER UNDER	COVER UNDER	1	
	5071A	5071A-ACC1-E10	BAR STEP R ASSY	BAR STEP R ASSY	1	
	5071B	5071B-ACC1-E10	BAR STEP L ASSY	BAR STEP L ASSY	1	
	64315	64315-ACC1-E10	"CARRIER FR,CONNECT"	"CARRIER FR,CONNECT"	1	
	83552	83552-ACC1-E10	GROMMET COVER	GROMMET COVER	1	
	85104	85104-ALJ8-E10	STOPPER	STOPPER	4	
	90105	90105-LDC8-E11	SQUARE BOLT M10*50(K)	SQUARE BOLT M10*50(K)	2	

F20

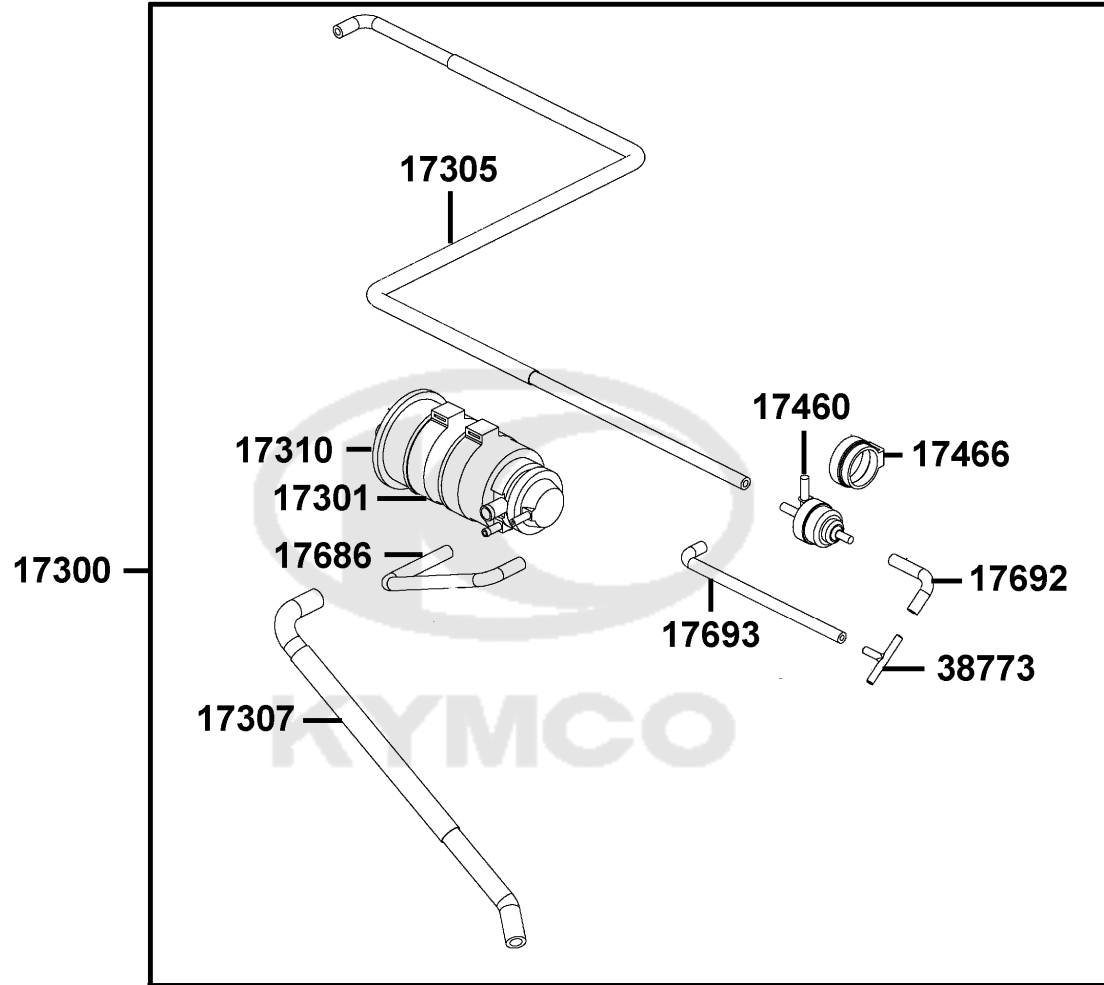
Frame Body



Sales mark	Ref no	Part no	Description	Reg description	Regd no	F20
90106		90106-KFAF-C10	BOLT SPECIAL 8MM	BOLT SPECIAL 8MM	2	
90107		90107-KUDU-C01	BOLT FLANGE 10*188	BOLT FLANGE 10*188	1	
90302		90302-GFY6-C11	BOLT-WASH 5*16	BOLT-WASH 5*16	4	
90304		90304-LEA1-C01	NUT U FLANGE 10MM (G)	NUT U FLANGE 10MM (G)	2	
90651		90651-ALH3-700	CLIP WIRE HARN	CLIP WIRE HARN	1	
93404		93404-06012-07G	BOLT WASHER 6*12 (K)	BOLT WASHER 6*12 (K)	4	
93903-25220		93903-25220-G	SCREW TAPPING 5*12	SCREW TAPPING 5*12	4	
94050-06070		94050-06070-G	NUT FLANGE 6MM (KG)	NUT FLANGE 6MM (G)	2	
94050-06080		94050-06080-G	NUT FLANGE 6MM	NUT FLANGE 6MM	4	
95701-06012		95701-06012-07G	BOLT FLANGE 6*12	BOLT FLANGE 6*12 (G)	1	
95701-08016		95701-08016-07G	BOLT FLANGE 8*16(KG)	BOLT FLANGE 8*16(K)	4	
96001		96001-06032-07G	BOLT FLANGE 6*32	BOLT FLANGE 6*32	2	

F21

Air Cleaner Two

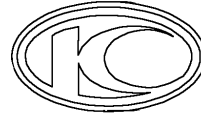


95701

Sales mark	Ref no	Part no	Description	Reg description	Regd no	F21
17300		17300-ACC1-EZ5	CANISTER-PCV ASSY	CANISTER-PCV ASSY	1	
17301		17301-LGS6-M31	RUBBER CANISTER MOUNT	RUBBER CANISTER MOUNT	2	
17305		17305-ACC1-E10	TUBE ASSY JONT-TANK	TUBE ASSY JONT-TANK	1	
17307		17307-ACC1-E10	TUBE ASSY CANISTER-AIR/C	TUBE ASSY CANISTER-AIR/C	1	
17310		17310-LHA2-M30	CANISTER COMP	CANISTER COMP	1	
17460		17460-KED9-M31	VALVE COMP VAPOR CONTROL	VALVE COMP VAPOR CONTROL	1	
17466		17466-LGS6-M30	RUBBER VAPOR CONTROL MOUNT	RUBBER VAPOR CONTROL MOUNT	1	
17686		17686-ACC1-E10	TUBE ASSY CANISTER-TANK	TUBE ASSY CANISTER-TANK	1	
17692		17692-ACC1-E10	TUBE ASSY VALVE-JOINT	TUBE ASSY VALVE-JOINT	1	
17693		17693-ACC1-E10	TUBE ASSY CANITER JOINT	TUBE ASSY CANITER JOINT	1	
38773		38773-ABD6-C00	JOINT 3 WAY 3.5	JOINT 3 WAY 3.5	1	
95701		95701-06010-08G	BOLT FLANGE 6*10	BOLT FLANGE 6*10	1	



86102-ACC1



86102-ALG1



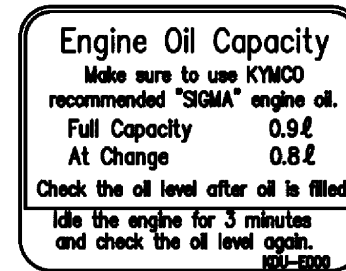
86202



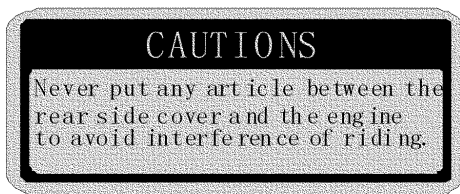
87140



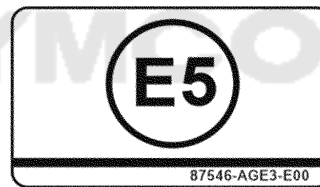
87541-GAR1



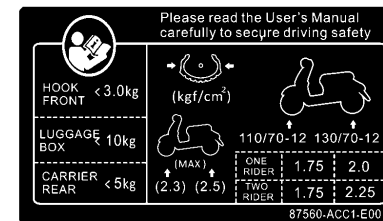
87541-KUDU



87542



87546



87560

Sales mark	Ref no	Part no	Description	Reg description	Regd no	F22
**	86102-ACC1	86102-ACC1-C00	EMB K-LOGO 28.5MM	EMB K-LOGO 28.5MM	1	
**	86102-ALG1	86102-ALG1-E00	EMB K-LOGO	EMB K-LOGO	1	
**	86202	86202-ACC1-E10	EMB BODY COVER	EMB BODY COVER	2	
**	87140	87140-ACC1-E00	EMB MARK 125 TAPE A	EMB MARK 125 TAPE A	1	
**	87541-GAR1	87541-GAR1-C01	CAUTION SIDE STAND	CAUTION SIDE STAND	1	
**	87541-KUDU	87541-KUDU-E00	LABEL OIL CAP	LABEL OIL CAP	1	
**	87542	87542-GAR1-C01	MARK MAINT CAUTION	MARK MAINT CAUTION	1	
**	87546	87546-AGE3-E00	LABEL FUEL TANK	LABEL FUEL TANK	1	
**	87560	87560-ACC1-E00	MARK DRIVE CAUTION	MARK DRIVE CAUTION	1	



PART NO. INDEX

PART NO.	VERSION	PAGE	PART NO.	VERSION	PAGE	PART NO.	VERSION	PAGE
11000			12000			14321-LEB1-C00	1	E02
11100-ACC1-E10	1	E01	12100-LEB1-900	0	E03	14401-KUDU-C00	1	E03
11102-1G87-C00	3	E01	12191-LEB1-C00	1	E03	1442A-LEB1-C00	1	E02
11192-LEB1-C00	1	E01	12200-LKE6-C00	0	E02	1443A-LEB1-C00	1	E02
11200-LFB5-C00	1	E01	12209-LEA2-C00	0	E02	14452-LFA7-C00	1	E02
11203-GGC7-W10	2	E01	12216-LEB1-C00	1	E02	14453-LKE6-C00	1	E02
11203-GGC7-W10	2	F16	12217-LEB1-C00	1	E02	14510-LEB1-C00	1	E03
11206-LFB5-C00	1	E07	12251-LKE6-C00	1	E02	14520-LFA7-C00	1	E03
11211-ACC1-E10	0	F13	1231A-LHJ3-C00	1	E02	14521-AAG1-C00	1	E01
1122A-ACC1-E10	1	E01	12361-GFY6-C00	5	E04	14523-KED9-C00	1	E03
11330-LHJ3-C00	1	E04	12391-LEB1-C00	1	E02	14531-AAG1-C00	1	E01
11340-ACC1-E10	0	E01				1453A-GFY6-W10	1	E03
11342-ACC1-E10	1	E01	13000			14541-ALH4-C00	1	E01
11344-ACC1-E10	0	E01	13000-LKE6-C00	1	E03	14610-LEB1-C00	0	E03
11345-LEA7-C00	1	F20	13011-LKE6-C00	1	E03	14711-LKE6-C00	0	E02
11346-GFY6-C00	1	F20	13101-LKE6-C00	0	E03	14721-LKE6-C00	0	E02
11350-LFB5-C00	1	E01	13111-LFA7-C00	1	E03	14751-KHD6-C00	0	E02
11383-LFB5-C00	1	E01	13407-LKC6-C00	1	E02	14771-LEA2-900	2	E02
11383-LHJ3-C00	1	E01				14777-LFA7-C00	0	E02
11385-ACC1-EZ5	0	E08	14000			14781-KKE5-C00	0	E02
11394-LEB1-C00	1	E04	14100-LKE6-C00	1	E02	15000		
11395-LFB5-C00	1	E01	14110-LEB1-C00	1	E02	15100-KFB7-C00	1	E07
11396-ACC1-E10	1	E01				15133-GFY6-W10	1	E07
						15141-GFY6-C00	1	E07

PART NO. INDEX

PART NO.	VERSION	PAGE	PART NO.	VERSION	PAGE	PART NO.	VERSION	PAGE
15421-1G07-C00	1	E04	17460-KED9-M31	0	F21			
15426-GAE1-C00	1	E04	17466-LGS6-M30	0	F21	19000		
15651-KUDU-W10	5	E04	17500-ACC1-E10	1	F10			
15711-GFY6-C00	1	E07	17550-ACC1-E10	1	F10	19510-LEB1-C01	0	E08
16000			1755A-ACC1-E10	1	F10	1961A-LEB1-C00	1	E08
			17561-LGK8-900	1	F10	1962A-LKE6-C00	1	E08
			17582-ACC1-E10	1	F20	19632-LFB6-C00	0	E08
1610A-ACC1-EZ5	0	E05	17620-ALJ9-E15	0	F19	1963A-ACC1-E10	1	E08
16201-LEB1-C00	1	E02	17685-ACC1-E10	1	F10			
16211-LEB1-C00	1	E02	17686-ACC1-E10	0	F21	21000		
17000			17692-ACC1-E10	0	F21			
			17693-ACC1-E10	0	F21	21301-LFB5-C00	1	E09
			17910-ACC1-EZ5	0	F03	21395-LFB5-C00	1	E09
1711A-ACC1-EZ5	0	E02	18000			22000		
17200-ACC1-E10	1	F13						
1723A-ACC1-E10	1	F13						
1723B-ACC1-E10	1	F13	18291-LEA5-C00	1	F14	22101-LCD3-C00	3	E06
1723C-ACC1-E10	1	F13	18291-LKG2-C00	0	F14	22102-LEB1-C00	1	E06
17250-ACC1-E10	1	F13	18292-KEBE-C00	0	F14	22105-LFE2-C00	1	E06
17255-ACC1-E10	1	F13	18293-LHJ8-900	2	F14	22110-LEB1-C00	1	E06
17300-ACC1-EZ5	0	F21	1830A-ACC1-EZ5	0	F14	22121-GFY6-325	20	E06
17301-LGS6-M31	0	F21	18318-ACC1-E10	0	F14	22130-LEB1-C00	1	E06
17305-ACC1-E10	0	F21	18325-ACC1-E10	1	F14	22300-LHJ3-C00	0	E06
17307-ACC1-E10	0	F21				22350-LHJ3-C00	0	E06
17310-LHA2-M30	0	F21				22361-LHJ3-C00	0	E06
1737A-LCD3-E00	0	F13				22401-LHJ3-C00	0	E06

PART NO. INDEX

PART NO.	VERSION	PAGE	PART NO.	VERSION	PAGE	PART NO.	VERSION	PAGE
22530-LHJ3-C00	0	E06	28211-ADG1-C00	1	E06	33700-ACC1-E10	1	F18
22804-GBB2-C00	0	E06				33718-ACC1-E10	1	F18
23000			30000			33719-ACC1-E10	1	F18
			3051A-ACC1-EZ5	0	F19	33720-LGB5-E10	1	F18
2301A-LKE6-C00	1	E06				33731-ALH3-EZ0	0	F06
23100-LFB6-C00	0	E06	31000			33741-LEH3-EZ0	1	F18
23200-LFE2-C00	0	E06				35000		
23210-GFY6-C00	1	E06	31100-ACC1-E10	1	E08			
23220-GFY6-C00	0	E06	31200-ACC1-E10	1	E07	35010-ACC1-E10	1	F19
23225-GHC8-C00	1	E06	31500-KFAF-EZ0	0	F11	35102-ACC1-E10	1	F19
23226-GHC8-C00	1	E06	31600-ACC1-E10	1	F19	35111-LDC1-305	0	F19
23233-LFB6-C00	0	E06	31608-ACC1-E10	1	F19	35111-LDC1-306	0	F19
23237-GFY6-C00	1	E06				35160-GFY6-C00	5	F03
23238-LEB1-C00	0	E06	32000			35170-KNBN-C00	5	F03
23411-LFB5-C00	1	E09				35180-GFY6-C00	2	F03
23420-LGH5-C00	1	E09	32100-ACC1-EZ5	0	F19	35200-GFY6-C00	5	F03
23432-LGH5-C00	1	E09	32411-ACC1-E10	1	F19	35340-KNBN-C00	1	F04
2343A-LFB5-C00	0	E09	32412-ACC1-E10	1	E04	35350-KNBN-C00	1	F04
28000			32961-LEB1-C00	1	E04	35380-ABE1-C00	0	F19
			33000			35850-ALL1-C00	1	F19
28101-ADG1-C00	1	E07				37000		
28102-GFY6-C00	1	E07	33100-ACC1-E01	1	F01			
28110-LEB1-C00	0	E07	33400-ACC1-E10	1	F17	37200-ACC1-E10	1	F02
2812A-ADG1-C00	0	E07	33450-ACC1-E10	1	F17	37211-ACC1-E10	0	F02

PART NO. INDEX

PART NO.	VERSION	PAGE	PART NO.	VERSION	PAGE	PART NO.	VERSION	PAGE
37212-ACC1-E10	1	F02				44710-ACC1-E10	1	F07
37213-ACC1-E10	0	F02	42000			44800-ACC1-E10	1	F07
37215-ACC1-E10	0	F02						
37215-LGM9-C00	1	F05	42311-LFB5-C00	1	F08	45000		
37224-ACC1-E10	0	F02	42312-KHB4-C00	1	F08			
37780-ACD5-C00	0	F02	42601-ACC1-E11	1	F08	45105-ACC1-305	0	F04
37802-GGA7-C00	1	F10	42710-LGS6-C10	3	F08	45121-LGR5-E80	1	F07
3780A-ACC1-E10	1	F10	42753-0A01-C00	1	F07	45126-ACC1-E10	1	F04
			42753-0A01-C00	1	F08	45128-ACC1-E10	1	F06
38000			43000			45129-ACC1-E10	1	F04
38110-KKC3-90B	4	F19				45154-ACC1-E10	1	F19
38300-ACC1-E10	1	F19	43100-ACC1-E10	0	F04	45157-ACC1-E10	1	F19
38500-AAD2-C00	5	F19	43105-ACC1-305	0	F04	45158-ACC1-E10	1	F06
38773-ABD6-C00	0	F21	43126-ACC1-E10	1	F04	45200-ACC1-E10	1	F04
38900-ACC1-E10	1	F19	43129-ALD9-E14	1	F06	45500-LGR5-E10	0	F04
			43156-KKC4-900	1	F16	45513-LEB2-900	1	F04
39000			43351-LFB5-E80	2	F08	45513-LGR5-E10	0	F04
39300-LEB2-800	1	E02	43500-ACC1-E10	1	F04	45517-KFAF-910	1	F04
39301-ACC1-EZ5	0	E02				50000		
39302-KKE3-C00	1	E02	44000					
39303-LEB2-C00	1	E02	44301-LEJ2-E13	1	F07	50100-ACC1-EZ5	0	F20
39400-LHJ3-900	1	E02	44311-KEBE-C00	1	F07	50179-ACC1-E10	1	F10
39450-ZVA6-M00	1	F14	44601-ACC1-E11	0	F07	50301-KGN7-C00	2	F20
			44620-KHD8-C00	1	F07	50302-2H68-C00	2	F20
						50306-1F96-C00	1	F06

PART NO. INDEX

PART NO.	VERSION	PAGE	PART NO.	VERSION	PAGE	PART NO.	VERSION	PAGE
50320-ACC1-E10	1	F20	51404-ACC1-E10	0	F06	53175-KXBX-E00	1	F04
50326-ACC1-E10	1	F12	51410-ACC1-E10	0	F06	53178-KNBN-C00	0	F04
50329-ACC1-E11	0	F11	51412-LEJ2-E10	0	F06	53200-ACC1-E10	0	F06
50330-ALK5-C00	1	F19	51420-ACC1-E10	0	F06	53204-ACC1-E10	0	F03
50350-ACC1-EZ5	0	F20	51422-LEJ2-E10	0	F06	53205-ACC1-E10	0	F03
50502-GFY6-C00	5	F15	51427-LEJ2-E10	0	F06	53206-ACC1-E10	0	F03
50505-LCB9-C00	1	F15	51428-LEJ2-E10	0	F06	53207-ACC1-E10	0	F03
50505-LDC8-E10	2	F20	51429-ACC1-E10	0	F06	53208-ACC1-E10	1	F03
5050A-ACC1-E10	0	F15	51437-LEJ2-E10	0	F06	53209-ACC1-E10	0	F03
50530-ACC1-E10	1	F15	51500-ACC1-E10	1	F06	53211-GFY6-C00	1	F06
50531-KEB7-C00	1	F15	51520-ACC1-E10	0	F06	53212-2L50-C00	1	F06
50535-KEB7-W10	3	F15				53214-2L50-C00	5	F06
50550-KFA6-C00	1	F15	52000			53215-2L50-C00	1	F06
50611-ACC1-E10	1	F20				61000		
50612-ACC1-E10	1	F20	52000-AFA9-C01	0	F16			
50613-ACC1-E10	1	F20	52400-ACC1-E10	0	F16			
50616-ACC1-E10	1	F20	53000			61100-ACC1-E10	4	F06
50623-ACC1-E10	0	F20				61101-ACC1-E10	0	F06
50623-ACC1-E10	1	F20				61103-ACC1-E10	1	F06
50651-LFC4-E10	1	F18	53100-ACC1-E10	1	F03	61110-ACC1-E10	1	F05
5071A-ACC1-E10	1	F20	53105-LGR5-E10	1	F03			
5071B-ACC1-E10	1	F20	53125-GEN5-C00	1	F03	64000		
			53140-ACC1-E10	1	F03			
51000			53166-ACC1-E10	1	F03	64301-ACC1-E10	0	F05
			53167-GBN2-C00	1	F03	64304-ACC1-E10	0	F05
51400-ACC1-E10	1	F06	53168-GBN2-C00	1	F03	64305-ACC1-E10	0	F05

PART NO. INDEX

PART NO.	VERSION	PAGE	PART NO.	VERSION	PAGE	PART NO.	VERSION	PAGE
64306-ACC1-E10	0	F05	80103-LKG2-C00	1	F16	81260-ACC1-E10	1	F12
64307-ACC1-E10	0	F05	80105-ACC1-E10	0	F18			
64311-ACC1-E10	1	F05	80106-ACC1-E10	1	F18	83000		
64313-ACC1-E10	0	F05	80116-ACC1-E10	1	F18			
64314-ACC1-E10	0	F05	80151-ACC1-E10	1	F12	83500-ACC1-E10	1	F12
64315-ACC1-E10	1	F20	80152-ACC1-E10	0	F05	83551-ACC1-E10	1	F05
64316-LCB9-C10	5	F05	80153-ACC1-E10	1	F05	83552-ACC1-E10	1	F20
64317-ACC1-E10	0	F05				83600-ACC1-E10	1	F12
64318-ACC1-E10	0	F05	81000			83750-ACC1-E10	1	F12
6431A-ACC1-E10	1	F05						
64320-ACC1-E10	1	F05	81131-ACC1-E10	1	F05	85000		
64400-ACC1-E10	1	F05	81132-ACC1-C00	0	F05			
			81133-ACC1-E10	1	F05	85104-ALJ8-E10	1	F20
77000			81134-ACC1-E10	1	F05			
			81141-ACC1-E10	0	F05	86000		
77200-ACC1-E10	1	F09	81142-ACC1-E11	0	F05			
77233-ACC1-E10	1	F05	81143-ACC1-E10	1	F05	86102-ACC1-C00	0	F22
77235-KGC4-C00	2	F19	81146-ACC1-E10	1	F05	86102-ALG1-E00	2	F22
77238-ACC1-E11	1	F05	81151-ACC1-E10	1	F05	86202-ACC1-E10	0	F22
77240-ACC1-E10	0	F19	81152-ACC1-E10	1	F05			
			81153-ACC1-E10	1	F05	87000		
80000			81154-ACC1-E10	1	F05			
			81163-LKJ1-900	1	F05	87140-ACC1-E00	0	F22
80100-ACC1-E10	1	F18	81164-LKJ1-900	1	F05	87541-GAR1-C01	1	F22
80101-ACC1-E10	1	F18	81200-ACC1-E10	1	F12	87541-KUDU-E00	1	F22
80102-ACC1-E10	1	F18	81201-AKB7-C00	0	F12	87542-GAR1-C01	2	F22

PART NO. INDEX

PART NO.	VERSION	PAGE	PART NO.	VERSION	PAGE	PART NO.	VERSION	PAGE
87546-AGE3-E00	0	F22	90106-KFAF-C10	4	F12	90304-PUA3-B50	0	F03
87560-ACC1-E00	1	F22	90106-KFAF-C10	4	F20	90304-PUA3-B50	0	F15
88000			90106-KFC2-900	2	F03	90305-KFW6-C00	1	F08
			90106-PUA3-B50	0	F03	90306-LKL5-E31	0	F07
			90107-KUDU-C01	1	F20	90403-GFY6-C00	1	E07
88110-ACC1-E10	0	F03	90108-KUDU-C01	1	F15	90426-KNBN-C01	1	E06
88120-ACC1-E10	1	F03	90111-06016-07G	0	F12	90440-1F66-C00	1	E08
89000			90111-06016-07G	0	F13	90474-3C33-C00	1	E01
			90111-1G87-C01	1	F12	9052A-LEB1-C01	0	E01
			90116-LEJ2-E10	0	F06	90544-LEJ2-E10	0	F06
89010-KGBG-C00	1	F09	90120-LEJ3-C00	0	F14	90545-3L00-C00	2	F04
90000			90122-KHC7-C01	1	F04	90605-1F66-C00	0	E06
			90145-9A61-C00	1	F04	90622-LHJ8-900	1	F19
			90201-GFY6-901	1	E07	90651-ALH3-700	1	F10
90001-GBHB-C06	1	E03	90202-1G87-C00	1	E06	90651-ALH3-700	1	F20
90001-GBHB-C13	1	F13	90301-GFY6-C01	0	F14	90651-ALJ8-C00	0	F10
90001-GFY6-C01	0	E02	90302-GFY6-C11	1	F20	90651-LKE6-C00	0	F19
90005-KAW1-C00	0	E03	90302-LLB1-C01	1	F19	90652-ALB8-C00	1	E02
9000A-ADG1-C01	0	E01	90302-PUA3-B51	1	F03	90652-LCA4-C10	6	F12
9000B-KHD6-C02	1	E02	90302-PUA3-B51	1	F10	90652-LCA4-C10	6	F18
90031-KHD6-C01	0	E01	90302-PUA3-B51	1	F19	90652-LFB5-C00	1	F05
90032-KHD6-C01	1	E01	90302-SDA4-C01	0	F05	90652-LFB5-C00	1	F06
90033-KGB4-C11	0	E02	90302-SDA4-C01	0	F06	90652-LHJ6-900	1	F19
90105-KCR3-C02	1	F07	90302-SDA4-C01	0	F11	90652-LKH3-C00	1	F13
90105-KCR3-C02	1	F08	90302-SDA4-C01	0	F12	90660-PWA2-900	1	F11
90105-LDC8-E11	0	F20	90304-LEA1-C01	1	F20	90677-GAR1-C01	1	F12

PART NO. INDEX

PART NO.	VERSION	PAGE	PART NO.	VERSION	PAGE	PART NO.	VERSION	PAGE
90754-GHC8-C00	1	F07	92101-05012-0HG	1	E08	93903-35320-G	1	F02
90912-KFLF-C00	1	F07	92101-06014-07G	0	E02	93903-GFY6-C01	1	F05
91000			92900-06060-0BG	0	E02	93903-GFY6-C01	1	F06
			93000			93903-GFY6-C01	1	F11
						93903-GFY6-C01	1	F12
91002-GGA7-C00	0	E06				94000		
91004-KHE7-C00	0	E06	93404-06012-07G	0	F05			
91009-GLE0-C00	1	E01	93404-06012-07G	0	F06			
91014-LLJ3-C00	1	F06	93404-06012-07G	0	F12	94001-12280-0SG	1	E09
91015-LLJ3-C00	1	F06	93404-06012-07G	0	F18	94050-05080-G	1	F18
91051-KFBF-C00	1	F16	93404-06012-07G	0	F20	94050-06070-G	0	F20
91202-GFY6-90C	1	E04	93500-05022-07G	0	F03	94050-06080-G	1	E02
91202-LEB1-900	1	E01	93893-04012-18	0	F04	94050-06080-G	1	E07
91202-LFE2-C00	1	E09	93903-25220-G	0	F02	94050-06080-G	1	F09
91211-KEBE-C00	1	E06	93903-25220-G	0	F03	94050-06080-G	1	F10
91251-LEJ2-E10	0	F06	93903-25220-G	0	F20	94050-06080-G	1	F12
91254-LEJ2-E10	0	F06	93903-25260-G	0	E01	94050-06080-G	1	F19
91255-LDC8-E10	5	E01	93903-25480	1	F13	94050-06080-G	1	F20
91302-0A01-C00	10	E04	93903-34380-G	0	F01	94050-08080-G	1	E02
91306-1E05-C00	1	E03	93903-34380-G	0	F03	94050-12080-G	0	E06
91307-0E35-W10	1	E04	93903-34380-G	0	F05	94050-12080-G	0	E08
91351-6B42-C00	1	E06	93903-34380-G	0	F17	94101-06700	1	F14
92000			93903-34380-G	0	F18	94101-LEA2-C00	0	F14
			93903-35280-G	1	E01	94111-06800-G	0	E02
			93903-35280-G	1	F01	94111-ACD5-E00	1	F14
			93903-35280-G	1	F05	94301-08140	4	E01

PART NO. INDEX

PART NO.	VERSION	PAGE	PART NO.	VERSION	PAGE	PART NO.	VERSION	PAGE
94301-10160	4	E01	95701-08012-07G	0	E01	96001-06028-07G	1	E07
94301-10160	4	E02	95701-08012-08G	1	F19	96001-06028-07G	1	E08
94301-10160	4	E03	95701-08016-07G	1	F20	96001-06032-07G	1	E01
94301-10160	4	E04	95701-08020-08G	1	F19	96001-06032-07G	1	E04
94520-28000	1	E06	95701-08025-08G	1	F19	96001-06032-07G	1	F20
94591-KFBF-C00	1	F10	95701-KEC8-E01	0	F19	96001-06035-08G	1	F13
94591-LGR5-E10	1	F05	95801-08032-07G	1	F16	96001-06050-07G	1	E01
94601-14000	1	E03	95801-08040-08G	1	F06	96001-06100-07G	0	E02
94608-LEJ2-E10	0	F06	95801-08042-07G	1	F14	96001-06100-07G	0	E04
			95801-08055-07G	1	F16	96001-06110-07G	0	E04
95000			95801-10030-07G	1	F15	96001-GFY6-C00	3	F13
			95801-10035-08G	0	F16	96001-GFY6-C01	1	E01
95701-06010-07G	0	F16				96100-60020-00	1	E01
95701-06010-08G	0	F21	96000			96100-62020-00	1	E09
95701-06012-07G	1	F06				96100-62030-00	1	E01
95701-06012-07G	1	F19	96001-06008-07	1	F14	96100-63030-00	1	E09
95701-06012-07G	1	F20	96001-06012-07G	1	E04	96100-LFE2-C00	1	E09
95701-06012-08G	1	F10	96001-06012-07G	1	E07	96600-06016-08G	0	E01
95701-06012-08G	1	F11	96001-06014-08G	0	E02	96700-08016-02	0	F12
95701-06012-08G	1	F19	96001-06016-07G	0	E08			
95701-06014-07G	1	F05	96001-06018-07G	0	E07	98000		
95701-06016-07G	1	F16	96001-06018-07G	0	E08			
95701-06016-08G	1	F19	96001-06022-07G	1	E08	98059-58916-00	2	E02
95701-06020-07G	1	F16	96001-06025-02	4	F04	98200-31000	1	F11
95701-06020-08G	1	F04	96001-06025-07G	0	E01	98200-31500	1	F11
95701-06025-07G	1	F07	96001-06025-07G	0	E08			