

PARTS CATALOGUE



SCOOTERS

TC25BD(RO)

Agility S 125 CBS E5



Release Date : 2024/03/18
Print Date : 2024/07/06

ABOUT THIS PARTS LIST

- This parts list is compiled all service parts for model TC25BD(RO).
- Any difference between color chart and motorcycle will be revised according to motorcycle.
- The Mark:
 1. Marking "***" must add color code in the end before ordering parts.
 2. Marking "#" are parts with modification, Please find the details from e-Parts system.
- When modification or additions to this parts list are made a revised edition at an appropriate time.



CONTENTS

● ABOUT THIS PARTS LIST	1
● COLOR CHART OF TC25BD(RO)	3
● CONTENTS-ENGINE GROUP	6
● CONTENTS-FRAME GROUP	7
● ENGINE PARTS LIST	10
● FRAME PARTS LIST	38
● PART NO. INDEX	100

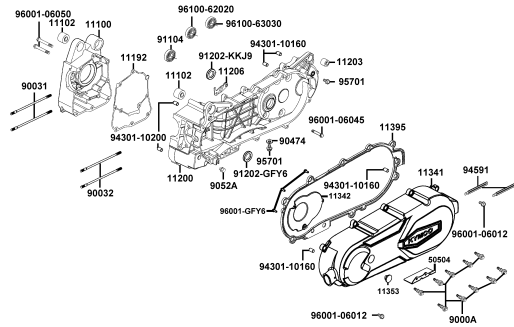
NO	MODEL			COLOR CHART OF TC25BD(RO)			
	PHOTO NO			NO. 1	NO. 2	NO. 3	
	BASIC COLOR			Mat Silver Crystal	Starry Night Blue	Flat Deep Blue	
	CODE			Mat Silver Crystal	Starry Night Blue	Flat Deep Blue	
	PARTS NAME	PARTS NO.	VERSION	NH263FA	CG411MA	CB244FA	
1	COVER LEFT	11341-ALJ8-E10	0	66A			
2	FR HANDLE COVER	53204-AKC6-E10	0	85P			
3	FENDER FR INNER	61100-AKC6-E10	0	C09	CG7	CG8	
4	M/C ASY RR BRK	43500-LFC3-E10	0	M3A			
5	M/C ASSY FR	45500-ALJ8-E10	1				
6	LEVER L STRG HANDLE	53178-KNBN-C00	0	N1A			
7	WHEEL FR CAST	42601-AKC6-E10	0				
8	CALIPER ASSY RR BRK	43200-ALJ9-E15	0				
9	WHEEL CAST FR	44601-AKC6-E10	0	N1R			
10	CALIPER ASSY FR BRK	45200-ALJ9-E12	0				
11	HEAT GUARD FUEL	17582-ALJ8-E10	0				
12	COLLAR FUEL CAP	17623-ALJ8-E10	2				
13	CASE BATTERY	50325-AKC6-E10	0				
14	COVER BATTERY	50326-ALJ8-E10	1				
15	COVER UNDER	50613-AKC6-E10	0				
16	COVER RR HANDLE	53206-AKC6-E10	0				
17	FENDER FR INNER	61110-AKC6-E10	0				
18	SKIRT R SIDE	64305-AKC6-E10	0				
19	SKIRT L SIDE	64306-AKC6-E10	0				
20	FLOOR ASSY PANEL	64310-AKC6-E10	0				
21	MOLD R FRONT ASSY	64312-AKC6-E10	0				
22	MOLD L FRONT ASSY	64313-AKC6-E10	0				
23	PLUG FLOOR	64316-AEH2-M40	0				
24	COWL ASSY UNDER	64400-AKC6-E10	0				
25	FENDER RR TIRE	80100-AKC6-E10	0				
DATE OF STARTING-SALES							
DATE OF END-SALES							

NO	MODEL			COLOR CHART OF TC25BD(RO)			
	PHOTO NO			NO. 1	NO. 2	NO. 3	
	BASIC COLOR			Mat Silver Crystal	Starry Night Blue	Flat Deep Blue	
	CODE			Mat Silver Crystal	Starry Night Blue	Flat Deep Blue	
	PARTS NAME	PARTS NO.	VERSION	NH263FA	CG411MA	CB244FA	
26	FENDER RR INNER	80101-AKC6-E10	0	N1R			
27	FENDER RR	80105-AKC7-E10	0				
28	FENDER RR LOW	80106-AKC7-E10	0				
29	COVER ASSY CENTER	80151-AKC6-E10	0				
30	LEG SHIELD UP	81131-AKC6-E10	0				
31	CAP LEG SHIELD UP	81132-AKC6-E10	0				
32	COVER INNER BOX	81133-AKC6-E10	0				
33	"PLATE,LUGGAGE BOX"	81251-AKC6-E10	0				
34	BOX LUGGAGE	81260-AKC6-E10	0				
35	COVER R RR SIDE	83510-AKC6-E10	0				
36	COVER L RR SIDE	83610-AKC6-E10	0				
37	REAR CENTER COVER	83750-AKC6-E10	0				
38	CUSHION ASSY REAR	52400-ALJ8-E10	1				N1S
39	FORK ASSY RH FR	51400-LFC3-E10	0	NEA			
40	BOTTOM CASE RH	51420-LFC2-E10	1				
41	FORK ASSY LH FR	51500-AED9-E10	1				
42	BOTTOM CASE L	51520-AED9-E10	1	S2P			
43	MUFFLER ASSY EXH	1830A-AKC6-E10	0				
44	PROTECTOR ASSY	18317-AKC6-E10	0				
45	PROTECTOR A	18318-AKC6-E10	0				
46	PROTECTOR B	18319-AKC6-E10	0				
47	SEAT ASSY	77200-AKC6-E10	0	T01			
48	EMB KYMCO	86102-ALG1-E00	2				
49	EMB BODY COVER	86202-AKC6-E10	0				
50	EMB MARK 125	87140-AKC6-E10	0				
DATE OF STARTING-SALES							
DATE OF END-SALES							

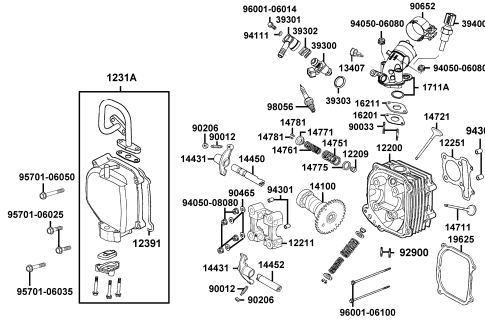
NO	MODEL			COLOR CHART OF TC25BD(RO)			
	PHOTO NO			NO. 1	NO. 2	NO. 3	
	BASIC COLOR			Mat Silver Crystal	Starry Night Blue	Flat Deep Blue	
	CODE			Mat Silver Crystal	Starry Night Blue	Flat Deep Blue	
	PARTS NAME	PARTS NO.	VERSION	NH263FA	CG411MA	CB244FA	
51	LABEL TIRE	87505-ALJ8-E10	2	T01			
52	CAUTION SIDE STAND	87541-GAR1-C01	1				
53	LABEL OIL CAP	87541-KUDU-E00	1				
54	MARK MAINT CAUTION	87542-GAR1-C01	2				
55	LABEL FUEL TANK	87546-AGE3-E00	0				
56	MARK DRIVE CAUTION	87560-GFY6-E11	3				
57	EMB MARK K-LOGO	86102-ALJ8-E00	0	T01	T02	T01	
58	CARRIER ASSY REAR	81200-AKC6-E10	0	J2A	UZA	UYA	
59	COVER HANDLE FRONT	53205-AKC6-E10	0	J2P			
60	COVER FR	64301-AKC6-E10	0				
61	MOLD R FRONT ASSY	64303-AKC6-E10	0				
62	COVER R SIDE SKIRT	64307-AKC6-E10	0				
63	COVER L SIDE SKIRT	64308-AKC6-E10	0				
64	BOX LUGGAGE RR	8150A-ALJ8-E11	0				
65	COVER RR BOX 2016	8150L-LFC4-E10	0				
66	COVER R BODY	83500-AKC6-E10	0				
67	LID R BODY COVER	83520-AKC6-E10	0				
68	COVER L BODY	83600-AKC6-E10	0				
69	LID L BODY COVER	83620-AKC6-E10	0				
DATE OF STARTING-SALES							
DATE OF END-SALES							

CONTENTS - ENGINE GROUP

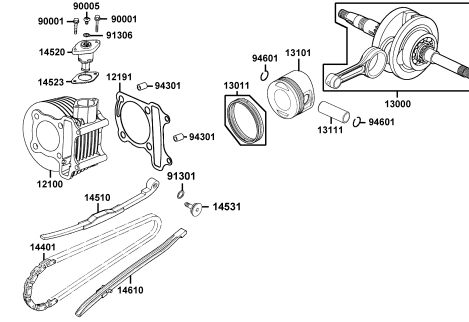
E01 Crank Case



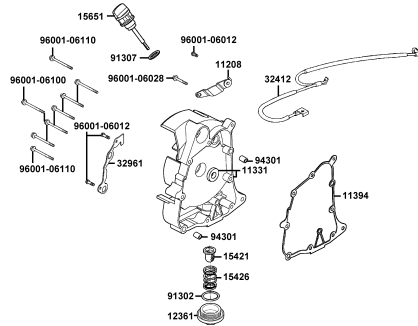
E02 Cylinder Head



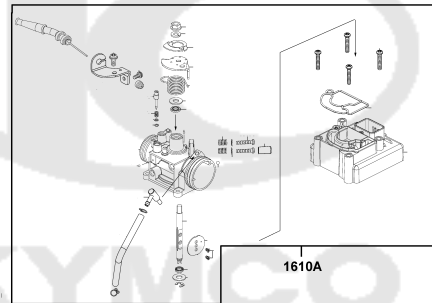
E03 Cylinder Piston Crankshaft



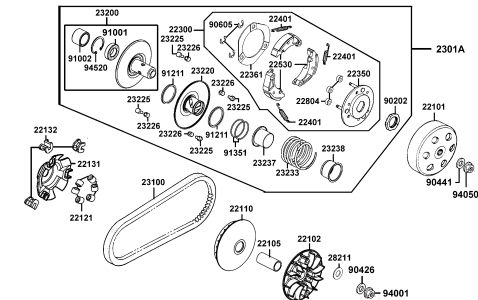
E04 Right Crankcase Cover



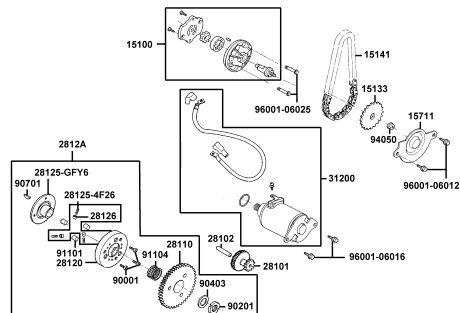
E05 THROTTLE BODY ASSY



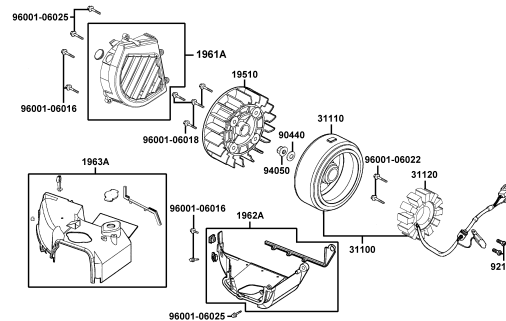
E06 Driven Pulley



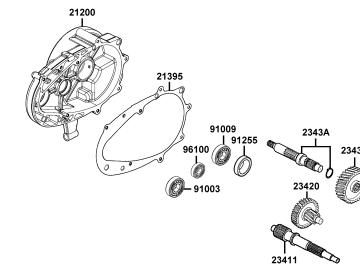
E07 Starting Motor Oil Pump



E08 Fan Cover Generator

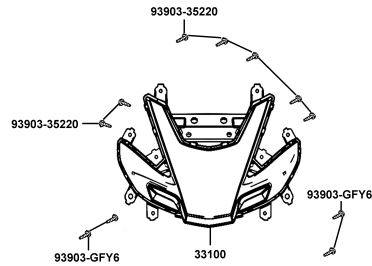


E09 Transmission

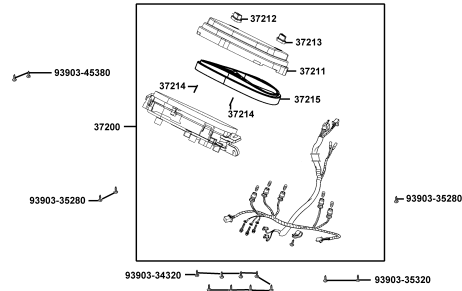


CONTENTS - FRAME GROUP

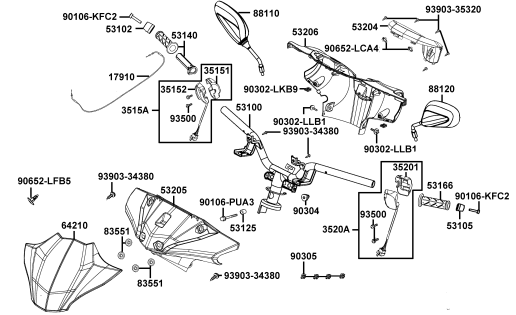
F01 Head Light



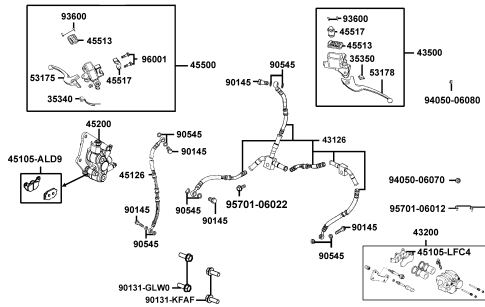
F02 Speedometer



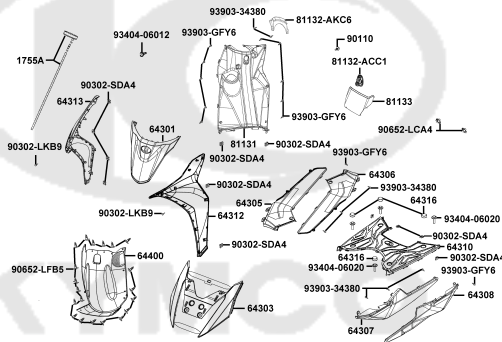
F03 Handle Steering Handle Cover



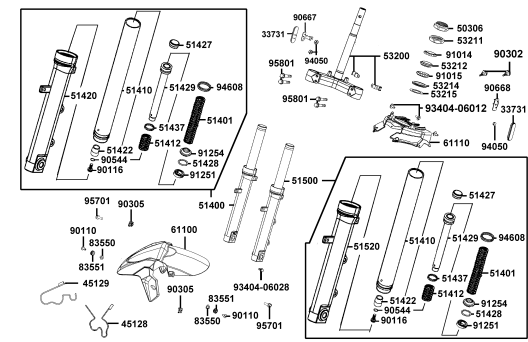
F04 Brake Master Cylinder



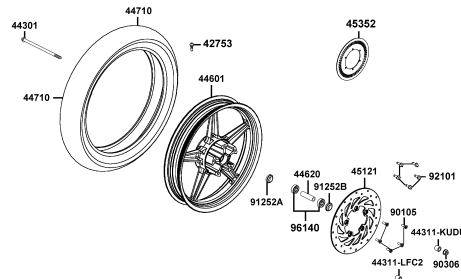
F05 Front Cover Front Fender



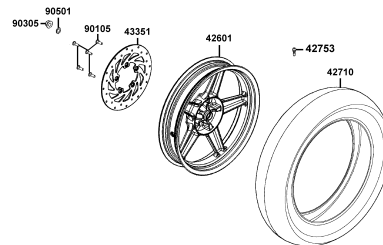
F06 Stem Steering Front Cushion



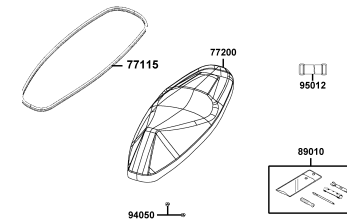
F07 Front Wheel



F08 Rear Wheel

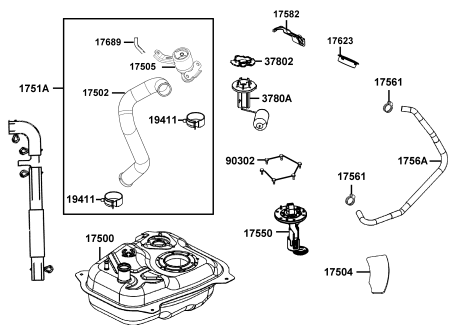


F09 Seat

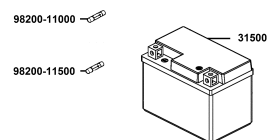


CONTENTS - FRAME GROUP

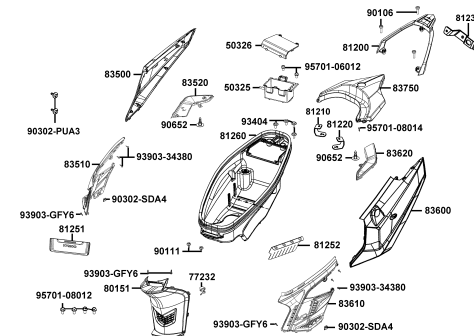
F10 Fuel Tank



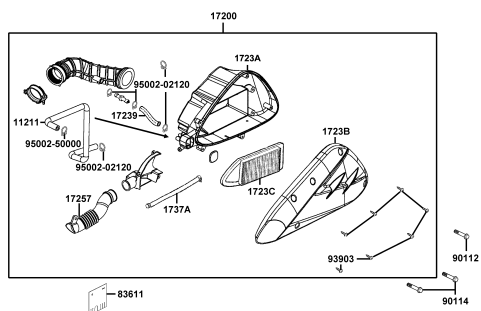
F11 Battery



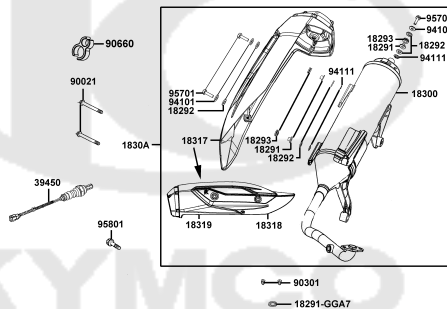
F12 Body Cover Luggage Box



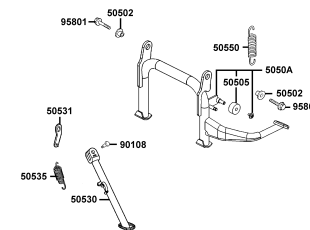
F13 Air Cleaner



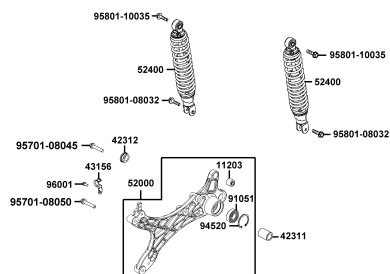
F14 Exhaust Muffler



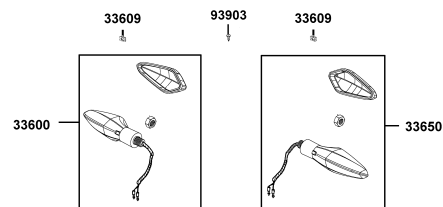
F15 Stand Kick Starter Arm



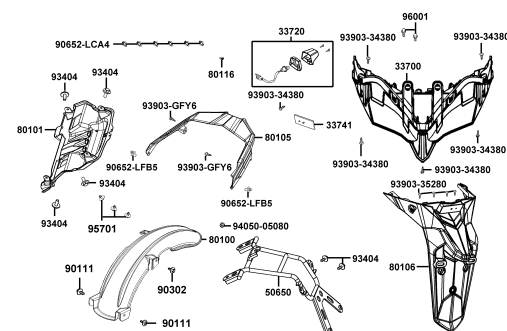
F16 Rear Cushion



F17 Front Winker

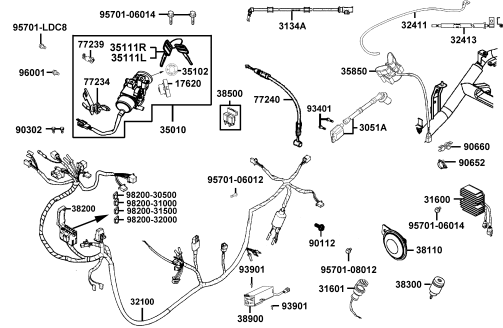


F18 Tail Light

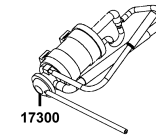
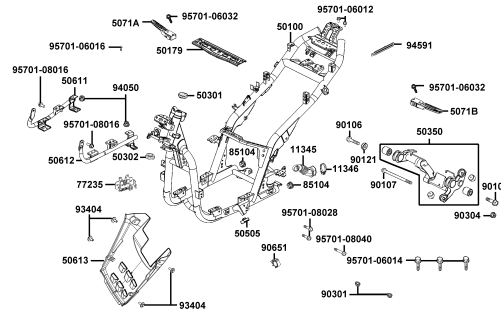


CONTENTS - FRAME GROUP

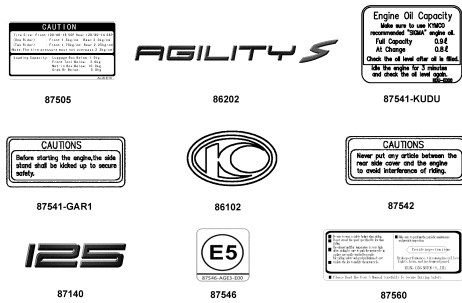
F19 Wire Harness



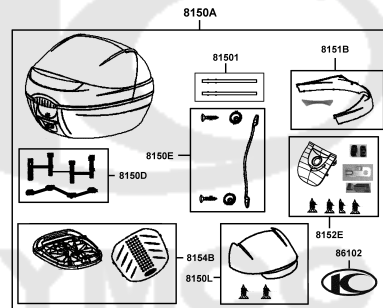
F20 Frame Body



F22 Emblem Stripe

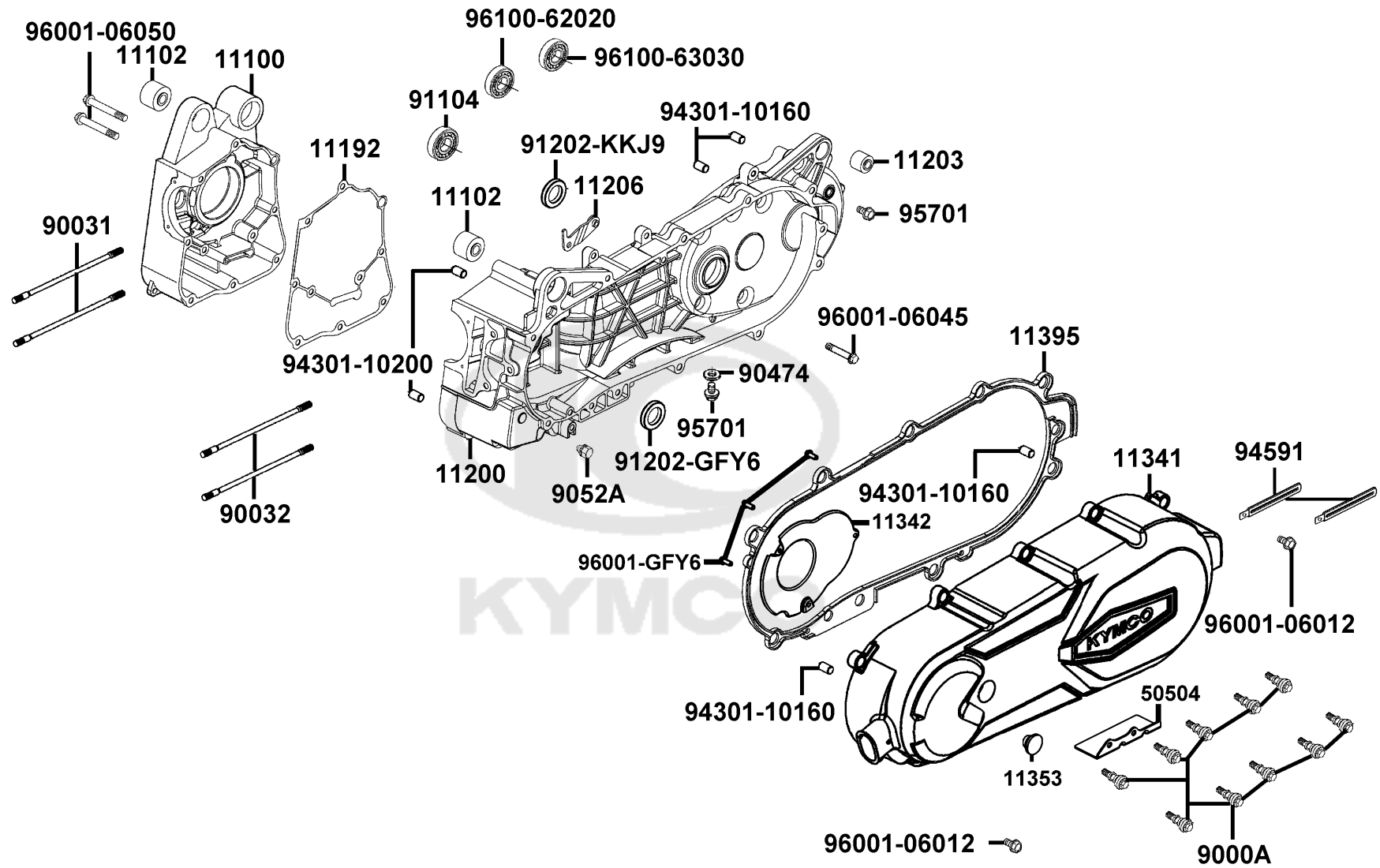


F23 RR BOX



E01

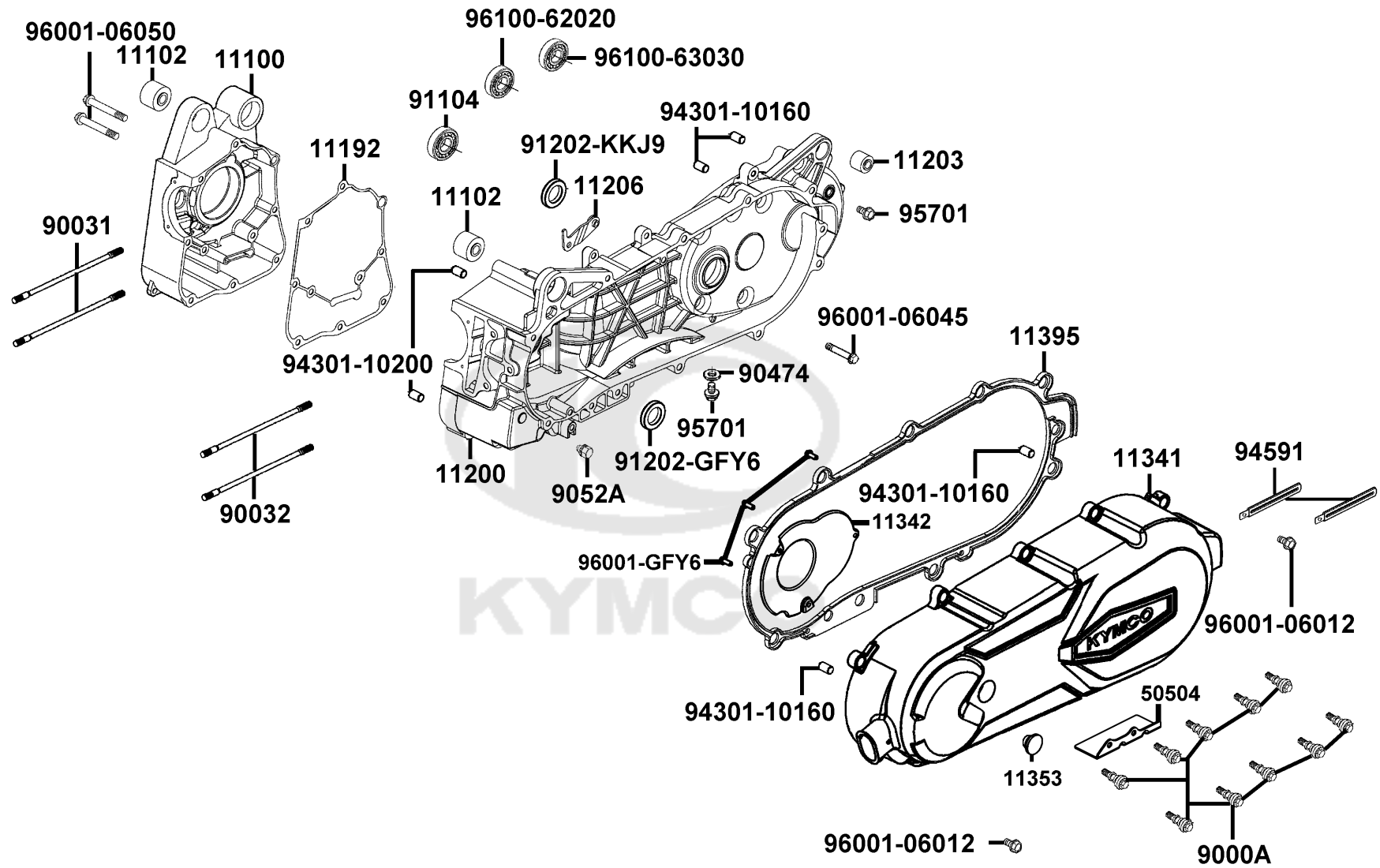
Crank Case



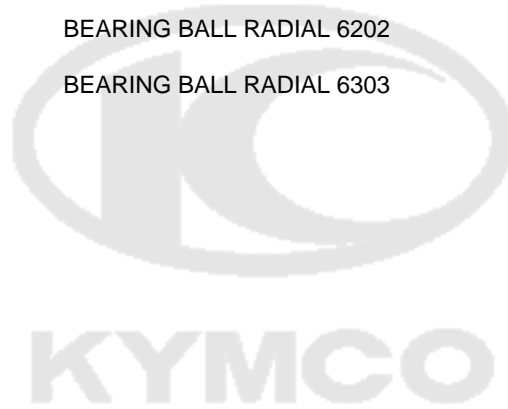
Sales mark	Ref no	Part no	Description	Reg description	Regd no	E01
	11100	11100-KUDU-C00	CASE COMP R CRANK	CASE COMP R CRANK	1	
	11102	11102-1G87-C00	RUB BUSH ENG HANGER	RUB BUSH ENG HANGER	2	
	11192	11192-KUDU-E90	GASKET CRANK CASE @ A	GASKET CRANK CASE @ A	1	
	11200	11200-LCD3-C00	CRANK CASE COMP L	CRANK CASE COMP L	1	
	11203	11203-GGC7-W10	UNDER RUBBER BUSH REAR CUSHION	UNDER RUBBER BUSH REAR CUSHION	1	
	11206	11206-AKC6-E10	STAY A RR FENDER	STAY A RR FENDER	1	
**	11341	11341-ALJ8-E10	COVER COMP L SIDE	COVER COMP L SIDE	1	
	11342	11342-ALJ8-E10	PLATE L COVER	PLATE L COVER	1	
	11353	11353-ALJ8-E11	RUBBER PLUG L COVER KICK	RUBBER PLUG L COVER KICK	1	
	11395	11395-KHB4-C00	GASKET L COVER @A	GASKET L COVER @A	1	
	50504	50504-LEJ3-E11	STAND MAIN STOPPER	STAND MAIN STOPPER	1	
	9000A	9000A-KTDT-C02	BOLT ASSY SPECIAL 6*27	BOLT ASSY SPECIAL 6*27	10	
	90031	90031-KUDU-C01	BOLT A STUD 8*200.5	BOLT A STUD 8*200.5	2	
	90032	90032-KUDU-C01	BOLT B STUD 8*208.5	BOLT B STUD 8*208.5	2	
	90474	90474-3C33-C00	WASHER 8MM (T*2)	WASHER 8MM (T*2)	1	
	9052A	9052A-PUA3-B50	BOLT ASSY DRAIN PLUG 12*15	BOLT ASSY DRAIN PLUG 12*15	1	
	91104	91104-KGN7-671	BRG BALL RADIAL 6204	BRG BALL RADIAL 6204	1	
	91202-GFY6	91202-GFY6-90C	OIL SEAL 19.8*30*5	OIL SEAL 19.8*30*5	1	
	91202-KKJ9	91202-KKJ9-C00	OIL SEAL 20*32*6	OIL SEAL 20*32*6	1	
	94301-10160	94301-10160	DOWEL PIN 10*16	DOWEL PIN 10*16	4	

E01

Crank Case

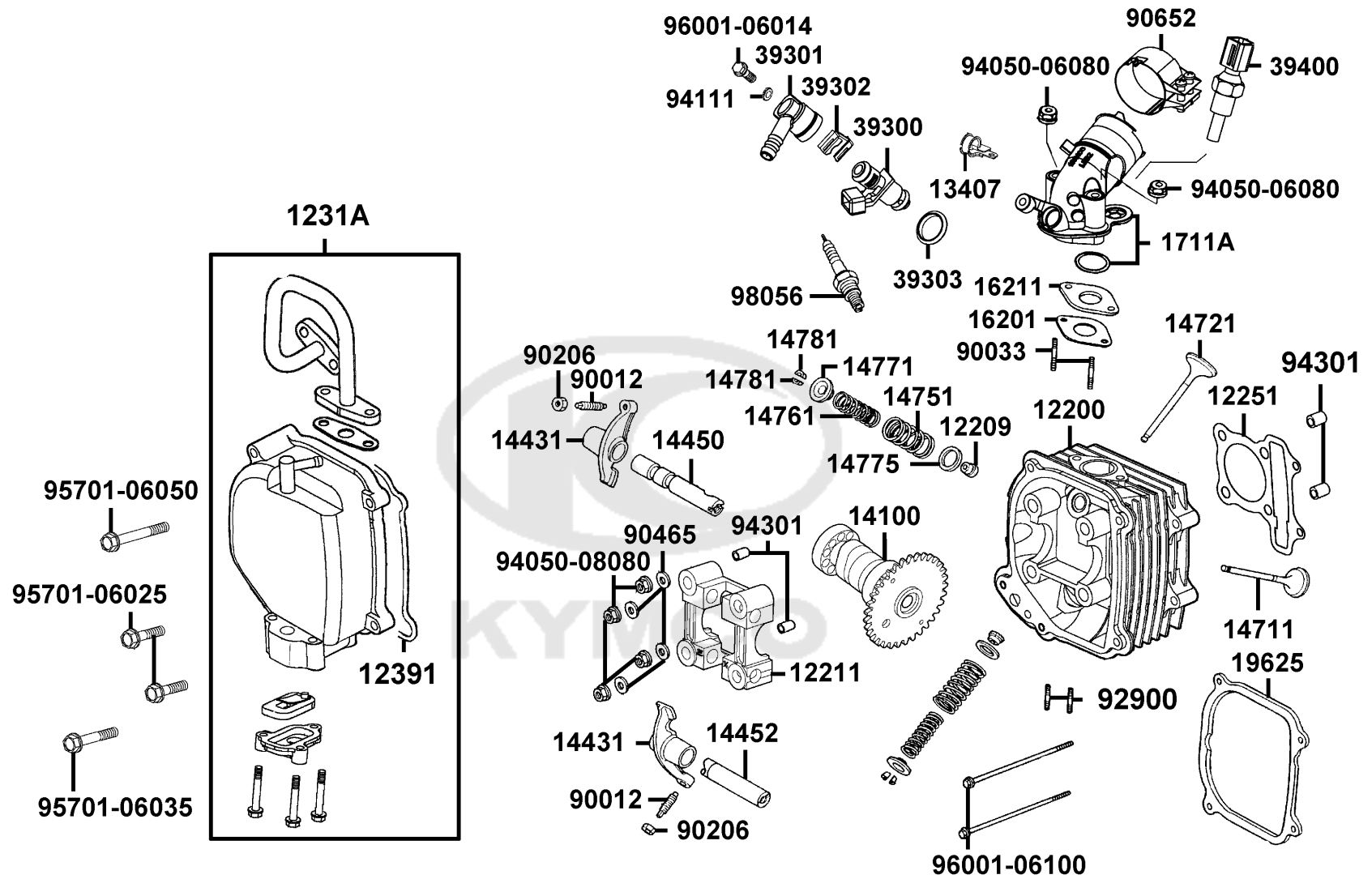


Sales mark	Ref no	Part no	Description	Reg description	Regd no	E01
	94301-10200	94301-10200	DOWEL PIN 10*20	DOWEL PIN 10*20	2	
	94591	94591-LDC8-E10	CLIP BIND	CLIP BIND	2	
	95701	95701-08012-08G	BOLT FLANGE 8X12(C)	BOLT FLANGE 8X12(C)	2	
	96001-06012	96001-06012-08G	BOLT FLANGE SH 6X12 (C)	BOLT FLANGE SH 6X12 (C)	2	
	96001-06045	96001-06045-08G	BOLT FLANGE SH 6x45 (C)	BOLT FLANGE SH 6*45 (C)	10	
	96001-06050	96001-06050-08G	BOLT FLANGE SH 6*50 (C)	BOLT FLANGE SH 6*50 (B)	2	
	96001-GFY6	96001-GFY6-C01	BOLT SPECIAL 5X10	BOLT SPECIAL 5*10	3	
	96100-62020	96100-62020-00	BEARING BALL RADIAL 6202	BEARING BALL RADIAL 6202	1	
	96100-63030	96100-63030-00	BEARING BALL RADIAL 6303	BEARING BALL RADIAL 6303	1	



E02

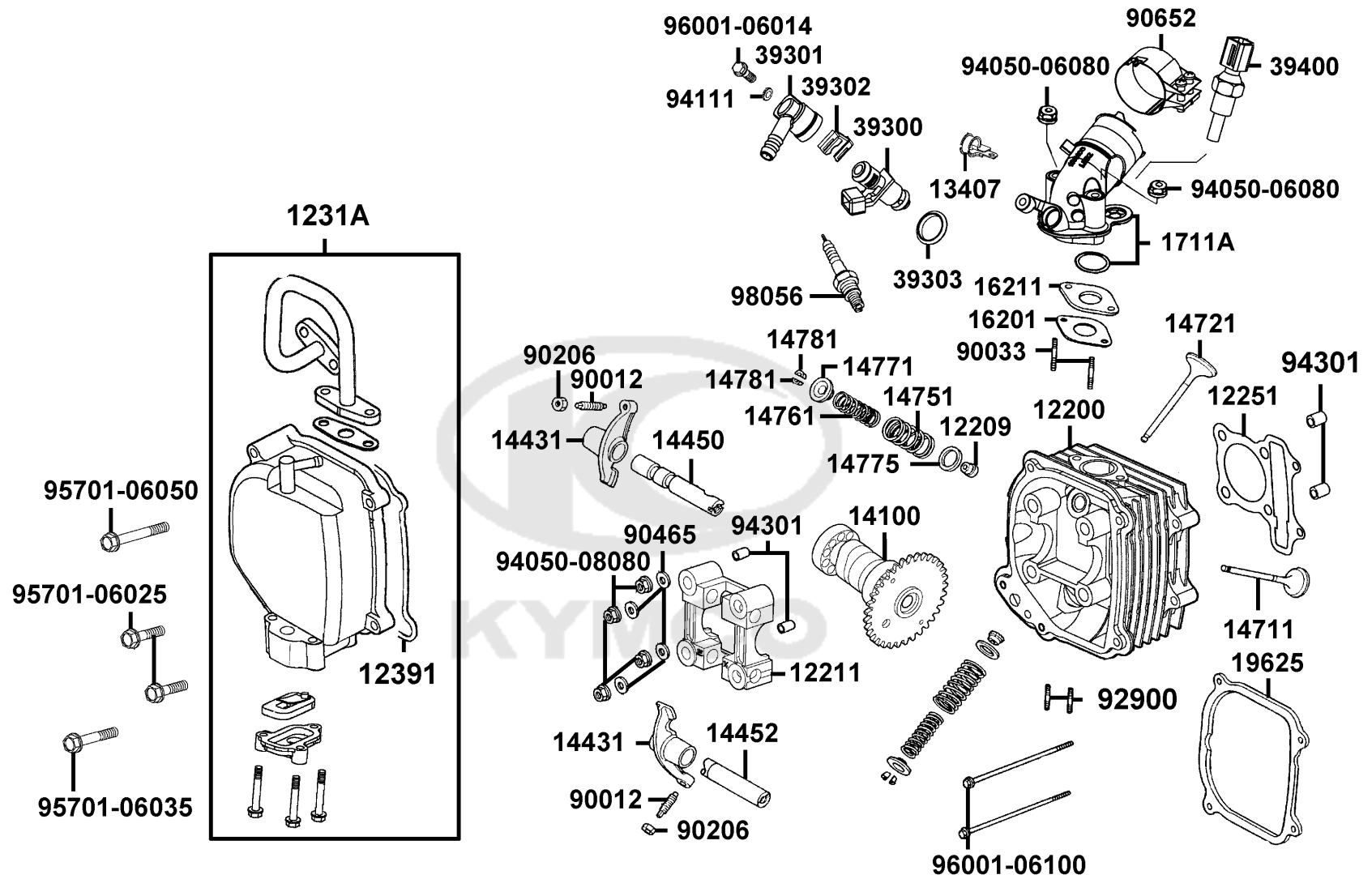
Cylinder Head



Sales mark	Ref no	Part no	Description	Reg description	Regd no	E02
	12200	12200-KKE3-900	HEAD COMP CYLINDER	HEAD COMP CYLINDER	1	
	12209	12209-GDB4-C00	SEAL VALVE STEM	SEAL VALVE STEM	2	
	12211	12211-KUDU-W10	HOLDER CAM SHAFT	HOLDER CAM SHAFT	1	
	12251	12251-GFY6-C00	GASKET CYLINDER HEAD	GASKET CYLINDER HEAD	1	
	1231A	1231A-ALL1-C00	HEAD COVER	HEAD COVER	1	
	12391	12391-GFY6-C00	GASKET CYLINDER HEAD COVER	GASKET CYLINDER HEAD COVER	1	
	13407	13407-LKC6-C00	PLATE A ECU MODULE	PLATE A ECU MODULE	1	
	14100	14100-ALK6-EZ5	SHAFT COMP CAM	SHAFT COMP CAM	1	
	14431	14431-KUDU-W10	ARM VALVE ROCKER	ARM VALVE ROCKER	2	
	14450	14450-GFY6-W10	SHAFT COMP IN ROCKER ARM	SHAFT COMP IN ROCKER ARM	1	
	14452	14452-GFY6-W10	SHAFT EXH ROCKER ARM	SHAFT EXH ROCKER ARM	1	
	14711	14711-KUDU-C0B	VALVE.IN	VALVE.IN	1	
	14721	14721-KUDU-C00	VALVE EXHAUST	VALVE EXHAUST	1	
	14751	14751-KUDU-C10	SPRING VALVE OUTER	SPRING VALVE OUTER	2	
	14761	14761-KUDU-C10	SPG VALVE INNER	SPG VALVE INNER	2	
	14771	14771-GDB4-C00	RETAINER VALVE SPRING	RETAINER VALVE SPRING	2	
	14775	14775-MFA6-C00	SEAT VALVE SPG OUTER	SEAT VALVE SPG OUTER	2	
#	14781	14781-MFA6-C0C	COTTER VALVE	COTTER VALVE	4	
	16201	16201-GFY6-E90	GASKET CARBURETOR INSULATOR	GASKET CARB INSULATOR @ A	1	
	16211	16211-GFY6-W10	INSULATOR	INSULATOR	1	

E02

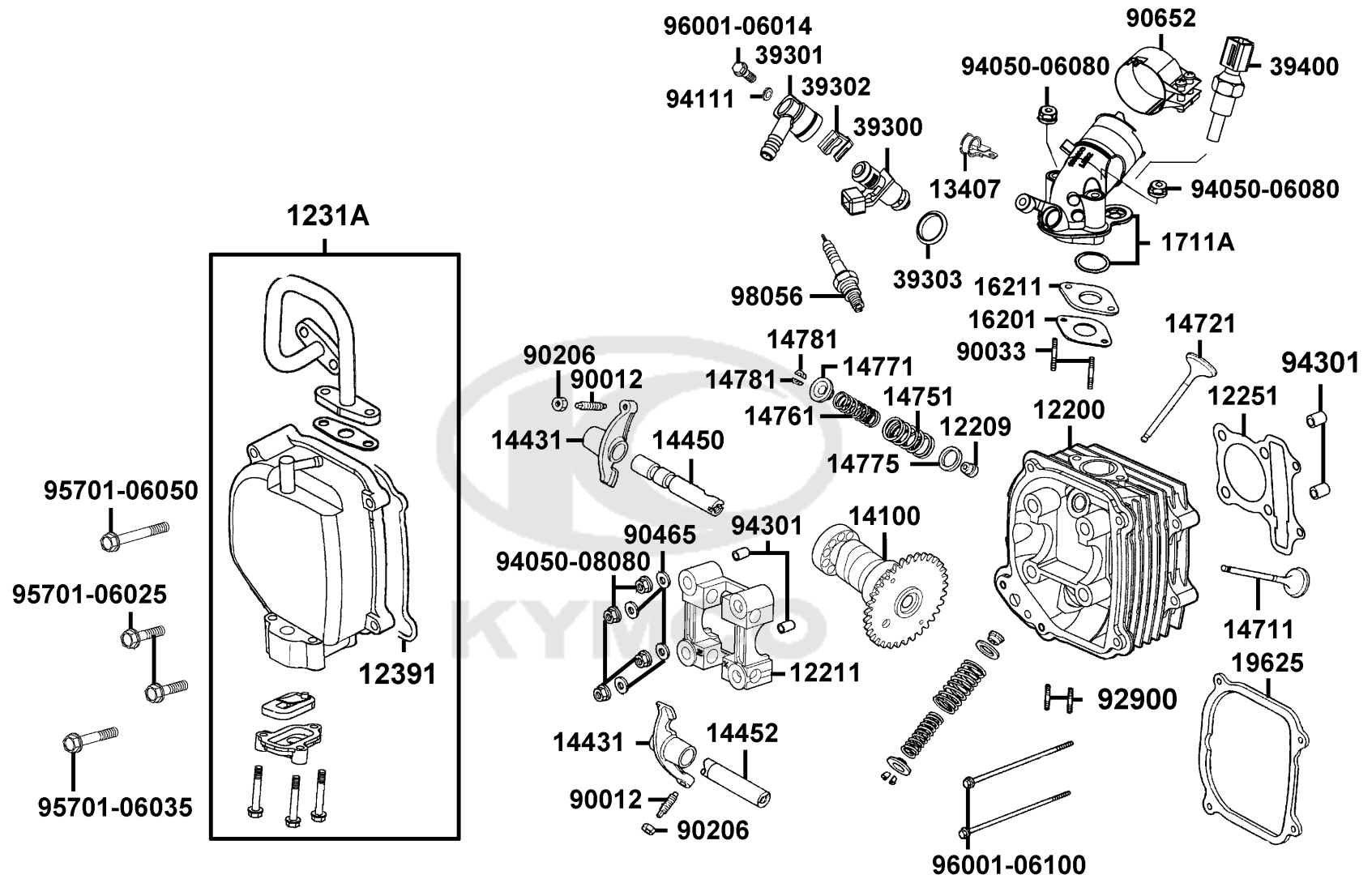
Cylinder Head



Sales mark	Ref no	Part no	Description	Reg description	Regd no	E02
	1711A	1711A-ALD9-E16	PIPE ASSY INLET	PIPE ASSY INLET	1	
	19625	19625-KUDU-C00	SEAL SHROUD	SEAL SHROUD	1	
	39300	39300-LEA6-800	FUEL INJECTOR	FUEL INJECTOR	1	
	39301	39301-ALK6-EZ5	HOLDER ASSY FUEL	HOLDER ASSY FUEL	1	
	39302	39302-KKE3-C00	CLIP SPRING FUEL INJECTOR	CLIP SPRING FUEL INJECTOR	1	
	39303	39303-LEB2-C00	SEAL,HIGH TENSION FUEL INJECT	SEAL,HIGH TENSION FUEL INJECT	1	
	39400	39400-LHJ3-900	SENSOR. HEAD TEMPERATURE	SENSOR. HEAD TEMPERATURE	1	
	90012	90012-3C33-C00	SCREW TAPPET ADJUSTING	SCREW TAPPET ADJUSTING	2	
	90033	90033-GFY6-C01	BOLT STUD 8*32	BOLT STUD 8*32	2	
	90206	90206-0A01-C00	NUT TAPPET ADJG	NUT TAPPET ADJG	1	
	90465	90465-MDC4-C01	WASHER 8MM	WASHER 8MM	4	
	90652	90652-ALB8-C00	BAND 48 INLET-PIPE	BAND 48 INLET-PIPE	1	
	92900	92900-06060-0BG	BOLT STUD 6*60	BOLT STUD 6*60	2	
	94050-06080	94050-06080-G	NUT FLANGE 6MM	NUT FLANGE 6MM	2	
	94050-08080	94050-08080-G	NUT FLANGE 8MM	NUT FLANGE 8MM	4	
	94111	94111-06800-G	WASHER SPG 6MM(C)	WASHER SPG 6MM(C)	1	
	94301	94301-10160	DOWEL PIN 10*16	DOWEL PIN 10*16	4	
	95701-06025	95701-06025-08G	BOLT FLANGE 6*25	BOLT FLANGE 6*25	2	
	95701-06035	95701-06035-08G	BOLT FLANGE 6*35	BOLT FLANGE 6*35	1	
	95701-06050	95701-06050-08G	BOLT FLANGE 6*50	BOLT FLANGE 6*50	1	

E02

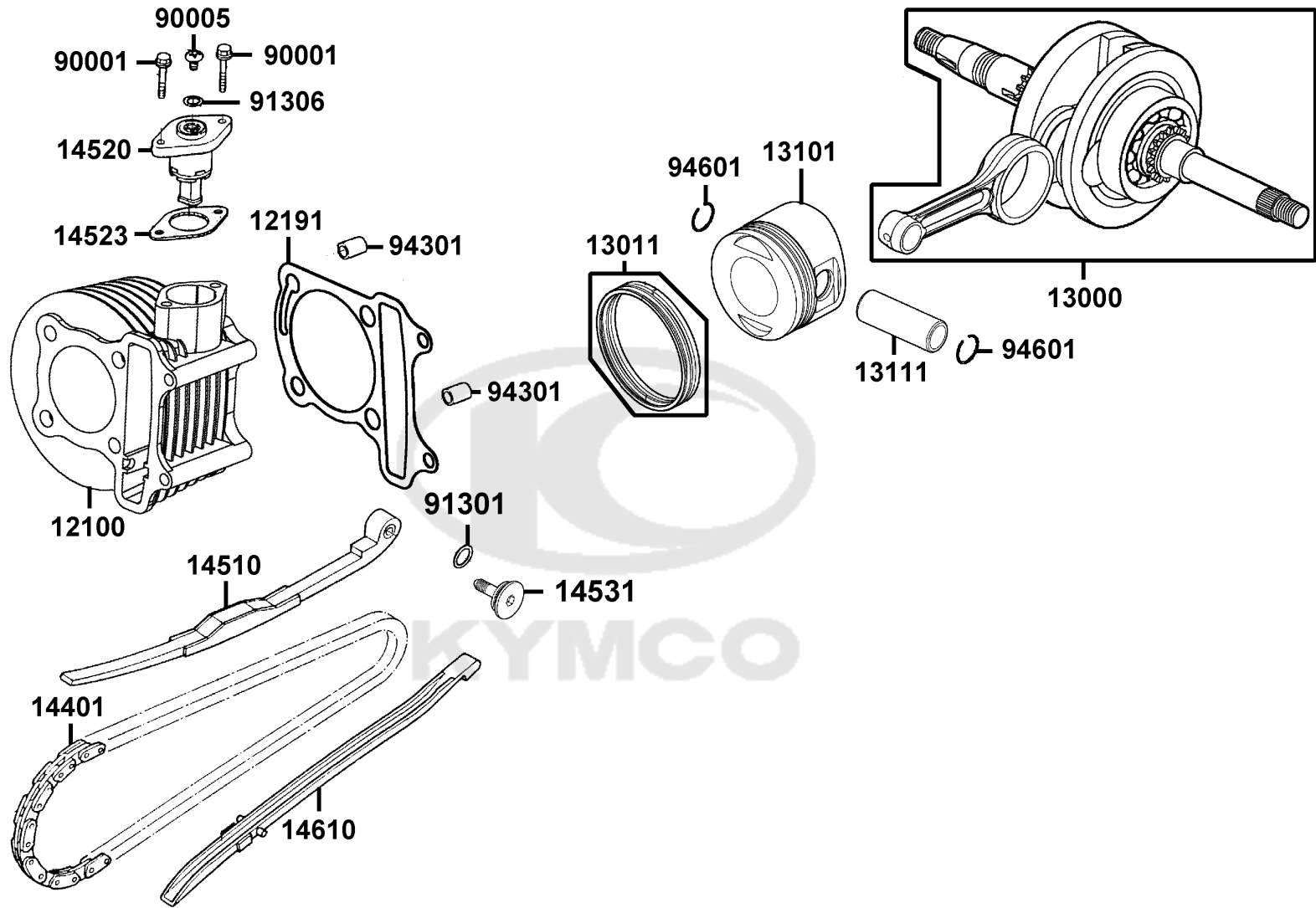
Cylinder Head



Sales mark	Ref no	Part no	Description	Reg description	Regd no	E02
------------	--------	---------	-------------	-----------------	---------	------------

96001-06014		96001-06014-08G	BOLT FLANGE SH 6*14 (C)	BOLT FLANGE SH 6*14 (C)	1	
96001-06100		96001-06100-08G	BOLT FLANGE SH 6x100 (C)	BOLT FLANGE SH 6x100 (C)	1	
98056		98056-5771R-00	SPARK PLUG (CR7HSA)	SPARK PLUG (CR7HSA)	1	

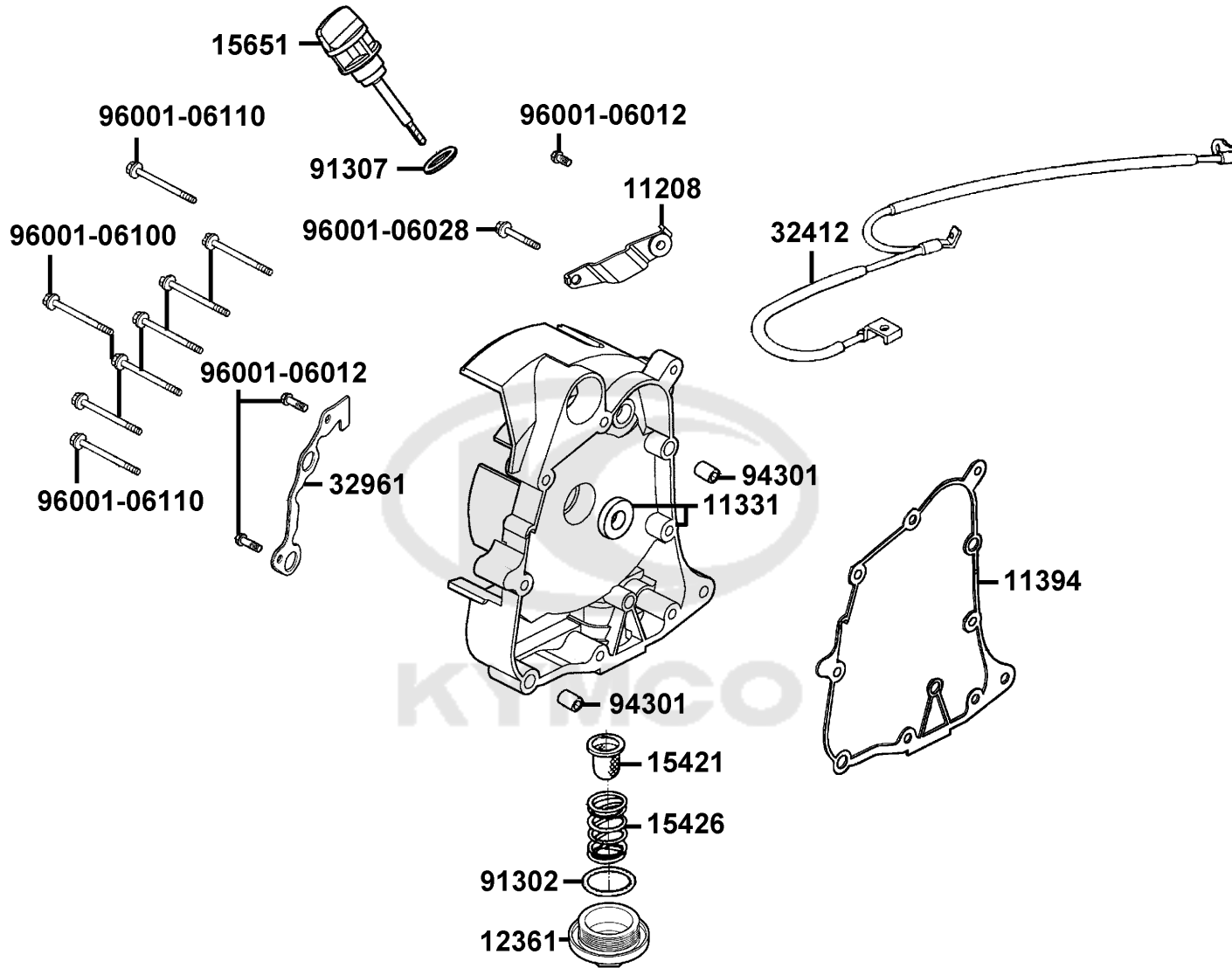




Sales mark	Ref no	Part no	Description	Reg description	Regd no	E03
	12100	12100-GFY6-C00	CYLINDER COMP	CYLINDER COMP	1	
	12191	12191-GFY6-E90	GASKET CRANK CASE @ A	GASKET CRANK CASE @ A	1	
	13000	13000-KUDU-C00	CRANK SHAFT COMP	CRANK SHAFT COMP	1	
	13011	13011-LAC7-C00	RING ASSY PISTON	RING ASSY PISTON	1	
	13101	13101-AKC6-C00	PISTON	PISTON	1	
	13111	13111-3D84-C00	PIN,PISTON	PIN,PISTON	1	
	14401	14401-KUDU-C00	CHAIN CAM	CHAIN CAM	1	
	14510	14510-KUDU-C0B	TENSIONER CAM CHAIN	TENSIONER CAM CHAIN	1	
	14520	14520-GFY6-C00	LIFTER ASSY TENSIONER	LIFTER ASSY TENSIONER	1	
	14523	14523-GFY6-E90	GASKET TENSIONER LIFTER @A	GASKET TENSIONER LIFTER @A	1	
	14531	14531-GLR0-W11	PIVOT CAM CHAIN TENSIONER	PIVOT CAM CHAIN TENSIONER	1	
	14610	14610-KUDU-C0B	GUIDE COMP CAM CHAIN	GUIDE COMP CAM CHAIN	1	
	90001	90001-GBHB-C05	BOLT FLANGE SHF 6*22 (B)	BOLT FLANGE SHF 6*22 (B)	2	
	90005	90005-KAW1-C00	SCREW PAN 6*6(G)	SCREW PAN 6*6(G)	1	
	91301	91301-GLR0-W10	O-RING 15.2*1.5	O-RING 15.2*1.5	1	
	91306	91306-1E05-C00	O-RING 1.5*9.5	O-RING 1.5*9.5	1	
	94301	94301-10160	DOWEL PIN 10*16	DOWEL PIN 10*16	2	
	94601	94601-15000	CLIP PISTON PIN 15MM	CLIP PISTON PIN 15MM	2	

E04

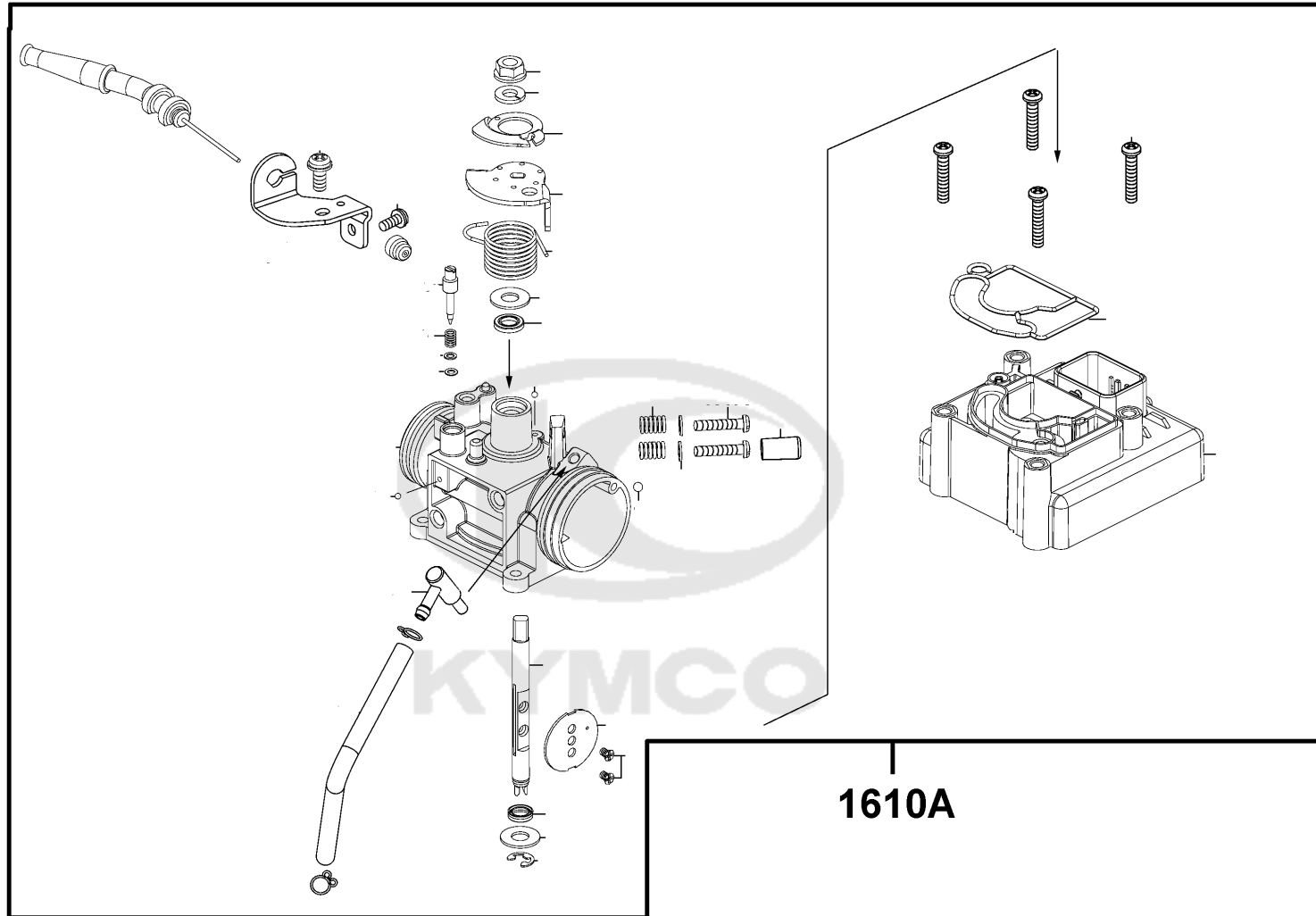
Right Crankcase Cover



Sales mark	Ref no	Part no	Description	Reg description	Regd no	E04
11208		11208-LFC3-E10	STAY RR TIRE FENDER	STAY RR TIRE FENDER	1	
11331		11331-LCD3-E00	COVER R CRANK CASE	COVER R CRANK CASE	1	
11394		11394-KUDU-E90	GASKET.R COVER	GASKET R COVER	1	
12361		12361-GFY6-C00	HOLE CAP TAPPET ADJUSTING	HOLE CAP TAPPET ADJUSTING	1	
15421		15421-1G07-C00	SCREEN OIL FILTER	SCREEN OIL FILTER	1	
15426		15426-GAE1-C00	SPG OIL FILTER SCREEN	SPG OIL FILTER SCREEN	1	
15651		15651-KUDU-W10	GUAGE OIL LEVEL	GUAGE OIL LEVEL	1	
32412		32412-AKC6-E10	CABLE EARTH	CABLE EARTH	1	
32961		32961-KUDU-C00	CLAMPER ACG CORD	CLAMPER ACG CORD	1	
91302		91302-0A01-C00	O-RING 30.8MM	O-RING 30.8MM	1	
91307		91307-0E35-W10	O-RING 18*3	O-RING 18*3	1	
94301		94301-10160	DOWEL PIN 10*16	DOWEL PIN 10*16	2	
96001-06012		96001-06012-08G	BOLT FLANGE SH 6X12 (C)	BOLT FLANGE SH 6X12 (C)	3	
96001-06028		96001-06028-08G	BOLT FLANGE SH 6x28 (C)	BOLT FLANGE SH 6x28 (C)	1	
96001-06100		96001-06100-08G	BOLT FLANGE SH 6x100 (C)	BOLT FLANGE SH 6x100 (C)	6	
96001-06110		96001-06110-08G	BOLT FLANGE SH 6*110 (B)	BOLT FLANGE SH 6*110 (C)	2	

E05

THROTTLE BODY ASSY



1610A

Sales mark	Ref no	Part no	Description	Reg description	Regd no	E05
------------	--------	---------	-------------	-----------------	---------	------------

1610A

1610A-AKC6-E10

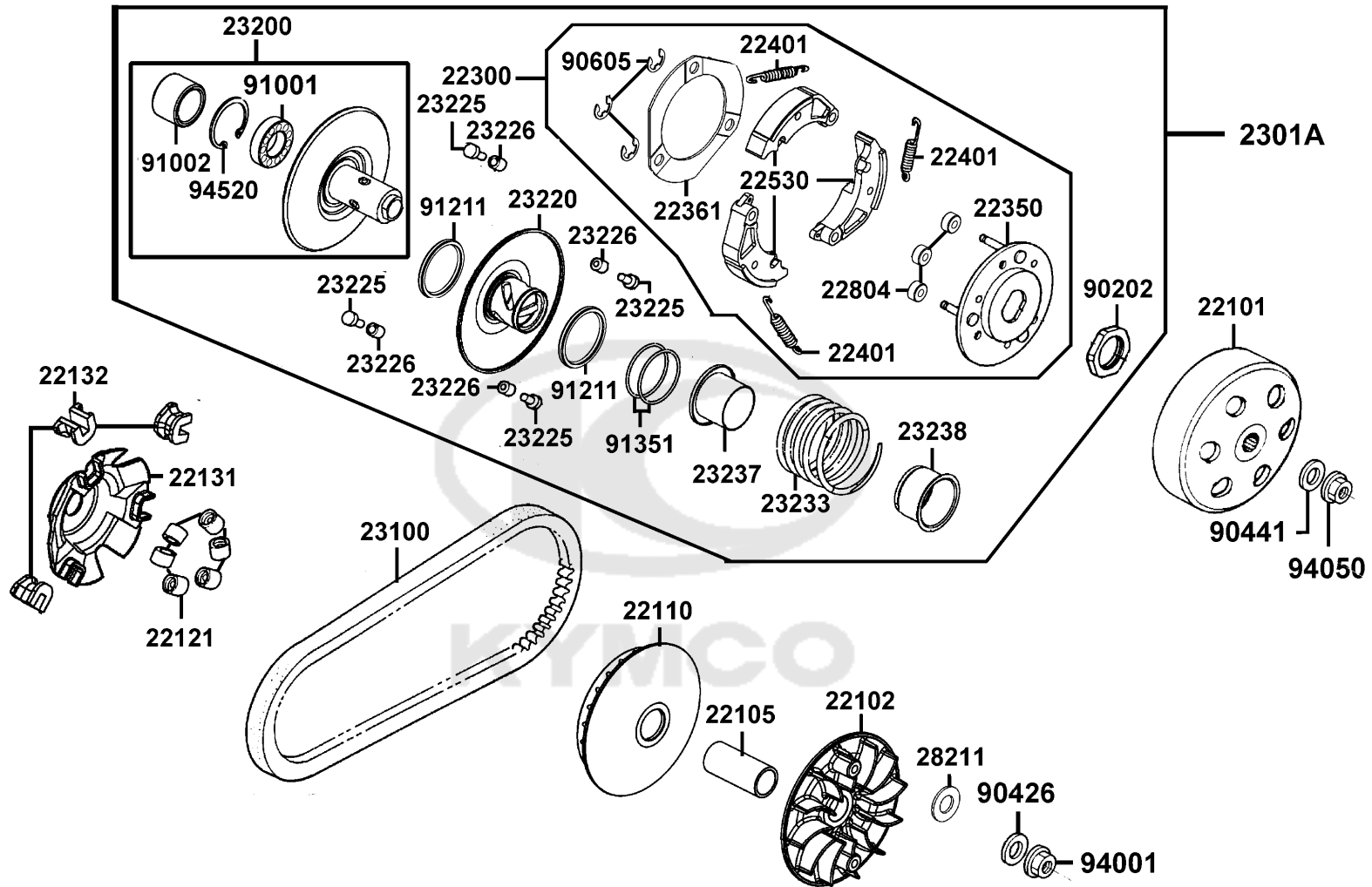
THROTTLE BODY ASSY

THROTTLE BODY ASSY

1

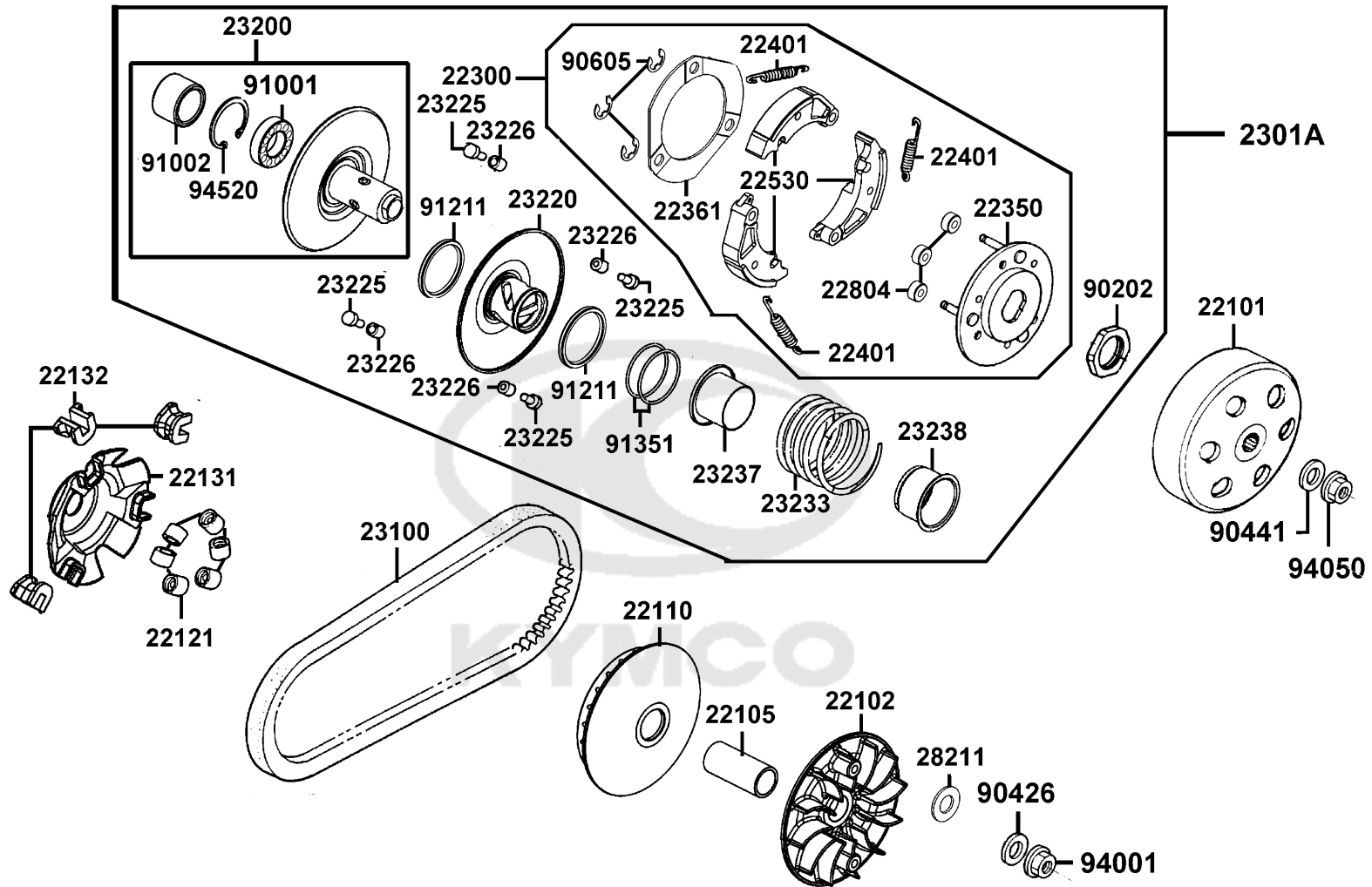


Driven Pulley



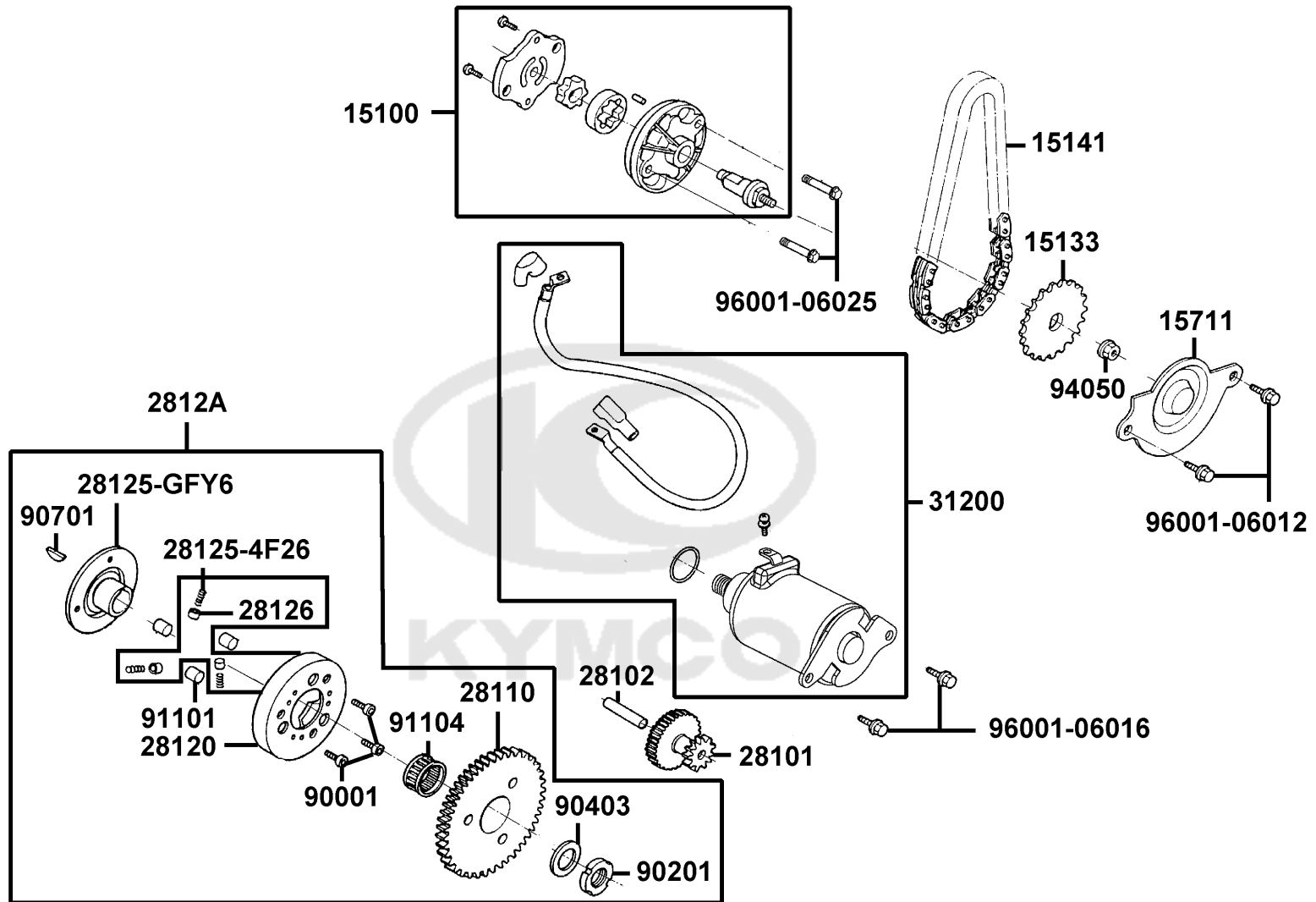
Sales mark	Ref no	Part no	Description	Reg description	Regd no	E06
	22101	22101-LCD3-C00	OUTER CLUTCH	OUTER CLUTCH	1	
	22102	22102-KUDU-E80	FACE DRIVE	FACE DRIVE	1	
	22105	22105-GFY6-C00	BOSS DRIVE FACE	BOSS DRIVE FACE	1	
	22110	22110-KUDU-E80	FACE MOVABLE DRIVE	FACE MOVABLE DRIVE	1	
	22121	22121-KFAF-305	ROLLER SET WEIGHT (1SET:6PCS)	ROLLER SET WEIGHT (1SET:6PCS)	1	
	22131	22131-GFY6-C00	PLATE RAMP	PLATE RAMP	1	
	22132	22132-KBN2-315	PIECE SLIDE(1SET:3PCS)	PIECE SLIDE(1SET:3PCS)	3	
	22300	22300-LCD4-C00	PLATE ASSY DRIVE	PLATE ASSY DRIVE	1	
	22350	22350-GFY6-C00	PLATE COMP DRIVE	PLATE COMP DRIVE	1	
	22361	22361-KGN7-C00	PLATE CLUTCH SIDE	PLATE CLUTCH SIDE	1	
	22401	22401-GFY6-C0A	SPRING CLUTCH	SPRING CLUTCH	3	
	22530	22530-LCD3-C00	WEIGHT CLUTCH	"WEIGHT,CLUTCH"	3	
	22804	22804-GBB2-C00	RUBBER CLUTCH DAMPER	RUBBER CLUTCH DAMPER	3	
	2301A	2301A-LCD4-C00	PULLEY SUB ASSY	PULLEY SUB ASSY	1	
	23100	23100-KEC4-C0E	BELT DRIVE	BELT DRIVE	1	
	23200	23200-GFY6-C00	FACE ASSY DRIVEN	FACE ASSY DRIVEN	1	
	23220	23220-KFBF-C00	FACE COMP MOVABLE DRIVEN	FACE COMP MOVABLE DRIVEN	1	
	23225	23225-GHC8-C00	PIN ROLLER GUIDE	PIN ROLLER GUIDE	3	
	23226	23226-GHC8-C00	ROLLER GUIDE	ROLLER GUIDE	3	
	23233	23233-LEJ3-E10	"BOSS,DRIVE FACE"	"BOSS,DRIVE FACE"	1	

Driven Pulley



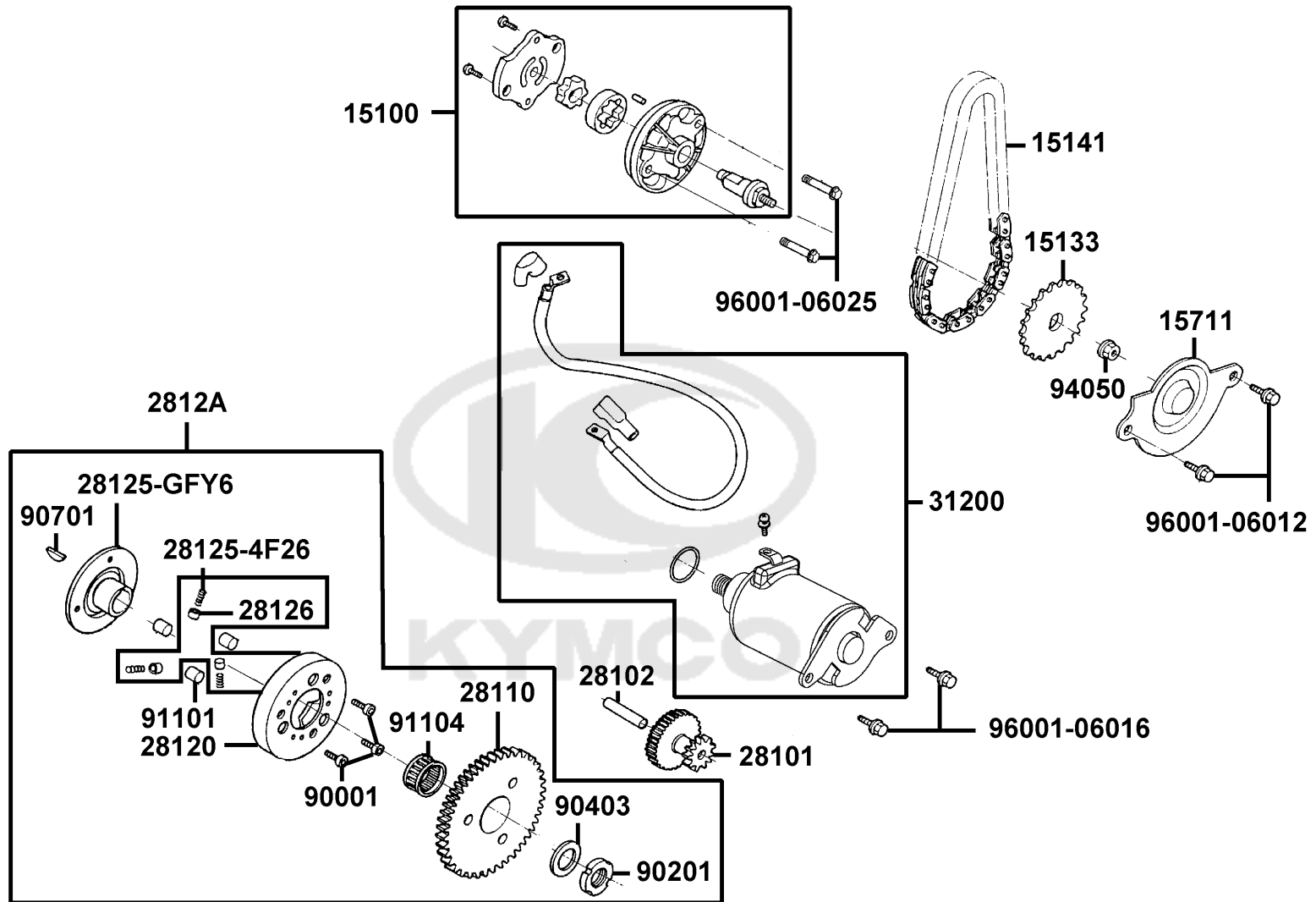
Sales mark	Ref no	Part no	Description	Reg description	Regd no	E06
23237		23237-GFY6-C00	COLLAR SEAL	COLLAR SEAL	1	
23238		23238-GFY6-C00	COLLAR SPG	COLLAR SPG	1	
28211		28211-LGK2-C00	WASHER 15.2x24x5	WASHER 15.2x24x5	1	
90202		90202-1G87-C00	NUT SPECIAL 28MM	NUT SPECIAL 28MM	1	
90426		90426-KNBN-C01	WASHER SPECIAL 12MM	WASHER SPECIAL 12MM	1	
90441		90441-GFY6-C01	WASHER 12.2*29*2.5	WASHER 12.2*29*2.5	1	
90605		90605-1F66-C00	CIR CLIP 7MM	CIR CLIP 7MM	3	
91001		91001-GFY6-C00	BRG CON-ROD 20*29*18	BRG CON-ROD 20*29*18	1	
91002		91002-GGA7-C00	BRG BALL RADIAL 6902U	BRG BALL RADIAL 6902U	1	
91211		91211-KEBE-C00	SEAL DRIVEN FACE 34*41*4	SEAL DRIVEN FACE 34*41*4	2	
91351		91351-6B42-C00	O-RING PINION CAP	O-RING PINION CAP	2	
94001		94001-12280-0SG	NUT HEX 12MM(C)	NUT HEX 12MM(C)	1	
94050		94050-12080-G	NUT C FLANGE 12MM	NUT FLANGE 12MM (C)	1	
94520		94520-28000	CIR CLIP IN 28	CIR CLIP IN 28	1	

Starting Motor Oil Pump



Sales mark	Ref no	Part no	Description	Reg description	Regd no	E07
	15100	15100-KFB7-C00	OIL PUMP ASSY	PUMP ASSY OIL	1	
	15133	15133-GFY6-W10	SPROCKET OIL PUMP DRIVE	SPROCKET OIL PUMP DRIVE	1	
	15141	15141-GFY6-C00	CHAIN OIL PUMP	CHAIN OIL PUMP	1	
	15711	15711-KUDU-C00	SEPARATER OIL	SEPARATER OIL	1	
	28101	28101-GFY6-C00	GEAR STARTER REDUCTION	GEAR STARTER REDUCTION	1	
	28102	28102-GFY6-C00	SHAFT STARTER REDUCTION GEAR	SHAFT STARTER REDUCTION GEAR	1	
	28110	28110-GFY6-C10	OUTER ASSY START CLUTCH	OUTER ASSY START CLUTCH	1	
	28120	28120-GFY6-C10	OUTER COMP STARTING CLUTCH	OUTER COMP STARTING CLUTCH	1	
	28125-4F26	28125-4F26-C00	SPRING ROLLER STARTER CLUTCH	SPRING ROLLER STARTER CLUTCH	3	
	28125-GFY6	28125-GFY6-C10	SPRING ROLLER STARTER CLUTCH	SPRING ROLLER STARTER CLUTCH	1	
	28126	28126-GFY6-C10	CAP STARTING ROLLER SPRING	CAP STARTING ROLLER SPRING	3	
	2812A	2812A-GFY6-C10	OUTER ASSY START CLUTCH	OUTER ASSY START CLUTCH	1	
	31200	31200-ALJ8-E10	MOTOR ASSY START	MOTOR ASSY START	1	
	90001	90001-GFY6-C01	SOCKET BOLT 6*10	SOCKET BOLT 6*10	6	
	90201	90201-GFY6-901	NUT LOCK 22MM	NUT LOCK 22MM	1	
	90403	90403-KUDU-C00	WASHER THRUST 22.2*39*2.5	WASHER THRUST 22.2*39*2.5	1	
	90701	90701-GFY6-901	CAP STARTING ROLLER SPRING	PIN DOWEL 6*10	1	
	91101	91101-1K79-C00	ROLLER 10*10	ROLLER 10*10	3	
	91104	91104-GFY6-C00	BRG NEEDLE 28*32*17	BRG NEEDLE 28*32*17	1	
	94050	94050-06080-G	NUT FLANGE 6MM	NUT FLANGE 6MM	1	

Starting Motor Oil Pump



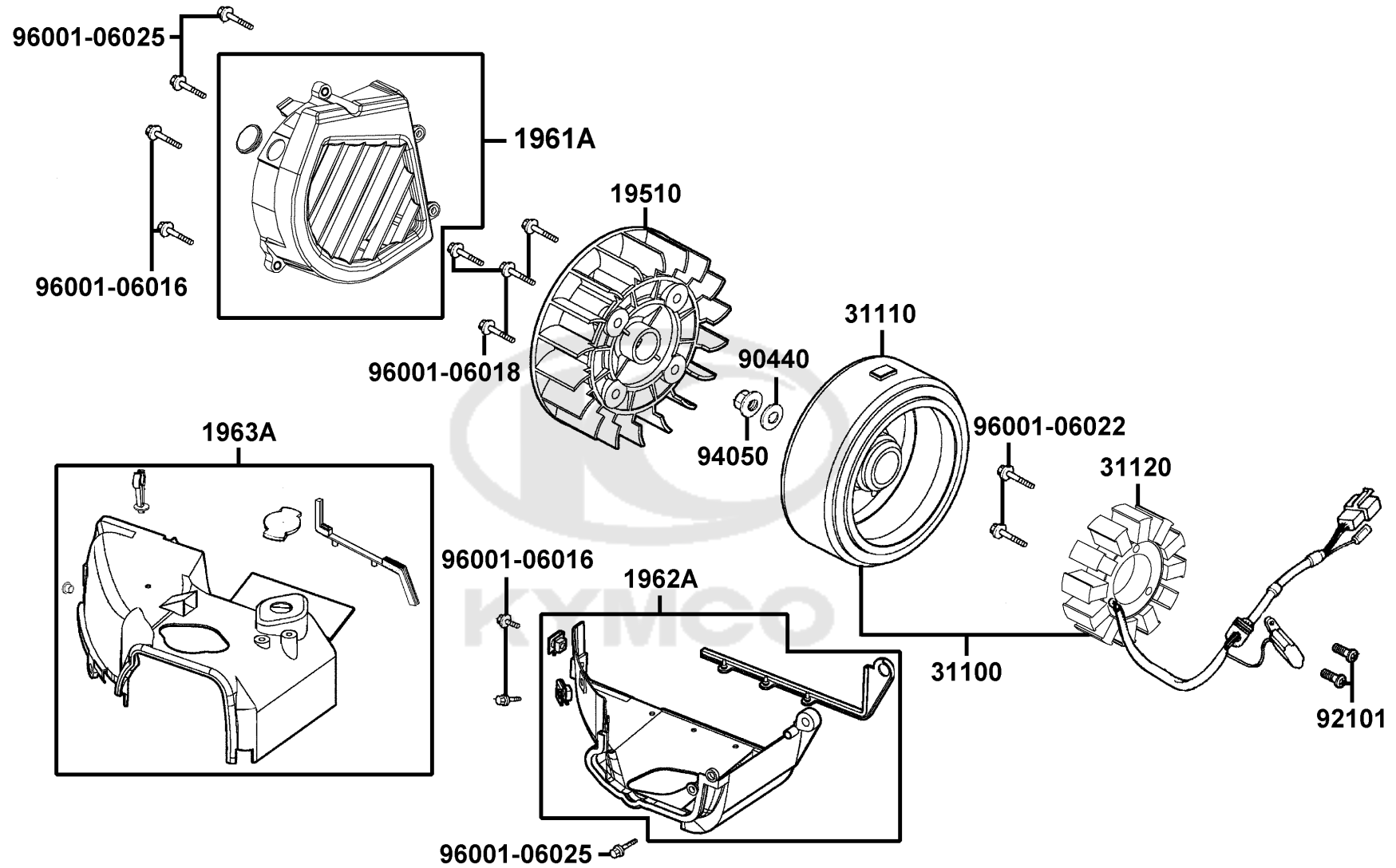
Sales mark	Ref no	Part no	Description	Reg description	Regd no	E07
------------	--------	---------	-------------	-----------------	---------	------------

96001-06012		96001-06012-08G	BOLT FLANGE SH 6X12 (C)	BOLT FLANGE SH 6X12 (C)	2	
96001-06016		96001-06016-08G	BOLT FLANGE SH 6x16 (C)	BOLT FLANGE SH 6*16 (CR3+)	2	
96001-06025		96001-06025-08G	BOLT FLANGE SH 6*25 (C)	BOLT FLANGE SH 6*25 (C)	2	

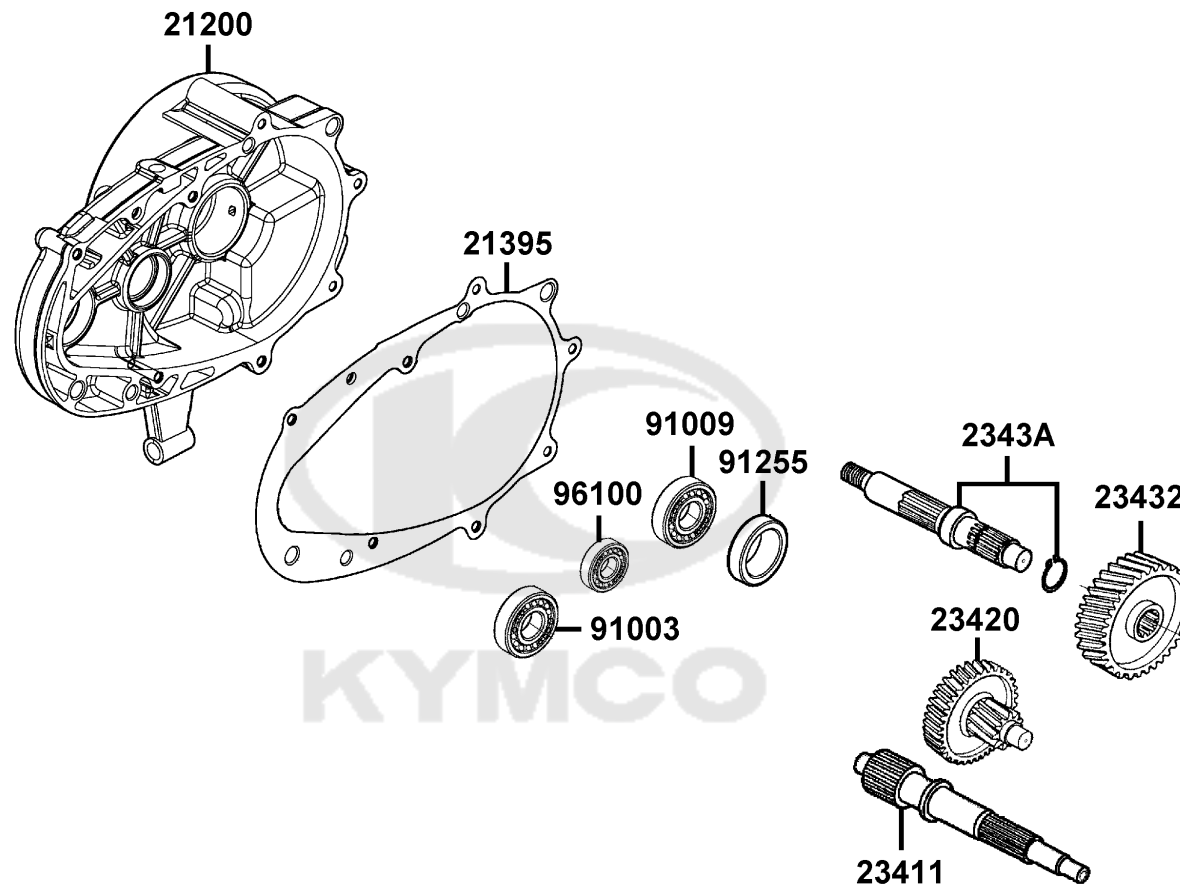


E08

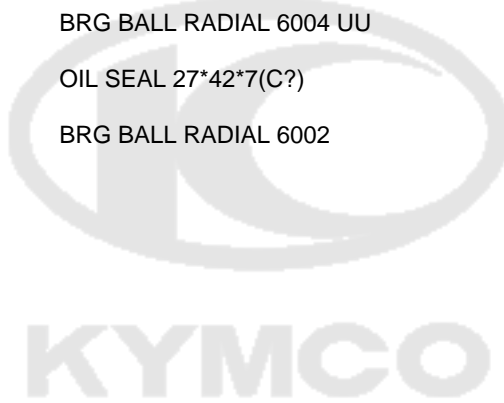
Fan Cover Generator



Sales mark	Ref no	Part no	Description	Reg description	Regd no	E08
	19510	19510-LDA7-C00	FAN COMP COOLING	FAN COMP COOLING	1	
	1961A	1961A-AKC6-E10	COVER ASSY FAN	COVER ASSY FAN	1	
	1962A	1962A-ALD9-BA0	SHROUD ASSY A	SHROUD ASSY A	1	
	1963A	1963A-AAD2-C00	SHROUD ASSY B	SHROUD ASSY B	1	
	31100	31100-LGS6-E10	A.C. GEN. ASS'Y	A.C. GEN. ASS'Y	1	
	31110	31110-KKE3-C00	FLYWHEEL COMP	FLYWHEEL COMP	1	
	31120	31120-LGS6-E10	STATOR COMP.	STATOR COMP.	1	
	90440	90440-1F66-C00	WASHER PLAIN 12MM	WASHER PLAIN 12MM	1	
#	92101	92101-05012-0HG	BOLT HEX 5*12	BOLT HEX 5*12	2	
	94050	94050-12080-G	NUT C FLANGE 12MM	NUT FLANGE 12MM (C)	1	
	96001-06016	96001-06016-08G	BOLT FLANGE SH 6x16 (C)	BOLT FLANGE SH 6*16 (CR3+)	4	
	96001-06018	96001-06018-08G	BOLT FLANGE SH 6*18 (C)	BOLT FLANGE SH 6*18 (CR3+)	4	
	96001-06022	96001-06022-08G	BOLT FLANGE SH 6*22 (C)	BOLT FLANGE SH 6*22 (C)	2	
	96001-06025	96001-06025-08G	BOLT FLANGE SH 6*25 (C)	BOLT FLANGE SH 6*25 (C)	3	

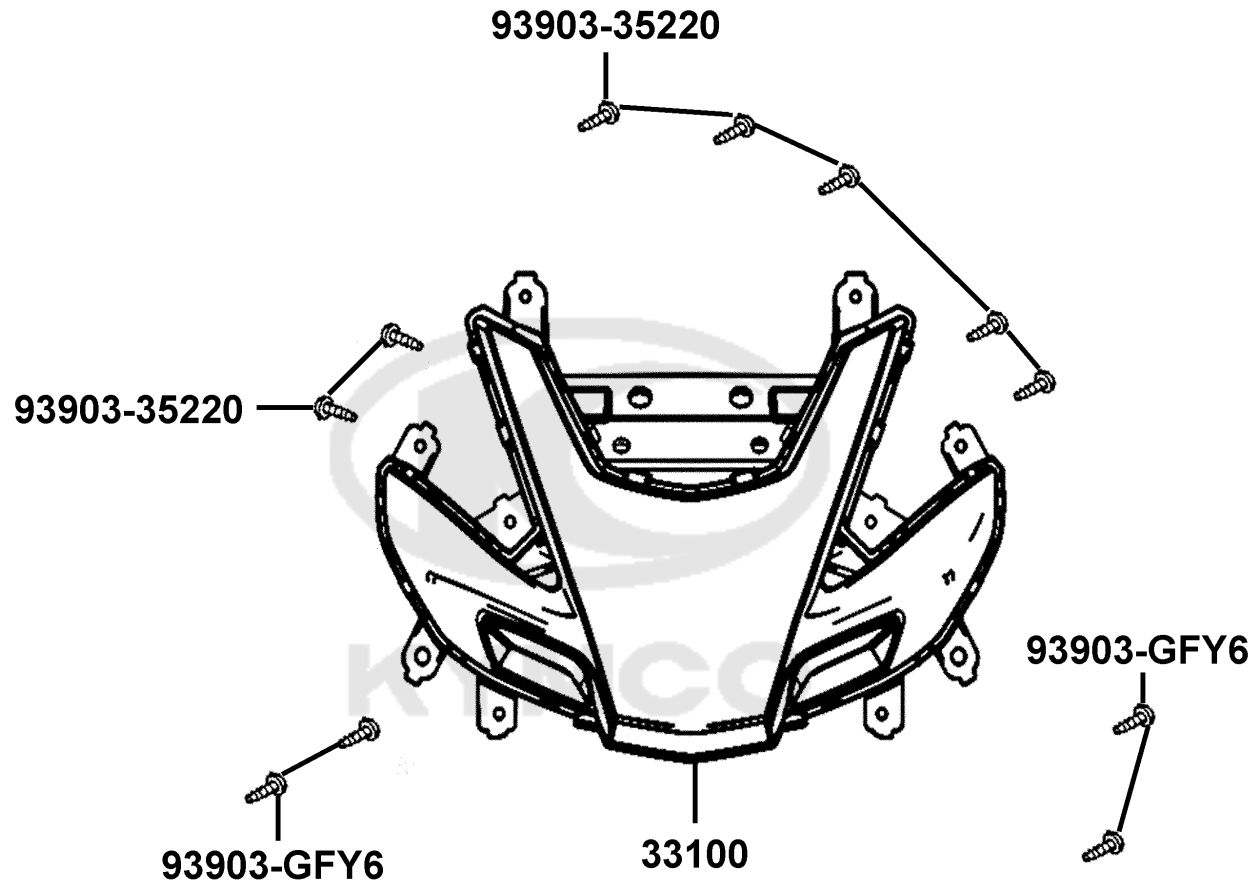


Sales mark	Ref no	Part no	Description	Reg description	Regd no	E09
21200		21200-LEJ8-C00	CASE COMP MISSION	CASE COMP MISSION	1	
21395		21395-LCD3-E90	GASKET MISSION CASE@A	GASKET MISSION CASE@A	1	
23411		23411-ALJ8-E10	SHAFT, DRIVE	SHAFT DRIVE	1	
23420		23420-AKC6-E10	SHAFT COMP COUNTER	SHAFT COMP COUNTER	1	
23432		23432-AKC6-E10	GEAR FINAL	GEAR FINAL	1	
2343A		2343A-ALJ8-E10	SHAFT ASSY. FINAL	SHAFT FINAL	1	
91003		91003-KDS4-C00	BRG BALL RADIAL 6301TMB	BRG BALL RADIAL 6301TMB	1	
91009		91009-GLE0-C00	BRG BALL RADIAL 6004 UU	BRG BALL RADIAL 6004 UU	1	
91255		91255-LDC8-E10	OIL SEAL 27*42*7(C?)	OIL SEAL 27*42*7(C?)	1	
96100		96100-60020-00	BRG BALL RADIAL 6002	BRG BALL RADIAL 6002	1	



F01

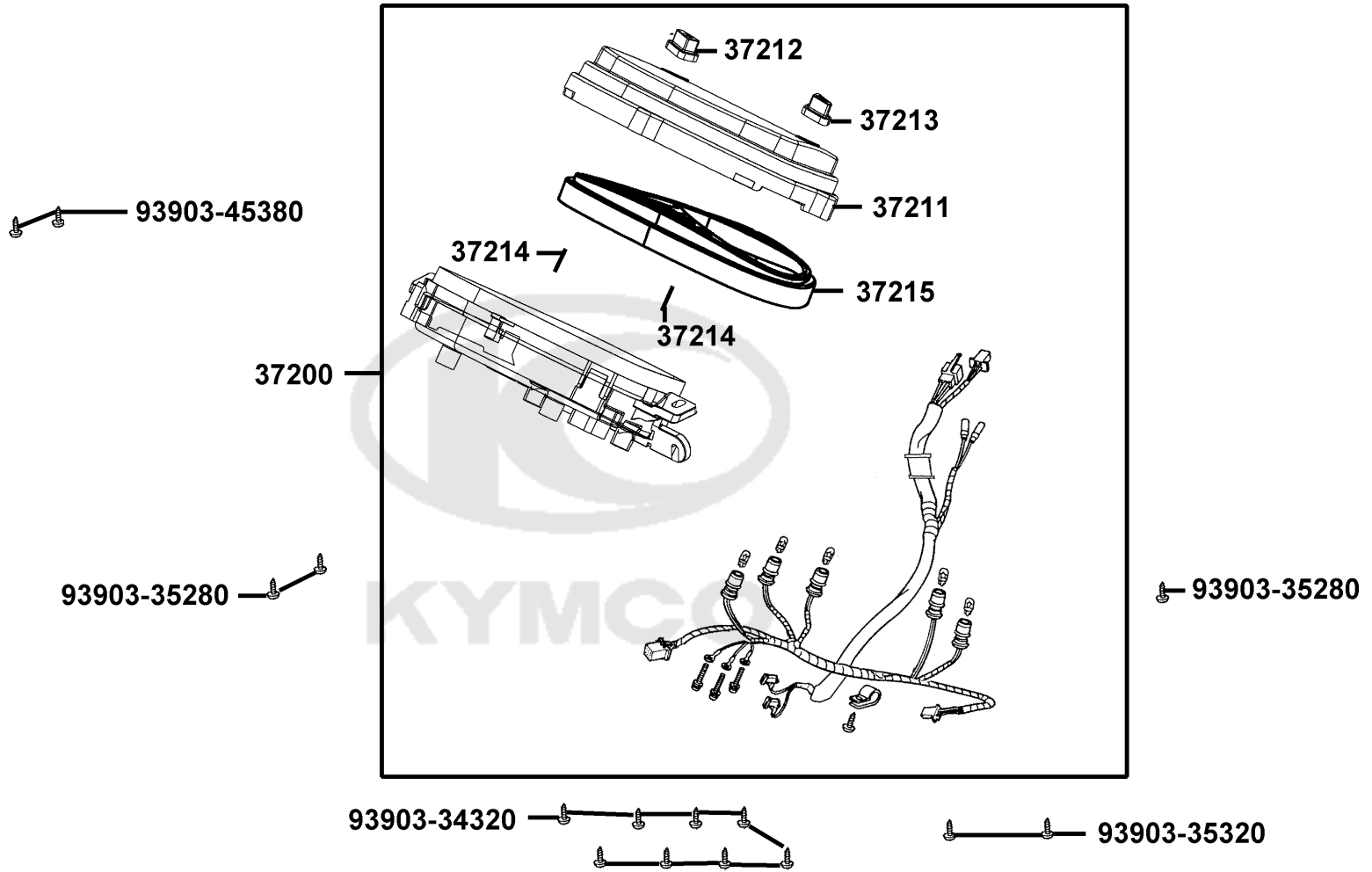
Head Light



Sales mark	Ref no	Part no	Description	Reg description	Regd no	F01
------------	--------	---------	-------------	-----------------	---------	------------

33100		33100-AKC6-E10	LIGHT ASSY HEAD	LIGHT ASSY HEAD	1	
93903-35220		93903-35220-G	SCREW TAPPING 5*12	SCREW TAPPING 5*12	2	
93903-GFY6		93903-GFY6-C01	SCREW TAPPING 4*14(K)	SCREW TAPPING 4*14	4	



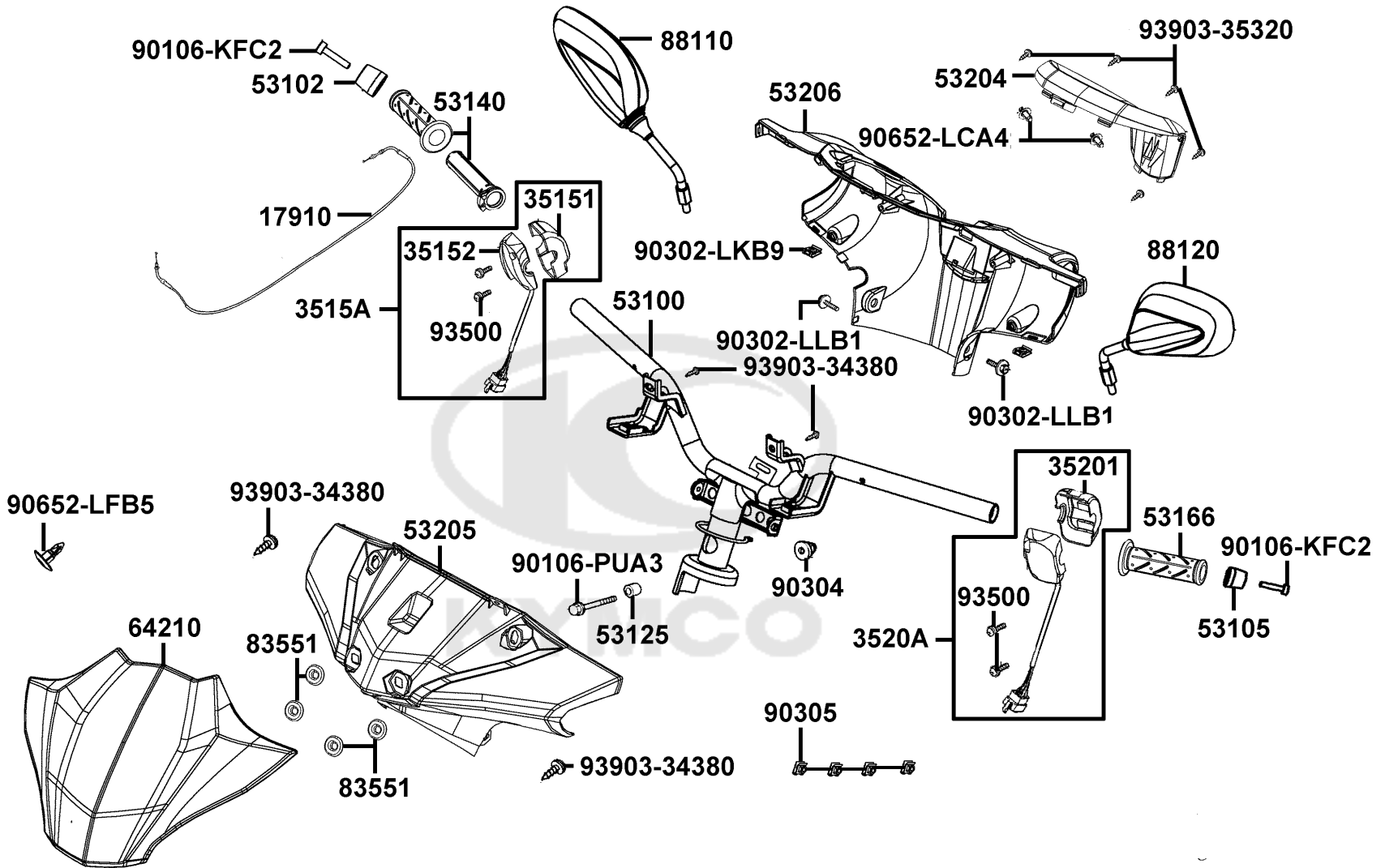


Sales mark	Ref no	Part no	Description	Reg description	Regd no	F02
	37200	37200-AKC6-E10	METER ASSY COMBINATION	METER ASSY COMBINATION	1	
	37211	37211-AEB9-E00	LENS	LENS	1	
	37212	37212-AEB9-E02	BUTTON MODE	BUTTON MODE	1	
	37213	37213-AEB9-E02	BUTTON ADJ	BUTTON ADJ	2	
	37214	37214-AEB9-E10	PUSH ROD	PUSH ROD	1	
	37215	37215-AEB9-E00	PLATE,COSMETIC	PLATE,COSMETIC	1	
	93903-34320	93903-34320-G	SCREW TAPPING 4*12	SCREW TAPPING 4*12	8	
	93903-35280	93903-35280-G	SCREW TAPPING 5*12 (K)	SCREW TAPPING 5*12 (K)	3	
	93903-35320	93903-35320-G	SCREW TAPPING 5*16	SCREW TAPPING 5*16	2	
	93903-45380	93903-45380-G	SCREW TAPPING 5*16 (KG)	SCREW TAPPING 5*16 (KG)	2	



F03

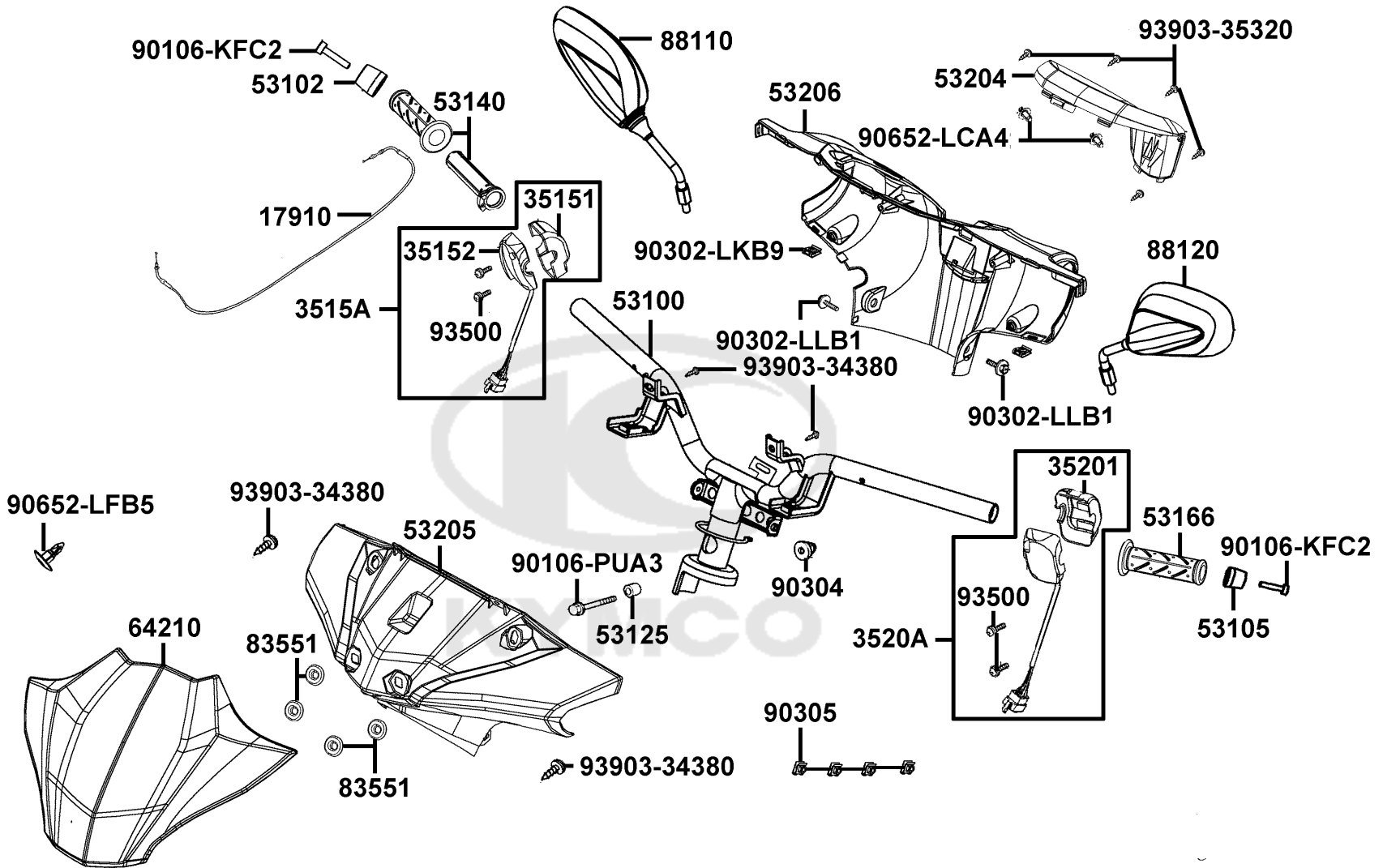
Handle Steering Handle Cover



Sales mark	Ref no	Part no	Description	Reg description	Regd no	F03
	17910	17910-ACC1-EZ5	CABLE COMP THROT	CABLE COMP THROT	1	
	35151	35151-LGB5-EV0	FR CASE RH HNDL COMP SW	FR CASE RH HNDL COMP SW	1	
	35152	35152-LGB5-E10	RR CASE RH HNDL COMP SW	RR CASE RH HNDL COMP SW	1	
	3515A	3515A-LGB5-EV0	SW ASSY RH HANDLE COMP	SW ASSY RH HANDLE COMP	1	
	35201	35201-LGB5-E10	FR CASE LH HNDL COMP SW	FR CASE LH HNDL COMP SW	1	
	3520A	3520A-LGB5-E11	"SW ASS'Y..LH HANDLE COMP"	"SW ASS'Y..LH HANDLE COMP"	1	
	53100	53100-AED9-E10	HANDLE COMP STRG	HANDLE COMP STRG	1	
	53102	53102-ALJ8-E10	"END,L HANDLE"	"END,L HANDLE"	1	
	53105	53105-ALJ8-E10	"END,R HANDLE"	"END,R HANDLE"	1	
	53125	53125-GEN5-C00	COLLAR HANDLE SET	COLLAR HANDLE SET	1	
	53140	53140-ALJ8-E10	GRIP COMP THROT	GRIP COMP THROT	1	
	53166	53166-ALJ8-E10	"GRIP,L HANDLE"	GRIP L HANDLE	1	
**	53204	53204-AKC6-E10	FR HANDLE COVER	FR HANDLE COVER	1	
**	53205	53205-AKC6-E10	COVER HANDLE FRONT	COVER HANDLE FRONT	1	
**	53206	53206-AKC6-E10	COVER HANDLE RR	COVER HANDLE RR	1	
	64210	64210-AKC6-E10	ASSY METER VISOR	ASSY METER VISOR	1	
	83551	83551-AKD3-C00	GROMMET AIR CLEANER CASE	GROMMET AIR CLEANER CASE	4	
	88110	88110-ABD6-C01	MIRROR ASSY R BACK	MIRROR ASSY R BACK	1	
	88120	88120-ABD6-C01	MIRROR ASSY L BACK	MIRROR ASSY L BACK	1	
	90106-KFC2	90106-KFC2-900	BOLT-WASH 8MM	BOLT-WASH 8MM	2	

F03

Handle Steering Handle Cover

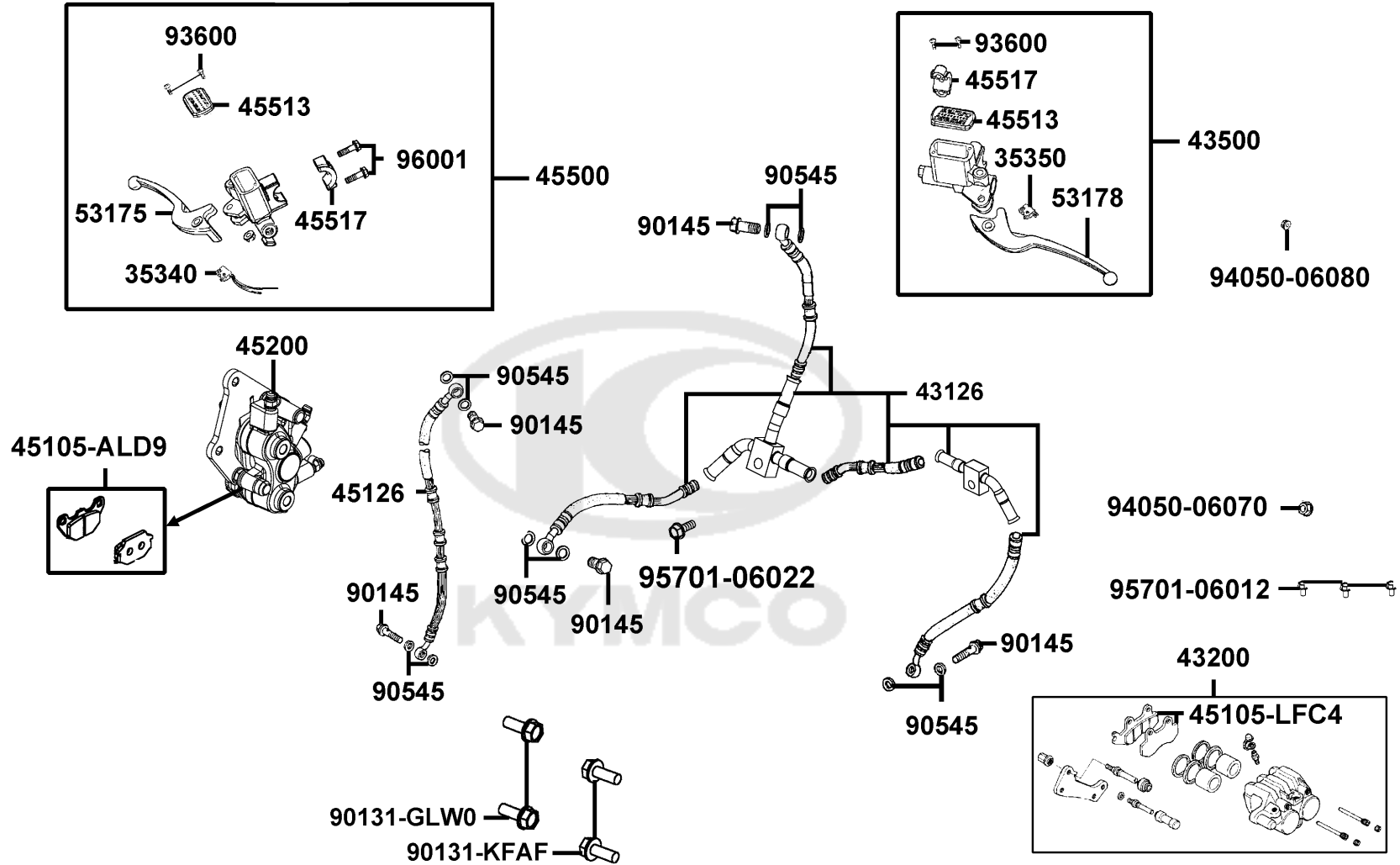


Sales mark	Ref no	Part no	Description	Reg description	Regd no	F03
	90106-PUA3	90106-PUA3-B50	BOLT FLANGE 10*50	BOLT FLANGE 10*50	1	
	90302-LKB9	90302-LKB9-C00	NUT SPRING 5MM	NUT SPRING 5MM	2	
	90302-LLB1	90302-LLB1-C01	BOLT-WASH 5*12	BOLT-WASH 5*12	2	
	90304	90304-PUA3-B50	NUT U 10MM (C)	NUT U 10MM (C)	1	
	90305	90305-GHK8-C01	NUT CLIP 6MM	NUT CLIP 6MM	4	
	90652-LCA4	90652-LCA4-C10	CLIP MUDGUARD	CLIP MUDGUARD	2	
	90652-LFB5	90652-LFB5-C00	"CLIP,MUDGUARD"	"CLIP,MUDGUARD"	5	
	93500	93500-05025	SCREW PAN 5*25	SCREW PAN 5*25	2	
	93903-34380	93903-34380-G	SCREW TAPPING 4x12	SCREW TAPPING 4x12	12	
	93903-35320	93903-35320-G	SCREW TAPPING 5*16	SCREW TAPPING 5*16	5	



F04

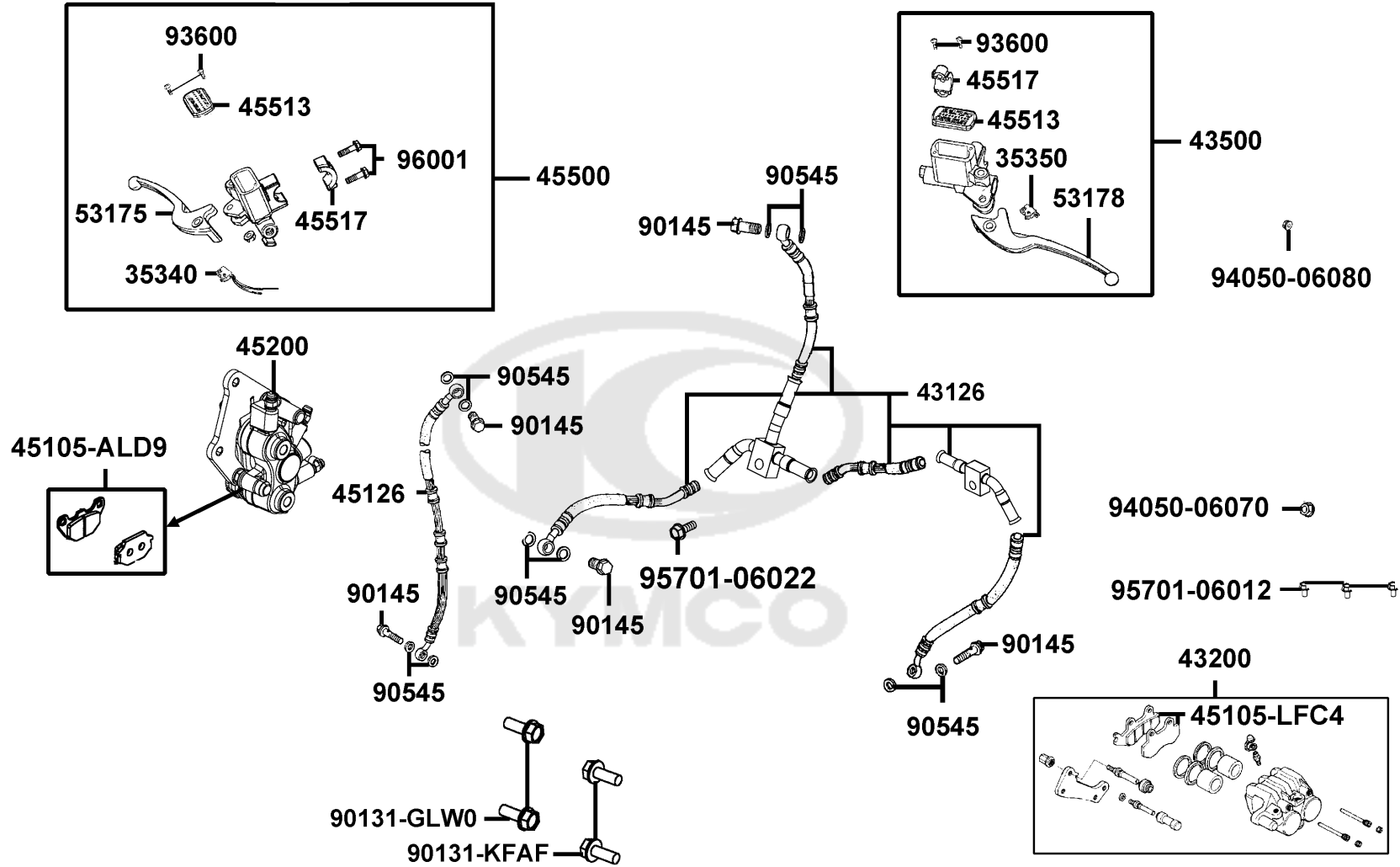
Brake Master Cylinder



Sales mark	Ref no	Part no	Description	Reg description	Regd no	F04
	35340	35340-KNBN-C00	SW ASSY FR STOP	SW ASSY FR STOP	1	
	35350	35350-KNBN-C00	SW ASSY RR STOP	SW ASSY RR STOP	1	
	43126	43126-AKC6-E10	HOSE ASSY RR BRAKE	HOSE ASSY RR BRAKE	1	
**	43200	43200-ALJ9-E15	CALIPER ASSY RR BRK	CALIPER ASSY RR BRK	1	
**	43500	43500-LFC3-E10	M/C ASY RR BRK	M/C ASY RR BRK	1	
	45105-ALD9	45105-ALD9-306	PAD COMP A&B	PAD COMP A&B	1	
	45105-LFC4	45105-LFC4-305	PAD A&B	PAD A&B	1	
	45126	45126-AKC6-E10	HOSE ASSY FR BRK	HOSE ASSY FR BRK	1	
**	45200	45200-ALJ9-E12	CALIPER ASSY FR BRK	CALIPER ASSY FR BRK	1	
**	45500	45500-ALJ8-E10	M/C ASSY FR	M/C ASSY FR	1	
	45513	45513-KCCC-900	CAP M/C	CAP M/C	1	
	45517	45517-KFAF-910	HOLDER M/C	HOLDER M/C	1	
**	53178	53178-KNBN-C00	LEVER L STRG HANDLE	LEVER L STRG HANDLE	1	
	90131-GLW0	90131-GLW0-C03	BOLT FLANGE 8*35	BOLT FLANGE 8*35	1	
	90131-KFAF	90131-KFAF-C03	BOLT FLANGE 8*42	BOLT FLANGE 8*42	2	
	90145	90145-MKS9-C00	OIL BOLT 10*22(G)	OIL BOLT 10*22(G)	1	
	90545	90545-3L00-C01	WASHER OIL BOLT	WASHER OIL BOLT	1	
	93600	93600-04012-1G	SCREW FLAT 4*12	SCREW FLAT 4*12	1	
	94050-06070	94050-06070-G	NUT FLANGE 6MM (KG)	NUT FLANGE 6MM (G)	1	
	94050-06080	94050-06080-G	NUT FLANGE 6MM	NUT FLANGE 6MM	1	

F04

Brake Master Cylinder



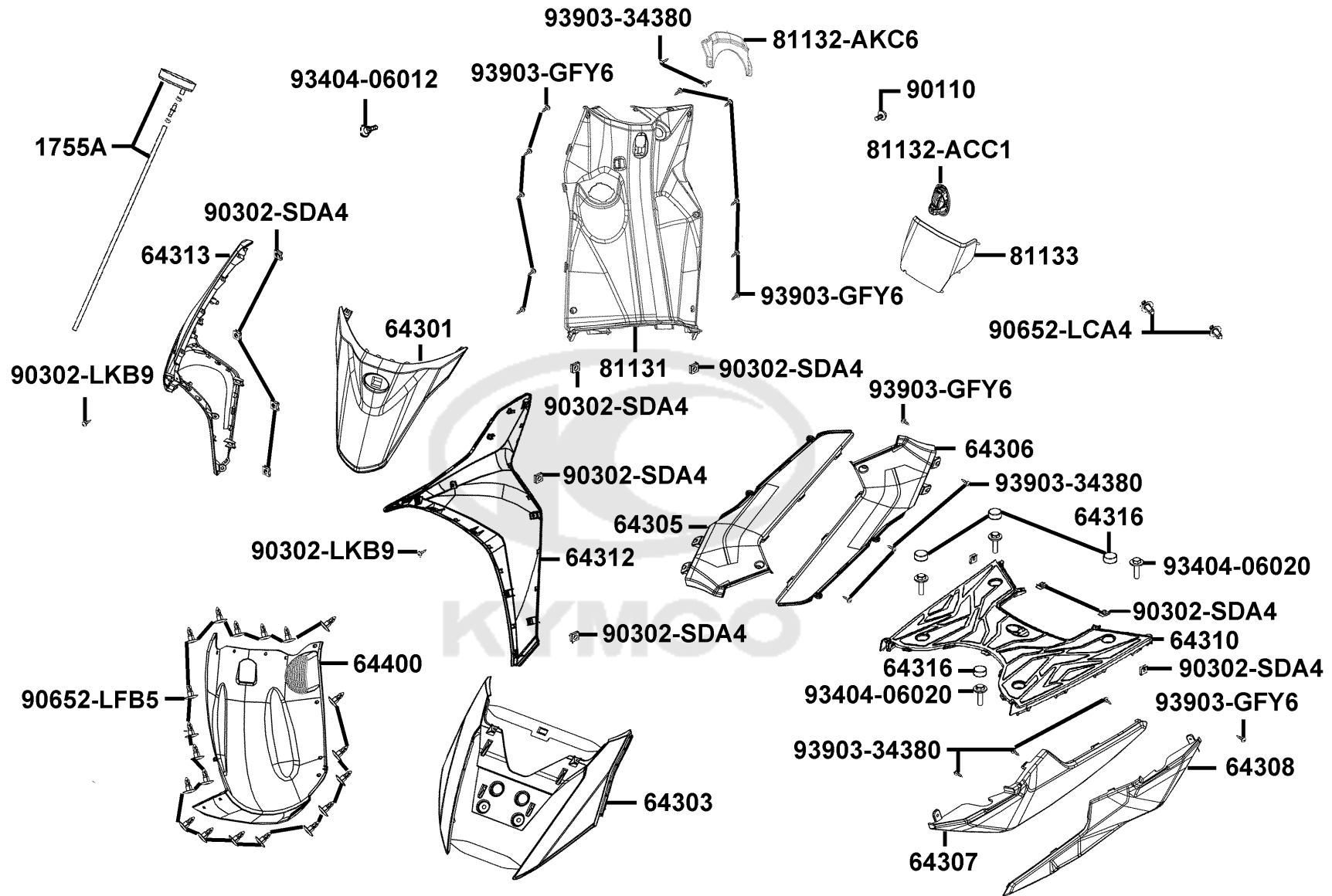
Sales mark	Ref no	Part no	Description	Reg description	Regd no	F04
------------	--------	---------	-------------	-----------------	---------	------------

	95701-06012	95701-06012-07G	BOLT FLANGE 6*12	BOLT FLANGE 6*12 (G)	3	
	95701-06022	95701-06022-07G	BOLT FLANGE 6*22 (K)	BOLT FLANGE 6*22 (K)	1	
	96001	96001-06025-00	BOLT FLANGE SH 6*25	BOLT FLANGE SH 6*25	1	



F05

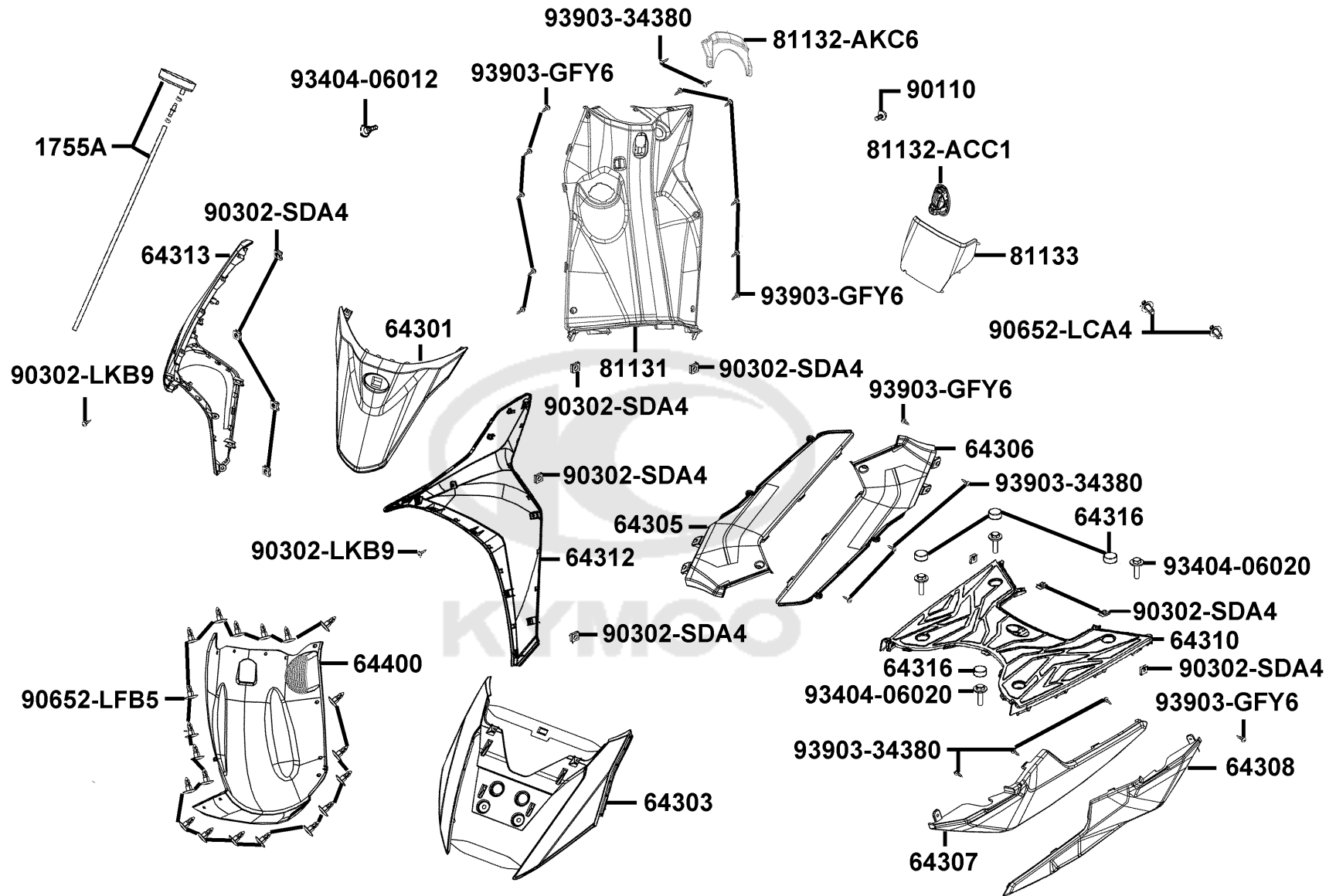
Front Cover Front Fender



Sales mark	Ref no	Part no	Description	Reg description	Regd no	F05
	1755A	1755A-ALJ8-E10	TRAY ASSY FUEL CAP	TRAY ASSY FUEL CAP	1	
**	64301	64301-AKC6-E10	COVER FR	COVER FR	1	
**	64303	64303-AKC6-E10	COVER FR B	COVER FR B	1	
**	64305	64305-AKC6-E10	SKIRT R SIDE	SKIRT R SIDE	1	
**	64306	64306-AKC6-E10	SKIRT L SIDE	SKIRT L SIDE	1	
**	64307	64307-AKC6-E10	COVER R SIDE SKIRT	COVER R SIDE SKIRT	1	
**	64308	64308-AKC6-E10	COVER L SIDE SKIRT	COVER L SIDE SKIRT	1	
**	64310	64310-AKC6-E10	SKIRT B R SIDE	SKIRT B R SIDE	1	
**	64312	64312-AKC6-E10	MOLD R FRONT ASSY	MOLD R FRONT ASSY	1	
**	64313	64313-AKC6-E10	MOLD L FRONT ASSY	MOLD L FRONT ASSY	1	
**	64316	64316-AEH2-M40	PLUG FLOOR	PLUG FLOOR	1	
**	64400	64400-AKC6-E10	COWL UNDER	COWL UNDER	1	
**	81131	81131-AKC6-E10	LEG SHIELD	LEG SHIELD	1	
	81132-ACC1	81132-ACC1-C00	HOOK LUGGAGE	HOOK LUGGAGE	1	
**	81132-AKC6	81132-AKC6-E10	CAP LEG SHIEKD UP	CAP LEG SHIEKD UP	1	
**	81133	81133-AKC6-E10	COVER INNER BOX	COVER INNER BOX	1	
	90110	90110-GLW0-C00	SCREW SPECIFIED 6*14	SCREW SPECIFIED 6*14	1	
	90302-LKB9	90302-LKB9-C00	NUT SPRING 5MM	NUT SPRING 5MM	2	
	90302-SDA4	90302-SDA4-C01	"NUT,SPPING 4MM"	"NUT,SPPING 4MM"	30	
	90652-LCA4	90652-LCA4-C10	CLIP MUDGUARD	CLIP MUDGUARD	2	

F05

Front Cover Front Fender

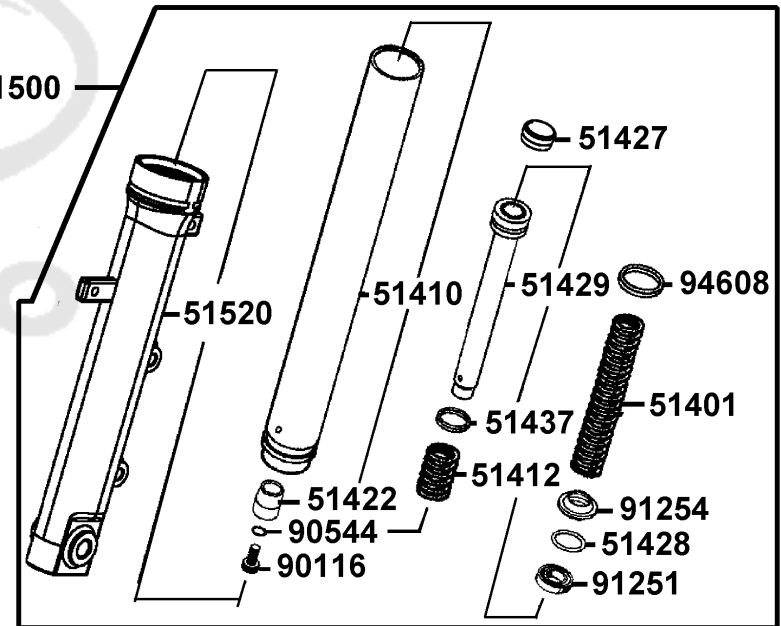
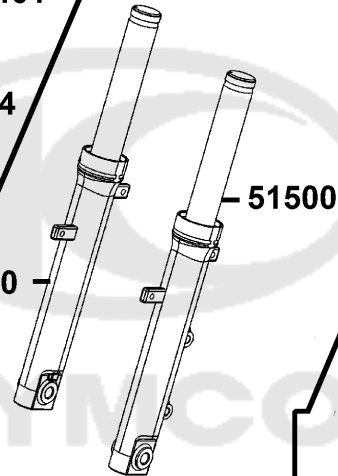
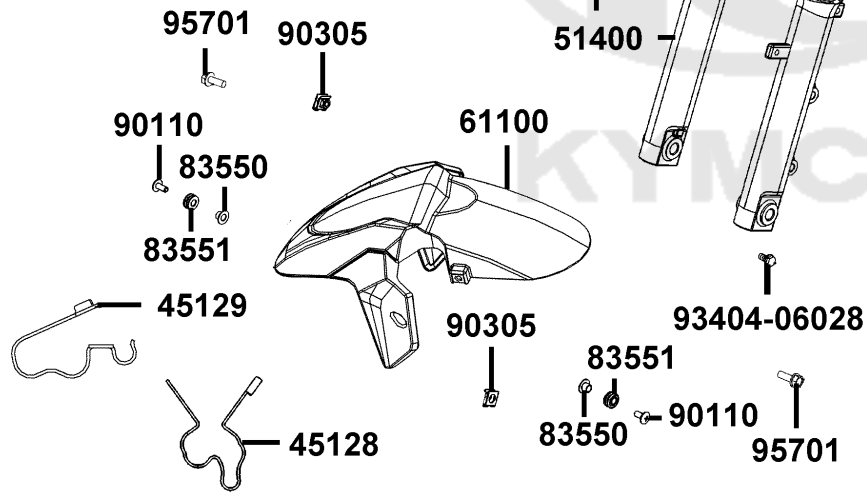
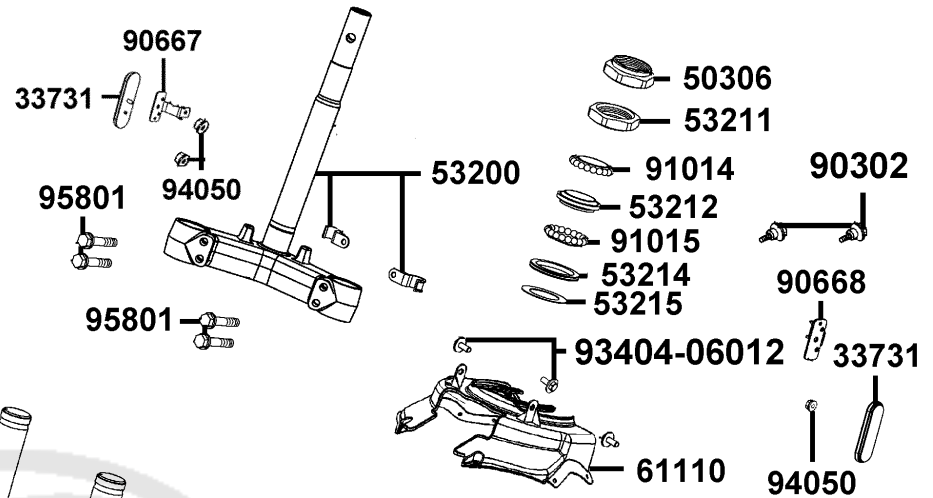
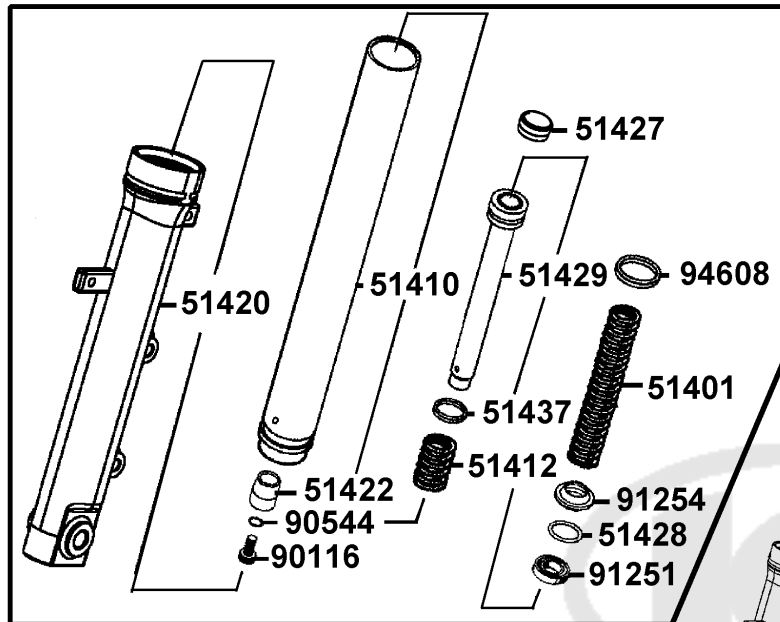


Sales mark	Ref no	Part no	Description	Reg description	Regd no	F05
	90652-LFB5	90652-LFB5-C00	"CLIP,MUDGUARD"	"CLIP,MUDGUARD"	20	
	93404-06012	93404-06012-07G	BOLT WASHER 6*12 (K)	BOLT WASHER 6*12 (K)	2	
	93404-06020	93404-06020-07G	BOLT-WASH 6x20	BOLT WASHER 6*20 (K)	8	
	93903-34380	93903-34380-G	SCREW TAPPING 4x12	SCREW TAPPING 4x12	13	
	93903-GFY6	93903-GFY6-C01	SCREW TAPPING 4*14(K)	SCREW TAPPING 4*14	14	



F06

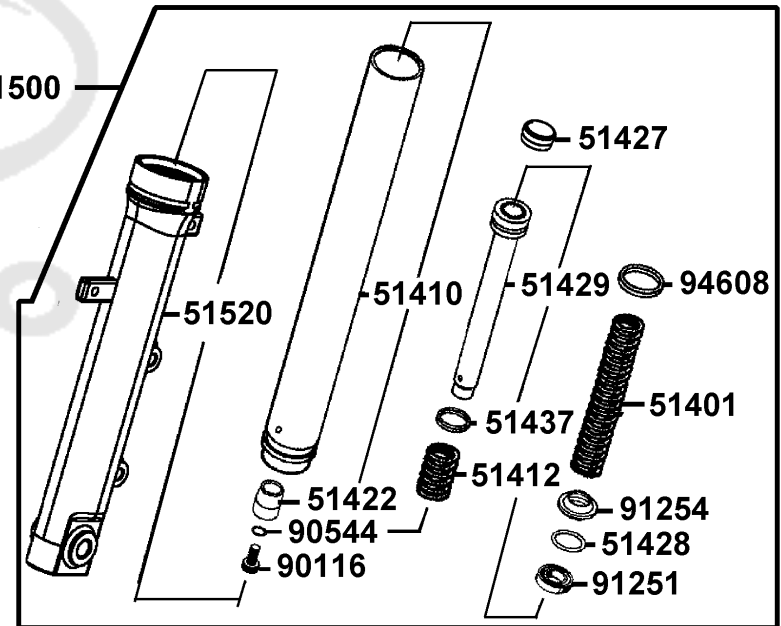
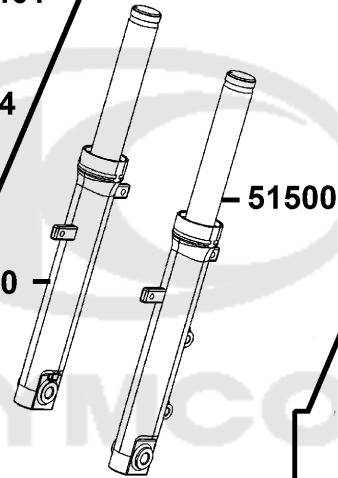
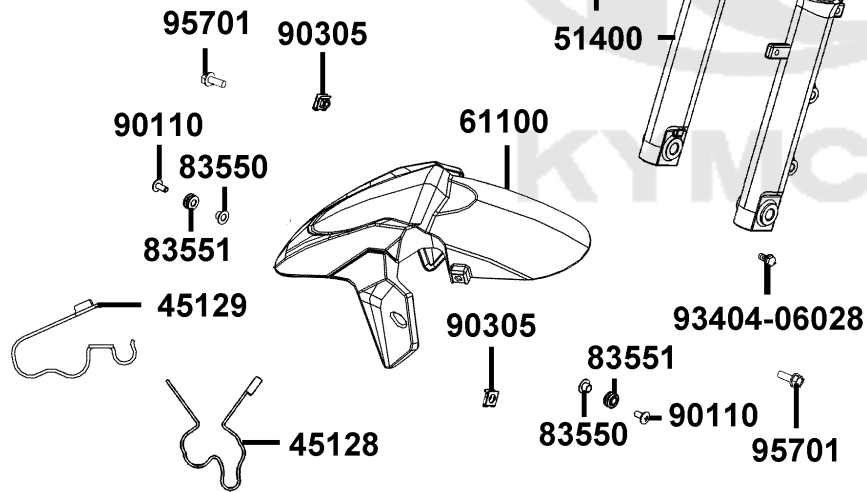
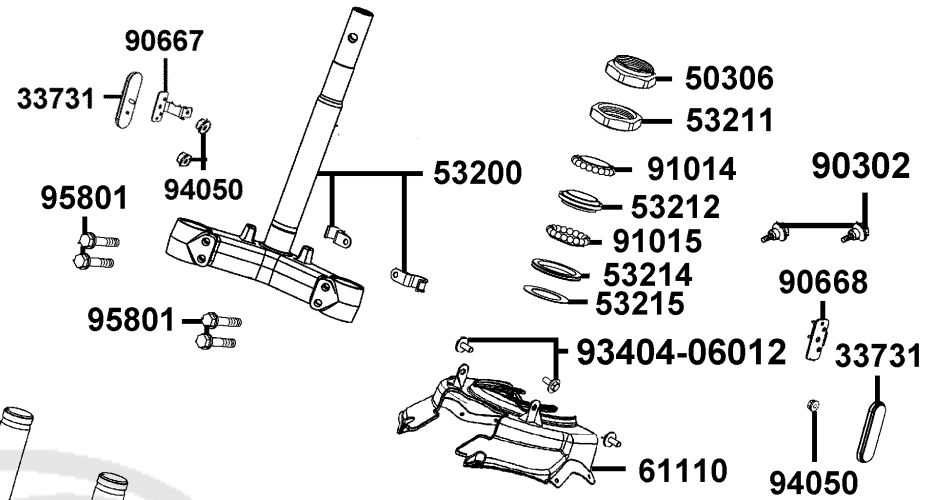
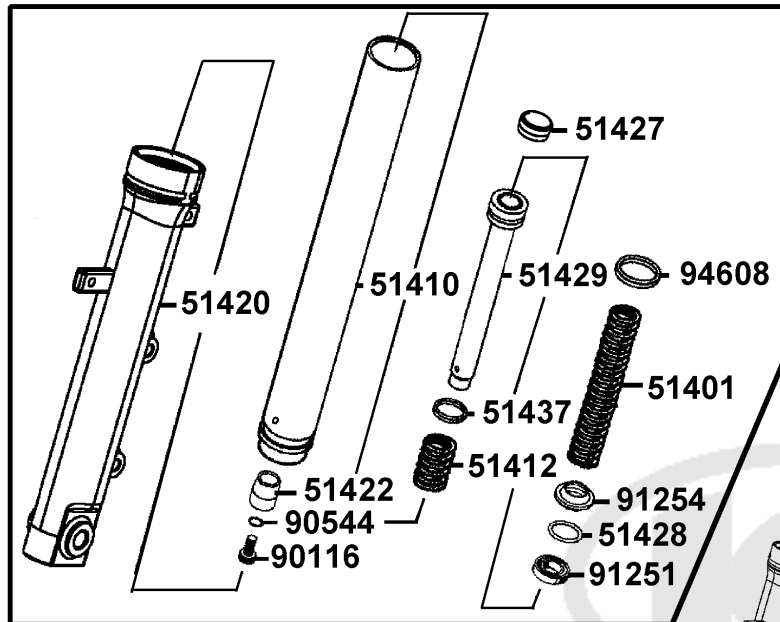
Stem Steering Front Cushion



Sales mark	Ref no	Part no	Description	Reg description	Regd no	F06
	33731	33731-KGB5-EZ0	REFLEX REFLECTOR SIDE	REFLEX REFLECTOR SIDE	1	
	45128	45128-AKC6-E10	CLAMPER FR BRK HOSE	CLAMPER FR BRK HOSE	1	
	45129	45129-AKC6-E10	CLAMPER BRK HOSE	CLAMPER BRK HOSE	1	
	50306	50306-1F96-C00	NUT STRG STEM LOCK	NUT STRG STEM LOCK	1	
**	51400	51400-LFC3-E10	FORK ASSY R FR	FORK ASSY R FR	1	
	51401	51401-LFC3-E10	SPRING	SPRING	2	
	51410	51410-LEJ2-E10	FORK PIPE COMP	FORK PIPE COMP	1	
	51412	51412-LEJ2-E10	REBOUND SPRING	REBOUND SPRING	1	
**	51420	51420-LFC2-E10	BOTTOM CASE RH	BOTTOM CASE RH	1	
	51422	51422-LEJ2-E10	OIL LOCK PIECE	OIL LOCK PIECE	1	
	51427	51427-LEJ2-E10	FORK BOLT	FORK BOLT	1	
	51428	51428-LEJ2-E10	OIL SEAL STOP RING	OIL SEAL STOP RING	1	
	51429	51429-LFC3-E10	PIPE SEAT	PIPE SEAT	1	
	51437	51437-LEJ2-E10	PISTON RING	PISTON RING	1	
**	51500	51500-AED9-E10	FORK ASSY LH FR	FORK ASSY LH FR	1	
**	51520	51520-AED9-E10	BOTTOM CASE L	BOTTOM CASE L	1	
	53200	53200-LFC3-E15	STEM COMP STRG	STEM COMP STRG	1	
	53211	53211-GFY6-C00	RACE STRG. CONE TOP	RACE STRG TOP CONE	1	
	53212	53212-2L50-C00	RACE STRG. BOTTOM CONE	RACE (STRG BOTTOM) CONE	1	
	53214	53214-2L50-C00	DUST SEAL STRG HEAD	DUST SEAL STRG HEAD	1	

F06

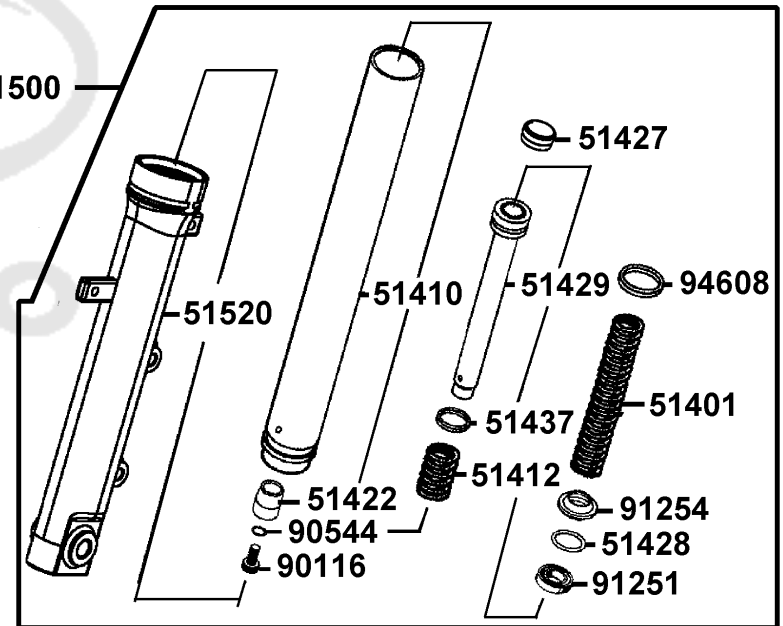
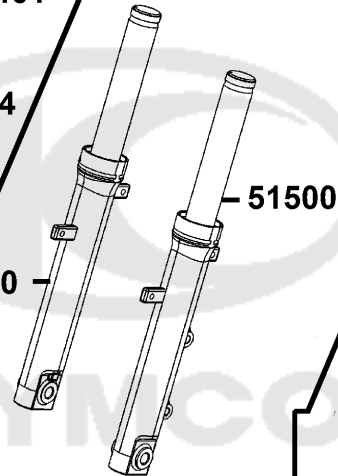
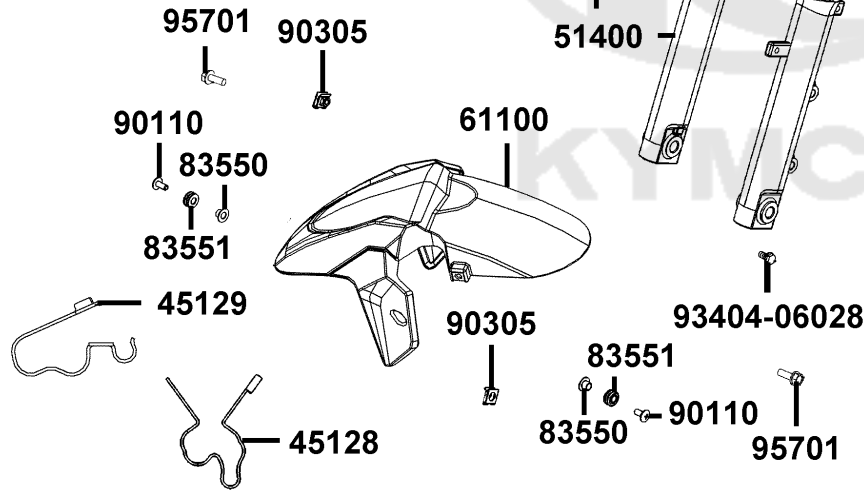
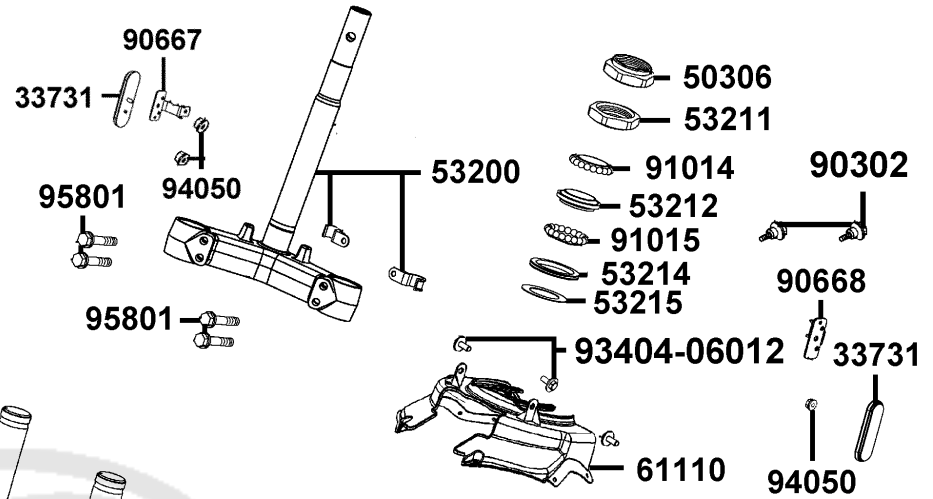
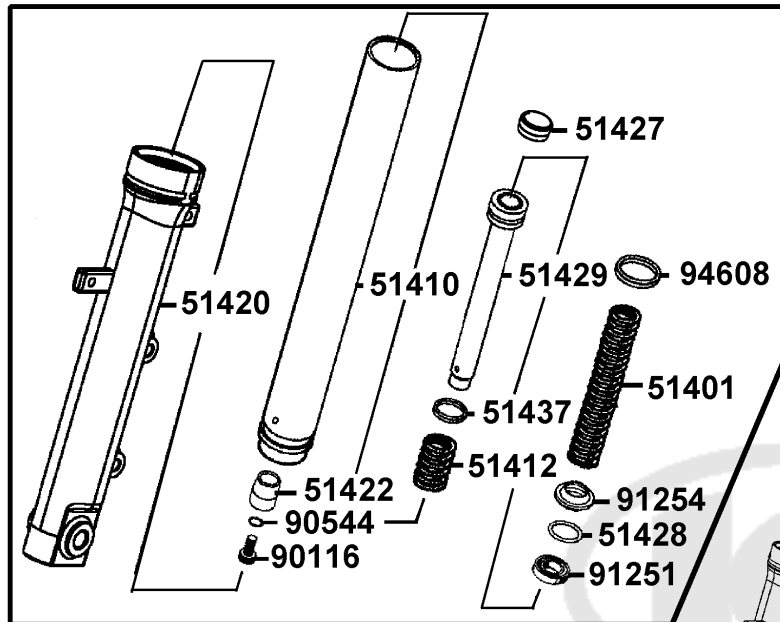
Stem Steering Front Cushion



Sales mark	Ref no	Part no	Description	Reg description	Regd no	F06
	53215	53215-2L50-C00	WASHER STRG HDL DUST-SEAL	WASHER STRG HDL DUST-SEAL	1	
**	61100	61100-AKC6-E10	FENDER FR INNER	FENDER FR INNER	1	
**	61110	61110-AKC6-E10	FENDER FR INNER	FENDER FR INNER	1	
	83550	83550-KEC8-C00	COLLAR SET METER	COLLAR SET METER	2	
	83551	83551-KEC8-C10	GROMMET COVER	GROMMET COVER	2	
	90110	90110-KEB7-C01	SCREW SPECIAL 6*14	SCREW SPECIAL 6*14	2	
	90116	90116-LEJ2-E10	BOLT	BOLT	1	
	90302	90302-KNBN-C01	BOLT PAN 5*10	BOLT PAN 5*10	2	
	90305	90305-GHK8-C01	NUT CLIP 6MM	NUT CLIP 6MM	2	
	90544	90544-LEJ2-E10	PACKINGCUB	PACKINGCUB	1	
	90667	90667-LFC2-MG0	"STAY,R/L,SIDE REFLECTOR"	"STAY,R/L,SIDE REFLECTOR"	1	
	90668	90668-LFC2-MG0	"STAY,SIDE REFLECTOR"	"STAY,SIDE REFLECTOR"	1	
	91014	91014-LLJ3-C00	CAGE STRG TOPP	CAGE STRG TOPP	1	
	91015	91015-LLJ3-C00	CAGE STRG BOT	CAGE STRG BOT	1	
	91251	91251-LEJ2-E10	OIL SEAL	OIL SEAL	1	
	91254	91254-LEJ2-E10	DUST SEAL	DUST SEAL	1	
	93404-06012	93404-06012-07G	BOLT WASHER 6*12 (K)	BOLT WASHER 6*12 (K)	2	
	93404-06028	93404-06028-07	BOLT HEX 6*28 (K)	BOLT HEX 6*28 (K)	2	
	94050	94050-06080-G	NUT FLANGE 6MM	NUT FLANGE 6MM	1	
	94608	94608-LEJ2-E10	O-RING 23X2.4	O-RING 23X2.4	1	

F06

Stem Steering Front Cushion



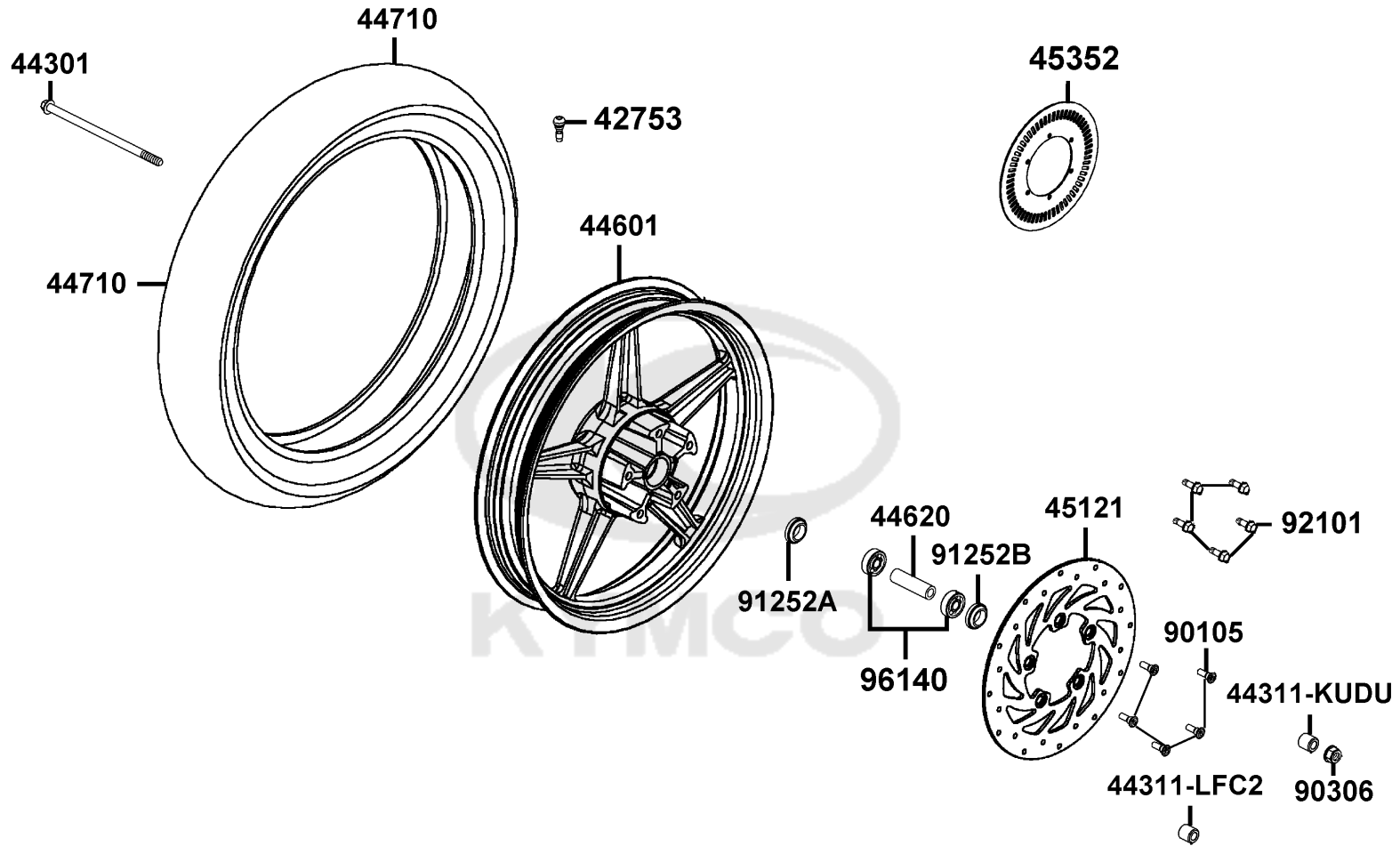
Sales mark	Ref no	Part no	Description	Reg description	Regd no	F06
------------	--------	---------	-------------	-----------------	---------	------------

	95701	95701-06025-07G	BOLT FLANGE 6*25 (C)	BOLT FLANGE 6*25 (C)	2	
	95801	95801-08040-08G	BOLT FLANGE 8*40	BOLT FLANGE 8*40	4	

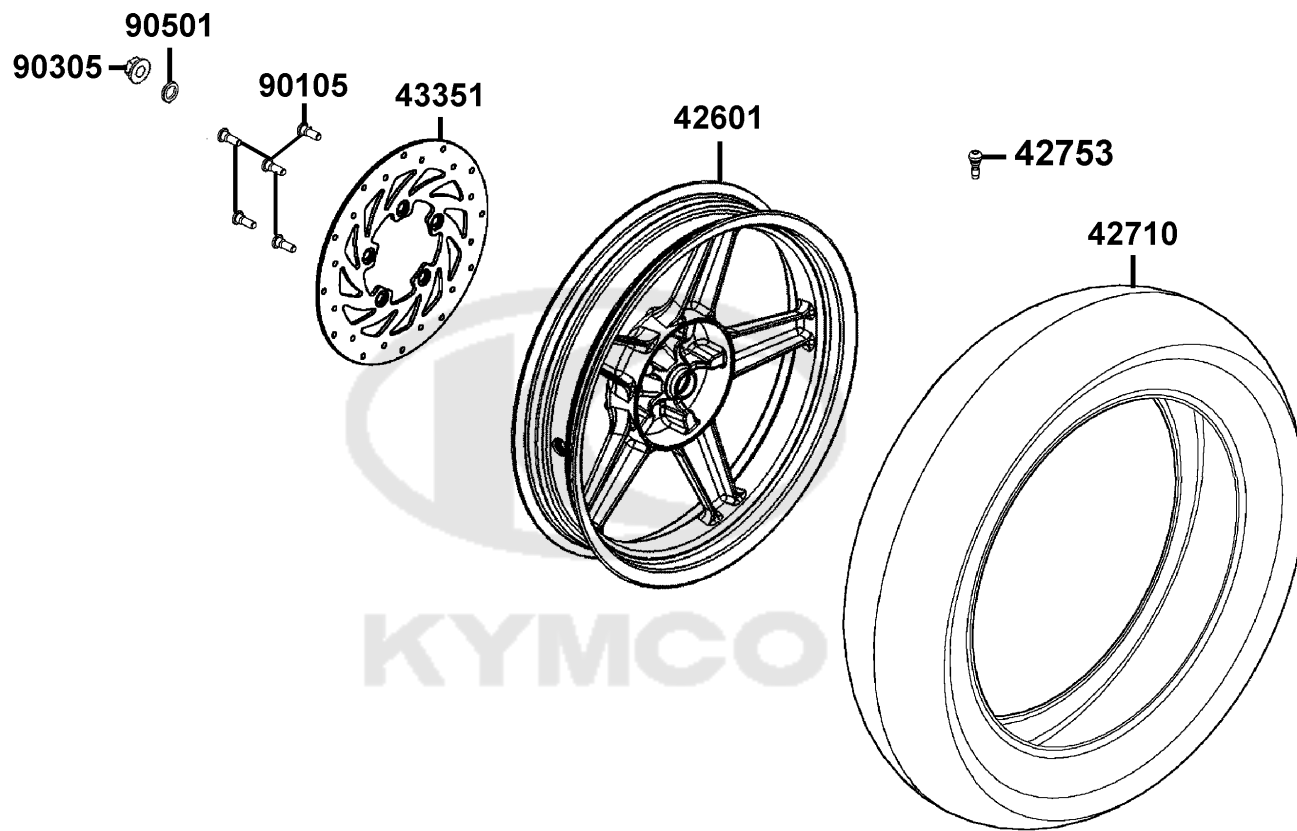


F07

Front Wheel



Sales mark	Ref no	Part no	Description	Reg description	Regd no	F07
	42753	42753-0A01-C00	VALVE (TR 412) & CAP (C)	VALVE (TR 412) & CAP (C)	1	
	44301	44301-LEJ2-E13	AXLE FR WHEEL 12*243(K)	AXLE FR WHEEL 12*243(K)	1	
	44311-KUDU	44311-KUDU-C00	COLLAR FR WHEEL SIDE	COLLAR FR WHEEL SIDE	1	
	44311-LFC2	44311-LFC2-E10	COLLAR FR WHEEL SIDE	COLLAR FR WHEEL SIDE	1	
**	44601	44601-AKC6-E10	WHEEL CAST FR	WHEEL CAST FR	1	
	44620	44620-KFLF-C00	COLLAR FR DIST	COLLAR FR DIST	1	
	44710	44710-LFC4-E91	TIRE FR	TIRE FR	1	
	45121	45121-LFC2-E80	DISK FR BRK	DISK FR BRK	1	
	45352	45352-AED9-E10	TOOTHED RING SENSOR	TOOTHED RING SENSOR	1	
	90105	90105-KCR3-C01	BOLT FR DISK 8*24(3???)	BOLT FR DISK 8*24(3???)	5	
	90306	90306-LKL5-E31	NUT U FLANGE 12MM(K)	NUT U FLANGE 12MM(K)	1	
	91252B	91252-0L30-C00	OIL SEAL 23*37*7	OIL SEAL 23*37*7	1	
	91252A	91252-LBA8-C11	OIL SEAL 20*37*7	OIL SEAL 20*37*7	1	
#	92101	92101-05012-0HG	BOLT HEX 5*12	BOLT HEX 5*12	5	
	96140	96140-63010-10	BEARING BALL RADIAL 6301 U	BEARING BALL RADIAL 6301 U	1	

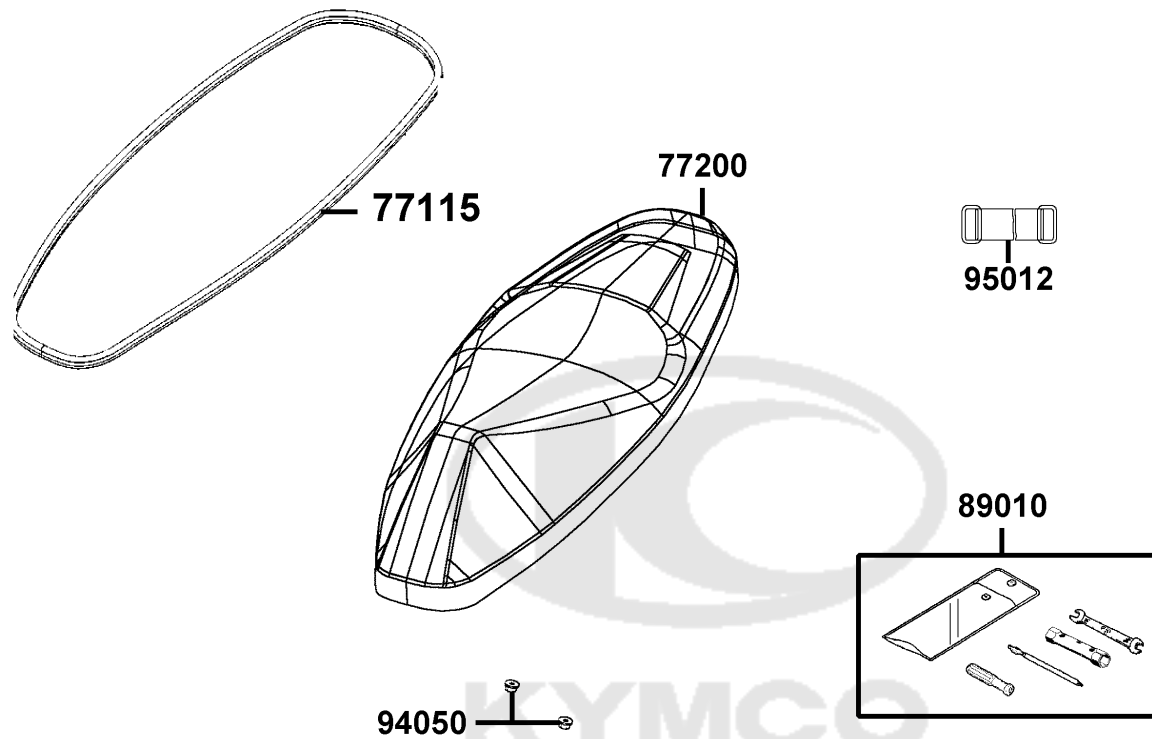


Sales mark	Ref no	Part no	Description	Reg description	Regd no	F08
**	42601	42601-AKC6-E10	WHEEL FR CAST	WHEEL FR CAST	1	
	42710	42710-ALJ8-E10	TIRE ASSY. RR	TIRE ASSY RR	1	
	42753	42753-0A01-C00	VALVE (TR 412) & CAP (C)	VALVE (TR 412) & CAP (C)	1	
	43351	43351-LFC3-E80	DISK RR BRK	DISK RR BRK	1	
	90105	90105-KCR3-C01	BOLT FR DISK 8*24(3???)	BOLT FR DISK 8*24(3???)	5	
	90305	90305-KNBN-C03	NUT U 16MM(C)	NUT U 16MM(K)	1	
	90501	90501-KNBN-C01	WASHER 16MM	WASHER 16MM	1	



F09

Seat



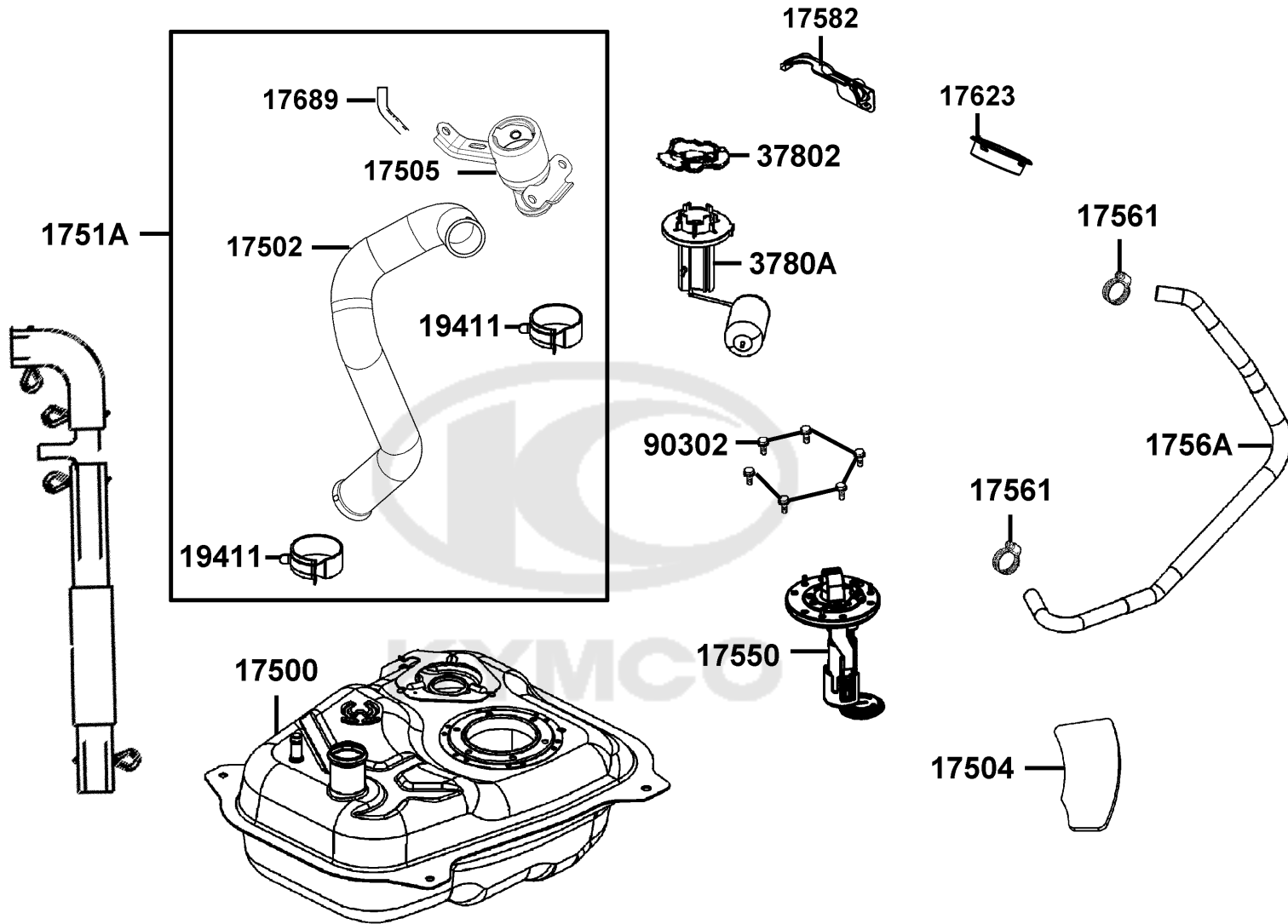
Sales mark	Ref no	Part no	Description	Reg description	Regd no	F09
------------	--------	---------	-------------	-----------------	---------	------------

	77115	77115-AKC6-E10	"BOTTOM PLATE COMP,SEAT"	"BOTTOM PLATE COMP,SEAT"	1	
**	77200	77200-AKC6-E10	SEAT ASSY	SEAT ASSY	1	
	89010	89010-KGBG-C00	TOOL SET	TOOL SET	1	
	94050	94050-06080-G	NUT FLANGE 6MM	NUT FLANGE 6MM	2	
	95012	95012-KGE2-C10	BATTERY BAND	BATTERY BAND	1	



F10

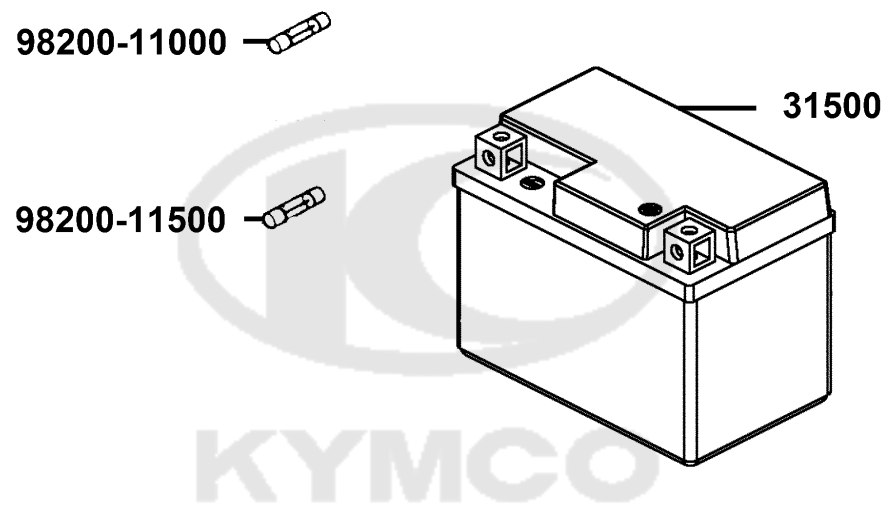
Fuel Tank




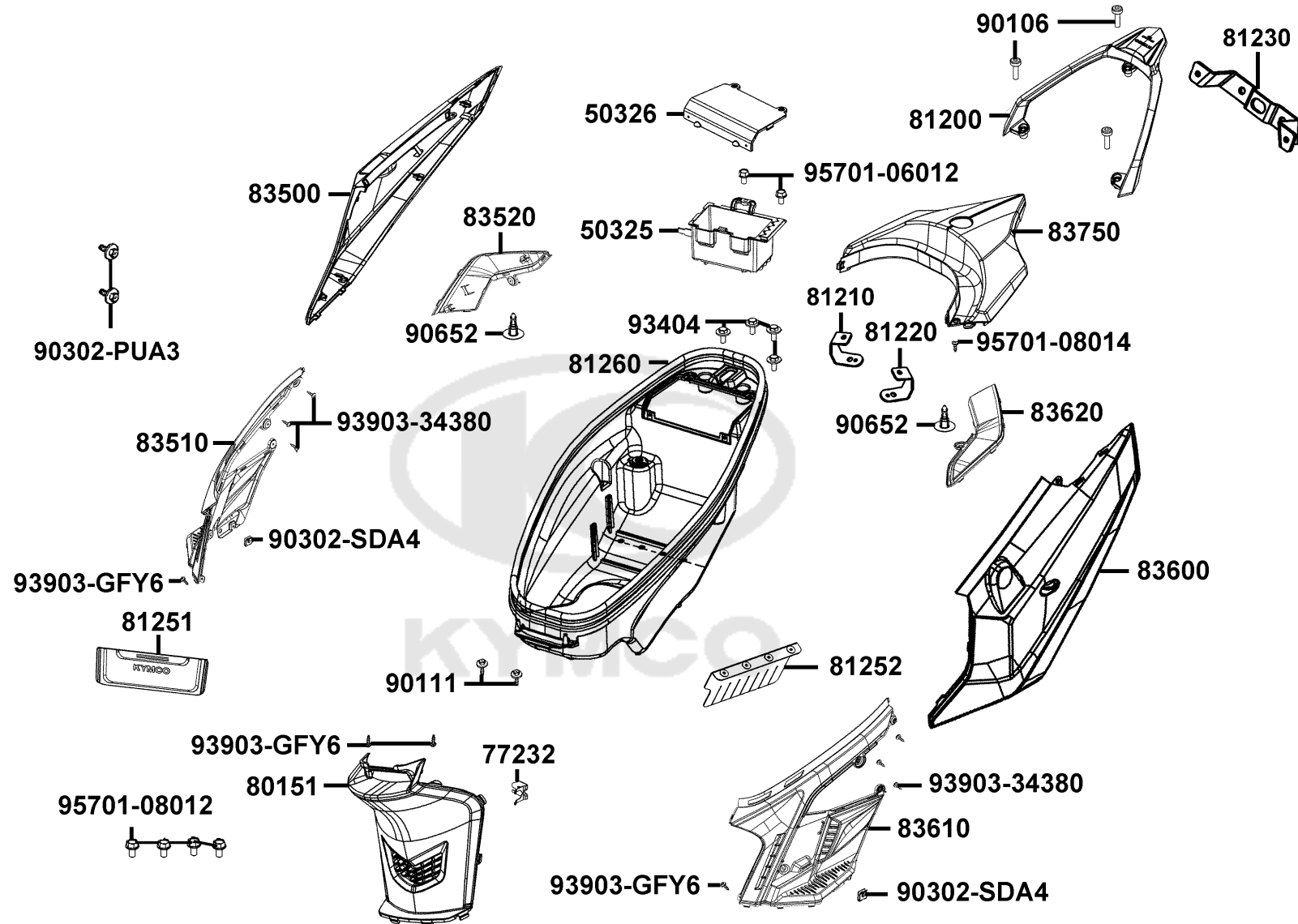
Sales mark	Ref no	Part no	Description	Reg description	Regd no	F10
	17500	17500-ALJ8-E10	TANK COMP FUEL	TANK COMP FUEL	1	
	17502	17502-AKC6-E10	HOSE FUEL	HOSE FUEL	1	
	17504	17504-ALJ8-E10	SPONGE TANK	SPONGE TANK	1	
	17505	17505-AKC6-E10	METAL COMP FUEL FILLER	METAL COMP FUEL FILLER	1	
	1751A	1751A-AKC6-E10	TUBE PIPE ASSY	TUBE PIPE ASSY	1	
	17550	17550-ALJ8-C00	FUEL PUMP ASSY	FUEL PUMP ASSY	1	
	17561	17561-LGK8-900	CLIP 12.0	CLIP 12.0	2	
	1756A	1756A-ALJ8-E10	TUBE PUMP INJECTOR	TUBE PUMP INJECTOR	1	
**	17582	17582-ALJ8-E10	HEAT GUARD FUEL TANK	HEAT GUARD FUEL TANK	1	
**	17623	17623-ALJ8-E10	COLLAR FUEL CAP	COLLAR FUEL CAP	1	
	17689	17689-ALJ9-E15	TUBE ASSY FILLER	TUBE ASSY FILLER	1	
	19411	19411-KBCB-900	CLIP HOSE	CLIP HOSE	2	
	37802	37802-GGA7-C00	RET FUEL UNIT	RET FUEL UNIT	1	
	3780A	3780A-AKC6-E10	FUEL UNIT ASSY	FUEL UNIT ASSY	1	
	90302	90302-GFY6-C11	BOLT-WASH 5*16	BOLT-WASH 5*16	6	

F11

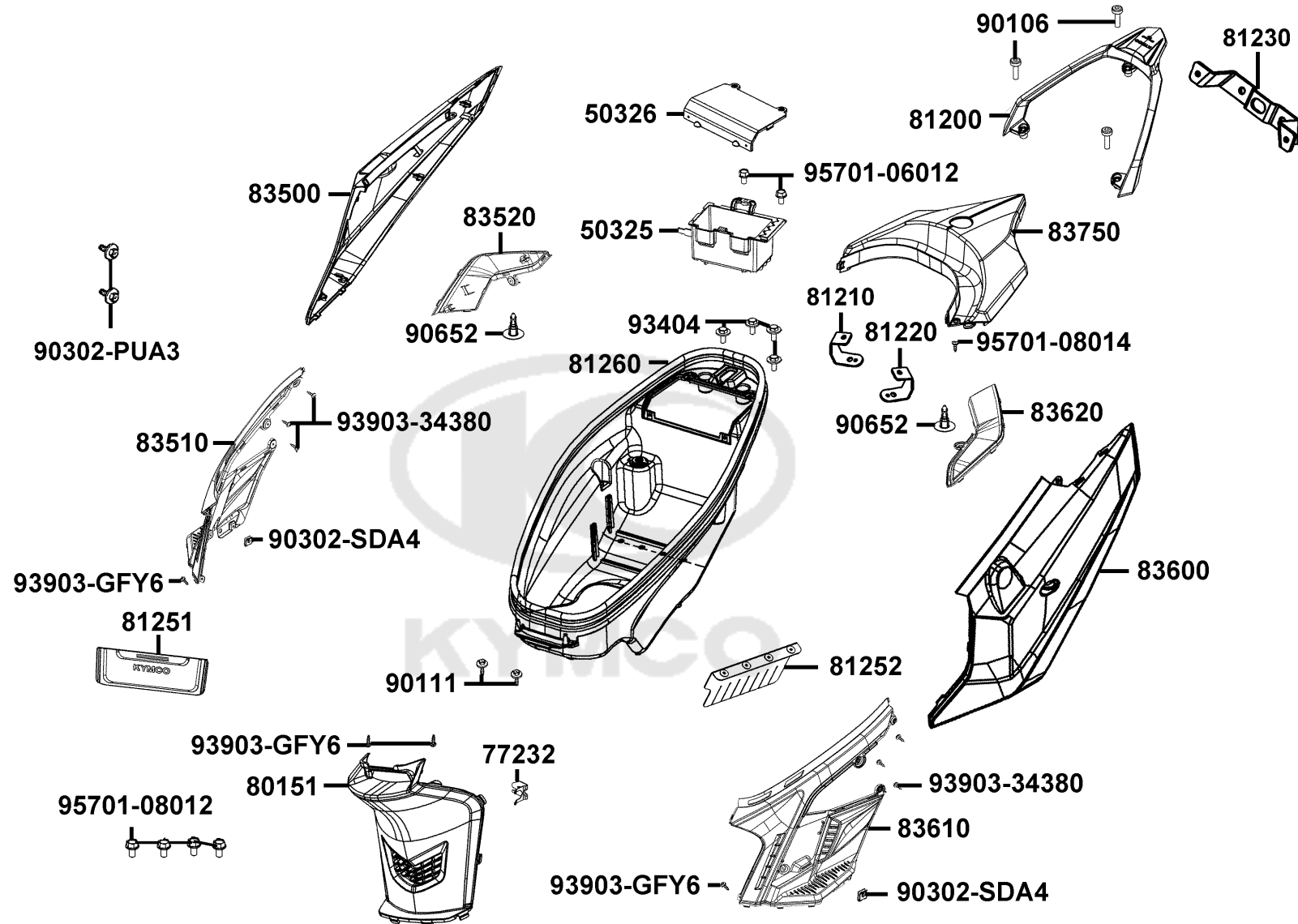
Battery



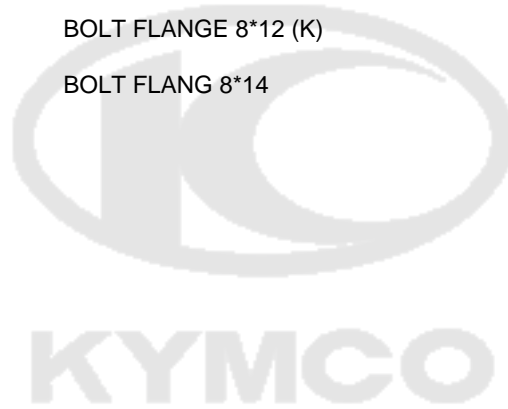
Sales mark	Ref no	Part no	Description	Reg description	Regd no	F11
	31500	31500-KFAF-EZ0	BATTERY EB9-4	BATTERY GTX9-BS	1	
	98200-11000	98200-11000	FUSE A10	FUSE 10A	1	
	98200-11500	98200-11500	FUSE A15	FUSE 15A	1	
						

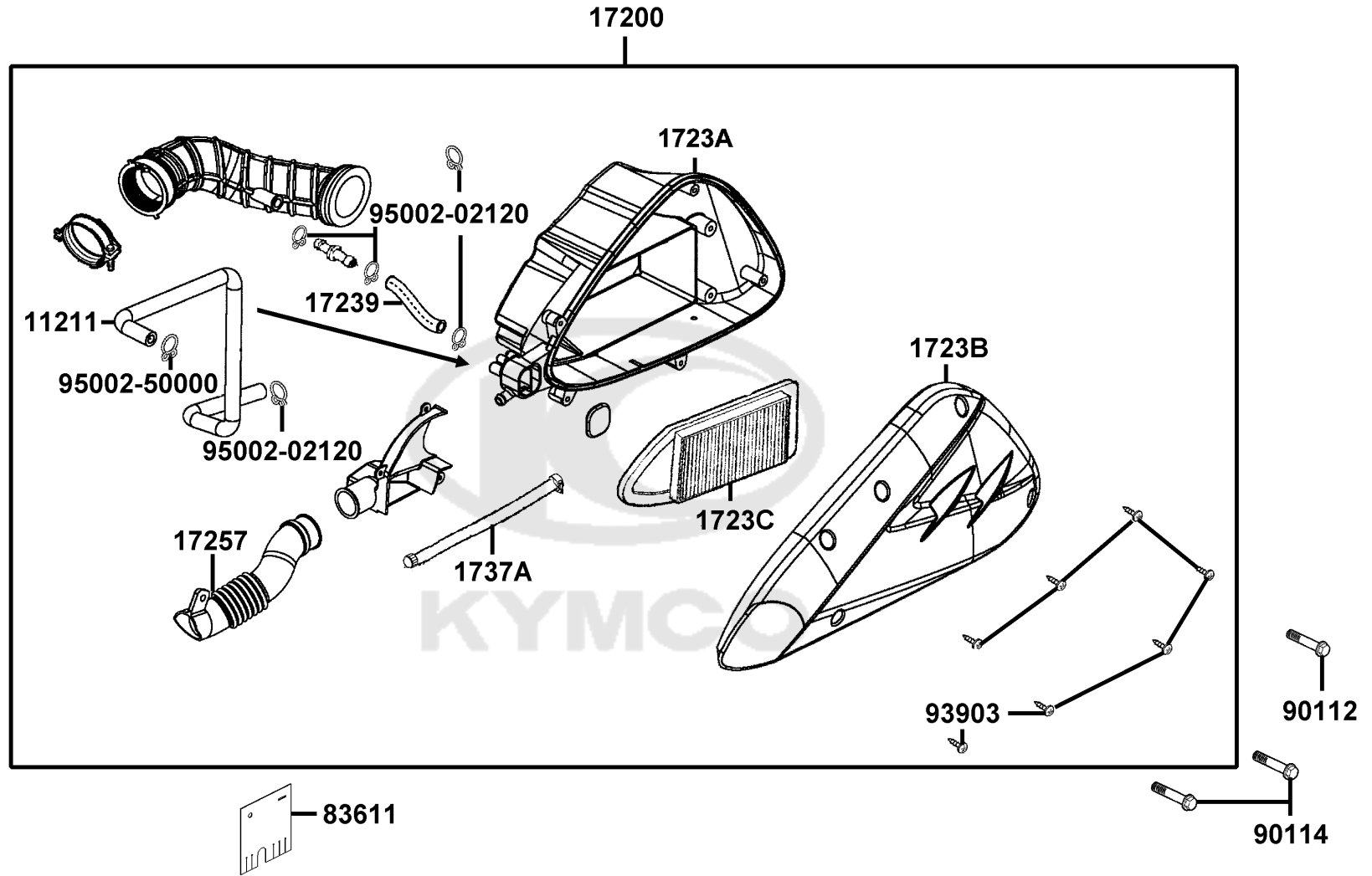


Sales mark	Ref no	Part no	Description	Reg description	Regd no	F12
**	50325	50325-AKC6-E10	CASE BATTERY (12AH)	CASE BATTERY (12AH)	1	
**	50326	50326-ALJ8-E10	COVER BATTERY	COVER BATTERY	1	
	77232	77232-AKC6-E10	SET SPG SEAT LOCK	SET SPG SEAT LOCK	1	
**	80151	80151-AKC6-E10	COVER CENTER	COVER CENTER	1	
**	81200	81200-AKC6-E10	CARRIER ASSY REAR	CARRIER ASSY REAR	1	
	81210	81210-AKC6-E10	STAY FR. R., CARRIER	STAY FR. R., CARRIER	1	
	81220	81220-AKC6-E10	STAY FR. L., CARRIER	STAY FR. L., CARRIER	1	
	81230	81230-AKC6-E10	STAY RR., CARRIER	STAY RR., CARRIER	1	
**	81251	81251-AKC6-E10	"PLATE,LUGGAGE BOX"	"PLATE,LUGGAGE BOX"	1	
	81252	81252-AKC6-E10	PLATR SPLASH GUARD	PLATR SPLASH GUARD	1	
**	81260	81260-AKC6-E10	BOX LUGGAGE	BOX LUGGAGE	1	
**	83500	83500-AKC6-E10	COVER R BODY	COVER R BODY	1	
**	83510	83510-AKC6-E10	"COVER SIDE A, R"	"COVER SIDE A, R"	1	
**	83520	83520-AKC6-E10	LID R BODY COVER	LID R BODY COVER	1	
**	83600	83600-AKC6-E10	COVER L BODY	COVER L BODY	1	
**	83610	83610-AKC6-E10	"COVER SIDE A, L"	"COVER SIDE A, L"	1	
**	83620	83620-AKC6-E10	LID L BODY COVER	LID L BODY COVER	1	
**	83750	83750-AKC6-E10	REAR CENTER COVER	REAR CENTER COVER	1	
	90106	90106-KFC2-900	BOLT-WASH 8MM	BOLT-WASH 8MM	3	
	90111	90111-1G87-C01	BOLT FLANGE 6MM	BOLT FLANGE 6MM	2	

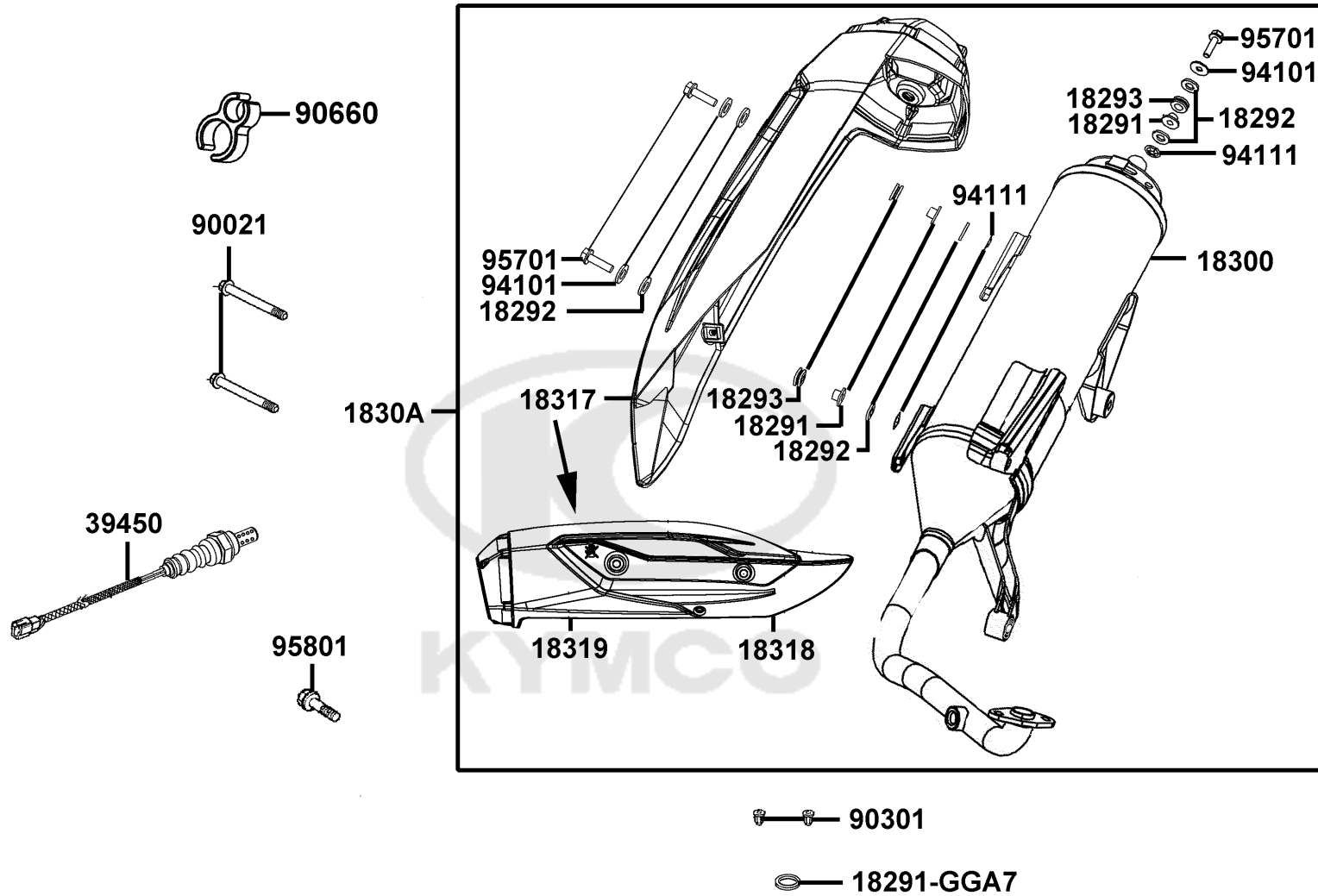


Sales mark	Ref no	Part no	Description	Reg description	Regd no	F12
	90302-PUA3	90302-PUA3-B51	BOLT-WASH 5*12	BOLT-WASH 5*12	2	
	90302-SDA4	90302-SDA4-C01	"NUT,SPPING 4MM"	"NUT,SPPING 4MM"	2	
	90652	90652-LFB5-C00	"CLIP,MUDGUARD"	"CLIP,MUDGUARD"	2	
	93404	93404-06012-07G	BOLT WASHER 6*12 (K)	BOLT WASHER 6*12 (K)	4	
	93903-34380	93903-34380-G	SCREW TAPPING 4x12	SCREW TAPPING 4x12	14	
	93903-GFY6	93903-GFY6-C01	SCREW TAPPING 4*14(K)	SCREW TAPPING 4*14	4	
	95701-06012	95701-06012-08G	BOLT FLANGE 6*12	BOLT FLANGE 6*12	2	
	95701-08012	95701-08012-07G	BOLT FLANGE 8*12 (K)	BOLT FLANGE 8*12 (K)	4	
	95701-08014	95701-08014-08	BOLT FLANG 8*14	BOLT FLANG 8*14	4	





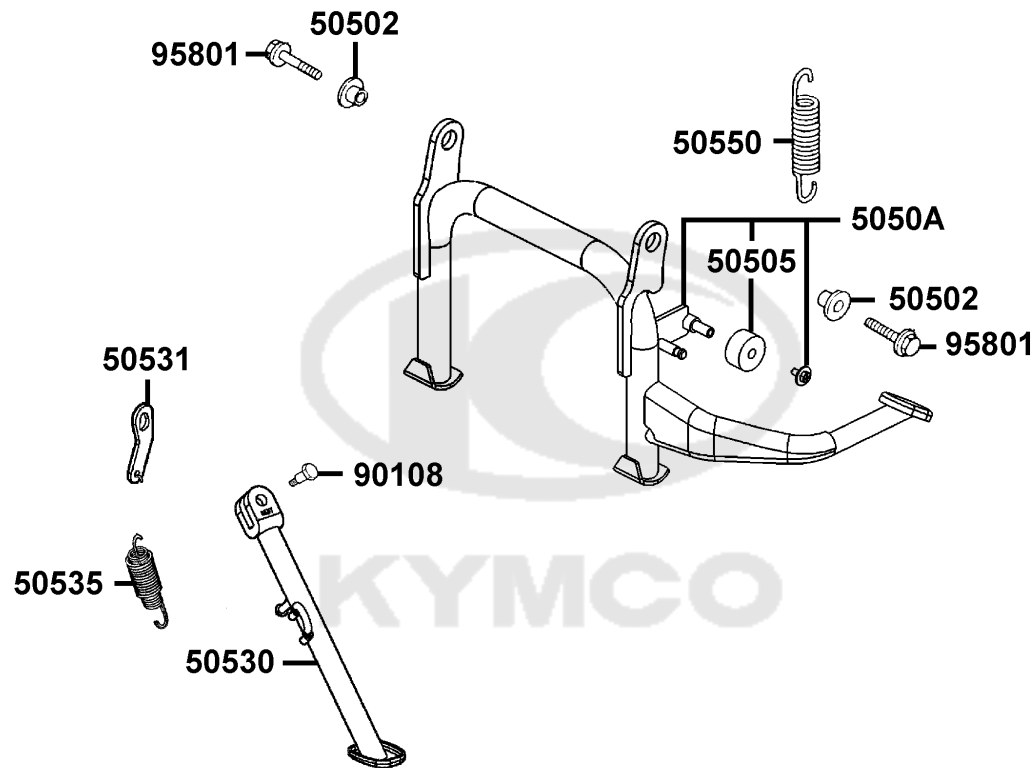
Sales mark	Ref no	Part no	Description	Reg description	Regd no	F13
11211		11211-LKD2-C00	TUBE BREATHER	TUBE BREATHER	1	
17200		17200-AKC6-E10	AIR/C ASSY	AIR/C ASSY	1	
17239		17239-KHB4-C00	TUBE AIR/C BLOW BY	TUBE AIR/C BLOW BY	1	
1723A		1723A-LKD2-E10	CASE ASSY AIR/C	CASE ASSY AIR/C	1	
1723B		1723B-LFC4-E10	COVER COMP AIR/C	COVER COMP AIR/C	1	
1723C		1723C-LEJ3-E10	ELEMENT ASSY AIR/C	ELEMENT COMP AIR/C	1	
17257		17257-AKC6-E10	DUCT AIR/C	DUCT AIR/C	1	
1737A		1737A-LCD3-E00	V TUBE ASSY	V TUBE ASSY	1	
83611		83611-ALJ8-E10	PLATE SPLASH BOARD	PLATE SPLASH BOARD	1	
90112		90112-KNBN-C00	BOLT FLANGE 6*13.5 (G)	BOLT FLANGE 6*13.5 (G)	1	
90114		90114-GDM4-C01	BOLT FLANGE SH 6*28	BOLT FLANGE SH 6*28	1	
93903		93903-25480	SCREW TAPPING 5*20 (K)	SCREW TAPPING 5*20 (K)	6	
95002-02120		95002-02120	CLIP B12 TUBE	CLIP B12 TUBE	5	
95002-50000		95002-50000	CLIP C9 TUBE	CLIP C9 TUBE	1	



Sales mark	Ref no	Part no	Description	Reg description	Regd no	F14
	18291-GGA7	18291-GGA7-C01	GASKET EXH PIPE	GASKET EXH PIPE	1	
	18291	18291-LKG2-C00	COLLAR	COLLAR	3	
	18292	18292-KEBE-C00	PACKING PROTECTOR	PACKING PROTECTOR	6	
	18293	18293-LHJ8-900	RUBBER PKG PROTR	RUBBER PKG PROTR	3	
	18300	18300-AKC6-E10	MUFFLER COMP EXH	MUFFLER COMP EXH	1	
**	1830A	1830A-AKC6-E10	MUFFLER ASSY EXHAUST	MUFFLER ASSY EXHAUST	1	
**	18317	18317-AKC6-E10	PROTECTOR ASSY MUFFLER	PROTECTOR ASSY MUFFLER	1	
**	18318	18318-AKC6-E10	PROTECTOR A MUFFLER	PROTECTOR A MUFFLER	1	
**	18319	18319-AKC6-E10	PROTECTOR B MUFFLER	PROTECTOR B MUFFLER	1	
	39450	39450-ZVA6-M00	O2 SENSOR	O2 SENSOR	1	
	90021	90021-GFY6-C11	BOLT WASHER COMP	BOLT WASHER COMP	3	
	90301	90301-GFY6-C01	NUT (HEX) CAP 8MM	NUT (HEX) CAP 8MM	1	
	90660	90660-KNBN-C00	CLAMPER TUBE	CLAMPER TUBE	1	
	94101	94101-LEA2-C00	"WASHER PLAIN.6.5X18X1.5"	"WASHER PLAIN.6.5X18X1.5"	3	
	94111	94111-ACD5-C00	WASHER SPG	WASHER SPG	3	
	95701	95701-06022-07G	BOLT FLANGE 6*22 (K)	BOLT FLANGE 6*22 (K)	3	
	95801	95801-08050-07G	BOLT FLANGE 8*50(G)	BOLT FLANGE 8*50(G)	1	

F15

Stand Kick Starter Arm

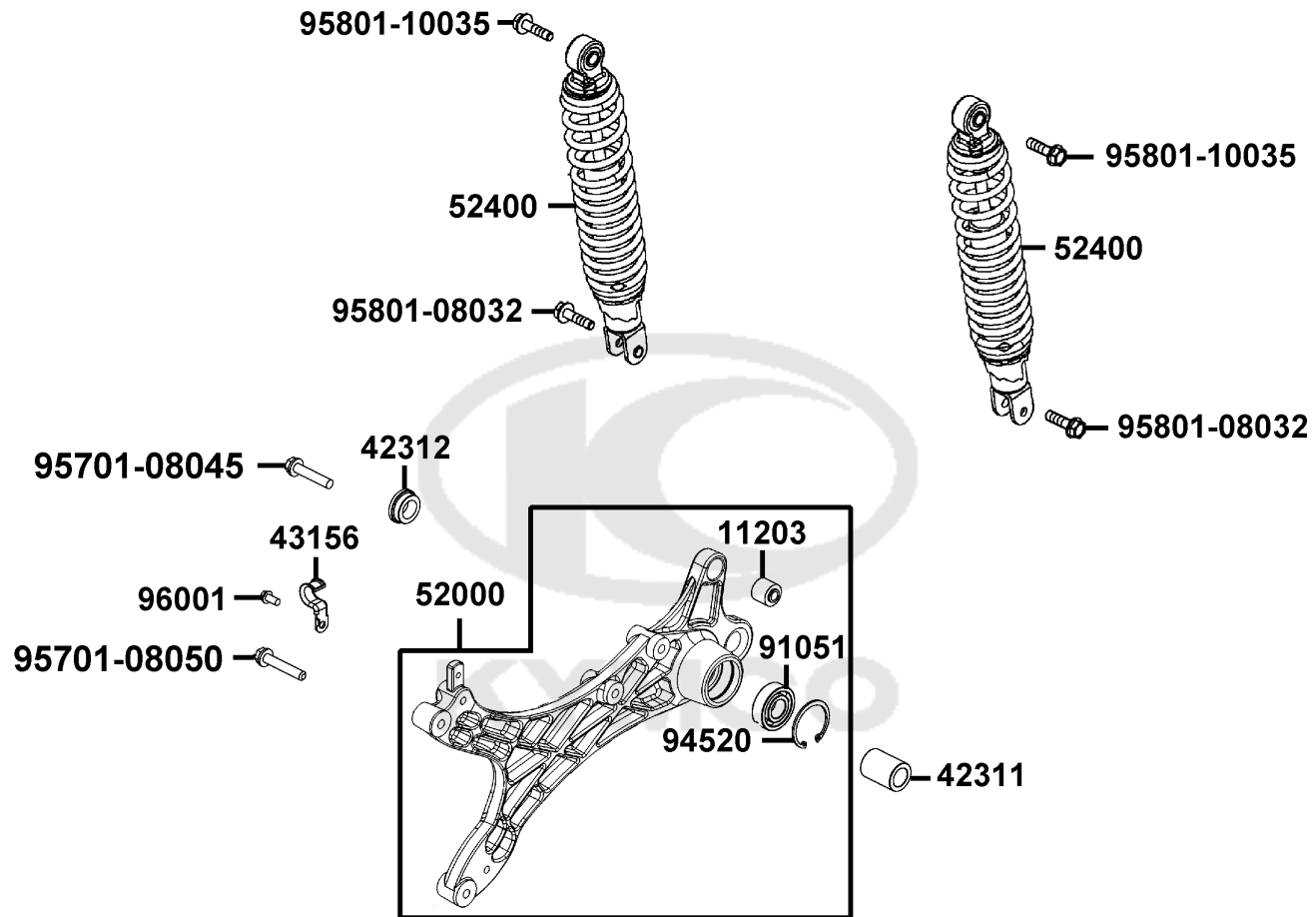


Sales mark	Ref no	Part no	Description	Reg description	Regd no	F15
	50502	50502-GFY6-C00	COLLAR MAIN STAND	COLLAR MAIN STAND	2	
	50505	50505-LCB9-C00	STOPPER RUBBER	STOPPER RUBBER	1	
	5050A	5050A-AKC6-E10	STAND ASSY MAIN	STAND ASSY MAIN	1	
	50530	50530-ALJ8-E10	BAR SIDE STAND	BAR SIDE STAND	1	
	50531	50531-KEB7-C00	PLATE SPRING STOPPER	PLATE SPRING STOPPER	1	
	50535	50535-KEB7-W10	SPRING COMP SIDE STAND	SPRING COMP SIDE STAND	1	
	50550	50550-KEB7-C01	SPG ASSY MAIN STAND	SPG ASSY MAIN STAND	1	
	90108	90108-KFA6-E01	SCREW SIDE STAND PIVOT	SCREW SIDE STAND PIVOT	1	
	95801	95801-10025-07G	BOLT FLANGE 10X25	BOLT FLANGE 10*25	2	



F16

Rear Cushion



Sales mark	Ref no	Part no	Description	Reg description	Regd no	F16
	11203	11203-GGC7-W10	UNDER RUBBER BUSH REAR CUSHION	UNDER RUBBER BUSH REAR CUSHION	1	
	42311	42311-KHB4-C00	COLLAR RR AXLE A	COLLAR RR AXLE A	1	
	42312	42312-LEJ2-E10	COLLAR RR AXLE SIDE	COLLAR RR AXLE SIDE	1	
	43156	43156-LFC3-E10	CLAMPER HOSE RR	CLAMPER HOSE RR	1	
**	52400	52400-ALJ8-E10	CUSHION ASSY RR	CUSHION ASSY RR	2	
	91051	91051-KFBF-C00	BRG BALL RADIAL 6203 LLU	BRG BALL RADIAL 6203 LLU	1	
	94520	94520-40000	CIR CLIP IN 40	CIR CLIP IN 40	1	
	95701-08045	95701-08045-07G	BOLT FLANGE 8*45(KG)	BOLT FLANGE 8*45 (K)	1	
	95701-08050	95701-08050-07G	BOLT FLANGE 8*45 (K)	BOLT FLANGE 8*45 (K)	1	
	95801-08032	95801-08032-07G	BOLT FLANGE 8*32(KG)	BOLT FLANGE 8*32(K)	2	
	95801-10035	95801-10035-08G	BOLT FLANGE 10X35	BOLT FLANGE 10X35	2	
	96001	96001-06012-07G	BOLT FLANGE SH 6X12	BOLT FLANGE SH6*12	1	

F17

Front Winker

33609



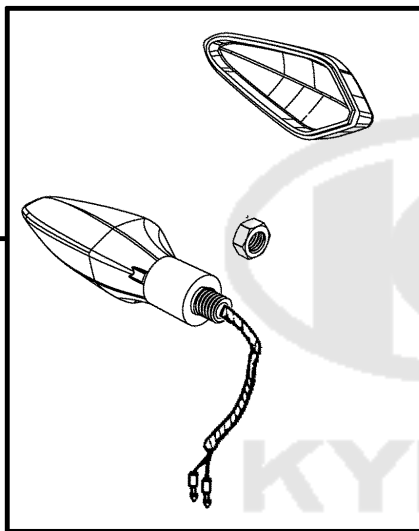
93903



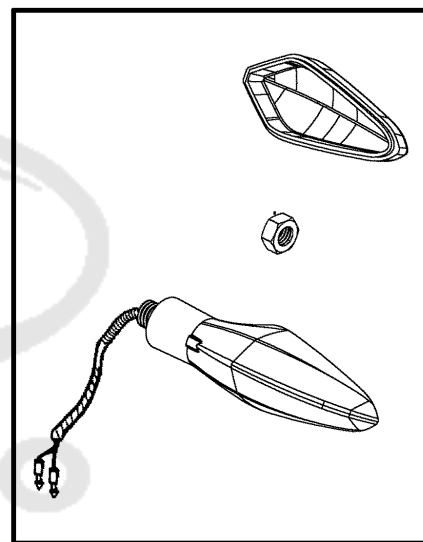
33609



33600

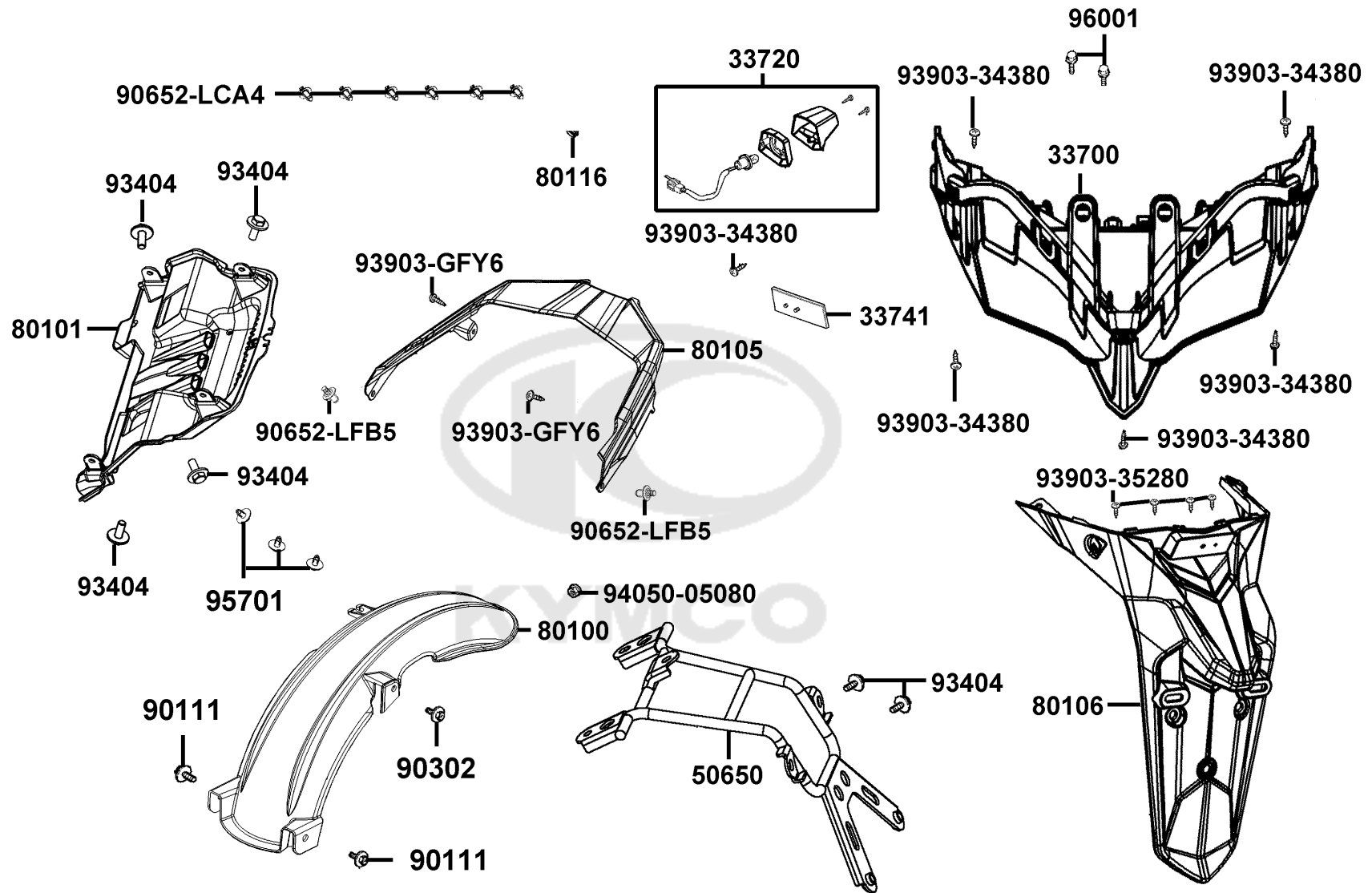


33650

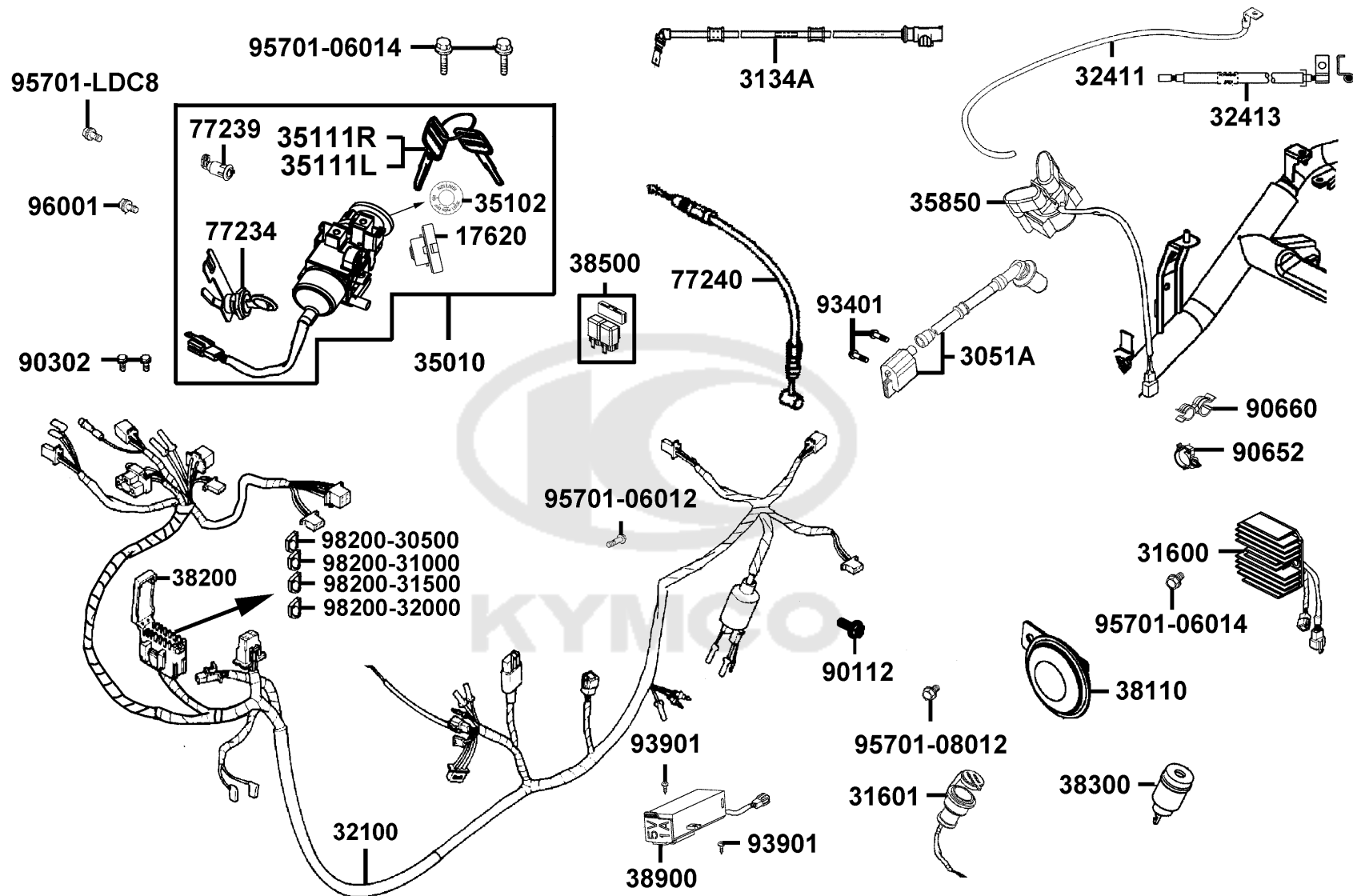


Sales mark	Ref no	Part no	Description	Reg description	Regd no	F17
	33600	33600-AHF8-M40	WINKER ASSY RH RR	WINKER ASSY RH RR	1	
	33609	33609-AFC1-E60	NUT SPRING 10MM	NUT SPRING 10MM	2	
	33650	33650-AHF8-M40	WINKER ASSY LH RR	WINKER ASSY LH RR	1	
	93903	93903-34380-G	SCREW TAPPING 4x12	SCREW TAPPING 4x12	1	

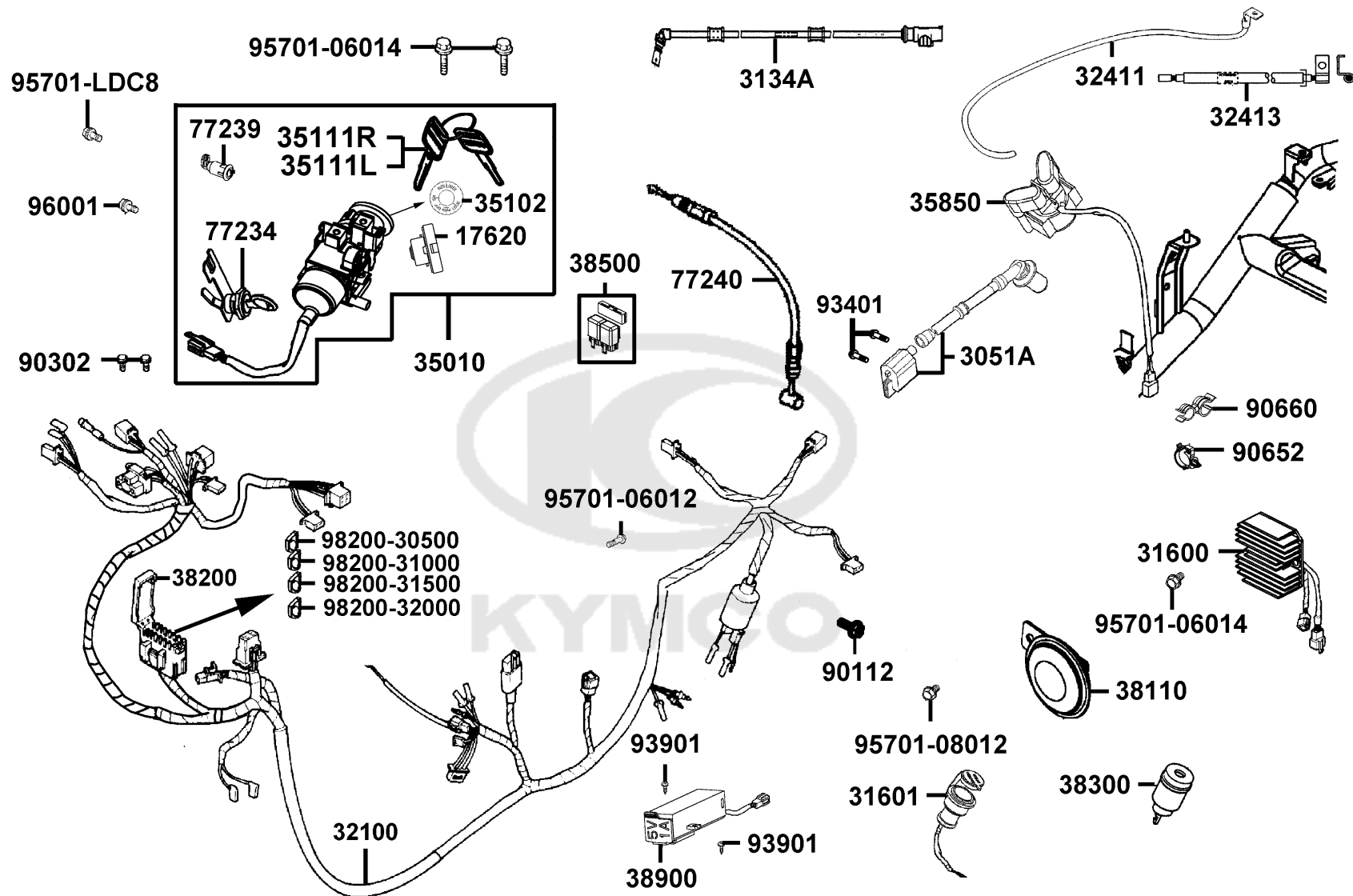




Sales mark	Ref no	Part no	Description	Reg description	Regd no	F18
	33700	33700-AKC6-E10	LIGHT ASSY RR COMB	LIGHT ASSY RR COMB	1	
	33720	33720-LGB5-E10	LIGHT ASSY LICENSE	LIGHT ASSY LICENSE	1	
	33741	33741-LEH3-EZ0	REFLEX REFLECTOR	REFLEX REFLECTOR	1	
	50650	50650-AKC6-E10	STAY RR FENDER	STAY RR FENDER	1	
**	80100	80100-AKC6-E10	FENDER RR TIRE	FENDER RR TIRE	1	
**	80101	80101-AKC6-E10	FENDER RR INNER	FENDER RR INNER	1	
**	80105	80105-AKC7-E10	FENDER RR	FENDER RR	1	
**	80106	80106-AKC7-E10	FENDER RR LOW	FENDER RR LOW	1	
	80116	80116-ACC1-E10	RUBBER LICENSE PLATE STOP	RUBBER LICENSE PLATE STOP	1	
	90111	90111-06016-07G	BOLT FLANGE 6*16 (K)	BOLT FLANGE 6*16 (K)	4	
	90302	90302-PUA3-B51	BOLT-WASH 5*12	BOLT-WASH 5*12	5	
	90652-LCA4	90652-LCA4-C10	CLIP MUDGUARD	CLIP MUDGUARD	6	
	90652-LFB5	90652-LFB5-C00	"CLIP,MUDGUARD"	"CLIP,MUDGUARD"	2	
	93404	93404-06012-07G	BOLT WASHER 6*12 (K)	BOLT WASHER 6*12 (K)	7	
	93903-34380	93903-34380-G	SCREW TAPPING 4x12	SCREW TAPPING 4x12	6	
	93903-35280	93903-35280-G	SCREW TAPPING 5*12 (K)	SCREW TAPPING 5*12 (K)	4	
	93903-GFY6	93903-GFY6-C01	SCREW TAPPING 4*14(K)	SCREW TAPPING 4*14	2	
	94050-05080	94050-05080-G	NUT FLANGE 5MM	NUT FLANGE 5MM	1	
	95701	95701-06016-07G	BOLT FLANGE SH 6*16 (KG)	BOLT FLANGE SH 6*16 (KG)	3	
	96001	96001-06012-08G	BOLT FLANGE SH 6X12 (C)	BOLT FLANGE SH 6X12 (C)	2	



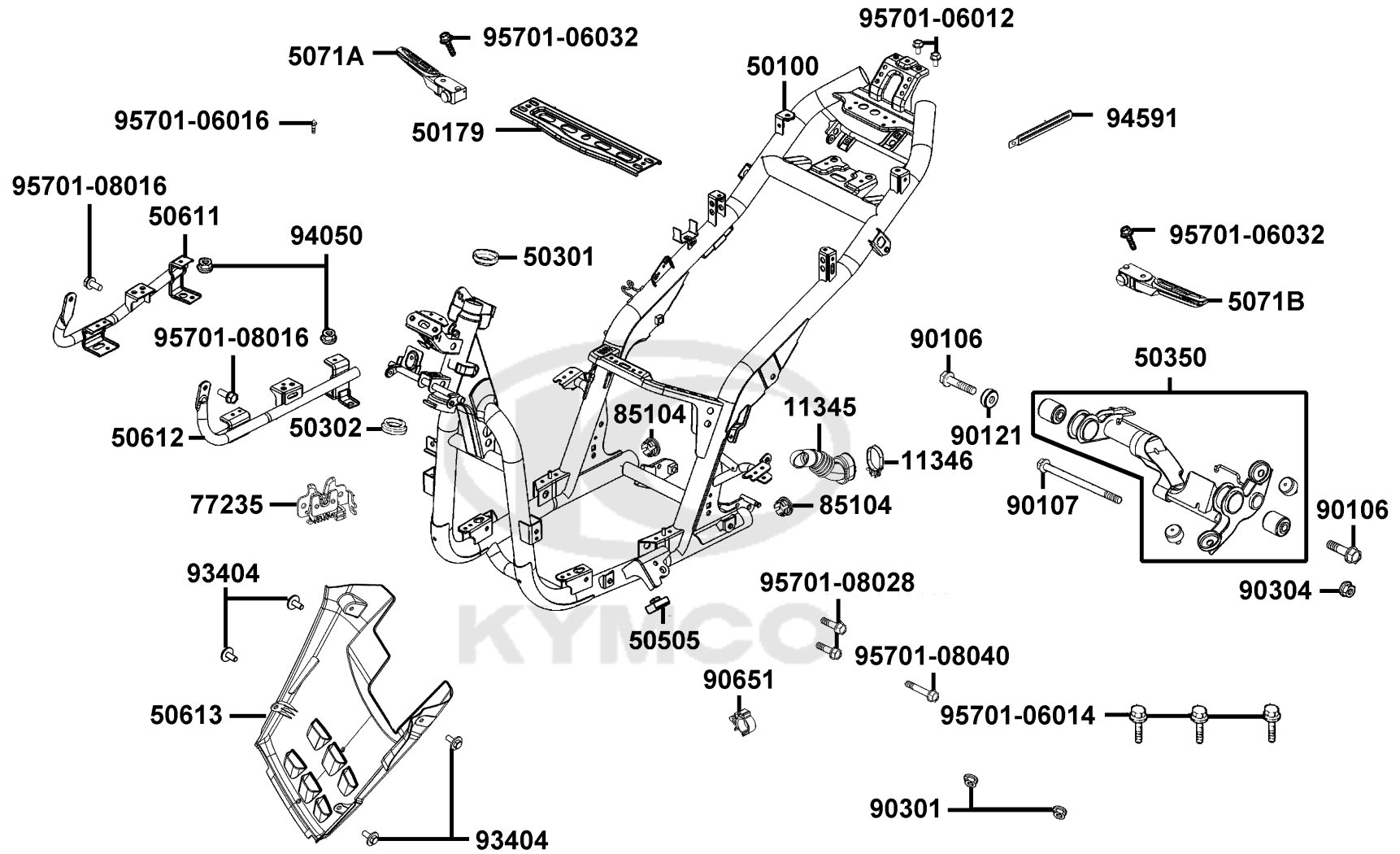
Sales mark	Ref no	Part no	Description	Reg description	Regd no	F19
	17620	17620-ALJ9-E15	CAP COMP FUEL FILLER	CAP COMP FUEL FILLER	1	
	3051A	3051A-ALJ8-C00	COIL ASSY IGN	COIL ASSY IGN	1	
	3134A	3134A-AKC6-E10	SPEED SENSOR ASSY	SPEED SENSOR ASSY	1	
	31600	31600-LEA5-C01	REG RECT COMP	REG RECT COMP	1	
	31601	31601-LFC2-E10	SOCKET COMP DC 12V	SOCKET COMP DC 12V	1	
	32100	32100-AKC6-E10	HARNESS WIRE	HARNESS WIRE	1	
	32411	32411-AKC6-E10	CABLE BAT	CABLE BAT	1	
	32413	32413-AKC6-E10	CABLE EARTH	CABLE EARTH	1	
	35010	35010-AKC6-E12	KEY ASSY	KEY ASSY	1	
	35102	35102-KGBG-91B	COLLAR MAIN SW	COLLAR MAIN SW	1	
	35111R	35111-KUDU-305	BLANK KEY R	BLACK KEY R	1	
	35111L	35111-KUDU-306	BLANK KEY L	BLACK KEY L	1	
	35850	35850-KHD8-C00	RELAY ASSY START	RELAY ASSY START	1	
	38110	38110-KHB4-C00	HORN COMP	HORN COMP	1	
	38200	38200-KHE7-900	BOX COMP FUSE	BOX COMP FUSE	1	
	38300	3830A-AKC6-E10	RELAY ASSY WINKER	RELAY ASS'Y WINKER	1	
	38500	38500-AAD2-C00	RELAY ASSY LIGHT	RELAY ASSY LIGHT	1	
	38900	38900-AEB9-E00	CONTROLLER USB CHARGER	CONTROLLER USB CHARGER	1	
	77234	77234-LFC4-E10	LOCK ASSY RR BOX	LOCK ASSY RR BOX	1	
	77239	77239-GFY6-C00	KEY SEAT LOCK	KEY SEAT LOCK	1	



Sales mark	Ref no	Part no	Description	Reg description	Regd no	F19
77240		77240-AKC6-E10	CABLE SEAT LOCK	CABLE SEAT LOCK	1	
90112		90112-PUA3-B50	BOLT FLANGE 5*22	BOLT FLANGE 5*22	1	
90302		90302-GFY6-C11	BOLT-WASH 5*16	BOLT-WASH 5*16	2	
90652		90652-LHJ6-900	"CLIP,MUDGUARD"	"CLIP,MUDGUARD"	1	
90660		90660-LKL5-C00	CLIP	CLIP	1	
93401		93401-04025-08	BOLT WASHER 4*25	BOLT WASHER 4*25	2	
93901		93901-ABC1-C00	SCREW TAPPING 4*8 (C)	SCREW TAPPING 4*8 (C)	2	
95701-06012		95701-06012-08G	BOLT FLANGE 6*12	BOLT FLANGE 6*12	1	
95701-06014		95701-06014-08G	BOLT FLANGE 6*14 (C)	BOLT FLANGE 6*14 (C)	2	
95701-08012		95701-08012-08G	BOLT FLANGE 8X12(C)	BOLT FLANGE 8X12(C)	1	
95701-LDC8		95701-LDC8-E11	BOLT TORQUE 6x16	BOLT TORQUE 6x16	1	
96001		96001-06016-08G	BOLT FLANGE SH 6x16 (C)	BOLT FLANGE SH 6*16 (CR3+)	1	
98200-30500		98200-30500	BLADE FUSE 5A	BLADE FUSE 5A	1	
98200-31000		98200-31000	BLADE FUSE 10A	BLADE FUSE 10A	1	
98200-31500		98200-31500	BLADE FUSE 15A	BLADE FUSE 15A	1	
98200-32000		98200-32000	BLADE FUSE 20A	BLADE FUSE 20A	1	

F20

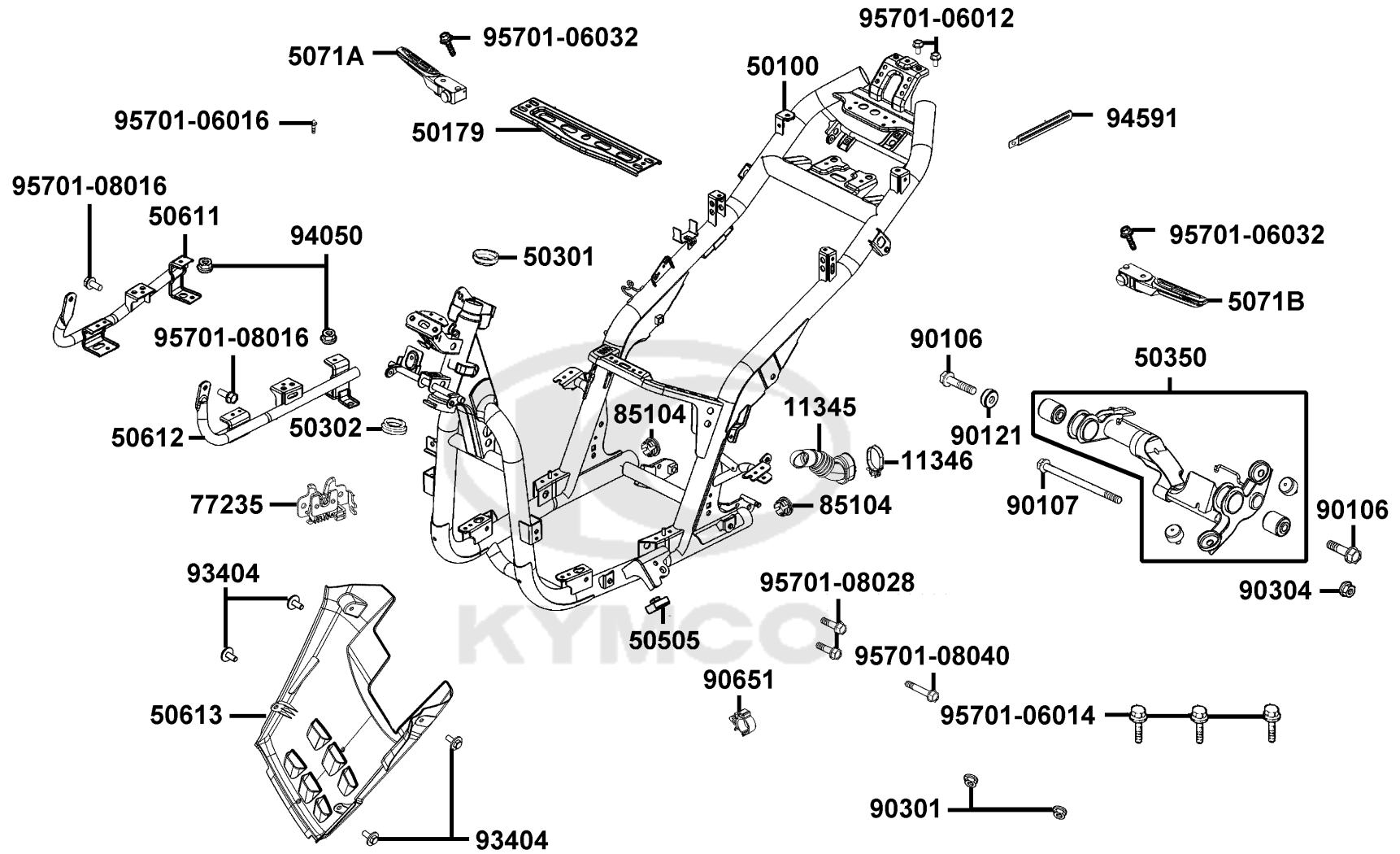
Frame Body



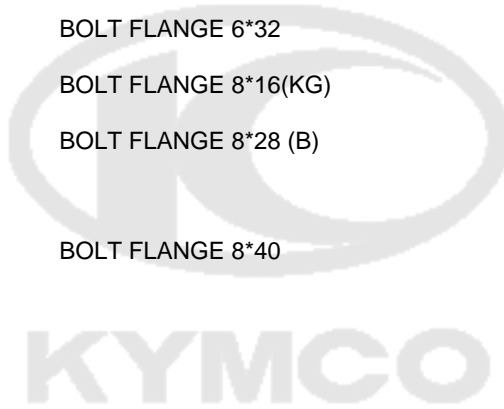
Sales mark	Ref no	Part no	Description	Reg description	Regd no	F20
	11345	11345-ALJ8-E10	"DUCT,L COVER"	DUCT L COVER	1	
	11346	11346-KEBE-C00	BAND L COVER DUCT	BAND L COVER DUCT	1	
	50100	50100-AKC6-E10	"BODY COMP,FRAME"	"BODY COMP,FRAME"	1	
	50179	50179-ALJ8-E10	BRKT FLOOR PANEL	BRKT FLOOR PANEL	1	
	50301	50301-KGN7-C00	RACE UPPER STRG BALL	RACE UPPER STRG BALL	1	
	50302	50302-2H68-C00	RACE (STRG BOT) BALL	RACE (STRG BOT) BALL	1	
	50350	50350-LEJ3-B40	ENG HANGER ASSY	ENG HANGER ASSY	1	
	50505	50505-PUA3-B50	STOPPER RUBBER	STOPPER RUBBER	1	
	50611	50611-ALJ8-E10	"RNFCT R, FLOOR"	RNFCT R FLOOR	1	
	50612	50612-ALJ8-E10	"RNFCT L, FLOOR"	RNFCT L FLOOR	1	
**	50613	50613-AKC6-E10	COVER UNDER	COVER UNDER	1	
	5071A	5071A-LDA6-C00	BAR R P STEP ASSY	BAR R P STEP ASSY	1	
	5071B	5071B-LDA6-C00	BAR L P STEP ASSY	BAR L P STEP ASSY	1	
	77235	77235-LEA1-C00	CATCH COMP. SEAT.	CATCH COMP. SEAT.	1	
	85104	85104-ALJ8-E10	STOPPER	STOPPER	1	
	90106	90106-LGB6-E11	BOLT FLANGE 10*55(K)	BOLT FLANGE 10*55(K)	2	
	90107	90107-KUDU-C01	BOLT FLANGE 10*188	BOLT FLANGE 10*188	1	
	90121	90121-GFY6-C00	COLLAR DISTANCE	COLLAR DISTANCE	1	
	90301	90301-LEJ2-E11	NUT FLANGE 6mm	NUT FLANGE 6mm	2	
	90304	90304-PUA3-B50	NUT U 10MM (C)	NUT U 10MM (C)	1	

F20

Frame Body

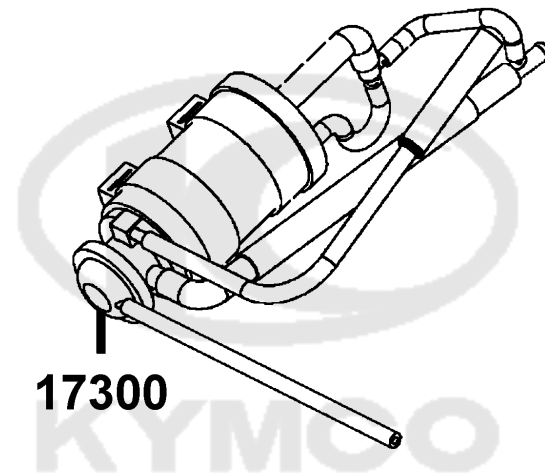


Sales mark	Ref no	Part no	Description	Reg description	Regd no	F20
90651		90651-AGE7-C00	CLIP CABLE	CLIP CABLE	1	
93404		93404-06012-07G	BOLT WASHER 6*12 (K)	BOLT WASHER 6*12 (K)	4	
94050		94050-06080-G	NUT FLANGE 6MM	NUT FLANGE 6MM	5	
94591		94591-LDC8-E10	CLIP BIND	CLIP BIND	1	
95701-06012		95701-06012-07G	BOLT FLANGE 6*12	BOLT FLANGE 6*12 (G)	2	
95701-06014		95701-06014-08G	BOLT FLANGE 6*14 (C)	BOLT FLANGE 6*14 (C)	3	
95701-06016		95701-06016-08G	BOLT FLANGE 6*16 (C)	BOLT FLANGE 6*16 (C)	1	
95701-06032		95701-06032-08G	BOLT FLANGE 6*32	BOLT FLANGE 6*32	1	
95701-08016		95701-08016-07G	BOLT FLANGE 8*16(KG)	BOLT FLANGE 8*16(K)	2	
95701-08028		95701-08028-08G	BOLT FLANGE 8*28 (B)	BOLT FLANGE 8*28 (B)	2	
95701-08040		95701-08040-08G	BOLT FLANGE 8*40	BOLT FLANGE 8*40	1	



F21

CANISTER-PCV ASSY



Sales mark	Ref no	Part no	Description	Reg description	Regd no	F21
------------	--------	---------	-------------	-----------------	---------	------------

17300

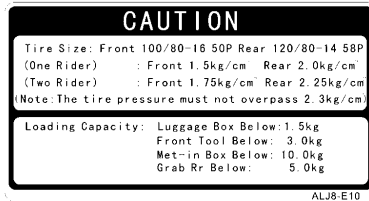
17300-AKC6-E10

CANISTER-PCV ASSY

CANISTER-PCV ASSY

1

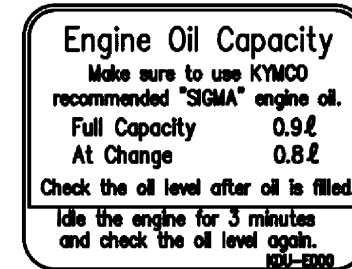




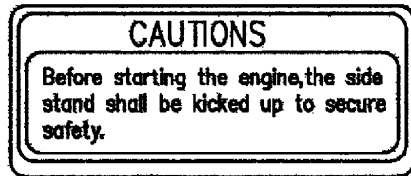
87505



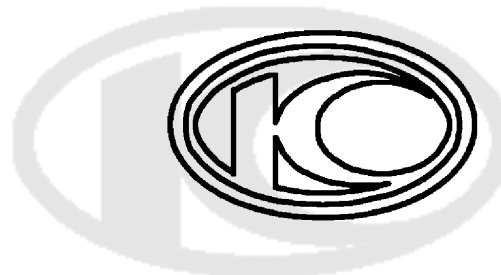
86202



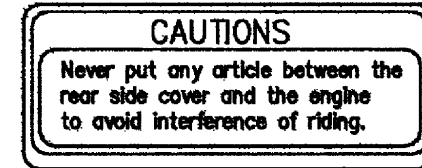
87541-KUDU



87541-GAR1



86102



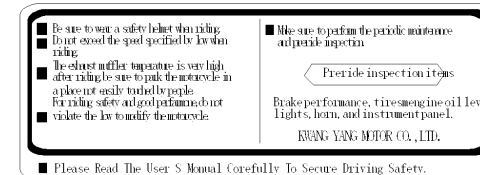
87542



87140



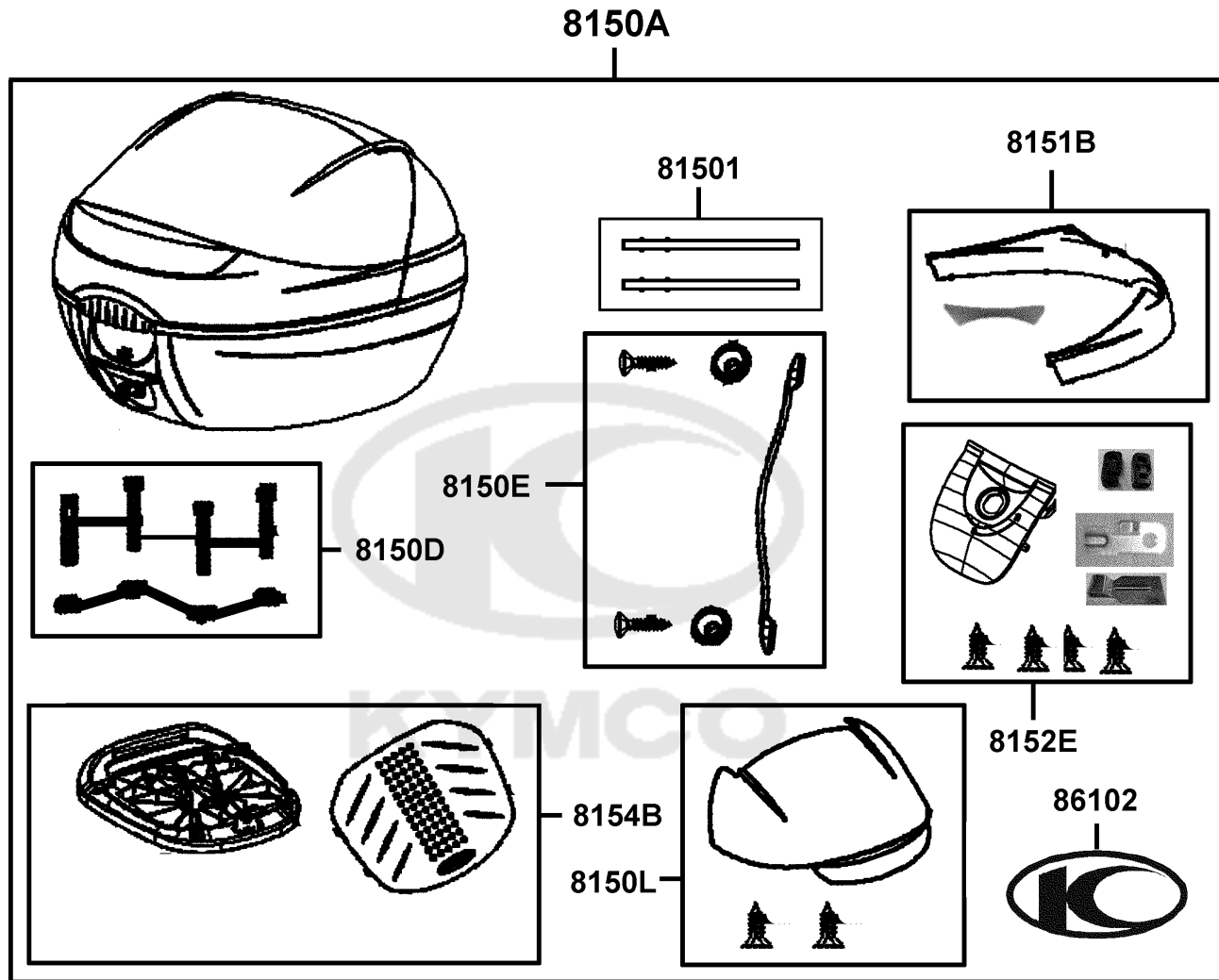
87546



87560

Sales mark	Ref no	Part no	Description	Reg description	Regd no	F22
**	86102	86102-ALG1-E00	EMB K-LOGO	EMB K-LOGO	1	
**	86202	86202-AKC6-E10	EMB BODY COVER	EMB BODY COVER	2	
**	87140	87140-AKC6-E10	EMB MARK 125 TAPE A	EMB MARK 125 TAPE A	2	
**	87505	87505-ALJ8-E10	LABEL TIRE	LABEL TIRE	1	
**	87541-GAR1	87541-GAR1-C01	CAUTION SIDE STAND	CAUTION SIDE STAND	1	
**	87541-KUDU	87541-KUDU-E00	LABEL OIL CAP	LABEL OIL CAP	1	
**	87542	87542-GAR1-C01	MARK MAINT CAUTION	MARK MAINT CAUTION	1	
**	87546	87546-AGE3-E00	LABEL FUEL TANK	LABEL FUEL TANK	1	
**	87560	87560-GFY6-E11	MARK DRIVE CAUTION	MARK DRIVE CAUTION	1	





Sales mark	Ref no	Part no	Description	Reg description	Regd no	F23
	81501	81501-LFC4-E10	AXIS HINGE SH29 ? 3x58.5	AXIS HINGE SH29	1	
**	8150A	8150A-ALJ8-E11	BOX LUGGAGE RR	BOX LUGGAGE RR	1	
	8150D	8150D-AAD2-C00	SCREW BAG KY33 5 KYMCO	SCREW BAG KY33 5 KYMCO	1	
	8150E	8150E-LFC4-E10	INTERIOR STRIP	INTERIOR STRIP	1	
**	8150L	8150L-LFC4-E10	COVER RR BOX 2016	COVER RR BOX 2016	1	
	8151B	8151B-LFC4-E10	SPARE PART REFLECTOR WHITE SH33	SPARE PART REFLECTOR WHITE SH33	1	
	8152E	8152E-LFC4-E10	HOOK KY33 KYMCO	HOOK KY33 KYMCO	1	
	8154B	8154B-AAD2-C00	SET CASE SUPPORT	SET CASE SUPPORT	1	
**	86102	86102-ALJ8-E00	EMB MARK K-LOGO	EMB MARK K-LOGO	1	



PART NO. INDEX

PART NO.	VERSION	PAGE	PART NO.	VERSION	PAGE	PART NO.	VERSION	PAGE
11000			12209-GDB4-C00	2	E02	14610-KUDU-C0B	0	E03
11100-KUDU-C00	6	E01	12211-KUDU-W10	4	E02	14711-KUDU-C0B	0	E02
11102-1G87-C00	3	E01	12251-GFY6-C00	1	E02	14721-KUDU-C00	1	E02
11192-KUDU-E90	1	E01	1231A-ALL1-C00	0	E02	14751-KUDU-C10	2	E02
11200-LCD3-C00	2	E01	12361-GFY6-C00	5	E04	14761-KUDU-C10	2	E02
11203-GGC7-W10	2	E01	12391-GFY6-C00	5	E02	14771-GDB4-C00	2	E02
11203-GGC7-W10	2	F16	13000			14775-MFA6-C00	5	E02
11206-AKC6-E10	0	E01	13000-KUDU-C00	9	E03	14781-MFA6-C0C	0	E02
11208-LFC3-E10	2	E04	13011-LAC7-C00	0	E03	15000		
11211-LKD2-C00	0	F13	13101-AKC6-C00	0	E03	15100-KFB7-C00	1	E07
11331-LCD3-E00	5	E04	13111-3D84-C00	1	E03	15133-GFY6-W10	1	E07
11341-ALJ8-E10	0	E01	13407-LKC6-C00	1	E02	15141-GFY6-C00	1	E07
11342-ALJ8-E10	0	E01	14000			15421-1G07-C00	1	E04
11345-ALJ8-E10	2	F20	14100-ALK6-EZ5	0	E02	15426-GAE1-C00	1	E04
11346-KEBE-C00	1	F20	14401-KUDU-C00	1	E03	15651-KUDU-W10	5	E04
11353-ALJ8-E11	0	E01	14431-KUDU-W10	4	E02	15711-KUDU-C00	1	E07
11394-KUDU-E90	1	E04	14450-GFY6-W10	1	E02	16000		
11395-KHB4-C00	0	E01	14452-GFY6-W10	1	E02	1610A-AKC6-E10	0	E05
12000			14510-KUDU-C0B	0	E03	16201-GFY6-E90	0	E02
12100-GFY6-C00	6	E03	14520-GFY6-C00	1	E03	16211-GFY6-W10	1	E02
12191-GFY6-E90	1	E03	14523-GFY6-E90	1	E03			
12200-KKE3-900	1	E02	14531-GLR0-W11	1	E03			

PART NO. INDEX

PART NO.	VERSION	PAGE	PART NO.	VERSION	PAGE	PART NO.	VERSION	PAGE
17000			18000			22000		
1711A-ALD9-E16	0	E02	18291-GGA7-C01	1	F14	22101-LCD3-C00	3	E06
17200-AKC6-E10	0	F13	18291-LKG2-C00	0	F14	22102-KUDU-E80	1	E06
17239-KHB4-C00	0	F13	18292-KEBE-C00	0	F14	22105-GFY6-C00	0	E06
1723A-LKD2-E10	0	F13	18293-LHJ8-900	2	F14	22110-KUDU-E80	0	E06
1723B-LFC4-E10	0	F13	18300-AKC6-E10	0	F14	22121-KFAF-305	0	E06
1723C-LEJ3-E10	0	F13	1830A-AKC6-E10	0	F14	22131-GFY6-C00	3	E06
17257-AKC6-E10	0	F13	18317-AKC6-E10	0	F14	22132-KBN2-315	0	E06
17300-AKC6-E10	0	F21	18318-AKC6-E10	0	F14	22300-LCD4-C00	0	E06
1737A-LCD3-E00	0	F13	18319-AKC6-E10	0	F14	22350-GFY6-C00	1	E06
17500-ALJ8-E10	0	F10				22361-KGN7-C00	0	E06
17502-AKC6-E10	0	F10	19000			22401-GFY6-C0A	0	E06
17504-ALJ8-E10	1	F10				22530-LCD3-C00	0	E06
17505-AKC6-E10	0	F10	19411-KBCB-900	1	F10	22804-GBB2-C00	0	E06
1751A-AKC6-E10	0	F10	19510-LDA7-C00	0	E08			
17550-ALJ8-C00	1	F10	1961A-AKC6-E10	2	E08	23000		
1755A-ALJ8-E10	2	F05	19625-KUDU-C00	1	E02	2301A-LCD4-C00	1	E06
17561-LGK8-900	1	F10	1962A-ALD9-BA0	0	E08	23100-KEC4-C0E	0	E06
1756A-ALJ8-E10	0	F10	1963A-AAD2-C00	0	E08	23200-GFY6-C00	3	E06
17582-ALJ8-E10	0	F10				23220-KFBF-C00	1	E06
17620-ALJ9-E15	0	F19	21000			23225-GHC8-C00	1	E06
17623-ALJ8-E10	2	F10				23226-GHC8-C00	1	E06
17689-ALJ9-E15	0	F10	21200-LEJ8-C00	2	E09	23233-LEJ3-E10	0	E06
17910-ACC1-EZ5	0	F03	21395-LCD3-E90	0	E09			

PART NO. INDEX

PART NO.	VERSION	PAGE	PART NO.	VERSION	PAGE	PART NO.	VERSION	PAGE
23237-GFY6-C00	1	E06	31110-KKE3-C00	3	E08			
23238-GFY6-C00	1	E06	31120-LGS6-E10	0	E08	35000		
23411-ALJ8-E10	4	E09	31200-ALJ8-E10	1	E07			
23420-AKC6-E10	3	E09	3134A-AKC6-E10	0	F19	35010-AKC6-E12	0	F19
23432-AKC6-E10	4	E09	31500-KFAF-EZ0	0	F11	35102-KGBG-91B	1	F19
2343A-ALJ8-E10	1	E09	31600-LEA5-C01	2	F19	35111-KUDU-305	0	F19
			31601-LFC2-E10	1	F19	35111-KUDU-306	0	F19
28000			32000			35151-LGB5-EV0	0	F03
						35152-LGB5-E10	0	F03
28101-GFY6-C00	1	E07				3515A-LGB5-EV0	0	F03
28102-GFY6-C00	1	E07	32100-AKC6-E10	0	F19	35201-LGB5-E10	1	F03
28110-GFY6-C10	1	E07	32411-AKC6-E10	1	F19	3520A-LGB5-E11	0	F03
28120-GFY6-C10	1	E07	32412-AKC6-E10	1	E04	35340-KNBN-C00	1	F04
28125-4F26-C00	1	E07	32413-AKC6-E10	1	F19	35350-KNBN-C00	1	F04
28125-GFY6-C10	3	E07	32961-KUDU-C00	5	E04	35850-KHD8-C00	1	F19
28126-GFY6-C10	1	E07						
2812A-GFY6-C10	2	E07	33000			37000		
28211-LGK2-C00	5	E06						
			33100-AKC6-E10	4	F01	37200-AKC6-E10	0	F02
30000			33600-AHF8-M40	0	F17	37211-AEB9-E00	1	F02
			33609-AFC1-E60	1	F17	37212-AEB9-E02	1	F02
3051A-ALJ8-C00	0	F19	33650-AHF8-M40	0	F17	37213-AEB9-E02	1	F02
			33700-AKC6-E10	4	F18	37214-AEB9-E10	1	F02
31000			33720-LGB5-E10	1	F18	37215-AEB9-E00	0	F02
			33731-KGB5-EZ0	0	F06	37802-GGA7-C00	1	F10
31100-LGS6-E10	0	E08	33741-LEH3-EZ0	1	F18	3780A-AKC6-E10	0	F10

PART NO. INDEX

PART NO.	VERSION	PAGE	PART NO.	VERSION	PAGE	PART NO.	VERSION	PAGE
38000			42753-0A01-C00	1	F08	45128-AKC6-E10	0	F06
			43000			45129-AKC6-E10	0	F06
38110-KHB4-C00	0	F19				45200-ALJ9-E12	0	F04
38200-KHE7-900	0	F19	43126-AKC6-E10	0	F04	45352-AED9-E10	0	F07
3830A-AKC6-E10	0	F19	43156-LFC3-E10	2	F16	45500-ALJ8-E10	1	F04
38500-AAD2-C00	5	F19	43200-ALJ9-E15	0	F04	45513-KCCC-900	0	F04
38900-AEB9-E00	0	F19	43351-LFC3-E80	2	F08	45517-KFAF-910	1	F04
			43500-LFC3-E10	0	F04	50000		
39000			44000			50100-AKC6-E10	0	F20
39300-LEA6-800	0	E02				50179-ALJ8-E10	0	F20
39301-ALK6-EZ5	0	E02	44301-LEJ2-E13	1	F07	50301-KGN7-C00	2	F20
39302-KKE3-C00	1	E02	44311-KUDU-C00	1	F07	50302-2H68-C00	2	F20
39303-LEB2-C00	1	E02	44311-LFC2-E10	2	F07	50306-1F96-C00	1	F06
39400-LHJ3-900	1	E02	44601-AKC6-E10	0	F07	50325-AKC6-E10	0	F12
39450-ZVA6-M00	1	F14	44601-AKC6-E10	2	F07	50325-AKC6-E10	1	F12
			44620-KFLF-C00	1	F07	50326-ALJ8-E10	1	F12
42000			44710-LFC4-E91	0	F07	50350-LEJ3-B40	0	F20
42311-KHB4-C00	0	F16	45000			50502-GFY6-C00	5	F15
42312-LEJ2-E10	1	F16				50504-LEJ3-E11	1	E01
42601-AKC6-E10	0	F08	45105-ALD9-306	0	F04	50505-LCB9-C00	1	F15
42601-AKC6-E10	1	F08	45105-LFC4-305	0	F04	50505-PUA3-B50	2	F20
42710-ALJ8-E10	1	F08	45121-LFC2-E80	1	F07	5050A-AKC6-E10	3	F15
42753-0A01-C00	1	F07	45126-AKC6-E10	0	F04	50530-ALJ8-E10	2	F15
						50531-KEB7-C00	1	F15

PART NO. INDEX

PART NO.	VERSION	PAGE	PART NO.	VERSION	PAGE	PART NO.	VERSION	PAGE
50535-KEB7-W10	3	F15				53215-2L50-C00	1	F06
50550-KEB7-C01	0	F15	52000					
50611-ALJ8-E10	3	F20				61000		
50612-ALJ8-E10	3	F20	52000-ALJ8-E10	0	F16			
50613-AKC6-E10	0	F20	52000-ALJ8-E10	2	F16	61100-AKC6-E10	0	F06
50613-AKC6-E10	4	F20	52400-ALJ8-E10	1	F16	61110-AKC6-E10	0	F06
50650-AKC6-E10	3	F18				61110-AKC6-E10	1	F06
5071A-LDA6-C00	2	F20	53000					
5071B-LDA6-C00	2	F20				64000		
			53100-AED9-E10	0	F03			
51000			53102-ALJ8-E10	2	F03	64210-AKC6-E10	2	F03
			53105-ALJ8-E10	2	F03	64301-AKC6-E10	0	F05
51400-LFC3-E10	0	F06	53125-GEN5-C00	1	F03	64301-AKC6-E10	1	F05
51401-LFC3-E10	0	F06	53140-ALJ8-E10	1	F03	64303-AKC6-E10	0	F05
51410-LEJ2-E10	0	F06	53166-ALJ8-E10	1	F03	64303-AKC6-E10	1	F05
51412-LEJ2-E10	0	F06	53175-KTCT-C01	0	F04	64305-AKC6-E10	0	F05
51420-LFC2-E10	1	F06	53178-KNBN-C00	0	F04	64305-AKC6-E10	3	F05
51422-LEJ2-E10	0	F06	53200-LFC3-E15	1	F06	64306-AKC6-E10	0	F05
51427-LEJ2-E10	0	F06	53204-AKC6-E10	0	F03	64306-AKC6-E10	3	F05
51428-LEJ2-E10	0	F06	53205-AKC6-E10	0	F03	64307-AKC6-E10	0	F05
51429-LFC3-E10	0	F06	53205-AKC6-E10	1	F03	64307-AKC6-E10	1	F05
51437-LEJ2-E10	0	F06	53206-AKC6-E10	0	F03	64308-AKC6-E10	0	F05
51500-AED9-E10	1	F06	53206-AKC6-E10	2	F03	64308-AKC6-E10	1	F05
51520-AED9-E10	1	F06	53211-GFY6-C00	1	F06	64310-AKC6-E10	0	F05
			53212-2L50-C00	1	F06	64312-AKC6-E10	0	F05
			53214-2L50-C00	5	F06	64312-AKC6-E10	4	F05

PART NO. INDEX

PART NO.	VERSION	PAGE	PART NO.	VERSION	PAGE	PART NO.	VERSION	PAGE
64313-AKC6-E10	0	F05	80106-AKC7-E10	3	F18	8152E-LFC4-E10	0	F23
64313-AKC6-E10	4	F05	80116-ACC1-E10	1	F18	8154B-AAD2-C00	0	F23
64316-AEH2-M40	0	F05	80151-AKC6-E10	0	F12			
64400-AKC6-E10	0	F05	80151-AKC6-E10	2	F12	83000		
64400-AKC6-E10	2	F05	81000			83500-AKC6-E10	0	F12
77000						83510-AKC6-E10	0	F12
			81131-AKC6-E10	0	F05	83510-AKC6-E10	2	F12
77115-AKC6-E10	0	F09	81131-AKC6-E10	3	F05	83520-AKC6-E10	0	F12
77200-AKC6-E10	0	F09	81132-ACC1-C00	0	F05	83520-AKC6-E10	1	F12
77200-AKC6-E10	2	F09	81132-AKC6-E10	0	F05	83550-KEC8-C00	4	F06
77232-AKC6-E10	0	F12	81133-AKC6-E10	0	F05	83551-AKD3-C00	0	F03
77234-LFC4-E10	0	F19	81200-AKC6-E10	0	F12	83551-KEC8-C10	4	F06
77235-LEA1-C00	0	F20	81200-AKC6-E10	2	F12	83600-AKC6-E10	0	F12
77239-GFY6-C00	0	F19	81210-AKC6-E10	0	F12	83610-AKC6-E10	0	F12
77240-AKC6-E10	5	F19	81220-AKC6-E10	0	F12	83610-AKC6-E10	3	F12
80000			81230-AKC6-E10	0	F12	83611-ALJ8-E10	2	F13
			81251-AKC6-E10	0	F12	83620-AKC6-E10	0	F12
			81252-AKC6-E10	0	F12	83620-AKC6-E10	1	F12
80100-AKC6-E10	0	F18	81260-AKC6-E10	0	F12	83750-AKC6-E10	0	F12
80100-AKC6-E10	2	F18	81501-LFC4-E10	0	F23	83750-AKC6-E10	1	F12
80101-AKC6-E10	0	F18	8150A-ALJ8-E11	0	F23	85000		
80101-AKC6-E10	3	F18	8150D-AAD2-C00	0	F23			
80105-AKC7-E10	0	F18	8150E-LFC4-E10	0	F23			
80105-AKC7-E10	3	F18	8150L-LFC4-E10	0	F23	85104-ALJ8-E10	1	F20
80106-AKC7-E10	0	F18	8151B-LFC4-E10	0	F23			

PART NO. INDEX

PART NO.	VERSION	PAGE	PART NO.	VERSION	PAGE	PART NO.	VERSION	PAGE
86000			90000			90114-GDM4-C01	1	F13
86102-ALG1-E00	2	F22	90001-GBHB-C05	0	E03	90116-LEJ2-E10	0	F06
86102-ALJ8-E00	0	F23	90001-GFY6-C01	0	E07	90121-GFY6-C00	1	F20
86202-AKC6-E10	0	F22	90005-KAW1-C00	0	E03	90131-GLW0-C03	0	F04
			9000A-KTDT-C02	1	E01	90131-KFAF-C03	0	F04
87000			90012-3C33-C00	1	E02	90145-MKS9-C00	0	F04
87140-AKC6-E10	0	F22	90021-GFY6-C11	0	F14	90201-GFY6-901	1	E07
87505-ALJ8-E10	2	F22	90031-KUDU-C01	0	E01	90202-1G87-C00	1	E06
87541-GAR1-C01	1	F22	90032-KUDU-C01	0	E01	90206-0A01-C00	2	E02
87541-KUDU-E00	1	F22	90033-GFY6-C01	1	E02	90301-GFY6-C01	0	F14
87542-GAR1-C01	2	F22	90105-KCR3-C01	0	F07	90301-LEJ2-E11	0	F20
87546-AGE3-E00	0	F22	90105-KCR3-C01	0	F08	90302-GFY6-C11	1	F10
87560-GFY6-E11	3	F22	90106-KFC2-900	2	F03	90302-GFY6-C11	1	F19
			90106-KFC2-900	2	F12	90302-GFY6-C11	1	F06
88000			90106-LGB6-E11	1	F20	90302-KNBN-C01	1	F06
88110-ABD6-C01	2	F03	90106-LGB6-E11	1	F20	90302-LKB9-C00	0	F03
88120-ABD6-C01	2	F03	90106-PUA3-B50	0	F03	90302-LKB9-C00	0	F05
			90107-KUDU-C01	1	F20	90302-LLB1-C01	1	F03
			90108-KFA6-E01	0	F15	90302-PUA3-B51	1	F12
			90110-GLW0-C00	0	F05	90302-PUA3-B51	1	F18
			90110-KEB7-C01	1	F06	90302-SDA4-C01	0	F05
89000			90111-06016-07G	0	F18	90302-SDA4-C01	0	F12
89010-KGBG-C00	1	F09	90111-1G87-C01	1	F12	90304-PUA3-B50	0	F03
			90112-KNBN-C00	0	F13	90304-PUA3-B50	0	F20
			90112-PUA3-B50	0	F19	90305-GHK8-C01	0	F03
						90305-GHK8-C01	0	F06
						90305-KNBN-C03	1	F08

PART NO. INDEX

PART NO.	VERSION	PAGE	PART NO.	VERSION	PAGE	PART NO.	VERSION	PAGE
90306-LKL5-E31	0	F07	90701-GFY6-901	6	E07	91351-6B42-C00	1	E06
90403-KUDU-C00	1	E07						
90426-KNBN-C01	1	E06	91000			92000		
90440-1F66-C00	1	E08						
90441-GFY6-C01	1	E06	91001-GFY6-C00	0	E06	92101-05012-0HG	1	E08
90465-MDC4-C01	0	E02	91002-GGA7-C00	0	E06	92101-05012-0HG	1	F07
90474-3C33-C00	1	E01	91003-KDS4-C00	1	E09	92900-06060-0BG	0	E02
90501-KNBN-C01	1	F08	91009-GLE0-C00	1	E09			
9052A-PUA3-B50	1	E01	91014-LLJ3-C00	1	F06	93000		
90544-LEJ2-E10	0	F06	91015-LLJ3-C00	1	F06			
90545-3L00-C01	0	F04	91051-KFBF-C00	1	F16	93401-04025-08	0	F19
90605-1F66-C00	0	E06	91101-1K79-C00	1	E07	93404-06012-07G	0	F05
90651-AGE7-C00	0	F20	91104-GFY6-C00	1	E07	93404-06012-07G	0	F06
90652-ALB8-C00	1	E02	91104-KGN7-671	0	E01	93404-06012-07G	0	F12
90652-LCA4-C10	6	F03	91202-GFY6-90C	1	E01	93404-06012-07G	0	F18
90652-LCA4-C10	6	F05	91202-KKJ9-C00	5	E01	93404-06012-07G	0	F20
90652-LCA4-C10	6	F18	91211-KEBE-C00	1	E06	93404-06020-07G	1	F05
90652-LFB5-C00	1	F03	91251-LEJ2-E10	0	F06	93404-06028-07	0	F06
90652-LFB5-C00	1	F05	91252-0L30-C00	0	F07	93500-05025	0	F03
90652-LFB5-C00	1	F12	91252-LBA8-C11	1	F07	93600-04012-1G	1	F04
90652-LFB5-C00	1	F18	91254-LEJ2-E10	0	F06	93901-ABC1-C00	0	F19
90652-LHJ6-900	1	F19	91255-LDC8-E10	5	E09	93903-25480	1	F13
90660-KNBN-C00	0	F14	91301-GLR0-W10	1	E03	93903-34320-G	0	F02
90660-LKL5-C00	0	F19	91302-0A01-C00	10	E04	93903-34380-G	0	F03
90667-LFC2-MG0	0	F06	91306-1E05-C00	1	E03	93903-34380-G	0	F05
90668-LFC2-MG0	0	F06	91307-0E35-W10	1	E04	93903-34380-G	0	F12

PART NO. INDEX

PART NO.	VERSION	PAGE	PART NO.	VERSION	PAGE	PART NO.	VERSION	PAGE
93903-34380-G	0	F17	94050-12080-G	0	E08	95701-06014-08G	1	F20
93903-34380-G	0	F18	94101-LEA2-C00	0	F14	95701-06016-07G	1	F18
93903-35220-G	1	F01	94111-06800-G	0	E02	95701-06016-08G	1	F20
93903-35280-G	1	F02	94111-ACD5-C00	0	F14	95701-06022-07G	1	F04
93903-35280-G	1	F18	94301-10160	4	E01	95701-06022-07G	1	F14
93903-35320-G	1	F02	94301-10160	4	E02	95701-06025-07G	1	F06
93903-35320-G	1	F03	94301-10160	4	E03	95701-06025-08G	1	E02
93903-45380-G	0	F02	94301-10160	4	E04	95701-06032-08G	1	F20
93903-GFY6-C01	1	F01	94301-10200	4	E01	95701-06035-08G	1	E02
93903-GFY6-C01	1	F05	94520-28000	1	E06	95701-06050-08G	1	E02
93903-GFY6-C01	1	F12	94520-40000	1	F16	95701-08012-07G	0	F12
93903-GFY6-C01	1	F18	94591-LDC8-E10	1	E01	95701-08012-08G	1	E01
			94591-LDC8-E10	1	F20	95701-08012-08G	1	F19
94000			94601-15000	10	E03	95701-08014-08	0	F12
			94608-LEJ2-E10	0	F06	95701-08016-07G	1	F20
94001-12280-0SG	1	E06				95701-08028-08G	0	F20
94050-05080-G	1	F18	95000			95701-08040-08G	1	F20
94050-06070-G	0	F04				95701-08045-07G	0	F16
94050-06080-G	1	E02	95002-02120	1	F13	95701-08050-07G	1	F16
94050-06080-G	1	E07	95002-50000	1	F13	95701-LDC8-E11	0	F19
94050-06080-G	1	F04	95012-KGE2-C10	0	F09	95801-08032-07G	1	F16
94050-06080-G	1	F06	95701-06012-07G	1	F04	95801-08040-08G	1	F06
94050-06080-G	1	F09	95701-06012-07G	1	F20	95801-08050-07G	1	F14
94050-06080-G	1	F20	95701-06012-08G	1	F12	95801-10025-07G	0	F15
94050-08080-G	1	E02	95701-06012-08G	1	F19	95801-10035-08G	0	F16
94050-12080-G	0	E06	95701-06014-08G	1	F19			

PART NO. INDEX

PART NO.	VERSION	PAGE	PART NO.	VERSION	PAGE	PART NO.	VERSION	PAGE
96000			96100-63030-00	1	E01			
			96140-63010-10	1	F07			
			98000					
96001-06012-07G	1	F16						
96001-06012-08G	1	E01						
96001-06012-08G	1	E04	98056-5771R-00	1	E02			
96001-06012-08G	1	E07	98200-11000	1	F11			
96001-06012-08G	1	F18	98200-11500	2	F11			
96001-06014-08G	0	E02	98200-30500	0	F19			
96001-06016-08G	1	E07	98200-31000	1	F19			
96001-06016-08G	1	E08	98200-31500	1	F19			
96001-06016-08G	1	F19	98200-32000	0	F19			
96001-06018-08G	1	E08						
96001-06022-08G	1	E08						
96001-06025-00	0	F04						
96001-06025-08G	1	E07						
96001-06025-08G	1	E08						
96001-06028-08G	1	E04						
96001-06045-08G	1	E01						
96001-06050-08G	1	E01						
96001-06100-08G	1	E02						
96001-06100-08G	1	E04						
96001-06110-08G	1	E04						
96001-GFY6-C01	1	E01						
96100-60020-00	1	E09						
96100-62020-00	1	E01						