

# PARTS CATALOGUE



## SCOOTERS

SK64DB(RO)

DT X



Release Date : 2023/05/28  
Print Date : 2024/07/06

## ABOUT THIS PARTS LIST

- This parts list is compiled all service parts for model SK64DB(RO).
- Any difference between color chart and motorcycle will be revised according to motorcycle.
- The Mark:
  1. Marking "\*\*\*" must add color code in the end before ordering parts.
  2. Marking "#" are parts with modification, Please find the details from e-Parts system.
- When modification or additions to this parts list are made a revised edition at an appropriate time.



# CONTENTS

● ABOUT THIS PARTS LIST .....	1
● COLOR CHART OF SK64DB(RO) .....	3
● CONTENTS-ENGINE GROUP .....	8
● CONTENTS-FRAME GROUP .....	9
● ENGINE PARTS LIST .....	12
● FRAME PARTS LIST .....	44
● PART NO. INDEX .....	122

NO	MODEL			COLOR CHART OF SK64DB(RO)			
	PHOTO NO			NO. 1	NO. 2		
	BASIC COLOR			Mat Black	Mat Black		
	CODE			Mat Black	Mat Black		
	PARTS NAME	PARTS NO.	VERSION	NH294FBB	NH294FBA		
1	L COVER COVER COMP	1134A-ACD5-E00	7	D1R			
2	PROTECTOR.MUFFLER	18318-AHG3-E00	1	D46			
3	BAR ASSY R	5070A-ALD9-E10	0	HJA			
4	BAR ASSY L	5070B-ALD9-E10	0				
5	SKIRT R SIDE	64305-AHG1-E00	0	HJP			
6	SKIRT L SIDE	64306-AHG1-E00	0				
7	BRACKET FR CALIPER	43210-LGE5-E00	0	JBA			
8	SIDE COVER L COVER	11345-ACD5-E00	0	JBP			
9	L COVER COVER COMP	1134B-ACD5-E00	0				
10	COVER FR A	64301-AHG1-E00	0				
11	MOLDING R FRONT A	64302-AHG1-E00	0				
12	MOLDING L FRONT A	64303-AHG1-E00	0				
13	COVER SIDE R	83500-AHG1-E00	0				
14	BOARD A R SIDE	83530-AHG1-E00	0				
15	COVER SIDE L	83600-AHG1-E00	0				
16	BOARD A L SIDE	83630-AHG1-E00	0				
17	COVER BODY R	83510-AHG1-E00	0				
18	COVER BODY L	83610-AHG1-E00	0	M3A			
19	LEVER R STRG HANDLE	53175-LKF5-E00	0				
20	LEVER L STRG HANDLE	53178-LKF5-E00	0	N1R			
21	COVER.RADIATOR	19025-ABD2-C01	0				
22	CASE BATTERY	50325-AHG1-E00	0				
23	COVER ASSY BATTERY	50327-AHG3-E00	0				
24	COVER UNDER	50613-AHG1-E00	0				
25	GRIP COMP THROT	53140-LHJ3-900	3				
DATE OF STARTING-SALES							
DATE OF END-SALES							

NO	MODEL			COLOR CHART OF SK64DB(RO)			
	PHOTO NO			NO. 1	NO. 2		
	BASIC COLOR			Mat Black	Mat Black		
	CODE			Mat Black	Mat Black		
	PARTS NAME	PARTS NO.	VERSION	NH294FBB	NH294FBA		
26	GRIP COMP L HANDLE	53150-LEA6-900	6				
27	COVER METER	53204-AHG1-E00	0				
28	HANDLE COVER LOW	53206-AHG1-E00	0				
29	PROTECTOR R HANDLE	53207-AHG1-E00	0				
30	PROTECTOR L HANDLE	53208-AHG1-E00	0				
31	INTERFACE R	53209-AHG1-E00	0				
32	COVER HANDLE UP	5320A-AHG1-E00	0				
33	INTERFACE L	53210-AHG1-E00	0				
34	HINGE HANDLE TOP	53225-AHG1-E00	0				
35	FENDER A FR	61100-AHG1-E00	0				
36	FENDER FR INNER	61110-AHG1-E00	0				
37	COVER FR C	64304-AHG1-E00	0				
38	COVER FR B	64309-AHG1-E00	0				
39	FLOOR PANEL R	64310-AHG1-E00	0				
40	MOLDING R FRONT B	64312-AHG1-E00	0				
41	MOLDING L FRONT B	64313-AHG1-E00	0				
42	SKIRT B L SIDE	64316-AHG1-E00	0				
43	SKIRT B R SIDE	64317-AHG1-E00	0				
44	PANEL L FLOOR	64330-AHG1-E00	0				
45	MAT R LEG SHIELD	64350-AHG1-E00	0				
46	MAT R FLOOR	64351-AHG1-E00	0				
47	MAT L LEG SHIELD	64360-AHG1-E00	0				
48	MAT L FLOOR	64361-AHG1-E00	0				
49	COWL UNDER	64400-AHG1-E00	0				
50	FENDER TIRE RR	80100-AHG1-E00	0				
DATE OF STARTING-SALES							
DATE OF END-SALES							

NO	MODEL			COLOR CHART OF SK64DB(RO)			
	PHOTO NO			NO. 1	NO. 2		
	BASIC COLOR			Mat Black	Mat Black		
	CODE			Mat Black	Mat Black		
	PARTS NAME	PARTS NO.	VERSION	NH294FBB	NH294FBA		
51	FENDER RR INNER	80101-AHG1-E00	0	N1R			
52	FENDER RR	80105-AHG1-E00	0				
53	COVER LICENSE LIGHT	80107-AHG1-E00	0				
54	COVER CENTER	80151-AHG1-E00	0				
55	COVER FUEL	80152-AHG1-E00	0				
56	HINGE FUEL COVER	80153-AHG1-E00	0				
57	COVER SEAT	80154-AHG1-E00	0				
58	HOLDER FUEL COVER	80155-AHG1-E00	0				
59	COVER ASSY. FUEL	8015A-AHG1-E00	0				
60	LEG SHIELD	81131-AHG1-E00	0				
61	HOLDER BOX HINGE	81134-AHG1-E00	0				
62	BOX INNER FR.	81135-AHG1-E00	0				
63	BOX ASSY. L FRONT	8113A-AHG1-E00	0				
64	BOTTOM ASSY. BOX	8113B-AHG1-E00	0				
65	LID R BOX FR	81142-AHG1-E00	0				
66	BOX ASSY LUGGAGE	81250-AHG1-E00	1				
67	BOARD C R SIDE	83534-AHG1-E00	0				
68	BOARD C L SIDE	83634-AHG1-E00	0				
69	BAND HARNESS WIRE	90656-KUDU-900	0				
70	END R HANDLE	53105-LEA7-E00	4				
71	END L HANDLE	53106-LEA7-E00	4				
72	WHEEL CAST RR	42601-AHG1-E00	0	NEA			
73	CALIPER ASSY RR	43100-LGE5-E01	3				
74	WHEEL FR CAST	44601-AHG1-E00	0				
75	CALIPER ASSY FR	45200-LKG7-E00	5				
DATE OF STARTING-SALES							
DATE OF END-SALES							

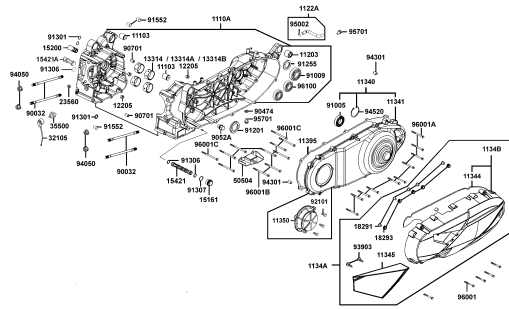
NO	MODEL			COLOR CHART OF SK64DB(RO)				
	PHOTO NO			NO. 1	NO. 2			
	BASIC COLOR			Mat Black	Mat Black			
	CODE			Mat Black	Mat Black			
	PARTS NAME	PARTS NO.	VERSION	NH294FBB	NH294FBA			
76	BRACKET COMP FR	45210-LKG7-305	0	NEA				
77	FORK ASSY R FR	51400-AHG1-E30	1					
78	BOTTOM CASE R	51420-AHG1-E00	0					
79	FORK ASSY LH FR	51500-AHG1-E30	1					
80	BOTTOM CASE L	51520-ABD2-C00	0					
81	FORK ASSY RR	52000-AHG5-E00	0					
82	CAP ACG	90084-KKF9-901	0					
83	CAP ASSY	9008A-PTA1-900	3					
84	TAIL CAP MUFFLER	18306-AHG3-E00	0		NEP			
85	CUSHION ASSY REAR	52400-AHG1-E30	1		NES			
86	FILM HANDLE COVER	53245-AHG1-900	1	T01				
87	SEAT ASSY	77200-AHG5-E00	4					
88	EMB DTX	86020-AHG5-E00	1					
89	EMB K-LOGO ASSY	8610A-LGC6-E00	0					
90	STRIPE FR MOLD	86281-AHG5-E10	0					
91	EMB TCS	87311-AHG5-E00	1					
92	LABEL FUEL TANK	87546-ADG5-E00	2					
93	MARK DRIVE CAUTION	87560-AHG5-E00	1					
94	STRIPE R BODY COVER	86221-AHG1-E00	1		T01	T02		
95	STRIPE L BODY COVER	86231-AHG1-E00	1					
96	LABEL CLEANNESS	87508-ABD2-E00	0	T02				
97	EMB SKIRT (350)	86332-ACD5-E01	5	T03				
98	RR CARRIER R	81200-AHG1-900	0	X4A	ZBA			
99	RR CARRIER L	81300-AHG1-900	0					
100	COVER HANDLE TOP	53215-AHG1-E00	0	X4P	ZBP			
DATE OF STARTING-SALES								
DATE OF END-SALES								

NO	MODEL			COLOR CHART OF SK64DB(RO)			
	PHOTO NO			NO. 1	NO. 2		
	BASIC COLOR			Mat Black	Mat Black		
	CODE			Mat Black	Mat Black		
	PARTS NAME	PARTS NO.	VERSION	NH294FBB	NH294FBA		
101	MOLDING R FRONT C	64307-AHG1-E00	0	X4P	ZBP		
102	MOLDING L FRONT C	64308-AHG1-E00	0				
103	COVER A KEY	81151-AHG1-E00	0				
104	COVER KEY B	81161-AHG1-E00	0				
105	BOARD B R SIDE	83532-AHG1-E00	0				
106	BOARD B L SIDE	83632-AHG1-E00	0				
107	COVER RR CENTER	83750-AHG1-E00	0				
DATE OF STARTING-SALES							
DATE OF END-SALES							

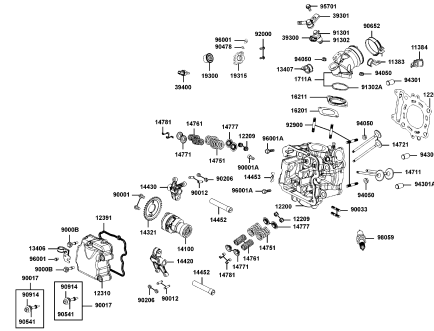


# CONTENTS - ENGINE GROUP

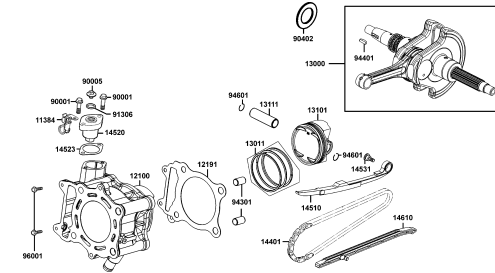
## E01 Crank Case



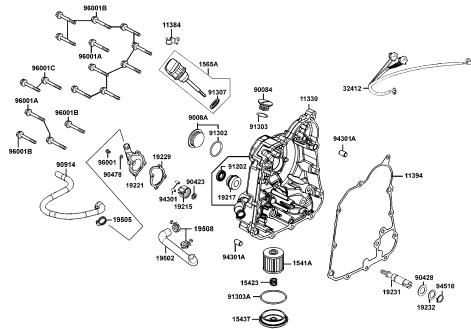
## E02 Cylinder Head Cover Cylinder



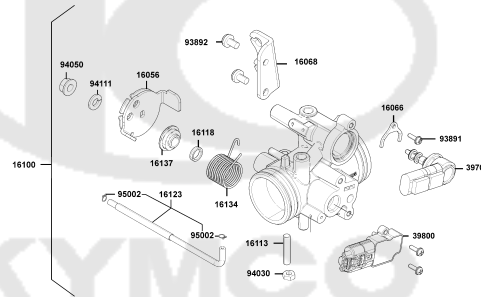
## E03 Cylinder Piston Crankshaft



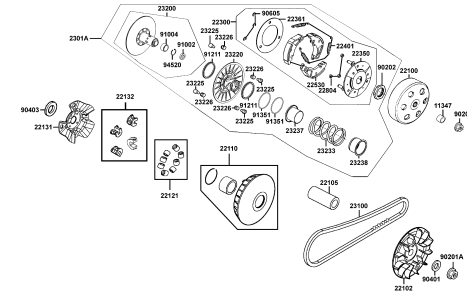
## E04 Right Crankcase Cover Water



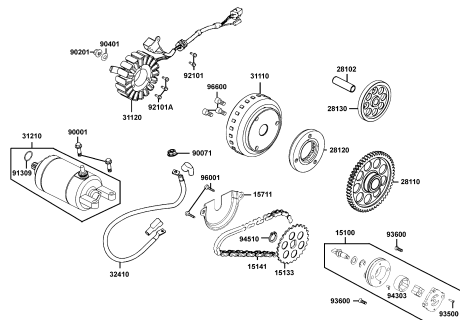
## E05 Throttle Body Assy



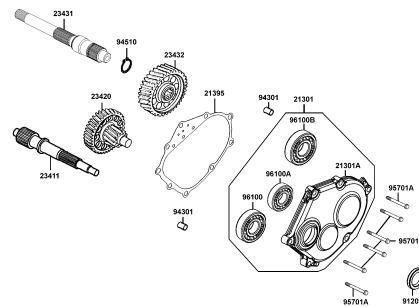
## E06 Drive Pulley



## E07 Starting Motor Generator

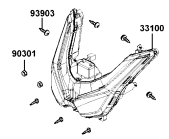


## E08 Mission Shaft

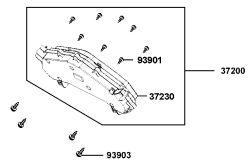


**CONTENTS - FRAME GROUP**

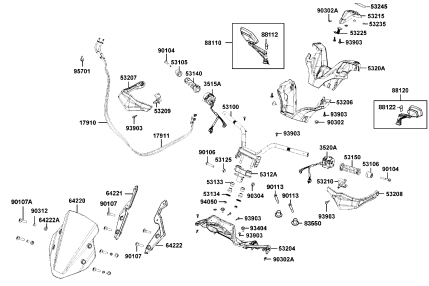
**F01 Head Light**



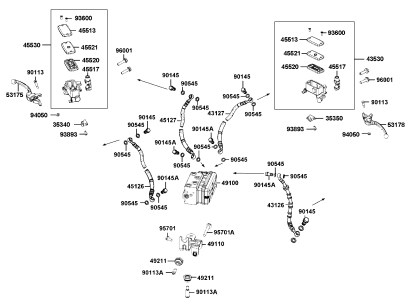
**F02 Speed meter**



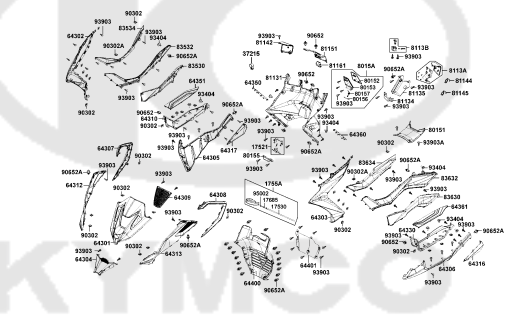
**F03 Handle Steering**



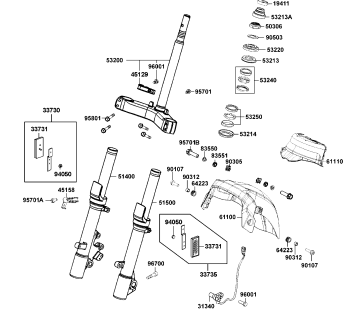
**F04 Master Cylinder**



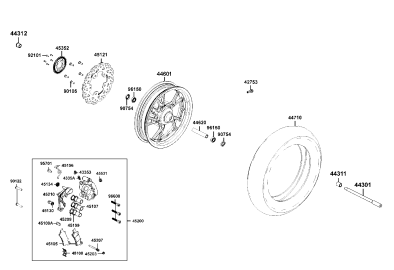
**F05 Front Cover Front Inner Box**



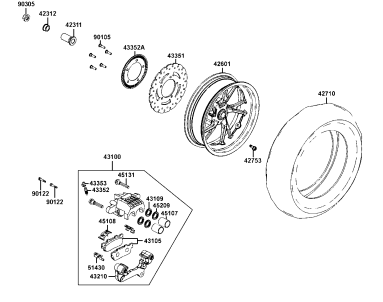
**F06 Stem Steering Front Fork**



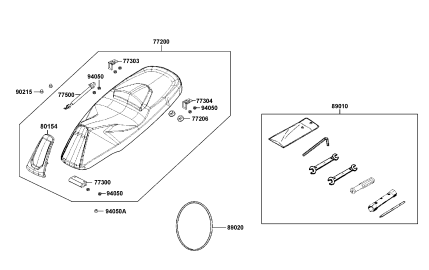
**F07 Front Wheel**



**F08 Rear Wheel**



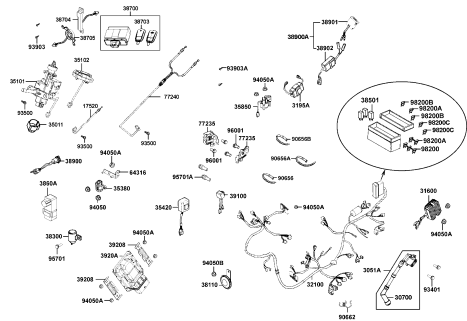
**F09 Seat**



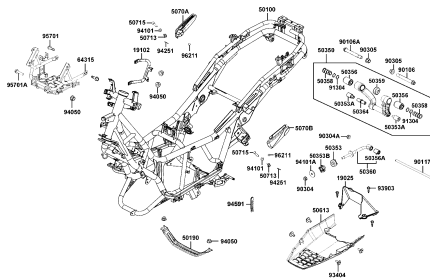


# CONTENTS - FRAME GROUP

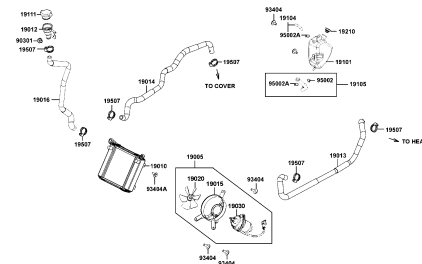
## F19 Harness Wire



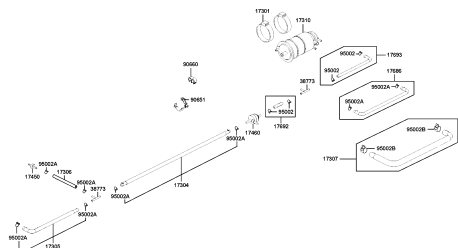
## F20 Frame Body



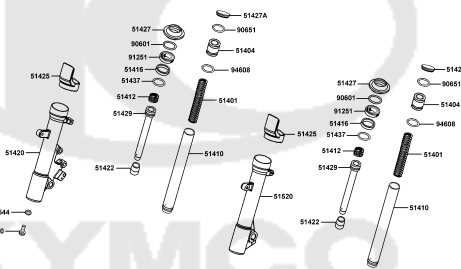
## F21 Radiator



## F22 Canister



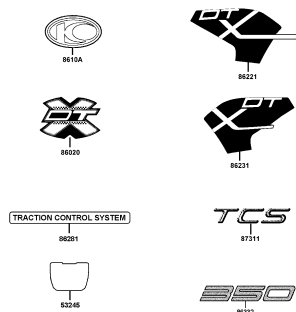
## F23 Separated Parts Of Fr Fork



## F24 Caution Label

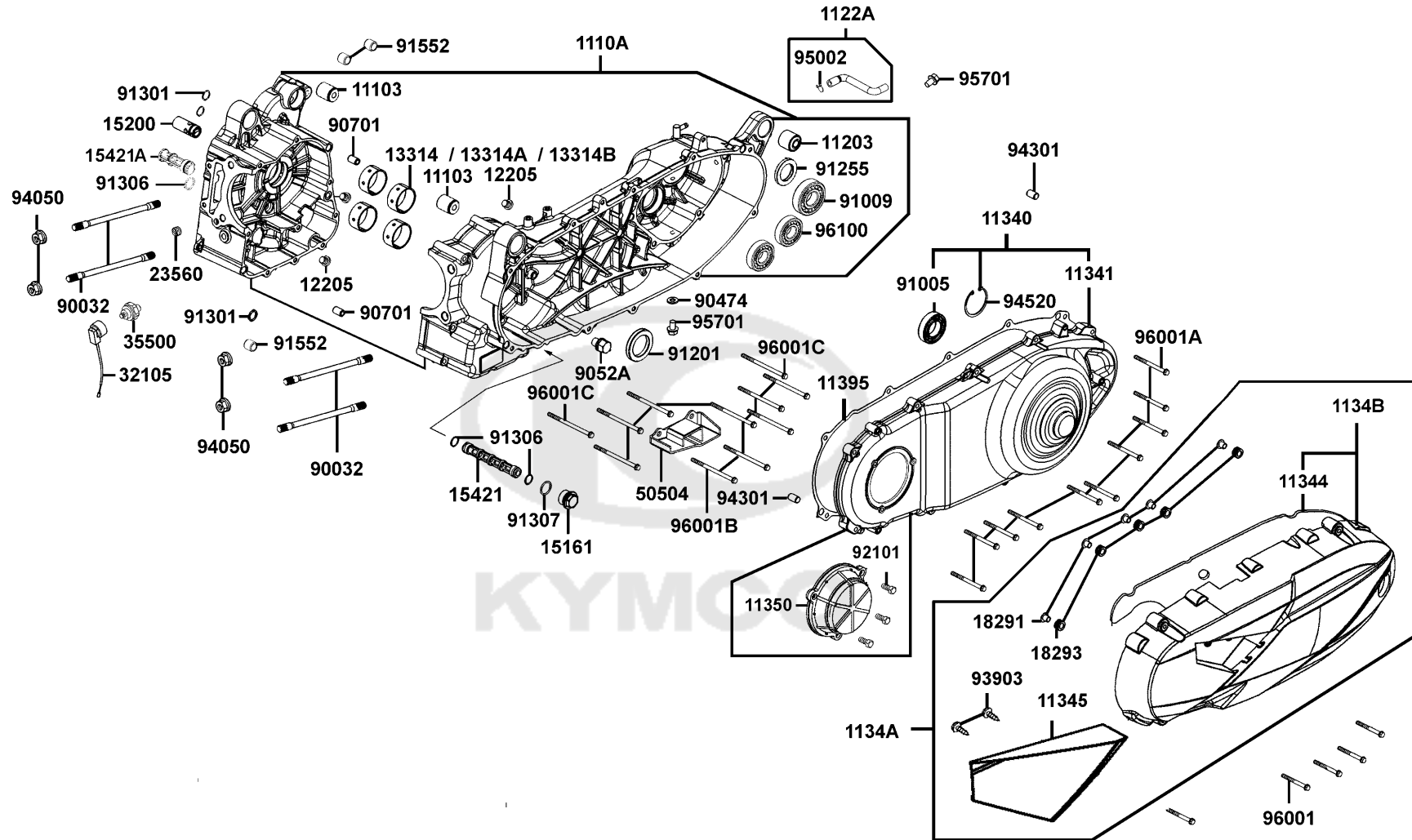


## F25 Emblem Stripe



E01

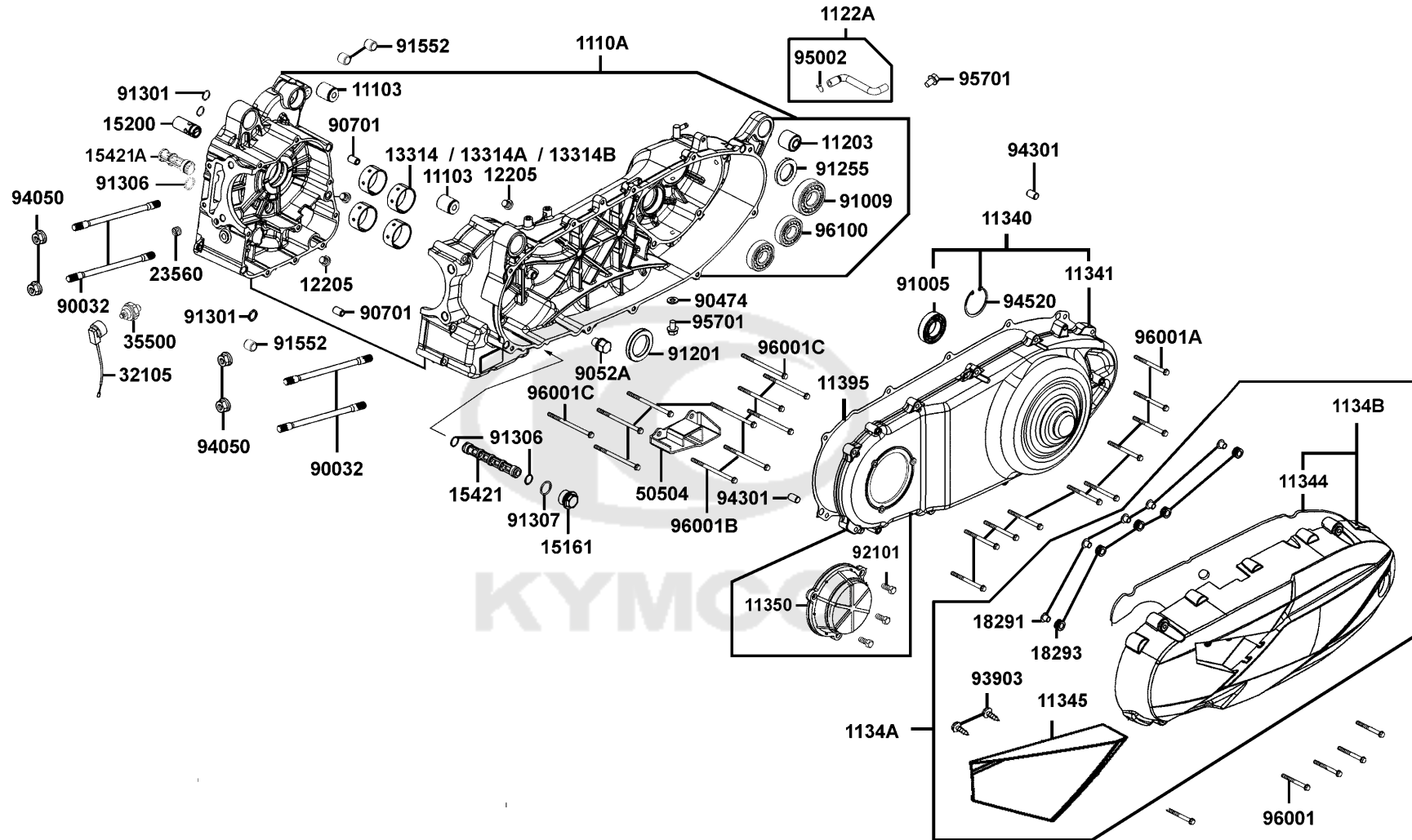
# Crank Case



Sales mark	Ref no	Part no	Description	Reg description	Regd no	E01
	11103	11103-KHE7-900	RUB BUSH ENG HANGER	RUB BUSH ENG HANGER	2	
	1110A	1110A-ACD5-305	CRANKCASE ASSEMBLY	CRANKCASE ASSEMBLY	1	
	11203	11203-LBA2-E00	RUB BUSH L CASE	RUB BUSH L CASE	1	
	1122A	1122A-LEA7-E00	TUBE ASSY BREATHER	TUBE ASSY BREATHER	1	
	11340	11340-ACD5-E03	COVER COMP L.CRANK CASE	COVER COMP L.CRANK CASE	1	
	11341	11341-LEA7-E01	COVER L CRANK CASE	COVER. L. CRANK CASE	1	
	11344	11344-ACD5-E00	FOAM TEXTURE	FOAM TEXTURE	1	
**	11345	11345-ACD5-E00	SIDE COVER L COVER (Mat Black)	SIDE COVER L COVER (Mat Black)	1	
**	1134A	1134A-ACD5-E00	L COVER COVER COMP	L COVER COVER COMP	1	
**	1134B	1134B-ACD5-E00	L COVER COVER COMP (Mat Black)	L COVER COVER COMP (Mat Black)	1	
	11350	11350-ACD5-E03	ELEMENT ASSY L COVER	ELEMENT ASSY L COVER	1	
	11395	11395-LEA7-E00	GASKET L COVER @A	GASKETL COVER	1	
	12205	12205-LEA7-E00	BOLT SEALING 12MM	BOLT SEALING 12MM	3	
	13314	13314-LEA7-E0A	BEARING CRANK SHAFT A	BEARING CRANK SHAFT A (RED/1.995~1.998)	4	
	13314A	13314-LEA7-E0B	BEARING CRANK SHAFT A	BEARING CRANK SHAFT A	4	
	13314B	13314-LEA7-E0C	BEARING CRANK SHAFT A	BEARING CRANK SHAFT A	4	
	15161	15161-PUA5-E00	PLUG SCREW SECTION FILTER	PLUG SCREW SECTION FILTER	1	
	15200	15200-KED9-900	OIL RELIEF VALVE ASSY	OIL RELIEF VALVE ASSY	1	
	15421	15421-LEA7-E00	SCREEN OIL FILTER	SCREEN OIL FILTER	1	
	15421A	15421-LEA7-E05	SCREEN OIL FILTER	SCREEN OIL FILTER	1	

E01

# Crank Case

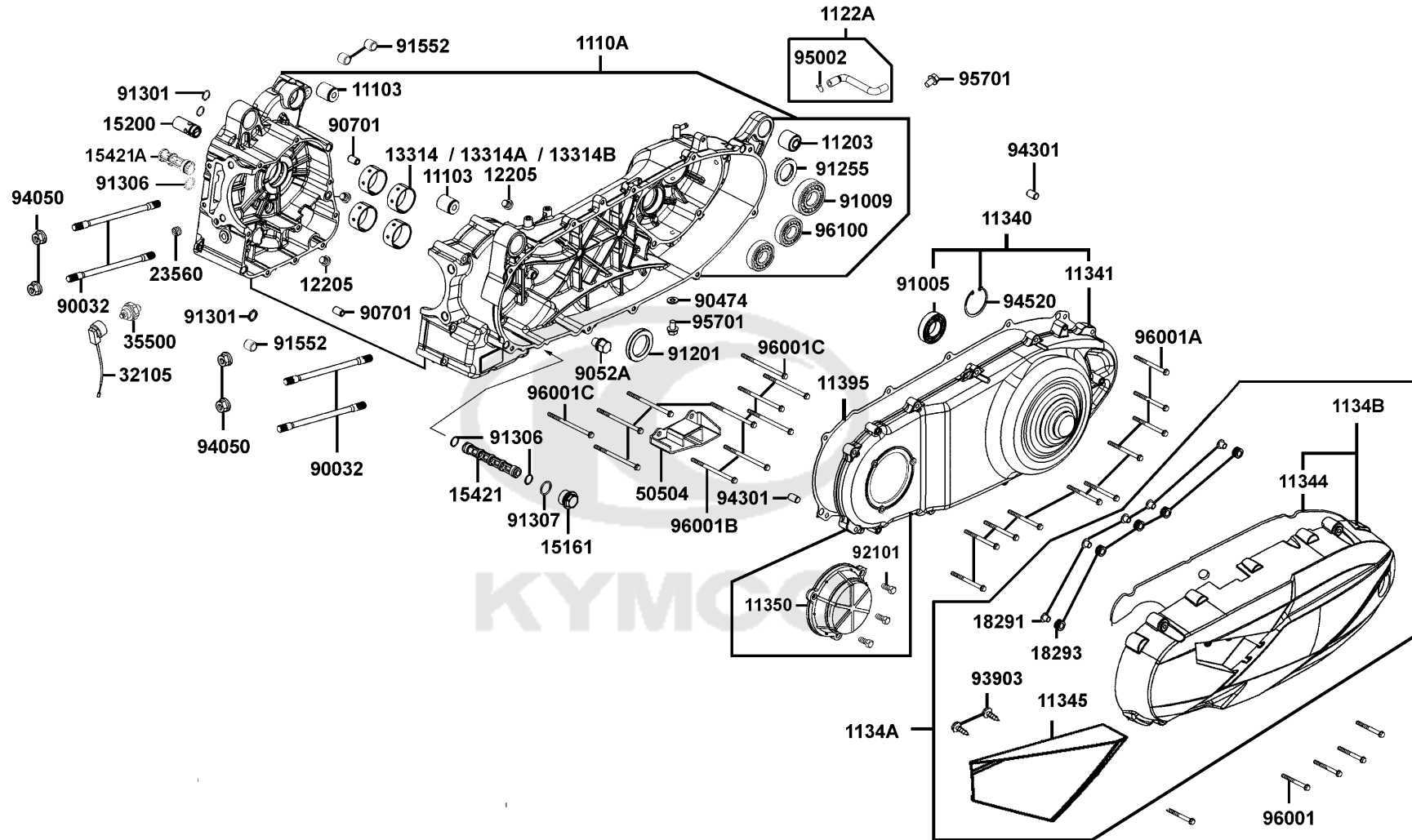


Sales mark	Ref no	Part no	Description	Reg description	Regd no	E01
	18291	18291-KKC4-900	COLLAR	COLLAR	5	
	18293	18293-KKC4-900	RUBBER	RUBBER	5	
	23560	23560-LBA2-E00	ORIFICE R CASE	ORIFICE R CASE	1	
	32105	32105-LLJ3-E00	SUB HARNESS	SUB HARNESS	1	
	35500	35500-KED9-900	SW ASSY OIL PRESSURE	SW ASSY OIL PRESSURE	1	
	50504	50504-ACD5-E00	STOPPER PLATE MAIN STAND	STOPPER PLATE MAIN STAND	1	
	90032	90032-LEA7-E00	BOLT B STUD 10*180	BOLT B STUD 10*180	4	
	90474	90474-3C33-001	WASHER 8MM	WASHER 8MM	1	
	9052A	9052A-LEB1-900	BOLT ASSY DRAIN PLUG	BOLT ASSY DRAIN PLUG	1	
	90701	90701-9E65-001	PIN DOWEL 10*16	PIN DOWEL 10*16	2	
	91005	91005-LBA7-900	BRG BALL RADIAL 6005LLU	BRG BALL RADIAL 6005LLU	1	
	91009	91009-KHE7-900	BRG BALL RADIAL 6205LLU	BRG BALL RADIAL 6205LLU	1	
	91201	91201-LEA7-E00	OIL SEAL 35*50*7	OIL SEAL 35*50*7	1	
	91255	91255-LKG7-E00	OIL SEAL 34*54*8	OIL SEAL 34*54*8	1	
	91301	91301-2L00-001	O-RING 10*1.6	O-RING 10*1.6	3	
	91306	91306-PUA5-E00	O-RING 13*1.5	O-RING 13*1.5	2	
	91307	91307-PUA5-E00	O-RING 18*2	O-RING 18*2	1	
	91552	91552-LEA7-E00	COLLAR.10.5MM	COLLAR.10.5MM	3	
	92101	92101-05012-0G	BOLT HEX 5X12	BOLT HEX 5X12	3	
	93903	93903-25360	SCREW TAPPING 5*16	SCREW TAPPING 5*16	2	

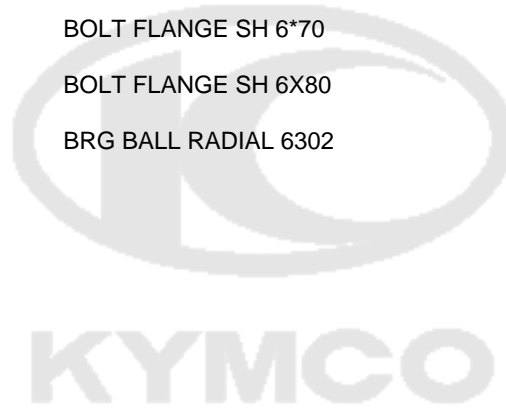


E01

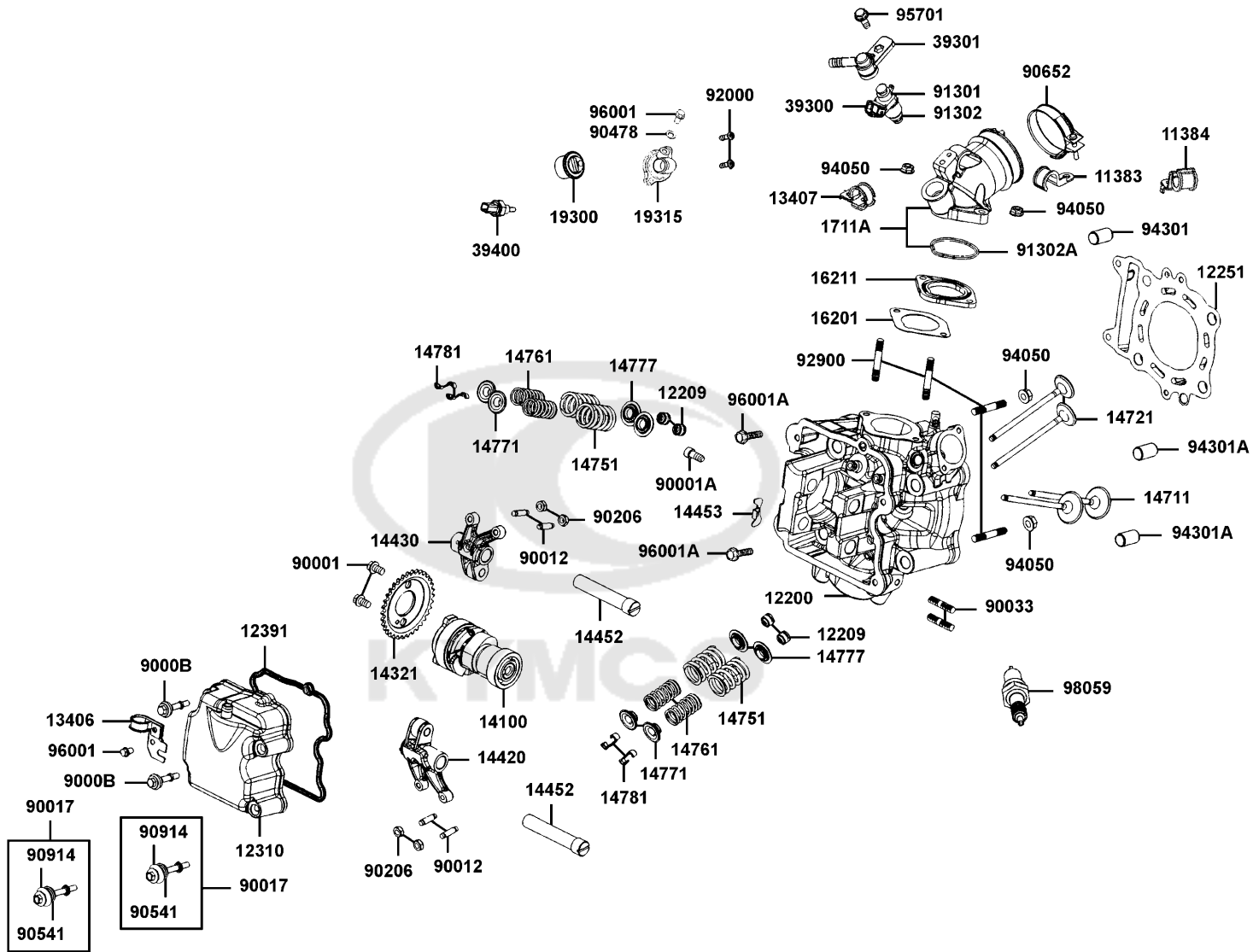
# Crank Case



Sales mark	Ref no	Part no	Description	Reg description	Regd no	<b>E01</b>
94050		94050-10060	NUT FLANGE 10MM	NUT FLANGE 10MM	4	
94301		94301-10160	DOWEL PIN 10*16	DOWEL PIN 10*16	2	
94520		94520-47000	CIR CLIP IN 47	CIR CLIP IN 47	1	
95002		95002-50000	CLIP C9 TUBE	CLIP C9 TUBE	1	
95701		95701-08012-06	BOLT FLANGE 8*12	BOLT FLANGE 8*12	2	
96001		96001-06020-06	BOLT FLANGE SH 6*20	BOLT FLANGE SH 6*20	5	
96001A		96001-06030-06	BOLT FLANGE SH 6X30	BOLT FLANGE SH 6X30	10	
96001B		96001-06070-06	BOLT FLANGE SH 6*70	BOLT FLANGE SH 6*70	9	
96001C		96001-06080-06	BOLT FLANGE SH 6X80	BOLT FLANGE SH 6X80	2	
96100		96100-63020-00	BRG BALL RADIAL 6302	BRG BALL RADIAL 6302	2	



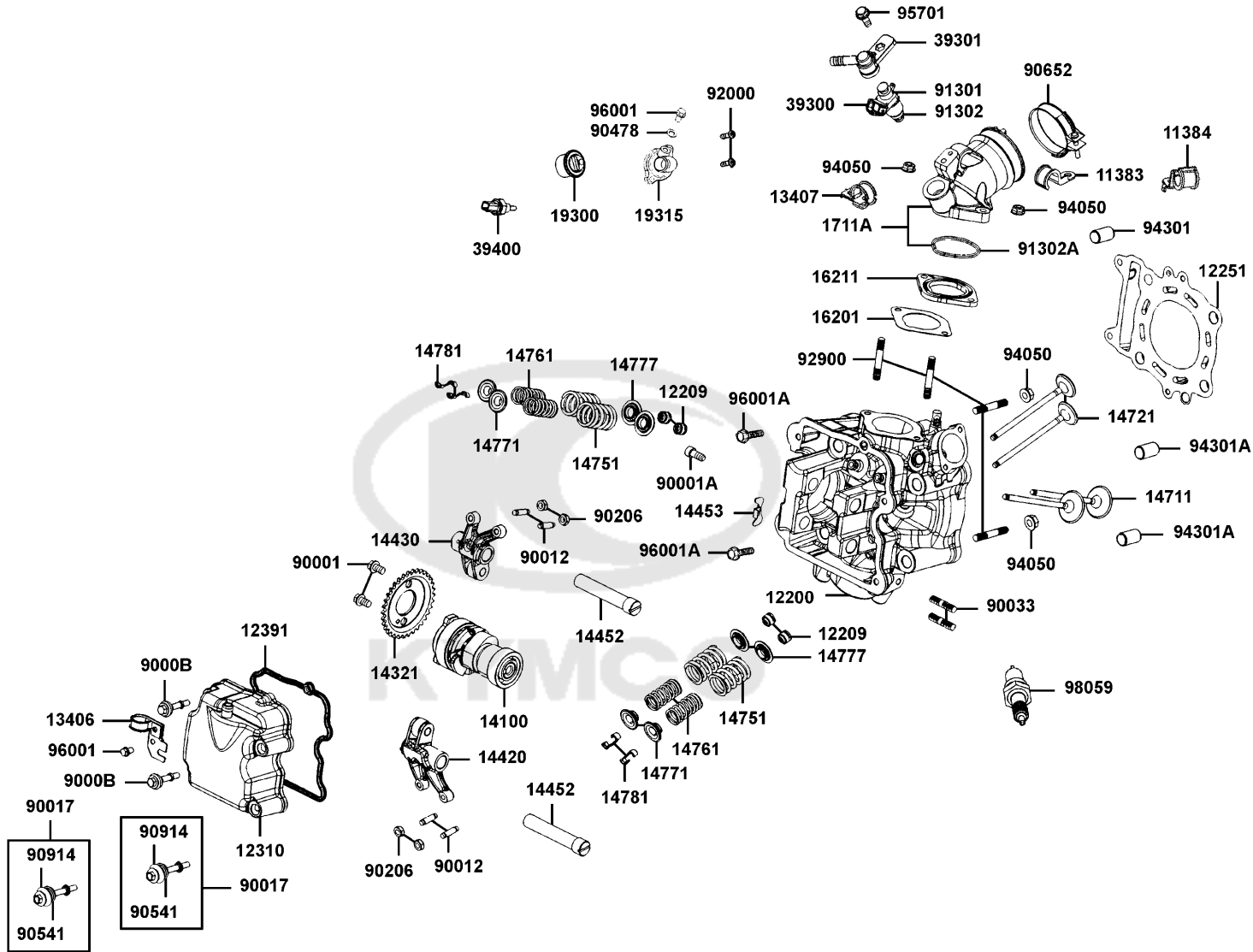
### Cylinder Head Cover Cylinder Head



Sales mark	Ref no	Part no	Description	Reg description	Regd no	E02
11383		11383-KHE7-900	CLAMPER RR BRK HOSE	CLAMPER RR BRK HOSE	1	
11384		11384-LEA7-E05	CLIP WATER PIPE	CLIP WATER PIPE	1	
12200		12200-ACD5-E00	HEAD COMP CYLINDER	HEAD COMP.. CYLINDER	1	
12209		12209-GDB4-68B	SEAL VALVE STEM	SEAL VALVE STEM	1	
12251		12251-ACD5-E00	GASKET CYLINDER HEAD	GASKET CYLINDER HEAD	1	
12310		12310-LEA7-E00	COVER COMP CYLN HEAD	COVER COMP CYLN HEAD	1	
12391		12391-LEA7-E00	GASKET HEAD COVER	GASKET HEAD COVER	1	
13406		13406-LEA7-E00	PLATE FUEL INJECTOR	PLATE FUEL INJECTOR	1	
13407		13407-LKC6-900	PLATE A ECU MODULE	PLATE A ECU MODULE	1	
14100		14100-ACD5-E00	SHAFT COMP CAM	SHAFT COMP CAM	1	
14321		14321-LEA7-E00	SPROCKET CAMSHAFT	SPROCKET CAMSHAFT	1	
14420		14420-ACD5-E00	ARM COMP. EXH VALVE ROCKER	ARM COMP. EXH VALVE ROCKER	1	
14430		14430-ACD5-E00	ARM COMP. IN VALVE ROCKER	ARM COMP. IN VALVE ROCKER	1	
14452		14452-LEA7-E00	SHAFT EX ROCKER ARM	SHAFT EX ROCKER ARM	2	
14453		14453-LEA7-E00	SET PLATE ROCKER ARM SHAFT	SET PLATE ROCKER ARM SHAFT	1	
14711		14711-LGE5-E00	VALVE.IN	VALVE.IN	2	
14721		14721-LEA7-E00	VALVE EXHAUST	VALVE EXHAUST	2	
14751		14751-LEA7-E00	SPRING VALVE OUTER	SPRING VALVE OUTER	4	
14761		14761-LEA7-E00	SPRING VALVE INNER	SPRING VALVE INNER	4	
14771		14771-GDB4-C00	RETAINER VALVE SPRING	RETAINER VALVE SPRING	4	

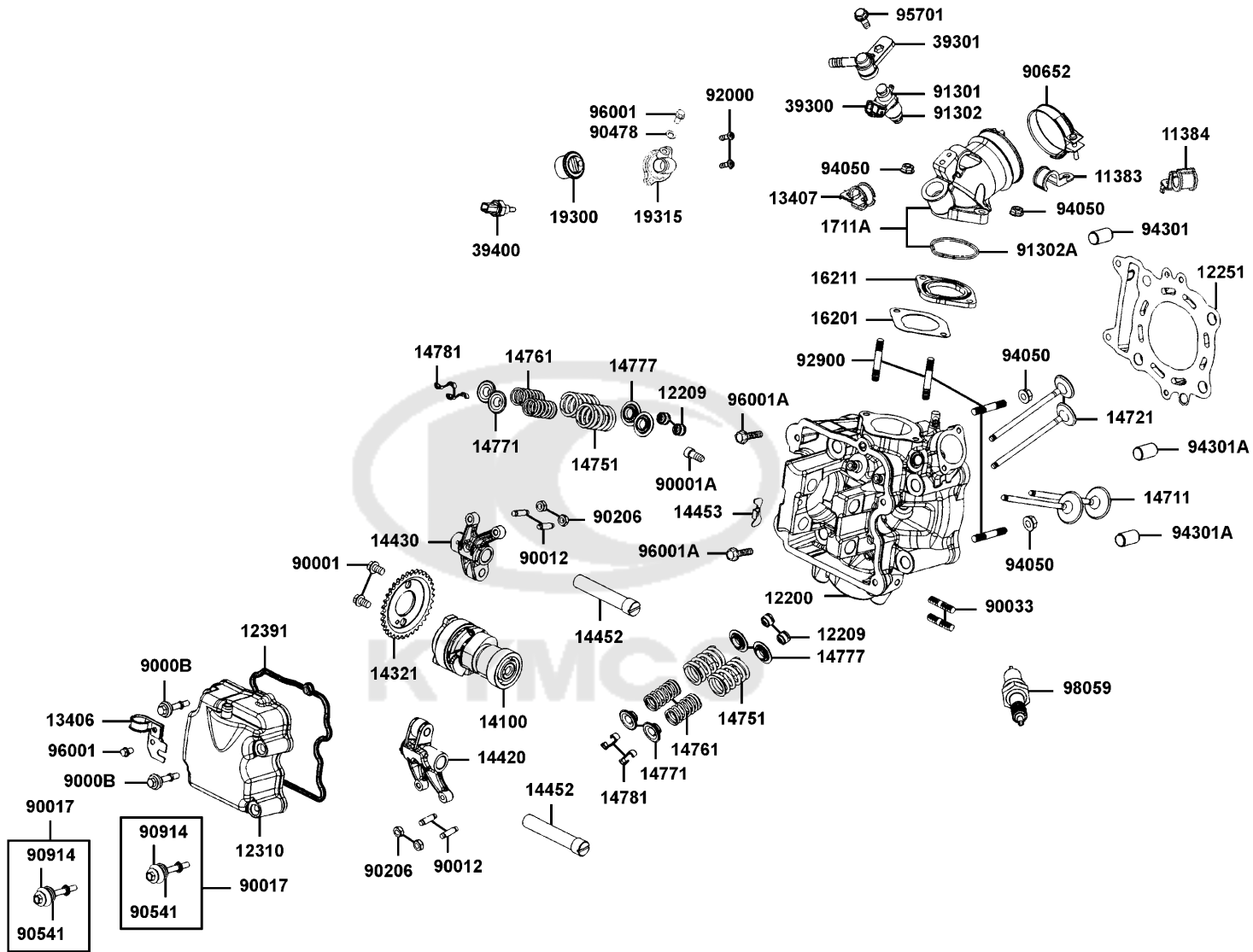
E02

# Cylinder Head Cover Cylinder Head



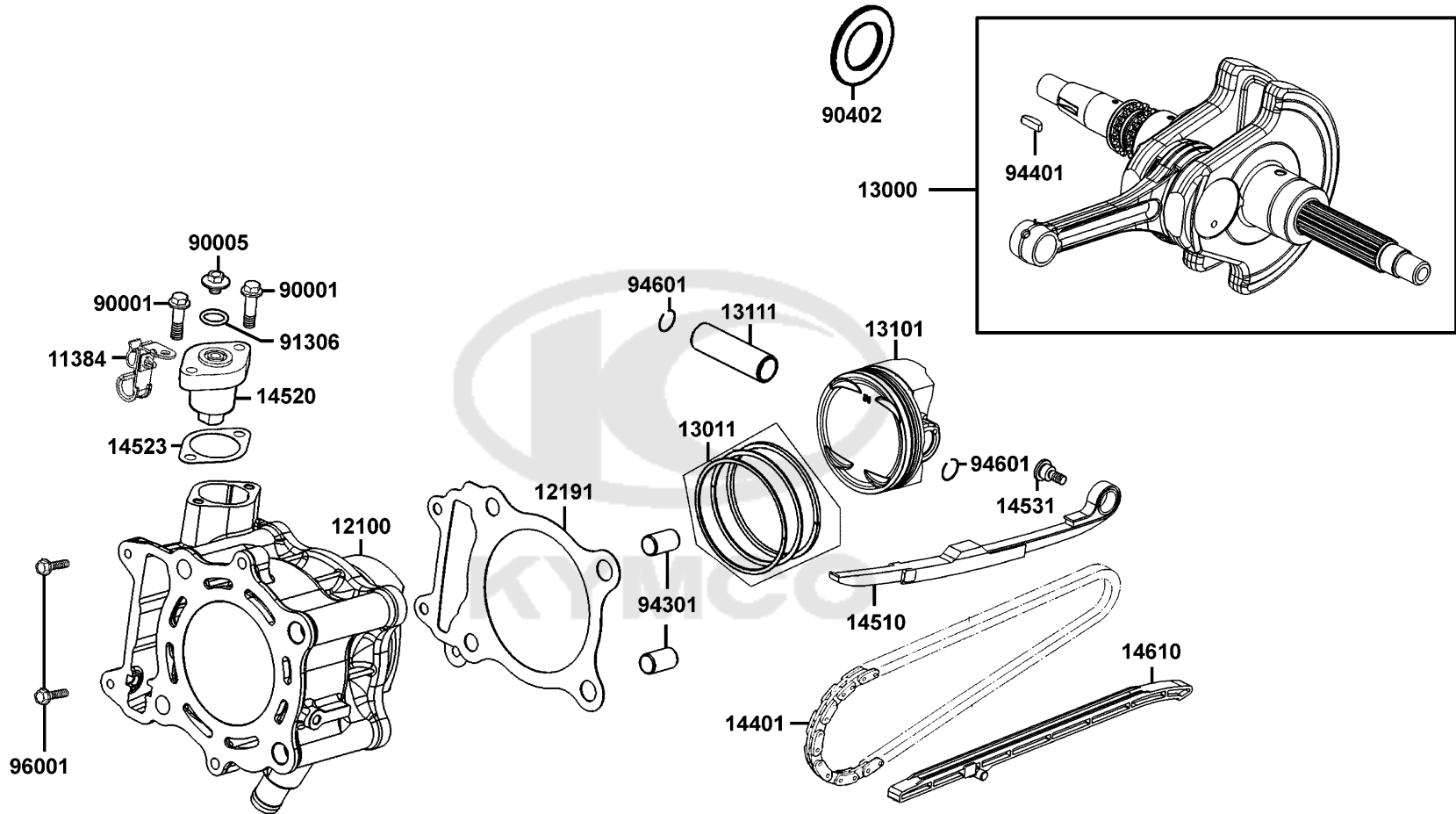
Sales mark	Ref no	Part no	Description	Reg description	Regd no	E02
	14777	14777-LBA2-E00	SEAT VALVE SPG	SEAT VALVE SPG	4	
	14781	14781-MFA6-001	COTTER VALVE	COTTER VALVE	8	
	16201	16201-LEA7-E00	GASKET CARB INSULATOR @A	GASKETCARB INSULATOR A	1	
	16211	16211-LEA7-E00	INSULATOR CARB	INSULATOR CARB	1	
	1711A	1711A-LEA7-E05	PIPE ASSY INLET	PIPE ASSY INLET	1	
	19300	19300-LFA7-E0A	THERMOSTAT ASSY.	THERMOSTAT ASSY.	1	
	19315	19315-LFA7-E00	COVER THERMOSTAT	COVER THERMOSTAT	1	
	39300	39300-LDF2-M90	INJECTOR UNIT FUEL	INJECTOR UNIT FUEL	1	
	39301	39301-LDF2-M91	CUP COMP FUEL INJECTOR	CUP COMP FUEL INJECTOR	1	
	39400	39400-LDF2-800	WATER TEMP SENSOR	WATER TEMP SENSOR	1	
	90001	90001-GFY6-901	SOCKET BOLT 6*10	SOCKET BOLT 6*10	1	
	90001A	90001-LEA7-E00	SOCKET BOLT	SOCKET BOLT	1	
	9000B	9000B-KHD6-900	BOLT ASSY SPECIAL 6*41.5	BOLT ASSY SPECIAL 6*41.5	2	
	90012	90012-3C33-001	SCREW TAPPET ADJUSTING	SCREW TAPPET ADJUSTING	4	
	90017	90017-KKE5-E00	BOLT ASSY HEAD COVER	BOLT ASSY HEAD COVER	2	
	90033	90033-KGB4-C00	BOLT STUD M8X40 (C)	BOLT STUD M8X40 (C)	2	
	90206	90206-0A01-001	NUT TAPPET ADJG	NUT TAPPET ADJG	4	
	90478	90478-7L00-001	WASHER A 6MM	WASHER A 6MM	1	
	90541	90541-KED9-900	RUBBER MOUNTING	RUBBER MOUNTING	2	
	90652	90652-LDG7-900	C-HOPE 50~70	C-HOPE 50~70	1	

# Cylinder Head Cover Cylinder Head

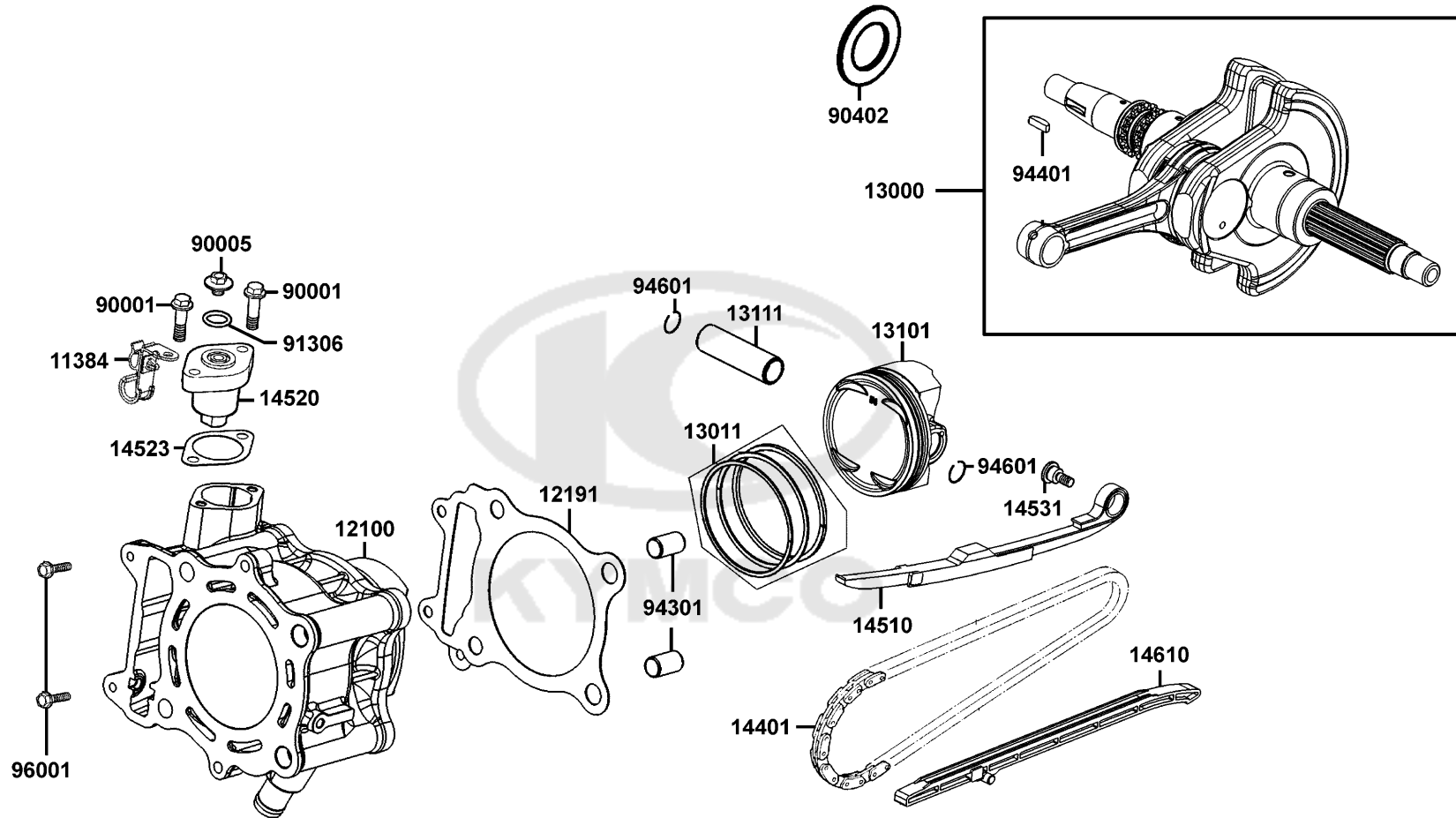


Sales mark	Ref no	Part no	Description	Reg description	Regd no	<b>E02</b>
90914		90914-KED9-900	WASHER HEAD COVER BOLT	WASHER HEAD COVER BOLT	2	
91301		91301-LDF2-M90	O-RING 7.3*2.2 (BLACK)	O-RING 7.3*2.2 (BLACK)	1	
91302		91302-LDF2-M90	SEAL RING 6.5X2.5 (BLACK)	SEAL RING 6.5X2.5 (BLACK)	1	
91302A		91302-LEA7-E00	O-RING	O-RING	1	
92000		92000-05016-0G	BOLT HEX 5X16	BOLT HEX 5X16	2	
92900		92900-06040-0E	BOLT STUD 6*40	BOLT STUD 6*40	4	
94050		94050-06080	NUT FLANGE 6MM	NUT FLANGE 6MM	4	
94301		94301-08100	DOWEL PIN 8*10	DOWEL PIN 8*10	1	
94301A		94301-12200	DOWEL PIN 12*20	DOWEL PIN 12*20	2	
95701		95701-06016-06	BOLT FLANGE 6X16	BOLT FLANGE 6X16	1	
96001		96001-06010-06	BOLT FLANGE 6*10	BOLT FLANGE 6*10	3	
96001A		96001-06025-06	BOLT FLANGE SH 6*25	BOLT FLANGE SH 6*25	2	
98059		98059-57916-00	SPARK PLUG (CR7E)	SPARK PLUG (CR7E)	1	





Sales mark	Ref no	Part no	Description	Reg description	Regd no	E03
	11384	11384-LKG2-900	CLAMPER A RR BRK HOSE	CLAMPER A RR BRK HOSE	1	
	12100	12100-ACD5-E00	CYLINDER COMP (A)	CYLINDER COMP.	1	
	12191	12191-ACD5-E00	GASKET CYLINDER	GASKET CYLINDER	1	
	13000	13000-ACD5-E00	CRANK SHAFT COMP	CRANK SHAFT COMP	1	
	13011	13011-ACD5-E00	RING ASSY PISTON	RING ASSY PISTON	1	
	13101	13101-ACD5-E00	PISTON	PISTON	1	
	13111	13111-KKE5-E01	PIN PISTON	PIN PISTON	1	
	14401	14401-PWB1-900	CHAIN CAM	CHAIN CAM	1	
	14510	14510-LEA7-E00	TENSIONER CAM CHAIN	TENSIONER CAM CHAIN	1	
	14520	14520-KED9-900	LIFTER ASSY TENSIONER	LIFTER ASSY TENSIONER	1	
	14523	14523-KED9-920	GASKET TENSIONER LIFTER @A	GASKET TENSIONER LIFTER @A	1	
	14531	14531-KHE7-900	PIVOT CAM CHAIN TENSIONER	PIVOT CAM CHAIN TENSIONER	1	
	14610	14610-LEA7-E00	GUIDE COMP CAM CHAIN	GUIDE COMP CAM CHAIN	1	
	90001	90001-GBHB-661	BOLT FLANGE SH 6*22	BOLT FLANGE SH 6*22	2	
	90005	90005-KAW1-901	SCREW PAN 6X6	SCREW PAN 6*6	1	
	90402	90402-LEA7-E00	THRUST WASHER 36X60X3	THRUST WASHER 36X60X3	1	
	91306	91306-1E05-691	O-RING 1.5*9.5	O-RING 1.5*9.5	1	
	94301	94301-12200	DOWEL PIN 12*20	DOWEL PIN 12*20	2	
	94401	94401-25140	WOODRUFF KEY 25*14	WOODRUFF KEY 25*14	1	
	94601	94601-KKE5-E01	CLIP PISTON PIN	CLIP PISTON PIN	2	



Sales mark	Ref no	Part no	Description	Reg description	Regd no	<b>E03</b>
------------	--------	---------	-------------	-----------------	---------	------------

96001

96001-06025-06

BOLT FLANGE SH 6\*25

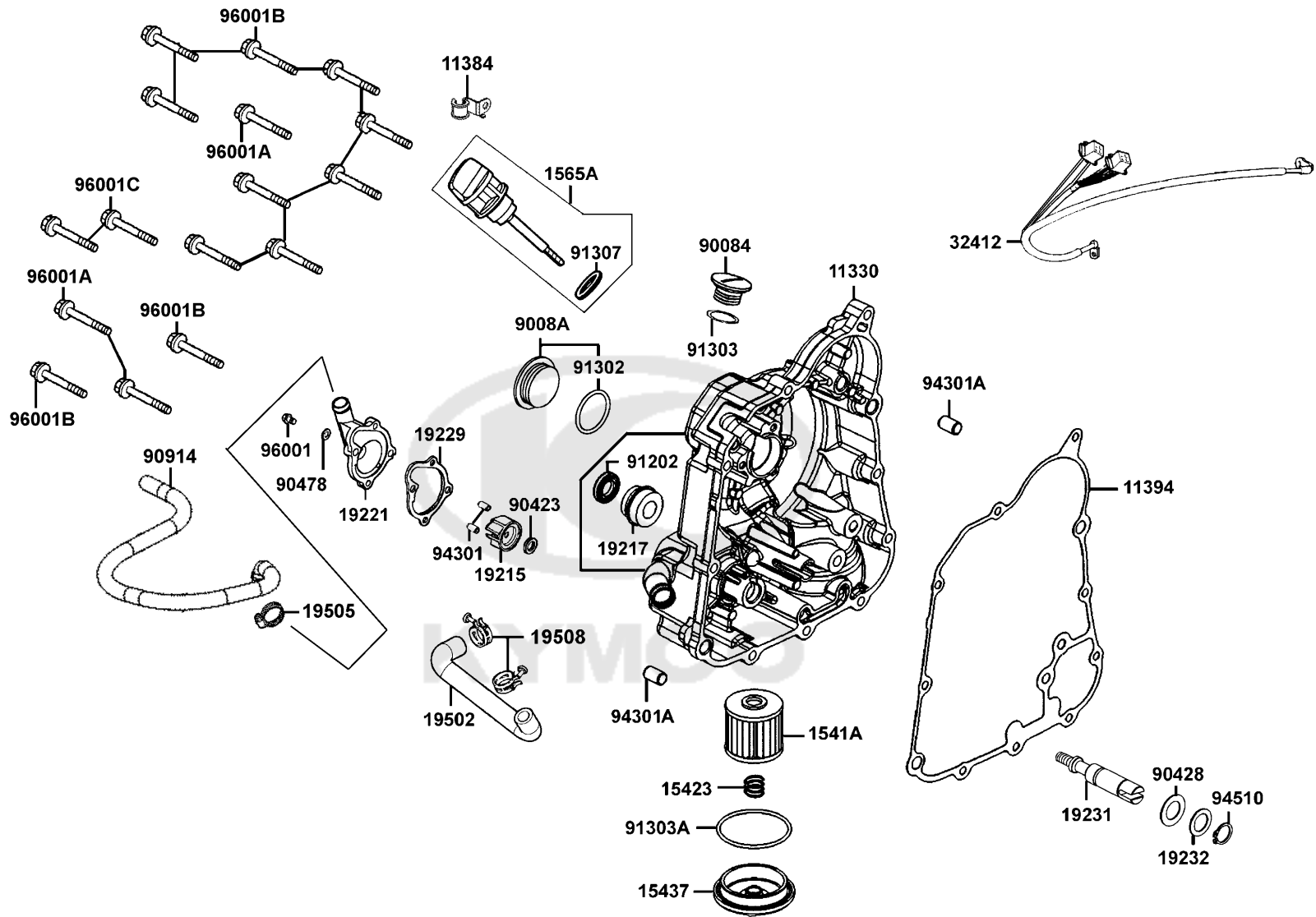
BOLT FLANGE SH 6\*25

2



E04

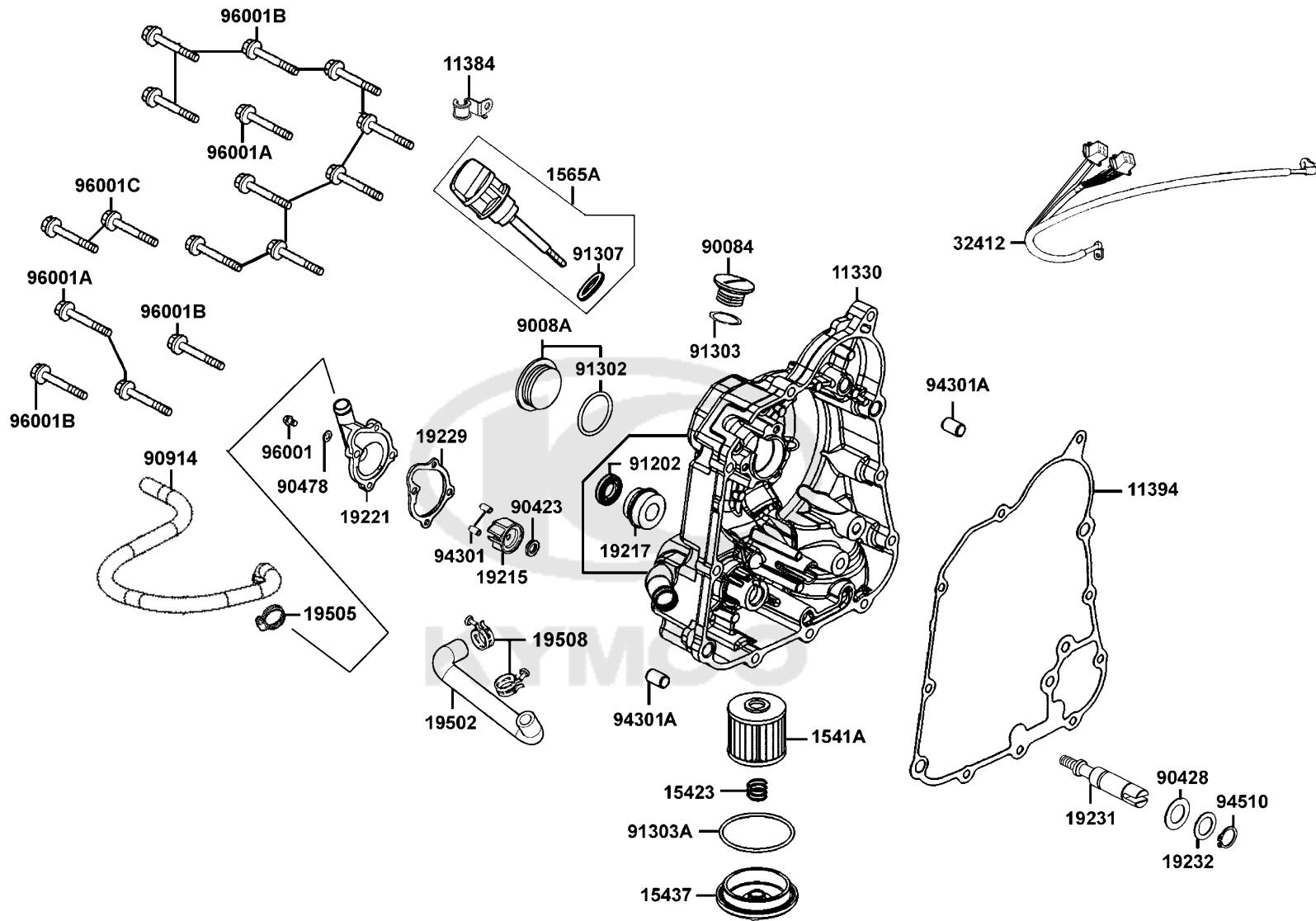
# Right Crankcase Cover Water Pump



Sales mark	Ref no	Part no	Description	Reg description	Regd no	<b>E04</b>
**	11330	11330-LEA7-E00	COVER COMP RIGHT CRANK CASE	COVER COMP RIGHT CRANK CASE	1	
	11384	11384-LEA7-E05	CLIP WATER PIPE	CLIP WATER PIPE	1	
	11394	11394-LEA7-E00	GASKET R COVER @A	GASKET R COVER @A	1	
	1541A	1541A-LEA7-E00	ELEMENT ASSY OIL FILTER	ELEMENT ASSY OIL FILTER	1	
	15423	15423-KKC3-900	SPRING CAP OIL	SPRING CAP OIL	1	
	15437	15437-LEA7-E00	CAP OIL FILTER	CAP OIL FILTER	1	
	1565A	1565A-GFY6-900	GAUGE OIL LEVEL ASSY	GAUGE OIL LEVEL ASSY	1	
	19215	19215-LEA7-E00	IMPELLER WATER PUMP	IMPELLER WATER PUMP	1	
	19217	19217-ZPA3-E00	SEAL MECHANICAL	SEAL MECHANICAL	1	
	19229	19229-LEA7-E00	GASKET WATER PUMP	GASKET WATER PUMP	1	
	19231	19231-LEA7-E00	SHAFT WATER PUMP	SHAFT WATER PUMP	1	
	19232	19232-LBA2-E00	WASHER 21*13.8*1.5	WASHER 21*13.8*1.5	1	
	19502	19502-LEA7-E00	HOSE B WATER	HOSE B WATER	1	
	19505	19505-LBA2-E00	CLAMP WATER HOSE	CLAMP WATER HOSE	1	
	19508	19508-LBA2-E00	CLAMP WATER HOSE	CLAMP WATER HOSE	2	
	32412	32412-AHG1-E00	CABLE. EARTH	CABLE. EARTH	1	
**	90084	90084-KKF9-901	CAP AC GENERATOR (Mat Black)	CAP AC GENERATOR	1	
**	9008A	9008A-PTA1-900	CAP ASSY	CAP ASSY	1	
	90423	90423-KKJ9-001	WASHER 7.2*13*1.2	WASHER 7.2*13*1.2	1	
	90428	90428-9H58-001	WASHER THRUST 14MM B	WASHER THRUST 14MM B	1	

E04

# Right Crankcase Cover Water Pump

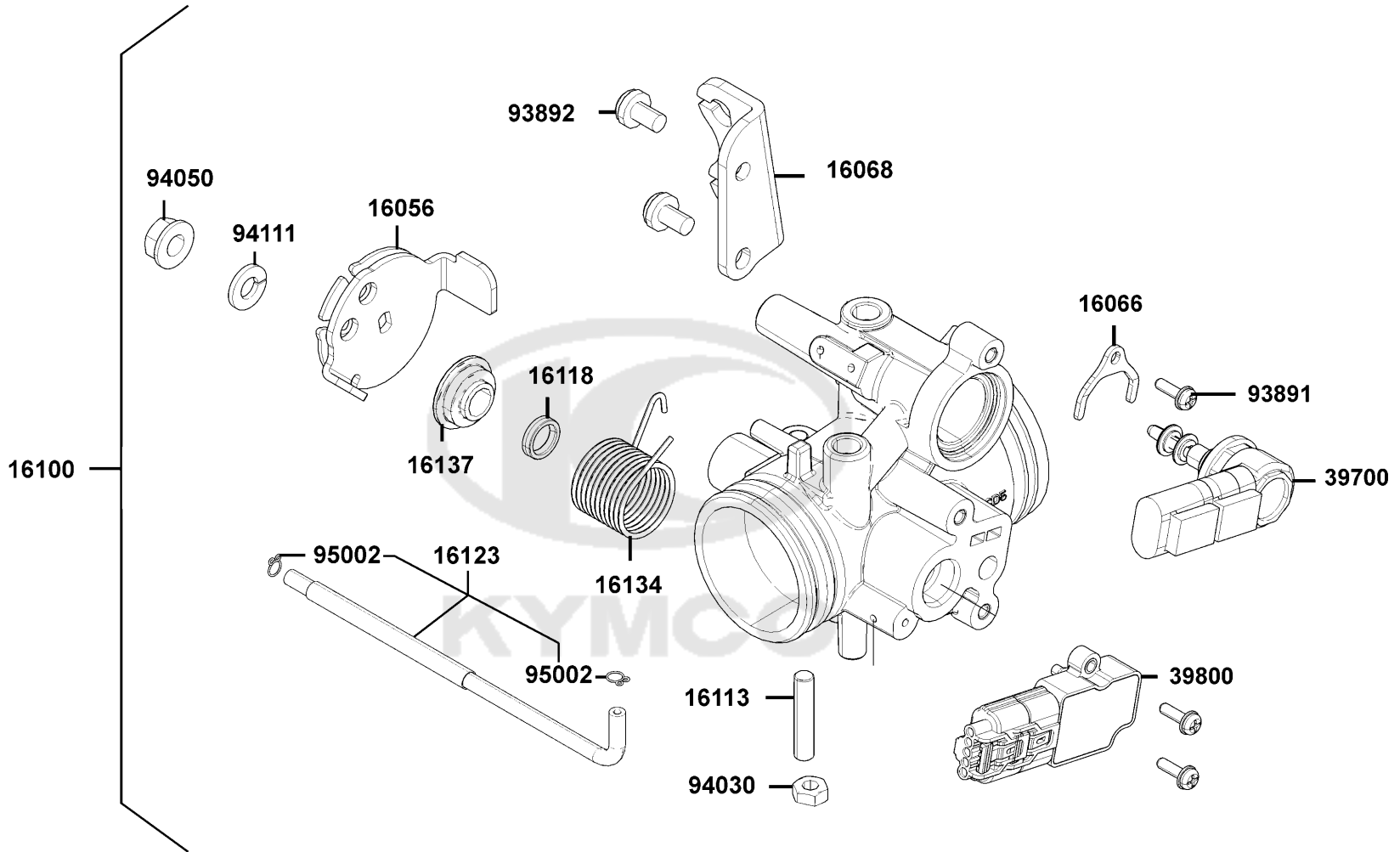


Sales mark	Ref no	Part no	Description	Reg description	Regd no	<b>E04</b>
90478		90478-7L00-001	WASHER A 6MM	WASHER A 6MM	1	
90914		90914-LEA7-E05	TUBE ASSY WATER	TUBE ASSY WATER	1	
91202		91202-LKG2-900	OIL SEAL 13.7*24*5	OIL SEAL 13.7*24*5	1	
91302		91302-5G67-004	O-RING 27.4*2.4	O-RING 27.4*2.4	1	
91303		91303-3G77-001	O-RING 13.8*2.5	O-RING 13.8*2.5	1	
91303A		91303-LEA7-E00	O-RING 52.5x2.5	O-RING 52.5x2.5	1	
91307		91307-0E35-001	O RING 18*3	O RING 18*3	1	
94301		94301-08140	DOWEL PIN 8*14	DOWEL PIN 8*14	2	
94301A		94301-10160	DOWEL PIN 10*16	DOWEL PIN 10*16	2	
94510		94510-14000	CIR CLIP EXTERNAL 14	CIR CLIP EX 14	1	
96001		96001-06010-00	BOLT FLANGE SH 6X10	BOLT FLANGE SH 6X10	1	
96001A		96001-06022-06	BOLT FLANGE SH 6X22	BOLT FLANGE SH 6X22	3	
96001B		96001-06028-06	BOLT FLANGE SH 6*28	BOLT FLANGE SH 6*28	11	
96001C		96001-06035-06	BOLT FLANGE SH 6*35	BOLT FLANGE SH 6*35	2	



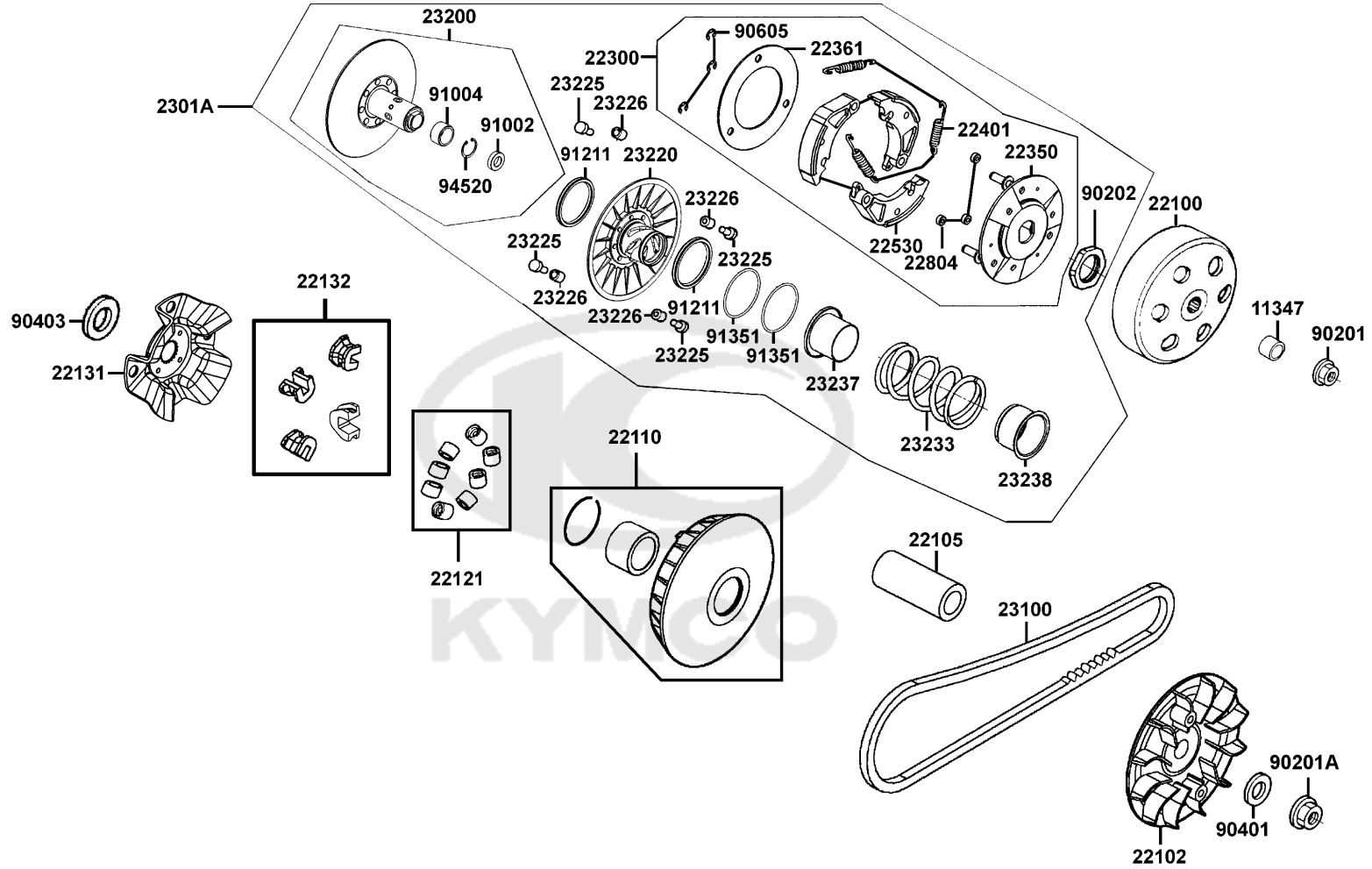
E05

# Throttle Body Assy



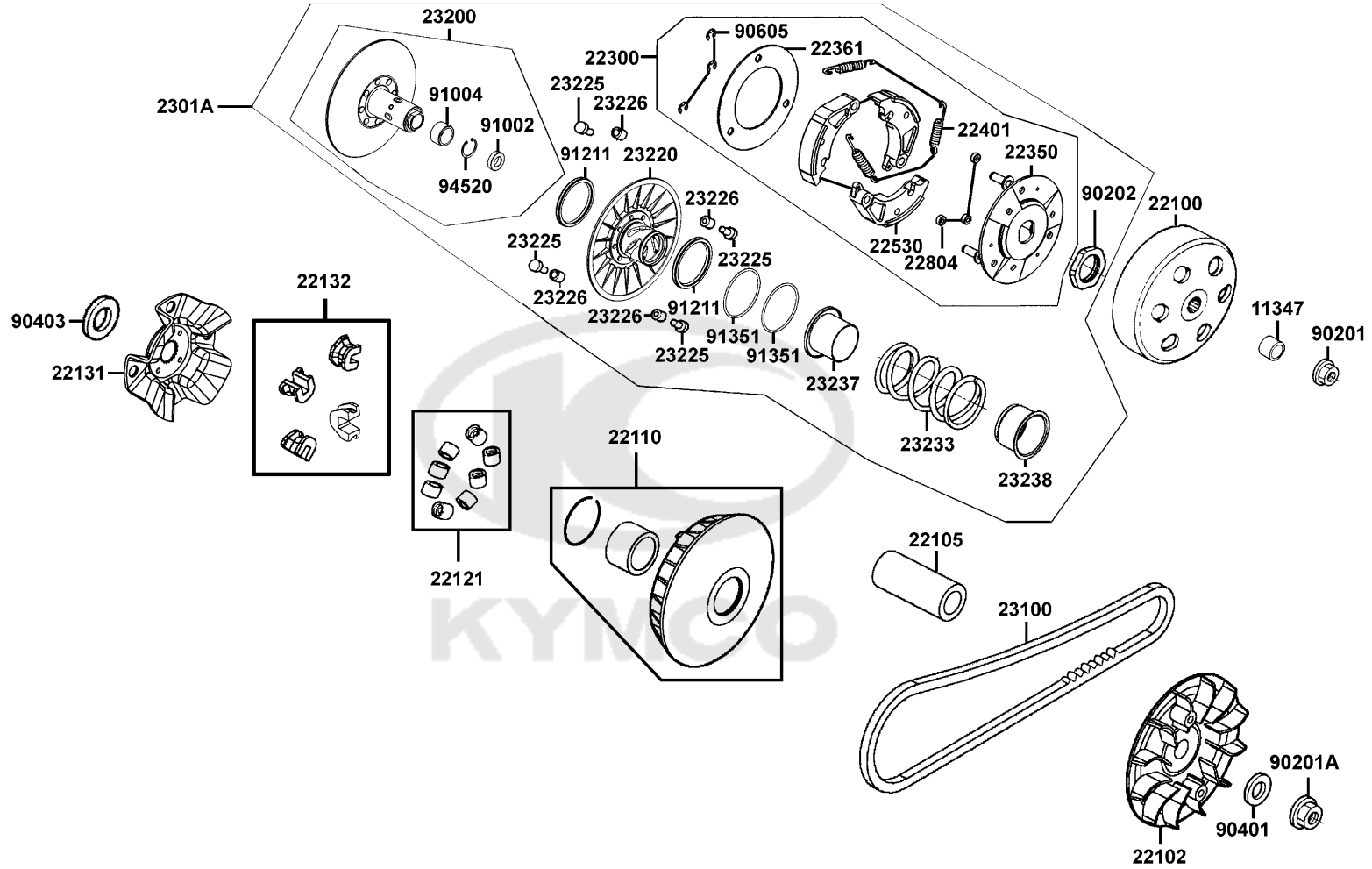
Sales mark	Ref no	Part no	Description	Reg description	Regd no	<b>E05</b>
16056		16056-ACD5-E00	LEVER ASSY THROTTLE	LEVER ASSY THROTTLE	1	
16066		16066-ACD5-E00	PLATE ISC	PLATE ISC	1	
16068		16068-ACD5-E00	PLATE	PLATE	1	
16100		16100-AHG5-E00	THROTTLE BODY ASSY	THROTTLE BODY ASSY	1	
16113		16113-PTA1-800	PILOT SCREW	PILOT SCREW	1	
16118		16118-LBF2-900	SEAL THROTTLE SHAFT	SEAL THROTTLE SHAFT	1	
16123		16123-AHG5-E00	TUBE COMP L	TUBE COMP L	1	
16134		16134-ACD5-E00	SPG THROTTLE SHAFT	SPG THROTTLE SHAFT	1	
16137		16137-ACD5-E00	COLLAR LEVER	COLLAR LEVER	1	
39700		39700-ACD5-E03	BY PASS VALVE IDLE AIR	BY PASS VALVE IDLE AIR	1	
39800		39800-ACD5-E00	PPTS (Pedal Position Sensor)	PPTS (Pedal Position Sensor)	1	
93891		93891-04014-06	SCREW WASHER 4X14	SCREW WASHER 4X14	3	
93892		93892-05010-08G	SCREW WASHER 5*10	SCREW WASHER 5*10	2	
94030		94030-PTA1-800	NUT HEX 5mm	NUT HEX 5mm	1	
94050		94050-06080	NUT FLANGE 6MM	NUT FLANGE 6MM	1	
94111		94111-06800	WASHER SPRING 6MM	WASHER SPRING 6MM	1	
95002		95002-02070	CLIP B7 TUBE	CLIP B7 TUBE	2	

Drive Pulley



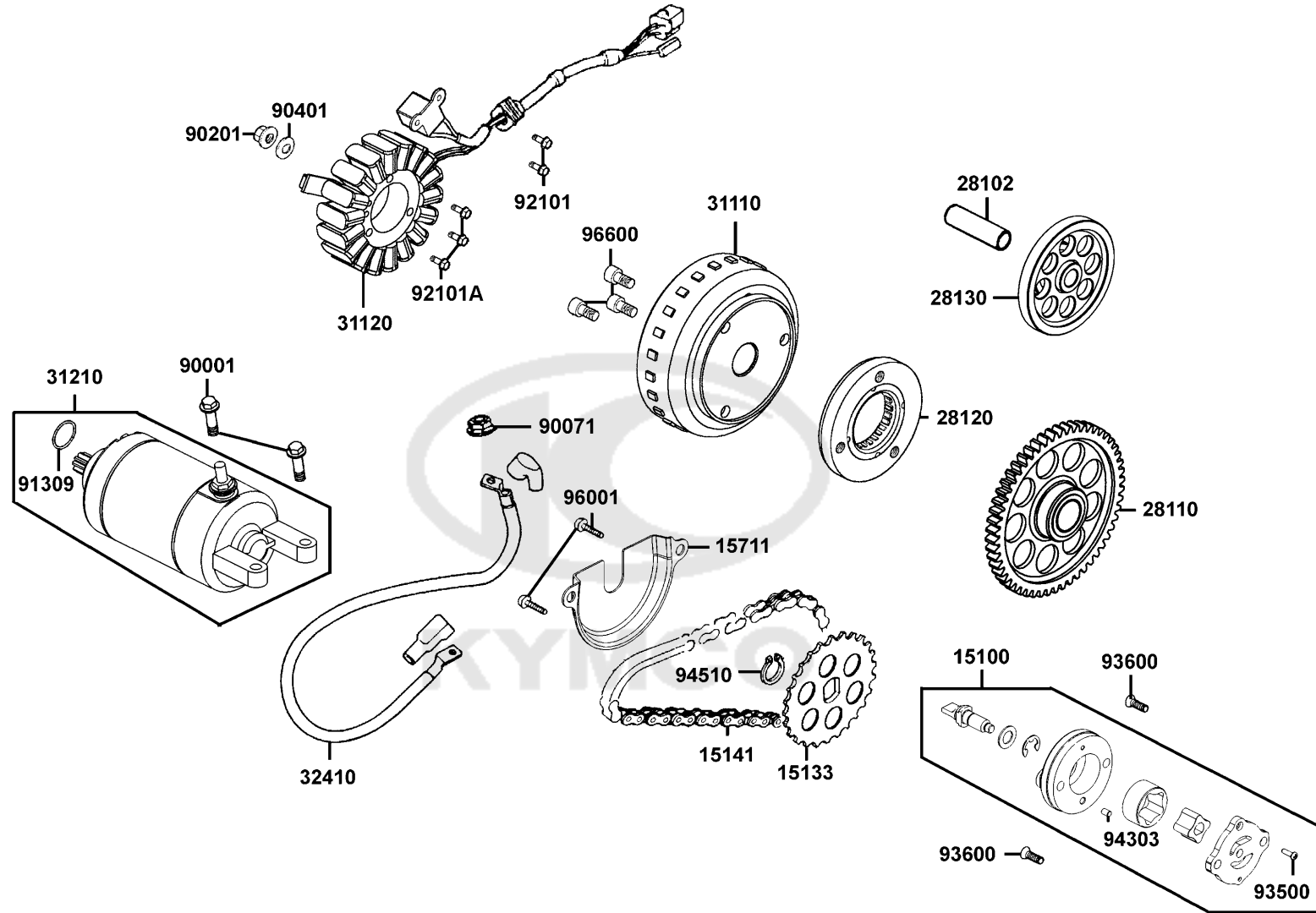
Sales mark	Ref no	Part no	Description	Reg description	Regd no	E06
	11347	11347-LEA7-E00	BOSS DRIVE SHAFT	BOSS DRIVE SHAFT	1	
	22100	22100-AFB1-E00	OUTER COMP CLUTCH	OUTER COMP CLUTCH	1	
	22102	22102-LEA7-E00	FACE DRIVE	FACE DRIVE	1	
	22105	22105-LGF9-E00	BOSS DRIVE FACE	BOSS DRIVE FACE	1	
	22110	22110-ACD5-E00	FACE COMP MOVABLE DRIVE	FACE COMP MOVABLE DRIVE	1	
	22121	22121-ACD5-305	ROLLER SET WEIGHT(1SET:8 PCS)	ROLLER SET WEIGHT(1SET:8 PCS)	1	
	22131	22131-LGE5-E00	PLATE RAMP	PLATE RAMP	1	
	22132	22132-PWB1-305	PIECE SLIDE SET (1SET:4PCS)	PIECE SLIDE SET (1SET:4PCS)	4	
	22300	22300-ACD5-E00	PLATE ASSY DRIVE	PLATE ASSY DRIVE	1	
	22350	22350-ACD5-E00	PLATE COMP DRIVE	PLATE COMP DRIVE	1	
	22361	22361-LEA7-E00	PLATE CLUTCH SIDE	PLATE CLUTCH SIDE	1	
	22401	22401-LFG2-E80	SPRING CLUTCH	SPRING CLUTCH	3	
	22530	22530-LKG7-E00	WEIGHT CLUTCH	WEIGHT CLUTCH	3	
	22804	22804-GBB2-001	RUBBER CLUTCH DAMPER	RUBBER CLUTCH DAMPER	3	
	2301A	2301A-ACD5-E00	PULLEY SUB ASSY DRIVEN	PULLEY SUB ASSY DRIVEN	1	
	23100	23100-LEA7-E00	BELT DRIVE (N-6M)	BELT DRIVE (N-6M)	1	
	23200	23200-LGE5-E00	FACE ASSY DRIVEN	FACE ASSY DRIVEN	1	
	23220	23220-ACD5-E00	FACE COMP MOVABLE DRIVEN	FACE COMP. MOVABLE DRIVEN	1	
	23225	23225-LEA7-E00	PIN. ROLLER GUIDE	PIN. ROLLER GUIDE	4	
	23226	23226-LEA7-E00	ROLLER GUIDE	ROLLER GUIDE	4	

Drive Pulley



Sales mark	Ref no	Part no	Description	Reg description	Regd no	<b>E06</b>
23233		23233-LEA7-E00	SPG DRIVEN FACE	SPG DRIVEN FACE	1	
23237		23237-KHE7-900	COLLAR SEAL	COLLAR SEAL	1	
23238		23238-KHE7-900	COLLAR SPG	COLLAR SPG	1	
90201		90201-KHE7-900	NUT C FLANGE M12	NUT C FLANGE M12	1	
90201A		90201-KHR8-75A	NUT FLANGE 14MM	NUT FLANGE 14MM	1	
90202		90202-LEA7-E00	NUT SPECIAL 28mm	NUT SPECIAL 28mm	1	
90401		90401-LEA7-E00	WASHER THRUST 14*28*2	WASHER THRUST 14*28*2	1	
90403		90403-LEA7-E00	THRUST WASHER 20.2X35X2.35	THRUST WASHER 20.2X35X2.35	1	
90605		90605-1F66-721	CIR CLIP 7MM	CIR CLIP 7MM	3	
91002		91002-GGA7-70A	BRG BALL RADIAL 6902U	BRG BALL RADIAL 6902U	1	
91004		91004-LEA7-E00	BRG.NEEDLE 25X32X14	BRG.NEEDLE 25X32X14	1	
91211		91211-KHE7-900	SEAL DRIVEN FACE	SEAL DRIVEN FACE	2	
91351		91351-KHE7-900	O-RING PINION CAP	O-RING PINION CAP	2	
94520		94520-28000	CIR CLIP IN 28	CIR CLIP IN 28	1	

Starting Motor Generator

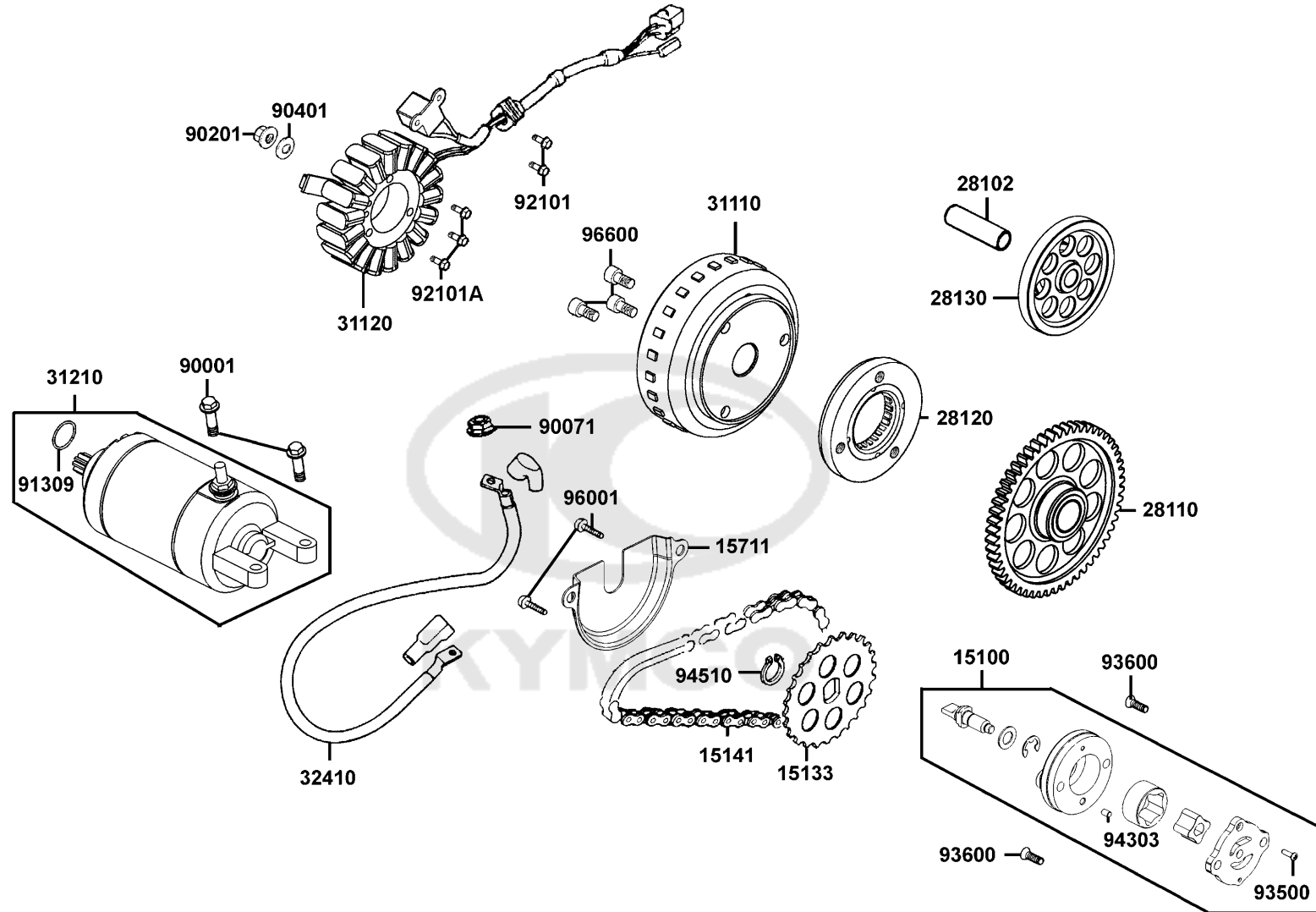


Sales mark	Ref no	Part no	Description	Reg description	Regd no	E07
	15100	15100-LEA7-E00	PUMP ASSY OIL	PUMP ASSY OIL	1	
	15133	15133-LGF9-E00	SPROCKET OIL PUMP	SPROCKET OIL PUMP	1	
	15141	15141-LGF9-E00	CHAIN OIL PUMP	CHAIN OIL PUMP	1	
	15711	15711-LEA7-E00	SEPARATOR OIL	SEPARATOR OIL	1	
	28102	28102-LEA7-E00	SHAFT STARTER REDUCTION	SHAFT STARTER REDUCTION	1	
	28110	28110-LEA7-E00	GEAR COMP STARTING CLUTCH	GEAR COMP STARTING CLUTCH	1	
	28120	28120-LDB2-E00	ONE WAY CLUTCH	ONE WAY CLUTCH	1	
	28130	28130-LEA7-E00	GEAR STARTER REDUCTION	GEAR STARTER REDUCTION	1	
	31110	31110-ACD5-E01	FLYWHEEL COMP (D406)	FLYWHEEL COMP (D406)	1	
	31120	31120-ACD5-E0A	STATOR COMP (D406)	STATOR COMP (D406)	1	
	31210	31210-LEA7-E00	MOTOR UNIT..STARTER	MOTOR UNIT..STARTER	1	
	32410	32410-AHG5-E00	CABLE. START MOTOR	CABLE. START MOTOR	1	
	90001	90001-GBHB-661	BOLT FLANGE SH 6*22	BOLT FLANGE SH 6*22	2	
	90071	90071-MLB0-001	NUT WASH 6MM	NUT WASH 6MM	1	
	90201	90201-KHR8-75A	NUT FLANGE 14MM	NUT FLANGE 14MM	1	
	90401	90401-KKJ9-001	WASHER THRUST 14*28*2	WASHER THRUST 14*28*2	1	
	91309	91309-4E25-004	O-RING 24.4*3.1	O-RING 24.4*3.1	1	
	92101	92101-05012-0G	BOLT HEX 5X12	BOLT HEX 5X12	2	
	92101A	92101-05032-0G	BOLT HEX 5*32	BOLT HEX 5*32	1	
	93500	93500-03010-0F	SCREW PAN 3X10	SCREW PAN 3X10	1	



E07

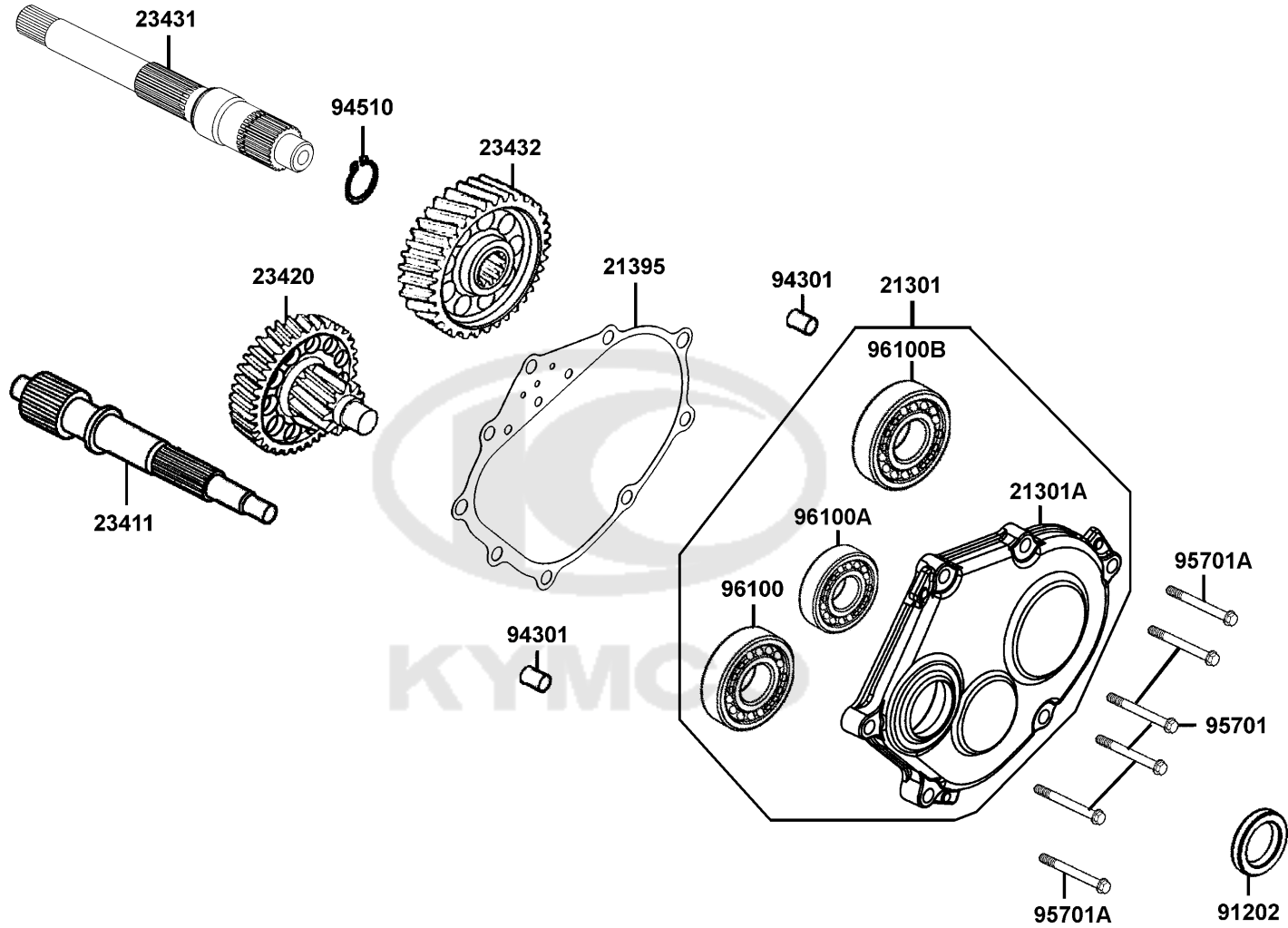
# Starting Motor Generator



Sales mark	Ref no	Part no	Description	Reg description	Regd no	<b>E07</b>
------------	--------	---------	-------------	-----------------	---------	------------

93600		93600-06032-0F	SCREW FLAT 6*32	SCREW FLAT 6*32	2	
94303		94303-04065	DOWEL PIN 4*6.5	DOWEL PIN 4*6.5	1	
94510		94510-10000	CIR CLIP EX 10MM	CIR CLIP EX 10MM	1	
96001		96001-06012-06	BOLT FLANGE SH 6*12	BOLT FLANGE SH 6*12	2	
96600		96600-08015-16	SOCKET BOLT 8X15	SOCKET BOLT 8X15	4	

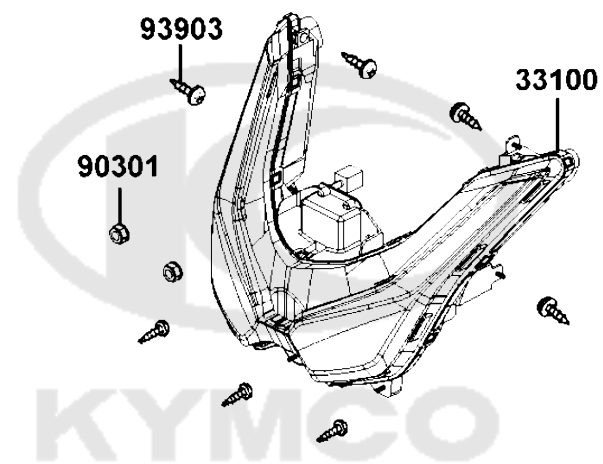




Sales mark	Ref no	Part no	Description	Reg description	Regd no	<b>E08</b>
21301		21301-LEA7-305	COVER SET MISSION	COVER SET MISSION	1	
21301A		21301-LEA7-E00	COVER MISSION	COVER MISSION	1	
21395		21395-LEA7-E00	GASKET MISSION COVER	GASKET MISSION COVER	1	
23411		23411-LEA7-E00	SHAFT DRIVE	SHAFT DRIVE	1	
23420		23420-LEA7-E00	SHAFT COMP COUNTER	SHAFT COMPCOUNTER	1	
23431		23431-LEA7-E00	SHAFT FINAL	SHAFT FINAL	1	
23432		23432-LEA7-E00	GEAR FINAL	GEAR FINAL	1	
91202		91202-LEA7-E0A	OIL SEAL 25*35*6	OIL SEAL 25*35*6	1	
94301		94301-10160	DOWEL PIN 10*16	DOWEL PIN 10*16	2	
94510		94510-25000	CIR CLIP EXTERNAL 25	CIR CLIP EXTERNAL 25	1	
95701		95701-08035-06	BOLT FLANGE 8*35	BOLT FLANGE 8*35	7	
95701A		95701-08040-06	BOLT FLANGE 8X40	BOLT FLANGE 8X40	2	
96100		96100-62050-00	BEARING BALL RADIAL 6205	BEARING BALL RADIAL 6205	1	
96100A		96100-63020-00	BRG BALL RADIAL 6302	BRG BALL RADIAL 6302	1	
96100B		96100-63040-00	BRG BALL RADIAL 6304	BRG BALL RADIAL 6304	1	

F01

Head Light



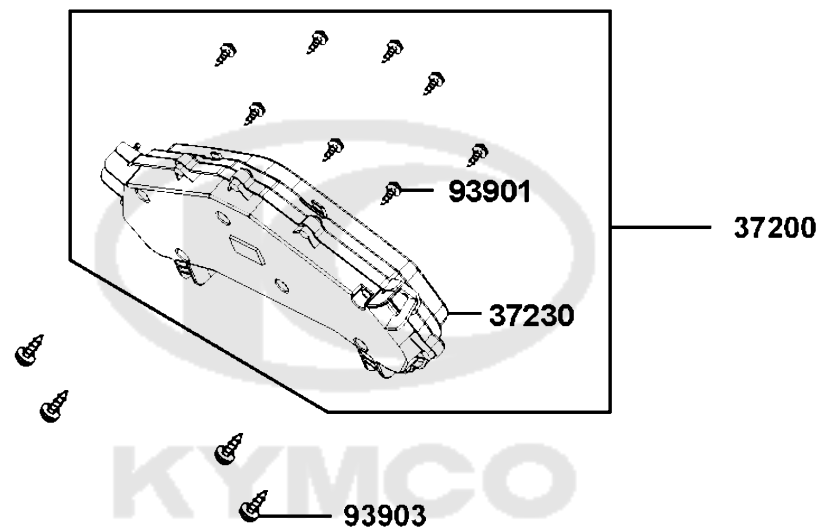
Sales mark	Ref no	Part no	Description	Reg description	Regd no	<b>F01</b>
------------	--------	---------	-------------	-----------------	---------	------------

33100		33100-AHG1-E00	LIGHT ASSY HEAD	LIGHT ASSY HEAD	1	
90301		90301-6D34-671	NUT FLANGE 6MM	NUT FLANGE 6MM	2	
93903		93903-35260	SCREW TAPPING 5*12	SCREW TAPPING 5*12	7	



F02

Speed meter



Sales mark	Ref no	Part no	Description	Reg description	Regd no	<b>F02</b>
------------	--------	---------	-------------	-----------------	---------	------------

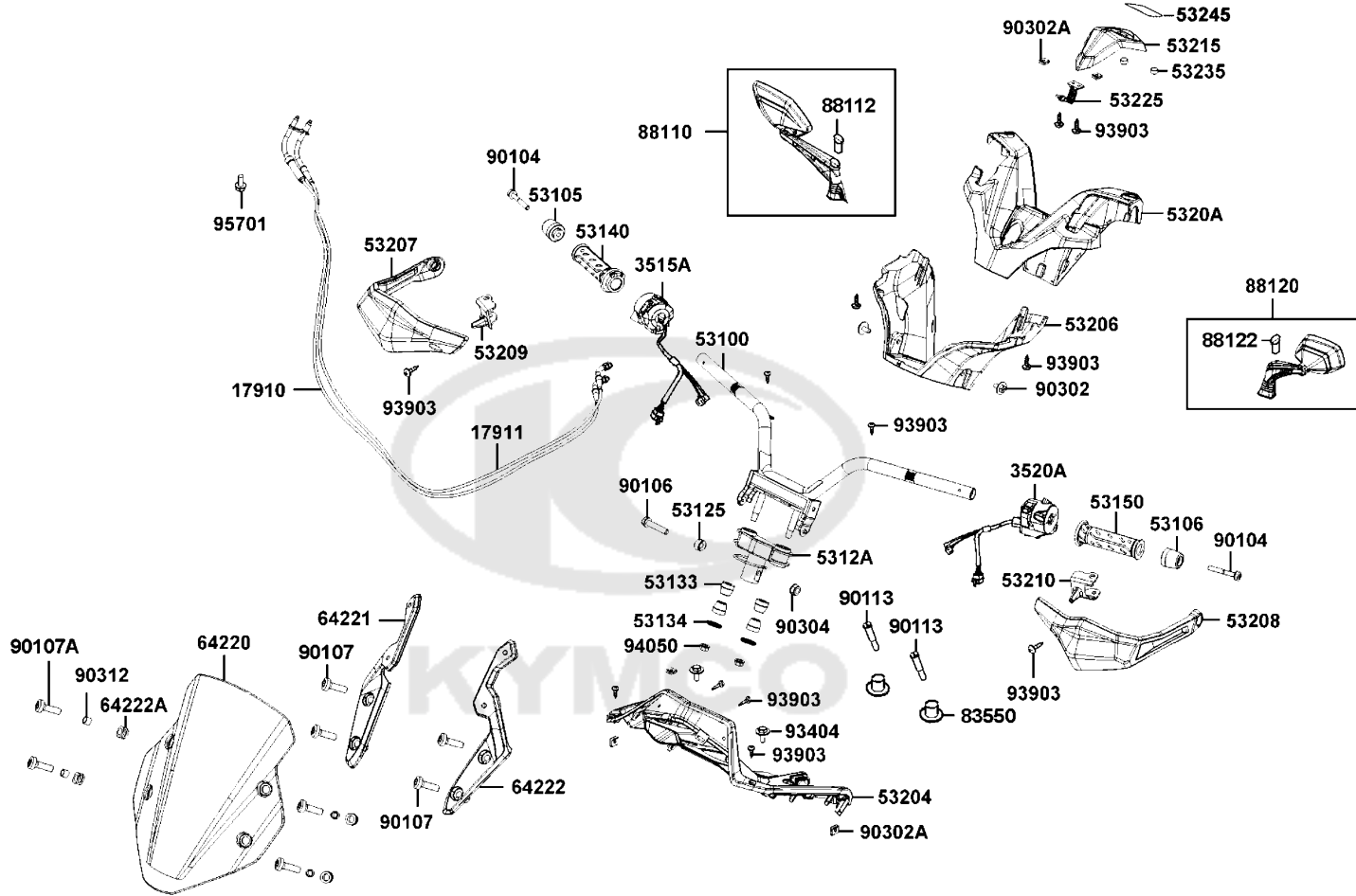
37200		37200-AHG3-E00	METER ASSY SPEED	METER ASSY SPEED	1	
37230		37230-AHG1-E00	LENS ASSY	LENS ASSY	1	
93903		93903-34380-G	SCREW TAPPING 4x12	SCREW TAPPING 4x12	4	
93901		93903-44320	SCREW TAPPING 4*12	SCREW TAPPING 4*12	9	



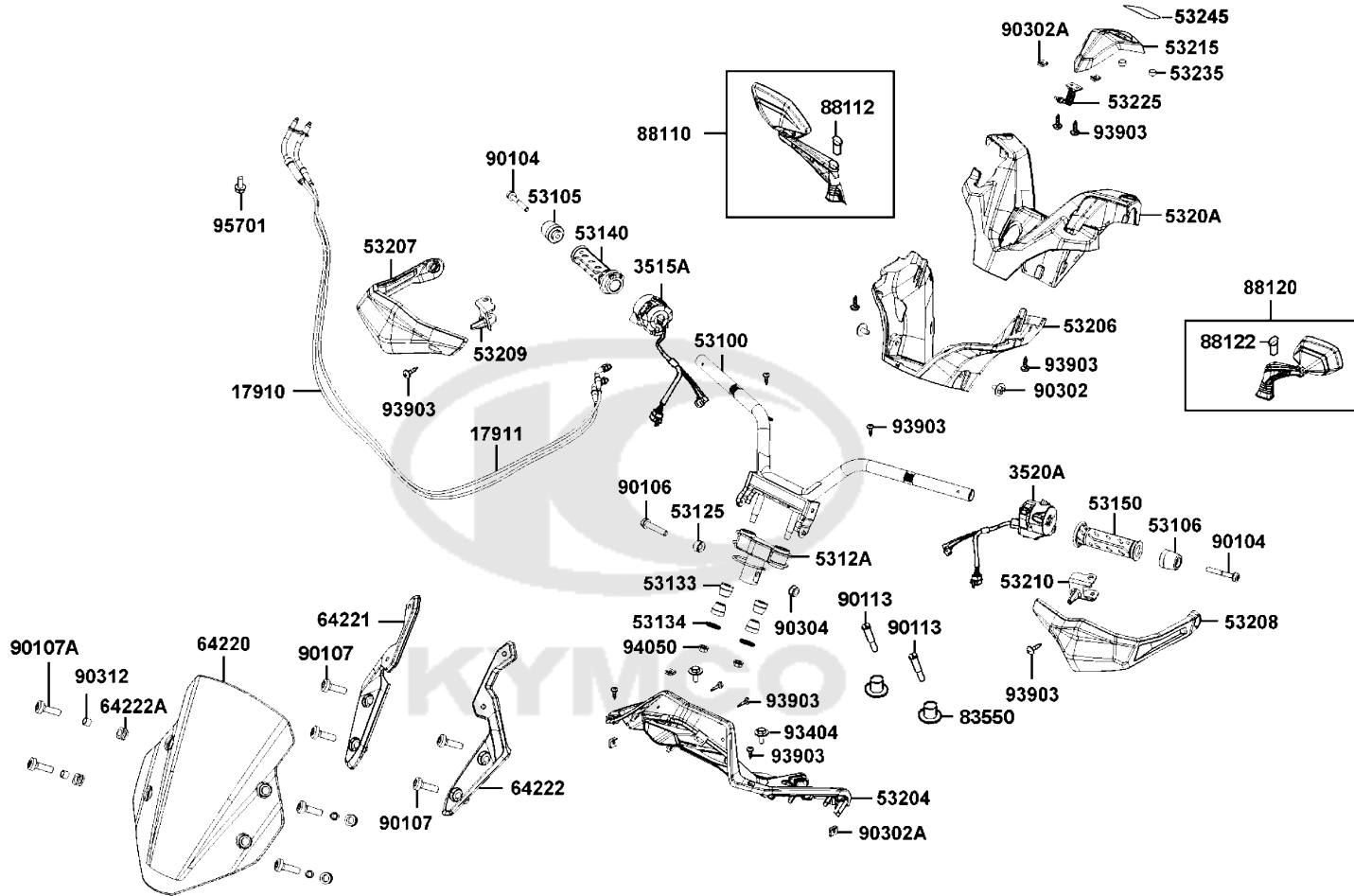


F03

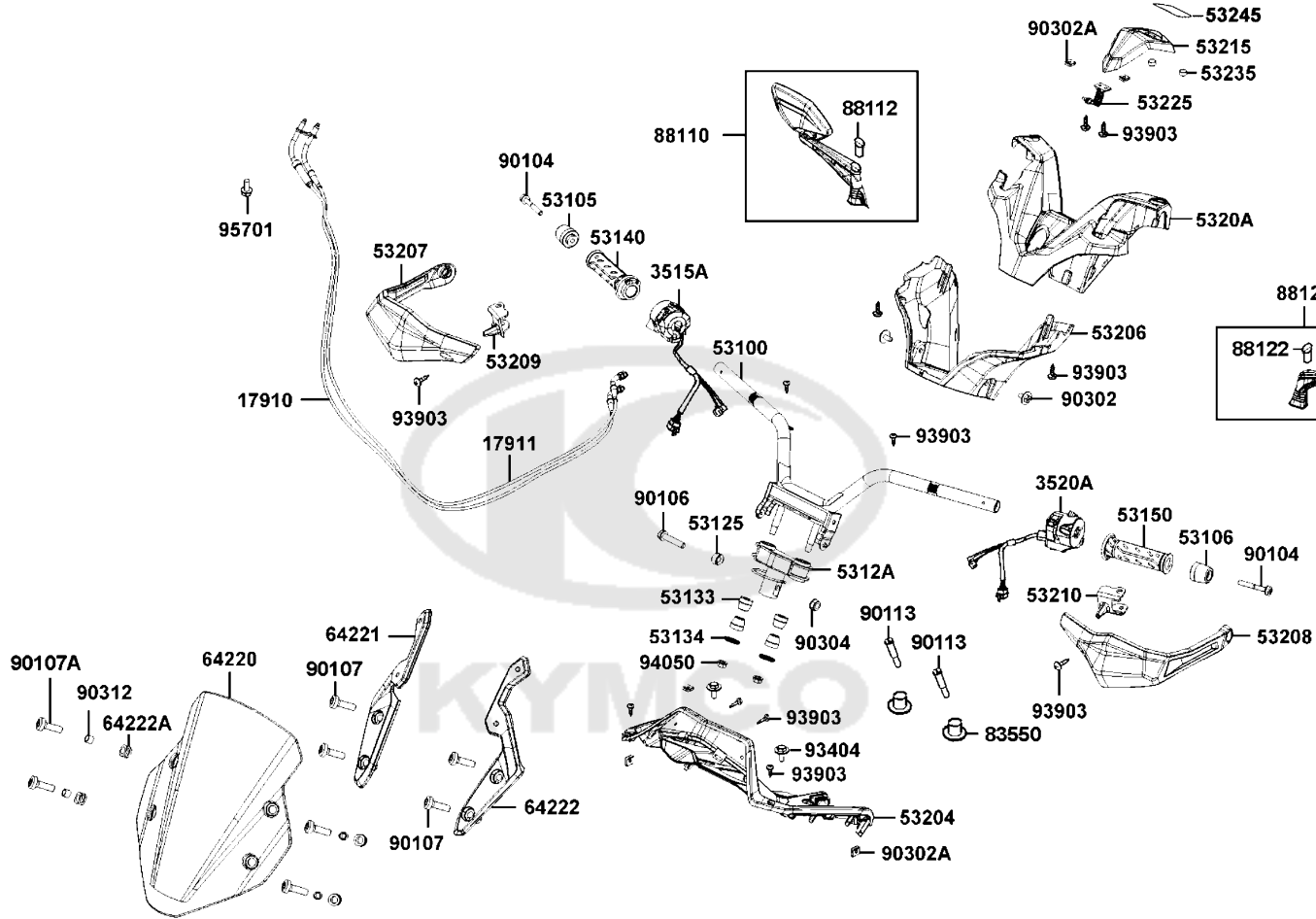
# Handle Steering



Sales mark	Ref no	Part no	Description	Reg description	Regd no	F03
	17910	17910-AHG5-E00	CABLE COMP THROT	CABLE COMP THROT	1	
	17911	17911-AHG5-E00	CABLE B COMP. THROT	CABLE B COMP. THROT	1	
	3515A	3515A-AHG1-E01	SW ASSY RH HANDLE COMP	SW ASSY RH HANDLE COMP	1	
	3520A	3520A-ACD5-E01	SW ASSY LH HANDLE COMP	SW ASSY LH HANDEL COMP	1	
	53100	53100-AHG1-E00	STRG COMP. HANDLE	STRG COMP. HANDLE	1	
**	53105	53105-LEA7-E00	END R HANDLE	END R HANDLE	1	
**	53106	53106-LEA7-E00	END L HANDLE (Black)	END L HANDLE (Black)	1	
	53125	53125-LEA7-E00	COLLAR HANDLE SET	COLLAR HANDLE SET	1	
	5312A	5312A-ABD2-E00	HOLDER COMP HANDLE	HOLDER COMP HANDLE	1	
	53133	53133-3H98-941	RUBBER HANDLE CUSHION **398-9400	RUBBER HANDLE CUSHION **398-9400	4	
	53134	53134-2C83-001	HANDLE CUSHION WASHER	HANDLE CUSHION WASHER	2	
**	53140	53140-LHJ3-900	GRIP COMP THROT	GRIP COMP THROT	1	
**	53150	53150-LEA6-900	GRIP COMP L HANDLE	GRIP COMP L HANDLE	1	
**	53204	53204-AHG1-E00	COVER METER	COVER METER	1	
**	53206	53206-AHG1-E00	HANDLE COVER LOW	HANDLE COVER LOW	1	
**	53207	53207-AHG1-E00	PROTECTOR R HANDLE	PROTECTOR R HANDLE	1	
**	53208	53208-AHG1-E00	PROTECTOR L HANDLE	PROTECTOR L HANDLE	1	
**	53209	53209-AHG1-E00	INTERFACE R PROTECTOR	INTERFACE R PROTECTOR	1	
**	5320A	5320A-AHG1-E00	COVER HANDLE UP	COVER HANDLE UP	1	
**	53210	53210-AHG1-E00	INTERFACE L PROTECTOR	INTERFACE L PROTECTOR	1	



Sales mark	Ref no	Part no	Description	Reg description	Regd no	F03
**	53215	53215-AHG1-E00	COVER HANDLE TOP	COVER HANDLE TOP	1	
**	53225	53225-AHG1-E00	HINGE HANDLE TOP COVER	HINGE HANDLE TOP COVER	1	
	53235	53235-AHG1-E00	MAGNET	MAGNET	2	
**	53245	53245-AHG1-900	FILM HANDLE COVER	FILM HANDLE COVER	1	
	64220	64220-AHG1-E00	WIND SCREEN	WIND SCREEN	1	
	64221	64221-AHG1-E00	STAY R WIND SCREEN	STAY R WIND SCREEN	1	
	64222	64222-AHG1-E00	STAY L WIND SCREEN	STAY L WIND SCREEN	1	
	64222A	64222-LLJ3-E00	RUBBER WIND SCREEN	RUBBER WIND SCREEN	4	
	83550	83550-AHG1-E00	COLLAR	COLLAR	2	
	88110	88110-AHG1-E00	MIRROR ASSY R BACK	MIRROR ASSY R BACK	1	
	88112	88112-ACD5-E00	STAY COVER R	STAY COVER R	1	
	88120	88120-AHG1-E00	MIRROR ASSY L BACK	MIRROR ASSY L BACK	1	
	88122	88122-ACD5-E00	STAY COVER L	STAY COVER L	1	
	90104	90104-LEA7-E00	BOLT WASH M8*60	BOLT WASH M8*60	2	
	90106	90106-GEN5-901	BOLT FLANGE 10*50	BOLT FLANGE 10*50	1	
	90107	90107-AHG1-E00	BOLT SPECIAL 8*32	BOLT SPECIAL 8*32	4	
	90107A	90107-ZZA6-E00	BOLT SPECIAL 8*26	BOLT SPECIAL 8*26	4	
	90113	90113-AHG5-E00	BOLT L STEERING HANDLE	BOLT L STEERING HANDLE	2	
	90302	90302-LLB1-E02	BOLT-WASH 5X12(KG)	BOLT-WASH 5X12(KG)	2	
	90302A	90302-SDA4-004	NUT SPRING 4MM	NUT SPRING 4MM	5	

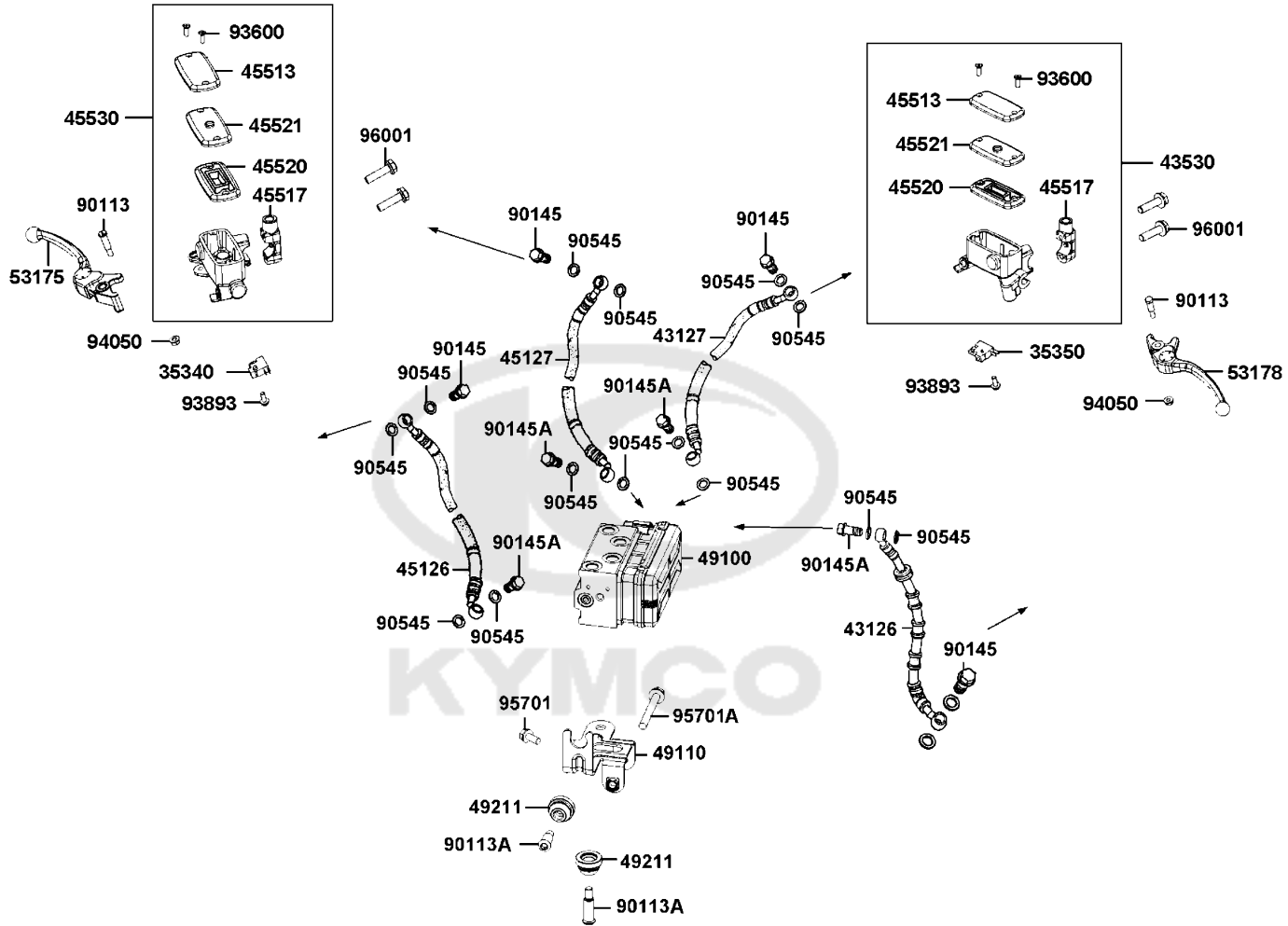


Sales mark	Ref no	Part no	Description	Reg description	Regd no	<b>F03</b>
90304		90304-LEA1-900	NUT U FLANGE 10MM	NUT U FLANGE 10MM	1	
90312		90312-LLJ3-E00	COLLAR WIND SCREEN	COLLAR WIND SCREEN	4	
93404		93404-06012-06	BOLT WASHER 6X12	BOLT WASHER 6X12	2	
93903		93903-34380-G	SCREW TAPPING 4x12	SCREW TAPPING 4x12	12	
94050		94050-10060	NUT FLANGE 10MM	NUT FLANGE 10MM	2	
95701		95701-06012-06	BOLT FLANGE 6X12	BOLT FLANGE 6X12	1	



F04

# Master Cylinder

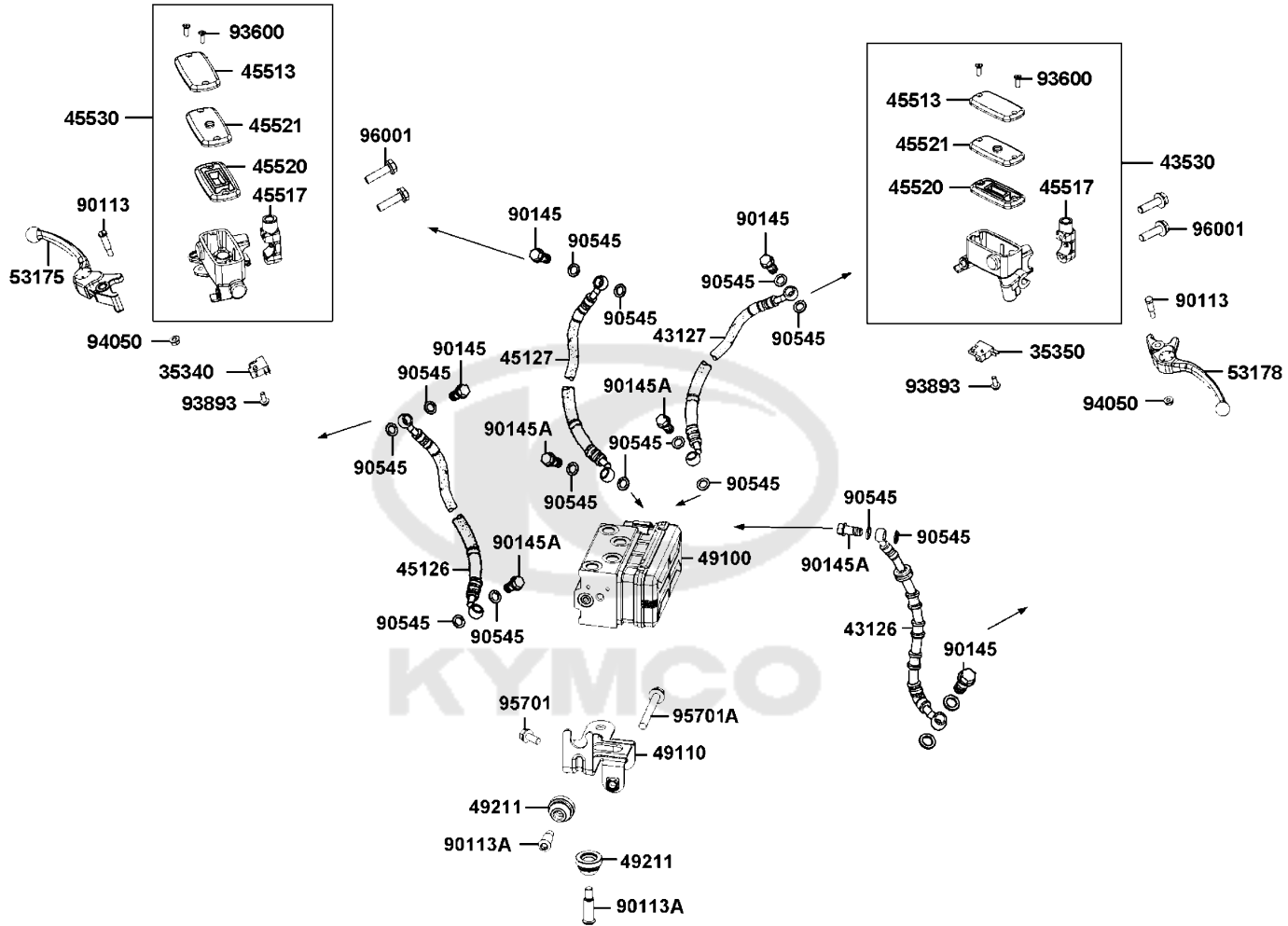


Sales mark	Ref no	Part no	Description	Reg description	Regd no	<b>F04</b>
	35340	35340-LKF5-E01	SW ASSY FR STOP	SW ASSY FR STOP	1	
	35350	35350-LKF5-E01	SW ASSY RR STOP	SW ASSY RR STOP	1	
	43126	43126-AHG5-E00	HOSE COMP RR BRAKE	HOSE COMP RR BRAKE	1	
	43127	43127-AHG5-E00	HOSE COMP RR BRAKE	HOSE COMP RR BRAKE	1	
	43530	43530-LEA7-305	CYLINDER SET MASTER	CYLINDER SET RR MASTER	1	
	45126	45126-AHG5-E00	HOSE COMP FR BRK	HOSE COMP FR BRK	1	
	45127	45127-AHG5-E00	HOSE ASSY FR BRK M/C	HOSE ASSY FR BRK M/C	1	
	45513	45513-LEA7-E00	CAP MASTER CYLINDER	CAP MASTER CYLINDER	2	
	45517	45517-LBA2-E00	HOLDER M/C	HOLDER M/C	2	
	45520	45520-KKA8-900	DIAPHRAGM	DIAPHRAGM	2	
	45521	45521-LEA7-E00	PLATE DIAPHRAGM	PLATE DIAPHRAGM	2	
	45530	45530-LBA2-309	CYLINDER SET FR MASTER	CYLINDER SET FR MASTER	1	
	49100	49100-ACD5-E03	MODULATOR ASSY ABS	MODULATOR ASSY ABS	1	
	49110	49110-AHG5-E00	STAY ABS	STAY ABS	1	
	49211	49211-LFH1-E00	RUBBER BUSH	RUBBER BUSH	2	
**	53175	53175-LKF5-E00	LEVER R STRG HANDLE	LEVER R STRG HANDLE	1	
**	53178	53178-LKF5-E00	LEVER L STRG HANDLE	LEVER L STRG HANDLE	1	
	90113	90113-KKA8-900	BOLT L STEERING HANDLE	BOLT L STEERING HANDLE	2	
	90113A	90113-LGE5-E01	BOLT FLANGE 6X20 ABS	BOLT FLANGE 6X20 ABS	2	
	90145	90145-LEA3-E00	OIL BOLT 10*22	OIL BOLT 10*22	4	



F04

# Master Cylinder

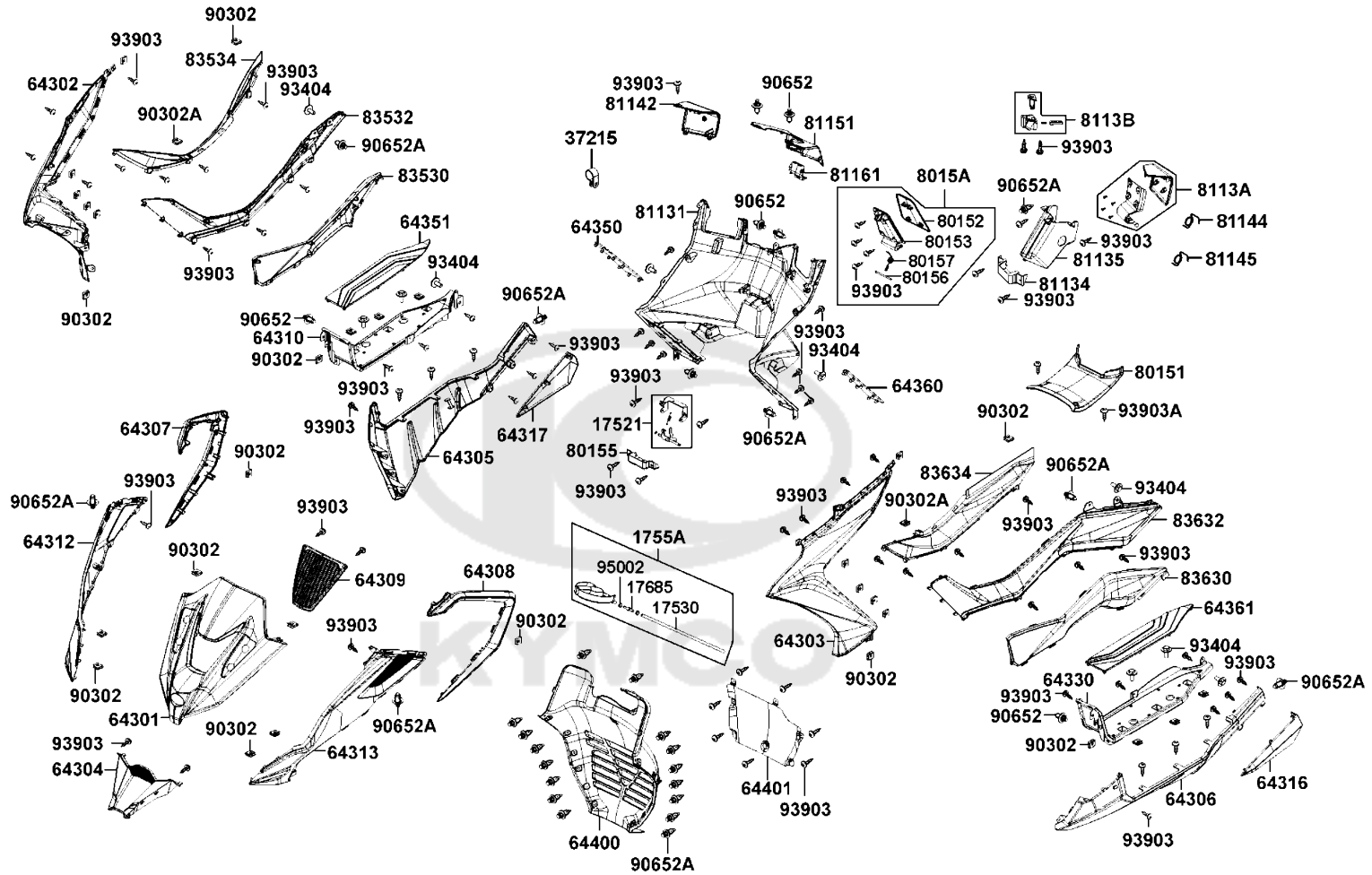


Sales mark	Ref no	Part no	Description	Reg description	Regd no	<b>F04</b>
90145A	90145-LFH1-E00	90145-LFH1-E00	OIL BOLT 10x22	OIL BOLT 10x22	4	
90545	90545-3L00-001	90545-3L00-001	WASHER OIL BOLT	WASHER OIL BOLT	16	
93600	93600-04012-1G	93600-04012-1G	SCREW FLAT 4*12	SCREW FLAT 4*12	4	
93893	93893-04012-18	93893-04012-18	SCREW WASHER 4*12	SCREW WASHER 4*12	2	
94050	94050-06060	94050-06060	NUT FLANGE 6MM	NUT FLANGE 6MM	2	
95701	95701-06012-06	95701-06012-06	BOLT FLANGE 6X12	BOLT FLANGE 6X12	1	
95701A	95701-06050-06	95701-06050-06	BOLT FLANGE 6*50	BOLT FLANGE 6*50	1	
96001	96001-06028-06	96001-06028-06	BOLT FLANGE SH 6*28	BOLT FLANGE SH 6*28	4	

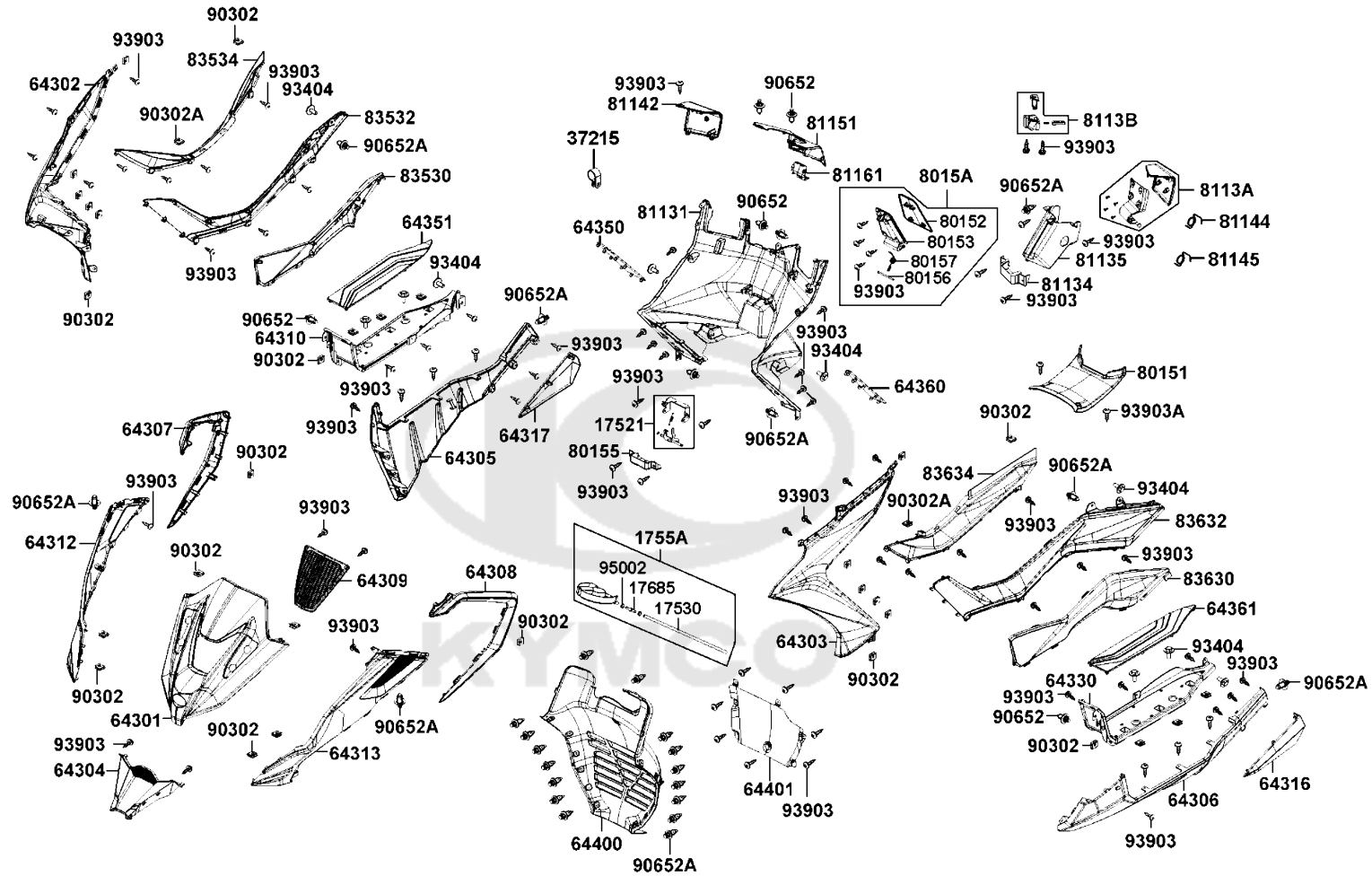


F05

# Front Cover Front Inner Box



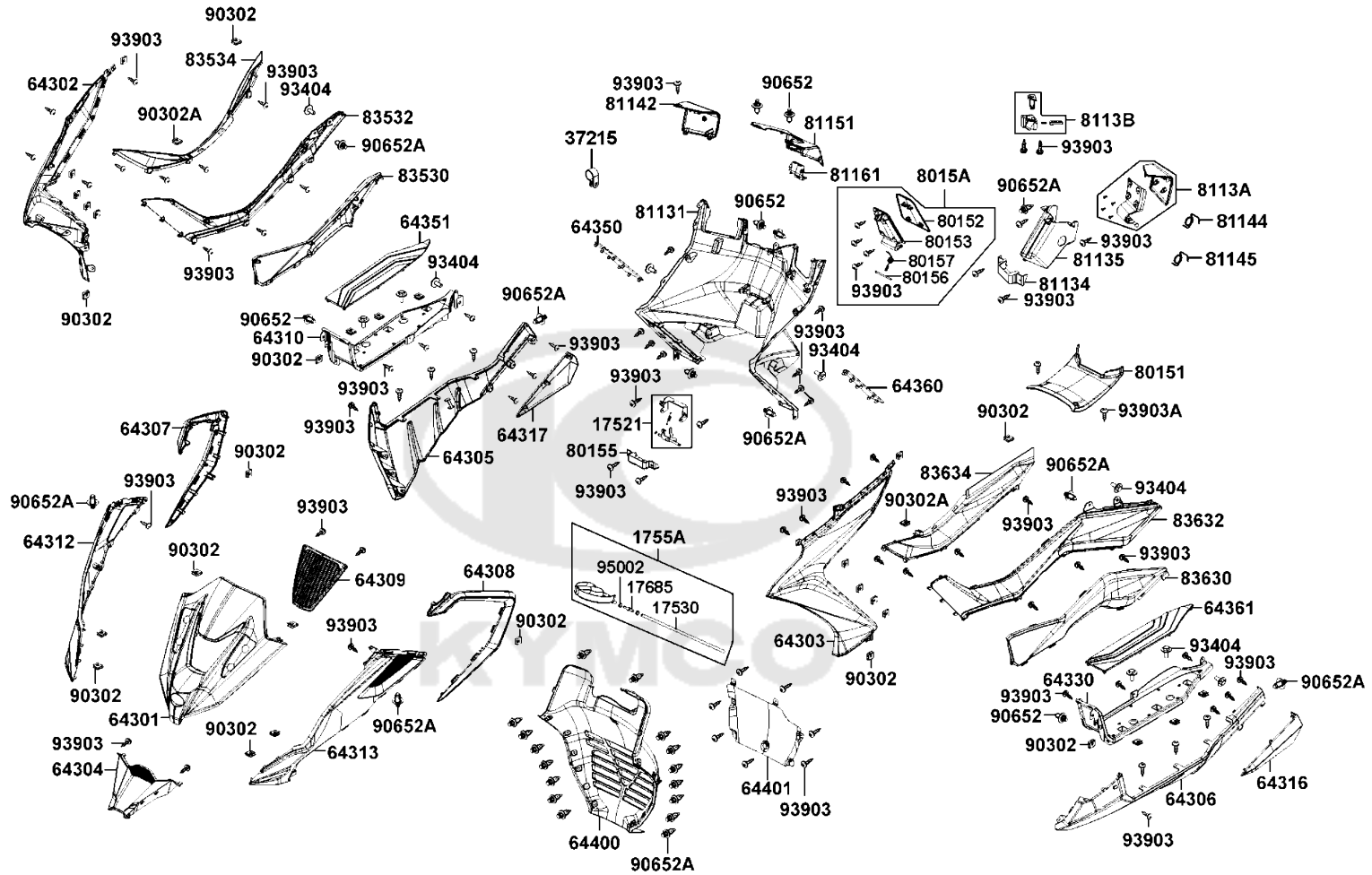
Sales mark	Ref no	Part no	Description	Reg description	Regd no	F05
	17521	17521-AHG1-E00	CATCH FUEL COVER	CATCH FUEL COVER	1	
	17530	17530-AEH2-M40	TUBE ASSY FUEL DRAIN	TUBE ASSY FUEL DRAIN	1	
	1755A	1755A-AHG1-E00	TRAY ASSY.FUEL CAP	TRAY ASSY.FUEL CAP	1	
	17685	17685-GFY6-940	JOINT COCK CARB TUBE	JOINT COCK CARB TUBE	1	
	37215	37215-LHJ3-900	CLAMPER	CLAMPER	1	
**	64301	64301-AHG1-E00	COVER FR A	COVER FR A	1	
**	64302	64302-AHG1-E00	MOLDING R FRONT A	MOLDING R FRONT A	1	
**	64303	64303-AHG1-E00	MOLDING L FRONT A	MOLDING L FRONT A	1	
**	64304	64304-AHG1-E00	COVER FR C	COVER FR C	1	
**	64305	64305-AHG1-E00	SKIRT R SIDE	SKIRT R SIDE	1	
**	64306	64306-AHG1-E00	SKIRT L SIDE	SKIRT L SIDE	1	
**	64307	64307-AHG1-E00	MOLDING R FRONT C	MOLDING R FRONT C	1	
**	64308	64308-AHG1-E00	MOLDING L FRONT C	MOLDING L FRONT C	1	
**	64309	64309-AHG1-E00	COVER FR B	COVER FR B	1	
**	64310	64310-AHG1-E00	FLOOR PANEL R	FLOOR PANEL R	1	
**	64312	64312-AHG1-E00	MOLDING R FRONT B	MOLDING R FRONT B	1	
**	64313	64313-AHG1-E00	MOLDING L FRONT B	MOLDING L FRONT B	1	
**	64316	64316-AHG1-E00	SKIRT B L SIDE	SKIRT B L SIDE	1	
**	64317	64317-AHG1-E00	SKIRT B R SIDE	SKIRT B R SIDE	1	
**	64330	64330-AHG1-E00	PANEL L FLOOR	PANEL L FLOOR	1	



Sales mark	Ref no	Part no	Description	Reg description	Regd no	F05
**	64350	64350-AHG1-E00	MAT R LEG SHIELD	MAT R LEG SHIELD	1	
**	64351	64351-AHG1-E00	MAT R FLOOR	MAT R FLOOR	1	
**	64360	64360-AHG1-E00	MAT L LEG SHIELD	MAT L LEG SHIELD	1	
**	64361	64361-AHG1-E00	MAT L FLOOR	MAT L FLOOR	1	
**	64400	64400-AHG1-E00	COWL UNDER	COWL UNDER	1	
	64401	64401-AHG1-E00	MESH UNDER COWL	MESH UNDER COWL	1	
**	80151	80151-AHG1-E00	COVER CENTER	COVER CENTER	1	
**	80152	80152-AHG1-E00	COVER FUEL	COVER FUEL	1	
**	80153	80153-AHG1-E00	HINGE FUEL COVER	HINGE FUEL COVER	1	
**	80155	80155-AHG1-E00	HOLDER FUEL COVER	HOLDER FUEL COVER	1	
	80156	80156-AHG1-E00	PIN FUEL COVER	PIN FUEL COVER	1	
	80157	80157-AHG1-E00	SPRING FUEL COVER	SPRING FUEL COVER	1	
**	8015A	8015A-AHG1-E00	COVER ASSY. FUEL	COVER ASSY. FUEL	1	
**	81131	81131-AHG1-E00	LEG SHIELD	LEG SHIELD	1	
**	81134	81134-AHG1-E00	HOLDER BOX HINGE	HOLDER BOX HINGE	1	
**	81135	81135-AHG1-E00	BOX INNER FR.	BOX INNER FR.	1	
**	8113A	8113A-AHG1-E00	BOX ASSY. L FRONT	BOX ASSY. L FRONT	1	
**	8113B	8113B-AHG1-E00	BOTTOM ASSY. BOX	BOTTOM ASSY. BOX	1	
**	81142	81142-AHG1-E00	LID R BOX FR	LID R BOX FR	1	
	81144	81144-AHG1-900	SPRING	SPRING	1	

F05

### Front Cover Front Inner Box

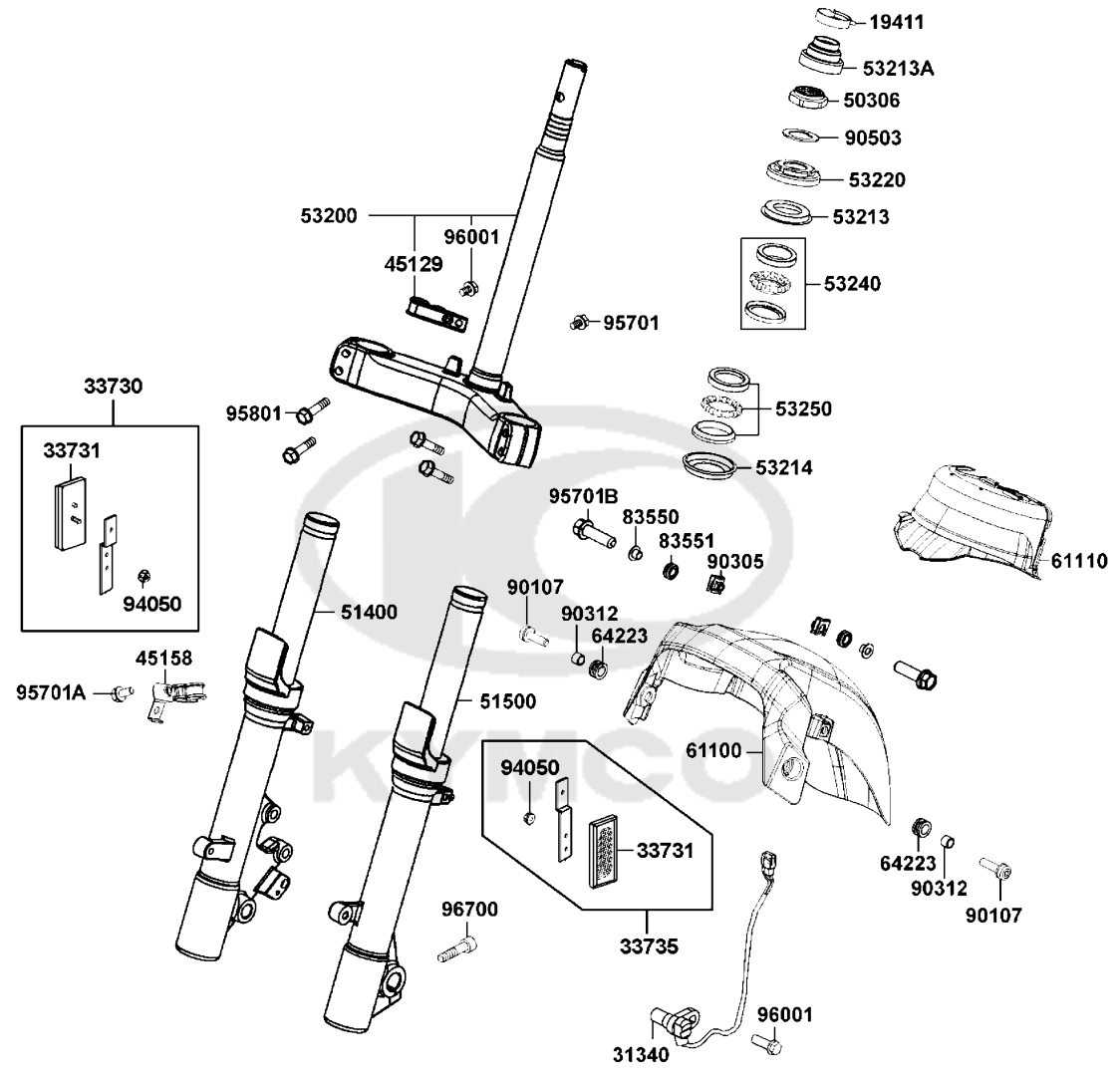


Sales mark	Ref no	Part no	Description	Reg description	Regd no	F05
	81145	81145-AHG1-900	SPRING	SPRING	1	
**	81151	81151-AHG1-E00	COVER A KEY	COVER A KEY	1	
**	81161	81161-AHG1-E00	COVER KEY B	COVER KEY B	1	
**	83530	83530-AHG1-E00	BOARD A R SIDE	BOARD A R SIDE	1	
**	83532	83532-AHG1-E00	BOARD B R SIDE	BOARD B R SIDE	1	
**	83534	83534-AHG1-E00	BOARD C R SIDE	BOARD C R SIDE	1	
**	83630	83630-AHG1-E00	BOARD A L SIDE	BOARD A L SIDE	1	
**	83632	83632-AHG1-E00	BOARD B L SIDE	BOARD B L SIDE	1	
**	83634	83634-AHG1-E00	BOARD C L SIDE	BOARD C L SIDE	1	
	90302	90302-LKB9-900	NUT SPRING 5MM	NUT SPRING 5MM	2	
	90302A	90302-SDA4-004	NUT SPRING 4MM	NUT SPRING 4MM	30	
	90652	90652-LCA4-E00	CLIP MUDGUARD	CLIP MUDGUARD	6	
	90652A	90652-LFB5-900	CLIP MUDGUARD	CLIP MUDGUARD	25	
	93404	93404-06012-06	BOLT WASHER 6X12	BOLT WASHER 6X12	10	
	93903	93903-34380-G	SCREW TAPPING 4x12	SCREW TAPPING 4x12	68	
	93903A	93903-LHJ8-930	SCREW TAPPING 5X14 (KG)	SCREW TAPPING 5X14 (KG)	2	
	95002	95002-02070	CLIP B7 TUBE	CLIP B7 TUBE	2	



F06

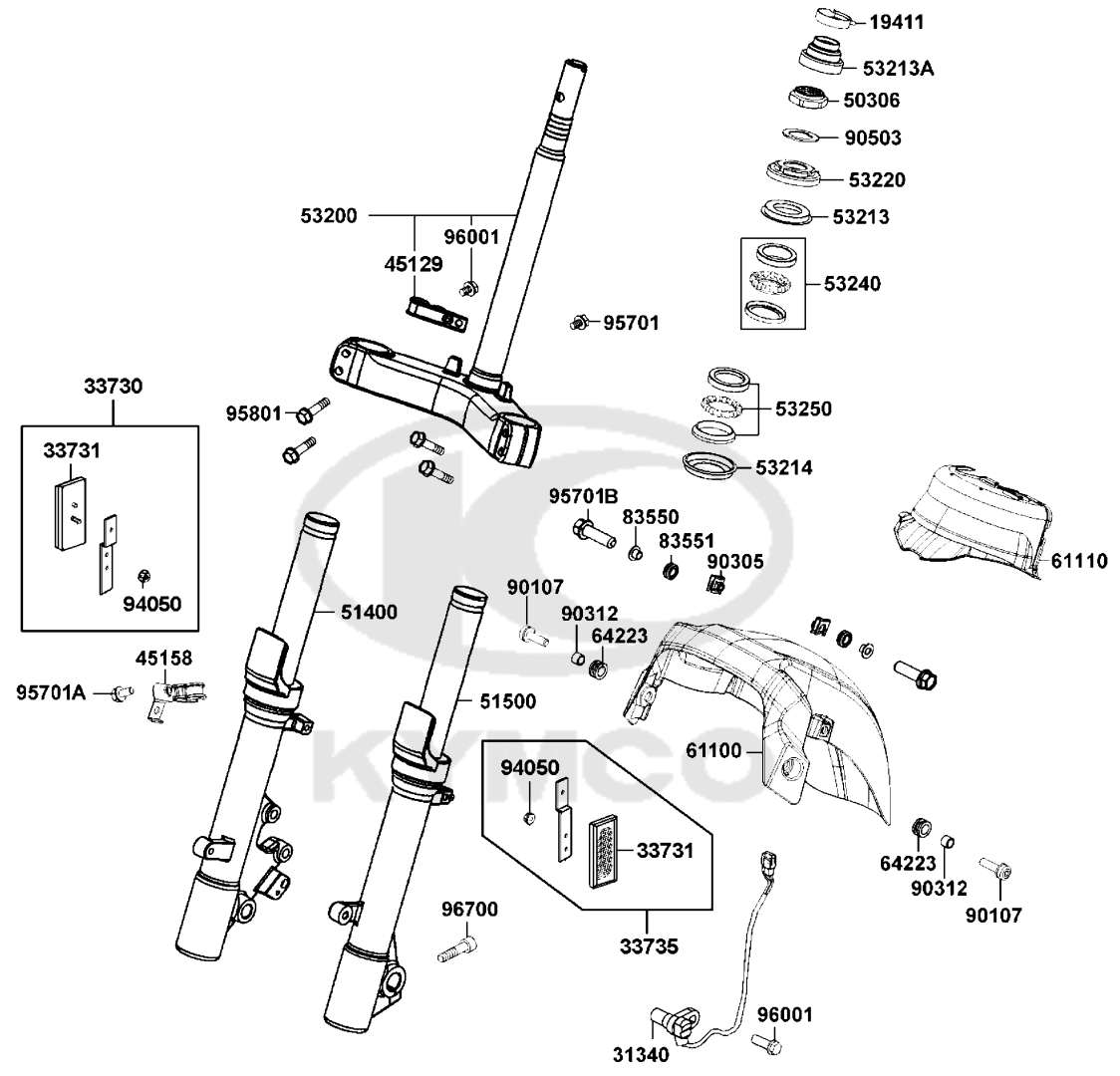
# Stem Steering Front Fork



Sales mark	Ref no	Part no	Description	Reg description	Regd no	F06
	19411	19411-LFG2-E00	CLIP ASSY AIR/C DUCT	CLIP ASSY AIR/C DUCT	1	
	31340	31340-LFH1-E00	SENSOR RR WHEEL SPEED	SENSOR RR WHEEL SPEED	1	
	33730	33730-AHG1-E00	REFLECTOR ASSY R SIDE	REFLECTOR ASSY R SIDE	1	
	33731	33731-AHG1-E00	REFLEX REFLECTOR (AMBER)	REFLEX REFLECTOR (AMBER)	2	
	33735	33735-AHG1-E00	REFLECTOR ASSY L SIDE	REFLECTOR ASSY L SIDE	1	
	45129	45129-LBA2-900	CLAMPER FR BRK HOSE	CLAMPER FR BRK HOSE	1	
	45158	45158-AGE2-E00	FR BRK HOSE	FR BRK HOSE	1	
	50306	50306-1F96-001	NUT STRG STEM LOCK	NUT STRG STEM LOCK	1	
**	51400	51400-AHG1-E30	FORK ASSY R FR	FORK ASSY R FR	1	
**	51500	51500-AHG1-E30	FORK ASSY LH FR	FORK ASSY LH FR	1	
	53200	53200-ACD5-E00	STEM COMP STRG	STEM COMP STRG	1	
	53213	53213-LBA2-E00	DUST SEAL STRG HEAD TOP	DUST SEAL STRG HEAD TOP	1	
	53213A	53213-LEA7-E00	DUST SEAL. STRG	DUST SEAL. STRG	1	
	53214	53214-LBA2-E00	DUST SEAL STRG (HEAD)	DUST SEAL STRG (HEAD)	1	
	53220	53220-LBA2-E00	THREAD COMP STRG HEAD TOP	THREAD COMP STRG HEAD TOP	1	
	53240	53240-LEA7-90A	BEARING TOP STRG (mark:TP1)	BEARING TOP STRG	1	
	53250	53250-LEA7-90A	BEARING BOT STRG (mark:TP1)	BEARING BOT STRG	1	
**	61100	61100-AHG1-E00	FENDER A FR	FENDER A FR	1	
**	61110	61110-AHG1-E00	FENDER FR INNER	FENDER FR INNER	1	
	64223	64223-AHG1-E00	RUBBER	RUBBER	2	

F06

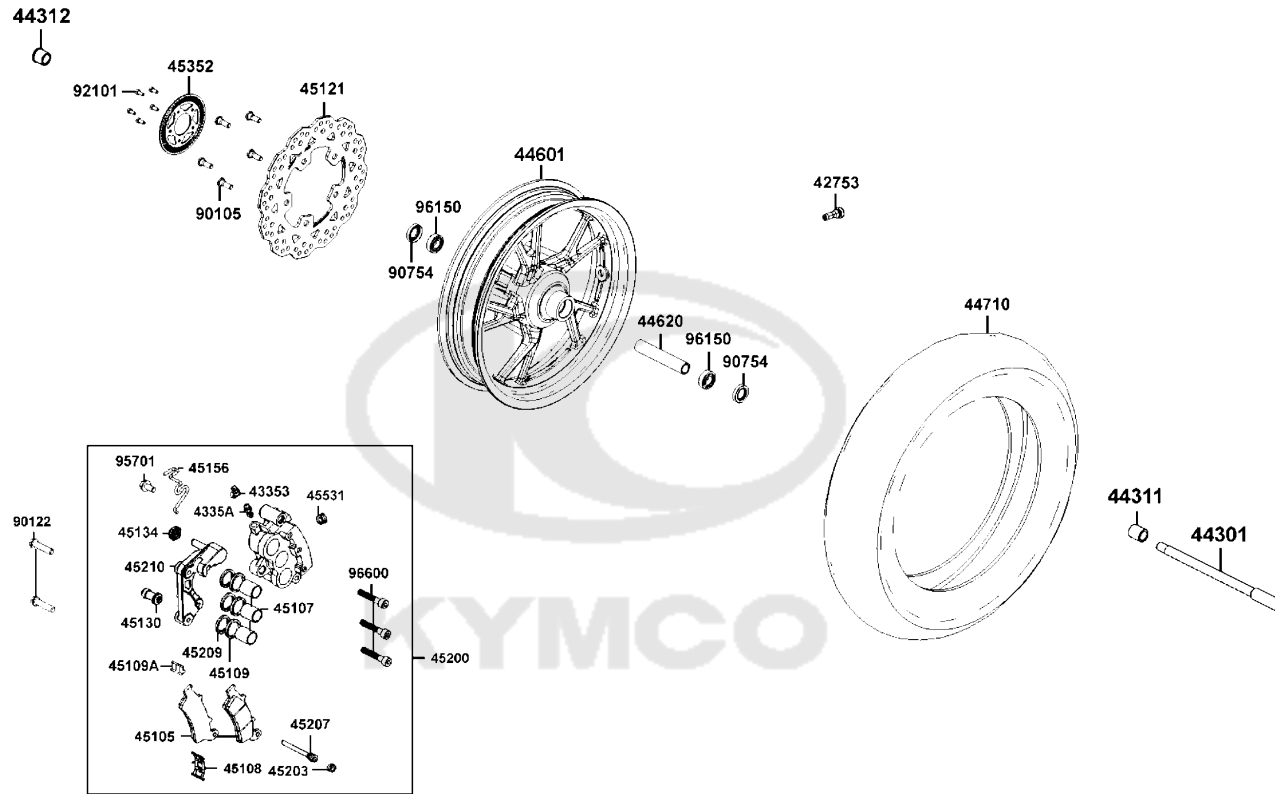
### Stem Steering Front Fork



Sales mark	Ref no	Part no	Description	Reg description	Regd no	F06
83550		83550-KEC8-900	COLLAR	COLLAR	2	
83551		83551-KEC8-900	GROMMET COVER	GROMMET COVER	2	
90107		90107-LEA7-E00	BOLT SPECIAL 8MM	BOLT SPECIAL 8MM	2	
90305		90305-LBA2-E00	NUT CLIP 6MM	NUT CLIP 6MM	2	
90312		90312-AHG1-E00	IRON BUSHING	IRON BUSHING	2	
90503		90503-LEA7-E00	WASHER STRG STEM NUT	WASHER STRG STEM NUT	1	
94050		94050-05060	NUT FLANGE 5MM	NUT FLANGE 5MM	2	
95701		95701-06010-06	BOLT FLANGE 6*10	BOLT FLANGE 6*10	1	
95701A		95701-06012-06	BOLT FLANGE 6X12	BOLT FLANGE 6X12	1	
95701B		95701-06045-06	BOLT FLANGE 6*45	BOLT FLANGE 6*45	2	
95801		95801-08040-06	BOLT FLANGE 8*40	BOLT FLANGE 8*40	4	
96001		96001-06012-06	BOLT FLANGE SH 6*12	BOLT FLANGE SH 6*12	1	
96700		96700-KED9-900	BOLT SOCKET 8*30	BOLT SOCKET 8*30	1	

F07

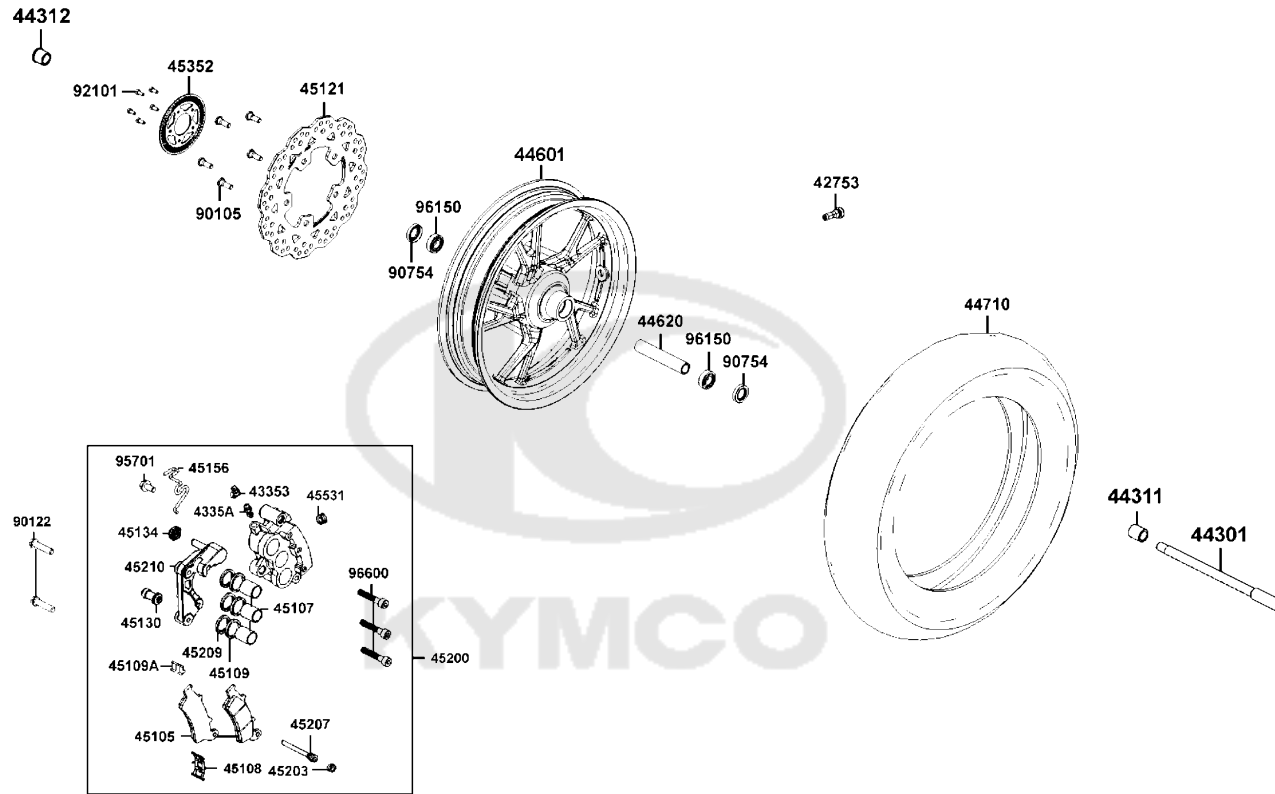
# Front Wheel



Sales mark	Ref no	Part no	Description	Reg description	Regd no	F07
	42753	42753-KNBN-90B	VALVE RIM (TR412)	VALVE RIM (TR412)	1	
	43353	43353-KED9-900	CAP BLEEDER	CAP BLEEDER	1	
	4335A	4335A-LBA2-E01	BLEEDER ASSY	BLEEDER ASSY	1	
	44301	44301-LEA7-E00	AXLE FR WHEEL M14*282MM	AXLE FR WHEEL 14*282	1	
	44311	44311-LEA7-E00	COLLAR FR WHEEL SIDE	COLLAR FR WHEEL SIDE	1	
	44312	44312-LEA7-E00	COLLAR FR WHEEL SIDE	COLLAR FR WHEEL SIDE	1	
**	44601	44601-AHG1-E00	WHEEL FR CAST	WHEEL FR CAST	1	
	44620	44620-LEA7-E00	COLLAR FR WHEEL DISTANCE	COLLAR FR WHEEL DIST	1	
	44710	44710-AHG5-E00	TIRE ASSY FR 120/80-14 58S	TIRE ASSY FR 120/80-14 58S	1	
	45105	45105-LGE5-305	PAD SET	PAD SET	1	
	45107	45107-LGE5-E00	PISTON C/P (Ø25.4MM)	PISTON C/P (Ø25.4MM)	3	
	45108	45108-LGE5-E00	SPRING PAD	SPRING PAD	1	
	45109	45109-GBE2-007	DUST SEAL	DUST SEAL	3	
	45109A	45109-LGE5-E00	SLIDE PAD	SLIDE PAD	1	
	45121	45121-AHG1-E00	DISK FR BRAKE	DISK FR BRAKE	1	
	45130	45130-LGE5-E00	PUSH BOOT PIN	BUSH PIN	1	
	45134	45134-KED9-900	BOOT B	BOOT B	1	
	45156	45156-LKG7-E00	CLIP SENSOR WIRE	CLIP SENSOR WIRE	1	
**	45200	45200-LKG7-E00	CALIPER ASSY FR	CALIPER ASSY FR	1	
	45203	45203-KED9-900	PLUG PIN	PLUG PIN	1	

F07

Front Wheel

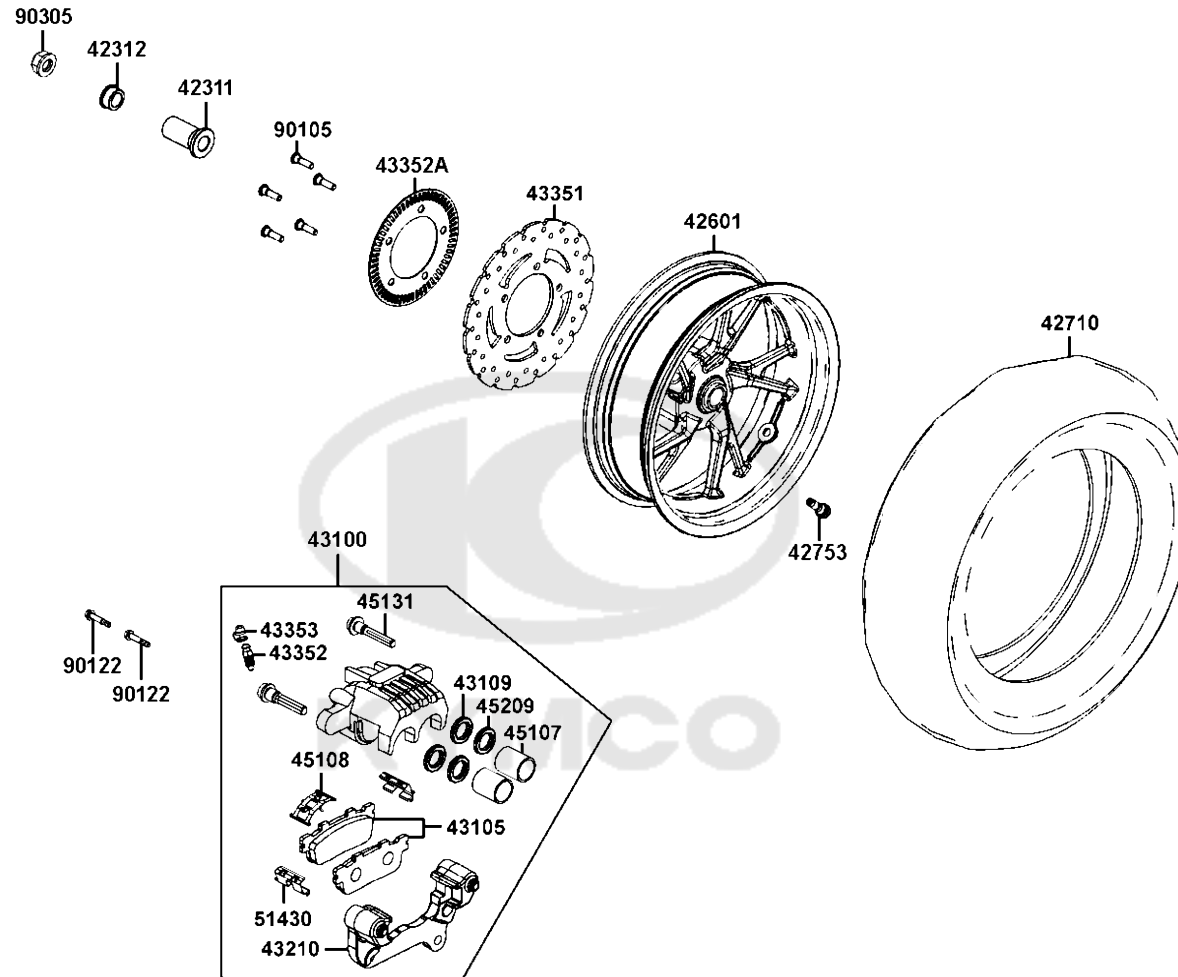


Sales mark	Ref no	Part no	Description	Reg description	Regd no	<b>F07</b>
	45207	45207-LGE5-E00	PIN HANGER	PIN HANGE	1	
	45209	45209-GBE2-007	SEAL PISTON	SEAL PISTON	1	
**	45210	45210-LKG7-305	BRACKET ASSY FR	BRACKET ASSY FR	1	
	45352	45352-LGE5-E00	TOOTHED RING SENSOR	TOOTHED RING SENSOR	1	
	45531	45531-KED9-900	PLUG	PLUG	1	
	90105	90105-KCR3-010	BOLT FR DISK 8*24	BOLT FR DISK 8X24	3	
	90122	90122-LEA7-E00	BOLT FLANGE 10X42	BOLT FLANGE 10X42	2	
	90754	90754-LLJ3-E00	DUST SEAL	DUST SEAL	2	
	92101	92101-05012-0G	BOLT HEX 5X12	BOLT HEX 5X12	5	
	95701	95701-06012-06	BOLT FLANGE 6X12	BOLT FLANGE 6X12	1	
	96150	96150-60020-10	BEARING BALL RADIAL 6002	BEARING BALL RADIAL 6002	2	
	96600	96600-LGE5-E00	SOCKET BOLT	SOCKET BOLT	3	



F08

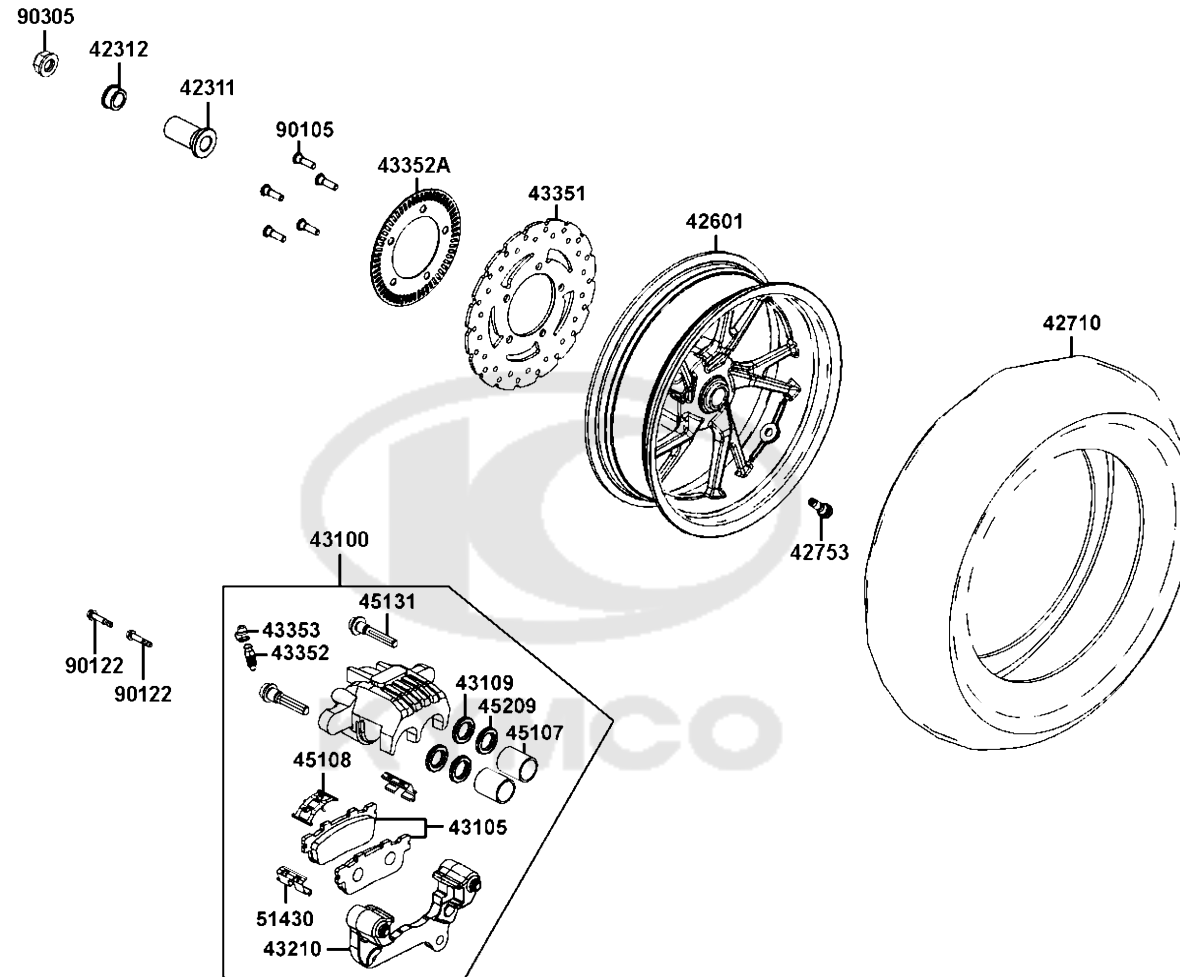
Rear Wheel



Sales mark	Ref no	Part no	Description	Reg description	Regd no	F08
	42311	42311-LEA7-E00	COLLAR RR AXLE SIDE A	COLLAR RR AXLE SIDE A	1	
	42312	42312-LEA7-E00	COLLAR RR AXLE SIDE	COLLAR RR AXLE SIDE	1	
**	42601	42601-AHG1-E00	WHEEL CAST RR	WHEEL CAST RR	1	
	42710	42710-AHG5-E00	TIRE ASSY RR 150/70-13 64S	TIRE ASSY RR 150/70-13 64S	1	
	42753	42753-KNBN-90B	VALVE RIM (TR412)	VALVE RIM (TR412)	1	
**	43100	43100-LGE5-E01	CALIPER ASSY RR	CALIPER ASSY RR	1	
	43105	43105-LGE5-306	PAD SET	PAD SET	1	
	43109	43109-MCA3-007	DUST SEAL	DUST SEAL	2	
**	43210	43210-LGE5-E00	BRACKET FR CALIPER (Met Silver)	BRACKET FR CALIPER (Met Silver)	1	
	43351	43351-ABD2-C00	"DISK. RR BRAKE"	"DISK, RR BRAKE"	1	
	43352	43352-KKD6-E90	SCREW BLEEDER	SCREW BLEEDER	1	
	43352A	43352-LEA7-E01	TOOTHED RING SENSOR	TOOTHED RING SENSOR	1	
	43353	43353-4A61-77A	CAP BLEEDER	CAP BLEEDER	1	
	45107	45107-KED9-E00	PISTON C/P (Ø27MM)	PISTON C/P (Ø27MM)	2	
	45108	45108-LGE5-E01	SPRING PAD	PAD SPRING	1	
	45131	45131-LGE5-E00	PIN BOLT	PIN BOLT	2	
	45209	45209-KED9-900	SEAL PISTON	SEAL PISTON	2	
	51430	51430-LGE5-E00	SLIDE PAD	SLIDE PAD	2	
	90105	90105-LEA7-E00	BOLT FR DISK 8x30	BOLT FR DISK 8X30	5	
	90122	90122-LEA7-E00	BOLT FLANGE 10X42	BOLT FLANGE 10X42	2	

F08

# Rear Wheel



Sales mark	Ref no	Part no	Description	Reg description	Regd no	<b>F08</b>
------------	--------	---------	-------------	-----------------	---------	------------

90305

90305-KKAK-900

NUT U 16MM

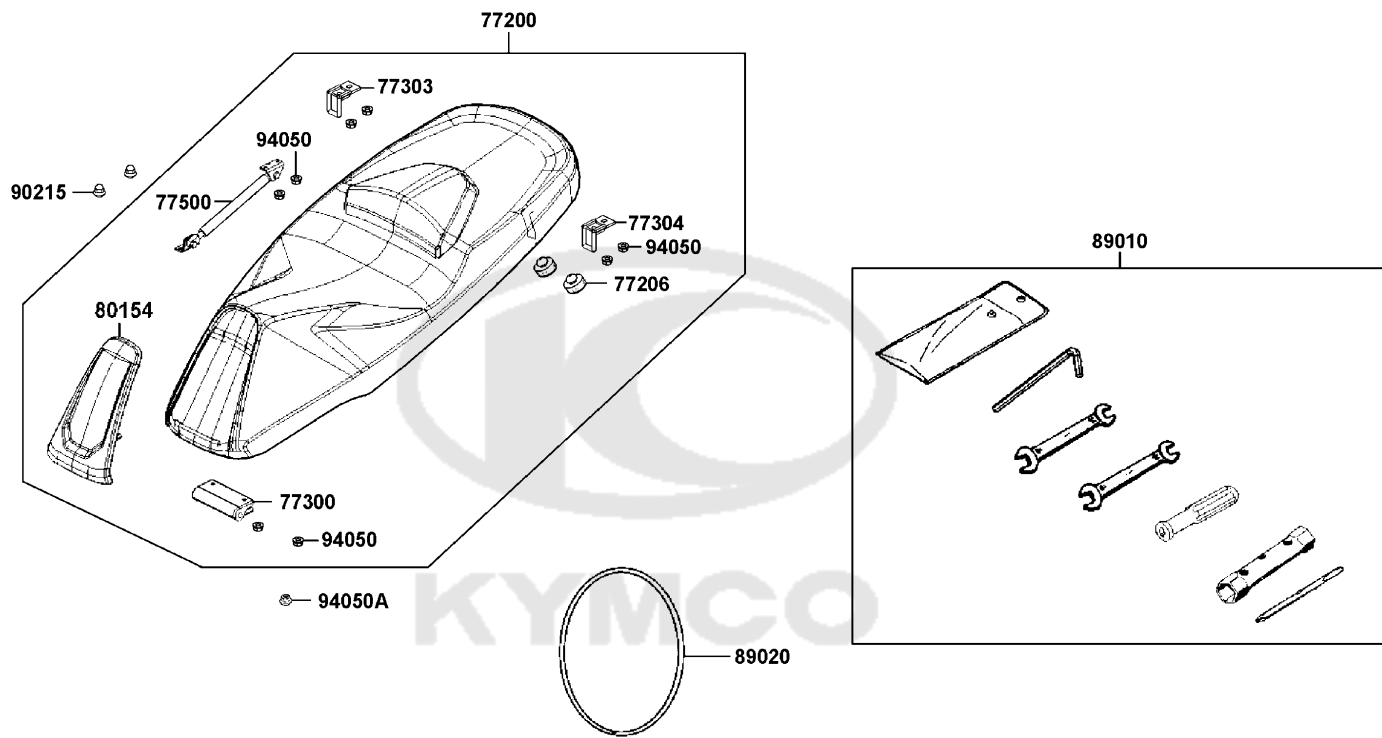
NUT U 16MM

1



F09

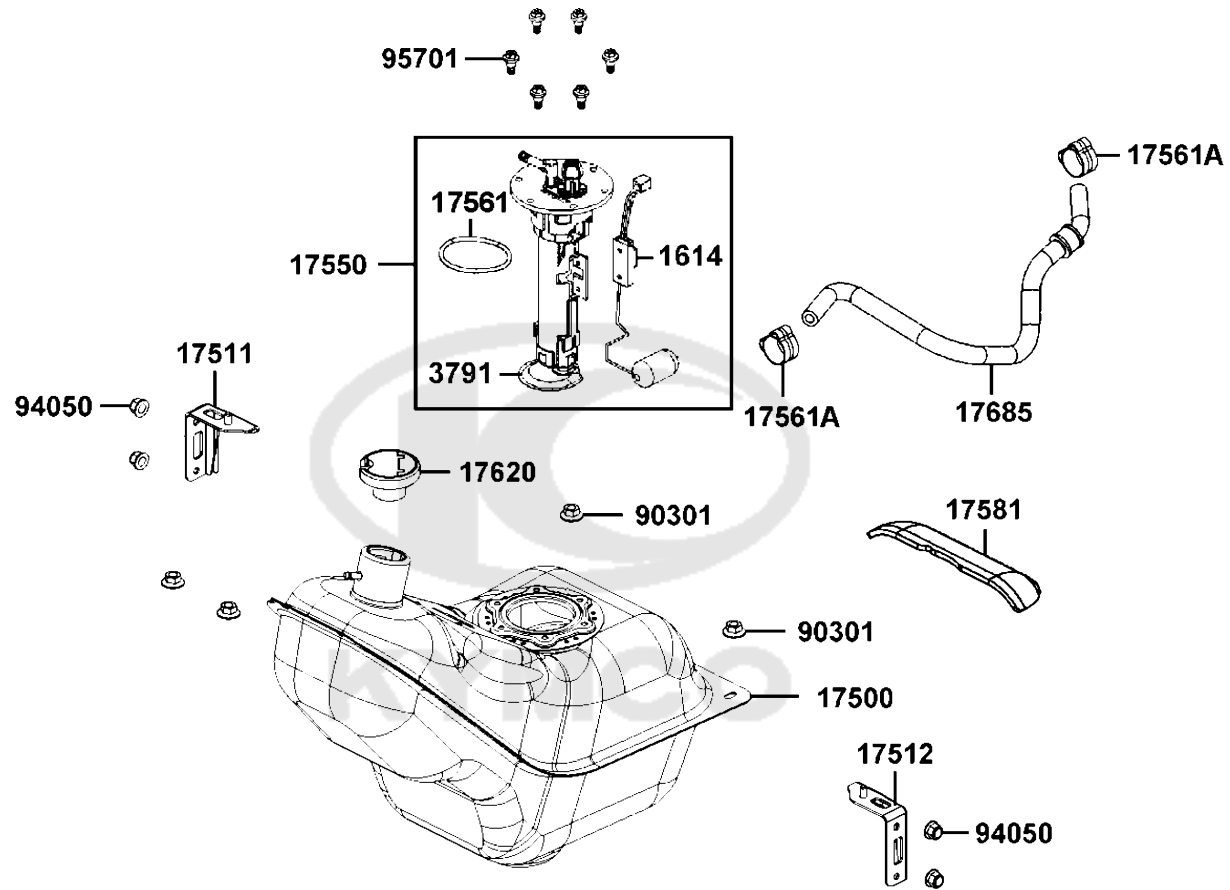
Seat



Sales mark	Ref no	Part no	Description	Reg description	Regd no	<b>F09</b>
**	77200	77200-AHG5-E00	SEAT ASSY	SEAT ASSY	1	
	77206	77206-KEB7-900	RUBBER SEAT CUSH	RUBBER SEAT CUSH	2	
	77300	77300-ACD5-E00	HINGE COMP SEAT	HINGE COMP SEAT	1	
	77303	77303-AGE2-E00	HOOK SEAT LOCK R	HOOK SEAT LOCK R	1	
	77304	77304-AGE2-E00	HOOK SEAT LOCK L	HOOK SEAT LOCK L	1	
	77500	77500-AHG5-E01	ASSY GAS. DAMPER	ASSY GAS. DAMPER	1	
**	80154	80154-AHG1-E00	COVER SEAT	COVER SEAT	1	
	89010	89010-AHG1-900	TOOL SET	TOOL SET	1	
	89020	89020-KKC4-900	BAND TOOL SET	BAND TOOL SET	1	
	90215	90215-KKC4-900	NUT CAP 6MM	NUT CAP 6MM	2	
	94050	94050-06000	NUT FLANGE 6MM	NUT FLANGE 6MM	8	
	94050A	94050-06070-G	NUT FLANGE 6MM (KG)	NUT FLANGE 6MM (G)	2	

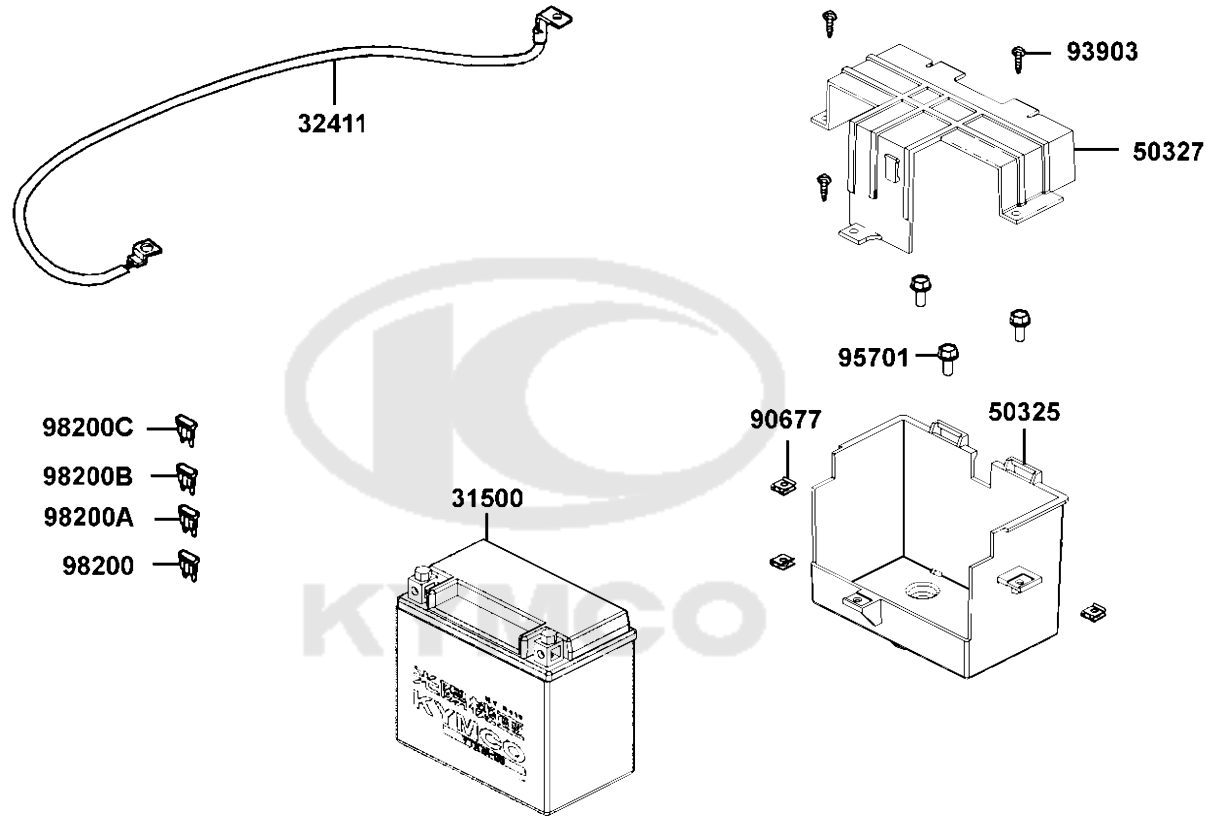
F10

Fuel Tank

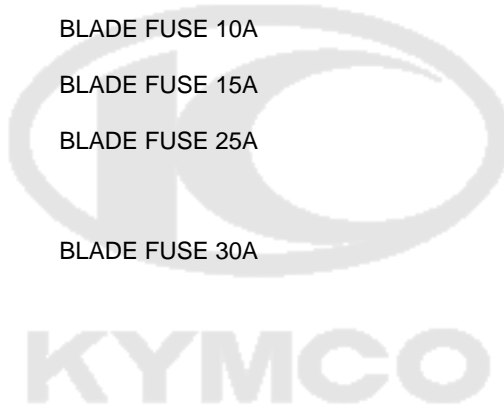


Sales mark	Ref no	Part no	Description	Reg description	Regd no	<b>F10</b>
1614		1614-A22C-0000-Y	FUEL LEVER SENSOR COMP	FUEL LEVER SENSOR COMP	1	
17500		17500-AGE2-E00	TANK COMP FUEL	TANK COMP FUEL	1	
17511		17511-ACJ1-E00	STAY R FUEL TANK	STAY R FUEL TANK	1	
17512		17512-ABD2-C00	STAY L FUEL TANK	STAY L FUEL TANK	1	
17550		17550-LEA7-800	FUEL PUMP MODULE ASSY	FUEL PUMP ASSY	1	
17561		17561-LDF2-900	O-RING	O-RING	1	
17561A		17561-LHG8-E00	CLIP 13.0	CLIP 13.0	1	
17581		17581-LEA7-E00	SPONGE FUEL TANK	SPONGE FUEL TANK	1	
17620		17620-LFC3-E15	CAP COMP FUEL FILLER	CAP COMP FUEL FILLER	1	
17685		17685-AHJ5-C00	TUBE FUEL	TUBE FUEL	1	
3791		3791-HN80-0000	FILTER COMP	FILTER COMP	1	
90301		90301-6D34-671	NUT FLANGE 6MM	NUT FLANGE 6MM	4	
94050		94050-06060	NUT FLANGE 6MM	NUT FLANGE 6MM	4	
95701		95701-LDF2-800	BOLT FLANGE 5*6.5	BOLT FLANGE 5*6.5	6	

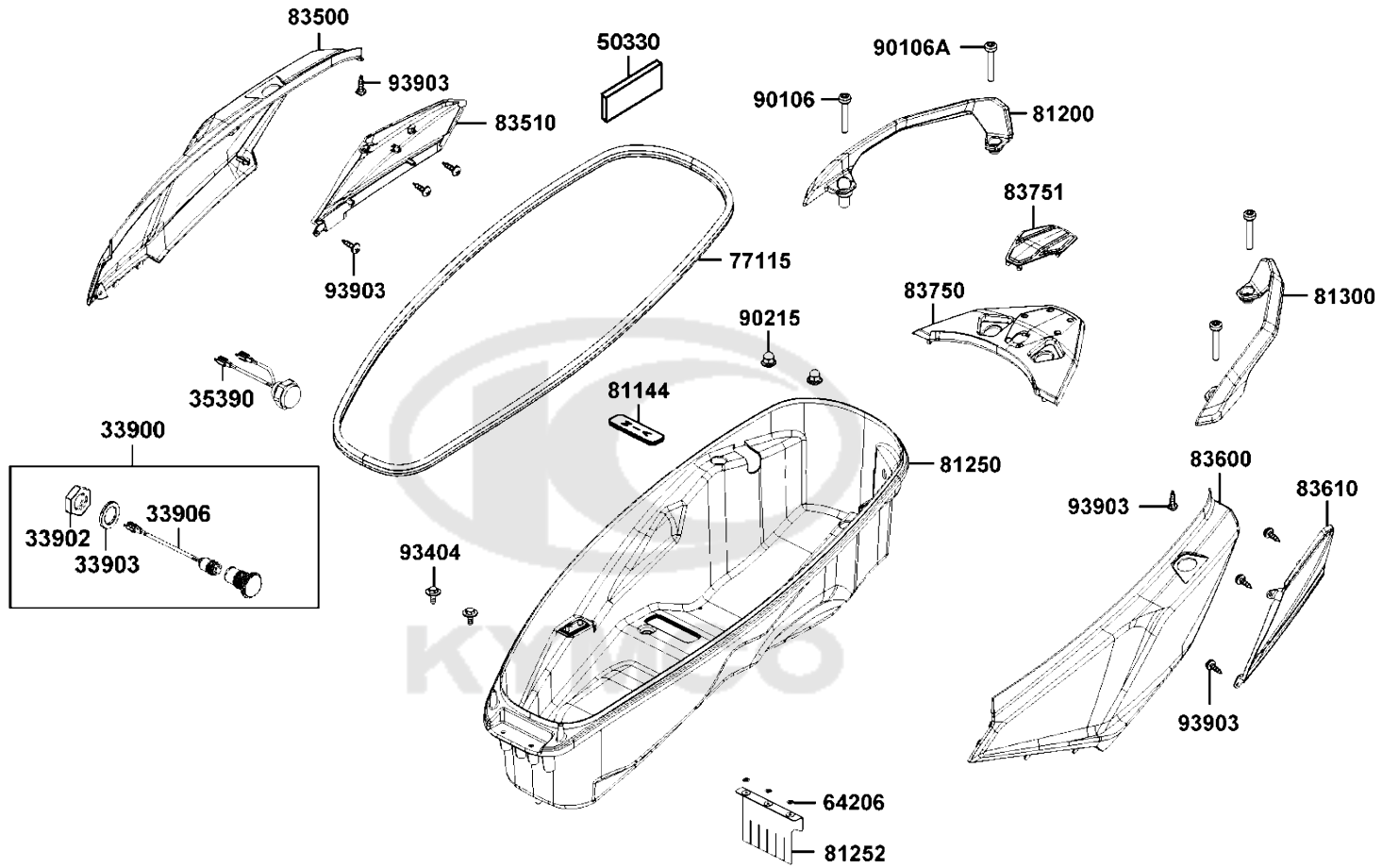




Sales mark	Ref no	Part no	Description	Reg description	Regd no	F11
	31500	31500-LGC6-M11	BATTERY TTZ14S	BATTERY TTZ14S	1	
	32411	32411-AHG1-E00	CABLE BAT	CABLE BAT	1	
**	50325	50325-AHG1-E00	CASE BATTERY	CASE BATTERY	1	
**	50327	50327-AHG3-E00	COVER ASSY BATTERY	COVER ASSY BATTERY	1	
	90677	90677-GAR1-004	NUT CLIP 5MM	NUT CLIP 5MM	3	
	93903	93903-34380-G	SCREW TAPPING 4x12	SCREW TAPPING 4x12	3	
	95701	95701-06012-06	BOLT FLANGE 6X12	BOLT FLANGE 6X12	3	
	98200	98200-31000	BLADE FUSE 10A	BLADE FUSE 10A	1	
	98200A	98200-31500	BLADE FUSE 15A	BLADE FUSE 15A	1	
	98200B	98200-32500	BLADE FUSE 25A	BLADE FUSE 25A	1	
	98200C	98200-33000	BLADE FUSE 30A	BLADE FUSE 30A	1	

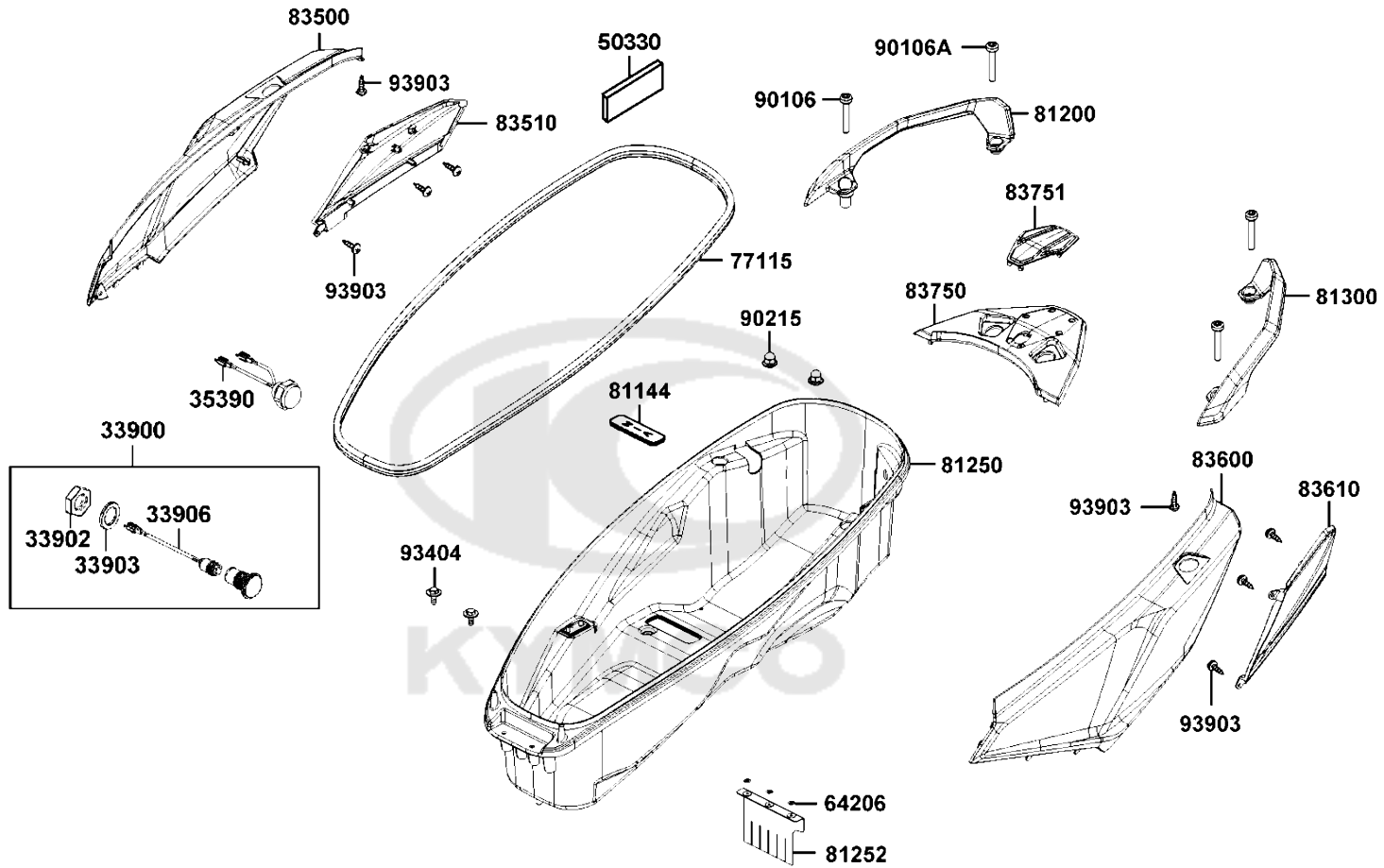



Body Cover Luggage Box



Sales mark	Ref no	Part no	Description	Reg description	Regd no	F12
	33900	33900-LKF5-E00	LIGHT ASSY LUGGAGE BOX	LIGHT ASSY LUGGAGE BOX	1	
	33902	33902-LHG7-E00	NUT SCREW	NUT SCREW	1	
	33903	33903-LHG7-E00	PACKING	PACKING	1	
	33906	33906-LHG7-E00	SOCKET ASSY	SOCKET ASSY	1	
	35390	35390-AHG1-E00	SENSOR LUGGAGE BOX LIGHT	SENSOR LUGGAGE BOX LIGHT	1	
	50330	50330-AFB5-900	SPONGE FRAME	SPONGE FRAME	1	
	64206	64206-MLJ0-001	NUT SPEED 4MM	NUT SPEED 4MM	3	
	77115	77115-AHG5-E00	RUBBER SEAL	RUBBER SEAL	1	
	81144	81144-ALJ8-E10	LID LEG SHIELD	LID LEG SHIELD	1	
**	81200	81200-AHG1-900	RR CARRIER R	RR CARRIER R	1	
**	81250	81250-AHG1-E00	BOX ASSY LUGGAGE	BOX ASSY LUGGAGE	1	
	81252	81252-AHG1-E00	PLATE SPLASH BOARD	PLATE SPLASH BOARD	1	
**	81300	81300-AHG1-900	RR CARRIER L	RR CARRIER L	1	
**	83500	83500-AHG1-E00	COVER SIDE R	COVER SIDE R	1	
**	83510	83510-AHG1-E00	COVER BODY R	COVER BODY R	1	
**	83600	83600-AHG1-E00	COVER SIDE L	COVER SIDE L	1	
**	83610	83610-AHG1-E00	COVER BODY L	COVER BODY L	1	
**	83750	83750-AHG1-E00	COVER RR CENTER	COVER RR CENTER	1	
	83751	83751-AHG1-E00	RUBBER CENTER COVER RR	RUBBER CENTER COVER RR	1	
	90106	90106-KFC2-900	BOLT-WASH 8MM	BOLT-WASH 8MM	2	

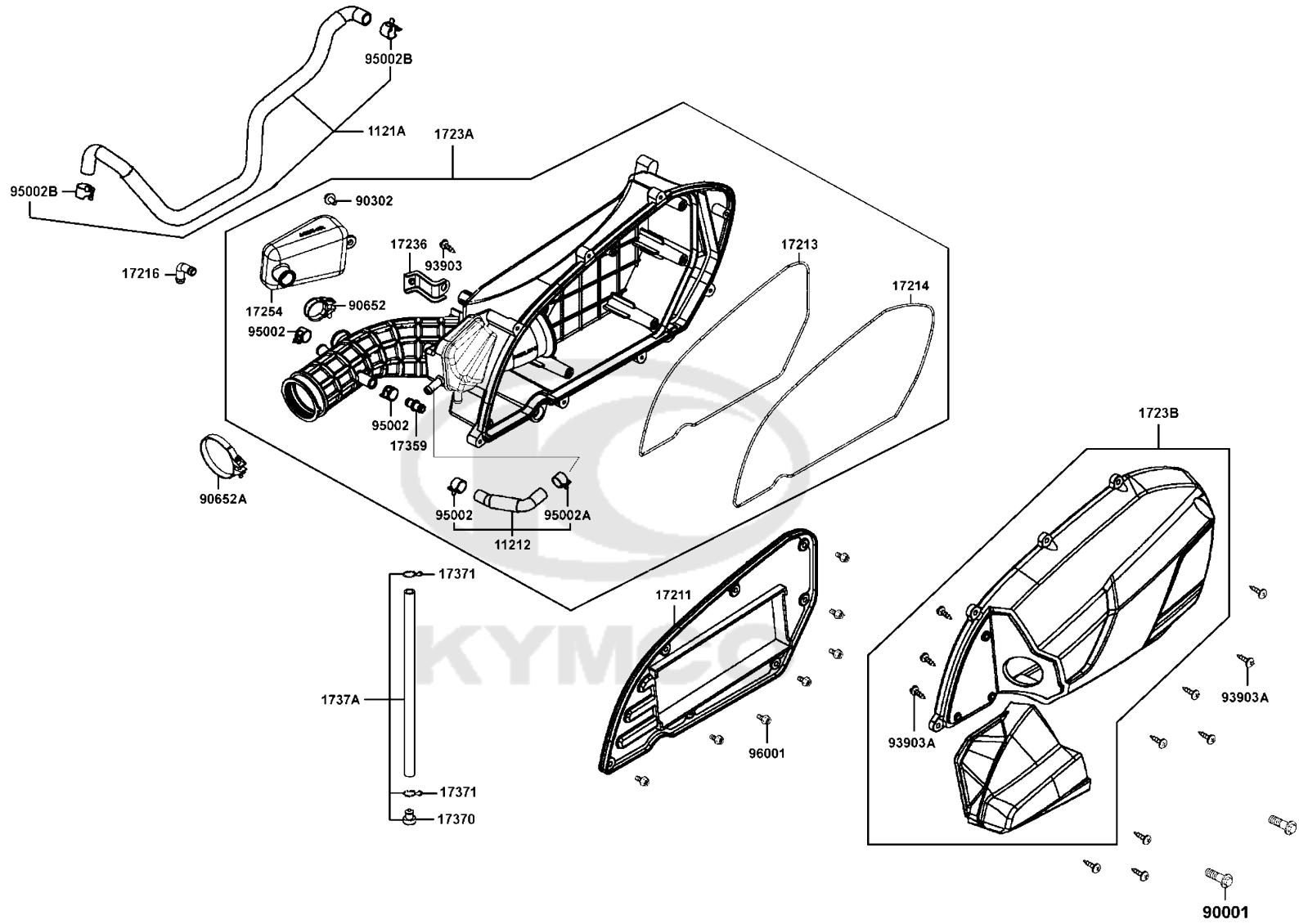
Body Cover Luggage Box



Sales mark	Ref no	Part no	Description	Reg description	Regd no	F12
	90106A	90106-KUDU-900	BOLT SPECIAL 8MM	BOLT SPECIAL 8MM	2	
	90215	90215-LHJ8-910	NUT CAP 6MM	NUT CAP 6MM	2	
	93404	93404-AGD7-900	BOLT WASHER 6*16 (KG)	BOLT WASHER 6*16	2	
	93903	93903-34380-G	SCREW TAPPING 4x12	SCREW TAPPING 4x12	8	
						

F13

Air Cleaner

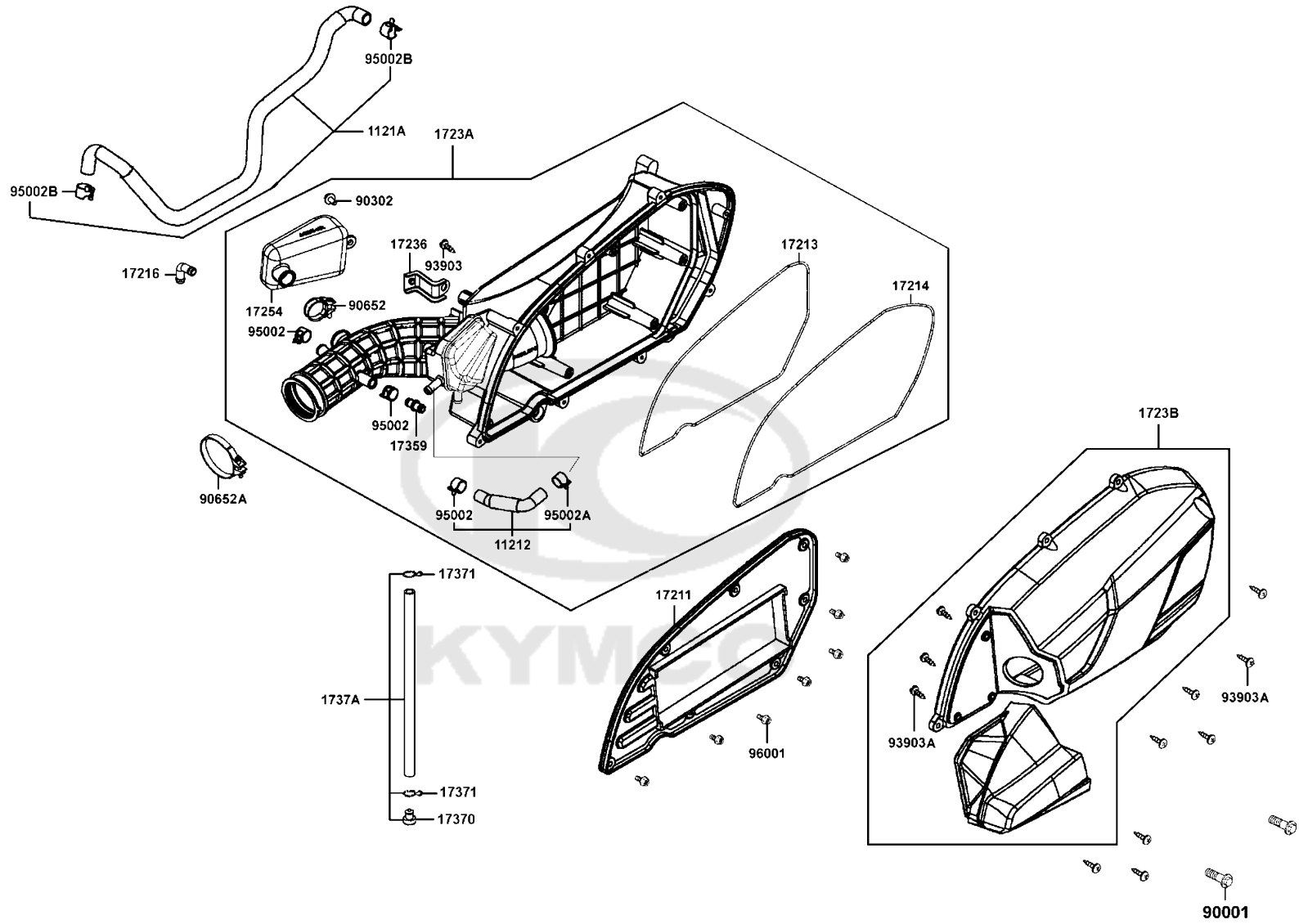


Sales mark	Ref no	Part no	Description	Reg description	Regd no	F13
	11212	11212-LEA7-E00	TUBE AIR/C BLOW BY	TUBE AIR/C BLOW BY	1	
	1121A	1121A-LEA7-E00	TUBE BREATHER	TUBE BREATHER	1	
	17211	17211-LEA7-E00	ELEMENT AIR/C	ELEMENT AIR/C	1	
	17213	17213-LEA7-E01	SEAL ELEMENT AIR/C	SEAL ELEMENT AIR/C	1	
	17214	17214-LEA7-E00	SEAL CASE AIR/C	SEAL CASE AIR/C	1	
	17216	17216-KHC4-900	L JOINT BREATHER TUBE	L JOINT BREATHER TUBE	1	
	17236	17236-ACD5-B80	PLATE. CHAMBER FIX	PLATE. CHAMBER FIX	1	
	1723A	1723A-ACD5-E03	CASE COMP AIR/C	CASE COMP AIR/C	1	
	1723B	1723B-AHG5-E00	COVER COMP AIR/C	COVER COMP AIR/C	1	
	17254	17254-ACD5-B80	CHAMBER NOICE SILENCE	CHAMBER NOICE SILENCE	1	
	17359	17359-4K19-671	JOINT BREATHER TUBE	JOINT BREATHER TUBE	1	
	17370	17370-4K19-701	PLUG BREATHER TUBE	PLUG BREATHER TUBE	1	
	17371	17371-1D74-671	CLIP BREATHER TUBE	CLIP BREATHER TUBE	2	
	1737A	1737A-KUDU-900	V TUBE ASSY	V TUBE ASSY	1	
	90001	90001-GBHB-681	BOLT FLANGE SHF 6*28	BOLT FLANGE SHF 6*28	2	
	90302	90302-LLB1-E00	BOLT-WASHER 5*12	BOLT-WASHER 5*12	1	
	90652	90652-ACD5-B80	BAND D21.5 CHAMBER	BAND D21.5 CHAMBER	1	
	90652A	90652-KHE7-900	BAND CONNECTING TUBE	BAND CONNECTING TUBE	1	
	93903	93903-25360	SCREW TAPPING 5*16	SCREW TAPPING 5*16	1	
	93903A	93903-25460	SCREW TAPPING 5*20	SCREW TAPPING 5*20	8	



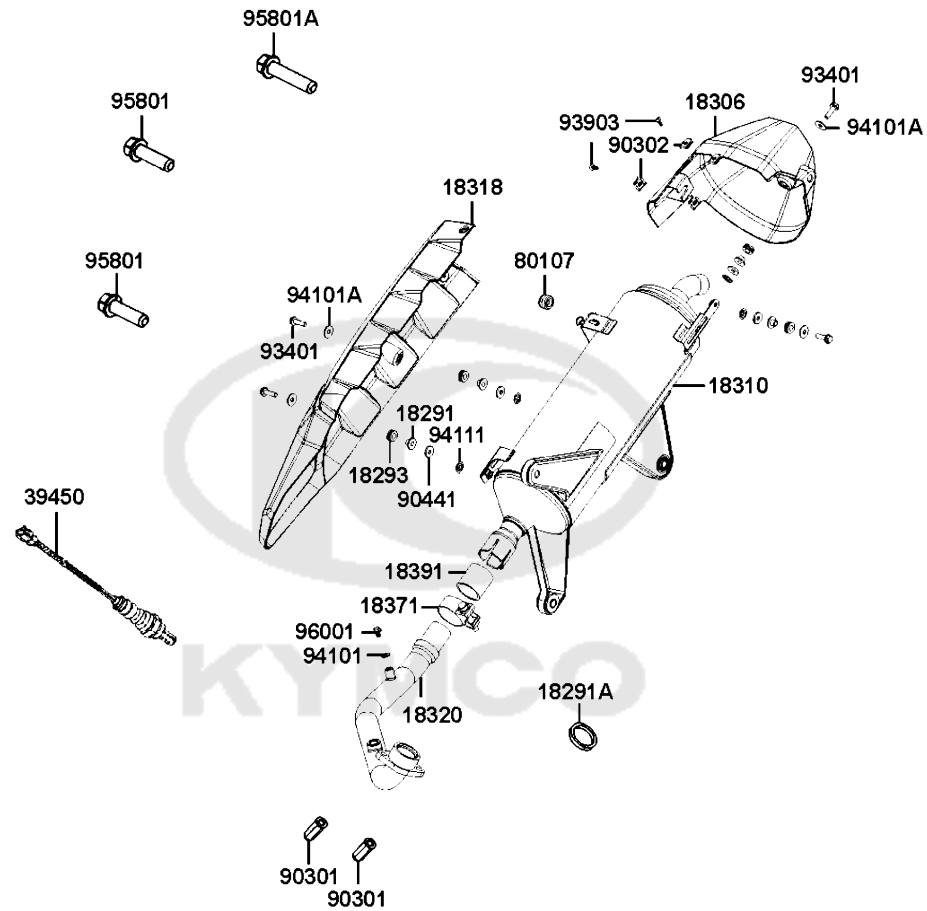
F13

Air Cleaner

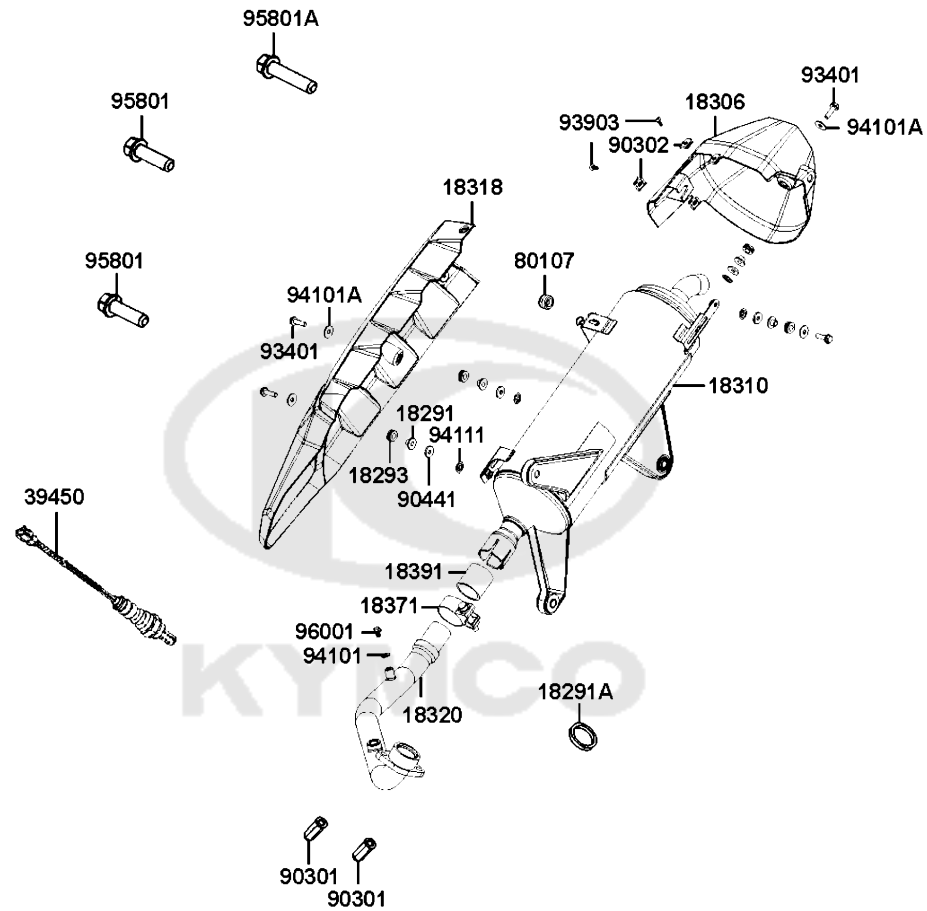


Sales mark	Ref no	Part no	Description	Reg description	Regd no	<b>F13</b>
95002		95002-41150-00	CLIP D11.5 TUBE	CLIP D11.5 TUBE	3	
95002A		95002-41250-00	CLIP D12.5 TUBE	CLIP D12.5 TUBE	1	
95002B		95002-KED9-M31	CLAMP D14.8 TUBE	CLAMP D14.8 TUBE	2	
96001		96001-GFY6-900	BOLT SPECIAL 5*10	BOLT SPECIAL 5*10	7	





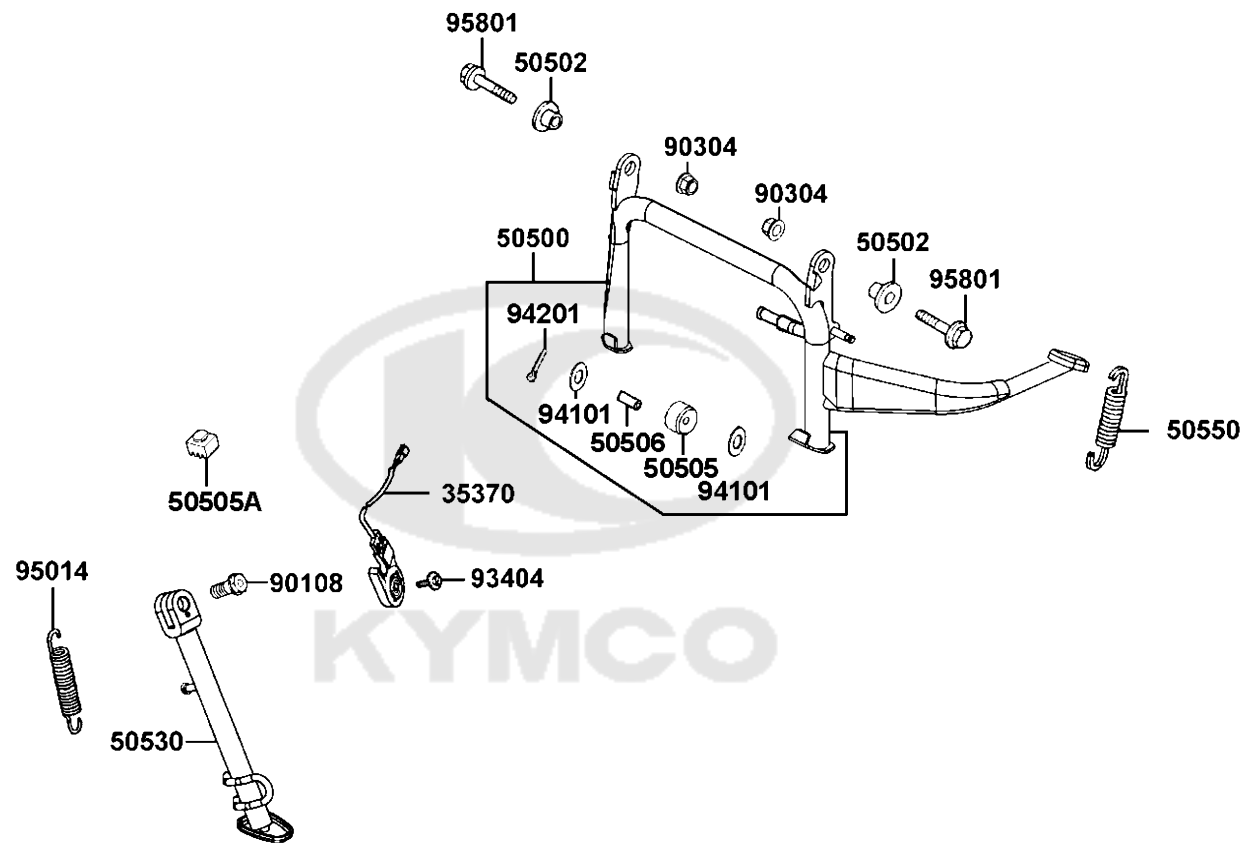
Sales mark	Ref no	Part no	Description	Reg description	Regd no	F14
	18291	18291-LKG2-90A	COLLAR	COLLAR	4	
	18291A	18291-PWB1-900	SEAL EXHAUST PIPE	SEAL EXHAUST PIPE	1	
	18293	18293-LHJ8-900	RUBBER PKG PROTR	RUBBER PKG PROTR	4	
**	18306	18306-AHG3-E00	TAIL CAP MUFFLER	TAIL CAP MUFFLER	1	
	18310	18310-AHG5-E00	MUFFLER COMP	MUFFLER COMP	1	
**	18318	18318-AHG3-E00	PROTECTOR.MUFFLER	PROTECTOR.MUFFLER	1	
	18320	18320-AHG5-E00	PIPE EXHAUST	PIPE EXHAUST	1	
	18371	18371-LBA2-E00	BAND MUFFLER	BAND MUFFLER	1	
	18391	18391-LBA2-E00	GASKET	GASKET	1	
	39450	39450-ZVA6-M00	O2 SENSOR	O2 SENSOR	1	
	80107	80107-KHLH-900	RUBBER A RR FENDER	RUBBER A RR FENDER	2	
	90301	90301-GFY6-901	NUT (HEX) CAP 8MM	NUT (HEX) CAP 8MM	2	
	90302	90302-SDA4-004	NUT SPRING 4MM	NUT SPRING 4MM	2	
	90441	90441-ACD5-E00	WASHER PLATE	WASHER PLATE	4	
	93401	93401-LEA7-900	BOLT WASHER 6X22	BOLT WASHER 6X22	4	
	93903	93903-343J0	SCREW TAPPING 4*12	SCREW TAPPING 4*12	2	
	94101	94101-06700	WASHER PLAIN 6MM	WASHER PLAIN 6MM	1	
	94101A	94101-ACD5-E00	WASHER PLAIN 6.5*18*1.5	WASHER PLAIN 6.5*18*1.5	4	
	94111	94111-ACD5-E00	WASHER.SPG	WASHER.SPG	4	
	95801	95801-10050-06	BOLT FLANGE 10*50	BOLT FLANGE 10*50	2	



Sales mark	Ref no	Part no	Description	Reg description	Regd no	<b>F14</b>
------------	--------	---------	-------------	-----------------	---------	------------

95801A	95801-10060-06	95801-10060-06	BOLT FLANGE 10*60	BOLT FLANGE 10*60	1	
96001	96001-06008-07	96001-06008-07	BOLT FLANGE SH 6*8	BOLT FLANGE SH 6*8	1	



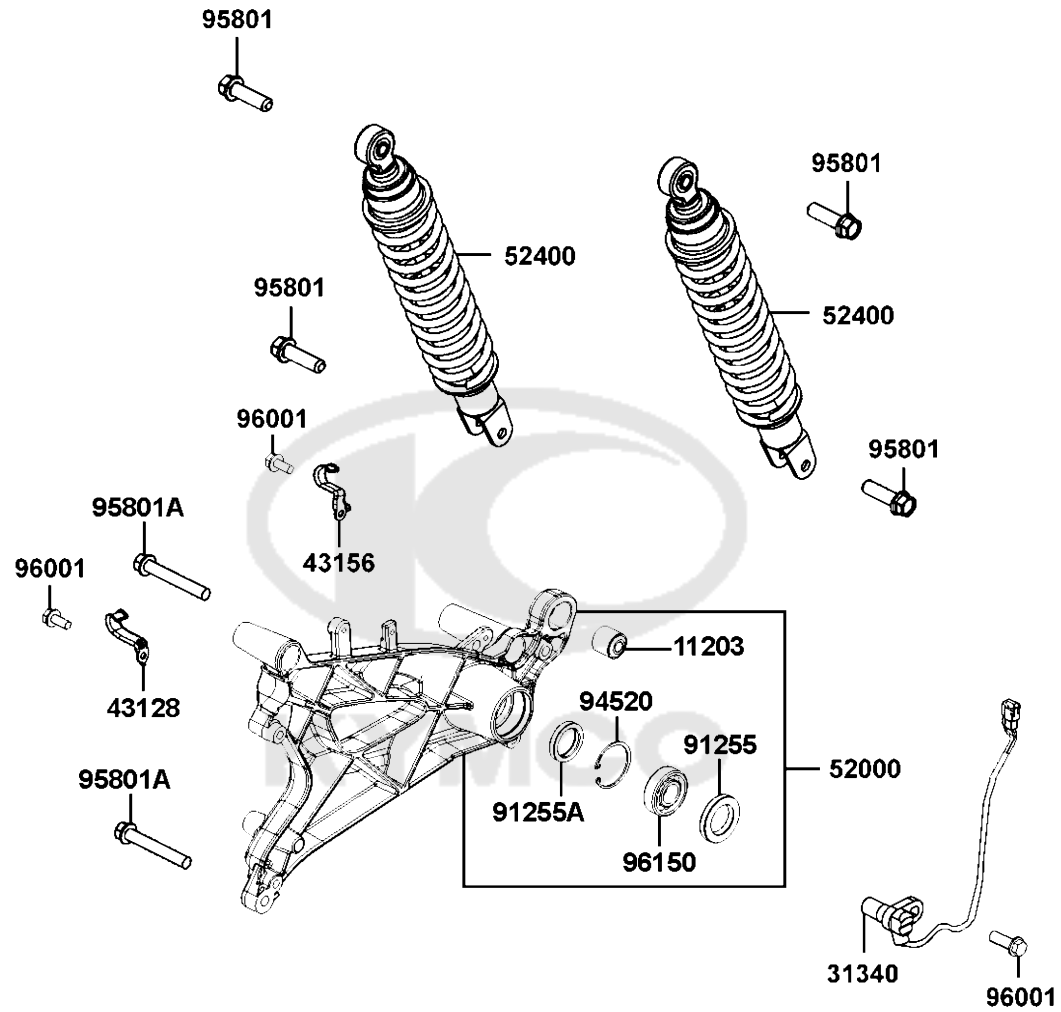


Sales mark	Ref no	Part no	Description	Reg description	Regd no	<b>F15</b>
35370		35370-LLJ3-E00	SW UNIT SIDE STAND	SW UNIT SIDE STAND	1	
50500		50500-AHG5-E00	STAND COMP MAIN	STAND COMP MAIN	1	
50502		50502-LDF7-E10	COLLAR MAIN STAND	COLLAR MAIN STAND	2	
50505		50505-LEA7-E00	STOPPER RUBBER	STOPPER RUBBER	1	
50505A		50505-PUA3-B50	STOPPER RUBBER	STOPPER RUBBER	1	
50506		50506-KHE7-E00	COLLAR STOPPER RUBBER	COLLAR STOPPER RUBBER	1	
50530		50530-ABD2-C00	BAR SIDE STAND	BAR SIDE STAND	1	
50550		50550-KKC2-E00	SPG ASSY MAIN STAND	SPG ASSY MAIN STAND	1	
90108		90108-KKC4-900	SCREW SIDE STAND PIVOT	SCREW SIDE STAND PIVOT	1	
90304		90304-LEA1-900	NUT U FLANGE 10MM	NUT U FLANGE 10MM	2	
93404		93404-06016-06	BOLT WASHER 6*16	BOLT WASHER 6*16	1	
94101		94101-08600	WASH PLAIN 8MM	WASH PLAIN 8MM	2	
94201		94201-20180	PIN SPLIT 2.0*18	PIN SPLIT 2.0*18	1	
95014		95014-72204	SPG B1 SIDE STAND	SPG B1 SIDE STAND	1	
95801		95801-10030-06	BOLT FLANGE 10X30	BOLT FLANGE 10X30	2	



F16

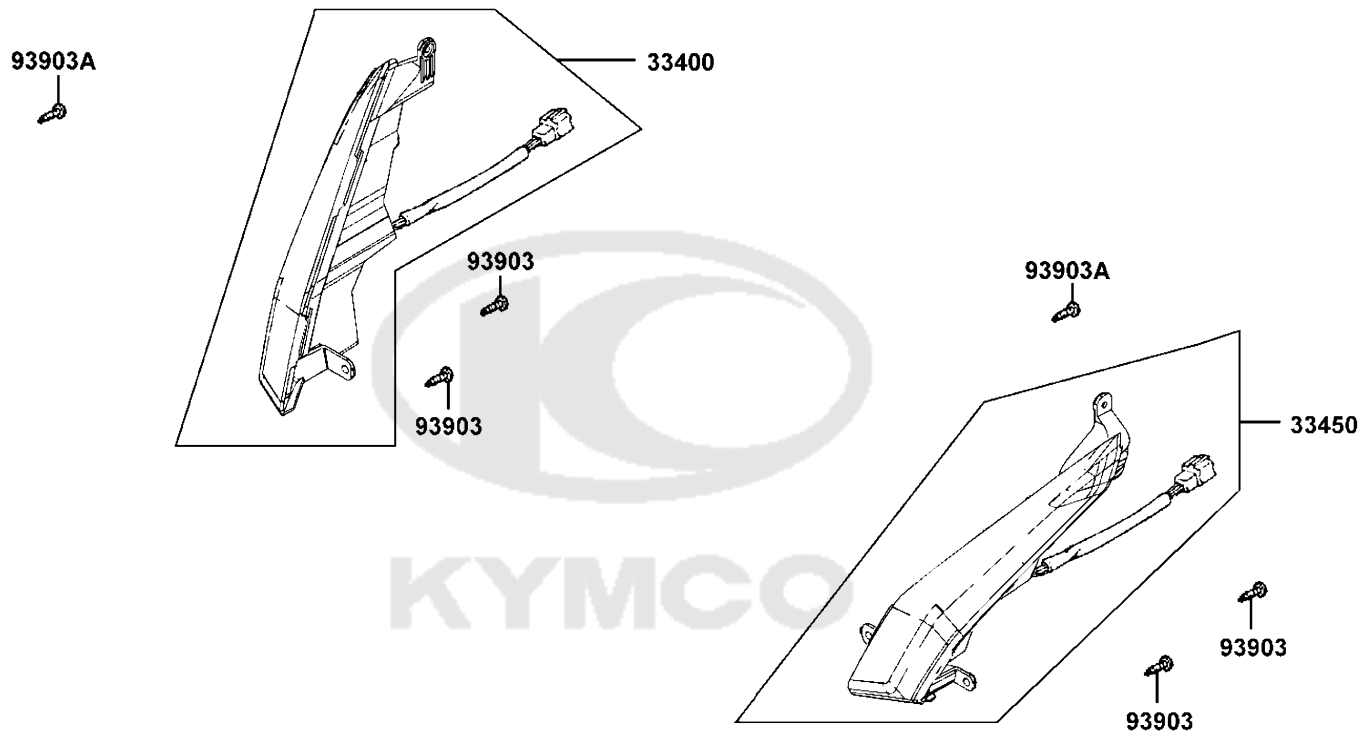
Rear Cushion Rear Fork



Sales mark	Ref no	Part no	Description	Reg description	Regd no	F16
	11203	11203-LBA2-E00	RUB BUSH L CASE	RUB BUSH L CASE	1	
	31340	31340-LFH1-E00	SENSOR RR WHEEL SPEED	SENSOR RR WHEEL SPEED	1	
	43128	43128-AHG1-E00	CLAMPER HOSE RR	CLAMPER HOSE RR	1	
	43156	43156-AHG1-E00	STAY RR BRAKE HOSE	STAY RR BRAKE HOSE	1	
**	52000	52000-AHG5-E00	FORK ASSY RR	FORK ASSY RR	1	
**	52400	52400-AHG1-E30	CUSHION ASSY REAR	CUSHION ASSY REAR	2	
	91255	91255-LGE5-E00	OIL SEAL 30*48*7	OIL SEAL 30*48*7	1	
	91255A	91255-LLB1-900	OIL SEAL 30*40*7	OIL SEAL 30*40*7	1	
	94520	94520-47000	CIR CLIP IN 47	CIR CLIP IN 47	1	
	95801	95801-10040-06	BOLT FLANGE 10X40	BOLT FLANGE 10X40	4	
	95801A	95801-10060-06	BOLT FLANGE 10*60	BOLT FLANGE 10*60	2	
	96001	96001-06012-06	BOLT FLANGE SH 6*12	BOLT FLANGE SH 6*12	3	
	96150	96150-62040-10	BEARING BALL RADIAL 6204	BEARING BALL RADIAL 6204	1	

F17

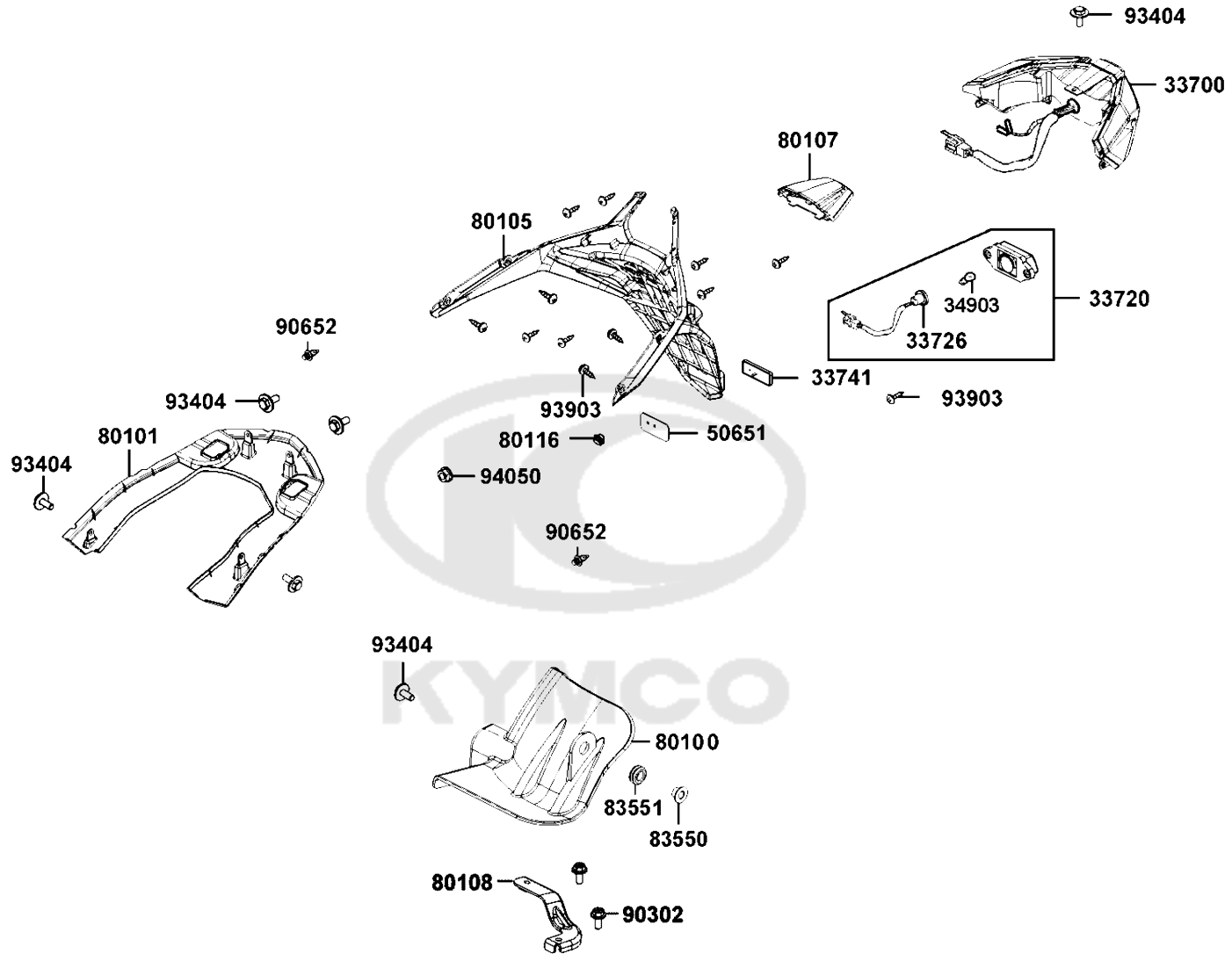
Front Winker



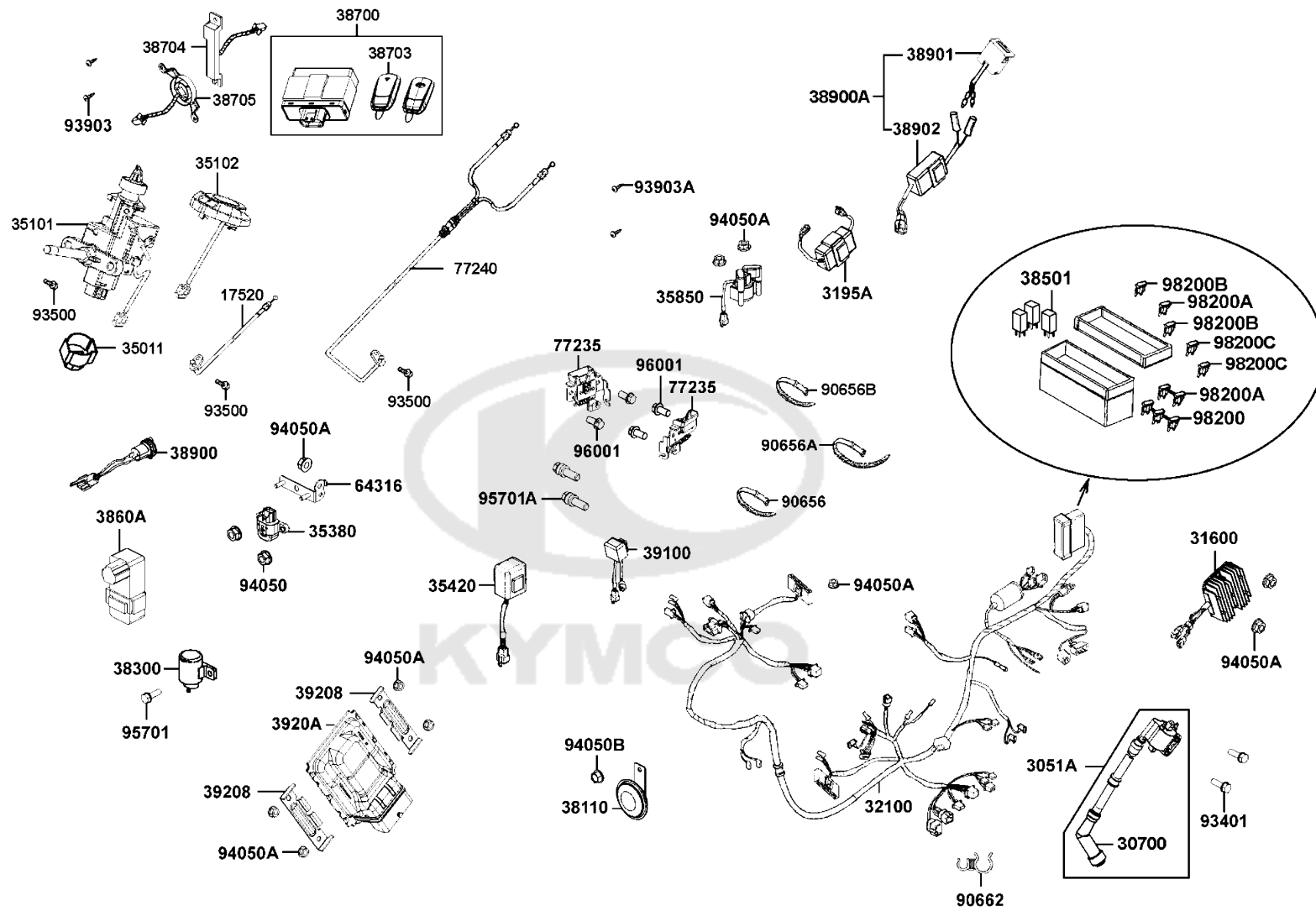
Sales mark	Ref no	Part no	Description	Reg description	Regd no	<b>F17</b>
------------	--------	---------	-------------	-----------------	---------	------------

33400		33400-AHG1-E00	WINKER ASSY R FR	WINKER ASSY R FR	1	
33450		33450-AHG1-E00	WINKER ASSY L FR	WINKER ASSY L FR	1	
93903		93903-34380-G	SCREW TAPPING 4x12	SCREW TAPPING 4x12	4	
93903A		93903-35260	SCREW TAPPING 5*12	SCREW TAPPING 5*12	2	



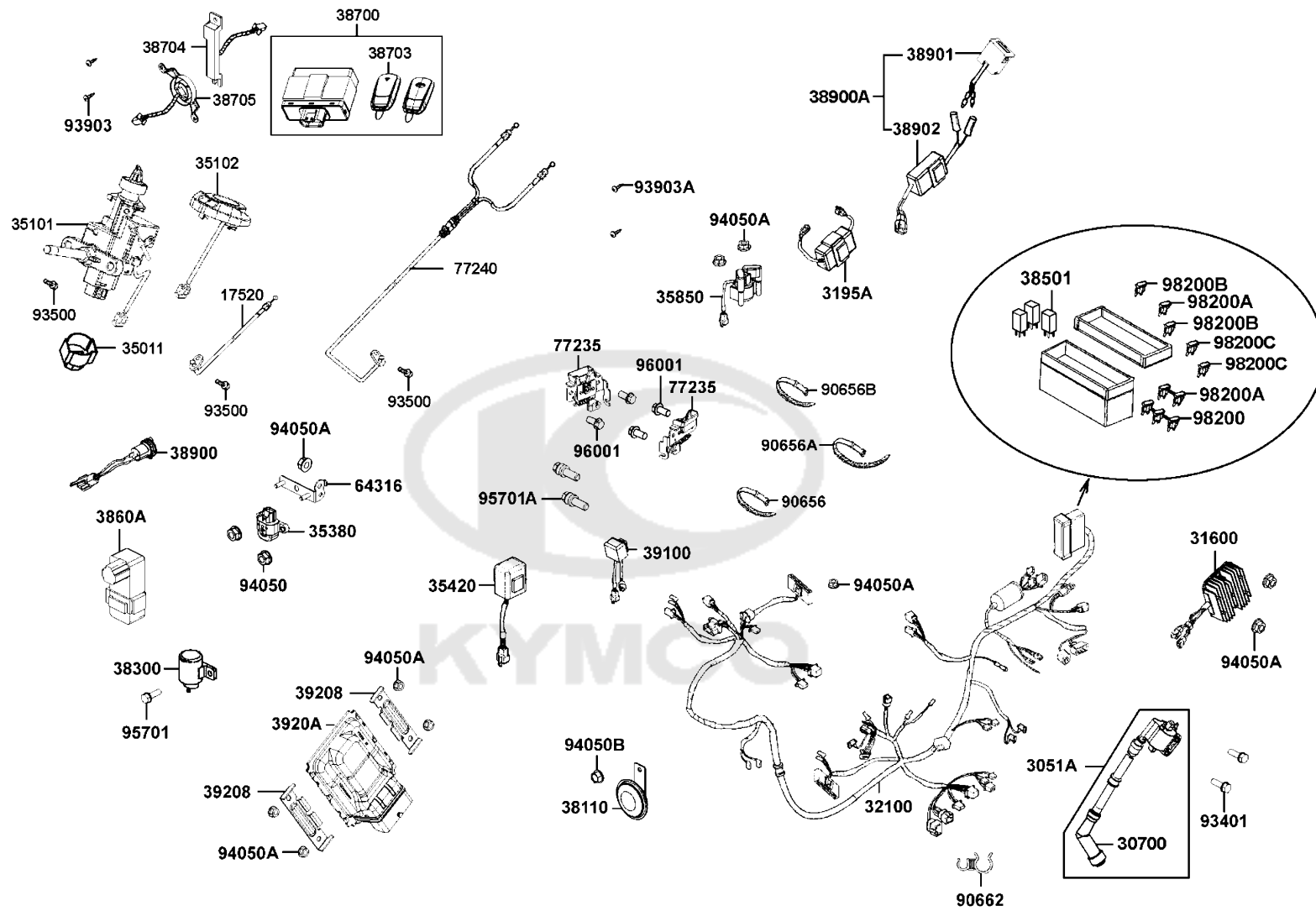


Sales mark	Ref no	Part no	Description	Reg description	Regd no	<b>F18</b>
	33700	33700-AHG1-E00	LIGHT ASSY RR COMP	LIGHT ASSY RR COMP	1	
	33720	33720-LGB5-E10	LIGHT ASSY LICENSE	LIGHT ASSY LICENSE	1	
	33726	33726-LBB5-E00	SCOKET COMP	SCOKET COMP	1	
	33741	33741-KHC5-M00	REFLEX REFLECTOR	REFLEX REFLECTOR	1	
	34903	34903-KPCP-900	BULB POSITION LIGHT 12V5W	BULB POSITION LIGHT 12V5W	1	
	50651	50651-LFC4-E10	STAY RR FENDER BALANCE	STAY RR FENDER BALANCE	1	
**	80100	80100-AHG1-E00	FENDER TIRE RR	FENDER TIRE RR	1	
**	80101	80101-AHG1-E00	FENDER RR INNER	FENDER RR INNER	1	
**	80105	80105-AHG1-E00	FENDER RR	FENDER RR	1	
**	80107	80107-AHG1-E00	COVER LICENSE LIGHT	COVER LICENSE LIGHT	1	
	80108	80108-AHG5-C00	STAY	STAY	1	
	80116	80116-ACC1-E10	RUBBER LICENSE PLATE STOP	RUBBER LICENSE PLATE STOP	1	
	83550	83550-KEC8-900	COLLAR	COLLAR	1	
	83551	83551-KEC8-900	GROMMET COVER	GROMMET COVER	1	
	90302	90302-GFY6-921	BOLT-WASH 5*12 (KG)	BOLT-WASH 5*12 (KG)	2	
	90652	90652-LCA4-E00	CLIP MUDGUARD	CLIP MUDGUARD	1	
	93404	93404-06012-06	BOLT WASHER 6X12	BOLT WASHER 6X12	6	
	93903	93903-34380-G	SCREW TAPPING 4x12	SCREW TAPPING 4x12	12	
	94050	94050-05060	NUT FLANGE 5MM	NUT FLANGE 5MM	1	

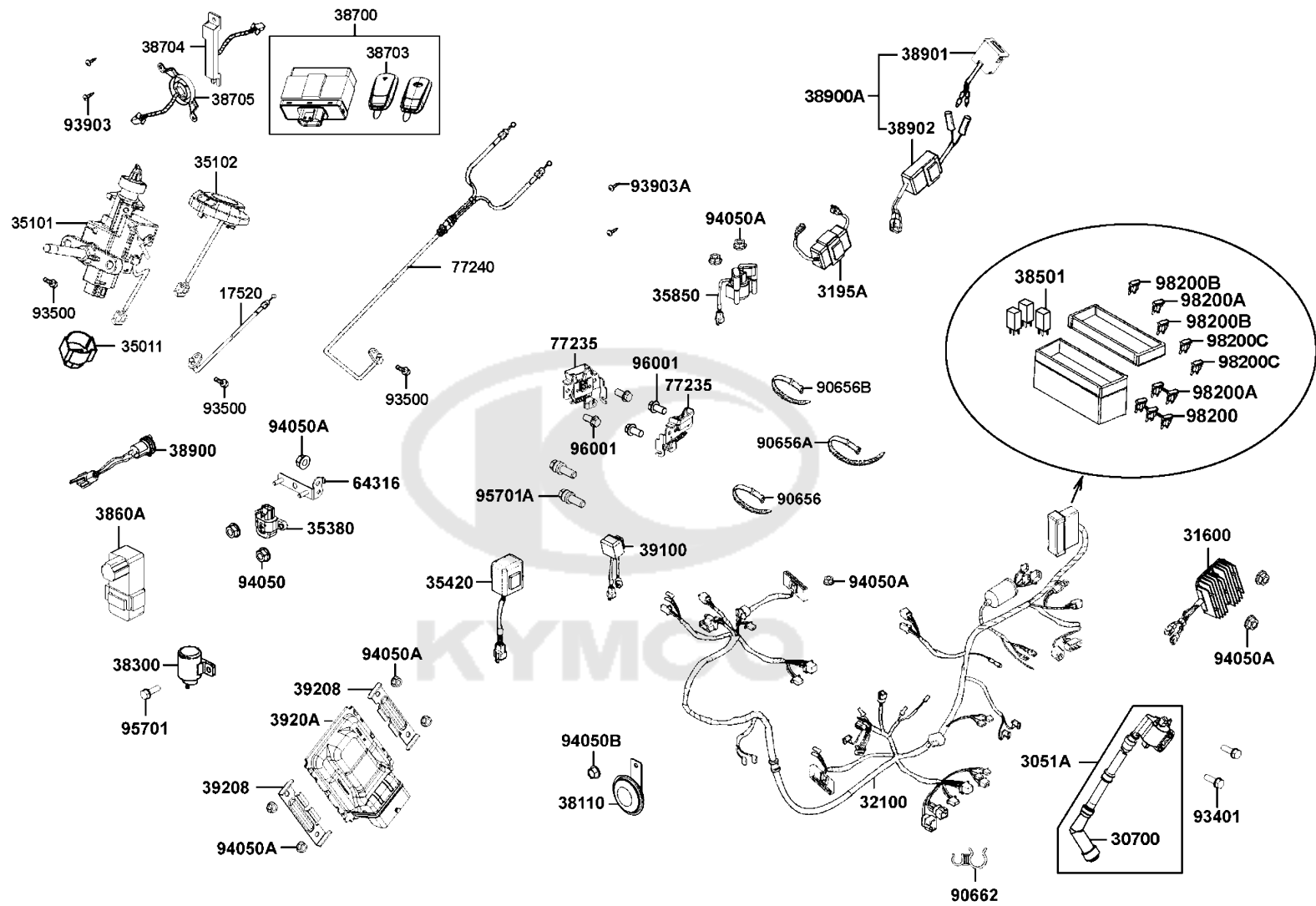


Sales mark	Ref no	Part no	Description	Reg description	Regd no	F19
	17520	17520-AHG1-E00	CABLE COMP FUEL FILLER CAP	CABLE COMP FUEL FILLER CAP	1	
	3051A	3051A-ACJ1-900	COIL ASSY IGN	COIL ASSY IGN	1	
	30700	30700-LGM5-900	CAP ASSY NOISE SUPPERSOR	CAP ASSY NOISE SUPPRESOR	1	
	31600	31600-ABD2-900	REG REC COMP	REG REC COMP	1	
	3195A	3195A-AGE2-E00	HAZARD CONTROL ASSY	HAZARD CONTROL ASSY	1	
	32100	32100-AHG5-E00	HARNES WIRE	HARNES WIRE	1	
	35011	35011-AGE2-E00	CUSHION KEYLESS	CUSHION KEYLESS	1	
	35101	35101-AHG1-E00	KEY SET LOCK& COMB	KEY SET LOCK& COMB	1	
	35102	35102-AGE2-E00	COLLAR MAIN SW	COLLAR MAIN SW	1	
	35380	35380-ABE1-E00	SENSOR ANGLE DETECT (D106)	SENSOR ANGLE DETECT (D106)	1	
	35420	35420-LFH1-E00	CONTROLLER OIL LAMP	CONTROLLER OIL LAMP	1	
	35850	35850-KKAK-900	SET START MAG	SET START MAG	1	
	38110	38110-KFAF-90B	HORN COMP	HORN COMP	1	
	38300	38300-AEB9-E00	RELAY ASSY WINKER	RELAY ASSY WINKER	1	
	38501	38501-PRB2-900	RELAY(303-IAH-C-RI)	RELAY(303-IAH-C-RI)	4	
	3860A	3860A-AEH2-M40	CONTROL ASSY LIGHTING	CONTROL ASSY LIGHTING	1	
	38700	38700-AGE2-305	KEYLESS SET	KEYLESS SET	1	
	38703	38703-AGE2-E00	REMOTE CONTROL	REMOTE CONTROL	2	
	38704	38704-AGE2-E00	ANTENNA COMP LONG RANGE	ANTENNA COMP LONG RANGE	1	
	38705	38705-AGJ5-E00	ANTENNA COMP SHORT RANGE	ANTENNA COMP SHORT RANGE	1	

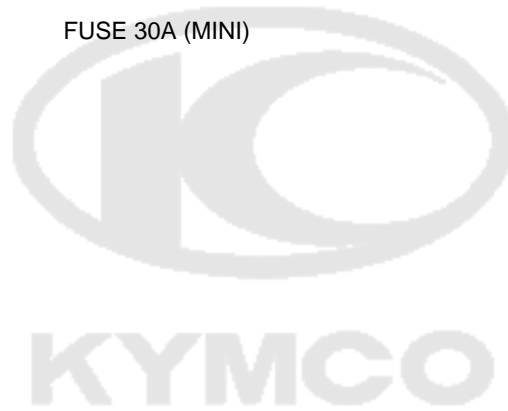


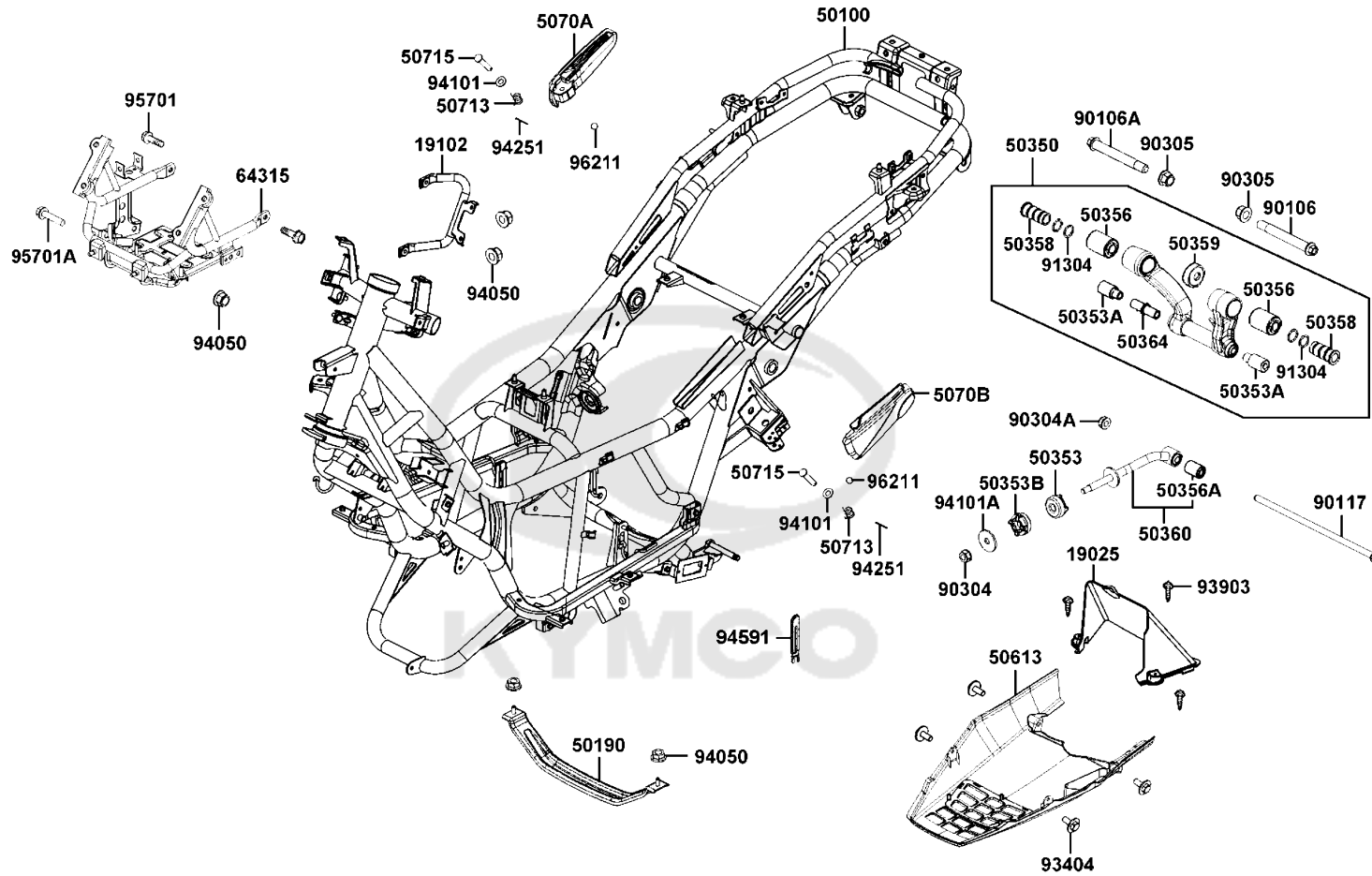


Sales mark	Ref no	Part no	Description	Reg description	Regd no	<b>F19</b>
	38900	38900-ACC1-E10	CONTROLLER USB CHARGER	CONTROLLER USB CHARGER	1	
	38900A	38900-AGE7-C00	SOCKET	SOCKET	1	
	38901	38901-AGE7-C00	USB	USB	1	
	38902	38902-AGE7-C00	CONTROL USB	CONTROL USB	1	
	39100	39100-ABD6-C00	EMI FILTER FAN MOTOR	EMI FILTER FAN MOTOR	1	
	39208	39208-AGJ5-E00	HOLDER M4C ECU	HOLDER M4C ECU	2	
	3920A	3920A-AHG5-E00	CONTROLLER BATTERY BOX	CONTROLLER BATTERY BOX	1	
	64316	64316-AFC1-E60	STAY SENSOR	STAY SENSOR	1	
	77235	77235-ZZA6-E00	SEAT CATCH COMP	SEAT CATCH COMP	2	
	77240	77240-AGE2-E00	CABLE SEAT LOCK	CABLE SEAT LOCK	1	
	90656	90656-KCBC-900	BAND OIL HANDLE 8X146	BAND OIL HANDLE 8X146	1	
**	90656A	90656-KUDU-900	BAND HARNESS WIRE	BAND HARNESS WIRE	6	
	90656B	90656-ZZA6-E00	BAND OIL HANDLE	BAND HARNESS WIRE 12X129	2	
	90662	90662-ABD2-E00	HARNESS CLAMP D18-D11	HARNESS CLAMP D18-D11	1	
	93401	93401-04025-06	BOLT WASHER 4X25	BOLT WASHER 4*25	2	
	93500	93500-KHC4-90B	SCREW PAN 5*10	SCREW PAN 5*10	3	
	93903	93903-34380-G	SCREW TAPPING 4x12	SCREW TAPPING 4x12	2	
	93903A	93903-35260	SCREW TAPPING 5*12	SCREW TAPPING 5*12	2	
	94050	94050-05060	NUT FLANGE 5MM	NUT FLANGE 5MM	2	
	94050A	94050-06060	NUT FLANGE 6MM	NUT FLANGE 6MM	10	

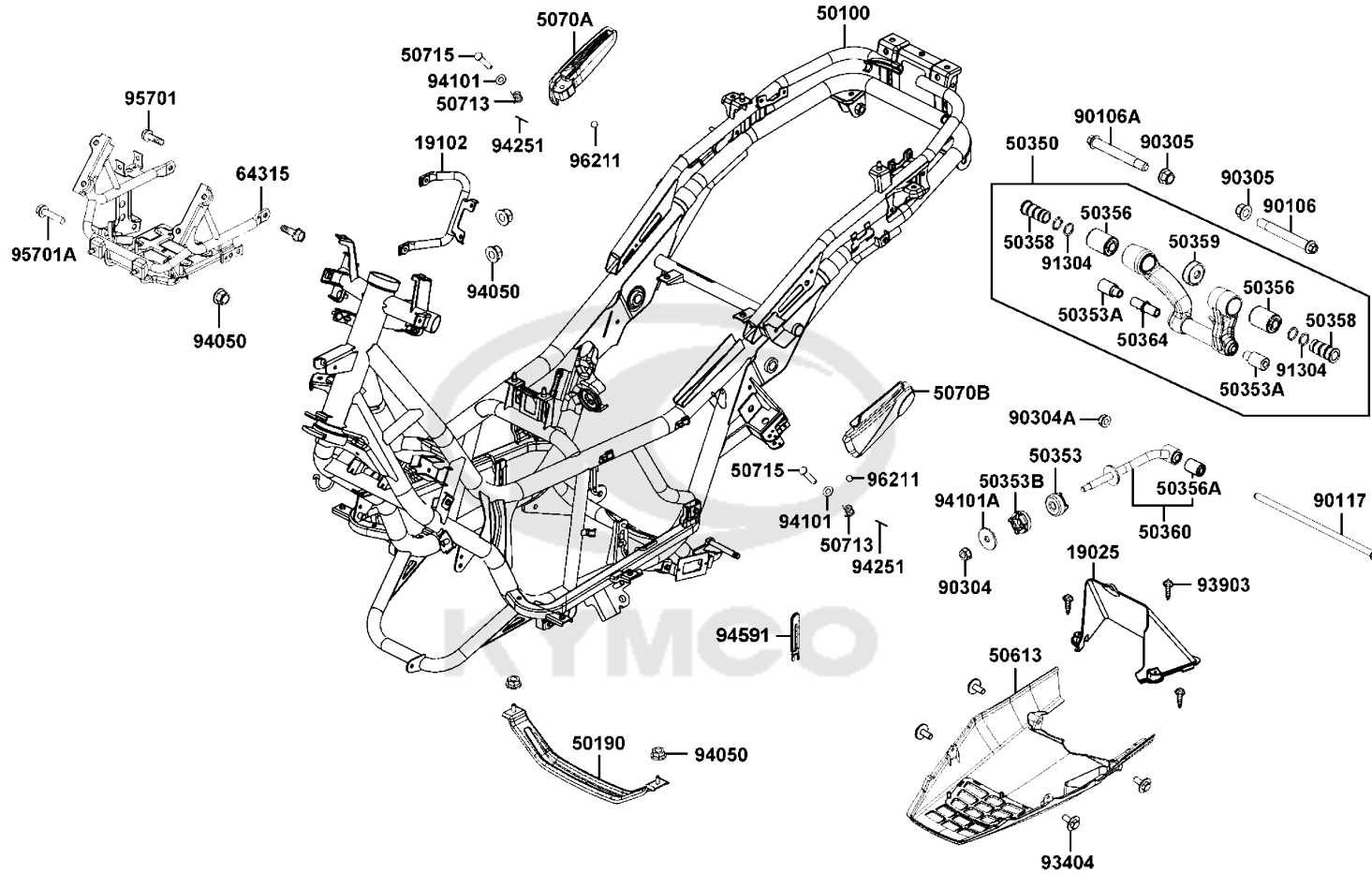


Sales mark	Ref no	Part no	Description	Reg description	Regd no	<b>F19</b>
94050B		94050-08060	NUT FLANGE 8MM	NUT FLANGE 8MM	1	
95701		95701-06012-06	BOLT FLANGE 6X12	BOLT FLANGE 6X12	1	
95701A		95701-LEA5-E00	BOLT TORQUE 8*25	BOLT TORQUE 8*25	2	
96001		96001-06012-06	BOLT FLANGE SH 6*12	BOLT FLANGE SH 6*12	4	
98200		98200-41000	FUSE 10A	FUSE 10A	3	
98200A		98200-41500	FUSE 15A	FUSE 15A	3	
98200B		98200-42500	FUSE A25	FUSE A25	2	
98200C		98200-43000	FUSE 30A (MINI)	FUSE 30A (MINI)	2	





Sales mark	Ref no	Part no	Description	Reg description	Regd no	F20
**	19025	19025-ABD2-C01	COVER.RADIATOR	COVER.RADIATOR	1	
	19102	19102-AHG1-E00	STAY RES TANK	STAY RES TANK	1	
	50100	50100-AHG5-305	BODY COMP FRAME	BODY COMP FRAME	1	
	50190	50190-LEA7-E00	PROTECTOR UNDER COVER	PROTECTOR UNDER COVER	1	
	50350	50350-ACD5-E00	HANGER ASSY ENG	HANGER ASSY ENG	1	
	50353	50353-ACD5-E00	RUBBER STOPPER	RUBBER STOPPER	1	
	50353A	50353-KGN7-901	BUSH A ENG HANGER	BUSH A ENG HANGER	2	
	50353B	50353-LEA7-E00	RUBBER STOPPER	RUBBER STOPPER	1	
	50356	50356-KHE7-E00	BUSH SWING LOCK	BUSH SWING LOCK	2	
	50356A	50356-LEA7-E01	RUB BUSH ENG HANGER	RUB BUSH ENG HANGER	1	
	50358	50358-LKF5-E01	BUSH INNER SWING LOCK	BUSH INNER SWING LOCK	2	
	50359	50359-LKF5-E01	COLLAR	COLLAR	1	
	50360	50360-ACD5-E00	TIE ROD ASSY ENG	TIE ROD ASSY ENG	1	
	50364	50364-KHE7-E00	COLLAR B ENG HANGER	COLLAR B ENG HANGER	1	
**	50613	50613-AHG1-E00	COVER UNDER	COVER UNDER	1	
**	5070A	5070A-ALD9-E10	BAR ASSY R	BAR ASSY R	1	
**	5070B	5070B-ALD9-E10	BAR ASSY L	BAR ASSY L	1	
	50713	50713-KEB7-900	SPRING	SPRING	2	
	50715	50715-KEB7-900	PIN RR STEP	PIN RR STEP	2	
	64315	64315-AHG1-E00	STAY FR COVER	STAY FR COVER	1	

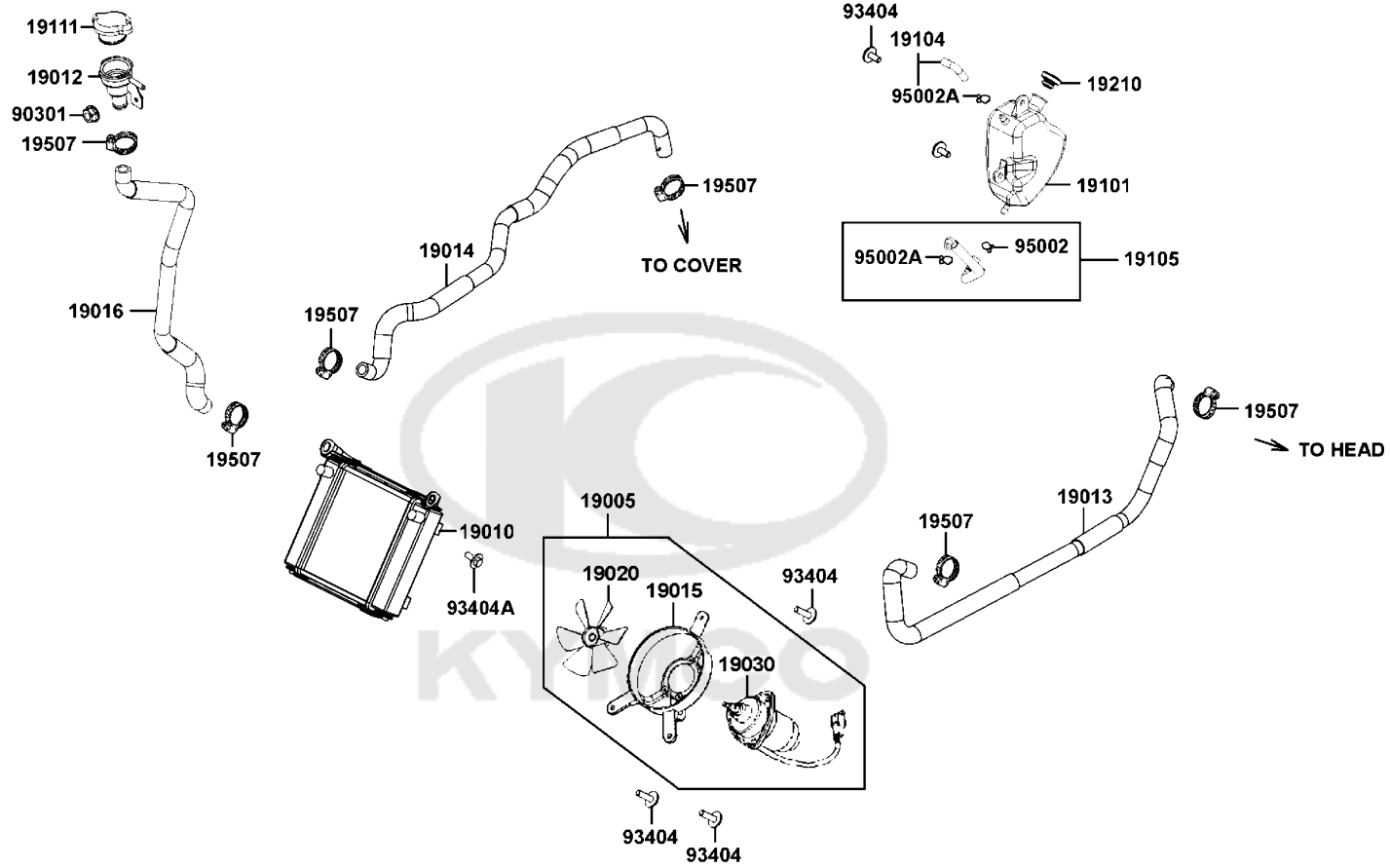


Sales mark	Ref no	Part no	Description	Reg description	Regd no	F20
90106		90106-LEA7-E00	BOLT FLANGE 15*118	BOLT FLANGE 15*118	1	
90106A		90106-LKF5-E00	BOLT FLANGE 15X122(M14)	BOLT FLANGE 15X122(M14)	1	
90117		90117-KED9-950	BOLT FLANGER 10*265	BOLT FLANGER 10*265	1	
90304		90304-LBD4-900	NUT U FLANGE 10MM	NUT U FLANGE 10MM	1	
90304A		90304-LEA1-900	NUT U FLANGE 10MM	NUT U FLANGE 10MM	1	
90305		90305-LBD4-900	NUT U 14MM	NUT U 14MM	2	
91304		91304-LGE5-E00	O-RING 17.8*2.4	O-RING 17.8*2.4	4	
93404		93404-06012-06	BOLT WASHER 6X12	BOLT WASHER 6X12	4	
93903		93903-35260	SCREW TAPPING 5*12	SCREW TAPPING 5*12	3	
94050		94050-06060	NUT FLANGE 6MM	NUT FLANGE 6MM	5	
94101		94101-06000	WASHER PLAIN 6MM	WASHER PLAIN 6MM	2	
94101A		94101-LBA2-E00	WASHER PLATE 10.5*38*3.0	WASHER PLATE 10.5*38*3.0	1	
94251		94251-08400	PIN LOCK 8MM	PIN LOCK 8MM	2	
94591		94591-LEE8-E00	CLIP 2*100	CLIP 2*100	1	
95701		95701-06016-06	BOLT FLANGE 6X16	BOLT FLANGE 6X16	2	
95701A		95701-06045-06	BOLT FLANGE 6*45	BOLT FLANGE 6*45	1	
96211		96211-08000	BALL STEEL #8	BALL STEEL #8	2	



F21

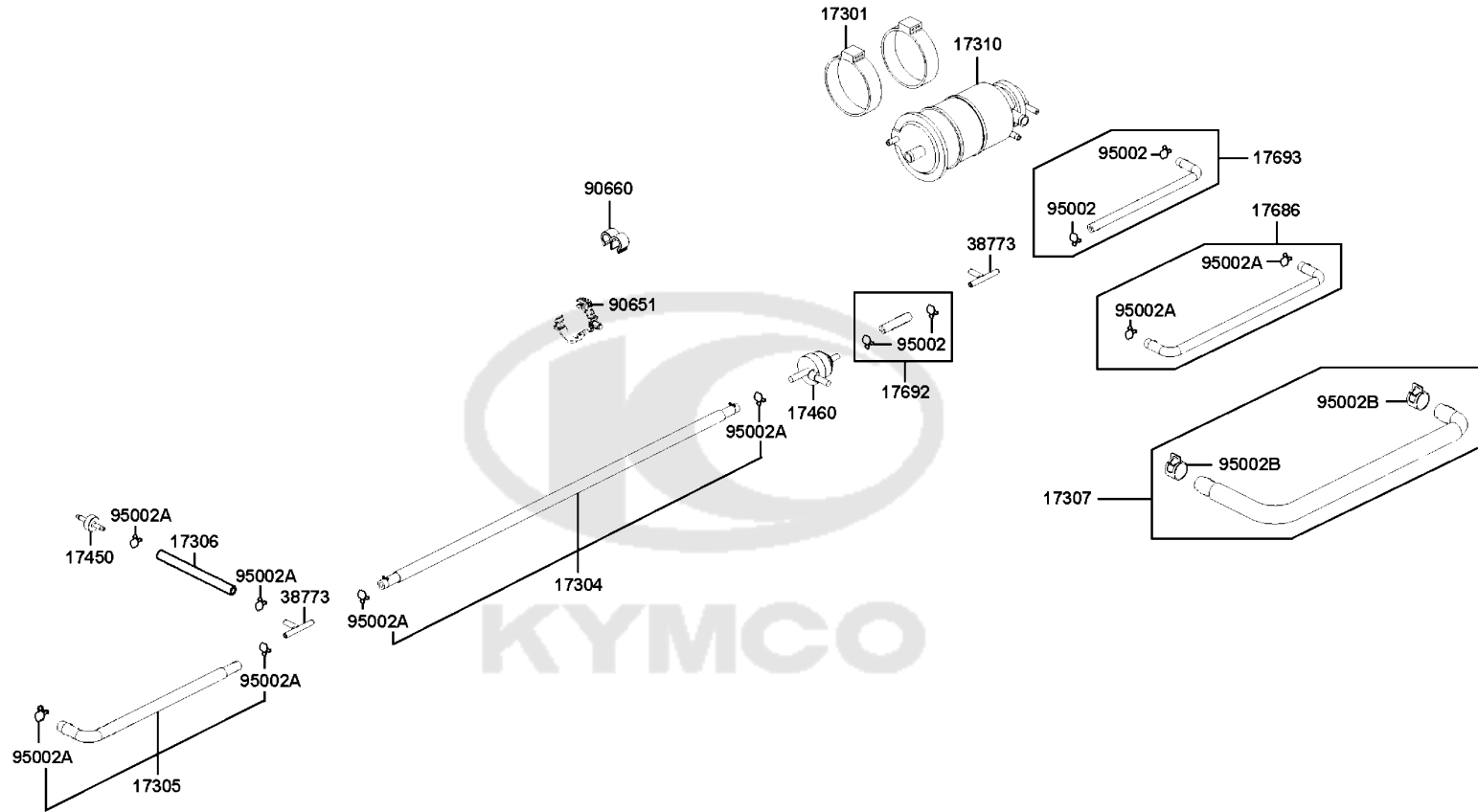
# Radiator



Sales mark	Ref no	Part no	Description	Reg description	Regd no	F21
19005		19005-KKC4-900	SHROUD ASSY	SHROUD ASSY	1	
19010		19010-ACD5-E00	RADIATOR COMP.	RADIATOR COMP	1	
19012		19012-LEA7-E05	UNIT RADIATOR	UNIT RADIATOR	1	
19013		19013-ACD5-E00	HOSEWATER INLET	HOSE WATER INLET	1	
19014		19014-ACD5-E00	HOSE WATER OUTLET	HOSE WATER OUT	1	
19015		19015-KKC4-900	SHROUD COMP	SHROUD COMP	1	
19016		19016-AHG5-C00	HOSE WATER-UNIT CAP	HOSE WATER-UNIT CAP	1	
19020		19020-KED9-900	FAN COOLING	FAN COOLING	1	
19030		19030-KHD8-900	MOTOR ASSY FAN	MOTOR ASSY FAN	1	
19101		19101-AHG1-E00	TANK ASSY RESERVE	TANK ASSY RESERVE	1	
19104		19104-AGE2-E00	HOSE WATER	HOSE WATER	1	
19105		19105-AHG1-E00	HOSE ASSY RESERVE TANK	HOSE ASSY RESERVE TANK	1	
19111		19111-PRB3-E00	CAP COMP RADIATOR	CAP COMP RADIATOR	1	
19210		19210-KKC4-900	CAP RESERVE TANK	CAP RESERVE TANK	1	
19507		19507-LDB5-E00	CLAMP D 28	CLAMP D 28	6	
90301		90301-6D34-671	NUT FLANGE 6MM	NUT FLANGE 6MM	1	
93404		93404-06016-06	BOLT WASHER 6*16	BOLT WASHER 6*16	5	
93404A		93404-06025-06	BOLT WASHER 6*25	BOLT WASHER 6*25	1	
95002		95002-02100	CLIP B15 TUBE	CLIP B15 TUBE	1	
95002A		95002-70000	CLIP C11 TUBE	CLIP C11 TUBE	2	

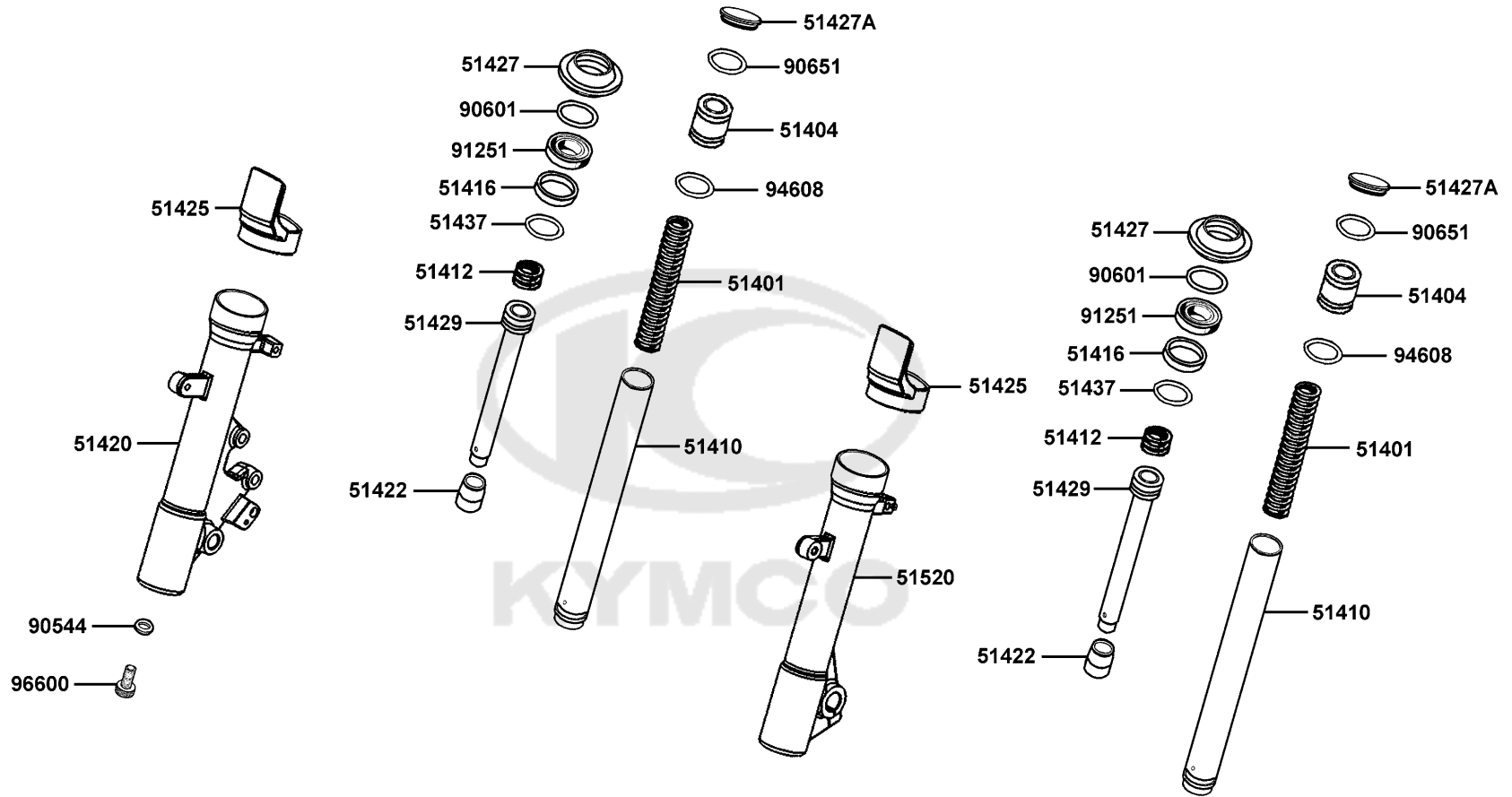
F22

Canister



Sales mark	Ref no	Part no	Description	Reg description	Regd no	F22
17301		17301-LEA7-M31	RUBBER CANISTER MOUNT	RUBBER CANISTER MOUNT	2	
17304		17304-AHG5-E00	TUBE ASSY	TUBE ASSY	1	
17305		17305-AHG5-E00	TUBE JOINT TO TANK	TUBE JOINT TO TANK	1	
17306		17306-AHG5-E00	TUBE FUEL	TUBE FUEL	1	
17307		17307-AHG5-E00	TUBE A ASSY CANISTER - AIR/C	TUBE A ASSY CANISTER - AIR/C	1	
17310		17310-KED9-90A	CANISTER COMP	CANISTER COMP	1	
17450		17450-AHG5-E00	VALVE COMP ONE WAY	VALVE COMP ONE WAY	1	
17460		17460-AGA6-M01	VALVE COMP VAPOR CONTROL	VALVE COMP VAPOR CONTROL	1	
17686		17686-AHG5-E00	TUBE FUELVALVE- CANISTER	TUBE FUELVALVE- CANISTER	1	
17692		17692-AHG5-E00	TUBE ASSY VALVE-JOINT	TUBE ASSY VALVE-JOINT	1	
17693		17693-AHG5-E00	TUBE ASSY CANISTER-JOINT	TUBE ASSY CANISTER-JOINT	1	
38773		38773-PKB9-001	JOINT 3 WAY 3.5	JOINT 3 WAY 3.5	2	
90651		90651-LKB3-700	CLIP WIRE HARN	CLIP WIRE HARN	1	
90660		90660-LDE9-E00	CLAMP TUBE	CLAMP TUBE	1	
95002		95002-02070	CLIP B7 TUBE	CLIP B7 TUBE	2	
95002A		95002-02080	CLIP B8 TUBE	CLIP B8 TUBE	10	
95002B		95002-41250-08	CLAMP D12.5 TUBE	CLAMP D12.5 TUBE	2	

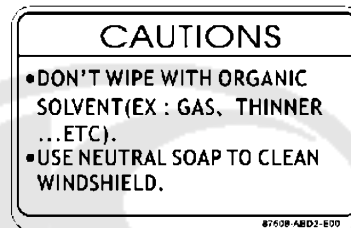
Separated Parts Of Fr Fork



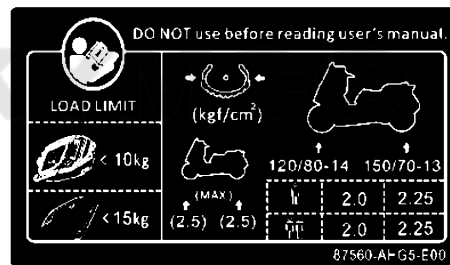
Sales mark	Ref no	Part no	Description	Reg description	Regd no	F23
	51401	51401-ABD2-C00	SPRING	SPRING	2	
	51401	51401-AHG1-E30	SPRING	SPRING	2	
	51404	51404-LDH1-C00	SPRING COLLAR	SPRING COLLAR	2	
	51410	51410-LEA7-C00	FORK PIPE COMP	FORK PIPE COMP	2	
	51412	51412-LLJ3-C00	REBOUND SPRING	REBOUND SPRING	2	
	51416	51416-LDH1-C00	GUIDE BUSH	GUIDE BUSH	2	
**	51420	51420-AHG1-E00	BOTTOM CASE R	BOTTOM CASE R	1	
	51422	51422-KED9-C00	OIL LOCK PIECE	OIL LOCK PIECE	2	
	51425	51425-LEA7-C00	FORK FENDER	FORK FENDER	2	
	51427	51427-LDH1-C00	DUST SEAL	DUST SEAL	2	
	51427A	51427-LLJ3-C00	FORK BOLT CAP	FORK BOLT CAP	2	
	51429	51429-ABD2-E00	PIPE SEAT COMP	PIPE SEAT COMP	2	
	51437	51437-LDH1-C00	PISTON RING	PISTON RING	2	
**	51520	51520-ABD2-C00	BOTTOM CASE L	BOTTOM CASE L	1	
	90544	90544-KEC8-900	PACKING	PACKING	2	
	90601	90601-LLJ3-C00	OIL SEAL STOPPER RING	RING OIL-SEAL STOPPER	2	
	90651	90651-LLJ3-C00	STOPPER RING	STOPPER RING	2	
	91251	91251-LLJ3-C00	OIL SEAL	OIL SEAL	2	
	94608	94608-LLJ3-C00	O-RING	O-RING	2	
	96600	96600-LBA2-E00	SOCKET BOLT	SOCKET BOLT	2	



87546



87508



87560

Sales mark	Ref no	Part no	Description	Reg description	Regd no	<b>F24</b>
**	87508	87508-ABD2-E00	LABEL CLEANNESS CAUTION	LABEL CLEANNESS CAUTION	1	
**	87546	87546-ADG5-E00	LABEL FUEL TANK	LABEL FUEL TANK	1	
**	87560	87560-AHG5-E00	MARK DRIVE CAUTION	MARK DRIVE CAUTION	1	







8610A



86221



86020



86231

TRACTION CONTROL SYSTEM

86281

TCS

87311



53245

350

86332

Sales mark	Ref no	Part no	Description	Reg description	Regd no	F25
**	53245	53245-AHG1-900	FILM HANDLE COVER	FILM HANDLE COVER	1	
**	86020	86020-AHG5-E00	EMB DTX	EMB DTX	1	
**	8610A	8610A-LGC6-E00	EMB K-LOGO ASSY	EMB K-LOGO ASSY	1	
**	86221	86221-AHG1-E00	STRIPE R BODY COVER (DTX)	STRIPE R BODY COVER (DTX)	1	
**	86231	86231-AHG1-E00	STRIPE L BODY COVER (DTX)	STRIPE L BODY COVER (DTX)	1	
**	86281	86281-AHG5-E10	STRIPE TCS	STRIPE TCS	2	
**	86332	86332-ACD5-E01	EMB SKIRT (350)	EMB SKIRT (350)	2	
**	87311	87311-AHG5-E00	EMB TCS	EMB TCS	2	



## PART NO. INDEX

PART NO.	VERSION	PAGE	PART NO.	VERSION	PAGE	PART NO.	VERSION	PAGE			
<b>1000</b>	0	F10	11350-ACD5-E03	0	E01	13314-LEA7-E0B	3	E01			
			11383-KHE7-900	0	E02	13314-LEA7-E0C	3	E01			
			11384-LEA7-E05	2	E02	13406-LEA7-E00	2	E02			
			11384-LEA7-E05	2	E04	13407-LKC6-900	7	E02			
			11384-LKG2-900	6	E03						
			11394-LEA7-E00	9	E04	<b>14000</b>					
			11395-LEA7-E00	3	E01						
<b>3000</b>	0	F10	<b>12000</b>			14100-ACD5-E00	1	E02			
						14321-LEA7-E00	8	E02			
<b>11000</b>	0	F10	12100-ACD5-E00	9	E03	14401-PWB1-900	2	E03			
			12191-ACD5-E00	1	E03	14420-ACD5-E00	2	E02			
			12200-ACD5-E00	9	E02	14430-ACD5-E00	2	E02			
			12205-LEA7-E00	0	E01	14452-LEA7-E00	4	E02			
			12209-GDB4-68B	0	E02	14453-LEA7-E00	5	E02			
			12251-ACD5-E00	1	E02	14510-LEA7-E00	5	E03			
			12310-LEA7-E00	7	E02	14520-KED9-900	1	E03			
			12391-LEA7-E00	5	E02	14523-KED9-920	1	E03			
						14531-KHE7-900	1	E03			
						14610-LEA7-E00	2	E03			
						14711-LGE5-E00	2	E02			
						14721-LEA7-E00	5	E02			
						14751-LEA7-E00	6	E02			
						14761-LEA7-E00	3	E02			
						14771-GDB4-C00	2	E02			
						14777-LBA2-E00	4	E02			
						14781-MFA6-001	0	E02			
						<b>13000</b>					
						13000-ACD5-E00	4	E03			
						13011-ACD5-E00	0	E03			
			13101-ACD5-E00	0	E03						
			13111-KKE5-E01	3	E03						
			13314-LEA7-E0A	3	E01						

## PART NO. INDEX

PART NO.	VERSION	PAGE	PART NO.	VERSION	PAGE	PART NO.	VERSION	PAGE
<b>15000</b>			16137-ACD5-E00	0	E05	17460-AGA6-M01	0	F22
			16201-LEA7-E00	2	E02	17500-AGE2-E00	0	F10
			16211-LEA7-E00	4	E02	17511-ACJ1-E00	0	F10
15100-LEA7-E00	7	E07				17512-ABD2-C00	0	F10
15133-LGF9-E00	1	E07	<b>17000</b>			17520-AHG1-E00	6	F19
15141-LGF9-E00	1	E07				17521-AHG1-E00	1	F05
15161-PUA5-E00	5	E01	1711A-LEA7-E05	2	E02	17530-AEH2-M40	0	F05
15200-KED9-900	7	E01	17211-LEA7-E00	1	F13	17550-LEA7-800	5	F10
1541A-LEA7-E00	6	E04	17213-LEA7-E01	2	F13	1755A-AHG1-E00	0	F05
15421-LEA7-E00	0	E01	17214-LEA7-E00	2	F13	17561-LDF2-900	0	F10
15421-LEA7-E05	5	E01	17216-KHC4-900	0	F13	17561-LHG8-E00	1	F10
15423-KKC3-900	1	E04	17236-ACD5-B80	0	F13	17581-LEA7-E00	1	F10
15437-LEA7-E00	1	E04	1723A-ACD5-E03	1	F13	17620-LFC3-E15	0	F10
1565A-GFY6-900	0	E04	1723B-AHG5-E00	0	F13	17685-AHJ5-C00	0	F10
15711-LEA7-E00	1	E07	17254-ACD5-B80	0	F13	17685-GFY6-940	6	F05
			17301-LEA7-M31	0	F22	17686-AHG5-E00	1	F22
<b>16000</b>			17304-AHG5-E00	0	F22	17692-AHG5-E00	0	F22
			17305-AHG5-E00	2	F22	17693-AHG5-E00	1	F22
16056-ACD5-E00	0	E05	17306-AHG5-E00	0	F22	17910-AHG5-E00	1	F03
16066-ACD5-E00	0	E05	17307-AHG5-E00	3	F22	17911-AHG5-E00	1	F03
16068-ACD5-E00	0	E05	17310-KED9-90A	3	F22			
16100-AHG5-E00	0	E05	17359-4K19-671	0	F13	<b>18000</b>		
16113-PTA1-800	4	E05	17370-4K19-701	1	F13			
16118-LBF2-900	2	E05	17371-1D74-671	0	F13	18291-KKC4-900	2	E01
16123-AHG5-E00	0	E05	1737A-KUDU-900	0	F13	18291-LKG2-90A	1	F14
16134-ACD5-E00	0	E05	17450-AHG5-E00	0	F22	18291-PWB1-900	4	F14

## PART NO. INDEX

PART NO.	VERSION	PAGE	PART NO.	VERSION	PAGE	PART NO.	VERSION	PAGE
18293-KKC4-900	0	E01	19210-KKC4-900	0	F21	22121-ACD5-305	0	E06
18293-LHJ8-900	2	F14	19215-LEA7-E00	1	E04	22131-LGE5-E00	1	E06
18306-AHG3-E00	0	F14	19217-ZPA3-E00	2	E04	22132-PWB1-305	0	E06
18310-AHG5-E00	1	F14	19229-LEA7-E00	3	E04	22300-ACD5-E00	0	E06
18318-AHG3-E00	1	F14	19231-LEA7-E00	5	E04	22350-ACD5-E00	0	E06
18320-AHG5-E00	6	F14	19232-LBA2-E00	2	E04	22361-LEA7-E00	1	E06
18371-LBA2-E00	2	F14	19300-LFA7-E0A	1	E02	22401-LFG2-E80	1	E06
18391-LBA2-E00	1	F14	19315-LFA7-E00	6	E02	22530-LKG7-E00	0	E06
			19411-LFG2-E00	1	F06	22804-GBB2-001	0	E06
<b>19000</b>			19502-LEA7-E00	4	E04			
			19505-LBA2-E00	4	E04	<b>23000</b>		
19005-KKC4-900	2	F21	19507-LDB5-E00	1	F21			
19010-ACD5-E00	0	F21	19508-LBA2-E00	1	E04	2301A-ACD5-E00	8	E06
19012-LEA7-E05	1	F21				23100-LEA7-E00	5	E06
19013-ACD5-E00	3	F21	<b>21000</b>			23200-LGE5-E00	2	E06
19014-ACD5-E00	0	F21				23220-ACD5-E00	3	E06
19015-KKC4-900	2	F21	21301-LEA7-305	0	E08	23225-LEA7-E00	1	E06
19016-AHG5-C00	0	F21	21301-LEA7-E00	3	E08	23226-LEA7-E00	1	E06
19020-KED9-900	1	F21	21395-LEA7-E00	2	E08	23233-LEA7-E00	5	E06
19025-ABD2-C01	0	F20				23237-KHE7-900	0	E06
19030-KHD8-900	2	F21	<b>22000</b>			23238-KHE7-900	0	E06
19101-AHG1-E00	0	F21				23411-LEA7-E00	9	E08
19102-AHG1-E00	0	F20	22100-AFB1-E00	2	E06	23420-LEA7-E00	5	E08
19104-AGE2-E00	1	F21	22102-LEA7-E00	4	E06	23431-LEA7-E00	5	E08
19105-AHG1-E00	0	F21	22105-LGF9-E00	2	E06	23432-LEA7-E00	2	E08
19111-PRB3-E00	1	F21	22110-ACD5-E00	0	E06	23560-LBA2-E00	2	E01

## PART NO. INDEX

PART NO.	VERSION	PAGE	PART NO.	VERSION	PAGE	PART NO.	VERSION	PAGE
<b>28000</b>			<b>32000</b>			<b>34000</b>		
28102-LEA7-E00	3	E07	32100-AHG5-E00	8	F19	34903-KPCP-900	0	F18
28110-LEA7-E00	3	E07	32105-LLJ3-E00	2	E01			
28120-LDB2-E00	0	E07	32410-AHG5-E00	0	E07	<b>35000</b>		
28130-LEA7-E00	4	E07	32411-AHG1-E00	1	F11			
			32412-AHG1-E00	0	E04	35011-AGE2-E00	0	F19
<b>30000</b>			<b>33000</b>			35101-AHG1-E00	3	F19
3051A-ACJ1-900	0	F19				35102-AGE2-E00	7	F19
30700-LGM5-900	3	F19	33100-AHG1-E00	0	F01	3515A-AHG1-E01	0	F03
			33400-AHG1-E00	0	F17	3520A-ACD5-E01	3	F03
<b>31000</b>			33450-AHG1-E00	0	F17	35340-LKF5-E01	2	F04
31110-ACD5-E01	0	E07	33700-AHG1-E00	1	F18	35350-LKF5-E01	1	F04
31120-ACD5-E0A	4	E07	33720-LGB5-E10	0	F18	35370-LLJ3-E00	5	F15
31210-LEA7-E00	3	E07	33726-LBB5-E00	1	F18	35380-ABE1-E00	2	F19
31340-LFH1-E00	2	F06	33730-AHG1-E00	1	F06	35390-AHG1-E00	3	F12
31340-LFH1-E00	2	F16	33731-AHG1-E00	0	F06	35420-LFH1-E00	3	F19
31500-LGC6-M11	1	F11	33735-AHG1-E00	1	F06	35500-KED9-900	7	E01
31600-ABD2-900	0	F19	33741-KHC5-M00	1	F18	35850-KKAK-900	1	F19
3195A-AGE2-E00	0	F19	33900-LKF5-E00	3	F12	<b>37000</b>		
			33902-LHG7-E00	0	F12			
			33903-LHG7-E00	0	F12	37200-AHG3-E00	1	F02
			33906-LHG7-E00	0	F12	37215-LHJ3-900	1	F05
						37230-AHG1-E00	0	F02

## PART NO. INDEX

PART NO.	VERSION	PAGE	PART NO.	VERSION	PAGE	PART NO.	VERSION	PAGE	
<b>38000</b>			39700-ACD5-E03	0	E05	43353-KED9-900	0	F07	
			39800-ACD5-E00	0	E05	4335A-LBA2-E01	3	F07	
						43530-LEA7-305	1	F04	
			<b>42000</b>			<b>44000</b>			
	38110-KFAF-90B	5	F19	42311-LEA7-E00	3	F08			
	38300-AEB9-E00	0	F19	42312-LEA7-E00	1	F08	44301-LEA7-E00	3	F07
	38501-PRB2-900	0	F19	42601-AHG1-E00	0	F08	44311-LEA7-E00	2	F07
	3860A-AEH2-M40	0	F19	42710-AHG5-E00	0	F08	44312-LEA7-E00	4	F07
	38700-AGE2-305	0	F19	42753-KNBN-90B	1	F07	44601-AHG1-E00	0	F07
	38703-AGE2-E00	6	F19	42753-KNBN-90B	1	F08	44620-LEA7-E00	3	F07
38704-AGE2-E00	4	F19				44710-AHG5-E00	0	F07	
38705-AGJ5-E00	0	F19	<b>43000</b>			<b>45000</b>			
38773-PKB9-001	0	F22							
38900-ACC1-E10	3	F19	43100-LGE5-E01	3	F08				
38900-AGE7-C00	1	F19	43105-LGE5-306	0	F08	45105-LGE5-305	0	F07	
38901-AGE7-C00	0	F19	43109-MCA3-007	0	F08	45107-KED9-E00	0	F08	
38902-AGE7-C00	0	F19	43126-AHG5-E00	8	F04	45107-LGE5-E00	0	F07	
<b>39000</b>			43127-AHG5-E00	1	F04	45108-LGE5-E00	0	F07	
39100-ABD6-C00	0	F19	43128-AHG1-E00	0	F16	45108-LGE5-E01	0	F08	
39208-AGJ5-E00	0	F19	43156-AHG1-E00	0	F16	45109-GBE2-007	0	F07	
3920A-AHG5-E00	4	F19	43210-LGE5-E00	0	F08	45109-LGE5-E00	0	F07	
39300-LDF2-M90	2	E02	43351-ABD2-C00	0	F08	45121-AHG1-E00	1	F07	
39301-LDF2-M91	1	E02	43352-KKD6-E90	1	F08	45126-AHG5-E00	1	F04	
39400-LDF2-800	3	E02	43352-LEA7-E01	5	F08	45127-AHG5-E00	1	F04	
39450-ZVA6-M00	1	F14	43353-4A61-77A	0	F08	45129-LBA2-900	2	F06	

## PART NO. INDEX

PART NO.	VERSION	PAGE	PART NO.	VERSION	PAGE	PART NO.	VERSION	PAGE
45130-LGE5-E00	0	F07				50550-KKC2-E00	0	F15
45131-LGE5-E00	0	F08	<b>50000</b>			50613-AHG1-E00	0	F20
45134-KED9-900	0	F07				50651-LFC4-E10	0	F18
45156-LKG7-E00	0	F07	50100-AHG5-305	0	F20	5070A-ALD9-E10	0	F20
45158-AGE2-E00	0	F06	50190-LEA7-E00	2	F20	5070B-ALD9-E10	0	F20
45200-LKG7-E00	5	F07	50306-1F96-001	0	F06	50713-KEB7-900	0	F20
45203-KED9-900	0	F07	50325-AHG1-E00	0	F11	50715-KEB7-900	0	F20
45207-LGE5-E00	0	F07	50327-AHG3-E00	0	F11			
45209-GBE2-007	0	F07	50330-AFB5-900	1	F12	<b>51000</b>		
45209-KED9-900	0	F08	50350-ACD5-E00	6	F20			
45210-LKG7-305	0	F07	50353-ACD5-E00	0	F20	51400-AHG1-E30	1	F06
45352-LGE5-E00	1	F07	50353-KGN7-901	0	F20	51401-ABD2-C00	0	F23
45513-LEA7-E00	1	F04	50353-LEA7-E00	1	F20	51401-AHG1-E30	0	F23
45517-LBA2-E00	2	F04	50356-KHE7-E00	4	F20	51404-LDH1-C00	0	F23
45520-KKA8-900	0	F04	50356-LEA7-E01	1	F20	51410-LEA7-C00	0	F23
45521-LEA7-E00	1	F04	50358-LKF5-E01	4	F20	51412-LLJ3-C00	0	F23
45530-LBA2-309	0	F04	50359-LKF5-E01	1	F20	51416-LDH1-C00	0	F23
45531-KED9-900	0	F07	50360-ACD5-E00	0	F20	51420-AHG1-E00	0	F23
			50364-KHE7-E00	4	F20	51422-KED9-C00	0	F23
<b>49000</b>			50500-AHG5-E00	0	F15	51425-LEA7-C00	2	F23
			50502-LDF7-E10	0	F15	51427-LDH1-C00	0	F23
49100-ACD5-E03	1	F04	50504-ACD5-E00	0	E01	51427-LLJ3-C00	0	F23
49110-AHG5-E00	1	F04	50505-LEA7-E00	1	F15	51429-ABD2-E00	0	F23
49211-LFH1-E00	1	F04	50505-PUA3-B50	0	F15	51430-LGE5-E00	0	F08
			50506-KHE7-E00	0	F15	51437-LDH1-C00	0	F23
			50530-ABD2-C00	0	F15	51500-AHG1-E30	1	F06



## PART NO. INDEX

PART NO.	VERSION	PAGE	PART NO.	VERSION	PAGE	PART NO.	VERSION	PAGE
51520-ABD2-C00	0	F23	5320A-AHG1-E00	0	F03	64223-AHG1-E00	0	F06
<b>52000</b>			53210-AHG1-E00	0	F03	64301-AHG1-E00	0	F05
			53213-LBA2-E00	2	F06	64302-AHG1-E00	0	F05
			53213-LEA7-E00	1	F06	64303-AHG1-E00	0	F05
			53214-LBA2-E00	2	F06	64304-AHG1-E00	0	F05
52000-AHG5-E00	0	F16	53215-AHG1-E00	0	F03	64305-AHG1-E00	0	F05
52400-AHG1-E30	1	F16	53220-LBA2-E00	4	F06	64306-AHG1-E00	0	F05
<b>53000</b>			53225-AHG1-E00	0	F03	64307-AHG1-E00	0	F05
			53235-AHG1-E00	0	F03	64308-AHG1-E00	0	F05
			53240-LEA7-90A	2	F06	64309-AHG1-E00	0	F05
			53245-AHG1-900	1	F03	64310-AHG1-E00	0	F05
			53245-AHG1-900	1	F25	64312-AHG1-E00	0	F05
			53250-LEA7-90A	2	F06	64313-AHG1-E00	0	F05
						64315-AHG1-E00	2	F20
						64316-AFC1-E60	0	F19
						64316-AHG1-E00	0	F05
						64317-AHG1-E00	0	F05
53100-AHG1-E00	4	F03	<b>61000</b>			64330-AHG1-E00	0	F05
53105-LEA7-E00	4	F03				64350-AHG1-E00	0	F05
53106-LEA7-E00	4	F03				64351-AHG1-E00	0	F05
53125-LEA7-E00	2	F03				64360-AHG1-E00	0	F05
5312A-ABD2-E00	0	F03				64361-AHG1-E00	0	F05
53133-3H98-941	0	F03				64400-AHG1-E00	0	F05
53134-2C83-001	0	F03				64401-AHG1-E00	0	F05
53140-LHJ3-900	3	F03		61100-AHG1-E00	0	F06		
53150-LEA6-900	6	F03		61110-AHG1-E00	0	F06		
53175-LKF5-E00	0	F04						
53178-LKF5-E00	0	F04	<b>64000</b>					
53200-ACD5-E00	3	F06						
53204-AHG1-E00	0	F03		64206-MLJ0-001	1	F12		
53206-AHG1-E00	0	F03		64220-AHG1-E00	0	F03		
53207-AHG1-E00	0	F03		64221-AHG1-E00	0	F03		
53208-AHG1-E00	0	F03		64222-AHG1-E00	0	F03		
53209-AHG1-E00	0	F03		64222-LLJ3-E00	1	F03		

## PART NO. INDEX

PART NO.	VERSION	PAGE	PART NO.	VERSION	PAGE	PART NO.	VERSION	PAGE
<b>77000</b>			80155-AHG1-E00	0	F05	83510-AHG1-E00	0	F12
			80156-AHG1-E00	0	F05	83530-AHG1-E00	0	F05
			80157-AHG1-E00	0	F05	83532-AHG1-E00	0	F05
77115-AHG5-E00	4	F12	8015A-AHG1-E00	0	F05	83534-AHG1-E00	0	F05
77200-AHG5-E00	4	F09				83550-AHG1-E00	0	F03
77206-KEB7-900	0	F09	<b>81000</b>			83550-KEC8-900	4	F06
77235-ZZA6-E00	1	F19				83550-KEC8-900	4	F18
77240-AGE2-E00	3	F19	81131-AHG1-E00	0	F05	83551-KEC8-900	4	F06
77300-ACD5-E00	1	F09	81134-AHG1-E00	0	F05	83551-KEC8-900	4	F18
77303-AGE2-E00	0	F09	81135-AHG1-E00	0	F05	83600-AHG1-E00	0	F12
77304-AGE2-E00	0	F09	8113A-AHG1-E00	0	F05	83610-AHG1-E00	0	F12
77500-AHG5-E01	1	F09	8113B-AHG1-E00	0	F05	83630-AHG1-E00	0	F05
			81142-AHG1-E00	0	F05	83632-AHG1-E00	0	F05
<b>80000</b>			81144-AHG1-900	3	F05	83634-AHG1-E00	0	F05
			81144-ALJ8-E10	1	F12	83750-AHG1-E00	0	F12
80100-AHG1-E00	0	F18	81145-AHG1-900	1	F05	83751-AHG1-E00	0	F12
80101-AHG1-E00	0	F18	81151-AHG1-E00	0	F05			
80105-AHG1-E00	0	F18	81161-AHG1-E00	0	F05	<b>86000</b>		
80107-AHG1-E00	0	F18	81200-AHG1-900	0	F12			
80107-KHLH-900	0	F14	81250-AHG1-E00	1	F12	86020-AHG5-E00	1	F25
80108-AHG5-C00	0	F18	81252-AHG1-E00	0	F12	8610A-LGC6-E00	0	F25
80116-ACC1-E10	0	F18	81300-AHG1-900	0	F12	86221-AHG1-E00	1	F25
80151-AHG1-E00	0	F05				86231-AHG1-E00	1	F25
80152-AHG1-E00	0	F05	<b>83000</b>			86281-AHG5-E10	0	F25
80153-AHG1-E00	0	F05				86332-ACD5-E01	5	F25
80154-AHG1-E00	0	F09	83500-AHG1-E00	0	F12			

## PART NO. INDEX

PART NO.	VERSION	PAGE	PART NO.	VERSION	PAGE	PART NO.	VERSION	PAGE	
<b>87000</b>			90001-LEA7-E00	2	E02	90122-LEA7-E00	2	F07	
			90005-KAW1-901	2	E03	90122-LEA7-E00	2	F08	
			9000B-KHD6-900	2	E02	90145-LEA3-E00	1	F04	
	87311-AHG5-E00	1	F25	90012-3C33-001	1	E02	90145-LFH1-E00	1	F04
	87508-ABD2-E00	0	F24	90017-KKE5-E00	4	E02	90201-KHE7-900	3	E06
	87546-ADG5-E00	2	F24	90032-LEA7-E00	2	E01	90201-KHR8-75A	1	E06
	87560-AHG5-E00	1	F24	90033-KGB4-C00	2	E02	90201-KHR8-75A	1	E07
				90071-MLB0-001	1	E07	90202-LEA7-E00	3	E06
				90084-KKF9-901	0	E04	90206-0A01-001	4	E02
				9008A-PTA1-900	3	E04	90215-KKC4-900	2	F09
<b>88000</b>			90104-LEA7-E00	3	F03	90215-LHJ8-910	2	F12	
	88110-AHG1-E00	1	F03	90105-KCR3-010	1	F07	90301-6D34-671	1	F01
	88112-ACD5-E00	0	F03	90105-LEA7-E00	1	F08	90301-6D34-671	1	F10
	88120-AHG1-E00	1	F03	90106-GEN5-901	2	F03	90301-6D34-671	1	F21
	88122-ACD5-E00	0	F03	90106-KFC2-900	2	F12	90301-GFY6-901	2	F14
				90106-KUDU-900	1	F12	90302-GFY6-921	1	F18
				90106-LEA7-E00	1	F20	90302-LKB9-900	4	F05
	89010-AHG1-900	0	F09	90106-LKF5-E00	2	F20	90302-LLB1-E00	2	F13
	89020-KKC4-900	1	F09	90107-AHG1-E00	0	F03	90302-LLB1-E02	1	F03
				90107-LEA7-E00	4	F06	90302-SDA4-004	3	F03
<b>90000</b>			90107-ZZA6-E00	4	F03	90302-SDA4-004	3	F05	
			90108-KKC4-900	1	F15	90302-SDA4-004	3	F14	
	90001-GBHB-661	3	E03	90113-AHG5-E00	0	F03	90304-LBD4-900	2	F20
	90001-GBHB-661	3	E07	90113-KKA8-900	0	F04	90304-LEA1-900	1	F03
	90001-GBHB-681	3	F13	90113-LGE5-E01	0	F04	90304-LEA1-900	1	F15
	90001-GFY6-901	5	E02	90117-KED9-950	1	F20	90304-LEA1-900	1	F20

## PART NO. INDEX

PART NO.	VERSION	PAGE	PART NO.	VERSION	PAGE	PART NO.	VERSION	PAGE
90305-KKAK-900	0	F08	90652-LCA4-E00	6	F05	91255-LGE5-E00	1	F16
90305-LBA2-E00	1	F06	90652-LCA4-E00	6	F18	91255-LKG7-E00	1	E01
90305-LBD4-900	1	F20	90652-LDG7-900	1	E02	91255-LLB1-900	2	F16
90312-AHG1-E00	0	F06	90652-LFB5-900	3	F05	91301-2L00-001	0	E01
90312-LLJ3-E00	1	F03	90656-KCBC-900	0	F19	91301-LDF2-M90	2	E02
90401-KKJ9-001	0	E07	90656-KUDU-900	0	F19	91302-5G67-004	0	E04
90401-LEA7-E00	1	E06	90656-ZZA6-E00	1	F19	91302-LDF2-M90	2	E02
90402-LEA7-E00	4	E03	90660-LDE9-E00	1	F22	91302-LEA7-E00	1	E02
90403-LEA7-E00	1	E06	90662-ABD2-E00	0	F19	91303-3G77-001	0	E04
90423-KKJ9-001	0	E04	90677-GAR1-004	2	F11	91303-LEA7-E00	1	E04
90428-9H58-001	0	E04	90701-9E65-001	0	E01	91304-LGE5-E00	1	F20
90441-ACD5-E00	0	F14	90754-LLJ3-E00	1	F07	91306-1E05-691	0	E03
90474-3C33-001	1	E01	90914-KED9-900	3	E02	91306-PUA5-E00	3	E01
90478-7L00-001	0	E02	90914-LEA7-E05	2	E04	91307-0E35-001	1	E04
90478-7L00-001	0	E04				91307-PUA5-E00	3	E01
90503-LEA7-E00	2	F06	<b>91000</b>			91309-4E25-004	0	E07
9052A-LEB1-900	2	E01				91351-KHE7-900	0	E06
90541-KED9-900	1	E02	91002-GGA7-70A	0	E06	91552-LEA7-E00	1	E01
90544-KEC8-900	0	F23	91004-LEA7-E00	1	E06			
90545-3L00-001	2	F04	91005-LBA7-900	1	E01	<b>92000</b>		
90601-LLJ3-C00	0	F23	91009-KHE7-900	0	E01			
90605-1F66-721	0	E06	91201-LEA7-E00	1	E01	92000-05016-0G	0	E02
90651-LKB3-700	0	F22	91202-LEA7-E0A	4	E08	92101-05012-0G	0	E01
90651-LLJ3-C00	0	F23	91202-LKG2-900	1	E04	92101-05012-0G	0	E07
90652-ACD5-B80	0	F13	91211-KHE7-900	0	E06	92101-05012-0G	0	F07
90652-KHE7-900	0	F13	91251-LLJ3-C00	0	F23	92101-05032-0G	0	E07

## PART NO. INDEX

PART NO.	VERSION	PAGE	PART NO.	VERSION	PAGE	PART NO.	VERSION	PAGE
92900-06040-0E	2	E02	93903-34380-G	0	F05	94050-06080	2	E02
<b>93000</b>			93903-34380-G	0	F11	94050-06080	2	E05
			93903-34380-G	0	F12	94050-08060	0	F19
			93903-34380-G	0	F17	94050-10060	0	E01
			93903-34380-G	0	F18	94050-10060	0	F03
93401-04025-06	0	F19	93903-34380-G	0	F19	94101-06000	0	F20
93401-LEA7-900	1	F14	93903-34380-G	0	F14	94101-06700	0	F14
93404-06012-06	1	F03	93903-343J0	0	F01	94101-08600	0	F15
93404-06012-06	1	F05	93903-35260	0	F17	94101-ACD5-E00	0	F14
93404-06012-06	1	F18	93903-35260	0	F19	94101-LBA2-E00	1	F20
93404-06012-06	1	F20	93903-35260	0	F20	94111-06800	0	E05
93404-06016-06	1	F15	93903-35260	0	F02	94111-ACD5-E00	1	F14
93404-06016-06	1	F21	93903-44320	0	F05	94201-20180	0	F15
93404-06025-06	0	F21	93903-LHJ8-930	1		94251-08400	0	F20
93404-AGD7-900	1	F12	<b>94000</b>			94301-08100	1	E02
93500-03010-0F	0	E07				94301-08140	4	E04
93500-KHC4-90B	0	F19				94301-10160	0	E01
93600-04012-1G	0	F04		94030-PTA1-800	2	E05	94301-10160	0
93600-06032-0F	0	E07	94050-05060	2	F06	94301-10160	0	E08
93891-04014-06	0	E05	94050-05060	2	F18	94301-12200	1	E02
93892-05010-08G	0	E05	94050-05060	2	F19	94301-12200	1	E03
93893-04012-18	0	F04	94050-06000	0	F09	94303-04065	0	E07
93903-25360	0	E01	94050-06060	1	F04	94401-25140	4	E03
93903-25360	0	F13	94050-06060	1	F10	94510-10000	0	E07
93903-25460	1	F13	94050-06060	1	F19	94510-14000	0	E04
93903-34380-G	0	F02	94050-06060	1	F20	94510-25000	0	E08
93903-34380-G	0	F03	94050-06070-G	1	F09			

## PART NO. INDEX

PART NO.	VERSION	PAGE	PART NO.	VERSION	PAGE	PART NO.	VERSION	PAGE
94520-28000	0	E06	95701-06012-06	1	F11	96001-06012-06	0	F16
94520-47000	0	E01	95701-06012-06	1	F19	96001-06012-06	0	F19
94520-47000	0	F16	95701-06016-06	1	E02	96001-06020-06	0	E01
94591-LEE8-E00	1	F20	95701-06016-06	1	F20	96001-06022-06	1	E04
94601-KKE5-E01	5	E03	95701-06045-06	0	F06	96001-06025-06	0	E02
94608-LLJ3-C00	0	F23	95701-06045-06	0	F20	96001-06025-06	0	E03
			95701-06050-06	0	F04	96001-06028-06	0	E04
<b>95000</b>			95701-08012-06	0	E01	96001-06028-06	0	F04
			95701-08035-06	1	E08	96001-06030-06	0	E01
95002-02070	2	E05	95701-08040-06	0	E08	96001-06035-06	0	E04
95002-02070	2	F05	95701-LDF2-800	2	F10	96001-06070-06	0	E01
95002-02070	2	F22	95701-LEA5-E00	1	F19	96001-06080-06	1	E01
95002-02080	0	F22	95801-08040-06	0	F06	96001-GFY6-900	2	F13
95002-02100	0	F21	95801-10030-06	0	F15	96100-62050-00	2	E08
95002-41150-00	0	F13	95801-10040-06	0	F16	96100-63020-00	0	E01
95002-41250-00	0	F13	95801-10050-06	1	F14	96100-63020-00	0	E08
95002-41250-08	0	F22	95801-10060-06	0	F14	96100-63040-00	1	E08
95002-50000	1	E01	95801-10060-06	0	F16	96150-60020-10	0	F07
95002-70000	0	F21				96150-62040-10	0	F16
95002-KED9-M31	4	F13	<b>96000</b>			96211-08000	19	F20
95014-72204	0	F15				96600-08015-16	0	E07
95701-06010-06	1	F06	96001-06008-07	0	F14	96600-LBA2-E00	0	F23
95701-06012-06	1	F03	96001-06010-00	0	E04	96600-LGE5-E00	0	F07
95701-06012-06	1	F04	96001-06010-06	0	E02	96700-KED9-900	3	F06
95701-06012-06	1	F06	96001-06012-06	0	E07			
95701-06012-06	1	F07	96001-06012-06	0	F06			

## PART NO. INDEX

PART NO.	VERSION	PAGE	PART NO.	VERSION	PAGE	PART NO.	VERSION	PAGE
<b>98000</b>								
98059-57916-00	2	E02						
98200-31000	1	F11						
98200-31500	1	F11						
98200-32500	0	F11						
98200-33000	0	F11						
98200-41000	1	F19						
98200-41500	1	F19						
98200-42500	0	F19						
98200-43000	0	F19						

