

# PARTS CATALOGUE



## SCOOTERS

KN25MA(RO)

AGILITY CARRY 125



Release Date : 2022/08/01  
Print Date : 2024/07/06

## ABOUT THIS PARTS LIST

- This parts list is compiled all service parts for model KN25MA(RO).
- Any difference between color chart and motorcycle will be revised according to motorcycle.
- The Mark:
  1. Marking "\*\*\*" must add color code in the end before ordering parts.
  2. Marking "#" are parts with modification, Please find the details from e-Parts system.
- When modification or additions to this parts list are made a revised edition at an appropriate time.



# CONTENTS

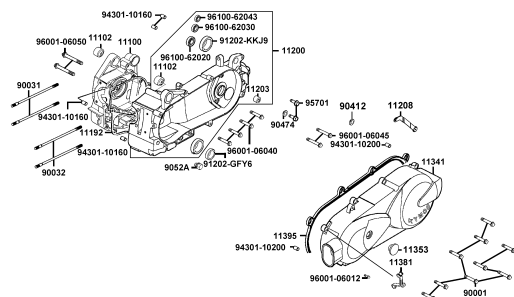
● ABOUT THIS PARTS LIST .....	1
● COLOR CHART OF KN25MA(RO) .....	3
● CONTENTS-ENGINE GROUP .....	5
● CONTENTS-FRAME GROUP .....	6
● ENGINE PARTS LIST .....	9
● FRAME PARTS LIST .....	37
● PART NO. INDEX .....	89

NO	MODEL			COLOR CHART OF KN25MA(RO)			
	PHOTO NO			NO. 1			
	BASIC COLOR			Pearly White			
	CODE			Pearly White			
	PARTS NAME	PARTS NO.	VERSION	NH193PA			
1	LEVER L STRG HANDLE	53178-KNBN-C00	0	M2A			
2	LEVER R STRG HNDL	53175-KXBX-E00	1	N1A			
3	COVER BATTERY	50326-LCB9-C10	0	N1R			
4	COVER UNDER	50613-LCB9-C11	0				
5	GRIP COMP THROT	53140-KNBN-C00	0				
6	GRIP L HANDLE	53166-KNBN-C00	1				
7	COVE RHANDLE RR	53206-LCB9-C10	0				
8	LID FR COVER	64303-ALC9-E10	0				
9	PANEL FLOOR	64310-LCB9-C10	0				
10	PLUG FLOOR	64316-LCB9-C10	5				
11	FENDER REAR. TIRE	80100-LGR5-E10	1				
12	FENDER RR INNER	80101-ALK6-E15	0				
13	FENDER RR LOW	80106-LDC8-E10	0				
14	COVER CENTER	80151-LCB9-C10	0				
15	LEG SHIELD	81131-ALA9-E70	1				
16	LID LEG SHIELD	81132-LCB9-C10	1				
17	BOX LUGGAGE	81250-ALK6-E15	0				
18	CARRIER FR BOTTOM	81305-ALC9-E10	0				
19	LID BODY COVER	83601-ALC8-E60	0				
20	GAP BODY COVER	83602-ALC8-E60	0				
21	CUSHION ASSY RR	52400-ALC5-M41	1	N1S			
22	COVER L. CRANK CASE	11341-KEC4-C00	0	NEA			
23	WHEEL COMP RR CAST	42601-LGR5-E10	0				
24	WHEEL COMP FR CAST	44601-LGR5-E10	0				
25	FORK ASSY R	52000-LGR5-E10	0				
DATE OF STARTING-SALES							
DATE OF END-SALES							

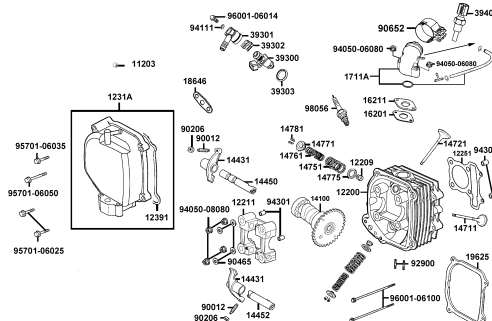
NO	MODEL			COLOR CHART OF KN25MA(RO)				
	PHOTO NO			NO. 1				
	BASIC COLOR			Pearly White				
	CODE			Pearly White				
	PARTS NAME	PARTS NO.	VERSION	NH193PA				
26	COVER HANDLE FR	53205-ALK6-E15	0	NEP				
27	FENDER FR	61100-LDC8-E10	0	NVP				
28	COVER FR	64301-ALA9-E70	0					
29	COVER R BODY	83500-LDF7-E60	0					
30	COVER L BODY	83600-LDF7-E61	0					
31	SEAT ASSY	77200-ALC9-E10	0					
32	STRIPE BODY COVER	86201-ALC9-E10	0	T01				
33	STRIPE KYMCO	87160-LDC8-E90	1					
34	LABEL TIRE	87505-ALK6-E10	0					
35	CAUTION SIDE STAND	87541-GAR1-C01	1					
36	LABEL OIL CAP	87541-KUDU-E00	1					
37	MARK MAINT CAUTION	87542-GAR1-C01	2					
38	MARK DRIVE CAUTION	87560-GFY6-E11	3					
39	EMB K-LOGO 30MM	86102-KFA6-C10	0		T02			
DATE OF STARTING-SALES								
DATE OF END-SALES								

## CONTENTS - ENGINE GROUP

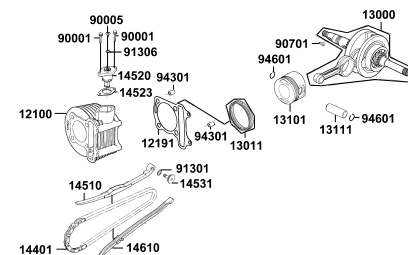
### E01 Crank Case



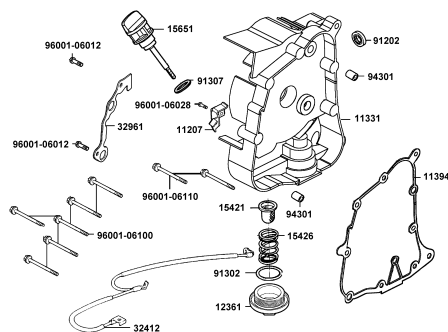
### E02 Cylinder Head



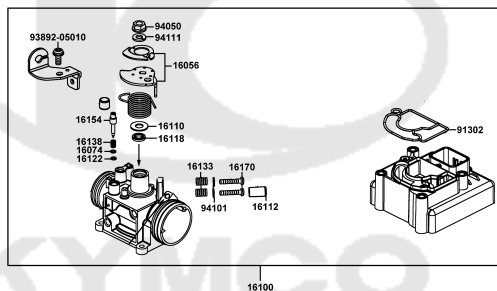
### E03 Cylinder Piston Crankshaft



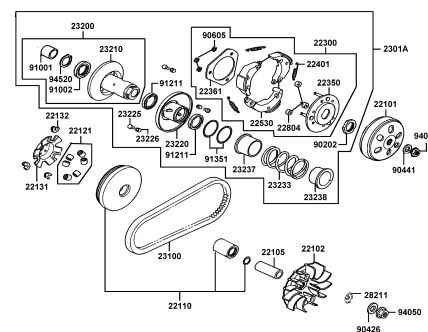
### E04 Right Crankcase Cover



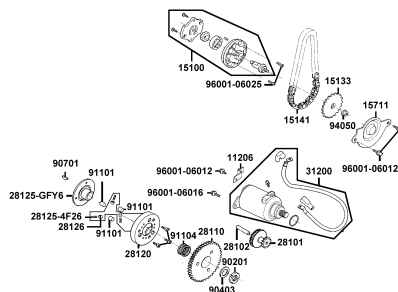
### E05 THROTTLE BODY ASS'Y



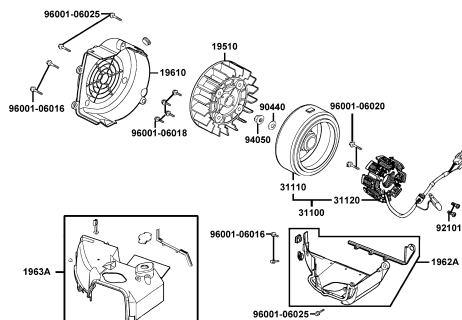
### E06 Driven Pulley



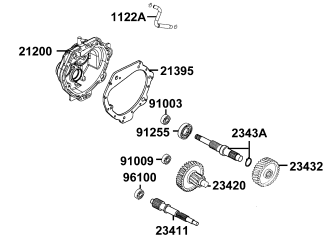
### E07 Starting Motor Oil Pump



### E08 Fan Cover Generator

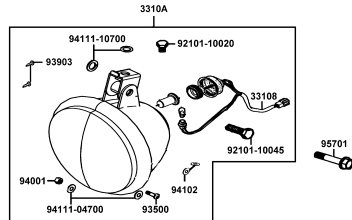


### E09 Transmission

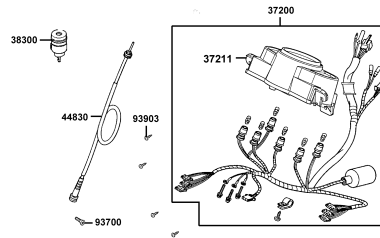


# CONTENTS - FRAME GROUP

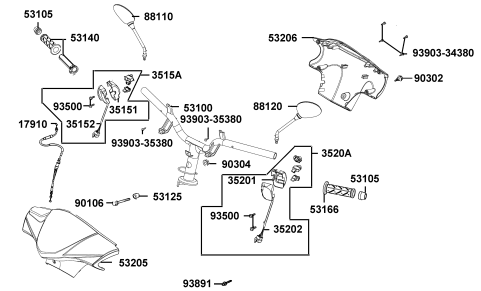
**F01 Head Light**



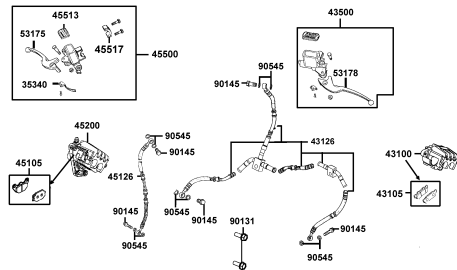
**F02 Speedometer**



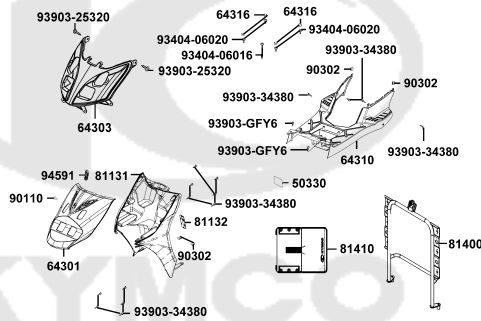
**F03 Handle Steering Handle Cover**



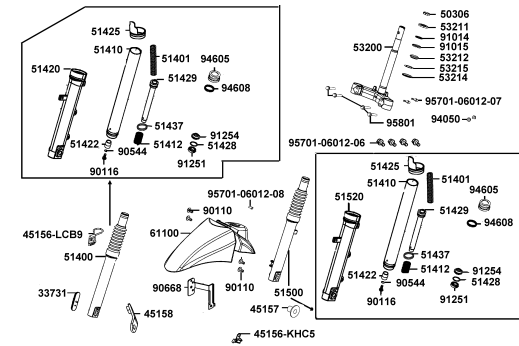
**F04 Brake Master Cylinder**



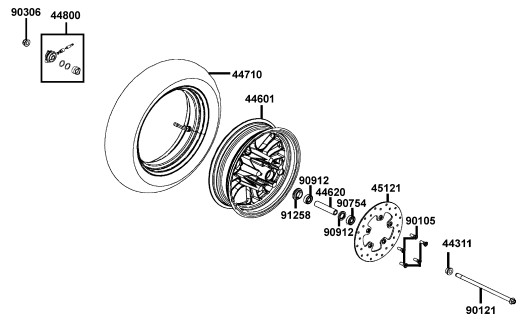
**F05 Front Cover**



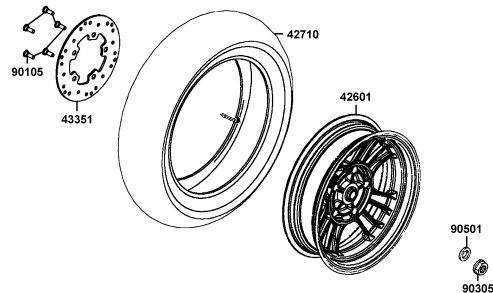
**F06 Stem Steering Front**



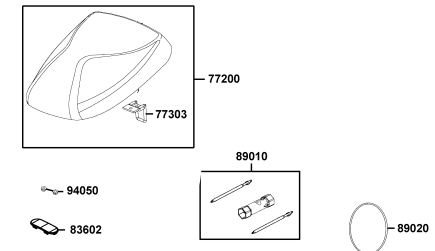
**F07 Front Wheel**



**F08 Rear Wheel**

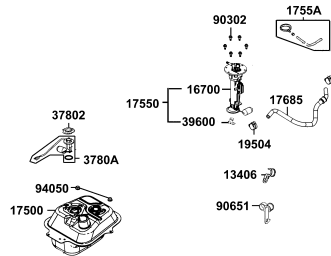


**F09 Seat**

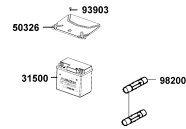


## CONTENTS - FRAME GROUP

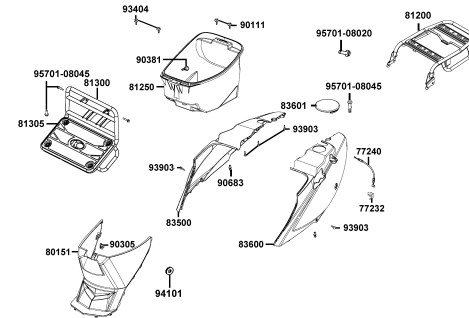
**F10 Fuel Tank**



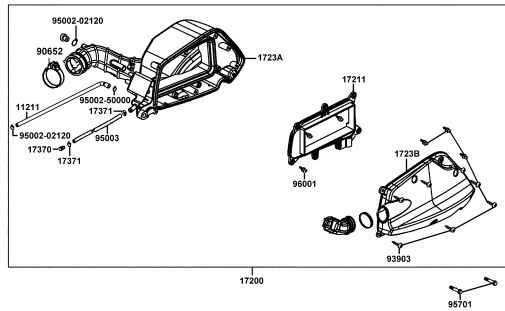
**F11 Battery**



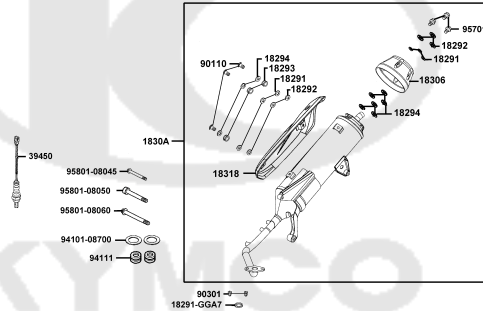
**F12 Body Cover Luggage Box**



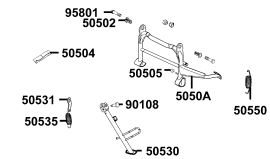
**F13 Air Cleaner**



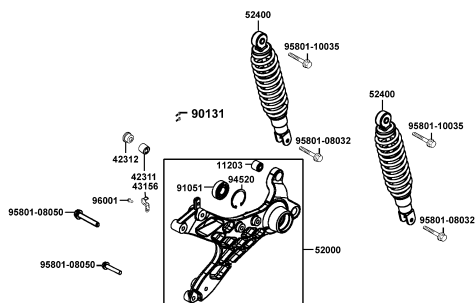
**F14 Exhaust Muffler**



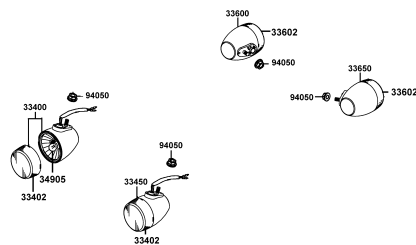
**F15 Kick Starter Arm**



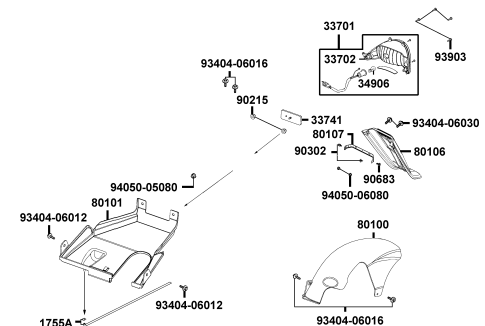
**F16 Rear Cushion**



**F17 Front Winker**



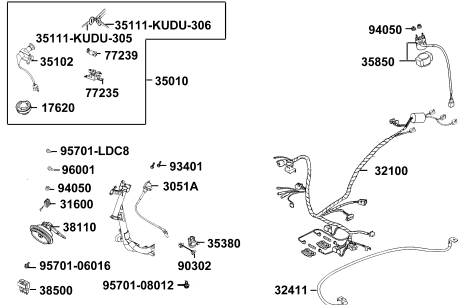
**F18 Tail Light FENDER RR TIRE**



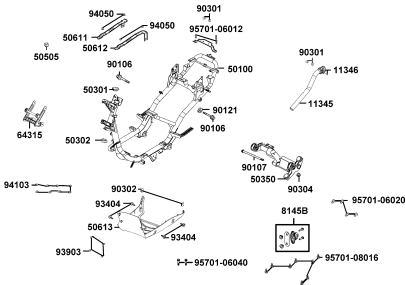


# CONTENTS - FRAME GROUP

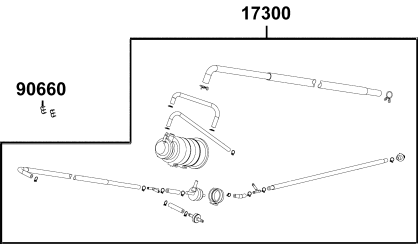
**F19 Wire Harness**



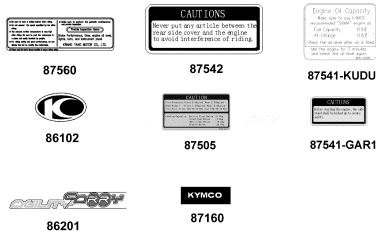
**F20 Frame Body**



**F21 CANISTER ASSY**

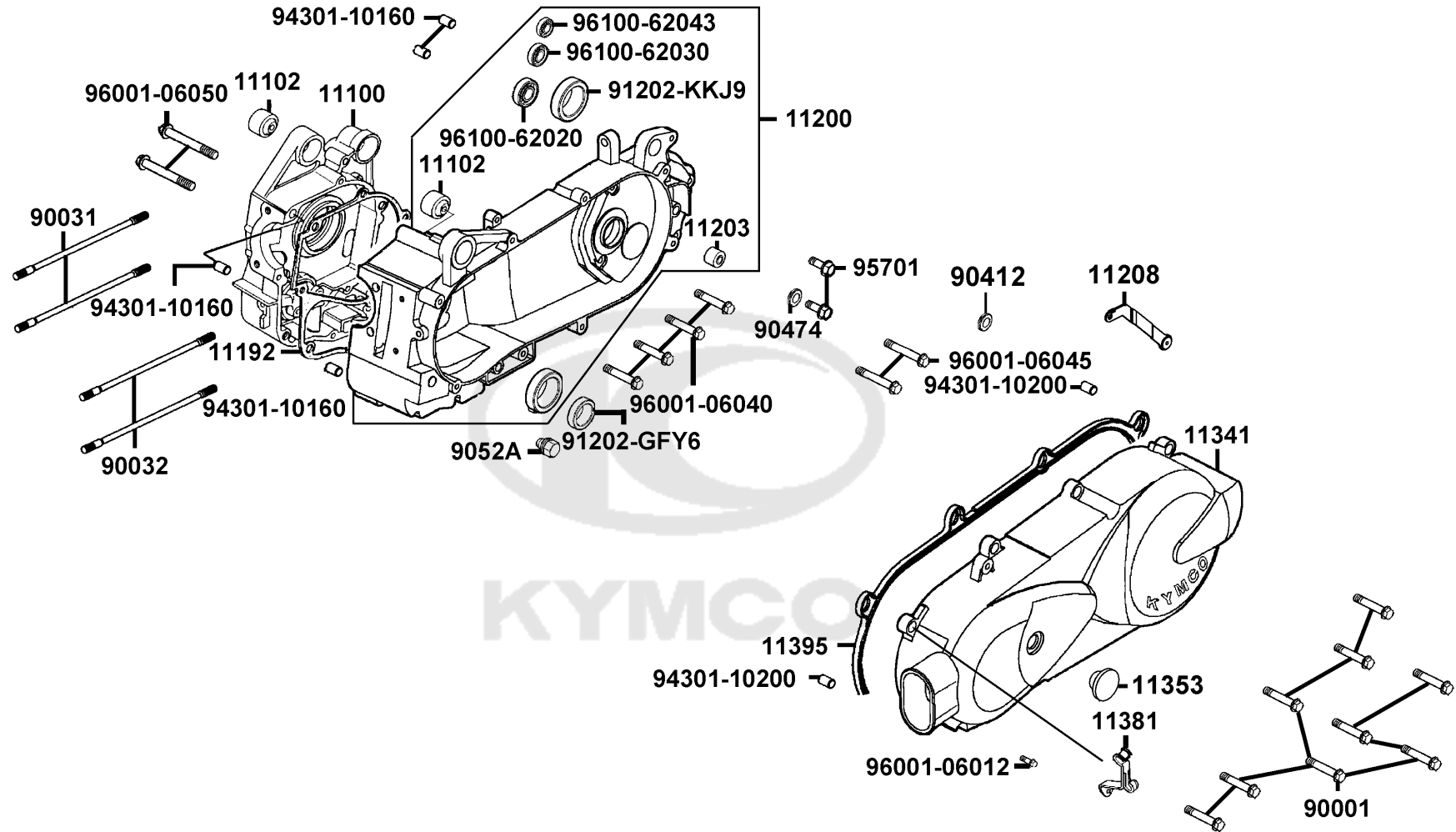


**F22 Emblem Stripe**



E01

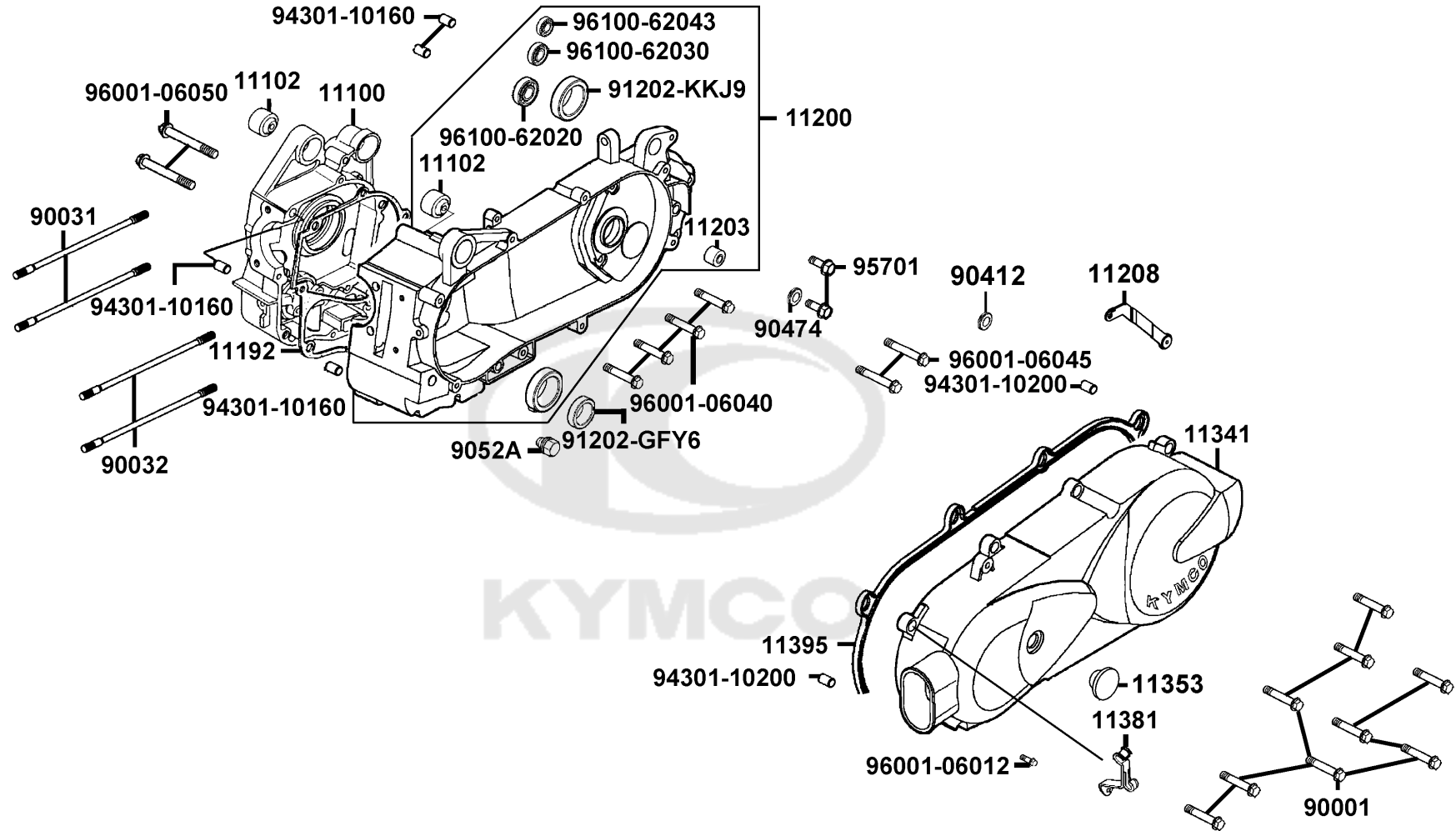
Crank Case



Sales mark	Ref no	Part no	Description	Reg description	Regd no	E01
	11100	11100-KUDU-C00	CASE COMP R CRANK	CASE COMP R CRANK	1	
	11102	11102-1G87-C00	RUB BUSH ENG HANGER	RUB BUSH ENG HANGER	2	
	11192	11192-KUDU-E90	GASKET CRANK CASE @ A	GASKET CRANK CASE @ A	1	
	11200	11200-KEC4-C00	CRANK CASE COMP L	CRANK CASE COMP L	1	
	11203	11203-GGC7-W10	UNDER RUBBER BUSH REAR CUSHION	UNDER RUBBER BUSH REAR CUSHION	1	
	11208	11208-LGR5-E11	STAY B RR FENDER	STAY B RR FENDER	1	
**	11341	11341-KEC4-C00	COVER L. CRANK CASE	COVER L. CRANK CASE	1	
	11353	11353-LEA6-C00	RUBBER PLUG ,L COVER KICK	"RUBBER PLUG, L COVER KICK"	1	
	11381	11381-KUDU-C00	CLAMPER THROTTLE CABLE	CLAMPER THROTTLE CABLE	1	
	11395	11395-KKD7-E90	GASKET L COVER @A	GASKET L COVER @A	1	
	90001	90001-GBHB-C11	BOLT FLANGE SHF 6*40	BOLT FLANGE SHF 6*40	8	
	90031	90031-KUDU-C01	BOLT A STUD 8*200.5	BOLT A STUD 8*200.5	2	
	90032	90032-KUDU-C00	BOLT B STUD 8*208.5	BOLT B STUD 8*208.5	2	
	90412	90412-3K29-C00	WASHER THRUST 10M/M	WASHER THRUST 10M/M	1	
	90474	90474-3C33-C00	WASHER 8MM (T*2)	WASHER 8MM (T*2)	1	
	9052A	9052A-GFY6-C00	BOLT ASSY DRAIN PLUG	BOLT ASSY DRAIN PLUG	1	
	91202-GFY6	91202-GFY6-90C	OIL SEAL 19.8*30*5	OIL SEAL 19.8*30*5	1	
	91202-KKJ9	91202-KKJ9-C00	OIL SEAL 20*32*6	OIL SEAL 20*32*6	1	
	94301-10160	94301-10160	DOWEL PIN 10*16	DOWEL PIN 10*16	4	
	94301-10200	94301-10200	DOWEL PIN 10*20	DOWEL PIN 10*20	2	

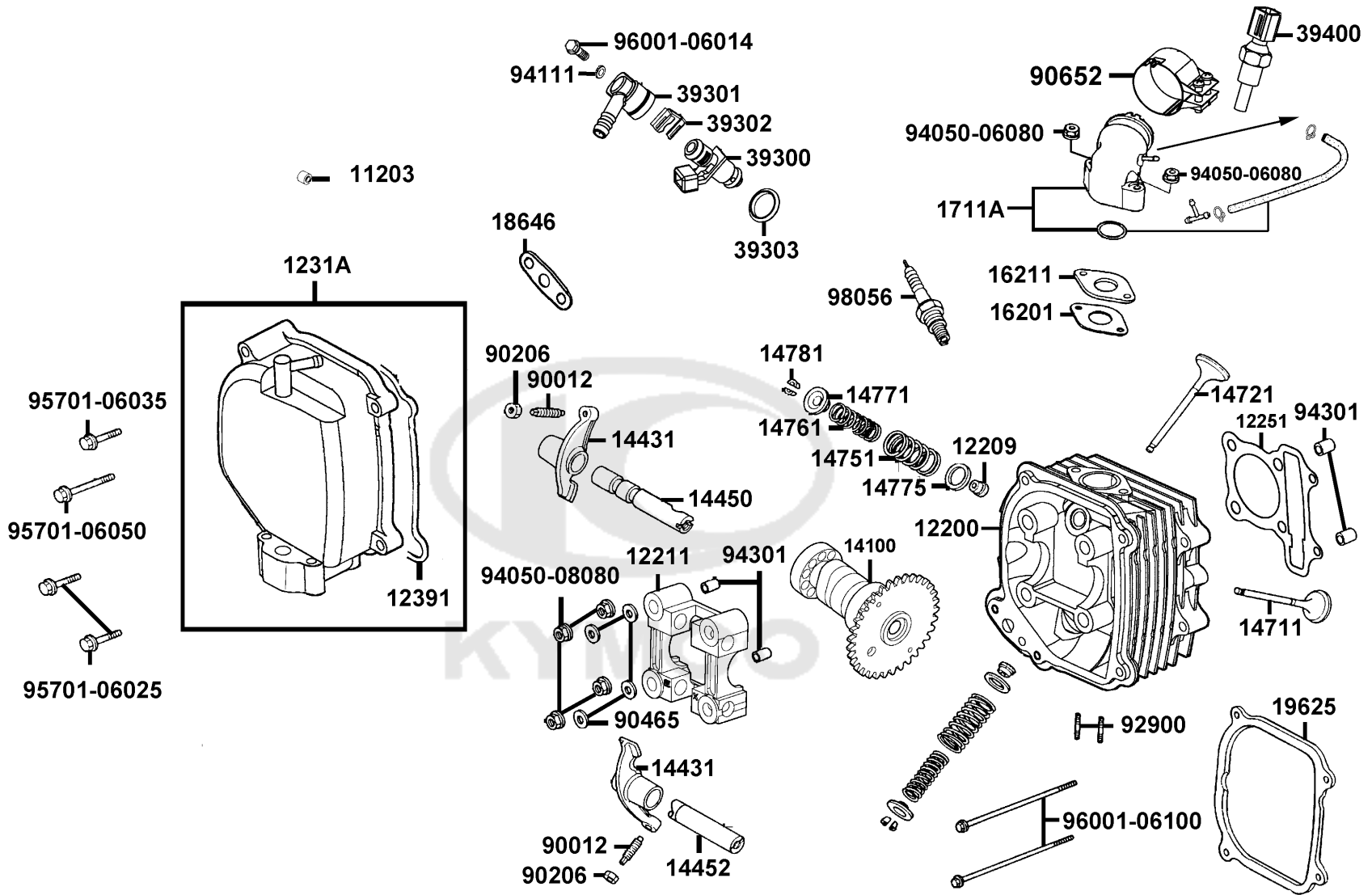
E01

Crank Case

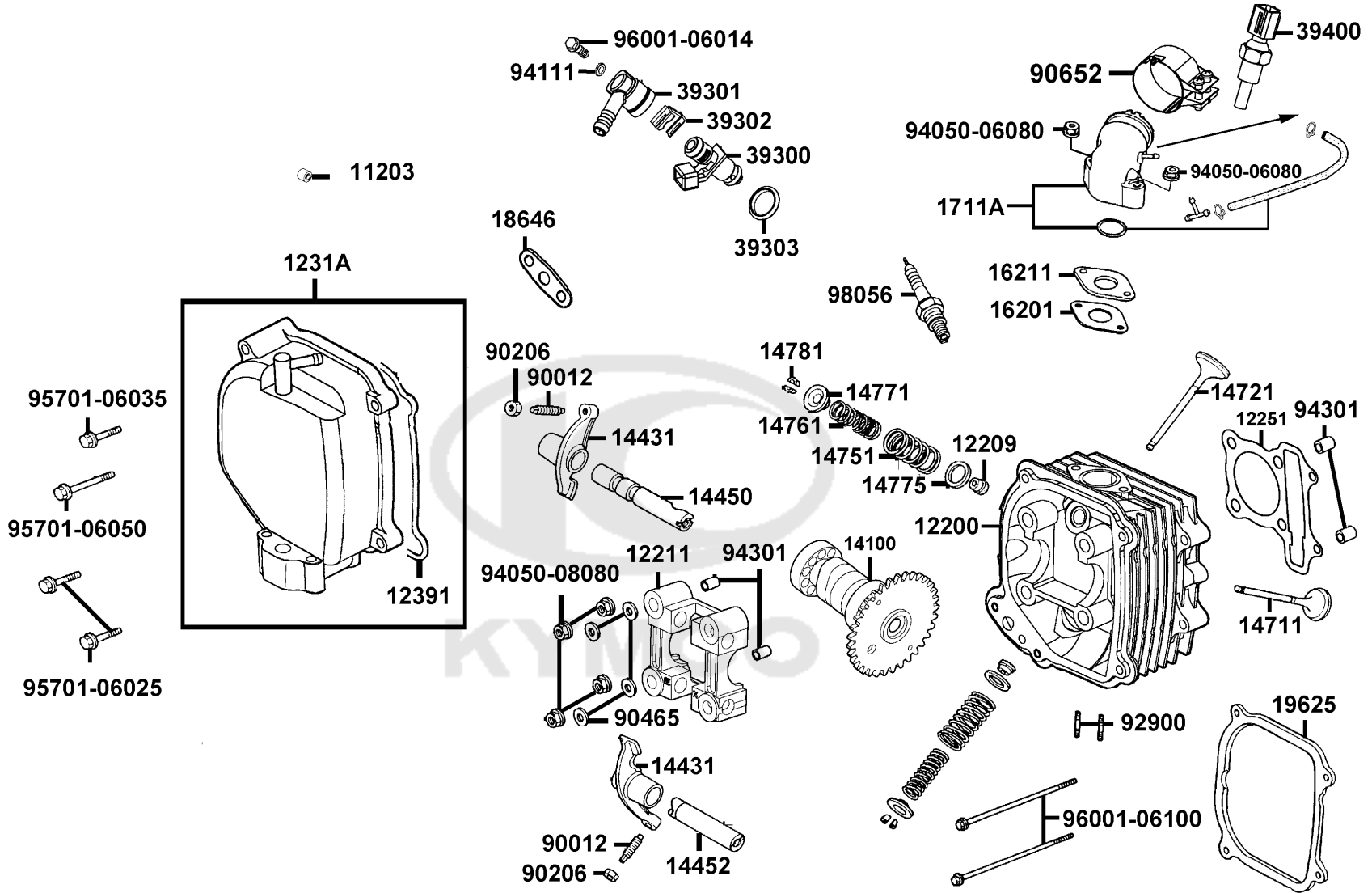


Sales mark	Ref no	Part no	Description	Reg description	Regd no	<b>E01</b>
94591		94591-LDC8-E10	CLIP BIND	CLIP BIND	1	
95701		95701-08012-08G	BOLT FLANGE 8X12(C)	BOLT FLANGE 8X12(C)	2	
96001-06012		96001-06012-08G	BOLT FLANGE SH 6X12 (C)	BOLT FLANGE SH 6X12 (C)	1	
96001-06040		96001-06040-08	BOLT FLANGE 6*40	BOLT FLANGE SH 6*40 (C)	4	
96001-06040		96001-06040-08	BOLT FLANGE 6*40	BOLT FLANGE 6*40	4	
96001-06045		96001-06045-08	BOLT FLANGE SH 6*45 (C)	BOLT FLANGE SH 6*45	3	
96001-06050		96001-06050-08	BOLT FLANGE 6*50	BOLT FLANGE 6*50	2	
96100-62020		96100-62020-00	BEARING BALL RADIAL 6202	BEARING BALL RADIAL 6202	1	
96100-62030		96100-62030-00	BRG BALL RADIAL 6203	BRG BALL RADIAL 6203	1	
96100-62043		96100-62043-00	BEARING BALL RADIAL 6204	BEARING BALL RADIAL 6204	1	



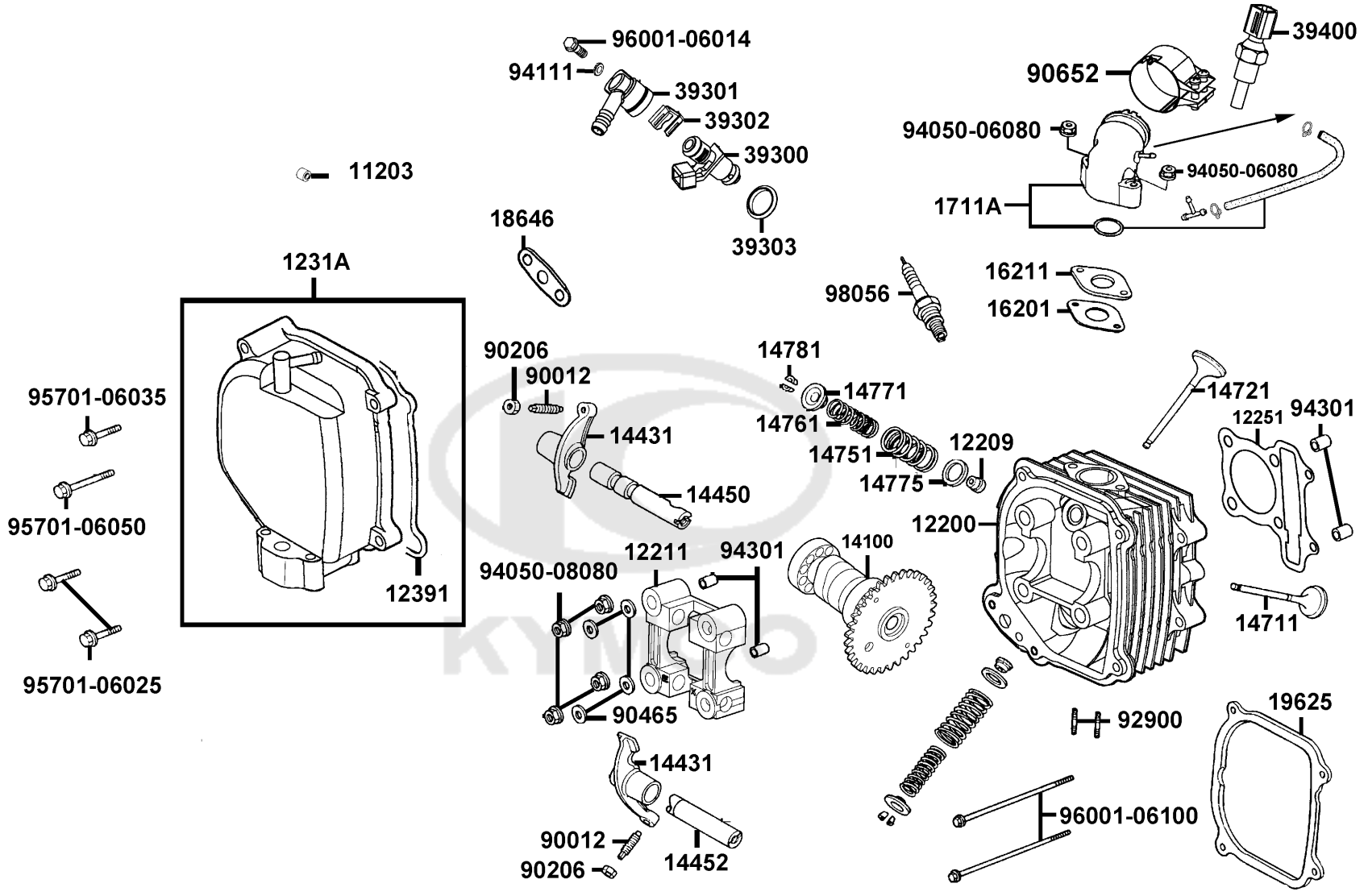


Sales mark	Ref no	Part no	Description	Reg description	Regd no	E02
	11203	11203-GGC7-W10	UNDER RUBBER BUSH REAR CUSHION	UNDER RUBBER BUSH REAR CUSHION	1	
	12200	12200-KKE3-900	HEAD COMP CYLINDER	HEAD COMP CYLINDER	1	
	12209	12209-GDB4-C00	SEAL VALVE STEM	SEAL VALVE STEM	2	
	12211	12211-KUDU-W10	HOLDER CAM SHAFT	HOLDER CAM SHAFT	1	
	12251	12251-GFY6-C00	GASKET CYLINDER HEAD	GASKET CYLINDER HEAD	1	
	1231A	1231A-ALL1-C00	HEAD COVER	HEAD COVER	1	
	12391	12391-GFY6-C00	GASKET CYLINDER HEAD COVER	GASKET CYLINDER HEAD COVER	1	
	14100	14100-AAA2-C00	CAMSHAFT	CAMSHAFT	1	
	14431	14431-KUDU-W10	ARM VALVE ROCKER	ARM VALVE ROCKER	2	
	14450	14450-GFY6-W10	SHAFT COMP IN ROCKER ARM	SHAFT COMP IN ROCKER ARM	1	
	14452	14452-GFY6-W10	SHAFT EXH ROCKER ARM	SHAFT EXH ROCKER ARM	1	
#	14711	14711-KUDU-C0B	VALVE.IN	VALVE.IN	1	
	14721	14721-KUDU-C00	VALVE EXHAUST	VALVE EXHAUST	1	
	14751	14751-KUDU-C10	SPRING VALVE OUTER	SPRING VALVE OUTER	1	
	14761	14761-KUDU-C10	SPG VALVE INNER	SPG VALVE INNER	1	
	14771	14771-GDB4-C00	RETAINER VALVE SPRING	RETAINER VALVE SPRING	2	
	14775	14775-MFA6-C00	SEAT VALVE SPG OUTER	SEAT VALVE SPG OUTER	1	
#	14781	14781-MFA6-C0C	COTTER VALVE	COTTER VALVE	4	
	16201	16201-GFY6-E90	GASKET CARBURETOR INSULATOR	GASKET CARB INSULATOR @ A	1	
	16211	16211-GFY6-W10	INSULATOR	INSULATOR	1	





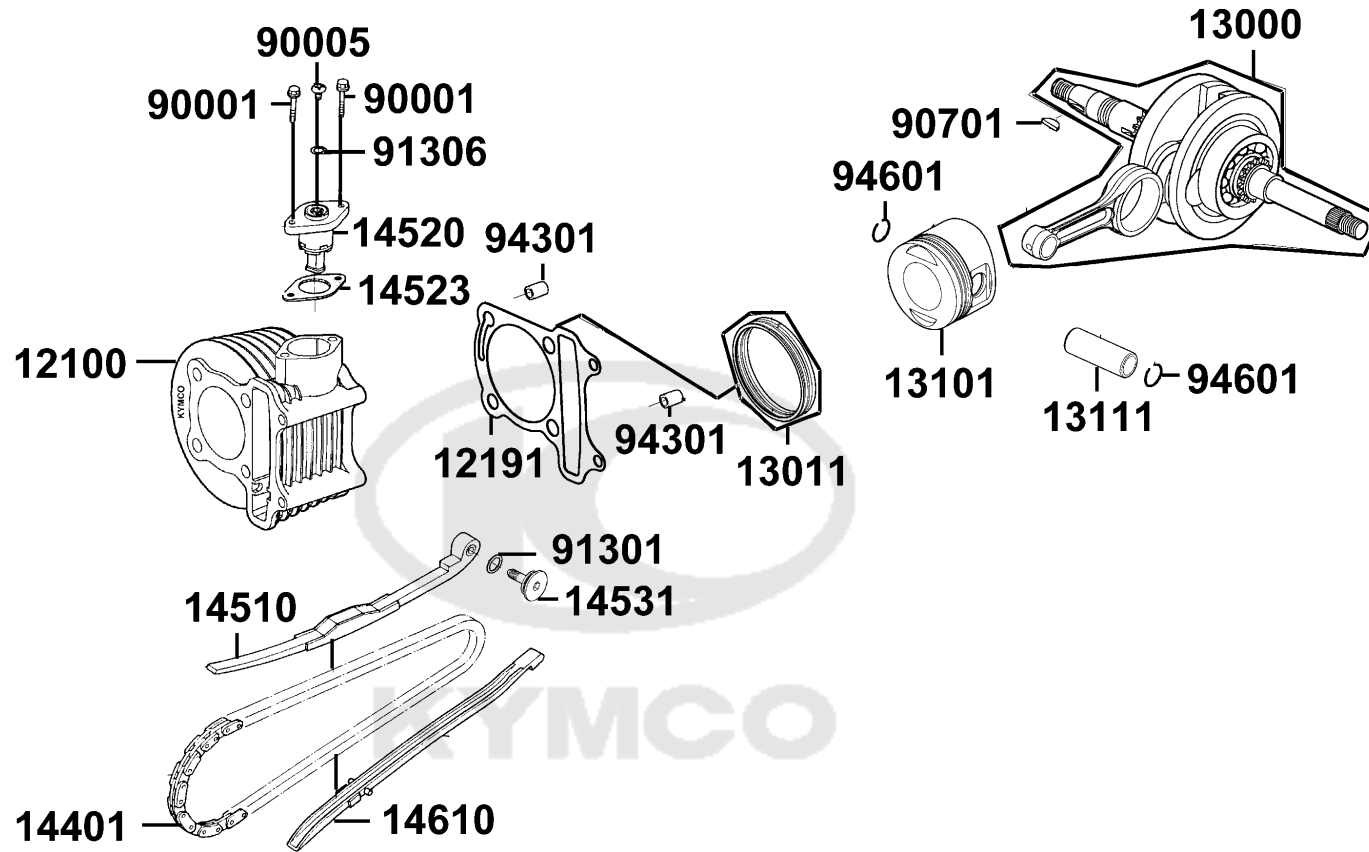
Sales mark	Ref no	Part no	Description	Reg description	Regd no	E02
	1711A	1711A-LGL3-C10	PIPE ASSY INLET	FUEL INJECTOR AND INLET PIPE ASSY	1	
	18646	18646-LDC8-E10	GASKET A/I PIPE	GASKET A/I PIPE	1	
	19625	19625-KUDU-C00	SEAL SHROUD	SEAL SHROUD	1	
	39300	39300-LEA6-800	FUEL INJECTOR	FUEL INJECTOR	1	
	39301	39301-ALJ8-E10	CUP COMP FUEL INJECTOR	CUP COMP FUEL INJECTOR	1	
	39302	39302-KKE3-C00	CLIP SPRING FUEL INJECTOR	CLIP SPRING FUEL INJECTOR	1	
	39303	39303-LEB2-C00	SEAL,HIGH TENSION FUEL INJECT	SEAL,HIGH TENSION FUEL INJECT	1	
	39400	39400-LHJ3-900	SENSOR. HEAD TEMPERATURE	SENSOR. HEAD TEMPERATURE	1	
	90012	90012-3C33-C00	SCREW TAPPET ADJUSTING	SCREW TAPPET ADJUSTING	2	
	90206	90206-0A01-C00	NUT TAPPET ADJG	NUT TAPPET ADJG	2	
	90465	90465-MDC4-C00	WASHER 8MM	WASHER 8MM	4	
	90652	90652-LGJ9-900	BAND 48. INLET-PIPE	BAND 48. INLET-PIPE	1	
	92900	92900-06060-0B	BOLT STUD 6*60	BOLT STUD 6*60	2	
	94050-06080	94050-06080	NUT FLANGE 6MM	NUT FLANGE 6MM	2	
	94050-08080	94050-08080	NUT FLANGE 8MM	NUT FLANGE 8MM	4	
	94111	94111-06800	WASHER SPRING 6MM	WASHER SPRING 6MM	1	
	94301	94301-10160	DOWEL PIN 10*16	DOWEL PIN 10*16	4	
	95701-06025	95701-06025-08	BOLT FLANGE 6*25	BOLT FLANGE 6*25	2	
	95701-06035	95701-06035-08	BOLT FLANGE 6*35 (C)	BOLT FLANGE 6*35	1	
	95701-06050	95701-06050-08	BOLT FLANGE 6X50	BOLT FLANGE 6*50 (C)	1	



Sales mark	Ref no	Part no	Description	Reg description	Regd no	<b>E02</b>
------------	--------	---------	-------------	-----------------	---------	------------

#	96001-06014	96001-06014-08G	BOLT FLANGE SH 6*14 (C)	BOLT FLANGE SH 6*14 (C)	1	
	96001-06100	96001-06100-08	BOLT FLANGE SH 6*100 (C)	BOLT FLANGE SH 6*100 (C)	2	
	98056	98056-5771R-00	SPARK PLUG (CR7HSA)	SPARK PLUG (CR7HSA)	1	

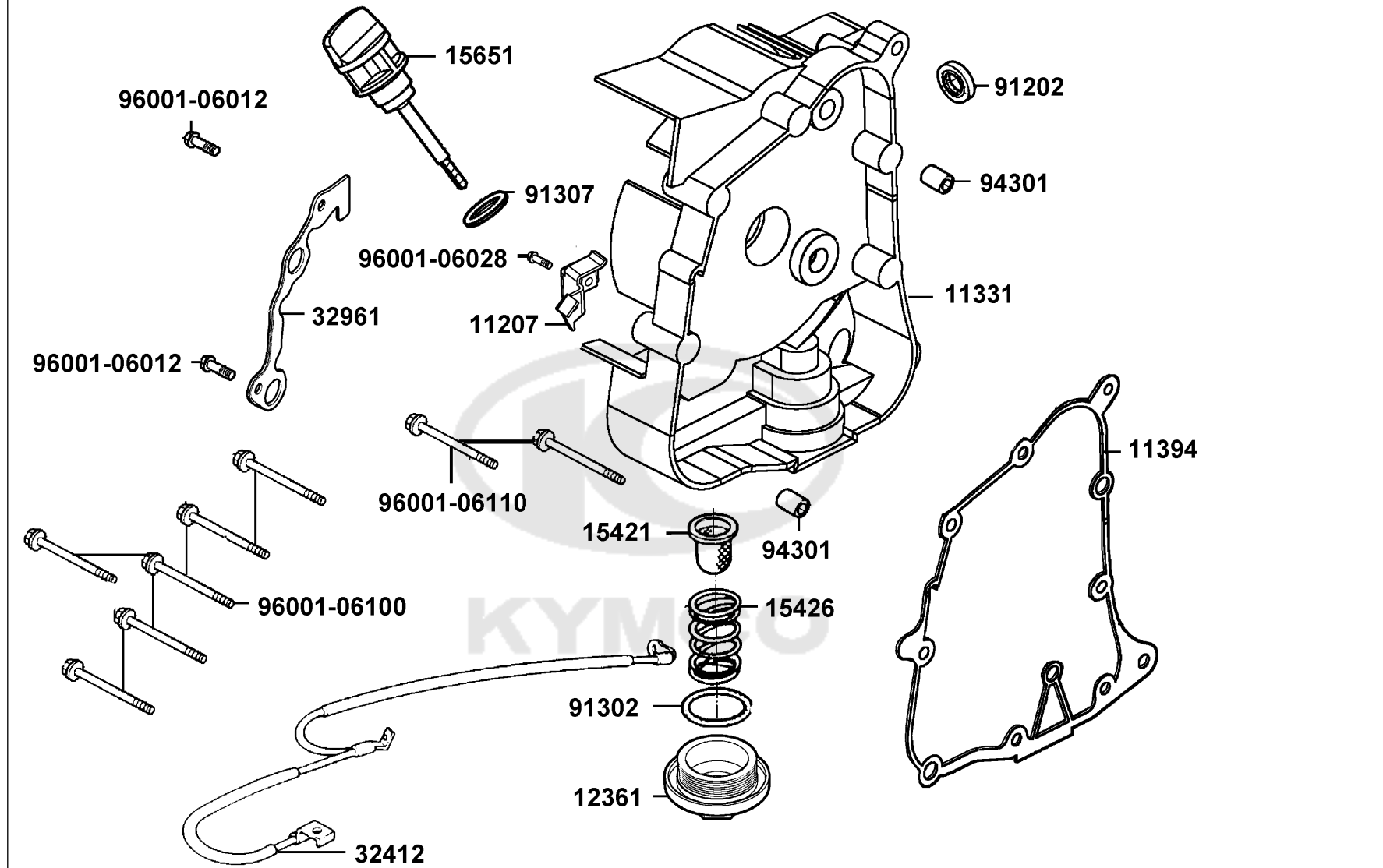




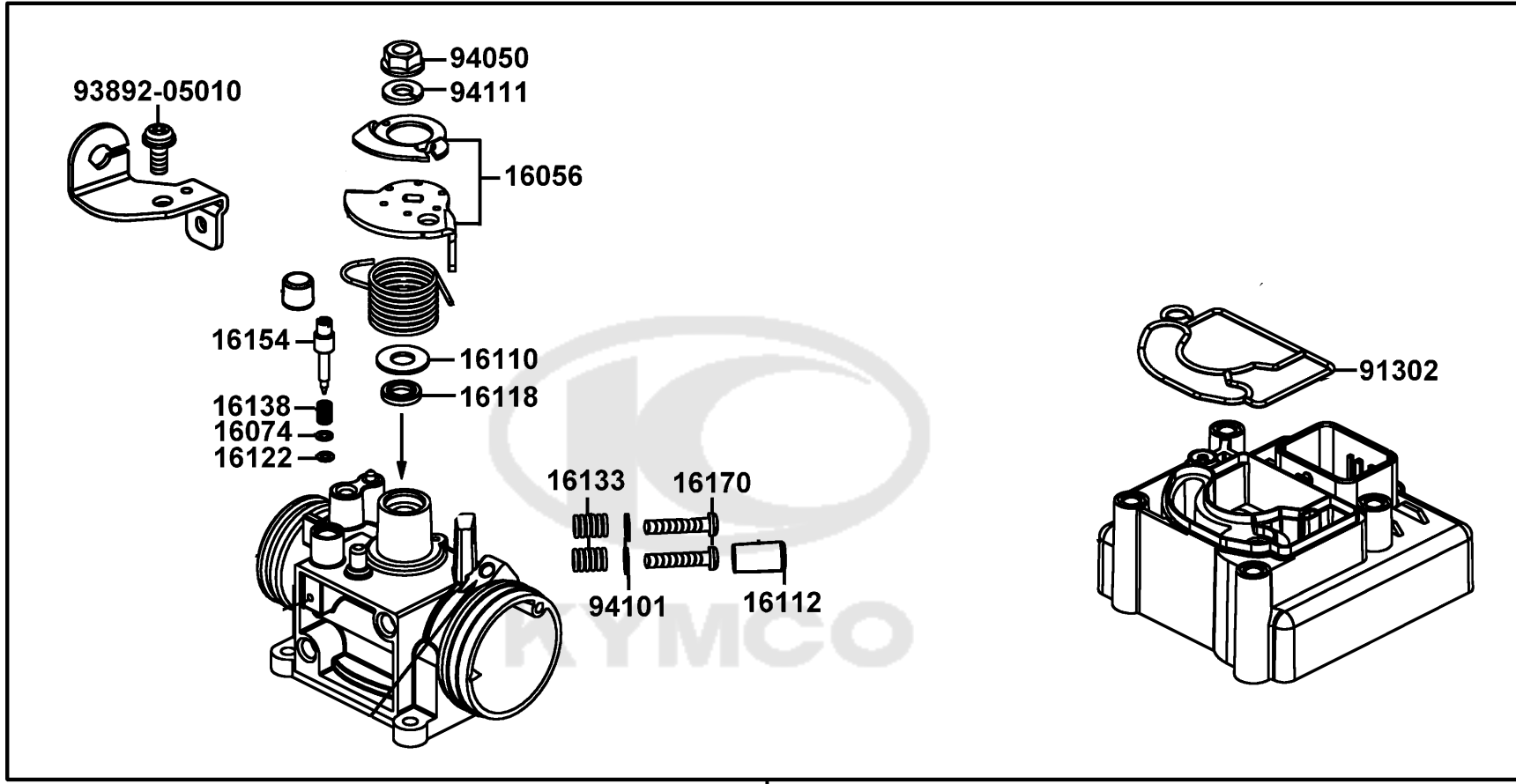
Sales mark	Ref no	Part no	Description	Reg description	Regd no	<b>E03</b>
12100		12100-GFY6-C00	CYLINDER COMP	CYLINDER COMP	1	
12191		12191-GFY6-E90	GASKET CRANK CASE @ A	GASKET CRANK CASE @ A	1	
13000		13000-KUDU-C00	CRANK SHAFT COMP	CRANK SHAFT COMP	1	
13011		13011-GFY6-C00	RING ASSY PISTON	RING ASSY PISTON	1	
13101		13101-KUDU-C00	PISTON	PISTON	1	
13111		13111-3D84-C00	PIN,PISTON	PIN,PISTON	1	
14401		14401-KUDU-C00	CHAIN CAM	CHAIN CAM	1	
14510		14510-KUDU-C0B	TENSIONER CAM CHAIN	TENSIONER CAM CHAIN	1	
14520		14520-GFY6-C00	LIFTER ASSY TENSIONER	LIFTER ASSY TENSIONER	1	
14523		14523-GFY6-E90	GASKET TENSIONER LIFTER @A	GASKET TENSIONER LIFTER @A	1	
14531		14531-GLR0-W11	PIVOT CAM CHAIN TENSIONER	PIVOT CAM CHAIN TENSIONER	1	
14610		14610-KUDU-C0B	GUIDE COMP CAM CHAIN	GUIDE COMP CAM CHAIN	1	
90001		90001-GBHB-C05	BOLT FLANGE SHF 6*22 (B)	BOLT FLANGE SHF 6*22 (B)	2	
90005		90005-KAW1-C00	SCREW PAN 6*6(G)	SCREW PAN 6*6(G)	1	
90701		90701-HFB6-C00	KEY WOODRUFF 25*14*4	KEY WOODRUFF 25*14*4	1	
91301		91301-GLR0-W10	O-RING 15.2*1.5	O-RING 15.2*1.5	1	
91306		91306-1E05-C00	O-RING 1.5*9.5	O-RING 1.5*9.5	1	
94301		94301-10160	DOWEL PIN 10*16	DOWEL PIN 10*16	2	
94601		94601-15000	CLIP PISTON PIN 15MM	CLIP PISTON PIN 15MM	2	

E04

# Right Crankcase Cover



Sales mark	Ref no	Part no	Description	Reg description	Regd no	E04
	11207	11207-KKE3-C01	STAY B RR FENDER	STAY B RR FENDER	1	
	11331	11331-LCD3-E00	COVER R CRANK CASE	COVER R CRANK CASE	1	
	11394	11394-KUDU-E90	GASKET.R COVER	GASKET R COVER	1	
	12361	12361-GFY6-C00	HOLE CAP TAPPET ADJUSTING	HOLE CAP TAPPET ADJUSTING	1	
	15421	15421-1G07-C00	SCREEN OIL FILTER	SCREEN OIL FILTER	1	
	15426	15426-GAE1-C00	SPG OIL FILTER SCREEN	SPG OIL FILTER SCREEN	1	
	15651	15651-KUDU-W10	GUAGE OIL LEVEL	GUAGE OIL LEVEL	1	
	32412	32412-LEH3-C10	CABLE EARTH	CABLE EARTH	1	
	32961	32961-KUDU-C00	CLAMPER ACG CORD	CLAMPER ACG CORD	1	
	91202	91202-GFY6-90C	OIL SEAL 19.8*30*5	OIL SEAL 19.8*30*5	1	
	91302	91302-0A01-C00	O-RING 30.8MM	O-RING 30.8MM	1	
	91307	91307-0E35-W10	O-RING 18*3	O-RING 18*3	1	
	94301	94301-10160	DOWEL PIN 10*16	DOWEL PIN 10*16	2	
	96001-06012	96001-06012-08G	BOLT FLANGE SH 6X12 (C)	BOLT FLANGE SH 6X12 (C)	2	
	96001-06028	96001-06028-08	BOLT FLANGE SH 6*28	BOLT FLANGE SH 6*28	1	
	96001-06100	96001-06100-08	BOLT FLANGE SH 6*100 (C)	BOLT FLANGE SH 6*100 (C)	6	
	96001-06110	96001-06110-08	BOLT FLANGE SH 6*110	BOLT FLANGE SH 6*110	2	



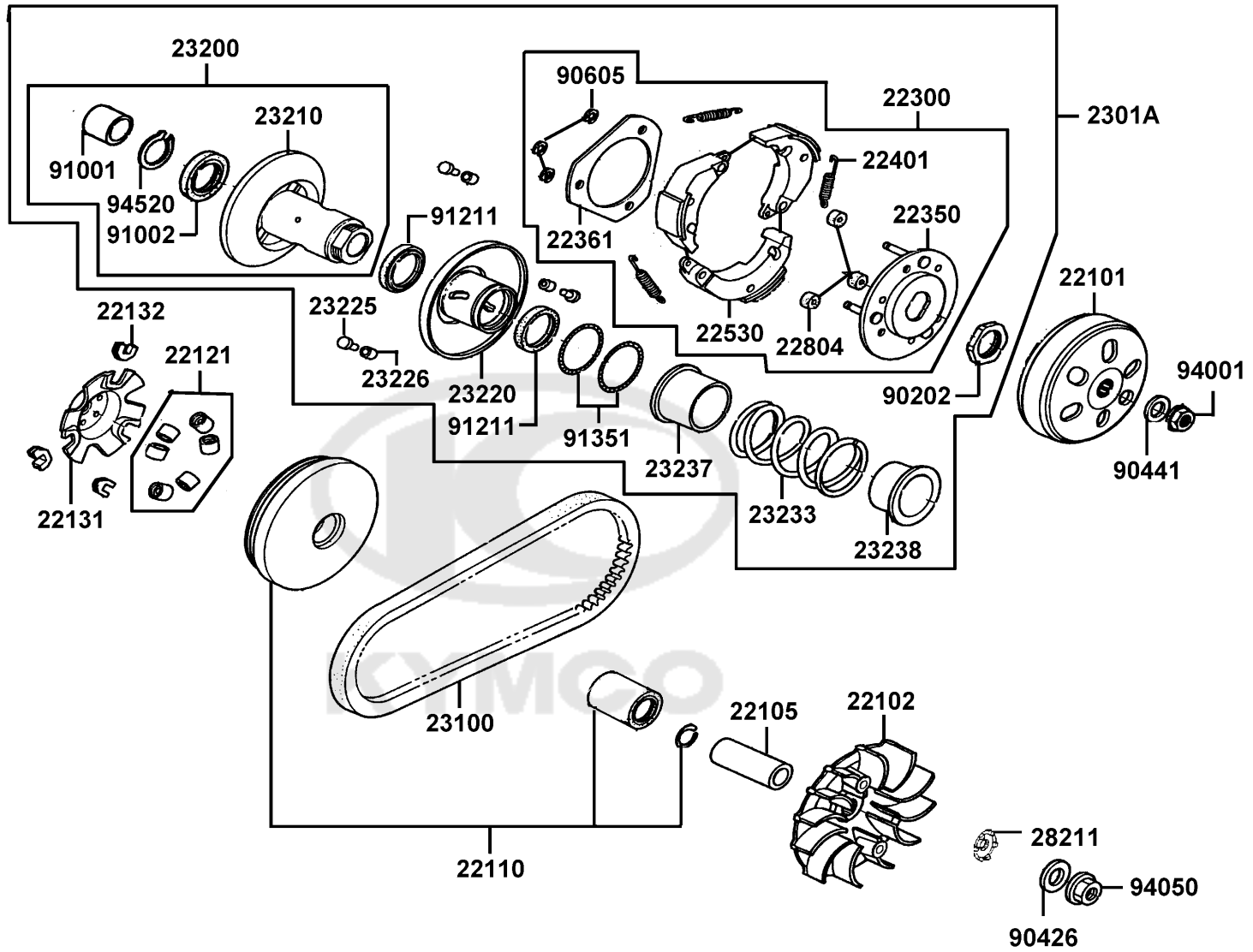
16100



Sales mark	Ref no	Part no	Description	Reg description	Regd no	<b>E05</b>
	16056	16056-LEB2-C00	LEVER ASSY..THROTTLE	LEVER ASSY..THROTTLE	1	
	16074	16074-KEC3-C00	WASHER IDLE ADJUST SCREW	WASHER IDLE ADJUST SCREW	1	
	16100	16100-ALK6-E15	THROTTLE BODY ASSY	THROTTLE BODY ASSY	1	
	16110	16110-KEC3-900	WASHER THROTTLE ASSY	WASHER THROTTLE ASSY	1	
	16112	16112-KKE3-C00	COVER IDLE SCREW	COVER IDLE SCREW	1	
	16118	16118-KGC5-C00	SEAL THROTTLE SHAFT	SEAL THROTTLE SHAFT	1	
	16122	16122-KEC3-C00	O-RING IDLE SCREW	O-RING IDLE SCREW	1	
	16133	16133-KEC3-C00	SPG THROTTLE ADJ SCREW	SPG THROTTLE ADJ SCREW	1	
	16138	16138-KEC3-C00	SPG IDLE ADJ SCREW	SPG IDLE ADJ SCREW	1	
	16154	16154-KKE3-C00	SCREW IDLE ADJUST	SCREW IDLE ADJUST	1	
	16170	16170-KEC3-C00	SCREW THROTTLE ADJUST	SCREW THROTTLE ADJUST	1	
	91302	91302-LEB2-C00	SEAL THROTTLE-ECU	SEAL THROTTLE-ECU	1	
#	93892-05010	93892-05010-06	SCREW WASHER 5X10	SCREW WASHER 5X10	1	
	94050	94050-06080	NUT FLANGE 6MM	NUT FLANGE 6MM	1	
	94101	94101-KKE3-C00	WASHER SPG 4MM	WASHER SPG 4MM	1	
	94111	94111-06800	WASHER SPRING 6MM	WASHER SPRING 6MM	1	

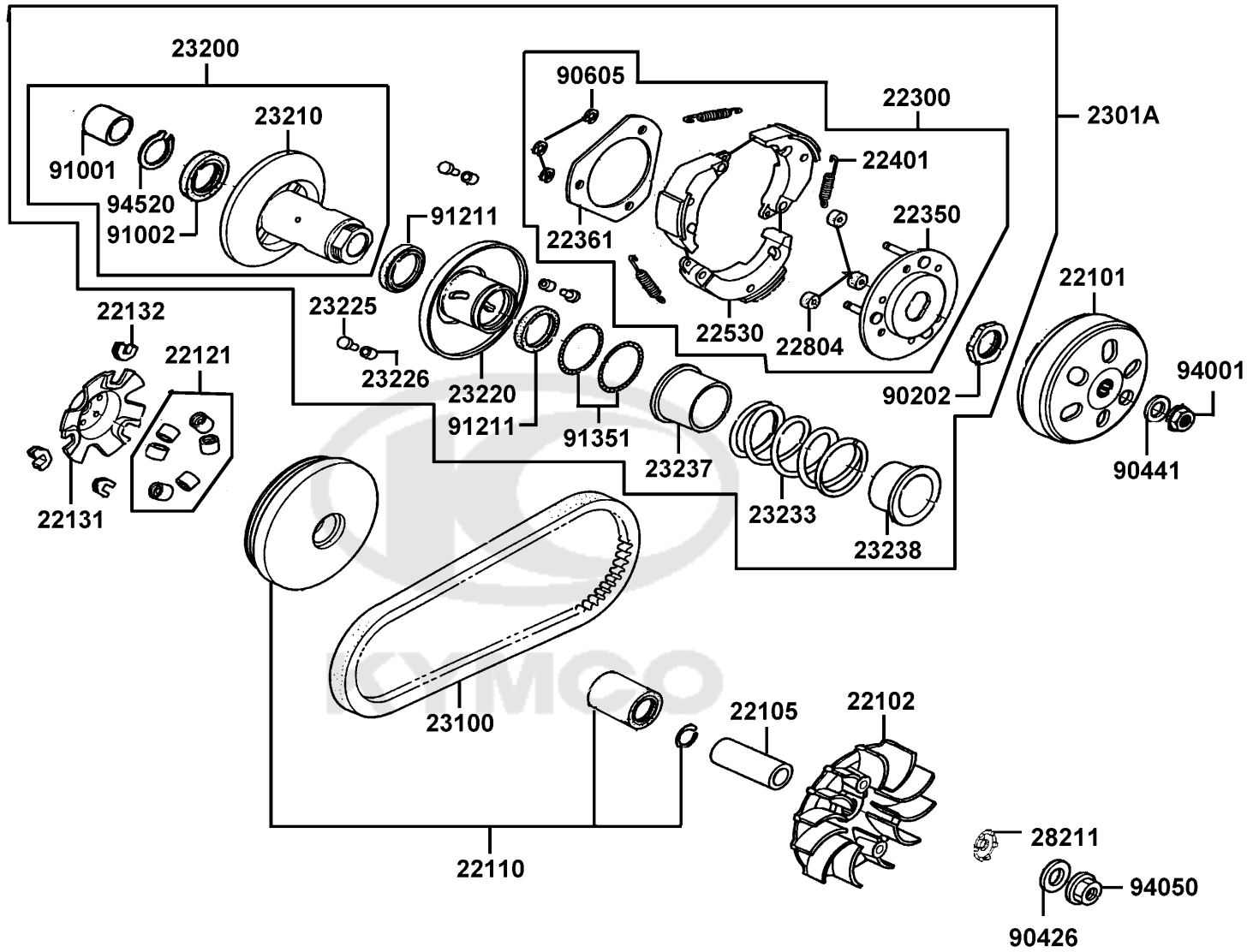
E06

# Driven Pulley



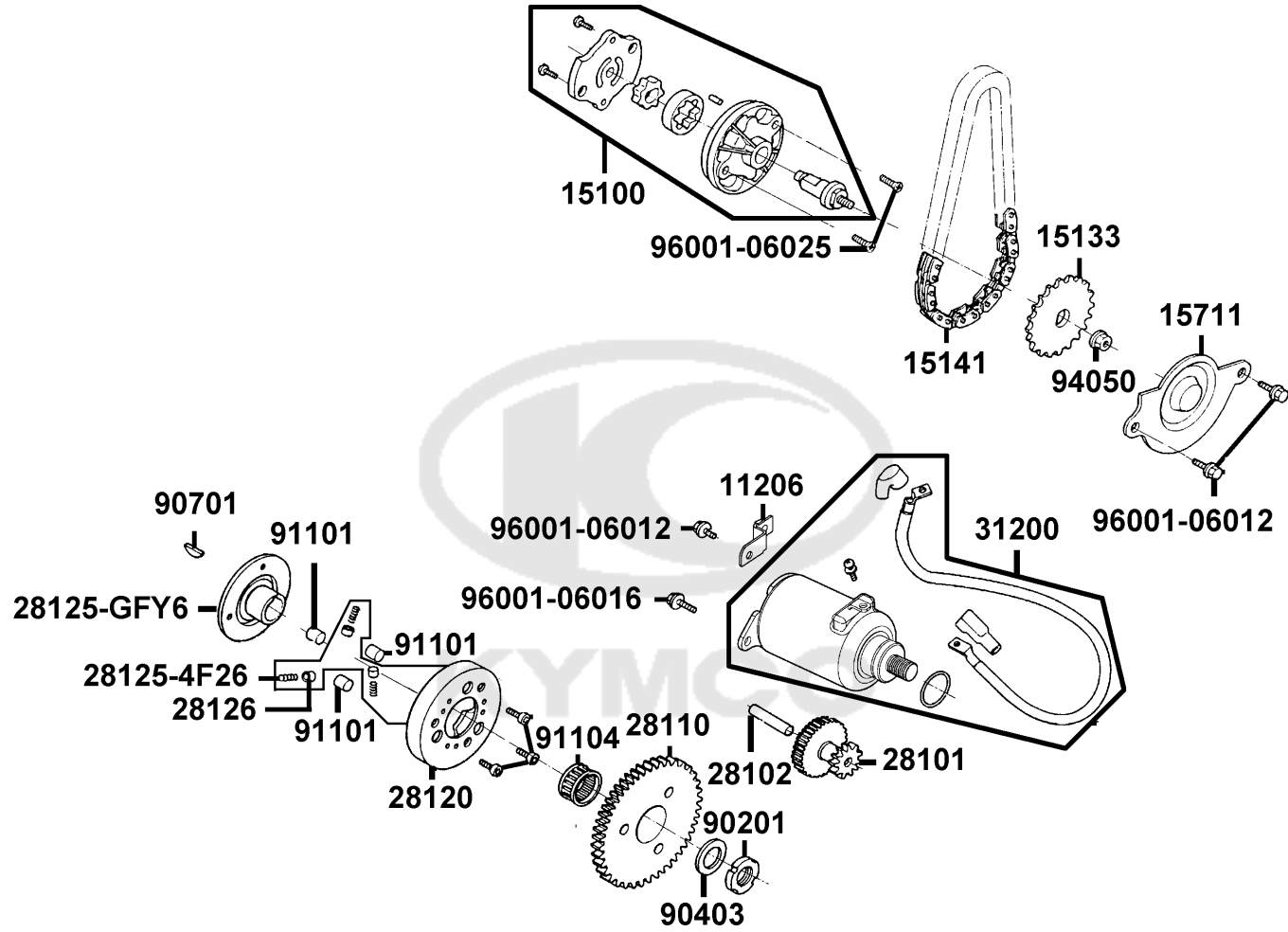
Sales mark	Ref no	Part no	Description	Reg description	Regd no	E06
	22101	22101-LCD3-C00	OUTER CLUTCH	OUTER CLUTCH	1	
	22102	22102-KUDU-E80	FACE DRIVE	FACE DRIVE	1	
	22105	22105-GFY6-C10	BOSS DRIVE FACE	BOSS DRIVE FACE	1	
	22110	22110-KUDU-E80	FACE MOVABLE DRIVE	FACE MOVABLE DRIVE	1	
	22121	22121-KKD7-315	ROLLER SET WEIGHT (1SET:6PCS)14G*6	ROLLER SET WEIGHT (1SET:6PCS)14G*6	1	
	22131	22131-GFY6-C00	PLATE RAMP	PLATE RAMP	1	
	22132	22132-KBN2-315	PIECE SLIDE(1SET:3PCS)	PIECE SLIDE(1SET:3PCS)	3	
	22300	22300-KEC6-C00	PLATE ASSY DRIVE	PLATE ASSY DRIVE	1	
	22350	22350-GFY6-C00	PLATE COMP DRIVE	PLATE COMP DRIVE	1	
	22361	22361-KGN7-C00	PLATE CLUTCH SIDE	PLATE CLUTCH SIDE	1	
	22401	22401-GFY6-C0A	SPRING CLUTCH	SPRING CLUTCH	3	
	22530	22530-GFY6-C00	WEIGHT CLUTCH	WEIGHT CLUTCH	3	
	22804	22804-GBB2-C00	RUBBER CLUTCH DAMPER	RUBBER CLUTCH DAMPER	3	
	2301A	2301A-KEC6-C00	PULLEY SUB ASSY	PULLEY SUB ASSY	1	
	23100	23100-KEC4-C0E	BELT DRIVE	BELT DRIVE	1	
	23200	23200-GFY6-C00	FACE ASSY DRIVEN	FACE ASSY DRIVEN	1	
	23210	23210-GFY6-C00	FACE COMP DRIVEN A	FACE COMP DRIVEN A	1	
	23220	23220-KFBF-C00	FACE COMP MOVABLE DRIVEN	FACE COMP MOVABLE DRIVEN	1	
	23225	23225-GHC8-C00	PIN ROLLER GUIDE	PIN ROLLER GUIDE	3	
	23226	23226-GHC8-C00	ROLLER GUIDE	ROLLER GUIDE	3	

Driven Pulley



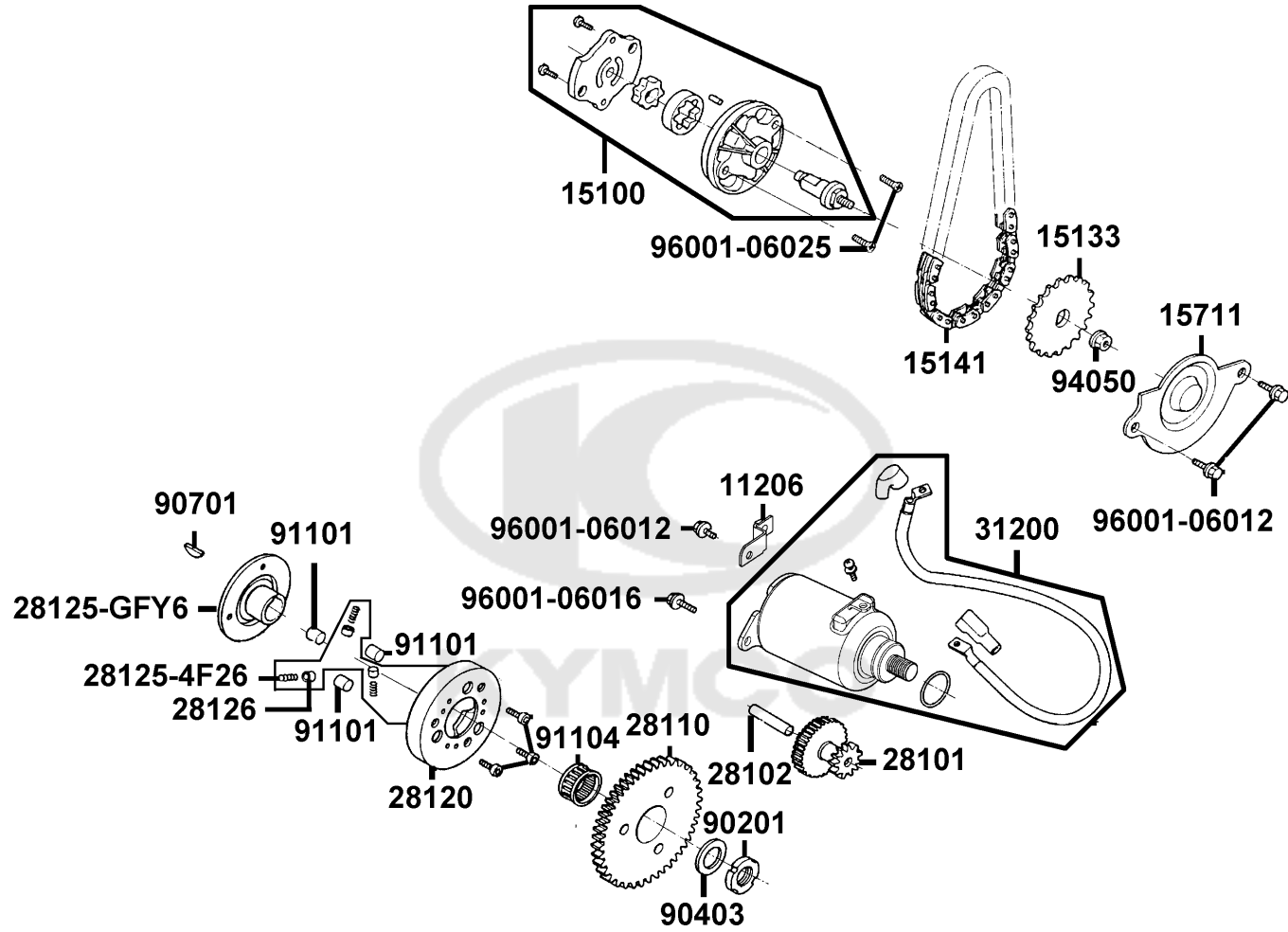
Sales mark	Ref no	Part no	Description	Reg description	Regd no	E06
	23233	23233-GCW3-C00	SPG DRIVEN FACE	SPG DRIVEN FACE	1	
	23237	23237-GFY6-C00	COLLAR SEAL	COLLAR SEAL	1	
	23238	23238-GFY6-C00	COLLAR SPG	COLLAR SPG	1	
	28211	28211-LGK2-C00	WASHER 15.2x24x5	WASHER 15.2x24x5	1	
	90202	90202-1G87-C00	NUT SPECIAL 28MM	NUT SPECIAL 28MM	1	
	90426	90426-KNBN-C01	WASHER SPECIAL 12MM	WASHER SPECIAL 12MM	1	
	90441	90441-GFY6-C00	WASHER 12.2*29*2.5	WASHER 12.2*29*2.5	1	
	90605	90605-1F66-C00	CIR CLIP 7MM	CIR CLIP 7MM	3	
	91001	91001-GFY6-C00	BRG CON-ROD 20*29*18	BRG CON-ROD 20*29*18	1	
	91002	91002-GGA7-C00	BRG BALL RADIAL 6902U	BRG BALL RADIAL 6902U	1	
	91211	91211-KEBE-C00	SEAL DRIVEN FACE 34*41*4	SEAL DRIVEN FACE 34*41*4	2	
	91351	91351-6B42-C00	O-RING PINION CAP	O-RING PINION CAP	2	
	94001	94001-12280-0SG	NUT HEX 12MM(C)	NUT HEX 12MM(C)	1	
	94050	94050-12080	NUT FLANGE 12MM	NUT FLANGE 12MM	1	
	94520	94520-28000	CIR CLIP IN 28	CIR CLIP IN 28	1	

Starting Motor Oil Pump



Sales mark	Ref no	Part no	Description	Reg description	Regd no	E07
11206		11206-LGR5-E10	"STAY A, RR FENDER"	"STAY A, RR FENDER"	1	
15100		15100-KUDU-W10	PUMP ASSY OIL	PUMP ASSY OIL	1	
15133		15133-GFY6-W10	SPROCKET OIL PUMP DRIVE	SPROCKET OIL PUMP DRIVE	1	
15141		15141-GFY6-C00	CHAIN OIL PUMP	CHAIN OIL PUMP	1	
15711		15711-KUDU-C00	SEPARATER OIL	SEPARATER OIL	1	
28101		28101-GFY6-C00	GEAR STARTER REDUCTION	GEAR STARTER REDUCTION	1	
28102		28102-GFY6-C00	SHAFT STARTER REDUCTION GEAR	SHAFT STARTER REDUCTION GEAR	1	
28110		28110-GFY6-C10	OUTER ASSY START CLUTCH	OUTER ASSY START CLUTCH	1	
28120		28120-GFY6-C10	OUTER COMP STARTING CLUTCH	OUTER COMP STARTING CLUTCH	1	
28125-4F26		28125-4F26-C00	SPRING ROLLER STARTER CLUTCH	SPRING ROLLER STARTER CLUTCH	1	
28125-GFY6		28125-GFY6-C10	SPRING ROLLER STARTER CLUTCH	SPRING ROLLER STARTER CLUTCH	1	
28126		28126-GFY6-C10	CAP STARTING ROLLER SPRING	CAP STARTING ROLLER SPRING	3	
31200		31200-ALJ8-E10	MOTOR ASSY START	MOTOR ASSY START	1	
90201		90201-GFY6-901	NUT LOCK 22MM	NUT LOCK 22MM	1	
90403		90403-KUDU-C00	WASHER THRUST 22.2*39*2.5	WASHER THRUST 22.2*39*2.5	1	
90701		90701-GFY6-901	CAP STARTING ROLLER SPRING	PIN DOWEL 6*10	1	
91101		91101-1K79-C00	ROLLER 10*10	ROLLER 10*10	1	
91104		91104-GFY6-C00	BRG NEEDLE 28*32*17	BRG NEEDLE 28*32*17	1	
94050		94050-06080	NUT FLANGE 6MM	NUT FLANGE 6MM	1	
96001-06012		96001-06012-08G	BOLT FLANGE SH 6X12 (C)	BOLT FLANGE SH 6X12 (C)	2	

Starting Motor Oil Pump

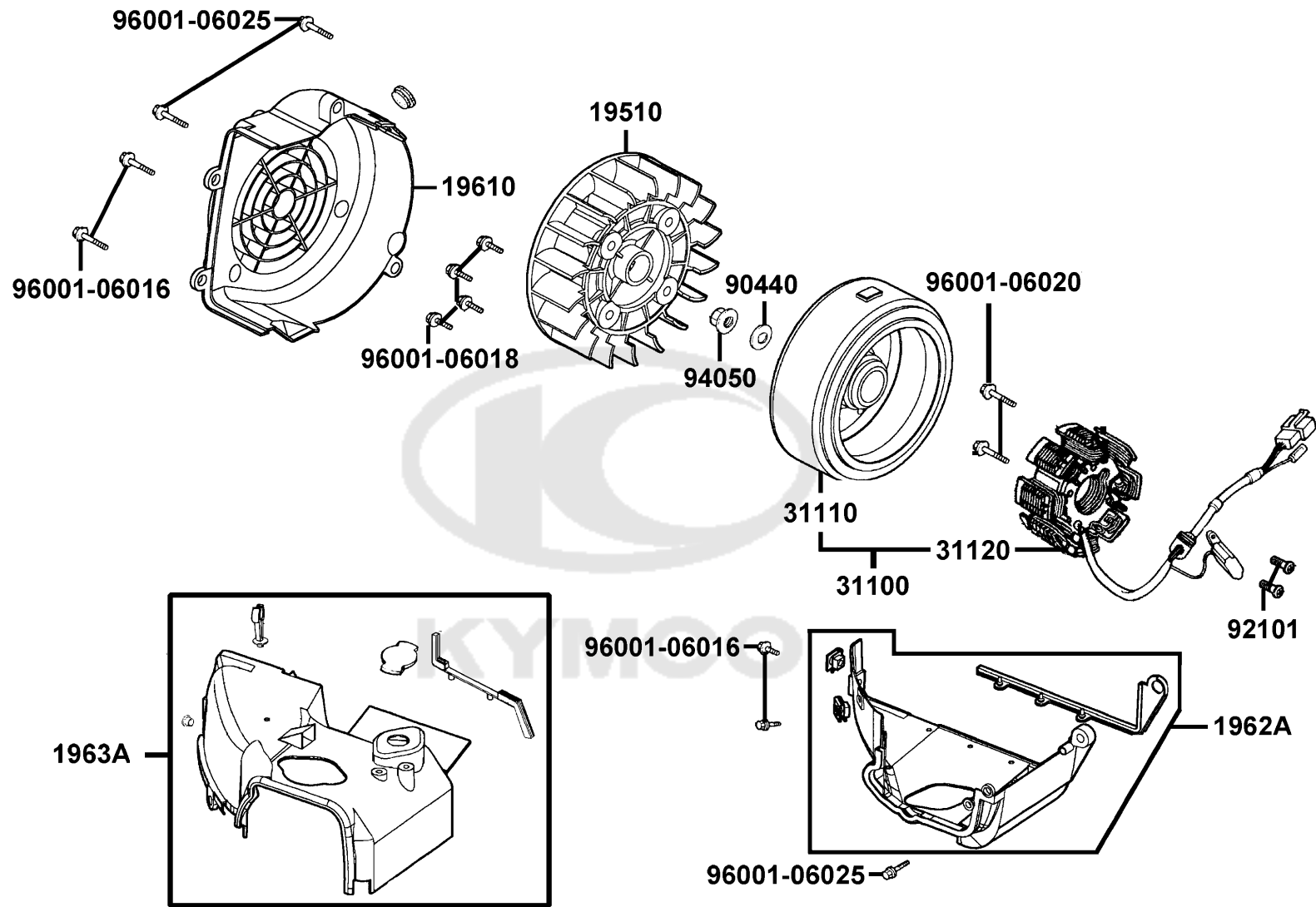




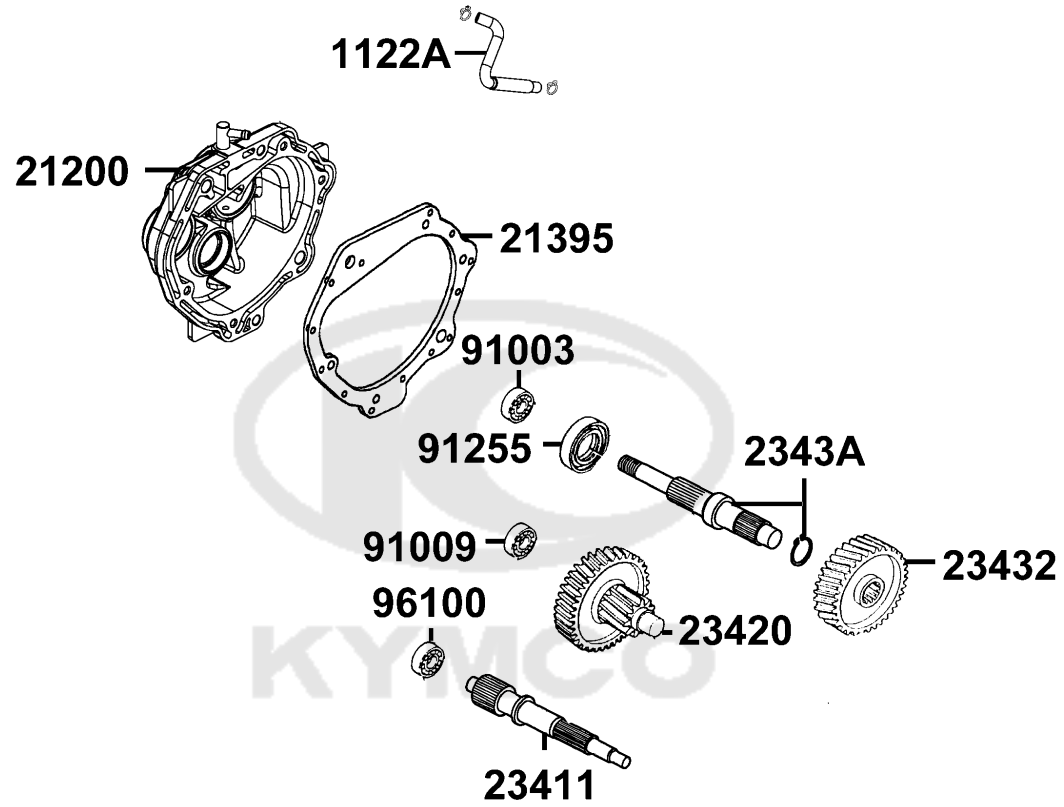
Sales mark	Ref no	Part no	Description	Reg description	Regd no	<b>E07</b>
------------	--------	---------	-------------	-----------------	---------	------------

	96001-06016	96001-06016-08	BOLT FLANGE SH 6*16	BOLT FLANGE SH 6*16	2	
	96001-06025	96001-06025-08	BOLT FLANGE SH 6*25 (C)	BOLT FLANGE SH 6*25	2	

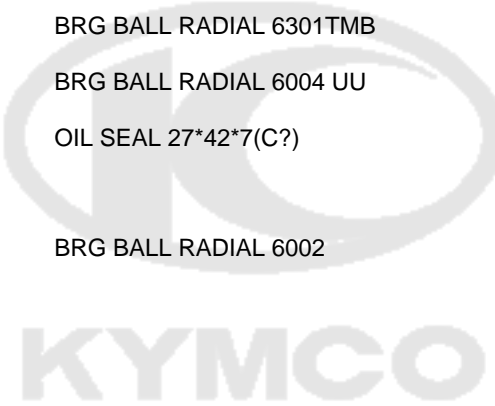




Sales mark	Ref no	Part no	Description	Reg description	Regd no	<b>E08</b>
19510		19510-GFY6-C00	FAN COMP COOLING	FAN COMP COOLING	1	
19610		19610-KUDU-C10	COVER COMP FAN	COVER COMP FAN	1	
1962A		1962A-LEJ8-E00	SHROUD ASSY A	SHROUD ASSY A	1	
1963A		1963A-AAD2-C00	SHROUD ASSY B	SHROUD ASSY B	1	
31100		31100-LGS6-E10	A.C. GEN. ASS'Y	A.C. GEN. ASS'Y	1	
31110		31110-KKE3-C00	FLYWHEEL COMP	FLYWHEEL COMP	1	
31120		31120-LGS6-E10	STATOR COMP.	STATOR COMP.	1	
90440		90440-1F66-C00	WASHER PLAIN 12MM	WASHER PLAIN 12MM	1	
92101		92101-05012-0H	BOLT HEX 5*12	BOLT HEX 5*12	2	
94050		94050-12080	NUT FLANGE 12MM	NUT FLANGE 12MM	1	
94591		94591-LDC8-E10	CLIP BIND	CLIP BIND	1	
96001-06016		96001-06016-08	BOLT FLANGE SH 6*16	BOLT FLANGE SH 6*16	4	
96001-06018		96001-06018-08	BOLT FLANGE SH 6*18	BOLT FLANGE SH 6*18	4	
96001-06020		96001-06020-08	BOLT FLANGE SH 6*20 (C)	BOLT FLANGE SH 6*20	2	
96001-06025		96001-06025-08	BOLT FLANGE SH 6*25 (C)	BOLT FLANGE SH 6*25	3	

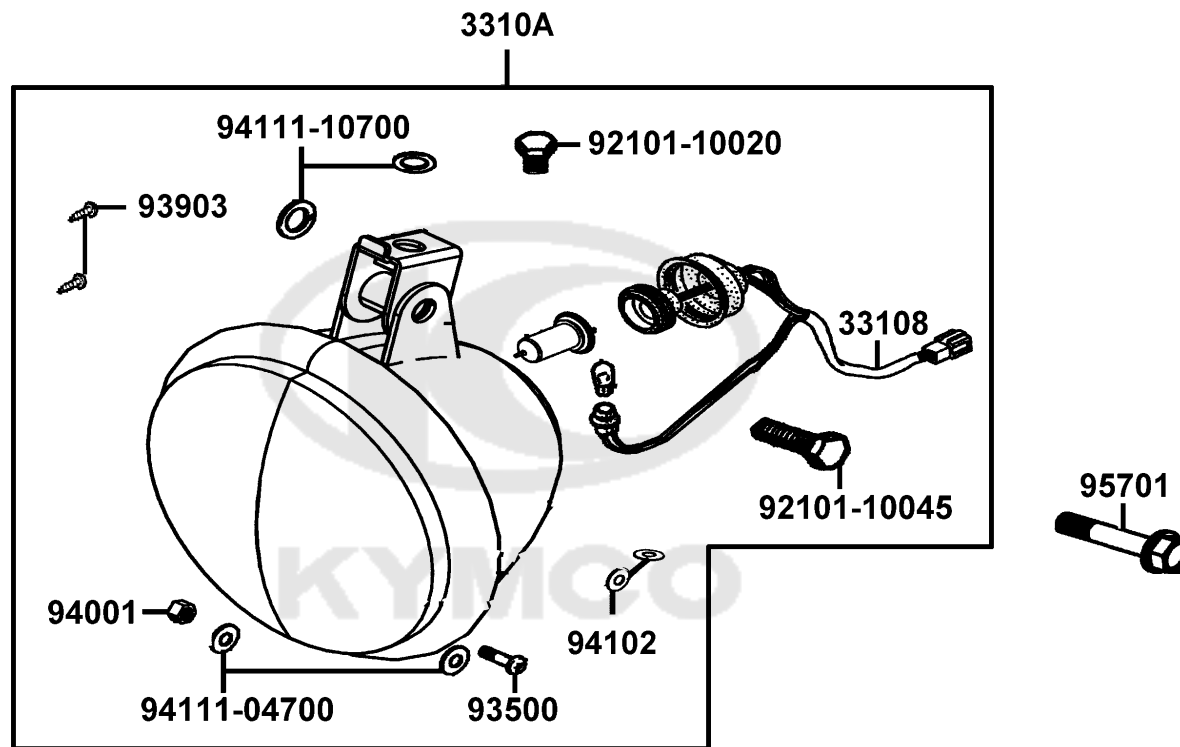


Sales mark	Ref no	Part no	Description	Reg description	Regd no	<b>E09</b>
1122A		1122A-LGR5-E10	TUBE ASSY.,MISSION BREATHER	TUBE ASSY.,MISSION BREATHER	1	
21200		21200-LGR5-E10	CASE COMP MISSION	CASE COMP MISSION	1	
21395		21395-KEC4-E90	GASKET MISSION CASE	GASKET MISSION CASE	1	
23411		23411-KEC4-C00	SHAFT DRIVE	SHAFT DRIVE	1	
23420		23420-KEC4-C00	SHAFT COMP COUNTER	SHAFT COMP COUNTER	1	
23432		23432-KEC4-C00	GEAR FINAL	GEAR FINAL	1	
2343A		2343A-KKD5-C00	SHAFT FINAL	SHAFT FINAL	1	
91003		91003-KDS4-C00	BRG BALL RADIAL 6301TMB	BRG BALL RADIAL 6301TMB	1	
91009		91009-GLE0-C00	BRG BALL RADIAL 6004 UU	BRG BALL RADIAL 6004 UU	1	
91255		91255-LDC8-E10	OIL SEAL 27*42*7(C?)	OIL SEAL 27*42*7(C?)	1	
96100		96100-60020-00	BRG BALL RADIAL 6002	BRG BALL RADIAL 6002	1	



F01

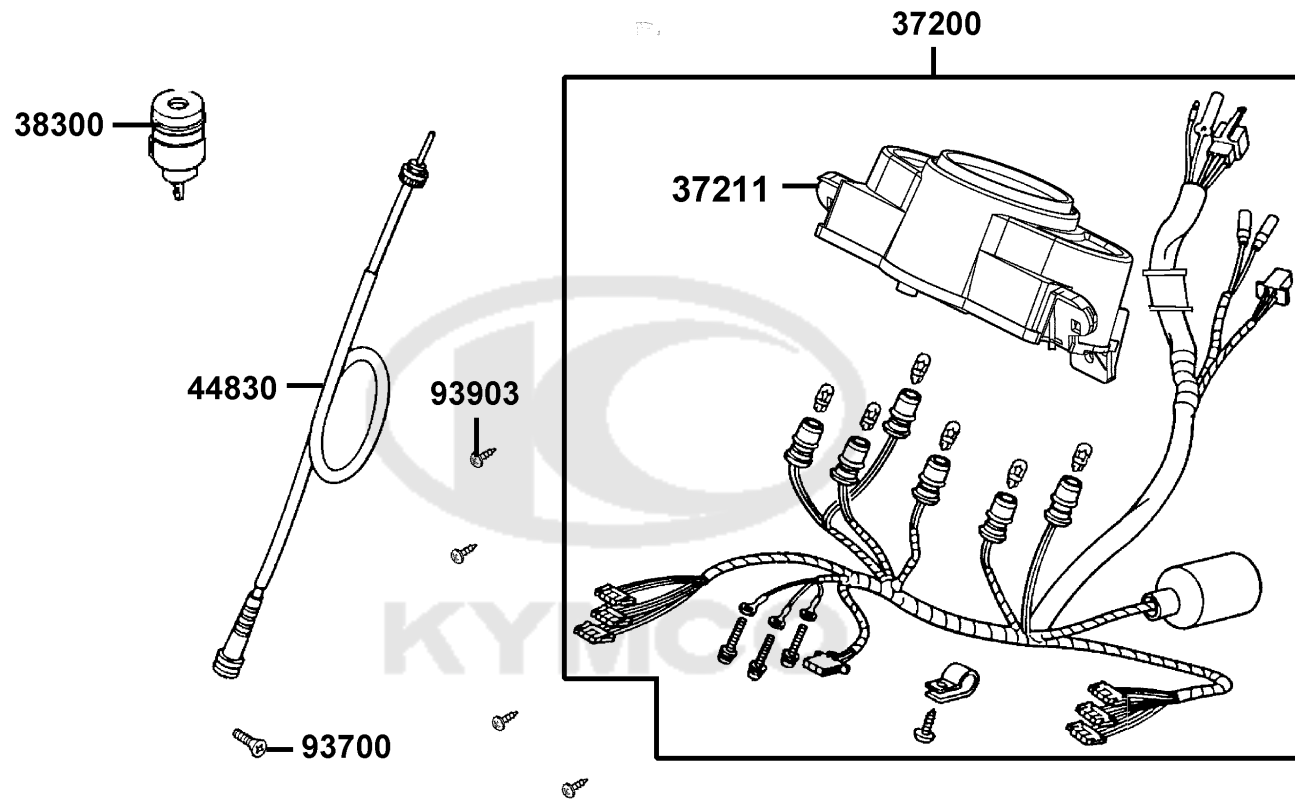
Head Light



Sales mark	Ref no	Part no	Description	Reg description	Regd no	F01
33108		33108-ALC8-E60	SOCKET COMP LIGHT HEAD	SOCKET COMP LIGHT HEAD	1	
3310A		3310A-ALC8-E60	SET HEAD LIGHT	SET HEAD LIGHT	1	
92101-10020		92101-10020-0G	BOLT HEX 10*20	BOLT HEX 10*20	1	
92101-10045		92101-10045-0G	BOLT HEX 10*45	BOLT HEX 10*45	1	
93500		93500-04035-0G	SCREW PAN 4*35	SCREW PAN 4*35	1	
93903		93903-34380	SCREW TAPPING 4*12	SCREW TAPPING 4*12 (K)	2	
94001		94001-04007-0S	NUT HEX 4MM	NUT HEX 4MM	1	
94102		94102-10700	WASHER PLAIN 10MM (K)	WASHER PLAIN 10 MM	2	
94111-04700		94111-04700	WASHER SPG 4MM(K)	WASHER SPG 4MM(K)	2	
94111-10700		94111-10700	WASHER SPG 10MM **10600 C.P.N.	WASHER SPG 10MM **10600 C.P.N.	2	
95701		95701-10020-07	BOLT FLANGE 10*20	BOLT FLANGE 10*20(C)	1	

F02

Speedometer



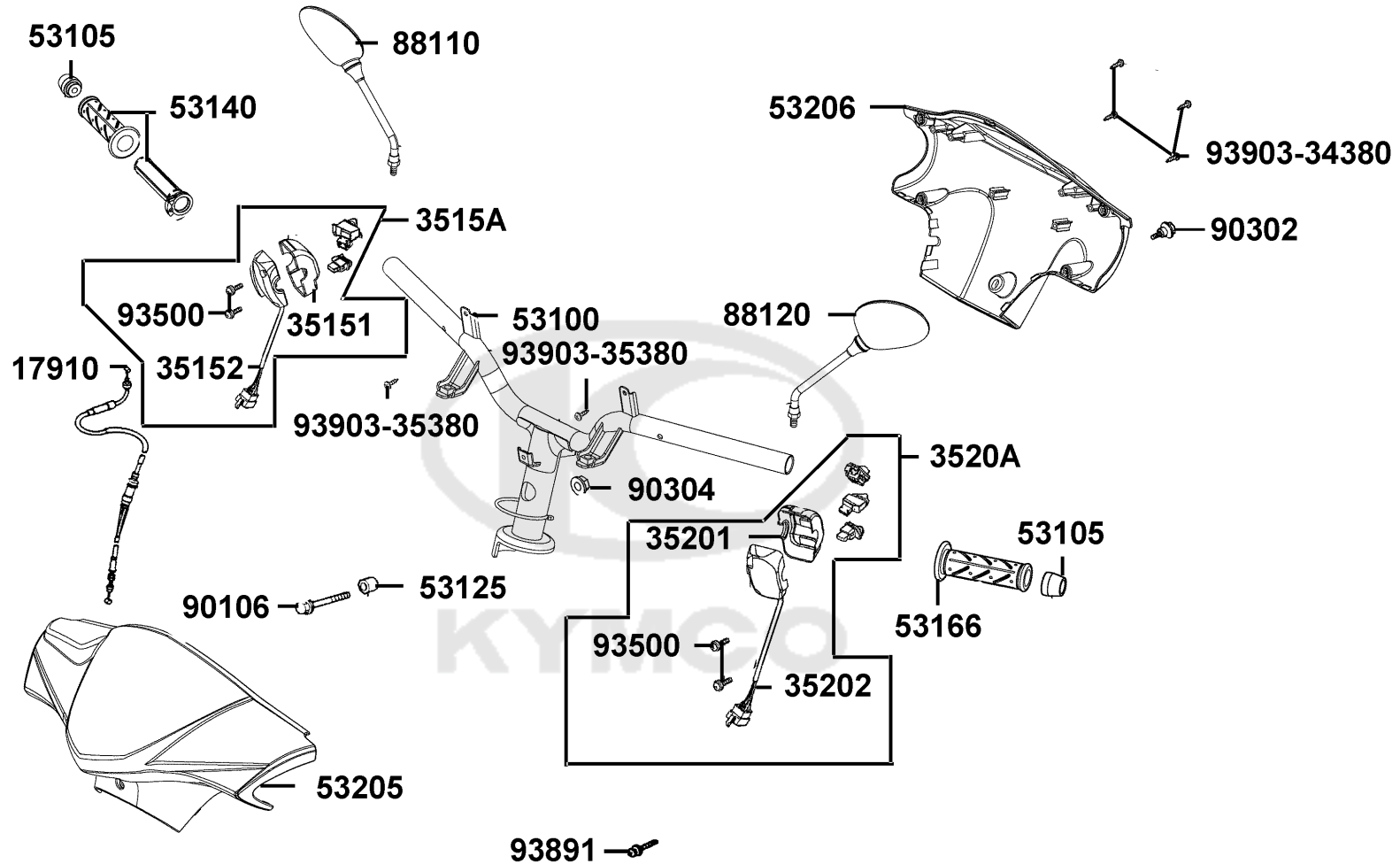


Sales mark	Ref no	Part no	Description	Reg description	Regd no	<b>F02</b>
37200		37200-ALK6-E15	METER ASSY SPEED	"METER ASSY.,SPEED"	1	
37211		37211-LCB9-C10	LENS COMP METER	LENS COMP METER	1	
38300		38300-KECE-W10	RELAY ASSY WINKER	RELAY ASSY WINKER	1	
44830		44830-LDC8-E10	CABLE COMP SPDMT	CABLE COMP SPDMT	1	
93700		93700-05018-0H	SCREW OVAL 5*18	SCREW OVAL 5*18	1	
93903		93903-35380	SCREW TAPPING 5*16 (K)	SCREW TAPPING 5*16 (K)	4	



F03

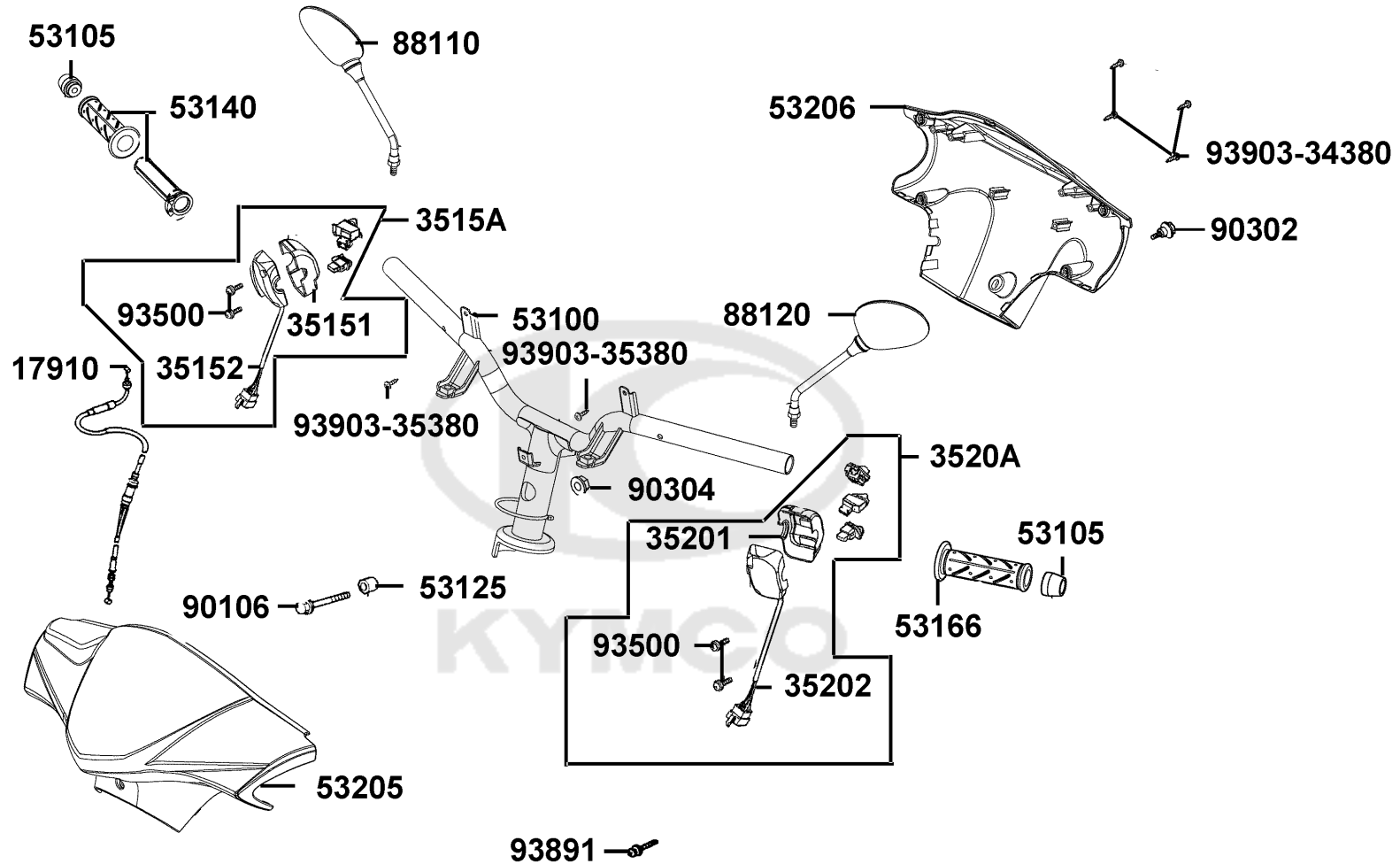
# Handle Steering Handle Cover



Sales mark	Ref no	Part no	Description	Reg description	Regd no	F03
	17910	17910-ALJ8-E1D	CABLE COMPTHROTTLE	CABLE COMPTHROTTLE	1	
	35151	35151-LGB5-E10	FR CASE RH HNDL COMP SW	FR CASE RH HNDL COMP SW	1	
	35152	35152-LGB5-E10	RR CASE RH HNDL COMP SW	RR CASE RH HNDL COMP SW	1	
	3515A	3515A-LGB5-EV0	SW ASSY RH HANDLE COMP	SW ASSY RH HANDLE COMP	1	
	35201	35201-LGB5-E10	FR CASE LH HNDL COMP SW	FR CASE LH HNDL COMP SW	1	
	35202	35202-LGB5-E10	RR CASE LH HNDL SW COMP	RR CASE LH HNDL SW COMP	1	
	3520A	3520A-LGB5-E11	"SW ASS'Y..LH HANDLE COMP"	"SW ASS'Y..LH HANDLE COMP"	1	
	53100	53100-ALK6-E15	HANDLE COMP STRG	HANDLE COMP STRG	1	
	53105	53105-KNBN-C00	END STRG HANDLE	END STRG HANDLE	2	
	53125	53125-GEN5-C00	COLLAR HANDLE SET	COLLAR HANDLE SET	1	
**	53140	53140-KNBN-C00	GRIP COMP THROT	GRIP COMP THROT	1	
**	53166	53166-KNBN-C00	GRIP L HANDLE	GRIP L HANDLE	1	
**	53205	53205-ALK6-E15	COVER HANDLE FR	COVER HANDLE FR	1	
**	53206	53206-LCB9-C10	COVER HANDLE RR	COVER HANDLE RR	1	
	88110	88110-LCB9-C11	MIRROR ASSY R BACK	MIRROR ASSY R BACK	1	
	88120	88120-LCB9-C11	MIRROR ASSY L BACK	MIRROR ASSY L BACK	1	
	90106	90106-GEN5-901	BOLT FLANGE 10*50	BOLT FLANGE 10*50	1	
	90302	90302-KNBN-C00	BOLT PAN 5*10	BOLT PAN 5*10	1	
	90304	90304-GHE8-C00	NUT U 10MM (C)	NUT U 10MM (C)	1	
	93500	93500-05025	SCREW PAN 5*25	SCREW PAN 5*25	2	

F03

# Handle Steering Handle Cover



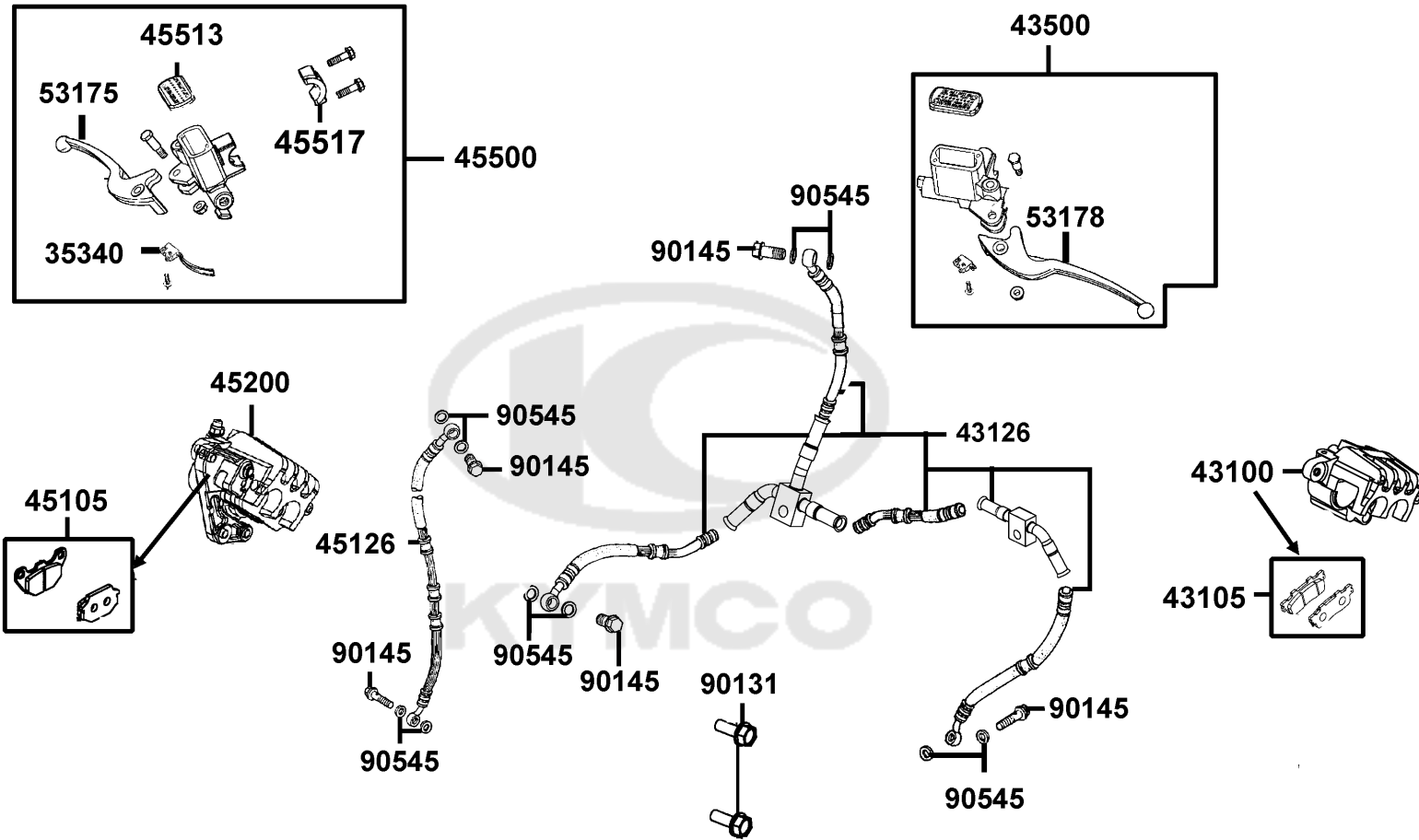
Sales mark	Ref no	Part no	Description	Reg description	Regd no	<b>F03</b>
------------	--------	---------	-------------	-----------------	---------	------------

	93891	93891-05035-07	SCREW WASHER 5*35 (K)	SCREW WASHER 5*35 (K)	1	
	93903-34380	93903-34380	SCREW TAPPING 4*12	SCREW TAPPING 4*12 (K)	4	
	93903-35380	93903-35380	SCREW TAPPING 5*16 (K)	SCREW TAPPING 5*16 (K)	2	



F04

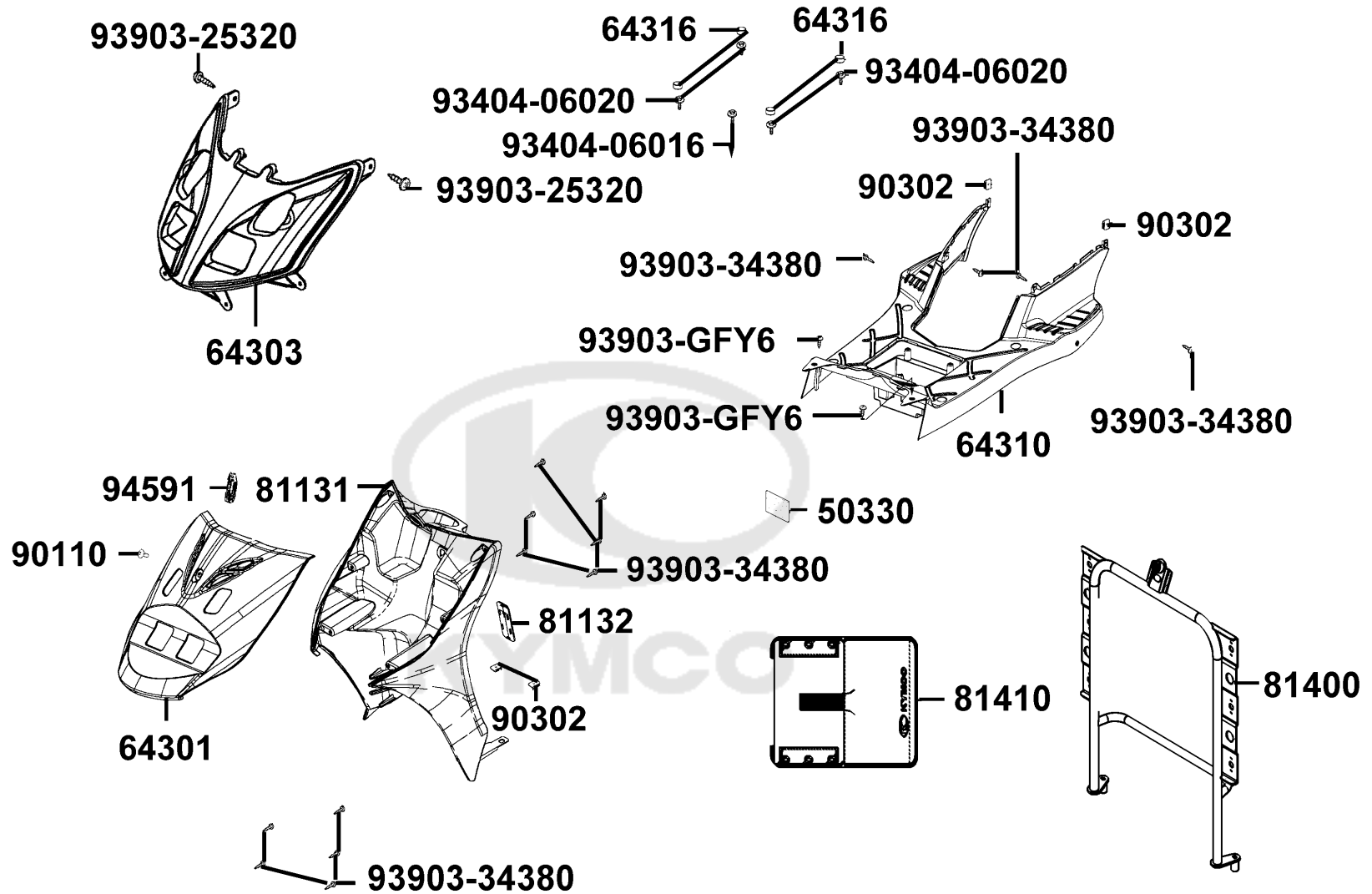
# Brake Master Cylinder



Sales mark	Ref no	Part no	Description	Reg description	Regd no	F04
	35340	35340-KNBN-C00	SW ASSY FR STOP	SW ASSY FR STOP	1	
	43100	43100-ALD9-E14	CALIPER ASSY RR BRK	CALIPER ASSY RR BRK	1	
	43105	43105-ALD9-305	PAD A&B	PAD A&B	1	
	43126	43126-ALK6-E15	HOSE ASSY RR BRK	HOSE ASSY RR BRK	2	
	43500	43500-ALK6-E15	M/C ASSY, RR	"M/C ASSY, RR"	1	
	45105	45105-ACC1-305	PAD COMP A+B	PAD COMP A&B	1	
	45126	45126-ALK6-E15	HOSE ASSY FR BRK	HOSE ASSY FR BRK	2	
	45200	45200-ALK6-E15	CALIPER ASSY, FR	"CALIPER ASSY, FR"	1	
	45500	45500-ALK6-E15	CYLINDER ASSY FR MASTER	CYLINDER ASSY FR MASTER	1	
	45513	45513-KFAF-901	CAP MASTER CYLINDER	CAP MASTER CYLINDER	1	
	45517	45517-KFAF-910	HOLDER M/C	HOLDER M/C	1	
**	53175	53175-KXBX-E00	LEVER R STRG HNDL	LEVER R STRG HNDL	1	
**	53178	53178-KNBN-C00	LEVER L STRG HANDLE	LEVER L STRG HANDLE	1	
	90131	90131-GLW0-C00	BOLT FLANGE 8*35	BOLT FLANGE 8*35	4	
	90145	90145-9A61-C00	OIL BOLT 10*22	OIL BOLT 10*22	8	
	90545	90545-3L00-C00	WASHER OIL BOLT	WASHER OIL BOLT	1	

F05

Front Cover

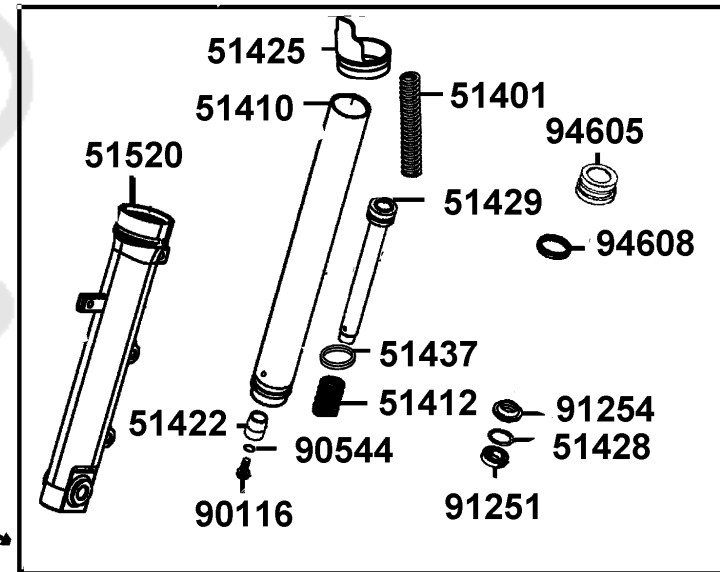
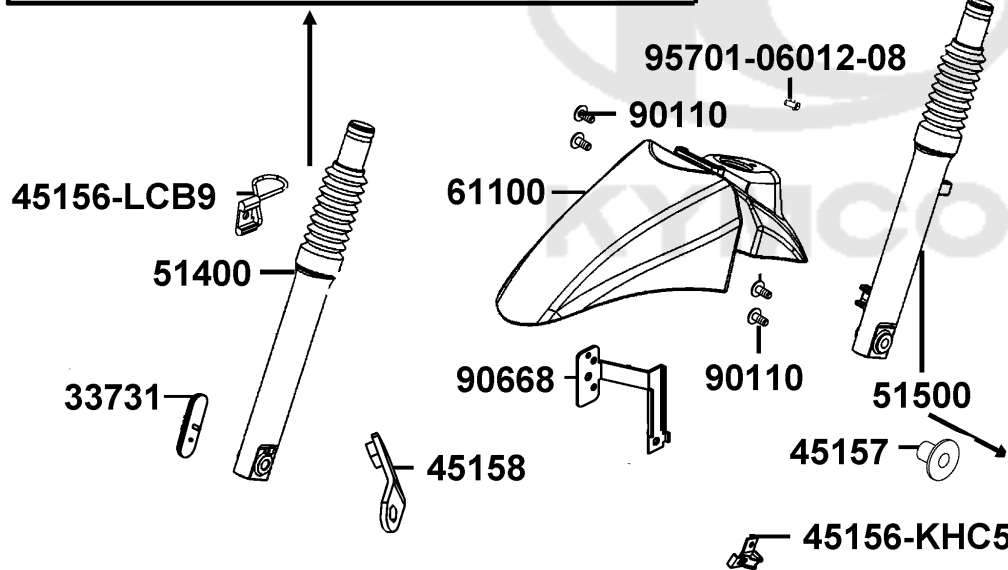
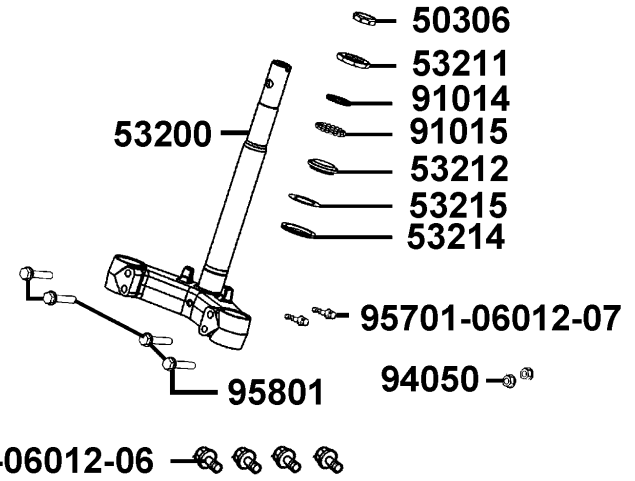
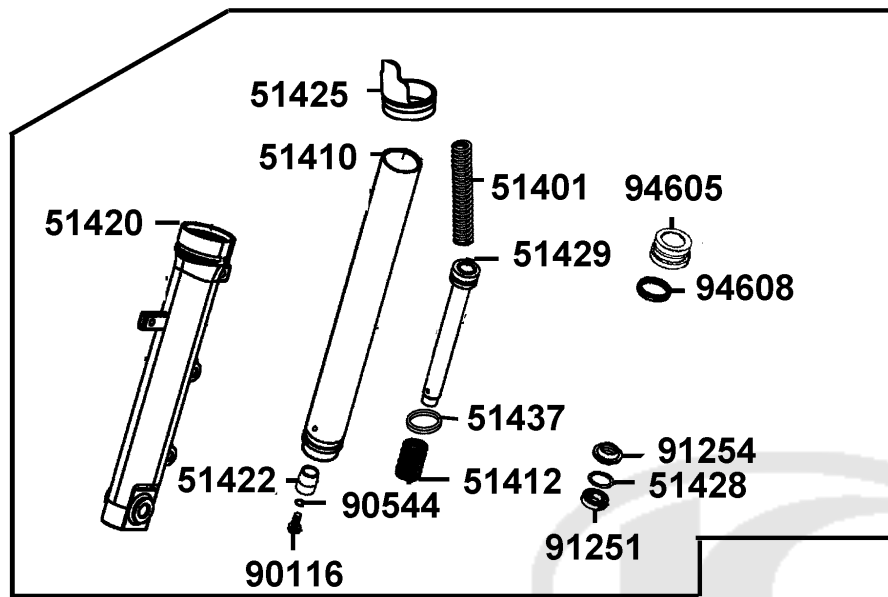




Sales mark	Ref no	Part no	Description	Reg description	Regd no	F05
	50330	50330-KEBE-C00	SEAL BATTERY FRONT	SEAL BATTERY FRONT	1	
**	64301	64301-ALA9-E70	COVER FR	COVER FR	1	
**	64303	64303-ALC9-E10	LID FR COVER	LID FR COVER	1	
**	64310	64310-LCB9-C10	PANEL FLOOR	PANEL FLOOR	1	
**	64316	64316-LCB9-C10	PLUG FLOOR	PLUG FLOOR	2	
**	81131	81131-ALA9-E70	LEG SHIELD	LEG SHIELD	1	
**	81132	81132-LCB9-C10	LID LEG SHIELD	LID LEG SHIELD	1	
	81400	81400-ALC8-E60	CARRIER FLOOR	CARRIER FLOOR	1	
	81410	81410-ALC9-E10	BAG CARRIER FLOOR	BAG CARRIER FLOOR	1	
	90110	90110-GLW0-C00	SCREW SPECIFIED 6*14	SCREW SPECIFIED 6*14	1	
#	93404-06016	90111-06016-07G	BOLT FLANGE 6*16 (K)	BOLT FLANGE 6*16 (K)	1	
	90302	90302-SDA4-C01	"NUT,SPPING 4MM"	"NUT,SPPING 4MM"	4	
	93404-06020	93404-06020-07	BOLT WASHER 6*20 (K)	BOLT WASHER 6*20 (K)	2	
	93903-25320	93903-25320	SCREW TAPPING 5*16	SCREW TAPPING 5*16	2	
	93903-34380	93903-34380	SCREW TAPPING 4*12	SCREW TAPPING 4*12 (K)	15	
	93903-GFY6	93903-GFY6-C01	SCREW TAPPING 4*14(K)	SCREW TAPPING 4*14	4	
	94591	94591-LGR5-E10	CLIP 1*100	CLIP 1*100	1	

F06

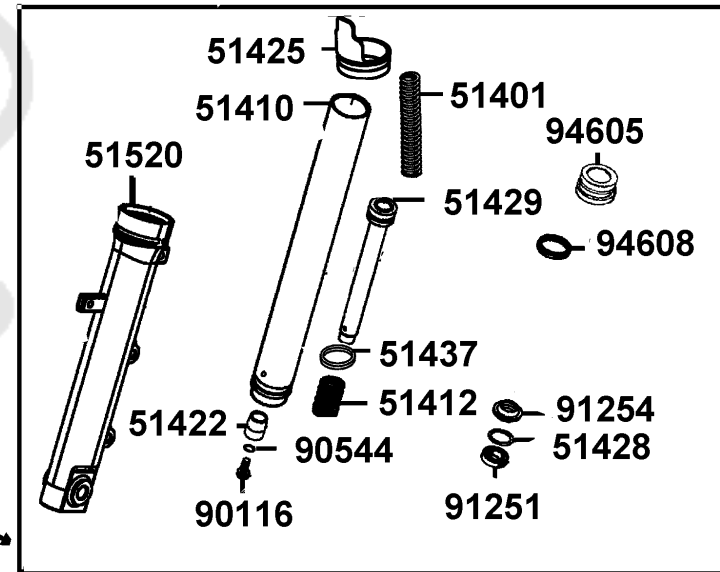
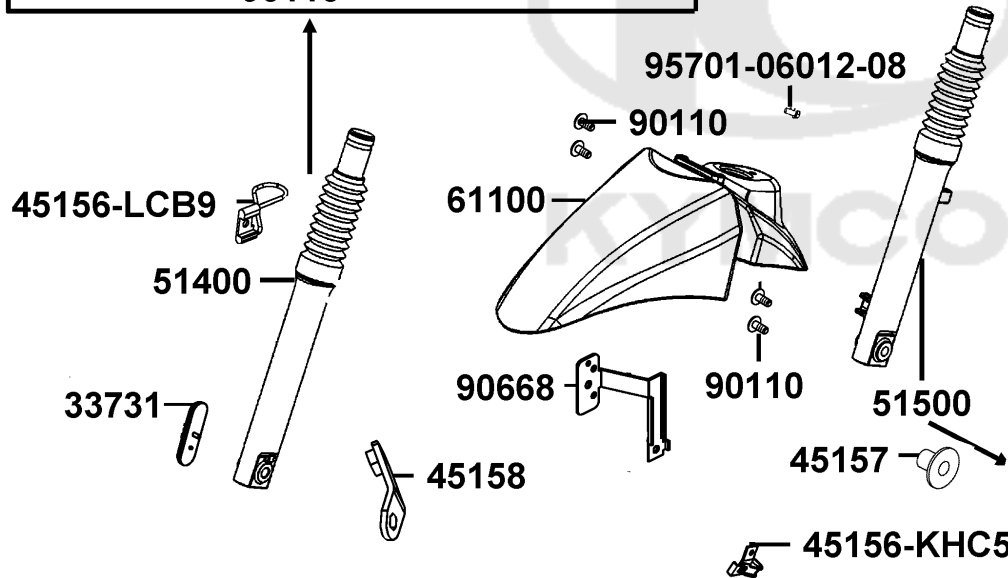
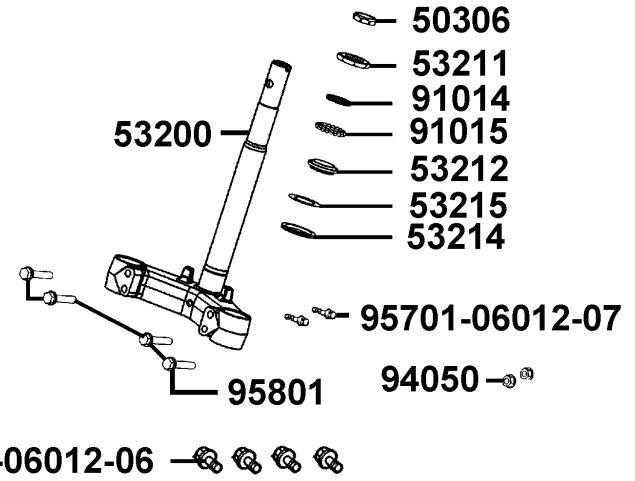
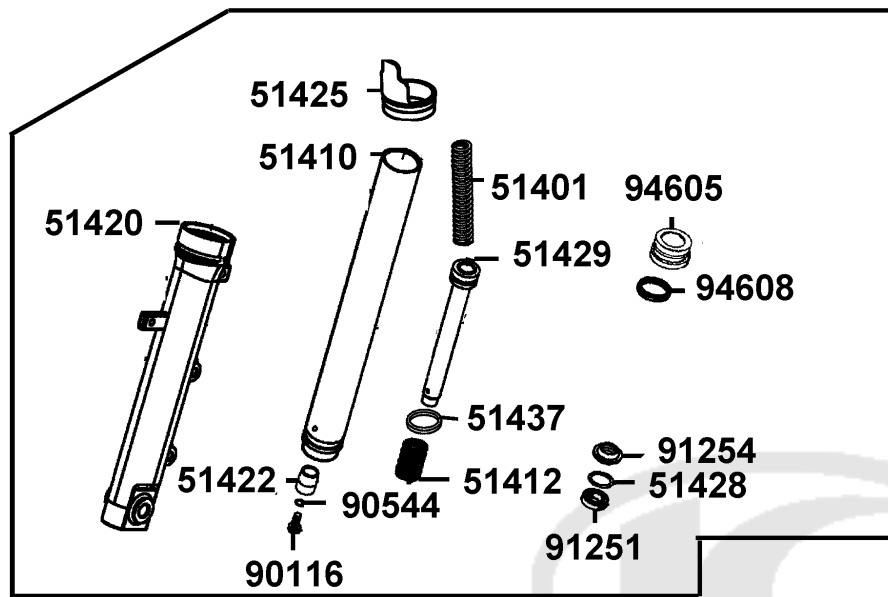
### Stem Steering Front Cushion FENDER FR



Sales mark	Ref no	Part no	Description	Reg description	Regd no	F06
#	33731	33731-KGB5-EZ0	REFLEX REFLECTOR SIDE	REFLEX REFLECTOR SIDE	1	
	45156-KHC5	45156-KHC5-E10	CLAMPER FR BRAKE HOSE	CLAMPER FR BRAKE HOSE	2	
	45156-LCB9	45156-LCB9-B20	CLAMPER FR SPDMT CABLE	CLAMPER FR SPDMT CABLE	1	
	45157	45157-ALK6-E15	COLLAR	COLLAR	1	
	45158	45158-ALK6-E15	CONNECT PLATE	CONNECT PLATE	1	
	50306	50306-1F96-C00	NUT STRG STEM LOCK	NUT STRG STEM LOCK	1	
	51400	51400-LDF7-E10	FORK ASSY R FR	FORK ASSY R FR	1	
	51401	51401-LDC8-E10	SPRING	SPRING	2	
	51410	51410-LDC8-E10	FORK PIPE COMP	FORK PIPE COMP	2	
	51412	51412-LDC8-E10	REBOUND SPRING	REBOUND SPRING	2	
	51422	51422-LDC8-E10	OIL LOCK PIECE	OIL LOCK PIECE	2	
	51425	51425-LDF7-E10	DUST COVER	DUST COVER	2	
	51428	51428-LDC8-E10	OIL SEAL STOPPER RING	OIL SEAL STOPPER RING	2	
	51429	51429-LDC8-E10	PIPE SEAT	PIPE SEAT	2	
	51437	51437-LDC8-E10	PIPE SEAT	PISTON RING	2	
	51500	51500-LDF7-E10	FORK ASSY L FR	FORK ASSY L FR	1	
	53200	53200-ALK6-E15	STEM COMP STRG	STEM COMP STRG	1	
	53211	53211-GFY6-C00	RACE STRG. CONE TOP	RACE STRG TOP CONE	1	
	53212	53212-2L50-C00	RACE STRG. BOTTOM CONE	RACE (STRG BOTTOM) CONE	1	
	53214	53214-2L50-C00	DUST SEAL STRG HEAD	DUST SEAL STRG HEAD	1	

F06

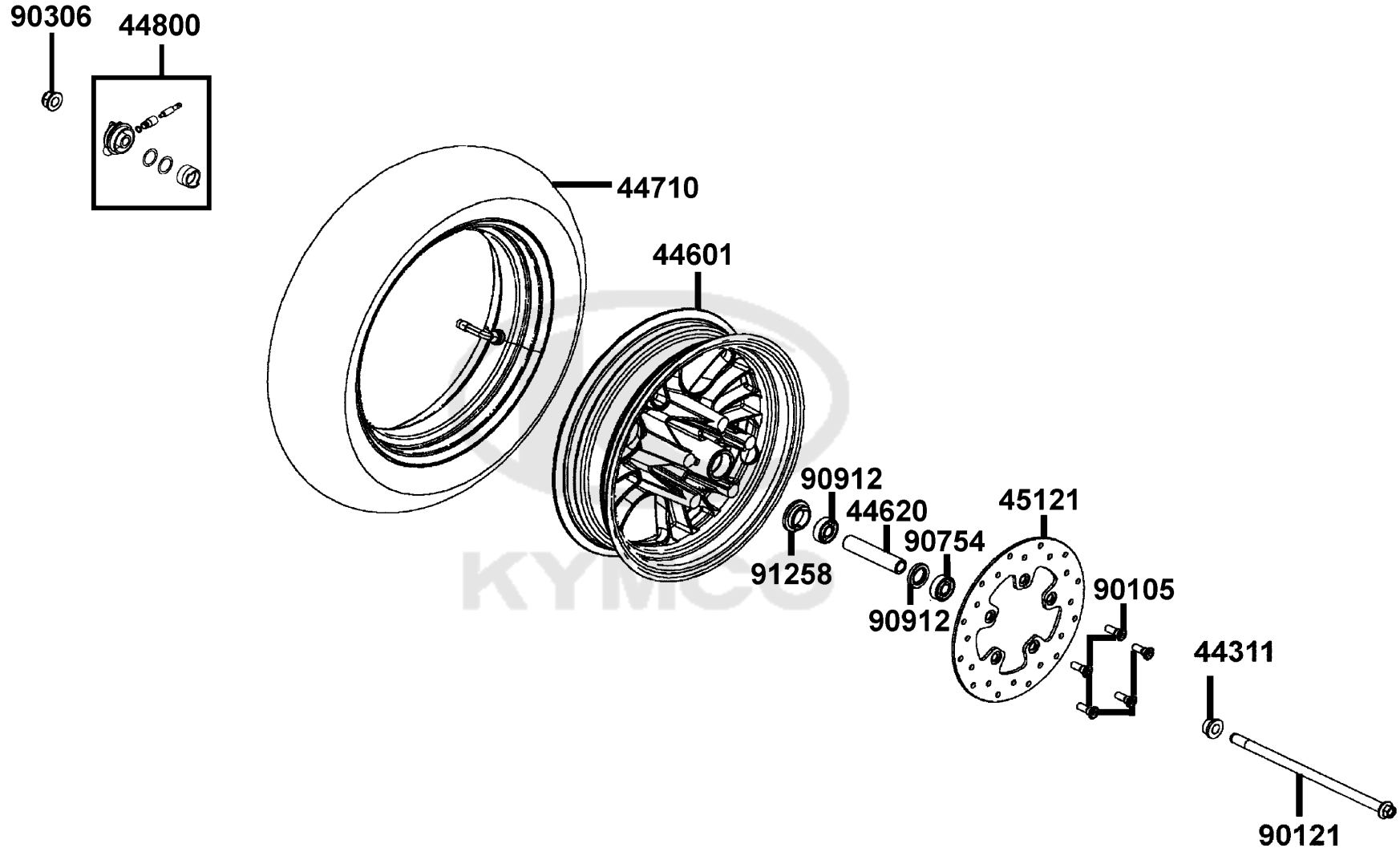
### Stem Steering Front Cushion FENDER FR



Sales mark	Ref no	Part no	Description	Reg description	Regd no	F06
	53215	53215-2L50-C00	WASHER STRG HDL DUST-SEAL	WASHER STRG HDL DUST-SEAL	1	
**	61100	61100-LDC8-E10	FENDER FRONT WHITE	FENDER FRONT WHITE	1	
#	90110	90110-KEB7-C01	SCREW SPECIAL 6*14	SCREW SPECIAL 6*14	4	
	90116	90116-LDC8-E10	BOLT	BOLT	2	
	90544	90544-LDC8-E10	PACKING (CU)B	PACKING	2	
	90668	90668-LDC8-E10	STAY SIDE REFLECTOR	STAY SIDE REFLECTOR	1	
	91014	91014-LLJ3-C00	CAGE STRG TOPP	CAGE STRG TOPP	1	
	91015	91015-LLJ3-C00	CAGE STRG BOT	CAGE STRG BOT	1	
	91251	91251-LDC8-E10	OIL SEAL	OIL SEAL	2	
	91254	91254-LDC8-E10	DUST SEAL	DUST SEAL	2	
	94050	94050-05080	NUT FLANGE 5MM	NUT FLANGE 5MM	1	
	94605	94605-LDC8-E10	FORK BOLT	FORK BOLT	2	
	94608	94608-LDC8-E10	O-RING B	O-RING B	2	
	95701-06012-06	95701-06012-06	BOLT FLANGE 6X12	BOLT FLANGE 6X12	4	
	95701-06012-07	95701-06012-07	BOLT FLANGE 6*12(K)	BOLT FLANGE 6*12(K)	2	
	95701-06012-08	95701-06012-08	BOLT FLANGE 6*12	BOLT FLANGE 6*12	1	
	95801	95801-08040-08	BOLT FLANGE 8*40 (C)	BOLT FLANGE 8*40	4	

F07

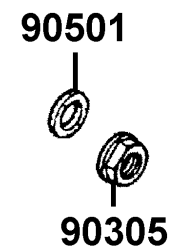
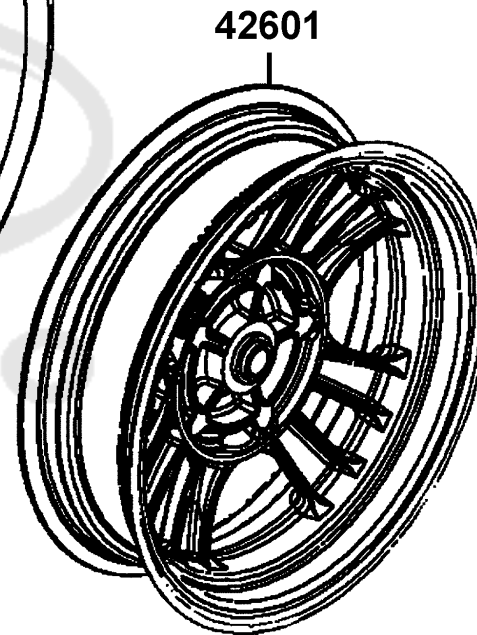
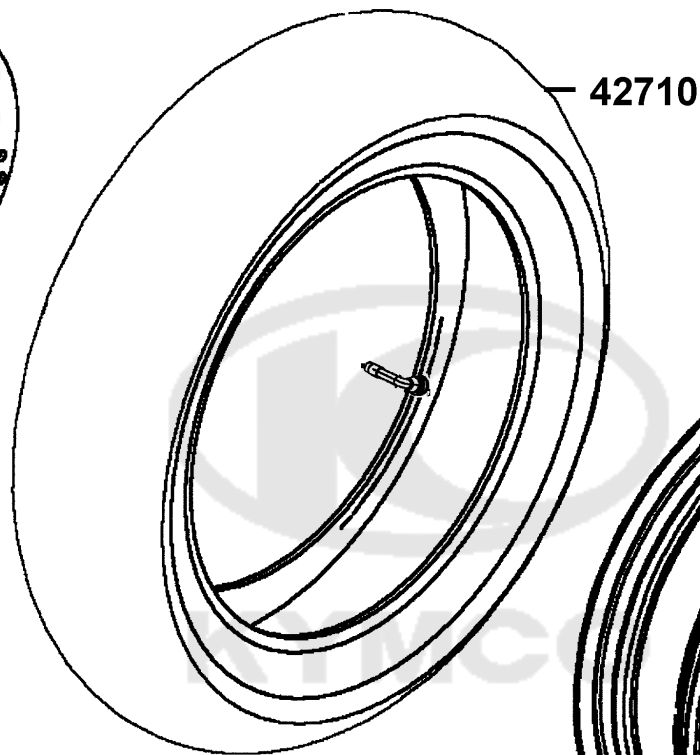
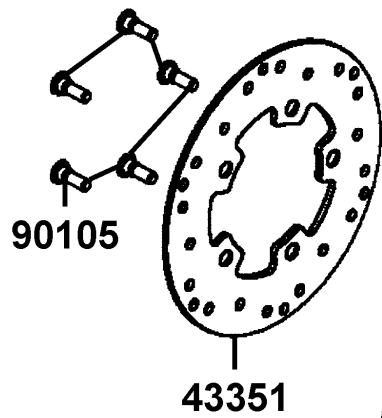
Front Wheel



Sales mark	Ref no	Part no	Description	Reg description	Regd no	F07
	44311	44311-GLW0-W10	COLLAR FR WHEEL SIDE	COLLAR FR WHEEL SIDE	1	
**	44601	44601-LGR5-E10	WHEEL CAST FR	WHEEL CAST FR	1	
	44620	44620-KEB7-C00	COLLAR FR DIST	COLLAR FR DIST	1	
	44710	44710-LDC8-E11	TIRE ASSYFR	TIRE ASSYFR	1	
	44800	44800-LDC8-E10	GEAR BOX ASSY SPDMT	GEAR BOX ASSY SPDMT	1	
	45121	45121-LGR5-E80	DISK FR BRK	DISK FR BRK	1	
	90105	90105-KCR3-001	BOLT FR DISK 8*24	BOLT FR DISK 8*24	5	
#	90121	90121-KBE2-C01	BOLT RR FORK PIVOT M12*255	BOLT RR FORK PIVOT M12*255	1	
	90306	90306-KLF0-C00	NUT FLANGE 12MM	NUT FLANGE 12MM	1	
	90754	90754-GHC8-C00	DUST SEAL 20*32*5	DUST SEAL 20*32*5	1	
	90912	90912-GHC8-C00	BEARING 6201 (U) (NTN)	BEARING 6201 (U) (NTN)	2	
	91258	91258-KAM1-C00	SEAL SPDMT GEAR BOX	SEAL SPDMT GEAR BOX	1	

F08

Rear Wheel



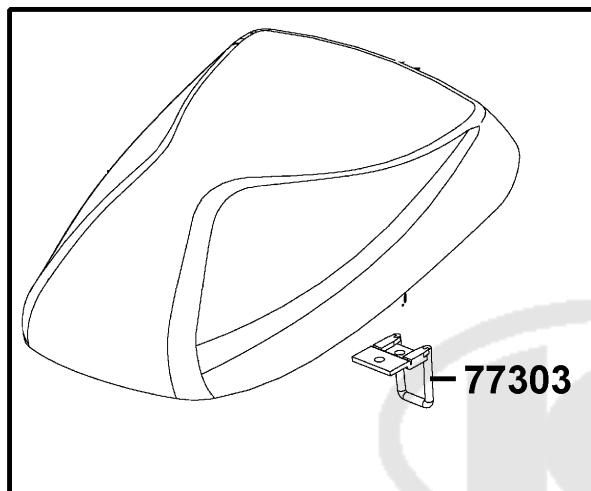


Sales mark	Ref no	Part no	Description	Reg description	Regd no	<b>F08</b>
**	42601	42601-LGR5-E10	WHEEL COMP RR CAST	WHEEL COMP RR CAST	1	
	42710	42710-LDC8-E11	TIRE ASSY RR	TIRE ASSY RR	1	
	43351	43351-LFB5-E80	DISK FR BRK	DISK FR BRK	1	
	90105	90105-KCR3-001	BOLT FR DISK 8*24	BOLT FR DISK 8*24	5	
	90305	90305-KNBN-C00	NUT U 16MM(C)	NUT U 16MM(C)	1	
	90501	90501-KNBN-C00	WASHER 16MM	WASHER 16MM	1	



F09

Seat



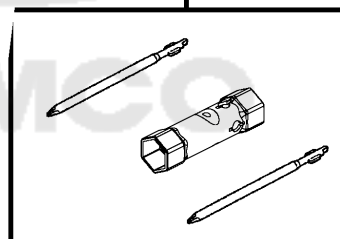
77200

77303

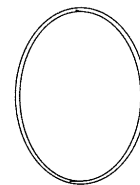
94050

83602

89010



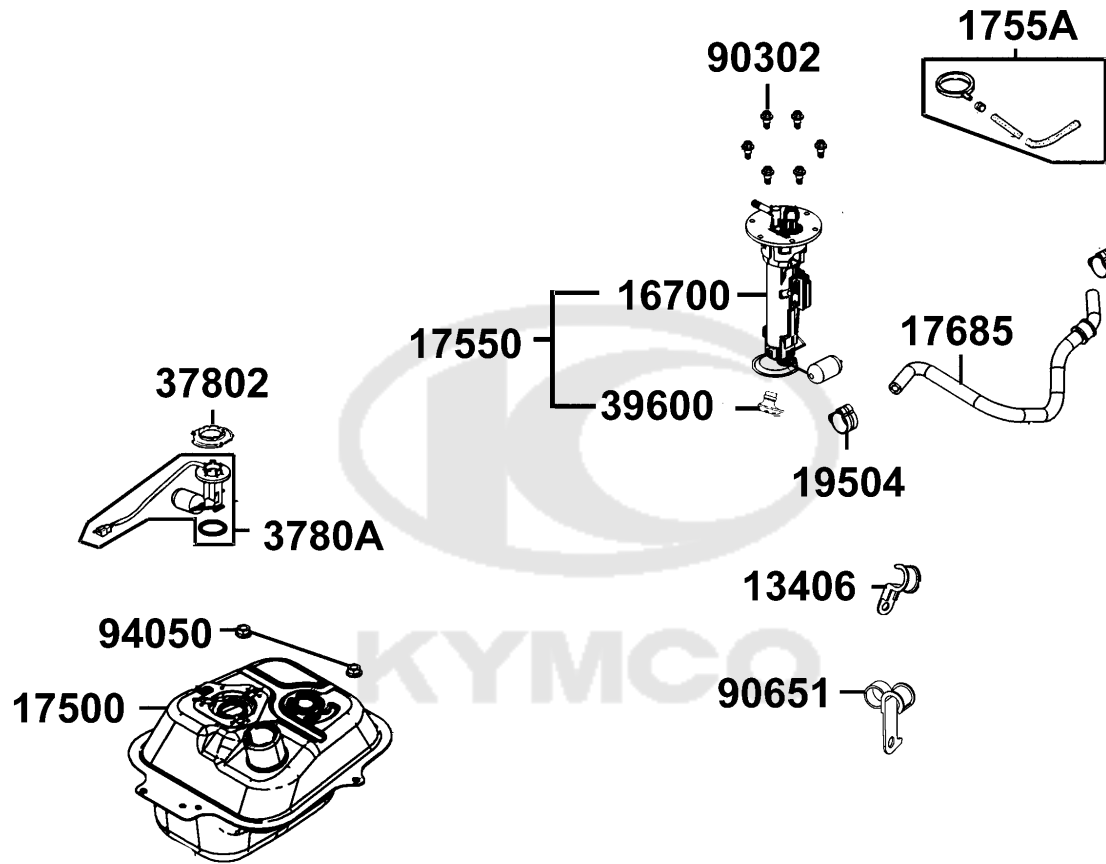
89020



Sales mark	Ref no	Part no	Description	Reg description	Regd no	<b>F09</b>
------------	--------	---------	-------------	-----------------	---------	------------

**	77200	77200-ALC9-E10	SEAT ASSY	SEAT ASSY	1	
	77303	77303-LCB9-C10	HOOK SEAT LOCK	HOOK SEAT LOCK	1	
**	83602	83602-ALC8-E60	CAP BODY COVER	CAP BODY COVER	1	
	89010	89010-KGBG-C00	TOOL SET	TOOL SET	1	
	89020	89020-KKC4-C00	BAND TOOL SET	BAND TOOL SET	1	
	94050	94050-06080	NUT FLANGE 6MM	NUT FLANGE 6MM	2	

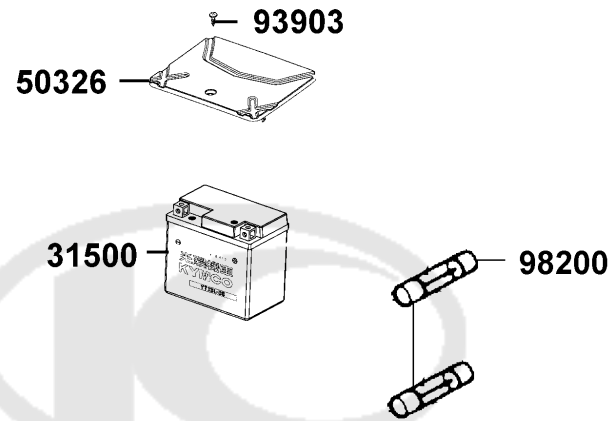




Sales mark	Ref no	Part no	Description	Reg description	Regd no	<b>F10</b>
13406		13406-LHJ8-900	CLAMPER FUEL TUBE	CLAMPER FUEL TUBE	1	
16700		16700-ALB8-930	FUEL PUMP	FUEL PUMP COMP	1	
17500		17500-ALK6-E15	TANK COMP FUEL	TANK COMP FUEL	1	
17550		17550-ACC1-E10	FUEL PUMP ASSY	FUEL PUMP ASSY	1	
1755A		1755A-KKD5-C10	TRAY ASSY FUEL CAP	TRAY ASSY FUEL CAP	1	
17685		17685-ALK6-E15	TUBE,FUEL	"TUBE,FUEL"	1	
19504		19504-LBA2-C00	CLAMP D16.8	CLAMP D16.8	2	
37802		37802-GGA7-C00	RET FUEL UNIT	RET FUEL UNIT	1	
3780A		3780A-ALK6-E15	FUEL UNIT ASSY	FUEL UNIT ASS'Y	1	
39600		39600-LEA1-800	REGULATOR	REGULATOR FUEL	1	
90302		90302-GFY6-C10	BOLT-WASH 5*16	BOLT-WASH 5*16	6	
90651		90651-ALJ8-E10	CLIP CABLE	"CLIP,MUDGUARD"	1	
94050		94050-06080	NUT FLANGE 6MM	NUT FLANGE 6MM	2	

F11

Battery

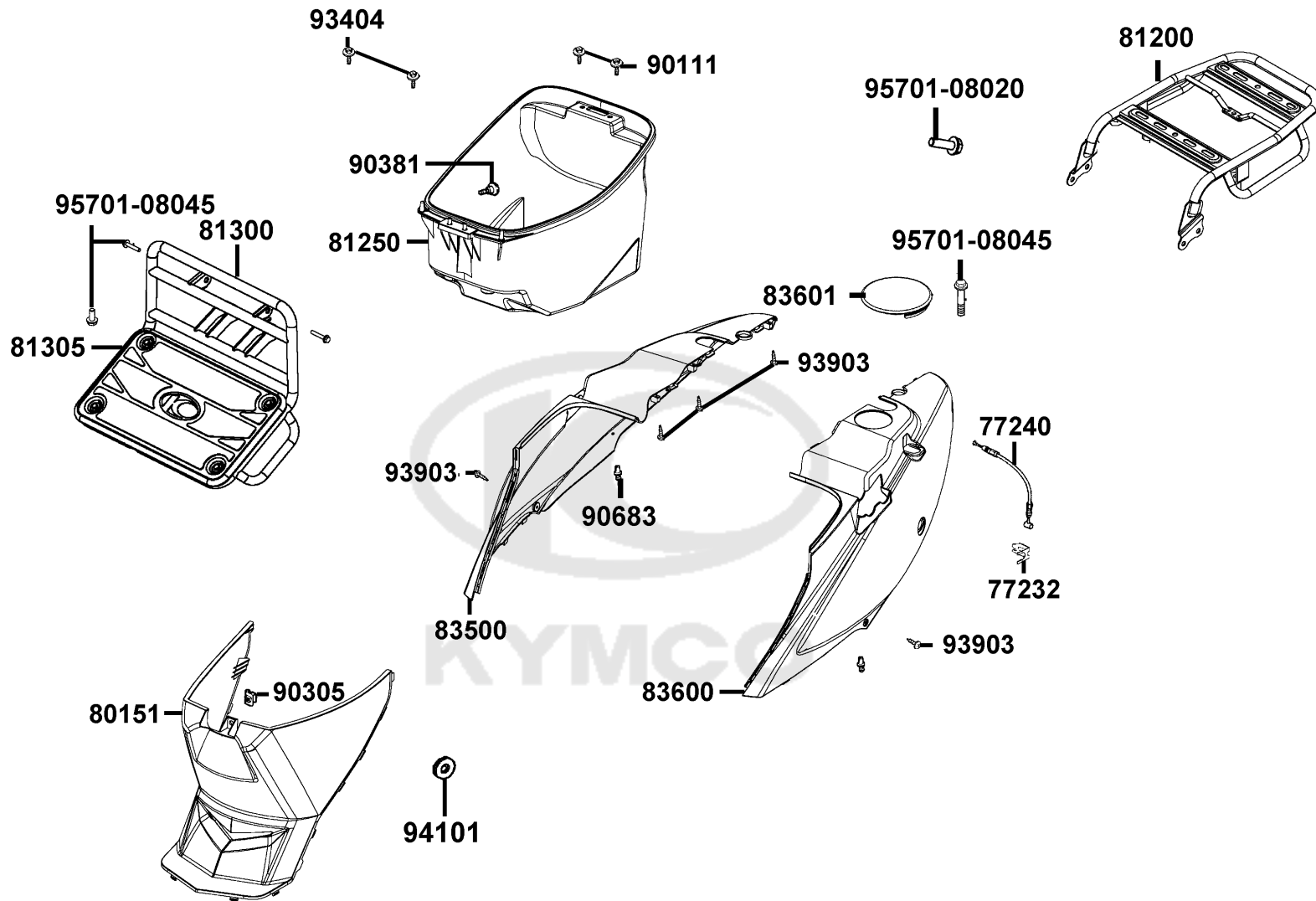


KYMCO

Sales mark	Ref no	Part no	Description	Reg description	Regd no	<b>F11</b>
------------	--------	---------	-------------	-----------------	---------	------------

#	31500	31500-ALC8-EZ0	BATTERY YTX7A-BS	BATTERY	1	
**	50326	50326-LCB9-C10	COVER BATTERY	COVER BATTERY	1	
	93903	93903-35380	SCREW TAPPING 5*16 (K)	SCREW TAPPING 5*16 (K)	1	
	98200	98200-11500	FUSE A15	FUSE 15A	2	



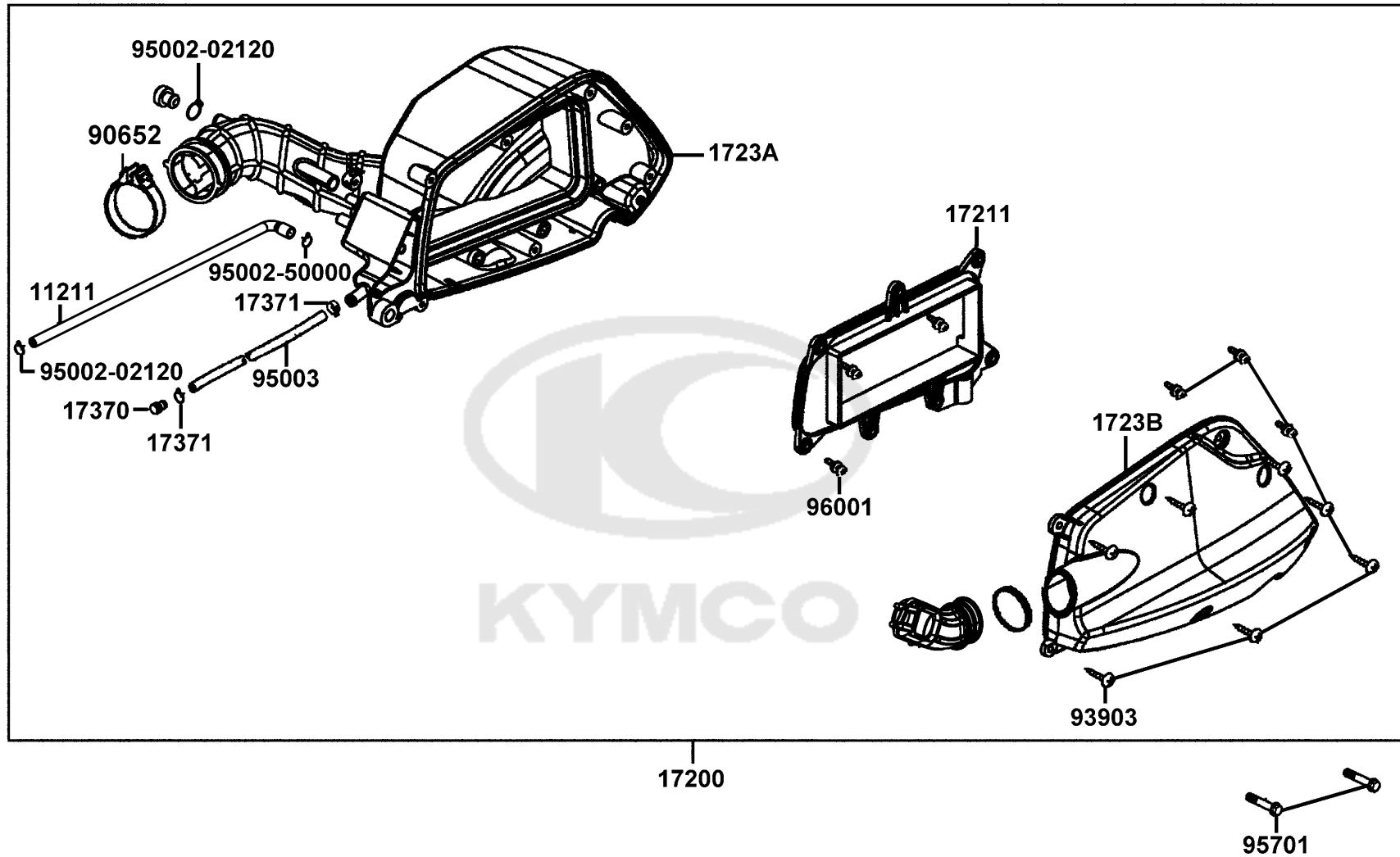




Sales mark	Ref no	Part no	Description	Reg description	Regd no	F12
	77232	77232-KCAC-C00	SET SPG SEAT LOCK	SET SPG SEAT LOCK	1	
	77240	77240-LDC8-E10	CABLE COMP SEAT LOCK	CABLE COMP SEAT LOCK	1	
**	80151	80151-LCB9-C10	COVER CENTER (BLACK)	COVER CENTER (BLACK)	1	
	81200	81200-ALC8-E60	CARRIER COMP REAR	CARRIER COMP REAR	1	
**	81250	81250-ALK6-E15	BOX LUGGAGE	BOX LUGGAGE	1	
	81300	81300-ALK6-E15	CARRIER FR	CARRIER FR	1	
**	81305	81305-ALC9-E10	CARRIER FR BOTTOM PLANK	CARRIER FR BOTTOM PLANK	1	
**	83500	83500-LDF7-E60	COVER R BODY	COVER R BODY	1	
**	83600	83600-LDF7-E61	COVER L BODY	COVER L BODY	1	
**	83601	83601-ALC8-E60	LID BODY COVER	LID BODY COVER	1	
#	93404	90111-06016-07G	BOLT FLANGE 6*16 (K)	BOLT FLANGE 6*16 (K)	2	
	90111	90111-1G87-C01	BOLT FLANGE 6MM	BOLT FLANGE 6MM	2	
	90305	90305-GHK8-C00	NUT CLIP 6MM	NUT CLIP 6MM	1	
	90381	90381-GEZ5-C00	SCREW SPECIAL 6*17	SCREW SPECIAL 6*17	1	
	90683	90683-GAR1-C00	CLIP BODY COVER	CLIP BODY COVER	2	
	93903	93903-34380	SCREW TAPPING 4*12	SCREW TAPPING 4*12 (K)	5	
	94101	94101-08700	WASHER PLAIN 8MM	WASHER PLAIN 8MM	2	
	95701-08020	95701-08020-07	BOLT FLANGE 8*20 (K)	BOLT FLANGE 8*20 (K)	1	
	95701-08045	95701-08045-07	BOLT FLANGE 8*45 (K)	BOLT FLANGE 8*45 (K)	2	

F13

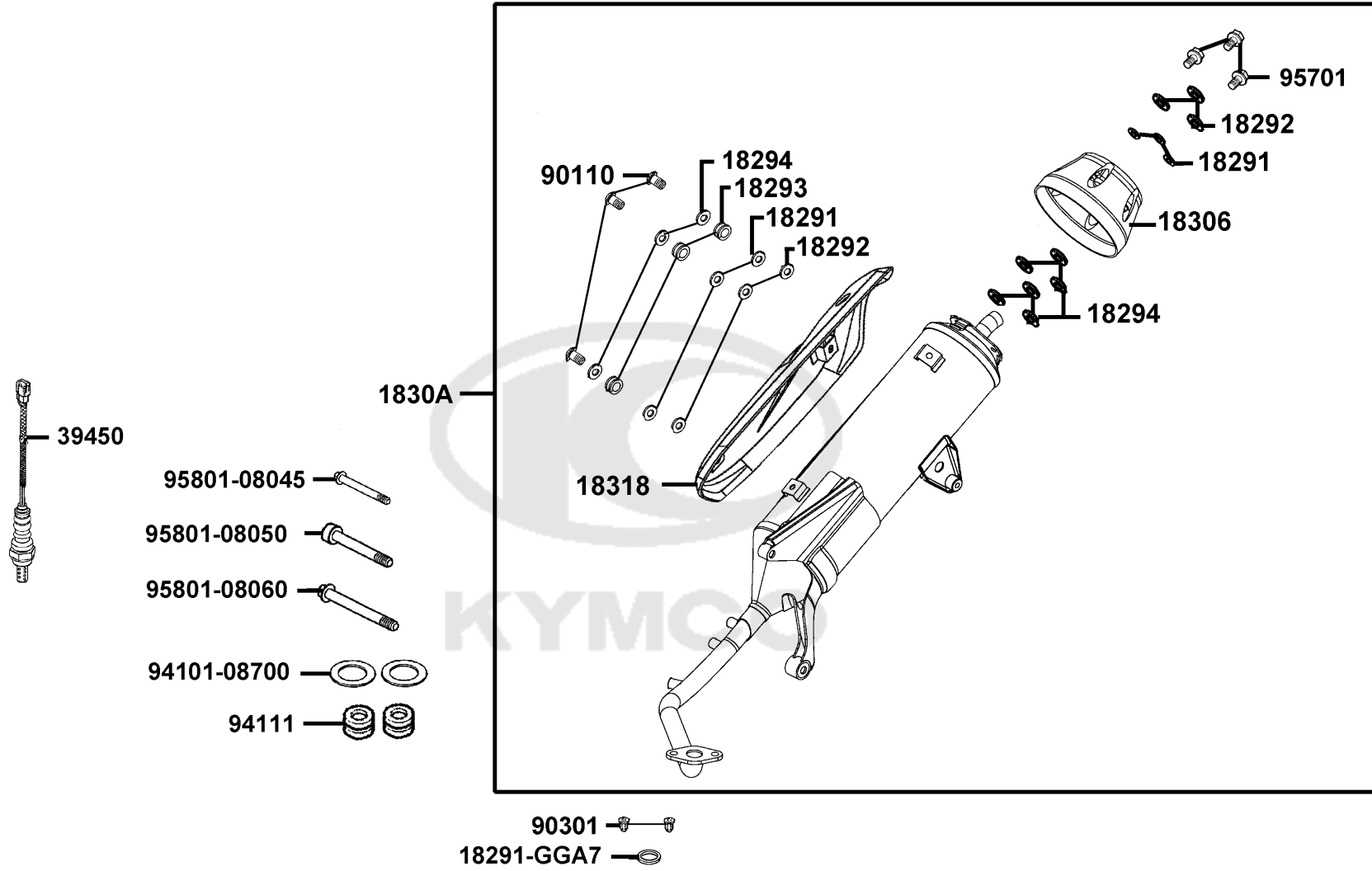
Air Cleaner



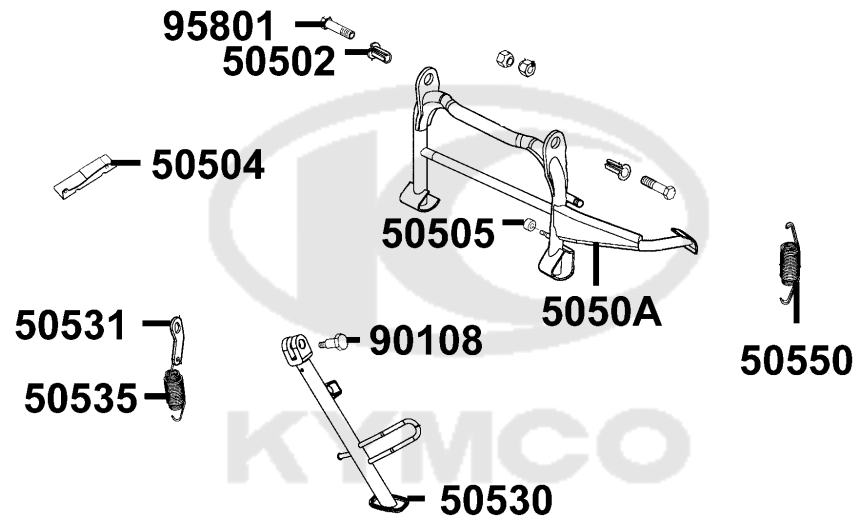
Sales mark	Ref no	Part no	Description	Reg description	Regd no	<b>F13</b>
#	11211	1121A-LGR5-E10	TUBE COMP BREATHER	TUBE COMP BREATHER	1	
	17200	17200-ALK6-E15	AIR/C ASSY	AIR/C ASSY	1	
	17211	17211-LGR5-E10	ELEMENT COMP AIR/C	ELEMENT COMP AIR/C	1	
	1723A	1723A-ACB3-M40	CASE COMP AIR/C	CASE COMP AIR/C	1	
	1723B	1723B-ALK6-E15	COVER AIR/C COMP	COVER AIR/C COMP	1	
	17370	17370-4K19-C00	PLUG BREATHER TUBE	PLUG BREATHER TUBE	1	
	17371	17371-1D74-C00	CLIP BREATHER TUBE	CLIP BREATHER TUBE	2	
	90652	90652-GFY6-C00	BAND 49 AIR/C CONNECTING TUBE	BAND 49 AIR/C CONNECTING TUBE	1	
	93903	93903-25480	SCREW TAPPING 5*20 (K)	SCREW TAPPING 5*20 (K)	7	
	95002-02120	95002-02120	CLIP B12 TUBE	CLIP B12 TUBE	2	
	95002-50000	95002-50000	CLIP C9 TUBE	CLIP C9 TUBE	1	
	95003	95003-23024-60	V TUBE 8*12*240	V TUBE 8*12*240	1	
	95701	95701-06040-08	BOLT FLANGE 6*40	BOLT FLANGE 6*40	2	
	96001	96001-GFY6-C00	BOLT SPECIAL 5*10	BOLT SPECIAL 5*10	1	

F14

Exhaust Muffler



Sales mark	Ref no	Part no	Description	Reg description	Regd no	<b>F14</b>
	18291-GGA7	18291-GGA7-C01	GASKET EXH PIPE	GASKET EXH PIPE	1	
	18291	18291-KEBE-C00	COLLAR	COLLAR	3	
	18292	18292-KEBE-C00	PACKING PROTECTOR	PACKING PROTECTOR	3	
	18293	18293-KEBE-C00	RUBBER PKG PROTR	RUBBER PKG PROTR	3	
	18294	18294-PUA3-B50	PACKING PTOTECTOR	PACKING PROTECTOR	8	
	18306	18306-LDF7-E10	TAIL CAP MUFFLER	TAIL CAP MUFFLER	1	
	1830A	1830A-ALK6-E15	MUFFLER ASSY EXH	MUFFLER ASSY EXH	1	
	39450	39450-LEA6-800	O2 SENSOR	O2 SENSOR	1	
	90110	90110-LDC8-E10	SCREW SPECIAL 6X20	SCREW SPECIAL 6X20	1	
	90301	90301-GFY6-C01	NUT (HEX) CAP 8MM	NUT (HEX) CAP 8MM	2	
	94101-08700	94101-08700	WASHER PLAIN 8MM	WASHER PLAIN 8MM	2	
	94111	94111-08700	WASHER SPG 8MM	WASHER SPG 8MM	2	
	95701	95701-06025-07	BOLT FLANGE 6*25 (K) **06 C.P.N.	BOLT FLANGE 6*25 (K) **06 C.P.N.	1	
	95801-08045	95801-08045-07	BOLT FLANGE8*45 (K)	BOLT FLANGE8*45 (K)	1	
	95801-08050	95801-08050-07	BOLT FLANGE 8*50 (K)	BOLT FLANGE 8*50 (K)	1	
	95801-08060	95801-08060-07	BOLT FLANGE 8*60	BOLT FLANGE 8*60	1	

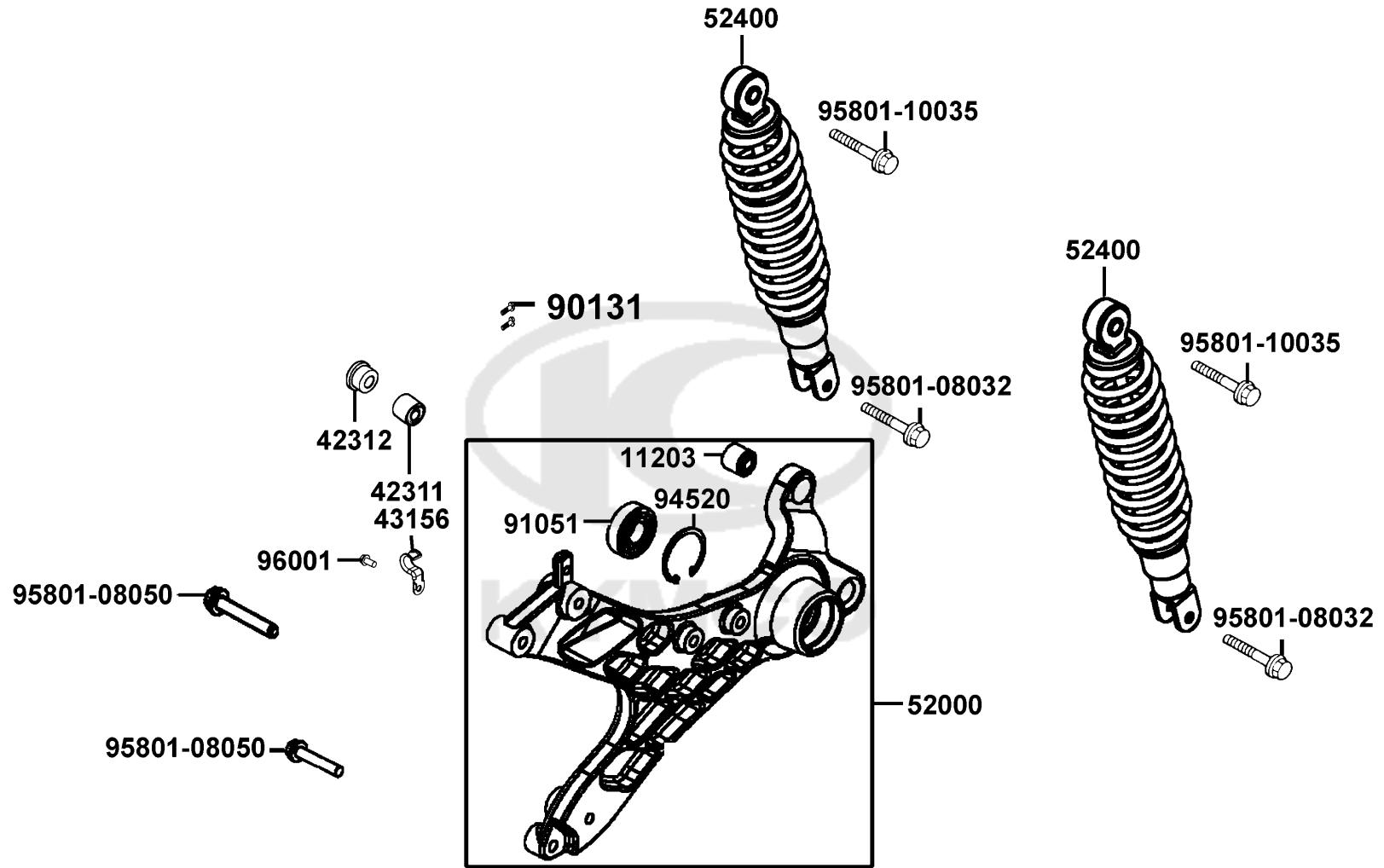


Sales mark	Ref no	Part no	Description	Reg description	Regd no	<b>F15</b>
50502		50502-LDF7-C00	COLLAR,MAIN STAND	COLLAR,MAIN STAND	2	
50504		50504-LGR5-C00	STAY MAIN STAND COMP	STAY MAIN STAND COMP	1	
50505		50505-LAD9-C00	STOPPER RUBBER	STOPPER RUBBER	1	
5050A		5050A-LGR5-E10	STAND COMP MAIN	STAND COMP MAIN	1	
50530		50530-ALC9-E10	BAR SIDE STAND	BAR SIDE STAND	1	
50531		50531-KEB7-C00	PLATE SPRING STOPPER	PLATE SPRING STOPPER	1	
50535		50535-KEB7-W10	SPRING COMP SIDE STAND	SPRING COMP SIDE STAND	1	
50550		50550-KEB7-C01	SPG ASSY MAIN STAND	SPG ASSY MAIN STAND	1	
90108		90108-KFA6-E00	SCREW SIDE STAND	SCREW SIDE STAND	1	
95801		95801-10025-08	BOLT FLANGE 10*25	BOLT FLANGE 10*25	2	



F16

Rear Cushion

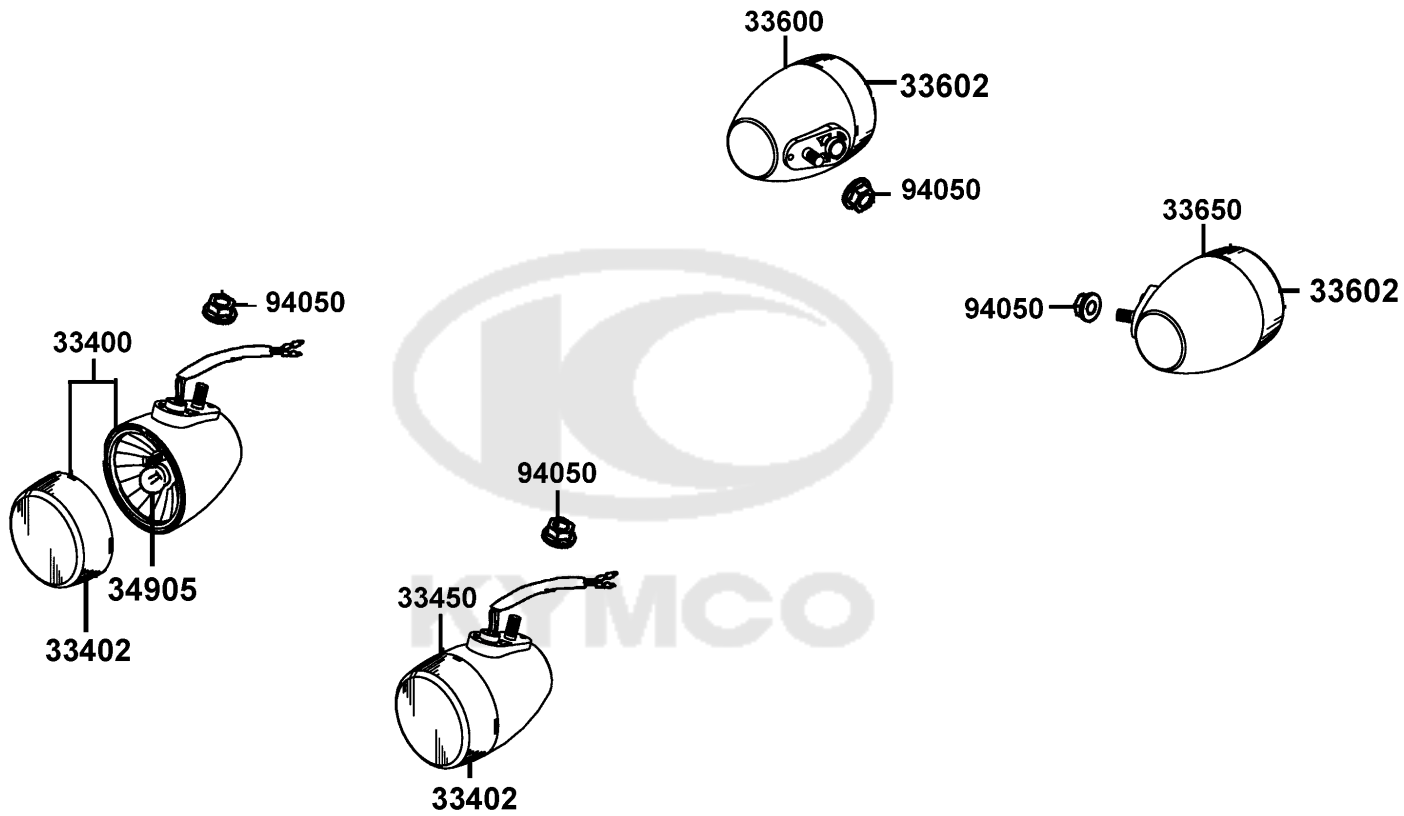




Sales mark	Ref no	Part no	Description	Reg description	Regd no	<b>F16</b>
	11203	11203-GGC7-W10	UNDER RUBBER BUSH REAR CUSHION	UNDER RUBBER BUSH REAR CUSHION	1	
	42311	42311-KKD5-C10	COLLAR RR AXLE A	COLLAR RR AXLE A	1	
	42312	42312-LEJ2-E10	COLLAR RR AXLE SIDE	COLLAR RR AXLE SIDE	1	
	43156	43156-LFC3-E10	CLAMPER HOSE RR	CLAMPER HOSE RR	1	
**	52000	52000-LGR5-E10	FORK ASSY R	FORK ASSY R	1	
**	52400	52400-ALC5-M41	CUSHION ASSY REAR	CUSHION ASSY REAR	2	
	90131	90131-GLW0-C00	BOLT FLANGE 8*35	BOLT FLANGE 8*35	2	
	91051	91051-KFBF-C00	BRG BALL RADIAL 6203 LLU	BRG BALL RADIAL 6203 LLU	1	
	94520	94520-40000	CIR CLIP IN 40	CIR CLIP IN 40	1	
	95801-08032	95801-08032-06	BOLT FLANGE 8*32	BOLT FLANGE 8*32	2	
	95801-08050	95801-08050-06	BOLT FLANGE 8*50	BOLT FLANGE 8*50	2	
#	95801-10035	95801-10035-08G	BOLT FLANGE 10X35	BOLT FLANGE 10X35	2	
	96001	96001-06012-06	BOLT FLANGE SH 6*12	BOLT FLANGE SH 6*12	1	

F17

Front Winker

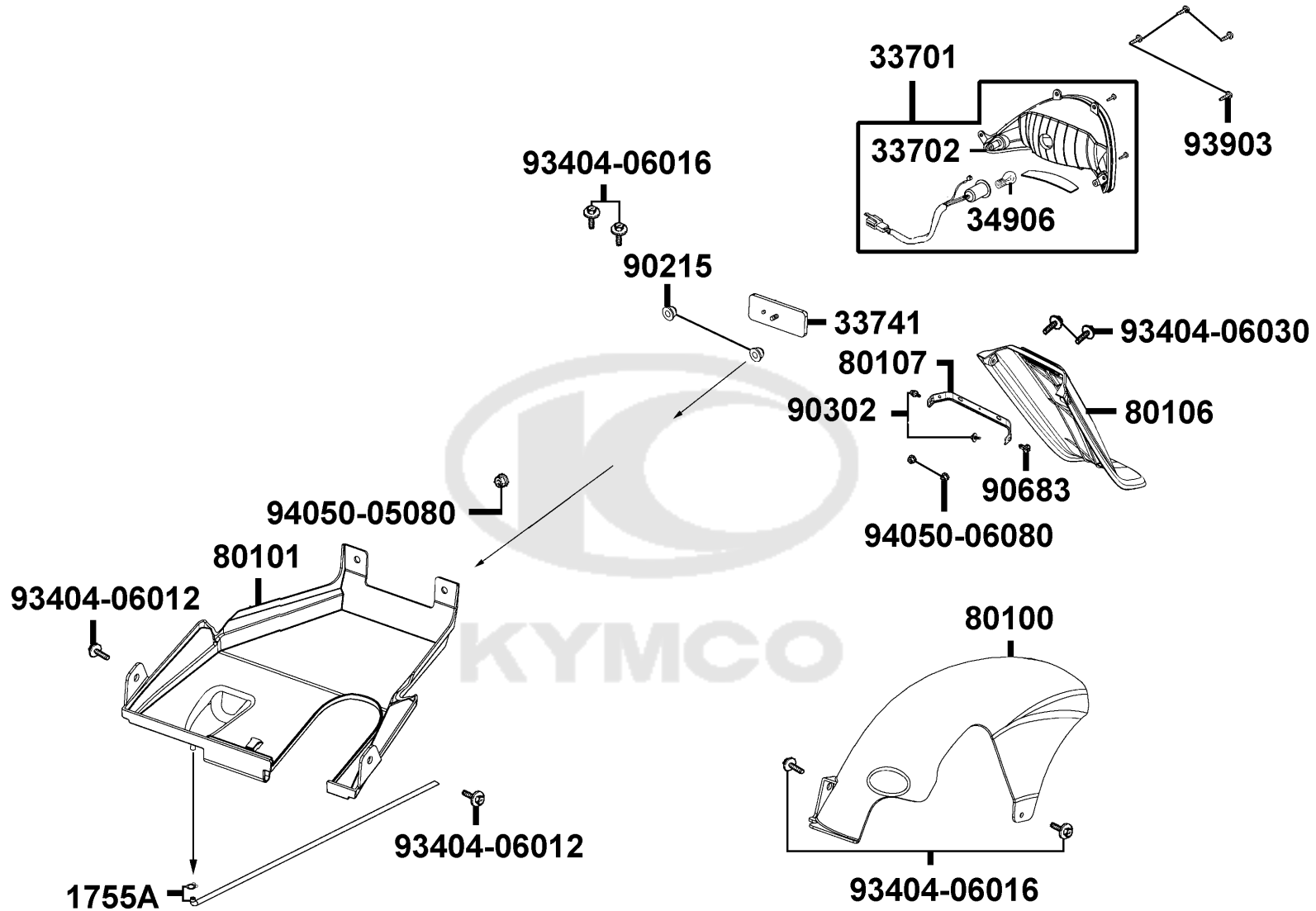


Sales mark	Ref no	Part no	Description	Reg description	Regd no	F17
	33400	33400-ALC8-E60	WINKER ASSY FR R	WINKER ASSY FR R	1	
	33402	33402-ALC8-E60	LENS WINKER FR	LENS WINKER FR		
	33450	33450-ALC8-E60	WINKER ASSY FR L	WINKER ASSY FR L	1	
	33600	33600-ALC8-E60	WINKER ASSY R RR	WINKER ASSY R RR	1	
	33602	33602-ALC8-E60	LENS R/L WINKER RR	LENS R/L WINKER RR	2	
	33650	33650-ALC8-E60	WINKER ASSY L RR	WINKER ASSY L RR	1	
	34905	34905-LBA8-E80	BULB WINKER	BULB WINKER	1	
	94050	94050-05080	NUT FLANGE 5MM	NUT FLANGE 5MM	4	

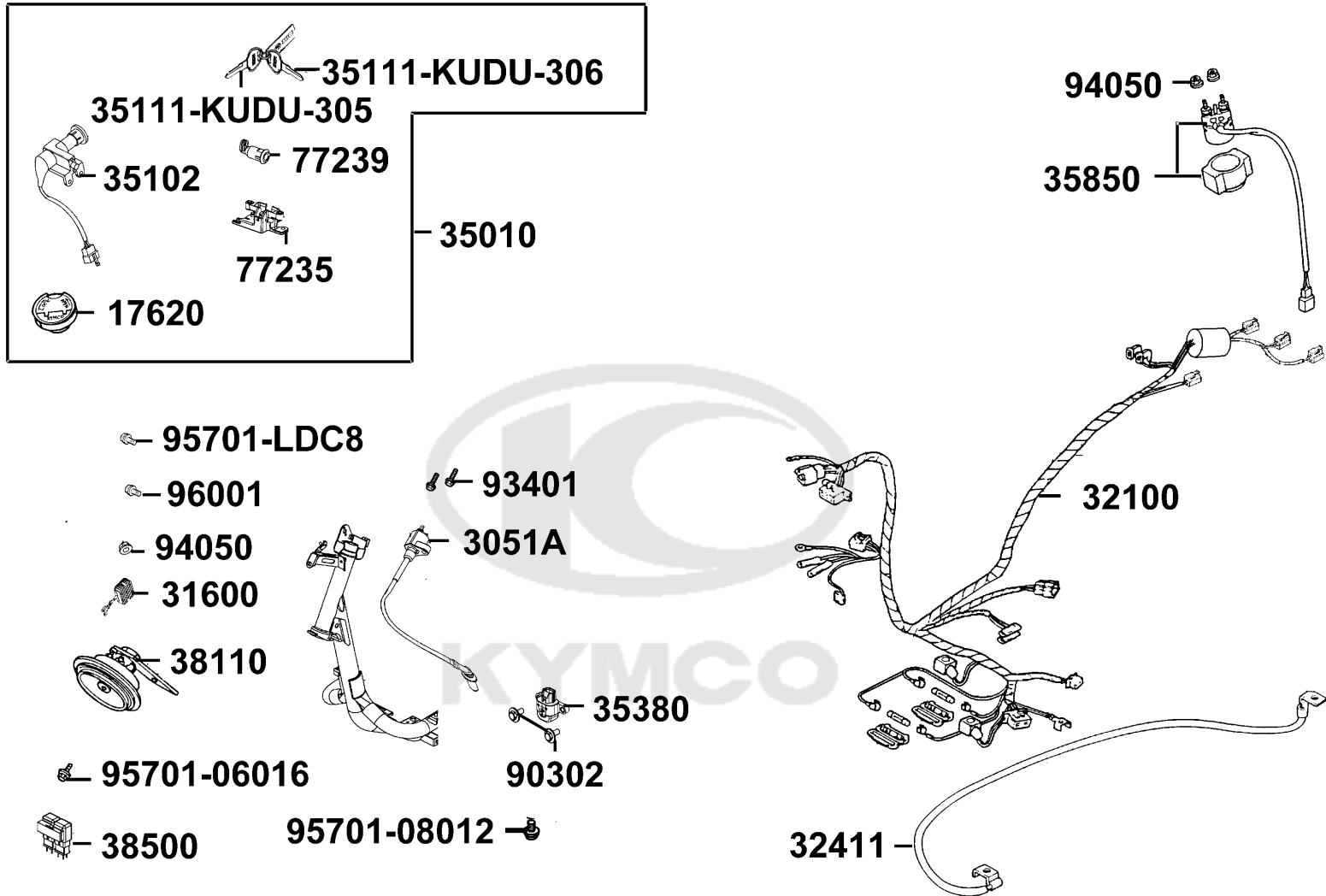


F18

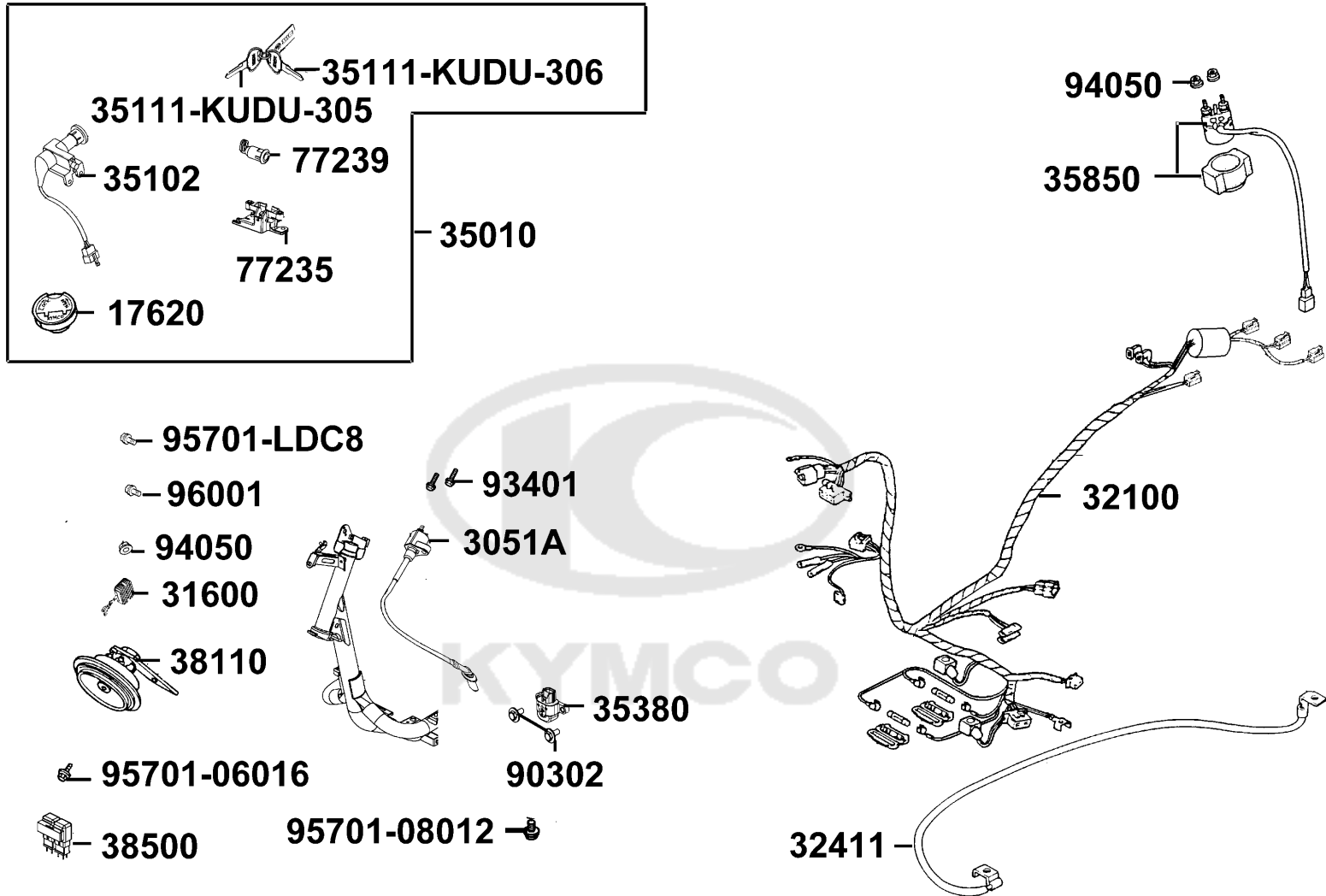
Tail Light FENDER RR TIRE



Sales mark	Ref no	Part no	Description	Reg description	Regd no	F18
	1755A	1755A-KKD5-C10	TRAY ASSY FUEL CAP	TRAY ASSY FUEL CAP	1	
	33701	33701-LDC8-E10	UNIT TAIL LIGHT	UNIT TAIL LIGHT	1	
	33702	33702-LDC8-E10	LENS TAIL HIGHT	LENS TAIL HIGHT	1	
	33741	33741-KEBE-C00	REFLEX REFLECTOR	REFLEX REFLECTOR	1	
	34906	34906-LBA8-E80	BULB TAIL & STOP	BULB TAIL & STOP	1	
**	80100	80100-LGR5-E10	FENDER REAR. TIRE	FENDER REAR. TIRE	1	
**	80101	80101-ALK6-E15	FENDER RR INNER	FENDER RR INNER	1	
**	80106	80106-LDC8-E10	FENDER RR LOW	FENDER RR LOW	1	
#	93404-06016	90111-06016-07G	BOLT FLANGE 6*16 (K)	BOLT FLANGE 6*16 (K)	4	
	90215	90215-KKC4-C00	NUT CAP 6MM	NUT CAP 6MM	2	
	90302	90302-GFY6-C00	BOLT-WASH 5*12	BOLT-WASH 5*12	2	
	90683	90683-GAR1-C00	CLIP BODY COVER	CLIP BODY COVER	2	
	93404-06012	93404-06012-07	BOLT WASH 6*12	BOLT WASH 6*12	2	
	93404-06030	93404-06030-07	BOLT WASHER 6*30K	BOLT WASHER 6*30K	2	
	93903	93903-34380	SCREW TAPPING 4*12	SCREW TAPPING 4*12 (K)	4	
	94050-05080	94050-05080	NUT FLANGE 5MM	NUT FLANGE 5MM	1	
	94050-06080	94050-06080	NUT FLANGE 6MM	NUT FLANGE 6MM	2	



Sales mark	Ref no	Part no	Description	Reg description	Regd no	F19
	17620	17620-ALJ9-E15	CAP COMP FUEL FILLER	CAP COMP FUEL FILLER	1	
	3051A	3051A-KKE3-900	COIL ASSY IGN	COIL ASSY IGN	1	
	31600	31600-KED9-C00	REG REC COMP	REG RECT COMP	1	
	32100	32100-ALK6-E15	HARNESS WIRE	HARNESS WIRE	1	
	32411	32411-LEJ3-E11	CABLE BAT	CABLE BAT	1	
	35010	35010-ALK6-E15	KEY SET	KEY SET	1	
	35102	35102-KGBG-91B	COLLAR MAIN SW	COLLAR MAIN SW	1	
	35111-KUDU-305	35111-KUDU-305	BLANK KEY R	BLACK KEY R	1	
	35111-KUDU-306	35111-KUDU-306	BLANK KEY L	BLACK KEY L	1	
#	35380	35380-ABE1-C00	SENSOR ANGLE	SENSOR ANGLE DETECT	1	
	35850	35850-KHD8-C00	RELAY ASSY START	RELAY ASSY START	1	
#	38110	38110-KKC3-90B	HORN COMP	HORN COMP	1	
	38500	38500-LGL3-90A	RELAY ASSY LIGHT/D402(12V 20A)	RELAY ASSY LIGHT/D402(12V 20A)	1	
	77235	77235-KGC4-C00	SEAT CATCH	SEAT CATCH	1	
	77239	77239-GFY6-C00	KEY SEAT LOCK	KEY SEAT LOCK	1	
	90302	90302-GFY6-C10	BOLT-WASH 5*16	BOLT-WASH 5*16	2	
	93401	93401-04025-08	BOLT WASHER 4*25	BOLT WASHER 4*25	2	
	94050	94050-06080	NUT FLANGE 6MM	NUT FLANGE 6MM	3	
	95701-06016	95701-06016-08	BOLT FLANGE 6*16 (C)	BOLT FLANGE 6*16	1	
	95701-08012	95701-08012-08G	BOLT FLANGE 8X12(C)	BOLT FLANGE 8X12(C)	1	





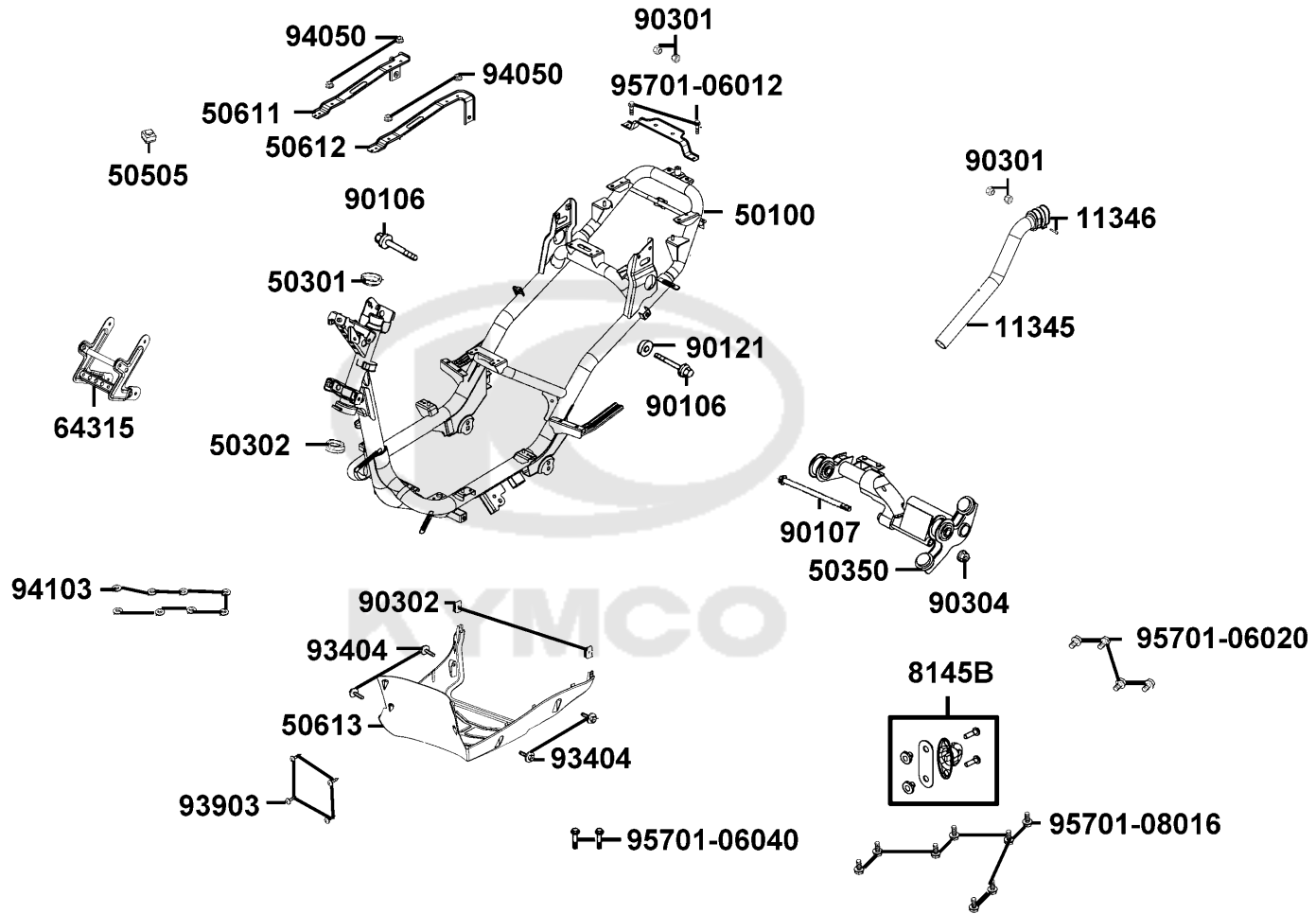
Sales mark	Ref no	Part no	Description	Reg description	Regd no	<b>F19</b>
------------	--------	---------	-------------	-----------------	---------	------------

95701-LDC8		95701-LDC8-E11	BOLT TORQUE 6x16	BOLT TORQUE 6x16	1	
96001		96001-06016-08	BOLT FLANGE SH 6*16	BOLT FLANGE SH 6*16	1	

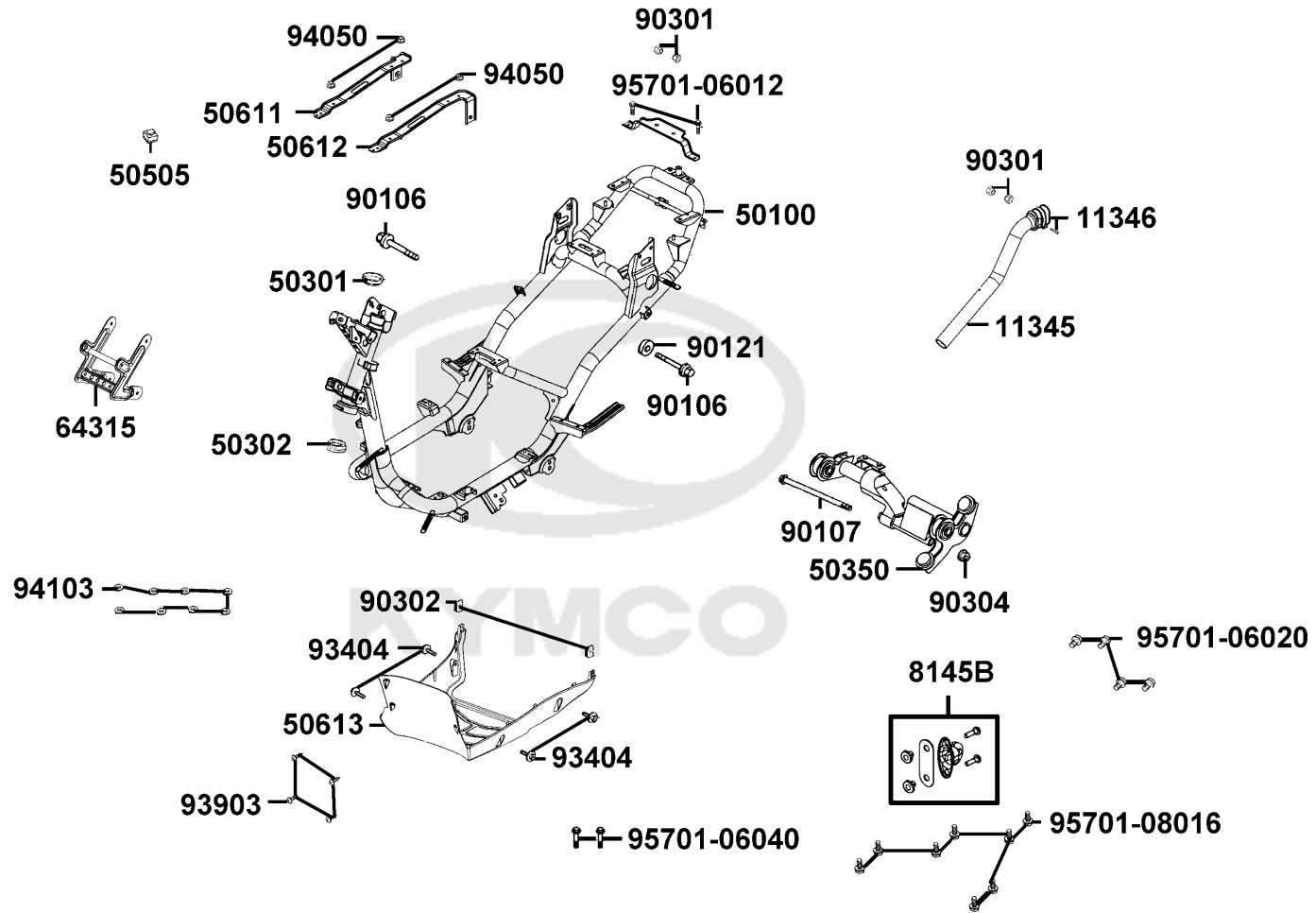


F20

Frame Body



Sales mark	Ref no	Part no	Description	Reg description	Regd no	F20
	11345	11345-LDF7-E10	DUCT L COVER	DUCT L COVER	1	
	11346	11346-KEBE-C00	BAND L COVER DUCT	BAND L COVER DUCT	1	
	50100	50100-ALK6-E15	BODY COMP FRAME	BODY COMP FRAME	1	
	50301	50301-KGN7-C00	RACE UPPER STRG BALL	RACE UPPER STRG BALL	1	
	50302	50302-2H68-C00	RACE (STRG BOT) BALL	RACE (STRG BOT) BALL	1	
	50350	50350-LFC3-B40	ENG HANGER COMP	ENG HANGER COMP	1	
	50505	50505-LDC8-E10	STOPPER RUBBER	STOPPER RUBBER	1	
	50611	50611-LCB9-C10	RNFCT R FLOOR	RNFCT R FLOOR	1	
	50612	50612-LCB9-C10	RNFCT L FLOOR	RNFCT L FLOOR	1	
**	50613	50613-LCB9-C11	COVER UNDER	COVER UNDER	1	
	64315	64315-ALC9-E10	STAY FR COVER	STAY FR COVER	1	
	8145B	8145B-ALC8-E60	TURNING LOCK ASSY	TURNING LOCK ASSY	6	
	90106	90106-LGB6-E10	"BOLT,FLANGE,10x55"	"BOLT,FLANGE,10x55"	2	
	90107	90107-KUDU-900	BOLT FLANGE 10*188	BOLT FLANGE 10*188	1	
#	93404	90111-06016-07G	BOLT FLANGE 6*16 (K)	BOLT FLANGE 6*16 (K)	4	
	90121	90121-GFY6-C00	COLLAR DISTANCE	COLLAR DISTANCE	1	
#	90301	90301-4C73-C01	NUT U 6MM(C)	NUT U 6MM(C)	4	
	90302	90302-SDA4-C01	"NUT,SPPING 4MM"	"NUT,SPPING 4MM"	2	
	90304	90304-GHE8-C00	NUT U 10MM (C)	NUT U 10MM (C)	1	
	93903	93903-34380	SCREW TAPPING 4*12	SCREW TAPPING 4*12 (K)	4	

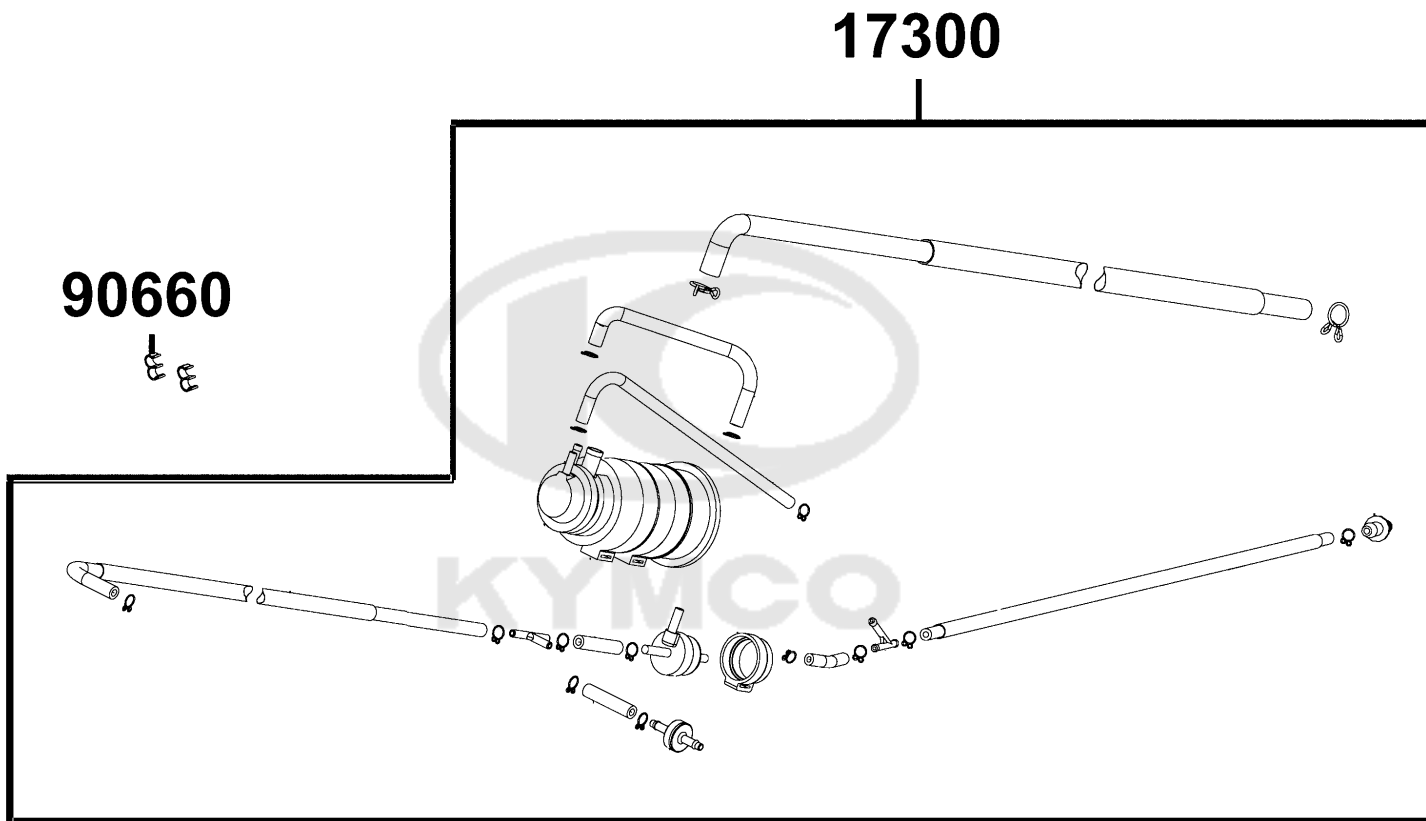


Sales mark	Ref no	Part no	Description	Reg description	Regd no	<b>F20</b>
94050		94050-06080	NUT FLANGE 6MM	NUT FLANGE 6MM	4	
94103		94103-LBA8-C10	WASHER SPECIAL	WASHER SPECIAL	8	
95701-06012		95701-06012-08	BOLT FLANGE 6*12	BOLT FLANGE 6*12	2	
95701-06020		95701-06020-07	BOLT FLANGE 6*20 (K)	BOLT FLANGE 6*20 (K)	4	
95701-06040		95701-06040-07	BOLT FLANGE 6MM(K)	BOLT FLANGE 6*40	2	
95701-08016		95701-08016-07	BOLT FLANGE 8*16K	BOLT FLANGE 8*16K	8	



F21

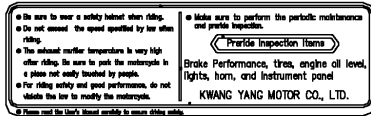
CANISTER ASSY



Sales mark	Ref no	Part no	Description	Reg description	Regd no	<b>F21</b>
------------	--------	---------	-------------	-----------------	---------	------------

17300	17300-ALK6-E15	17300-ALK6-E15	CANISTER-PCV ASSY	CANISTER ASSY	1	
90660	90660-LDE9-E00	90660-LDE9-E00	CLAMP TUBE	CLAMP TUBE	2	





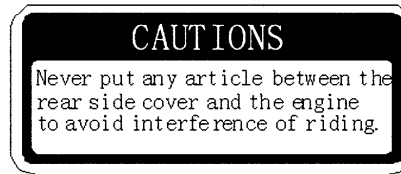
87560



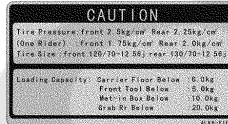
86102



86201



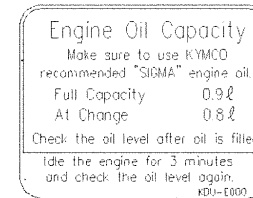
87542



87505



87160



87541-KUDU



87541-GAR1



Sales mark	Ref no	Part no	Description	Reg description	Regd no	<b>F22</b>
**	86102	86102-KFA6-C10	EMB K-LOGO 30MM	EMB K-LOGO 30MM	1	
**	86201	86201-ALC9-E10	STRIPE BODY COVER	STRIPE BODY COVER	2	
**	87160	87160-LDC8-E90	STRIPE KYMCO	STRIPE KYMCO	2	
**	87505	87505-ALK6-E10	LABEL TIRE	LABEL TIRE	1	
**	87541-GAR1	87541-GAR1-C01	CAUTION SIDE STAND	CAUTION SIDE STAND	1	
**	87541-KUDU	87541-KUDU-E00	LABEL OIL CAP	LABEL OIL CAP	1	
**	87542	87542-GAR1-C01	MARK MAINT CAUTION	MARK MAINT CAUTION	1	
**	87560	87560-GFY6-E11	MARK DRIVE CAUTION	MARK DRIVE CAUTION	1	



## PART NO. INDEX

PART NO.	VERSION	PAGE	PART NO.	VERSION	PAGE	PART NO.	VERSION	PAGE
<b>11000</b>			<b>12000</b>			14450-GFY6-W10	1	E02
11100-KUDU-C00	6	E01	12100-GFY6-C00	6	E03	14452-GFY6-W10	1	E02
11102-1G87-C00	3	E01	12191-GFY6-E90	1	E03	14510-KUDU-C0B	0	E03
11192-KUDU-E90	1	E01	12200-KKE3-900	1	E02	14520-GFY6-C00	1	E03
11200-KEC4-C00	6	E01	12209-GDB4-C00	2	E02	14523-GFY6-E90	1	E03
11203-GGC7-W10	2	E01	12211-KUDU-W10	4	E02	14531-GLR0-W11	1	E03
11203-GGC7-W10	2	E02	12251-GFY6-C00	1	E02	14610-KUDU-C0B	0	E03
11203-GGC7-W10	2	F16	1231A-ALL1-C00	0	E02	14711-KUDU-C0B	0	E02
11206-LGR5-E10	1	E07	12361-GFY6-C00	5	E04	14721-KUDU-C00	1	E02
11207-KKE3-C01	6	E04	12391-GFY6-C00	5	E02	14751-KUDU-C10	2	E02
11208-LGR5-E11	0	E01	<b>13000</b>			14761-KUDU-C10	2	E02
1121A-LGR5-E10	0	F13				14771-GDB4-C00	2	E02
1122A-LGR5-E10	1	E09				14775-MFA6-C00	5	E02
11331-LCD3-E00	5	E04	13000-KUDU-C00	9	E03	14781-MFA6-C0C	0	E02
11341-KEC4-C00	0	E01	13011-GFY6-C00	1	E03	<b>15000</b>		
11345-LDF7-E10	1	F20	13101-KUDU-C00	1	E03	15100-KUDU-W10	1	E07
11346-KEBE-C00	1	F20	13111-3D84-C00	1	E03	15133-GFY6-W10	1	E07
11353-LEA6-C00	1	E01	13406-LHJ8-900	1	F10	15141-GFY6-C00	1	E07
11381-KUDU-C00	1	E01	<b>14000</b>			15421-1G07-C00	1	E04
11394-KUDU-E90	1	E04				15426-GAE1-C00	1	E04
11395-KKD7-E90	0	E01	14100-AAA2-C00	0	E02	15651-KUDU-W10	5	E04
			14401-KUDU-C00	1	E03	15711-KUDU-C00	1	E07
			14431-KUDU-W10	4	E02			

## PART NO. INDEX

PART NO.	VERSION	PAGE	PART NO.	VERSION	PAGE	PART NO.	VERSION	PAGE	
<b>16000</b>			17370-4K19-C00	0	F13	19610-KUDU-C10	2	E08	
			17371-1D74-C00	1	F13	19625-KUDU-C00	1	E02	
			17500-ALK6-E15	0	F10	1962A-LEJ8-E00	1	E08	
	16056-LEB2-C00	0	E05	17550-ACC1-E10	1	F10	1963A-AAD2-C00	0	E08
	16074-KEC3-C00	3	E05	1755A-KKD5-C10	1	F10			
	16100-ALK6-E15	0	E05	1755A-KKD5-C10	1	F18	<b>21000</b>		
	16110-KEC3-900	1	E05	17620-ALJ9-E15	0	F19			
	16112-KKE3-C00	0	E05	17685-ALK6-E15	0	F10	21200-LGR5-E10	1	E09
	16118-KGC5-C00	0	E05	17910-ALJ8-E1D	0	F03	21395-KEC4-E90	0	E09
	16122-KEC3-C00	0	E05				<b>22000</b>		
	16133-KEC3-C00	0	E05	<b>18000</b>					
	16138-KEC3-C00	0	E05						
	16154-KKE3-C00	0	E05	18291-GGA7-C01	1	F14	22101-LCD3-C00	3	E06
	16170-KEC3-C00	0	E05	18291-KEBE-C00	1	F14	22102-KUDU-E80	1	E06
	16201-GFY6-E90	0	E02	18292-KEBE-C00	0	F14	22105-GFY6-C10	1	E06
	16211-GFY6-W10	1	E02	18293-KEBE-C00	1	F14	22110-KUDU-E80	0	E06
16700-ALB8-930	0	F10	18294-PUA3-B50	1	F14	22121-KKD7-315	0	E06	
			18306-LDF7-E10	0	F14	22131-GFY6-C00	3	E06	
			1830A-ALK6-E15	0	F14	22132-KBN2-315	0	E06	
			18318-LDF7-E10	0	F14	22300-KEC6-C00	0	E06	
			18646-LDC8-E10	1	E02	22350-GFY6-C00	1	E06	
						22361-KGN7-C00	0	E06	
			<b>19000</b>			22401-GFY6-C0A	0	E06	
1711A-LGL3-C10	0	E02				22530-GFY6-C00	1	E06	
17200-ALK6-E15	0	F13				22804-GBB2-C00	0	E06	
17211-LGR5-E10	2	F13							
1723A-ACB3-M40	0	F13							
1723B-ALK6-E15	0	F13	19504-LBA2-C00	1	F10				
17300-ALK6-E15	0	F21	19510-GFY6-C00	1	E08				

## PART NO. INDEX

PART NO.	VERSION	PAGE	PART NO.	VERSION	PAGE	PART NO.	VERSION	PAGE
<b>23000</b>			28126-GFY6-C10	1	E07	3310A-ALC8-E60	2	F01
			28211-LGK2-C00	5	E06	33400-ALC8-E60	3	F17
			<b>30000</b>			33402-ALC8-E60	0	F17
2301A-KEC6-C00	1	E06				33450-ALC8-E60	1	F17
23100-KEC4-C0E	0	E06				33600-ALC8-E60	3	F17
23200-GFY6-C00	3	E06	3051A-KKE3-900	6	F19	33602-ALC8-E60	0	F17
23210-GFY6-C00	1	E06				33650-ALC8-E60	1	F17
23220-KFBF-C00	1	E06	<b>31000</b>			33701-LDC8-E10	2	F18
23225-GHC8-C00	1	E06				33702-LDC8-E10	0	F18
23226-GHC8-C00	1	E06	31100-LGS6-E10	0	E08	33731-KGB5-EZ0	0	F06
23233-GCW3-C00	1	E06	31110-KKE3-C00	3	E08	33741-KEBE-C00	0	F18
23237-GFY6-C00	1	E06	31120-LGS6-E10	0	E08			
23238-GFY6-C00	1	E06	31200-ALJ8-E10	1	E07	<b>34000</b>		
23411-KEC4-C00	1	E09	31500-ALC8-EZ0	0	F11			
23420-KEC4-C00	1	E09	31600-KED9-C00	0	F19	34905-LBA8-E80	1	F17
23432-KEC4-C00	1	E09				34906-LBA8-E80	1	F18
2343A-KKD5-C00	0	E09	<b>32000</b>					
<b>28000</b>						<b>35000</b>		
			32100-ALK6-E15	0	F19			
			32411-LEJ3-E11	0	F19	35010-ALK6-E15	0	F19
28101-GFY6-C00	1	E07	32412-LEH3-C10	1	E04	35102-KGBG-91B	1	F19
28102-GFY6-C00	1	E07	32961-KUDU-C00	5	E04	35111-KUDU-305	0	F19
28110-GFY6-C10	1	E07				35111-KUDU-306	0	F19
28120-GFY6-C10	1	E07	<b>33000</b>			35151-LGB5-E10	1	F03
28125-4F26-C00	1	E07				35152-LGB5-E10	0	F03
28125-GFY6-C10	3	E07	33108-ALC8-E60	0	F01	3515A-LGB5-EV0	0	F03

## PART NO. INDEX

PART NO.	VERSION	PAGE	PART NO.	VERSION	PAGE	PART NO.	VERSION	PAGE
35201-LGB5-E10	1	F03	39400-LHJ3-900	1	E02	44800-LDC8-E10	1	F07
35202-LGB5-E10	0	F03	39450-LEA6-800	2	F14	44830-LDC8-E10	3	F02
3520A-LGB5-E11	0	F03	39600-LEA1-800	0	F10			
35340-KNBN-C00	1	F04				<b>45000</b>		
35380-ABE1-C00	0	F19	<b>42000</b>					
35850-KHD8-C00	1	F19				45105-ACC1-305	0	F04
			42311-KKD5-C10	1	F16	45121-LGR5-E80	1	F07
<b>37000</b>			42312-LEJ2-E10	1	F16	45126-ALK6-E15	0	F04
			42601-LGR5-E10	0	F08	45156-KHC5-E10	0	F06
37200-ALK6-E15	0	F02	42710-LDC8-E11	3	F08	45156-LCB9-B20	0	F06
37211-LCB9-C10	0	F02				45157-ALK6-E15	0	F06
37802-GGA7-C00	1	F10	<b>43000</b>			45158-ALK6-E15	0	F06
3780A-ALK6-E15	0	F10				45200-ALK6-E15	0	F04
			43100-ALD9-E14	0	F04	45500-ALK6-E15	0	F04
<b>38000</b>			43105-ALD9-305	0	F04	45513-KFAF-901	0	F04
			43126-ALK6-E15	0	F04	45517-KFAF-910	1	F04
38110-KKC3-90B	4	F19	43156-LFC3-E10	2	F16			
38300-KECE-W10	2	F02	43351-LFB5-E80	2	F08	<b>50000</b>		
38500-LGL3-90A	5	F19	43500-ALK6-E15	0	F04			
						50100-ALK6-E15	0	F20
<b>39000</b>			<b>44000</b>			50301-KGN7-C00	2	F20
						50302-2H68-C00	2	F20
39300-LEA6-800	0	E02	44311-GLW0-W10	1	F07	50306-1F96-C00	1	F06
39301-ALJ8-E10	0	E02	44601-LGR5-E10	0	F07	50326-LCB9-C10	0	F11
39302-KKE3-C00	1	E02	44620-KEB7-C00	0	F07	50330-KEBE-C00	1	F05
39303-LEB2-C00	1	E02	44710-LDC8-E11	2	F07	50350-LFC3-B40	1	F20

## PART NO. INDEX

PART NO.	VERSION	PAGE	PART NO.	VERSION	PAGE	PART NO.	VERSION	PAGE
50502-LDF7-C00	1	F15	51520-LDF7-E10	1	F06			
50504-LGR5-C00	0	F15				<b>61000</b>		
50505-LAD9-C00	1	F15	<b>52000</b>					
50505-LDC8-E10	2	F20				61100-LDC8-E10	0	F06
5050A-LGR5-E10	3	F15	52000-LGR5-E10	0	F16			
50530-ALC9-E10	0	F15	52400-ALC5-M41	0	F16	<b>64000</b>		
50531-KEB7-C00	1	F15	52400-ALC5-M41	1	F16			
50535-KEB7-W10	3	F15				64301-ALA9-E70	0	F05
50550-KEB7-C01	0	F15	<b>53000</b>			64303-ALC9-E10	0	F05
50611-LCB9-C10	1	F20				64310-LCB9-C10	0	F05
50612-LCB9-C10	1	F20	53100-ALK6-E15	0	F03	64315-ALC9-E10	0	F20
50613-LCB9-C11	0	F20	53105-KNBN-C00	2	F03	64316-LCB9-C10	5	F05
<b>51000</b>			53125-GEN5-C00	1	F03			
			53140-KNBN-C00	0	F03	<b>77000</b>		
			53166-KNBN-C00	1	F03			
51400-LDF7-E10	0	F06	53175-KXBX-E00	1	F04	77200-ALC9-E10	0	F09
51401-LDC8-E10	0	F06	53178-KNBN-C00	0	F04	77232-KCAC-C00	2	F12
51410-LDC8-E10	0	F06	53200-ALK6-E15	0	F06	77235-KGC4-C00	2	F19
51412-LDC8-E10	0	F06	53205-ALK6-E15	0	F03	77239-GFY6-C00	0	F19
51420-LDF7-E10	0	F06	53206-LCB9-C10	0	F03	77240-LDC8-E10	1	F12
51422-LDC8-E10	0	F06	53211-GFY6-C00	1	F06	77303-LCB9-C10	0	F09
51425-LDF7-E10	0	F06	53212-2L50-C00	1	F06			
51428-LDC8-E10	0	F06	53214-2L50-C00	5	F06	<b>80000</b>		
51429-LDC8-E10	0	F06	53215-2L50-C00	1	F06			
51437-LDC8-E10	0	F06				80100-LGR5-E10	1	F18
51500-LDF7-E10	0	F06				80101-ALK6-E15	0	F18

## PART NO. INDEX

PART NO.	VERSION	PAGE	PART NO.	VERSION	PAGE	PART NO.	VERSION	PAGE
80106-LDC8-E10	0	F18	86201-ALC9-E10	0	F22	90012-3C33-C00	1	E02
80107-LDC8-E10	1	F18				90031-KUDU-C01	0	E01
80151-LCB9-C10	0	F12	<b>87000</b>			90032-KUDU-C00	5	E01
<b>81000</b>			87160-LDC8-E90	1	F22	90105-KCR3-001	3	F07
			87505-ALK6-E10	0	F22	90105-KCR3-001	3	F08
81131-ALA9-E70	1	F05	87541-GAR1-C01	1	F22	90106-GEN5-901	1	F03
81132-LCB9-C10	1	F05	87541-KUDU-E00	1	F22	90106-LGB6-E10	1	F20
81200-ALC8-E60	1	F12	87542-GAR1-C01	2	F22	90107-KUDU-900	5	F20
81250-ALK6-E15	0	F12	87560-GFY6-E11	3	F22	90108-KFA6-E00	1	F15
81300-ALK6-E15	0	F12				90110-GLW0-C00	0	F05
81305-ALC9-E10	0	F12	<b>88000</b>			90110-KEB7-C01	1	F06
81400-ALC8-E60	0	F05				90110-LDC8-E10	0	F14
81410-ALC9-E10	0	F05	88110-LCB9-C11	0	F03	90111-06016-07G	0	F05
8145B-ALC8-E60	0	F20	88120-LCB9-C11	0	F03	90111-06016-07G	0	F12
<b>83000</b>			<b>89000</b>			90111-06016-07G	0	F18
						90111-06016-07G	0	F20
83500-LDF7-E60	0	F12	89010-KGBG-C00	1	F09	90111-1G87-C01	1	F12
83600-LDF7-E61	0	F12	89020-KKC4-C00	1	F09	90116-LDC8-E10	0	F06
83601-ALC8-E60	0	F12				90121-GFY6-C00	1	F20
83602-ALC8-E60	0	F09	<b>90000</b>			90121-KBE2-C01	1	F07
<b>86000</b>						90131-GLW0-C00	1	F04
			90001-GBHB-C05	0	E03	90131-GLW0-C00	1	F16
			90001-GBHB-C11	1	E01	90145-9A61-C00	1	F04
86102-KFA6-C10	0	F22	90005-KAW1-C00	0	E03	90201-GFY6-901	1	E07
						90202-1G87-C00	1	E06
						90206-0A01-C00	2	E02

## PART NO. INDEX

PART NO.	VERSION	PAGE	PART NO.	VERSION	PAGE	PART NO.	VERSION	PAGE
90215-KKC4-C00	1	F18	90605-1F66-C00	0	E06	91202-KKJ9-C00	5	E01
90301-4C73-C01	0	F20	90651-ALJ8-E10	1	F10	91211-KEBE-C00	1	E06
90301-GFY6-C01	0	F14	90652-GFY6-C00	1	F13	91251-LDC8-E10	0	F06
90302-GFY6-C00	2	F18	90652-LGJ9-900	2	E02	91254-LDC8-E10	0	F06
90302-GFY6-C10	1	F10	90660-LDE9-E00	1	F21	91255-LDC8-E10	5	E09
90302-GFY6-C10	1	F19	90668-LDC8-E10	1	F06	91258-KAM1-C00	1	F07
90302-KNBN-C00	1	F03	90683-GAR1-C00	4	F12	91301-GLR0-W10	1	E03
90302-SDA4-C01	0	F05	90683-GAR1-C00	4	F18	91302-0A01-C00	10	E04
90302-SDA4-C01	0	F20	90701-GFY6-901	6	E07	91302-LEB2-C00	0	E05
90304-GHE8-C00	1	F03	90701-HFB6-C00	0	E03	91306-1E05-C00	1	E03
90304-GHE8-C00	1	F20	90754-GHC8-C00	1	F07	91307-0E35-W10	1	E04
90305-GHK8-C00	2	F12	90912-GHC8-C00	1	F07	91351-6B42-C00	1	E06
90305-KNBN-C00	1	F08						
90306-KLF0-C00	1	F07	<b>91000</b>			<b>92000</b>		
90381-GEZ5-C00	1	F12						
90403-KUDU-C00	1	E07	91001-GFY6-C00	0	E06	92101-05012-0H	2	E08
90412-3K29-C00	5	E01	91002-GGA7-C00	0	E06	92101-10020-0G	0	F01
90426-KNBN-C01	1	E06	91003-KDS4-C00	1	E09	92101-10045-0G	0	F01
90440-1F66-C00	1	E08	91009-GLE0-C00	1	E09	92900-06060-0B	2	E02
90441-GFY6-C00	1	E06	91014-LLJ3-C00	1	F06			
90465-MDC4-C00	1	E02	91015-LLJ3-C00	1	F06	<b>93000</b>		
90474-3C33-C00	1	E01	91051-KFBF-C00	1	F16			
90501-KNBN-C00	1	F08	91101-1K79-C00	1	E07	93401-04025-08	0	F19
9052A-GFY6-C00	5	E01	91104-GFY6-C00	1	E07	93404-06012-07	5	F18
90544-LDC8-E10	0	F06	91202-GFY6-90C	1	E01	93404-06020-07	4	F05
90545-3L00-C00	2	F04	91202-GFY6-90C	1	E04	93404-06030-07	2	F18



## PART NO. INDEX

PART NO.	VERSION	PAGE	PART NO.	VERSION	PAGE	PART NO.	VERSION	PAGE
93500-04035-0G	0	F01	94050-06080	2	E05	94520-40000	1	F16
93500-05025	0	F03	94050-06080	2	E07	94591-LDC8-E10	1	E01
93700-05018-0H	1	F02	94050-06080	2	F09	94591-LDC8-E10	1	E08
93891-05035-07	0	F03	94050-06080	2	F10	94591-LGR5-E10	1	F05
93892-05010-06	0	E05	94050-06080	2	F18	94601-15000	10	E03
93903-25320	0	F05	94050-06080	2	F19	94605-LDC8-E10	0	F06
93903-25480	1	F13	94050-06080	2	F20	94608-LDC8-E10	0	F06
93903-34380	6	F01	94050-08080	4	E02			
93903-34380	6	F03	94050-12080	1	E06	<b>95000</b>		
93903-34380	6	F05	94050-12080	1	E08			
93903-34380	6	F12	94101-08700	0	F12	95002-02120	1	F13
93903-34380	6	F18	94101-08700	0	F14	95002-50000	1	F13
93903-34380	6	F20	94101-KKE3-C00	0	E05	95003-23024-60	1	F13
93903-35380	2	F02	94102-10700	0	F01	95701-06012-06	1	F06
93903-35380	2	F03	94103-LBA8-C10	0	F20	95701-06012-07	3	F06
93903-35380	2	F11	94111-04700	0	F01	95701-06012-08	3	F06
93903-GFY6-C01	1	F05	94111-06800	1	E02	95701-06012-08	3	F20
			94111-06800	1	E05	95701-06016-08	1	F19
<b>94000</b>			94111-08700	0	F14	95701-06020-07	0	F20
			94111-10700	0	F01	95701-06025-07	3	F14
94001-04007-0S	0	F01	94301-10160	4	E01	95701-06025-08	2	E02
94001-12280-0SG	1	E06	94301-10160	4	E02	95701-06035-08	1	E02
94050-05080	6	F06	94301-10160	4	E03	95701-06040-07	0	F20
94050-05080	6	F17	94301-10160	4	E04	95701-06040-08	0	F13
94050-05080	6	F18	94301-10200	4	E01	95701-06050-08	1	E02
94050-06080	2	E02	94520-28000	1	E06	95701-08012-08G	1	E01

## PART NO. INDEX

PART NO.	VERSION	PAGE	PART NO.	VERSION	PAGE	PART NO.	VERSION	PAGE
95701-08012-08G	1	F19	96001-06020-08	2	E08			
95701-08016-07	0	F20	96001-06025-08	4	E07			
95701-08020-07	0	F12	96001-06025-08	4	E08			
95701-08045-07	0	F12	96001-06028-08	1	E04			
95701-10020-07	0	F01	96001-06040-08	0	E01			
95701-LDC8-E11	0	F19	96001-06045-08	1	E01			
95801-08032-06	0	F16	96001-06050-08	1	E01			
95801-08040-08	4	F06	96001-06100-08	2	E02			
95801-08045-07	0	F14	96001-06100-08	2	E04			
95801-08050-06	1	F16	96001-06110-08	1	E04			
95801-08050-07	0	F14	96001-GFY6-C00	3	F13			
95801-08060-07	0	F14	96100-60020-00	1	E09			
95801-10025-08	0	F15	96100-62020-00	1	E01			
95801-10035-08G	0	F16	96100-62030-00	1	E01			
			96100-62043-00	1	E01			
<b>96000</b>			<b>98000</b>					
96001-06012-06	1	F16						
96001-06012-08G	1	E01	98056-5771R-00	1	E02			
96001-06012-08G	1	E04	98200-11500	2	F11			
96001-06012-08G	1	E07						
96001-06014-08G	0	E02						
96001-06016-08	6	E07						
96001-06016-08	6	E08						
96001-06016-08	6	F19						
96001-06018-08	1	E08						