

# PARTS CATALOGUE



## SCOOTERS

KN10DA(RO)

Agility Carry 50 E5



Release Date : 2024/06/16  
Print Date : 2024/07/06

## ABOUT THIS PARTS LIST

- This parts list is compiled all service parts for model KN10DA(RO).
- Any difference between color chart and motorcycle will be revised according to motorcycle.
- The Mark:
  1. Marking "\*\*\*" must add color code in the end before ordering parts.
  2. Marking "#" are parts with modification, Please find the details from e-Parts system.
- When modification or additions to this parts list are made a revised edition at an appropriate time.



# CONTENTS

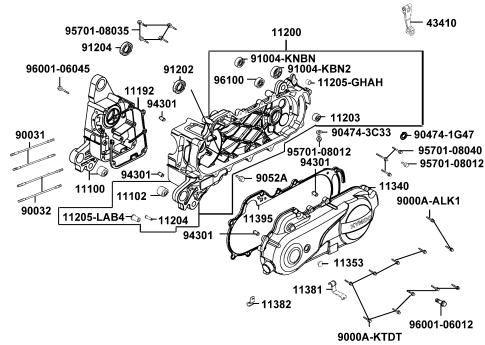
● ABOUT THIS PARTS LIST .....	1
● COLOR CHART OF KN10DA(RO) .....	3
● CONTENTS-ENGINE GROUP .....	5
● CONTENTS-FRAME GROUP .....	6
● ENGINE PARTS LIST .....	9
● FRAME PARTS LIST .....	35
● PART NO. INDEX .....	87

NO	MODEL			COLOR CHART OF KN10DA(RO)			
	PHOTO NO			NO. 1			
	BASIC COLOR			Pearly White			
	CODE			Pearly White			
	PARTS NAME	PARTS NO.	VERSION	NH193PA			
1	LEVER L STRG HANDLE	53178-LGB6-E10	1	M3A			
2	COVER BATTERY	50326-LCB9-C10	0	N1R			
3	COVER UNDER	50613-LCB9-C11	0				
4	GRIP COMP THROT	53140-KNBN-C00	0				
5	GRIP L HANDLE	53166-KNBN-C00	1				
6	COVE RHANDLE RR	53206-AAC7-E60	0				
7	LID FR COVER	64303-ALC9-E10	0				
8	PANEL FLOOR	64310-LCB9-C10	0				
9	PLUG FLOOR	64316-LCB9-C10	5				
10	FENDER RR TIRE	80100-LDC8-E10	0				
11	FENDER RR INNER	80101-LCB9-C10	1				
12	FENDER RR	80105-LDC8-E10	0				
13	FENDER RR LOW	80106-LDC8-E10	0				
14	COVER CENTER	80151-LCB9-C10	0				
15	LEG SHIELD	81131-ALA9-E70	1				
16	CAP LEG SHIEKD UP	81132-AAF1-E60	0				
17	LID LEG SHIELD	81132-LCB9-C10	1				
18	HOOK LUGGAGE	81132-LDC8-E10	1				
19	BOX LUGGAGE	81250-LDC8-E15	0				
20	CARRIER FR BOTTOM	81305-ALC9-E10	0				
21	LID BODY COVER	83601-ALC8-E60	0				
22	GAP BODY COVER	83602-ALC8-E60	0				
23	COVER L SIDE	11340-LBD6-C00	2	NEA			
24	WHEEL COMP RR CAST	42601-KEB7-C00	1				
25	WHEEL FR CAST	44601-KEB7-E0E	0				
DATE OF STARTING-SALES							
DATE OF END-SALES							

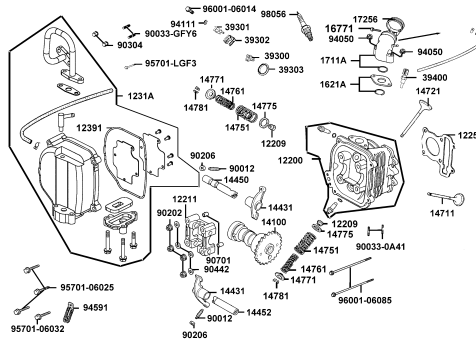
NO	MODEL			COLOR CHART OF KN10DA(RO)			
	PHOTO NO			NO. 1			
	BASIC COLOR			Pearly White			
	CODE			Pearly White			
	PARTS NAME	PARTS NO.	VERSION	NH193PA			
26	MUFFLER ASSY EXH	1830A-LDC8-EZ5	0	NEP			
27	CALIPER ASSY FR BRK	45200-ALA9-E70	0	NJA			
28	COVER HANDLE FR	53205-AAC7-E60	0	NVP			
29	FENDER FR	61100-LDC8-E10	0				
30	COVER FR	64301-ALA9-E70	0				
31	COVER R BODY	83500-LCB9-C10	0				
32	COVER L BODY	83600-ALC8-E60	0				
33	CUSHION ASSY RR	52400-LDC8-E10	2	R8S			
34	SEAT ASSY	77200-ALC8-E60	0	T01			
35	STRIPE BODY COVER	86201-AAF1-E62	0				
36	STRIPE KYMCO	87160-LDC8-E90	1				
37	LABEL TIRE	87505-LDC8-E15	0				
38	CAUTION SIDE STAND	87541-GAR1-C01	1				
39	LABEL OIL CAP	87541-KGBG-E01	1				
40	MARK MAINT CAUTION	87542-GAR1-C01	2				
41	LABEL FUEL TANK	87546-AGE3-E00	0				
42	MARK DRIVE CAUTION	87560-GFY6-E11	3				
43	EMB K-LOGO 30MM	86102-KFA6-C10	0				
DATE OF STARTING-SALES							
DATE OF END-SALES							

# CONTENTS - ENGINE GROUP

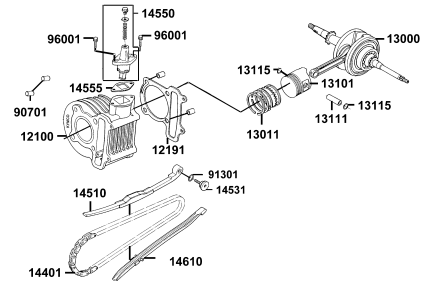
## E01 Crank Case



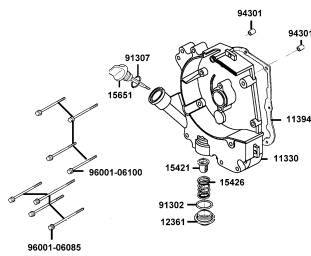
## E02 Cylinder Head



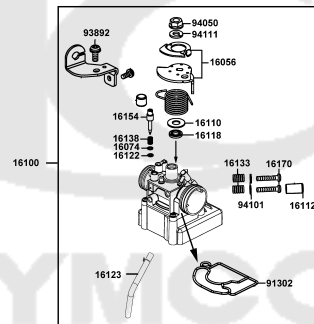
## E03 Cylinder Piston Crankshaft



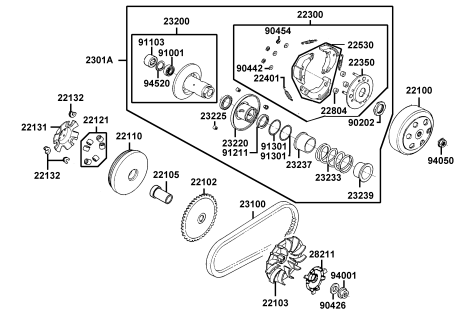
## E04 Right Crankcase Cover



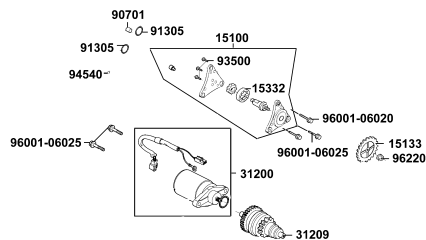
## E05 THROTTLE BODY ASSY



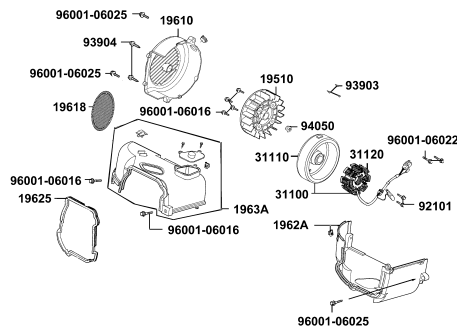
## E06 Driven Pulley



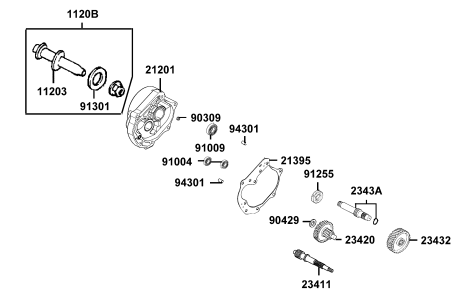
## E07 Starting Motor Oil Pump



## E08 Fan Cover Generator

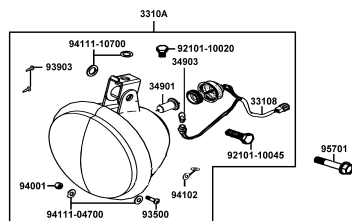


## E09 Transmission

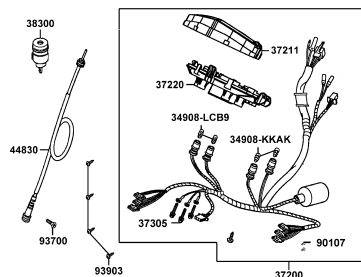


## CONTENTS - FRAME GROUP

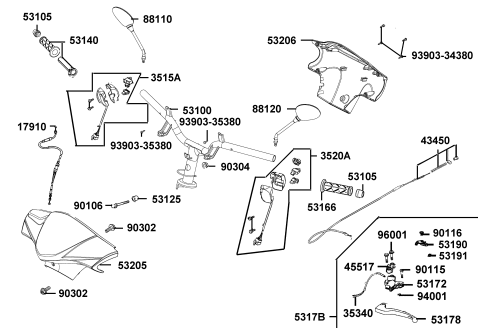
**F01** Head Light



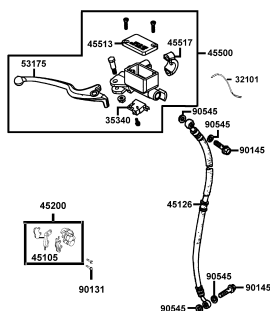
**F02** Speedometer



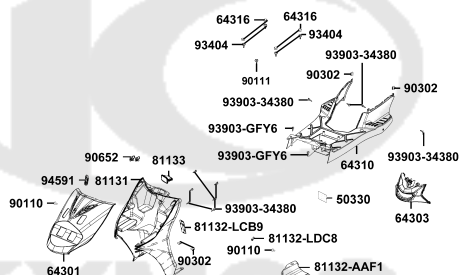
**F03** Handle Steering Handle Cover



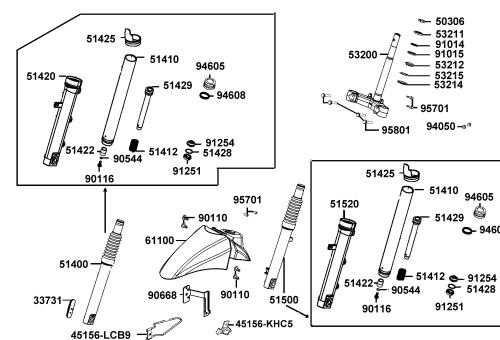
**F04** Brake Master Cylinder



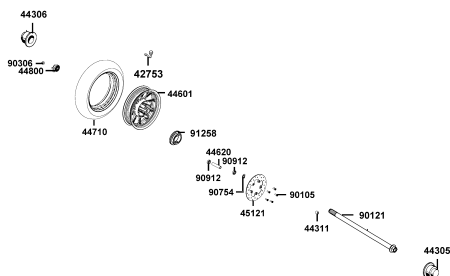
**F05** Front Cover Front Fender



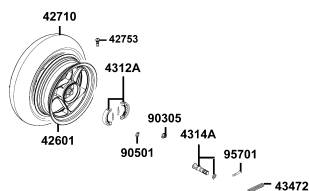
**F06** Stem Steering Front Cushion



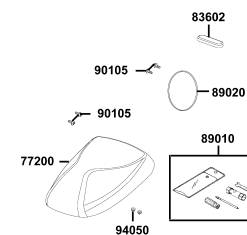
**F07** Front Wheel



**F08** Rear Wheel

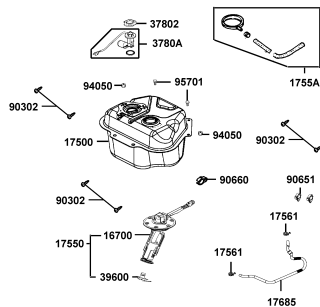


**F09** Seat

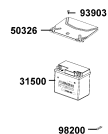


# CONTENTS - FRAME GROUP

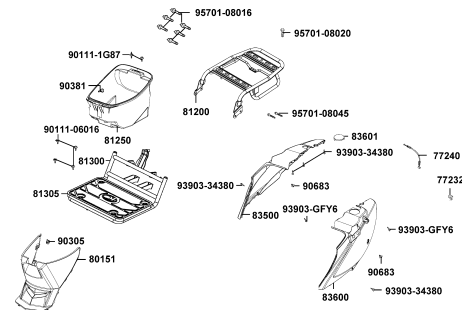
## F10 Fuel Tank



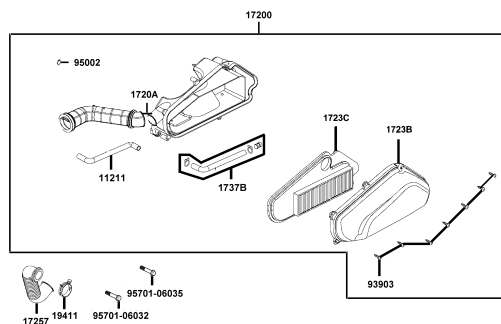
## F11 Battery



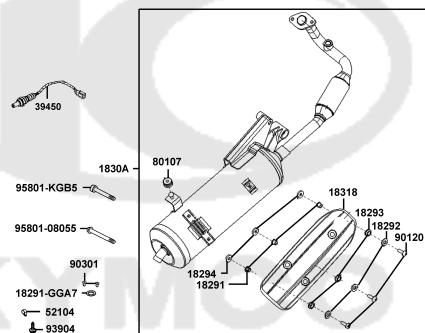
## F12 Body Cover Luggage Box



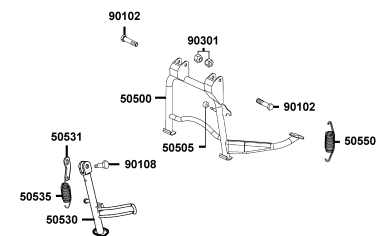
## F13 Air Cleaner



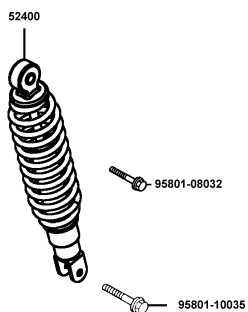
## F14 Exhaust Muffler



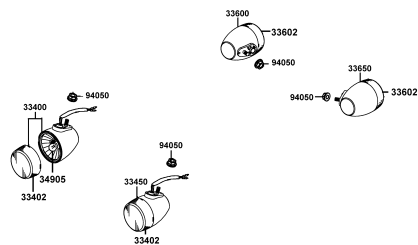
## F15 Stand Kick Starter Arm



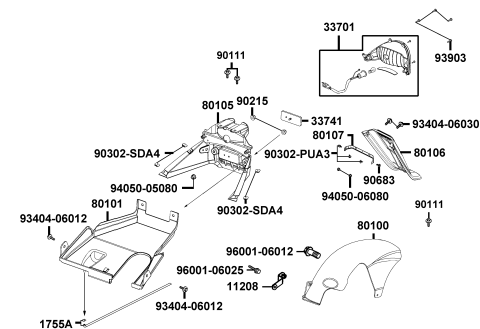
## F16 Rear Cushion



## F17 Front Winker

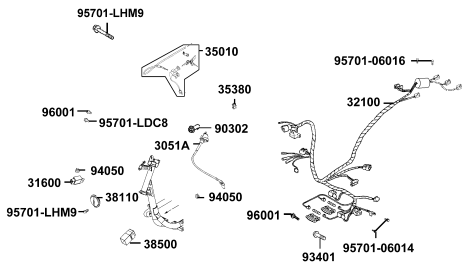
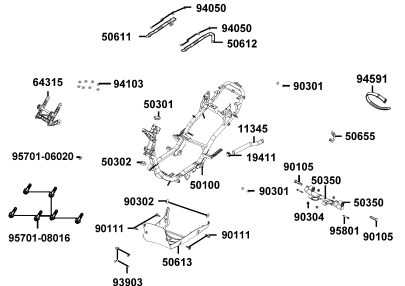
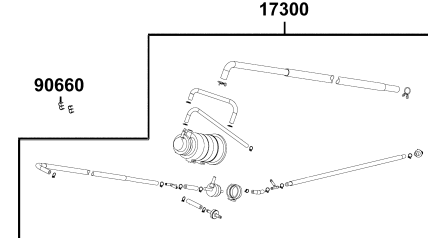

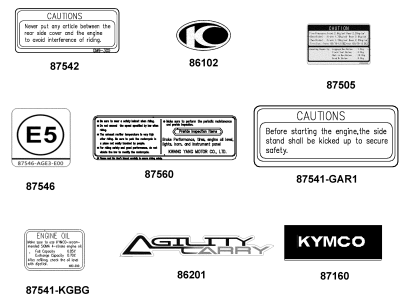


## F18 Tail Light



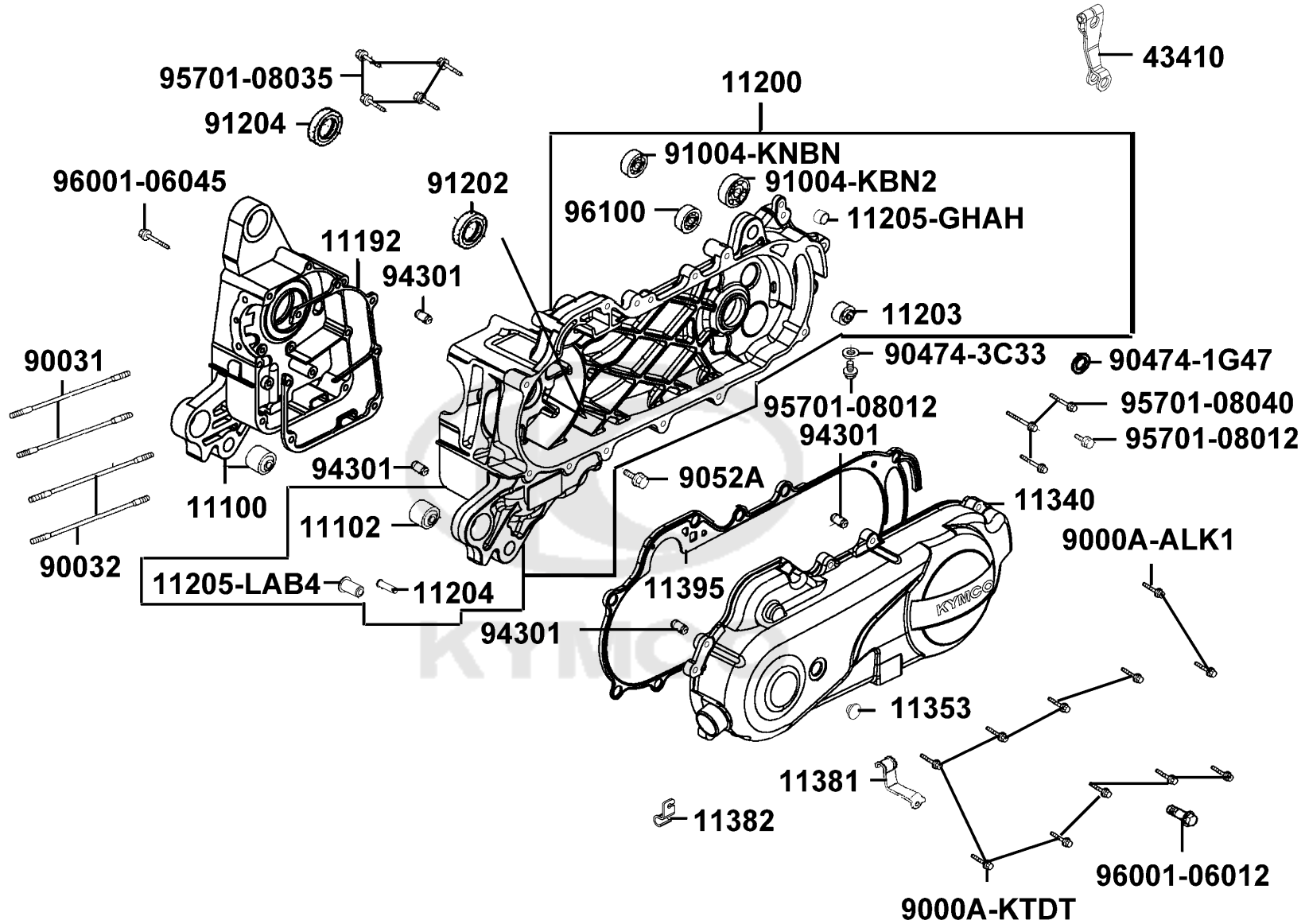


# CONTENTS - FRAME GROUP

F19 Wire Harness	F20 Frame Body	F21 CANISTER-PCV ASSY
		
<b>F22 Emblem Stripe</b>		
		

E01

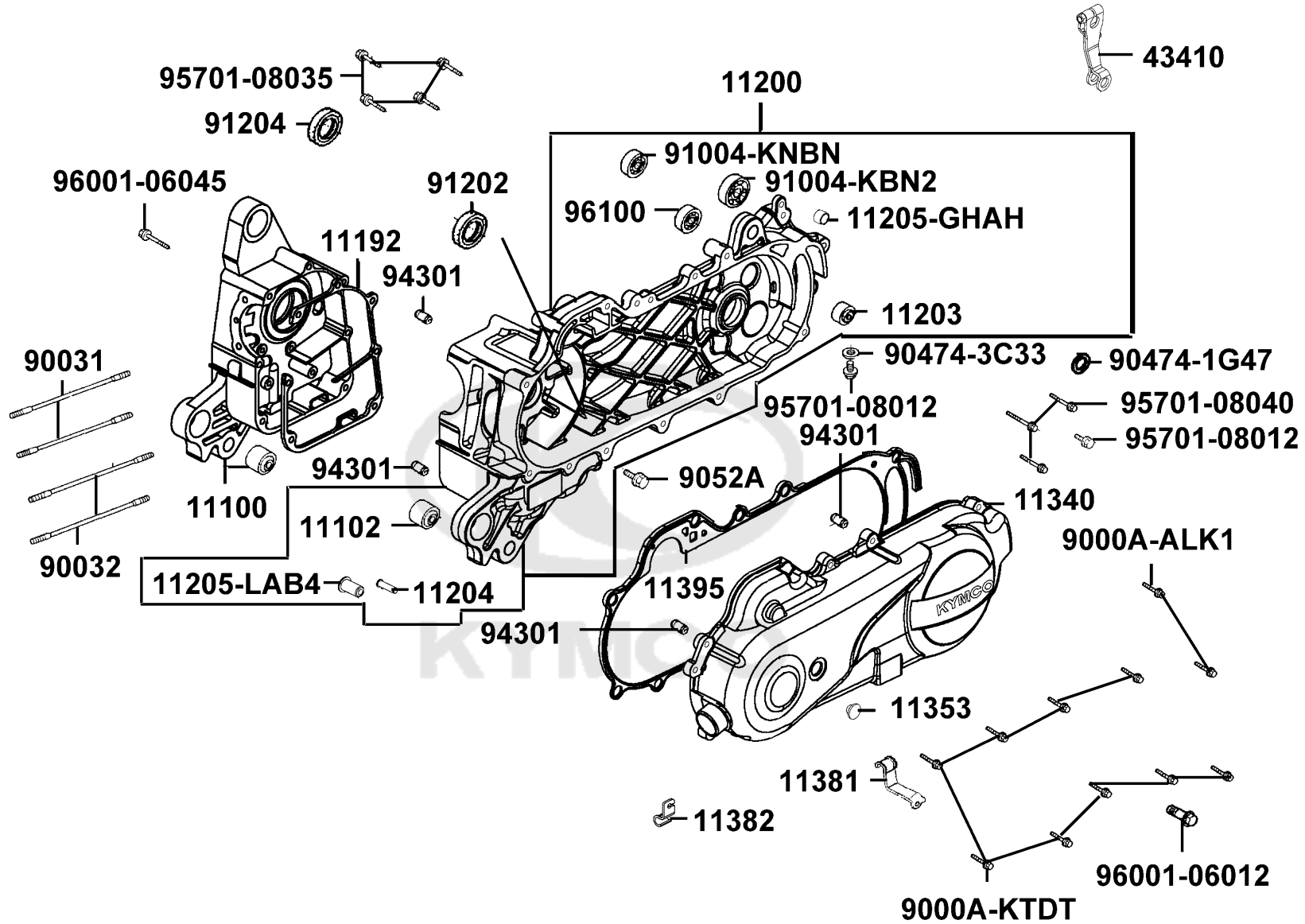
Crank Case



Sales mark	Ref no	Part no	Description	Reg description	Regd no	E01
	11100	11100-KGBG-C00	CRANK CASE COMP.,R	CRANK CASE COMP.,R	1	
	11102	11102-1G87-C00	RUB BUSH ENG HANGER	RUB BUSH ENG HANGER	1	
	11192	11192-KGBG-E90	GASKET,CRANK CASE@A	GASKET,CRANK CASE@A	1	
	11200	11200-LBD6-C00	CRANK CASE COMP LEFT	CRANK CASE COMP LEFT	1	
	11203	11203-GGC7-W10	UNDER RUBBER BUSH REAR CUSHION	UNDER RUBBER BUSH REAR CUSHION	1	
	11204	11204-KNBN-C00	PIN SPG HOOK	PIN SPG HOOK	1	
	11205-GHAH	11205-GHAH-C00	BUSH 8*12*8	BUSH 8*12*8	2	
	11205-LAB4	11205-LAB4-C00	BUSH M STAND	BUSH M STAND	2	
**	11340	11340-LBD6-C00	COVER COMP L CRANK CASE	COVER COMP L CRANK CASE	1	
	11353	11353-LEA6-C00	RUBBER PLUG ,L COVER KICK	"RUBBER PLUG, L COVER KICK"	1	
	11381	11381-ALC8-E60	CLAMPER THROTTLE CABLE	CLAMPER THROTTLE CABLE	1	
	11382	11382-LBD6-C00	CLAMPER BRAKE CABLE	CLAMPER BRAKE CABLE	1	
	11395	11395-LBD6-C00	GASKET L COVER	GASKET L COVER	1	
	43410	43410-KFA1-C00	ARM RR BRK	ARM RR BRK	1	
	9000A-ALK1	9000A-ALK1-E15	BOLT ASSY SPECIAL	BOLT ASSY SPECIAL	2	
	9000A-KTDT	9000A-KTDT-C02	BOLT ASSY SPECIAL 6*27	BOLT ASSY SPECIAL 6*27	9	
	90031	90031-KGBG-C01	BOLT A STUD 7*168	BOLT A STUD 7*168	2	
	90032	90032-KGBG-C01	BOLT A STUD 7*176	BOLT A STUD 7*176	2	
	90474-1G47	90474-1G47-C00	WASHER 10.5MM	WASHER 10.5MM	1	
	90474-3C33	90474-3C33-C00	WASHER 8MM (T*2)	WASHER 8MM (T*2)	1	

E01

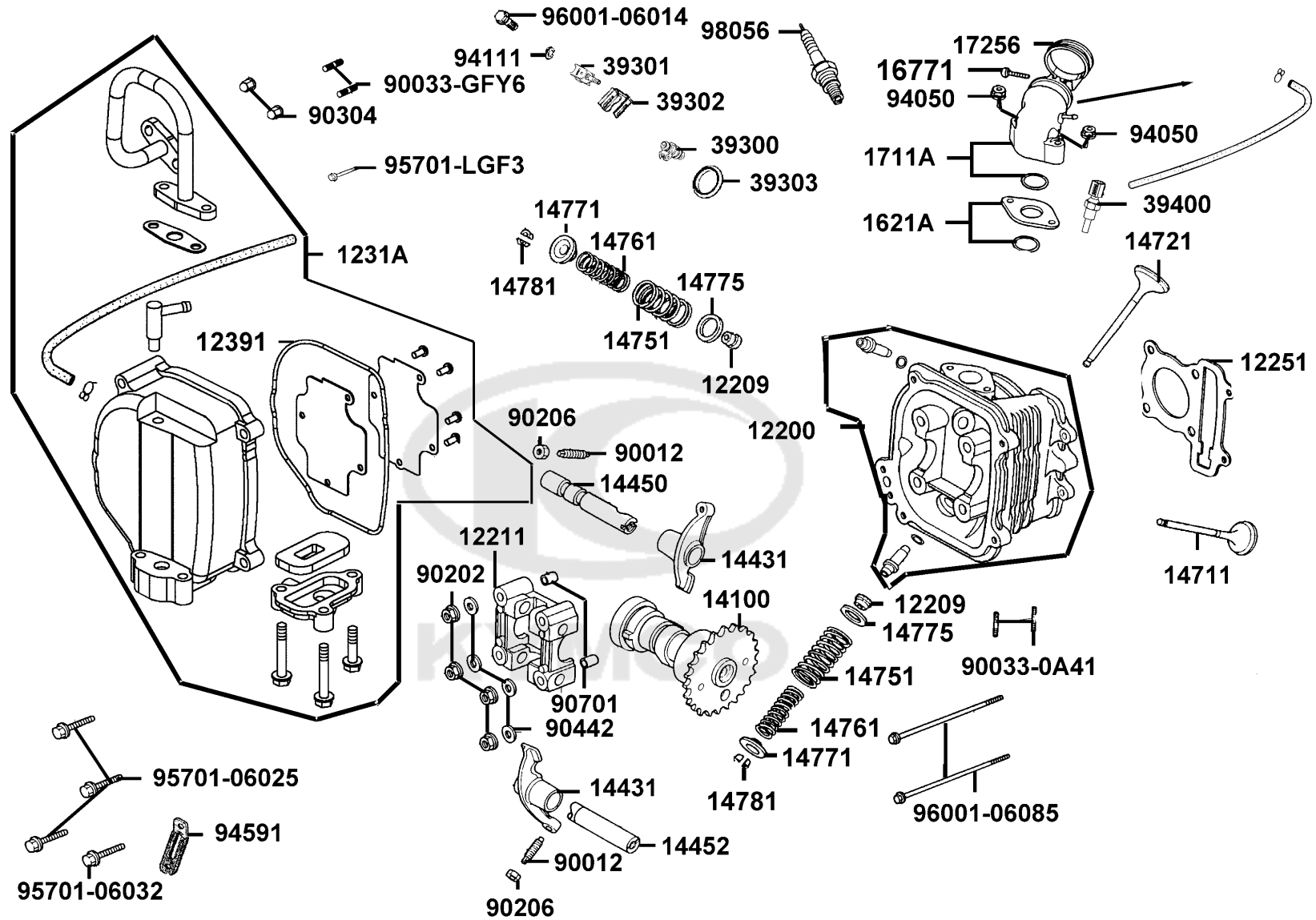
Crank Case



Sales mark	Ref no	Part no	Description	Reg description	Regd no	<b>E01</b>
9052A		9052A-PUA3-B50	BOLT ASSY DRAIN PLUG 12*15	BOLT ASSY DRAIN PLUG 12*15	1	
91004-KBN2		91004-KBN2-C00	BRG BALL RADIAL 6201	BRG BALL RADIAL 6201	1	
91004-KNBN		91004-KNBN-C00	BRG BALL RADIAL 6203 SPC	BRG BALL RADIAL 6203 SPC	1	
91202		91202-GFY6-90C	OIL SEAL 19.8*30*5	OIL SEAL 19.8*30*5	1	
91204		91204-KNBN-C00	OIL SEAL 17*30*6	OIL SEAL 17*30*6	1	
94301		94301-08140	DOWEL PIN 8*14	DOWEL PIN 8*14	4	
95701-08012		95701-08012-08G	BOLT FLANGE 8X12(C)	BOLT FLANGE 8X12(C)	2	
95701-08035		95701-08035-08G	BOLT FLANGE 8*35 (C)	BOLT FLANGE 8*35	4	
95701-08040		95701-08040-08G	BOLT FLANGE 8*40	BOLT FLANGE 8*40	3	
96001-06012		96001-06012-02	BOLT FLANGE SH 6*12	BOLT FLANGE SH 6*12	1	
96001-06045		96001-06045-08G	BOLT FLANGE SH 6x45 (C)	BOLT FLANGE SH 6*45 (C)	1	
96100		96100-62033-00	BEARING BALL RADIAL 6203	BEARING BALL RADIAL 6203 (17*40*12)	1	

E02

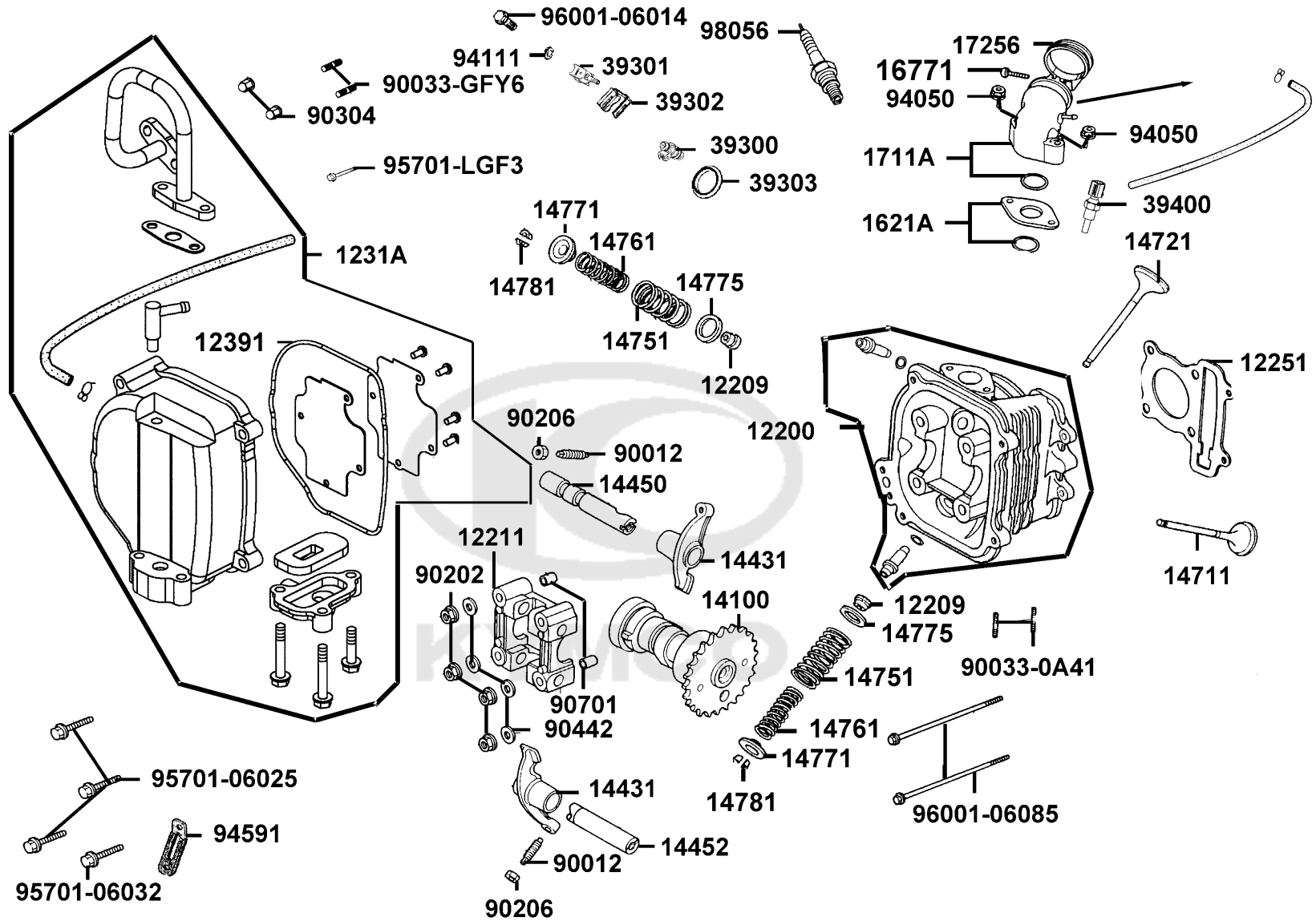
# Cylinder Head



Sales mark	Ref no	Part no	Description	Reg description	Regd no	E02
	12200	12200-ADB2-C00	HEAD COMP CYLINDER	HEAD COMP CYLINDER	1	
	12209	12209-GDB4-C00	SEAL VALVE STEM	SEAL VALVE STEM	2	
	12211	12211-KGBG-C00	HOLDER,CAM SHAFT	HOLDER,CAM SHAFT	1	
	12251	12251-KGBG-C00	GASKET CYLINDER HEAD	GASKET CYLINDER HEAD	1	
	1231A	1231A-KHC5-C00	COVER ASSY HEAD	COVER ASSY HEAD	1	
	12391	12391-KEE1-C00	GASKET HEAD COVER	GASKET HEAD COVER	1	
	14100	14100-ACB9-EZ5	SHAFT COMP CAM	SHAFT COMP CAM	1	
	14431	14431-KGBG-W10	ARM VALVE ROCKER	ARM VALVE ROCKER	2	
	14450	14450-KGBG-W10	SHAFT COMP IN ROCKER ARM	SHAFT COMP IN ROCKER ARM	1	
	14452	14452-KGBG-W10	SHAFT EXH ROCKER ARM	SHAFT EXH ROCKER ARM	1	
	14711	14711-KGBG-C00	VALVE INLET	VALVE INLET	1	
#	14721	14721-KGBG-C0B	VALVE EXHAUST	VALVE EXHAUST	1	
	14751	14751-KGBG-C00	SPRING VALVE OUTER	SPRING VALVE OUTER	2	
	14761	14761-KGBG-C00	SPRING VALVE INNER	SPRING VALVE INNER	2	
	14771	14771-GDB4-C00	RETAINER VALVE SPRING	RETAINER VALVE SPRING	2	
	14775	14775-MFA6-C00	SEAT VALVE SPG OUTER	SEAT VALVE SPG OUTER	2	
#	14781	14781-MFA6-C0C	COTTER VALVE	COTTER VALVE	4	
	1621A	1621A-ADB2-EZ5	INSULATOR ASSY., INLET	"INSULATOR ASSY., INLET"	1	
	16771	16771-LGL3-900	BOLT ASSY SPECIAL	BOLT ASSY SPECIAL	1	
	1711A	1711A-ACB9-EZ5	PIPE ASSY.,INLET	" PIPE ASSY.,INLET"	1	

E02

# Cylinder Head

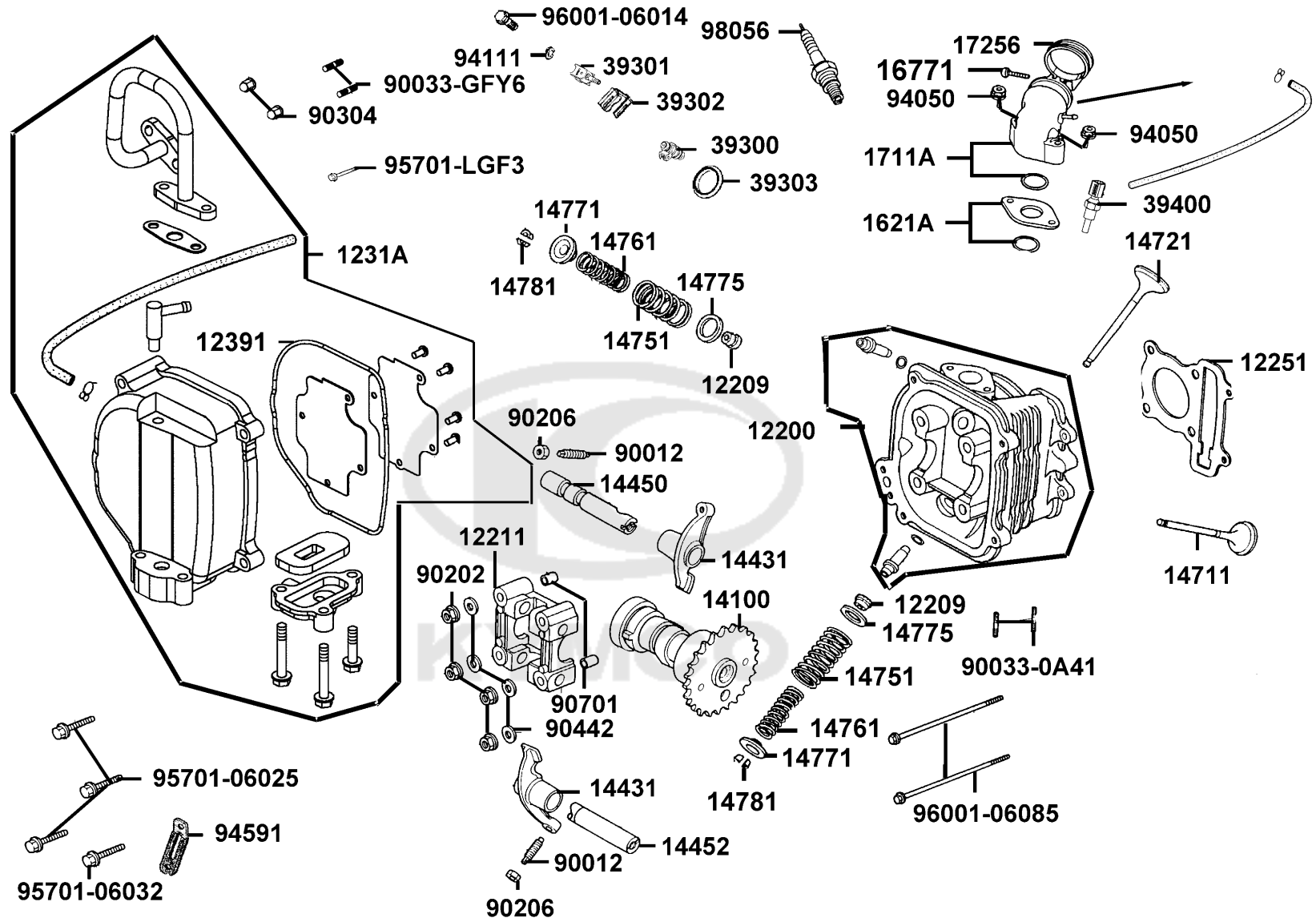




Sales mark	Ref no	Part no	Description	Reg description	Regd no	E02
17256		17256-ALK1-E15	BAND INSULATOR	BAND INSULATOR	1	
39300		39300-ACB9-EZ5	INJECTOR, FUEL	"INJECTOR, FUEL"	1	
39301		39301-ALD9-E16	HOLDER ASSY FUEL	HOLDER ASSY FUEL	1	
39302		39302-KKE3-C00	CLIP SPRING FUEL INJECTOR	CLIP SPRING FUEL INJECTOR	1	
39303		39303-LEB2-C00	SEAL,HIGH TENSION FUEL INJECT	SEAL,HIGH TENSION FUEL INJECT	1	
39400		39400-LHJ3-900	SENSOR. HEAD TEMPERATURE	SENSOR. HEAD TEMPERATURE	1	
90012		90012-3C33-C00	SCREW TAPPET ADJUSTING	SCREW TAPPET ADJUSTING	2	
90033-0A41		90033-0A41-C01	BOLT STUD 6*32	BOLT STUD 6*32	2	
90033-GFY6		90033-GFY6-C11	BOLT STUD 6*16	BOLT STUD 6*16	2	
90202		90202-GFF6-C00	NUT FLANGE 7MM	NUT FLANGE 7M/M	4	
90206		90206-0A01-C00	NUT TAPPET ADJG	NUT TAPPET ADJG	2	
90304		90304-4H38-C00	NUT HEX CAP 6MM	NUT HEX CAP 6MM	2	
90442		90442-GFF6-C01	WASHER SEALING 7MM 7.2*14*2.5	WASHER SEALING 7MM	4	
90701		90701-GFF6-C00	PIN DOWEL SPECIAL 8*14	PIN DOWEL SPECIAL 8*14	4	
94050		94050-06080-G	NUT FLANGE 6MM	NUT FLANGE 6MM	2	
94111		94111-06800-G	WASHER SPG 6MM(C)	WASHER SPG 6MM(C)	1	
94591		94591-KFBF-C00	CLIP 2*71	CLIP 2*71	2	
95701-06025		95701-06025-08G	BOLT FLANGE 6*25	BOLT FLANGE 6*25	3	
95701-06032		95701-06032-08G	BOLT FLANGE 6*32	BOLT FLANGE 6*32	1	
95701-LGF3		95701-LGF3-E90	BOLT TORQUE 6X50	BOLT TORQUE 6X50	1	

E02

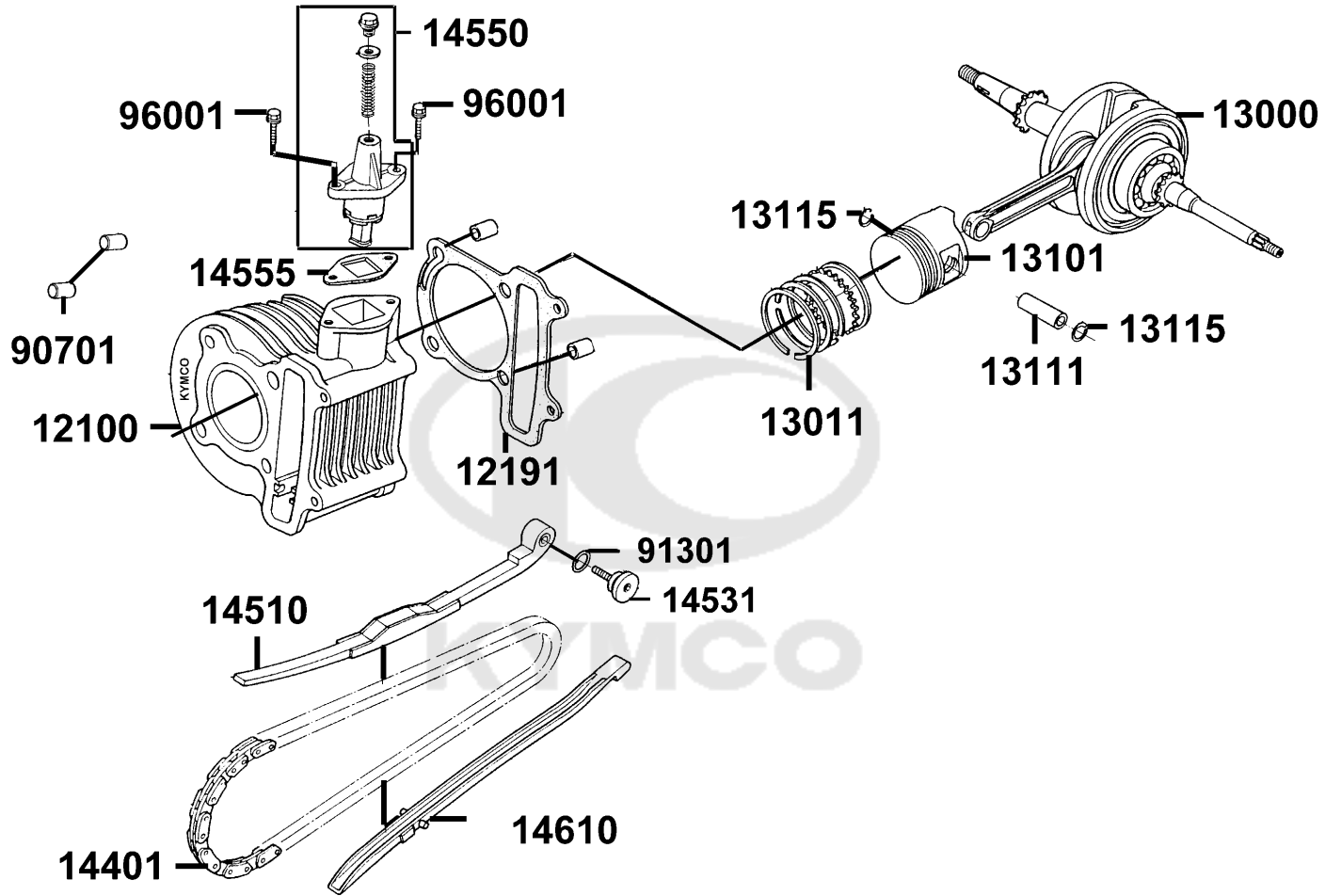
# Cylinder Head



Sales mark	Ref no	Part no	Description	Reg description	Regd no	<b>E02</b>
------------	--------	---------	-------------	-----------------	---------	------------

96001-06014		96001-06014-08G	BOLT FLANGE SH 6*14 (C)	BOLT FLANGE SH 6*14 (C)	1	
96001-06085		96001-06085-08G	BOLT FLANGE 6*85	BOLT FLANGE SH 6*85(C)	2	
98056		98056-5671R-00	SPARK PLUG (CR6HSA)	SPARK PLUG (CR6HSA)	1	

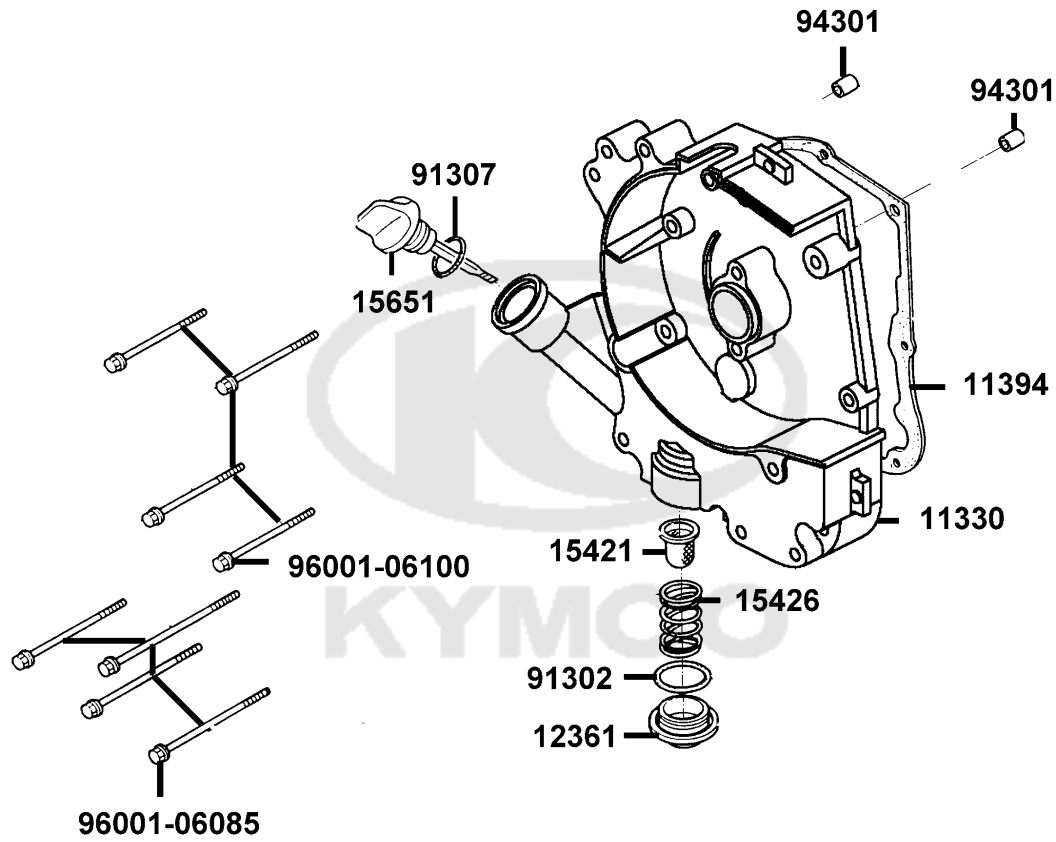




Sales mark	Ref no	Part no	Description	Reg description	Regd no	E03
12100		12100-KGBG-C01	CYLINDER COMP	CYLINDER COMP	1	
12191		12191-KGBG-E90	GASKET CYLINDER @A	GASKET CYLINDER @A	1	
13000		13000-LDC5-C00	CRANK SHAFT COMP	CRANK SHAFT COMP	1	
13011		13011-LBC9-900	RING SET PISTON	RING SET PISTON	1	
13101		13101-LBC9-900	PISTON	PISTON	1	
13111		13111-KGBG-C00	PIN,PISTON	PIN,PISTON	1	
13115		13115-0A01-C00	PISTON PIN CLIP	PISTON PIN CLIP	2	
14401		14401-KGBG-C00	CHAIN CAM	CHAIN CAM	1	
14510		14510-KGBG-C00	TENSIONER CAM CHAIN	TENSIONER CAM CHAIN	1	
14531		14531-GLR0-W11	PIVOT CAM CHAIN TENSIONER	PIVOT CAM CHAIN TENSIONER	1	
14550		14550-LDC8-C10	ADJUSTER CAM CHAIN	ADJUSTER CAM CHAIN	1	
14555		14555-KKJ9-E90	GASKET CAM SHAIN ADJUSTER	GASKET CAM SHAIN ADJUSTER	1	
14610		14610-KGBG-C00	GUIDE COMP CAM CHAIN	GUIDE COMP CAM CHAIN	1	
90701		90701-GFF6-C00	PIN DOWEL SPECIAL 8*14	PIN DOWEL SPECIAL 8*14	2	
91301		91301-GLR0-W10	O-RING 15.2*1.5	O-RING 15.2*1.5	1	
96001		96001-06018-08G	BOLT FLANGE SH 6*18 (C)	BOLT FLANGE SH 6*18 (CR3+)	2	

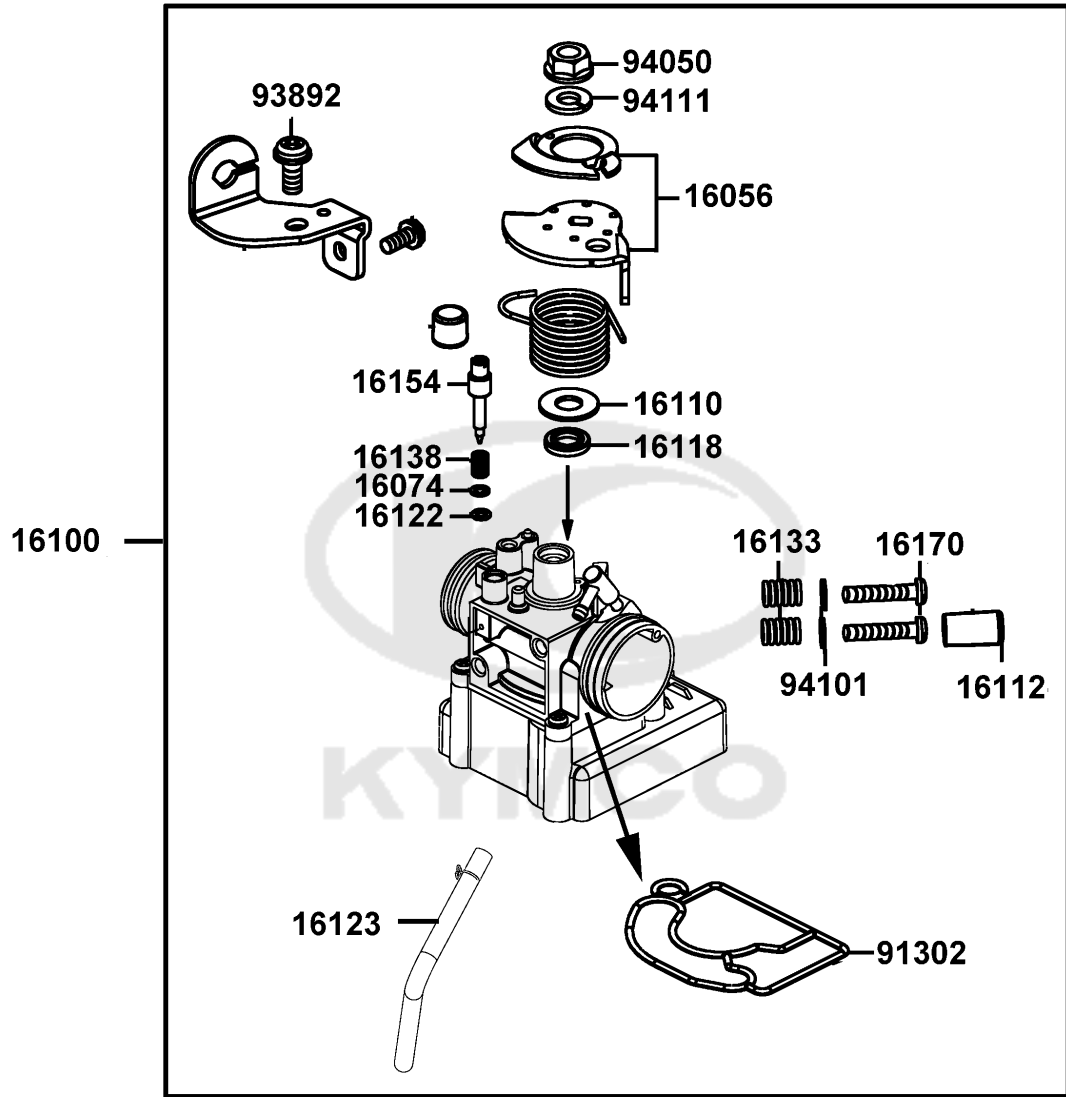
E04

# Right Crankcase Cover



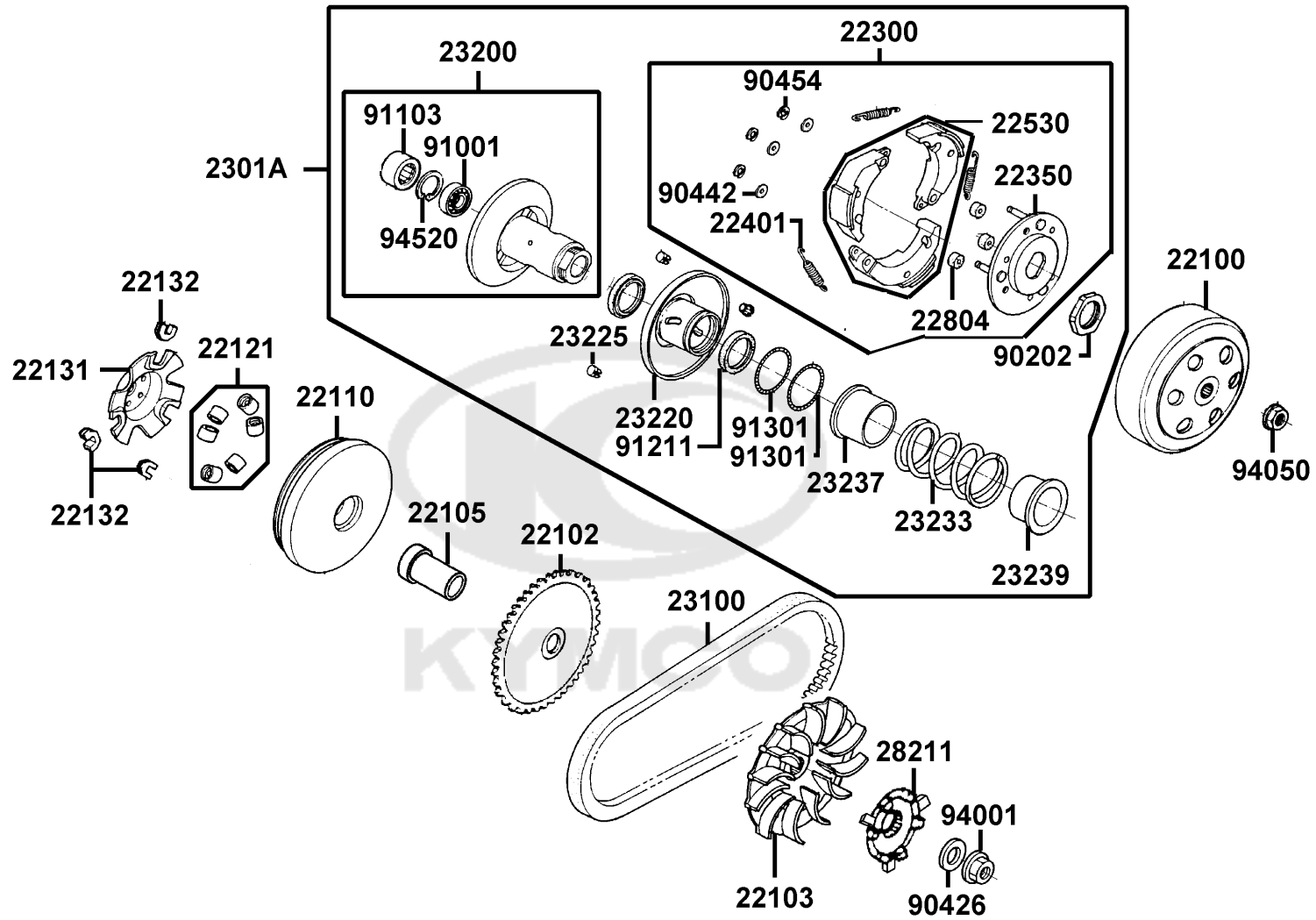
Sales mark	Ref no	Part no	Description	Reg description	Regd no	<b>E04</b>
11330		11330-LBD6-C00	COVER COMP R CRANK CASE	COVER COMP R CRANK CASE	1	
11394		11394-KGBG-E90	GASKET R COVER@A	GASKET R COVER@A	1	
12361		12361-GFY6-C00	HOLE CAP TAPPET ADJUSTING	HOLE CAP TAPPET ADJUSTING	1	
15421		15421-1G07-C00	SCREEN OIL FILTER	SCREEN OIL FILTER	1	
15426		15426-GAE1-C00	SPG OIL FILTER SCREEN	SPG OIL FILTER SCREEN	1	
15651		15651-LDC8-C10	GAUGE OIL LEVEL	GAUGE OIL LEVEL	1	
91302		91302-0A01-C00	O-RING 30.8MM	O-RING 30.8MM	1	
91307		91307-0E35-W10	O-RING 18*3	O-RING 18*3	1	
94301		94301-08140	DOWEL PIN 8*14	DOWEL PIN 8*14	2	
96001-06085		96001-06085-08G	BOLT FLANGE 6*85	BOLT FLANGE SH 6*85(C)	4	
96001-06100		96001-06100-08G	BOLT FLANGE SH 6x100 (C)	BOLT FLANGE SH 6x100 (C)	4	

THROTTLE BODY ASSY

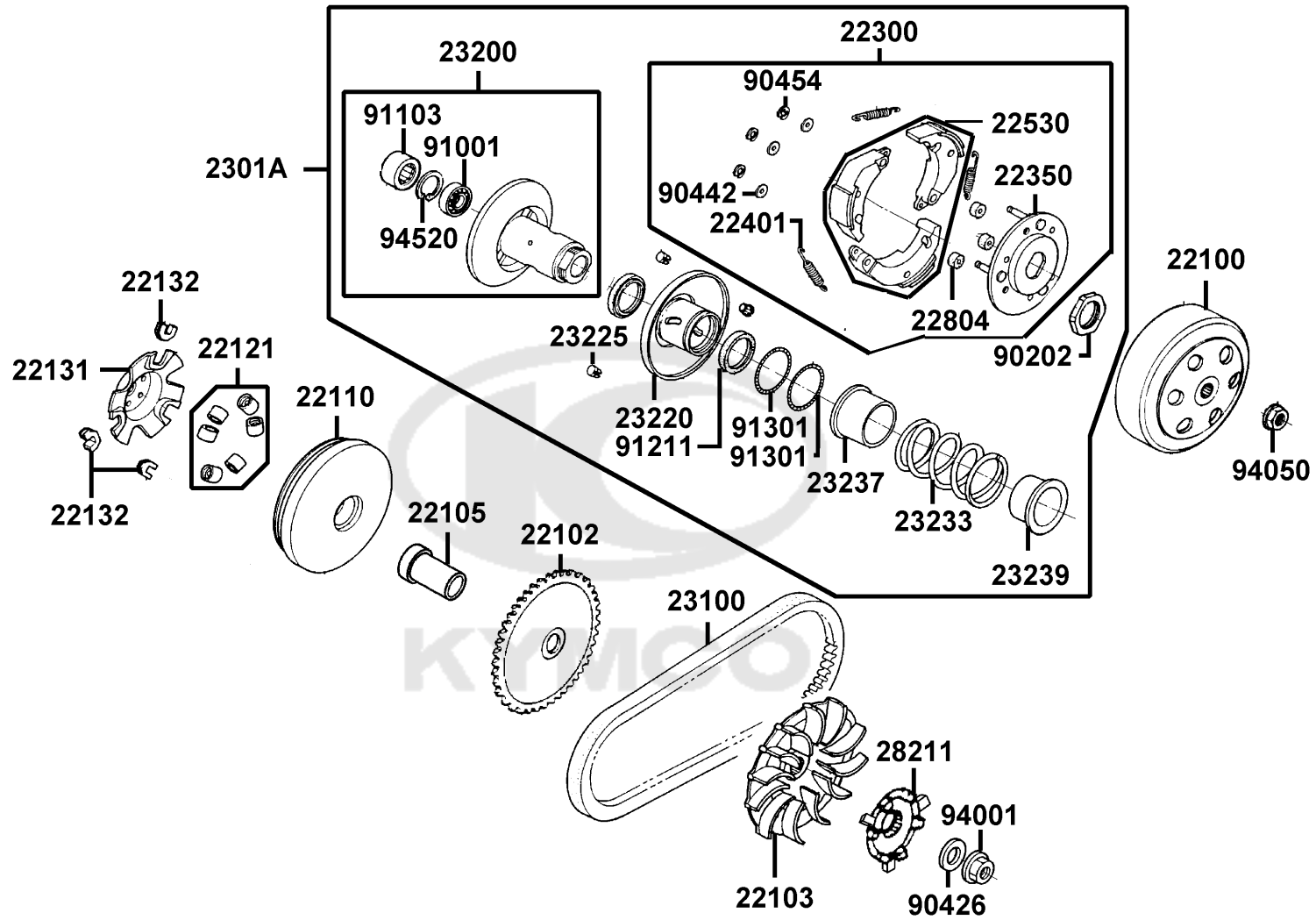




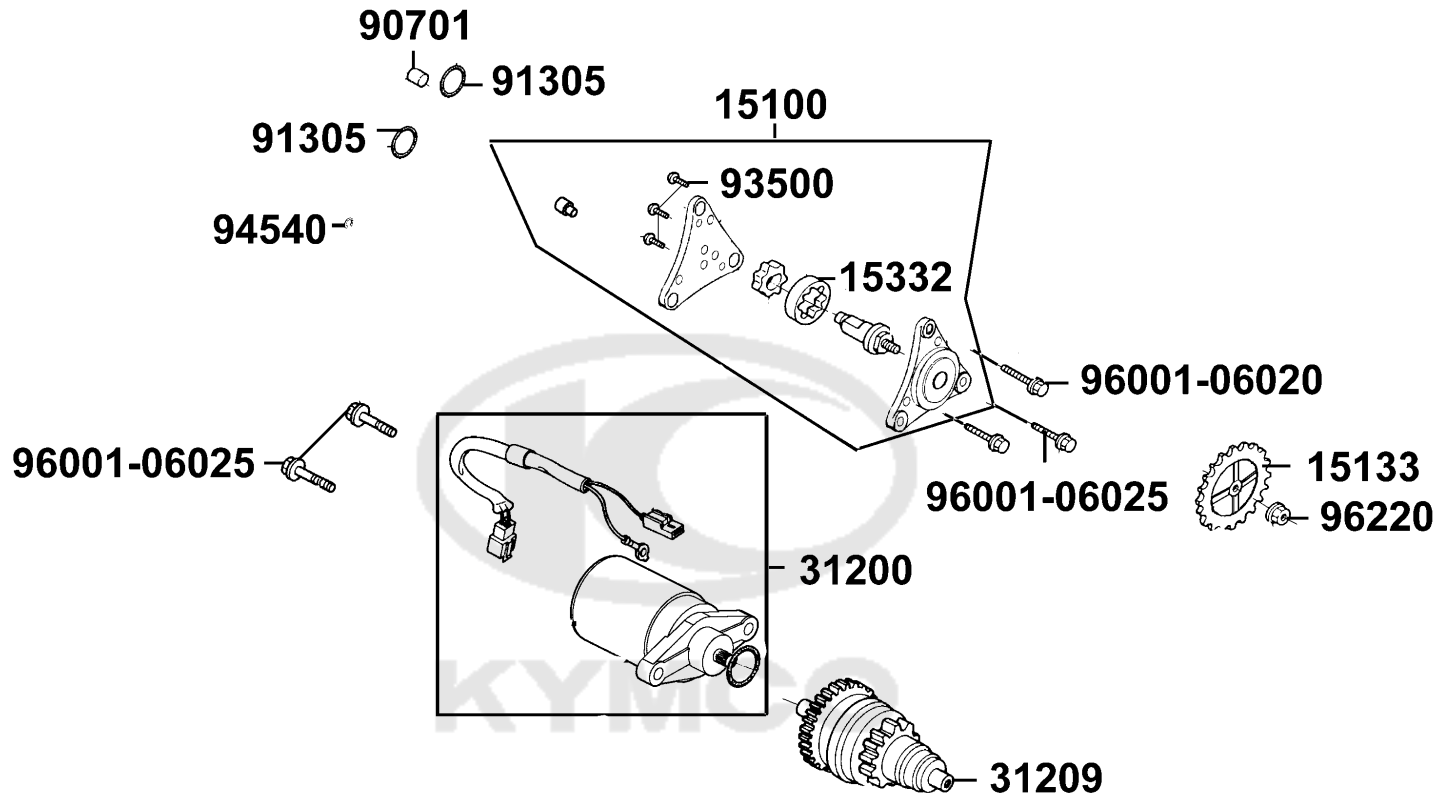
Sales mark	Ref no	Part no	Description	Reg description	Regd no	<b>E05</b>
	16056	16056-LEB2-C00	LEVER ASSY..THROTTLE	LEVER ASSY..THROTTLE	1	
	16074	16074-KEC3-C00	WASHER IDLE ADJUST SCREW	WASHER IDLE ADJUST SCREW	1	
	16100	16100-AAF1-EZ5	THROTTLE BODY ASSY	THROTTLE BODY ASSY	1	
	16110	16110-KEC3-900	WASHER THROTTLE ASSY	WASHER THROTTLE ASSY	1	
	16112	16112-KKE3-C00	COVER IDLE SCREW	COVER IDLE SCREW	1	
	16118	16118-KEC3-C00	SEAL THROTTLE SHAFT	SEAL THROTTLE SHAFT	1	
	16122	16122-KEC3-C00	O-RING IDLE SCREW	O-RING IDLE SCREW	1	
	16123	16123-LEA1-C00	TUBE COMP3.5*510	TUBE COMP3.5*510	1	
	16133	16133-KEC3-C00	SPG THROTTLE ADJ SCREW	SPG THROTTLE ADJ SCREW	1	
	16138	16138-KEC3-C00	SPG IDLE ADJ SCREW	SPG IDLE ADJ SCREW	1	
	16154	16154-KKE3-C00	SCREW IDLE ADJUST	SCREW IDLE ADJUST	1	
	16170	16170-KEC3-C00	SCREW THROTTLE ADJUST	SCREW THROTTLE ADJUST	1	
	91302	91302-LEB2-C00	SEAL THROTTLE-ECU	SEAL THROTTLE-ECU	1	
#	93892	93892-05010-06	SCREW WASHER 5X10	SCREW WASHER 5X10	2	
	94050	94050-06080	NUT FLANGE 6MM	NUT FLANGE 6MM	1	
	94101	94101-KKE3-C00	WASHER SPG 4MM	WASHER SPG 4MM	1	
	94111	94111-06800	WASHER SPRING 6MM	WASHER SPRING 6MM	1	



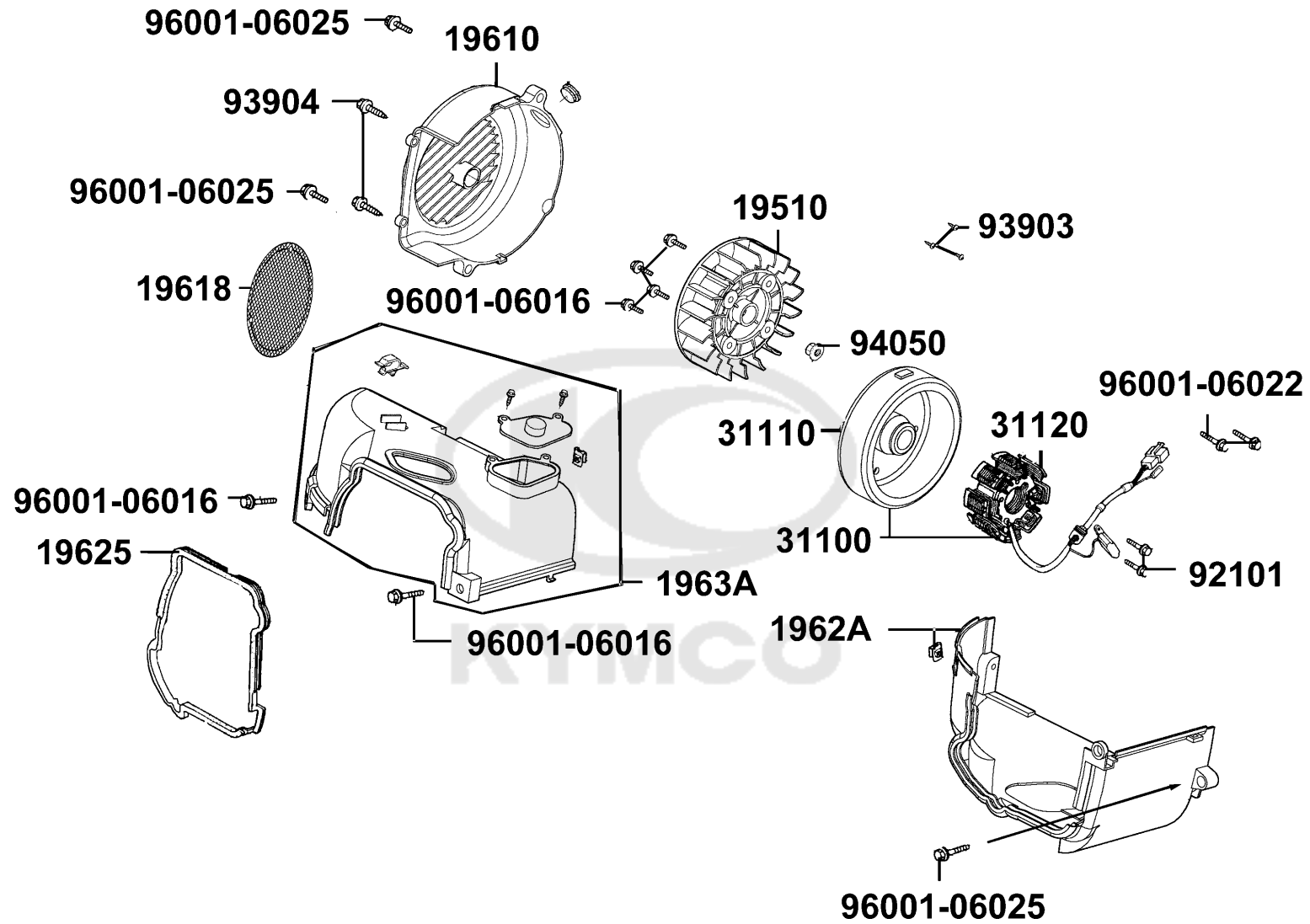
Sales mark	Ref no	Part no	Description	Reg description	Regd no	E06
	22100	22100-LDC8-E10	CLUTCH OUTER	CLUTCH OUTER	1	
	22102	22102-LDC8-E10	FACE DRIVE	FACE DRIVE	1	
	22103	22103-KEB7-C00	FAN CVT COOLING	FAN CVT COOLING	1	
	22105	22105-KGBG-C00	BOSS DRIVE FACE	BOSS DRIVE FACE	1	
	22110	22110-LDC8-E10	FACE COMP MOVABLE DRIVE	FACE COMP MOVABLE DRIVE	1	
	22121	22121-LDC8-405	ROLLER COMP. WEIGHT(EZ5)	ROLLER COMP. WEIGHT(EZ5)	1	
	22131	22131-GHAH-C00	PLATE RAMP	PLATE RAMP	1	
	22132	22132-GLW0-315	PIECE SLIDE(1SET:3PCS)	PIECE SLIDE(1SET:3PCS)	1	
	22300	22300-GGAG-C00	PLATE ASSY DRIVE	PLATE ASSY. DRIVE	1	
	22350	22350-GKAK-C00	PLATE COMP DRIVE	PLATE COMP DRIVE	1	
	22401	22401-GJAJ-C00	SPRING CLUTCH	SPRING CLUTCH	3	
	22530	22530-GKAK-C00	WEIGHT CLUTCH	WEIGHT CLUTCH	3	
	22804	22804-1H48-C00	RUBBER CLUTCH DUMPER	RUBBER CLUTCH DUMPER	3	
	2301A	2301A-LEA3-C00	PULLEY ASSY DRIVEN	PULLEY ASSY DRIVEN	1	
	23100	23100-KEB7-C00	BELT DRIVE	BELT DRIVE	1	
#	23200	23200-GAR1-C00	FACE ASSY DRIVEN	FACE ASSY DRIVEN	2	
	23220	23220-KEE1-C00	FACE COMP MOVABLE	"FACE COMP., MOVABLE"	1	
	23225	23225-GAR1-C00	PIN GUIDE	PIN GUIDE	3	
	23233	23233-LEA3-C00	SPG DRIVEN FACE	SPG. DRIVEN FACE	1	
	23237	23237-GAR1-C00	COLLAR SEAL	COLLAR SEAL	1	



Sales mark	Ref no	Part no	Description	Reg description	Regd no	<b>E06</b>
23239		23239-LEA3-C00	GUIDE SPG	GUIDE SPG	1	
28211		28211-KEB7-W10	RATCHET KICK STARTER	RATCHET KICK STARTER	1	
90202		90202-1G87-C00	NUT SPECIAL 28MM	NUT SPECIAL 28MM	1	
90426		90426-KNBN-C01	WASHER SPECIAL 12MM	WASHER SPECIAL 12MM	1	
90442		90442-0D44-C00	WASHER THRUST 6M/M	WASHER THRUST 6M/M	3	
90454		90454-GBB2-C00	CIR CLIP 6MM	CIR CLIP 6MM	3	
91001		91001-GGA7-C00	BRG RADIAL BALL 6901U	BRG RADIAL BALL 6901U	1	
91103		91103-GAR1-C00	BRG NEEDLE 17*25*18 WS	BRG NEEDLE 17x25x18 WS	1	
91211		91211-GHK8-C00	OIL SEAL 34*39*3	OIL SEAL 34*39*3	2	
91301		91301-KEA5-C00	O 36*1.5	"O-RING, 36x1.5"	2	
94001		94001-12280-0SG	NUT HEX 12MM(C)	NUT HEX 12MM(C)	1	
94050		94050-10080-G	NUT FLANGE 10MM (C)	NUT FLANGE 10MM (C)	1	
94520		94520-24000	CIR CLIP IN 24	CIR CLIP IN 24	1	

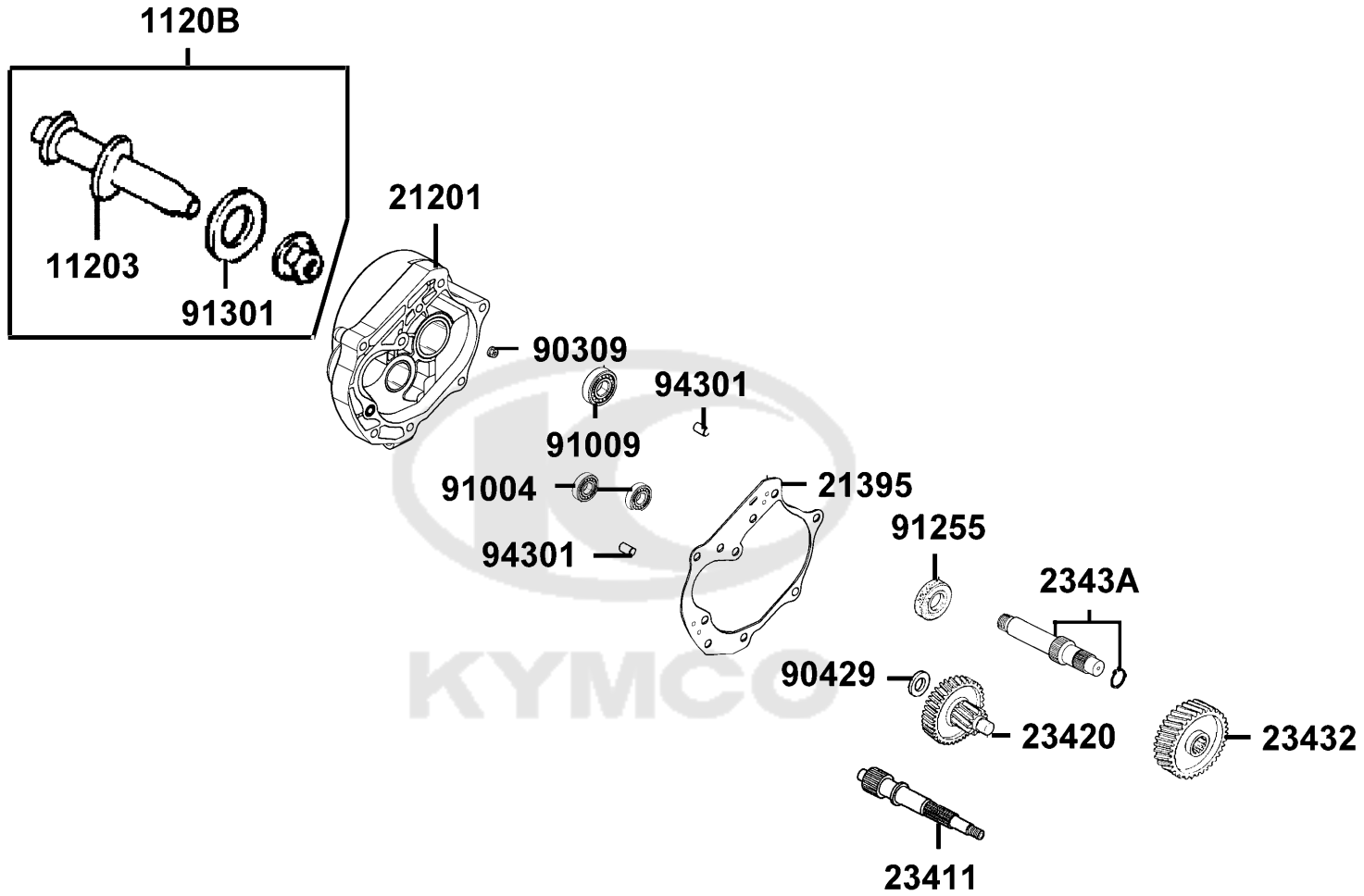


Sales mark	Ref no	Part no	Description	Reg description	Regd no	E07
15100		15100-LDC5-C00	PUMP ASSY OIL	PUMP ASSY OIL	1	
15133		15133-LDC5-C00	GEAR OIL PUMP DRIVEN	GEAR OIL PUMP DRIVEN	1	
15332		15332-GFF6-C00	ROTOR OIL PUMP OUTER	ROTOR OIL PUMP OUTER	1	
31200		31200-LEJ2-E10	MOTOR ASSY START	MOTOR ASSY START	1	
31209		31209-KEE1-C01	PINION ASSY STARTER	PINION ASSY STARTER	1	
90701		90701-HDC4-C00	DOWEL PIN 8*12	DOWEL PIN 8*12	1	
91305		91305-0H28-C00	O-RING 9*1.6	O-RING 9*1.6	2	
93500		93500-04010-1A	SCREW 4*10	SCREW 4*10	3	
94540		94540-06018	E RING 6	E RING 6	1	
96001-06020		96001-06020-08G	BOLT FLANGED SMALL	BOLT FLANGED SMALL	2	
96001-06025		96001-06025-08G	BOLT FLANGE SH 6*25 (C)	BOLT FLANGE SH 6*25 (C)	3	
96220		96220-LDC5-C00	ROLLER 2*14.8	ROLLER 2*14.8	1	





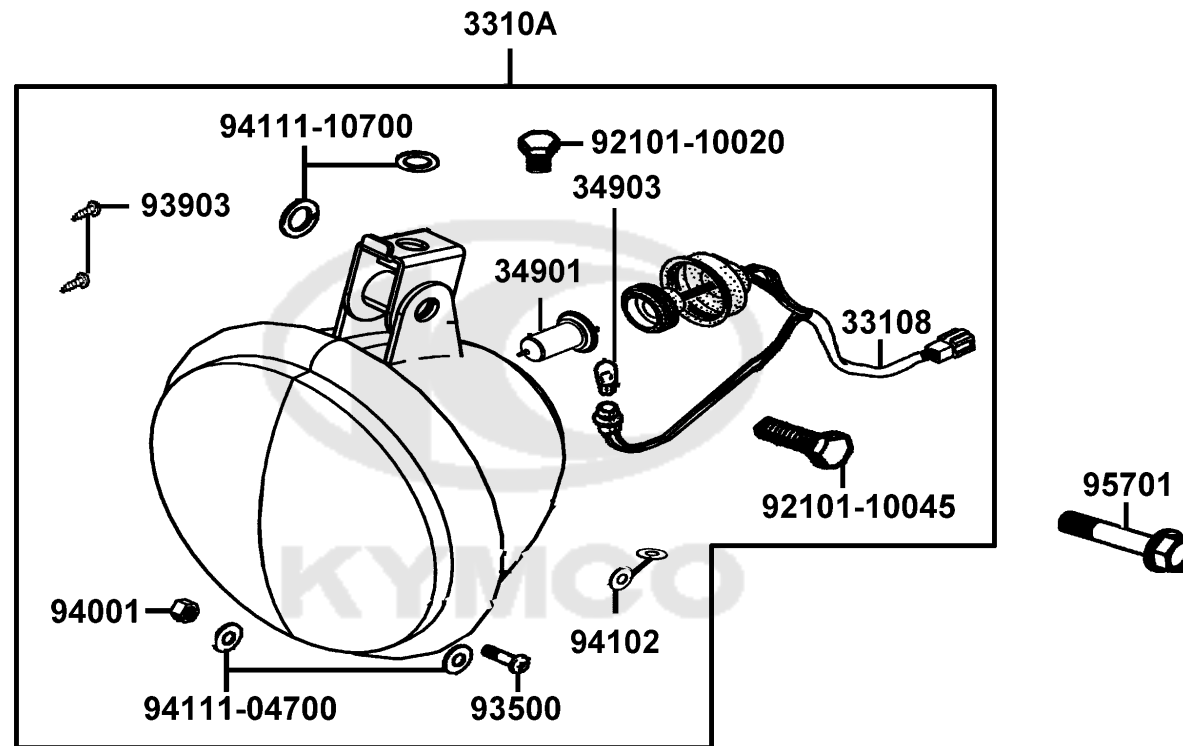
Sales mark	Ref no	Part no	Description	Reg description	Regd no	<b>E08</b>
19510		19510-LDC5-C00	FAN COMP COOLING	FAN COMP COOLING	1	
19610		19610-LFC2-E10	COVER COMP FAN	COVER COMP FAN	1	
19618		19618-ALC8-E60	"MESH, FAN COVER"	"MESH, FAN COVER"	1	
19625		19625-KEE1-C00	SEAL SHROUND	SEAL SHROUND	1	
1962A		1962A-KEE1-C00	SHROCD ASSY A	SHROCD ASSY A	1	
1963A		1963A-ADB2-C00	SHROUD ASSY B	SHROUD ASSY B	1	
31100		31100-ADB2-C00	AC GEN ASSY	AC GEN ASSY	1	
31110		31110-ADB2-C00	"ROTOR, FLYWHEEL"	"ROTOR, FLYWHEEL"	1	
31120		31120-ADB2-C00	STATOR COMP	STATOR COMP	1	
92101		92101-05012-0HG	BOLT HEX 5*12	BOLT HEX 5*12	2	
93903		93903-34280-G	SCREW TAPPING 4*10	SCREW TAPPING 4*10	3	
93904		93904-35380-G	SCREW TAPPING 5*16(K)	SCREW TAPPING 5*16(k)	2	
94050		94050-10080-G	NUT FLANGE 10MM (C)	NUT FLANGE 10MM (C)	1	
96001-06016		96001-06016-08G	BOLT FLANGE SH 6x16 (C)	BOLT FLANGE SH 6*16 (CR3+)	6	
96001-06022		96001-06022-08G	BOLT FLANGE SH 6*22 (C)	BOLT FLANGE SH 6*22 (C)	2	
96001-06025		96001-06025-08G	BOLT FLANGE SH 6*25 (C)	BOLT FLANGE SH 6*25 (C)	3	



Sales mark	Ref no	Part no	Description	Reg description	Regd no	<b>E09</b>
11203		11203-KAM1-C00	PIN BRAKE SHOE ANCHOR	PIN BRAKE SHOE ANCHOR	1	
1120B		1120B-KGN7-C00	PIN ASSY ANCHOR	PIN ASSY ANCHOR	1	
21201		21201-KFA1-900	MISSION CASE BODY	MISSION CASE BODY	1	
21395		21395-KNBN-E90	GASKET MISSION CASE	GASKET MISSION CASE	1	
23411		23411-ALC8-E60	SHAFT DRIVE	SHAFT DRIVE	1	
23420		23420-ALC8-E60	SHAFT COMP COUNTER	SHAFT COMP COUNTER	1	
23432		23432-ALC8-E60	GEAR FINAL	GEAR FINAL	1	
2343A		2343A-KNBN-C00	SHAFT FINAL	SHAFT FINAL	1	
90309		90309-PUA3-B50	NUT FLANGE 8MM	NUT FLANGE 8MM	1	
90429		90429-KNBN-C00	WASHER SIDE 12MM	WASHER SIDE 12MM	1	
91004		91004-KBN2-C00	BRG BALL RADIAL 6201	BRG BALL RADIAL 6201	2	
91009		91009-GLE0-C00	BRG BALL RADIAL 6004 UU	BRG BALL RADIAL 6004 UU	1	
91255		91255-LDC8-E10	OIL SEAL 27*42*7(C?)	OIL SEAL 27*42*7(C?)	1	
91301		91301-0C53-W10	O RING 7.5*1.5	O RING 7.5*1.5	1	
94301		94301-10200	DOWEL PIN 10*20	DOWEL PIN 10*20	2	

F01

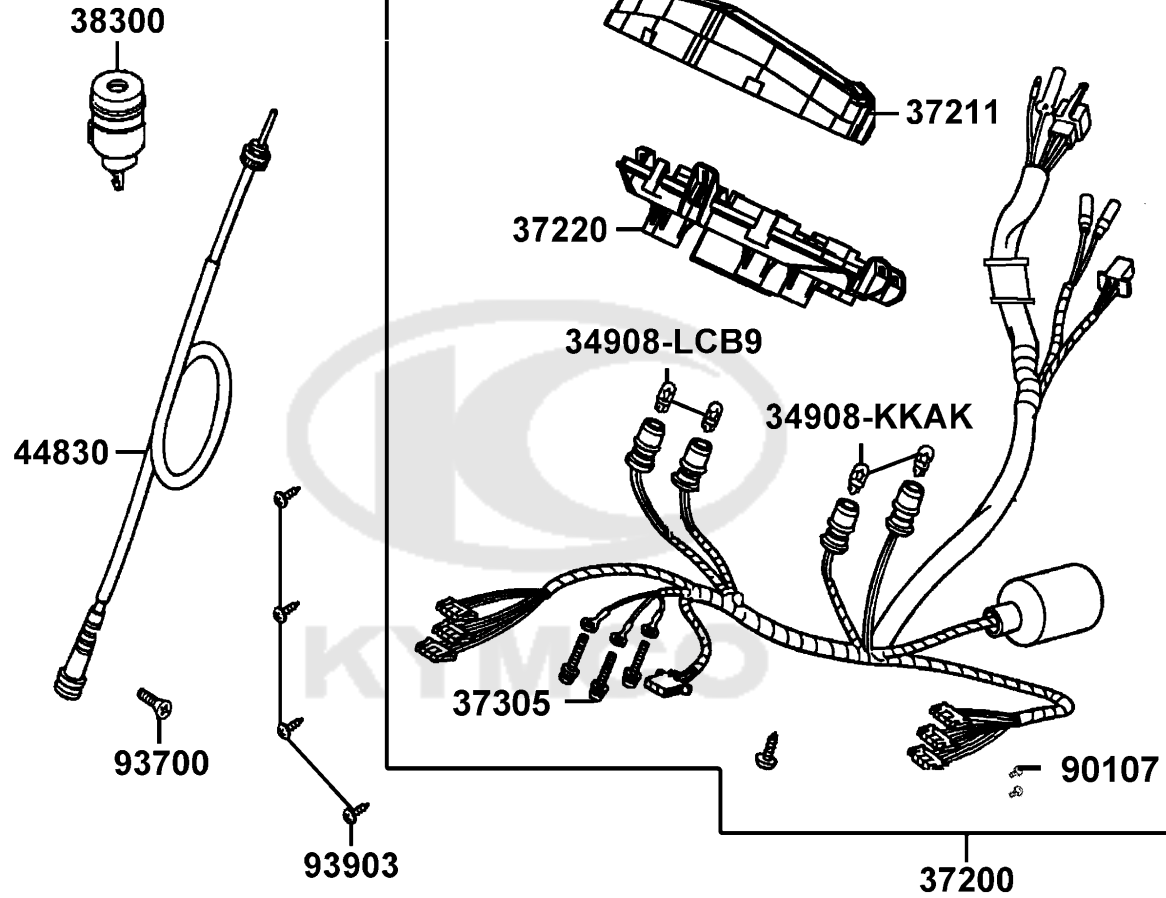
Head Light



Sales mark	Ref no	Part no	Description	Reg description	Regd no	F01
33108		33108-ALC8-E60	SOCKET COMP LIGHT HEAD	SOCKET COMP LIGHT HEAD	1	
3310A		3310A-ALC8-E60	SET HEAD LIGHT	SET HEAD LIGHT	1	
34901		34901-LDC8-E10	BULB HEAD LIGHT	BULB HEAD LIGHT	1	
34903		34903-LDC8-E10	BULB POSITION	BULB POSITION	1	
92101-10020		92101-10020-0G	BOLT HEX 10*20	BOLT HEX 10*20	1	
92101-10045		92101-10045-0G	BOLT HEX 10*45	BOLT HEX 10*45	1	
93500		93500-04035-0G	SCREW PAN 4*35	SCREW PAN 4*35	1	
93903		93903-34380	SCREW TAPPING 4*12	SCREW TAPPING 4*12 (K)	2	
94001		94001-04007-0S	NUT HEX 4MM	NUT HEX 4MM	1	
94102		94102-10700	WASHER PLAIN 10MM (K)	WASHER PLAIN 10 MM	2	
94111-04700		94111-04700	WASHER SPG 4MM(K)	WASHER SPG 4MM(K)	2	
94111-10700		94111-10700	WASHER SPG 10MM **10600 C.P.N.	WASHER SPG 10MM **10600 C.P.N.	2	
95701		95701-10020-07G	BOLT FLANGE 10*20(C)	BOLT FLANGE 10*20(C)	1	

F02

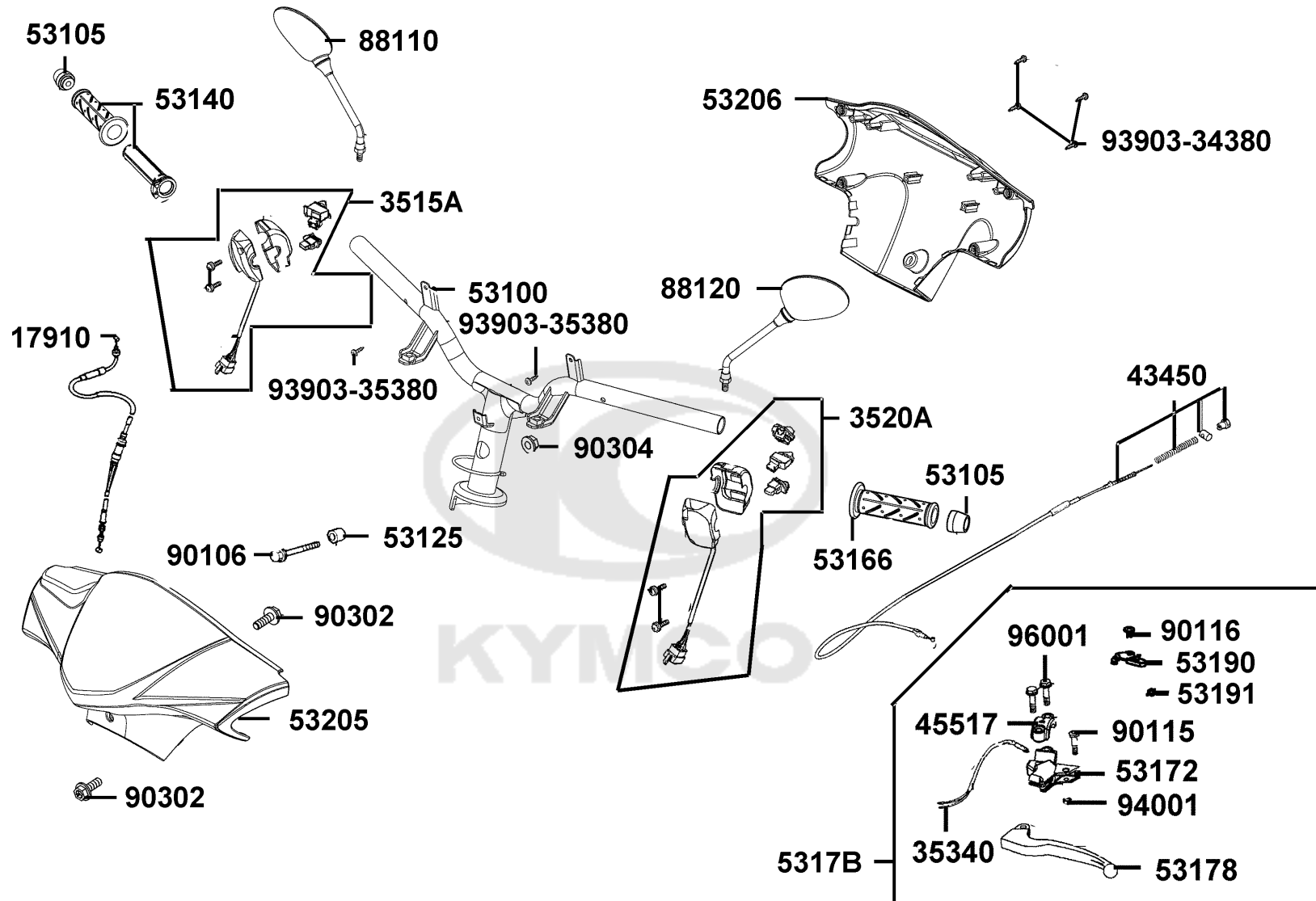
Speedometer



Sales mark	Ref no	Part no	Description	Reg description	Regd no	F02
34908-KKAK		34908-KKAK-C00	BULB WEDGE BASE T6.5(12V.1.7W)	BULB WEDGE BASE T6.5(12V.1.7W)	2	
34908-LCB9		34908-LCB9-C10	BULB WEDGE BASE T10 12V 1.7W	BULB WEDGE BASE T10 12V 1.7W	2	
37200		37200-AAF1-E65	METER ASSY SPEED	METER ASSY SPEED	1	
37211		37211-LCB9-C10	LENS COMP METER	LENS COMP METER	1	
37220		37220-LCB9-C10	CASE ASSY	CASE ASSY	1	
37305		37305-KEE5-008	SCREW WASH 3*22	SCREW WASH 3*22	3	
38300		38300-KECE-W10	RELAY ASSY WINKER	RELAY ASSY WINKER	1	
44830		44830-AAC7-E60	CABLE COMP SPDMT	CABLE COMP SPDMT	1	
90107		90107-GHC8-000	SCREW BIND 2.3*7	SCREW BIND 2.3*7	2	
93700		93700-05018-OHG	SCREW OVAL 5*18	SCREW OVAL 5*18	1	
93903		93903-35380-G	SCREW TAPPING 5*16 (K)	SCREW TAPPING 5*16 (K)	4	

F03

# Handle Steering Handle Cover

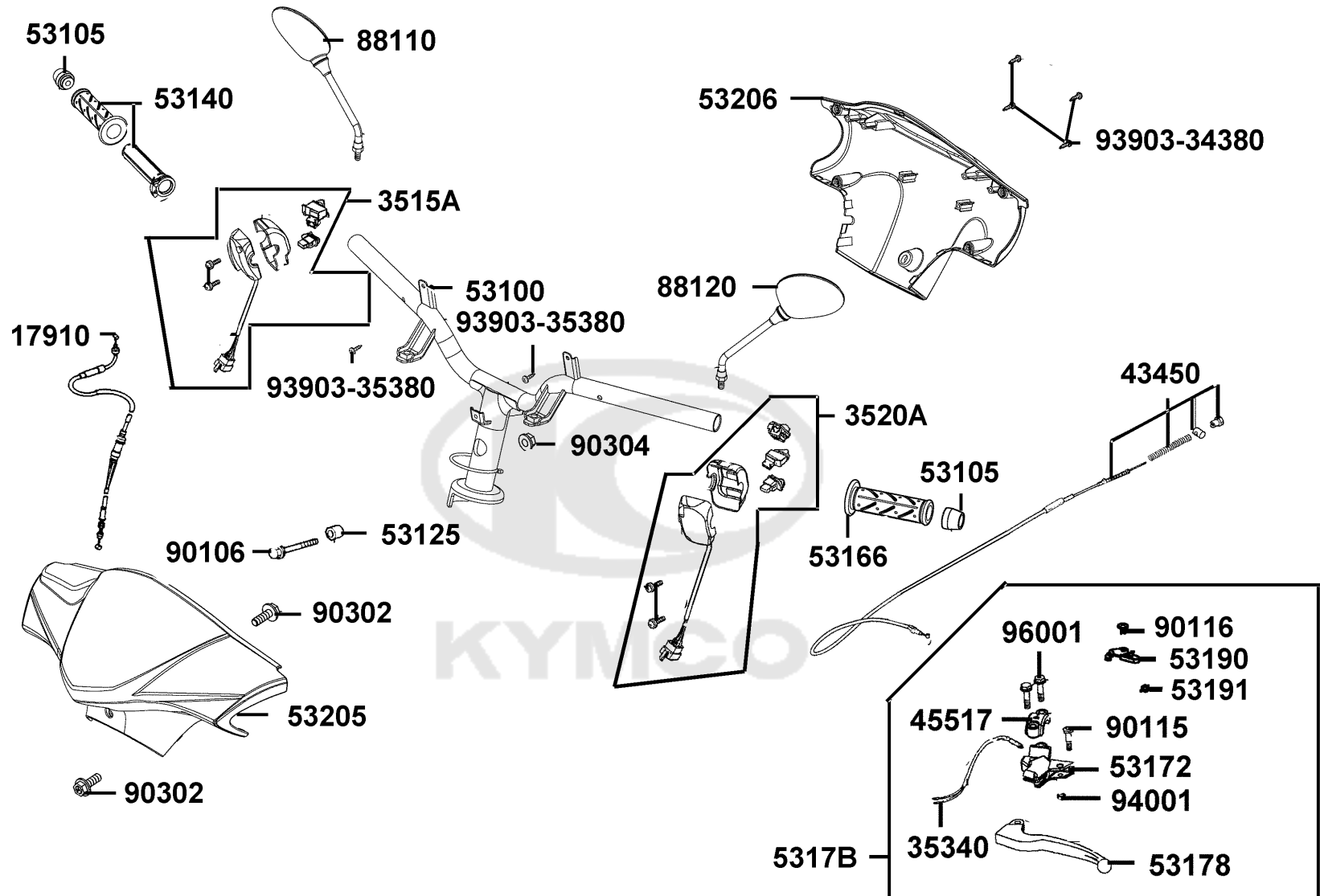




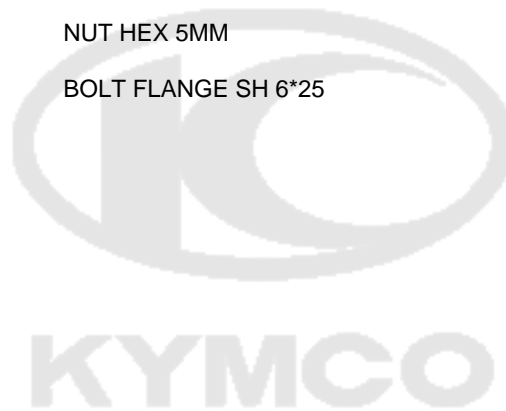
Sales mark	Ref no	Part no	Description	Reg description	Regd no	F03
	17910	17910-ALJ8-E1D	CABLE COMPTHROTTLE	CABLE COMPTHROTTLE	1	
	3515A	3515A-LGB5-EV0	SW ASSY RH HANDLE COMP	SW ASSY RH HANDLE COMP	1	
	3520A	3520A-LGB5-E11	"SW ASS'Y..LH HANDLE COMP"	"SW ASS'Y..LH HANDLE COMP"	1	
	35340	35340-KKJ9-C00	SW ASSY FR STOP	SW ASSY FR STOP	1	
	43450	43450-AAF1-E60	CABLE COMP RR BRK	CABLE COMP RR BRK	1	
	45517	45517-GFY6-900	HOLDER HNDL BRKT	HOLDER HNDL BRKT	1	
	53100	53100-AAC7-E60	HANDLE COMP STG	HANDLE COMP STG	1	
	53105	53105-KNBN-C00	END STRG HANDLE	END STRG HANDLE	2	
	53125	53125-GEN5-C00	COLLAR HANDLE SET	COLLAR HANDLE SET	1	
**	53140	53140-KNBN-C00	GRIP COMP THROT	GRIP COMP THROT	1	
**	53166	53166-KNBN-C00	GRIP L HANDLE	GRIP L HANDLE	1	
	53172	53172-LGB6-E10	BRKT HANDLE L	BRKT HANDLE L	1	
**	53178	53178-LGB6-E10	LEVER L STRG HANDLE	LEVER L STRG HANDLE	1	
	5317B	5317B-LGB6-E10	BRKT ASSY HNDL LH	BRKT ASSY HNDL LH	1	
	53190	53190-GFY6-C00	LEVER COMP P/BRK	LEVER COMP P/BRK	1	
	53191	53191-GFY6-C00	SPG PKB LEVER	SPG PKB LEVER	1	
**	53205	53205-AAC7-E60	COVER HANDLE FR WHITE	COVER HANDLE FR WHITE	1	
**	53206	53206-AAC7-E60	COBER HANDLE RR	COBER HANDLE RR	1	
	88110	88110-LCB9-C11	MIRROR ASSY R BACK	MIRROR ASSY R BACK	1	
	88120	88120-LCB9-C11	MIRROR ASSY L BACK	MIRROR ASSY L BACK	1	

F03

# Handle Steering Handle Cover

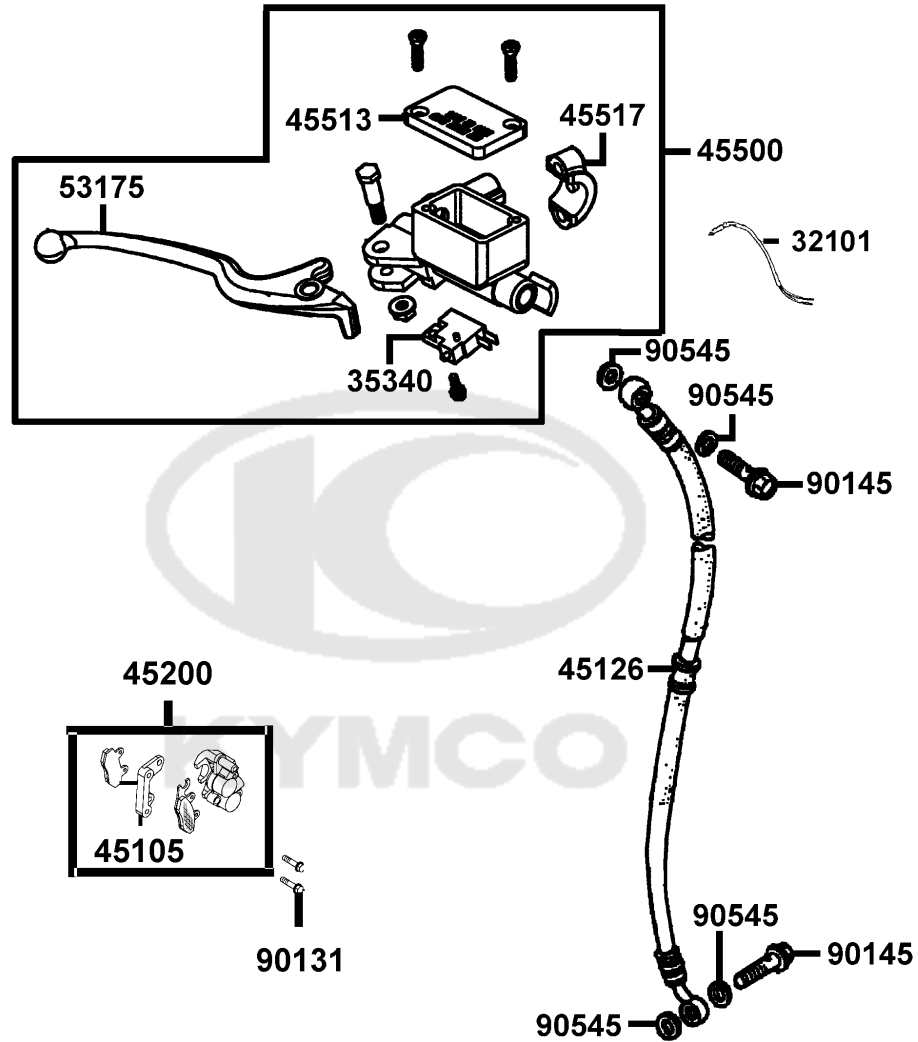


Sales mark	Ref no	Part no	Description	Reg description	Regd no	<b>F03</b>
90106		90106-PUA3-B50	BOLT FLANGE 10*50	BOLT FLANGE 10*50	1	
90115		90115-GLE0-C00	BOLT HNDL LEVER PIVOT	BOLT HNDL LEVER PIVOT	1	
90116		90116-GGS7-C00	SCREW P/BRK LEVER PIVOT	SCREW P/BRK LEVER PIVOT	1	
90302		90302-PUA3-B51	BOLT-WASH 5*12	BOLT-WASH 5*12	2	
90304		90304-PUA3-B50	NUT U 10MM (C)	NUT U 10MM (C)	1	
93903-34380		93903-34380-G	SCREW TAPPING 4x12	SCREW TAPPING 4x12	4	
93903-35380		93903-35380-G	SCREW TAPPING 5*16 (K)	SCREW TAPPING 5*16 (K)	2	
94001		94001-05080-0S	NUT HEX 5MM	NUT HEX 5MM	1	
96001		96001-06025-06	BOLT FLANGE SH 6*25	BOLT FLANGE SH 6*25	2	

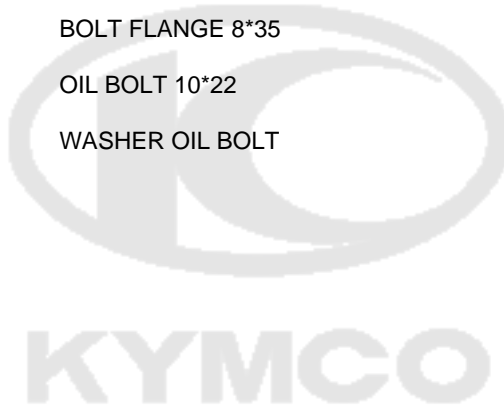


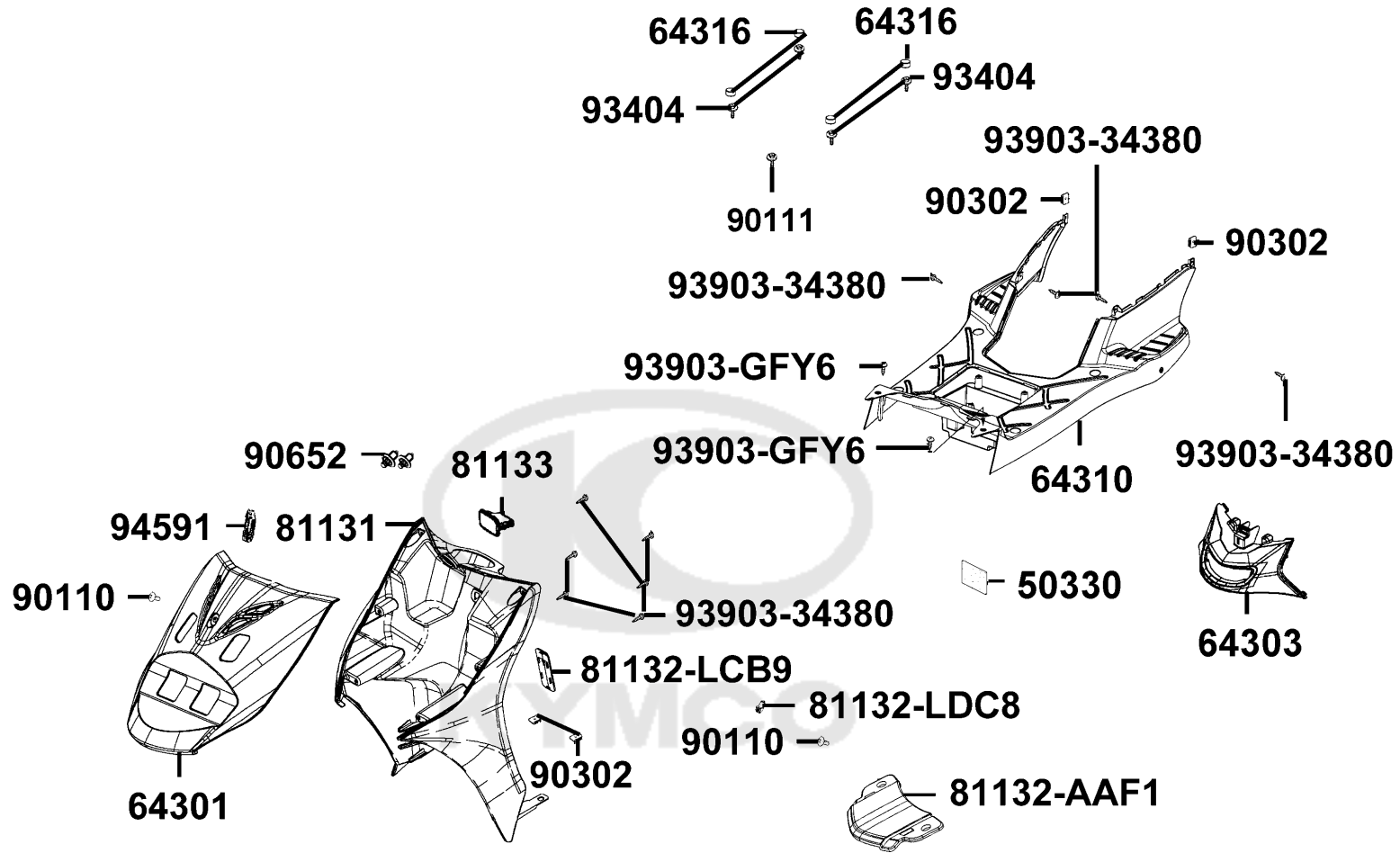
F04

# Brake Master Cylinder



Sales mark	Ref no	Part no	Description	Reg description	Regd no	<b>F04</b>
	32101	32101-GFY6-C00	SUB CORD R	SUB CORD R	1	
	35340	35340-KNBN-C00	SW ASSY FR STOP	SW ASSY FR STOP	1	
	45105	45105-LFC2-305	PAD COMP A+B	PAD COMP A+B	1	
	45126	45126-AAC7-E60	HOSE ASSY FR BRAKE	HOSE ASSY FR BRAKE	1	
**	45200	45200-ALA9-E70	CALIPER ASSY FR BRK	CALIPER ASSY FR BRK	1	
	45513	45513-LDC8-E10	CAP CYLN SET MASTER	CAP CYLN SET MASTER	1	
	45517	45517-KFAF-910	HOLDER M/C	HOLDER M/C	1	
	90131	90131-GLW0-C02	BOLT FLANGE 8*35	BOLT FLANGE 8*35	2	
	90145	90145-9A61-C00	OIL BOLT 10*22	OIL BOLT 10*22	2	
	90545	90545-3L00-C00	WASHER OIL BOLT	WASHER OIL BOLT	4	

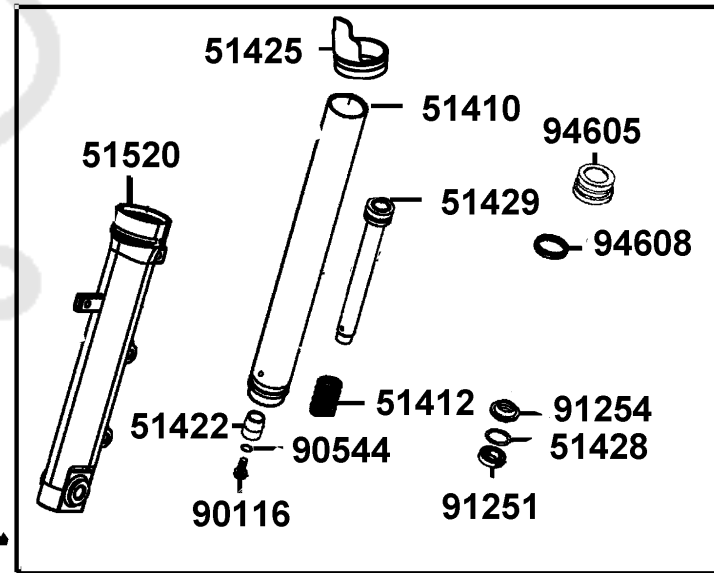
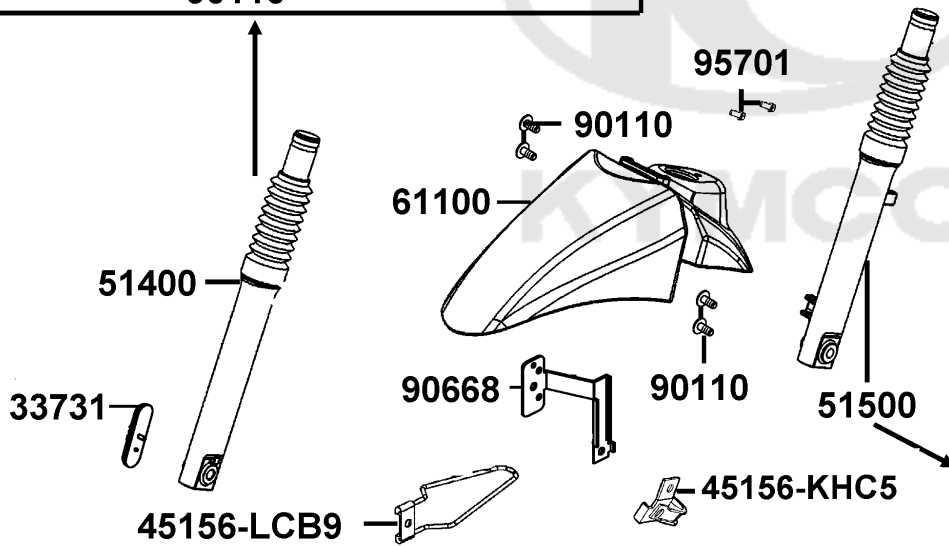
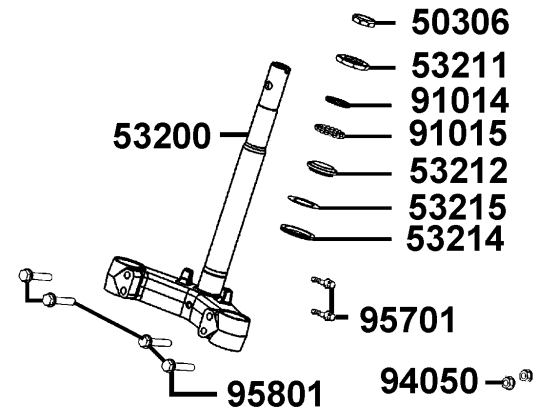
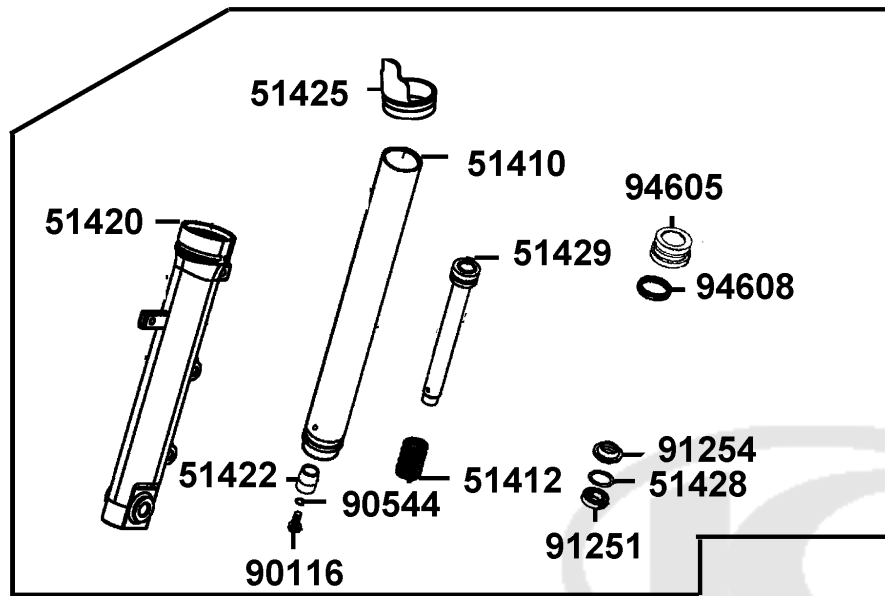




Sales mark	Ref no	Part no	Description	Reg description	Regd no	F05
	50330	50330-KEBE-C00	SEAL BATTERY FRONT	SEAL BATTERY FRONT	1	
**	64301	64301-ALA9-E70	COVER FR	COVER FR	1	
**	64303	64303-ALC9-E10	LID FR COVER	LID FR COVER	1	
**	64310	64310-LCB9-C10	PANEL FLOOR	PANEL FLOOR	1	
**	64316	64316-LCB9-C10	PLUG FLOOR	PLUG FLOOR	4	
**	81131	81131-ALA9-E70	LEG SHIELD	LEG SHIELD	1	
**	81132-AAF1	81132-AAF1-E60	CAP LEG SHIELD UP	CAP LEG SHIELD UP	1	
**	81132-LCB9	81132-LCB9-C10	LID LEG SHIELD	LID LEG SHIELD	1	
**	81132-LDC8	81132-LDC8-E10	HOOK LUGGAGE	HOOK LUGGAGE	1	
	81133	81133-KNBN-C00	STOPPER LUGGAGE	STOPPER LUGGAGE	1	
	90110	90110-GLW0-C00	SCREW SPECIFIED 6*14	SCREW SPECIFIED 6*14	2	
	90111	90111-06016-07G	BOLT FLANGE 6*16 (K)	BOLT FLANGE 6*16 (K)	1	
	90302	90302-SDA4-C01	"NUT,SPPING 4MM"	"NUT,SPPING 4MM"	4	
	90652	90652-LFB5-C00	"CLIP,MUDGUARD"	"CLIP,MUDGUARD"	2	
	93404	93404-06020-07G	BOLT-WASH 6x20	BOLT WASHER 6*20 (K)	4	
	93903-34380	93903-34380-G	SCREW TAPPING 4x12	SCREW TAPPING 4x12	8	
	93903-GFY6	93903-GFY6-C01	SCREW TAPPING 4*14(K)	SCREW TAPPING 4*14	2	
	94591	94591-LGR5-E10	CLIP 1*100	CLIP 1*100	1	

F06

### Stem Steering Front Cushion

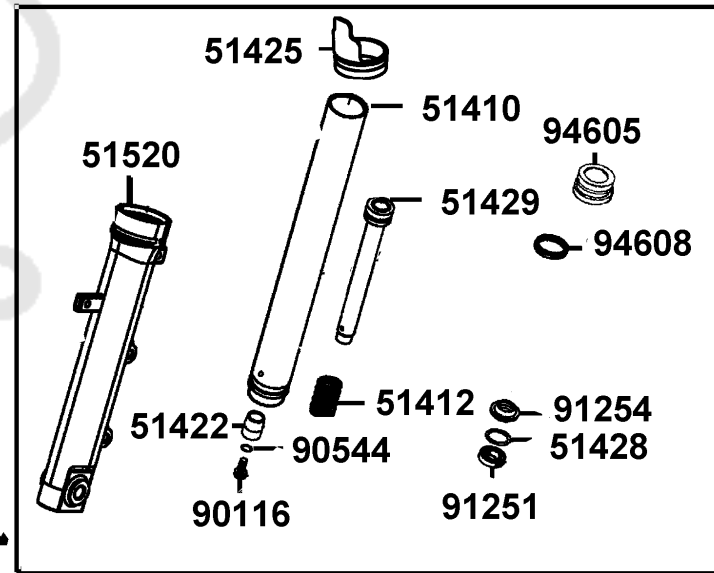
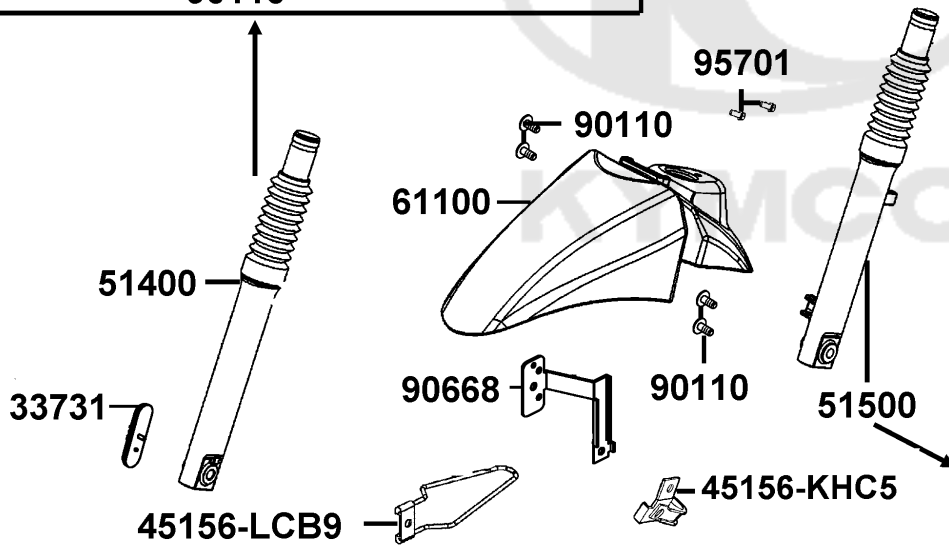
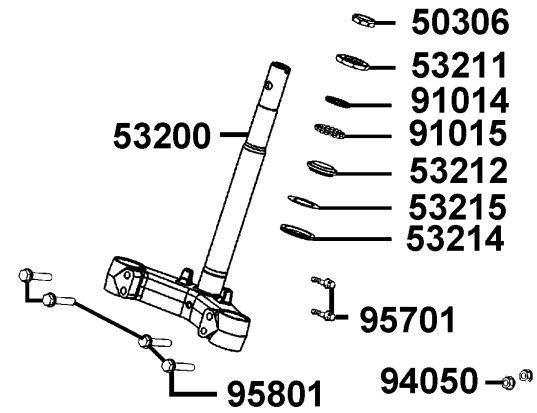
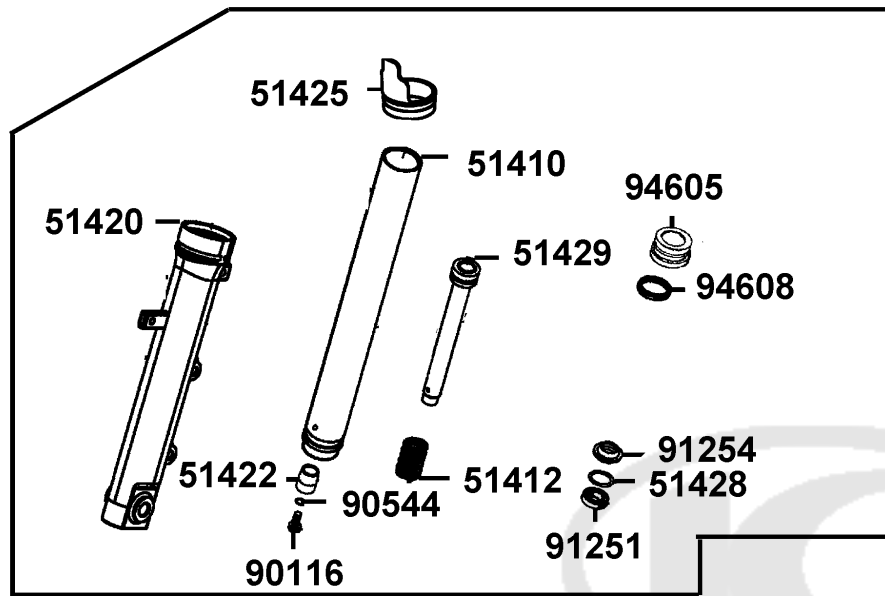




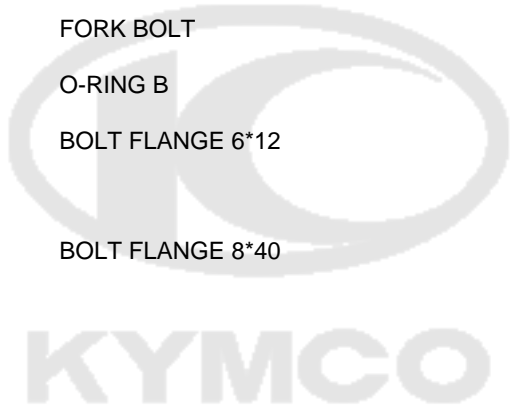
Sales mark	Ref no	Part no	Description	Reg description	Regd no	F06
	33731	33731-KGB5-EZ0	REFLEX REFLECTOR SIDE	REFLEX REFLECTOR SIDE	1	
	45156-KHC5	45156-KHC5-E10	CLAMPER FR BRAKE HOSE	CLAMPER FR BRAKE HOSE	1	
	45156-LCB9	45156-LCB9-B20	CLAMPER FR SPDMT CABLE	CLAMPER FR SPDMT CABLE	1	
	50306	50306-1F96-C00	NUT STRG STEM LOCK	NUT STRG STEM LOCK	1	
	51400	51400-LDF7-E10	FORK ASSY R FR	FORK ASSY R FR	1	
	51410	51410-LDC8-E10	FORK PIPE COMP	FORK PIPE COMP	1	
	51412	51412-LDC8-E10	REBOUND SPRING	REBOUND SPRING	1	
	51422	51422-LDC8-E10	OIL LOCK PIECE	OIL LOCK PIECE	1	
	51425	51425-LDF7-E10	DUST COVER	DUST COVER	2	
	51428	51428-LDC8-E10	OIL SEAL STOPPER RING	OIL SEAL STOPPER RING	1	
	51429	51429-LDC8-E10	PIPE SEAT	PIPE SEAT	1	
	51500	51500-LDF7-E10	FORK ASSY L FR	FORK ASSY L FR	1	
	53200	53200-ALC8-E60	STEM ASSY STRG	STEM ASSY STRG	1	
	53211	53211-GFY6-C00	RACE STRG. CONE TOP	RACE STRG TOP CONE	1	
	53212	53212-2L50-C00	RACE STRG. BOTTOM CONE	RACE (STRG BOTTOM) CONE	1	
	53214	53214-2L50-C00	DUST SEAL STRG HEAD	DUST SEAL STRG HEAD	1	
	53215	53215-2L50-C00	WASHER STRG HDL DUST-SEAL	WASHER STRG HDL DUST-SEAL	1	
**	61100	61100-LDC8-E10	FENDER FRONT WHITE	FENDER FRONT WHITE	1	
	90110	90110-KEB7-C01	SCREW SPECIAL 6*14	SCREW SPECIAL 6*14	4	
	90116	90116-LDC8-E10	BOLT	BOLT	1	

F06

### Stem Steering Front Cushion

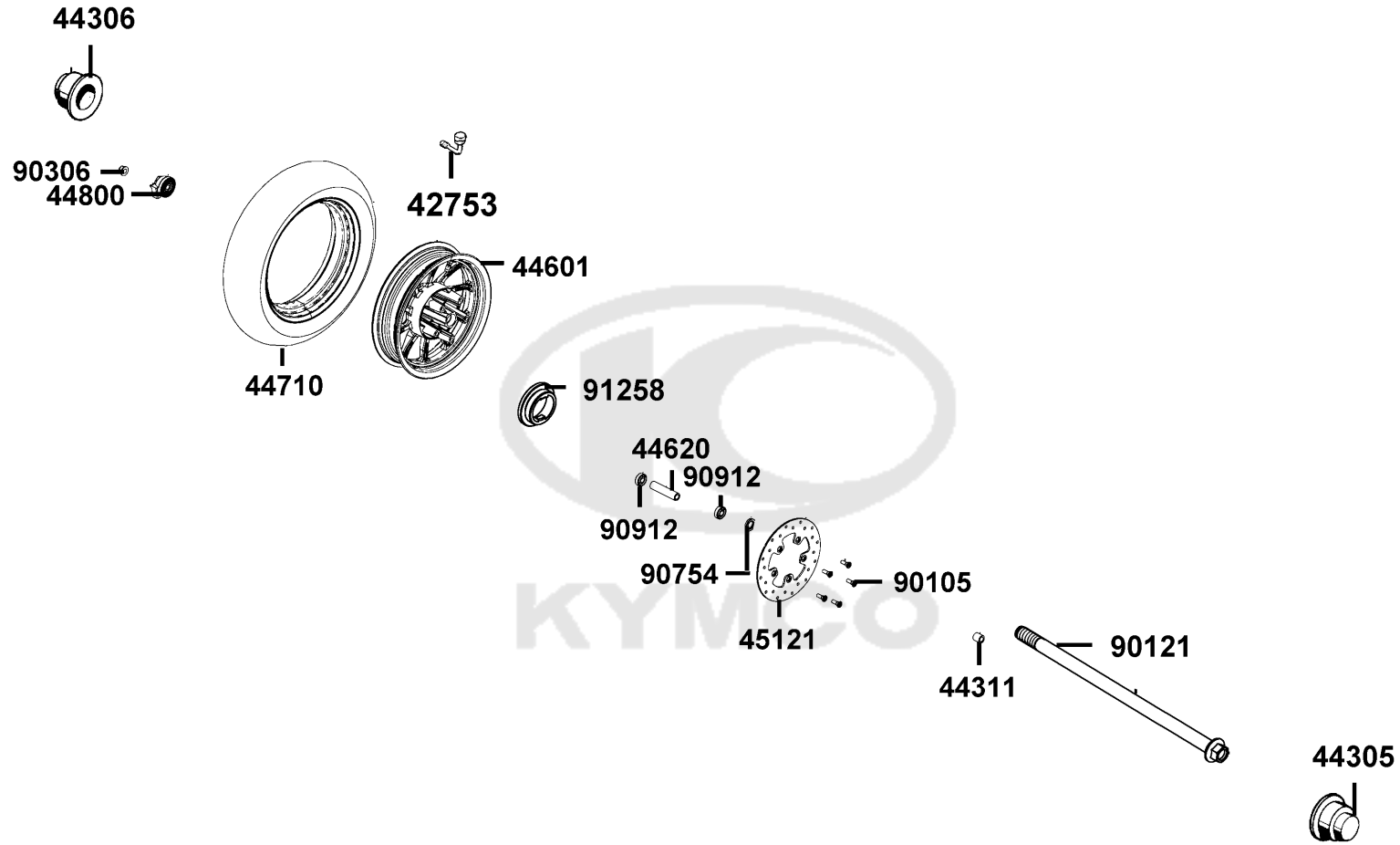


Sales mark	Ref no	Part no	Description	Reg description	Regd no	<b>F06</b>
90544		90544-LDC8-E10	PACKING (CU)B	PACKING	1	
90668		90668-LDC8-E10	STAY SIDE REFLECTOR	STAY SIDE REFLECTOR	2	
91014		91014-LLJ3-C00	CAGE STRG TOPP	CAGE STRG TOPP	1	
91015		91015-LLJ3-C00	CAGE STRG BOT	CAGE STRG BOT	1	
91251		91251-LDC8-E10	OIL SEAL	OIL SEAL	1	
91254		91254-LDC8-E10	DUST SEAL	DUST SEAL	1	
94050		94050-05080-G	NUT FLANGE 5MM	NUT FLANGE 5MM	2	
94605		94605-LDC8-E10	FORK BOLT	FORK BOLT	1	
94608		94608-LDC8-E10	O-RING B	O-RING B	1	
95701		95701-06012-08G	BOLT FLANGE 6*12	BOLT FLANGE 6*12	2	
95801		95801-08040-08G	BOLT FLANGE 8*40	BOLT FLANGE 8*40	4	

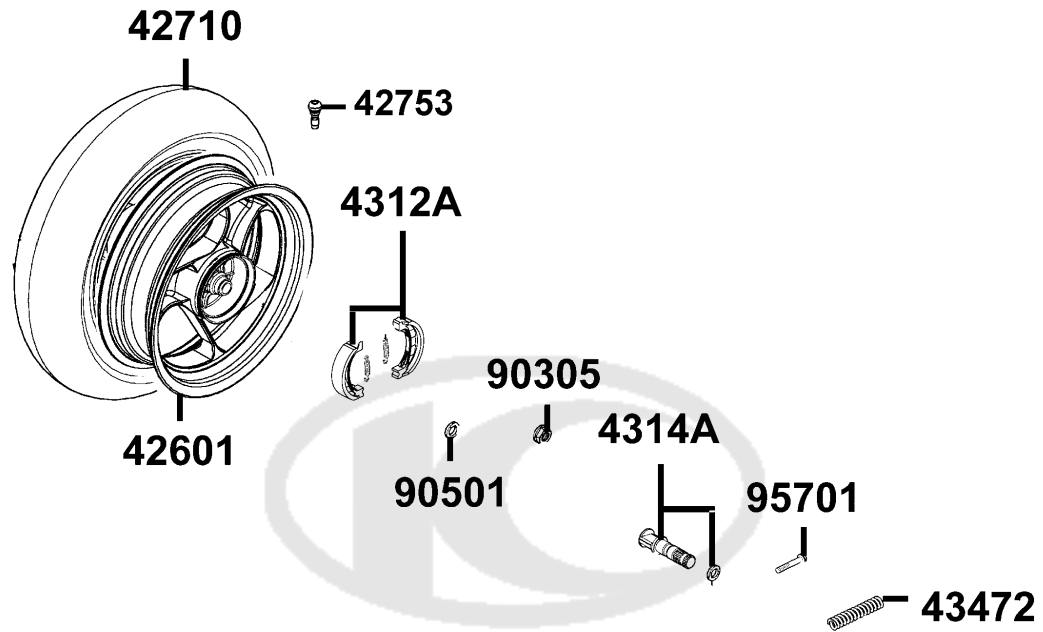


F07

Front Wheel

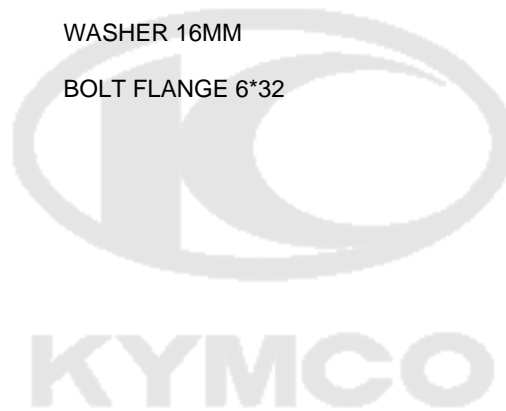


Sales mark	Ref no	Part no	Description	Reg description	Regd no	<b>F07</b>
	42753	42753-0F06-C00	VALAE RIM	VALAE RIM	1	
	44305	44305-KGE2-E00	AXLE PROTECTOR L	AXLE PROTECTOR L	1	
	44306	44306-KGE2-E00	AXLE PROTECTOR R	AXLE PROTECTOR R	1	
	44311	44311-GLW0-W10	COLLAR FR WHEEL SIDE	COLLAR FR WHEEL SIDE	1	
**	44601	44601-KEB7-E0E	WHEEL FR CAST	WHEEL FR CAST	1	
	44620	44620-KEB7-C00	COLLAR FR DIST	COLLAR FR DIST	1	
	44710	44710-LDC8-E11	TIRE ASSYFR	TIRE ASSYFR	1	
	44800	44800-LDC8-E10	GEAR BOX ASSY SPDMT	GEAR BOX ASSY SPDMT	1	
	45121	45121-LBD5-C00	DISK FR BRK	DISK FR BRK	1	
	90105	90105-KCR3-C02	BOLT FR DISK 8*24	BOLT FR DISK 8*24	3	
	90121	90121-KBE2-C01	BOLT RR FORK PIVOT M12*255	BOLT RR FORK PIVOT M12*255	1	
	90306	90306-KLF0-C02	NUT FLANGE 12MM(B)	NUT FLANGE 12MM(B)	1	
	90754	90754-GHC8-C00	DUST SEAL 20*32*5	DUST SEAL 20*32*5	1	
	90912	90912-GHC8-C00	BEARING 6201 (U) (NTN)	BEARING 6201 (U) (NTN)	2	
	91258	91258-KAM1-C00	SEAL SPDMT GEAR BOX	SEAL SPDMT GEAR BOX	1	



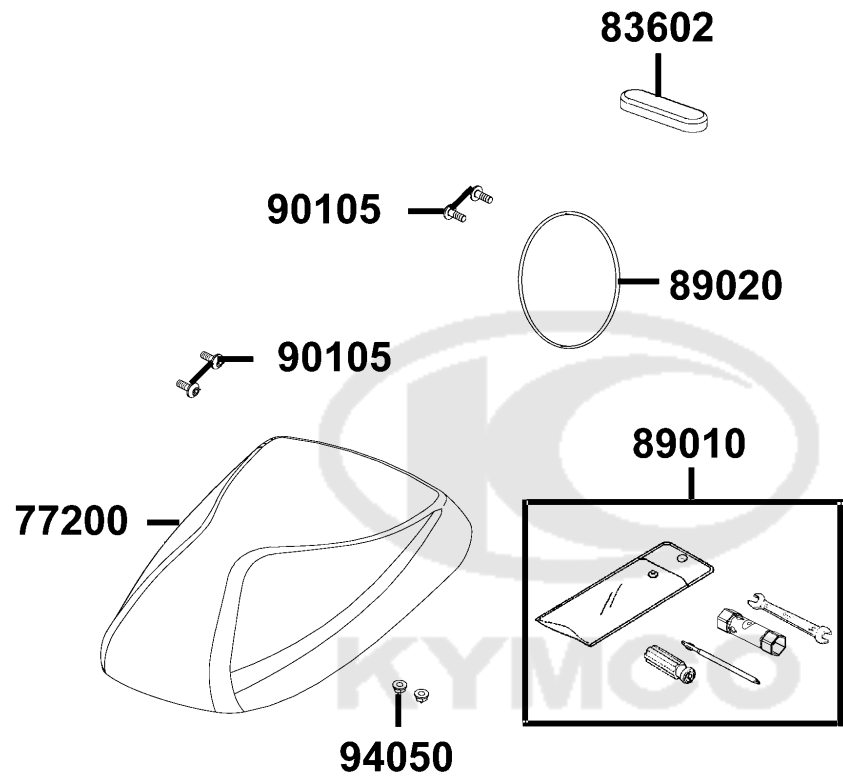
KYMCO

Sales mark	Ref no	Part no	Description	Reg description	Regd no	F08
**	42601	42601-KEB7-C00	WHEEL COMP RR CAST	WHEEL COMP RR CAST	1	
	42710	42710-LDC8-E11	TIRE ASSY RR	TIRE ASSY RR	1	
	42753	42753-0A01-C00	VALVE (TR 412) & CAP (C)	VALVE (TR 412) & CAP (C)	1	
	4312A	4312A-KXCX-C00	SHOE ASSY RR BRAKE	SHOE ASSY RR BRAKE	1	
	4314A	4314A-KKD6-E00	CAM ASSY RR BRAKE	CAM ASSY RR BRAKE	1	
	43472	43472-KHG8-C00	SPG RR BRK ARM	SPG RR BRK ARM	1	
	90305	90305-PUA3-B51	NUT U 16MM(C)	NUT U 16MM(C)	1	
	90501	90501-KNBN-C01	WASHER 16MM	WASHER 16MM	1	
	95701	95701-06032-08G	BOLT FLANGE 6*32	BOLT FLANGE 6*32	1	



F09

Seat

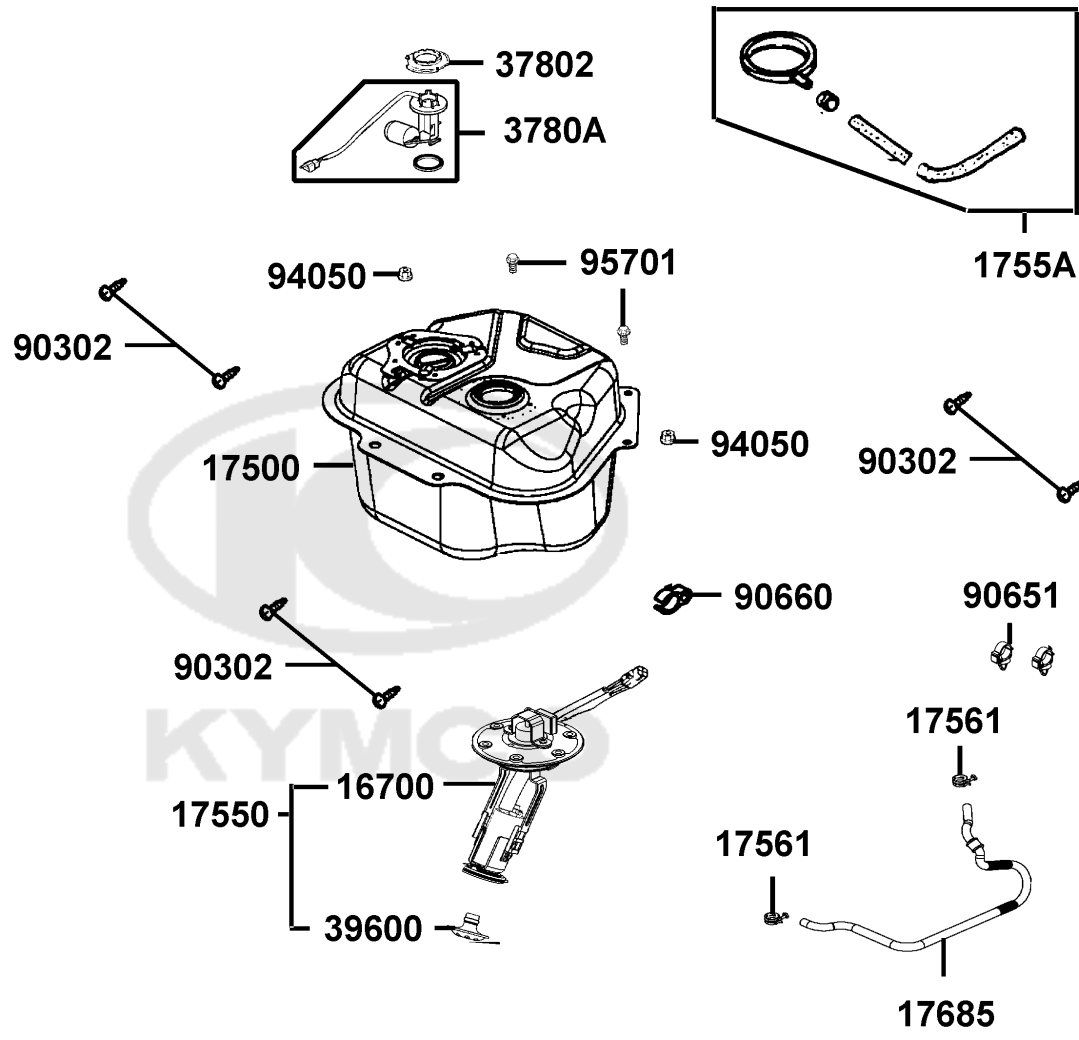




Sales mark	Ref no	Part no	Description	Reg description	Regd no	<b>F09</b>
------------	--------	---------	-------------	-----------------	---------	------------

**	77200	77200-ALC8-E60	SEAT ASSY	SEAT ASSY	1	
**	83602	83602-ALC8-E60	CAP BODY COVER	CAP BODY COVER	1	
	89010	89010-KGBG-C00	TOOL SET	TOOL SET	1	
	89020	89020-KKC4-C00	BAND TOOL SET	BAND TOOL SET	1	
	90105	90105-LLJ3-E01	BOLT SPECAL 8MM	BOLT SPECAL 8MM	4	
	94050	94050-06080-G	NUT FLANGE 6MM	NUT FLANGE 6MM	2	

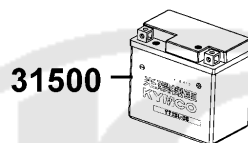
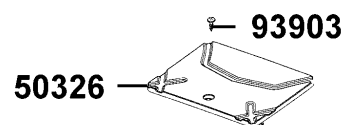




Sales mark	Ref no	Part no	Description	Reg description	Regd no	<b>F10</b>
16700		16700-ALB8-930	FUEL PUMP	FUEL PUMP COMP	1	
17500		17500-AAF1-EZ5	TANK COMP FUEL	TANK COMP FUEL	1	
17550		17550-ACC1-E10	FUEL PUMP ASSY	FUEL PUMP ASSY	1	
1755A		1755A-KKD5-C10	TRAY ASSY FUEL CAP	TRAY ASSY FUEL CAP	1	
17561		17561-LGK8-900	CLIP 12.0	CLIP 12.0	1	
17685		17685-AAF1-E65	TUBE PUMP.,INJECTOR	TUBE PUMP.,INJECTOR	1	
37802		37802-GGA7-C00	RET FUEL UNIT	RET FUEL UNIT	1	
3780A		3780A-AAF1-E65	FUEL UNIT ASSY	FUEL UNIT ASSY	1	
39600		39600-LEA1-800	REGULATOR	REGULATOR FUEL	1	
90302		90302-GFY6-C11	BOLT-WASH 5*16	BOLT-WASH 5*16	6	
90651		90651-ALJ8-E10	CLIP CABLE	"CLIP,MUDGUARD"	2	
90660		90660-KGBG-C00	CLAMPER TUBE	CLAMPER TUBE	1	
94050		94050-06080-G	NUT FLANGE 6MM	NUT FLANGE 6MM	2	
95701		95701-06012-08G	BOLT FLANGE 6*12	BOLT FLANGE 6*12	2	

F11

Battery

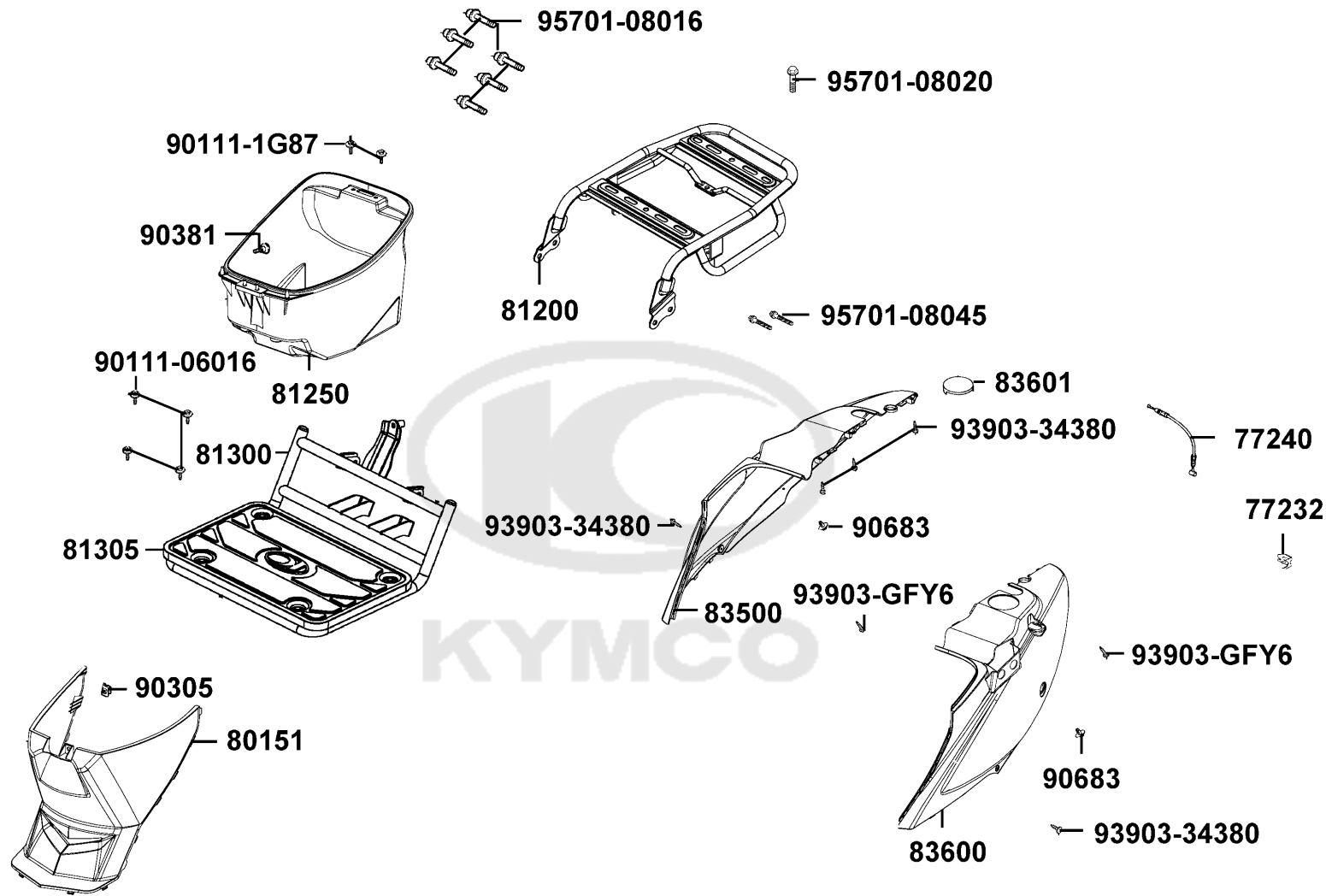


KYMCO

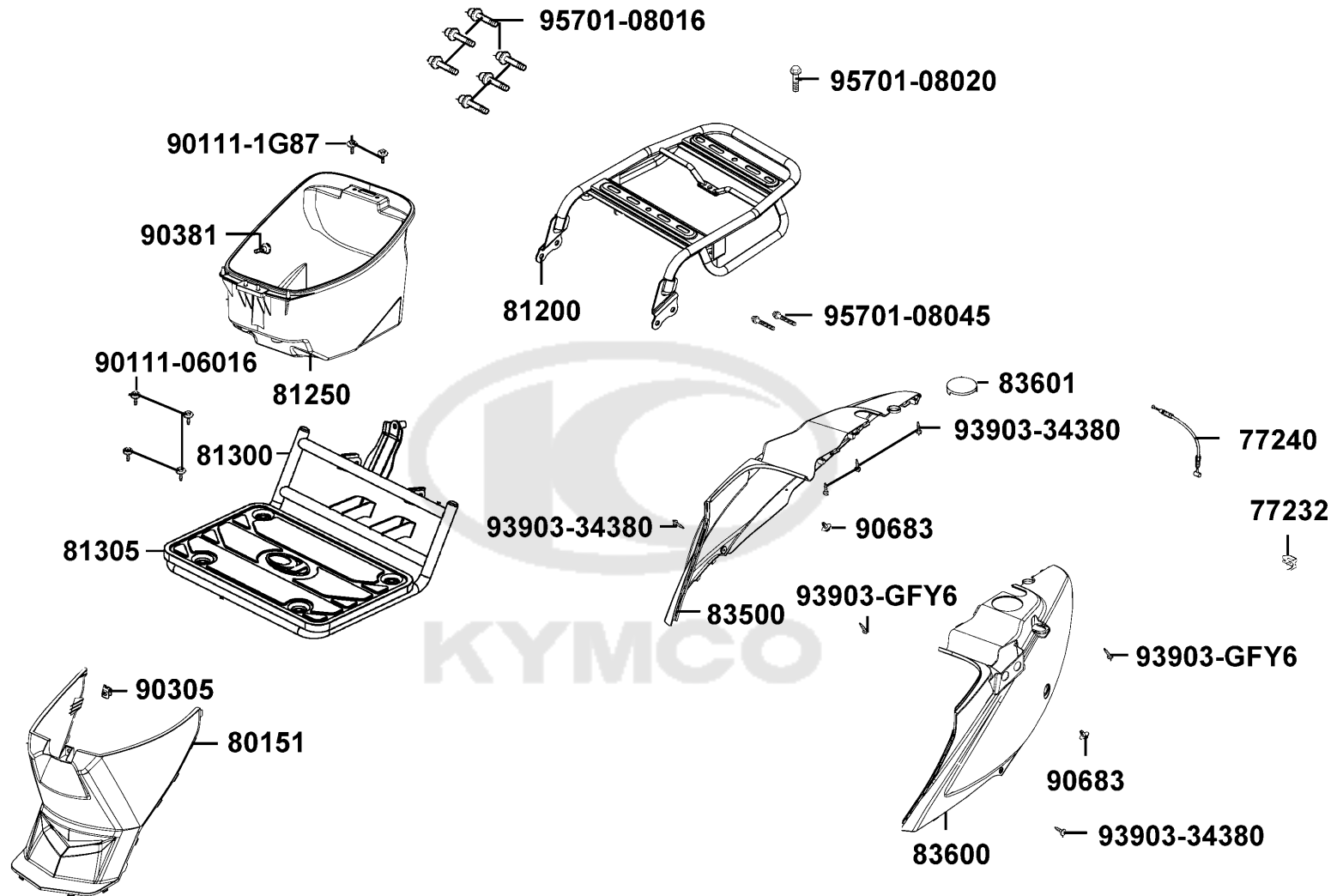
Sales mark	Ref no	Part no	Description	Reg description	Regd no	<b>F11</b>
------------	--------	---------	-------------	-----------------	---------	------------

	31500	31500-ALC8-EZ0	BATTERY YTX7A-BS	BATTERY	1	
**	50326	50326-LCB9-C10	COVER BATTERY	COVER BATTERY	1	
	93903	93903-35380-G	SCREW TAPPING 5*16 (K)	SCREW TAPPING 5*16 (K)	1	
	98200	98200-11500	FUSE A15	FUSE 15A	1	





Sales mark	Ref no	Part no	Description	Reg description	Regd no	F12
	77232	77232-KCAC-C00	SET SPG SEAT LOCK	SET SPG SEAT LOCK	1	
	77240	77240-LDC8-E10	CABLE COMP SEAT LOCK	CABLE COMP SEAT LOCK	1	
**	80151	80151-LCB9-C10	COVER CENTER (BLACK)	COVER CENTER (BLACK)	1	
	81200	81200-ALC8-E60	CARRIER COMP REAR	CARRIER COMP REAR	1	
**	81250	81250-LDC8-E15	BOX LUGGAGE	BOX LUGGAGE	1	
	81300	81300-ALC9-E10	CARRIER COMP FRONT	CARRIER COMP FRONT	1	
**	81305	81305-ALC9-E10	CARRIER FR BOTTOM PLANK	CARRIER FR BOTTOM PLANK	1	
**	83500	83500-LCB9-C10	BODY R COVER PAREL WHITE	BODY R COVER PAREL WHITE	1	
**	83600	83600-ALC8-E60	COVER L BODY WHITE	COVER L BODY WHITE	1	
**	83601	83601-ALC8-E60	LID BODY COVER	LID BODY COVER	1	
	90111-06016	90111-06016-07G	BOLT FLANGE 6*16 (K)	BOLT FLANGE 6*16 (K)	6	
	90111-1G87	90111-1G87-C00	BOLT FLANGE 6MM	BOLT FLANGE 6MM	2	
	90305	90305-GHK8-C01	NUT CLIP 6MM	NUT CLIP 6MM	1	
	90381	90381-GEZ5-C01	SCREW SPECIAL 6*17	SCREW SPECIAL 6*17	1	
	90683	90683-GAR1-C00	CLIP BODY COVER	CLIP BODY COVER	2	
	93903-34380	93903-34380-G	SCREW TAPPING 4x12	SCREW TAPPING 4x12	5	
	93903-GFY6	93903-GFY6-C01	SCREW TAPPING 4*14(K)	SCREW TAPPING 4*14	2	
	95701-08016	95701-08016-07G	BOLT FLANGE 8*16(KG)	BOLT FLANGE 8*16(K)	6	
	95701-08020	95701-08020-07G	BOLT FLANGE 8*20 (K)	BOLT FLANGE 8*20 (K)	1	
	95701-08028	95701-08028-07G	BOLT FLANGE 8*28 (K)	BOLT FLANGE 8*28 (K)	1	





Sales mark	Ref no	Part no	Description	Reg description	Regd no	<b>F12</b>
------------	--------	---------	-------------	-----------------	---------	------------

95701-08045

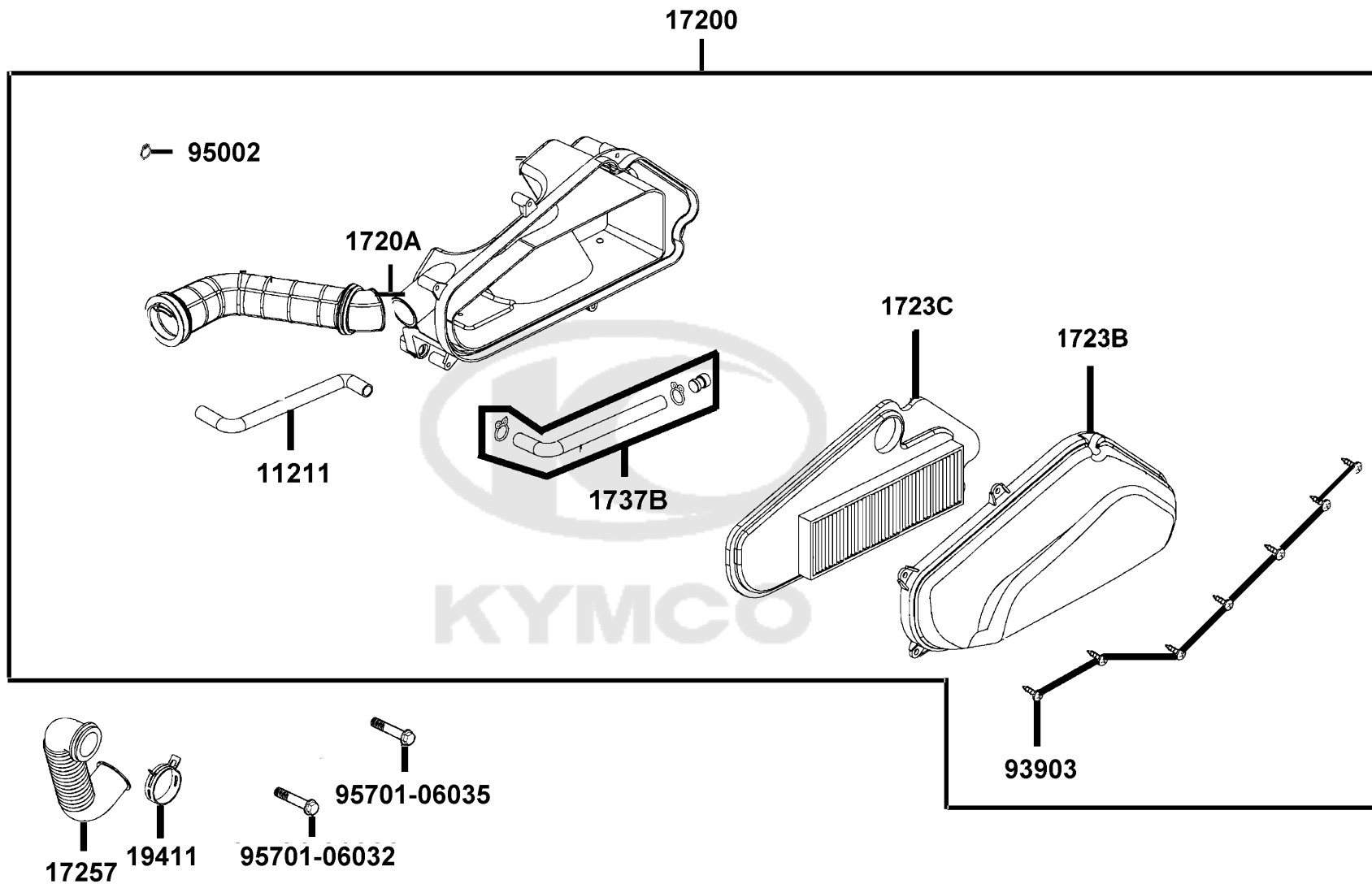
95701-08045-07G

BOLT FLANGE 8\*45(KG)

BOLT FLANGE 8\*45 (K)

2

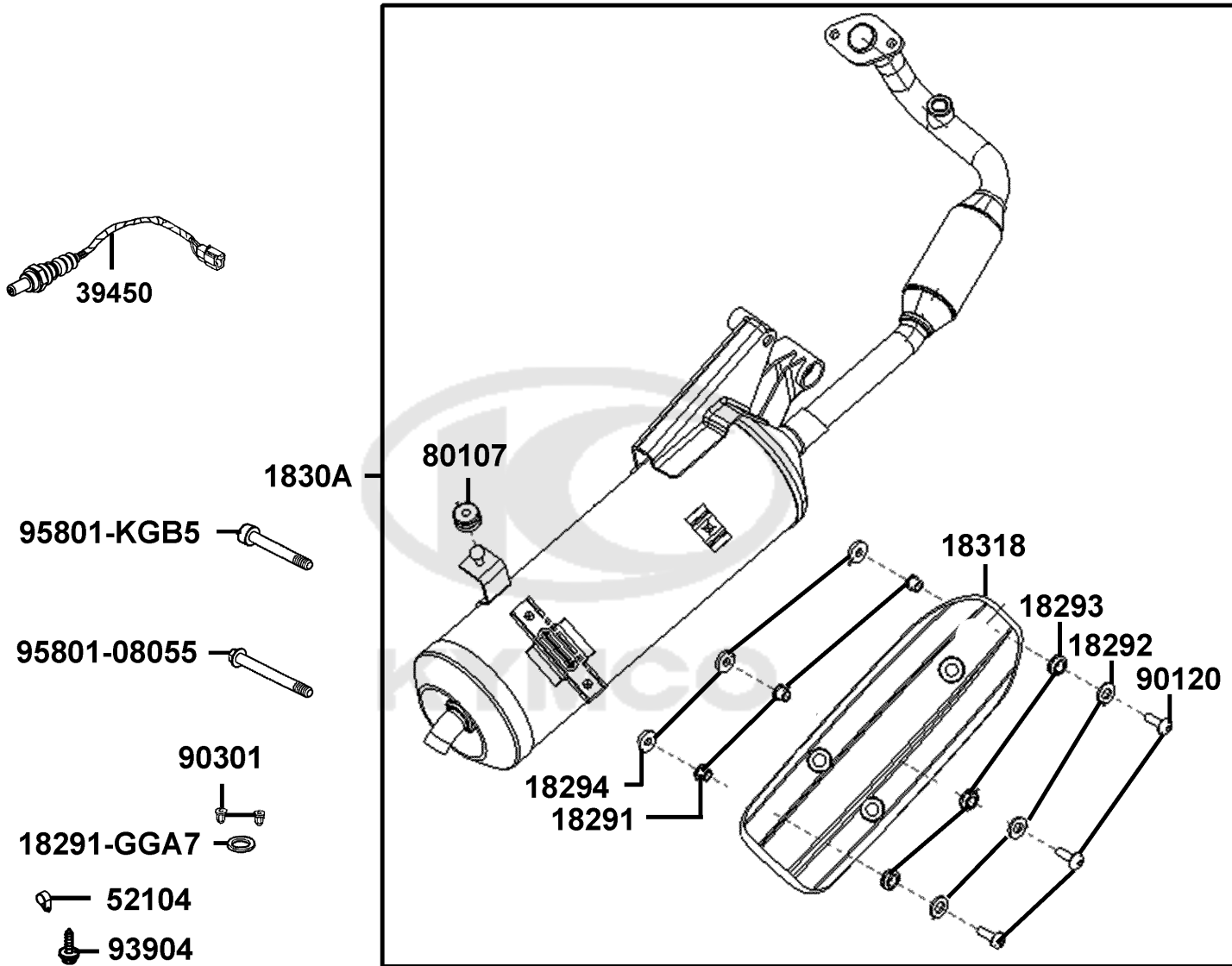




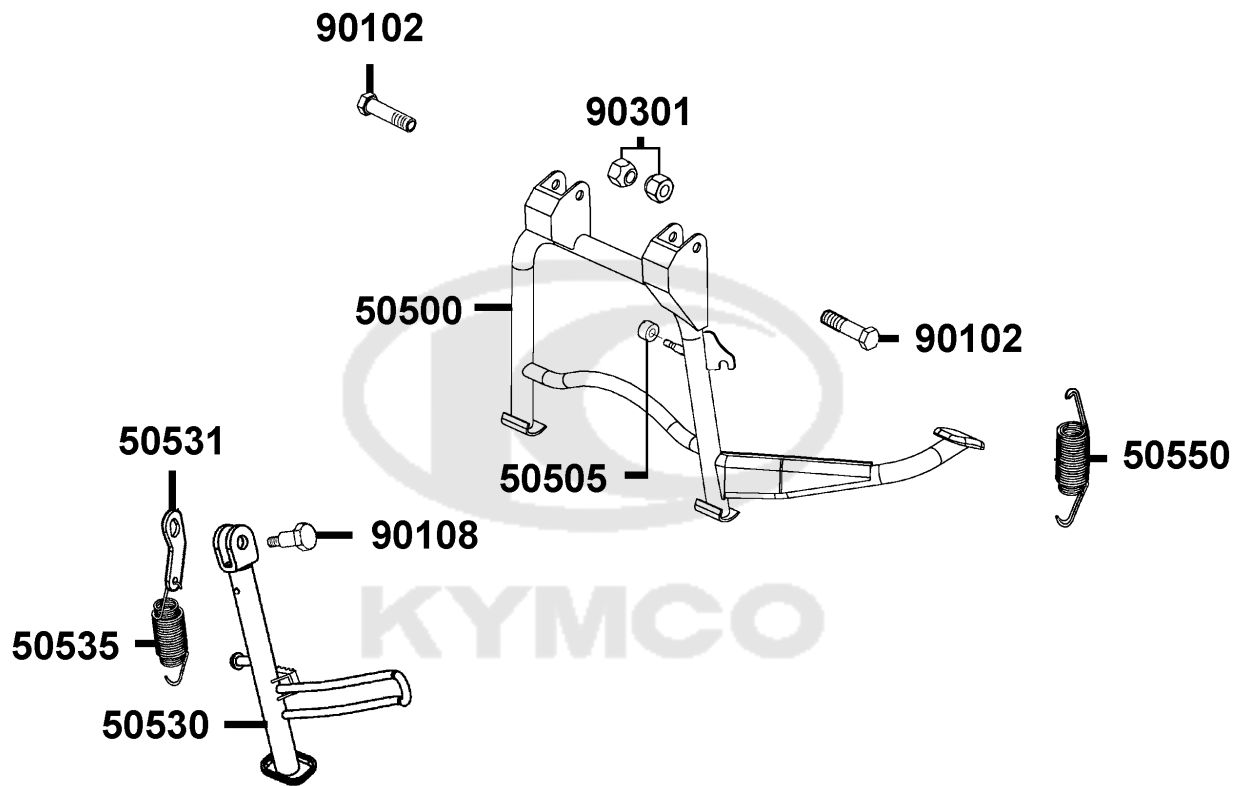
Sales mark	Ref no	Part no	Description	Reg description	Regd no	<b>F13</b>
11211		11211-LBD6-E00	TUBE BREATHER	TUBE BREATHER	1	
17200		17200-AAF1-EZ5	AIR/C ASSY	AIR/C ASSY	1	
1720A		1720A-AAF1-EZ5	CASE ASSY AIR/C	CASE ASSY AIR/C	1	
1723B		1723B-LBD6-E00	COVER ASSY AIR/C	COVER ASSY AIR/C	1	
1723C		1723C-LBD6-E00	ELEMENT ASSY AIR/C	ELEMENT ASSY AIR/C	1	
17257		17257-LDC8-E00	DUCT AIR/C COVER	DUCT AIR/C COVER	1	
1737B		1737B-KHC4-C00	V TUBE ASSY	V TUBE ASSY	1	
19411		19411-KNBN-C10	CLIP HOSE	CLIP HOSE	1	
93903		93903-25480	SCREW TAPPING 5*20 (K)	SCREW TAPPING 5*20 (K)	7	
95002		95002-02120	CLIP B12 TUBE	CLIP B12 TUBE	1	
95701-06032		95701-06032-08G	BOLT FLANGE 6*32	BOLT FLANGE 6*32	1	
95701-06035		95701-06035-08G	BOLT FLANGE 6*35	BOLT FLANGE 6*35	1	

F14

Exhaust Muffler



Sales mark	Ref no	Part no	Description	Reg description	Regd no	<b>F14</b>
	18291-GGA7	18291-GGA7-C01	GASKET EXH PIPE	GASKET EXH PIPE	1	
	18291	18291-KEBE-C00	COLLAR	COLLAR	3	
	18292	18292-KEBE-C00	PACKING PROTECTOR	PACKING PROTECTOR	3	
	18293	18293-KEBE-C00	RUBBER PKG PROTR	RUBBER PKG PROTR	3	
	18294	18294-PUA3-B50	PACKING PTOTECTOR	PACKING PROTECTOR	1	
**	1830A	1830A-LDC8-EZ5	MUFFLER ASSY. EXHAUST	MUFFLER ASSY. EXHAUST	1	
	18318	18318-LDF7-E10	PROTECTOR MUFFLER	PROTECTOR MUFFLER	1	
	39450	39450-ZVA6-M00	O2 SENSOR	O2 SENSOR	1	
	52104	52104-LGE5-E01	STAY A. RR SENSOR	STAY A. RR SENSOR	1	
	80107	80107-KHLH-C00	RUBBER A,FR FENDER	RUBBER A,FR FENDER	1	
	90120	90120-LFC8-C00	SOCKET BOLT SPECIAL 6*28	SOCKET BOLT SPECIAL 6*28	2	
	90301	90301-KGBG-C01	NUT CAP 6MM	NUT CAP 6MM	2	
	93904	93904-35380-G	SCREW TAPPING 5*16(K)	SCREW TAPPING 5*16(k)	1	
	95801-08055	95801-08055-07G	BOLT FLANGE 8*55	BOLT FLANGE 8*55 (K)	1	
	95801-KGB5	95801-KGB5-C01	BOLT TORX M8*60	BOLT TORX M8*60	1	



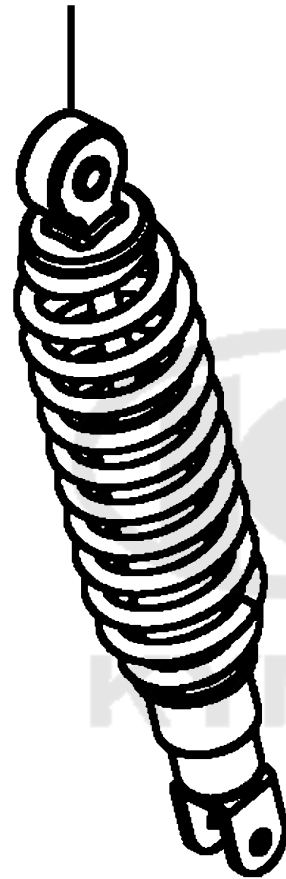
Sales mark	Ref no	Part no	Description	Reg description	Regd no	<b>F15</b>
50500		50500-ALC9-E10	STAND COMP MAIN	STAND COMP MAIN	1	
50505		50505-LAD9-C00	STOPPER RUBBER	STOPPER RUBBER	1	
50530		50530-ALC8-E60	BAR SIDE STAND	BAR SIDE STAND	1	
50531		50531-KEB7-C00	PLATE SPRING STOPPER	PLATE SPRING STOPPER	1	
50535		50535-KEB7-W10	SPRING COMP SIDE STAND	SPRING COMP SIDE STAND	1	
50550		50550-KFA6-C00	SPG ASSY MAIN STAND	SPG ASSY MAIN STAND	1	
90102		90102-GLE0-C00	BOLT HINGE PIVOT	BOLT HINGE PIVOT	2	
90108		90108-KFA6-E01	SCREW SIDE STAND PIVOT	SCREW SIDE STAND PIVOT	1	
90301		90301-4C73-C01	NUT U 6MM(C)	NUT U 6MM(C)	2	



F16

Rear Cushion

52400



95801-08032



95801-10035



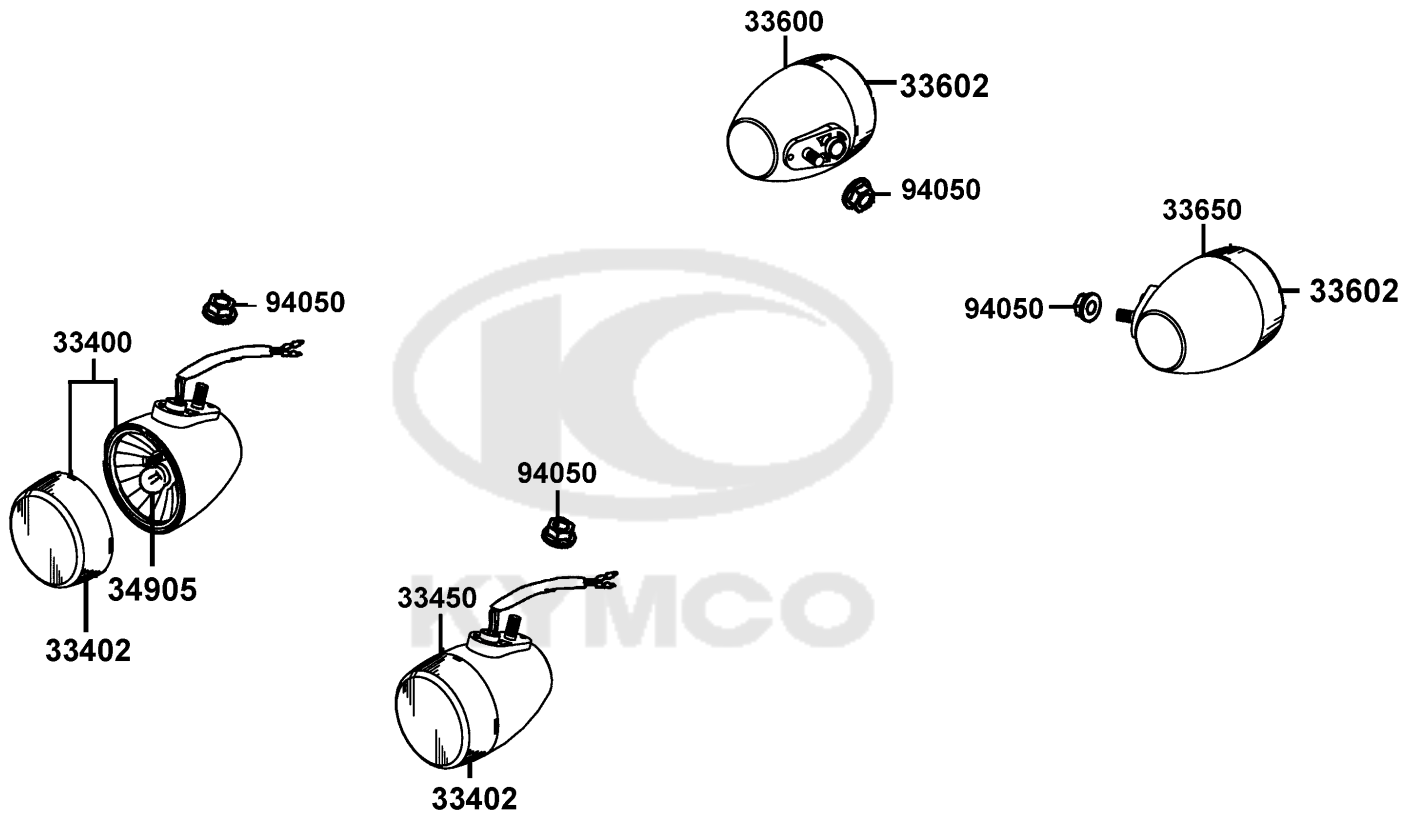
Sales mark	Ref no	Part no	Description	Reg description	Regd no	<b>F16</b>
------------	--------	---------	-------------	-----------------	---------	------------

**	52400	52400-LDC8-E10	CUSHION ASSY RR	CUSHION ASSY RR	1	
	95801-08032	95801-08032-08G	BOLT FLANGE 8*32(C)	BOLT FLANGE 8*32	1	
	95801-10035	95801-10035-08G	BOLT FLANGE 10X35	BOLT FLANGE 10X35	1	



F17

Front Winker

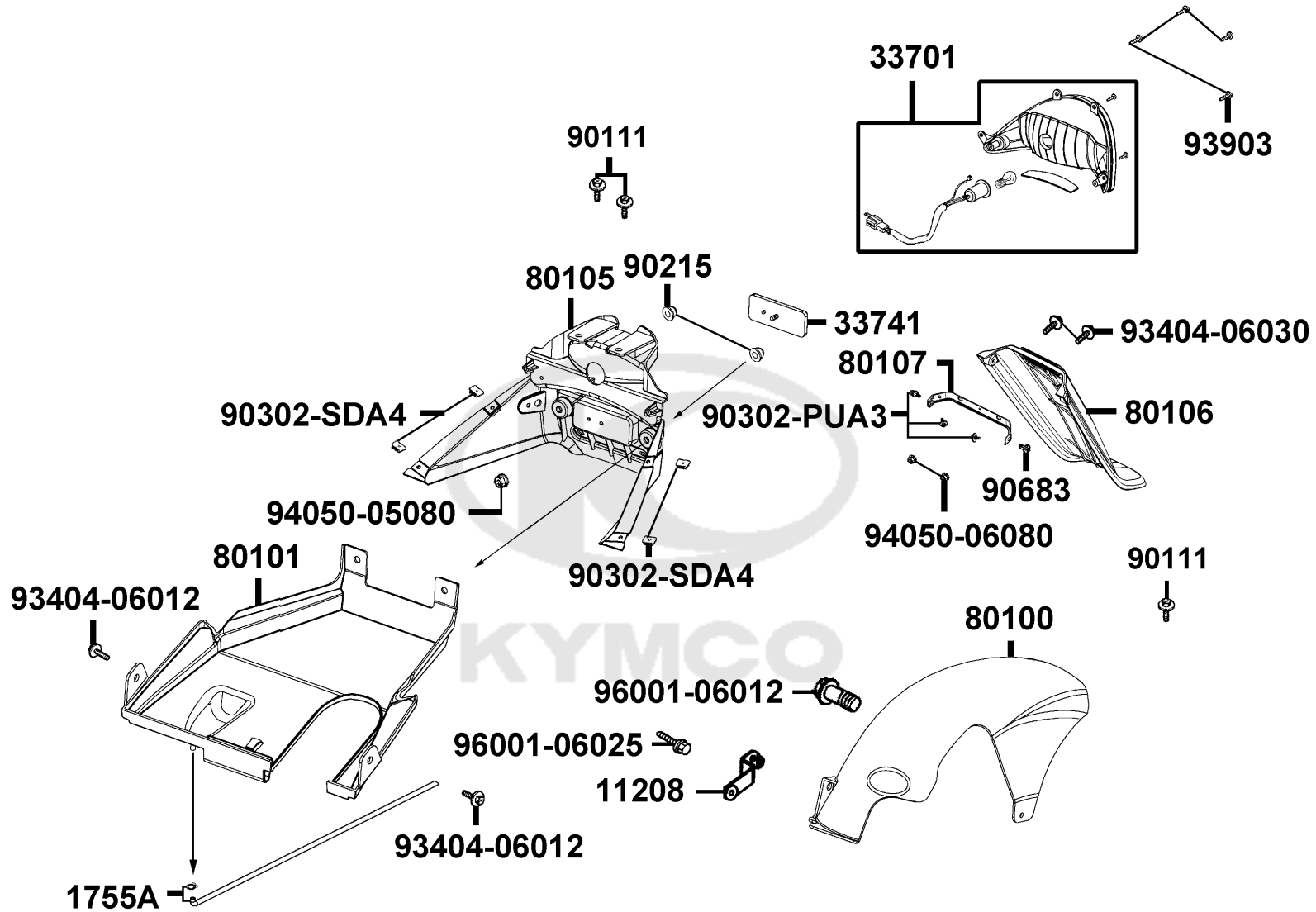


Sales mark	Ref no	Part no	Description	Reg description	Regd no	F17
	33400	33400-ALC8-E60	WINKER ASSY FR R	WINKER ASSY FR R	1	
	33402	33402-ALC8-E60	LENS WINKER FR	LENS WINKER FR		
	33450	33450-ALC8-E60	WINKER ASSY FR L	WINKER ASSY FR L	1	
	33600	33600-ALC8-E60	WINKER ASSY R RR	WINKER ASSY R RR	1	
	33602	33602-ALC8-E60	LENS R/L WINKER RR	LENS R/L WINKER RR	2	
	33650	33650-ALC8-E60	WINKER ASSY L RR	WINKER ASSY L RR	1	
	34905	34905-LBA8-E80	BULB WINKER	BULB WINKER	1	
	94050	94050-05080-G	NUT FLANGE 5MM	NUT FLANGE 5MM	4	

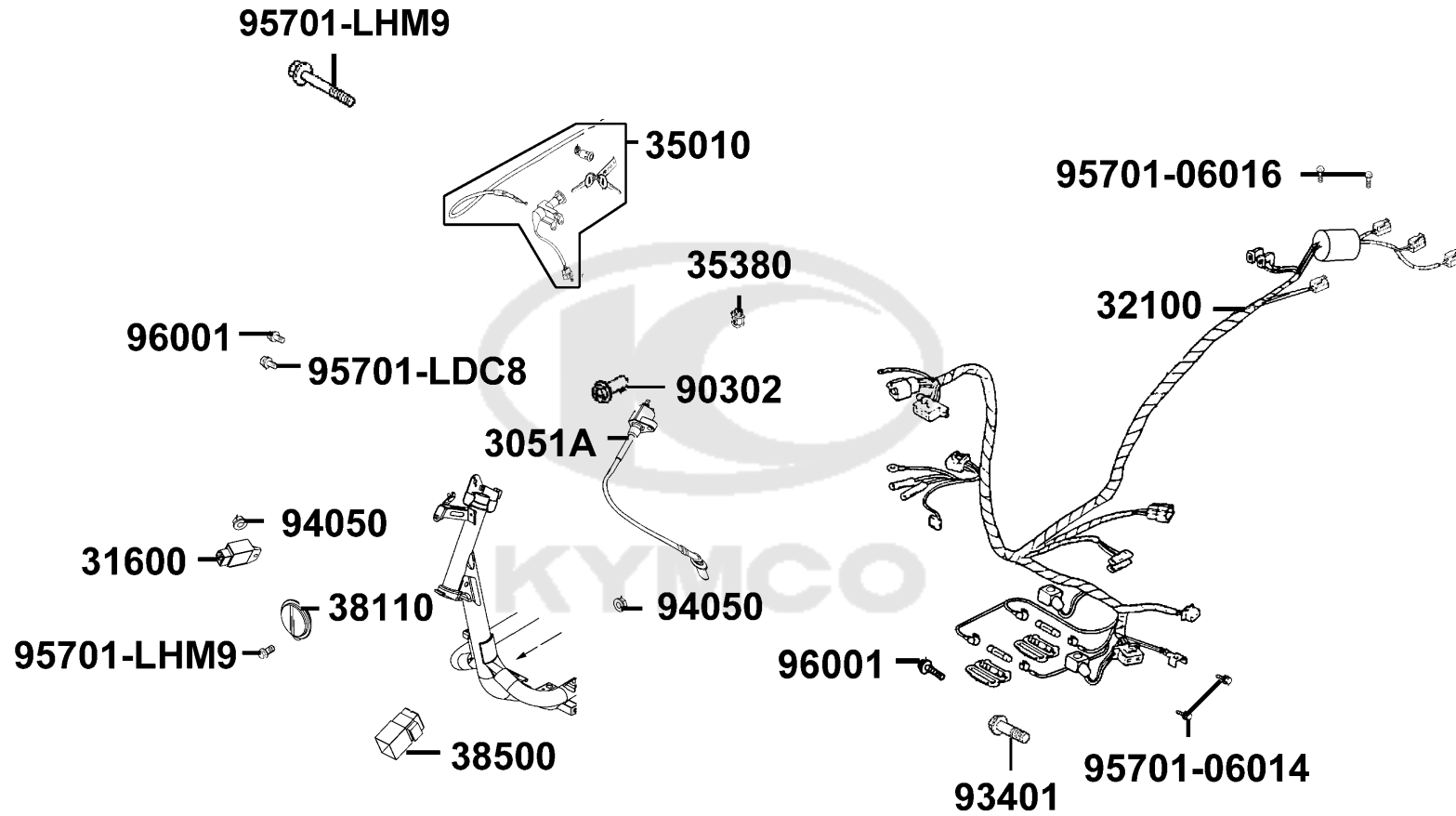


F18

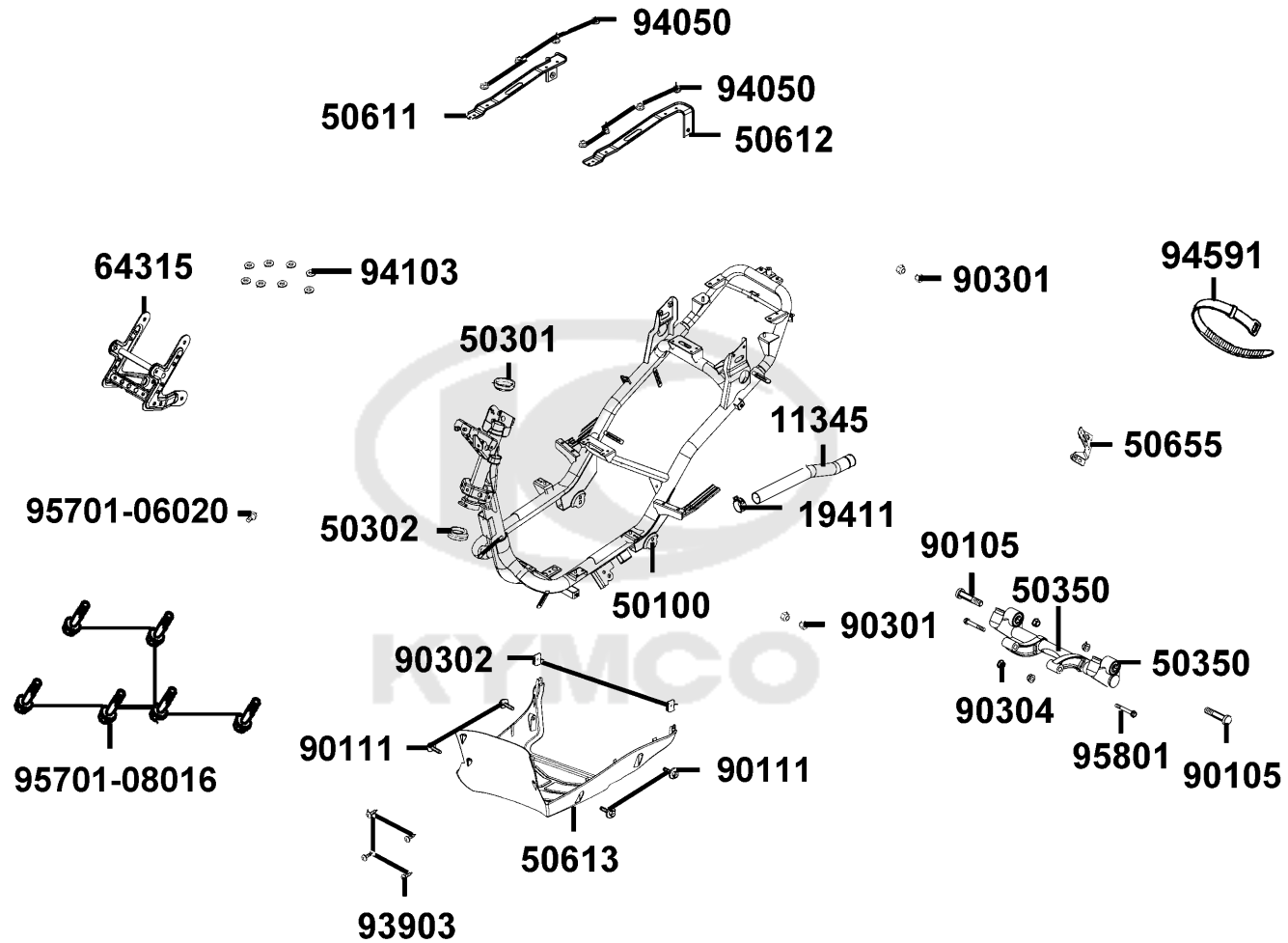
Tail Light



Sales mark	Ref no	Part no	Description	Reg description	Regd no	F18
	11208	11208-LBD6-C00	STAY RR TIRE FENDER	STAY RR TIRE FENDER	1	
	1755A	1755A-LDC8-E10	TUBE ASSY FUEL DRAIN	TUBE ASSY FUEL DRAIN	1	
	33701	33701-LDC8-E10	UNIT TAIL LIGHT	UNIT TAIL LIGHT	1	
	33741	33741-LEH3-EZ0	REFLEX REFLECTOR	REFLEX REFLECTOR	1	
**	80100	80100-LDC8-E10	FENDER RR TIRE	FENDER RR TIRE	1	
**	80101	80101-LCB9-C10	FENDER RR INNER	FENDER RR INNER	1	
**	80105	80105-LDC8-E10	FENDER RR	FENDER RR	1	
**	80106	80106-LDC8-E10	FENDER RR LOW	FENDER RR LOW	1	
	90111	90111-06016-07G	BOLT FLANGE 6*16 (K)	BOLT FLANGE 6*16 (K)	3	
	90215	90215-KKC4-C00	NUT CAP 6MM	NUT CAP 6MM	1	
	90302-PUA3	90302-PUA3-B51	BOLT-WASH 5*12	BOLT-WASH 5*12	2	
	90302-SDA4	90302-SDA4-C01	"NUT,SPPING 4MM"	"NUT,SPPING 4MM"	2	
	90683	90683-GAR1-C00	CLIP BODY COVER	CLIP BODY COVER	2	
	93404-06012	93404-06012-07G	BOLT WASHER 6*12 (K)	BOLT WASHER 6*12 (K)	3	
	93404-06030	93404-06030-07G	BOLT WASHER 6*30 (K)	BOLT WASHER 6*30 (K)	2	
	93903	93903-34380-G	SCREW TAPPING 4x12	SCREW TAPPING 4x12	4	
	94050-05080	94050-05080-G	NUT FLANGE 5MM	NUT FLANGE 5MM	1	
	94050-06080	94050-06080-G	NUT FLANGE 6MM	NUT FLANGE 6MM	2	
	96001-06012	96001-06012-08G	BOLT FLANGE SH 6X12 (C)	BOLT FLANGE SH 6X12 (C)	1	
	96001-06025	96001-06025-08G	BOLT FLANGE SH 6*25 (C)	BOLT FLANGE SH 6*25 (C)	1	

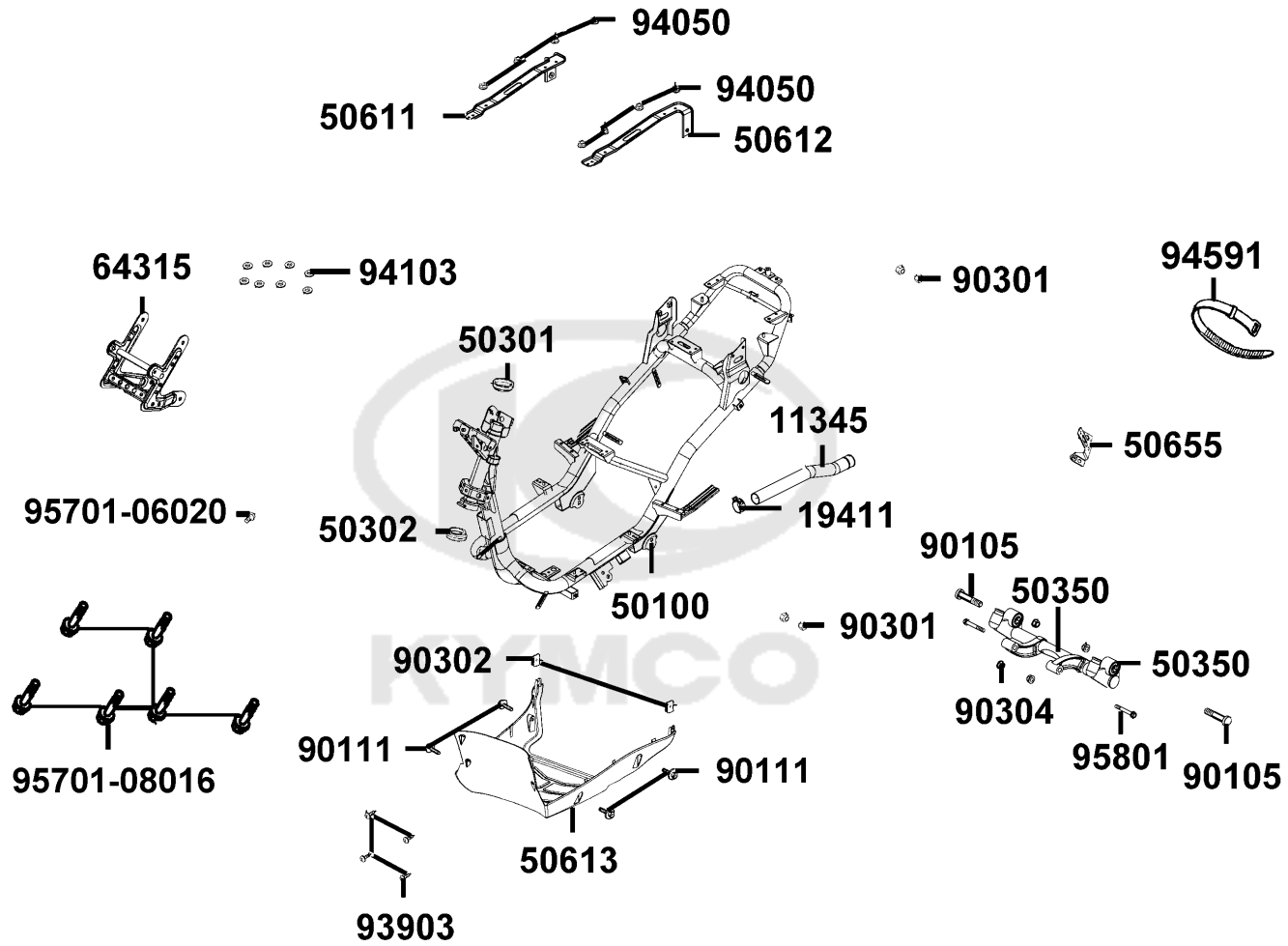


Sales mark	Ref no	Part no	Description	Reg description	Regd no	<b>F19</b>
	3051A	3051A-KKE3-900	COIL ASSY IGN	COIL ASSY IGN	1	
	31600	31600-LEA5-C01	REG RECT COMP	REG RECT COMP	1	
	32100	32100-AAF1-E65	HARNESS WIRE	HARNESS WIRE	1	
	35010	35010-ALK6-E15	KEY SET	KEY SET	1	
#	35380	35380-ABE1-C00	SENSOR ANGLE	SENSOR ANGLE DETECT	1	
	38110	38110-KGC4-B50	HORN COMP	HORN COMP	1	
	38500	38500-KKDK-C00	RELAY ASSY START	RELAY ASSY START	1	
	38500	38500-LGL3-90A	RELAY ASSY LIGHT/D402(12V 20A)	RELAY ASSY LIGHT/D402(12V 20A)	1	
	90302	90302-GFY6-C11	BOLT-WASH 5*16	BOLT-WASH 5*16	1	
	93401	93401-04025-08	BOLT WASHER 4*25	BOLT WASHER 4*25	1	
	94050	94050-06080-G	NUT FLANGE 6MM	NUT FLANGE 6MM	2	
	95701-06014	95701-06014-08G	BOLT FLANGE 6*14 (C)	BOLT FLANGE 6*14 (C)	2	
	95701-06016	95701-06016-08G	BOLT FLANGE 6*16 (C)	BOLT FLANGE 6*16 (C)	1	
	95701-LDC8	95701-LDC8-E11	BOLT TORQUE 6x16	BOLT TORQUE 6x16	1	
	95701-LHM9	95701-LHM9-E61	BOLT FLANGE 8*10(C)	BOLT FLANGE 8*10(C)	1	
	96001	96001-06016-08G	BOLT FLANGE SH 6x16 (C)	BOLT FLANGE SH 6*16 (CR3+)	1	





Sales mark	Ref no	Part no	Description	Reg description	Regd no	F20
	11345	11345-ALA9-E70	DUCT L COVER	DUCT L COVER	1	
	19411	19411-KNBN-C10	CLIP HOSE	CLIP HOSE	1	
	50100	50100-AAF1-E65	BODY COMP FRAME	BODY COMP FRAME	1	
	50301	50301-KGN7-C00	RACE UPPER STRG BALL	RACE UPPER STRG BALL	1	
	50302	50302-2H68-C00	RACE (STRG BOT) BALL	RACE (STRG BOT) BALL	1	
	50350	50350-LDC8-E10	HANGER ASSY ENG	HANGER ASSY ENG	1	
	50611	50611-LCB9-C10	RNFCT R FLOOR	RNFCT R FLOOR	1	
	50612	50612-LCB9-C10	RNFCT L FLOOR	RNFCT L FLOOR	1	
**	50613	50613-LCB9-C11	COVER UNDER	COVER UNDER	1	
	50655	50655-ADA9-M30	STAY, REG. REC.	STAY, REG. REC.	1	
	64315	64315-ALC9-E10	STAY FR COVER	STAY FR COVER	1	
	90105	90105-LDC8-E11	SQUARE BOLT M10*50(K)	SQUARE BOLT M10*50(K)	2	
	90111	90111-06016-07G	BOLT FLANGE 6*16 (K)	BOLT FLANGE 6*16 (K)	4	
	90301	90301-4C73-C01	NUT U 6MM(C)	NUT U 6MM(C)	4	
	90302	90302-SDA4-C01	"NUT,SPPING 4MM"	"NUT,SPPING 4MM"	2	
	90304	90304-GHE8-C01	NUT U 10MM (C)	NUT U 10MM (C)	4	
	93903	93903-34380-G	SCREW TAPPING 4x12	SCREW TAPPING 4x12	4	
	94050	94050-06080-G	NUT FLANGE 6MM	NUT FLANGE 6MM	6	
	94103	94103-LBA8-C11	WASHER SPECIAL	WASHER SPECIAL	8	
	94591	94591-LDC8-E10	CLIP BIND	CLIP BIND	1	



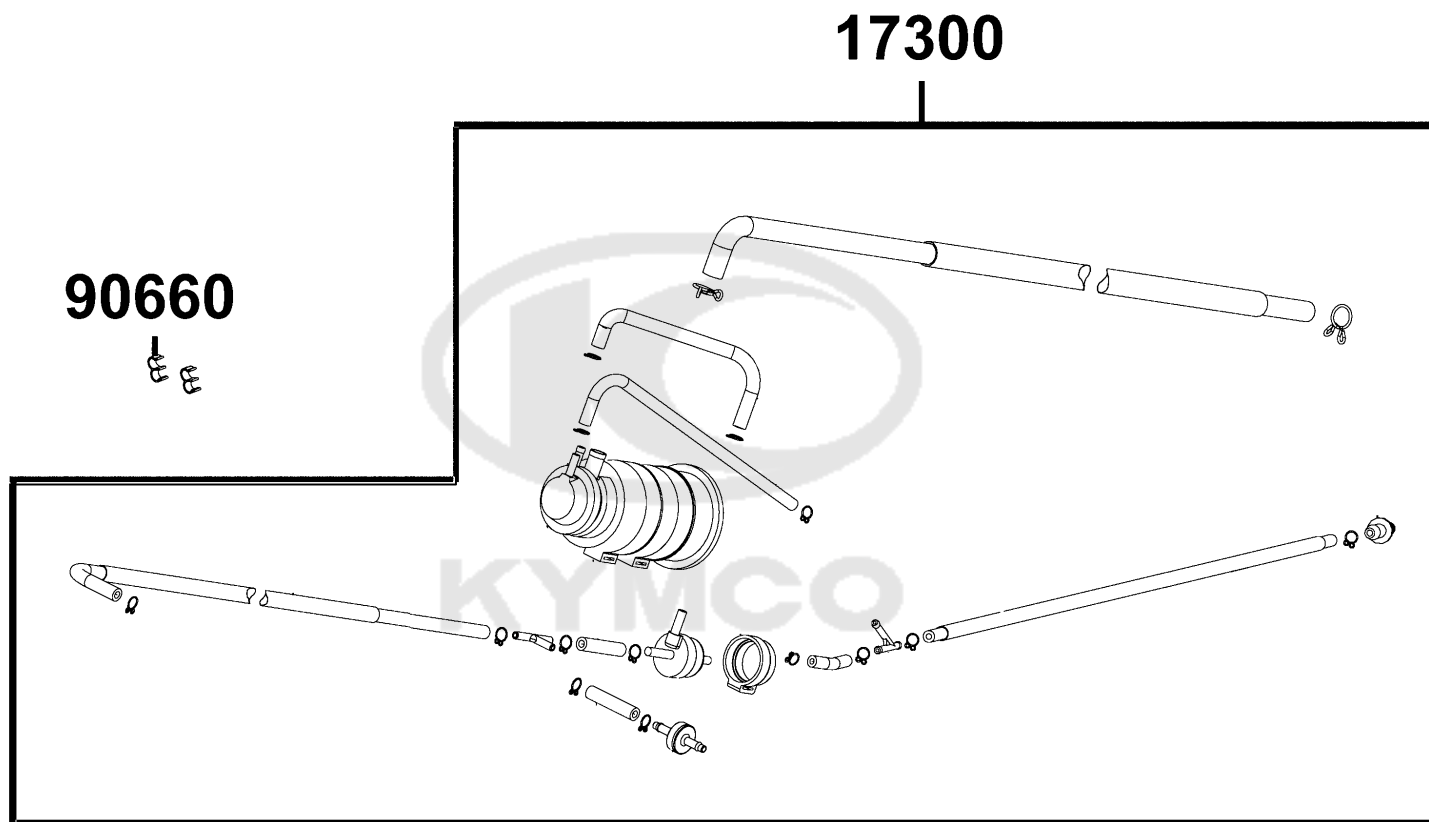
Sales mark	Ref no	Part no	Description	Reg description	Regd no	<b>F20</b>
------------	--------	---------	-------------	-----------------	---------	------------

95701-06020	95701-06020-07G	95701-06020-07G	BOLT FLANGE 6*20	BOLT FLANGE 6*20 (C)	1	
95701-08016	95701-08016-07G	95701-08016-07G	BOLT FLANGE 8*16(KG)	BOLT FLANGE 8*16(K)	6	
95801	95801-10070-08G	95801-10070-08G	BOLT FLANGE 10*70 (C)	BOLT FLANGE 10*70 (C)	2	



F21

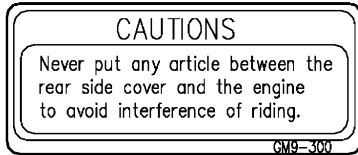
CANISTER-PCV ASSY



Sales mark	Ref no	Part no	Description	Reg description	Regd no	<b>F21</b>
------------	--------	---------	-------------	-----------------	---------	------------

17300		17300-AAF1-EZ5	CANISTER-PCV ASSY	CANISTER-PCV ASSY	1	
90660		90660-LDE9-E00	CLAMP TUBE	CLAMP TUBE	2	





87542



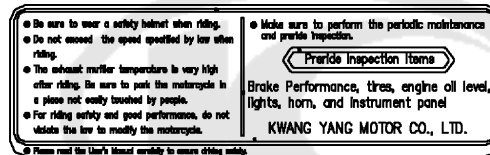
86102



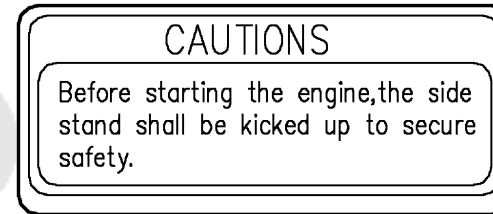
87505



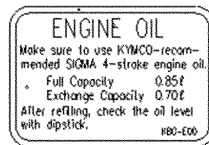
87546



87560



87541-GAR1



87541-KGBG



86201



87160

Sales mark	Ref no	Part no	Description	Reg description	Regd no	<b>F22</b>
**	86102	86102-KFA6-C10	EMB K-LOGO 30MM	EMB K-LOGO 30MM	1	
**	86201	86201-AAF1-E62	STRIPE BODY COVER	STRIPE BODY COVER	2	
**	87160	87160-LDC8-E90	STRIPE KYMCO	STRIPE KYMCO	2	
**	87505	87505-LDC8-E15	LABEL TIRE	LABEL TIRE	1	
**	87541-GAR1	87541-GAR1-C01	CAUTION SIDE STAND	CAUTION SIDE STAND	1	
**	87541-KGBG	87541-KGBG-E01	LABEL OIL CAP	LABEL OIL CAP	1	
**	87542	87542-GAR1-C01	MARK MAINT CAUTION	MARK MAINT CAUTION	1	
**	87546	87546-AGE3-E00	LABEL FUEL TANK	LABEL FUEL TANK	1	
**	87560	87560-GFY6-E11	MARK DRIVE CAUTION	MARK DRIVE CAUTION	1	



## PART NO. INDEX

PART NO.	VERSION	PAGE	PART NO.	VERSION	PAGE	PART NO.	VERSION	PAGE
<b>11000</b>			<b>12000</b>			14450-KGBG-W10	1	E02
11100-KGBG-C00	8	E01	12100-KGBG-C01	3	E03	14452-KGBG-W10	1	E02
11102-1G87-C00	3	E01	12191-KGBG-E90	1	E03	14510-KGBG-C00	1	E03
11192-KGBG-E90	1	E01	12200-ADB2-C00	1	E02	14531-GLR0-W11	1	E03
11200-LBD6-C00	1	E01	12209-GDB4-C00	2	E02	14550-LDC8-C10	1	E03
11203-GGC7-W10	2	E01	12211-KGBG-C00	1	E02	14555-KKJ9-E90	1	E03
11203-KAM1-C00	0	E09	12251-KGBG-C00	1	E02	14610-KGBG-C00	1	E03
11204-KNBN-C00	1	E01	1231A-KHC5-C00	1	E02	14711-KGBG-C00	0	E02
11205-GHAH-C00	1	E01	12361-GFY6-C00	5	E04	14721-KGBG-C0B	0	E02
11205-LAB4-C00	1	E01	12391-KEE1-C00	0	E02	14751-KGBG-C00	0	E02
11208-LBD6-C00	1	F18	<b>13000</b>			14761-KGBG-C00	1	E02
1120B-KGN7-C00	1	E09				14771-GDB4-C00	2	E02
11211-LBD6-E00	2	F13				14775-MFA6-C00	5	E02
11330-LBD6-C00	1	E04	13000-LDC5-C00	6	E03	14781-MFA6-C0C	0	E02
11340-LBD6-C00	0	E01	13011-LBC9-900	1	E03	<b>15000</b>		
11340-LBD6-C00	2	E01	13101-LBC9-900	2	E03	15100-LDC5-C00	3	E07
11345-ALA9-E70	1	F20	13111-KGBG-C00	1	E03	15133-LDC5-C00	2	E07
11353-LEA6-C00	1	E01	13115-0A01-C00	2	E03	15332-GFF6-C00	0	E07
11381-ALC8-E60	0	E01	<b>14000</b>			15421-1G07-C00	1	E04
11382-LBD6-C00	1	E01				15426-GAE1-C00	1	E04
11394-KGBG-E90	1	E04	14100-ACB9-EZ5	0	E02	15651-LDC8-C10	1	E04
11395-LBD6-C00	1	E01	14401-KGBG-C00	1	E03			
			14431-KGBG-W10	1	E02			



## PART NO. INDEX

PART NO.	VERSION	PAGE	PART NO.	VERSION	PAGE	PART NO.	VERSION	PAGE	
<b>16000</b>			17256-ALK1-E15	1	E02	19510-LDC5-C00	1	E08	
			17257-LDC8-E00	1	F13	19610-LFC2-E10	2	E08	
			17300-AAF1-EZ5	0	F21	19618-ALC8-E60	0	E08	
	16056-LEB2-C00	0	E05	1737B-KHC4-C00	0	F13	19625-KEE1-C00	1	E08
	16074-KEC3-C00	3	E05	17500-AAF1-EZ5	0	F10	1962A-KEE1-C00	1	E08
	16100-AAF1-EZ5	0	E05	17550-ACC1-E10	1	F10	1963A-ADB2-C00	0	E08
	16110-KEC3-900	1	E05	1755A-KKD5-C10	1	F10			
	16112-KKE3-C00	0	E05	1755A-LDC8-E10	1	F18	<b>21000</b>		
	16118-KEC3-C00	0	E05	17561-LGK8-900	1	F10			
	16122-KEC3-C00	0	E05	17685-AAF1-E65	0	F10	21201-KFA1-900	1	E09
	16123-LEA1-C00	0	E05	17910-ALJ8-E1D	0	F03	21395-KNBN-E90	1	E09
	16133-KEC3-C00	0	E05						
	16138-KEC3-C00	0	E05	<b>18000</b>			<b>22000</b>		
	16154-KKE3-C00	0	E05						
	16170-KEC3-C00	0	E05	18291-GGA7-C01	1	F14	22100-LDC8-E10	1	E06
	1621A-ADB2-EZ5	0	E02	18291-KEBE-C00	1	F14	22102-LDC8-E10	1	E06
	16700-ALB8-930	0	F10	18292-KEBE-C00	0	F14	22103-KEB7-C00	1	E06
16771-LGL3-900	1	E02	18293-KEBE-C00	1	F14	22105-KGBG-C00	1	E06	
			18294-PUA3-B50	1	F14	22110-LDC8-E10	2	E06	
			1830A-LDC8-EZ5	0	F14	22121-LDC8-405	0	E06	
			18318-LDF7-E10	0	F14	22131-GHAH-C00	1	E06	
						22132-GLW0-315	0	E06	
						22300-GGAG-C00	1	E06	
						22350-GKAK-C00	1	E06	
						22401-GJAJ-C00	1	E06	
						22530-GKAK-C00	1	E06	
<b>17000</b>			<b>19000</b>						
1711A-ACB9-EZ5	0	E02	19411-KNBN-C10	2	F13				
17200-AAF1-EZ5	0	F13	19411-KNBN-C10	2	F20				
1720A-AAF1-EZ5	0	F13							
1723B-LBD6-E00	1	F13							
1723C-LBD6-E00	0	F13							

## PART NO. INDEX

PART NO.	VERSION	PAGE	PART NO.	VERSION	PAGE	PART NO.	VERSION	PAGE
22804-1H48-C00	1	E06				33701-LDC8-E10	2	F18
			<b>31000</b>			33731-KGB5-EZ0	0	F06
						33741-LEH3-EZ0	1	F18
						<b>34000</b>		
2301A-LEA3-C00	1	E06	31100-ADB2-C00	0	E08			
23100-KEB7-C00	1	E06	31110-ADB2-C00	1	E08			
23200-GAR1-C00	1	E06	31120-ADB2-C00	1	E08			
23220-KEE1-C00	1	E06	31200-LEJ2-E10	1	E07	34901-LDC8-E10	1	F01
23225-GAR1-C00	1	E06	31209-KEE1-C01	2	E07	34903-LDC8-E10	1	F01
23233-LEA3-C00	1	E06	31500-ALC8-EZ0	0	F11	34905-LBA8-E80	1	F17
23237-GAR1-C00	1	E06	31600-LEA5-C01	2	F19	34908-KKAK-C00	1	F02
23239-LEA3-C00	1	E06				34908-LCB9-C10	0	F02
23411-ALC8-E60	1	E09	<b>32000</b>					
23420-ALC8-E60	3	E09				<b>35000</b>		
23432-ALC8-E60	2	E09	32100-AAF1-E65	0	F19			
2343A-KNBN-C00	1	E09	32101-GFY6-C00	1	F04	35010-ALK6-E15	0	F19
			<b>33000</b>			3515A-LGB5-EV0	0	F03
						3520A-LGB5-E11	0	F03
						35340-KKJ9-C00	0	F03
						35340-KNBN-C00	1	F04
			33108-ALC8-E60	0	F01	35380-ABE1-C00	0	F19
28211-KEB7-W10	1	E06	3310A-ALC8-E60	2	F01			
			33400-ALC8-E60	3	F17			
			33402-ALC8-E60	0	F17	<b>37000</b>		
			33450-ALC8-E60	1	F17			
			33600-ALC8-E60	3	F17	37200-AAF1-E65	0	F02
3051A-KKE3-900	6	F19	33602-ALC8-E60	0	F17	37211-LCB9-C10	0	F02
			33650-ALC8-E60	1	F17	37220-LCB9-C10	0	F02

## PART NO. INDEX

PART NO.	VERSION	PAGE	PART NO.	VERSION	PAGE	PART NO.	VERSION	PAGE
37305-KEE5-008	0	F02	42753-0F06-C00	0	F07	45156-KHC5-E10	0	F06
37802-GGA7-C00	1	F10				45156-LCB9-B20	0	F06
3780A-AAF1-E65	0	F10	<b>43000</b>			45200-ALA9-E70	0	F04
<b>38000</b>			4312A-KXCX-C00	8	F08	45500-LDC8-E10	3	F04
			4314A-KKD6-E00	2	F08	45513-LDC8-E10	0	F04
38110-KGC4-B50	2	F19	43410-KFA1-C00	8	E01	45517-GFY6-900	5	F03
38300-KECE-W10	2	F02	43450-AAF1-E60	4	F03	45517-KFAF-910	1	F04
38500-KKDK-C00	5	F19	43472-KHG8-C00	1	F08	<b>50000</b>		
38500-LGL3-90A	5	F19	<b>44000</b>			50100-AAF1-E65	0	F20
<b>39000</b>			44305-KGE2-E00	9	F07	50301-KGN7-C00	2	F20
			44306-KGE2-E00	9	F07	50302-2H68-C00	2	F20
39300-ACB9-EZ5	0	E02	44311-GLW0-W10	1	F07	50306-1F96-C00	1	F06
39301-ALD9-E16	0	E02	44601-KEB7-E0E	0	F07	50326-LCB9-C10	0	F11
39302-KKE3-C00	1	E02	44620-KEB7-C00	0	F07	50330-KEBE-C00	1	F05
39303-LEB2-C00	1	E02	44710-LDC8-E11	2	F07	50350-LDC8-E10	3	F20
39400-LHJ3-900	1	E02	44800-LDC8-E10	1	F07	50500-ALC9-E10	0	F15
39450-ZVA6-M00	1	F14	44830-AAC7-E60	3	F02	50505-LAD9-C00	1	F15
39600-LEA1-800	0	F10	<b>45000</b>			50530-ALC8-E60	0	F15
<b>42000</b>			45105-LFC2-305	0	F04	50531-KEB7-C00	1	F15
			45121-LBD5-C00	2	F07	50535-KEB7-W10	3	F15
42601-KEB7-C00	1	F08	45126-AAC7-E60	2	F04	50550-KFA6-C00	1	F15
42710-LDC8-E11	3	F08				50611-LCB9-C10	1	F20
42753-0A01-C00	1	F08				50612-LCB9-C10	1	F20
						50613-LCB9-C11	0	F20

## PART NO. INDEX

PART NO.	VERSION	PAGE	PART NO.	VERSION	PAGE	PART NO.	VERSION	PAGE	
50655-ADA9-M30	0	F20	53166-KNBN-C00	1	F03	<b>77000</b>			
<b>51000</b>			53172-LGB6-E10	0	F03				
			53175-KXBX-E00	1	F04				
			53178-LGB6-E10	1	F03		77200-ALC8-E60	0	F09
51400-LDF7-E10	0	F06	5317B-LGB6-E10	3	F03		77232-KCAC-C00	2	F12
51410-LDC8-E10	0	F06	53190-GFY6-C00	0	F03		77240-LDC8-E10	1	F12
51412-LDC8-E10	0	F06	53191-GFY6-C00	2	F03		<b>80000</b>		
51420-LDF7-E10	0	F06	53200-ALC8-E60	1	F06				
51422-LDC8-E10	0	F06	53205-AAC7-E60	0	F03				
51425-LDF7-E10	0	F06	53206-AAC7-E60	0	F03			80100-LDC8-E10	0
51428-LDC8-E10	0	F06	53211-GFY6-C00	1	F06	80101-LCB9-C10		1	F18
51429-LDC8-E10	0	F06	53212-2L50-C00	1	F06	80105-LDC8-E10		0	F18
51500-LDF7-E10	0	F06	53214-2L50-C00	5	F06	80106-LDC8-E10		0	F18
51520-LDF7-E10	1	F06	53215-2L50-C00	1	F06	80107-KHLH-C00		0	F14
<b>52000</b>						80107-LDC8-E10		1	F18
						80151-LCB9-C10		0	F12
52104-LGE5-E01	0	F14	<b>61000</b>			<b>81000</b>			
52400-LDC8-E10	2	F16	61100-LDC8-E10	0	F06				
<b>53000</b>			<b>64000</b>						
						81131-ALA9-E70	1	F05	
						81132-AAF1-E60	0	F05	
			64301-ALA9-E70	0	F05	81132-LCB9-C10	1	F05	
53100-AAC7-E60	2	F03	64303-ALC9-E10	0	F05	81132-LDC8-E10	1	F05	
53105-KNBN-C00	2	F03	64310-LCB9-C10	0	F05	81133-KNBN-C00	1	F05	
53125-GEN5-C00	1	F03	64315-ALC9-E10	0	F20	81200-ALC8-E60	1	F12	
53140-KNBN-C00	0	F03	64316-LCB9-C10	5	F05	81250-LDC8-E15	0	F12	

## PART NO. INDEX

PART NO.	VERSION	PAGE	PART NO.	VERSION	PAGE	PART NO.	VERSION	PAGE
81300-ALC9-E10	0	F12				90108-KFA6-E01	0	F15
81305-ALC9-E10	0	F12	<b>88000</b>			90110-GLW0-C00	0	F05
<b>83000</b>			88110-LCB9-C11	0	F03	90110-KEB7-C01	1	F06
			88120-LCB9-C11	0	F03	90111-06016-07G	0	F05
83500-LCB9-C10	0	F12				90111-06016-07G	0	F12
83600-ALC8-E60	0	F12	<b>89000</b>			90111-06016-07G	0	F18
83601-ALC8-E60	0	F12				90111-06016-07G	0	F20
83602-ALC8-E60	0	F09	89010-KGBG-C00	1	F09	90111-1G87-C00	6	F12
<b>86000</b>			89020-KKC4-C00	1	F09	90115-GLE0-C00	6	F03
			<b>90000</b>			90116-GGS7-C00	2	F03
86102-KFA6-C10	0	F22				90116-LDC8-E10	0	F06
86201-AAF1-E62	0	F22	9000A-ALK1-E15	0	E01	90120-LFC8-C00	1	F14
<b>87000</b>			9000A-KTDT-C02	1	E01	90121-KBE2-C01	1	F07
			90012-3C33-C00	1	E02	90131-GLW0-C02	1	F04
			90031-KGBG-C01	1	E01	90145-9A61-C00	1	F04
87160-LDC8-E90	1	F22	90032-KGBG-C01	1	E01	90202-1G87-C00	1	E06
87505-LDC8-E15	0	F22	90033-0A41-C01	1	E02	90202-GFF6-C00	1	E02
87541-GAR1-C01	1	F22	90033-GFY6-C11	1	E02	90206-0A01-C00	2	E02
87541-KGBG-E01	1	F22	90102-GLE0-C00	1	F15	90215-KKC4-C00	1	F18
87542-GAR1-C01	2	F22	90105-KCR3-C02	1	F07	90301-4C73-C01	0	F15
87546-AGE3-E00	0	F22	90105-LDC8-E11	0	F20	90301-4C73-C01	0	F20
87560-GFY6-E11	3	F22	90105-LLJ3-E01	0	F09	90301-KGBG-C01	0	F14
			90106-PUA3-B50	0	F03	90302-GFY6-C11	1	F10
			90107-GHC8-000	0	F02	90302-GFY6-C11	1	F19
						90302-PUA3-B51	1	F03
						90302-PUA3-B51	1	F18

## PART NO. INDEX

PART NO.	VERSION	PAGE	PART NO.	VERSION	PAGE	PART NO.	VERSION	PAGE
90302-SDA4-C01	0	F05	90668-LDC8-E10	1	F06	91301-0C53-W10	0	E09
90302-SDA4-C01	0	F18	90683-GAR1-C00	4	F12	91301-GLR0-W10	1	E03
90302-SDA4-C01	0	F20	90683-GAR1-C00	4	F18	91301-KEA5-C00	1	E06
90304-4H38-C00	1	E02	90701-GFF6-C00	1	E02	91302-0A01-C00	10	E04
90304-GHE8-C01	0	F20	90701-GFF6-C00	1	E03	91302-LEB2-C00	0	E05
90304-PUA3-B50	0	F03	90701-HDC4-C00	1	E07	91305-0H28-C00	1	E07
90305-GHK8-C01	0	F12	90754-GHC8-C00	1	F07	91307-0E35-W10	1	E04
90305-PUA3-B51	1	F08	90912-GHC8-C00	1	F07			
90306-KLF0-C02	0	F07				<b>92000</b>		
90309-PUA3-B50	0	E09	<b>91000</b>					
90381-GEZ5-C01	1	F12				92101-05012-0HG	1	E08
90426-KNBN-C01	1	E06	91001-GGA7-C00	1	E06	92101-10020-0G	0	F01
90429-KNBN-C00	1	E09	91004-KBN2-C00	1	E01	92101-10045-0G	0	F01
90442-0D44-C00	1	E06	91004-KBN2-C00	1	E09			
90442-GFF6-C01	1	E02	91004-KNBN-C00	1	E01	<b>93000</b>		
90454-GBB2-C00	1	E06	91009-GLE0-C00	1	E09			
90474-1G47-C00	1	E01	91014-LLJ3-C00	1	F06	93401-04025-08	0	F19
90474-3C33-C00	1	E01	91015-LLJ3-C00	1	F06	93404-06012-07G	0	F18
90501-KNBN-C01	1	F08	91103-GAR1-C00	1	E06	93404-06020-07G	1	F05
9052A-PUA3-B50	1	E01	91202-GFY6-90C	1	E01	93404-06030-07G	1	F18
90544-LDC8-E10	0	F06	91204-KNBN-C00	1	E01	93500-04010-1A	0	E07
90545-3L00-C00	2	F04	91211-GHK8-C00	1	E06	93500-04035-0G	0	F01
90651-ALJ8-E10	1	F10	91251-LDC8-E10	0	F06	93700-05018-0HG	1	F02
90652-LFB5-C00	1	F05	91254-LDC8-E10	0	F06	93892-05010-06	0	E05
90660-KGBG-C00	1	F10	91255-LDC8-E10	5	E09	93903-25480	1	F13
90660-LDE9-E00	1	F21	91258-KAM1-C00	1	F07	93903-34280-G	0	E08

## PART NO. INDEX

PART NO.	VERSION	PAGE	PART NO.	VERSION	PAGE	PART NO.	VERSION	PAGE
93903-34380	6	F01	94050-06080-G	1	F18	95701-06012-08G	1	F06
93903-34380-G	0	F03	94050-06080-G	1	F19	95701-06012-08G	1	F10
93903-34380-G	0	F05	94050-06080-G	1	F20	95701-06014-08G	1	F19
93903-34380-G	0	F12	94050-10080-G	1	E06	95701-06016-08G	1	F19
93903-34380-G	0	F18	94050-10080-G	1	E08	95701-06020-07G	1	F20
93903-34380-G	0	F20	94101-KKE3-C00	0	E05	95701-06025-08G	1	E02
93903-35380-G	1	F02	94102-10700	0	F01	95701-06032-08G	1	E02
93903-35380-G	1	F03	94103-LBA8-C11	0	F20	95701-06032-08G	1	F08
93903-35380-G	1	F11	94111-04700	0	F01	95701-06032-08G	1	F13
93903-GFY6-C01	1	F05	94111-06800	1	E05	95701-06035-08G	1	F13
93903-GFY6-C01	1	F12	94111-06800-G	0	E02	95701-08012-08G	1	E01
93904-35380-G	0	E08	94111-10700	0	F01	95701-08016-07G	1	F12
93904-35380-G	0	F14	94301-08140	4	E01	95701-08016-07G	1	F20
			94301-08140	4	E04	95701-08020-07G	1	F12
<b>94000</b>			94301-10200	4	E09	95701-08028-07G	0	F12
			94520-24000	1	E06	95701-08035-08G	1	E01
94001-04007-0S	0	F01	94540-06018	2	E07	95701-08040-08G	1	E01
94001-05080-0S	0	F03	94591-KFBF-C00	1	E02	95701-08045-07G	0	F12
94001-12280-0SG	1	E06	94591-LDC8-E10	1	F20	95701-10020-07G	0	F01
94050-05080-G	1	F06	94591-LGR5-E10	1	F05	95701-LDC8-E11	0	F19
94050-05080-G	1	F17	94605-LDC8-E10	0	F06	95701-LGF3-E90	0	E02
94050-05080-G	1	F18	94608-LDC8-E10	0	F06	95701-LHM9-E61	0	F19
94050-06080	2	E05				95801-08032-08G	1	F16
94050-06080-G	1	E02	<b>95000</b>			95801-08040-08G	1	F06
94050-06080-G	1	F09				95801-08055-07G	1	F14
94050-06080-G	1	F10	95002-02120	1	F13	95801-10035-08G	0	F16

## PART NO. INDEX

PART NO.	VERSION	PAGE	PART NO.	VERSION	PAGE	PART NO.	VERSION	PAGE
95801-10070-08G	1	F20						
95801-KGB5-C01	1	F14						
			<b>98000</b>					
			98056-5671R-00	1	E02			
			98200-11500	2	F11			
96001-06012-02	3	E01						
96001-06012-08G	1	F18						
96001-06014-08G	0	E02						
96001-06016-08G	1	E08						
96001-06016-08G	1	F19						
96001-06018-08G	1	E03						
96001-06020-08G	1	E07						
96001-06022-08G	1	E08						
96001-06025-06	1	F03						
96001-06025-08G	1	E07						
96001-06025-08G	1	E08						
96001-06025-08G	1	F18						
96001-06045-08G	1	E01						
96001-06085-08G	1	E02						
96001-06085-08G	1	E04						
96001-06100-08G	1	E04						
96100-62033-00	1	E01						
96220-LDC5-C00	1	E07						