

# PARTS CATALOGUE



## SCOOTERS

KA25GB(RO)

Micare 125



Release Date : 2024/05/20  
Print Date : 2024/07/06

## ABOUT THIS PARTS LIST

- This parts list is compiled all service parts for model KA25GB(RO).
- Any difference between color chart and motorcycle will be revised according to motorcycle.
- The Mark:
  1. Marking "\*\*\*" must add color code in the end before ordering parts.
  2. Marking "#" are parts with modification, Please find the details from e-Parts system.
- When modification or additions to this parts list are made a revised edition at an appropriate time.



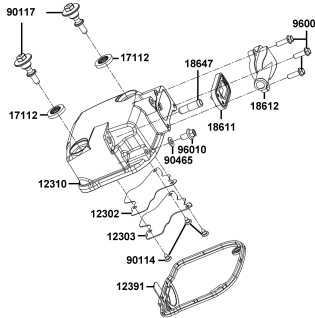
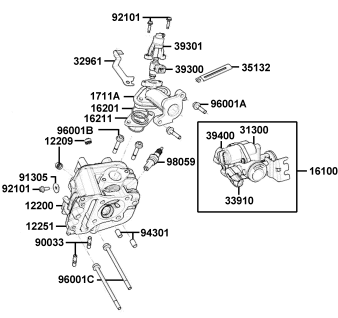
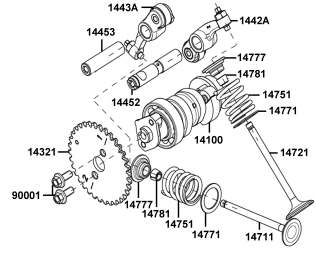
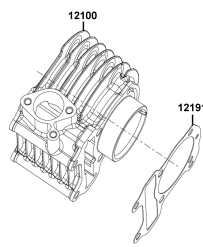
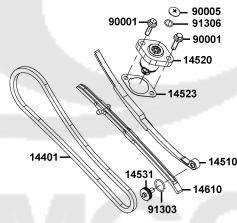
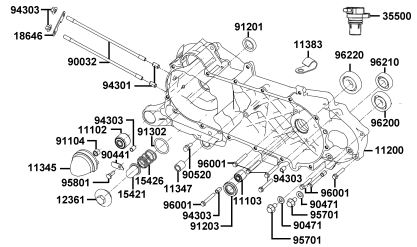
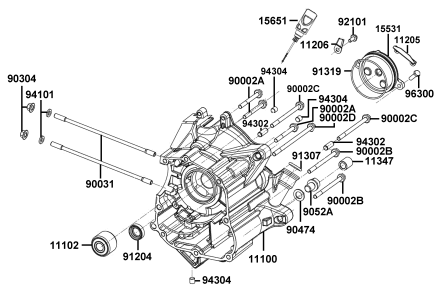
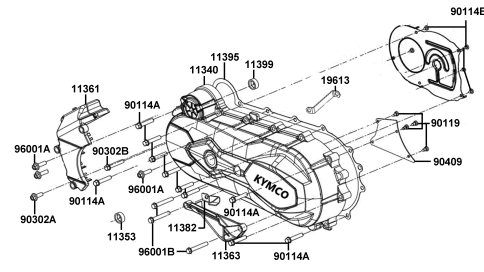
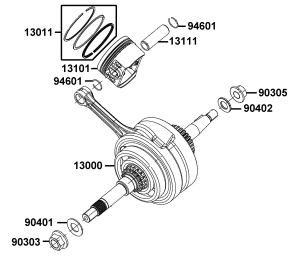
# CONTENTS

● ABOUT THIS PARTS LIST .....	1
● COLOR CHART OF KA25GB(RO) .....	3
● CONTENTS-ENGINE GROUP .....	4
● CONTENTS-FRAME GROUP .....	6
● ENGINE PARTS LIST .....	9
● FRAME PARTS LIST .....	47
● PART NO. INDEX .....	97



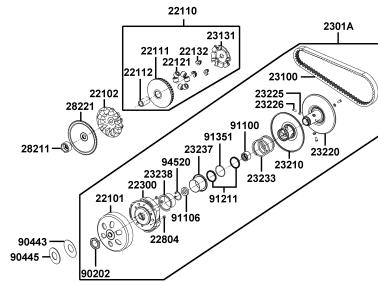


## CONTENTS - ENGINE GROUP

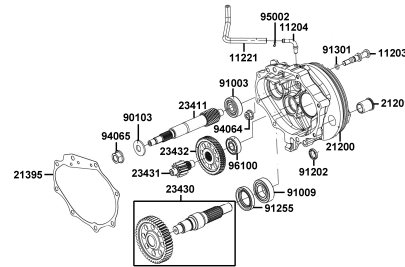
E01	CYLINDER HEAD COVER	E02	CYLINDER HEAD ASSEMBLY	E03	VALVE MECHANISM SUB-
					
					
					

## CONTENTS - ENGINE GROUP

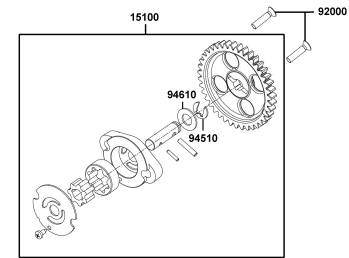
### E10 CLUTCH SYSTEM



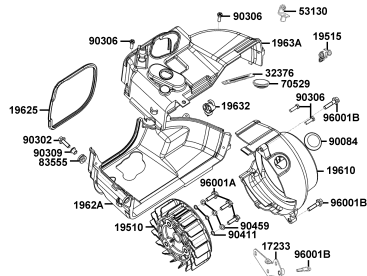
### E11 TRANSMISSION SUB-



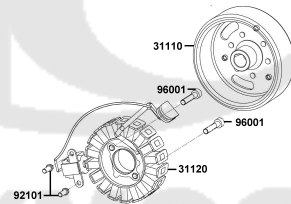
### E12 OIL PUMP ASSEMBLY



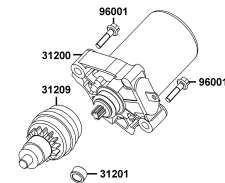
### E13 COOLING SYSTEM



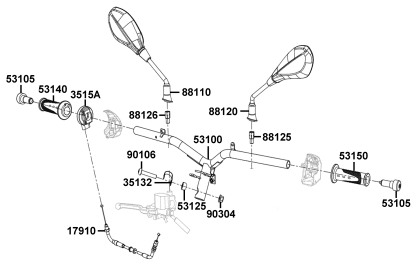
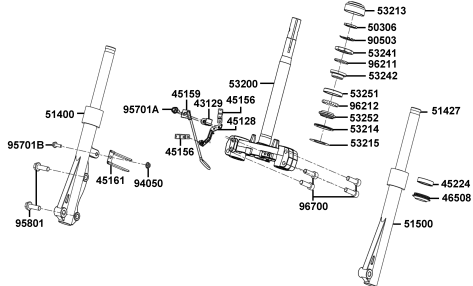
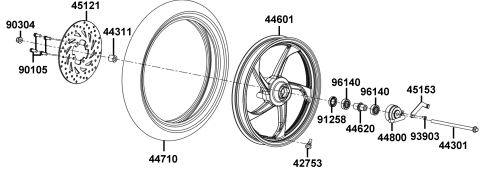
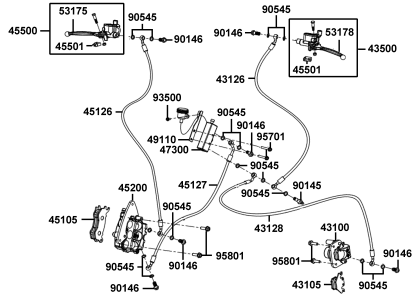
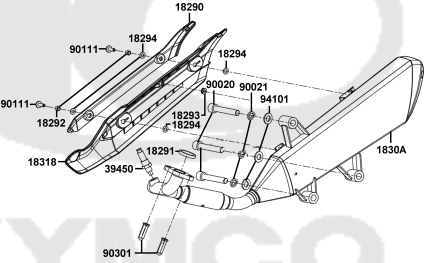
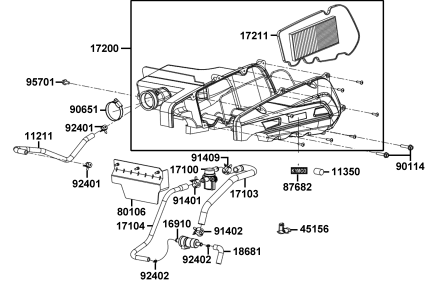
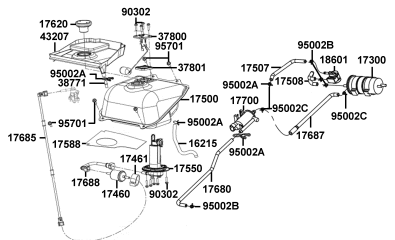
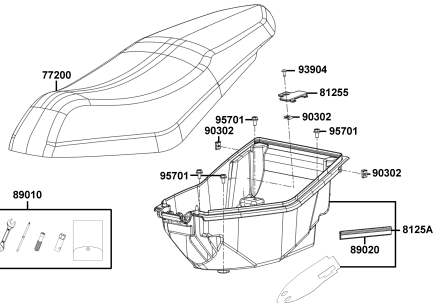
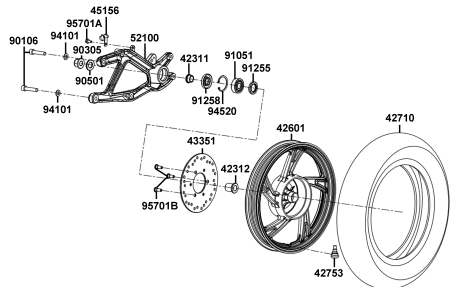
### E14 MAGNETO SUBASSEMBLY



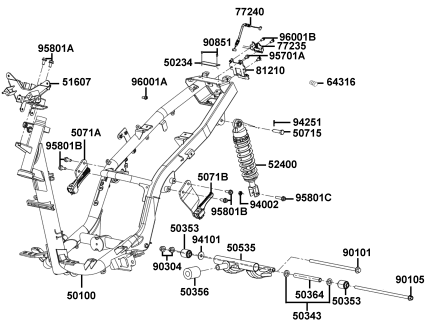
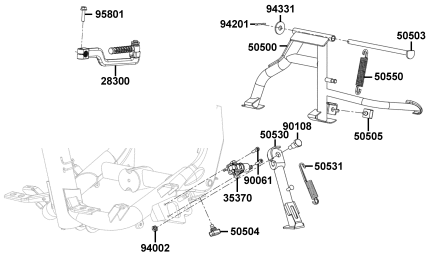
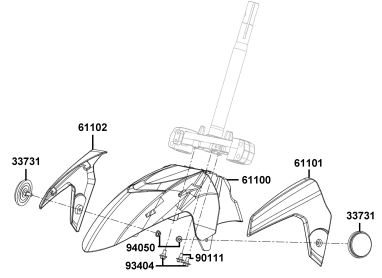
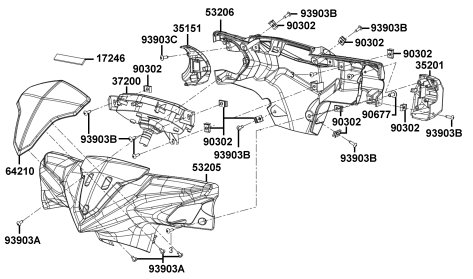
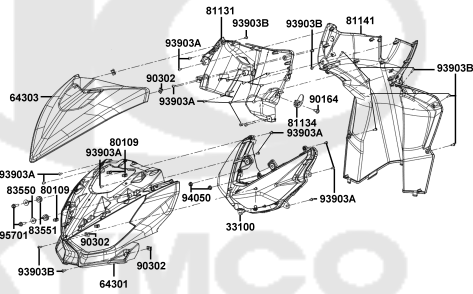
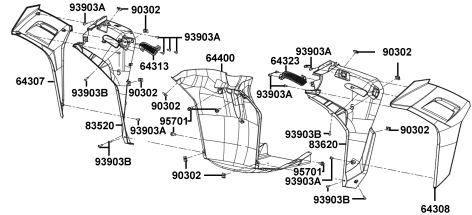
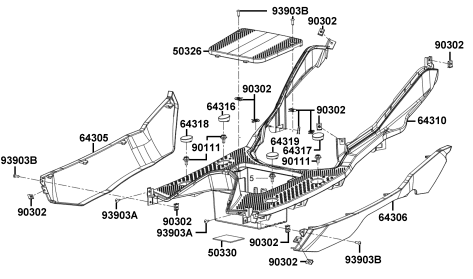
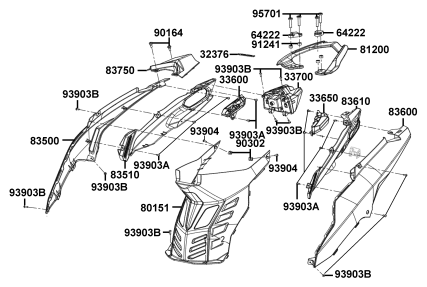
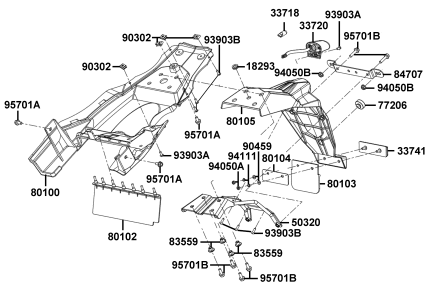
### E15 ELECTRIC STARTER ASSY



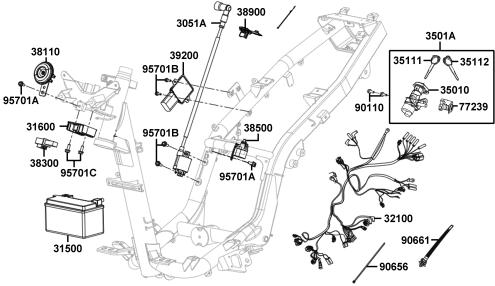
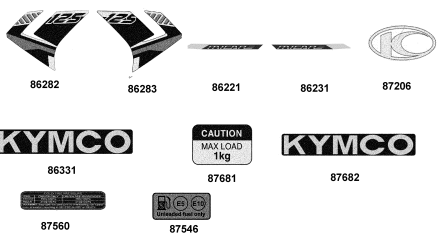

# CONTENTS - FRAME GROUP

<p><b>F01 CONTROL ASSY.</b></p> 	<p><b>F02 FORK ASSY.</b></p> 	<p><b>F03 FRONT WHEEL ASSY.</b></p> 
<p><b>F04 FRONT BRAKE ASSY.</b></p> 	<p><b>F05 MUFFLER ASSY.</b></p> 	<p><b>F06 AIR CLEANER ASSY.</b></p> 
<p><b>F07 FUEL TANK ASSY.</b></p> 	<p><b>F08 SEAT ASSY.</b></p> 	<p><b>F09 REAR WHEEL ASSY.</b></p> 

# CONTENTS - FRAME GROUP

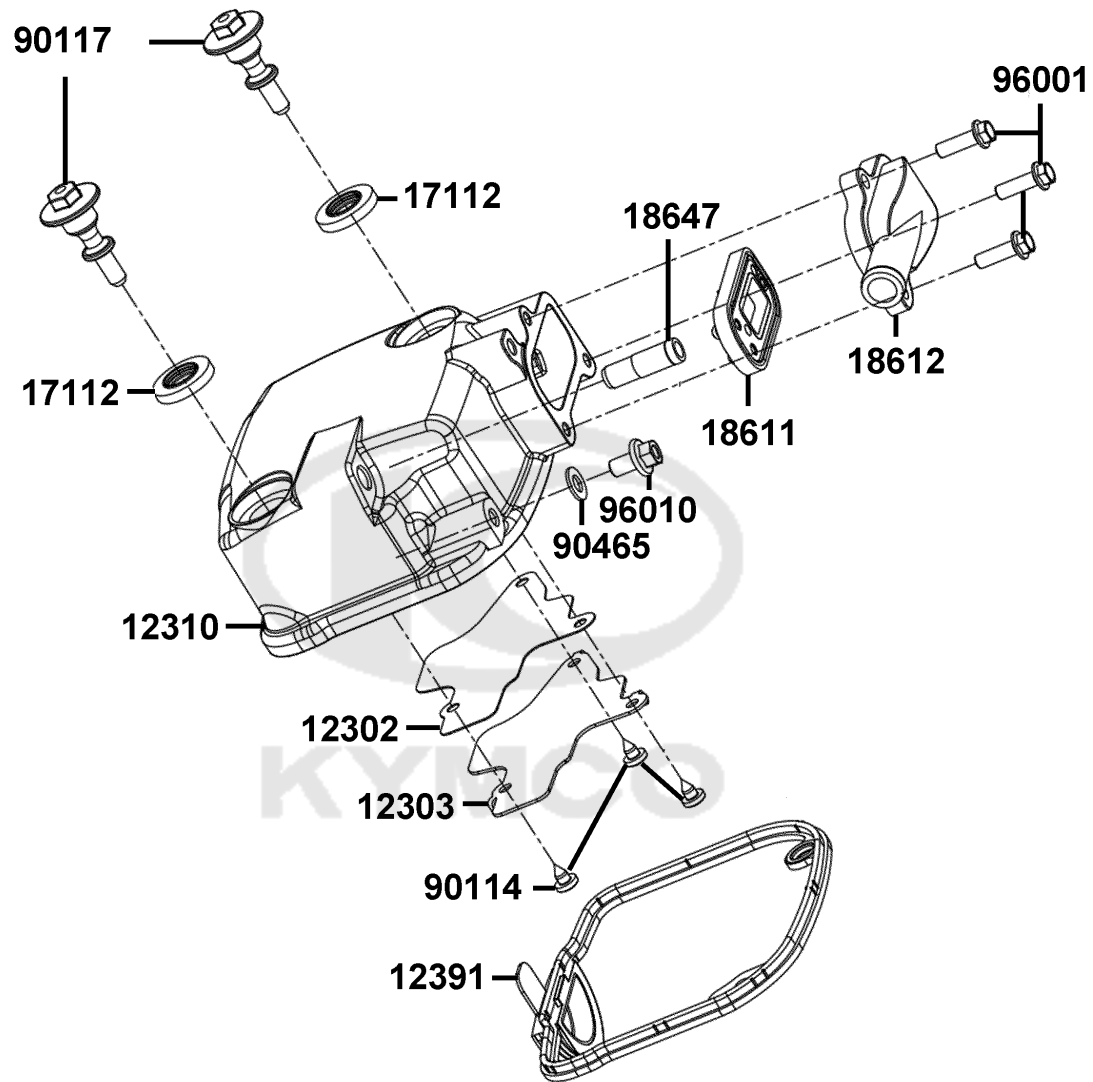
<p><b>F10</b>    FRAME BODY ASSY.</p> 	<p><b>F11</b>    Stand Kick Starter Arm</p> 	<p><b>F12</b>    FRONT FENDER ASSY.</p> 
<p><b>F13</b>    Handle Steering Handle Cover</p> 	<p><b>F14</b>    Head Light</p> 	<p><b>F15</b>    FRONT COVER ASSY.</p> 
<p><b>F16</b>    PEDAL ASSY.</p> 	<p><b>F17</b>    SIDE COVER ASSY.</p> 	<p><b>F18</b>    REAR FENDER ASSY.</p> 

# CONTENTS - FRAME GROUP

<p><b>F19</b> Wire Harness</p> 	<p><b>F20</b> Emblem Stripe</p> 	
		

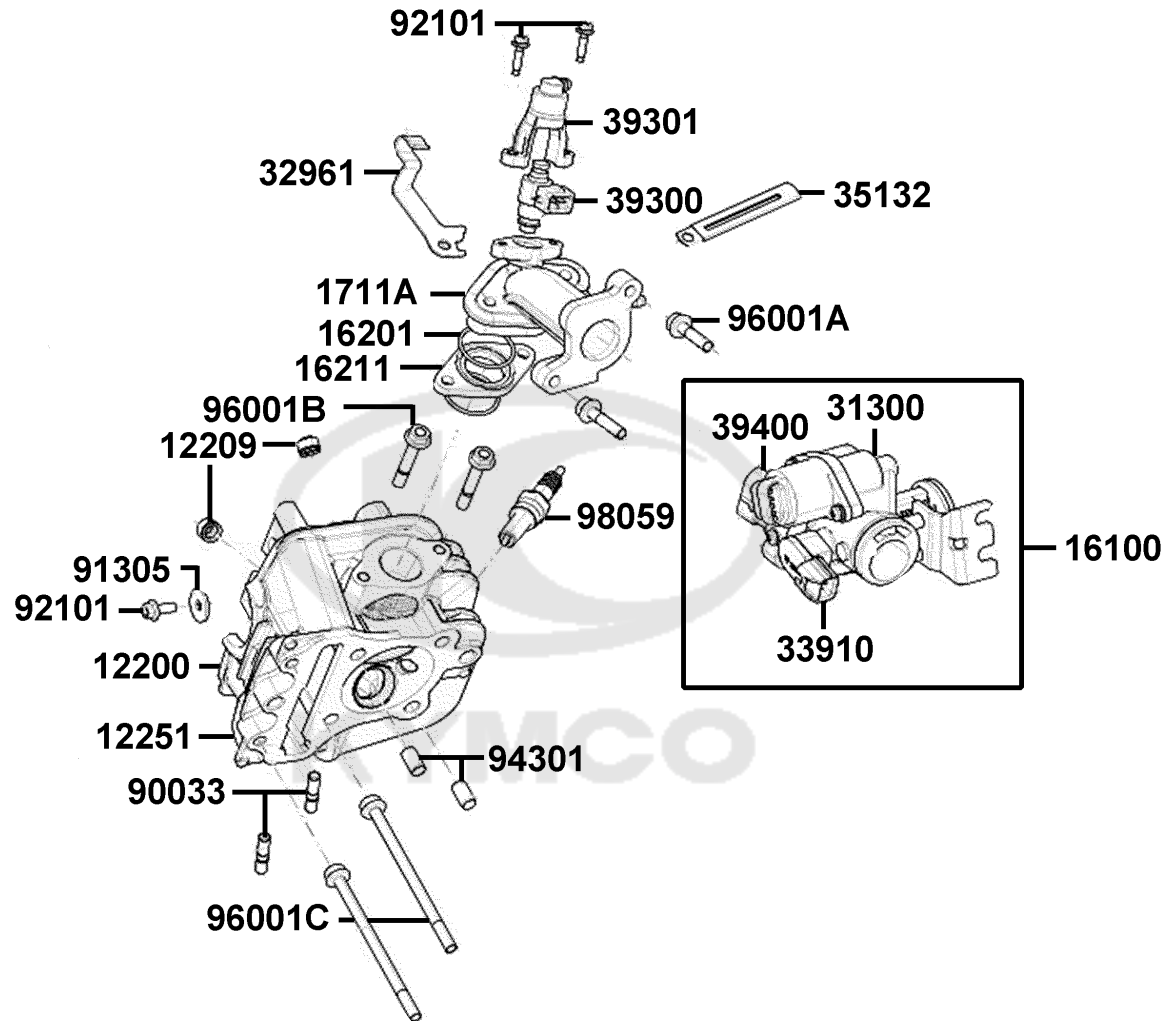
E01

# CYLINDER HEAD COVER ASSEMBLY



Sales mark	Ref no	Part no	Description	Reg description	Regd no	<b>E01</b>
12302		12302-YZA6-EZ5	PACKING BOARD	PACKING BOARD	1	
12303		12303-YZA6-EZ5	LABYRINTH COVER	LABYRINTH COVER	1	
12310		12310-YZA6-EZ5	CYLINDER HEAD COVER	CYLINDER HEAD COVER	1	
12391		12391-YZA6-EZ5	GASKET HEAD COVER MODULE	GASKET HEAD COVER MODULE	1	
17112		17112-YZA6-E00	WASHER	WASHER	2	
18612		18612-YZA6-EZ5	VENTILATION CHAMBER COVER	VENTILATION CHAMBER COVER	1	
18647		18647-YZA6-EZ5	SNORKEL	SNORKEL	1	
18611		18650-YZA6-EZ5	SPRING VALVE GROUPING	SPRING VALVE GROUPING	1	
90114		90114-YZA6-E00	TAPPING SCREW ST4.2x7.5	TAPPING SCREW ST4.2x7.5	3	
90117		90117-YZA6-E00	CONNECT BOLT	CONNECT BOLT	2	
90465		90465-YZA6-EZ5	GASKET	GASKET	1	
96001		96001-05016-C00	BOLT FLANGE 5*16	BOLT FLANGE 5*16	3	
96010		96010-YZA6-EZ5	HEXAGON HEAD FLANGE FACE BOLTS	HEXAGON HEAD FLANGE FACE BOLTS	1	

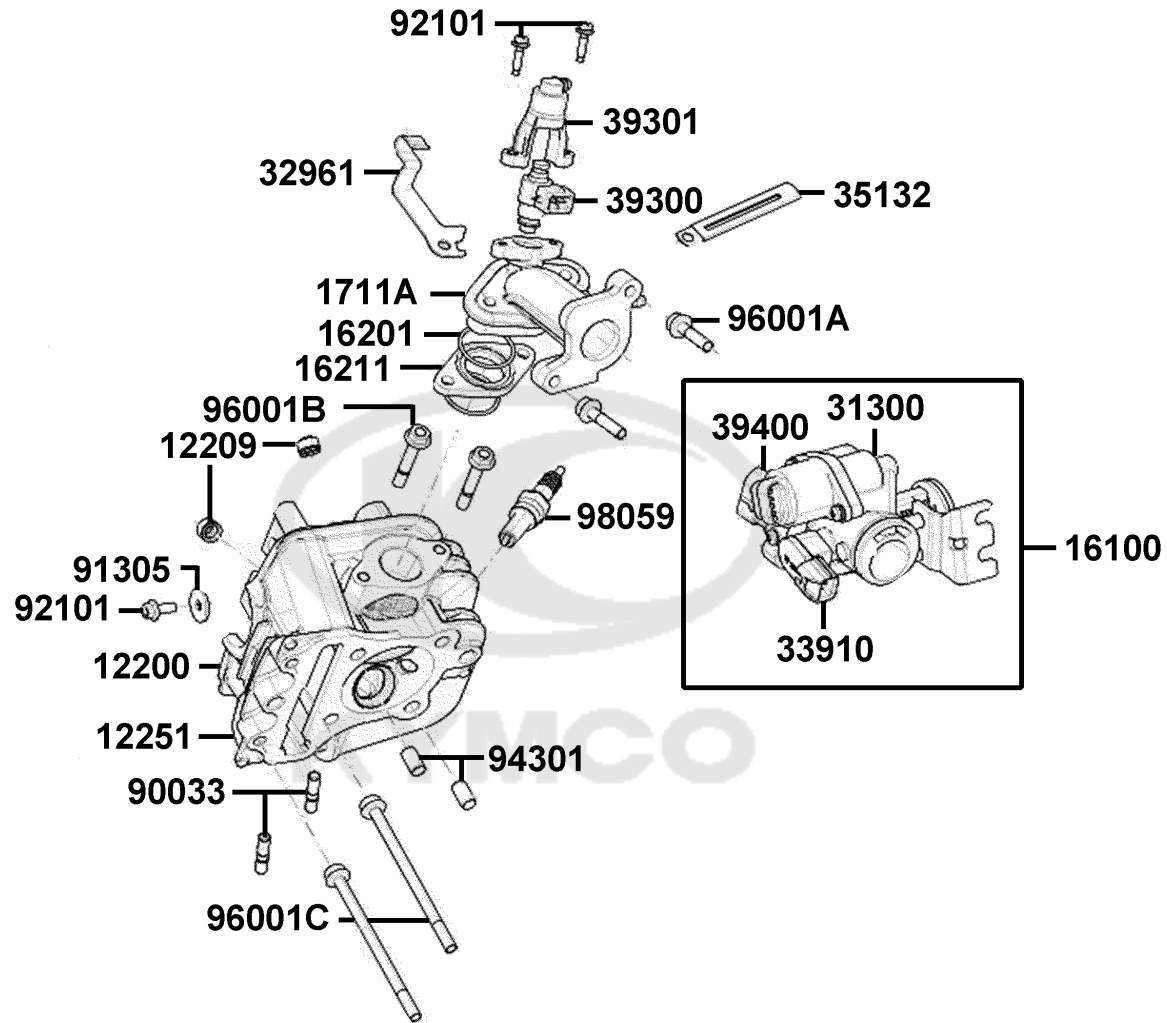
CYLINDER HEAD ASSEMBLY





Sales mark	Ref no	Part no	Description	Reg description	Regd no	E02
	12200	12200-YZA6-EZ5	HEAD COMP CYLINDER	HEAD COMP CYLINDER	1	
	12209	12209-YZA6-E00	SEAL VALVE STEM	SEAL VALVE STEM	2	
	12251	12251-YZA6-E00	GASKET HEAD CYLINDER	GASKET HEAD CYLINDER	1	
	16100	16100-YZA6-EZ5	THROTTLE VALVE ASSEMBLY	THROTTLE VALVE ASSEMBLY	1	
	16201	16201-YZA6-E00	O-RING 27x1.8	O-RING 27x1.8	2	
	16211	16211-YZA6-E00	GASKET	GASKET	1	
	1711A	1711A-YZA6-EZ5	INLET PIPE ASSEMBLY	INLET PIPE ASSEMBLY	1	
	31300	31300-YZA6-EZ5	PROGRESSIVE MOTOR	PROGRESSIVE MOTOR	1	
	32961	32961-YZA6-EZ5	OIL PIPE CLAMP	OIL PIPE CLAMP	1	
	33910	33910-YZA6-EZ5	SENSOR OF POSITION	SENSOR OF POSITION	1	
	35132	35132-YZA6-E00	MAIN CABLE CLAMP	MAIN CABLE CLAMP	1	
	39300	39300-YZA6-EZ5	FUEL INJECTOR	FUEL INJECTOR	1	
	39301	39301-YZA6-EZ5	OIL INJECTOR SEAT	OIL INJECTOR SEAT	1	
	39400	39400-YZA6-EZ5	TEMPERATURE AND PRESSURE	TEMPERATURE AND PRESSURE	1	
	90033	90033-YZA6-E00	STUD BOLT	STUD BOLT	2	
	91305	91305-YZA6-E00	GASKET 5.5x18x1.6	GASKET 5.5x18x1.6	1	
	92101	92101-05012-E00	BOLT M5x12	BOLT M5x12	1	
	94301	94301-YZA6-E00	PIN DOWEL	PIN DOWEL	2	
	96001A	96001-06025-E00	M6*25	FLANGE BOLT M6x25	2	
	96001B	96001-06040-E00	BOLT M6x40	BOLT M6x40	2	

CYLINDER HEAD ASSEMBLY

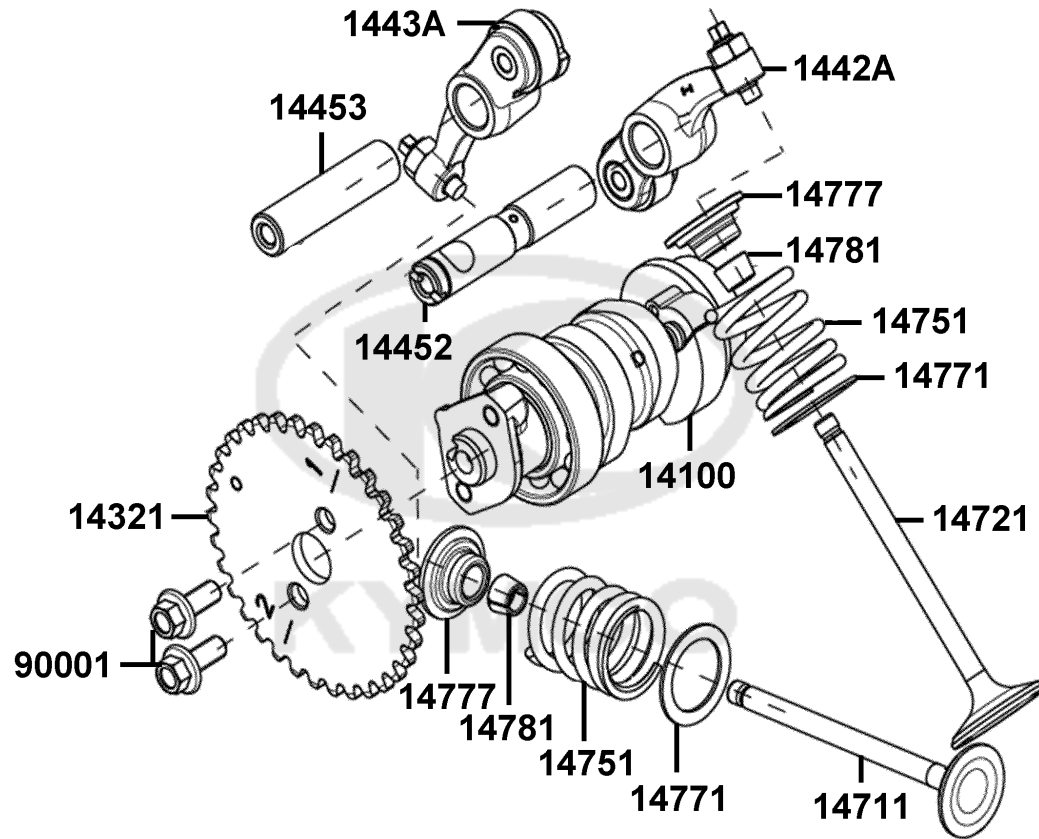


Sales mark	Ref no	Part no	Description	Reg description	Regd no	<b>E02</b>
------------	--------	---------	-------------	-----------------	---------	------------

96001C	96001-06100-E00	96001-06100-E00	BOLT M6x100	BOLT	2	
98059	98059-YZA6-E00	98059-YZA6-E00	SPARK PLUG B7RTC	SPARK PLUG B7RTC	1	



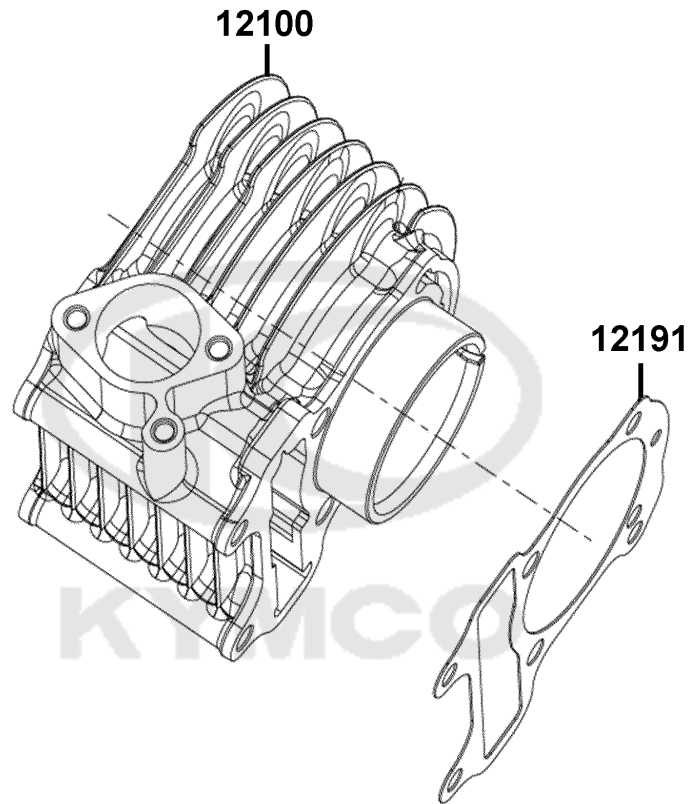
VALVE MECHANISM SUB-ASSEMBLY



Sales mark	Ref no	Part no	Description	Reg description	Regd no	<b>E03</b>
14100		14100-YZA6-E00	RING ASSY PISTON	RING ASSY PISTON	1	
14321		14321-YZA6-E00	"SPROCKET,DRIVEN,TIMING"	"SPROCKET,DRIVEN,TIMING"	1	
1442A		1442A-YZA6-E00	INTAKE VALVE ROCKER	INTAKE VALVE ROCKER	1	
1443A		1443A-YZA6-E00	ARM ASSY., VALVE ROCKER	ARM ASSY., VALVE ROCKER	1	
14452		14452-YZA6-E00	INTAKE WAYSHAFT	INTAKE WAYSHAFT	1	
14453		14453-YZA6-E00	EXHAUST WAYSHAFT	EXHAUST WAYSHAFT	1	
14711		14711-YZA6-E00	EXHAUST CHAIN WHEEL	EXHAUST CHAIN WHEEL	1	
14721		14721-YZA6-E00	INTAKE CHAIN WHEEL	INTAKE CHAIN WHEEL	1	
14751		14751-YZA6-E00	SPRING	SPRING	2	
14771		14771-YZA6-E00	"SEAT,SPRING"	"SEAT,SPRING"	2	
14777		14777-YZA6-E00	INTAKE ROCKER SHAFT	INTAKE ROCKER SHAFT	2	
14781		14781-YZA6-E00	PUNCH HEEL VALVE	PUNCH HEEL VALVE	4	
90001		90001-05012-E00	BOLT M5*12	BOLT M5x12	2	

E04

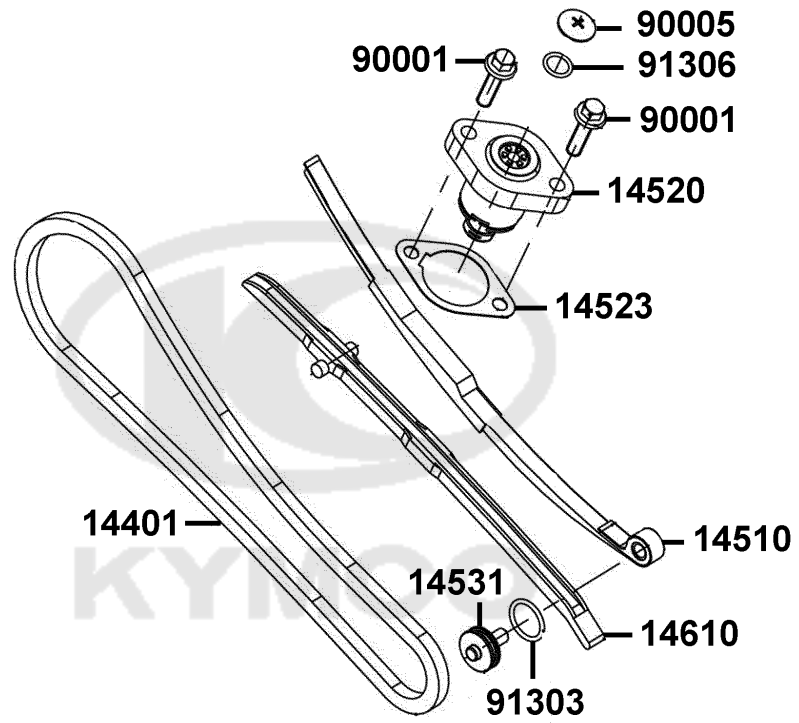
CYLINDER BLOCK ASSEMBLY



Sales mark	Ref no	Part no	Description	Reg description	Regd no	<b>E04</b>
------------	--------	---------	-------------	-----------------	---------	------------

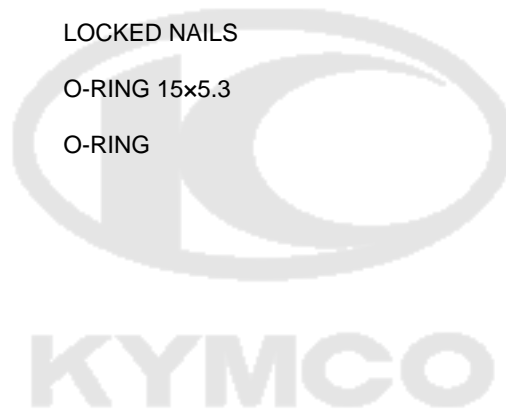
	12100	12100-YZA6-E00	CYLINDER COMP	CYLINDER COMP	1	
	12191	12191-YZA6-E00	GASKET CYLINDER	GASKET CYLINDER	1	

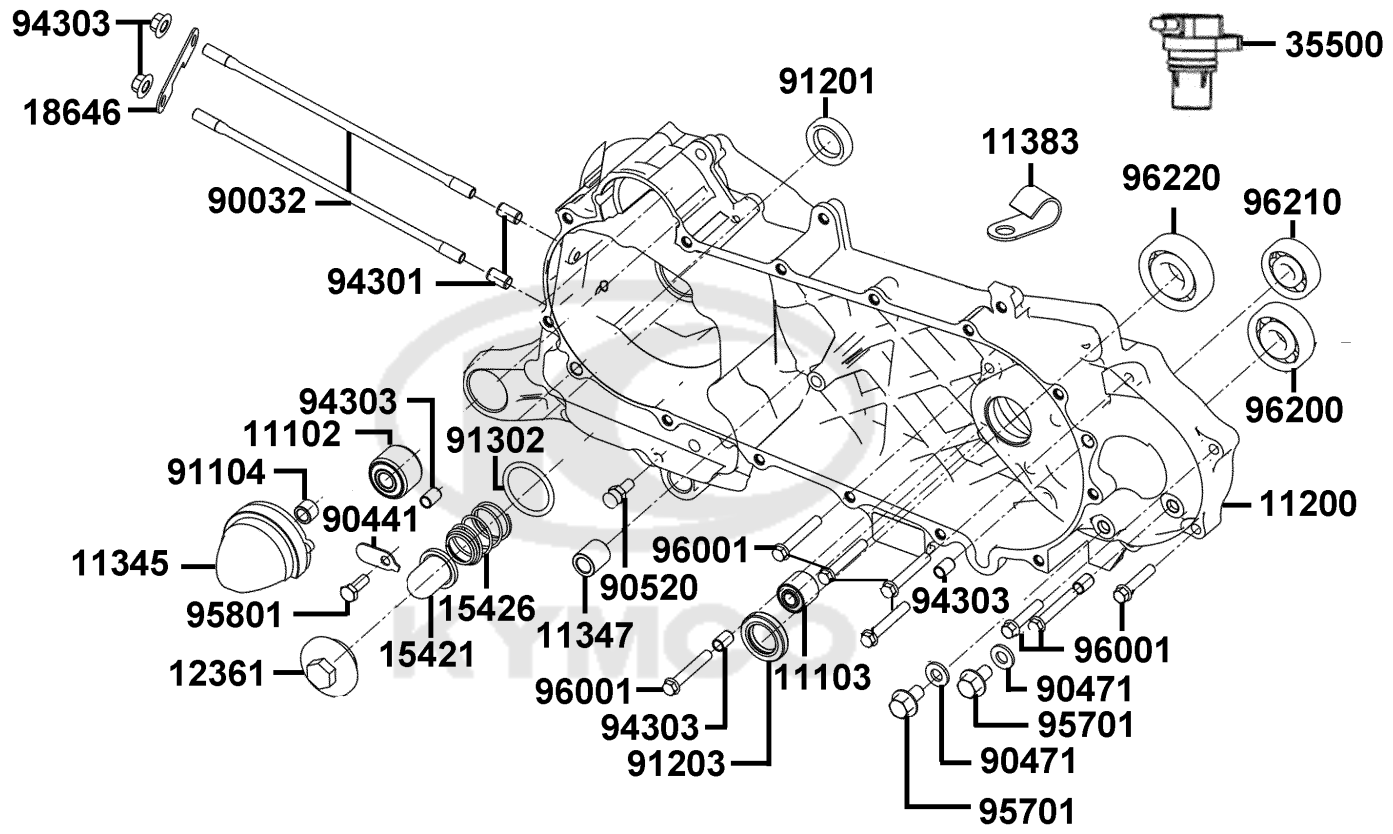




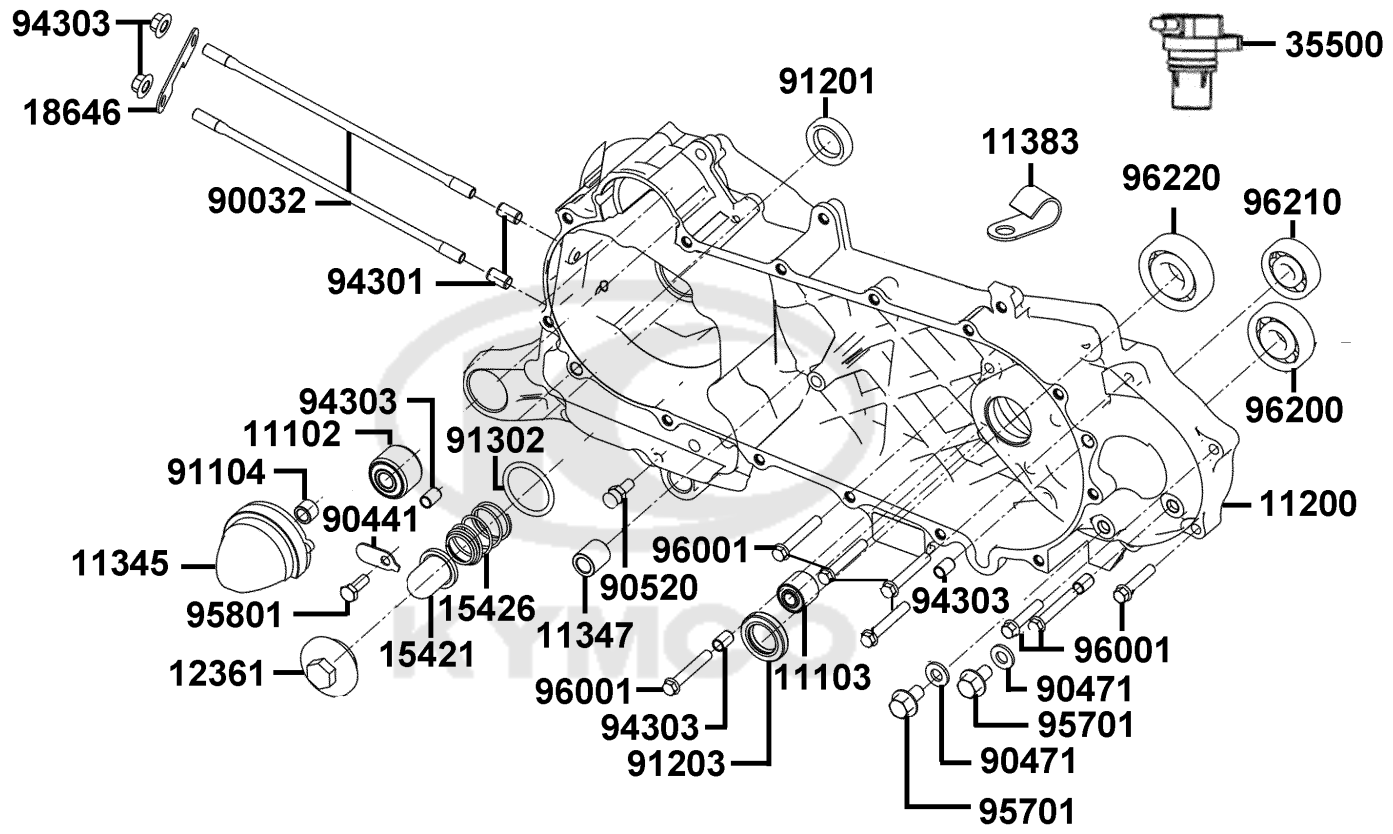


Sales mark	Ref no	Part no	Description	Reg description	Regd no	<b>E05</b>
14401		14401-YZA6-E00	CHAIN	CHAIN	1	
14510		14510-YZA6-E00	TENSIONOR GUID	TENSIONOR GUID	1	
14520		14520-YZA6-E00	TENSIONOR	TENSIONOR	1	
14523		14523-YZA6-E00	ADJUSTMENT GASKET	ADJUSTMENT GASKET	1	
14531		14531-YZA6-E00	CRAMP PIN	CRAMP PIN	1	
14610		14610-YZA6-E00	FIX GUID	FIX GUID	1	
90001		90001-06022-E00	BOLT M6*22	BOLT M6*22	2	
90005		90005-YZA6-E00	LOCKED NAILS	LOCKED NAILS	1	
91303		91303-YZA6-E00	O-RING 15x5.3	O-RING 15x5.3	1	
91306		91306-YZA6-E00	O-RING	O-RING	1	





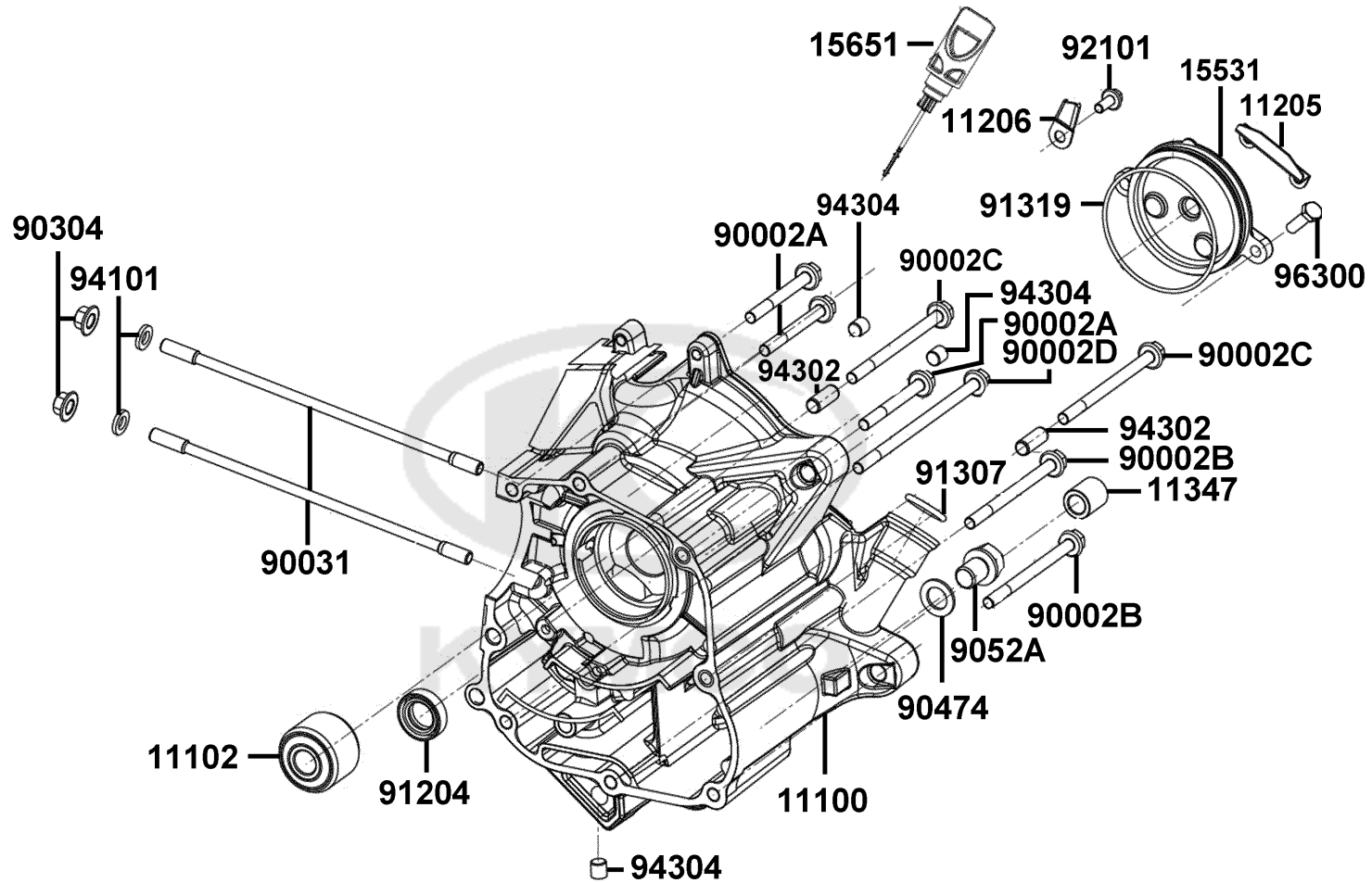
Sales mark	Ref no	Part no	Description	Reg description	Regd no	<b>E06</b>
11102		11102-YZA6-E00	BEFORE INSTALLATION. ELASTIC	BEFORE INSTALLATION. ELASTIC	1	
11103		11103-YZA6-E00	AFTER THE SHOCK	AFTER THE SHOCK	1	
11200		11200-YZA6-EZ5	CRANK CASE COMPL	CRANK CASE COMPL	1	
11345		11345-YZA6-E00	STARTING ADAPTER COVER	STARTING ADAPTER COVER COMPONENTS	1	
11347		11347-YZA6-E00	BUSHING	BUSHING	1	
11383		11383-YZA6-E00	OVERFLOW PIPE CLAMP	OVERFLOW PIPE CLAMP	1	
12361		12361-YZA6-E00	HOLE CAP TAPPET ADJUSTING	HOLE CAP TAPPET ADJUSTING	1	
15421		15421-YZA6-E00	OIL FILTER ASSY	OIL FILTER ASSY	1	
15426		15426-YZA6-E00	SCREEN OIL FILTER	SCREEN OIL FILTER	1	
18646		18646-YZA6-E00	WASHER	WASHER	1	
35500		35500-BBA1-C00			1	
90032		90032-YZA6-E00	DOUDLE BOLT	DOUDLE BOLT	2	
90441		90441-YZA6-E00	BINDER PLATE	BINDER PLATE	1	
90471		90471-YZA6-E00	WASHER	WASHER	2	
90520		90520-YZA6-E00	BOLT	BOLT	1	
91104		91104-YZA6-E00	STARTER BUSHING	STARTER BUSHING	1	
91201		91201-YZA6-E00	OIL SEAL	OIL SEAL	1	
91203		91203-YZA6-E00	THE CRANKSHAFT SEALS	THE CRANKSHAFT SEALS	1	
91302		91302-YZA6-E00	TYPE O RUBBER RING	TYPE O RUBBER RING	1	
94301		94301-YZA6-E00	PIN DOWEL	PIN DOWEL	2	



Sales mark	Ref no	Part no	Description	Reg description	Regd no	<b>E06</b>
	94303	94303-YZA6-E00	PIN 8x12	PIN 8x12	4	
	95701	95701-08015-E00	BOLT M8x15	BOLT M8x15	2	
	95801	95801-06016-E00	BOLT M6x16	BOLT M6x16	1	
	96001	96001-06040-E00	BOLT M6x40	BOLT M6x40	2	
	96200	96200-YZA6-E00	BEARINGS	BEARINGS	1	
	96210	96210-YZA6-E00	BEARINGS	BEARINGS	1	
	96220	96220-YZA6-E00	BEARING	BEARING	1	

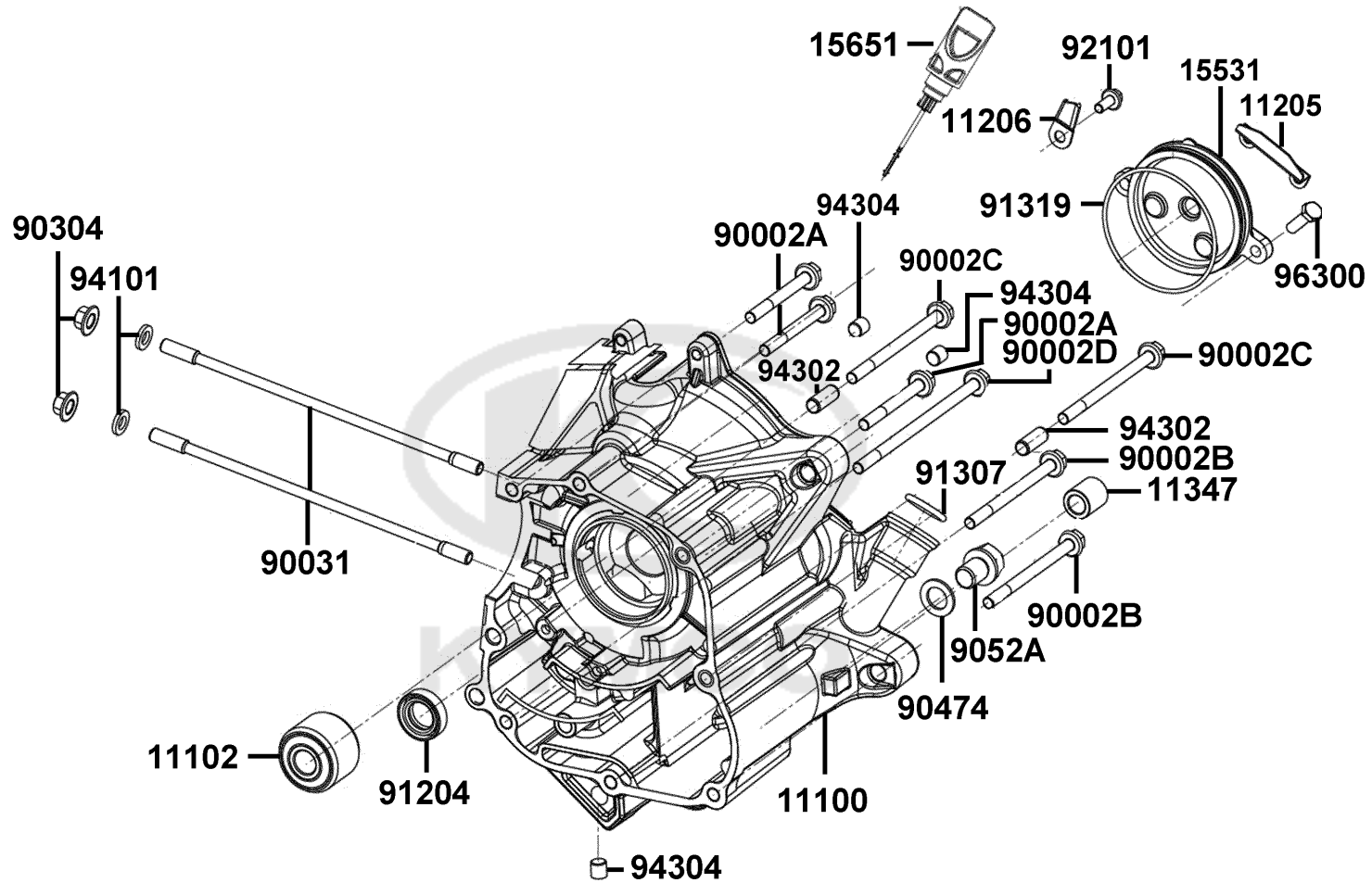


RIGHT CRANKCASE ASSEMBLY POINTS



Sales mark	Ref no	Part no	Description	Reg description	Regd no	<b>E07</b>
	11100	11100-YZA6-E00	CRANK CASE COMP R	CRANK CASE COMP R	1	
	11102	11102-YZA6-E00	BEFORE INSTALLATION. ELASTIC	BEFORE INSTALLATION. ELASTIC	1	
	11205	11205-YZA6-E00	PLATE I	PLATE I	1	
	11206	11206-YZA6-E00	PLATE II	PLATE II	1	
	11347	11347-YZA6-E00	BUSHING	BUSHING	1	
	15531	15531-YZA6-EZ5	OIL PUMP COVER	OIL PUMP COVER	1	
	15651	15651-YZA6-E00	GAUGE OIL LEVEL	GAUGE OIL LEVEL	1	
	90002A	90002-06055-E00	BOLT M6x55	BOLT M6x55	3	
	90002B	90002-06080-E00	BOLT M6x80	BOLT M6x80	2	
	90002C	90002-06085-E00	BOLT M6x85	BOLT M6x85	2	
	90002D	90002-06115-E00	BOLT M6x115	BOLT M6x115	1	
	90031	90031-YZA6-E00	STUD BOLT	STUD BOLT	2	
	90304	90304-YZA6-E00	NUT M12*1.25	NUT M12*1.25	2	
	90474	90474-YZA6-E00	WASHER	WASHER	1	
	9052A	9052A-YZA6-E00	PLUG DRAIN M12x1.5x15	PLUG DRAIN M12x1.5x15	1	
	91204	91204-YZA6-E00	OIL SEAL	OIL SEAL	1	
	91307	91307-YZA6-E00	O-RING	O-RING	1	
	91319	91319-YZA6-E00	O-RING	O-RING	1	
	92101	92101-05012-E00	BOLT M5x12	BOLT M5x12	1	
	94101	94101-YZA6-E00	GASKET	GASKET	2	

RIGHT CRANKCASE ASSEMBLY POINTS





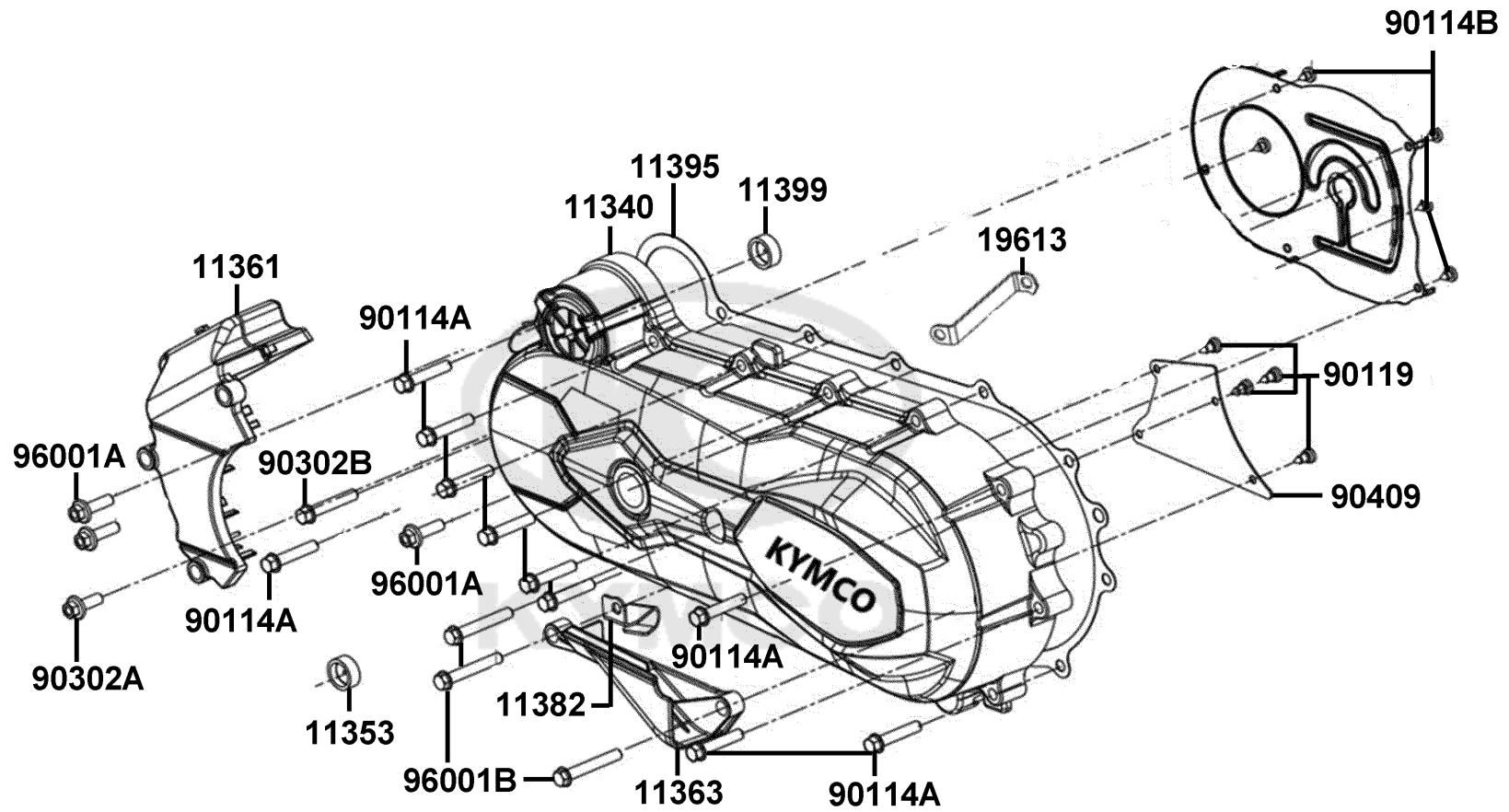
Sales mark	Ref no	Part no	Description	Reg description	Regd no	<b>E07</b>
------------	--------	---------	-------------	-----------------	---------	------------

94302		94302-YZA6-E00	PIN	PIN	2	
94304		94304-YZA6-E00	"PLUG,OIL"	"PLUG,OIL"	3	
96300		96300-YZA6-E00	BOLT M6x20	BOLT M6x20	1	

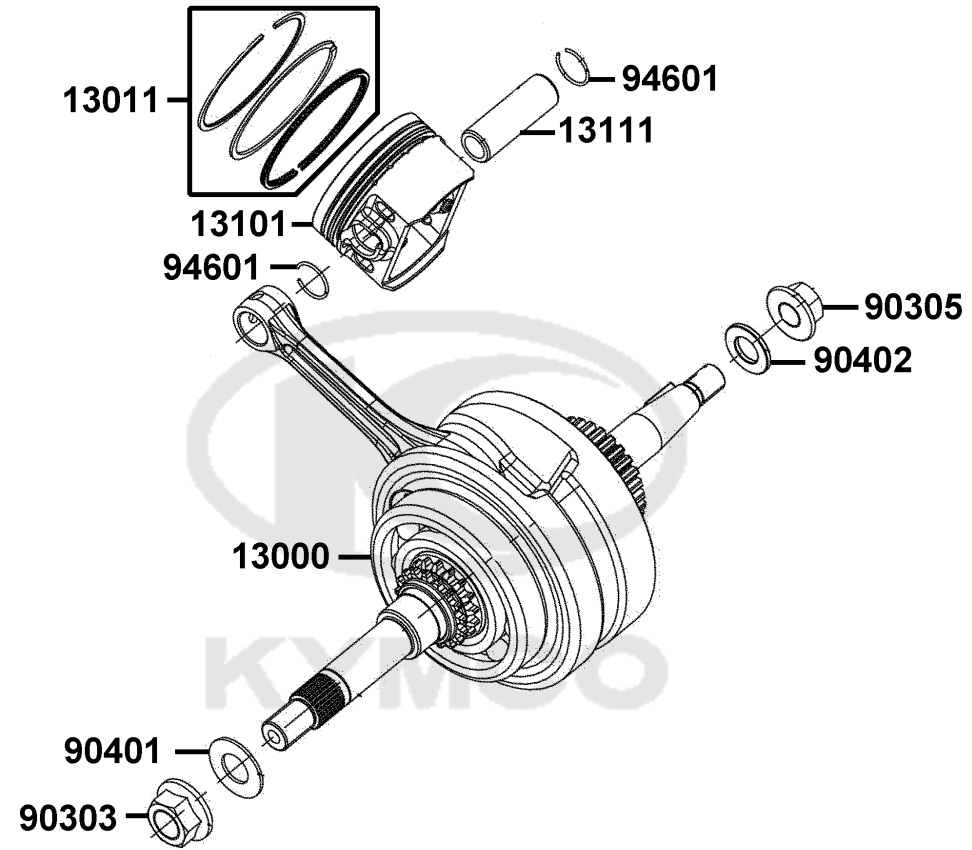


E08

LEFT COVER ASSEMBLY

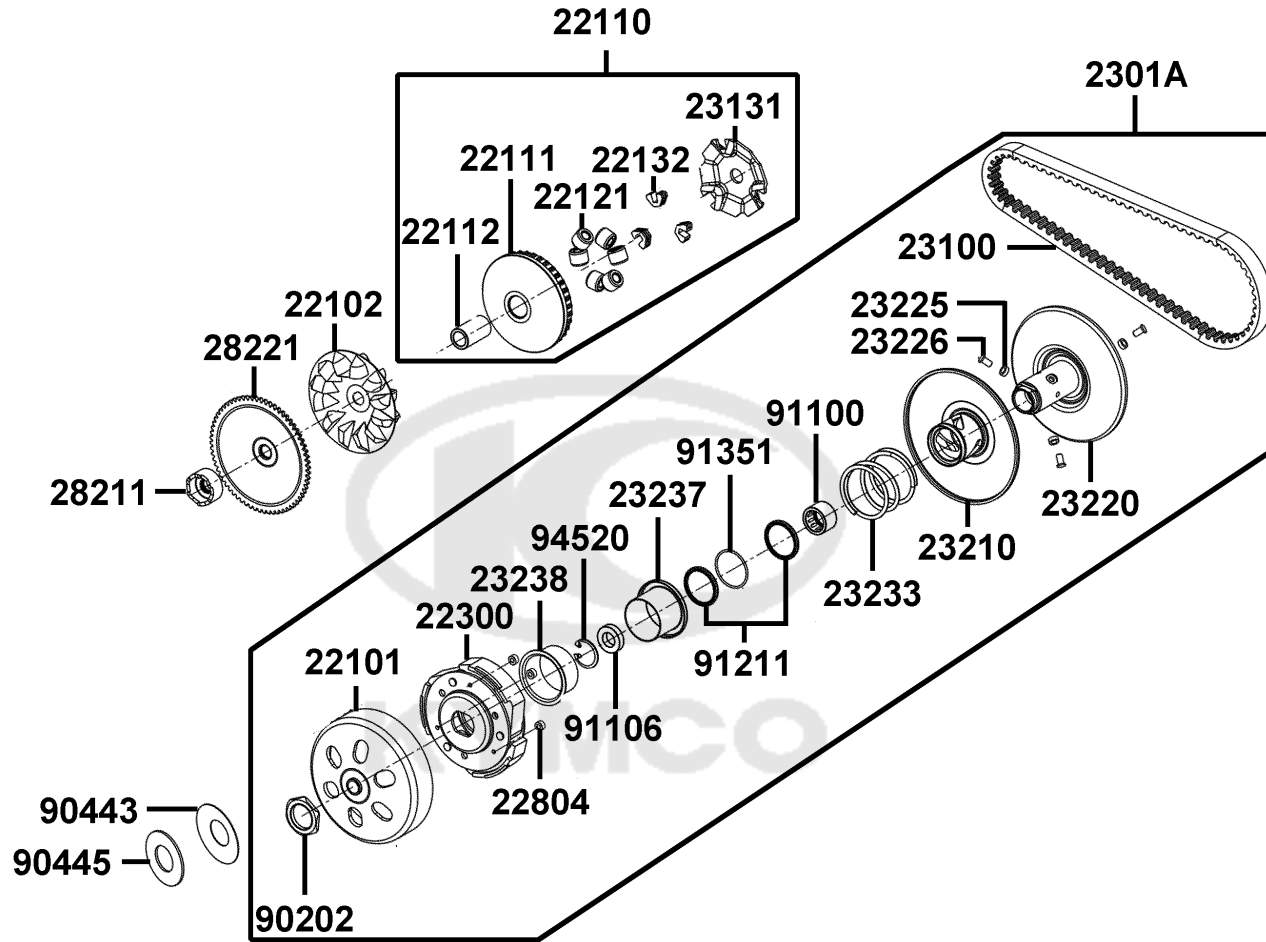


Sales mark	Ref no	Part no	Description	Reg description	Regd no	<b>E08</b>
11340		11340-YZA6-E00	COVER COMP L SIDE	COVER COMP L SIDE	1	
11353		11353-YZA6-EZ5	LEFT CAP PLUG	LEFT CAP PLUG	1	
11361		11361-YZA6-E00	LEFT SMALL COVER	LEFT SMALL COVER	1	
11363		11363-YZA6-E00	PROTECT COVER	PROTECT COVER	1	
11382		11382-YZA6-E00	CLIP II	CLIP II	1	
11395		11395-YZA6-E00	GASTET L COVER	GASTET L COVER	1	
11399		11399-YZA6-E00	WASHER	WASHER	1	
19613		19613-YZA6-EZ5	WIRE CLAMP	WIRE CLAMP	1	
90114A		90114-06030-E00	BOLT M6x30	BOLT M6x30	1	
90114B		90114-YZA6-E00	TAPPING SCREW ST4.2x7.5	TAPPING SCREW ST4.2x7.5	5	
90119		90119-04010-E00	SCREW W/WASHER M4x10	SCREW W/WASHER M4x10	4	
90302A		90302-06016-E00	BOLT M6x16	BOLT M6x16	1	
90302B		90302-06032-E00	BOLT M6x32	BOLT M6x32	1	
90409		90409-YZA6-E00	DUMMY PLATE I	DUMMY PLATE I	1	
96001A		96001-06020-E00	BOLT M6x20	BOLT M6x20	1	
96001B		96001-06040-E00	BOLT M6x40	BOLT M6x40	3	

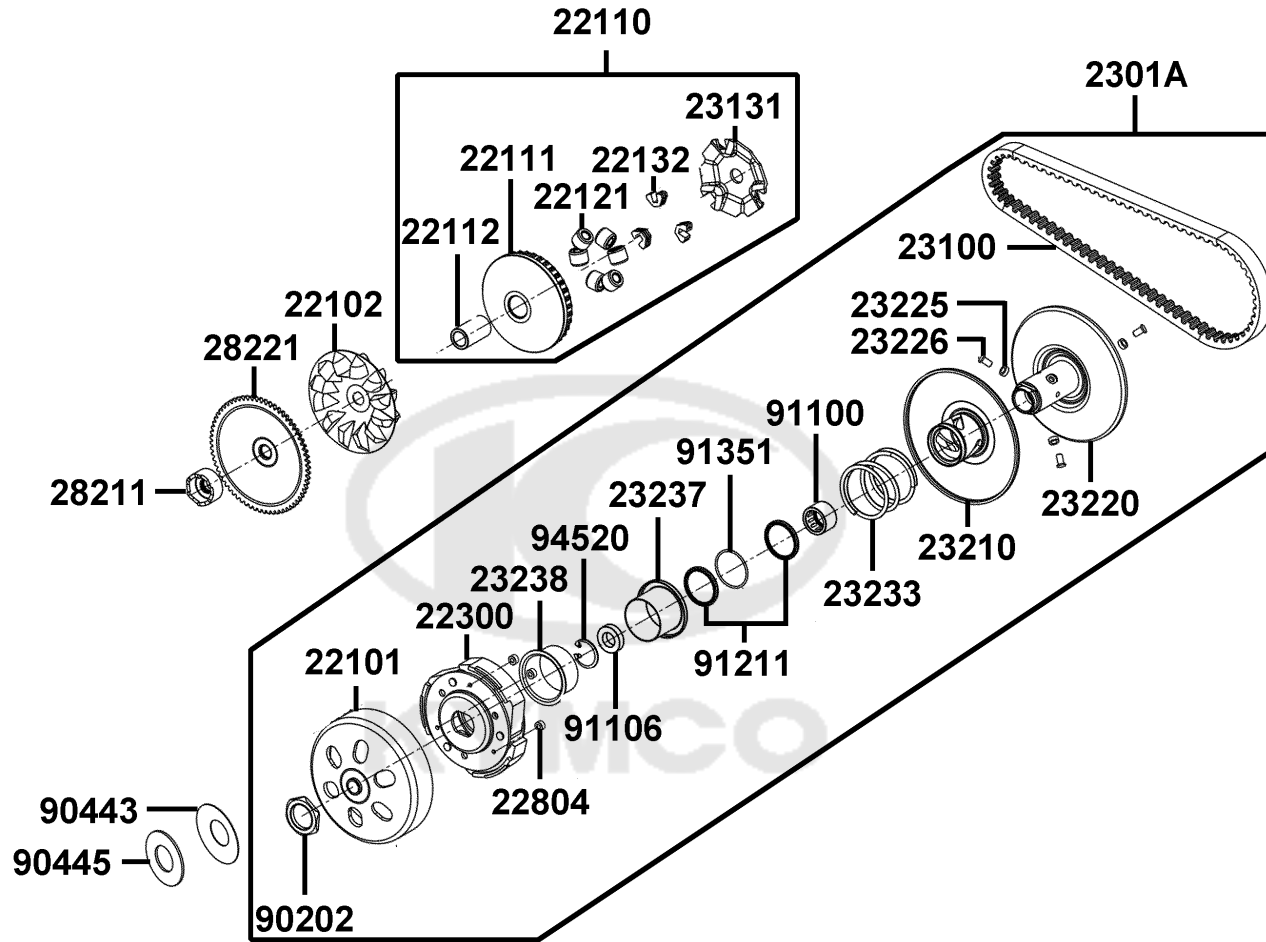


Sales mark	Ref no	Part no	Description	Reg description	Regd no	<b>E09</b>
13000		13000-YZA6-EZ5	CRANK SHAFT COMP	CRANK SHAFT COMP	1	
13011		13011-YZA6-E00	RING ASSY PISTON	RING ASSY PISTON	1	
13101		13101-YZA6-E00	PISTON	PISTON	1	
13111		13111-YZA6-E00	"PIN,PISTON"	"PIN,PISTON"	1	
90303		90303-YZA6-E00	HEXAGON FLANGE NUTS M12x1.25	HEXAGON FLANGE NUTS M12x1.25	1	
90305		90305-YZA6-E00	NUT M10x1.25	NUT M10x1.25	1	
90401		90401-YZA6-E00	WASHER	WASHER	1	
90402		90402-YZA6-E00	WASHER 10.5x19.8x2	WASHER 10.5x19.8x2	1	
94601		94601-YZA6-E00	CIRCLIP	CIRCLIP	2	



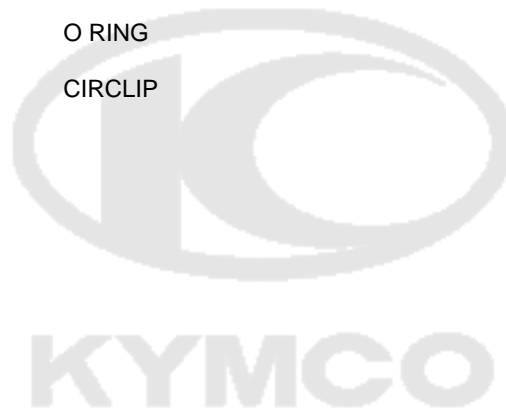


Sales mark	Ref no	Part no	Description	Reg description	Regd no	E10
	22101	22101-YZA6-E00	CENTRIFUGAL DISK COMBINATION	CENTRIFUGAL DISK COMBINATION	1	
	22102	22102-YZA6-E00	FAN BLADE	FAN BLADE	1	
	22110	22110-YZA6-E00	"FRONT CLUTCH ASSEMBLY,13G"	"FRONT CLUTCH ASSEMBLY,13G"	1	
	22111	22111-YZA6-E00	ACTIVE FRICTION DISC	ACTIVE FRICTION DISC	1	
	22112	22112-YZA6-E00	BUSHING	BUSHING	1	
#	22121	22121-YZA6-305	ROLLER SET WEIGHT (1SET:6PCS)	ROLLER SET WEIGHT (1SET:6PCS)	6	
#	22132	22132-YZA6-305	PIECE SLIDE SET (1SET:3PCS)	PIECE SLIDE SET (1SET:3PCS)	3	
	22300	22300-YZA6-E00	PLATE ASSYDRIVEN	PLATE ASSYDRIVEN	1	
	22804	22804-YZA6-E00	SHOCKPROOF RUBBER	SHOCKPROOF RUBBER	3	
	2301A	2301A-YZA6-E00	PULLEY SUB ASSY	PULLEY SUB ASSY	1	
	23100	23100-YZA6-EZ5	BELT DRIV	BELT DRIV	1	
	23131	23131-YZA6-E00	CLUTCH PLATEN	CLUTCH PLATEN	1	
	23210	23210-YZA6-E00	FACEMOVABLE DRIVEN	FACEMOVABLE DRIVEN	1	
	23220	23220-YZA6-E00	FACE SETDRIVEN	FACE SETDRIVEN	1	
	23225	23225-YZA6-E00	SLIDING BEARING	SLIDING BEARING	3	
	23226	23226-YZA6-E00	SHAFT	SHAFT	3	
	23233	23233-YZA6-E00	SPRING	SPRING	1	
	23237	23237-YZA6-E00	SHEET	SHEET	1	
	23238	23238-YZA6-E00	COLLARSRING	COLLARSRING	1	
	28211	28211-YZA6-E00	STARTING PAWL	STARTING PAWL	1	



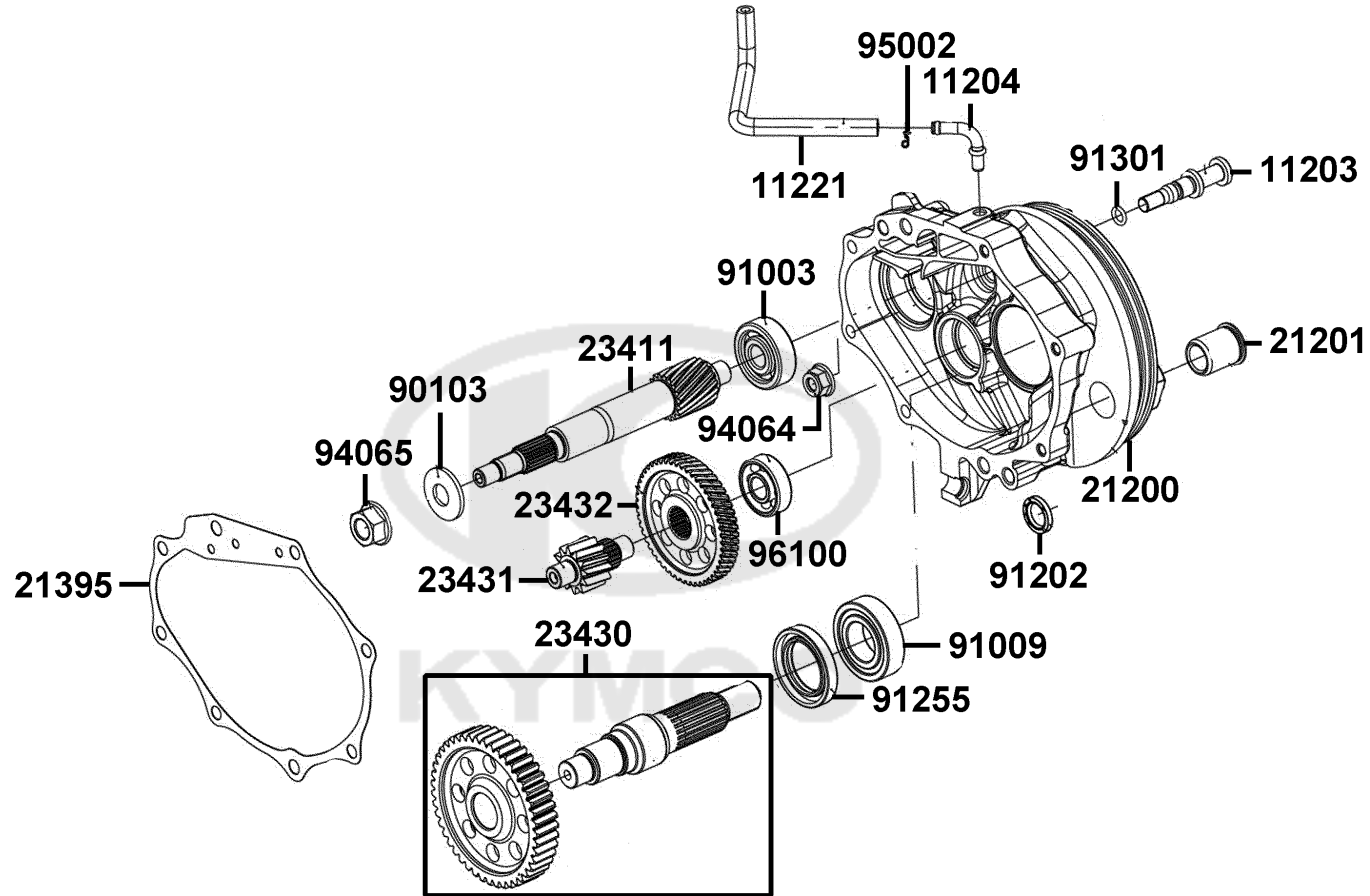


Sales mark	Ref no	Part no	Description	Reg description	Regd no	<b>E10</b>
	28221	28221-YZA6-E00	CLUTCH LEFT PAN	CLUTCH LEFT PAN	1	
	90202	90202-YZA6-E00	NUT	NUT	1	
	90443	90443-YZA6-E00	DISC SPRING	DISC SPRING	1	
	90445	90445-YZA6-E00	WASHER	WASHER	1	
	91100	91100-YZA6-E00	ROLLING BEARINGS	ROLLING BEARINGS	1	
	91106	91106-YZA6-E00	ROLLING BEARINGS	ROLLING BEARINGS	1	
	91211	91211-YZA6-E00	OIL SEAL	OIL SEAL	2	
	91351	91351-YZA6-E00	O RING	O RING	1	
	94520	94520-YZA6-E00	CIRCLIP	CIRCLIP	1	

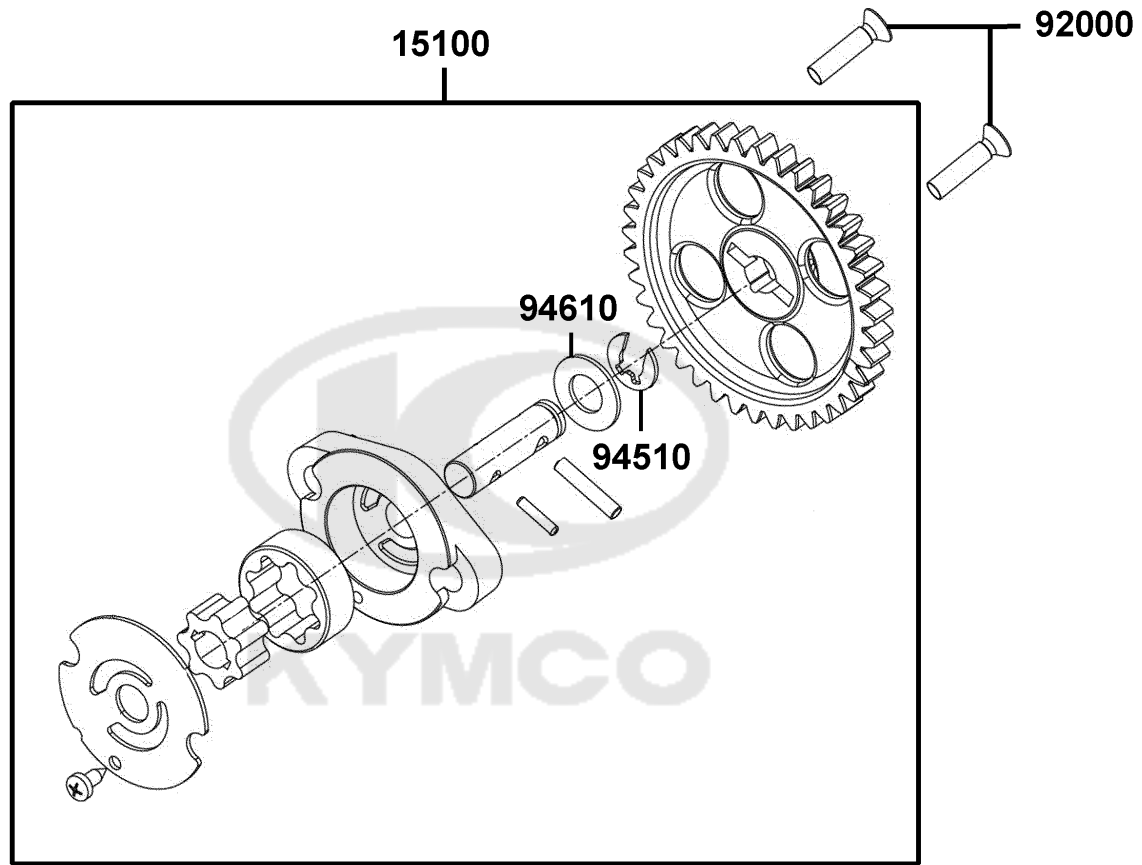


E11

TRANSMISSION SUB-ASSEMBLY

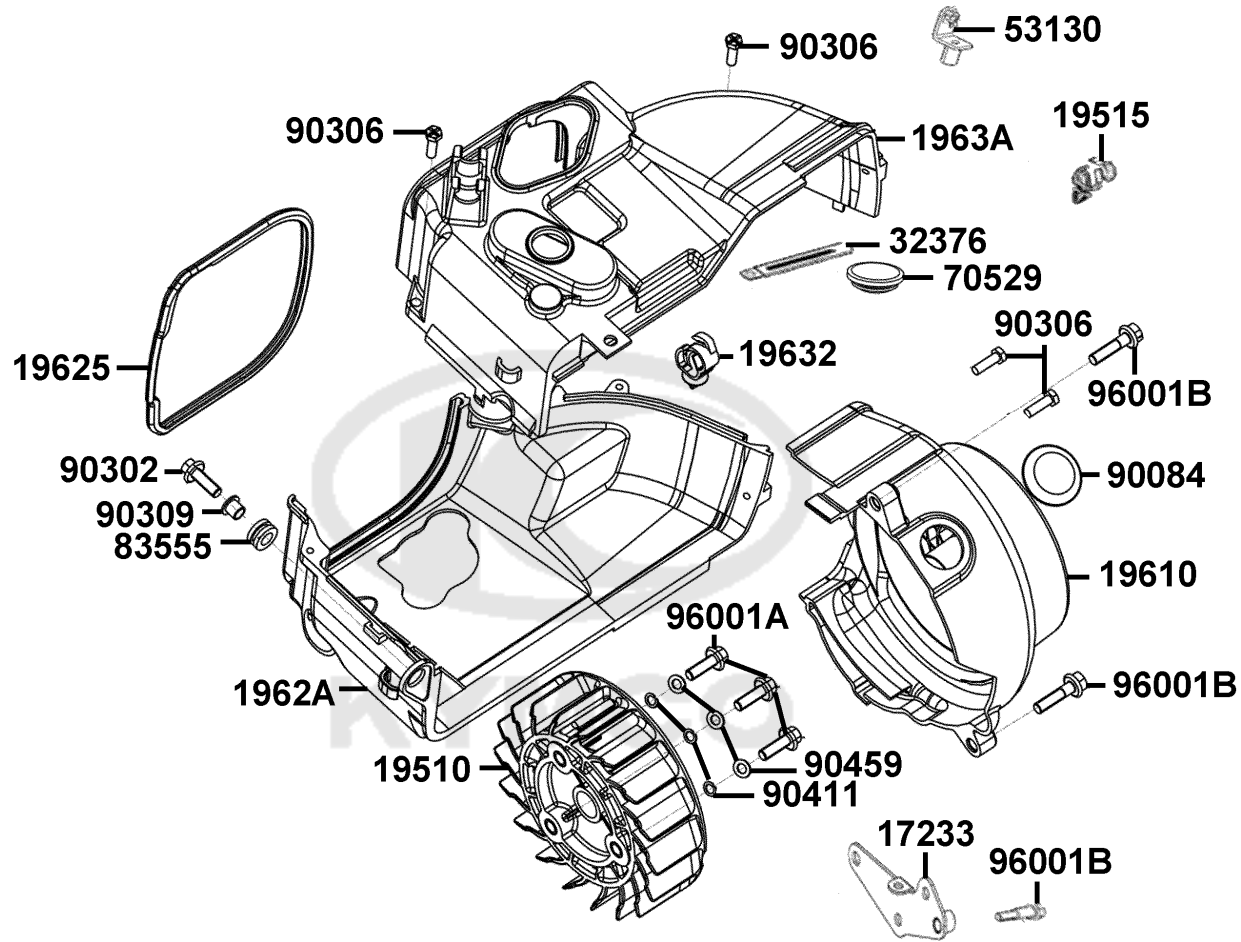


Sales mark	Ref no	Part no	Description	Reg description	Regd no	E11
	11203	11203-YZA6-E00	PIN	PIN	1	
	11204	11204-YZA6-E00	TRANSMISSION CHANNELING AIR DUCT	TRANSMISSION CHANNELING AIR DUCT	1	
	11221	11221-YZA6-E00	VENTILATION DUCTS	VENTILATION DUCTS	1	
	21200	21200-YZA6-E00	TRANSMISSION COVER	TRANSMISSION COVER	1	
	21201	21201-YZA6-E00	BUSHINGS	BUSHINGS	1	
	21395	21395-YZA6-E00	PAPER PAD	PAPER PAD	1	
	23411	23411-YZA6-E00	GEARBOX INPUT SHAFT	GEARBOX INPUT SHAFT	1	
	23430	23430-YZA6-EZ5	Transmission output shaft assembly	Transmission output shaft assembly	1	
	23431	23431-YZA6-E00	INTERMEDIATE GEAR SHAFT	INTERMEDIATE GEAR SHAFT	1	
	23432	23432-YZA6-E00	INTERMEDIATE GEAR	INTERMEDIATE GEAR	1	
	90103	90103-YZA6-E00	TAPER WASHER	TAPER WASHER	1	
	91003	91003-YZA6-E00	NSK BEARING	NSK BEARING	1	
	91009	91009-YZA6-E00	BEARING	BEARING	1	
	91202	91202-YZA6-E00	OIL SEALS 14x20x3.2	OIL SEALS 14x20x3.2	1	
	91255	91255-YZA6-E00	OIL SEALS	OIL SEALS	1	
	91301	91301-YZA6-E00	O-RING 6.8x1.9	O-RING 6.8x1.9	1	
	94064	94064-YZA6-E00	SELF-LOCKING NUT	SELF-LOCKING NUT	1	
	94065	94065-YZA6-E00	HEXAGON NUTS WITH FLANGE	HEXAGON NUTS WITH FLANGE	1	
	95002	95002-YZA6-E00	CLAMP	CLAMP	1	
	96100	96100-YZA6-E00	BEARING	BEARING	1	



Sales mark	Ref no	Part no	Description	Reg description	Regd no	<b>E12</b>
15100	15100-YZA6-E00	15100-YZA6-E00	OIL PUMP ASSEMBLY	OIL PUMP ASSEMBLY	1	
92000	92000-YZA6-E00	92000-YZA6-E00	SCREW M6x25	SCREW M6x25	2	
94510	94510-YZA6-EZ5	94510-YZA6-EZ5	CIRCLIP	CIRCLIP	1	
94610	94610-YZA6-EZ5	94610-YZA6-EZ5	GASKET 8	GASKET 8	1	

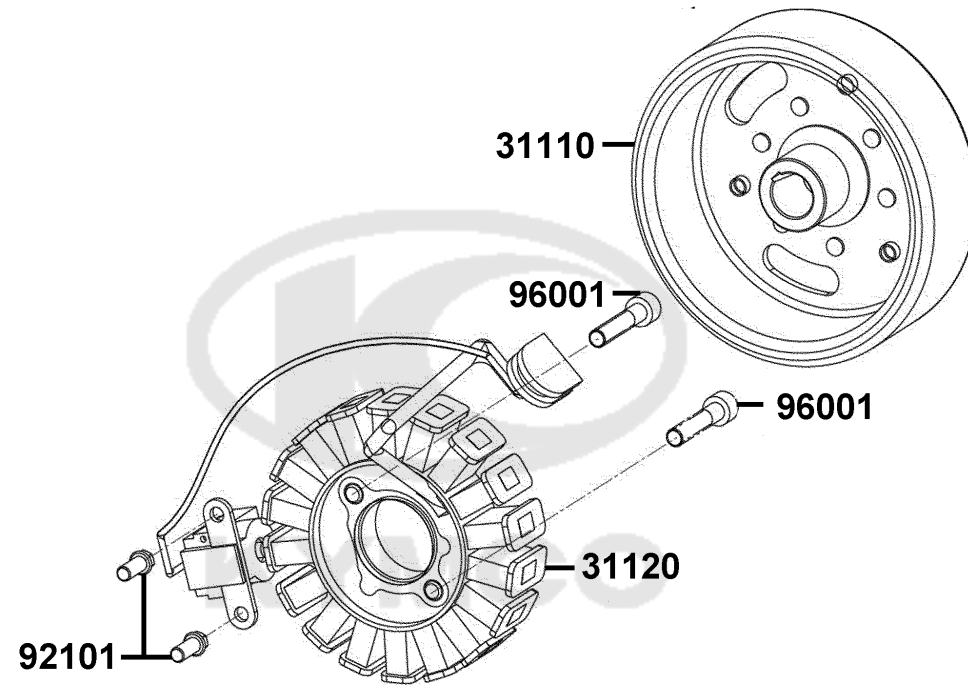




Sales mark	Ref no	Part no	Description	Reg description	Regd no	E13
	17233	17233-YZA6-E00	AIR FILTER MOUNTING BASE ASSEMBLY	AIR FILTER MOUNTING BASE ASSEMBLY	1	
	19510	19510-YZA6-E00	FAN ASSY	FAN ASSY	1	
	19515	19515-YZA6-EZ5	WIRE CLIP	WIRE CLIP	1	
	19610	19610-YZA6-EZ5	FAN VOLUTE ASSEMBLY	FAN VOLUTE ASSEMBLY	1	
	19625	19625-YZA6-E00	COVER (CYLINDER) RUBBER	COVER (CYLINDER) RUBBER	1	
	1962A	1962A-YZA6-E00	UNDER THE GUIDE ENCLOSURES WIND	UNDER THE GUIDE ENCLOSURES WIND	1	
	19632	19632-YZA6-E00	NYLON CLIP	NYLON CLIP	1	
	1963A	1963A-YZA6-EZ5	THE VENTILATION HOOD	THE VENTILATION HOOD	1	
	32376	32376-YZA6-E00	CLAMP ASSEMBLY	CLAMP ASSEMBLY	1	
	53130	53130-YZA6-EZ5	BRACKET WELDING ASSEMBLY	BRACKET WELDING ASSEMBLY	1	
	70529	70529-YZA6-E00	STOPPER	STOPPER	1	
	83555	83555-YZA6-E00	RUBBER BUSHING	RUBBER BUSHING	1	
	90084	90084-YZA6-E00	OIL WINDOW BLOCKING COVER	OIL WINDOW BLOCKING COVER	1	
	90302	90302-06016-E00	BOLT M6x16	BOLT M6x16	1	
	90306	90306-YZA6-E00	TAPPING SCREWS ST4.8x16	TAPPING SCREWS ST4.8x16	4	
	90309	90309-YZA6-E00	BUSH	BUSH	1	
	90411	90411-YZA6-E00	SPRING WASHER 6	SPRING WASHER 6	3	
	90459	90459-YZA6-E00	WASHER 6	WASHER 6	3	
	96001A	96001-06020-E00	BOLT M6x20	BOLT M6x20	3	
	96001B	96001-06025-E00	M6*25	FLANGE BOLT M6x25	3	

E14

MAGNETO SUBASSEMBLY



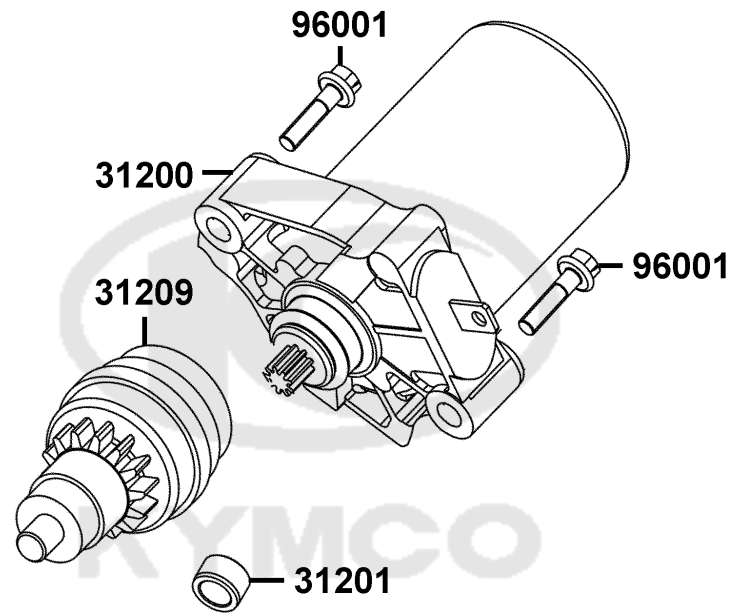


Sales mark	Ref no	Part no	Description	Reg description	Regd no	<b>E14</b>
31110	31110-YZA6-EZ5	FLY WHEEL ASSY	FLY WHEEL ASSY	FLY WHEEL ASSY	1	
31120	31120-YZA6-EZ5	STATOR COMP	STATOR COMP	STATOR COMP	1	
92101	92101-05012-E00	BOLT M5x12	BOLT M5x12	BOLT M5x12	2	
96001	96001-06028-E00	SCREW M6x28	SCREW M6x28	SCREW M6x28	2	



E15

ELECTRIC STARTER ASSY



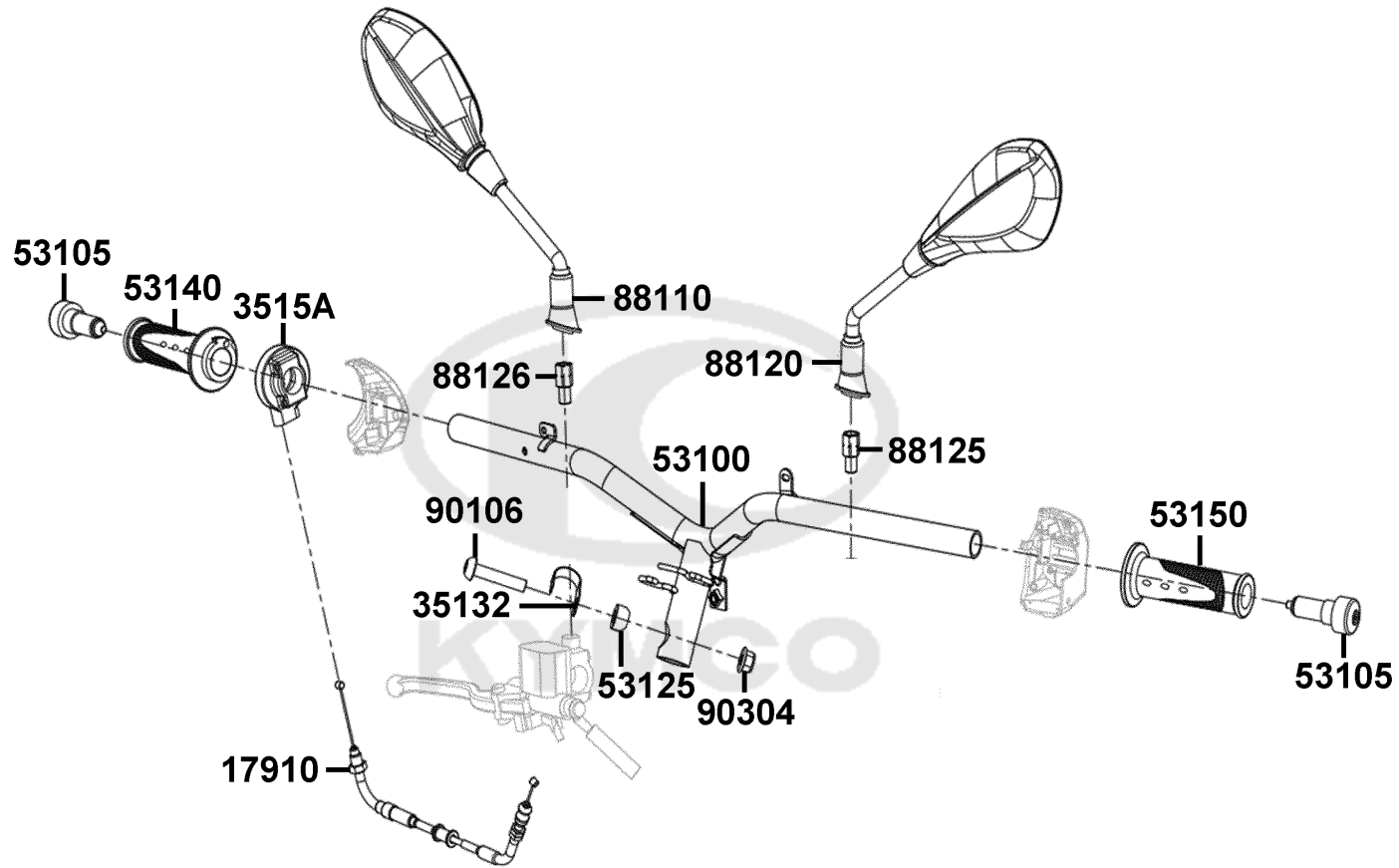
Sales mark	Ref no	Part no	Description	Reg description	Regd no	<b>E15</b>
------------	--------	---------	-------------	-----------------	---------	------------

31200		31200-YZA6-EZ5	STARTING MOTOR	STARTING MOTOR	1	
31201		31201-YZA6-E00	OVERRUNNING CLUTCH SHAFT SLEEVE	OVERRUNNING CLUTCH SHAFT SLEEVE	1	
31209		31209-YZA6-E00	STARTING ADAPTER SUB-ASSY	STARTING ADAPTER SUB-ASSY	1	
96001		96001-06035-E00	BOLT M6x35	BOLT M6*35	2	

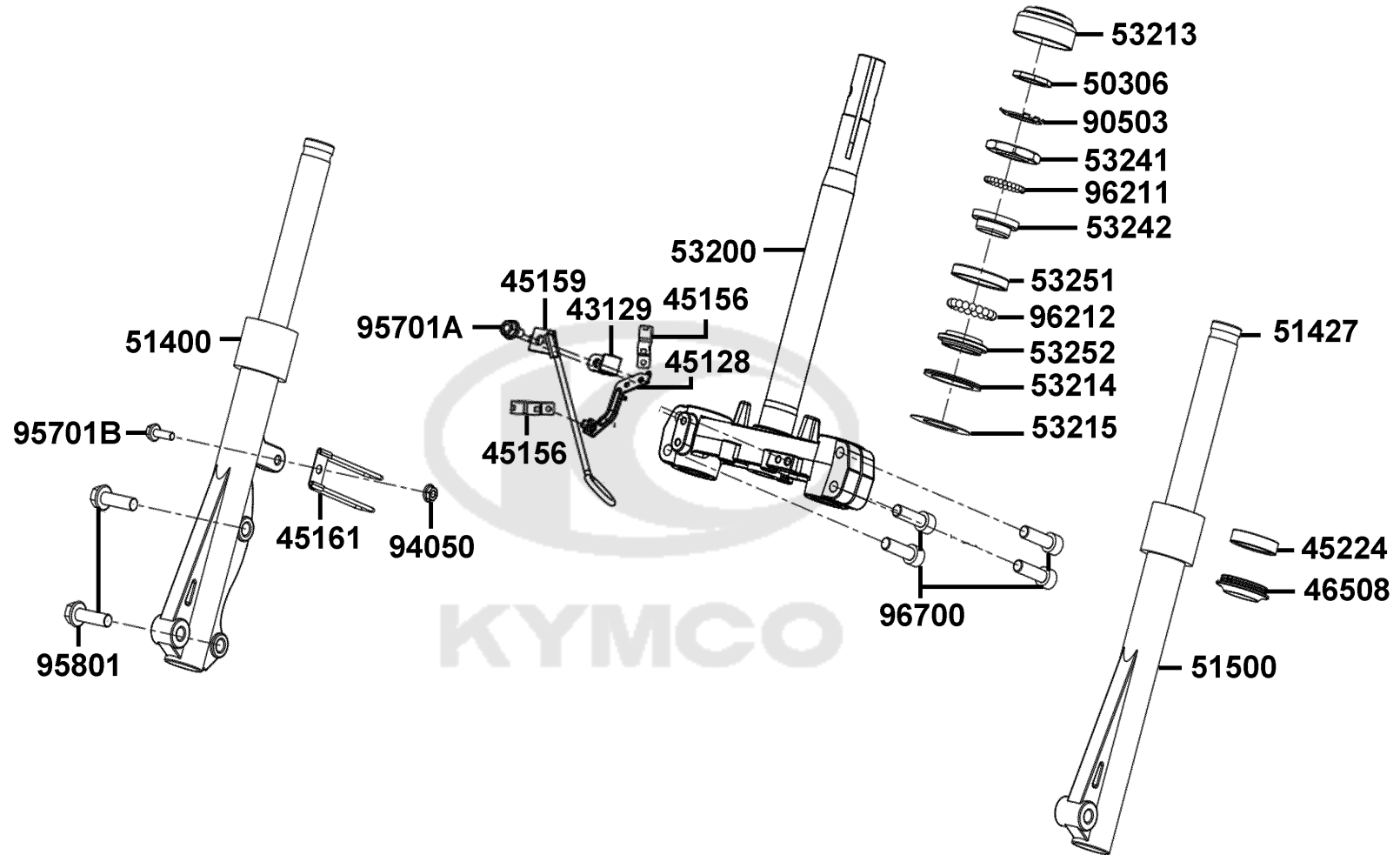


F01

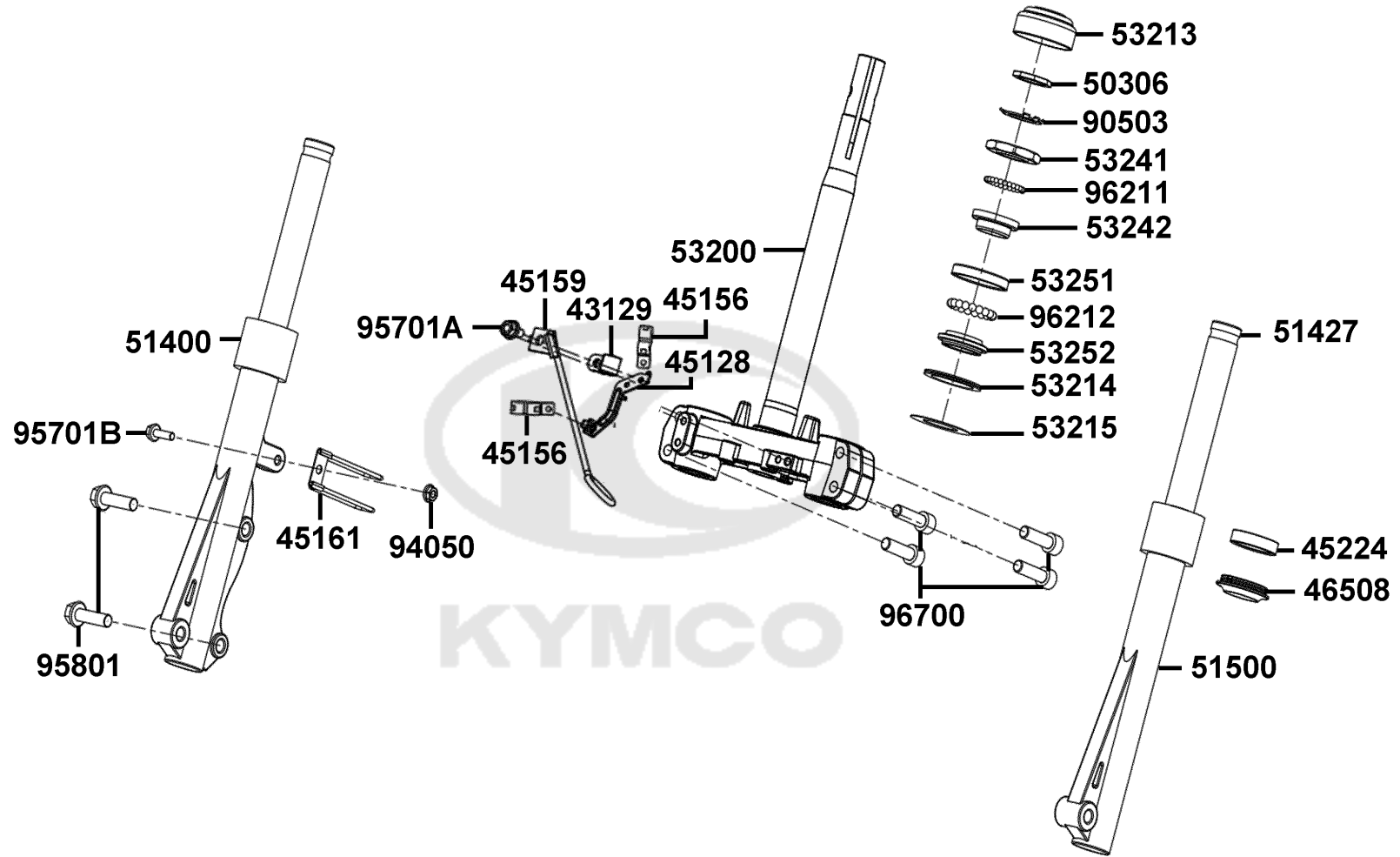
CONTROL ASSY.



Sales mark	Ref no	Part no	Description	Reg description	Regd no	F01
17910		17910-YZA6-EZ5	CABLE COMP THROTTLE	CABLE COMP THROTTLE	1	
35132		35132-YZA6-E00	MAIN CABLE CLAMP	MAIN CABLE CLAMP	1	
3515A		3515A-YZA6-E00	THROTTLE CABLE MOUNTING BASE	THROTTLE CABLE MOUNTING BASE	1	
53100		53100-YZA6-EZ5	HANDLE COMP STRG	HANDLE COMP STRG	1	
53105		53105-YZA6-E00	END STRG HANDLE	END STRG HANDLE	2	
53125		53125-YZA6-E00	HANDLE BASE PRESSING BLOCK	HANDLE BASE PRESSING BLOCK	1	
53140		53140-YZA6-E00	GRIP R HANDLE	GRIP R HANDLE	1	
53150		53150-YZA6-E00	GRIP L HANDLE	GRIP L HANDLE	1	
88110		88110-YZA6-E00	MIRROR ASSY R BACK	MIRROR ASSY R BACK	1	
88120		88120-YZA6-E00	MIRROR ASSY L BACK	MIRROR ASSY L BACK	1	
88125		88125-YZA6-E00	REARVIEW MIRROR	REARVIEW MIRROR	1	
88126		88126-YZA6-E00	REARVIEW MIRROR	REARVIEW MIRROR	1	
90106		90106-YZA6-E00	STEERING HANDLE FIXING BOLT	STEERING HANDLE FIXING BOLT	1	
90304		90304-BBA1-E00	NUT M10x1.25	NUT M10x1.25	1	



Sales mark	Ref no	Part no	Description	Reg description	Regd no	F02
	43129	43129-YZA6-EZ5	CLAMP AS-CLUTCH WIRE	CLAMP AS-CLUTCH WIRE	1	
	45128	45128-YZA6-EZ5	CBS DOUBLE HYDRAULIC BRAKE LINE	CBS DOUBLE HYDRAULIC BRAKE LINE	1	
	45156	45156-YZA6-EZ5	CLIP FR CABLE	CLIP FR CABLE	2	
	45159	45159-YZA6-E00	CLAMP AS-GEAR BASE	CLAMP AS-GEAR BASE	1	
	45161	45161-YZA6-E00	FRONT HYDRAULIC BRAKE PIPELINE	FRONT HYDRAULIC BRAKE PIPELINE CLAMP	1	
	45224	45224-YZA6-EZ5	OIL SEAL	OIL SEAL	2	
	46508	46508-YZA6-EZ5	FRONT SHOCK ABSORBER DUST RING	FRONT SHOCK ABSORBER DUST RING	2	
	50306	50306-YZA6-E00	LOCK NUT	LOCK NUT	1	
	51400	51400-YZA6-EZ5	FORK ASSY,R FR	FORK ASSY,R FR	1	
	51427	51427-YZA6-EZ5	END CAP BOLT	END CAP BOLT	2	
	51500	51500-YZA6-EZ5	FORK ASSY,L FR	FORK ASSY,L FR	1	
	53200	53200-YZA6-E00	LOWER CONNECTING PLATE WELDING	LOWER CONNECTING PLATE WELDING	1	
	53213	53213-YZA6-E00	DUST COVER	DUST COVER	1	
	53214	53214-YZA6-E00	DUST WASHER	DUST WASHER	1	
	53215	53215-YZA6-E00	DUST RING	DUST RING	1	
	53241	53241-YZA6-E00	BEARING TOP STRG	BEARING TOP STRG	1	
	53242	53242-YZA6-E00	UPPER BEARING LOWER STEEL BOWL	UPPER BEARING LOWER STEEL BOWL	1	
	53251	53251-YZA6-E00	BEARING BOT STRG	BEARING BOT STRG	1	
	53252	53252-YZA6-E00	LOWER BEARING LOWER STEEL BOWL	LOWER BEARING LOWER STEEL BOWL	1	
	90503	90503-YZA6-E00	INSURANCE FILM	INSURANCE FILM	1	



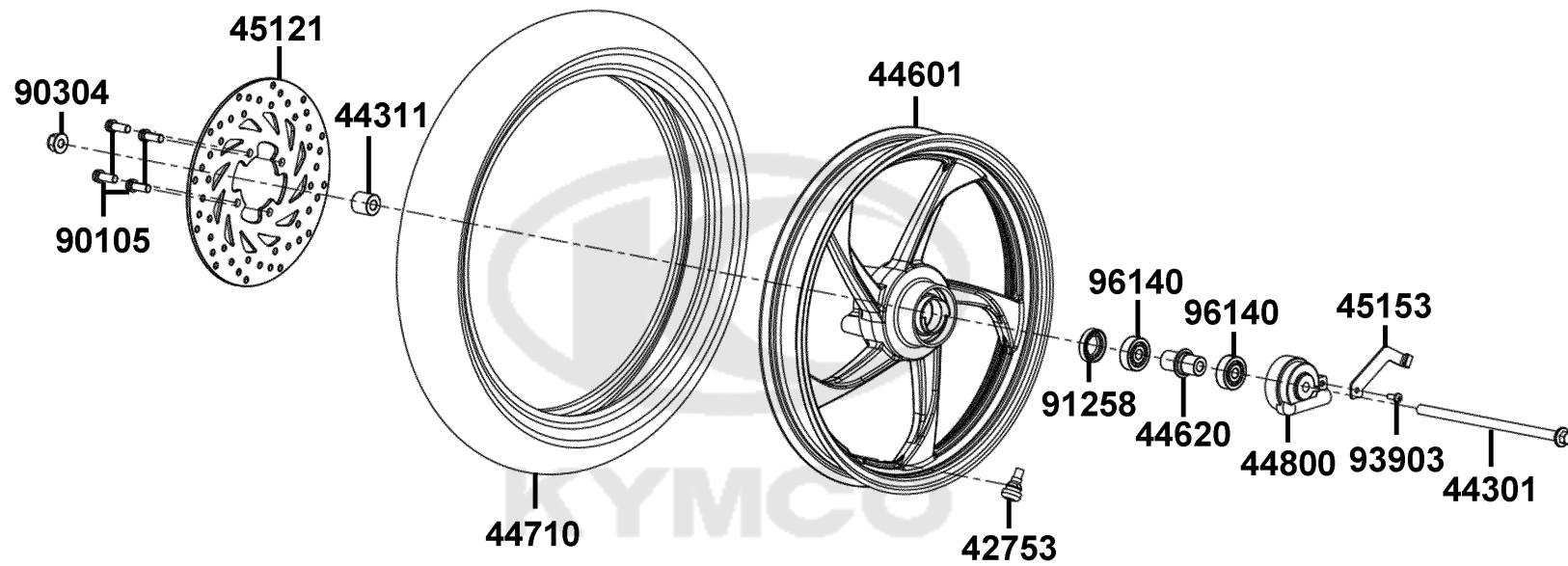


Sales mark	Ref no	Part no	Description	Reg description	Regd no	<b>F02</b>
94050		94050-06080-E00	HEXAGON FLANGE NUT M6	HEXAGON FLANGE NUT M6	1	
95701A		95701-06012-E00	BOLT M6x12	BOLT M6x12	3	
95701B		95701-06020-E00	BOLT M6x20	BOLT M6x20	1	
95801		95801-08025-E00	BOLT M8x25	BOLT M8x25	2	
96211		96211-YZA6-E00	UPPER BALL ASSEMBLY	UPPER BALL ASSEMBLY	1	
96212		96212-YZA6-E00	LOWER BALL ASSEMBLY	LOWER BALL ASSEMBLY	1	
96700		96700-YZA6-E00	HEXAGON SOCKET SCREW	HEXAGON SOCKET SCREW M10x1.25x40	4	



F03

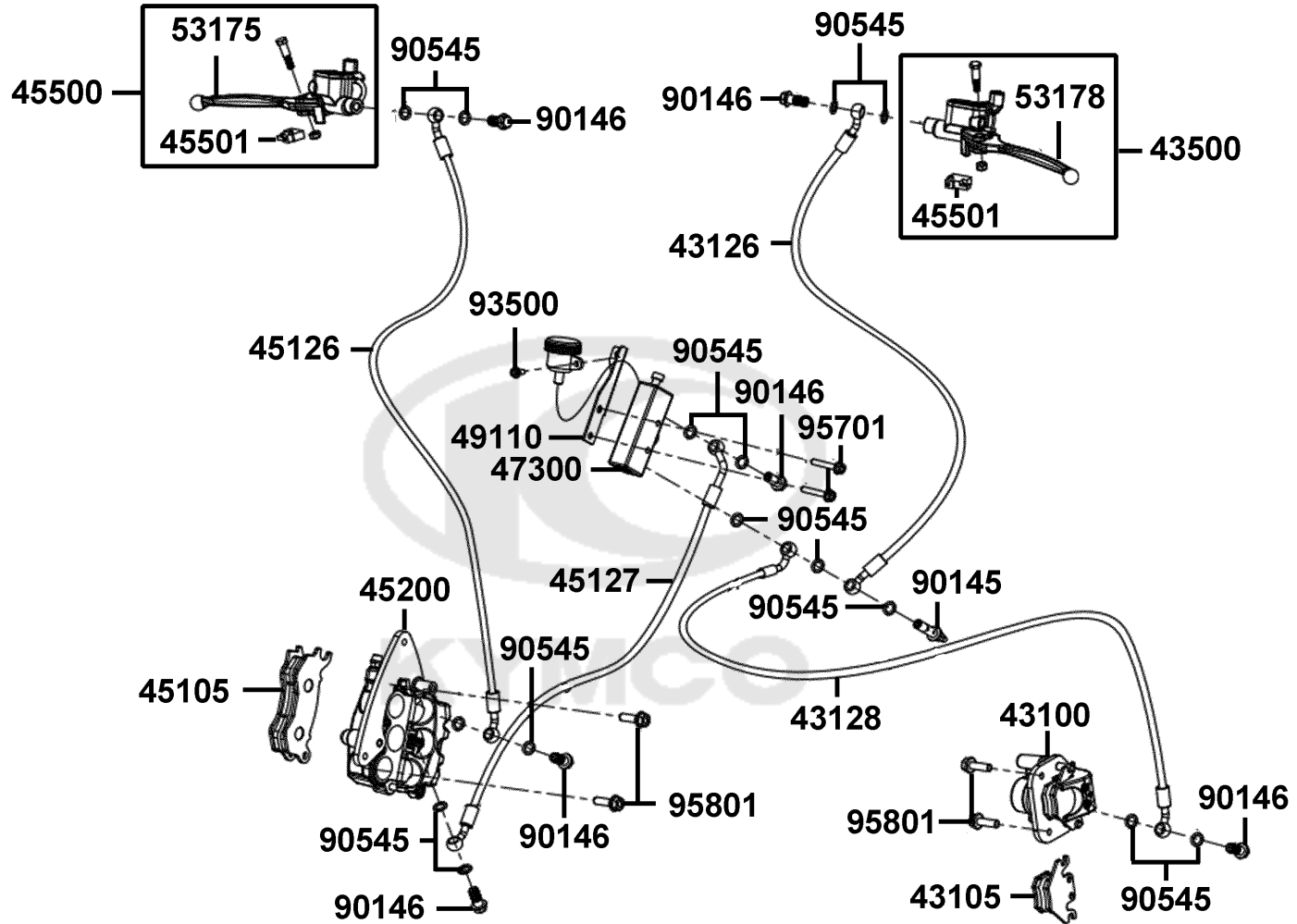
FRONT WHEEL ASSY.



Sales mark	Ref no	Part no	Description	Reg description	Regd no	F03
42753		42753-YZA6-E00	VALVE STEM	VALVE STEM	1	
44301		44301-YZA6-E00	FRONT AXLE	FRONT AXLE	1	
44311		44311-YZA6-EZ5	HANGING PLATE LEFT AXLE SLEEVE	HANGING PLATE LEFT AXLE SLEEVE	1	
44601		44601-YZA6-E00	FRONT WHEEL RIM	FRONT WHEEL RIM	1	
44620		44620-YZA6-E00	FRONT WHEEL INTERMEDIATE SHAFT	FRONT WHEEL INTERMEDIATE SHAFT	1	
44710		44710-YZA6-EZ5	TIRE ASSYFR 90/90-14	TIRE ASSYFR 90/90-14	1	
44800		44800-YZA6-EZ5	GEAR BOX ASSY	GEAR BOX ASSY	1	
45121		45121-YZA6-EZ5	DISK FR BRAKE	DISK FR BRAKE	1	
45153		45153-YZA6-E00	ODOMETER CLAMP II	ODOMETER CLAMP II	1	
90105		90105-08020-08G	BOLT M8x1.25x20	BOLT M8x1.25x20	4	
90304		90304-BBA1-E00	NUT M10x1.25	NUT M10x1.25	1	
91258		91258-YZA6-E00	FRONT WHEEL OIL SEAL ASSEMBLY	FRONT WHEEL OIL SEAL ASSEMBLY	1	
93903		93903-25260-E00	SCREW M5x12	SCREW M5x12	1	
96140		96140-63000-E00	ROLLING BEARING 6300-2RS	ROLLING BEARING 6300-2RS	2	

F04

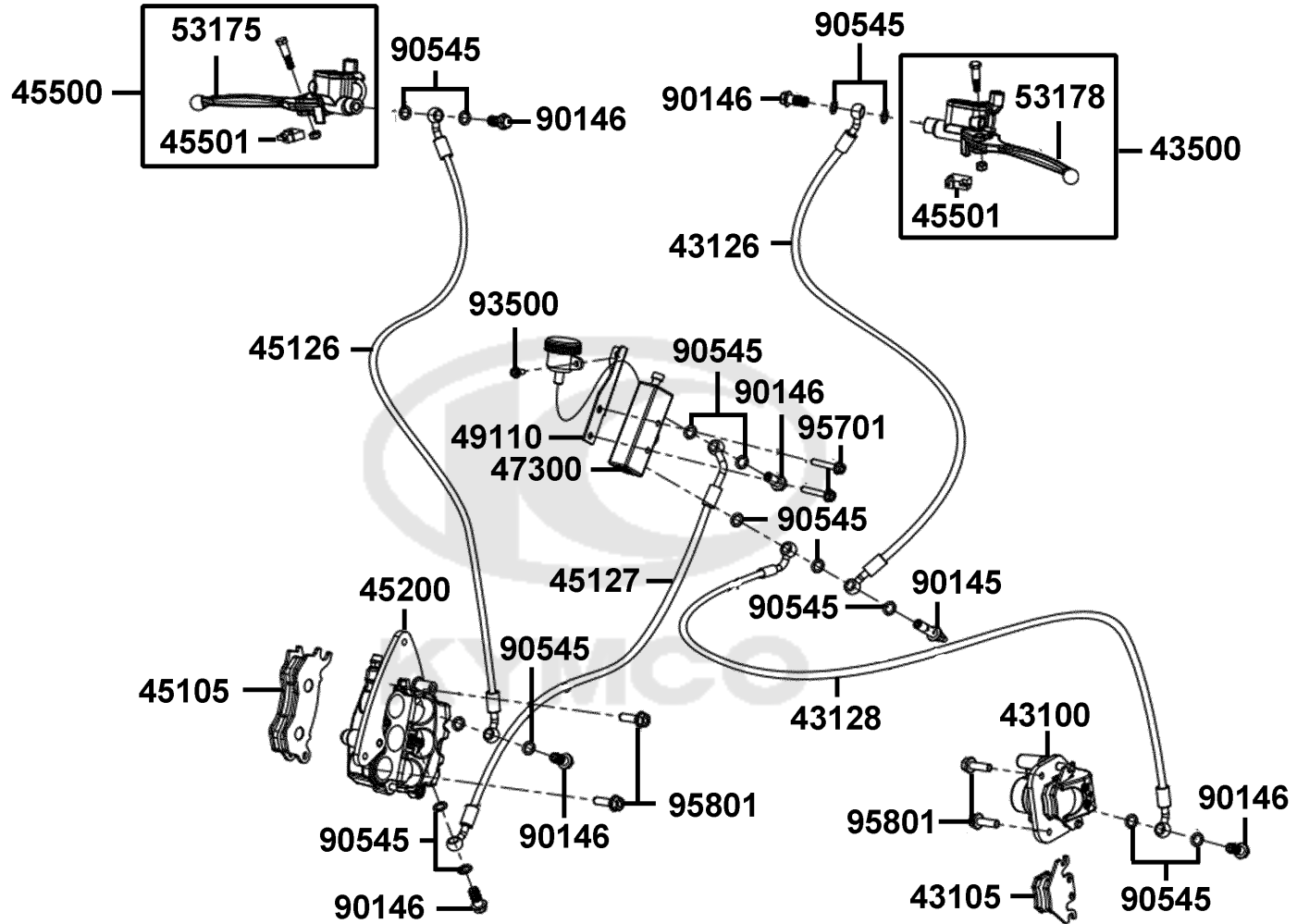
FRONT BRAKE ASSY.



Sales mark	Ref no	Part no	Description	Reg description	Regd no	F04
	43100	43100-YZA6-EZ5	REAR BRAKE CALIPER ASSY.BLACK	REAR BRAKE CALIPER ASSY.BLACK	1	
	43105	43105-YZA6-305	FRONT BRAKE BADS ASSY	FRONT BRAKE BADS ASSY	1	
	43126	43126-YZA6-EZ5	CBS BRAKE HOSE ASSY.I	CBS BRAKE HOSE ASSY.I	1	
	43128	43128-YZA6-EZ5	CBS BRAKE HOSE ASSY.III	CBS BRAKE HOSE ASSY.III	1	
	43500	43500-YZA6-EZ5	FRONT BRAKE MASTER CYLINDER	FRONT BRAKE MASTER CYLINDER ASSY.	1	
	45105	45105-YZA6-305	FRONT BRAKE BADS ASSY	FRONT BRAKE BADS ASSY	1	
	45126	45126-YZA6-EZ5	CBS FRONT BRAKE HOSE	CBS FRONT BRAKE HOSE	1	
	45127	45127-YZA6-EZ5	CBS BRAKE HOSE ASSY.II	CBS BRAKE HOSE ASSY.II	1	
	45200	45200-YZA6-EZ5	FRONT RIGHT BRAKE CALIPER ASSY.	FRONT RIGHT BRAKE CALIPER ASSY.	1	
	45500	45500-YAZ6-EZ5	CYLINDER ASSY FR	CYLINDER ASSY FR	1	
	45501	45501-YZA6-E00	FRONT HYDRAULIC BRAKE SWITCH	FRONT HYDRAULIC BRAKE SWITCH	2	
	47300	47300-YZA6-EZ5	CBS MASTER CYLINDER ASSY.	CBS MASTER CYLINDER ASSY.	1	
	49110	49110-YZA6-EZ5	BRAKE HOSE BANJO BOLT	BRAKE HOSE BANJO BOLT	2	
	53175	53175-YZA6-EZ5	LEVER R STRG HANDLE	LEVER R STRG HANDLE	1	
	53178	53178-YZA6-EZ5	HYDRAULIC BRAKE HANDLE	HYDRAULIC BRAKE HANDLE	1	
	90145	90145-YZA6-EZ5	BRAKE HOSE BANJO BOLT	BRAKE HOSE BANJO BOLT	1	
	90146	90146-YZA6-EZ5	BOLT	BOLT	6	
	90545	90545-YZA6-E00	WASHER	WASHER	15	
	93500	93500-YZA6-E00	BOLT M5*12	BOLT M5*12	1	
	95701	95701-06035-08G	BOLT FLANGE 6*35	BOLT FLANGE 6*35	2	

F04

FRONT BRAKE ASSY.



Sales mark	Ref no	Part no	Description	Reg description	Regd no	<b>F04</b>
------------	--------	---------	-------------	-----------------	---------	------------

95801

95801-08025-E00

BOLT M8x25

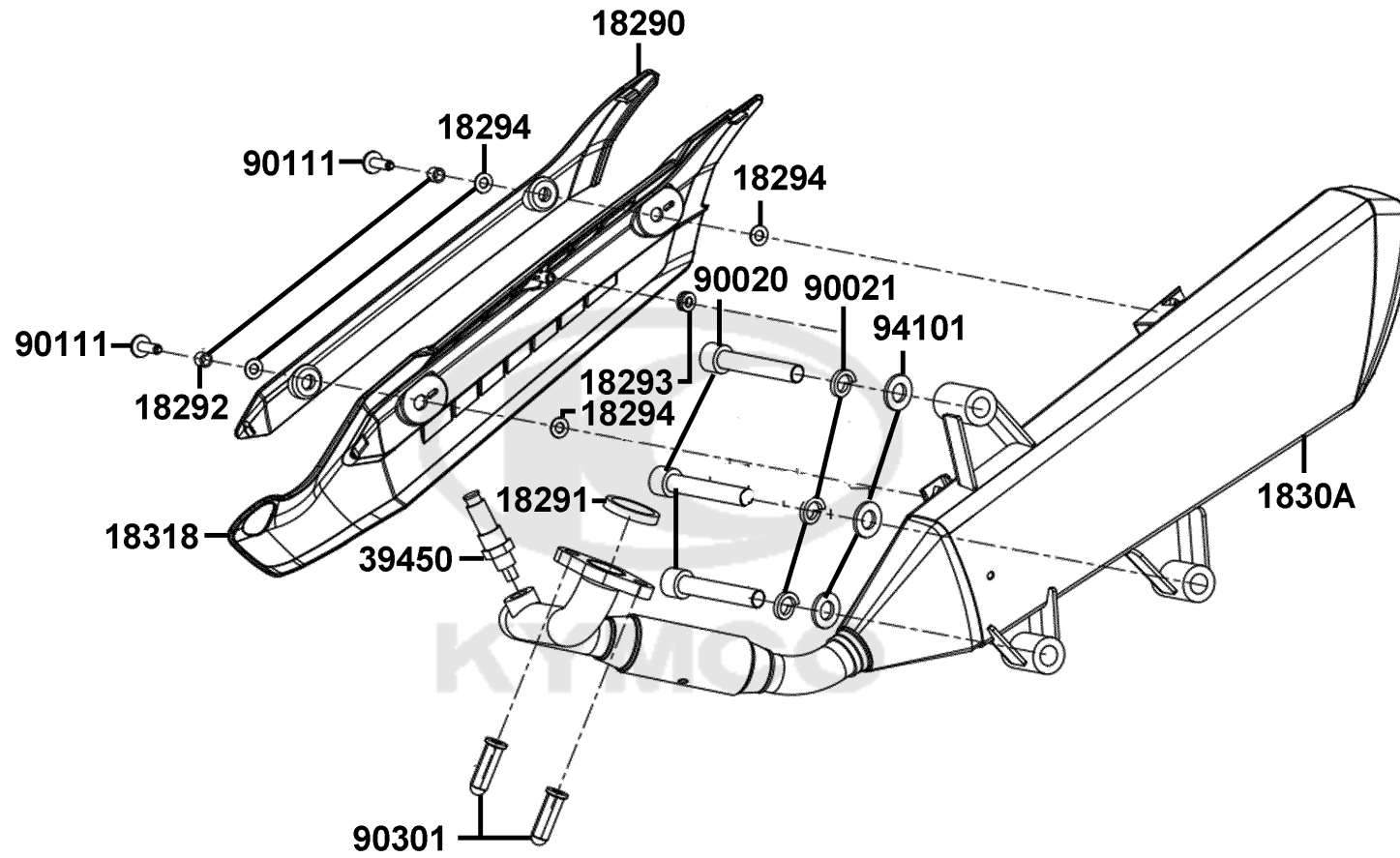
BOLT M8x25

4



F05

MUFFLER ASSY.

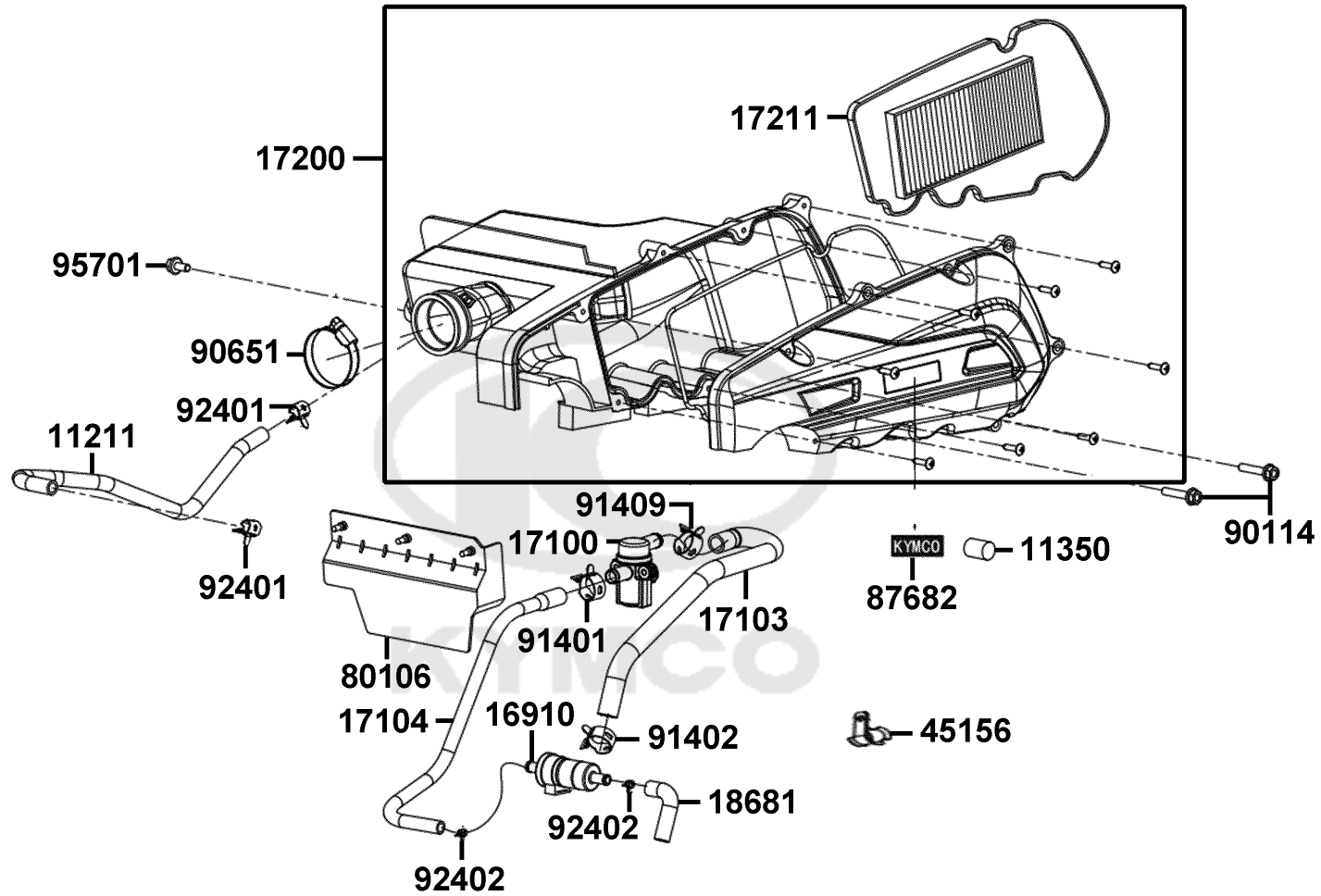




Sales mark	Ref no	Part no	Description	Reg description	Regd no	<b>F05</b>
	18290	18290-YZA6-EZ5	MUFFLER TRIM PANEL	MUFFLER TRIM PANEL	1	
	18291	18291-YZA6-E00	EXHAUST PIPE GASKET	EXHAUST PIPE GASKET	1	
	18292	18292-YZA6-E00	TAIL LAMP SPACER	TAIL LAMP SPACER	2	
	18293	18293-YZA6-E00	MUFFLER GUARD RUBBER SLEEVE	MUFFLER GUARD RUBBER SLEEVE	1	
	18294	18294-YZA6-E00	INSULATION GASKET	INSULATION GASKET	4	
	1830A	1830A-YZA6-EZ5	MUFFLER WELDING ASSEMBLY	MUFFLER WELDING ASSEMBLY	1	
**	18318	18318-YZA6-E00	PROTECTOR MUFFLER	PROTECTOR MUFFLER	1	
	39450	39450-YZA6-EZ5	OXYGEN SENSOR	OXYGEN SENSOR	1	
	90020	90020-10060-08G	HEXAGON HEAD FLANGE BOLT	HEXAGON HEAD FLANGE BOLT M10x1.25x60	3	
	90021	90021-YZA6-E00	SPRING WASHER TEN	SPRING WASHER TEN	2	
	90111	90111-06020-E00	SCREW M6x20	SCREW M6x20	2	
	90301	90301-06080-E00	NUT M6	NUT M6	2	
	94101	94101-10800-E00	WASHER 10	WASHER 10	2	

F06

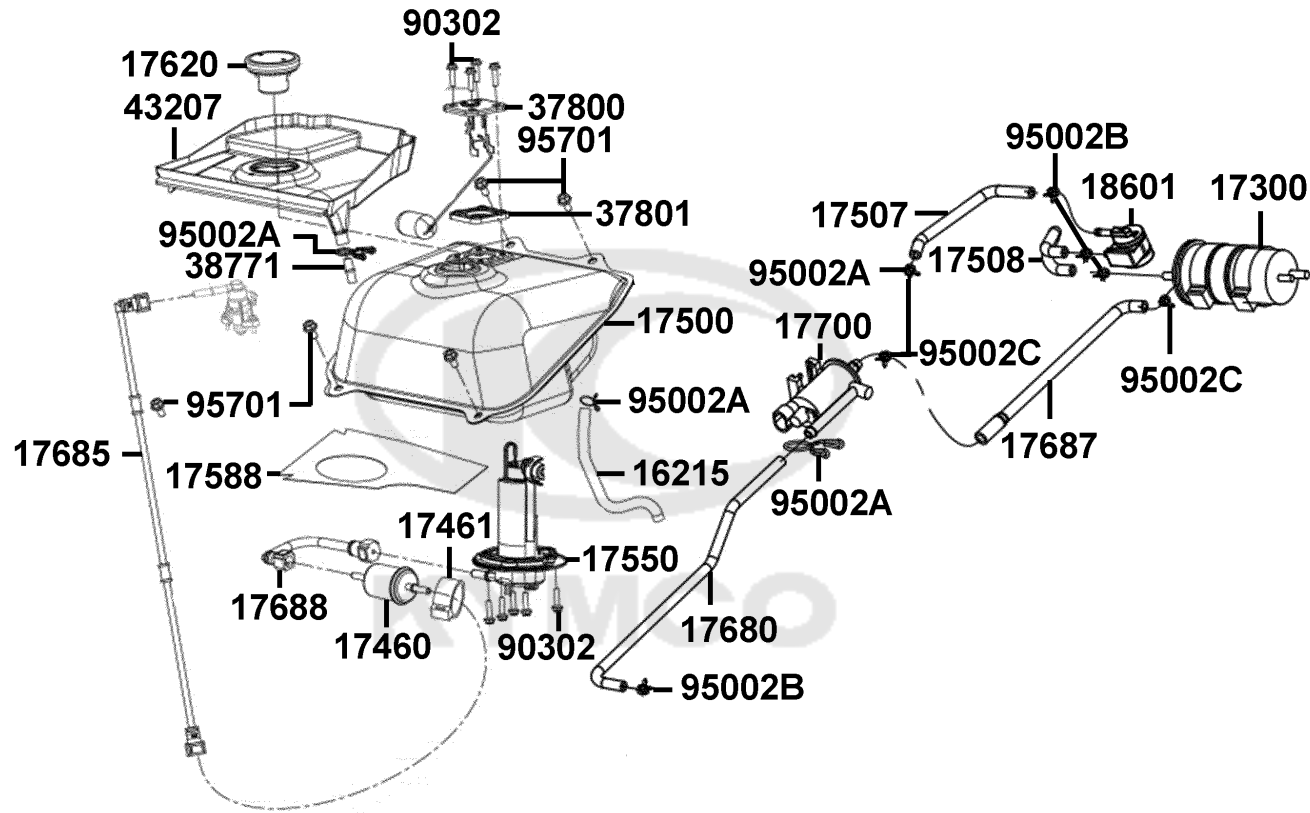
AIR CLEANER ASSY.



Sales mark	Ref no	Part no	Description	Reg description	Regd no	F06
	11211	11211-YZA6-E00	EXHAUST GAS RECOVERY PIPE	EXHAUST GAS RECOVERY PIPE	1	
	11350	11350-YZA6-E00	INTAKE PIPE SPONGE	INTAKE PIPE SPONGE	1	
	16910	16910-YZA6-EZ5	SMALL AIR FILTER ASSEMBLY	SMALL AIR FILTER ASSEMBLY	1	
	17100	17100-YZA6-EZ5	ELECTRICALLY CONTROLLED AIR	ELECTRICALLY CONTROLLED AIR REFILL	1	
	17103	17103-YZA6-EZ5	SOLENOID VALVE AND NEGATIVE	SOLENOID VALVE AND NEGATIVE	1	
	17104	17104-YZA6-EZ5	ELECTRIC CONTROL VALVE AND SMALL	ELECTRIC CONTROL VALVE AND SMALL AIR	1	
	17200	17200-YZA6-EZ5	AIR FILTER ASSEMBLY	AIR FILTER ASSEMBLY	1	
	17211	17211-YZA6-E00	FILTER ELEMENT ASSEMBLY	FILTER ELEMENT ASSEMBLY	1	
	18681	18681-YZA6-EZ5	TEE TUBE AND RESONANT KETTLE	TEE TUBE AND RESONANT KETTLE	1	
	45156	45156-BBA1-C00	FRONT HYDRAULIC BRAKE PIPE CLAMP	FRONT HYDRAULIC BRAKE PIPE CLAMP I	1	
	80106	80106-YZA6-E00	MUD RETAINING RUBBER UNDER AIR	MUD RETAINING RUBBER UNDER AIR FILTER	1	
	87682	87682-YZA6-E00	EMB KYMCO	EMB KYMCO	1	
	90114	90114-06030-E00	BOLT M6x30	BOLT M6x30	2	
	90651	90651-YZA6-E00	STAINLESS STEEL CLAMP	STAINLESS STEEL CLAMP	1	
	91401	91401-YZA6-EZ5	PLATE CLAMP 16.5x10x1	PLATE CLAMP 16.5x10x1	1	
	91402	91402-YZA6-EZ5	PLATE CLAMP 18.5x10x1	PLATE CLAMP 18.5x10x1	1	
	91409	91409-YZA6-E00	ORDINARY PIPE CLAMP 17.5x10x1	ORDINARY PIPE CLAMP 17.5x10x1	1	
	92401	92401-YZA6-EZ5	PLATE CLAMP 12x8x0.7	PLATE CLAMP 12x8x0.7	2	
	92402	92402-YZA6-EZ5	PLATE CLAMP 13.5x12x0.8	PLATE CLAMP 13.5x12x0.8	2	
	95701	95701-06012-E00	BOLT M6x12	BOLT M6x12	1	

F07

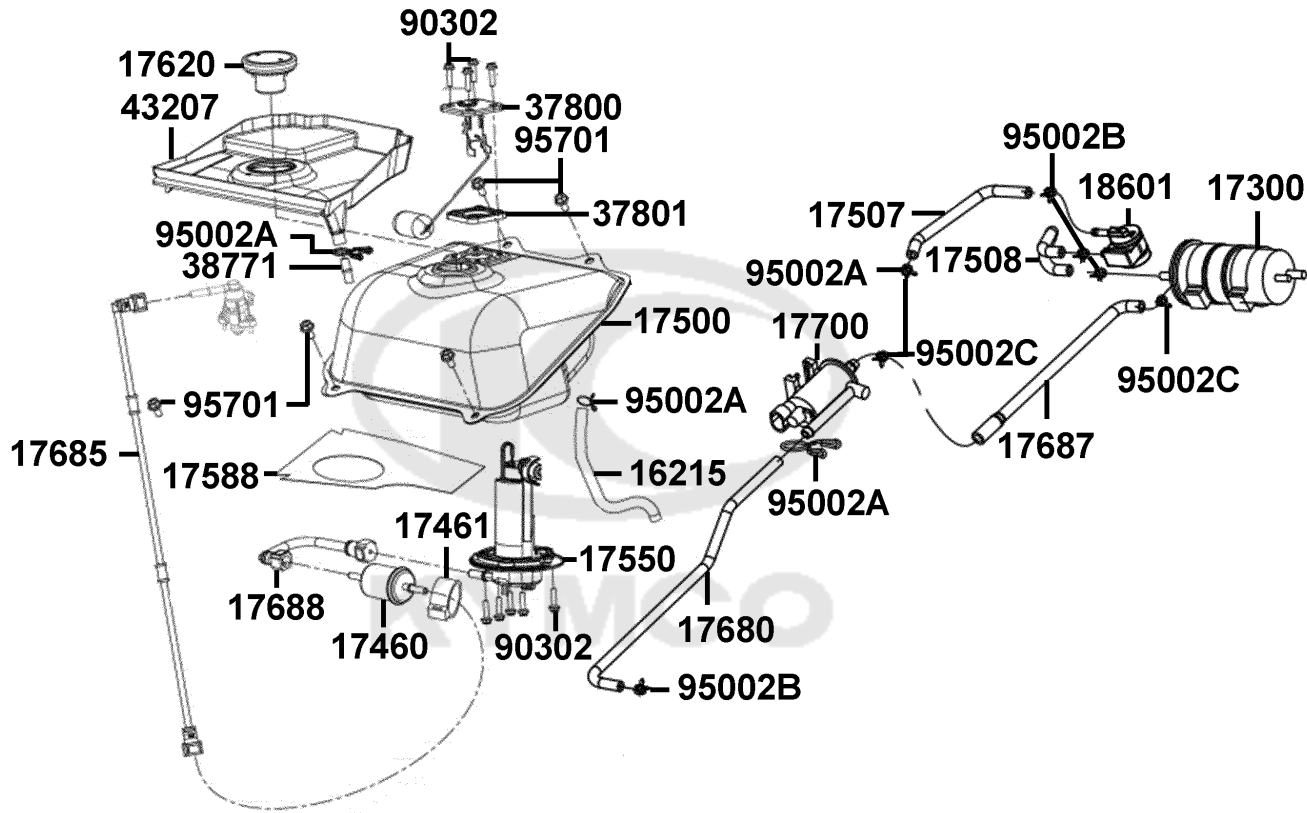
FUEL TANK ASSY.



Sales mark	Ref no	Part no	Description	Reg description	Regd no	F07
	16215	16215-YZA6-EZ5	HOSE 7x11x600	HOSE 7x11x600	1	
	17300	17300-BBA1-C00	CARBON CANISTER ASSEMBLY	CARBON CANISTER ASSEMBLY	1	
	17460	17460-YZA6-EZ5	FUEL FILTER	FUEL FILTER	1	
	17461	17461-YZA6-EZ5	FUEL FILTER JACKET	FUEL FILTER JACKET	1	
	17500	17500-YZA6-EZ5	TANK COMP FUEL	TANK COMP FUEL	1	
	17507	17507-YZA6-EZ5	THE TANK IS CONNECTED TO THE	THE TANK IS CONNECTED TO THE DUMPING	1	
	17508	17508-YZA6-EZ5	THE DUMPING VALVE IS CONNECTED	THE DUMPING VALVE IS CONNECTED TO	1	
	17550	17550-YZA6-EZ5	FUEL PUMP ASSY.	FUEL PUMP ASSY.	1	
	17588	17588-YZA6-EZ5	ALUMINIUM FOIL	ALUMINIUM FOIL	1	
	17620	17620-BBA1-C00	FUEL TANK CAP	FUEL TANK CAP	1	
	17680	17680-YZA6-EZ5	ELECTRICALLY CONTROLLED AIR	ELECTRICALLY CONTROLLED AIR REFILL	1	
	17685	17685-YZA6-EZ5	TUBE II	TUBE II	1	
	17687	17687-YZA6-EZ5	THE CARBON TANK IS CONNECTED TO	THE CARBON TANK IS CONNECTED TO THE	1	
	17688	17688-YZA6-EZ5	TUBE	TUBE	1	
	17700	17700-YZA6-EZ5	CARBON TANK SOLENOID VALVE	CARBON TANK SOLENOID VALVE	1	
	18601	18601-YZA6-EZ5	CHECK VALVE ASSEMBLY	CHECK VALVE ASSEMBLY	1	
	37800	37800-YZA6-EZ5	OIL LEVEL SENSOR	OIL LEVEL SENSOR	1	
	37801	37801-YZA6-E00	SENSOR RUBBER PAD	SENSOR RUBBER PAD	1	
	38771	38771-YZA6-E00	JOINT	JOINT	1	
	43207	43207-YZA6-E00	WATERPROOF PAD	WATERPROOF PAD	1	

F07

FUEL TANK ASSY.

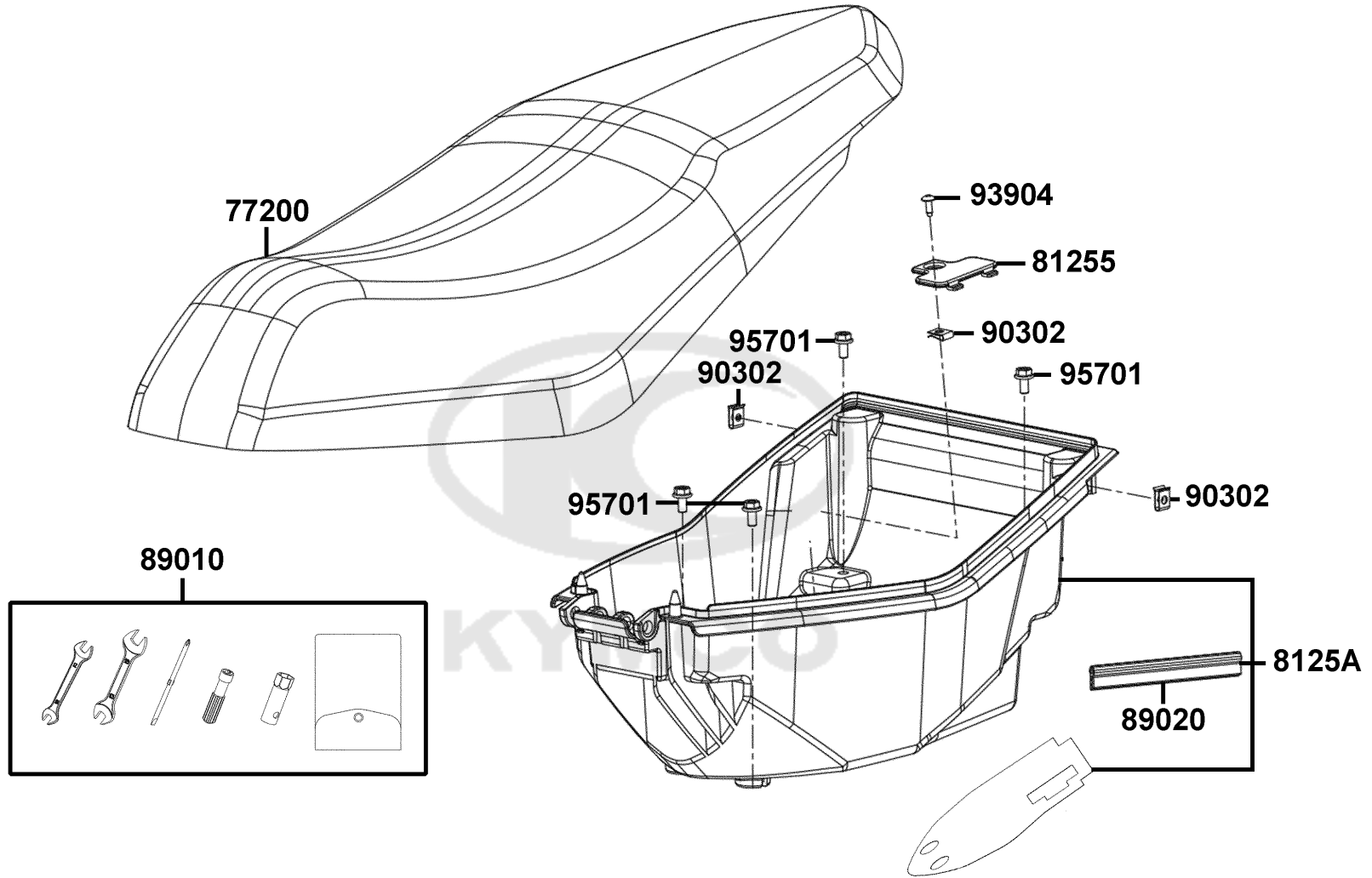


Sales mark	Ref no	Part no	Description	Reg description	Regd no	<b>F07</b>
90302		90302-05020-E00	BOLT M5x20	BOLT M5x20	9	
95002A		95002-02110-E00	STEEL WIRE CLAMP 10.5	STEEL WIRE CLAMP 10.5	4	
95002B		95002-40800-08G	CLAMP D8 TUBE	CLAMP D8 TUBE	4	
95002C		95002-40850-08G	CLAMP D8.5 TUBE	CLAMP D8.5 TUBE	4	
95701		95701-06012-E00	BOLT M6x12	BOLT M6x12	5	



F08

SEAT ASSY.



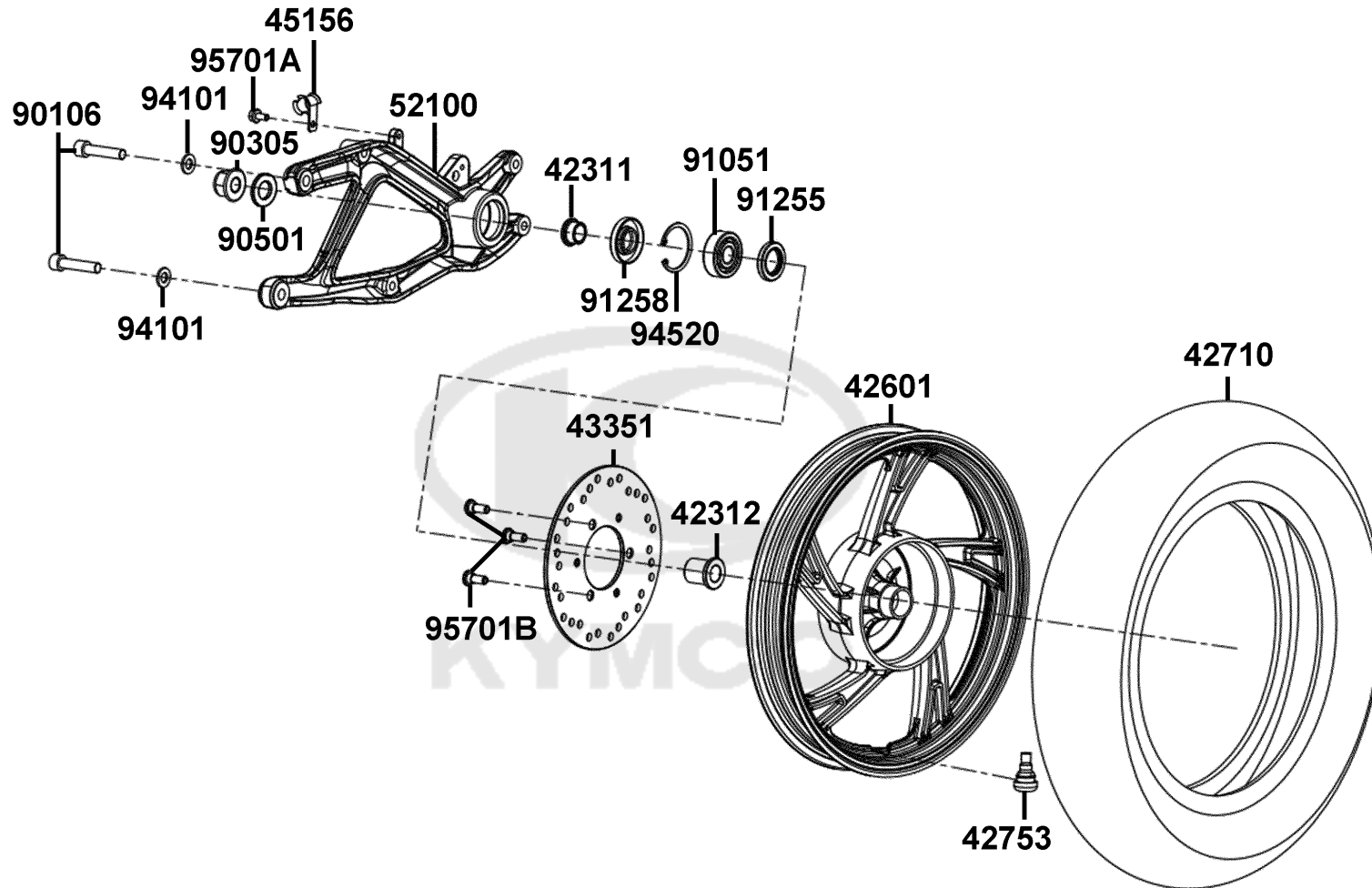


Sales mark	Ref no	Part no	Description	Reg description	Regd no	<b>F08</b>
**	77200	77200-YZA6-E00	SEAT ASSY	SEAT ASSY	1	
	81255	81255-YZA6-E00	HELMET BARREL BOTTOM COVER	HELMET BARREL BOTTOM COVER	1	
	8125A	8125A-YZA6-E00	BOX ASSY.,LUG	BOX ASSY.,LUG	1	
	89010	89010-YZA6-E00	TOOL SET	TOOL SET	1	
	89020	89020-YZA6-E00	HELMET BARREL SEALING STRIP	HELMET BARREL SEALING STRIP	1	
	90302	90302-BBA1-E00	CARD ST4.2	CARD ST4.2	3	
	93904	93904-34380-G	SCREW TAPPING 4.2*13	SCREW TAPPING 4.2*13	1	
	95701	95701-06016-E00	BOLT M6x16	BOLT M6x16	4	



F09

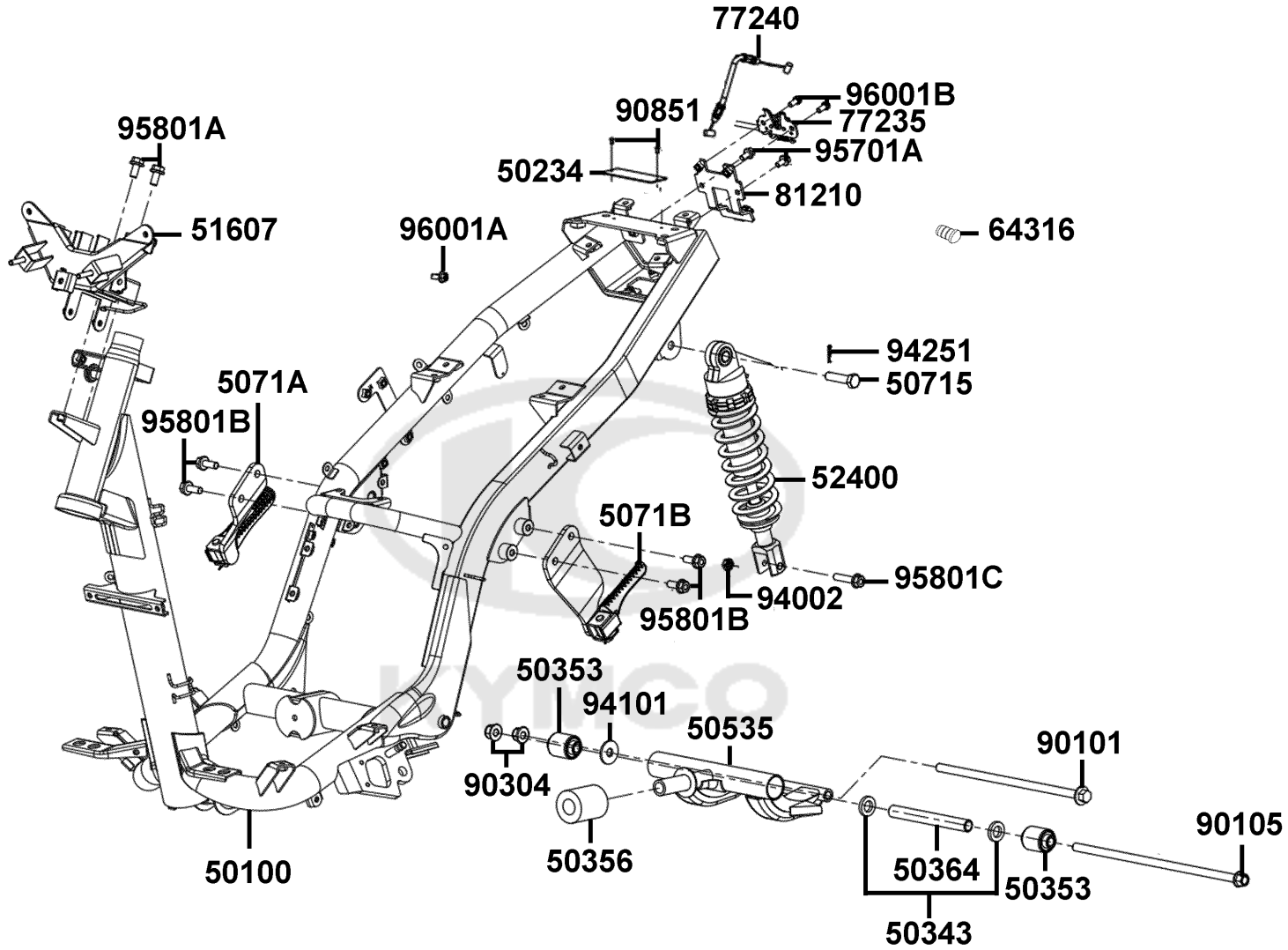
REAR WHEEL ASSY.



Sales mark	Ref no	Part no	Description	Reg description	Regd no	F09
	42311	42311-YZA6-EZ5	HANGING PLATE LEFT AXLE SLEEVE	HANGING PLATE LEFT AXLE SLEEVE	1	
	42312	42312-YZA6-EZ5	HANGING PLATE RIGHT SHAFT SLEEVE	HANGING PLATE RIGHT SHAFT SLEEVE	1	
	42601	42601-YZA6-EZ5	WHEEL COMP RR CAST	WHEEL COMP RR CAST	1	
	42710	42710-YZA6-EZ5	TIRE ASSY, RR 80/90-14	TIRE ASSY, RR 80/90-14	1	
	42753	42753-YZA6-E00	VALVE STEM	VALVE STEM	1	
	43351	43351-YZA6-EZ5	REAR BRAKE DISC	REAR BRAKE DISC	1	
	45156	45156-BBA1-C00	FRONT HYDRAULIC BRAKE PIPE CLAMP	FRONT HYDRAULIC BRAKE PIPE CLAMP I	1	
	52100	52100-YZA6-EZ5	MUFFLER HANGING PLATE	MUFFLER HANGING PLATE	1	
	90106	90106-10045-08G	HEXAGON SOCKET SCREW	HEXAGON SOCKET SCREW M10x1.25x45	2	
	90305	90305-BBA1-E00	REAR WHEEL RETAINING NUT	REAR WHEEL FIXING NUT	1	
	90501	90501-YZA6-E00	REAR WHEEL FIXING GASKET	REAR WHEEL FIXING GASKET	1	
	91051	91051-YZA6-EZ5	ROLLING BEARING 6303-2RS	ROLLING BEARING 6303-2RS	1	
	91255	91255-YZA6-EZ5	DUST RING ASSEMBLY	DUST RING ASSEMBLY	1	
	91258	91258-YZA6-EZ5	SEAL RING	SEAL RING	1	
	94101	94101-10800-E00	WASHER 10	WASHER 10	2	
	94520	94520-YZA6-EZ5	ELASTIC RING FOR HOLE 47	ELASTIC RING FOR HOLE 47	1	
	95701A	95701-06012-08G	BOLT FLANGE 6*12	BOLT FLANGE 6*12	1	
	95701B	95701-08020-C00	BOLT M8 * 20	BOLT M8 * 20	1	

F10

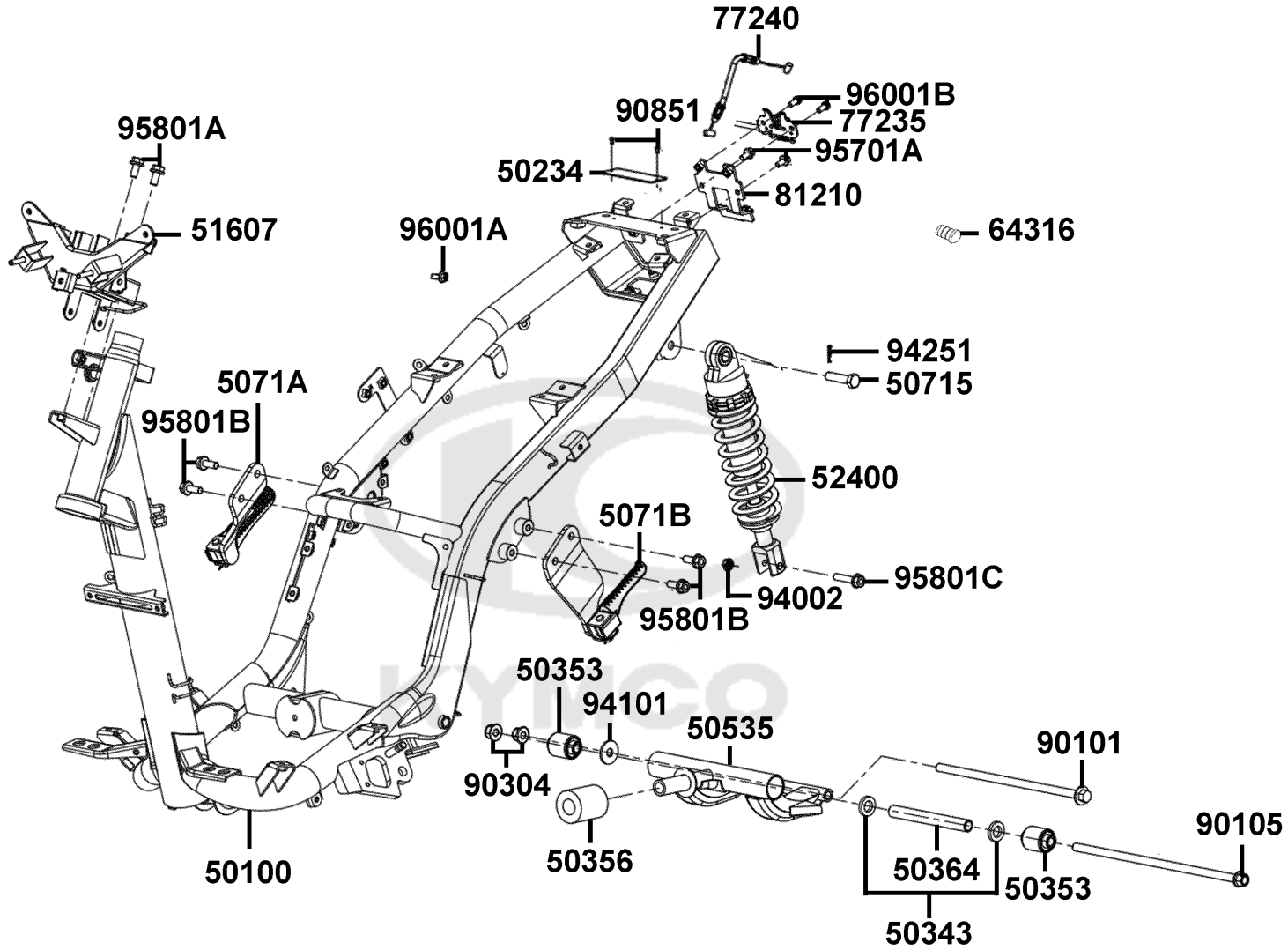
FRAME BODY ASSY.



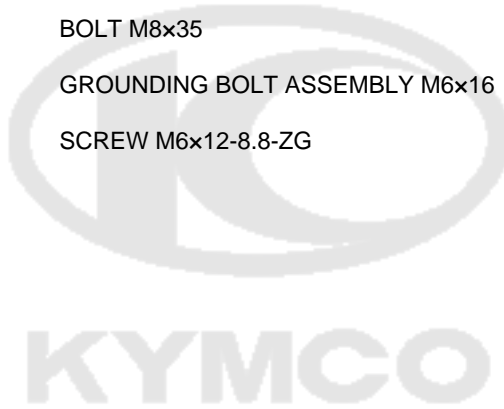
Sales mark	Ref no	Part no	Description	Reg description	Regd no	F10
	50100	50100-YZA6-EZ5	BODY COMP FRAME	BODY COMP FRAME	1	
	50234	50234-YZA6-EZ5	FRAME LABEL	FRAME LABEL	1	
	50343	50343-YZA6-E00	POWER HANGER INTERMEDIATE	POWER HANGER INTERMEDIATE SPACER	1	
	50353	50353-YZA6-E00	POWER HANGER BUFFER BUSHING	POWER HANGER BUFFER BUSHING	2	
	50356	50356-YZA6-E00	POWER HANGER BUFFER BUSHING	POWER HANGER BUFFER BUSHING	1	
	50364	50364-YZA6-E00	RUBBER RING	RUBBER RING	1	
	50535	50535-YZA6-E00	POWER HANGER WELDING ASSEMBLY	POWER HANGER WELDING ASSEMBLY	1	
	50715	50715-YZA6-E00	SCREW BOLT M10x1.25x40	SCREW BOLT M10x1.25x40	1	
	5071A	5071A-YZA6-E00	BAR STEP L ASSY	BAR STEP L ASSY	1	
	5071B	5071B-YZA6-E00	BAR STEP R ASSY	BAR STEP R ASSY	1	
	51607	51607-YZA6-EZ5	FRONT HOOD BRACKET ASSEMBLY	FRONT HOOD BRACKET ASSEMBLY	1	
**	52400	52400-YZA6-EZ5	CUSHION ASSY RR	CUSHION ASSY RR	1	
	64316	64316-BBA1-C00	REAR COVER OF RIGHT PROTECTIVE	REAR COVER OF RIGHT PROTECTIVE STRIP	2	
	77235	77235-YZA6-E00	SEAT CATCH COMP	SEAT CATCH COMP	1	
	77240	77240-YZA6-E00	SEAT CUSHION CABLE ASSEMBLY	SEAT CUSHION CABLE ASSEMBLY	1	
	81210	81210-YZA6-EZ5	SEAT CUSHION LOCK MOUNTING SEAT	SEAT CUSHION LOCK MOUNTING SEAT	1	
	90101	90101-YZA6-E00	MIDDLE SUPPORT SHAFT	MIDDLE SUPPORT SHAFT	1	
	90105	90105-YZA6-E00	HANGER FIXED SHAFT	HANGER FIXED SHAFT	1	
	90304	90304-BBA1-E00	NUT M10x1.25	NUT M10x1.25	2	
	90851	90851-BBA1-C00	BLIND RIVETS 3.2x7	BLIND RIVETS 3.2x7	1	

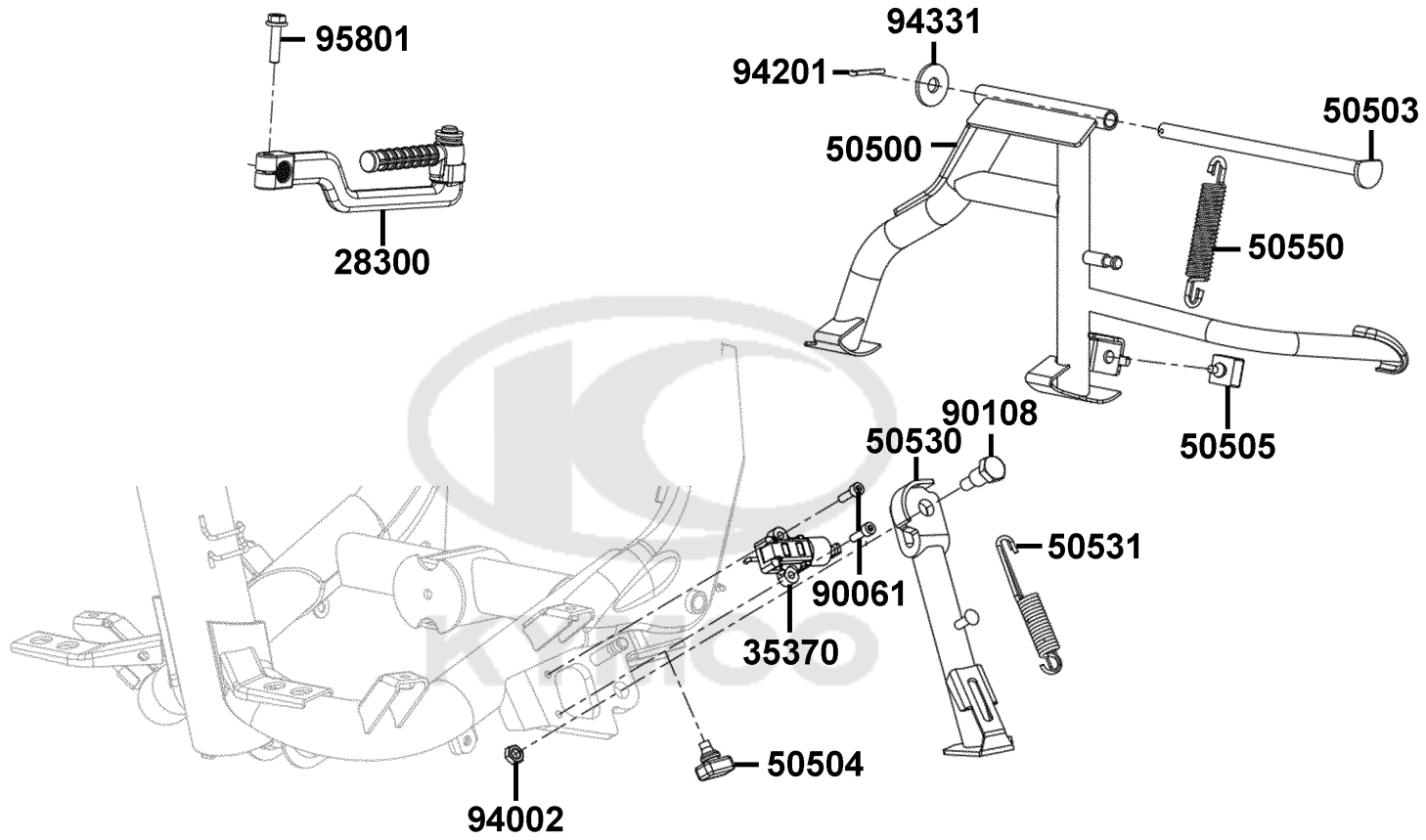
F10

FRAME BODY ASSY.



Sales mark	Ref no	Part no	Description	Reg description	Regd no	<b>F10</b>
94002		94002-08080-E00	HEXAGON THIN NUT M8	HEXAGON THIN NUT M8	1	
94101		94101-10800-E00	WASHER 10	WASHER 10	1	
94251		94251-YZA6-E00	SPLIT PIN	SPLIT PIN	1	
95701A		95701-06012-E00	BOLT M6x12	BOLT M6x12	2	
95701B		95701-06035-08G	BOLT FLANGE 6*35	BOLT FLANGE 6*35	2	
95801A		95801-08016-E00	FLANGE BOLT M8x16	FLANGE BOLT M8x16	2	
95801B		95801-08022-E00	FLANGE BOLT M8x22	FLANGE BOLT M8x22	4	
95801C		95801-08035-E00	BOLT M8x35	BOLT M8x35	1	
96001A		96001-06016-E00	GROUNDING BOLT ASSEMBLY M6x16	GROUNDING BOLT ASSEMBLY M6x16	1	
96001B		96001-YZA6-E00	SCREW M6x12-8.8-ZG	SCREW M6x12-8.8-ZG	2	



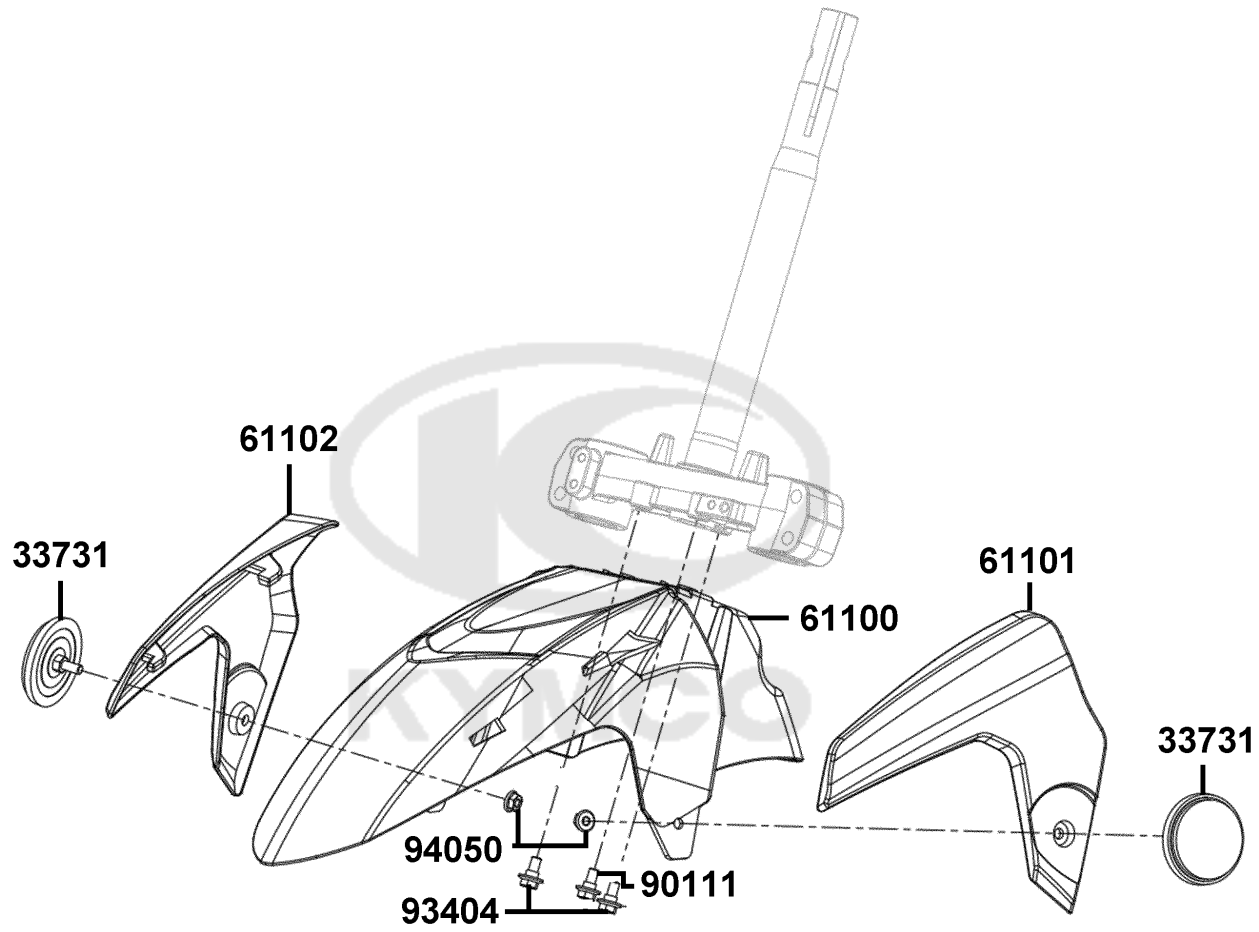





Sales mark	Ref no	Part no	Description	Reg description	Regd no	F11
28300		28300-YZA6-E00	START ROD	START ROD	1	
35370		35370-YZA6-E00	SIDE BRACE FLAMEOUT SWITCH	SIDE BRACE FLAMEOUT SWITCH	1	
50500		50500-YZA6-EZ5	STAND COMP MAIN	STAND COMP MAIN	1	
50503		50503-YZA6-E00	MIDDLE SUPPORT SHAFT	MIDDLE SUPPORT SHAFT	1	
50504		50504-YZA6-E00	SINGLE SUPPORT BUFFER RUBBER	SINGLE SUPPORT BUFFER RUBBER	1	
50505		50505-YZA6-E00	STOPPER RUBBER	STOPPER RUBBER	1	
50530		50530-YZA6-E00	SIDE STAND COMP	SIDE STAND COMP	1	
50531		50531-YZA6-E00	PLATE,SPRING STOPPER	PLATE,SPRING STOPPER	1	
50550		50550-YZA6-E00	SPG MAIN STAND COMP	SPG MAIN STAND COMP	1	
90061		90061-05016-E00	HEXAGON SOCKET HEAD CAP SCREW	HEXAGON SOCKET HEAD CAP SCREW	2	
90108		90108-YZA6-E00	SINGLE SUPPORT MOUNTING BOLT	SINGLE SUPPORT MOUNTING BOLT	1	
94002		94002-08080-E00	HEXAGON THIN NUT M8	HEXAGON THIN NUT M8	1	
94201		94201-30250-E00	COTTER PIN 3x25	COTTER PIN 3x25	1	
94331		94331-YZA6-E00	REAR SHOCK ABSORBER MOUNTING	REAR SHOCK ABSORBER MOUNTING	1	
95801		95801-08025-E00	BOLT M8x25	BOLT M8x25	1	

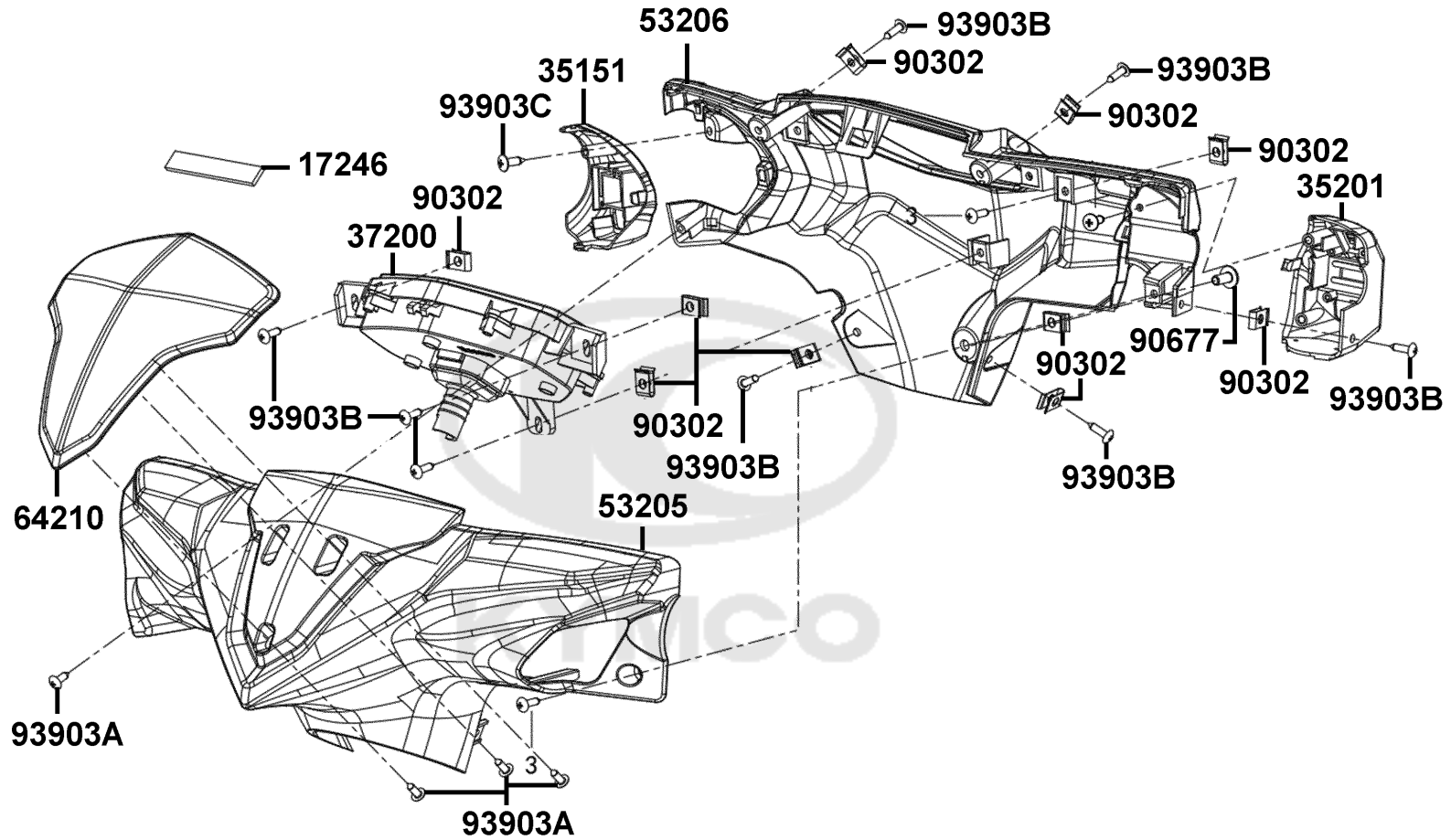
F12

FRONT FENDER ASSY.

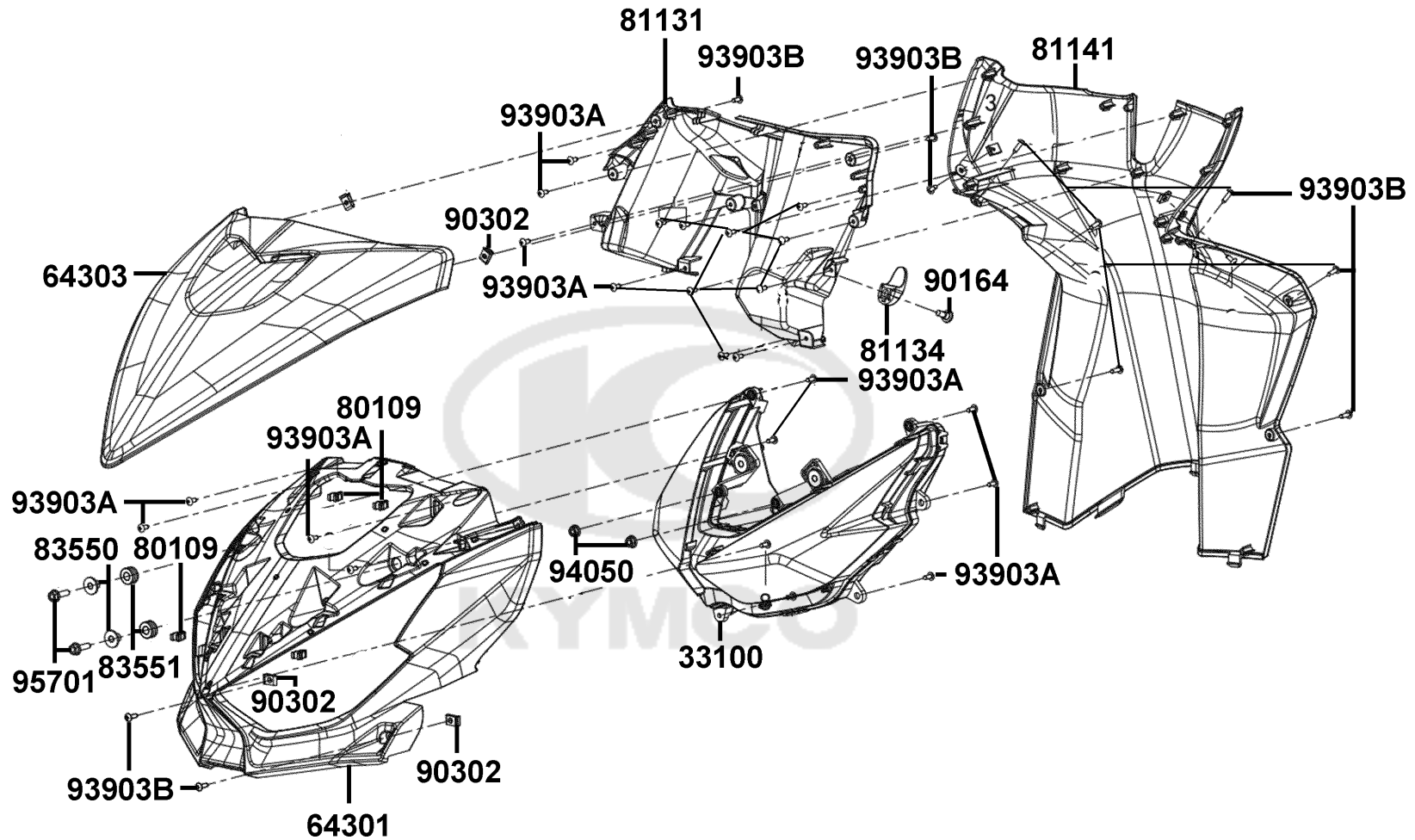


Sales mark	Ref no	Part no	Description	Reg description	Regd no	F12
	33731	33731-YZA6-E00	REFLEX REFLECTOR SIDE	REFLEX REFLECTOR SIDE	2	
**	61100	61100-YZA6-E00	FRONT FENDER	FRONT FENDER	1	
	61101	61101-YZA6-E00	"FRONT BOARD DECORATIVE BOARD ,L"	"FRONT BOARD DECORATIVE BOARD ,L"	1	
	61102	61102-YZA6-E00	"FRONT BOARD DECORATIVE BOARD	"FRONT BOARD DECORATIVE BOARD ,R"	1	
	90111	90111-YZA6-E00	BOSS BOLT	BOSS BOLT	3	
	93404	93404-06014-E00	BOLT M6x14	BOLT M6x14	2	
	94050	94050-06080-E00	HEXAGON FLANGE NUT M6	HEXAGON FLANGE NUT M6	2	
						

Handle Steering Handle Cover



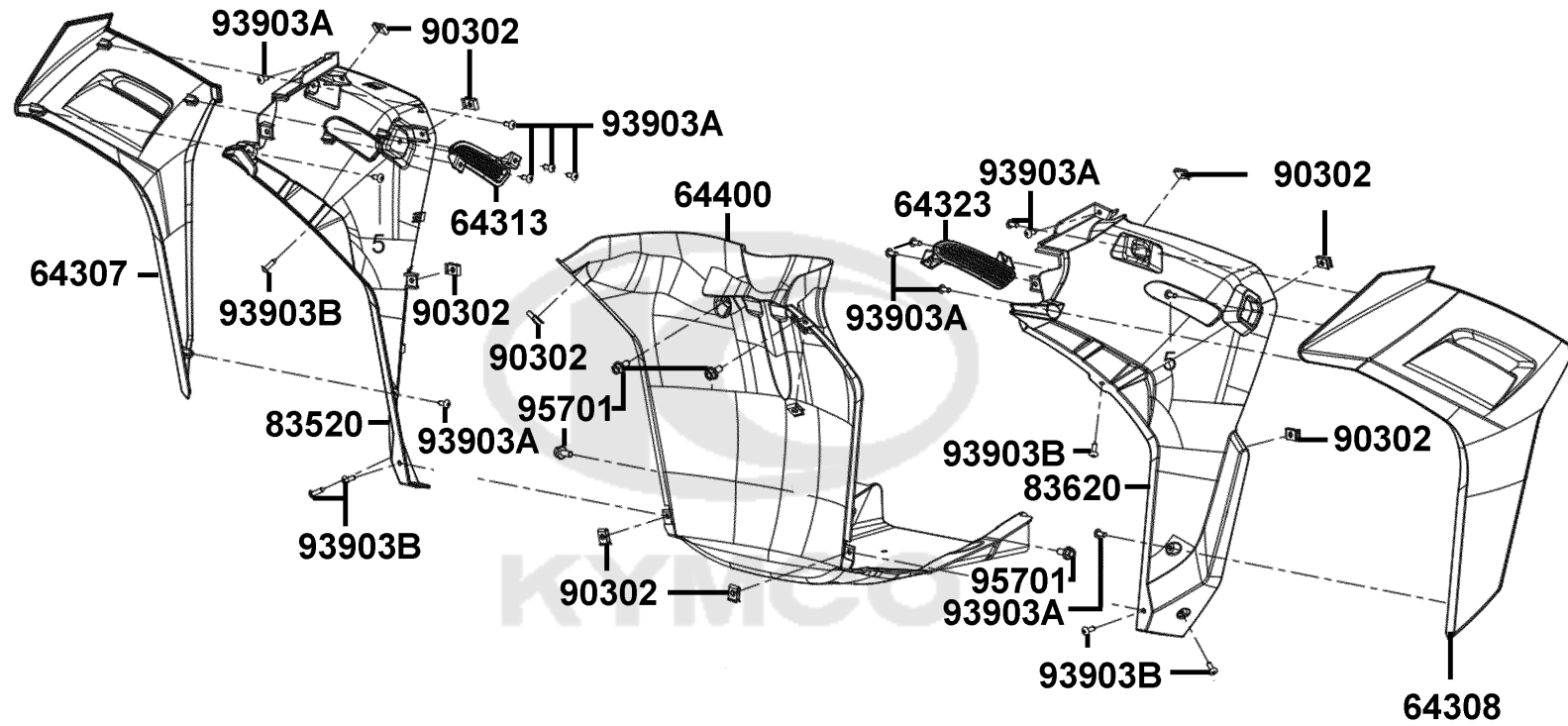
Sales mark	Ref no	Part no	Description	Reg description	Regd no	<b>F13</b>
	17246	17246-YZA6-E00	TAIL LIGHT SPONGE PAD	TAIL LIGHT SPONGE PAD	3	
	35151	35151-YZA6-EZ5	RIGHT COMBINATION SWITCH	RIGHT COMBINATION SWITCH	1	
	35201	35201-YZA6-E00	LEFT COMBINATION SWITCH	LEFT COMBINATION SWITCH	1	
	37200	37200-YZA6-EZ5	SPEED METER ASSY	SPEED METER ASSY	1	
**	53205	53205-YZA6-EZ5	FAUCET FRONT SHIELD	FAUCET FRONT SHIELD	1	
	53206	53206-YZA6-E00	COVER HANDLE RR	COVER HANDLE RR	1	
	64210	64210-YZA6-E00	SPEEDOMETER SUN VISOR	SPEEDOMETER SUN VISOR	1	
	90302	90302-BBA1-E00	CARD ST4.2	CARD ST4.2	10	
	90677	90677-YZA6-E00	SCREW M6x12	SCREW M6x12	1	
	93903A	93903-25380-C00	SCREWS ST4.2x13	SCREWS ST4.2x13	4	
	93903B	93903-34480-08G	SCREW TAPPING 4.2*16	SCREW TAPPING 4.2*16	10	
	93903C	93903-35370-C00	SELF TAPPING SCREW ST4.8X16	SELF TAPPING SCREW ST4.8X16	2	



Sales mark	Ref no	Part no	Description	Reg description	Regd no	<b>F14</b>
	33100	33100-YZA6-E00	LIGHT ASSY HEAD	LIGHT ASSY HEAD	1	
**	64301	64301-YZA6-E00	FRONT COVER AND BOTTOM COVER	FRONT COVER AND BOTTOM COVER	1	
**	64303	64303-YZA6-E00	FRONT HOOD PANEL	FRONT HOOD PANEL	1	
	80109	80109-BBA1-E00	PLASTIC CLIP	PLASTIC BUCKLE	4	
	81131	81131-YZA6-E00	FRONT CARGO BOX REAR PANEL	FRONT CARGO BOX REAR PANEL	1	
	81134	81134-YZA6-E00	REAR HOOD MOUNTING BUCKLE	REAR HOOD MOUNTING BUCKLE	1	
	81141	81141-YZA6-E00	FOOT GUARD	FOOT GUARD	1	
	83550	83550-YZA6-E00	HEADLIGHT BUSHING	HEADLIGHT BUSHING	4	
	83551	83551-YZA6-E00	GUARD RUBBER PAD	GUARD RUBBER PAD	4	
	90164	90164-YZA6-E00	PEDAL RUBBER MOUNTING BOLT	PEDAL RUBBER MOUNTING BOLT	1	
	90302	90302-BBA1-E00	CARD ST4.2	CARD ST4.2	6	
	93903A	93903-25380-C00	SCREWS ST4.2x13	SCREWS ST4.2x13	24	
	93903B	93903-34480-08G	SCREW TAPPING 4.2*16	SCREW TAPPING 4.2*16	12	
	94050	94050-06080-E00	HEXAGON FLANGE NUT M6	HEXAGON FLANGE NUT M6	2	
	95701	95701-06020-E00	BOLT M6x20	BOLT M6x20	2	

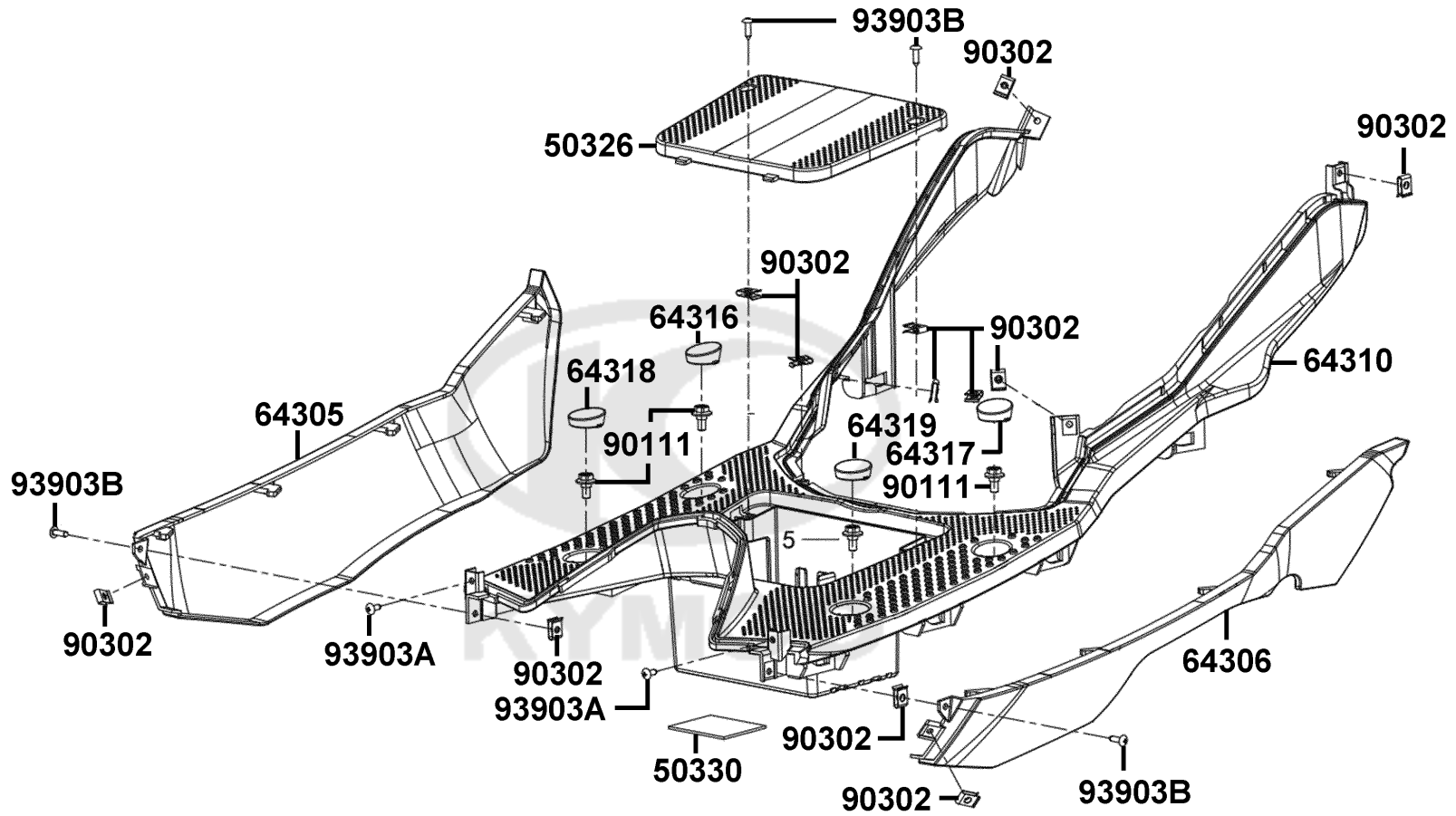
F15

FRONT COVER ASSY.

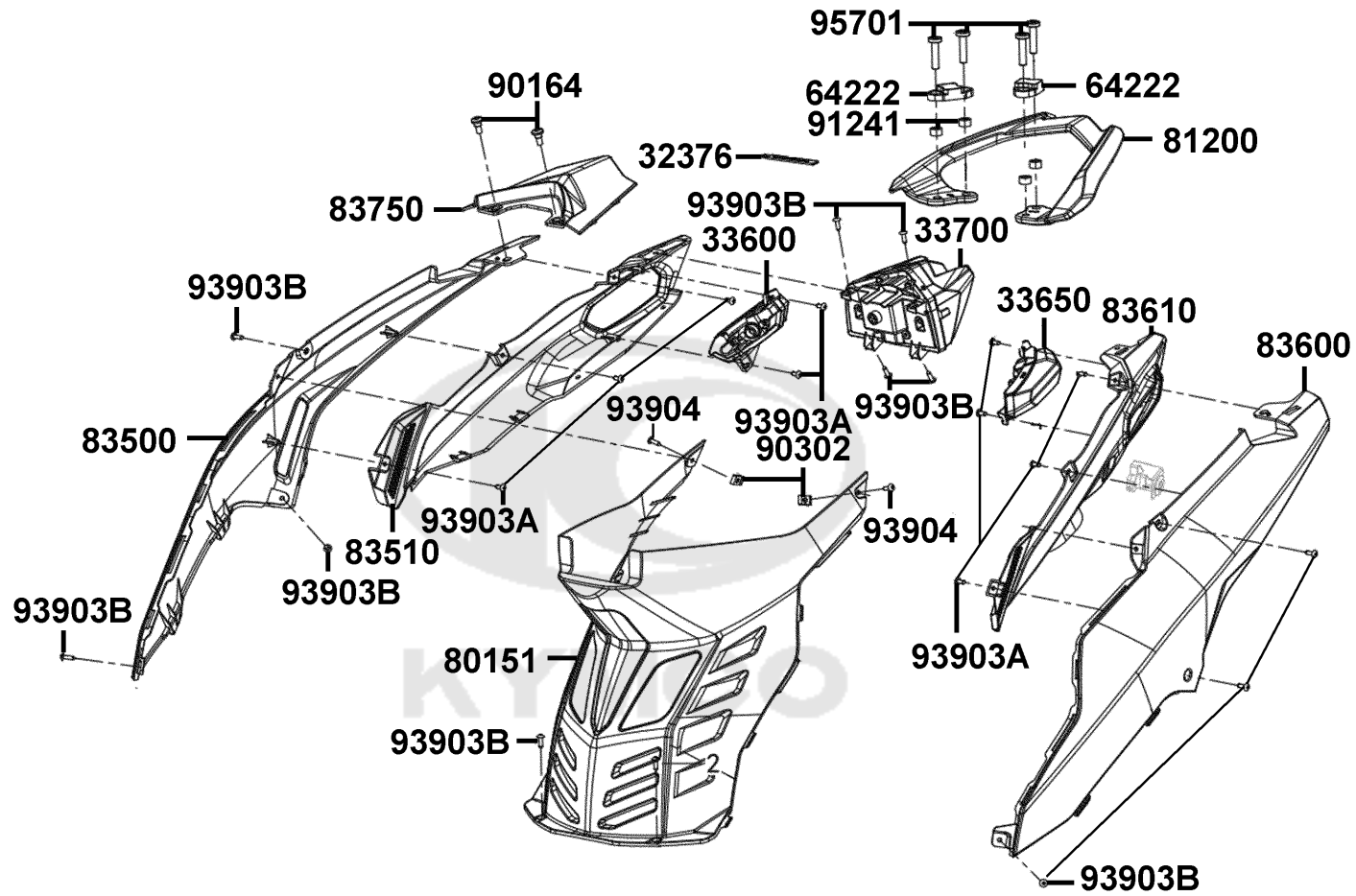




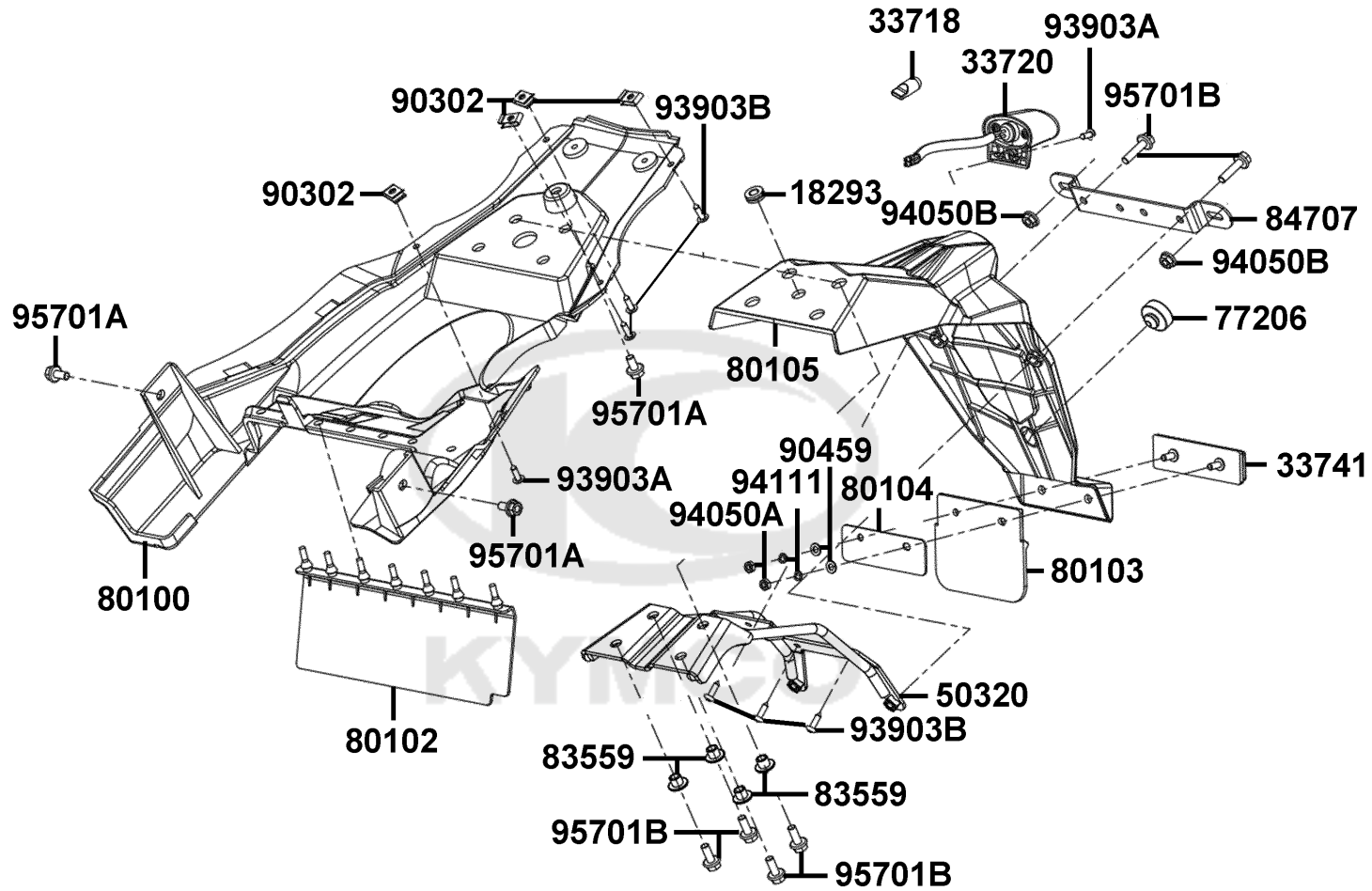
Sales mark	Ref no	Part no	Description	Reg description	Regd no	<b>F15</b>
**	64307	64307-YZA6-305	RIGHT COUPLING PLATE	RIGHT COUPLING PLATE	1	
**	64308	64308-YZA6-305	LEFT CONNECTING TRIM PANEL	LEFT CONNECTING TRIM PANEL	1	
	64313	64313-YZA6-E00	RIGHT GRID	RIGHT GRID	1	
	64323	64323-YZA6-E00	LEFT GRID	LEFT GRID	1	
	64400	64400-YZA6-E00	BOTTOM PLATE INNER GUARD	BOTTOM PLATE INNER GUARD	1	
	83520	83520-YZA6-E00	RIGHT CONNECTING TRIM PANEL	RIGHT CONNECTING TRIM PANEL	1	
	83620	83620-YZA6-E00	LEFT CONNECTING PLATE	LEFT CONNECTING PLATE	1	
	90302	90302-BBA1-E00	CARD ST4.2	CARD ST4.2	10	
	93903A	93903-25380-C00	SCREWS ST4.2x13	SCREWS ST4.2x13	14	
	93903B	93903-34480-08G	SCREW TAPPING 4.2*16	SCREW TAPPING 4.2*16	6	
	95701	95701-06012-E00	BOLT M6x12	BOLT M6x12	4	



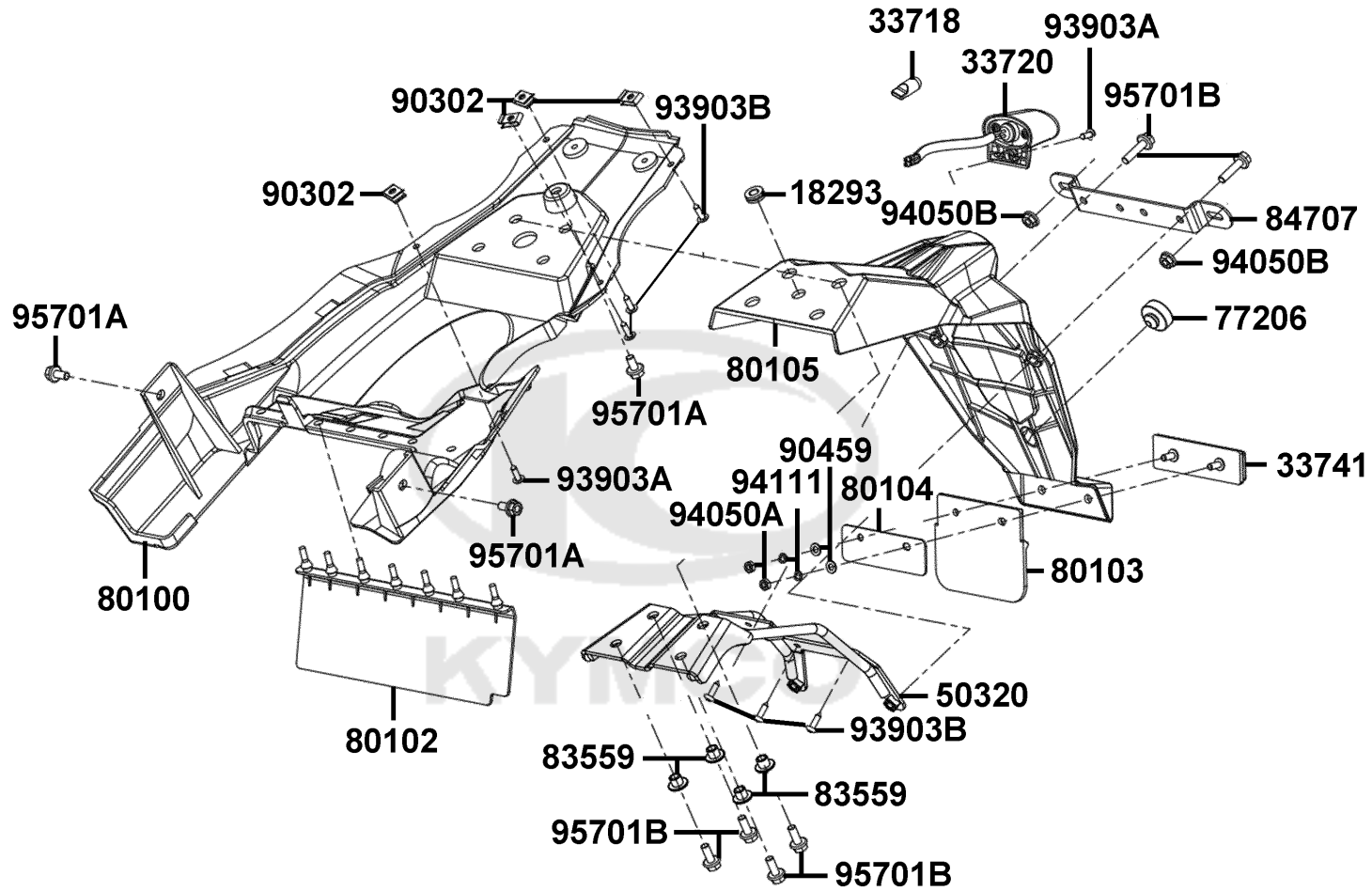
Sales mark	Ref no	Part no	Description	Reg description	Regd no	<b>F16</b>
	50326	50326-YZA6-E00	BATTERY BOX COVER	BATTERY BOX COVER	1	
	50330	50330-YZA6-E00	FOOT PROTECTION BOARD SPONGE	FOOT PROTECTION BOARD SPONGE PAD I	1	
**	64305	64305-YZA6-305	RIGHT PROTECTIVE STRIP	RIGHT PROTECTIVE STRIP	1	
**	64306	64306-YZA6-305	LEFT PROTECTIVE STRIP	LEFT PROTECTIVE STRIP	1	
	64310	64310-YZA6-E00	PANEL FLOOR	PANEL FLOOR	1	
	64316	64316-YZA6-E00	REAR RIGHT FIXED COVER OF FOOT	REAR RIGHT FIXED COVER OF FOOT PEDAL	1	
	64317	64317-YZA6-E00	FOOT PEDAL REAR LEFT FIXING COVER	FOOT PEDAL REAR LEFT FIXING COVER	1	
	64318	64318-YZA6-E00	PEDAL FRONT RIGHT FIXING COVER	PEDAL FRONT RIGHT FIXING COVER	1	
	64319	64319-YZA6-E00	FOOT PEDAL FRONT LEFT FIXING	FOOT PEDAL FRONT LEFT FIXING COVER	1	
	90111	90111-YZA6-E00	BOSS BOLT	BOSS BOLT	4	
	90302	90302-BBA1-E00	CARD ST4.2	CARD ST4.2	12	
	93903A	93903-25380-C00	SCREWS ST4.2x13	SCREWS ST4.2x13	2	
	93903B	93903-34480-08G	SCREW TAPPING 4.2*16	SCREW TAPPING 4.2*16	4	



Sales mark	Ref no	Part no	Description	Reg description	Regd no	F17
	32376	32376-YZA6-E00	CLAMP ASSEMBLY	CLAMP ASSEMBLY	1	
	33600	33600-YZA6-E00	WINKER ASSY R RR	WINKER ASSY R RR	1	
	33650	33650-YZA6-E00	WINKER ASSY L RR	WINKER ASSY L RR	1	
	33700	33700-YZA6-E00	LIGHT ASSY RR COMB	LIGHT ASSY RR COMB	1	
	64222	64222-YZA6-E00	SEAT CUSHION SUPPORT PAD	SEAT CUSHION SUPPORT PAD	2	
	80151	80151-YZA6-E00	GUARD PLATES	GUARD PLATES	1	
**	81200	81200-YZA6-EZ5	CARRIER RR.	CARRIER RR.	1	
**	83500	83500-YZA6-305	RIGHT GUARD	RIGHT GUARD	1	
	83510	83510-YZA6-E00	COVER R SIDE	COVER R SIDE	1	
**	83600	83600-YZA6-305	LEFT GUARD	LEFT GUARD	1	
	83610	83610-YZA6-E00	LEFT LOWER GUARD	LEFT LOWER GUARD	1	
	83750	83750-YZA6-E00	REAR COVER PLATE OF GUARD PLATE	REAR COVER PLATE OF GUARD PLATE	1	
	90164	90164-YZA6-E00	PEDAL RUBBER MOUNTING BOLT	PEDAL RUBBER MOUNTING BOLT	2	
	90302	90302-BBA1-E00	CARD ST4.2	CARD ST4.2	2	
	91241	91241-YZA6-E00	REAR ARMREST FIXING BUSH	REAR ARMREST FIXING BUSH	4	
	93903A	93903-25380-C00	SCREWS ST4.2x13	SCREWS ST4.2x13	10	
	93903B	93903-34480-08G	SCREW TAPPING 4.2*16	SCREW TAPPING 4.2*16	12	
	93904	93904-34380-G	SCREW TAPPING 4.2*13	SCREW TAPPING 4.2*13	2	
	95701	95701-YZA6-E00	REAR SHELF SCREW II	REAR SHELF SCREW II	4	



Sales mark	Ref no	Part no	Description	Reg description	Regd no	F18
18293		18293-YZA6-E00	MUFFLER GUARD RUBBER SLEEVE	MUFFLER GUARD RUBBER SLEEVE	1	
33718		33718-YAZ6-EZ5	BULB W5W	BULB W5W	1	
33720		33720-YZA6-E00	REAR LICENSE PLATE LAMP	REAR LICENSE PLATE LAMP	1	
33741		33741-YZA6-E00	REFLEX REFLECTOR RR	REFLEX REFLECTOR RR	1	
50320		50320-YZA6-E00	REAR MUDBOARD SUPPORT ASSEMBLY	REAR MUDBOARD SUPPORT ASSEMBLY	1	
77206		77206-YZA6-E00	CUSHION CUSHION RUBBER RING	CUSHION CUSHION RUBBER RING	1	
80100		80100-YZA6-EZ5	FRONT OF REAR FENDER	FRONT OF REAR FENDER	1	
80102		80102-YZA6-E00	REAR MUD RETAINING RUBBER	REAR MUD RETAINING RUBBER	1	
80103		80103-YZA6-E00	REAR MUDBOARD WATER RETAINING	REAR MUDBOARD WATER RETAINING	1	
80104		80104-YZA6-E00	WATER RETAINING RUBBER PRESSING	WATER RETAINING RUBBER PRESSING	1	
80105		80105-YZA6-E00	REAR FENDER	REAR FENDER	1	
83559		83559-BBA1-E00	BUSHING	BUSHING	4	
84707		84707-YZA6-E00	REAR LICENSE PLATE MOUNTING	REAR LICENSE PLATE MOUNTING PLATE	1	
90302		90302-BBA1-E00	CARD ST4.2	CARD ST4.2	4	
90459		90459-BBA1-E00	FLAT WASHER 5	FLAT WASHER 5	2	
93903A		93903-25380-C00	SCREWS ST4.2x13	SCREWS ST4.2x13	1	
93903B		93903-34480-08G	SCREW TAPPING 4.2*16	SCREW TAPPING 4.2*16	7	
94050A		94050-05080-E00	HEXAGON THIN NUT M5	HEXAGON THIN NUT M5	2	
94050B		94050-06080-E00	HEXAGON FLANGE NUT M6	HEXAGON FLANGE NUT M6	2	
94111		94111-BBA1-E00	SPRING WASHER 5	SPRING WASHER 5	2	

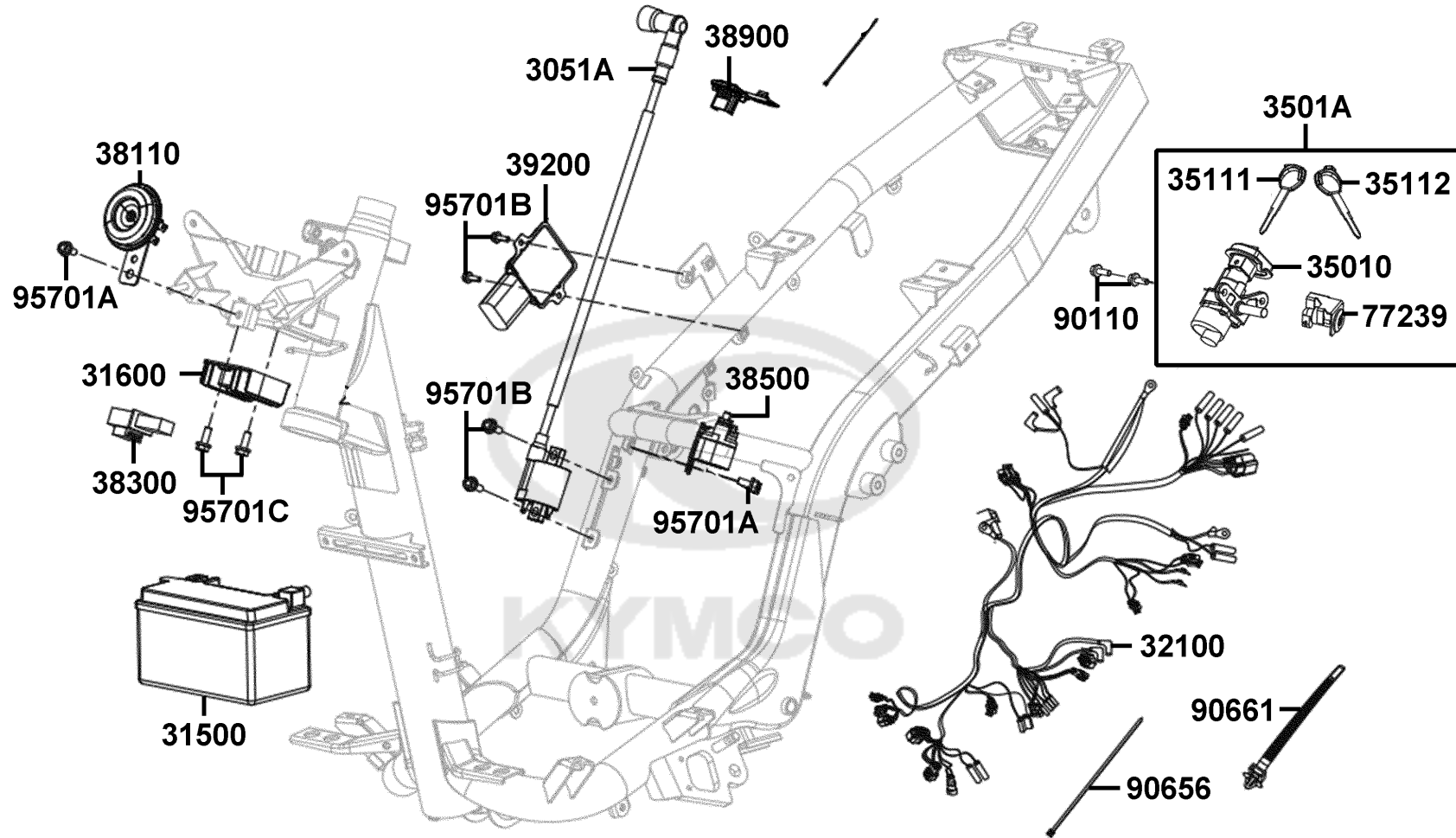




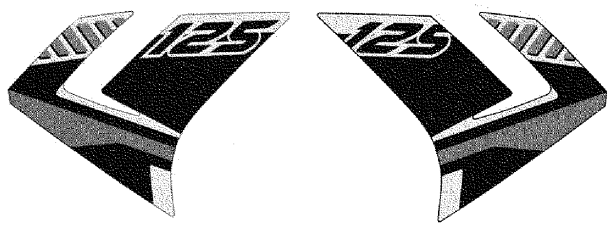
Sales mark	Ref no	Part no	Description	Reg description	Regd no	<b>F18</b>
------------	--------	---------	-------------	-----------------	---------	------------

95701A	95701-06012-E00	95701-06012-E00	BOLT M6x12	BOLT M6x12	5	
95701B	95701-06025-08G	95701-06025-08G	BOLT FLANGE 6*25	BOLT FLANGE 6*25	2	

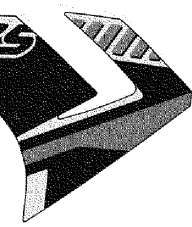




Sales mark	Ref no	Part no	Description	Reg description	Regd no	<b>F19</b>
	3051A	3051A-YZA6-EZ5	HIGH PRESSURE BAG	HIGH PRESSURE BAG	1	
	31500	31500-BBA1-C00	BATTERY	BATTERY	1	
	31600	31600-YZA6-EZ5	REG REC COMP	REG REC COMP	1	
	32100	32100-YZA6-EZ5	CABLE ASSEMBLY	CABLE ASSEMBLY	1	
	35010	35010-YZA6-E00	POWER LOCK	POWER LOCK	1	
	3501A	3501A-YZA6-EZ5	SLEEVE LOCK	SLEEVE LOCK	1	
	35111	35111-YZA6-E00	KEY WITH MAGNETIC LOCK (RIGHT)	KEY WITH MAGNETIC LOCK (RIGHT)	1	
	35112	35112-YZA6-E00	KEY WITH MAGNETIC LOCK (LEFT)	KEY WITH MAGNETIC LOCK (LEFT)	1	
	38110	38110-YZA6-E00	HORN	HORN	1	
	38300	38300-YZA6-E00	FLASHER	FLASHER	1	
	38500	38500-YZA6-EZ5	START RELAY	START RELAY	1	
	38900	38900-YAZ6-EZ5	CAR USB CHARGER	CAR USB CHARGER	1	
	39200	39200-YZA6-EZ5	ECU	ECU	1	
	77239	77239-YZA6-E00	SEAT CUSHION LOCK	SEAT CUSHION LOCK	1	
	90110	90110-06020-E00	SCREW M6x20	HEXAGON SOCKET TORX PAN HEAD SCREW	2	
	90656	90656-YZA6-E00	BINDING TAPE	BINDING TAPE	8	
	90661	90661-YZA6-E00	PIPE CLAMP ZT-54	PIPE CLAMP ZT-54	8	
	95701A	95701-06012-E00	BOLT M6x12	BOLT M6x12	3	
	95701B	95701-06016-E00	BOLT M6x16	BOLT M6x16	4	
	95701C	95701-06025-E00	BOLT M6x25	BOLT M6x25	2	



86282



86283



86221



86231



87206



86331



87681



87682



87560



87546

Sales mark	Ref no	Part no	Description	Reg description	Regd no	F20
	86221	86221-YZA6-E00	STRIPE R BODY COVER	STRIPE R BODY COVER	1	
	86231	86231-YZA6-E00	STRIPE L BODY COVER	STRIPE L BODY COVER	1	
**	86282	86282-YZA6-E00	STRIPE R FR MOLD	STRIPE R FR MOLD	1	
**	86283	86283-YZA6-E00	STRIPE L FR MOLD	STRIPE L FR MOLD	1	
	86331	86331-YZA6-E00	STRIPE SKIRT	STRIPE SKIRT	1	
	87546	87546-YZA6-E10	LABEL FUEL TANK	null	1	
	87560	87560-YZA6-EZ5	TIRE PRESSURE LABELING	TIRE PRESSURE LABELING	1	
	87681	87681-YZA6-E00	MARK CAUTION	MARK CAUTION	1	
	87682	87682-YZA6-E00	EMB KYMCO	EMB KYMCO	1	



## PART NO. INDEX

PART NO.	VERSION	PAGE	PART NO.	VERSION	PAGE	PART NO.	VERSION	PAGE
<b>11000</b>			<b>12000</b>			1442A-YZA6-E00	0	E03
11100-YZA6-E00	0	E07	12100-YZA6-E00	0	E04	1443A-YZA6-E00	0	E03
11102-YZA6-E00	0	E06	12191-YZA6-E00	0	E04	14452-YZA6-E00	0	E03
11102-YZA6-E00	0	E07	12200-YZA6-EZ5	0	E02	14453-YZA6-E00	0	E03
11103-YZA6-E00	0	E06	12209-YZA6-E00	0	E02	14510-YZA6-E00	0	E05
11200-YZA6-EZ5	0	E06	12251-YZA6-E00	0	E02	14520-YZA6-E00	0	E05
11203-YZA6-E00	0	E11	12302-YZA6-EZ5	0	E01	14523-YZA6-E00	0	E05
11204-YZA6-E00	0	E11	12303-YZA6-EZ5	0	E01	14531-YZA6-E00	0	E05
11205-YZA6-E00	0	E07	12310-YZA6-EZ5	0	E01	14610-YZA6-E00	0	E05
11206-YZA6-E00	0	E07	12361-YZA6-E00	0	E06	14711-YZA6-E00	0	E03
11211-YZA6-E00	0	F06	12391-YZA6-EZ5	0	E01	14721-YZA6-E00	0	E03
11221-YZA6-E00	0	E11				14751-YZA6-E00	0	E03
11340-YZA6-E00	0	E08	<b>13000</b>			14771-YZA6-E00	0	E03
11345-YZA6-E00	0	E06	13000-YZA6-EZ5	0	E09	14777-YZA6-E00	0	E03
11347-YZA6-E00	0	E06	13011-YZA6-E00	0	E09	14781-YZA6-E00	0	E03
11347-YZA6-E00	0	E07	13101-YZA6-E00	0	E09	<b>15000</b>		
11350-YZA6-E00	0	F06	13111-YZA6-E00	0	E09	15100-YZA6-E00	0	E12
11353-YZA6-EZ5	0	E08				15421-YZA6-E00	0	E06
11361-YZA6-E00	0	E08	<b>14000</b>			15426-YZA6-E00	0	E06
11363-YZA6-E00	0	E08	14100-YZA6-E00	0	E03	15531-YZA6-EZ5	0	E07
11382-YZA6-E00	0	E08	14321-YZA6-E00	0	E03	15651-YZA6-E00	0	E07
11383-YZA6-E00	0	E06	14401-YZA6-E00	0	E05			
11395-YZA6-E00	0	E08						
11399-YZA6-E00	0	E08						

## PART NO. INDEX

PART NO.	VERSION	PAGE	PART NO.	VERSION	PAGE	PART NO.	VERSION	PAGE
<b>16000</b>			17550-YZA6-EZ5	0	F07			
			17588-YZA6-EZ5	0	F07	<b>19000</b>		
			17620-BBA1-C00	0	F07			
16100-YZA6-EZ5	0	E02	17680-YZA6-EZ5	0	F07	19510-YZA6-E00	0	E13
16201-YZA6-E00	0	E02	17685-YZA6-EZ5	0	F07	19515-YZA6-EZ5	0	E13
16211-YZA6-E00	0	E02	17687-YZA6-EZ5	0	F07	19610-YZA6-EZ5	0	E13
16215-YZA6-EZ5	0	F07	17688-YZA6-EZ5	0	F07	19613-YZA6-EZ5	0	E08
16910-YZA6-EZ5	0	F06	17700-YZA6-EZ5	0	F07	19625-YZA6-E00	0	E13
			17910-YZA6-EZ5	0	F01	1962A-YZA6-E00	0	E13
<b>17000</b>			<b>18000</b>			19632-YZA6-E00	0	E13
17100-YZA6-EZ5	0	F06				1963A-YZA6-EZ5	0	E13
17103-YZA6-EZ5	0	F06	18290-YZA6-EZ5	0	F05			
17104-YZA6-EZ5	0	F06	18291-YZA6-E00	0	F05	<b>21000</b>		
17112-YZA6-E00	0	E01	18292-YZA6-E00	0	F05	21200-YZA6-E00	0	E11
1711A-YZA6-EZ5	0	E02	18293-YZA6-E00	0	F05	21201-YZA6-E00	0	E11
17200-YZA6-EZ5	0	F06	18293-YZA6-E00	0	F18	21395-YZA6-E00	0	E11
17211-YZA6-E00	0	F06	18294-YZA6-E00	0	F05			
17233-YZA6-E00	0	E13	1830A-YZA6-EZ5	0	F05	<b>22000</b>		
17246-YZA6-E00	0	F13	18318-YZA6-E00	0	F05			
17300-BBA1-C00	0	F07	18601-YZA6-EZ5	0	F07	22101-YZA6-E00	0	E10
17460-YZA6-EZ5	0	F07	18612-YZA6-EZ5	0	E01	22102-YZA6-E00	0	E10
17461-YZA6-EZ5	0	F07	18646-YZA6-E00	0	E06	22110-YZA6-E00	0	E10
17500-YZA6-EZ5	0	F07	18647-YZA6-EZ5	0	E01	22111-YZA6-E00	0	E10
17507-YZA6-EZ5	0	F07	18650-YZA6-EZ5	0	E01	22112-YZA6-E00	0	E10
17508-YZA6-EZ5	0	F07	18681-YZA6-EZ5	0	F06	22121-YZA6-305	0	E10

## PART NO. INDEX

PART NO.	VERSION	PAGE	PART NO.	VERSION	PAGE	PART NO.	VERSION	PAGE
22132-YZA6-305	0	E10				33600-YZA6-E00	0	F17
22300-YZA6-E00	0	E10	<b>30000</b>			33650-YZA6-E00	0	F17
22804-YZA6-E00	0	E10				33700-YZA6-E00	0	F17
<b>23000</b>			3051A-YZA6-EZ5	0	F19	33718-YAZ6-EZ5	0	F18
			<b>31000</b>			33720-YZA6-E00	0	F18
2301A-YZA6-E00	0	E10				33731-YZA6-E00	0	F12
23100-YZA6-EZ5	0	E10	31110-YZA6-EZ5	0	E14	33741-YZA6-E00	0	F18
23131-YZA6-E00	0	E10	31120-YZA6-EZ5	0	E14	33910-YZA6-EZ5	0	E02
23210-YZA6-E00	0	E10	31200-YZA6-EZ5	0	E15	<b>35000</b>		
23220-YZA6-E00	0	E10	31201-YZA6-E00	0	E15			
23225-YZA6-E00	0	E10	31209-YZA6-E00	0	E15	35010-YZA6-E00	0	F19
23226-YZA6-E00	0	E10	31300-YZA6-EZ5	0	E02	3501A-YZA6-EZ5	0	F19
23233-YZA6-E00	0	E10	31500-BBA1-C00	0	F19	35111-YZA6-E00	0	F19
23237-YZA6-E00	0	E10	31600-YZA6-EZ5	0	F19	35112-YZA6-E00	0	F19
23238-YZA6-E00	0	E10	<b>32000</b>			35132-YZA6-E00	0	E02
23411-YZA6-E00	0	E11				35132-YZA6-E00	0	F01
23430-YZA6-EZ5	0	E11				35151-YZA6-EZ5	0	F13
23431-YZA6-E00	0	E11	32100-YZA6-EZ5	0	F19	3515A-YZA6-E00	0	F01
23432-YZA6-E00	0	E11	32376-YZA6-E00	0	E13	35201-YZA6-E00	0	F13
<b>28000</b>			32376-YZA6-E00	0	F17	35370-YZA6-E00	0	F11
			32961-YZA6-EZ5	0	E02	35500-BBA1-C00	0	E06
28211-YZA6-E00	0	E10	<b>33000</b>			<b>37000</b>		
28221-YZA6-E00	0	E10						
28300-YZA6-E00	0	F11	33100-YZA6-E00	0	F14	37200-YZA6-EZ5	0	F13



## PART NO. INDEX

PART NO.	VERSION	PAGE	PART NO.	VERSION	PAGE	PART NO.	VERSION	PAGE
37800-YZA6-EZ5	0	F07	42753-YZA6-E00	0	F09	45126-YZA6-EZ5	0	F04
37801-YZA6-E00	0	F07				45127-YZA6-EZ5	0	F04
<b>38000</b>			<b>43000</b>			45128-YZA6-EZ5	0	F02
			43100-YZA6-EZ5	0	F04	45153-YZA6-E00	0	F03
38110-YZA6-E00	0	F19	43105-YZA6-305	0	F04	45156-BBA1-C00	0	F06
38300-YZA6-E00	0	F19	43126-YZA6-EZ5	0	F04	45156-BBA1-C00	0	F09
38500-YZA6-EZ5	0	F19	43128-YZA6-EZ5	0	F04	45156-YZA6-EZ5	0	F02
38771-YZA6-E00	0	F07	43129-YZA6-EZ5	0	F02	45159-YZA6-E00	0	F02
38900-YAZ6-EZ5	0	F19	43207-YZA6-E00	0	F07	45161-YZA6-E00	0	F02
<b>39000</b>			43351-YZA6-EZ5	0	F09	45200-YZA6-EZ5	0	F04
			43500-YZA6-EZ5	0	F04	45224-YZA6-EZ5	0	F02
			<b>44000</b>			45500-YAZ6-EZ5	0	F04
39200-YZA6-EZ5	0	F19				45501-YZA6-E00	0	F04
39300-YZA6-EZ5	0	E02				<b>46000</b>		
39301-YZA6-EZ5	0	E02	44301-YZA6-E00	0	F03			
39400-YZA6-EZ5	0	E02	44311-YZA6-EZ5	0	F03	46508-YZA6-EZ5	0	F02
39450-YZA6-EZ5	0	F05	44601-YZA6-E00	0	F03			
<b>42000</b>			44620-YZA6-E00	0	F03	<b>47000</b>		
			44710-YZA6-EZ5	0	F03			
			44800-YZA6-EZ5	0	F03	47300-YZA6-EZ5	0	F04
42311-YZA6-EZ5	0	F09				<b>49000</b>		
42312-YZA6-EZ5	0	F09	<b>45000</b>					
42601-YZA6-EZ5	0	F09						
42710-YZA6-EZ5	0	F09	45105-YZA6-305	0	F04	49110-YZA6-EZ5	0	F04
42753-YZA6-E00	0	F03	45121-YZA6-EZ5	0	F03			

## PART NO. INDEX

PART NO.	VERSION	PAGE	PART NO.	VERSION	PAGE	PART NO.	VERSION	PAGE
<b>50000</b>			<b>51000</b>			53213-YZA6-E00	0	F02
50100-YZA6-EZ5	0	F10	51400-YZA6-EZ5	0	F02	53214-YZA6-E00	0	F02
50234-YZA6-EZ5	0	F10	51427-YZA6-EZ5	0	F02	53215-YZA6-E00	0	F02
50306-YZA6-E00	0	F02	51500-YZA6-EZ5	0	F02	53241-YZA6-E00	0	F02
50320-YZA6-E00	0	F18	51607-YZA6-EZ5	0	F10	53242-YZA6-E00	0	F02
50326-YZA6-E00	0	F16				53251-YZA6-E00	0	F02
50330-YZA6-E00	0	F16	<b>52000</b>			53252-YZA6-E00	0	F02
50343-YZA6-E00	0	F10				<b>61000</b>		
50353-YZA6-E00	0	F10	52100-YZA6-EZ5	0	F09	61100-YZA6-E00	0	F12
50356-YZA6-E00	0	F10	52400-YZA6-EZ5	0	F10	61101-YZA6-E00	0	F12
50364-YZA6-E00	0	F10				61102-YZA6-E00	0	F12
50500-YZA6-EZ5	0	F11	<b>53000</b>					
50503-YZA6-E00	0	F11				<b>64000</b>		
50504-YZA6-E00	0	F11	53100-YZA6-EZ5	0	F01			
50505-YZA6-E00	0	F11	53105-YZA6-E00	0	F01	64210-YZA6-E00	0	F13
50530-YZA6-E00	0	F11	53125-YZA6-E00	0	F01	64222-YZA6-E00	0	F17
50531-YZA6-E00	0	F11	53130-YZA6-EZ5	0	E13	64301-YZA6-E00	0	F14
50535-YZA6-E00	0	F10	53140-YZA6-E00	0	F01	64303-YZA6-E00	0	F14
50550-YZA6-E00	0	F11	53150-YZA6-E00	0	F01	64305-YZA6-305	0	F16
50715-YZA6-E00	0	F10	53175-YZA6-EZ5	0	F04	64306-YZA6-305	0	F16
5071A-YZA6-E00	0	F10	53178-YZA6-EZ5	0	F04	64307-YZA6-305	0	F15
5071B-YZA6-E00	0	F10	53200-YZA6-E00	0	F02	64308-YZA6-305	0	F15
			53205-YZA6-EZ5	0	F13	64310-YZA6-E00	0	F16
			53206-YZA6-E00	0	F13	64313-YZA6-E00	0	F15

## PART NO. INDEX

PART NO.	VERSION	PAGE	PART NO.	VERSION	PAGE	PART NO.	VERSION	PAGE
64316-BBA1-C00	0	F10	80105-YZA6-E00	0	F18	83620-YZA6-E00	0	F15
64316-YZA6-E00	0	F16	80106-YZA6-E00	0	F06	83750-YZA6-E00	0	F17
64317-YZA6-E00	0	F16	80109-BBA1-E00	0	F14			
64318-YZA6-E00	0	F16	80151-YZA6-E00	0	F17	<b>84000</b>		
64319-YZA6-E00	0	F16						
64323-YZA6-E00	0	F15	<b>81000</b>			84707-YZA6-E00	0	F18
64400-YZA6-E00	0	F15						
<b>70000</b>			81131-YZA6-E00	0	F14	<b>86000</b>		
			81134-YZA6-E00	0	F14			
			81141-YZA6-E00	0	F14	86221-YZA6-E00	0	F20
70529-YZA6-E00	0	E13	81200-YZA6-EZ5	0	F17	86231-YZA6-E00	0	F20
<b>77000</b>			81210-YZA6-EZ5	0	F10	86282-YZA6-E00	0	F20
			81255-YZA6-E00	0	F08	86283-YZA6-E00	0	F20
			8125A-YZA6-E00	0	F08	86331-YZA6-E00	0	F20
77200-YZA6-E00	0	F08	<b>83000</b>			<b>87000</b>		
77206-YZA6-E00	0	F18						
77235-YZA6-E00	0	F10						
77239-YZA6-E00	0	F19	83500-YZA6-305	0	F17	87206-YZA6-E00	0	F20
77240-YZA6-E00	0	F10	83510-YZA6-E00	0	F17	87546-YZA6-E10	0	F20
<b>80000</b>			83520-YZA6-E00	0	F15	87560-YZA6-EZ5	0	F20
			83550-YZA6-E00	0	F14	87681-YZA6-E00	0	F20
			83551-YZA6-E00	0	F14	87682-YZA6-E00	0	F06
80100-YZA6-EZ5	0	F18	83555-YZA6-E00	0	E13	87682-YZA6-E00	0	F20
80102-YZA6-E00	0	F18	83559-BBA1-E00	0	F18			
80103-YZA6-E00	0	F18	83600-YZA6-305	0	F17			
80104-YZA6-E00	0	F18	83610-YZA6-E00	0	F17			

## PART NO. INDEX

PART NO.	VERSION	PAGE	PART NO.	VERSION	PAGE	PART NO.	VERSION	PAGE	
<b>88000</b>			90033-YZA6-E00	0	E02	90302-05020-E00	0	F07	
			90061-05016-E00	0	F11	90302-06016-E00	0	E08	
			90084-YZA6-E00	0	E13	90302-06016-E00	0	E13	
	88110-YZA6-E00	0	F01	90101-YZA6-E00	0	F10	90302-06032-E00	0	E08
	88120-YZA6-E00	0	F01	90103-YZA6-E00	0	E11	90302-BBA1-E00	0	F08
	88125-YZA6-E00	0	F01	90105-08020-08G	0	F03	90302-BBA1-E00	0	F13
	88126-YZA6-E00	0	F01	90105-YZA6-E00	0	F10	90302-BBA1-E00	0	F14
				90106-10045-08G	0	F09	90302-BBA1-E00	0	F15
				90106-YZA6-E00	0	F01	90302-BBA1-E00	0	F16
				90108-YZA6-E00	0	F11	90302-BBA1-E00	0	F17
89010-YZA6-E00	0	F08	90110-06020-E00	0	F19	90302-BBA1-E00	0	F18	
89020-YZA6-E00	0	F08	90111-06020-E00	0	F05	90303-YZA6-E00	0	E09	
<b>90000</b>			90111-YZA6-E00	0	F12	90304-BBA1-E00	0	F01	
			90111-YZA6-E00	0	F16	90304-BBA1-E00	0	F03	
			90114-06030-E00	0	E08	90304-BBA1-E00	0	F10	
	90001-05012-E00	0	E03	90114-06030-E00	0	F06	90304-YZA6-E00	0	E07
	90001-06022-E00	0	E05	90114-YZA6-E00	0	E01	90305-BBA1-E00	0	F09
	90002-06055-E00	0	E07	90114-YZA6-E00	0	E08	90305-YZA6-E00	0	E09
	90002-06080-E00	0	E07	90117-YZA6-E00	0	E01	90306-YZA6-E00	0	E13
	90002-06085-E00	0	E07	90119-04010-E00	0	E08	90309-YZA6-E00	0	E13
	90002-06115-E00	0	E07	90145-YZA6-EZ5	0	F04	90401-YZA6-E00	0	E09
	90005-YZA6-E00	0	E05	90146-YZA6-EZ5	0	F04	90402-YZA6-E00	0	E09
90020-10060-08G	0	F05	90164-YZA6-E00	0	F14	90409-YZA6-E00	0	E08	
90021-YZA6-E00	0	F05	90164-YZA6-E00	0	F17	90411-YZA6-E00	0	E13	
90031-YZA6-E00	0	E07	90202-YZA6-E00	0	E10	90441-YZA6-E00	0	E06	
90032-YZA6-E00	0	E06	90301-06080-E00	0	F05	90443-YZA6-E00	0	E10	

## PART NO. INDEX

PART NO.	VERSION	PAGE	PART NO.	VERSION	PAGE	PART NO.	VERSION	PAGE
90445-YZA6-E00	0	E10	91202-YZA6-E00	0	E11	92101-05012-E00	0	E14
90459-BBA1-E00	0	F18	91203-YZA6-E00	0	E06	92401-YZA6-EZ5	0	F06
90459-YZA6-E00	0	E13	91204-YZA6-E00	0	E07	92402-YZA6-EZ5	0	F06
90465-YZA6-EZ5	0	E01	91211-YZA6-E00	0	E10			
90471-YZA6-E00	0	E06	91241-YZA6-E00	0	F17	<b>93000</b>		
90474-YZA6-E00	0	E07	91255-YZA6-E00	0	E11			
90501-YZA6-E00	0	F09	91255-YZA6-EZ5	0	F09	93404-06014-E00	0	F12
90503-YZA6-E00	0	F02	91258-YZA6-E00	0	F03	93500-YZA6-E00	0	F04
90520-YZA6-E00	0	E06	91258-YZA6-EZ5	0	F09	93903-25260-E00	0	F03
9052A-YZA6-E00	0	E07	91301-YZA6-E00	0	E11	93903-25380-C00	0	F13
90545-YZA6-E00	0	F04	91302-YZA6-E00	0	E06	93903-25380-C00	0	F14
90651-YZA6-E00	0	F06	91303-YZA6-E00	0	E05	93903-25380-C00	0	F15
90656-YZA6-E00	0	F19	91305-YZA6-E00	0	E02	93903-25380-C00	0	F16
90661-YZA6-E00	0	F19	91306-YZA6-E00	0	E05	93903-25380-C00	0	F17
90677-YZA6-E00	0	F13	91307-YZA6-E00	0	E07	93903-25380-C00	0	F18
90851-BBA1-C00	0	F10	91319-YZA6-E00	0	E07	93903-34480-08G	0	F13
			91351-YZA6-E00	0	E10	93903-34480-08G	0	F14
<b>91000</b>			91401-YZA6-EZ5	0	F06	93903-34480-08G	0	F15
			91402-YZA6-EZ5	0	F06	93903-34480-08G	0	F16
91003-YZA6-E00	0	E11	91409-YZA6-E00	0	F06	93903-34480-08G	0	F17
91009-YZA6-E00	0	E11				93903-34480-08G	0	F18
91051-YZA6-EZ5	0	F09	<b>92000</b>			93903-35370-C00	0	F13
91100-YZA6-E00	0	E10				93904-34380-G	0	F08
91104-YZA6-E00	0	E06	92000-YZA6-E00	0	E12	93904-34380-G	0	F17
91106-YZA6-E00	0	E10	92101-05012-E00	0	E02			
91201-YZA6-E00	0	E06	92101-05012-E00	0	E07			

## PART NO. INDEX

PART NO.	VERSION	PAGE	PART NO.	VERSION	PAGE	PART NO.	VERSION	PAGE	
<b>94000</b>			94520-YZA6-E00	0	E10	95701-06035-08G	1	F10	
			94520-YZA6-EZ5	0	F09	95701-08015-E00	0	E06	
			94601-YZA6-E00	0	E09	95701-08020-C00	0	F09	
	94002-08080-E00	0	F10	94610-YZA6-EZ5	0	E12	95701-YZA6-E00	0	F17
	94002-08080-E00	0	F11			95801-06016-E00	0	E06	
	94050-05080-E00	0	F18	<b>95000</b>		95801-08016-E00	0	F10	
	94050-06080-E00	0	F02			95801-08022-E00	0	F10	
	94050-06080-E00	0	F12	95002-02110-E00	0	F07	95801-08025-E00	0	F02
	94050-06080-E00	0	F14	95002-40800-08G	0	F07	95801-08025-E00	0	F04
	94050-06080-E00	0	F18	95002-40850-08G	0	F07	95801-08025-E00	0	F11
	94064-YZA6-E00	0	E11	95002-YZA6-E00	0	E11	95801-08035-E00	0	F10
	94065-YZA6-E00	0	E11	95701-06012-08G	1	F09			
	94101-10800-E00	0	F05	95701-06012-E00	0	F02	<b>96000</b>		
	94101-10800-E00	0	F09	95701-06012-E00	0	F06			
	94101-10800-E00	0	F10	95701-06012-E00	0	F07	96001-05016-C00	0	E01
	94101-YZA6-E00	0	E07	95701-06012-E00	0	F10	96001-06016-E00	0	F10
	94111-BBA1-E00	0	F18	95701-06012-E00	0	F15	96001-06020-E00	0	E08
	94201-30250-E00	0	F11	95701-06012-E00	0	F18	96001-06020-E00	0	E13
	94251-YZA6-E00	0	F10	95701-06012-E00	0	F19	96001-06025-E00	0	E02
	94301-YZA6-E00	0	E02	95701-06016-E00	0	F08	96001-06025-E00	0	E13
94301-YZA6-E00	0	E06	95701-06016-E00	0	F19	96001-06028-E00	0	E14	
94302-YZA6-E00	0	E07	95701-06020-E00	0	F02	96001-06035-E00	0	E15	
94303-YZA6-E00	0	E06	95701-06020-E00	0	F14	96001-06040-E00	0	E02	
94304-YZA6-E00	0	E07	95701-06025-08G	1	F18	96001-06040-E00	0	E06	
94331-YZA6-E00	0	F11	95701-06025-E00	0	F19	96001-06040-E00	0	E08	
94510-YZA6-EZ5	0	E12	95701-06035-08G	1	F04	96001-06100-E00	0	E02	

## PART NO. INDEX

PART NO.	VERSION	PAGE	PART NO.	VERSION	PAGE	PART NO.	VERSION	PAGE
96001-YZA6-E00	0	F10						
96010-YZA6-EZ5	0	E01						
96100-YZA6-E00	0	E11						
96140-63000-E00	0	F03						
96200-YZA6-E00	0	E06						
96210-YZA6-E00	0	E06						
96211-YZA6-E00	0	F02						
96212-YZA6-E00	0	F02						
96220-YZA6-E00	0	E06						
96300-YZA6-E00	0	E07						
96700-YZA6-E00	0	F02						
<b>98000</b>								
98059-YZA6-E00	0	E02						