

PARTS CATALOGUE



SCOOTERS

SB50AE(TK)

XCITING 250i



Release Date : 2010/07/07
Print Date : 2011/07/12

ABOUT THIS PARTS LIST

- This parts list is compiled all service parts for model SB50AE(TK).
- Any difference between color chart and motorcycle will be revised according to motorcycle.
- The Mark:
 1. Marking "***" must add color code in the end before ordering parts.
 2. Marking "#" are parts with modification, Please find the details from e-Parts system.
- When modification or additions to this parts list are made a revised edition at an appropriate time.



CONTENTS

● ABOUT THIS PARTS LIST	1
● COLOR CHART OF SB50AE(TK)	3
● CONTENTS-ENGINE GROUP	9
● CONTENTS-FRAME GROUP	10
● ENGINE PARTS LIST	13
● FRAME PARTS LIST	45
● PART NO. INDEX	127

NO	MODEL			COLOR CHART OF SB50AE(TK)					
	PHOTO NO			NO. 1	NO. 2	NO. 3	NO. 4		
	BASIC COLOR			Bright Blue	Bright Silver	Orange	Dark Gray Metallic		
	CODE			Bright Blue	Bright Silver	Orange	Dark Gray Metallic		
	PARTS NAME	PARTS NO.	VERSION	PB107MA	NH045MA	YR168PA	NH124MA		
1	SKIRT R SIDE	64305-LBA2-E00	2	DG2	D0C	D0M			
2	SKIRT L SIDE	64306-LBA2-E00	2						
3	END HANDLE	53102-KEC8-900	0	F1S					
4	END R STRGHANDLE	53105-LBB5-E00	2	HJP					
5	TAIL CAP MUFFLER	18306-LBA2-E00	1	HQA					
6	CALIPER ASSY RR	43100-LDF2-E00	2	HQA					
7	CALIPER ASSY FR L/H	45100-LBA2-E01	6						
8	BRACKET COMP FR	45110-LBA2-305	0						
9	CALIPER ASSY FR R	45200-LBA2-E00	6						
10	BRACKET COMP FR	45210-LBA2-305	0						
11	BRACKET FR CALIPER	45210-LDF2-E00	0						
12	FORK ASSY REAR	52000-LDB2-E00	5						
13	PROTECTOR MUFFLER	18318-LBA2-E01	0						
14	COVER R SIDE	83520-LBA2-E00	2				HQP		
15	COVER L SIDE	83620-LBA2-E00	2				M3A		
16	LEVER R STRG HANDLE	53175-LBA2-E03	0						
17	LEVER L STRG HANDLE	53178-LBA2-E03	0	N1A					
18	CAP M/C	45513-KKA8-900	0						
19	CAP M/C	45513-LEA7-E00	1	N1R					
20	GRIP COMP THROT	53140-KKC4-900	0						
21	GRIP L HANDLE	53166-KGB5-900	0						
22	COVER METER FR	53203-LBA2-E00	2						
23	COVER METER RR	53204-LBA2-E00	3						
24	COVER HNDL UP	53205-LBA2-E02	1						
25	COVER R HANDLE LOW	53206-LBA2-E00	1						
DATE OF STARTING-SALES									
DATE OF END-SALES									

NO	MODEL			COLOR CHART OF SB50AE(TK)				
	PHOTO NO			NO. 5				
	BASIC COLOR			Pearly White				
	CODE			Pearly White				
	PARTS NAME	PARTS NO.	VERSION	NH193PA				
1	SKIRT R SIDE	64305-LBA2-E00	2	D1S				
2	SKIRT L SIDE	64306-LBA2-E00	2					
3	END HANDLE	53102-KEC8-900	0	F1S				
4	END R STRGHANDLE	53105-LBB5-E00	2					
5	TAIL CAP MUFFLER	18306-LBA2-E00	1	HJP				
6	CALIPER ASSY RR	43100-LDF2-E00	2	HQA				
7	CALIPER ASSY FR L/H	45100-LBA2-E01	6					
8	BRACKET COMP FR	45110-LBA2-305	0					
9	CALIPER ASSY FR R	45200-LBA2-E00	6					
10	BRACKET COMP FR	45210-LBA2-305	0					
11	BRACKET FR CALIPER	45210-LDF2-E00	0					
12	FORK ASSY REAR	52000-LDB2-E00	5					
13	PROTECTOR MUFFLER	18318-LBA2-E01	0					
14	COVER R SIDE	83520-LBA2-E00	2		HQP			
15	COVER L SIDE	83620-LBA2-E00	2					
16	LEVER R STRG HANDLE	53175-LBA2-E03	0	M3A				
17	LEVER L STRG HANDLE	53178-LBA2-E03	0					
18	CAP M/C	45513-KKA8-900	0	N1A				
19	CAP M/C	45513-LEA7-E00	1					
20	GRIP COMP THROT	53140-KKC4-900	0	N1R				
21	GRIP L HANDLE	53166-KGB5-900	0					
22	COVER METER FR	53203-LBA2-E00	2					
23	COVER METER RR	53204-LBA2-E00	3					
24	COVER HNDL UP	53205-LBA2-E02	1					
25	COVER R HANDLE LOW	53206-LBA2-E00	1					
DATE OF STARTING-SALES								
DATE OF END-SALES								

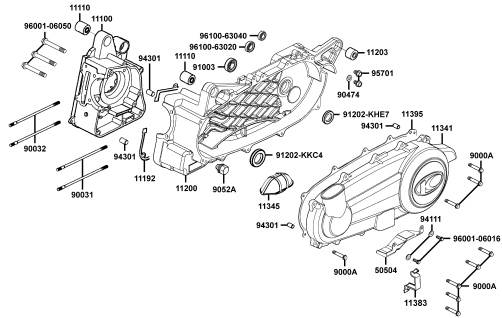
NO	MODEL			COLOR CHART OF SB50AE(TK)							
	PHOTO NO			NO. 1	NO. 2	NO. 3	NO. 4				
	BASIC COLOR			Bright Blue	Bright Silver	Orange	Dark Gray Metallic				
	CODE			Bright Blue	Bright Silver	Orange	Dark Gray Metallic				
	PARTS NAME	PARTS NO.	VERSION	PB107MA	NH045MA	YR168PA	NH124MA				
26	HOLDER ASSY WIND	6423A-LBA2-E00	1	N1R							
27	COVER WIND SCREEN	64250-LBA2-E00	2								
28	GRID R FR MOLDING	64303-LBA2-E00	2								
29	GRID L FR MOLDING	64304-LBA2-E00	2								
30	FLOOR PANEL	64310-LBA2-E00	4								
31	COVER R PILLION STEP	64311-LBA2-E00	1								
32	MAT R FLOOR	64320-LBA2-E00	2								
33	MAT L FLOOR	64330-LBA2-E00	2								
34	COWL UNDER	64400-LBA2-E00	2								
35	FENDER RR	80105-LBA2-E00	1								
36	COVER CENTER	80151-LBA2-E00	1								
37	LEG SHIELD	81131-LBA2-E01	2								
38	LID ASSY INNER BOX	8114A-LBA2-E00	1								
39	BAND HARNESS WIRE	90656-KUDU-900	0								
40	COVER LEFT	11341-LDF2-900	2					N8A			
41	FENDER FR	61100-LBA2-E00	4					N8P YFP NFP			
42	MOLDING FR	64302-LBA2-E02	1								
43	COVER R BODY	83500-LBA2-E00	3								
44	COVER L BODY	83600-LBA2-E00	3								
45	COVER RR CENTER	83750-LBA2-E00	2								
46	CUSHION ASSY R RR	52400-LDB2-E00	3	N8S							
47	MIRROR ASSY R BACK	88110-LBA2-E02	2	NEP							
48	MIRROR ASSY L BACK	88120-LBA2-E02	2	NJA							
49	WHEEL RR CAST	42601-LDB2-E00	2								
50	WHEEL SET FR	44650-LBA2-305	0								
DATE OF STARTING-SALES											
DATE OF END-SALES											

NO	MODEL			COLOR CHART OF SB50AE(TK)			
	PHOTO NO			NO. 5			
	BASIC COLOR			Pearly White			
	CODE			Pearly White			
	PARTS NAME	PARTS NO.	VERSION	NH193PA			
26	HOLDER ASSY WIND	6423A-LBA2-E00	1	N1R			
27	COVER WIND SCREEN	64250-LBA2-E00	2				
28	GRID R FR MOLDING	64303-LBA2-E00	2				
29	GRID L FR MOLDING	64304-LBA2-E00	2				
30	FLOOR PANEL	64310-LBA2-E00	4				
31	COVER R PILLION STEP	64311-LBA2-E00	1				
32	MAT R FLOOR	64320-LBA2-E00	2				
33	MAT L FLOOR	64330-LBA2-E00	2				
34	COWL UNDER	64400-LBA2-E00	2				
35	FENDER RR	80105-LBA2-E00	1				
36	COVER CENTER	80151-LBA2-E00	1				
37	LEG SHIELD	81131-LBA2-E01	2				
38	LID ASSY INNER BOX	8114A-LBA2-E00	1				
39	BAND HARNESS WIRE	90656-KUDU-900	0				
40	COVER LEFT	11341-LDF2-900	2	N8A			
41	FENDER FR	61100-LBA2-E00	4	NVP			
42	MOLDING FR	64302-LBA2-E02	1				
43	COVER R BODY	83500-LBA2-E00	3				
44	COVER L BODY	83600-LBA2-E00	3				
45	COVER RR CENTER	83750-LBA2-E00	2				
46	CUSHION ASSY R RR	52400-LDB2-E00	3	N8S			
47	MIRROR ASSY R BACK	88110-LBA2-E02	2	NEP			
48	MIRROR ASSY L BACK	88120-LBA2-E02	2				
49	WHEEL RR CAST	42601-LDB2-E00	2	NJA			
50	WHEEL SET FR	44650-LBA2-305	0				
DATE OF STARTING-SALES							
DATE OF END-SALES							

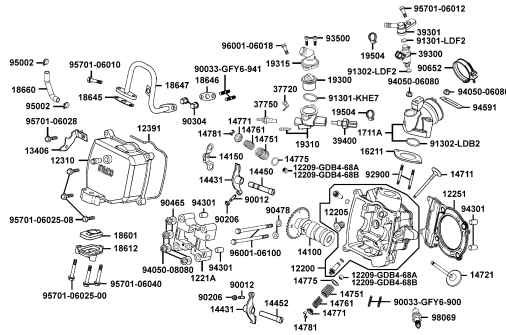
NO	MODEL			COLOR CHART OF SB50AE(TK)							
	PHOTO NO			NO. 5							
	BASIC COLOR			Pearly White							
	CODE			Pearly White							
	PARTS NAME	PARTS NO.	VERSION	NH193PA							
51	FORK ASSY R FR	51400-LDB2-E00	4	NJA							
52	BOTTOM CASE R	51421-LBA2-E00	0								
53	FORK ASSY L FR	51500-LDB2-E00	4								
54	BOTTOM CASE L	51521-LBA2-E00	0								
55	CARRIER RR	81200-LBA2-E00	2	NJP							
56	SEAT ASSY	77200-LBA2-E00	4	T01							
57	SEAT ASSY PAD	77220-LBA2-E00	2								
58	EMB BODY COVER	86202-LDB2-E10	4								
59	EMB I MARK	87140-LDG7-E00	2								
60	EMB MARK KYMCO	87206-LBA2-E00	2								
61	STRIPE MARK EURO 3	87311-LCD3-E00	1								
62	LABEL TIRE	87505-LBA2-E00	1								
63	CAUTION SIDE STAND	87541-GAR1-E00	1								
64	CAUTION MOBILE	87541-KKC2-E00	1								
65	MARK MAINT CAUTION	87542-GAR1-E00	2								
66	MARK DRIVE CAUTION	87560-GFY6-E00	3								
67	LABEL CLEANNESS	87508-KKC4-E00	1					T02			
DATE OF STARTING-SALES											
DATE OF END-SALES											

CONTENTS - ENGINE GROUP

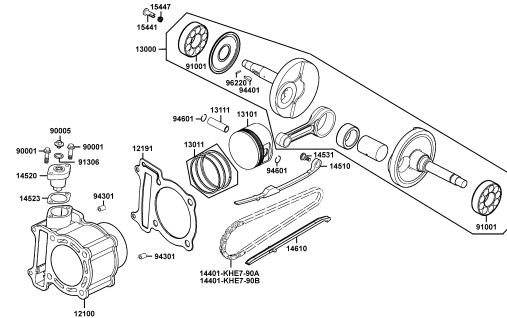
E01 Crank Case



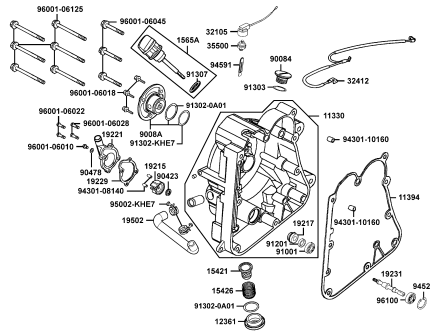
E02 Cylinder Head Cover Cylinder



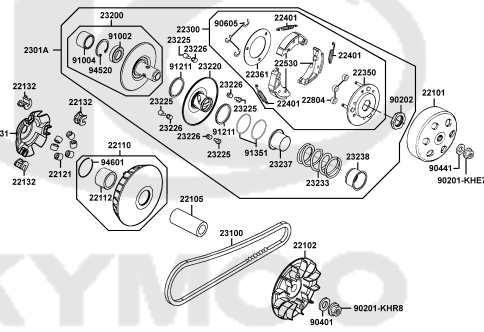
E03 Cylinder Piston Crankshaft



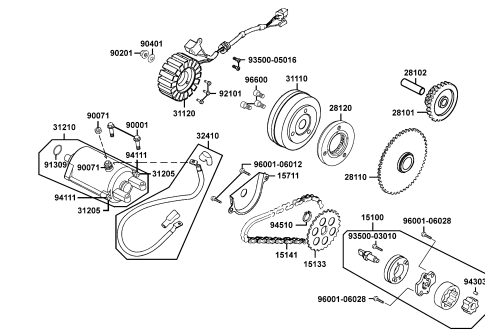
E04 Right Crankcase Cover Water



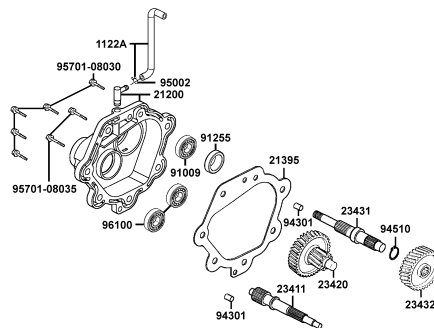
E05 Transmission Pulley



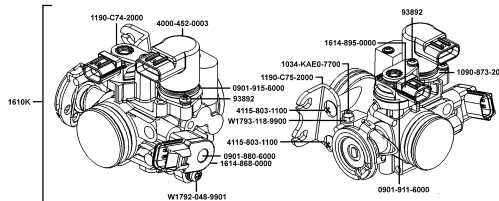
E06 Starting Motor Oil Pump



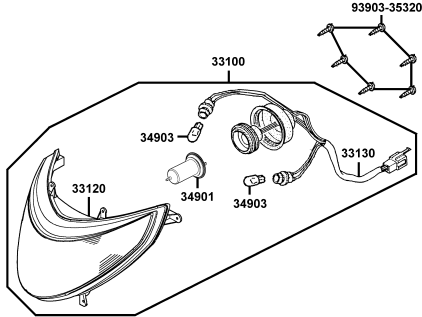
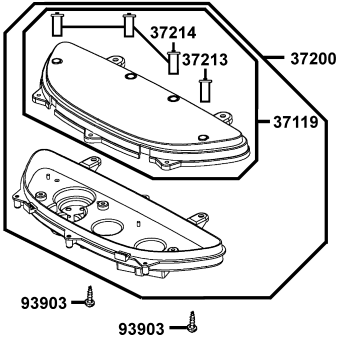
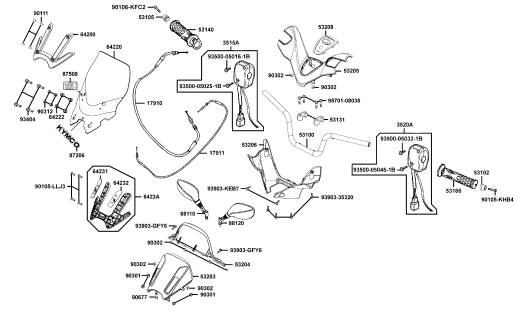
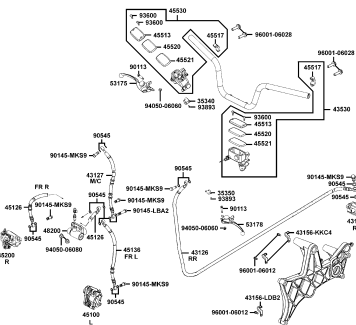
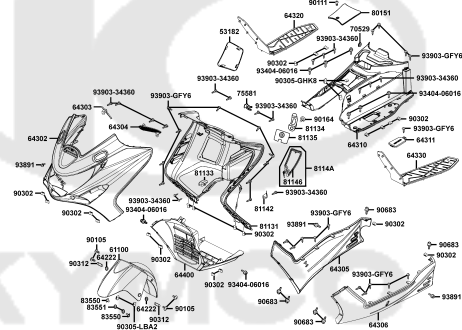
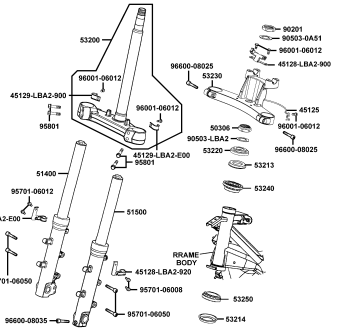
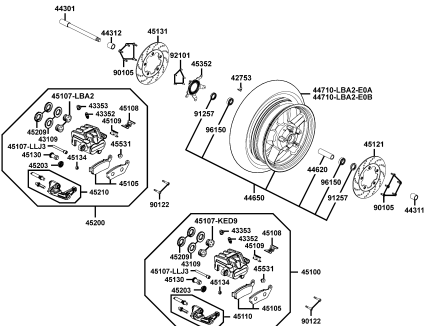
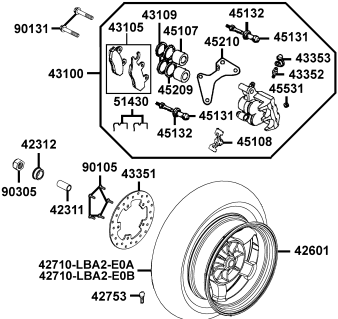
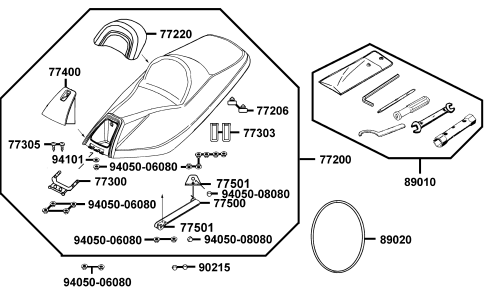
E07 Transmission



E08 Throttle Body

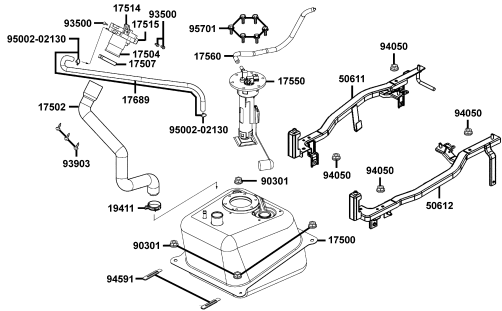


CONTENTS - FRAME GROUP

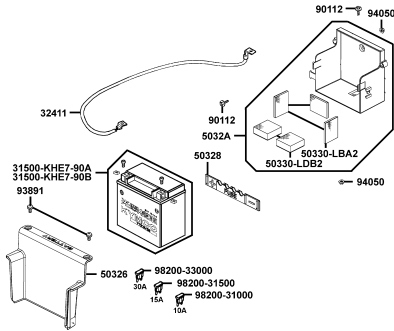
F01 Head Light	F02 Speedometer	F03 Handle Steering Handle Cover
		
F04 Brake Master Cylinder	F05 Front Cover/Floor Panel	F06 Front Cushion
		
F07 Front Wheel	F08 Rear Wheel	F09 Seat
		

CONTENTS - FRAME GROUP

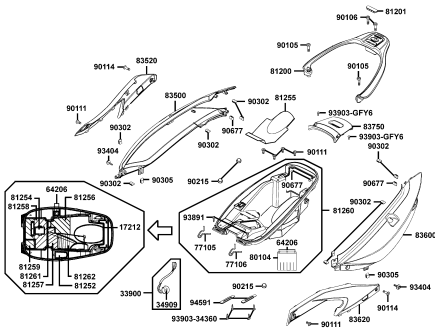
F10 Fuel Tank



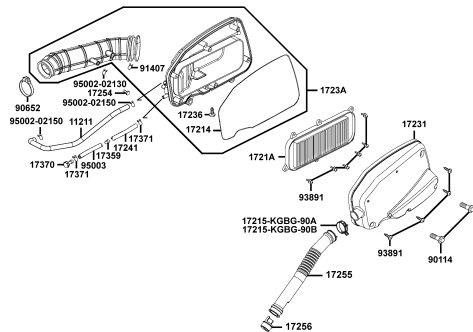
F11 Battery



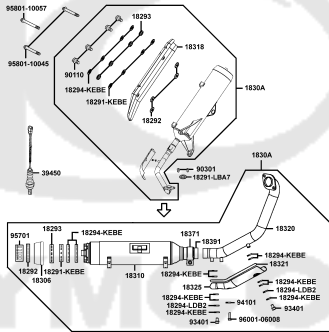
F12 Body Cover Luggage Box



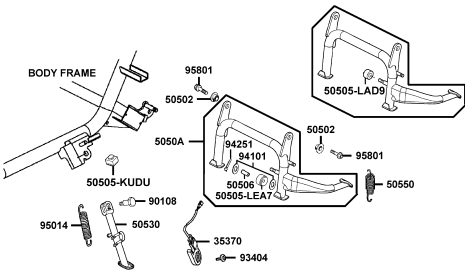
F13 Air Cleaner



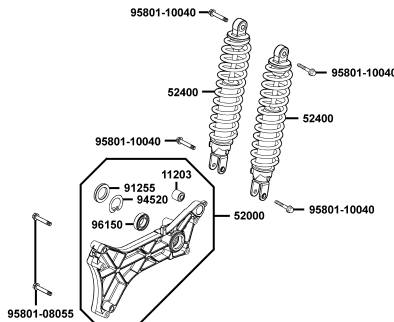
F14 Exhaust Muffler



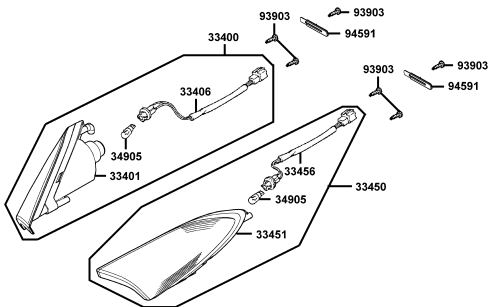
F15 Stand Kick Starter Arm



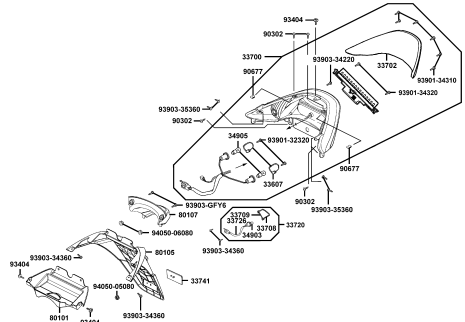
F16 Rear Cushion



F17 Front Winker RR WINKER

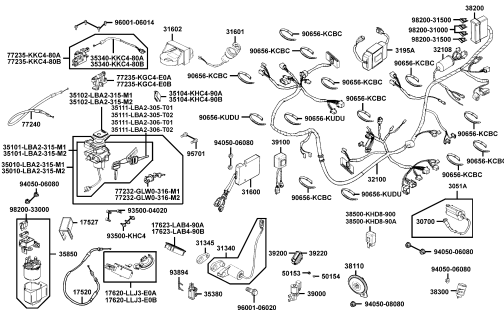


F18 Rear Light Rear Fender

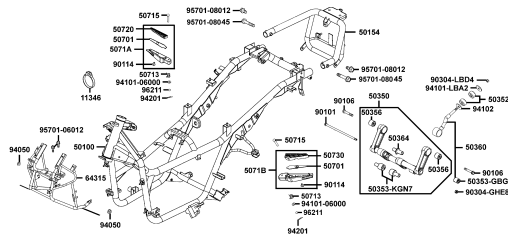


CONTENTS - FRAME GROUP

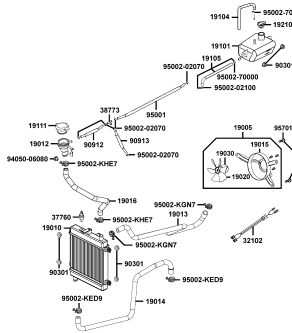
F19 Wire Harness



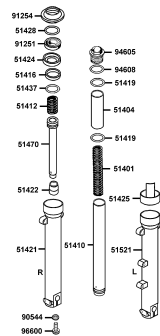
F20 Frame Body



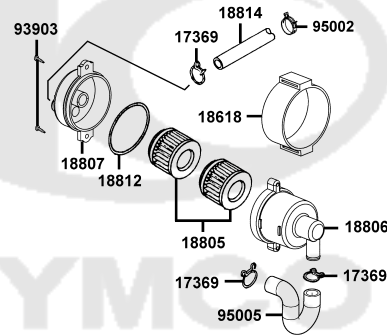
F21 Radiator



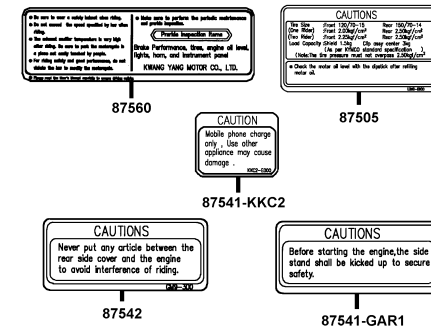
F22 Separated Parts Of Fr Fork



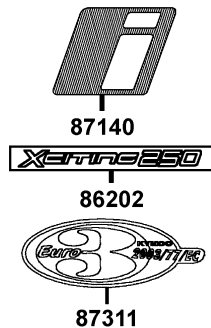
F23 Air Cleaner Two



F24 Caution Label

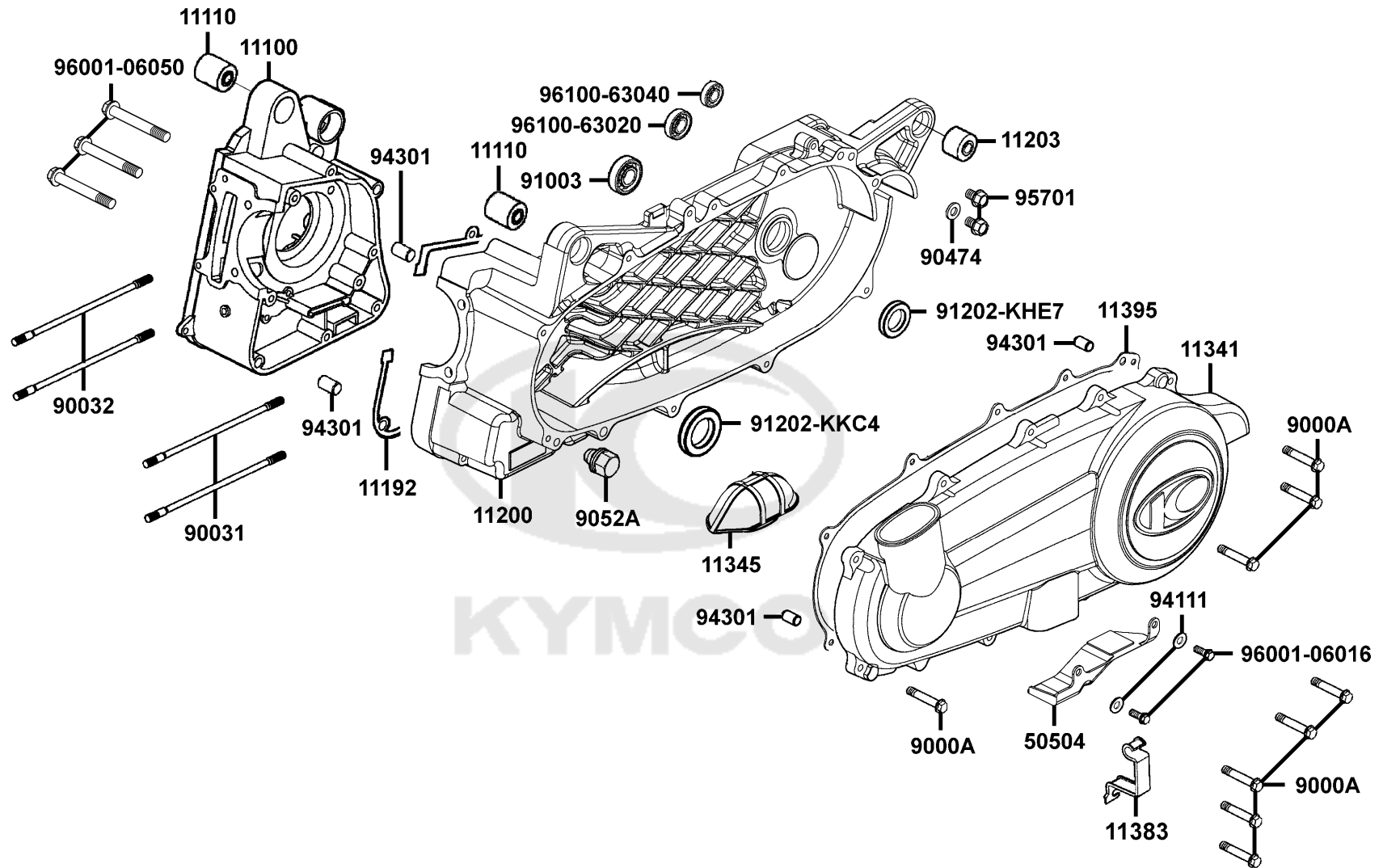


F25 EmblemStripe



E01

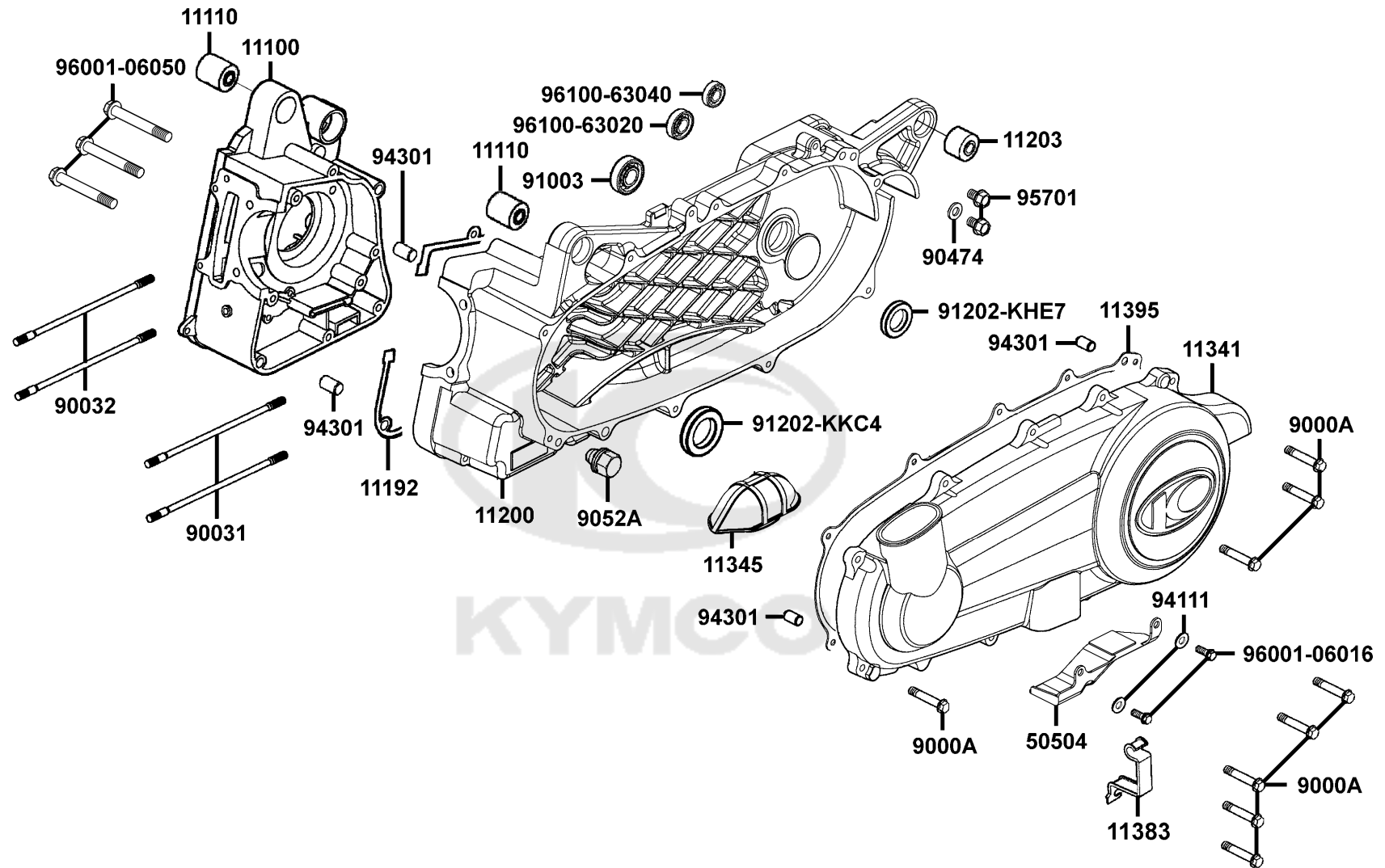
Crank Case



Sales mark	Ref no	Part no	Description	Reg description	Regd no	E01
	11100	11100-LDB2-E00	CRANK CASE COMP R	CRANK CASE COMP R	1	
	11110	11110-LLJ3-E00	RUB BUSH ENG HANGER	RUB BUSH ENG HANGER	2	
	11192	11192-KHE7-900	GASKET CRANK CASE A	GASKET CRANK CASE A	1	
	11200	11200-LDB2-E01	CASE COMP LEFT	CASE COMP LEFT	1	
	11203	11203-LBA2-E00	RUB BUSH L CASE	RUB BUSH L CASE	1	
**	11341	11341-LDF2-900	COVER LEFT	COVER LEFT	1	
	11345	11345-LDB2-E00	DUCT L COVER	DUCT L COVER	1	
	11383	11383-LDF2-900	CLAMPER BREATHER TUBE	CLAMPER BREATHER TUBE	1	
	11395	11395-LLJ3-E01	GASKET L COVER	GASKET L COVER	1	
	50504	50504-LDB2-E00	STAND MAIN STOPPER	STAND MAIN STOPPER	1	
	9000A	9000A-KTDT-900	BOLT ASSY SPECIAL 6*29.5	BOLT ASSY SPECIAL 6*29.5	9	
	90031	90031-KEBE-900	BOLT A STUD 8MM	BOLT A STUD 8MM	2	
	90032	90032-KEBE-900	BOLT B STUD 8MM	BOLT B STUD 8MM	2	
	90474	90474-3C33-001	WASHER 8MM	WASHER 8MM	1	
	9052A	9052A-GFY6-950	BOLT ASSY DRAIN PLUG	BOLT ASSY DRAIN PLUG	1	
	91003	91003-KHE7-900	BRG BALL RADIAL TMB2/22CCS15	BRG BALL RADIAL TMB2/22CCS15	1	
	91202-KHE7	91202-KHE7-900	OIL SEAL 22*34*6	OIL SEAL 22*34*6	1	
#	91202-KKC4	91202-KKC4-900	OIL SEAL 27*42*7	OIL SEAL 27*42*7	1	
#	91202-KKC4	91202-KKC4-90B	OIL SEAL 27X42X7	OIL SEAL 27X42X7	1	
	94111	94111-06800	WASHER SPG 6MM	WASHER SPG 6MM	2	

E01

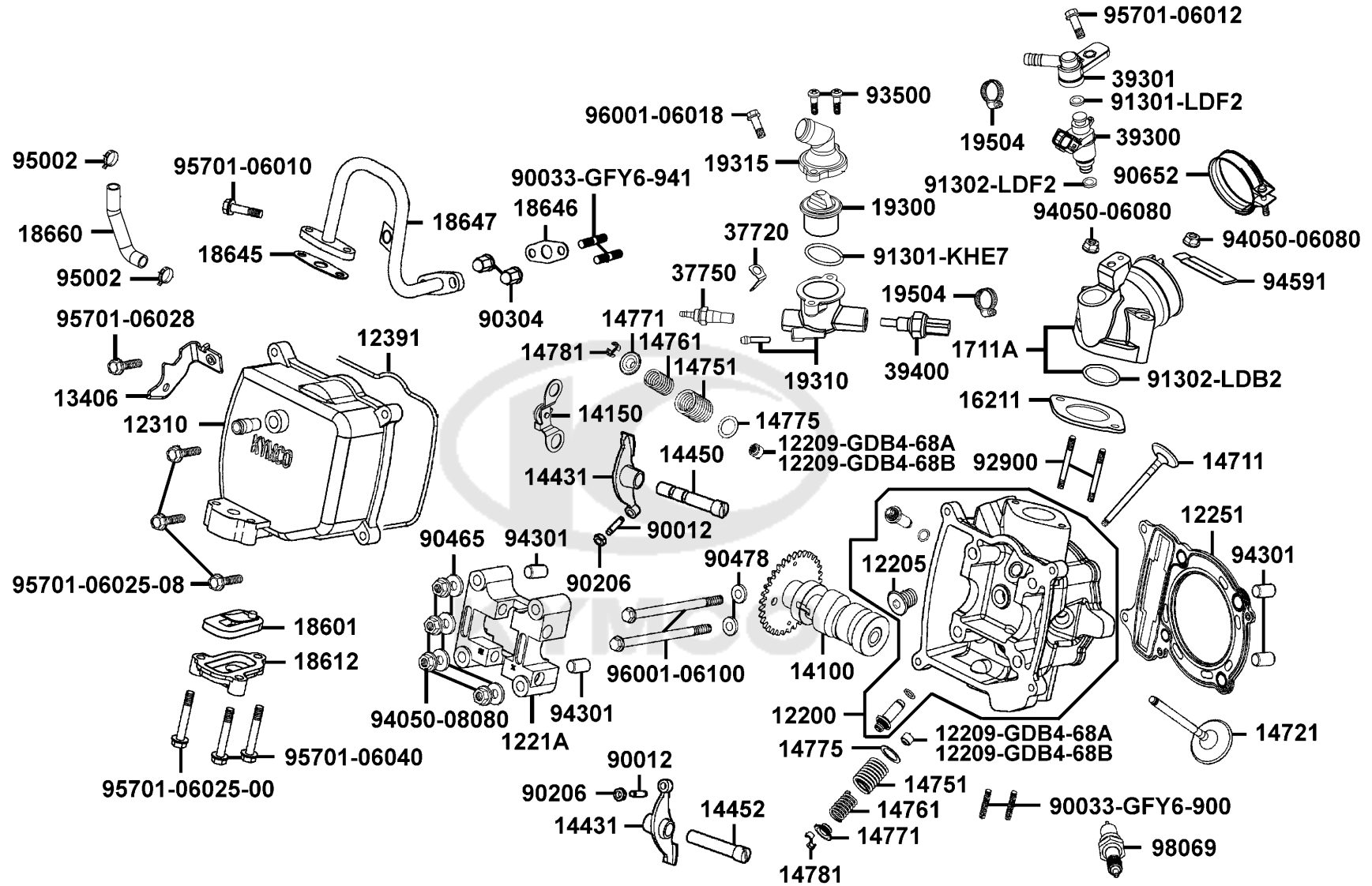
Crank Case



Sales mark	Ref no	Part no	Description	Reg description	Regd no	E01
94301		94301-10160	DOWEL PIN 10*16	DOWEL PIN 10*16	4	
95701		95701-08012-08	BOLT FLANGE 8*12	BOLT FLANGE 8*12	2	
96001-06016		96001-06016-08	BOLT FLANGE SH 6*16	BOLT FLANGE SH 6*16	2	
96001-06050		96001-06050-08	BOLT FLANGE 6*50	BOLT FLANGE SH 6*50 (C)	3	
96100-63020		96100-63020-00	BRG BALL RADIAL 6302	BRG BALL RADIAL 6302	1	
96100-63040		96100-63040-00	BRG BALL RADIAL 6304	BRG BALL RADIAL 6304	1	

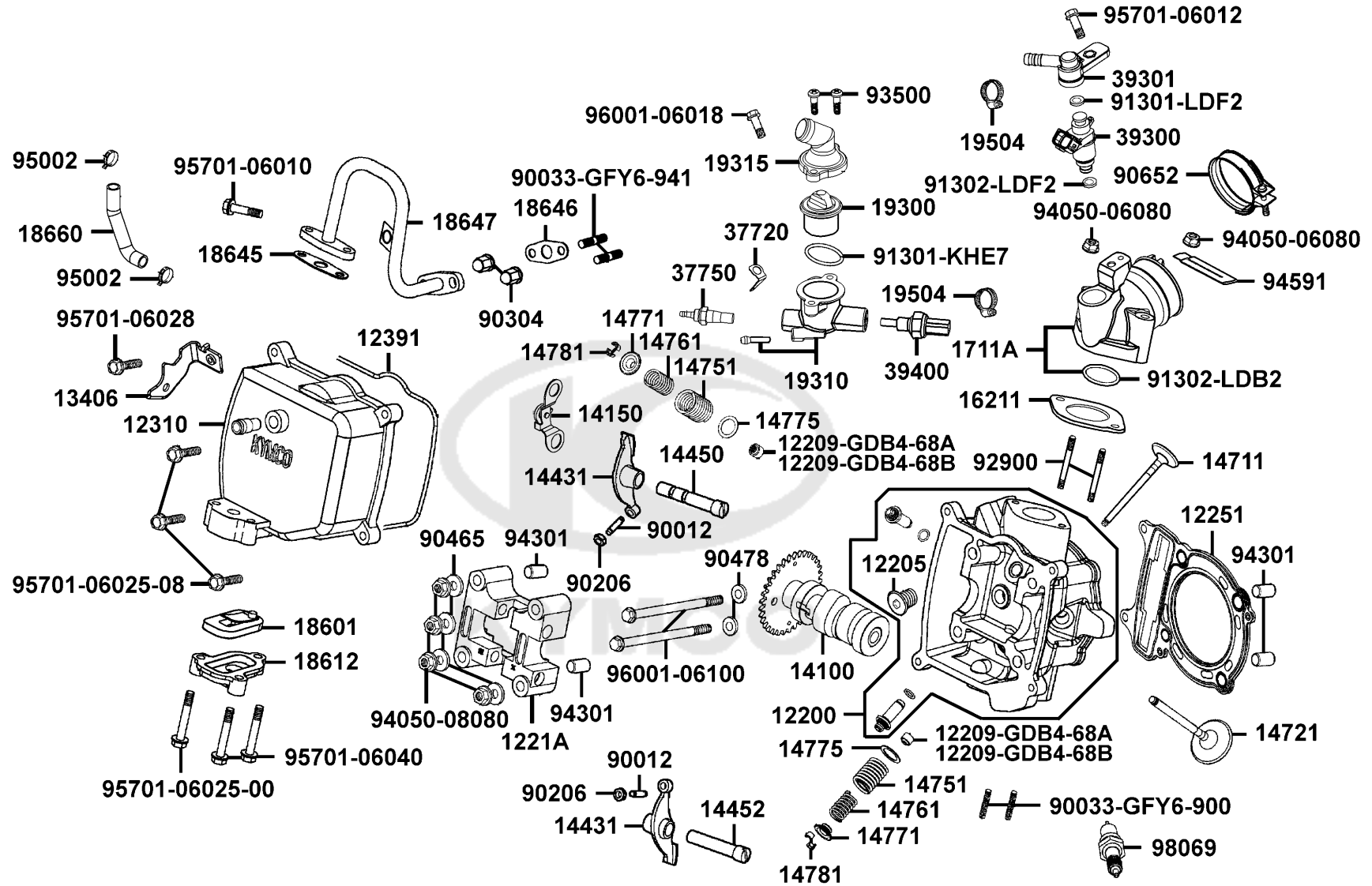


Cylinder Head Cover Cylinder Head



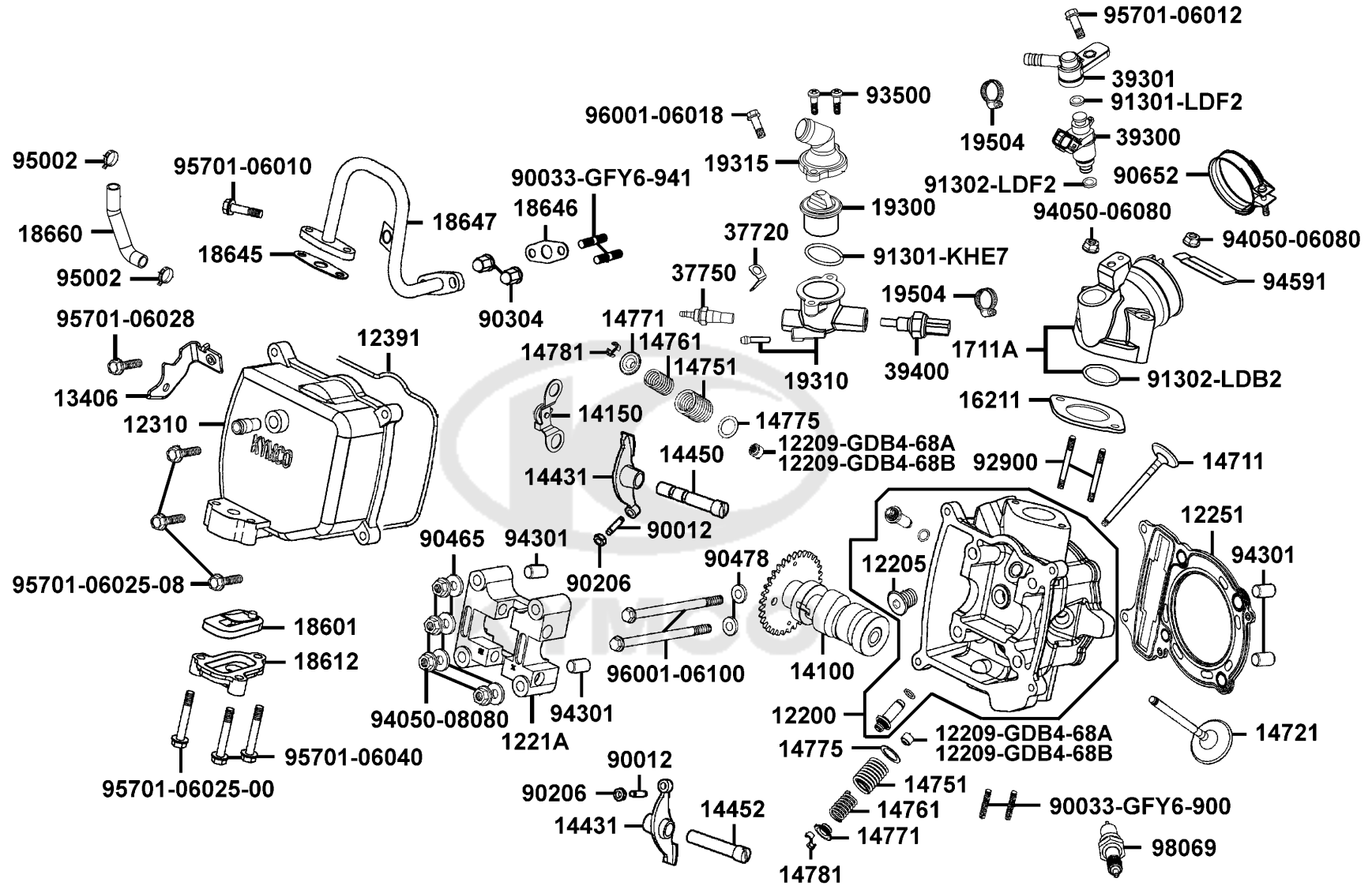
Sales mark	Ref no	Part no	Description	Reg description	Regd no	E02
12200		12200-LDF2-900	HEAD COMP CYL N	HEAD COMP CYL N	1	
12205		12205-KHE8-301	BOLT SEALING 12MM	BOLT SEALING 12MM	1	
12209-GDB4-68A		12209-GDB4-68A	SEAL VALVE STEM	SEAL VALVE STEM	2	
12209-GDB4-68B		12209-GDB4-68B	SEAL VALVE STEM	SEAL VALVE STEM	2	
1221A		1221A-LDB2-E00	HOLDER COMP CAM SHAFT	HOLDER COMP CAM SHAFT	1	
12251		12251-KHE7-901	GASKET CYLINDER HEAD	GASKET CYLINDER HEAD	1	
12310		12310-LDF2-900	COVER COMP CYL N HEAD	COVER COMP CYL N HEAD	1	
12391		12391-LDB2-E00	GASKET HEAD COVER	GASKET HEAD COVER	1	
13406		13406-LDF2-900	PLATE EX AIR INJECTOR	PLATE EX AIR INJECTOR	1	
14100		14100-LDB2-E00	SHAFT COMP CAM	SHAFT COMP CAM	1	
14150		14150-LDB2-E00	PLATE COMP STOPPER	PLATE COMP STOPPER	1	
14431		14431-LDB2-E00	ARM VALVE ROCKER	ARM VALVE ROCKER	2	
14450		14450-KEBE-900	SHAFT COMP IN ROCKER ARM	SHAFT COMP IN ROCKER ARM	1	
14452		14452-LDB2-E00	SHAFT EX ROCKER	SHAFT EX ROCKER	1	
14711		14711-LDF2-900	VALVE INLET	VALVE INLET	1	
14721		14721-LDB2-E00	VALVE EXHAUST	VALVE EXHAUST	1	
14751		14751-KHE7-900	SPG VALVE OUTER	SPG VALVE OUTER	2	
14761		14761-KHE7-900	SPG VALVE INNER	SPG VALVE INNER	2	
14771		14771-GDB4-680	RETAINER VALVE SPRING	RETAINER VALVE SPRING	2	
14775		14775-MFA6-001	SEAT VALVE SPG OUTER	SEAT VALVE SPG OUTER	2	

Cylinder Head Cover Cylinder Head



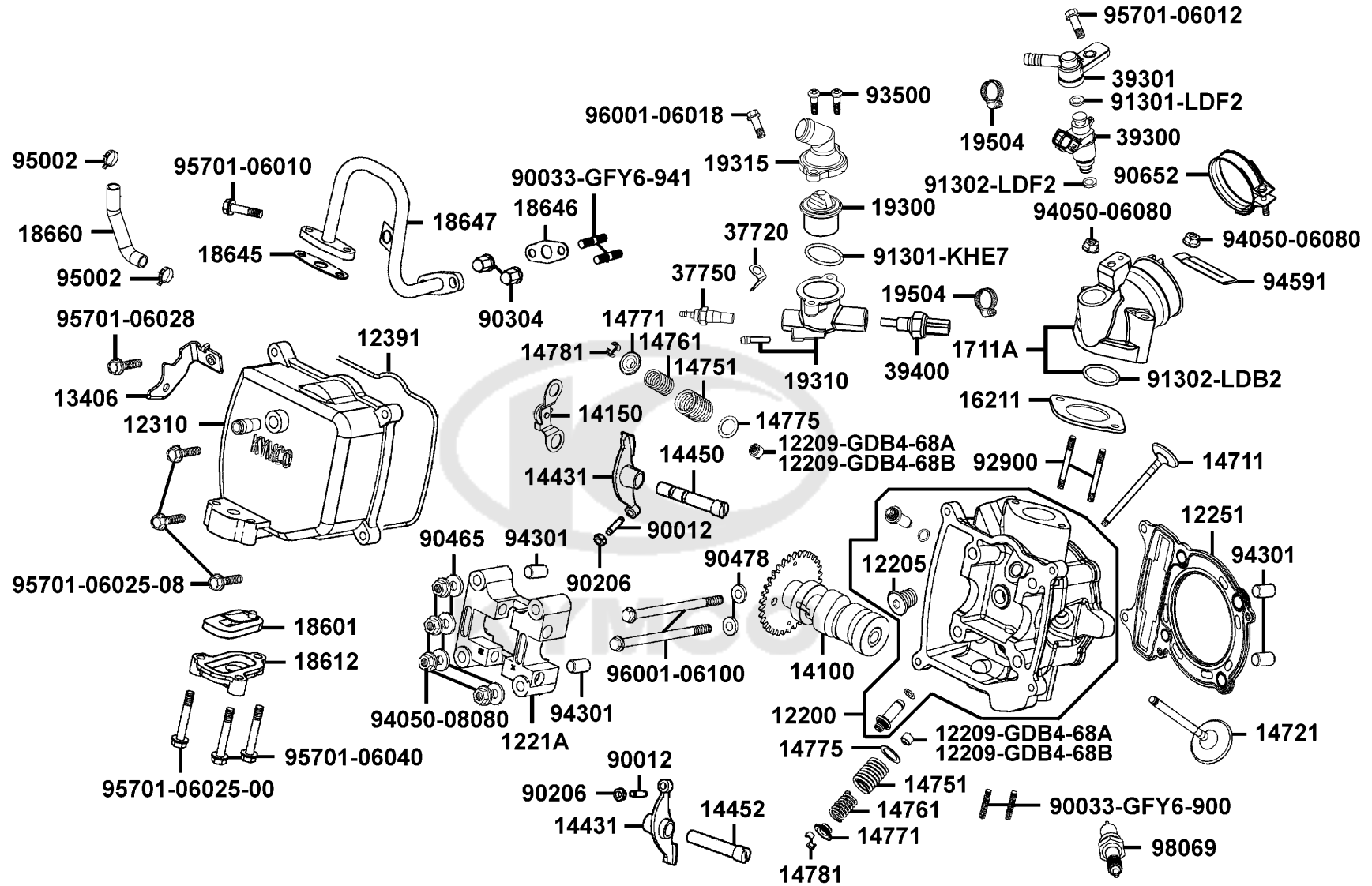
Sales mark	Ref no	Part no	Description	Reg description	Regd no	E02
	14781	14781-MFA6-001	COTTER VALVE	COTTER VALVE	4	
	16211	16211-LDF2-900	INSULATOR CARB	INSULATOR CARB	1	
	1711A	1711A-LDF2-900	PIPE COMP INLET	PIPE COMP INLET	1	
	18601	18601-MAJ1-791	REED VALVE COMP	REED VALVE COMP	1	
	18612	18612-GFY6-941	COVER REED VALVE	COVER REED VALVE	1	
	18645	18645-GFY6-941	GSKT A/I PIPE	GASKET A/I PIPE	1	
	18646	18646-GFY6-941	GASKET A/I PIPE	GASKET A/I PIPE	1	
	18647	18647-LDB2-900	PIPE COMP AIR	PIPE COMP AIR	1	
	18660	18660-LDF2-900	TUBE EX AIR INJECTOR	TUBE EX AIR INJECTOR	1	
	19300	19300-KAE1-004	THERMOSTAT ASSY	THERMOSTAT ASSY	1	
	19310	19310-LDF2-900	CASE COMP THERMOSTAT	CASE COMP THERMOSTAT	1	
	19315	19315-LDB2-E00	COVER THERMOSTAT	COVER THERMOSTAT	1	
	19504	19504-LBA2-E00	CLAMP D 16.8	CLAMP D 16.8	2	
	37720	37720-KGB5-900	EARTH TERMINAL THERMO	EARTH TERMINAL THERMO	1	
	37750	37750-PAC1-005	THERMO UNIT ASSY	THERMO UNIT ASSY	1	
	39300	39300-LDF2-800	INJECTOR UNIT FUEL	INJECTOR UNIT FUEL	1	
	39301	39301-LDF2-900	CUP COMP FUEL INJECTOR	CUP COMP FUEL INJECTOR	1	
	39400	39400-LDF2-800	WATER TEMP SENSOR	WATER TEMP SENSOR	1	
	90012	90012-3C33-001	SCREW TAPPET ADJUSTING	SCREW TAPPET ADJUSTING	2	
	90033-GFY6-941	90033-GFY6-941	BOLT STUD 6*16	BOLT STUD 6*16	2	

Cylinder Head Cover Cylinder Head



Sales mark	Ref no	Part no	Description	Reg description	Regd no	E02
	90206	90206-0A01-001	NUT TAPPET ADJG	NUT TAPPET ADJG	2	
	90304	90304-4H38-001	NUT HEX CAP 6MM	NUT SPECIAL 6MM	2	
	90465	90465-MDC4-001	WASHER 8MM	WASHER 8MM	4	
	90478	90478-7L00-001	WASHER 6MM	WASHER 6MM	2	
	90652	90652-GFY6-901	BAND 49 AIR/C CONNECTING TUBE	BAND 49 AIR/C CONNECTING TUBE	1	
	91301-KHE7	91301-KHE7-900	O-RING 17.8*1.9	O-RING 17.8*1.9	1	
	91301-LDF2	91301-LDF2-800	O-RING 7.47*3.6	O-RING 7.47*3.6	1	
	91302-LDB2	91302-LDB2-E00	O-RING 37*3	O-RING 37*3	1	
	91302-LDF2	91302-LDF2-800	SEAL RING	SEAL RING	1	
	92900	92900-06050-0B	BOLT STUD 6*50	BOLT STUD 6*50	2	
#	90033-GFY6-900	92900-08046-0B	BOLT STUD 8X46	BOLT STUD 8X46	2	
	93500	93500-05016-0H	SCREW PAN 5*16	SCREW PAN 5*16 (C)	2	
	94050-06080	94050-06080	NUT FLANGE 6MM	NUT FLANGE 6MM	2	
	94050-08080	94050-08080	NUT FLANGE 8MM	NUT FLANGE 8MM	4	
	94301	94301-10160	DOWEL PIN 10*16	DOWEL PIN 10*16	4	
	94591	94591-KFBF-900	CLIP 2*70	CLIP 2*70	1	
	95002	95002-KKD6-E05	CLAMP D18 TUBE	CLAMP D18 TUBE	2	
	95701-06010	95701-06010-08	BOLT FLANGE 6*10	BOLT FLANGE 6*10	1	
	95701-06012	95701-06012-08	BOLT FLANGE 6*12	BOLT FLANGE 6*12	1	
	95701-06025-00	95701-06025-00	BOLT FLANGE 6*25	BOLT HEX FLANGE M6*25	1	

Cylinder Head Cover Cylinder Head

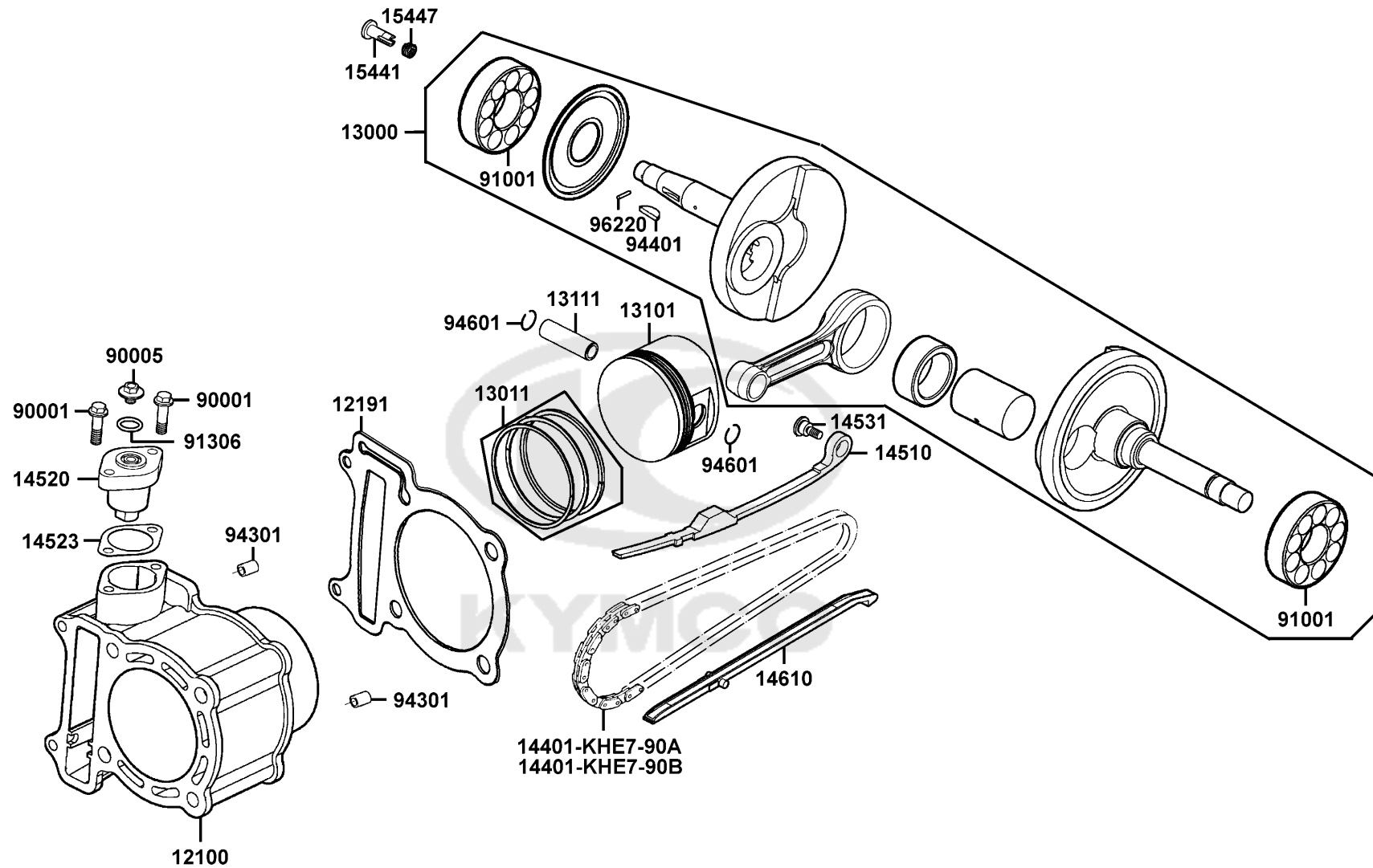


Sales mark	Ref no	Part no	Description	Reg description	Regd no	E02
	95701-06025-08	95701-06025-08	BOLT FLANGE 6*25	BOLT FLANGE 6*25	3	
	95701-06028	95701-06028-08	BOLT FLANGE 6*28	BOLT FLANGE 6*28	1	
	95701-06040	95701-06040-08	BOLT FLANGE 6*40	BOLT FLANGE 6X40	2	
	96001-06018	96001-06018-08	BOLT FLANGE SH 6*18	BOLT FLANGE SH 6*18	1	
	96001-06100	96001-06100-08	BOLT FLANGE SH 6*100	BOLT FLANGE 6*100	2	
	98069	98069-5691R-00	SPARK PLUG (DPR6EA-9)	SPARK PLUG (DPR6EA-9)	1	



E03

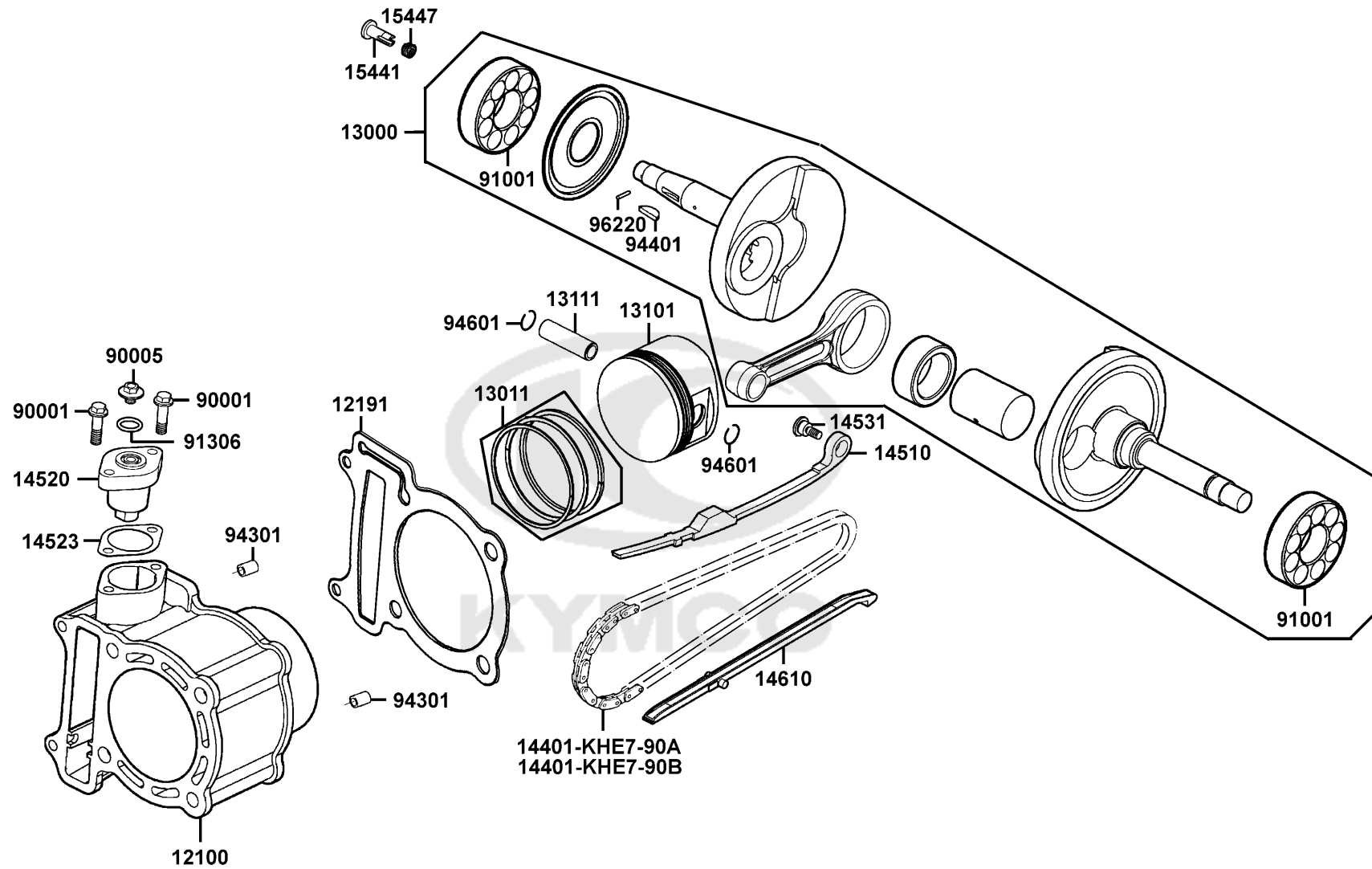
Cylinder Piston Crankshaft



Sales mark	Ref no	Part no	Description	Reg description	Regd no	E03
	12100	12100-KHE7-900	CYLINDER COMP	CYLINDER COMP	1	
	12191	12191-KHE7-910	GASKET CYLINDER	GASKET CYLINDER	1	
#	13000	13000-KHE7-900	CRANK SHAFT COMP	CRANK SHAFT COMP	1	
#	13000	13000-KHE7-910	CRANK SHAFT COMP	CRANK SHAFT COMP	1	
	13011	13011-KHE7-900	RING SET PISTON	RING SET PISTON	1	
	13101	13101-LDB2-E00	PISTON	PISTON	1	
	13111	13111-LDB2-E00	PIN PISTON	PIN PISTON	1	
	14401-KHE7-90A	14401-KHE7-90A	CHAIN CAM	CHAIN CAM	1	
	14401-KHE7-90B	14401-KHE7-90B	CHAIN CAM	CHAIN CAM	1	
	14510	14510-KHE7-900	TENSIONER CAM CHAIN	TENSIONER CAM CHAIN	1	
	14520	14520-GFY6-90A	LIFTER ASSY TENSIONER	LIFTER ASSY TENSIONER	1	
	14523	14523-GFY6-901	GASKET TENSIONER LIFTER @ A	GASKET TENSIONER LIFTER @A	1	
	14531	14531-KHE7-900	PIVOT CAM CHAIN TENSIONER	PIVOT CAM CHAIN TENSIONER	1	
	14610	14610-KHE7-900	GUIDE COMP CAM CHAIN	GUIDE COMP CAM CHAIN	1	
	15441	15441-1K49-001	OIL THROUGH	OIL THROUGH	1	
	15447	15447-1K49-001	SPG OIL THROUGH	SPG OIL THROUGH	1	
	90001	90001-GBHB-661	BOLT FLANGE SH 6*22	BOLT FLANGE SH 6*22	2	
	90005	90005-KEC8-900	BOLT SPECIAL 6*6	BOLT SPECIAL 6*6	1	
	91001	91001-KHE7-900	BRG BALL RADIAL TMB307JR2CS19	BRG BALL RADIAL TMB307JR2CS19	2	
	91306	91306-1E05-691	O-RING 1.5*9.5	O-RING 1.5*9.5	1	

E03

Cylinder Piston Crankshaft



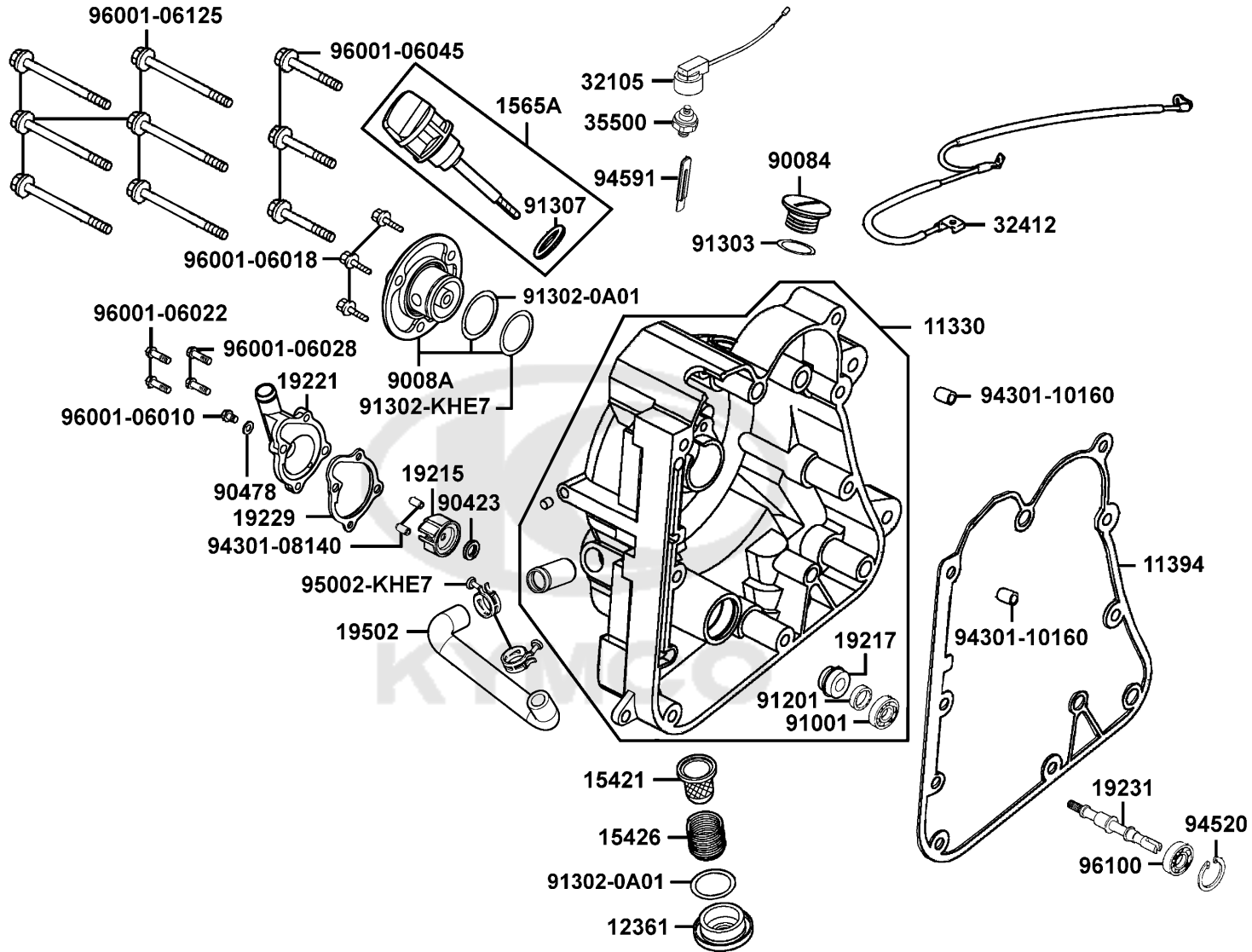
Sales mark	Ref no	Part no	Description	Reg description	Regd no	E03
------------	--------	---------	-------------	-----------------	---------	------------

94301	94301-10160	94301-10160	DOWEL PIN 10*16	DOWEL PIN 10*16	2	
94401	94401-25140	94401-25140	WOODRUFF KEY 25*14	WOODRUFF KEY 25X14	1	
94601	94601-17000	94601-17000	CLIP PISTON PIN 17MM	CLIP PISTON PIN 17MM	2	
96220	96220-20118	96220-20118	ROLLER 2*11.8	ROLLER 2*11.8	1	



E04

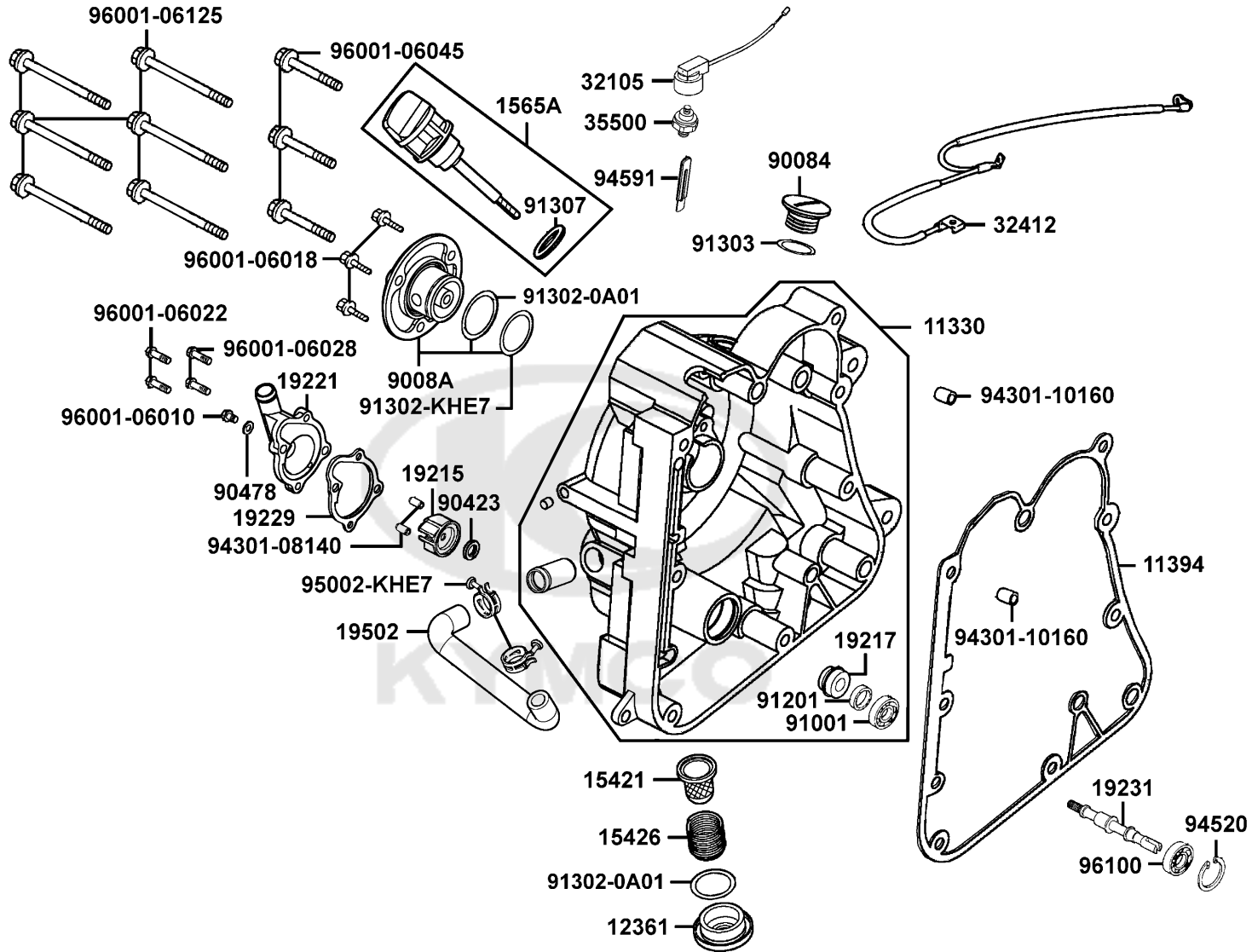
Right Crankcase Cover Water Pump



Sales mark	Ref no	Part no	Description	Reg description	Regd no	E04
11330		11330-LLJ3-E00	COVER COMP RIGHT	COVER COMP RIGHT	1	
11394		11394-KHE7-900	GASKET R COVER @ A	GASKET R COVER @ A	1	
12361		12361-GFY6-901	HOLE CAP TAPPET ADJUSTING	HOLE CAP TAPPET ADJUSTING	1	
15421		15421-1G07-001	SCREEN OIL FILTER	SCREEN OIL FILTER	1	
15426		15426-GAE1-921	SPG OIL FILTER SCREEN	SPRING OIL FILTER ** GE1 **	1	
1565A		1565A-KEBE-900	GAUGE OIL LEVEL ASSY	GAUGE OIL LEVEL ASSY	1	
19215		19215-KHE7-900	IMPELLER WATER PUMP	IMPELLER WATER PUMP	1	
19217		19217-6G57-024	SEAL MECHANICAL	SEAL MECHANICAL	1	
19221		19221-KHE7-900	COVER WATER PUMP	COVER WATER PUMP	1	
19229		19229-KHE7-900	GASKET WATER PUMP	GASKET WATER PUMP	1	
19231		19231-KKJ9-011	SHAFT WATER PUMP	SHAFT WATER PUMP	1	
19502		19502-KHE7-900	HOSE B WATER	HOSE B WATER	1	
32105		32105-LLJ3-E00	SUB HARNESS	SUB HARNESS	1	
32412		32412-LDB2-E00	CABLE EARTH	CABLE EARTH	1	
35500		35500-KED9-900	SW ASSY OIL PRESSURE	SW ASSY OIL PRESSURE	1	
90084		90084-4H28-001	CAP ACG	CAP ACG	1	
9008A		9008A-KHE7-900	CAP ASSY R COVER	CAP ASSY R COVER	1	
90423		90423-KKJ9-001	WASHER 7.2*13*1.2	WASHER 7.2*13*1.2	1	
90478		90478-7L00-001	WASHER 6MM	WASHER 6MM	1	
91001		91001-KKJ9-006	BRG BALL RADIAL 6901	BRG BALL RADIAL 6901	1	

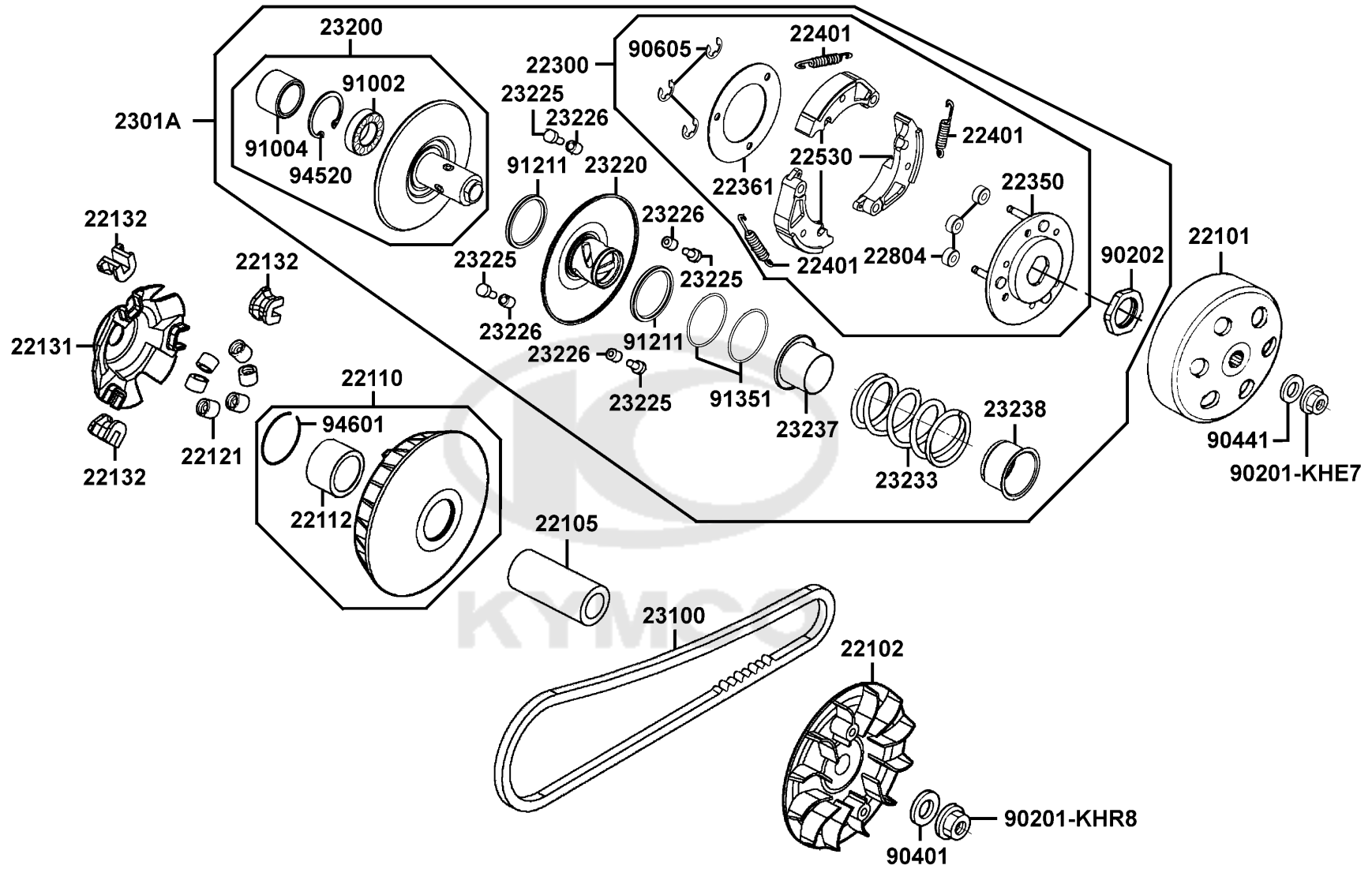
E04

Right Crankcase Cover Water Pump



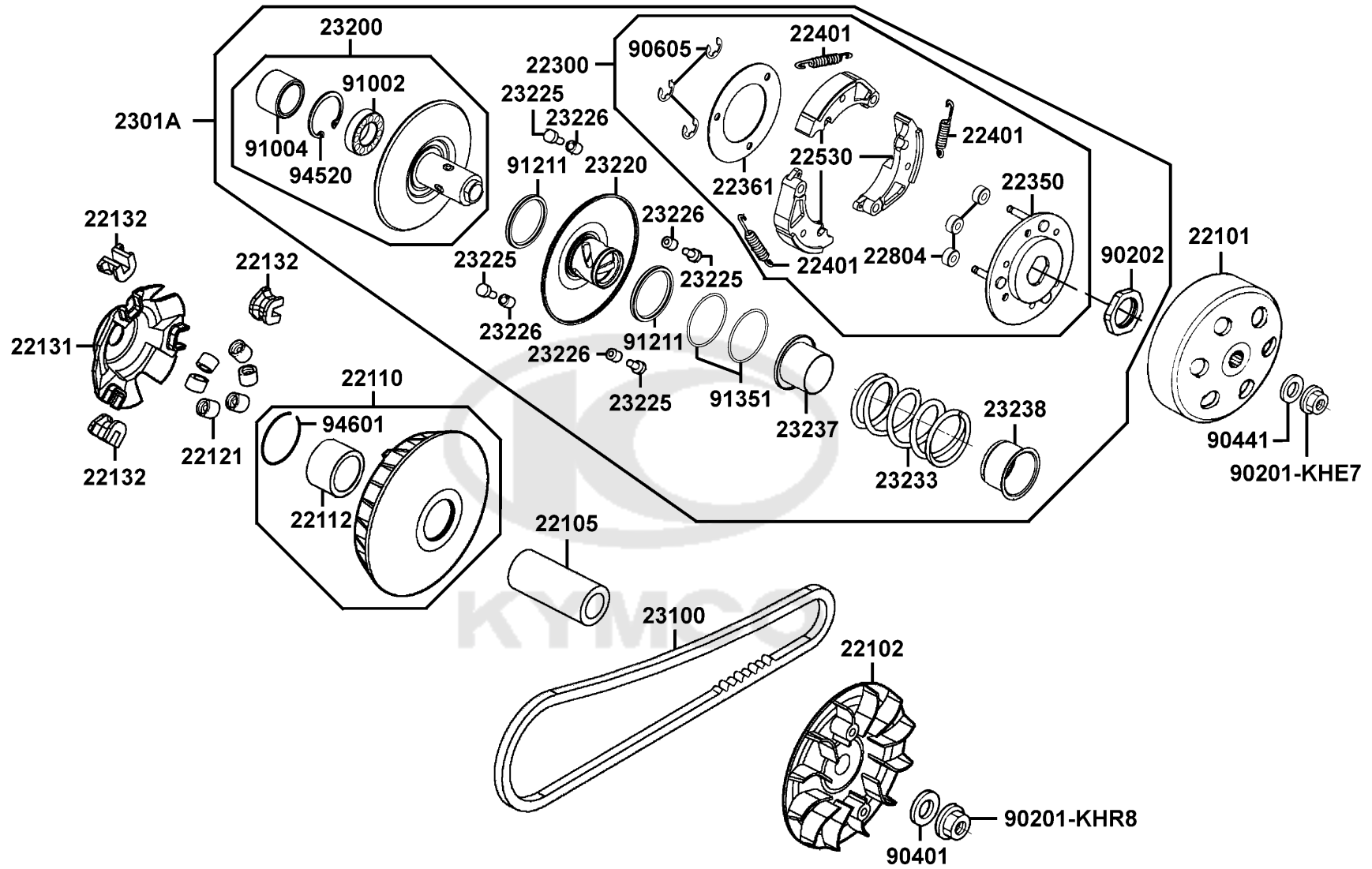
Sales mark	Ref no	Part no	Description	Reg description	Regd no	E04
91201		91201-KKJ9-004	OIL SEAL 12*20*4	OIL SEAL 12*20*4	1	
91302-0A01		91302-0A01-021	O-RING 30.8M/M	O-RING 30.8M/M	2	
91302-KHE7		91302-KHE7-900	O-RING 27.4*2.1MM	O-RING 27.4*2.1MM	1	
91303		91303-3G77-001	O-RING 13.8*2.5	O-RING 13.8*2.5	1	
91307		91307-0E35-001	O RING 18*3	O RING 18*3	1	
94301-08140		94301-08140	DOWEL PIN 8*14	DOWEL PIN 8*14	2	
94301-10160		94301-10160	DOWEL PIN 10*16	DOWEL PIN 10*16	2	
94520		94520-26000	CIR CLIP INTERAL 26MM	CIR CLIP INTERAL 26MM	1	
94591		94591-KFBF-900	CLIP 2*70	CLIP 2*70	1	
95002-KHE7		95002-KHE7-900	CLIP WATER HOSE	CLIP WATER HOSE	2	
96001-06010		96001-06010-00	BOLT FLANGE SH 6X10	BOLT FLANGE SH 6X10	1	
96001-06018		96001-06018-02	BOLT FLANGE SH 6*18	BOLT FLANGE SH 6*18	3	
96001-06022		96001-06022-08	BOLT FLANGE SH 6*22	BOLT FLANGE SH 6*22	2	
96001-06028		96001-06028-08	BOLT FLANGE SH 6*28	BOLT FLANGE SH 6*28	2	
96001-06045		96001-06045-08	BOLT FLANGE SH 6*45	BOLT FLANGE SH 6*45	3	
96001-06125		96001-06125-08	BOLT FLANGE SH 6*125	BOLT FLANGE SH 6*125	6	
96100		96100-60000-00	BEARING BALL RADIAL 6000	BEARING RADIAL BALL 600	1	

Transmission Pulley

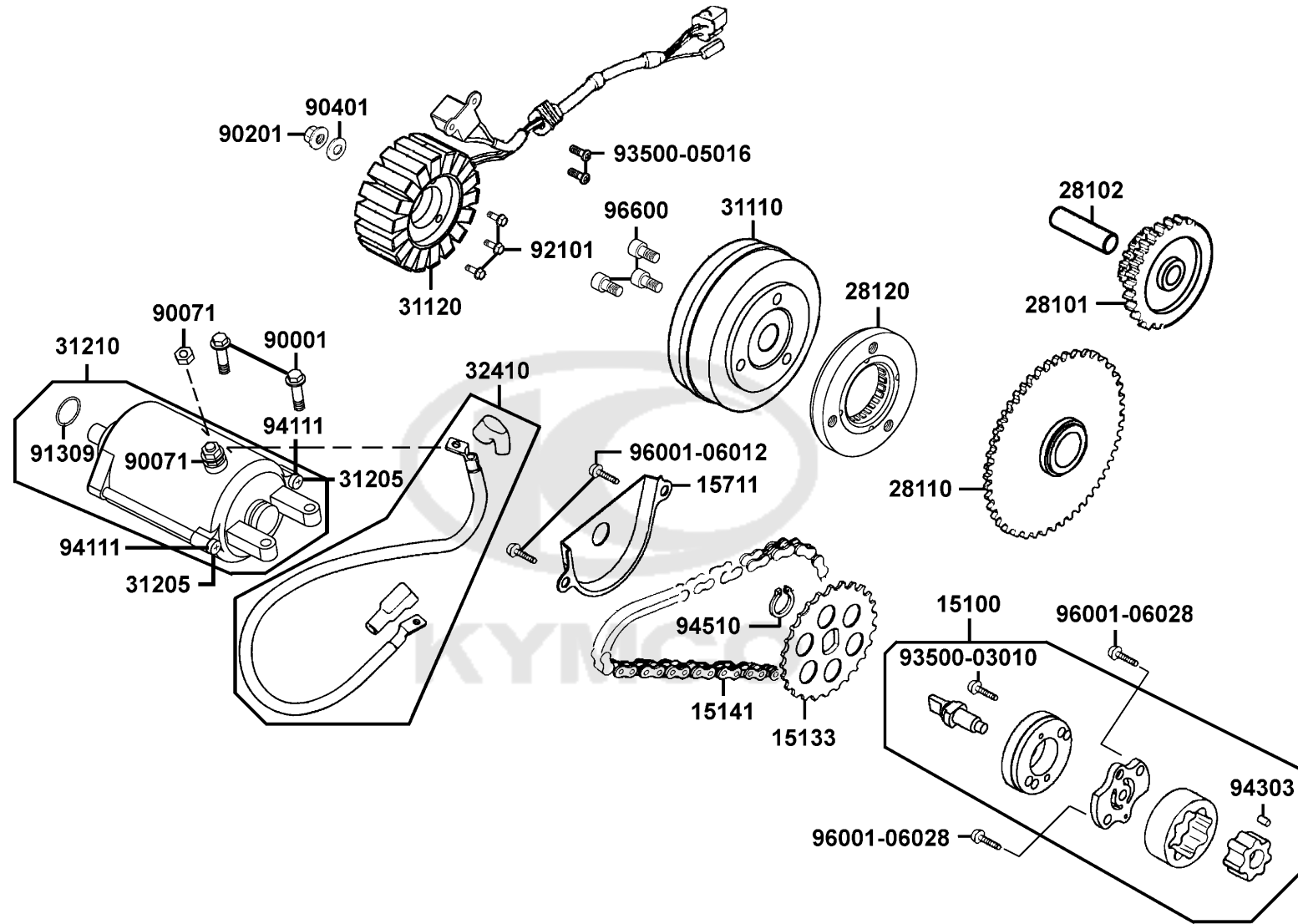


Sales mark	Ref no	Part no	Description	Reg description	Regd no	E05
	22101	22101-KHE7-900	OUTER CLUTCH	OUTER CLUTCH	1	
	22102	22102-KHE7-900	FACE DRIVE	FACE DRIVE	1	
#	22105	22105-KHE7-900	BOSS DRIVE FACE	BOSS DRIVE FACE	1	
#	22105	22105-LBA7-900	BOSS DRIVE FACE	BOSS DRIVE FACE	1	
	22110	22110-KHE7-900	FACE COMP MOVABLE DRIVE	FACE COMP MOVABLE DRIVE	1	
	22112	22112-KHE7-900	BUSH 27*33*37	BUSH 27*33*37	1	
	22121	22121-KHE7-90A	ROLLER COMP WEIGHT	ROLLER COMP WEIGHT	6	
#	22131	22131-KHE7-900	PLATE RAMP	PLATE RAMP	1	
#	22131	22131-LBA7-900	PLATE RAMP	PLATE RAMP	1	
	22132	22132-KHE7-900	PIECE SLIDE	PIECE SLIDE	3	
	22300	22300-KHE7-900	PLATE ASSY DRIVE	PLATE ASSY DRIVE	1	
	22350	22350-KHE7-900	PLATE COMP DRIVE	PLATE COMP DRIVE	1	
	22361	22361-KHE7-900	PLATE CLUTCH SIDE	PLATE CLUTCH SIDE	1	
	22401	22401-KHE7-900	SPRING CLUTCH	SPRING CLUTCH	3	
	22530	22530-KHE7-900	WEIGHT CLUTCH	WEIGHT CLUTCH	3	
	22804	22804-GBB2-001	RUBBER CLUTCH DUMPER	RUBBER CLUTCH DUMRER	3	
	2301A	2301A-LDB2-E00	PULLEY SUB ASSY	PULLEY SUB ASSY	1	
	23100	23100-LDF2-900	BELT DRIVE	BELT DRIVE	1	
	23200	23200-KHE7-900	FACE ASSY DRIVEN	FACE ASSY DRIVEN	1	
	23220	23220-LDB2-E00	FACE RR MOVABLE DRIVEN	FACE RR MOVABLE DRIVEN	1	

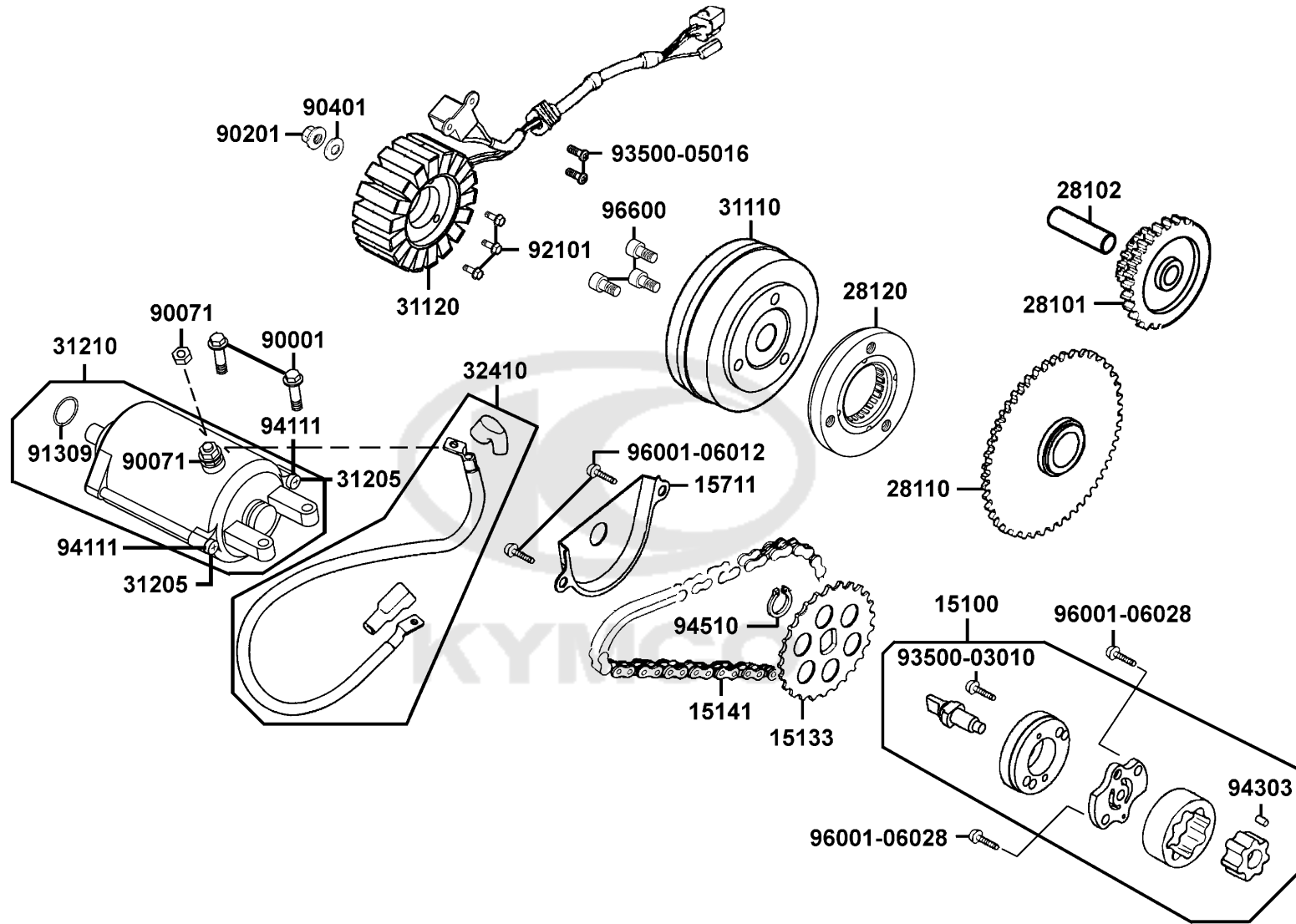
Transmission Pulley



Sales mark	Ref no	Part no	Description	Reg description	Regd no	E05
23225		23225-KHE7-900	PIN ROLLER GUIDE	PIN ROLLER GUIDE	4	
23226		23226-GHC8-004	ROLLER GUIDE	ROLLER GUIDE	4	
23233		23233-KHE7-900	SPG DRIVEN FACE	SPG DRIVEN FACE	1	
23237		23237-KHE7-900	COLLAR SEAL	COLLAR SEAL	1	
23238		23238-KHE7-900	COLLAR SPG	COLLAR SPG	1	
90201-KHE7		90201-KHE7-900	NUT C FLANGE M12	NUT C FLANGE M12	1	
90201-KHR8		90201-KHR8-75A	NUT FLANGE 14MM	NUT FLANGE 14MM	1	
90202		90202-1G87-001	NUT SPECIAL 28MM	NUT SPECIAL 28MM	1	
90401		90401-KKJ9-001	WASHER THRUST 14*28*2	WASHER THRUST 14*28*2	1	
90441		90441-GFY6-941	WASHER 12.2*29*2.5	WASHER 12.2*29*2.5	1	
90605		90605-1F66-721	CIR CLIP 7MM	CIR CLIP 7MM	3	
91002		91002-GGA7-70A	BRG BALL RADIAL 6902U	BRG BALL RADIAL 6902U	1	
91004		91004-KHE7-900	BRG NDL 22*29*18	BRG NDL 22*29*18	1	
91211		91211-KHE7-900	SEAL DRIVEN FACE 40*47*4	SEAL DRIVEN FACE 40*47*4	2	
91351		91351-KHE7-900	O-RING PINION CAP	O-RING PINION CAP	2	
94520		94520-28000	CIR CLIP IN 28	CIR CLIP IN 28	1	
94601		94601-33000	CLIP PISTON PIN 33MM	CLIP PISTON PIN 33MM	1	

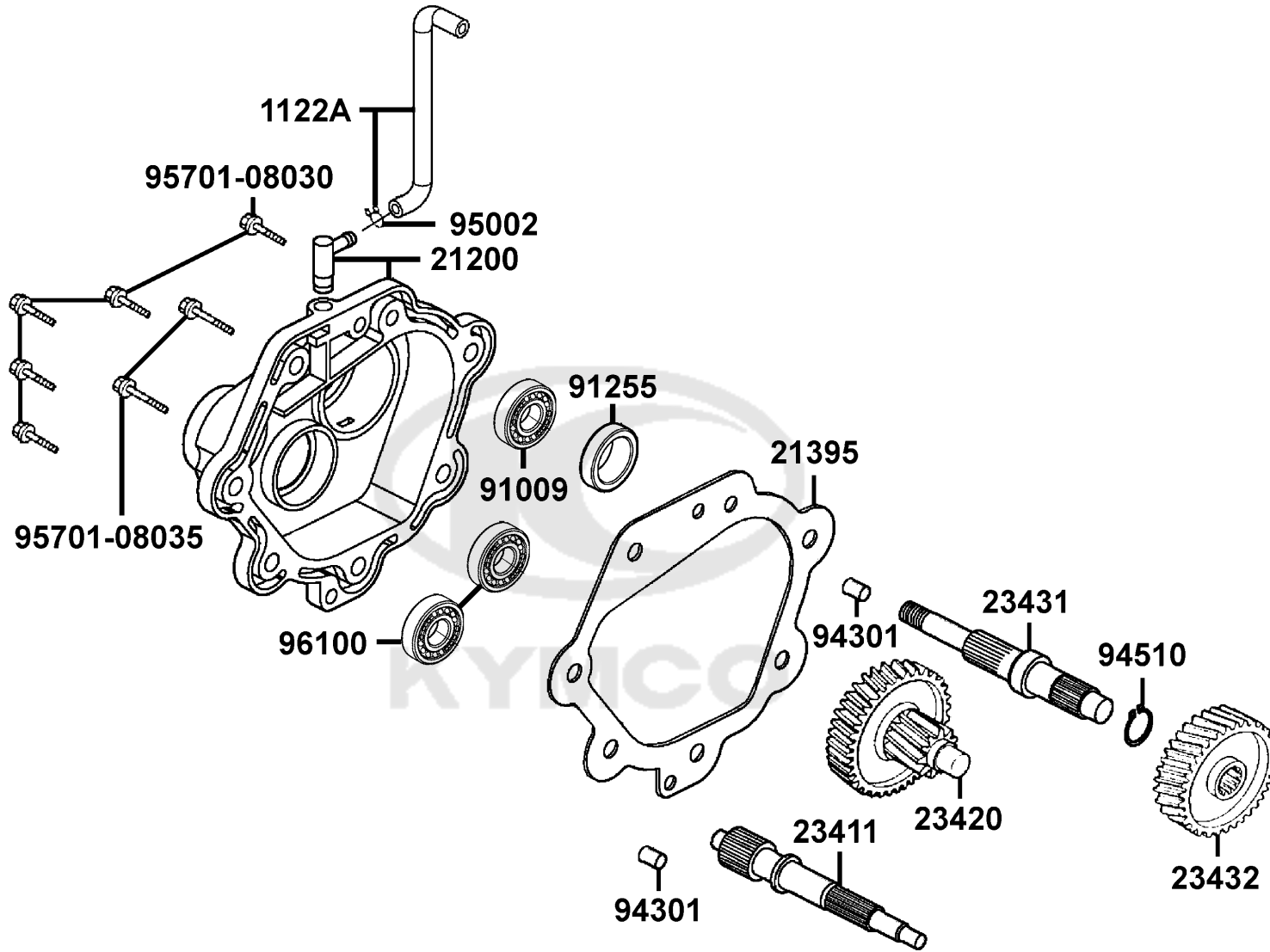


Sales mark	Ref no	Part no	Description	Reg description	Regd no	E06
15100		15100-KKC3-900	PUMP ASSY OIL	PUMP ASSY OIL	1	
15133		15133-KAM1-001	SPROCKET OIL PUMP DRIVE	SPROCKET OIL PUMP DRIVE	1	
15141		15141-KKJ9-004	CHAIN OIL PUMP	CHAIN OIL PUMP	1	
15711		15711-KHE7-900	SEPARATER OIL	SEPARATER OIL	1	
28101		28101-KHE7-900	GEAR STARTER REDUCTION	GEAR STARTER REDUCTION	1	
28102		28102-KHE7-900	SHAFT STARTER REDUCTION GEAR	SHAFT STARTER REDUCTION GEAR	1	
28110		28110-LDB2-E00	GEAR COMP STARTING CLUTCH	GEAR COMP STARTING CLUTCH	1	
28120		28120-LDB2-E00	ONE WAY CLUTCH STARTER ASSY	ONE WAY CLUTCH STARTER ASSY	1	
31110		31110-LDF2-90A	FLYWHEEL COMP	FLYWHEEL COMP	1	
31120		31120-LDF2-90A	STATOR COMP	STATOR COMP	1	
31205		31205-KKJ9-000	BOLT SET	BOLT SET	2	
31210		31210-KHE7-90A	MOTOR UNIT STARTER	MOTOR UNIT STARTER	1	
32410		32410-LDB2-E00	CABLE STARTER MOTOR	CABLE STARTER MOTOR	1	
90001		90001-GBHB-661	BOLT FLANGE SH 6*22	BOLT FLANGE SH 6*22	2	
90071		90071-MLB0-001	NUT WASH 6MM	NUT WASH 6MM	2	
90201		90201-KHR8-75A	NUT FLANGE 14MM	NUT FLANGE 14MM	1	
90401		90401-KKJ9-001	WASHER THRUST 14*28*2	WASHER THRUST 14*28*2	1	
91309		91309-4E25-004	O-RING 24.4*3.1	O-RING 24.4*3.1	1	
92101		92101-05032-0H	BOLT HEX 5*32	BOLT HEX 5*32	3	
93500-03010		93500-03010-1A	SCREW PAN 3*10	SCREW PAN 3*10	1	



Sales mark	Ref no	Part no	Description	Reg description	Regd no	E06
	93500-05016	93500-05016-0H	SCREW PAN 5*16	SCREW PAN 5*16 (C)	2	
	94111	94111-05800	WASHER SPRING 5MM	WASHER SPRING 5MM	2	
	94303	94303-04065	PIN DOWEL 4*6.5	PIN DOWEL 4*6.5	1	
	94510	94510-10000	CIR CLIP EX 10MM	CIR CLIP EX 10MM	1	
	96001-06012	96001-06012-08	BOLT FLANGE 6*12	BOLT FLANGE SH 6*12	2	
	96001-06028	96001-06028-08	BOLT FLANGE SH 6*28	BOLT FLANGE SH 6*28	2	
	96600	96600-08015-10	SOCKET BOLT 8*15	SOCKET BOLT 8*15	3	

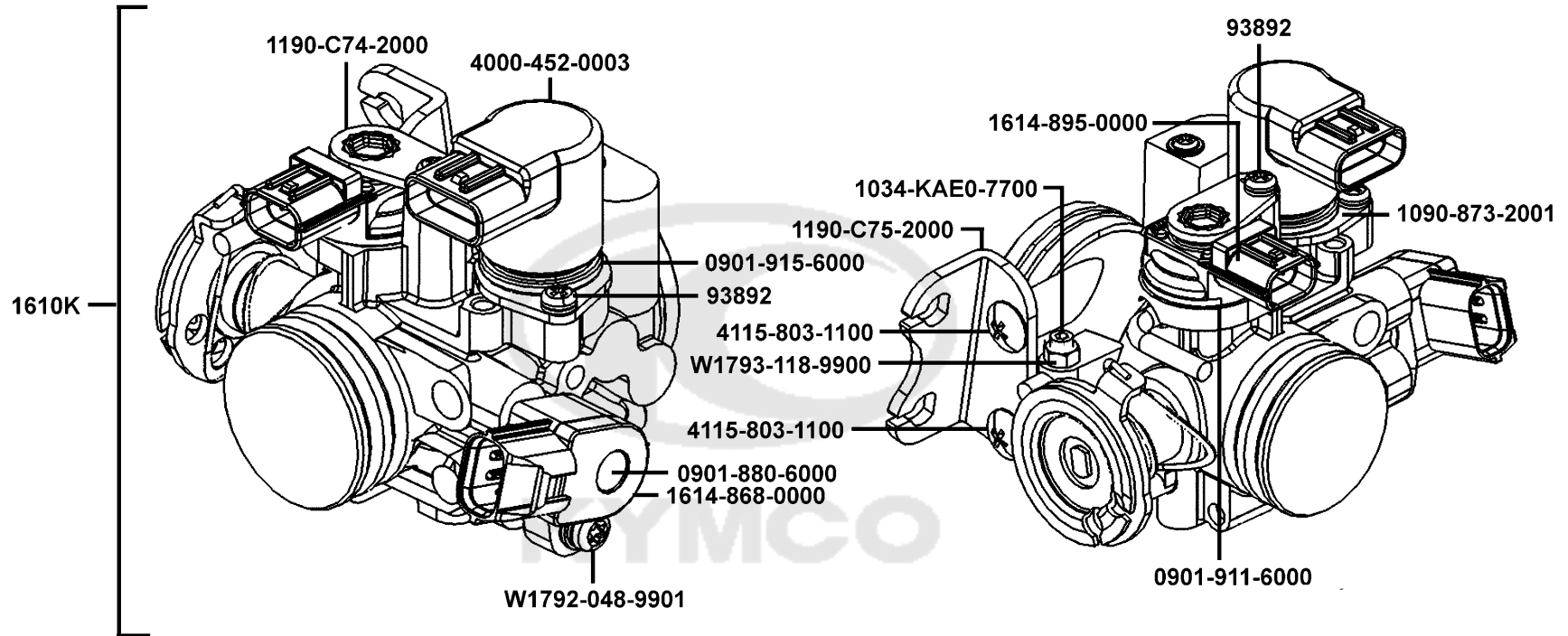




Sales mark	Ref no	Part no	Description	Reg description	Regd no	E07
1122A		1122A-LDB2-E00	TUBE ASSY MISSION BREATHER	TUBE ASSY MISSION BREATHER	1	
21200		21200-LDB2-E00	CASE COMP MISSION	CASE COMP MISSION	1	
21395		21395-LDF2-900	GASKET MISSION COVER @ A	GASKET MISSION COVER @ A	1	
23411		23411-KHE7-900	SHAFT DRIVE	SHAFT DRIVE	1	
23420		23420-LDB2-E00	SHAFT COMP COUNTER	SHAFT COMP COUNTER	1	
23431		23431-LDB2-E00	SHAFT FINAL	SHAFT FINAL	1	
23432		23432-LDB2-E00	GEAR FINAL	GEAR FINAL	1	
91009		91009-KHE7-900	BRG BALL RADIAL 6205LLU	BRG BALL RADIAL 6205LLU	1	
91255		91255-KHE7-900	OIL SEAL 34*52*7	OIL SEAL 34*52*7	1	
94301		94301-10160	DOWEL PIN 10*16	DOWEL PIN 10*16	2	
94510		94510-25000	CIR CLIP EXTERNAL 25	CIR CLIP EXTERNAL 25	1	
95002		95002-02080	CLIP B8 TUBE	CLIP C8 TUBE	1	
95701-08030		95701-08030-08	BOLT FLANGE 8*30	BOLT FLANGE 8*30 (C)	5	
95701-08035		95701-08035-08	BOLT FLANGE 8*35	BOLT FLANGE 8*35	2	
96100		96100-63020-00	BRG BALL RADIAL 6302	BRG BALL RADIAL 6302	2	

E08

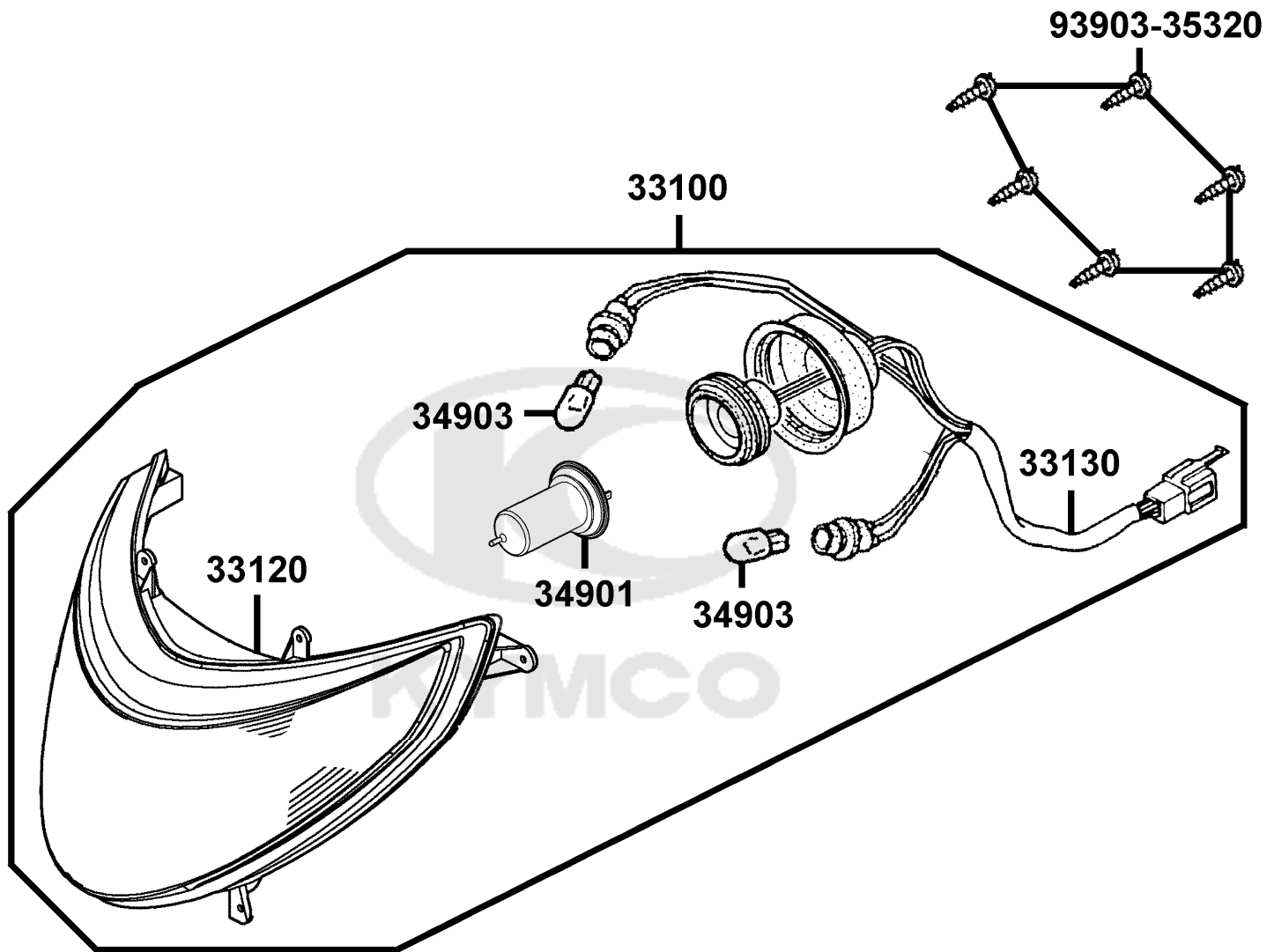
Throttle Body



Sales mark	Ref no	Part no	Description	Reg description	Regd no	E08
	0901-880-6000	0901-880-6000	O-RING/TPS	O-RING/TPS	1	
	0901-911-6000	0901-911-6000	O-RING	O-RING	1	
	0901-915-6000	0901-915-6000	O-RING	O-RING	1	
	1034-KAE0-7700	1034-KAE0-7700	SCREW/THROTTLE	SCREW/THROTTLE	1	
	1090-873-2001	1090-873-2001	SET PLATE	SET PLATE	1	
	1190-C74-2000	1190-C74-2000	STAY PLATE	STAY PLATE	1	
	1190-C75-2000	1190-C75-2000	BRACKET/THROTTLE CABLE	BRACKET/THROTTLE CABLE	1	
	1610K	1610K-LDF2-E00	CARBURETOR ASSY	CARBURETOR ASSY	1	
	1614-868-0000	1614-868-0000	THROTTLE POSITION SENSER	THROTTLE POSITION SENSER	1	
	1614-895-0000	1614-895-0000	MAP SENSOR	MAP SENSOR	1	
	4000-452-0003	4000-452-0003	IDLE AIR BYPASS VALVE	IDLE AIR BYPASS VALVE	1	
	4115-803-1100	4115-803-1100	SCREW PAN	SCREW PAN	1	
	93892	93892-04008-18	SCREW WASHER	SCREW WASHER	1	
	W1792-048-9901	W1792-048-9901	SCREW TORX M5*0.8/TPS	SCREW TORX M5*0.8/TPS	1	
	W1793-118-9900	W1793-118-9900	HEX NUT/THROTTLE	HEX NUT/THROTTLE	1	

F01

Head Light

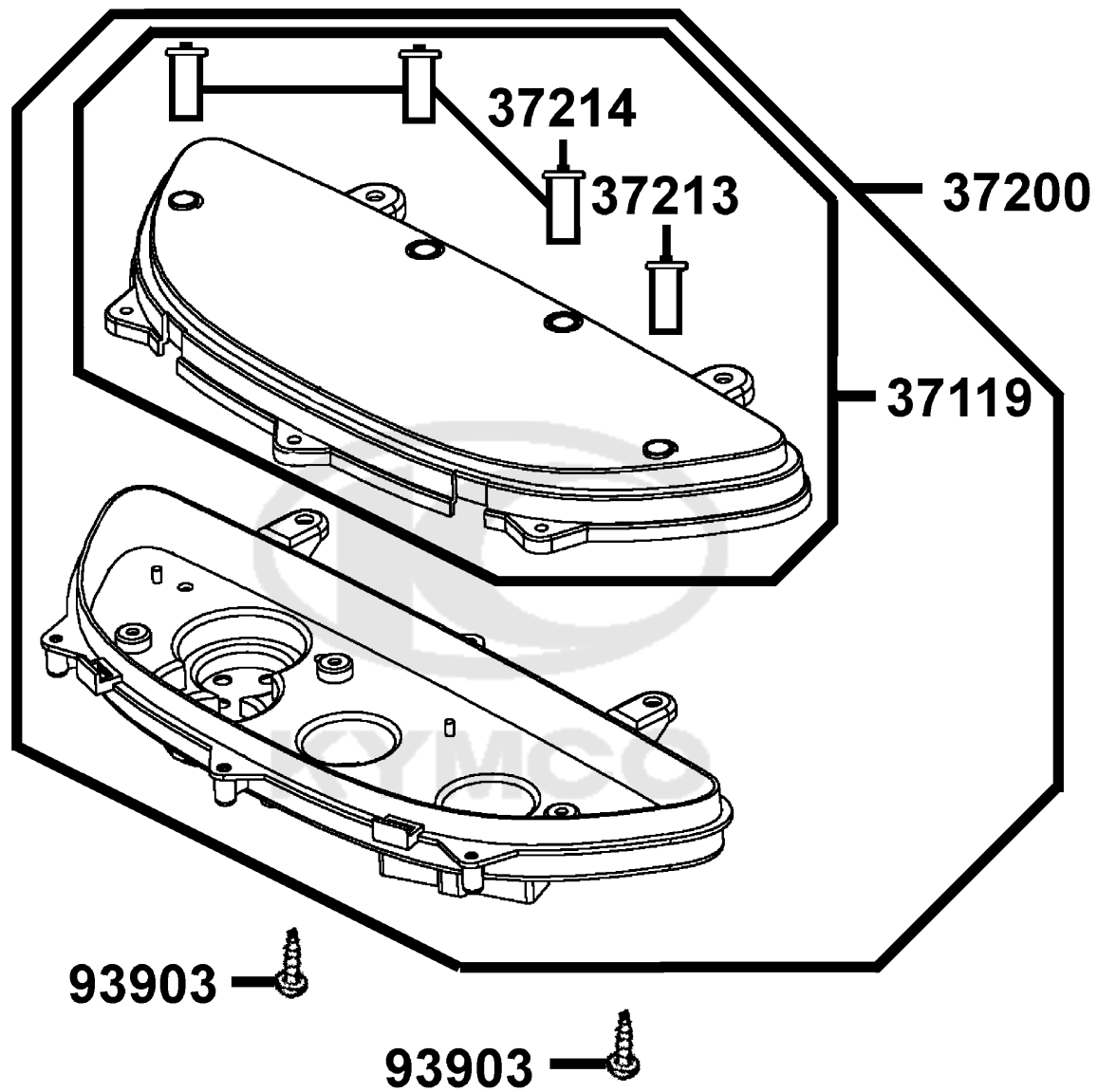


Sales mark	Ref no	Part no	Description	Reg description	Regd no	F01
	33100	33100-LBA2-E00	LIGHT ASSY HEAD	LIGHT ASSY HEAD	1	
	33120	33120-LBA2-E00	UNIT HEAD LIGHT	UNIT HEAD LIGHT	1	
	33130	33130-LBA2-E00	SOCKET COMP	SOCKET COMP	1	
	34901	34901-KED9-900	BULB HEAD LIGHT	BULB HEAD LIGHT	1	
	34903	34903-KPCP-900	BULB POSITION	BULB POSITION	2	
	93903	93903-35320	SCREW TAPPING 5*16	SCREW TAPPING 5*16	6	



F02

Speedometer

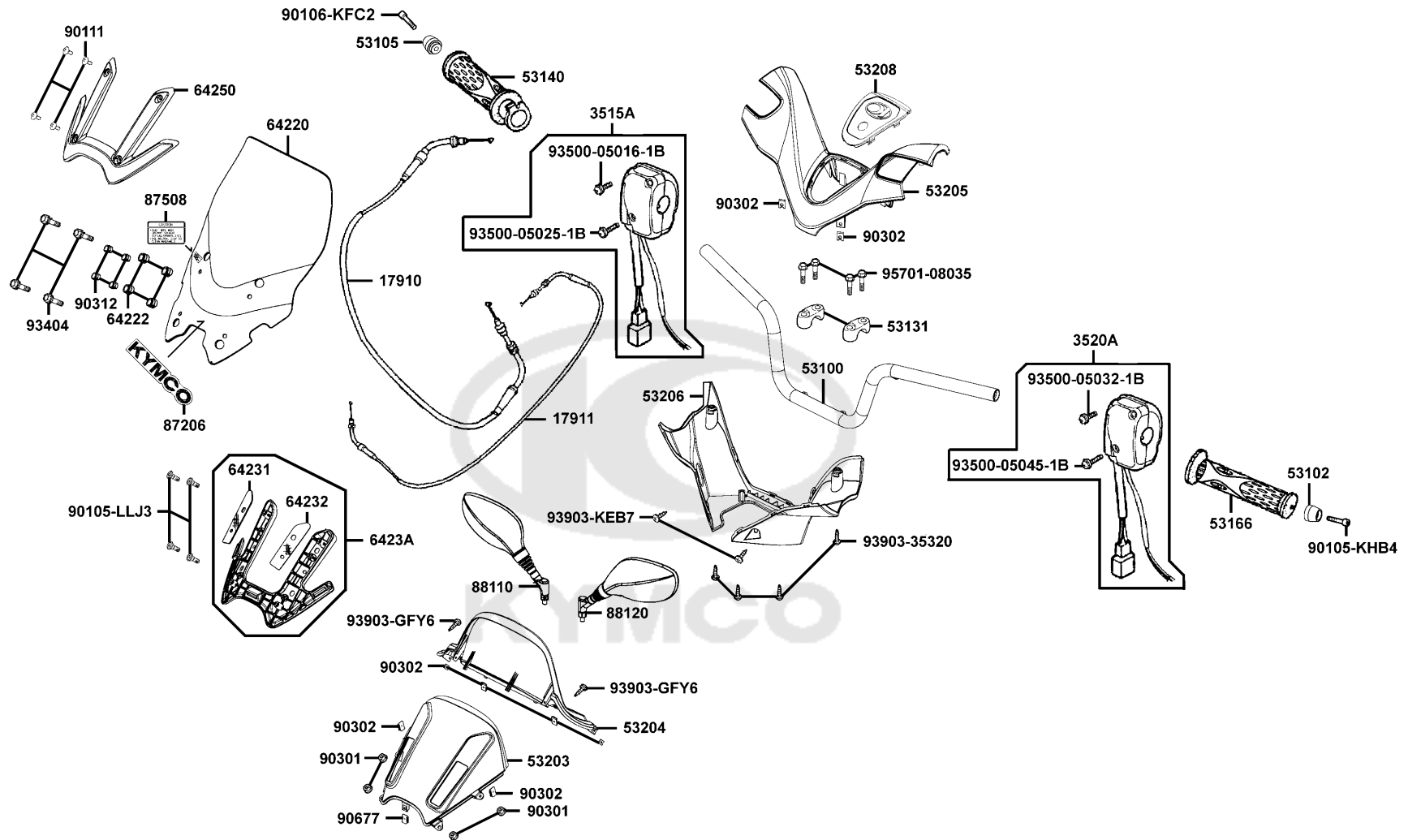


Sales mark	Ref no	Part no	Description	Reg description	Regd no	F02
	37119	37119-LBA2-E00	LENS	LENS	1	
	37200	37200-LDB2-E0A	METER ASSY SPEED	METER ASSY SPEED	1	
	37213	37213-LBA2-E00	BUTTON A	BUTTON A	1	
	37214	37214-LBA2-E00	BUTTON B	BUTTON B	3	
	93903	93903-35320	SCREW TAPPING 5*16	SCREW TAPPING 5*16	2	



F03

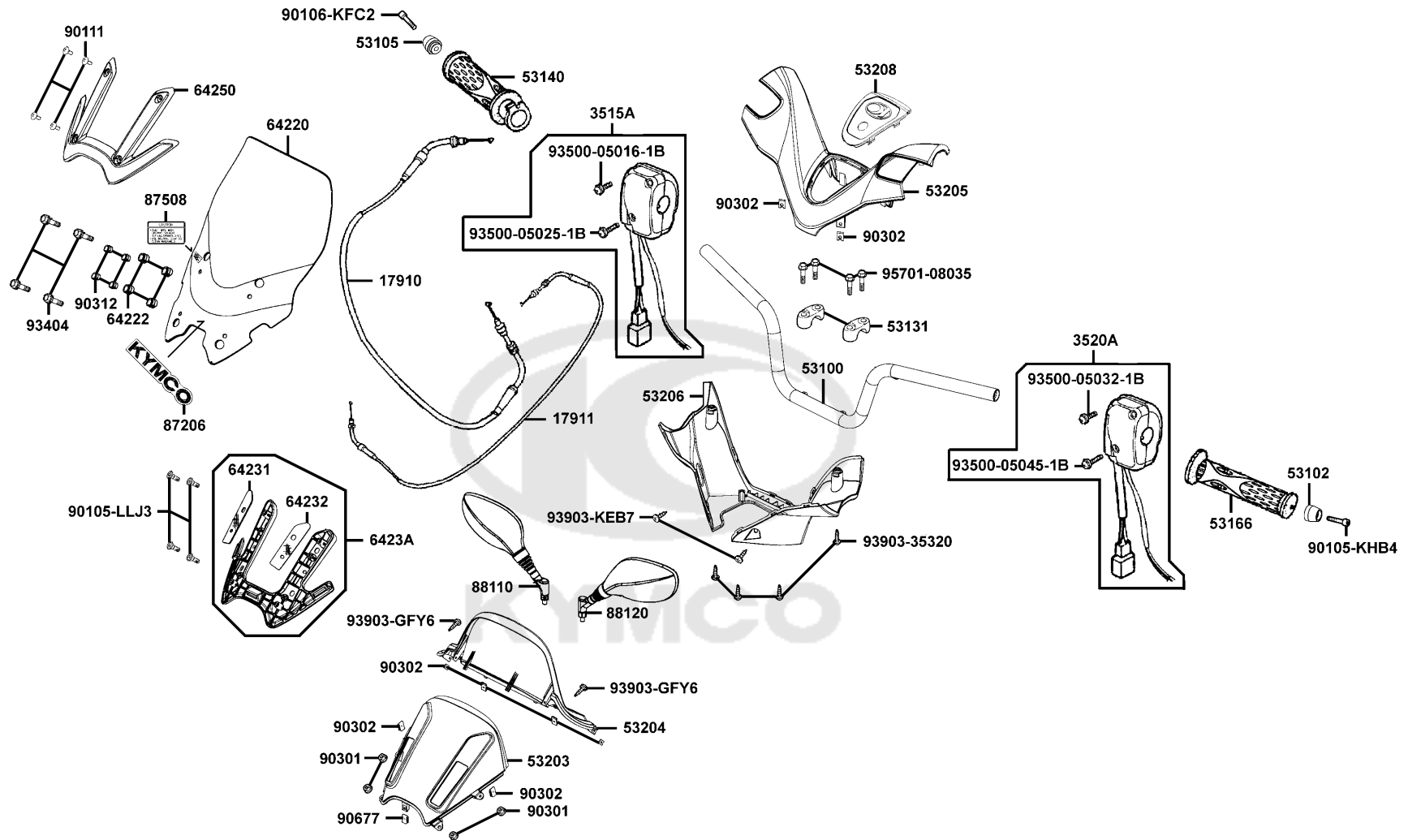
Handle Steering Handle Cover



Sales mark	Ref no	Part no	Description	Reg description	Regd no	F03
	17910	17910-LDF2-900	CABLE COMP THROT	CABLE COMP THROT	1	
	17911	17911-LDF2-900	CABLE B COMP THROT	CABLE B COMP THROT	1	
	3515A	3515A-LBA2-E01	SW ASSY RH HNDL COMP	SW ASSY RH HNDL COMP	1	
	3520A	3520A-KEBE-900	SW ASSY L HNDL COMP	SW ASSY L HNDL COMP	1	
	53100	53100-LBA2-E00	HANDLE COMP STRG	HANDLE COMP STRG	1	
**	53102	53102-KEC8-900	END R STRG HANDLE	END R STRG HANDLE	1	
**	53105	53105-LBB5-E00	END R STRG HANDLE	END R STRG HANDLE	1	
	53131	53131-3H98-941	HOLDER HANDLE PIPE	HOLDER HANDLE PIPE	2	
**	53140	53140-KKC4-900	GRIP COMP THROT	GRIP COMP THROT	1	
**	53166	53166-KGB5-900	GRIP L HANDLE	GRIP L HANDLE	1	
**	53203	53203-LBA2-E00	COVER METER FR	COVER METER FR	1	
**	53204	53204-LBA2-E00	COVER METER RR	COVER METER RR	1	
**	53205	53205-LBA2-E02	COVER HNDL UP	COVER HNDL UP	1	
**	53206	53206-LBA2-E00	COVER R HANDLE LOW	COVER R HANDLE LOW	1	
	53208	53208-LBA2-E00	GRILL HANDLE UP	GRILL HANDLE UP	1	
	64220	64220-LBA2-E00	WIND SCREEN	WIND SCREEN	1	
	64222	64222-KKC4-900	RUBBER WIND SCREEN	RUBBER WIND SCREEN	4	
	64231	64231-LBA2-E00	SPONGE TAPE R HOLDER	SPONGE TAPE R HOLDER	1	
	64232	64232-LBA2-E00	SPONGE TAPE L HOLDER	SPONGE TAPE L HOLDER	1	
**	6423A	6423A-LBA2-E00	HOLDER ASSY WIND SCREEN	HOLDER ASSY WIND SCREEN	1	

F03

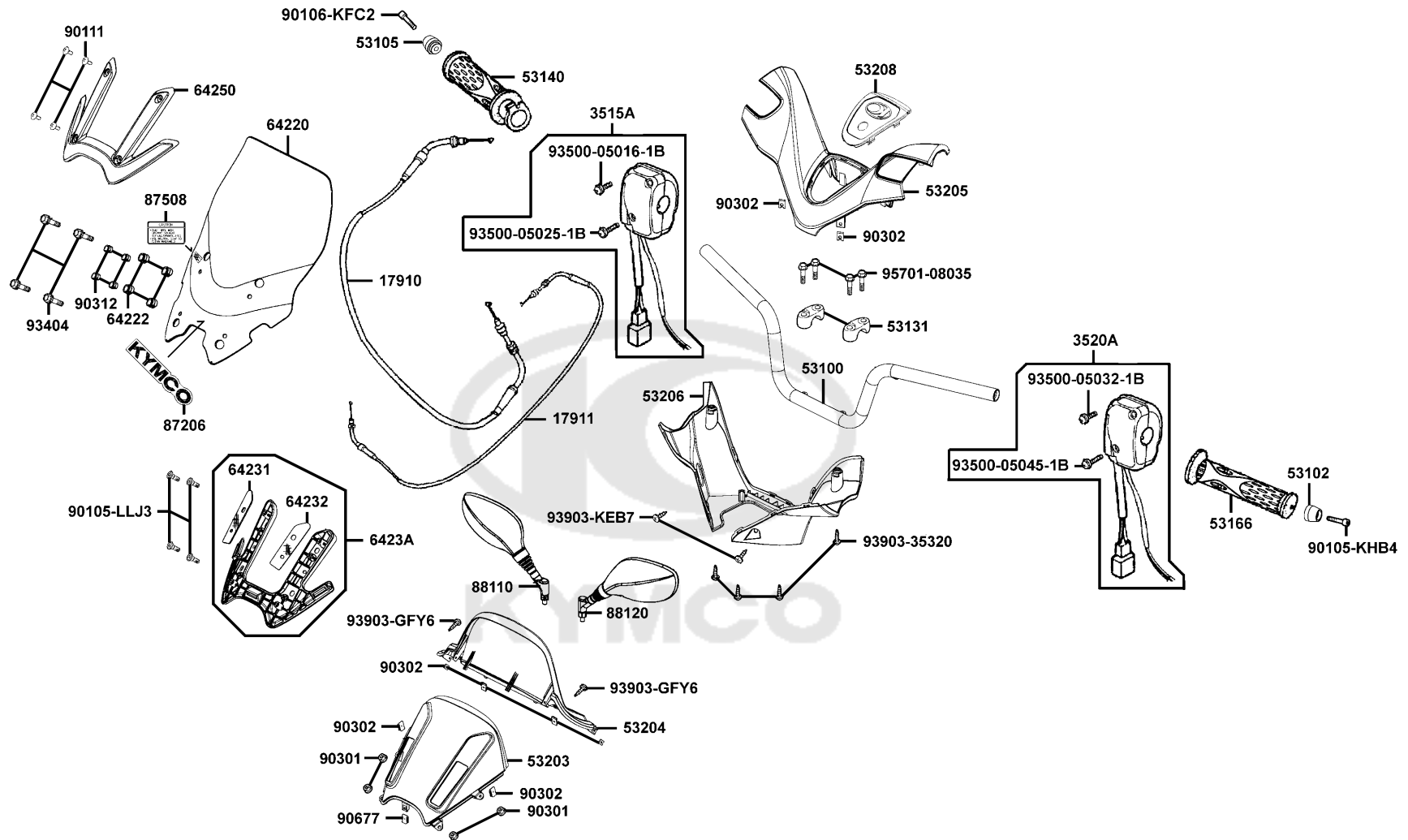
Handle SteeringHandle Cover



Sales mark	Ref no	Part no	Description	Reg description	Regd no	F03
**	64250	64250-LBA2-E00	COVER WIND SCREEN	COVER WIND SCREEN	1	
**	87206	87206-LBA2-E00	EMB MARK KYMCO	EMB MARK KYMCO	1	
**	87508	87508-KKC4-E00	LABEL CLEANNESS CAUYION	LABEL CLEANNESS CAUYION	1	
**	88110	88110-LBA2-E02	MIRROR ASSY R BACK	MIRROR ASSY R BACK	1	
**	88120	88120-LBA2-E02	MIRROR ASSY L BACK	MIRROR ASSY L BACK	1	
	90105-KHB4	90105-KHB4-900	BOLT WASH M8*60	BOLT WASH M8*60	1	
#	90105-LLJ3	90105-LLJ3-E00	BOLT SPECAL 8MM	BOLT SPECAL 8MM	4	
	90106-KFC2	90106-KFC2-900	BOLT WASH 8MM	BOLT WASH 8MM	1	
	90111	90111-KED9-900	SCREW PAN 6*14	SCREW PAN 6*14	4	
	90301	90301-6D34-671	NUT FLANGE 6MM	NUT FLANGE 6MM	4	
	90302	90302-SDA4-004	NUT SPRING 4MM	NUT SPRING 4MM	8	
	90312	90312-GLF0-001	COLLAR BODY COVER	COLLAR BODY COVER	4	
	90677	90677-GAR1-004	NUT CLIP 5MM	NUT CLIP 5MM	1	
	93404	93404-06020-06	BOLT WASH 6*20	BOLT WASH 6*20	4	
	93500-05016-1B	93500-05016-1B	SCREW PAN 5*16	SCREW PAN 5*16	1	
	93500-05025-1B	93500-05025-1B	SCREW PAN 5*25	SCREW PAN 5*25	1	
	93500-05032-1B	93500-05032-1B	SCREW PAN 5*32	SCREW PAN 5*32	1	
	93500-05045-1B	93500-05045-1B	SCREW PAN 5*45	SCREW PAN 5*45	1	
	93903-35320	93903-35320	SCREW TAPPING 5*16	SCREW TAPPING 5*16	4	
	93903-GFY6	93903-GFY6-900	SCREW TAPPING 4*14	SCREW TAPPING 4*14	2	

F03

Handle SteeringHandle Cover

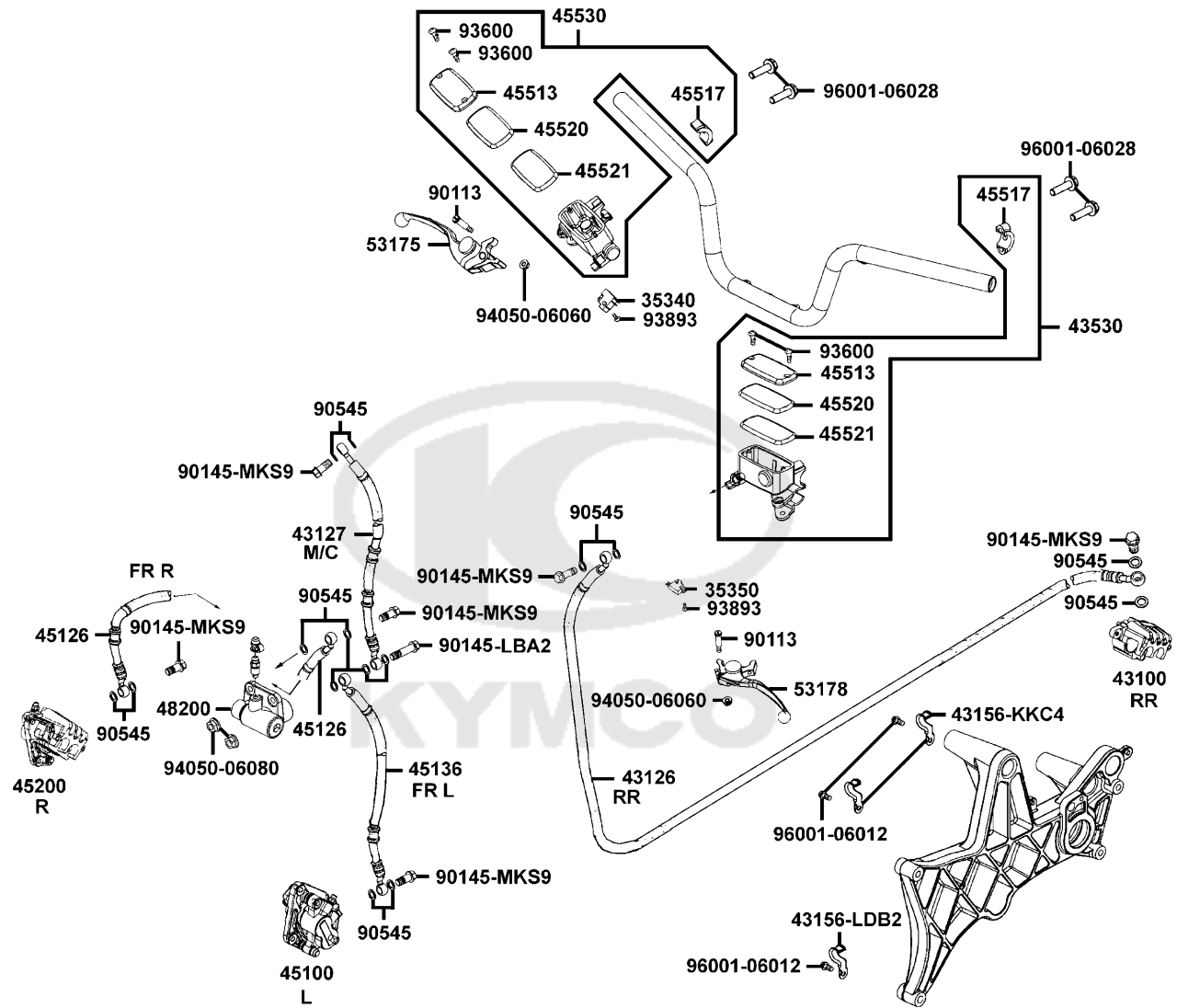


Sales mark	Ref no	Part no	Description	Reg description	Regd no	F03
------------	--------	---------	-------------	-----------------	---------	------------

	93903-KEB7	93903-KEB7-900-06	SCREW WASHER 4*12 (G)	SCREW WASHER 4*12 (G)	2	
	95701-08035	95701-08035-06	BOLT FLANGE 8*28	BOLT FLANGE 8*28	4	

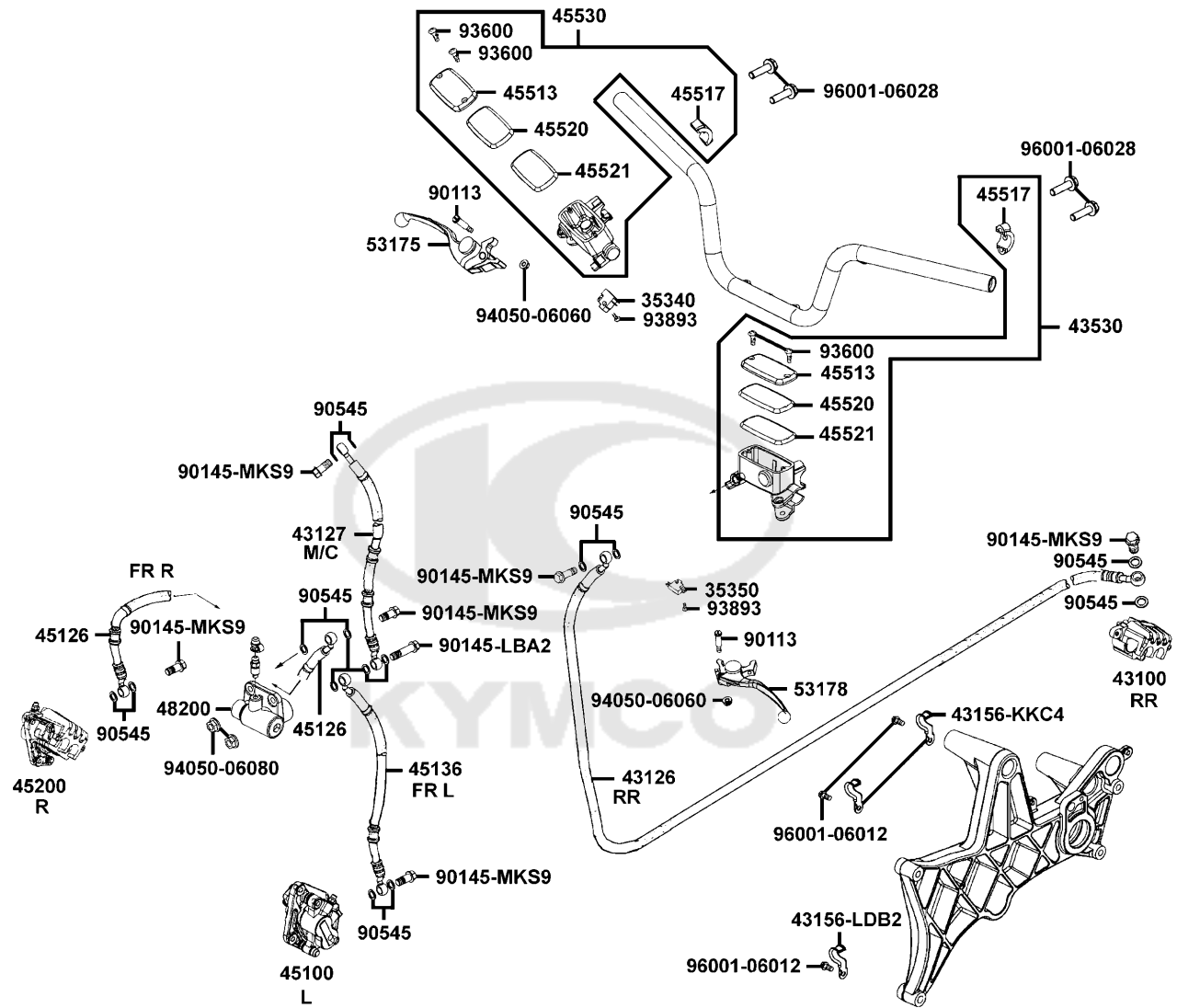


Brake Master Cylinder



Sales mark	Ref no	Part no	Description	Reg description	Regd no	F04
	35340	35340-KNBN-901	SW ASSY FR STOP	SW ASSY FR STOP	1	
	35350	35350-KNBN-901	SW ASSY RR STOP	SW ASSY RR STOP	1	
	43126	43126-LDB2-E00	HOSE ASSY C/P RR BRAKE	HOSE ASSY C/P RR BRAKE	1	
	43127	43127-LBA2-E01	HOSE ASSY M/C RR BRAKE	HOSE ASSY M/C RR BRAKE	1	
	43156-KKC4	43156-KKC4-900	CLAMPER HOSE RR	CLAMPER HOSE RR	2	
	43156-LDB2	43156-LDB2-900	CLAMPER HOSE RR	CLAMPER HOSE RR	1	
	43530	43530-LBA2-308	CYLINDER SET RR MASTER	CYLINDER SET RR MASTER	1	
	45126	45126-LBA2-E01	HOSE ASSY FR BRAKE (RH)	HOSE ASSY FR BRAKE (RH)	1	
	45136	45136-LBA2-E01	HOSE ASSY FR BRK (RH)	HOSE ASSY FR BRK (RH)	1	
# **	45513	45513-KKA8-900	CAP MASTER CYLINDER	CAP MASTER CYLINDER	2	
# **	45513	45513-LEA7-E00	CAP M/C	CAP M/C	2	
	45517	45517-LBA2-E00	HOLDER M/C	HOLDER M/C	2	
	45520	45520-KKA8-900	DIAPHRAGM	DIAPHRAGM	2	
	45521	45521-LEA7-E00	PLATE DIAPHRAGM	PLATE DIAPHRAGM	2	
	45530	45530-LBA2-308	CYLINDER SET FR MASTER	CYLINDER SET FR MASTER	1	
	48200	48200-LBA2-E01	LIMIT VALVE ASSY UBS	LIMIT VALVE ASSY UBS	1	
**	53175	53175-LBA2-E03	LEVER R STRG HANDLE	LEVER R STRG HANDLE	1	
**	53178	53178-LBA2-E03	LEVER L STRG HANDLE	LEVER L STRG HANDLE	1	
	90113	90113-KKA8-900	BOLT L STEERING HANDLE	BOLT L STEERING HANDLE	2	
	90145-LBA2	90145-LBA2-E00	OIL BOLT 10*33	OIL BOLT 10*33	1	

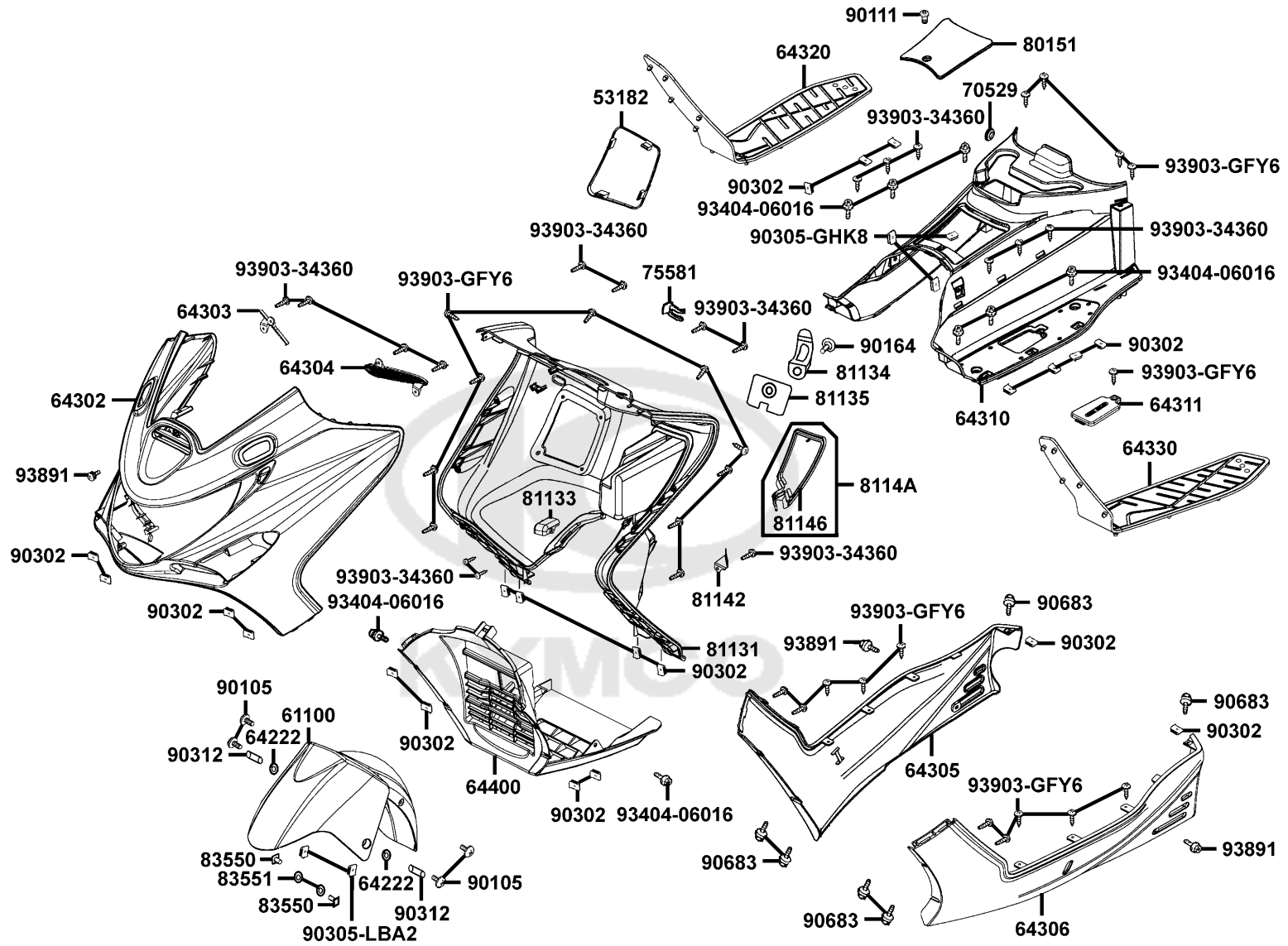
Brake Master Cylinder



Sales mark	Ref no	Part no	Description	Reg description	Regd no	F04
	90145-MKS9	90145-MKS9-61A	OIL BOLT 10*22	OIL BOLT 10*22	6	
	90545	90545-3L00-001	WASHER OIL BOLT	WASHER OIL BOLT	15	
	93600	93600-04012-1A	SCREW FLAT 4*12	SCREW FLAT 4*12	4	
	93893	93893-04012-18	SCREW WASHER 4*12	SCREW WASHER 4*12	2	
	94050-06060	94050-06060	NUT FLANGE 6MM	NUT FLANGE 6MM	2	
	94050-06080	94050-06080	NUT FLANGE 6MM	NUT FLANGE 6MM	2	
	96001-06012	96001-06012-08	BOLT FLANGE 6*12	BOLT FLANGE SH 6*12	3	
	96001-06028	96001-06028-06	BOLT FLANGE 6*28	BOLT FLANGE 6*28	4	

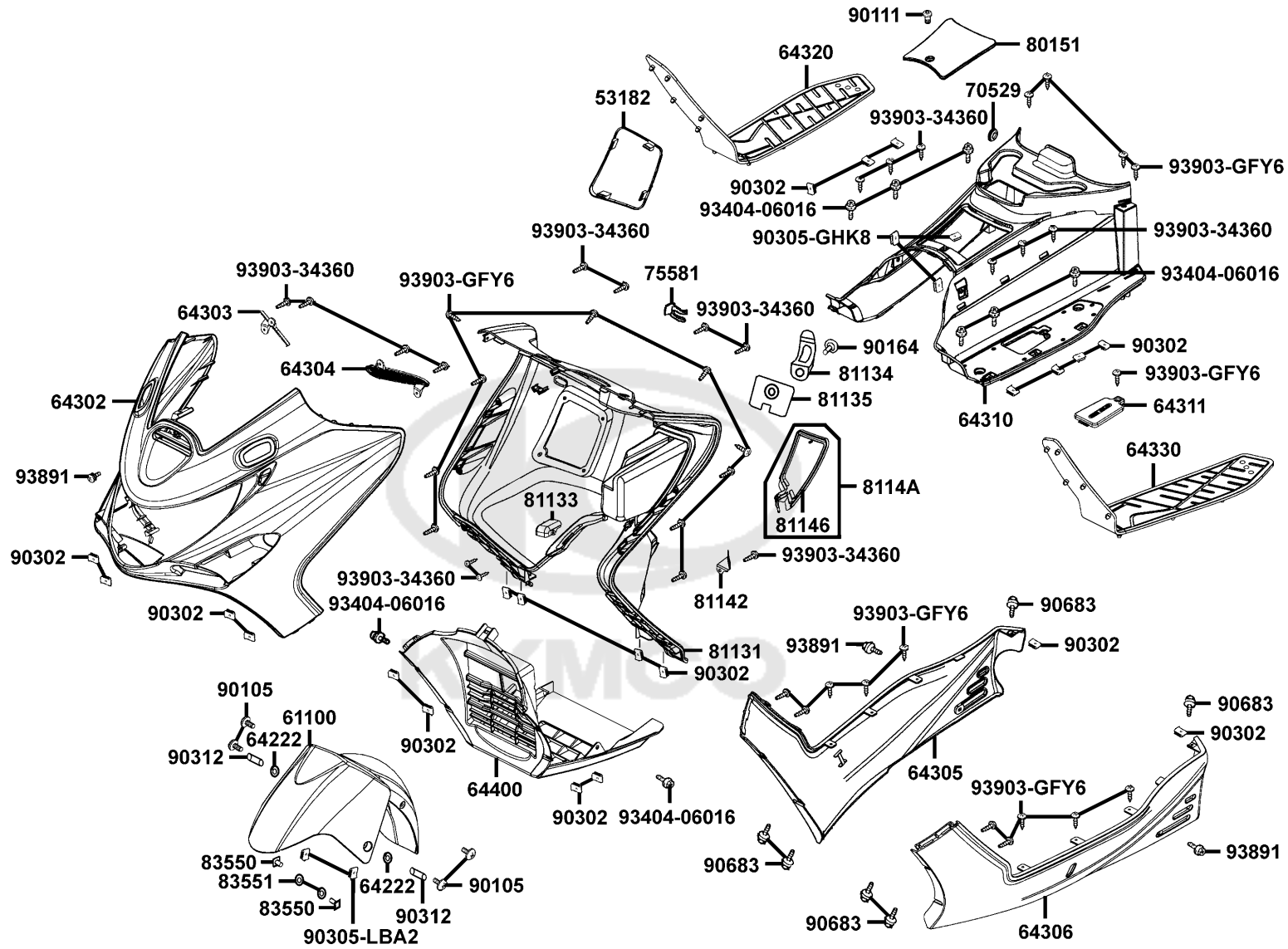


Front CoverFloor Panel

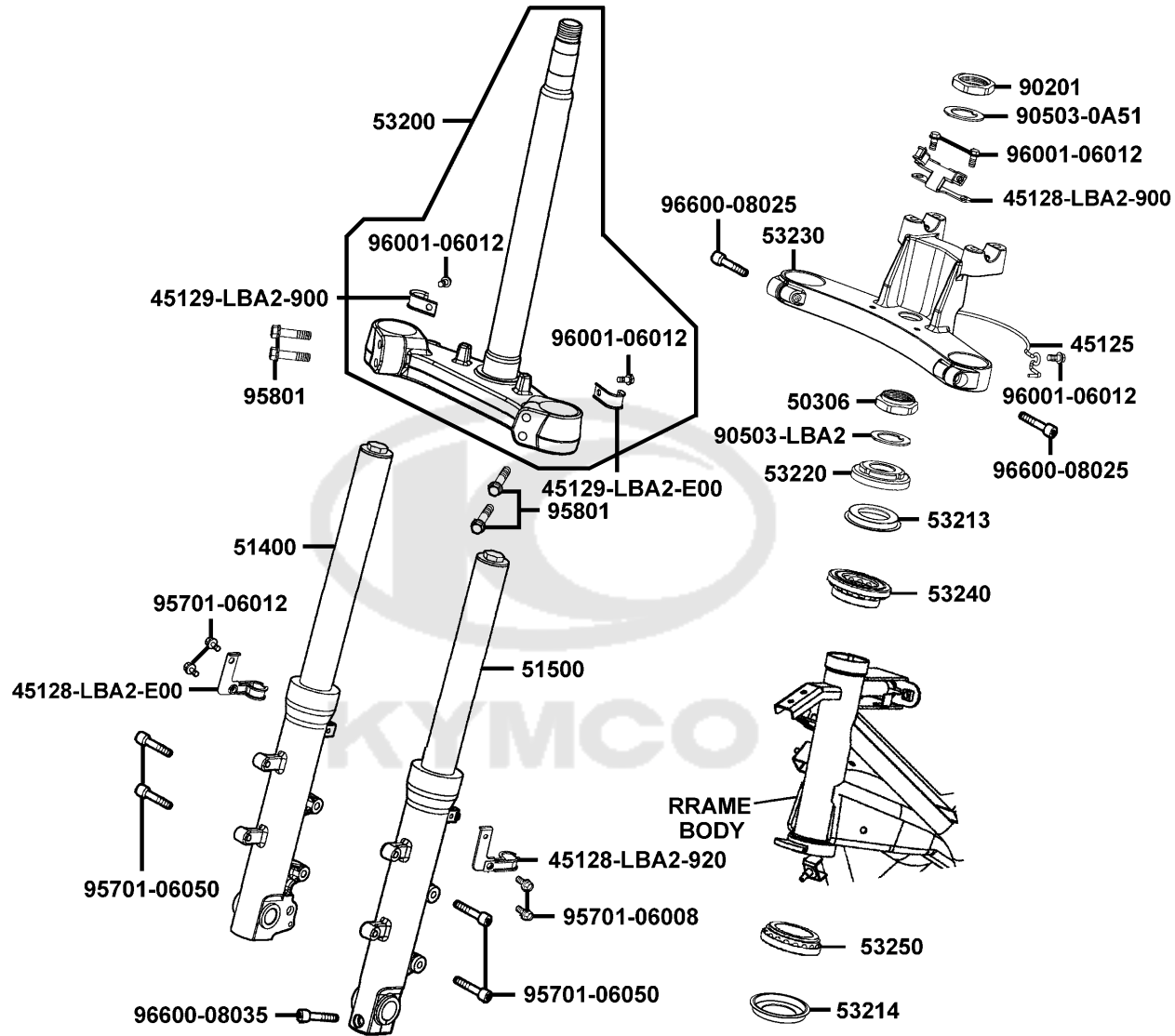


Sales mark	Ref no	Part no	Description	Reg description	Regd no	F05
	53182	53182-LDB2-E00	COVER HANDLE BRAKE	COVER HANDLE BRAKE	1	
	64222	64222-LLJ3-E00	RUBBER WIND SCREEN	RUBBER WIND SCREEN	2	
**	64302	64302-LBA2-E02	MOLDING FR	MOLDING FR	1	
**	64303	64303-LBA2-E00	GRID R FR MOLDING	GRID R FR MOLDING	1	
**	64304	64304-LBA2-E00	GRID L FR MOLDING	GRID L FR MOLDING	1	
**	64305	64305-LBA2-E00	SKIRT R SIDE	SKIRT R SIDE	1	
**	64306	64306-LBA2-E00	SKIRT L SIDE	SKIRT L SIDE	1	
**	64310	64310-LBA2-E00	FLOOR PANEL	FLOOR PANEL	1	
**	64311	64311-LBA2-E00	COVER R PILLION STEP	COVER R PILLION STEP	1	
**	64320	64320-LBA2-E00	MAT R FLOOR	MAT R FLOOR	1	
**	64330	64330-LBA2-E00	MAT L FLOOR	MAT L FLOOR	1	
**	64400	64400-LBA2-E00	COWL UNDER	COWL UNDER	1	
	70529	70529-6G57-671	GROM B SIDE PNL	GROM B SIDE PNL	1	
	75581	75581-6C73-001	SET SPG LOCK KEY	SET SPG LOCK KEY	1	
**	80151	80151-LBA2-E00	COVER CENTER	COVER CENTER	1	
**	81131	81131-LBA2-E01	LEG SHIELD	LEG SHIELD	1	
	81133	81133-LBA2-E00	CAP LEG SHIELD	CAP LEG SHIELD	1	
	81134	81134-KGBG-900	HOOK LUGGAGE	HOOK LUGGAGE	1	
	81135	81135-KGBG-900	STAY LUGGAGE HOOK	STAY LUGGAGE HOOK	1	
	81142	81142-LBA2-E00	STAY LID INNER BOX	STAY LID INNER BOX	1	

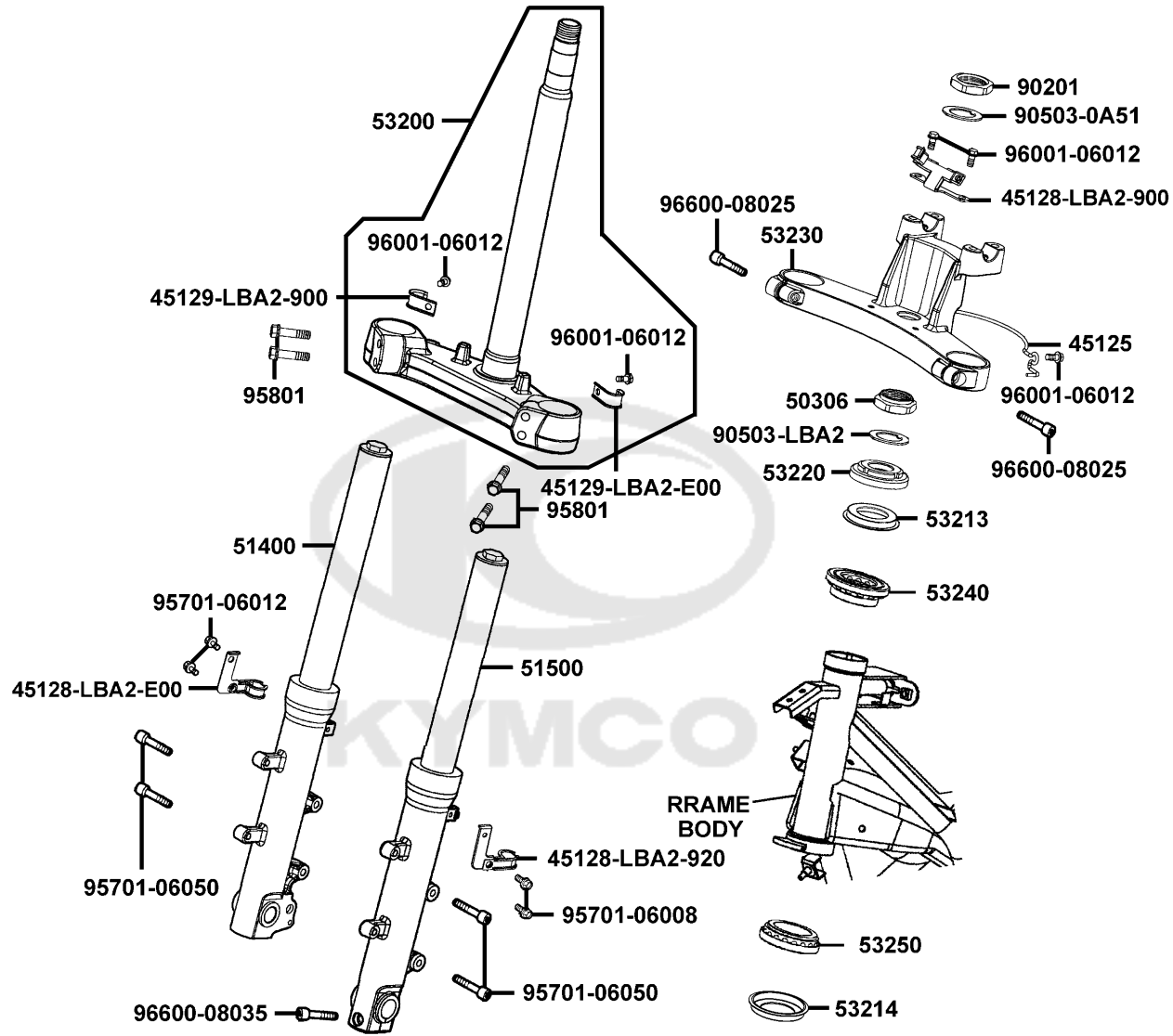
Front CoverFloor Panel




Sales mark	Ref no	Part no	Description	Reg description	Regd no	F05
	81146	81146-LBA2-E00	SEAL LID INNER BOX	SEAL LID INNER BOX	1	
**	8114A	8114A-LBA2-E00	LID ASSY INNER BOX	LID ASSY INNER BOX	1	
	83550	83550-KEC8-900	COLLAR	COLLAR	2	
	83551	83551-KEC8-900	GROMMET COVER	GROMMET COVER	2	
#	90105	90107-LEA7-E00	BOLT SPECIAL 8MM	BOLT SPECIAL 8MM	2	
	90111	90111-KED9-900	SCREW PAN 6*14	SCREW PAN 6*14	1	
	90164	90164-MDR4-901	SCREW SPECIAL 6MM	SCREW SPECIAL 6MM	1	
	90302	90302-SDA4-004	NUT SPRING 4MM	NUT SPRING 4MM	21	
	90305-GHK8	90305-GHK8-001	NUT CLIP 6MM	NUT CLIP 6MM	3	
	90305-LBA2	90305-LBA2-E00	NUT CLIP 6MM	NUT CLIP 6MM	2	
	90312	90312-LLJ3-E01	COLLAR WIND SCREEN	COLLAR WIND SCREEN	2	
	90683	90683-GAR1-004	CLIP BODY COVER	CLIP BODY COVER	6	
	93404-06016	93404-06016-06	BOLT WASHER 6*16	BOLT WASHER 6*16	8	
	93891	93891-05016-06	SCREW WASHER 5* 16	SCREW WASHER 5* 16	3	
	93903-34360	93903-34360	SCREW TAPPING 4*12	SCREW TAPPING 4*12	17	
	93903-GFY6	93903-GFY6-900	SCREW TAPPING 4*14	SCREW TAPPING 4*14	25	



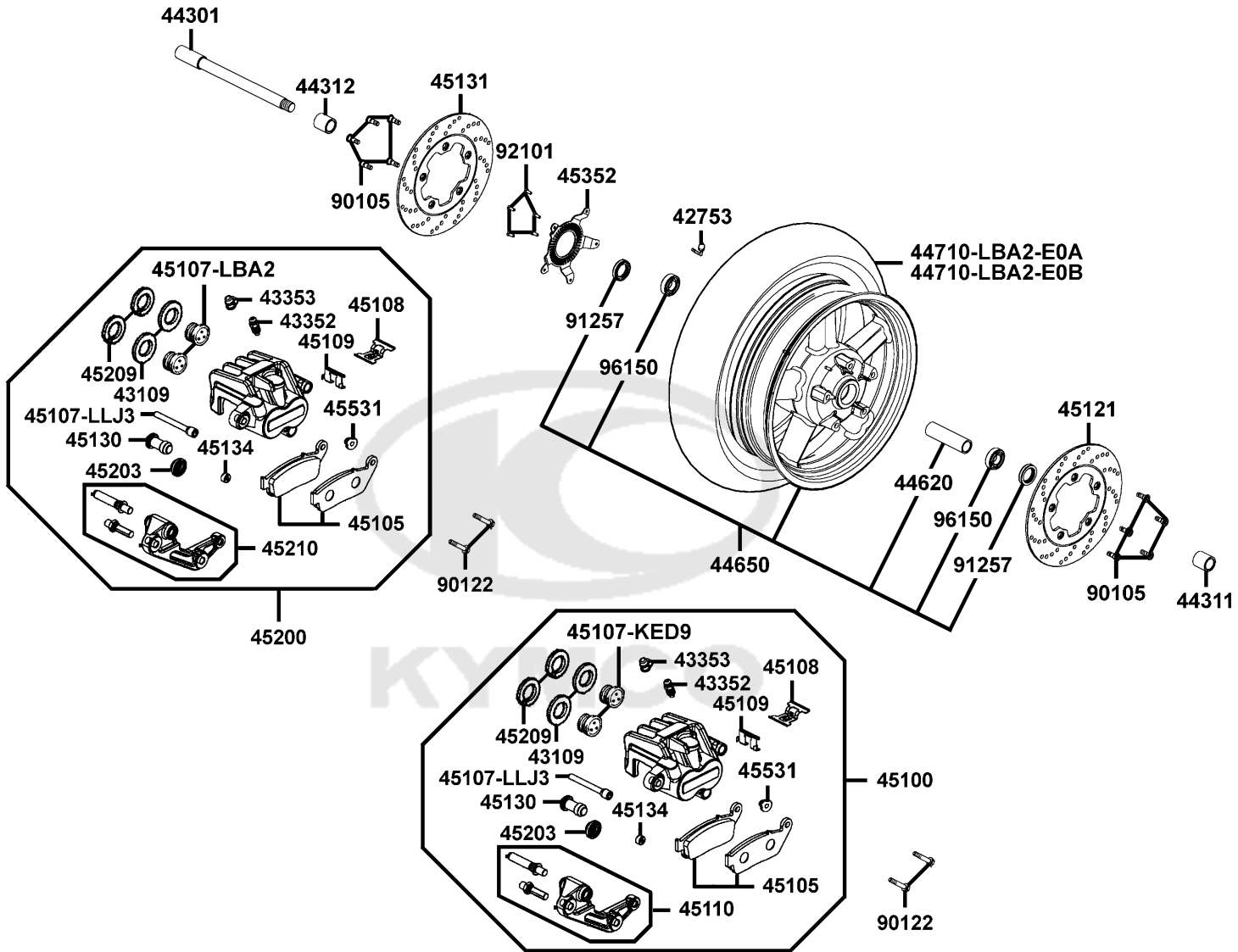
Sales mark	Ref no	Part no	Description	Reg description	Regd no	F06
	45125	45125-LBA2-E00	CLIP BRK HOSE(TOP BRIDGE)	CLIP BRK HOSE(TOP BRIDGE)	1	
	45128-LBA2-900	45128-LBA2-900	CLAMPER FR BRK (TOP BRIDGE)	CLAMPER FR BRK (TOP BRIDGE)	1	
	45128-LBA2-920	45128-LBA2-920	CLAMPER FR BRK HOSE	CLAMPER FR BRK HOSE	1	
	45128-LBA2-E00	45128-LBA2-E00	CLAMPER FR BRK HOSE	CLAMPER FR BRK HOSE	1	
	45129-LBA2-900	45129-LBA2-900	CLAMPER FR BRK HOSE	CLAMPER FR BRK HOSE	1	
	45129-LBA2-E00	45129-LBA2-E00	CLAMPER FR BRK HOSE	CLAMPER FR BRK HOSE	1	
	50306	50306-1F96-001	NUT STRG STEM LOCK	NUT STRG STEM LOCK	1	
**	51400	51400-LDB2-E00	FORK ASSY R FR	FORK ASSY R FR	1	
**	51500	51500-LDB2-E00	FORK ASSY L FR	FORK ASSY L FR	1	
	53200	53200-LBA2-E00	STEM COMP STRG	STEM COMP STRG	1	
	53213	53213-LBA2-E00	DUST SEAL STRG HEAD TOP	DUST SEAL STRG HEAD TOP	1	
	53214	53214-LBA2-E00	DUST SEAL STRG (HEAD)	DUST SEAL STRG (HEAD)	1	
	53220	53220-LBA2-E00	THREAD COMP STRG HEAD TOP	THREAD COMP STRG HEAD TOP	1	
	53230	53230-LBA2-E00	BRIDGE FORK TOP	BRIDGE FORK TOP	1	
	53240	53240-LBA2-E00	BEARING TOT STRG	BEARING TOT STRG	1	
	53250	53250-LBA2-E00	BEARING BOT STRG	BEARING BOT STRG	1	
	90201	90201-LBA2-E00	NUT STRG STEM	NUT STRG STEM	1	
	90503-0A51	90503-0A51-870	WASHER STEERING STEM NUT	WASHER STEERING STEM NUT	1	
	90503-LBA2	90503-LBA2-E00	WASHER STRG STEM NUT	WASHER STRG STEM NUT	1	
	95701-06008	95701-06008-06	BOLT FLANGE 6*8	BOLT FLANGE 6*8	2	



Sales mark	Ref no	Part no	Description	Reg description	Regd no	F06
	95701-06012	95701-06012-00	BOLT FLANGE 6*12	BOLT FLANGE 6*12	2	
	95701-06050	95701-06050-08	BOLT FLANGE 6*50	BOLT FLANGE 6*50 (C)	4	
	95801	95801-08040-08	BOLT FLANGE 8*40	BOLT FLANGE 8*40	4	
	96001-06012	96001-06012-08	BOLT FLANGE 6*12	BOLT FLANGE SH 6*12	5	
	96600-08025	96600-08025-06	SOCKET BOLT 8*25	SOCKET BOLT 8*25	2	
	96600-08035	96600-08035-06	SOCKET BOLT 8*35	SOCKET BOLT 8*35	1	
						

F07

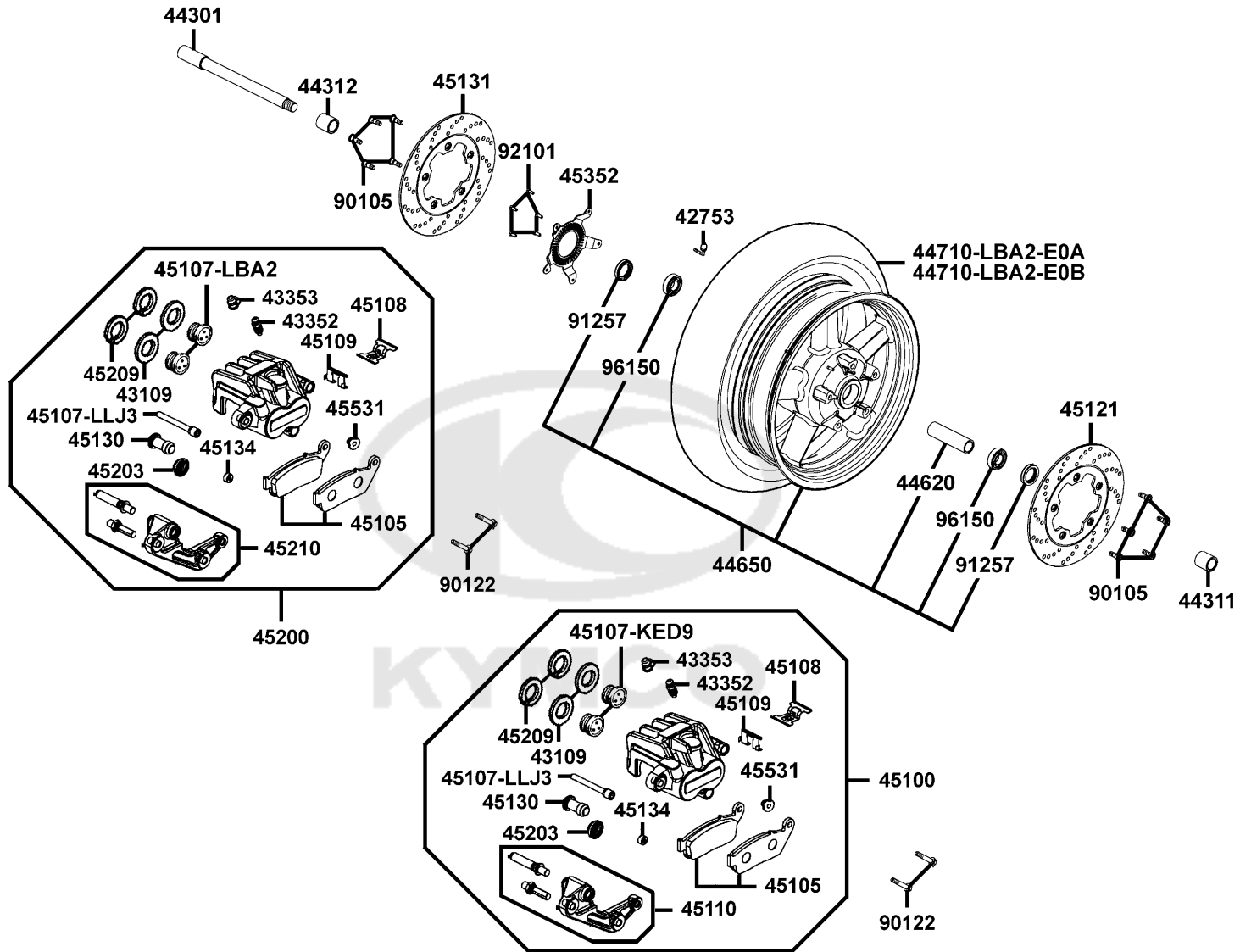
Front Wheel



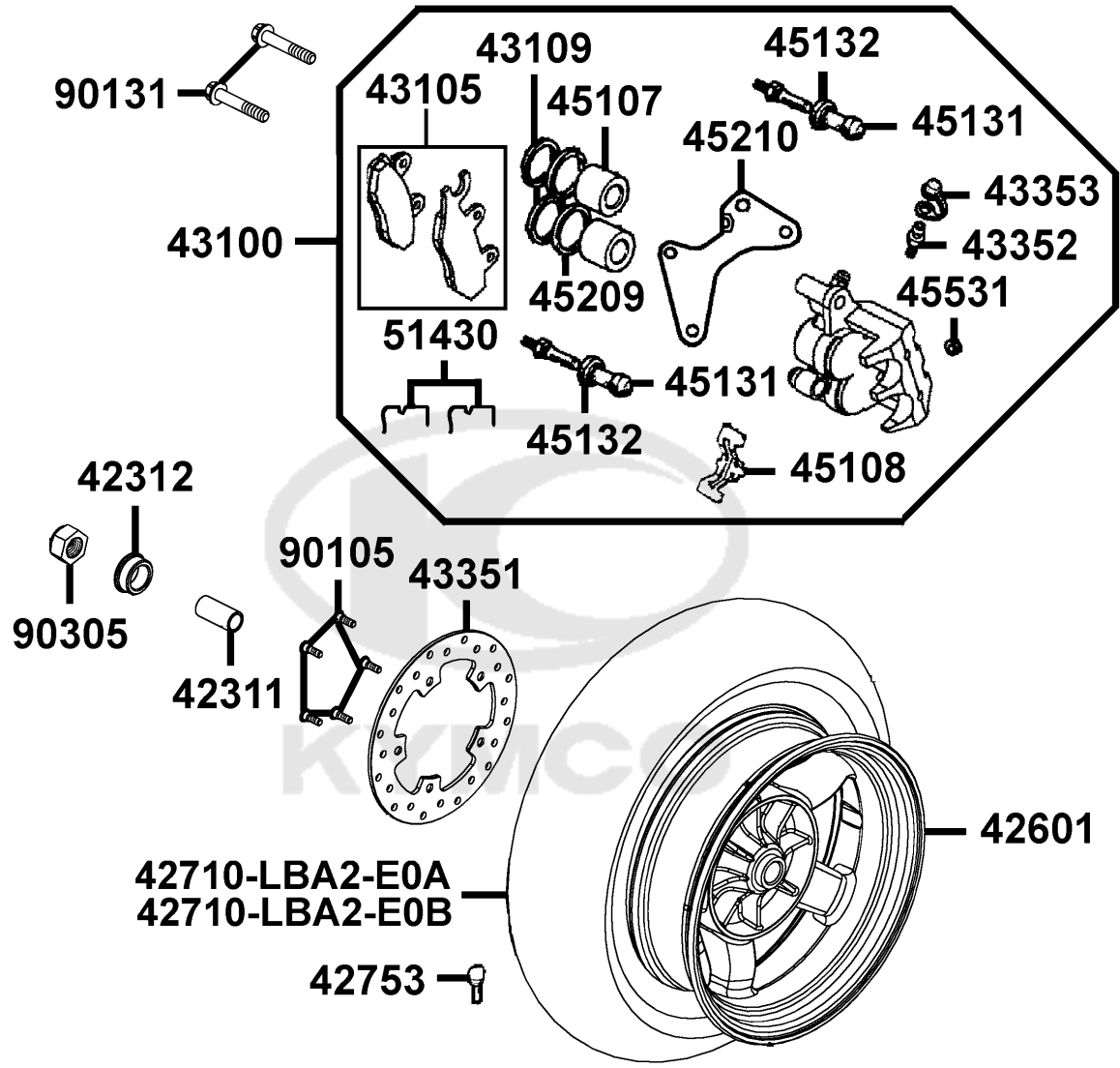
Sales mark	Ref no	Part no	Description	Reg description	Regd no	F07
	42753	42753-KNBN-90B	VALAE RIM (TR412)	VALAE RIM (TR412)	1	
	43109	43109-LBA2-E00	DUST SEAL	DUST SEAL	4	
	43353	43353-KED9-900	CAP BLEEDER	CAP BLEEDER	2	
#	43352	4335A-LBA2-E01	BLEEDER ASSY	BLEEDER ASSY	1	
	44301	44301-LBA2-E00	AXLE FR WHEEL	AXLE FR WHEEL	1	
	44311	44311-KED9-900	COLLAR FR WHEEL SIDE	COLLAR FR WHEEL SIDE	1	
	44312	44312-LBA2-E00	COLLAR FR WHEEL SIDE L	COLLAR FR WHEEL SIDE L	1	
	44620	44620-LBA2-E00	COLLAR FR AXLE DISTANCE	COLLAR FR AXLE DISTANCE	1	
**	44650	44650-LBA2-305	WHEEL SET FR	WHEEL SET FR	1	
	44710-LBA2-E0A	44710-LBA2-E0A	TIRE ASSY FR /MAXXIS	TIRE ASSY FR /MAXXIS	1	
	44710-LBA2-E0B	44710-LBA2-E0B	TIRE ASSY FR /KENDA	TIRE ASSY FR /KENDA	1	
**	45100	45100-LBA2-E01	CALIPER ASSY FR L	CALIPER ASSY FR L	1	
	45105	45105-LBA2-305	PAD ASSY	PAD ASSY	2	
	45107-KED9	45107-KED9-900	PISTON	PISTON	2	
	45107-LBA2	45107-LBA2-E00	PISTON	PISTON	2	
	45107-LLJ3	45107-LLJ3-E90	PIN HANGE	PIN HANGE	2	
	45108	45108-KED9-900	SPRING PAD	SPRING PAD	2	
	45109	45109-KED9-900	SPRING PAD	SPRING PAD	2	
**	45110	45110-LBA2-305	BRACKET COMP FR	BRACKET COMP FR	1	
	45121	45121-LDB2-E00	DISK FR BRK R	DISK FR BRK R	1	

F07

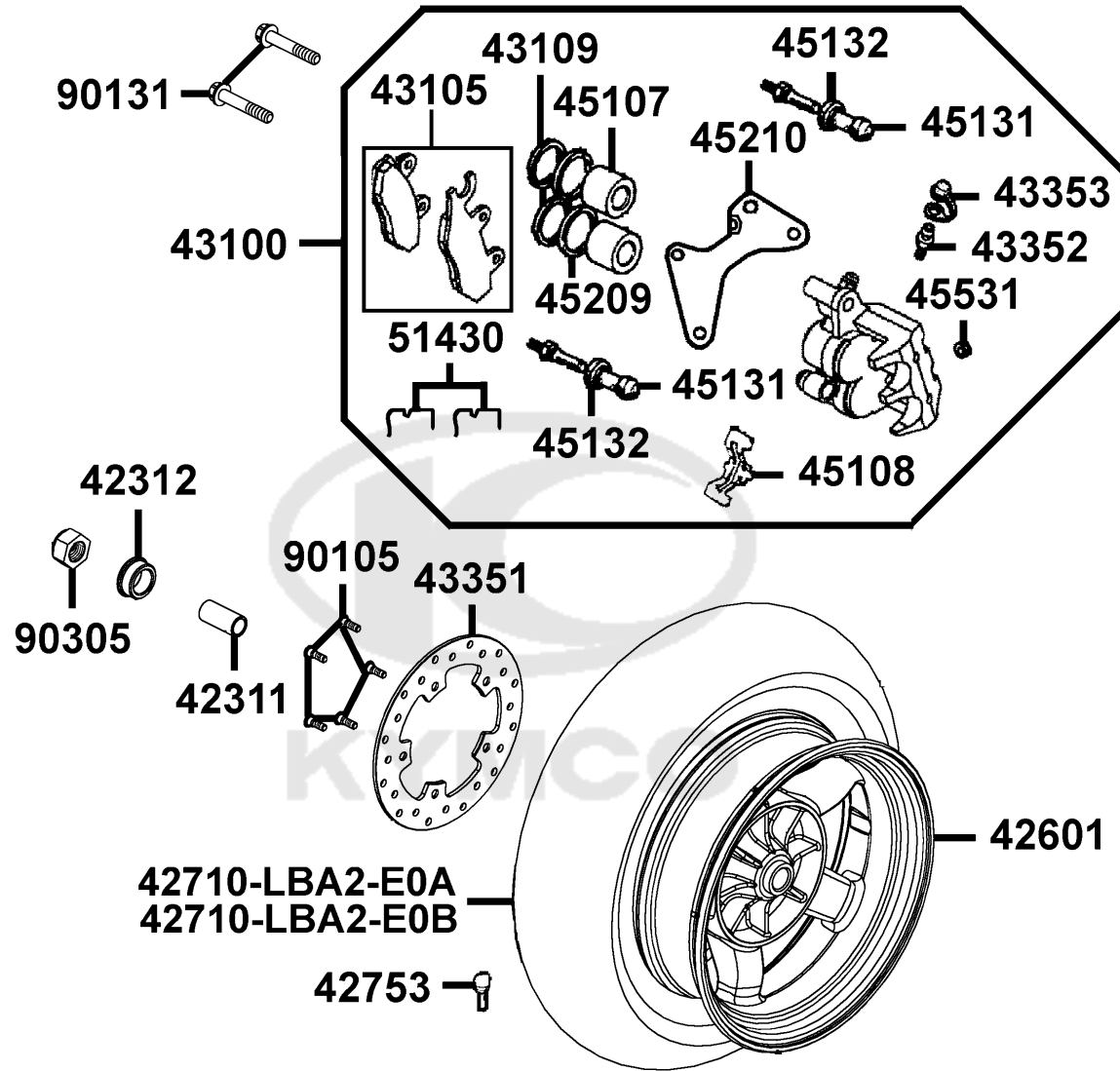
Front Wheel



Sales mark	Ref no	Part no	Description	Reg description	Regd no	F07
	45130	45130-KED9-900	BUSH PIN	BUSH PIN	2	
	45131	45131-LDB2-E00	DISK FR BRK L	DISK FR BRK L	1	
	45134	45134-KED9-900	BOOT B	BOOT B	2	
**	45200	45200-LBA2-E00	CALIPER ASSY FR R	CALIPER ASSY FR R	1	
	45203	45203-KED9-900	PLUG PIN	PLUG PIN	2	
	45209	45209-LBA2-E00	SEAL PISTON	SEAL PISTON	4	
**	45210	45210-LBA2-305	BRACKET COMP FR	BRACKET COMP FR	1	
	45352	45352-LBA2-E00	READ PLATE ABS	READ PLATE ABS	1	
	45531	45531-KED9-900	PLUG PIN	PLUG PIN	2	
	90105	90105-KCR3-001	BOLT FR DISK 8*24	BOLT FR DISK 8*24	10	
	90122	90122-LBA2-E00	BOLT FLANGE 8*38	BOLT FLANGE 8*38	4	
	91257	91257-KED9-900	DUST SEAL 28*42*8	DUST SEAL 28*42*8	2	
	92101	92101-05012-0A	BOLT HEX 5*12	BOLT HEX 5*12	5	
	96150	96150-60040-10	BEARING BALL RADIAL 6004	BEARING BALL RADIAL 6004	2	



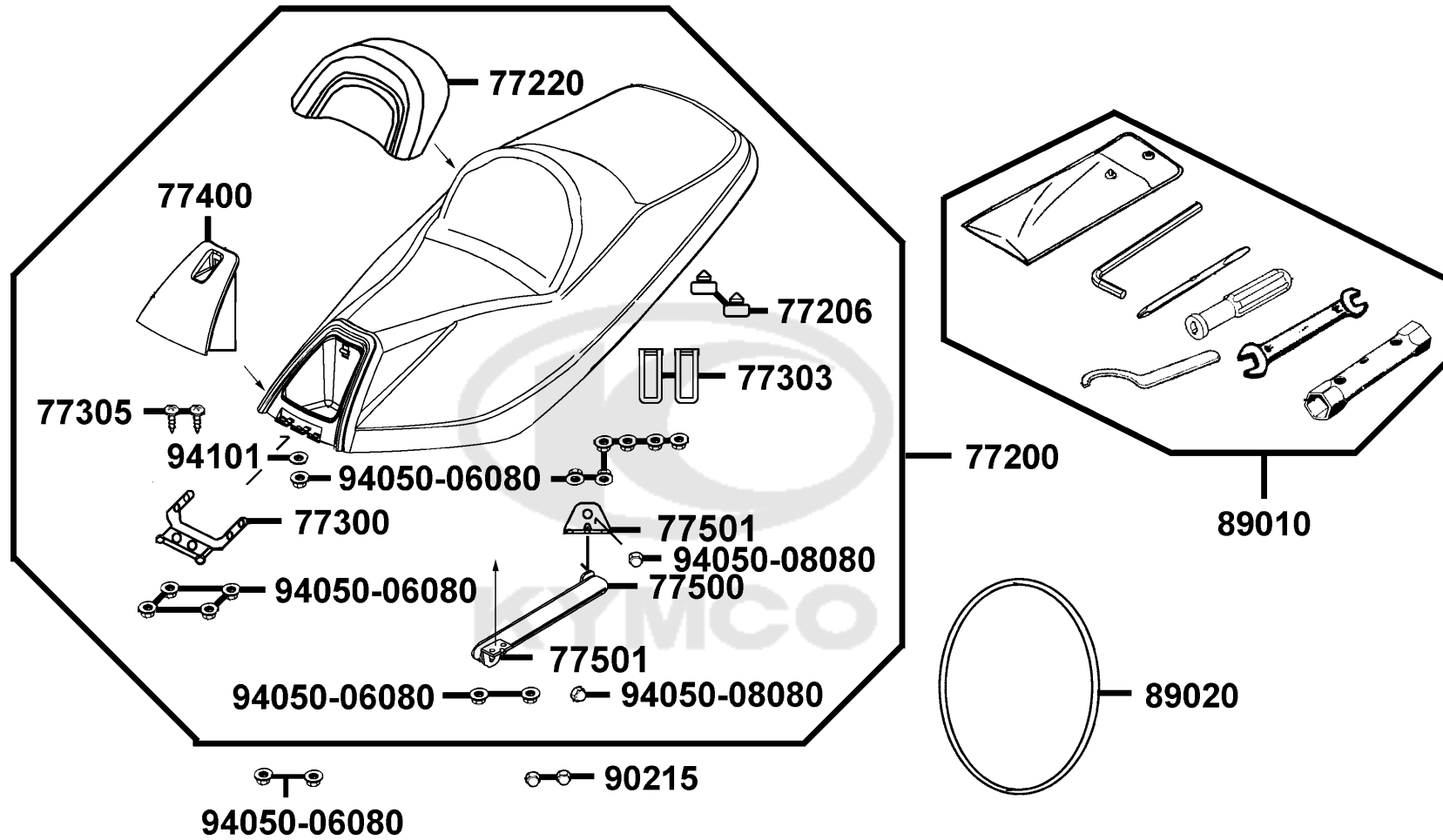
Sales mark	Ref no	Part no	Description	Reg description	Regd no	F08
	42311	42311-LDB2-E00	COLLAR RR AXLE A	COLLAR RR AXLE A	1	
	42312	42312-KHE7-E00	COLLAR RR AXLE SIDE	COLLAR RR AXLE SIDE	1	
**	42601	42601-LDB2-E00	WHEEL RR CAST	WHEEL RR CAST	1	
	42710-LBA2-E0A	42710-LBA2-E0A	TIRE ASSY RR /MAXXIS	TIRE ASSY RR /MAXXIS	1	
	42710-LBA2-E0B	42710-LBA2-E0B	TIRE ASSY RR /KENDA	TIRE ASSY RR /KENDA	1	
	42753	42753-KNBN-90B	VALAE RIM (TR412)	VALAE RIM (TR412)	1	
**	43100	43100-LDF2-E00	CALIPER ASSY RR	CALIPER ASSY RR	1	
#	43105	43105-LDH1-305	PAD SET	PAD SET	1	
	43109	43109-MCA3-007	DUST SEAL	DUST SEAL	2	
	43351	43351-LBA2-E00	DISK RR BRAKE	DISK RR BRAKE	1	
#	43352	43352-KKD6-E90	SCREW BLEEDER	SCREW BLEEDER	1	
	43353	43353-4A61-77A	CAP BLEEDER	CAP BLEEDER	1	
	45107	45107-LLJ3-E00	PISTON	PISTON	2	
	45108	45108-LDH1-E00	SPRING PAD	SPRING PAD	1	
	45131	45131-LDH1-E00	PIN BOLT	PIN BOLT	2	
	45132	45132-LDH1-E00	BUSH BOOT PIN	BUSH BOOT PIN	2	
	45209	45209-KED9-900	SEAL PISTON	SEAL PISTON	2	
**	45210	45210-LDF2-E00	BRACKET FR CALIPER	BRACKET FR CALIPER	1	
	45531	45531-GAR1-951	PLUG	PLUG	1	
	51430	51430-LDH1-E00	SLIDE PAD	SLIDE PAD	2	



Sales mark	Ref no	Part no	Description	Reg description	Regd no	F08
------------	--------	---------	-------------	-----------------	---------	------------

90105		90105-KCR3-001	BOLT FR DISK 8*24	BOLT FR DISK 8*24	5	
90131		90131-LDB2-E00	BOLT FLANGE 8*42	BOLT FLANGE 8*42	2	
90305		90305-KKAK-900	NUT U 16MM	NUT U 16MM	1	

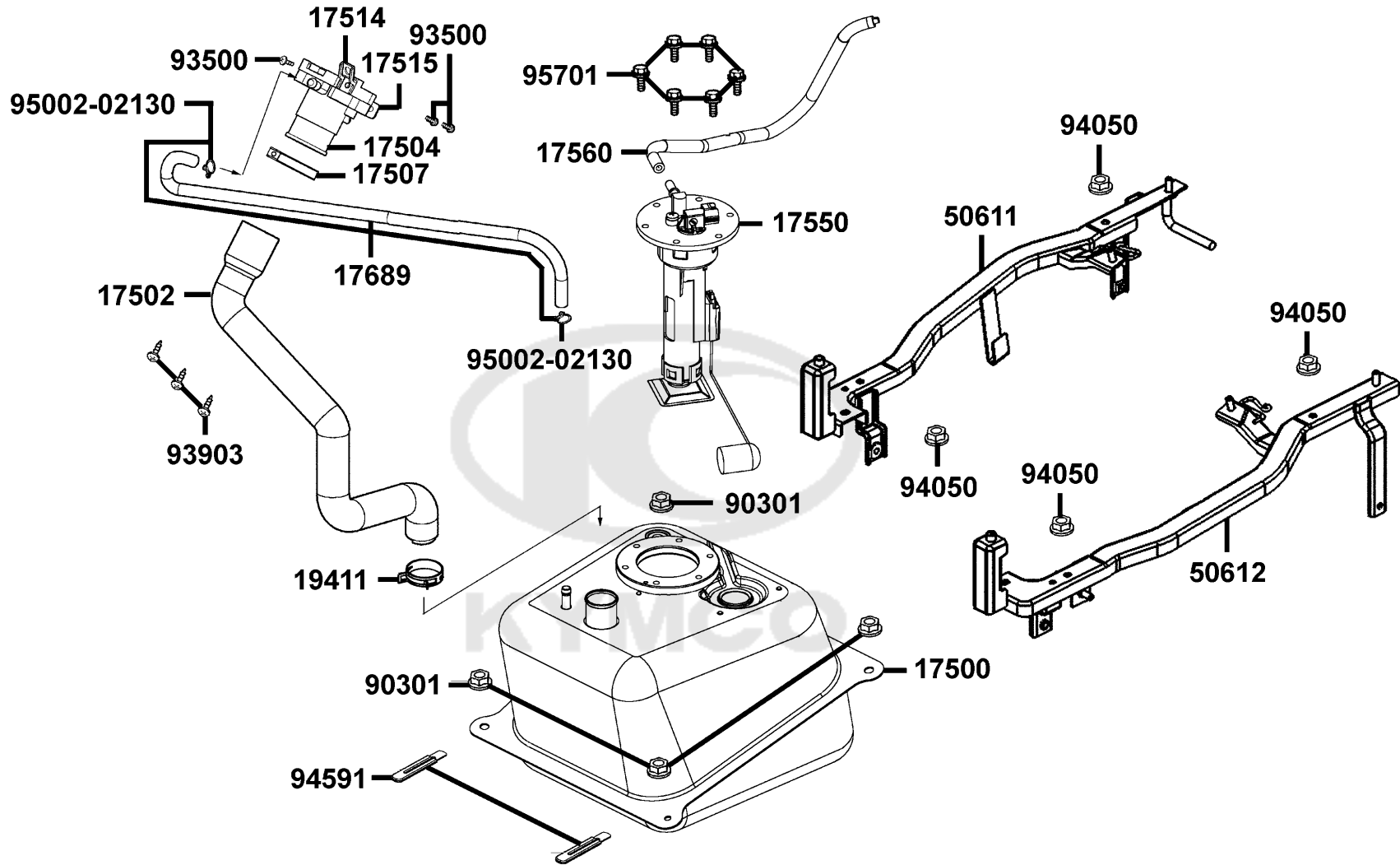




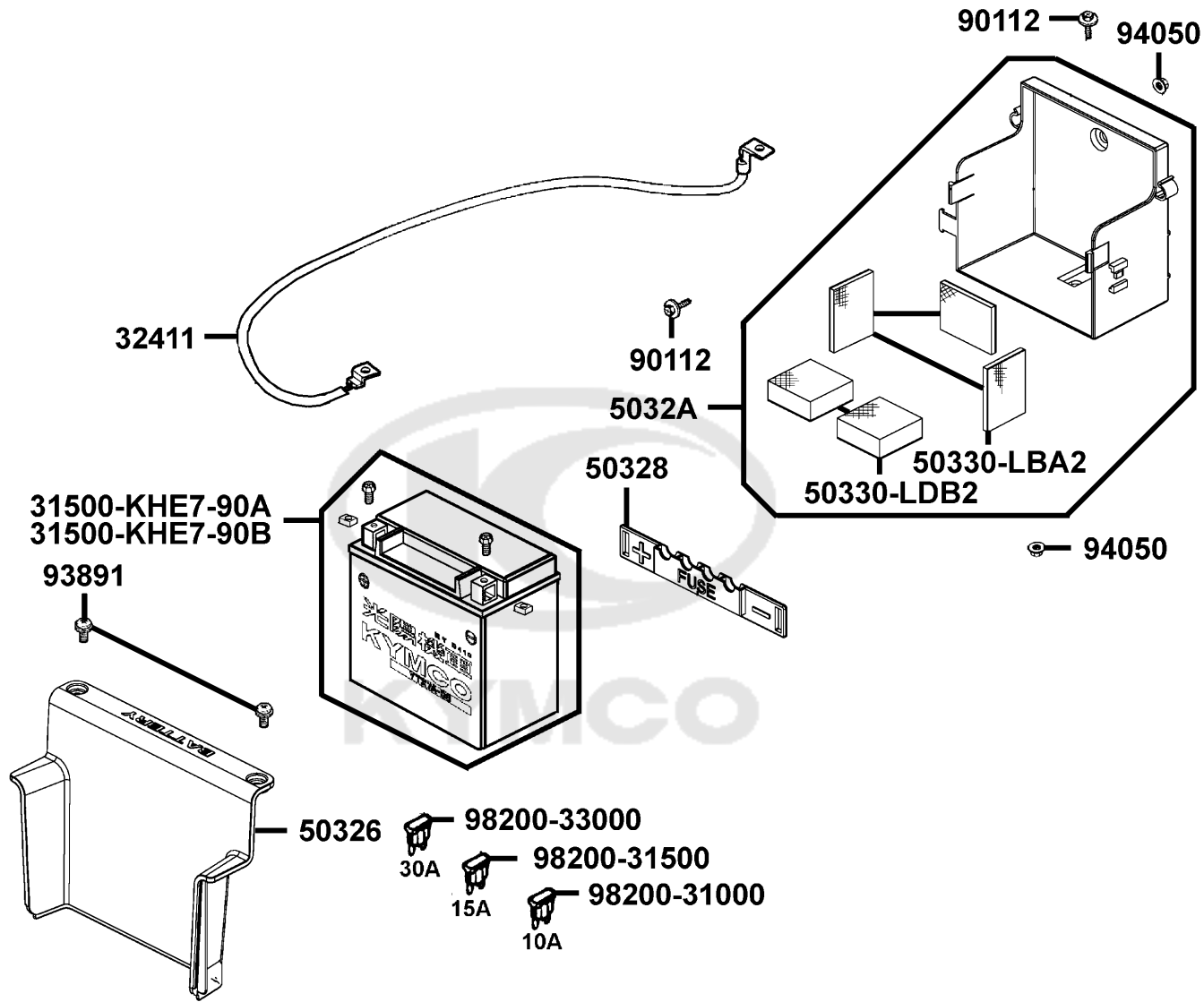
Sales mark	Ref no	Part no	Description	Reg description	Regd no	F09
**	77200	77200-LBA2-E00	SEAT ASSY	SEAT ASSY	1	
	77206	77206-KEB7-900	RUBBER SEAT CUSH	RUBBER SEAT CUSH	2	
**	77220	77220-LBA2-E00	SEAT ASSY PAD	SEAT ASSY PAD	1	
	77300	77300-LBA2-E00	HINGE ASSY SEAT	HINGE ASSY SEAT	1	
	77303	77303-LLJ3-E00	HOOK SEAT LOCK	HOOK SEAT LOCK	2	
	77305	77305-LBA2-E00	SCREW RIVENT	SCREW RIVENT	2	
	77400	77400-LBA2-E00	BOX ASSY SEAT	BOX ASSY SEAT	1	
	77500	77500-LBA2-E00	DAMPER GAS	DAMPER GAS	1	
	77501	77501-LBA2-E00	STAY GAS DAMPER	STAY GAS DAMPER	2	
	89010	89010-LDB2-E00	TOOL SET	TOOL SET	1	
	89020	89020-KKC4-900	BAND TOOL SET	BAND TOOL SET	1	
	90215	90215-KKC4-900	NUT CAP 6MM	NUT CAP 6MM	2	
	94050-06080	94050-06080	NUT FLANGE 6MM	NUT FLANGE 6MM	15	
	94050-08080	94050-08080	NUT FLANGE 8MM	NUT FLANGE 8MM	2	
	94101	94101-06800	WASHER PLAIN 6MM	WASHER PLAIN	1	

F10

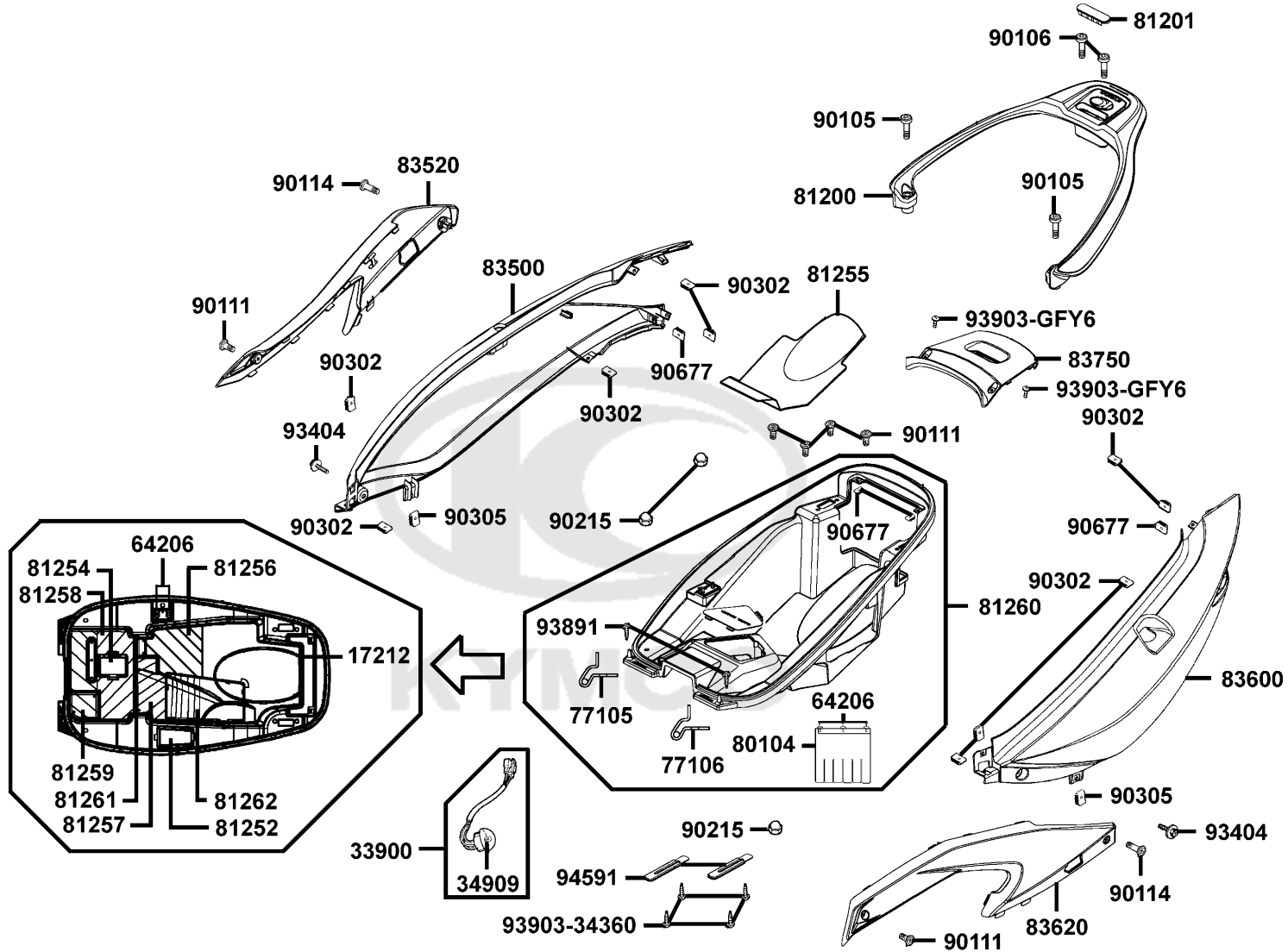
Fuel Tank



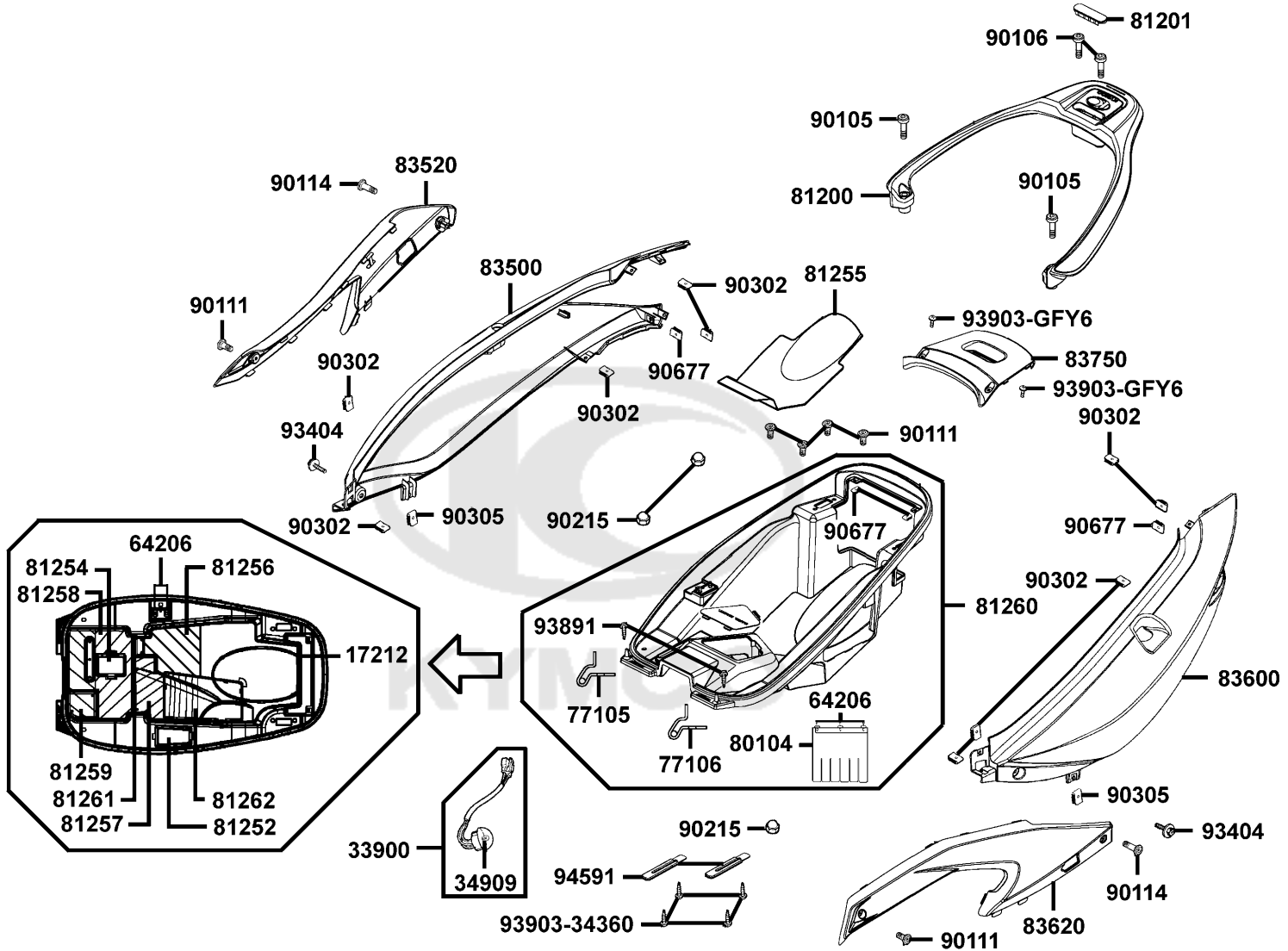
Sales mark	Ref no	Part no	Description	Reg description	Regd no	F10
17500		17500-LDF2-910	TANK COMP FUEL	TANK COMP FUEL	1	
17502		17502-LBA2-E00	TUBE FUEL	TUBE FUEL	1	
17504		17504-LAB4-900	FUEL FILLER	FUEL FILLER	1	
17507		17507-LAB4-900	BAND FUEL HOSE	BAND FUEL HOSE	1	
17514		17514-LBA2-E00	STAY A FUEL FILLER	STAY A FUEL FILLER	1	
17515		17515-LBA2-E00	STAY B FUEL FILLER	STAY B FUEL FILLER	1	
17550		17550-LDF2-800	FUEL PUMP ASSY	FUEL PUMP ASSY	1	
17560		17560-LDF2-900	TUBE PUMP INJECTOR	TUBE PUMP INJECTOR	1	
17689		17689-KEBE-E00	TUBE ASSY TANK-FILLER	TUBE ASSY TANK-FILLER	1	
19411		19411-KBCB-900	CLIP HOSE	CLIP HOSE	1	
50611		50611-LDF2-900	RNFCT R COMP FLOOR	RNFCT R COMP FLOOR	1	
50612		50612-LDF2-900	RNFCT L COMP FLOOR	RNFCT L COMP FLOOR	1	
90301		90301-6D34-671	NUT FLANGE 6MM	NUT FLANGE 6MM	4	
93500		93500-04008-0H	SCREW PAN 4*8	SCREW PAN 4*8	3	
93903		93903-35260	SCREW TAPPING 5*12	SCREW TAPPING 5*12	3	
94050		94050-06080	NUT FLANGE 6MM	NUT FLANGE 6MM	4	
94591		94591-KFBF-900	CLIP 2*70	CLIP 2*70	2	
95002-02130		95002-02130	CLIP B 12.5 TURE	CLIP B13 TUBE	2	
95701		95701-LDF2-800	BOLT FLANGE 5*6.5	BOLT FLANGE 5*6.5	6	



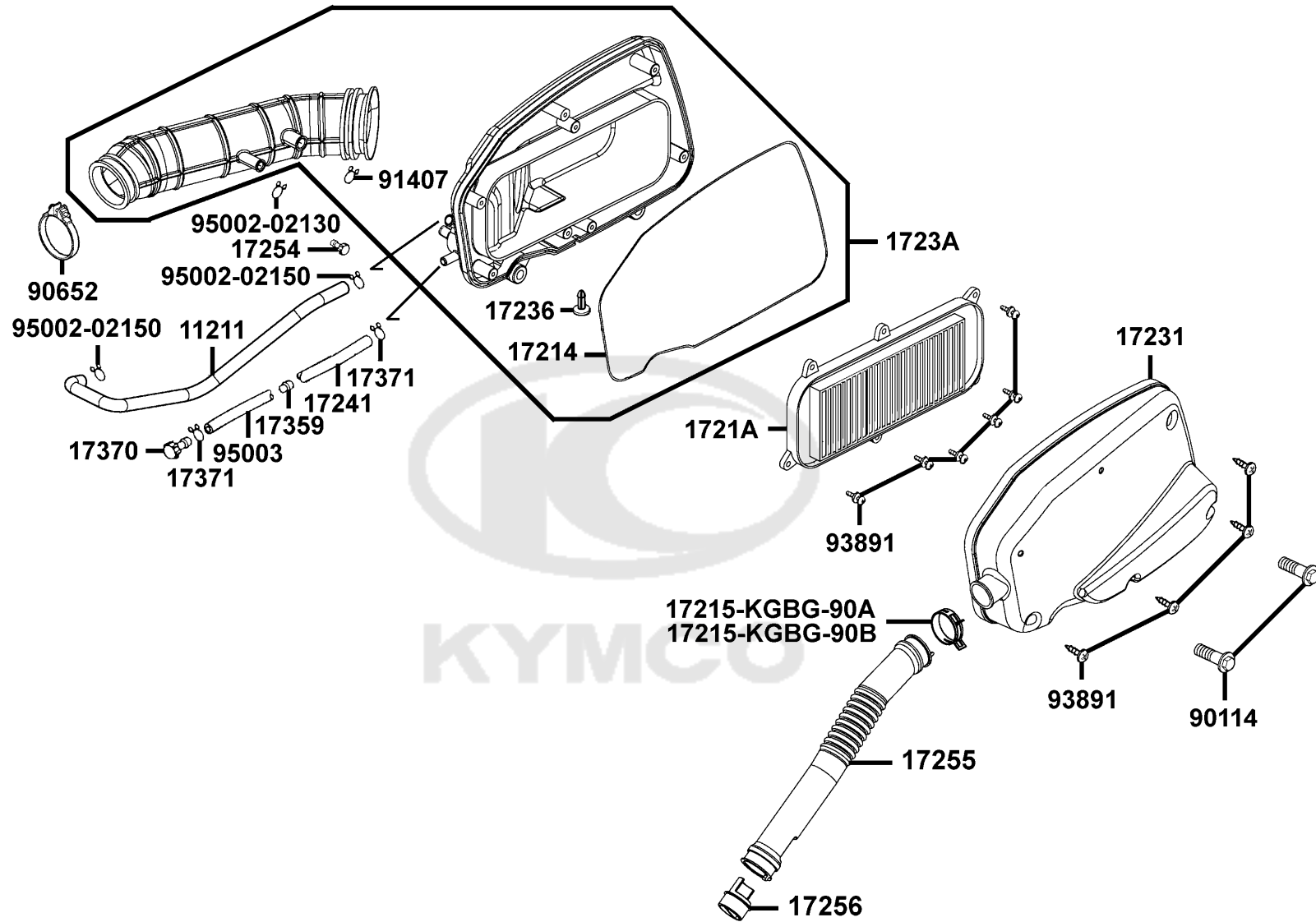
Sales mark	Ref no	Part no	Description	Reg description	Regd no	F11
	31500-KHE7-90A	31500-KHE7-90A	BATTERY YTX12-BS	BATTERY YTX12-BS	1	
	31500-KHE7-90B	31500-KHE7-90B	BATTERY GTX12-BS	BATTERY GTX12-BS	1	
	32411	32411-LBA2-E00	CABLE BATTERY	CABLE BATTERY	1	
	50326	50326-LBA2-E00	COVER BATTERY	COVER BATTERY	1	
	50328	50328-LBA2-E00	BAND BATTERY	BAND BATTERY	1	
	5032A	5032A-LDB2-E00	CASE ASSY BATTERY	CASE ASSY BATTERY	1	
	50330-LBA2	50330-LBA2-E00	SPONGE BATTERY	SPONGE BATTERY	3	
	50330-LDB2	50330-LDB2-E00	SPONGE BATTERY	SPONGE BATTERY	2	
	90112	90112-KNBN-901	BOLT FLANGE 6MM	BOLT FLANGE 6MM	2	
	93891	93891-05016-06	SCREW WASHER 5* 16	SCREW WASHER 5* 16	2	
	94050	94050-06080	NUT FLANGE 6MM	NUT FLANGE 6MM	2	
	98200-31000	98200-31000	BLADE FUSE 10A	BLADE FUSE 10A	1	
	98200-31500	98200-31500	BLADE FUSE 15A	BLADE FUSE 15A	1	
	98200-33000	98200-33000	BLADE FUSE 30A	BLADE FUSE 30A	1	



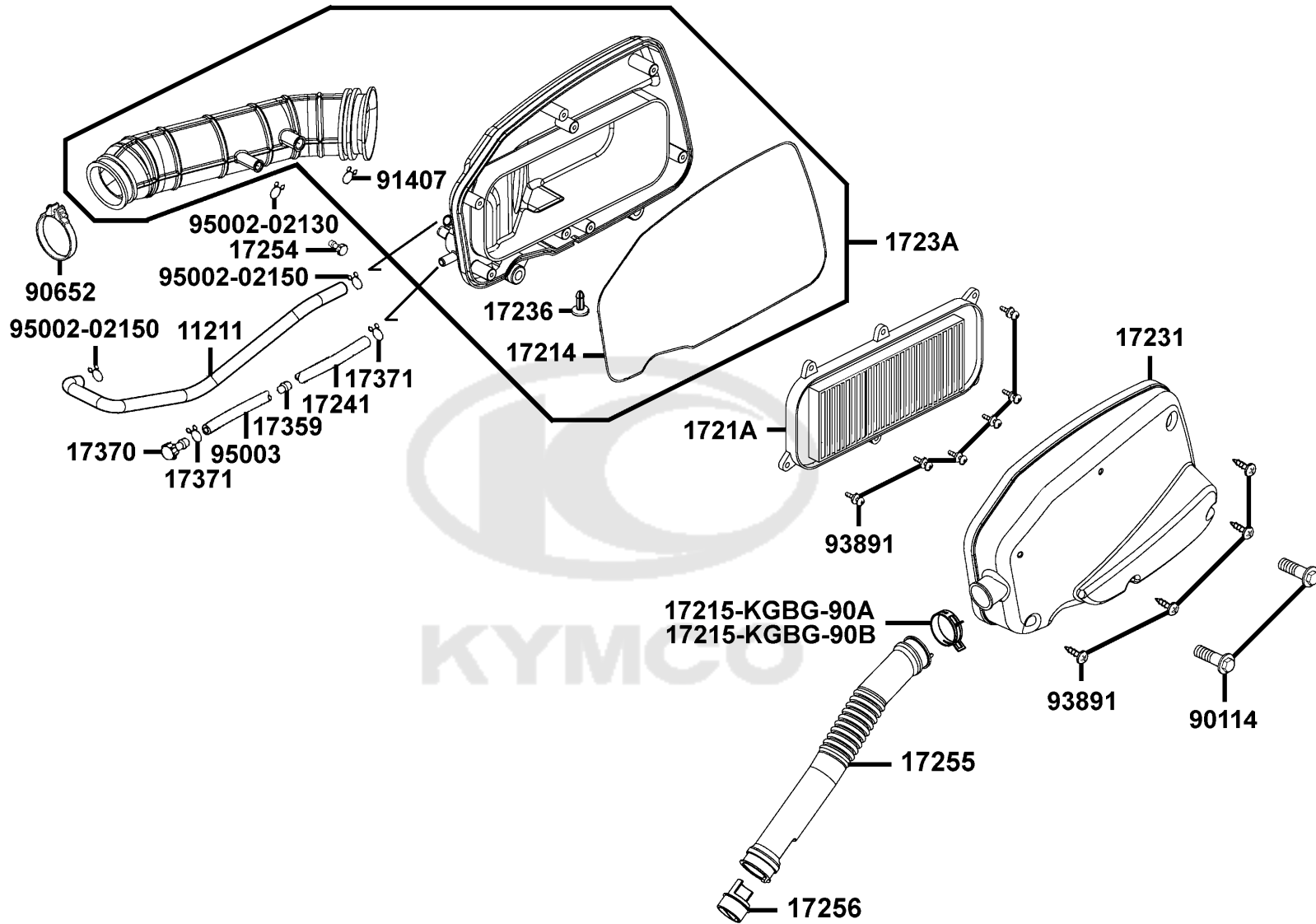
Sales mark	Ref no	Part no	Description	Reg description	Regd no	F12
	17212	17212-LDB2-E00	SAEL C LUGGAGE BOX	SAEL C LUGGAGE BOX	1	
	33900	33900-KFBF-900	LIGHT ASSY LUGGAGE BOX	LIGHT ASSY LUGGAGE BOX	1	
	34909	34909-KFBF-900	BULB WEDGE BASE	BULB WEDGE BASE	1	
	64206	64206-MLJ0-001	NUT SPEED 4MM	NUT SPEED 4MM	3	
	77105	77105-GFS6-001	HOOK R HELMET	HOOK R HELMET	1	
	77106	77106-GFS6-001	HOOK L HELMET	HOOK L HELMET	1	
	80104	80104-LDB2-E00	PLATE C SPLASH GUARD	PLATE C SPLASH GUARD	1	
**	81200	81200-LBA2-E00	CARRIER RR	CARRIER RR	1	
	81201	81201-LBA2-E00	PLUG BAR RR CARRIER	PLUG BAR RR CARRIER	1	
	81252	81252-LDB2-E00	COVER SEAT CABLE MAINT	COVER SEAT CABLE MAINT	1	
	81254	81254-LDB2-E00	COVER CARB MAINT	COVER CARB MAINT	1	
	81255	81255-LDB2-E00	BAG LUGGAGE	BAG LUGGAGE	1	
	81256	81256-LDB2-E00	HEAT GUARD A LUGGAGE BOX	HEAT GUARD A LUGGAGE BOX	1	
	81257	81257-LDB2-E00	HEAT GUARD B LUGGAGE BOX	HEAT GUARD B LUGGAGE BOX	1	
	81258	81258-LDB2-E00	HEAT GUARD C LUGGAGE BOX	HEAT GUARD C LUGGAGE BOX	1	
	81259	81259-LDB2-E00	HEAT GUARD D LUGGAGE BOX	HEAT GUARD D LUGGAGE BOX	1	
	81260	81260-LDB2-E00	BOX ASSY LUGGAGE	BOX ASSY LUGGAGE	1	
	81261	81261-LDB2-E00	HEAT GUARD E LUGGAGE BOX	HEAT GUARD E LUGGAGE BOX	1	
	81262	81262-LDB2-E00	HEAT GUARD F LUGGAGE BOX	HEAT GUARD F LUGGAGE BOX	1	
**	83500	83500-LBA2-E00	COVER R BODY	COVER R BODY	1	



Sales mark	Ref no	Part no	Description	Reg description	Regd no	F12
**	83520	83520-LBA2-E00	COVER R SIDE	COVER R SIDE	1	
**	83600	83600-LBA2-E00	COVER L BODY	COVER L BODY	1	
**	83620	83620-LBA2-E00	COVER L SIDE	COVER L SIDE	1	
**	83750	83750-LBA2-E00	COVER RR CENTER	COVER RR CENTER	1	
	90105	90105-KHB4-900	BOLT WASH M8*60	BOLT WASH M8*60	2	
	90106	90106-KFA6-900	BOLT WASH 8MM	BOLT WASH 8*75	2	
	90111	90111-KED9-900	SCREW PAN 6*14	SCREW PAN 6*14	6	
	90114	90114-LBA2-E00	SCREW PAN 6*30	SCREW PAN 6*30	2	
	90215	90215-KKC4-900	NUT CAP 6MM	NUT CAP 6MM	3	
	90302	90302-SDA4-004	NUT SPRING 4MM	NUT SPRING 4MM	10	
	90305	90305-GHK8-001	NUT CLIP 6MM	NUT CLIP 6MM	2	
	90677	90677-GAR1-004	NUT CLIP 5MM	NUT CLIP 5MM	4	
	93404	93404-06016-06	BOLT WASHER 6*16	BOLT WASHER 6*16	2	
	93891	93891-06010-07	SCREW WASHER 6*10	SCREW WASHER 6*10	2	
	93903-34360	93903-34360	SCREW TAPPING 4*12	SCREW TAPPING 4*12	4	
	93903-GFY6	93903-GFY6-900	SCREW TAPPING 4*14	SCREW TAPPING 4*14	2	
	94591	94591-27000	CLIP 2*70	CLIP 2*70	2	



Sales mark	Ref no	Part no	Description	Reg description	Regd no	F13
11211		11211-KKC4-900	TUBE BREATHER	TUBE BREATHER	1	
17214		17214-LDB2-E00	SEAL CASE	SEAL CASE	1	
17215-KGBG-90A		17215-KGBG-90A	CLIP ASSY A/C DUCT	CLIP ASSY A/C DUCT	1	
17215-KGBG-90B		17215-KGBG-90B	CLIP ASSY AIR/C DUCT	CLIP ASSY AIR/C DUCT	1	
1721A		1721A-KKC3-900	ELEMENT ASSY AIR/C	ELEMENT ASSY AIR/C	1	
17231		17231-LDF2-900	COVER COMP AIR/C	COVER COMP AIR/C	1	
17236		17236-KFBF-910	PLATE AIR/C CASE	PLATE AIR/C CASE	1	
1723A		1723A-LDB2-E00	CASE ASSY AIR/C	CASE ASSY AIR/C	1	
17241		17241-LDF2-900	TUBE AIR/C COLLECT	TUBE AIR/C COLLECT	1	
17254		17254-KACA-P00	JOINT PURGE TUBE	PLUG AIR/C CONN TUBE	1	
17255		17255-LDB2-E00	DUCT COMP	DUCT COMP	1	
17256		17256-LDB2-E00	PLUG AIR/C DUCT	PLUG AIR/C DUCT	1	
17359		17359-4K19-671	JOINT BREATHER TUBE	JOINT BREATHER TUBE	1	
17370		17370-4K19-701	PLUG BREATHER TUBE	PLUG BREATHER TUBE	1	
17371		17371-1D74-671	CLIP BREATHER TUBE	PLUG BREATHER TUBE	2	
90114		90114-GDM4-011	BOLT FLANGE SH 6*28	BOLT FLANGE SH 6*28	2	
90652		90652-KHE7-900	BAND CONNECTING TUBE	BAND CONNECTING TUBE	1	
91407		91407-SGA7-004	CLAMP 17 FUSE HOSE	CLAMP 17 FUSE HOSE	1	
93891		93891-05016-08	SCREW WASHER 5*16	SCREW WASHER 5*16	10	
95002-02130		95002-02130	CLIP B 12.5 TURE	CLIP B13 TUBE	1	

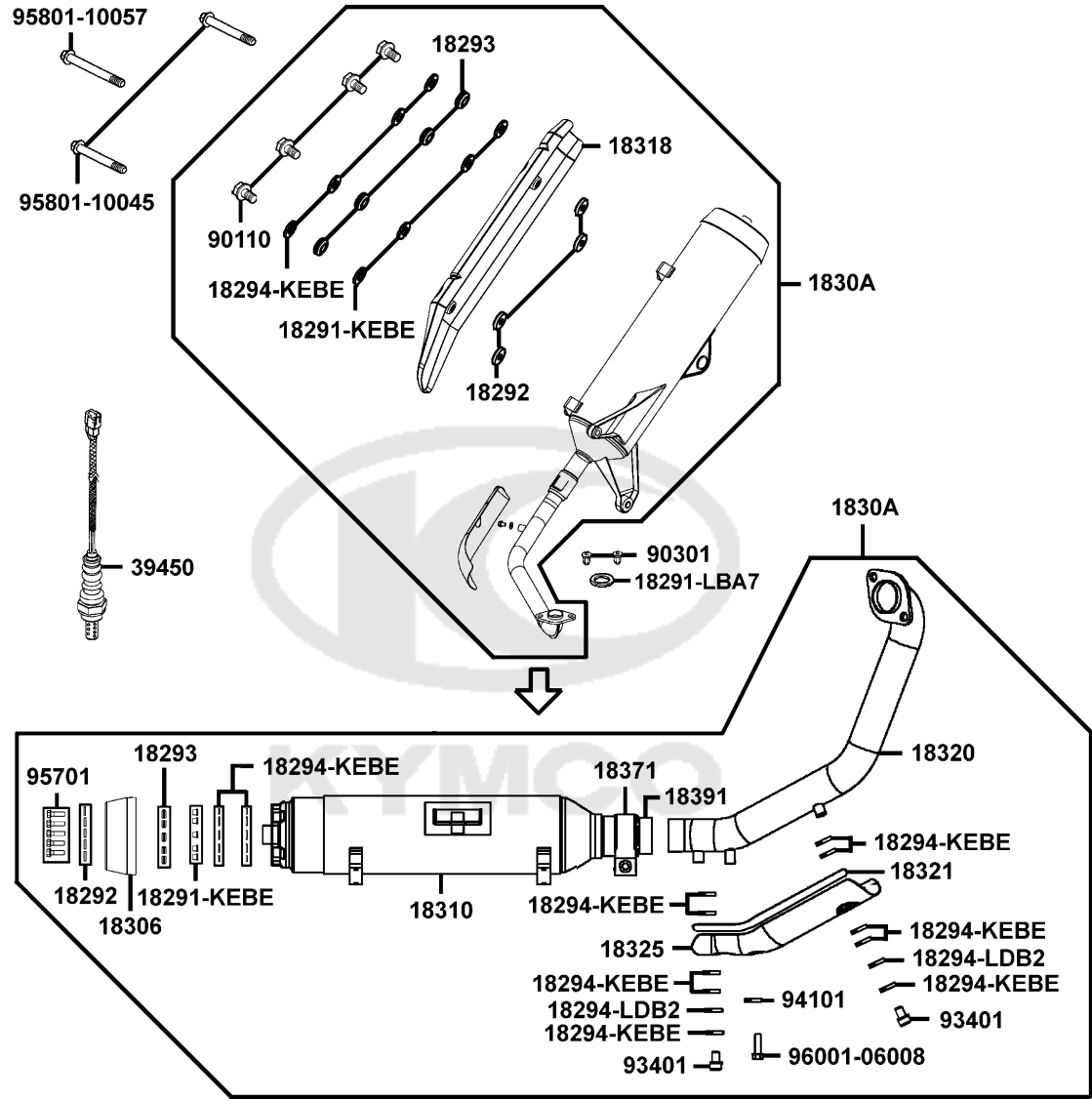


Sales mark	Ref no	Part no	Description	Reg description	Regd no	F13
------------	--------	---------	-------------	-----------------	---------	------------

95002-02150	95002-02150	95002-02150	CLIP B14.5 TUBE	CLIP B14.5 TUBE	2	
95003		95003-23024-60	V TUBE 8*12*240	V TUBE 8*12*240	1	

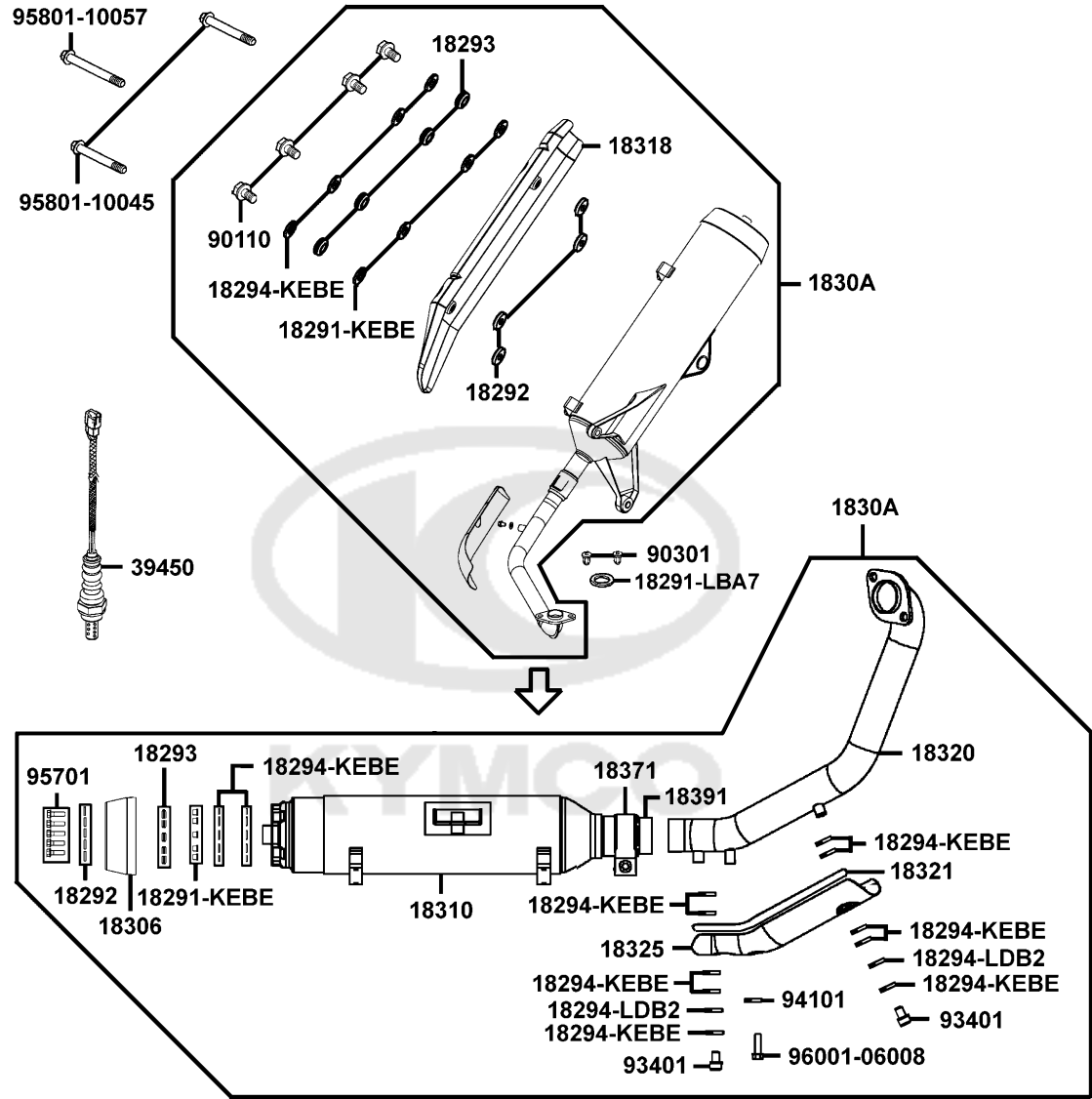



Exhaust Muffler

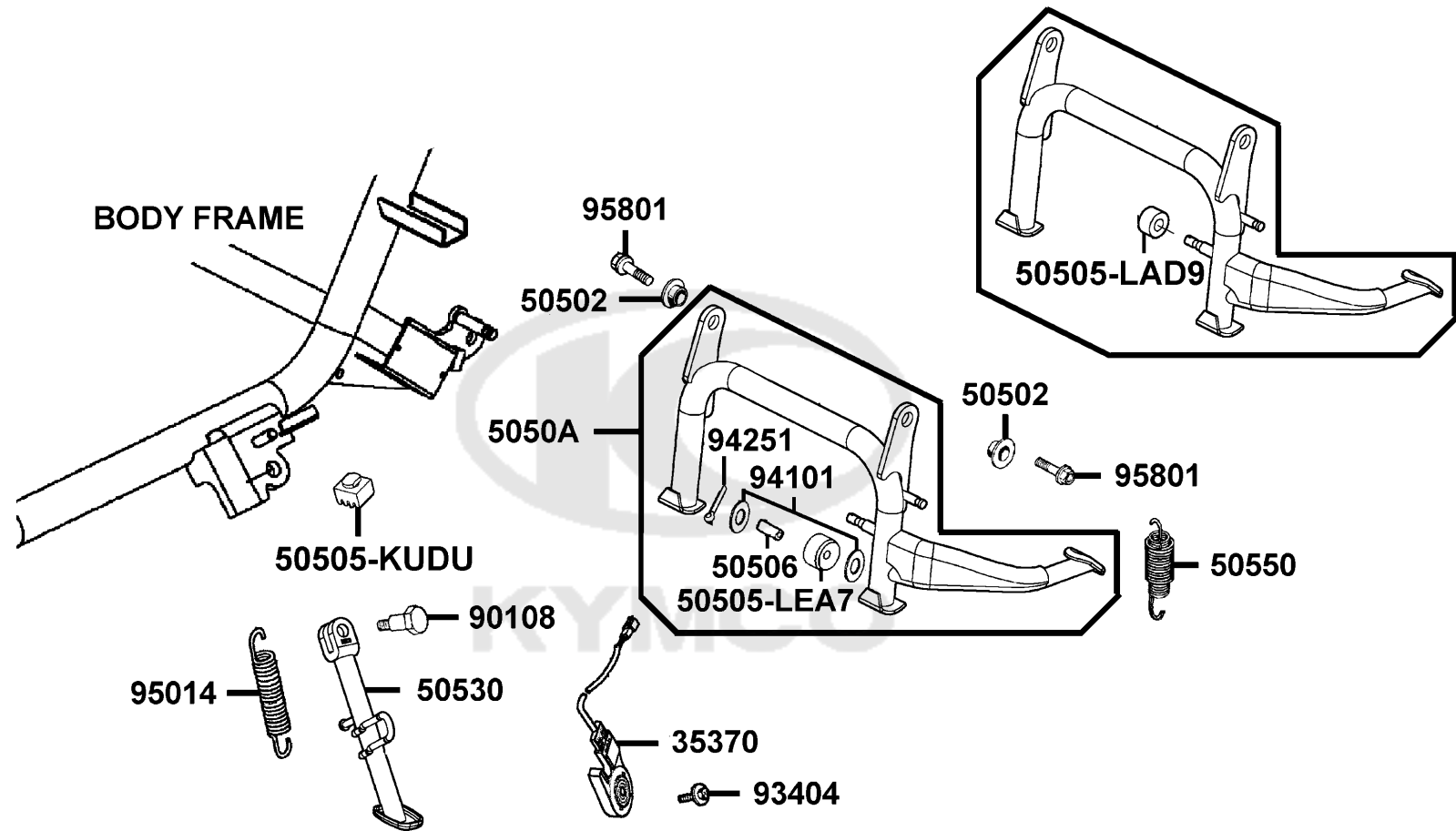


Sales mark	Ref no	Part no	Description	Reg description	Regd no	F14
	18291-KEBE	18291-KEBE-900	COLLAR	COLLAR	9	
	18291-LBA7	18291-LBA7-900	GASKET EXH PIPE	GASKET EXH PIPE	1	
	18292	18292-KEBE-900	PACKING PROTECTOR	PACKING PROTECTOR	9	
	18293	18293-KEBE-900	RUBBER PKG PROTR	RUBBER PKG PROTR	9	
	18294-KEBE	18294-KEBE-900	PACKING PROTECTOR	PACKING PROTECTOR	24	
	18294-LDB2	18294-LDB2-900	PACKING INNER PROTECTOR	PACKING INNER PROTECTOR	2	
**	18306	18306-LBA2-E00	TAIL CAP MUFFLER	TAIL CAP MUFFLER	1	
	1830A	1830A-LDF2-E0A	MUFFLER ASSY EXH	MUFFLER ASSY EXH	1	
	18310	18310-LDF2-E0A	MUFFLER COMP EXH	MUFFLER COMP EXH	1	
**	18318	18318-LBA2-E01	PROTECTOR MUFFLER	PROTECTOR MUFFLER	1	
	18320	18320-LDF2-900	PIPE EXHAUST	PIPE EXHAUST	1	
	18321	18321-LDB2-900	INNER PROTECTOR EXE PIPE	INNER PROTECTOR EXE PIPE	1	
	18325	18325-LDB2-900	PROTECTOR EXH PIPE	PROTECTOR EXH PIPE	1	
	18371	18371-LDB2-E00	BAND MUFFLER	BAND MUFFLER	1	
	18391	18391-LDB2-E00	GASKET	GASKET	1	
	39450	39450-LDF2-800	O2 SENSOR	O2 SENSOR	1	
	90110	90110-KEBE-900	SCREW SPECIAL 6*22	SCREW SPECIAL 6*22	4	
	90301	90301-GFY6-901	NUT (HEX) CAP 8MM	NUT (HEX) CAP 8MM	2	
	93401	93401-LDB2-900	BOLT WASHER 6*26	BOLT WASHER 6*26	2	
	94101	94101-06700	WASHER PLAIN 6MM	WASHER PLAIN 6MM	1	

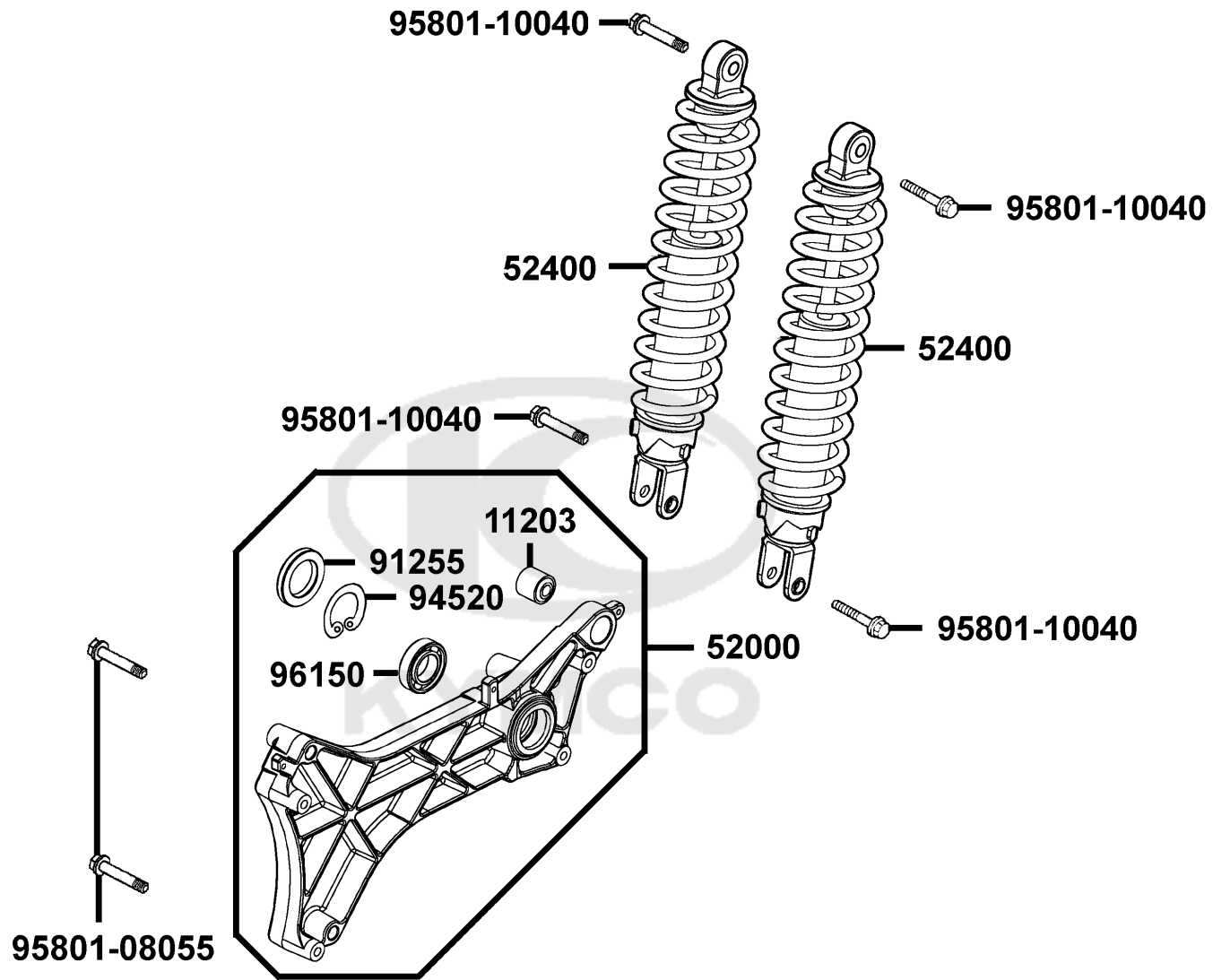
Exhaust Muffler



Sales mark	Ref no	Part no	Description	Reg description	Regd no	F14
	95701	95701-06022-06	BOLT FLANGE 6*22	BOLT FLANGE 6*22	5	
	95801-10045	95801-10045-06	BOLT FLANGE 10*45	BOLT FLANGE 10*45	2	
	95801-10057	95801-10057-06	BOLT FLANGE 10*57	BOLT FLANGE 10*57	1	
	96001-06008	96001-06008-07	BOLT FLANGE SH 6*8	BOLT FLANGE SH 6*8 (K)	1	
						



Sales mark	Ref no	Part no	Description	Reg description	Regd no	F15
	35370	35370-KEC8-E00	SW UNIT SIDE STAND	SW UNIT SIDE STAND	1	
	50502	50502-GFY6-901	COLLAR MAIN STAND	COLLAR MAIN STAND	2	
	50505-KUDU	50505-KUDU-900	STOPPER RUBBER	STOPPER RUBBER	1	
#	50505-LAD9	50505-LAD9-900	STOPPER RUBBER	STOPPER RUBBER	1	
#	50505-LEA7	50505-LEA7-E00	STOPPER RUBBER	STOPPER RUBBER	1	
	50506	50506-KHE7-E00	COLLAR STOPPER RUBBER	COLLAR STOPPER RUBBER	1	
	5050A	5050A-LDB2-E00	STAND ASSY MAIN	STAND ASSY MAIN	1	
	50530	50530-LDB2-E00	BAR SIDE STAND	BAR SIDE STAND	1	
	50550	50550-KKC2-E00	SPG ASSY MAIN STAND	SPG ASSY MAIN STAND	1	
	90108	90108-KKC4-900	SCREW SIDE STAND PIVOT	SCREW SIDE STAND PIVOT	1	
	93404	93404-06016-06	BOLT WASHER 6*16	BOLT WASHER 6*16	1	
	94101	94101-08700	WASHER PLAIN 8MM	WASHER PLAIN 8MM	2	
	94251	94251-08400	PIN LOCK 8MM	PIN LOCK 8MM	1	
	95014	95014-72204	SPG B1 SIDE STAND	SPG B1 SIDE STAND	1	
	95801	95801-10025-08	BOLT FLANGE 10*25	BOLT FLANGE 10*25 (C)	2	

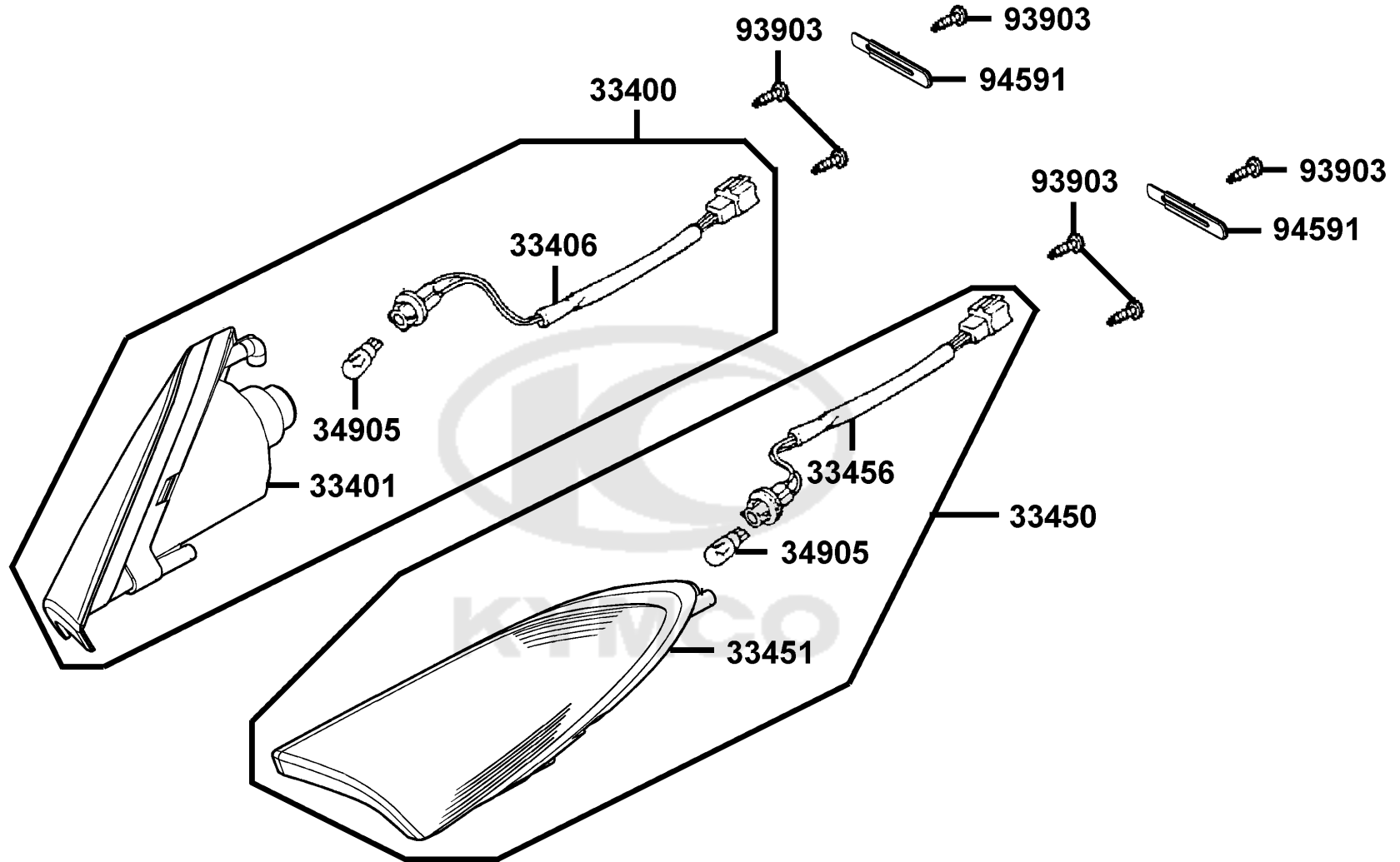


Sales mark	Ref no	Part no	Description	Reg description	Regd no	F16
	11203	11203-LBA2-E00	RUB BUSH L CASE	RUB BUSH L CASE	1	
**	52000	52000-LDB2-E00	FORK ASSY REAR	FORK ASSY REAR	1	
**	52400	52400-LDB2-E00	CUSHION ASSY R RR	CUSHION ASSY R RR	2	
	95801-08055	90131-LFG2-E00	BOLT FLANGE 8*55	BOLT FLANGE 8*55	2	
	91255	91255-KHE7-900	OIL SEAL 34*52*7	OIL SEAL 34*52*7	1	
	94520	94520-47000	CIR CLIP IN 47	CIR CLIP IN 47	1	
	95801-10040	95801-10040-02	BOLT FLANGE 10*40	BOLT FLANGE 10*40	4	
	96150	96150-62040-10	BEARING BALL RADIAL 6204	BEARING BALL RADIAL 6204	1	



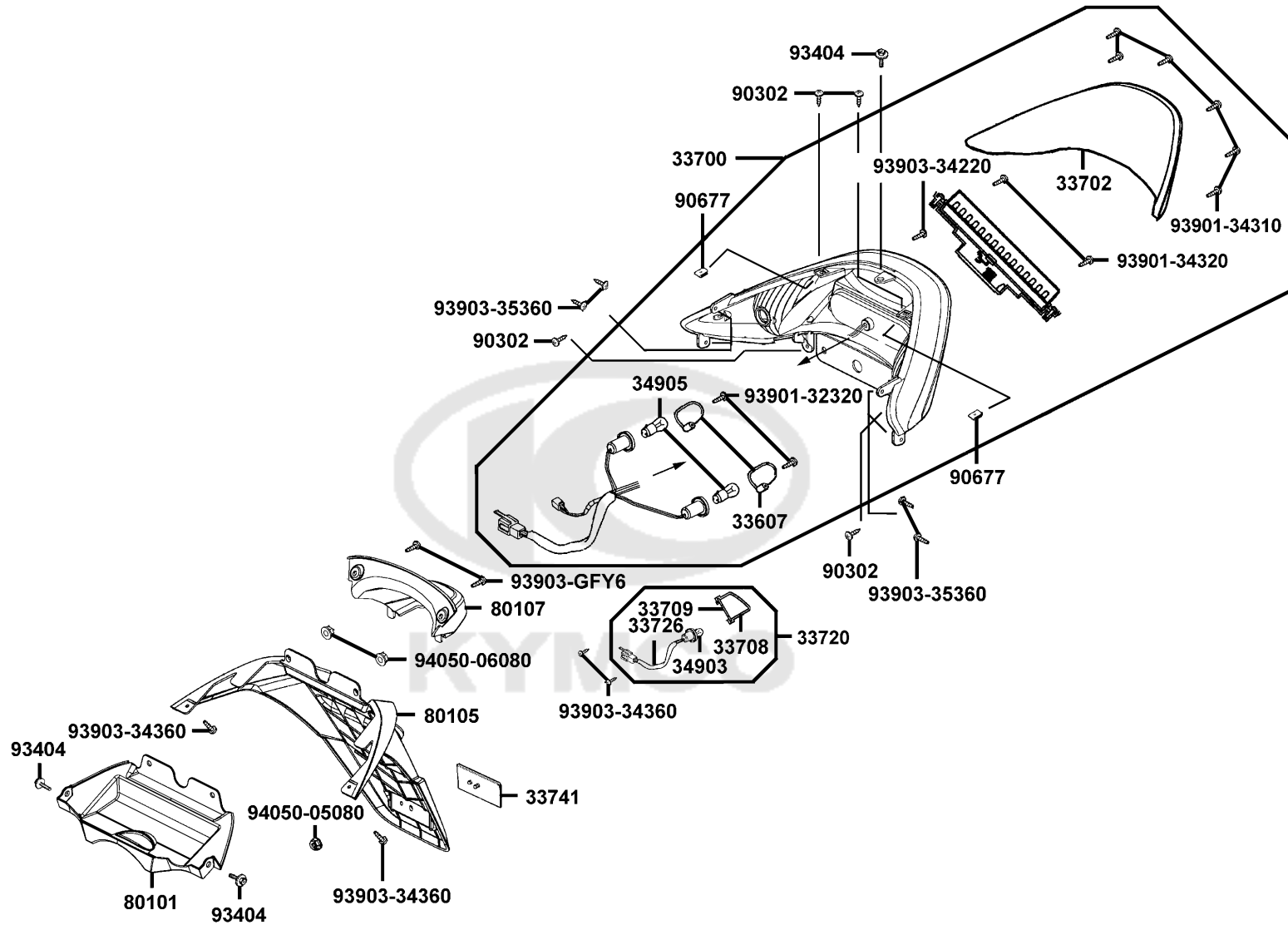
F17

Front Winker RR WINKER

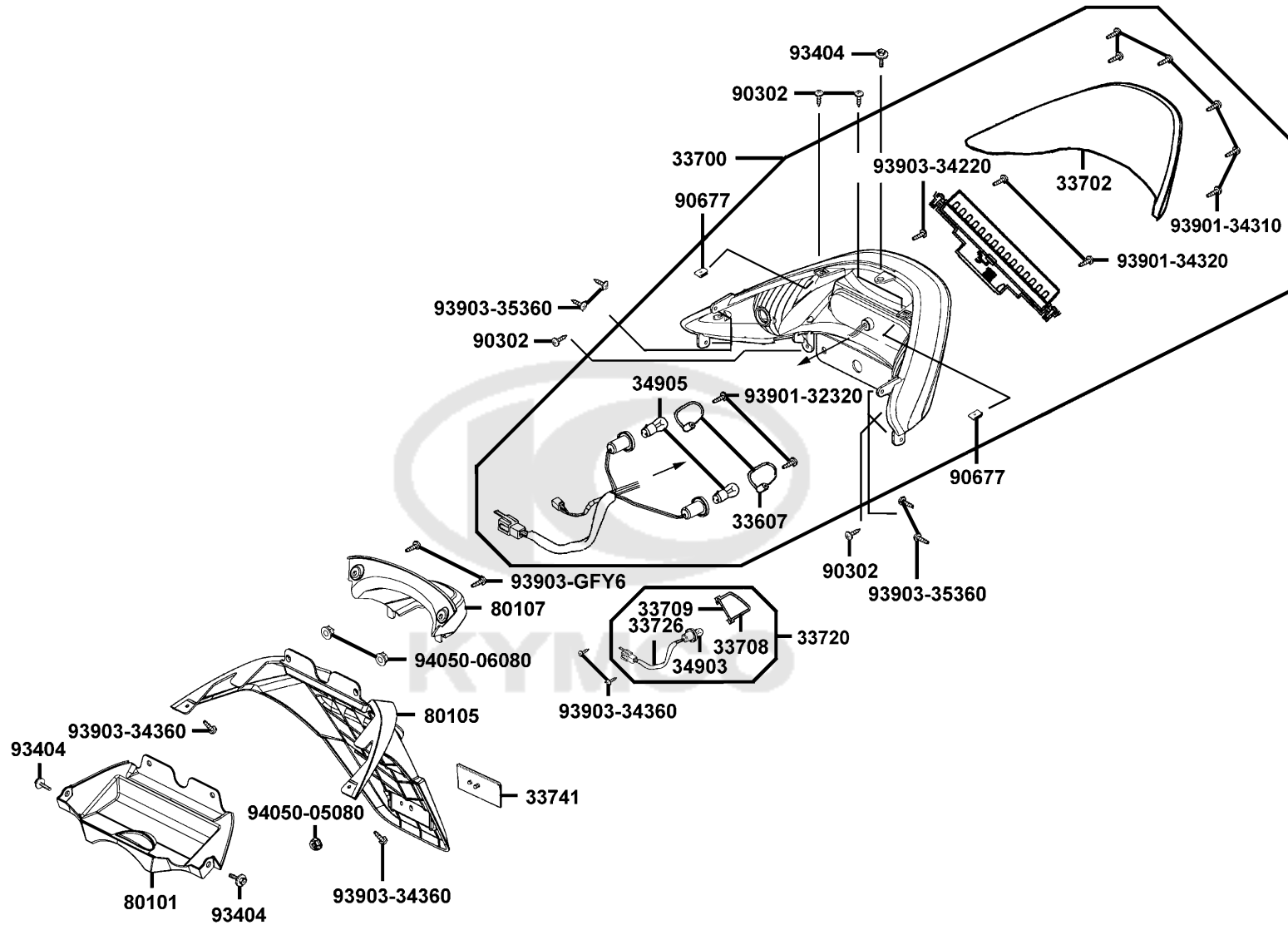


Sales mark	Ref no	Part no	Description	Reg description	Regd no	F17
	33400	33400-LBA2-E00	WINKER ASSY R FR	WINKER ASSY R FR	1	
	33401	33401-LBA2-E00	UNIT WINKER R FR	UNIT WINKER R FR	1	
	33406	33406-LBA2-E00	SOCKET WINKER R	SOCKET WINKER R	1	
	33450	33450-LBA2-E00	WINKER ASSY L FR	WINKER ASSY L FR	1	
	33451	33451-LBA2-E00	UNIT WINKER L FR	UNIT WINKER L FR	1	
	33456	33456-LBA2-E00	SOCKET WINKER L	SOCKET WINKER L	1	
	34905	34905-KPCP-900	BULB WINKER	BULB WINKER	2	
	93903	93903-34360	SCREW TAPPING 4*12	SCREW TAPPING 4*12	6	
	94591	94591-27000	CLIP 2*70	CLIP 2*70	2	



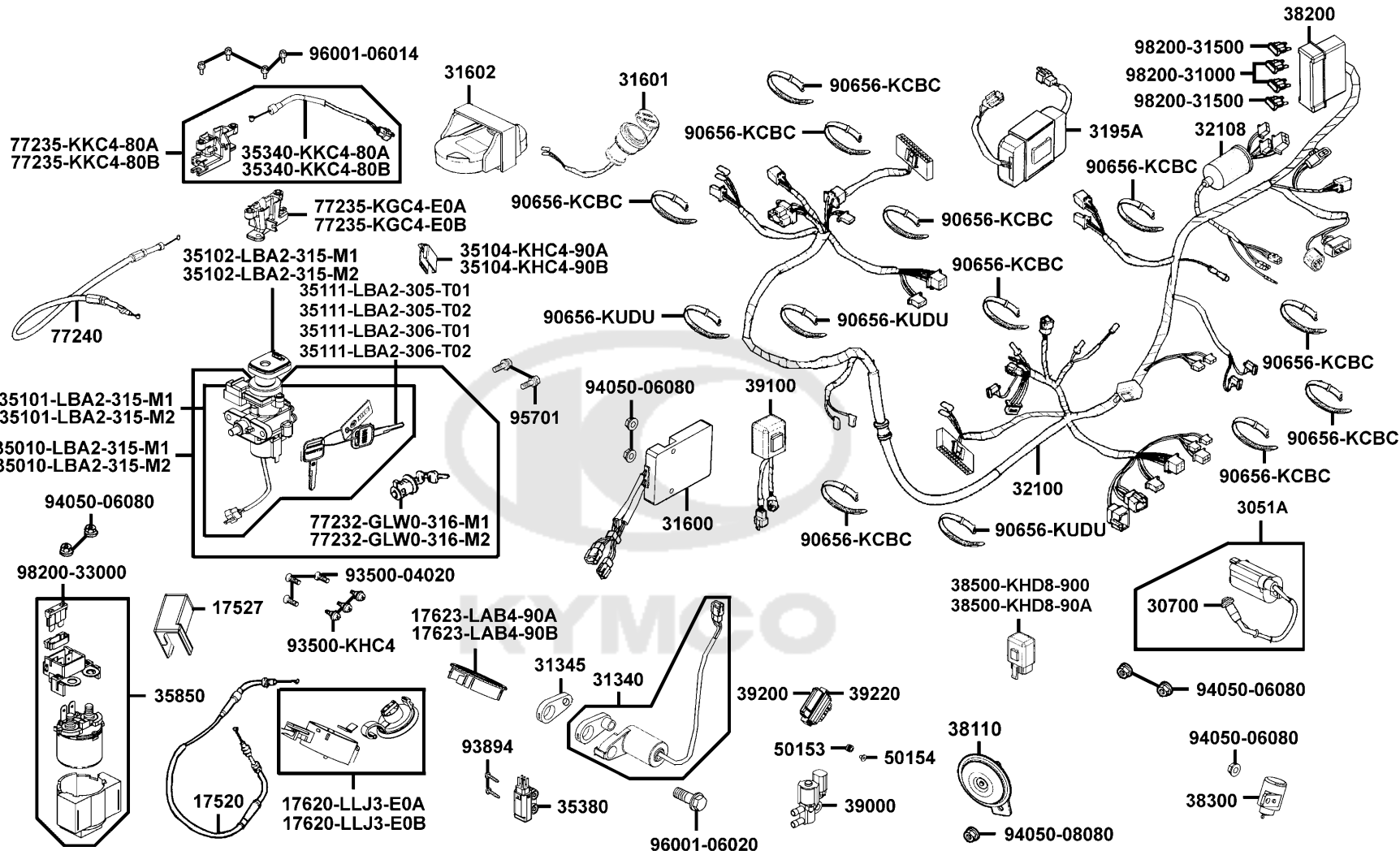


Sales mark	Ref no	Part no	Description	Reg description	Regd no	F18
	33607	33607-KKD7-E00	INNER LENS WINKER	INNER LENS WINKER	2	
	33700	33700-LBA2-E00	LIGHT ASSY RR COMB	LIGHT ASSY RR COMB	1	
	33702	33702-LBA2-E00	LENS TAIL LIGHT	LENS TAIL LIGHT	1	
	33708	33708-KHE7-E00	LENS LICENSE	LENS LICENSE	1	
	33709	33709-KHE7-E00	BASE LICENSE	BASE LICENSE	1	
	33720	33720-LBB5-E00	LIGHT ASSY LICENSE	LIGHT ASSY LICENSE	1	
	33726	33726-LBB5-E00	SOCKET COMP	SOCKET COMP	1	
	33741	33741-KHC5-M00	REFLEX REFLECTOR	REFLEX REFLECTOR	1	
	34903	34903-KPCP-900	BULB POSITION	BULB POSITION	1	
	34905	34905-KPCP-900	BULB WINKER	BULB WINKER	2	
	80101	80101-LBA2-E00	FENDER RR INNER	FENDER RR INNER	1	
**	80105	80105-LBA2-E00	FENDER RR	FENDER RR	1	
	80107	80107-LBA2-E00	COVER LICENSE LIGHT	COVER LICENSE LIGHT	1	
	90302	90302-GFY6-940	BOLT-WASH 5*16	BOLT-WASH 5*16	4	
	90677	90677-GAR1-004	NUT CLIP 5MM	NUT CLIP 5MM	2	
	93404	93404-06016-06	BOLT WASHER 6*16	BOLT WASHER 6*16	3	
	93901-32320	93901-32320	SCREW TAPPING 3*12	SCREW TAPPING 3*12	2	
	93901-34310	93901-34310	SCREW TAPPING 4*12	SCREW TAPPING 4*12	6	
	93901-34320	93901-34320	SCREW TAPPING 4*12	SCREW TAPPING 4*12	2	
	93903-34220	93903-34220	SCREW TAPPING 4*10	SCREW TAPPING 4*12 (C)	4	

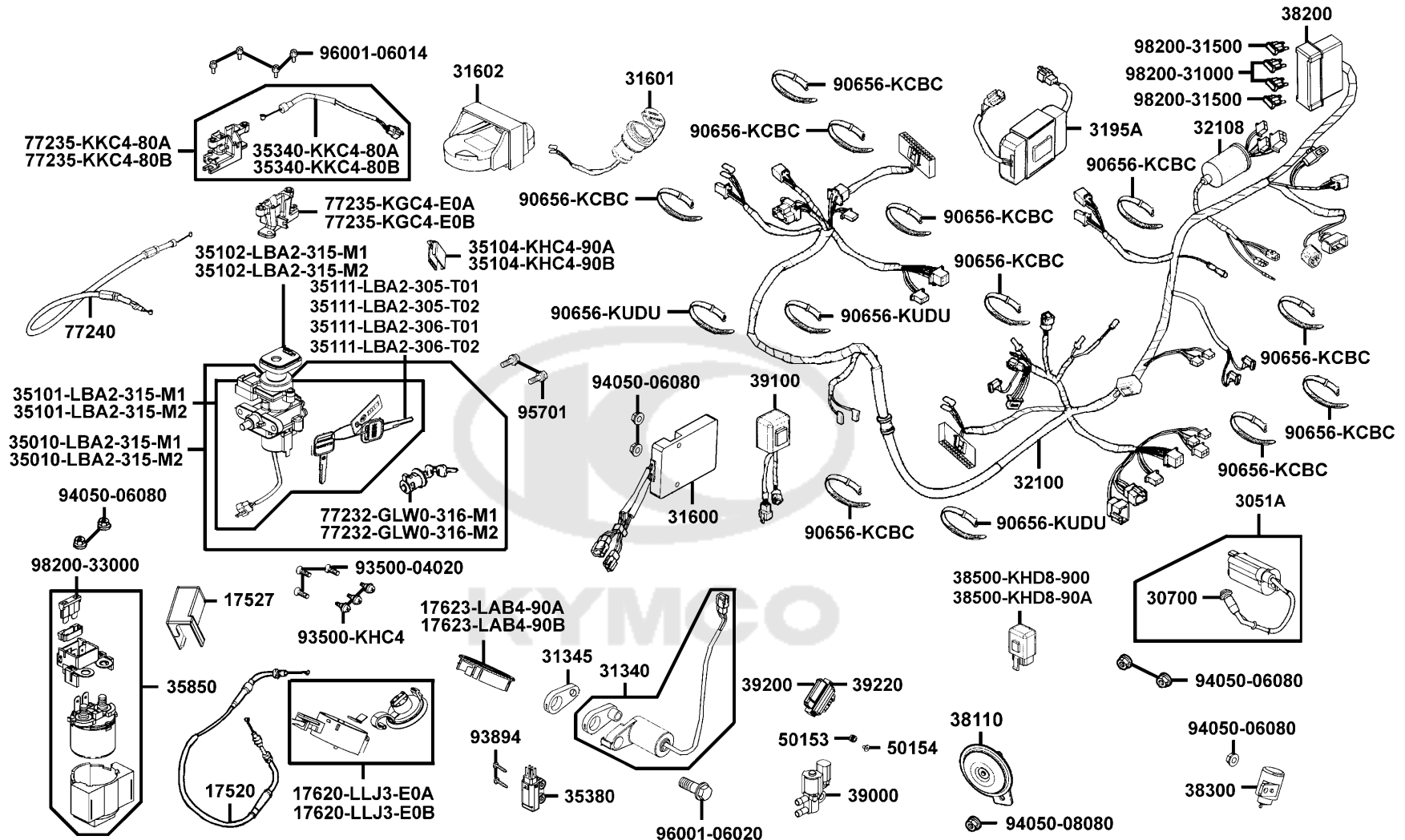


Sales mark	Ref no	Part no	Description	Reg description	Regd no	F18
	93903-34360	93903-34360	SCREW TAPPING 4*12	SCREW TAPPING 4*12	1	
	93903-35360	93903-35360	SCREW TAPPING 5*16	SCREW TAPPING 5*16	4	
	93903-GFY6	93903-GFY6-900	SCREW TAPPING 4*14	SCREW TAPPING 4*14	2	
	94050-05080	94050-05080	NUT FLANGE 5MM	NUT FLANGE 5MM	1	
	94050-06080	94050-06080	NUT FLANGE 6MM	NUT FLANGE 6MM	2	

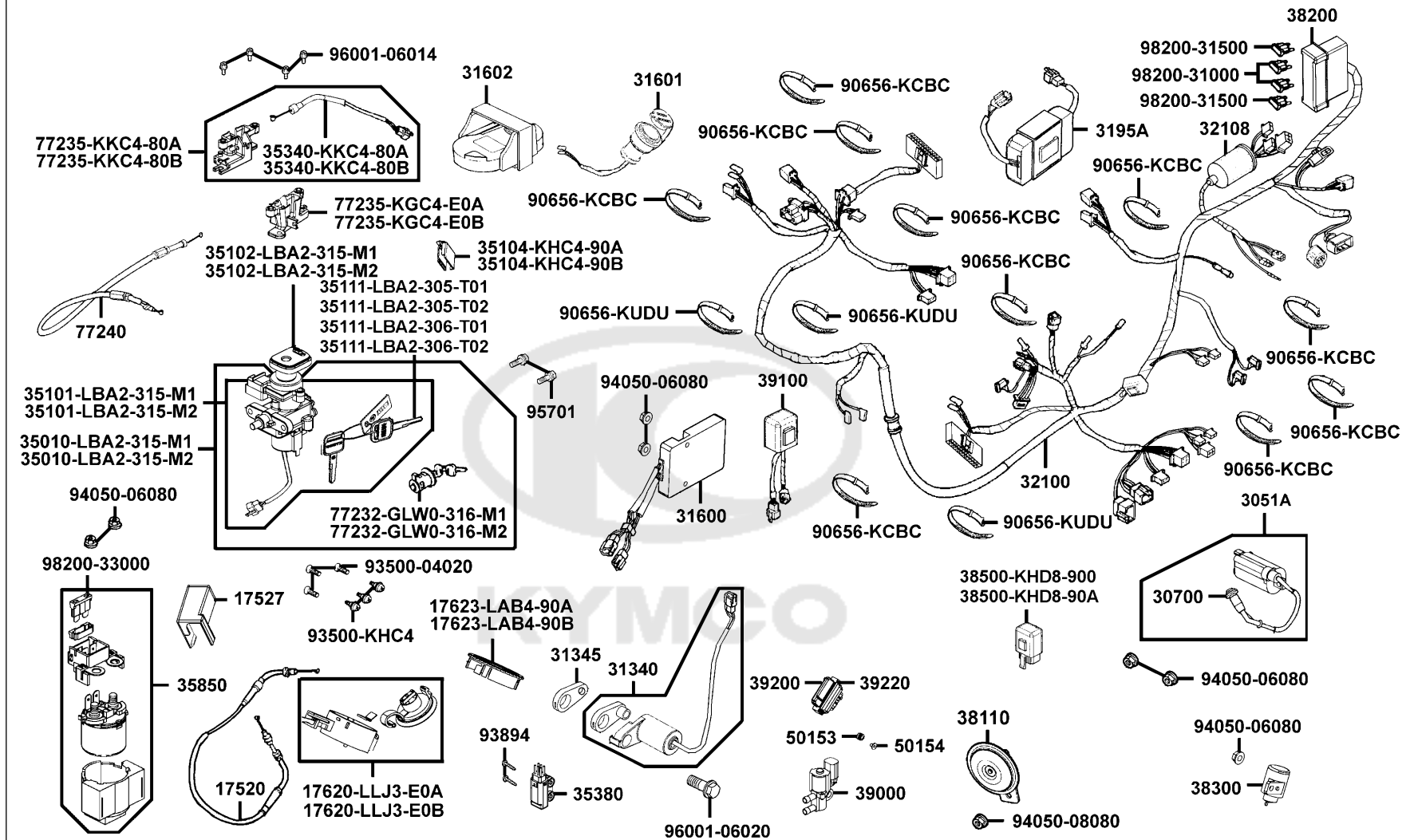




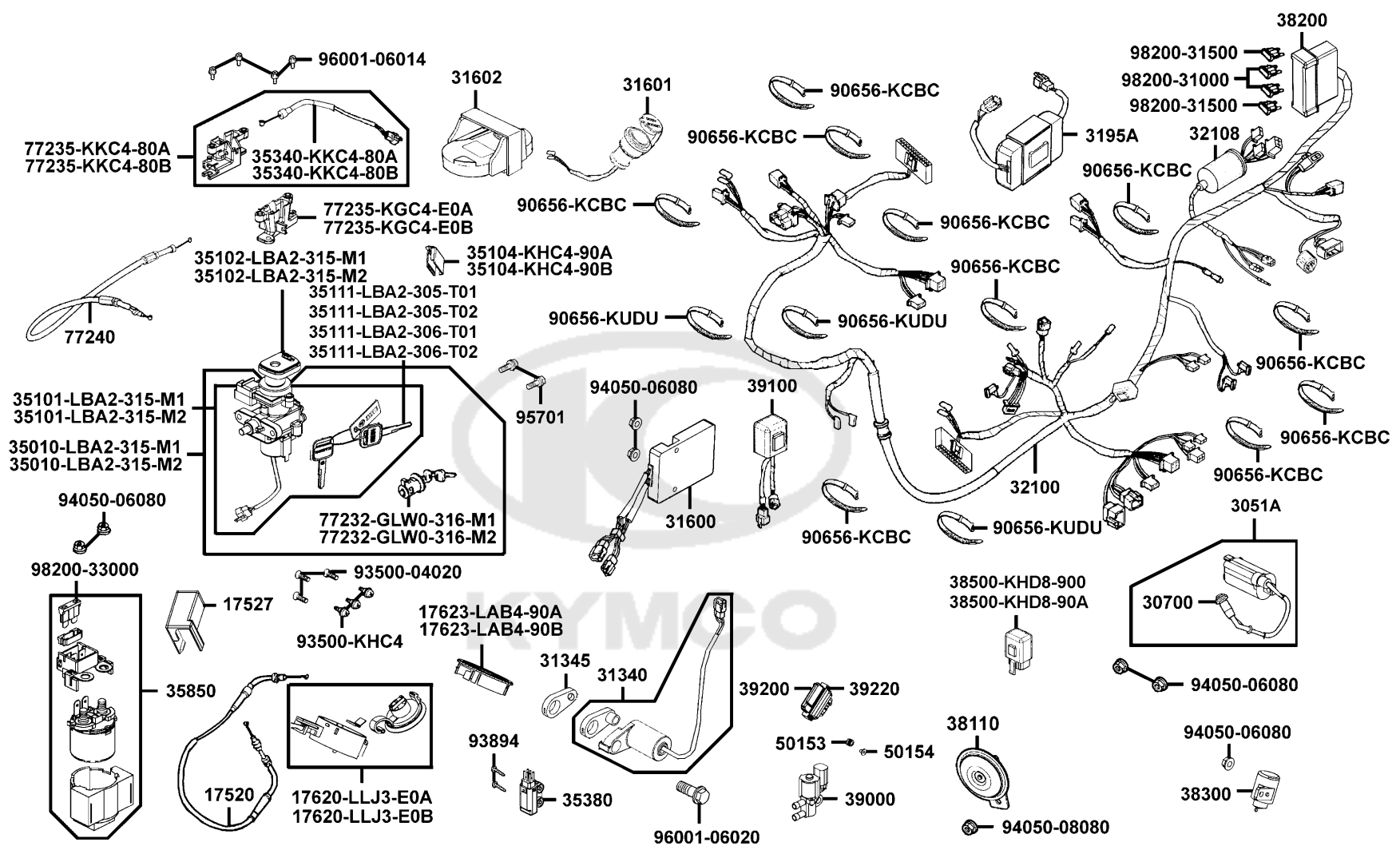
Sales mark	Ref no	Part no	Description	Reg description	Regd no	F19
	17520	17520-LBA2-E00	CABLE COMP FUEL CAP	CABLE COMP FUEL CAP	1	
	17527	17527-LBA2-900	SLIDE COVER FUEL CAP	SLIDE COVER FUEL CAP	1	
	17620-LLJ3-E0A	17620-LLJ3-E0A	CAP COMP FUEL FILLER	CAP COMP FUEL FILLER	1	
	17620-LLJ3-E0B	17620-LLJ3-E0B	CAP COMP FUEL FILLER	CAP COMP FUEL FILLER	1	
	17623-LAB4-90A	17623-LAB4-90A	COLLAR FUEL CAP	COLLAR FUEL CAP	1	
	17623-LAB4-90B	17623-LAB4-90B	COLLAR FUEL CAP	COLLAR FUEL CAP	1	
	3051A	3051A-LDF2-900	COIL ASSY IGNITION	COIL ASSY IGNITION	1	
	30700	30700-KFC8-E0H	CAP ASSY NOISE SUPPR	CAP ASSY NOISE SUPPR	1	
	31340	31340-LBA2-E0A	SENSOR FR WHEEL SPEED	SENSOR FR WHEEL SPEED	1	
	31345	31345-LBA2-E00	WASHER WHEEL SPEED SENSOR	WASHER WHEEL SPEED SENSOR	1	
	31600	31600-KED9-900	REG REC COMP	REG REC COMP	1	
	31601	31601-LBA2-E00	SOCKET COMP DC 12V	SOCKET COMP DC 12V	1	
	31602	31602-KKC4-900	SOCKET COMP CELL-PHONE	SOCKET COMP CELL-PHONE	1	
	3195A	3195A-LBA2-E00	HAZARD CONTROL ASSY	HAZARD CONTROL ASSY	1	
	32100	32100-LDF2-E00	HARNESS WIRE	HARNESS WIRE	1	
	32108	32108-GAR1-711	COVER HARNESS WIRE	COVER HARNESS WIRE	1	
	35010-LBA2-315-M1	35010-LBA2-315-M1	KEY SET	KEY SET	1	
	35010-LBA2-315-M2	35010-LBA2-315-M2	KEY SET	KEY SET	1	
	35101-LBA2-315-M1	35101-LBA2-315-M1	SW SET COMB & LOCK	SW SET COMB & LOCK	1	
	35101-LBA2-315-M2	35101-LBA2-315-M2	SW SET COMB & LOCK	SW SET COMB & LOCK	1	



Sales mark	Ref no	Part no	Description	Reg description	Regd no	F19
	35102-LBA2-315-M1	35102-LBA2-315-M1	SHUTTER MAGNETIC	SHUTTER MAGNETIC	1	
	35102-LBA2-315-M2	35102-LBA2-315-M2	SHUTTER MAGNETIC	SHUTTER MAGNETIC	1	
	35104-KHC4-90A	35104-KHC4-90A	PLATE COVER FUEL CAP CABLE	PLATE COVER FUEL CAP CABLE	1	
	35104-KHC4-90B	35104-KHC4-90B	PLATE COVER FUEL CAP CABLE	PLATE COVER FUEL CAP CABLE	1	
	35111-LBA2-305-T01	35111-LBA2-305-T01	KEY COMP(R TANGENT PLANE/SD)	KEY COMP	1	
	35111-LBA2-305-T02	35111-LBA2-305-T02	KEY COMP (L TANGENT PLANE/SD)	KEY COMP	1	
	35111-LBA2-306-T01	35111-LBA2-306-T01	KEY COMP (R TANGENT PLANE/TJ)	KEY COMP/MAIN SW	1	
	35111-LBA2-306-T02	35111-LBA2-306-T02	KEY COMP (L TANGENT PLANE/TJ)	KEY COMP	1	
	35340-KKC4-80A	35340-KKC4-80A	STOP SWITCH	STOP SWITCH	1	
	35340-KKC4-80B	35340-KKC4-80B	STOP SWITCH	STOP SWITCH	1	
	35380	35380-LDF2-900	SENSOR ANGLE DETECT	SENSOR ANGLE DETECT	1	
	35850	35850-LBA2-E00	SET START MAG	SET START MAG	1	
	38110	38110-KKC3-90B	HORN COMP	HORN COMP	2	
	38200	38200-KHE7-900	BOX COMP FUSE	BOX COMP FUSE	1	
	38300	38300-LBC6-90A	RELAY COMP WINKER	RELAY COMP WINKER	1	
	38500-KHD8-900	38500-KHD8-900	RELAY ASSY LIGHT	RELAY ASSY LIGHT	1	
	38500-KHD8-90A	38500-KHD8-90A	RELAY ASSY LIGHT	RELAY ASSY LIGHT	1	
	39000	39000-LDF2-800	VALVE UNIT SOLENOID	VALVE UNIT SOLENOID	1	
	39100	39100-KHD8-900	EMI FILTER MOTOR	EMI FILTER MOTOR	1	
	39200	39200-LDF2-800	ECU	ECU	1	



Sales mark	Ref no	Part no	Description	Reg description	Regd no	F19
	39220	39220-LDF2-900	CUSHION CASE ECU	CUSHION CASE ECU	1	
	50153	50153-LDF2-900	RUBBER SOLENOID VALVE	RUBBER SOLENOID VALVE	1	
	50154	50154-LDF2-900	COLLAR	COLLAR	1	
	77232-GLW0-316-M1	77232-GLW0-316-M1	LOCK SET FUEL LID	LOCK SET FUEL LID	1	
	77232-GLW0-316-M2	77232-GLW0-316-M2	LOCK SET FUEL LID	LOCK SET FUEL LID	1	
	77235-KGC4-E0A	77235-KGC4-E0A	SEAT CATCH	SEAT CATCH	1	
	77235-KGC4-E0B	77235-KGC4-E0B	SEAT CATCH	SEAT CATCH	1	
	77235-KKC4-80A	77235-KKC4-80A	SEAT CATCH	SEAT CATCH	1	
	77235-KKC4-80B	77235-KKC4-80B	SEAT CATCH	SEAT CATCH	1	
	77240	77240-LBA2-E00	CABLE SEAT LOCK	CABLE SEAT LOCK	1	
	90656-KCBC	90656-KCBC-900	BAND OIL HOSE	BAND OIL HOSE	10	
**	90656-KUDU	90656-KUDU-900	BAND HARNESS WIRE	BAND HARNESS WIRE	3	
	93500-04020	93500-04020-0G	SCREW PAN 4*20	SCREW PAN 4*20	3	
	93500-KHC4	93500-KHC4-90A	SCREW PAN 5*10	SCREW PAN 5*10	3	
	93894	93894-04022-08	SCREW PLAIN WASHER 4*22	SCREW PLAIN WASHER 4*22	2	
	94050-06080	94050-06080	NUT FLANGE 6MM	NUT FLANGE 6MM	7	
	94050-08080	94050-08080	NUT FLANGE 8MM	NUT FLANGE 8MM	1	
	95701	95701-KHC5-E00	BOLT TORQUE 8*20	BOLT TORQUE 8*20	2	
	96001-06014	96001-06014-08	BOLT FLANGE 6*14	BOLT FLANGE 6*14	4	
	96001-06020	96001-06020-06	BOLT FLANGE 6*20	BOLT FLANGE 6*20	1	



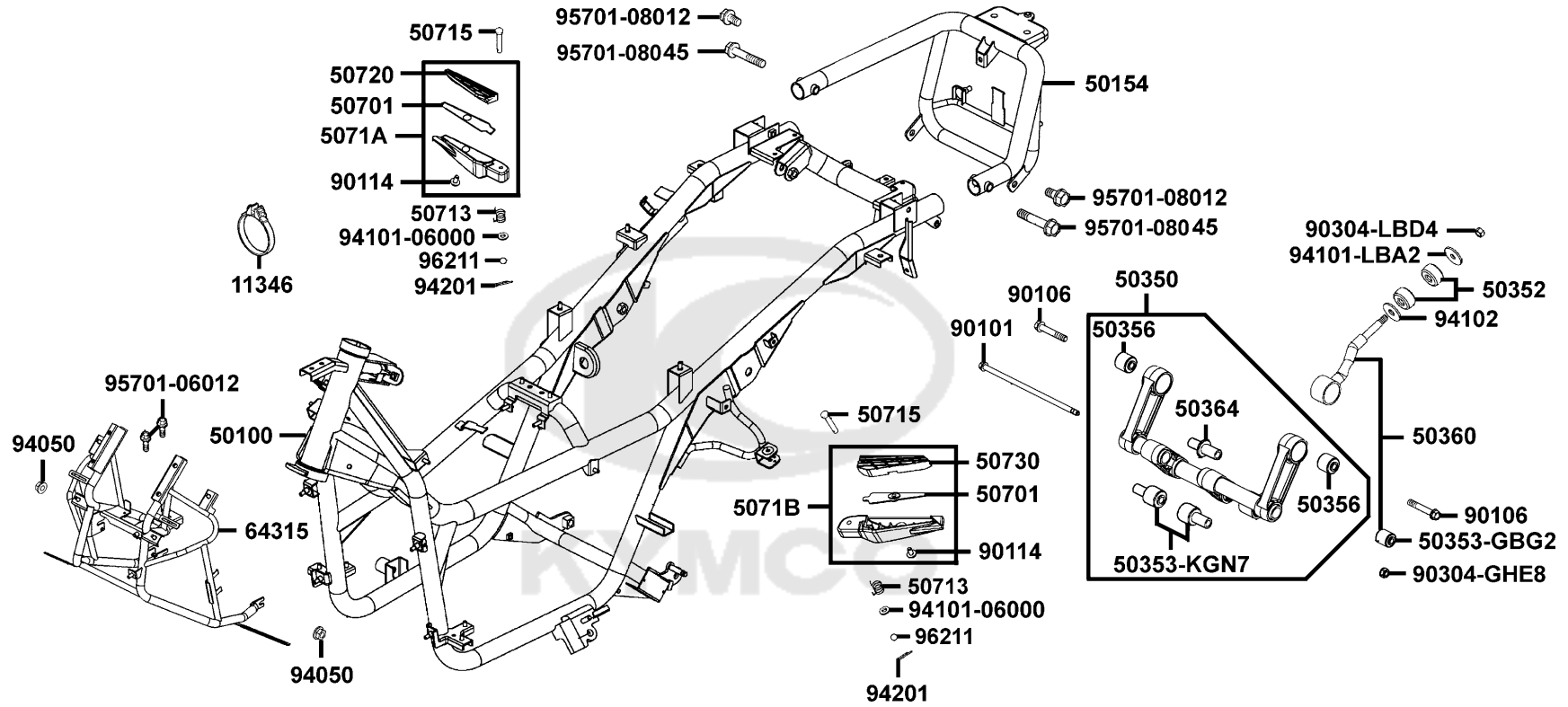
Sales mark	Ref no	Part no	Description	Reg description	Regd no	F19
------------	--------	---------	-------------	-----------------	---------	------------

98200-31000	98200-31000	98200-31000	BLADE FUSE 10A	BLADE FUSE 10A	2	
98200-31500	98200-31500	98200-31500	BLADE FUSE 15A	BLADE FUSE 15A	2	
98200-33000	98200-33000	98200-33000	BLADE FUSE 30A	BLADE FUSE 30A	1	



F20

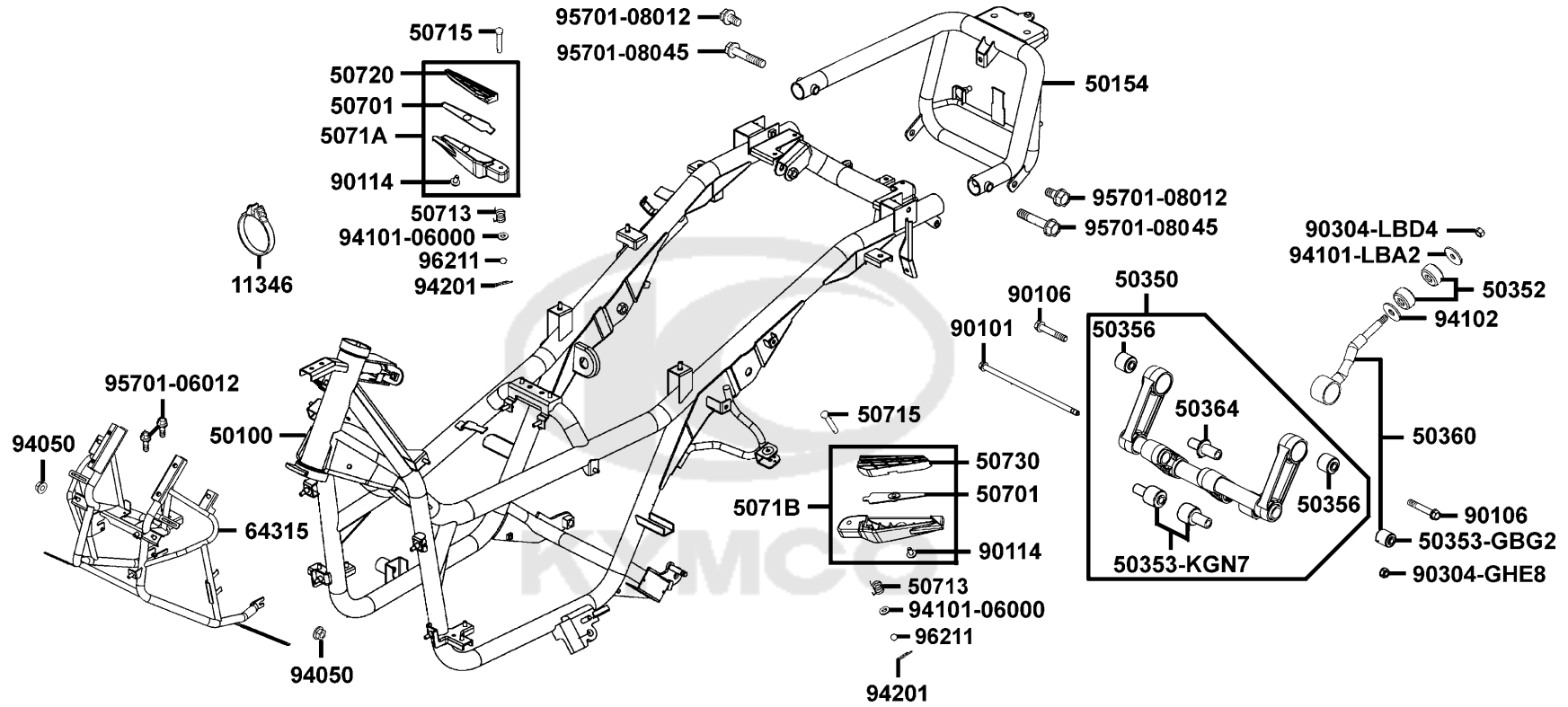
Frame Body



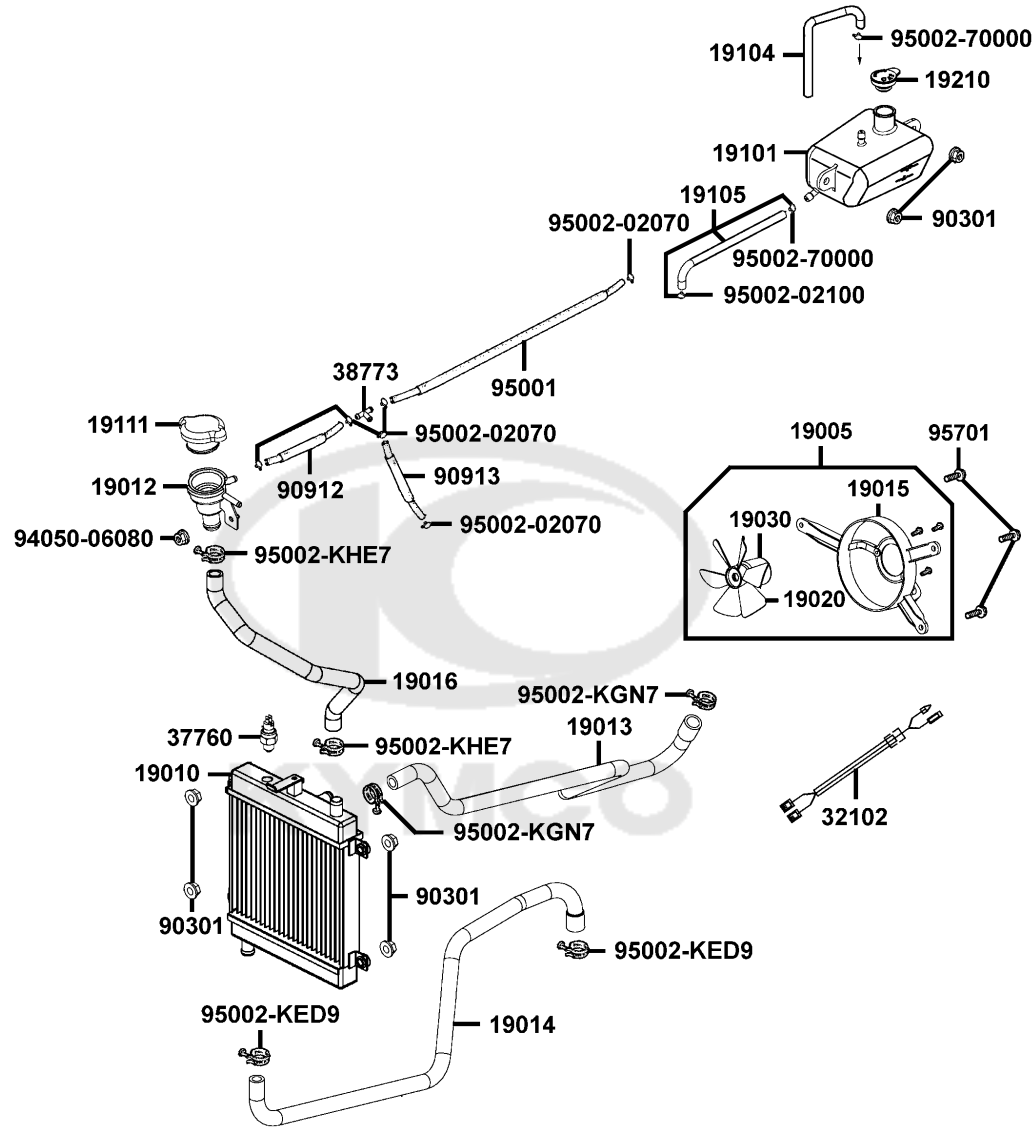
Sales mark	Ref no	Part no	Description	Reg description	Regd no	F20
	11346	11346-GFY6-901	BAND L COVER DUCT	BAND L COVER DUCT	1	
	50100	50100-LDF2-900	BODY COMP FRAME	BODY COMP FRAME	1	
	50154	50154-LBA2-E00	STAY RR CARRIER	STAY RR CARRIER	1	
	50350	50350-LDB2-E00	ENG HANGER COMP	ENG HANGER COMP	1	
	50352	50352-LBA2-E00	RUBBER STOPPER	RUBBER STOPPER	2	
	50353-GBG2	50353-GBG2-711	BUSH SWING LOCK	BUSH SWING LOCK	1	
	50353-KGN7	50353-KGN7-901	BUSH A ENG HANGER	BUSH A ENG HANGER	1	
	50356	50356-KHE7-E00	BUSH SWING LOCK	BUSH SWING LOCK	2	
	50360	50360-LDB2-E00	TIE ROD ASSY ENG HANGER	TIE ROD ASSY ENG HANGER	1	
	50364	50364-KHE7-E00	COLLAR B ENG HANGER	COLLAR B ENG HANGER	1	
	50701	50701-LBA2-E00	STAY RR STEP	STAY RR STEP	2	
	50713	50713-KEB7-900	SPRING	SPRING	2	
	50715	50715-KEB7-900	PIN RR STEP	PIN RR STEP	2	
	5071A	5071A-LBA2-E00	BAR R STEP ASSY	BAR R STEP ASSY	1	
	5071B	5071B-LBA2-E00	BAR L STEP ASSY	BAR L STEP ASSY	1	
	50720	50720-LBA2-E00	RUBBER R STEP	RUBBER R STEP	1	
	50730	50730-LBA2-E00	RUBBER L STEP	RUBBER L STEP	1	
	64315	64315-LDF2-900	BRKT FR COVER	BRKT FR COVER	1	
	90101	90101-KNBN-200	BOLT FLANGE 10*275	BOLT FLANGE 10*275	1	
	90106	90106-KHE7-E00	BOLT FLANGE 12*59	BOLT FLANGE 12*59	2	

F20

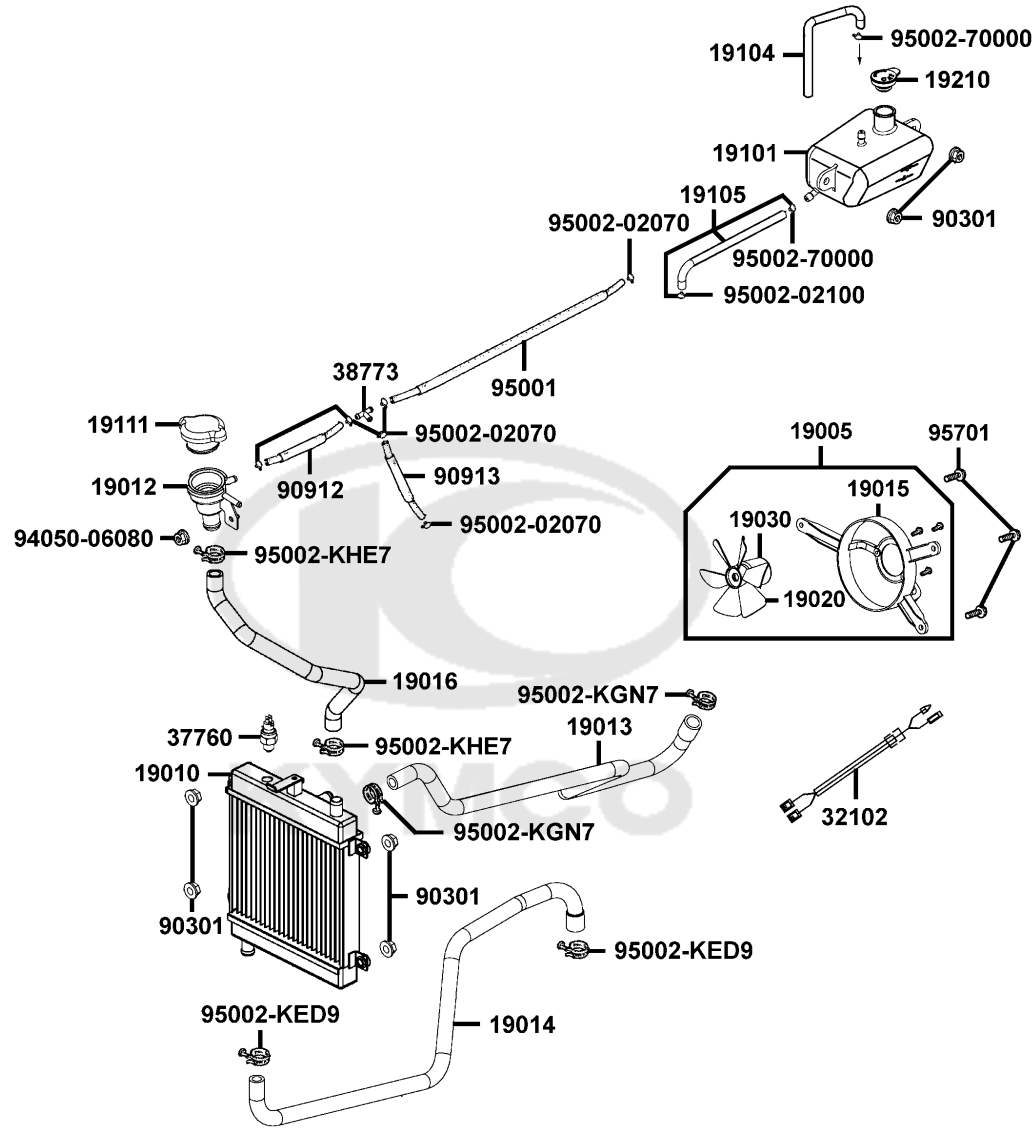
Frame Body



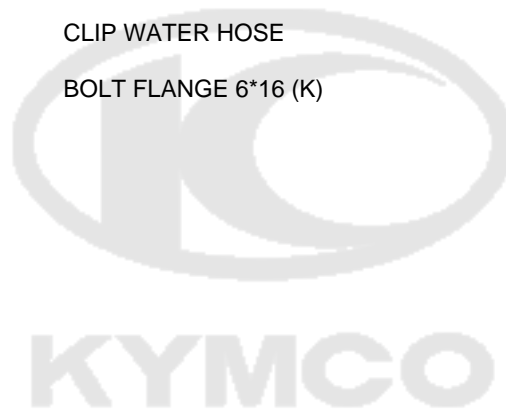
Sales mark	Ref no	Part no	Description	Reg description	Regd no	F20
90114		90114-KED9-900	SCREW PAN 6*12	SCREW PAN 6*12	2	
90304-GHE8		90304-GHE8-004	NUT U 10MM	NUT U 10MM	1	
90304-LBD4		90304-LBD4-900	NUT U FLANGE 10MM	NUT U FLANGE 10MM	1	
94050		94050-06080	NUT FLANGE 6MM	NUT FLANGE 6MM	2	
94101-06000		94101-06000	WASHER PLAIN 6MM	WASHER PLAIN 6MM	2	
94101-LBA2		94101-LBA2-E00	WASHER PLATE 10.5*38*3.0	WASHER PLATE 10.5*38*3.0	1	
94102		94102-LBA2-E00	WASHER PLAIN 38*12.5*3	WASHER PLAIN 38*12.5*3	1	
94201		94201-16150	PIN SPLIT 1.6*15	PIN SPLIT 1.6*15	2	
95701-06012		95701-06012-08	BOLT FLANGE 6*12	BOLT FLANGE 6*12	2	
95701-08012		95701-08012-08	BOLT FLANGE 8*12	BOLT FLANGE 8*12	2	
95701-08045		95701-08045-08	BOLT FLANGE 8*45	BOLT FLANGE 8*45 (K)	2	
96211		96211-08000	BALL STEEL 8MM	BALL STEEL ?	2	



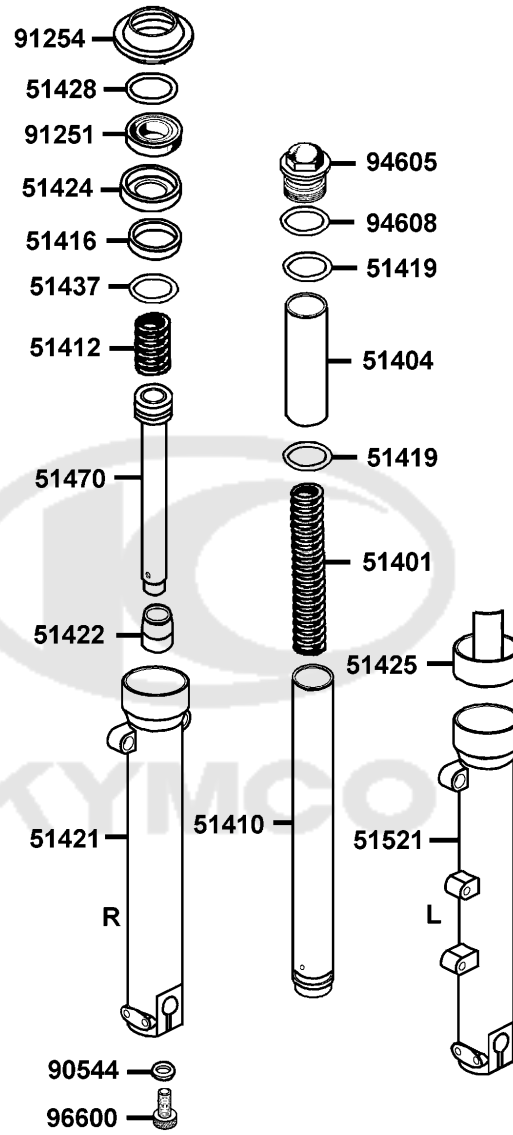
Sales mark	Ref no	Part no	Description	Reg description	Regd no	F21
	19005	19005-KKC4-900	SHROUD ASSY	SHROUD ASSY	1	
	19010	19010-LDB2-E00	RADIATOR COMP	RADIATOR COMP	1	
	19012	19012-KHD8-900	UNIT RADIATOR	UNIT RADIATOR	1	
	19013	19013-LDB2-E00	HOSE WATER INLET	HOSE WATER INLET	1	
	19014	19014-LDB2-E00	HOSE WATER OUTLET	HOSE WATER OUTLET	1	
	19015	19015-KKC4-900	SHROUD COMP	SHROUD COMP	1	
	19016	19016-LBA2-E00	HOSE EATER-UNIT CAP	HOSE EATER-UNIT CAP	1	
	19020	19020-KED9-900	FAN COOLING	FAN COOLING	1	
	19030	19030-KHD8-900	MOTOR ASSY FAN	MOTOR ASSY FAN	1	
	19101	19101-LBA2-E00	TANK RESERVE	TANK RESERVE	1	
	19104	19104-LBA2-E00	HOSE ASSY DRAIN	HOSE ASSY DRAIN	1	
	19105	19105-LBA2-E00	HOSE ASSY RESERVE-COOLER	HOSE ASSY RESERVE-COOLER	1	
	19111	19111-GBE2-004	CAP COMP	CAP COMP	1	
	19210	19210-KKC4-900	CAP RESERVE TANK	CAP RESERVE TANK	1	
	32102	32102-LBA2-E00	SUB CORD THERMO	SUB CORD THERMO	1	
	37760	37760-KHD8-900	SW ASSY THERMO	SW ASSY THERMO	1	
	38773	38773-PKB9-001	JOINT 3 WAY 3.5	JOINT 3 WAY 3.5	1	
	90301	90301-6D34-671	NUT FLANGE 6MM	NUT FLANGE 6MM	6	
	90912	90912-LBA2-E00	TUBE FUEL 3.5	TUBE FUEL 3.5	1	
	90913	90913-LDB2-E00	TUBE FUEL 3.5*1570	TUBE FUEL 3.5*1570	1	



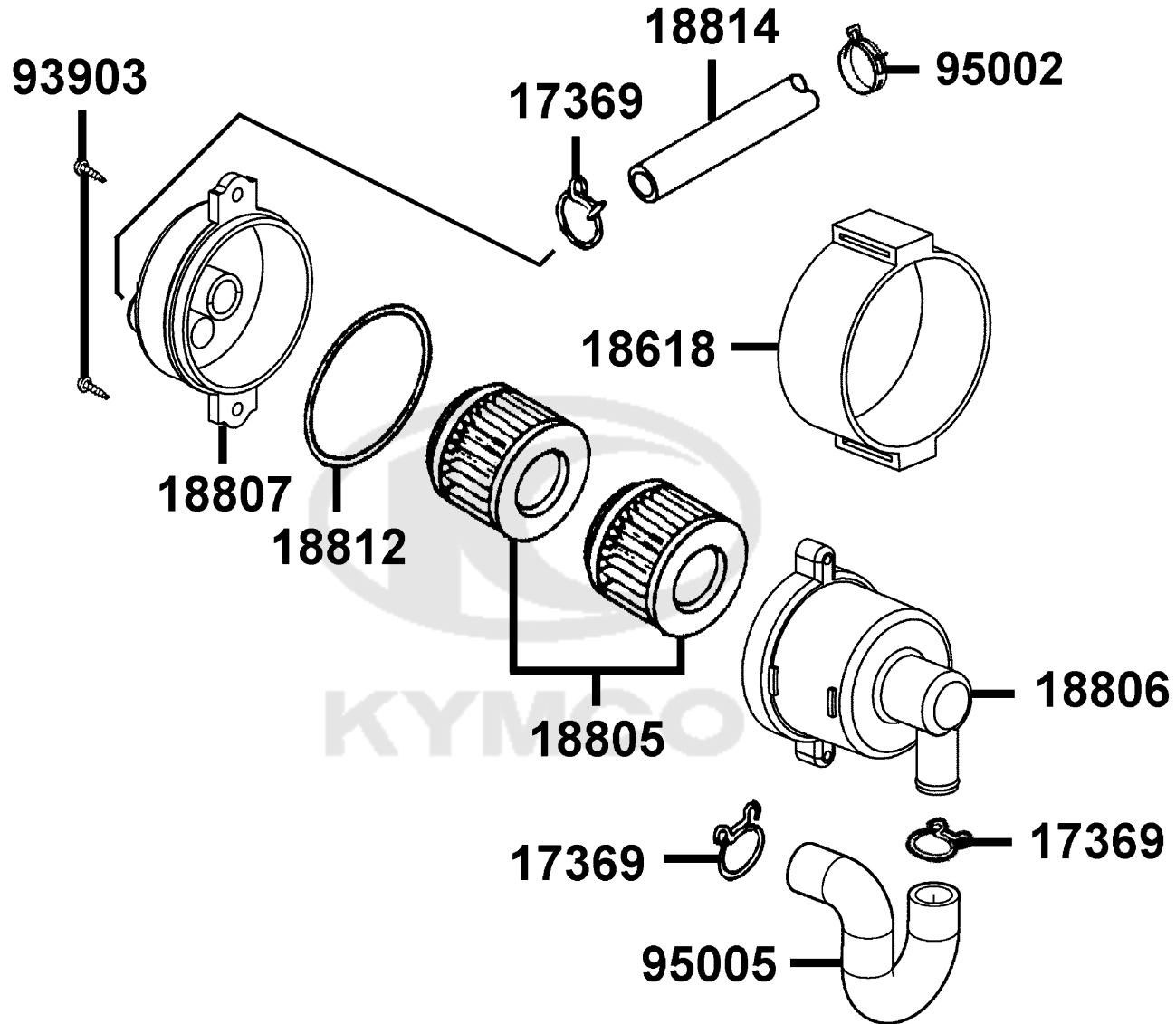
Sales mark	Ref no	Part no	Description	Reg description	Regd no	F21
	94050-06080	94050-06080	NUT FLANGE 6MM	NUT FLANGE 6MM	1	
	95001	95001-35600-40	TUBE FUEL 3.5*600	TUBE FUEL 3.5*600	1	
	95002-02070	95002-02070	CLIP B7 TUBE	CLIP B7 TUBE	6	
	95002-02100	95002-02100	CLIP B15 TUBE	CLIP B15 TUBE	1	
	95002-70000	95002-70000	CLIP C11 TUBE	CLIP C11 TUBE	2	
	95002-KED9	95002-KED9-900	CLIP HOSE	CLIP HOSE	2	
	95002-KGN7	95002-KGN7-910	CLIP TUBE	CLIP TUBE	2	
	95002-KHE7	95002-KHE7-900	CLIP WATER HOSE	CLIP WATER HOSE	2	
	95701	95701-06016-06	BOLT FLANGE 6*16 (K)	BOLT FLANGE 6*16 (K)	3	



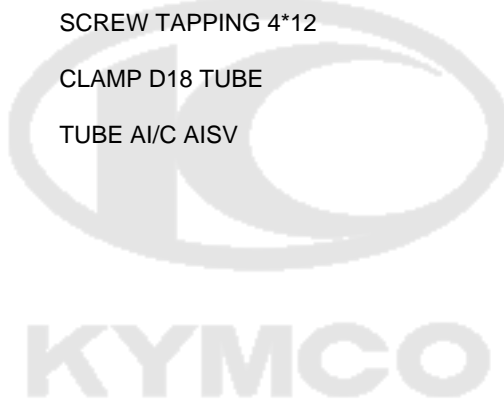
Separated Parts Of Fr Fork



Sales mark	Ref no	Part no	Description	Reg description	Regd no	F22
	51401	51401-LDB2-E00	SPRING	SPRING	2	
	51404	51404-LDB2-E00	SPRING COLLAR	SPRING COLLAR	2	
	51410	51410-LBA2-E00	FORK PIPE COMP	FORK PIPE COMP	2	
	51412	51412-LBA2-E00	REBOUND SPRING	REBOUND SPRING	2	
	51416	51416-LBA2-E00	GUIDE BUSH	GUIDE BUSH	2	
	51419	51419-LBA2-E00	PLAIN WASHER	PLAIN WASHER	4	
**	51421	51421-LBA2-E00	BOTTOM CASE R	BOTTOM CASE R	1	
	51422	51422-LBA2-E00	OIL LOCK PIECE	OIL LOCK PIECE	2	
	51424	51424-LBA2-E00	SPACER	SPACER	2	
	51425	51425-LBA2-E00	FORK FENDER	FORK FENDER	2	
	51428	51428-LBA2-E00	OIL SEAL STOPPER RING	OIL SEAL STOPPER RING	2	
	51437	51437-LBA2-E00	PISTON RING	PISTON RING	2	
	51470	51470-LBA2-E00	PIPE SEAT COMP	PIPE SEAT COMP	2	
**	51521	51521-LBA2-E00	BOTTOM CASE L	BOTTOM CASE L	1	
	90544	90544-KEC8-900	PACKING	PACKING	2	
	91251	91251-LBA2-E00	OIL SEAL	OIL SEAL	2	
	91254	91254-LBA2-E00	DUST SEAL	DUST SEAL	2	
	94605	94605-LBA2-E00	FORK BOLT	FORK BOLT	2	
	94608	94608-LBA2-E00	O-RING	O-RING	2	
	96600	96600-LBA2-E00	BOCKET BOLT	BOCKET BOLT	2	



Sales mark	Ref no	Part no	Description	Reg description	Regd no	F23
17369		17369-KDB4-671	CLIP BREATHER TUBE	CLIP BREATHER TUBE	2	
18618		18618-KBE2-900	RUBBER AI CLEANER MOUNT	RUBBER AI CLEANER MOUNT	1	
18805		18805-KHB4-910	ELEMENT AI CLEANER	ELEMENT AI CLEANER	1	
18806		18806-KBE2-900	CASE AI CLEANER	CASE AI CLEANER	1	
18807		18807-KBE2-900	COVER AI CLEANER	COVER AI CLEANER	1	
18812		18812-KBE2-900	SEAL AI CLEANER COVER	SEAL AI CLEANER COVER	1	
18814		18814-LDF2-900	DUCT AI CLEANER	DUCT AI CLEANER	1	
93903		93903-24320	SCREW TAPPING 4*12	SCREW TAPPING 4*12	2	
95002		95002-KKD6-E05	CLAMP D18 TUBE	CLAMP D18 TUBE	1	
95005		95005-LDF2-E00	TUBE AI/C AISV	TUBE AI/C AISV	1	



● Be sure to wear a safety helmet when riding.
 ● Do not exceed the speed specified by law when riding.
 ● The exhaust muffler temperature is very high after riding. Be sure to park the motorcycle in a place not easily touched by people.
 ● For riding safety and good performance, do not violate the law to modify the motorcycle.
 ● Please read the Owner's Manual carefully to ensure riding safety.

● Make sure to perform the periodic maintenance and periodic inspection.

Periodic Inspection Items

Brake Performance, tires, engine oil level, lights, horn, and instrument panel

KWANG YANG MOTOR CO., LTD.

87560

CAUTIONS

Tire Size	:Front 120/70-15	Rear 150/70-14
(One Rider)	:Front 2.00kgf/cm ²	Rear 2.50kgf/cm ²
(Two Rider)	:Front 2.25kgf/cm ²	Rear 2.50kgf/cm ²
Load Capacity	:Shield 1.5kg	Clip case center 3kg
	(As per KYMCO standard specification)	
	(Note: The tire pressure must not overpass 2.50kgf/cm ²)	

● Check the motor oil level with the dipstick after refilling motor oil.

LMC-820

87505

CAUTION

Mobile phone charge only, Use other appliance may cause damage.

KKC2-E000

87541-KKC2

CAUTIONS

Never put any article between the rear side cover and the engine to avoid interference of riding.

GAR-300

87542

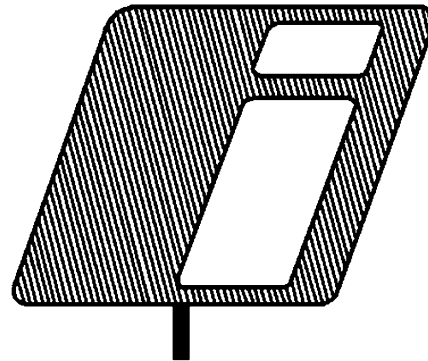
CAUTIONS

Before starting the engine, the side stand shall be kicked up to secure safety.

87541-GAR1

Sales mark	Ref no	Part no	Description	Reg description	Regd no	F24
**	87505	87505-LBA2-E00	LABEL TIRE	LABEL TIRE	1	
**	87541-GAR1	87541-GAR1-E00	CAUTION SIDE STAND	CAUTION SIDE STAND	1	
**	87541-KKC2	87541-KKC2-E00	CAUTION MOBILE PHONE	CAUTION MOBILE PHONE	1	
**	87542	87542-GAR1-E00	MARK MAINT CAUTION	MARK MAINT CAUTION	1	
**	87560	87560-GFY6-E00	MARK DRIVE CAUTION	MARK DRIVE CAUTION	1	

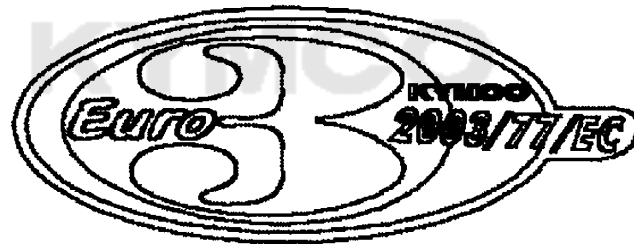




87140



86202



87311

Sales mark	Ref no	Part no	Description	Reg description	Regd no	F25
------------	--------	---------	-------------	-----------------	---------	------------

**	86202	86202-LDB2-E10	EMB BODY COVER	EMB BODY COVER	2	
**	87140	87140-LDG7-E00	EMB I MARK	EMB I MARK	2	
**	87311	87311-LCD3-E00	STRIPE MARK EURO 3	STRIPE MARK EURO 3	1	



PART NO. INDEX

PART NO.	VERSION	PAGE	PART NO.	VERSION	PAGE	PART NO.	VERSION	PAGE
0000			11200-LDB2-E01	0	E01			
			11203-LBA2-E00	2	E01	13000		
			11203-LBA2-E00	2	F16			
0901-880-6000	0	E08	11211-KKC4-900	0	F13	13000-KHE7-900	12	E03
0901-911-6000	0	E08	1122A-LDB2-E00	1	E07	13000-KHE7-910	2	E03
0901-915-6000	0	E08	11330-LLJ3-E00	4	E04	13011-KHE7-900	0	E03
			11341-LDF2-900	2	E01	13101-LDB2-E00	6	E03
1000			11345-LDB2-E00	1	E01	13111-LDB2-E00	1	E03
			11346-GFY6-901	0	F20	13406-LDF2-900	3	E02
1034-KAE0-7700	0	E08	11383-LDF2-900	1	E01			
1090-873-2001	0	E08	11394-KHE7-900	1	E04	14000		
1190-C74-2000	0	E08	11395-LLJ3-E01	0	E01			
1190-C75-2000	0	E08				14100-LDB2-E00	5	E02
1614-868-0000	0	E08	12000			14150-LDB2-E00	2	E02
1614-895-0000	0	E08				14401-KHE7-90A	0	E03
			12100-KHE7-900	6	E03	14401-KHE7-90B	0	E03
4000			12191-KHE7-910	2	E03	14431-LDB2-E00	1	E02
			12200-LDF2-900	3	E02	14450-KEBE-900	0	E02
4000-452-0003	0	E08	12205-KHE8-301	4	E02	14452-LDB2-E00	1	E02
4115-803-1100	0	E08	12209-GDB4-68A	0	E02	14510-KHE7-900	0	E03
			12209-GDB4-68B	0	E02	14520-GFY6-90A	1	E03
11000			1221A-LDB2-E00	3	E02	14523-GFY6-901	0	E03
			12251-KHE7-901	1	E02	14531-KHE7-900	0	E03
11100-LDB2-E00	1	E01	12310-LDF2-900	0	E02	14610-KHE7-900	0	E03
11110-LLJ3-E00	1	E01	12361-GFY6-901	1	E04	14711-LDF2-900	1	E02
11192-KHE7-900	0	E01	12391-LDB2-E00	1	E02	14721-LDB2-E00	2	E02

PART NO. INDEX

PART NO.	VERSION	PAGE	PART NO.	VERSION	PAGE	PART NO.	VERSION	PAGE
14751-KHE7-900	0	E02	17212-LDB2-E00	0	F12	17620-LLJ3-E0A	3	F19
14761-KHE7-900	0	E02	17214-LDB2-E00	1	F13	17620-LLJ3-E0B	3	F19
14771-GDB4-680	2	E02	17215-KGBG-90A	2	F13	17623-LAB4-90A	1	F19
14775-MFA6-001	0	E02	17215-KGBG-90B	0	F13	17623-LAB4-90B	1	F19
14781-MFA6-001	0	E02	1721A-KKC3-900	1	F13	17689-KEBE-E00	1	F10
			17231-LDF2-900	2	F13	17910-LDF2-900	5	F03
15000			17236-KFBF-910	1	F13	17911-LDF2-900	3	F03
			1723A-LDB2-E00	2	F13	18000		
15100-KKC3-900	3	E06	17241-LDF2-900	0	F13			
15133-KAM1-001	1	E06	17254-KACA-P00	0	F13			
15141-KKJ9-004	0	E06	17255-LDB2-E00	3	F13	18291-KEBE-900	0	F14
15421-1G07-001	1	E04	17256-LDB2-E00	1	F13	18291-LBA7-900	2	F14
15426-GAE1-921	0	E04	17359-4K19-671	0	F13	18292-KEBE-900	0	F14
15441-1K49-001	0	E03	17369-KDB4-671	1	F23	18293-KEBE-900	0	F14
15447-1K49-001	0	E03	17370-4K19-701	0	F13	18294-KEBE-900	0	F14
1565A-KEBE-900	0	E04	17371-1D74-671	0	F13	18294-LDB2-900	0	F14
15711-KHE7-900	0	E06	17500-LDF2-910	3	F10	18306-LBA2-E00	1	F14
16000			17502-LBA2-E00	4	F10	1830A-LDF2-E0A	4	F14
			17504-LAB4-900	2	F10	18310-LDF2-E0A	2	F14
			17507-LAB4-900	2	F10	18318-LBA2-E01	0	F14
1610K-LDF2-E00	0	E08	17514-LBA2-E00	1	F10	18320-LDF2-900	2	F14
16211-LDF2-900	1	E02	17515-LBA2-E00	1	F10	18321-LDB2-900	0	F14
17000			17520-LBA2-E00	1	F19	18325-LDB2-900	1	F14
			17527-LBA2-900	0	F19	18371-LDB2-E00	1	F14
			17550-LDF2-800	6	F10	18391-LDB2-E00	1	F14
1711A-LDF2-900	1	E02	17560-LDF2-900	4	F10	18601-MAJ1-791	1	E02

PART NO. INDEX

PART NO.	VERSION	PAGE	PART NO.	VERSION	PAGE	PART NO.	VERSION	PAGE
18612-GFY6-941	0	E02	19111-GBE2-004	1	F21	22112-KHE7-900	1	E05
18618-KBE2-900	0	F23	19210-KKC4-900	0	F21	22121-KHE7-90A	1	E05
18645-GFY6-941	0	E02	19215-KHE7-900	0	E04	22131-KHE7-900	1	E05
18646-GFY6-941	0	E02	19217-6G57-024	0	E04	22131-LBA7-900	1	E05
18647-LDB2-900	3	E02	19221-KHE7-900	2	E04	22132-KHE7-900	2	E05
18660-LDF2-900	2	E02	19229-KHE7-900	0	E04	22300-KHE7-900	1	E05
18805-KHB4-910	0	F23	19231-KKJ9-011	0	E04	22350-KHE7-900	1	E05
18806-KBE2-900	1	F23	19300-KAE1-004	1	E02	22361-KHE7-900	0	E05
18807-KBE2-900	3	F23	19310-LDF2-900	2	E02	22401-KHE7-900	2	E05
18812-KBE2-900	0	F23	19315-LDB2-E00	1	E02	22530-KHE7-900	0	E05
18814-LDF2-900	1	F23	19411-KBCB-900	0	F10	22804-GBB2-001	0	E05
			19502-KHE7-900	0	E04			
19000			19504-LBA2-E00	3	E02	23000		
			21000			2301A-LDB2-E00	5	E05
19005-KKC4-900	2	F21				23100-LDF2-900	1	E05
19010-LDB2-E00	2	F21				23200-KHE7-900	6	E05
19012-KHD8-900	4	F21	21200-LDB2-E00	2	E07	23220-LDB2-E00	3	E05
19013-LDB2-E00	2	F21	21395-LDF2-900	1	E07	23225-KHE7-900	0	E05
19014-LDB2-E00	1	F21				23226-GHC8-004	0	E05
19015-KKC4-900	2	F21	22000			23233-KHE7-900	1	E05
19016-LBA2-E00	1	F21				23237-KHE7-900	0	E05
19020-KED9-900	1	F21	22101-KHE7-900	1	E05	23238-KHE7-900	0	E05
19030-KHD8-900	2	F21	22102-KHE7-900	3	E05	23411-KHE7-900	3	E07
19101-LBA2-E00	2	F21	22105-KHE7-900	1	E05	23420-LDB2-E00	3	E07
19104-LBA2-E00	1	F21	22105-LBA7-900	1	E05	23431-LDB2-E00	2	E07
19105-LBA2-E00	1	F21	22110-KHE7-900	6	E05			

PART NO. INDEX

PART NO.	VERSION	PAGE	PART NO.	VERSION	PAGE	PART NO.	VERSION	PAGE
23432-LDB2-E00	2	E07	31602-KKC4-900	0	F19	33702-LBA2-E00	0	F18
28000			3195A-LBA2-E00	1	F19	33708-KHE7-E00	0	F18
			32000			33709-KHE7-E00	0	F18
28101-KHE7-900	0	E06				33720-LBB5-E00	2	F18
28102-KHE7-900	0	E06	32100-LDF2-E00	5	F19	33726-LBB5-E00	1	F18
28110-LDB2-E00	4	E06	32102-LBA2-E00	1	F21	33741-KHC5-M00	0	F18
28120-LDB2-E00	0	E06	32105-LLJ3-E00	2	E04	33900-KFBF-900	0	F12
30000			32108-GAR1-711	1	F19	34000		
			32410-LDB2-E00	3	E06			
			32411-LBA2-E00	3	F11	34901-KED9-900	0	F01
			32412-LDB2-E00	1	E04	34903-KPCP-900	0	F01
3051A-LDF2-900	4	F19	33000			34903-KPCP-900	0	F18
30700-KFC8-E0H	1	F19				34905-KPCP-900	0	F17
31000			33100-LBA2-E00	2	F01	34905-KPCP-900	0	F18
			33120-LBA2-E00	0	F01	34909-KFBF-900	0	F12
31110-LDF2-90A	2	E06	33130-LBA2-E00	1	F01	35000		
31120-LDF2-90A	4	E06	33400-LBA2-E00	2	F17			
31205-KKJ9-000	0	E06	33401-LBA2-E00	0	F17	35010-LBA2-315-M1	0	F19
31210-KHE7-90A	1	E06	33406-LBA2-E00	0	F17	35010-LBA2-315-M2	0	F19
31340-LBA2-E0A	0	F19	33450-LBA2-E00	2	F17	35101-LBA2-315-M1	0	F19
31345-LBA2-E00	1	F19	33451-LBA2-E00	0	F17	35101-LBA2-315-M2	0	F19
31500-KHE7-90A	3	F11	33456-LBA2-E00	0	F17	35102-LBA2-315-M1	0	F19
31500-KHE7-90B	3	F11	33607-KKD7-E00	0	F18	35102-LBA2-315-M2	0	F19
31600-KED9-900	4	F19	33700-LBA2-E00	4	F18	35104-KHC4-90A	0	F19
31601-LBA2-E00	2	F19						

PART NO. INDEX

PART NO.	VERSION	PAGE	PART NO.	VERSION	PAGE	PART NO.	VERSION	PAGE
35104-KHC4-90B	0	F19				42710-LBA2-E0A	4	F08
35111-LBA2-305-T01	0	F19	38000			42710-LBA2-E0B	4	F08
35111-LBA2-305-T02	0	F19				42753-KNBN-90B	1	F07
35111-LBA2-306-T01	0	F19	38110-KKC3-90B	1	F19	42753-KNBN-90B	1	F08
35111-LBA2-306-T02	0	F19	38200-KHE7-900	0	F19			
3515A-LBA2-E01	1	F03	38300-LBC6-90A	2	F19	43000		
3520A-KEBE-900	2	F03	38500-KHD8-900	0	F19			
35340-KKC4-80A	0	F19	38500-KHD8-90A	0	F19	43100-LDF2-E00	2	F08
35340-KKC4-80B	0	F19	38773-PKB9-001	0	F21	43105-LDH1-305	0	F08
35340-KNBN-901	0	F04				43109-LBA2-E00	0	F07
35350-KNBN-901	0	F04	39000			43109-MCA3-007	0	F08
35370-KEC8-E00	3	F15				43126-LDB2-E00	3	F04
35380-LDF2-900	2	F19	39000-LDF2-800	4	F19	43127-LBA2-E01	2	F04
35500-KED9-900	6	E04	39100-KHD8-900	0	F19	43156-KKC4-900	1	F04
35850-LBA2-E00	1	F19	39200-LDF2-800	4	F19	43156-LDB2-900	1	F04
37000			39220-LDF2-900	1	F19	43351-LBA2-E00	6	F08
			39300-LDF2-800	2	E02	43352-KKD6-E90	1	F08
			39301-LDF2-900	2	E02	43353-4A61-77A	0	F08
37119-LBA2-E00	0	F02	39400-LDF2-800	2	E02	43353-KED9-900	0	F07
37200-LDB2-E0A	3	F02	39450-LDF2-800	2	F14	4335A-LBA2-E01	2	F07
37213-LBA2-E00	0	F02				43530-LBA2-308	0	F04
37214-LBA2-E00	0	F02	42000					
37720-KGB5-900	0	E02				44000		
37750-PAC1-005	0	E02	42311-LDB2-E00	1	F08			
37760-KHD8-900	0	F21	42312-KHE7-E00	0	F08	44301-LBA2-E00	5	F07
			42601-LDB2-E00	2	F08	44311-KED9-900	5	F07

PART NO. INDEX

PART NO.	VERSION	PAGE	PART NO.	VERSION	PAGE	PART NO.	VERSION	PAGE	
44312-LBA2-E00	2	F07	45130-KED9-900	0	F07	50000			
44620-LBA2-E00	3	F07	45131-LDB2-E00	3	F07				
44650-LBA2-305	0	F07	45131-LDH1-E00	0	F08				
44710-LBA2-E0A	3	F07	45132-LDH1-E00	0	F08		50100-LDF2-900	9	F20
44710-LBA2-E0B	5	F07	45134-KED9-900	0	F07		50153-LDF2-900	2	F19
45000			45136-LBA2-E01	6	F04		50154-LBA2-E00	3	F20
			45200-LBA2-E00	6	F07		50154-LDF2-900	1	F19
			45203-KED9-900	0	F07		50306-1F96-001	0	F06
			45209-KED9-900	0	F08		50326-LBA2-E00	2	F11
45100-LBA2-E01	6	F07	45209-LBA2-E00	0	F07		50328-LBA2-E00	2	F11
45105-LBA2-305	0	F07	45210-LBA2-305	0	F07	5032A-LDB2-E00	1	F11	
45107-KED9-900	0	F07	45210-LDF2-E00	0	F08	50330-LBA2-E00	1	F11	
45107-LBA2-E00	0	F07	45352-LBA2-E00	4	F07	50330-LDB2-E00	1	F11	
45107-LLJ3-E00	0	F08	45513-KKA8-900	0	F04	50350-LDB2-E00	4	F20	
45107-LLJ3-E90	0	F07	45513-LEA7-E00	1	F04	50352-LBA2-E00	1	F20	
45108-KED9-900	0	F07	45517-LBA2-E00	2	F04	50353-GBG2-711	1	F20	
45108-LDH1-E00	0	F08	45520-KKA8-900	0	F04	50353-KGN7-901	0	F20	
45109-KED9-900	0	F07	45521-LEA7-E00	1	F04	50356-KHE7-E00	0	F20	
45110-LBA2-305	0	F07	45530-LBA2-308	0	F04	50360-LDB2-E00	2	F20	
45121-LDB2-E00	3	F07	45531-GAR1-951	0	F08	50364-KHE7-E00	0	F20	
45125-LBA2-E00	3	F06	45531-KED9-900	0	F07	50502-GFY6-901	3	F15	
45126-LBA2-E01	4	F04				50504-LDB2-E00	1	E01	
45128-LBA2-900	2	F06	48000			50505-KUDU-900	1	F15	
45128-LBA2-920	1	F06				50505-LAD9-900	3	F15	
45128-LBA2-E00	1	F06				50505-LEA7-E00	0	F15	
45129-LBA2-900	1	F06	48200-LBA2-E01	1	F04	50506-KHE7-E00	0	F15	
45129-LBA2-E00	2	F06							

PART NO. INDEX

PART NO.	VERSION	PAGE	PART NO.	VERSION	PAGE	PART NO.	VERSION	PAGE
5050A-LDB2-E00	5	F15	51428-LBA2-E00	0	F22	53205-LBA2-E02	1	F03
50530-LDB2-E00	3	F15	51430-LDH1-E00	0	F08	53206-LBA2-E00	1	F03
50550-KKC2-E00	0	F15	51437-LBA2-E00	0	F22	53208-LBA2-E00	3	F03
50611-LDF2-900	2	F10	51470-LBA2-E00	0	F22	53213-LBA2-E00	2	F06
50612-LDF2-900	2	F10	51500-LDB2-E00	4	F06	53214-LBA2-E00	2	F06
50701-LBA2-E00	1	F20	51521-LBA2-E00	0	F22	53220-LBA2-E00	2	F06
50713-KEB7-900	0	F20				53230-LBA2-E00	8	F06
50715-KEB7-900	0	F20	52000			53240-LBA2-E00	2	F06
5071A-LBA2-E00	1	F20				53250-LBA2-E00	2	F06
5071B-LBA2-E00	1	F20	52000-LDB2-E00	5	F16			
50720-LBA2-E00	1	F20	52400-LDB2-E00	3	F16	61000		
50730-LBA2-E00	1	F20						
51000			53000			61100-LBA2-E00	4	F05
			53100-LBA2-E00	7	F03	64000		
51400-LDB2-E00	4	F06	53102-KEC8-900	0	F03			
51401-LDB2-E00	0	F22	53105-LBB5-E00	2	F03	64206-MLJ0-001	1	F12
51404-LDB2-E00	0	F22	53131-3H98-941	0	F03	64220-LBA2-E00	5	F03
51410-LBA2-E00	0	F22	53140-KKC4-900	0	F03	64222-KKC4-900	3	F03
51412-LBA2-E00	0	F22	53166-KGB5-900	0	F03	64222-LLJ3-E00	1	F05
51416-LBA2-E00	0	F22	53175-LBA2-E03	0	F04	64231-LBA2-E00	1	F03
51419-LBA2-E00	0	F22	53178-LBA2-E03	0	F04	64232-LBA2-E00	1	F03
51421-LBA2-E00	0	F22	53182-LDB2-E00	2	F05	6423A-LBA2-E00	1	F03
51422-LBA2-E00	0	F22	53200-LBA2-E00	7	F06	64250-LBA2-E00	2	F03
51424-LBA2-E00	0	F22	53203-LBA2-E00	2	F03	64302-LBA2-E02	1	F05
51425-LBA2-E00	0	F22	53204-LBA2-E00	3	F03	64303-LBA2-E00	2	F05

PART NO. INDEX

PART NO.	VERSION	PAGE	PART NO.	VERSION	PAGE	PART NO.	VERSION	PAGE
64304-LBA2-E00	2	F05	77232-GLW0-316-M2	0	F19	81135-KGBG-900	2	F05
64305-LBA2-E00	2	F05	77235-KGC4-E0A	2	F19	81142-LBA2-E00	1	F05
64306-LBA2-E00	2	F05	77235-KGC4-E0B	2	F19	81146-LBA2-E00	2	F05
64310-LBA2-E00	4	F05	77235-KKC4-80A	0	F19	8114A-LBA2-E00	1	F05
64311-LBA2-E00	1	F05	77235-KKC4-80B	0	F19	81200-LBA2-E00	2	F12
64315-LDF2-900	1	F20	77240-LBA2-E00	2	F19	81201-LBA2-E00	1	F12
64320-LBA2-E00	2	F05	77300-LBA2-E00	1	F09	81252-LDB2-E00	2	F12
64330-LBA2-E00	2	F05	77303-LLJ3-E00	2	F09	81254-LDB2-E00	2	F12
64400-LBA2-E00	2	F05	77305-LBA2-E00	0	F09	81255-LDB2-E00	2	F12
			77400-LBA2-E00	2	F09	81256-LDB2-E00	2	F12
70000			77500-LBA2-E00	1	F09	81257-LDB2-E00	1	F12
			77501-LBA2-E00	1	F09	81258-LDB2-E00	1	F12
70529-6G57-671	0	F05				81259-LDB2-E00	1	F12
			80000			81260-LDB2-E00	5	F12
75000						81261-LDB2-E00	1	F12
			80101-LBA2-E00	1	F18	81262-LDB2-E00	1	F12
75581-6C73-001	0	F05	80104-LDB2-E00	0	F12			
			80105-LBA2-E00	1	F18	83000		
77000			80107-LBA2-E00	1	F18			
			80151-LBA2-E00	1	F05	83500-LBA2-E00	3	F12
77105-GFS6-001	1	F12				83520-LBA2-E00	2	F12
77106-GFS6-001	1	F12	81000			83550-KEC8-900	0	F05
77200-LBA2-E00	4	F09				83551-KEC8-900	0	F05
77206-KEB7-900	0	F09	81131-LBA2-E01	2	F05	83600-LBA2-E00	3	F12
77220-LBA2-E00	2	F09	81133-LBA2-E00	1	F05	83620-LBA2-E00	2	F12
77232-GLW0-316-M1	0	F19	81134-KGBG-900	2	F05	83750-LBA2-E00	2	F12

PART NO. INDEX

PART NO.	VERSION	PAGE	PART NO.	VERSION	PAGE	PART NO.	VERSION	PAGE
86000			89000			90106-KFC2-900	0	F03
86202-LDB2-E10	4	F25	89010-LDB2-E00	2	F09	90106-KHE7-E00	0	F20
87000			89020-KKC4-900	1	F09	90107-LEA7-E00	3	F05
87140-LDG7-E00	2	F25	90000			90108-KKC4-900	1	F15
87206-LBA2-E00	2	F03	90001-GBHB-661	2	E03	90110-KEBE-900	0	F14
87311-LCD3-E00	1	F25	90001-GBHB-661	2	E06	90111-KED9-900	0	F03
87505-LBA2-E00	1	F24	90005-KEC8-900	3	E03	90111-KED9-900	0	F05
87508-KKC4-E00	1	F03	9000A-KTDT-900	1	E01	90111-KED9-900	0	F12
87541-GAR1-E00	1	F24	90012-3C33-001	2	E02	90112-KNBN-901	1	F11
87541-KKC2-E00	1	F24	90031-KEBE-900	0	E01	90113-KKA8-900	0	F04
87542-GAR1-E00	2	F24	90032-KEBE-900	0	E01	90114-GDM4-011	2	F13
87560-GFY6-E00	3	F24	90033-GFY6-941	0	E02	90114-KED9-900	3	F20
88000			90071-MLB0-001	0	E06	90114-LBA2-E00	1	F12
88110-LBA2-E02	1	F03	90084-4H28-001	0	E04	90122-LBA2-E00	1	F07
88110-LBA2-E02	2	F03	9008A-KHE7-900	0	E04	90131-LDB2-E00	2	F08
88120-LBA2-E02	1	F03	90101-KNBN-200	3	F20	90131-LFG2-E00	1	F16
88120-LBA2-E02	2	F03	90105-KCR3-001	1	F07	90145-LBA2-E00	2	F04
			90105-KCR3-001	1	F08	90145-MKS9-61A	1	F04
			90105-KHB4-900	0	F03	90164-MDR4-901	0	F05
			90105-KHB4-900	0	F12	90201-KHE7-900	0	E05
			90105-LLJ3-E00	3	F03	90201-KHR8-75A	0	E05
			90106-KFA6-900	0	F12	90201-KHR8-75A	0	E06
						90201-LBA2-E00	1	F06
						90202-1G87-001	0	E05
						90206-0A01-001	1	E02
						90215-KKC4-900	1	F09

PART NO. INDEX

PART NO.	VERSION	PAGE	PART NO.	VERSION	PAGE	PART NO.	VERSION	PAGE
90215-KKC4-900	1	F12	90503-0A51-870	0	F06	91202-KHE7-900	0	E01
90301-6D34-671	1	F03	90503-LBA2-E00	2	F06	91202-KKC4-900	0	E01
90301-6D34-671	1	F10	9052A-GFY6-950	3	E01	91202-KKC4-90B	1	E01
90301-6D34-671	1	F21	90544-KEC8-900	0	F22	91211-KHE7-900	0	E05
90301-GFY6-901	2	F14	90545-3L00-001	2	F04	91251-LBA2-E00	0	F22
90302-GFY6-940	1	F18	90605-1F66-721	0	E05	91254-LBA2-E00	0	F22
90302-SDA4-004	2	F03	90652-GFY6-901	1	E02	91255-KHE7-900	0	E07
90302-SDA4-004	2	F05	90652-KHE7-900	0	F13	91255-KHE7-900	0	F16
90302-SDA4-004	2	F12	90656-KCBC-900	0	F19	91257-KED9-900	2	F07
90304-4H38-001	2	E02	90656-KUDU-900	0	F19	91301-KHE7-900	0	E02
90304-GHE8-004	0	F20	90677-GAR1-004	1	F03	91301-LDF2-800	1	E02
90304-LBD4-900	2	F20	90677-GAR1-004	1	F12	91302-0A01-021	0	E04
90305-GHK8-001	1	F05	90677-GAR1-004	1	F18	91302-KHE7-900	0	E04
90305-GHK8-001	1	F12	90683-GAR1-004	4	F05	91302-LDB2-E00	1	E02
90305-KKAK-900	0	F08	90912-LBA2-E00	8	F21	91302-LDF2-800	2	E02
90305-LBA2-E00	1	F05	90913-LDB2-E00	0	F21	91303-3G77-001	0	E04
90312-GLF0-001	0	F03				91306-1E05-691	0	E03
90312-LLJ3-E01	0	F05	91000			91307-0E35-001	0	E04
90401-KKJ9-001	0	E05				91309-4E25-004	0	E06
90401-KKJ9-001	0	E06	91001-KHE7-900	0	E03	91351-KHE7-900	0	E05
90423-KKJ9-001	0	E04	91001-KKJ9-006	0	E04	91407-SGA7-004	0	F13
90441-GFY6-941	0	E05	91002-GGA7-70A	0	E05			
90465-MDC4-001	0	E02	91003-KHE7-900	0	E01	92000		
90474-3C33-001	1	E01	91004-KHE7-900	1	E05			
90478-7L00-001	0	E02	91009-KHE7-900	0	E07	92101-05012-0A	0	F07
90478-7L00-001	0	E04	91201-KKJ9-004	0	E04	92101-05032-0H	0	E06

PART NO. INDEX

PART NO.	VERSION	PAGE	PART NO.	VERSION	PAGE	PART NO.	VERSION	PAGE	
92900-06050-0B	0	E02	93892-04008-18	0	E08	94050-06060	0	F04	
92900-08046-0B	0	E02	93893-04012-18	0	F04	94050-06080	0	E02	
93000			93894-04022-08	1	F19	94050-06080	0	F04	
			93901-32320	0	F18	94050-06080	0	F09	
			93901-34310	0	F18	94050-06080	0	F10	
			93901-34320	0	F18	94050-06080	0	F11	
			93903-24320	0	F23	94050-06080	0	F18	
93401-LDB2-900	0	F14	93903-34220	0	F18	94050-06080	0	F19	
93404-06016-06	0	F05	93903-34360	0	F05	94050-06080	0	F20	
93404-06016-06	0	F12	93903-34360	0	F12	94050-06080	0	F21	
93404-06016-06	0	F15	93903-34360	0	F17	94050-08080	0	E02	
93404-06016-06	0	F18	93903-34360	0	F18	94050-08080	0	F09	
93404-06020-06	1	F03	93903-35260	0	F10	94050-08080	0	F19	
93500-03010-1A	0	E06	93903-35320	0	F01	94101-06000	0	F20	
93500-04008-0H	0	F10	93903-35320	0	F02	94101-06700	0	F14	
93500-04020-0G	0	F19	93903-35320	0	F03	94101-06800	0	F09	
93500-05016-0H	0	E02	93903-35360	0	F18	94101-08700	0	F15	
93500-05016-0H	0	E06	93903-GFY6-900	1	F03	94101-LBA2-E00	1	F20	
93500-05016-1B	0	F03	93903-GFY6-900	1	F05	94102-LBA2-E00	1	F20	
93500-05025-1B	0	F03	93903-GFY6-900	1	F12	94111-05800	0	E06	
93500-05032-1B	0	F03	93903-GFY6-900	1	F18	94111-06800	0	E01	
93500-05045-1B	0	F03	93903-KEB7-900-06	1	F03	94201-16150	0	F20	
93500-KHC4-90A	0	F19	94000			94251-08400	0	F15	
93600-04012-1A	0	F04					94301-08140	0	E04
93891-05016-06	0	F05					94301-10160	0	E01
93891-05016-06	0	F11					94301-10160	0	E02
93891-05016-08	0	F13							
93891-06010-07	0	F12	94050-05080	0	F18				

PART NO. INDEX

PART NO.	VERSION	PAGE	PART NO.	VERSION	PAGE	PART NO.	VERSION	PAGE
94301-10160	0	E03	95002-02130	0	F10	95701-08012-08	0	F20
94301-10160	0	E04	95002-02130	0	F13	95701-08030-08	0	E07
94301-10160	0	E07	95002-02150	0	F13	95701-08035-06	1	F03
94303-04065	0	E06	95002-70000	0	F21	95701-08035-08	0	E07
94401-25140	4	E03	95002-KED9-900	2	F21	95701-08045-08	0	F20
94510-10000	0	E06	95002-KGN7-910	1	F21	95701-KHC5-E00	3	F19
94510-25000	0	E07	95002-KHE7-900	0	E04	95701-LDF2-800	2	F10
94520-26000	0	E04	95002-KHE7-900	0	F21	95801-08040-08	0	F06
94520-28000	0	E05	95002-KKD6-E05	0	E02	95801-10025-08	0	F15
94520-47000	0	F16	95002-KKD6-E05	0	F23	95801-10040-02	0	F16
94591-27000	0	F12	95003-23024-60	0	F13	95801-10045-06	2	F14
94591-27000	0	F17	95005-LDF2-E00	1	F23	95801-10057-06	2	F14
94591-KFBF-900	2	E02	95014-72204	0	F15			
94591-KFBF-900	2	E04	95701-06008-06	1	F06	96000		
94591-KFBF-900	2	F10	95701-06010-08	1	E02			
94601-17000	0	E03	95701-06012-00	0	F06	96001-06008-07	0	F14
94601-33000	0	E05	95701-06012-08	0	E02	96001-06010-00	0	E04
94605-LBA2-E00	0	F22	95701-06012-08	0	F20	96001-06012-08	0	E06
94608-LBA2-E00	0	F22	95701-06016-06	1	F21	96001-06012-08	0	F04
			95701-06022-06	1	F14	96001-06012-08	0	F06
95000			95701-06025-00	0	E02	96001-06014-08	0	F19
			95701-06025-08	0	E02	96001-06016-08	0	E01
95001-35600-40	0	F21	95701-06028-08	0	E02	96001-06018-02	0	E04
95002-02070	0	F21	95701-06040-08	0	E02	96001-06018-08	0	E02
95002-02080	0	E07	95701-06050-08	0	F06	96001-06020-06	0	F19
95002-02100	0	F21	95701-08012-08	0	E01	96001-06022-08	0	E04

PART NO. INDEX

PART NO.	VERSION	PAGE	PART NO.	VERSION	PAGE	PART NO.	VERSION	PAGE
96001-06028-06	0	F04	98200-31500	0	F19			
96001-06028-08	0	E04	98200-33000	0	F11			
96001-06028-08	0	E06	98200-33000	0	F19			
96001-06045-08	0	E04						
96001-06050-08	0	E01	W					
96001-06100-08	0	E02						
96001-06125-08	0	E04	W1792-048-9901	0	E08			
96100-60000-00	0	E04	W1793-118-9900	0	E08			
96100-63020-00	0	E01						
96100-63020-00	0	E07						
96100-63040-00	1	E01						
96150-60040-10	0	F07						
96150-62040-10	0	F16						
96211-08000	0	F20						
96220-20118	0	E03						
96600-08015-10	1	E06						
96600-08025-06	0	F06						
96600-08035-06	0	F06						
96600-LBA2-E00	0	F22						
98000								
98069-5691R-00	0	E02						
98200-31000	1	F11						
98200-31000	1	F19						
98200-31500	0	F11						