

PARTS CATALOGUE



MOTORCYCLES

KB10JB(FL)



Release Date : 2011/01/13
Print Date : 2011/01/14

ABOUT THIS PARTS LIST

- This parts list is compiled all service parts for model KB10JB(FL).
- Any difference between color chart and motorcycle will be revised according to motorcycle.
- The Mark:
 1. Marking "***" must add color code in the end before ordering parts.
 2. Marking "#" are parts with modification, Please find the details from e-Parts system.
- When modification or additions to this parts list are made a revised edition at an appropriate time.

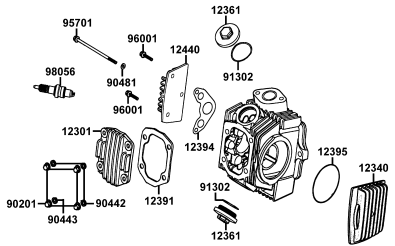
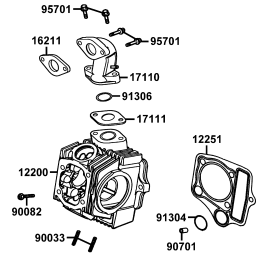
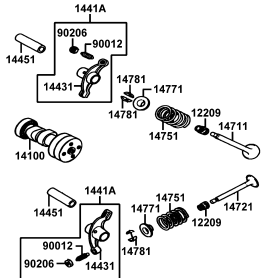
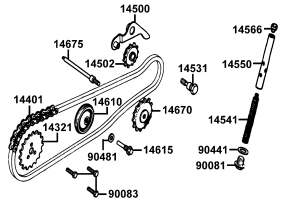
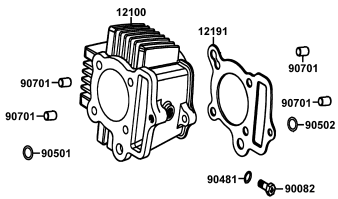
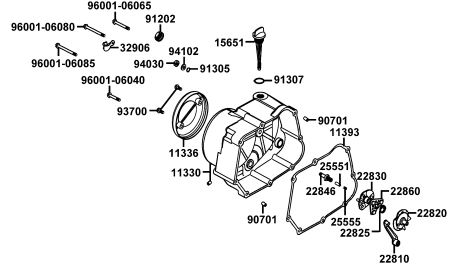
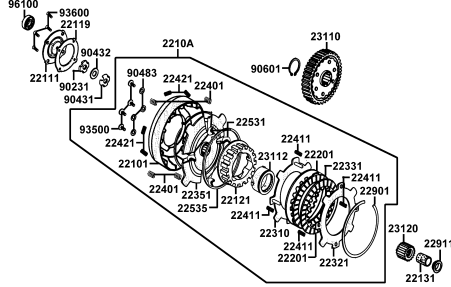
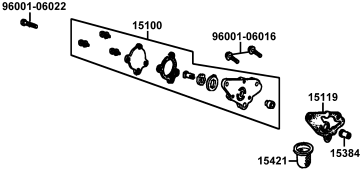
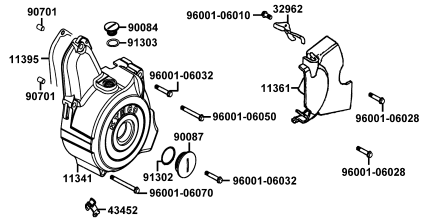
CONTENTS

● ABOUT THIS PARTS LIST	1
● COLOR CHART OF KB10JB(FL)	3
● CONTENTS-ENGINE GROUP	5
● CONTENTS-FRAME GROUP	7
● ENGINE PARTS LIST	10
● FRAME PARTS LIST	52
● PART NO. INDEX	108

NO	MODEL			COLOR CHART OF KB10JB(FL)			
	PHOTO NO			NO. 1	NO. 2	NO. 3	NO. 4
	BASIC COLOR			Bright Blue	Black	Pearly White	Ruby Red
	CODE			Bright Blue	Black	Pearly White	Ruby Red
	PARTS NAME	PARTS NO.	VERSION	MB129MA	NH001SA	NH193PA	RR004CA
1	COVER HANDLE FR	53205-LFC8-B40	0	42P	N1P	NVP	R1P
2	"FENDER A , FR."	61100-LEH7-B50	0				
3	SKIRT R SIDE	64305-LBB9-B50	0				
4	SKIRT L SIDE	64306-LBB9-B50	0				
5	COVER R BODY	83500-LFC8-B50	0				
6	COVER L BODY	83600-LFC8-B50	0				
7	CUSHION ASSY RR	52400-LFC8-B40	0	F1S			
8	SPRKT HUB ASSY	4260A-LFC8-B41	0	N1A			
9	PANEL ASSY RR BRK	43000-LBA8-C10	2				
10	WHEEL ASSY FR	4460A-LFC8-B41	0				
11	LEVER HANDLE	53175-LBA8-C11	0				
12	"GRIP , RR."	81300-LEH7-B50	0				
13	COVER FR	64301-LFC8-B50	0	N1P			
14	PROTECTOR MUFFLER	18318-LEH7-B50	0	N1R			
15	COVER CHAIN	40510-LFC8-B50	0				
16	CASE BATTERY	50325-LFC8-B50	0				
17	COVER BATTERY	50326-LFC8-B50	0				
18	"COVER,HANDLE RR."	53206-LFC8-B40	0				
19	FENDER FR B	61101-LEB5-C10	0				
20	FENDER RR.	80105-LFC8-B50	0				
21	BOX LUGGAGE	81250-LDE8-C50	0				
22	MOLDING R SIDE	83501-LFC8-B50	0				
23	COVER R SIDE	83520-LFC8-B50	0				
24	MOLDING L SIDE	83601-LFC8-B50	0				
25	COVER L SIDE	83620-LFC8-B50	0				
DATE OF STARTING-SALES							
DATE OF END-SALES							

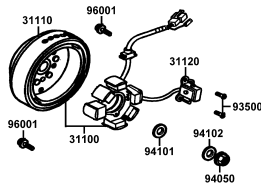
NO	MODEL			COLOR CHART OF KB10JB(FL)							
	PHOTO NO			NO. 1	NO. 2	NO. 3	NO. 4				
	BASIC COLOR			Bright Blue	Black	Pearly White	Ruby Red				
	CODE			Bright Blue	Black	Pearly White	Ruby Red				
	PARTS NAME	PARTS NO.	VERSION	MB129MA	NH001SA	NH193PA	RR004CA				
26	CRANK CASE COMP	11100-LBA8-C10	1	N8A							
27	CRANK CASE COMP	11200-LBA8-C10	2								
28	COVER COMP R CRANK	11330-LCE6-E80	0								
29	RIGHT COVER	11336-LCE6-E80	0								
30	COVER LEFT CRANK	11341-LBA8-C10	3								
31	COVER LEFT REAR	11361-LBA8-C10	0								
32	FORK SET FR R	5140A-LFC8-B41	0								
33	FORK SET FR L	5150A-LFC8-B41	0								
34	FORK COMP RR	52110-LBA8-E80	6					NJS			
35	SEAT ASSY.	77200-LFC8-B50	0					T01			
36	MARK KYMCO	86102-LEJ2-E00	2								
37	LABEL TIRE	87505-LFG5-B50	0								
38	MARK DRIVE CAUTION	87560-GFY6-E01	3								
39	STRIPE R BODY COVER	86221-LFC8-B41	0	T03 T01 T04 T02							
40	STRIPE L BODY COVER	86231-LFC8-B41	0								
41	STRIPE B R BODY	86241-LFC8-B41	0								
42	STRIPE B L BODY	86251-LFC8-B41	0								
43	STRIPE C R BODY	86261-LFC8-B41	0								
44	STRIPE C L BODY	86271-LFC8-B41	0								
45	STRIPE R SKIRT	86341-LFC8-B41	0								
46	STRIPE L SKIRT	86351-LFC8-B41	0								
47	STRIPE B R SKIRT	86361-LFC8-B41	0								
48	STRIPE B L SKIRT	86371-LFC8-B41	0								
DATE OF STARTING-SALES											
DATE OF END-SALES											

CONTENTS - ENGINE GROUP

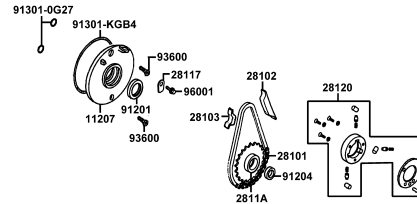
<p>E01 Cylinder skull</p> 	<p>E02 Cylinder Head</p> 	<p>E03 Cam Shaft</p> 
<p>E04 Sprocket Cam</p> 	<p>E05 Cylinder</p> 	<p>E06 Crankcase Right Cover</p> 
<p>E07 Clutch</p> 	<p>E08 Oil Pump</p> 	<p>E09 Crankcase Left Cover</p> 

CONTENTS - ENGINE GROUP

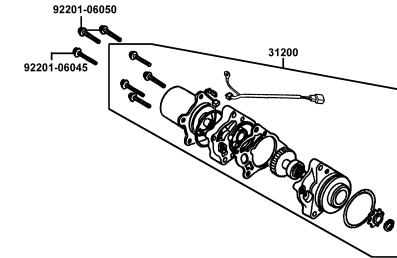
E10 Magneto



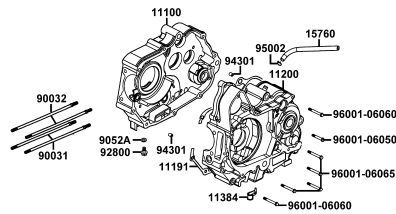
E11 Plate Crank Case L



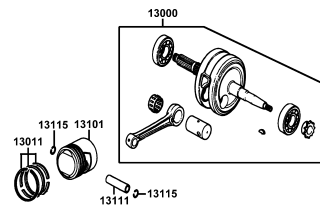
E12 Starting Motor



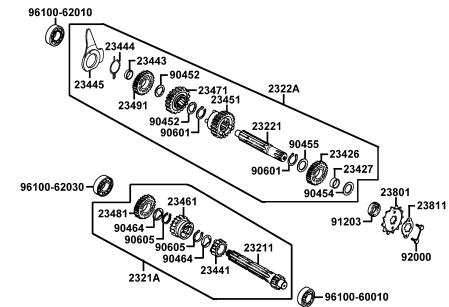
E13 Crank Case



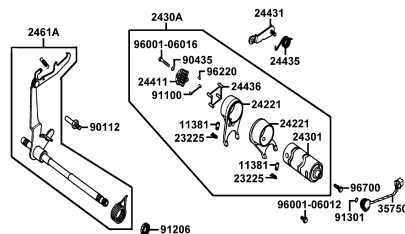
E14 Crankshaft Piston



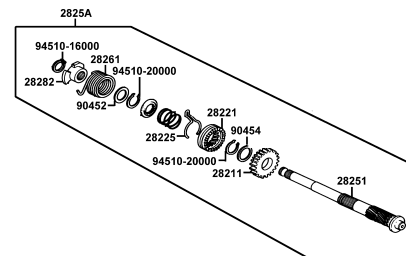
E15 Transmission



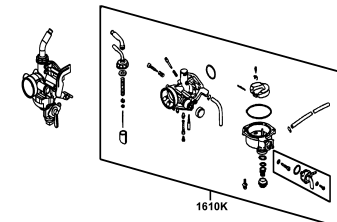
E16 Speed Change Foot Bar



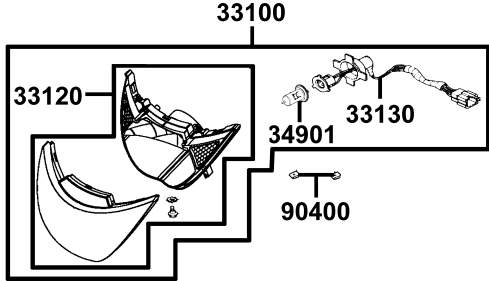
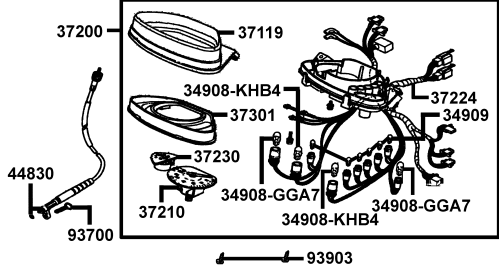
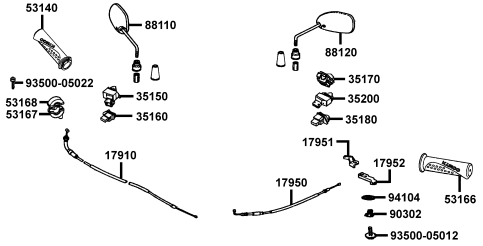
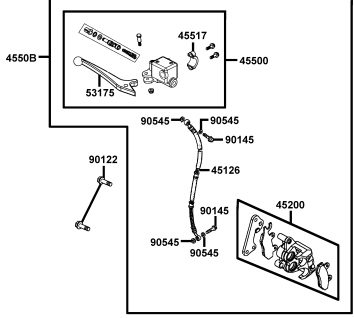
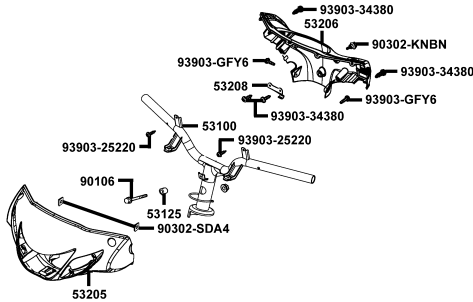
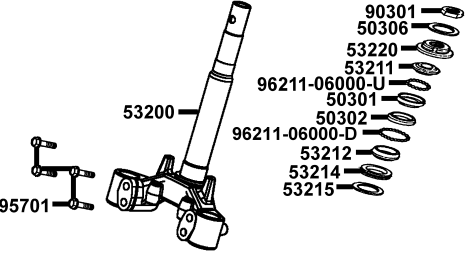
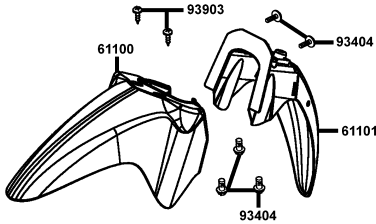
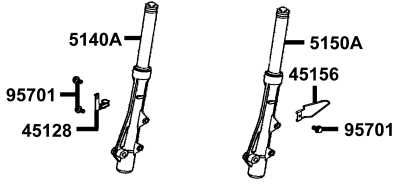
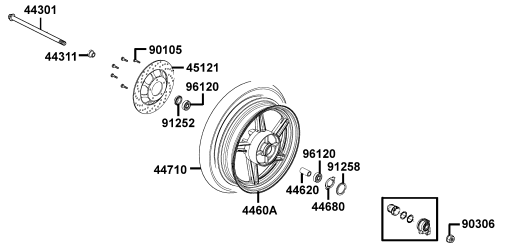
E17 Has Moving Axis



E18 Carburetor



CONTENTS - FRAME GROUP

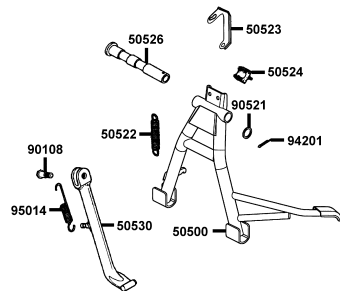
<p>F01 Head Light</p> 	<p>F02 Speedometer</p> 	<p>F03 Back Mirror Handle rod</p> 
<p>F04 Brake Master Cylinder</p> 	<p>F05 Changes Handle Handle</p> 	<p>F06 Stem Steering</p> 
<p>F07 Front Fender</p> 	<p>F08 Front Fork</p> 	<p>F09 Front Wheel</p> 

CONTENTS - FRAME GROUP

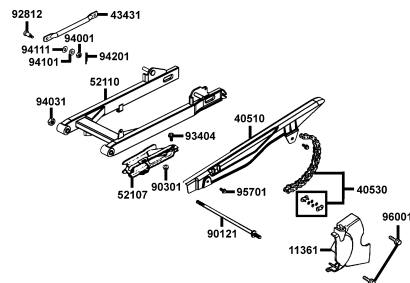
<p>F10 Lateral braking vane</p>	<p>F11 Rear Wheel</p>	<p>F12 Fuel Tank</p>
<p>F13 SeatRear frame</p>	<p>F14 Front coverside cover</p>	<p>F15 Air Cleaner</p>
<p>F16 Muffler</p>	<p>F17 Starter Kick</p>	<p>F18 Foot bar</p>

CONTENTS - FRAME GROUP

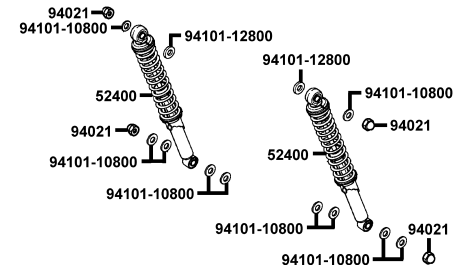
F19 Foot rest



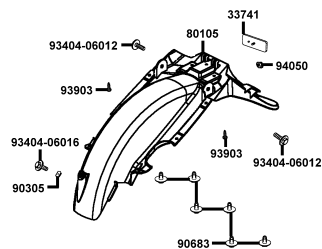
F20 Latter forks



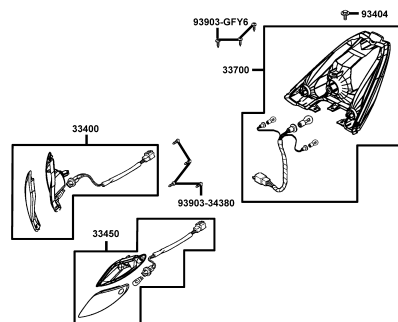
F21 Rear Cushion



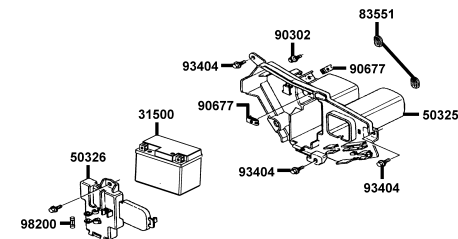
F22 Rear Fender



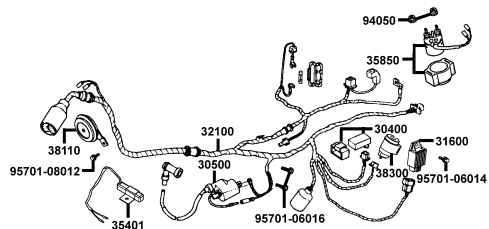
F23 Tail Light



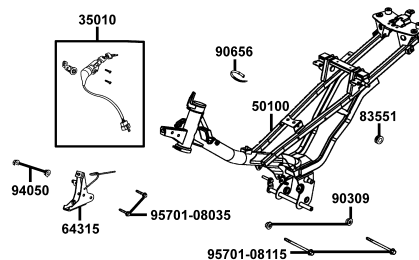
F24 Battery



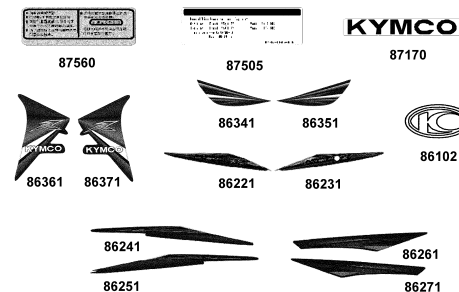
F25 Harness Wire



F26 Frame Body

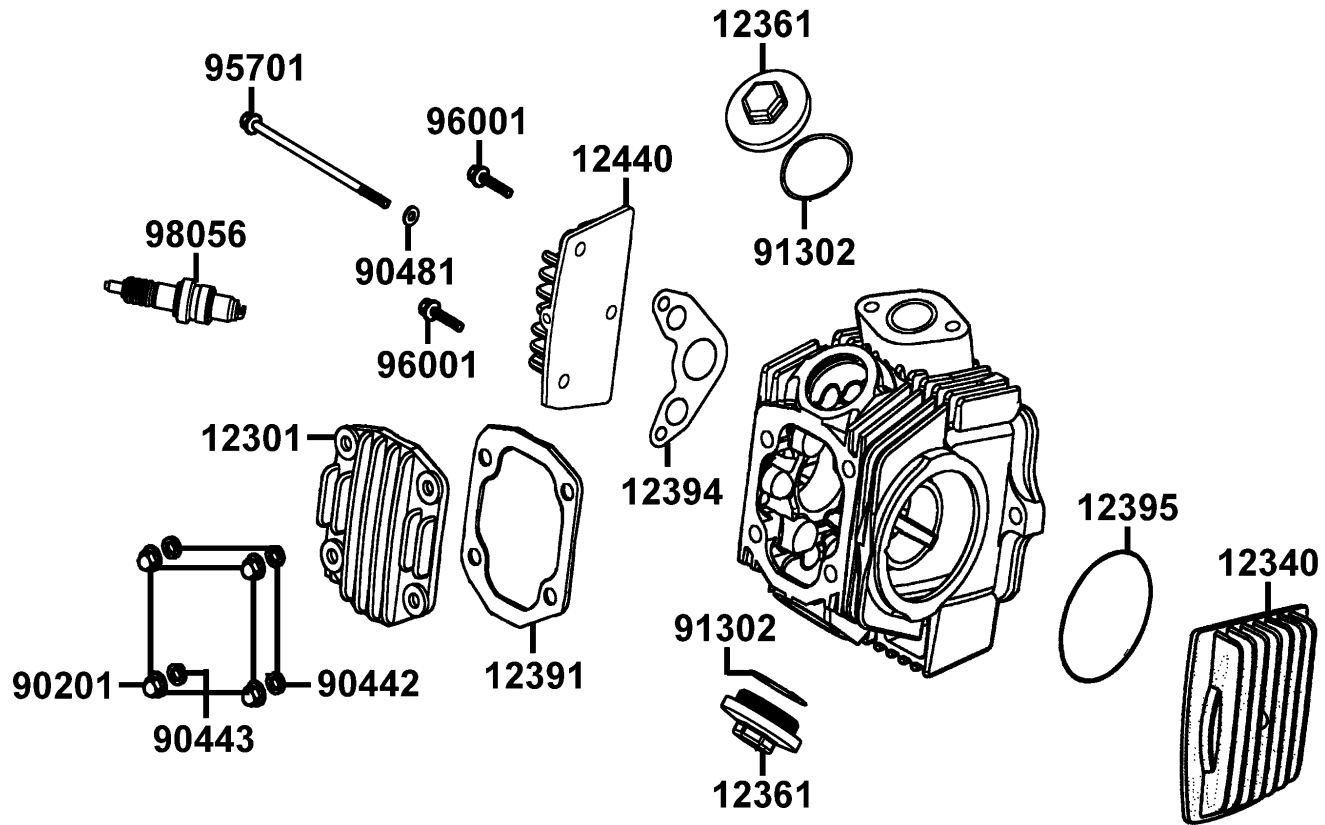


F27 Stripe

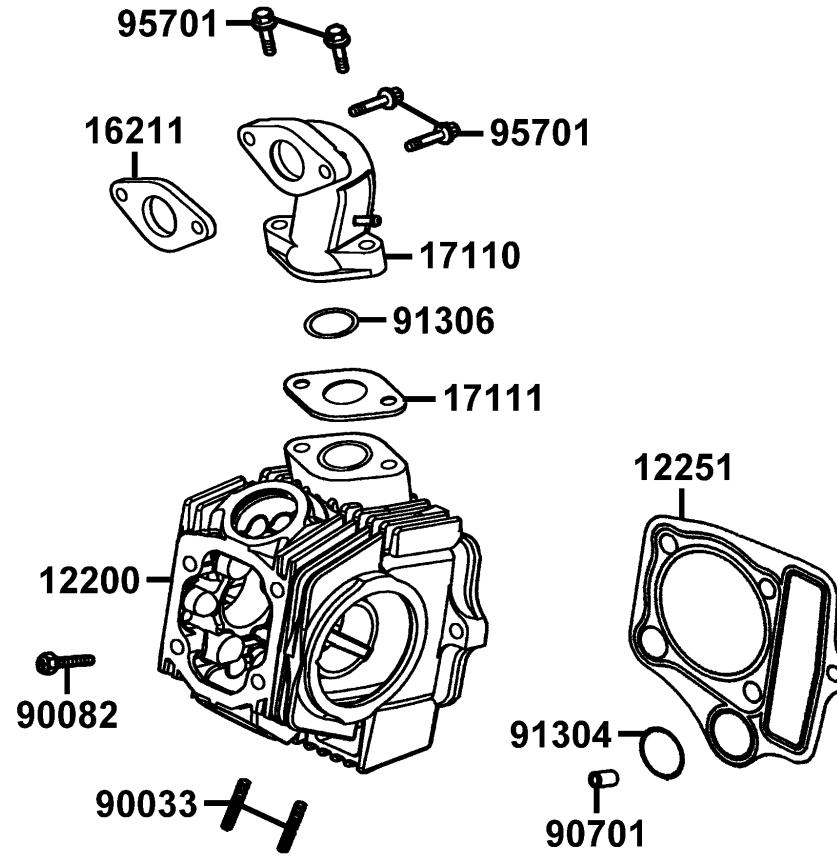


E01

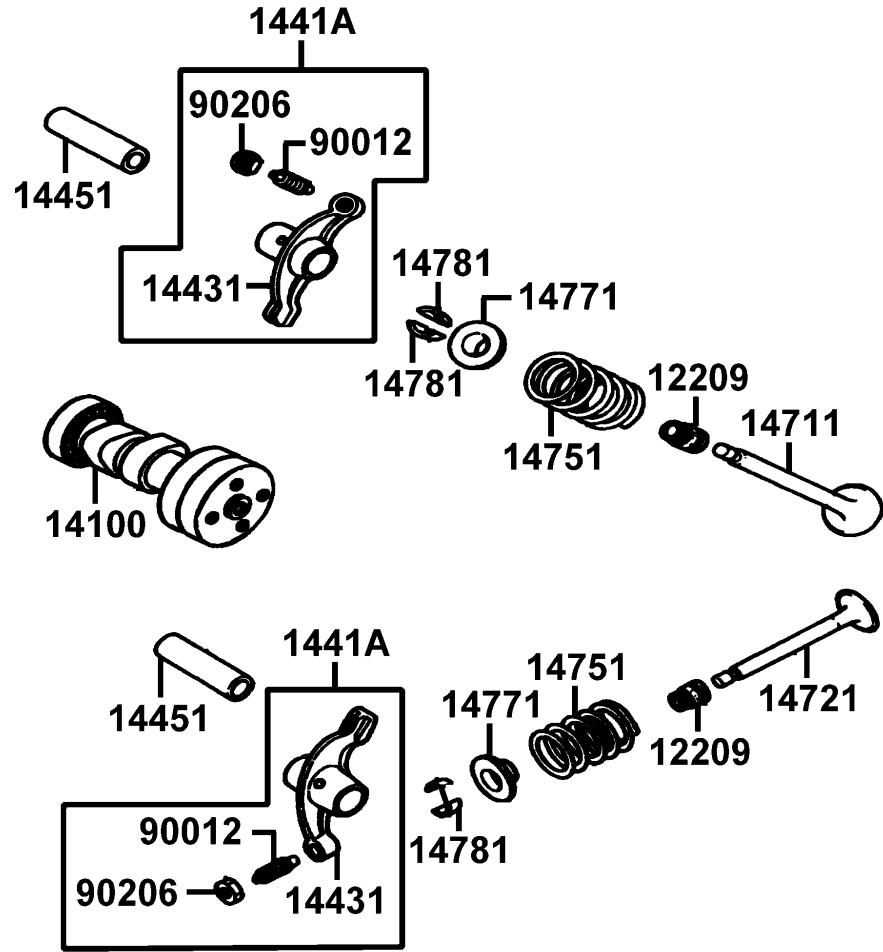
Cylinder skull



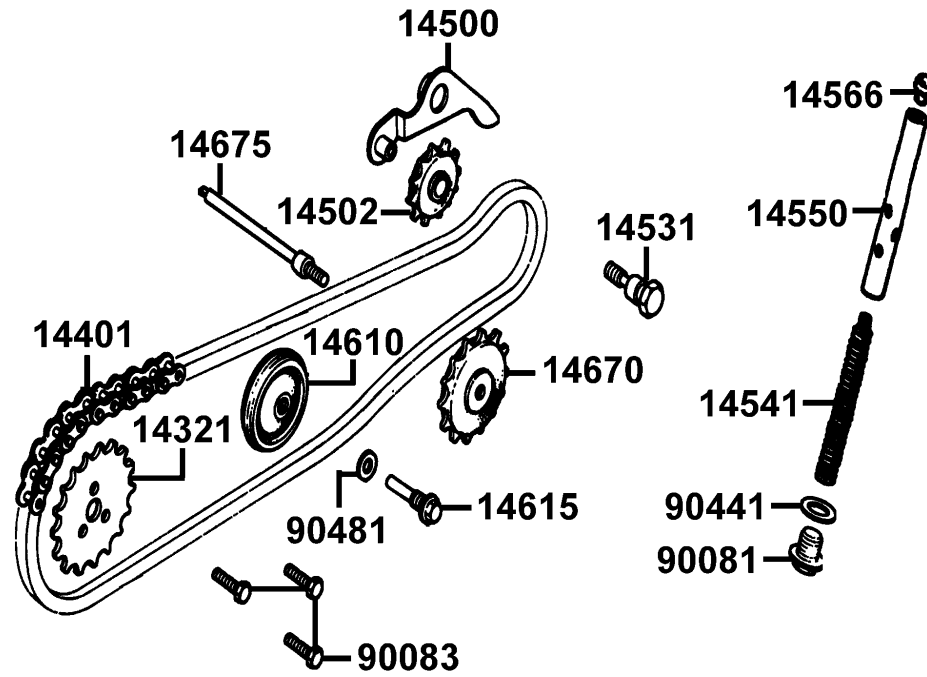
Sales mark	Ref no	Part no	Description	Reg description	Regd no	E01
	12301	12301-LBA8-C10	COVER CYLINDER HEAD	COVER CYLINDER HEAD	1	
	12340	12340-LCE6-E80	COVER CYLN HEAD SIDE L	COVER CYLN HEAD SIDE L	1	
	12361	12361-0E35-E80	HOLE CAP TAPPET ADJUSTING	HOLE CAP TAPPET ADJUSTING	2	
	12391	12391-LBA8-C10	GASKET HEAD COVER	GASKET HEAD COVER	1	
	12394	12394-LBA8-C10	GASKET CYLN HEAD COVER R	GASKET CYLN HEAD COVER R	1	
	12395	12395-LCE6-E80	GASKET CYLN HEAD COVER L	GASKET CYLN HEAD COVER L	1	
	12440	12440-LBA8-C10	COVER CYLN HEAD SIDE R	COVER CYLN HEAD SIDE R	1	
	90201	90201-GFF6-011	NUT CAP 7M/M (B)	NUT CAP 7M/M (B)	4	
	90442	90442-GFF6-C00	WASHER SEALING 7MM	WASHER SEALING 7MM	3	
	90443	90443-GFF6-C00	WASHER A SEALING 7MM	WASHER A SEALING 7MM	1	
	90481	90481-GGS7-C00	WASHER	WASHER	1	
	91302	91302-KGB4-C11	O-RING 30.8	O-RING 30.8	2	
	95701	95701-06110-08	BOLT FLANGE SH 6*110 (C)	BOLT FLANGE SH 6*110 (C)	1	
	96001	96001-06022-08	BOLT FLANGE SH 6*22	BOLT FLANGE SH 6*22	2	
	98056	98056-5771R-00	SPARK PLUG (CR7HSA)	SPARK PLUG (CR7HSA)	1	



Sales mark	Ref no	Part no	Description	Reg description	Regd no	E02
	12200	12200-LCE6-EY1	HEAD COMP CYLINDER	HEAD COMP CYLINDER	1	
	12251	12251-LCE6-E80	GASKET CYLINDER HEAD	GASKET CYLINDER HEAD	1	
	16211	16211-LCE6-E80	INSULATOR CARB	INSULATOR CARB	1	
	17110	17110-LCE6-MK0	PIPE INLET	PIPE INLET	1	
	17111	17111-LBA8-C10	GASKET INLET PIPE	GASKET INLET PIPE	1	
	90033	90033-0A41-C00	BOLT STUD 6*32	BOLT STUD 6*32	2	
	90082	90082-0E35-C00	BOLT FLANGE 6*23	BOLT FLANGE 6*23	1	
	90701	90701-LBA8-C10	SLEEVE 9.5	SLEEVE 9.5	1	
	91304	91304-LBA8-C10	RECTANGULAR RING 9*11.7*1.5	RECTANGULAR RING 9*11.7*1.5	1	
	91306	91306-LBA8-C10	O-RING 25*2.4	O-RING 25*2.4	1	
	95701	95701-06028-08	BOLT FLANGE 6*28	BOLT FLANGE 6*28	2	



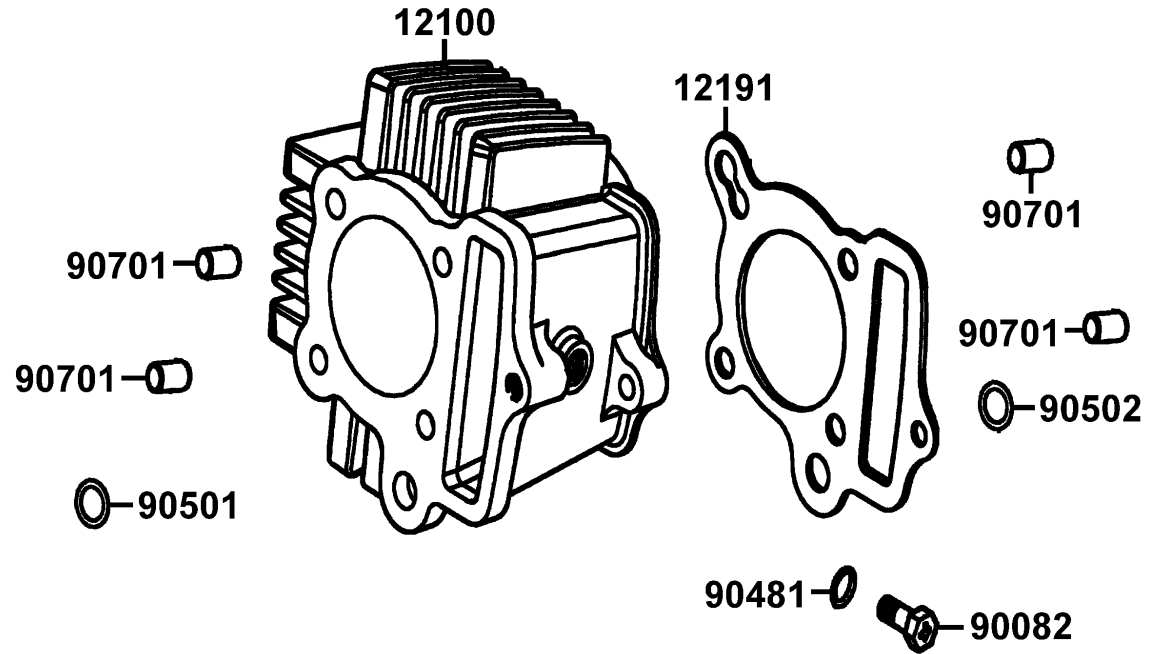
Sales mark	Ref no	Part no	Description	Reg description	Regd no	E03
	12209	12209-GDB4-C00	SEAL VALVE STEM	SEAL VALVE STEM	2	
	14100	14100-LCE6-E80	SHAFT COMP CAM	SHAFT COMP CAM	1	
	1441A	1441A-LCE6-E80	ROCKER ARM ASSEMBLY	ROCKER ARM ASSEMBLY	2	
	14431	14431-LCE6-E80	ARM VALVE ROCKER	ARM VALVE ROCKER	2	
	14451	14451-LBA8-C10	SHAFT ROCKET ARM	SHAFT ROCKET ARM	2	
	14711	14711-LCE6-E80	VALVE INLET	VALVE INLET	1	
	14721	14721-LCE6-E80	VALVE EXHAUST	VALVE EXHAUST	1	
	14751	14751-LBA8-C10	SPRING VALVE OUTER	SPRING VALVE OUTER	2	
	14771	14771-GDB4-C00	RETAINER VALVE SPRING	RETAINER VALVE SPRING	2	
	14781	14781-LBA8-C10	COTTER VALVE	COTTER VALVE	4	
	90012	90012-3C33-C00	SCREW TAPPET ADJUSTING	SCREW TAPPET ADJUSTING	2	
	90206	90206-0A01-001	NUT TAPPET ADJG	NUT TAPPET ADJG	2	



Sales mark	Ref no	Part no	Description	Reg description	Regd no	E04
14321		14321-LBA8-C10	SPROCKET CAM 28T	SPROCKET CAM 28T	1	
14401		14401-LCE6-E80	CHAIN CAM	CHAIN CAM	1	
14500		14500-LBA8-C10	ARM COMP CAM CHAIN TENSIONER	ARM COMP CAM CHAIN TENSIONER	1	
14502		14502-0F86-C00	ROLLER CAM CHAIN TENSIONER	ROLLER CAM CHAIN TENSIONER	1	
14531		14531-0E35-C00	PIVOT CAM CHAIN TENSIONER	PIVOT CAM CHAIN TENSIONER	1	
14541		14541-LBA8-C10	SPRING TENSIONER	SPRING TENSIONER	1	
14550		14550-LBA8-C10	PUSH ROD COMP TENSIONER	PUSH ROD COMP TENSIONER	1	
14566		14566-LBA8-C10	HEAD TENSIONER PUSH ROD	HEAD TENSIONER PUSH ROD	1	
14610		14610-KGC4-C00	ROLLER COMP CAM CHAIN	ROLLER COMP CAM CHAIN	1	
14615		14615-LBA8-C10	PIN GUIDE ROLLER	PIN GUIDE ROLLER	1	
14670		14670-KGB4-C10	SPROCKET CAM CHAIN GUIDE	SPROCKET CAM CHAIN GUIDE	1	
14675		14675-LBA8-C10	SPINDLE CAM CHAIN GUIDE SPROKK	SPINDLE CAM CHAIN GUIDE SPROKK	1	
90081		90081-0E35-C00	14MM SEALING BOLT	14MM SEALING BOLT	1	
90083		90083-0E35-C00	BOLT KNOCK M5*12 K	BOLT KNOCK M5*12 K	3	
90441		90441-0E35-C00	CYLINDER WASHER	CYLINDER WASHER	1	
90481		90481-0E35-C00	WASHER 8MM 8.2*15*1.6	WASHER 8MM 8.2*15*1.6	1	

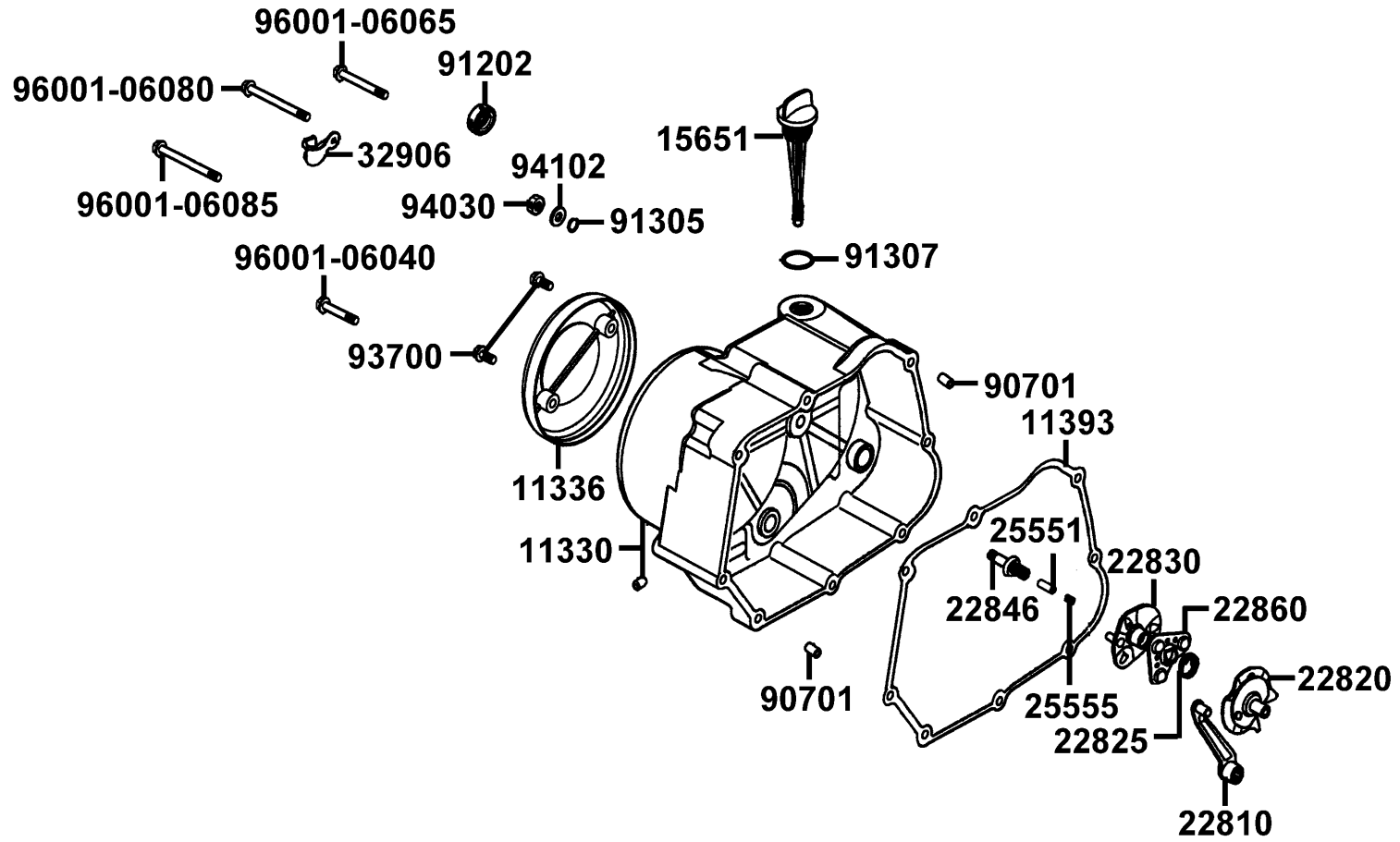
E05

Cylinder



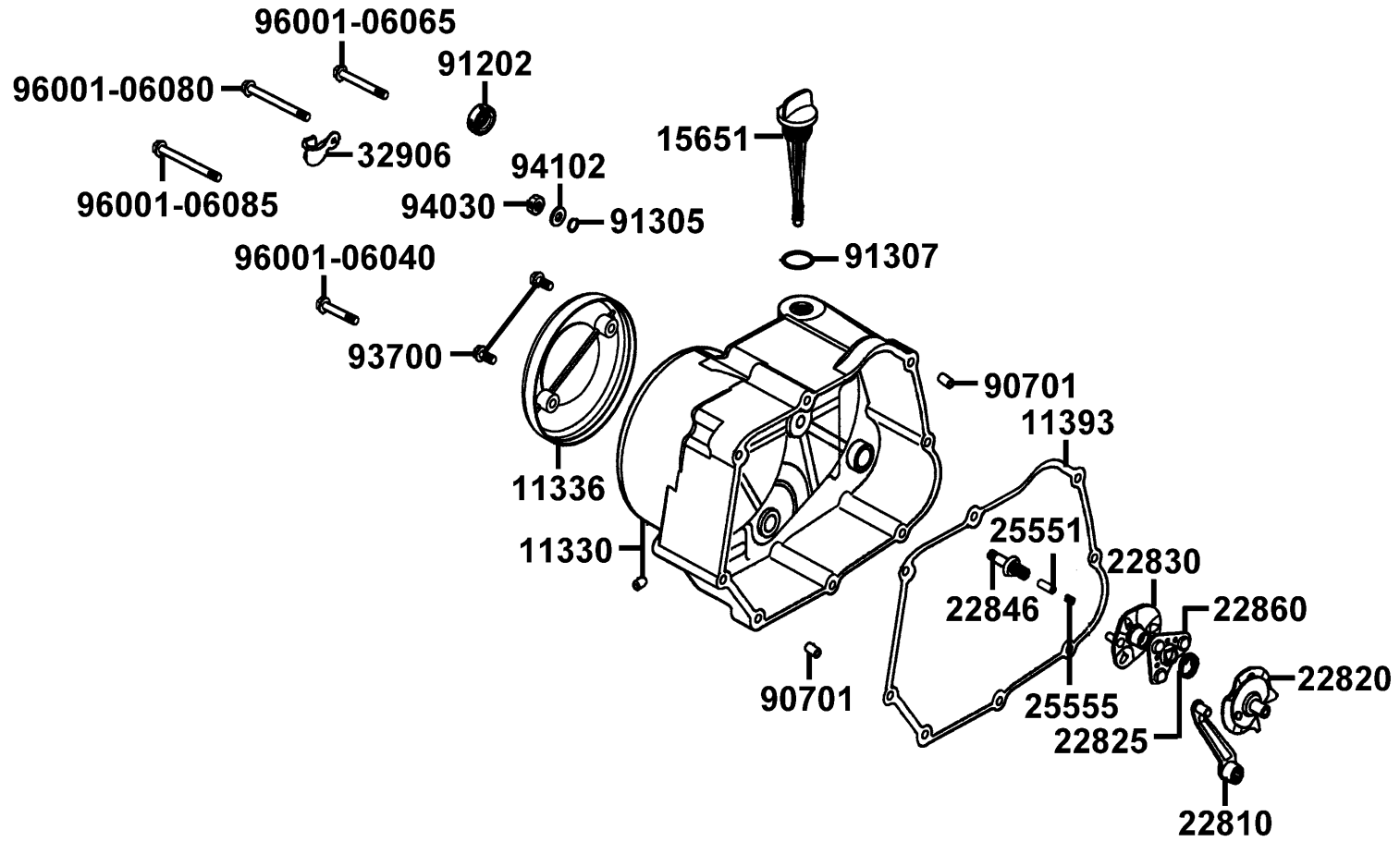
Sales mark	Ref no	Part no	Description	Reg description	Regd no	E05
	12100	12100-LCE6-E80	CYLINDER COMP	CYLINDER COMP	1	
	12191	12191-LBA8-C10	GASKET CYLINDER	GASKET CYLINDER	1	
	90082	90082-0E35-C00	BOLT FLANGE 6*23	BOLT FLANGE 6*23	1	
	90481	90481-LBA8-C10	WASHER 11.2X15X2.0	WASHER 11.2X15X2.0	1	
	90501	90501-LBA8-C10	RECTANGULAR RING 14.5*18.5*2.4	RECTANGULAR RING 14.5*18.5*2.4	1	
	90502	90502-LBA8-C10	RECTANGULAR RING 11.5*15.7*2.4	RECTANGULAR RING 11.5*15.7*2.4	1	
	90701	90701-GFF6-C00	PIN DOWEL SPECIAL 8*14	PIN DOWEL SPECIAL 8*14	4	

Crankcase Right Cover

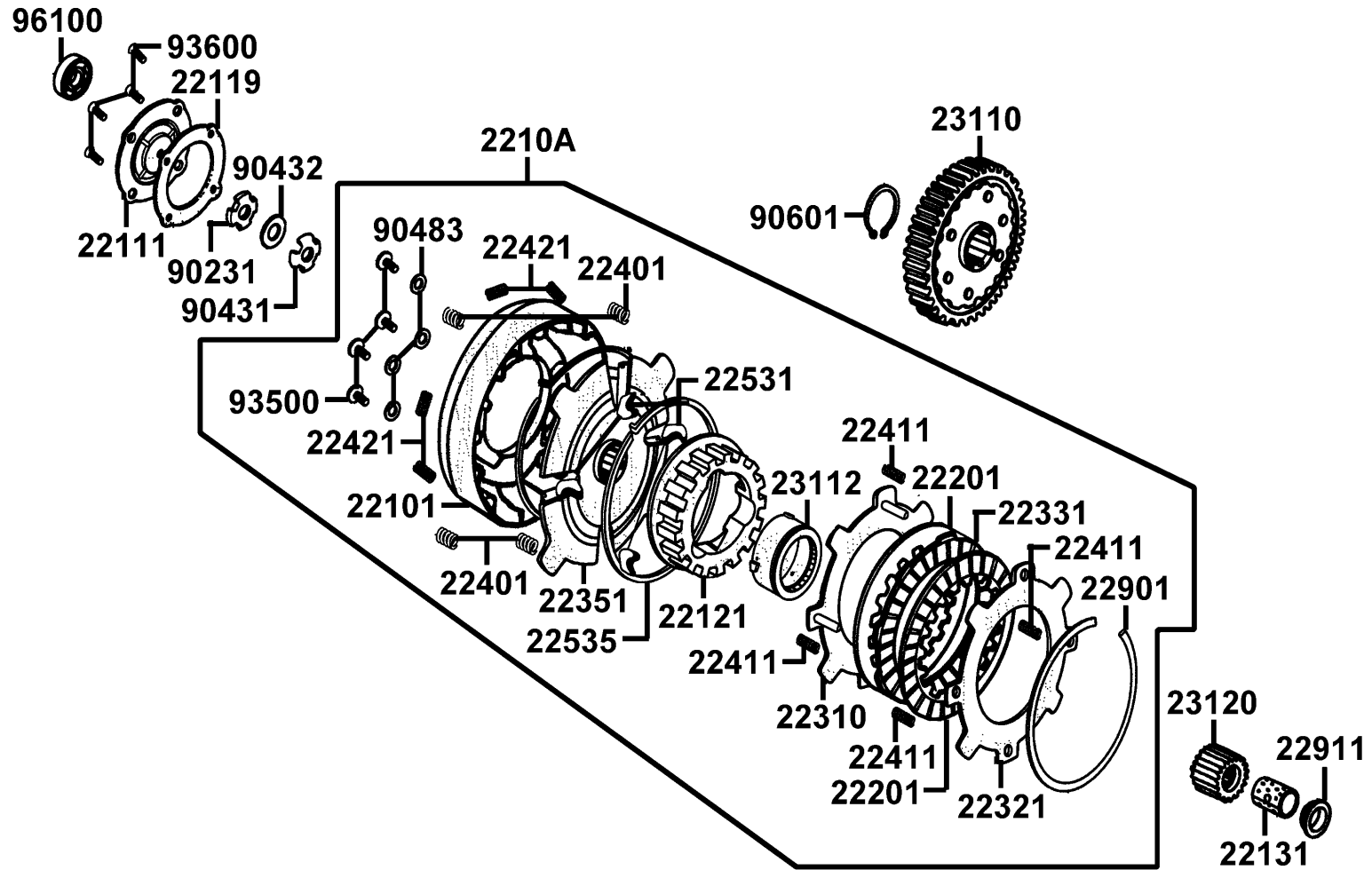


Sales mark	Ref no	Part no	Description	Reg description	Regd no	E06
**	11330	11330-LCE6-E80	COVER COMP R CRANK CASE	COVER COMP R CRANK CASE	1	
**	11336	11336-LCE6-E80	RIGHT COVER	RIGHT COVER	1	
	11393	11393-LBA8-C10	GASKET R CRANK CASE COVER	GASKET R CRANK CASE COVER	1	
	15651	15651-LBA8-C10	GUAGE OIL LEVEL	GUAGE OIL LEVEL	1	
	22810	22810-LCE6-E80	CLUTCH LEVEL COMP	CLUTCH LEVEL COMP	1	
	22820	22820-LCE6-E80	CLUTCH LIFT COMP	CLUTCH LIFT COMP	1	
	22825	22825-LCE6-E80	SPRING CAM PLATE SIDE	SPRING CAM PLATE SIDE	1	
	22830	22830-LCE6-E80	CLUTCH LIFTER PLATE COMP	CLUTCH LIFTER PLATE COMP	1	
	22846	22846-LCE6-E80	CLUTCH ADJUSTING BOLT	CLUTCH ADJUSTING BOLT	1	
	22860	22860-LCE6-E80	RETAINER CLUTCH BOT	RETAINER CLUTCH BOT	1	
	25551	25551-LCE6-E80	THROUGH OIL	THROUGH OIL	1	
	25555	25555-LCE6-E80	SPRING OIL THROUGH	SPRING OIL THROUGH	1	
	32906	32906-LBA8-C10	WIRE CLAMP (C)	WIRE CLAMP (C)	1	
	90701	90701-HDC4-C00	DOWEL PIN 8*12	DOWEL PIN 8*12	2	
	91202	91202-KGB4-C10	OIL SEAL 13.7*24*5	OIL SEAL 13.7*24*5	1	
	91305	91305-LBA8-C10	O-RING 7.8*1.9	O-RING 7.8*1.9	1	
	91307	91307-0E35-W10	O-RING 18*3	O-RING 18*3	1	
	93700	93700-LCE6-E80	BOLT FLANGE SH 6*20	BOLT FLANGE SH 6*20	2	
	94030	94030-08000-08	NUT HEX 8MM (C)	NUT HEX 8MM (C)	1	
	94102	94102-08800	WASHER PLAIN 8MM	WASHER PLAIN 8MM	1	

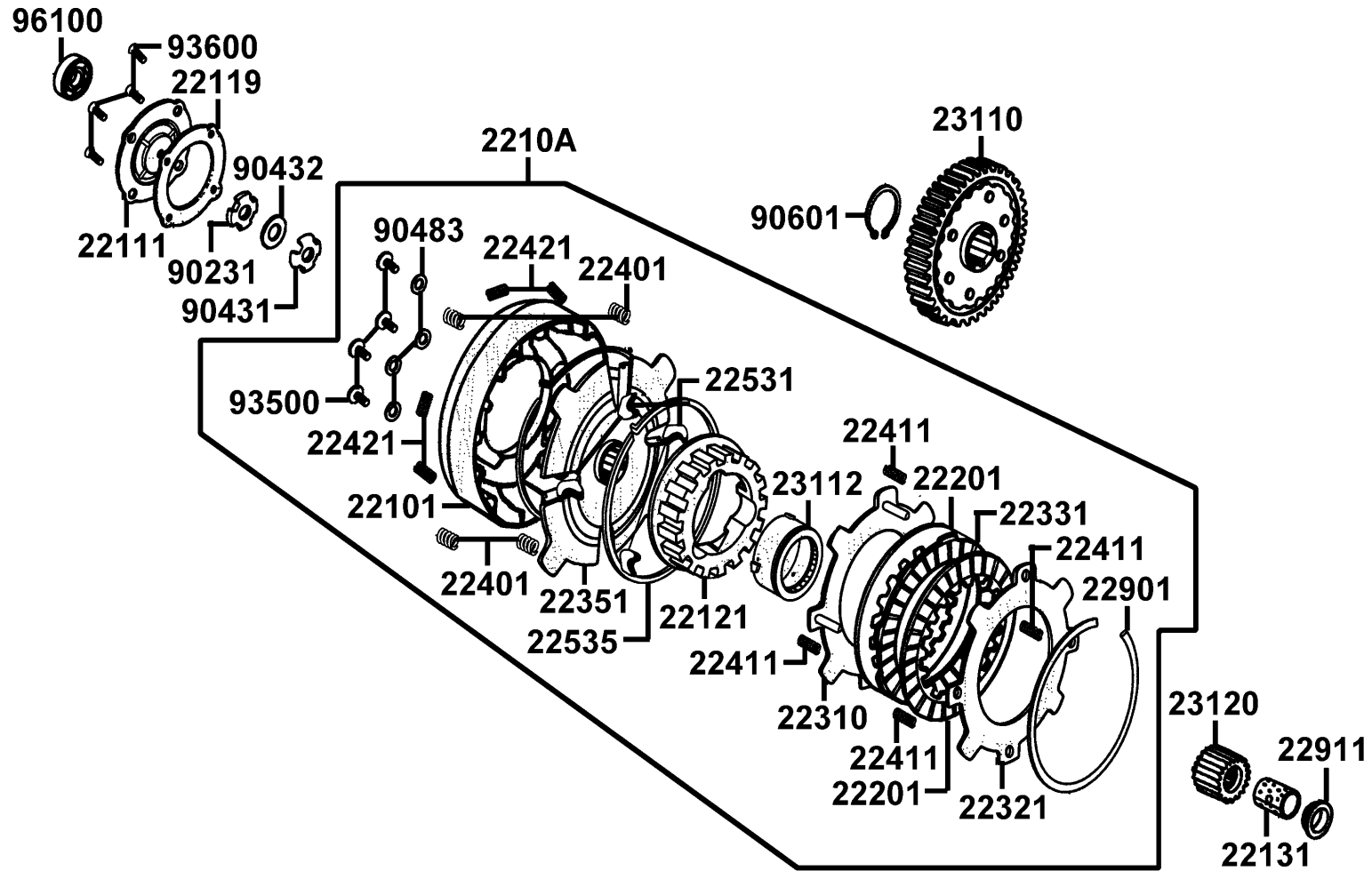
Crankcase Right Cover



Sales mark	Ref no	Part no	Description	Reg description	Regd no	E06
	96001-06040	96001-06040-08	BOLT FLANGE 6*40	BOLT FLANGE 6*40	5	
	96001-06065	96001-06065-08	BOLT FLANGE 6*65	BOLT FLANGE 6*65	1	
	96001-06080	96001-06080-08	BOLT FLANGE SH 6*80	BOLT FLANGE SH 6*80	1	
	96001-06085	96001-06085-08	BOLT FLANGE SH 6*85	BOLT FLANGE SH 6*85	1	



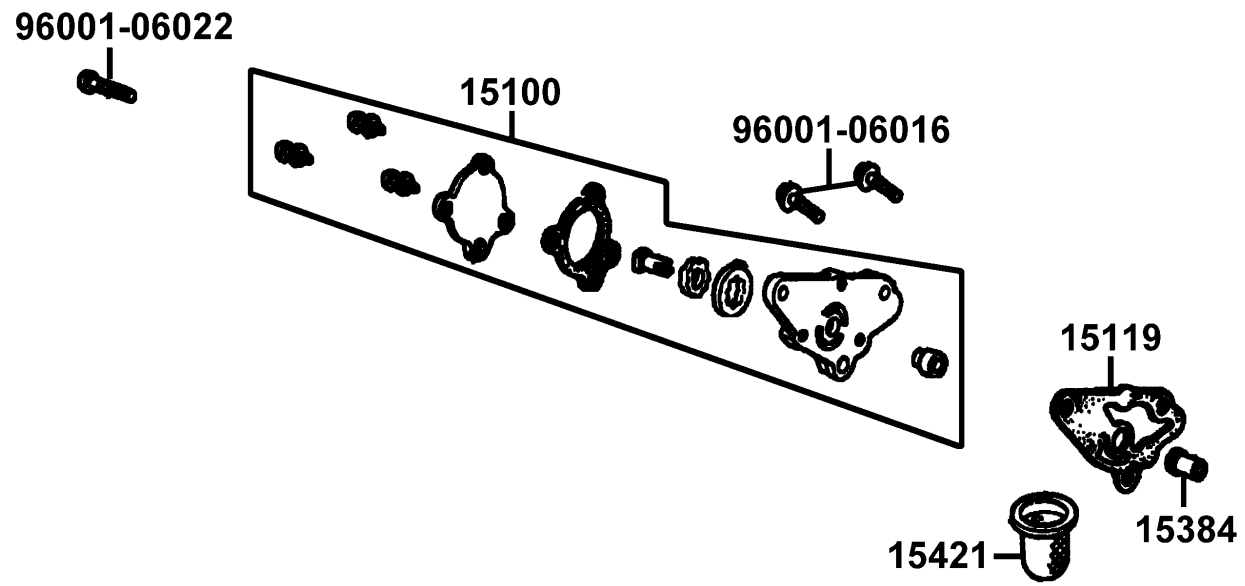
Sales mark	Ref no	Part no	Description	Reg description	Regd no	E07
22101		22101-LCE6-E80	OUTER CLUTCH	OUTER CLUTCH	1	
2210A		2210A-LCE6-E80	CLUTCH ASSY	CLUTCH ASSY	1	
22111		22111-LCE6-E80	COVER CLUTCH OUTER	COVER CLUTCH OUTER	1	
22119		22119-LCE6-E80	GASKET CLUTCH OUTER COVER	GASKET CLUTCH OUTER COVER	1	
22121		22121-LCE6-E80	CENTER CLUTCH	CENTER CLUTCH	1	
22131		22131-LCE6-E80	GUIDE CLUTCH CENTER	GUIDE CLUTCH CENTER	1	
22201		22201-LCE6-E80	DISK A CLUTCH FRICTION	DISK A CLUTCH FRICTION	2	
22310		22310-LCE6-E80	PLATE A CLUTCH	PLATE A CLUTCH	1	
22321		22321-LCE6-E80	PLATE B CLUTCH	PLATE B CLUTCH	1	
22331		22331-LCE6-E80	DISK B CLUTCH FRICTION	DISK B CLUTCH FRICTION	1	
22351		22351-LCE6-E80	PLATE DRIVE	PLATE DRIVE	1	
22401		22401-LCE6-E80	SPRING CLUTCH	SPRING CLUTCH	4	
22411		22411-LCE6-E80	SPRING CLUTCH FREE	SPRING CLUTCH FREE	4	
22421		22421-LCE6-E80	SPRING CLUTCH DAMPER	SPRING CLUTCH DAMPER	4	
22531		22531-LCE6-E80	WEIGHT CLUTCH	WEIGHT CLUTCH	28	
22535		22535-LCE6-E80	RING CENTER CLUTCH WEIGHT	RING CENTER CLUTCH WEIGHT	1	
22901		22901-LCE6-E80	SET RING 101.5mm	SET RING 101.5mm	1	
22911		22911-LCE6-E80	COLLAR 17mm	COLLAR 17mm	1	
23110		23110-LCE6-E80	GEAR PRIMARY DRIVEN(69T)	GEAR PRIMARY DRIVEN(69T)	1	
23112		23112-LCE6-E80	GEAR DRIVEN GEAR(17T)	GEAR DRIVEN GEAR(17T)	1	



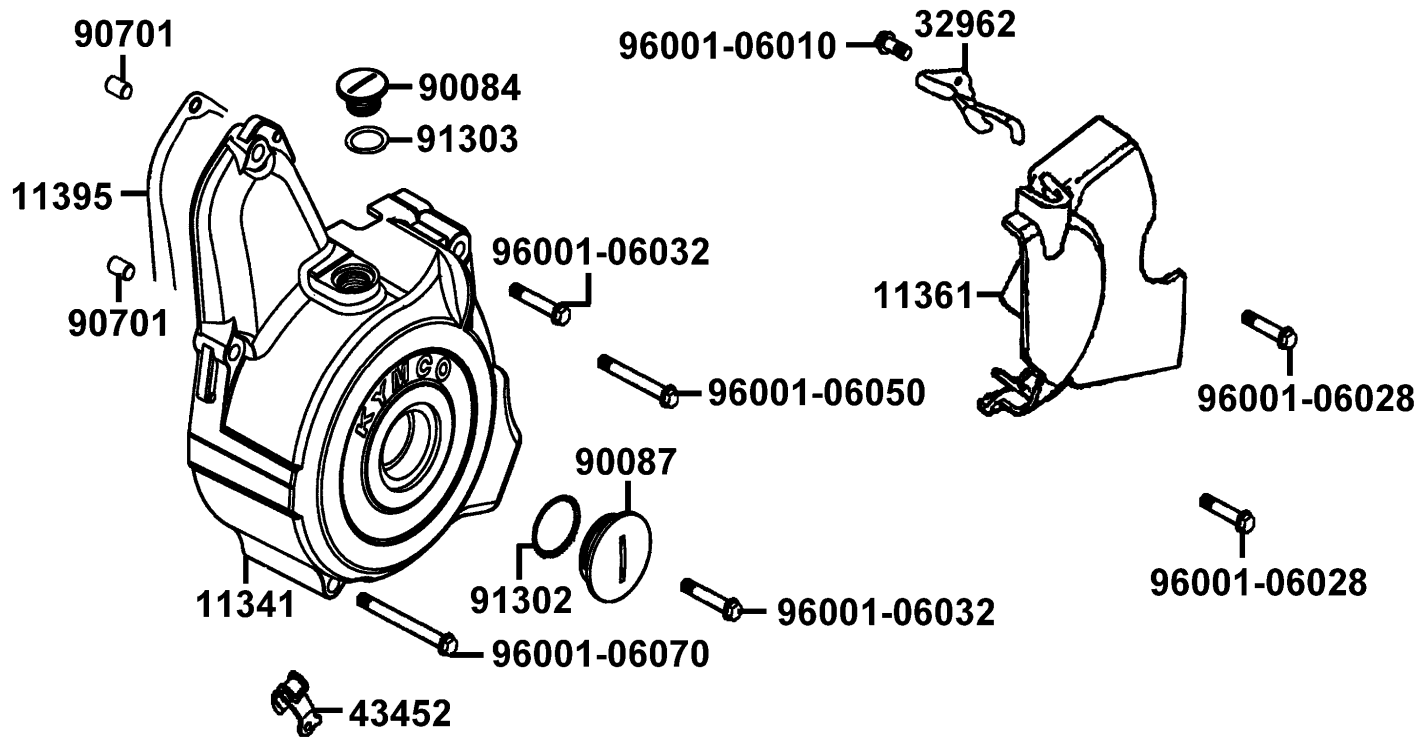
Sales mark	Ref no	Part no	Description	Reg description	Regd no	E07
	23120	23120-LCE6-E80	GEAR PRIMARY DRIVE(18T)	GEAR PRIMARY DRIVE(18T)	1	
	90231	90231-0G87-C00	NUT LOCK 14MM	NUT LOCK 14MM	1	
	90431	90431-LCE6-E80	WASHER LOCK 14mm	WASHER LOCK 14mm	1	
	90432	90432-0F86-C00	WASHER LOCK B	WASHER LOCK B	1	
	90483	90483-LCE6-E80	WASHER STOPPER 14mm	WASHER STOPPER 14mm	4	
	90601	90601-LCE6-E80	CIR CLIP 17mm	CIR CLIP 17mm	1	
	93500	93500-05010-0A	SCREW PAN 5*10	SCREW PAN 5*10	4	
	93600	93600-05010-0A	SCREW FLAT 5X10	SCREW FLAT 5X10	4	
	96100	96100-60000-00	BEARING BALL RADIAL 6000	BEARING BALL RADIAL 6000	1	

E08

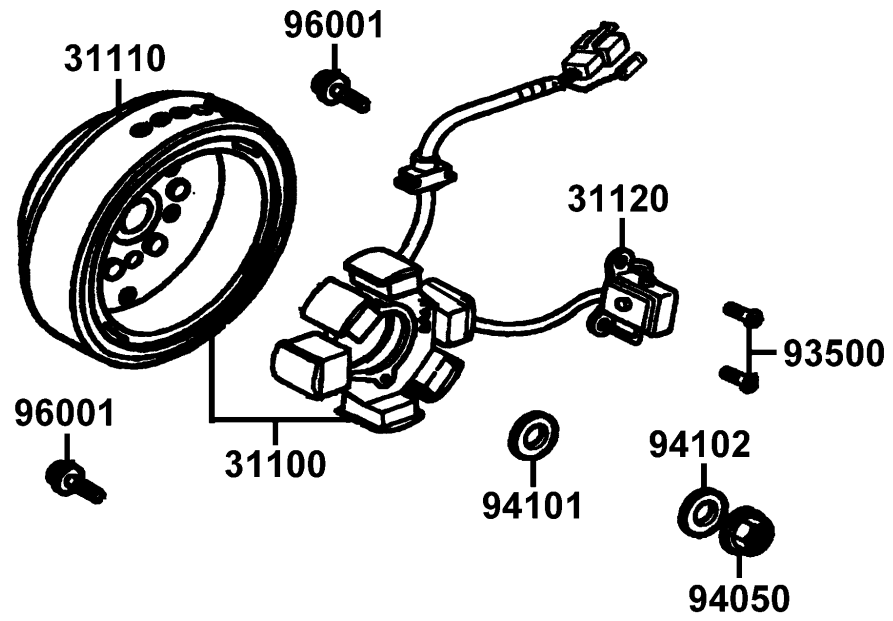
Oil Pump



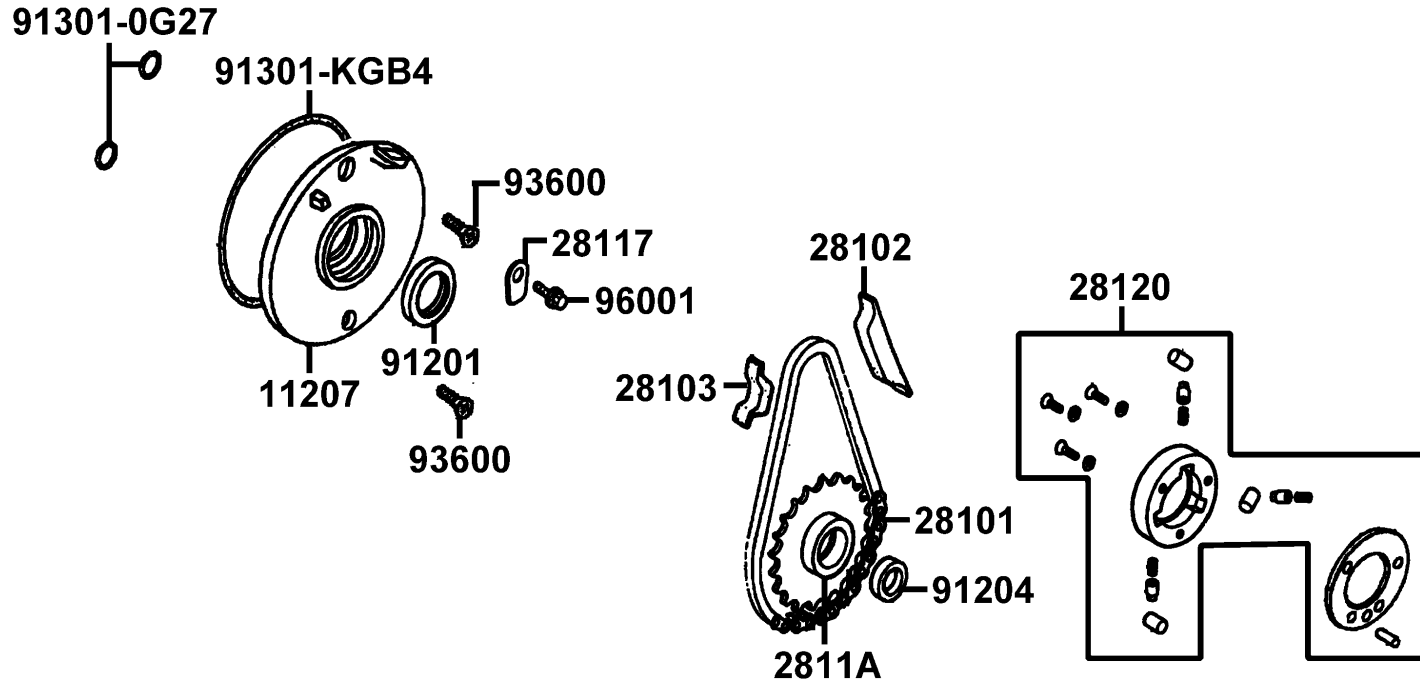
Sales mark	Ref no	Part no	Description	Reg description	Regd no	E08
	15100	15100-LCE6-E80	OIL PUMP ASSY	OIL PUMP ASSY	1	
	15119	15119-LBA8-C10	OIL PUMP BODY GASKET	OIL PUMP BODY GASKET	1	
	15384	15384-LBA8-C10	PIVOT OIL PUMP	PIVOT OIL PUMP	1	
	15421	15421-LBA8-C10	SCREEN OIL FILTER	SCREEN OIL FILTER	1	
	96001-06016	96001-06016-08	BOLT FLANGE SH 6*16	BOLT FLANGE SH 6*16	2	
	96001-06022	96001-06022-08	BOLT FLANGE SH 6*22	BOLT FLANGE SH 6*22	1	



Sales mark	Ref no	Part no	Description	Reg description	Regd no	E09
**	11341	11341-LBA8-C10	COVER LEFT CRANK CASE	COVER LEFT CRANK CASE	1	
**	11361	11361-LBA8-C10	COVER LEFT REAR CRANK	COVER LEFT REAR CRANK	1	
	11395	11395-LBA8-C10	GASKET L COVER	GASKET L COVER	1	
	32962	32962-LBA8-C10	CLAMPER PULSER CORD (C	CLAMPER PULSER CORD (C	1	
	43452	43452-GBN2-901	CLAMPER BRK CABLE	CLAMPER BRK CABLE	1	
	90084	90084-LBA8-E80	CAP ACG	CAP ACG	1	
	90087	90087-4H28-E80	CAP 30MM	CAP 30MM	1	
	90701	90701-HDC4-C00	DOWEL PIN 8*12	DOWEL PIN 8*12	2	
	91302	91302-5G67-C00	O-RING 27.4*2.4	O-RING 27.4*2.4	1	
	91303	91303-3G77-C00	O-RING 13.8*2.5	O-RING 13.8*2.5	1	
	96001-06010	96001-06010-08	BOLT FLANGE SH 6*10	BOLT FLANGE SH 6*10	1	
	96001-06028	96001-06028-08	BOLT FLANGE SH 6*28	BOLT FLANGE SH 6*28	2	
	96001-06032	96001-06032-08	BOLT FLANGE SH 6*32	BOLT FLANGE SH 6*32	2	
	96001-06050	96001-06050-08	BOLT FLANGE 6*50	BOLT FLANGE 6*50	1	
	96001-06070	96001-06070-08	BOLT FLANGE SH 6*70	BOLT FLANGE SH 6*70	1	



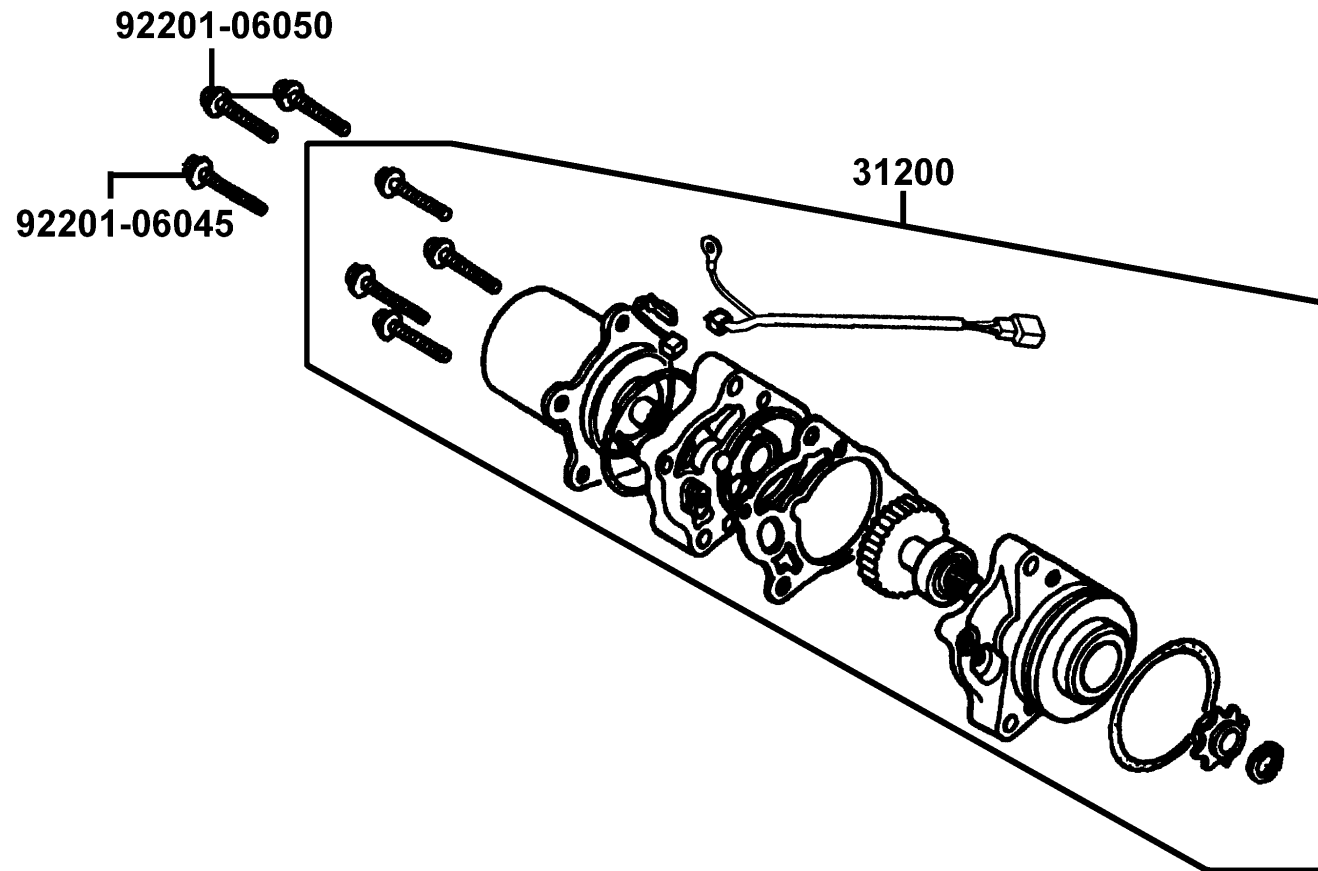
Sales mark	Ref no	Part no	Description	Reg description	Regd no	E10
	31100	31100-LBA8-C11	AC GEN ASSY	AC GEN ASSY	1	
	31110	31110-LBA8-C11	FLYWHEEL COMP.	FLYWHEEL COMP.	1	
	31120	31120-LBA8-C10	STATOR COMP	STATOR COMP	1	
	93500	93500-05012-0H	SCREW PAN 5*12	SCREW PAN 5*12	2	
	94050	94050-10080	NUT FLANGE 10MM	NUT FLANGE 10MM	1	
	94101	94101-06800	WASHER PLAIN 6MM	WASHER PLAIN 6MM	1	
	94102	94102-10800	WASHER PLAIN 10MM	WASHER PLAIN 10MM	1	
	96001	96001-06020-08	BOLT FLANGE SH 6*20	BOLT FLANGE SH 6*20	2	



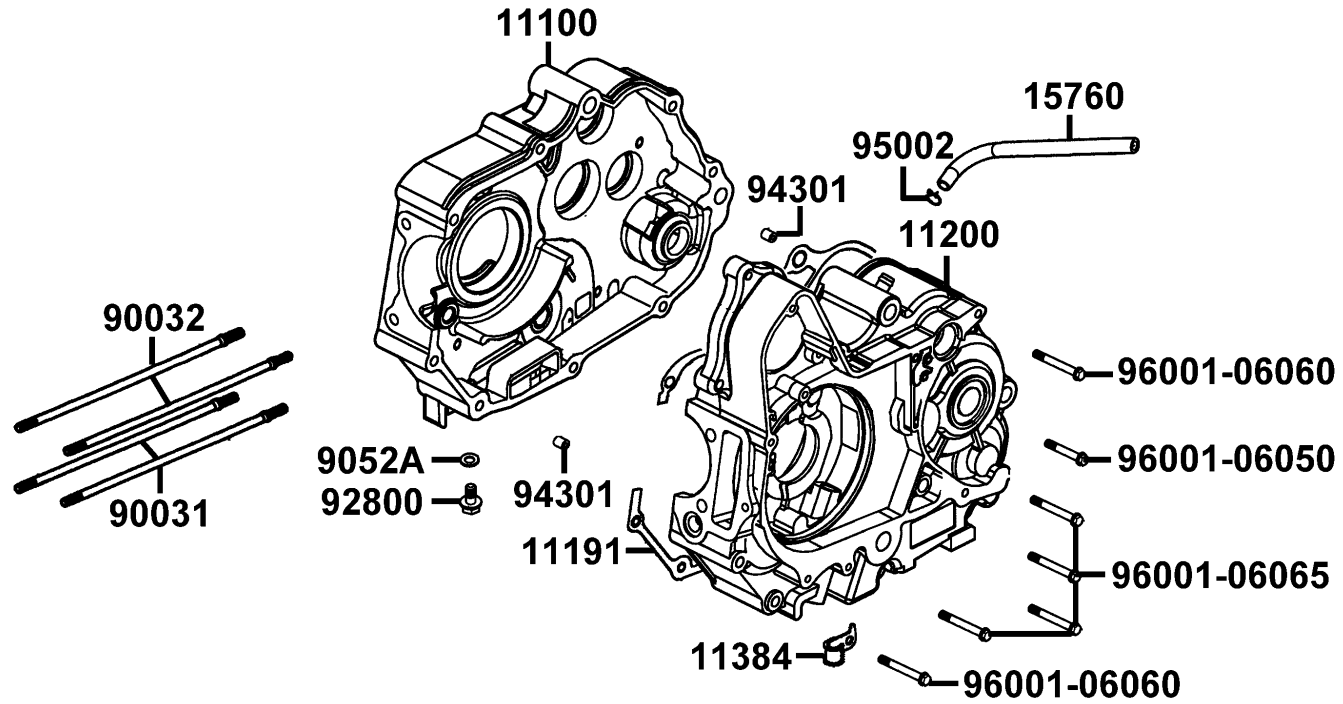
Sales mark	Ref no	Part no	Description	Reg description	Regd no	E11
11207		11207-LBA8-C10	PLATE CRANK CASE L	PLATE CRANK CASE L	1	
28101		28101-LBA8-C10	CHAIN STARTER	CHAIN STARTER	1	
28102		28102-LBA8-C10	GUIDE STARTER CHAIN	GUIDE STARTER CHAIN	1	
28103		28103-KGB4-C10	PROTECTOR STARTER CHAIN(GD-	PROTECTOR STARTER CHAIN(GD-M001C)	1	
28117		28117-LBA8-C10	GUIDE SPROCKET DRIVE C	GUIDE SPROCKET DRIVE C	1	
2811A		2811A-LBA8-C10	STARTER SPROCKET COMP	STARTER SPROCKET COMP	1	
28120		28120-LBA8-C10	OUTER COMP CLUTCH	OUTER COMP CLUTCH	1	
91201		91201-KGB4-C10	OIL SEAL 30*42*4.5	OIL SEAL 30*42*4.5	1	
91204		91204-LBA8-C10	OIL SEAL 18.9*30*5	OIL SEAL 18.9*30*5	1	
91301-0G27		91301-0G27-C00	O-RING 6.8*1.9	O-RING 6.8*1.9	1	
91301-KGB4		91301-KGB4-C10	O-RING 107*2	O-RING 107*2	1	
93600		93600-06016-08	SCREW FLAT 6*16 (C)	SCREW FLAT 6*16 (C)	2	
96001		96001-06010-08	BOLT FLANGE SH 6*10	BOLT FLANGE SH 6*10	1	

E12

Starting Motor



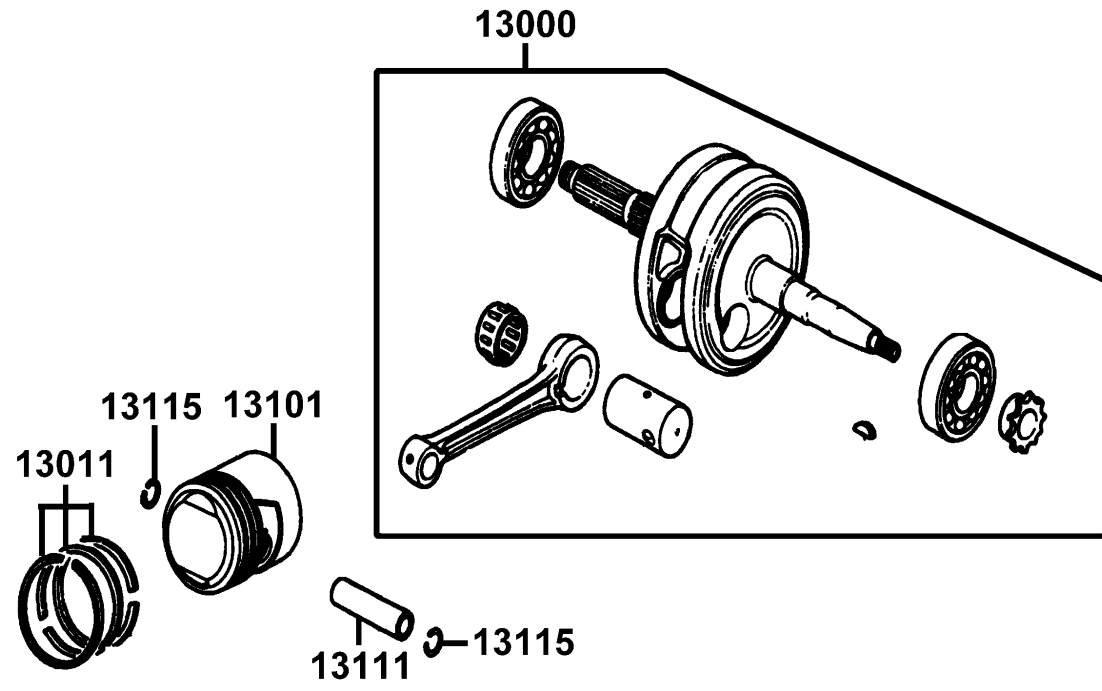
Sales mark	Ref no	Part no	Description	Reg description	Regd no	E12
	31200	31200-LBA8-C10	MOTOR ASSY START	MOTOR ASSY START	1	
	92201-06045	92201-06045-0H	BOLT M6*45	BOLT M6*45	1	
	92201-06050	92201-06050-0H	BOLT M6*50	BOLT M6*50	2	



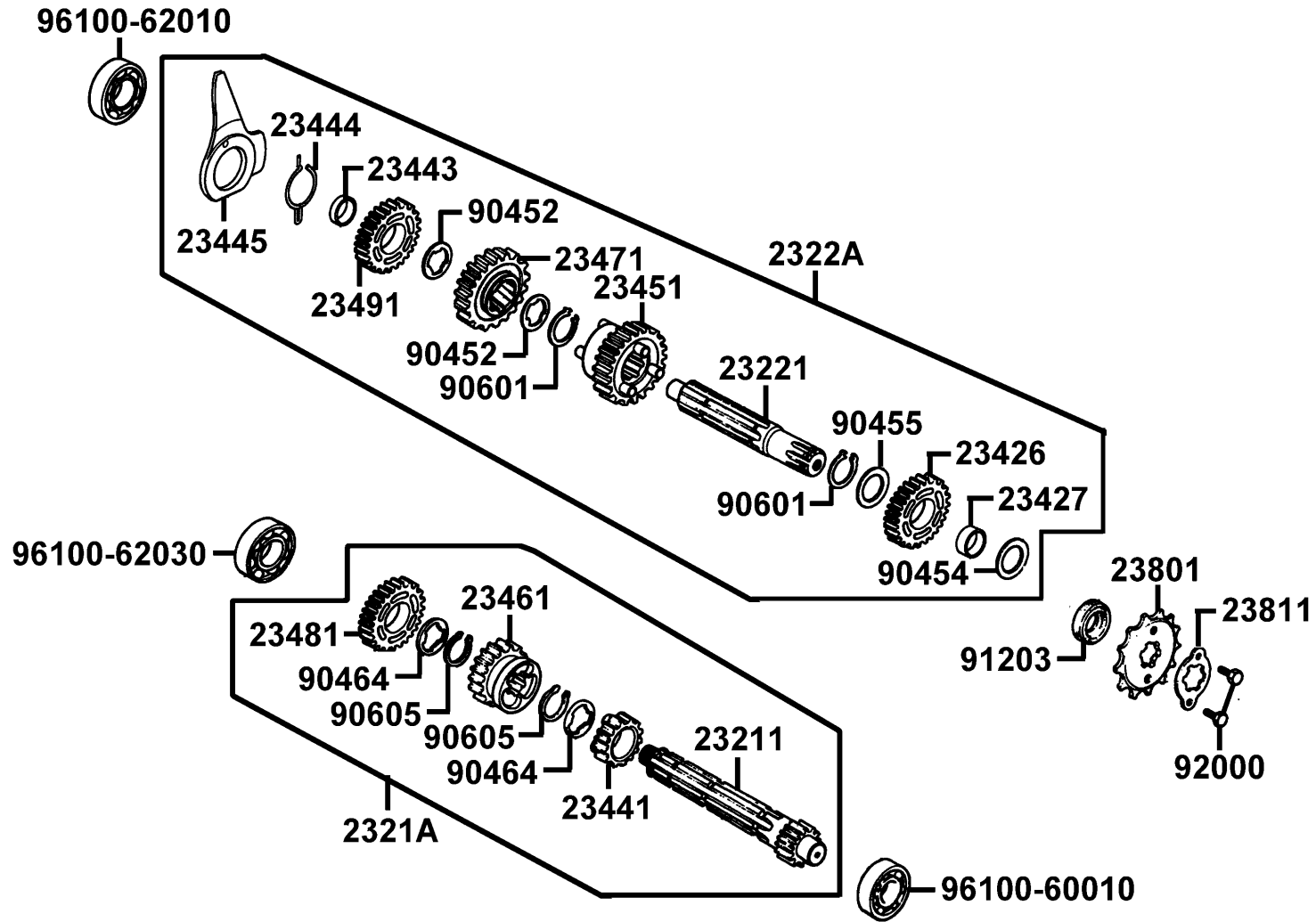
Sales mark	Ref no	Part no	Description	Reg description	Regd no	E13
**	11100	11100-LBA8-C10	CRANK CASE COMP RIGHT	CRANK CASE COMP RIGHT	1	
	11191	11191-LBA8-C10	GASKET CRANK CASE	GASKET CRANK CASE	1	
**	11200	11200-LBA8-C10	CRANK CASE COMP LEFT	CRANK CASE COMP LEFT	1	
	11384	11384-LBA8-C10	CLAMP TUBE	CLAMP TUBE	1	
	15760	15760-LBA8-C10	TUBE AIR/C	TUBE AIR/C	1	
	90031	90031-LCE6-E81	BOLT B STUD M7*189*M6	BOLT B STUD M7*189*M6	2	
	90032	90032-LCE6-E80	BOLT B STUD 7*197	BOLT B STUD 7*197	2	
	9052A	9052A-KGB4-C10	BOLT ASSY DRAIN PLUG	BOLT ASSY DRAIN PLUG	1	
	92800	92800-12000	BOLT PLUG DRAIN 12MM(C)	BOLT PLUG DRAIN 12MM(C)	1	
	94301	94301-10140	DOWEL PIN 10*14	DOWEL PIN 10*14	2	
	95002	95002-02120	CLIP B12 TUBE	CLIP B12 TUBE	1	
	96001-06050	96001-06050-08	BOLT FLANGE 6*50	BOLT FLANGE 6*50	1	
	96001-06060	96001-06060-08	BOLT FLANGE SH 6*60	BOLT FLANGE SH 6*60	2	
	96001-06065	96001-06065-08	BOLT FLANGE 6*65	BOLT FLANGE 6*65	4	

E14

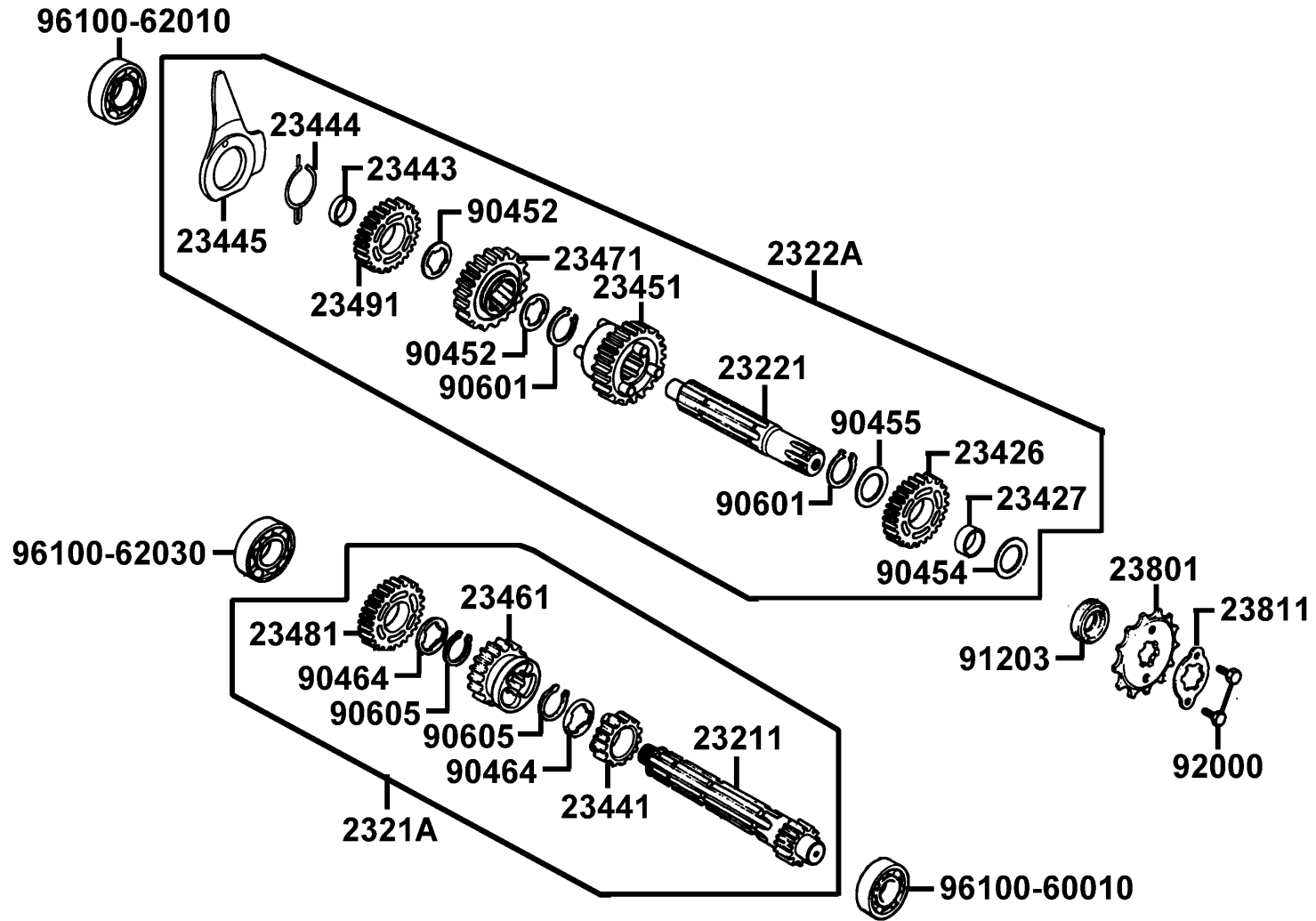
Crankshaft Piston



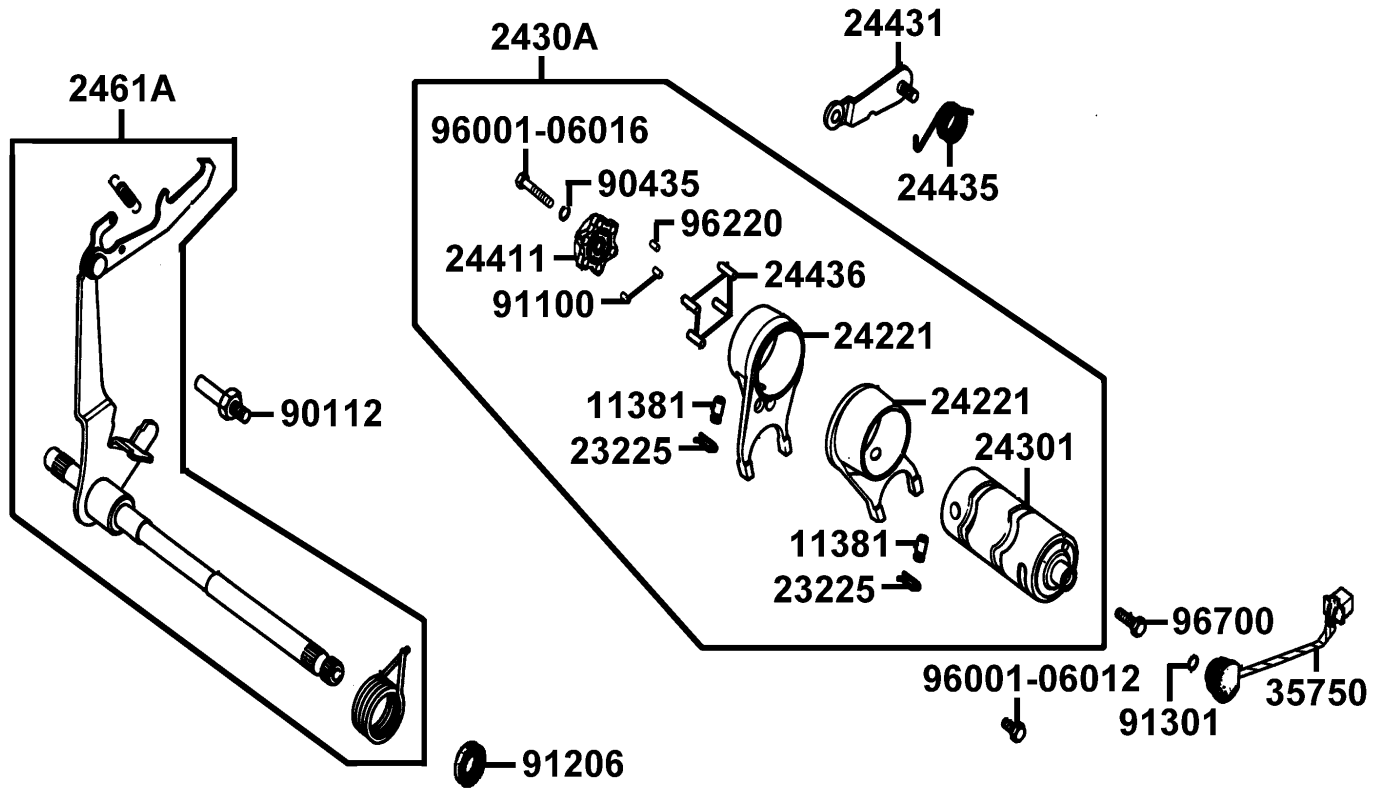
Sales mark	Ref no	Part no	Description	Reg description	Regd no	E14
	13000	13000-LCE6-E80	CRANK SHAFT COMP	CRANK SHAFT COMP	1	
	13011	13011-KGBG-C00	RING ASSY PISTON	RING ASSY PISTON	1	
	13101	13101-LCE6-E80	PISTON	PISTON	1	
	13111	13111-LCE6-E80	PIN PISTON	PIN PISTON	1	
	13115	13115-0A01-C00	PISTON PIN CLIP	PISTON PIN CLIP	2	



Sales mark	Ref no	Part no	Description	Reg description	Regd no	E15
	23211	23211-LCE6-E80	SHAFT MAIN TRANSMISSION (11T)	SHAFT MAIN TRANSMISSION (11T)	1	
	2321A	2321A-LCE6-E80	MAIN TRANSMISSION ASSY	MAIN TRANSMISSION ASSY	1	
	23221	23221-LBA8-C10	SHAFT COUNTER TRANSMISSION	SHAFT COUNTER TRANSMISSION	1	
	2322A	2322A-LCE6-E80	COUNTER TRANSMISSION ASSY	COUNTER TRANSMISSION ASSY	1	
	23426	23426-LCE6-E80	GEAR COUNTER SHAFT LOW (36T)	GEAR COUNTER SHAFT LOW (36T)	1	
	23427	23427-LBA8-C10	COLLAR COUNTER SHAFT LOW GEAR	COLLAR COUNTER SHAFT LOW GEAR	1	
	23441	23441-LBA8-C10	GEAR M-2	GEAR M-2	1	
	23443	23443-LBA8-C10	SLEEVE	SLEEVE	1	
	23444	23444-LBA8-C10	FRICTION SPRING	FRICTION SPRING	1	
	23445	23445-LBA8-C10	CAM LOCATING PLATE	CAM LOCATING PLATE	1	
	23451	23451-LBA8-C10	GEAR C-2	GEAR C-2	1	
	23461	23461-LBA8-C10	GEAR M-3	GEAR M-3	1	
	23471	23471-LBA8-C10	GEAR C-3	GEAR C-3	1	
	23481	23481-LBA8-C10	GEAR M-4	GEAR M-4	1	
	23491	23491-LBA8-C10	GEAR C-4	GEAR C-4	1	
	23801	23801-LCE6-E81	SPROCKET DRIVE11T	SPROCKET DRIVE11T	1	
	23811	23811-LBA8-C10	PLATE A2 FIXING	PLATE A2 FIXING	1	
	90452	90452-LBA8-C10	WASHER THRUST 17MM	WASHER THRUST 17MM	2	
	90454	90454-LBA8-C10	WASHER THRUST 17MM	WASHER THRUST 17MM	1	
	90455	90455-LBA8-C10	WASHER SPLINE 20MM	WASHER SPLINE 20MM	1	



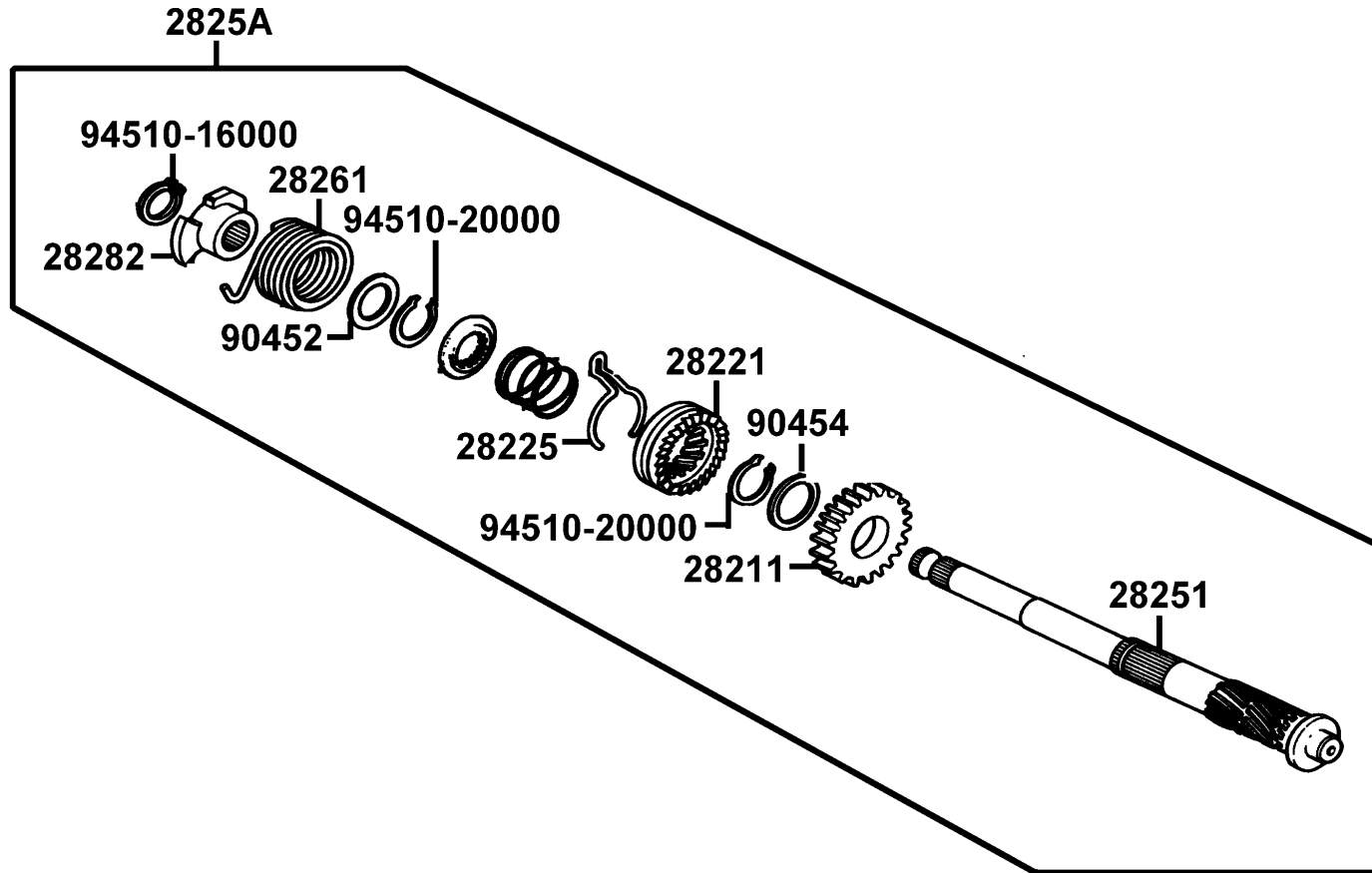
Sales mark	Ref no	Part no	Description	Reg description	Regd no	E15
	90464	90464-LBA8-C10	WASHER SPLINE 17MM	WASHER SPLINE 17MM	2	
	90601	90601-LBA8-C10	SET RING 20MM	SET RING 20MM	2	
	90605	90605-LBA8-C10	SET RING 17MM	SET RING 17MM	2	
	91203	91203-KGB4-C10	OIL SEAL 17*29*5	OIL SEAL 17*29*5	1	
	92000	92000-06008-08	BOLT 6*8(C)	BOLT 6*8(C)	2	
	96100-60010	96100-60010-00	BEARING RADIAL BALL 6001	BEARING RADIAL BALL 6001	1	
	96100-62010	96100-62010-00	BEARING BALL RADIAL 6201	BEARING BALL RADIAL 6201	1	
	96100-62030	96100-62030-00	BRG BALL RADIAL 6203	BRG BALL RADIAL 6203	2	



Sales mark	Ref no	Part no	Description	Reg description	Regd no	E16
11381		11381-LBA8-C10	CLAM PGUIDE PIN	CLAM PGUIDE PIN	2	
23225		23225-LBA8-C10	GUIDE PIN	GUIDE PIN	2	
24221		24221-LBA8-C10	FORK GEAR SHIFT	FORK GEAR SHIFT	2	
24301		24301-LBA8-C10	DRUM GEAR SHIFT	DRUM GEAR SHIFT	1	
2430A		2430A-LBA8-C10	GEAR SHIFT CAM ASSEMBLY	GEAR SHIFT CAM ASSEMBLY	1	
24411		24411-LBA8-C10	CAM GEAR SHIFT	CAM GEAR SHIFT	1	
24431		24431-LBA8-C10	STOPPER COMP GEAR	STOPPER COMP GEAR	1	
24435		24435-LBA8-C10	SPG SHIFT DRUM STOPPER	SPG SHIFT DRUM STOPPER	1	
24436		24436-LBA8-C10	PIN	PIN	5	
2461A		2461A-LCE6-E80	GEAR SHIFT SPINDLE ASSEMBLY	GEAR SHIFT SPINDLE ASSEMBLY	1	
35750		35750-LBA8-C10	WIRE LEADS SET	WIRE LEADS SET	1	
90112		90112-LBA8-C10	LOCK SCREW 8*35(K)	LOCK SCREW 8*35(K)	1	
90435		90435-LBA8-C10	WASHER	WASHER	1	
91100		91100-LBA8-C10	ROLLER 3*8.5	ROLLER 3*8.5	1	
91206		91206-LBA8-C10	OIL SEAL 11.6*24*10	OIL SEAL 11.6*24*10	1	
91301		91301-LBA8-C10	O-RING 15.5*1.6	O-RING 15.5*1.6	1	
96001-06012		96001-06012-08	BOLT FLANGE 6*12	BOLT FLANGE 6*12	1	
96001-06016		96001-06016-08	BOLT FLANGE SH 6*16	BOLT FLANGE SH 6*16	1	
96220		96220-40100	ROLLER 4*10	ROLLER 4*10	1	
96700		96700-06016-08	BOLT SOCKET 6X16(G)	BOLT SOCKET 6X16(G)	1	

E17

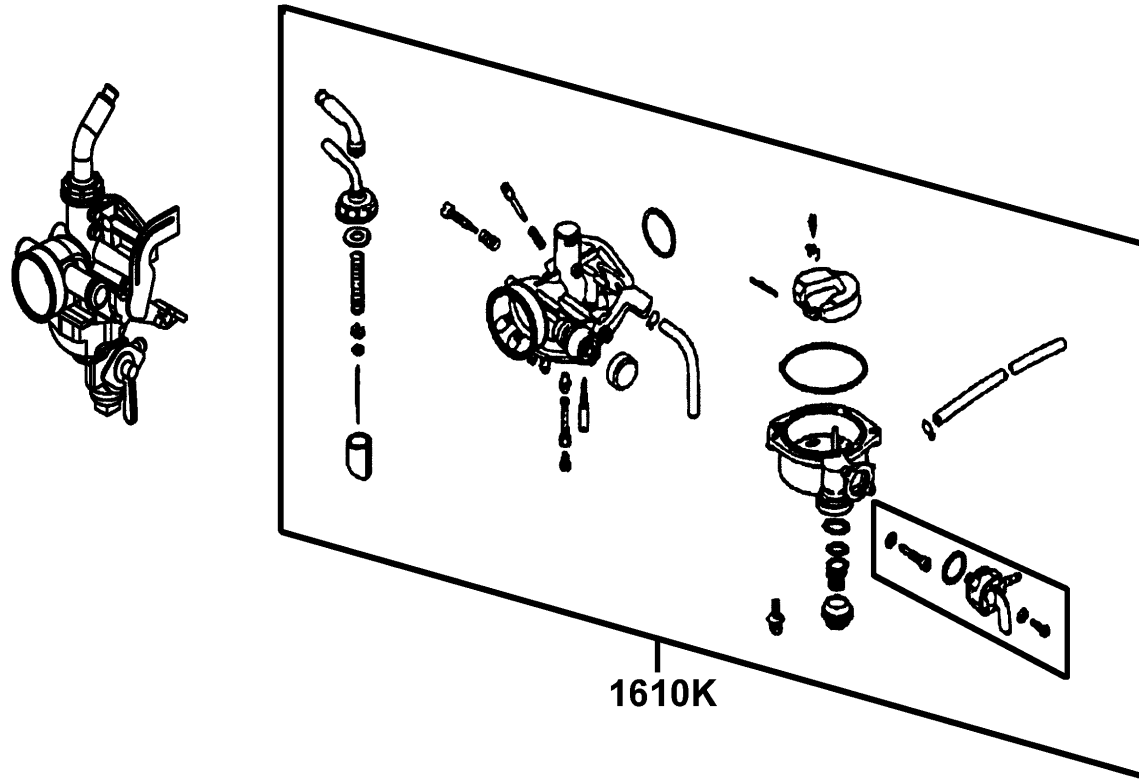
Has Moving Axis



Sales mark	Ref no	Part no	Description	Reg description	Regd no	E17
	28211	28211-LCE6-E80	PINION KICK STARTER	PINION KICK STARTER	1	
	28221	28221-LCE6-E80	RATCHET KICK STARTER	RATCHET KICK STARTER	1	
	28225	28225-LCE6-E80	PLATE KICK STAR	PLATE KICK STAR	1	
	28251	28251-LCE6-E80	SPINDLE KICK STARTER	SPINDLE KICK STARTER	1	
	2825A	2825A-LCE6-E80	KICK STARTER COMP	KICK STARTER COMP	1	
	28261	28261-LCE6-E80	SPG KICK STARTER	SPG KICK STARTER	1	
	28282	28282-LCE6-E80	COLLAR KICK SPRING	COLLAR KICK SPRING	1	
	90452	90452-LBA8-C10	WASHER THRUST 17MM	WASHER THRUST 17MM	1	
	90454	90454-1G07-C00	WASHER THRUST 20MM B	WASHER THRUST 20MM B	1	
	94510-16000	94510-16000	CIR CLIP EXTERNAL	CIR CLIP EXTERNAL	1	
	94510-20000	94510-20000	CIR CLIP EX 20	CIR CLIP EX 20	2	

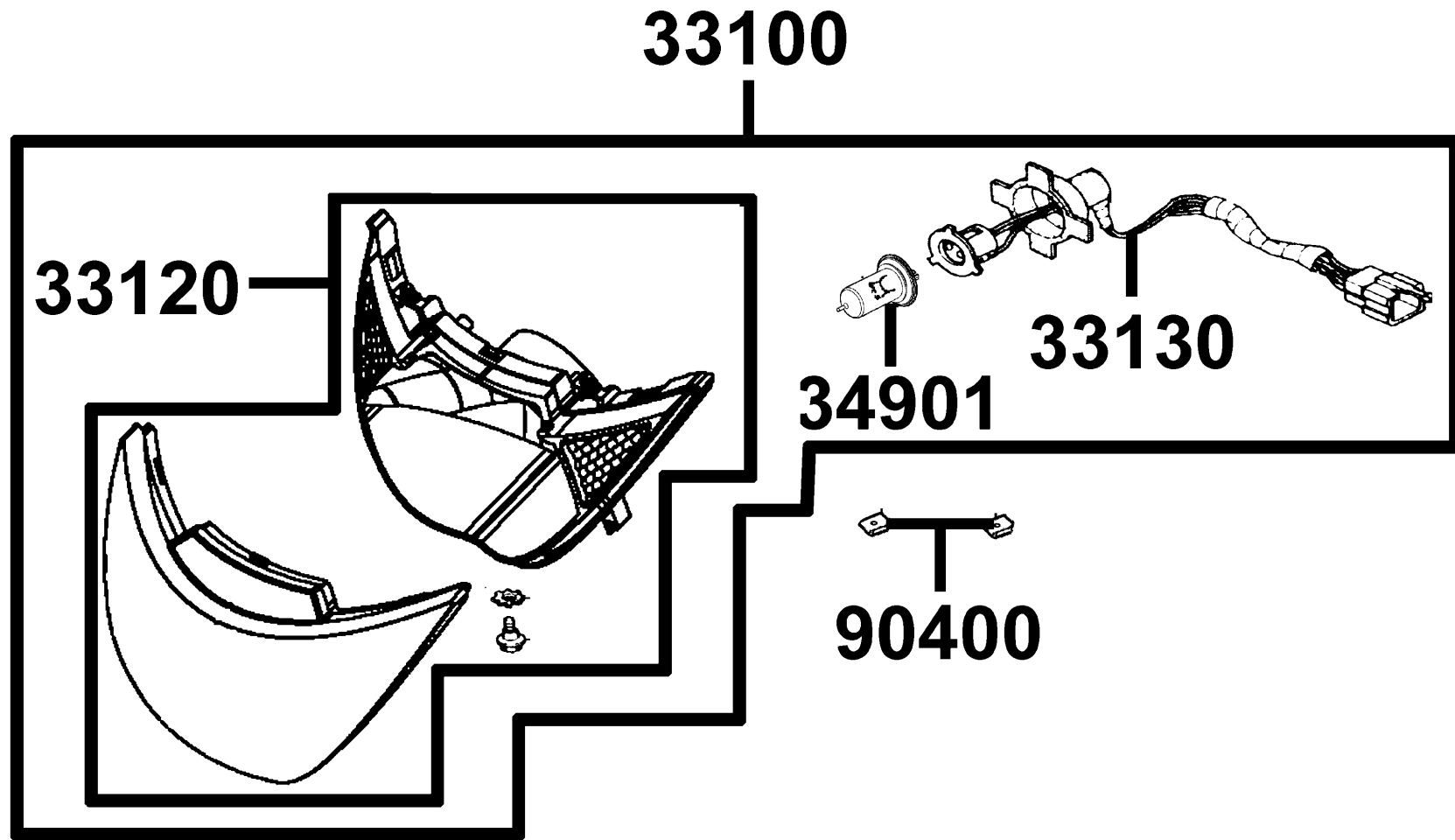
E18

Carburetor

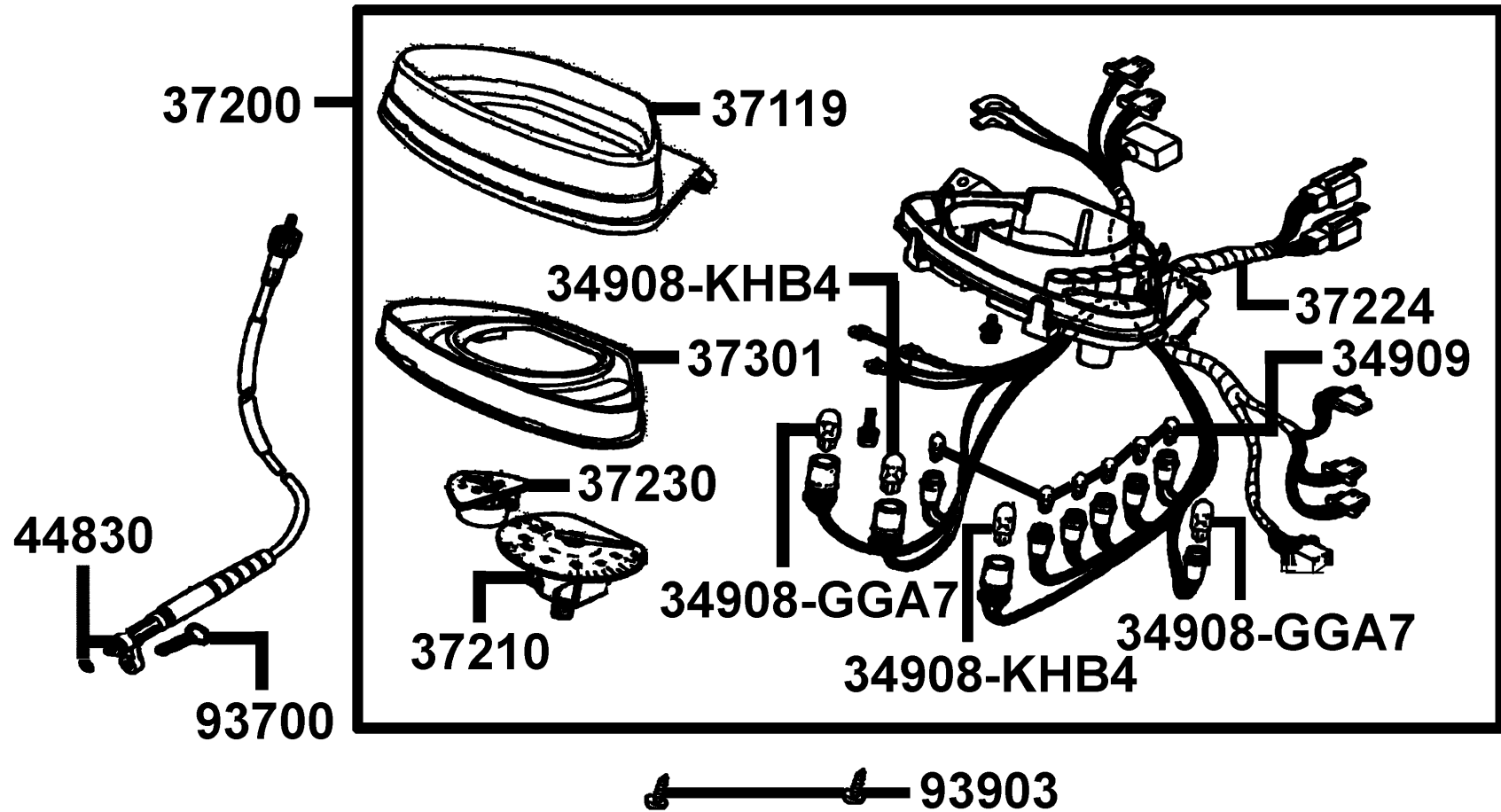


Sales mark	Ref no	Part no	Description	Reg description	Regd no	E18
------------	--------	---------	-------------	-----------------	---------	------------

1610K	1610K-LCE6-E80	CARBURETOR ASSY	CARBURETOR ASSY		1	
-------	----------------	-----------------	-----------------	--	---	--



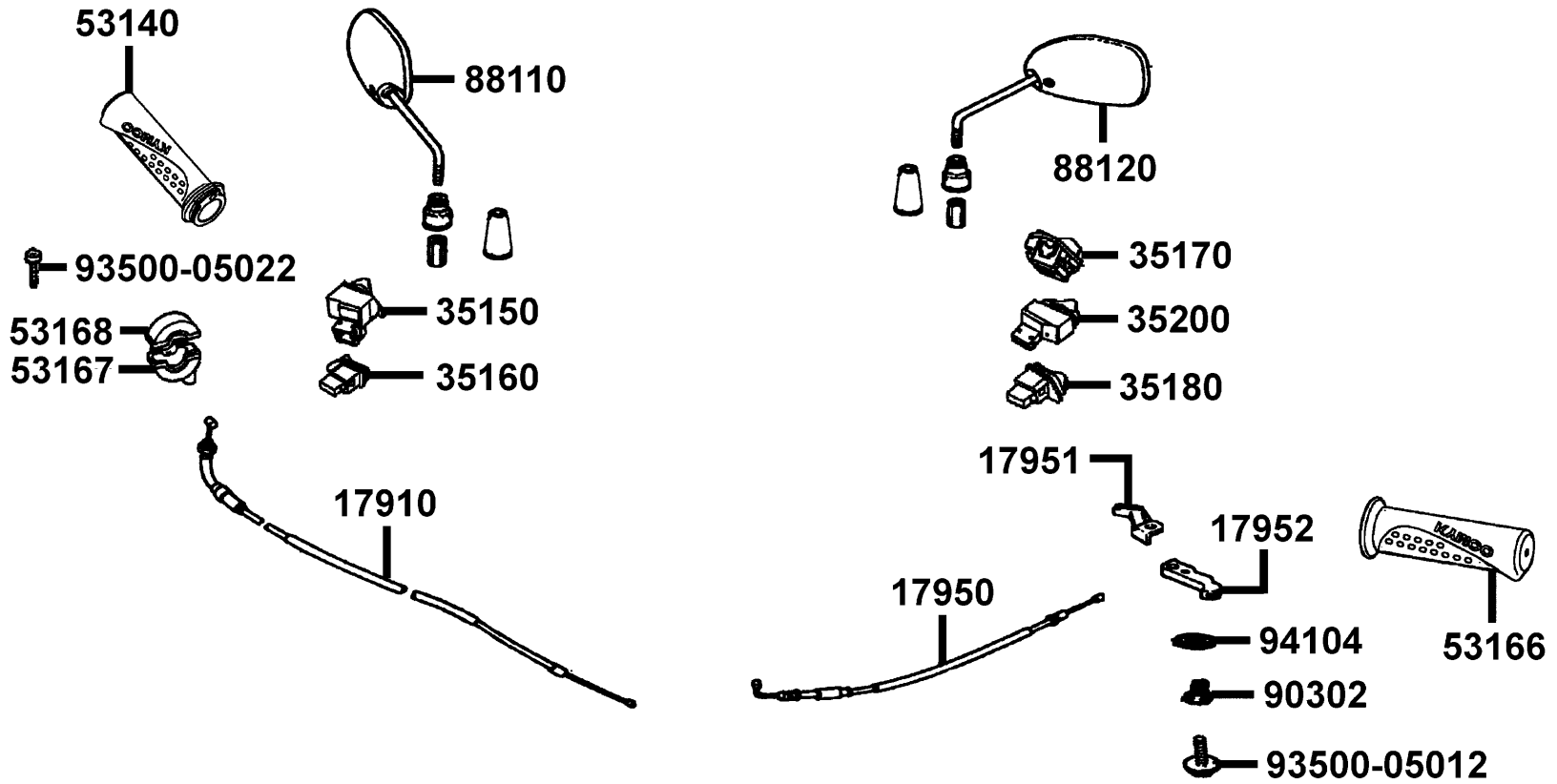
Sales mark	Ref no	Part no	Description	Reg description	Regd no	F01
	33100	33100-LFC8-B40	LIGHT ASSY HEAD	LIGHT ASSY HEAD	1	
	33120	33120-LAB4-903	UNIT HEAD LIGHT	UNIT HEAD LIGHT	1	
	33130	33130-LAB4-900	SOCKET COMP	SOCKET COMP	1	
	34901	34901-KKA8-C00	BULB HEAD LIGHT	BULB HEAD LIGHT	1	
	90400	90400-KTDT-900	CLIP SPRING	CLIP SPRING	2	



Sales mark	Ref no	Part no	Description	Reg description	Regd no	F02
	34908-GGA7	34908-GGA7-C00	BULB,WEDGE BASE T10	BULB,WEDGE BASE T10	1	
	34908-KHB4	34908-KHB4-900	BULB WEDGE BASE 12V*1.7W	BULB WEDGE BASE 12V*1.7W	2	
	34909	34909-KEBE-900	BULB WEDGE BASE T6.5	BULB WEDGE BASE T6.5	6	
	37119	37119-KUDU-C00	METER SET	METER SET	1	
	37200	37200-LFC8-B40	METER ASSY SPEED	METER ASSY SPEED	1	
	37210	37210-LBA8-C10	SPEED METER COMP	SPEED METER COMP	1	
	37224	37224-LFC8-B40	SOCKET COMP METER	SOCKET COMP METER	1	
	37230	37230-LBA8-C10	FUEL METER COMP	FUEL METER COMP	1	
	37301	37301-LBA8-C10	PLATE COMP CASMETIC	PLATE COMP CASMETIC	1	
	44830	44830-LFC8-B40	CABLE COMP SPDMT	CABLE COMP SPDMT	1	
	93700	93700-05018-0H	SCREW OVAL 5*18	SCREW OVAL 5*18	1	
	93903	93903-35320	SCREW TAPPING 5*16	SCREW TAPPING 5*16	2	

F03

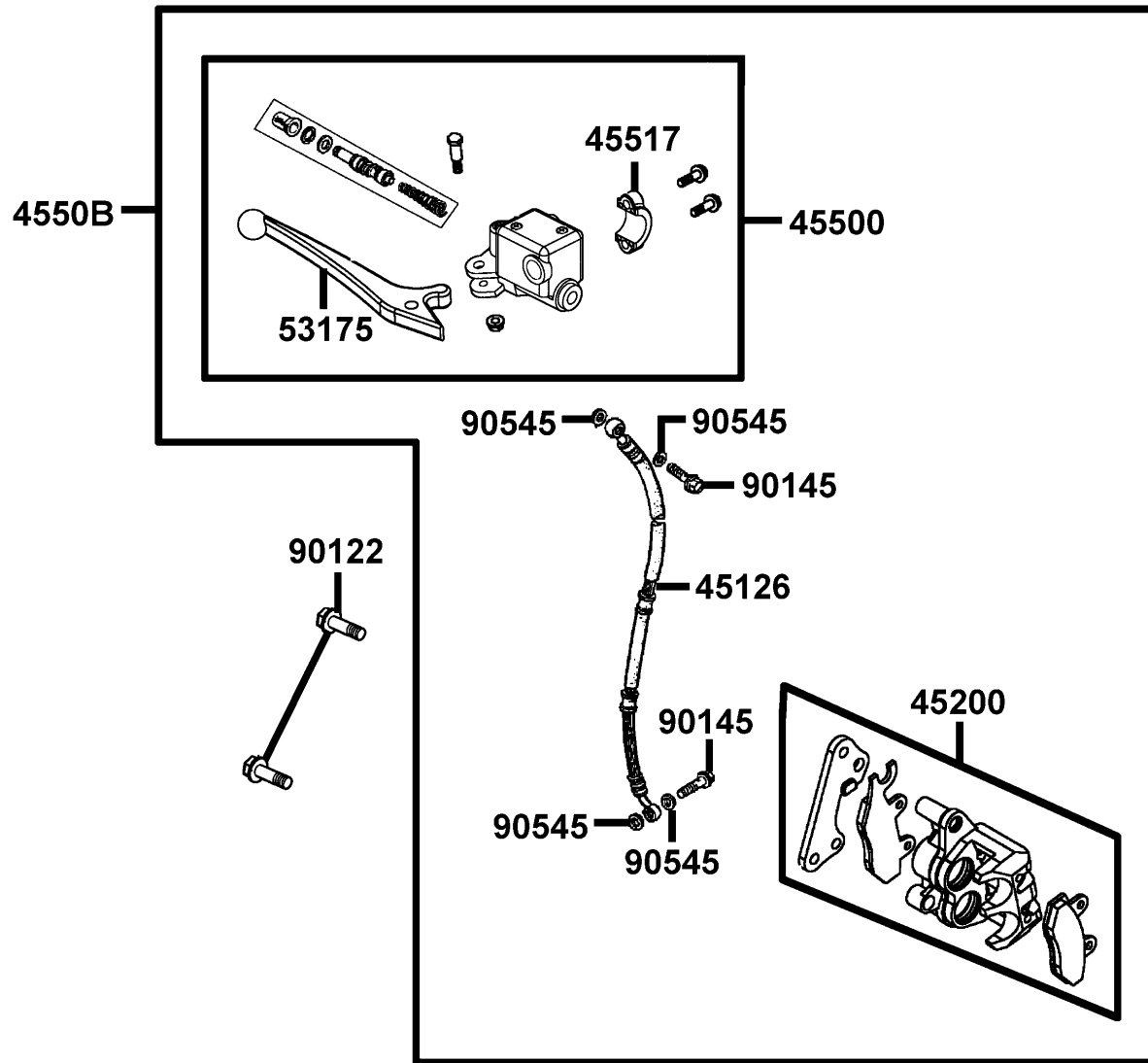
Back MirrorHandle rod



Sales mark	Ref no	Part no	Description	Reg description	Regd no	F03
17910		17910-LBA8-C10	CABLE COMP THROT	CABLE COMP THROT	1	
17950		17950-LBA8-C10	CABLE COMP CHOCK	CABLE COMP CHOCK	1	
17951		17951-LBA8-C10	STOPPER CHOCK CABLE	STOPPER CHOCK CABLE	1	
17952		17952-LBA8-C10	LEVER COMP CHOCK	LEVER COMP CHOCK	1	
35150		35150-GFY6-C00	SW ASSY RH HNDL COMP	SW ASSY RH HNDL COMP	1	
35160		35160-GFY6-C00	SW UNIT START	SW UNIT START	1	
35170		35170-KNBN-C00	SW UNIT DIMMER	SW UNIT DIMMER	1	
35180		35180-GFY6-C00	SW UNIT HORN	SW UNIT HORN	1	
35200		35200-GFY6-C00	SW ASSY LH HNDL COMP	SW ASSY LH HNDL COMP	1	
53140		53140-LFC8-B40	GRIP COMP THROT	GRIP COMP THROT	1	
53166		53166-LFC8-B40	GRIP L HANDLE	GRIP L HANDLE	1	
53167		53167-GBN2-C00	HOUSING UND THROT	HOUSING UND THROT	1	
53168		53168-GBN2-C00	HOUSING UP THROT	HOUSING UP THROT	1	
88110		88110-LFC8-B40	MIRROR ASSY R BACK	MIRROR ASSY R BACK	1	
88120		88120-LFC8-B40	MIRROR ASSY L BACK	MIRROR ASSY L BACK	1	
90302		90302-GBR2-C00	BOLT-WASH 5*12	BOLT-WASH 5*12	1	
93500-05012		93500-05012-0G	SCREW PAN 5*12 (K)	SCREW PAN 5*12 (K)	1	
93500-05022		93500-05022-0G	SCREW PAN 5*22	SCREW PAN 5*22	1	
94104		94104-08200	WAVE WASHER 8MM(C)	WAVE WASHER 8MM(C)	1	

F04

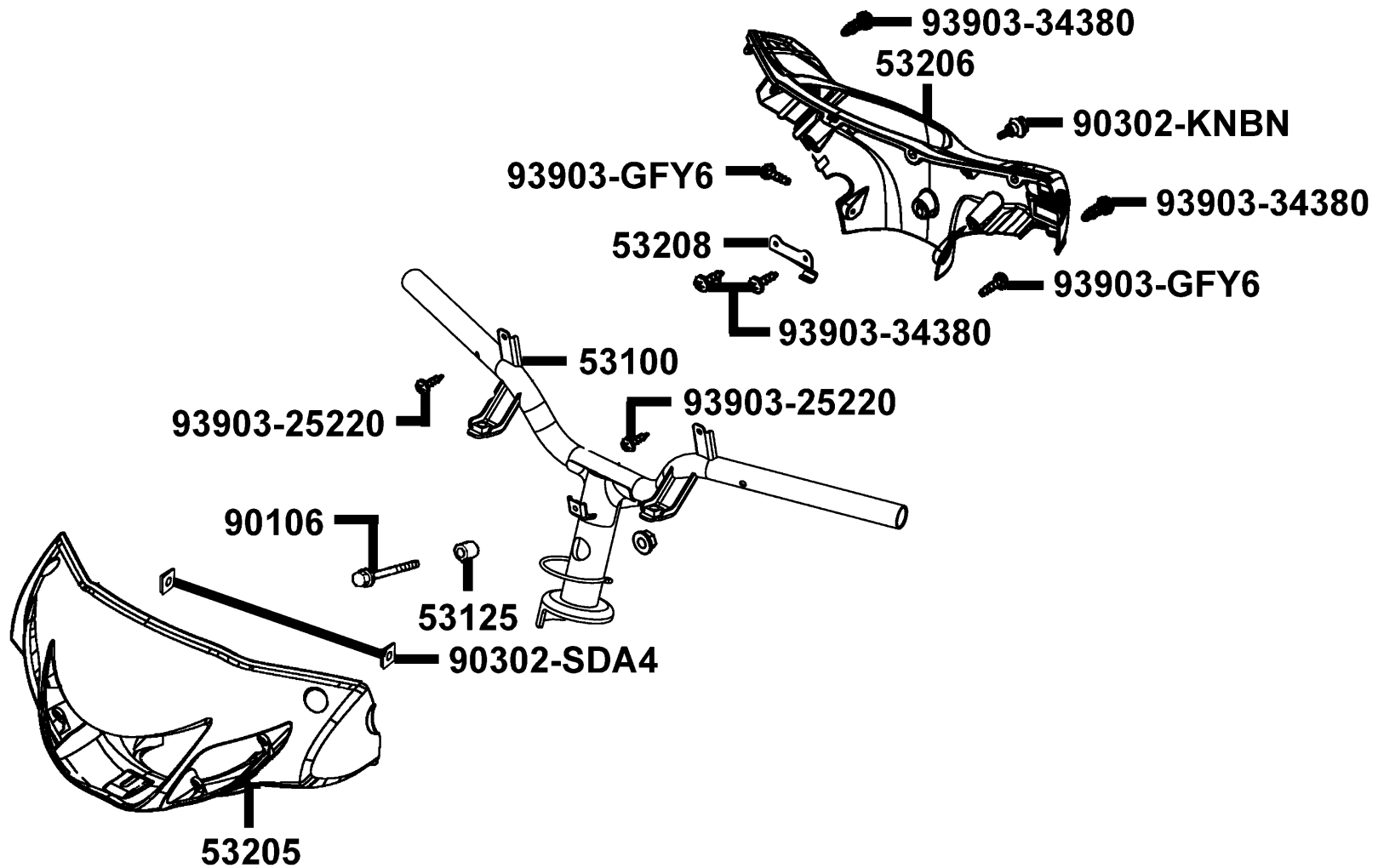
Brake Master Cylinder



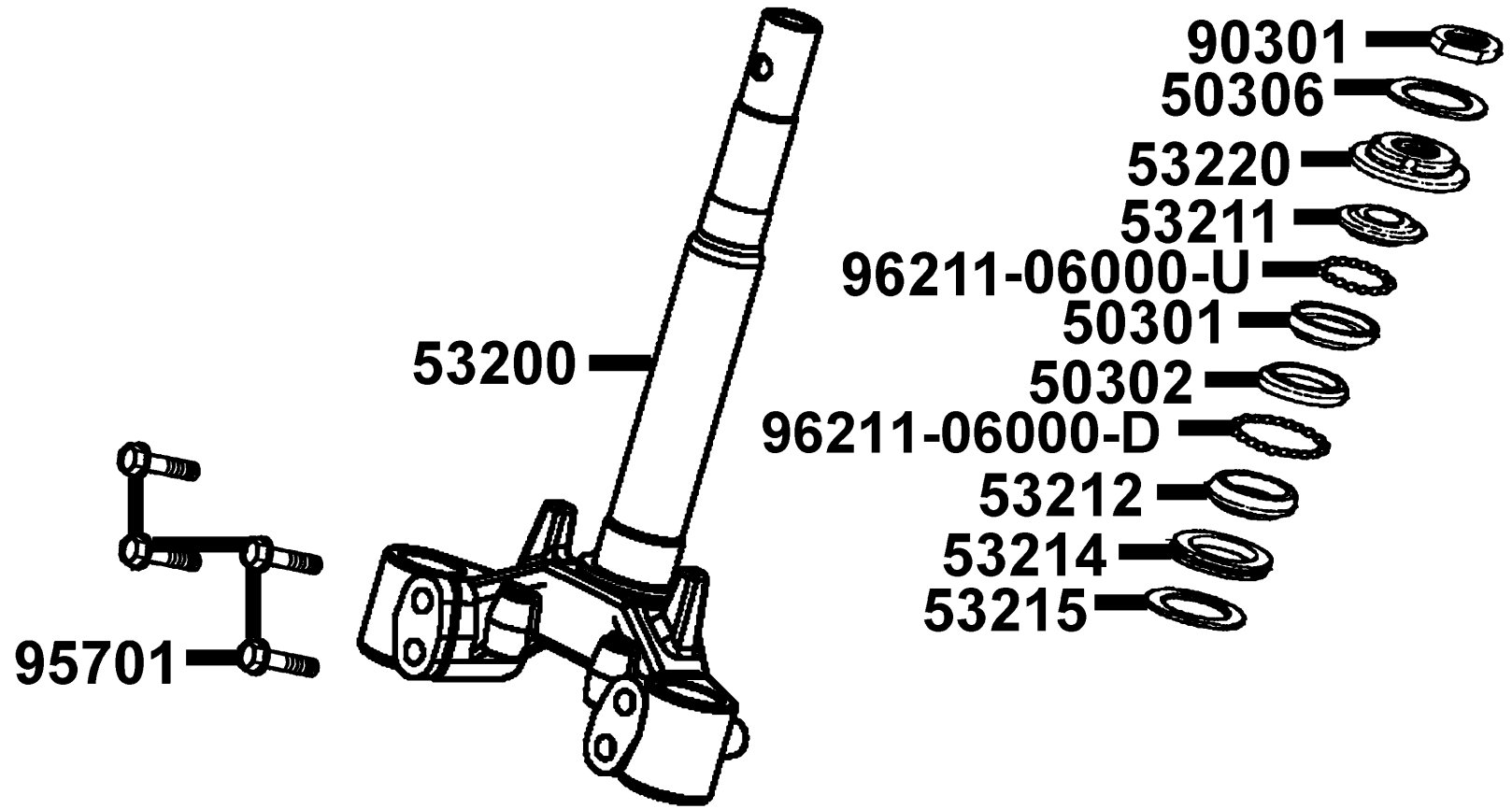
Sales mark	Ref no	Part no	Description	Reg description	Regd no	F04
	45126	45126-LFC8-B42	HOSE ASSY FR BRK	HOSE ASSY FR BRK	1	
	45200	45200-LFD6-C11	CALIPER ASSY FR	CALIPER ASSY FR	1	
	45500	45500-LFC8-B42	CYLINDER ASSY FR	CYLINDER ASSY FR	1	
	4550B	4550B-LFC8-B42	SUB ASSY FR BRK	SUB ASSY FR BRK	1	
	45517	45517-GFY6-900	HOLDER HNDL BRKT	HOLDER HNDL BRKT	1	
**	53175	53175-LBA8-C11	LEVER HANDLE	LEVER HANDLE	1	
	90122	90122-KGD4-C11	BOLT FLANGE 8*25 (C)	BOLT FLANGE 8*25 (C)	1	
	90145	90145-9A61-C00	OIL BOLT 10*22	OIL BOLT 10*22	1	
	90545	90545-3L00-C00	WASHER OIL BOLT	WASHER OIL BOLT	1	

F05

Changes Handle Handle Covers



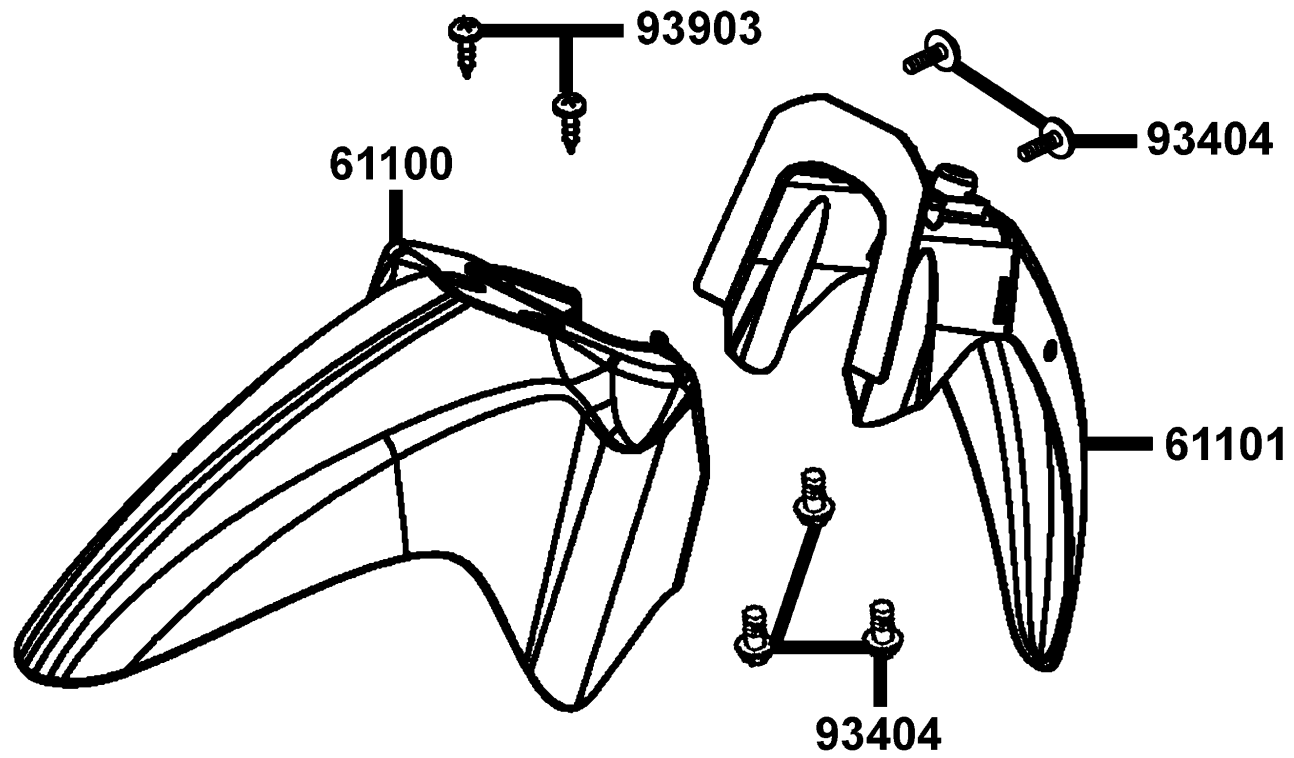
Sales mark	Ref no	Part no	Description	Reg description	Regd no	F05
	53100	53100-LFC8-B40	HANDLE COMP	HANDLE COMP	1	
	53125	53125-GEN5-C00	COLLAR HANDLE SET	COLLAR HANDLE SET	1	
**	53205	53205-LFC8-B40	"COVER HANDLE,FR"	"COVER HANDLE,FR"	1	
**	53206	53206-LFC8-B40	"COVER,HANDLE RR."	"COVER,HANDLE RR."	1	
	53208	53208-LBA8-C10	HOOK HANDLE COVER-SPDMT	HOOK HANDLE COVER-SPDMT	1	
	90106	90106-GEN5-901	BOLT FLANGE 10*50	BOLT FLANGE 10*50	1	
	90302-KNBN	90302-KNBN-C00	BOLT PAN 5*10	BOLT PAN 5*10	1	
	90302-SDA4	90302-SDA4-C00	NUT SPRING 4MM	NUT SPRING 4MM	1	
	93903-25220	93903-25220	SCREW TAPPING 5*12	SCREW TAPPING 5*12	2	
	93903-34380	93903-34380	SCREW TAPPING 4*12	SCREW TAPPING 4*12	4	
	93903-GFY6	93903-GFY6-C00	SCREW TAPPING 4*14	SCREW TAPPING 4*14	1	



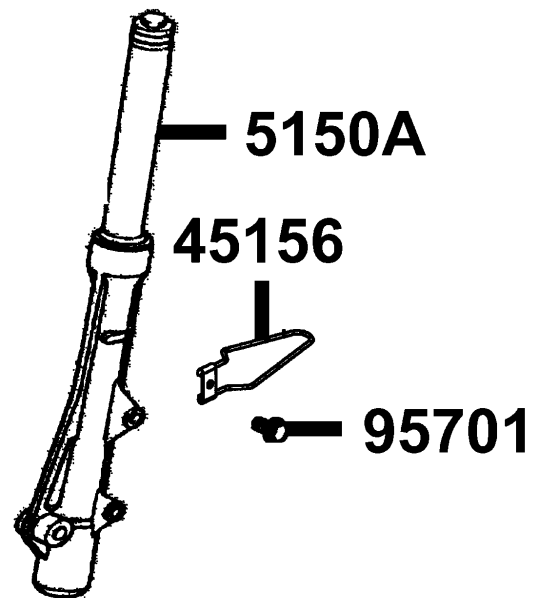
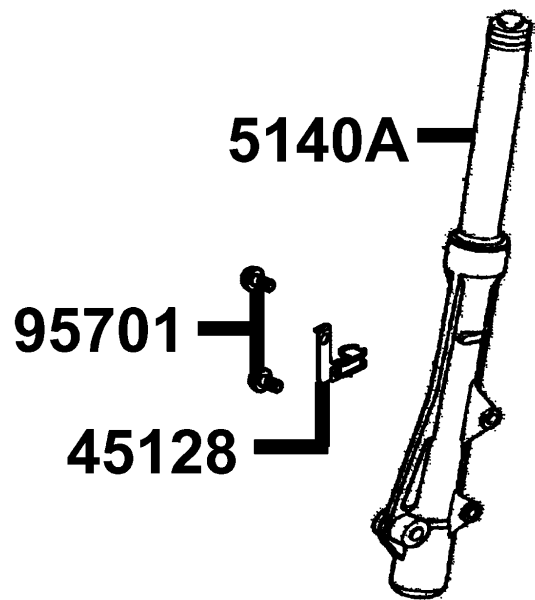
Sales mark	Ref no	Part no	Description	Reg description	Regd no	F06
50301		50301-LBA8-C10	RACE UPPER STRG BALL	RACE UPPER STRG BALL	1	
50302		50302-LBA8-C10	RACE BOT STRG BALL	RACE BOT STRG BALL	1	
50306		50306-LBA8-C10	WASHER STRG	WASHER STRG	1	
53200		53200-LBB9-B50	STEM ASSY STRG	STEM ASSY STRG	1	
53211		53211-LBA8-C10	RACE STRG TOP CONE	RACE STRG TOP CONE	1	
53212		53212-LBA8-C10	RACE STRG BOT CONE	RACE STRG BOT CONE	1	
53214		53214-LBA8-C10	DUST SEAL STRG HEAD	DUST SEAL STRG HEAD	1	
53215		53215-LBA8-C10	WASHER STRG HNDL	WASHER STRG HNDL	1	
53220		53220-LBA8-C10	THREAD STRG HEAD TOP	THREAD STRG HEAD TOP	1	
90301		90301-LBA8-C10	NUT STRG STEM	NUT STRG STEM	1	
95701		95701-10045-08	BOLT FLANGE 10*45(C)	BOLT FLANGE 10*45(C)	4	
96211-06000-D		96211-06000-D	BALL STEEL 6	BALL STEEL 6	1	
96211-06000-U		96211-06000-U	BALL STEEL 6	BALL STEEL 6	1	

F07

Front Fender



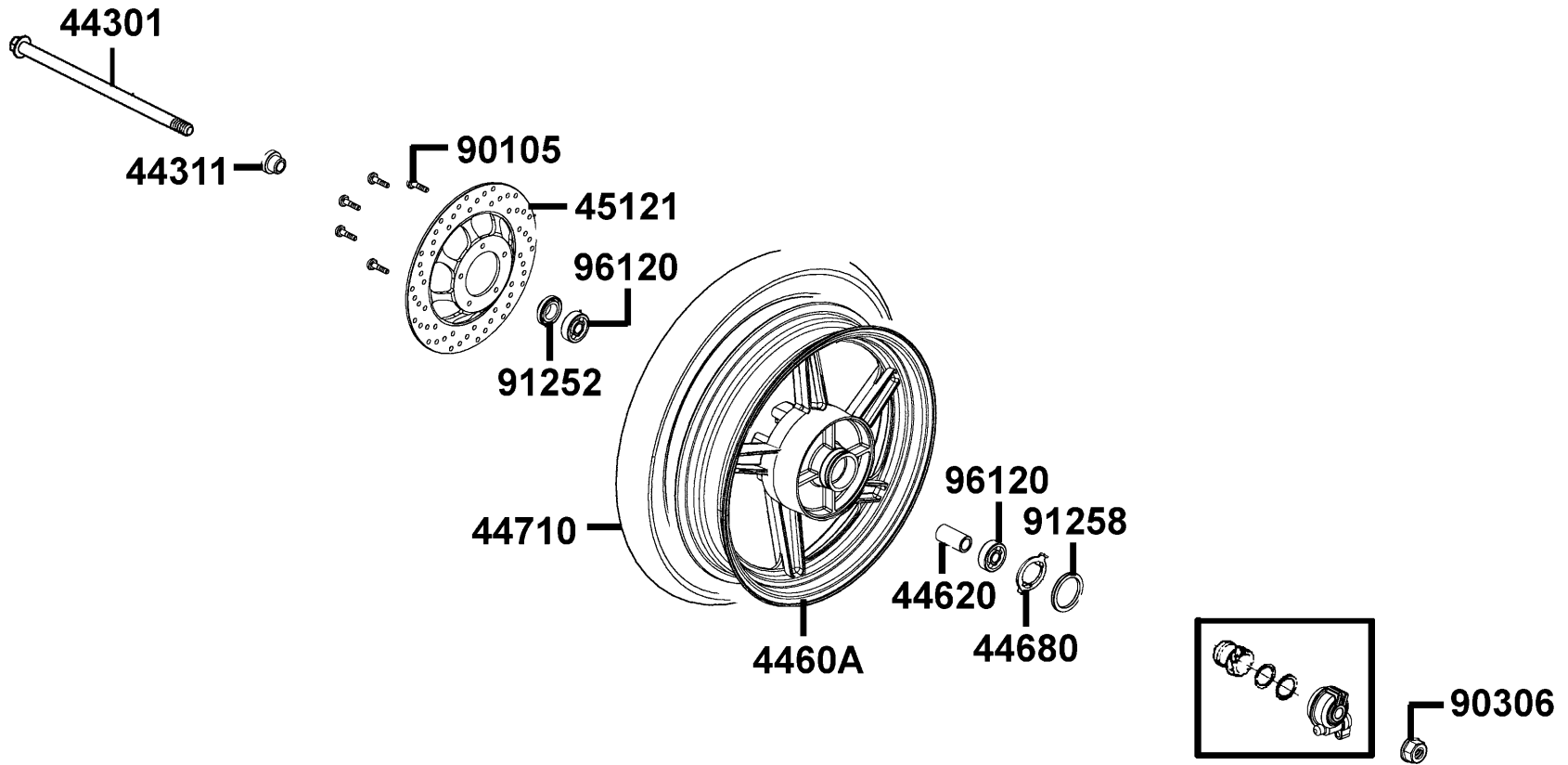
Sales mark	Ref no	Part no	Description	Reg description	Regd no	F07
**	61100	61100-LEH7-B50	"FENDER A , FR."	"FENDER A , FR."	1	
**	61101	61101-LEB5-C10	FENDER FR B	FENDER FR B	1	
	93404	93404-06012-07	BOLT WASH 6*12	BOLT WASH 6*12	3	
	93903	93903-35380	SCREW TAPPING 5*16 (K)	SCREW TAPPING 5*16 (K)	2	



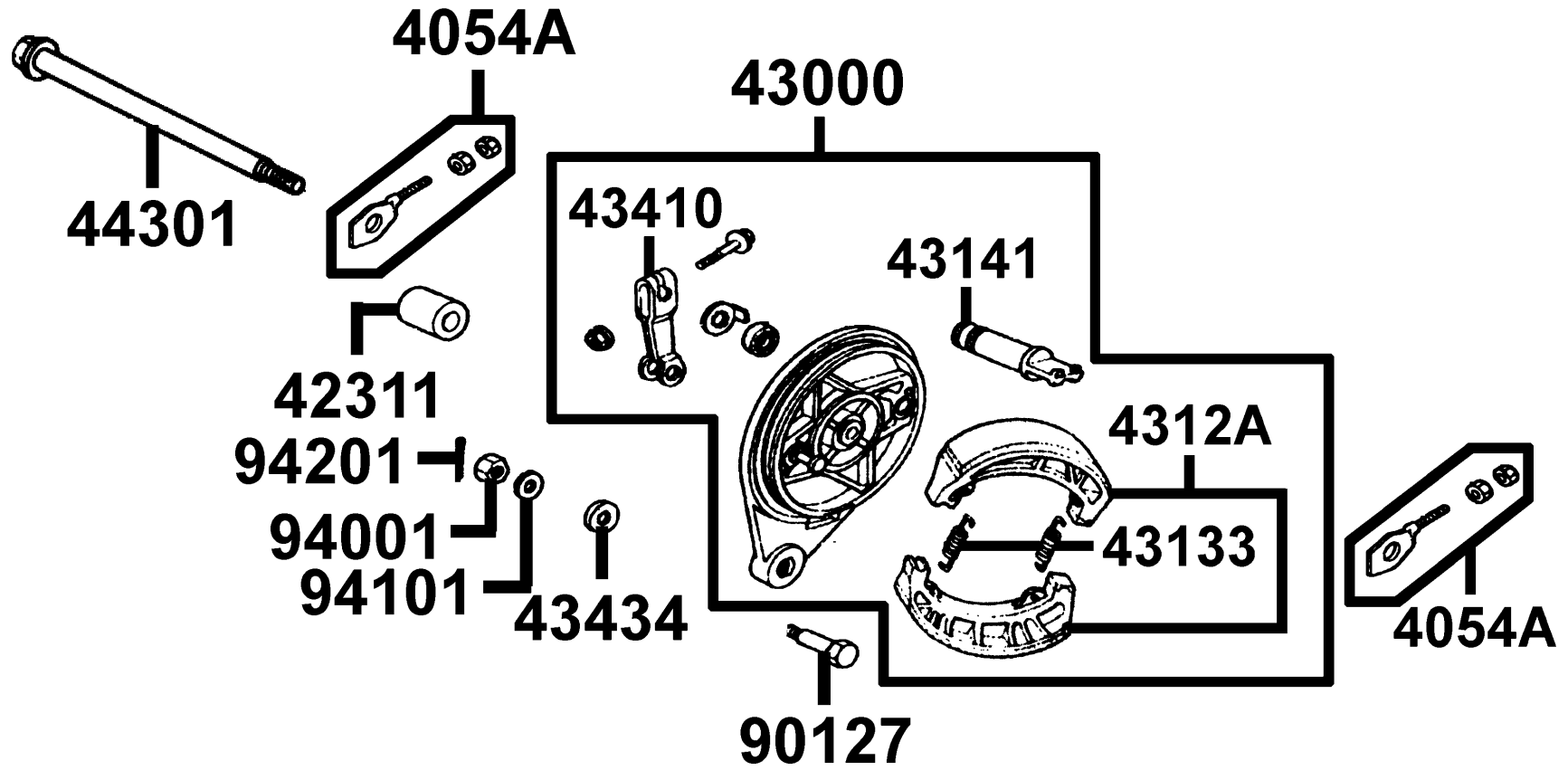
Sales mark	Ref no	Part no	Description	Reg description	Regd no	F08
	45128	45128-LEB5-C10	CLAMPER FR BRK HOSE	CLAMPER FR BRK HOSE	1	
	45156	45156-LCB9-B20	CLAMPER FR SPDMT CABLE	CLAMPER FR SPDMT CABLE	1	
**	5140A	5140A-LFC8-B41	FORK SET FR R	FORK SET FR R	1	
**	5150A	5150A-LFC8-B41	FORK SET FR L	FORK SET FR L	1	
	95701	95701-06012-08	BOLT FLANGE 6*12	BOLT FLANGE 6*12	3	

F09

Front Wheel



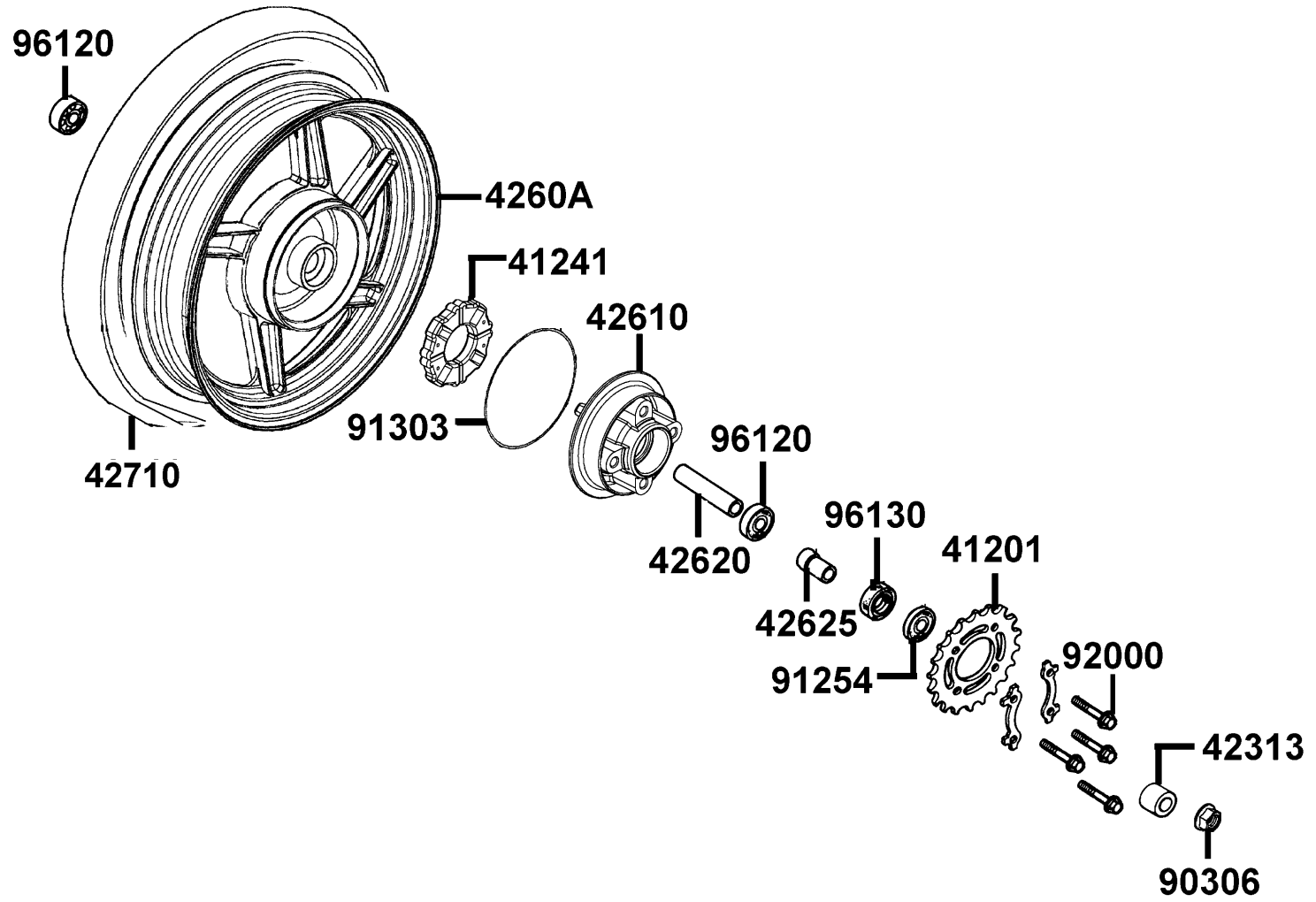
Sales mark	Ref no	Part no	Description	Reg description	Regd no	F09
	44301	44301-GLW0-C00	AXLE FR WHEEL	AXLE FR WHEEL	1	
	44311	44311-LBA8-C10	COLLAR FR WHEEL SIDE	COLLAR FR WHEEL SIDE	1	
**	4460A	4460A-LFC8-B41	WHEEL ASSY FR	WHEEL ASSY FR	1	
	44620	44620-LBA8-C11	COLLAR FR DIST	COLLAR FR DIST	1	
	44680	44680-LBA8-C11	RETAINER GEAR BOX	RETAINER GEAR BOX	1	
	44710	44710-LFC8-B90	TIRE ASSY FR	TIRE ASSY FR	1	
	45121	45121-LBA8-C11	DISK FR BRK	DISK FR BRK	1	
	90105	90105-KAR1-761	BOLT SPL 6*25	BOLT SPL 6*25	5	
	90306	90306-GLW0-C00	WASHER SEALING	WASHER SEALING	1	
	91252	91252-LBA8-C11	OIL SEAL WHEEL 20*37*7	OIL SEAL WHEEL 20*37*7	1	
	91258	91258-4L10-007	DUST SEAL 40*50*5	DUST SEAL 40*50*5	1	
	96120	96120-63010-10	BEARING BALL RADIAL 6301	BEARING BALL RADIAL 6301	2	



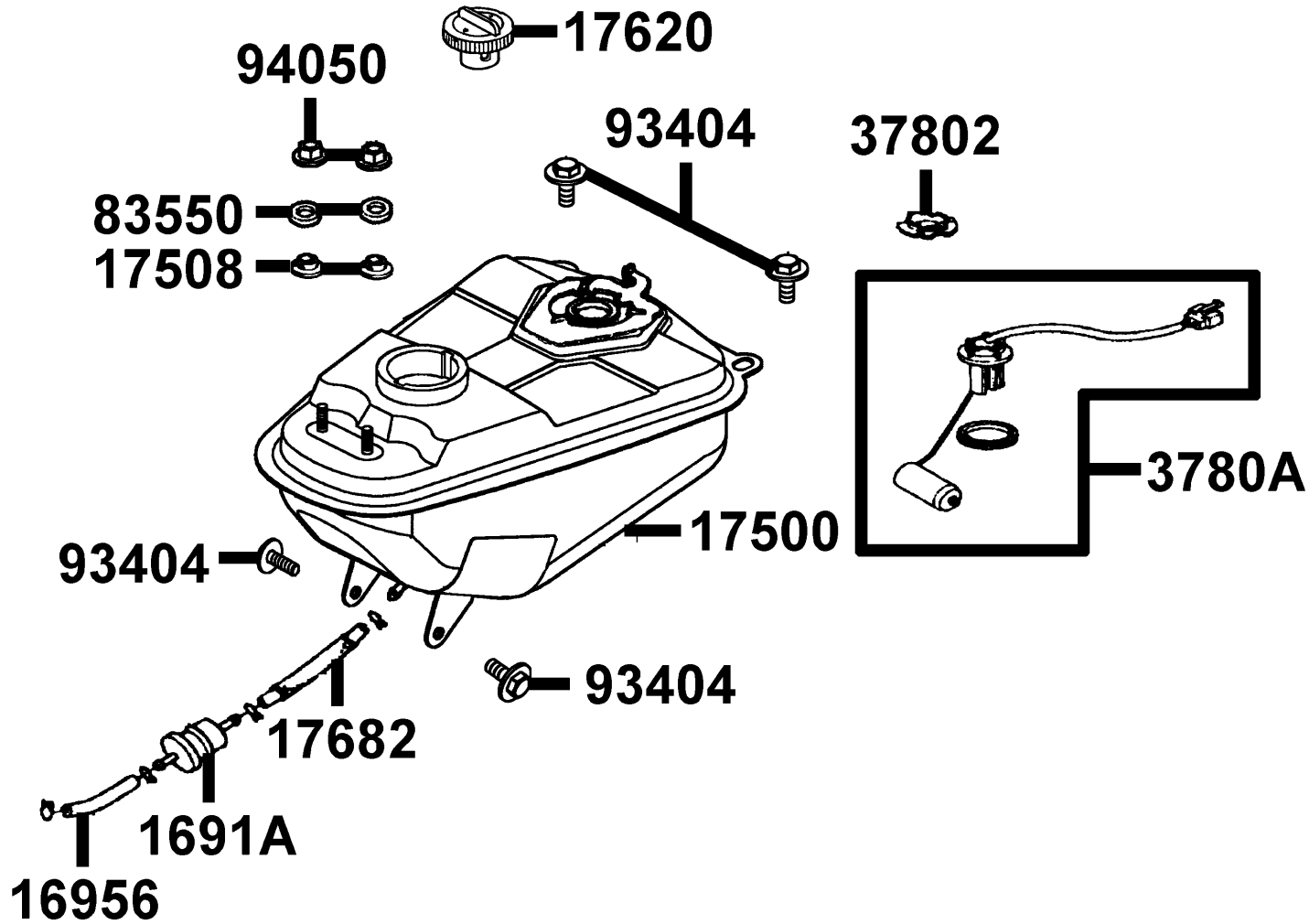
Sales mark	Ref no	Part no	Description	Reg description	Regd no	F10
	4054A	4054A-LBA8-C10	DRIVE CHAIN ADJUSTER ASSY	DRIVE CHAIN ADJUSTER ASSY	2	
	42311	42311-LBA8-C11	COLLAR RR PANEL SIDE	COLLAR RR PANEL SIDE	1	
**	43000	43000-LBA8-C10	PANEL ASSY RR BRK	PANEL ASSY RR BRK	1	
	4312A	4312A-LBA8-C10	SHOE COMP RR BRK	SHOE COMP RR BRK	1	
	43133	43133-LBA8-C10	SPG BRK SHOE	SPG BRK SHOE	1	
	43141	43141-LBA8-C10	CAM FR BRK	CAM FR BRK	1	
	43410	43410-LBA8-C10	ARM RR BRK	ARM RR BRK	1	
	43434	43434-2F86-C00	RUBBER STOPPER ARM CUSHION	RUBBER STOPPER ARM CUSHION	1	
	44301	44301-KFW6-C00	AXLE FR WHEEL(MFZn2-B)	AXLE FR WHEEL(MFZn2-B)	1	
	90127	90127-LBA8-C10	BOLT FLANGE8*30	BOLT FLANGE8*30	1	
	94001	94001-08080-0S	NUT HEX 8MM	NUT HEX 8MM	1	
	94101	94101-08800	WASHER PLAIN 8MM	WASHER PLAIN 8MM	1	
	94201	94201-20150	PIN SPLIT 2*15	PIN SPLIT 2*15	1	

F11

Rear Wheel



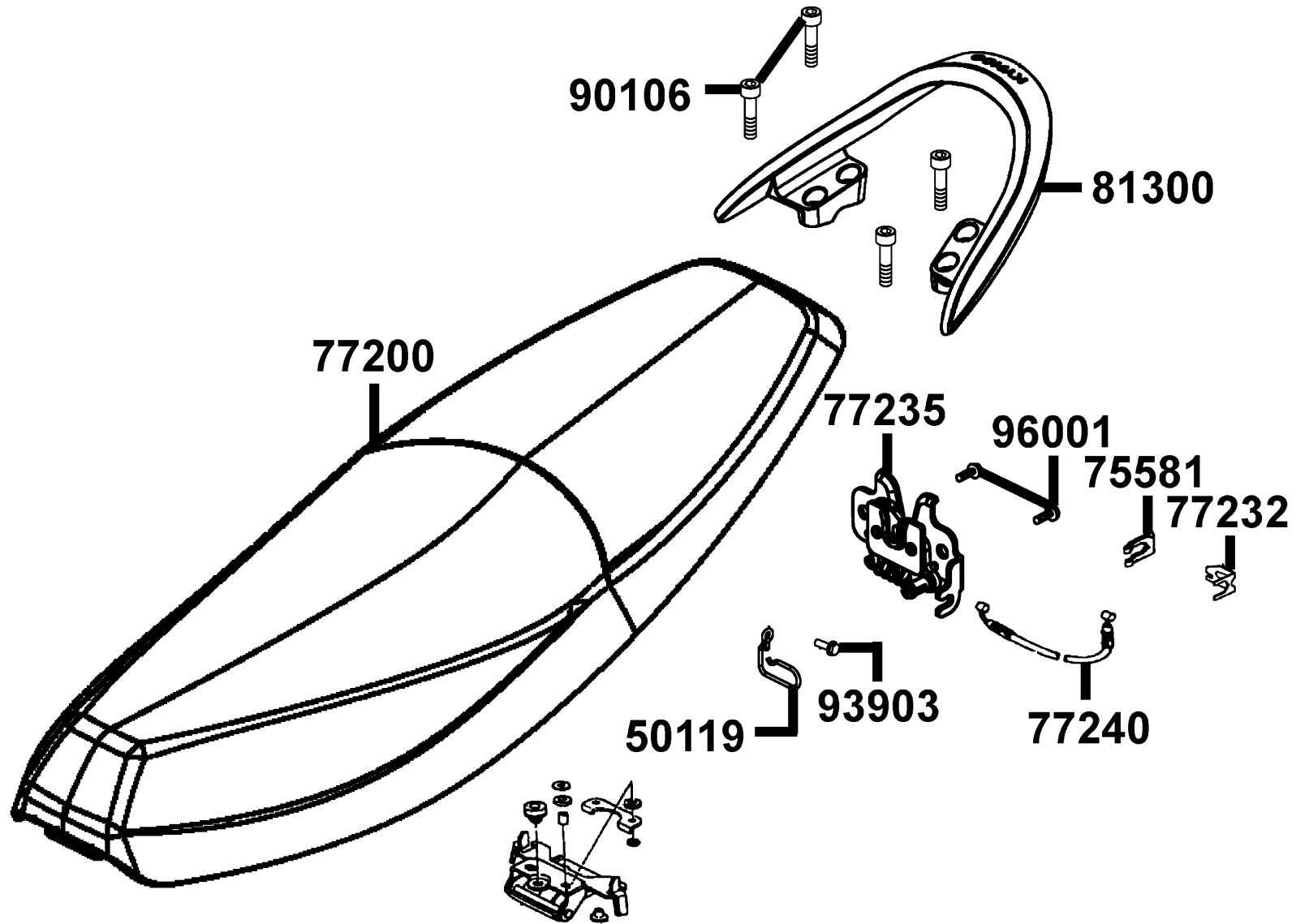
Sales mark	Ref no	Part no	Description	Reg description	Regd no	F11
	41201	41201-LBA8-C10	SPRKT DRIVEN 36T	SPRKT DRIVEN 36T	1	
	41241	41241-LBA8-C00	DAMPER RR WHEEL	DAMPER RR WHEEL	1	
	42313	42313-LBA8-C11	COLLAR RR HUB SIDE	COLLAR RR HUB SIDE	1	
**	4260A	4260A-LFC8-B41	SPRKT HUB ASSY	SPRKT HUB ASSY	1	
	42610	42610-LBA8-C10	SPRKT HUB ASSY	SPRKT HUB ASSY	1	
	42620	42620-LBA8-C11	COLLAR RR DIST	COLLAR RR DIST	1	
	42625	42625-LBA8-C11	SLEEVE SPRKT HUB	SLEEVE SPRKT HUB	1	
	42710	42710-LFC8-B90	TIRE ASSY RR	TIRE ASSY RR	1	
	90306	90306-GLW0-C00	WASHER SEALING	WASHER SEALING	1	
	91254	91254-LBA8-C10	DUST SEAL	DUST SEAL	1	
	91303	91303-LBA8-C10	O-RING	O-RING	1	
	92000	92000-08032-0H	BOLT HEX 8 * 32	BOLT HEX 8 * 32	4	
	96120	96120-63010-10	BEARING BALL RADIAL 6301	BEARING BALL RADIAL 6301	2	
	96130	96130-62030-10	BEARING BALL RADIAL 6203	BEARING BALL RADIAL 6203	1	



Sales mark	Ref no	Part no	Description	Reg description	Regd no	F12
	1691A	1691A-GFY6-C00	STRAINER ASSY FUEL	STRAINER ASSY FUEL	1	
	16956	16956-LBA8-C10	TUBE FUEL (STRAIN TO CARB)	TUBE FUEL (STRAIN TO CARB)	1	
	17500	17500-LBA8-C10	TANK COMP FUEL	TANK COMP FUEL	1	
	17508	17508-LBA8-C10	DAMPING MAT SEAT CUSHION	DAMPING MAT SEAT CUSHION	2	
	17620	17620-LBA8-C10	CAP FUEL FILLER	CAP FUEL FILLER	1	
	17682	17682-LBA8-C10	TUBE FUEL (TANK TO STRAIN)	TUBE FUEL (TANK TO STRAIN)	1	
	37802	37802-LBA8-C10	RET FUEL UNIT	RET FUEL UNIT	1	
	3780A	3780A-LBA8-C10	FUEL UNIT ASSY	FUEL UNIT ASSY	1	
	83550	83550-KEC8-C00	COLLAR SET METER	COLLAR SET METER	1	
	93404	93404-06012-08	BOLT WASHER 6*12	BOLT WASHER 6*12	4	
	94050	94050-06080	NUT FLANGE 6MM	NUT FLANGE 6MM	1	

F13

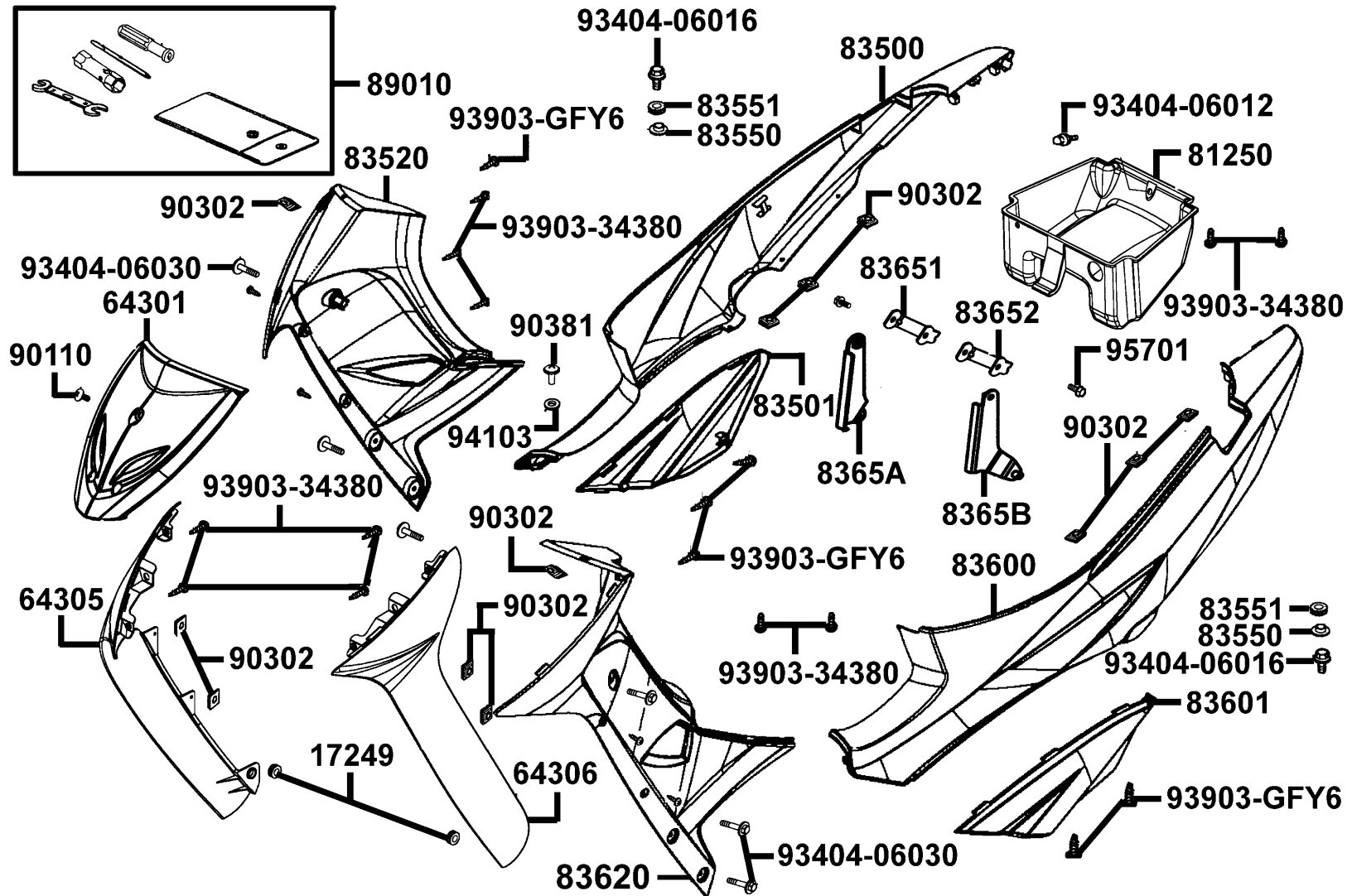
SeatRear frame



Sales mark	Ref no	Part no	Description	Reg description	Regd no	F13
	50119	50119-LFC8-B50	"CLIP,HOSE"	"CLIP,HOSE"	1	
	75581	75581-6C73-C00	SET SPG LOCK KET(43*C)	SET SPG LOCK KET(43*C)	1	
**	77200	77200-LFC8-B50	SEAT ASSY.	SEAT ASSY.	1	
	77232	77232-LLC5-C10	STAY SEAT LOCK	STAY SEAT LOCK	1	
	77235	77235-LFD6-C50	CATCH COMP SEAT	CATCH COMP SEAT	1	
	77240	77240-LFC8-B50	"CABLE,SEAT LOCK"	"CABLE,SEAT LOCK"	1	
**	81300	81300-LEH7-B50	"GRIP , RR."	"GRIP , RR."	1	
	90106	90106-KFAF-C10	BOLT SPECIAL 8MM	BOLT SPECIAL 8MM	4	
	93903	93903-45380	SCREW TAPPING 5*16(K)	SCREW TAPPING 5*16(K)	1	
	96001	96001-06012-08	BOLT FLANGE 6*12	BOLT FLANGE 6*12	2	

F14

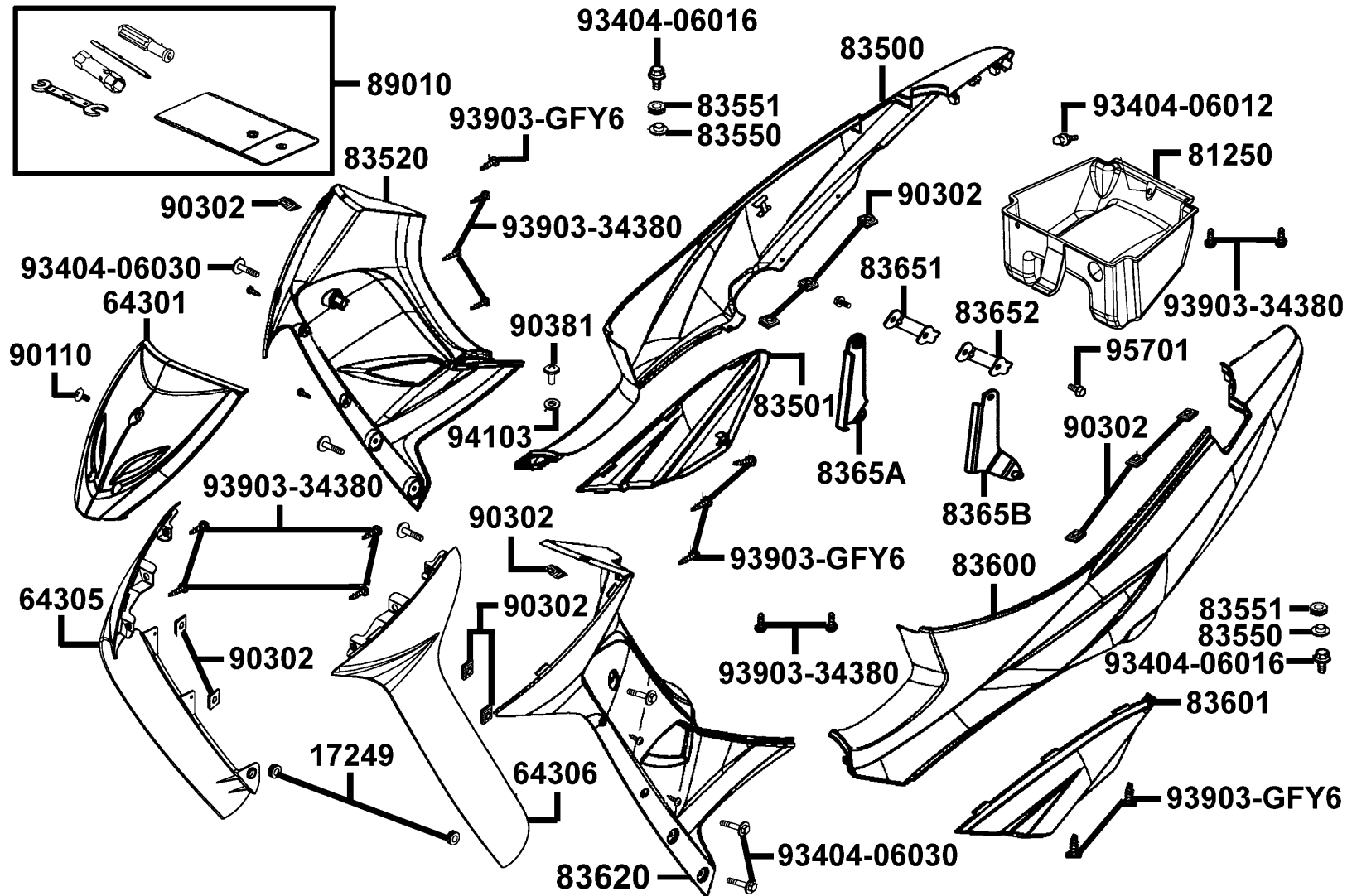
Front coverside cover



Sales mark	Ref no	Part no	Description	Reg description	Regd no	F14
	17249	17249-LBA8-C10	GROMMET COLLAR FR	GROMMET COLLAR FR	1	
**	64301	64301-LFC8-B50	COVER FR	COVER FR	1	
**	64305	64305-LBB9-B50	SKIRT R SIDE	SKIRT R SIDE	1	
**	64306	64306-LBB9-B50	SKIRT L SIDE	SKIRT L SIDE	1	
**	81250	81250-LDE8-C50	BOX LUGGAGE	BOX LUGGAGE	1	
**	83500	83500-LFC8-B50	COVER R BODY	COVER R BODY	1	
**	83501	83501-LFC8-B50	MOLDING R SIDE	MOLDING R SIDE	1	
**	83520	83520-LFC8-B50	COVER R SIDE	COVER R SIDE	1	
	83550	83550-KEC8-C00	COLLAR SET METER	COLLAR SET METER	1	
	83551	83551-KEC8-C10	CUSH RR FENDER	CUSH RR FENDER	1	
**	83600	83600-LFC8-B50	COVER L BODY	COVER L BODY	1	
**	83601	83601-LFC8-B50	MOLDING L SIDE	MOLDING L SIDE	1	
**	83620	83620-LFC8-B50	COVER L SIDE	COVER L SIDE	1	
	83651	83651-LBA8-C11	STAY R	STAY R	1	
	83652	83652-LBA8-C11	STAY L	STAY L	1	
	8365A	8365A-LBA8-C10	UNDER STAY LEG SHILED	UNDER STAY LEG SHILED	1	
	8365B	8365B-LBA8-C10	UNDER STAY LEG SHILED	UNDER STAY LEG SHILED	1	
	89010	89010-KGB4-C00	TOOL SET	TOOL SET	1	
	90110	90110-KEB7-C00	SCREW SPECIAL 6*14	SCREW SPECIAL 6*14	1	
	90302	90302-SDA4-C00	NUT SPRING 4MM	NUT SPRING 4MM	1	

F14

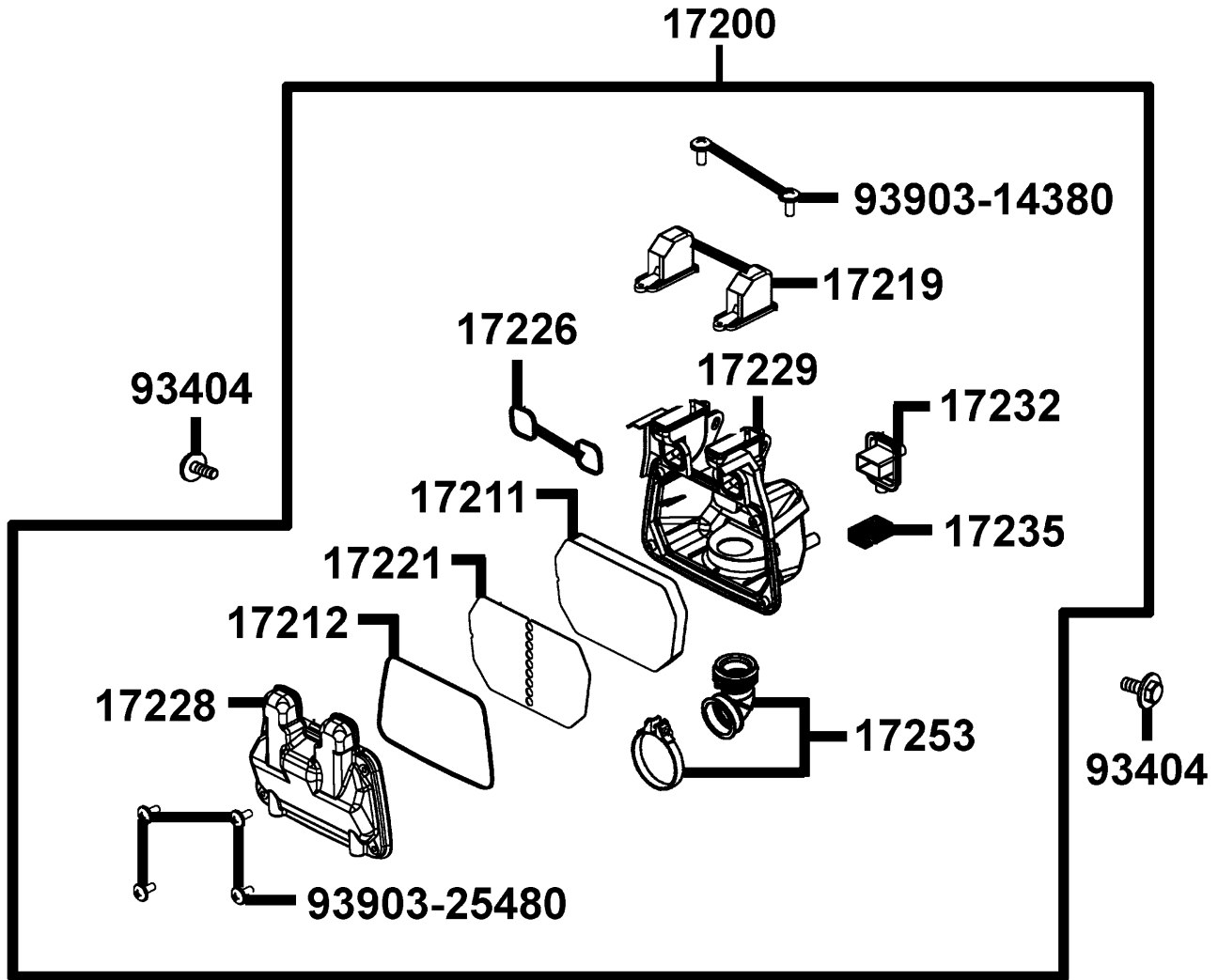
Front coverside cover



Sales mark	Ref no	Part no	Description	Reg description	Regd no	F14
	90381	90381-LBA8-C10	SCREW SPECIAL 6*20	SCREW SPECIAL 6*20	1	
	93404-06012	93404-06012-07	BOLT WASH 6*12	BOLT WASH 6*12	1	
	93404-06016	93404-06016-08	BOLT WASHER 6*16	BOLT WASHER 6*16	2	
	93404-06030	93404-06030-07	BOLT WASHER 6*30K	BOLT WASHER 6*30K	6	
	93903-34380	93903-34380	SCREW TAPPING 4*12	SCREW TAPPING 4*12	13	
	93903-GFY6	93903-GFY6-C00	SCREW TAPPING 4*14	SCREW TAPPING 4*14	1	
	94103	94103-LBA8-C10	WASHER SPECIAL	WASHER SPECIAL	1	
	95701	95701-06012-08	BOLT FLANGE 6*12	BOLT FLANGE 6*12	2	

F15

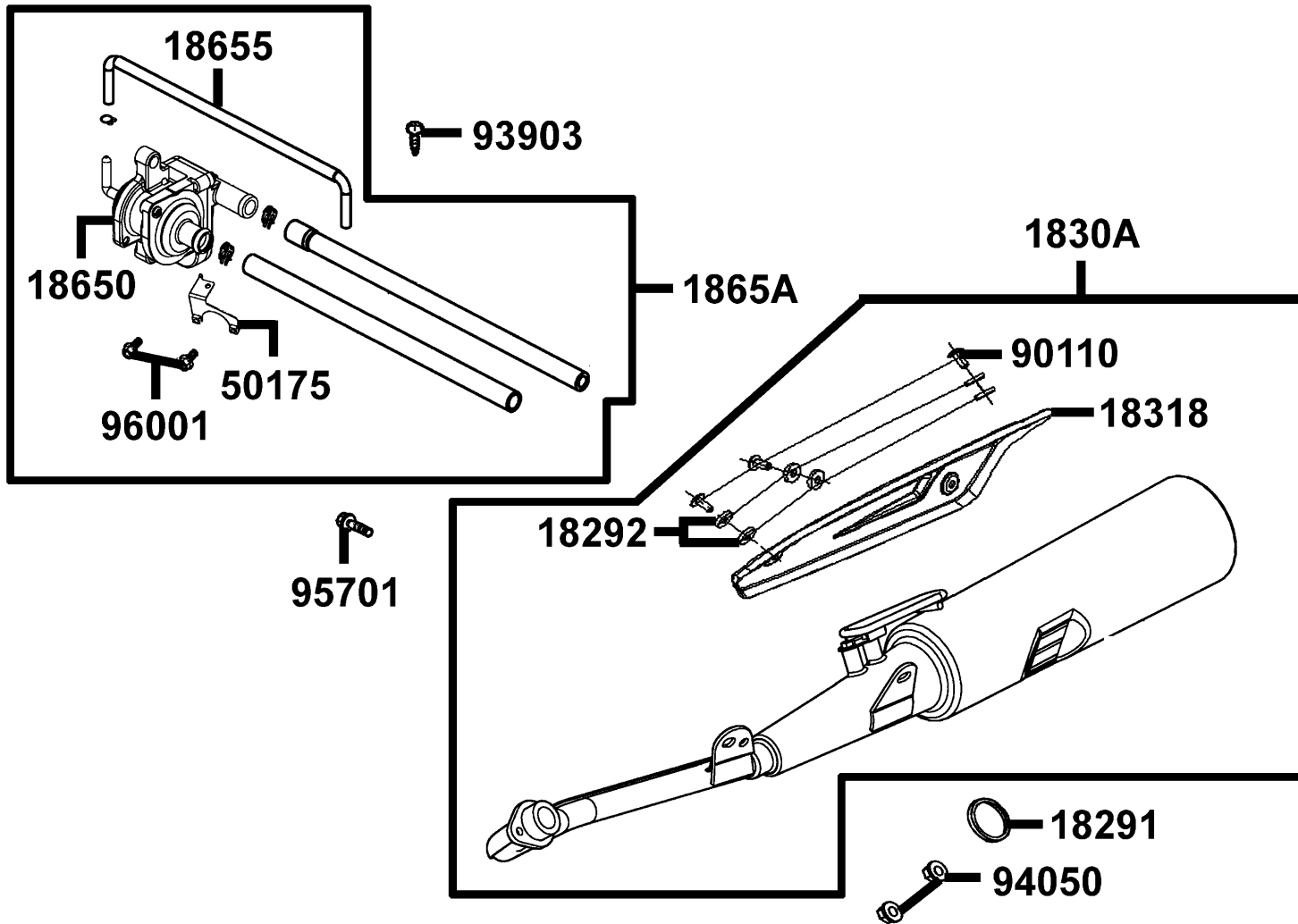
Air Cleaner



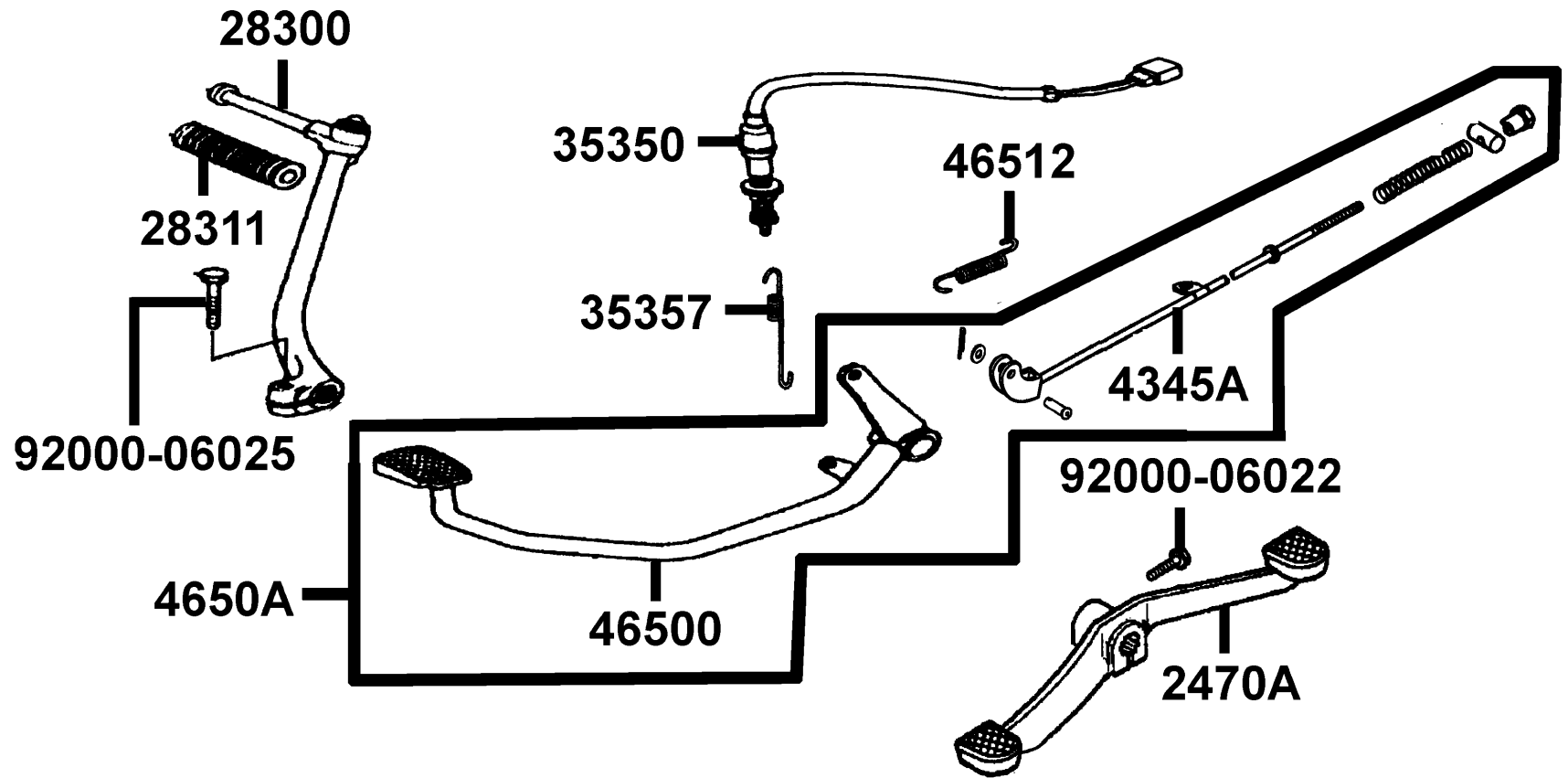
Sales mark	Ref no	Part no	Description	Reg description	Regd no	F15
17200		17200-LEB5-C10	AIR/C ASSY	AIR/C ASSY	1	
17211		17211-LBA8-C10	ELEMENTAIR/C	ELEMENTAIR/C	1	
17212		17212-LBA8-C10	SEAL AIR/C COVER	SEAL AIR/C COVER	1	
17219		17219-LEB5-C10	"DUCT, AIR/C COVER"	"DUCT, AIR/C COVER"	1	
17221		17221-LBA8-C10	TRAP COMP	TRAP COMP	1	
17226		17226-LBA8-C10	SEAL AIR/C CASE	SEAL AIR/C CASE	2	
17228		17228-LEB5-C10	"COVER, AIR/C"	"COVER, AIR/C"	1	
17229		17229-LBA8-C10	HOUSING AIR CLEARNER	HOUSING AIR CLEARNER	1	
17232		17232-KGC4-E00	COVER OIL CATCH	COVER OIL CATCH	1	
17235		17235-GFY6-C00	FILTER OIL CATCH	FILTER OIL CATCH	1	
17253		17253-LBA8-C10	TUBE AIR/C CONN	TUBE AIR/C CONN	1	
93404		93404-06012-07	BOLT WASH 6*12	BOLT WASH 6*12	2	
93903-14380		93903-14380	SCREW TAPPING 4*12 (K)	SCREW TAPPING 4*12 (K)	2	
93903-25480		93903-25480	SCREW TAPPING 5*20	SCREW TAPPING 5*20	4	

F16

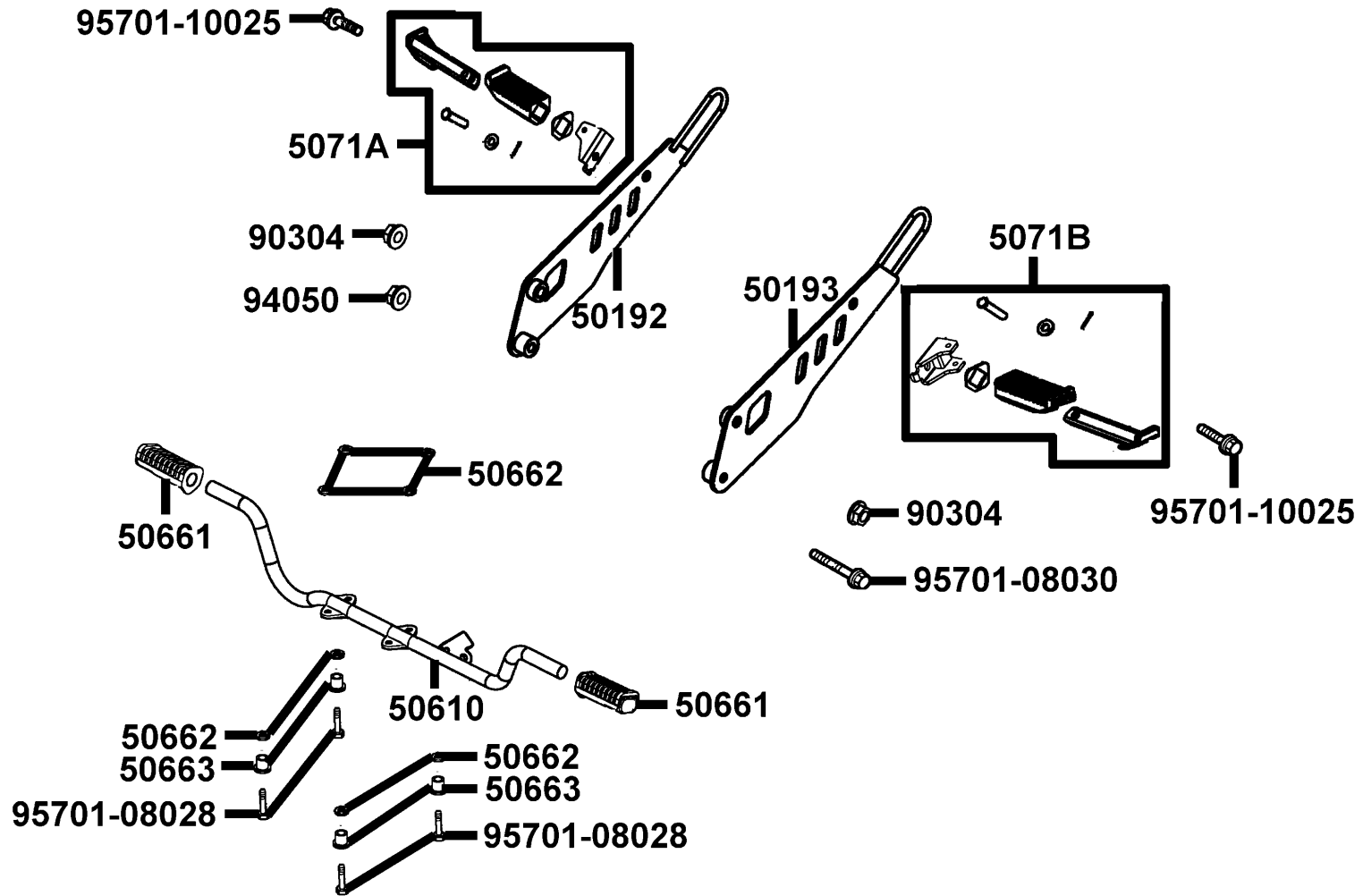
Muffler



Sales mark	Ref no	Part no	Description	Reg description	Regd no	F16
	18291	18291-GHC8-C00	GASKET EXH PIPE	GASKET EXH PIPE	1	
	18292	18292-KEBE-C00	PACKING PROTECTOR	PACKING PROTECTOR	1	
	1830A	1830A-LFC8-B41	MUFFLER ASSY EXH	MUFFLER ASSY EXH	1	
**	18318	18318-LEH7-B50	PROTECTOR MUFFLER	PROTECTOR MUFFLER	1	
	18650	18650-LBA8-E80	AICV ASSY	AICV ASSY	1	
	18655	18655-LFC8-B50	"TUBE,AICV-AIR/C"	"TUBE,AICV-AIR/C"	1	
	1865A	1865A-LFC8-B50	AICV SET	AICV SET	1	
	50175	50175-LFC8-B50	"STAY, AICV"	"STAY, AICV"	1	
	90110	90110-GLW0-C00	SCREW SPECIAL 6*14	SCREW SPECIAL 6*14	1	
	93903	93903-45380	SCREW TAPPING 5*16(K)	SCREW TAPPING 5*16(K)	1	
	94050	94050-06080	NUT FLANGE 6MM	NUT FLANGE 6MM	2	
	95701	95701-08020-08	BOLT FLANGE 8*20	BOLT FLANGE 8*20	1	
	96001	96001-06010-08	BOLT FLANGE SH 6*10	BOLT FLANGE SH 6*10	2	



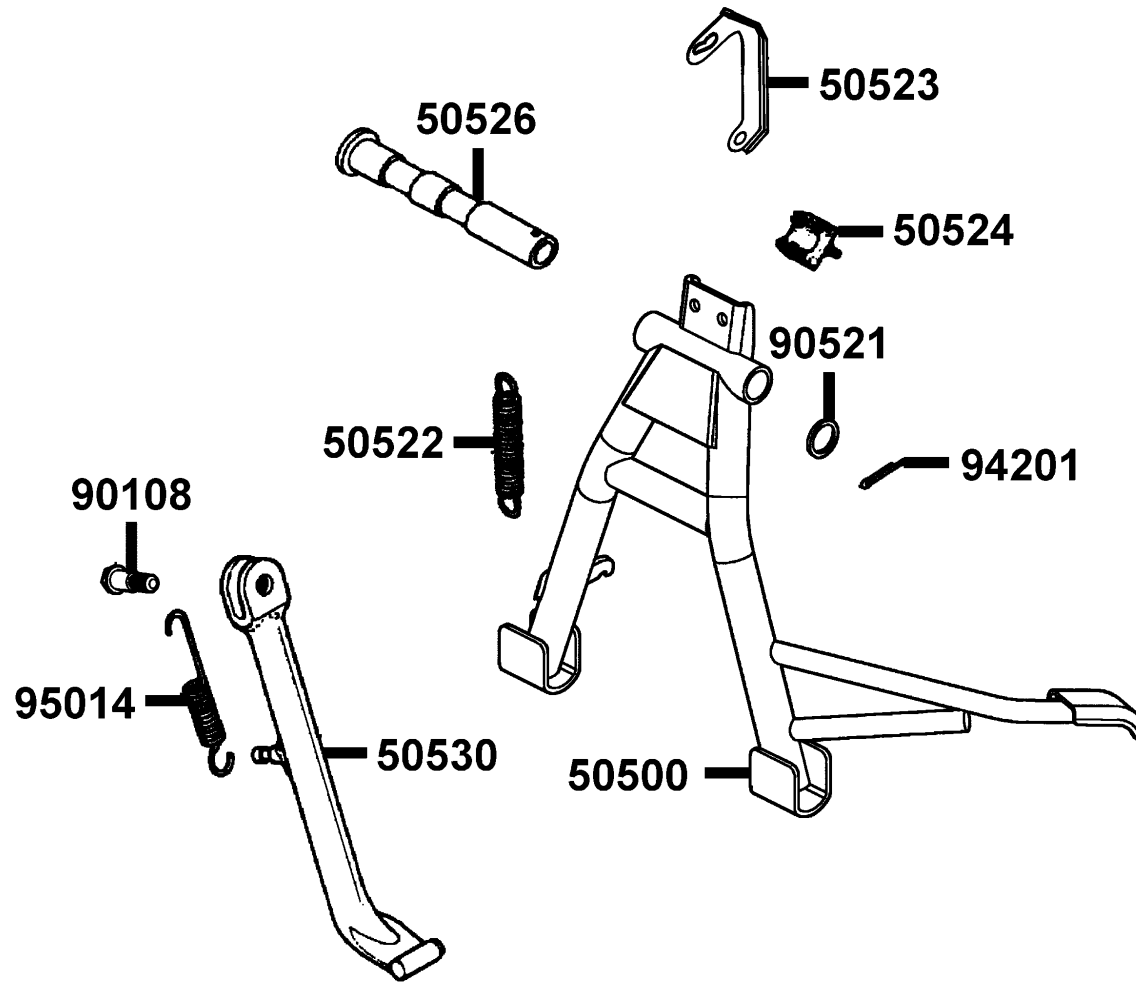
Sales mark	Ref no	Part no	Description	Reg description	Regd no	F17
	2470A	2470A-LBA8-E30	PEDAL COMP CHANGE	PEDAL COMP CHANGE	1	
	28300	28300-LBA8-C10	ARM ASSY KICK STARTER	ARM ASSY KICK STARTER	1	
	28311	28311-0A01-001	RUBBER KICK STARTER	RUBBER KICK STARTER	1	
	35350	35350-KADA-C10	SW ASSY RR STOP	SW ASSY RR STOP	1	
	35357	35357-LBA8-C10	SPG STOP SW	SPG STOP SW	1	
	4345A	4345A-LBA8-E80	ROD ASSY RR BRK	ROD ASSY RR BRK	1	
	46500	46500-LBA8-C10	PEDAL RR BRK	PEDAL RR BRK	1	
	4650A	4650A-LBA8-E80	PEDAL ASSY RR BRK	PEDAL ASSY RR BRK	1	
	46512	46512-LBA8-C10	SPG BRK PEDAL	SPG BRK PEDAL	1	
	92000-06022	92000-06022-08	BOLT HEX 6*22(C)	BOLT HEX 6*22(C)	1	
	92000-06025	92000-06025-08	BOLT HEX 6*25 (C)	BOLT HEX 6*25 (C)	1	



Sales mark	Ref no	Part no	Description	Reg description	Regd no	F18
	50192	50192-LFC8-B40	STEP RH PILLION	STEP RH PILLION	2	
	50193	50193-LFC8-B40	STEP LH PILLION	STEP LH PILLION	1	
	50610	50610-LBA8-C10	BAR COMP STEP	BAR COMP STEP	1	
	50661	50661-LBA8-C10	RUBBER FR STEP	RUBBER FR STEP	1	
	50662	50662-LBA8-C10	DAMPING MAT FR STEP COMP	DAMPING MAT FR STEP COMP	2	
	50663	50663-LBA8-C10	COLLAR FR SYEP COMP	COLLAR FR SYEP COMP	1	
	5071A	5071A-LFC8-B40	PILLION STEP ASSY R	PILLION STEP ASSY R	2	
	5071B	5071B-LFC8-B40	PILLION STEP ASSY L	PILLION STEP ASSY L	8	
	90304	90304-LBA8-C10	NUT U FLANGE 10MM (C)	NUT U FLANGE 10MM (C)	1	
	94050	94050-08080	NUT FLANGE 8MM	NUT FLANGE 8MM	1	
	95701-08028	95701-08028-08	BOLT FLANGE 8*28 (C)	BOLT FLANGE 8*28 (C)	1	
	95701-08030	95701-08030-08	BOLT FLANGE 8*30	BOLT FLANGE 8*30	4	
	95701-10025	95701-10025-08	BOLT FLANGE 10*25	BOLT FLANGE 10*25	4	

F19

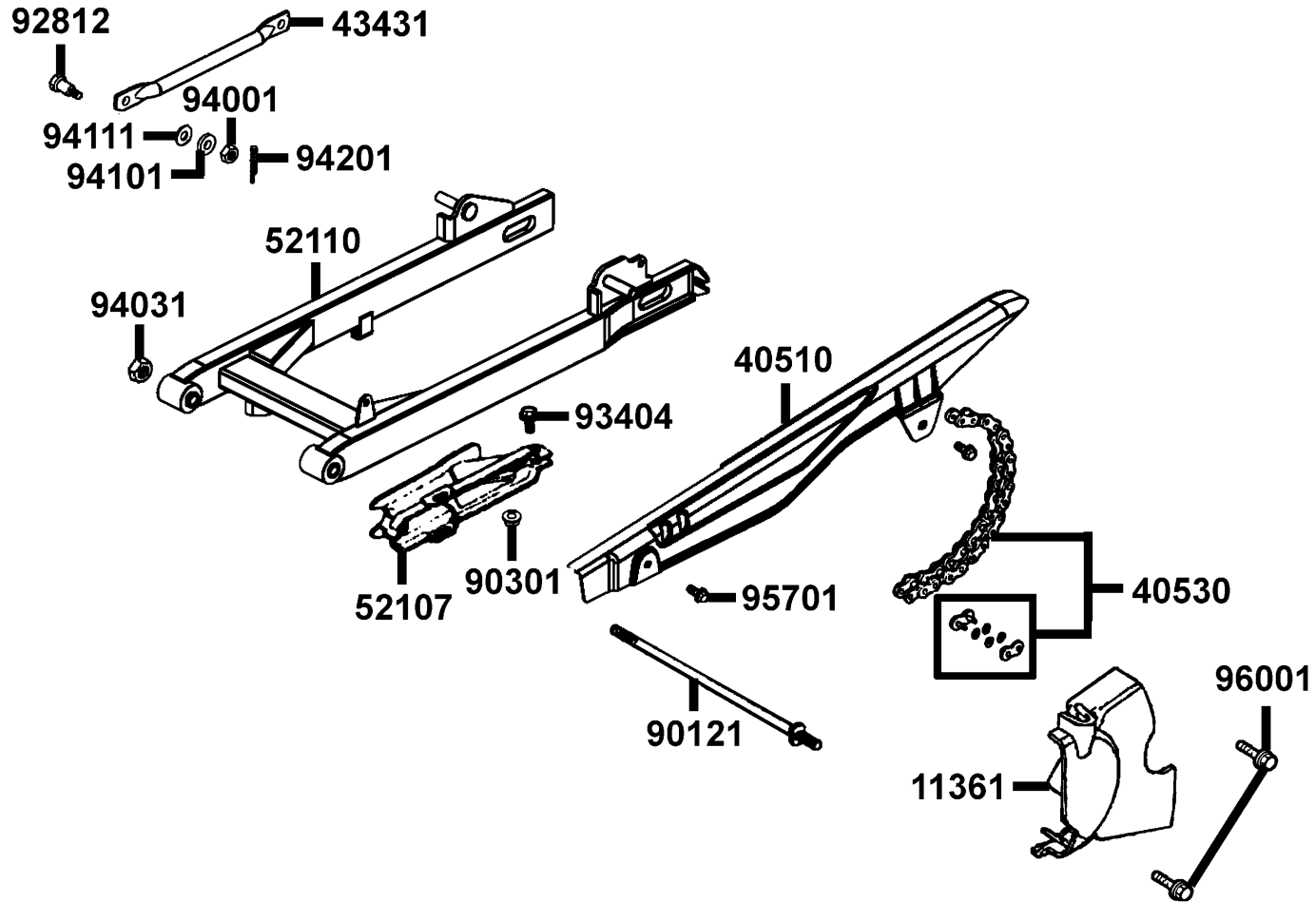
Foot rest



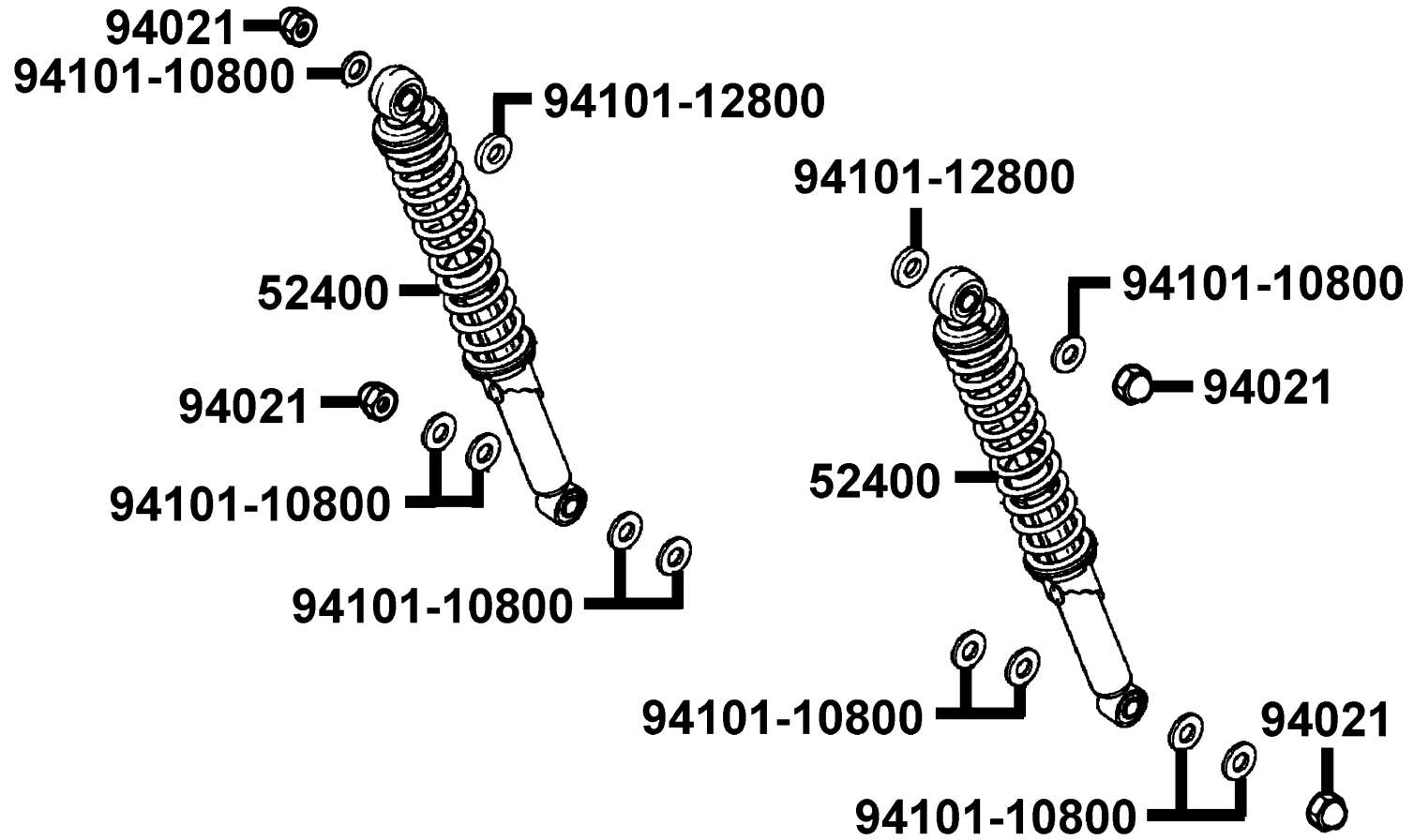
Sales mark	Ref no	Part no	Description	Reg description	Regd no	F19
	50500	50500-LBA8-C10	STAND COMP MAIN	STAND COMP MAIN	1	
	50522	50522-LBA8-C10	SPG MAIN STAND	SPG MAIN STAND	1	
	50523	50523-LBA8-C10	HOOK MAIN STAND	HOOK MAIN STAND	1	
	50524	50524-LBA8-C10	RUBBER MAIN STAND	RUBBER MAIN STAND	1	
	50526	50526-LBA8-C10	SHAFT MAIN STAND PIVOT	SHAFT MAIN STAND PIVOT	1	
	50530	50530-LBA8-B40	STAND COMP SIDE	STAND COMP SIDE	1	
	90108	90108-KUDU-900	SCREW SIDE STAND PIVOT	SCREW SIDE STAND PIVOT	1	
	90521	90521-0H28-C00	DIA WASHER 17*22*1.6 C	DIA WASHER 17*22*1.6 C	1	
	94201	94201-30250	PIN SPLIT 3*25	PIN SPLIT 3*25	1	
	95014	95014-72102	SPG A SIDE STAND	SPG A SIDE STAND	1	

F20

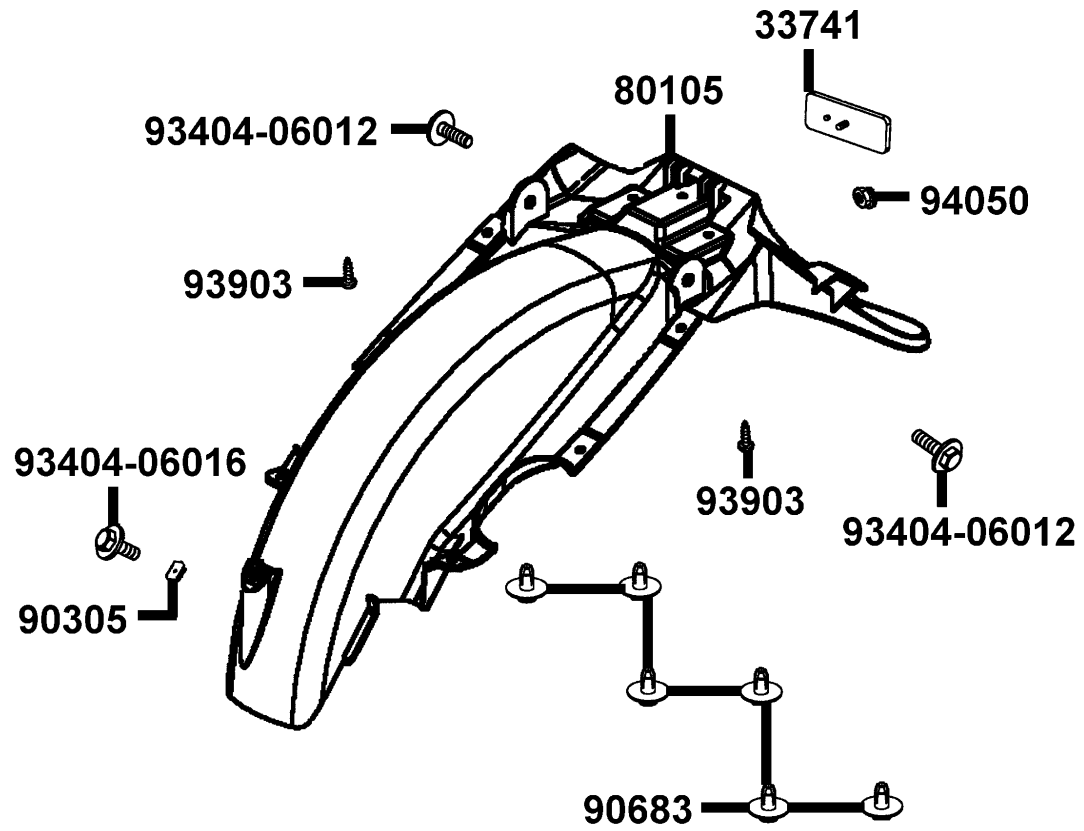
Latter forks



Sales mark	Ref no	Part no	Description	Reg description	Regd no	F20
**	11361	11361-LBA8-C10	COVER LEFT REAR CRANK	COVER LEFT REAR CRANK	1	
**	40510	40510-LFC8-B50	COVER CHAIN	COVER CHAIN	1	
	40530	40530-LBA8-E80	DRIVE CHAIN 428HG-108	DRIVE CHAIN 428HG-108	1	
	43431	43431-LBA8-E80	ARM RR BRK STPR	ARM RR BRK STPR	1	
	52107	52107-LBA8-C10	SLIDER CHAIN	SLIDER CHAIN	1	
**	52110	52110-LBA8-E80	FORK COMP RR	FORK COMP RR	1	
	90121	90121-LBA8-C10	BOLT RR FORK PIVOT	BOLT RR FORK PIVOT	1	
	90301	90301-6D34-C00	NUT FLANGE 6MM	NUT FLANGE 6MM	1	
	92812	92812-10000	BOLT RR BRAKE STPR ARM	BOLT RR BRAKE STPR ARM	1	
	93404	93404-06016-08	BOLT WASHER 6*16	BOLT WASHER 6*16	1	
	94001	94001-08080-0S	NUT HEX 8MM	NUT HEX 8MM	1	
	94031	94031-LBA8-C10	NUT HEX 10MM	NUT HEX 10MM	1	
	94101	94101-08800	WASHER PLAIN 8MM	WASHER PLAIN 8MM	1	
	94111	94111-10800	WASHER SPG 10MM	WASHER SPG 10MM	1	
	94201	94201-20150	PIN SPLIT 2*15	PIN SPLIT 2*15	1	
	95701	95701-06010-08	BOLT FLANGE 6*10	BOLT FLANGE 6*10	2	
	96001	96001-06028-08	BOLT FLANGE SH 6*28	BOLT FLANGE SH 6*28	2	



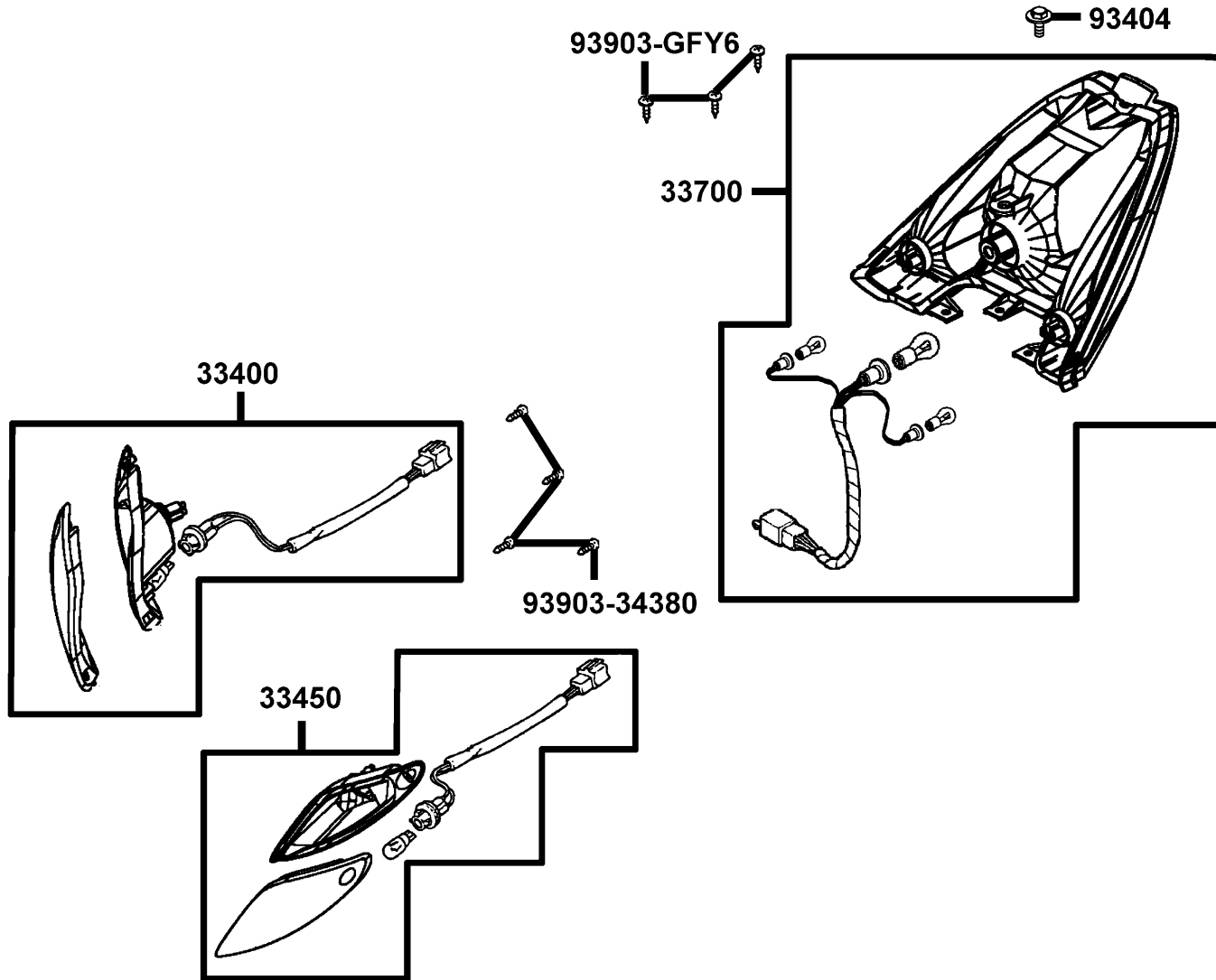
Sales mark	Ref no	Part no	Description	Reg description	Regd no	F21
**	52400	52400-LFC8-B40	CUSHION ASSY RR	CUSHION ASSY RR	2	
	94021	94021-10020-0S	NUT HEX CAP 10MM	NUT HEX CAP 10MM	4	
	94101-10800	94101-10800	WASHER PLAIN 10MM	WASHER PLAIN 10MM	8	
	94101-12800	94101-12800	WASHER PLAIN 12MM	WASHER PLAIN 12MM	2	



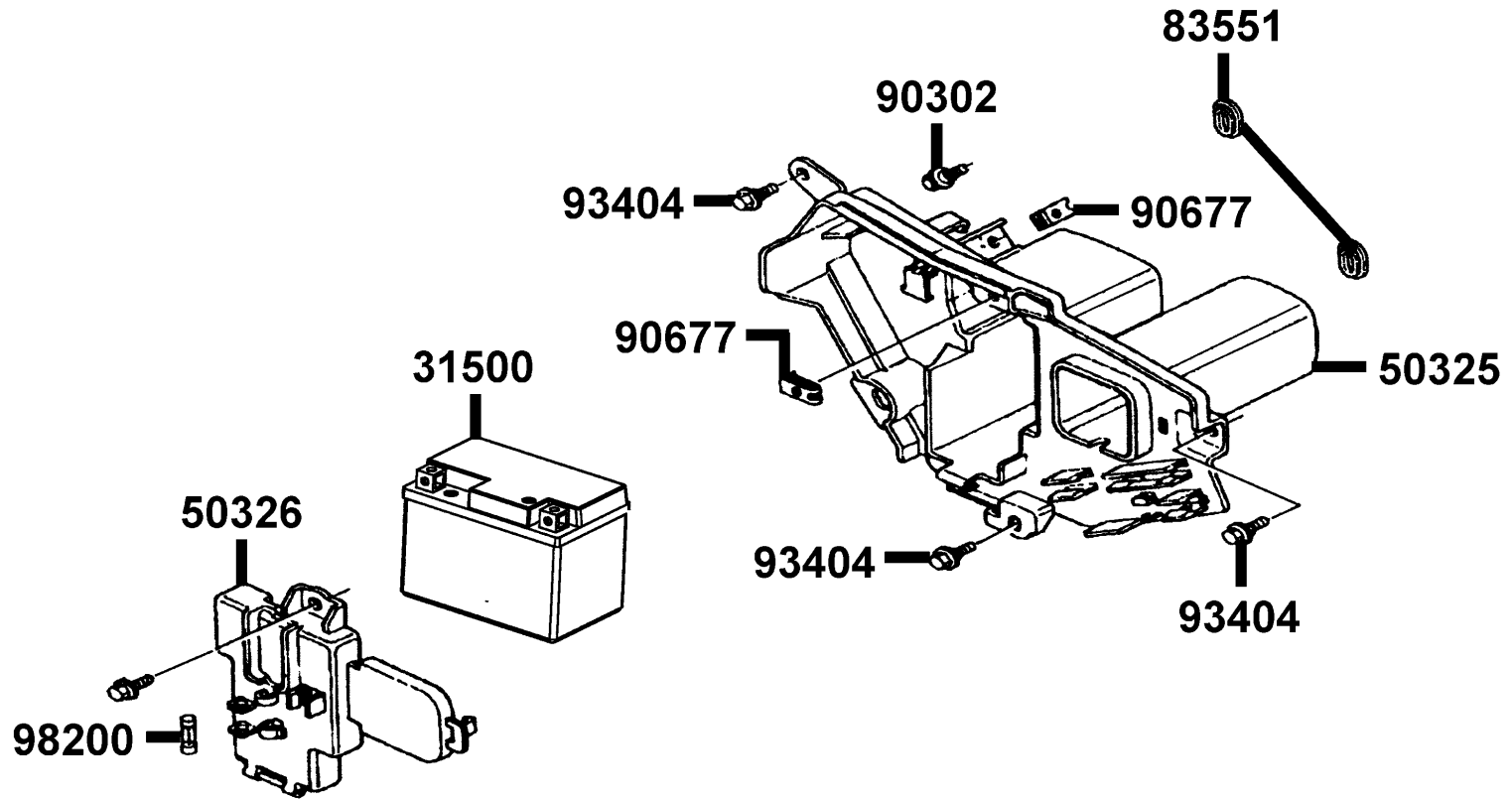
Sales mark	Ref no	Part no	Description	Reg description	Regd no	F22
	33741	33741-PUA3-B50	REFLEX REFLECTOR	REFLEX REFLECTOR	1	
**	80105	80105-LFC8-B50	FENDER RR.	FENDER RR.	1	
	90305	90305-GHK8-C00	NUT CLIP 6MM	NUT CLIP 6MM	1	
	90683	90683-GAR1-C00	CLIP BODY COVER	CLIP BODY COVER	1	
	93404-06012	93404-06012-07	BOLT WASH 6*12	BOLT WASH 6*12	2	
	93404-06016	93404-06016-08	BOLT WASHER 6*16	BOLT WASHER 6*16	1	
	93903	93903-GFY6-C00	SCREW TAPPING 4*14	SCREW TAPPING 4*14	1	
	94050	94050-05080	NUT FLANGE 5MM	NUT FLANGE 5MM	1	

F23

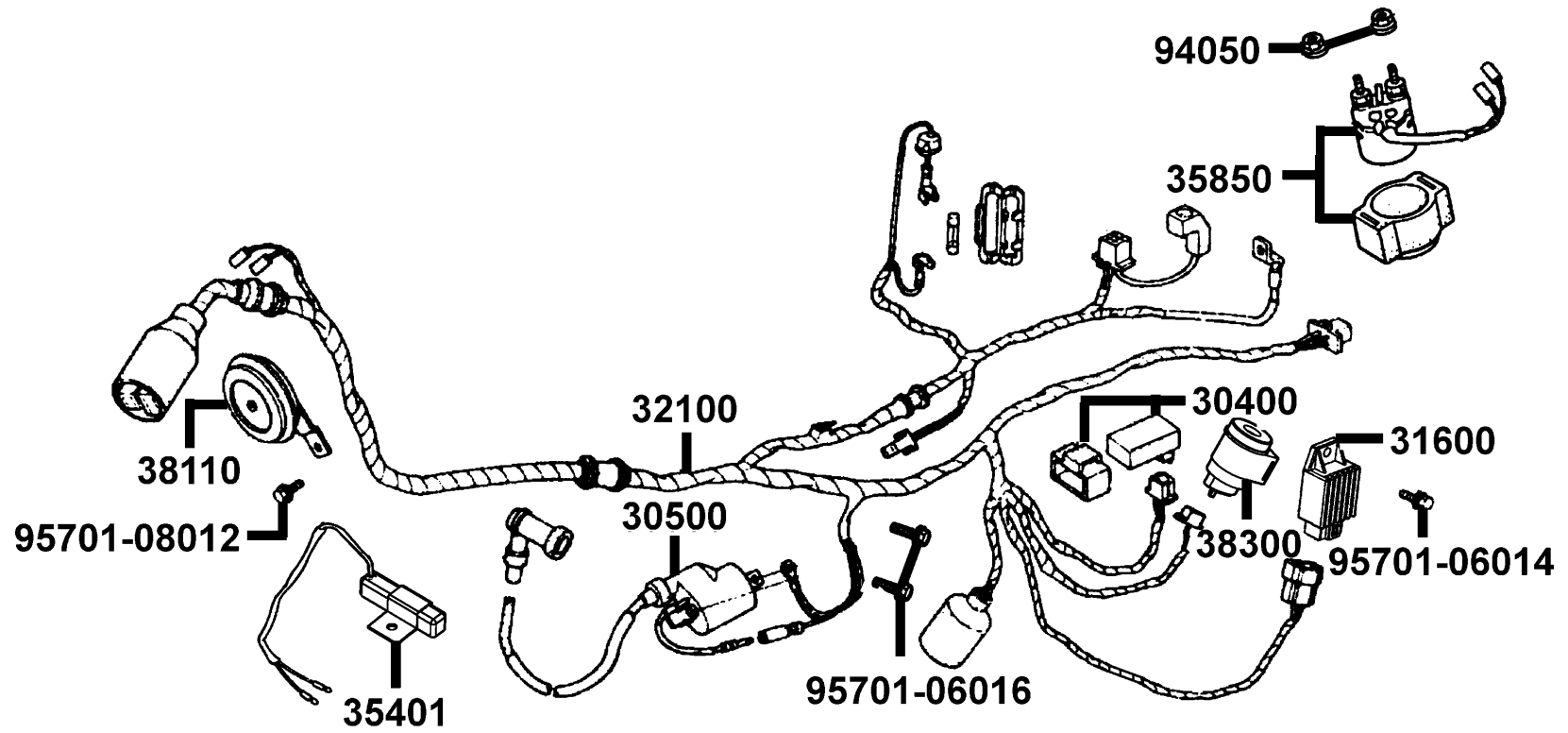
Tail Light



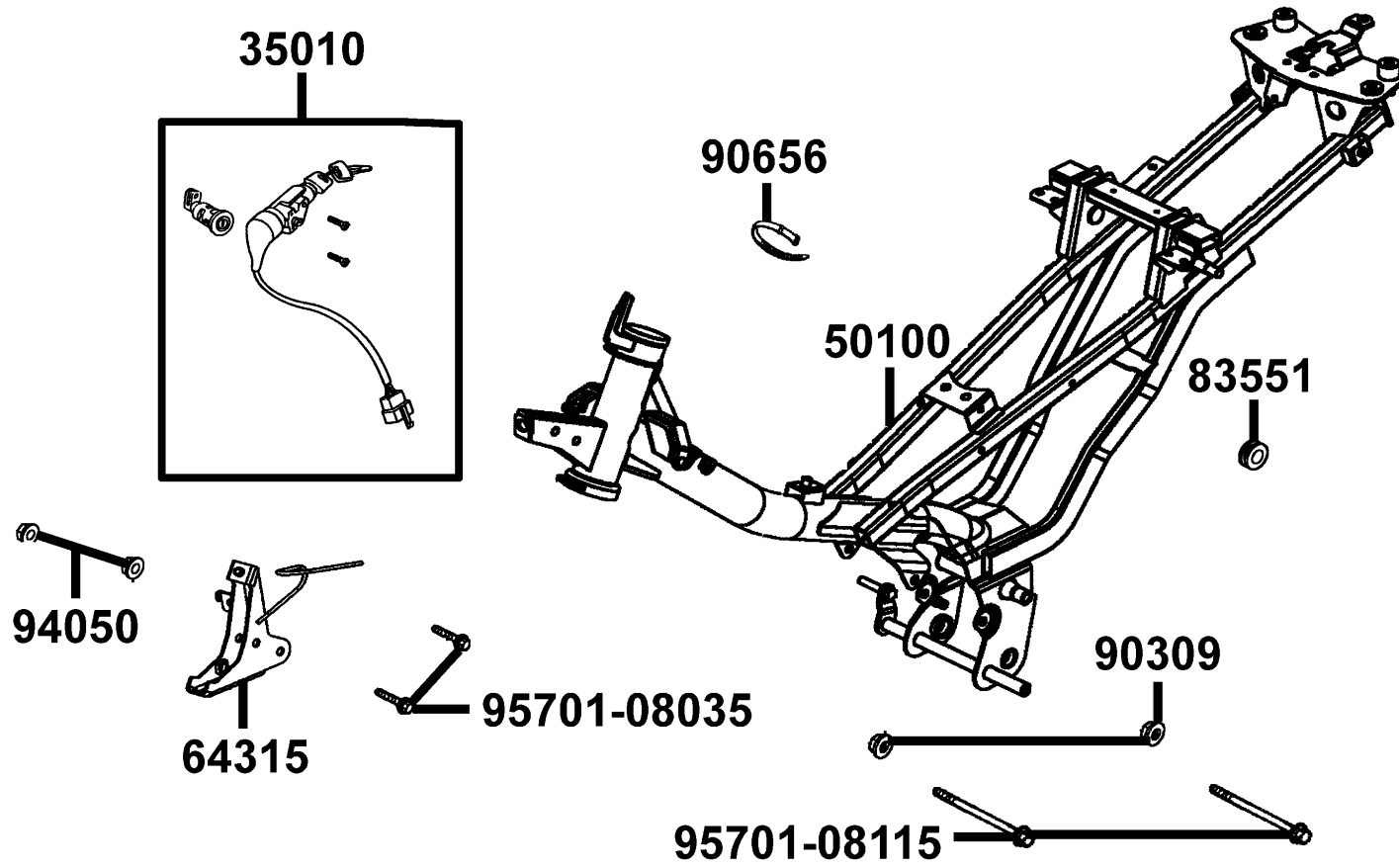
Sales mark	Ref no	Part no	Description	Reg description	Regd no	F23
	33400	33400-LBB9-B50	WINKER ASSY RH FR	WINKER ASSY RH FR	1	
	33450	33450-LBB9-B50	WINKER ASSY LH FR	WINKER ASSY LH FR	1	
	33700	33700-LFC8-B40	LIGHT ASSY RR COMB	LIGHT ASSY RR COMB	1	
	93404	93404-06012-07	BOLT WASH 6*12	BOLT WASH 6*12	1	
	93903-34380	93903-34380	SCREW TAPPING 4*12	SCREW TAPPING 4*12	4	
	93903-GFY6	93903-GFY6-C00	SCREW TAPPING 4*14	SCREW TAPPING 4*14	1	



Sales mark	Ref no	Part no	Description	Reg description	Regd no	F24
	31500	31500-KGC4-B50	BATTERY YB5L-B2	BATTERY YB5L-B2	1	
**	50325	50325-LFC8-B50	CASE BATTERY	CASE BATTERY	1	
**	50326	50326-LFC8-B50	COVER BATTERY	COVER BATTERY	1	
	83551	83551-KKAK-C00	GROMMET AIR CLEANER C	GROMMET AIR CLEANER C	1	
	90302	90302-GBR2-C00	BOLT-WASH 5*12	BOLT-WASH 5*12	1	
	90677	90677-GAR1-C00	NUT CLIP 5MM	NUT CLIP 5MM	1	
	93404	93404-06016-07	BOLT WASHER 6*16 (K)	BOLT WASHER 6*16 (K)	4	
	98200	98200-11000	FUSE 10A	FUSE 10A	1	



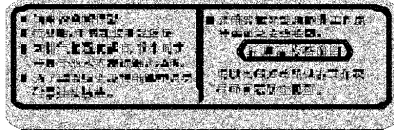
Sales mark	Ref no	Part no	Description	Reg description	Regd no	F25
	30400	30400-LBA8-C10	UNIT ASSY CDI	UNIT ASSY CDI	1	
	30500	30500-LBA8-C10	COIL ASSY IGN	COIL ASSY IGN	1	
	31600	31600-KUDU-C00	REG REC COMPDC	REG REC COMPDC	1	
	32100	32100-LFC8-B41	HARNESS WIRE	HARNESS WIRE	1	
	35401	35401-GAR1-C00	RESISTOR COMP B	RESISTOR COMP B	1	
	35850	35850-LBA8-C10	RELAY ASSY START	RELAY ASSY START	1	
	38110	38110-LBE9-C51	HORN COMP	HORN COMP	1	
	38300	38300-GLW0-C00	RELAY ASSY WINKERF	RELAY ASSY WINKERF	1	
	94050	94050-06080	NUT FLANGE 6MM	NUT FLANGE 6MM	2	
	95701-06014	95701-06014-08	BOLT FLANGE 6*14	BOLT FLANGE 6*14	1	
	95701-06016	95701-06016-08	BOLT FLANGE 6*16	BOLT FLANGE 6*16	2	
	95701-08012	95701-08012-08	BOLT FLANGE 8*12	BOLT FLANGE 8*12	1	



Sales mark	Ref no	Part no	Description	Reg description	Regd no	F26
	35010	35010-LBB9-B50	KEY SET	KEY SET	1	
	50100	50100-LFC8-B40	"BODY COMP.,FRAME"	"BODY COMP.,FRAME"	1	
	64315	64315-LFC8-B40	"STAY,FR NUMBER PLATE"	"STAY,FR NUMBER PLATE"	1	
	83551	83551-3F76-C00	GROMMET SIDE COVER	GROMMET SIDE COVER	1	
	90309	90309-GLW0-C00	NUT U FLANGE 8MM (C)	NUT U FLANGE 8MM (C)	1	
	90656	90656-KUDU-900	BAND HARNESS WIRE	BAND HARNESS WIRE	1	
	94050	94050-08080	NUT FLANGE 8MM	NUT FLANGE 8MM	2	
	95701-08035	95701-08035-08	BOLT FLANGE 8*35	BOLT FLANGE 8*35	1	
	95701-08115	95701-08115-08	BOLT FLANGE 8*115	BOLT FLANGE 8*115	1	

F27

Stripe



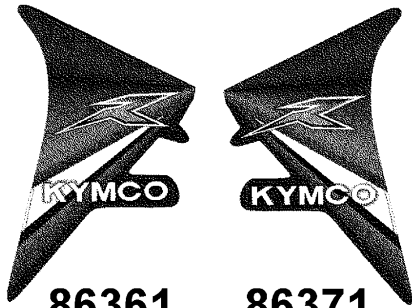
87560



87505

KYMCO

87170



86361

86371



86341

86351



86102



86221

86231



86241



86261



86251



86271

Sales mark	Ref no	Part no	Description	Reg description	Regd no	F27
**	86102	86102-LEJ2-E00	STRIPE K-LOGO 22MM	STRIPE K-LOGO 22MM	1	
**	86221	86221-LFC8-B41	STRIPE R BODY COVER	STRIPE R BODY COVER	1	
**	86231	86231-LFC8-B41	STRIPE L BODY COVER	STRIPE L BODY COVER	1	
**	86241	86241-LFC8-B41	STRIPE B R BODY COVER	STRIPE B R BODY COVER	1	
**	86251	86251-LFC8-B41	STRIPE B L BODY COVER	STRIPE B L BODY COVER	1	
**	86261	86261-LFC8-B41	STRIPE C R BODY COVER	STRIPE C R BODY COVER	1	
**	86271	86271-LFC8-B41	STRIPE C L BODY COVER	STRIPE C L BODY COVER	1	
**	86341	86341-LFC8-B41	STRIPE R SKIRT	STRIPE R SKIRT	1	
**	86351	86351-LFC8-B41	STRIPE L SKIRT	STRIPE L SKIRT	1	
**	86361	86361-LFC8-B41	STRIPE B R SKIRT	STRIPE B R SKIRT	1	
**	86371	86371-LFC8-B41	STRIPE B L SKIRT	STRIPE B L SKIRT	1	
	87170	87170-LEG6-E80	MARK FR FORK	MARK FR FORK	1	
**	87505	87505-LFG5-B50	LABEL TIRE	LABEL TIRE	1	
**	87560	87560-GFY6-E01	MARK DRIVE CAUTION	MARK DRIVE CAUTION	1	

PART NO. INDEX

PART NO.	VERSION	PAGE	PART NO.	VERSION	PAGE	PART NO.	VERSION	PAGE
			12340-LCE6-E80	0	E01	14541-LBA8-C10	0	E04
			12361-0E35-E80	0	E01	14550-LBA8-C10	0	E04
			12391-LBA8-C10	0	E01	14566-LBA8-C10	0	E04
11100-LBA8-C10	1	E13	12394-LBA8-C10	0	E01	14610-KGC4-C00	0	E04
11191-LBA8-C10	0	E13	12395-LCE6-E80	0	E01	14615-LBA8-C10	0	E04
11200-LBA8-C10	0	E13	12440-LBA8-C10	0	E01	14670-KGB4-C10	0	E04
11200-LBA8-C10	2	E13				14675-LBA8-C10	0	E04
11207-LBA8-C10	0	E11	13000			14711-LCE6-E80	0	E03
11330-LCE6-E80	0	E06				14721-LCE6-E80	0	E03
11336-LCE6-E80	0	E06	13000-LCE6-E80	0	E14	14751-LBA8-C10	1	E03
11341-LBA8-C10	3	E09	13011-KGBG-C00	0	E14	14771-GDB4-C00	1	E03
11361-LBA8-C10	0	E09	13101-LCE6-E80	0	E14	14781-LBA8-C10	0	E03
11361-LBA8-C10	0	F20	13111-LCE6-E80	0	E14			
11381-LBA8-C10	0	E16	13115-0A01-C00	0	E14	15000		
11384-LBA8-C10	0	E13						
11393-LBA8-C10	0	E06	14000			15100-LCE6-E80	0	E08
11395-LBA8-C10	0	E09				15119-LBA8-C10	0	E08
			14100-LCE6-E80	0	E03	15384-LBA8-C10	0	E08
12000			14321-LBA8-C10	0	E04	15421-LBA8-C10	0	E08
			14401-LCE6-E80	0	E04	15651-LBA8-C10	0	E06
12100-LCE6-E80	0	E05	1441A-LCE6-E80	0	E03	15760-LBA8-C10	0	E13
12191-LBA8-C10	0	E05	14431-LCE6-E80	0	E03			
12200-LCE6-EY1	0	E02	14451-LBA8-C10	0	E03	16000		
12209-GDB4-C00	1	E03	14500-LBA8-C10	0	E04			
12251-LCE6-E80	0	E02	14502-0F86-C00	0	E04	1610K-LCE6-E80	0	E18
12301-LBA8-C10	0	E01	14531-0E35-C00	0	E04	16211-LCE6-E80	2	E02

PART NO. INDEX

PART NO.	VERSION	PAGE	PART NO.	VERSION	PAGE	PART NO.	VERSION	PAGE
1691A-GFY6-C00	0	F12	17952-LBA8-C10	0	F03	22411-LCE6-E80	0	E07
16956-LBA8-C10	0	F12				22421-LCE6-E80	0	E07
			18000			22531-LCE6-E80	0	E07
17000			18291-GHC8-C00	0	F16	22535-LCE6-E80	0	E07
17110-LCE6-MK0	0	E02	18292-KEBE-C00	0	F16	22810-LCE6-E80	0	E06
17111-LBA8-C10	0	E02	1830A-LFC8-B41	0	F16	22820-LCE6-E80	0	E06
17200-LEB5-C10	0	F15	18318-LEH7-B50	0	F16	22825-LCE6-E80	0	E06
17211-LBA8-C10	0	F15	18650-LBA8-E80	1	F16	22830-LCE6-E80	0	E06
17212-LBA8-C10	0	F15	18655-LFC8-B50	3	F16	22846-LCE6-E80	0	E06
17219-LEB5-C10	0	F15	1865A-LFC8-B50	5	F16	22860-LCE6-E80	0	E06
17221-LBA8-C10	0	F15				22901-LCE6-E80	0	E07
17226-LBA8-C10	0	F15	22000			22911-LCE6-E80	0	E07
17228-LEB5-C10	0	F15				23000		
17229-LBA8-C10	1	F15	22101-LCE6-E80	0	E07			
17232-KGC4-E00	1	F15	2210A-LCE6-E80	0	E07	23110-LCE6-E80	0	E07
17235-GFY6-C00	0	F15	22111-LCE6-E80	0	E07	23112-LCE6-E80	0	E07
17249-LBA8-C10	0	F14	22119-LCE6-E80	0	E07	23120-LCE6-E80	0	E07
17253-LBA8-C10	0	F15	22121-LCE6-E80	0	E07	23211-LCE6-E80	0	E15
17500-LBA8-C10	3	F12	22131-LCE6-E80	0	E07	2321A-LCE6-E80	0	E15
17508-LBA8-C10	1	F12	22201-LCE6-E80	0	E07	23221-LBA8-C10	0	E15
17620-LBA8-C10	0	F12	22310-LCE6-E80	0	E07	23225-LBA8-C10	0	E16
17682-LBA8-C10	0	F12	22321-LCE6-E80	0	E07	2322A-LCE6-E80	0	E15
17910-LBA8-C10	3	F03	22331-LCE6-E80	0	E07	23426-LCE6-E80	0	E15
17950-LBA8-C10	0	F03	22351-LCE6-E80	0	E07	23427-LBA8-C10	0	E15
17951-LBA8-C10	0	F03	22401-LCE6-E80	0	E07	23441-LBA8-C10	0	E15

PART NO. INDEX

PART NO.	VERSION	PAGE	PART NO.	VERSION	PAGE	PART NO.	VERSION	PAGE
23443-LBA8-C10	0	E15	25555-LCE6-E80	0	E06			
23444-LBA8-C10	0	E15				31000		
23445-LBA8-C10	0	E15	28000					
23451-LBA8-C10	0	E15				31100-LBA8-C11	0	E10
23461-LBA8-C10	0	E15	28101-LBA8-C10	0	E11	31110-LBA8-C11	0	E10
23471-LBA8-C10	0	E15	28102-LBA8-C10	0	E11	31120-LBA8-C10	0	E10
23481-LBA8-C10	0	E15	28103-KGB4-C10	0	E11	31200-LBA8-C10	2	E12
23491-LBA8-C10	0	E15	28117-LBA8-C10	0	E11	31500-KGC4-B50	0	F24
23801-LCE6-E81	0	E15	2811A-LBA8-C10	0	E11	31600-KUDU-C00	2	F25
23811-LBA8-C10	0	E15	28120-LBA8-C10	0	E11			
			28211-LCE6-E80	1	E17	32000		
24000			28221-LCE6-E80	0	E17			
			28225-LCE6-E80	0	E17	32100-LFC8-B41	3	F25
24221-LBA8-C10	0	E16	28251-LCE6-E80	0	E17	32906-LBA8-C10	0	E06
24301-LBA8-C10	0	E16	2825A-LCE6-E80	1	E17	32962-LBA8-C10	0	E09
2430A-LBA8-C10	0	E16	28261-LCE6-E80	0	E17			
24411-LBA8-C10	0	E16	28282-LCE6-E80	0	E17	33000		
24431-LBA8-C10	0	E16	28300-LBA8-C10	1	F17			
24435-LBA8-C10	0	E16	28311-0A01-001	1	F17	33100-LFC8-B40	0	F01
24436-LBA8-C10	0	E16				33120-LAB4-903	0	F01
2461A-LCE6-E80	0	E16	30000			33130-LAB4-900	0	F01
2470A-LBA8-E30	0	F17				33400-LBB9-B50	1	F23
			30400-LBA8-C10	1	F25	33450-LBB9-B50	1	F23
25000			30500-LBA8-C10	2	F25	33700-LFC8-B40	0	F23
						33741-PUA3-B50	0	F22
25551-LCE6-E80	0	E06						

PART NO. INDEX

PART NO.	VERSION	PAGE	PART NO.	VERSION	PAGE	PART NO.	VERSION	PAGE	
34000			37210-LBA8-C10	0	F02	42313-LBA8-C11	5	F11	
			37224-LFC8-B40	0	F02	4260A-LFC8-B41	0	F11	
			37230-LBA8-C10	0	F02	4260A-LFC8-B41	5	F11	
	34901-KKA8-C00	0	F01	37301-LBA8-C10	0	F02	42610-LBA8-C10	5	F11
	34908-GGA7-C00	0	F02	37802-LBA8-C10	0	F12	42620-LBA8-C11	1	F11
	34908-KHB4-900	0	F02	3780A-LBA8-C10	0	F12	42625-LBA8-C11	5	F11
	34909-KEBE-900	0	F02			42710-LFC8-B90	2	F11	
				38000			43000		
				38110-LBE9-C51	3	F25			
				38300-GLW0-C00	0	F25	43000-LBA8-C10	2	F10
35000						4312A-LBA8-C10	2	F10	
35010-LBB9-B50	0	F26	40000			43133-LBA8-C10	0	F10	
35150-GFY6-C00	1	F03				43141-LBA8-C10	1	F10	
35160-GFY6-C00	1	F03	40510-LFC8-B50	0	F20	43410-LBA8-C10	0	F10	
35170-KNBN-C00	1	F03	40530-LBA8-E80	1	F20	43431-LBA8-E80	0	F20	
35180-GFY6-C00	1	F03	4054A-LBA8-C10	2	F10	43434-2F86-C00	0	F10	
35200-GFY6-C00	1	F03				43452-GBN2-901	0	E09	
35350-KADA-C10	0	F17	41000			4345A-LBA8-E80	2	F17	
35357-LBA8-C10	0	F17							
35401-GAR1-C00	0	F25	41201-LBA8-C10	3	F11	44000			
35750-LBA8-C10	1	E16	41241-LBA8-C00	0	F11				
35850-LBA8-C10	2	F25				44301-GLW0-C00	0	F09	
			42000			44301-KFW6-C00	0	F10	
37000						44311-LBA8-C10	5	F09	
37119-KUDU-C00	0	F02	42311-LBA8-C11	4	F10	4460A-LFC8-B41	0	F09	
37200-LFC8-B40	0	F02							

PART NO. INDEX

PART NO.	VERSION	PAGE	PART NO.	VERSION	PAGE	PART NO.	VERSION	PAGE
44620-LBA8-C11	2	F09	50175-LFC8-B50	0	F16	5150A-LFC8-B41	0	F08
44680-LBA8-C11	3	F09	50192-LFC8-B40	1	F18			
44710-LFC8-B90	2	F09	50193-LFC8-B40	1	F18	52000		
44830-LFC8-B40	3	F02	50301-LBA8-C10	3	F06			
45000			50302-LBA8-C10	3	F06	52107-LBA8-C10	1	F20
			50306-LBA8-C10	2	F06	52110-LBA8-E80	6	F20
			50325-LFC8-B50	0	F24	52400-LFC8-B40	0	F21
45121-LBA8-C11	1	F09	50325-LFC8-B50	3	F24			
45126-LFC8-B42	0	F04	50326-LFC8-B50	0	F24	53000		
45128-LEB5-C10	0	F08	50326-LFC8-B50	1	F24			
45156-LCB9-B20	0	F08	50500-LBA8-C10	0	F19	53100-LFC8-B40	2	F05
45200-LFD6-C11	0	F04	50522-LBA8-C10	1	F19	53125-GEN5-C00	1	F05
45500-LFC8-B42	0	F04	50523-LBA8-C10	2	F19	53140-LFC8-B40	1	F03
4550B-LFC8-B42	0	F04	50524-LBA8-C10	0	F19	53166-LFC8-B40	1	F03
45517-GFY6-900	5	F04	50526-LBA8-C10	0	F19	53167-GBN2-C00	1	F03
46000			50530-LBA8-B40	0	F19	53168-GBN2-C00	1	F03
			50610-LBA8-C10	6	F18	53175-LBA8-C11	0	F04
			50661-LBA8-C10	0	F18	53200-LBB9-B50	7	F06
46500-LBA8-C10	2	F17	50662-LBA8-C10	1	F18	53205-LFC8-B40	0	F05
4650A-LBA8-E80	3	F17	50663-LBA8-C10	2	F18	53205-LFC8-B40	2	F05
46512-LBA8-C10	3	F17	5071A-LFC8-B40	1	F18	53206-LFC8-B40	0	F05
50000			5071B-LFC8-B40	1	F18	53206-LFC8-B40	3	F05
			51000			53208-LBA8-C10	0	F05
						53211-LBA8-C10	2	F06
50100-LFC8-B40	2	F26				53212-LBA8-C10	2	F06
50119-LFC8-B50	0	F13	5140A-LFC8-B41	0	F08	53214-LBA8-C10	2	F06

PART NO. INDEX

PART NO.	VERSION	PAGE	PART NO.	VERSION	PAGE	PART NO.	VERSION	PAGE
53215-LBA8-C10	2	F06	77232-LLC5-C10	0	F13	83600-LFC8-B50	1	F14
53220-LBA8-C10	2	F06	77235-LFD6-C50	2	F13	83601-LFC8-B50	0	F14
			77240-LFC8-B50	1	F13	83620-LFC8-B50	0	F14
61000			80000			83651-LBA8-C11	0	F14
61100-LEH7-B50	0	F07				83652-LBA8-C11	0	F14
61101-LEB5-C10	0	F07	80105-LFC8-B50	0	F22	8365A-LBA8-C10	0	F14
			80105-LFC8-B50	2	F22	8365B-LBA8-C10	0	F14
64000			81000			86000		
64301-LFC8-B50	0	F14				86102-LEJ2-E00	2	F27
64301-LFC8-B50	1	F14	81250-LDE8-C50	0	F14	86221-LFC8-B41	0	F27
64305-LBB9-B50	0	F14	81300-LEH7-B50	0	F13	86231-LFC8-B41	0	F27
64305-LBB9-B50	1	F14				86241-LFC8-B41	0	F27
64306-LBB9-B50	0	F14	83000			86241-LFC8-B41	1	F27
64306-LBB9-B50	1	F14				86251-LFC8-B41	0	F27
64315-LFC8-B40	1	F26	83500-LFC8-B50	0	F14	86251-LFC8-B41	1	F27
			83500-LFC8-B50	1	F14	86261-LFC8-B41	0	F27
75000			83501-LFC8-B50	0	F14	86261-LFC8-B41	1	F27
			83520-LFC8-B50	0	F14	86271-LFC8-B41	0	F27
75581-6C73-C00	1	F13	83550-KEC8-C00	1	F12	86271-LFC8-B41	1	F27
			83550-KEC8-C00	1	F14	86341-LFC8-B41	0	F27
77000			83551-3F76-C00	0	F26	86341-LFC8-B41	1	F27
			83551-KEC8-C10	1	F14	86351-LFC8-B41	0	F27
77200-LFC8-B50	0	F13	83551-KKAK-C00	0	F24	86351-LFC8-B41	1	F27
77200-LFC8-B50	3	F13	83600-LFC8-B50	0	F14	86361-LFC8-B41	0	F27

PART NO. INDEX

PART NO.	VERSION	PAGE	PART NO.	VERSION	PAGE	PART NO.	VERSION	PAGE
86361-LFC8-B41	1	F27	90082-0E35-C00	0	E02	90304-LBA8-C10	1	F18
86371-LFC8-B41	0	F27	90082-0E35-C00	0	E05	90305-GHK8-C00	1	F22
86371-LFC8-B41	1	F27	90083-0E35-C00	0	E04	90306-GLW0-C00	0	F09
87000			90084-LBA8-E80	0	E09	90306-GLW0-C00	0	F11
			90087-4H28-E80	0	E09	90309-GLW0-C00	0	F26
			90105-KAR1-761	0	F09	90381-LBA8-C10	0	F14
			90106-GEN5-901	1	F05	90400-KTDT-900	0	F01
87170-LEG6-E80	0	F27	90106-KFAF-C10	0	F13	90431-LCE6-E80	0	E07
87505-LFG5-B50	0	F27	90108-KUDU-900	1	F19	90432-0F86-C00	0	E07
87560-GFY6-E01	3	F27	90110-GLW0-C00	0	F16	90435-LBA8-C10	0	E16
88000			90110-KEB7-C00	1	F14	90441-0E35-C00	0	E04
			90112-LBA8-C10	0	E16	90442-GFF6-C00	0	E01
			90121-LBA8-C10	2	F20	90443-GFF6-C00	0	E01
88110-LFC8-B40	1	F03	90122-KGD4-C11	0	F04	90452-LBA8-C10	0	E15
88120-LFC8-B40	1	F03	90127-LBA8-C10	2	F10	90452-LBA8-C10	0	E17
89000			90145-9A61-C00	1	F04	90454-1G07-C00	1	E17
			90201-GFF6-011	0	E01	90454-LBA8-C10	0	E15
			90206-0A01-001	1	E03	90455-LBA8-C10	0	E15
89010-KGB4-C00	0	F14	90231-0G87-C00	0	E07	90464-LBA8-C10	0	E15
90000			90301-6D34-C00	0	F20	90481-0E35-C00	0	E04
			90301-LBA8-C10	2	F06	90481-GGS7-C00	0	E01
			90302-GBR2-C00	0	F03	90481-LBA8-C10	0	E05
90012-3C33-C00	1	E03	90302-GBR2-C00	0	F24	90483-LCE6-E80	0	E07
90031-LCE6-E81	0	E13	90302-KNBN-C00	1	F05	90501-LBA8-C10	0	E05
90032-LCE6-E80	0	E13	90302-SDA4-C00	2	F05	90502-LBA8-C10	0	E05
90033-0A41-C00	0	E02	90302-SDA4-C00	2	F14	90521-0H28-C00	0	F19
90081-0E35-C00	0	E04						

PART NO. INDEX

PART NO.	VERSION	PAGE	PART NO.	VERSION	PAGE	PART NO.	VERSION	PAGE
9052A-KGB4-C10	0	E13	91301-LBA8-C10	1	E16	93404-06012-07	0	F22
90545-3L00-C00	2	F04	91302-5G67-C00	0	E09	93404-06012-07	0	F23
90601-LBA8-C10	0	E15	91302-KGB4-C11	0	E01	93404-06012-08	0	F12
90601-LCE6-E80	0	E07	91303-3G77-C00	0	E09	93404-06016-07	0	F24
90605-LBA8-C10	0	E15	91303-LBA8-C10	2	F11	93404-06016-08	0	F14
90656-KUDU-900	0	F26	91304-LBA8-C10	0	E02	93404-06016-08	0	F20
90677-GAR1-C00	0	F24	91305-LBA8-C10	1	E06	93404-06016-08	0	F22
90683-GAR1-C00	4	F22	91306-LBA8-C10	1	E02	93404-06030-07	0	F14
90701-GFF6-C00	0	E05	91307-0E35-W10	1	E06	93500-05010-0A	0	E07
90701-HDC4-C00	1	E06				93500-05012-0G	0	F03
90701-HDC4-C00	1	E09	92000			93500-05012-0H	0	E10
90701-LBA8-C10	0	E02				93500-05022-0G	1	F03
91000			92000-06008-08	0	E15	93600-05010-0A	0	E07
			92000-06022-08	0	F17	93600-06016-08	X	E11
			92000-06025-08	0	F17	93700-05018-0H	0	F02
91100-LBA8-C10	0	E16	92000-08032-0H	0	F11	93700-LCE6-E80	1	E06
91201-KGB4-C10	0	E11	92201-06045-0H	0	E12	93903-14380	0	F15
91202-KGB4-C10	1	E06	92201-06050-0H	0	E12	93903-25220	1	F05
91203-KGB4-C10	0	E15	92800-12000	0	E13	93903-25480	1	F15
91204-LBA8-C10	0	E11	92812-10000	2	F20	93903-34380	1	F05
91206-LBA8-C10	0	E16				93903-34380	1	F14
91252-LBA8-C11	1	F09	93000			93903-34380	1	F23
91254-LBA8-C10	0	F11				93903-35320	0	F02
91258-4L10-007	1	F09	93404-06012-07	0	F07	93903-35380	1	F07
91301-0G27-C00	0	E11	93404-06012-07	0	F14	93903-45380	0	F13
91301-KGB4-C10	0	E11	93404-06012-07	0	F15	93903-45380	0	F16

PART NO. INDEX

PART NO.	VERSION	PAGE	PART NO.	VERSION	PAGE	PART NO.	VERSION	PAGE
93903-GFY6-C00	1	F05	94103-LBA8-C10	0	F14	95701-08115-08	0	F26
93903-GFY6-C00	1	F14	94104-08200	0	F03	95701-10025-08	0	F18
93903-GFY6-C00	1	F22	94111-10800	0	F20	95701-10045-08	0	F06
93903-GFY6-C00	1	F23	94201-20150	0	F10			
			94201-20150	0	F20	96000		
94000			94201-30250	0	F19			
			94301-10140	0	E13	96001-06010-08	0	E09
94001-08080-0S	0	F10	94510-16000	0	E17	96001-06010-08	0	E11
94001-08080-0S	0	F20	94510-20000	1	E17	96001-06010-08	0	F16
94021-10020-0S	0	F21				96001-06012-08	1	E16
94030-08000-08	0	E06	95000			96001-06012-08	1	F13
94031-LBA8-C10	1	F20				96001-06016-08	1	E08
94050-05080	0	F22	95002-02120	1	E13	96001-06016-08	1	E16
94050-06080	1	F12	95014-72102	3	F19	96001-06020-08	1	E10
94050-06080	1	F16	95701-06010-08	1	F20	96001-06022-08	0	E01
94050-06080	1	F25	95701-06012-08	1	F08	96001-06022-08	0	E08
94050-08080	1	F18	95701-06012-08	1	F14	96001-06028-08	1	E09
94050-08080	1	F26	95701-06014-08	0	F25	96001-06028-08	1	F20
94050-10080	0	E10	95701-06016-08	1	F25	96001-06032-08	0	E09
94101-06800	1	E10	95701-06028-08	0	E02	96001-06040-08	0	E06
94101-08800	0	F10	95701-06110-08	0	E01	96001-06050-08	1	E09
94101-08800	0	F20	95701-08012-08	1	F25	96001-06050-08	1	E13
94101-10800	1	F21	95701-08020-08	0	F16	96001-06060-08	0	E13
94101-12800	0	F21	95701-08028-08	0	F18	96001-06065-08	0	E06
94102-08800	0	E06	95701-08030-08	0	F18	96001-06065-08	0	E13
94102-10800	0	E10	95701-08035-08	0	F26	96001-06070-08	0	E09

PART NO. INDEX

PART NO.	VERSION	PAGE	PART NO.	VERSION	PAGE	PART NO.	VERSION	PAGE
96001-06080-08	0	E06						
96001-06085-08	0	E06						
96100-60000-00	0	E07						
96100-60010-00	0	E15						
96100-62010-00	0	E15						
96100-62030-00	1	E15						
96120-63010-10	0	F09						
96120-63010-10	0	F11						
96130-62030-10	1	F11						
96211-06000-D	0	F06						
96211-06000-U	0	F06						
96220-40100	0	E16						
96700-06016-08	0	E16						
98000								
98056-5771R-00	1	E01						
98200-11000	1	F24						