

PARTS CATALOGUE



SCOOTERS

SR25BA(JP)

RACING125 FI



Date : 2009/07/24

ABOUT THIS PARTS LIST

- This parts list is compiled all service parts for model SR25BA(JP).
- Any difference between color chart and motorcycle will be revised according to motorcycle.
- The sales mark:
 1. marking "***" must add color code in the end before ordering parts.
- When modification or additions to this parts list are made a revised edition at an appropriate time.

CONTENTS

● ABOUT THIS PARTS LIST	1
● COLOR CHART OF SR25BA(JP)	3
● CONTENTS-ENGINE GROUP	6
● CONTENTS-FRAME GROUP	7
● ENGINE PARTS LIST	10
● FRAME PARTS LIST	40
● PART NO. INDEX	102

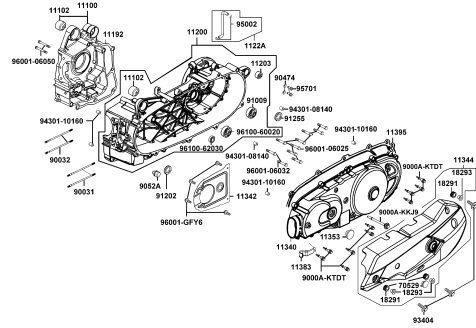
NO	MODEL			SR25BA(JP) COLOR CHART			
	PHOTO NO			NO. 1	NO. 2	NO. 3	NO. 4
	BASIC COLOR						
	CODE			Silver Crystal	Black	Pearly White	Shining Orange
	PARTS NAME	PARTS NO.	VERSION	NH263MA	NH001SA	NH193PA	YR177MA
1	GRIP COMP THROT	53140-LFB6-800	0	E4R			
2	GRIP COMP.,L HANDLE	53150-LEA6-900	2				
3	END HANDLE	53102-KEC8-900	0	F1S			
4	END R STRG HANDLE	53105-LBB5-E00	2				
5	WHEEL COMP RR CAST	42601-LFE2-900	4	HUA			
6	WHEEL SET FR	44650-LFE2-305	4				
7	LEVER R STRG HANDLE	53175-KFA5-E10	0	M5A			
8	LEVER L STRG HANDLE	53178-LCD1-E00	1				
9	COVER FR HANDLE	53205-LFB5-900	1	HUP	N1P	NVP	X4P
10	FENDER FR INNER	61100-LFB5-900	1				
11	MOLDING. FR.	64302-LFB5-900	3				
12	SKIRT R SIDE	64305-LFB5-900	0				
13	SKIRT L SIDE	64306-LFB5-900	0				
14	COVER FR TOP	6430A-LFB5-900	0				
15	CARRIER REAR	81200-LFB5-900	2				
16	COVER , R BODY	83500-LFB5-900	2				
17	COVER , L BODY	83600-LFB5-900	2				
18	MIRROR R. ASSY..BACK	88110-LFB5-900	2				
19	MIRROR ASSY.L BACK	88120-LFB5-900	2				
20	COVER COMP.,L COVER	11344-LGH6-900	0				
21	PROTECTOR.MUFF.	18318-LFB5-900	1				
22	COVER. UNDER	50613-LFB5-900	3				
23	COVER HANDLE RR	53206-LFB5-900	0				
24	COVER L WINKER	53208-LFB5-900	0				
25	"GRILLE,R FENDER TIRE,	61101-LFB5-900	0				
DATE OF STARTING-SALES							
DATE OF END-SALES							

NO	MODEL			SR25BA(JP) COLOR CHART							
	PHOTO NO			NO. 1	NO. 2	NO. 3	NO. 4				
	BASIC COLOR										
	CODE			Silver Crystal	Black	Pearly White	Shining Orange				
	PARTS NAME	PARTS NO.	VERSION	NH263MA	NH001SA	NH193PA	YR177MA				
26	"GRILLE,L FENDER TIRE,	61102-LFB5-900	0	N1R							
27	"GRILLE,R FR.	64303-LFB5-900	0								
28	"GRILLE,L FR.	64304-LFB5-900	0								
29	"GRILLER,COVER , FR."	64307-LFB5-900	1								
30	FLOOR PANEL	64310-LFB5-900	0								
31	PLUG FLOOR	64316-KHD6-900	0								
32	PLUG FLOOR	64316-KHE2-900	0								
33	"COWL, UNDER"	64400-LFB5-900	1								
34	FENDER RR TIRE	80100-LFB5-910	0								
35	FENDER . RR. UP	80105-LFB5-900	4								
36	FENDER RR INNER	80107-LFB5-900	1								
37	COVER CENTER	80151-LFB5-900	2								
38	LEG SHIELD UP	81131-LFB5-900	0								
39	CAP LEG SHIELD UP	81132-LFB5-900	0								
40	LEG SHIELD LOW	81141-LFB5-900	0								
41	LID LEG SHIELD	81142-KUDU-900	1								
42	"COVER , R SIDE"	83520-LFB5-900	0								
43	"COVER , L SIDE"	83620-LFB5-900	0								
44	FORK ASSY RR	52000-LFB5-900	1					N8A			
45	COLLAR FUEL FILLER	17623-KKE5-E1A	0					N8P			
46	COLLAR FUEL CILLER	17623-KKE5-E1B	0	R8A							
47	CALIPER ASSY FR	45200-LFB5-900	1	R8S							
48	DISK, FR BRK	45351-LFB6-900	0								
49	CUSHION ASSY RR R	52400-LFB5-900	3								
50	"CUSHION ASSY ,RR L"	52500-LFB5-900	2								
DATE OF STARTING-SALES											
DATE OF END-SALES											

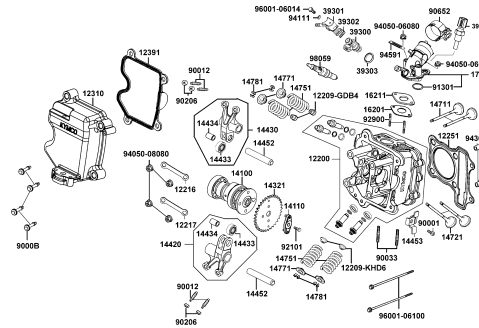
NO	MODEL			SR25BA(JP) COLOR CHART			
	PHOTO NO			NO. 1	NO. 2	NO. 3	NO. 4
	BASIC COLOR						
	CODE			Silver Crystal	Black	Pearly White	Shining Orange
	PARTS NAME	PARTS NO.	VERSION	NH263MA	NH001SA	NH193PA	YR177MA
51	FAN COMP COOLING	19510-LEB1-900	1	RAR			
52	SEAT ASSY	77200-LGH6-E00	2	T01			
53	EMB K-LOGO 28.5MM	86102-KKC4-900	1				
54	EMB BODY COVER	86202-LFB5-900	0				
55	STRIPE RR FENDER	86409-KHC4-B20	2				
56	EMB MARK	87140-LGH5-900	1				
57	STRIPE R MARK	87311-LAD9-B20	1				
58	STRIPE MARK Fi	87311-LEA1-900	1				
59	CAUTION BATTERY	87502-LEB2-900	1				
60	LABEL TIRE	87505-LFB6-E00	1				
61	CAUTION SIDE STAND	87541-GAR1-E00	1				
62	LABEL OIL CAP	87541-KUDU-900	2				
63	MARK MAINT CAUT	87542-GAR1-E00	2				
64	MARK DRIVE CAUTION	87560-GFY6-E00	3				
65	STRIPE FR FENDER	86408-KKC8-B20	2				
66	FORK SET R FR	5140A-LFB5-900	2	YYA			
67	BOTTOM CASE R	51420-LFB5-900	0				
68	FORK SET L FR	5150A-LFB5-900	2				
69	BOTTOM CASE L	51520-LFB5-900	0				
DATE OF STARTING-SALES							
DATE OF END-SALES							

CONTENTS - ENGINE GROUP

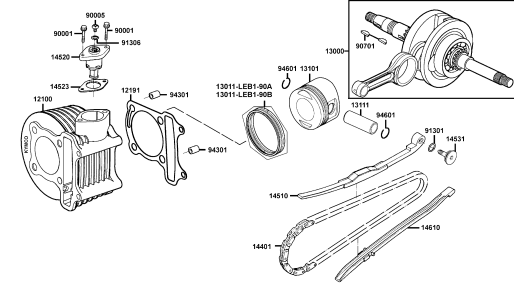
E01 Crank Case



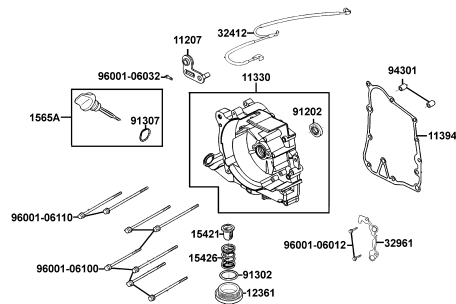
E02 Cylinder Head Cover Cylinder



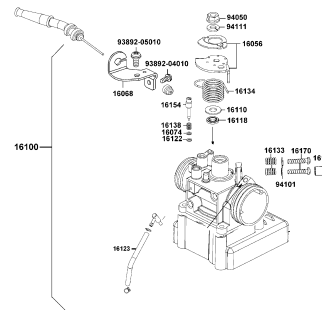
E03 Cylinder Piston Crankshaft



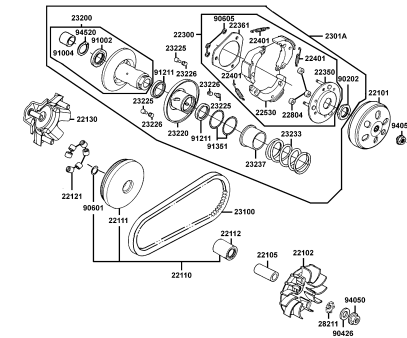
E04 Right Crankcase Cover



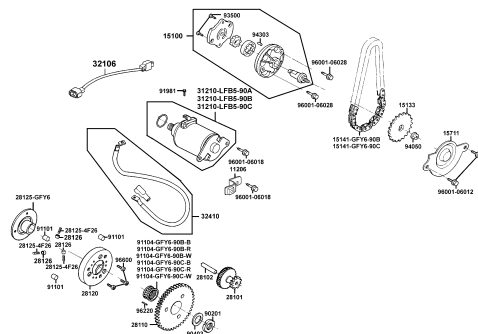
E05 Throttle Body Assy



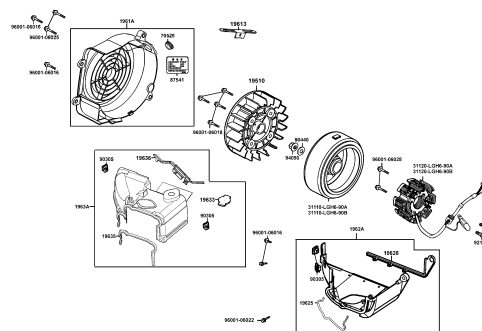
E06 Pulley



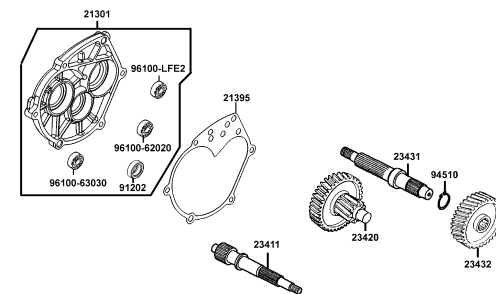
E07 Starting Motor Oil Pump



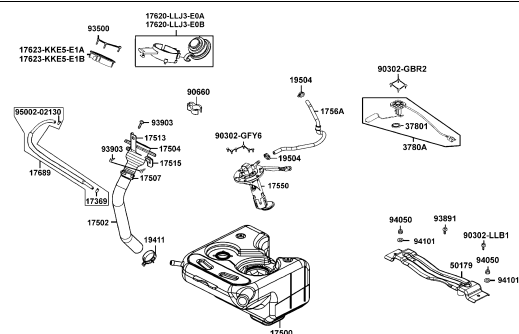
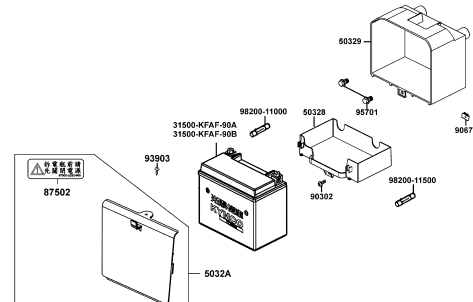
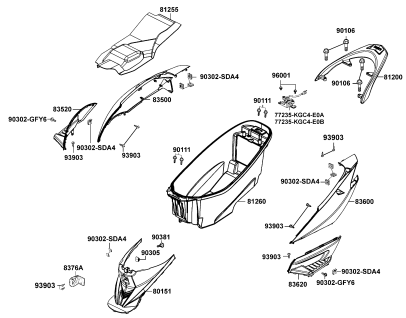
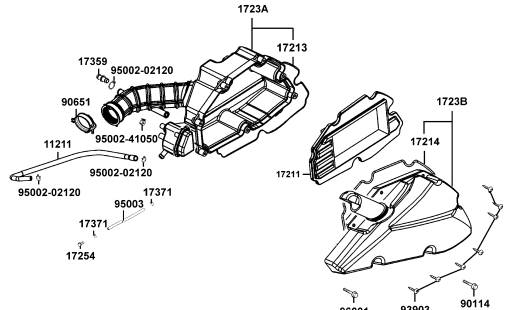
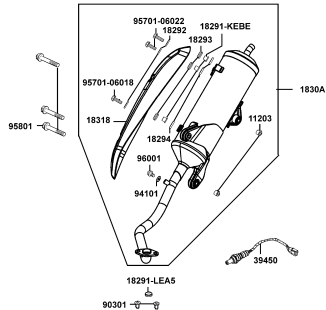
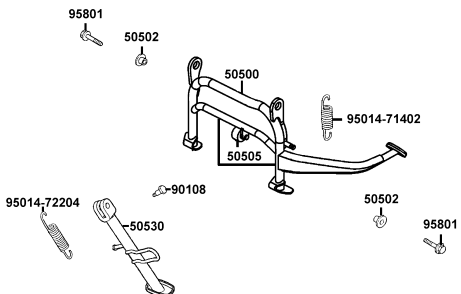
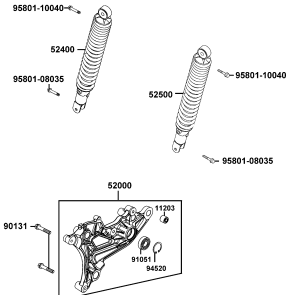
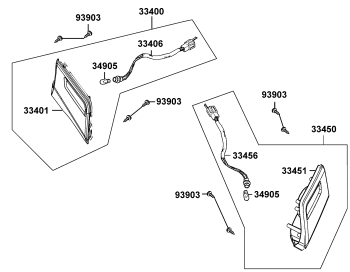
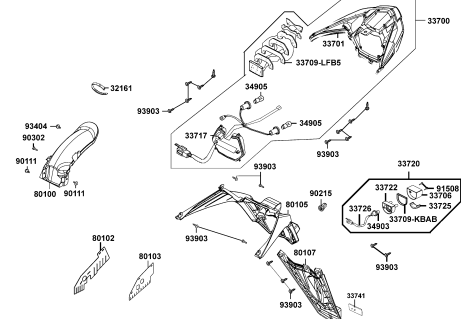
E08 Fan cover Generator



E09 Transmission

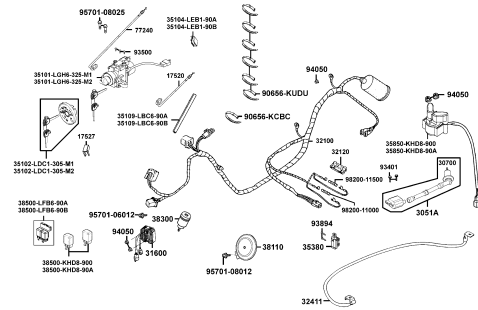


CONTENTS - FRAME GROUP

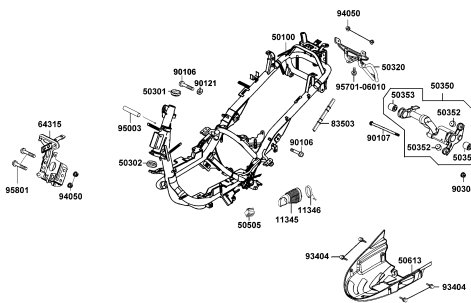
F10 Fuel Tank	F11 Battery	F12 Body Cover Luggage Box
		
F13 Air Cleaner	F14 Exhaust Muffler	F15 Stand
		
F16 Rear Cushion	F17 Front Winker	F18 Tail Light Rear Fender
		

CONTENTS - FRAME GROUP

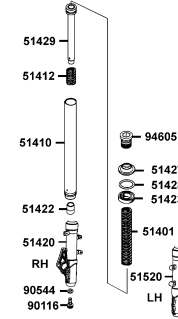
F19 Wire Harness



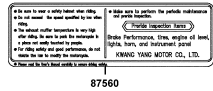
F20 Frame Body



F21 Separated Parts Of Fr Fork



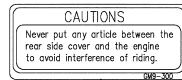
F22 Caution Label



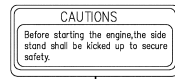
87560



87505



87542



87541

F23 Emblem Stripe



86408



87311-LAD9



87311-LEA1



86102



86202



87140



86102

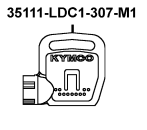


86409

F24 KEY



35111-LDC1-305-M1



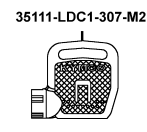
35111-LDC1-307-M1



35111-LDC1-306-M2



35111-LDC1-305-M2



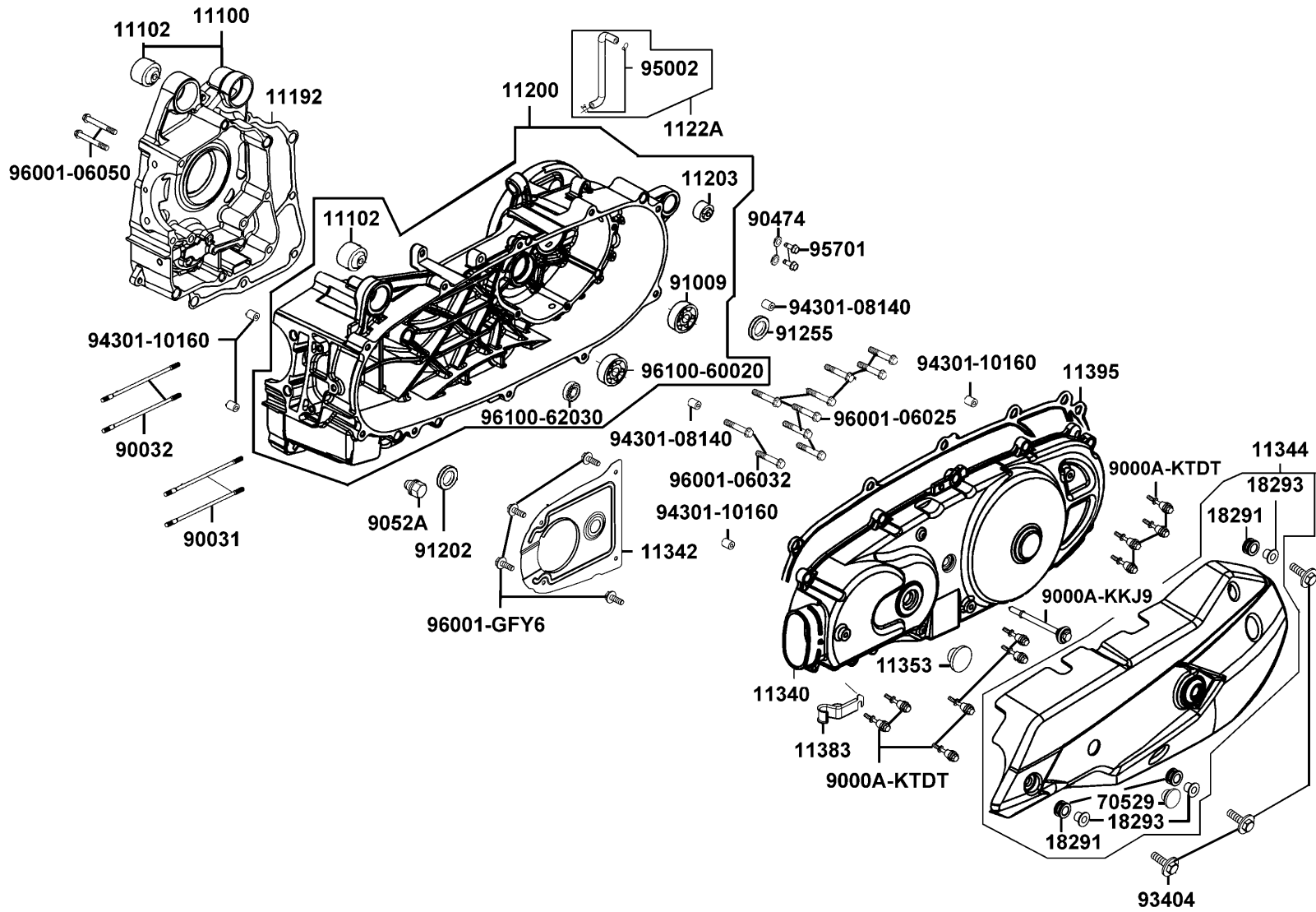
35111-LDC1-307-M2



35111-LDC1-306-M1

E01

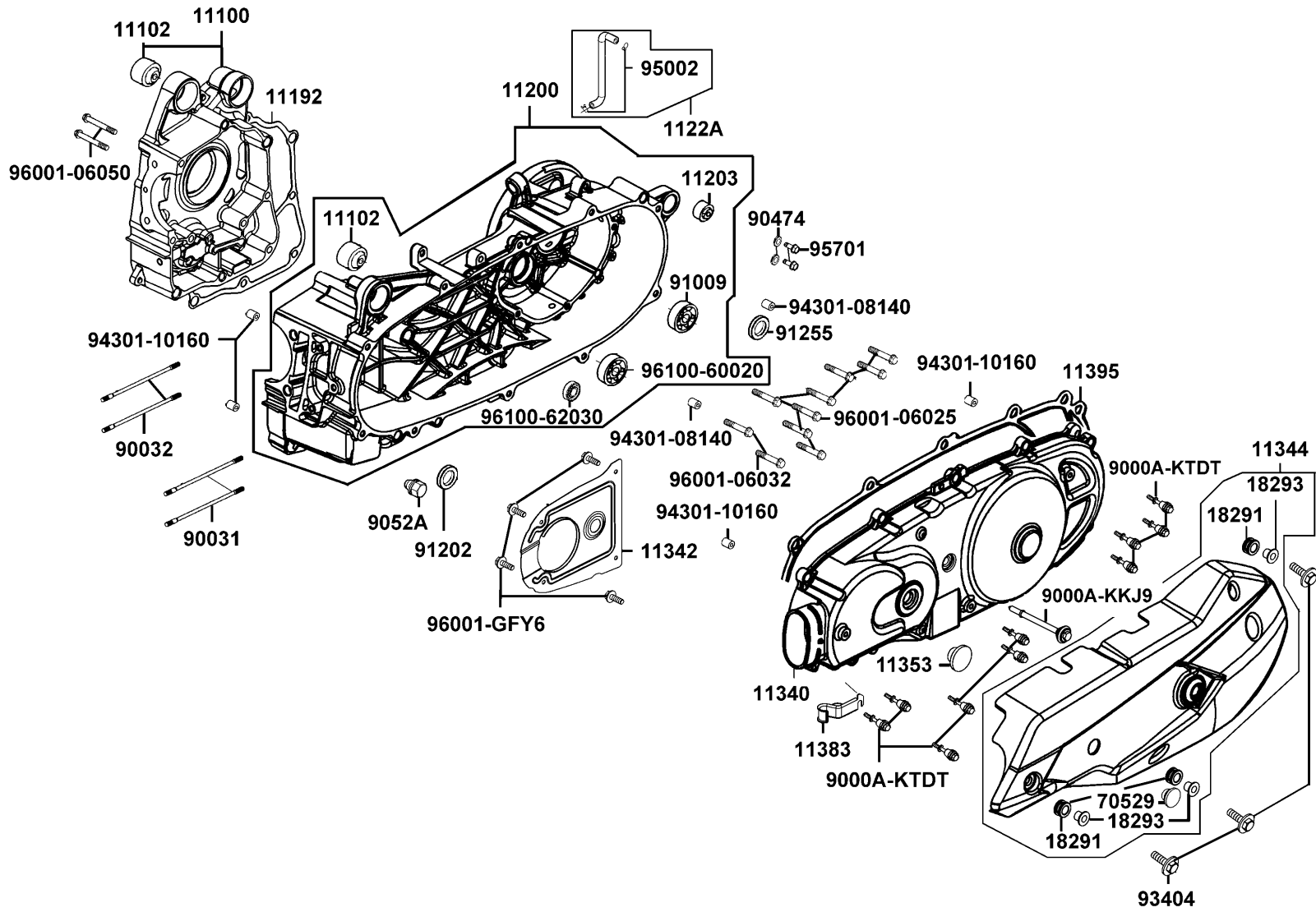
Crank Case



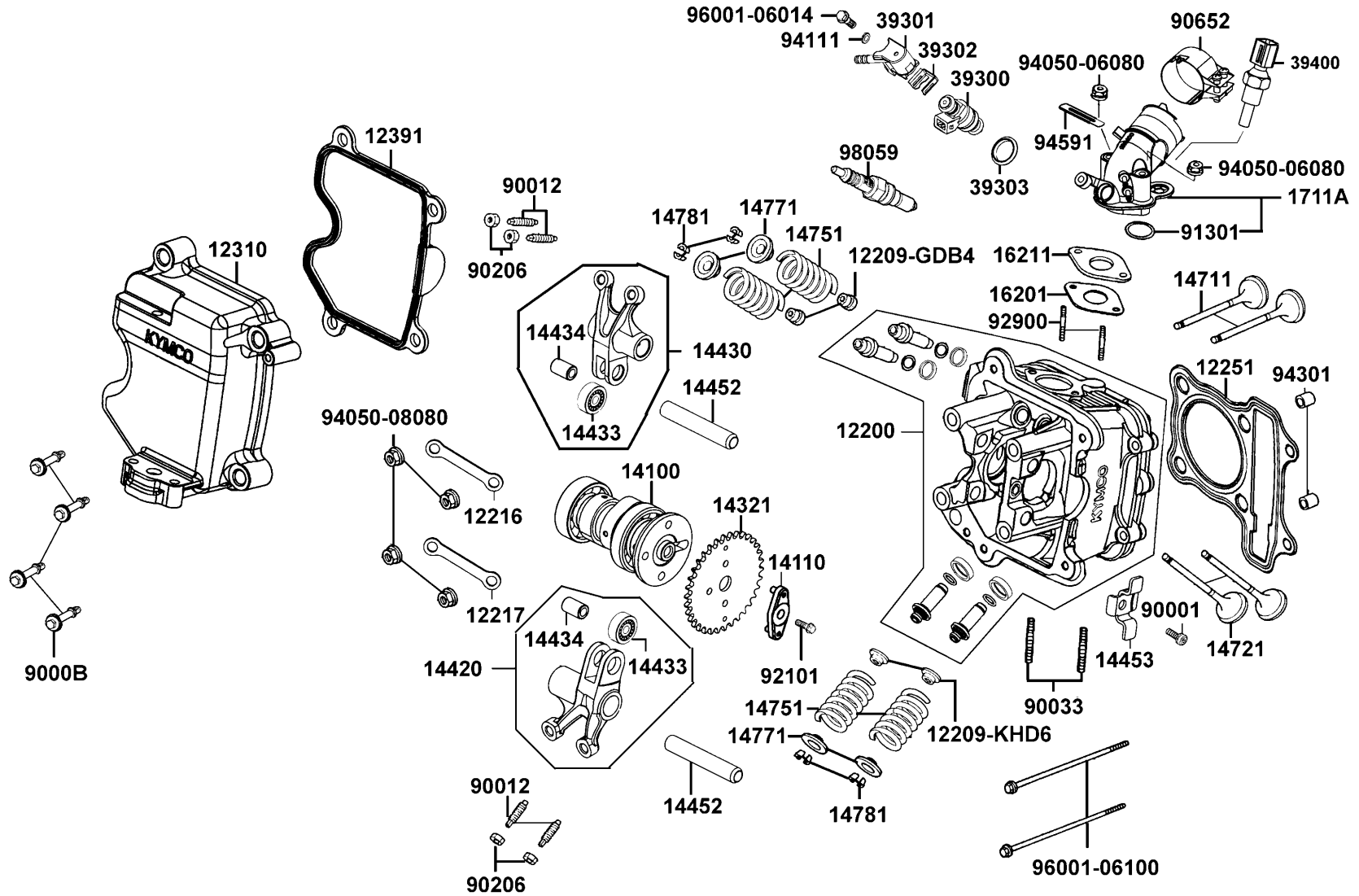
Sales mark	Ref no	Part no	Description	Reg description	Regd no	E01
	11100	11100-LEB1-306	CRANK CASE SET R	CRANK CASE SET R	1	
	11102	11102-1G87-004	RUB BUSH ENG HANGER	RUB BUSH ENG HANGER	2	
	11192	11192-LEB1-900	GASKET CRANK CASE A	GASKET CRANK CASE A	1	
	11200	11200-LFB5-305	CRANKCASE SET L	CRANKCASE SET L	1	
	11203	11203-GGC7-301	UNDER RUBBER BUSH REAR CUSHION	UNDER RUBBER BUSH REAR CUSHION	1	
	1122A	1122A-LFB5-900	TUBE ASSY BREATHER	TUBE ASSY BREATHER	1	
	11340	11340-LFB5-900	COVER LEFT	COVER LEFT	1	
	11342	11342-LFB5-900	PLATE L COVER	PLATE L COVER	1	
**	11344	11344-LGH6-900	COVER COMP.,L COVER	COVER COMP.,L COVER	1	
	11353	11353-LEA6-900	RUBBER PLUG L COVER KICK	RUBBER PLUG L COVER KICK	1	
	11383	11383-LFB5-900	CLAMPER DRAIN TUBE	CLAMPER DRAIN TUBE	1	
	11395	11395-LFB5-900	GASKET L COVER	GASKET L COVER	1	
	18291	18291-KKC4-900	COLLAR	COLLAR	3	
	18293	18293-KKC4-900	RUBBER	RUBBER	3	
	70529	70529-6G57-671	GROM B SIDE PNL	GROM B SIDE PNL	1	
	9000A-KKJ9	9000A-KKJ9-001	BOLT SPECIAL COMP	BOLT SPECIAL COMP	1	
	9000A-KTDT	9000A-KTDT-900	BOLT ASSY SPECIAL 6*29.5	BOLT ASSY SPECIAL 6*29.5	10	
	90031	90031-KHD6-900	BOLT A STUD 8*218	BOLT A STUD 8*218	2	
	90032	90032-KHD6-900	BOLT B STUD 8*210	BOLT B STUD 8*210	2	
	90474	90474-3C33-001	WASHER 8MM	WASHER 8MM	2	

E01

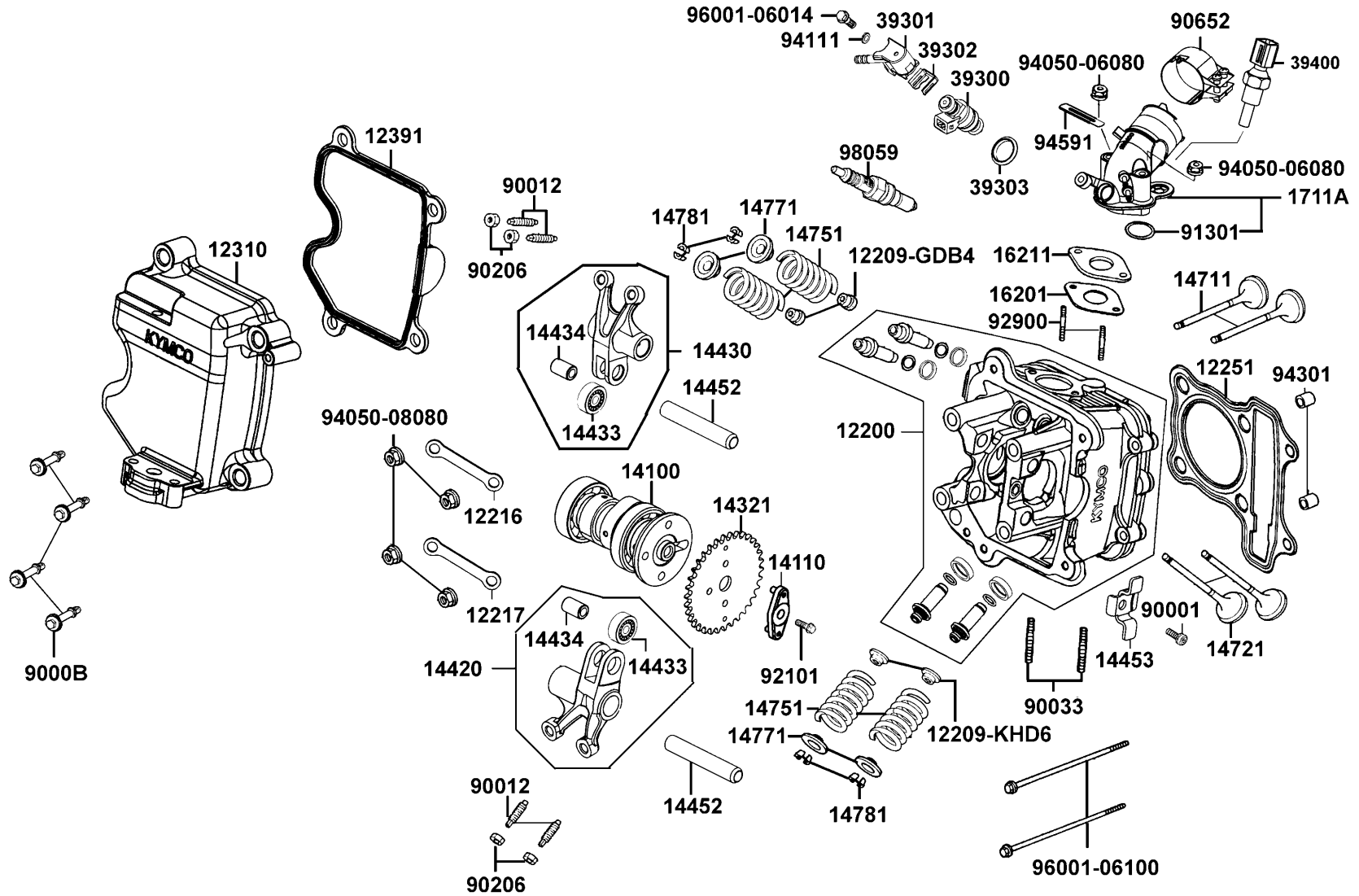
Crank Case



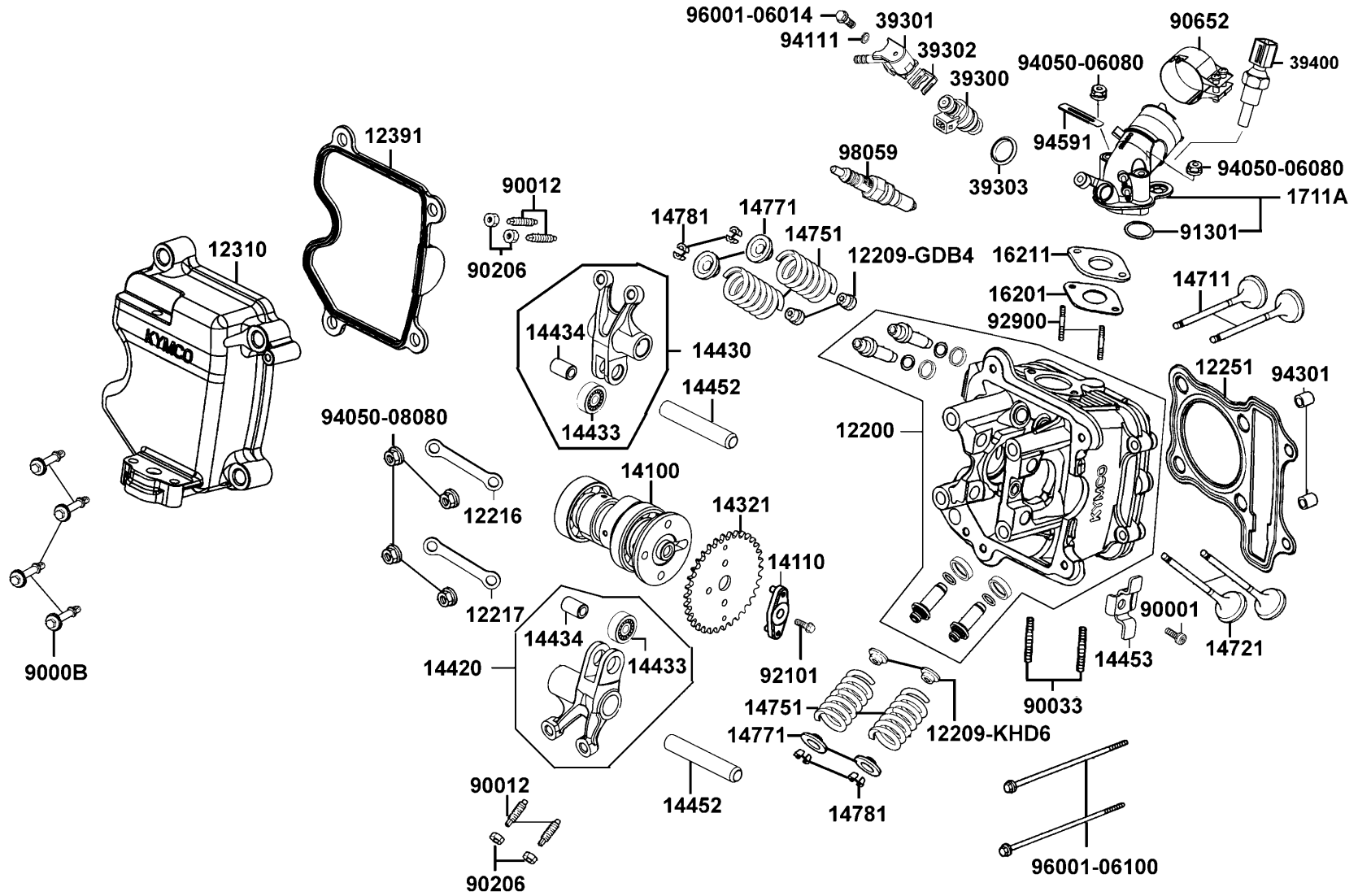
Sales mark	Ref no	Part no	Description	Reg description	Regd no	E01
9052A		9052A-LEB1-900	BOLT ASSY DRAIN PLUG	BOLT ASSY DRAIN PLUG	1	
91009		91009-GLE0-004	BRG BALL RADIAL 6004 UU	BRG BALL RADIAL 6004 UU	1	
91202		91202-LEB1-900	OIL SEAL 25*35*5	OIL SEAL 25*35*5	1	
91255		91255-GLE0-006	OIL SEAL 27*42*7	OIL SEAL 27*42*7	1	
93404		93404-06025-06	BOLT WASHER 6*25	BOLT WASHER 6*25	0	
94301-08140		94301-08140	DOWEL PIN 8*14	DOWEL PIN 8*14	2	
94301-10160		94301-10160	DOWEL PIN 10*16	DOWEL PIN 10*16	4	
95002		95002-50000	CLIP C9 TUBE	CLIP C9 TUBE	2	
95701		95701-08012-08	BOLT FLANGE 8*12	BOLT FLANGE 8*12	2	
96001-06025		96001-06025-08	BOLT FLANGE SH 6*25	BOLT FLANGE SH 6*25	8	
96001-06032		96001-06032-08	BOLT FLANGE SH 6*32	BOLT FLANGE SH 6*32	2	
96001-06050		96001-06050-08	BOLT FLANGE 6*50	BOLT FLANGE 6*50	2	
96001-GFY6		96001-GFY6-900	BOLT SPECIAL 5*10	BOLT SPECIAL 5*10	4	
96100-60020		96100-60020-00	BRG BALL RADIAL 6002	BRG BALL RADIAL 6002	1	
96100-62030		96100-62030-00	BRG BALL RADIAL 6203	BRG BALL RADIAL 6203	1	



Sales mark	Ref no	Part no	Description	Reg description	Regd no	E02
	12200	12200-LEB2-E00	HEAD COMP.,CYLN	HEAD COMP.,CYLN	1	
	12209-GDB4	12209-GDB4-68A	SEAL VALVE STEM	SEAL VALVE STEM	2	
	12209-KHD6	12209-KHD6-900	SEAL VALVE STEM	SEAL VALVE STEM	2	
	12216	12216-LEB1-900	FORK A HOLDER	FORK A HOLDER	1	
	12217	12217-LEB1-900	FORK B HOLDER	FORK B HOLDER	1	
	12251	12251-LEB1-900	GASKET CYLINDER HEAD	GASKET CYLINDER HEAD	1	
	12310	12310-LGH5-900	COVER COMP HEAD	COVER COMP HEAD	0	
	12391	12391-LEB1-900	GASKET HEAD COVER	GASKET HEAD COVER	0	
	14100	14100-LEB1-920	SHAFT COMP.,CAM	SHAFT COMP.,CAM	1	
	14110	14110-LEB1-900	FIXTURE CAMSHAFT	FIXTURE CAMSHAFT	1	
	14321	14321-LEB1-900	SPROCKET CAM	SPROCKET CAM	1	
	14420	14420-LEB1-900	ARM COMP EXH VALVE ROCKER	ARM COMP EXH VALVE ROCKER	1	
	14430	14430-LEB1-900	ARM COMP IN VALVE ROCKER	ARM COMP IN VALVE ROCKER	1	
	14433	14433-LEB1-900	ROLLER ASSY ROCKER ARM	ROLLER ASSY ROCKER ARM	2	
	14434	14434-LEB1-900	PIN ROCKER ARM	PIN ROCKER ARM	2	
	14452	14452-LEB1-900	SHAFT EXH ROCKER ARM	SHAFT EXH ROCKER ARM	2	
	14453	14453-LEB1-910	SET PLATE ROCKER ARM SHAFT	SET PLATE ROCKER ARM SHAFT	1	
	14711	14711-LEB1-900	VALVE INLET	VALVE INLET	2	
	14721	14721-LEB1-900	VALVE EXHAUST	VALVE EXHAUST	2	
	14751	14751-KHD6-900	SPG VALVE OUTER	SPG VALVE OUTER	4	



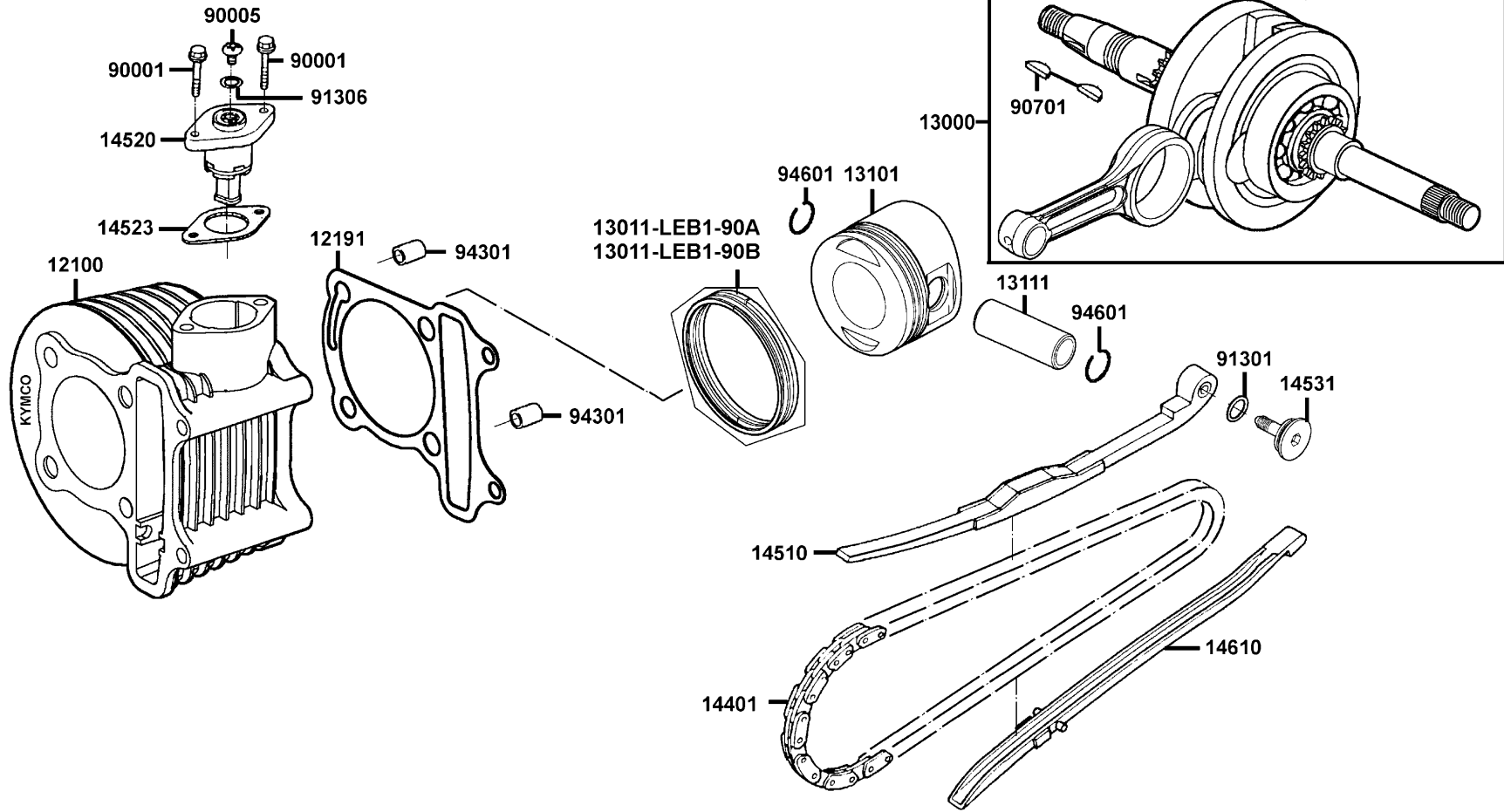
Sales mark	Ref no	Part no	Description	Reg description	Regd no	E02
14771		14771-KHD6-900	RETAINER VALVE SRINPG	RETAINER VALVE SRINPG	4	
14781		14781-MFA6-001	COTTER VALVE	COTTER VALVE	8	
16201		16201-LEB1-900	GASKET CARB INSULATOR A	GASKET CARB INSULATOR A	1	
16211		16211-LEB1-900	INSULATOR CARB	INSULATOR CARB	1	
1711A		1711A-LGH6-910	PIPE ASS'Y,INLET	PIPE ASS'Y,INLET	1	
39300		39300-LEB2-800	FUEL INJECTOR	FUEL INJECTOR	1	
39301		39301-LEB2-900	HOLDER ASSY FUEL	HOLDER ASSY FUEL	1	
39302		39302-KKE3-900	CLIP SPRING FUEL INJECTOR	CLIP SPRING FUEL INJECTOR	1	
39303		39303-LEB2-900	SEAL HIGH TENSION FUEL INJECT	SEAL HIGH TENSION FUEL INJECT	1	
39400		39400-KKE3-800	SENSOR HEAD TEMPERATURE	SENSOR HEAD TEMPERATURE	1	
90001		90001-GFY6-901	SOCKET BOLT 6*10	SOCKET BOLT 6*10	1	
9000B		9000B-KHD6-900	BOLT ASSY SPECIAL 6*41.5	BOLT ASSY SPECIAL 6*41.5	4	
90012		90012-3C33-001	SCREW TAPPET ADJUSTING	SCREW TAPPET ADJUSTING	0	
90033		90033-GFY6-900	BOLT STUD 8*32	BOLT STUD 8*32	2	
90206		90206-0A01-001	NUT TAPPET ADJG	NUT TAPPET ADJG	4	
90652		90652-LGJ9-900	BAND 48, INLET-PIPE	BAND 48, INLET-PIPE	0	
91301		91301-LEB1-900	O-RING 30*2	O-RING 30*2	1	
92101		92101-06014-0H	BOLT HEX 6*14	BOLT HEX 6*14	1	
92900		92900-06060-0B	BOLT STUD 6*60	BOLT STUD 6*60	2	
94050-06080		94050-06080	NUT FLANGE 6MM	NUT FLANGE 6MM	2	



Sales mark	Ref no	Part no	Description	Reg description	Regd no	E02
	94050-08080	94050-08080	NUT FLANGE 8MM	NUT FLANGE 8MM	4	
	94111	94111-06800	WASHER SPG 6MM	WASHER SPG 6MM	1	
	94301	94301-10160	DOWEL PIN 10*16	DOWEL PIN 10*16	2	
	94591	94591-KFBF-900	CLIP 2*70	CLIP 2*70	1	
	96001-06014	96001-06014-08	BOLT FLANGE 6*14	BOLT FLANGE 6*14	1	
	96001-06100	96001-06100-08	BOLT FLANGE SH 6*100	BOLT FLANGE SH 6*100	2	
	98059	98059-58916-00	PLUG SPARK(CR8E)	PLUG SPARK(CR8E)	1	

E03

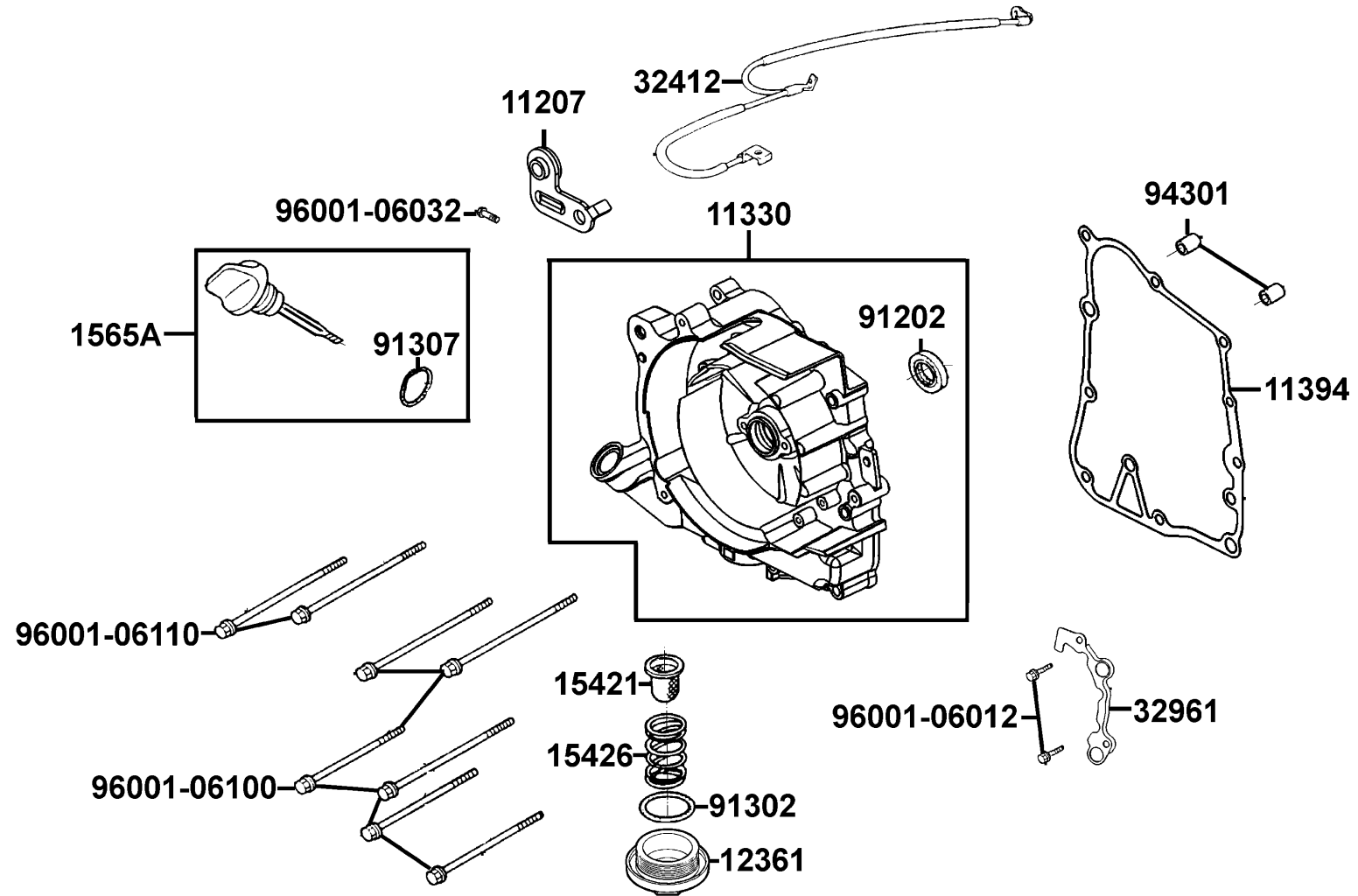
Cylinder Piston Crankshaft



Sales mark	Ref no	Part no	Description	Reg description	Regd no	E03
	12100	12100-LEB1-900	CYLINDER COMP	CYLINDER COMP	1	
	12191	12191-LEB1-900	GASKET CYLINDER A	GASKET CYLINDER A	1	
	13000	13000-LGH5-900	CRANK SHAFT COMP	CRANK SHAFT COMP	1	
	13011-LEB1-90A	13011-LEB1-90A	RING ASSY PISTON	RING ASSY PISTON	1	
	13011-LEB1-90B	13011-LEB1-90B	RING SET PISTON	RING SET PISTON	1	
	13101	13101-LEB1-90A	PISTON	PISTON	1	
	13111	13111-3D84-001	PIN PISTON	PIN PISTON	1	
	14401	14401-KUDU-900	CHAIN CAM	CHAIN CAM	1	
	14510	14510-LEB1-900	TENSIONER CAM CHAIN	TENSIONER CAM CHAIN	1	
	14523	14523-KED9-900	GASKET TENSIONER LIFTER @A	GASKET TENSIONER LIFTER @A	1	
	14531	14531-GLR0-001	PIVOT CAM CHAIN TENSIONER	PIVOT CAM CHAIN TENSIONER	1	
	14610	14610-LEB1-900	GUIDE COMP CAM CHAIN	GUIDE COMP CAM CHAIN	1	
	90001	90001-GBHB-661	BOLT FLANGE SH 6*22	BOLT FLANGE SH 6*22	2	
	90005	90005-KAW1-901	SCREW PAN 6*6	SCREW PAN 6*6	1	
	90701	90701-HFB6-011	KEY WOODRUFF 25*14*4	KEY WOODRUFF 25*14*4	1	
	91301	91301-GLR0-005	O RING 15.2*1.5	O RING 15.2*1.5	0	
	91306	91306-1E05-691	O-RING 1.5*9.5	O-RING 1.5*9.5	1	
	94301	94301-10160	DOWEL PIN 10*16	DOWEL PIN 10*16	2	
	94601	94601-15000	CLIP PISTON PIN 15MM	CLIP PISTON PIN 15MM	2	

E04

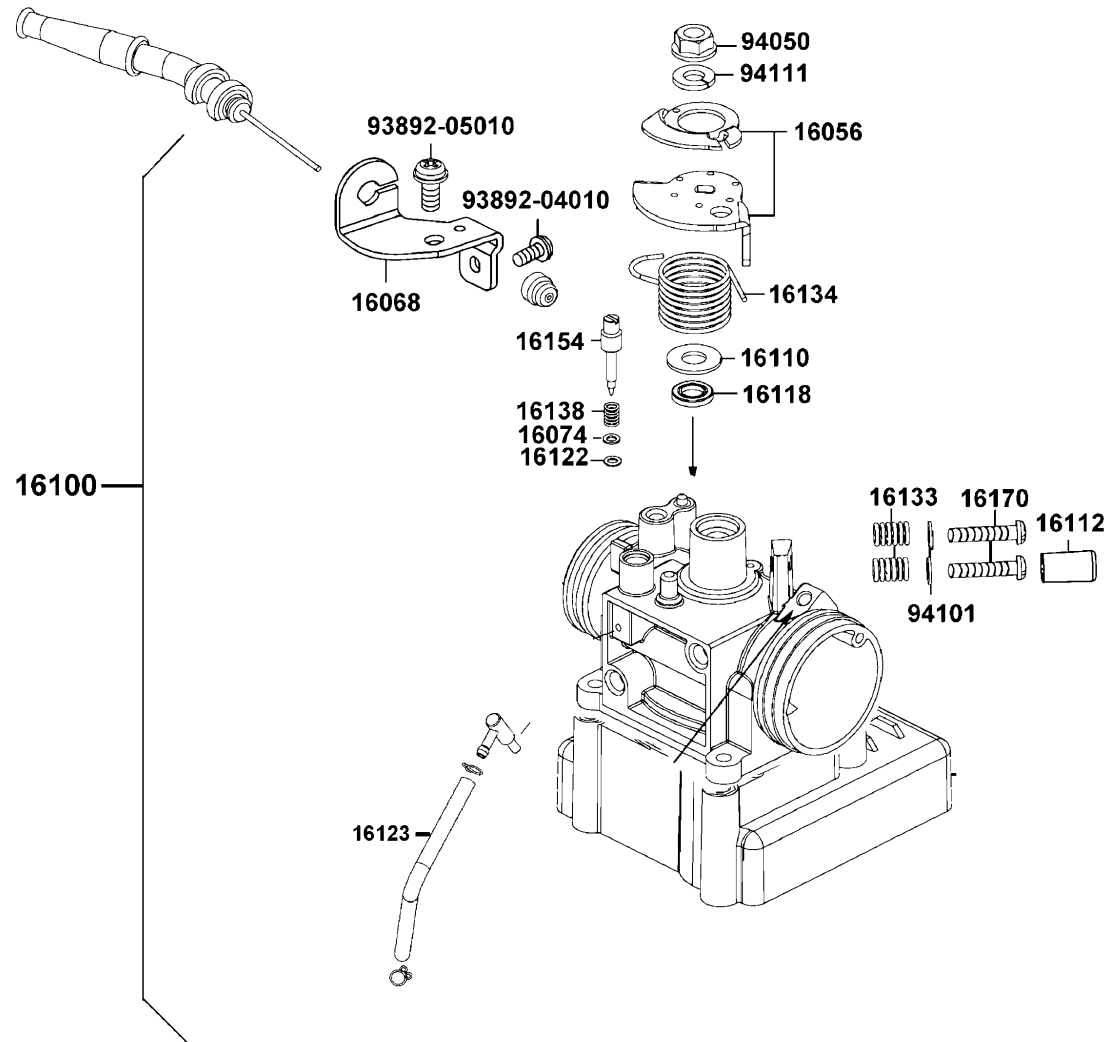
Right Crankcase Cover



Sales mark	Ref no	Part no	Description	Reg description	Regd no	E04
	11207	11207-LFB5-900	STAY B RR FENDER	STAY B RR FENDER	1	
	11330	11330-LEB1-900	COVER R CRANK CASE	COVER R CRANK CASE	1	
	11394	11394-LEB1-900	GASKET R COVER	GASKET R COVER	1	
	12361	12361-GFY6-901	HOLE CAP TAPPET ADJUSTING	HOLE CAP TAPPET ADJUSTING	1	
	15421	15421-1G07-001	SCREEN OIL FILTER	SCREEN OIL FILTER	1	
	15426	15426-GAE1-921	SPG OIL FILTER SCREEN	SPG OIL FILTER SCREEN	1	
	1565A	1565A-KUDU-900	GAUGE OIL LEVEL ASSY	GAUGE OIL LEVEL ASSY	1	
	32412	32412-LEB1-900	CABLE EARTH	CABLE EARTH	1	
	32961	32961-LEB1-900	CLAMPER ACG CORD	CLAMPER ACG CORD	1	
	91202	91202-GFY6-90B	OIL SEAL 19.8*30*5	OIL SEAL 19.8*30*5	1	
	91302	91302-0A01-021	O-RING 30.8M/M	O-RING 30.8M/M	1	
	91307	91307-0E35-001	O RING 18*3	O RING 18*3	0	
	94301	94301-10160	DOWEL PIN 10*16	DOWEL PIN 10*16	2	
	96001-06012	96001-06012-08	BOLT FLANGE 6*12	BOLT FLANGE 6*12	2	
	96001-06032	96001-06032-08	BOLT FLANGE SH 6*32	BOLT FLANGE SH 6*32	1	
	96001-06100	96001-06100-08	BOLT FLANGE SH 6*100	BOLT FLANGE SH 6*100	6	
	96001-06110	96001-06110-08	BOLT FLANGE SH 6*110	BOLT FLANGE SH 6*110	2	

E05

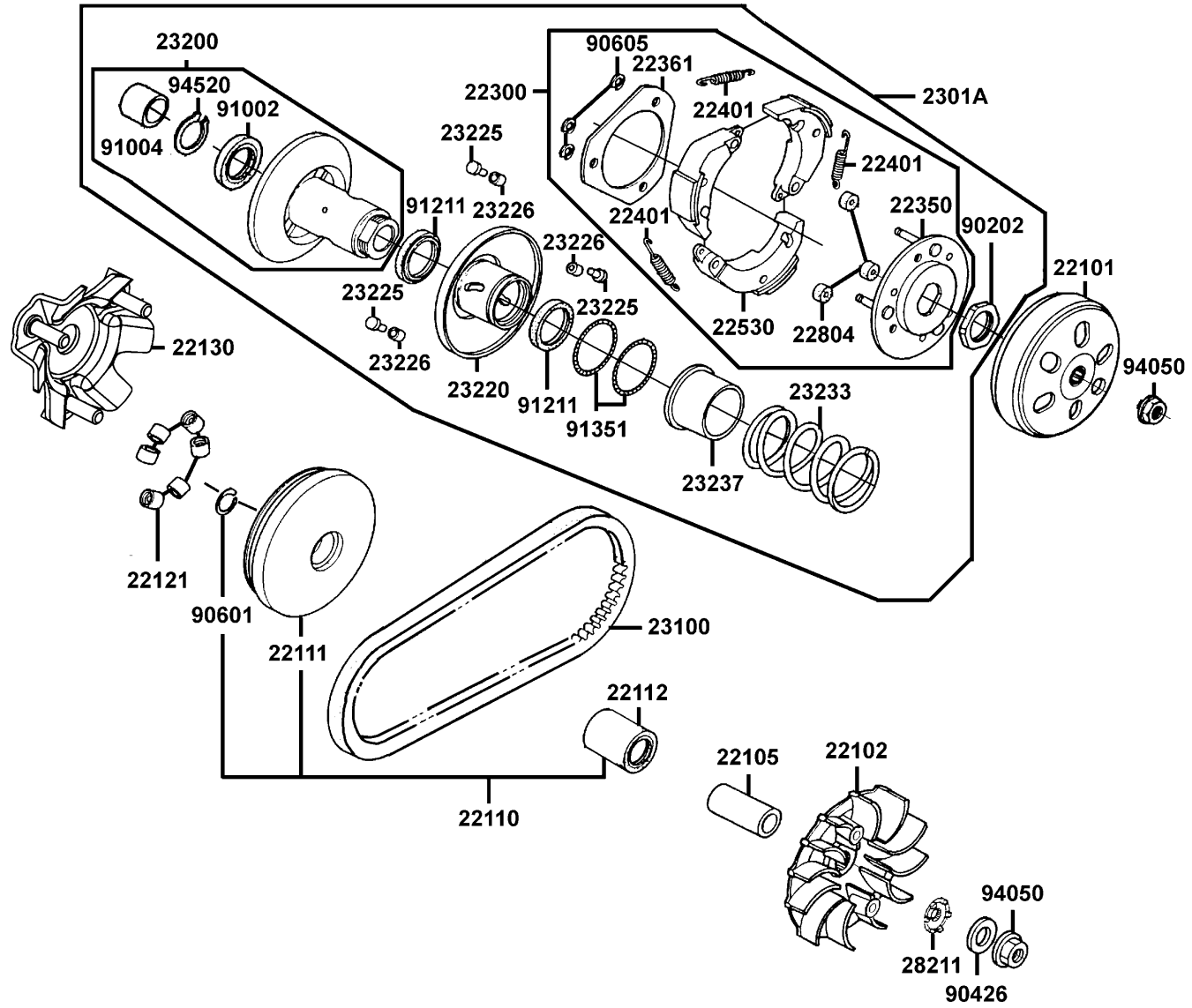
Throttle Body Assy



Sales mark	Ref no	Part no	Description	Reg description	Regd no	E05
	16056	16056-LEB2-900	LEVER ASSY THROTTLE	LEVER ASSY THROTTLE	1	
	16068	16068-LEB2-900	PLATE WIRE FIXED	PLATE WIRE FIXED	1	
	16074	16074-KEC3-900	WASHER IDLE SCREW	WASHER IDLE SCREW	1	
	16100	16100-LGH6-E00	THROTTLE BODY ASS'Y	THROTTLE BODY ASS'Y	1	
	16110	16110-KKE3-900	WASHER THROTTLE COMP	WASHER THROTTLE COMP	2	
	16112	16112-KKE3-900	COVER IDLE SCREW	COVER IDLE SCREW	1	
	16118	16118-KEC3-900	SEAL THROTTLE SHAFT	SEAL THROTTLE SHAFT	1	
	16122	16122-KEC3-900	O-RING IDLE SCREW	O-RING IDLE SCREW	1	
	16123	16123-LGH6-900	TUBE COMPL.,3.5X1200	TUBE COMPL.,3.5X1200	1	
	16133	16133-KEC3-900	SPG THROTTLE ADJUST SCREW	SPG THROTTLE ADJUST SCREW	2	
	16134	16134-KKE3-900	SPG THROTTLE SHAFT	SPG THROTTLE SHAFT	1	
	16138	16138-KGC5-900	SPRING IDLE ADJUST SCREW	SPRING IDLE ADJUST SCREW	1	
	16154	16154-KKE3-900	SCREW IDLE ADJUST	SCREW IDLE ADJUST	1	
	16170	16170-KEC3-900	SCREW THROTTLE ADJUST	SCREW THROTTLE ADJUST	2	
	93892-04010	93892-04010-08	SCREW WASHER 4*10	SCREW WASHER 4*10	1	
	93892-05010	93892-05010-08	SCREW WASH 5*10	SCREW WASH 5*10	1	
	94050	94050-06080	NUT FLANGE 6MM	NUT FLANGE 6MM	1	
	94101	94101-KKE3-900	WASHER PLAN 4.5*8*0.8	WASHER PLAN 4.5*8*0.8	2	
	94111	94111-06800	WASHER SPG 6MM	WASHER SPG 6MM	1	

E06

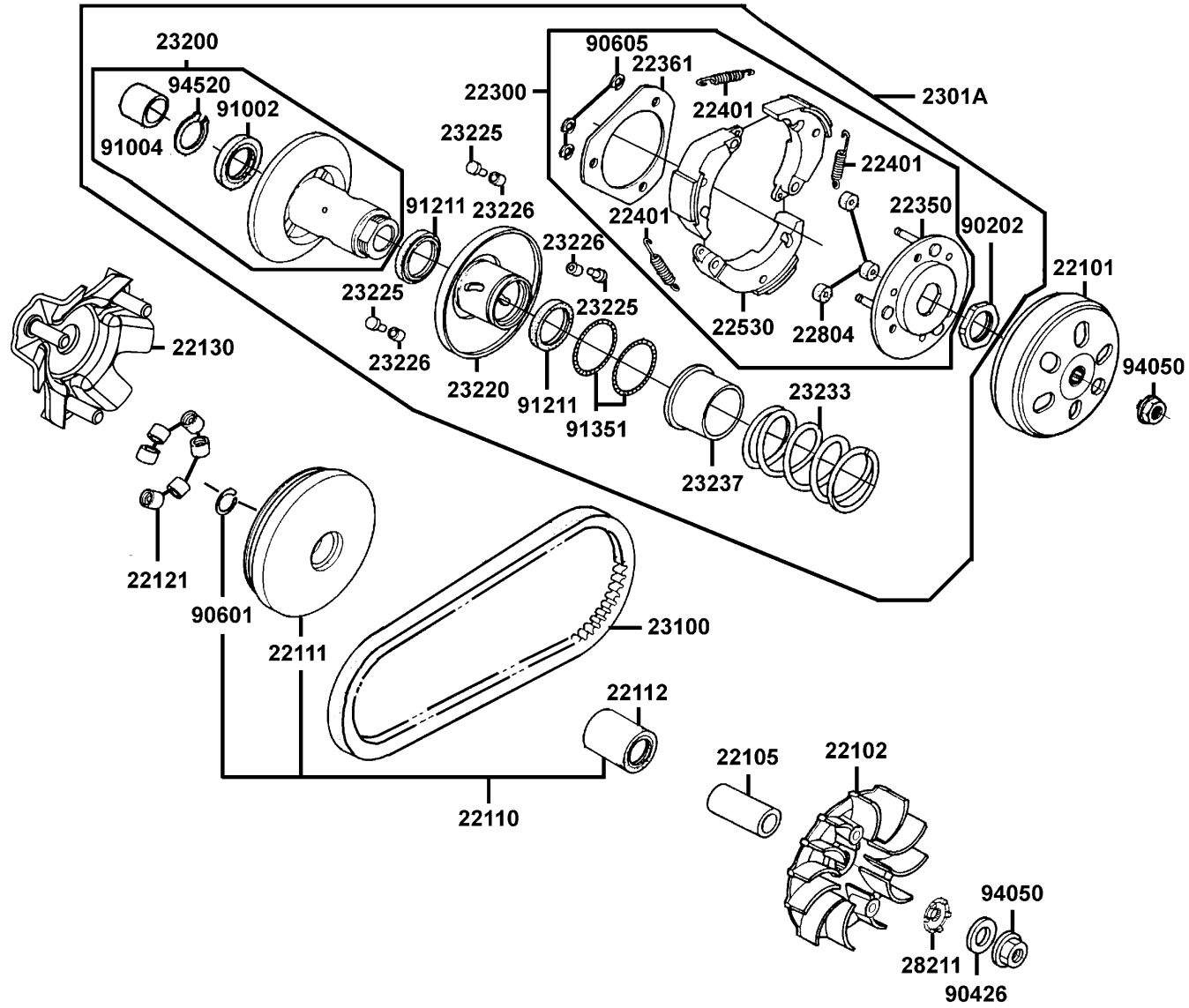
Pulley



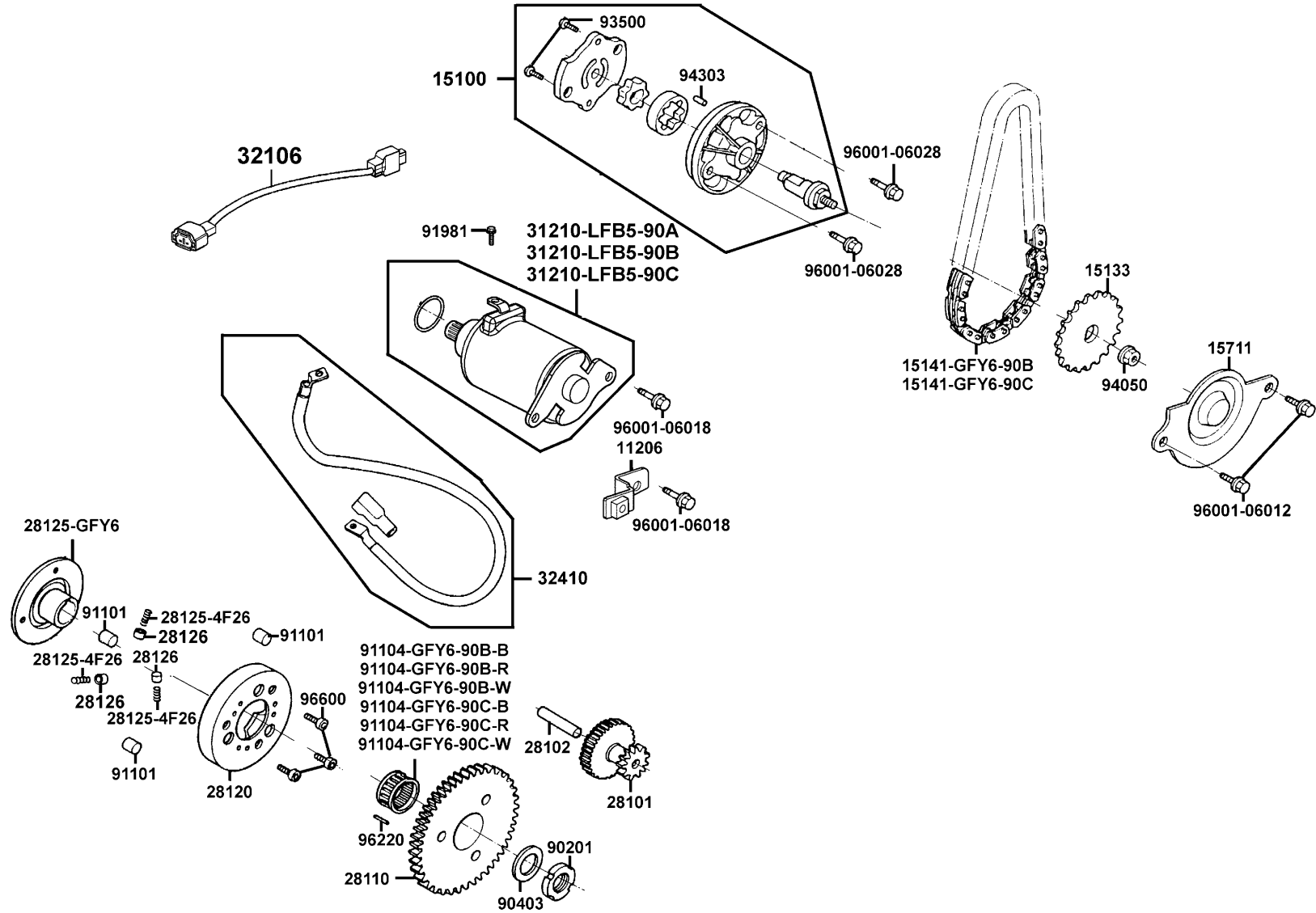
Sales mark	Ref no	Part no	Description	Reg description	Regd no	E06
	22101	22101-KEBE-900	OUTER CLUTCH	OUTER CLUTCH	1	
	22102	22102-LEB1-900	FACE DRIVE	FACE DRIVE	1	
	22105	22105-LEB2-900	BOSS,DRIVE FACE	BOSS,DRIVE FACE	1	
	22110	22110-LEB1-800	FACE COMP MOVABLE DRIVE	FACE COMP MOVABLE DRIVE	1	
	22111	22111-LEB1-800	FACE MOVABLE DRIVE	FACE MOVABLE DRIVE	1	
	22112	22112-GFY6-90A	BUSH 24*28*30	BUSH 24*28*30	1	
	22121	22121-GFY6-90A	ROLLER COMP WEIGHT	ROLLER COMP WEIGHT	6	
	22130	22130-LEB1-800	PLATE RAMP	PLATE RAMP	1	
	22300	22300-LFB6-900	PLATE ASS'Y,DRIVE	PLATE ASS'Y,DRIVE	1	
	22350	22350-KGN7-671	PLATE COMP DRIVE	PLATE COMP DRIVE	1	
	22361	22361-KGN7-671	PLATE CLUTCH SIDE	PLATE CLUTCH SIDE	1	
	22401	22401-KHD4-E00	SPRING CLUTCH	SPRING CLUTCH	3	
	22530	22530-LFB5-900	WEIGHT,CLUTCH	WEIGHT,CLUTCH	1	
	22804	22804-GBB2-001	RUBBER CLUTCH DUMPER	RUBBER CLUTCH DUMPER	3	
	2301A	2301A-LFB6-900	PULLEY SUB.ASS'Y	PULLEY SUB.ASS'Y	1	
	23100	23100-LGH5-90A	BELT DRIVE	BELT DRIVE	1	
	23200	23200-LFE2-900	FACE ASSY DRIVEN(2007.04.04-)	FACE ASSY DRIVEN(2007.04.04-)	1	
	23220	23220-GFY6-921	FACE COMP MOVABLE DRIVEN	FACE COMP MOVABLE DRIVEN	1	
	23225	23225-GHC8-004	PIN ROLLER GUIDE	PIN ROLLER GUIDE	3	
	23226	23226-GHC8-004	ROLLER GUIDE	ROLLER GUIDE	3	

E06

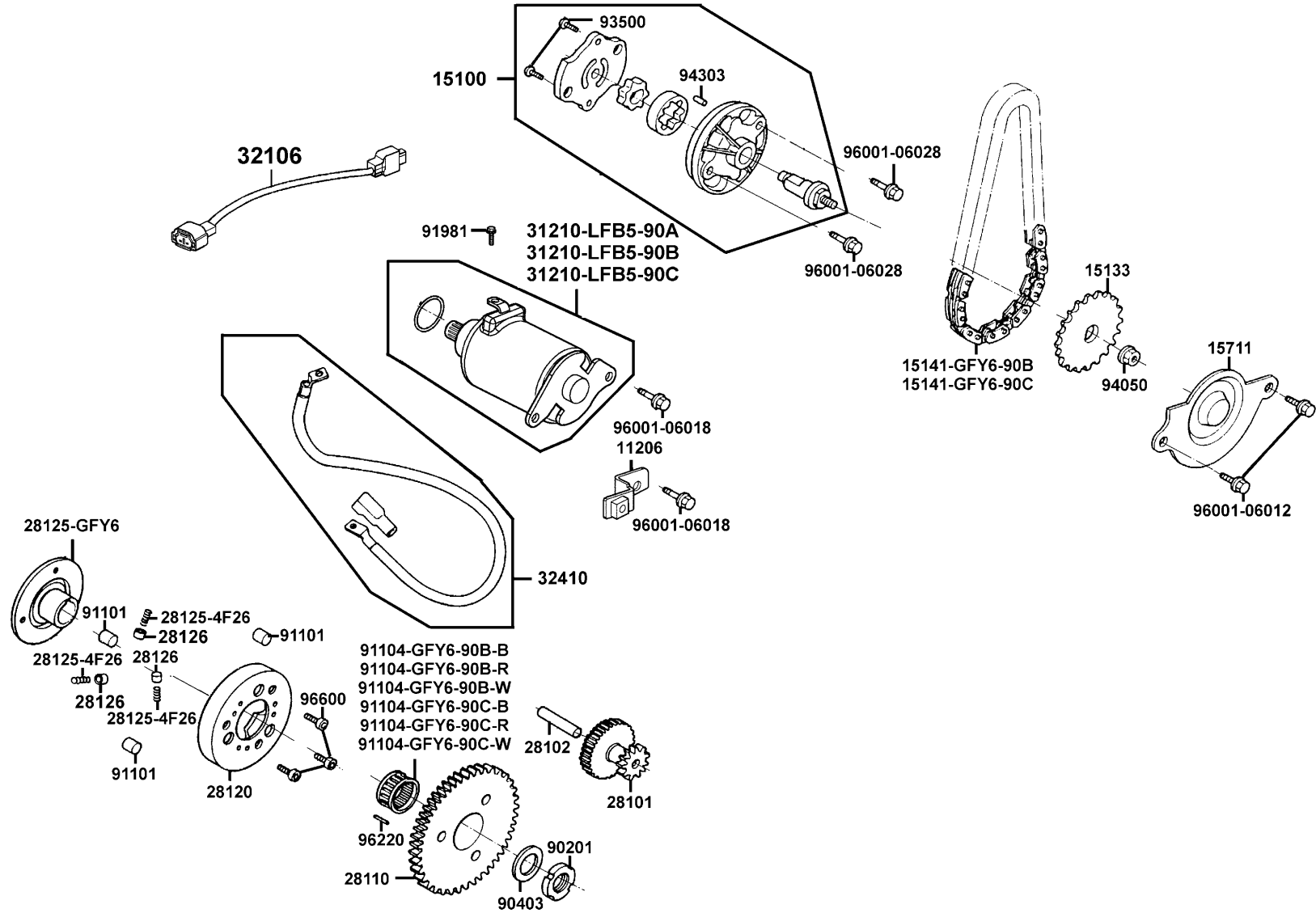
Pulley



Sales mark	Ref no	Part no	Description	Reg description	Regd no	E06
	23233	23233-LFE2-910	SPG DRIVEN FACE	SPG DRIVEN FACE	1	
	23237	23237-GFY6-941	COLLAR SEAL	COLLAR SEAL	1	
	28211	28211-KFC8-900	RATCHET KICK STARTER	RATCHET KICK STARTER	1	
	90202	90202-1G87-001	NUT SPECIAL 28MM	NUT SPECIAL 28MM	1	
	90426	90426-KNBN-901	WASHER SPECIAL 12MM	WASHER SPECIAL 12MM	1	
	90601	90601-GFY6-901	CLIP 28MM	CLIP 28MM	1	
	90605	90605-1F66-721	CIR CLIP 7MM	CIR CLIP 7MM	3	
	91002	91002-GGA7-70A	BRG BALL RADIAL 6902U	BRG BALL RADIAL 6902U	1	
	91004	91004-KHE7-900	BRG NDL 22*29*18	BRG NDL 22*29*18	1	
	91211	91211-KEBE-900	SEAL DRIVEN FACE 34*41*4	SEAL DRIVEN FACE 34*41*4	2	
	91351	91351-6B42-000	O-RING PINION CAP	O-RING PINION CAP	2	
	94050	94050-12080	NUT C FLANGE 12MM	NUT C FLANGE 12MM	2	
	94520	94520-28000	CIR CLIP IN 28	CIR CLIP IN 28	1	



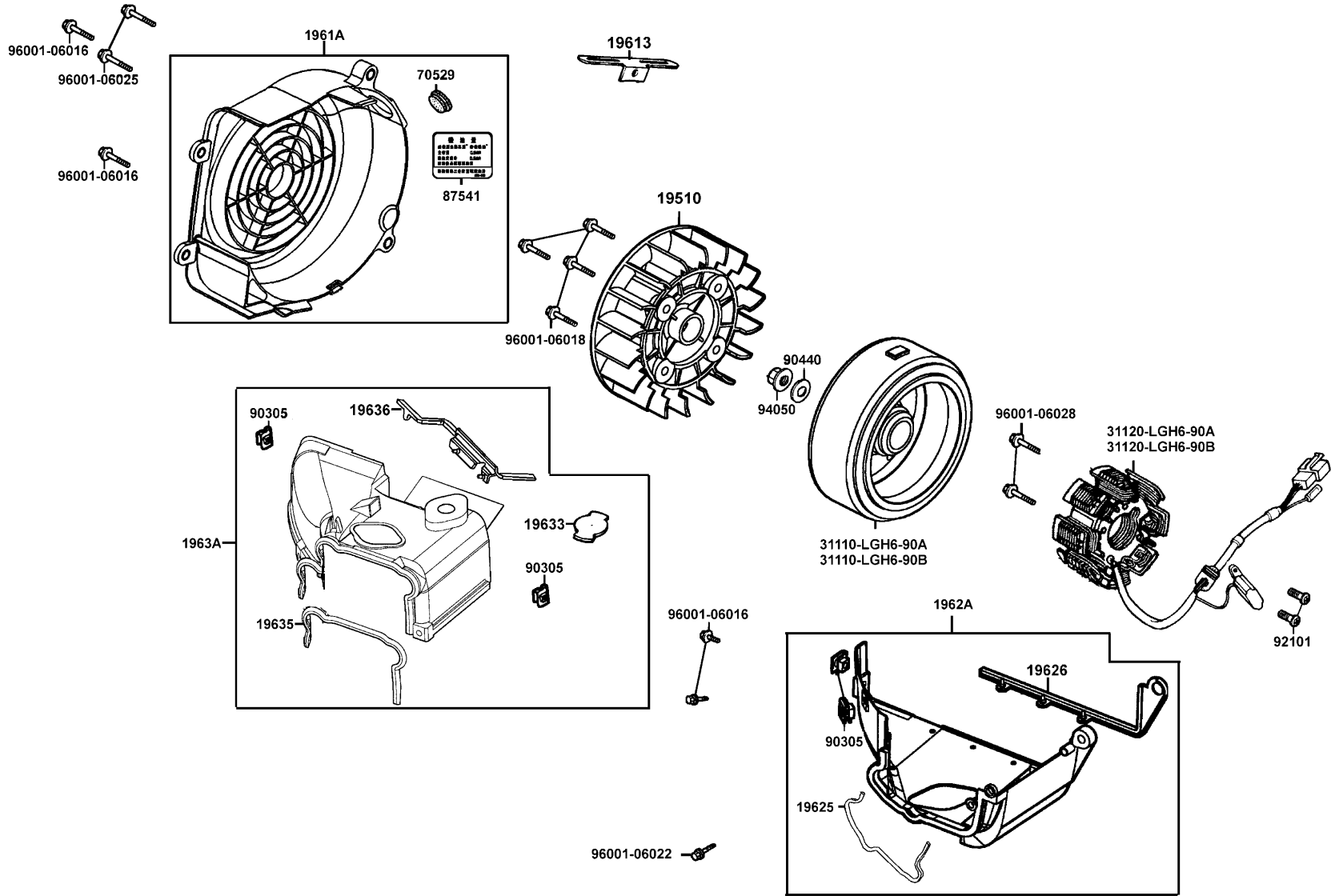
Sales mark	Ref no	Part no	Description	Reg description	Regd no	E07
	11206	11206-LFB5-900	STAY A RR FENDER	STAY A RR FENDER	1	
	15100	15100-KFB7-900	PUMP ASSY OIL	PUMP ASSY OIL	1	
	15133	15133-GFY6-901	SPROCKET OIL PUMP DRIVE	SPROCKET OIL PUMP DRIVE	1	
	15141-GFY6-90B	15141-GFY6-90B	CHAIN OIL PUMP	CHAIN OIL PUMP	1	
	15141-GFY6-90C	15141-GFY6-90C	CHAIN OIL PUMP	CHAIN OIL PUMP	1	
	15711	15711-GFY6-901	SEPARATER OIL	SEPARATER OIL	1	
	28101	28101-GFY6-200	GEAR STARTER REDUCTION	GEAR STARTER REDUCTION	1	
	28102	28102-GFY6-901	SHAFT STARTER REDUCTION GEAR	SHAFT STARTER REDUCTION GEAR	1	
	28110	28110-LEB1-900	GEAR COMP STARTING CLUTCH	GEAR COMP STARTING CLUTCH	1	
	28120	28120-GFY6-315	OUTER COMP STARTING CLUTCH	OUTER COMP STARTING CLUTCH	1	
	28125-4F26	28125-4F26-001	SPRING ROLLER STARTER CLUTCH	SPRING ROLLER STARTER CLUTCH	3	
	28125-GFY6	28125-GFY6-960	FLANGE STARTING CLUTCH	FLANGE STARTING CLUTCH	1	
	28126	28126-KUDU-900	CAP STARTING ROLLER SPRING	CAP STARTING ROLLER SPRING	3	
	31210-LFB5-90A	31210-LFB5-90A	MOTOR UNIT START	MOTOR UNIT START	1	
	31210-LFB5-90B	31210-LFB5-90B	MOTOR UNIT START	MOTOR UNIT START	1	
	31210-LFB5-90C	31210-LFB5-90C	MOTOR UNIT START	MOTOR UNIT START	1	
	32106	32106-KKE3-900	SUB HARNESS A	SUB HARNESS A	1	
	32410	32410-LEB1-900	CABLE START MOTOR	CABLE START MOTOR	1	
	90201	90201-GFY6-901	NUT LOCK 22MM	NUT LOCK 22MM	1	
	90403	90403-GFY6-901	WASHER THRUST 22. 2*31*2.5	WASHER THRUST 22. 2*31*2.5	1	



Sales mark	Ref no	Part no	Description	Reg description	Regd no	E07
	91101	91101-1K79-711	ROLLER 10*10	ROLLER 10*10	3	
	91104-GFY6-90B-B	91104-GFY6-90B-B	BRG NEEDLE 28*32*17	BRG NEEDLE 28*32*17	1	
	91104-GFY6-90B-R	91104-GFY6-90B-R	BRG NEEDLE 28*32*17	BRG NEEDLE 28*32*17	1	
	91104-GFY6-90B-W	91104-GFY6-90B-W	BRG NEEDLE 28*32*17	BRG NEEDLE 28*32*17	1	
	91104-GFY6-90C-B	91104-GFY6-90C-B	BRG NEEDLE 28*32*17	BRG NEEDLE 28*32*17	1	
	91104-GFY6-90C-R	91104-GFY6-90C-R	BRG NEEDLE 28*32*17	BRG NEEDLE 28*32*17	1	
	91104-GFY6-90C-W	91104-GFY6-90C-W	BRG NEEDLE 28*32*17	BRG NEEDLE 28*32*17	1	
	91981	91981-KGN7-670	SCREW WASH 5X8	SCREW WASH 5X8	1	
	93500	93500-03010-1A	SCREW PAN 3*10	SCREW PAN 3*10	1	
	94050	94050-06080	NUT FLANGE 6MM	NUT FLANGE 6MM	1	
	94303	94303-04065	PIN DOWEL 4*6.5	PIN DOWEL 4*6.5	1	
	96001-06012	96001-06012-08	BOLT FLANGE 6*12	BOLT FLANGE 6*12	2	
	96001-06018	96001-06018-08	BOLT FLANGE SH 6*18	BOLT FLANGE SH 6*18	2	
	96001-06028	96001-06028-08	BOLT FLANGE SH 6*28	BOLT FLANGE SH 6*28	2	
	96220	96220-60100	ROLLER 6*10	ROLLER 6*10	1	
	96600	96600-08010-10	SOCKET BOLT 8*10	SOCKET BOLT 8*10	3	

E08

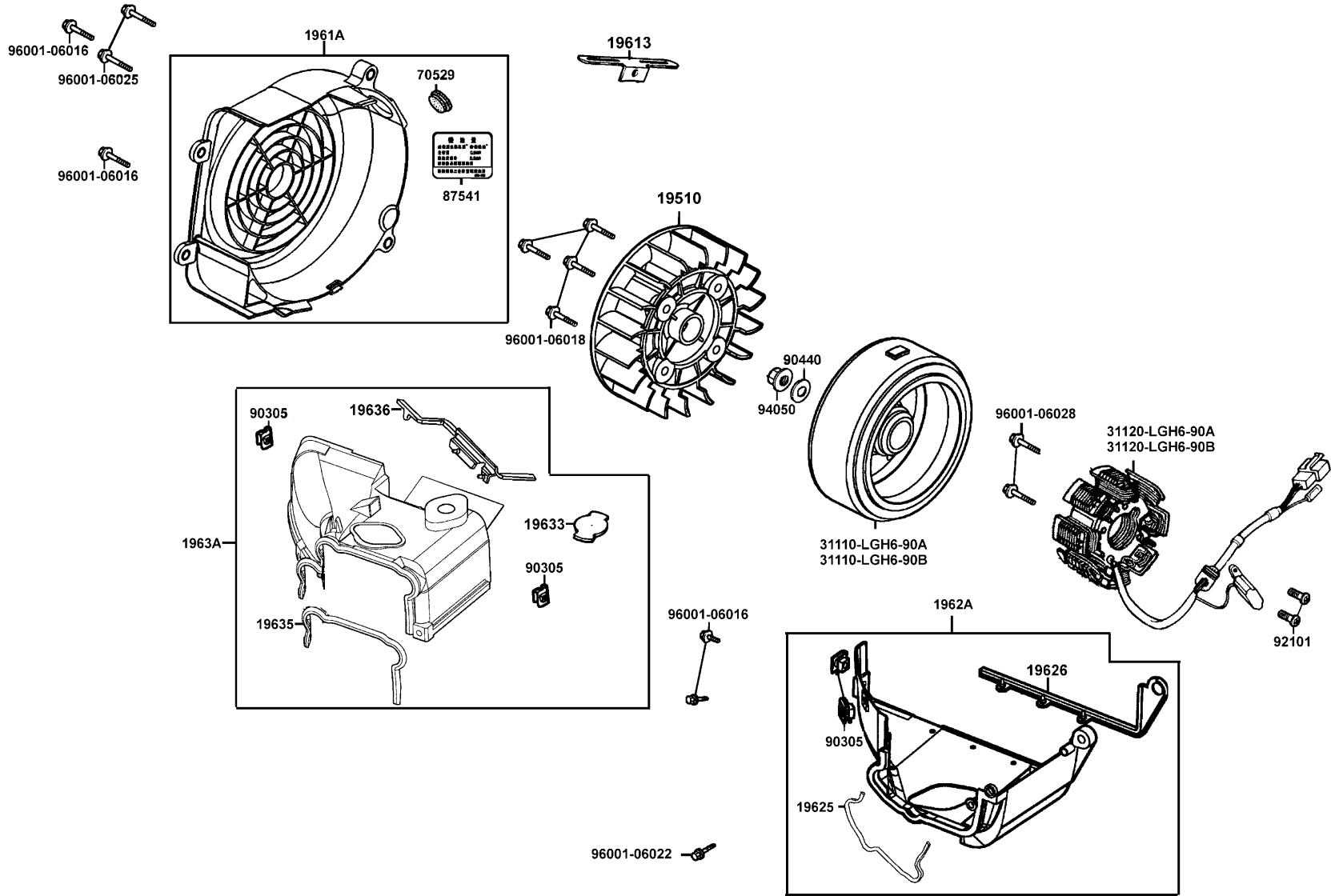
Fan cover Generator



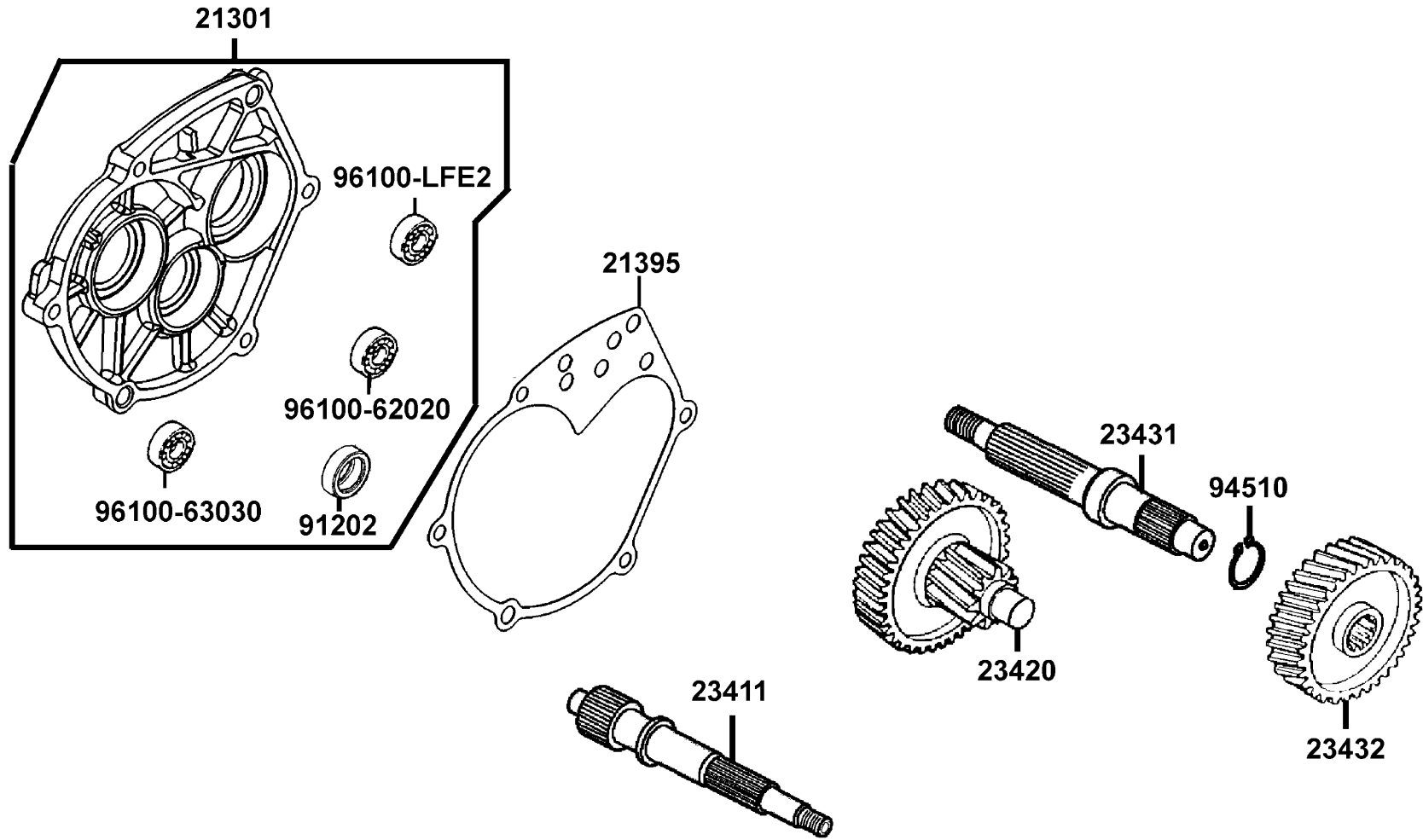
Sales mark	Ref no	Part no	Description	Reg description	Regd no	E08
**	19510	19510-LEB1-900	FAN COMP COOLING	FAN COMP COOLING	1	
	19613	19613-GFY6-901	CLAMPER STARTER MOTOR	CLAMPER STARTER MOTOR	1	
	1961A	1961A-LGH6-E00	COVER ASS'Y,FAN	COVER ASS'Y,FAN	1	
	19625	19625-LEB1-900	SEAL SHROUD A	SEAL SHROUD A	1	
	19626	19626-LEB1-900	SEAL SHROUD A	SEAL SHROUD A	1	
	1962A	1962A-LEB2-900	SHROUD ASSY A	SHROUD ASSY A	1	
	19633	19633-GFY6-901	GROMET SHROUD B	GROMET SHROUD B	1	
	19635	19635-LEB1-900	SEAL SHROUD B	SEAL SHROUD B	1	
	19636	19636-LEB1-900	SEAL SHROUD B	SEAL SHROUD B	1	
	1963A	1963A-LGH6-900	SHROUD ASS'Y,B	SHROUD ASS'Y,B	1	
	31110-LGH6-90A	31110-LGH6-90A	FLYWHEEL COMP.	FLYWHEEL COMP.	1	
	31110-LGH6-90B	31110-LGH6-90B	FLYWHEEL COMP	FLYWHEEL COMP	1	
	31120-LGH6-90A	31120-LGH6-90A	STATOR COMP.	STATOR COMP.	1	
	31120-LGH6-90B	31120-LGH6-90B	STATOR COMP	STATOR COMP	1	
	70529	70529-6G57-671	GROM B SIDE PNL	GROM B SIDE PNL	1	
	**	87541	87541-KUDU-900	LABEL OIL CAP	1	
	90305	90305-GHK8-001	NUT CLIP 6MM	NUT CLIP 6MM	3	
	90440	90440-1F66-001	WASHER PLAIN 12MM	WASHER PLAIN 12MM	1	
	92101	92101-05012-0H	BOLT HEX 5*12	BOLT HEX 5*12	2	
	94050	94050-12080	NUT C FLANGE 12MM	NUT C FLANGE 12MM	1	

E08

Fan cover Generator



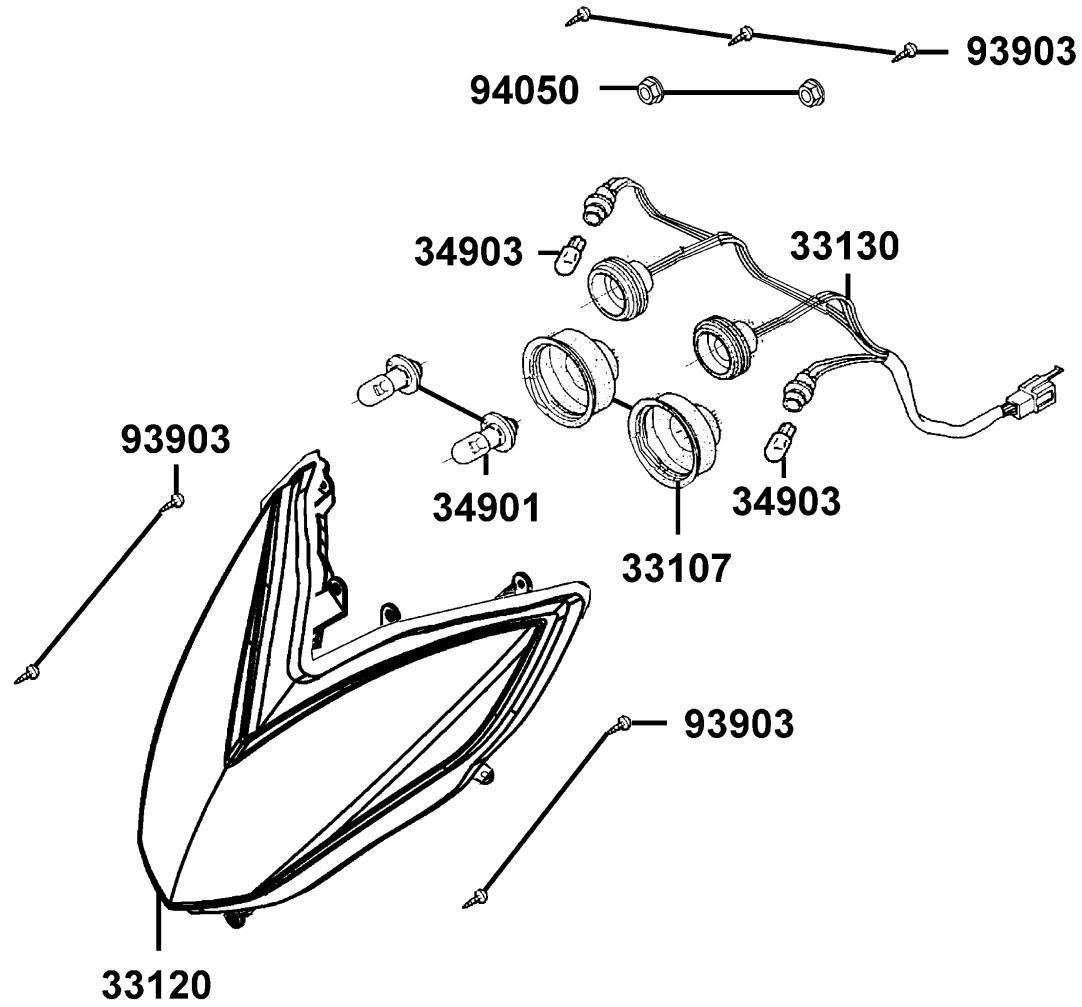
Sales mark	Ref no	Part no	Description	Reg description	Regd no	E08
	96001-06016	96001-06016-08	BOLT FLANGE SH 6*16	BOLT FLANGE SH 6*16	4	
	96001-06018	96001-06018-08	BOLT FLANGE SH 6*18	BOLT FLANGE SH 6*18	4	
	96001-06022	96001-06022-08	BOLT FLANGE SH 6*22	BOLT FLANGE SH 6*22	1	
	96001-06025	96001-06025-08	BOLT FLANGE SH 6*25	BOLT FLANGE SH 6*25	2	
	96001-06028	96001-06028-08	BOLT FLANGE SH 6*28	BOLT FLANGE SH 6*28	2	



Sales mark	Ref no	Part no	Description	Reg description	Regd no	E09
	21301	21301-LFB5-305	COVER MISSION(2007.04.04)	COVER MISSION(2007.04.04)	1	
	21395	21395-LFB5-900	GASKET MISSION CASE	GASKET MISSION CASE	1	
	23411	23411-LFB5-900	SHAFT DRIVE(2007.04.03)	SHAFT DRIVE(2007.04.03)	1	
	23420	23420-LGH5-900	SHAFT COMP COUNTER	SHAFT COMP COUNTER	1	
	23431	23431-LFB5-900	SHAFT FINAL	SHAFT FINAL	1	
	23432	23432-LGH5-900	GEAR FINAL	GEAR FINAL	1	
	91202	91202-LFE2-90A	OIL SEAL 22*32*5	OIL SEAL 22*32*5	1	
	94510	94510-20000	CIR CLIP EX 20	CIR CLIP EX 20	1	
	96100-62020	96100-62020-00	BEARING BALL RADIAL 6202	BEARING BALL RADIAL 6202	1	
	96100-63030	96100-63030-00	BEARING BALL RADIAL 6303	BEARING BALL RADIAL 6303	1	
	96100-LFE2	96100-LFE2-900	BRG BALL RADIAL TMB2/22CC4	BRG BALL RADIAL TMB2/22CC4	1	

F01

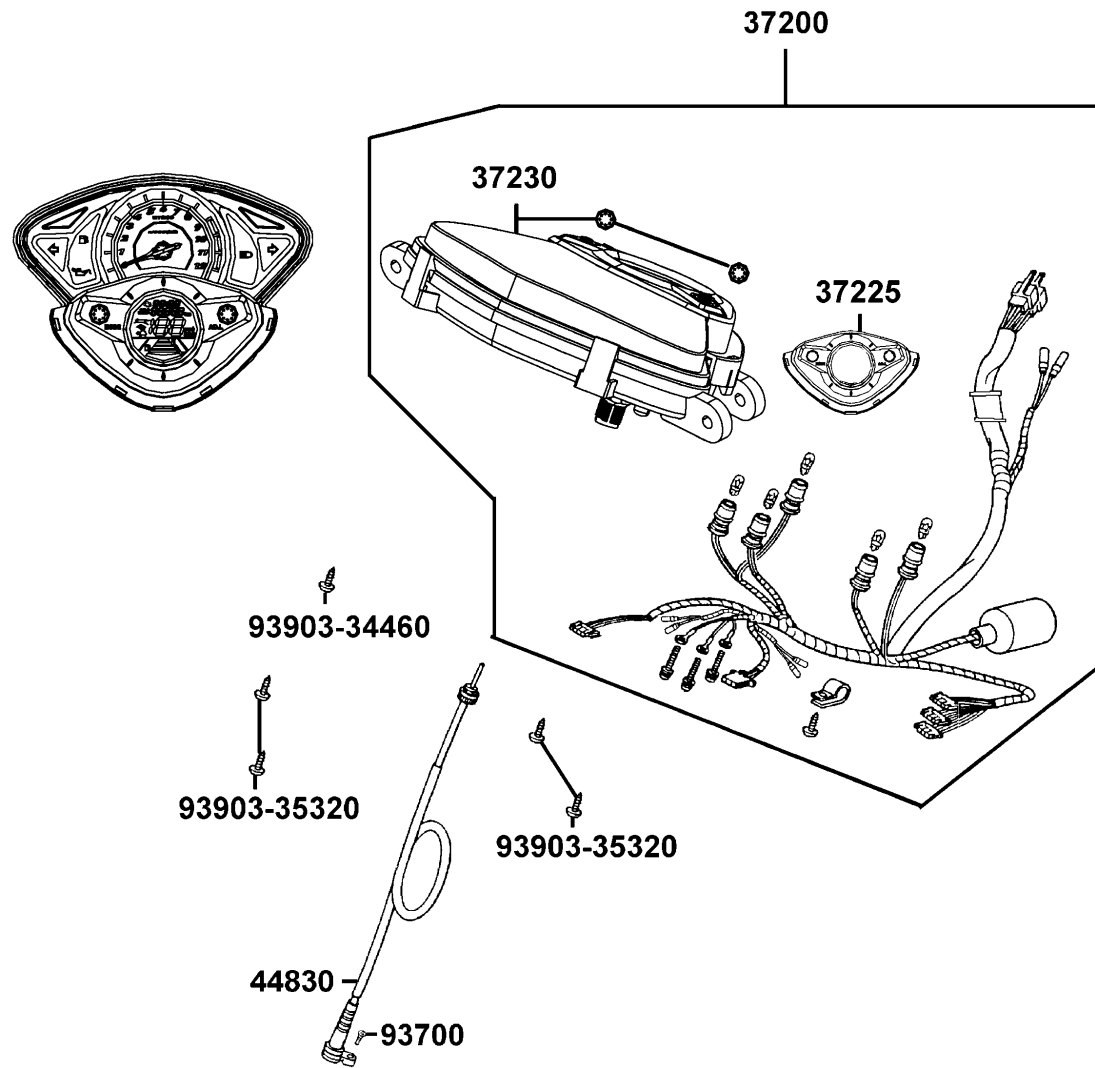
Head Light



Sales mark	Ref no	Part no	Description	Reg description	Regd no	F01
	33107	33107-KKC4-E00	COVER RUBBER	COVER RUBBER	1	
	33120	33120-LGH6-900	COMB HEAD LIGHT	COMB HEAD LIGHT	1	
	33130	33130-LFB5-900	SOCKET COMP	SOCKET COMP	1	
	34901	34901-KFA6-900	BULB HEAD LIGHT	BULB HEAD LIGHT	2	
	34903	34903-KPCP-900	BULB POSITION	BULB POSITION	2	
	93903	93903-35360	SCREW TAPPING 5*16	SCREW TAPPING 5*16	7	
	94050	94050-06060	NUT FLANGE 6MM	NUT FLANGE 6MM	2	

F02

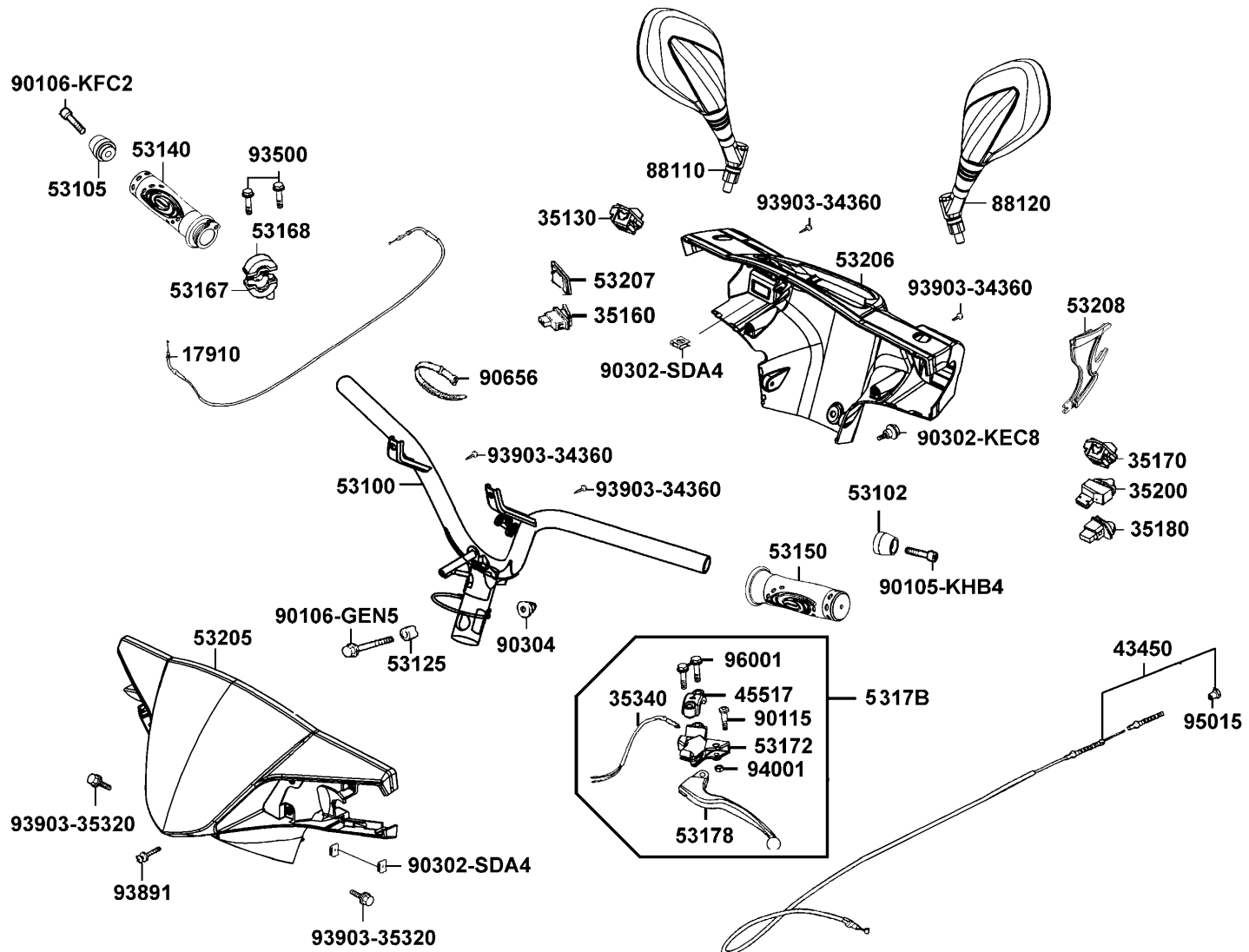
Speedometer



Sales mark	Ref no	Part no	Description	Reg description	Regd no	F02
	37200	37200-LGH6-B20	METER ASSY SPEED	METER ASSY SPEED	1	
	37225	37225-LFB5-90B	METER SPEED DECORATION COVER	METER SPEED DECORATION COVER	1	
	37230	37230-LFB5-90B	LENS ASSY	LENS ASSY	1	
	44830	44830-KXCX-901	CABLE COMP SPDMT	CABLE COMP SPDMT	1	
	93700	93700-05018-0H	SCREW OVAL 5*18	SCREW OVAL 5*18	1	
	93903-34460	93903-34460	SCREW TAPPING 4*16	SCREW TAPPING 4*16	1	
	93903-35320	93903-35320	SCREW TAPPING 5*16	SCREW TAPPING 5*16	4	

F03

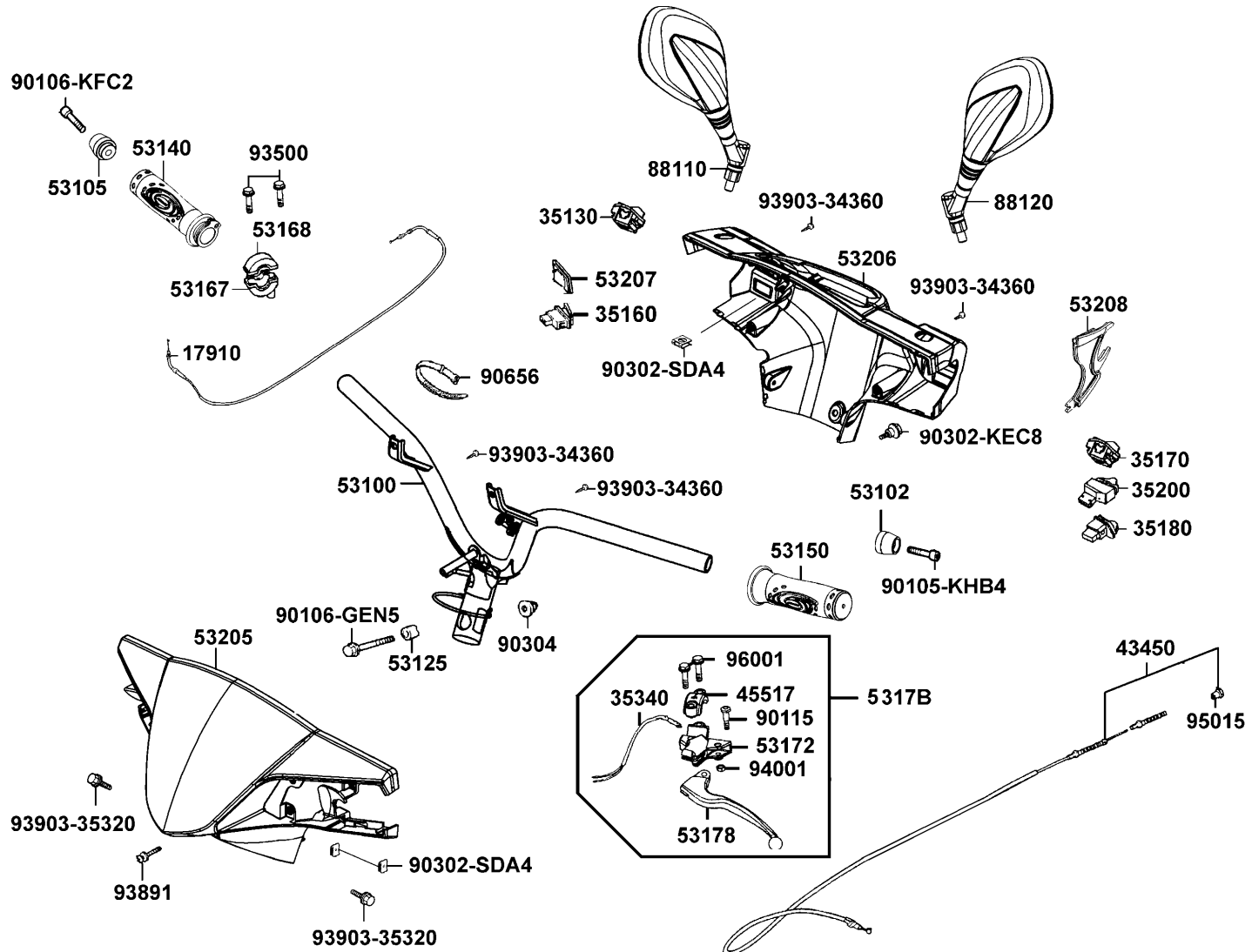
Handle Steering Handle Cover



Sales mark	Ref no	Part no	Description	Reg description	Regd no	F03
#	17910	17910-KKE3-900	CABLE COMP THROT	CABLE COMP THROT	1	
	35130	35130-KXCX-M00	SW UNIT KILL	SW UNIT KILL	1	
	35160	35160-GFY6-900	SW UNIT STARTER	SW UNIT STARTER	1	
	35170	35170-KNBN-910	SW UNIT DIMMER	SW UNIT DIMMER	1	
	35180	35180-GFY6-900	SW UNIT HORN	SW UNIT HORN	1	
	35200	35200-GFY6-910	SW UNIT WINKER	SW UNIT WINKER	1	
	35340	35340-KFLF-900	SW ASSY FR STOP	SW ASSY FR STOP	1	
	43450	43450-LFB5-800	"CABLE COMP ,RR BRAKE"	"CABLE COMP ,RR BRAKE"	1	
	45517	45517-LFB5-800	"HOLDER HNDL., BRKT."	"HOLDER HNDL., BRKT."	1	
	53100	53100-LGH6-900	HANDLE COMP.,STRG.	HANDLE COMP.,STRG.	1	
**	53102	53102-KEC8-900	END R STRG HANDLE	END R STRG HANDLE	1	
**	53105	53105-LBB5-E00	END R STRG HANDLE	END R STRG HANDLE	1	
	53125	53125-GEN5-901	COLLAR HANDLE SET	COLLAR HANDLE SET	1	
**	53140	53140-LFB6-800	GRIP COMP THROT	GRIP COMP THROT	1	
**	53150	53150-LEA6-900	GRIP COMP.,L HANDLE	GRIP COMP.,L HANDLE	1	
	53167	53167-KFA1-900	HOUSING UND THROT	HOUSING UND THROT	1	
	53168	53168-KFA1-900	HOUSING UP THROT	HOUSING UP THROT	1	
	53172	53172-KTCT-900	BRKT HANDLE L	BRKT HANDLE L	1	
**	53178	53178-LCD1-E00	LEVER STEERING HANDLE	LEVER STEERING HANDLE	1	
	5317B	5317B-LFB5-900	"BRKT. ASSY , HNDL LH"	"BRKT. ASSY , HNDL LH"	1	

F03

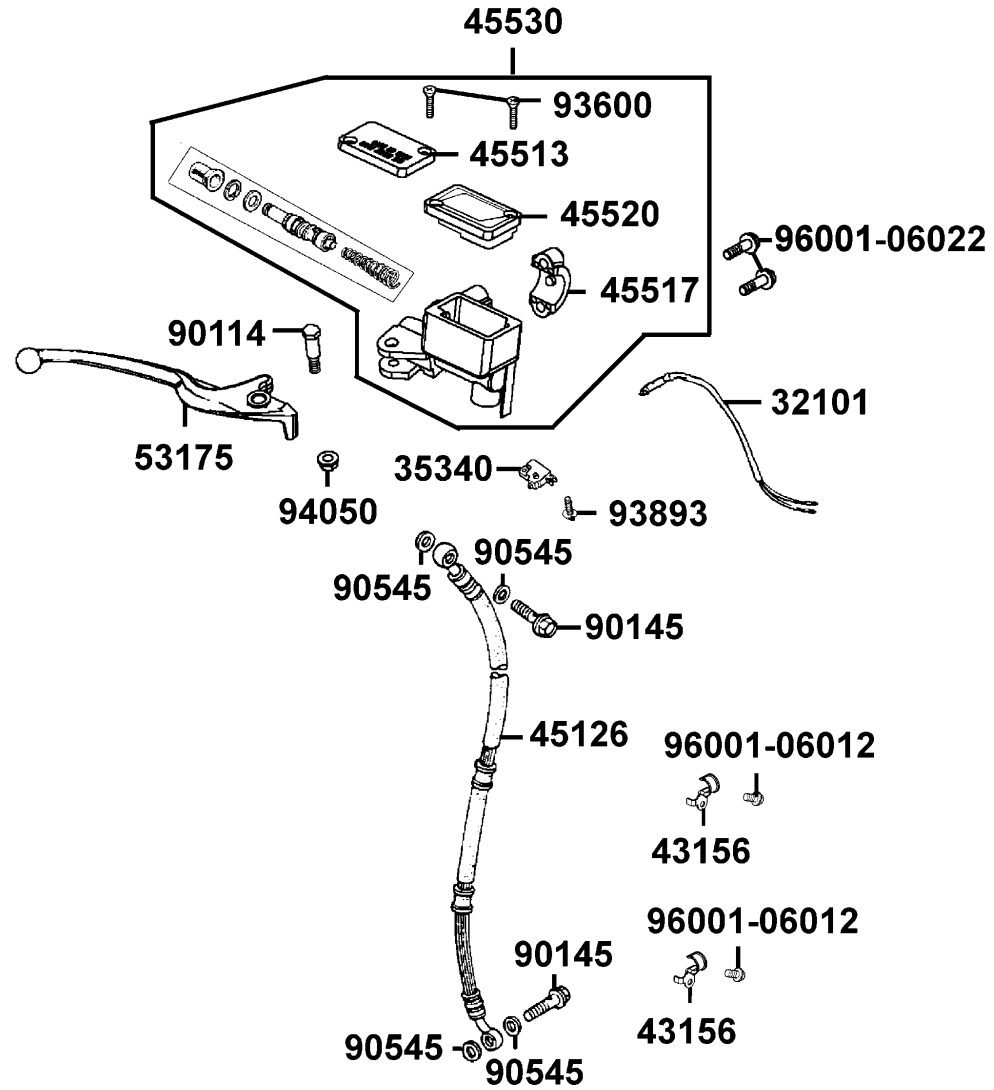
Handle Steering Handle Cover



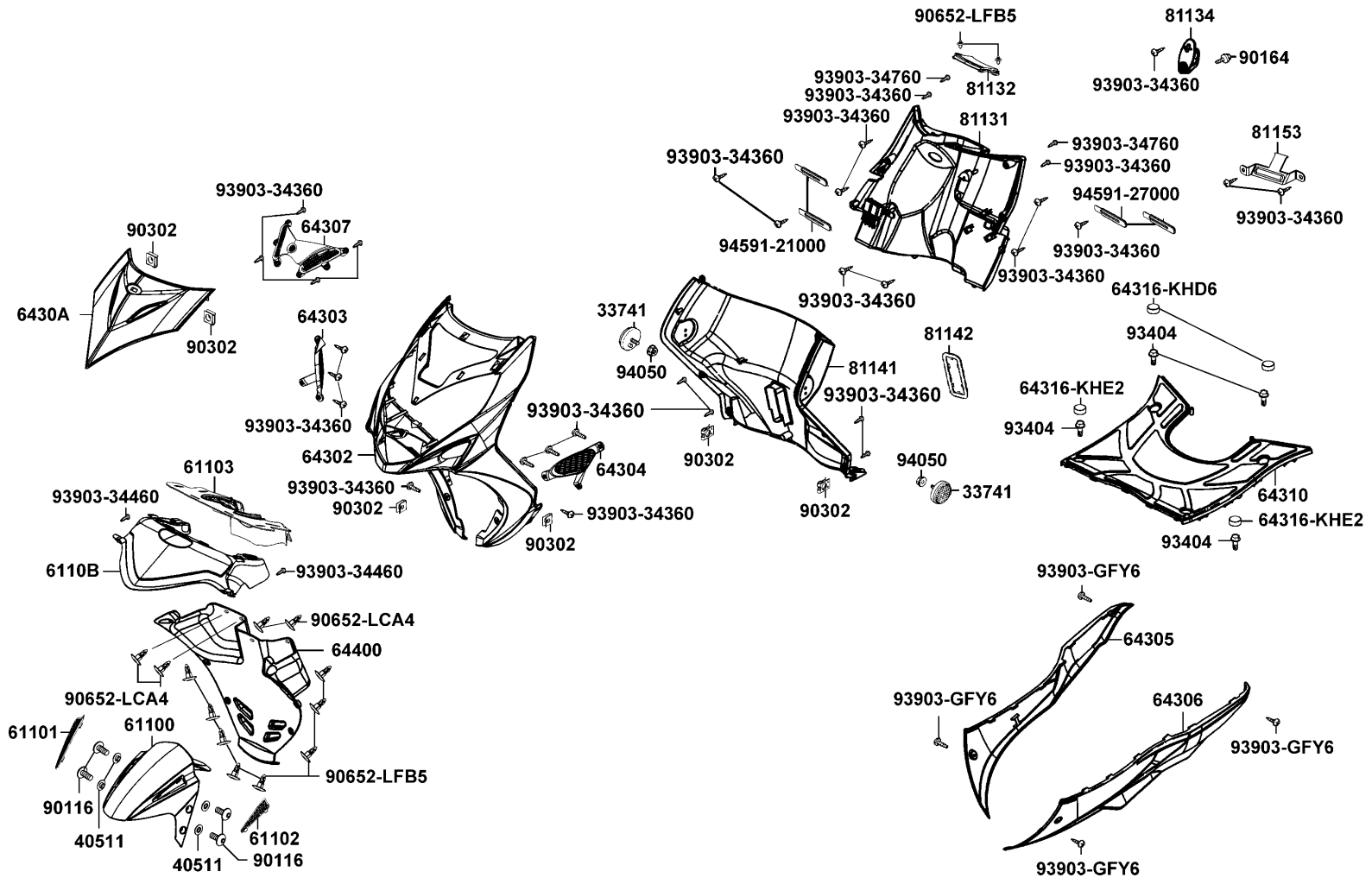
Sales mark	Ref no	Part no	Description	Reg description	Regd no	F03
**	53205	53205-LFB5-900	COVER FR HANDLE	COVER FR HANDLE	1	
**	53206	53206-LFB5-900	COVER HANDLE RR	COVER HANDLE RR	1	
**	53208	53208-LFB5-900	COVER L WINKER	COVER L WINKER	1	
**	88110	88110-LFB5-900	MIRROR ASSY R BACK	MIRROR ASSY R BACK	1	
**	88120	88120-LFB5-900	MIRROR ASSY L BACK	MIRROR ASSY L BACK	1	
	90105-KHB4	90105-KHB4-900	BOLT WASH M8*60	BOLT WASH M8*60	1	
	90106-GEN5	90106-GEN5-901	BOLT FLANGE 10*50	BOLT FLANGE 10*50	1	
	90106-KFC2	90106-KFC2-900	BOLT WASH 8MM	BOLT WASH 8MM	1	
	90115	90115-GLE0-001	BOLT HNDL LEVER PIVOT	BOLT HNDL LEVER PIVOT	1	
	90302-KEC8	90302-KEC8-900	BOLT PAN 5*9	BOLT PAN 5*9	1	
	90302-SDA4	90302-SDA4-004	NUT SPRING 4MM	NUT SPRING 4MM	3	
	90304	90304-GHE8-004	NUT U 10MM	NUT U 10MM	1	
	90656	90656-KCBC-900	BAND OIL HOSE	BAND OIL HOSE	1	
	93500	93500-05022-06	SCREW PAN 5*22	SCREW PAN 5*22	2	
	93891	93891-05025-06	SCREW WASH 5*25	SCREW WASH 5*25	1	
	93903-34360	93903-34360	SCREW TAPPING 4*12	SCREW TAPPING 4*12	4	
	93903-35320	93903-35320	SCREW TAPPING 5*16	SCREW TAPPING 5*16	2	
	94001	94001-05080-0S	NUT HEX 5MM	NUT HEX 5MM	1	
	95015	95015-LEB1-900	NUT B ADJUST	NUT B ADJUST	1	
	96001	96001-06025-06	BOLT FLANGE 6*25	BOLT FLANGE 6*25	2	

F04

Brake Master Cylinder



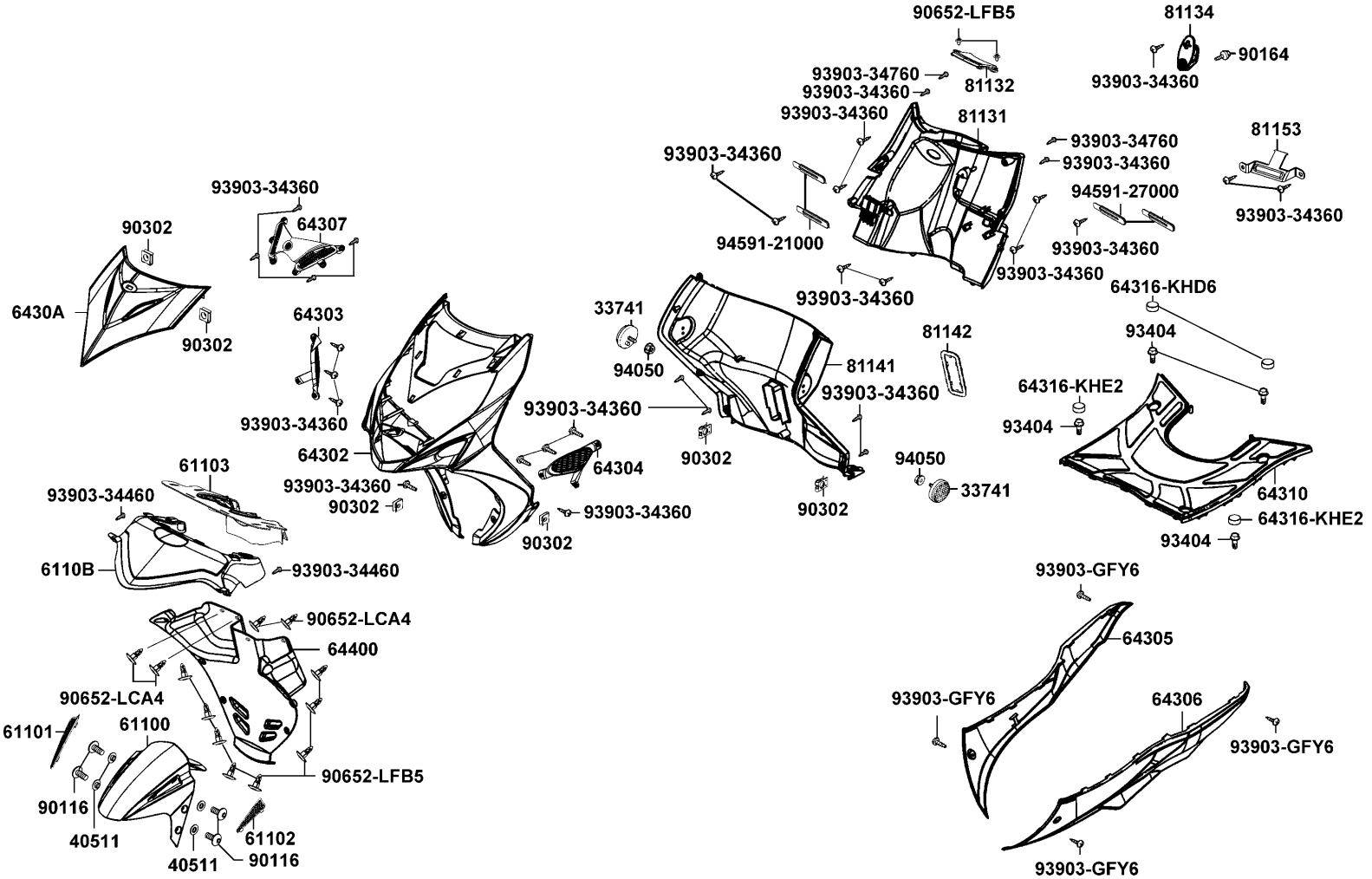
Sales mark	Ref no	Part no	Description	Reg description	Regd no	F04
	32101	32101-GFY6-901	SUB CORD R/H	SUB CORD R/H	1	
	35340	35340-KNBN-901	SW ASSY FR STOP	SW ASSY FR STOP	1	
	43156	43156-LFB5-900	CLAMPER ,METER CABLE	CLAMPER ,METER CABLE	2	
	45126	45126-LFB5-900	HOSE ASSY FR BRK	HOSE ASSY FR BRK	1	
	45513	45513-GLW0-91A	CAP MASTER CYLINDER	CAP MASTER CYLINDER	1	
	45517	45517-KFAF-910	HOLDER M/C	HOLDER M/C	1	
	45520	45520-GLW0-91A	DIAPHRAGM	DIAPHRAGM	1	
	45530	45530-LFB5-305	CYLINDER SET MASTER	CYLINDER SET MASTER	1	
**	53175	53175-KFA5-E10	LEVER R STRG HANDLE	LEVER R STRG HANDLE	1	
	90114	90114-1F66-007	BOLT HANDLE LEVER	BOLT HANDLE LEVER	1	
	90145	90145-MKS9-61A	OIL BOLT 10*22	OIL BOLT 10*22	2	
	90545	90545-3L00-001	WASHER OIL BOLT	WASHER OIL BOLT	4	
	93600	93600-04012-1G	SCREW FLAT 4*12	SCREW FLAT 4*12	2	
	93893	93893-04012-18	SCREW WASHER 4*12	SCREW WASHER 4*12	1	
	94050	94050-06060	NUT FLANGE 6MM	NUT FLANGE 6MM	1	
	96001-06012	96001-06012-06	BOLT FLANGE SH 6*12	BOLT FLANGE SH 6*12	2	
	96001-06022	96001-06022-06	BOLT FLANGE 6*20	BOLT FLANGE 6*20	2	



Sales mark	Ref no	Part no	Description	Reg description	Regd no	F05
	33741	33741-GFY6-C30	REFLEX REFLECTOR	REFLEX REFLECTOR	2	
	40511	40511-LEC8-E00	COLLAR	COLLAR	4	
**	61100	61100-LFB5-900	FENDER FR INNER	FENDER FR INNER	1	
**	61101	61101-LFB5-900	"GRILLE,R FENDER TIRE, FR. "	"GRILLE,R FENDER TIRE, FR. "	1	
**	61102	61102-LFB5-900	"GRILLE,L FENDER TIRE, FR. "	"GRILLE,L FENDER TIRE, FR. "	1	
	61103	61103-LFB5-900	"RUBBER,FENDER FR."	"RUBBER,FENDER FR."	1	
**	64302	64302-LFB5-900	MOLD FR	MOLD FR	1	
**	64303	64303-LFB5-900	"GRILLE,R FR. MOLDING"	"GRILLE,R FR. MOLDING"	1	
**	64304	64304-LFB5-900	"GRILLE,L FR. MOLDING"	"GRILLE,L FR. MOLDING"	1	
**	64305	64305-LFB5-900	SKIRT R SIDE	SKIRT R SIDE	1	
**	64306	64306-LFB5-900	SKIRT L SIDE	SKIRT L SIDE	1	
**	64307	64307-LFB5-900	"GRILLER,COVER , FR."	"GRILLER,COVER , FR."	1	
**	6430A	6430A-LFB5-900	COVER FR TOP	COVER FR TOP	1	
**	64310	64310-LFB5-900	FLOOR PANEL	FLOOR PANEL	1	
**	64316-KHD6	64316-KHD6-900	PLUG FLOOR	PLUG FLOOR	2	
**	64316-KHE2	64316-KHE2-900	PLUG FLOOR	PLUG FLOOR	2	
**	64400	64400-LFB5-900	"COWL, UNDER"	"COWL, UNDER"	1	
**	81131	81131-LFB5-900	LEG SHIELD UP	LEG SHIELD UP	1	
**	81132	81132-LFB5-900	CAP LEG SHIELD UP	CAP LEG SHIELD UP	1	
**	81141	81141-LFB5-900	LEG SHIELD LOW	LEG SHIELD LOW	1	

F05

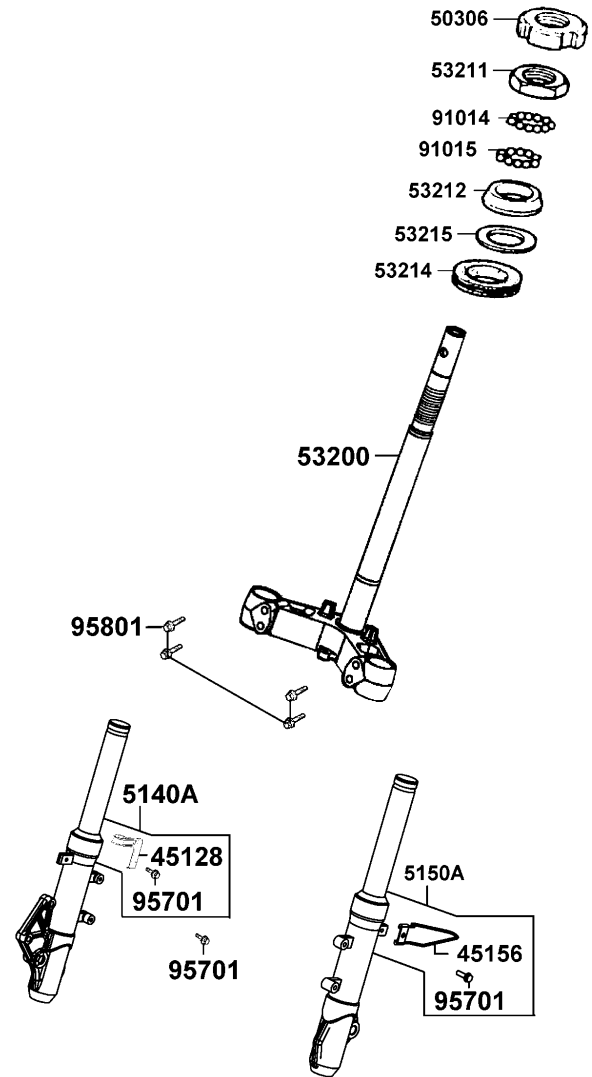
Front Cover Floor Panet



Sales mark	Ref no	Part no	Description	Reg description	Regd no	F05
**	81142	81142-KUDU-900	LID LEG SHIELD	LID LEG SHIELD	1	
	81153	81153-LFB6-900	STAY, RELAY	STAY, RELAY	1	
	90116	90116-KED9-900	SCREW PAN 6*24	SCREW PAN 6*24	4	
	90164	90164-MDR4-901	SCREW SPECIAL 6MM	SCREW SPECIAL 6MM	1	
	90302	90302-SDA4-004	NUT SPRING 4MM	NUT SPRING 4MM	6	
	90652-LCA4	90652-LCA4-E00	CLIP MUDGUARD	CLIP MUDGUARD	4	
	90652-LFB5	90652-LFB5-900	CLIP MUDGUARD	CLIP MUDGUARD	10	
	93404	93404-06030-06	BOLT WASHER 6*30	BOLT WASHER 6*30	4	
	93903-34360	93903-34360	SCREW TAPPING 4*12	SCREW TAPPING 4*12	31	
	93903-34460	93903-34460	SCREW TAPPING 4*16	SCREW TAPPING 4*16	2	
	93903-34760	93903-34760	SCREW TAPPING 4*30	SCREW TAPPING 4*30	2	
	93903-GFY6	93903-GFY6-900	SCREW TAPPING 4*14	SCREW TAPPING 4*14	4	
	94050	94050-06080	NUT FLANGE 6MM	NUT FLANGE 6MM	2	
	94591-21000	94591-21000	CLIP 2*100	CLIP 2*100	2	
	94591-27000	94591-27000	CLIP 2*70	CLIP 2*70	2	

F06

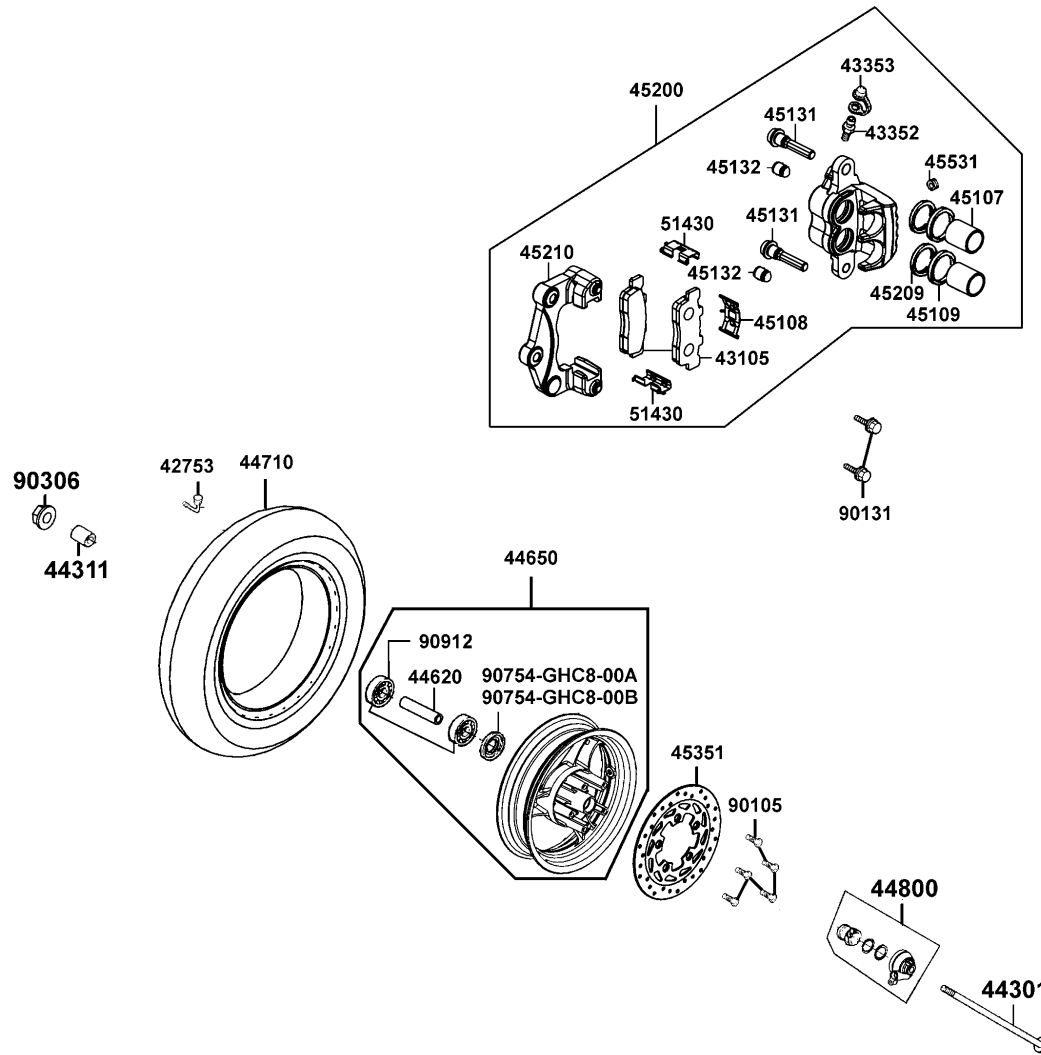
Front Cushion



Sales mark	Ref no	Part no	Description	Reg description	Regd no	F06
	45128	45128-KEBE-900	CLAMPER FR BRAKE HOSE	CLAMPER FR BRAKE HOSE	1	
	45156	45156-KEC6-900	CLAMPER RR BRAKE HOSE	CLAMPER RR BRAKE HOSE	0	
	50306	50306-1F96-001	NUT STRG STEM LOCK	NUT STRG STEM LOCK	1	
**	5140A	5140A-LFB5-900	FORK SET R FR	FORK SET R FR	1	
**	5150A	5150A-LFB5-900	FORK SET L FR	FORK SET L FR	1	
	53200	53200-LFB5-900	STEM COMP STRG	STEM COMP STRG	1	
	53211	53211-GFY6-940	RACE STRG TOP CONE	RACE STRG TOP CONE	1	
	53212	53212-2L50-011	RACE STRG BOT CONE	RACE STRG BOT CONE	1	
	53214	53214-2L50-001	DUST SEAL STRG(HEAD)	DUST SEAL STRG(HEAD)	1	
	53215	53215-2L50-001	WASH STRG HDL DUST-SEAL	WASH STRG HDL DUST-SEAL	1	
	91014	91014-LLJ3-E00	CASE STEERING TOPP	CASE STEERING TOPP	1	
	91015	91015-LLJ3-E00	CASE STEERING BOT	CASE STEERING BOT	1	
	95701	95701-06012-06	BOLT FLANGE 6*12	BOLT FLANGE 6*12	3	
	95801	95801-08040-08	BOLT FLANGE 8*40	BOLT FLANGE 8*40	4	

F07

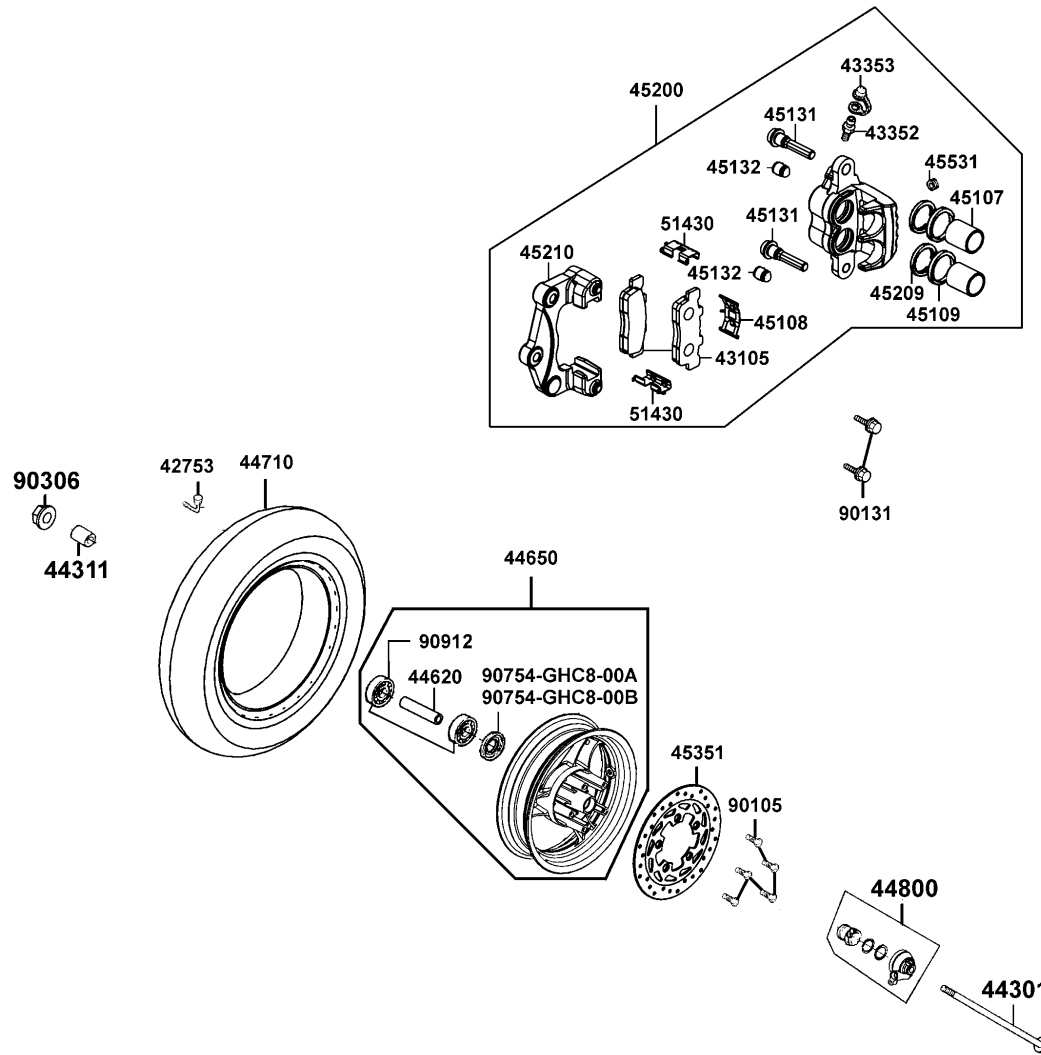
Front Wheel



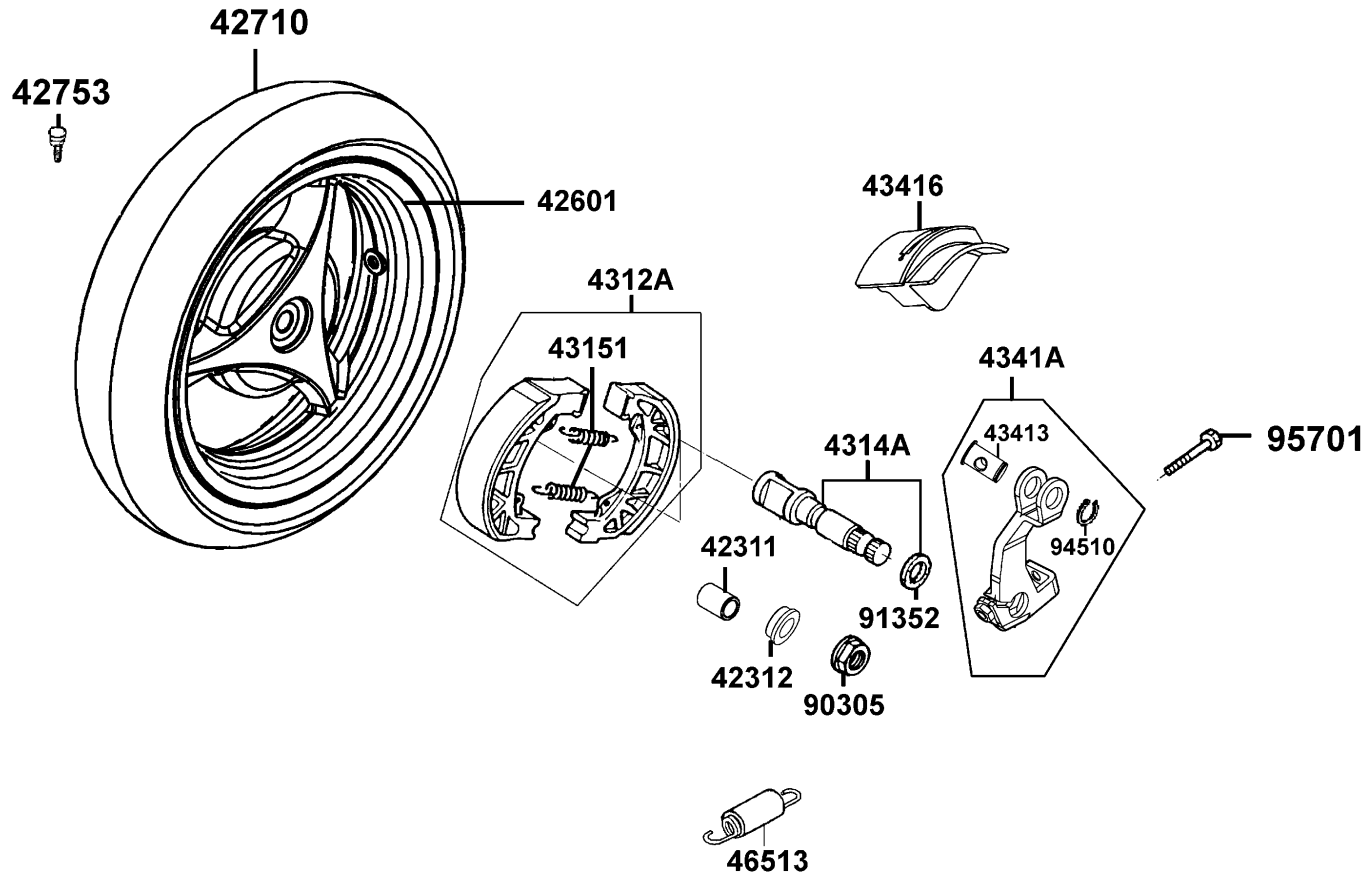
Sales mark	Ref no	Part no	Description	Reg description	Regd no	F07
	42753	42753-0D04-900	RIM VALVE (PVR 70)	RIM VALVE (PVR 70)	0	
	43105	43105-LFB5-305	PAD COMP A	PAD COMP A	1	
	43352	43352-KKD6-E90	SCREW BLEEDER	SCREW BLEEDER	0	
	43353	43353-4A61-77A	CAP BLEEDER	CAP BLEEDER	0	
	44301	44301-LFE2-900	AXLE FR WHEEL	AXLE FR WHEEL	1	
	44311	44311-KEBE-900	COLLAR FR WHEEL SIDE	COLLAR FR WHEEL SIDE	1	
	44620	44620-KHD8-900	COLLAR FR AXLE DISTANCE	COLLAR FR AXLE DISTANCE	1	
**	44650	44650-LFE2-305	WHEEL SET FR	WHEEL SET FR	1	
	44710	44710-KFA5-90B	TIRE ASSY	TIRE ASSY	0	
	44800	44800-KFA5-900	GEAR BOX ASSY	GEAR BOX ASSY	1	
	45107	45107-LFB5-900	PISTON	PISTON	1	
	45108	45108-LDH1-E00	SPRING PAD	SPRING PAD	1	
	45109	45109-GBE2-007	DUST SEAL	DUST SEAL	0	
	45131	45131-LDH1-E00	PIN BOLT	PIN BOLT	1	
	45132	45132-LDH1-E00	BUSH BOOT PIN	BUSH BOOT PIN	2	
**	45200	45200-LFB5-900	CALIPER ASSY FR	CALIPER ASSY FR	1	
	45209	45209-GBE2-007	SEAL PISTON	SEAL PISTON	0	
	45210	45210-LFB5-305	BRACKET FR CALIPER	BRACKET FR CALIPER	1	
**	45351	45351-LFB6-900	DISK, FR BRK	DISK, FR BRK	1	
**	45531	45531-GAR1-951	PLUG	PLUG	0	

F07

Front Wheel



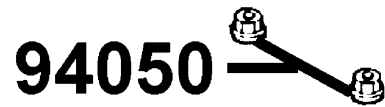
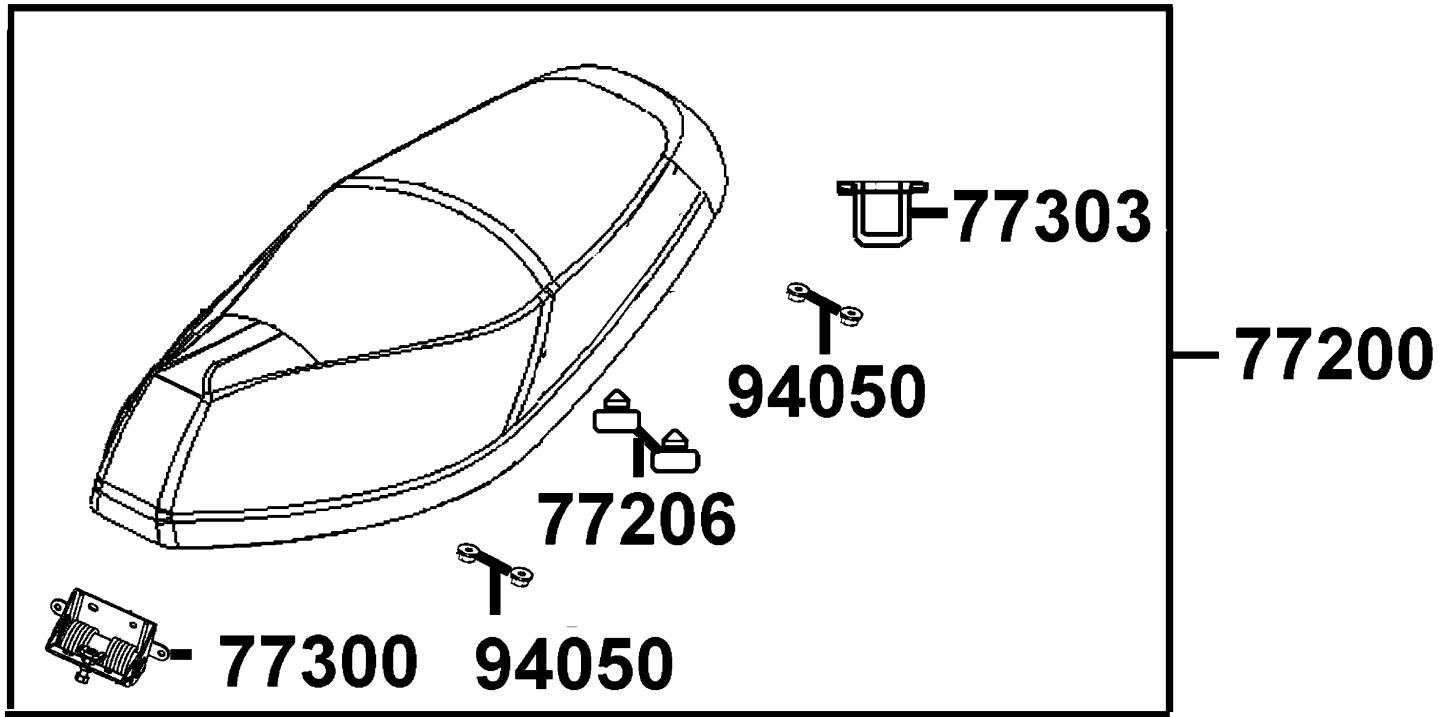
Sales mark	Ref no	Part no	Description	Reg description	Regd no	F07
	51430	51430-LDH1-E00	SLIDE PAD	SLIDE PAD	2	
	90105	90105-KCR3-001	BOLT FR DISK 8*24	BOLT FR DISK 8*24	5	
	90131	90131-LEB1-900	BOLT FLANGE 8*35	BOLT FLANGE 8*35	2	
	90306	90306-LFE2-900	NUT FLANGE 12MM	NUT FLANGE 12MM	1	
	90754-GHC8-00A	90754-GHC8-00A	SEAL DUST 20*32*5	SEAL DUST 20*32*5	1	
	90754-GHC8-00B	90754-GHC8-00B	SEAL DUST 20*32*5	SEAL DUST 20*32*5	0	
	90912	90912-KFLF-00A	BEARING 6201 LLU	BEARING 6201 LLU	2	



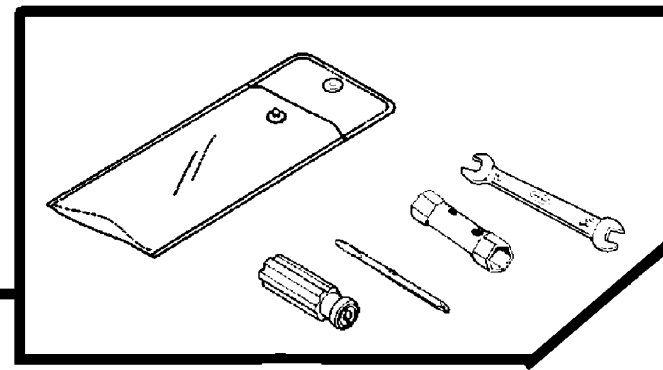
Sales mark	Ref no	Part no	Description	Reg description	Regd no	F08
	42311	42311-LFB5-900	COLLAR RR AXLE SIDE A	COLLAR RR AXLE SIDE A	1	
	42312	42312-KHB4-900	COLLAR RR AXLE SIDE	COLLAR RR AXLE SIDE	1	
**	42601	42601-LFE2-900	WHEEL COMP RR CAST	WHEEL COMP RR CAST	1	
	42710	42710-KEB7-E1A	TIRE ASSY RR	TIRE ASSY RR	1	
	42753	42753-KNBN-90B	VALVE (TR 412) & CAP (E)	VALVE (TR 412) & CAP (E)	1	
	4312A	4312A-LFB5-800	"SHOE ASSY ,RR BRAKE"	"SHOE ASSY ,RR BRAKE"	0	
	4314A	4314A-LFB6-900	CAM ASSY, RR BRAKE	CAM ASSY, RR BRAKE	1	
	43151	43151-LEB1-900	SPRING BRAKE SHOE REAR	SPRING BRAKE SHOE REAR	0	
	43413	43413-LBE1-900	BREAK ARM JOINT	BREAK ARM JOINT	0	
	43416	43416-LEB1-900	GUARD RR BRK ARM	GUARD RR BRK ARM	0	
	4341A	4341A-LFB6-900	ARM ASSY, RR BRAKE	ARM ASSY, RR BRAKE	1	
	46513	46513-LEB1-900	SPG ASSY BRK ARM	SPG ASSY BRK ARM	0	
	90305	90305-KFW6-91A	NUT U FLANGE 16MM	NUT U FLANGE 16MM	0	
	91352	91352-KHG8-83B	O-RING 11.3*1.3	O-RING 11.3*1.3	0	
	94510	94510-12000	CIR CLIP EXTERNAL 12	CIR CLIP EXTERNAL 12	0	
	95701	95701-06035-08	BOLT FLANGE SH 6*35	BOLT FLANGE SH 6*35	0	

F09

Seat



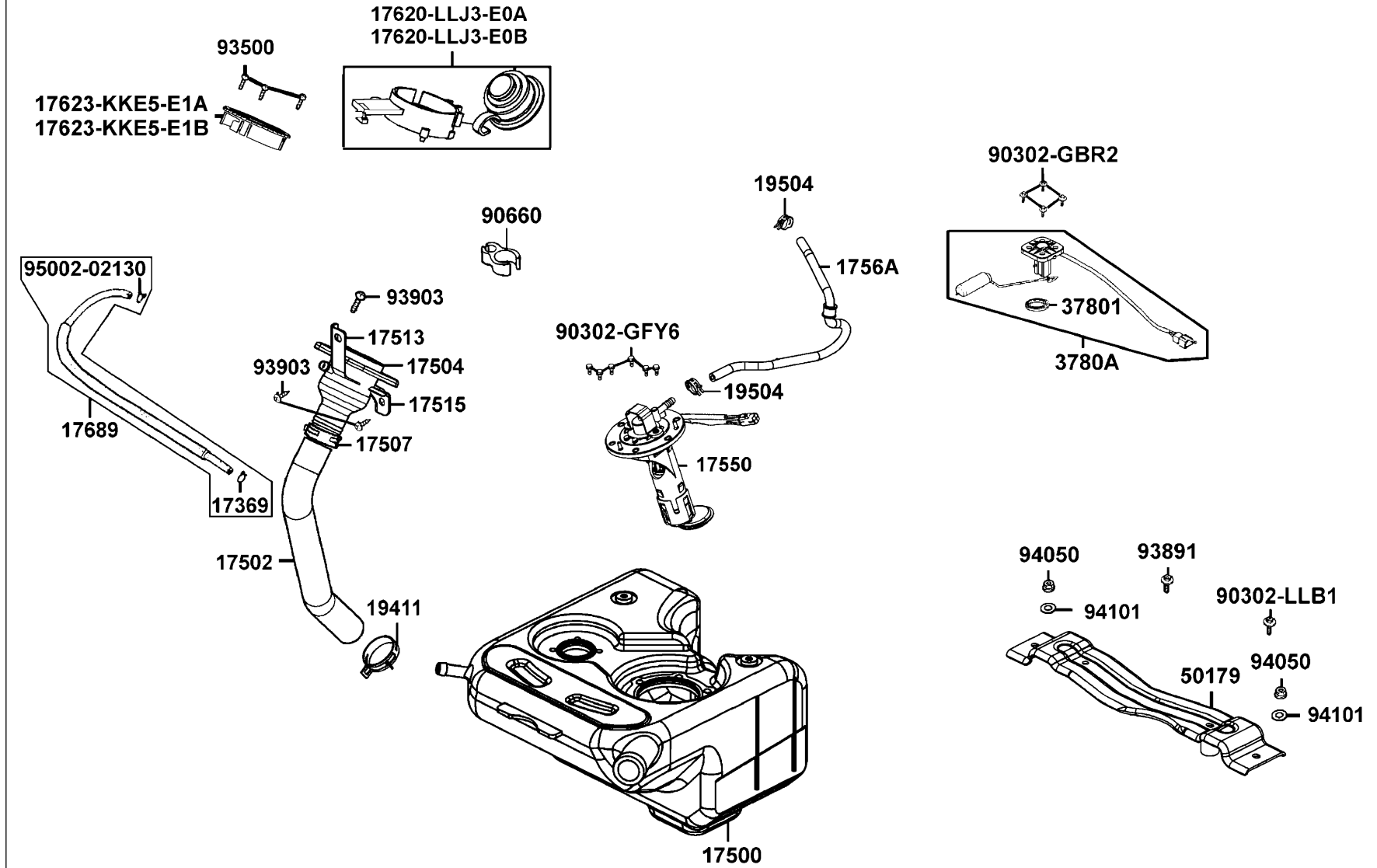
89010



Sales mark	Ref no	Part no	Description	Reg description	Regd no	F09
**	77200	77200-LGH6-E00	SEAT ASSY	SEAT ASSY	1	
	77206	77206-KEB7-900	RUBBER SEAT CUSH	RUBBER SEAT CUSH	1	
	77300	77300-LBE3-900	HINGE COMP SEAT	HINGE COMP SEAT	1	
	77303	77303-KKC4-800	HOOK SEAT LOCK	HOOK SEAT LOCK	1	
	89010	89010-LEB1-900	TOOL SET	TOOL SET	1	
	94050	94050-06080	NUT FLANGE 6MM	NUT FLANGE 6MM	6	

F10

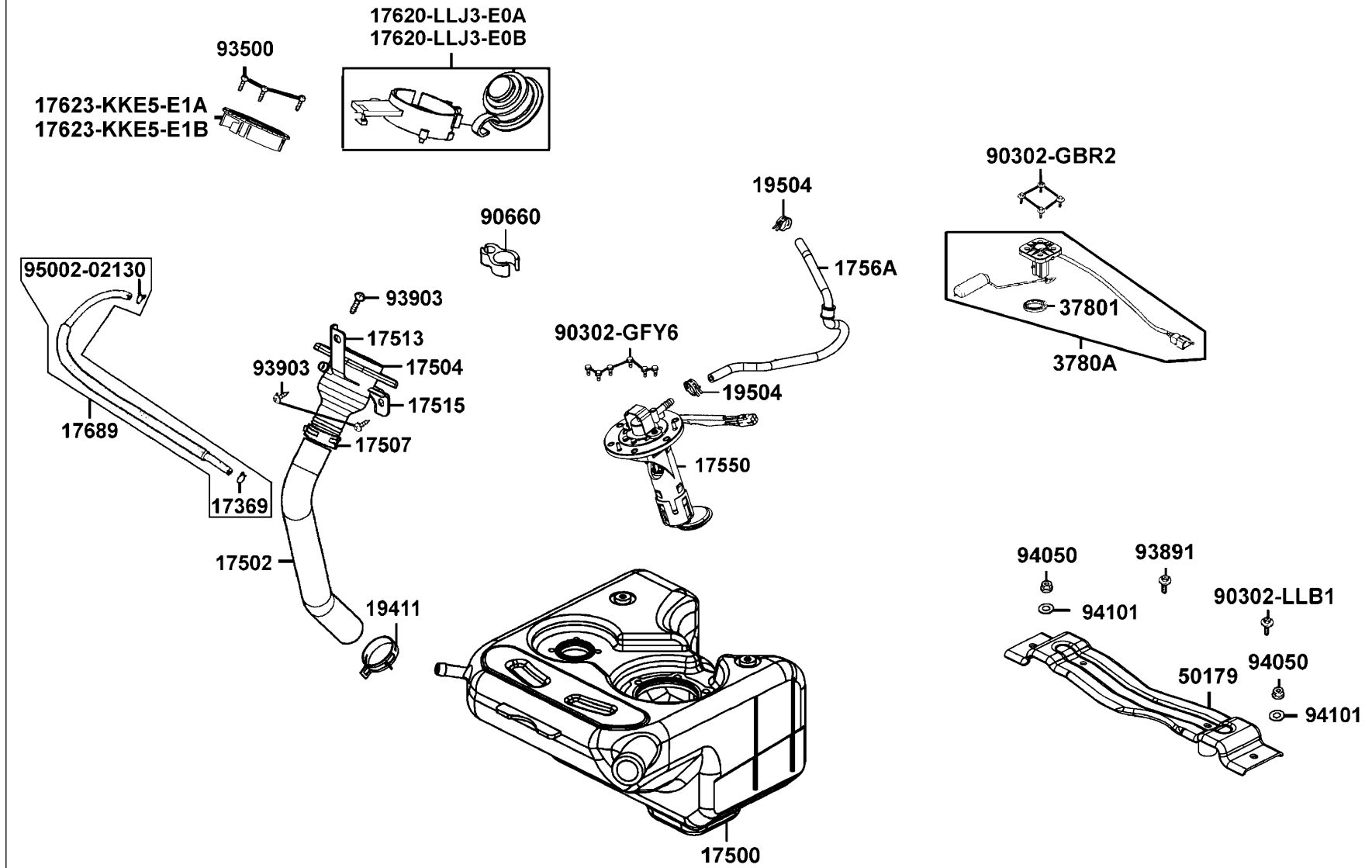
Fuel Tank



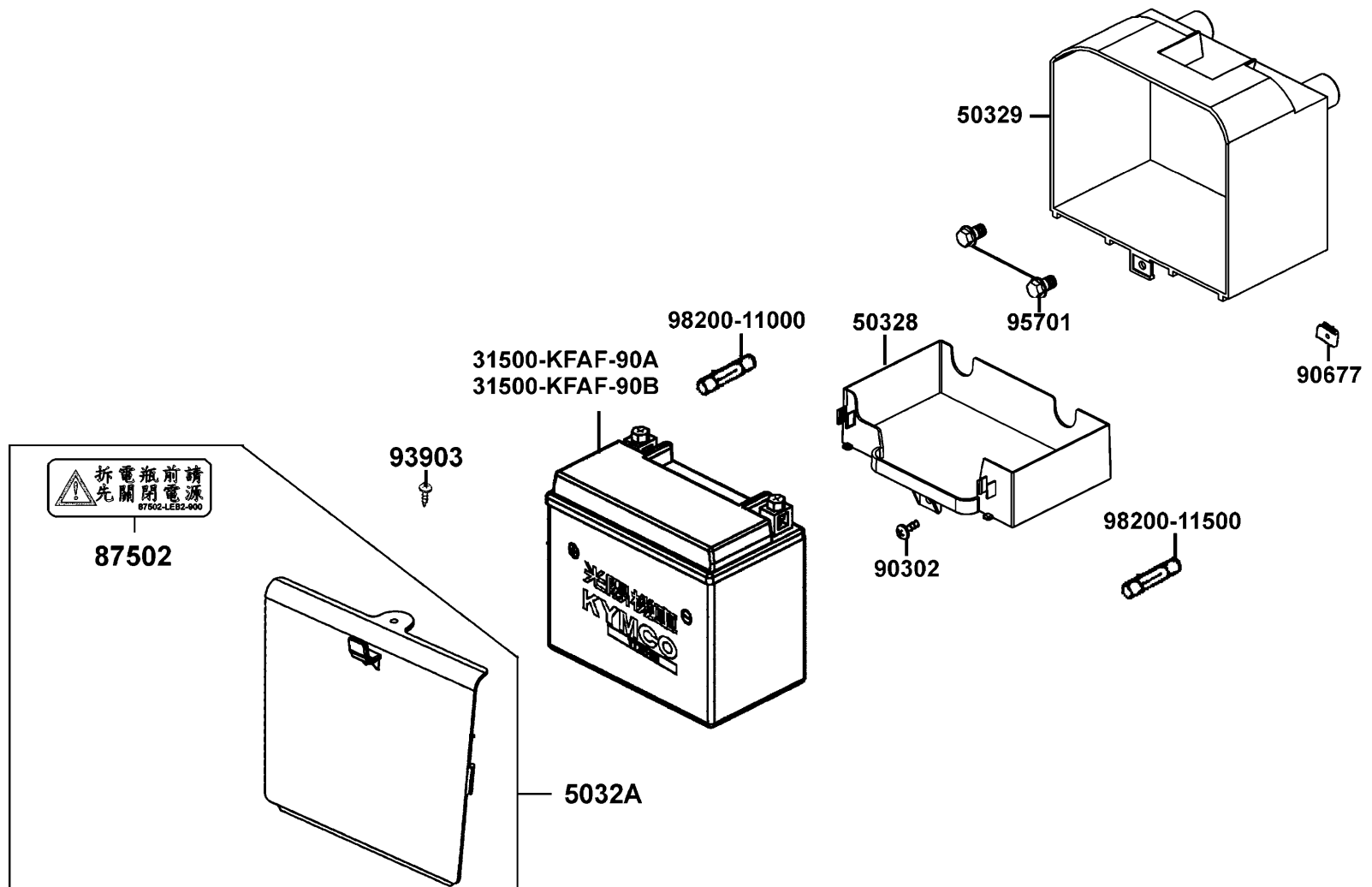
Sales mark	Ref no	Part no	Description	Reg description	Regd no	F10
	17369	17369-KHC4-900	CLIP BREATHER TUBE	CLIP BREATHER TUBE	1	
	17500	17500-LGH6-900	TANK COMP.,FUEL	TANK COMP.,FUEL	1	
	17502	17502-LEB1-900	TUBE FUEL	TUBE FUEL	1	
	17504	17504-LAB4-900	FUEL FILLER	FUEL FILLER	1	
	17507	17507-LAB4-900	BAND FUEL HOSE	BAND FUEL HOSE	1	
	17513	17513-LAD9-900	FUEL PIPE STAY A	FUEL PIPE STAY A	1	
	17515	17515-LAD9-900	FUEL PIPE STAY B	FUEL PIPE STAY B	1	
	17550	17550-LGH6-900	PUMP ASSY., FUEL	PUMP ASSY., FUEL	1	
	1756A	1756A-LGH6-900	TUBE ASSY.,FUEL PUMP-INJECTOR	TUBE ASSY.,FUEL PUMP-INJECTOR	1	
**	17620-LLJ3-E0A	17620-LLJ3-E0A	CAP COMP FUEL FILLER	CAP COMP FUEL FILLER	1	
**	17620-LLJ3-E0B	17620-LLJ3-E0B	CAP COMP FUEL FILLER	CAP COMP FUEL FILLER	1	
**	17623-KKE5-E1A	17623-KKE5-E1A	COLLAR FUEL FILLER	COLLAR FUEL FILLER	1	
**	17623-KKE5-E1B	17623-KKE5-E1B	COLLAR FUEL CILLER	COLLAR FUEL CILLER	1	
	17689	17689-LAD9-B20	TUBE ASSY FILLER	TUBE ASSY FILLER	1	
	19411	19411-KBCB-900	CLIP HOSE	CLIP HOSE	1	
	19504	19504-LBA2-E00	CLAMP D 16.8	CLAMP D 16.8	2	
	37801	37801-LAB4-910	PACKING BASE	PACKING BASE	1	
	3780A	3780A-LFB5-900	FUEL UNIT ASSY	FUEL UNIT ASSY	1	
	50179	50179-LEB2-900	BRKT FLOOR PANEL	BRKT FLOOR PANEL	1	
	90302-GBR2	90302-GBR2-001	BOLT WASH 5*16	BOLT WASH 5*16	4	

F10

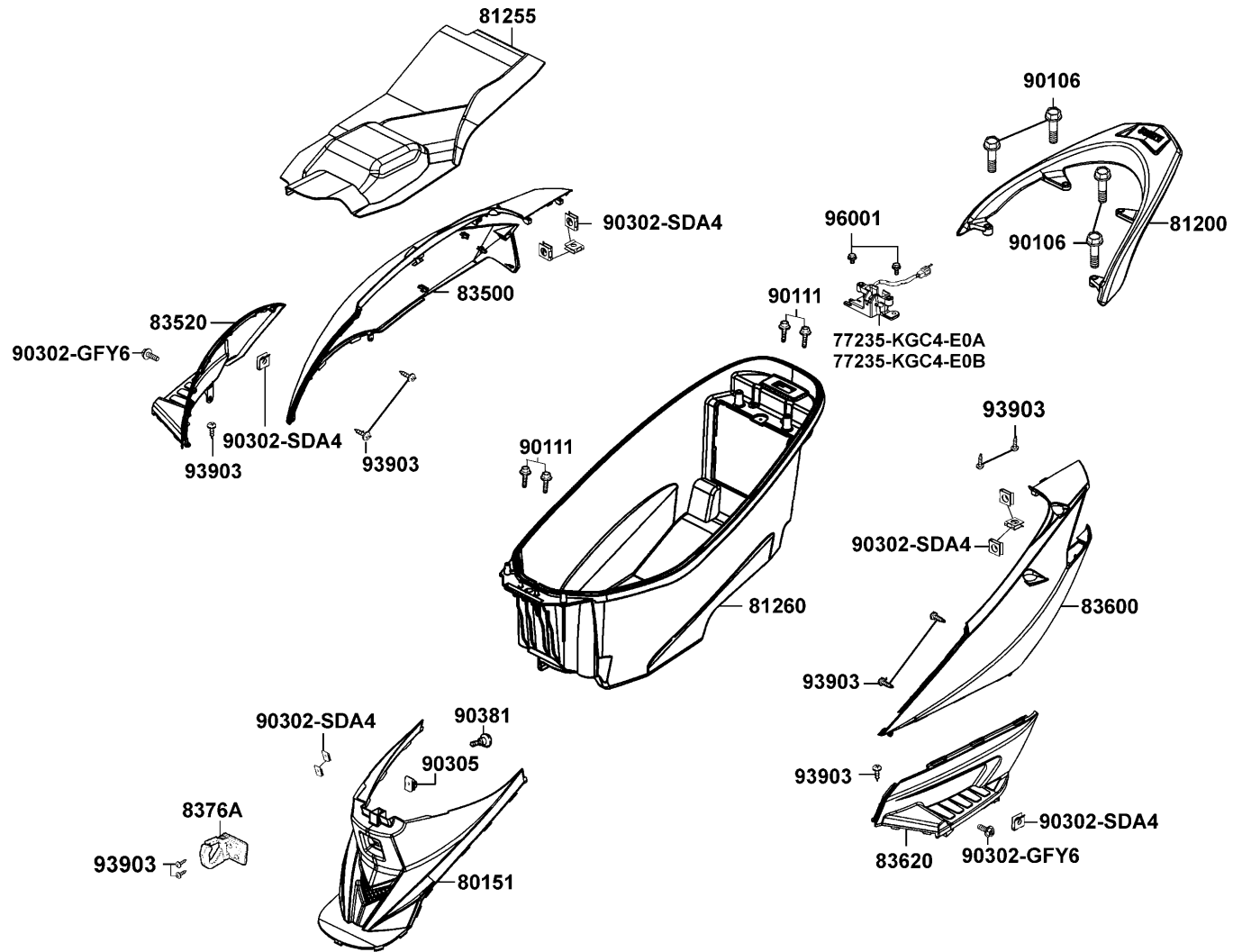
Fuel Tank



Sales mark	Ref no	Part no	Description	Reg description	Regd no	F10
	90302-GFY6	90302-GFY6-940	BOLT-WASH 5*16	BOLT-WASH 5*16	6	
	90302-LLB1	90302-LLB1-E00	BOLT-WASHER 5*12	BOLT-WASHER 5*12	1	
	93500	93500-04020-0G	SCREW PAN 4*20	SCREW PAN 4*20	3	
	93891	93891-05040-06	SCREW WASHER 5*340	SCREW WASHER 5*340	1	
	93903	93903-35360	SCREW TAPPING 5*16	SCREW TAPPING 5*16	3	
	94050	94050-06080	NUT FLANGE 6MM	NUT FLANGE 6MM	2	
	94101	94101-08800	WASHER PLAIN 8MM	WASHER PLAIN 8MM	2	
	95002-02130	95002-02130	CLIP B 12.5 TURE	CLIP B 12.5 TURE	1	



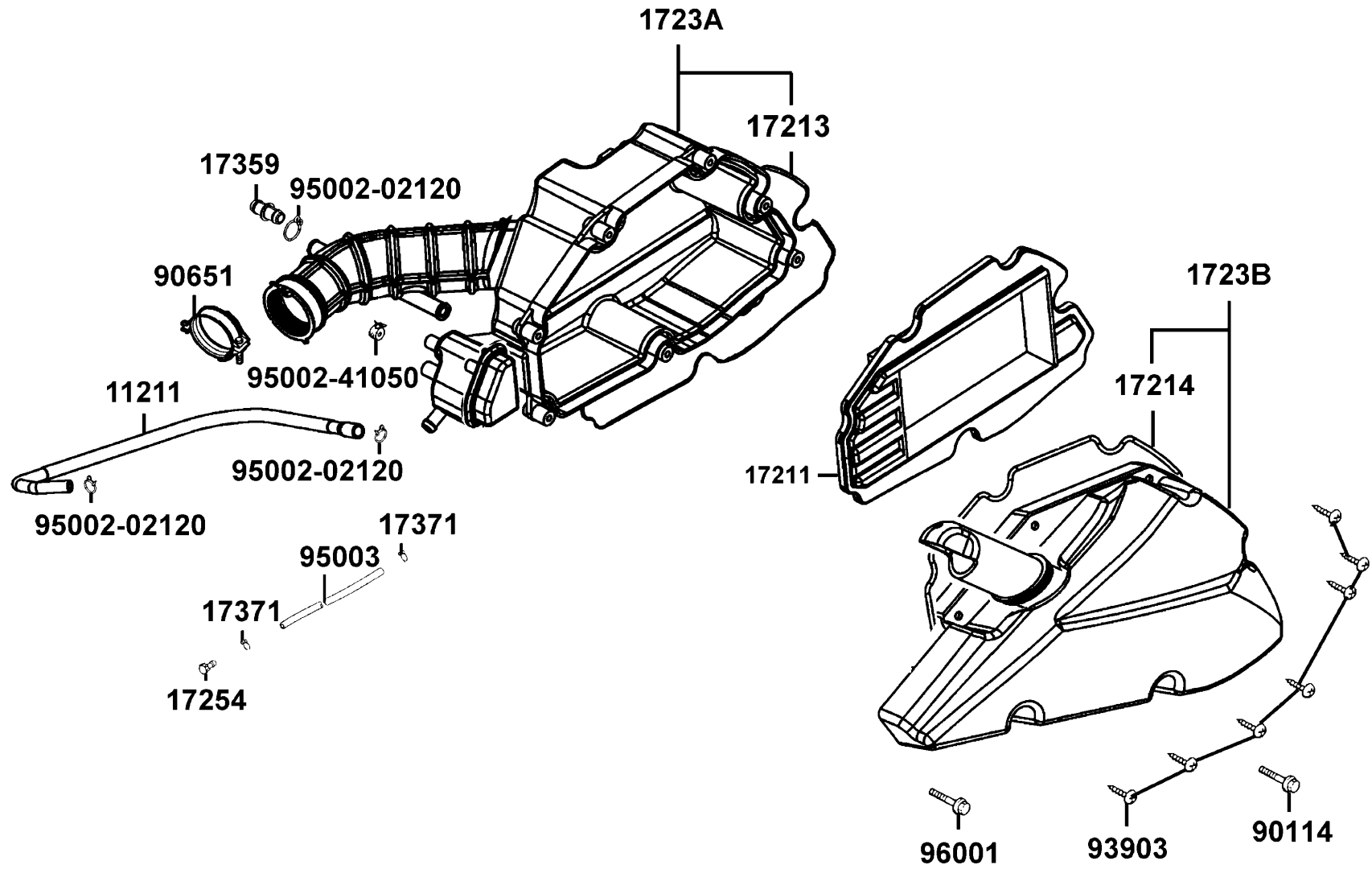
Sales mark	Ref no	Part no	Description	Reg description	Regd no	F11
	31500-KFAF-90A	31500-KFAF-90A	BATTERY YTX9-BS	BATTERY YTX9-BS	1	
	31500-KFAF-90B	31500-KFAF-90B	BATTERY YTX9-BS	BATTERY YTX9-BS	1	
	50328	50328-LBB8-900	BATTERY DRAWER	BATTERY DRAWER	0	
	50329	50329-LEB1-900	BATTERY CASE	BATTERY CASE	1	
**	87502	87502-LEB2-900	CAUTION BATTERY	CAUTION BATTERY	0	
	90302	90302-GFY6-940	BOLT-WASH 5*16	BOLT-WASH 5*16	0	
	90677	90677-GAR1-004	NUT CLIP 5MM	NUT CLIP 5MM	0	
	93903	93903-34360	SCREW TAPPING 4*12	SCREW TAPPING 4*12	1	
	95701	95701-06022-06	BOLT FLANGE 6*22	BOLT FLANGE 6*22	2	
	98200-11000	98200-11000	FUSE 10A	FUSE 10A	1	
	98200-11500	98200-11500	FUSE A15	FUSE A15	1	



Sales mark	Ref no	Part no	Description	Reg description	Regd no	F12
	77235-KGC4-E0A	77235-KGC4-E0A	SEAT CATCH	SEAT CATCH	1	
	77235-KGC4-E0B	77235-KGC4-E0B	SEAT CATCH	SEAT CATCH	1	
**	80151	80151-LFB5-900	COVER CENTER	COVER CENTER	1	
**	81200	81200-LFB5-900	CARRIER REAR	CARRIER REAR	1	
	81260	81260-LEB2-900	BOX ASSY.,LUG	BOX ASSY.,LUG	1	
**	83500	83500-LFB5-900	COVER , R BODY	COVER , R BODY	1	
**	83520	83520-LFB5-900	"COVER , R SIDE"	"COVER , R SIDE"	1	
**	83600	83600-LFB5-900	COVER , L BODY	COVER , L BODY	1	
**	83620	83620-LFB5-900	"COVER , L SIDE"	"COVER , L SIDE"	1	
	8376A	8376A-KECE-901	CLIP ASSY CENTER	CLIP ASSY CENTER	1	
	90106	90106-KFAF-900	BOLT SPECIAL	BOLT SPECIAL	4	
	90111	90111-1G87-001	BOLT FLANGE 6MM	BOLT FLANGE 6MM	4	
	90302-GFY6	90302-GFY6-901	BOLT WASH 5*12	BOLT WASH 5*12	2	
	90302-SDA4	90302-SDA4-004	NUT SPRING 4MM	NUT SPRING 4MM	10	
	90305	90305-GHK8-001	NUT CLIP 6MM	NUT CLIP 6MM	1	
	90381	90381-GEZ5-001	SCREW SPECIAL 6*17	SCREW SPECIAL 6*17	1	
	93903	93903-34360	SCREW TAPPING 4*12	SCREW TAPPING 4*12	10	
	96001	96001-06012-08	BOLT FLANGE 6*12	BOLT FLANGE 6*12	2	

F13

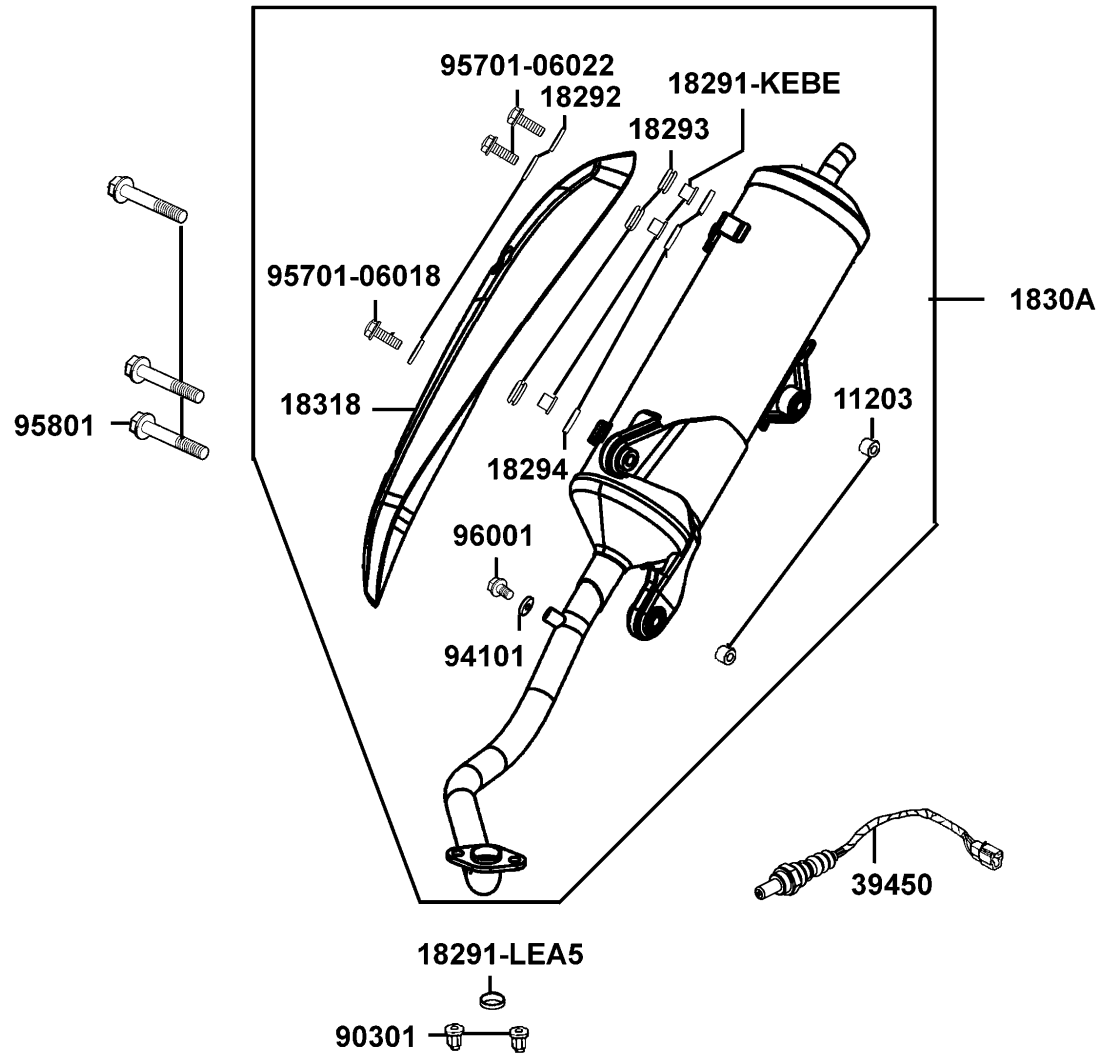
Air Cleaner



Sales mark	Ref no	Part no	Description	Reg description	Regd no	F13
	11211	11211-LFB5-900	TUBE BRTHER	TUBE BRTHER	0	
	17211	17211-LFB5-900	ELEMENT COMP AIR/C	ELEMENT COMP AIR/C	0	
	17213	17213-LBD6-E00	SEAL AIR/C CASE	SEAL AIR/C CASE	1	
	17214	17214-LFB5-900	SEAL AIR/C CASE	SEAL AIR/C CASE	0	
	1723A	1723A-LGH6-900	CASE ASSY AIR/C	CASE ASSY AIR/C	0	
	1723B	1723B-LGH6-900	COVER COMP AIR/C	COVER COMP AIR/C	1	
	17254	17254-KACA-P00	JOINT PURGE TUBE	JOINT PURGE TUBE	1	
	17359	17359-4K19-671	JOINT BREATHER TUBE	JOINT BREATHER TUBE	0	
	17371	17371-1D74-671	CLIP BREATHER TUBE	CLIP BREATHER TUBE	2	
	90114	90114-GDM4-011	BOLT FLANGE 6*28	BOLT FLANGE 6*28	1	
	90651	90651-LFB5-900	BAND 47.5 AIR/C CONNECTING TUBE	BAND 47.5 AIR/C CONNECTING TUBE	1	
	93903	93903-25460	SCREW TAPPING 4*12	SCREW TAPPING 4*12	7	
	95002-02120	95002-02120	CLIP B12 TUBE	CLIP B12 TUBE	3	
	95002-41050	95002-41050-00	CLIP D10.5 TUBE	CLIP D10.5 TUBE	1	
	95003	95003-23024-60	V TUBE 8*12*240	V TUBE 8*12*240	1	
	96001	96001-06035-08	BOLT FLANGE 6*35	BOLT FLANGE 6*35	1	

F14

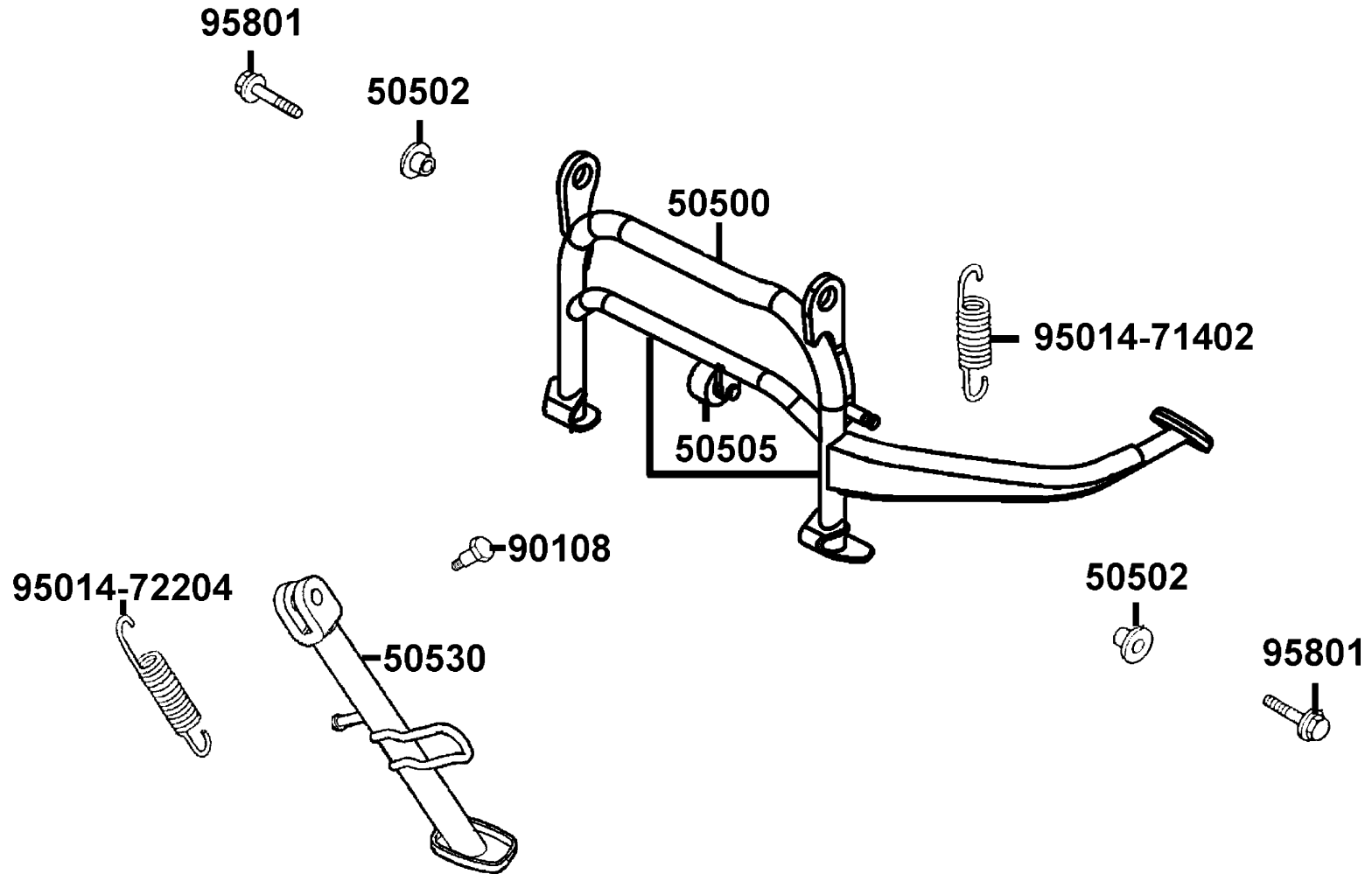
Exhaust Muffler



Sales mark	Ref no	Part no	Description	Reg description	Regd no	F14
	11203	11203-GFY6-901	RUBBER BUSH MUFFER STAY	RUBBER BUSH MUFFER STAY	2	
	18291-KEBE	18291-KEBE-900	COLLAR	COLLAR	3	
	18291-LEA5	18291-LEA5-E00	GASKET EXH PIPE	GASKET EXH PIPE	1	
	18292	18292-KEBE-900	PACKING PROTECTOR	PACKING PROTECTOR	3	
	18293	18293-KEBE-900	RUBBER PKG PROTR	RUBBER PKG PROTR	3	
	18294	18294-KEBE-900	PACKING PROTECTOR	PACKING PROTECTOR	3	
**	1830A	1830A-LGH6-E00	MUFFLER ASS'Y	MUFFLER ASS'Y	1	
**	18318	18318-LFB5-900	PROTECTOR MUFFLER	PROTECTOR MUFFLER	1	
	39450	39450-LEA6-800	O2 SENSOR	O2 SENSOR	1	
	90301	90301-GFY6-901	NUT (HEX) CAP 8MM	NUT (HEX) CAP 8MM	2	
	94101	94101-06700	WASHER PLAIN 6MM	WASHER PLAIN 6MM	0	
	95701-06018	95701-06018-07	BOLT FLANGE 6*18	BOLT FLANGE 6*18	0	
	95701-06022	95701-06022-07	BOLT FLANGE 6*22 (K)	BOLT FLANGE 6*22 (K)	0	
	95801	95801-08042-06	BOLT FLANGE 8*42	BOLT FLANGE 8*42	3	
	96001	96001-06008-07	BOLT FLANGE SH 6*8	BOLT FLANGE SH 6*8	0	

F15

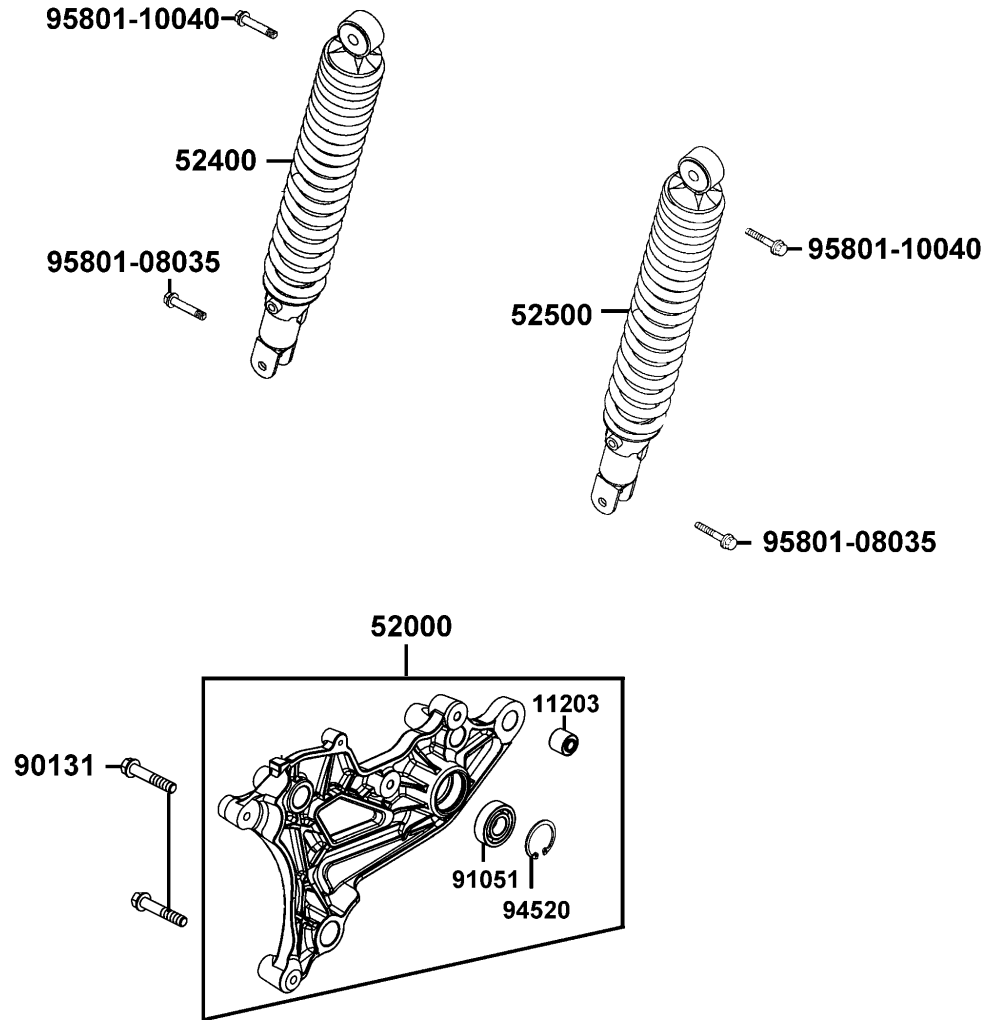
Stand



Sales mark	Ref no	Part no	Description	Reg description	Regd no	F15
	50500	50500-LFB5-900	STAND COMP MAIN	STAND COMP MAIN	1	
	50502	50502-GFY6-901	COLLAR MAIN STAND	COLLAR MAIN STAND	2	
	50505	50505-LAD9-900	STOPPER RUBBER	STOPPER RUBBER	0	
	50530	50530-LFB5-900	SIDE STAND COMP	SIDE STAND COMP	1	
	90108	90108-KUDU-900	SCREW SIDE STAND PIVOT	SCREW SIDE STAND PIVOT	1	
	95014-71402	95014-71402	SPRING D MAIN STAND	SPRING D MAIN STAND	1	
	95014-72204	95014-72204	SPG B1 SIDE STAND	SPG B1 SIDE STAND	1	
	95801	95801-10025-08	BOLT FLANGE 10*25	BOLT FLANGE 10*25	2	

F16

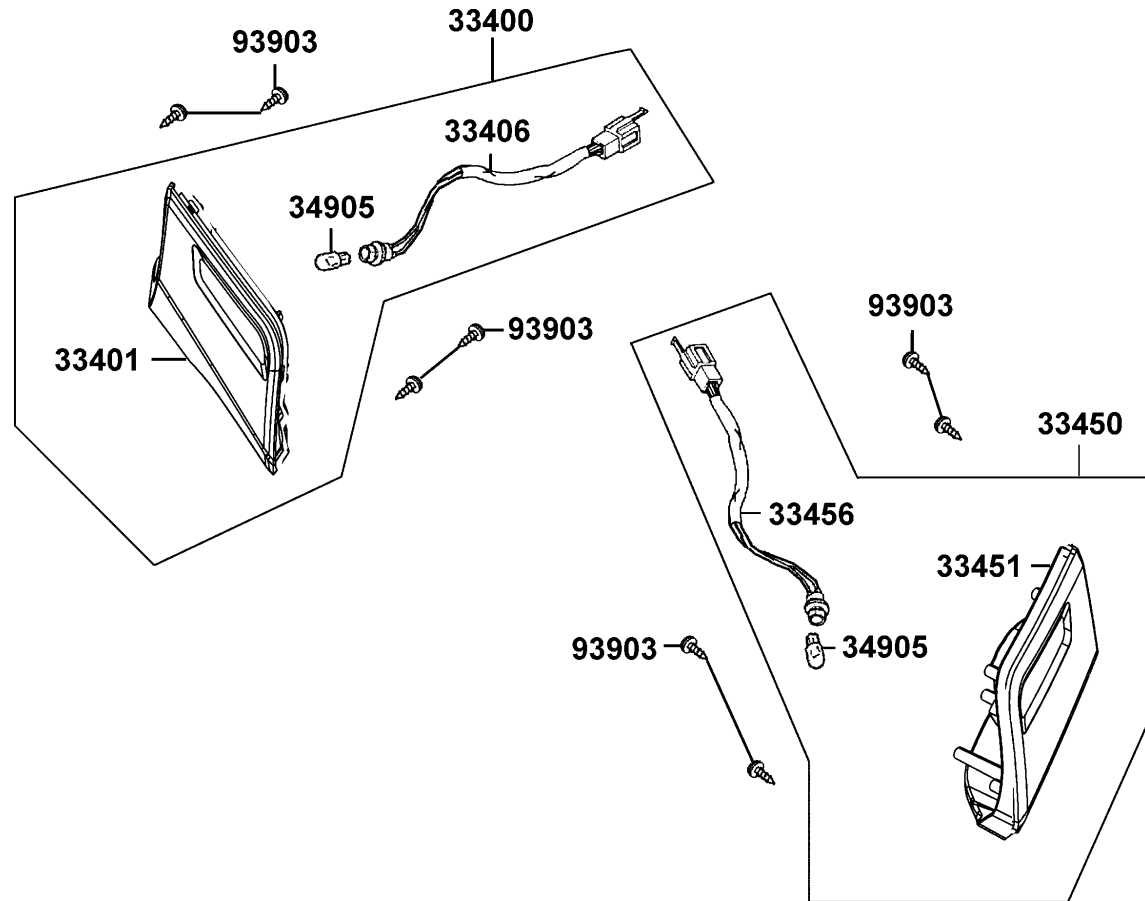
Rear Cushion



Sales mark	Ref no	Part no	Description	Reg description	Regd no	F16
	11203	11203-GGC7-301	UNDER RUBBER BUSH REAR CUSHION	UNDER RUBBER BUSH REAR CUSHION	1	
**	52000	52000-LFB5-900	FORK ASSY RR	FORK ASSY RR	1	
**	52400	52400-LFB5-900	CUSHION ASSY RR R	CUSHION ASSY RR R	1	
**	52500	52500-LFB5-900	"CUSHION ASSY ,RR L"	"CUSHION ASSY ,RR L"	1	
	90131	90131-LFB5-900	BOLT FLANGE 8*35	BOLT FLANGE 8*35	2	
	91051	91051-KFBF-901	BRG BALL RAKIAL 6203LLU	BRG BALL RAKIAL 6203LLU	1	
	94520	94520-40000	CIR CLIP IN 40	CIR CLIP IN 40	1	
	95801-08035	95801-08035-06	BOLT FLANGE 8*35	BOLT FLANGE 8*35	2	
	95801-10040	95801-10040-08	BOLT FLANGE 10*40	BOLT FLANGE 10*40	2	

F17

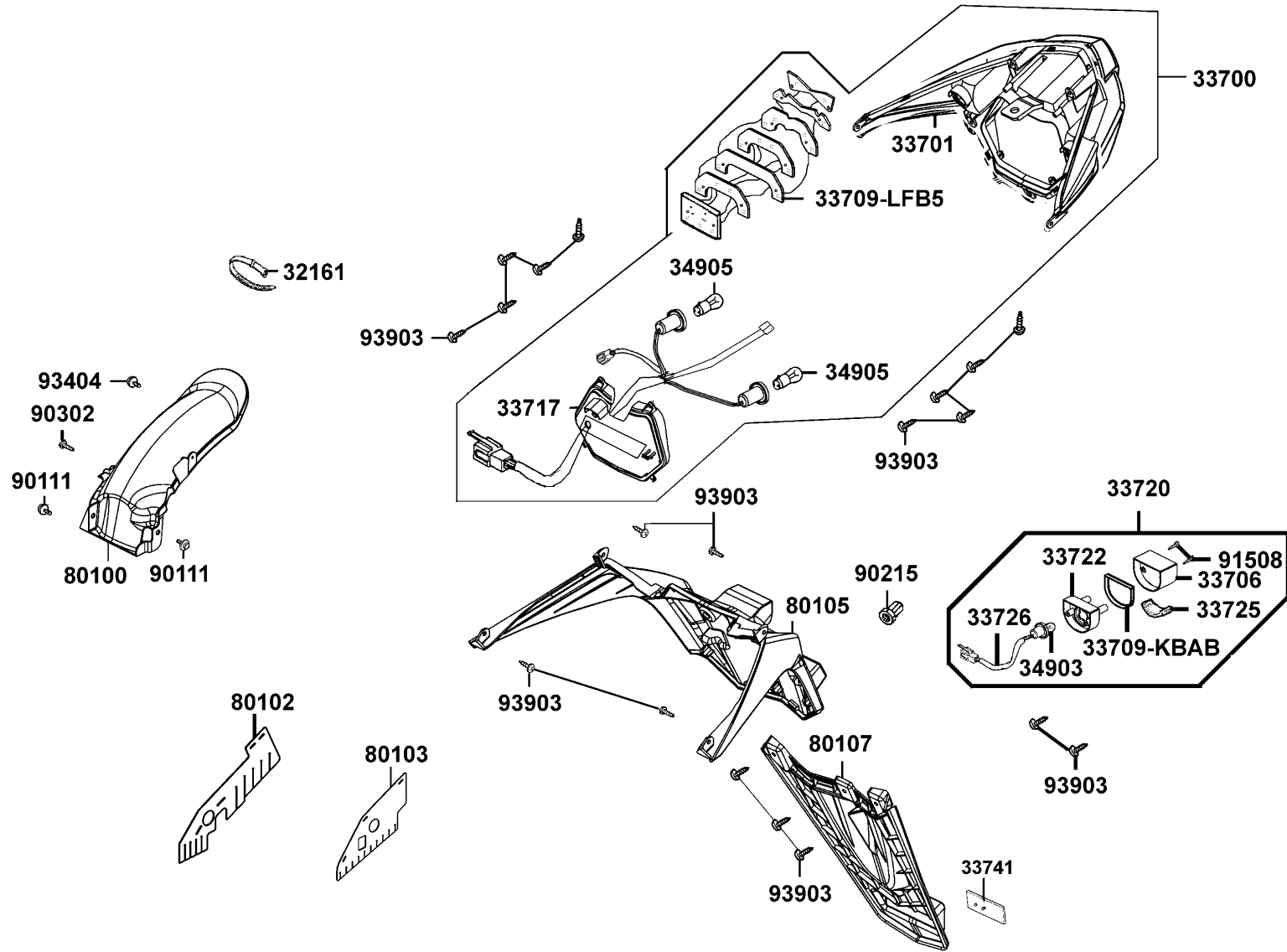
Front Winker



Sales mark	Ref no	Part no	Description	Reg description	Regd no	F17
	33400	33400-LFB5-900	WINKER ASSY RH FR	WINKER ASSY RH FR	1	
	33401	33401-LFB5-900	WINKER COMP R FR	WINKER COMP R FR	1	
	33406	33406-LFB5-900	SOCKET COMP R WINKER	SOCKET COMP R WINKER	1	
	33450	33450-LFB5-900	WINKER ASSY LH FR	WINKER ASSY LH FR	1	
	33451	33451-LFB5-900	WINKER COMP L FR	WINKER COMP L FR	1	
	33456	33456-LFB5-900	SOCKET COMP L WINKER	SOCKET COMP L WINKER	1	
	34905	34905-LBA7-E00	BULB WINKER 12V10W	BULB WINKER 12V10W	2	
	93903	93903-34360	SCREW TAPPING 4*12	SCREW TAPPING 4*12	8	

F18

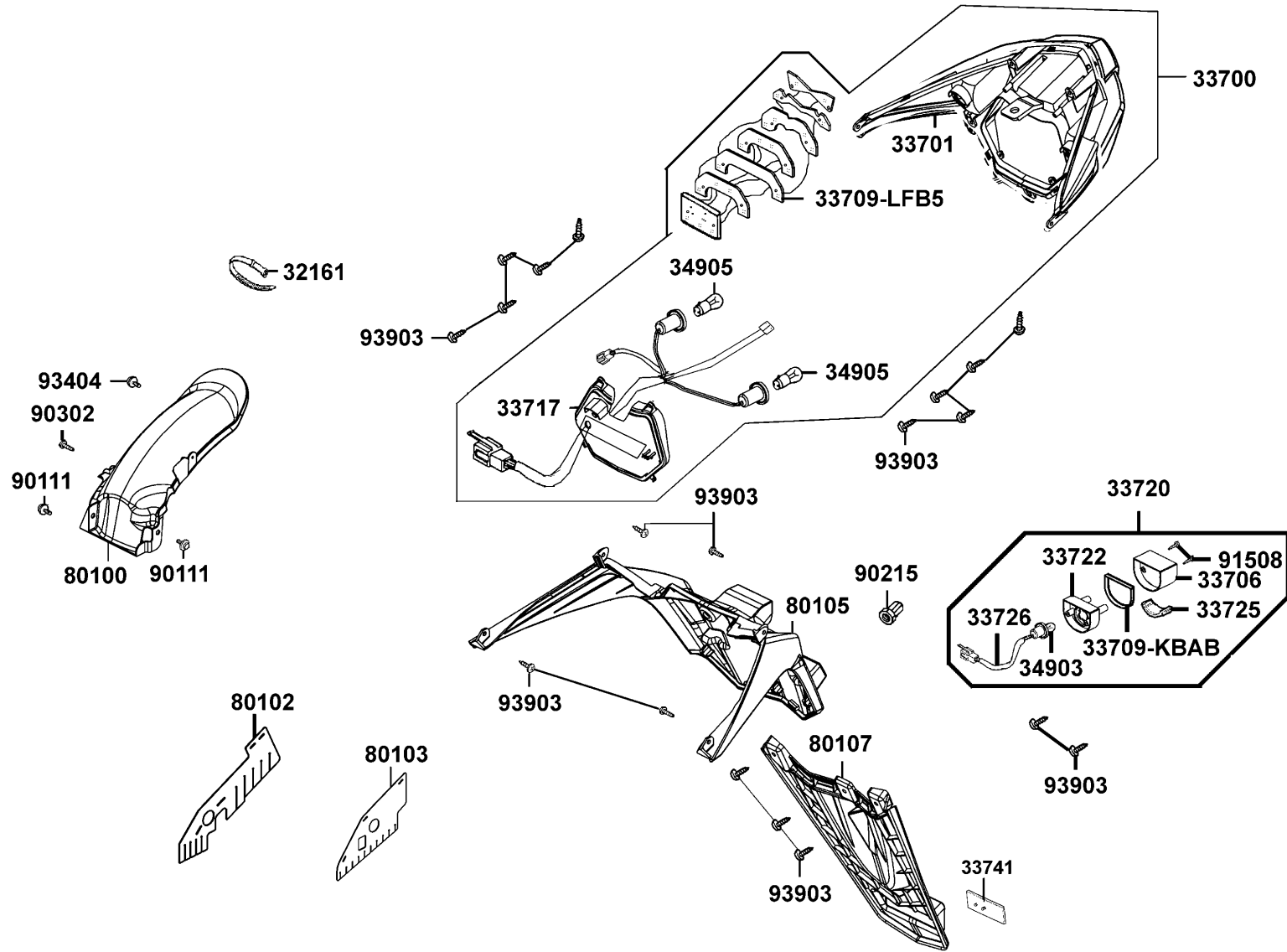
Tail Light Rear Fender



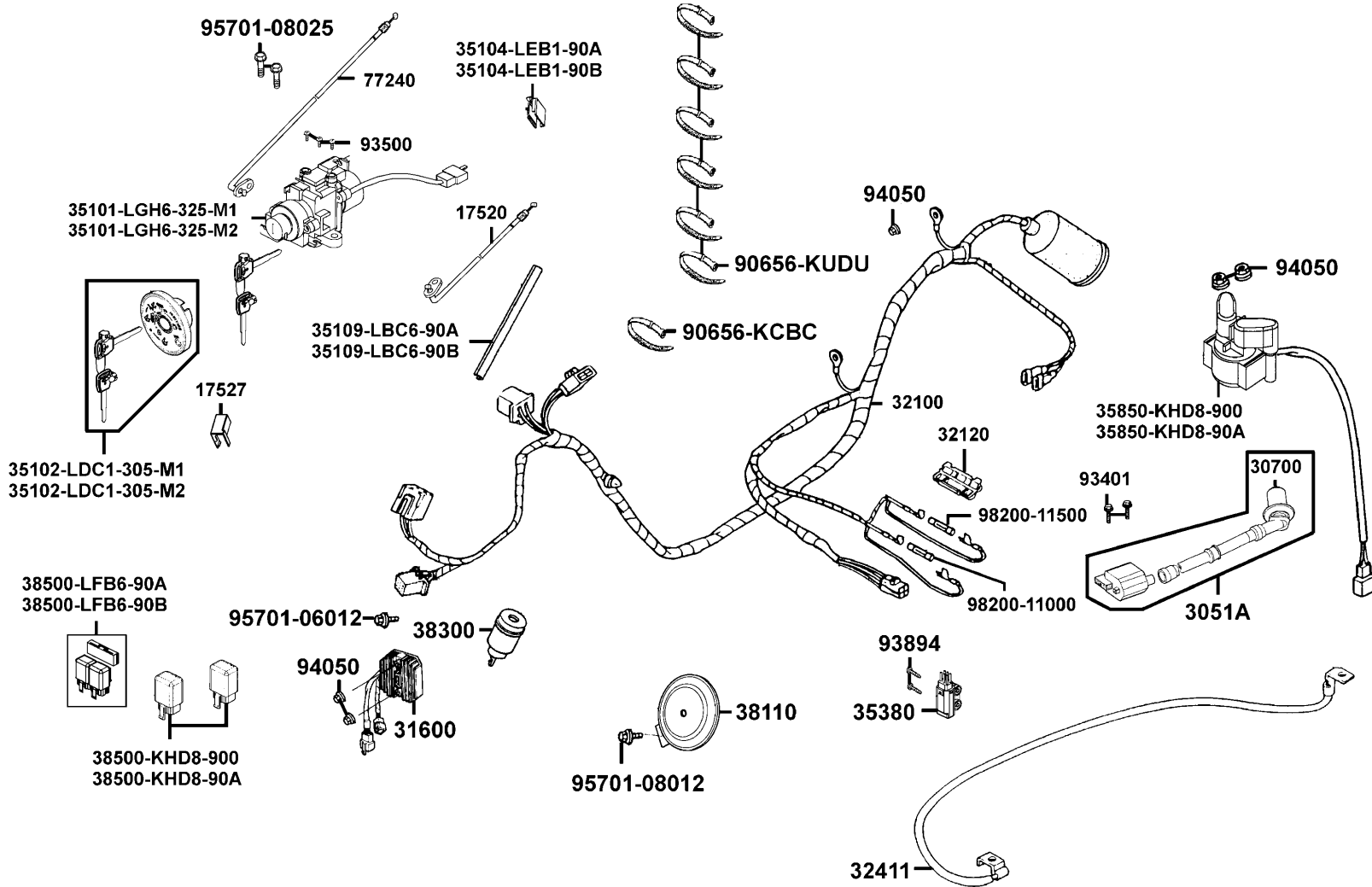
Sales mark	Ref no	Part no	Description	Reg description	Regd no	F18
	32161	32161-LBA7-900	BAND WIRE	BAND WIRE	1	
	33700	33700-LFB5-900	LIGHT SET RR COMB	LIGHT SET RR COMB	1	
	33701	33701-LFB5-900	LIGHT SET RR COMB	LIGHT SET RR COMB	1	
	33706	33706-KHB4-E01	COVER LICENSE	COVER LICENSE	0	
	33709-KBAB	33709-KBAB-003	PACKING LICENSE	PACKING LICENSE	0	
	33709-LFB5	33709-LFB5-900	PCB TAIL LIGHT	PCB TAIL LIGHT	1	
	33717	33717-LFB5-900	SOCKET COMP RR COMB	SOCKET COMP RR COMB	1	
	33720	33720-KHB4-E00	LIGHT ASSY LICENSE	LIGHT ASSY LICENSE	1	
	33722	33722-KHB4-E00	BASE LICENSE	BASE LICENSE	0	
	33725	33725-KHB4-E00	LENS LICENSE	LENS LICENSE	0	
	33726	33726-KHB4-E00	SOCKET COMP	SOCKET COMP	0	
	33741	33741-KEC8-900	REFLEX REFLECTOR	REFLEX REFLECTOR	0	
	34903	34903-KPCP-900	BULB POSITION	BULB POSITION	1	
	34905	34905-LCA5-E00	BULB WINKER 12C5W	BULB WINKER 12C5W	2	
**	80100	80100-LFB5-910	FENDER RR TIRE	FENDER RR TIRE	1	
	80102	80102-LFB5-900	PLATE SPLASH BOARD	PLATE SPLASH BOARD	1	
	80103	80103-LFB5-900	"PLATE A, SPLASH BOARD"	"PLATE A, SPLASH BOARD"	1	
**	80105	80105-LFB5-900	FENDER RR	FENDER RR	0	
**	80107	80107-LFB5-900	FENDER RR INNER	FENDER RR INNER	0	
	90111	90111-LEB1-900	BOLT FLANGE 6MM	BOLT FLANGE 6MM	2	

F18

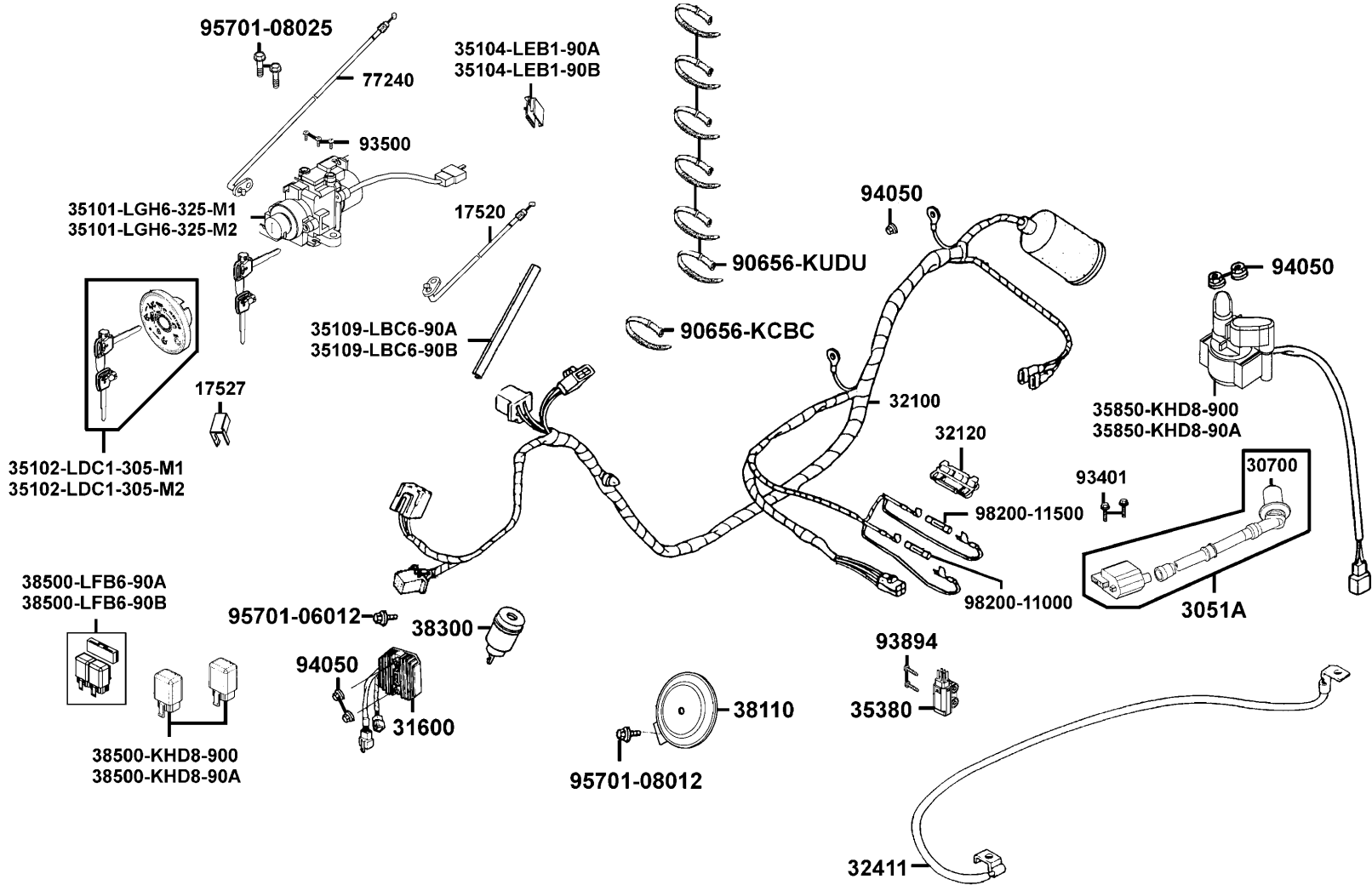
Tail Light Rear Fender



Sales mark	Ref no	Part no	Description	Reg description	Regd no	F18
	90215	90215-GLM0-910	NUT CAP 6MM	NUT CAP 6MM	1	
	90302	90302-LLB1-E00	BOLT-WASHER 5*12	BOLT-WASHER 5*12	1	
	91508	91508-KGV7-67A	SCREW TAPPING 4*14	SCREW TAPPING 4*14	0	
	93404	93404-06012-06	BOLT WASH 6*12	BOLT WASH 6*12	1	
	93903	93903-34360	SCREW TAPPING 4*12	SCREW TAPPING 4*12	17	



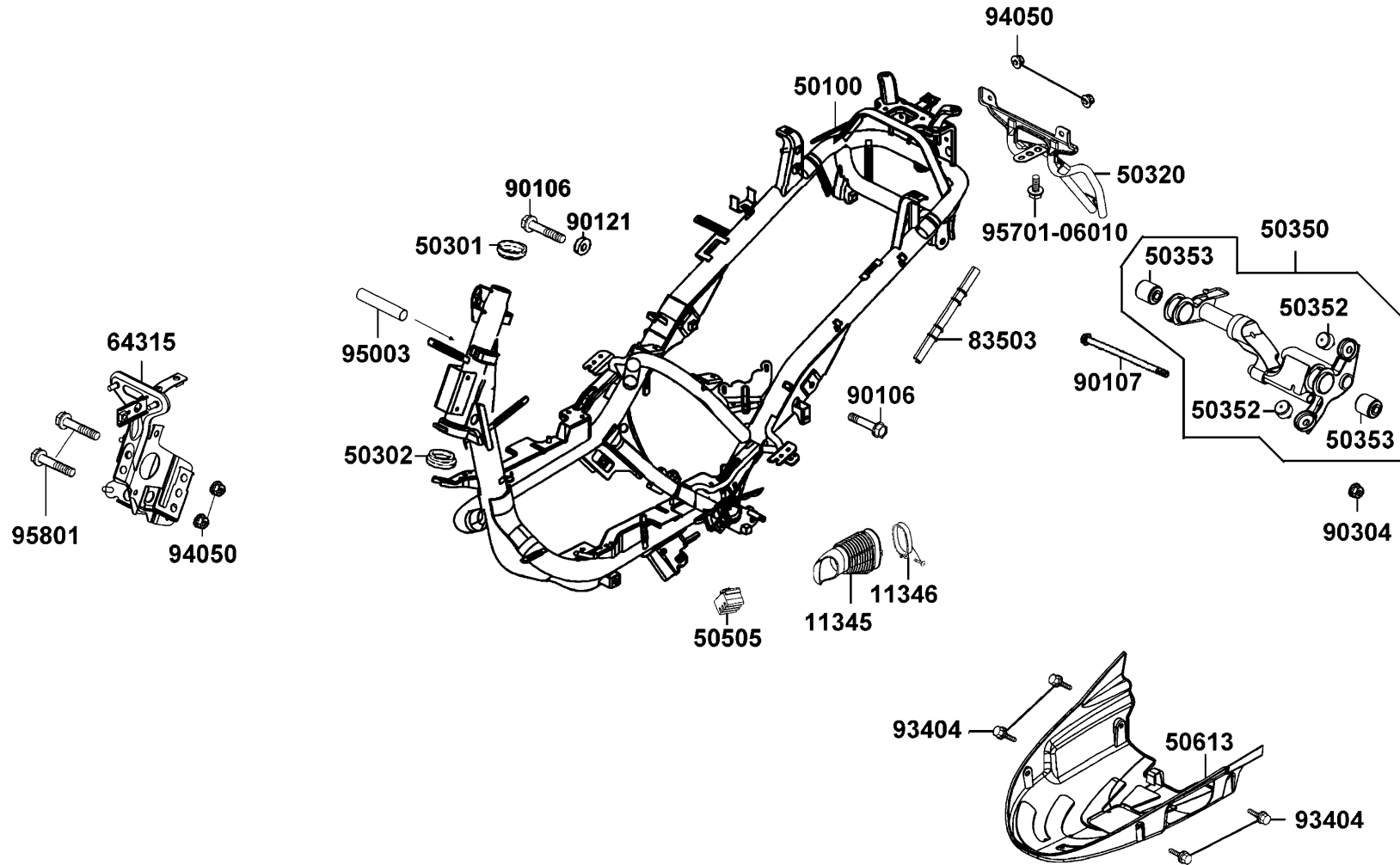
Sales mark	Ref no	Part no	Description	Reg description	Regd no	F19
	17520	17520-LEB1-900	CABLE COMP FUEL CAP	CABLE COMP FUEL CAP	1	
	17527	17527-LBA2-900	SLIDE COVER FUEL CAP	SLIDE COVER FUEL CAP	1	
	30700	30700-LEB2-910	CAP ASS'Y, NOISE SUPPR	CAP ASS'Y, NOISE SUPPR	1	
	31600	31600-KED9-900	REG REC COMP	REG REC COMP	1	
	32100	32100-LGH6-900	HARNESS WIRE	HARNESS WIRE	1	
	32120	32120-KFAF-900	CASE 15A FUSE	CASE 15A FUSE	1	
	32411	32411-LEB1-900	CABLE BAT	CABLE BAT	1	
	35101-LGH6-325-M1	35101-LGH6-325-M1	KEY SET	KEY SET	1	
	35101-LGH6-325-M2	35101-LGH6-325-M2	KEY SET	KEY SET	1	
	35102-LDC1-305-M1	35102-LDC1-305-M1	SHUTIER SET MAGNETIC LOCK	SHUTIER SET MAGNETIC LOCK	1	
	35102-LDC1-305-M2	35102-LDC1-305-M2	SHUTIER SET MAGNETIC LOCK	SHUTIER SET MAGNETIC LOCK	1	
	35104-LEB1-90A	35104-LEB1-90A	PLATE COVER FUEL CAP CABLE	PLATE COVER FUEL CAP CABLE	1	
	35104-LEB1-90B	35104-LEB1-90B	PLATE COVER FUEL CAP CABLE	PLATE COVER FUEL CAP CABLE	1	
	35109-LBC6-90A	35109-LBC6-90A	PROTECTING COVER CABLE	PROTECTING COVER CABLE	1	
	35109-LBC6-90B	35109-LBC6-90B	PROTECTING COVER CABLE	PROTECTING COVER CABLE	1	
	35380	35380-LDF2-900	SENSOR ANGLE DETECT	SENSOR ANGLE DETECT	1	
	35850-KHD8-900	35850-KHD8-900	SET START MAG	SET START MAG	1	
	35850-KHD8-90A	35850-KHD8-90A	SET START MAG	SET START MAG	1	
	38110	38110-LEA5-E00	HORN COMP	HORN COMP	1	
	38300	38300-LEA5-E0A	RELAY ASSY WINKER	RELAY ASSY WINKER	1	



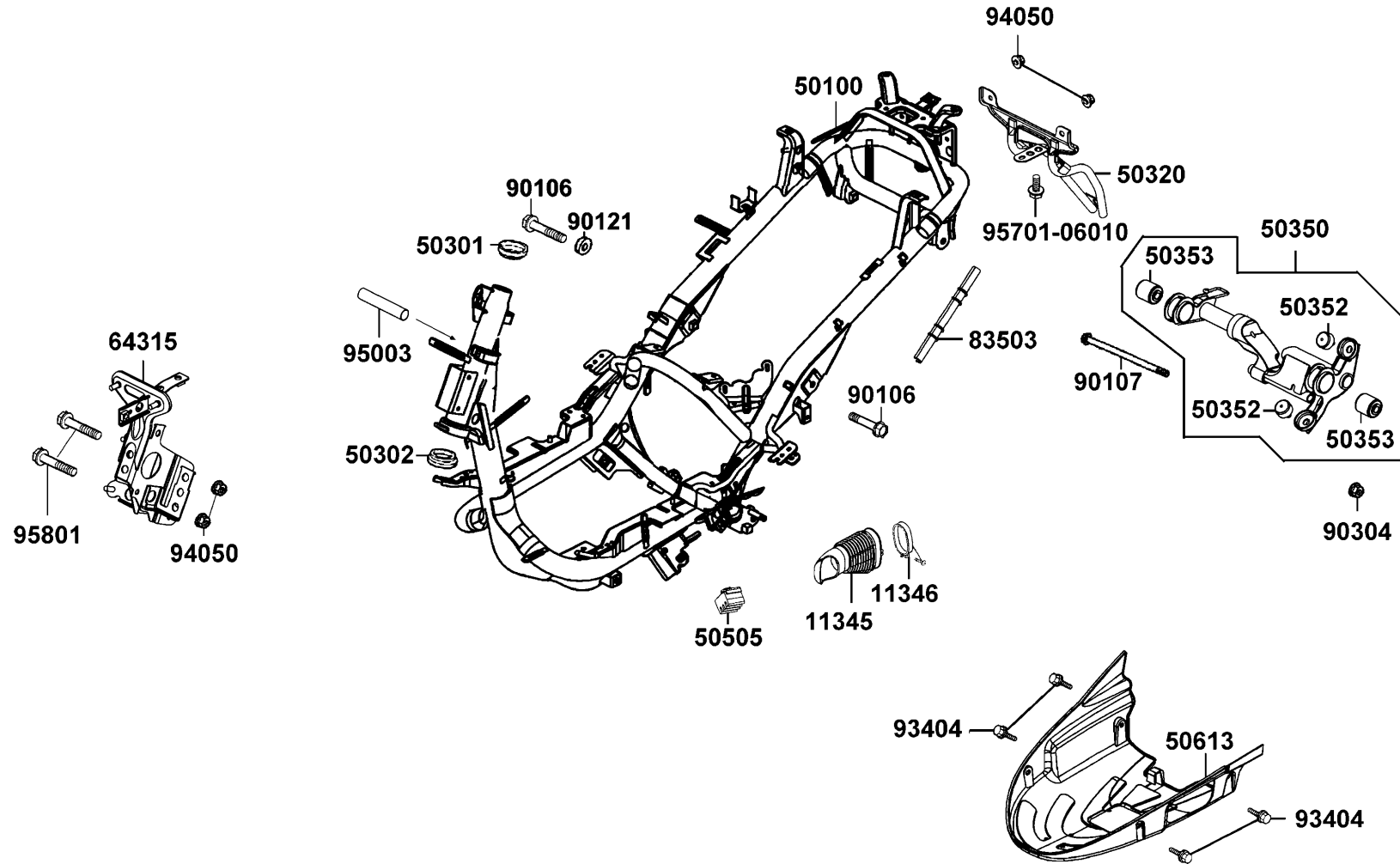
Sales mark	Ref no	Part no	Description	Reg description	Regd no	F19
	38500-KHD8-900	38500-KHD8-900	RELAY ASSY LIGHT	RELAY ASSY LIGHT	2	
	38500-KHD8-90A	38500-KHD8-90A	RELAY ASSY LIGHT	RELAY ASSY LIGHT	1	
	38500-LFB6-90A	38500-LFB6-90A	RELAY ASS'Y.,LIGHT	RELAY ASS'Y.,LIGHT	1	
	38500-LFB6-90B	38500-LFB6-90B	RELAY ASSY LIGHT	RELAY ASSY LIGHT	1	
	77240	77240-LFB5-900	CABLE SEAT LOCK	CABLE SEAT LOCK	1	
	90656-KCBC	90656-KCBC-900	BAND OIL HOSE	BAND OIL HOSE	1	
	93401	93401-04025-08	BOLT WASHER 4*25	BOLT WASHER 4*25	2	
	93500	93500-KHC4-90A	SCREW PAN 5*10	SCREW PAN 5*10	3	
	93894	93894-04022-08	SCREW PLAIN WASHER 4*22	SCREW PLAIN WASHER 4*22	2	
	94050	94050-06080	NUT FLANGE 6MM	NUT FLANGE 6MM	5	
	95701-06012	95701-06012-08	BOLT FLANGE 6*12	BOLT FLANGE 6*12	1	
	95701-08012	95701-08012-08	BOLT FLANGE 8*12	BOLT FLANGE 8*12	1	
	95701-08025	95701-08025-08	BOLT FLANGE 8*25	BOLT FLANGE 8*25	2	
	98200-11000	98200-11000	FUSE 10A	FUSE 10A	1	
	98200-11500	98200-11500	FUSE A15	FUSE A15	1	

F20

Frame Body



Sales mark	Ref no	Part no	Description	Reg description	Regd no	F20
	11345	11345-LFB5-900	DUCT L COVER	DUCT L COVER	1	
	11346	11346-GFY6-901	BAND L COVER DUCT	BAND L COVER DUCT	1	
	50100	50100-LGH6-900	BODY COMP.,FRAME	BODY COMP.,FRAME	1	
	50301	50301-KGN7-671	RACE UP STRG BALL	RACE UP STRG BALL	1	
	50302	50302-2H68-011	RACE STRG BOT BALL	RACE STRG BOT BALL	1	
	50320	50320-LFB5-900	STAY RR FENDER	STAY RR FENDER	1	
	50350	50350-LFB5-900	ENG HANGER ASSY	ENG HANGER ASSY	1	
	50352	50352-GFY6-901	RUBBER STOPPER	RUBBER STOPPER	2	
	50353	50353-LEB1-900	BUSH SWING LOCK	BUSH SWING LOCK	2	
	50505	50505-KEBE-900	STOPPER RUBBER	STOPPER RUBBER	1	
**	50613	50613-LFB5-900	COVER UNDER	COVER UNDER	1	
	64315	64315-LFB6-900	STAY COMP.,FR. COVER	STAY COMP.,FR. COVER	1	
	90106	90106-GFY6-901	BOLT FLANGE 10*55	BOLT FLANGE 10*55	2	
	90107	90107-KUDU-900	BOLT FLANGE 10*188	BOLT FLANGE 10*188	1	
	90121	90121-GFY6-901	COLLAR DISTANCE	COLLAR DISTANCE	1	
	90304	90304-GHE8-004	NUT U 10MM	NUT U 10MM	1	
	93404	93404-06016-06	BOLT WASHER 6*16	BOLT WASHER 6*16	4	
	94050	94050-06080	NUT FLANGE 6MM	NUT FLANGE 6MM	4	
	95003	95003-LEB1-900	"TUBE, CLAMP"	"TUBE, CLAMP"	1	
	95701-06010	95701-06010-08	BOLT FLANGE 6*10	BOLT FLANGE 6*10	1	

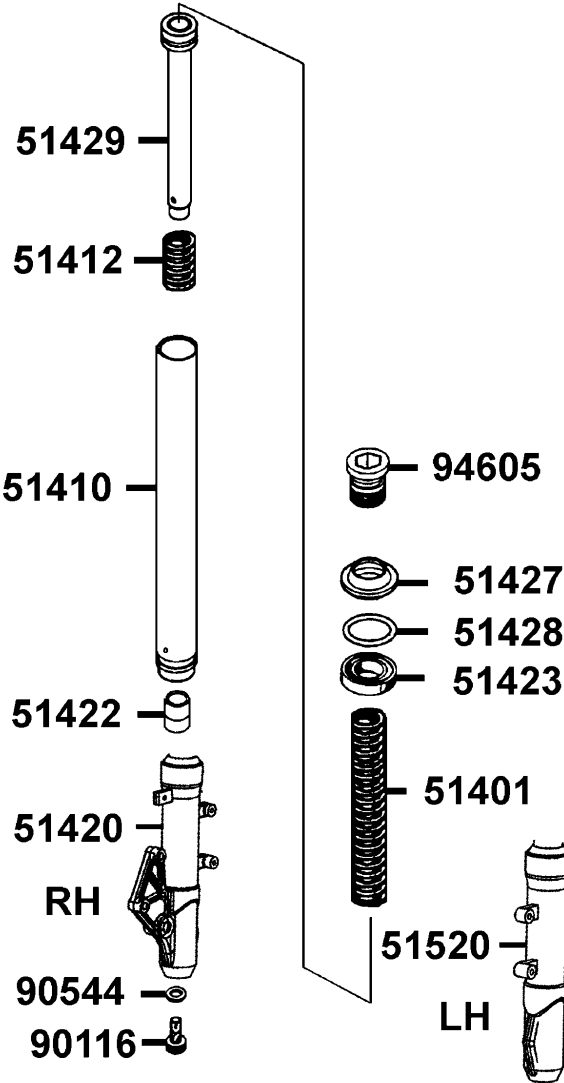


Sales mark	Ref no	Part no	Description	Reg description	Regd no	F20
------------	--------	---------	-------------	-----------------	---------	-----

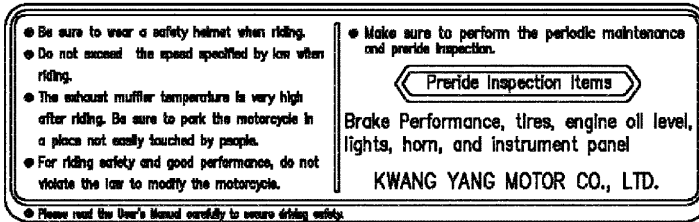
	95801	95801-06050-08	BOLT FLANGE 6*50	BOLT FLANGE 6*50	2	
--	-------	----------------	------------------	------------------	---	--

F21

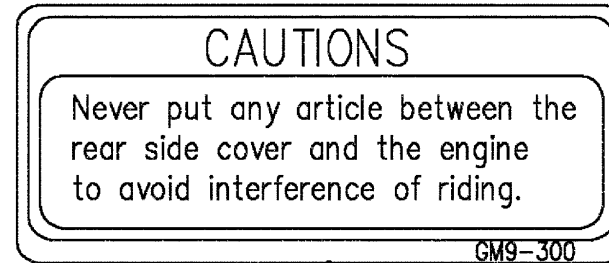
Separated Parts Of Fr Fork



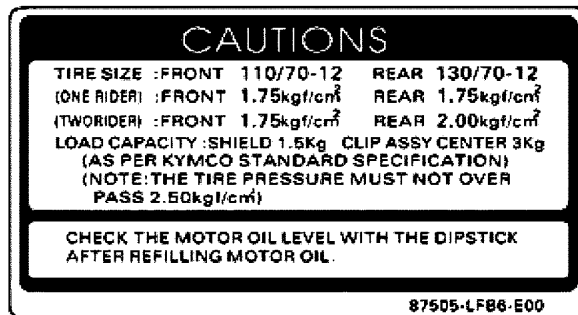
Sales mark	Ref no	Part no	Description	Reg description	Regd no	F21
	51401	51401-LFB5-900	SPRING FR CUSHION	SPRING FR CUSHION	1	
	51410	51410-LFB5-900	FORK PIPE COMP	FORK PIPE COMP	1	
	51412	51412-KHD8-900	REBOUND SPRING	REBOUND SPRING	1	
**	51420	51420-LFB5-900	BOTTOM CASE R	BOTTOM CASE R	1	
	51422	51422-LFB5-900	OIL LOCK PIECE	OIL LOCK PIECE	1	
	51423	51423-KKAK-900	OIL SEAL	OIL SEAL	1	
	51427	51427-KKAK-900	DUST SEAL	DUST SEAL	1	
	51428	51428-KKAK-900	OIL SEAL STOPPER RING	OIL SEAL STOPPER RING	1	
	51429	51429-LFB5-900	PIPE SEAT COMP	PIPE SEAT COMP	1	
**	51520	51520-LFB5-900	BOTTOM CASE L	BOTTOM CASE L	1	
	90116	90116-KHD8-900	BOLT	BOLT	1	
	90544	90544-KEC8-900	PACKING	PACKING	1	
	94605	94605-LFB5-900	FORK BOLT	FORK BOLT	1	



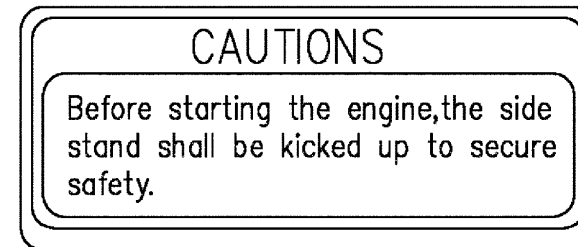
87560



87542



87505



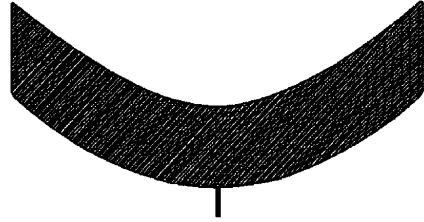
87541

Sales mark	Ref no	Part no	Description	Reg description	Regd no	F22
**	87505	87505-LFB6-E00	LABEL TIRE	LABEL TIRE	1	
**	87541	87541-GAR1-E00	CAUTION SIDE STAND	CAUTION SIDE STAND	1	
**	87542	87542-GAR1-E00	MARK MAINT CAUTION	MARK MAINT CAUTION	1	
**	87560	87560-GFY6-E00	MARK DRIVE CAUTION	MARK DRIVE CAUTION	1	

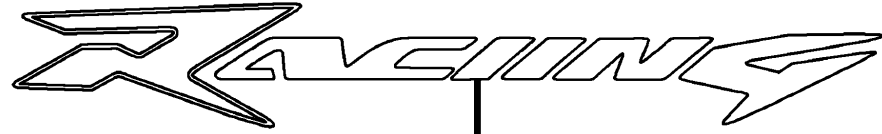
F23

Emblem

Stripe



86408



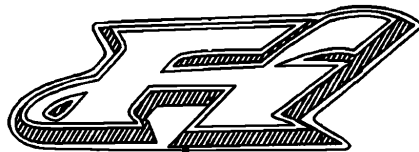
86202



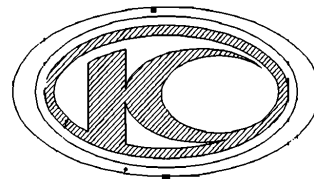
87311-LAD9



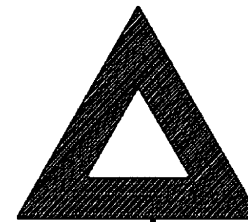
87140



87311-LEA1



86102



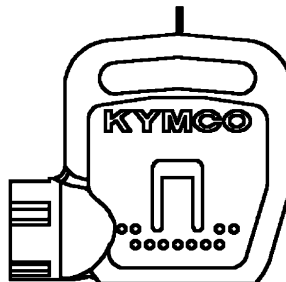
86409

Sales mark	Ref no	Part no	Description	Reg description	Regd no	F23
**	86102	86102-KKC4-900	EMB K-LOGO 28.5MM	EMB K-LOGO 28.5MM	1	
**	86202	86202-LFB5-900	EMB BODY COVER	EMB BODY COVER	3	
**	86408	86408-KKC8-B20	STRIPE FR FENDER	STRIPE FR FENDER	1	
**	86409	86409-KHC4-B20	STRIPE RR FENDER	STRIPE RR FENDER	1	
**	87140	87140-LGH5-900	EMB MARK	EMB MARK	3	
**	87311-LAD9	87311-LAD9-B20	STRIPE R MARK	STRIPE R MARK	1	
**	87311-LEA1	87311-LEA1-900	STRIPE MARK Fi	STRIPE MARK Fi	2	

35111-LDC1-305-M1



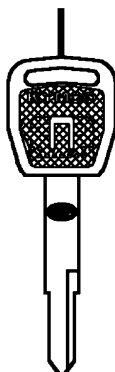
35111-LDC1-307-M1



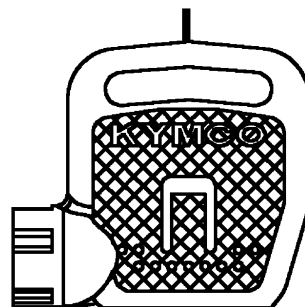
35111-LDC1-306-M2



35111-LDC1-305-M2



35111-LDC1-307-M2



35111-LDC1-306-M1



Sales mark	Ref no	Part no	Description	Reg description	Regd no	F24
	35111-LDC1-305-M1	35111-LDC1-305-M1	KEY COMP/MAIN SW	KEY COMP/MAIN SW	1	
	35111-LDC1-305-M2	35111-LDC1-305-M2	KEY COMP/MAIN SW	KEY COMP/MAIN SW	1	
	35111-LDC1-306-M1	35111-LDC1-306-M1	KEY COMP/MAIN SW	KEY COMP/MAIN SW	1	
	35111-LDC1-306-M2	35111-LDC1-306-M2	KEY COMP/MAIN SW	KEY COMP/MAIN SW	1	
	35111-LDC1-307-M1	35111-LDC1-307-M1	KEY COMP/SHUTTER MAGNEITC LOCK	KEY COMP/SHUTTER MAGNEITC LOCK	1	
	35111-LDC1-307-M2	35111-LDC1-307-M2	KEY COMP/SHUTTER MAGNEITC LOCK	KEY COMP/SHUTTER MAGNEITC LOCK	1	

PART NO. INDEX

PART NO.	VERSION	PAGE	PART NO.	VERSION	PAGE	PART NO.	VERSION	PAGE
11000			12000			14110-LEB1-900	3	E02
11100-LEB1-306	6	E01	12100-LEB1-900	6	E03	14321-LEB1-900	3	E02
11102-1G87-004	3	E01	12191-LEB1-900	2	E03	14401-KUDU-900	0	E03
11192-LEB1-900	5	E01	12200-LEB2-E00	1	E02	14420-LEB1-900	4	E02
11200-LFB5-305	0	E01	12209-GDB4-68A	0	E02	14430-LEB1-900	4	E02
11203-GFY6-901	0	F14	12209-KHD6-900	0	E02	14433-LEB1-900	1	E02
11203-GGC7-301	2	E01	12216-LEB1-900	2	E02	14434-LEB1-900	1	E02
11203-GGC7-301	2	F16	12217-LEB1-900	1	E02	14452-LEB1-900	4	E02
11206-LFB5-900	2	E07	12251-LEB1-900	6	E02	14453-LEB1-910	1	E02
11207-LFB5-900	2	E04	12310-LGH5-900	1	E02	14510-LEB1-900	2	E03
11211-LFB5-900	2	F13	12361-GFY6-901	1	E04	14520-GFY6-90A	1	E03
1122A-LFB5-900	2	E01	12391-LEB1-900	4	E02	14523-KED9-900	0	E03
11330-LEB1-900	9	E04				14531-GLR0-001	1	E03
11340-LFB5-900	6	E01	13000			14610-LEB1-900	1	E03
11342-LFB5-900	4	E01				14711-LEB1-900	4	E02
11344-LGH6-900	0	E01	13000-LGH5-900	3	E03	14721-LEB1-900	4	E02
11345-LFB5-900	2	F20	13011-LEB1-90A	1	E03	14751-KHD6-900	1	E02
11346-GFY6-901	0	F20	13011-LEB1-90B	0	E03	14771-KHD6-900	0	E02
11353-LEA6-900	1	E01	13101-LEB1-90A	5	E03	14781-MFA6-001	0	E02
11383-LFB5-900	1	E01	13111-3D84-001	3	E03	15000		
11394-LEB1-900	4	E04				15100-KFB7-900	0	E07
11395-LFB5-900	3	E01	14000			15133-GFY6-901	0	E07
			14100-LEB1-920	1	E02	15141-GFY6-90B	0	E07
						15141-GFY6-90C	1	E07

PART NO. INDEX

PART NO.	VERSION	PAGE	PART NO.	VERSION	PAGE	PART NO.	VERSION	PAGE
15421-1G07-001	1	E04				17623-KKE5-E1B	0	F10
15426-GAE1-921	0	E04	17000			17689-LAD9-B20	0	F10
1565A-KUDU-900	0	E04				17910-KKE3-900	3	F03
15711-GFY6-901	0	E07	1711A-LGH6-910	1	E02			
			17211-LFB5-900	0	F13	18000		
16000			17213-LBD6-E00	1	F13			
			17214-LFB5-900	0	F13	18291-KEBE-900	0	F14
16056-LEB2-900	2	E05	1723A-LGH6-900	1	F13	18291-KKC4-900	0	E01
16068-LEB2-900	3	E05	1723B-LGH6-900	0	F13	18291-LEA5-E00	1	F14
16074-KEC3-900	4	E05	17254-KACA-P00	0	F13	18292-KEBE-900	0	F14
16100-LGH6-E00	3	E05	17359-4K19-671	0	F13	18293-KEBE-900	0	F14
16110-KKE3-900	2	E05	17369-KHC4-900	0	F10	18293-KKC4-900	0	E01
16112-KKE3-900	1	E05	17371-1D74-671	0	F13	18294-KEBE-900	0	F14
16118-KEC3-900	0	E05	17500-LGH6-900	2	F10	1830A-LGH6-E00	2	F14
16122-KEC3-900	0	E05	17502-LEB1-900	2	F10	18318-LFB5-900	1	F14
16123-LGH6-900	2	E05	17504-LAB4-900	2	F10			
16133-KEC3-900	1	E05	17507-LAB4-900	2	F10	19000		
16134-KKE3-900	5	E05	17513-LAD9-900	1	F10			
16138-KGC5-900	1	E05	17515-LAD9-900	1	F10	19411-KBCB-900	0	F10
16154-KKE3-900	4	E05	17520-LEB1-900	0	F19	19504-LBA2-E00	3	F10
16170-KEC3-900	0	E05	17527-LBA2-900	0	F19	19510-LEB1-900	1	E08
16201-LEB1-900	3	E02	17550-LGH6-900	2	F10	19613-GFY6-901	0	E08
16211-LEB1-900	4	E02	1756A-LGH6-900	0	F10	1961A-LGH6-E00	1	E08
			17620-LLJ3-E0A	3	F10	19625-LEB1-900	2	E08
			17620-LLJ3-E0B	3	F10	19626-LEB1-900	1	E08
			17623-KKE5-E1A	0	F10	1962A-LEB2-900	3	E08

PART NO. INDEX

PART NO.	VERSION	PAGE	PART NO.	VERSION	PAGE	PART NO.	VERSION	PAGE
19633-GFY6-901	0	E08						
19635-LEB1-900	2	E08	23000			30000		
19636-LEB1-900	1	E08						
1963A-LGH6-900	2	E08	2301A-LFB6-900	1	E06	3051A-LEB2-910	1	F19
			23100-LGH5-90A	0	E06	30700-LEB2-910	1	F19
21000			23200-LFE2-900	1	E06			
			23220-GFY6-921	1	E06	31000		
21301-LFB5-305	1	E09	23225-GHC8-004	0	E06			
21395-LFB5-900	4	E09	23226-GHC8-004	0	E06	31110-LGH6-90A	1	E08
			23233-LFE2-910	1	E06	31110-LGH6-90B	1	E08
22000			23237-GFY6-941	0	E06	31120-LGH6-90A	1	E08
			23411-LFB5-900	2	E09	31120-LGH6-90B	1	E08
22101-KEBE-900	1	E06	23420-LGH5-900	1	E09	31210-LFB5-90A	0	E07
22102-LEB1-900	2	E06	23431-LFB5-900	4	E09	31210-LFB5-90B	0	E07
22105-LEB2-900	1	E06	23432-LGH5-900	2	E09	31210-LFB5-90C	2	E07
22110-LEB1-800	7	E06				31500-KFAF-90A	4	F11
22111-LEB1-800	5	E06	28000			31500-KFAF-90B	6	F11
22112-GFY6-90A	0	E06				31600-KED9-900	4	F19
22121-GFY6-90A	0	E06	28101-GFY6-200	2	E07			
22130-LEB1-800	5	E06	28102-GFY6-901	0	E07	32000		
22300-LFB6-900	1	E06	28110-LEB1-900	3	E07			
22350-KGN7-671	0	E06	28120-GFY6-315	6	E07	32100-LGH6-900	3	F19
22361-KGN7-671	1	E06	28125-4F26-001	0	E07	32101-GFY6-901	1	F04
22401-KHD4-E00	0	E06	28125-GFY6-960	3	E07	32106-KKE3-900	2	E07
22530-LFB5-900	0	E06	28126-KUDU-900	1	E07	32120-KFAF-900	0	F19
22804-GBB2-001	0	E06	28211-KFC8-900	0	E06	32161-LBA7-900	0	F18

PART NO. INDEX

PART NO.	VERSION	PAGE	PART NO.	VERSION	PAGE	PART NO.	VERSION	PAGE
32410-LEB1-900	1	E07	33741-GFY6-C30	1	F05	35111-LDC1-307-M2	0	F24
32411-LEB1-900	4	F19	33741-KEC8-900	0	F18	35130-KXCX-M00	0	F03
32412-LEB1-900	4	E04				35160-GFY6-900	2	F03
32961-LEB1-900	2	E04	34000			35170-KNBN-910	1	F03
33000			34901-KFA6-900	0	F01	35180-GFY6-900	2	F03
			34903-KPCP-900	0	F01	35200-GFY6-910	1	F03
33107-KKC4-E00	0	F01	34903-KPCP-900	0	F18	35340-KFLF-900	2	F03
33120-LGH6-900	0	F01	34905-LBA7-E00	0	F17	35340-KNBN-901	0	F04
33130-LFB5-900	0	F01	34905-LCA5-E00	0	F18	35380-LDF2-900	2	F19
33400-LFB5-900	1	F17				35850-KHD8-900	1	F19
33401-LFB5-900	0	F17	35000			35850-KHD8-90A	0	F19
33406-LFB5-900	0	F17				37000		
33450-LFB5-900	1	F17	35101-LGH6-325-M1	0	F19			
33451-LFB5-900	0	F17	35101-LGH6-325-M2	0	F19	37200-LGH6-B20	0	F02
33456-LFB5-900	0	F17	35102-LDC1-305-M1	0	F19	37225-LFB5-90B	0	F02
33700-LFB5-900	3	F18	35102-LDC1-305-M2	0	F19	37230-LFB5-90B	0	F02
33701-LFB5-900	0	F18	35104-LEB1-90A	0	F19	37801-LAB4-910	1	F10
33706-KHB4-E01	0	F18	35104-LEB1-90B	0	F19	3780A-LFB5-900	0	F10
33709-KBAB-003	0	F18	35109-LBC6-90A	1	F19			
33709-LFB5-900	0	F18	35109-LBC6-90B	1	F19	38000		
33717-LFB5-900	0	F18	35111-LDC1-305-M1	0	F24			
33720-KHB4-E00	3	F18	35111-LDC1-305-M2	0	F24	38110-LEA5-E00	1	F19
33722-KHB4-E00	0	F18	35111-LDC1-306-M1	0	F24	38300-LEA5-E0A	1	F19
33725-KHB4-E00	0	F18	35111-LDC1-306-M2	0	F24	38500-KHD8-900	0	F19
33726-KHB4-E00	0	F18	35111-LDC1-307-M1	0	F24	38500-KHD8-90A	0	F19

PART NO. INDEX

PART NO.	VERSION	PAGE	PART NO.	VERSION	PAGE	PART NO.	VERSION	PAGE
38500-LFB6-90A	0	F19						
38500-LFB6-90B	0	F19	43000			45000		
39000			43105-LFB5-305	0	F07	45107-LFB5-900	0	F07
			4312A-LFB5-800	0	F08	45108-LDH1-E00	0	F07
39300-LEB2-800	1	E02	4314A-LFB6-900	1	F08	45109-GBE2-007	0	F07
39301-LEB2-900	3	E02	43151-LEB1-900	2	F08	45126-LFB5-900	1	F04
39302-KKE3-900	2	E02	43156-LFB5-900	1	F04	45128-KEBE-900	0	F06
39303-LEB2-900	2	E02	43352-KKD6-E90	1	F07	45131-LDH1-E00	0	F07
39400-KKE3-800	2	E02	43353-4A61-77A	0	F07	45132-LDH1-E00	0	F07
39450-LEA6-800	2	F14	43413-LBE1-900	1	F08	45156-KEC6-900	2	F06
			43416-LEB1-900	1	F08	45200-LFB5-900	1	F07
40000			4341A-LFB6-900	2	F08	45209-GBE2-007	0	F07
			43450-LFB5-800	3	F03	45210-LFB5-305	0	F07
40511-LEC8-E00	1	F05	44000			45351-LFB6-900	0	F07
						45513-GLW0-91A	0	F04
42000			44301-LFE2-900	1	F07	45517-KFAF-910	0	F04
			44311-KEBE-900	0	F07	45517-LFB5-800	1	F03
42311-LFB5-900	0	F08	44620-KHD8-900	1	F07	45520-GLW0-91A	0	F04
42312-KHB4-900	0	F08	44650-LFE2-305	0	F07	45530-LFB5-305	0	F04
42601-LFE2-900	3	F08	44650-LFE2-305	4	F07	45531-GAR1-951	0	F07
42601-LFE2-900	4	F08	44710-KFA5-90B	1	F07	46000		
42710-KEB7-E1A	3	F08	44800-KFA5-900	1	F07			
42753-0D04-900	1	F07	44830-KXCX-901	4	F02	46513-LEB1-900	1	F08
42753-KNBN-90B	1	F08						

PART NO. INDEX

PART NO.	VERSION	PAGE	PART NO.	VERSION	PAGE	PART NO.	VERSION	PAGE	
50000			51410-LFB5-900	0	F21	53167-KFA1-900	0	F03	
			51412-KHD8-900	0	F21	53168-KFA1-900	1	F03	
			51420-LFB5-900	0	F21	53172-KTCT-900	0	F03	
	50100-LGH6-900	1	F20	51422-LFB5-900	0	F21	53175-KFA5-E10	0	F04
	50179-LEB2-900	2	F10	51423-KKAK-900	0	F21	53178-LCD1-E00	1	F03
	50301-KGN7-671	2	F20	51427-KKAK-900	0	F21	5317B-LFB5-900	3	F03
	50302-2H68-011	2	F20	51428-KKAK-900	0	F21	53200-LFB5-900	3	F06
	50306-1F96-001	0	F06	51429-LFB5-900	0	F21	53205-LFB5-900	1	F03
	50320-LFB5-900	1	F20	51430-LDH1-E00	0	F07	53206-LFB5-900	0	F03
	50328-LBB8-900	1	F11	5150A-LFB5-900	2	F06	53207-KKD9-B00	3	F03
	50329-LEB1-900	2	F11	51520-LFB5-900	0	F21	53208-LFB5-900	0	F03
	5032A-LEB1-900	2	F11				53211-GFY6-940	1	F06
	50350-LFB5-900	3	F20	52000			53212-2L50-011	1	F06
	50352-GFY6-901	0	F20				53214-2L50-001	0	F06
	50353-LEB1-900	1	F20	52000-LFB5-900	1	F16	53215-2L50-001	0	F06
	50500-LFB5-900	7	F15	52400-LFB5-900	3	F16			
	50502-GFY6-901	3	F15	52500-LFB5-900	2	F16	61000		
	50505-KEBE-900	0	F20						
	50505-LAD9-900	2	F15	53000			61100-LFB5-900	1	F05
50530-LFB5-900	2	F15				61101-LFB5-900	0	F05	
50613-LFB5-900	3	F20	53100-LGH6-900	1	F03	61102-LFB5-900	0	F05	
51000			53102-KEC8-900	0	F03	61103-LFB5-900	3	F05	
			53105-LBB5-E00	2	F03	6110B-LFB5-900	4	F05	
			53125-GEN5-901	0	F03				
	51401-LFB5-900	0	F21	53140-LFB6-800	0	F03			
	5140A-LFB5-900	2	F06	53150-LEA6-900	2	F03			

PART NO. INDEX

PART NO.	VERSION	PAGE	PART NO.	VERSION	PAGE	PART NO.	VERSION	PAGE
64000			77235-KGC4-E0A	2	F12			
			77235-KGC4-E0B	2	F12	83000		
			77240-LFB5-900	0	F19			
64302-LFB5-900	3	F05	77300-LBE3-900	0	F09	83500-LFB5-900	2	F12
64303-LFB5-900	0	F05	77303-KKC4-800	1	F09	83503-KHD6-900	2	F20
64304-LFB5-900	0	F05				83520-LFB5-900	0	F12
64305-LFB5-900	0	F05	80000			83600-LFB5-900	2	F12
64306-LFB5-900	0	F05				83620-LFB5-900	0	F12
64307-LFB5-900	0	F05	80100-LFB5-910	0	F18	8376A-KECE-901	2	F12
64307-LFB5-900	1	F05	80102-LFB5-900	2	F18			
6430A-LFB5-900	0	F05	80103-LFB5-900	0	F18	86000		
64310-LFB5-900	0	F05	80105-LFB5-900	4	F18			
64315-LFB6-900	1	F20	80107-LFB5-900	1	F18	86102-KKC4-900	1	F23
64316-KHD6-900	0	F05	80151-LFB5-900	2	F12	86202-LFB5-900	0	F23
64316-KHE2-900	0	F05				86408-KKC8-B20	2	F23
64400-LFB5-900	1	F05	81000			86409-KHC4-B20	2	F23
70000			81131-LFB5-900	0	F05	87000		
			81132-LFB5-900	0	F05			
70529-6G57-671	0	E01	81134-LAB4-900	4	F05	87140-LGH5-900	1	F23
70529-6G57-671	0	E08	81141-LFB5-900	0	F05	87311-LAD9-B20	1	F23
			81142-KUDU-900	1	F05	87311-LEA1-900	1	F23
			81153-LFB6-900	0	F05	87502-LEB2-900	1	F11
			81200-LFB5-900	2	F12	87505-LFB6-E00	1	F22
77200-LGH6-E00	2	F09	81255-LGL9-900	1	F12	87541-GAR1-E00	1	F22
77206-KEB7-900	0	F09	81260-LEB2-900	2	F12	87541-KUDU-900	2	E08

PART NO. INDEX

PART NO.	VERSION	PAGE	PART NO.	VERSION	PAGE	PART NO.	VERSION	PAGE
87542-GAR1-E00	2	F22	90106-GEN5-901	0	F03	90302-GFY6-940	1	F11
87560-GFY6-E00	3	F22	90106-GFY6-901	0	F20	90302-KEC8-900	1	F03
88000			90106-KFAF-900	2	F12	90302-LLB1-E00	2	F10
			90106-KFC2-900	0	F03	90302-LLB1-E00	2	F18
			90107-KUDU-900	2	F20	90302-SDA4-004	1	F03
88110-LFB5-900	2	F03	90108-KUDU-900	1	F15	90302-SDA4-004	1	F05
88120-LFB5-900	2	F03	90111-1G87-001	1	F12	90302-SDA4-004	1	F12
89000			90111-LEB1-900	1	F18	90304-GHE8-004	0	F03
			90114-1F66-007	2	F04	90304-GHE8-004	0	F20
			90114-GDM4-011	1	F13	90305-GHK8-001	1	E08
89010-LEB1-900	2	F09	90115-GLE0-001	0	F03	90305-GHK8-001	1	F12
90000			90116-KED9-900	2	F05	90305-KFW6-91A	0	F08
			90116-KHD8-900	0	F21	90306-LFE2-900	1	F07
			90121-GFY6-901	1	F20	90381-GEZ5-001	1	F12
90001-GBHB-661	0	E03	90131-LEB1-900	1	F07	90403-GFY6-901	0	E07
90001-GFY6-901	1	E02	90131-LFB5-900	0	F16	90426-KNBN-901	0	E06
90005-KAW1-901	1	E03	90145-MKS9-61A	1	F04	90440-1F66-001	0	E08
9000A-KKJ9-001	0	E01	90164-MDR4-901	0	F05	90474-3C33-001	1	E01
9000A-KTDT-900	1	E01	90201-GFY6-901	0	E07	9052A-LEB1-900	1	E01
9000B-KHD6-900	2	E02	90202-1G87-001	0	E06	90544-KEC8-900	0	F21
90012-3C33-001	0	E02	90206-0A01-001	1	E02	90545-3L00-001	2	F04
90031-KHD6-900	2	E01	90215-GLM0-910	1	F18	90601-GFY6-901	0	E06
90032-KHD6-900	2	E01	90301-GFY6-901	2	F14	90605-1F66-721	0	E06
90033-GFY6-900	0	E02	90302-GBR2-001	1	F10	90651-LFB5-900	0	F13
90105-KCR3-001	1	F07	90302-GFY6-901	1	F12	90652-LCA4-E00	1	F05
90105-KHB4-900	0	F03	90302-GFY6-940	1	F10	90652-LFB5-900	0	F05

PART NO. INDEX

PART NO.	VERSION	PAGE	PART NO.	VERSION	PAGE	PART NO.	VERSION	PAGE
90652-LGJ9-900	2	E02	91202-GFY6-90B	0	E04	93404-06025-06	0	E01
90656-KCBC-900	0	F03	91202-LEB1-900	2	E01	93404-06030-06	0	F05
90656-KCBC-900	0	F19	91202-LFE2-90A	1	E09	93500-03010-1A	0	E07
90656-KUDU-900	0	F19	91211-KEBE-900	0	E06	93500-04020-0G	0	F10
90660-KGBG-900	0	F10	91255-GLE0-006	0	E01	93500-05022-06	0	F03
90677-GAR1-004	1	F11	91301-GLR0-005	1	E03	93500-KHC4-90A	0	F19
90701-HFB6-011	1	E03	91301-LEB1-900	1	E02	93600-04012-1G	0	F04
90754-GHC8-00A	1	F07	91302-0A01-021	0	E04	93700-05018-0H	0	F02
90754-GHC8-00B	1	F07	91306-1E05-691	0	E03	93891-05025-06	0	F03
90912-KFLF-00A	0	F07	91307-0E35-001	0	E04	93891-05040-06	0	F10
			91351-6B42-000	0	E06	93892-04010-08	0	E05
91000			91352-KHG8-83B	0	F08	93892-05010-08	0	E05
			91508-KGV7-67A	0	F18	93893-04012-18	0	F04
91002-GGA7-70A	0	E06	91981-KGN7-670	0	E07	93894-04022-08	1	F19
91004-KHE7-900	1	E06				93903-25460	0	F13
91009-GLE0-004	1	E01	92000			93903-34360	0	F03
91014-LLJ3-E00	1	F06				93903-34360	0	F05
91015-LLJ3-E00	1	F06	92101-05012-0H	0	E08	93903-34360	0	F11
91051-KFBF-901	1	F16	92101-06014-0H	1	E02	93903-34360	0	F12
91101-1K79-711	1	E07	92900-06060-0B	0	E02	93903-34360	0	F17
91104-GFY6-90B-B	1	E07				93903-34360	0	F18
91104-GFY6-90B-R	1	E07	93000			93903-34460	0	F02
91104-GFY6-90B-W	1	E07				93903-34460	0	F05
91104-GFY6-90C-B	0	E07	93401-04025-08	0	F19	93903-34760	0	F05
91104-GFY6-90C-R	0	E07	93404-06012-06	0	F18	93903-35320	0	F02
91104-GFY6-90C-W	0	E07	93404-06016-06	0	F20	93903-35320	0	F03

PART NO. INDEX

PART NO.	VERSION	PAGE	PART NO.	VERSION	PAGE	PART NO.	VERSION	PAGE	
93903-35360	0	F01	94301-10160	0	E01	95701-06010-08	1	F20	
93903-35360	0	F10	94301-10160	0	E02	95701-06012-06	1	F06	
93903-GFY6-900	1	F05	94301-10160	0	E03	95701-06012-08	0	F19	
94000			94301-10160	0	E04	95701-06018-07	1	F14	
			94303-04065	0	E07	95701-06022-06	1	F11	
			94510-12000	0	F08	95701-06022-07	0	F14	
			94510-20000	0	E09	95701-06035-08	0	F08	
			94520-28000	0	E06	95701-08012-08	0	E01	
94001-05080-0S	0	F03	94520-40000	0	F16	95701-08012-08	0	F19	
94050-06060	0	F01	94591-21000	0	F05	95701-08025-08	0	F19	
94050-06060	0	F04	94591-27000	0	F05	95801-06050-08	0	F20	
94050-06080	0	E02	94591-KFBF-900	2	E02	95801-08035-06	1	F16	
94050-06080	0	E05	94601-15000	0	E03	95801-08040-08	0	F06	
94050-06080	0	E07	94605-LFB5-900	1	F21	95801-08042-06	0	F14	
94050-06080	0	F05	95000			95801-10025-08	0	F15	
94050-06080	0	F09				95801-10040-08	0	F16	
94050-06080	0	F10							
94050-06080	0	F19							
94050-06080	0	F20							
94050-08080	0	E02	95002-02120	0	F13	96000			
94050-12080	0	E06	95002-02130	0	F10				
94050-12080	0	E08	95002-41050-00	0	F13		96001-06008-07	0	F14
94101-06700	0	F14	95002-50000	0	E01		96001-06012-06	0	F04
94101-08800	0	F10	95003-23024-60	0	F13		96001-06012-08	0	E04
94101-KKE3-900	1	E05	95003-LEB1-900	0	F20	96001-06012-08	0	E07	
94111-06800	0	E02	95014-71402	0	F15	96001-06012-08	0	F12	
94111-06800	0	E05	95014-72204	0	F15	96001-06014-08	0	E02	
94301-08140	0	E01	95015-LEB1-900	3	F03	96001-06016-08	0	E08	

PART NO. INDEX

PART NO.	VERSION	PAGE	PART NO.	VERSION	PAGE	PART NO.	VERSION	PAGE
96001-06018-08	0	E07						
96001-06018-08	0	E08	98000					
96001-06022-06	1	F04						
96001-06022-08	0	E08	98059-58916-00	2	E02			
96001-06025-06	0	F03	98200-11000	0	F11			
96001-06025-08	0	E01	98200-11000	0	F19			
96001-06025-08	0	E08	98200-11500	0	F11			
96001-06028-08	0	E07	98200-11500	0	F19			
96001-06028-08	0	E08						
96001-06032-08	0	E01						
96001-06032-08	0	E04						
96001-06035-08	0	F13						
96001-06050-08	0	E01						
96001-06100-08	0	E02						
96001-06100-08	0	E04						
96001-06110-08	0	E04						
96001-GFY6-900	1	E01						
96100-60020-00	0	E01						
96100-62020-00	0	E09						
96100-62030-00	0	E01						
96100-63030-00	0	E09						
96100-LFE2-900	1	E09						
96220-60100	0	E07						
96600-08010-10	1	E07						