

PARTS CATALOGUE



ATV

LA60BD(RO)

MAXXER 300 (ON ROAD)



Release Date : 2010/10/04
Print Date : 2012/02/09

ABOUT THIS PARTS LIST

- This parts list is compiled all service parts for model LA60BD(RO).
- Any difference between color chart and motorcycle will be revised according to motorcycle.
- The Mark:
 1. Marking "***" must add color code in the end before ordering parts.
 2. Marking "#" are parts with modification, Please find the details from e-Parts system.
- When modification or additions to this parts list are made a revised edition at an appropriate time.



CONTENTS

● ABOUT THIS PARTS LIST	1
● COLOR CHART OF LA60BD(RO)	3
● CONTENTS-ENGINE GROUP	7
● CONTENTS-FRAME GROUP	8
● ENGINE PARTS LIST	11
● FRAME PARTS LIST	51
● PART NO. INDEX	129

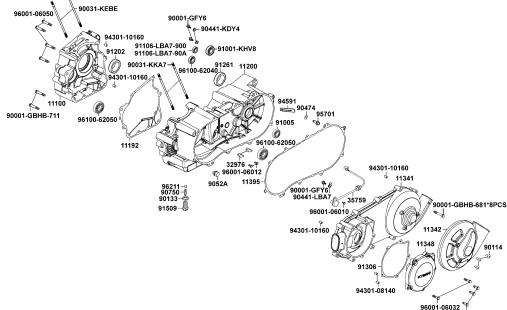
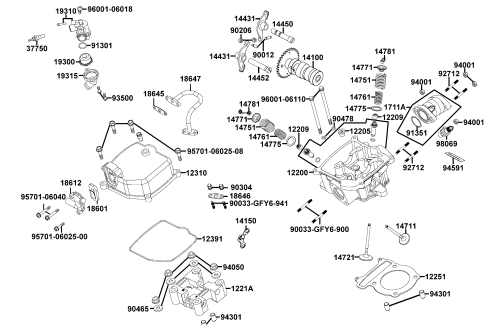
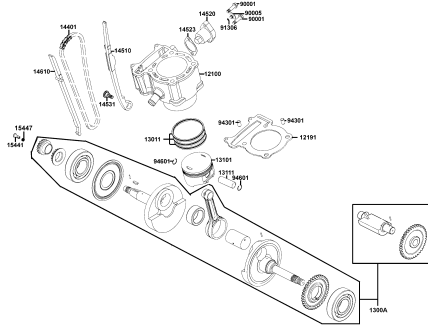
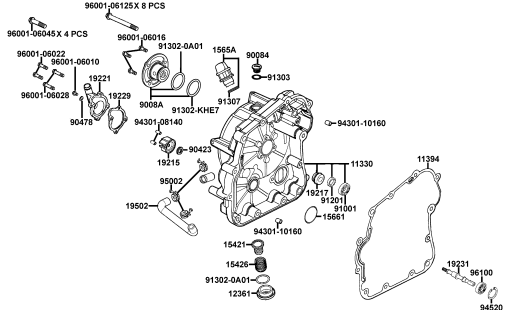
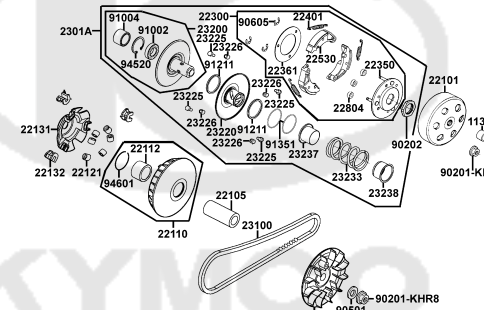
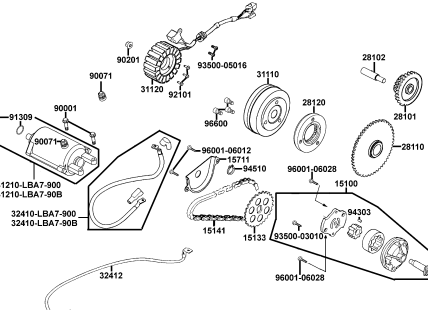
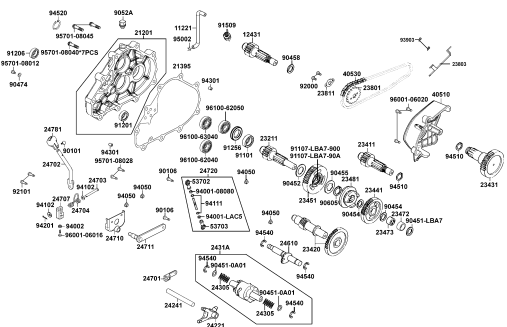
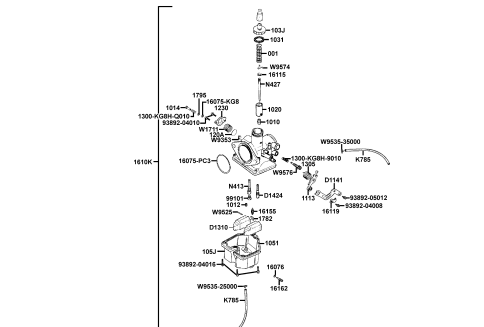
NO	MODEL			COLOR CHART OF LA60BD(RO)							
	PHOTO NO			NO. 1	NO. 2	NO. 3	NO. 4				
	BASIC COLOR			Blue	Red	Gloomy Green	Black				
	CODE			Blue	Red	Gloomy Green	Black				
	PARTS NAME	PARTS NO.	VERSION	PB090SA	RR338SA	GG347SA	NH001SA				
1	COVER HANDLE	53205-LDF3-E00	2	C7R	E4R	GZR	N1R				
2	FENDER FRONT	60100-LDF3-E01	0								
3	FENDER ASSY REAR	8010A-LBA7-900	4								
4	LEVER L STRG HANDLE	53178-KFC8-E10	0	M2A							
5	COVER COMP R CRANK	11330-LDE9-E00	4	M3A							
6	CUSHION ASSY FR	51400-PWA2-900	2	MBS							
7	FORK ASSY RR	52000-LBA7-E70	3								
8	FORK ASSY RR	52000-LEC1-E00	1								
9	CUSHION ASSY RR	52400-PWA2-900	2								
10	ARM ASSY R UP SWING	53400-PWA2-900	3								
11	ARM ASSY R LOW	53450-PWA2-900	2								
12	ARM ASSY LEFT UP	53500-PWA2-900	3								
13	ARM ASSY LEFT LOW	53550-PWA2-900	2								
14	RR CARRIER LUGGAGE	77330-LDF3-E00	1								
15	PIPE COMP FR BUMPER	85100-LDF3-E00	4								
16	COVER TANK	17700-LBA7-900	6	N1R							
17	DUCT COOLING AIR	19102-LBA7-910	1								
18	GUIDE COVER CHANGE	60120-LBA7-900	5								
19	PLUG FLOOR PANEL	64316-KEB7-900	0								
20	MUDGUARD R FLOOR	80121-LBA7-910	1								
21	MUDGUARD L FLOOR	80122-LBA7-910	1								
22	COVER R SIDE	83500-LBA7-910	1								
23	COVER L SIDE	83600-LBA7-910	1								
24	COVER LEFT	11341-LBA7-900	7					N8A			
25	MIRROR ASSY R BACK	88110-LDF3-E00	4					N8P			
DATE OF STARTING-SALES											
DATE OF END-SALES											

NO	MODEL			COLOR CHART OF LA60BD(RO)							
	PHOTO NO			NO. 5	NO. 6						
	BASIC COLOR			Orange	Yellow						
	CODE			Orange	Yellow						
	PARTS NAME	PARTS NO.	VERSION	YR375SA	YR110SA						
1	COVER HANDLE	53205-LDF3-E00	2	YUR	YRR						
2	FENDER FRONT	60100-LDF3-E01	0								
3	FENDER ASSY REAR	8010A-LBA7-900	4								
4	LEVER L STRG HANDLE	53178-KFC8-E10	0	M2A							
5	COVER COMP R CRANK	11330-LDE9-E00	4	M3A							
6	CUSHION ASSY FR	51400-PWA2-900	2	MBS							
7	FORK ASSY RR	52000-LBA7-E70	3								
8	FORK ASSY RR	52000-LEC1-E00	1								
9	CUSHION ASSY RR	52400-PWA2-900	2								
10	ARM ASSY R UP SWING	53400-PWA2-900	3								
11	ARM ASSY R LOW	53450-PWA2-900	2								
12	ARM ASSY LEFT UP	53500-PWA2-900	3								
13	ARM ASSY LEFT LOW	53550-PWA2-900	2								
14	RR CARRIER LUGGAGE	77330-LDF3-E00	1								
15	PIPE COMP FR BUMPER	85100-LDF3-E00	4								
16	COVER TANK	17700-LBA7-900	6	N1R							
17	DUCT COOLING AIR	19102-LBA7-910	1								
18	GUIDE COVER CHANGE	60120-LBA7-900	5								
19	PLUG FLOOR PANEL	64316-KEB7-900	0								
20	MUDGUARD R FLOOR	80121-LBA7-910	1								
21	MUDGUARD L FLOOR	80122-LBA7-910	1								
22	COVER R SIDE	83500-LBA7-910	1								
23	COVER L SIDE	83600-LBA7-910	1								
24	COVER LEFT	11341-LBA7-900	7					N8A			
25	MIRROR ASSY R BACK	88110-LDF3-E00	4					N8P			
DATE OF STARTING-SALES											
DATE OF END-SALES											

NO	MODEL			COLOR CHART OF LA60BD(RO)			
	PHOTO NO			NO. 1	NO. 2	NO. 3	NO. 4
	BASIC COLOR			Blue	Red	Gloomy Green	Black
	CODE			Blue	Red	Gloomy Green	Black
	PARTS NAME	PARTS NO.	VERSION	PB090SA	RR338SA	GG347SA	NH001SA
26	MIRROR ASSY L BACK	88120-LDF3-E00	4	N8P			
27	RIM RR WHEEL	42705-LBA7-90D	3	NJA			
28	CALIPER ASSY RR	43100-LBA7-900	5				
29	CALIPER ASSY REAR	43100-LEC1-E00	4				
30	RIM FR WHEEL	44705-LBA7-90D	3				
31	CALIPER ASSY FR R	45100-LBA7-900	5				
32	CALIPER ASSY FR L	45200-LBA7-900	5				
33	HUB ASSY REAR	42610-LBA7-900	7	NJS			
34	HANDLE PIPE STRG	53100-LDF3-E00	3	T01			
35	SEAT ASSY	77200-LBA7-900	4				
36	CAUTION SHIFIT GEARS	87322-LBA7-E00	3				
37	LABEL TIRE ON ROAD	87505-LBA7-E01	3				
38	CAUTION MAXIMUM	87514-LLB1-E00	1				
39	CAUTION LIST ON ROAD	87515-LBA7-E01	1				
40	CAUTION DRIVE AGE	87517-LBA7-E00	2				
41	CAUTION CARRIER MAX	87556-LLB1-E01	2				
42	STRIPE R SIDE COVER	86323-LDF3-E61	4	T05 T01 T03 T02			
43	STRIPE L SIDE COVER	86333-LDF3-E61	4				
44	STRIPE R FENDER FR	86523-LDF3-E61	4				
45	STRIPE L FENDER FR	86533-LDF3-E61	4				
46	STRIPE R RR FENDER	86623-LEC1-E61	4				
47	STRIPE L RR FENDER	86633-LEC1-E61	4				
48	STRIPE K-LOGO 30 MM	86503-LDF3-900	1	T03			
DATE OF STARTING-SALES							
DATE OF END-SALES							

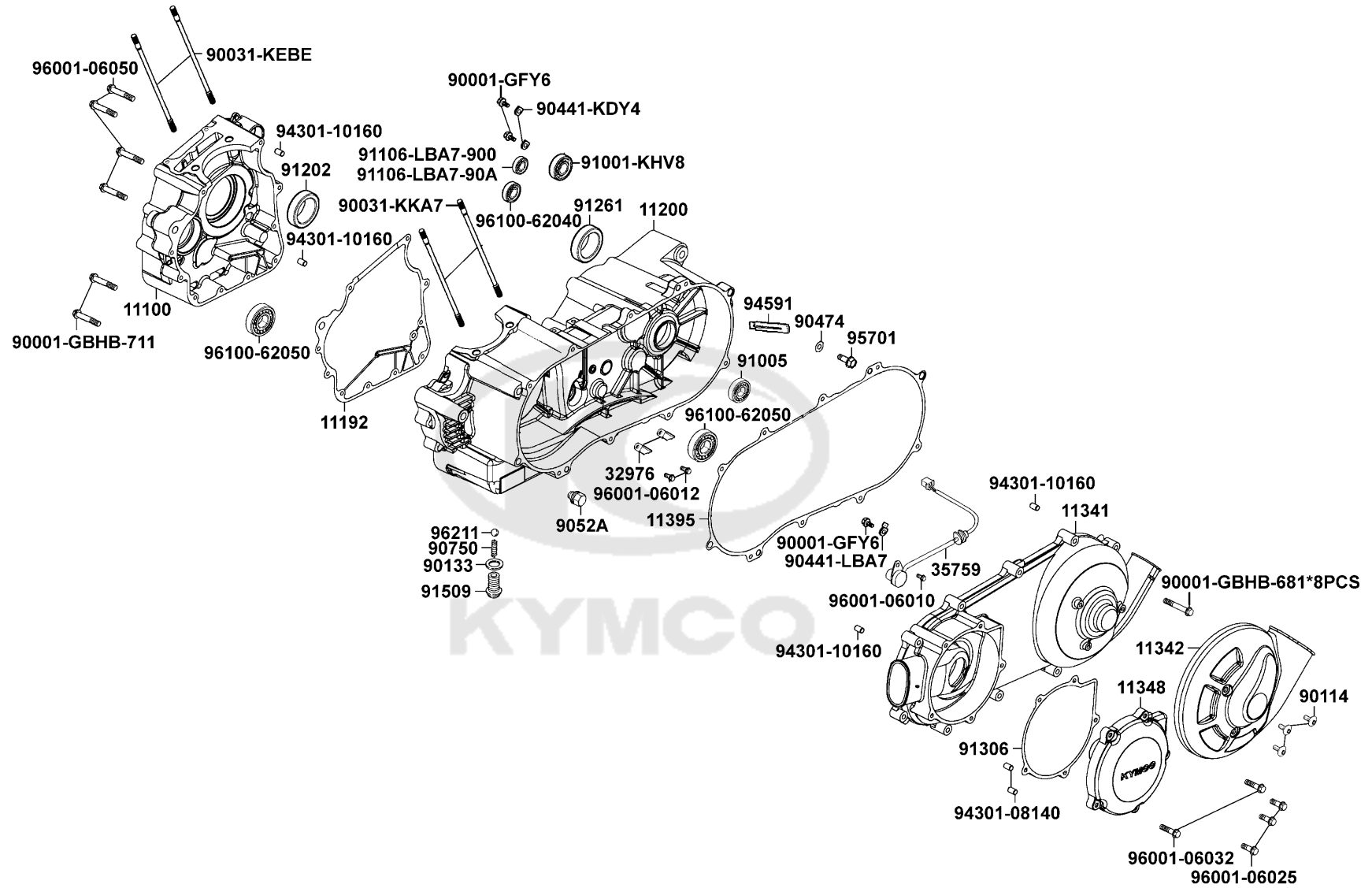
NO	MODEL			COLOR CHART OF LA60BD(RO)			
	PHOTO NO			NO. 5	NO. 6		
	BASIC COLOR			Orange	Yellow		
	CODE			Orange	Yellow		
	PARTS NAME	PARTS NO.	VERSION	YR375SA	YR110SA		
26	MIRROR ASSY L BACK	88120-LDF3-E00	4	N8P			
27	RIM RR WHEEL	42705-LBA7-90D	3	NJA			
28	CALIPER ASSY RR	43100-LBA7-900	5				
29	CALIPER ASSY REAR	43100-LEC1-E00	4				
30	RIM FR WHEEL	44705-LBA7-90D	3				
31	CALIPER ASSY FR R	45100-LBA7-900	5				
32	CALIPER ASSY FR L	45200-LBA7-900	5	NJS			
33	HUB ASSY REAR	42610-LBA7-900	7				
34	HANDLE PIPE STRG	53100-LDF3-E00	3				
35	SEAT ASSY	77200-LBA7-900	4				
36	CAUTION SHIFIT GEARS	87322-LBA7-E00	3				
37	LABEL TIRE ON ROAD	87505-LBA7-E01	3	T01			
38	CAUTION MAXIMUM	87514-LLB1-E00	1				
39	CAUTION LIST ON ROAD	87515-LBA7-E01	1				
40	CAUTION DRIVE AGE	87517-LBA7-E00	2				
41	CAUTION CARRIER MAX	87556-LLB1-E01	2				
42	STRIPE R SIDE COVER	86323-LDF3-E61	4	T04			
43	STRIPE L SIDE COVER	86333-LDF3-E61	4				
44	STRIPE R FENDER FR	86523-LDF3-E61	4				
45	STRIPE L FENDER FR	86533-LDF3-E61	4				
46	STRIPE R RR FENDER	86623-LEC1-E61	4				
47	STRIPE L RR FENDER	86633-LEC1-E61	4	T06			
48	STRIPE K-LOGO 30 MM	86503-LDF3-900	1				
				T03			
	DATE OF STARTING-SALES						
	DATE OF END-SALES						

CONTENTS - ENGINE GROUP

E01 Crank Case	E02 Cylinder Head Cover Cylinder	E03 Cylinder Piston Crankshaft
		
<p>E04 Right Crankcase Cover Water</p> 	<p>E05 Drive Pulley</p> 	<p>E06 Starting Motor Generator</p> 
<p>E07 Transmission</p> 	<p>E08 Carburetor</p> 	

E01

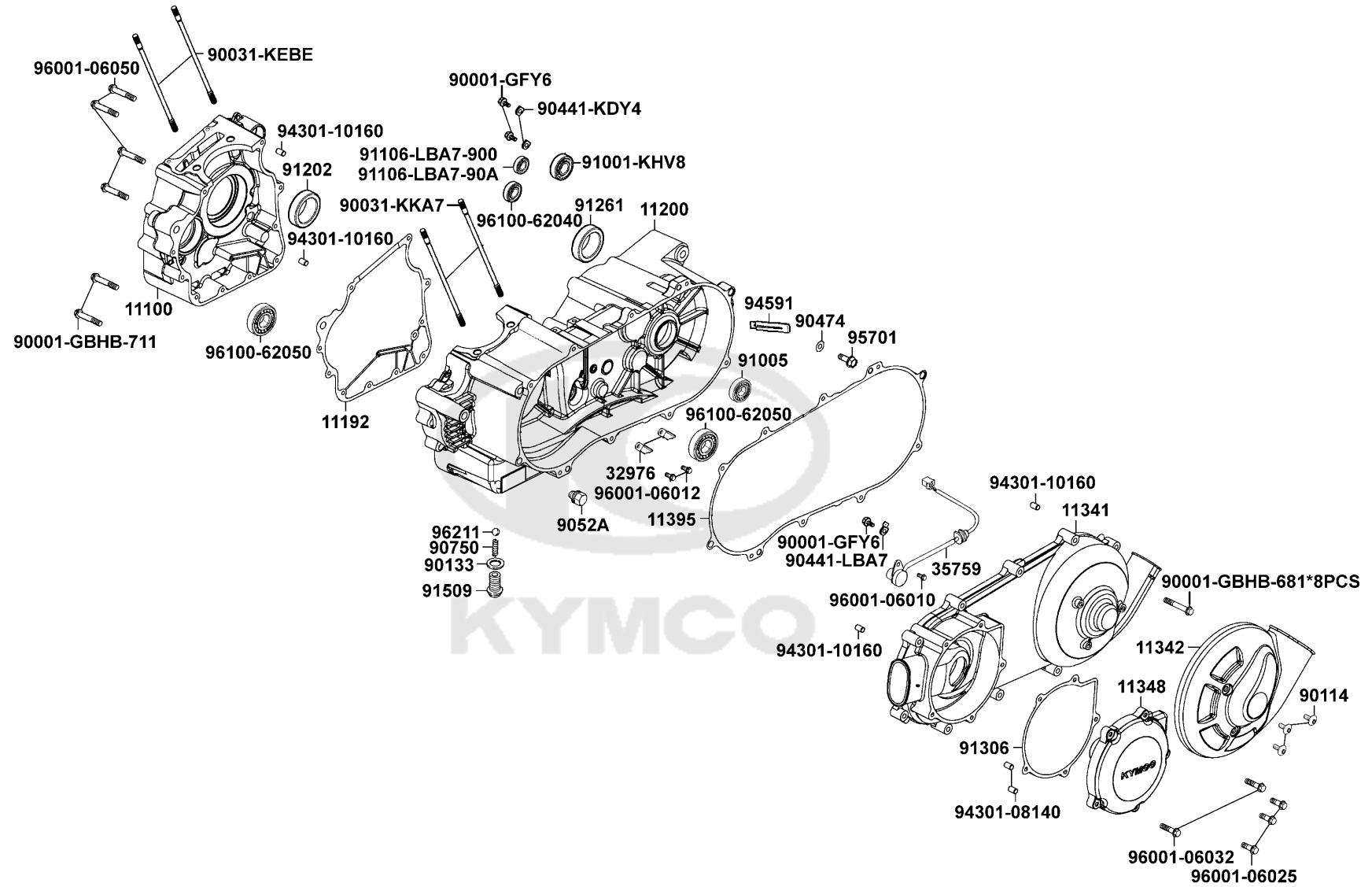
Crank Case



Sales mark	Ref no	Part no	Description	Reg description	Regd no	E01
	11100	11100-LDE9-E00	CRANK CASE COMP RIGHT	CRANK CASE COMP RIGHT	1	
	11192	11192-LBA7-900	GASKET CRANK CASE	GASKET CRANK CASE	1	
	11200	11200-LBA7-900	CRANK CASE COMP L	CRANK CASE COMP L	1	
**	11341	11341-LBA7-900	COVER LEFT	COVER LEFT	1	
	11342	11342-LBA7-900	COVER L COVER	COVER L COVER	1	
	11348	11348-LBA7-900	COVER STARTING	COVER STARTING	1	
	11395	11395-LBA7-900	GASKET L COVER	GASKET L COVER	1	
	32976	32976-1G07-001	CLAMPER WIRE HARNESS	CLAMPER WIRE HARNESS	2	
	35759	35759-LBA7-900	SW ASSY GEAR CHANGE	SW ASSY GEAR CHANGE	1	
	90001-GBHB-681	90001-GBHB-681	BOLT FLANGE SHF 6*28	BOLT FLANGE SHF 6*28	8	
	90001-GBHB-711	90001-GBHB-711	BOLT FLANGE SHF 6*40	BOLT FLANGE SHF 6*40	2	
	90001-GFY6	90001-GFY6-901	SOCKET BOLT 6*10	SOCKET BOLT 6*10	3	
	90031-KEBE	90031-KEBE-900	BOLT A STUD 8MM	BOLT A STUD 8MM	2	
	90031-KKA7	90031-KKA7-900	BOLT STUD	BOLT B STUD 8MM	2	
	90114	90114-KED9-900	SCREW PAN 6*12	SCREW PAN 6*12	3	
	90133	90133-LLB1-900	WASHER BOLT SEAT	WASHER BOLT SEAT	1	
	90441-KDY4	90441-KDY4-901	PLATE BRG HOLD	PLATE BRG HOLD	2	
	90441-LBA7	90441-LBA7-900	PLATE BRG HOLD	PLATE BRG HOLD	1	
	90474	90474-3C33-001	WASHER 8MM	WASHER 8MM	1	
	9052A	9052A-GFY6-950	BOLT ASSY DRAIN PLUG	BOLT ASSY DRAIN PLUG	1	

E01

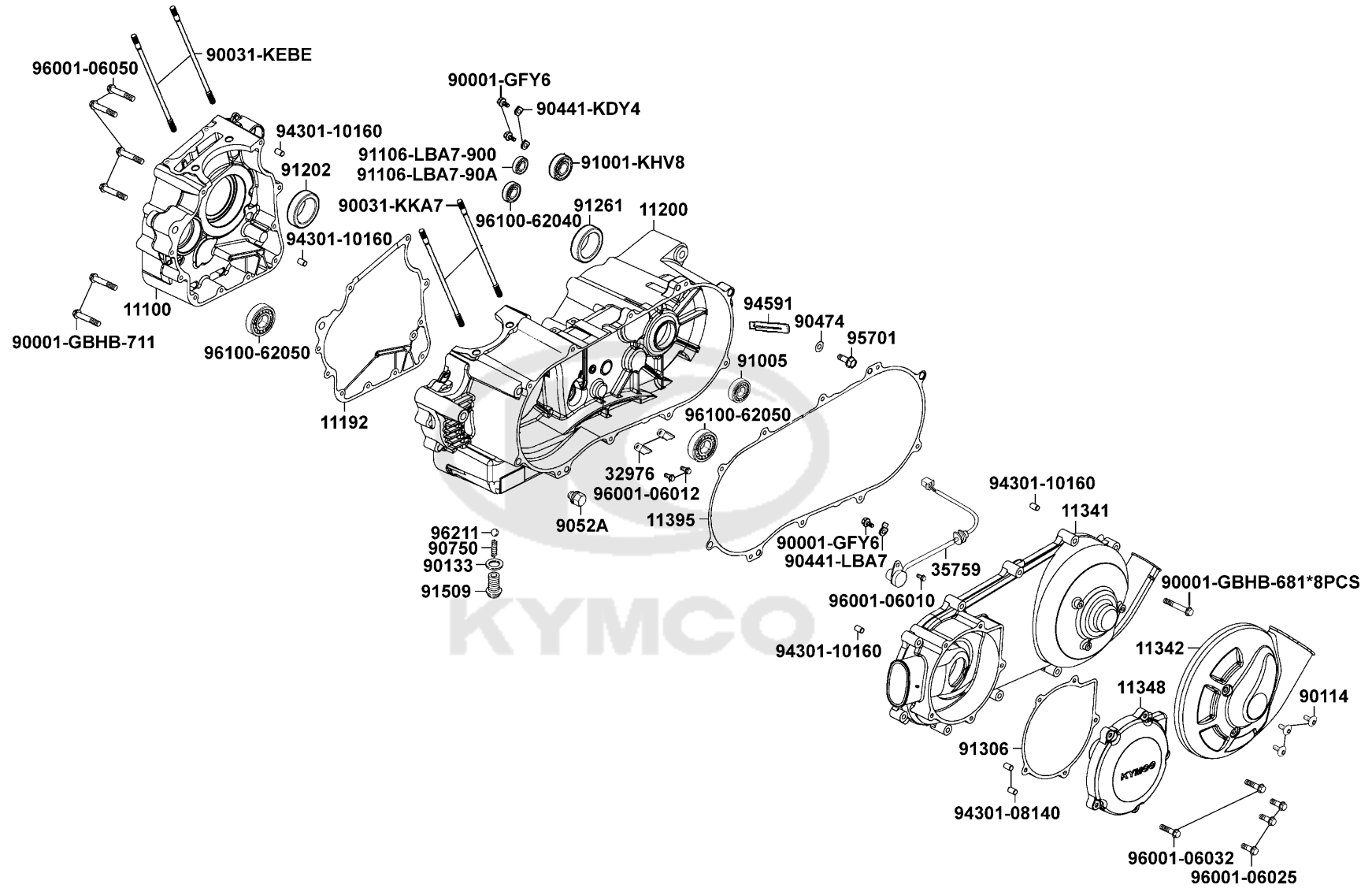
Crank Case



Sales mark	Ref no	Part no	Description	Reg description	Regd no	E01
	90750	90750-LLB1-900	SPRING BOLT SEAT INNER	SPRING BOLT SEAT INNER	1	
	91001	91001-KHV8-004	BRG BALL RADIAL 6305	BRG BALL RADIAL 6305	1	
	91005	91005-LBA7-900	BEARING BALL RADIAL 6005LLU	BEARING BALL RADIAL 6005LLU	1	
	91106-LBA7-900	91106-LBA7-900	BRG NEEDLE 20*26*16	BRG NEEDLE 20*26*16	1	
	91106-LBA7-90A	91106-LBA7-90A	BRG NEEDLE 20*26*16	BRG NEEDLE 20*26*16	1	
#	91202	91202-KKC4-900	OIL SEAL 27*42*7	OIL SEAL 27*42*7	1	
#	91202	91202-KKC4-90B	OIL SEAL 27X42X7	OIL SEAL 27X42X7	1	
	91261	91261-4E15-004	OIL SEAL 25*40*8	OIL SEAL 25*40*8	1	
	91306	91306-LBA7-900	GASKET STARTING COVER	GASKET STARTING COVER	1	
	91509	91509-LLB1-900	BOLT SEAT BALL STOPPER	BOLT SEAT BALL STOPPER	1	
	94301-08140	94301-08140	DOWEL PIN 8*14	DOWEL PIN 8*14	2	
	94301-10160	94301-10160	DOWEL PIN 10*16	DOWEL PIN 10*16	4	
	94591	94591-LLB1-900	CLIP 2*100	CLIP 2*100	1	
	95701	95701-08012-08	BOLT FLANGE 8*12	BOLT FLANGE 8*12	1	
	96001-06010	96001-06010-08	BOLT FLANGE SH 6*10	BOLT FLANGE SH 6*10	1	
	96001-06012	96001-06012-08	BOLT FLANGE 6*12	BOLT FLANGE 6*12	2	
	96001-06025	96001-06025-08	BOLT FLANGE SH 6*25	BOLT FLANGE SH 6*25	3	
	96001-06032	96001-06032-08	BOLT FLANGE SH 6*32	BOLT FLANGE SH 6*32	2	
	96001-06050	96001-06050-08	BOLT FLANGE 6*50	BOLT FLANGE SH 6*50	4	
	96100-62040	96100-62040-00	BRG BALL RADIAL 6204	BEARING BALL RADIAL 6204	1	

E01

Crank Case

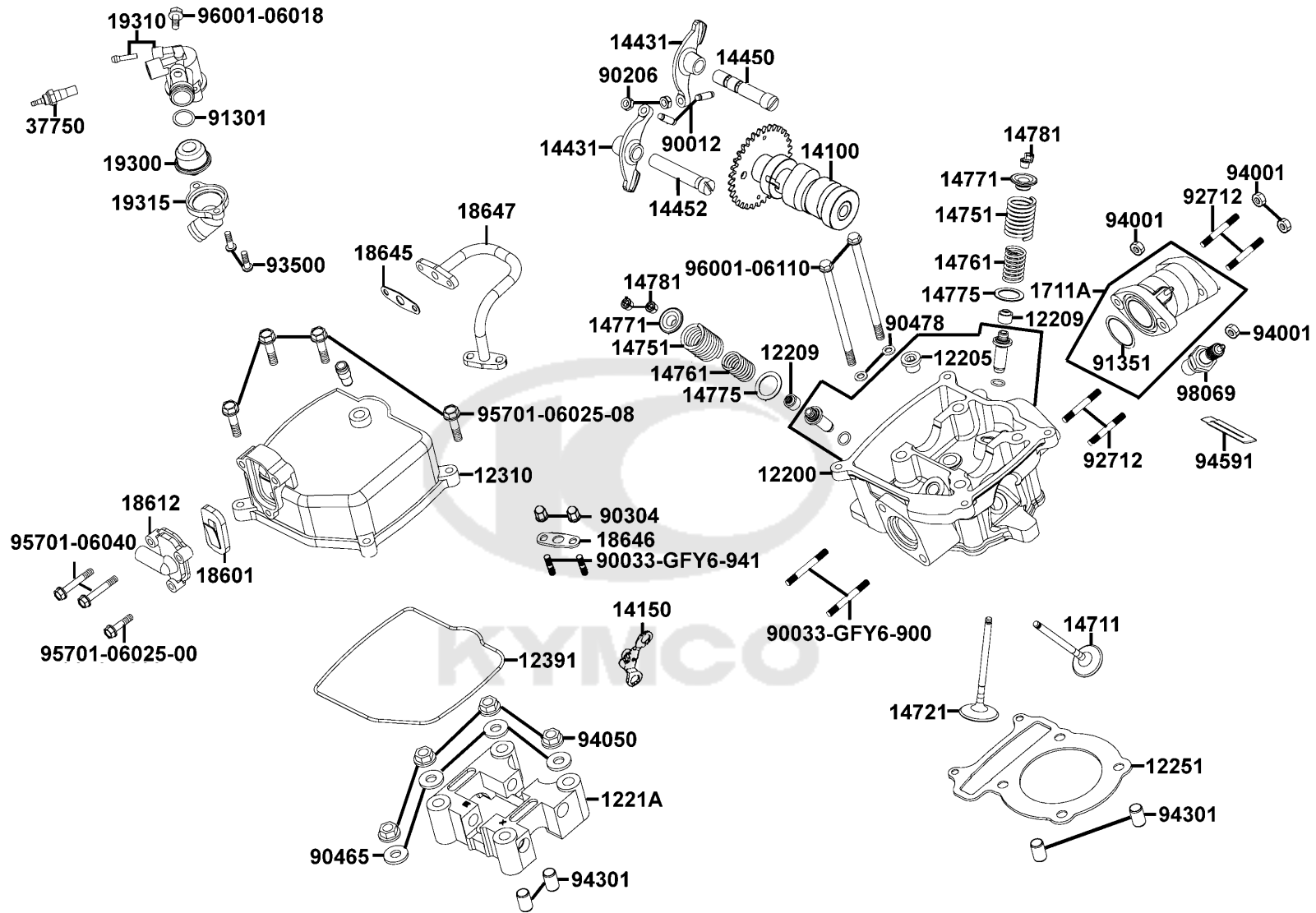


Sales mark	Ref no	Part no	Description	Reg description	Regd no	E01
------------	--------	---------	-------------	-----------------	---------	------------

96100-62050		96100-62050-00	BEARING BALL RADIAL 6205	BEARING BALL RADIAL 6205	2	
96211		96211-12000	BALL STEEL 12	BALL STEEL 12	1	

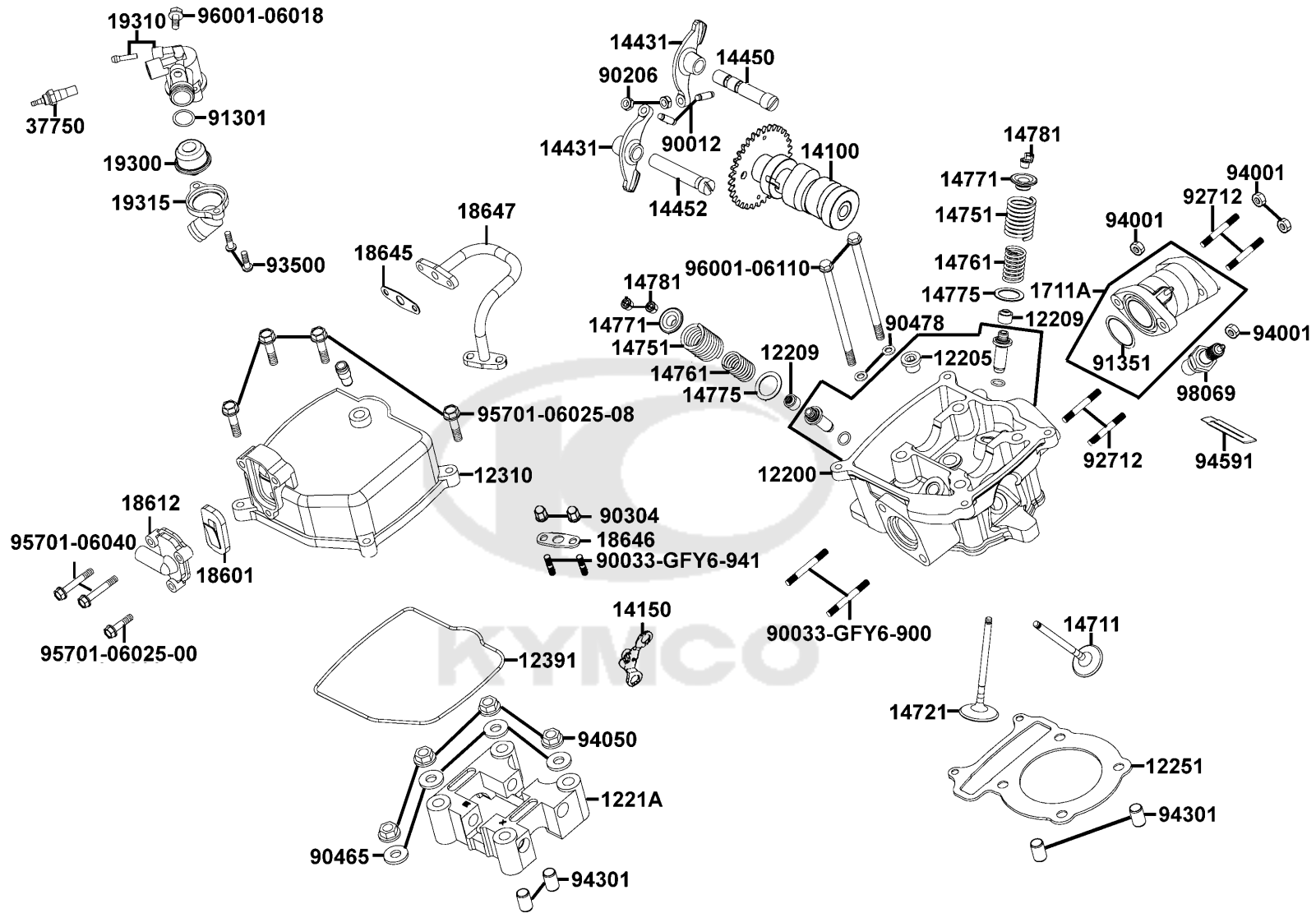


Cylinder Head Cover Cylinder Head



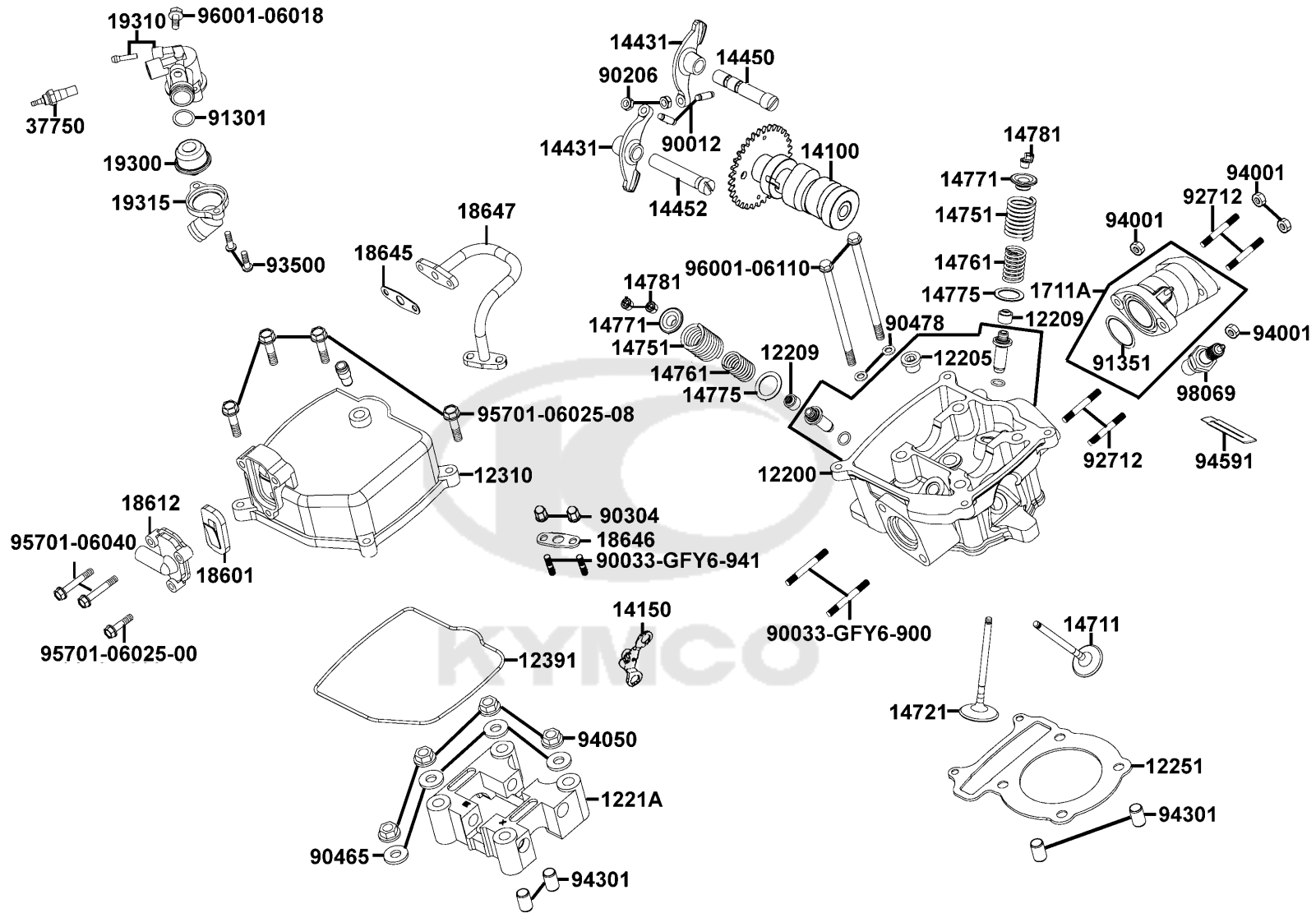
Sales mark	Ref no	Part no	Description	Reg description	Regd no	E02
12200		12200-LDB2-E00	HEAD COMP CYLN	HEAD COMP CYLN	1	
12205		12205-KHE8-301	BOLT SEALING 12MM	BOLT SEALING 12MM	1	
12209		12209-GDB4-68A	SEAL VALVE STEM	SEAL VALVE STEM	2	
1221A		1221A-LDB2-E00	HOLDER COMP CAM SHAFT	HOLDER COMP CAM SHAFT	1	
12251		12251-KHE7-901	GASKET CYLINDER HEAD	GASKET CYLINDER HEAD	1	
12310		12310-LDB2-E00	COVER COMP CYLN HEAD	COVER COMP CYLN HEAD	1	
12391		12391-LDB2-E00	GASKET HEAD COVER	GASKET HEAD COVER	1	
14100		14100-LDB2-E00	SHAFT COMP CAM	SHAFT COMP CAM	1	
14150		14150-LDB2-E00	PLATE COMP STOPPER	PLATE COMP STOPPER	1	
14431		14431-LDB2-E00	ARM VALVE ROCKER	ARM VALVE ROCKER	2	
14450		14450-KEBE-900	SHAFT COMP IN ROCKER ARM	SHAFT COMP IN ROCKER ARM	1	
14452		14452-LDB2-E00	SHAFT EX ROCKER	SHAFT EX ROCKER	1	
14711		14711-LDB2-E00	VALVE INLET	VALVE INLET	1	
14721		14721-LDB2-E00	VALVE EXHAUST	VALVE EXHAUST	1	
14751		14751-KHE7-900	SPG VALVE OUTER	SPG VALVE OUTER	2	
14761		14761-KHE7-900	SPG VALVE INNER	SPG VALVE INNER	2	
14771		14771-GDB4-680	RETAINER VALVE SPRING	RETAINER VALVE SPRING	2	
14775		14775-MFA6-001	SEAT VALVE SPG OUTER	SEAT VALVE SPG OUTER	2	
14781		14781-MFA6-001	COTTER VALVE	COTTER VALVE	4	
1711A		1711A-LDE9-E00	PIPE ASSY INLET	PIPE ASSY INLET	1	

Cylinder Head Cover Cylinder Head

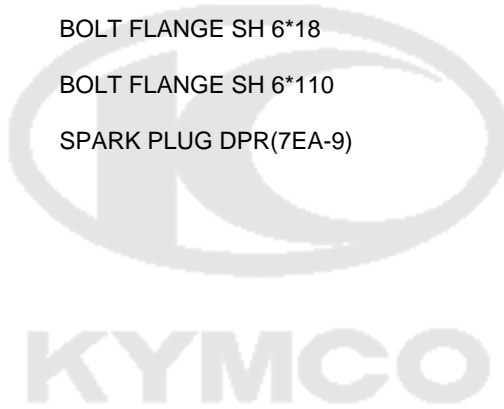


Sales mark	Ref no	Part no	Description	Reg description	Regd no	E02
	18601	18601-MAJ1-791	REED VALVE COMP	VALVE COMP REED	1	
	18612	18612-GFY6-941	COVER REED VALVE	COVER REED VALVE	1	
	18645	18645-GFY6-941	GASKET A/I PIPE	GASKET A/I PIPE	1	
	18646	18646-GFY6-941	GASKET A/I PIPE	GASKET A/I PIPE	1	
	18647	18647-LDB2-900	PIPE COMP AIR	PIPE COMP AIR	1	
	19300	19300-KAE1-004	THERMOSTAT ASSY	THERMOSTAT ASSY	1	
	19310	19310-KHE7-900	CASE COMP THERMOSTAT	CASE COMP THERMOSTAT	1	
	19315	19315-LBA7-900	COVER THERMOSTAT	COVER THERMOSTAT	1	
	37750	37750-PAC1-005	THERMO UNIT ASSY	THERMO UNIT ASSY	1	
	90012	90012-3C33-001	SCREW TAPPET ADJUSTING	SCREW TAPPET ADJUSTING	2	
	90033-GFY6-900	90033-GFY6-900	BOLT STUD 8*32	BOLT STUD 8*32	2	
	90033-GFY6-941	90033-GFY6-941	BOLT STUD 6*16	BOLT STUD 6*16	2	
	90206	90206-0A01-001	NUT TAPPET ADJG	NUT TAPPET ADJG	2	
	90304	90304-4H38-001	NUT HEX CAP 6MM	NUT HEX CAP 6MM	2	
	90465	90465-MDC4-001	WASHER 8MM	WASHER 8MM	4	
	90478	90478-7L00-001	WASHER A 6MM	WASHER A 6MM	2	
	91301	91301-KHE7-900	O-RING 17.8*1.9	O-RING 17.8*1.9	1	
	91351	91351-GAR1-001	O-RING 38.5*2	O-RING 38.5*2	1	
	92712	92712-06028-0B	BOLT STUD 6*28	BOLT STUD 6*28	4	
	93500	93500-05016-0H	SCREW PAN 5*16	SCREW PAN 5*16	2	

Cylinder Head Cover Cylinder Head

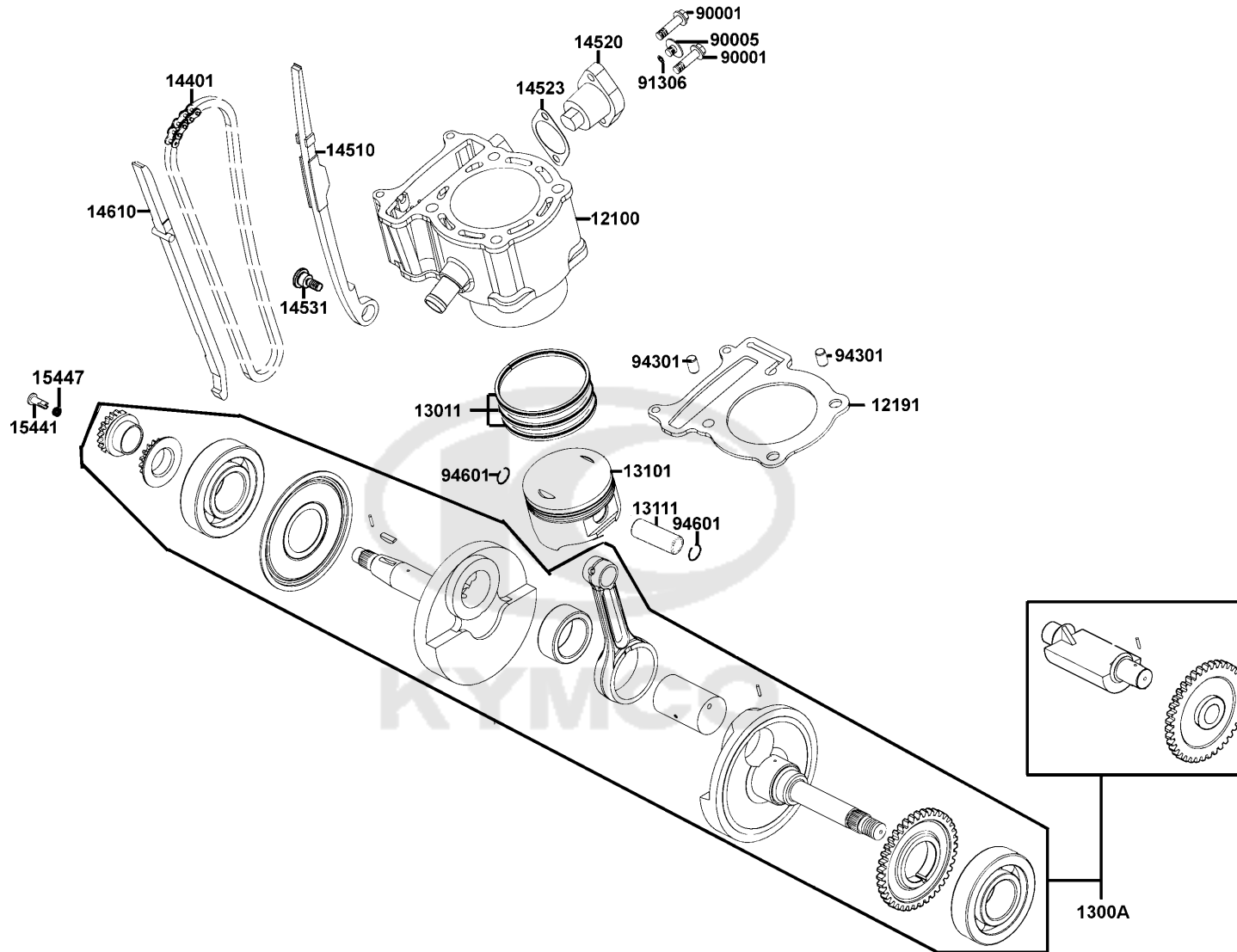


Sales mark	Ref no	Part no	Description	Reg description	Regd no	E02
94001		94001-06080-0S	NUT HEX 6MM	NUT HEX 6MM	4	
94050		94050-08080	NUT FLANGE 8MM	NUT FLANGE 8MM	4	
94301		94301-10160	DOWEL PIN 10*16	DOWEL PIN 10*16	4	
94591		94591-KFBF-900	CLIP 2*70	CLIP 2*70	1	
95701-06025-00		95701-06025-00	BOLT FLANGE 6*25	BOLT FLANGE 6*25	1	
95701-06025-08		95701-06025-08	BOLT FLANGE 6*25	BOLT FLANGE 6*25	4	
95701-06040		95701-06040-00	BOLT FLANGE 6*40	BOLT FLANGE 6*40	2	
96001-06018		96001-06018-08	BOLT FLANGE SH 6*18	BOLT FLANGE SH 6*18	1	
96001-06110		96001-06110-08	BOLT FLANGE SH 6*110	BOLT FLANGE SH 6*110	2	
98069		98069-5791R-00	SPARK PLUG DPR(7EA-9)	SPARK PLUG DPR (7EA-9)	1	



E03

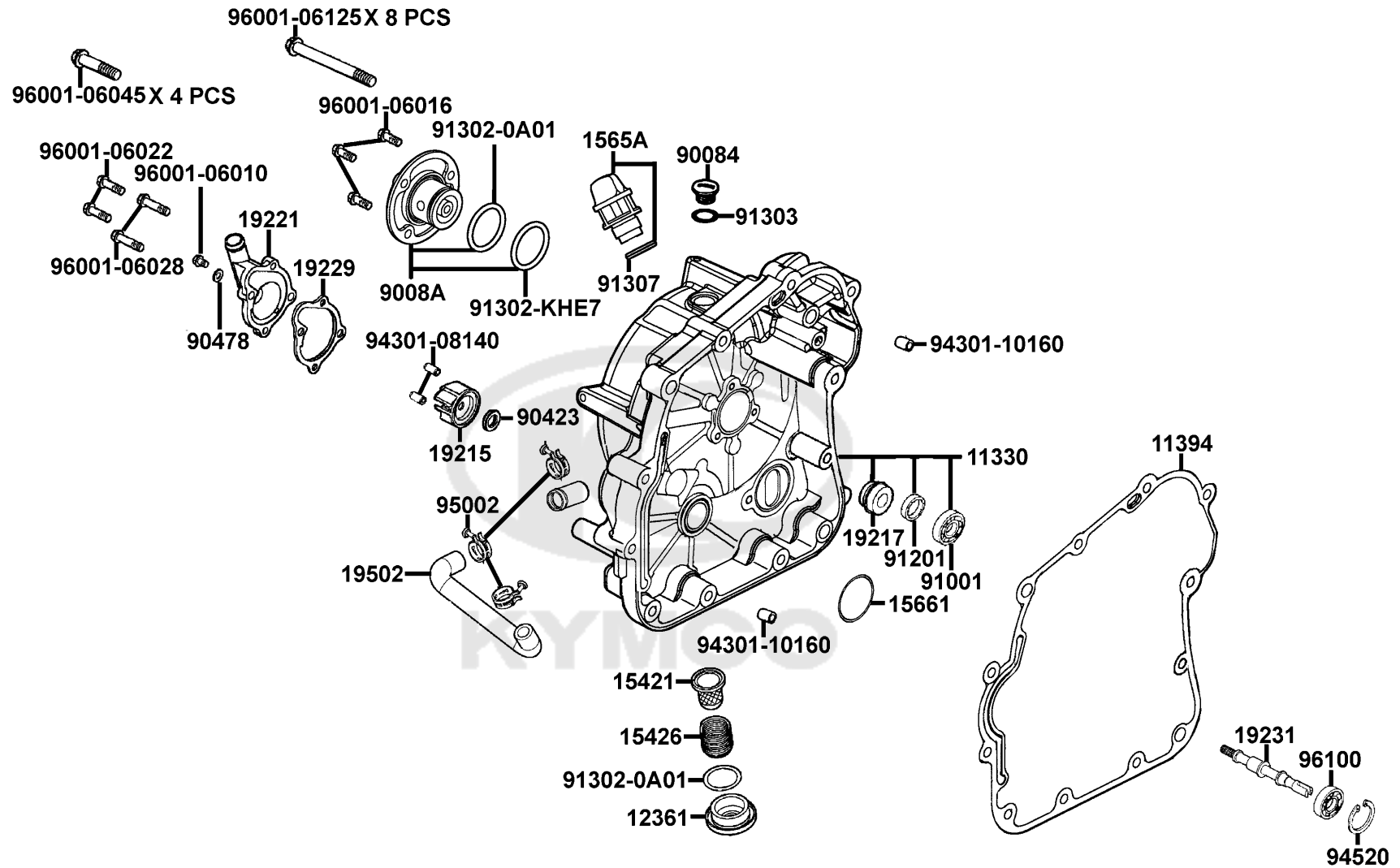
Cylinder Piston Crankshaft



Sales mark	Ref no	Part no	Description	Reg description	Regd no	E03
	12100	12100-LDE9-E00	CYLINDER COMP	CYLINDER COMP	1	
	12191	12191-KHE7-900	GASKET CYLINDER	GASKET CYLINDER	1	
	1300A	1300A-LDE9-305	CRANK SHAFT & BALANCER SET	CRANK SHAFT & BALANCER SET	1	
	13011	13011-KHE7-900	RING SET PISTON	RING SET PISTON	1	
	13101	13101-LDB2-E00	PISTON	PISTON	1	
	13111	13111-LDB2-E00	PIN PISTON	PIN PISTON	1	
	14401	14401-LDE9-E00	CHAIN CAM	CHAIN CAM	1	
	14510	14510-LDE9-E00	TENSIONER CAM CHAIN	TENSIONER CAM CHAIN	1	
	14520	14520-GFY6-90A	LIFTER ASSY TENSIONER	LIFTER ASSY TENSIONER	1	
	14523	14523-KED9-900	GASKET TENSIONER LIFTER @A	GASKET TENSIONER LIFTER@A	1	
	14531	14531-KHE7-900	PIVOT CAM CHAIN TENSIONER	PIVOT CAM CHAIN TENSIONER	1	
	14610	14610-LDE9-E00	GUIDE COMP CAM CHAIN	GUIDE COMP CAM CHAIN	1	
	15441	15441-1K49-001	OIL THROUGH	OIL THROUGH	1	
	15447	15447-1K49-001	SPG OIL THROUGH	SPG OIL THROUGH	1	
	90001	90001-GBHB-661	BOLT FLANGE SH 6*22	BOLT FLANGE SH 6*22	2	
	90005	90005-KEC8-900	BOLT SPECIAL 6*6	BOLT SPECIAL 6*6	1	
	91306	91306-1E05-691	O-RING 1.5*9.5	O-RING 1.5*9.5	1	
	94301	94301-10160	DOWEL PIN 10*16	DOWEL PIN 10*16	2	
	94601	94601-17000	CLIP PISTON PIN 17MM	CLIP PISTON PIN 17MM	2	

E04

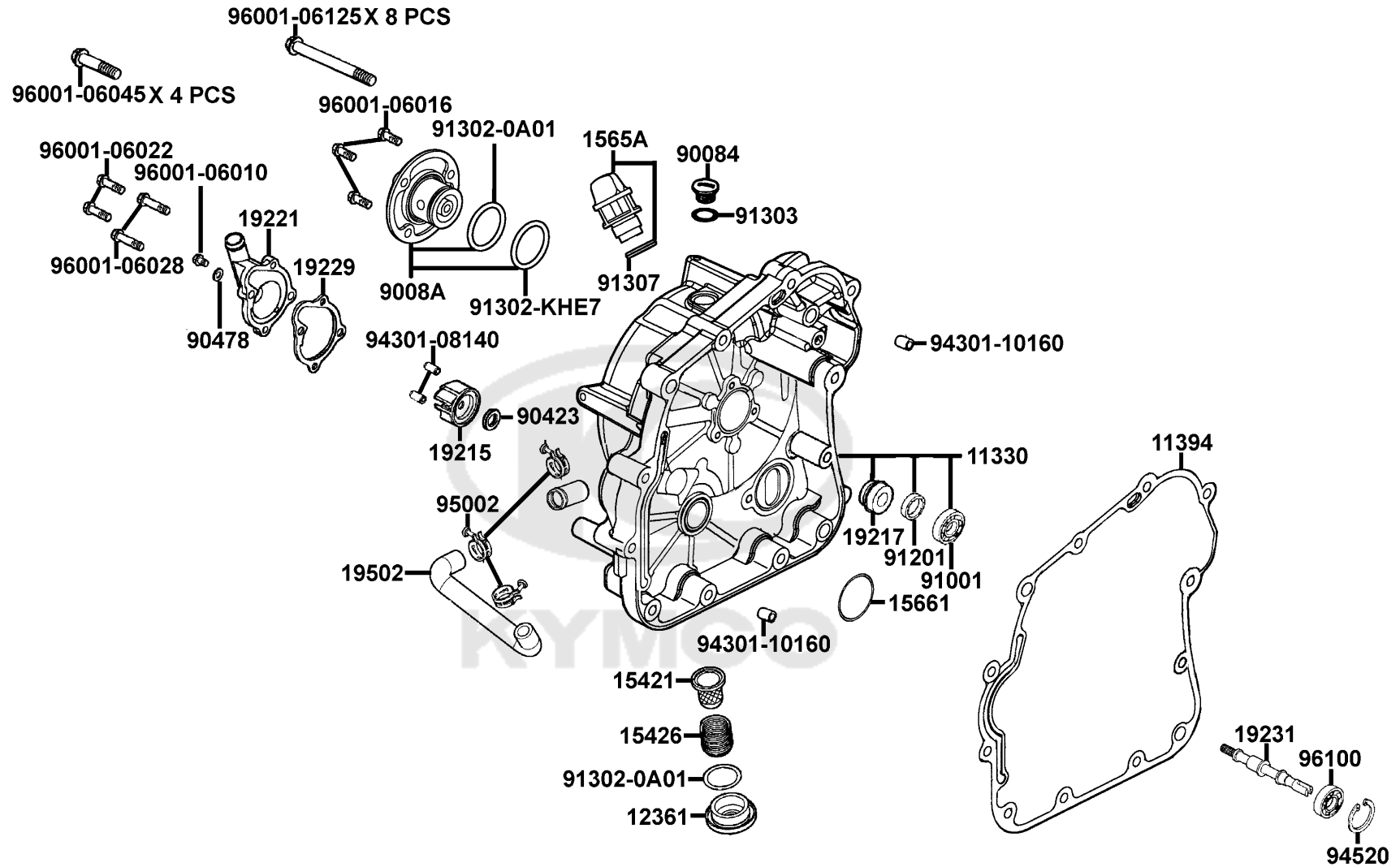
Right Crankcase Cover Water Pump



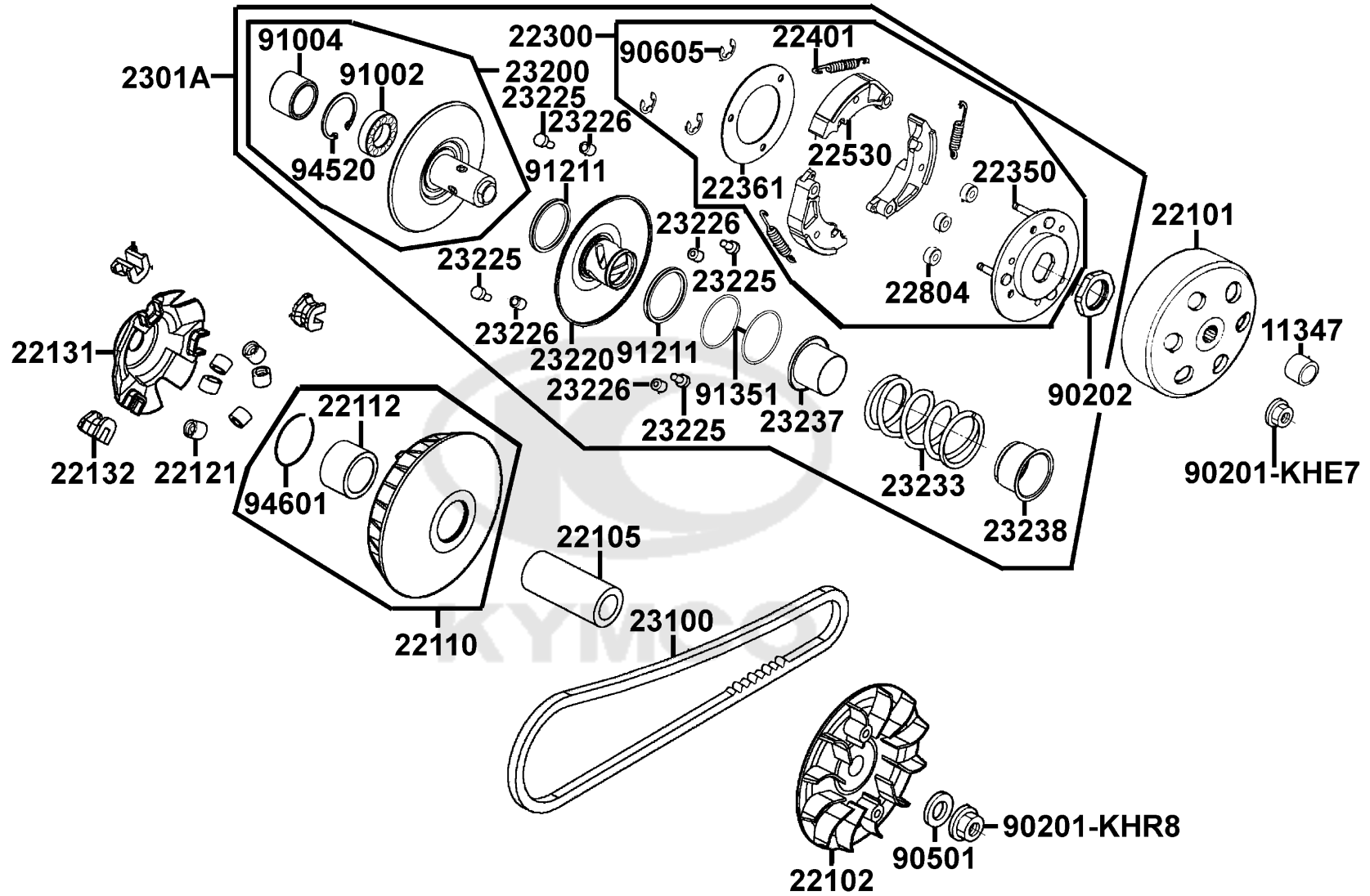
Sales mark	Ref no	Part no	Description	Reg description	Regd no	E04
**	11330	11330-LDE9-E00	COVER COMP R CRANK CASE	COVER COMP R CRANK CASE	1	
	11394	11394-LBA7-900	GASKET R COVER	GASKET R COVER	1	
	12361	12361-GFY6-901	HOLE CAP TAPPET ADJUSTING	HOLE CAP TAPPET ADJUSTING	1	
	15421	15421-1G07-001	SCREEN OIL FILTER	SCREEN OIL FILTER	1	
	15426	15426-GAE1-921	SPG OIL FILTER SCREEN	SPG OIL FILTER SCREEN	1	
	1565A	1565A-KKAK-900	GAUGE OIL LEVEL ASSY	GAUGE OIL LEVEL ASSY	1	
	15661	15661-LBA7-900	FINDER OIL LEVEL	FINDER OIL LEVEL	1	
	19215	19215-KHE7-900	IMPELLER WATER PUMP	IMPELLER WATER PUMP	1	
	19217	19217-6G57-024	SEAL MECHANICAL	SEAL MECHANICAL	1	
	19229	19229-LBA7-900	GASKET WATER OUMP	GASKET WATER OUMP	1	
	19231	19231-KKJ9-011	SHAFT WATER PUMP	SHAFT WATER PUMP	1	
	19502	19502-LBA7-900	HOSE B WATER	HOSE B WATER	1	
	9008A	9008A-LBA7-900	CAP ASSY R COVER	CAP ASSY R COVER	1	
	90423	90423-KKJ9-001	WASHER 7.2*13*1.2	WASHER 7.2*13*1.2	1	
	90478	90478-7L00-001	WASHER A 6MM	WASHER A 6MM	1	
	91001	91001-KKJ9-006	BRG BALL RADIAL 6901	BRG BALL RADIAL 6901	1	
	91201	91201-KKJ9-004	OIL SEAL 12*20*4	OIL SEAL 12*20*4	1	
	91302-0A01	91302-0A01-021	O-RING 30.8M/M	O-RING 30.8MM	2	
	91302-KHE7	91302-KHE7-900	O-RING 27.4*2.1MM	O RING 27.4*2.1	1	
	91303	91303-3G77-001	O-RING 13.8*2.5	O-RING 13.8*2.5	1	

E04

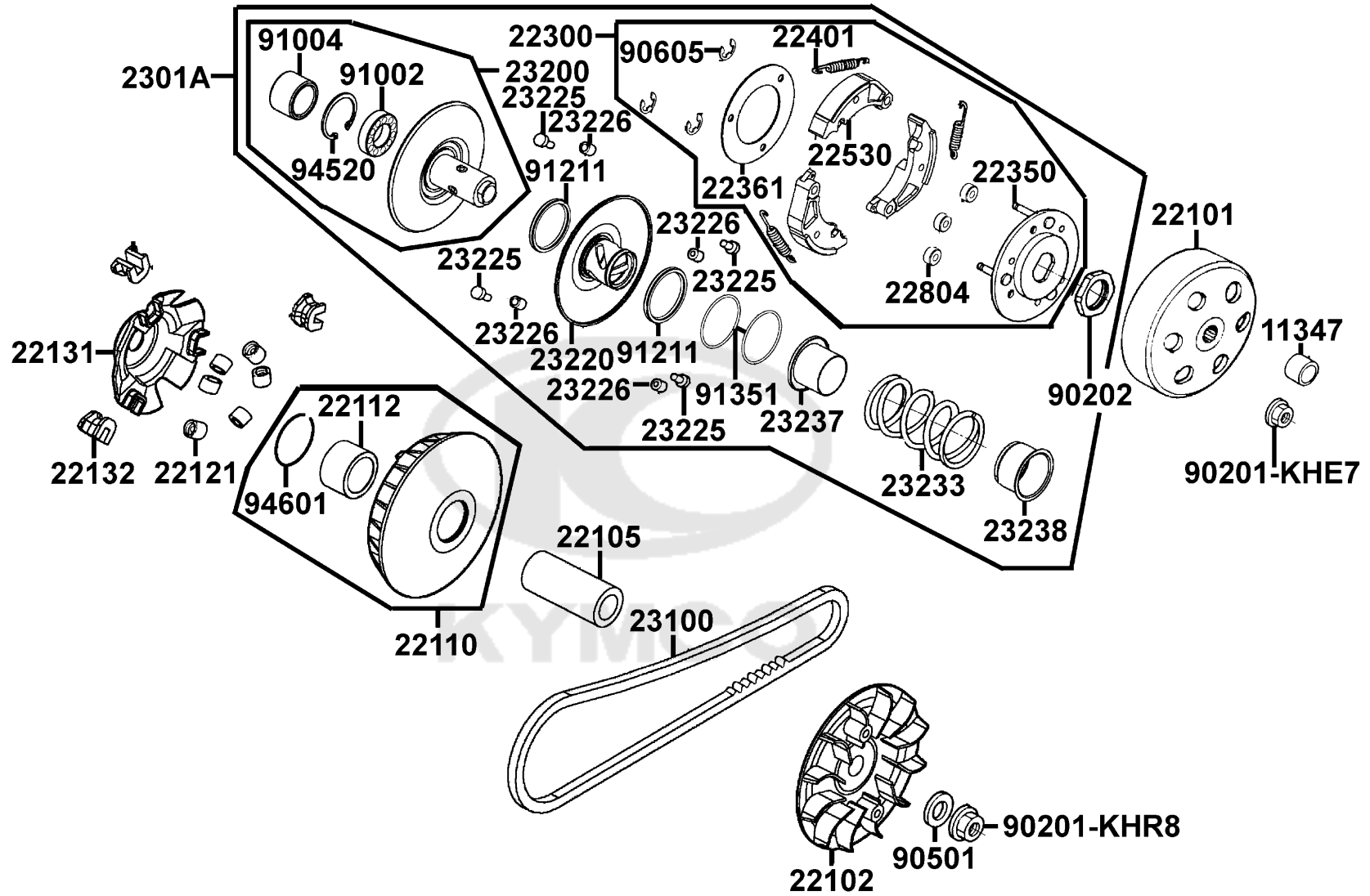
Right Crankcase Cover Water Pump



Sales mark	Ref no	Part no	Description	Reg description	Regd no	E04
91307		91307-0E35-001	O RING 18*3	O-RING 18*3	1	
94301-08140		94301-08140	DOWEL PIN 8*14	DOWEL PIN 8*14	2	
94301-10160		94301-10160	DOWEL PIN 10*16	DOWEL PIN 10*16	2	
94520		94520-26000	CIR CLIP INTERAL 26MM	CIR CLIP IN 26	1	
95002		95002-KHE7-900	CLIP WATER HOSE	CLIP WATER HOSE	3	
96001-06010		96001-06010-08	BOLT FLANGE SH 6*10	BOLT FLANGE SH 6*10	1	
96001-06016		96001-06016-08	BOLT FLANGE SH 6*16	BOLT FLANGE SH 6*16	3	
96001-06022		96001-06022-08	BOLT FLANGE SH 6*22	BOLT FLANGE SH 6*22	2	
96001-06028		96001-06028-08	BOLT FLANGE SH 6*28	BOLT FLANGE SH 6*28	2	
96001-06045		96001-06045-08	BOLT FLANGE SH 6*45	BOLT FLANGE SH 6*45	4	
96001-06125		96001-06125-08	BOLT FLANGE SH 6*125	BOLT FLANGE SH 6*125	8	
96100		96100-60000-00	BEARING BALL RADIAL 6000	BEARING BALL RADIAL 6000	1	

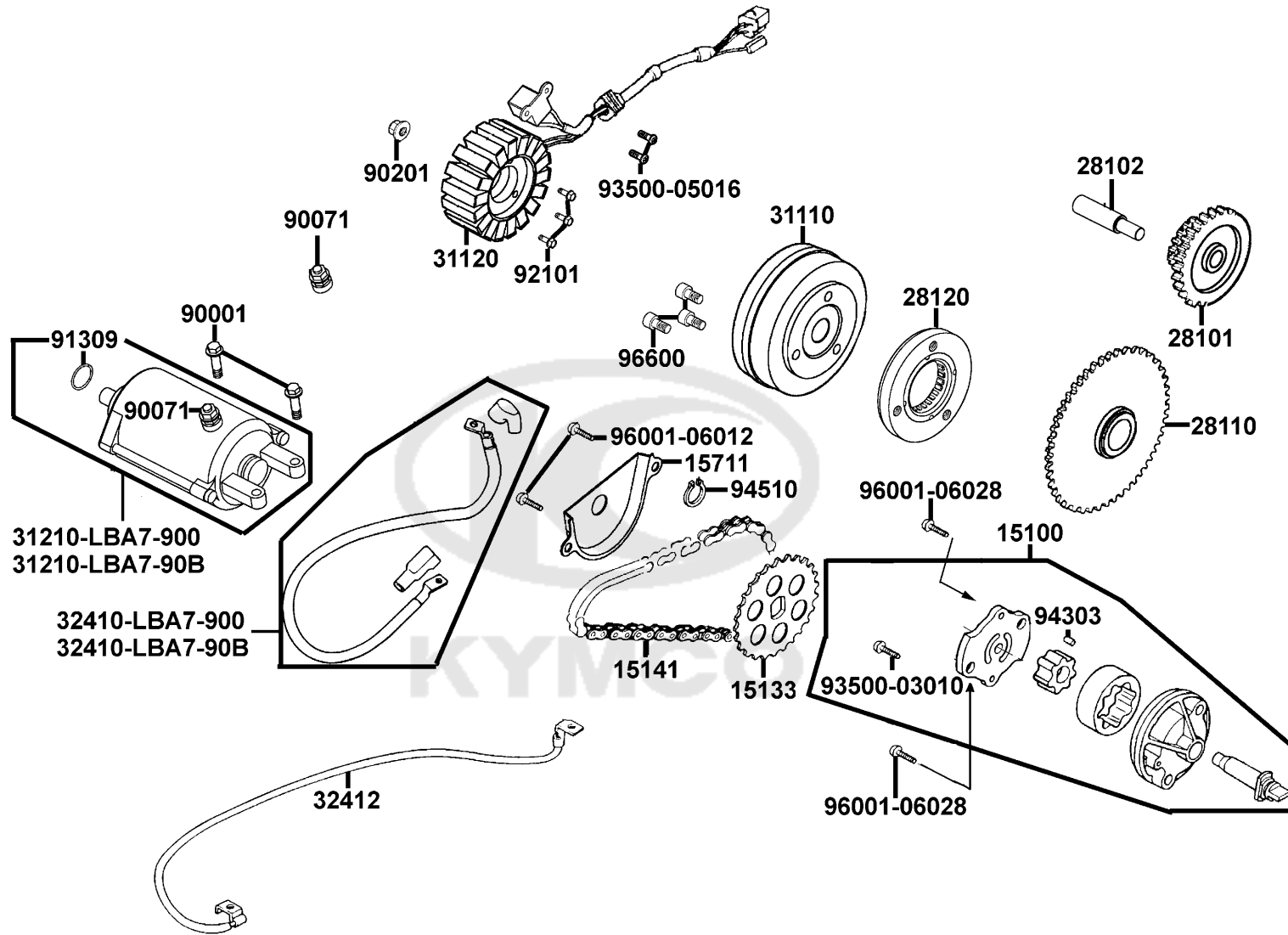


Sales mark	Ref no	Part no	Description	Reg description	Regd no	E05
	11347	11347-LBA7-900	BOSS DRIVE SHAFT	BOSS DRIVE SHAFT	1	
	22101	22101-LBA7-900	OUTER CLUTCH	OUTER CLUTCH	1	
	22102	22102-KHE7-900	FACE DRIVE	FACE DRIVE	1	
	22105	22105-LBA7-900	BOSS DRIVE FACE	BOSS DRIVE FACE	1	
	22110	22110-KHE7-900	FACE COMP MOVABLE DRIVE	FACE COMP MOVABLE DRIVE	1	
	22112	22112-KHE7-900	BUSH 27*33*37	BUSH 27*33*37	1	
	22121	22121-LBA7-900	ROLLER COMP WEIGHT	ROLLER COMP WEIGHT	6	
	22131	22131-LBA7-900	PLATE RAMP	PLATE RAMP	1	
	22132	22132-KHE7-900	PIECE SLIDE	PIECE SLIDE	3	
	22300	22300-LBA7-900	PLATE ASSY DRIVE	PLATE ASSY DRIVE	1	
	22350	22350-KHE7-900	PLATE COMP DRIVE	PLATE COMP DRIVE	1	
	22361	22361-KHE7-900	PLATE CLUTCH SIDE	PLATE CLUTCH SIDE	1	
	22401	22401-LBA7-900	SPRING CLUTCH	SPRING CLUTCH	3	
	22530	22530-LBA7-900	WEIGHT CLUTCH	WEIGHT CLUTCH	3	
	22804	22804-GBB2-001	RUBBER CLUTCH DAMPER	RUBBER CLUTCH DUMRER	3	
	2301A	2301A-LBA7-900	PULLEY SUB ASSY	PULLEY SUB ASSY	1	
	23100	23100-KHE7-900	BELT DRIVE	BELT DRIVE	1	
	23200	23200-KHE7-900	FACE ASSY DRIVEN	FACE ASSY DRIVEN	1	
	23220	23220-LLJ3-E00	FACE COMP MOVABLE DRIVEN	FACE COMP MOVABLE DRIVEN	1	
	23225	23225-KHE7-900	PIN ROLLER GUIDE	PIN ROLLER GUIDE	4	



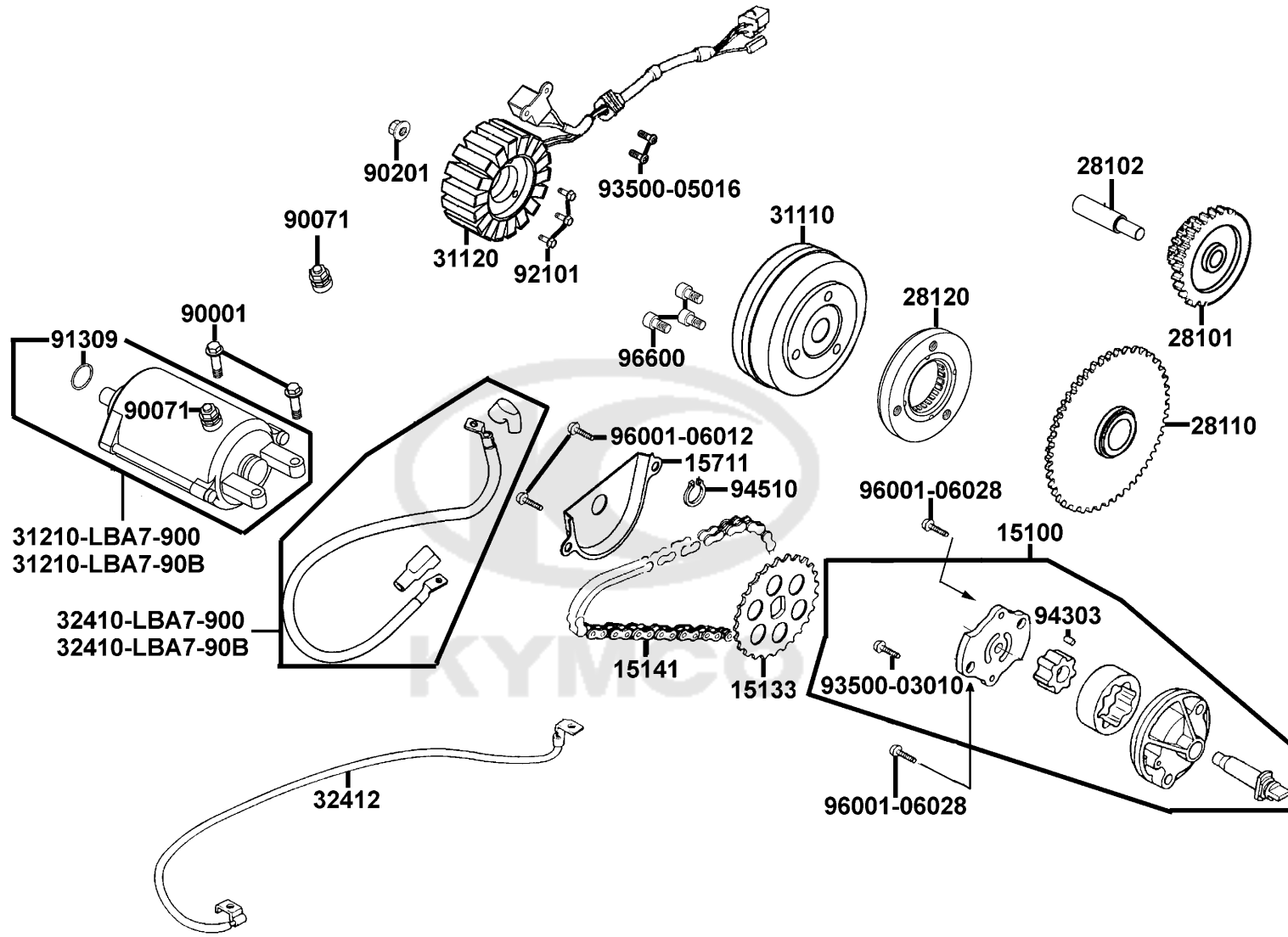
Sales mark	Ref no	Part no	Description	Reg description	Regd no	E05
23226		23226-GHC8-004	ROLLER GUIDE	ROLLER GUIDE	4	
23233		23233-LBA7-900	SPG DRIVEN FACE	SPG DRIVEN FACE	1	
23237		23237-KHE7-900	COLLAR SEAL	COLLAR SEAL	1	
23238		23238-KHE7-900	COLLAR SPG	COLLAR SPG	1	
90201-KHE7		90201-KHE7-900	NUT C FLANGE M12	NUT C FLANGE M12	1	
90201-KHR8		90201-KHR8-75A	NUT FLANGE 14MM	NUT FLANGE 14MM	1	
90202		90202-1G87-001	NUT SPECIAL 28MM	NUT SPECIAL 28MM	1	
90501		90501-LBA7-900	WASHER THRUST 16MM	WASHER THRUST 16MM	1	
90605		90605-1F66-721	CIR CLIP 7MM	CIR CLIP 7MM	3	
91002		91002-GGA7-70A	BRG BALL RADIAL 6902U	BRG BALL RADIAL 6902U	1	
91004		91004-KHE7-900	BRG NDL 22*29*18	BRG NDL 22*29*18	1	
91211		91211-KHE7-900	SEAL DRIVEN FACE	SEAL DRIVEN FACE	2	
91351		91351-KHE7-900	O-RING PINION CAP	O-RING PINION CAP	2	
94520		94520-28000	CIR CLIP IN 28	CIR CLIP IN 28	1	
94601		94601-33000	CLIP PISTON PIN 33MM	CLIP PISTON PIN 33MM	1	

Starting Motor Generator



Sales mark	Ref no	Part no	Description	Reg description	Regd no	E06
	15100	15100-LBA7-900	PUMP ASSY OIL	PUMP ASSY OIL	1	
	15133	15133-KAM1-001	SPROCKET OIL PUMP DRIVE	SPROCKET OIL PUMP DRIVE	1	
	15141	15141-LBA2-E00	CHAIN OIL PUMP	CHAIN OIL PUMP	1	
	15711	15711-KHE7-900	SEPARATER OIL	SEPARATER OIL	1	
	28101	28101-KHE7-900	GEAR STARTER REDUCTION	GEAR STARTER REDUCTION	1	
	28102	28102-LDE9-E00	SHAFT STARTER REDUCTION	SHAFT STARTER REDUCTION	1	
	28110	28110-LDB2-E00	GEAR COMP STARTING CLUTCH	GEAR COMP STARTING CLUTCH	1	
	28120	28120-LDB2-E00	ONE WAY CLUTCH	ONE WAY CLUTCH	1	
	31110	31110-LDE9-E00	FLYWHEEL COMP /D406	FLYWHEEL COMP /D406	1	
	31120	31120-LDE9-E00	STASOR COMP /D406	STASOR COMP /D406	1	
	31210-LBA7-900	31210-LBA7-900	MOTOR UNIT STARTER	MOTOR UNIT STARTER	1	
	31210-LBA7-90B	31210-LBA7-90B	MOTOR UNIT STARTER	MOTOR UNIT STARTER	1	
	32410-LBA7-900	32410-LBA7-900	CABLE STARTER MOTOR	CABLE STARTER MOTOR	1	
	32410-LBA7-90B	32410-LBA7-90B	CABLE STARTER MOTOR	CABLE STARTER MOTOR	1	
	32412	32412-LBA7-900	CABLE EARTH	CABLE EARTH	1	
	90001	90001-GBHB-661	BOLT FLANGE SH 6*22	BOLT FLANGE SH 6*22	2	
	90071	90071-MLB0-001	NUT WASH 6MM	NUT WASH 6MM	2	
	90201	90201-KHR8-75A	NUT FLANGE 14MM	NUT FLANGE 14MM	1	
	91309	91309-4E25-004	O-RING 24.4*3.1	O-RING 24.4*3.1	1	
	92101	92101-05032-0H	BOLT HEX 5*32	BOLT HEX 5*32	3	

Starting Motor Generator

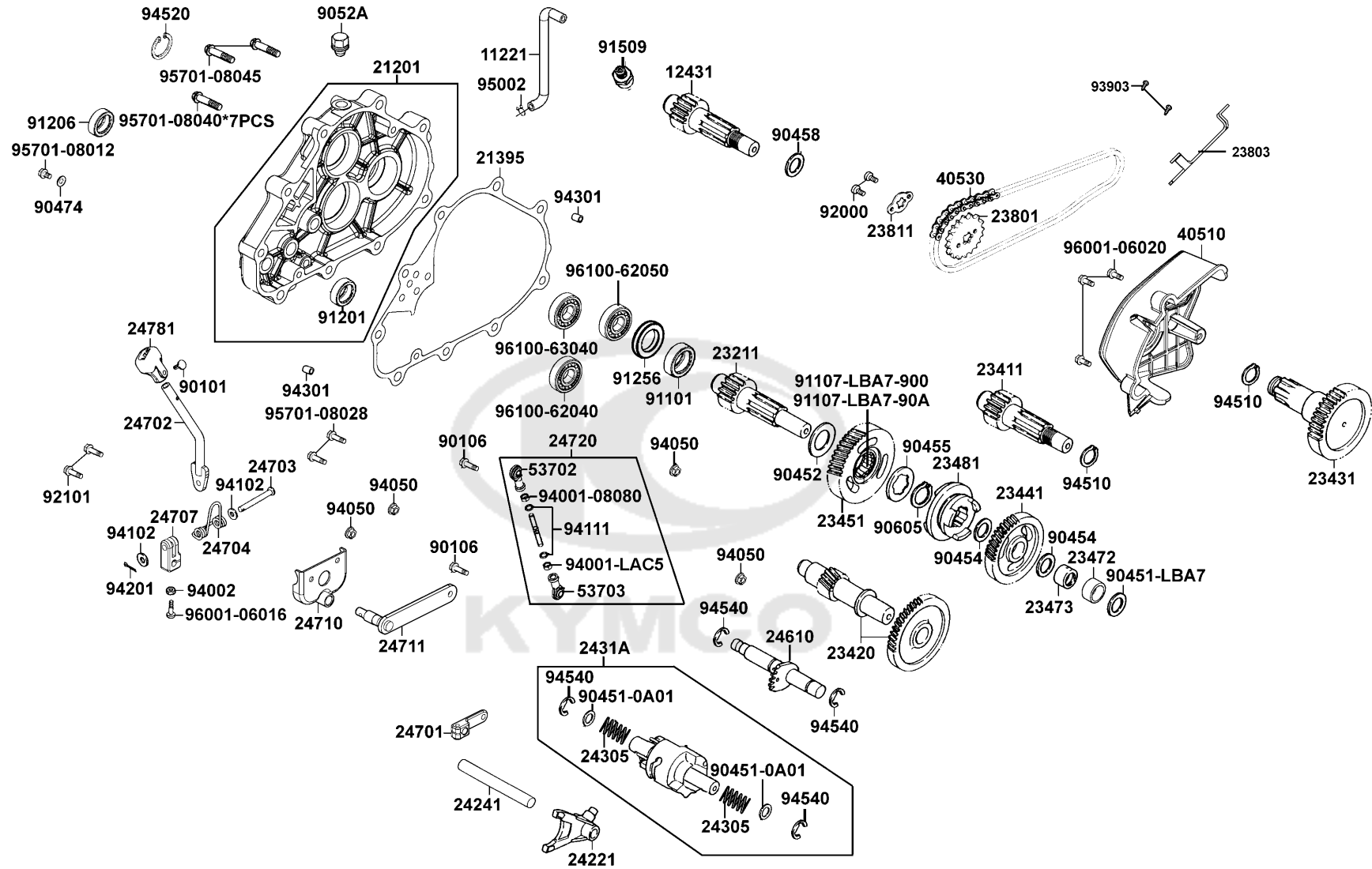


Sales mark	Ref no	Part no	Description	Reg description	Regd no	E06
	93500-03010	93500-03010-1A	SCREW PAN 3*10 (B)	SCREW PAN 3*10	1	
	93500-05016	93500-05016-0H	SCREW PAN 5*16	SCREW PAN 5*16	2	
	94303	94303-04065	DOWEL PIN 4*6.5	PIN DOWEL 4*6.5	1	
	94510	94510-10000	CIR CLIP EX 10MM	CIR CLIP EX 10	1	
	96001-06012	96001-06012-08	BOLT FLANGE 6*12	BOLT FLANGE 6*12	2	
	96001-06028	96001-06028-08	BOLT FLANGE SH 6*28	BOLT FLANGE SH 6*28	2	
	96600	96600-08015-10	SOCKET BOLT 8*15	SOCKET BOLT 8*15	3	



E07

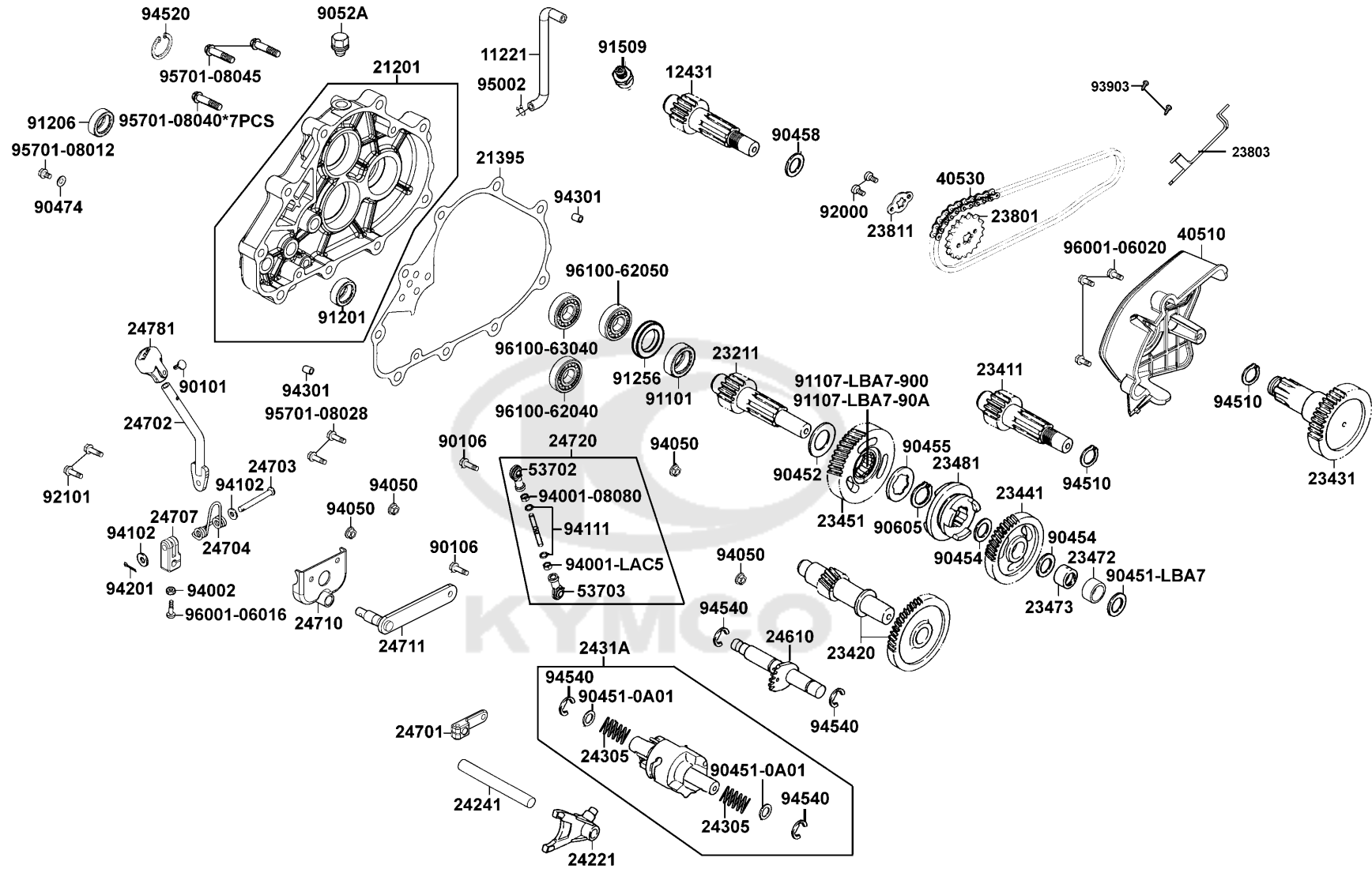
Transmission



Sales mark	Ref no	Part no	Description	Reg description	Regd no	E07
	11221	11221-LBA7-900	TUBE MISSION BREATHER	TUBE MISSION BREATHER	1	
	12431	12431-LBA7-E00	GEAR TACHOMETER	GEAR TACHOMETER	1	
	21201	21201-LCA5-E00	CASE MISSION	CASE MISSION	1	
	21395	21395-LBA7-900	GASKET MISSION CASE	GASKET MISSION CASE	1	
	23211	23211-LBA7-E00	SHAFT MAIN	SHAFT MAIN	1	
#	23411	23411-LBA7-900	SHAFT DRIVE	SHAFT DRIVE	1	
#	23411	23411-PTA3-E00	SHAFT DRIVE	SHAFT DRIVE	1	
	23420	23420-LBA7-900	GEAR COMP COUNTER	GEAR COMP COUNTER	1	
	23431	23431-LBA7-600	SHAFT FINAL	SHAFT FINAL	1	
#	23441	23441-LBA7-900	GEAR FORWARD	GEAR FORWARD	1	
#	23441	23441-PTA3-E00	GEAR FORWARD	GEAR FORWARD	1	
	23451	23451-LBA7-900	GEAR BACKWARD	GEAR BACKWARD	1	
	23472	23472-LBA7-900	COLLAR 20*25*11	COLLAR 20*25*11	1	
	23473	23473-LBA7-900	COLLAR 20*22*11	COLLAR 20*22*11	1	
	23481	23481-LBA7-900	SHIFT MAIN	SHIFT MAIN	1	
	23801	23801-LBA7-900	SPROCKET DRIVE 14T	SPROCKET DRIVE 14T	1	
	23803	23803-LBA7-900	STAY CHAIN	STAY CHAIN	1	
	23811	23811-LBA7-900	PLATE A2 FIXING	PLATE A2 FIXING	1	
#	24221	24221-LBA7-900	FORK GEAR SHIFT	FORK GEAR SHIFT	1	
#	24221	24221-PTA3-E00	FORK GEAR SHIFT	FORK GEAR SHIFT	1	

E07

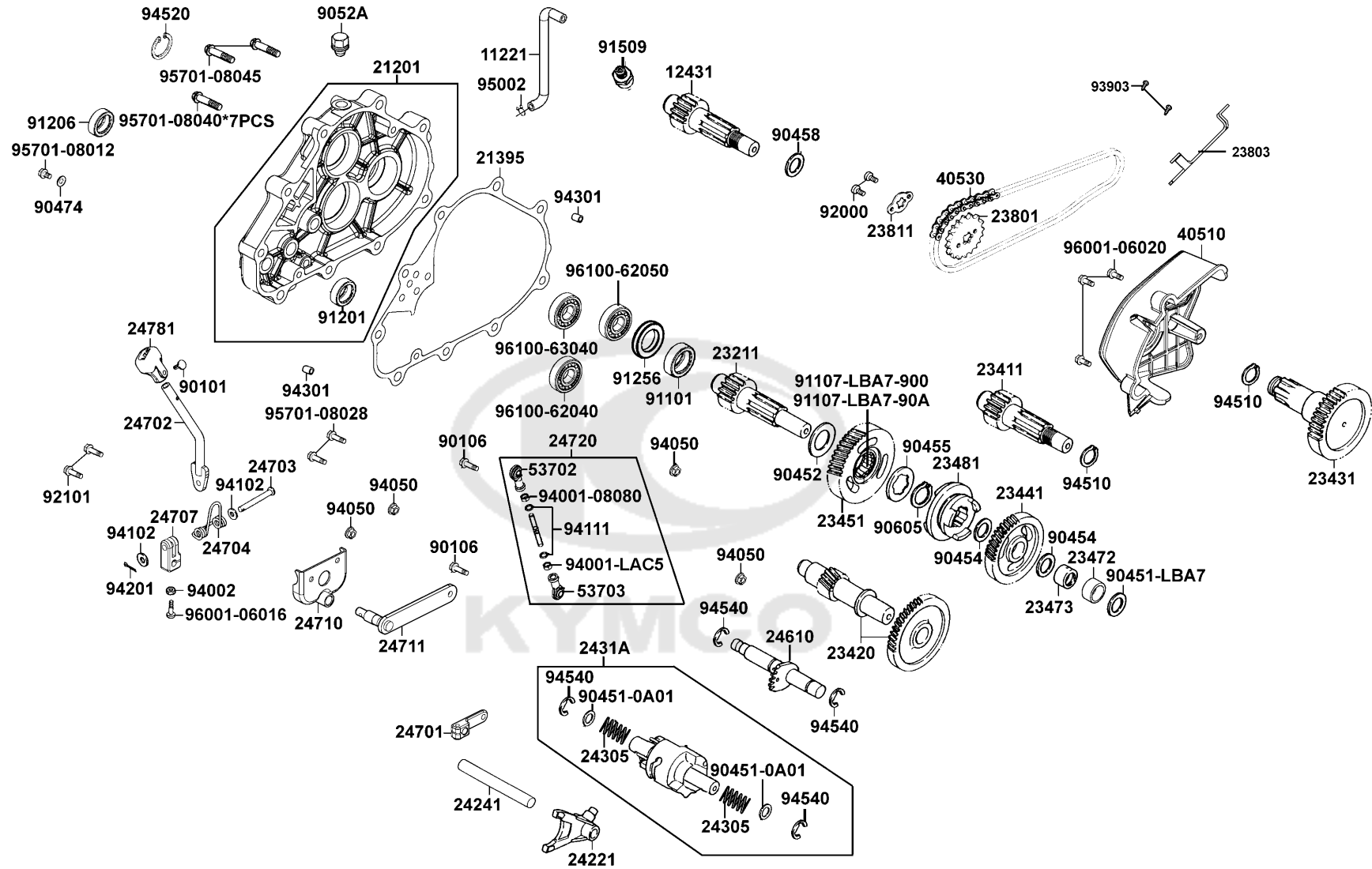
Transmission



Sales mark	Ref no	Part no	Description	Reg description	Regd no	E07
	24241	24241-KGB4-C00	SHAFT GEAR SHIFT FORK GUIDE	SHAFT GEAR SHIFT FORK GUIDE	1	
	24305	24305-LBA7-900	SPRING DRUM	SPRING DRUM	2	
	2431A	2431A-LBA7-900	DRUM ASSY GEAR SHIFT	DRUM ASSY GEAR SHIFT	1	
	24610	24610-LLB1-900	SPINDLE ASSY DRUM SHIFT	SPINDLE ASSY DRUM SHIFT	1	
	24701	24701-LBA7-900	GEAR CHANGE HANDLE	GEAR CHANGE HANDLE	1	
	24702	24702-LBA7-900	BAR CHANGE HANDLE	BAR CHANGE HANDLE	1	
	24703	24703-LLB1-900	PIN CHANGE HANDLE	PIN CHANGE HANDLE	1	
	24704	24704-LBA7-900	SPRING CHANGE HANDLE	SPRING CHANGE HANDLE	1	
	24707	24707-LBA7-900	BRKT CHANGE HANDLE	BRKT CHANGE HANDLE	1	
	24710	24710-LBA7-900	STAY CHANGE HANDLE ASSY	STAY CHANGE HANDLE ASSY	1	
	24711	24711-LBA7-900	SHAFT COMP CHANGE HANDLE	SHAFT COMP CHANGE HANDLE	1	
	24720	24720-LBA7-900	ROD ASSY CHANGE HANDLE	ROD ASSY CHANGE HANDLE	1	
	24781	24781-LBA7-900	COVER CHANGE HANDLE	COVER CHANGE HANDLE	1	
	40510	40510-LBA7-E00	CHAIN COVER	CHAIN COVER	1	
	40530	40530-LCA5-E00	CHAIN DRIVE	CHAIN DRIVE	1	
	53702	53702-LAC5-900	BALL JOINT R	BALL JOINT R	1	
	53703	53703-LAC5-900	BALL JOINT L	BALL JOINT L	1	
	90101	90101-LBA7-900	BOLT SOCKET 5*20	BOLT SOCKET 5*20	1	
	90106	90106-LBA7-900	BOLT FLANGE 8*25	BOLT FLANGE 8*25	2	
	90451-0A01	90451-0A01-001	WASHER THRUST 14M/M	WASHER THRUST 14MM	2	

E07

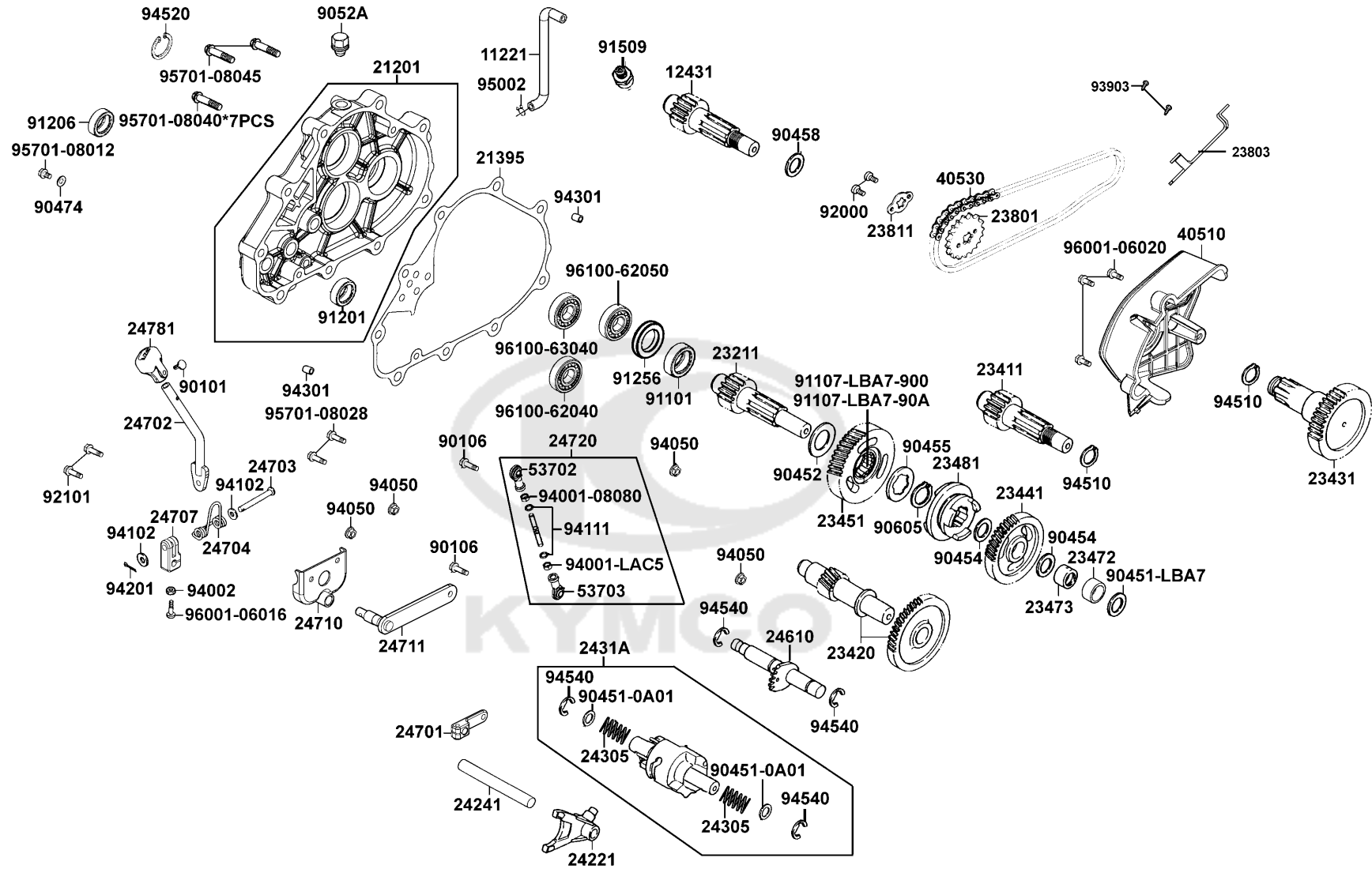
Transmission



Sales mark	Ref no	Part no	Description	Reg description	Regd no	E07
	90451-LBA7	90451-LBA7-900	WASHER THRUST 20MM	WASHER THRUST 20MM	1	
	90452	90452-LBA7-900	WASHER THRUST 25MM	WASHER THRUST 25MM	1	
	90454	90454-1G07-001	WASHER THRUST 20MM B	WASHER THRUST 20MM	2	
	90455	90455-LBA7-900	WASHER SPLINE 25MM	WASHER SPLINE 25MM	1	
	90458	90458-LBA7-E00	THRUST WASHER 8MM	THRUST WASHER 8MM	1	
	90474	90474-3C33-001	WASHER 8MM	WASHER 8MM	1	
	9052A	9052A-GFY6-950	BOLT ASSY DRAIN PLUG	BOLT ASSY DRAIN PLUG	1	
	90605	90605-KED9-900	SET RING 28MM	SET RING 28MM	1	
	91101	91101-LCA5-E0B	BRG NEEDLE 30*42*23	BRG NEEDLE 30*42*23	1	
	91107-LBA7-900	91107-LBA7-900	BRG NEEDLE 25*33*16 (NK25/16R)	BRG NEEDLE 25*33*16 (NK25/16R)	1	
	91107-LBA7-90A	91107-LBA7-90A	BRG NEEDLE 25*33*16	BRG NEEDLE 25*33*16	1	
	91201	91201-9A51-004	OIL SEAL 12*18*3	OIL SEAL 12*18*3	1	
	91206	91206-2F86-014	OIL SEAL 14*28*7	OIL SEAL 14*28*7	1	
	91256	91256-LLB1-900	OIL SEAL 24.8*52.2*7	OIL SEAL 24.8*52.2*7	1	
	91509	91509-LBA7-E00	BOLT TACHOMETER	BOLT TACHOMETER	1	
	92000	92000-06010-0H	BOLT HEX 6*10	BOLT HEX 6*10	2	
	92101	92101-06020-0H	BOLT HEX 6*20	BOLT HEX 6*20	2	
	93903	93903-35360	SCREW TAPPING 5*16	SCREW TAPPING 5*16	2	
	94001-08080	94001-08080-0S	NUT HEX 8MM	NUT HEX 8MM	1	
	94001-LAC5	94001-LAC5-900	NUT HEX 8MM L	NUT HEX 8MM L	1	

E07

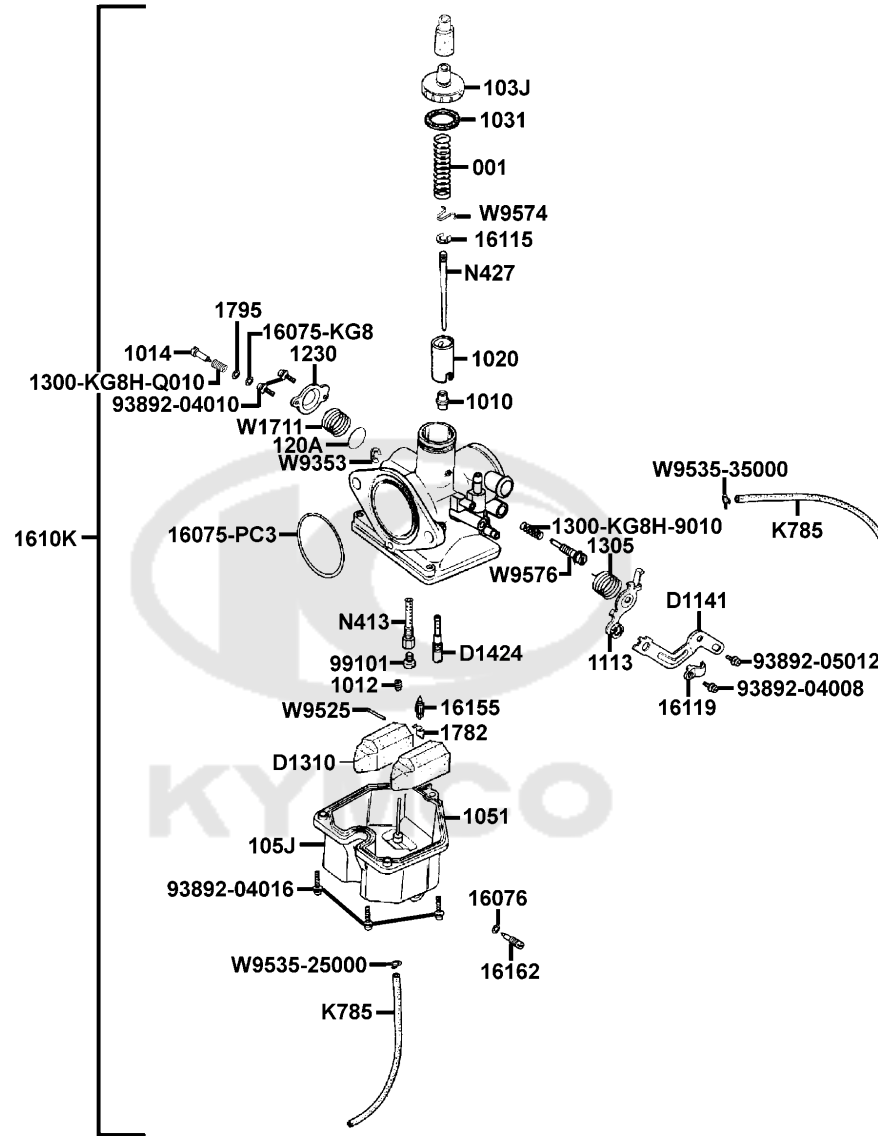
Transmission



Sales mark	Ref no	Part no	Description	Reg description	Regd no	E07
	94002	94002-06080-0S	NUT HEX 6MM	NUT HEX 6MM	1	
	94050	94050-08080	NUT FLANGE 8MM	NUT FLANGE 8MM	4	
	94102	94102-08000	WASHER PLAIN 8MM	WASHER PLAIN 8*16*1.2	2	
	94111	94111-08800	WASHER SPG 8MM	WASHER SPG 8MM	2	
	94201	94201-20150	PIN SPLIT 2*15	YIN SPLIT 2*15	1	
	94301	94301-10160	DOWEL PIN 10*16	DOWEL PIN 10*16	2	
	94510	94510-25000	CIR CLIP EXTERNAL 25	CIR CLIP EX 25	2	
	94520	94520-52000	CIR CLIP IN 52	CIR CLIP IN 52	1	
	94540	94540-12028	E RING 12	E RING 12	4	
	95002	95002-02150	CLIP B14.5 TUBE	CLIP B14.5 TUBE	1	
	95701-08012	95701-08012-08	BOLT FLANGE 8*12	BOLT FLANGE 8*12	1	
	95701-08028	95701-08028-06	BOLT FLANGE 8*28	BOLT FLANGE 8*28	2	
#	95701-08040	95701-08040-08	BOLT FLANGE 8*40	BOLT FLANGE 8*40	7	
#	95701-08045	95701-08045-08	BOLT FLANGE 8*45	BOLT FLANGE 8*45	4	
	96001-06016	96001-06016-08	BOLT FLANGE SH 6*16	BOLT FLANGE SH 6*16	1	
	96001-06020	96001-06020-08	BOLT FLANGE SH 6*20	BOLT FLANGE SH 6*20	3	
	96100-62040	96100-62040-00	BRG BALL RADIAL 6204	BEARING BALL RADIAL 6204	1	
	96100-62050	96100-62050-00	BEARING BALL RADIAL 6205	BEARING BALL RADIAL 6205	1	
	96100-63040	96100-63040-00	BRG BALL RADIAL 6304	BRG BALL RADIAL 6304	1	

E08

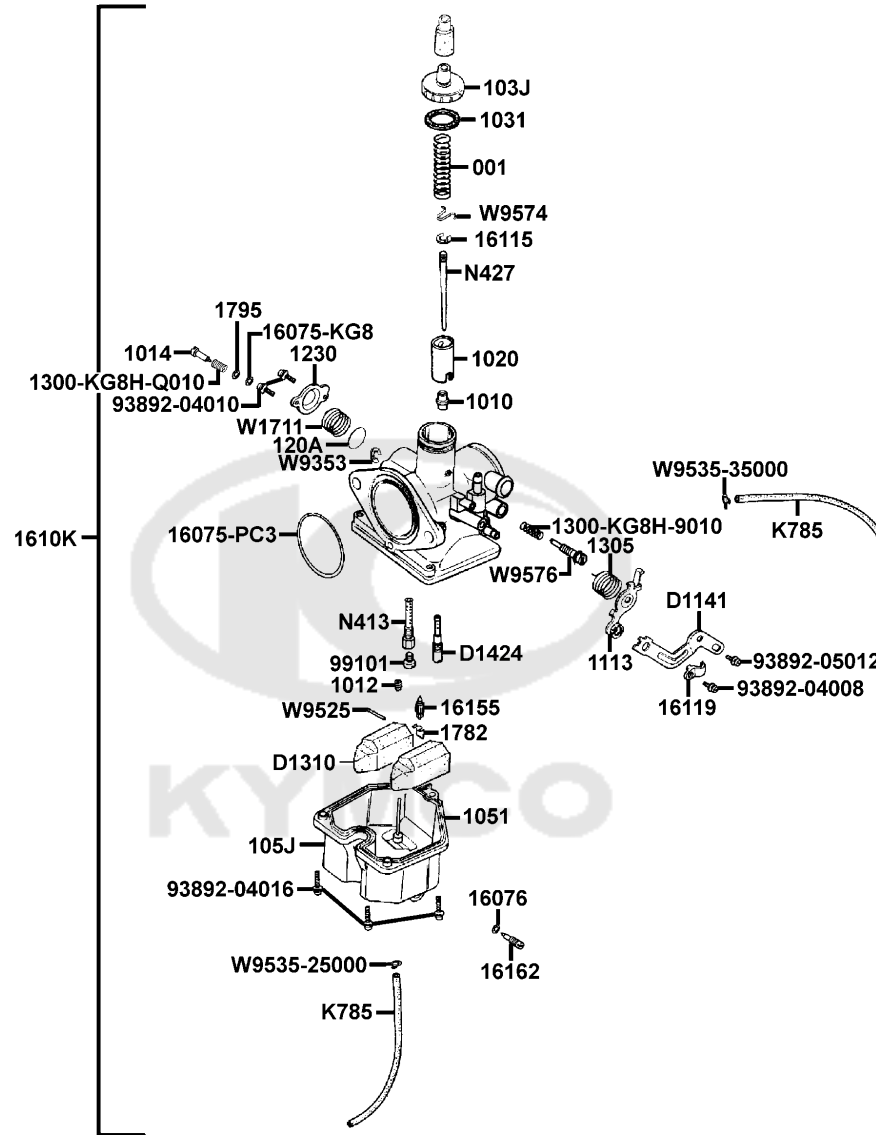
Carburetor



Sales mark	Ref no	Part no	Description	Reg description	Regd no	E08
	001	001-C4T2-04000	COMPR SPG	COMPR SPG	1	
	1010	1010-43FH-9900	NEEDLE JET	NEEDLE JET	1	
	1012	1012-382H-0140	JET HOLDER	JET HOLDER	1	
	1014	1014-840-2000	ADJUST SCREW	ADJUST SCREW	1	
	1020	1020-54D0-9900	THROTTLE VALVE	THROTTLE VALVE	1	
	1031	1031-KN4H-6511	TOP GASKET	TOP GASKET	1	
	103J	103J-061H-9901	TOP COMP	TOP COMP	1	
	1051	1051-KCSH-9200	FLOAT CHAMBER GASKET	FLOAT CHAMBER GASKET	1	
	105J	105J-092H-9911	F.C.B COMP	F.C.B COMP	1	
	1113	1113-HB7H-6710	CHOKE LEVER	CHOKE LEVER	1	
	120A	120A-106H-9900	DIAPHRAGM COMP	DIAPHRAGM COMP	1	
	1230	1230-846-2000	DIAPHRAGM COVER	DIAPHRAGM COVER	1	
	1300-KG8H-9010	1300-KG8H-9010	COMPR SPG	COMPR SPG	1	
	1300-KG8H-Q010	1300-KG8H-Q010	COMPR SPG	COMPR SPG	1	
	1305	1305-491H-9901	TORSION SPG	TORSION SPG	1	
	16075-KG8	16075-KG8-9010-M1	-RING	-RING	1	
	16075-PC3	16075-PC3-7810-M1	O-RING	O-RING	1	
	16076	16076-ND5-0040	O RING	O RING	1	
	1610K	1610K-LDE9-900	CARBURETOR ASSY	CARBURETOR ASSY	1	
	16115	16115-169-0040	BAR CLIP	BAR CLIP	1	

E08

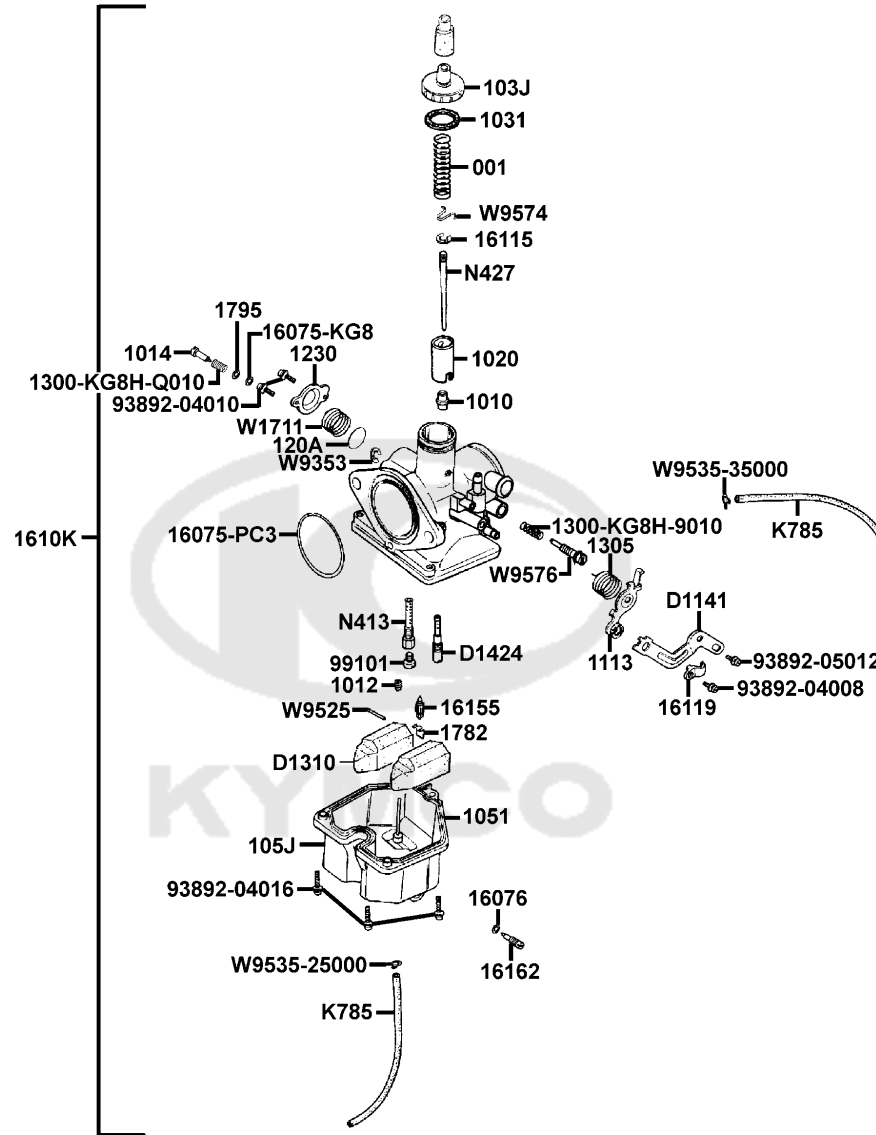
Carburetor



Sales mark	Ref no	Part no	Description	Reg description	Regd no	E08
16119		16119-MZ2-6000-K2	STAY PLATE	STAY PLATE	1	
16155		16155-ZG8-L100	FLOAT VALVE SET	FLOAT VALVE COMP	1	
16162		16162-KG8-9010-M1	DRAIN SCREW PAN	DRAIN SCREW PAN	1	
1782		1782-013H-9900	SPECIAL CLIP	SPECIAL CLIP	1	
1795		1795-KG8H-9010	WASHER PLAIN	WASHER PLAIN	1	
93892-04008		93892-04008-18	SCREW WASHER 4*8	SCREW WASHER	1	
93892-04010		93892-04010-18	WASHER SCREW	WASHER SCREW	2	
93892-04016		93892-04016-18	SCREW WASHER	WASHER SCREW	3	
93892-05012		93892-05012-18	SCREW WASHER 5*12	WASHER SCREW	1	
99101		99101-393-0980	MAIN JET	JET	1	
D1141		D1141-A63-0100	WIRE STAY	WIRE STAY	1	
D1310		D1310-850-0100	FLOAT COMP	FLOAT COMP	1	
D1424		D1424-KAG-0100	JET	JET	1	
K785		K785-076-0200	TUBE	TUBE	2	
N413		N413-15A00	NEEDLE JET HOLDER	NEEDLE JET HOLDER	1	
N427		N427-BSD00	JET NEEDLE	JET NEEDLE	1	
W1711		W1711-300-9901	COMPR SPG	COMPR SPG	1	
W9353		W9353-30000	U-RING	U-RING	1	
W9525		W9525-25250	ARM PIN	ARM PIN	1	
W9535-25000		W9535-25000	TUBE CLIP	TUBE CLIP	1	

E08

Carburetor



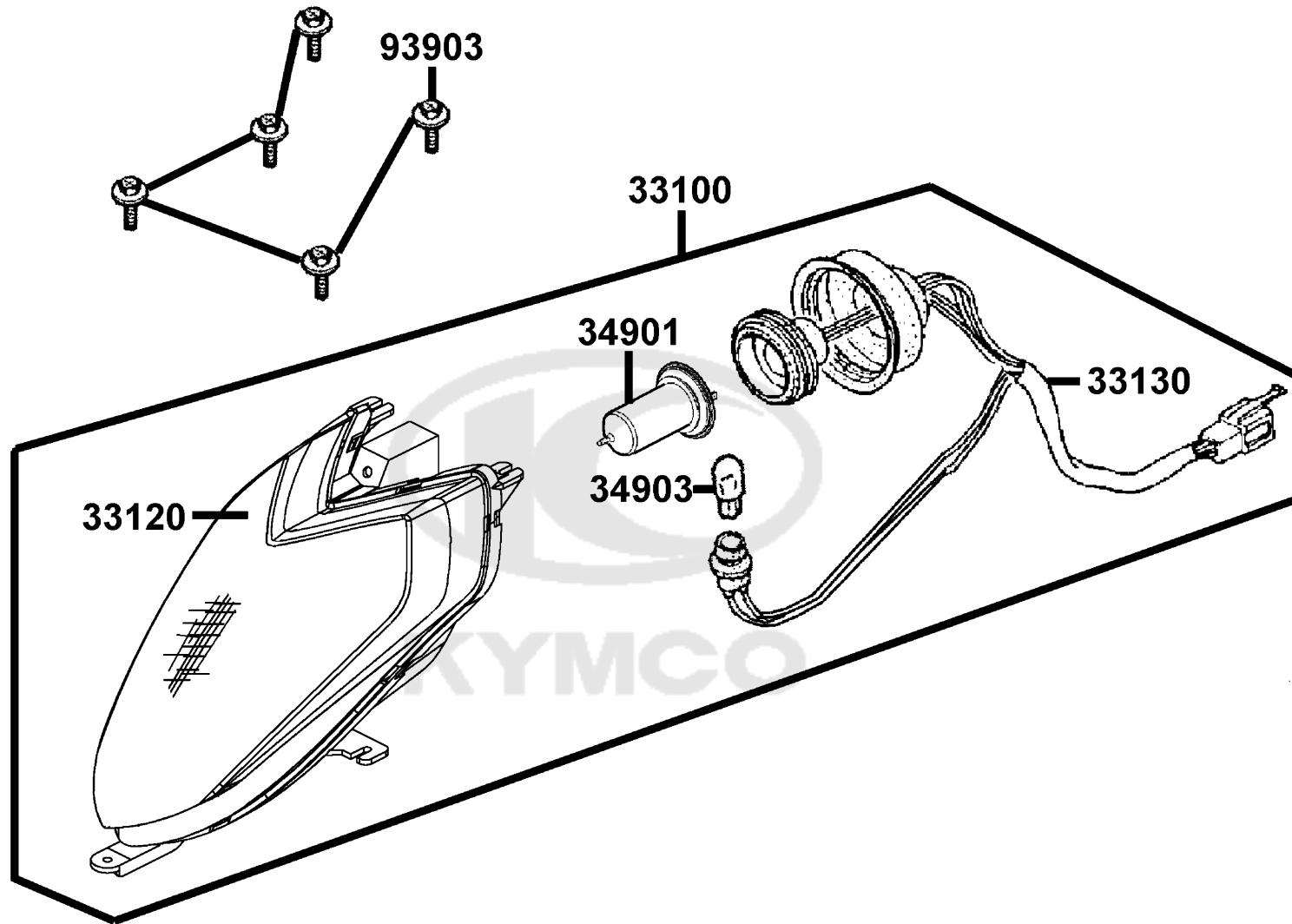
Sales mark	Ref no	Part no	Description	Reg description	Regd no	E08
------------	--------	---------	-------------	-----------------	---------	------------

W9535-35000		W9535-35000	CLIP	CLIP	1	
W9574		W9574-13000	NEEDLE CLIP PLATE	NEEDLE CLIP PLATE	1	
W9576		W9576-01000	STOP SCREW	STOP SCREW	1	



F01

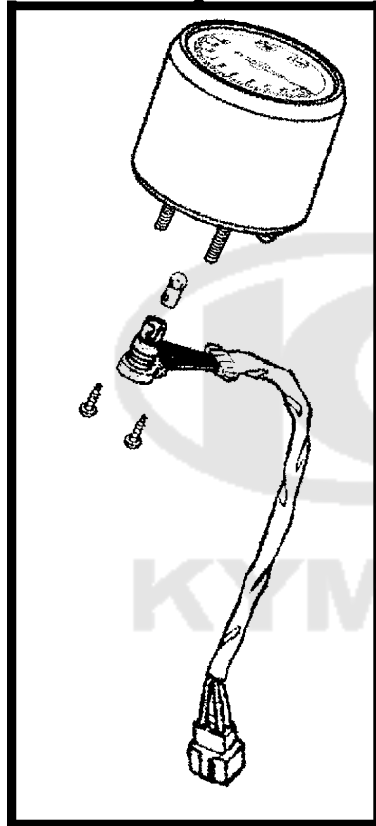
Head Light



Sales mark	Ref no	Part no	Description	Reg description	Regd no	F01
	33100	33100-LDF3-E00	LIGHT ASSY HEAD	LIGHT ASSY HEAD	1	
	33120	33120-LDF3-E00	UNIT HEAD LIGHT	UNIT HEAD LIGHT	1	
	33130	33130-LDF3-E00	SOCKET COMP	SOCKET COMP	1	
	34901	34901-KFA6-900	BULB HEAD LIGHT	BULB HEAD LIGHT	1	
	34903	34903-KPCP-900	BULB POSITION	BULB POSITION	1	
	93903	93903-35360	SCREW TAPPING 5*16	SCREW TAPPING 5*16	5	



37200-LBA7-E0A
37200-LBA7-E0B



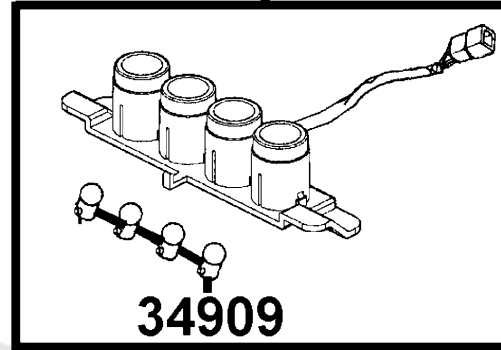
94101



94050



37401



34909

44831

93903



93903



44830

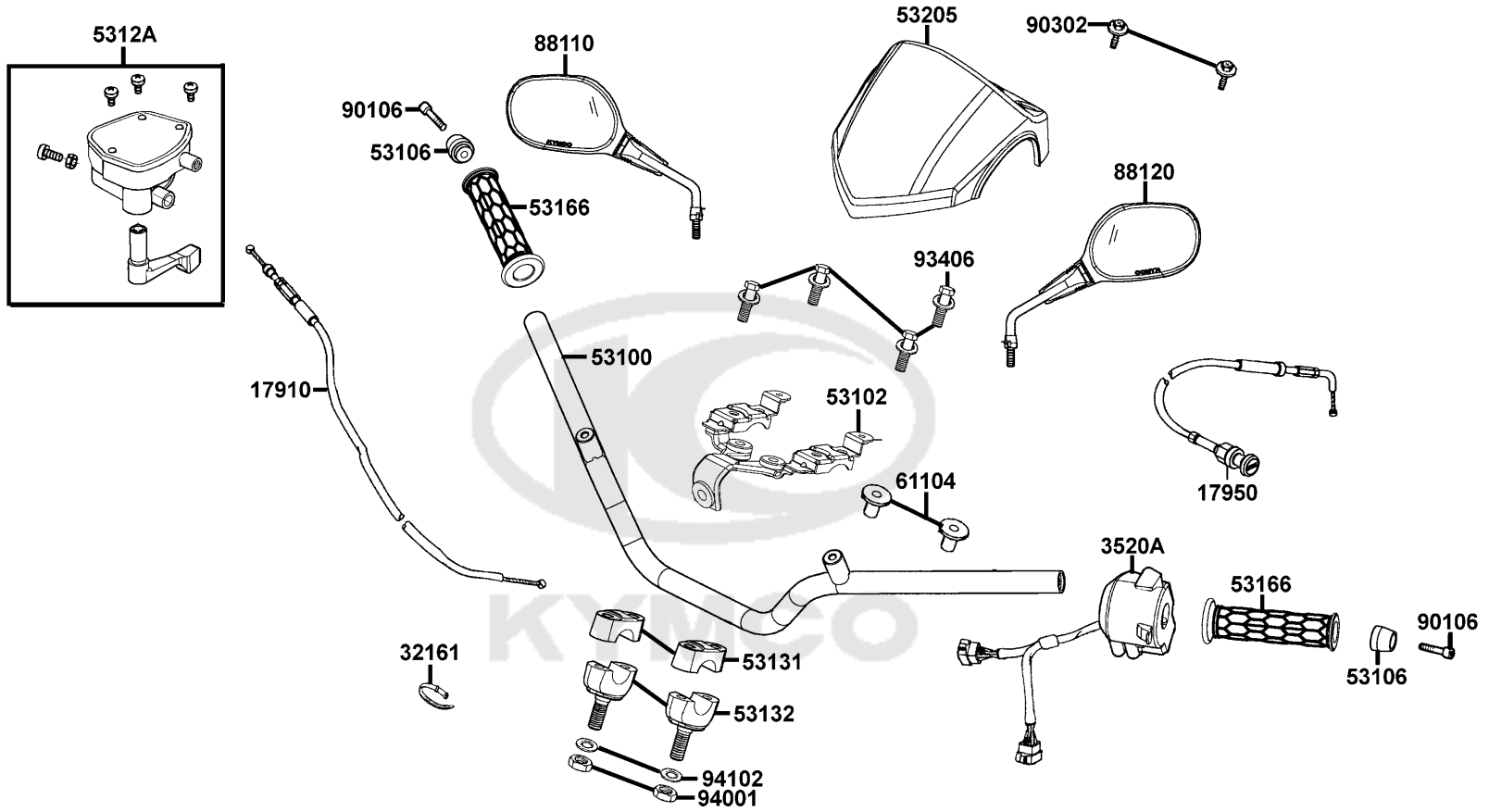


Sales mark	Ref no	Part no	Description	Reg description	Regd no	F02
	34909	34909-LLB1-E00	BULB PILOT	BULB PILOT	4	
	37200-LBA7-E0A	37200-LBA7-E0A	METER ASSY SPEED	METER ASSY SPEED	1	
	37200-LBA7-E0B	37200-LBA7-E0B	METER ASSY SPEED	METER ASSY SPEED	1	
	37401	37401-LBA7-900	PILOT LAMP COMP	PILOT LAMP COMP	1	
	44830	44830-LBA7-E00	CABLE COMP SPOMT	CABLE COMP SPOMT	1	
	44831	44831-LBA7-E00	CABLE INNER	CABLE INNER	1	
	93903	93903-35360	SCREW TAPPING 5*16	SCREW TAPPING 5*16	2	
	94050	94050-06060	NUT FLANGE 6MM	NUT FLANGE 6MM	2	
	94101	94101-06800	WASHER PLAIN 6MM	WASHER PLAIN 6MM	2	



F03

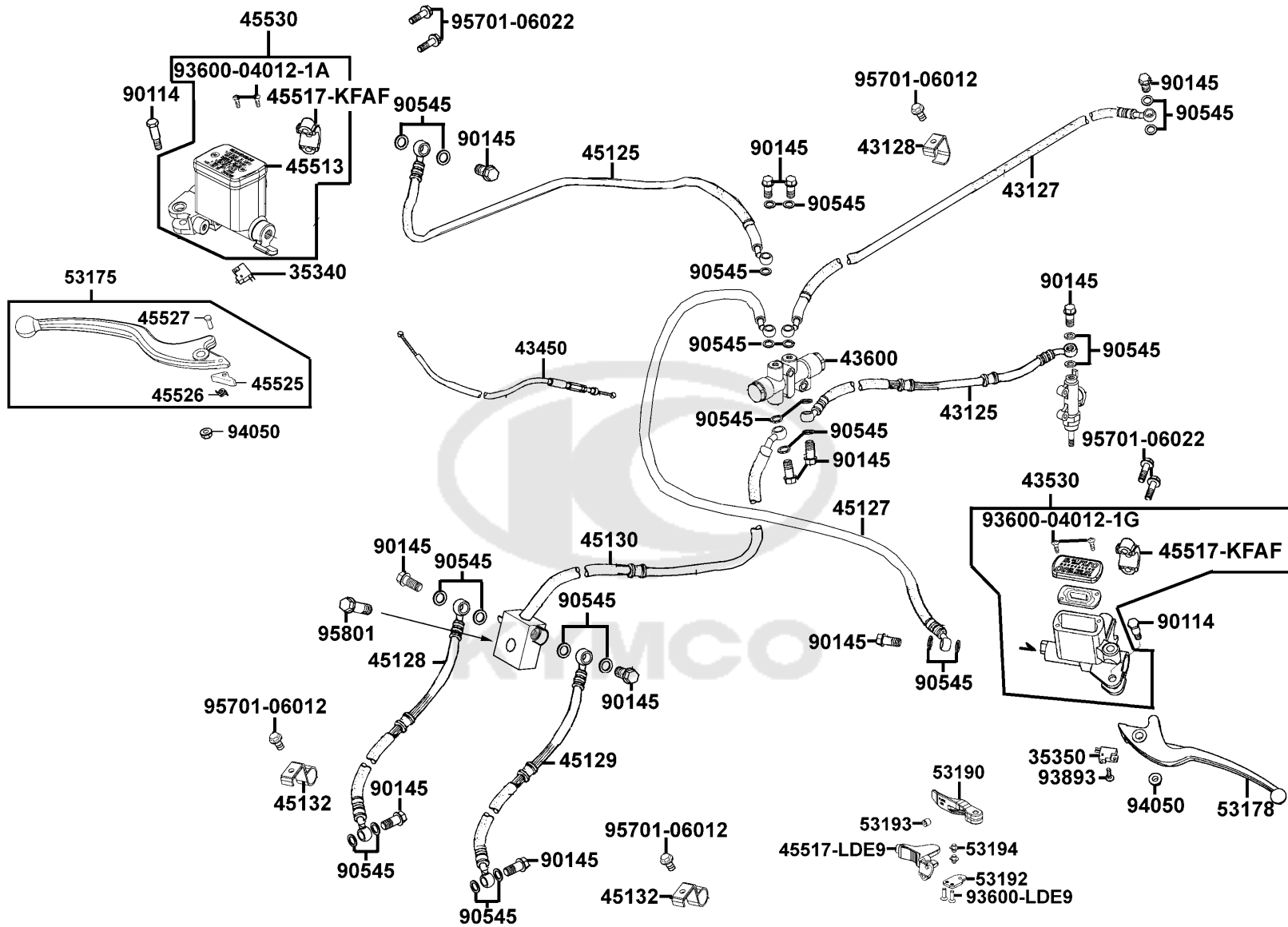
Handle Steering



Sales mark	Ref no	Part no	Description	Reg description	Regd no	F03
	17910	17910-LBA7-900	CABLE COMP THROT	CABLE COMP THROT	1	
	17950	17950-LBA7-900	CABLE COMP CHOKE	CABLE COMP CHOKE	1	
	32161	32161-4D04-001	BAND BI WIRE	BAND WIRE HARNESS B1	1	
	3520A	3520A-LDF3-E00	SW ASSY LH HANDLE COMP	SW ASSY LH HANDLE COMP	1	
**	53100	53100-LDF3-E00	HANDLE PIPE STRG	HANDLE PIPE STRG	1	
	53102	53102-LDF3-E00	STAY HANDLE COVER	STAY HANDLE COVER	1	
	53106	53106-KFC8-900	END L STRG HANDLE	END L STRG HANDLE	2	
	5312A	5312A-LBA7-900	LEVER ASSY THROT	LEVER ASSY THROT	1	
	53131	53131-4K39-001	HOLDER HANDLE PIPE	HOLDER HANDLE PIPE	2	
	53132	53132-LLB1-900	HOLDER UNDER HANDLE PIPE	HOLDER UNDER HANDLE PIPE	2	
#	53166	53166-PTA7-900	GRIP HANDLE	GRIP HANDLE	1	
**	53205	53205-LDF3-E00	COVER HANDLE	COVER HANDLE	1	
	61104	61104-3G57-001	COLLAR FR FENDER	COLLAR FR FENDER	2	
**	88110	88110-LDF3-E00	MIRROR ASSY R BACK	MIRROR ASSY R BACK	1	
**	88120	88120-LDF3-E00	MIRROR ASSY L BACK	MIRROR ASSY L BACK	1	
	90106	90106-KFC2-900	BOLT SPECIAL 8MM	BOLT WASH 8MM	2	
	90302	90302-GFY6-901	BOLT WASH 5*12	BOLT WASH 5*12	2	
	93406	93406-LLB1-900	BOLT-WASHER 8*35	BOLT-WASHER 8*35	4	
	94001	94001-10080-0S	NUT CASTLE 10MM	NUT HEX 10MM	2	
	94102	94102-10800	WASHER PLAIN 10MM	WASHER PLAIN 10MM	2	

F04

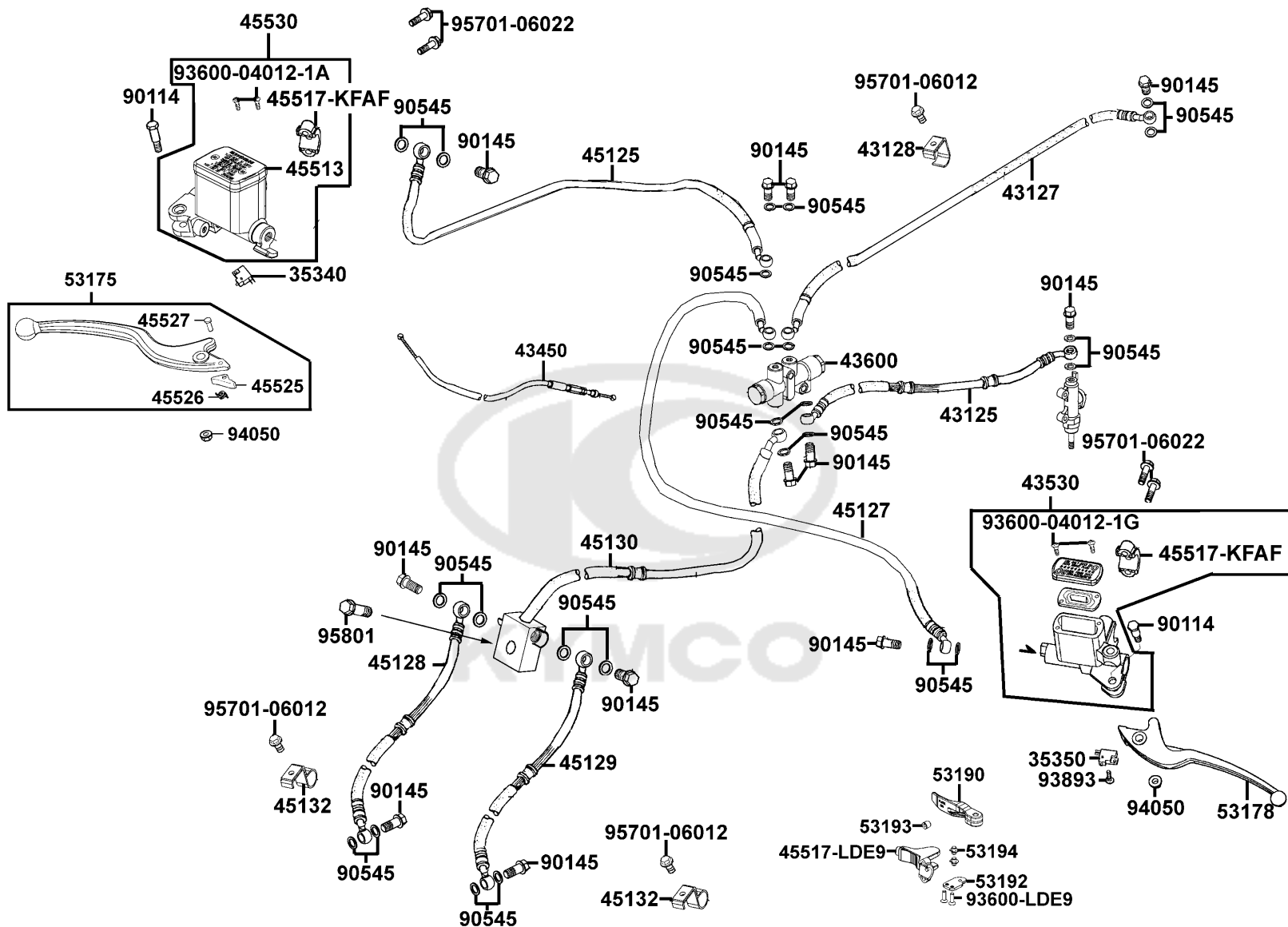
Master Cylinder



Sales mark	Ref no	Part no	Description	Reg description	Regd no	F04
35340		35340-LBA7-900	SW ASSY FR STOP	SW ASSY FR STOP	1	
35350		35350-KNBN-901	SW ASSY RR STOP	SW ASSY RR STOP	1	
43125		43125-LBA7-E00	HOSE COMP RR BRK	HOSE COMP RR BRK	1	
43127		43127-LBA7-E00	HOSE COMP RR BRK	HOSE COMP RR BRK	1	
43128		43128-LBA7-900	CLAMPER RR BRAKE HOSE	CLAMPER RR BRAKE HOSE	1	
43450		43450-LEC1-E00	CABLE PARKING BRAKE	CABLE PARKING BRAKE	1	
43530		43530-KKC4-305	CYLINDER SET RR MASTER	CYLINDER SET RR MASTER	1	
43600		43600-LBA7-E00	PGV ASSY	PGV ASSY	1	
45125		45125-LDF3-E00	HOSE COMP FR BRK	HOSE COMP FR BRK	1	
45127		45127-LDF3-900	HOSE ASSY RR BRK	HOSE ASSY RR BRK	1	
45128		45128-LBA7-900	HOSE ASSY FR(C/P R) BRK	HOSE ASSY FR(C/P R) BRK	1	
45129		45129-LBA7-900	HOSE ASSY FR(C/P L) BRK	HOSE ASSY FR(C/P L) BRK	1	
45130		45130-LBA7-E00	HOSE ASSY C/P L FR BRK	HOSE ASSY C/P L FR BRK	1	
45132		45132-LBA7-900	CLAMPER FR BRAKE HOSE	CLAMPER FR BRAKE HOSE	2	
45513		45513-KKC4-900	CAP M/C	CAP M/C	1	
45517-KFAF		45517-KFAF-910	HOLDER M/C	HOLDER M/C	2	
45517-LDE9		45517-LDE9-E00	HOLDER	HOLDER	1	
45525		45525-LBA7-900	STOPPER	STOPPER	1	
45526		45526-LBA7-900	SPRING	SPRING	1	
45527		45527-LBA7-900	PIN PARK	PIN PARK	1	

F04

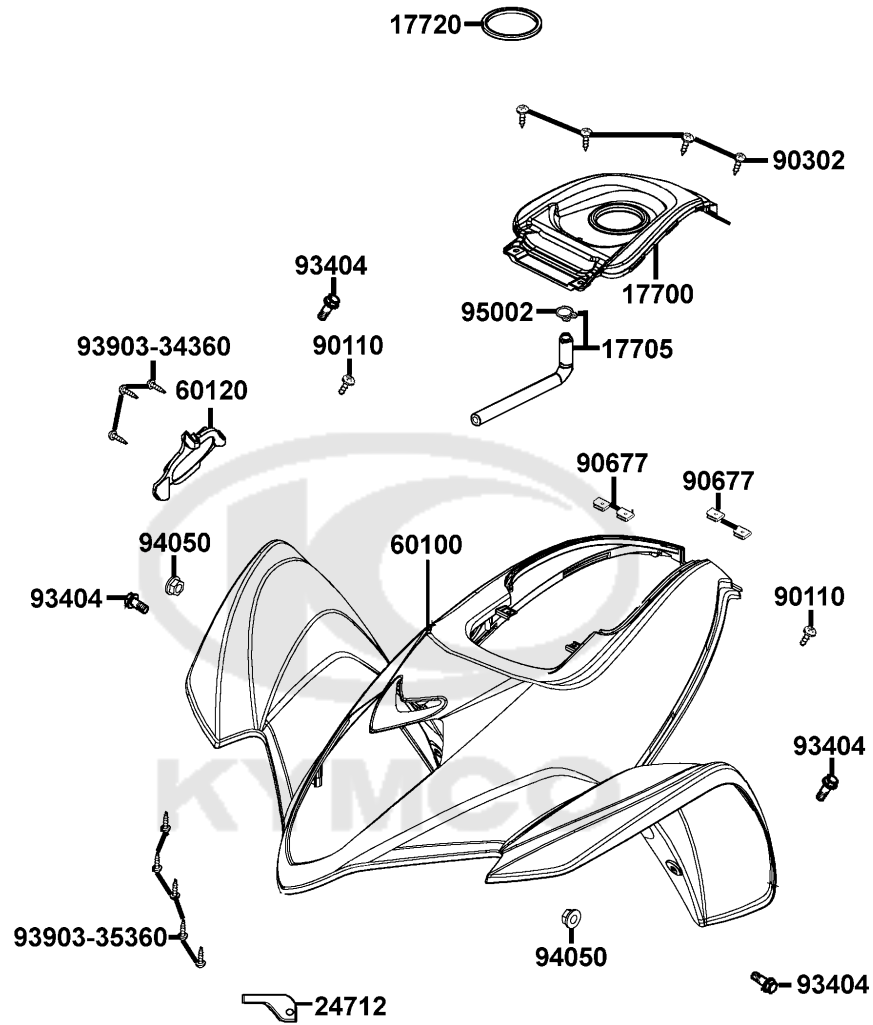
Master Cylinder



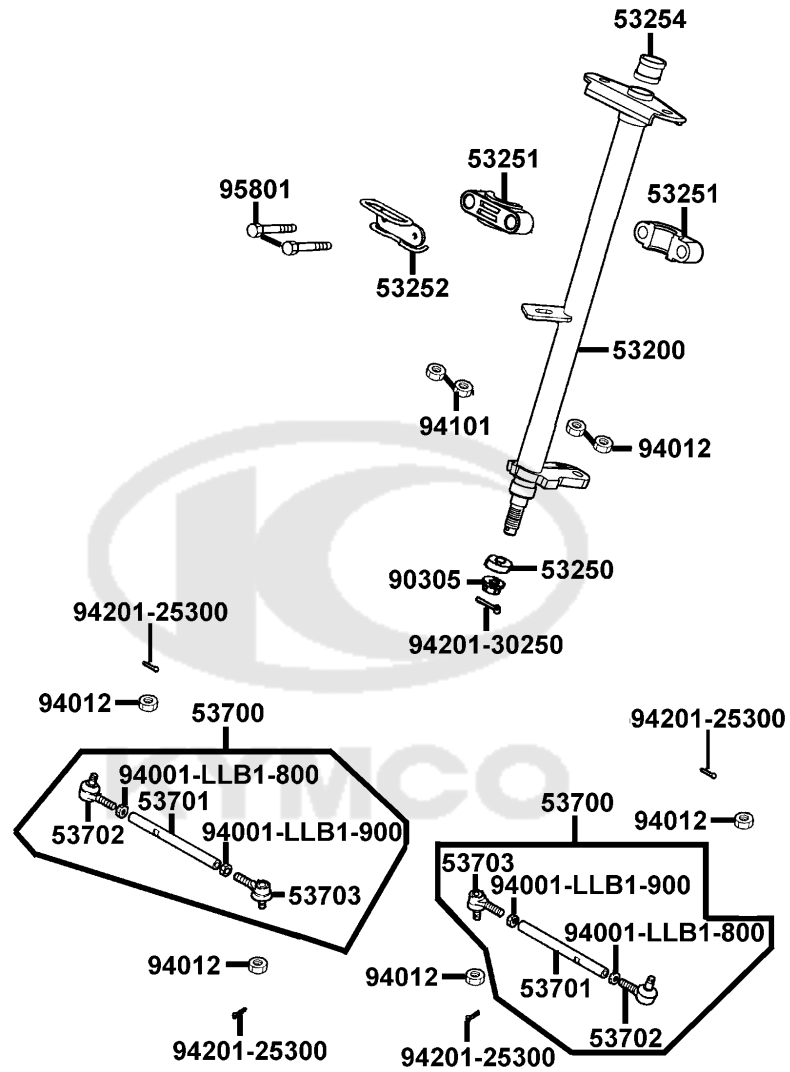
Sales mark	Ref no	Part no	Description	Reg description	Regd no	F04
	45530	45530-LBA7-305	CYLINDER SET FR	CYLINDER SET FR	1	
#	53175	53175-LBA7-305	LEVER SET BRK	LEVER SET BRK	1	
**	53178	53178-KFC8-E10	LEVER L STRG HNDL	LEVER L STRG HANDLE	1	
	53190	53190-LDE9-E00	LEVER	LEVER	1	
	53192	53192-LDE9-E00	BRACKET	BRACKET	1	
	53193	53193-LDE9-E00	STOPPER	STOPPER	1	
	53194	53194-LDE9-E00	PIVOT	PIVOT	1	
	90114	90114-1F66-007	BOLT HANDLE LEVER	BOLT HANDLE LEVER	2	
	90145	90145-MKS9-61A-06	OIL BOLT 10*22	OIL BOLT 10*22	12	
	90545	90545-3L00-001	WASHER OIL BOLT	WASHER OIL BOLT	25	
	93600-04012-1A	93600-04012-1A	SCREW FLAT 4*12	SCREW FLAT 4*12	2	
	93600-04012-1G	93600-04012-1G	SCREW FLAT 4*12	SCREW FLAT 4*12	2	
	93600-LDE9	93600-LDE9-E00	SCREW FLAT M6	SCREW FLAT M6	2	
	93893	93893-04012-18	SCREW WASHER 4*12	SCREW WASHER 4*12	1	
	94050	94050-06060	NUT FLANGE 6MM	NUT FLANGE 6MM	2	
	95701-06012	95701-06012-06	BOLT FLANGE 6*12	BOLT FLANGE 6*12	3	
	95701-06022	95701-06022-06	BOLT FLANGE 6*22	BOLT FLANGE 6*22	4	
	95801	95801-08035-06	BOLT FLANGE 8*35	BOLT FLANGE 8*35	1	

F05

Fender Front



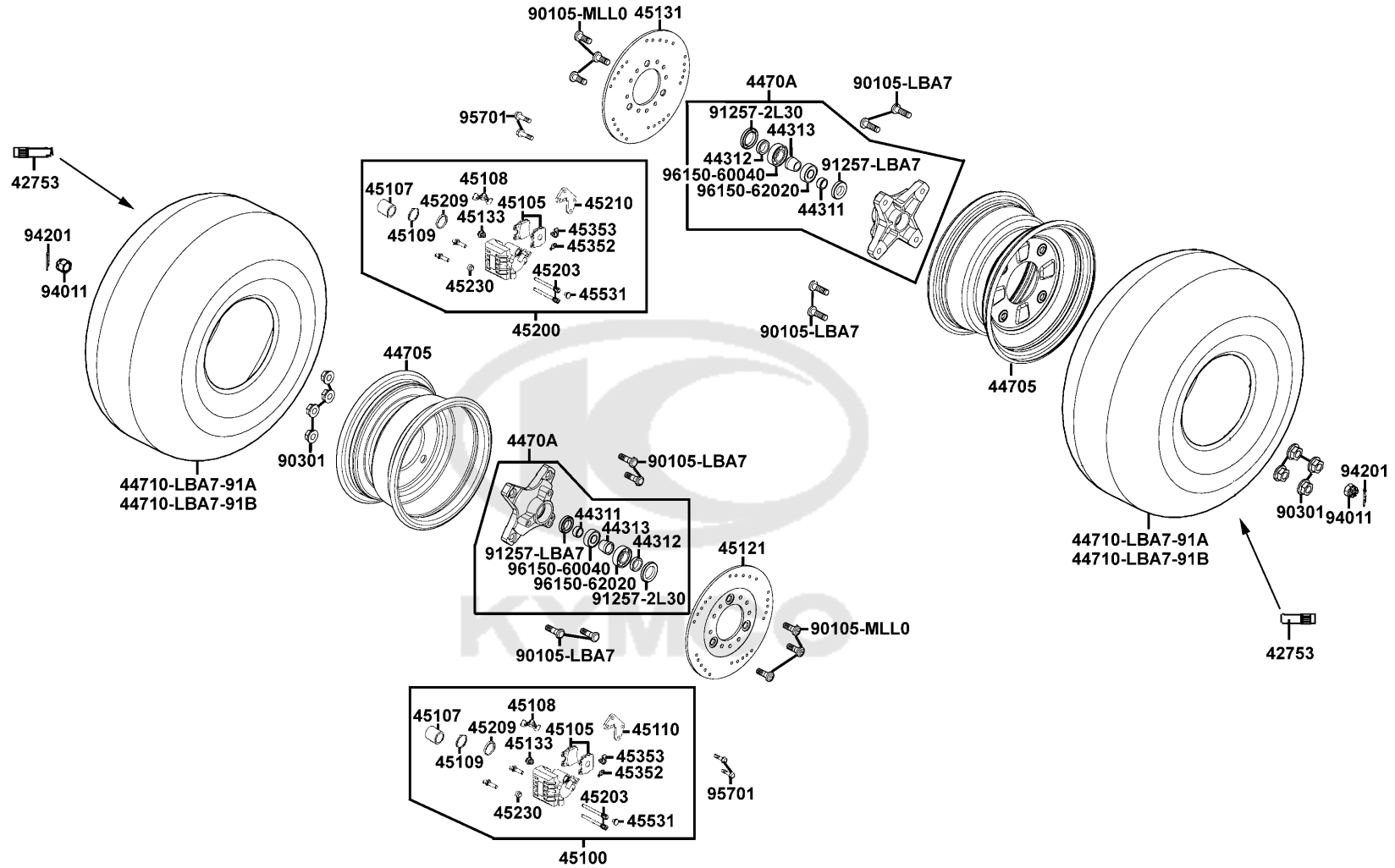
Sales mark	Ref no	Part no	Description	Reg description	Regd no	F05
**	17700	17700-LBA7-900	COVER TANK	COVER TANK	1	
	17705	17705-LBA7-900	TUBE ASSY FUEL DRAIN	TUBE ASSY FUEL DRAIN	1	
	17720	17720-LBA7-900	TRAY TANK COVER	TRAY TANK COVER	1	
	24712	24712-LBA7-900	SYAY GUIDE COVER	SYAY GUIDE COVER	1	
**	60100	60100-LDF3-E01	FENDER FRONT	FENDER FRONT	1	
**	60120	60120-LBA7-900	GUIDE COVER CHANGE HNDL	GUIDE COVER CHANGE HNDL	1	
	90110	90110-LLB1-800	SCREW SPECIAL 6*16	SCREW SPECIAL 6*16	2	
	90302	90302-GFY6-901	BOLT WASH 5*12	BOLT WASH 5*12	4	
	90677	90677-GAR1-004	NUT CLIP 5MM	NUT CLIP 5MM	4	
	93404	93404-06016-06	BOLT WASHER 6*16	BOLT WASHER 6*16	4	
	93903-34360	93903-34360	SCREW TAPPING 4*12 (G)	SCREW TAPPING 4*12	3	
	93903-35360	93903-35360	SCREW TAPPING 5*16	SCREW TAPPING 5*16	5	
	94050	94050-LDE9-E00	NUT LOCK	NUT LOCK	2	
	95002	95002-02100	CLIP B15 TUBE	CLIP B15 TUBE	1	



Sales mark	Ref no	Part no	Description	Reg description	Regd no	F06
53200		53200-LBA7-E00	STEM COMP STEERING	STEM COMP STEERING	1	
53250		53250-LBA7-900	COLLAR STEM BOTTOM	COLLAR STEM BOTTOM	1	
53251		53251-LCA5-E00	HOLDER STEM STEERING	HOLDER STEM STEERING	2	
53252		53252-LBA7-900	CLAMPER STEM HOLDER	CLAMPER STEM HOLDER	1	
53254		53254-LBA7-900	SLEEVE STEM	SLEEVE STEM	1	
53700		53700-LCA5-E00	ROD ASSY STEERING	ROD ASSY STEERING	2	
53701		53701-LCA5-E00	ROD COMP STEERING	ROD COMP STEERING	2	
53702		53702-LLB1-900	JOINT R BALL	JOINT R BALL	2	
53703		53703-LLB1-900	JOINT L BALL	JOINT L BALL	2	
90305		90305-MAA1-004-SY	NUT U FLANGE 16MM	NUT U FLANGE 16MM	1	
94001-LLB1-800		94001-LLB1-800	NUT HEX 10MM	NUT HEX 10MM	2	
94001-LLB1-900		94001-LLB1-900	NUT HEX 6 MM	NUT HEX LH 10MM	2	
94012		94012-LLB1-900	NUT CASTLE 10MM	NUT CASTLE 10MM	4	
94101		94101-10800	WASHER PLAIN 10MM	WASHER PLAIN 10*22*1.6	2	
94201-25300		94201-25300	PIN SPLIT 2.5*30	PIN SPLIT 2.5*30	4	
94201-30250		94201-30250	PIN SPLIT 3*25	PIN SPLIT 3*25	1	
95801		95801-08060-06	BOLT FLANGE 8*60	BOLT FLANGE 8*60	2	

F07

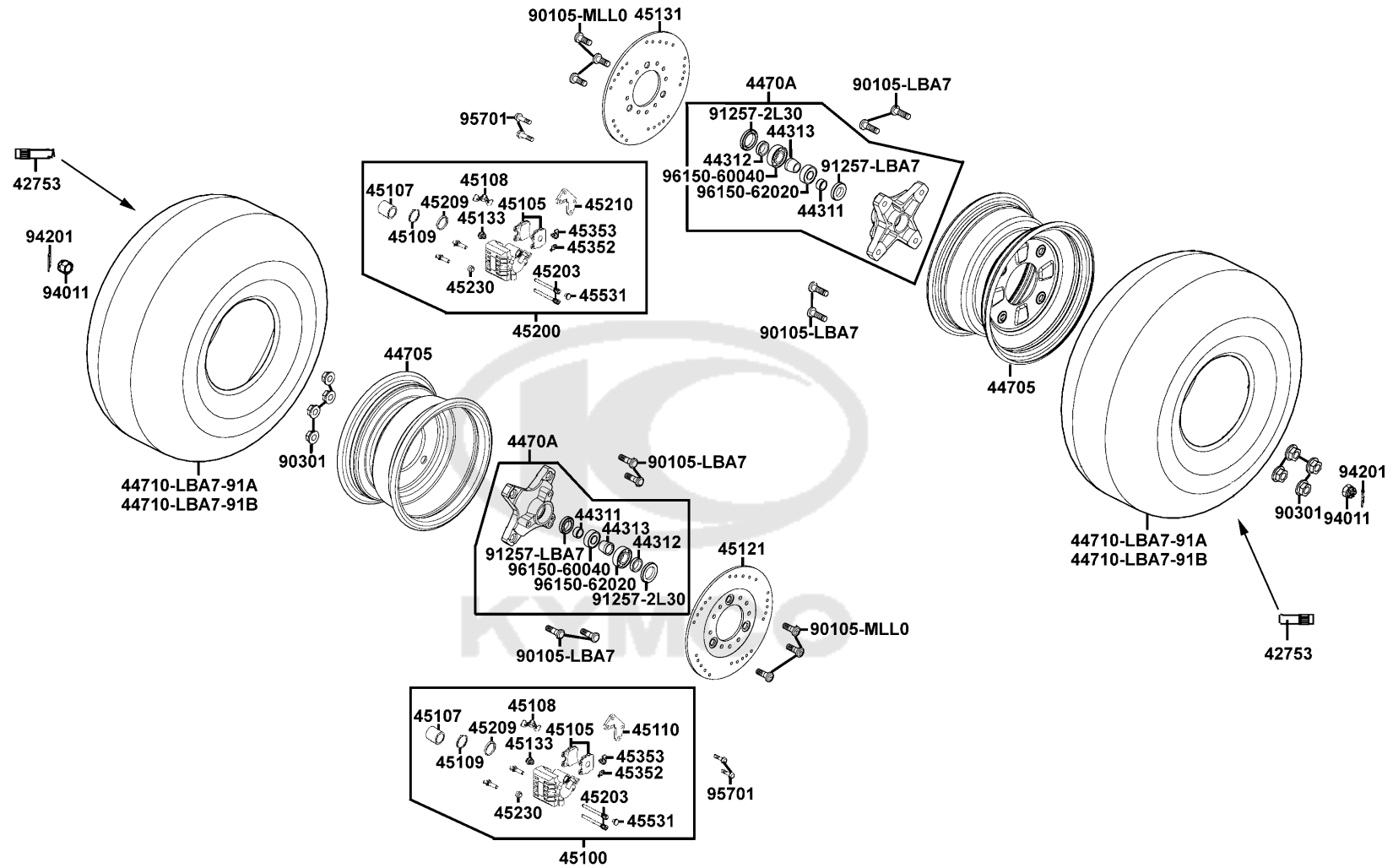
Front Wheel



Sales mark	Ref no	Part no	Description	Reg description	Regd no	F07
	42753	42753-KNBN-90B	VALAE RIM (TR412)	VALAE RIM (TR412)	2	
	44311	44311-LBA7-900	COLLAR FR WHEEL SIDE A	COLLAR FR WHEEL SIDE A	2	
	44312	44312-LBA7-900	COLLAR FR WHEEL SIDE B	COLLAR FR WHEEL SIDE B	2	
	44313	44313-LBA7-900	COLLAR FR WHEEL DIST	COLLAR FR WHEEL DIST	2	
# **	44705	44705-LBA7-90D	RIM FR WHEEL	RIM FR WHEEL	2	
	4470A	4470A-LBA7-305	CONNECTOR SET FR	CONNECTOR SET FR	2	
	44710-LBA7-91A	44710-LBA7-91A	TIRE ASSY FR /KENDA	TIRE ASSY FR /KENDA	2	
	44710-LBA7-91B	44710-LBA7-91B	TIRE ASSY FR /MAXXIS	TIRE ASSY FR /MAXXIS	2	
**	45100	45100-LBA7-900	CALIPER ASSY FR R	CALIPER ASSY FR R	1	
	45105	45105-LBA7-305	PAD SET	PAD SET	2	
#	45107	45107-KFA6-900	PISTON	PISTON	1	
	45108	45108-LBA7-900	SPRING PAD	SPRING PAD	2	
#	45109	45109-KFA6-900	DUST SEAL	DUST SEAL	1	
	45110	45110-LBA7-305	BRACKET R	BRACKET R	1	
	45121	45121-LBA7-900	DISK FR BRK R	DISK FR BRK R	1	
	45131	45131-LBA7-900	DISK FR BRK L	DISK FR BRK L	1	
	45133	45133-LBA7-900	BOOT A	BOOT A	2	
**	45200	45200-LBA7-900	CALIPER ASSY FR L	CALIPER ASSY FR L	1	
	45203	45203-LBA7-900	PIN HANGER	PIN HANGER	4	
#	45209	45209-KFA6-900	SEAL PISTON	SEAL PISTON	1	

F07

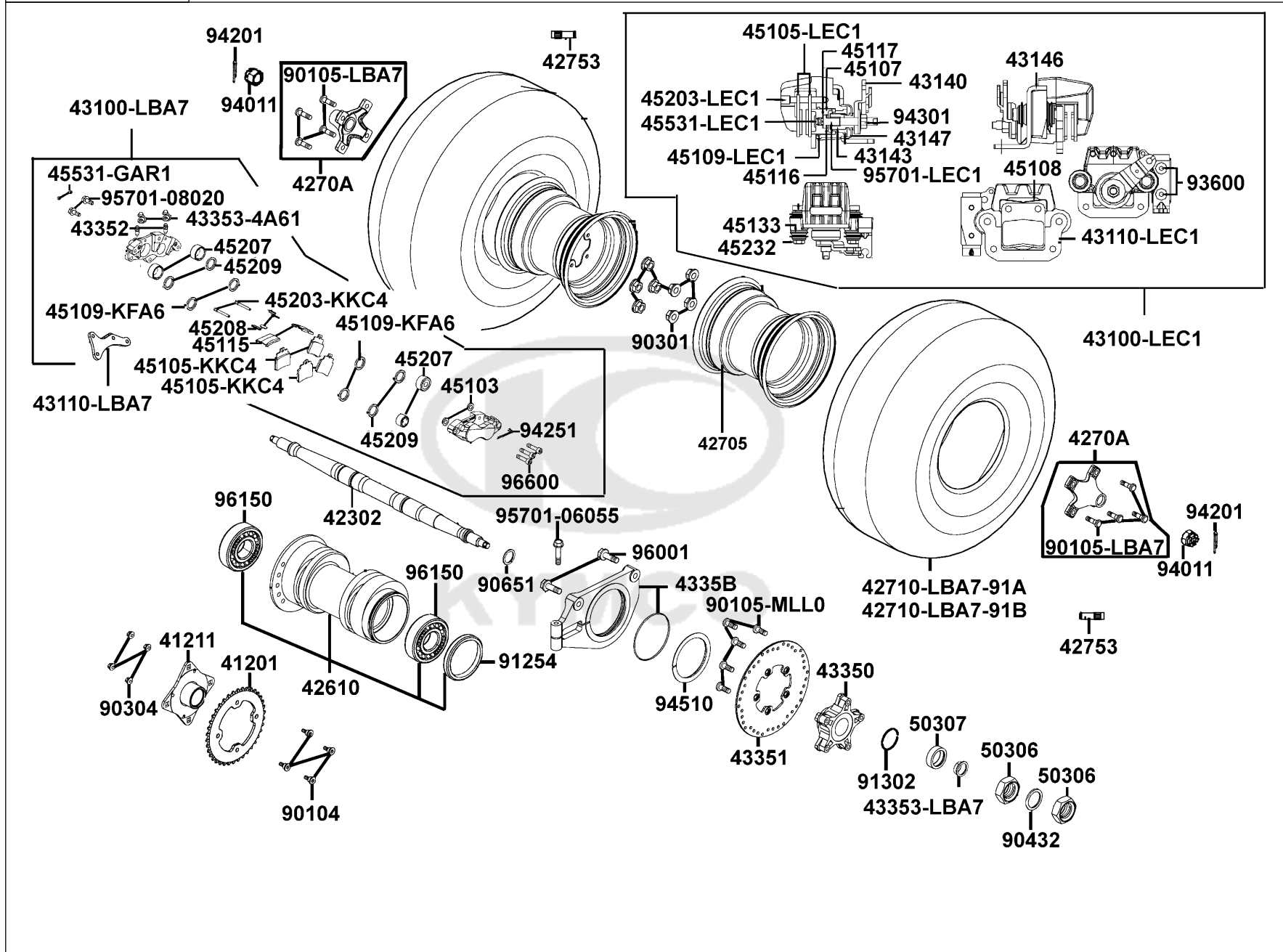
Front Wheel



Sales mark	Ref no	Part no	Description	Reg description	Regd no	F07
45210		45210-LBA7-305	BRACKET L	BRACKET L	1	
45230		45230-LBA7-900	BUSH PIN	BUSH PIN	2	
45352		45352-LBA7-900	BLEEDER	BLEEDER	2	
45353		45353-LBA7-900	CAP BLEEDER	CAP BLEEDER	2	
45531		45531-LBA7-900	PLUG	PLUG	2	
90105-LBA7		90105-LBA7-900	BOLT CONNECTOR	BOLT CONNECTOR	8	
90105-MLL0		90105-MLL0-731	BOLT STEP HOLDER 8*24	BOLT STEP HOLDER 8*24	6	
90301		90301-LBA7-900	NUT WHEEL 10*14	NUT WHEEL 10*14	8	
91257-2L30		91257-2L30-006	OIL SEAL 28*42*7	OIL SEAL 28*42*7	2	
91257-LBA7		91257-LBA7-900	OIL SEAL 20*35*7	OIL SEAL 20*35*7	2	
94011		94011-LLB1-900	NUT FLANGE CASTLE 14MM	NUT FLANGE CASTLE 14MM	2	
94201		94201-30300	PIN SPLIT 3*30	PIN SPLIT 3*30	2	
95701		95701-08020-08	BOLT FLANGE 8*20	BOLT FLANGE 8*20	4	
96150-60040		96150-60040-10	BEARING BALL RADIAL 6004	BEARING BALL RADIAL 6004	2	
96150-62020		96150-62020-10	BEARING BALL RADIAL 6202	BEARING BALL RADIAL 6202	2	

F08

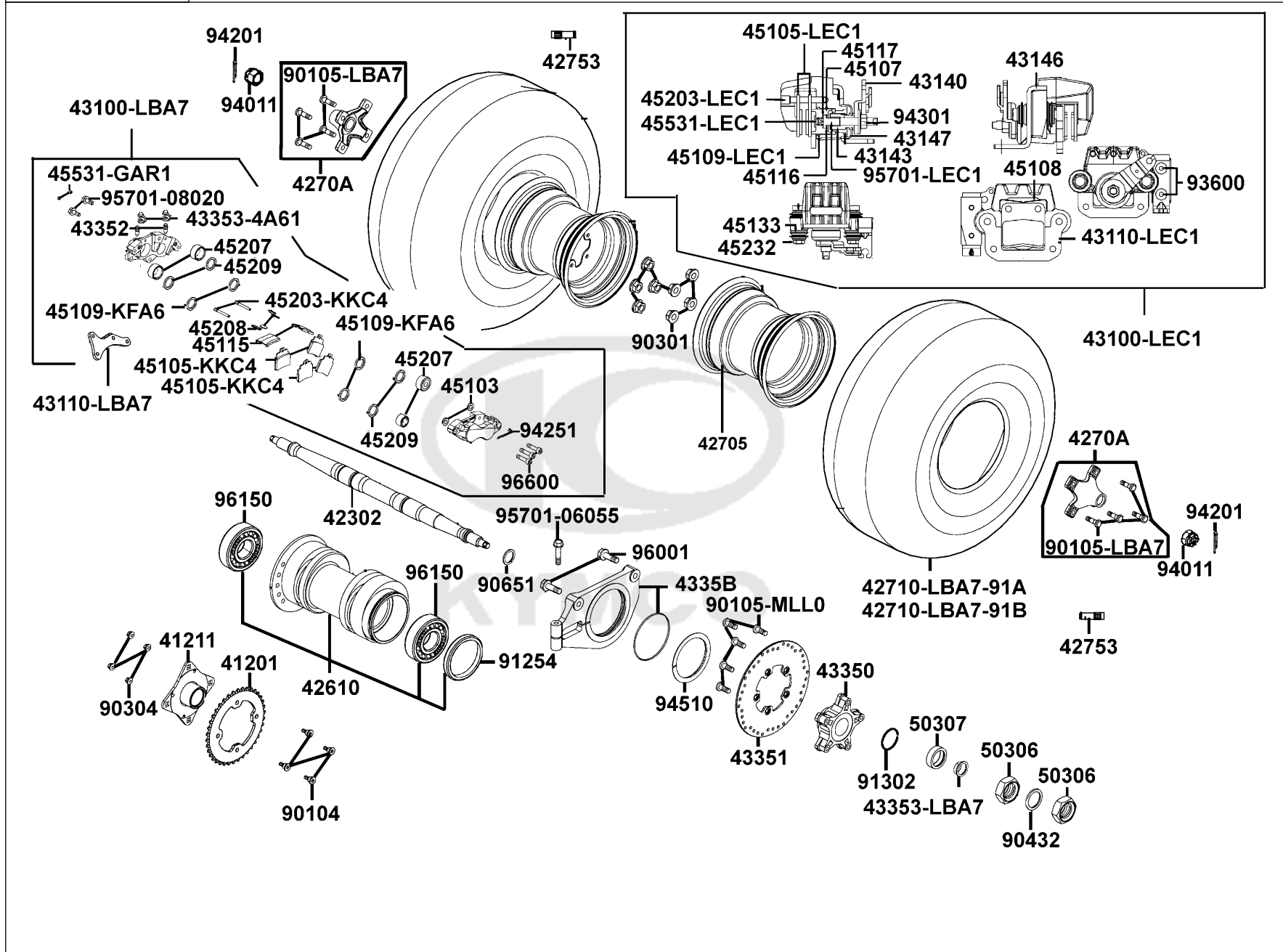
Rear Wheel



Sales mark	Ref no	Part no	Description	Reg description	Regd no	F08
	41201	41201-LBA7-900	SPRKT FINAL DRIVEN	SPRKT FINAL DRIVEN	1	
	41211	41211-LDF3-E00	HOLDER SPROCKET	HOLDER SPROCKET	1	
	42302	42302-LDF3-E00	AXLE SHAFT RR	AXLE SHAFT RR	1	
**	42610	42610-LBA7-900	HUB ASSY REAR	HUB ASSY REAR	1	
**	42705	42705-LBA7-90D	RIM RR WHEEL	RIM RR WHEEL	2	
	4270A	4270A-LBA7-900	CONNECTOR ASSY RR	CONNECTOR ASSY RR	2	
	42710-LBA7-91A	42710-LBA7-91A	TIRE ASSY RR /KENDA	TIRE ASSY RR /KENDA	2	
	42710-LBA7-91B	42710-LBA7-91B	TIRE ASSY RR /MAXXIS	TIRE ASSY RR /MAXXIS	2	
	42753	42753-KNBN-90B	VALAE RIM (TR412)	VALAE RIM (TR412)	2	
**	43100-LBA7	43100-LBA7-900	CALIPER ASSY RR	CALIPER ASSY RR	1	
**	43100-LEC1	43100-LEC1-E00	CALIPER ASSY RR	CALIPER ASSY RR	1	
	43110-LBA7	43110-LBA7-900	BRACKET RR	BRACKET RR	1	
	43110-LEC1	43110-LEC1-E00	BRACKET CALIPER	BRACKET CALIPER	1	
	43140	43140-LEC1-E00	ARM BRAKE	ARM BRAKE	1	
	43143	43143-LEC1-E00	BOLT DRIVE	BOLT DRIVE	1	
	43146	43146-LEC1-E00	BRACKET CABLE	BRACKET CABLE	1	
	43147	43147-LEC1-E00	CAP	CAP	1	
	43350	43350-LDF3-E00	HUB BRK DISK	HUB BRK DISK	1	
	43351	43351-LBA7-900	DISK RR BRK	DISK RR BRK	1	
	43352	43352-5H68-004	SCREW BLEEDER	SCREW BLEEDER	2	

F08

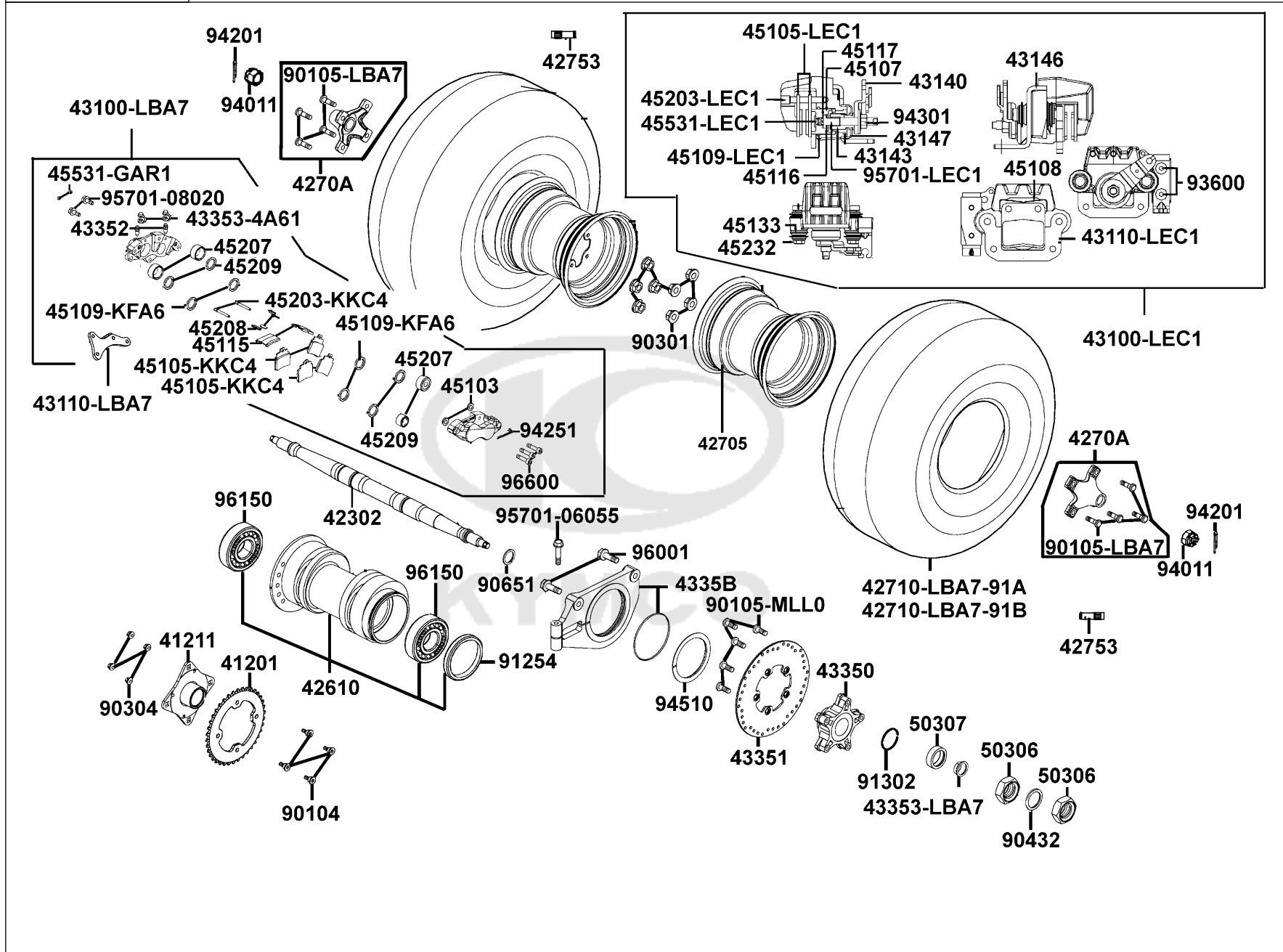
Rear Wheel



Sales mark	Ref no	Part no	Description	Reg description	Regd no	F08
	43353-4A61	43353-4A61-77A	CAP BLEEDER	CAP BLEEDER	2	
	43353-LBA7	43353-LBA7-900	COLLAR RR CALIPER BRKT	COLLAR RR CALIPER BRKT	1	
	4335B	4335B-LEC1-E00	BRKT ASSY RR CALIPER	BRKT ASSY RR CALIPER	1	
	45103	45103-MGR7-007	SEAL JOINT	SEAL JOINT	2	
	45105-KKC4	45105-KKC4-305	PAD SET	PAD SET	2	
	45105-LEC1	45105-LEC1-305	PAD SET	PAD SET	1	
	45107	45107-LEC1-E00	PISTON	PISTON	1	
	45108	45108-LEC1-E00	SPRING PAD	SPRING PAD	1	
#	45109-KFA6	45109-KKC4-900	DUST SEAL	DUST SEAL	2	
	45109-LEC1	45109-LEC1-E00	SEAL DUST	SEAL DUST	1	
	45115	45115-KKC4-900	COVER DUST	COVER DUST	2	
	45116	45116-LEC1-E00	CLIP	CLIP	1	
	45117	45117-LEC1-E00	WASHER	WASHER	1	
	45133	45133-LEC1-E00	BOOT	BOOT	4	
	45203-KKC4	45203-KKC4-900	PIN HANGER	PIN HANGER	2	
	45203-LEC1	45203-LEC1-E00	PIN HANGER	PIN HANGER	2	
	45207	45207-KKC4-900	PISTON	PISTON	4	
	45208	45208-KKC4-900	SPRING PAD	SPRING PAD	2	
#	45209	45209-KFA6-900	SEAL PISTON	SEAL PISTON	2	
	45232	45232-LEC1-E00	PIN BOLT	PIN BOLT	2	

F08

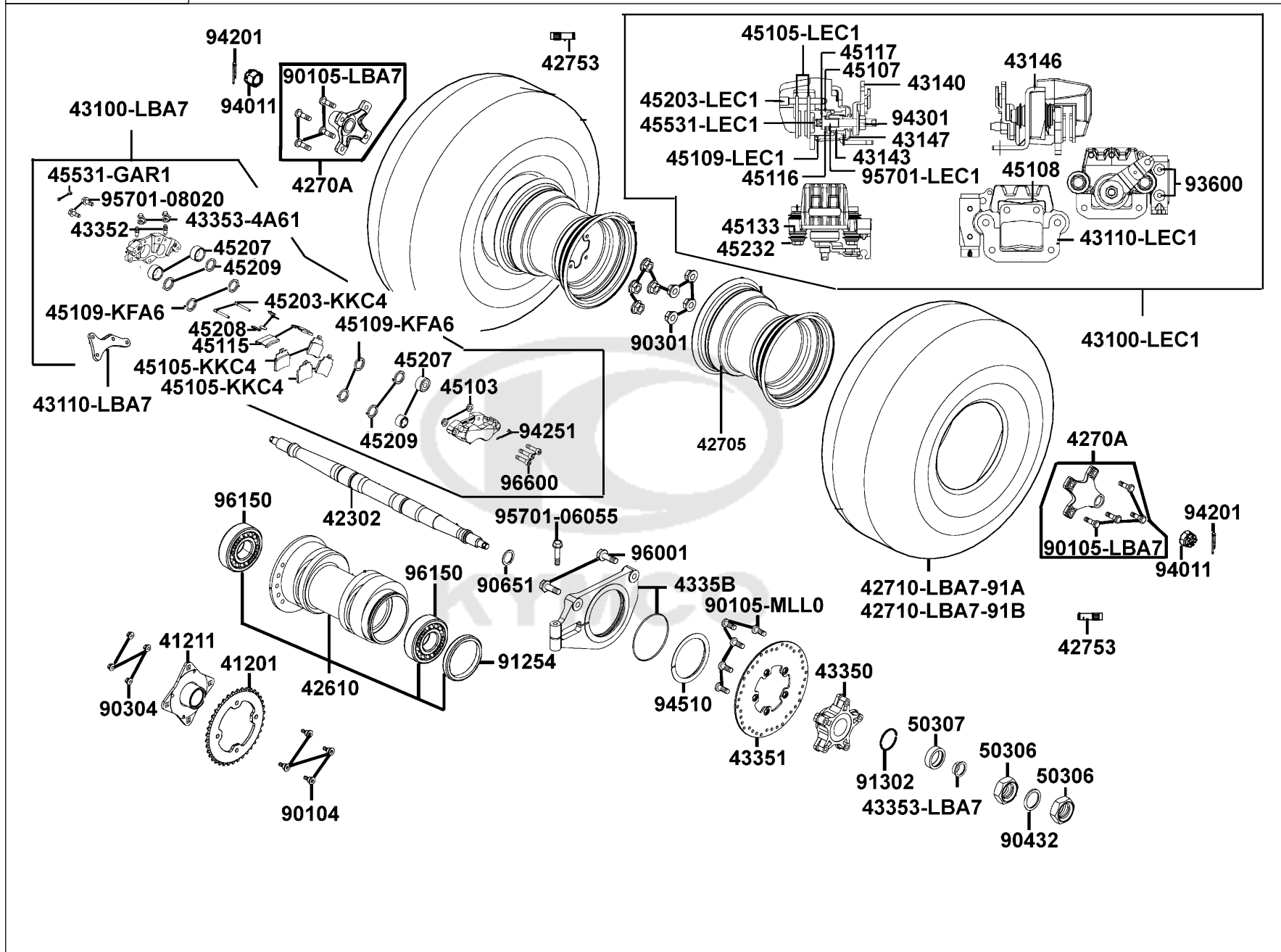
Rear Wheel



Sales mark	Ref no	Part no	Description	Reg description	Regd no	F08
	45531-GAR1	45531-GAR1-951	PLUG	PLUG	2	
	45531-LEC1	45531-LEC1-E00	PLUG	PLUG	1	
	50306	50306-LBA7-900	NUT REAR SHAFT	NUT REAR SHAFT	2	
	50307	50307-LBA7-900	COLLAR REAR SHAFT	COLLAR REAR SHAFT	1	
	90104	90104-LBA7-900	BOLT WELD 10*25	BOLT WELD 10*25	4	
	90105-LBA7	90105-LBA7-900	BOLT CONNECTOR	BOLT CONNECTOR	8	
	90105-MLL0	90105-MLL0-731	BOLT STEP HOLDER 8*24	BOLT STEP HOLDER 8*24	5	
	90301	90301-LBA7-900	NUT WHEEL 10*14	NUT WHEEL 10*14	8	
	90304	90304-GLW0-90A	NUT U FLANGE 10MM	NUT U FLANGE 10MM	4	
	90432	90432-LBA7-900	WASHER LOCK	WASHER LOCK	1	
	90651	90651-LBA7-900	RING SNAP	RING SNAP	1	
	91254	91254-LBA7-900	OIL SEAL 52*62*7	OIL SEAL 52*62*7	2	
	91302	91302-PKA9-004	O-RING 39.8*2.2	O-RING 39.8*2.2	1	
	93600	93600-LEC1-E00	SCREW FLAT 6MM	SCREW FLAT 6MM	2	
	94011	94011-LBA7-900	NUT FLANGE CASTLE 16MM	NUT FLANGE CASTLE 16MM	2	
	94201	94201-30300	PIN SPLIT 3*30	PIN SPLIT 3*30	2	
	94251	94251-08400	PIN LOCK 8MM	PIN LOCK 8MM	2	
	94301	94301-08060	NUT HEC 8MM	NUT HEC 8MM	1	
	94510	94510-75000	CIR CLIP EX 75	CIR CLIP EX 75	1	
	95701-06055	95701-06055-08	BOLT FLANGE 6*55	BOLT FLANGE 6*55	1	

F08

Rear Wheel



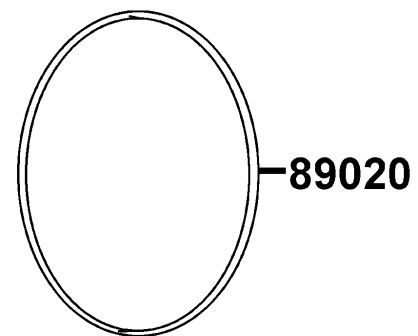
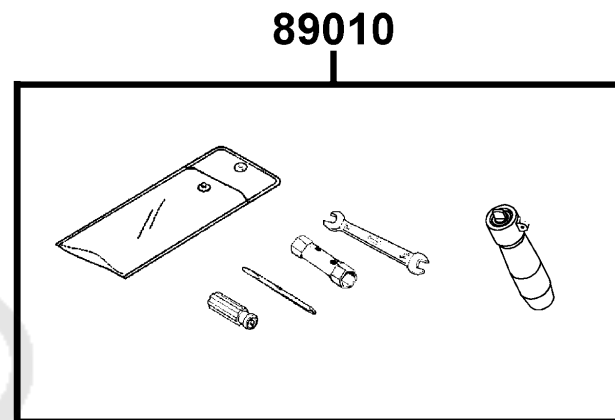
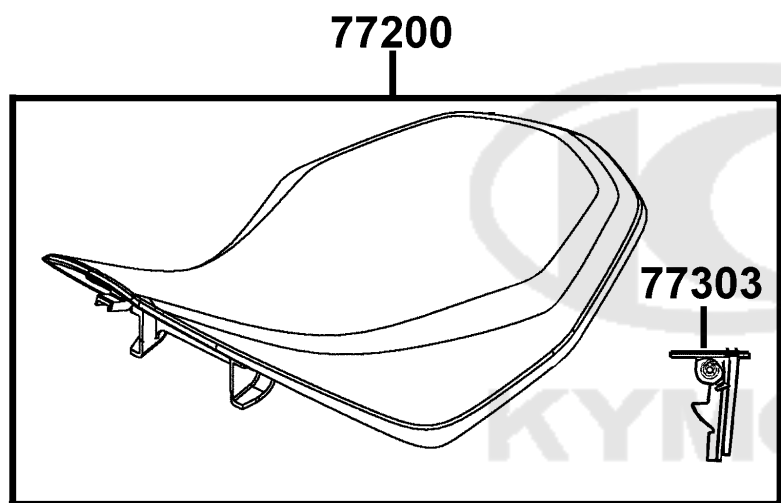
Sales mark	Ref no	Part no	Description	Reg description	Regd no	F08
------------	--------	---------	-------------	-----------------	---------	------------

95701-08020	95701-08020-08	95701-08020-08	BOLT FLANGE 8*20	BOLT FLANGE 8*20	2	
95701-LEC1	95701-LEC1-E00	95701-LEC1-E00	BOLT ADJUST	BOLT ADJUST	1	
96001	96001-06016-08	96001-06016-08	BOLT FLANGE SH 6*16	BOLT FLANGE SH 6*16	2	
96150	96150-60080-10	96150-60080-10	BEARING BALL RADIAL 6008	BEARING BALL RADIAL 6008	2	
96600	96600-KKC4-900	96600-KKC4-900	SOCKET BOLT	SOCKET BOLT	3	



F09

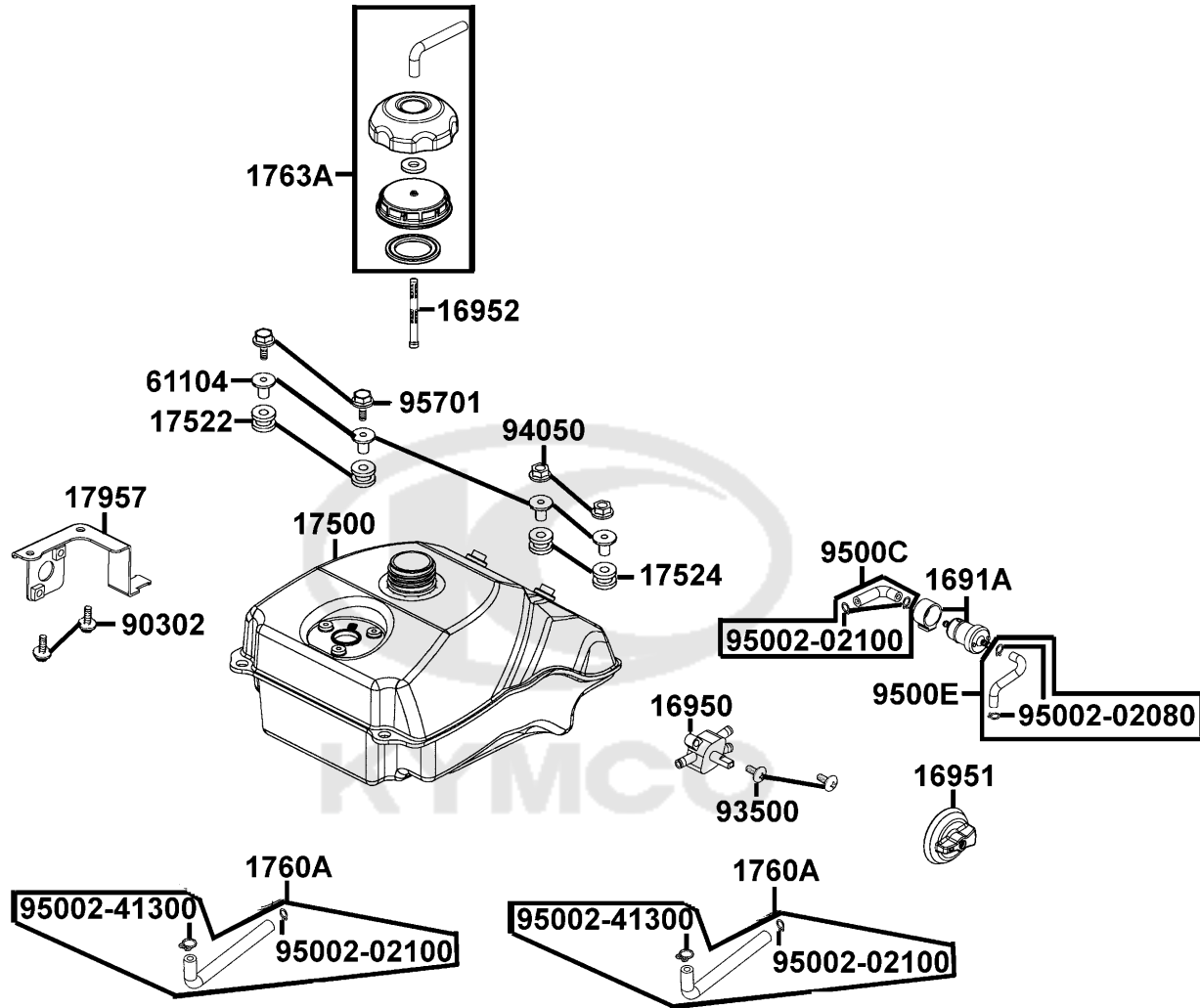
Seat



Sales mark	Ref no	Part no	Description	Reg description	Regd no	F09
------------	--------	---------	-------------	-----------------	---------	------------

**	77200	77200-LBA7-900	SEAT ASSY	SEAT ASSY	1	
	77303	77303-LLB1-900	HOOK ASSY SEAT LOCK	HOOK ASSY SEAT LOCK	1	
	89010	89010-LBA7-900	TOOL SET	TOOL SET	1	
	89020	89020-KKC4-900	BAND TOOL SET	BAND TOOL SET	1	

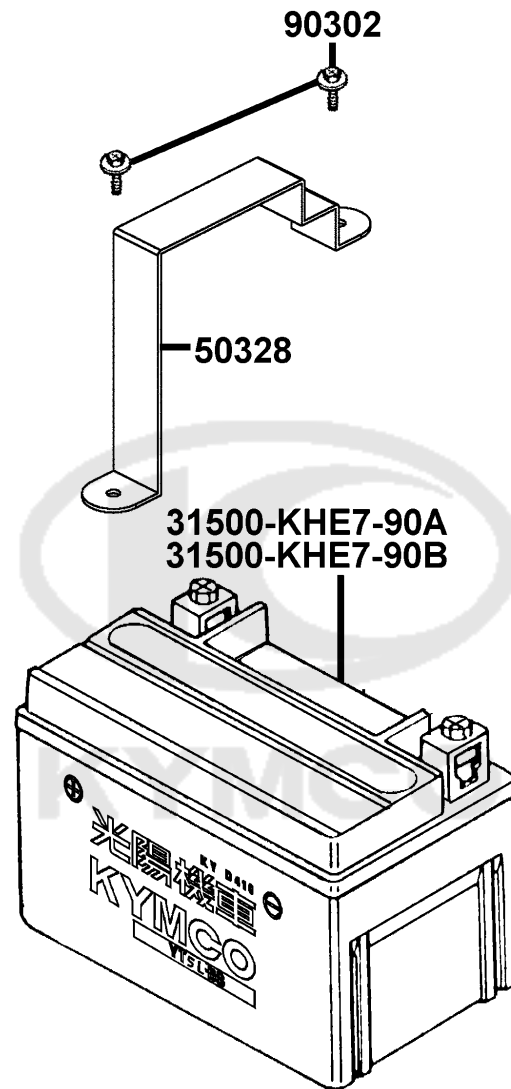




Sales mark	Ref no	Part no	Description	Reg description	Regd no	F10
	1691A	1691A-GFY6-90A	STRAINER ASSY FUEL	STRAINER ASSY FUEL	1	
	16950	16950-LBA7-900	COCK FUEL	COCK FUEL	1	
	16951	16951-LBA7-900	COVER FUEL COCK	COVER FUEL COCK	1	
	16952	16952-LLB1-900	SCREEN FUEL STRAINER	SCREEN FUEL STRAINER	1	
	17500	17500-LBA7-900	TANK COMP FUEL	TANK COMP FUEL	1	
	17522	17522-LLB1-900	RUBBER FUEL TANK	RUBBER FUEL TANK	2	
	17524	17524-LLB1-900	RR RUBBER FUEL TANK	RR RUBBER FUEL TANK	2	
	1760A	1760A-LBA7-900	TUBE ASSY FUEL TANK	TUBE ASSY FUEL TANK	2	
	1763A	1763A-LDF3-E00	CAP ASSY FUEL FILLER	CAP ASSY FUEL FILLER	1	
	17957	17957-LBA7-900	STAY FUEL COCK & STRAINER	STAY FUEL COCK & STRAINER	1	
	61104	61104-3G57-001	COLLAR FR FENDER	COLLAR FR FENDER	4	
	90302	90302-LLB1-E00-06	BOLT-WASH 5*12	BOLT-WASH 5*12	2	
	93500	93500-05016-1B	SCREW PAN 5*16	SCREW PAN 5*16	2	
	94050	94050-06080	NUT FLANGE 6MM	NUT FLANGE 6MM	2	
	95002-02080	95002-02080	CLIP B8 TUBE	CLIP B8 TUBE	2	
	95002-02100	95002-02100	CLIP B15 TUBE	CLIP B15 TUBE	4	
	95002-41300	95002-41300-00	CLIP D13.0 TUBE	CLAMP D13 TUBE	2	
	9500C	9500C-LBA7-900	TUBE ASSY FUEL	TUBE ASSY FUEL	1	
	9500E	9500E-LBA7-900	TUBE ASSY FUEL	TUBE ASSY FUEL	1	
	95701	95701-06022-06	BOLT FLANGE 6*22	BOLT FLANGE 6*22	2	

F11

Battery



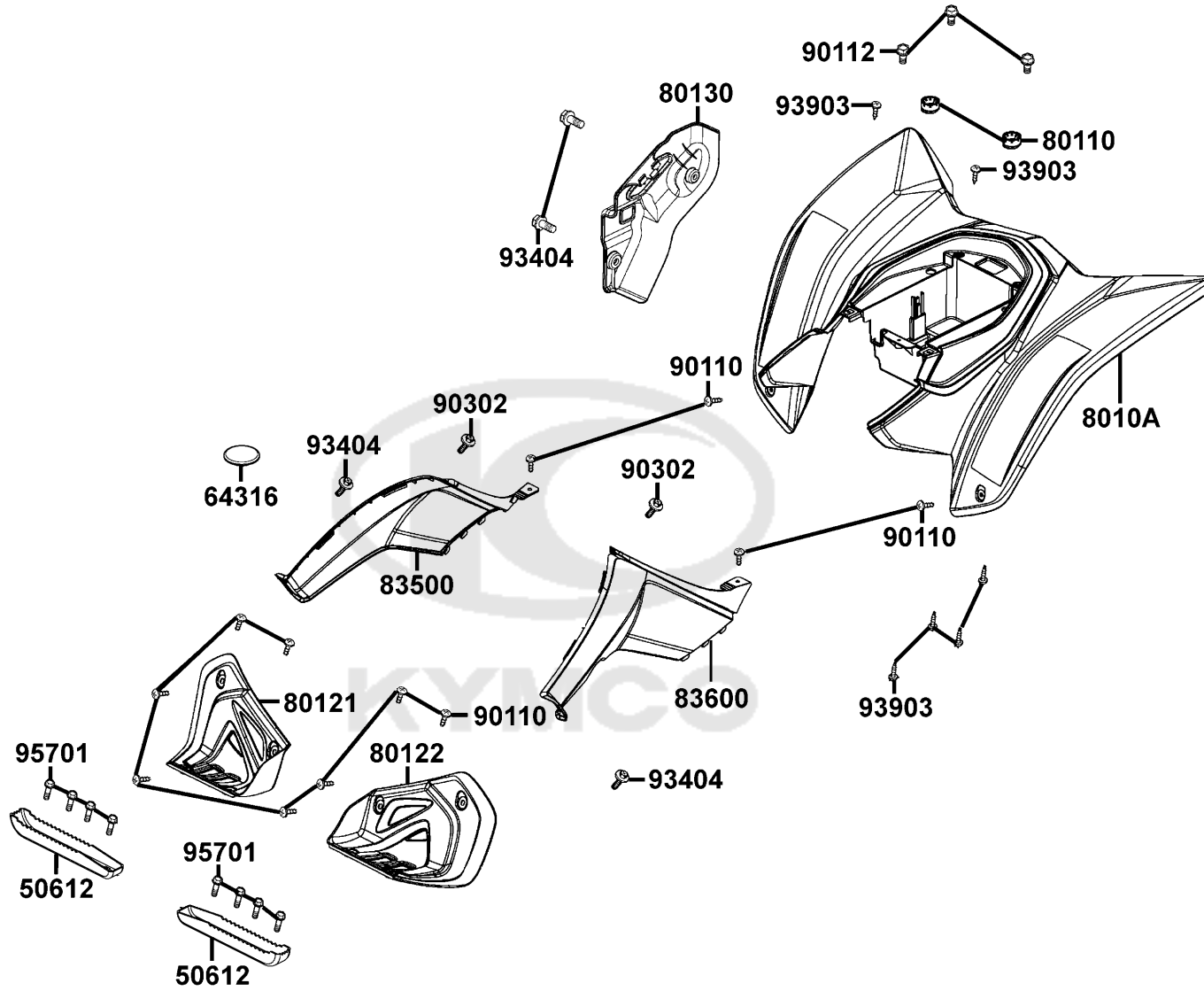
Sales mark	Ref no	Part no	Description	Reg description	Regd no	F11
------------	--------	---------	-------------	-----------------	---------	------------

	31500-KHE7-90A	31500-KHE7-90A	BATTERY YTX12-BS	BATTERY YTX12-BS	1	
	31500-KHE7-90B	31500-KHE7-90B	BATTERY GTX12-BS	BATTERY GTX12-BS	1	
	50328	50328-LBA7-900	BAND BATTERY	BAND BATTERY	1	
	90302	90302-LLB1-E00-06	BOLT-WASH 5*12	BOLT-WASH 5*12	2	

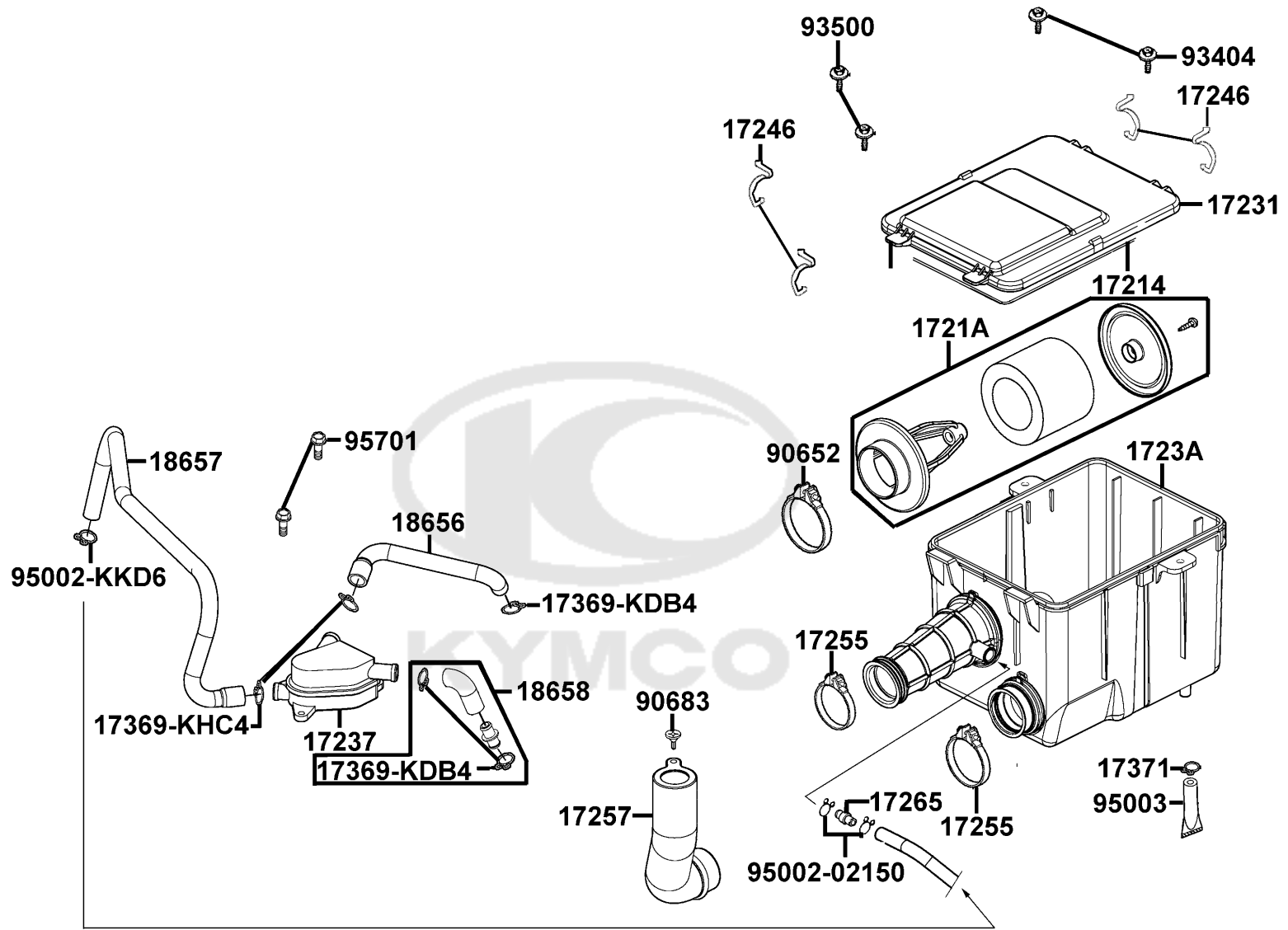


F12

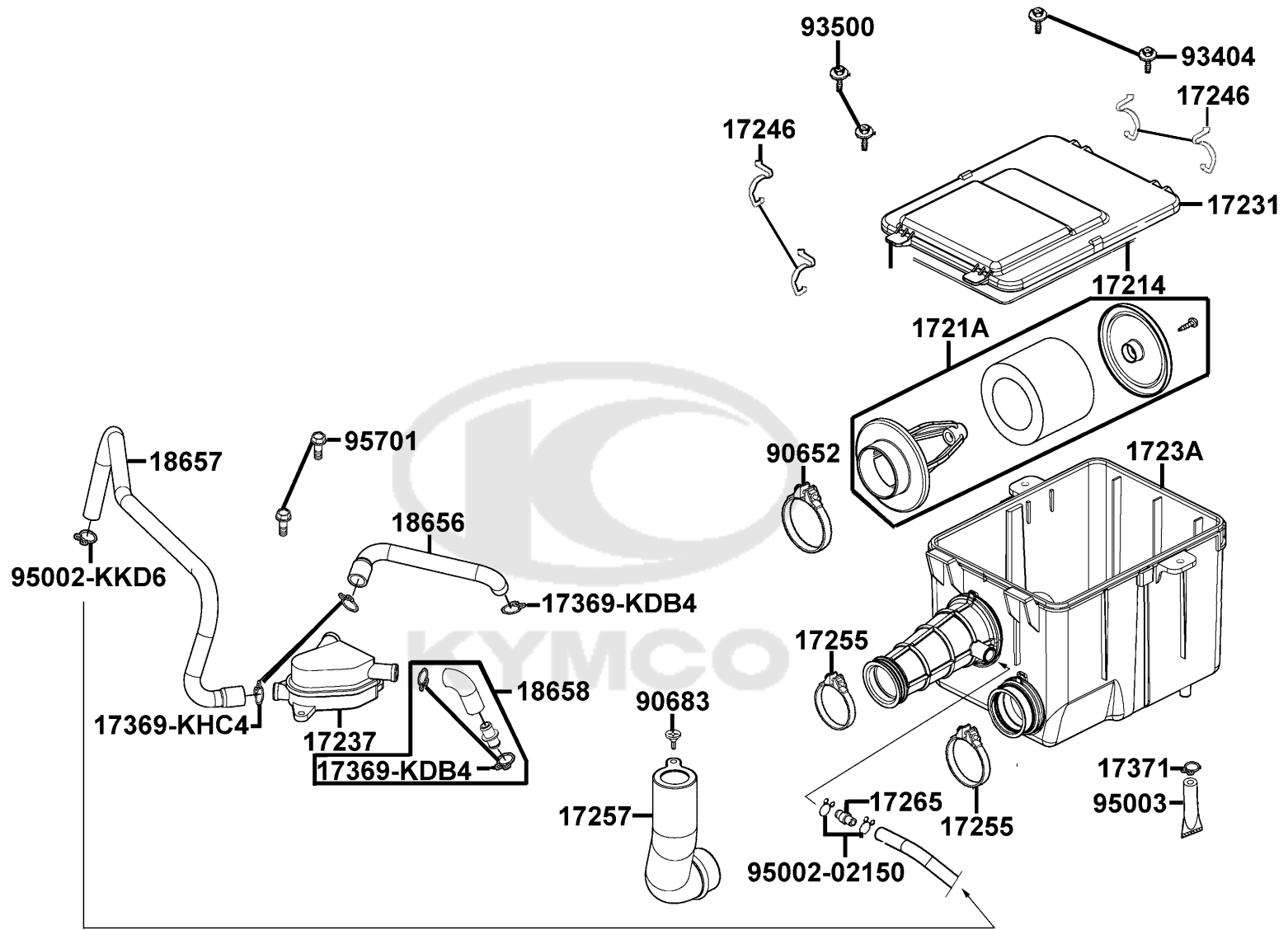
Fender Rear



Sales mark	Ref no	Part no	Description	Reg description	Regd no	F12
	50612	50612-LBA7-900	RNFCT FLOOR	RNFCT FLOOR	2	
**	64316	64316-KEB7-900	PLUG FLOOR PANEL	PLUG FLOOR PANEL	1	
**	8010A	8010A-LBA7-900	FENDER ASSY REAR	FENDER ASSY REAR	1	
	80110	80110-LBA7-900	RUBBER REAR FENDER	RUBBER REAR FENDER	2	
# **	80121	80121-LBA7-910	MUDGUARD R FLOOR	MUDGUARD R FLOOR	1	
# **	80122	80122-LBA7-910	MUDGUARD L FLOOR	MUDGUARD L FLOOR	1	
#	80130	80130-LBA7-910	PROTECTOR MASTER CYLINDER	PROTECTOR MASTER CYLINDER	1	
**	83500	83500-LBA7-910	COVER R SIDE	COVER R SIDE	1	
**	83600	83600-LBA7-910	COVER L SIDE	COVER L SIDE	1	
	90110	90110-LLB1-800	SCREW SPECIAL 6*16	SCREW SPECIAL 6*16	12	
	90112	90112-KNBN-901	BOLT FLANGE 6MM	BOLT FLANGE 6MM	3	
	90302	90302-GBR2-001	BOLT WASH 5*16	BOLT-WASH 5*16	2	
	93404	93404-06016-06	BOLT WASHER 6*16	BOLT WASHER 6*16	4	
	93903	93903-35360	SCREW TAPPING 5*16	SCREW TAPPING 5*16	6	
	95701	95701-08016-06	BOLT FLANGE 8*16	BOLT FLANGE 8*16	8	



Sales mark	Ref no	Part no	Description	Reg description	Regd no	F13
	17214	17214-LBA7-900	SEAL AIR/C COVER	SEAL AIR/C COVER	1	
	1721A	1721A-LBA7-900	ELEMENT COMP AIR/C	ELEMENT COMP AIR/C	1	
	17231	17231-LBA7-900	COVER AIR/C	COVER AIR/C	1	
	17237	17237-KED9-900	OIL CATCH ASSY	OIL CATCH ASSY	1	
	1723A	1723A-LDE9-E00	CASE ASSY AIR/C	CASE ASSY AIR/C	1	
	17246	17246-LBA7-900	CLAMP AIR/C	CLAMP AIR/C	4	
	17255	17255-KKAK-900	BAND A AIR/C CONNECTING TUBE	BAND CONNECTING TUBE	2	
	17257	17257-LBA7-900	DUCT A AIR/C CASE	DUCT A AIR/C CASE	1	
	17265	17265-LBA7-900	JOINT BLOW BY	JOINT BLOW BY	1	
	17369-KDB4	17369-KDB4-671	CLIP BREATHER TUBE	CLIP BREATHER TUBE	3	
	17369-KHC4	17369-KHC4-900	CLIP BREATHER TUBE	CLIP BREATHER TUBE	2	
	17371	17371-1D74-671	CLIP BREATHER TUBE	CLIP BREATHER TUBE	1	
	18656	18656-LBA7-900	TUBE A OIL CATCH	TUBE A OIL CATCH	1	
	18657	18657-LBA7-900	TUBE B OIL CATCH	TUBE B OIL CATCH	1	
	18658	18658-KED9-900	TUBE C OIL CATCH	TUBE C OIL CATCH	1	
	90652	90652-LLJ3-E00	BAND CONNECTING TUBE	BAND CONNECTING TUBE	1	
	90683	90683-GAR1-004	CLIP BODY COVER	CLIP BODY COVER	1	
	93404	93404-06012-06	BOLT WASHER 6*12 (G)	BOLT WASH 6*12	2	
	93500	93500-04025-0H	SCREW PAN 4*25	SCREW PAN 4*25	2	
	95002-02150	95002-02150	CLIP B14.5 TUBE	CLIP B14.5 TUBE	2	



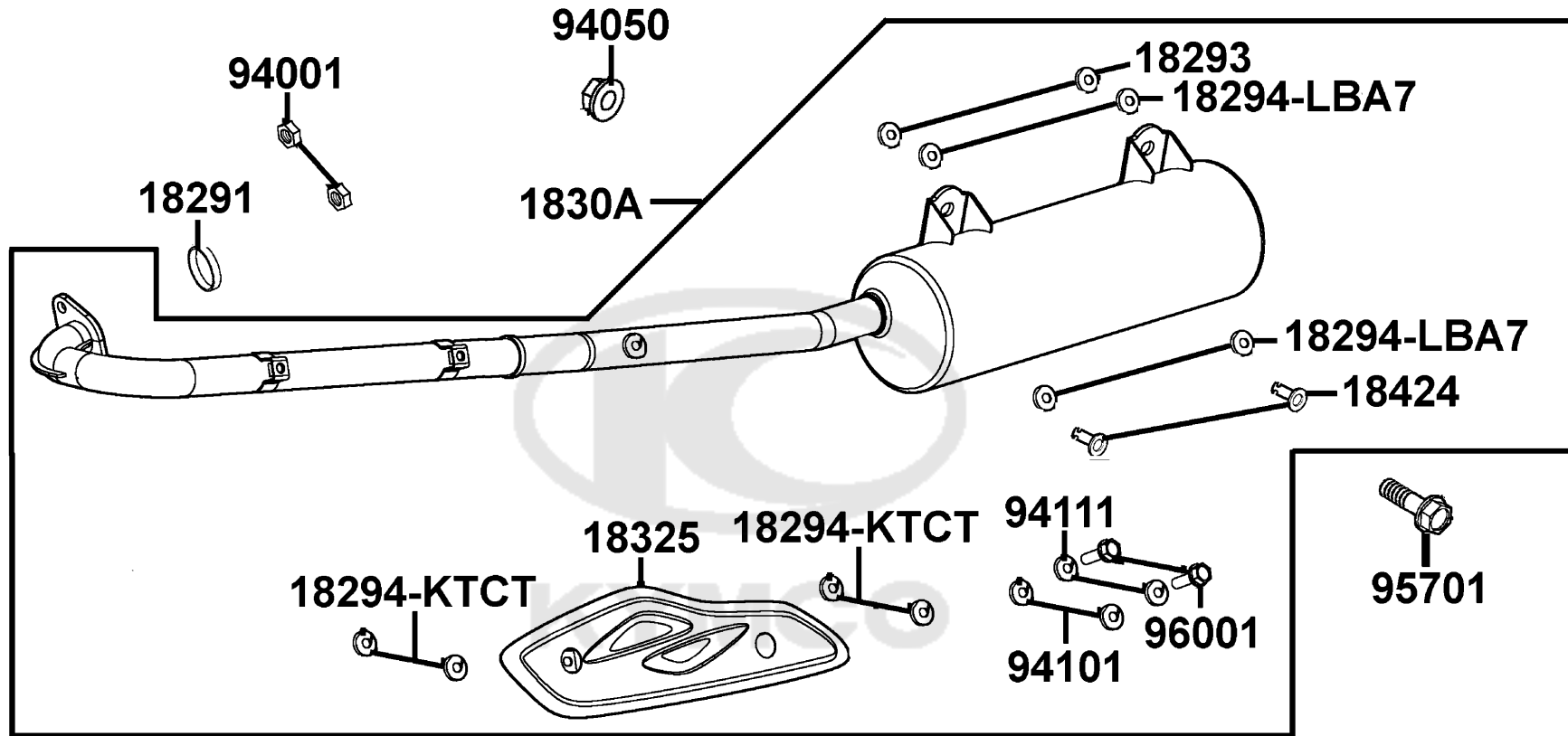
Sales mark	Ref no	Part no	Description	Reg description	Regd no	F13
------------	--------	---------	-------------	-----------------	---------	------------

95002-KKD6		95002-KKD6-E05	CLAMP D18 TUBE	CLAMP D18 TUBE	1	
95003		95003-LBA7-900	TUBE DRAIN	TUBE DRAIN	1	
95701		95701-06012-06	BOLT FLANGE 6*12	BOLT FLANGE 6*12	2	



F14

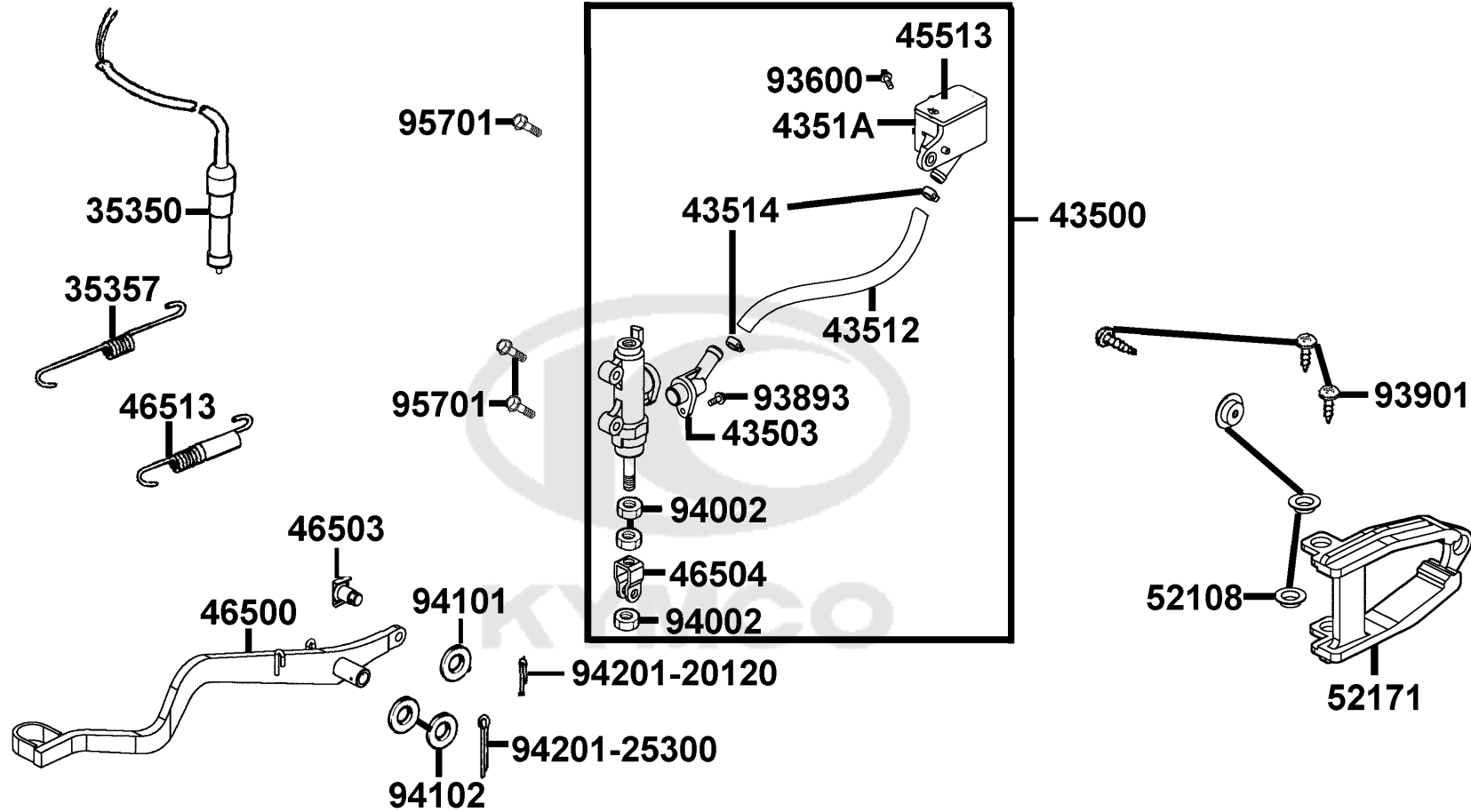
Exhaust Muffler



Sales mark	Ref no	Part no	Description	Reg description	Regd no	F14
18291		18291-LBA7-900	GASKET EXH PIPE	GASKET EXH PIPE	1	
18293		18293-LBA7-E00	RUBBER MUFFLER STAY	RUBBER MUFFLER STAY	2	
18294-KTCT		18294-KTCT-900	PACKING PROTECTOR	PACKING PROTECTOR	4	
18294-LBA7		18294-LBA7-E00	PACKING MUFFLER STAY	PACKING MUFFLER STAY	4	
1830A		1830A-LEC1-E00	MUFFLER ASSY EXH	MUFFLER ASSY EXH	1	
18325		18325-LBA7-900	PROTECTOR PIPE EXHAUST	PROTECTOR PIPE EXHAUST	1	
18424		18424-LBA7-E00	COLLAR MUFFLER STAY	COLLAR MUFFLER STAY	2	
94001		94001-08080-0S	NUT HEX 8MM	NUT HEX 8MM	2	
94050		94050-08080	NUT FLANGE 8MM	NUT FLANGE 8MM	1	
94101		94101-06200	WASHER PLAIN 6MM	WASHER PLAIN 6MM	2	
94111		94111-06800	WASHER SPRING 6MM	WASHER SPG 6MM	2	
95701		95701-08025-08	BOLT FLANGE 8*25	BOLT FLANGE 8*25	1	
96001		96001-06012-08	BOLT FLANGE 6*12	BOLT FLANGE 6*12	2	

F15

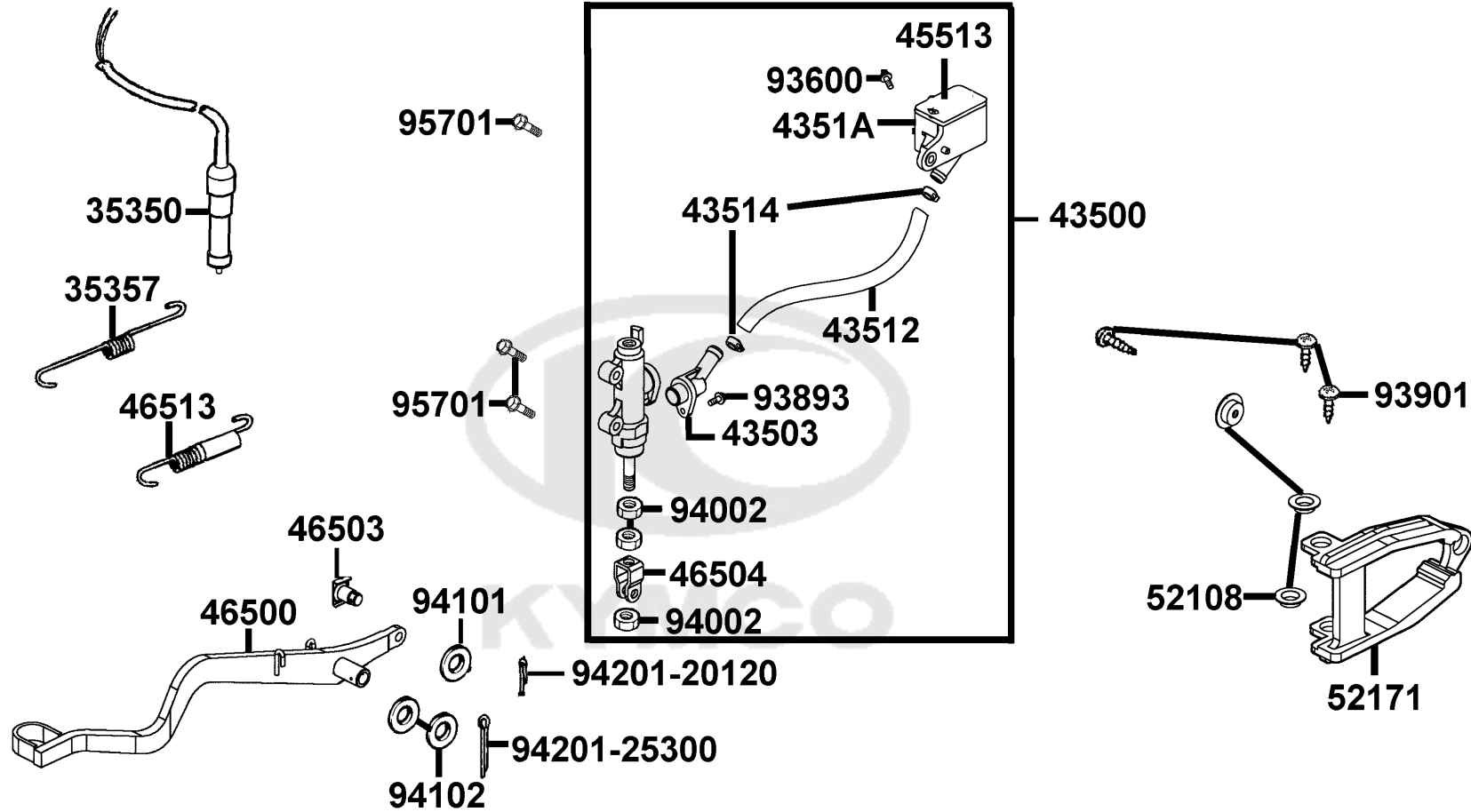
Master Cylinder Rear



Sales mark	Ref no	Part no	Description	Reg description	Regd no	F15
	35350	35350-LBA7-900	REAR STOP SW	REAR STOP SW	1	
	35357	35357-LBA7-900	SPG STOP SW	SPG STOP SW	1	
	43500	43500-LBA7-E00	MASTER CYLINDER ASSY RR	MASTER CYLINDER ASSY RR	1	
	43503	43503-KGC4-E01	CONNECTOR	CONNECTOR	1	
	43512	43512-LBA7-M30	HOSE M/C	HOSE M/C	1	
	43514	43514-4E45-77A	CLAMP M/C OIL HOSE	CLAMP M/C OIL HOSE	2	
	4351A	4351A-KFW6-000	OIL CUP ASSY	OIL CUP ASSY	1	
	45513	45513-HBA2-007	CAP M/C	CAP M/C	1	
	46500	46500-LBA7-900	PEDAL COMP RR BRAKE	PEDAL COMP RR BRAKE	1	
	46503	46503-KCW3-001	PIN COMP BRK ROD	PIN COMP BRK ROD	1	
	46504	46504-MBB2-007	JOINT BRK ROD	JOINT BRK ROD	1	
	46513	46513-KED9-900	SPG SET BRK PEDAL	SPG SET BRK PEDAL	1	
	52108	52108-KFW6-901	COLLAR CHAIN SLIDER	COLLAR CHAIN SLIDER	3	
	52171	52171-LBA7-900	SLIDER CHAIN	SLIDER CHAIN	1	
	93600	93600-04040-1G	SCREW FLAT 4*40	SCREW FLAT 4*40	1	
	93893	93893-04012-18	SCREW WASHER 4*12	SCREW WASHER 4*12	1	
	93901	93901-26110	SCREW TAPPING 6*12	SCREW TAPPING 6*12	3	
	94002	94002-08000-0S	NUT HEX 8MM	NUT HEX 8MM	3	
	94101	94101-08800	WASHER PLAIN 8MM	WASHER PLAIN 8MM	1	
	94102	94102-14800	WASHER PLAIN 14*26*2.3	WASHER PLAIN 14*26*2.3	2	

F15

Master Cylinder Rear

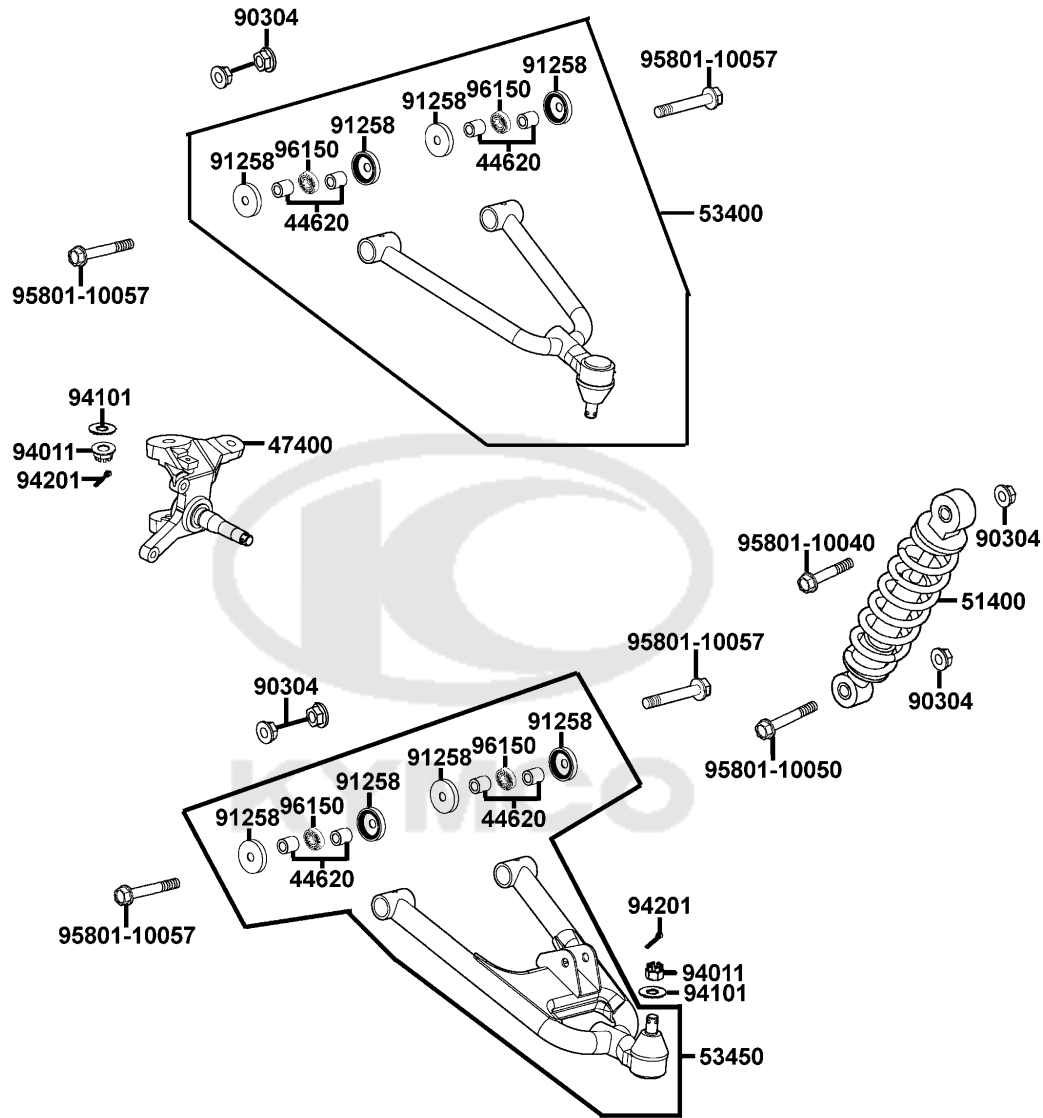


Sales mark	Ref no	Part no	Description	Reg description	Regd no	F15
------------	--------	---------	-------------	-----------------	---------	------------

94201-20120	94201-20120	94201-20120	PIN SPLIT 2*12	PIN SPLIT 2*12	1	
94201-25300	94201-25300	94201-25300	PIN SPLIT 2.5*30	PIN SPLIT 2.5*30	1	
95701	95701-06035-06	95701-06035-06	BOLT FLANGE 6*35	BOLT FLANGE 6*35	3	

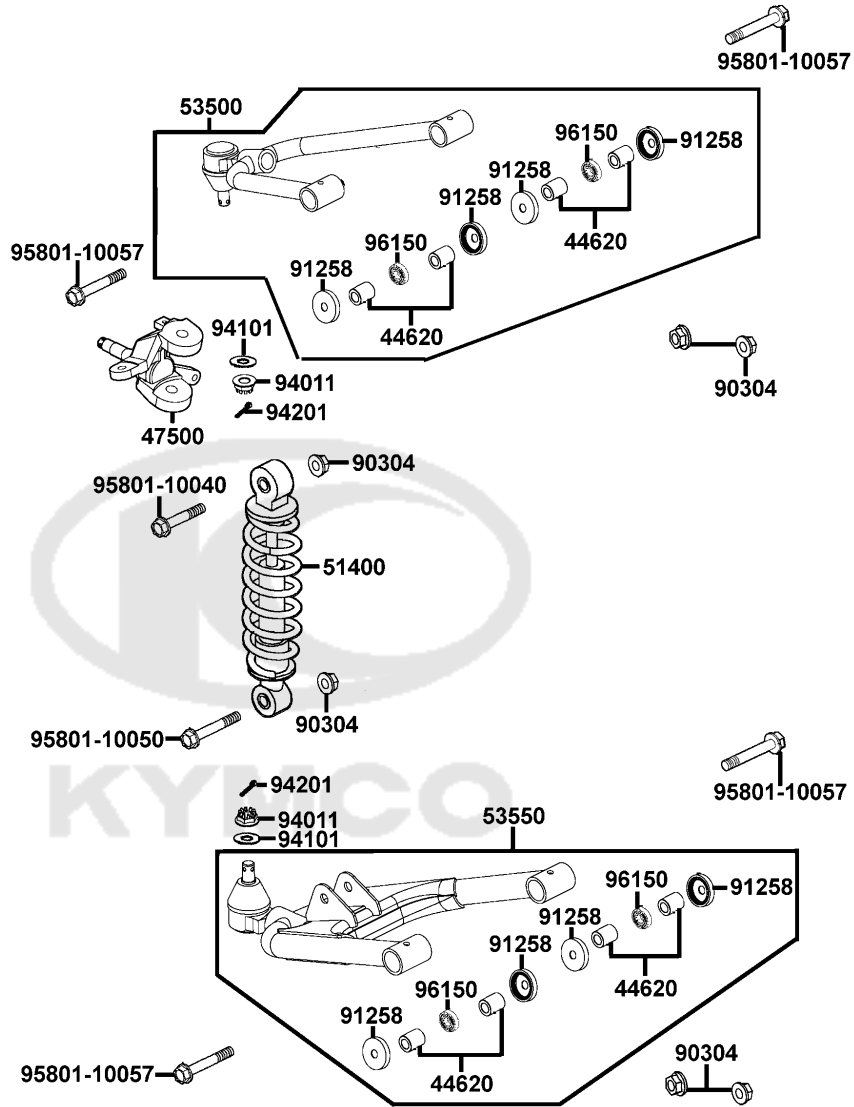


Cushion Right Arm Swing

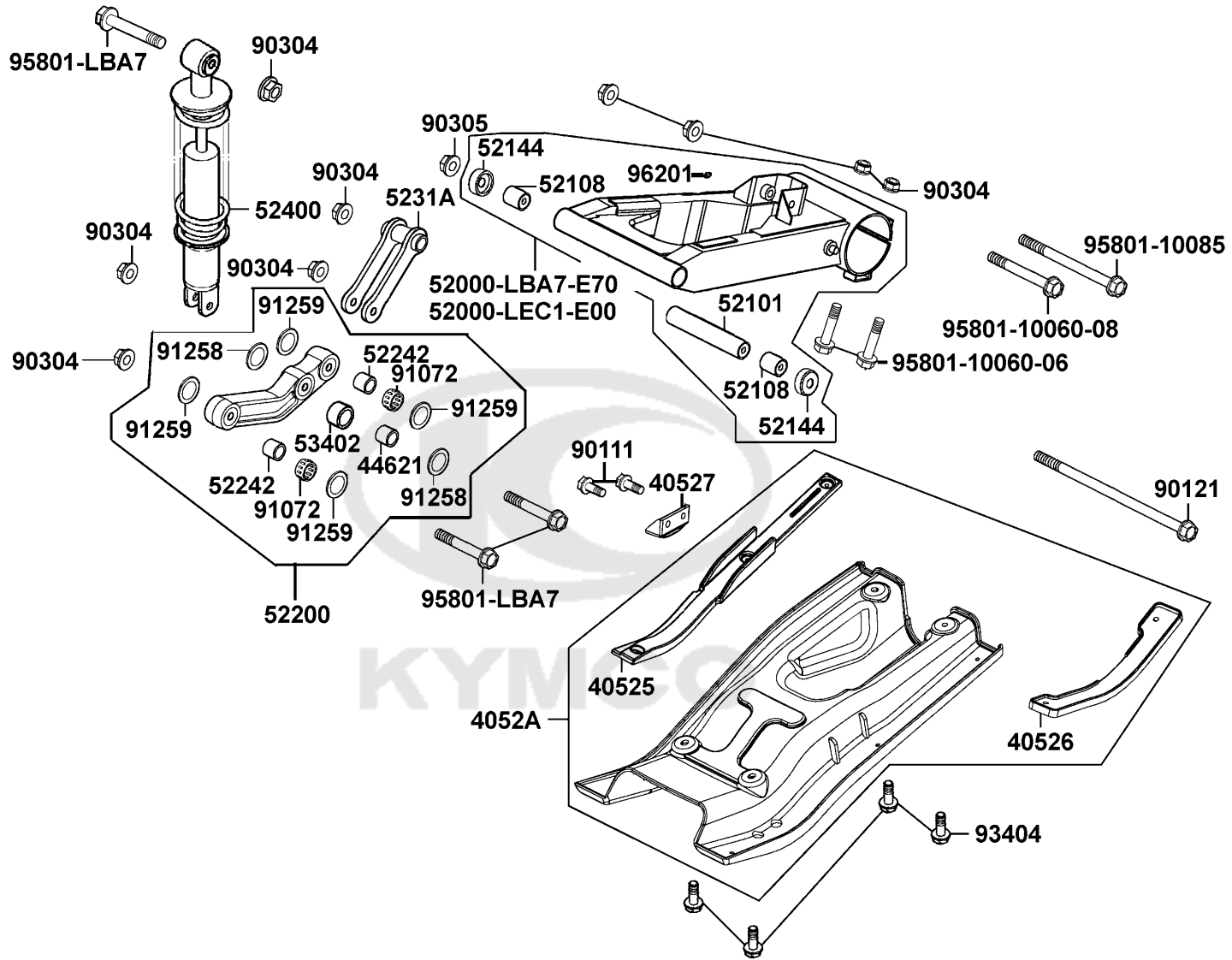


Sales mark	Ref no	Part no	Description	Reg description	Regd no	F16
	44620	44620-PWA2-900	COLLAR SWING ARM	COLLAR SWING ARM	8	
	47400	47400-LBA7-900	SHAFT ASSY R STEERING	SHAFT ASSY R STEERING	1	
**	51400	51400-PWA2-900	CUSHION ASSY FR	CUSHION ASSY FR	1	
**	53400	53400-PWA2-900	ARM ASSY R UP SWING	ARM ASSY R UP SWING	1	
**	53450	53450-PWA2-900	ARM ASSY R LOW SWING	ARM ASSY R LOW SWING	1	
	90304	90304-GLW0-90A	NUT U FLANGE 10MM	NUT U FLANGE 10MM	6	
	91258	91258-LBA7-900	OIL SEAL 18*26*4	OIL SEAL 18*26*4	8	
	94011	94011-12080-0S	NUT CASTLE 12MM	NUT CASTLE 12MM	2	
	94101	94101-12800	WASHER PLAIN 12MM	WASHER PLAIN 12MM	2	
	94201	94201-30250	PIN SPLIT 3*25	PIN SPLIT 3*25	2	
	95801-10040	95801-10040-08	BOLT FLANGE 10*40	BOLT FLANGE 10*40	1	
	95801-10050	95801-10050-06	BOLT FLANGE 10*50	BOLT FLANGE 10*50	1	
	95801-10057	95801-10057-06	BOLT FLANGE 10*57	BOLT FLANGE 10*57	4	
	96150	96150-60000-10	BEARING BALL RADIAL 6000	BEARING BALL RADIAL 6000	4	

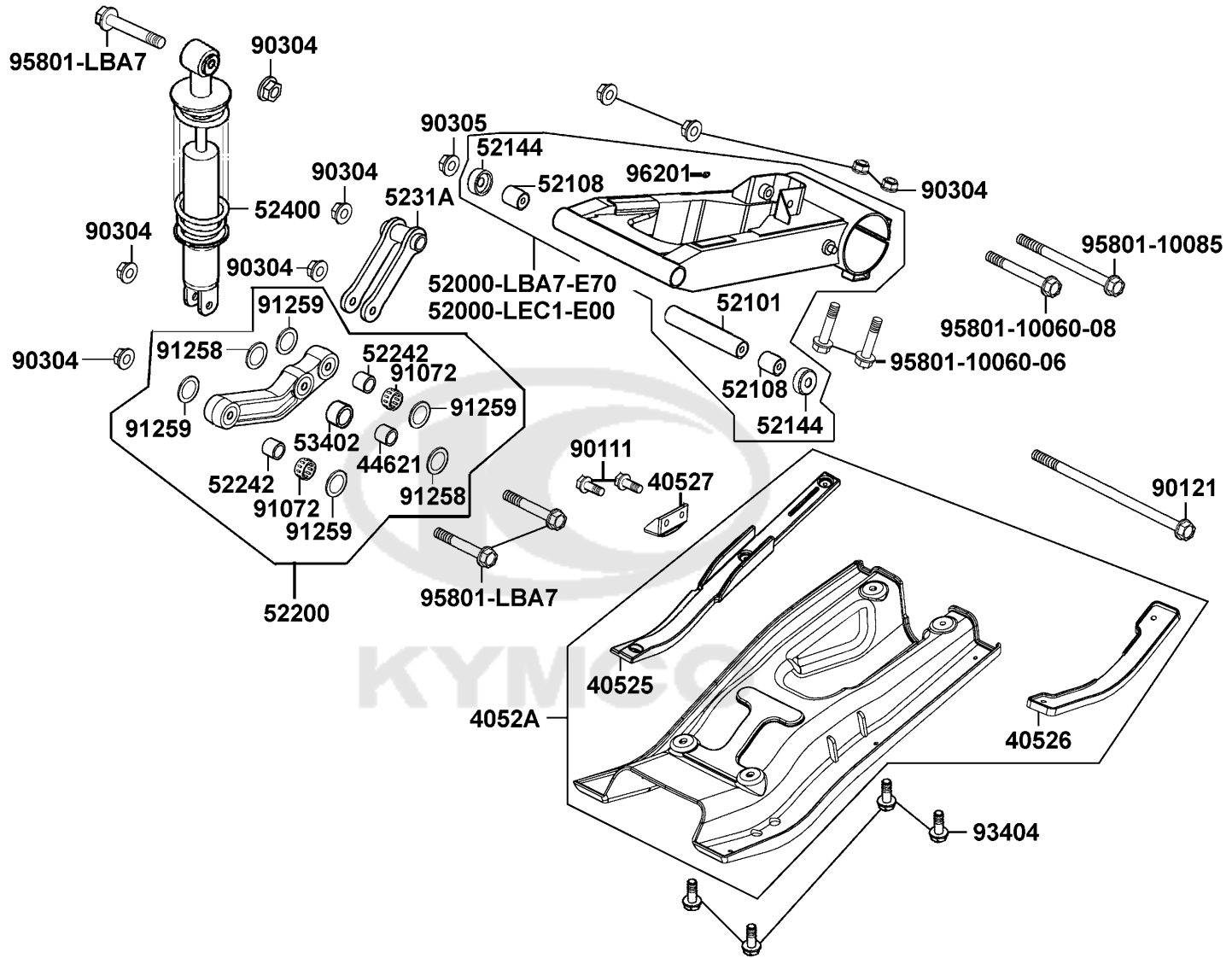
Cushion Left Arm Swing



Sales mark	Ref no	Part no	Description	Reg description	Regd no	F17
	44620	44620-PWA2-900	COLLAR SWING ARM	COLLAR SWING ARM	8	
	47500	47500-LBA7-900	SHAFT ASSY L STEERING	SHAFT ASSY L STEERING	1	
**	51400	51400-PWA2-900	CUSHION ASSY FR	CUSHION ASSY FR	1	
**	53500	53500-PWA2-900	ARM ASSY LEFT UP SWING	ARM ASSY LEFT UP SWING	1	
**	53550	53550-PWA2-900	ARM ASSY LEFT LOW SWING	ARM ASSY LEFT LOW SWING	1	
	90304	90304-GLW0-90A	NUT U FLANGE 10MM	NUT U FLANGE 10MM	6	
	91258	91258-LBA7-900	OIL SEAL 18*26*4	OIL SEAL 18*26*4	8	
	94011	94011-12080-0S	NUT CASTLE 12MM	NUT CASTLE 12MM	2	
	94101	94101-12800	WASHER PLAIN 12MM	WASHER PLAIN 12MM	2	
	94201	94201-30250	PIN SPLIT 3*25	PIN SPLIT 3*25	2	
	95801-10040	95801-10040-08	BOLT FLANGE 10*40	BOLT FLANGE 10*40	1	
	95801-10050	95801-10050-06	BOLT FLANGE 10*50	BOLT FLANGE 10*50	1	
	95801-10057	95801-10057-06	BOLT FLANGE 10*57	BOLT FLANGE 10*57	4	
	96150	96150-60000-10	BEARING BALL RADIAL 6000	BEARING BALL RADIAL 6000	4	

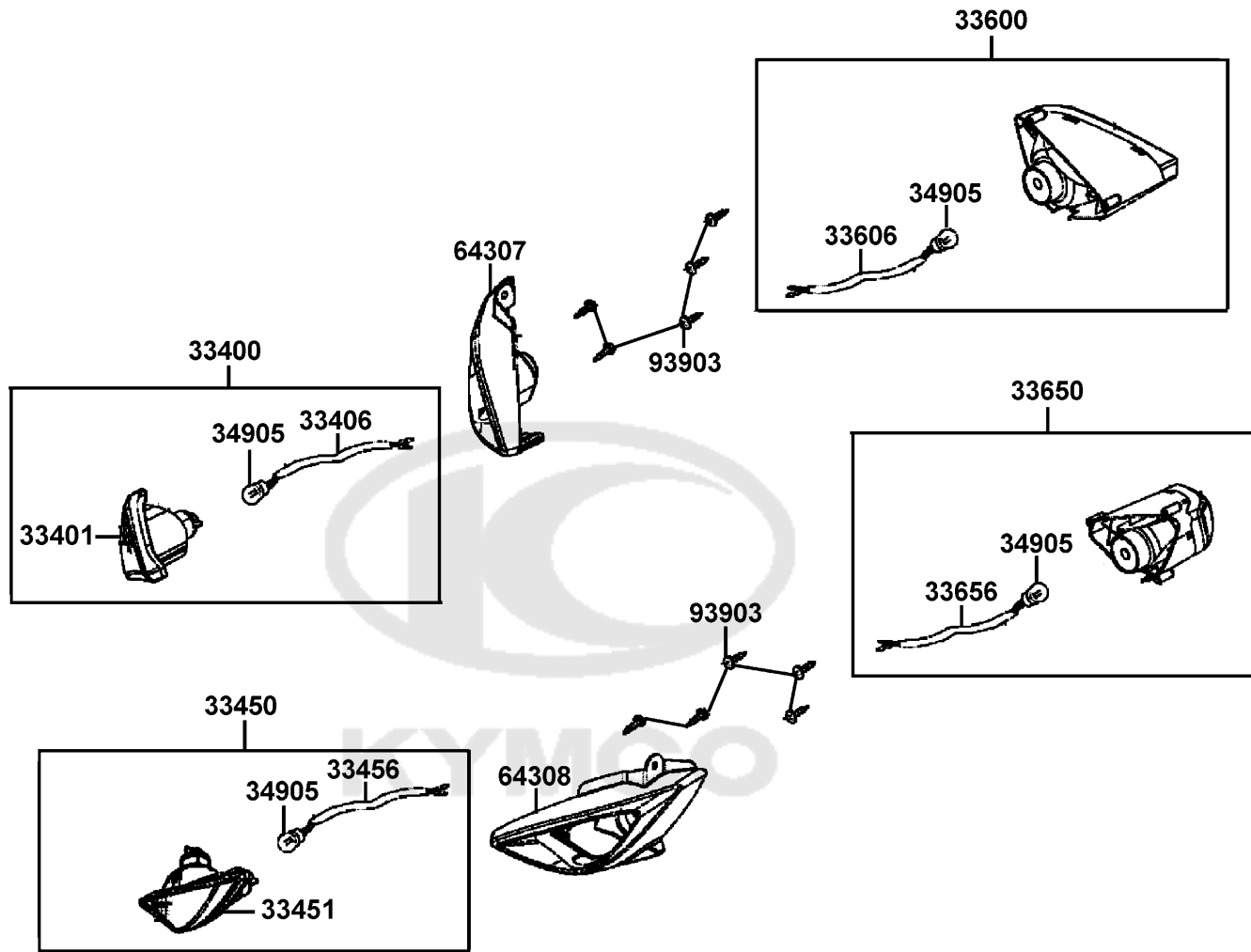


Sales mark	Ref no	Part no	Description	Reg description	Regd no	F18
	40525	40525-LBA7-900	SLIDER CHAIN	SLIDER CHAIN	1	
	40526	40526-LBA7-900	PROTECTOR DISK	PROTECTOR DISK	1	
	40527	40527-LBA7-600	SLIDER CHAIN	SLIDER CHAIN	1	
#	4052A	4052A-LBA7-910	PROTECTOR ASSY RR FORK	PROTECTOR ASSY RR FORK	1	
	44621	44621-LBA7-900	COLLAR GUIDE BUSH	COLLAR GUIDE BUSH	1	
**	52000-LBA7-E70	52000-LBA7-E70	FORK ASSY RR	FORK ASSY RR	1	
**	52000-LEC1-E00	52000-LEC1-E00	FORK ASSY RR	FORK ASSY RR	1	
	52101	52101-LLB1-900	COLLAR RR FORK DIST	COLLAR RR FORK DIST	1	
	52108	52108-KEE5-004	BUSH RR FORK	BUSH RR FORK	2	
	52144	52144-LBA7-900	CAP RR FORK DUST SEAL	CAP RR FORK DUST SEAL	2	
	52200	52200-LBA7-900	ARM ASSY RR CUSHION	ARM ASSY RR CUSHION	1	
	52242	52242-LBA7-900	COLLAR LINK	COLLAR LINK	2	
	5231A	5231A-LBA7-600	LINK ASSY RR CUSHION	LINK ASSY RR CUSHION	1	
**	52400	52400-PWA2-900	CUSHION ASSY RR	CUSHION ASSY RR	1	
	53402	53402-LBA7-900	GUIDE BUSH	GUIDE BUSH	1	
	90111	90111-1G47-001	BOLT FLANGE 6*14	BOLT FLANGE 6*14	2	
	90121	90121-LBA7-900	BOLT RR FORK PIVOT	BOLT RR FORK PIVOT	1	
	90304	90304-GLW0-90A	NUT U FLANGE 10MM	NUT U FLANGE 10MM	9	
	90305	90305-GHE8-004	NUT U 14MM	NUT U 14MM	1	
	91072	91072-LBA7-900	NEEDLE BEARING	NEEDLE BEARING	2	



Sales mark	Ref no	Part no	Description	Reg description	Regd no	F18
91258	91258-LBA7-900	91258-LBA7-900	OIL SEAL 18*26*4	OIL SEAL 18*26*4	2	
91259	91259-LBA7-900	91259-LBA7-900	OIL SEAL 17*24*5	OIL SEAL 17*24*5	4	
93404	93404-06016-06	93404-06016-06	BOLT WASHER 6*16	BOLT WASHER 6*16	4	
95801-10060-06	95801-10060-06	95801-10060-06	BOLT FLANGE 10*60	BOLT FLANGE 10*60	2	
95801-10060-08	95801-10060-08	95801-10060-08	BOLT FLANGE 10*60 (G)	BOLT FLANGE 10*60 (G)	1	
95801-10085	95801-10085-06	95801-10085-06	BOLT FLANGE 10*85	BOLT FLANGE 10*85	1	
95801-LBA7	95801-LBA7-900-06	95801-LBA7-900-06	BOLT FLANGE 10*53	BOLT FLANGE 10*53	3	
96201	96201-10000	96201-10000	NIPPLE CREASE	NIPPLE CREASE	1	

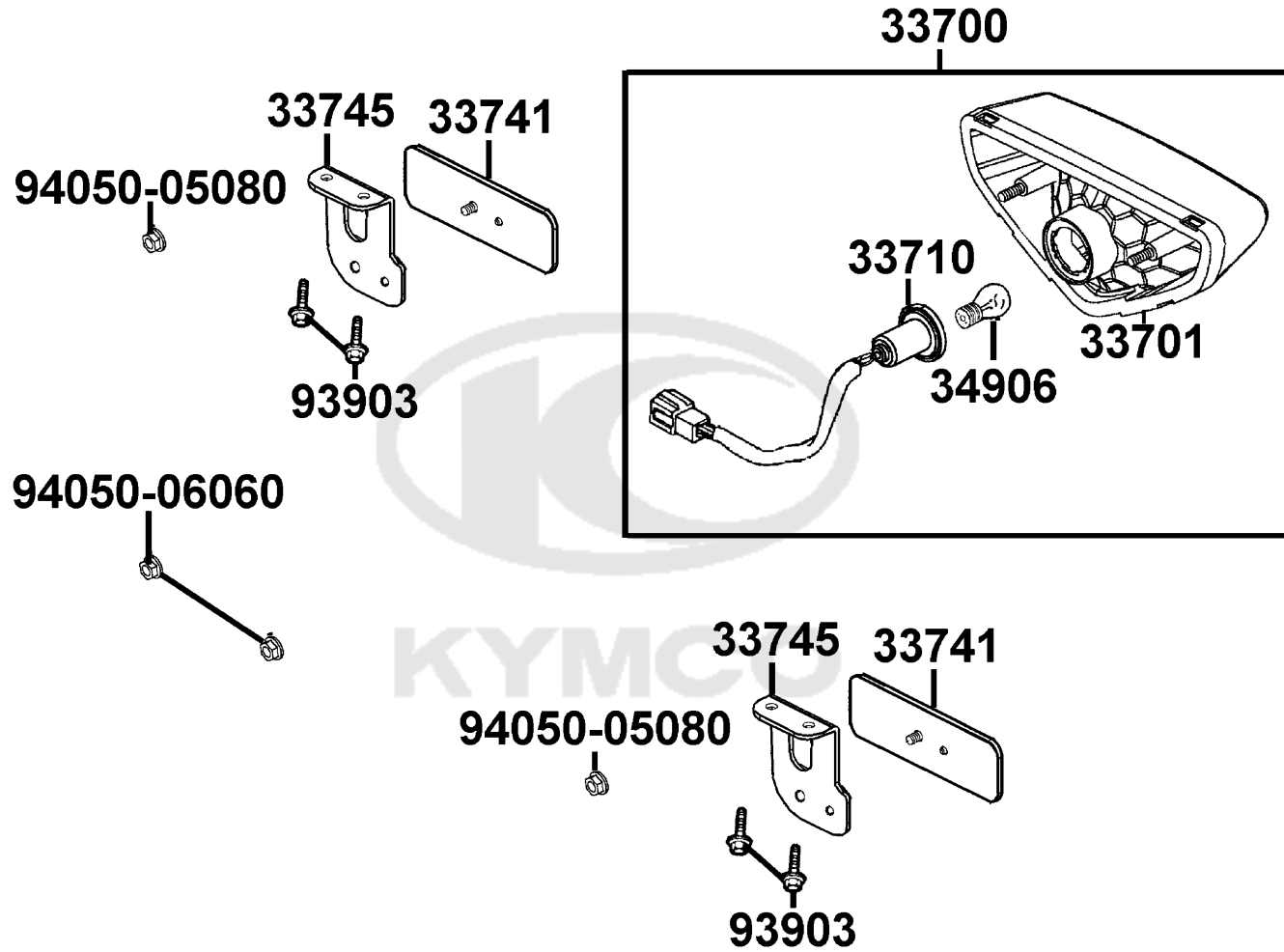




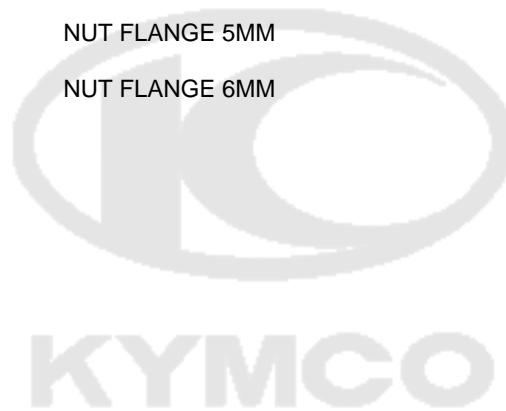
Sales mark	Ref no	Part no	Description	Reg description	Regd no	F19
	33400	33400-LDF3-E00	WINKER ASSY R FR	WINKER ASSY R FR	1	
	33401	33401-LDF3-E00	UNIT WINKER R FR	UNIT WINKER R FR	1	
	33406	33406-LDF3-E00	SOCKET COMP R FR WINKER	SOCKET COMP R FR WINKER	1	
	33450	33450-LDF3-E00	WINKER ASSY L FR	WINKER ASSY L FR	1	
	33451	33451-LDF3-E00	UNIT WINKER L FR	UNIT WINKER L FR	1	
	33456	33456-LDF3-E00	SOCKET COMP L FR WINKER	SOCKET COMP L FR WINKER	1	
	33600	33600-LDF3-E00	WINKER ASSY R RR	WINKER ASSY R RR	1	
	33606	33606-LDF3-E00	SOCKET COMP R RR WINKER	SOCKET COMP R RR WINKER	1	
	33650	33650-LDF3-E00	WINKER ASSY L RR	WINKER ASSY L RR	1	
	33656	33656-LDF3-E00	SOCKET COMP L RR WINKER	SOCKET COMP L RR WINKER	1	
	34905	34905-LBA7-E00	BULB WINKER 12V10W	BULB WINKER	4	
	64307	64307-LDF3-E00	COVER R WINKER	COVER R WINKER	1	
	64308	64308-LDF3-E00	COVER L WINKER	COVER L WINKER	1	
	93903	93903-35360	SCREW TAPPING 5*16	SCREW TAPPING 5*16	10	

F20

Light Tail

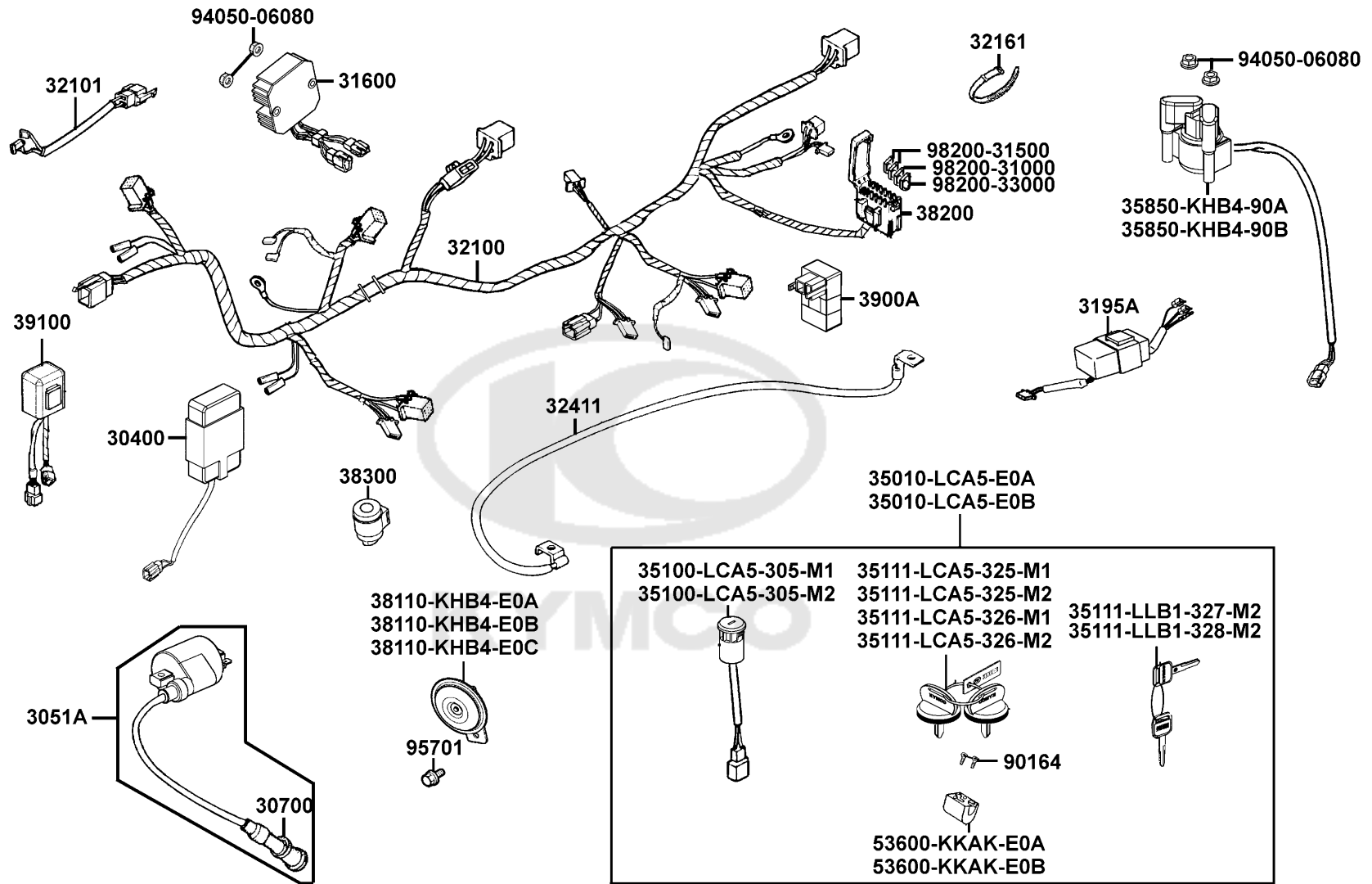


Sales mark	Ref no	Part no	Description	Reg description	Regd no	F20
	33700	33700-LBA7-E00	LIGHT ASSY TAIL	LIGHT ASSY TAIL	1	
	33701	33701-LBA7-E00	UNIT TAIL LIGHT	UNIT TAIL LIGHT	1	
	33710	33710-LBA7-900	SOCKET COMP RR COMB	SOCKET COMP RR COMB	1	
	33741	33741-KHC5-M00	REFLEX REFLECTOR	REFLEX REFLECTOR	2	
	33745	33745-LBA7-E00	STAY REFLECTOR	STAY REFLECTOR	2	
	34906	34906-KPCP-900	BULB TAIL & STOP 12V21W/5W	BULB TAIL & STOP 12V21W/5W	1	
	93903	93903-35360	SCREW TAPPING 5*16	SCREW TAPPING 5*16	4	
	94050-05080	94050-05080	NUT FLANGE 5MM	NUT FLANGE 5MM	2	
	94050-06060	94050-06060	NUT FLANGE 6MM	NUT FLANGE 6MM	2	



F21

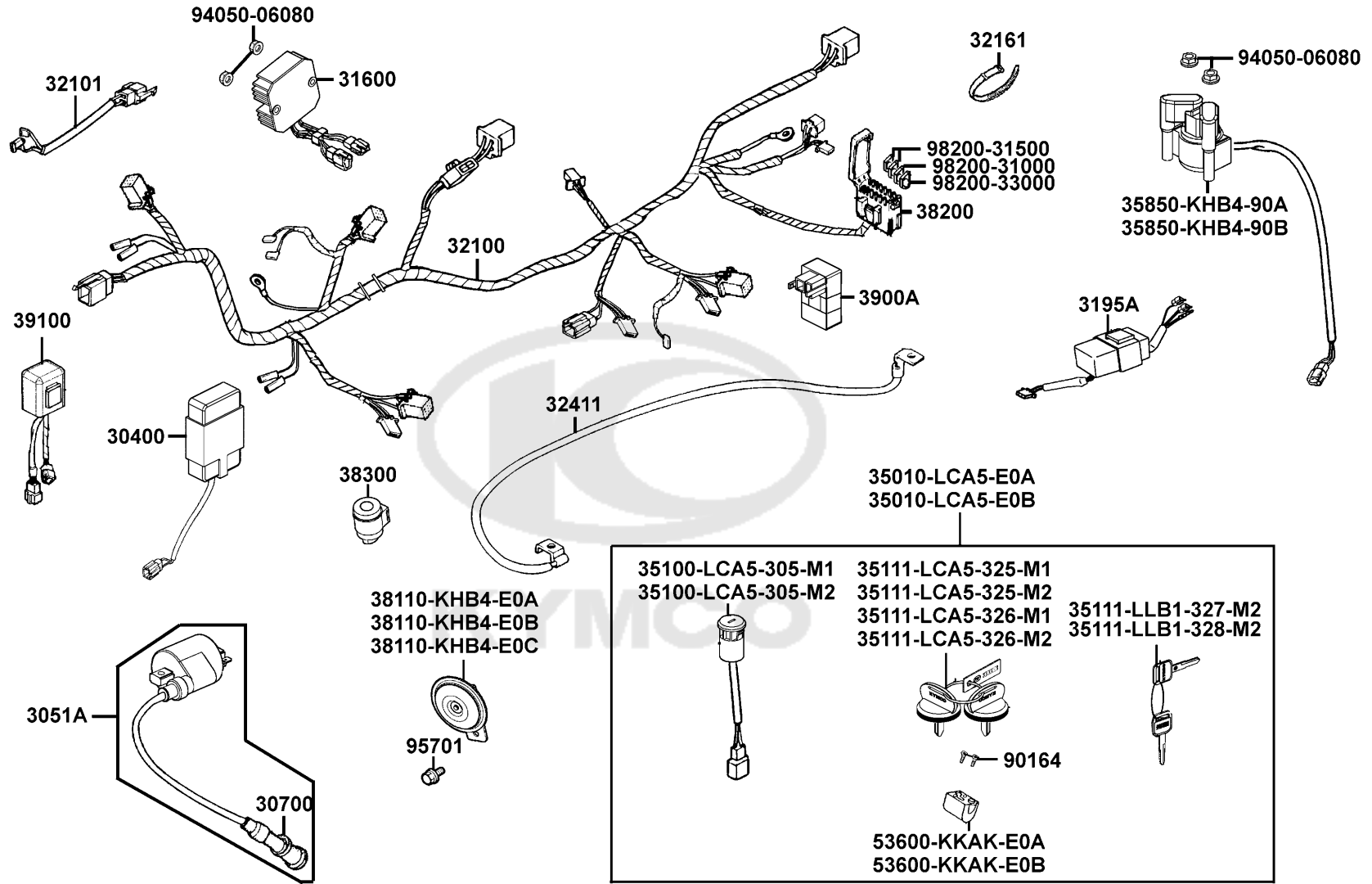
Harness Wire



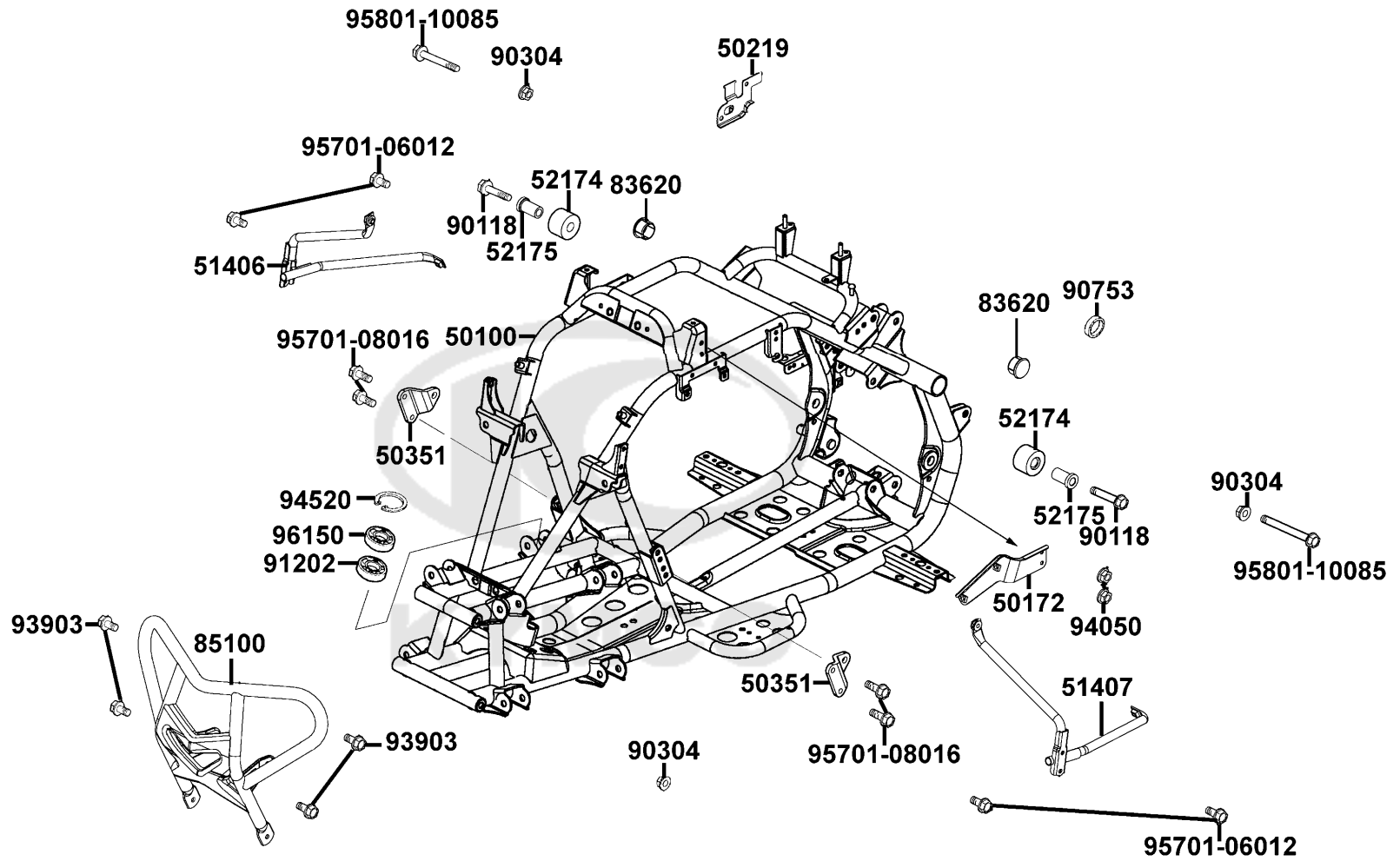
Sales mark	Ref no	Part no	Description	Reg description	Regd no	F21
	30400	30400-LDE9-E00	UNIT ASSY IGNITION	UNIT ASSY IGNITION	1	
	3051A	3051A-KHE7-900	COIL ASSY IGNITION	COIL ASSY IGNITION	1	
	30700	30700-KFC8-E0H	CAP ASSY NOISE SUPPR	CAP ASSY NOISE SUPPRESOR	1	
	31600	31600-LBA7-900	REG REC COMP	REG REC COMP	1	
	3195A	3195A-LBA7-E00	HAZARD CONTROL ASSY	HAZARD CONTROL ASSY	1	
	32100	32100-LDF3-E00	HARNESS WIRE	HARNESS WIRE	1	
	32101	32101-LLB1-800	SUB CORD	SUB CORD	1	
	32161	32161-LBA7-900	BAND WIRE	BAND WIRE	1	
	32411	32411-LLB1-900	CABLE BAT	CABLE BAT	1	
	35010-LCA5-E0A	35010-LCA5-E0A	KEY SET	KEY SET	1	
	35010-LCA5-E0B	35010-LCA5-E0B	KEY SET	KEY SET	1	
	35100-LCA5-305-M1	35100-LCA5-305-M1	SW ASSY COMB	SW ASSY COMB	1	
	35100-LCA5-305-M2	35100-LCA5-305-M2	SW ASSY COMB	SW ASSY COMB	1	
	35111-LCA5-325-M1	35111-LCA5-325-M1	KEY COMP(FOR SERVICE)	KEY COMP(FOR SERVICE)	1	
	35111-LCA5-325-M2	35111-LCA5-325-M2	KEY COMP(FOR SERVICE)	KEY COMP(FOR SERVICE)	1	
	35111-LCA5-326-M1	35111-LCA5-326-M1	KEY COMP(FOR SERVICE)	KEY COMP(FOR SERVICE)	1	
	35111-LCA5-326-M2	35111-LCA5-326-M2	KEY COMP(FOR SERVICE)	KEY COMP(FOR SERVICE)	1	
	35111-LLB1-327	35111-LLB1-327-M2	KEY COMP(FOR SERVICE)	KEY COMP(FOR SERVICE)	1	
	35111-LLB1-328	35111-LLB1-328-M2	KEY COMP(FOR SERVICE)	KEY COMP(FOR SERVICE)	1	
	35850-KHB4-90A	35850-KHB4-90A	SET START MAG	SET START MAG	1	

F21

Harness Wire



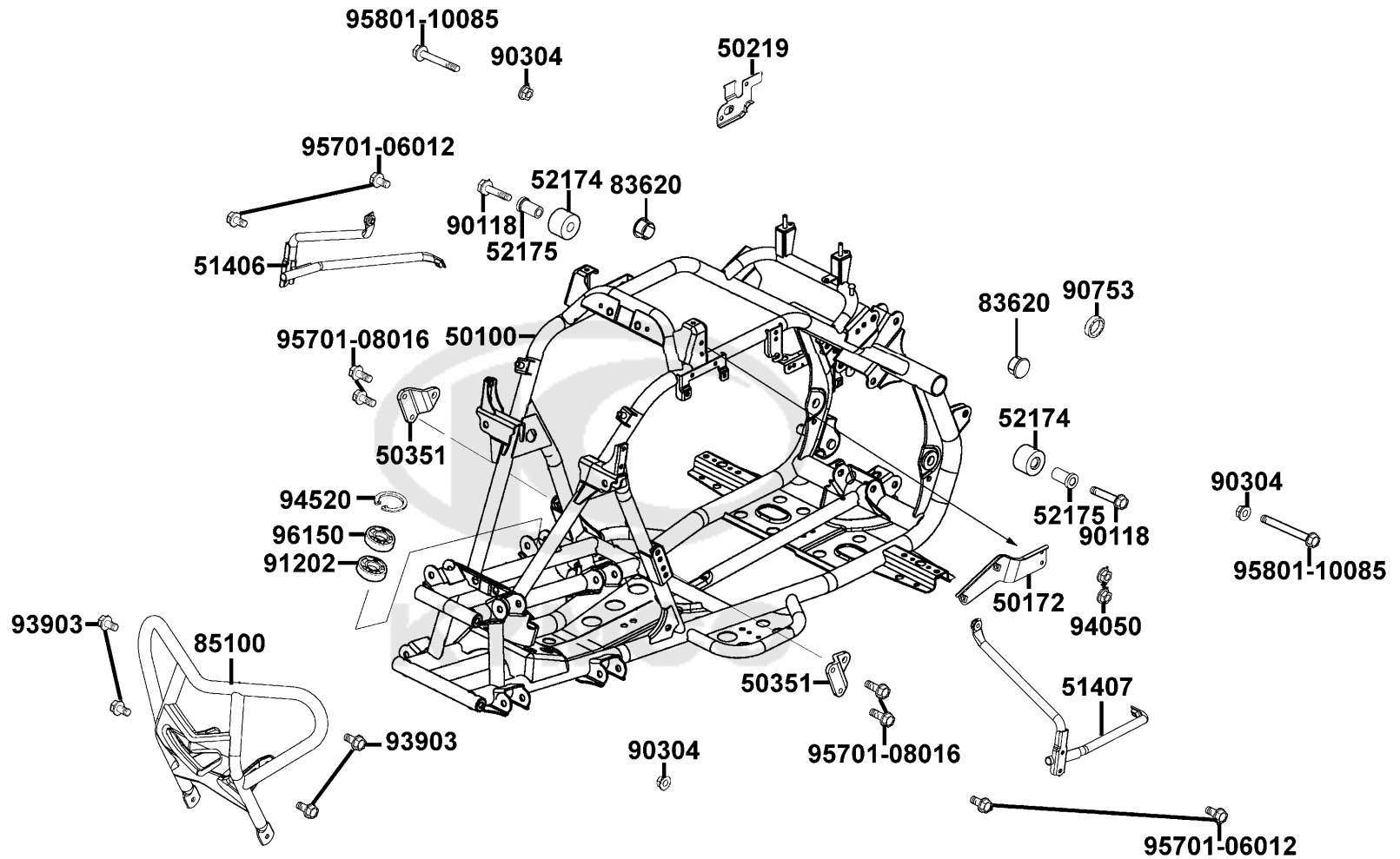
Sales mark	Ref no	Part no	Description	Reg description	Regd no	F21
	35850-KHB4-90B	35850-KHB4-90B	SET START MAG	SET START MAG	1	
	38110-KHB4-E0A	38110-KHB4-E0A	HORN COMP	HORN COMP	1	
	38110-KHB4-E0B	38110-KHB4-E0B	HORN COMP	HORN COMP	1	
	38110-KHB4-E0C	38110-KHB4-E0C	HORN COMP	HORN COMP	1	
	38200	38200-KEBE-900	BOX COMP FUSE	BOX COMP FUSE	1	
	38300	38300-KECE-900	RELAY ASSY WINKER	RELAY ASSY WINKER	1	
	3900A	3900A-LBA7-900	CONTROL ASSY GEAR CHANGE	CONTROL ASSY GEAR CHANGE	1	
	39100	39100-LBA7-E00	EMI FILTER FAN MOTOR	EMI FILTER FAN MOTOR	1	
	53600-KKAK-E0A	53600-KKAK-E0A	LOCK STEERING HNDL	LOCK STEERING HNDL	1	
	53600-KKAK-E0B	53600-KKAK-E0B	LOCK SET STRG HANDLE	LOCK STEERING HNDL	1	
	90164	90164-0H28-900	SCREW FLAT U LOCK 6*12	SCREW FLAT U LOCK 6*12	2	
	94050	94050-06080	NUT FLANGE 6MM	NUT FLANGE 6MM	4	
	95701	95701-08012-08	BOLT FLANGE 8*12	BOLT FLANGE 8*12	1	
	98200-31000	98200-31000	BLADE FUSE 10A	BLADE FUSE 10A	1	
	98200-31500	98200-31500	BLADE FUSE 15A	BLADE FUSE 15A	2	
	98200-33000	98200-33000	BLADE FUSE 30A	BLADE FUSE 30A	1	



Sales mark	Ref no	Part no	Description	Reg description	Regd no	F22
	50100	50100-LDF3-E00	BODY COMP FRAME	BODY COMP FRAME	1	
	50172	50172-LBA7-E00	STAY CATCH TANK	STAY CATCH TANK	1	
	50219	50219-LBA7-E00	STAY WINKER RELAY	STAY WINKER RELAY	1	
	50351	50351-LBA7-900	BRKT ENG HANGER	BRKT ENG HANGER	2	
	51406	51406-LDF3-E00	STAY R FR FENDER	STAY R FR FENDER	1	
	51407	51407-LDF3-E00	STAY L FR FENDER	STAY L FR FENDER	1	
	52174	52174-LBA7-900	RUBBER CHAIN DRIVE	RUBBER CHAIN DRIVE	2	
	52175	52175-LBA7-900	COLLAR CHAIN RUBBER	COLLAR CHAIN RUBBER	2	
	83620	83620-LBA7-900	CAP PIPE	CAP PIPE	2	
**	85100	85100-LDF3-E00	PIPE COMP FR BUMPER	PIPE COMP FR BUMPER	1	
	90118	90118-GFY6-901	BOLT FLANGE 8*38	BOLT FLANGE 8*38	2	
	90304	90304-GLW0-90A	NUT U FLANGE 10MM	NUT U FLANGE 10MM	3	
	90753	90753-GDB4-68A	OIL SEAL 27*40*6	OIL SEAL 27*40*6	1	
	91202	91202-LLB1-900	OIL SEAL 22*35*7	OIL SEAL 22*35*7	1	
	93903	93903-35360	SCREW TAPPING 5*16	SCREW TAPPING 5*16	4	
	94050	94050-06060	NUT FLANGE 6MM	NUT FLANGE 6MM	2	
	94520	94520-40000	CIR CLIP IN 40	CIR CLIP IN 40	1	
	95701-06012	95701-06012-06	BOLT FLANGE 6*12	BOLT FLANGE 6*12	4	
	95701-08016	95701-08016-06	BOLT FLANGE 8*16	BOLT FLANGE 8*16	4	
	95801	95801-10085-06	BOLT FLANGE 10*85	BOLT FLANGE 10*85	2	

F22

Frame Body



Sales mark	Ref no	Part no	Description	Reg description	Regd no	F22
------------	--------	---------	-------------	-----------------	---------	------------

96150

96150-62030-10

BEARING BALL RADIAL 6203

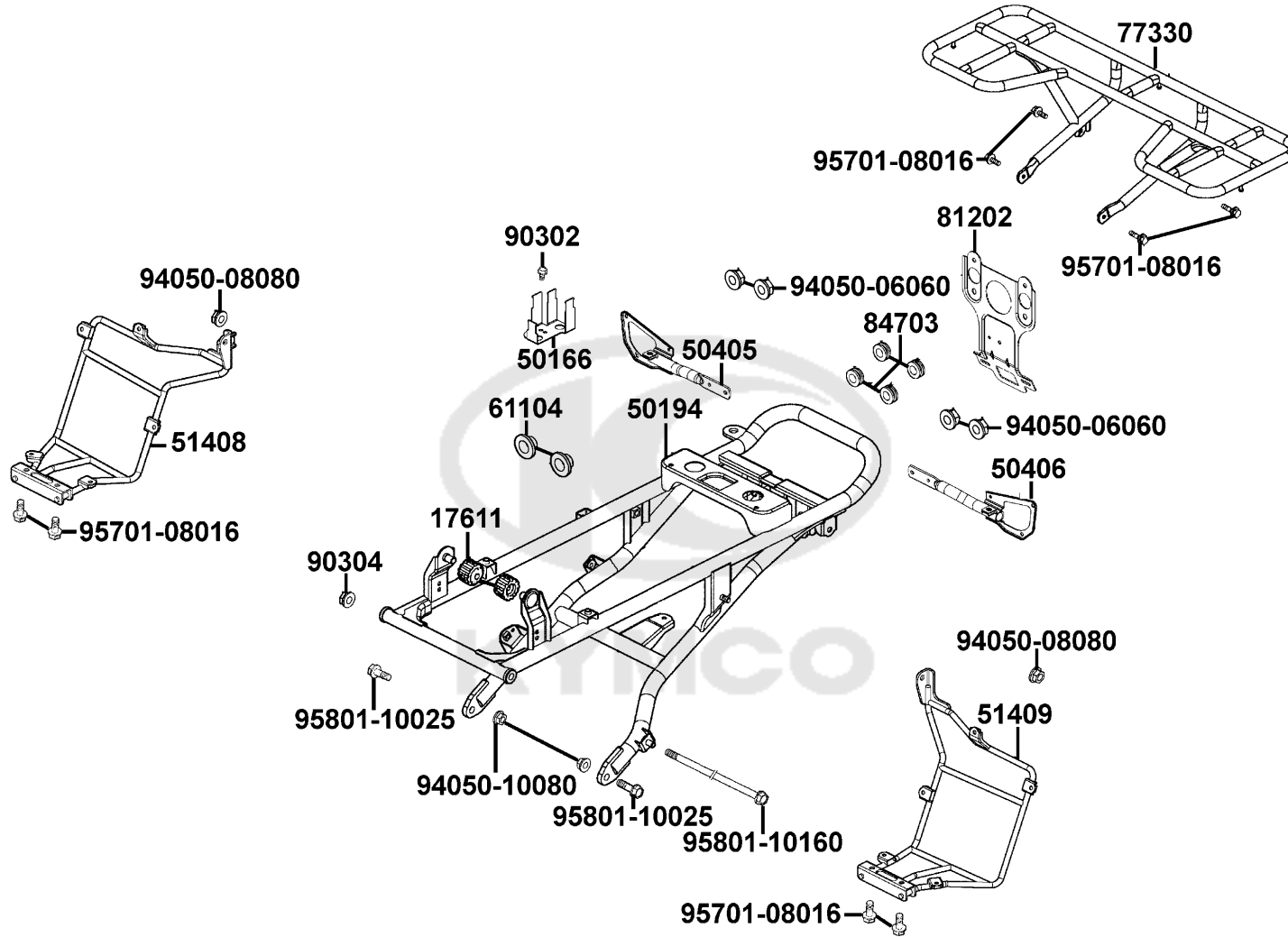
BEARING BALL RADIAL 6203

1

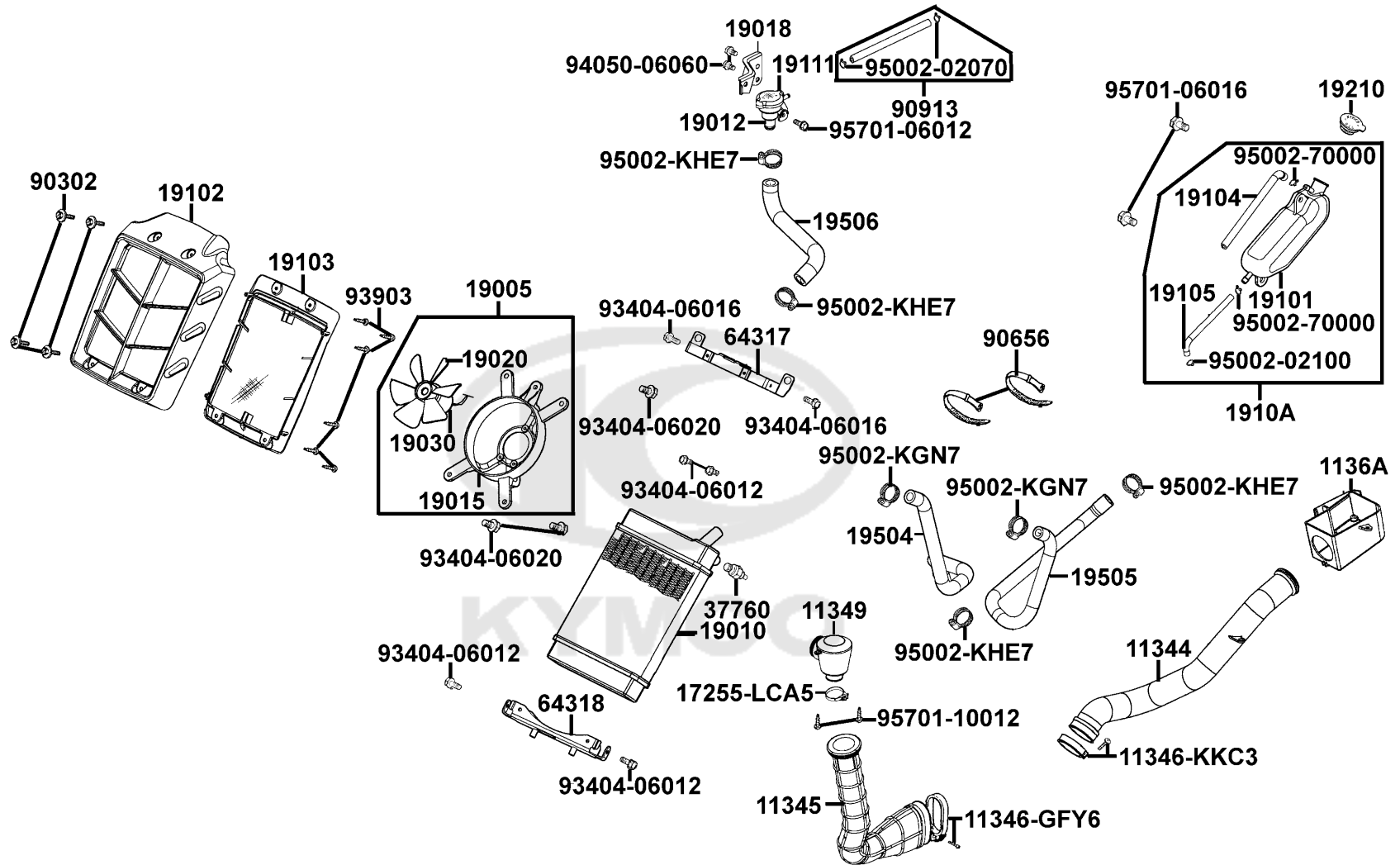


F23

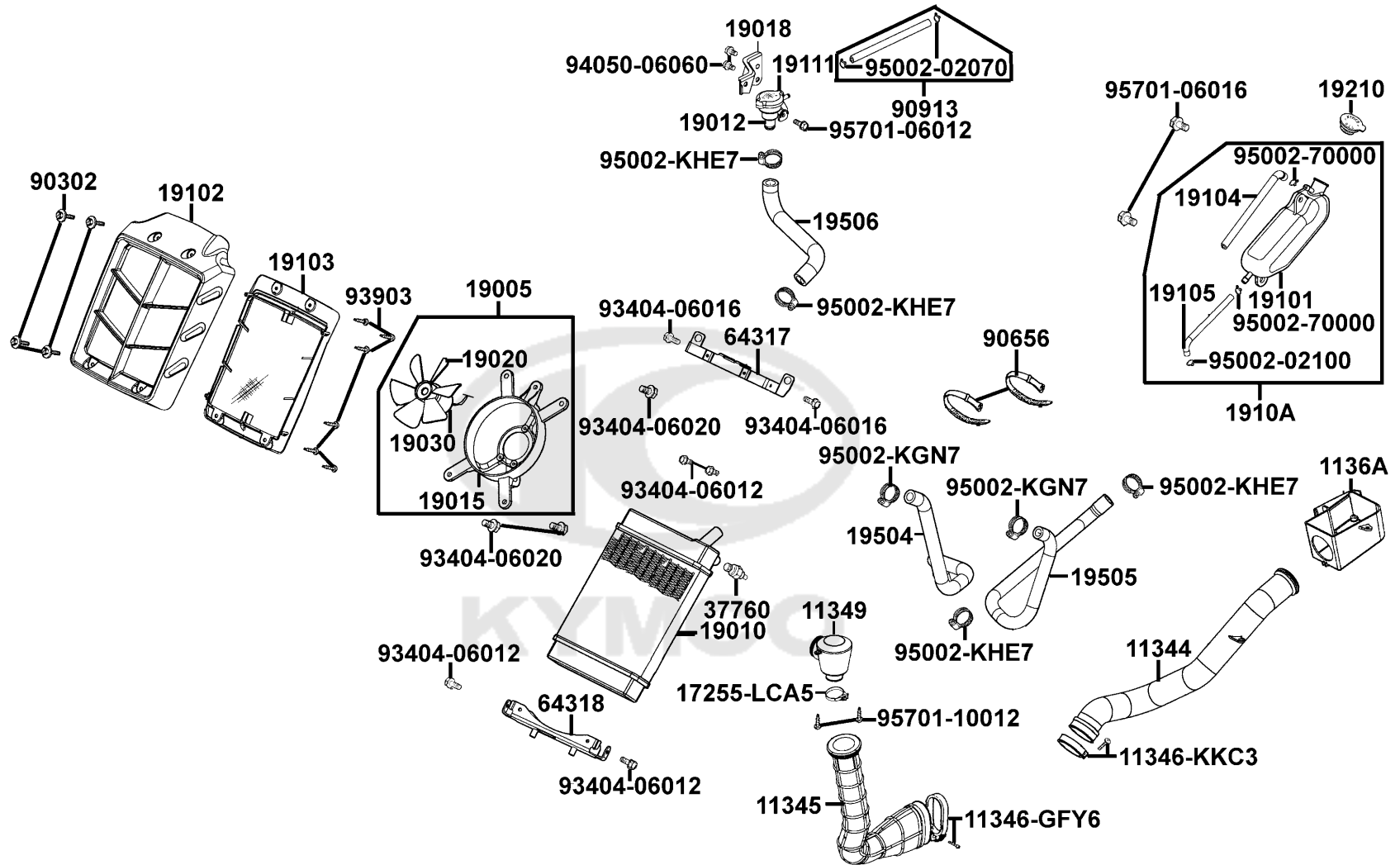
Rear Pipe Sub Frame



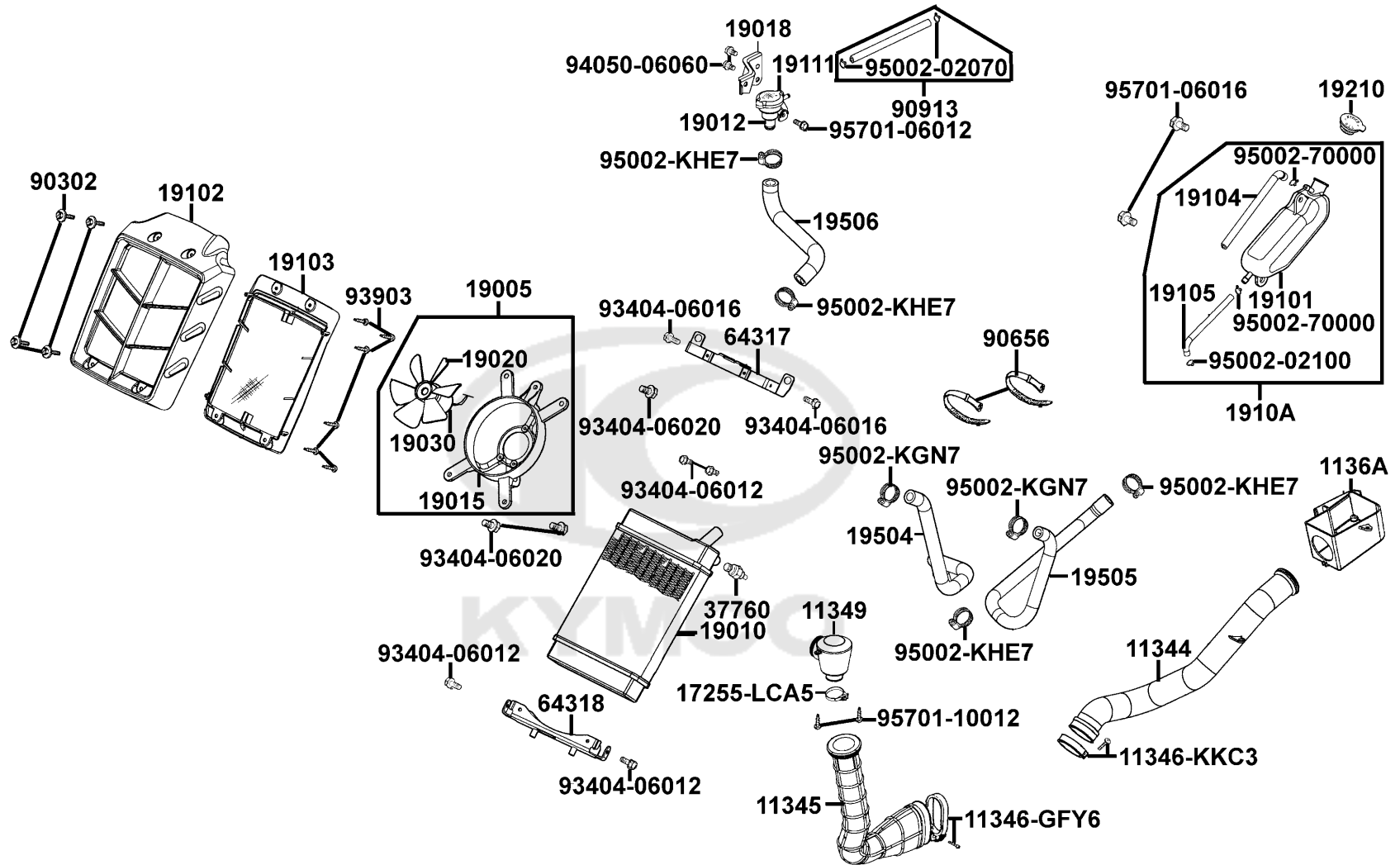
Sales mark	Ref no	Part no	Description	Reg description	Regd no	F23
	17611	17611-2F86-001	CUSHION FRONT FUEL TANK	CUSHION FRONT FUEL TANK	2	
	50166	50166-LBA7-900	STAY START MAG SW	STAY START MAG SW	1	
	50194	50194-LBA7-E00	REAR PIPE COMP SUB FRAME	REAR PIPE COMP SUB FRAME	1	
	50405	50405-LDF3-E00	REAR STAY R RR FENDER	REAR STAY R RR FENDER	1	
	50406	50406-LDF3-E00	REAR STAY L RR FENDER	REAR STAY L RR FENDER	1	
	51408	51408-LDF3-E00	STAY R RR FENDER	STAY R RR FENDER	1	
	51409	51409-LDF3-E00	STAY L RR FENDER	STAY L RR FENDER	1	
	61104	61104-3G57-001	COLLAR FR FENDER	COLLAR FR FENDER	2	
**	77330	77330-LDF3-E00	RR CARRIER LUGGAGE	RR CARRIER LUGGAGE	1	
	81202	81202-LBA7-E00	STAY ID PLATE	STAY ID PLATE	1	
	84703	84703-LLB1-900	RUBBER TAIL LIGHT	RUBBER TAIL LIGHT	4	
	90302	90302-LLB1-E00-06	BOLT-WASH 5*12	BOLT-WASH 5*12	1	
	90304	90304-GLW0-90A	NUT U FLANGE 10MM	NUT U FLANGE 10MM	1	
	94050-06060	94050-06060	NUT FLANGE 6MM	NUT FLANGE 6MM	4	
	94050-08080	94050-08080	NUT FLANGE 8MM	NUT FLANGE 8MM	2	
	94050-10080	94050-10080	NUT FLANGE 10MM	NUT FLANGE 10MM	2	
	95701	95701-08016-06	BOLT FLANGE 8*16	BOLT FLANGE 8*16	8	
	95801-10025	95801-10025-08	BOLT FLANGE 10*25	BOLT FLANGE 10*25	2	
	95801-10160	95801-10160-06	BOLT FLANGE 10*160	BOLT FLANGE 10*160	1	



Sales mark	Ref no	Part no	Description	Reg description	Regd no	F24
	11344	11344-LBA7-900	DUCT B L COVER	DUCT B L COVER	1	
	11345	11345-LDF3-E00	DUCT A L COVER	DUCT A L COVER	1	
	11346-GFY6	11346-GFY6-901	BAND L COVER DUCT	BAND L COVER DUCT	1	
	11346-KKC3	11346-KKC3-900	BAND L COVER DUCT	BAND L COVER DUCT	1	
	11349	11349-LDF3-E00	INLET BOX L COVER	INLET BOX L COVER	1	
	1136A	1136A-LBA7-900	RR BOX L COVER	RR BOX L COVER	1	
	17255	17255-LCA5-E00	BAND A CONNECTING TUBE	BAND A CONNECTING TUBE	1	
	19005	19005-LBA7-900	SHROUD ASSY	SHROUD ASSY	1	
	19010	19010-LBA7-900	RADIATOR COMP	RADIATOR COMP	1	
	19012	19012-KHD8-900	UNIT RADIATOR	UNIT RADIATOR	1	
	19015	19015-KKC4-900	SHROUD COMP	SHROUD COMP	1	
	19018	19018-LBA7-900	STAY UNIT RADIATOR	STAY UNIT RADIATOR	1	
	19020	19020-KHD8-900	FAN COOLING	FAN COOLING	1	
	19030	19030-LBA7-900	MOTOR ASSY FAN	MOTOR ASSY FAN	1	
	19101	19101-LBA7-900	TANK RESERVE	TANK RESERVE	1	
# **	19102	19102-LBA7-910	DUCT,COOLING AIR	DUCT,COOLING AIR	1	
	19103	19103-PWA1-900	GRID RADIATOR	GRID RADIATOR	1	
	19104	19104-LBA7-900	HOSE ASSY DRAIN	HOSE ASSY DRAIN	1	
	19105	19105-LBA7-900	HOSE ASSY RESERVE TANK-PRESSURE	HOSE ASSY RESERVE TANK-PRESSURE	1	
	1910A	1910A-LBA7-900	TANK ASSY RESERVE	TANK ASSY RESERVE	1	



Sales mark	Ref no	Part no	Description	Reg description	Regd no	F24
	19111	19111-GBE2-004	CAP COMP	CAP COMP	1	
	19210	19210-KKC4-900	CAP RESERVE TANK	CAP RESERVE TANK	1	
	19504	19504-LBA7-900	HOSE WATER D RADIATOR-ENG	HOSE WATER D RADIATOR-ENG	1	
	19505	19505-LBA7-900	HOSE WATER F ENG-RADIATOR	HOSE WATER F ENG-RADIATOR	1	
	19506	19506-LBA7-900	HOSE WATER G RADIATOR-PRESSURE	HOSE WATER G RADIATOR-PRESSURE	1	
	37760	37760-KHD8-900	SW ASSY THERMO	SW ASSY THERMO	1	
	64317	64317-LBA7-900	STAY RADIATOR UP	STAY RADIATOR UP	1	
	64318	64318-LBA7-900	STAY RADIATOR BOTTOM	STAY RADIATOR BOTTOM	1	
	90302	90302-GFY6-901	BOLT WASH 5*12	BOLT WASH 5*12	4	
	90656	90656-KCBC-900	BAND OIL HOSE	BAND OIL HOSE	2	
	90913	90913-LBA7-900	TUBE ASSY WATER PUMP-PRESSURE	TUBE ASSY WATER PUMP-PRESSURE VALVE	1	
	93404-06012	93404-06012-08	BOLT WASHER 6*12	BOLT WASHER 6*12	4	
	93404-06016	93404-06016-06	BOLT WASHER 6*16	BOLT WASHER 6*16	4	
	93404-06020	93404-06020-06	BOLT WASHER 6*20 (G)	BOLT WASH 6*20	3	
	93903	93903-KEB7-900-06	SCREW WASHER 4*12 (G)	SCREW WASHER 4*12 (G)	6	
	94050	94050-06060	NUT FLANGE 6MM	NUT FLANGE 6MM	2	
	95002-02070	95002-02070	CLIP B7 TUBE	CLIP B7 TUBE	2	
	95002-02100	95002-02100	CLIP B15 TUBE	CLIP B15 TUBE	1	
	95002-70000	95002-70000	CLIP C11 TUBE	CLIP C11 TUBE	2	
	95002-KGN7	95002-KGN7-910	CLIP TUBE	CLIP TUBE	2	



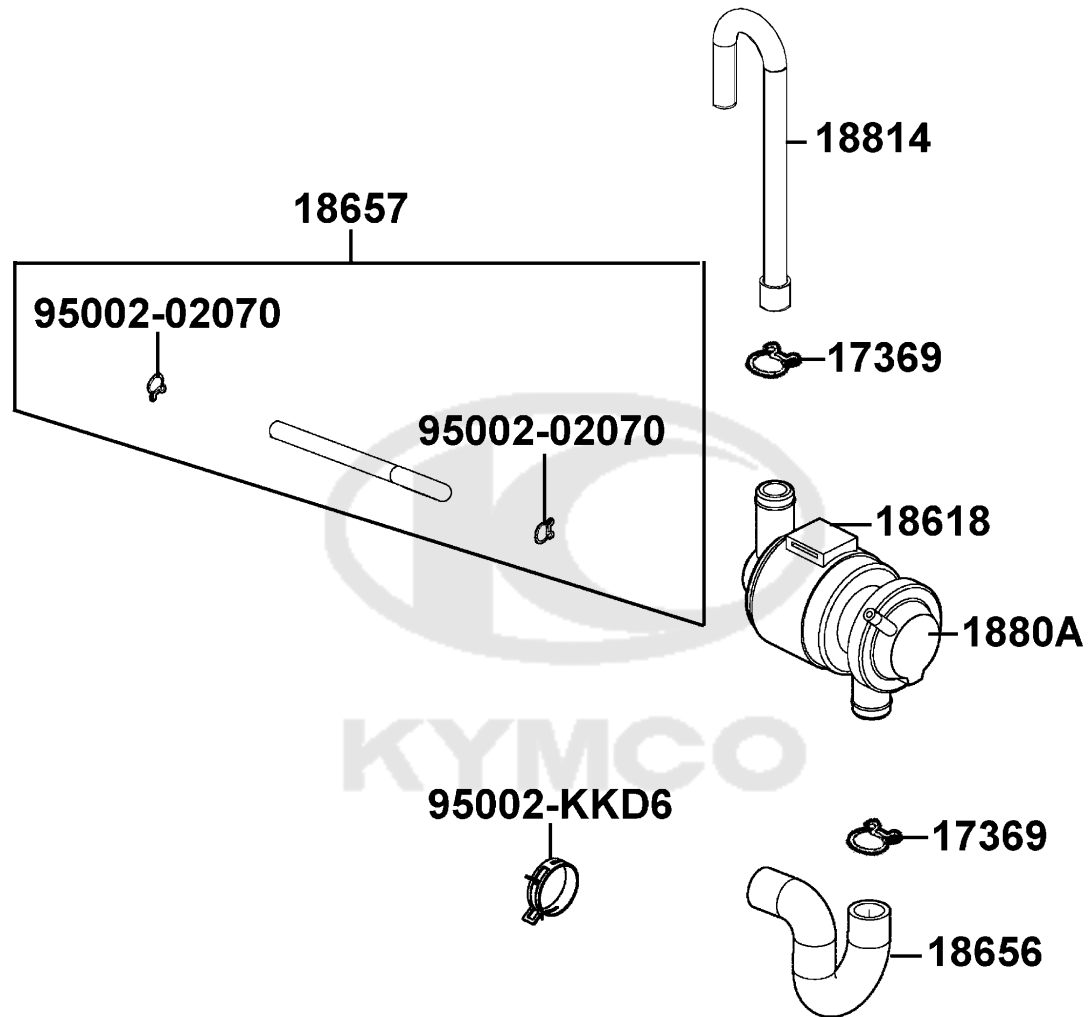
Sales mark	Ref no	Part no	Description	Reg description	Regd no	F24
------------	--------	---------	-------------	-----------------	---------	------------

	95002-KHE7	95002-KHE7-900	CLIP WATER HOSE	CLIP WATER HOSE	4	
	95701-06012	95701-06012-06	BOLT FLANGE 6*12	BOLT FLANGE 6*12	1	
	95701-10012	95701-10012-08	BOLT FLANGE 10*12	BOLT FLANGE 10*12	2	



F25

Air Injection Cut Valve




Sales mark	Ref no	Part no	Description	Reg description	Regd no	F25
17369		17369-KDB4-671	CLIP BREATHER TUBE	CLIP BREATHER TUBE	2	
18618		18618-LLF5-90A	RUBBER AICV MOUNT	RUBBER AICV MOUNT	1	
18656		18656-LBA7-E00	DUCT AICV-REED VALVE	DUCT AICV-REED VALVE	1	
18657		18657-LBA7-E00	TUBE ASSY VACUUM	TUBE ASSY VACUUM	1	
1880A		1880A-LBA7-E0A	AI/C-AICV ASSY	AI/C-AICV ASSY	1	
18814		18814-LBA7-E00	DUCT AIR-AICV	DUCT AIR-AICV	1	
95002-02070		95002-02070	CLIP B7 TUBE	CLIP B7 TUBE	2	
95002-KKD6		95002-KKD6-E05	CLAMP D18 TUBE	CLAMP D18 TUBE	1	




Caution Label

WARNING

Improper ATV use can result in SEVERE INJURY or DEATH.



ALWAYS USE AN APPROVED HELMET AND PROTECTIVE GEAR.



NEVER USE WITH DRUGS OR ALCOHOL.

NEVER operate:

- without proper training or instruction.
- at speeds too fast for your skills or the conditions.
- do not operate the vehicle after consuming ALCOHOL OR DRUGS.

ALWAYS:

- use proper riding techniques to avoid vehicle overturns on hills and rough terrain and in turns.
- for your safety, wear gear to include helmet, gloves and foot protection.
- gasoline is flammable, shut off engine, avoid sparks and open flame when refueling.

READ OWNER'S MANUAL.FOLLOW ALL INSTRUCTIONS AND WARNINGS.

87515-LBA7-E100

87515

CAUTION

Before shifting, you must stop the machine and return the throttle lever to its closed position until the engine speed to the specified idling speed. Otherwise, the transmission may be damaged.

87322-LBA7-E000

87322

WARNING

Exceeding vehicle towing limit could lead to an accident. Reduce speed when towing a trailer.	Read owner's manual for details. MAXIMUM TOWING CAPACITY: 100kg(220 lbs)
---	---

LLB1-E000

87514

WARNING

IMPROPER TIRE PRESSURE OR OVERLOADING CAN CAUSE LOSS OF CONTROL. LOSS OF CONTROL CAN RESULT IN SEVERE INJURY OR DEATH.


OPERATING TIRE PRESSURE:Set with tires cold

- Recommended:
- FRONT: 25-32 kpa, (0.25- 0.32 kgf/cm²), 3.5-4.5 psi
- REAR : 25-32 kpa, (0.25- 0.32 kgf/cm²), 3.5-4.5 psi
- Never set tire pressure over the recommended.

87505-LBA7-E100

87505

WARNING



Operating this ATV if you are under the age of 18 increases your chance of severe injury or death. NEVER operate this ATV if you are under age 18.

LBA7-E000

87517

CAUTION

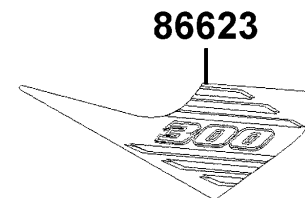
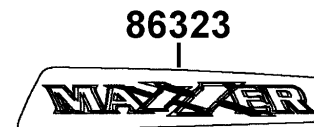
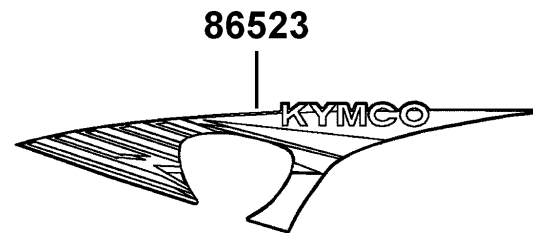
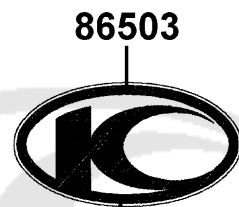
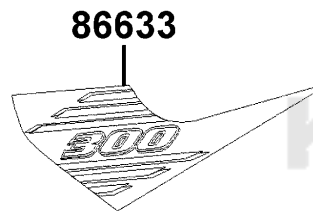
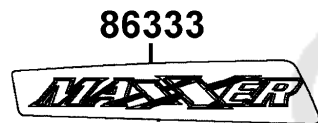
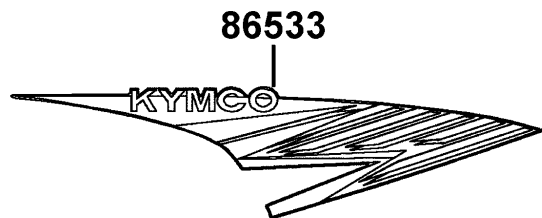
- Never carry passenger on this carrier.
- Maximum load:20 Kg (44 lbs)

LLB1-E10

87556

Sales mark	Ref no	Part no	Description	Reg description	Regd no	F26
**	87322	87322-LBA7-E00	CAUTION SHIFIT GEARS	CAUTION SHIFIT GEARS	1	
**	87505	87505-LBA7-E01	LABEL TIRE ON ROAD	LABEL TIRE ON ROAD	1	
**	87514	87514-LLB1-E00	CAUTION MAXIMUM CAPACITY	CAUTION MAXIMUM CAPACITY	1	
**	87515	87515-LBA7-E01	CAUTION LIST ON ROAD	CAUTION LIST ON ROAD	1	
**	87517	87517-LBA7-E00	CAUTION DRIVE AGE	CAUTION DRIVE AGE	1	
**	87556	87556-LLB1-E01	CAUTION DRIVE AGE	CAUTION DRIVE AGE	1	





Sales mark	Ref no	Part no	Description	Reg description	Regd no	F27
**	86323	86323-LDF3-E61	STRIPE R SIDE COVER	STRIPE R SIDE COVER	1	
**	86333	86333-LDF3-E61	STRIPE L SIDE COVER	STRIPE L SIDE COVER	1	
**	86503	86503-LDF3-900	STRIPE K-LOGO 30 MM	STRIPE K-LOGO 30 MM	1	
**	86523	86523-LDF3-E61	STRIPE R FENDER FR	STRIPE R FENDER FR	1	
**	86533	86533-LDF3-E61	STRIPE L FENDER FR	STRIPE L FENDER FR	1	
**	86623	86623-LEC1-E61	STRIPE R RR FENDER	STRIPE R RR FENDER	1	
**	86633	86633-LEC1-E61	STRIPE L RR FENDER	STRIPE L RR FENDER	1	



PART NO. INDEX

PART NO.	VERSION	PAGE	PART NO.	VERSION	PAGE	PART NO.	VERSION	PAGE
1000			11330-LDE9-E00	4	E04	12431-LBA7-E00	4	E07
			11341-LBA7-900	7	E01			
			11342-LBA7-900	2	E01	13000		
1010-43FH-9900	0	E08	11344-LBA7-900	2	F24			
1012-382H-0140	0	E08	11345-LDF3-E00	1	F24	1300A-LDE9-305	0	E03
1014-840-2000	0	E08	11346-GFY6-901	0	F24	13011-KHE7-900	0	E03
1020-54D0-9900	0	E08	11346-KKC3-900	0	F24	13101-LDB2-E00	6	E03
1031-KN4H-6511	0	E08	11347-LBA7-900	5	E05	13111-LDB2-E00	1	E03
103J-061H-9901	0	E08	11348-LBA7-900	5	E01			
1051-KCSH-9200	0	E08	11349-LDF3-E00	2	F24	14000		
105J-092H-9911	0	E08	1136A-LBA7-900	0	F24			
1113-HB7H-6710	0	E08	11394-LBA7-900	4	E04	14100-LDB2-E00	5	E02
120A-106H-9900	0	E08	11395-LBA7-900	1	E01	14150-LDB2-E00	2	E02
1230-846-2000	0	E08				14401-LDE9-E00	2	E03
1300-KG8H-9010	0	E08	12000			14431-LDB2-E00	1	E02
1300-KG8H-Q010	0	E08				14450-KEBE-900	0	E02
1305-491H-9901	0	E08	12100-LDE9-E00	3	E03	14452-LDB2-E00	1	E02
1782-013H-9900	0	E08	12191-KHE7-900	4	E03	14510-LDE9-E00	2	E03
1795-KG8H-9010	0	E08	12200-LDB2-E00	4	E02	14520-GFY6-90A	1	E03
			12205-KHE8-301	4	E02	14523-KED9-900	0	E03
11000			12209-GDB4-68A	0	E02	14531-KHE7-900	1	E03
			1221A-LDB2-E00	3	E02	14610-LDE9-E00	1	E03
11100-LDE9-E00	2	E01	12251-KHE7-901	1	E02	14711-LDB2-E00	2	E02
11192-LBA7-900	4	E01	12310-LDB2-E00	3	E02	14721-LDB2-E00	2	E02
11200-LBA7-900	7	E01	12361-GFY6-901	1	E04	14751-KHE7-900	0	E02
11221-LBA7-900	1	E07	12391-LDB2-E00	1	E02	14761-KHE7-900	0	E02

PART NO. INDEX

PART NO.	VERSION	PAGE	PART NO.	VERSION	PAGE	PART NO.	VERSION	PAGE
14771-GDB4-680	2	E02	16162-KG8-9010-M1	0	E08	1760A-LBA7-900	2	F10
14775-MFA6-001	0	E02	1691A-GFY6-90A	4	F10	17611-2F86-001	0	F23
14781-MFA6-001	0	E02	16950-LBA7-900	3	F10	1763A-LDF3-E00	1	F10
15000			16951-LBA7-900	3	F10	17700-LBA7-900	6	F05
			16952-LLB1-900	1	F10	17705-LBA7-900	1	F05
			17000			17720-LBA7-900	1	F05
15100-LBA7-900	1	E06				17910-LBA7-900	1	F03
15133-KAM1-001	1	E06				17950-LBA7-900	2	F03
15141-LBA2-E00	1	E06	1711A-LDE9-E00	1	E02	17957-LBA7-900	1	F10
15421-1G07-001	1	E04	17214-LBA7-900	2	F13	18000		
15426-GAE1-921	0	E04	1721A-LBA7-900	3	F13			
15441-1K49-001	0	E03	17231-LBA7-900	4	F13			
15447-1K49-001	0	E03	17237-KED9-900	3	F13	18291-LBA7-900	2	F14
1565A-KKAK-900	0	E04	1723A-LDE9-E00	1	F13	18293-LBA7-E00	1	F14
15661-LBA7-900	1	E04	17246-LBA7-900	2	F13	18294-KTCT-900	0	F14
15711-KHE7-900	0	E06	17255-KKAK-900	0	F13	18294-LBA7-E00	0	F14
16000			17255-LCA5-E00	0	F24	1830A-LEC1-E00	2	F14
			17257-LBA7-900	4	F13	18325-LBA7-900	3	F14
			17265-LBA7-900	1	F13	18424-LBA7-E00	1	F14
16075-KG8-9010-M1	0	E08	17369-KDB4-671	1	F13	18601-MAJ1-791	1	E02
16075-PC3-7810-M1	0	E08	17369-KDB4-671	1	F25	18612-GFY6-941	0	E02
16076-ND5-0040	0	E08	17369-KHC4-900	0	F13	18618-LLF5-90A	2	F25
1610K-LDE9-900	1	E08	17371-1D74-671	0	F13	18645-GFY6-941	0	E02
16115-169-0040	0	E08	17500-LBA7-900	7	F10	18646-GFY6-941	0	E02
16119-MZ2-6000-K2	0	E08	17522-LLB1-900	1	F10	18647-LDB2-900	3	E02
16155-ZG8-L100	0	E08	17524-LLB1-900	1	F10	18656-LBA7-900	3	F13

PART NO. INDEX

PART NO.	VERSION	PAGE	PART NO.	VERSION	PAGE	PART NO.	VERSION	PAGE
18656-LBA7-E00	2	F25	19217-6G57-024	0	E04	22300-LBA7-900	5	E05
18657-LBA7-900	4	F13	19229-LBA7-900	1	E04	22350-KHE7-900	1	E05
18657-LBA7-E00	2	F25	19231-KKJ9-011	0	E04	22361-KHE7-900	0	E05
18658-KED9-900	2	F13	19300-KAE1-004	1	E02	22401-LBA7-900	4	E05
1880A-LBA7-E0A	2	F25	19310-KHE7-900	2	E02	22530-LBA7-900	3	E05
18814-LBA7-E00	2	F25	19315-LBA7-900	1	E02	22804-GBB2-001	0	E05
			19502-LBA7-900	3	E04			
19000			19504-LBA7-900	2	F24	23000		
			19505-LBA7-900	2	F24			
19005-LBA7-900	6	F24	19506-LBA7-900	1	F24	2301A-LBA7-900	7	E05
19010-LBA7-900	2	F24				23100-KHE7-900	0	E05
19012-KHD8-900	4	F24	21000			23200-KHE7-900	6	E05
19015-KKC4-900	2	F24				23211-LBA7-E00	2	E07
19018-LBA7-900	1	F24	21201-LCA5-E00	2	E07	23220-LLJ3-E00	4	E05
19020-KHD8-900	0	F24	21395-LBA7-900	1	E07	23225-KHE7-900	0	E05
19030-LBA7-900	2	F24				23226-GHC8-004	0	E05
19101-LBA7-900	4	F24	22000			23233-LBA7-900	2	E05
19102-LBA7-900	5	F24				23237-KHE7-900	0	E05
19102-LBA7-910	1	F24	22101-LBA7-900	1	E05	23238-KHE7-900	0	E05
19103-PWA1-900	1	F24	22102-KHE7-900	3	E05	23411-LBA7-900	3	E07
19104-LBA7-900	3	F24	22105-LBA7-900	1	E05	23411-PTA3-E00	1	E07
19105-LBA7-900	3	F24	22110-KHE7-900	6	E05	23420-LBA7-900	1	E07
1910A-LBA7-900	5	F24	22112-KHE7-900	1	E05	23431-LBA7-600	2	E07
19111-GBE2-004	1	F24	22121-LBA7-900	1	E05	23441-LBA7-900	4	E07
19210-KKC4-900	0	F24	22131-LBA7-900	1	E05	23441-PTA3-E00	1	E07
19215-KHE7-900	0	E04	22132-KHE7-900	2	E05	23451-LBA7-900	3	E07

PART NO. INDEX

PART NO.	VERSION	PAGE	PART NO.	VERSION	PAGE	PART NO.	VERSION	PAGE
23472-LBA7-900	2	E07						
23473-LBA7-900	0	E07	28000			32000		
23481-LBA7-900	6	E07						
23801-LBA7-900	2	E07	28101-KHE7-900	0	E06	32100-LDF3-E00	2	F21
23803-LBA7-900	1	E07	28102-LDE9-E00	1	E06	32101-LLB1-800	1	F21
23811-LBA7-900	2	E07	28110-LDB2-E00	4	E06	32161-4D04-001	2	F03
			28120-LDB2-E00	0	E06	32161-LBA7-900	0	F21
24000			30000			32410-LBA7-900	2	E06
24221-LBA7-900	2	E07				32410-LBA7-90B	0	E06
24221-PTA3-E00	1	E07	30400-LDE9-E00	1	F21	32411-LLB1-900	5	F21
24241-KGB4-C00	0	E07	3051A-KHE7-900	2	F21	32412-LBA7-900	2	E06
24305-LBA7-900	1	E07	30700-KFC8-E0H	1	F21	32976-1G07-001	0	E01
2431A-LBA7-900	3	E07				33000		
24610-LLB1-900	4	E07	31000					
24701-LBA7-900	2	E07				33100-LDF3-E00	2	F01
24702-LBA7-900	1	E07	31110-LDE9-E00	1	E06	33120-LDF3-E00	0	F01
24703-LLB1-900	1	E07	31120-LDE9-E00	1	E06	33130-LDF3-E00	0	F01
24704-LBA7-900	4	E07	31210-LBA7-900	2	E06	33400-LDF3-E00	1	F19
24707-LBA7-900	6	E07	31210-LBA7-90B	1	E06	33401-LDF3-E00	0	F19
24710-LBA7-900	3	E07	31500-KHE7-90A	3	F11	33406-LDF3-E00	0	F19
24711-LBA7-900	4	E07	31500-KHE7-90B	3	F11	33450-LDF3-E00	1	F19
24712-LBA7-900	1	F05	31600-LBA7-900	6	F21	33451-LDF3-E00	0	F19
24720-LBA7-900	3	E07	3195A-LBA7-E00	1	F21	33456-LDF3-E00	0	F19
24781-LBA7-900	1	E07				33600-LDF3-E00	1	F19
						33606-LDF3-E00	0	F19

PART NO. INDEX

PART NO.	VERSION	PAGE	PART NO.	VERSION	PAGE	PART NO.	VERSION	PAGE
33650-LDF3-E00	1	F19	35111-LLB1-327-M2	0	F21			
33656-LDF3-E00	0	F19	35111-LLB1-328-M2	0	F21	39000		
33700-LBA7-E00	3	F20	3520A-LDF3-E00	1	F03			
33701-LBA7-E00	0	F20	35340-LBA7-900	1	F04	3900A-LBA7-900	2	F21
33710-LBA7-900	0	F20	35350-KNBN-901	0	F04	39100-LBA7-E00	1	F21
33741-KHC5-M00	0	F20	35350-LBA7-900	6	F15			
33745-LBA7-E00	0	F20	35357-LBA7-900	1	F15	40000		
34000			35759-LBA7-900	7	E01			
			35850-KHB4-90A	2	F21	40510-LBA7-E00	4	E07
			35850-KHB4-90B	3	F21	40525-LBA7-900	4	F18
34901-KFA6-900	0	F01	37000			40526-LBA7-900	2	F18
34903-KPCP-900	0	F01				40527-LBA7-600	1	F18
34905-LBA7-E00	0	F19				4052A-LBA7-910	1	F18
34906-KPCP-900	0	F20	37200-LBA7-E0A	3	F02	40530-LCA5-E00	0	E07
34909-LLB1-E00	0	F02	37200-LBA7-E0B	1	F02	41000		
35000			37401-LBA7-900	4	F02			
			37750-PAC1-005	0	E02			
			37760-KHD8-900	0	F24	41201-LBA7-900	3	F08
35010-LCA5-E0A	2	F21	38000			41211-LDF3-E00	3	F08
35010-LCA5-E0B	0	F21				42000		
35100-LCA5-305-M1	0	F21						
35100-LCA5-305-M2	0	F21	38110-KHB4-E0A	0	F21			
35111-LCA5-325-M1	0	F21	38110-KHB4-E0B	1	F21	42302-LDF3-E00	3	F08
35111-LCA5-325-M2	0	F21	38110-KHB4-E0C	1	F21	42610-LBA7-900	7	F08
35111-LCA5-326-M1	0	F21	38200-KEBE-900	0	F21	42705-LBA7-90D	3	F08
35111-LCA5-326-M2	0	F21	38300-KECE-900	2	F21	4270A-LBA7-900	1	F08

PART NO. INDEX

PART NO.	VERSION	PAGE	PART NO.	VERSION	PAGE	PART NO.	VERSION	PAGE
42710-LBA7-91A	0	F08	43503-KGC4-E01	2	F15	45105-KKC4-305	0	F08
42710-LBA7-91B	0	F08	43512-LBA7-M30	0	F15	45105-LBA7-305	0	F07
42753-KNBN-90B	1	F07	43514-4E45-77A	0	F15	45105-LEC1-305	0	F08
42753-KNBN-90B	1	F08	4351A-KFW6-000	0	F15	45107-KFA6-900	0	F07
			43530-KKC4-305	1	F04	45107-LEC1-E00	0	F08
43000			43600-LBA7-E00	3	F04	45108-LBA7-900	0	F07
			44000			45108-LEC1-E00	0	F08
43100-LBA7-900	5	F08				45109-KFA6-900	0	F07
43100-LEC1-E00	4	F08				45109-KKC4-900	0	F08
43110-LBA7-900	0	F08	44311-LBA7-900	1	F07	45109-LEC1-E00	0	F08
43110-LEC1-E00	0	F08	44312-LBA7-900	1	F07	45110-LBA7-305	0	F07
43125-LBA7-E00	3	F04	44313-LBA7-900	1	F07	45115-KKC4-900	0	F08
43127-LBA7-E00	2	F04	44620-PWA2-900	1	F16	45116-LEC1-E00	0	F08
43128-LBA7-900	1	F04	44620-PWA2-900	1	F17	45117-LEC1-E00	0	F08
43140-LEC1-E00	0	F08	44621-LBA7-900	1	F18	45121-LBA7-900	3	F07
43143-LEC1-E00	0	F08	44705-LBA7-90D	3	F07	45125-LDF3-E00	1	F04
43146-LEC1-E00	0	F08	4470A-LBA7-305	0	F07	45127-LDF3-900	3	F04
43147-LEC1-E00	0	F08	44710-LBA7-91A	0	F07	45128-LBA7-900	4	F04
43350-LDF3-E00	2	F08	44710-LBA7-91B	0	F07	45129-LBA7-900	4	F04
43351-LBA7-900	4	F08	44830-LBA7-E00	4	F02	45130-LBA7-E00	2	F04
43352-5H68-004	3	F08	44831-LBA7-E00	0	F02	45131-LBA7-900	3	F07
43353-4A61-77A	0	F08				45132-LBA7-900	1	F04
43353-LBA7-900	3	F08	45000			45133-LBA7-900	0	F07
4335B-LEC1-E00	1	F08				45133-LEC1-E00	0	F08
43450-LEC1-E00	5	F04	45100-LBA7-900	5	F07	45200-LBA7-900	5	F07
43500-LBA7-E00	1	F15	45103-MGR7-007	0	F08	45203-KKC4-900	0	F08

PART NO. INDEX

PART NO.	VERSION	PAGE	PART NO.	VERSION	PAGE	PART NO.	VERSION	PAGE
45203-LBA7-900	0	F07	46503-KCW3-001	0	F15			
45203-LEC1-E00	0	F08	46504-MBB2-007	0	F15	51000		
45207-KKC4-900	0	F08	46513-KED9-900	1	F15			
45208-KKC4-900	0	F08				51400-PWA2-900	2	F16
45209-KFA6-900	0	F07	47000			51400-PWA2-900	2	F17
45209-KFA6-900	0	F08				51406-LDF3-E00	1	F22
45210-LBA7-305	0	F07	47400-LBA7-900	5	F16	51407-LDF3-E00	1	F22
45230-LBA7-900	0	F07	47500-LBA7-900	5	F17	51408-LDF3-E00	1	F23
45232-LEC1-E00	0	F08				51409-LDF3-E00	1	F23
45352-LBA7-900	0	F07	50000					
45353-LBA7-900	0	F07				52000		
45513-HBA2-007	0	F15	50100-LDF3-E00	6	F22			
45513-KKC4-900	0	F04	50166-LBA7-900	3	F23	52000-LBA7-E70	3	F18
45517-KFAF-910	0	F04	50172-LBA7-E00	1	F22	52000-LEC1-E00	1	F18
45517-LDE9-E00	0	F04	50194-LBA7-E00	8	F23	52101-LLB1-900	2	F18
45525-LBA7-900	0	F04	50219-LBA7-E00	2	F22	52108-KEE5-004	2	F18
45526-LBA7-900	0	F04	50306-LBA7-900	3	F08	52108-KFW6-901	1	F15
45527-LBA7-900	0	F04	50307-LBA7-900	2	F08	52144-LBA7-900	1	F18
45530-LBA7-305	0	F04	50328-LBA7-900	1	F11	52171-LBA7-900	3	F15
45531-GAR1-951	0	F08	50351-LBA7-900	1	F22	52174-LBA7-900	3	F22
45531-LBA7-900	0	F07	50405-LDF3-E00	4	F23	52175-LBA7-900	2	F22
45531-LEC1-E00	0	F08	50406-LDF3-E00	4	F23	52200-LBA7-900	5	F18
			50612-LBA7-900	4	F12	52242-LBA7-900	5	F18
46000						5231A-LBA7-600	2	F18
						52400-PWA2-900	2	F18
46500-LBA7-900	3	F15						

PART NO. INDEX

PART NO.	VERSION	PAGE	PART NO.	VERSION	PAGE	PART NO.	VERSION	PAGE	
53000			53550-PWA2-900	2	F17	64317-LBA7-900	3	F24	
			53600-KKAK-E0A	1	F21	64318-LBA7-900	3	F24	
			53600-KKAK-E0B	1	F21				
	53100-LDF3-E00	3	F03	53700-LCA5-E00	4	F06	77000		
	53102-LDF3-E00	3	F03	53701-LCA5-E00	1	F06			
	53106-KFC8-900	2	F03	53702-LAC5-900	5	E07	77200-LBA7-900	4	F09
	5312A-LBA7-900	6	F03	53702-LLB1-900	8	F06	77303-LLB1-900	3	F09
	53131-4K39-001	0	F03	53703-LAC5-900	5	E07	77330-LDF3-E00	1	F23
	53132-LLB1-900	6	F03	53703-LLB1-900	8	F06			
	53166-PTA7-900	3	F03				80000		
	53175-LBA7-305	0	F04	60000					
	53178-KFC8-E10	0	F04				8010A-LBA7-900	4	F12
	53190-LDE9-E00	0	F04	60100-LDF3-E01	0	F05	80110-LBA7-900	1	F12
	53192-LDE9-E00	0	F04	60120-LBA7-900	5	F05	80121-LBA7-910	1	F12
	53193-LDE9-E00	0	F04				80122-LBA7-910	1	F12
	53194-LDE9-E00	0	F04	61000			80130-LBA7-910	1	F12
	53200-LBA7-E00	5	F06						
	53205-LDF3-E00	2	F03	61104-3G57-001	0	F03	81000		
	53250-LBA7-900	2	F06	61104-3G57-001	0	F10			
	53251-LCA5-E00	1	F06	61104-3G57-001	0	F23	81202-LBA7-E00	1	F23
53252-LBA7-900	4	F06							
53254-LBA7-900	3	F06	64000			83000			
53400-PWA2-900	3	F16							
53402-LBA7-900	1	F18	64307-LDF3-E00	3	F19	83500-LBA7-910	1	F12	
53450-PWA2-900	2	F16	64308-LDF3-E00	3	F19	83600-LBA7-910	1	F12	
53500-PWA2-900	3	F17	64316-KEB7-900	0	F12	83620-LBA7-900	2	F22	

PART NO. INDEX

PART NO.	VERSION	PAGE	PART NO.	VERSION	PAGE	PART NO.	VERSION	PAGE
84000	1	F23	87556-LLB1-E01	2	F26	9008A-LBA7-900	2	E04
			88000			90101-LBA7-900	3	E07
84703-LLB1-900			88110-LDF3-E00	4	F03	90104-LBA7-900	3	F08
85000			88120-LDF3-E00	4	F03	90105-LBA7-900	1	F07
85100-LDF3-E00	4	F22	89000			90105-LBA7-900	1	F08
86000			89010-LBA7-900	4	F09	90105-MLL0-731	1	F07
86323-LDF3-E61	4	F27	89020-KKC4-900	1	F09	90105-MLL0-731	1	F08
86333-LDF3-E61	4	F27	90000			90106-KFC2-900	0	F03
86503-LDF3-900	1	F27	90001-GBHB-661	2	E03	90106-LBA7-900	1	E07
86523-LDF3-E61	4	F27	90001-GBHB-661	2	E06	90110-LLB1-800	2	F05
86533-LDF3-E61	4	F27	90001-GBHB-681	1	E01	90110-LLB1-800	2	F12
86623-LEC1-E61	4	F27	90001-GBHB-711	1	E01	90111-1G47-001	0	F18
86633-LEC1-E61	4	F27	90001-GFY6-901	4	E01	90112-KNBN-901	1	F12
87000			90005-KEC8-900	3	E03	90114-1F66-007	2	F04
87322-LBA7-E00	3	F26	90012-3C33-001	2	E02	90114-KED9-900	3	E01
87505-LBA7-E01	3	F26	90031-KEBE-900	0	E01	90118-GFY6-901	2	F22
87514-LLB1-E00	1	F26	90031-KKA7-900	0	E01	90121-LBA7-900	2	F18
87515-LBA7-E01	1	F26	90033-GFY6-900	0	E02	90133-LLB1-900	1	E01
87517-LBA7-E00	2	F26	90033-GFY6-941	0	E02	90145-MKS9-61A-06	1	F04
			90071-MLB0-001	0	E06	90164-0H28-900	2	F21
						90201-KHE7-900	1	E05
						90201-KHR8-75A	1	E05
						90201-KHR8-75A	1	E06
						90202-1G87-001	0	E05
						90206-0A01-001	2	E02
						90301-LBA7-900	1	F07

PART NO. INDEX

PART NO.	VERSION	PAGE	PART NO.	VERSION	PAGE	PART NO.	VERSION	PAGE
90301-LBA7-900	1	F08	90458-LBA7-E00	1	E07	91004-KHE7-900	1	E05
90302-GBR2-001	1	F12	90465-MDC4-001	0	E02	91005-LBA7-900	1	E01
90302-GFY6-901	1	F03	90474-3C33-001	1	E01	91072-LBA7-900	2	F18
90302-GFY6-901	1	F05	90474-3C33-001	1	E07	91101-LCA5-E0B	1	E07
90302-GFY6-901	1	F24	90478-7L00-001	0	E02	91106-LBA7-900	1	E01
90302-LLB1-E00-06	2	F10	90478-7L00-001	0	E04	91106-LBA7-90A	0	E01
90302-LLB1-E00-06	2	F11	90501-LBA7-900	3	E05	91107-LBA7-900	1	E07
90302-LLB1-E00-06	2	F23	9052A-GFY6-950	3	E01	91107-LBA7-90A	0	E07
90304-4H38-001	2	E02	9052A-GFY6-950	3	E07	91201-9A51-004	0	E07
90304-GLW0-90A	1	F08	90545-3L00-001	2	F04	91201-KKJ9-004	0	E04
90304-GLW0-90A	1	F16	90605-1F66-721	0	E05	91202-KKC4-900	0	E01
90304-GLW0-90A	1	F17	90605-KED9-900	2	E07	91202-KKC4-90B	1	E01
90304-GLW0-90A	1	F18	90651-LBA7-900	1	F08	91202-LLB1-900	1	F22
90304-GLW0-90A	1	F22	90652-LLJ3-E00	0	F13	91206-2F86-014	0	E07
90304-GLW0-90A	1	F23	90656-KCBC-900	0	F24	91211-KHE7-900	0	E05
90305-GHE8-004	1	F18	90677-GAR1-004	1	F05	91254-LBA7-900	2	F08
90305-MAA1-004-SY	1	F06	90683-GAR1-004	4	F13	91256-LLB1-900	1	E07
90423-KKJ9-001	0	E04	90750-LLB1-900	2	E01	91257-2L30-006	0	F07
90432-LBA7-900	1	F08	90753-GDB4-68A	0	F22	91257-LBA7-900	1	F07
90441-KDY4-901	0	E01	90913-LBA7-900	1	F24	91258-LBA7-900	1	F16
90441-LBA7-900	2	E01				91258-LBA7-900	1	F17
90451-0A01-001	0	E07	91000			91258-LBA7-900	1	F18
90451-LBA7-900	1	E07				91259-LBA7-900	1	F18
90452-LBA7-900	1	E07	91001-KHV8-004	0	E01	91261-4E15-004	0	E01
90454-1G07-001	0	E07	91001-KKJ9-006	0	E04	91301-KHE7-900	0	E02
90455-LBA7-900	1	E07	91002-GGA7-70A	0	E05	91302-0A01-021	0	E04

PART NO. INDEX

PART NO.	VERSION	PAGE	PART NO.	VERSION	PAGE	PART NO.	VERSION	PAGE
91302-KHE7-900	0	E04	93404-06016-06	0	F24	93903-35360	0	F19
91302-PKA9-004	0	F08	93404-06020-06	1	F24	93903-35360	0	F20
91303-3G77-001	0	E04	93406-LLB1-900	0	F03	93903-35360	0	F22
91306-1E05-691	0	E03	93500-03010-1A	0	E06	93903-KEB7-900-06	1	F24
91306-LBA7-900	2	E01	93500-04025-0H	0	F13			
91307-0E35-001	0	E04	93500-05016-0H	0	E02	94000		
91309-4E25-004	0	E06	93500-05016-0H	0	E06			
91351-GAR1-001	0	E02	93500-05016-1B	0	F10	94001-06080-0S	0	E02
91351-KHE7-900	0	E05	93600-04012-1A	0	F04	94001-08080-0S	0	E07
91509-LBA7-E00	3	E07	93600-04012-1G	0	F04	94001-08080-0S	0	F14
91509-LLB1-900	3	E01	93600-04040-1G	0	F15	94001-10080-0S	0	F03
			93600-LDE9-E00	0	F04	94001-LAC5-900	1	E07
92000			93600-LEC1-E00	0	F08	94001-LLB1-800	2	F06
			93892-04008-18	0	E08	94001-LLB1-900	2	F06
92000-06010-0H	0	E07	93892-04010-18	0	E08	94002-06080-0S	0	E07
92101-05032-0H	0	E06	93892-04016-18	0	E08	94002-08000-0S	0	F15
92101-06020-0H	0	E07	93892-05012-18	0	E08	94011-12080-0S	0	F16
92712-06028-0B	2	E02	93893-04012-18	0	F04	94011-12080-0S	0	F17
			93893-04012-18	0	F15	94011-LBA7-900	1	F08
			93901-26110	0	F15	94011-LLB1-900	4	F07
			93903-34360	0	F05	94012-LLB1-900	1	F06
93404-06012-06	0	F13	93903-35360	0	E07	94050-05080	0	F20
93404-06012-08	0	F24	93903-35360	0	F01	94050-06060	0	F02
93404-06016-06	0	F05	93903-35360	0	F02	94050-06060	0	F04
93404-06016-06	0	F12	93903-35360	0	F05	94050-06060	0	F20
93404-06016-06	0	F18	93903-35360	0	F12	94050-06060	0	F22

PART NO. INDEX

PART NO.	VERSION	PAGE	PART NO.	VERSION	PAGE	PART NO.	VERSION	PAGE
94050-06060	0	F23	94201-30250	0	F16	95000		
94050-06060	0	F24	94201-30250	0	F17			
94050-06080	0	F10	94201-30300	0	F07			
94050-06080	0	F21	94201-30300	0	F08	95002-02070	0	F24
94050-08080	0	E02	94251-08400	0	F08	95002-02070	0	F25
94050-08080	0	E07	94301-08060	0	F08	95002-02080	0	F10
94050-08080	0	F14	94301-08140	0	E01	95002-02100	0	F05
94050-08080	0	F23	94301-08140	0	E04	95002-02100	0	F10
94050-10080	0	F23	94301-10160	0	E01	95002-02100	0	F24
94050-LDE9-E00	1	F05	94301-10160	0	E02	95002-02150	0	E07
94101-06200	0	F14	94301-10160	0	E03	95002-02150	0	F13
94101-06800	0	F02	94301-10160	0	E04	95002-41300-00	0	F10
94101-08800	0	F15	94301-10160	0	E07	95002-70000	0	F24
94101-10800	0	F06	94303-04065	0	E06	95002-KGN7-910	1	F24
94101-12800	0	F16	94510-10000	0	E06	95002-KHE7-900	0	E04
94101-12800	0	F17	94510-25000	0	E07	95002-KHE7-900	0	F24
94102-08000	5	E07	94510-75000	0	F08	95002-KKD6-E05	0	F13
94102-10800	0	F03	94520-26000	0	E04	95002-KKD6-E05	0	F25
94102-14800	0	F15	94520-28000	0	E05	95003-LBA7-900	1	F13
94111-06800	0	F14	94520-40000	0	F22	9500C-LBA7-900	2	F10
94111-08800	0	E07	94520-52000	0	E07	9500E-LBA7-900	2	F10
94201-20120	0	F15	94540-12028	0	E07	95701-06012-06	1	F04
94201-20150	0	E07	94591-KFBB-900	2	E02	95701-06012-06	1	F13
94201-25300	0	F06	94591-LLB1-900	2	E01	95701-06012-06	1	F22
94201-25300	0	F15	94601-17000	0	E03	95701-06012-06	1	F24
94201-30250	0	F06	94601-33000	0	E05	95701-06022-06	1	F04

PART NO. INDEX

PART NO.	VERSION	PAGE	PART NO.	VERSION	PAGE	PART NO.	VERSION	PAGE
95701-06022-06	1	F10	95801-10050-06	1	F17	96001-06032-08	0	E01
95701-06025-00	0	E02	95801-10057-06	2	F16	96001-06045-08	0	E04
95701-06025-08	0	E02	95801-10057-06	2	F17	96001-06050-08	0	E01
95701-06035-06	1	F15	95801-10060-06	0	F18	96001-06110-08	0	E02
95701-06040-00	0	E02	95801-10060-08	0	F18	96001-06125-08	0	E04
95701-06055-08	0	F08	95801-10085-06	1	F18	96100-60000-00	0	E04
95701-08012-08	0	E01	95801-10085-06	1	F22	96100-62040-00	0	E01
95701-08012-08	0	E07	95801-10160-06	0	F23	96100-62040-00	0	E07
95701-08012-08	0	F21	95801-LBA7-900-06	2	F18	96100-62050-00	2	E01
95701-08016-06	0	F12	96000			96100-62050-00	2	E07
95701-08016-06	0	F22				96100-63040-00	1	E07
95701-08016-06	0	F23				96150-60000-10	0	F16
95701-08020-08	0	F07	96001-06010-08	0	E01	96150-60000-10	0	F17
95701-08020-08	0	F08	96001-06010-08	0	E04	96150-60040-10	0	F07
95701-08025-08	0	F14	96001-06012-08	0	E01	96150-60080-10	0	F08
95701-08028-06	1	E07	96001-06012-08	0	E06	96150-62020-10	0	F07
95701-08040-08	0	E07	96001-06012-08	0	F14	96150-62030-10	0	F22
95701-08045-08	0	E07	96001-06016-08	0	E04	96201-10000	0	F18
95701-10012-08	0	F24	96001-06016-08	0	E07	96211-12000	0	E01
95701-LEC1-E00	0	F08	96001-06016-08	0	F08	96600-08015-10	1	E06
95801-08035-06	1	F04	96001-06018-08	0	E02	96600-KKC4-900	0	F08
95801-08060-06	0	F06	96001-06020-08	0	E07	98000		
95801-10025-08	0	F23	96001-06022-08	0	E04			
95801-10040-08	0	F16	96001-06025-08	0	E01			
95801-10040-08	0	F17	96001-06028-08	0	E04	98069-5791R-00	0	E02
95801-10050-06	1	F16	96001-06028-08	0	E06	98200-31000	1	F21

PART NO. INDEX

PART NO.	VERSION	PAGE	PART NO.	VERSION	PAGE	PART NO.	VERSION	PAGE
98200-31500	0	F21						
98200-33000	0	F21	W					
99000			W1711-300-9901	0	E08			
			W9353-30000	0	E08			
99101-393-0980	0	E08	W9525-25250	0	E08			
			W9535-25000	0	E08			
001000			W9535-35000	0	E08			
			W9574-13000	0	E08			
001-C4T2-04000	0	E08	W9576-01000	0	E08			
D								
D1141-A63-0100	0	E08						
D1310-850-0100	0	E08						
D1424-KAG-0100	0	E08						
K								
K785-076-0200	0	E08						
N								
N413-15A00	0	E08						
N427-BSD00	0	E08						