

# PARTS CATALOGUE



ATV

LB50AD(RO)

MXU250



Release Date : 2009/06/23  
Print Date : 2012/02/09

## ABOUT THIS PARTS LIST

- This parts list is compiled all service parts for model LB50AD(RO).
- Any difference between color chart and motorcycle will be revised according to motorcycle.
- The Mark:
  1. Marking "\*\*\*" must add color code in the end before ordering parts.
  2. Marking "#" are parts with modification, Please find the details from e-Parts system.
- When modification or additions to this parts list are made a revised edition at an appropriate time.



# CONTENTS

● ABOUT THIS PARTS LIST .....	1
● COLOR CHART OF LB50AD(RO) .....	3
● CONTENTS-ENGINE GROUP .....	7
● CONTENTS-FRAME GROUP .....	8
● ENGINE PARTS LIST .....	12
● FRAME PARTS LIST .....	54
● PART NO. INDEX .....	136

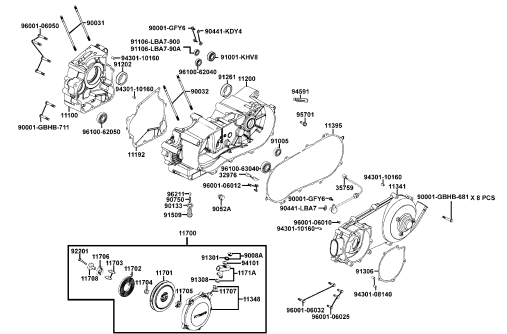
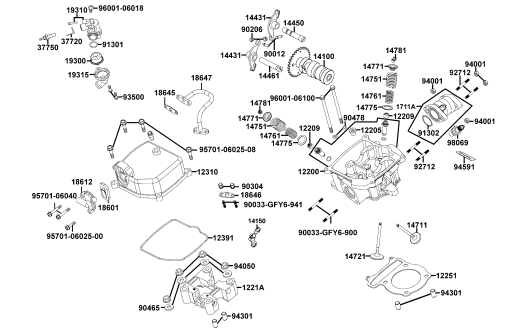
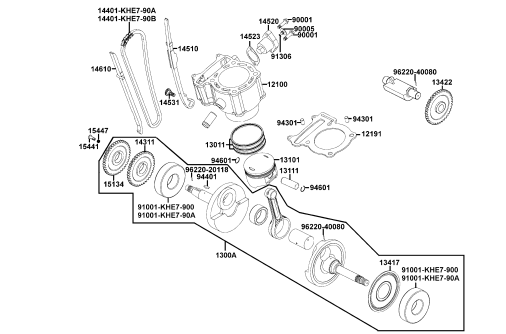
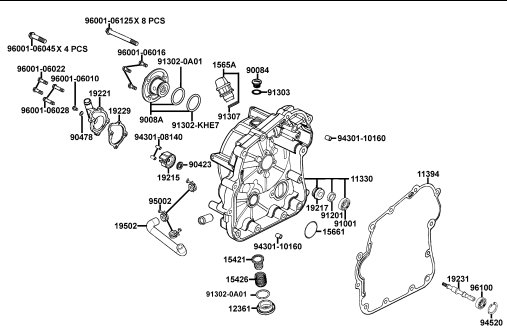
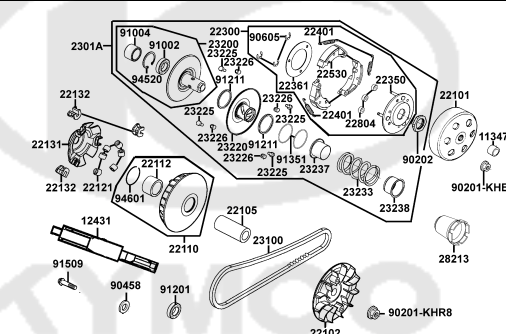
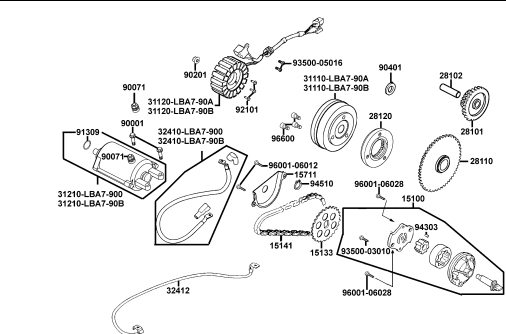
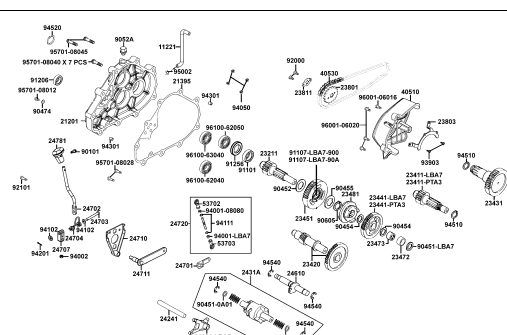
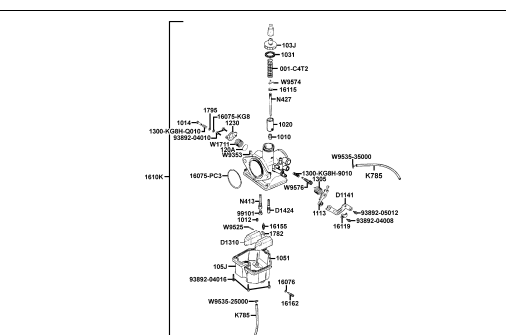
NO	MODEL			COLOR CHART OF LB50AD(RO)			
	PHOTO NO			NO. 1	NO. 2	NO. 3	NO. 4
	BASIC COLOR			Blue	Red	Deep Green	Black
	CODE			Blue	Red	Deep Green	Black
	PARTS NAME	PARTS NO.	VERSION	PB089SA	RR338SA	GG345SA	NH001SA
1	COVER TANK	17700-LCA5-E00	3	C3R	E4R	GWR	N1R
2	COVER HANDLE	53205-LCA5-E00	3				
3	FENDER FRONT	60100-LCA5-E00	7				
4	FENDER REAR	80100-LCA5-E00	8				
5	MOLDING RR FENDER	80200-LCA5-E00	4				
6	COVER BATTERY	80300-LCA5-E00	1				
7	LEVER L STRG HANDLE	53178-KFC8-E10	0	M2A			
8	COVER COMP R CRANK	11330-LBA7-900	9	M3A			
9	PIPE COMP FR BUMPER	85100-LCA5-E00	4	MAS			
10	DUCT DOOLING AIR	19102-LCA5-E01	1	N1R			
11	GUIDE COVER CHANGE	60120-LCA5-E00	5				
12	COVER FRONT	64301-LCA5-E00	2				
13	BUMPER FRONT	64302-LCA5-E01	1				
14	GRILL R FENDER	64303-LCA5-E01	1				
15	GRILL L FENDER	64304-LCA5-E01	1				
16	MUDGUARD R FLOOR	80121-LCA5-E01	1				
17	MUDGUARD L FLOOR	80122-LCA5-E01	1				
18	COVER R SIDE	83500-LCA5-E01	1				
19	COVER ASSY L SIDE	8360A-LCA5-E01	1				
20	HANDLE PIPE STRG	53100-LCA5-E00	3	N1S			
21	REAR CARRIER	77330-LCA5-E00	7				
22	FRONT CARRIER	77430-LCA5-E00	4				
23	COVER LEFT	11341-LBA7-900	7	N8A			
24	CALIPER ASSY RR	43100-LCA5-E00	3	NJA			
25	CALIPER ASSY REAR	43100-LEC1-E00	4				
DATE OF STARTING-SALES							
DATE OF END-SALES							

NO	MODEL			COLOR CHART OF LB50AD(RO)			
	PHOTO NO			NO. 5			
	BASIC COLOR			Yellow			
	CODE			Yellow			
	PARTS NAME	PARTS NO.	VERSION	YR159SA			
1	COVER TANK	17700-LCA5-E00	3	YNR			
2	COVER HANDLE	53205-LCA5-E00	3				
3	FENDER FRONT	60100-LCA5-E00	7				
4	FENDER REAR	80100-LCA5-E00	8				
5	MOLDING RR FENDER	80200-LCA5-E00	4				
6	COVER BATTERY	80300-LCA5-E00	1				
7	LEVER L STRG HANDLE	53178-KFC8-E10	0	M2A			
8	COVER COMP R CRANK	11330-LBA7-900	9	M3A			
9	PIPE COMP FR BUMPER	85100-LCA5-E00	4	MAS			
10	DUCT DOOLING AIR	19102-LCA5-E01	1	N1R			
11	GUIDE COVER CHANGE	60120-LCA5-E00	5				
12	COVER FRONT	64301-LCA5-E00	2				
13	BUMPER FRONT	64302-LCA5-E01	1				
14	GRILL R FENDER	64303-LCA5-E01	1				
15	GRILL L FENDER	64304-LCA5-E01	1				
16	MUDGUARD R FLOOR	80121-LCA5-E01	1				
17	MUDGUARD L FLOOR	80122-LCA5-E01	1				
18	COVER R SIDE	83500-LCA5-E01	1				
19	COVER ASSY L SIDE	8360A-LCA5-E01	1				
20	HANDLE PIPE STRG	53100-LCA5-E00	3	N1S			
21	REAR CARRIER	77330-LCA5-E00	7				
22	FRONT CARRIER	77430-LCA5-E00	4				
23	COVER LEFT	11341-LBA7-900	7	N8A			
24	CALIPER ASSY RR	43100-LCA5-E00	3	NJA			
25	CALIPER ASSY REAR	43100-LEC1-E00	4				
DATE OF STARTING-SALES							
DATE OF END-SALES							

NO	MODEL			COLOR CHART OF LB50AD(RO)			
	PHOTO NO			NO. 1	NO. 2	NO. 3	NO. 4
	BASIC COLOR			Blue	Red	Deep Green	Black
	CODE			Blue	Red	Deep Green	Black
	PARTS NAME	PARTS NO.	VERSION	PB089SA	RR338SA	GG345SA	NH001SA
26	CALIPER ASSY FR R	45100-LBA7-900	5	NJA			
27	CALIPER ASSY FR L	45200-LBA7-900	5				
28	HUB ASSY REAR	42610-LBA7-900	7	NJS			
29	RIM RR WHEEL	42705-LCA5-E00	4				
30	RIM FR WHEEL	44705-LCA5-E00	3	R8S			
31	CUSHION ASSY FR	51400-LCA5-E00	2				
32	CUSHION ASSY RR	52400-LCA5-E00	3	T01			
33	SEAT ASSY	77200-LCA5-E00	1				
34	EMB K-LOGO 30MM (PP)	86102-LCA5-900	2				
35	CAUTION SHIFIT GEARS	87322-LBA7-E00	3				
36	LABEL TIRE ON ROAD	87505-LBA7-E01	3				
37	CAUTION MAXIMUM	87514-LCA5-E00	1				
38	CAUTION LIST ON ROAD	87515-LBA7-E01	1				
39	CAUTION DRIVE AGE	87517-LBA7-E00	2				
40	CAUTION CARRIER MAX	87556-LCA5-E00	1				
41	CAUTION CARRIER MAX	87556-LLB1-E01	2				
42	STRIPE R FENDER	86523-LCA5-E61	6	T05                      T01                      T03                      T02			
43	STRIPE L FENDER	86533-LCA5-E61	6				
44	STRIPE R RR FENDER	86623-LCA5-E61	2				
45	STRIPE L RR FENDER	86633-LCA5-E61	2	T03			
46	STRIPE KYMCO	87532-LBE8-900	2				
47	STRIPE K-LOGO 60MM	87532-LCA5-900	1				
DATE OF STARTING-SALES							
DATE OF END-SALES							

NO	MODEL			COLOR CHART OF LB50AD(RO)			
	PHOTO NO			NO. 5			
	BASIC COLOR			Yellow			
	CODE			Yellow			
	PARTS NAME	PARTS NO.	VERSION	YR159SA			
26	CALIPER ASSY FR R	45100-LBA7-900	5	NJA			
27	CALIPER ASSY FR L	45200-LBA7-900	5				
28	HUB ASSY REAR	42610-LBA7-900	7	NJS			
29	RIM RR WHEEL	42705-LCA5-E00	4				
30	RIM FR WHEEL	44705-LCA5-E00	3				
31	CUSHION ASSY FR	51400-LCA5-E00	2	R8S			
32	CUSHION ASSY RR	52400-LCA5-E00	3				
33	SEAT ASSY	77200-LCA5-E00	1	T01			
34	EMB K-LOGO 30MM (PP)	86102-LCA5-900	2				
35	CAUTION SHIFIT GEARS	87322-LBA7-E00	3				
36	LABEL TIRE ON ROAD	87505-LBA7-E01	3				
37	CAUTION MAXIMUM	87514-LCA5-E00	1				
38	CAUTION LIST ON ROAD	87515-LBA7-E01	1				
39	CAUTION DRIVE AGE	87517-LBA7-E00	2				
40	CAUTION CARRIER MAX	87556-LCA5-E00	1				
41	CAUTION CARRIER MAX	87556-LLB1-E01	2				
42	STRIPE R FENDER	86523-LCA5-E61	6		T04		
43	STRIPE L FENDER	86533-LCA5-E61	6				
44	STRIPE R RR FENDER	86623-LCA5-E61	2				
45	STRIPE L RR FENDER	86633-LCA5-E61	2	T03			
46	STRIPE KYMCO	87532-LBE8-900	2				
47	STRIPE K-LOGO 60MM	87532-LCA5-900	1				
DATE OF STARTING-SALES							
DATE OF END-SALES							

# CONTENTS - ENGINE GROUP

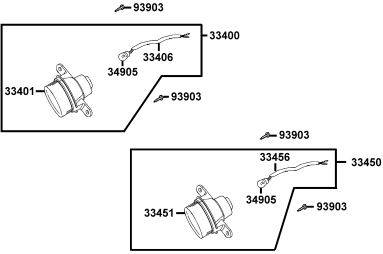
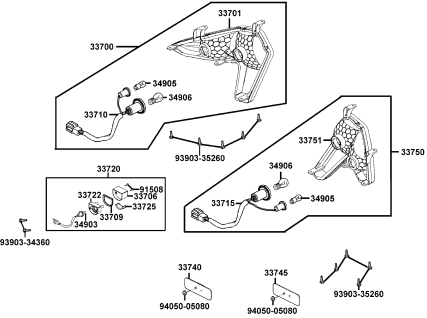
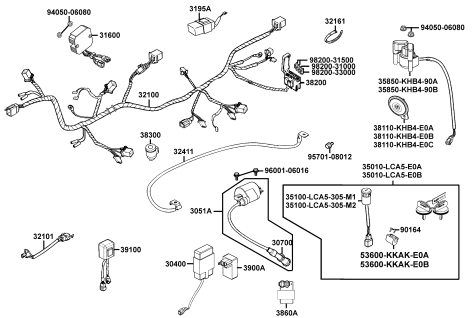
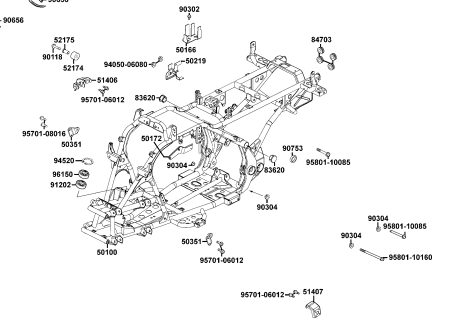
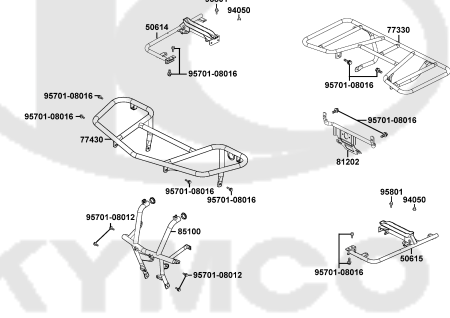
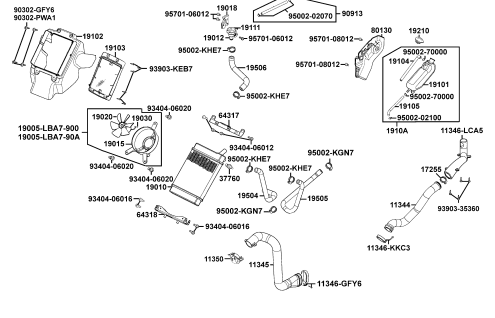
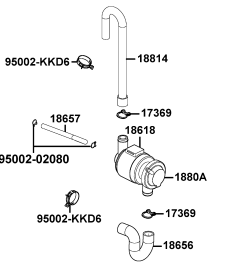
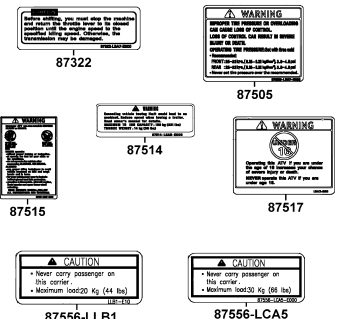
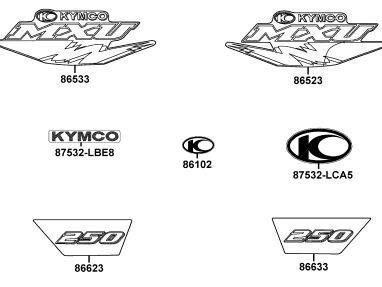
<b>E01</b> Crank Case	<b>E02</b> Cylinder Head Cover Cylinder	<b>E03</b> Cylinder Piston Crankshaft
		
		
		









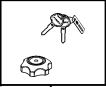
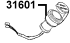

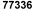
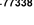
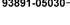


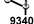






# CONTENTS - FRAME GROUP

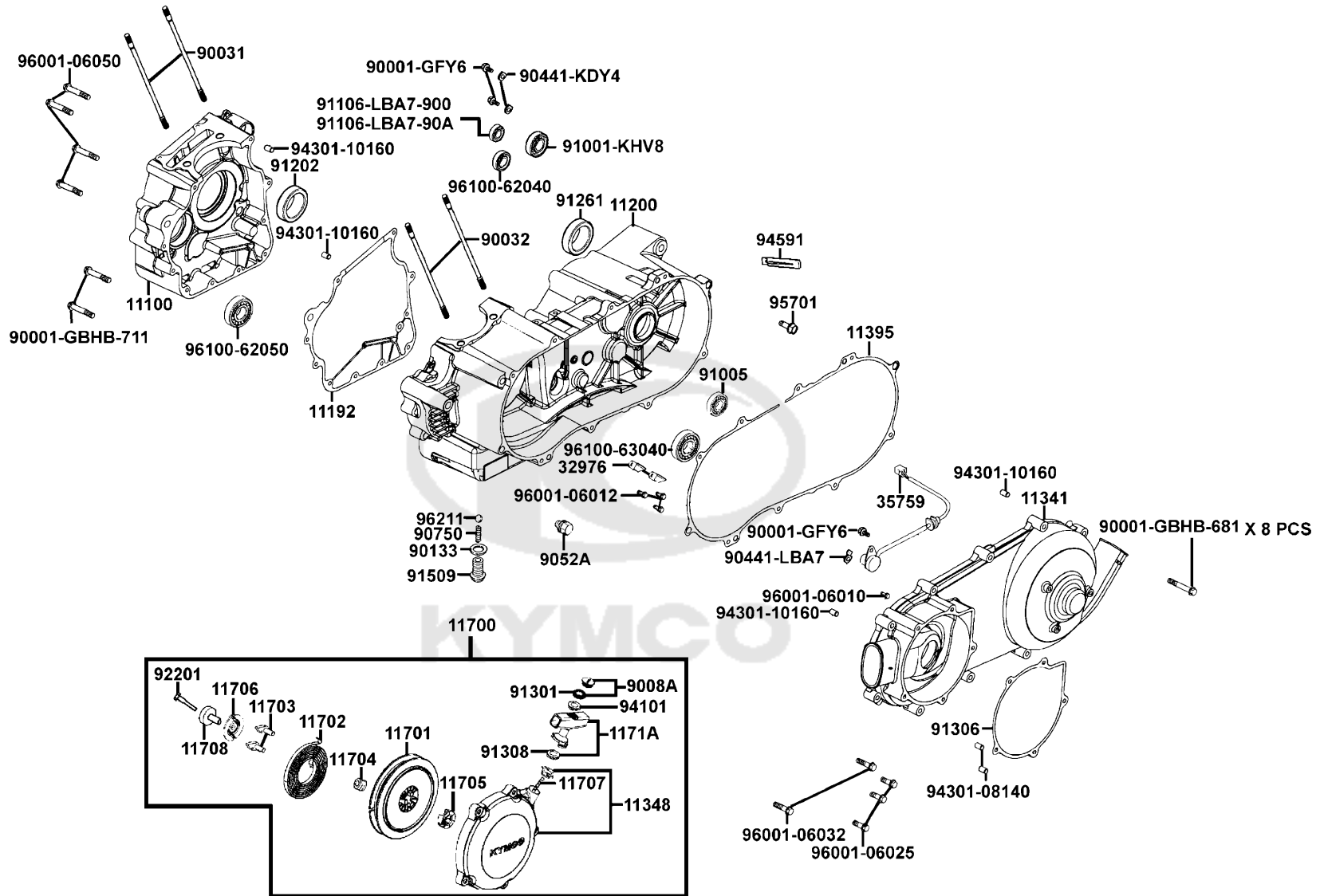
<p><b>F19 Winker Position Light</b></p> 	<p><b>F20 Light Tail</b></p> 	<p><b>F21 Harness Wire</b></p> 
<p><b>F22 Frame Body</b></p> 	<p><b>F23 CARRIER LUGGAGE</b></p> 	<p><b>F24 Radiator</b></p> 
<p><b>F25 Air Aicv</b></p> 	<p><b>F26 Caution Label</b></p> 	<p><b>F27 Emblem Stripe</b></p> 

# CONTENTS - FRAME GROUP

F28 Key	F29 Option Part	
<div style="display: flex; flex-wrap: wrap; justify-content: space-around;"> <div style="text-align: center; margin: 5px;"> <p>35111-LLB1-327</p>  </div> <div style="text-align: center; margin: 5px;"> <p>35111-LCA5-325-M1</p>  </div> <div style="text-align: center; margin: 5px;"> <p>35111-LCA5-326-M1</p>  </div> <div style="text-align: center; margin: 5px;"> <p>35111-LLB1-328</p>  </div> <div style="text-align: center; margin: 5px;"> <p>35111-LCA5-325-M2</p>  </div> <div style="text-align: center; margin: 5px;"> <p>35111-LCA5-326-M2</p>  </div> </div>	<div style="display: flex; flex-wrap: wrap; justify-content: space-around;"> <div style="text-align: center; margin: 5px;">  <p>17620</p> </div> <div style="text-align: center; margin: 5px;">  <p>31601</p> </div> <div style="text-align: center; margin: 5px;">  <p>93891-05012</p> </div> <div style="text-align: center; margin: 5px;">  <p>77336</p> </div> <div style="text-align: center; margin: 5px;">  <p>77338</p> </div> <div style="text-align: center; margin: 5px;">  <p>93891-05030</p> </div> <div style="text-align: center; margin: 5px;">  <p>64400</p> </div> <div style="text-align: center; margin: 5px;">  <p>50613</p> </div> <div style="text-align: center; margin: 5px;">  <p>93404</p> </div> <div style="text-align: center; margin: 5px;">  <p>93404</p> </div> </div>	
		

E01

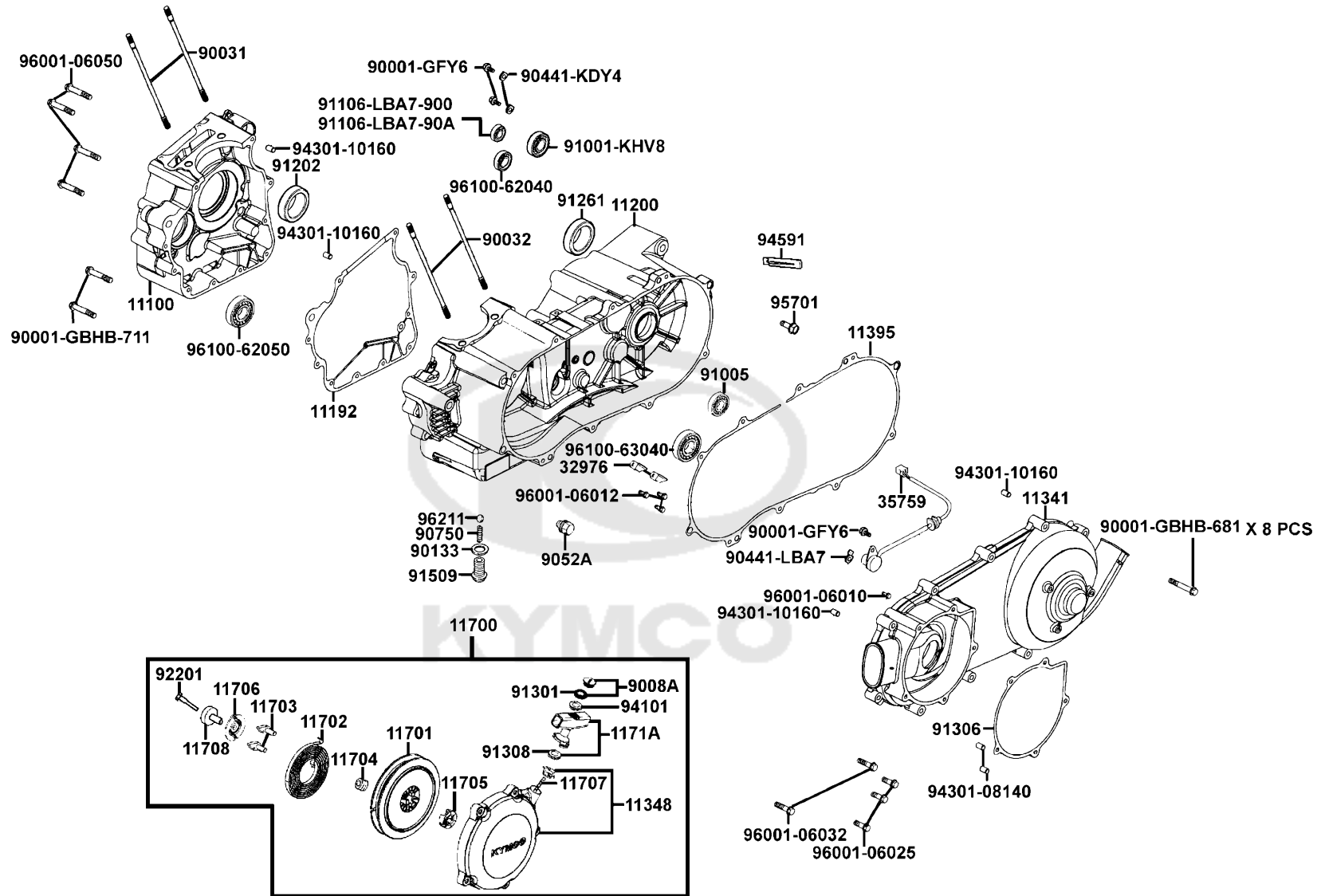
# Crank Case



Sales mark	Ref no	Part no	Description	Reg description	Regd no	<b>E01</b>
	11100	11100-LBA7-900	CRANK CASE COMP R	CRANK CASE COMP R	1	
	11192	11192-LBA7-900	GASKET CRANK CASE	GASKET CRANK CASE	1	
	11200	11200-LBA7-900	CRANK CASE COMP L	CRANK CASE COMP L	1	
**	11341	11341-LBA7-900	COVER LEFT	COVER LEFT	1	
	11348	11348-LCA5-E00	COVER STARTING	COVER STARTING	1	
	11395	11395-LBA7-900	GASKET L COVER	GASKET L COVER	1	
	11700	11700-LDE9-E00	RECOIL STARTING	RECOIL STARTING	1	
	11701	11701-LDE9-E00	REEL STARTING	REEL STARTING	1	
	11702	11702-LCA5-E00	SPIRAL SPG STARTING	SPIRAL SPG STARTING	1	
	11703	11703-LCA5-E00	RACHET STARTING	RACHET STARTING	2	
	11704	11704-LCA5-E00	SPG RACHET GUIDE	SPG RACHET GUIDE	1	
	11705	11705-LCA5-E00	SPACER STARTING	SPACER STARTING	1	
	11706	11706-LCA5-E00	RACHET GUIDE STARTING	RACHET GUIDE STARTING	1	
	11707	11707-LCA5-E00	ROPE STARTING	ROPE STARTING	1	
	11708	11708-LCA5-E00	COLLAR	COLLAR	1	
	1171A	1171A-LCA5-E00	HOLDER ASSY STARTING	HOLDER ASSY STARTING	1	
	32976	32976-1G07-001	CLAMPER WIRE HARNESS	CLAMPER WIRE HARNESS	2	
	35759	35759-LBA7-900	SW ASSY GEAR CHANGE	SW ASSY GEAR CHANGE	1	
	90001-GBHB-681	90001-GBHB-681	BOLT FLANGE SHF 6*28	BOLT FLANGE SHF 6*28	8	
	90001-GBHB-711	90001-GBHB-711	BOLT FLANGE SHF 6*40	BOLT FLANGE SHF 6*40	2	

E01

# Crank Case

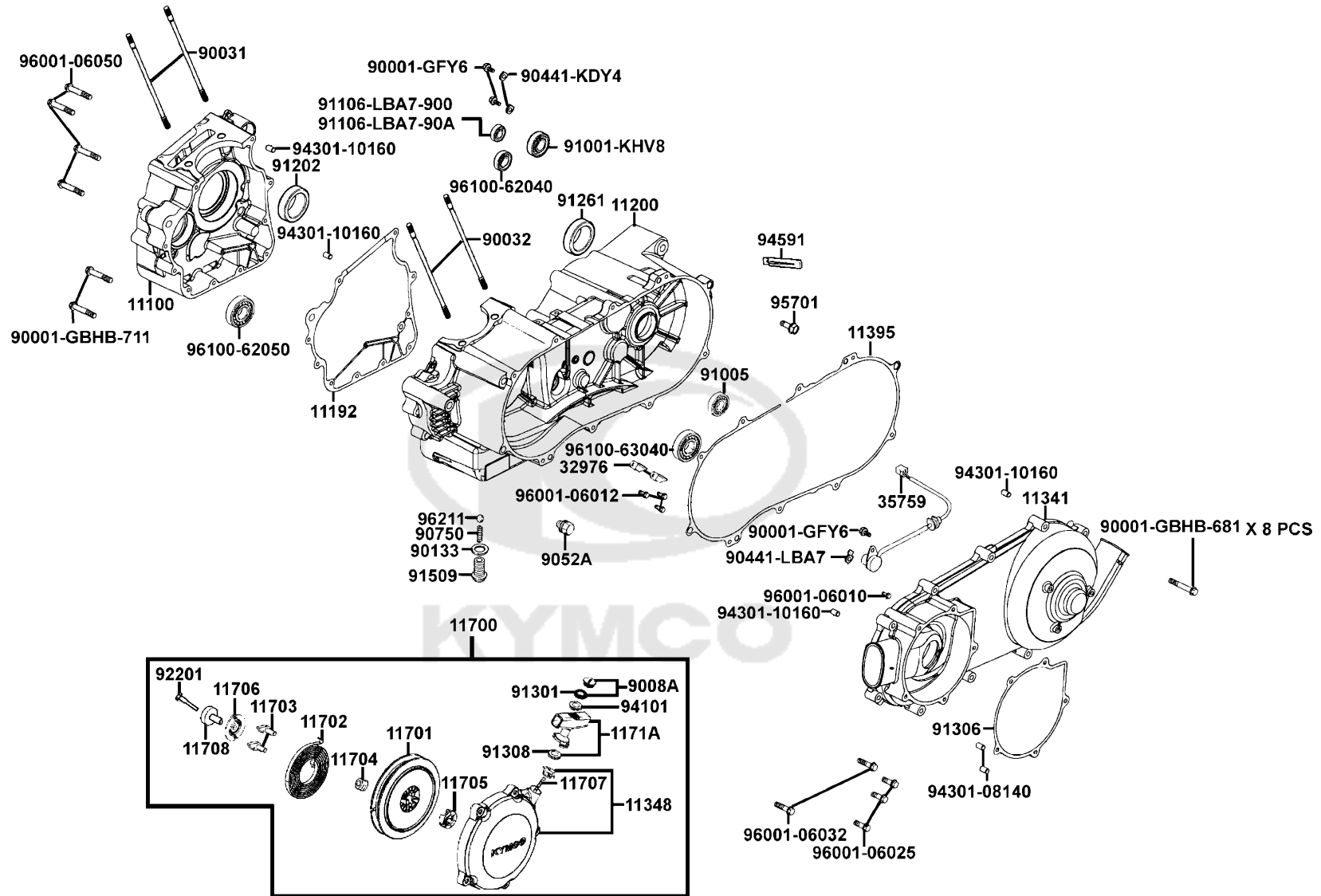


Sales mark	Ref no	Part no	Description	Reg description	Regd no	E01
	90001-GFY6	90001-GFY6-901	SOCKET BOLT 6*10	SOCKET BOLT 6*10	3	
	90031	90031-KEBE-900	BOLT A STUD 8MM	BOLT A STUD 8MM	2	
	90032	90032-KEBE-900	BOLT B STUD 8MM	BOLT B STUD 8MM	2	
	9008A	9008A-LCA5-E00	COVER ASSY HOLDER	COVER ASSY HOLDER	1	
	90133	90133-LLB1-900	WASHER BOLT SEAT	WASHER BOLT SEAT	1	
	90441-KDY4	90441-KDY4-901	PLATE BRG HOLD	PLATE BRG HOLD	2	
	90441-LBA7	90441-LBA7-900	PLATE BRG HOLD	PLATE BRG HOLD	1	
	9052A	9052A-GFY6-950	BOLT ASSY DRAIN PLUG	BOLT ASSY DRAIN PLUG	1	
	90750	90750-LLB1-900	SPRING BOLT SEAT INNER	SPRING BOLT SEAT INNER	1	
	91001-KHV8	91001-KHV8-004	BRG BALL RADIAL 6305	BRG BALL RADIAL 6305	1	
	91005	91005-LBA7-900	BEARING BALL RADIAL 6005LLU	BEARING BALL RADIAL 6005LLU	1	
	91106-LBA7-900	91106-LBA7-900	BRG NEEDLE 20*26*16	BRG NEEDLE 20*26*16	1	
	91106-LBA7-90A	91106-LBA7-90A	BRG NEEDLE 20*26*16	BRG NEEDLE 20*26*16	1	
#	91202	91202-KKC4-900	OIL SEAL 27*42*7	OIL SEAL 27*42*7	1	
#	91202	91202-KKC4-90B	OIL SEAL 27X42X7	OIL SEAL 27X42X7	1	
	91261	91261-4E15-004	OIL SEAL 25*40*8	OIL SEAL 25*40*8	1	
	91301	91301-KHE7-900	O-RING 17.8*1.9	O-RING 17.8*1.9	1	
	91306	91306-LBA7-900	GASKET STARTING COVER	GASKET STARTING COVER	1	
	91308	91308-LCA5-E00	O-RING 18.1*3	O-RING 18.1*3	1	
	91509	91509-LLB1-900	BOLT SEAT BALL STOPPER	BOLT SEAT BALL STOPPER	1	



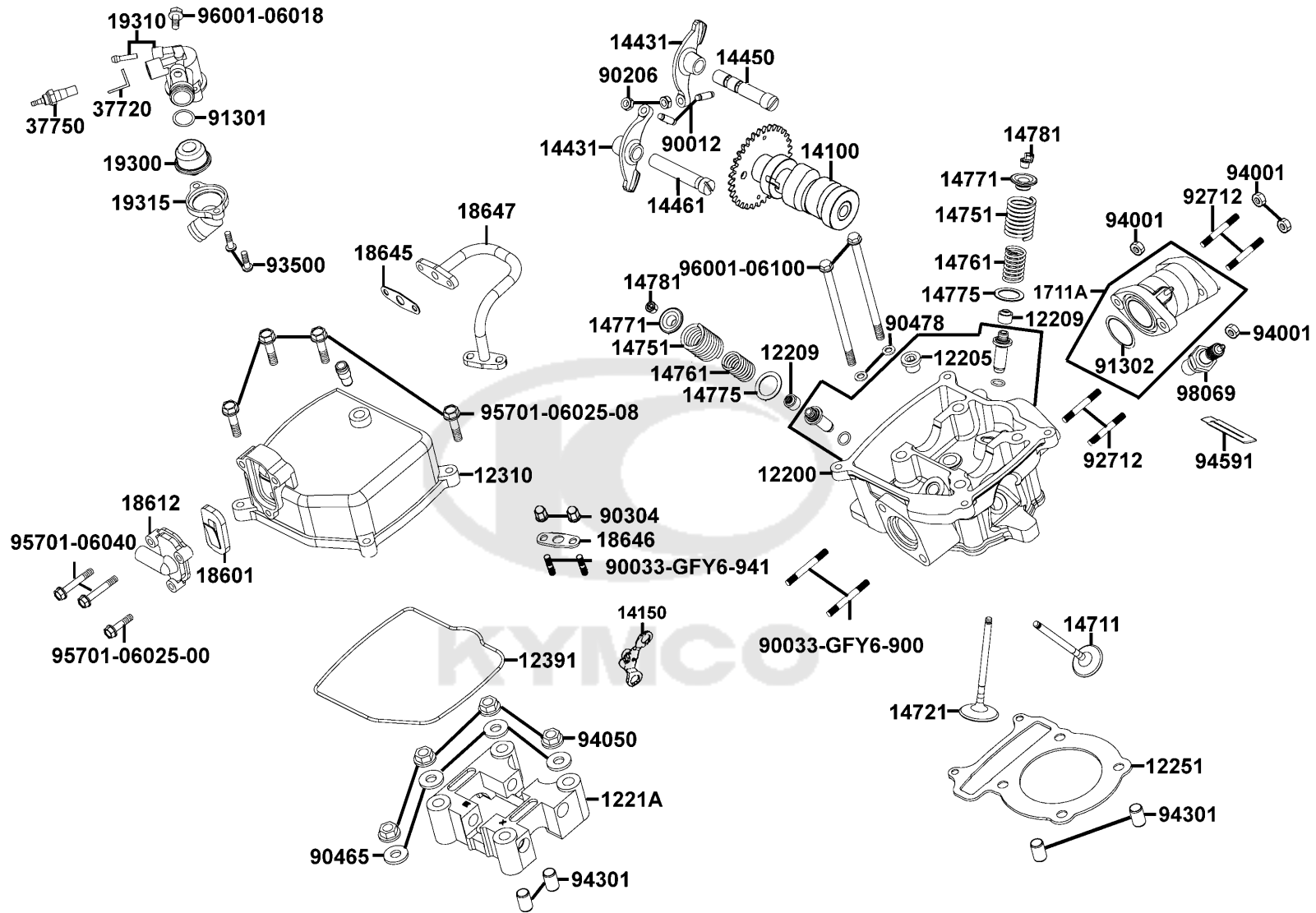
E01

# Crank Case



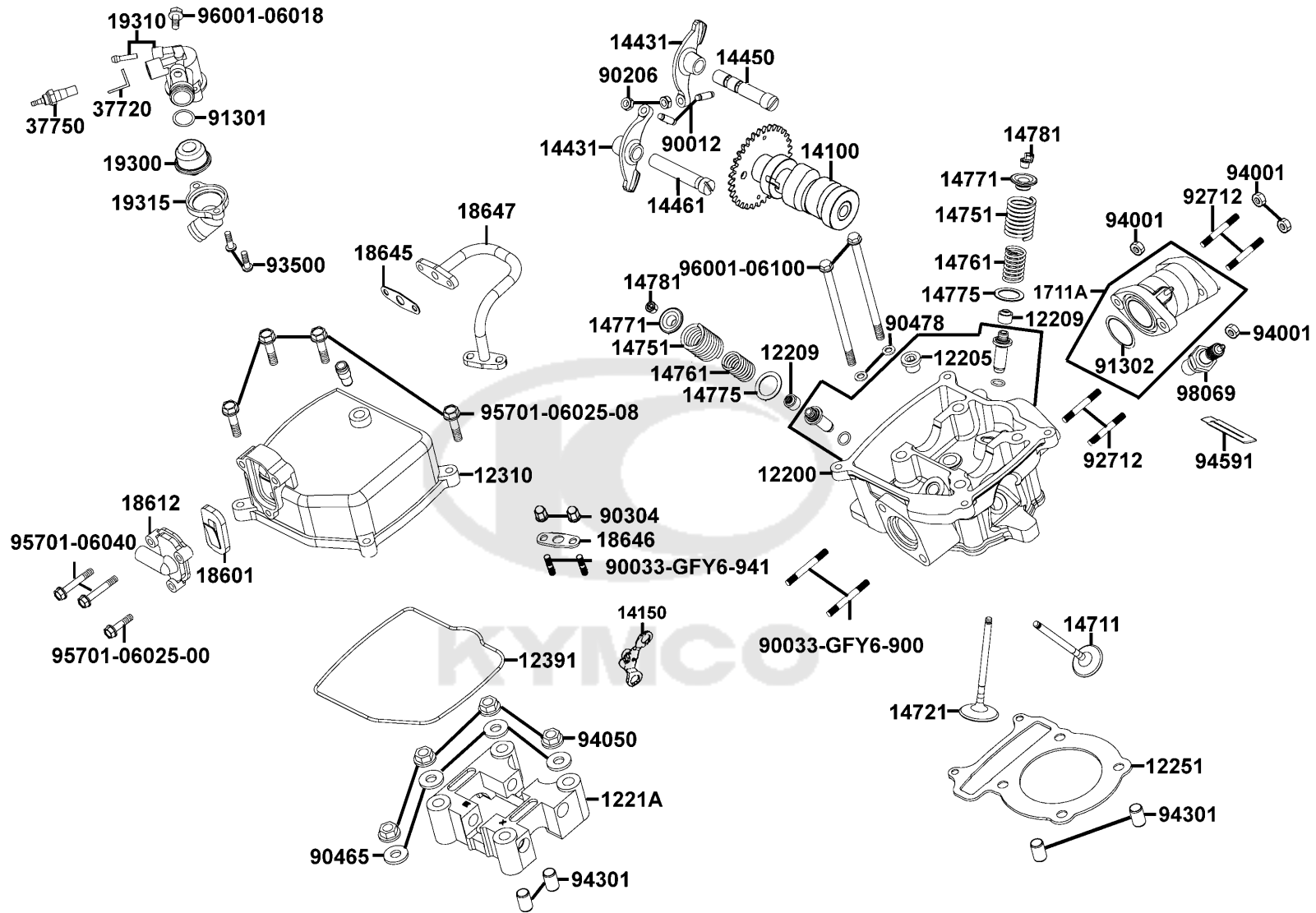
Sales mark	Ref no	Part no	Description	Reg description	Regd no	<b>E01</b>
92201		92201-05025-0H	BOLT HEX 5*25	BOLT HEX 5*25	1	
94101		94101-LCA5-E00	WASHER PLAIN 6MM	WASHER PLAIN 6MM	1	
94301-08140		94301-08140	DOWEL PIN 8*14	DOWEL PIN 8*14	2	
94301-10160		94301-10160	DOWEL PIN 10*16	DOWEL PIN 10*16	4	
94591		94591-LLB1-900	CLIP 2*100	CLIP 2*100	1	
95701		95701-08012-08	BOLT FLANGE 8*12	BOLT FLANGE 8*12	1	
96001-06010		96001-06010-08	BOLT FLANGE SH 6*10	BOLT FLANGE SH 6*10	1	
96001-06012		96001-06012-08	BOLT FLANGE 6*12	BOLT FLANGE 6*12	2	
96001-06025		96001-06025-08	BOLT FLANGE SH 6*25	BOLT FLANGE SH 6*25	3	
96001-06032		96001-06032-08	BOLT FLANGE SH 6*32	BOLT FLANGE SH 6*32	2	
96001-06050		96001-06050-08	BOLT FLANGE 6*50	BOLT FLANGE SH 6*50	4	
96100-62040		96100-62040-00	BRG BALL RADIAL 6204	BEARING BALL RADIAL 6204	1	
96100-62050		96100-62050-00	BEARING BALL RADIAL 6205	BEARING BALL RADIAL 6205	1	
96100-63040		96100-63040-00	BRG BALL RADIAL 6304	BRG BALL RADIAL 6304	1	
96211		96211-12000	BALL STEEL 12	BALL STEEL 12	1	

# Cylinder Head Cover Cylinder Head



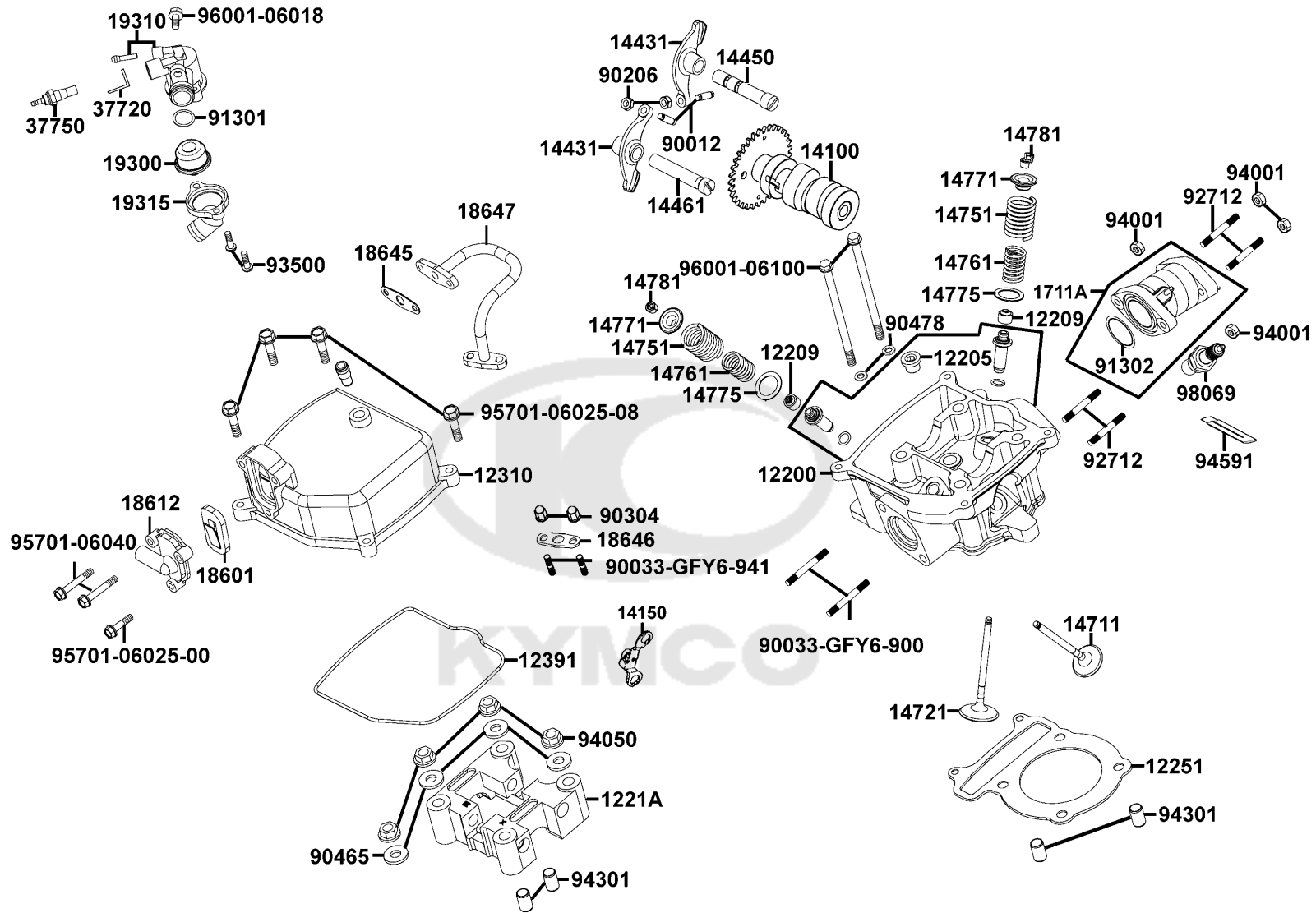
Sales mark	Ref no	Part no	Description	Reg description	Regd no	<b>E02</b>
12200		12200-KHE7-900	HEAD COMP CYLN	HEAD COMP CYLN	1	
12205		12205-KHE8-301	BOLT SEALING 12MM	BOLT SEALING 12MM	1	
12209		12209-GDB4-68A	SEAL VALVE STEM	SEAL VALVE STEM	2	
1221A		1221A-LBA7-900	HOLDER COMP CAM SHAFT	HOLDER COMP CAM SHAFT	1	
12251		12251-KHE7-901	GASKET CYLINDER HEAD	GASKET CYLINDER HEAD	1	
12310		12310-KHE7-900	COVER COMP CYLN HEAD	COVER COMP CYLN HEAD	1	
12391		12391-KHE7-900	GASKET HEAD COVER	GASKET HEAD COVER	1	
14100		14100-LCA5-E00	SHAFT COMP CAM	SHAFT COMP CAM	1	
14150		14150-LBA7-900	PLATE COMP STOPPER	PLATE COMP STOPPER	1	
14431		14431-KHE7-900	ARM VALVE ROCKER	ARM VALVE ROCKER	2	
14450		14450-KEBE-900	SHAFT COMP IN ROCKER ARM	SHAFT COMP IN ROCKER ARM	1	
14461		14461-KHE7-900	SHAFT EX ROCKER	SHAFT EX ROCKER	1	
14711		14711-KHE7-900	VALVE INLET	VALVE INLET	1	
14721		14721-KHE7-900	VALVE EXHAUST	VALVE EXHAUST	1	
14751		14751-KHE7-900	SPG VALVE OUTER	SPG VALVE OUTER	2	
14761		14761-KHE7-900	SPG VALVE INNER	SPG VALVE INNER	2	
14771		14771-GDB4-680	RETAINER VALVE SPRING	RETAINER VALVE SPRING	2	
14775		14775-MFA6-001	SEAT VALVE SPG OUTER	SEAT VALVE SPG OUTER	2	
14781		14781-MFA6-001	COTTER VALVE	COTTER VALVE	4	
1711A		1711A-LBA7-E00	PIPE COMP INLET	PIPE COMP INLET	1	

# Cylinder Head Cover Cylinder Head

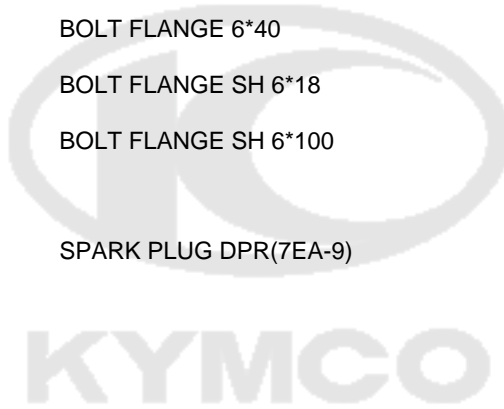


Sales mark	Ref no	Part no	Description	Reg description	Regd no	<b>E02</b>
18601		18601-MAJ1-791	REED VALVE COMP	VALVE COMP REED	1	
18612		18612-GFY6-941	COVER REED VALVE	COVER REED VALVE	1	
18645		18645-GFY6-941	GASKET A/I PIPE	GASKET A/I PIPE	1	
18646		18646-GFY6-941	GASKET A/I PIPE	GASKET A/I PIPE	1	
18647		18647-KHE7-900	PIPE COMP AIR	PIPE COMP AIR	1	
19300		19300-KAE1-004	THERMOSTAT ASSY	THERMOSTAT ASSY	1	
19310		19310-KHE7-900	CASE COMP THERMOSTAT	CASE COMP THERMOSTAT	1	
19315		19315-LBA7-900	COVER THERMOSTAT	COVER THERMOSTAT	1	
37720		37720-KGB5-900	EARTH TERMINAL THERMO	EARTH TERMINAL THERMO	1	
37750		37750-PAC1-005	THERMO UNIT ASSY	THERMO UNIT ASSY	1	
90012		90012-3C33-001	SCREW TAPPET ADJUSTING	SCREW TAPPET ADJUSTING	2	
90033-GFY6-900		90033-GFY6-900	BOLT STUD 8*32	BOLT STUD 8*32	2	
90033-GFY6-941		90033-GFY6-941	BOLT STUD 6*16	BOLT STUD 6*16	2	
90206		90206-0A01-001	NUT TAPPET ADJG	NUT TAPPET ADJG	2	
90304		90304-4H38-001	NUT HEX CAP 6MM	NUT HEX CAP 6MM	2	
90465		90465-MDC4-001	WASHER 8MM	WASHER 8MM	4	
90478		90478-7L00-001	WASHER A 6MM	WASHER A 6MM	2	
91301		91301-LBA7-900	O-RING 17.8*1.9	O-RING 17.8*1.9	1	
91302		91302-2L00-001	O-RING 33.5*3	O-RING 33.5*3	1	
92712		92712-06028-0B	BOLT STUD 6*28	BOLT STUD 6*28	4	

# Cylinder Head Cover Cylinder Head

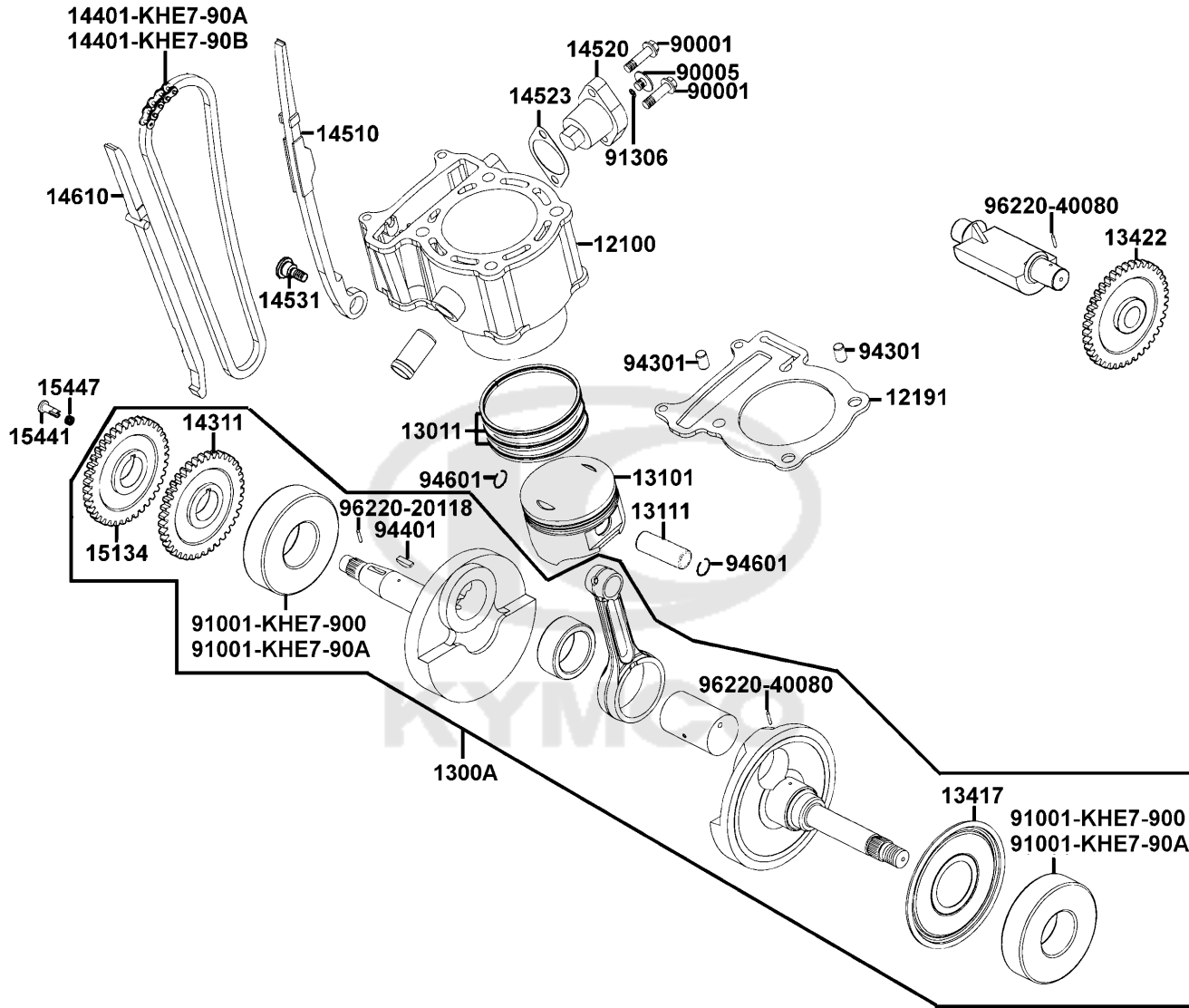


Sales mark	Ref no	Part no	Description	Reg description	Regd no	<b>E02</b>
93500		93500-05016-0H	SCREW PAN 5*16	SCREW PAN 5*16	2	
94001		94001-06080-0S	NUT HEX 6MM	NUT HEX 6MM	4	
94050		94050-08080	NUT FLANGE 8MM	NUT FLANGE 8MM	4	
94301		94301-10160	DOWEL PIN 10*16	DOWEL PIN 10*16	4	
94591		94591-KFBF-900	CLIP 2*70	CLIP 2*70	1	
95701-06025-00		95701-06025-00	BOLT FLANGE 6*25	BOLT FLANGE 6*25	1	
95701-06025-08		95701-06025-08	BOLT FLANGE 6*25	BOLT FLANGE 6*25	4	
95701-06040		95701-06040-00	BOLT FLANGE 6*40	BOLT FLANGE 6*40	2	
96001-06018		96001-06018-08	BOLT FLANGE SH 6*18	BOLT FLANGE SH 6*18	1	
96001-06100		96001-06100-08	BOLT FLANGE SH 6*100	BOLT FLANGE SH 6*100	2	
98069		98069-5791R-00	SPARK PLUG DPR(7EA-9)	SPARK PLUG DPR (7EA-9)	1	



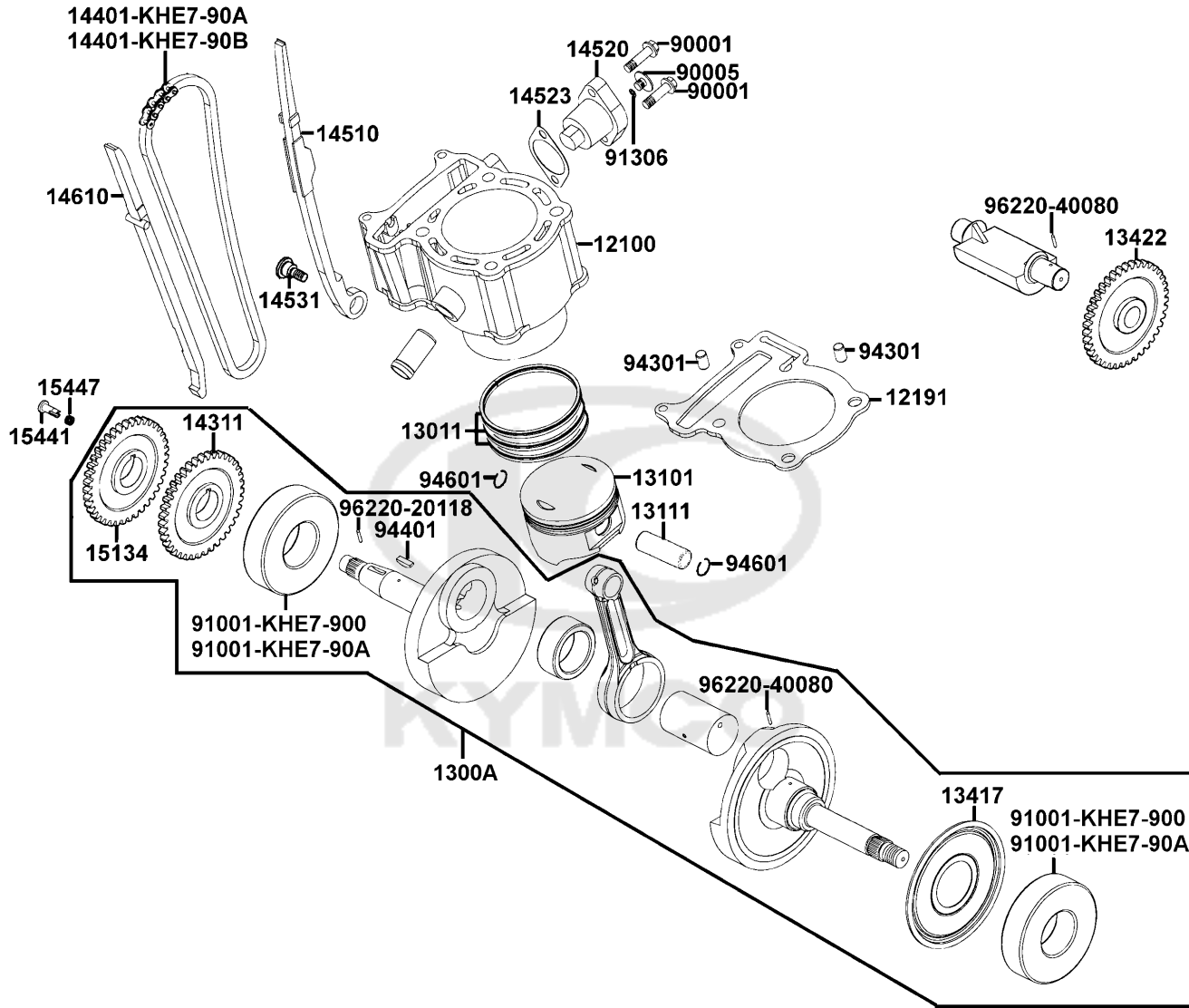


# Cylinder Piston Crankshaft



Sales mark	Ref no	Part no	Description	Reg description	Regd no	E03
	12100	12100-KHE7-900	CYLINDER COMP	CYLINDER COMP	1	
	12191	12191-KHE7-910	GASKET CYLINDER	GASKET CYLINDER	1	
	1300A	1300A-PWA1-305	CRANK SHAFT COMP	CRANK SHAFT COMP	1	
	13011	13011-KHE7-900	RING SET PISTON	RING SET PISTON	1	
	13101	13101-KHE7-900	PISTON	PISTON	1	
	13111	13111-KHE7-900	PIN PISTON	PIN PISTON	1	
	13417	13417-LBA7-900	GEAR BALANCER DRIVE	GEAR BALANCER DRIVE	1	
	13422	13422-LBA7-900	GEAR BALANCER DRIVEN	GEAR BALANCER DRIVEN	1	
	14311	14311-KHE7-900	GEAR TIMING	GEAR TIMING	1	
	14401-KHE7-90A	14401-KHE7-90A	CHAIN CAM	CHAIN CAM	1	
	14401-KHE7-90B	14401-KHE7-90B	CHAIN CAM	CHAIN CAM	1	
	14510	14510-KHE7-900	TENSIONER CAM CHAIN	TENSIONER CAM CHAIN	1	
	14520	14520-GFY6-90A	LIFTER ASSY TENSIONER	LIFTER ASSY TENSIONER	1	
	14523	14523-KED9-900	GASKET TENSIONER LIFTER @A	GASKET TENSIONER LIFTER@A	1	
	14531	14531-KHE7-900	PIVOT CAM CHAIN TENSIONER	PIVOT CAM CHAIN TENSIONER	1	
	14610	14610-KHE7-900	GUIDE COMP CAM CHAIN	GUIDE COMP CAM CHAIN	1	
	15134	15134-KHE7-900	GEAR OIL PUMP DRIVE	GEAR OIL PUMP DRIVE	1	
	15441	15441-1K49-001	OIL THROUGH	OIL THROUGH	1	
	15447	15447-1K49-001	SPG OIL THROUGH	SPG OIL THROUGH	1	
	90001	90001-GBHB-661	BOLT FLANGE SH 6*22	BOLT FLANGE SH 6*22	2	

# Cylinder Piston Crankshaft

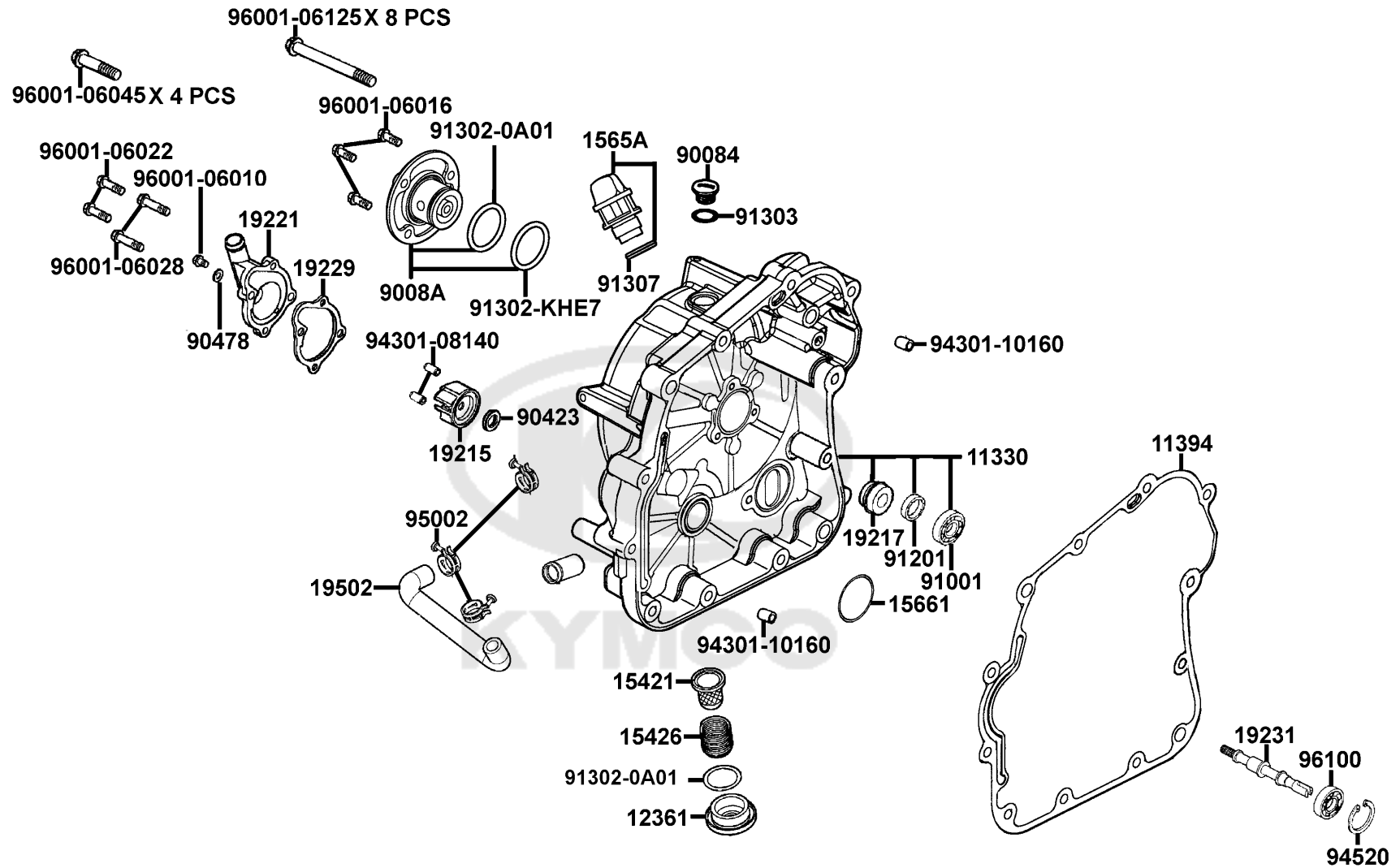


Sales mark	Ref no	Part no	Description	Reg description	Regd no	<b>E03</b>
	90005	90005-KEC8-900	BOLT SPECIAL 6*6	BOLT SPECIAL 6*6	1	
	91001-KHE7-900	91001-KHE7-900	BRG BALL RADIAL TMB307JR2CS19	BRG BALL RADIAL TMB307JR2CS19	2	
	91001-KHE7-90A	91001-KHE7-90A	BRG BALL RADIAL TMB307JR2CS19	BRG BALL RADIAL TMB307JR2CS19	2	
	91306	91306-1E05-691	O-RING 1.5*9.5	O-RING 1.5*9.5	1	
	94301	94301-10160	DOWEL PIN 10*16	DOWEL PIN 10*16	2	
	94401	94401-25140	WOODRUFF KEY 25*14	WOODRUFF KET 25*14	1	
	94601	94601-17000	CLIP PISTON PIN 17MM	CLIP PISTON PIN 17MM	2	
	96220-20118	96220-20118	ROLLER 2*11.8	ROLLER 2*11.8	1	
	96220-40080	96220-40080	ROLLER 4*8	ROLLER 4*8	2	



E04

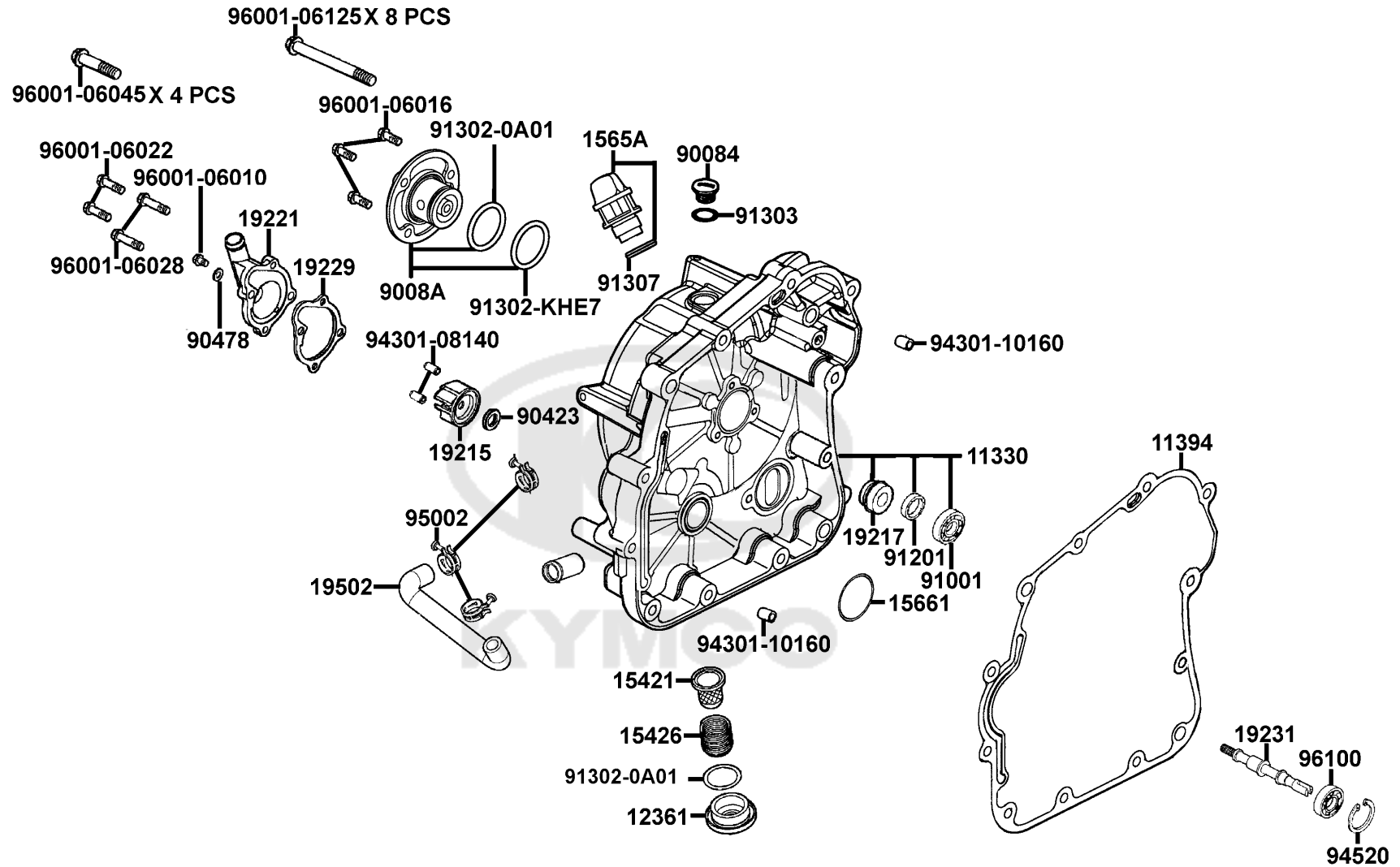
# Right Crankcase Cover Water Pump



Sales mark	Ref no	Part no	Description	Reg description	Regd no	<b>E04</b>
**	11330	11330-LBA7-900	COVER COMP R CRANK CASE	COVER COMP R CRANK CASE	1	
	11394	11394-LBA7-900	GASKET R COVER	GASKET R COVER	1	
	12361	12361-GFY6-901	HOLE CAP TAPPET ADJUSTING	HOLE CAP TAPPET ADJUSTING	1	
	15421	15421-1G07-001	SCREEN OIL FILTER	SCREEN OIL FILTER	1	
	15426	15426-GAE1-921	SPG OIL FILTER SCREEN	SPG OIL FILTER SCREEN	1	
	1565A	1565A-KKAK-900	GAUGE OIL LEVEL ASSY	GAUGE OIL LEVEL ASSY	1	
	15661	15661-LBA7-900	FINDER OIL LEVEL	FINDER OIL LEVEL	1	
	19215	19215-KHE7-900	IMPELLER WATER PUMP	IMPELLER WATER PUMP	1	
	19217	19217-6G57-024	SEAL MECHANICAL	SEAL MECHANICAL	1	
	19221	19221-KHE7-900	COVER WATER PUMP	COVER WATER PUMP	1	
	19229	19229-LBA7-900	GASKET WATER OUMP	GASKET WATER OUMP	1	
	19231	19231-KKJ9-011	SHAFT WATER PUMP	SHAFT WATER PUMP	1	
	19502	19502-LBA7-900	HOSE B WATER	HOSE B WATER	1	
	90084	90084-4H28-001	CAP ACG	CAP ACG	1	
	9008A	9008A-LBA7-900	CAP ASSY R COVER	CAP ASSY R COVER	1	
	90423	90423-KKJ9-001	WASHER 7.2*13*1.2	WASHER 7.2*13*1.2	1	
	90478	90478-7L00-001	WASHER A 6MM	WASHER A 6MM	1	
	91001	91001-KKJ9-006	BRG BALL RADIAL 6901	BRG BALL RADIAL 6901	1	
	91201	91201-KKJ9-004	OIL SEAL 12*20*4	OIL SEAL 12*20*4	1	
	91302-0A01	91302-0A01-021	O-RING 30.8M/M	O-RING 30.8MM	2	

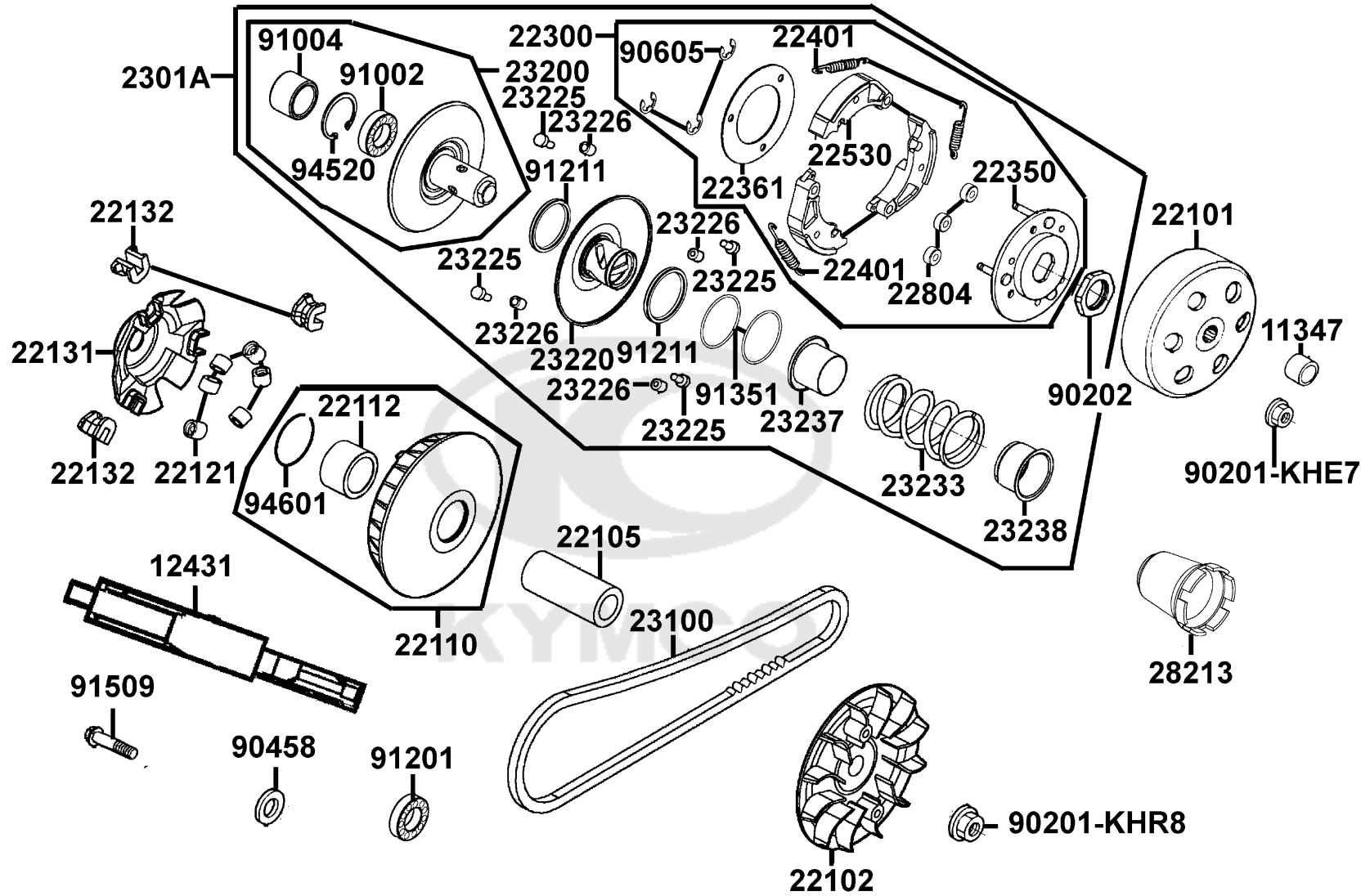
E04

# Right Crankcase Cover Water Pump

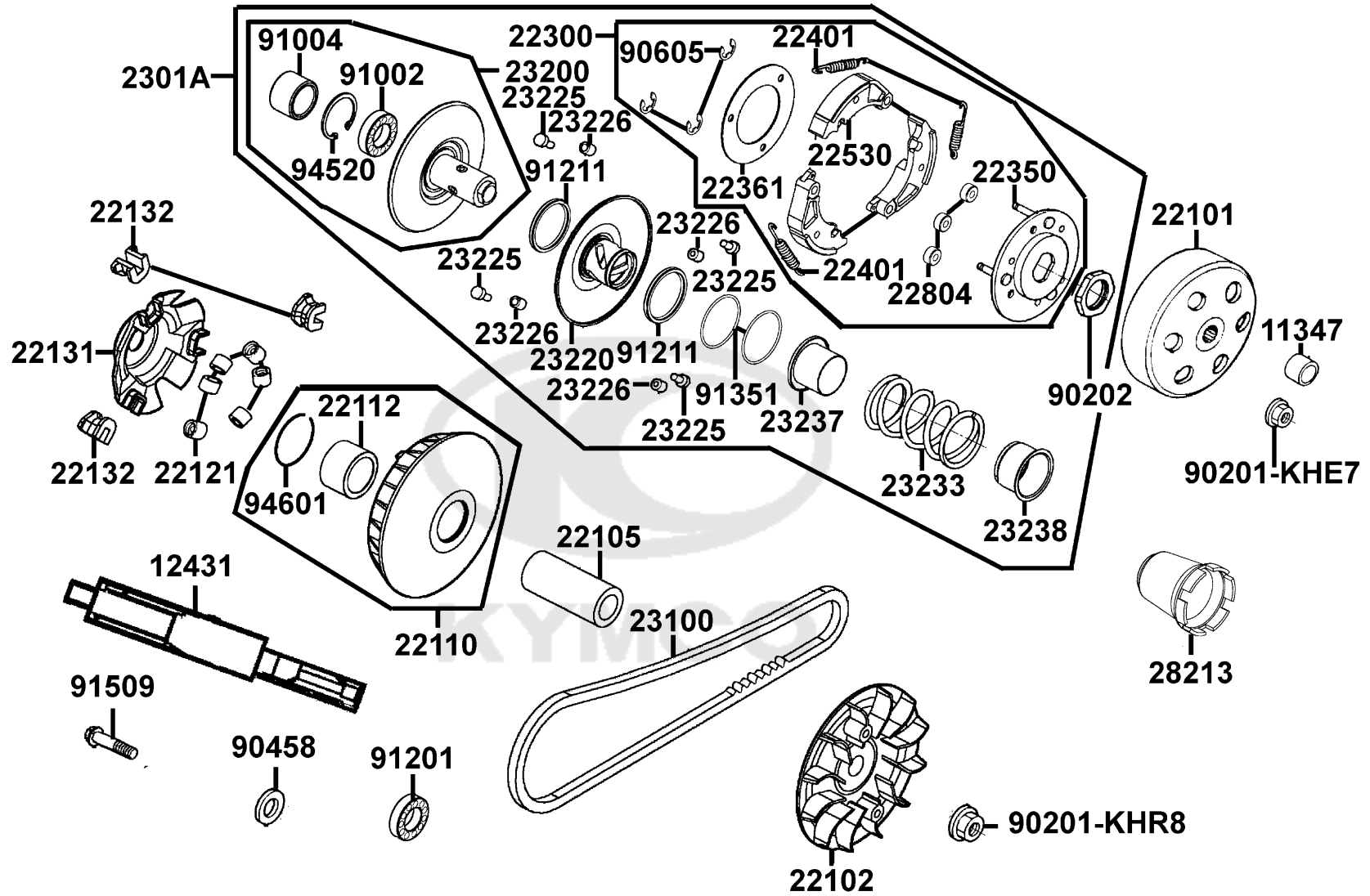


Sales mark	Ref no	Part no	Description	Reg description	Regd no	<b>E04</b>
91302-KHE7		91302-KHE7-900	O-RING 27.4*2.1MM	O RING 27.4*2.1	1	
91303		91303-3G77-001	O-RING 13.8*2.5	O-RING 13.8*2.5	1	
91307		91307-0E35-001	O RING 18*3	O-RING 18*3	1	
94301-08140		94301-08140	DOWEL PIN 8*14	DOWEL PIN 8*14	2	
94301-10160		94301-10160	DOWEL PIN 10*16	DOWEL PIN 10*16	2	
94520		94520-26000	CIR CLIP INTERAL 26MM	CIR CLIP IN 26	1	
95002		95002-KHE7-900	CLIP WATER HOSE	CLIP WATER HOSE	3	
96001-06010		96001-06010-00	BOLT FLANGE SH 6X10	BOLT FLANGE SH 6X10	1	
96001-06016		96001-06016-08	BOLT FLANGE SH 6*16	BOLT FLANGE SH 6*16	3	
96001-06022		96001-06022-08	BOLT FLANGE SH 6*22	BOLT FLANGE SH 6*22	2	
96001-06028		96001-06028-08	BOLT FLANGE SH 6*28	BOLT FLANGE SH 6*28	2	
96001-06045		96001-06045-08	BOLT FLANGE SH 6*45	BOLT FLANGE SH 6*45	4	
96001-06125		96001-06125-08	BOLT FLANGE SH 6*125	BOLT FLANGE SH 6*125	8	
96100		96100-60000-00	BEARING BALL RADIAL 6000	BEARING BALL RADIAL 6000	1	



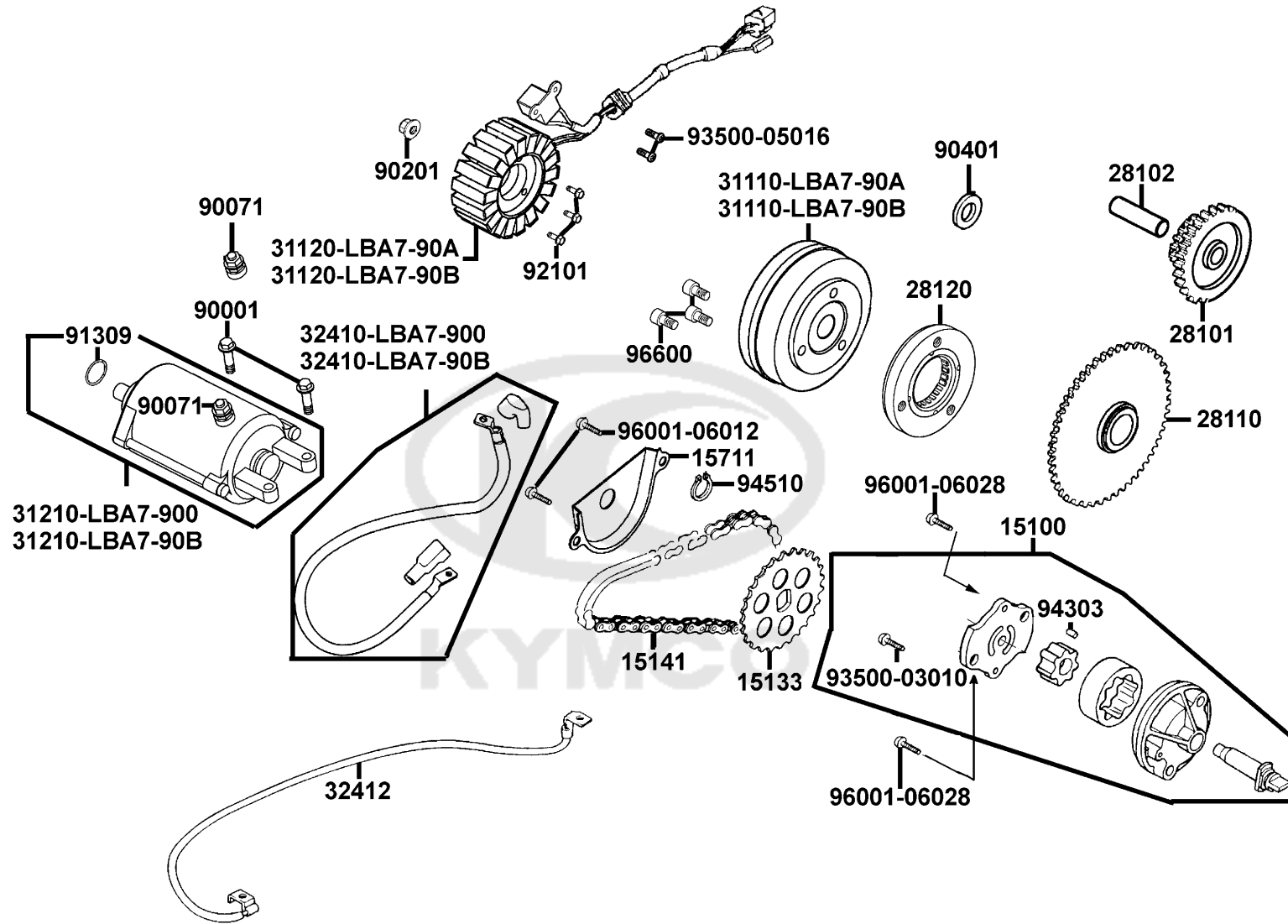


Sales mark	Ref no	Part no	Description	Reg description	Regd no	<b>E05</b>
11347		11347-LBA7-900	BOSS DRIVE SHAFT	BOSS DRIVE SHAFT	1	
12431		12431-LBA7-E00	GEAR TACHOMETER	GEAR TACHOMETER	1	
22101		22101-LBA7-900	OUTER CLUTCH	OUTER CLUTCH	1	
22102		22102-KHE7-900	FACE DRIVE	FACE DRIVE	1	
22105		22105-LBA7-900	BOSS DRIVE FACE	BOSS DRIVE FACE	1	
22110		22110-KHE7-900	FACE COMP MOVABLE DRIVE	FACE COMP MOVABLE DRIVE	1	
22112		22112-KHE7-900	BUSH 27*33*37	BUSH 27*33*37	1	
22121		22121-LBA7-900	ROLLER COMP WEIGHT	ROLLER COMP WEIGHT	6	
22131		22131-LBA7-900	PLATE RAMP	PLATE RAMP	1	
22132		22132-KHE7-900	PIECE SLIDE	PIECE SLIDE	3	
22300		22300-LBA7-900	PLATE ASSY DRIVE	PLATE ASSY DRIVE	1	
22350		22350-KHE7-900	PLATE COMP DRIVE	PLATE COMP DRIVE	1	
22361		22361-KHE7-900	PLATE CLUTCH SIDE	PLATE CLUTCH SIDE	1	
22401		22401-LBA7-900	SPRING CLUTCH	SPRING CLUTCH	3	
22530		22530-LBA7-900	WEIGHT CLUTCH	WEIGHT CLUTCH	3	
22804		22804-GBB2-001	RUBBER CLUTCH DAMPER	RUBBER CLUTCH DUMRER	3	
2301A		2301A-LBA7-900	PULLEY SUB ASSY	PULLEY SUB ASSY	1	
23100		23100-KHE7-900	BELT DRIVE	BELT DRIVE	1	
23200		23200-KHE7-900	FACE ASSY DRIVEN	FACE ASSY DRIVEN	1	
23220		23220-LLJ3-E00	FACE COMP MOVABLE DRIVEN	FACE COMP MOVABLE DRIVEN	1	



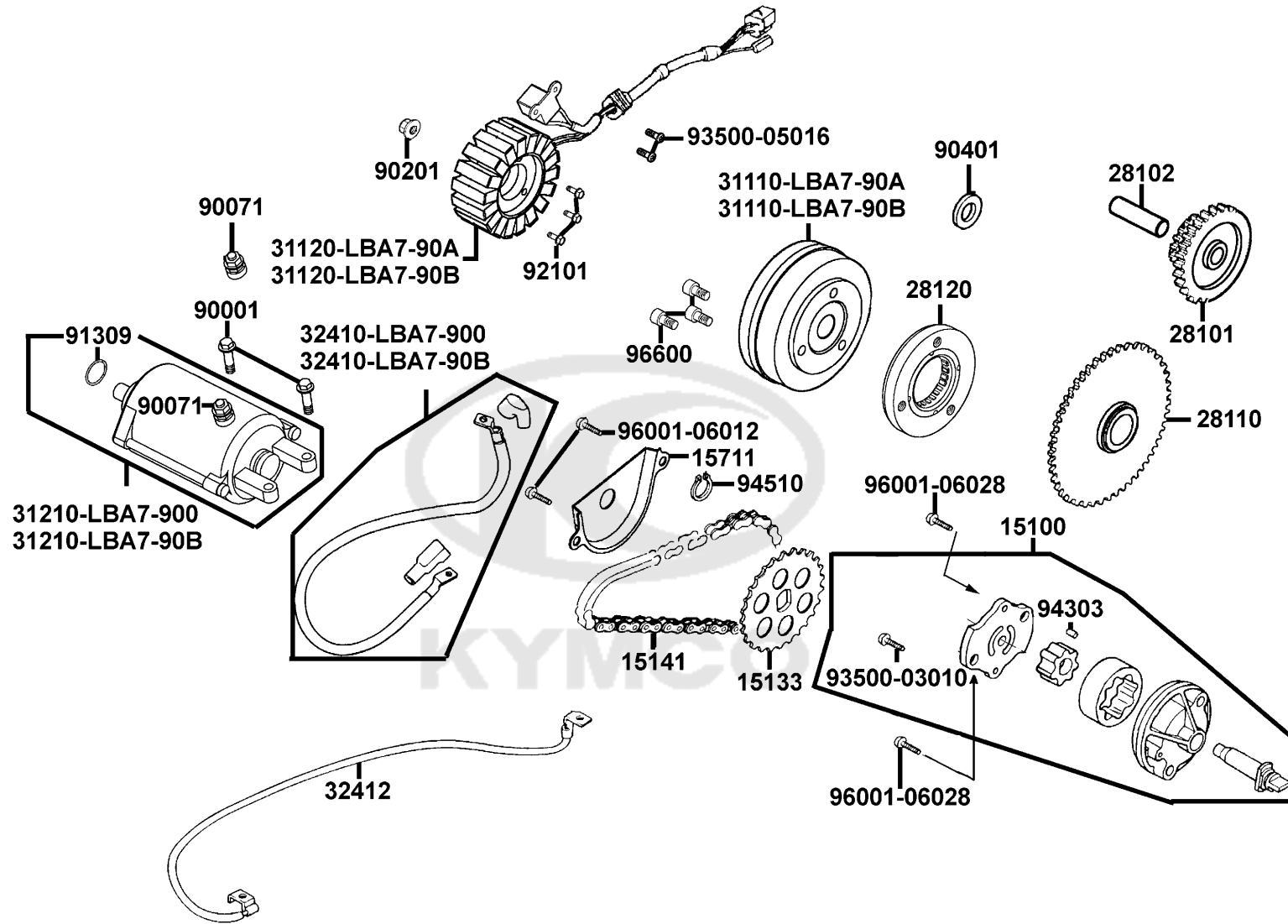
Sales mark	Ref no	Part no	Description	Reg description	Regd no	<b>E05</b>
23225		23225-KHE7-900	PIN ROLLER GUIDE	PIN ROLLER GUIDE	4	
23226		23226-GHC8-004	ROLLER GUIDE	ROLLER GUIDE	4	
23233		23233-LBA7-900	SPG DRIVEN FACE	SPG DRIVEN FACE	1	
23237		23237-KHE7-900	COLLAR SEAL	COLLAR SEAL	1	
23238		23238-KHE7-900	COLLAR SPG	COLLAR SPG	1	
28213		28213-LCA5-E00	PLATE RACHET	PLATE RACHET	1	
90201-KHE7		90201-KHE7-900	NUT C FLANGE M12	NUT C FLANGE M12	1	
90201-KHR8		90201-KHR8-75A	NUT FLANGE 14MM	NUT FLANGE 14MM	1	
90202		90202-1G87-001	NUT SPECIAL 28MM	NUT SPECIAL 28MM	1	
90458		90458-LBA7-E00	THRUST WASHER 8MM	THRUST WASHER 8MM	1	
90605		90605-1F66-721	CIR CLIP 7MM	CIR CLIP 7MM	3	
91002		91002-GGA7-70A	BRG BALL RADIAL 6902U	BRG BALL RADIAL 6902U	1	
91004		91004-KHE7-900	BRG NDL 22*29*18	BRG NDL 22*29*18	1	
91201		91201-9A51-004	OIL SEAL 12*18*3	OIL SEAL 12*18*3	1	
91211		91211-KHE7-900	SEAL DRIVEN FACE	SEAL DRIVEN FACE	2	
91351		91351-KHE7-900	O-RING PINION CAP	O-RING PINION CAP	2	
91509		91509-LBA7-E00	BOLT TACHOMETER	BOLT TACHOMETER	1	
94520		94520-28000	CIR CLIP IN 28	CIR CLIP IN 28	1	
94601		94601-33000	CLIP PISTON PIN 33MM	CLIP PISTON PIN 33MM	1	

Starting Motor Generator

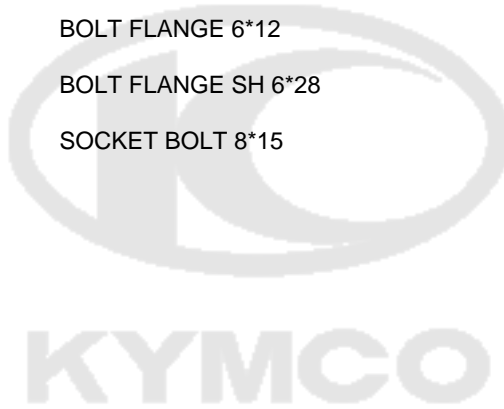


Sales mark	Ref no	Part no	Description	Reg description	Regd no	<b>E06</b>
15100		15100-LBA7-900	PUMP ASSY OIL	PUMP ASSY OIL	1	
15133		15133-KAM1-001	SPROCKET OIL PUMP DRIVE	SPROCKET OIL PUMP DRIVE	1	
15141		15141-KKJ9-004	CHAIN OIL PUMP	CHAIN OIL PUMP	1	
15711		15711-KHE7-900	SEPARATER OIL	SEPARATER OIL	1	
28101		28101-KHE7-900	GEAR STARTER REDUCTION	GEAR STARTER REDUCTION	1	
28102		28102-KHE7-900	SHAFT STARTER REDUCTION GEAR	SHAFT STARTER REDUCTION GEAR	1	
28110		28110-LDB2-E00	GEAR COMP STARTING CLUTCH	GEAR COMP STARTING CLUTCH	1	
28120		28120-LDB2-E00	ONE WAY CLUTCH	ONE WAY CLUTCH	1	
31110-LBA7-90A		31110-LBA7-90A	FLYWHEEL COMP /D406	FLYWHEEL COMP /D406	1	
31110-LBA7-90B		31110-LBA7-90B	FLYWHEEL COMP /D402	FLYWHEEL COMP /D402	1	
31120-LBA7-90A		31120-LBA7-90A	STASOR COMP /D406	STASOR COMP /D406	1	
31120-LBA7-90B		31120-LBA7-90B	STASOR COMP /D402	STASOR COMP /D402	1	
31210-LBA7-900		31210-LBA7-900	MOTOR UNIT STARTER	MOTOR UNIT STARTER	1	
31210-LBA7-90B		31210-LBA7-90B	MOTOR UNIT STARTER	MOTOR UNIT STARTER	1	
32410-LBA7-900		32410-LBA7-900	CABLE STARTER MOTOR	CABLE STARTER MOTOR	1	
32410-LBA7-90B		32410-LBA7-90B	CABLE STARTER MOTOR	CABLE STARTER MOTOR	1	
32412		32412-LCA5-E00	CABLE EARTH	CABLE EARTH	1	
90001		90001-GBHB-661	BOLT FLANGE SH 6*22	BOLT FLANGE SH 6*22	2	
90071		90071-MLB0-001	NUT WASH 6MM	NUT WASH 6MM	2	
90201		90201-KHR8-75A	NUT FLANGE 14MM	NUT FLANGE 14MM	1	

Starting Motor Generator



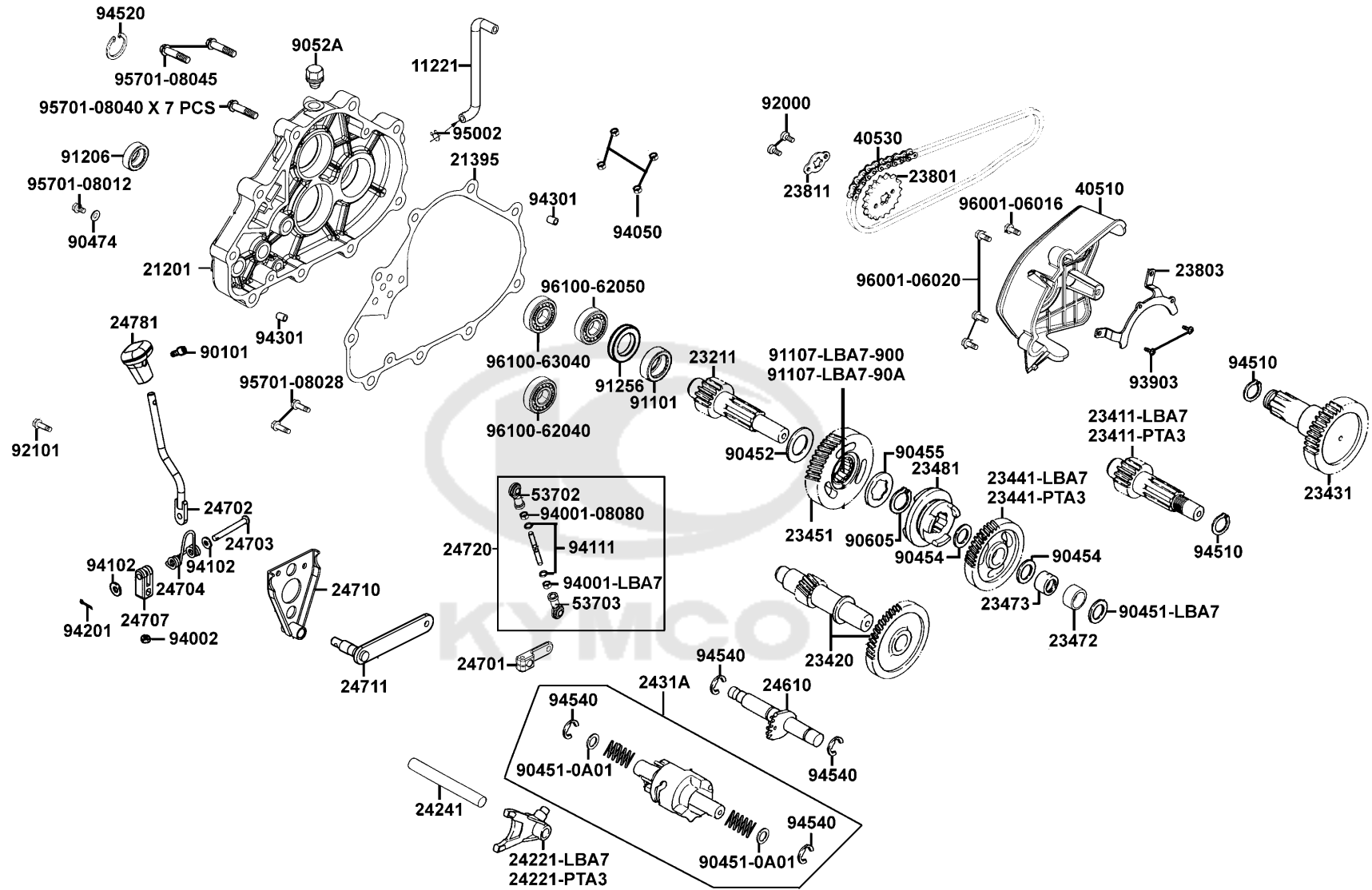
Sales mark	Ref no	Part no	Description	Reg description	Regd no	<b>E06</b>
90401		90401-KKJ9-001	WASHER THRUST 14*28*2	WASHER THRUST 14*28*2	1	
91309		91309-4E25-004	O-RING 24.4*3.1	O-RING 24.4*3.1	1	
92101		92101-05032-0H	BOLT HEX 5*32	BOLT HEX 5*32	3	
93500-03010		93500-03010-1A	SCREW PAN 3*10 (B)	SCREW PAN 3*10	1	
93500-05016		93500-05016-0H	SCREW PAN 5*16	SCREW PAN 5*16	2	
94303		94303-04065	DOWEL PIN 4*6.5	PIN DOWEL 4*6.5	1	
94510		94510-10000	CIR CLIP EX 10MM	CIR CLIP EX 10	1	
96001-06012		96001-06012-08	BOLT FLANGE 6*12	BOLT FLANGE 6*12	2	
96001-06028		96001-06028-08	BOLT FLANGE SH 6*28	BOLT FLANGE SH 6*28	2	
96600		96600-08015-10	SOCKET BOLT 8*15	SOCKET BOLT 8*15	3	





E07

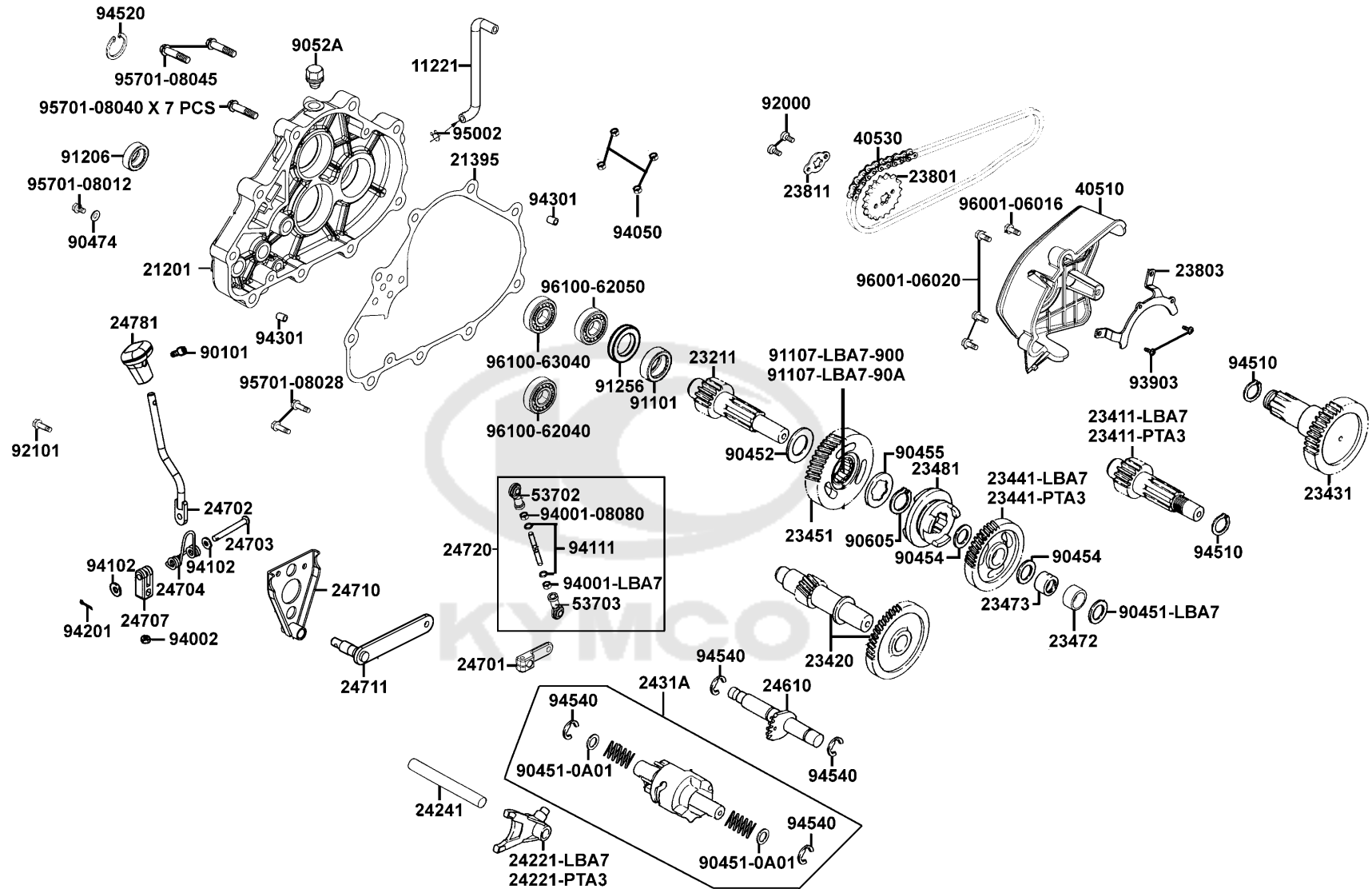
# Transmission



Sales mark	Ref no	Part no	Description	Reg description	Regd no	E07
	11221	11221-LBA7-900	TUBE MISSION BREATHER	TUBE MISSION BREATHER	1	
	21201	21201-LCA5-E00	CASE MISSION	CASE MISSION	1	
	21395	21395-LBA7-900	GASKET MISSION CASE	GASKET MISSION CASE	1	
	23211	23211-LCA5-E00	SHAFT MAIN	SHAFT MAIN	1	
#	23411-LBA7	23411-LBA7-900	SHAFT DRIVE	SHAFT DRIVE	1	
#	23411-PTA3	23411-PTA3-E00	SHAFT DRIVE	SHAFT DRIVE	1	
	23420	23420-LBA7-900	GEAR COMP COUNTER	GEAR COMP COUNTER	1	
	23431	23431-LCA5-E00	SHAFT FINAL	SHAFT FINAL	1	
#	23441-LBA7	23441-LBA7-900	GEAR FORWARD	GEAR FORWARD	1	
#	23441-PTA3	23441-PTA3-E00	GEAR FORWARD	GEAR FORWARD	1	
	23451	23451-LBA7-900	GEAR BACKWARD	GEAR BACKWARD	1	
	23472	23472-LBA7-900	COLLAR 20*25*11	COLLAR 20*25*11	1	
	23473	23473-LBA7-900	COLLAR 20*22*11	COLLAR 20*22*11	1	
	23481	23481-LBA7-900	SHIFT MAIN	SHIFT MAIN	1	
	23801	23801-LBA7-900	SPROCKET DRIVE 14T	SPROCKET DRIVE 14T	1	
	23803	23803-LBA7-900	STAY CHAIN	STAY CHAIN	1	
	23811	23811-LBA7-900	PLATE A2 FIXING	PLATE A2 FIXING	1	
#	24221-LBA7	24221-LBA7-900	FORK GEAR SHIFT	FORK GEAR SHIFT	1	
#	24221-PTA3	24221-PTA3-E00	FORK GEAR SHIFT	FORK GEAR SHIFT	1	
	24241	24241-KGB4-C00	SHAFT GEAR SHIFT FORK GUIDE	SHAFT GEAR SHIFT FORK GUIDE	1	

E07

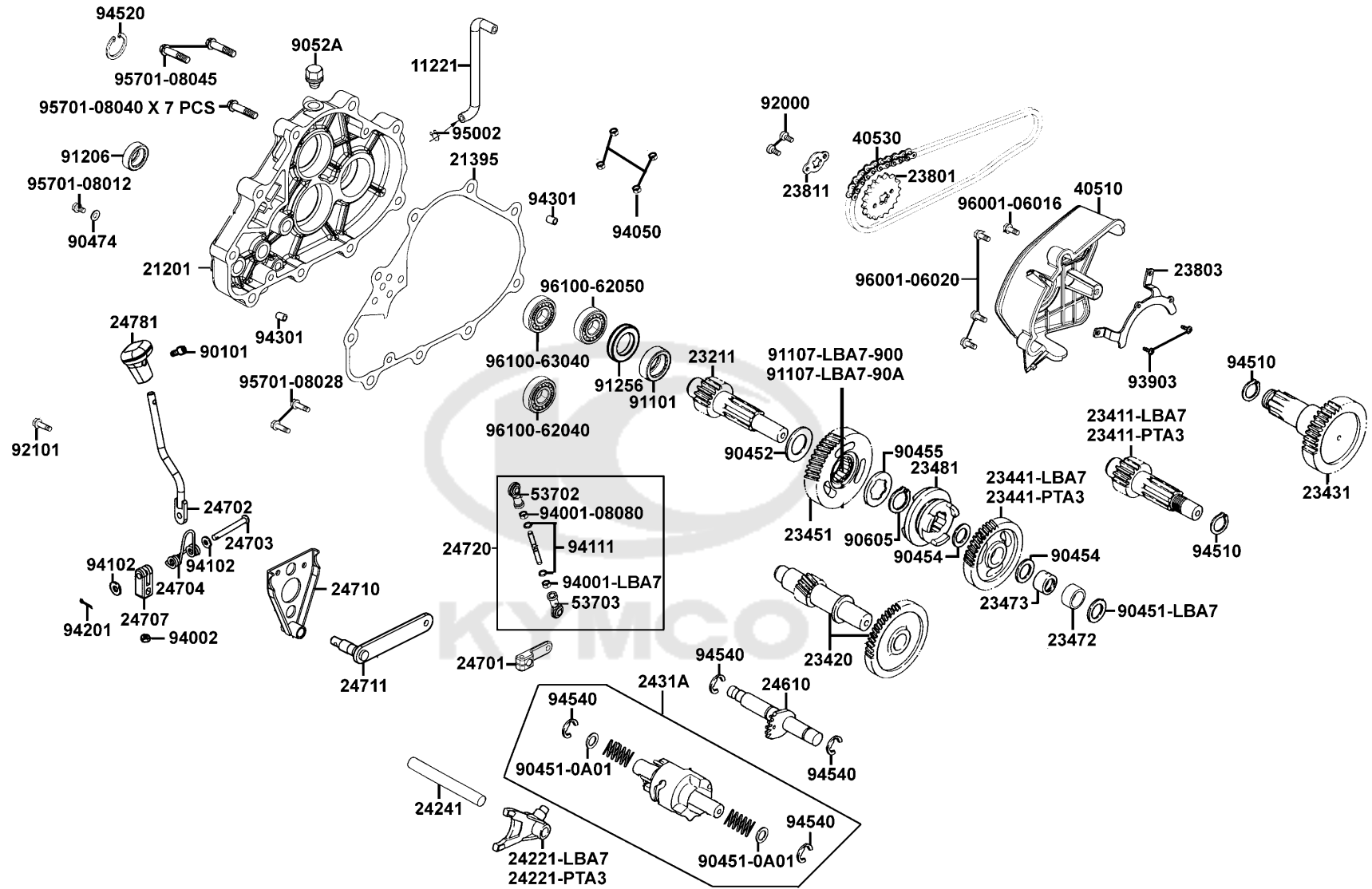
# Transmission



Sales mark	Ref no	Part no	Description	Reg description	Regd no	E07
	2431A	2431A-LBA7-900	DRUM ASSY GEAR SHIFT	DRUM ASSY GEAR SHIFT	1	
	24610	24610-LLB1-900	SPINDLE ASSY DRUM SHIFT	SPINDLE ASSY DRUM SHIFT	1	
	24701	24701-LBA7-900	GEAR CHANGE HANDLE	GEAR CHANGE HANDLE	1	
	24702	24702-LCA5-E00	BAR CHANGE HANDLE	BAR CHANGE HANDLE	1	
	24703	24703-LLB1-900	PIN CHANGE HANDLE	PIN CHANGE HANDLE	1	
	24704	24704-LBA7-900	SPRING CHANGE HANDLE	SPRING CHANGE HANDLE	1	
	24707	24707-LBA7-900	BRKT CHANGE HANDLE	BRKT CHANGE HANDLE	1	
	24710	24710-LCA5-E00	STAY CHANGE HANDLE ASSY	STAY CHANGE HANDLE ASSY	1	
	24711	24711-LCA5-E00	SHAFT COMP CHANGE HANDLE	SHAFT COMP CHANGE HANDLE	1	
	24720	24720-LBA7-900	ROD ASSY CHANGE HANDLE	ROD ASSY CHANGE HANDLE	1	
	24781	24781-LCA5-E00	COVER CHANGE HNDL	COVER CHANGE HANDLE	1	
	40510	40510-LBA7-E00	CHAIN COVER	CHAIN COVER	1	
	40530	40530-LCA5-E00	CHAIN DRIVE	CHAIN DRIVE	1	
	53702	53702-LAC5-900	BALL JOINT R	BALL JOINT R	1	
	53703	53703-LAC5-900	BALL JOINT L	BALL JOINT L	1	
	90101	90101-LCA5-E00-06	SOCKET BOLT 5*12	SOCKET BOLT 5*12	1	
	90451-0A01	90451-0A01-001	WASHER THRUST 14M/M	WASHER THRUST 14MM	2	
	90451-LBA7	90451-LBA7-900	WASHER THRUST 20MM	WASHER THRUST 20MM	1	
	90452	90452-LBA7-900	WASHER THRUST 25MM	WASHER THRUST 25MM	1	
	90454	90454-1G07-001	WASHER THRUST 20MM B	WASHER THRUST 20MM	2	

E07

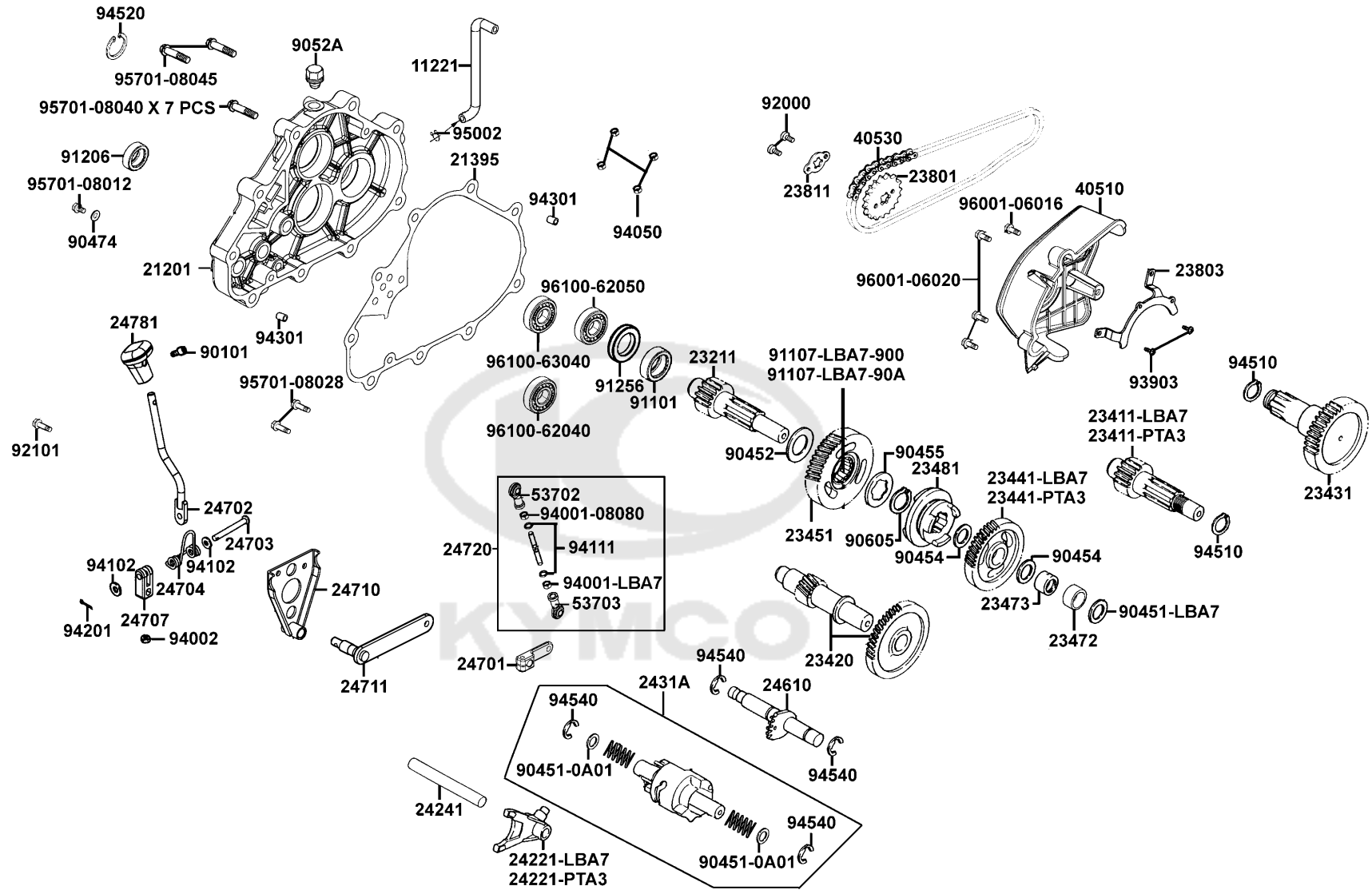
Transmission



Sales mark	Ref no	Part no	Description	Reg description	Regd no	E07
	90455	90455-LBA7-900	WASHER SPLINE 25MM	WASHER SPLINE 25MM	1	
	90474	90474-3C33-001	WASHER 8MM	WASHER 8MM	1	
	9052A	9052A-GFY6-950	BOLT ASSY DRAIN PLUG	BOLT ASSY DRAIN PLUG	1	
	90605	90605-KED9-900	SET RING 28MM	SET RING 28MM	1	
	91101	91101-LCA5-E0B	BRG NEEDLE 30*42*23	BRG NEEDLE 30*42*23	1	
	91107-LBA7-900	91107-LBA7-900	BRG NEEDLE 25*33*16 (NK25/16R)	BRG NEEDLE 25*33*16 (NK25/16R)	1	
	91107-LBA7-90A	91107-LBA7-90A	BRG NEEDLE 25*33*16	BRG NEEDLE 25*33*16	1	
	91206	91206-2F86-014	OIL SEAL 14*28*7	OIL SEAL 14*28*7	1	
	91256	91256-LLB1-900	OIL SEAL 24.8*52.2*7	OIL SEAL 24.8*52.2*7	1	
	92000	92000-06010-0H	BOLT HEX 6*10	BOLT HEX 6*10	2	
	92101	92101-06020-0H	BOLT HEX 6*20	BOLT HEX 6*20	1	
	93903	93903-35360	SCREW TAPPING 5*16	SCREW TAPPING 5*16	2	
	94001-08080	94001-08080-0S	NUT HEX 8MM	NUT HEX 8MM	1	
	94001-LBA7	94001-LBA7-900	NUT HEX LH 8MM	NUT HEX LH 8MM	1	
	94002	94002-06080-0S	NUT HEX 6MM	NUT HEX 6MM	1	
	94050	94050-08080	NUT FLANGE 8MM	NUT FLANGE 8MM	4	
	94102	94102-08000	WASHER PLAIN 8MM	WASHER PLAIN 8*16*1.2	2	
	94111	94111-08800	WASHER SPG 8MM	WASHER SPG 8MM	2	
	94201	94201-20150	PIN SPLIT 2*15	YIN SPLIT 2*15	1	
	94301	94301-10160	DOWEL PIN 10*16	DOWEL PIN 10*16	2	

E07

Transmission

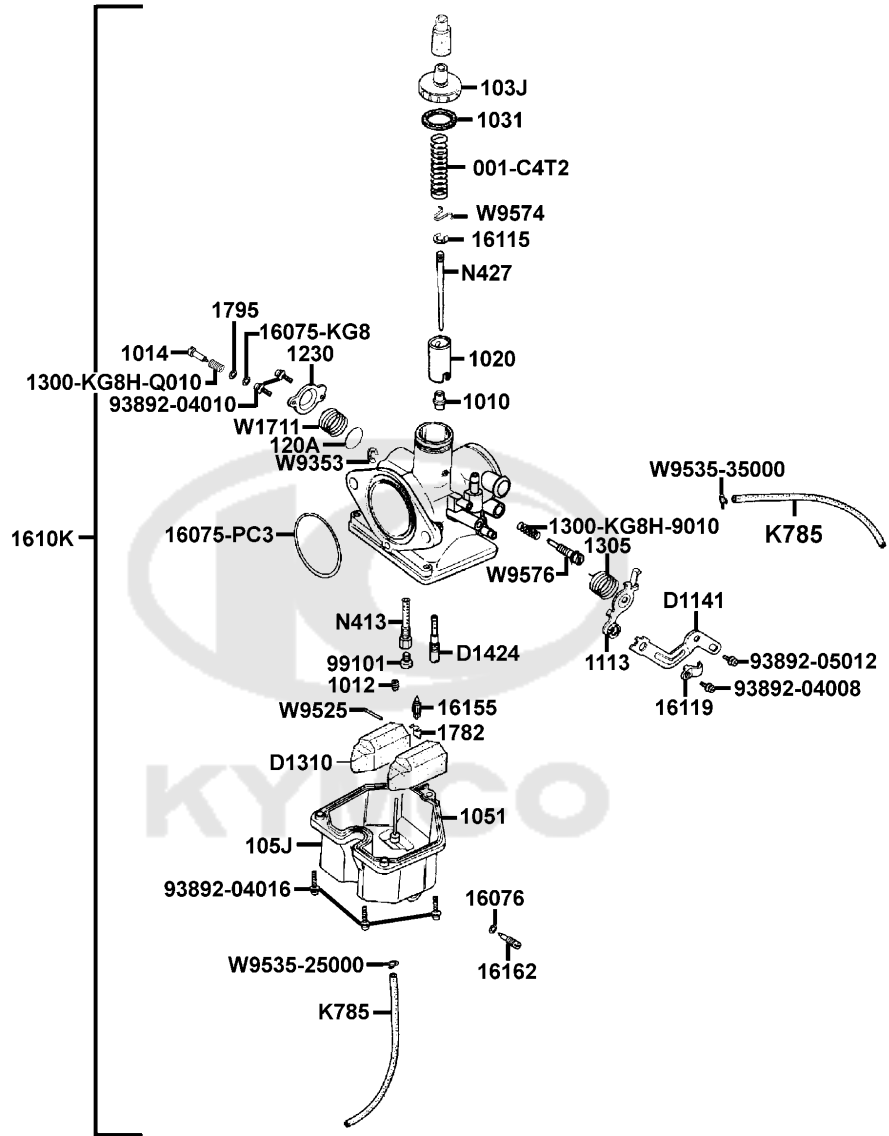


Sales mark	Ref no	Part no	Description	Reg description	Regd no	<b>E07</b>
	94510	94510-25000	CIR CLIP EXTERNAL 25	CIR CLIP EX 25	2	
	94520	94520-52000	CIR CLIP IN 52	CIR CLIP IN 52	1	
	94540	94540-12028	E RING 12	E RING 12	4	
	95002	95002-02150	CLIP B14.5 TUBE	CLIP B14.5 TUBE	1	
	95701-08012	95701-08012-08	BOLT FLANGE 8*12	BOLT FLANGE 8*12	1	
	95701-08028	95701-08028-06	BOLT FLANGE 8*28	BOLT FLANGE 8*28	2	
#	95701-08040	95701-08040-08	BOLT FLANGE 8*40	BOLT FLANGE 8*40	7	
#	95701-08045	95701-08045-08	BOLT FLANGE 8*45	BOLT FLANGE 8*45	4	
	96001-06016	96001-06016-08	BOLT FLANGE SH 6*16	BOLT FLANGE SH 6*16	1	
	96001-06020	96001-06020-08	BOLT FLANGE SH 6*20	BOLT FLANGE SH 6*20	2	
	96100-62040	96100-62040-00	BRG BALL RADIAL 6204	BEARING BALL RADIAL 6204	1	
	96100-62050	96100-62050-00	BEARING BALL RADIAL 6205	BEARING BALL RADIAL 6205	1	
	96100-63040	96100-63040-00	BRG BALL RADIAL 6304	BRG BALL RADIAL 6304	1	



E08

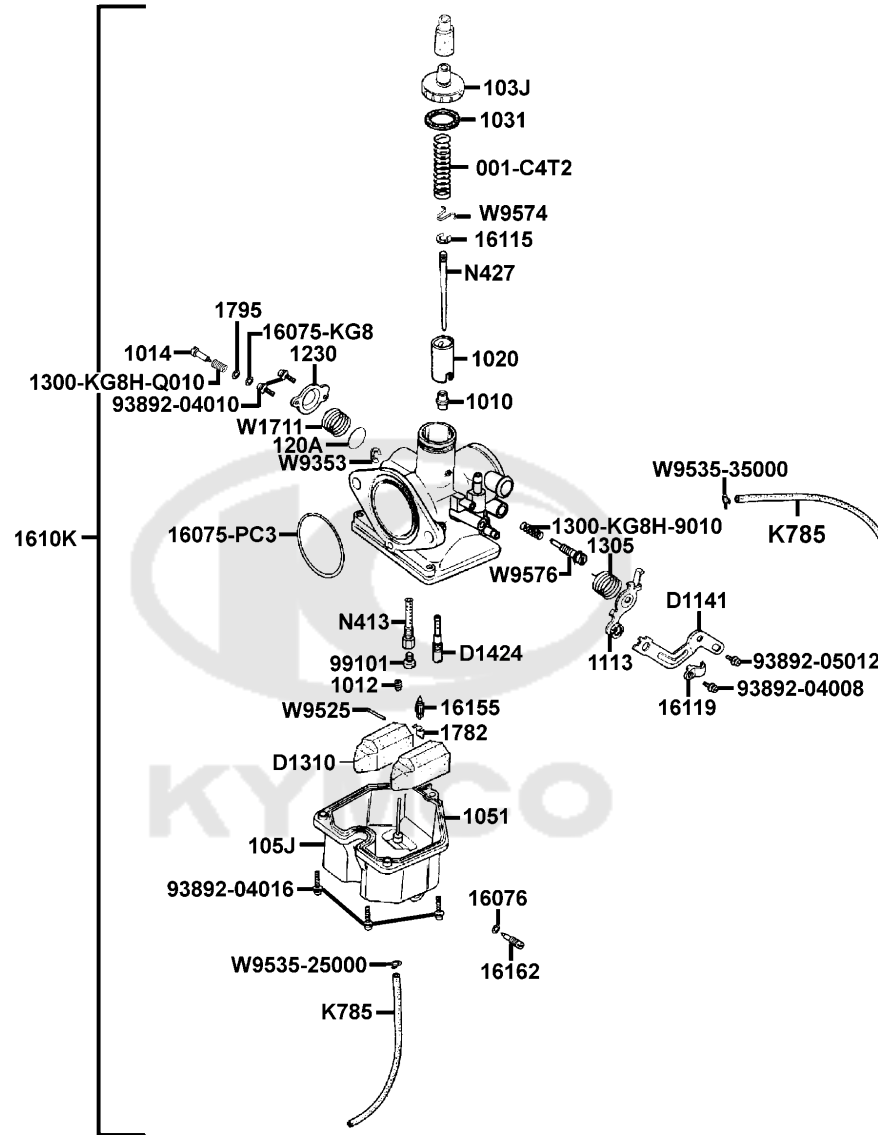
Carburetor



Sales mark	Ref no	Part no	Description	Reg description	Regd no	E08
	001-C4T2	001-C4T2-04000-K	SPG COMPR	SPG COMPR	1	
	1010	1010-43FH-9900	NEEDLE JET	NEEDLE JET	1	
	1012	1012-382H-0140	JET HOLDER	JET HOLDER	1	
	1014	1014-840-2000	ADJUST SCREW	ADJUST SCREW	1	
	1020	1020-54D0-9900	THROTTLE VALVE	THROTTLE VALVE	1	
	1031	1031-KN4H-6511	TOP GASKET	TOP GASKET	1	
	103J	103J-061H-9901	TOP COMP	TOP COMP	1	
	1051	1051-KCSH-9200	FLOAT CHAMBER GASKET	FLOAT CHAMBER GASKET	1	
	105J	105J-092H-9911	F.C.B COMP	F.C.B COMP	1	
	1113	1113-HB7H-6710	CHOKE LEVER	CHOKE LEVER	1	
	120A	120A-106H-9900	DIAPHRAGM COMP	DIAPHRAGM COMP	1	
	1230	1230-846-2000	DIAPHRAGM COVER	DIAPHRAGM COVER	1	
	1300-KG8H-9010	1300-KG8H-9010	COMPR SPG	COMPR SPG	1	
	1300-KG8H-Q010	1300-KG8H-Q010	COMPR SPG	COMPR SPG	1	
	1305	1305-491H-9901	TORSION SPG	TORSION SPG	1	
	16075-KG8	16075-KG8-9010-M1	-RING	-RING	1	
	16075-PC3	16075-PC3-7810-M1	O-RING	O-RING	1	
	16076	16076-ND5-0040	O RING	O RING	1	
	1610K	1610K-LBA7-900	CARBURETOR ASSY	CARBURETOR ASSY	1	
	16115	16115-169-0040	BAR CLIP	BAR CLIP	1	

E08

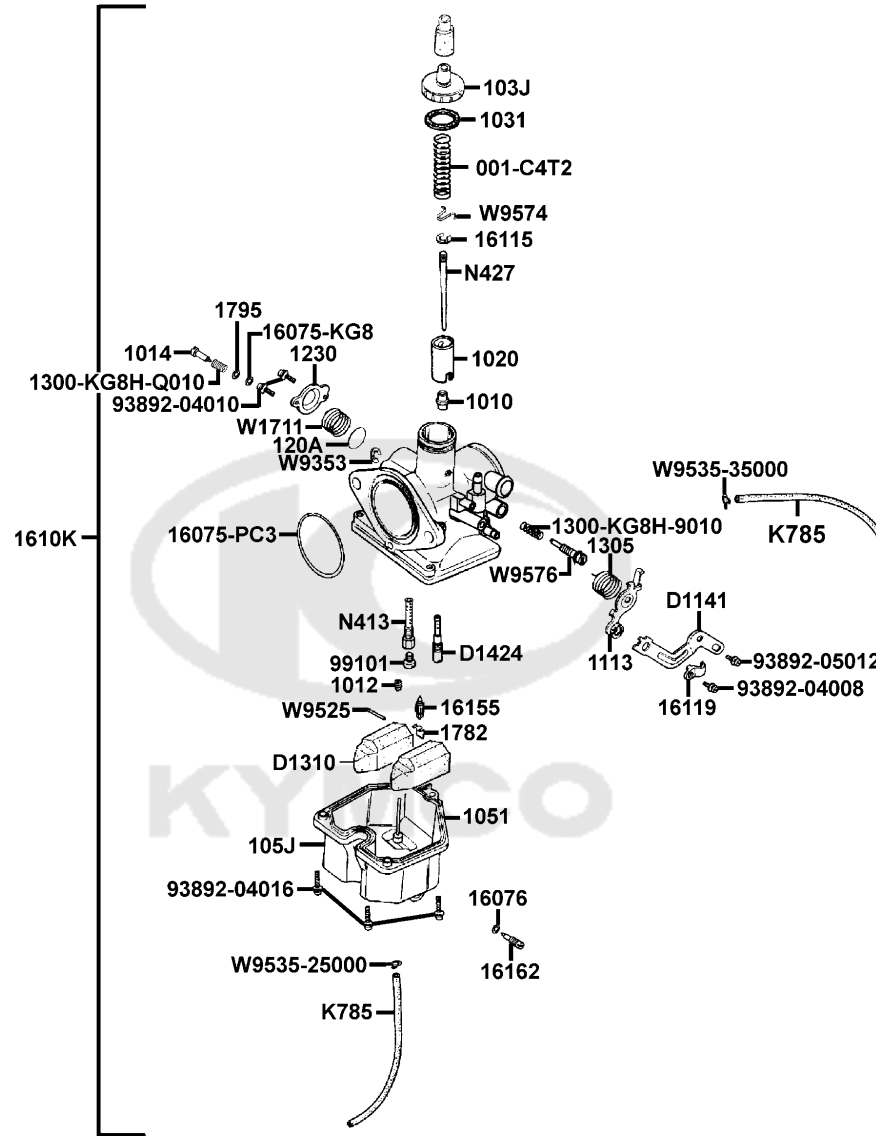
Carburetor



Sales mark	Ref no	Part no	Description	Reg description	Regd no	<b>E08</b>
16119		16119-MZ2-6000-K2	STAY PLATE	STAY PLATE	1	
16155		16155-ZG8-L100	FLOAT VALVE SET	FLOAT VALVE COMP	1	
16162		16162-KG8-9010-M1	DRAIN SCREW PAN	DRAIN SCREW PAN	1	
1782		1782-013H-9900	SPECIAL CLIP	SPECIAL CLIP	1	
1795		1795-KG8H-9010	WASHER PLAIN	WASHER PLAIN	1	
93892-04008		93892-04008-18	SCREW WASHER 4*8	SCREW WASHER	1	
93892-04010		93892-04010-18-3	SCREW WASHER 4*10	SCREW WASHER 4*10	2	
93892-04016		93892-04016-18	SCREW WASHER	WASHER SCREW	3	
93892-05012		93892-05012-18	SCREW WASHER 5*12	WASHER SCREW	1	
99101		99101-393-0980	MAIN JET	JET	1	
D1141		D1141-A63-0100	WIRE STAY	WIRE STAY	1	
D1310		D1310-850-0100	FLOAT COMP	FLOAT COMP	1	
D1424		D1424-KAG-0100	JET	JET	1	
K785		K785-076-0200	TUBE	TUBE	1	
N413		N413-15A00	NEEDLE JET HOLDER	NEEDLE JET HOLDER	1	
N427		N427-BSD00	JET NEEDLE	JET NEEDLE	1	
W1711		W1711-300-9901	COMPR SPG	COMPR SPG	1	
W9353		W9353-30000	U-RING	U-RING	1	
W9525		W9525-25250	ARM PIN	ARM PIN	1	
W9535-25000		W9535-25000	TUBE CLIP	TUBE CLIP	1	

E08

Carburetor



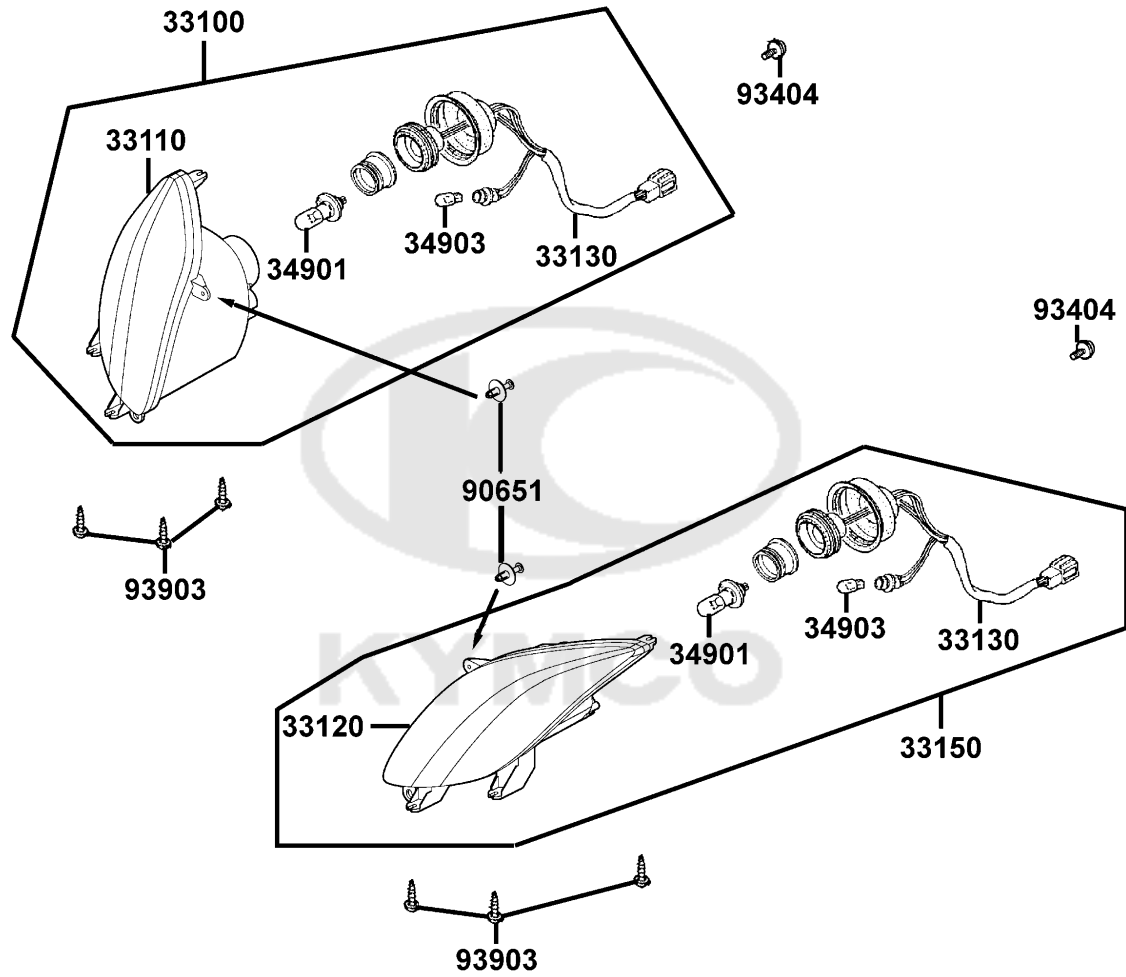
Sales mark	Ref no	Part no	Description	Reg description	Regd no	<b>E08</b>
------------	--------	---------	-------------	-----------------	---------	------------

W9535-35000		W9535-35000	CLIP	CLIP	1	
W9574		W9574-13000	NEEDLE CLIP PLATE	NEEDLE CLIP PLATE	1	
W9576		W9576-01000	STOP SCREW	STOP SCREW	1	



F01

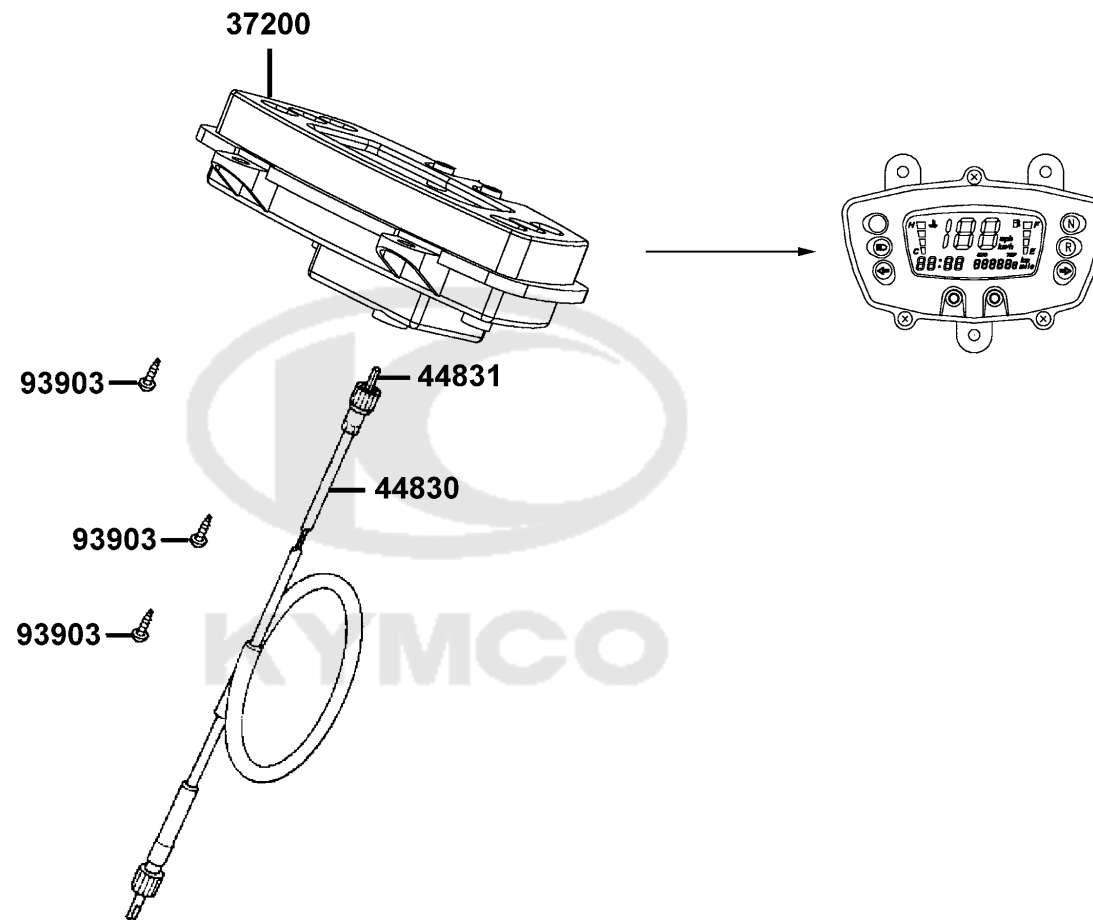
# Head Light



Sales mark	Ref no	Part no	Description	Reg description	Regd no	F01
	33100	33100-LCA5-E00	LIGHT ASSY R HEAD	LIGHT ASSY R HEAD	1	
	33110	33110-LCA5-E00	UNIT HEAD LIGHT R	UNIT HEAD LIGHT R	1	
	33120	33120-LCA5-E00	UNIT HEAD LIGHT L	UNIT HEAD LIGHT L	1	
	33130	33130-LCA5-E00	SOCKET COMP	SOCKET COMP	2	
	33150	33150-LCA5-E00	LIGHT ASSY L HEAD	LIGHT ASSY L HEAD	1	
	34901	34901-KFA6-900	BULB HEAD LIGHT	BULB HEAD LIGHT	2	
	34903	34903-KPCP-900	BULB POSITION	BULB POSITION	2	
	90651	90651-LCA5-E00	CLIP FENDER	CLIP FENDER	2	
	93404	93404-06016-06	BOLT WASHER 6*16	BOLT WASHER 6*16	2	
	93903	93903-35260	SCREW TAPPING 5*12	SCREW TAPPING 5*12	6	







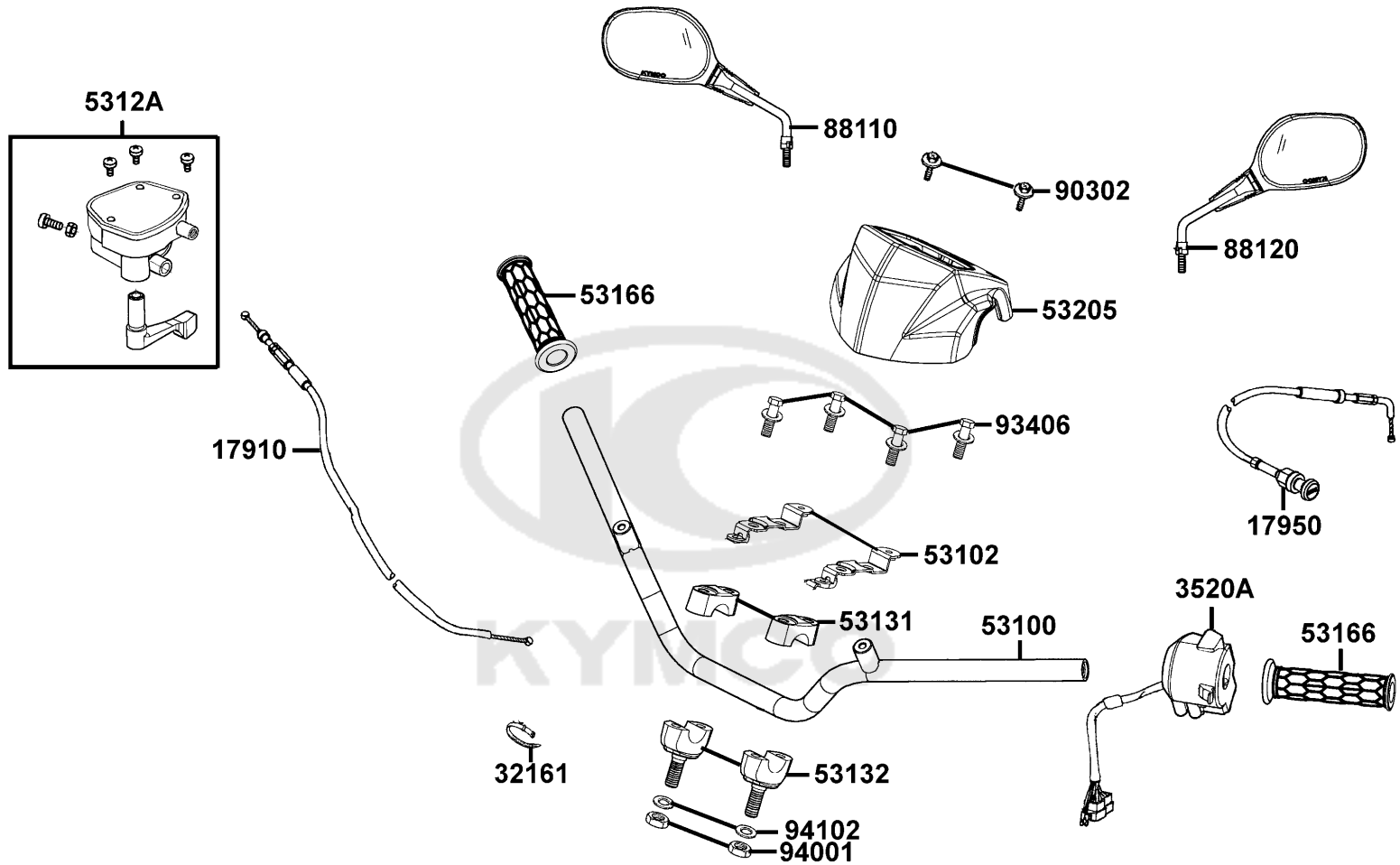
Sales mark	Ref no	Part no	Description	Reg description	Regd no	<b>F02</b>
------------	--------	---------	-------------	-----------------	---------	------------

37200		37200-LCA5-E0A	METER ASSY SPDMT	METER ASSY SPDMT	1	
44830		44830-LBA7-E00	CABLE COMP SPOMT	CABLE COMP SPOMT	1	
44831		44831-LBA7-E00	CABLE INNER	CABLE INNER	1	
93903		93903-35260	SCREW TAPPING 5*12	SCREW TAPPING 5*12	3	



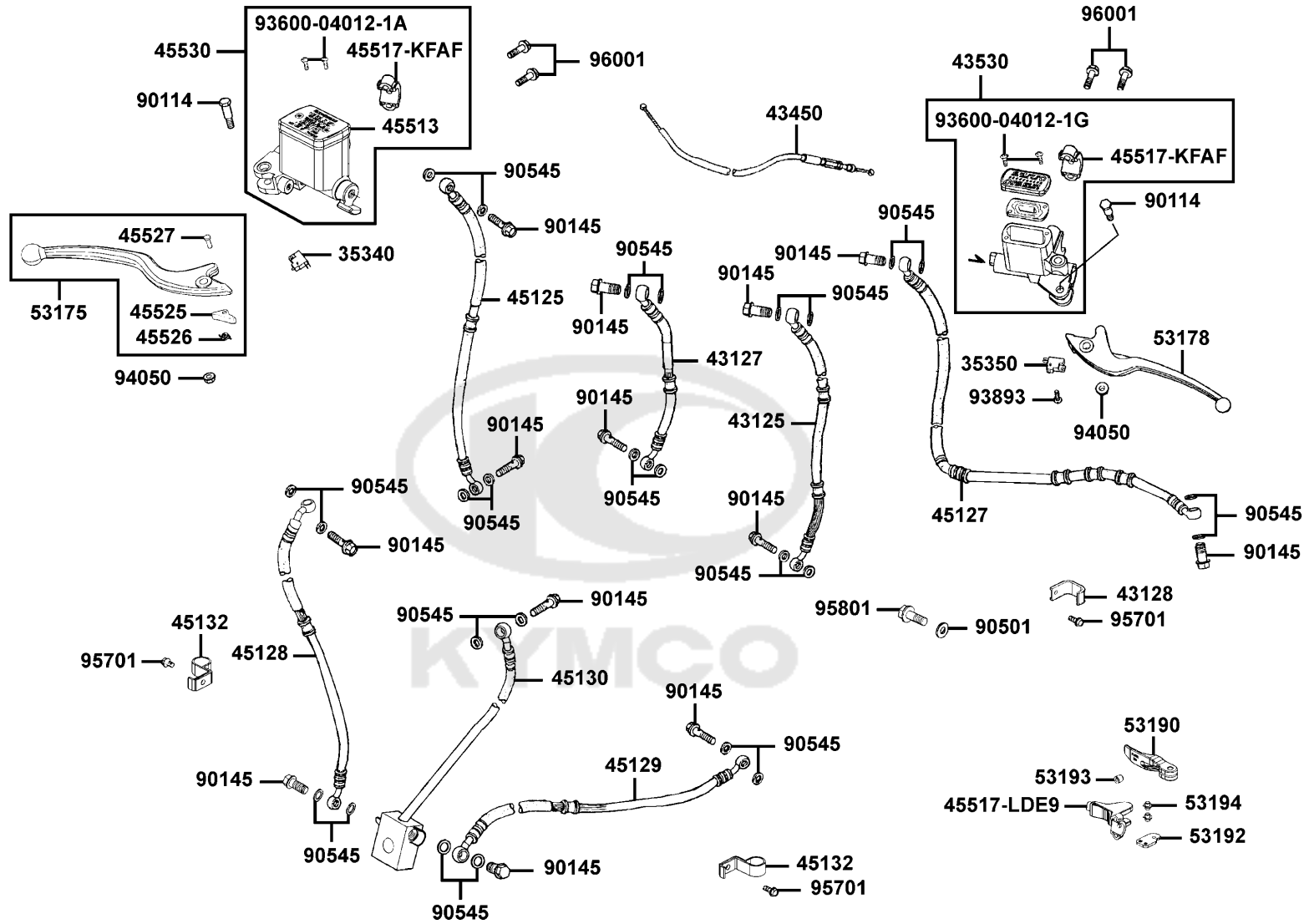
F03

# Handle Steering



Sales mark	Ref no	Part no	Description	Reg description	Regd no	F03
	17910	17910-LBA7-900	CABLE COMP THROT	CABLE COMP THROT	1	
	17950	17950-LCA5-E00	CABLE COMP CHOKE	CABLE COMP CHOKE	1	
	32161	32161-4D04-001	BAND BI WIRE	BAND WIRE HARNESS B1	1	
	3520A	3520A-LCA5-E00	SW ASSY LH HANDLE COMP	SW ASSY LH HANDLE COMP	1	
**	53100	53100-LCA5-E00	HANDLE PIPE STRG	HANDLE PIPE STRG	1	
	53102	53102-LBA7-900	STAY HANDLE COVER	STAY HANDLE COVER	1	
	5312A	5312A-LBA7-900	LEVER ASSY THROT	LEVER ASSY THROT	1	
	53131	53131-4K39-001	HOLDER HANDLE PIPE	HOLDER HANDLE PIPE	2	
	53132	53132-LLB1-900	HOLDER UNDER HANDLE PIPE	HOLDER UNDER HANDLE PIPE	2	
	53166	53166-KEC5-001	GRIP L HANDLE	GRIP L HANDLE	2	
**	53205	53205-LCA5-E00	COVER HNDL	COVER HNDL	1	
	88110	88110-LBA7-E00	MIRROR ASSY R BACK	MIRROR ASSY R BACK	1	
	88120	88120-LBA7-E00	MIRROR ASSY L BACK	MIRROR ASSY R BACK	1	
#	90302	90302-GFY6-901	BOLT WASH 5*12	BOLT WASH 5*12	2	
	93406	93406-LLB1-900	BOLT-WASHER 8*35	BOLT-WASHER 8*35	4	
	94001	94001-10080-0S	NUT CASTLE 10MM	NUT HEX 10MM	2	
	94102	94102-10800	WASHER PLAIN 10MM	WASHER PLAIN 10MM	2	

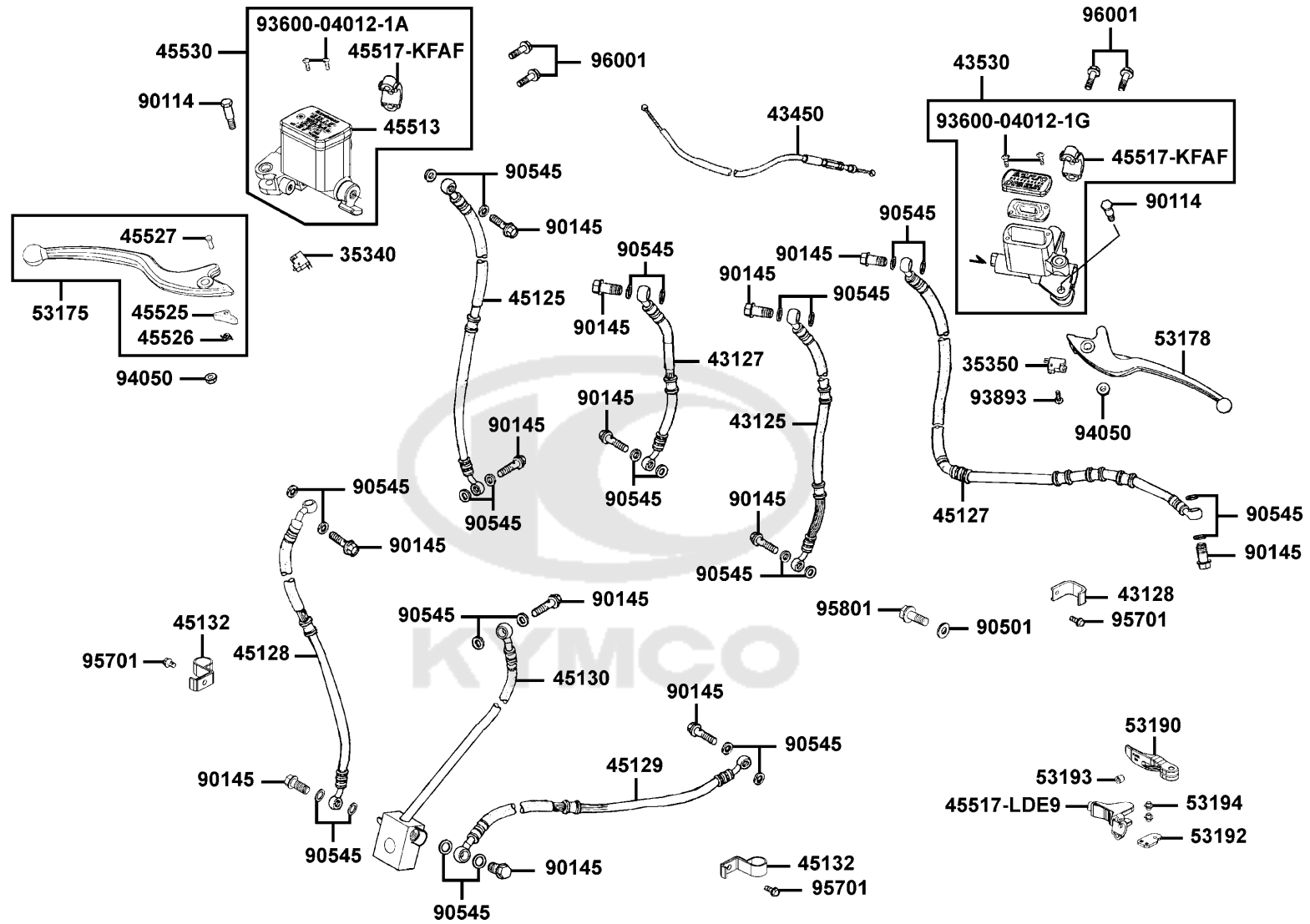
Master Cylinder



Sales mark	Ref no	Part no	Description	Reg description	Regd no	F04
	35340	35340-LBA7-900	SW ASSY FR STOP	SW ASSY FR STOP	1	
	35340	35340-LDB5-900	SW ASSY FR STOP	SW ASSY FR STOP	1	
	35350	35350-KNBN-901	SW ASSY RR STOP	SW ASSY RR STOP	1	
	43125	43125-LBA7-E00	HOSE COMP RR BRK	HOSE COMP RR BRK	1	
	43127	43127-LBA7-E00	HOSE COMP RR BRK	HOSE COMP RR BRK	1	
	43128	43128-LBA7-900	CLAMPER RR BRAKE HOSE	CLAMPER RR BRAKE HOSE	1	
	43450	43450-LEC1-E00	CABLE PARKING BRAKE	CABLE PARKING BRAKE	1	
	43530	43530-KKC4-305	CYLINDER SET RR MASTER	CYLINDER SET RR MASTER	1	
	45125	45125-LBA7-E00	HOSE COMP FR BRK	HOSE COMP FR BRK	1	
	45127	45127-LBA7-900	HOSE ASSY RR BRK	HOSE ASSY RR BRK	1	
	45128	45128-LCA5-E00	HOSE ASSY FR(C/P R) BRK	HOSE ASSY FR(C/P R) BRK	1	
	45129	45129-LCA5-E00	HOSE ASSY FR(C/P L) BRK	HOSE ASSY FR(C/P L) BRK	1	
	45130	45130-LBA7-E00	HOSE ASSY C/P L FR BRK	HOSE ASSY C/P L FR BRK	1	
	45132	45132-LBA7-900	CLAMPER FR BRAKE HOSE	CLAMPER FR BRAKE HOSE	2	
	45513	45513-KKC4-900	CAP M/C	CAP M/C	1	
	45517-KFAF	45517-KFAF-910	HOLDER M/C	HOLDER M/C	2	
	45517-LDE9	45517-LDE9-E00	HOLDER	HOLDER	2	
	45525	45525-LBA7-900	STOPPER	STOPPER	1	
	45526	45526-LBA7-900	SPRING	SPRING	1	
	45527	45527-LBA7-900	PIN PARK	PIN PARK	1	

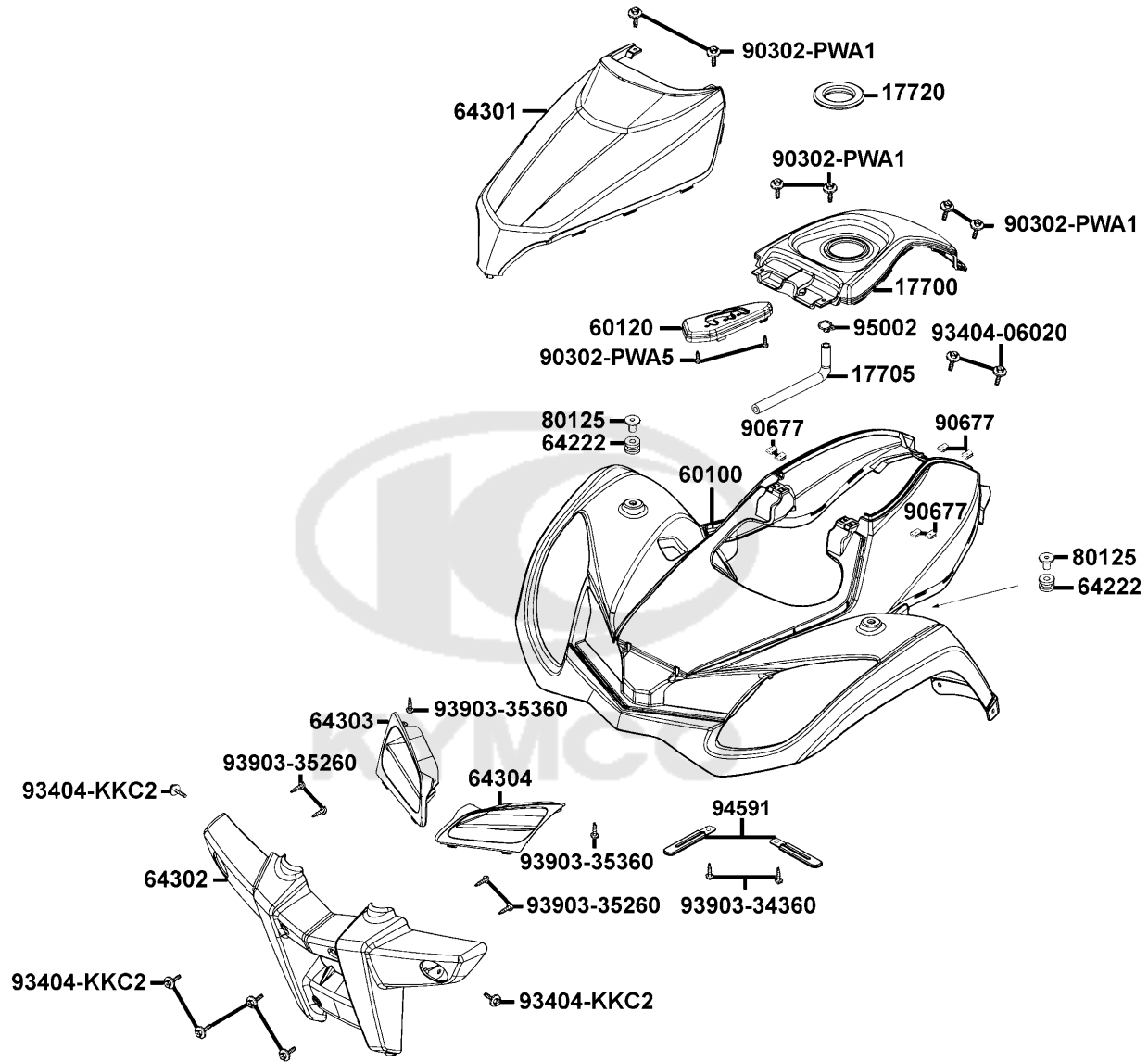
F04

# Master Cylinder

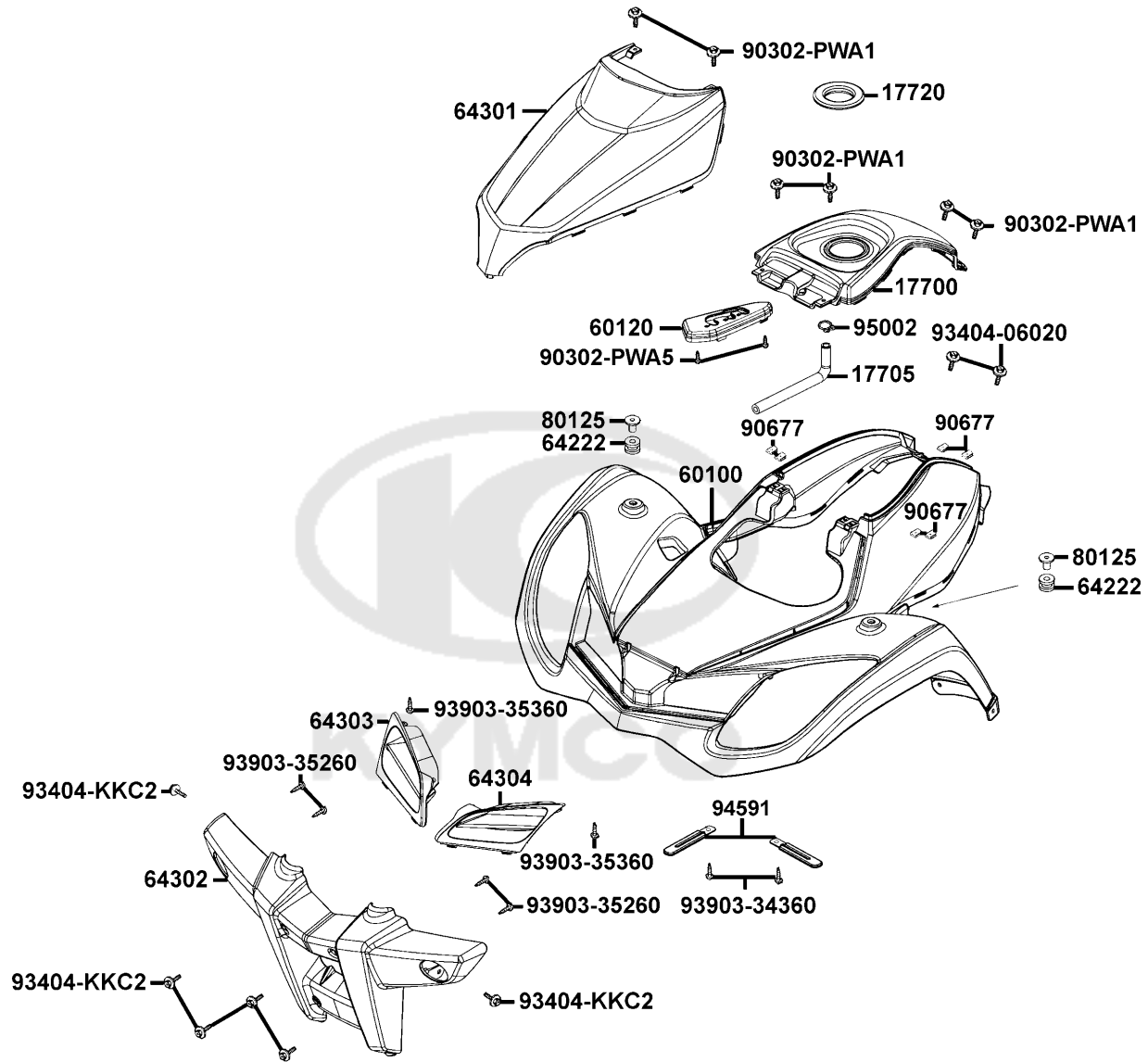


Sales mark	Ref no	Part no	Description	Reg description	Regd no	<b>F04</b>
	45530	45530-LBA7-305	CYLINDER SET FR	CYLINDER SET FR	1	
#	53175	53175-LBA7-305	LEVER SET BRK	LEVER SET BRK	1	
**	53178	53178-KFC8-E10	LEVER L STRG HNDL	LEVER L STRG HANDLE	1	
	53190	53190-LDE9-E00	LEVER	LEVER	1	
	53192	53192-LDE9-E00	BRACKET	BRACKET	1	
	53193	53193-LDE9-E00	STOPPER	STOPPER	1	
	53194	53194-LDE9-E00	PIVOT	PIVOT	1	
	90114	90114-1F66-007	BOLT HANDLE LEVER	BOLT HANDLE LEVER	2	
	90145	90145-MKS9-61A-06	OIL BOLT 10*22	OIL BOLT 10*22	13	
	90501	90501-3L10-001	WASHER 7*12	WASHER 7X12	1	
	90545	90545-3L00-001	WASHER OIL BOLT	WASHER OIL BOLT	26	
	93600-04012-1A	93600-04012-1A	SCREW FLAT 4*12	SCREW FLAT 4*12	2	
	93600-04012-1G	93600-04012-1G	SCREW FLAT 4*12	SCREW FLAT 4*12	2	
	93893	93893-04012-18	SCREW WASHER 4*12	SCREW WASHER 4*12	1	
	94050	94050-06060	NUT FLANGE 6MM	NUT FLANGE 6MM	2	
	95701	95701-06012-06	BOLT FLANGE 6*12	BOLT FLANGE 6*12	3	
	95801	95801-08035-06	BOLT FLANGE 8*35	BOLT FLANGE 8*35	1	
	96001	96001-06022-06	BOLT FLANGE SH 6*22 (G)	BOLT FLANGE SH 6*22 (G)	4	





Sales mark	Ref no	Part no	Description	Reg description	Regd no	F05
**	17700	17700-LCA5-E00	COVER TANK	COVER TANK	1	
	17705	17705-LCA5-E00	TUBE ASSY FUEL DRAIN	TUBE ASSY FUEL DRAIN	1	
	17720	17720-LBA7-900	TRAY TANK COVER	TRAY TANK COVER	1	
**	60100	60100-LCA5-E00	FENDER FRONT	FENDER FRONT	1	
**	60120	60120-LCA5-E00	GUIDE COVER CHANGE HANDLE	GUIDE COVER CHANGE HANDLE	1	
	64222	64222-LLJ3-E00	RUBBER WIND SCREEN	RUBBER WIND SCREEN	2	
**	64301	64301-LCA5-E00	COVER FRONT	COVER FRONT	1	
# **	64302	64302-LCA5-E01	BUMPER FRONT	BUMPER FRONT	1	
# **	64303	64303-LCA5-E01	GRILL R FENDER	GRILL R FENDER	1	
# **	64304	64304-LCA5-E01	GRILL L FENDER	GRILL L FENDER	1	
	80125	80125-LBD4-900	COLLAR FLOOR	COLLAR FLOOR	2	
#	90302-PWA1	90302-PWA1-900	BOLT-WASH 5*16	BOLT WASHER 5*16	6	
	90302-PWA5	90302-PWA5-900	BOLT-WASH 5*12	BOLT-WASH 5*12	2	
	90677	90677-GAR1-004	NUT CLIP 5MM	NUT CLIP 5MM	6	
	93404-06020	93404-06020-06	BOLT WASHER 6*20 (G)	BOLT WASH 6*20	2	
	93404-KKC2	93404-KKC2-900-06	BOLT-WASH 6X16	BOLT-WASH 6X16	6	
	93903-34360	93903-34360	SCREW TAPPING 4*12 (G)	SCREW TAPPING 4*12	2	
	93903-35260	93903-35260	SCREW TAPPING 5*12	SCREW TAPPING 5*12	4	
	93903-35360	93903-35360	SCREW TAPPING 5*16	SCREW TAPPING 5*16	2	
	94591	94591-27000	CLIP 2*70	CLIP 2*70	2	



Sales mark	Ref no	Part no	Description	Reg description	Regd no	<b>F05</b>
------------	--------	---------	-------------	-----------------	---------	------------

95002

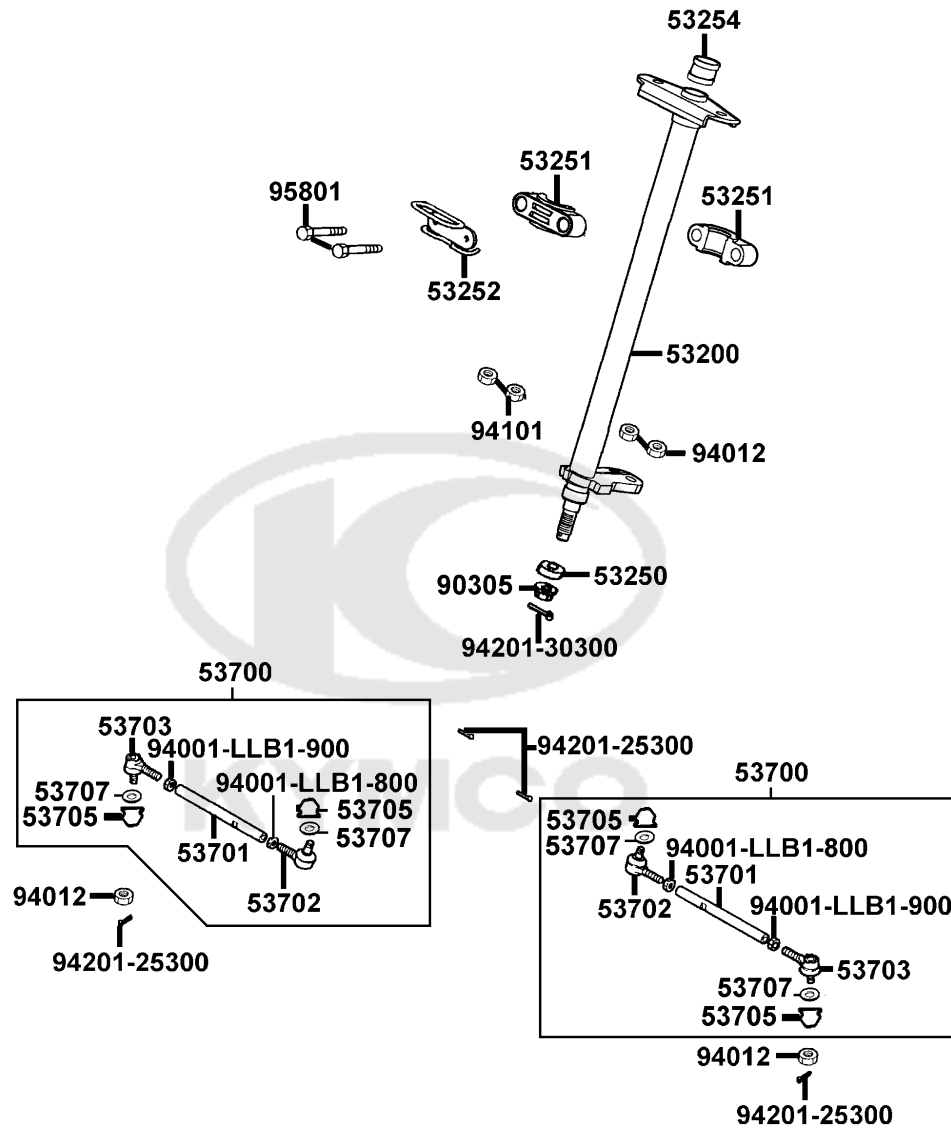
95002-02100

CLIP B15 TUBE

CLIP B15 TUBE

1

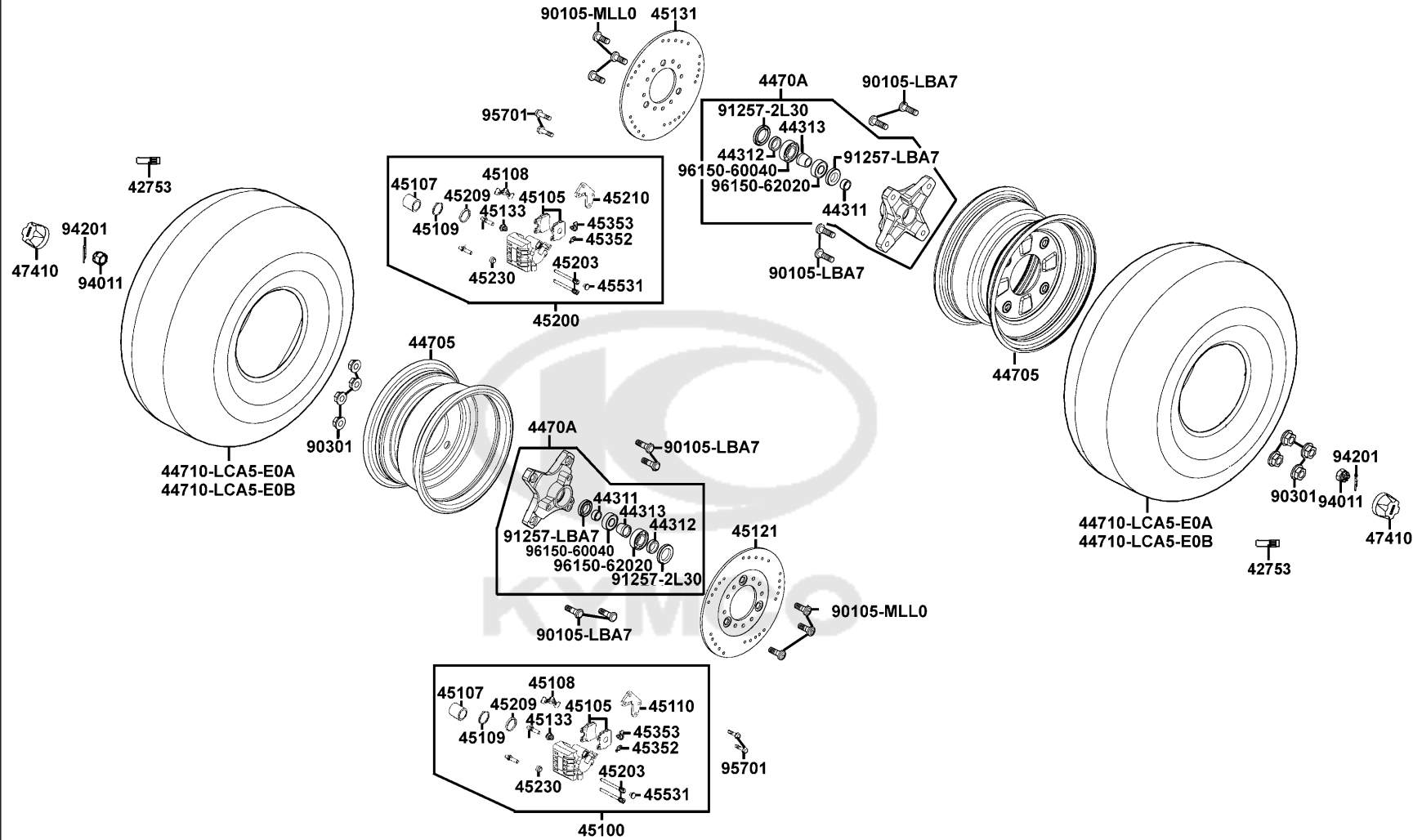




Sales mark	Ref no	Part no	Description	Reg description	Regd no	F06
	53200	53200-LBA7-E00	STEM COMP STEERING	STEM COMP STEERING	1	
	53250	53250-LBA7-900	COLLAR STEM BOTTOM	COLLAR STEM BOTTOM	1	
	53251	53251-LCA5-E00	HOLDER STEM STEERING	HOLDER STEM STEERING	2	
	53252	53252-LBA7-900	CLAMPER STEM HOLDER	CLAMPER STEM HOLDER	1	
	53254	53254-LBA7-900	SLEEVE STEM	SLEEVE STEM	1	
	53700	53700-LCA5-E00	ROD ASSY STEERING	ROD ASSY STEERING	2	
	53701	53701-LCA5-E00	ROD COMP STEERING	ROD COMP STEERING	2	
	53702	53702-LLB1-900	JOINT R BALL	JOINT R BALL	2	
	53703	53703-LLB1-900	JOINT L BALL	JOINT L BALL	2	
	53705	53705-LLB1-900	BOOT BALL JOINT	BOOT BALL JOINT	4	
	53707	53707-LLB1-900	RING	RING	4	
	90305	90305-MAA1-004-SY	NUT U FLANGE 16MM	NUT U FLANGE 16MM	1	
	94001-LLB1-800	94001-LLB1-800	NUT HEX 10MM	NUT HEX 10MM	2	
	94001-LLB1-900	94001-LLB1-900	NUT HEX 6 MM	NUT HEX LH 10MM	2	
	94012	94012-LLB1-900	NUT CASTLE 10MM	NUT CASTLE 10MM	4	
	94101	94101-10800	WASHER PLAIN 10MM	WASHER PLAIN 10*22*1.6	2	
	94201-25300	94201-25300	PIN SPLIT 2.5*30	PIN SPLIT 2.5*30	4	
	94201-30300	94201-30300	PIN SPLIT 3*30	PIN SPLIT 3*30	1	
	95801	95801-08060-06	BOLT FLANGE 8*60	BOLT FLANGE 8*60	2	

F07

Front Wheel

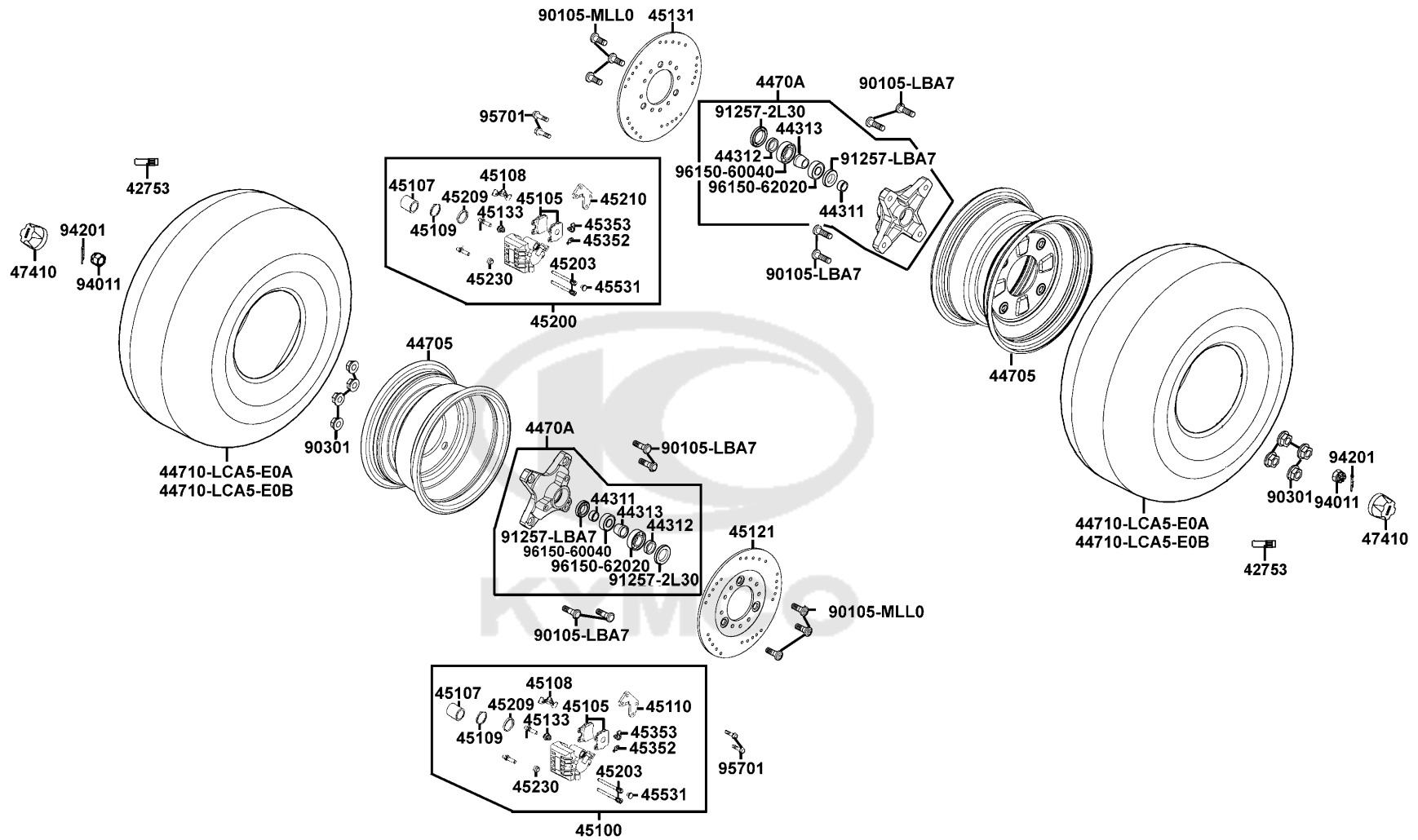


Sales mark	Ref no	Part no	Description	Reg description	Regd no	F07
	42753	42753-KNBN-90B	VALAE RIM (TR412)	VALAE RIM (TR412)	2	
	44311	44311-LBA7-900	COLLAR FR WHEEL SIDE A	COLLAR FR WHEEL SIDE A	2	
	44312	44312-LBA7-900	COLLAR FR WHEEL SIDE B	COLLAR FR WHEEL SIDE B	2	
	44313	44313-LBA7-900	COLLAR FR WHEEL DIST	COLLAR FR WHEEL DIST	2	
**	44705	44705-LCA5-E00	RIM COMP FR WHEEL	RIM COMP FR WHEEL	2	
	4470A	4470A-LCA5-E00	CONNECTOR ASSY FR	CONNECTOR ASSY FR	2	
	44710-LCA5-E0A	44710-LCA5-E0A	TIRE ASSY FR /KENDA	TIRE ASSY FR /KENDA	2	
	44710-LCA5-E0B	44710-LCA5-E0B	TIRE ASSY FR /MAXXIS	TIRE ASSY FR /MAXXIS	2	
**	45100	45100-LBA7-900	CALIPER ASSY FR R	CALIPER ASSY FR R	1	
	45105	45105-LBA7-305	PAD SET	PAD SET	2	
#	45107	45107-KFA6-900	PISTON	PISTON	1	
	45108	45108-LBA7-900	SPRING PAD	SPRING PAD	2	
#	45109	45109-KFA6-900	DUST SEAL	DUST SEAL	1	
	45110	45110-LBA7-305	BRACKET R	BRACKET R	1	
	45121	45121-LBA7-900	DISK FR BRK R	DISK FR BRK R	1	
	45131	45131-LBA7-900	DISK FR BRK L	DISK FR BRK L	1	
	45133	45133-LBA7-900	BOOT A	BOOT A	2	
**	45200	45200-LBA7-900	CALIPER ASSY FR L	CALIPER ASSY FR L	1	
	45203	45203-LBA7-900	PIN HANGER	PIN HANGER	4	
#	45209	45209-KFA6-900	SEAL PISTON	SEAL PISTON	1	



F07

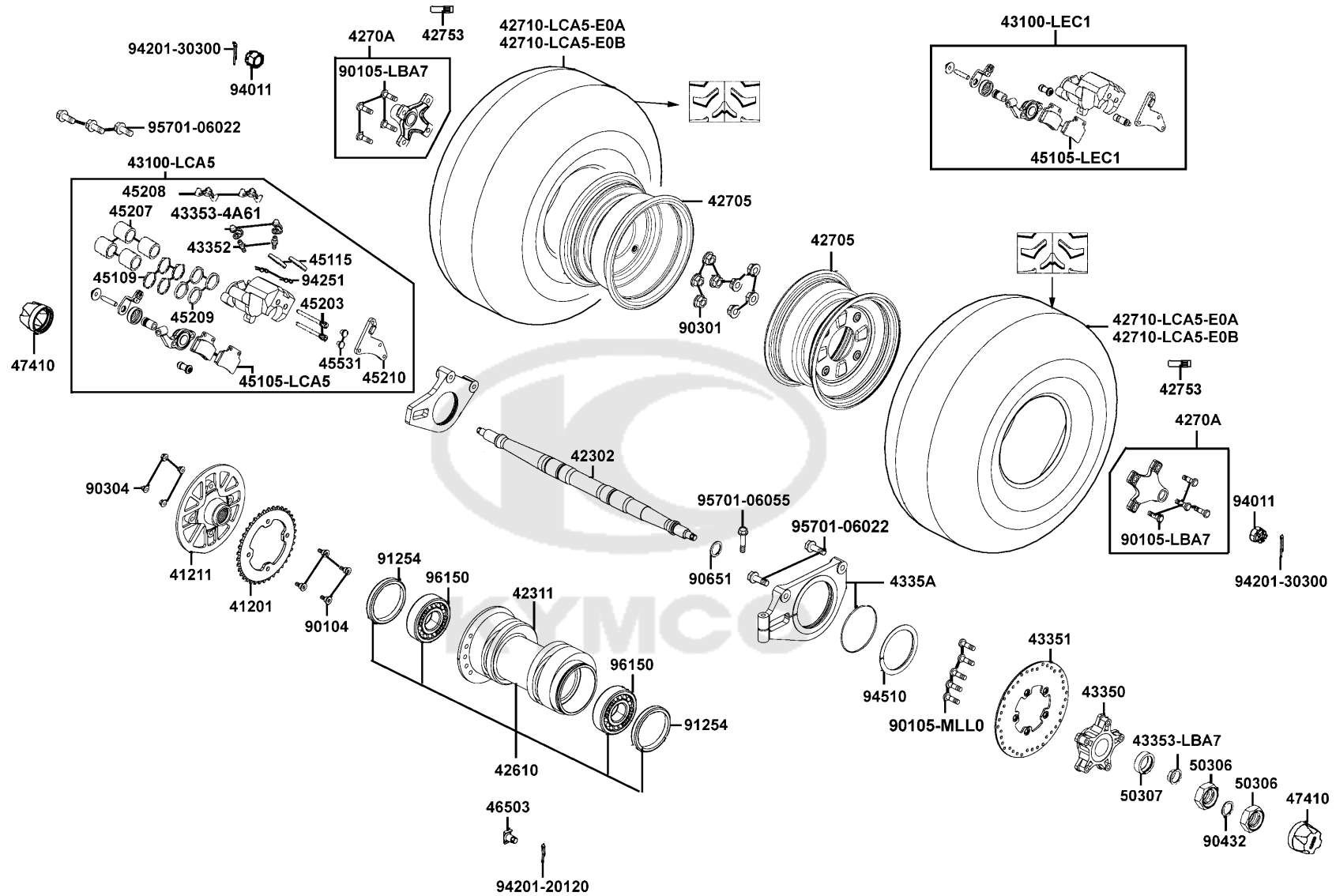
Front Wheel



Sales mark	Ref no	Part no	Description	Reg description	Regd no	F07
	45210	45210-LBA7-305	BRACKET L	BRACKET L	1	
	45230	45230-LBA7-900	BUSH PIN	BUSH PIN	2	
	45352	45352-LBA7-900	BLEEDER	BLEEDER	2	
	45353	45353-LBA7-900	CAP BLEEDER	CAP BLEEDER	2	
	45531	45531-LBA7-900	PLUG	PLUG	2	
	47410	47410-LCA5-E00	CAP WHEEL SHAFT	CAP WHEEL SHAFT	2	
	90105-LBA7	90105-LBA7-900	BOLT CONNECTOR	BOLT CONNECTOR	8	
	90105-MLL0	90105-MLL0-731	BOLT STEP HOLDER 8*24	BOLT STEP HOLDER 8*24	6	
	90301	90301-LBA7-900	NUT WHEEL 10*14	NUT WHEEL 10*14	8	
	91257-2L30	91257-2L30-006	OIL SEAL 28*42*7	OIL SEAL 28*42*7	2	
	91257-LBA7	91257-LBA7-900	OIL SEAL 20*35*7	OIL SEAL 20*35*7	2	
	94011	94011-LLB1-900	NUT FLANGE CASTLE 14MM	NUT FLANGE CASTLE 14MM	2	
	94201	94201-30300	PIN SPLIT 3*30	PIN SPLIT 3*30	2	
	95701	95701-08020-08	BOLT FLANGE 8*20	BOLT FLANGE 8*20	4	
	96150-60040	96150-60040-10	BEARING BALL RADIAL 6004	BEARING BALL RADIAL 6004	2	
	96150-62020	96150-62020-10	BEARING BALL RADIAL 6202	BEARING BALL RADIAL 6202	2	

F08

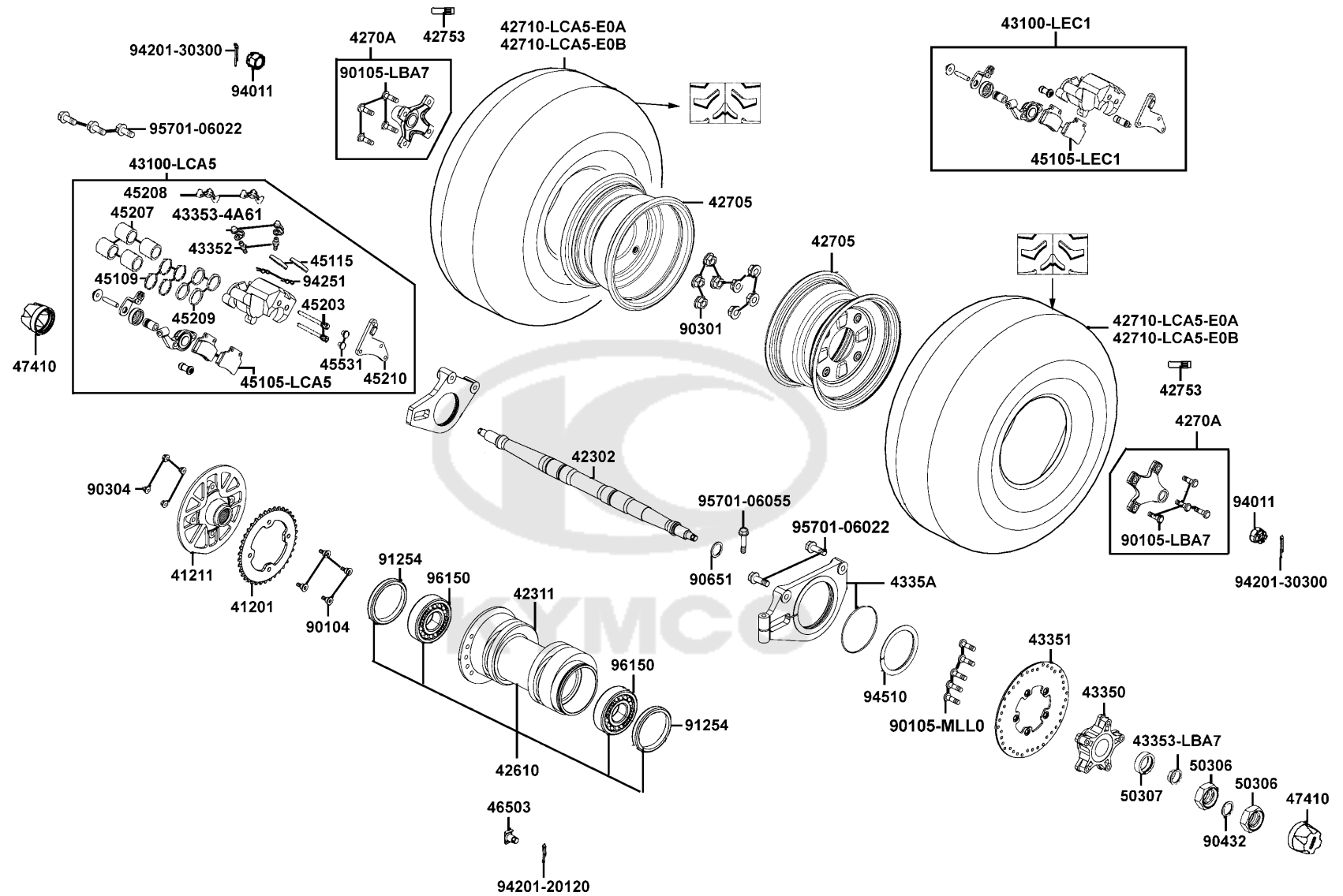
# Rear Wheel



Sales mark	Ref no	Part no	Description	Reg description	Regd no	F08
	41201	41201-LBA7-900	SPRKT FINAL DRIVEN	SPRKT FINAL DRIVEN	1	
	41211	41211-LDF3-E00	HOLDER SPROCKET	HOLDER SPROCKET	1	
	42302	42302-LCA5-E00	SHAFT RR WHEEL	SHAFT RR WHEEL	1	
	42311	42311-LBA7-900	COLLAR RR HUB	COLLAR RR HUB	1	
**	42610	42610-LBA7-900	HUB ASSY REAR	HUB ASSY REAR	1	
**	42705	42705-LCA5-E00	RIM COMP RR WHEEL	RIM COMP RR WHEEL	2	
	4270A	4270A-LCA5-E00	CONNECTOR ASSY RR	CONNECTOR ASSY RR	2	
	42710-LCA5-E0A	42710-LCA5-E0A	TIRE ASSY RR /KENDA	TIRE ASSY RR /KENDA	2	
	42710-LCA5-E0B	42710-LCA5-E0B	TIRE ASSY RR /MAXXIS	TIRE ASSY RR /MAXXIS	2	
	42753	42753-KNBN-90B	VALAE RIM (TR412)	VALAE RIM (TR412)	2	
**	43100-LCA5	43100-LCA5-E00	CALIPER ASSY RR	CALIPER ASSY RR	1	
**	43100-LEC1	43100-LEC1-E00	CALIPER ASSY RR	CALIPER ASSY RR	1	
	43350	43350-LDF3-E00	HUB BRK DISK	HUB BRK DISK	1	
	43351	43351-LBA7-900	DISK RR BRK	DISK RR BRK	1	
	43352	43352-5H68-004	SCREW BLEEDER	SCREW BLEEDER	2	
	43353-4A61	43353-4A61-77A	CAP BLEEDER	CAP BLEEDER	2	
	43353-LBA7	43353-LBA7-900	COLLAR RR CALIPER BRKT	COLLAR RR CALIPER BRKT	1	
	4335A	4335A-LBA7-900	BRKT ASSY RR CALIPER	BRKT ASSY RR CALIPER	1	
	45105-LCA5	45105-LCA5-305	PAD SET	PAD SET	2	
	45105-LEC1	45105-LEC1-305	PAD SET	PAD SET	1	

F08

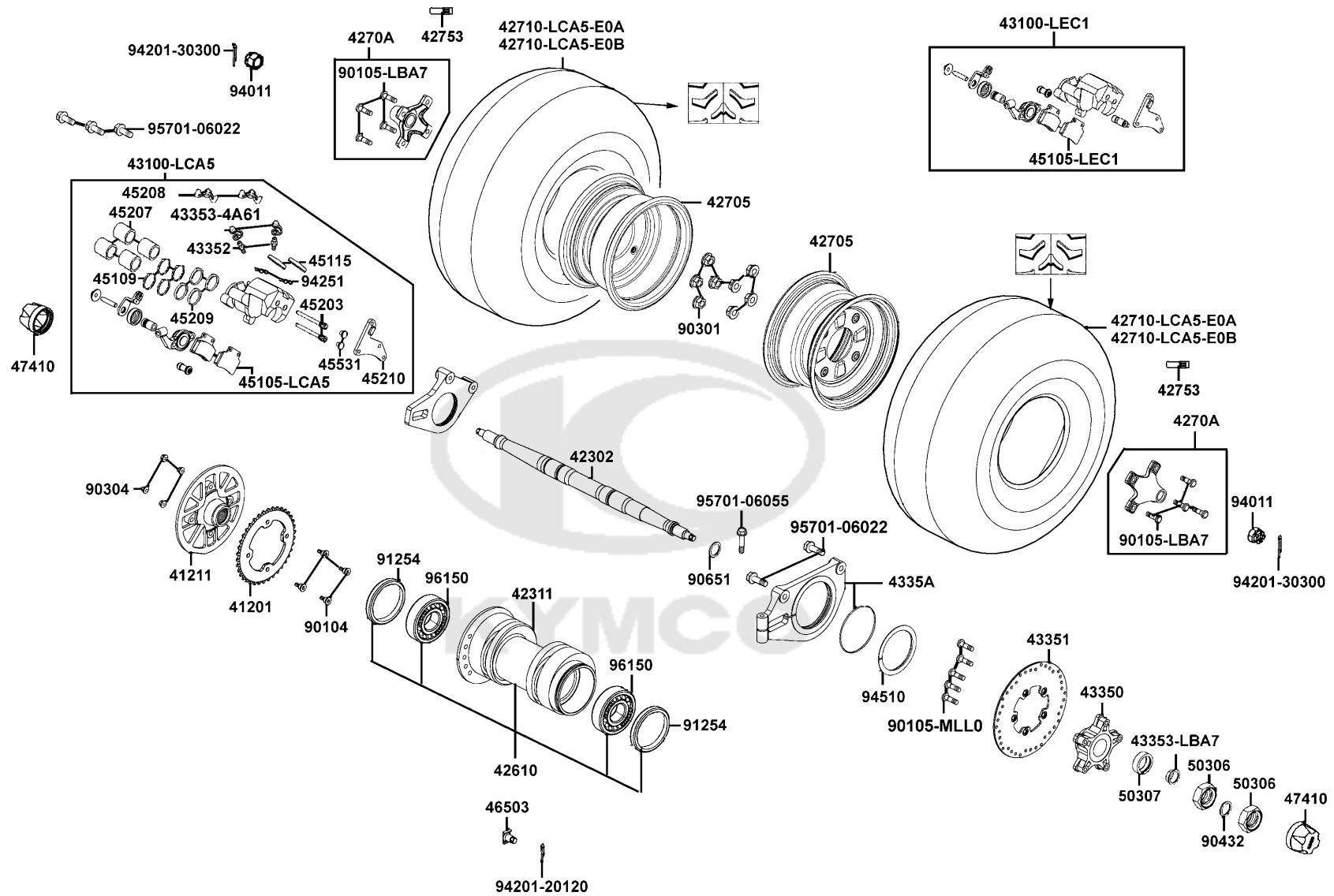
Rear Wheel



Sales mark	Ref no	Part no	Description	Reg description	Regd no	F08
#	45109	45109-KFA6-900	DUST SEAL	DUST SEAL	4	
	45115	45115-KKC4-900	COVER DUST	COVER DUST	2	
	45203	45203-KKC4-900	PIN HANGER	PIN HANGER	2	
	45207	45207-KKC4-900	PISTON	PISTON	4	
	45208	45208-KKC4-900	SPRING PAD	SPRING PAD	2	
#	45209	45209-KFA6-900	SEAL PISTON	SEAL PISTON	4	
	45210	45210-LBA7-305	BRACKET L	BRACKET L	1	
	45531	45531-GAR1-951	PLUG	PLUG	2	
	46503	46503-KCW3-001	PIN COMP BRK ROD	PIN COMP BRK ROD	1	
	47410	47410-LCA5-E00	CAP WHEEL SHAFT	CAP WHEEL SHAFT	2	
	50306	50306-LBA7-900	NUT REAR SHAFT	NUT REAR SHAFT	2	
	50307	50307-LBA7-900	COLLAR REAR SHAFT	COLLAR REAR SHAFT	1	
	90104	90104-LBA7-900	BOLT WELD 10*25	BOLT WELD 10*25	4	
	90105-LBA7	90105-LBA7-900	BOLT CONNECTOR	BOLT CONNECTOR	8	
	90105-MLL0	90105-MLL0-731	BOLT STEP HOLDER 8*24	BOLT STEP HOLDER 8*24	5	
	90301	90301-LBA7-900	NUT WHEEL 10*14	NUT WHEEL 10*14	8	
	90304	90304-GLW0-90A	NUT U FLANGE 10MM	NUT U FLANGE 10MM	4	
	90432	90432-LBA7-900	WASHER LOCK	WASHER LOCK	1	
	90651	90651-LBA7-900	RING SNAP	RING SNAP	1	
	91254	91254-LBA7-900	OIL SEAL 52*62*7	OIL SEAL 52*62*7	2	

F08

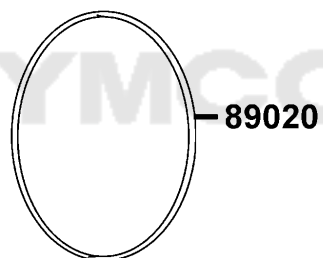
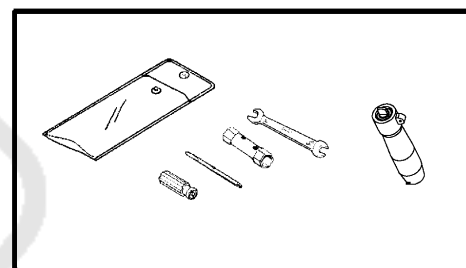
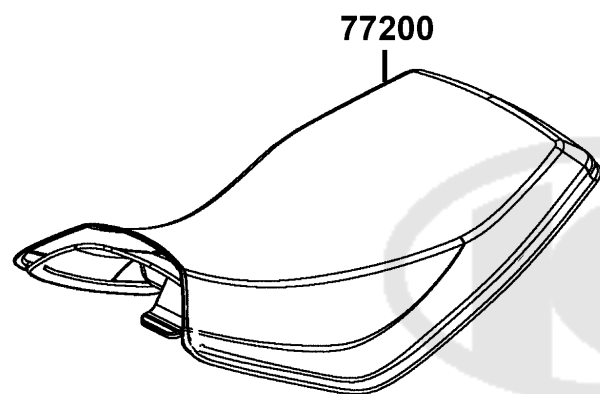
# Rear Wheel



Sales mark	Ref no	Part no	Description	Reg description	Regd no	<b>F08</b>
	94011	94011-LBA7-900	NUT FLANGE CASTLE 16MM	NUT FLANGE CASTLE 16MM	2	
	94201-20120	94201-20120	PIN SPLIT 2*12	PIN SPLIT 2*12	1	
	94201-30300	94201-30300	PIN SPLIT 3*30	PIN SPLIT 3*30	2	
	94251	94251-08400	PIN LOCK 8MM	PIN LOCK 8MM	2	
	94510	94510-75000	CIR CLIP EX 75	CIR CLIP EX 75	1	
	95701-06022	95701-06022-06	BOLT FLANGE 6*22	BOLT FLANGE 6*22	3	
	95701-06055	95701-06055-08	BOLT FLANGE 6*55	BOLT FLANGE 6*55	1	
	96150	96150-60080-10	BEARING BALL RADIAL 6008	BEARING BALL RADIAL 6008	2	



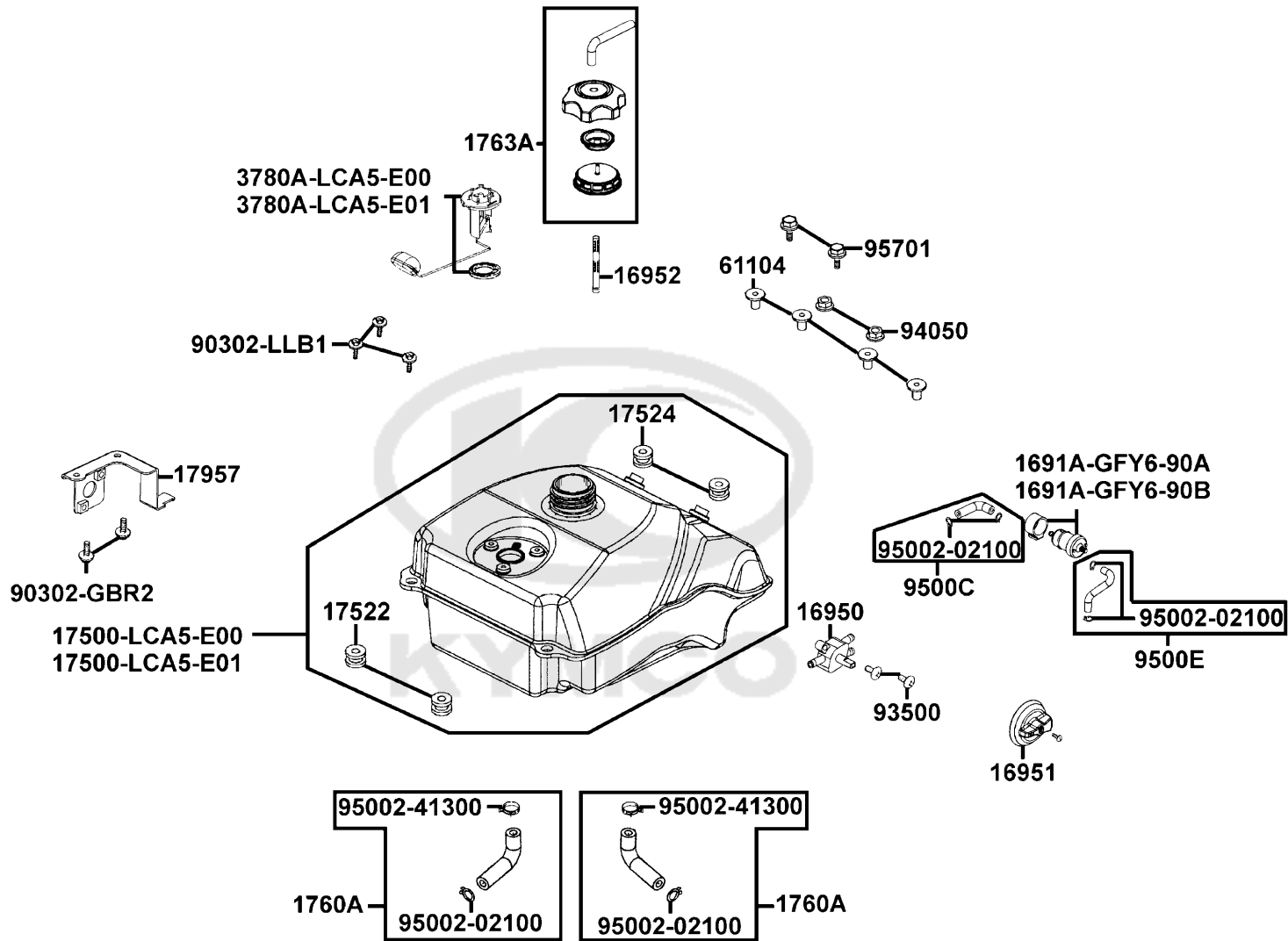




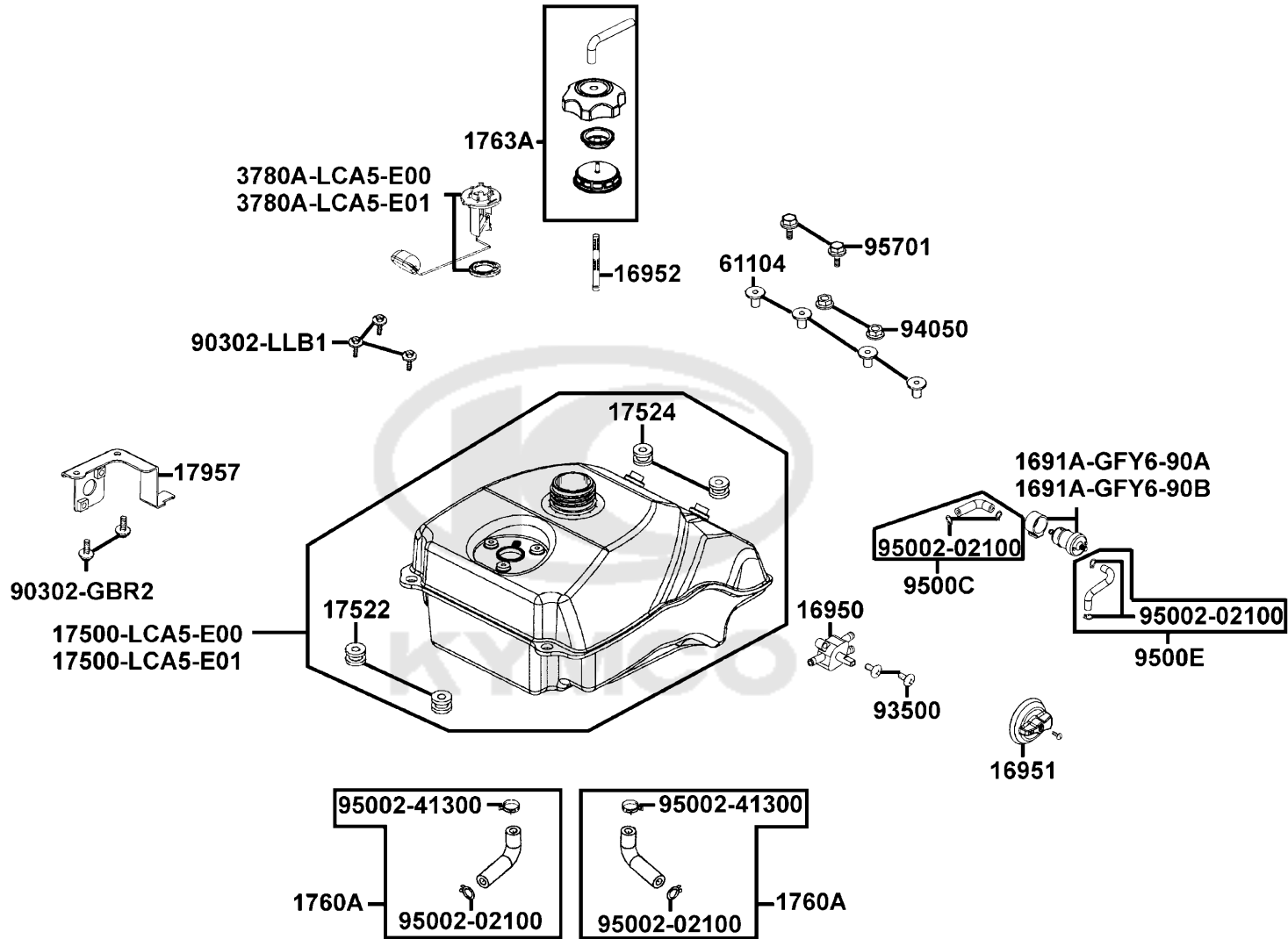
Sales mark	Ref no	Part no	Description	Reg description	Regd no	<b>F09</b>
------------	--------	---------	-------------	-----------------	---------	------------

**	77200	77200-LCA5-E00	SEAT ASSY	SEAT ASSY	1	
	89010	89010-LBA7-900	TOOL SET	TOOL SET	1	
	89020	89020-KKC4-900	BAND TOOL SET	BAND TOOL SET	1	





Sales mark	Ref no	Part no	Description	Reg description	Regd no	F10
	1691A-GFY6-90A	1691A-GFY6-90A	STRAINER ASSY FUEL	STRAINER ASSY FUEL	1	
	1691A-GFY6-90B	1691A-GFY6-90B	STRAINER ASSY FUEL	STRAINER ASSY FUEL	1	
	16950	16950-LBA7-900	COCK FUEL	COCK FUEL	1	
	16951	16951-LBA7-900	COVER FUEL COCK	COVER FUEL COCK	1	
	16952	16952-LLB1-900	SCREEN FUEL STRAINER	SCREEN FUEL STRAINER	1	
	17500-LCA5-E00	17500-LCA5-E00	TANK COMP FUEL	TANK COMP FUEL	1	
	17500-LCA5-E01	17500-LCA5-E01	TANK COMP FUEL	TANK COMP FUEL	1	
	17522	17522-LLB1-900	RUBBER FUEL TANK	RUBBER FUEL TANK	2	
	17524	17524-LLB1-900	RR RUBBER FUEL TANK	RR RUBBER FUEL TANK	2	
	1760A	1760A-LBA7-900	TUBE ASSY FUEL TANK	TUBE ASSY FUEL TANK	2	
	1763A	1763A-LCA5-E00	CAP ASSY FUEL FILLER	CAP ASSY FUEL FILLER	1	
	17957	17957-LBA7-900	STAY FUEL COCK & STRAINER	STAY FUEL COCK & STRAINER	1	
	3780A-LCA5-E00	3780A-LCA5-E00	FUEL UNIT ASSY	FUEL UNIT ASSY	1	
	3780A-LCA5-E01	3780A-LCA5-E01	FUEL UNIT ASSY	FUEL UNIT ASSY	1	
	61104	61104-3G57-001	COLLAR FR FENDER	COLLAR FR FENDER	4	
	90302-LLB1	90302-LLB1-E00	BOLT-WASHER 5*12	BOLT-WASH 5X12	3	
#	90302-GBR2	90302-PWA1-900	BOLT-WASH 5*16	BOLT WASHER 5*16	6	
	93500	93500-05016-1B	SCREW PAN 5*16	SCREW PAN 5*16	2	
	94050	94050-06080	NUT FLANGE 6MM	NUT FLANGE 6MM	2	
	95002-02100	95002-02100	CLIP B15 TUBE	CLIP B15 TUBE	6	



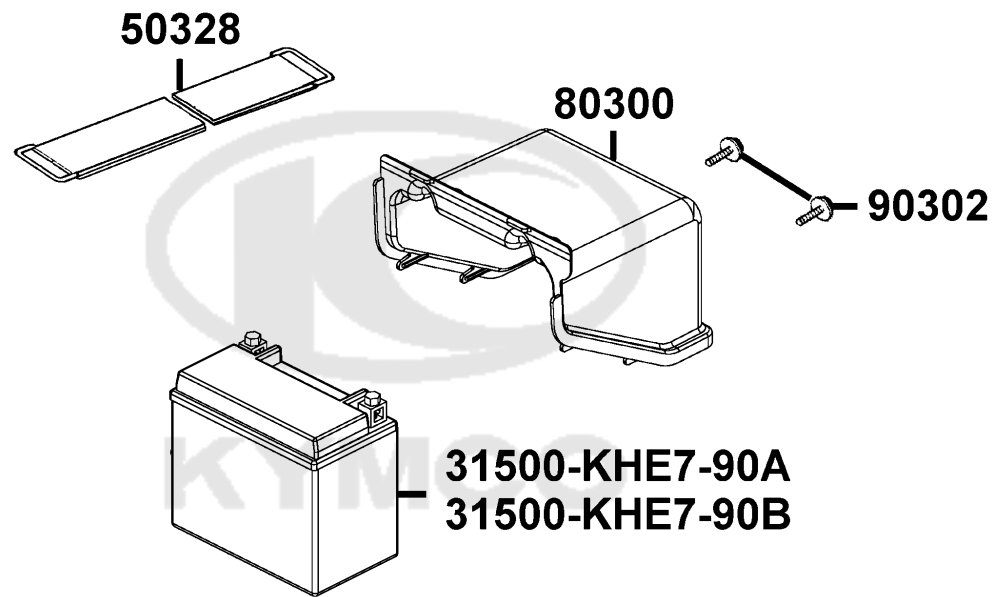
Sales mark	Ref no	Part no	Description	Reg description	Regd no	<b>F10</b>
------------	--------	---------	-------------	-----------------	---------	------------

95002-41300		95002-41300-00	CLIP D13.0 TUBE	CLAMP D13 TUBE	2	
9500C		9500C-LBA7-900	TUBE ASSY FUEL	TUBE ASSY FUEL	1	
9500E		9500E-LBA7-900	TUBE ASSY FUEL	TUBE ASSY FUEL	1	
95701		95701-06022-06	BOLT FLANGE 6*22	BOLT FLANGE 6*22	2	



F11

Battery

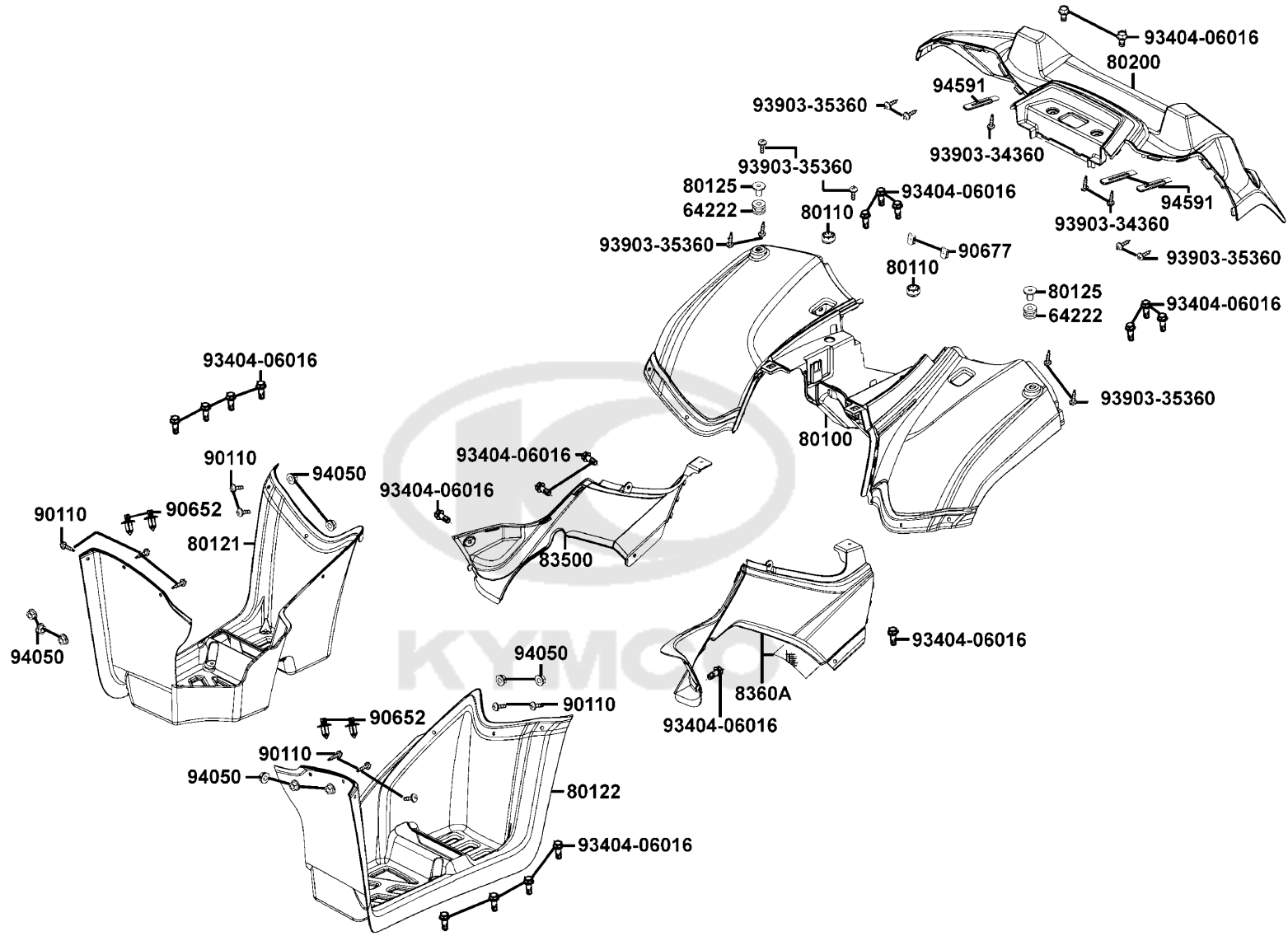


Sales mark	Ref no	Part no	Description	Reg description	Regd no	<b>F11</b>
------------	--------	---------	-------------	-----------------	---------	------------

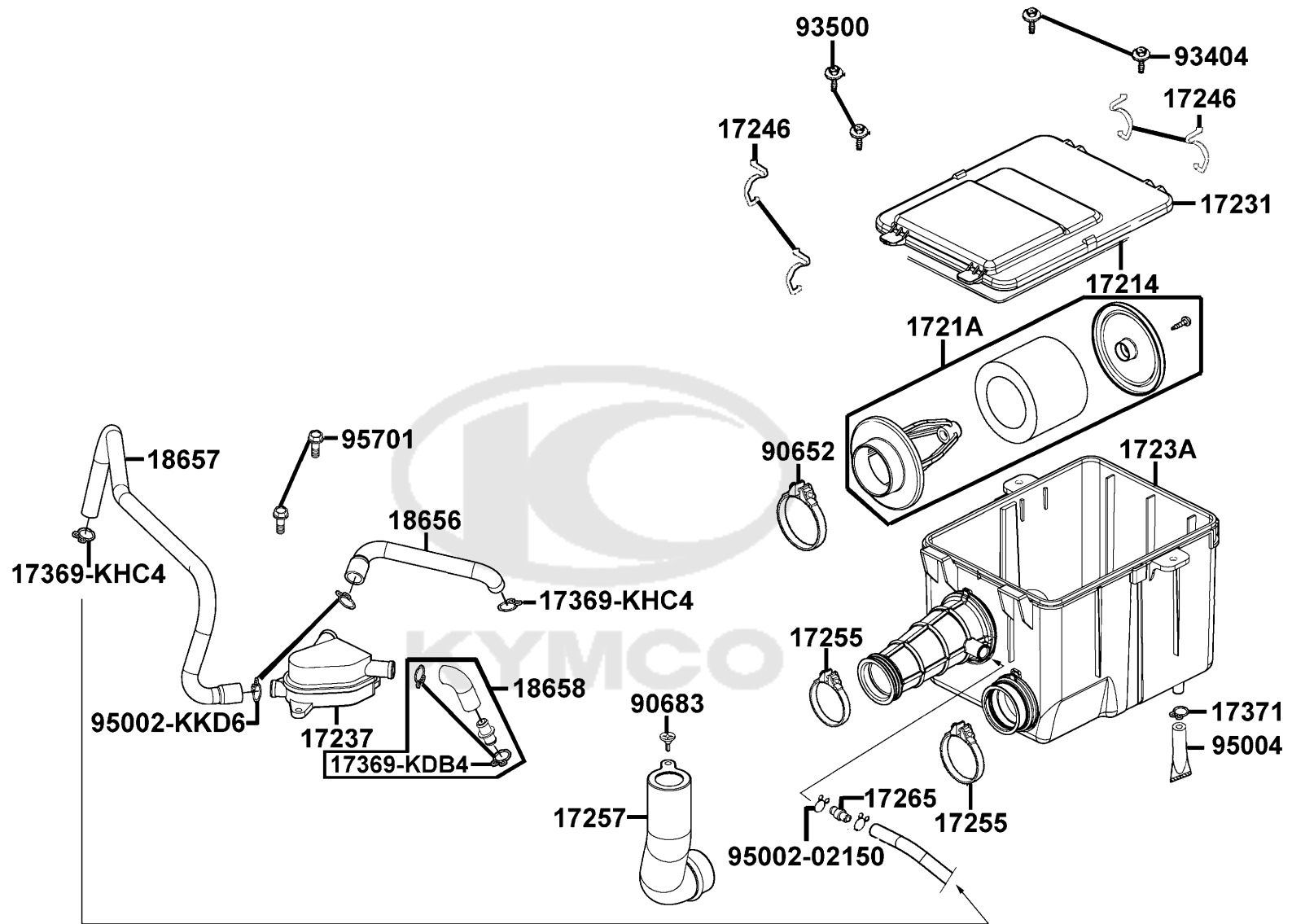
	31500-KHE7-90A	31500-KHE7-90A	BATTERY YTX12-BS	BATTERY YTX12-BS	1	
	31500-KHE7-90B	31500-KHE7-90B	BATTERY GTX12-BS	BATTERY GTX12-BS	1	
	50328	50328-LCA5-E00	BAND BATTERY	BAND BATTERY	1	
**	80300	80300-LCA5-E00	COVER BATTERY	COVER BATTERY	1	
	90302	90302-LLB1-E00	BOLT-WASHER 5*12	BOLT-WASH 5X12	2	



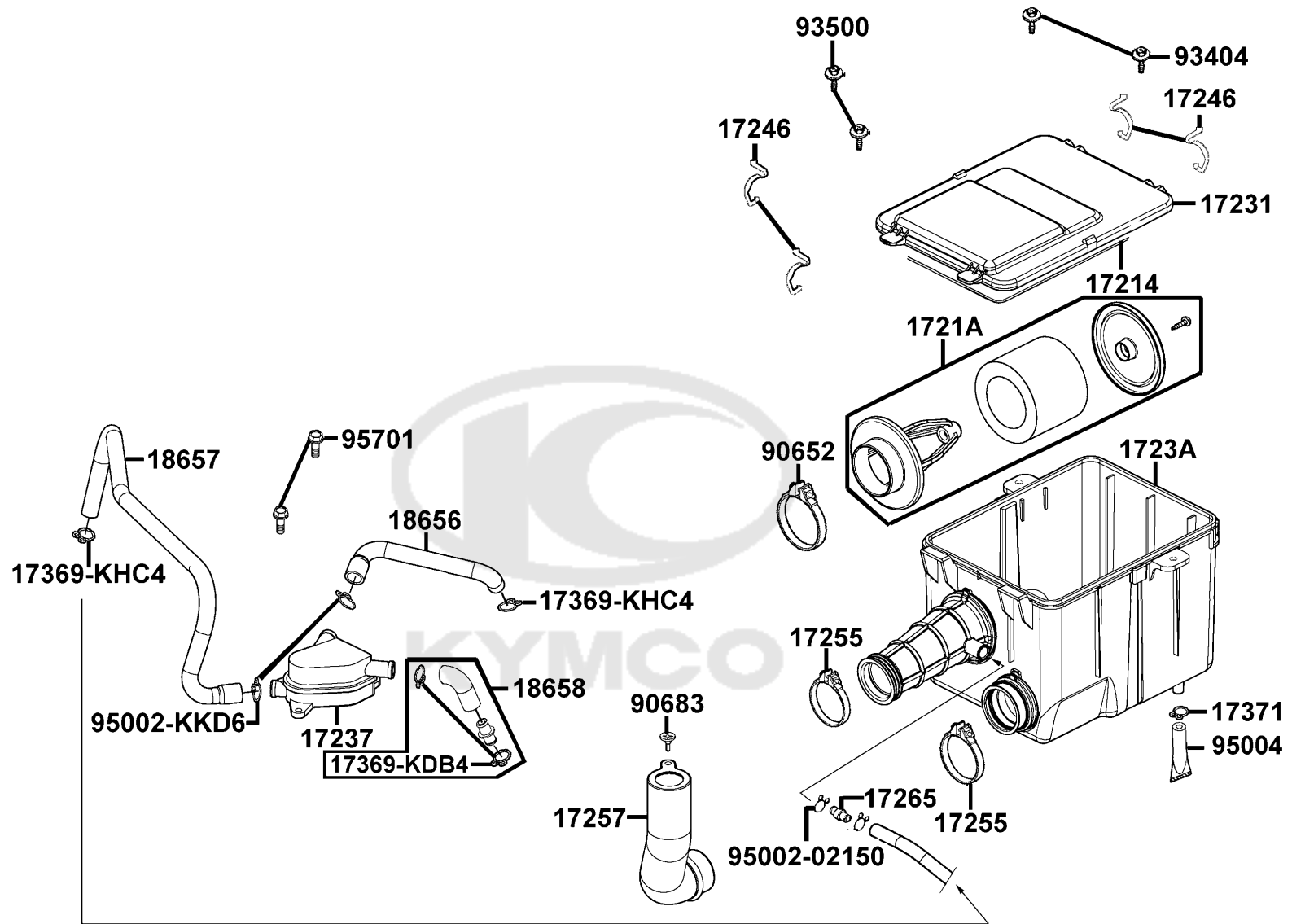




Sales mark	Ref no	Part no	Description	Reg description	Regd no	F12
	64222	64222-LLJ3-E00	RUBBER WIND SCREEN	RUBBER WIND SCREEN	2	
**	80100	80100-LCA5-E00	FENDER REAR	FENDER REAR	1	
	80110	80110-LBA7-900	RUBBER REAR FENDER	RUBBER REAR FENDER	2	
# **	80121	80121-LCA5-E01	MUDGUARD R FLOOR	MUDGUARD R FLOOR	1	
# **	80122	80122-LCA5-E01	MUDGUARD L FLOOR	MUDGUARD L FLOOR	1	
	80125	80125-LBD4-900	COLLAR FLOOR	COLLAR FLOOR	2	
**	80200	80200-LCA5-E00	MOLDING RR FENDER	MOLDING RR FENDER	1	
# **	83500	83500-LCA5-E01	COVER,R SIDE	COVER,R SIDE	1	
# **	8360A	8360A-LCA5-E01	COVER ASSY,L SIDE	COVER ASSY,L SIDE	1	
	90110	90110-LLB1-800	SCREW SPECIAL 6*16	SCREW SPECIAL 6*16	10	
	90652	90652-LCA4-E00	CLIP MUDGUARD	CLIP MUDGUARD	4	
	90677	90677-GAR1-004	NUT CLIP 5MM	NUT CLIP 5MM	2	
	93404	93404-06016-06	BOLT WASHER 6*16	BOLT WASHER 6*16	21	
	93903-34360	93903-34360	SCREW TAPPING 4*12 (G)	SCREW TAPPING 4*12	3	
	93903-35360	93903-35360	SCREW TAPPING 5*16	SCREW TAPPING 5*16	10	
	94050	94050-LDE9-E00	NUT LOCK	NUT LOCK	10	
	94591	94591-27000	CLIP 2*70	CLIP 2*70	3	



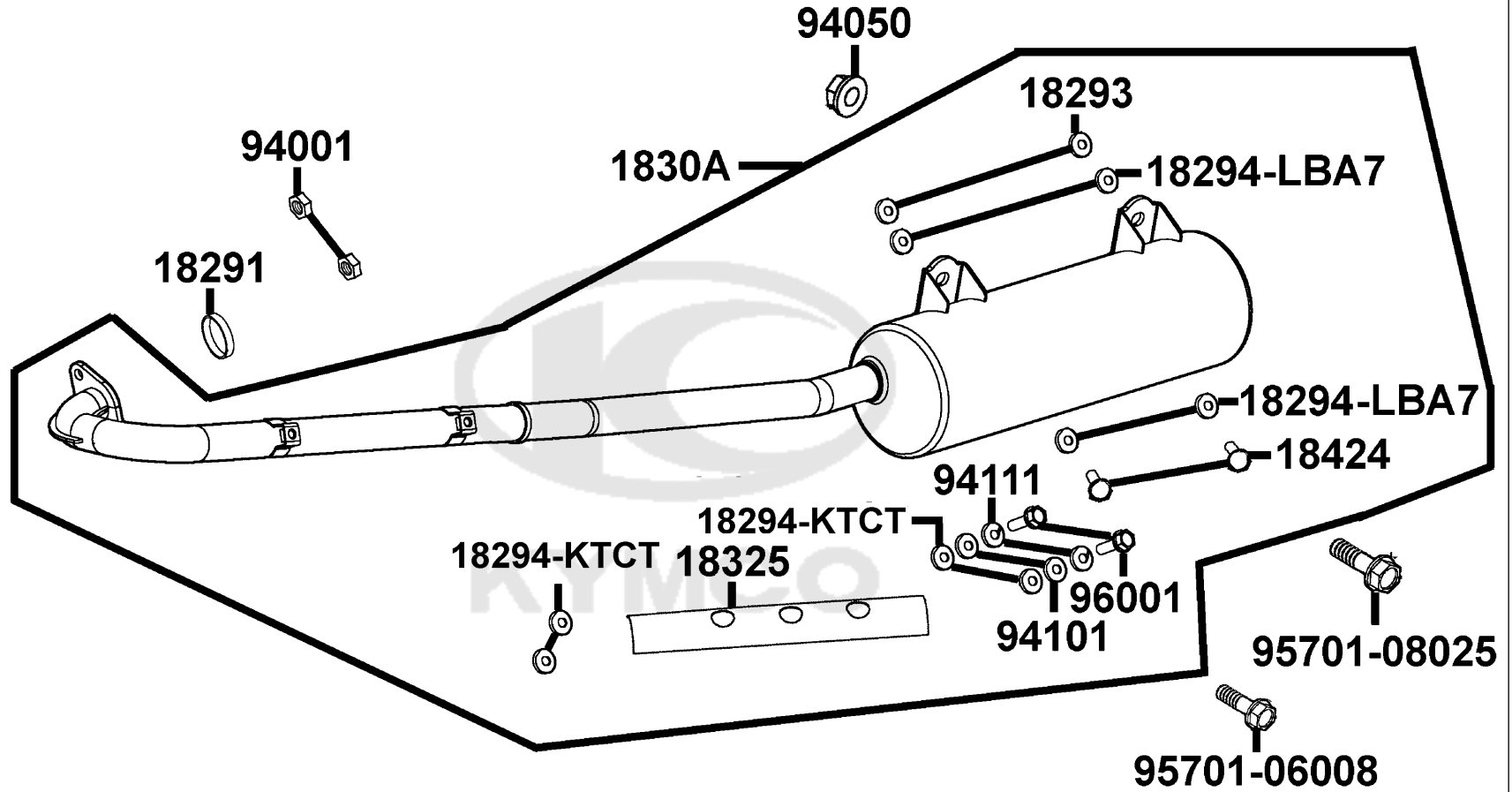
Sales mark	Ref no	Part no	Description	Reg description	Regd no	F13
	17214	17214-LBA7-900	SEAL AIR/C COVER	SEAL AIR/C COVER	1	
	1721A	1721A-LBA7-900	ELEMENT COMP AIR/C	ELEMENT COMP AIR/C	1	
	17231	17231-LBA7-900	COVER AIR/C	COVER AIR/C	1	
	17237	17237-KED9-900	OIL CATCH ASSY	OIL CATCH ASSY	1	
	1723A	1723A-LBA7-900	CASE ASSY AIR/C	CASE ASSY AIR/C	1	
	17246	17246-LBA7-900	CLAMP AIR/C	CLAMP AIR/C	4	
	17255	17255-KKAK-900	BAND A AIR/C CONNECTING TUBE	BAND CONNECTING TUBE	2	
	17257	17257-LBA7-900	DUCT A AIR/C CASE	DUCT A AIR/C CASE	1	
	17265	17265-LBA7-900	JOINT BLOW BY	JOINT BLOW BY	1	
	17369-KDB4	17369-KDB4-671	CLIP BREATHER TUBE	CLIP BREATHER TUBE	2	
	17369-KHC4	17369-KHC4-900	CLIP BREATHER TUBE	CLIP BREATHER TUBE	2	
	17371	17371-1D74-671	CLIP BREATHER TUBE	CLIP BREATHER TUBE	1	
	18656	18656-LBA7-900	TUBE A OIL CATCH	TUBE A OIL CATCH	1	
	18657	18657-LBA7-900	TUBE B OIL CATCH	TUBE B OIL CATCH	1	
	18658	18658-KED9-900	TUBE C OIL CATCH	TUBE C OIL CATCH	1	
	90652	90652-LLJ3-E00	BAND CONNECTING TUBE	BAND CONNECTING TUBE	1	
	90683	90683-GAR1-004	CLIP BODY COVER	CLIP BODY COVER	1	
	93404	93404-06012-06	BOLT WASHER 6*12 (G)	BOLT WASH 6*12	2	
	93500	93500-04025-0H	SCREW PAN 4*25	SCREW PAN 4*25	2	
	95002-02150	95002-02150	CLIP B14.5 TUBE	CLIP B14.5 TUBE	1	



Sales mark	Ref no	Part no	Description	Reg description	Regd no	<b>F13</b>
------------	--------	---------	-------------	-----------------	---------	------------

95002-KKD6		95002-KKD6-E05	CLAMP D18 TUBE	CLAMP D18 TUBE	2	
95004		95004-LBA7-900	TUBE DRAIN	TUBE DRAIN	1	
95701		95701-06012-06	BOLT FLANGE 6*12	BOLT FLANGE 6*12	2	



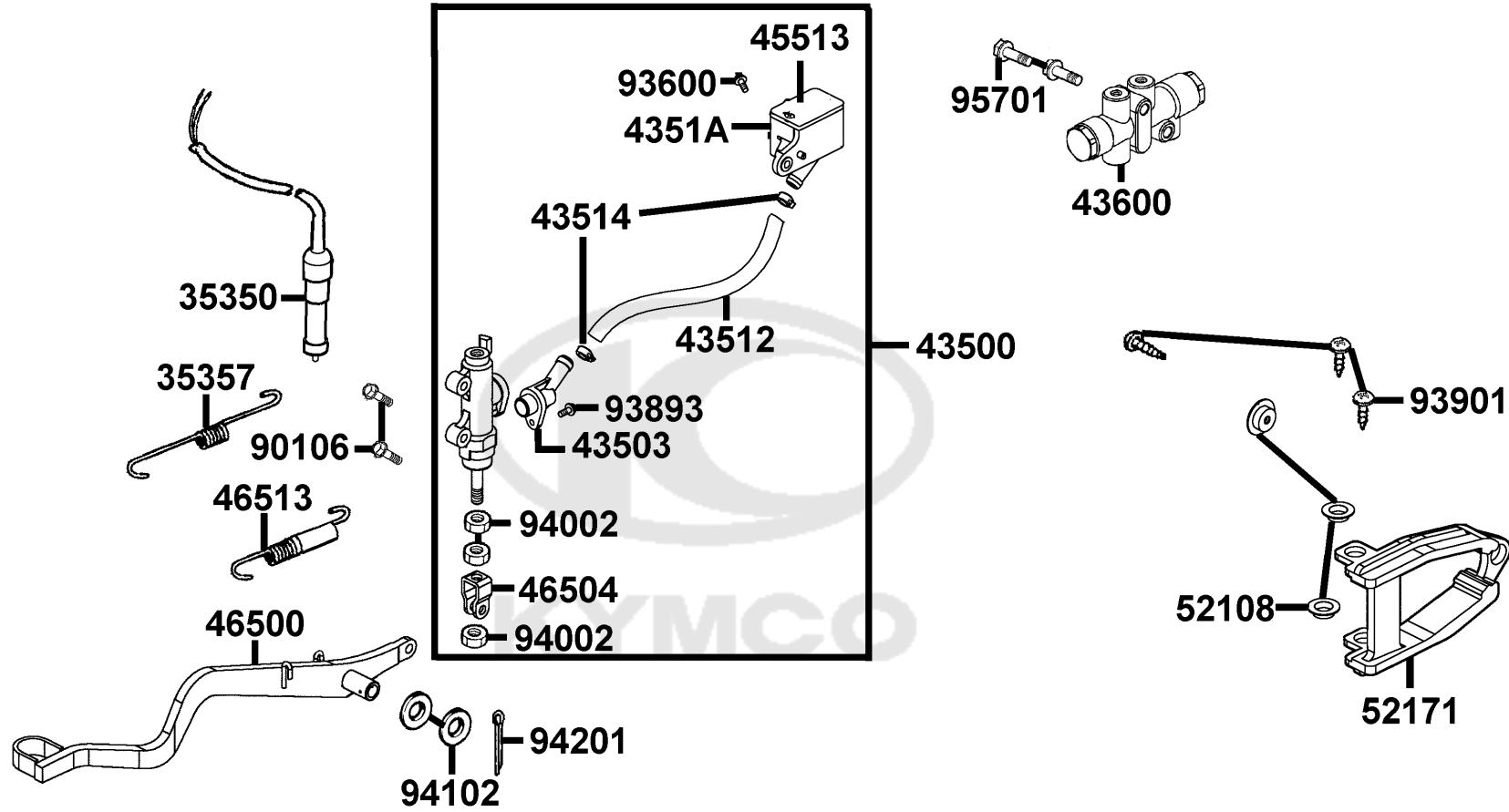


Sales mark	Ref no	Part no	Description	Reg description	Regd no	<b>F14</b>
18291		18291-LBA7-900	GASKET EXH PIPE	GASKET EXH PIPE	1	
18293		18293-LBA7-E00	RUBBER MUFFLER STAY	RUBBER MUFFLER STAY	2	
18294-KTCT		18294-KTCT-900	PACKING PROTECTOR	PACKING PROTECTOR	4	
18294-LBA7		18294-LBA7-E00	PACKING MUFFLER STAY	PACKING MUFFLER STAY	4	
1830A		1830A-LCA5-E00	MUFFLER ASSY EXH	MUFFLER ASSY EXH	1	
18325		18325-LLB1-900	PROTECTOR EXH PIPE	PROTECTOR EXH PIPE	1	
18424		18424-LBA7-E00	COLLAR MUFFLER STAY	COLLAR MUFFLER STAY	2	
94001		94001-08080-0S	NUT HEX 8MM	NUT HEX 8MM	2	
94050		94050-08080	NUT FLANGE 8MM	NUT FLANGE 8MM	1	
94101		94101-06200	WASHER PLAIN 6MM	WASHER PLAIN 6MM	2	
94111		94111-06800	WASHER SPRING 6MM	WASHER SPG 6MM	2	
95701-06008		95701-06008-06	BOLT FLANGE 6*8	BOLT FLANGE 6*8	1	
95701-08025		95701-08025-08	BOLT FLANGE 8*25	BOLT FLANGE 8*25	1	
96001		96001-06012-08	BOLT FLANGE 6*12	BOLT FLANGE 6*12	2	

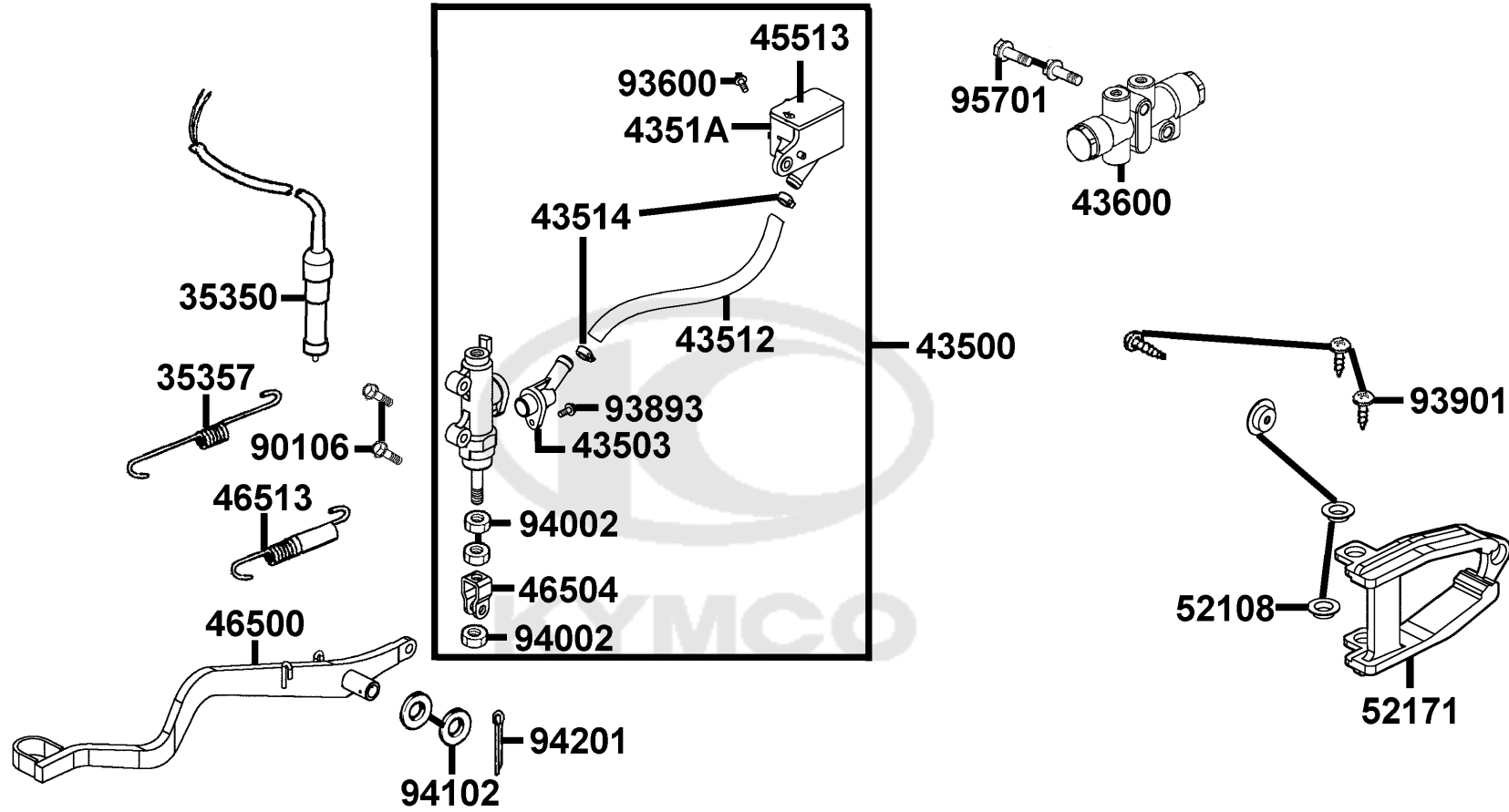


F15

Master Cylinder Rear



Sales mark	Ref no	Part no	Description	Reg description	Regd no	<b>F15</b>
35350		35350-LBA7-900	REAR STOP SW	REAR STOP SW	1	
35357		35357-LBA7-900	SPG STOP SW	SPG STOP SW	1	
43500		43500-LBA7-E00	MASTER CYLINDER ASSY RR	MASTER CYLINDER ASSY RR	1	
43503		43503-KGC4-E01	CONNECTOR	CONNECTOR	1	
43512		43512-LBA7-M30	HOSE M/C	HOSE M/C	1	
43514		43514-4E45-77A	CLAMP M/C OIL HOSE	CLAMP M/C OIL HOSE	2	
4351A		4351A-KFW6-000	OIL CUP ASSY	OIL CUP ASSY	1	
43600		43600-LBA7-E00	PGV ASSY	PGV ASSY	1	
45513		45513-HBA2-007	CAP M/C	CAP M/C	1	
46500		46500-LCA5-E00	PEDAL COMP RR BRAKE	PEDAL COMP RR BRAKE	1	
46504		46504-MBB2-007	JOINT BRK ROD	JOINT BRK ROD	1	
46513		46513-KED9-900	SPG SET BRK PEDAL	SPG SET BRK PEDAL	1	
52108		52108-KFW6-901	COLLAR CHAIN SLIDER	COLLAR CHAIN SLIDER	3	
52171		52171-LBA7-900	SLIDER CHAIN	SLIDER CHAIN	1	
90106		90106-LBA7-900	BOLT FLANGE 8*25	BOLT FLANGE 8*25	2	
93600		93600-04040-1G	SCREW FLAT 4*40	SCREW FLAT 4*40	1	
93893		93893-04012-18	SCREW WASHER 4*12	SCREW WASHER 4*12	1	
93901		93901-26110	SCREW TAPPING 6*12	SCREW TAPPING 6*12	3	
94002		94002-08000-0S	NUT HEX 8MM	NUT HEX 8MM	3	
94102		94102-14800	WASHER PLAIN 14*26*2.3	WASHER PLAIN 14*26*2.3	2	

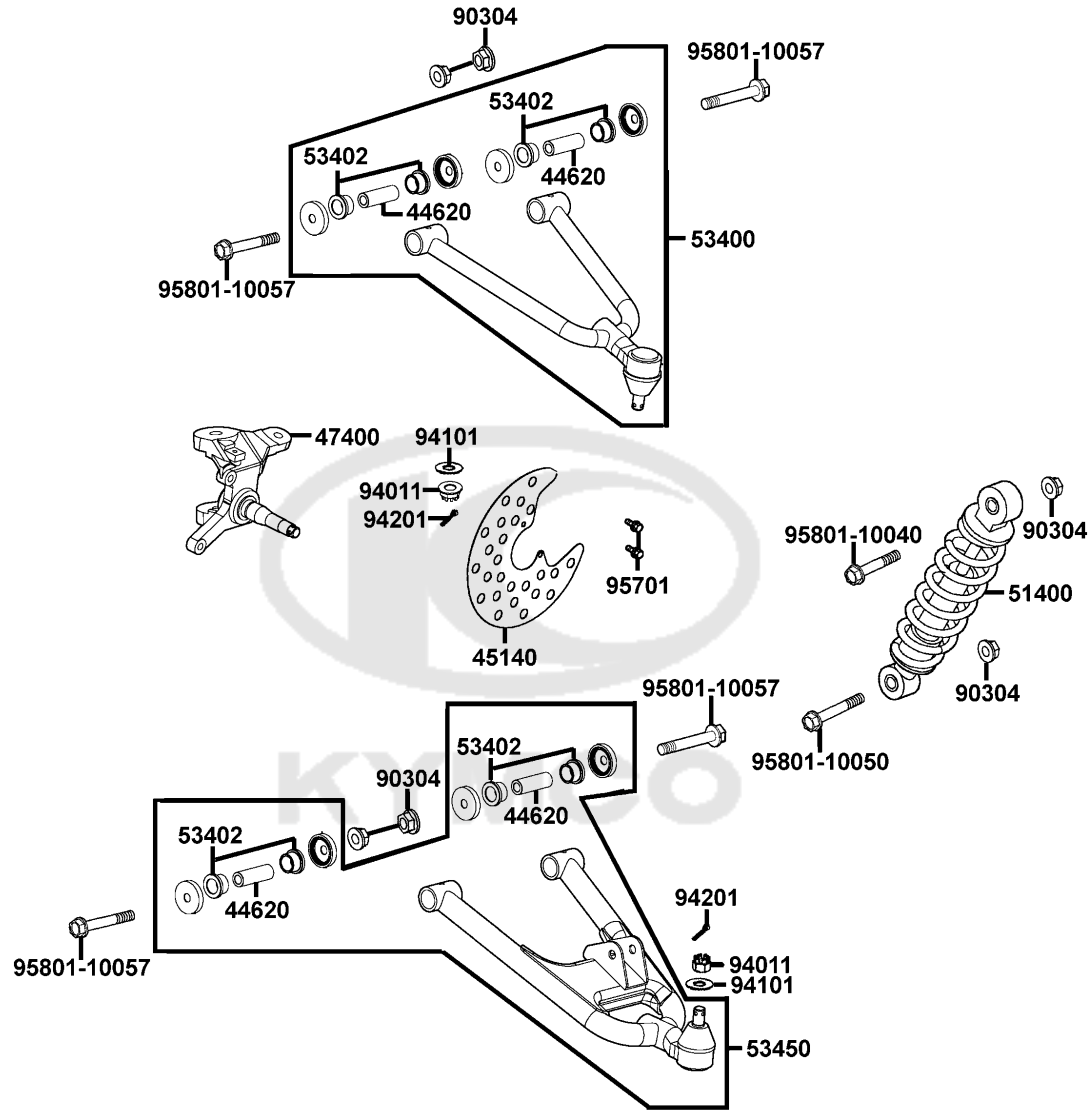


Sales mark	Ref no	Part no	Description	Reg description	Regd no	<b>F15</b>
------------	--------	---------	-------------	-----------------	---------	------------

94201		94201-25300	PIN SPLIT 2.5*30	PIN SPLIT 2.5*30	1	
95701		95701-06035-06	BOLT FLANGE 6*35	BOLT FLANGE 6*35	2	

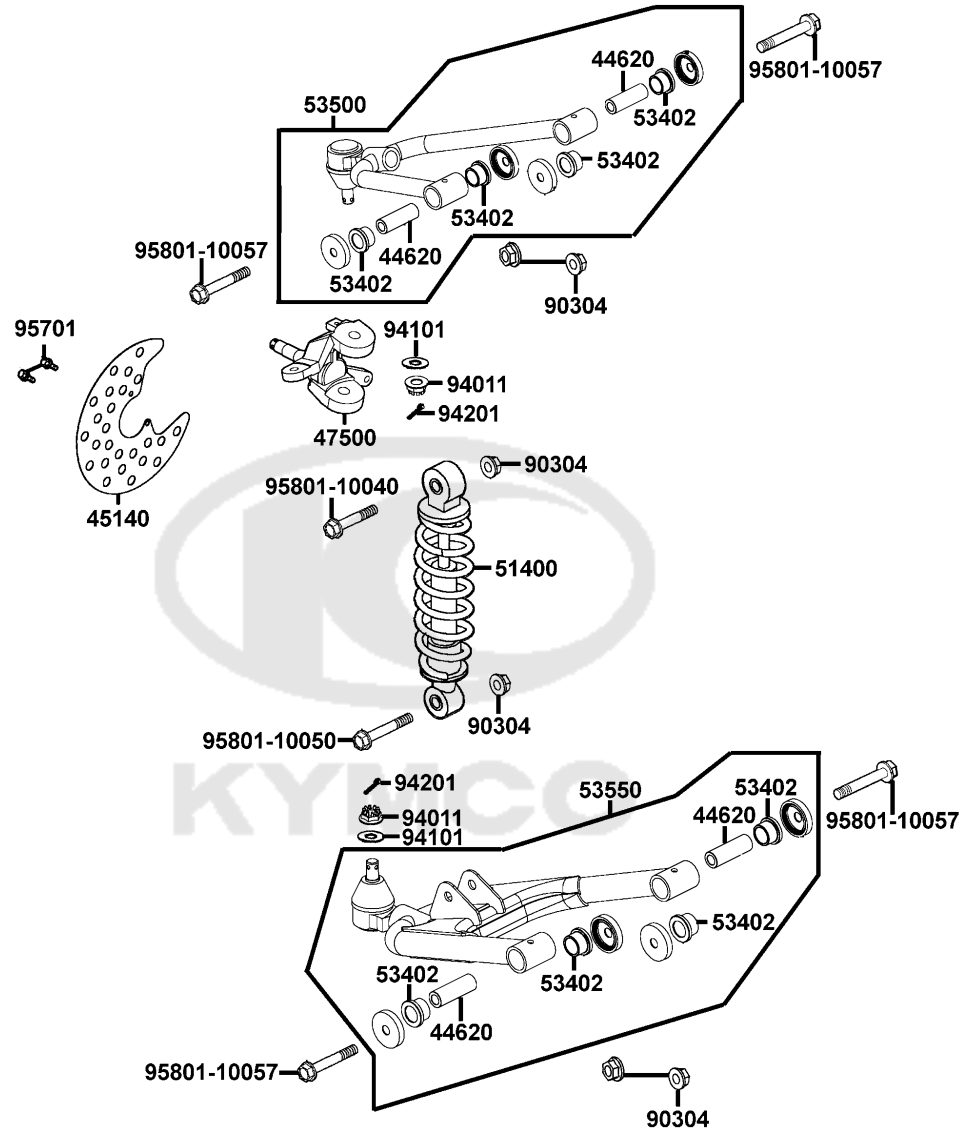


Cushion Right Arm Swing



Sales mark	Ref no	Part no	Description	Reg description	Regd no	<b>F16</b>
	44620	44620-LBA7-900	COLLAR SWING ARM	COLLAR SWING ARM	4	
	45140	45140-LCA5-E00	GUARD BRAKE DISK	GUARD BRAKE DISK	1	
	47400	47400-LCA5-E00	KNUCKLE ASSY R STEERING	KNUCKLE ASSY R STEERING	1	
**	51400	51400-LCA5-E00	CUSHION ASSY FR	CUSHION ASSY FR	1	
	53400	53400-LCA5-E00	ARM ASSY R UP SWING	ARM ASSY R UP SWING	1	
	53402	53402-LLB1-900	BUSH SWING ARM	BUSH SWING ARM	8	
	53450	53450-LCA5-E00	ARM ASSY R LOW SWING	ARM ASSY R LOW SWING	1	
	90304	90304-GLW0-90A	NUT U FLANGE 10MM	NUT U FLANGE 10MM	6	
	94011	94011-12080-0S	NUT CASTLE 12MM	NUT CASTLE 12MM	2	
	94101	94101-12800	WASHER PLAIN 12MM	WASHER PLAIN 12MM	2	
	94201	94201-30250	PIN SPLIT 3*25	PIN SPLIT 3*25	2	
	95701	95701-06010-08	BOLT FLANGE 6*10	BOLT FLANGE 6*10	2	
	95801-10040	95801-10040-08	BOLT FLANGE 10*40	BOLT FLANGE 10*40	1	
	95801-10050	95801-10050-06	BOLT FLANGE 10*50	BOLT FLANGE 10*50	1	
	95801-10057	95801-10057-06	BOLT FLANGE 10*57	BOLT FLANGE 10*57	4	

Cushion Left Arm Swing

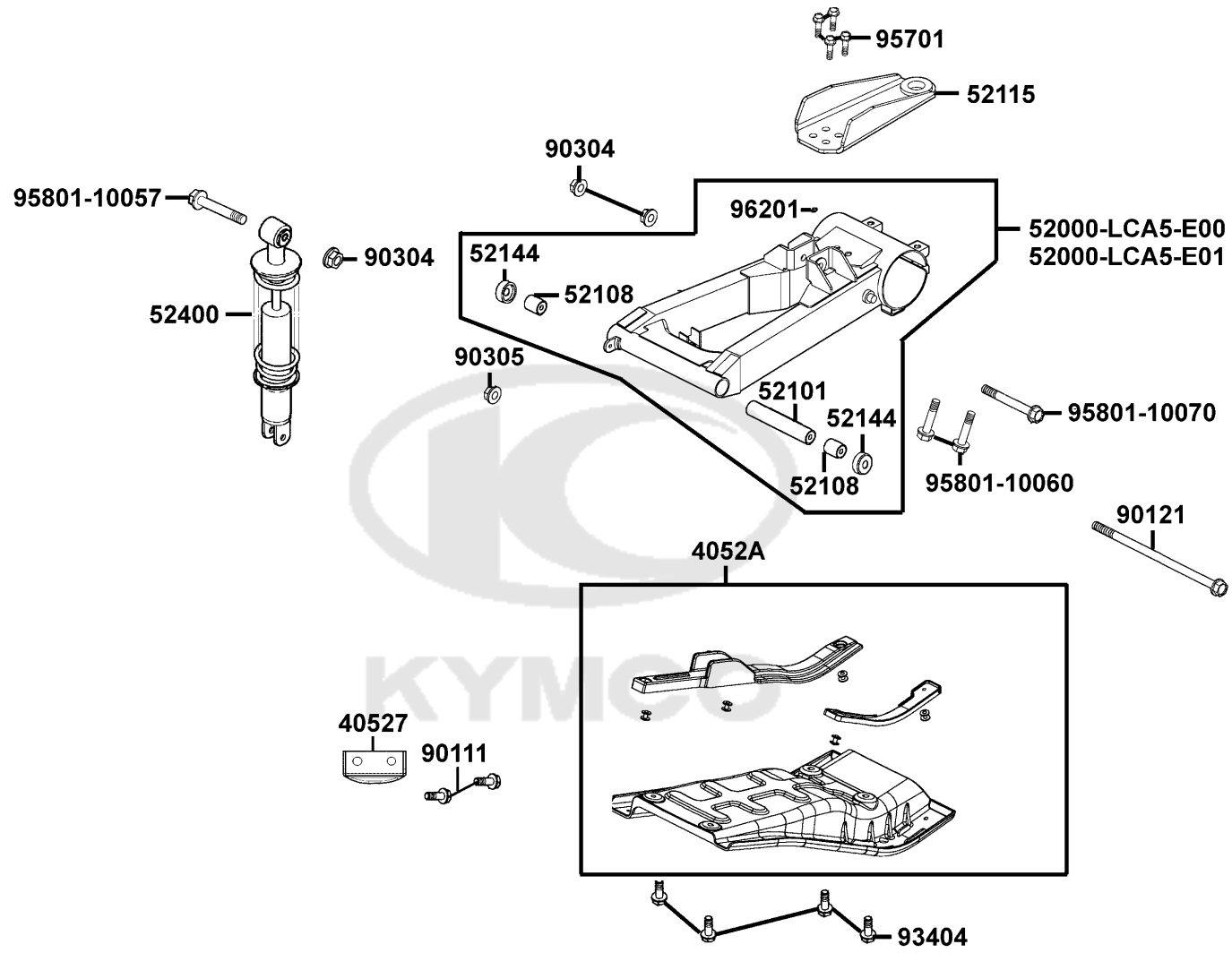


Sales mark	Ref no	Part no	Description	Reg description	Regd no	F17
	44620	44620-LBA7-900	COLLAR SWING ARM	COLLAR SWING ARM	4	
	45140	45140-LCA5-E00	GUARD BRAKE DISK	GUARD BRAKE DISK	1	
	47500	47500-LCA5-E00	KNUCKLE ASSY L STEERING	KNUCKLE ASSY L STEERING	1	
**	51400	51400-LCA5-E00	CUSHION ASSY FR	CUSHION ASSY FR	1	
	53402	53402-LLB1-900	BUSH SWING ARM	BUSH SWING ARM	8	
	53500	53500-LCA5-E00	ARM ASSY LEFT UP SWING	ARM ASSY LEFT UP SWING	1	
	53550	53550-LCA5-E00	ARM ASSY LEFT LOW SWING	ARM ASSY LEFT LOW SWING	1	
	90304	90304-GLW0-90A	NUT U FLANGE 10MM	NUT U FLANGE 10MM	6	
	94011	94011-12080-0S	NUT CASTLE 12MM	NUT CASTLE 12MM	2	
	94101	94101-12800	WASHER PLAIN 12MM	WASHER PLAIN 12MM	2	
	94201	94201-30250	PIN SPLIT 3*25	PIN SPLIT 3*25	2	
	95701	95701-06010-06	BOLT FLANGE 6*10	BOLT FLANGE 6*10	2	
	95801-10040	95801-10040-08	BOLT FLANGE 10*40	BOLT FLANGE 10*40	1	
	95801-10050	95801-10050-06	BOLT FLANGE 10*50	BOLT FLANGE 10*50	1	
	95801-10057	95801-10057-06	BOLT FLANGE 10*57	BOLT FLANGE 10*57	4	

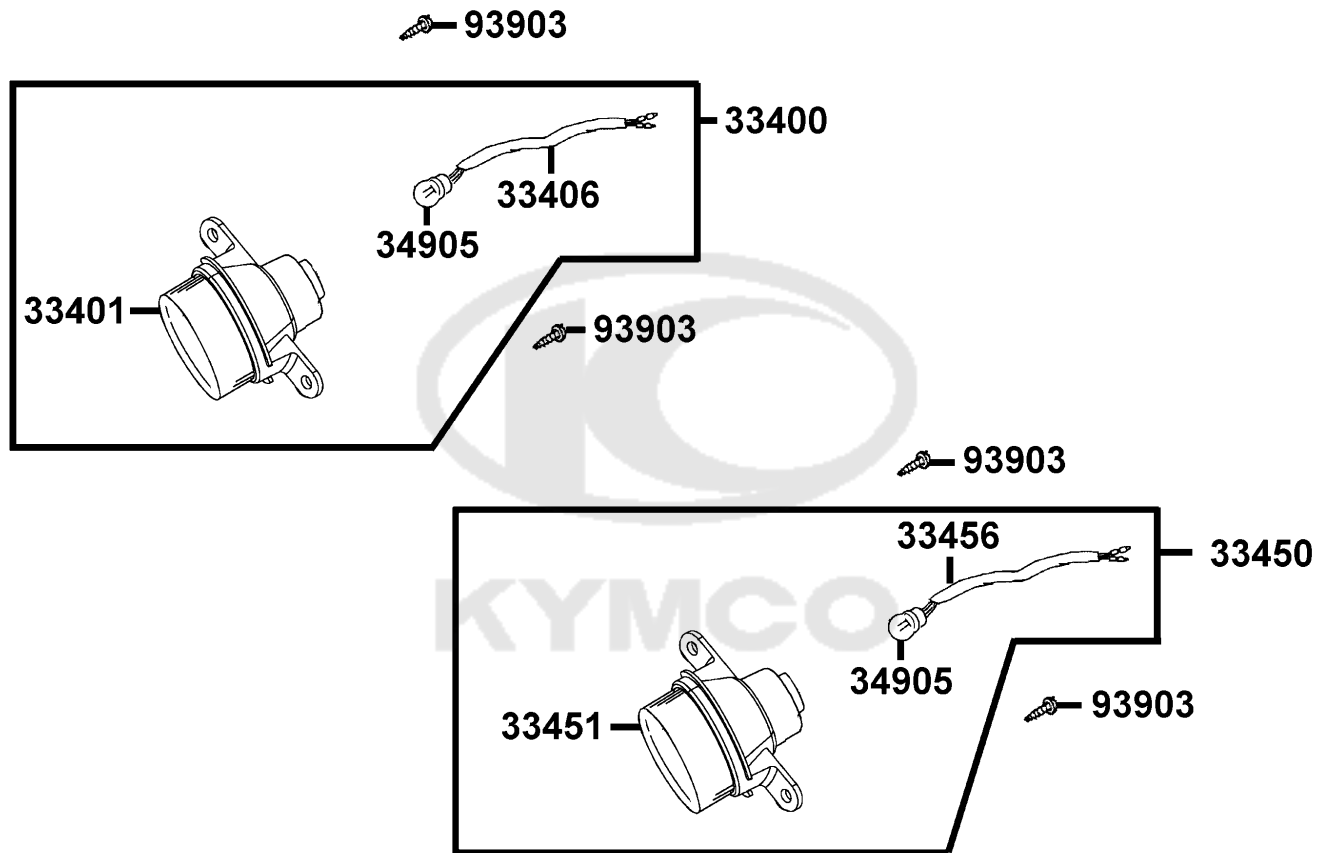


F18

Rear Fork



Sales mark	Ref no	Part no	Description	Reg description	Regd no	F18
	40527	40527-LBA7-600	SLIDER CHAIN	SLIDER CHAIN	1	
#	4052A	4052A-LCA5-E01	GUARD ASSY REAR FORK	GUARD ASSY REAR FORK	1	
	52000-LCA5-E00	52000-LCA5-E00	FORK ASSY RR	FORK ASSY RR	1	
	52000-LCA5-E01	52000-LCA5-E01	FORK ASSY RR	FORK ASSY RR	1	
	52101	52101-LLB1-900	COLLAR RR FORK DIST	COLLAR RR FORK DIST	1	
	52108	52108-KEE5-004	BUSH RR FORK	BUSH RR FORK	2	
	52115	52115-LCA5-E00	TRAILER RR FORK	TRAILER RR FORK	1	
	52144	52144-LBA7-900	CAP RR FORK DUST SEAL	CAP RR FORK DUST SEAL	2	
**	52400	52400-LCA5-E00	CUSHION ASSY RR	CUSHION ASSY RR	1	
	90111	90111-1G47-001	BOLT FLANGE 6*14	BOLT FLANGE 6*14	2	
	90121	90121-LBA7-900	BOLT RR FORK PIVOT	BOLT RR FORK PIVOT	1	
	90304	90304-GLW0-90A	NUT U FLANGE 10MM	NUT U FLANGE 10MM	3	
	90305	90305-GHE8-004	NUT U 14MM	NUT U 14MM	1	
	93404	93404-06016-06	BOLT WASHER 6*16	BOLT WASHER 6*16	4	
	95701	95701-10020-08	BOLT FLANGE 10*20	BOLT FLANGE 10*20	4	
	95801-10057	95801-10057-06	BOLT FLANGE 10*57	BOLT FLANGE 10*57	1	
	95801-10060	95801-10060-06	BOLT FLANGE 10*60	BOLT FLANGE 10*60	2	
	95801-10070	95801-10070-06	BOLT FLANGE 10*70	BOLT FLANGE 10x70	1	
	96201-10000	96201-10000	NIPPLE CREASE	NIPPLE CREASE	1	

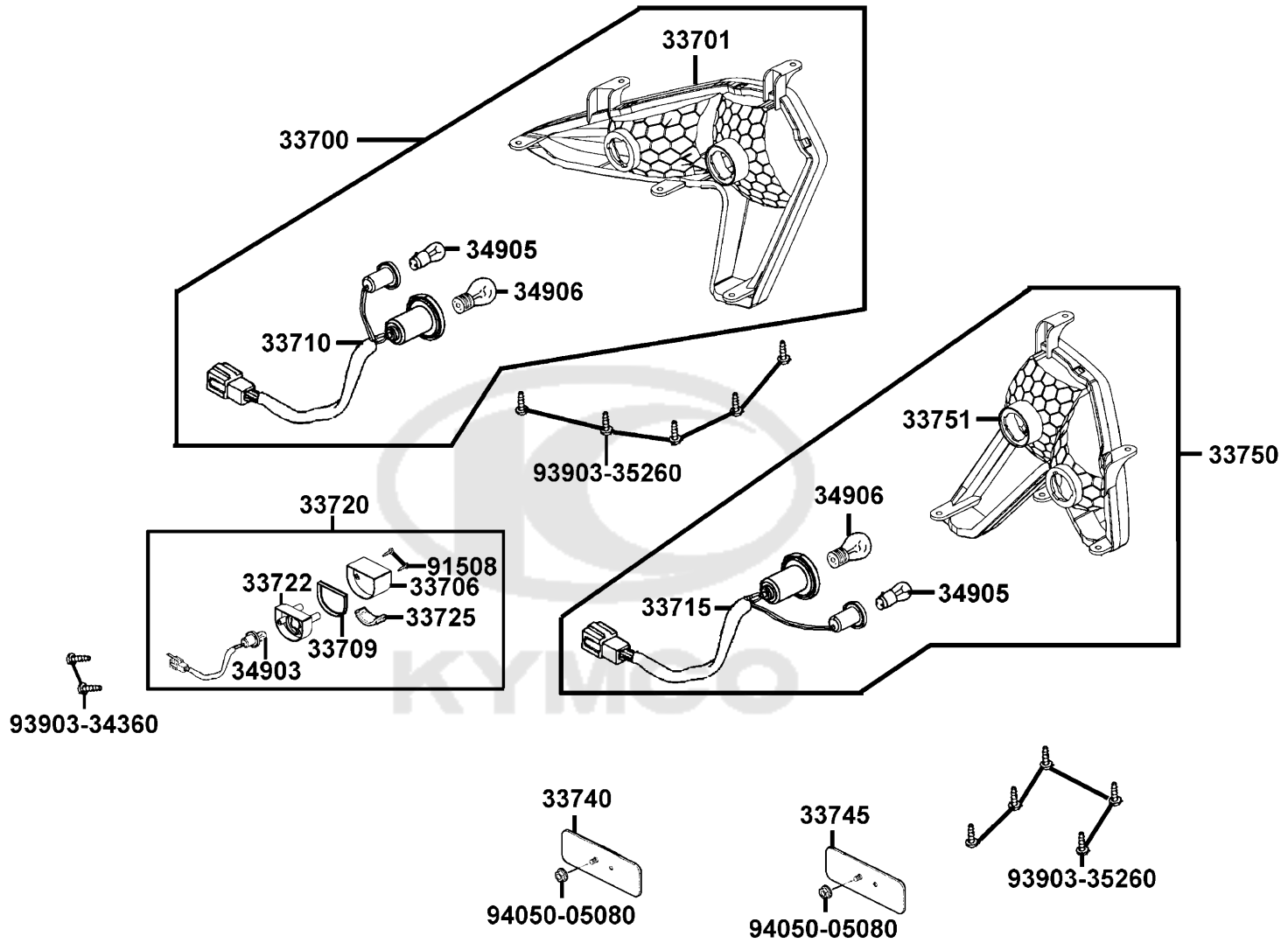


Sales mark	Ref no	Part no	Description	Reg description	Regd no	F19
	33400	33400-LCA5-E00	WINKER ASSY R FR	WINKER ASSY R FR	1	
	33401	33401-LCA5-E00	UNIT WINKER R FR	UNIT WINKER R FR	1	
	33406	33406-LCA5-E00	SOCKET COMP R FR WINKER	SOCKET COMP R FR WINKER	1	
	33450	33450-LCA5-E00	WINKER ASSY L FR	WINKER ASSY L	1	
	33451	33451-LCA5-E00	UNIT WINKER L FR	UNIT WINKER L FR	1	
	33456	33456-LCA5-E00	SOCKET COMP L FR WINKER	SOCKET COMP L FR WINKER	1	
	34905	34905-LBA7-E00	BULB WINKER 12V10W	BULB WINKER	2	
	93903	93903-35360	SCREW TAPPING 5*16	SCREW TAPPING 5*16	4	

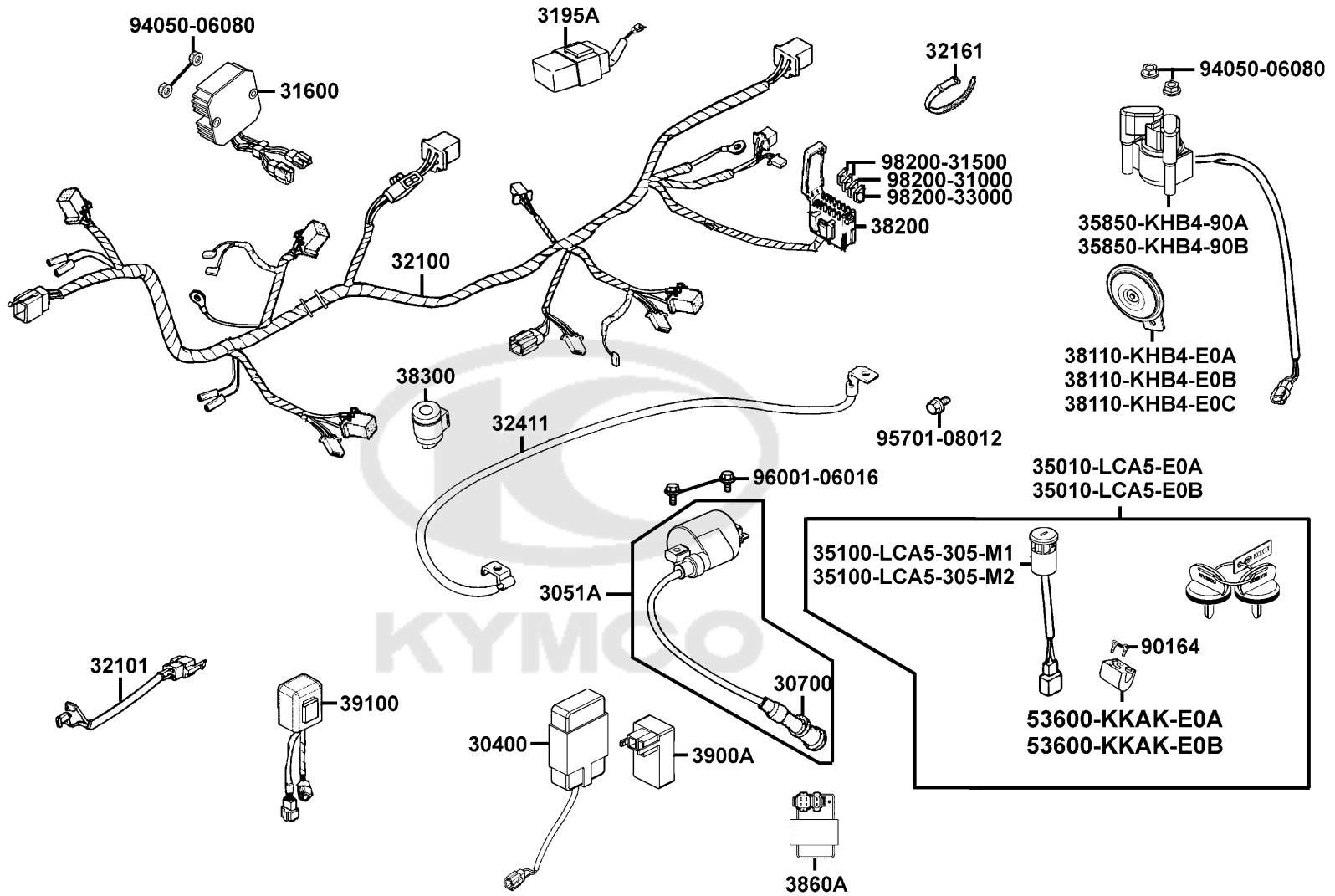


F20

Light Tail



Sales mark	Ref no	Part no	Description	Reg description	Regd no	<b>F20</b>
33700		33700-LCA5-E00	LIGHT ASSY R RR COMB	LIGHT ASSY R RR COMB	1	
33701		33701-LCA5-E00	UNIT TAIL LIGHT R	UNIT TAIL LIGHT R	1	
33706		33706-GCN3-67A	COVER LICENSE	COVER LICENSE	1	
33709		33709-KBAB-003	PACKING LICENSE	PACKING LICENSE	1	
33710		33710-LCA5-E00	SOCKET COMP R RR COMB	SOCKET COMP R RR COMB	1	
33715		33715-LCA5-E00	SOCKET COMP L RR COMB	SOCKET COMP L RR COMB	1	
33720		33720-LCA5-E00	LIGHT ASSY LICENSE	LIGHT ASSY LICENSE	1	
33722		33722-KHB4-E00	BASE LICENSE	BASE LICENSE	1	
33725		33725-KHB4-E00	LENS LICENSE	LENS LICENSE	1	
33740		33740-LCA5-E00	REFLECTOR ASSY R RR	REFLECTOR ASSY R RR	1	
33745		33745-LCA5-E00	REFLECTOR ASSY L RR	REFLECTOR ASSY L RR	1	
33750		33750-LCA5-E00	LIGHT ASSY L RR COMB	LIGHT ASSY L RR COMB	1	
33751		33751-LCA5-E00	UNIT TAIL LIGHT L	UNIT TAIL LIGHT L	1	
34903		34903-KPCP-900	BULB POSITION	BULB POSITION	1	
34905		34905-LCA5-E00	BULB WINKER	BULB WINKER	2	
34906		34906-KPCP-900	BULB TAIL & STOP 12V21W/5W	BULB TAIL & STOP 12V21W/5W	2	
91508		91508-KGV7-67A	SCREW TAPPING 4*14	SCREW TAPPING 4*14	2	
93903-34360		93903-34360	SCREW TAPPING 4*12 (G)	SCREW TAPPING 4*12	2	
93903-35260		93903-35260	SCREW TAPPING 5*12	SCREW TAPPING 5*12	10	
94050		94050-05080	NUT FLANGE 5MM	NUT FLANGE 5MM	2	

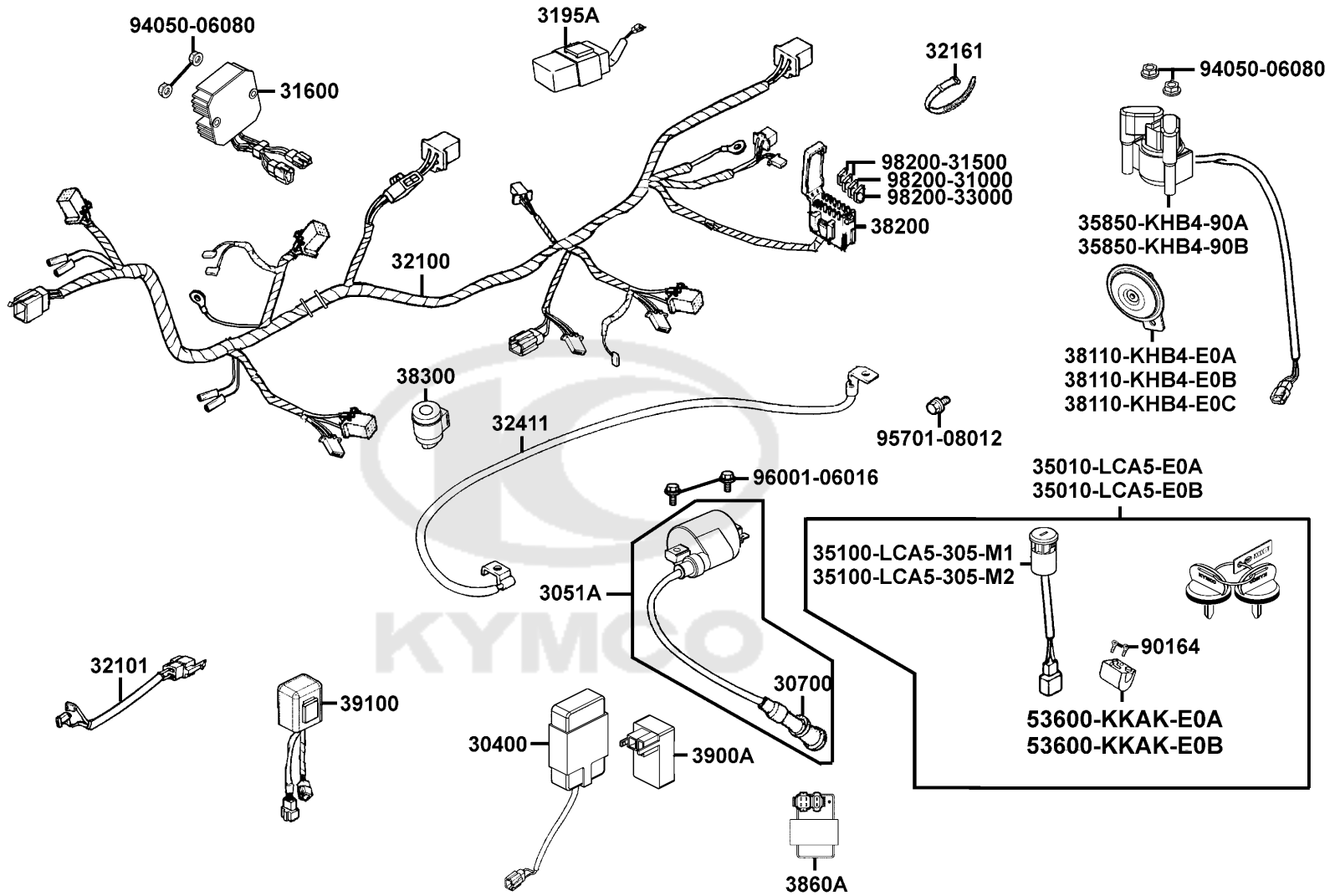


Sales mark	Ref no	Part no	Description	Reg description	Regd no	F21
	30400	30400-LCA5-E00	UNIT ASSY IGNITION	UNIT ASSY IGNITION	1	
	3051A	3051A-KHE7-900	COIL ASSY IGNITION	COIL ASSY IGNITION	1	
	30700	30700-KFC8-E0H	CAP ASSY NOISE SUPPR	CAP ASSY NOISE SUPPRESOR	1	
	31600	31600-LBA7-900	REG REC COMP	REG REC COMP	1	
	3195A	3195A-LBA7-E00	HAZARD CONTROL ASSY	HAZARD CONTROL ASSY	1	
	32100	32100-LCA5-E00	HARNESS WIRE	HARNESS WIRE	1	
	32101	32101-LLB1-800	SUB CORD	SUB CORD	1	
	32161	32161-LBA7-900	BAND WIRE	BAND WIRE	1	
	32411	32411-LCA5-E00	CABLE BAT	CABLE BAT	1	
	35010-LCA5-E0A	35010-LCA5-E0A	KEY SET	KEY SET	1	
	35010-LCA5-E0B	35010-LCA5-E0B	KEY SET	KEY SET	1	
	35100-LCA5-305-M1	35100-LCA5-305-M1	SW ASSY COMB	SW ASSY COMB	1	
	35100-LCA5-305-M2	35100-LCA5-305-M2	SW ASSY COMB	SW ASSY COMB	1	
	35850-KHB4-90A	35850-KHB4-90A	SET START MAG	SET START MAG	1	
	35850-KHB4-90B	35850-KHB4-90B	SET START MAG	SET START MAG	1	
	38110-KHB4-E0A	38110-KHB4-E0A	HORN COMP	HORN COMP	1	
	38110-KHB4-E0B	38110-KHB4-E0B	HORN COMP	HORN COMP	1	
	38110-KHB4-E0C	38110-KHB4-E0C	HORN COMP	HORN COMP	1	
	38200	38200-KEBE-900	BOX COMP FUSE	BOX COMP FUSE	1	
	38300	38300-KECE-900	RELAY ASSY WINKER	RELAY ASSY WINKER	1	



F21

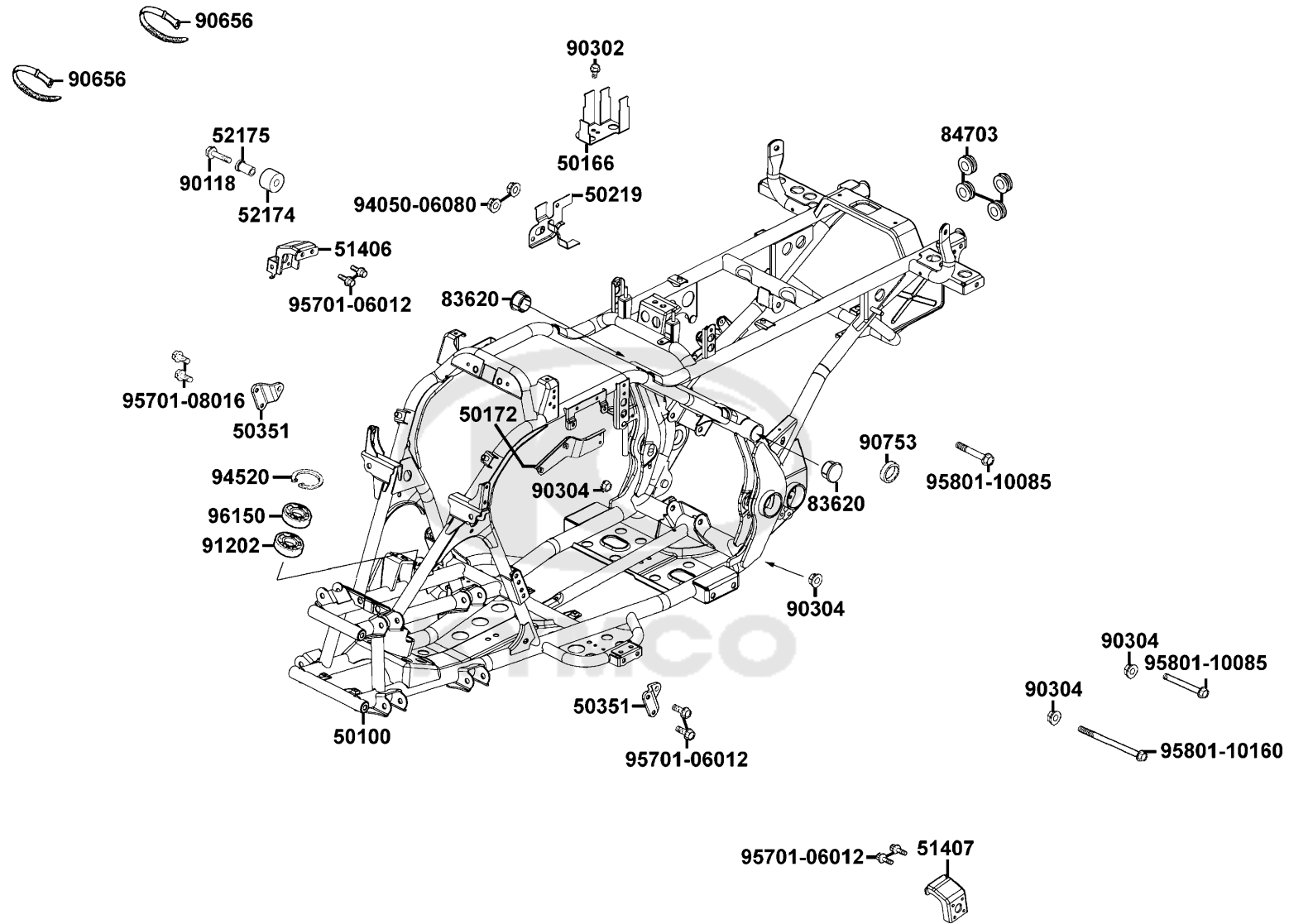
# Harness Wire



Sales mark	Ref no	Part no	Description	Reg description	Regd no	F21
3860A		3860A-LCA5-E01	CONTROL ASSY LIGHTING	CONTROL ASSY LIGHTING	1	
3900A		3900A-LBA7-900	CONTROL ASSY GEAR CHANGE	CONTROL ASSY GEAR CHANGE	1	
39100		39100-LBA7-E00	EMI FILTER FAN MOTOR	EMI FILTER FAN MOTOR	1	
53600-KKAK-E0A		53600-KKAK-E0A	LOCK STEERING HNDL	LOCK STEERING HNDL	1	
53600-KKAK-E0B		53600-KKAK-E0B	LOCK SET STRG HANDLE	LOCK STEERING HNDL	1	
90164		90164-0H28-900	SCREW FLAT U LOCK 6*12	SCREW FLAT U LOCK 6*12	2	
94050		94050-06080	NUT FLANGE 6MM	NUT FLANGE 6MM	4	
95701		95701-08012-08	BOLT FLANGE 8*12	BOLT FLANGE 8*12	1	
96001		96001-06016-08	BOLT FLANGE SH 6*16	BOLT FLANGE SH 6*16	2	
98200-31000		98200-31000	BLADE FUSE 10A	BLADE FUSE 10A	1	
98200-31500		98200-31500	BLADE FUSE 15A	BLADE FUSE 15A	2	
98200-33000		98200-33000	BLADE FUSE 30A	BLADE FUSE 30A	1	

F22

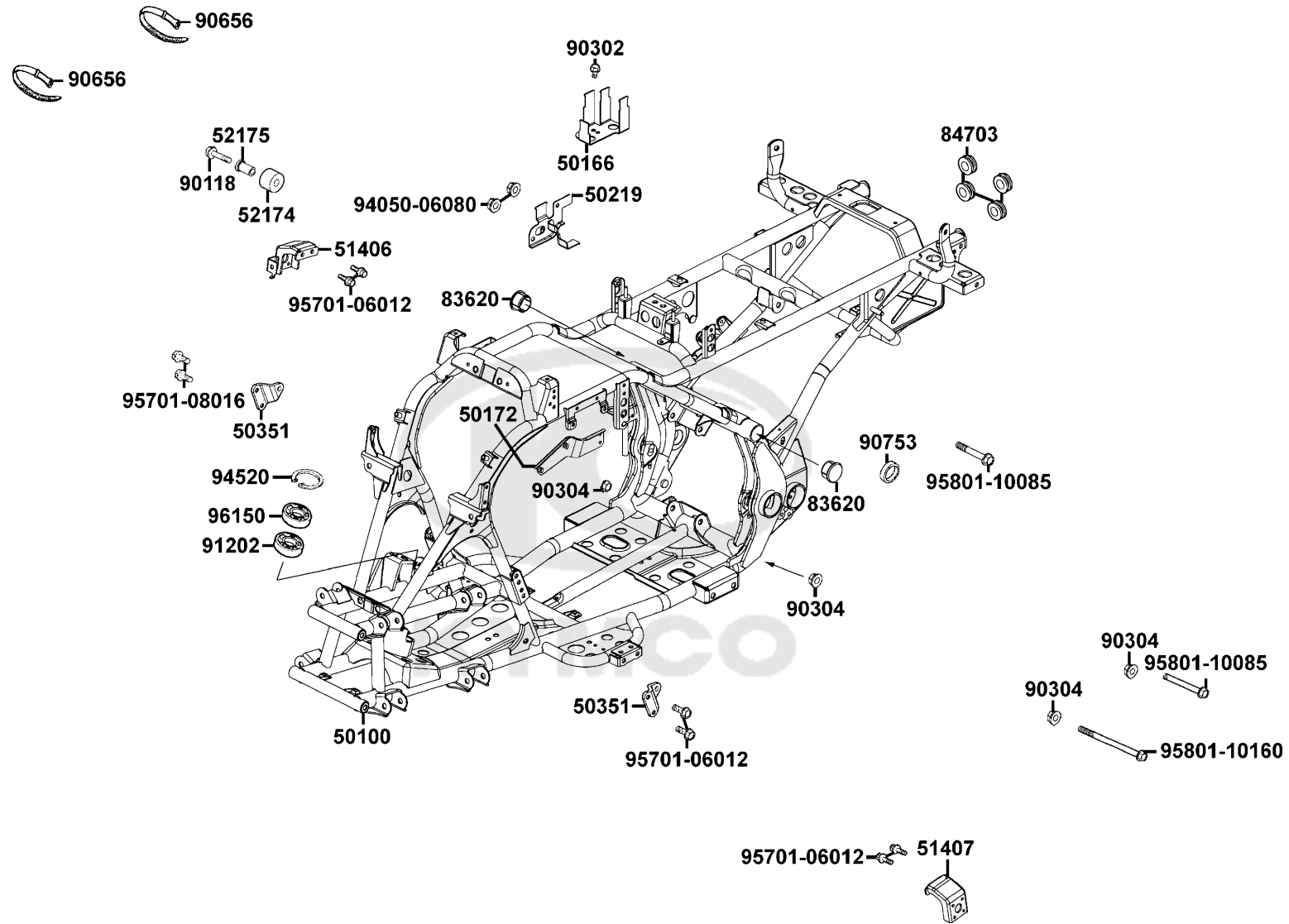
Frame Body




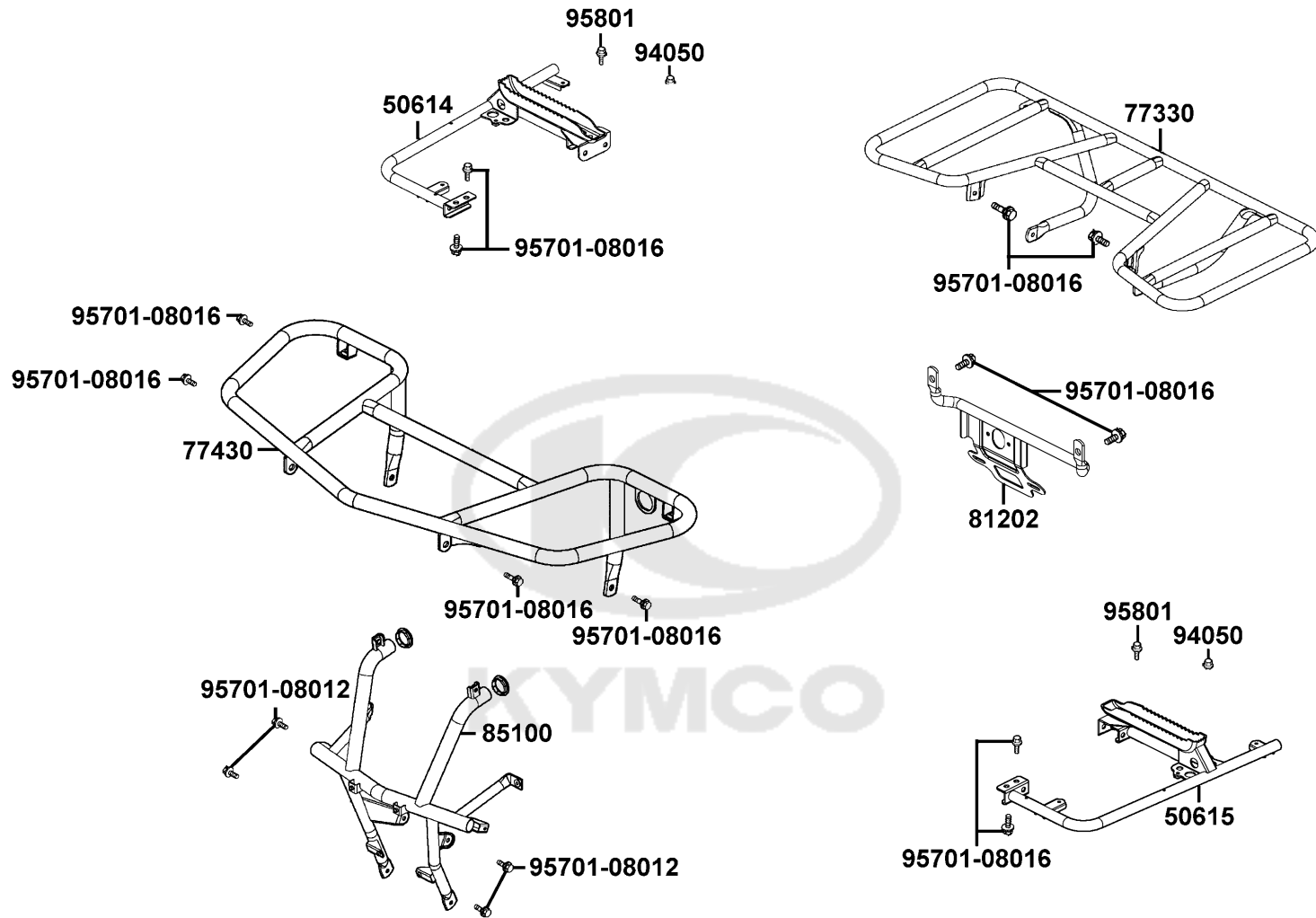
Sales mark	Ref no	Part no	Description	Reg description	Regd no	F22
50100		50100-LCA5-E00	BODY COMP FRAME	BODY COMP FRAME	1	
50166		50166-LBA7-900	STAY START MAG SW	STAY START MAG SW	1	
50172		50172-LBA7-900	STAY CATCH TANK	STAY CATCH TANK	1	
50219		50219-LCA5-E00	STAY WINKER RELAY	STAY WINKER RELAY	1	
50351		50351-LBA7-900	BRKT ENG HANGER	BRKT ENG HANGER	2	
51406		51406-LCA5-E00	RH STAY FR CARRIER	RH STAY FR CARRIER	1	
51407		51407-LCA5-E00	STAY L FR FENDER	STAY L FR FENDER	1	
52174		52174-LBA7-900	RUBBER CHAIN DRIVE	RUBBER CHAIN DRIVE	1	
52175		52175-LBA7-900	COLLAR CHAIN RUBBER	COLLAR CHAIN RUBBER	1	
83620		83620-LBA7-900	CAP PIPE	CAP PIPE	2	
84703		84703-LLB1-900	RUBBER TAIL LIGHT	RUBBER TAIL LIGHT	4	
90118		90118-GFY6-901	BOLT FLANGE 8*38	BOLT FLANGE 8*38	1	
90302		90302-LLB1-E00	BOLT-WASHER 5*12	BOLT-WASH 5X12	1	
90304		90304-GLW0-90A	NUT U FLANGE 10MM	NUT U FLANGE 10MM	4	
90656		90656-KCBC-900	BAND OIL HOSE	BAND OIL HOSE	2	
90753		90753-GDB4-68A	OIL SEAL 27*40*6	OIL SEAL 27*40*6	1	
91202		91202-LLB1-900	OIL SEAL 22*35*7	OIL SEAL 22*35*7	1	
94050		94050-06080	NUT FLANGE 6MM	NUT FLANGE 6MM	2	
94520		94520-40000	CIR CLIP IN 40	CIR CLIP IN 40	1	
95701-06012		95701-06012-06	BOLT FLANGE 6*12	BOLT FLANGE 6*12	6	

F22

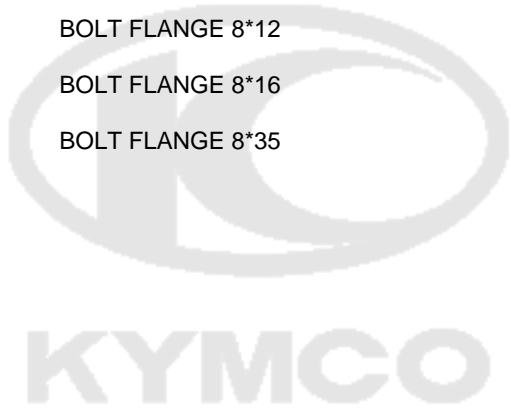
Frame Body



Sales mark	Ref no	Part no	Description	Reg description	Regd no	<b>F22</b>
	95701-08016	95701-08016-06	BOLT FLANGE 8*16	BOLT FLANGE 8*16	2	
	95801-10085	95801-10085-06	BOLT FLANGE 10*85	BOLT FLANGE 10*85	2	
	95801-10160	95801-10160-06	BOLT FLANGE 10*160	BOLT FLANGE 10*160	1	
	96150	96150-62030-10	BEARING BALL RADIAL 6203	BEARING BALL RADIAL 6203	1	
						



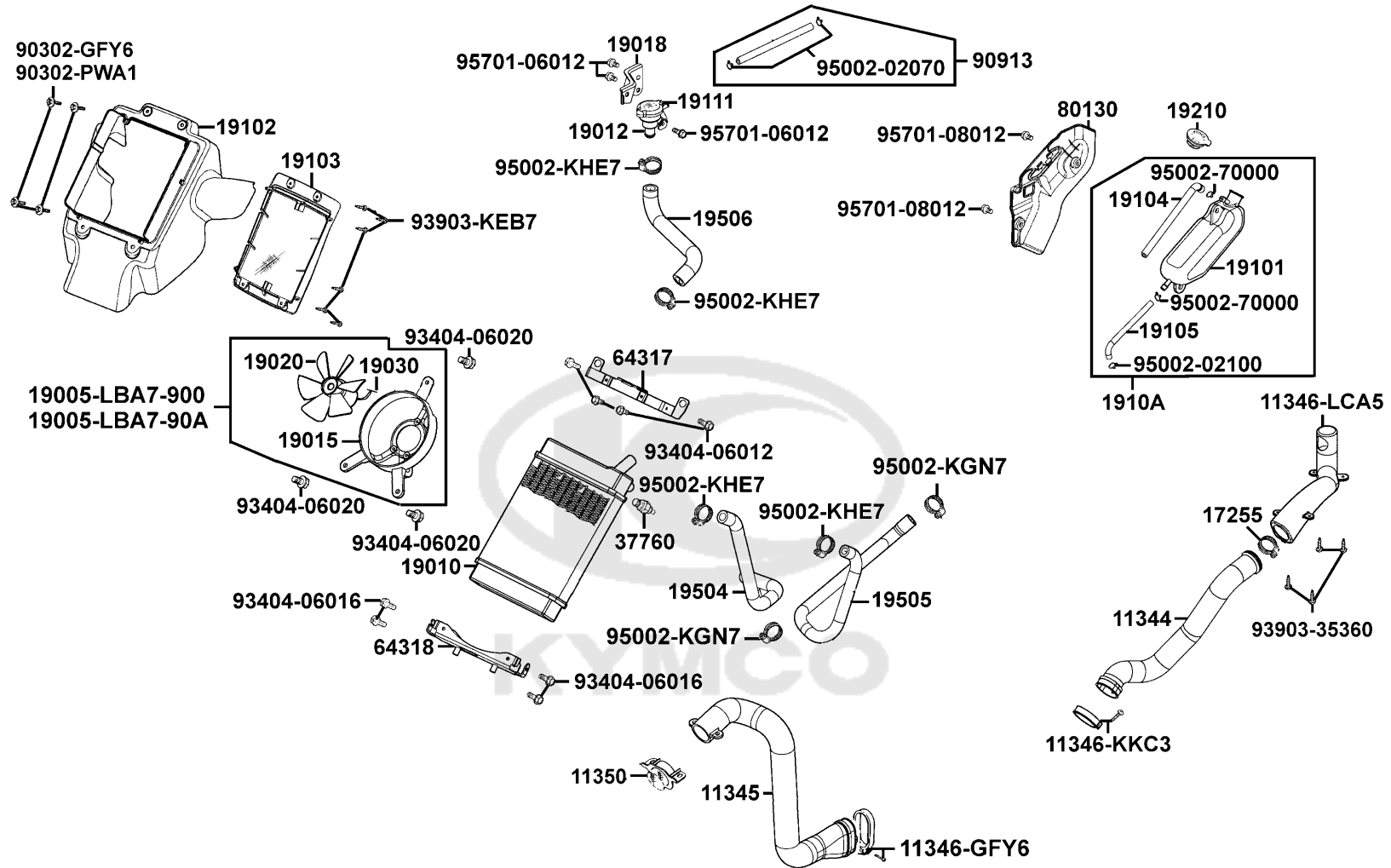
Sales mark	Ref no	Part no	Description	Reg description	Regd no	<b>F23</b>
	50614	50614-LCA5-E00	STAY R FLOOR PANEL	STAY R FLOOR PANEL	1	
	50615	50615-LCA5-E00	STAY L FLOOR PANEL	STAY L FLOOR PANEL	1	
**	77330	77330-LCA5-E00	REAR CARRIER LUGGAGE	REAR CARRIER LUGGAGE	1	
**	77430	77430-LCA5-E00	FRONT CARRIER LUGGAGE	FRONT CARRIER LUGGAGE	1	
	81202	81202-LCA5-E00	STAY NUMBER PLATE	STAY NUMBER PLATE	1	
**	85100	85100-LCA5-E00	PIPE COMP FR BUMPER	PIPE COMP FR BUMPER	1	
	94050	94050-08080	NUT FLANGE 8MM	NUT FLANGE 8MM	2	
	95701-08012	95701-08012-08	BOLT FLANGE 8*12	BOLT FLANGE 8*12	4	
	95701-08016	95701-08016-06	BOLT FLANGE 8*16	BOLT FLANGE 8*16	12	
	95801	95801-08035-06	BOLT FLANGE 8*35	BOLT FLANGE 8*35	2	





F24

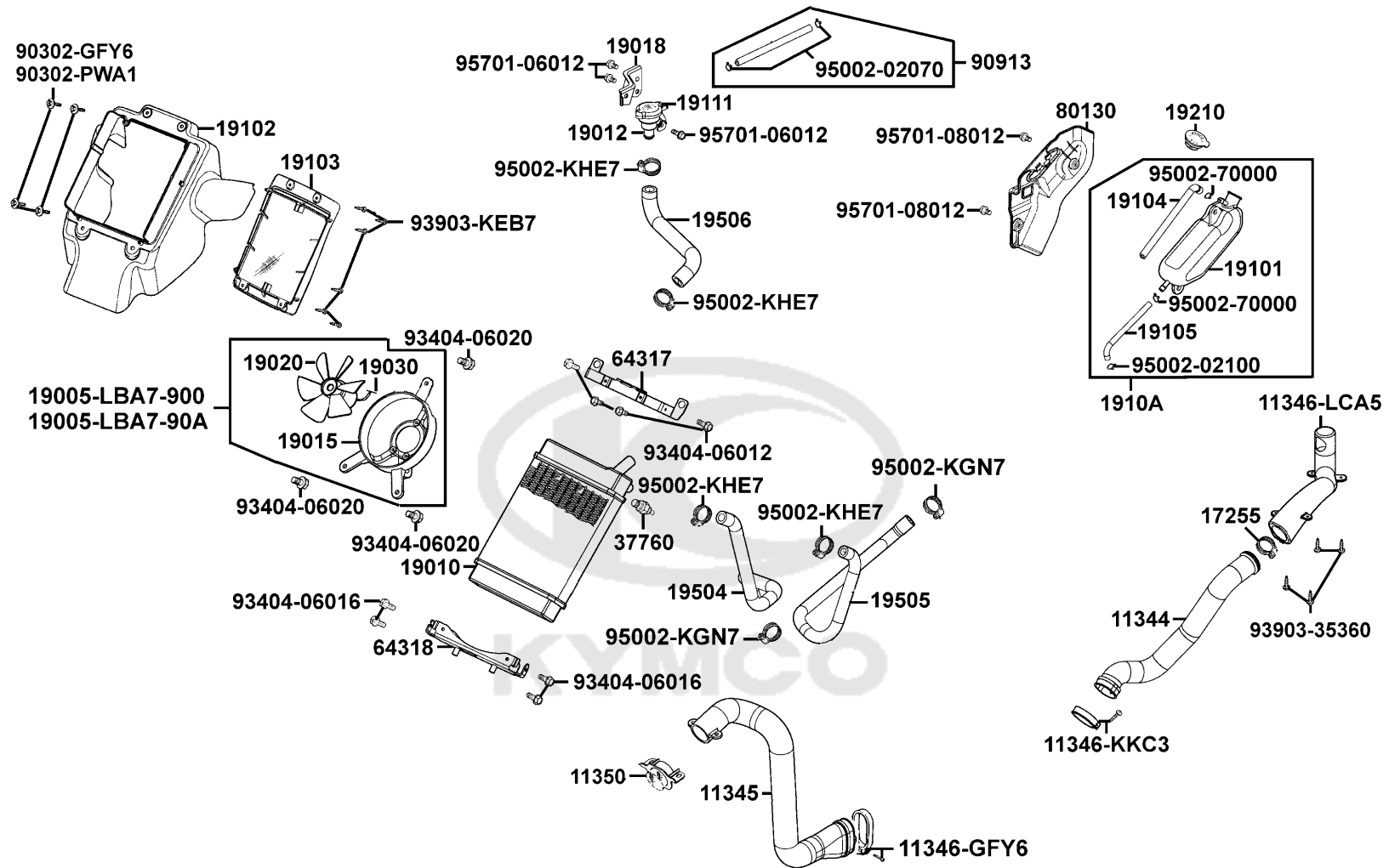
Radiator



Sales mark	Ref no	Part no	Description	Reg description	Regd no	F24
	11344	11344-LCA5-E00	DUCT B L COVER	DUCT B L COVER	1	
	11345	11345-LCA5-E00	DUCT A L COVER	DUCT A L COVER	1	
	11346-GFY6	11346-GFY6-901	BAND L COVER DUCT	BAND L COVER DUCT	1	
	11346-KKC3	11346-KKC3-900	BAND L COVER DUCT	BAND L COVER DUCT	1	
	11346-LCA5	11346-LCA5-E00	DUCT C L COVER	DUCT C L COVER	1	
	11350	11350-LCA5-E00	ELEMENT DUCT A L COVER	ELEMENT DUCT A L COVER	1	
	17255	17255-LCA5-E00	BAND A CONNECTING TUBE	BAND A CONNECTING TUBE	1	
	19005-LBA7-900	19005-LBA7-900	SHROUD ASSY	SHROUD ASSY	1	
	19005-LBA7-90A	19005-LBA7-90A	SHROUD ASSY	SHROUD ASSY	1	
	19010	19010-LBA7-900	RADIATOR COMP	RADIATOR COMP	1	
	19012	19012-KHD8-900	UNIT RADIATOR	UNIT RADIATOR	1	
	19015	19015-KKC4-900	SHROUD COMP	SHROUD COMP	1	
	19018	19018-LBA7-900	STAY UNIT RADIATOR	STAY UNIT RADIATOR	1	
	19020	19020-KHD8-900	FAN COOLING	FAN COOLING	1	
	19030	19030-LBA7-900	MOTOR ASSY FAN	MOTOR ASSY FAN	1	
	19101	19101-LBA7-900	TANK RESERVE	TANK RESERVE	1	
# **	19102	19102-LCA5-E01	DUCT DOOLING AIR	DUCT DOOLING AIR	1	
	19103	19103-LBA7-900	GRID RADIATOR	GRID RADIATOR	1	
	19104	19104-LBA7-900	HOSE ASSY DRAIN	HOSE ASSY DRAIN	1	
	19105	19105-LCA5-E00	HOSE ASSY RESERVE TANK-PRESSURE	HOSE ASSY RESERVE TANK-PRESSURE	1	

F24

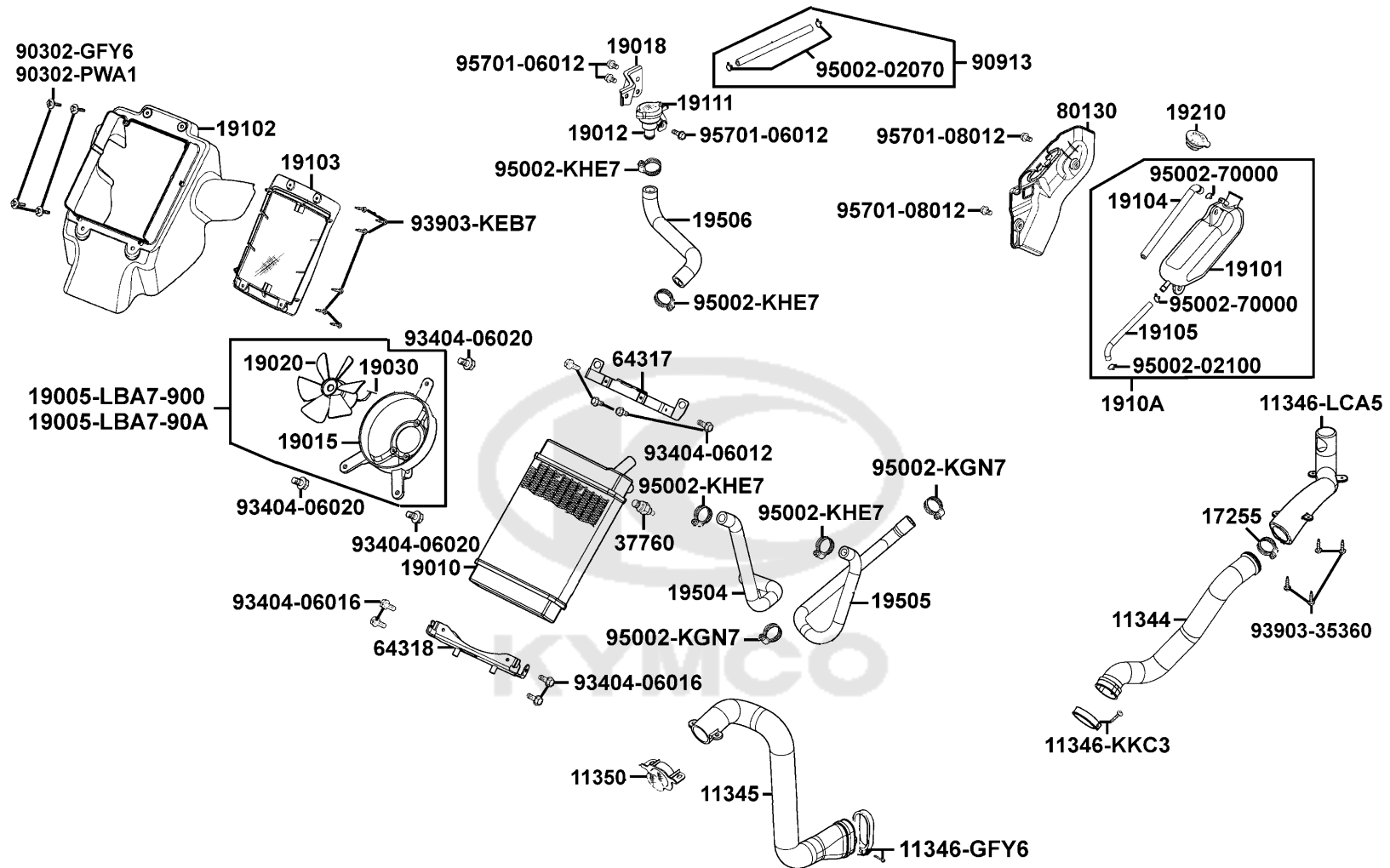
Radiator




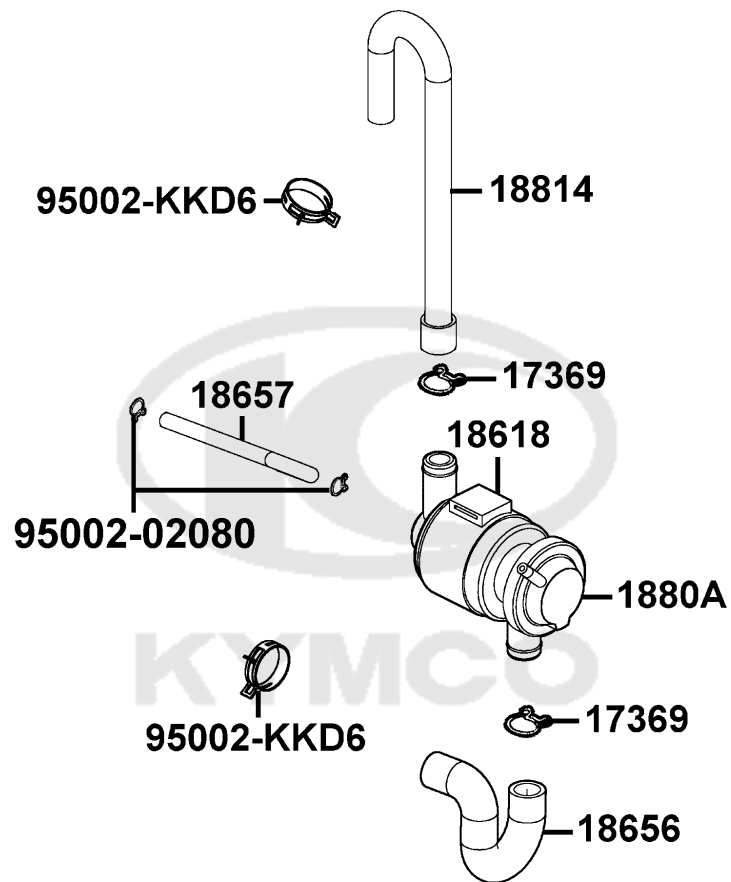
Sales mark	Ref no	Part no	Description	Reg description	Regd no	F24
	1910A	1910A-LCA5-E00	TANK ASSY RESERVE	TANK ASSY RESERVE	1	
	19111	19111-GBE2-004	CAP COMP	CAP COMP	1	
	19210	19210-KKC4-900	CAP RESERVE TANK	CAP RESERVE TANK	1	
	19504	19504-LBA7-900	HOSE WATER D RADIATOR-ENG	HOSE WATER D RADIATOR-ENG	1	
	19505	19505-LBA7-900	HOSE WATER F ENG-RADIATOR	HOSE WATER F ENG-RADIATOR	1	
	19506	19506-LBA7-900	HOSE WATER G RADIATOR-PRESSURE	HOSE WATER G RADIATOR-PRESSURE	1	
	37760	37760-KHD8-900	SW ASSY THERMO	SW ASSY THERMO	1	
	64317	64317-LBA7-900	STAY RADIATOR UP	STAY RADIATOR UP	1	
	64318	64318-LBA7-900	STAY RADIATOR BOTTOM	STAY RADIATOR BOTTOM	1	
#	80130	80130-LBA7-910	PROTECTOR MASTER CYLINDER	PROTECTOR MASTER CYLINDER	1	
#	90302-GFY6	90302-GFY6-901	BOLT WASH 5*12	BOLT WASH 5*12	4	
#	90302-PWA1	90302-PWA1-900	BOLT-WASH 5*16	BOLT WASHER 5*16	4	
	90913	90913-LBA7-900	TUBE ASSY WATER PUMP-PRESSURE	TUBE ASSY WATER PUMP-PRESSURE VALVE	1	
	93404-06012	93404-06012-08	BOLT WASHER 6*12	BOLT WASHER 6*12	4	
	93404-06016	93404-06016-06	BOLT WASHER 6*16	BOLT WASHER 6*16	4	
	93404-06020	93404-06020-06	BOLT WASHER 6*20 (G)	BOLT WASH 6*20	3	
	93903-35360	93903-35360	SCREW TAPPING 5*16	SCREW TAPPING 5*16	4	
	93903-KEB7	93903-KEB7-900-06	SCREW WASHER 4*12 (G)	SCREW WASHER 4*12 (G)	6	
	95002-02070	95002-02070	CLIP B7 TUBE	CLIP B7 TUBE	2	
	95002-02100	95002-02100	CLIP B15 TUBE	CLIP B15 TUBE	1	

F24

Radiator



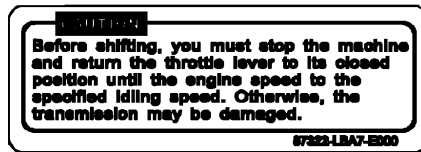
Sales mark	Ref no	Part no	Description	Reg description	Regd no	<b>F24</b>
	95002-70000	95002-70000	CLIP C11 TUBE	CLIP C11 TUBE	2	
	95002-KGN7	95002-KGN7-910	CLIP TUBE	CLIP TUBE	2	
	95002-KHE7	95002-KHE7-900	CLIP WATER HOSE	CLIP WATER HOSE	4	
	95701-06012	95701-06012-08	BOLT FLANGE 6*12	BOLT FLANGE 6*12	3	
	95701-08012	95701-08012-08	BOLT FLANGE 8*12	BOLT FLANGE 8*12	2	
						



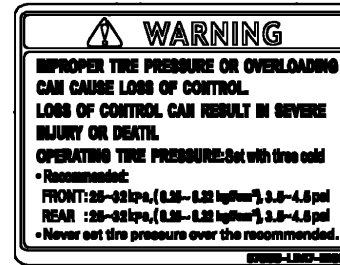
Sales mark	Ref no	Part no	Description	Reg description	Regd no	<b>F25</b>
17369		17369-KDB4-671	CLIP BREATHER TUBE	CLIP BREATHER TUBE	2	
18618		18618-LLF5-90A	RUBBER AICV MOUNT	RUBBER AICV MOUNT	1	
18656		18656-LBA7-E00	DUCT AICV-REED VALVE	DUCT AICV-REED VALVE	1	
18657		18657-LBA7-E00	TUBE ASSY VACUUM	TUBE ASSY VACUUM	1	
1880A		1880A-LBA7-E0A	AI/C-AICV ASSY	AI/C-AICV ASSY	1	
18814		18814-LBA7-E00	DUCT AIR-AICV	DUCT AIR-AICV	1	
95002-02080		95002-02080	CLIP B8 TUBE	CLIP B8 TUBE	2	
95002-KKD6		95002-KKD6-E05	CLAMP D18 TUBE	CLAMP D18 TUBE	2	



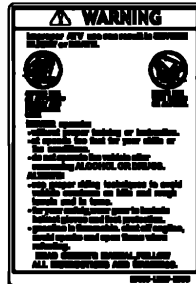




87322



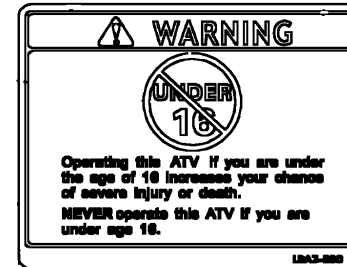
87505



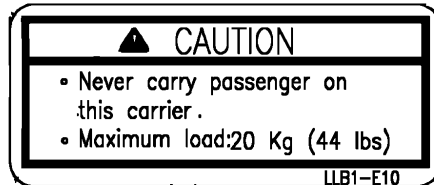
87515



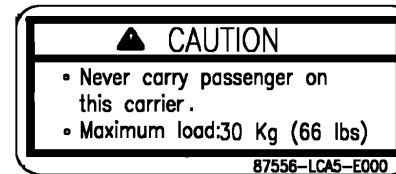
87514



87517



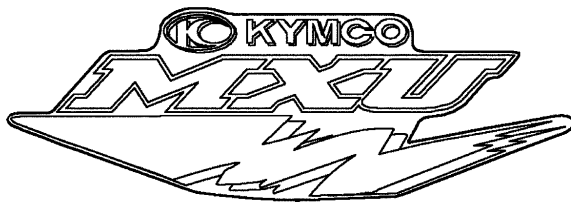
87556-LLB1



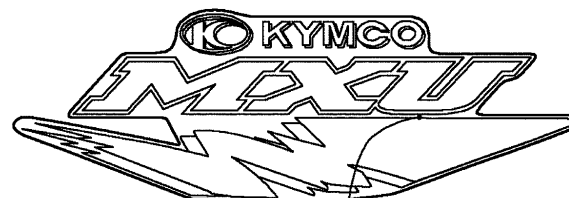
87556-LCA5

Sales mark	Ref no	Part no	Description	Reg description	Regd no	<b>F26</b>
**	87322	87322-LBA7-E00	CAUTION SHIFIT GEARS	CAUTION SHIFIT GEARS	1	
**	87505	87505-LBA7-E01	LABEL TIRE ON ROAD	LABEL TIRE ON ROAD	1	
**	87514	87514-LCA5-E00	CAUTION MAXIMUM CAPACITY	CAUTION MAXIMUM CAPACITY	1	
**	87515	87515-LBA7-E01	CAUTION LIST ON ROAD	CAUTION LIST ON ROAD	1	
**	87517	87517-LBA7-E00	CAUTION DRIVE AGE	CAUTION DRIVE AGE	1	
**	87556-LCA5	87556-LCA5-E00	CAUTION CARRIER MAX LOAD (30KG)	CAUTION CARRIER MAX LOAD (30KG)	1	
**	87556-LLB1	87556-LLB1-E01	CAUTION DRIVE AGE	CAUTION DRIVE AGE	1	





86533



86523



87532-LBE8



86102



87532-LCA5



86623

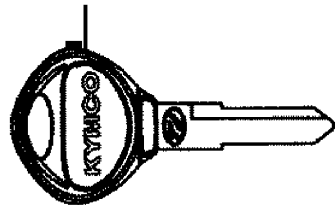


86633

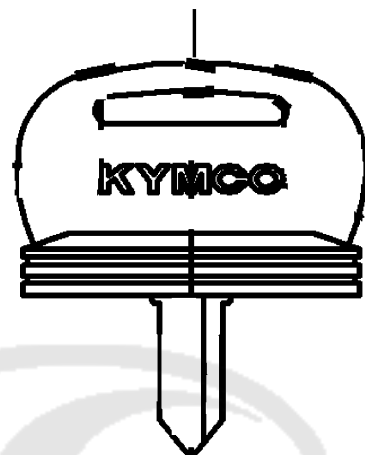
Sales mark	Ref no	Part no	Description	Reg description	Regd no	<b>F27</b>
**	86102	86102-LCA5-900	STRIPE K-LOGO 30MM	STRIPE K-LOGO 30MM	1	
**	86523	86523-LCA5-E61	STRIPE R FR FENDER	STRIPE R FR FENDER	1	
**	86533	86533-LCA5-E61	STRIPE L FR FENDER	STRIPE L FR FENDER	1	
**	86623	86623-LCA5-E61	STRIPE R RR FENDER	STRIPE R RR FENDER	1	
**	86633	86633-LCA5-E61	STRIPE L RR FENDER	STRIPE L RR FENDER	1	
**	87532-LBE8	87532-LBE8-900	STRIPE KYMCO	STRIPE KYMCO	1	
**	87532-LCA5	87532-LCA5-900	STRIPE K-LOGO 60MM	STRIPE K-LOGO 60MM	1	



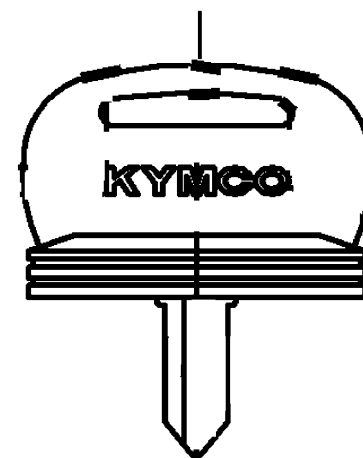
35111-LLB1-327



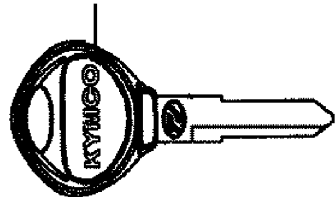
35111-LCA5-325-M1



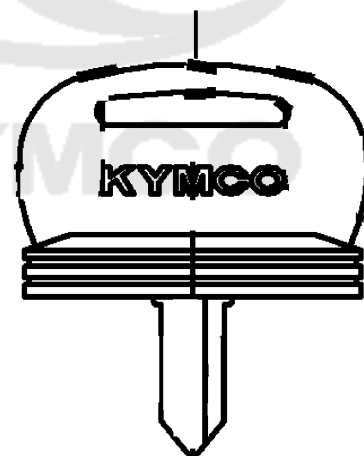
35111-LCA5-326-M1



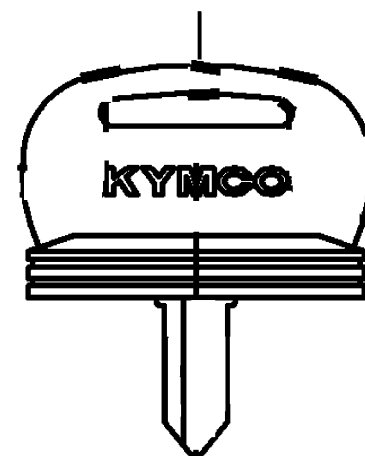
35111-LLB1-328



35111-LCA5-325-M2

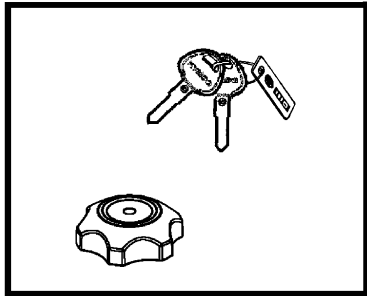


35111-LCA5-326-M2

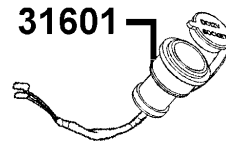


Sales mark	Ref no	Part no	Description	Reg description	Regd no	<b>F28</b>
	35111-LCA5-325-M1	35111-LCA5-325-M1	KEY COMP(FOR SERVICE)	KEY COMP(FOR SERVICE)	1	
	35111-LCA5-325-M2	35111-LCA5-325-M2	KEY COMP(FOR SERVICE)	KEY COMP(FOR SERVICE)	1	
	35111-LCA5-326-M1	35111-LCA5-326-M1	KEY COMP(FOR SERVICE)	KEY COMP(FOR SERVICE)	1	
	35111-LCA5-326-M2	35111-LCA5-326-M2	KEY COMP(FOR SERVICE)	KEY COMP(FOR SERVICE)	1	
	35111-LLB1-327	35111-LLB1-327-M2	KEY COMP(FOR SERVICE)	KEY COMP(FOR SERVICE)	1	
	35111-LLB1-328	35111-LLB1-328-M2	KEY COMP(FOR SERVICE)	KEY COMP(FOR SERVICE)	1	



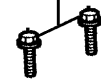


17620



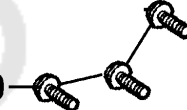
31601

93891-05012



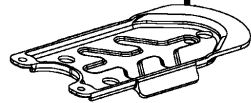
77336

93891-05030



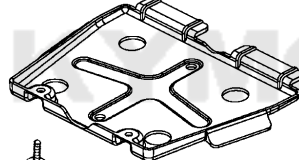
77338

64400



93404

50613



93404

Sales mark	Ref no	Part no	Description	Reg description	Regd no	F29
17620		17620-LCA5-325	FUEL FILLER CAP COMP	FUEL FILLER CAP COMP	1	
31601		31601-LCA5-E00	SOCKET COMP DC 12V	SOCKET COMP DC 12V	1	
50613		50613-LCA5-E00	GUARD B ENGINE	GUARD B ENGINE	1	
64400		64400-LCA5-E00	GUARD A ENGINE	GUARD A ENGINE	1	
77336		77336-LCA5-E00	STAY A TRAILER ELE JOINT	STAY A TRAILER ELE JOINT	1	
77338		77338-LCA5-E00	STAY B TRAILER ELE JOINT	STAY B TRAILER ELE JOINT	1	
93404		93404-KKC2-900-06	BOLT-WASH 6X16	BOLT-WASH 6X16	4	
93891-05012		93891-05012-06	SCREW WASHER 5*12	SCREW WASHER 5*12	2	
93891-05030		93891-05030-07	SCREW WASHER 5*30	SCREW WASHER 5*30	3	





## PART NO. INDEX

PART NO.	VERSION	PAGE	PART NO.	VERSION	PAGE	PART NO.	VERSION	PAGE	
<b>1000</b>			11330-LBA7-900	9	E04	12191-KHE7-910	2	E03	
			11341-LBA7-900	7	E01	12200-KHE7-900	3	E02	
			11344-LCA5-E00	1	F24	12205-KHE8-301	4	E02	
	1010-43FH-9900	0	E08	11345-LCA5-E00	2	F24	12209-GDB4-68A	0	E02
	1012-382H-0140	0	E08	11346-GFY6-901	0	F24	1221A-LBA7-900	3	E02
	1014-840-2000	0	E08	11346-KKC3-900	0	F24	12251-KHE7-901	1	E02
	1020-54D0-9900	0	E08	11346-LCA5-E00	3	F24	12310-KHE7-900	1	E02
	1031-KN4H-6511	0	E08	11347-LBA7-900	5	E05	12361-GFY6-901	1	E04
	103J-061H-9901	0	E08	11348-LCA5-E00	5	E01	12391-KHE7-900	0	E02
	1051-KCSH-9200	0	E08	11350-LCA5-E00	1	F24	12431-LBA7-E00	4	E05
	105J-092H-9911	0	E08	11394-LBA7-900	4	E04			
	1113-HB7H-6710	0	E08	11395-LBA7-900	1	E01	<b>13000</b>		
	120A-106H-9900	0	E08	11700-LDE9-E00	0	E01			
	1230-846-2000	0	E08	11701-LDE9-E00	1	E01	1300A-PWA1-305	3	E03
	1300-KG8H-9010	0	E08	11702-LCA5-E00	1	E01	13011-KHE7-900	0	E03
	1300-KG8H-Q010	0	E08	11703-LCA5-E00	4	E01	13101-KHE7-900	6	E03
	1305-491H-9901	0	E08	11704-LCA5-E00	1	E01	13111-KHE7-900	2	E03
	1782-013H-9900	0	E08	11705-LCA5-E00	3	E01	13417-LBA7-900	3	E03
	1795-KG8H-9010	0	E08	11706-LCA5-E00	1	E01	13422-LBA7-900	4	E03
				11707-LCA5-E00	1	E01			
			11708-LCA5-E00	1	E01	<b>14000</b>			
			1171A-LCA5-E00	4	E01				
						14100-LCA5-E00	3	E02	
						14150-LBA7-900	1	E02	
						14311-KHE7-900	1	E03	
						14401-KHE7-90A	0	E03	
<b>11000</b>									
11100-LBA7-900	4	E01							
11192-LBA7-900	4	E01	<b>12000</b>						
11200-LBA7-900	7	E01							
11221-LBA7-900	1	E07	12100-KHE7-900	6	E03				

## PART NO. INDEX

PART NO.	VERSION	PAGE	PART NO.	VERSION	PAGE	PART NO.	VERSION	PAGE
14401-KHE7-90B	0	E03	15447-1K49-001	0	E03	17231-LBA7-900	4	F13
14431-KHE7-900	0	E02	1565A-KKAK-900	0	E04	17237-KED9-900	3	F13
14450-KEBE-900	0	E02	15661-LBA7-900	1	E04	1723A-LBA7-900	4	F13
14461-KHE7-900	0	E02	15711-KHE7-900	0	E06	17246-LBA7-900	2	F13
14510-KHE7-900	0	E03				17255-KKAK-900	0	F13
14520-GFY6-90A	1	E03	<b>16000</b>			17255-LCA5-E00	0	F24
14523-KED9-900	0	E03				17257-LBA7-900	4	F13
14531-KHE7-900	1	E03	16075-KG8-9010-M1	0	E08	17265-LBA7-900	1	F13
14610-KHE7-900	0	E03	16075-PC3-7810-M1	0	E08	17369-KDB4-671	1	F13
14711-KHE7-900	0	E02	16076-ND5-0040	0	E08	17369-KDB4-671	1	F25
14721-KHE7-900	1	E02	1610K-LBA7-900	0	E08	17369-KHC4-900	0	F13
14751-KHE7-900	0	E02	16115-169-0040	0	E08	17371-1D74-671	0	F13
14761-KHE7-900	0	E02	16119-MZ2-6000-K2	0	E08	17500-LCA5-E00	0	F10
14771-GDB4-680	2	E02	16155-ZG8-L100	0	E08	17500-LCA5-E01	1	F10
14775-MFA6-001	0	E02	16162-KG8-9010-M1	0	E08	17522-LLB1-900	1	F10
14781-MFA6-001	0	E02	1691A-GFY6-90A	4	F10	17524-LLB1-900	1	F10
			1691A-GFY6-90B	3	F10	1760A-LBA7-900	2	F10
<b>15000</b>			16950-LBA7-900	3	F10	17620-LCA5-325	0	F29
			16951-LBA7-900	3	F10	1763A-LCA5-E00	6	F10
15100-LBA7-900	1	E06	16952-LLB1-900	1	F10	17700-LCA5-E00	3	F05
15133-KAM1-001	1	E06				17705-LCA5-E00	1	F05
15134-KHE7-900	1	E03	<b>17000</b>			17720-LBA7-900	1	F05
15141-KKJ9-004	0	E06				17910-LBA7-900	1	F03
15421-1G07-001	1	E04	1711A-LBA7-E00	1	E02	17950-LCA5-E00	2	F03
15426-GAE1-921	0	E04	17214-LBA7-900	2	F13	17957-LBA7-900	1	F10
15441-1K49-001	0	E03	1721A-LBA7-900	3	F13			

## PART NO. INDEX

PART NO.	VERSION	PAGE	PART NO.	VERSION	PAGE	PART NO.	VERSION	PAGE
<b>18000</b>			<b>19000</b>			19315-LBA7-900	1	E02
18291-LBA7-900	2	F14	19005-LBA7-900	6	F24	19502-LBA7-900	3	E04
18293-LBA7-E00	1	F14	19005-LBA7-90A	1	F24	19504-LBA7-900	2	F24
18294-KTCT-900	0	F14	19010-LBA7-900	2	F24	19505-LBA7-900	2	F24
18294-LBA7-E00	0	F14	19012-KHD8-900	4	F24	19506-LBA7-900	1	F24
1830A-LCA5-E00	4	F14	19015-KKC4-900	2	F24	<b>21000</b>		
18325-LLB1-900	1	F14	19018-LBA7-900	1	F24	21201-LCA5-E00	2	E07
18424-LBA7-E00	1	F14	19020-KHD8-900	0	F24	21395-LBA7-900	1	E07
18601-MAJ1-791	1	E02	19030-LBA7-900	2	F24	<b>22000</b>		
18612-GFY6-941	0	E02	19101-LBA7-900	4	F24			
18618-LLF5-90A	2	F25	19102-LCA5-E01	1	F24			
18645-GFY6-941	0	E02	19103-LBA7-900	1	F24	22101-LBA7-900	1	E05
18646-GFY6-941	0	E02	19104-LBA7-900	3	F24	22102-KHE7-900	3	E05
18647-KHE7-900	1	E02	19105-LCA5-E00	1	F24	22105-LBA7-900	1	E05
18656-LBA7-900	3	F13	1910A-LCA5-E00	1	F24	22110-KHE7-900	6	E05
18656-LBA7-E00	2	F25	19111-GBE2-004	1	F24	22112-KHE7-900	1	E05
18657-LBA7-900	4	F13	19210-KKC4-900	0	F24	22121-LBA7-900	1	E05
18657-LBA7-E00	2	F25	19215-KHE7-900	0	E04	22131-LBA7-900	1	E05
18658-KED9-900	2	F13	19217-6G57-024	0	E04	22132-KHE7-900	2	E05
1880A-LBA7-E0A	2	F25	19221-KHE7-900	3	E04	22300-LBA7-900	5	E05
18814-LBA7-E00	2	F25	19229-LBA7-900	1	E04	22350-KHE7-900	1	E05
			19231-KKJ9-011	0	E04	22361-KHE7-900	0	E05
			19300-KAE1-004	1	E02	22401-LBA7-900	4	E05
			19310-KHE7-900	2	E02	22530-LBA7-900	3	E05

## PART NO. INDEX

PART NO.	VERSION	PAGE	PART NO.	VERSION	PAGE	PART NO.	VERSION	PAGE
22804-GBB2-001	0	E05	23811-LBA7-900	2	E07	<b>30000</b>		
<b>23000</b>			<b>24000</b>					
2301A-LBA7-900	7	E05	24221-LBA7-900	2	E07	30400-LCA5-E00	2	F21
23100-KHE7-900	0	E05	24221-PTA3-E00	1	E07	3051A-KHE7-900	2	F21
23200-KHE7-900	6	E05	24241-KGB4-C00	0	E07	30700-KFC8-E0H	1	F21
23211-LCA5-E00	1	E07	2431A-LBA7-900	3	E07	<b>31000</b>		
23220-LLJ3-E00	4	E05	24610-LLB1-900	4	E07			
23225-KHE7-900	0	E05	24701-LBA7-900	2	E07	31110-LBA7-90A	5	E06
23226-GHC8-004	0	E05	24702-LCA5-E00	2	E07	31110-LBA7-90B	1	E06
23233-LBA7-900	2	E05	24703-LLB1-900	1	E07	31120-LBA7-90A	6	E06
23237-KHE7-900	0	E05	24704-LBA7-900	4	E07	31120-LBA7-90B	1	E06
23238-KHE7-900	0	E05	24707-LBA7-900	6	E07	31210-LBA7-900	2	E06
23411-LBA7-900	3	E07	24710-LCA5-E00	3	E07	31210-LBA7-90B	1	E06
23411-PTA3-E00	1	E07	24711-LCA5-E00	1	E07	31500-KHE7-90A	3	F11
23420-LBA7-900	1	E07	24720-LBA7-900	3	E07	31500-KHE7-90B	3	F11
23431-LCA5-E00	1	E07	24781-LCA5-E00	2	E07	31600-LBA7-900	6	F21
23441-LBA7-900	4	E07				31601-LCA5-E00	0	F29
23441-PTA3-E00	1	E07	<b>28000</b>			3195A-LBA7-E00	1	F21
23451-LBA7-900	3	E07				<b>32000</b>		
23472-LBA7-900	2	E07	28101-KHE7-900	0	E06			
23473-LBA7-900	0	E07	28102-KHE7-900	0	E06			
23481-LBA7-900	6	E07	28110-LDB2-E00	4	E06	32100-LCA5-E00	6	F21
23801-LBA7-900	2	E07	28120-LDB2-E00	0	E06	32101-LLB1-800	1	F21
23803-LBA7-900	1	E07	28213-LCA5-E00	3	E05	32161-4D04-001	2	F03

## PART NO. INDEX

PART NO.	VERSION	PAGE	PART NO.	VERSION	PAGE	PART NO.	VERSION	PAGE
32161-LBA7-900	0	F21	33720-LCA5-E00	2	F20	35111-LCA5-326-M2	0	F28
32410-LBA7-900	2	E06	33722-KHB4-E00	0	F20	35111-LLB1-327-M2	0	F28
32410-LBA7-90B	0	E06	33725-KHB4-E00	0	F20	35111-LLB1-328-M2	0	F28
32411-LCA5-E00	2	F21	33740-LCA5-E00	1	F20	3520A-LCA5-E00	3	F03
32412-LCA5-E00	2	E06	33745-LCA5-E00	1	F20	35340-LBA7-900	1	F04
32976-1G07-001	0	E01	33750-LCA5-E00	4	F20	35340-LDB5-900	0	F04
			33751-LCA5-E00	0	F20	35350-KNBN-901	0	F04
<b>33000</b>			<b>34000</b>			35350-LBA7-900	6	F15
33100-LCA5-E00	5	F01				35357-LBA7-900	1	F15
33110-LCA5-E00	0	F01	34901-KFA6-900	0	F01	35759-LBA7-900	7	E01
33120-LCA5-E00	0	F01	34903-KPCP-900	0	F01	35850-KHB4-90A	2	F21
33130-LCA5-E00	0	F01	34903-KPCP-900	0	F20	35850-KHB4-90B	3	F21
33150-LCA5-E00	5	F01	34905-LBA7-E00	0	F19	<b>37000</b>		
33400-LCA5-E00	2	F19	34905-LCA5-E00	0	F20			
33401-LCA5-E00	0	F19	34906-KPCP-900	0	F20	37200-LCA5-E0A	3	F02
33406-LCA5-E00	0	F19				37720-KGB5-900	0	E02
33450-LCA5-E00	2	F19	<b>35000</b>			37750-PAC1-005	0	E02
33451-LCA5-E00	0	F19				37760-KHD8-900	0	F24
33456-LCA5-E00	0	F19	35010-LCA5-E0A	2	F21	3780A-LCA5-E00	0	F10
33700-LCA5-E00	4	F20	35010-LCA5-E0B	0	F21	3780A-LCA5-E01	1	F10
33701-LCA5-E00	0	F20	35100-LCA5-305-M1	0	F21	<b>38000</b>		
33706-GCN3-67A	0	F20	35100-LCA5-305-M2	0	F21			
33709-KBAB-003	0	F20	35111-LCA5-325-M1	0	F28			
33710-LCA5-E00	0	F20	35111-LCA5-325-M2	0	F28	38110-KHB4-E0A	0	F21
33715-LCA5-E00	0	F20	35111-LCA5-326-M1	0	F28	38110-KHB4-E0B	1	F21

## PART NO. INDEX

PART NO.	VERSION	PAGE	PART NO.	VERSION	PAGE	PART NO.	VERSION	PAGE
38110-KHB4-E0C	1	F21	42610-LBA7-900	7	F08	4351A-KFW6-000	0	F15
38200-KEBE-900	0	F21	42705-LCA5-E00	4	F08	43530-KKC4-305	1	F04
38300-KECE-900	2	F21	4270A-LCA5-E00	4	F08	43600-LBA7-E00	3	F15
3860A-LCA5-E01	3	F21	42710-LCA5-E0A	2	F08			
			42710-LCA5-E0B	1	F08	<b>44000</b>		
<b>39000</b>			42753-KNBN-90B	1	F07			
			42753-KNBN-90B	1	F08	44311-LBA7-900	1	F07
3900A-LBA7-900	2	F21				44312-LBA7-900	1	F07
39100-LBA7-E00	1	F21	<b>43000</b>			44313-LBA7-900	1	F07
						44620-LBA7-900	3	F16
<b>40000</b>			43100-LCA5-E00	3	F08	44620-LBA7-900	3	F17
			43100-LEC1-E00	4	F08	44705-LCA5-E00	3	F07
40510-LBA7-E00	4	E07	43125-LBA7-E00	3	F04	4470A-LCA5-E00	4	F07
40527-LBA7-600	1	F18	43127-LBA7-E00	2	F04	44710-LCA5-E0A	2	F07
4052A-LCA5-E01	1	F18	43128-LBA7-900	1	F04	44710-LCA5-E0B	1	F07
40530-LCA5-E00	0	E07	43350-LDF3-E00	2	F08	44830-LBA7-E00	4	F02
			43351-LBA7-900	4	F08	44831-LBA7-E00	0	F02
<b>41000</b>			43352-5H68-004	3	F08			
			43353-4A61-77A	0	F08	<b>45000</b>		
41201-LBA7-900	3	F08	43353-LBA7-900	3	F08			
41211-LDF3-E00	3	F08	4335A-LBA7-900	5	F08	45100-LBA7-900	5	F07
			43450-LEC1-E00	5	F04	45105-LBA7-305	0	F07
<b>42000</b>			43500-LBA7-E00	1	F15	45105-LCA5-305	0	F08
			43503-KGC4-E01	2	F15	45105-LEC1-305	0	F08
42302-LCA5-E00	4	F08	43512-LBA7-M30	0	F15	45107-KFA6-900	0	F07
42311-LBA7-900	3	F08	43514-4E45-77A	0	F15	45108-LBA7-900	0	F07

## PART NO. INDEX

PART NO.	VERSION	PAGE	PART NO.	VERSION	PAGE	PART NO.	VERSION	PAGE
45109-KFA6-900	0	F07	45353-LBA7-900	0	F07			
45109-KFA6-900	0	F08	45513-HBA2-007	0	F15	<b>50000</b>		
45110-LBA7-305	0	F07	45513-KKC4-900	0	F04			
45115-KKC4-900	0	F08	45517-KFAF-910	0	F04	50100-LCA5-E00	9	F22
45121-LBA7-900	3	F07	45517-LDE9-E00	0	F04	50166-LBA7-900	3	F22
45125-LBA7-E00	3	F04	45525-LBA7-900	0	F04	50172-LBA7-900	2	F22
45127-LBA7-900	3	F04	45526-LBA7-900	0	F04	50219-LCA5-E00	3	F22
45128-LCA5-E00	2	F04	45527-LBA7-900	0	F04	50306-LBA7-900	3	F08
45129-LCA5-E00	2	F04	45530-LBA7-305	0	F04	50307-LBA7-900	2	F08
45130-LBA7-E00	2	F04	45531-GAR1-951	0	F08	50328-LCA5-E00	1	F11
45131-LBA7-900	3	F07	45531-LBA7-900	0	F07	50351-LBA7-900	1	F22
45132-LBA7-900	1	F04				50613-LCA5-E00	0	F29
45133-LBA7-900	0	F07	<b>46000</b>			50614-LCA5-E00	6	F23
45140-LCA5-E00	3	F16				50615-LCA5-E00	6	F23
45140-LCA5-E00	3	F17	46500-LCA5-E00	3	F15			
45200-LBA7-900	5	F07	46503-KCW3-001	0	F08	<b>51000</b>		
45203-KKC4-900	0	F08	46504-MBB2-007	0	F15			
45203-LBA7-900	0	F07	46513-KED9-900	1	F15	51400-LCA5-E00	2	F16
45207-KKC4-900	0	F08				51400-LCA5-E00	2	F17
45208-KKC4-900	0	F08	<b>47000</b>			51406-LCA5-E00	4	F22
45209-KFA6-900	0	F07				51407-LCA5-E00	2	F22
45209-KFA6-900	0	F08	47400-LCA5-E00	2	F16			
45210-LBA7-305	0	F07	47410-LCA5-E00	2	F07	<b>52000</b>		
45210-LBA7-305	0	F08	47410-LCA5-E00	2	F08			
45230-LBA7-900	0	F07	47500-LCA5-E00	2	F17	52000-LCA5-E00	4	F18
45352-LBA7-900	0	F07				52000-LCA5-E01	1	F18

## PART NO. INDEX

PART NO.	VERSION	PAGE	PART NO.	VERSION	PAGE	PART NO.	VERSION	PAGE
52101-LLB1-900	2	F18	53205-LCA5-E00	3	F03			
52108-KEE5-004	2	F18	53250-LBA7-900	2	F06	<b>61000</b>		
52108-KFW6-901	1	F15	53251-LCA5-E00	1	F06			
52115-LCA5-E00	2	F18	53252-LBA7-900	4	F06	61104-3G57-001	0	F10
52144-LBA7-900	1	F18	53254-LBA7-900	3	F06			
52171-LBA7-900	3	F15	53400-LCA5-E00	5	F16	<b>64000</b>		
52174-LBA7-900	3	F22	53402-LLB1-900	2	F16			
52175-LBA7-900	2	F22	53402-LLB1-900	2	F17	64222-LLJ3-E00	1	F05
52400-LCA5-E00	2	F18	53450-LCA5-E00	5	F16	64222-LLJ3-E00	1	F12
52400-LCA5-E00	3	F18	53500-LCA5-E00	5	F17	64301-LCA5-E00	2	F05
<b>53000</b>			53550-LCA5-E00	5	F17	64302-LCA5-E01	1	F05
			53600-KKAK-E0A	1	F21	64303-LCA5-E01	1	F05
			53600-KKAK-E0B	1	F21	64304-LCA5-E01	1	F05
53100-LCA5-E00	3	F03	53700-LCA5-E00	4	F06	64317-LBA7-900	3	F24
53102-LBA7-900	1	F03	53701-LCA5-E00	1	F06	64318-LBA7-900	3	F24
5312A-LBA7-900	6	F03	53702-LAC5-900	5	E07	64400-LCA5-E00	0	F29
53131-4K39-001	0	F03	53702-LLB1-900	8	F06			
53132-LLB1-900	6	F03	53703-LAC5-900	5	E07	<b>77000</b>		
53166-KEC5-001	1	F03	53703-LLB1-900	8	F06			
53175-LBA7-305	0	F04	53705-LLB1-900	3	F06	77200-LCA5-E00	1	F09
53178-KFC8-E10	0	F04	53707-LLB1-900	0	F06	77330-LCA5-E00	7	F23
53190-LDE9-E00	0	F04				77336-LCA5-E00	0	F29
53192-LDE9-E00	0	F04	<b>60000</b>			77338-LCA5-E00	0	F29
53193-LDE9-E00	0	F04				77430-LCA5-E00	4	F23
53194-LDE9-E00	0	F04	60100-LCA5-E00	7	F05			
53200-LBA7-E00	5	F06	60120-LCA5-E00	5	F05			



## PART NO. INDEX

PART NO.	VERSION	PAGE	PART NO.	VERSION	PAGE	PART NO.	VERSION	PAGE
<b>80000</b>			<b>84000</b>			87556-LCA5-E00	1	F26
80100-LCA5-E00	8	F12	84703-LLB1-900	1	F22	87556-LLB1-E01	2	F26
80110-LBA7-900	1	F12				<b>88000</b>		
80121-LCA5-E00	4	F12	<b>85000</b>			88110-LBA7-E00	1	F03
80121-LCA5-E01	1	F12				88120-LBA7-E00	1	F03
80122-LCA5-E01	1	F12	85100-LCA5-E00	4	F23			
80125-LBD4-900	1	F05				<b>89000</b>		
80125-LBD4-900	1	F12	<b>86000</b>			89010-LBA7-900	4	F09
80130-LBA7-910	1	F24				89020-KKC4-900	1	F09
80200-LCA5-E00	4	F12	86102-LCA5-900	2	F27			
80300-LCA5-E00	1	F11	86523-LCA5-E61	6	F27	<b>90000</b>		
80300-LCA5-E00	2	F11	86533-LCA5-E61	6	F27	90001-GBHB-661	2	E03
			86623-LCA5-E61	2	F27	90001-GBHB-661	2	E06
<b>81000</b>			86633-LCA5-E61	2	F27	90001-GBHB-681	1	E01
81202-LCA5-E00	3	F23	<b>87000</b>			90001-GBHB-711	1	E01
						90001-GFY6-901	4	E01
<b>83000</b>			87322-LBA7-E00	3	F26	90005-KEC8-900	3	E03
83500-LCA5-E01	1	F12	87505-LBA7-E01	3	F26	90012-3C33-001	2	E02
8360A-LCA5-E00	3	F12	87514-LCA5-E00	1	F26	90031-KEBE-900	0	E01
8360A-LCA5-E01	1	F12	87515-LBA7-E01	1	F26	90032-KEBE-900	0	E01
83620-LBA7-900	2	F22	87517-LBA7-E00	2	F26	90033-GFY6-900	0	E02
			87532-LBE8-900	2	F27	90033-GFY6-941	0	E02
			87532-LCA5-900	1	F27			

## PART NO. INDEX

PART NO.	VERSION	PAGE	PART NO.	VERSION	PAGE	PART NO.	VERSION	PAGE
90071-MLB0-001	0	E06	90302-GFY6-901	1	F03	90455-LBA7-900	1	E07
90084-4H28-001	0	E04	90302-GFY6-901	1	F24	90458-LBA7-E00	1	E05
9008A-LBA7-900	2	E04	90302-LLB1-E00	2	F10	90465-MDC4-001	0	E02
9008A-LCA5-E00	1	E01	90302-LLB1-E00	2	F11	90474-3C33-001	1	E07
90101-LCA5-E00-06	2	E07	90302-LLB1-E00	2	F22	90478-7L00-001	0	E02
90104-LBA7-900	3	F08	90302-PWA1-900	2	F05	90478-7L00-001	0	E04
90105-LBA7-900	1	F07	90302-PWA1-900	2	F10	90501-3L10-001	0	F04
90105-LBA7-900	1	F08	90302-PWA1-900	2	F24	9052A-GFY6-950	3	E01
90105-MLL0-731	1	F07	90302-PWA5-900	1	F05	9052A-GFY6-950	3	E07
90105-MLL0-731	1	F08	90304-4H38-001	2	E02	90545-3L00-001	2	F04
90106-LBA7-900	1	F15	90304-GLW0-90A	1	F08	90605-1F66-721	0	E05
90110-LLB1-800	2	F12	90304-GLW0-90A	1	F16	90605-KED9-900	2	E07
90111-1G47-001	0	F18	90304-GLW0-90A	1	F17	90651-LBA7-900	1	F08
90114-1F66-007	2	F04	90304-GLW0-90A	1	F18	90651-LCA5-E00	1	F01
90118-GFY6-901	2	F22	90304-GLW0-90A	1	F22	90652-LCA4-E00	1	F12
90121-LBA7-900	2	F18	90305-GHE8-004	1	F18	90652-LLJ3-E00	0	F13
90133-LLB1-900	1	E01	90305-MAA1-004-SY	1	F06	90656-KCBC-900	0	F22
90145-MKS9-61A-06	1	F04	90401-KKJ9-001	0	E06	90677-GAR1-004	1	F05
90164-0H28-900	2	F21	90423-KKJ9-001	0	E04	90677-GAR1-004	1	F12
90201-KHE7-900	1	E05	90432-LBA7-900	1	F08	90683-GAR1-004	4	F13
90201-KHR8-75A	1	E05	90441-KDY4-901	0	E01	90750-LLB1-900	2	E01
90201-KHR8-75A	1	E06	90441-LBA7-900	2	E01	90753-GDB4-68A	0	F22
90202-1G87-001	0	E05	90451-0A01-001	0	E07	90913-LBA7-900	1	F24
90206-0A01-001	2	E02	90451-LBA7-900	1	E07			
90301-LBA7-900	1	F07	90452-LBA7-900	1	E07			
90301-LBA7-900	1	F08	90454-1G07-001	0	E07			

## PART NO. INDEX

PART NO.	VERSION	PAGE	PART NO.	VERSION	PAGE	PART NO.	VERSION	PAGE
<b>91000</b>			91261-4E15-004	0	E01	<b>93000</b>		
			91301-KHE7-900	0	E01			
			91301-LBA7-900	0	E02			
91001-KHE7-900	0	E03	91302-0A01-021	0	E04	93404-06012-06	0	F13
91001-KHE7-90A	0	E03	91302-2L00-001	0	E02	93404-06012-08	0	F24
91001-KHV8-004	0	E01	91302-KHE7-900	0	E04	93404-06016-06	0	F01
91001-KKJ9-006	0	E04	91303-3G77-001	0	E04	93404-06016-06	0	F12
91002-GGA7-70A	0	E05	91306-1E05-691	0	E03	93404-06016-06	0	F18
91004-KHE7-900	1	E05	91306-LBA7-900	2	E01	93404-06016-06	0	F24
91005-LBA7-900	1	E01	91307-0E35-001	0	E04	93404-06020-06	1	F05
91101-LCA5-E0B	1	E07	91308-LCA5-E00	1	E01	93404-06020-06	1	F24
91106-LBA7-900	1	E01	91309-4E25-004	0	E06	93404-KKC2-900-06	1	F05
91106-LBA7-90A	0	E01	91351-KHE7-900	0	E05	93404-KKC2-900-06	1	F29
91107-LBA7-900	1	E07	91508-KGV7-67A	0	F20	93406-LLB1-900	0	F03
91107-LBA7-90A	0	E07	91509-LBA7-E00	3	E05	93500-03010-1A	0	E06
91201-9A51-004	0	E05	91509-LLB1-900	3	E01	93500-04025-0H	0	F13
91201-KKJ9-004	0	E04	<b>92000</b>			93500-05016-0H	0	E02
91202-KKC4-900	0	E01				93500-05016-0H	0	E06
91202-KKC4-90B	1	E01	92000-06010-0H	0	E07	93500-05016-1B	0	F10
91202-LLB1-900	1	F22	92101-05032-0H	0	E06	93600-04012-1A	0	F04
91206-2F86-014	0	E07	92101-06020-0H	0	E07	93600-04012-1G	0	F04
91211-KHE7-900	0	E05	92201-05025-0H	0	E01	93600-04040-1G	0	F15
91254-LBA7-900	2	F08	92712-06028-0B	2	E02	93891-05012-06	0	F29
91256-LLB1-900	1	E07				93891-05030-07	0	F29
91257-2L30-006	0	F07				93892-04008-18	0	E08
91257-LBA7-900	1	F07				93892-04010-18-3	0	E08

## PART NO. INDEX

PART NO.	VERSION	PAGE	PART NO.	VERSION	PAGE	PART NO.	VERSION	PAGE
93892-04016-18	0	E08	94001-LLB1-800	2	F06	94102-14800	0	F15
93892-05012-18	0	E08	94001-LLB1-900	2	F06	94111-06800	0	F14
93893-04012-18	0	F04	94002-06080-0S	0	E07	94111-08800	0	E07
93893-04012-18	0	F15	94002-08000-0S	0	F15	94201-20120	0	F08
93901-26110	0	F15	94011-12080-0S	0	F16	94201-20150	0	E07
93903-34360	0	F05	94011-12080-0S	0	F17	94201-25300	0	F06
93903-34360	0	F12	94011-LBA7-900	1	F08	94201-25300	0	F15
93903-34360	0	F20	94011-LLB1-900	4	F07	94201-30250	0	F16
93903-35260	0	F01	94012-LLB1-900	1	F06	94201-30250	0	F17
93903-35260	0	F02	94050-05080	0	F20	94201-30300	0	F06
93903-35260	0	F05	94050-06060	0	F04	94201-30300	0	F07
93903-35260	0	F20	94050-06080	0	F10	94201-30300	0	F08
93903-35360	0	E07	94050-06080	0	F21	94251-08400	0	F08
93903-35360	0	F05	94050-06080	0	F22	94301-08140	0	E01
93903-35360	0	F12	94050-08080	0	E02	94301-08140	0	E04
93903-35360	0	F19	94050-08080	0	E07	94301-10160	0	E01
93903-35360	0	F24	94050-08080	0	F14	94301-10160	0	E02
93903-KEB7-900-06	1	F24	94050-08080	0	F23	94301-10160	0	E03
			94050-LDE9-E00	1	F12	94301-10160	0	E04
			94101-06200	0	F14	94301-10160	0	E07
			94101-10800	0	F06	94303-04065	0	E06
94001-06080-0S	0	E02	94101-12800	0	F16	94401-25140	4	E03
94001-08080-0S	0	E07	94101-12800	0	F17	94510-10000	0	E06
94001-08080-0S	0	F14	94101-LCA5-E00	0	E01	94510-25000	0	E07
94001-10080-0S	0	F03	94102-08000	5	E07	94510-75000	0	F08
94001-LBA7-900	1	E07	94102-10800	0	F03	94520-26000	0	E04

## PART NO. INDEX

PART NO.	VERSION	PAGE	PART NO.	VERSION	PAGE	PART NO.	VERSION	PAGE
94520-28000	0	E05	95002-KKD6-E05	0	F25	95701-08025-08	0	F14
94520-40000	0	F22	95004-LBA7-900	0	F13	95701-08028-06	1	E07
94520-52000	0	E07	9500C-LBA7-900	2	F10	95701-08040-08	0	E07
94540-12028	0	E07	9500E-LBA7-900	2	F10	95701-08045-08	0	E07
94591-27000	0	F05	95701-06008-06	1	F14	95701-10020-08	0	F18
94591-27000	0	F12	95701-06010-06	1	F17	95801-08035-06	1	F04
94591-KFBF-900	2	E02	95701-06010-08	1	F16	95801-08035-06	1	F23
94591-LLB1-900	2	E01	95701-06012-06	1	F04	95801-08060-06	0	F06
94601-17000	0	E03	95701-06012-06	1	F13	95801-10040-08	0	F16
94601-33000	0	E05	95701-06012-06	1	F22	95801-10040-08	0	F17
			95701-06012-08	0	F24	95801-10050-06	1	F16
<b>95000</b>			95701-06022-06	1	F08	95801-10050-06	1	F17
			95701-06022-06	1	F10	95801-10057-06	2	F16
95002-02070	0	F24	95701-06025-00	0	E02	95801-10057-06	2	F17
95002-02080	0	F25	95701-06025-08	0	E02	95801-10057-06	2	F18
95002-02100	0	F05	95701-06035-06	1	F15	95801-10060-06	0	F18
95002-02100	0	F10	95701-06040-00	0	E02	95801-10070-06	1	F18
95002-02100	0	F24	95701-06055-08	0	F08	95801-10085-06	1	F22
95002-02150	0	E07	95701-08012-08	0	E01	95801-10160-06	0	F22
95002-02150	0	F13	95701-08012-08	0	E07			
95002-41300-00	0	F10	95701-08012-08	0	F21	<b>96000</b>		
95002-70000	0	F24	95701-08012-08	0	F23			
95002-KGN7-910	1	F24	95701-08012-08	0	F24	96001-06010-00	0	E04
95002-KHE7-900	0	E04	95701-08016-06	0	F22	96001-06010-08	0	E01
95002-KHE7-900	0	F24	95701-08016-06	0	F23	96001-06012-08	0	E01
95002-KKD6-E05	0	F13	95701-08020-08	0	F07	96001-06012-08	0	E06

## PART NO. INDEX

PART NO.	VERSION	PAGE	PART NO.	VERSION	PAGE	PART NO.	VERSION	PAGE
96001-06012-08	0	F14	96150-62030-10	0	F22	D1424-KAG-0100	0	E08
96001-06016-08	0	E04	96201-10000	0	F18			
96001-06016-08	0	E07	96211-12000	0	E01	<b>K</b>		
96001-06016-08	0	F21	96220-20118	0	E03			
96001-06018-08	0	E02	96220-40080	0	E03	K785-076-0200	0	E08
96001-06020-08	0	E07	96600-08015-10	1	E06			
96001-06022-06	1	F04				<b>N</b>		
96001-06022-08	0	E04	<b>98000</b>					
96001-06025-08	0	E01				N413-15A00	0	E08
96001-06028-08	0	E04	98069-5791R-00	0	E02	N427-BSD00	0	E08
96001-06028-08	0	E06	98200-31000	1	F21			
96001-06032-08	0	E01	98200-31500	0	F21	<b>W</b>		
96001-06045-08	0	E04	98200-33000	0	F21			
96001-06050-08	0	E01				W1711-300-9901	0	E08
96001-06100-08	0	E02	<b>99000</b>			W9353-30000	0	E08
96001-06125-08	0	E04				W9525-25250	0	E08
96100-60000-00	0	E04	99101-393-0980	0	E08	W9535-25000	0	E08
96100-62040-00	0	E01				W9535-35000	0	E08
96100-62040-00	0	E07	<b>001000</b>			W9574-13000	0	E08
96100-62050-00	2	E01				W9576-01000	0	E08
96100-62050-00	2	E07	001-C4T2-04000-K	0	E08			
96100-63040-00	1	E01						
96100-63040-00	1	E07	<b>D</b>					
96150-60040-10	0	F07						
96150-60080-10	0	F08	D1141-A63-0100	0	E08			
96150-62020-10	0	F07	D1310-850-0100	0	E08			