

PARTS CATALOGUE



MOTORCYCLES

KE25RF(AU)

BIKE



Date : 2009/08/14

ABOUT THIS PARTS LIST

- This parts list is compiled all service parts for model KE25RF(AU).
- Any difference between color chart and motorcycle will be revised according to motorcycle.
- The sales mark:
 1. marking "***" must add color code in the end before ordering parts.
- When modification or additions to this parts list are made a revised edition at an appropriate time.

CONTENTS

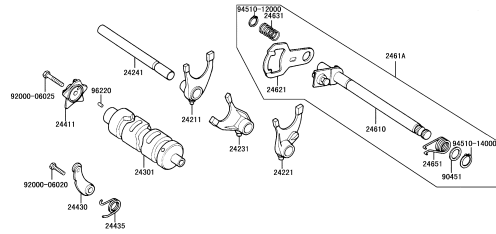
● ABOUT THIS PARTS LIST	1
● COLOR CHART OF KE25RF(AU)	3
● CONTENTS-ENGINE GROUP	5
● CONTENTS-FRAME GROUP	7
● ENGINE PARTS LIST	10
● FRAME PARTS LIST	42
● PART NO. INDEX	100

NO	MODEL			KE25RF(AU) COLOR CHART			
	PHOTO NO			NO. 1	NO. 2	NO. 3	
	BASIC COLOR			Diamond Red	Pearly BLUE	Black	
	CODE			Diamond Red	Pearly BLUE	Black	
	PARTS NAME	PARTS NO.	VERSION	CR610CA	CB621PA	NH001SA	
1	TANK COMP FUEL	1750A-LEF1-305	0	03P	15P	N1P	
2	"FENDER , FR."	61100-LEF1-C10	0				
3	COWL FR ASSY	64240-LEF1-C10	0				
4	"BODY L, COVER"	83500-LEF1-305	0				
5	"BODY L, COVER"	83500-LEF1-C10	0				
6	SIDE R COVER	83510-LEF1-307	0				
7	"BODY L, COVER"	83600-LEF1-305	0				
8	"BODY L, COVER"	83600-LEF1-C10	0				
9	"SIDE L, COVER"	83610-LEF1-307	0				
10	COVER R. CRANKCASE	11330-LEF1-C10	0	NJ			
11	COVER L. CRANKCASE	11341-LEF1-C10	0				
12	COVER REDUCTION	11355-LEF1-C10	0				
13	COVER L. RR.	11361-LEF1-C10	0				
14	CYLINDER COMP	12100-LEF1-C10	0				
15	HEAD ASSY. CYLINDER	12200-LEF1-C10	0				
16	COVER PUISE	12340-LEF1-C10	0				
17	MOTOR ASSY START	31200-LFD8-C10	0				
18	COVER STEP COMP RH	50711-LEF1-C10	0				
19	COVER STEP COMP LH	50712-LEF1-C10	0	T01			
20	STRIPE LOGO A	86203-LEF1-E10	0				
21	STRIPE R FUEL TANK	86223-LEF1-E10	0				
22	STRIPE L FUEL TANK	86233-LEF1-E10	0				
23	STRIPE R BODY COVER	86423-LEF1-E10	0				
24	STRIPE L BODY COVER	86433-LEF1-E10	0				
25	CAUTION ANTI	87223-LEF1-F20	0				
DATE OF STARTING-SALES							
DATE OF END-SALES							

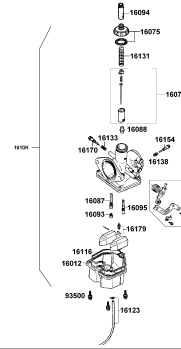
NO	MODEL			KE25RF(AU) COLOR CHART			
	PHOTO NO			NO. 1	NO. 2	NO. 3	
	BASIC COLOR			Diamond Red	Pearly BLUE	Black	
	CODE			Diamond Red	Pearly BLUE	Black	
	PARTS NAME	PARTS NO.	VERSION	CR610CA	CB621PA	NH001SA	
26	MARK TIRE CAUTION	87505-LEF1-E00	0	T01			
27	STRIPE R SIDE COVER	86323-LEF1-F20	0	T01		T02	
28	STRIPE L SIDE COVER	86333-LEF1-F20	0				
DATE OF STARTING-SALES							
DATE OF END-SALES							

CONTENTS - ENGINE GROUP

E10 Gearshif

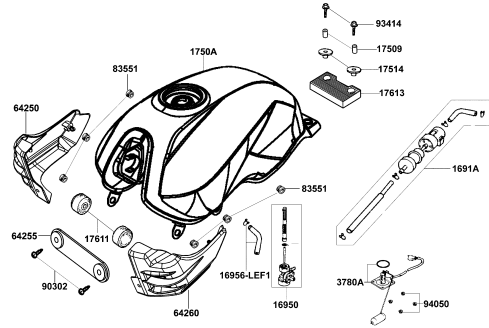


E11 Carburetor

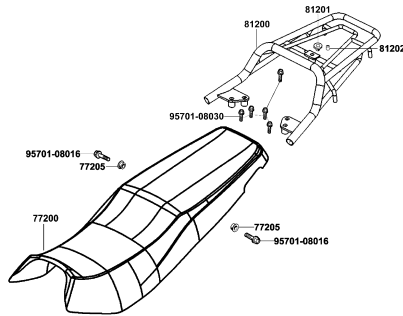


CONTENTS - FRAME GROUP

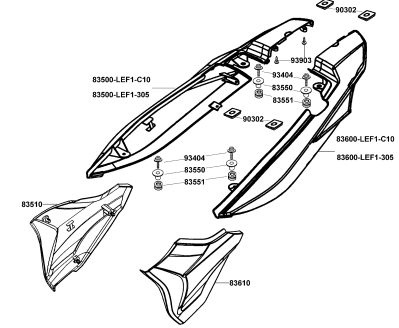
F10 Fuel Tan



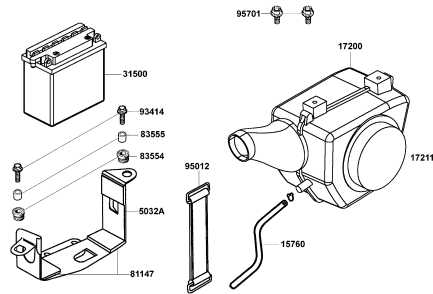
F11 Sea



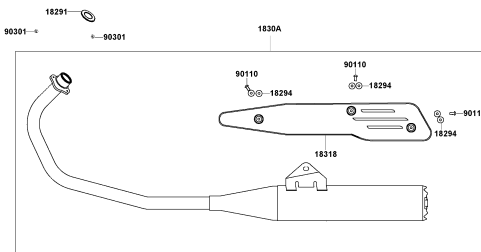
F12 Body Cover



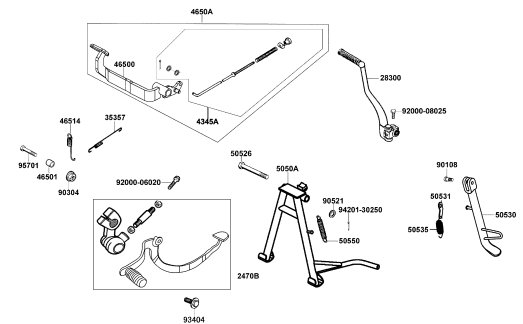
F13 Air Cleaner



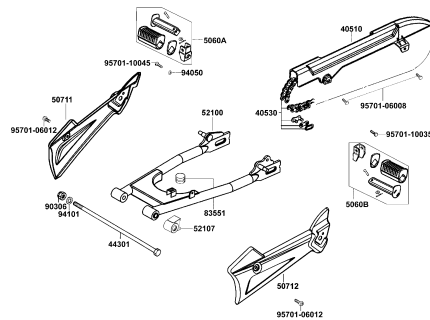
F14 Exhaust Muffler



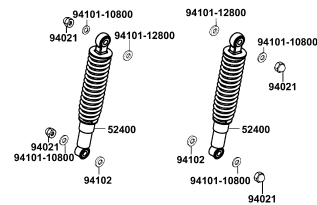
F15 Pedal Stand



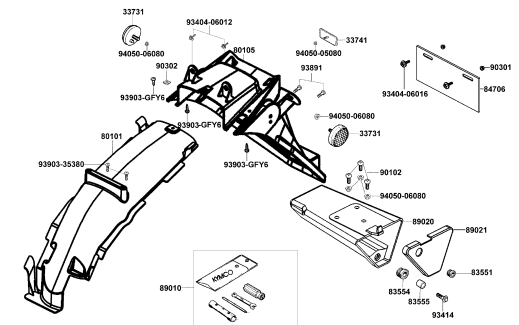
F16 Rear Fork



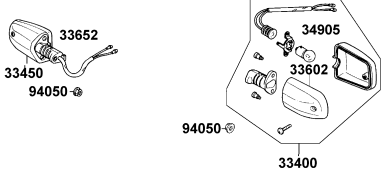
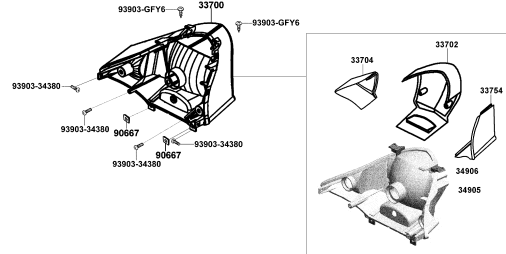
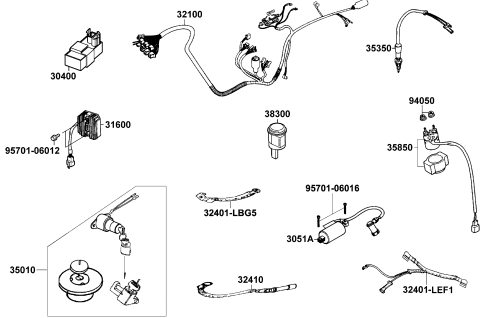
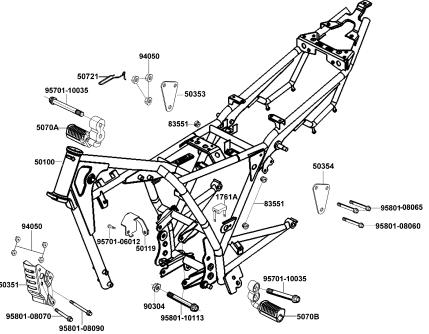
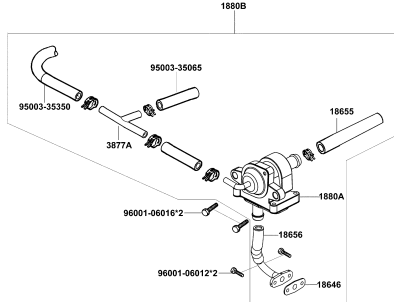
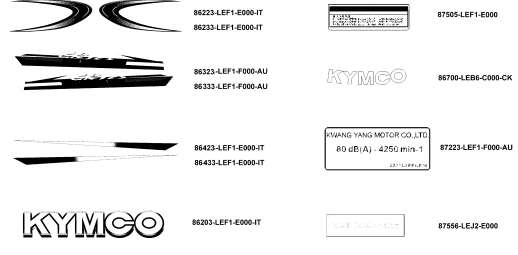
F17 Rear Cushion



F18 Rear Fender

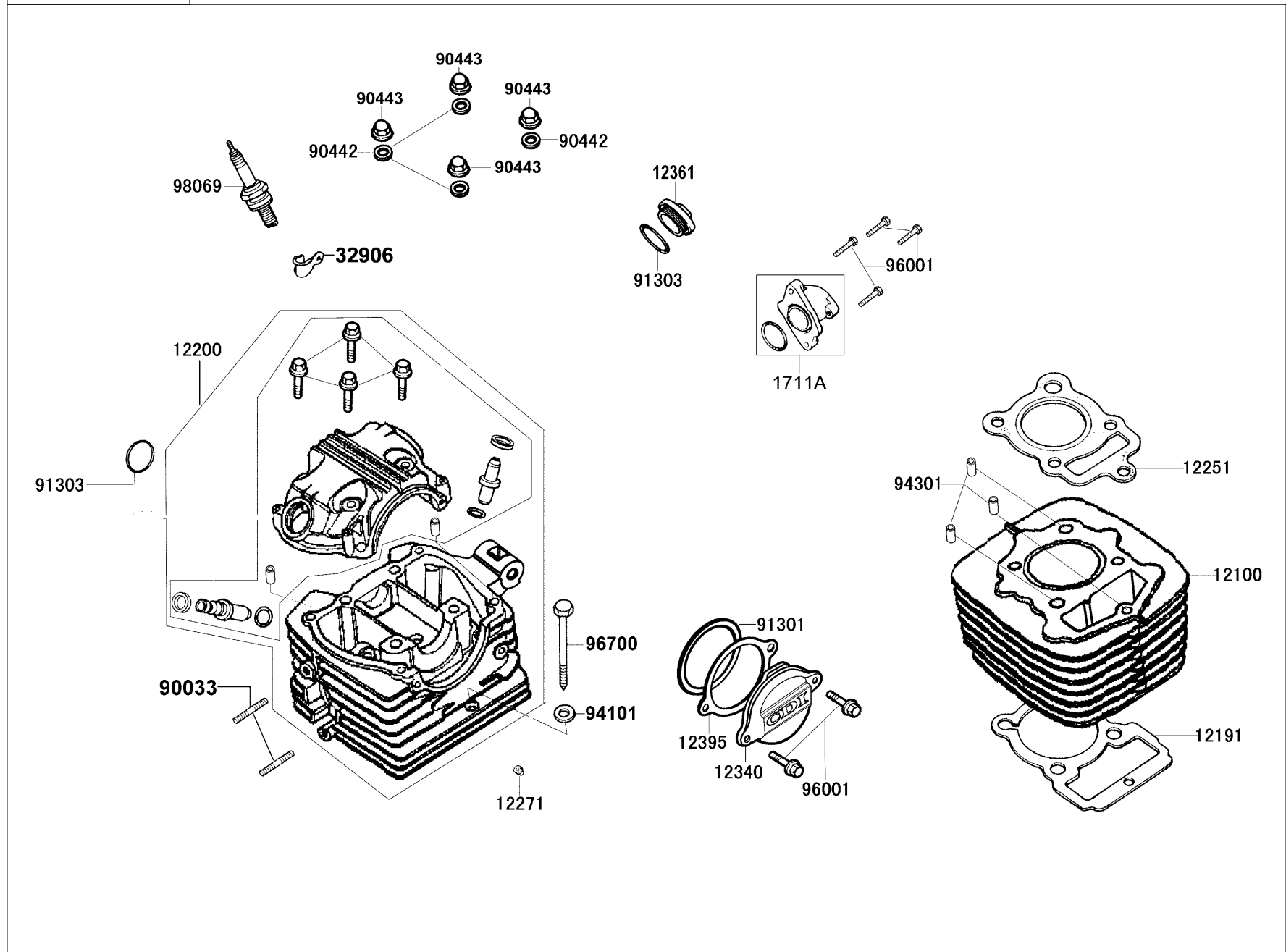


CONTENTS - FRAME GROUP

<p>F19 Winker</p> 	<p>F20 Tail Light</p> 	<p>F21 Wire Harness</p> 
<p>F22 Frame Body</p> 	<p>F23 Air Injection Control Valve</p> 	<p>F24 Emblem Stripe</p> 

E01

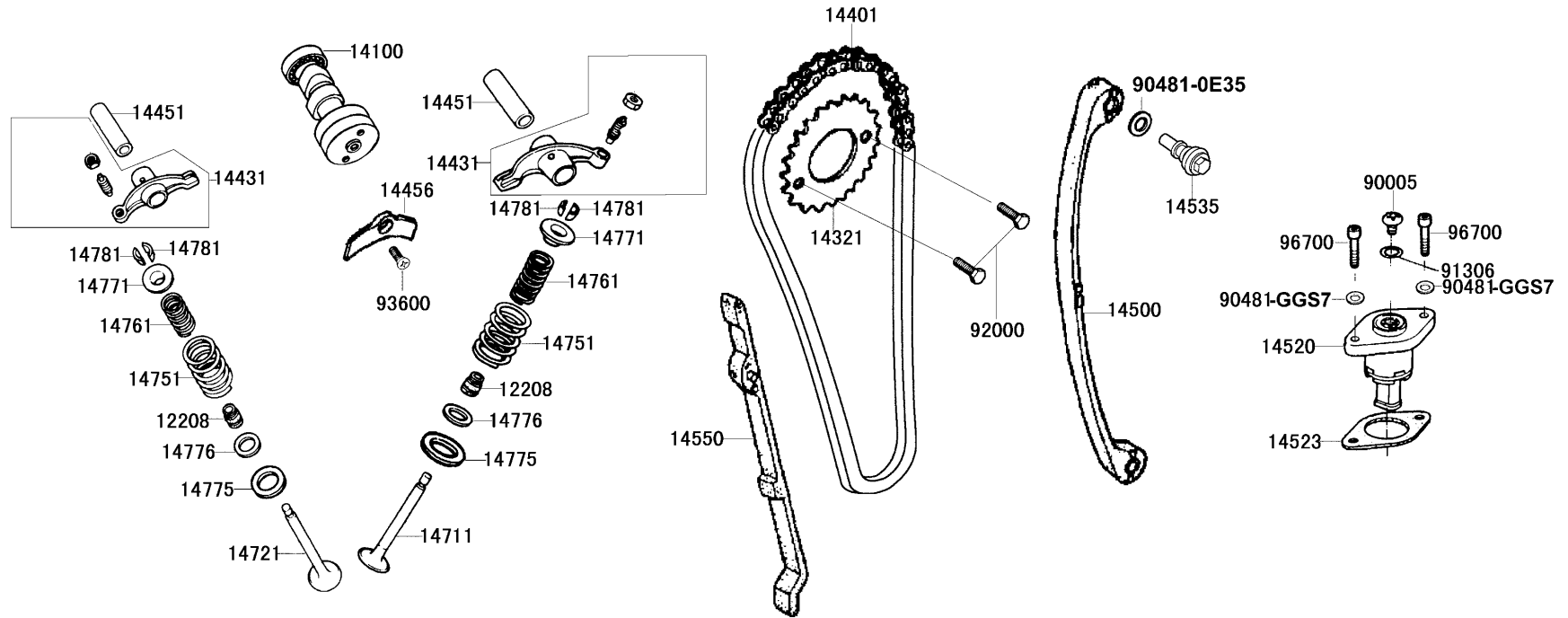
Cylinder Head Cylinder



Sales mark	Ref no	Part no	Description	Reg description	Regd no	E01
12191		12191-LEF1-C10	GASKET CYLINDER	GASKET CYLINDER	1	
12251		12251-LEF1-C10	GASKET CYLINDER HEAD	GASKET CYLINDER HEAD	1	
12271		12271-LBG5-C10	RUBBER. OIL SEAL	RUBBER. OIL SEAL	1	
12361		12361-1G07-001	CAP TAPPET ADJUSTING HOLE	CAP TAPPET ADJUSTING HOLE	1	
12395		12395-LBG5-C10	GASKET PULSE GENERATOR BASE	GASKET PULSE GENERATOR BASE	1	
1711A		1711A-LEF1-C10	INLET PIPE	INLET PIPE	1	
32906		32906-1G07-001	CLIP HIGH TENSIONER CORD	CLIP HIGH TENSIONER CORD	1	
90033		90033-KGB4-C00	BOLT STUD 8*40	BOLT STUD 8*40	2	
90442		90442-0H28-001	WASHER SEALING 8M/M	WASHER SEALING 8M/M	4	
90443		90443-LBG5-C12	NUTCAP 8MMC	NUTCAP 8MMC	4	
91301		91301-1G07-000	O-RING 75X2.5	O-RING 75X2.5	1	
91303		91303-1G07-001	O-RING 35*3.0	O-RING 35*3.0	2	
94101		94101-06800	WASHER PLAIN 6MM	WASHER PLAIN 6MM	1	
94301		94301-10200	DOWEL PIN 10*20	DOWEL PIN 10*20	3	
96001		96001-06020-08	BOLT FLANGE SH 6*20	BOLT FLANGE SH 6*20	6	
96700		96700-06110-08	BOLT FLANGE SH 6*110	BOLT FLANGE SH 6*110	1	
98069		98069-58911	PLUG SPARK(P-RA7C)	PLUG SPARK(P-RA7C)	1	

E02

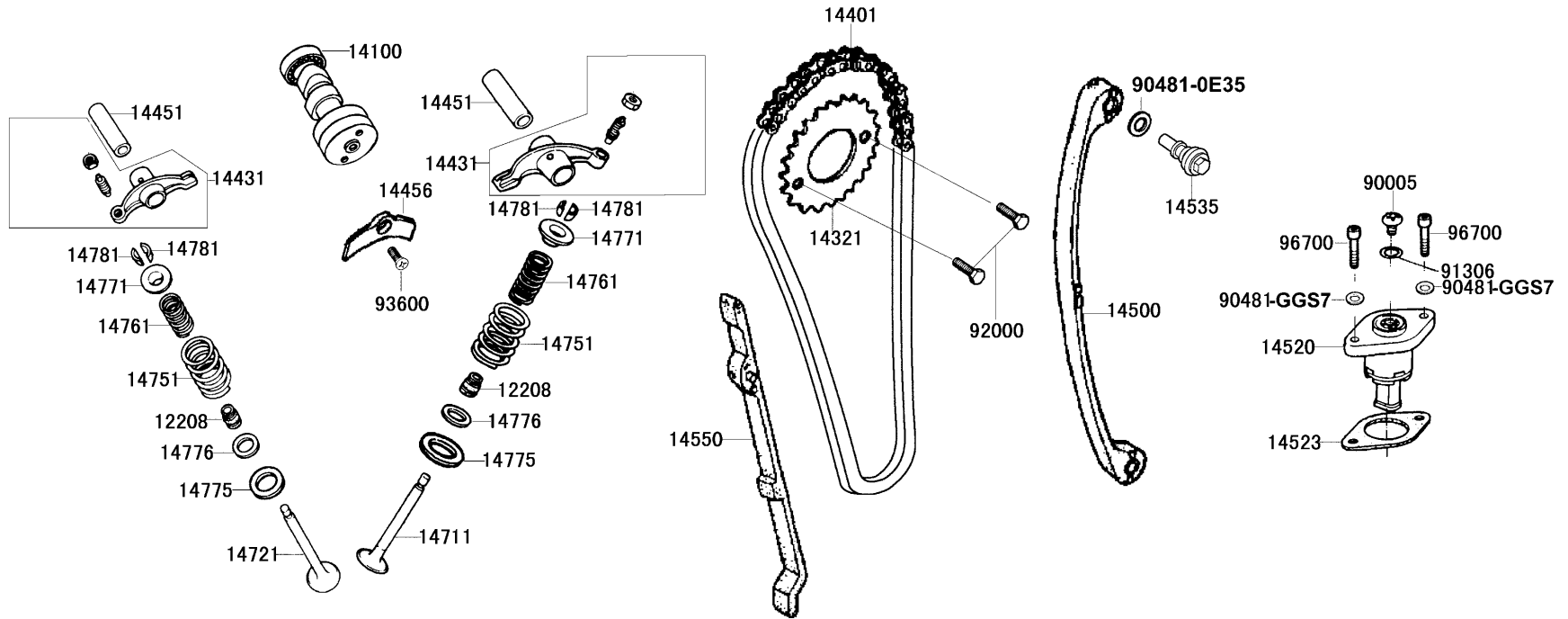
Camshaft Cam Chain



Sales mark	Ref no	Part no	Description	Reg description	Regd no	E02
	12208	12208-4C13-0040	SEAL VALVE STEM	SEAL VALVE STEM	2	
	14100	14100-LEF1-C10	CAMSHAFT COMP.	CAMSHAFT COMP.	1	
	14321	14321-LBG5-C10	SPROCKET CAM(34T)	SPROCKET CAM(34T)	1	
	14401	14401-LBG5-C10	CHAIN CAM(100L)	CHAIN CAM(100L)	1	
	14431	14431-LBG5-C10	ARM VALVE ROCKER	ARM VALVE ROCKER	2	
	14451	14451-LBG5-C10	SHAFT VALVE ROCKER ARM	SHAFT VALVE ROCKER ARM	2	
	14456	14456-LBG5-C10	PLATE VALVE ROCKER ARM SHAFT	PLATE VALVE ROCKER ARM SHAFT SETTING	1	
	14500	14500-LEF1-C10	TENSIONER CAM CHAIN	TENSIONER CAM CHAIN	1	
	14520	14520-LBG5-C10	LIFTER ASSY. TENSIONER	LIFTER ASSY. TENSIONER	1	
	14523	14523-LBG5-C10	GASKET TENSIONER LIFTER	GASKET TENSIONER LIFTER	1	
	14535	14535-4G37-C11	BLOT CAM CHAIN TENSIONER PIVOT(G)	BLOT CAM CHAIN TENSIONER PIVOT(G)	1	
	14550	14550-LEF1-C10	GUIDE CAM CHAIN	GUIDE CAM CHAIN	1	
	14711	14711-LBG5-C10	VALVE IN	VALVE IN	1	
	14721	14721-LBG5-C10	VALVE EX	VALVE EX	1	
	14751	14751-3C83-005	SPRING VALVE OUTER (NIPPON)	SPRING VALVE OUTER (NIPPON)	2	
	14761	14761-3C83-005	SPRING VALVE INNER (NIPPON)	SPRING VALVE INNER (NIPPON)	2	
	14771	14771-1G07-021	RETAINER VALVE SPRING	RETAINER VALVE SPRING	2	
	14775	14775-1G07-001	SEAT VALVE SPG OUTER	SEAT VALVE SPG OUTER	2	
	14776	14776-1G07-011	SEAT VALVE SPRING INNER	SEAT VALVE SPRING INNER	2	
	14781	14781-MDB4-000	COTTER VALVE	COTTER VALVE	4	

E02

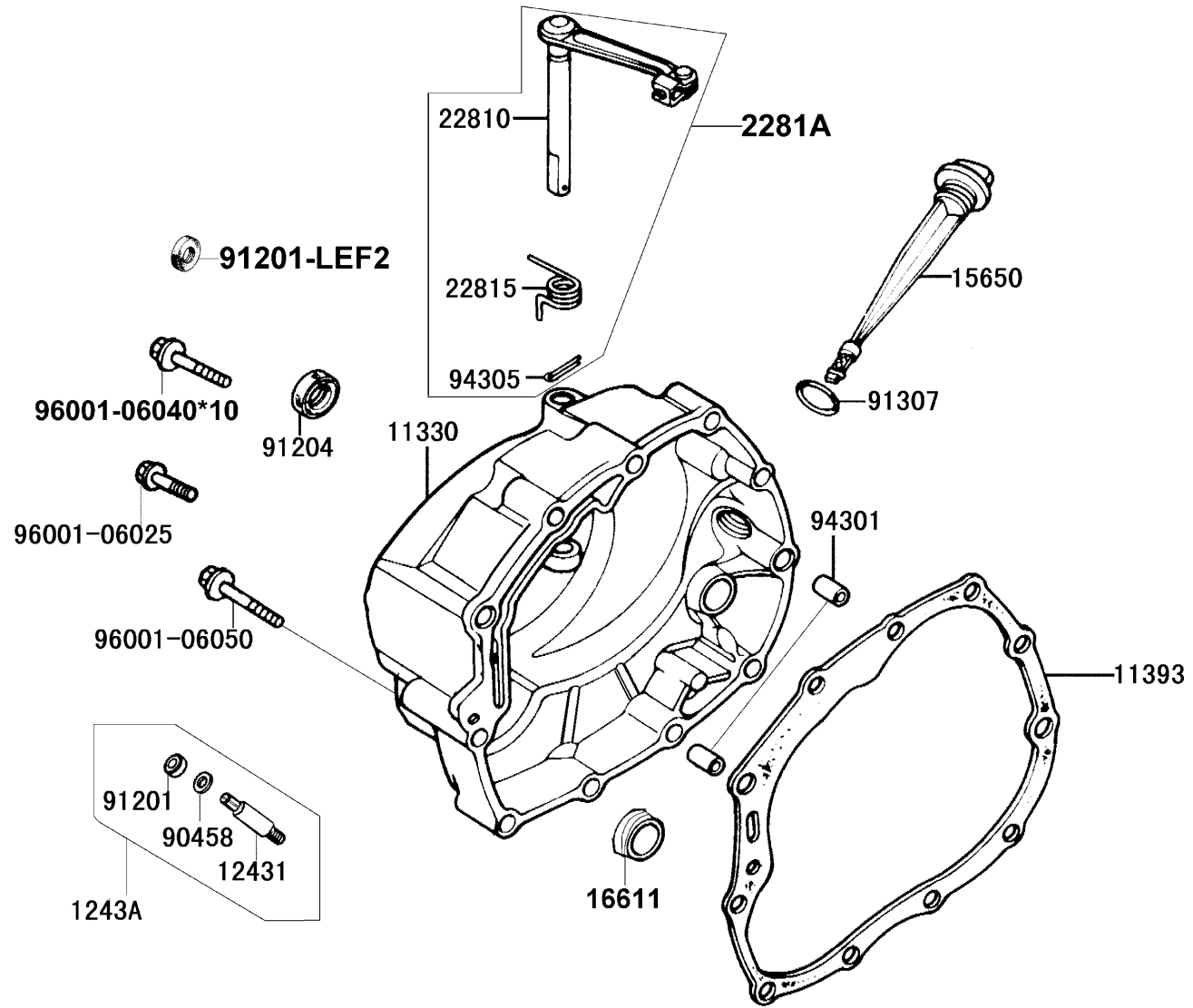
Camshaft Cam Chain



Sales mark	Ref no	Part no	Description	Reg description	Regd no	E02
	90005	90005-KAW1-901	SCREW PAN 6*6	SCREW PAN 6*6	1	
	90481-0E35	90481-0E35-001	WASHER 8MM	WASHER 8MM	1	
	90481-GGS7	90481-GGS7-901	WASHER 6.5MM	WASHER SEALING 6MM 6.5*13*1.6	2	
	91306	91306-1E05-691	O-RING 1.5*9.5	O-RING 1.5*9.5	1	
	92000	92000-06010-OH	BOLT HEX 6X10	BOLT HEX 6X10	2	
	93600	93600-06012-0A	SCREW FLAT 6X12	SCREW FLAT 6X12	1	
	96700	96700-06016-06	BOLT SOCKET 6X16(G)	BOLT SOCKET 6X16(G)	2	

E03

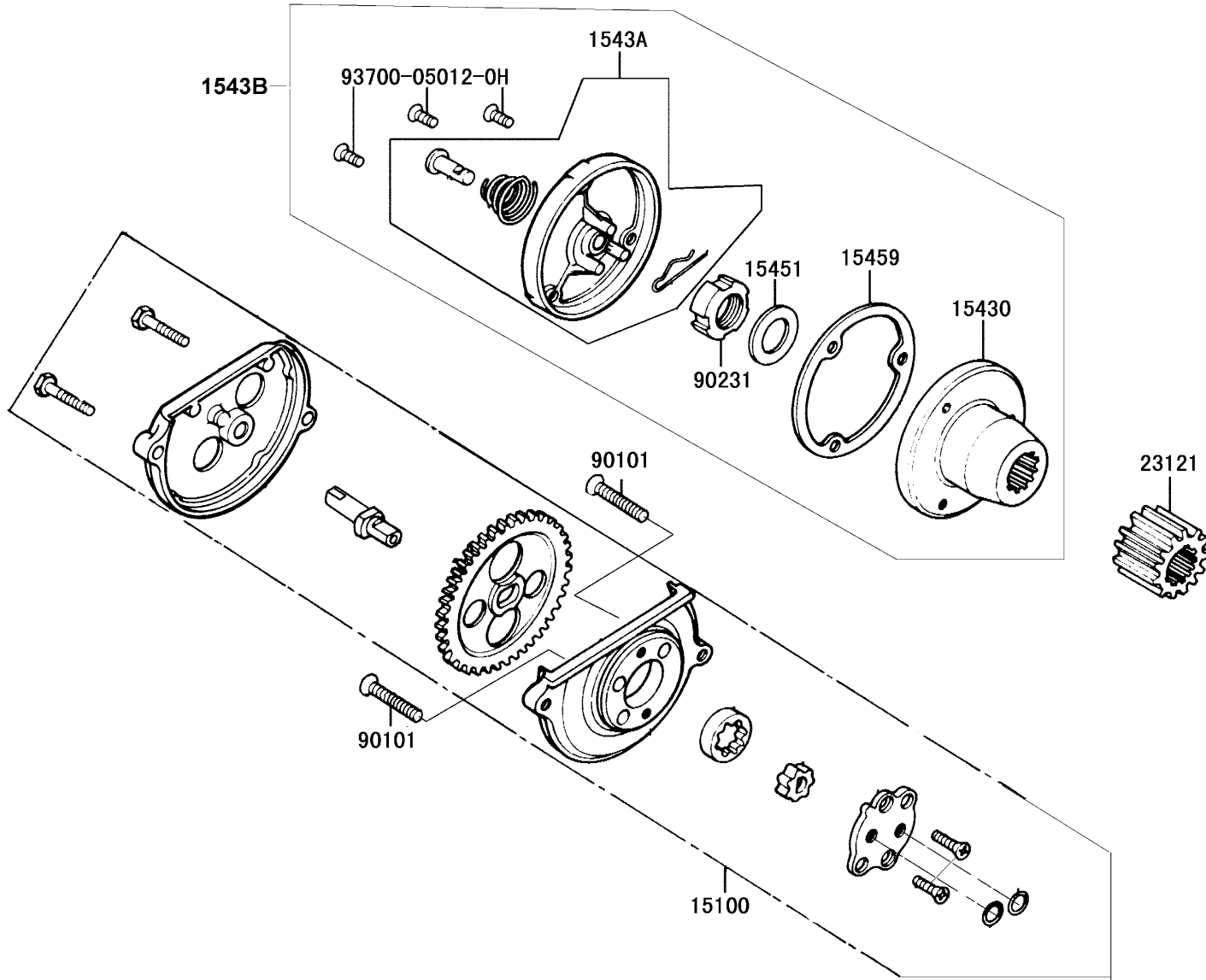
Right Crankcase cove



Sales mark	Ref no	Part no	Description	Reg description	Regd no	E03
	11393	11393-LBG5-C10	GASKET R. CRANKCASE COVER	GASKET R. CRANKCASE COVER	1	
	12431	12431-3D24-031	GEAR TACHOMETER	GEAR TACHO METER	1	
	1243A	1243A-KBE2-901	GEAR ASSY TACHO METER	GEAR ASSY TACHO METER	1	
	15650	15650-3C83-001	GAUGE OIL LEVEL	GAUGE OIL LEVEL	1	
	16611	16611-KGE2-C11	OIL WINDOW	OIL WINDOW	1	
	22810	22810-LEF2-C10	LEVER CLUTCH ASSY	LEVER CLUTCH ASSY	1	
	22815	22815-LBG5-C10	SPRING CLUTCH LEVER	SPRING CLUTCH LEVER	1	
	2281A	2281A-LEF2-C10	LEVER CLUTCH ASSY	LEVER CLUTCH ASSY	1	
	90458	90458-3D24-011	WASHER THRUST 6.7MM	THRUST WASHER 6.7MM	1	
	91201-3D24	91201-3D24-024	OIL SEAL 6.5X14.5X7	OIL SEAL 6.5*14.5*7	1	
	91201-LEF2	91201-LEF2-C10	OIL SEAL 12*22*5	OIL SEAL 12*22*5	1	
	91204	91204-2K59-004	OIL SEAL 16*28*7	OIL SEAL 16*28*7	1	
	91307	91307-0E35-W10	O-RING 18*3	O-RING 18*3	1	
	94301	94301-08140	DOWEL PIN 8*14	DOWEL PIN 8*14	2	
	94305	94305-LBG5-C10	PIN SPRING 3X10	PIN SPRING 3X10	1	
	96001-06025	96001-06025-08	BOLT FLANGE SH 6*25	BOLT FLANGE SH 6*25	1	
	96001-06040	96001-06040-08	BOLT FLANGE 6*40	BOLT FLANGE 6*40	10	
	96001-06050	96001-06050-08	BOLT FLANGE 6*50	BOLT FLANGE 6*50	1	

E04

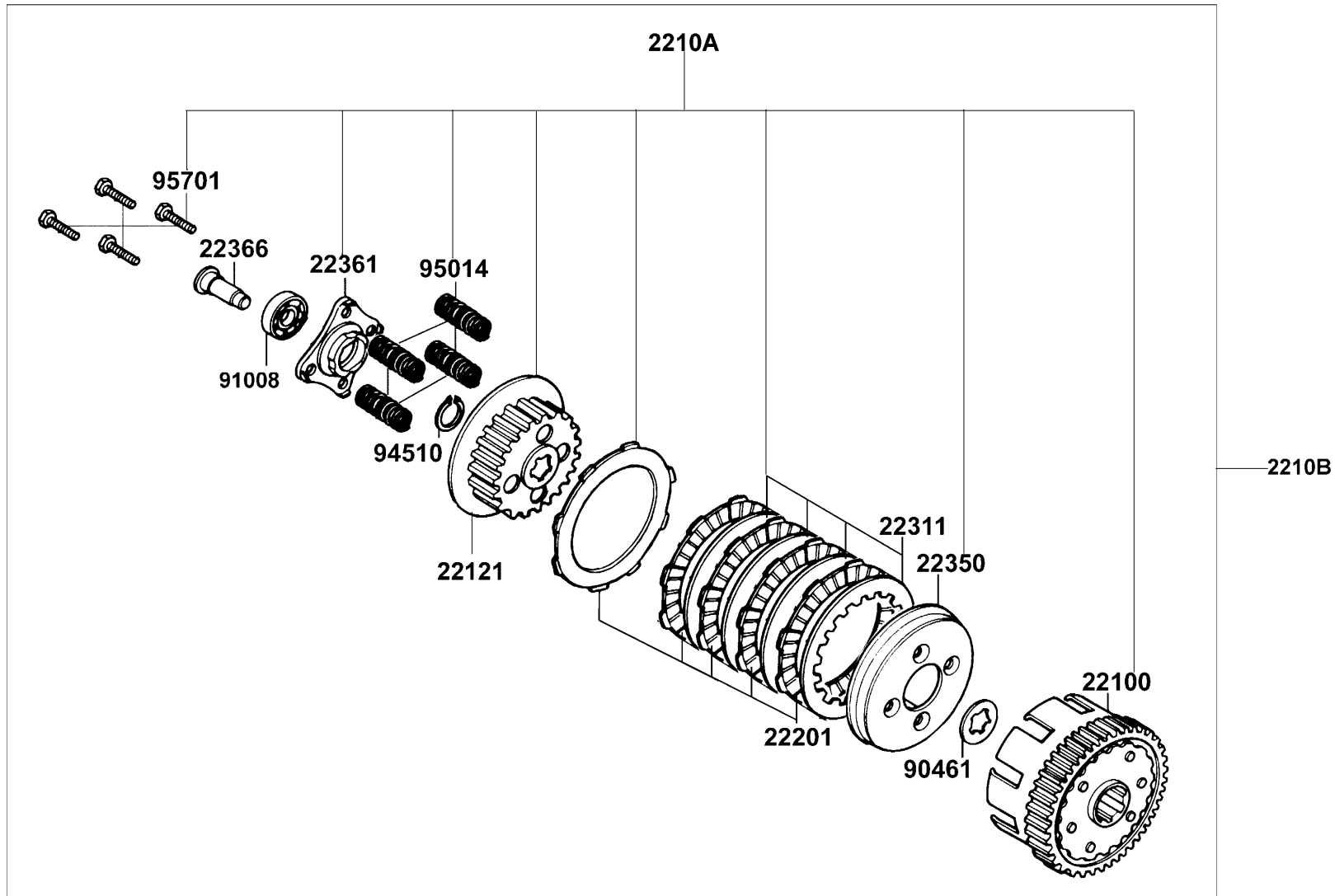
Oil Pump



Sales mark	Ref no	Part no	Description	Reg description	Regd no	E04
	15100	15100-3E65-0110	OIL PUMP ASSY	OIL PUMP ASSY	1	
	15430	15430-4L40-031	ROTER COMP OIL FILTER	ROTER COMP OIL FILTER	1	
	1543A	1543A-KGG7-901	CAP SET OIL FILTER ROTOR	CAP SET OIL FILTER ROTOR	1	
	1543B	1543B-KGG7-901	ROTER ASSY OIL FILTER	ROTER ASSY OIL FILTER	1	
	15451	15451-1G07-001	WASHER LOCK OIL FILTER ROTOR	WASHER LOCK OIL FILTER ROTOR	1	
	15459	15459-1G07-001	GASKET OIL FILTER ROTOR CAP	GASKET OIL FILTER ROTOR CAP	1	
	23121	23121-3C83-001	GEAR PRIMARY DRIVE	GEAR PRIMARY DRIVE	1	
	90101	90101-4L40-001	SCREW FLAT 6*30	SCREW FLAT 6*30	2	
	90231	90231-2L00-011	NUT LOCK 16MM	NUT LOCK 16MM	1	
	93700	93700-05012-0H	SCREW OVAL 5*12	SCREW OVAL 5*12	3	

E05

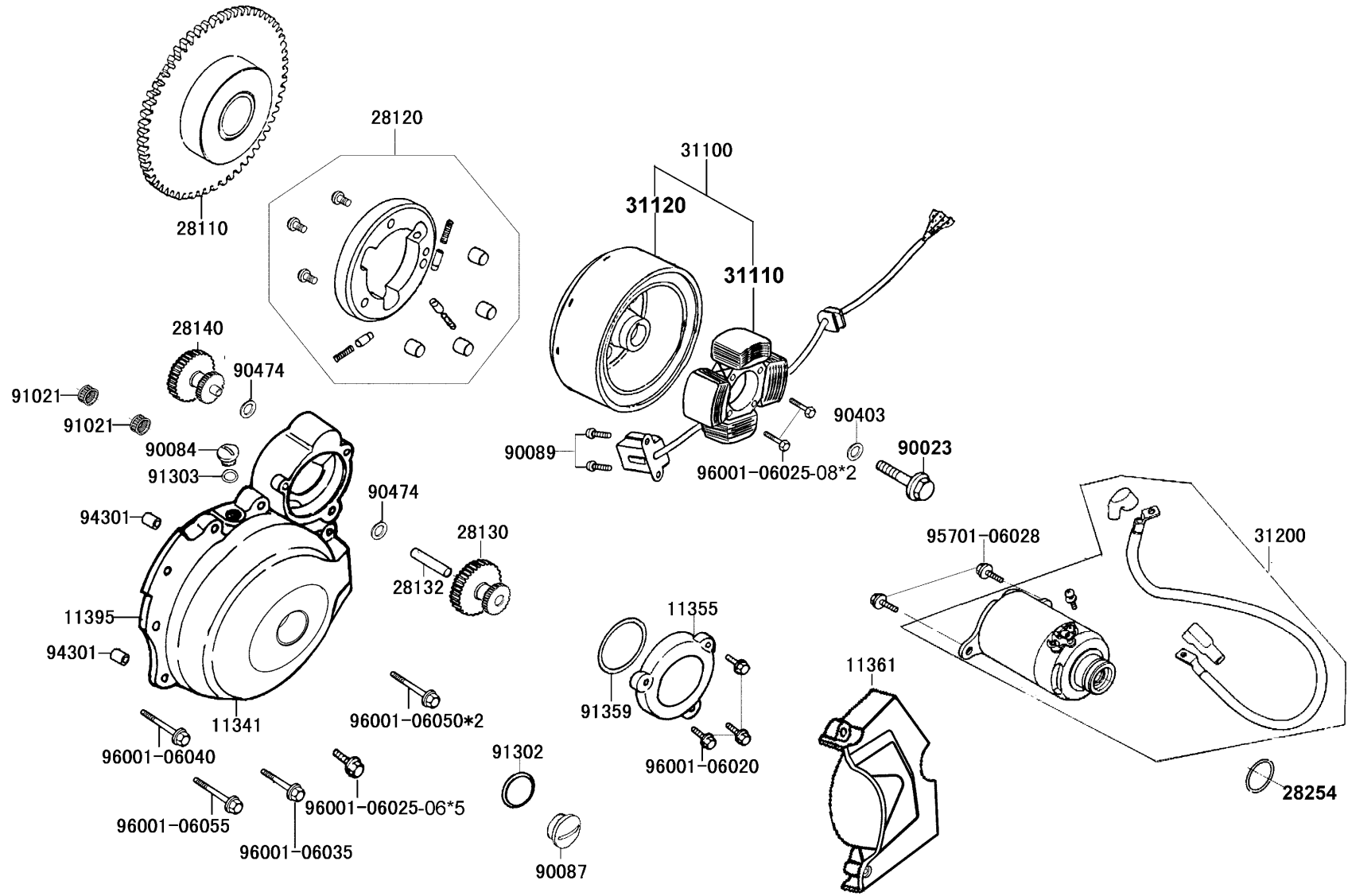
Clutch



Sales mark	Ref no	Part no	Description	Reg description	Regd no	E05
	22100	22100-3D24-001	OUTER COMP CLUTCH	OUTER COMP CLUTCH	1	
	2210A	2210A-LBG5-C10	CLUTCH COMP.	CLUTCH COMP.	1	
	2210B	2210B-LEF1-C10	CLUTCH ASSY	CLUTCH ASSY.	1	
	22121	22121-1G07-011	CENTER CLUTCH	CENTER CLUTCH	1	
	22201	22201-KKAK-900	DISK CLUTCH FRICTION	DISK CLUTCH FRICTION	5	
	22311	22311-1G07-001	PLATE CLUTCH	PLATE CLUTCH	4	
	22350	22350-1G07-011	PLATE CLUTCH PRESSURE	PLATE CLUTCH PRESSURE	1	
	22361	22361-4G37-000	PLATE CLUTCH LIFTER	PLATE CLUTCH LIFTER	1	
	22366	22366-LEF1-C10	BOD CLUTCH LIFTER	ROD CLUTCH LIFTER	1	
	90461	90461-1G07-001	WASHER SPLINE 20MM	WASHER SPLINE 20MM	1	
	91008	91008-KFK6-000	BEARING RADIAL BALL 16003	BEARING RADIAL BALL 16003	1	
	94510	94510-2000	CIR CLIP EX 20	CIR CLIP EX 20	1	
	95014	95014-75110	SPRING CLUTCH	SPRING CLUTCH	4	
	95701	95701-06022-08	BOLT FLANGE 6*22	BOLT FLANGE 6*22	4	

E06

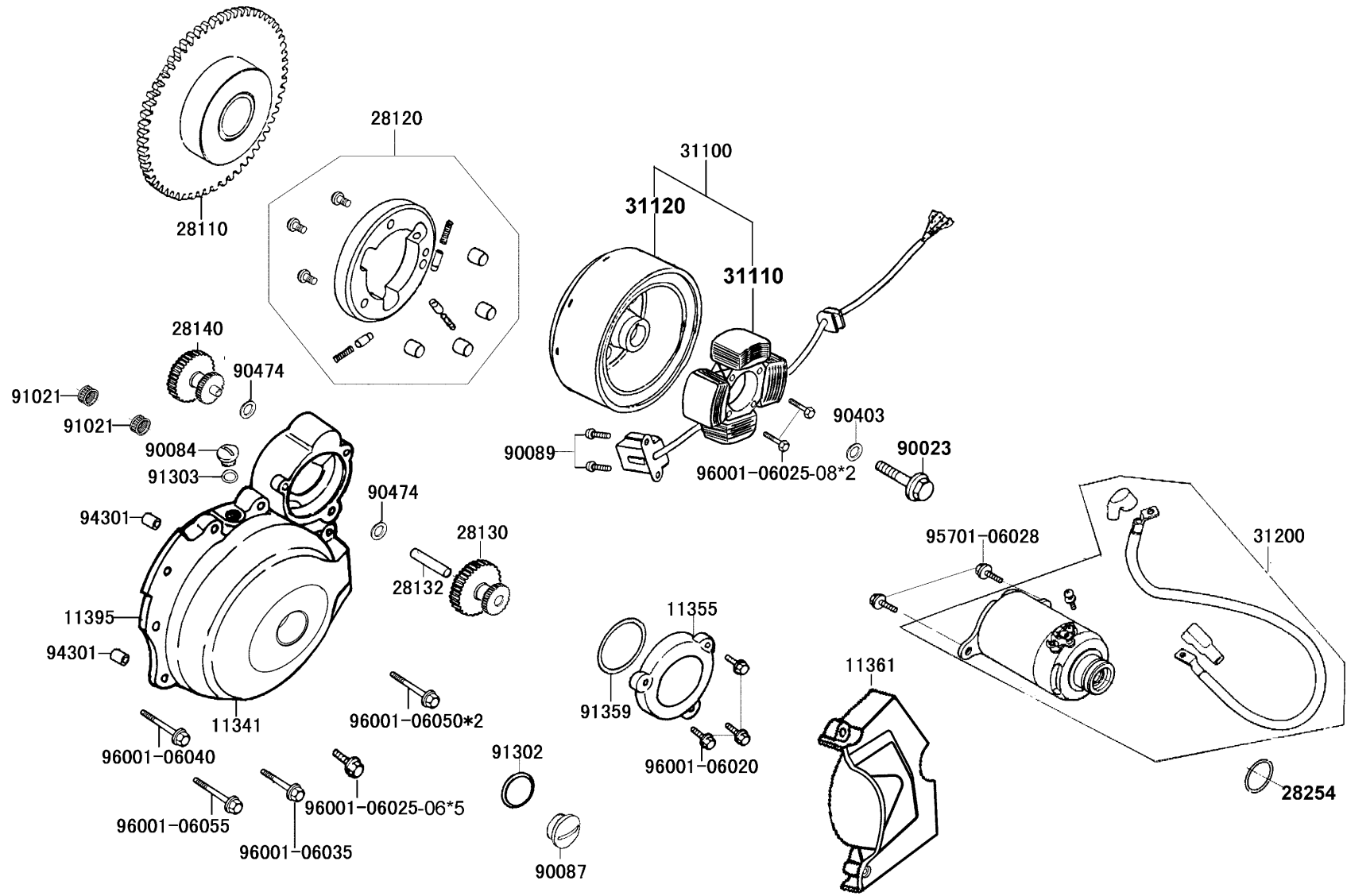
Generator Starting Motor



Sales mark	Ref no	Part no	Description	Reg description	Regd no	E06
11395		11395-LBG5-C10	GASKET L. COVER	GASKET L. COVER	1	
28110		28110-LBG5-C10	GEAR COMP. STARTING DRIVEN	GEAR COMP. STARTING DRIVEN	1	
28120		28120-LBG5-C10	CLUTCH COMP. STARTING ONE WAY	CLUTCH COMP. STARTING ONE WAY	1	
28130		28130-LBG5-C10	GEAR REUCTION(61T/21T)	GEAR REUCTION(61T/21T)	1	
28132		28132-LBG5-C10	SHAFT REDUCTION GEAR	SHAFT REDUCTION GEAR	1	
28140		28140-LBG5-C10	GEAR IDLE(15T/17T)	GEAR IDLE(15T/17T)	1	
28254		28254-LBG5-C10	SEAT RATCHET SPRING	SEAT RATCHET SPRING	2	
31100		31100-LFD8-C10	A.C. GENERATOR	A.C. GENERATOR	1	
31110		31110-LFD8-C10	FLYWHEEL COMP	FLYWHEEL COMP	1	
31120		31120-LFD8-C10	STATOR COMP.	STATOR COMP.	1	
90023		90023-KGG7-001	BOLT ROTOR SETTING	BOLT ROTOR SETTING	1	
90084		90084-KGG7-C00	CAP ACG	CAP ACG	1	
90087		90087-4H28-E80	CAP 30MM	CAP 30MM	1	
90089		90089-KSAS-900	BOLT FLANGE SOCKET M4X8	BOLT FLANGE SOCKET M4X8	2	
90403		90403-KFN6-930	WASHER 8X24	WASHER 8X24	1	
90474		90474-1G47-001	WASHER 10.5MM	WASHER 10.5MM	2	
91021		91021-1H48-005	BEARING NEEDLE 1010	BEARING NEEDLE 1010	2	
91302		91302-5G67-004	O-RING 27.4*2.4	O-RING 27.4*2.4	1	
91303		91303-3G77-001	O-RING 13.8*2.5	O-RING 13.8*2.5	1	
91359		91359-3A71-004	O-RING 63*3.0	O-RING 63*3.0	1	

E06

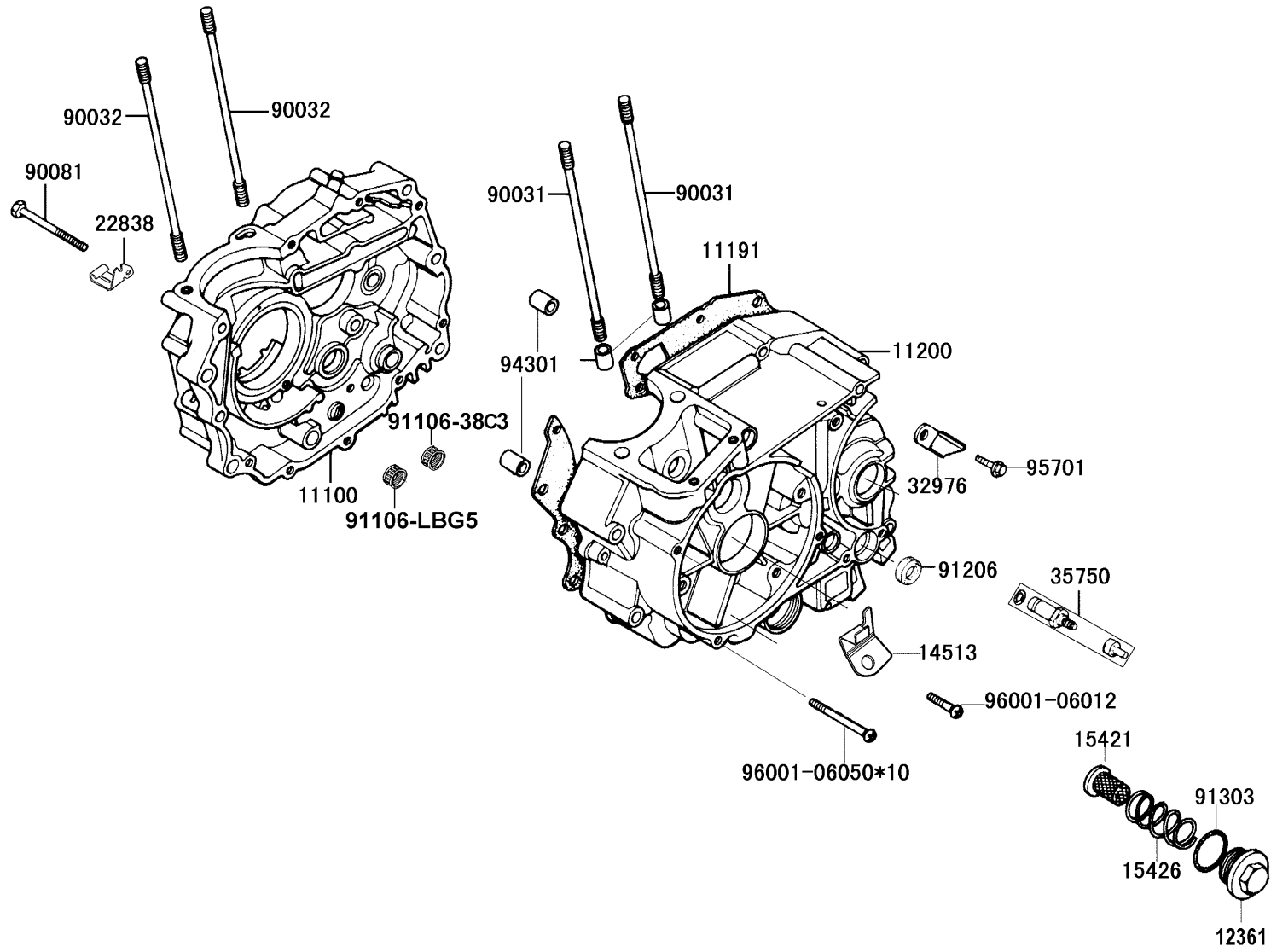
Generator Starting Motor



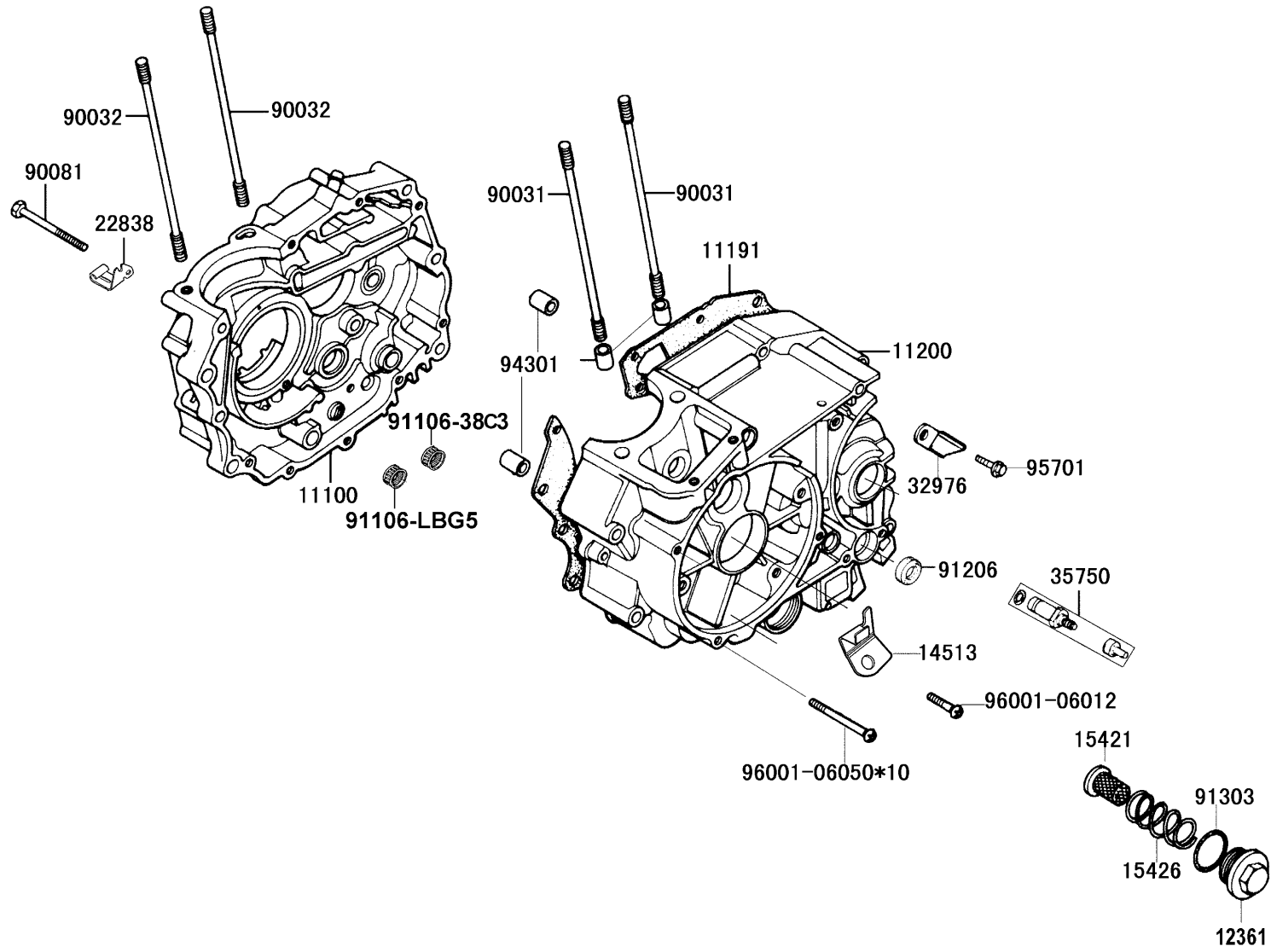
Sales mark	Ref no	Part no	Description	Reg description	Regd no	E06
	94301	94301-10140	DOWEL PIN 10*14	DOWEL PIN 10*14	2	
	95701	95701-06028-08	BOLT FLANGE 6*28	BOLT FLANGE 6*28	2	
	96001-06020	96001-06020-08	BOLT FLANGE SH 6*20	BOLT FLANGE SH 6*20	3	
	96001-06025	96001-06025-08	BOLT FLANGE SH 6*25	BOLT FLANGE SH 6*25	7	
	96001-06035	96001-06035-08	BOLT FLANGE 6*35	BOLT FLANGE 6*35	1	
	96001-06040	96001-06040-08	BOLT FLANGE 6*40	BOLT FLANGE 6*40	1	
	96001-06050	96001-06050-08	BOLT FLANGE 6*50	BOLT FLANGE 6*50	2	
	96001-06055	96001-06055-08	BOLT FLANGE SH 6*55	BOLT FLANGE SH 6*55	1	

E07

Crankcase



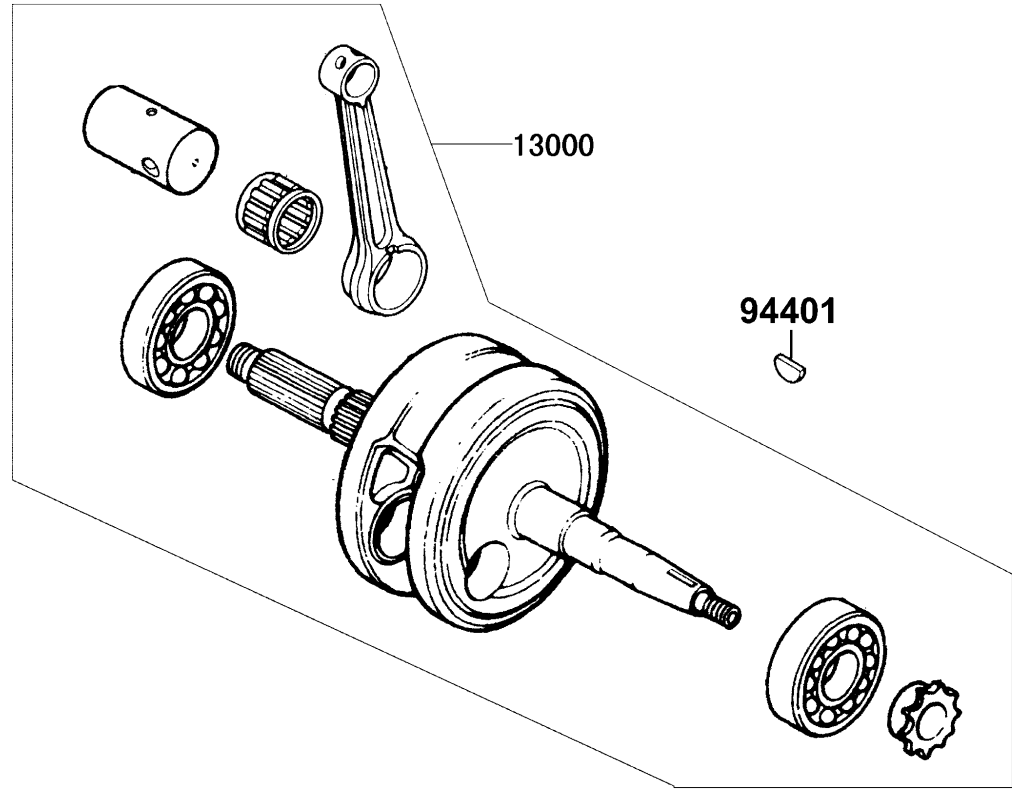
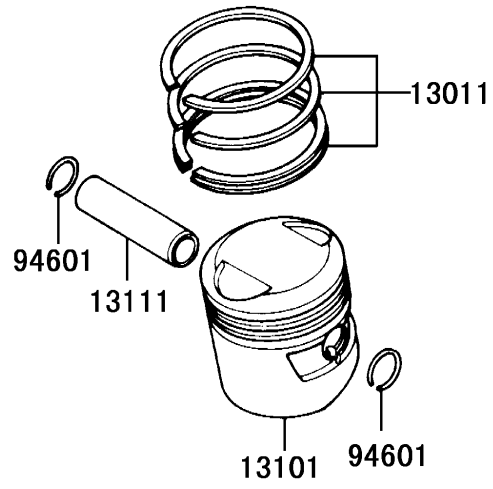
Sales mark	Ref no	Part no	Description	Reg description	Regd no	E07
**	11100	11100-LBG5-C10	CRANKCASE COMP. R	CRANKCASE COMP. R	1	
	11191	11191-LBG5-C10	GASKET CRANKCASE	GASKET CRANKCASE	1	
**	11200	11200-LBG5-C10	CRANKCASE COMP. L	CRANKCASE COMP. L	1	
	12361	12361-1G07-000	CAP TAPPET ADJUSTING HOLE	CAP TAPPET ADJUSTING HOLE	1	
	14513	14513-LBG5-C10	PLATE CAM CHAIN SETTING	PLATE CAM CHAIN SETTING	1	
	15421	15421-1G07-W10	SCREEN OIL FILTER	SCREEN OIL FILTER	1	
	15426	15426-1G07-001	SPRING OIL FILTER SCREEN	SPRING OIL FILTER SCREEN	1	
	22838	22838-3E55-001	HOLDER CLUTCH WIRE	HOLDER CLUTCH WIRE	1	
	32976	32976-LBG5-C10	CLAMPER WIRE HARNESS	CLAMPER WIRE HARNESS	1	
	35750	35750-LBG5-C10	CONTACT NEUTRAL SWITCH	CONTACT NEUTRAL SWITCH	1	
	90031	90031-1G07-010	BOLT A. CYLINDER STUD227	BOLT A. CYLINDER STUD227	2	
	90032	90032-1G07-010	BOLT B. CYLINDER STUD214	BOLT B. CYLINDER STUD214	1	
	90081	90081-3E55-C11	"BOLT HS.,6*55"	"BOLT HS.,6*55"	1	
	91106-3C83	91106-3C83-004	BRG NEEDLE 15MM	BRG NEEDLE 15MM	1	
	91106-LBG5	91106-LBG5-C10	BEARING NEEDLE HK2110	BEARING NEEDLE HK2110	2	
	91206	91206-2F86-014	OIL SEAL 14*28*7	OIL SEAL 14*28*7	1	
	91303	91303-1G07-001	O-RING 35*3.0	O-RING 35*3.0	1	
	94301	94301-10140	DOWEL PIN 10*14	DOWEL PIN 10*14	4	
	95701	95701-06014-08	BOLT FLANGE 6*14	BOLT FLANGE 6*14	1	
	96001-06012	96001-06012-08	BOLT FLANGE 6*12	BOLT FLANGE 6*12	1	



Sales mark	Ref no	Part no	Description	Reg description	Regd no	E07
	96001-06050	96001-06050-08	BOLT FLANGE 6*50	BOLT FLANGE 6*50	10	

E08

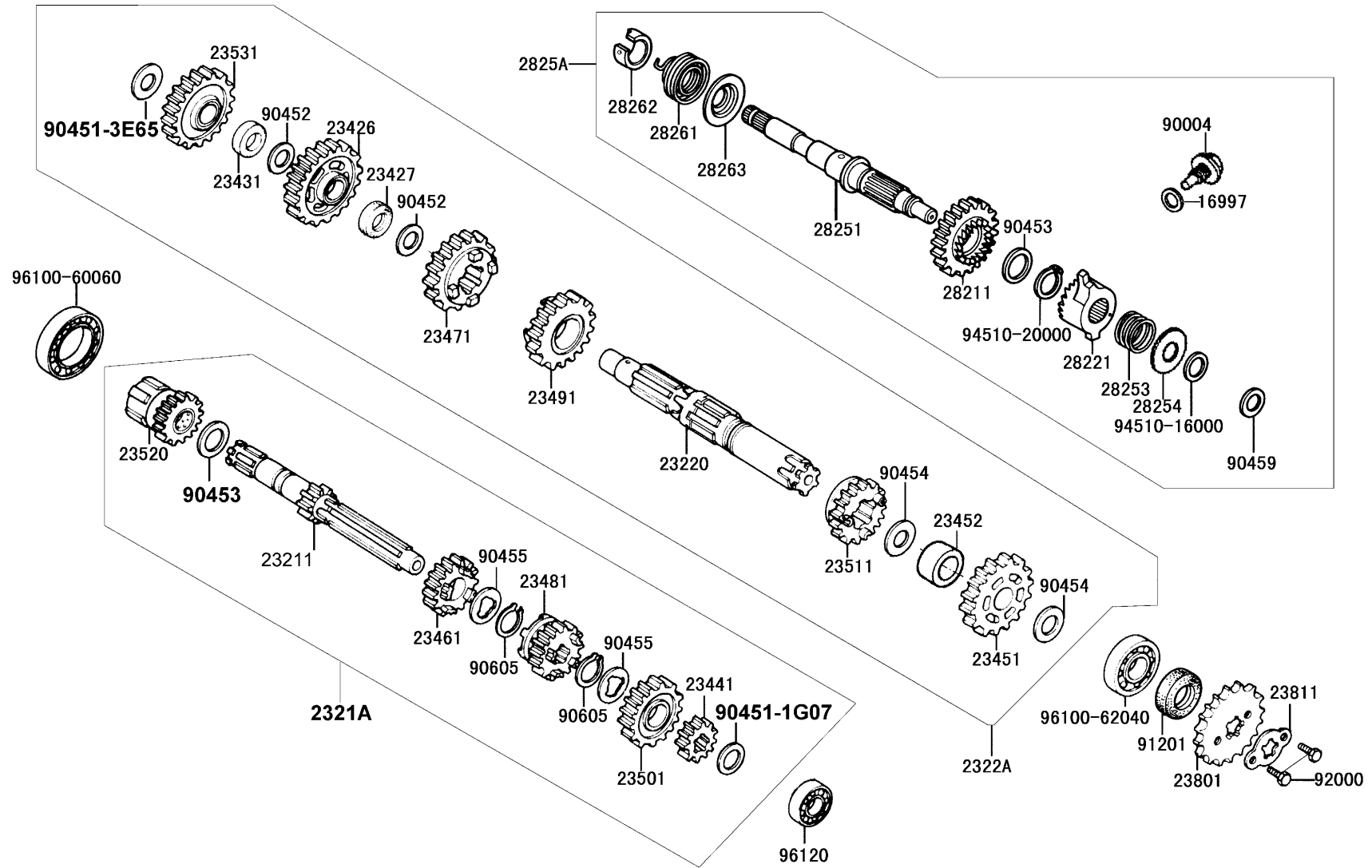
Crankshaft Piston



Sales mark	Ref no	Part no	Description	Reg description	Regd no	E08
	13000	13000-LEF1-C10	CRANKSHAFT COMP.	CRANKSHAFT COMP.	1	
	13011	13011-LEF1-C10	RING SET PISTON	RING SET PISTON	1	
	13101	13101-LEF1-C10	PISTON	PISTON	1	
	13111	13111-4L40-001	PIN PISTON	PIN PISTON	1	
	94401	94401-25140	WOODRUFF KEY 25*14	WOODRUFF KEY 25*14	1	
	94601	94601-15000	CLIP PISTON PIN 15MM	CLIP PISTON PIN 15MM	2	

E09

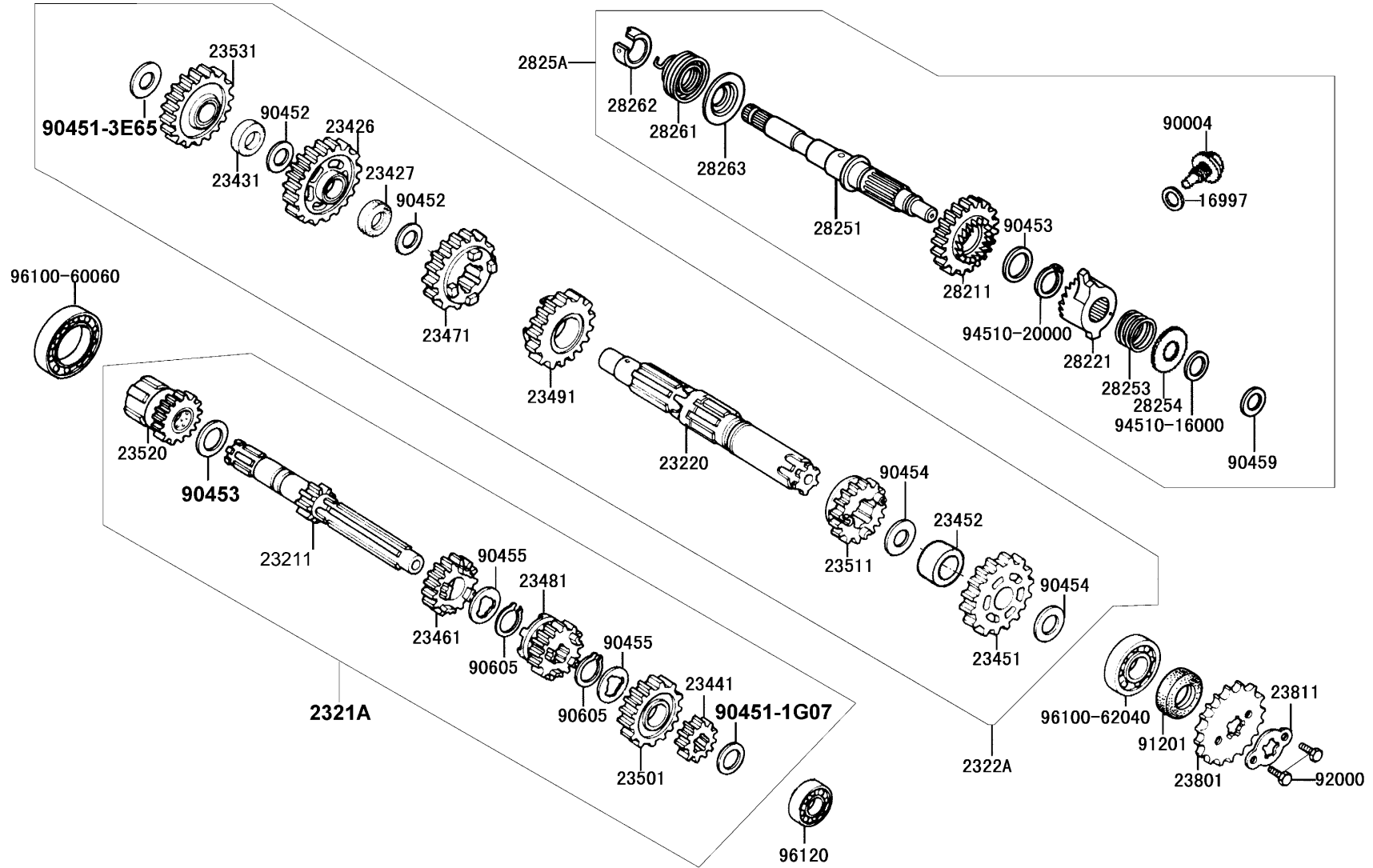
Transmission Kick Starter



Sales mark	Ref no	Part no	Description	Reg description	Regd no	E09
	16997	16997-357-003	O-RING 11.8X2.4	O-RING 11.8X2.4	1	
	23211	23211-3C83-001	SHAFT MAIN TRANSMISSION	SHAFT MAIN TRANSMISSION	1	
	2321A	2321A-3C83-001	MAINSHAFT TRANSMISSION ASSY	MAINSHAFT TRANSMISSION ASSY	1	
	23221	23221-1G07-021	SHAFT COUNTER TRANSMISSION	SHAFT COUNTER TRANSMISSION	1	
	2322A	2322A-1G07-021	COUNTERSHAFT TRANSMISSION ASSY	COUNTERSHAFT TRANSMISSION ASSY	1	
	23426	23426-4K39-321	GEAR COUNTER SHAFT LOW(36T)	GEAR COUNTER SHAFT LOW	1	
	23427	23427-4K39-001	COLLAR COUNTER SHAFT LOW GEAR	COLLAR COUNTER SHAFT LOW GEAR	1	
	23431	23431-4K39-001	COLLAR IDLE STARTER GEAR	COLLAR IDLE STARTER GEAR	1	
	23441	23441-4K39-001	GEAR M-2	GEAR M-2	1	
	23451	23451-4K39-901	GEAR C-2 (32T)	GEAR C-2	1	
	23452	23452-KAW1-900	BUSH 20X23X9	BUSH 20X23X9	1	
	23461	23461-4K39-001	GEAR M-3 (20T)	GEAR M-3 (20T)	1	
	23471	23471-4K39-001	GEAR C-3 (28T)	GEAR C-3 (28T)	1	
	23481	23481-4K39-001	GEAR M-4 (23T)	GEAR M-4 (23T)	1	
	23491	23491-4K39-001	GEAR C-4 (26T)	GEAR C-4 (26T)	1	
	23501	23501-4K39-001	MAIN SHAFT FIFTH	GEAR MAIN SHAFT FIFTH (25T)	1	
	23511	23511-4K39-011	GEAR C-5 (24T)	GEAR C-5	1	
	23520	23520-3C83-001	GEAR COMP STARTER	GEAR COMP STARTER	1	
	23531	23531-4K39-001	GEAR ONLY IDLE STARTER	GEAR ONLY IDLE STARTER	1	
	23801	23801-KYCY-900	SPROCKET DRIVE	SPROCKET DRIVE	1	

E09

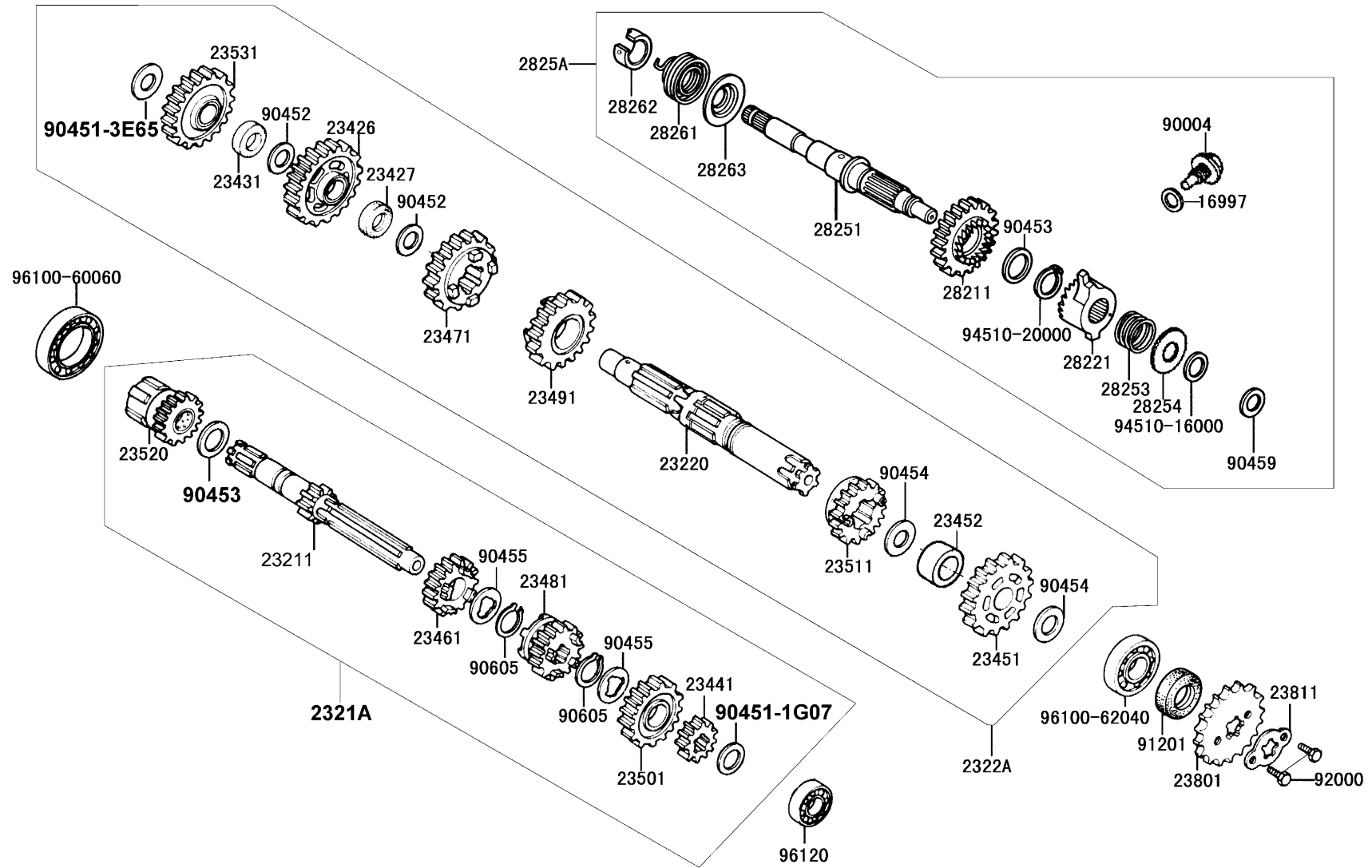
Transmission Kick Starter



Sales mark	Ref no	Part no	Description	Reg description	Regd no	E09
	23811	23811-KCR3-601	PLATE A2 FIXING	PLATE A2 FIXING	1	
	28211	28211-LEF1-C10	PINION KICK STARTER(29)	PINION KICK STARTER(29)	1	
	28221	28221-LEF1-C10	RATCHET KICK STARTER	RATCHET KICK STARTER	1	
	28251	28251-LEF1-C10	SPINDLE KICK STARTER	SPINDLE KICK STARTER	1	
	28253	28253-LEF1-C10	SPRING KICK STARTER RATCHET	SPRING KICK STARTER RATCHET	1	
	28254	28254-LEF1-C10	SEAT RATCHET SPRING	SEAT RATCHET SPRING	1	
	2825A	2825A-LEF1-C10	SPINDLE KICK STARTER ASSY	SPINDLE KICK STARTER ASSY	1	
	28261	28261-LEF1-C10	SPRING KICK STARTER COLLAR	SPRING KICK STARTER COLLAR	1	
	28262	28262-LEF1-C10	KICK SPINDLE	KICK SPINDLE	1	
	28263	28263-LEF1-C10	RETAINER STARTER SPRING	RETAINER STARTER SPRING	1	
	90004	90004-4G37-000	BOLT KICK RATCHET	BOLT KICK RATCHET	1	
	90451-1G07	90451-1G07-001	WASHER THRUST 15MM	WASHER THRUST 15MM	1	
	90451-3E65	90451-3E65-001	WASHER THRUST 15M/M	WASHER THRUST 15M/M	1	
	90452	90452-1G07-001	WASHER THRUST 16.5M/M	WASHER THRUST 16.5M/M	2	
	90453-1G07-000	90453-1G07-000	WASHER A. THRUST 20MM	WASHER A. THRUST 20MM	1	
	90453-1G07-001	90453-1G07-001	WASHER THRUST 20M/M	WASHER THRUST 20M/M	1	
	90454	90454-1G07-001	WASHER THRUST 20MM B	WASHER THRUST 20MM B	2	
	90455	90455-1G07-001	WASHER SPLINE 20M/M A	WASHER SPLINE 20M/M A	2	
	90459	90459-1G07-000	WASHER THRUST 12MM	WASHER THRUST 12MM	1	
	90605	90605-2L00-001	SET RING 20MM	SET RING 20MM	2	

E09

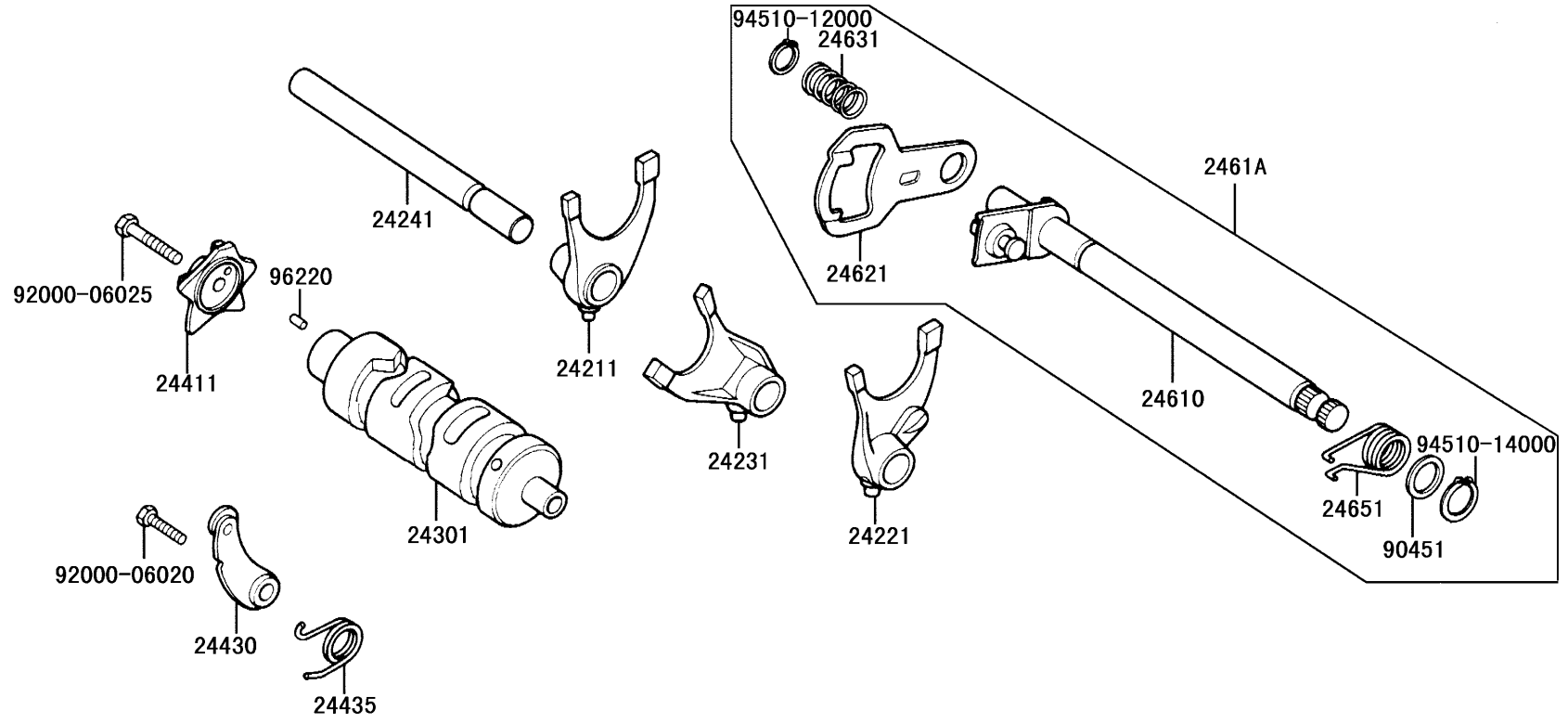
Transmission Kick Starter



Sales mark	Ref no	Part no	Description	Reg description	Regd no	E09
	91201	91201-0L30-034	OIL SEAL 20*34*7	OIL SEAL 20*34*7	1	
	92000	92000-06010-0H	BOLT HEX 6*10	BOLT HEX 6*10	2	
	94510-16000	94510-16000	CIR CLIP EXTERNAL	CIR CLIP EX 16	1	
	94510-20000	94510-20000	CIR CLIP EX 20	CIR CLIP EX 20	1	
	96100-060060	96100-60060-00	BEARING BALL RADIAL 6006	BEARING BALL RADIAL 6006	1	
	96100-62040	96100-62040-00	BRG BALL RADIAL 6204	BRG BALL RADIAL 6204	1	
	96120	96120-62020-00	BEARING BALL RADIAL 6202	BEARING BALL RADIAL 6202	1	

E10

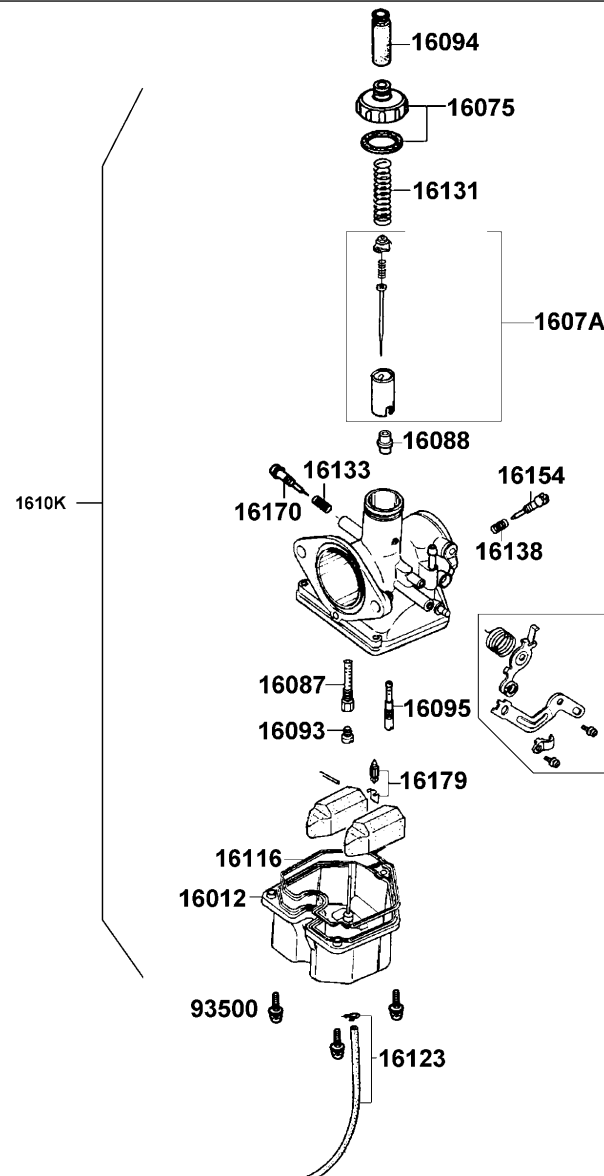
Gearshif



Sales mark	Ref no	Part no	Description	Reg description	Regd no	E10
24211		24211-1G07-002	FORK RIGHT GEAR SHIFT	FORK RIGHT GEAR SHIFT	1	
24221		24221-3E55-002	FORK LEFT GEAR SHIFT	FORK LEFT GEAR SHIFT	1	
24231		24231-1G07-011	FORK CENTER GEAR SHIFT	FORK CENTER GEAR SHIFT	1	
24241		24241-1G07-001	SHAFT GEAR SHIFT FORK GUIDE	SHAFT GEAR SHIFT FORK GUIDE	1	
24301		24301-LBG5-C10	DRUM GEARSHIFT	DRUM GEARSHIFT	1	
24411		24411-KKAK-900	CAM GEAR SHIFT	CAM GEAR SHIFT	1	
24430		24430-3D24-001	STOPPER COMP GEAR SHIFT DRUM	STOPPER COMP GEAR SHIFT DRUM	1	
24435		24435-3C83-011	SPRING SHIFT DRUM STOPPER	SPRING SHIFT DRUM STOPPER	1	
24610		24610-KBE2-C30	SPINDLE COMP GEAR SHIFT	SPINDLE COMP GEAR SHIFT	1	
2461A		2461A-KBE2-C30	SPINDLE SET GEAR SHIFT	SPINDLE SET GEAR SHIFT	1	
24621		24621-1G07-761	PLATE GEAR SHIFT	PLATE GEAR SHIFT	1	
24631		24631-1G07-001	SPRING GEAR SHIFT PLATE	SPRING GEAR SHIFT PLATE	1	
24651		24651-3H98-941	SPRING GEAR SHIFT RETURN	SPRING GEAR SHIFT RETURN	1	
90451		90451-0A01-001	WASHER THRUST 14M/M	WASHER THRUST 14M/M	1	
92000-06020		92000-06020-0H	BOLT HEX 6X20	BOLT HEX 6*20 (C)	1	
92000-06025		92000-06025-0H	BOLT HEX 6*25	BOLT HEX 6*25	1	
94510-12000		94510-12000	CIR CLIP EXTERNAL 12	CIR CLIP EXTERNAL 12	1	
94510-14000		94510-14000	CIR CLIP EXTERNAL 14	CIR CLIP EXTERNAL 14	1	
96220		96220-40100	ROLLER 4*10	ROLLER 4*10	1	

E11

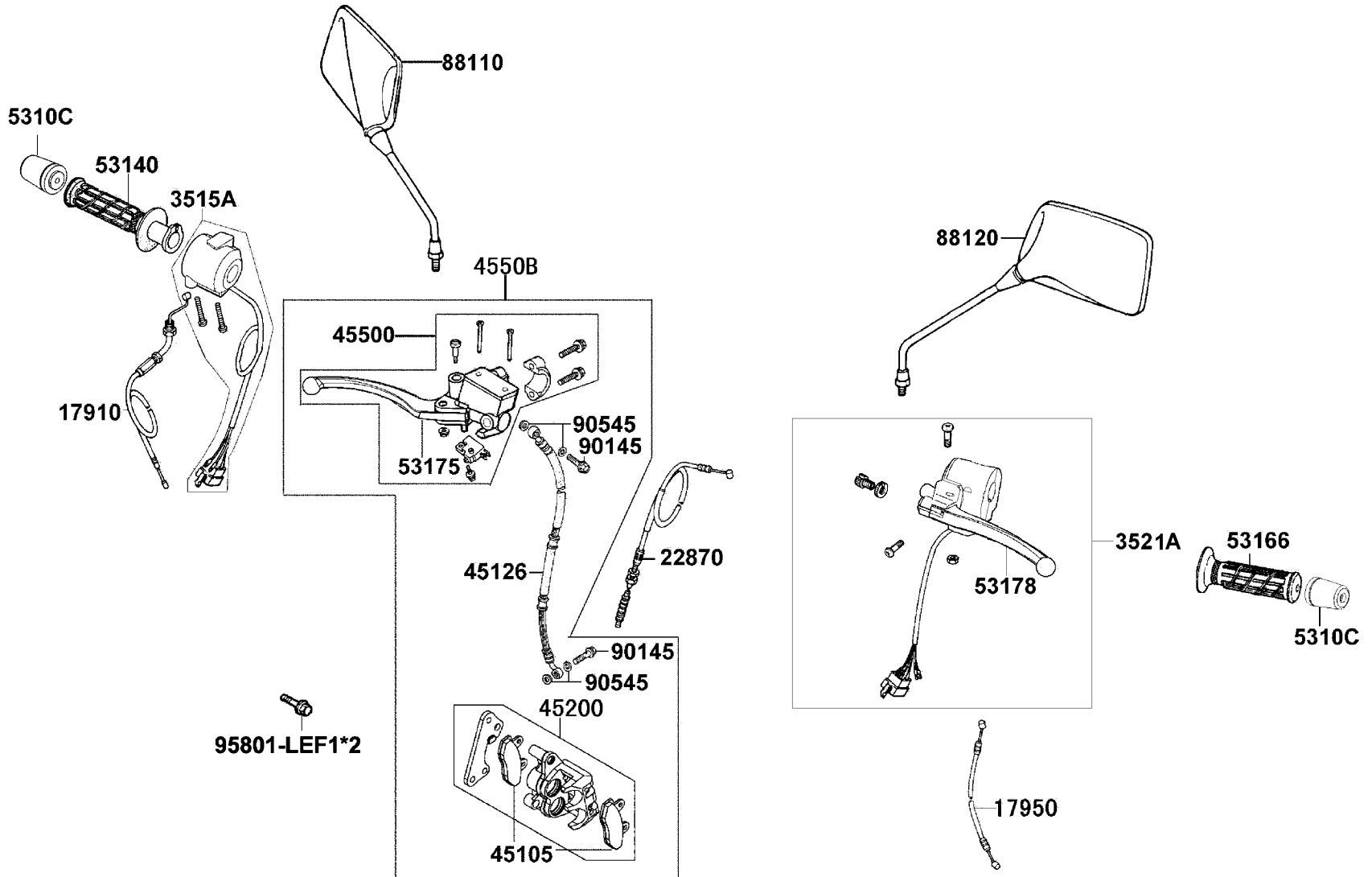
Carburetor



Sales mark	Ref no	Part no	Description	Reg description	Regd no	E11
	16012	16012-LEF1-E10	CHAMBER COMPL FLOAT	CHAMBER COMPL FLOAT	1	
	16075	16075-LEF1-E00	CAP COMP TOP	CAP COMP TO	1	
	1607A	1607A-LEF1-E00	NEEDLE ASSY JET	NEEDLE ASSY JET	1	
	16087	16087-LEF1-E00	TUBE EMULSION	TUBE EMULSION	1	
	16088	16088-KEC3-900	JET NEEDLE	JET NEEDLE	1	
	16093	16093-LEF2-900	JET MAIN(#0.92)	JET MAIN(#0.92)	1	
	16094	16094-LEF1-E00	BOOT DUCT	BOOT DUCT	1	
	16095	16095-LEF1-E00	JET SLOW(#0.4)	JET SLOW(#0.4)	1	
	1610K	1610K-LEF1-E00	CARBURETOR	CARBURETOR	1	
	16116	16116-LEF1-E00	PACKING FLOAT CHAMBER	PACKING FLOAT CHAMBER	1	
	16123	16123-LEF1-E00	TUBE FUEL ASSY	TUBE FUEL ASSY	1	
	16131	16131-LEF1-E00	SPRING PISTON VALVE RETURN	SPRING PISTON VALVE RETURN	1	
	16133	16133-LEF1-E00	SPRING THROTILE ADJUST	SPRING THROTTLE ADJUST SCREW	1	
	16138	16138-LEF1-E00	SPRING IDLE SCREW	SPRING IDLE SCREW	1	
	16154	16154-LEF2-900	SPRING, IDLE	"SPRING, IDLE ADJUST(0.85*6)"	1	
	16170	16170-LEF1-E00	SCREW THROTTLE ADJUST	SCREW THROTTLE ADJUST	1	
	16179	16179-LEF1-E00	NEEDLE ASSY JET	NEEDLE ASSY JET	1	
	93500	93500-LEF1-E00	SCREW PAN	SCREW PAN	3	

F01

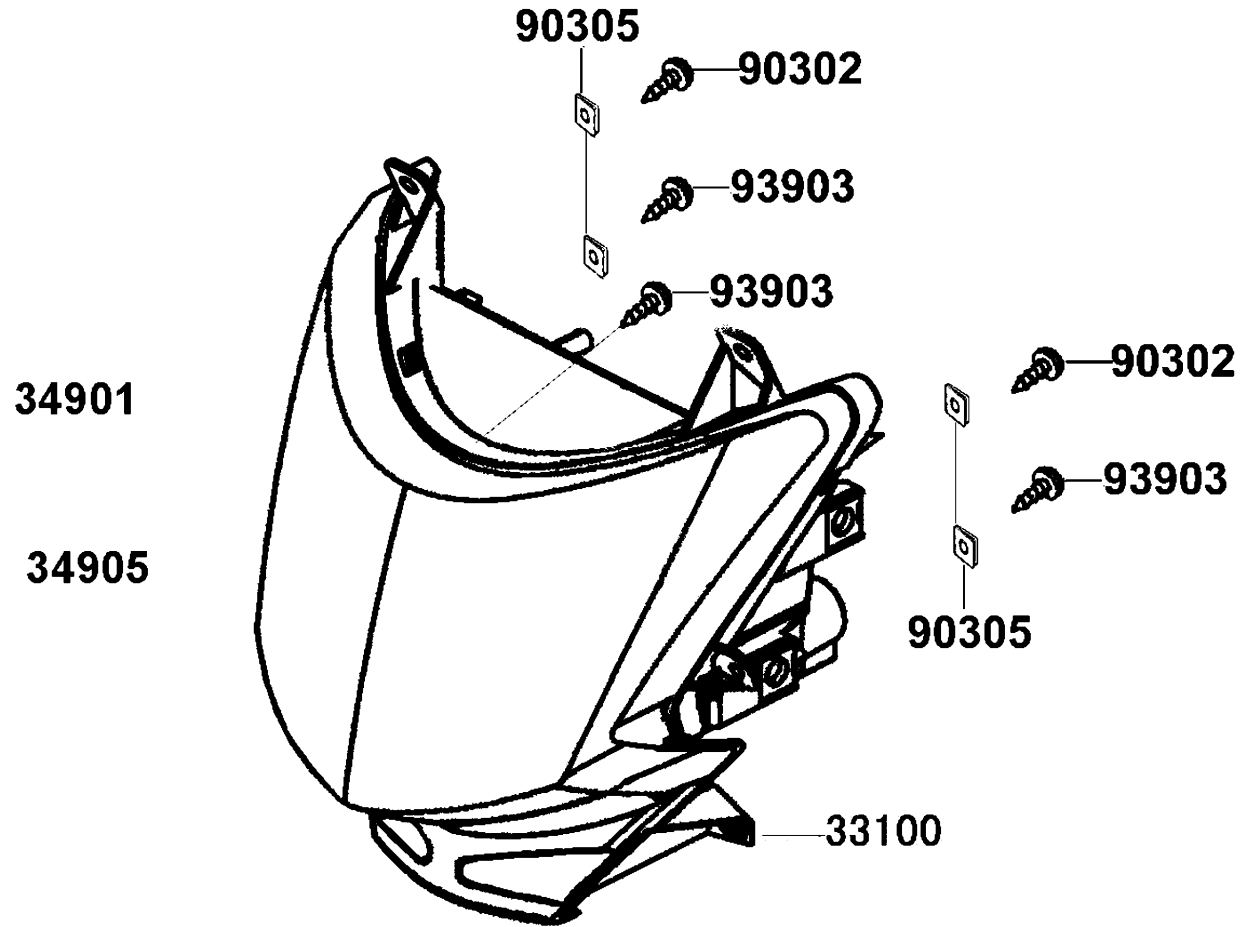
Cable Switch



Sales mark	Ref no	Part no	Description	Reg description	Regd no	F01
	17910	17910-LEF1-C10	CABLE COMP THROT	CABLE COMP THROT	1	
	17950	17950-LEF1-C10	CABLE COMP CHOCK	CABLE COMP CHOCK	1	
	22870	22870-LEF1-C10	CABLE COMP CLUTCH	CABLE COMP CLUTCH	1	
	3515A	3515A-LEF1-C10	SW ASSY HNDL COMP RH	SW ASSY HNDL COMP RH	1	
	3521A	3521A-LEF1-C10	SW SET WINKER SW & L LEVER SET	SW SET WINKER SW & L LEVER SET	1	
	45105	45105-LEF1-C10	PAD COMP	PAD COMP	2	
	45126	45126-LEF1-C10	HOSE ASSY FR BRK	HOSE ASSY FR BRK	1	
	45200	45200-LEF1-C10	CALIPER ASSY FR	CALIPER ASSY FR	1	
	45500	45500-LEF1-C10	CYLINDER COMP FR(MASTER)	CYLINDER COMP FR(MASTER)	1	
	4550B	4550B-LEF1-C10	CYLINDER ASSY FR(MASTER)	CYLINDER ASSY FR(MASTER)	1	
	5310C	5310C-LEF1-C10	END STRG HANDLE COMP	END STRG HANDLE COMP	2	
	53140	53140-LCF7-C10	COMP THROT GRIP	COMP THROT GRIP	1	
	53166	53166-LCF7-C10	GRIP L HANDLE	GRIP L HANDLE	1	
	53175	53175-LEF1-C10	"LEVER, HANDLE"	"LEVER, HANDLE"	1	
	53178	53178-LEF1-C10	LEVER L , STRG HANDL	LEVER STEERING HANDLE	1	
	88110	88110-LEF1-C10	MIRROR ASSY R BACK	MIRROR ASSY R BACK	1	
	88120	88120-LEF1-C10	MIRROR ASSY L BACK	MIRROR ASSY L BACK	1	
	90145	90145-9A61-011	OIL BOLT 10*22	OIL BOLT 10*22	2	
	90545	90545-3L00-001	WASHER OIL BOLT	WASHER OIL BOLT	4	
	95801	95801-LEF1-C10	BOLT FLANGE	BOLT FLANGE 8*30	2	

F02

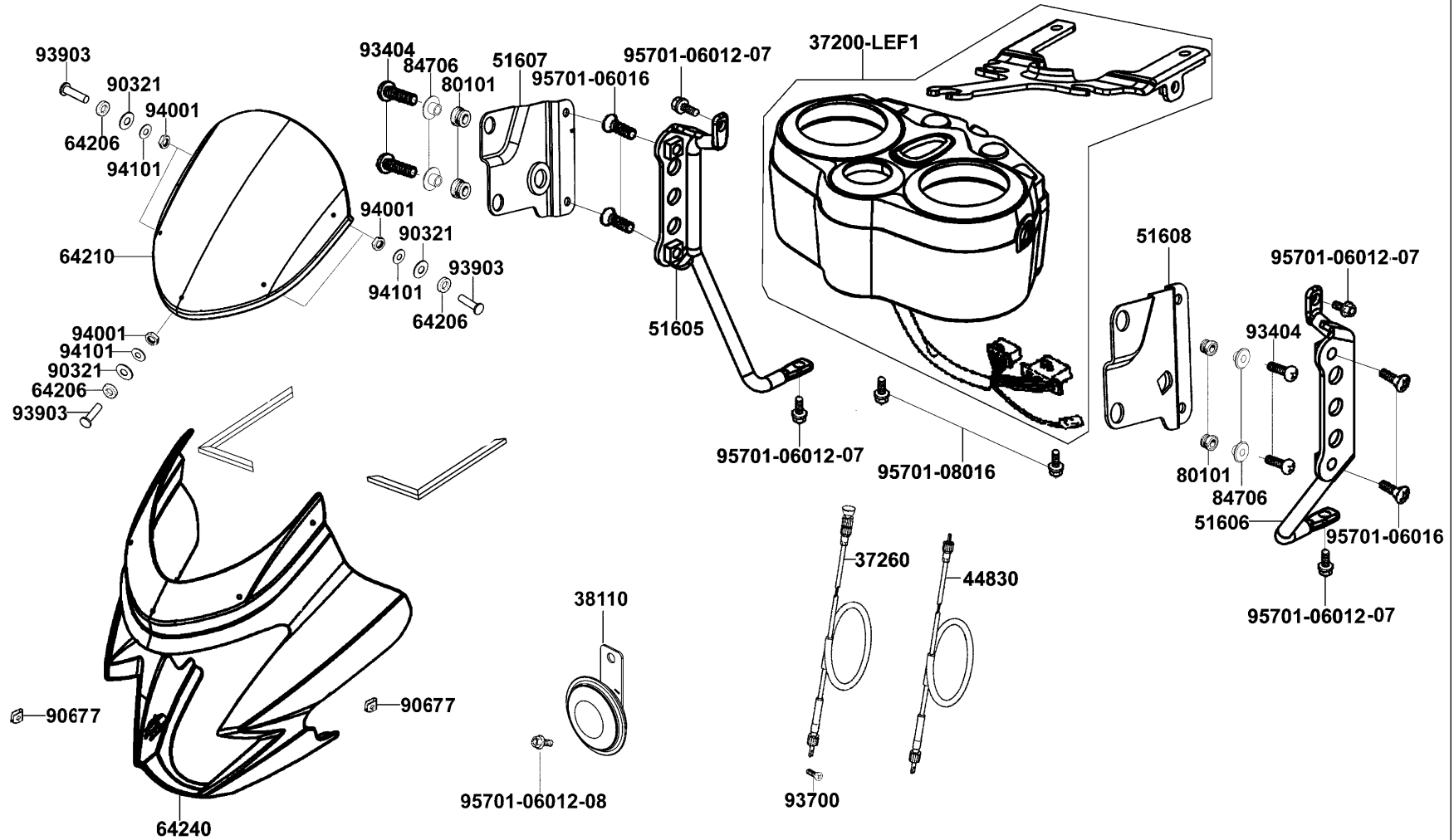
Head Light



Sales mark	Ref no	Part no	Description	Reg description	Regd no	F02
	33100	33100-LEF1-C10	LIGHT ASSY HEAD	LIGHT ASSY HEAD	1	
	34901	34901-LBA8-E80	BULB HEAD LIGHT	BULB HEAD LIGHT	1	
	34905	34905-KMCM-900	BULB WINKER	"BULB,WINKER"	1	
	90302	90302-GFY6-901	BOLT WASH 5*12	BOLT WASH 5*12	2	
	90305	90305-GHK8-001	NUT CLIP 6MM	NUT CLIP 6MM	4	
	93903	93903-35220	SCREW TAPPING 5*12	SCREW TAPPING 5*12	2	

F03

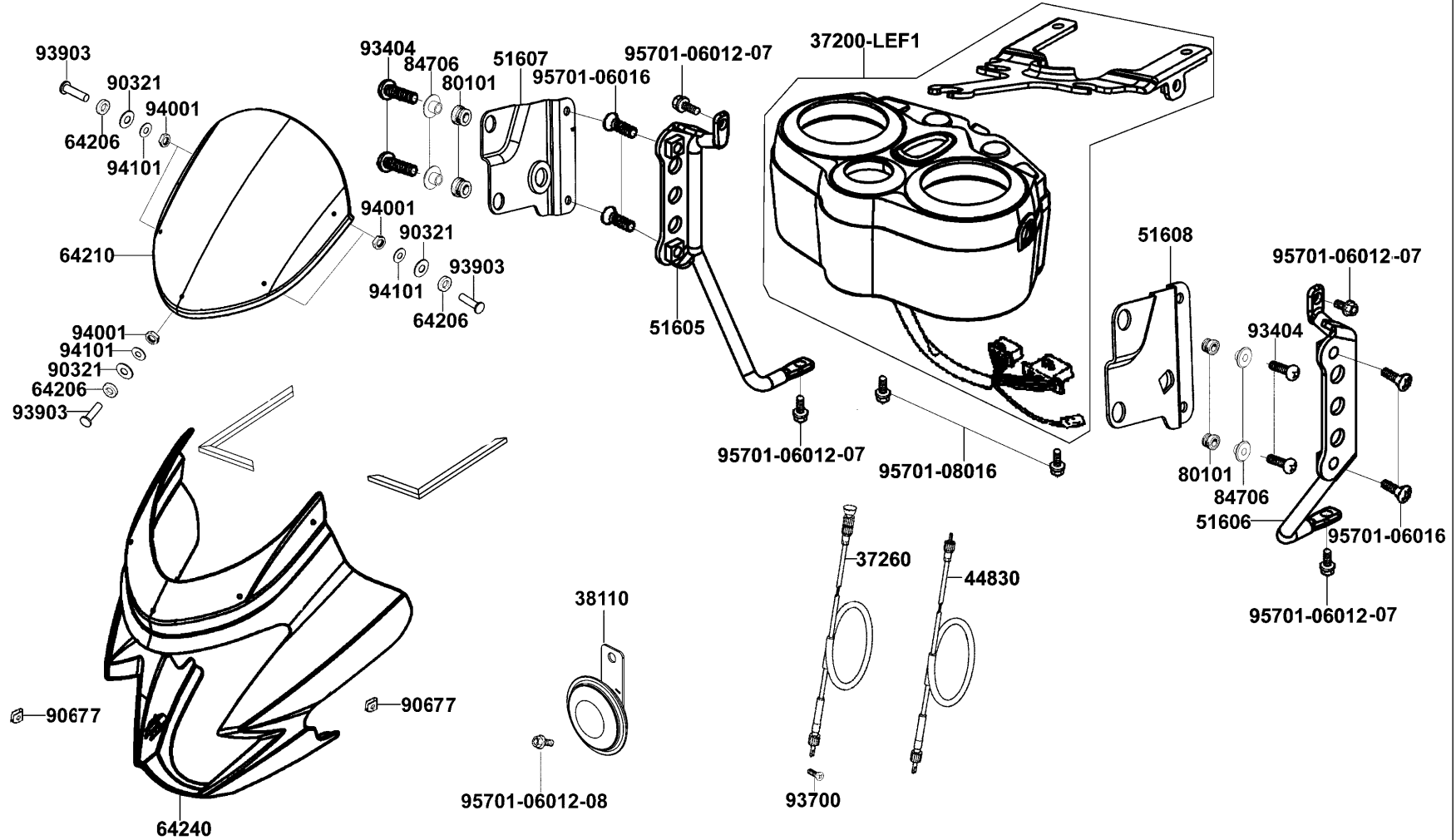
Speedometer



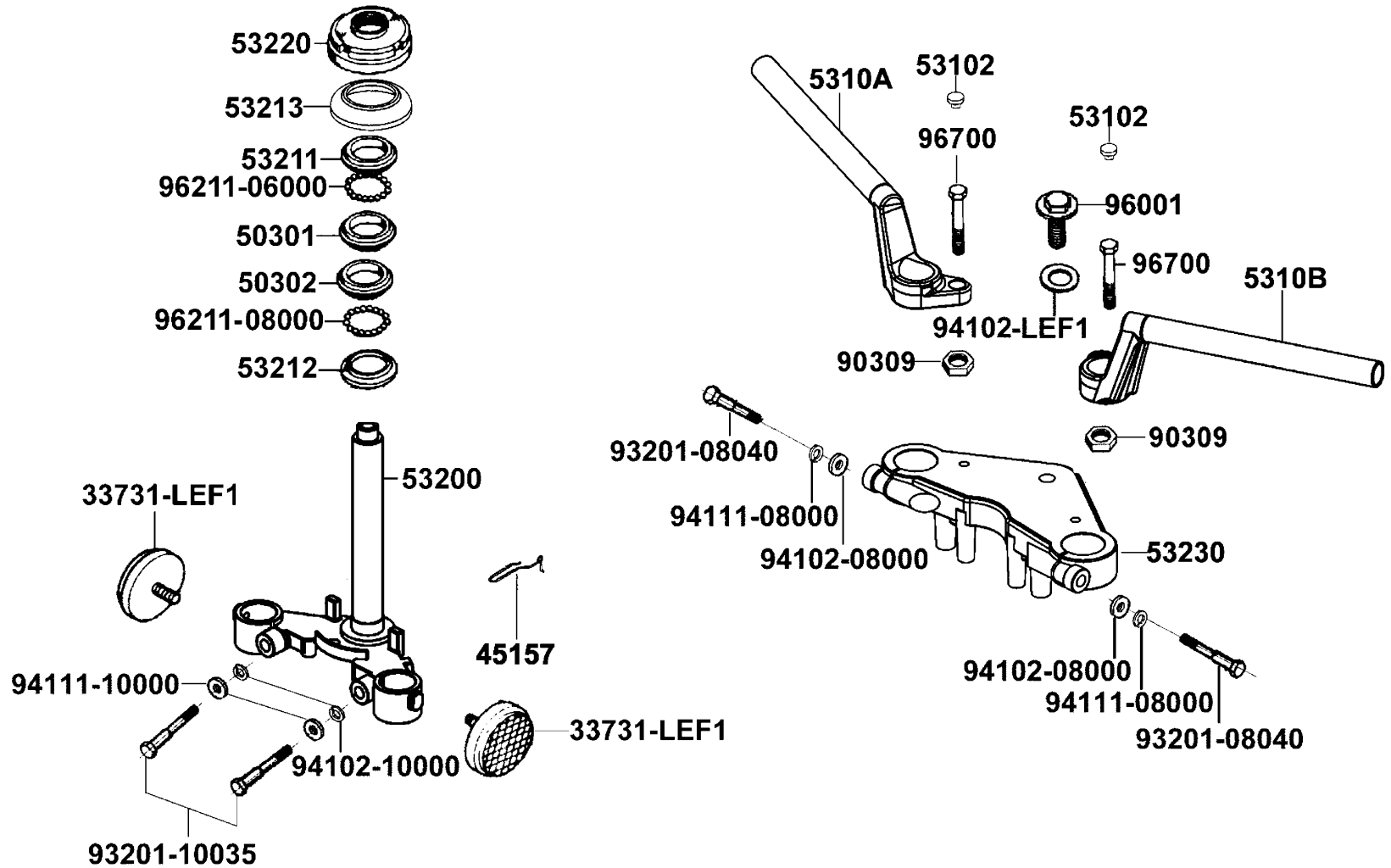
Sales mark	Ref no	Part no	Description	Reg description	Regd no	F03
	37200	37200-LEF1-C10	METER ASSY SPEED	METER ASSY SPEED	1	
	37260	37260-LAC4-C10	CABLE ASSY TACHO	CABLE ASSY TACHO	1	
	38110	38110-KHB4-E0B	HORN COMP	HORN COMP	1	
	44830	44830-LEF1-C10	CABLE ASSY SPEEDOMETER	CABLE ASSY SPEEDOMETER	1	
	51605	51605-LEF1-C10	"STAY R,HEAD LIGHT"	"STAY R,HEAD LIGHT"	1	
	51606	51606-LEF1-C10	"STAY L,HEAD LIGHT "	"STAY L,HEAD LIGHT "	1	
	51607	51607-LEF1-C10	PLATE R HEAD LIGHT	PLATE R HEAD LIGHT	1	
	51608	51608-LEF1-C10	PLATE L HEAD LIGHT	PLATE L HEAD LIGHT	1	
	64206	64206-LEF1-C10	"RUBBER,VISOR METER"	"RUBBER,VISOR METER"	5	
	64210	64210-LEF1-C10	VISOR METER	VISOR METER	1	
**	64240	64240-LEF1-C10	COWL FR ASSY	COWL FR ASSY	1	
	80101	80101-2C83-001	RUBBER RR FENDER	RUBBER RR FENDER	4	
	84706	84706-LEF1-C10	COLLAR SET METER	COLLAR SET METER	4	
	90321	90321-KGN7-911	WASHER EMBLEM	WASHER EMBLEM	5	
	90667	90667-GAR1-004	NUT CLIP 5MM	NUT CLIP 5MM	2	
	93404	93404-06025-07	BOLT WASHER 6*25 (K)	BOLT WASHER 6*25 (K)	4	
	93700	93700-05025-06	SCREW OVAL 5*25	SCREW OVAL 5*25	1	
	93903	93903-LEF1-C10	"SCREW,TAPPING 4*12"	"SCREW,TAPPING 4*12"	5	
	94001-04070	94001-04070-0S	NUT HEX 6MM (K)	NUT HEX 6MM (K)	5	
	94101-LEF1	94101-LEF1-C10	WASHER PLAIN 11MM	WASHER PLAIN 11MM	5	

F03

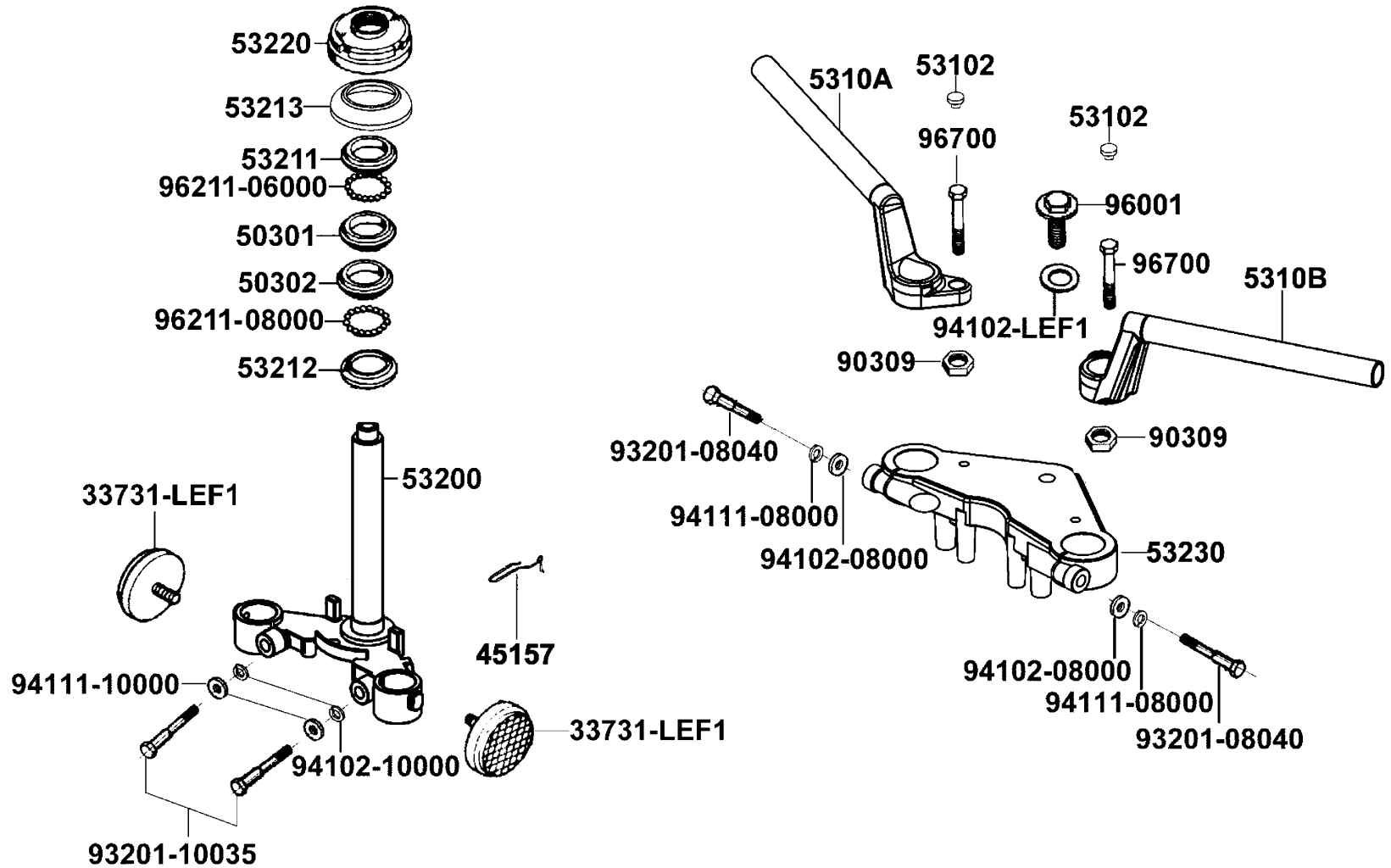
Speedometer



Sales mark	Ref no	Part no	Description	Reg description	Regd no	F03
	95701-06012-07	95701-06012-07	BOLT FLANGE 6*12(K)	BOLT FLANGE 6*12(K)	4	
	95701-06012-08	95701-06012-08	BOLT FLANGE 6*12	BOLT FLANGE 6*12	1	
	95701-06016-07	95701-06016-07	BOLT FLANGE 6*16	BOLT FLANGE 6*16(K)	4	
	95701-08016-08	95701-08016-08	BOLT FLANGE 8*16	BOLT FLANGE 8*16	2	



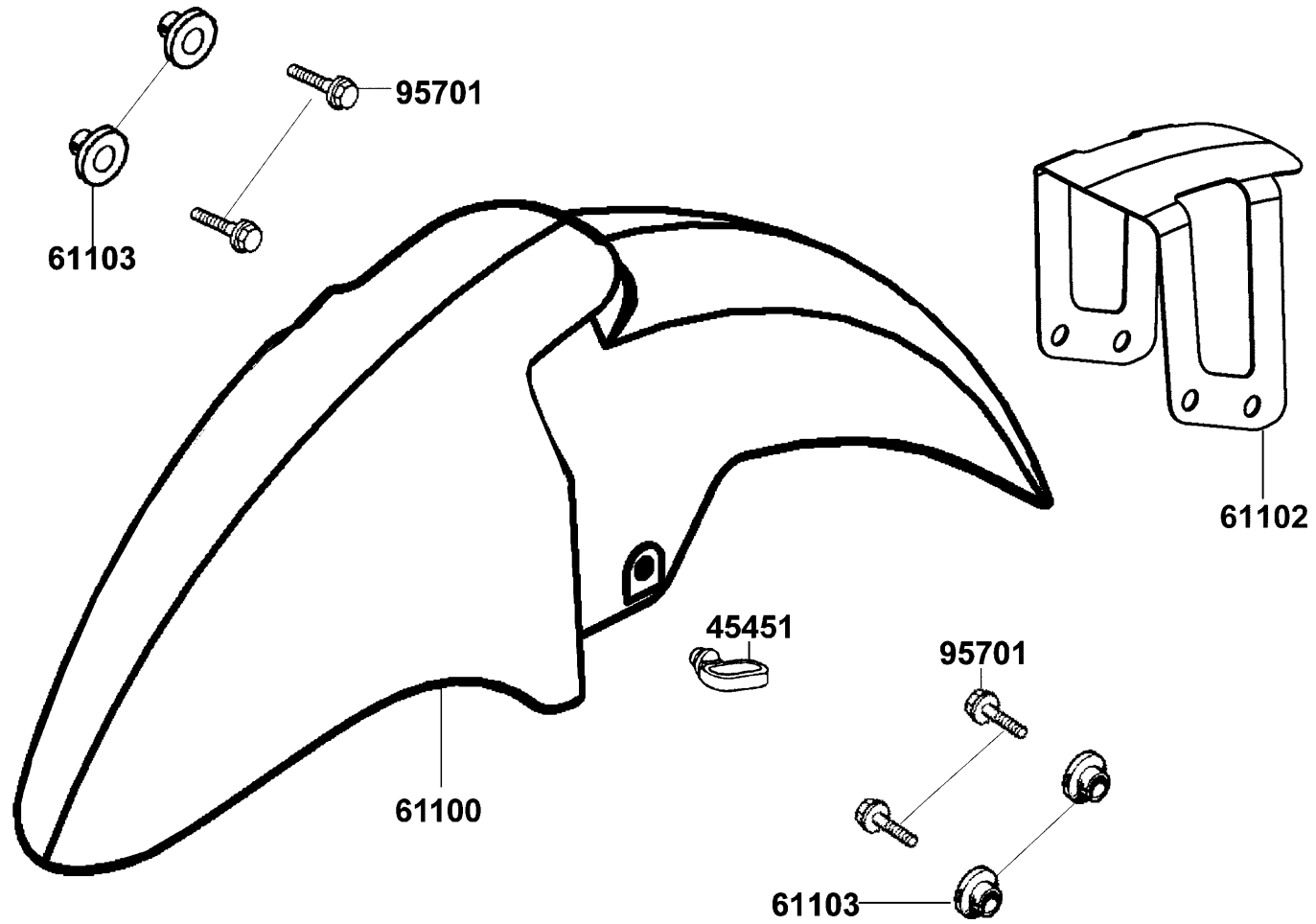
Sales mark	Ref no	Part no	Description	Reg description	Regd no	F04
	33731	33731-LEF1-C10	REFLEX REFLECTOR	REFLEX REFLECTOR	2	
	45157	45157-LEF1-C10	CLAMPER SPDMT CABLE	CLAMPER SPDMT CABLE	1	
	50301	50301-LEF1-C1A	RACE UP STRG BALL	RACE UP STRG BALL	1	
	50302	50302-LEF1-C1A	RACE (STRG BOT) BALL	RACE (STRG BOT) BALL	1	
	53102	53102-LEF1-C10	DECK BUTTON	DECK BUTTON	2	
	5310A	5310A-LEF1-C10	STEERING HANDLE A	STEERING HANDLE A	1	
	5310B	5310B-LEF1-C10	STEERING HANDLE B	STEERING HANDLE B	1	
	53200	53200-LEF1-C10	STEM COMP STEERING	STEM COMP STEERING	1	
	53211	53211-LEF1-C10	RACE STRG TOP CONE	RACE STRG TOP CONE	1	
	53212	53212-LEF1-C10	RACE STRG BOTTOM CONE	RACE STRG BOTTOM CONE	1	
	53213	53213-LEF1-C10	DUST SEALSTRG TOP	DUST SEALSTRG TOP	1	
	53220	53220-LEF1-C10	THREAD COMP STRG HD TOP	THREAD COMP STRG HD TOP	1	
	53230	53230-LEF1-C10	BRIDGE FORK TOP	BRIDGE FORK TOP	1	
	90309	90309-4H28-73A	NUT FLANGE 8MM	NUT FLANGE 8MM	2	
	93201-08040	93201-08040-CR	BOLT HEX 8*40Cr	BOLT HEX 8*40Cr	2	
	93201-10035	93201-10035-CR	BOLT HEX 10*35 Cr	BOLT HEX 10*35 Cr	2	
	94102-08000	94102-08000	WASHER PLAIN 8MM	WASHER PLAIN 8MM	2	
	94102-10000	94102-10000	WASHER PLAIN 10MM (B)	WASHER PLAIN 10MM (B)	2	
	94102-LEF1	94102-LEF1-C10	WASHER PLAIN	WASHER PLAIN	1	
	94111-08000	94111-08000	WASHER SPRING 8MM	WASHER SPRING 8MM	2	



Sales mark	Ref no	Part no	Description	Reg description	Regd no	F04
	94111-10000	94111-10000	WASHER SPG 10MM	WASHER SPG 10MM B	2	
	96001	96001-LEF1-C10	BOLT SPECIAL M10*1.5*23	BOLT SPECIAL M10*1.5*23	1	
	96211-06000	96211-06000	BALL STEEL 6#	BALL STEEL 6#	23	
	96211-08000	96211-08000	BALL STEEL 8MM	BALL STEEL 8MM	19	
	96700	96700-08035-02	"SOCKET BOLT,8*35"	"SOCKET BOLT,8*35"	2	

F05

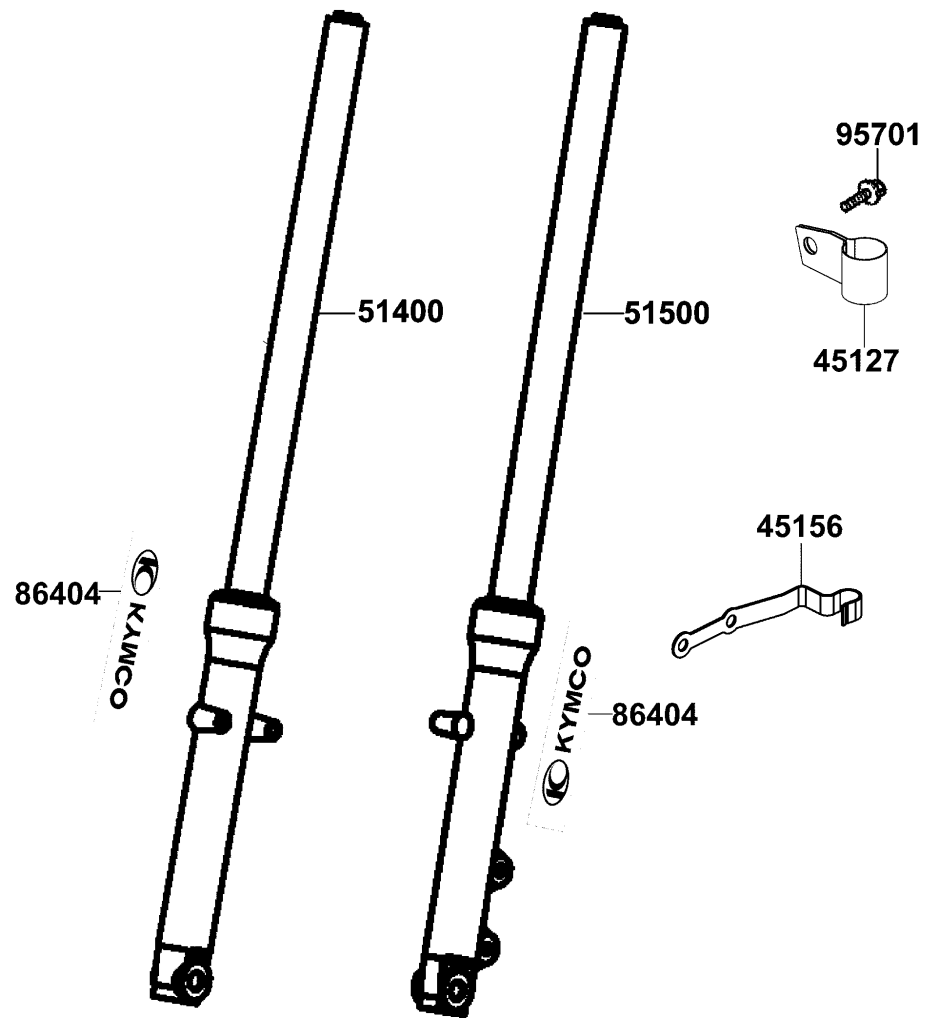
Front Fende



Sales mark	Ref no	Part no	Description	Reg description	Regd no	F05
	45451	45451-4A71-001	GROMMET WIRE	GROMMET WIRE	1	
**	61100	61100-LEF1-C10	FENDER FRONT	FENDER FRONT	1	
	61102	61102-LEF1-C10	FENDER FRONT BRACKET	FENDER FRONT BRACKET	1	
	61103	61103-LEF1-C10	COLLAR	COLLAR	1	
	95701	95701-08016-08	BOLT FLANGE 8*16	BOLT FLANGE 8*16	4	

F06

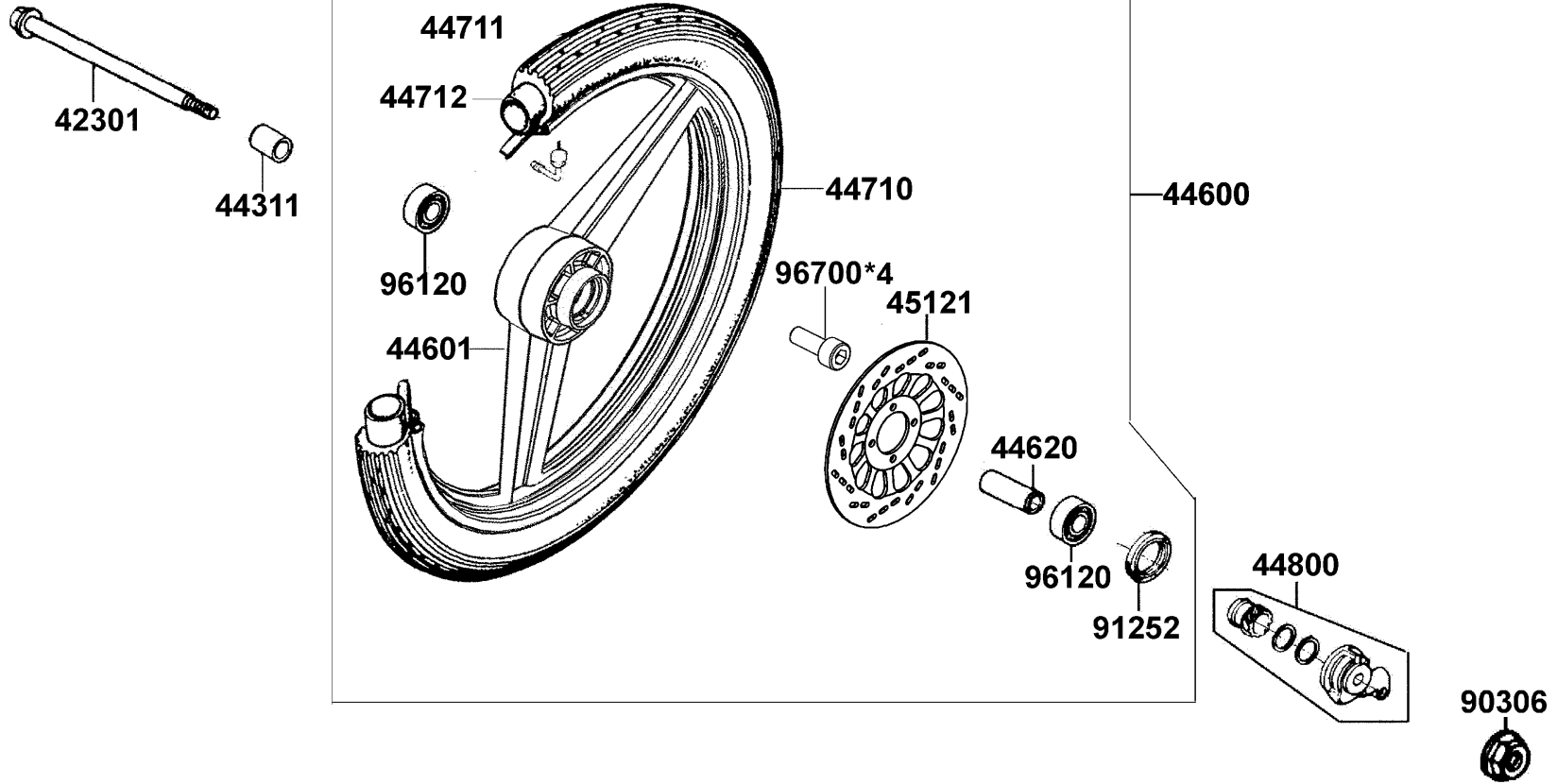
Front Fork



Sales mark	Ref no	Part no	Description	Reg description	Regd no	F06
45127		45127-LEF1-C10	CLAMPER FR BRK HOSE	CLAMPER FR BRK HOSE	1	
45156		45156-LEF1-C10	CLAMPER HOSE FR	CLAMPER HOSE FR	1	
51400		51400-LEF1-C1A	FORK ASSY FR R	FORK ASSY FR R	1	
51500		51500-LEF1-C1A	FORK ASSY FR L	FORK ASSY FR L	1	
86404		86404-LAC4-C000	STRIPE B SIDE COVER	STRIPE B SIDE COVER	2	
95701		95701-06012-08	BOLT FLANGE 6*12	BOLT FLANGE 6*12	1	

F07

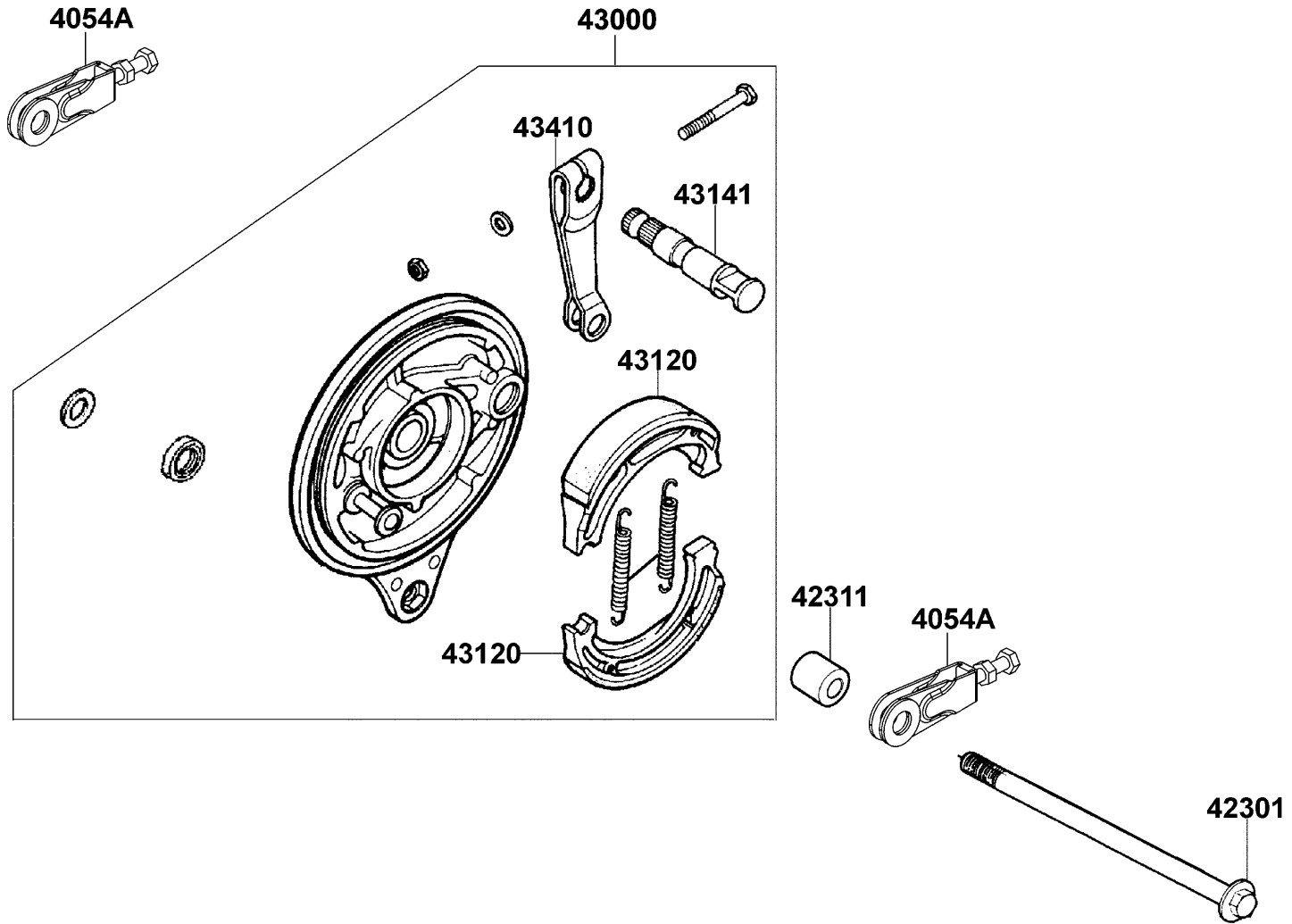
Front Whee



Sales mark	Ref no	Part no	Description	Reg description	Regd no	F07
42301		42301-LBA8-C11	AXLE FR WHEEL 207mm	AXLE FR WHEEL 207mm	1	
44311		44311-LBA8-C11	COLLAR FR WHEEL SIDE	COLLAR FR WHEEL SIDE	1	
44600		44600-LGA9-C10	WHEEL ASSY FR	WHEEL ASSY FR	1	
44601		44601-LGA9-C10	WHEEL COMP FR CAST	WHEEL COMP FR CAST	1	
44620		44620-LEF1-C10	COLLAR FR DIST	COLLAR FR DIST	1	
44710		44710-LGA9-C10	TIRE ASSY FR 2.75-18	TIRE ASSY FR 2.75-18	1	
44711		44711-LGA9-C10	TIRE	TIRE	1	
44712		44712-LGA9-C10	INNER TUBE	INNER TUBE	1	
44800		44800-LEF1-C10	GEAR BOX ASSY SPDMT	GEAR BOX ASSY SPDMT	1	
45121		45121-LEF1-C10	DISK FR BRAKE	DISK FR BRAKE	1	
90306		90306-GLW0-902	NUT U FLANGE 12mm(C)	NUT U FLANGE 12mm(C)	1	
91252		91252-LBA8-C11	OIL SEAL WHEEL 20*37*7	OIL SEAL WHEEL 20*37*7	1	
96120		96120-63010-10	BEARING BALL RADIAL 6301	BEARING BALL RADIAL 6301	1	
96700		96700-LEF1-C10	SOCKET BOLT 8*30	SOCKET BOLT 8*30	1	

F08

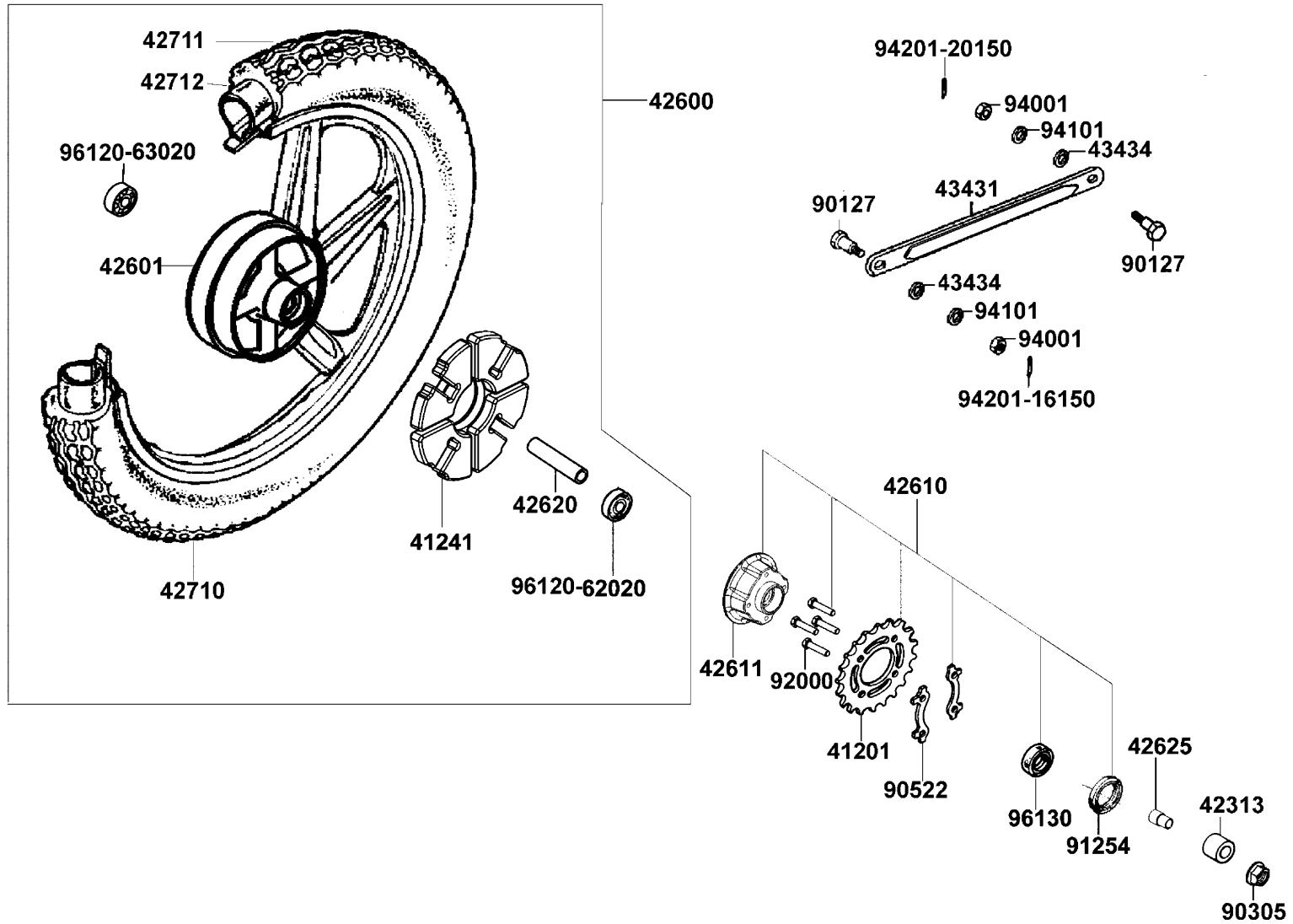
Rear Brake Pane



Sales mark	Ref no	Part no	Description	Reg description	Regd no	F08
	4054A	4054A-LAC1-C000	DRIVE CHAIN ADJUSTER ASSY	DRIVE CHAIN ADJUSTER ASSY	2	
	42301	42301-LEF1-C10	AXLE RR WHEELM14x258	AXLE RR WHEELM14x258	1	
	42311	42311-LEF1-C10	COLLAR RR BRAKE PANEL SIDE	COLLAR RR BRAKE PANEL SIDE	1	
	43000	43000-LEF1-C11	PANEL ASSY REAR BRAKE	PANEL ASSY REAR BRAKE	1	
	43120	43120-LEF1-C11	"SHOE COMP, FR BRK"	"SHOE COMP, FR BRK"	2	
	43141	43141-LEF1-C10	"CAM,RR BRAKE"	"CAM,RR BRAKE"	1	
	43410	43410-LEF1-C10	ARM COMP, RR BRAKE	ARM COMP, RR BRAKE	1	

F09

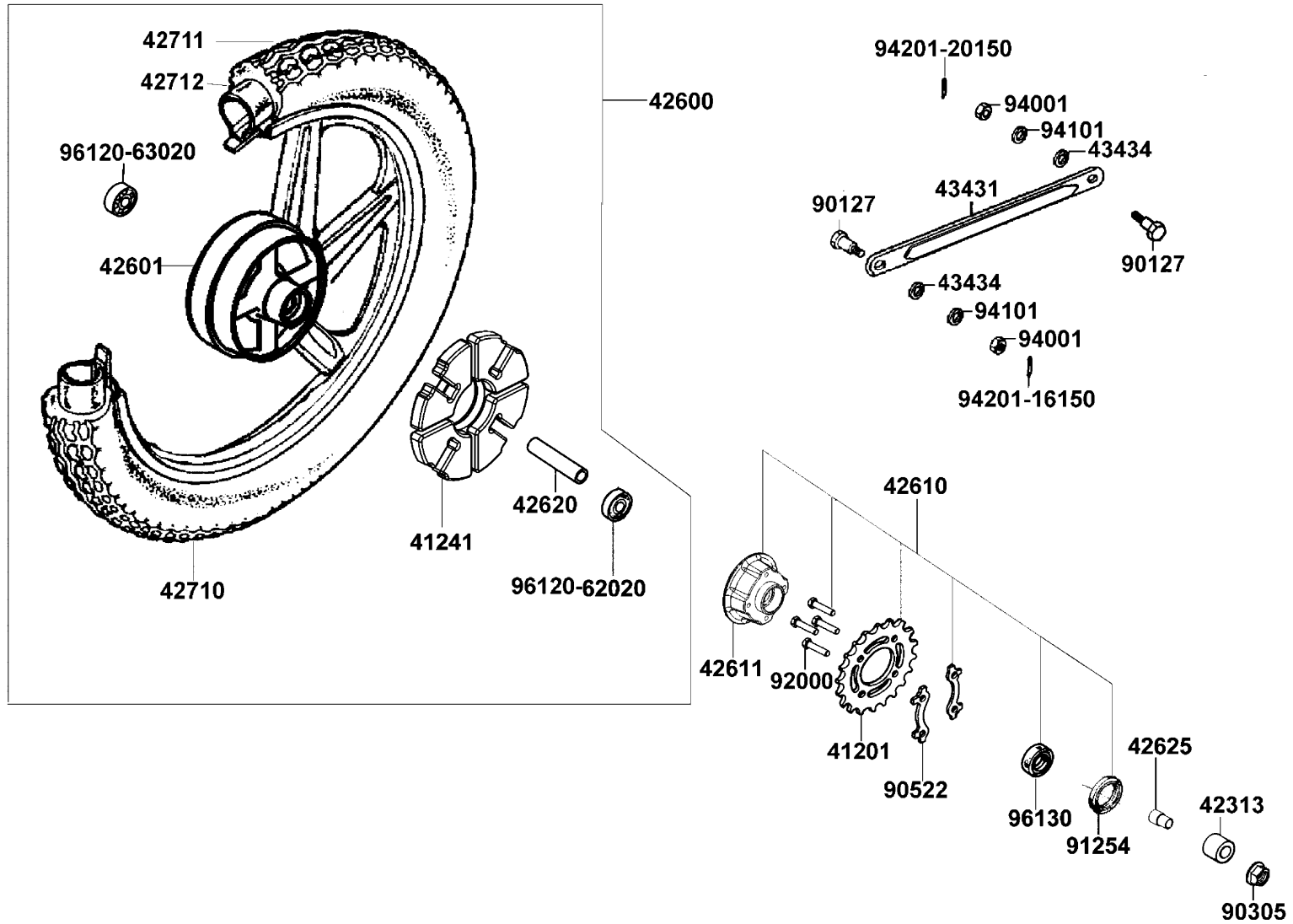
Rear Wheel



Sales mark	Ref no	Part no	Description	Reg description	Regd no	F09
41201		41201-LEF1-C10	SPROCKET FINAL 41T	SPROCKET FINAL 41T	1	
41241		41241-LEF1-C10	BUSH RR WHEEL DAMPER	BUSH RR WHEEL DAMPER	1	
42313		42313-LEF1-C10	COLLAR REAR HUB SIDE	COLLAR REAR HUB SIDE	1	
42600		42600-LGA9-C10	WHEEL ASSY RR	WHEEL ASSY RR	1	
42601		42601-LGA9-C10	WHEEL COMP RR CAST	WHEEL COMP RR CAST	1	
42610		42610-LEF1-C10	SPRKT HUB ASSY	SPRKT HUB ASSY	1	
42611		42611-LEF1-C10	SPRKT SEAT	SPRKT SEAT	1	
42620		42620-LEF1-C10	COLLAR REAR AXLE DISTANCE	COLLAR REAR AXLE DISTANCE	1	
42625		42625-LEF1-C10	SLEEVE SPRKT HUB	SLEEVE SPRKT HUB	1	
42710		42710-LGA9-C10	TIRE ASSY RR 3.5-16	TIRE ASSY RR 3.5-16	1	
42711		42711-LGA9-C10	TIRE	TIRE	1	
42712		42712-LGA9-C10	INNER TUBE	INNER TUBE	1	
43431		43431-LEF1-C11	"ARM, RR BRK STOPPER"	"ARM, RR BRK STOPPER"	1	
43434		43434-2F86-001	RUBBER STOPPER ARM CUSHION	RUBBER STOPPER ARM CUSHION	2	
90127		90127-LEF1-C10	BOLT RR BRAKE STPR ARM	BOLT RR BRAKE STPR ARM	1	
90305		90305-LEF1-C10	NUT U 14mm	NUT U 14mm	1	
90522		90522-2B22-001	WASHER TONGUDE 8M/M	WASHER TONGUDE 8M/M	2	
91254		91254-LEF1-C10	DUST SEAL 47*30*7	DUST SEAL 47*30*7	1	
92000		92000-08032-08	BOLT HEX 8*32 C	BOLT HEX 8*32 C	4	
94001		94001-08080-0S	NUT HEX 8MM	NUT HEX 8MM	2	

F09

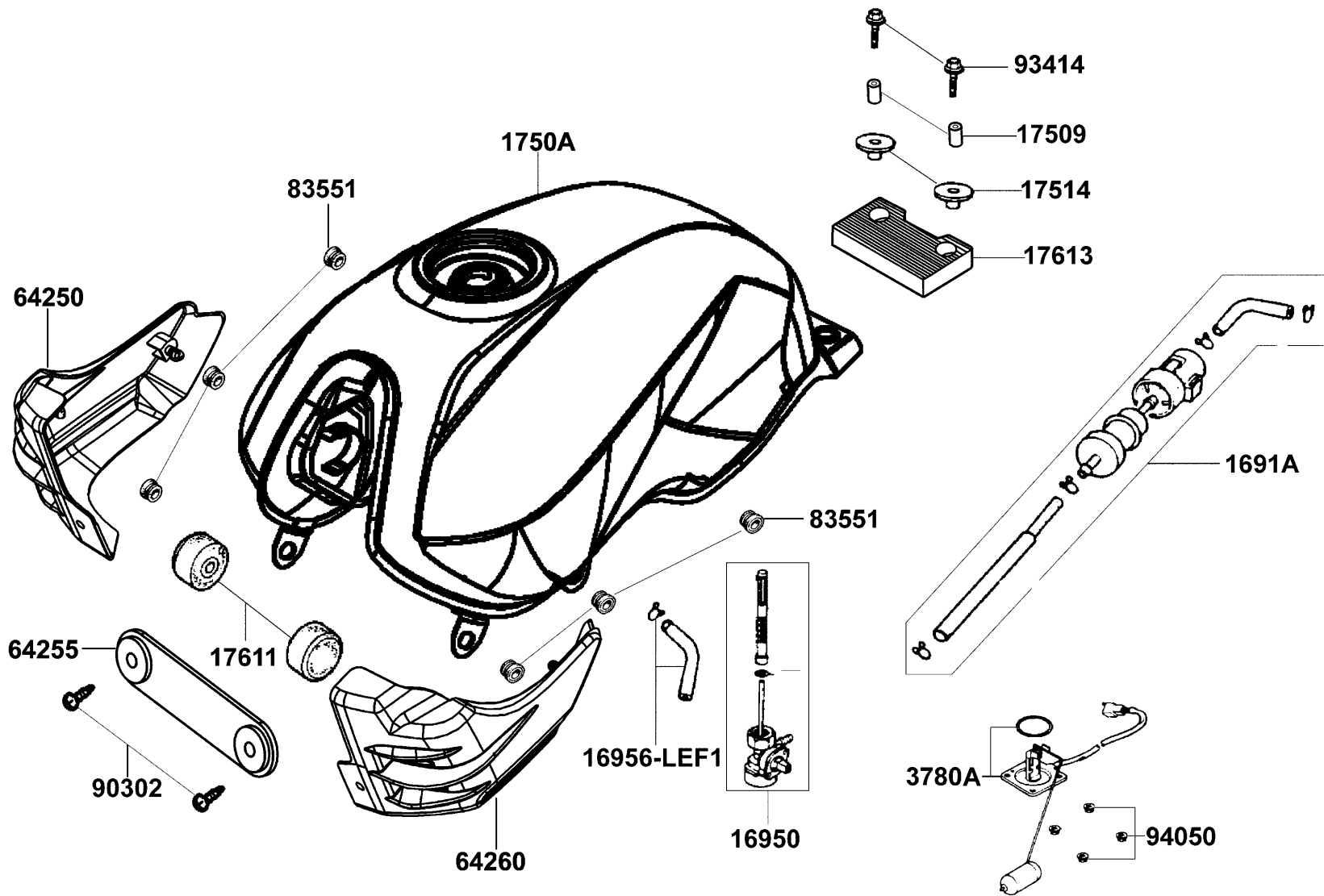
Rear Wheel



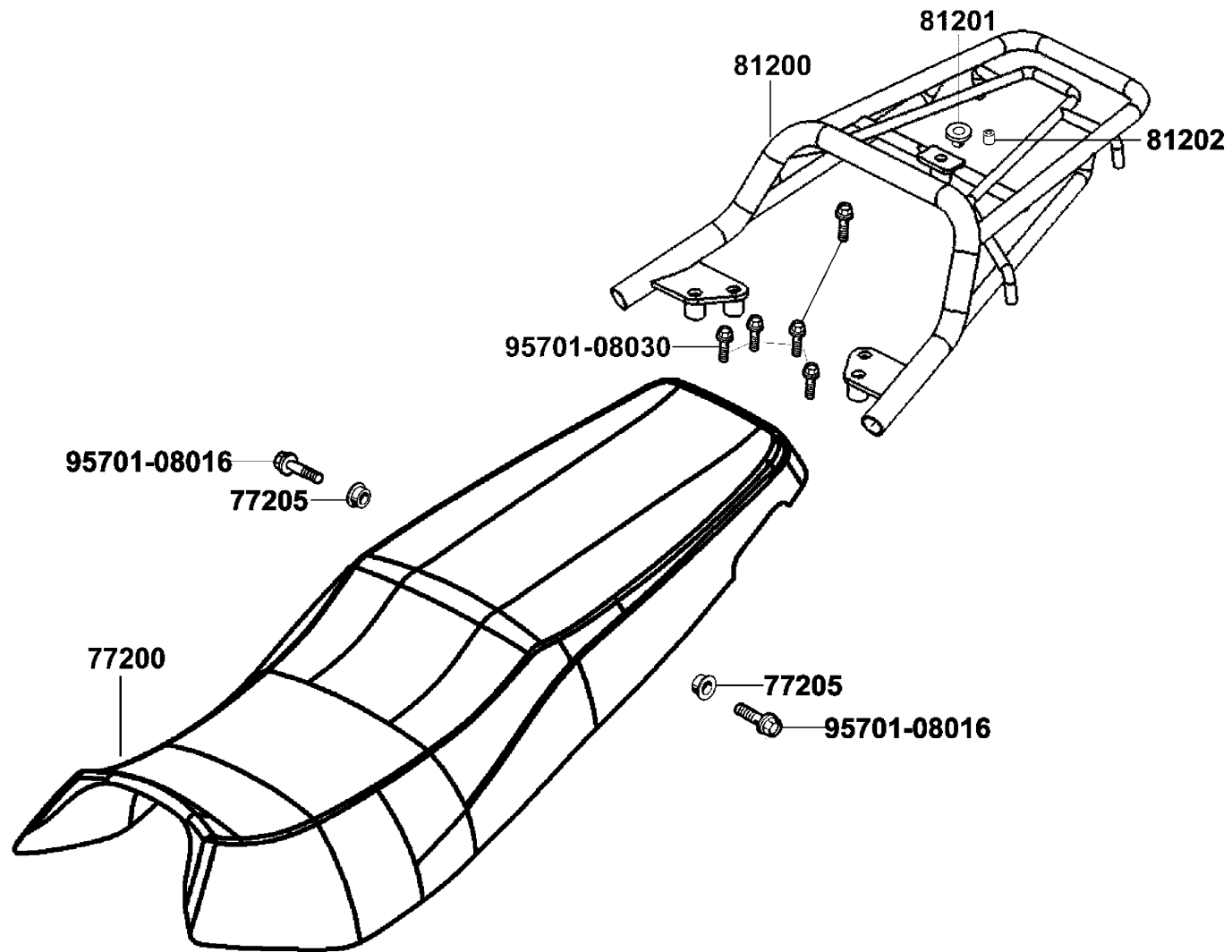
Sales mark	Ref no	Part no	Description	Reg description	Regd no	F09
	94101	94101-08800	WASHER PLAIN 8MM	WASHER PLAIN 8MM	2	
	94201-16150	94201-16150	PIN SPLIT 1.6*15	PIN SPLIT 1.6*15	1	
	94201-20150	94201-20150	PIN SPLIT 2*15	PIN SPLIT 2*15	1	
	96120-62020	96120-62020-10	BEARING BALL RADIAL 6202	BEARING BALL RADIAL 6202	1	
	96120-63020	96120-63020-10	BEARING BALL RADIAL 6302	BEARING BALL RADIAL 6302	1	
	96130	96130-62040-10	BEARING BALL RADIAL 6204	BEARING BALL RADIAL 6204	1	

F10

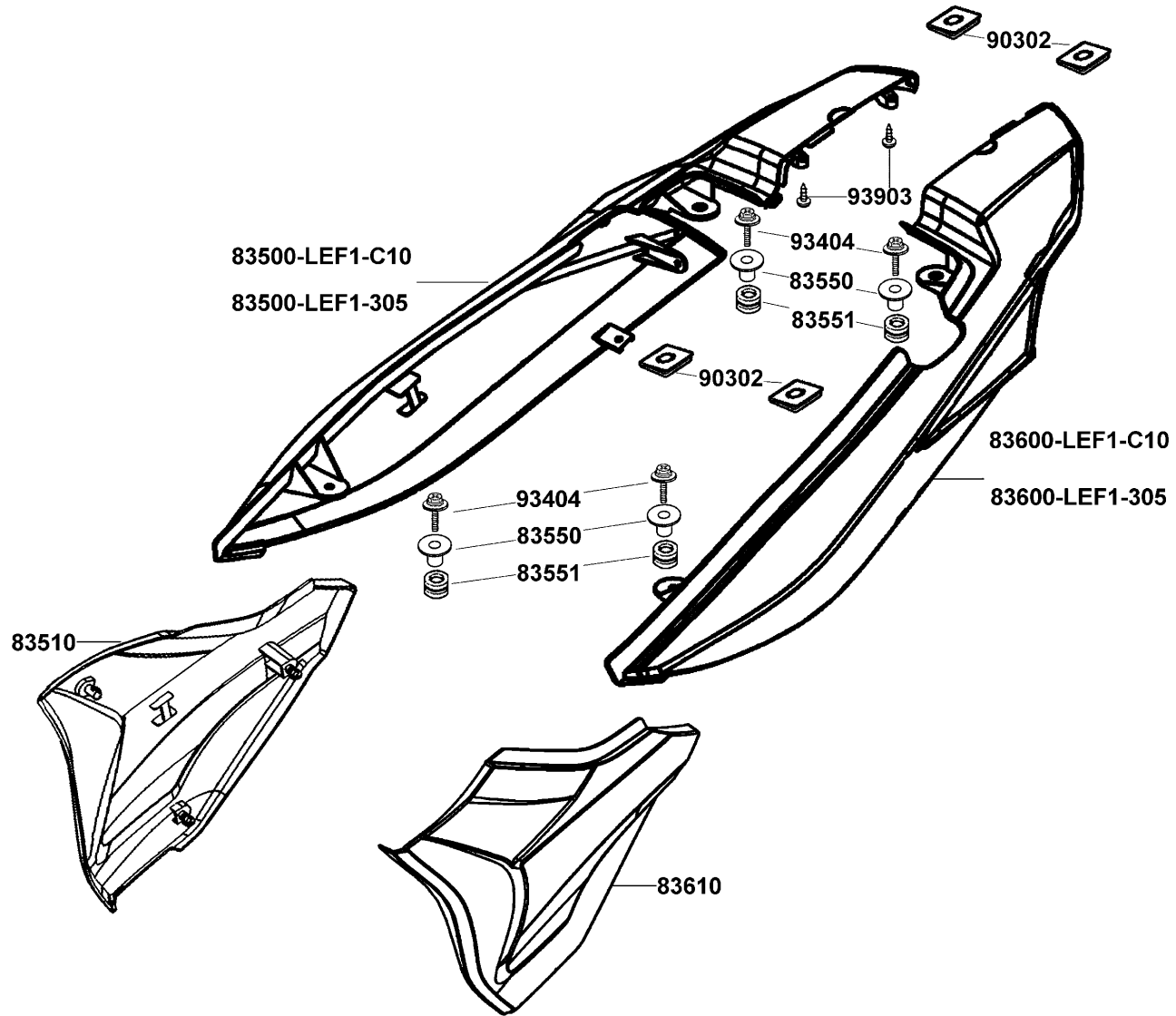
Fuel Tan



Sales mark	Ref no	Part no	Description	Reg description	Regd no	F10
	1691A	1691A-GFY6-901	STRAIN ASSY FUEL	STRAIN ASSY FUEL	1	
	16950	16950-KJJ9-7520	AUTO COCK ASSY FUEL	AUTO COCK ASSY FUEL	1	
	16956	16956-LEF1-C10	TUBE COMP FUEL 10.3*670	TUBE COMP FUEL 10.3*670	1	
	17509	17509-LEF1-C10	TANK COLLAR	TANK COLLAR	2	
**	1750A	1750A-LEF1-305	TANK COMP FUEL	TANK COMP FUEL	1	
	17514	17514-LEF1-C10	CUSH FUEL TANK RR B	CUSH FUEL TANK RR B	2	
	17611	17611-LEF1-C10	CUSHION FRONT FUEL TANK	CUSHION FRONT FUEL TANK	2	
	17613	17613-LEF1-C10	CUSH FUEL TANK RR	CUSH FUEL TANK RR	1	
	3780A	3780A-LEF1-C10	FUEL UNIT	FUEL UNIT	1	
	64255	64255-LEF1-C10	STAY HORN COVER	STAY HORN COVER	1	
	83551	83551-KKAK-900	GROMMET AIR CLEANER CASE	GROMMET AIR CLEANER CASE	6	
	90302	90302-GFY6-901	BOLT WASH 5*12	BOLT WASH 5*12	2	
	93414	93414-06035-08	BOLT WASHER 6*35	BOLT WASHER 6*35	2	
	94050	94050-06080	NUT FLANGE 6MM	NUT FLANGE 6MM	4	



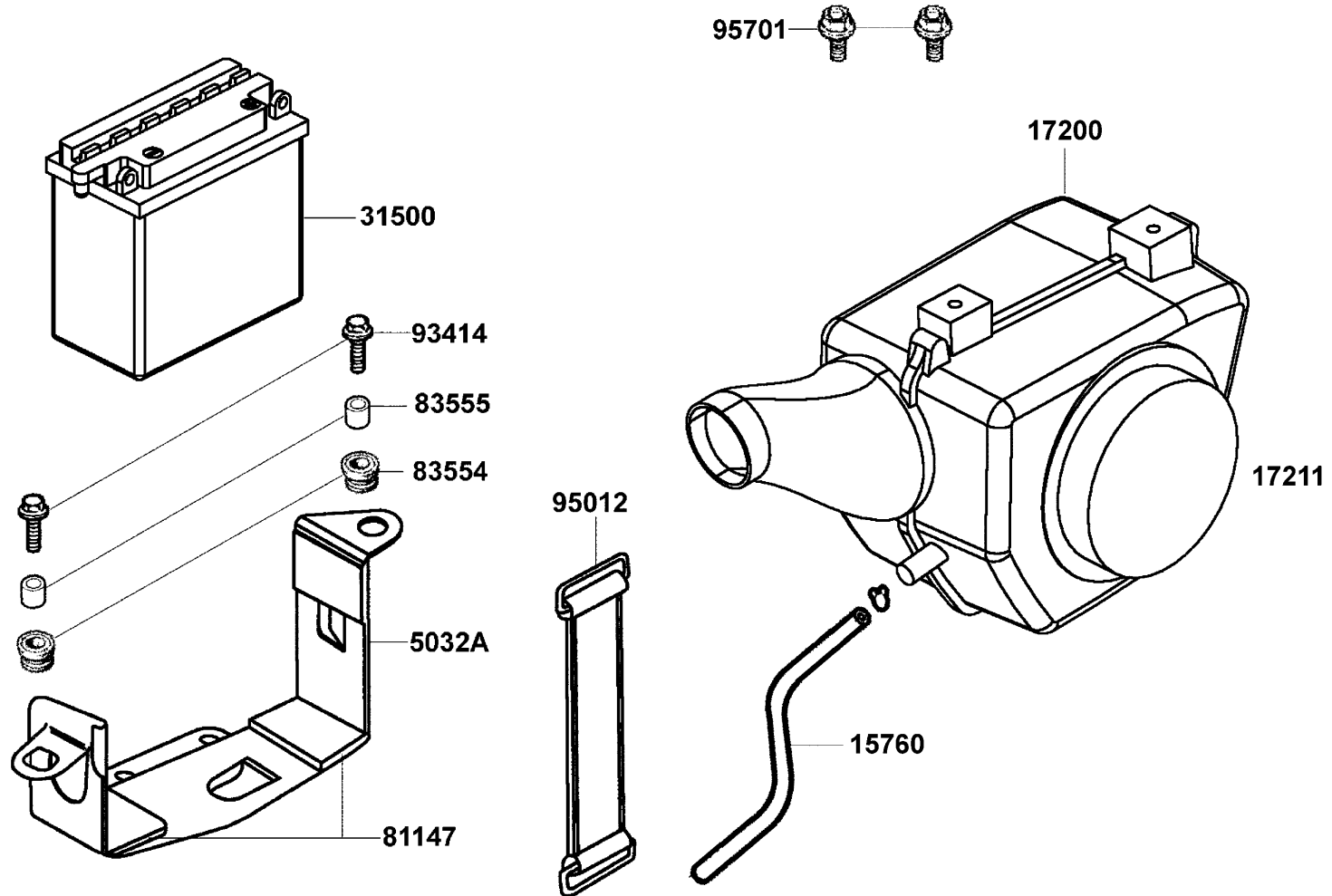
Sales mark	Ref no	Part no	Description	Reg description	Regd no	F11
	77205	77205-LEF1-C10	COLLAR	COLLAR	2	
	81200	81200-LEF1-C11	GRIP RR	GRIP RR	1	
	81201	81201-LEF1-C10	"RUBBER,CARRIER RR"	"RUBBER,CARRIER RR"	1	
	81202	81202-LEF1-C10	COLLAR	COLLAR	1	
	95701-08016	95701-08016-08	BOLT FLANGE 8*16	BOLT FLANGE 8*16	2	
	95701-08030	95701-08030-08	BOLT FLANGE 8*30	BOLT FLANGE 8*30	4	



Sales mark	Ref no	Part no	Description	Reg description	Regd no	F12
**	83500-LEF1-305	83500-LEF1-305	"BODY R, COVER"	"BODY R, COVER"	1	
**	83500-LEF1-C10	83500-LEF1-C10	"BODY R, COVER"	"BODY R, COVER"	1	
**	83510	83510-LEF1-307	SIDE R COVER	SIDE R COVER	1	
	83550	83550-KEC8-900	COLLAR	COLLAR	4	
	83551	83551-KEC8-900	GROMMET COVER	GROMMET COVER	4	
**	83600-LEF1-305	83600-LEF1-305	"BODY L, COVER"	"BODY L, COVER"	1	
**	83600-LEF1-C10	83600-LEF1-C10	"BODY L, COVER"	"BODY L, COVER"	1	
**	83610	83610-LEF1-307	"SIDE L, COVER"	"SIDE L, COVER"	1	
	90302	90302-SDA4-004	NUT SPRING 4MM	NUT SPRING 4MM	4	
	93404	93404-06016-08	BOLT WASHER 6*16	BOLT WASHER 6*16	4	
	93903	93903-34380	SCREW TAPPING 4*12	SCREW TAPPING 4*12	2	

F13

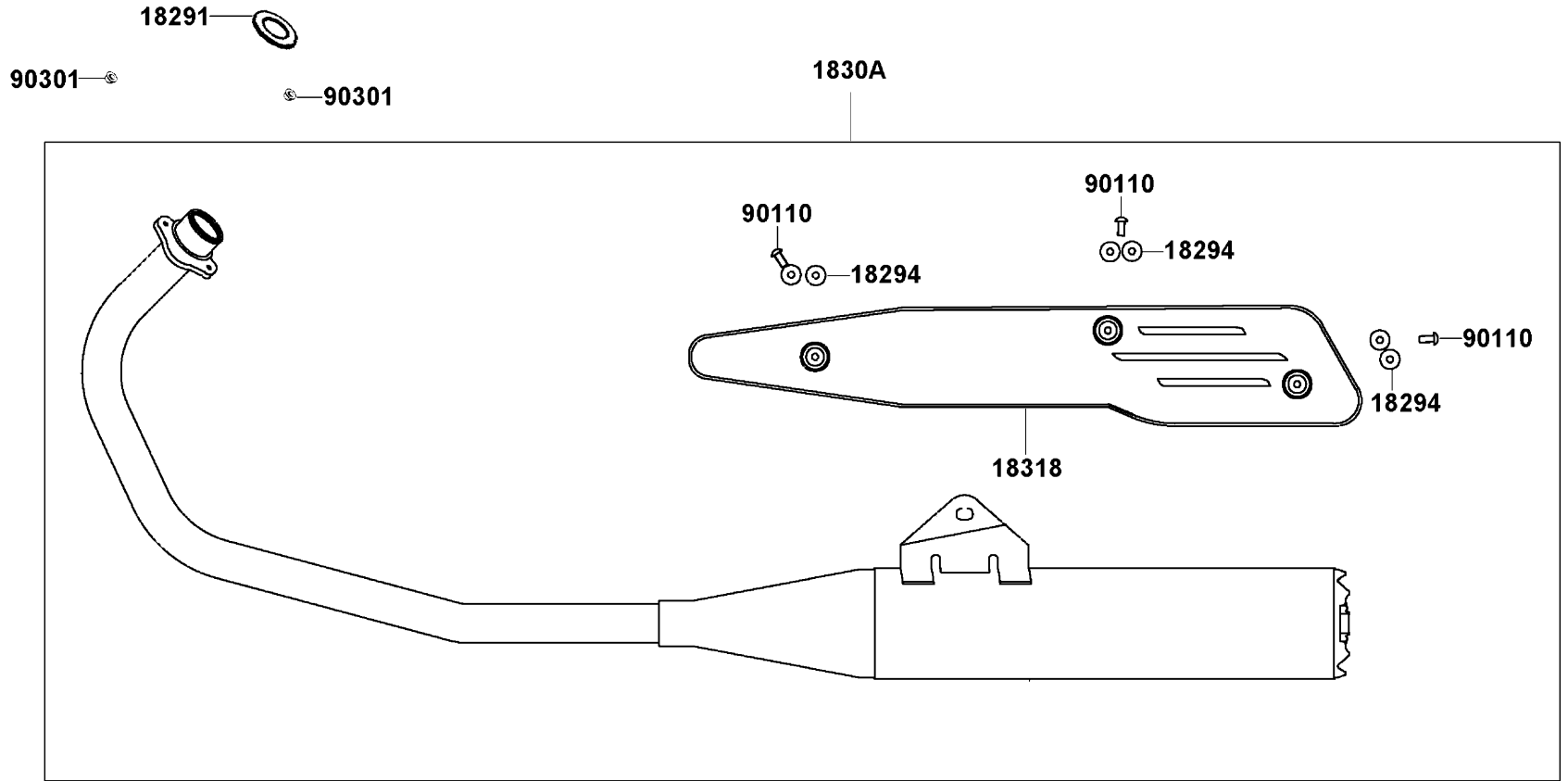
Air Cleaner



Sales mark	Ref no	Part no	Description	Reg description	Regd no	F13
	15760	15760-LEF2-C10	TUBE BREATHER	TUBE BREATHER	1	
	17200	17200-LEF1-C11	AIR/C ASSY	AIR/C ASSY	1	
	17211	17211-LEF1-C11	ELEMENT COMP AIR/C	ELEMENT COMP AIR/C	1	
	31500	31500-LBG5-C10	BATTERY 12N7-4B	BATTERY 12N7-4B	1	
	5032A	5032A-LCA1-C00	BOX ASSY BATTERY	BOX ASSY BATTERY	1	
	81147	81147-LAC1-C00	PAD BATTERY CASE	PAD BATTERY CASE	2	
	83554	83554-LAC1-C00	CUSH BATTER	CUSH BATTER	2	
	83555	83555-LAC1-C00	CUSH RR FENDER	CUSH RR FENDER	2	
	93414	93414-06016-08	BOLT FLANGE6*16	BOLT FLANGE6*16	2	
	95012	95012-LEJ2-E10	BAND BATTERY	BAND BATTERY	1	
	95701	95701-06012-08	BOLT FLANGE 6*12	BOLT FLANGE 6*12	2	

F14

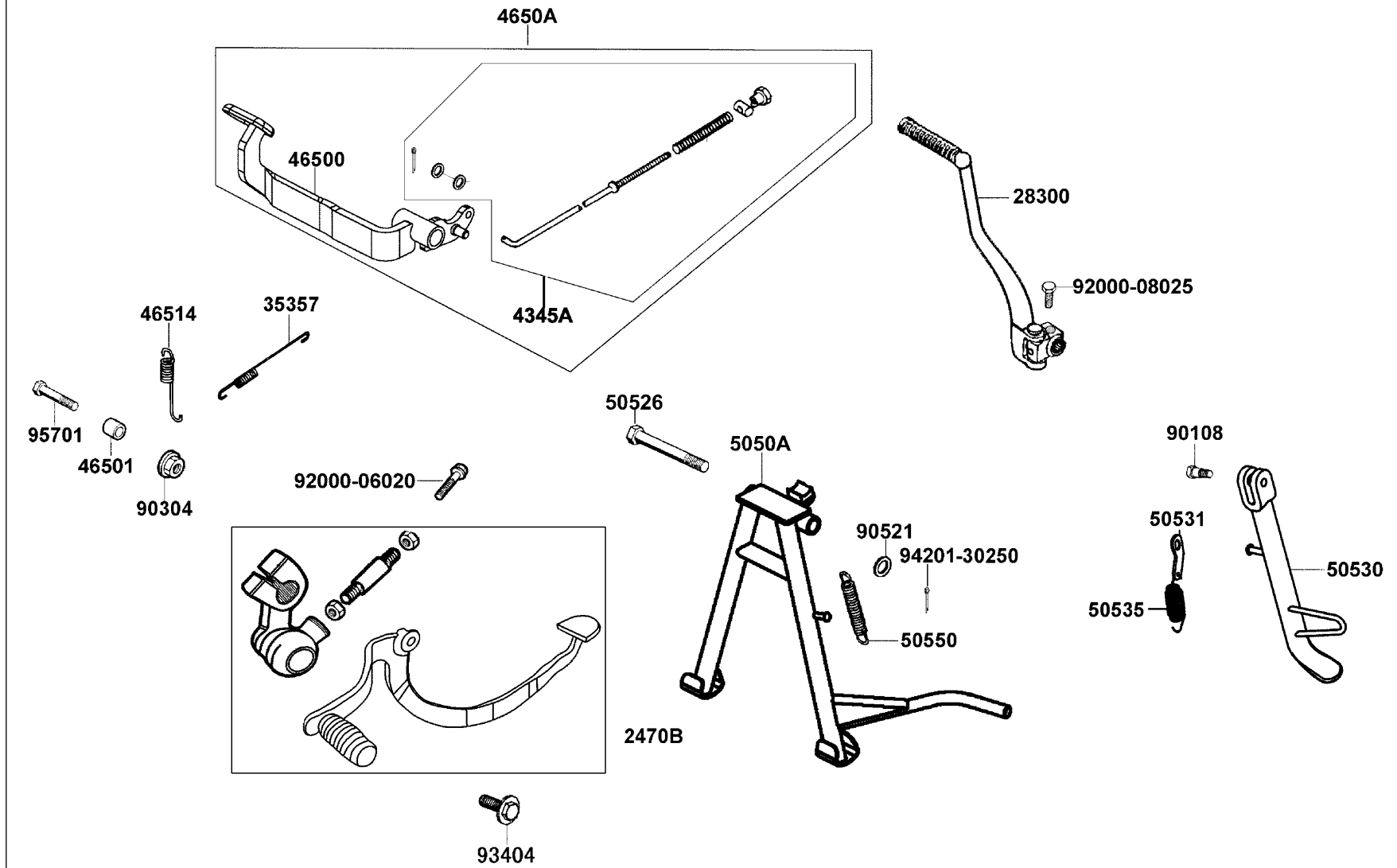
Exhaust Muffler



Sales mark	Ref no	Part no	Description	Reg description	Regd no	F14
	18291	18291-2F16-001	GASKET EXH PIPE	GASKET EXH PIPE	1	
	18294	18294-KEBE-900	PACKING PROTECTOR	PACKING PROTECTOR	6	
	1830A	1830A-LEF1-E11	MUFFLER ASSY EXHAUST	MUFFLER ASSY EXHAUST	1	
	18318	18318-LEF1-C10	PROTECTOR MUFFLER	PROTECTOR MUFFLER	1	
	90110	90110-LEF1-C10	PROTECTOR MUFF SCREW	PROTECTOR MUFF SCREW	3	
	90301	90301-LEF1-C11	"NUT,(HEX) CAP,8mm(C)"	"NUT,(HEX) CAP,8mm(C)"	2	

F15

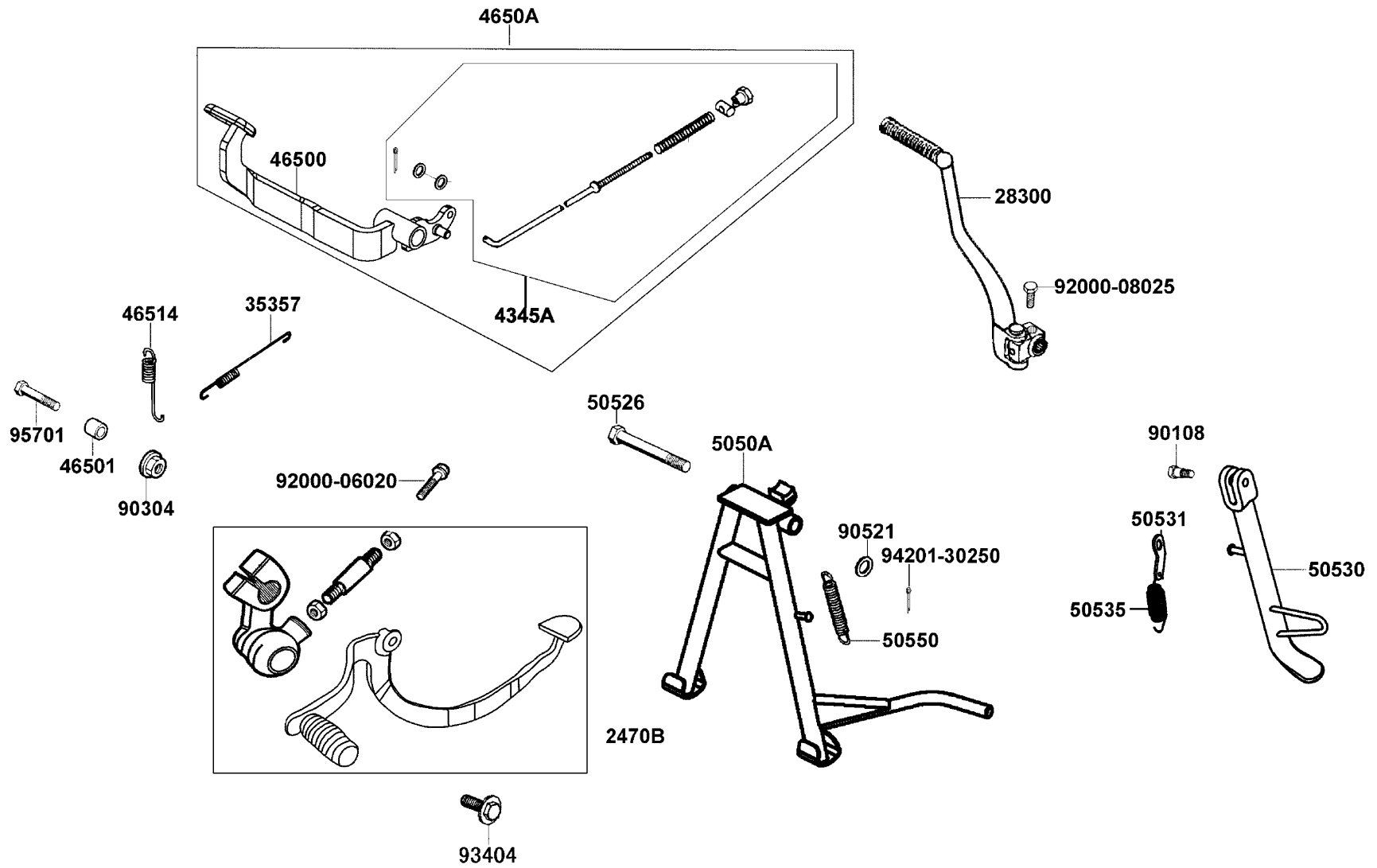
Pedal Stand



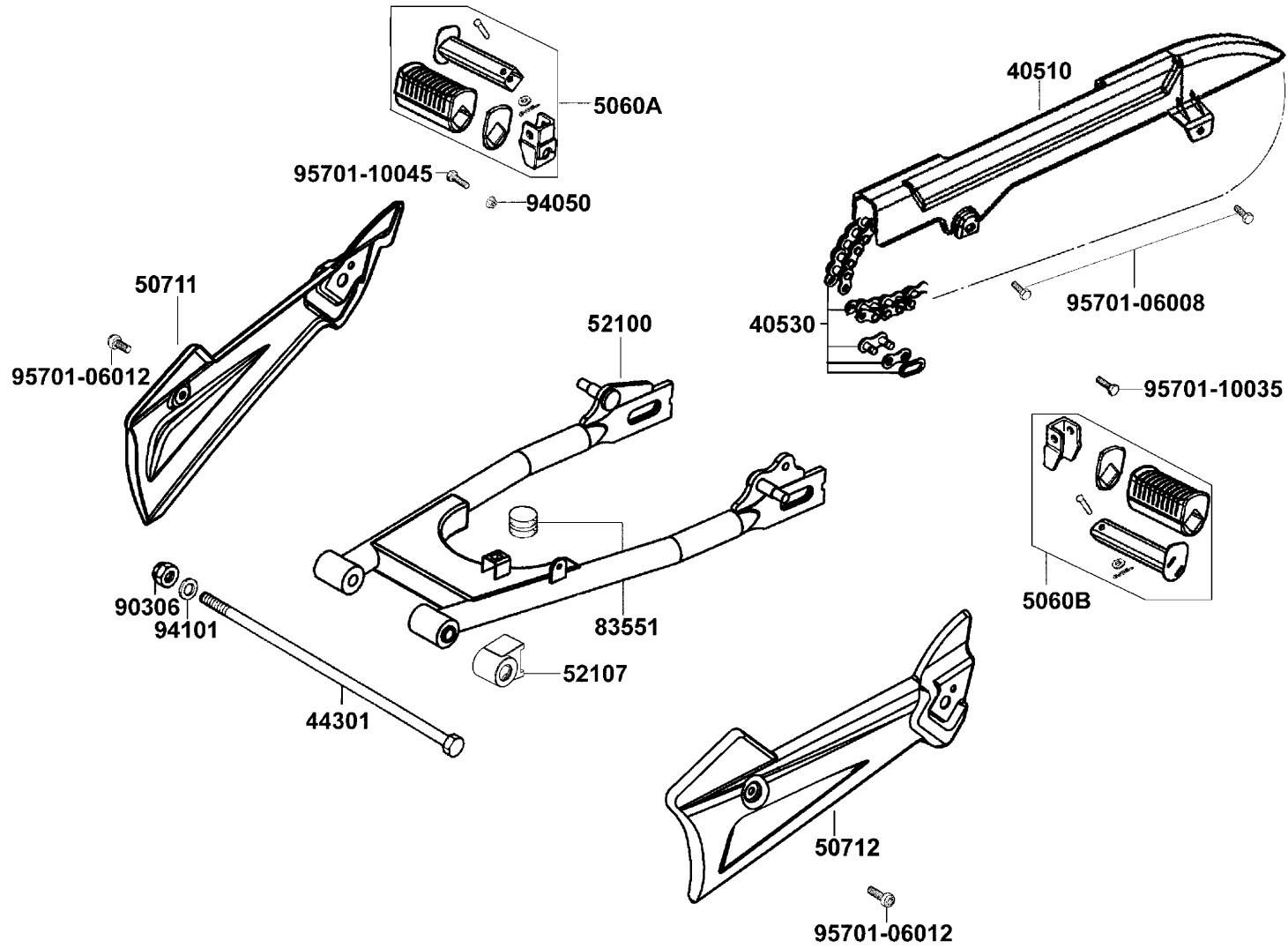
Sales mark	Ref no	Part no	Description	Reg description	Regd no	F15
2470B		2470B-LEF1-C10	PEDAL ASSY CHANGE	PEDAL ASSY CHANGE	1	
28300		28300-LEF1-C10	ARM ASSY KICK STARTER	ARM ASSY KICK STARTER	1	
35357		35357-LEF1-C11	SPRING STOP SWITCH	SPRING STOP SWITCH	1	
4345A		4345A-LEF1-C10	ROD ASSY RR BRAKE	ROD ASSY RR BRAKE	1	
46500		46500-LEF1-C10	PEDAL RR BRAKE	PEDAL RR BRAKE	1	
46501		46501-LEF1-C11	COLLAR RR BRAKE	COLLAR RR BRAKE	1	
4650A		4650A-LEF1-C10	PEDAL ASSY RR BRAKE	PEDAL ASSY RR BRAKE	1	
46514-LEF1		46514-LEF1-C11	SPRING BRAKE PEDAL	SPRING BRAKE PEDAL	1	
5050A		5050A-LEF1-C10	STAND ASSY MAIN	STAND ASSY MAIN	1	
50526		50526-LAC1-C00	SHAFT MAIN STAND PIVOT	SHAFT MAIN STAND PIVOT	1	
50530		50530-LEF1-E00	BAR COMP SIDE STAND	BAR COMP SIDE STAND	1	
50531		50531-LBA8-E80	PLATE SPG STOPPER	PLATE SPG STOPPER	1	
50535		50535-KKB1-E00	SPG A SIDE STAND	SPG A SIDE STAND	1	
50550		50550-LEF1-E00	SPRING MAIN STAND	SPRING MAIN STAND	1	
90108		90108-KUDU-E00	SCREW SIDE STAND PIVOT	SIDE STAND PIVOT	1	
90304		90304-GHE8-004	NUT U 10MM	NUT U 10MM	1	
90521		90521-0H28-001	DIA WASHER 17*22	DIA WASHER 17*22	1	
92000-06020		92000-06020-0H	BOLT HEX 6X20	BOLT HEX 6*20 (C)	1	
92000-08025		92000-08025-0H	BOLT HEX 8*25	BOLT HEX 8*25	1	
93404		93404-06012-07	BOLT WASH 6*12	BOLT WASH 6*12	1	

F15

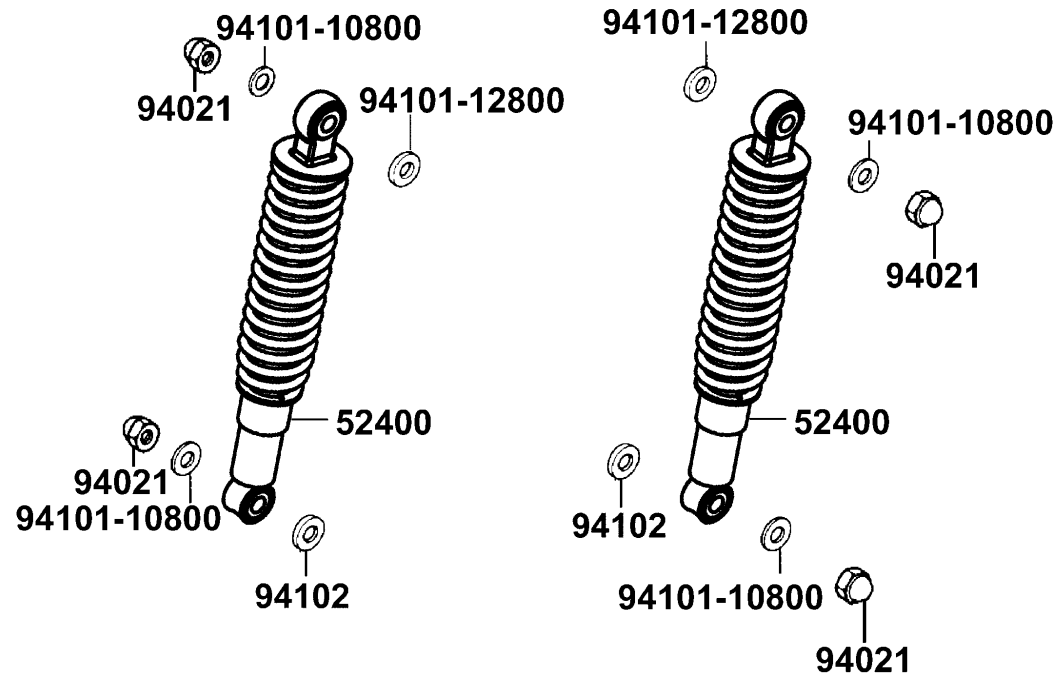
Pedal Stand



Sales mark	Ref no	Part no	Description	Reg description	Regd no	F15
	94201	94201-30250	PIN SPLIT 3*25	PIN SPLIT 3*25	1	
	95701	95701-10065-08	BOLT FLANGE 10*65 ?	BOLT FLANGE 10*65 ?	2	



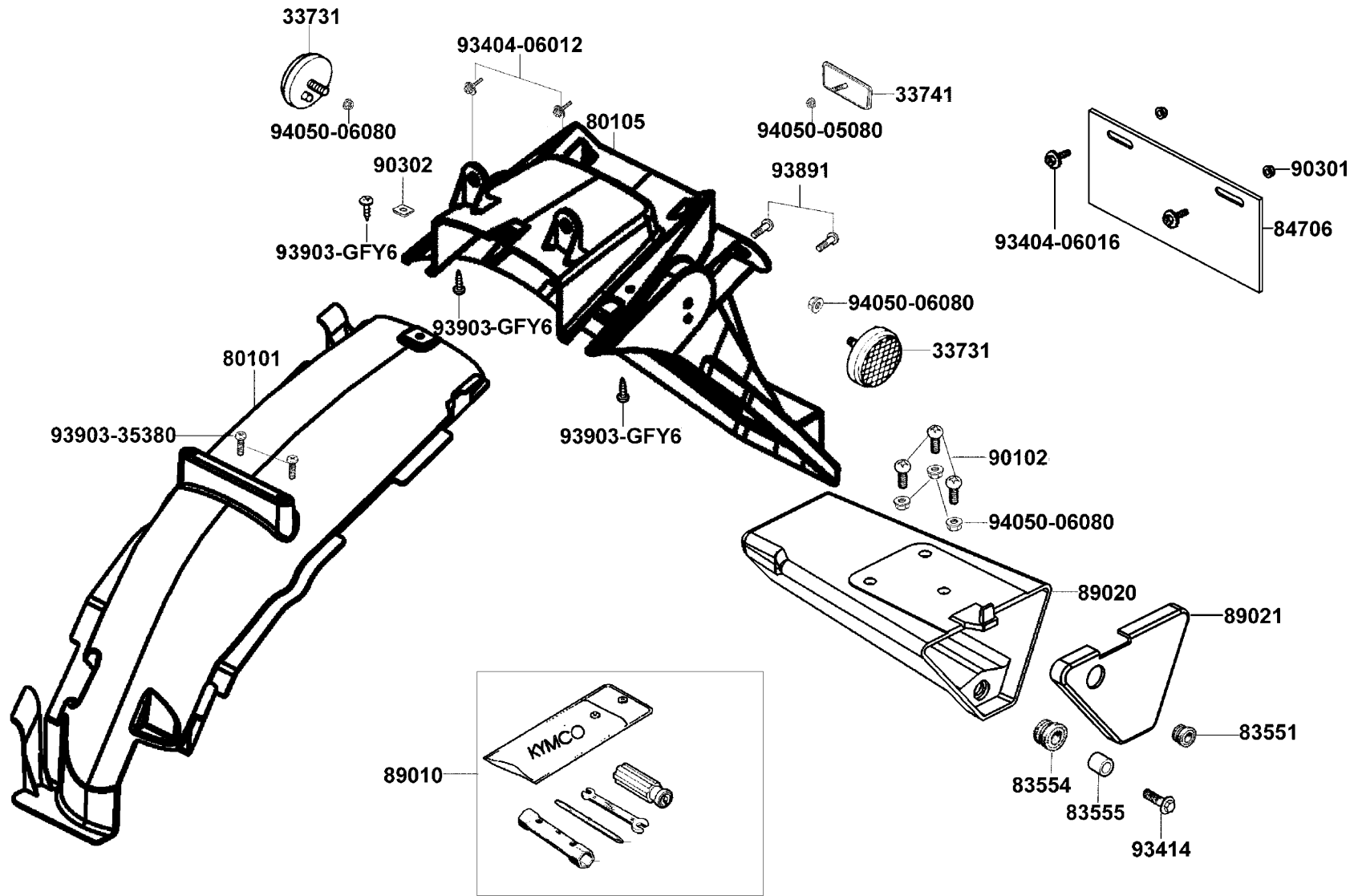
Sales mark	Ref no	Part no	Description	Reg description	Regd no	F16
	40510	40510-LEF1-C10	CASE DRIVE CHAIN	CASE DRIVE CHAIN	1	
	40530	40530-LEF1-C10	CHAIN DRIVE 428H-116	CHAIN DRIVE 428H-116	1	
	44301	44301-KECE-900	AXLE FR WHEEL	BOLT RR RORK	1	
	5060A	5060A-LEF1-C10	BAR STER R	BAR STER R	1	
	5060B	5060B-LEF1-C10	BAR STER L	BAR STER L	1	
**	50711	50711-LEF1-C10	COVER STEP COMP RH	COVER STEP COMP RH	1	
**	50712	50712-LEF1-C10	COVER STEP COMP LH	COVER STEP COMP LH	1	
	52100	52100-LEF1-C11	FORK ASSY REAR	FORK ASSY REAR	1	
	52107	52107-LAC1-C00	SLIDER CHAIN	SLIDER CHAIN	1	
	83551	83551-KEC8-900	GROMMET COVER	GROMMET COVER	1	
	90306	90306-GLW0-902	NUT U FLANGE 12mm(C)	NUT U FLANGE 12mm(C)	1	
	94050	94050-08080	NUT FLANGE 8MM	NUT FLANGE 8MM	1	
	94101	94101-12800	WASHER PLAIN 12MM	WASHER PLAIN 12MM	1	
	95701-06008	95701-06008-08	BOLT FLANGE 6*8	BOLT FLANGE 6*8	2	
	95701-06012	95701-06012-08	BOLT FLANGE 6*12	BOLT FLANGE 6*12	2	
	95701-10035	95701-10035-08	BOLT FLANGE 10*35	BOLT FLANGE 10*35	1	
	95701-10045	95701-10045-08	BOLT FLANGE 10*45(C)	BOLT FLANGE 10*45(C)	1	



Sales mark	Ref no	Part no	Description	Reg description	Regd no	F17
	52400	52400-LEF1-C1A	CUSHION ASSY RR	CUSHION ASSY RR	2	
	94021	94021-10020-0S	NUT HEX CAP 10MM	NUT HEX CAP 10MM (Cr)	4	
	94101-10800	94101-10800	WASHER PLAIN 10MM	WASHER PLAIN 10MM	4	
	94101-12800	94101-12800	WASHER PLAIN 12MM	WASHER PLAIN 12MM	2	
	94102	94102-12800	WASHER PLAIN 12MM	WASHER PLAIN 12MM	2	

F18

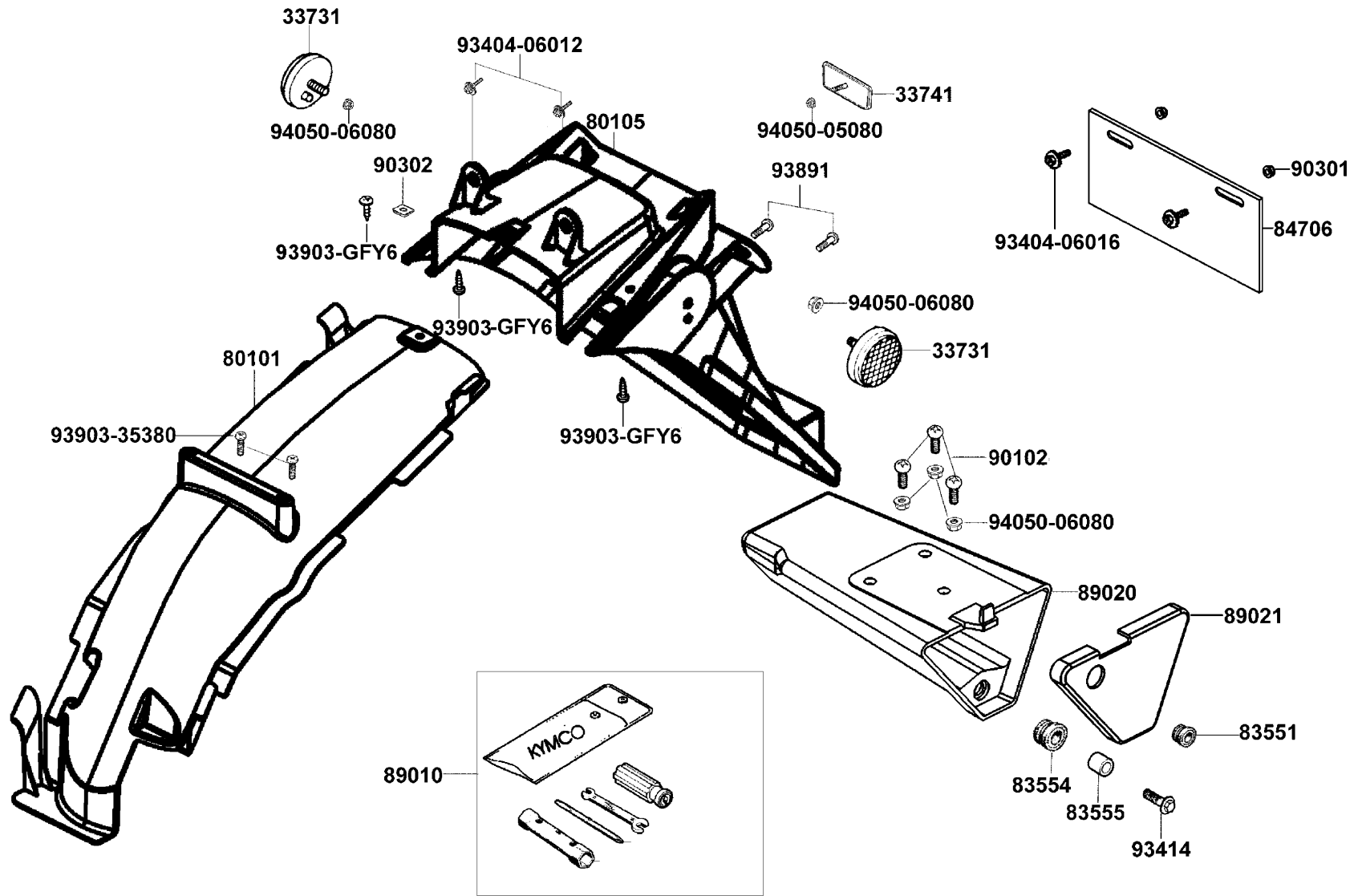
Rear Fender



Sales mark	Ref no	Part no	Description	Reg description	Regd no	F18
	33731-GFY6	33731-GFY6-C03	REFLEX REFLECTOR	REFLEX REFLECTOR	2	
	33741-KEBE	33741-KEBE-900	REFLEX REFLECTOR	REFLEX REFLECTOR	1	
	80101	80101-LEF1-C10	FENDER RR INNER	FENDER RR INNER	1	
	80105	80105-LEF1-C10	FENDER REAR	FENDER REAR	1	
	83551	83551-KKAK-900	GROMMET AIR CLEANER CASE	GROMMET AIR CLEANER CASE	1	
	83554	83554-LAC1-C00	CUSH BATTER	CUSH BATTER	1	
	83555	83555-LAC1-C00	CUSH RR FENDER	CUSH RR FENDER	1	
	84706	84706-LAD5-C11	LICENSE PLATE	LICENSE PLATE	1	
	89010	89010-KBE2-C00	TOOL SET	TOOL SET	1	
	89020	89020-LAC1-C00	TOOL BOX	TOOL BOX	1	
	89021	89021-LEF1-C10	"TOOL BOX ,COVER"	"TOOL BOX ,COVER"	1	
	90102	90102-06016-0G	SCREW SPECIAL 6*16?	SCREW SPECIAL 6*16?	3	
	90301	90301-6D34-671	NUT FLANGE 6MM	NUT FLANGE 6MM	2	
	90302	90302-SDA4-004	NUT SPRING 4MM	NUT SPRING 4MM	1	
	93404-06012	93404-06012-07	BOLT WASH 6*12	BOLT WASH 6*12	4	
	93404-06016	93404-06016-08	BOLT WASHER 6*16	BOLT WASHER 6*16	2	
	93414	93414-06016-08	BOLT FLANGE6*16	BOLT FLANGE6*16	1	
	93891	93891-05016-07	SCREW WASHER 5*16 (K)	SCREW WASHER 5*16 (K)	2	
	93903-35380	93903-35380	SCREW TAPPING 5*16 (K)	SCREW TAPPING 5*16 (K)	2	
	93903-GFY6	93903-GFY6-900	SCREW TAPPING 4*14	SCREW TAPPING 4*14	3	

F18

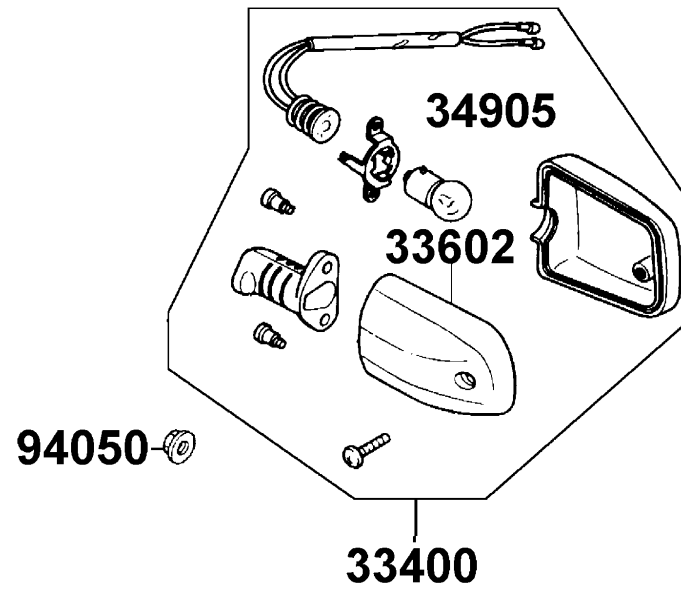
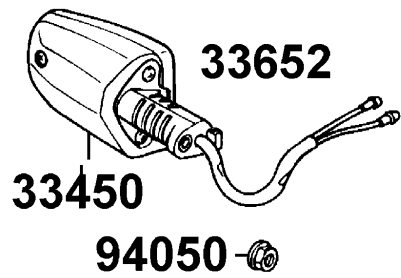
Rear Fender



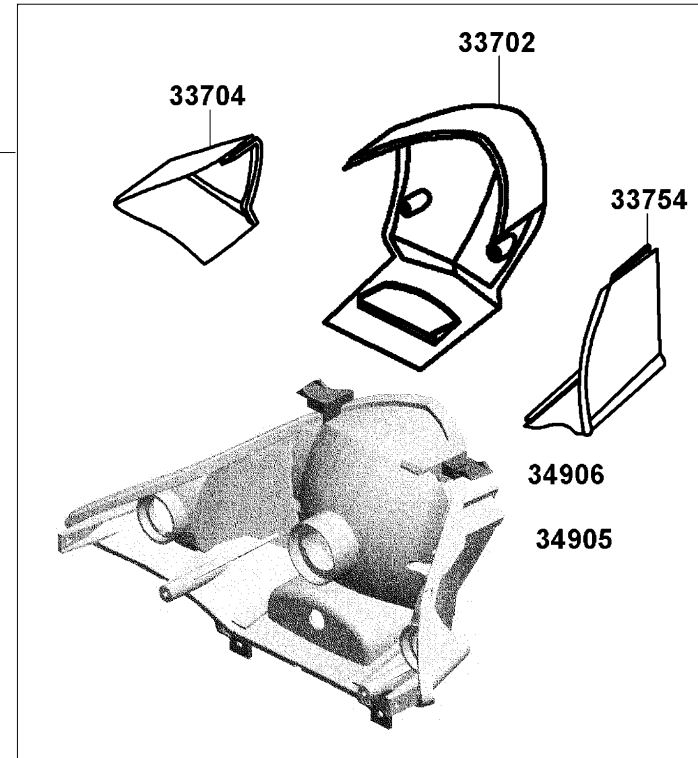
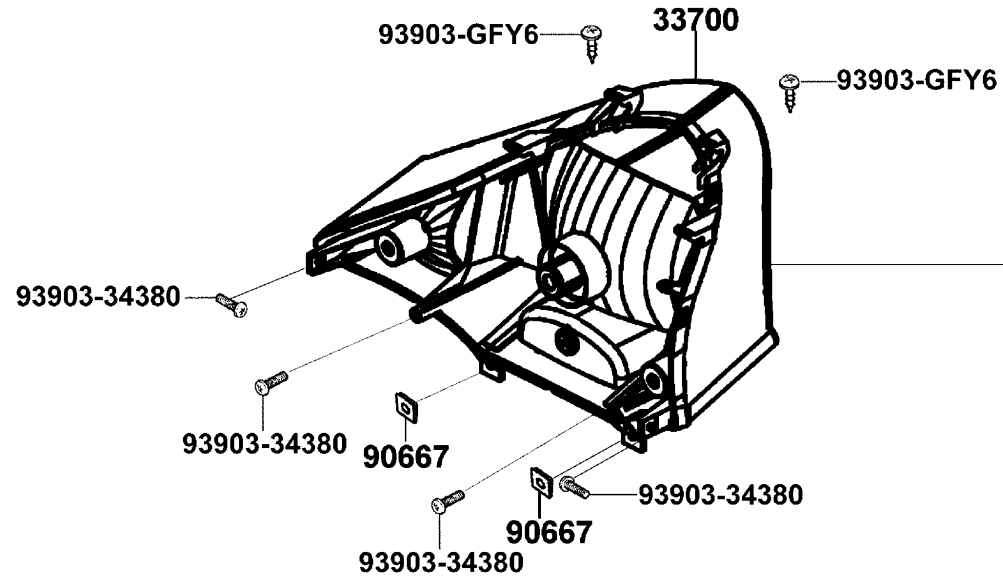
Sales mark	Ref no	Part no	Description	Reg description	Regd no	F18
	94050-05080	94050-05080	NUT FLANGE 5MM	NUT FLANGE 5MM	1	
	94050-06080	94050-06080	NUT FLANGE 6MM	NUT FLANGE 6MM	5	

F19

Winker



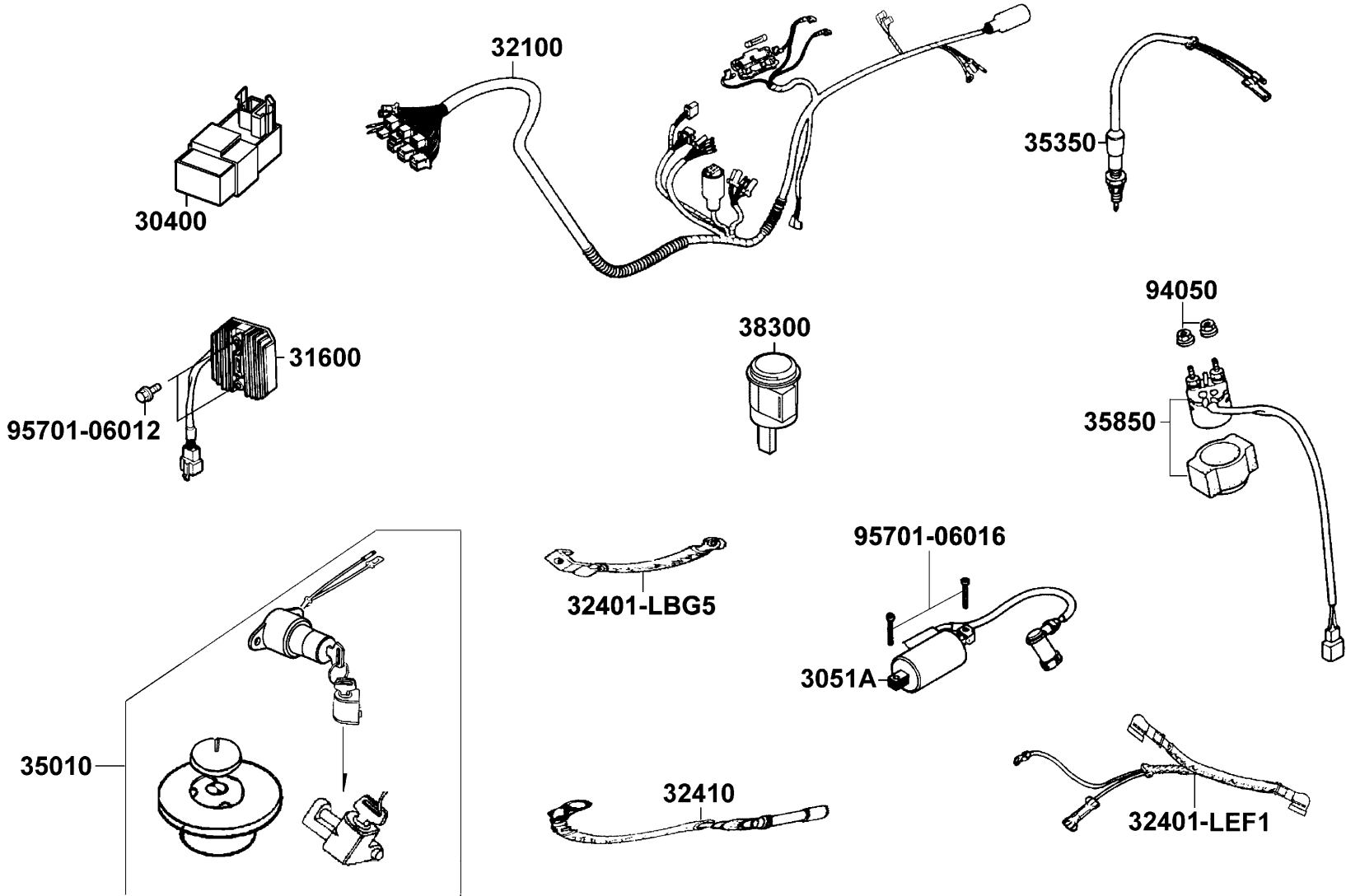
Sales mark	Ref no	Part no	Description	Reg description	Regd no	F19
	33400	33400-LEF1-C10	WINKER ASSY R FR	WINKER ASSY R FR	1	
	33450	33450-LEF1-C10	WINKER ASSY L FR	WINKER ASSY L FR	1	
	33602	33602-LEF1-C10	LENS,R RR., WINKER	"LENS,R RR., WINKER"	1	
	33652	33652-LEF1-C10	LENS,L RR., WINKER	"LENS,L RR., WINKER"	1	
	34905	34905-KHC4-900	BULB WINKER	BULB WINKER	2	
	94050	94050-10080	NUT FLANGE 10MM	NUT FLANGE 10MM	2	



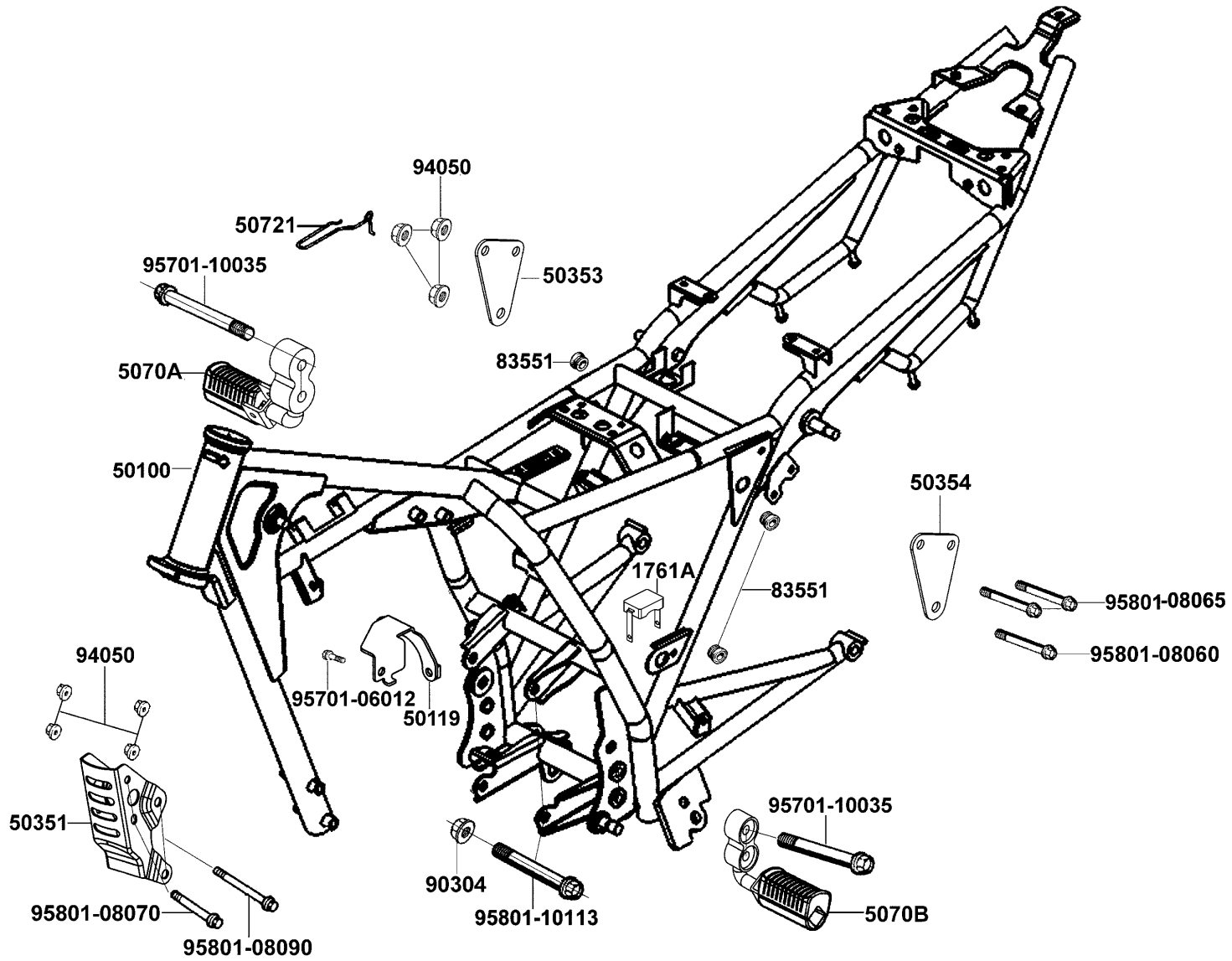
Sales mark	Ref no	Part no	Description	Reg description	Regd no	F20
	33700	33700-LEF1-C10	LIGHT ASSY RR COMB	LIGHT ASSY RR COMB	1	
	33702	33702-LEF1-C10	LENS, RR.COMB	"LENS, RR.COMB"	1	
	33704	33704-LEF1-C10	LENS,R RR.WINKER	"LENS,R RR.WINKER"	1	
	33754	33754-LEF1-C10	LENS,L RR.WINKER	"LENS,L RR.WINKER"	1	
	34905	34905-KHC4-900	BULB WINKER	BULB WINKER	1	
	34906	34906-LBA8-E80	BULB TAIL & STOP	BULB TAIL & STOP	1	
	90677	90677-GAR1-004	NUT CLIP 5MM	NUT CLIP 5MM	2	
	93903-34380	93903-34380	SCREW TAPPING 4*12	SCREW TAPPING 4*12	4	
	93903-GFY6	93903-GFY6-900	SCREW TAPPING 4*14	SCREW TAPPING 4*14	2	

F21

Wire Harness



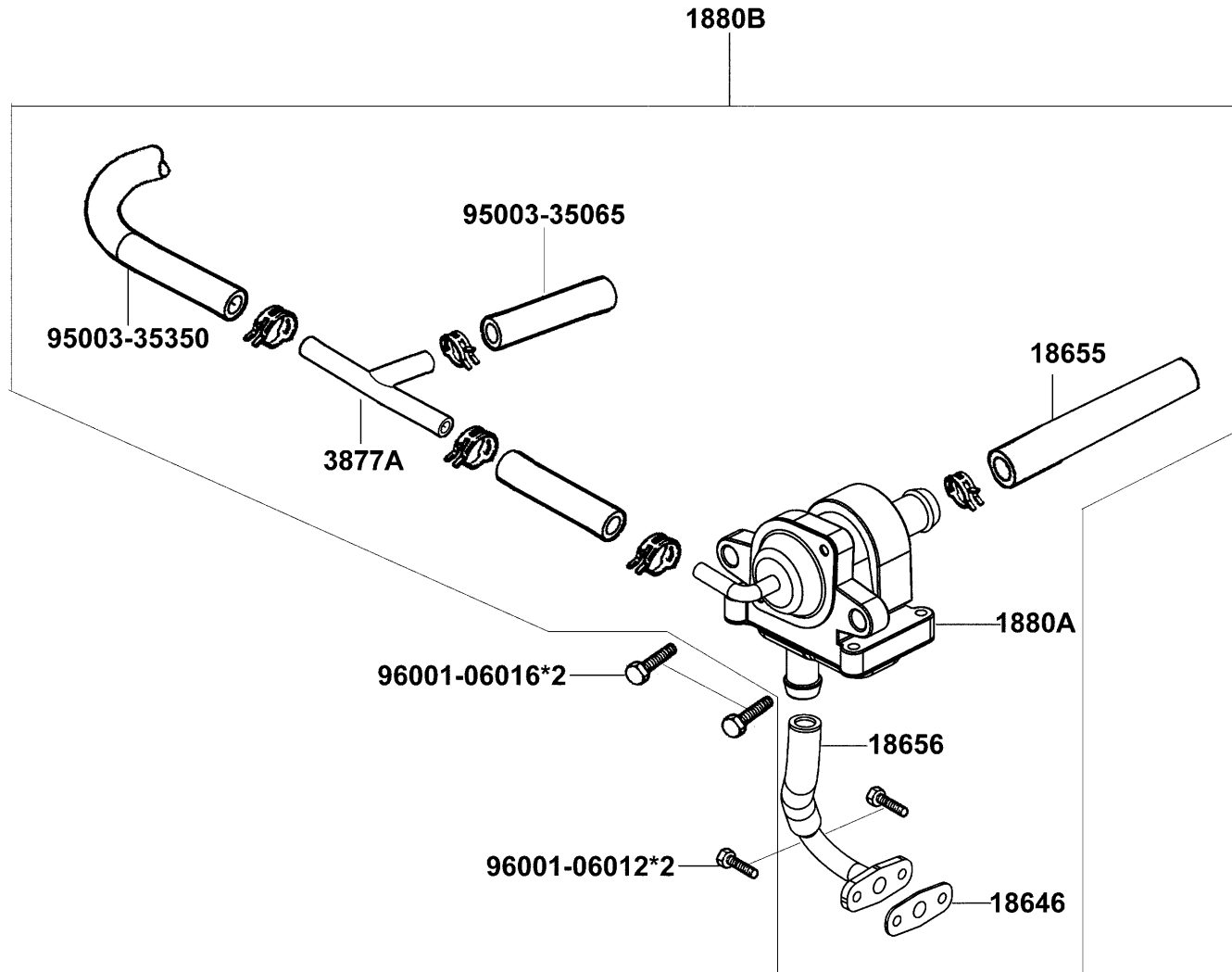
Sales mark	Ref no	Part no	Description	Reg description	Regd no	F21
	30400	30400-LFD8-C10	UNIT ASSY CDI	UNIT ASSY CDI	1	
	3051A	3051A-KGE2-M90	IGN ASSY	IGN ASSY	1	
	31600	31600-KAR1-76A	REG REC COMP (DC)	REG REC COMP (DC)	1	
	32100	32100-LEF1-C10	HARNESS WIRE	HARNESS WIRE	1	
	32401-LBG5	32401-LBG5-C10	CORD EARTH	CORD EARTH	1	
	32401-LEF1	32401-LEF1-C10	CABLE RELAY BATT	CABLE RELAY BATT	1	
	32410	32410-KGG7-001	CABLE START MOTOR	CABLE START	1	
	35010	35010-LEF1-F20	KEY SET	KEY SET	1	
	35350	35350-LEF1-C10	SWITCH RR STOP	SWITCH RR STOP	1	
	35850	35850-LCA3-B50	SET START MAG	SET START MAG	1	
	38300	38300-GLW0-C11	RELAY ASSY WINKER	RELAY ASSY WINKER	1	
	94050	94050-06080	NUT FLANGE 6MM	NUT FLANGE 6MM	2	
	95701-06012	95701-06012-08	BOLT FLANGE 6*12	BOLT FLANGE 6*12	2	
	95701-06016	95701-06016-08	BOLT FLANGE 6*16	BOLT FLANGE 6*16	2	



Sales mark	Ref no	Part no	Description	Reg description	Regd no	F22
	1761A	1761A-LEF1-C10	"RUBBER COMP,OBSTRUCT CHAIN"	"RUBBER COMP,OBSTRUCT CHAIN"	1	
	50100	50100-LEF1-C11	BODY COMP FRAME	BODY COMP FRAME	1	
	50119	50119-LEF1-C10	STAY AICV	STAY AICV	1	
	50351	50351-LEF1-C10	PLATE FRONT ENGINE HANGER	PLATE FRONT ENGINE HANGER	1	
	50353	50353-LEF2-C10	PLATE R ENG UP HANGER	PLATE R ENG UP HANGER	1	
	50354	50354-LEF2-C10	PLATE L ENG UP HANGER	PLATE L ENG UP HANGER	1	
	5070A	5070A-LEF1-C10	BAR R P STEP ASSY	BAR R P STEP ASSY	1	
	5070B	5070B-LEF1-C10	BAR L P STEP ASSY	BAR L P STEP ASSY	1	
	50721	50721-3B82-671	GUIDE CLUTCH CABLE	GUIDE CLUTCH CABLE	1	
	83551	83551-LEF1-C10	RUBBER	RUBBER	3	
	90304	90304-GHE8-004	NUT U 10MM	NUT U 10MM	2	
	94050	94050-08080	NUT FLANGE 8MM	NUT FLANGE 8MM	7	
	95701-06012	95701-06012-08	BOLT FLANGE 6*12	BOLT FLANGE 6*12	1	
	95701-10035	95701-10035-08	BOLT FLANGE 10*35	BOLT FLANGE 10*35	4	
	95801-08060	95801-08060-08	BOLT FLANGE 8*60 (C)	BOLT FLANGE 8*60 (C)	1	
	95801-08065	95801-08065-08	BOLT FLANGE 8*65	BOLT FLANGE 8*65	2	
	95801-08070	95801-08070-08	BOLT FLANGE 8*70	BOLT FLANGE 8*70 (C)	2	
	95801-08090	95801-08090-08	BOLT FLANGE 8*90	BOLT FLANGE 8*90 (C)	2	
	95801-10113	95801-10113-08	BOLT FLANGE 10*113	BOLT FLANGE 10*113	2	

F23

Air Injection Control Valve



Sales mark	Ref no	Part no	Description	Reg description	Regd no	F23
	18646	18646-LAC4-C10	GASKET A/I PIPE	GASKET A/I PIPE	1	
	18655	18655-LEF1-C10	TUBE AIR/C-AICV	TUBE AIR/C-AICV	1	
	18656	18656-LEF1-C10	TUBE PIPE COMP AIR/C-ACIV	TUBE PIPE COMP AIR/C-ACIV	1	
	1880A	1880A-LEF1-C10	AI/C-AICV ASSY	AI/C-AICV ASSY	1	
	1880B	1880B-LEF1-C10	AI/C-AICV SET	AI/C-AICV SET	1	
	3877A	3877A-PKB9-001	JOINT ASSY 3 WAY	JOINT ASSY 3 WAY	1	
	95003-35065	95003-35065-10	TUBE3.5*7.5*65	TUBE3.5*7.5*65	1	
	95003-35350	95003-35350-10	TUBE3.5*7.5*350	TUBE3.5*7.5*350	1	
	96001-06012	96001-06012-08	BOLT FLANGE 6*12	BOLT FLANGE 6*12	2	
	96001-06016	96001-06016-08	BOLT FLANGE SH 6*16	BOLT FLANGE SH 6*16	2	

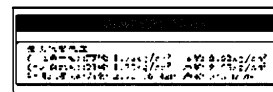
F24

Emblem Stripe



86223-LEF1-E000-IT

86233-LEF1-E000-IT



87505-LEF1-E000

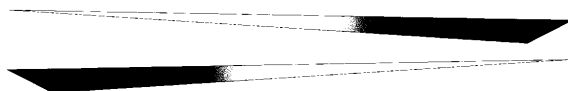


86323-LEF1-F000-AU

86333-LEF1-F000-AU

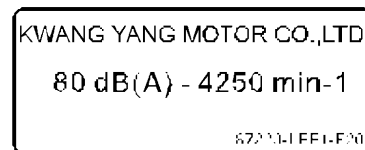


86700-LEB6-C000-CK



86423-LEF1-E000-IT

86433-LEF1-E000-IT



87223-LEF1-F000-AU



86203-LEF1-E000-IT



87556-LEJ2-E000

Sales mark	Ref no	Part no	Description	Reg description	Regd no	F24
**	86203	86203-LEF1-E10	STRIPE LOGO A	STRIPE LOGO A	2	
**	86223	86223-LEF1-E10	STRIPE R FUEL TANK	STRIPE R FUEL TANK	1	
**	86233	86233-LEF1-E10	STRIPE L FUEL TANK	STRIPE L FUEL TANK	1	
**	86323	86323-LEF1-F20	STRIPE R SIDE COVER	STRIPE R SIDE COVER	1	
**	86333	86333-LEF1-F20	STRIPE L SIDE COVER	STRIPE L SIDE COVER	1	
**	86423	86423-LEF1-E10	STRIPE R BODY COVER	STRIPE R BODY COVER	1	
**	86433	86433-LEF1-E10	STRIPE L BODY COVER	STRIPE L BODY COVER	1	
	86700	86700-LEB6-C10	STRIPE MARK KYMCO	STRIPE MARK KYMCO	1	
**	87223	87223-LEF1-F20	CAUTION ANTI TAMPERING	CAUTION ANTI TAMPERING	1	
**	87505	87505-LEF1-E00	MARK TIRE CAUTION	MARK TIRE CAUTION	1	

PART NO. INDEX

PART NO.	VERSION	PAGE	PART NO.	VERSION	PAGE	PART NO.	VERSION	PAGE		
11000			1243A-KBE2-901	1	E03	14761-3C83-005	0	E02		
			13000			14771-1G07-021	0	E02		
	11100-LBG5-C10	0		E07			14775-1G07-001	0	E02	
	11191-LBG5-C10	0	E07	13000-LEF1-C10	0	E08	14776-1G07-011	0	E02	
	11200-LBG5-C10	0	E07	13011-LEF1-C10	1	E08	14781-MDB4-000	0	E02	
	11330-LEF1-C10	0	E03	13101-LEF1-C10	0	E08	15000			
	11341-LEF1-C10	0	E06	13111-4L40-001	1	E08				
	11355-LEF1-C10	0	E06					15100-3E65-0110	0	E04
	11361-LEF1-C10	0	E06	14000				15421-1G07-W10	0	E07
	11393-LBG5-C10	0	E03					15426-1G07-001	2	E07
11395-LBG5-C10	0	E06	14100-LEF1-C10	0	E02	15430-4L40-031		0	E04	
12000			14321-LBG5-C10	0	E02	1543A-KGG7-901		0	E04	
			14401-LBG5-C10	0	E02	1543B-KGG7-901		0	E04	
			14431-LBG5-C10	0	E02	15451-1G07-001		0	E04	
	12100-LEF1-C10	0	E01	14451-LBG5-C10	0	E02		15459-1G07-001	0	E04
	12191-LEF1-C10	0	E01	14456-LBG5-C10	0	E02	15650-3C83-001	0	E03	
	12200-LEF1-C10	0	E01	14500-LEF1-C10	0	E02	15760-LEF2-C10	1	F13	
	12208-4C13-0040	0	E02	14513-LBG5-C10	0	E07	16000			
	12251-LEF1-C10	0	E01	14520-LBG5-C10	0	E02				
	12271-LBG5-C10	0	E01	14523-LBG5-C10	0	E02				
	12340-LEF1-C10	0	E01	14535-4G37-C11	0	E02		16012-LEF1-E10	0	E11
12361-1G07-000	0	E07	14550-LEF1-C10	0	E02	16075-LEF1-E00		0	E11	
12361-1G07-001	0	E01	14711-LBG5-C10	0	E02	1607A-LEF1-E00		0	E11	
12395-LBG5-C10	0	E01	14721-LBG5-C10	0	E02	16087-LEF1-E00		0	E11	
12431-3D24-031	0	E03	14751-3C83-005	0	E02	16088-KEC3-900		1	E11	

PART NO. INDEX

PART NO.	VERSION	PAGE	PART NO.	VERSION	PAGE	PART NO.	VERSION	PAGE
16093-LEF2-900	0	E11	17514-LEF1-C10	0	F10	22311-1G07-001	0	E05
16094-LEF1-E00	0	E11	17611-LEF1-C10	0	F10	22350-1G07-011	0	E05
16095-LEF1-E00	0	E11	17613-LEF1-C10	0	F10	22361-4G37-000	0	E05
1610K-LEF1-E00	0	E11	1761A-LEF1-C10	0	F22	22366-LEF1-C10	0	E05
16116-LEF1-E00	0	E11	17910-LEF1-C10	0	F01	22810-LEF2-C10	0	E03
16123-LEF1-E00	0	E11	17950-LEF1-C10	1	F01	22815-LBG5-C10	0	E03
16131-LEF1-E00	0	E11				2281A-LEF2-C10	0	E03
16133-LEF1-E00	0	E11	18000			22838-3E55-001	0	E07
16138-LEF1-E00	0	E11				22870-LEF1-C10	0	F01
16154-LEF2-900	0	E11	18291-2F16-001	1	F14			
16170-LEF1-E00	0	E11	18294-KEBE-900	0	F14	23000		
16179-LEF1-E00	0	E11	1830A-LEF1-E11	0	F14			
16611-KGE2-C11	0	E03	18318-LEF1-C10	0	F14	23121-3C83-001	0	E04
1691A-GFY6-901	0	F10	18646-LAC4-C10	0	F23	23211-3C83-001	0	E09
16950-KJJ9-7520	2	F10	18655-LEF1-C10	0	F23	2321A-3C83-001	0	E09
16956-LEF1-C10	0	F10	18656-LEF1-C10	0	F23	23221-1G07-021	1	E09
16997-357-003	0	E09	1880A-LEF1-C10	0	F23	2322A-1G07-021	0	E09
			1880B-LEF1-C10	0	F23	23426-4K39-321	0	E09
17000						23427-4K39-001	1	E09
			22000			23431-4K39-001	0	E09
1711A-LEF1-C10	0	E01				23441-4K39-001	1	E09
17200-LEF1-C11	0	F13	22100-3D24-001	0	E05	23451-4K39-901	0	E09
17211-LEF1-C11	0	F13	2210A-LBG5-C10	0	E05	23452-KAW1-900	0	E09
17509-LEF1-C10	0	F10	2210B-LEF1-C10	0	E05	23461-4K39-001	3	E09
1750A-LEF1-305	0	F10	22121-1G07-011	0	E05	23471-4K39-001	0	E09
1750A-LEF1-305	3	F10	22201-KKAK-900	0	E05	23481-4K39-001	1	E09

PART NO. INDEX

PART NO.	VERSION	PAGE	PART NO.	VERSION	PAGE	PART NO.	VERSION	PAGE
23491-4K39-001	0	E09						
23501-4K39-001	0	E09	28000			31000		
23511-4K39-011	0	E09						
23520-3C83-001	1	E09	28110-LBG5-C10	0	E06	31100-LFD8-C10	0	E06
23531-4K39-001	0	E09	28120-LBG5-C10	0	E06	31110-LFD8-C10	0	E06
23801-KYCY-900	0	E09	28130-LBG5-C10	0	E06	31120-LFD8-C10	0	E06
23811-KCR3-601	0	E09	28132-LBG5-C10	0	E06	31200-LFD8-C10	0	E06
			28140-LBG5-C10	0	E06	31500-LBG5-C10	0	F13
24000			28211-LEF1-C10	0	E09	31600-KAR1-76A	2	F21
			28221-LEF1-C10	0	E09			
24211-1G07-002	0	E10	28251-LEF1-C10	0	E09	32000		
24221-3E55-002	0	E10	28253-LEF1-C10	0	E09			
24231-1G07-011	1	E10	28254-LBG5-C10	0	E06	32100-LEF1-C10	0	F21
24241-1G07-001	0	E10	28254-LEF1-C10	0	E09	32401-LBG5-C10	0	F21
24301-LBG5-C10	0	E10	2825A-LEF1-C10	0	E09	32401-LEF1-C10	0	F21
24411-KKAK-900	0	E10	28261-LEF1-C10	0	E09	32410-KGG7-001	0	F21
24430-3D24-001	1	E10	28262-LEF1-C10	0	E09	32906-1G07-001	1	E01
24435-3C83-011	1	E10	28263-LEF1-C10	0	E09	32976-LBG5-C10	0	E07
24610-KBE2-C30	1	E10	28300-LEF1-C10	0	F15			
2461A-KBE2-C30	1	E10				33000		
24621-1G07-761	0	E10	30000					
24631-1G07-001	0	E10				33100-LEF1-C10	0	F02
24651-3H98-941	0	E10	30400-LFD8-C10	0	F21	33400-LEF1-C10	0	F19
2470B-LEF1-C10	0	F15	3051A-KGE2-M90	2	F21	33450-LEF1-C10	0	F19
						33602-LEF1-C10	0	F19
						33652-LEF1-C10	0	F19

PART NO. INDEX

PART NO.	VERSION	PAGE	PART NO.	VERSION	PAGE	PART NO.	VERSION	PAGE
33700-LEF1-C10	0	F20						
33702-LEF1-C10	0	F20	37000			42000		
33704-LEF1-C10	0	F20						
33731-GFY6-C03	0	F18	37200-LEF1-C10	0	F03	42301-LBA8-C11	3	F07
33731-LEF1-C10	0	F04	37260-LAC4-C10	0	F03	42301-LEF1-C10	0	F08
33741-KEBE-900	0	F18	3780A-LEF1-C10	1	F10	42311-LEF1-C10	1	F08
33754-LEF1-C10	0	F20				42313-LEF1-C10	1	F09
34000			38000			42600-LGA9-C10	0	F09
			38110-KHB4-E0B	1	F03	42601-LGA9-C10	0	F09
34901-LBA8-E80	0	F02	38300-GLW0-C11	1	F21	42610-LEF1-C10	0	F09
34905-KHC4-900	0	F19	3877A-PKB9-001	1	F23	42611-LEF1-C10	0	F09
34905-KHC4-900	0	F20				42620-LEF1-C10	0	F09
34905-KMCM-900	0	F02	40000			42625-LEF1-C10	0	F09
34906-LBA8-E80	0	F20				42710-LGA9-C10	0	F09
35000			40510-LEF1-C10	0	F16	42711-LGA9-C10	0	F09
			40530-LEF1-C10	0	F16	42712-LGA9-C10	0	F09
			4054A-LAC1-C000	0	F08	43000		
35010-LEF1-F20	0	F21				43000-LEF1-C11	0	F08
3515A-LEF1-C10	0	F01	41000			43120-LEF1-C11	2	F08
3521A-LEF1-C10	1	F01				43141-LEF1-C10	0	F08
35350-LEF1-C10	4	F21	41201-LEF1-C10	0	F09	43410-LEF1-C10	0	F08
35357-LEF1-C11	0	F15	41241-LEF1-C10	0	F09	43431-LEF1-C11	0	F09
35750-LBG5-C10	2	E07				43434-2F86-001	0	F09
35850-LCA3-B50	0	F21				4345A-LEF1-C10	0	F15

PART NO. INDEX

PART NO.	VERSION	PAGE	PART NO.	VERSION	PAGE	PART NO.	VERSION	PAGE
44000			46000			5070A-LEF1-C10	0	F22
44301-KECE-900	1	F16	46500-LEF1-C10	0	F15	5070B-LEF1-C10	0	F22
44311-LBA8-C11	5	F07	46501-LEF1-C11	1	F15	50711-LEF1-C10	0	F16
44600-LGA9-C10	0	F07	4650A-LEF1-C10	0	F15	50711-LEF1-C10	2	F16
44601-LGA9-C10	0	F07	46514-LEF1-C11	0	F15	50712-LEF1-C10	0	F16
44620-LEF1-C10	0	F07				50712-LEF1-C10	2	F16
44710-LGA9-C10	0	F07	50000			50721-3B82-671	1	F22
44711-LGA9-C10	0	F07				51000		
44712-LGA9-C10	0	F07	50100-LEF1-C11	7	F22	51400-LEF1-C1A	0	F06
44800-LEF1-C10	0	F07	50119-LEF1-C10	1	F22	51500-LEF1-C1A	0	F06
44830-LEF1-C10	0	F03	50301-LEF1-C1A	0	F04	51605-LEF1-C10	0	F03
			50302-LEF1-C1A	0	F04	51606-LEF1-C10	0	F03
45000			5032A-LCA1-C00	0	F13	51607-LEF1-C10	0	F03
			50351-LEF1-C10	3	F22	51608-LEF1-C10	0	F03
45105-LEF1-C10	0	F01	50353-LEF2-C10	2	F22			
45121-LEF1-C10	0	F07	50354-LEF2-C10	2	F22	52000		
45126-LEF1-C10	1	F01	5050A-LEF1-C10	0	F15			
45127-LEF1-C10	0	F06	50526-LAC1-C00	0	F15	52100-LEF1-C11	0	F16
45156-LEF1-C10	0	F06	50530-LEF1-E00	1	F15	52107-LAC1-C00	0	F16
45157-LEF1-C10	0	F04	50531-LBA8-E80	0	F15	52400-LEF1-C1A	0	F17
45200-LEF1-C10	0	F01	50535-KKB1-E00	0	F15			
45451-4A71-001	0	F05	50550-LEF1-E00	0	F15	53000		
45500-LEF1-C10	0	F01	5060A-LEF1-C10	0	F16			
4550B-LEF1-C10	0	F01	5060B-LEF1-C10	0	F16	53102-LEF1-C10	0	F04

PART NO. INDEX

PART NO.	VERSION	PAGE	PART NO.	VERSION	PAGE	PART NO.	VERSION	PAGE
5310A-LEF1-C10	0	F04	64255-LEF1-C10	0	F10	83510-LEF1-307	1	F12
5310B-LEF1-C10	0	F04	64260-LEF1-C10	0	F10	83550-KEC8-900	2	F12
5310C-LEF1-C10	0	F01				83551-KEC8-900	0	F12
53140-LCF7-C10	0	F01	77000			83551-KEC8-900	0	F16
53166-LCF7-C10	0	F01				83551-KKAK-900	0	F10
53175-LEF1-C10	0	F01	77200-LEF1-C10	0	F11	83551-KKAK-900	0	F18
53178-LEF1-C10	0	F01	77205-LEF1-C10	1	F11	83551-LEF1-C10	0	F22
53200-LEF1-C10	0	F04				83554-LAC1-C00	0	F13
53211-LEF1-C10	0	F04	80000			83554-LAC1-C00	0	F18
53212-LEF1-C10	0	F04				83555-LAC1-C00	0	F13
53213-LEF1-C10	0	F04	80101-2C83-001	0	F03	83555-LAC1-C00	0	F18
53220-LEF1-C10	0	F04	80101-LEF1-C10	0	F18	83600-LEF1-305	0	F12
53230-LEF1-C10	0	F04	80105-LEF1-C10	0	F18	83600-LEF1-C10	0	F12
61000			81000			83610-LEF1-307	0	F12
						83610-LEF1-307	1	F12
61100-LEF1-C10	0	F05	81147-LAC1-C00	0	F13	84000		
61102-LEF1-C10	0	F05	81200-LEF1-C11	0	F11			
61103-LEF1-C10	1	F05	81201-LEF1-C10	0	F11	84706-LAD5-C11	0	F18
64000			81202-LEF1-C10	1	F11	84706-LEF1-C10	2	F03
			83000			86000		
64206-LEF1-C10	0	F03						
64210-LEF1-C10	0	F03	83500-LEF1-305	0	F12	86203-LEF1-E10	0	F24
64240-LEF1-C10	0	F03	83500-LEF1-C10	0	F12	86223-LEF1-E10	0	F24
64250-LEF1-C10	0	F10	83510-LEF1-307	0	F12	86233-LEF1-E10	0	F24

PART NO. INDEX

PART NO.	VERSION	PAGE	PART NO.	VERSION	PAGE	PART NO.	VERSION	PAGE
86323-LEF1-F20	0	F24				90304-GHE8-004	4	F15
86333-LEF1-F20	0	F24	90000			90304-GHE8-004	4	F22
86404-LAC4-C000	0	F06				90305-GHK8-001	1	F02
86423-LEF1-E10	0	F24	90004-4G37-000	0	E09	90305-LEF1-C10	0	F09
86433-LEF1-E10	0	F24	90005-KAW1-901	1	E02	90306-GLW0-902	0	F07
86700-LEB6-C10	1	F24	90023-KGG7-001	0	E06	90306-GLW0-902	0	F16
			90031-1G07-010	0	E07	90309-4H28-73A	0	F04
87000			90032-1G07-010	0	E07	90321-KGN7-911	0	F03
			90033-KGB4-C00	1	E01	90403-KFN6-930	0	E06
87223-LEF1-F20	0	F24	90081-3E55-C11	0	E07	90442-0H28-001	0	E01
87505-LEF1-E00	0	F24	90084-KGG7-C00	0	E06	90443-LBG5-C12	0	E01
87556-LEJ2-E00	2	F24	90087-4H28-E80	0	E06	90451-0A01-001	0	E10
			90089-KSAS-900	0	E06	90451-1G07-001	0	E09
88000			90101-4L40-001	0	E04	90451-3E65-001	1	E09
			90102-06016-0G	0	F18	90452-1G07-001	1	E09
88110-LEF1-C10	0	F01	90108-KUDU-E00	0	F15	90453-1G07-000	0	E09
88120-LEF1-C10	0	F01	90110-LEF1-C10	0	F14	90453-1G07-001	1	E09
			90127-LEF1-C10	0	F09	90454-1G07-001	1	E09
89000			90145-9A61-011	1	F01	90455-1G07-001	1	E09
			90231-2L00-011	1	E04	90458-3D24-011	0	E03
89010-KBE2-C00	0	F18	90301-6D34-671	0	F18	90459-1G07-000	0	E09
89020-LAC1-C00	0	F18	90301-LEF1-C11	0	F14	90461-1G07-001	0	E05
89021-LEF1-C10	0	F18	90302-GFY6-901	1	F02	90474-1G47-001	1	E06
			90302-GFY6-901	1	F10	90481-0E35-001	0	E02
			90302-SDA4-004	1	F12	90481-GGS7-901	0	E02
			90302-SDA4-004	1	F18	90521-0H28-001	0	F15

PART NO. INDEX

PART NO.	VERSION	PAGE	PART NO.	VERSION	PAGE	PART NO.	VERSION	PAGE
90522-2B22-001	0	F09	91359-3A71-004	0	E06	93700-05012-0H	0	E04
90545-3L00-001	2	F01				93700-05025-06	0	F03
90605-2L00-001	1	E09	92000			93891-05016-07	0	F18
90667-GAR1-004	0	F03				93903-34380	0	F12
90677-GAR1-004	0	F20	92000-06010-0H	0	E09	93903-34380	0	F20
			92000-06010-0H	0	E02	93903-35220	0	F02
91000			92000-06020-0H	0	E10	93903-35380	1	F18
			92000-06020-0H	0	F15	93903-GFY6-900	2	F18
91008-KFK6-000	0	E05	92000-06025-0H	0	E10	93903-GFY6-900	2	F20
91021-1H48-005	0	E06	92000-08025-0H	0	F15	93903-LEF1-C10	0	F03
91106-3C83-004	0	E07	92000-08032-08	0	F09			
91106-LBG5-C10	0	E07				94000		
91201-0L30-034	0	E09	93000					
91201-3D24-024	0	E03				94001-04070-0S	0	F03
91201-LEF2-C10	0	E03	93201-08040-CR	0	F04	94001-08080-0S	0	F09
91204-2K59-004	1	E03	93201-10035-CR	0	F04	94021-10020-0S	0	F17
91206-2F86-014	0	E07	93404-06012-07	0	F15	94050-05080	0	F18
91252-LBA8-C11	1	F07	93404-06012-07	0	F18	94050-06080	0	F10
91254-LEF1-C10	0	F09	93404-06016-08	0	F12	94050-06080	0	F18
91301-1G07-000	0	E01	93404-06016-08	0	F18	94050-06080	0	F21
91302-5G67-004	4	E06	93404-06025-07	0	F03	94050-08080	0	F16
91303-1G07-001	0	E01	93414-06016-08	0	F13	94050-08080	0	F22
91303-1G07-001	0	E07	93414-06016-08	0	F18	94050-10080	0	F19
91303-3G77-001	0	E06	93414-06035-08	0	F10	94101-06800	0	E01
91306-1E05-691	0	E02	93500-LEF1-E00	0	E11	94101-08800	0	F09
91307-0E35-W10	0	E03	93600-06012-0A	0	E02	94101-10800	0	F17

PART NO. INDEX

PART NO.	VERSION	PAGE	PART NO.	VERSION	PAGE	PART NO.	VERSION	PAGE
94101-12800	0	F16	95000			95701-10045-08	0	F16
94101-12800	0	F17				95701-10065-08	0	F15
94101-LEF1-C10	0	F03				95801-08060-08	0	F22
94102-08000	0	F04	95003-35065-10	0	F23	95801-08065-08	0	F22
94102-10000	0	F04	95003-35350-10	0	F23	95801-08070-08	0	F22
94102-12800	0	F17	95012-LEJ2-E10	0	F13	95801-08090-08	0	F22
94102-LEF1-C10	0	F04	95014-75110	0	E05	95801-10113-08	0	F22
94111-08000	0	F04	95701-06008-08	0	F16	95801-LEF1-C10	0	F01
94111-10000	0	F04	95701-06012-07	0	F03			
94201-16150	0	F09	95701-06012-08	0	F03	96000		
94201-20150	0	F09	95701-06012-08	0	F06			
94201-30250	0	F15	95701-06012-08	0	F13	96001-06012-08	0	E07
94301-08140	0	E03	95701-06012-08	0	F16	96001-06012-08	0	F23
94301-10140	0	E06	95701-06012-08	0	F21	96001-06016-08	0	F23
94301-10140	0	E07	95701-06012-08	0	F22	96001-06020-08	0	E01
94301-10200	0	E01	95701-06014-08	0	E07	96001-06020-08	0	E06
94305-LBG5-C10	0	E03	95701-06016-07	0	F03	96001-06025-08	0	E03
94401-25140	4	E08	95701-06016-08	0	F21	96001-06025-08	0	E06
94510-12000	0	E10	95701-06022-08	0	E05	96001-06035-08	0	E06
94510-14000	0	E10	95701-06028-08	0	E06	96001-06040-08	0	E03
94510-16000	0	E09	95701-08016-08	0	F03	96001-06040-08	0	E06
94510-2000	0	E05	95701-08016-08	0	F05	96001-06050-08	0	E03
94510-20000	0	E09	95701-08016-08	0	F11	96001-06050-08	0	E06
94601-15000	0	E08	95701-08030-08	0	F11	96001-06050-08	0	E07
			95701-10035-08	0	F16	96001-06055-08	0	E06
			95701-10035-08	0	F22	96001-LEF1-C10	0	F04

PART NO. INDEX

PART NO.	VERSION	PAGE	PART NO.	VERSION	PAGE	PART NO.	VERSION	PAGE
96100-60060-00	0	E09						
96100-62040-00	0	E09						
96120-62020-00	0	E09						
96120-62020-10	0	F09						
96120-63010-10	0	F07						
96120-63020-10	0	F09						
96130-62040-10	0	F09						
96211-06000	0	F04						
96211-08000	0	F04						
96220-40100	0	E10						
96700-06016-06	0	E02						
96700-06110-08	0	E01						
96700-08035-02	0	F04						
96700-LEF1-C10	0	F07						
98000								
98069-58911	0	E01						