

PARTS CATALOGUE



MOTORCYCLES

KU20AA(TK)

ACTIV 110



Release Date : 2011/03/02
Print Date : 2011/07/06

ABOUT THIS PARTS LIST

- This parts list is compiled all service parts for model KU20AA(TK).
- Any difference between color chart and motorcycle will be revised according to motorcycle.
- The Mark:
 1. Marking "***" must add color code in the end before ordering parts.
 2. Marking "#" are parts with modification, Please find the details from e-Parts system.
- When modification or additions to this parts list are made a revised edition at an appropriate time.



CONTENTS

● ABOUT THIS PARTS LIST	1
● COLOR CHART OF KU20AA(TK)	3
● CONTENTS-ENGINE GROUP	7
● CONTENTS-FRAME GROUP	10
● ENGINE PARTS LIST	14
● FRAME PARTS LIST	58
● PART NO. INDEX	116

NO	MODEL			COLOR CHART OF KU20AA(TK)			
	PHOTO NO			NO. 1	NO. 2	NO. 3	NO. 4
	BASIC COLOR			Bright Silver-Blue Metallic	Bright Silver-Black	Bright Silver-Bright Red	Bright Silver
	CODE			Bright Silver-Blue Metallic	Bright Silver-Black	Bright Silver-Bright Red	Bright Silver
	PARTS NAME	PARTS NO.	VERSION	NH045	NH045	NH045	NH045
1	COVER R SIDE	83510-LBA8-C10	1	D0B			
2	COVER L SIDE	83610-LBA8-C10	0				
3	LEG SHIELD	81131-LBA8-C10	0	N1P			
4	COVER RR HANDLE	53206-LBA8-C10	0				
5	COVER CENTER UP	80151-LBA8-C10	0				
6	COVER CENTER LOW	80152-LBA8-C10	2				
7	CASE BATTERY	50325-LBA8-C10	0				
8	COVER BATTERY	50326-LBA8-C10	0	N1R			
9	FENDER RR A	80105-LBA8-C10	0				
10	FENDER RR B	80106-LBA8-C10	0				
11	BOX LUGGAGE	81250-LBA8-C10	2				
12	CRANK CASE COMP	11100-LBA8-C10	1	N8A			
13	HOLE CAP TAPPET	12361-0E35-E80	0				
14	COVER CYL HEAD SIDE	12440-LBA8-C10	0				
15	PANEL ASSY RR BRK	43000-LBA8-E80	0				
16	LEVER HANDLE	53175-LBA8-C11	0				
17	CAP ACG	90084-LBA8-E80	0				
18	CAP 30MM	90087-4H28-E80	0				
19	COVER FR	64301-LBA8-C10	0	D0E	D0B	D0G	N8P
20	FENDER A FR	61100-LBA8-900	0	B4P	N1P	R9P	N8P
21	FENDER B FR	61101-LBA8-900	0				
22	COVER FR HANDLE	53205-LBA8-C10	0	N8P			
23	COVER R BODY	83500-LBA8-C10	0				
24	COVER L BODY	83600-LBA8-C10	0				
25	COVER RR CENTER	83750-LBA8-C10	0				
DATE OF STARTING-SALES							
DATE OF END-SALES							

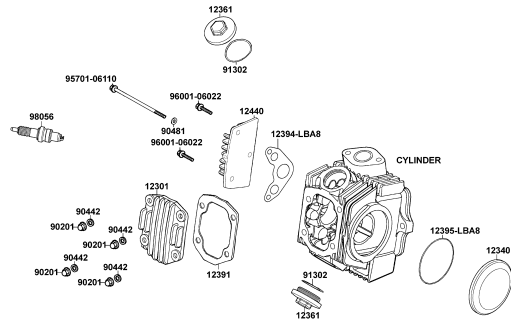
NO	MODEL			COLOR CHART OF KU20AA(TK)			
	PHOTO NO			NO. 5	NO. 6		
	BASIC COLOR			Dark Gray Metallic	Ruby Red		
	CODE			Dark Gray Metallic	Ruby Red		
	PARTS NAME	PARTS NO.	VERSION	NH230MA	RR004CA		
1	COVER R SIDE	83510-LBA8-C10	1	HKP	R1P		
2	COVER L SIDE	83610-LBA8-C10	0				
3	LEG SHIELD	81131-LBA8-C10	0				
4	COVER RR HANDLE	53206-LBA8-C10	0	NEP			
5	COVER CENTER UP	80151-LBA8-C10	0				
6	COVER CENTER LOW	80152-LBA8-C10	2				
7	CASE BATTERY	50325-LBA8-C10	0	N1R			
8	COVER BATTERY	50326-LBA8-C10	0				
9	FENDER RR A	80105-LBA8-C10	0				
10	FENDER RR B	80106-LBA8-C10	0	N8A			
11	BOX LUGGAGE	81250-LBA8-C10	2				
12	CRANK CASE COMP	11100-LBA8-C10	1				
13	HOLE CAP TAPPET	12361-0E35-E80	0				
14	COVER CYL HEAD SIDE	12440-LBA8-C10	0				
15	PANEL ASSY RR BRK	43000-LBA8-E80	0	D1J			
16	LEVER HANDLE	53175-LBA8-C11	0				
17	CAP ACG	90084-LBA8-E80	0				
18	CAP 30MM	90087-4H28-E80	0				
19	COVER FR	64301-LBA8-C10	0	DD2			
20	FENDER A FR	61100-LBA8-900	0				
21	FENDER B FR	61101-LBA8-900	0				
22	COVER FR HANDLE	53205-LBA8-C10	0	HKP			
23	COVER R BODY	83500-LBA8-C10	0				
24	COVER L BODY	83600-LBA8-C10	0				
25	COVER RR CENTER	83750-LBA8-C10	0	NEP			
DATE OF STARTING-SALES							
DATE OF END-SALES							

NO	MODEL			COLOR CHART OF KU20AA(TK)			
	PHOTO NO			NO. 1	NO. 2	NO. 3	NO. 4
	BASIC COLOR			Bright Silver-Blue Metallic	Bright Silver-Black	Bright Silver-Bright Red	Bright Silver
	CODE			Bright Silver-Blue Metallic	Bright Silver-Black	Bright Silver-Bright Red	Bright Silver
	PARTS NAME	PARTS NO.	VERSION	NH045	NH045	NH045	NH045
26	COVER FR HANDLE	53205-LBA8-305	0	N8P			
27	WHEEL ASSY RR	42601-LBA8-C11	3	NJA			
28	SPRKT HUB ASSY	42610-LFD6-C50	0				
29	GEAR BOX ASSY	44800-LBA8-C11	3				
30	CALIPER ASSY FR	45200-LBA8-C10	0				
31	FORK COMP RR	52110-LBA8-E80	6				
32	SEAT ASSY	77200-LBA8-E80	0	NJS			
33	CAUTION ANTI-	87224-LBA8-E80	1				
34	STRIPE MARK EUR02	87311-KKD6-E00	0				
35	LABEL TIPE	87505-KGC4-C10	1				
36	MARK KYMCO	87552-KQCQ-C00	4				
37	MARK DRIVE CAUTION	87560-GFY6-C01	3	T01			
38	EMB ACTIVE 110	86404-LBA8-E80	0				
39	STRIPE R FR COVER	86121-LBA8-E80	0				
40	STRIPE L FR COVER	86131-LBA8-E80	0				
41	STRIPE R SIDE COVER	86323-LBA8-E80	0				
42	STRIPE L SIDE COVER	86333-LBA8-E80	0	T03			
43	STRIPE R BODY COVER	86423-LBA8-E80	0				
44	STRIPE L BODY COVER	86433-LBA8-E80	0				
45	STRIPE B R BODY	86443-LBA8-E80	0				
46	STRIPE B L BODY	86453-LBA8-E80	0				
47	STRIPT SIDE COVER	86303-LHD6-B90	0	T02			
48	STRIPE BODY COVER	86403-LHD6-B90	0				
49	STRIPE FR COVER	86331-LHD6-B90	0				
DATE OF STARTING-SALES							
DATE OF END-SALES							

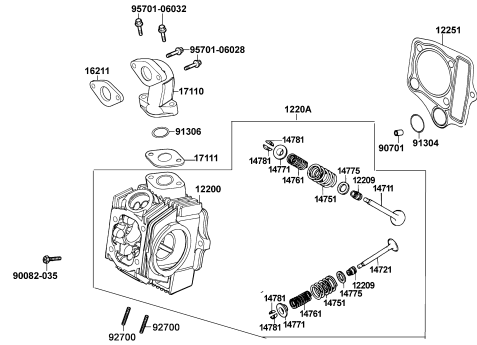
NO	MODEL			COLOR CHART OF KU20AA(TK)			
	PHOTO NO			NO. 5	NO. 6		
	BASIC COLOR			Dark Gray Metallic	Ruby Red		
	CODE			Dark Gray Metallic	Ruby Red		
	PARTS NAME	PARTS NO.	VERSION	NH230MA	RR004CA		
26	COVER FR HANDLE	53205-LBA8-305	0				
27	WHEEL ASSY RR	42601-LBA8-C11	3				
28	SPRKT HUB ASSY	42610-LFD6-C50	0				
29	GEAR BOX ASSY	44800-LBA8-C11	3				
30	CALIPER ASSY FR	45200-LBA8-C10	0				
31	FORK COMP RR	52110-LBA8-E80	6				
32	SEAT ASSY	77200-LBA8-E80	0				
33	CAUTION ANTI-	87224-LBA8-E80	1				
34	STRIPE MARK EUR02	87311-KKD6-E00	0				
35	LABEL TIPE	87505-KGC4-C10	1				
36	MARK KYMCO	87552-KQCQ-C00	4				
37	MARK DRIVE CAUTION	87560-GFY6-C01	3				
38	EMB ACTIVE 110	86404-LBA8-E80	0				
39	STRIPE R FR COVER	86121-LBA8-E80	0				
40	STRIPE L FR COVER	86131-LBA8-E80	0				
41	STRIPE R SIDE COVER	86323-LBA8-E80	0				
42	STRIPE L SIDE COVER	86333-LBA8-E80	0				
43	STRIPE R BODY COVER	86423-LBA8-E80	0				
44	STRIPE L BODY COVER	86433-LBA8-E80	0				
45	STRIPE B R BODY	86443-LBA8-E80	0				
46	STRIPE B L BODY	86453-LBA8-E80	0				
47	STRIPT SIDE COVER	86303-LHD6-B90	0				
48	STRIPE BODY COVER	86403-LHD6-B90	0				
49	STRIPE FR COVER	86331-LHD6-B90	0				
DATE OF STARTING-SALES							
DATE OF END-SALES							

CONTENTS - ENGINE GROUP

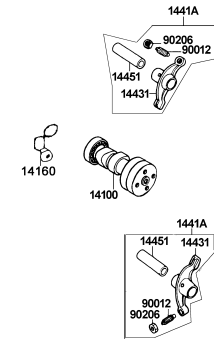
E01 Cylinder skull



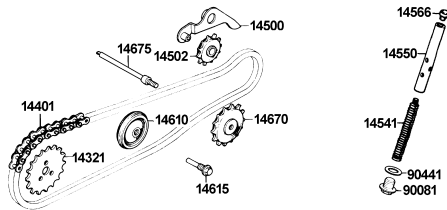
E02 Cylinder Head



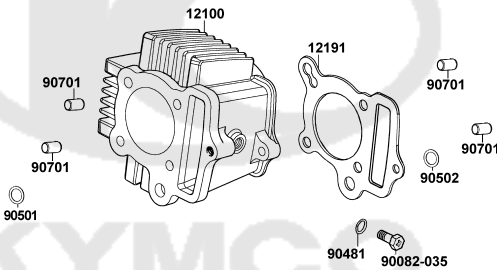
E03 Cam shaft



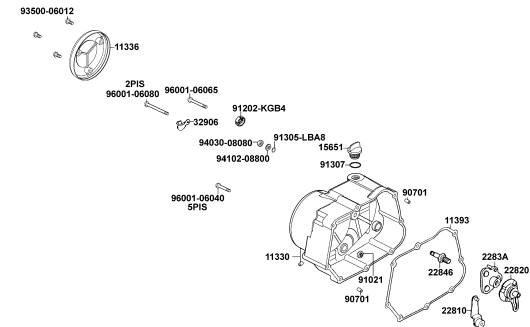
E04 chain link



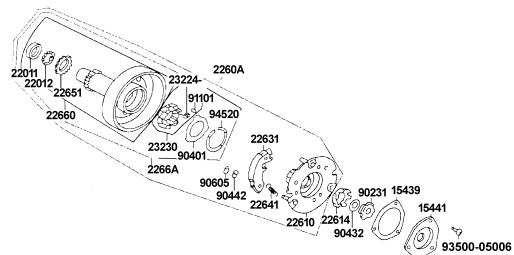
E05 Cylinder



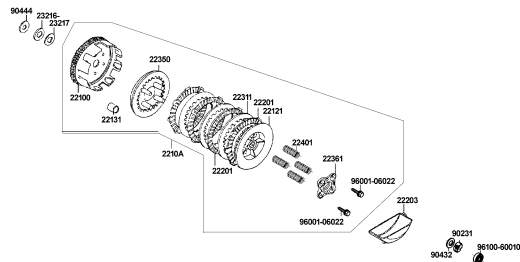
E06 Crankcase Right Cover



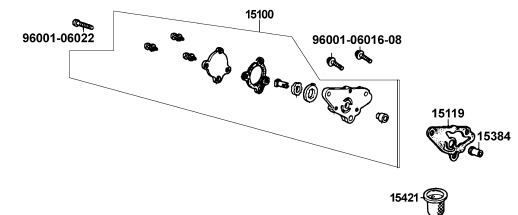
E07 Automatic clutch



E08 clutch

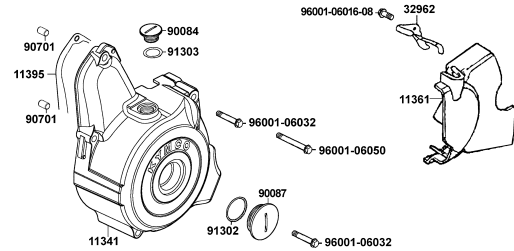


E09 Oil pump

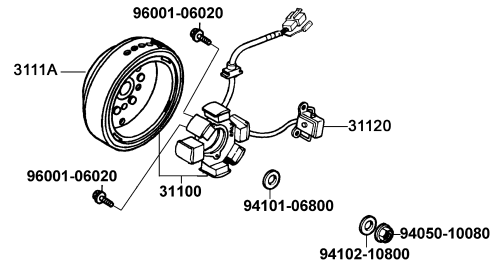


CONTENTS - ENGINE GROUP

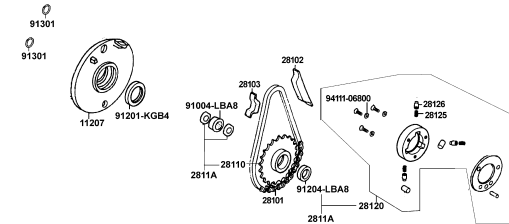
E10 Crankcase left Cover



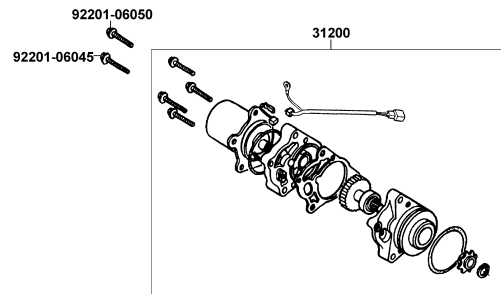
E11 Magneto



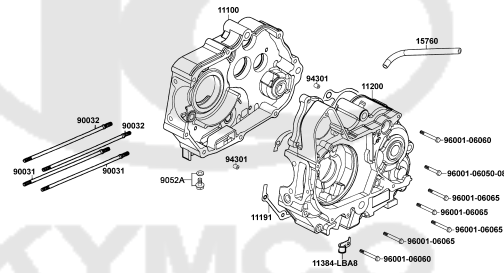
E12 Coupling coat



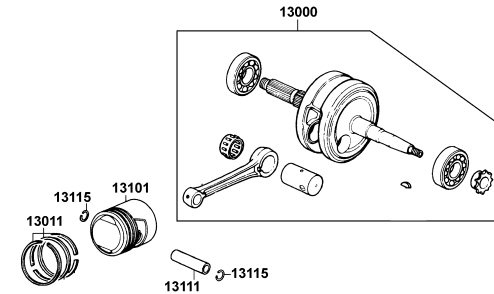
E13 Starting Motor



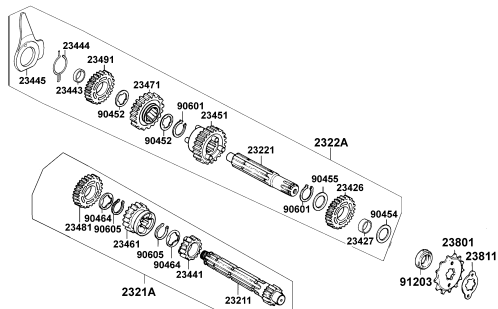
E14 Crank Case



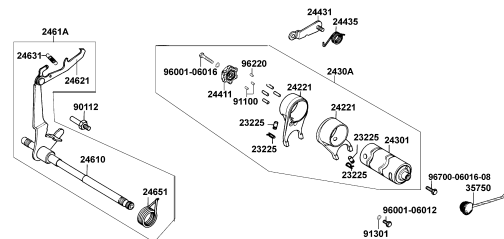
E15 Crankshaft Piston



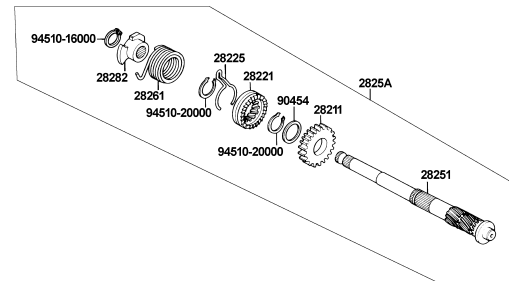
E16 Transmission



E17 Speed change foot bar

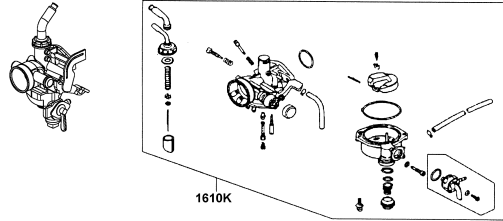


E18 Has moving axis



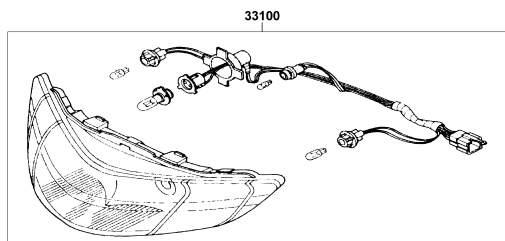
CONTENTS - ENGINE GROUP

E19 Carburetor

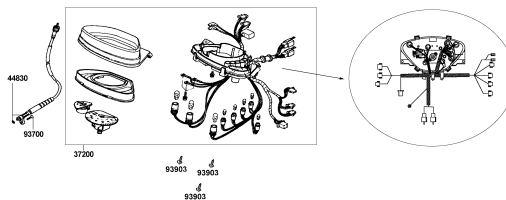


CONTENTS - FRAME GROUP

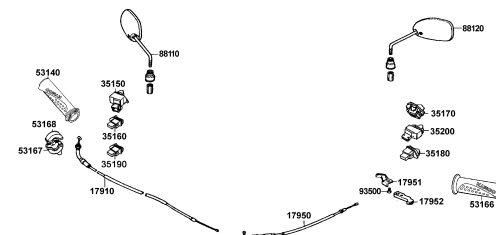
F01 Head Light



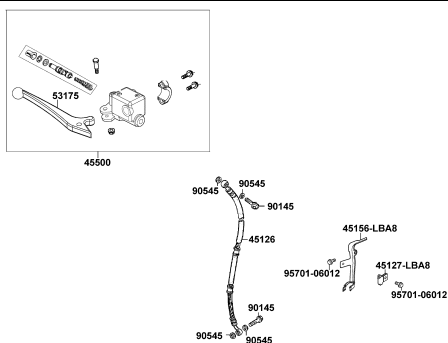
F02 Speedometer



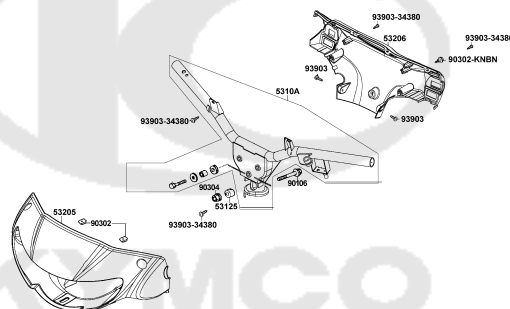
F03 Back Mirror/Handle rod



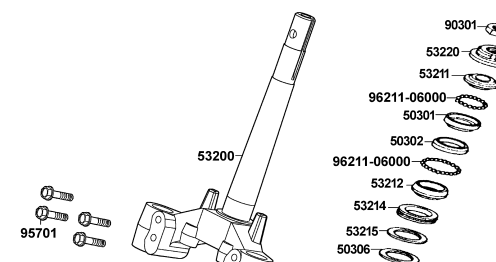
F04 Front brake cylinder



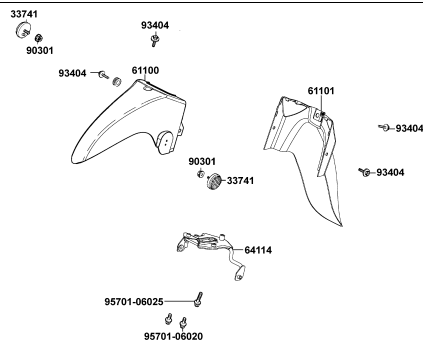
F05 Changes handle handle



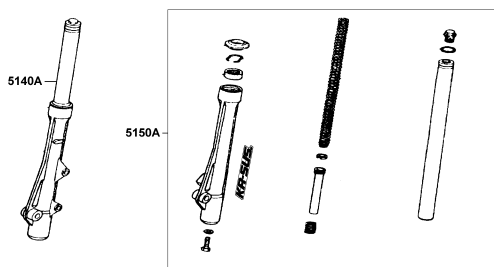
F06 Stem Steering



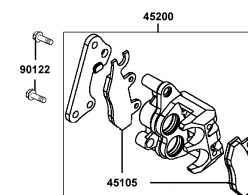
F07 Front Fender



F08 Front Fork

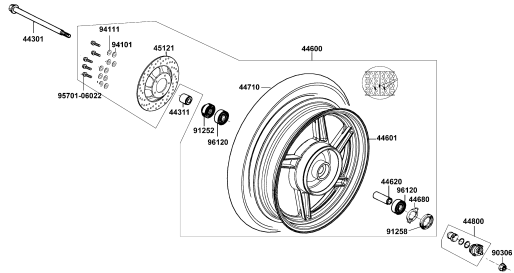


F09 Front brake calibre

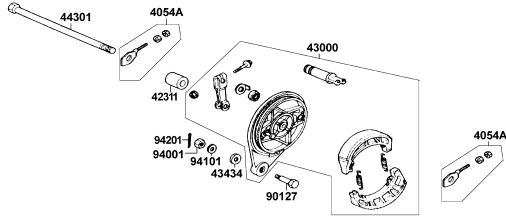


CONTENTS - FRAME GROUP

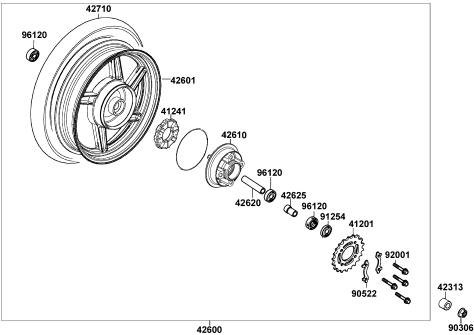
F10 Front Wheel



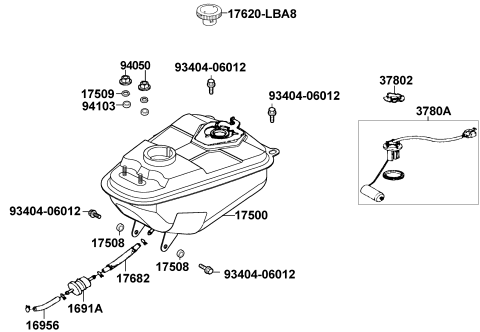
F11 Latter braking vane



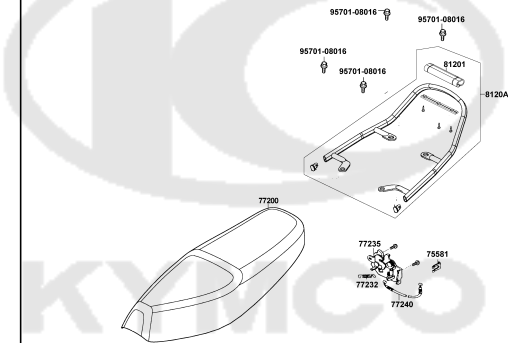
F12 Rear Wheel



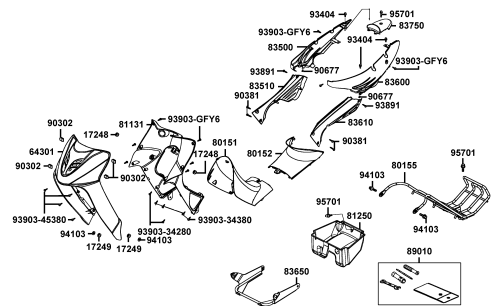
F13 Fuel Tank



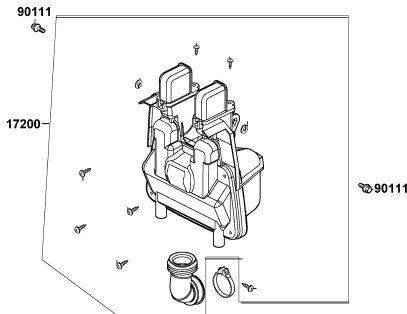
F14 SeatRear frame



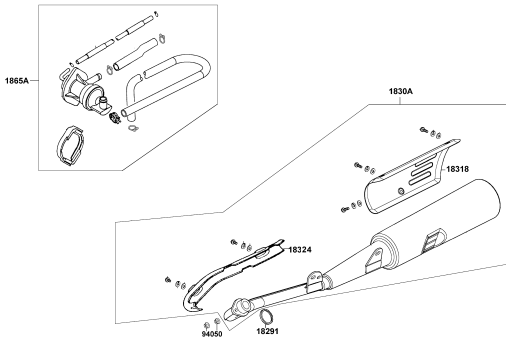
F15 Front coverside cover



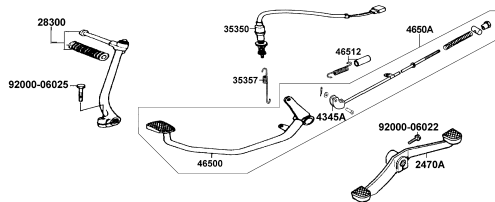
F16 Air Cleaner



F17 Muffler

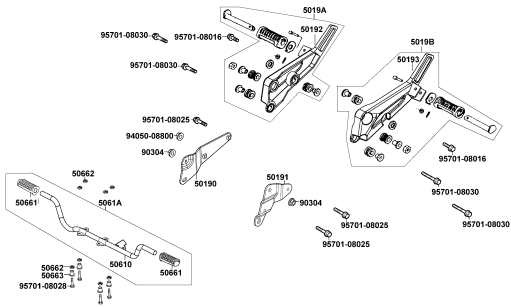


F18 Foot bar

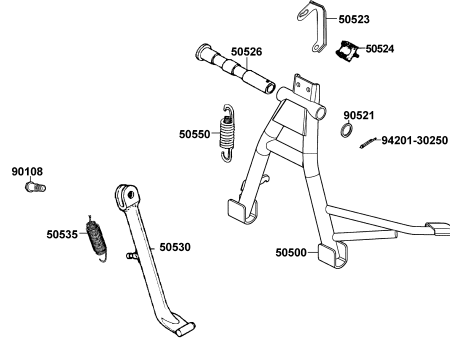


CONTENTS - FRAME GROUP

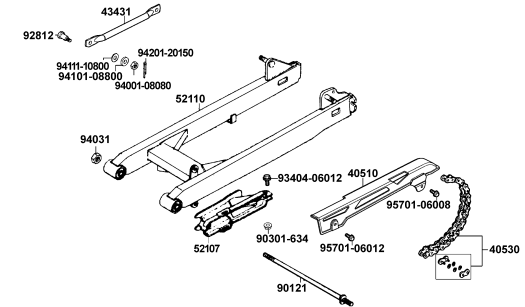
F19 Treads foot



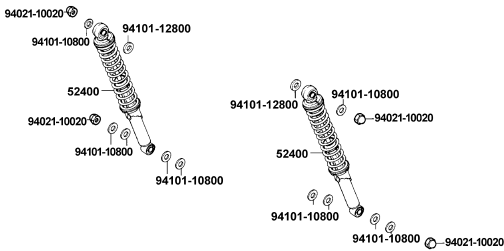
F20 Foot rest



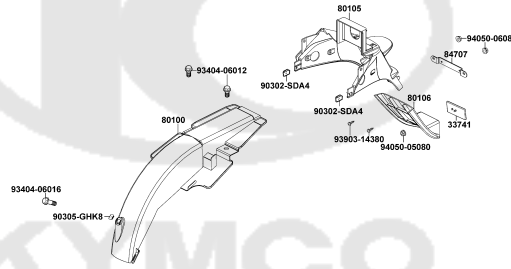
F21 Lateral forks



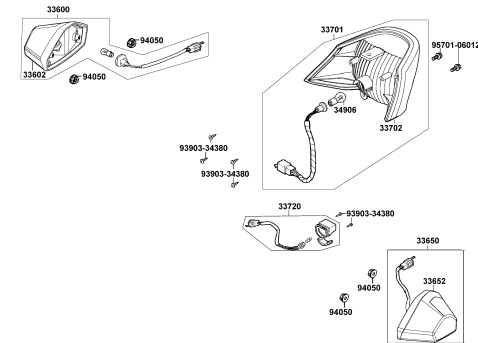
F22 Rear Cushion



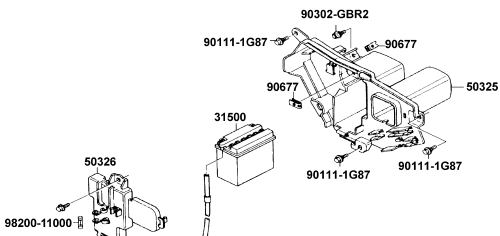
F23 Rear Fender



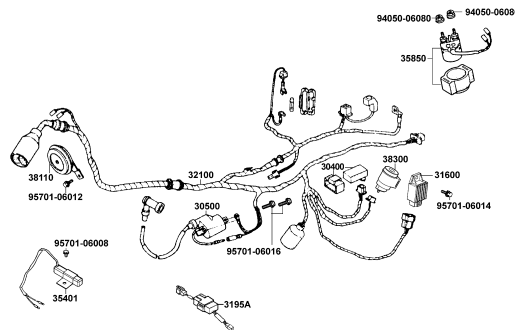
F24 Winker Tail Light



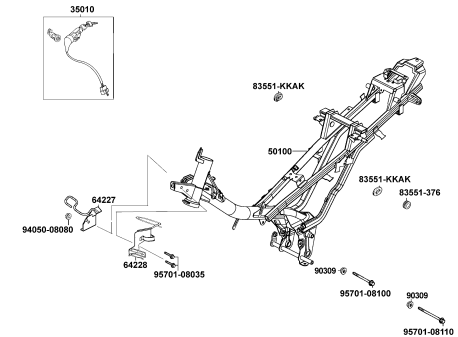
F25 Battery



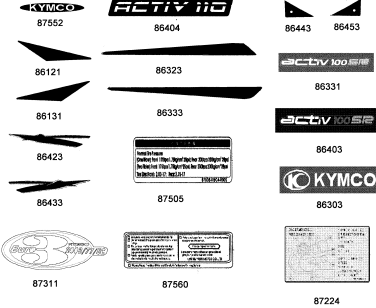

F26 Harness Wire



F27 Frame Body

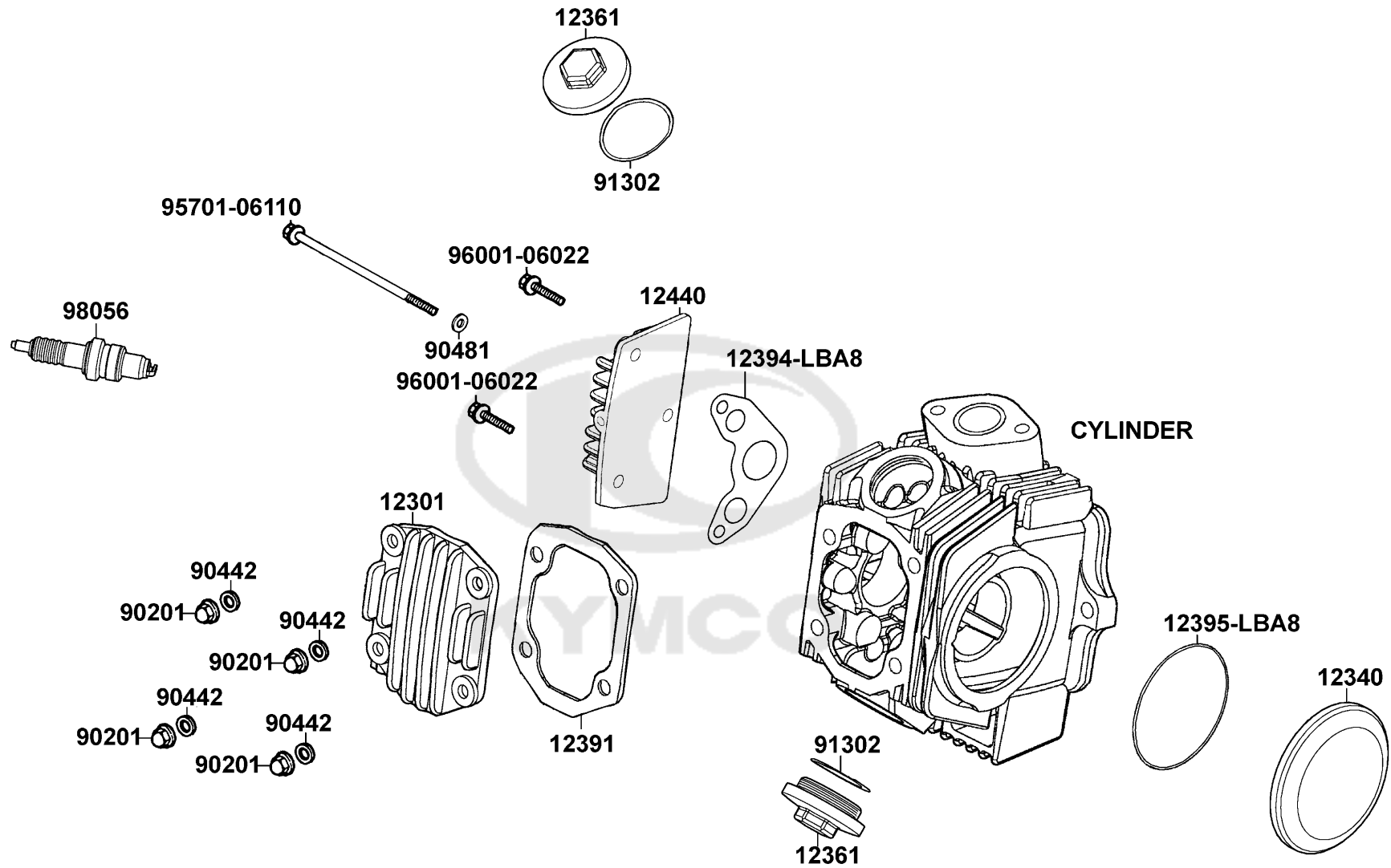


CONTENTS - FRAME GROUP

<p>F28 Stripe</p>		
 <p>87562 86404 86443 86453</p> <p>86121 86323 86331</p> <p>86131 86333 86403</p> <p>86423 87505 86303</p> <p>86433 87311 87560 87224</p>		
		

E01

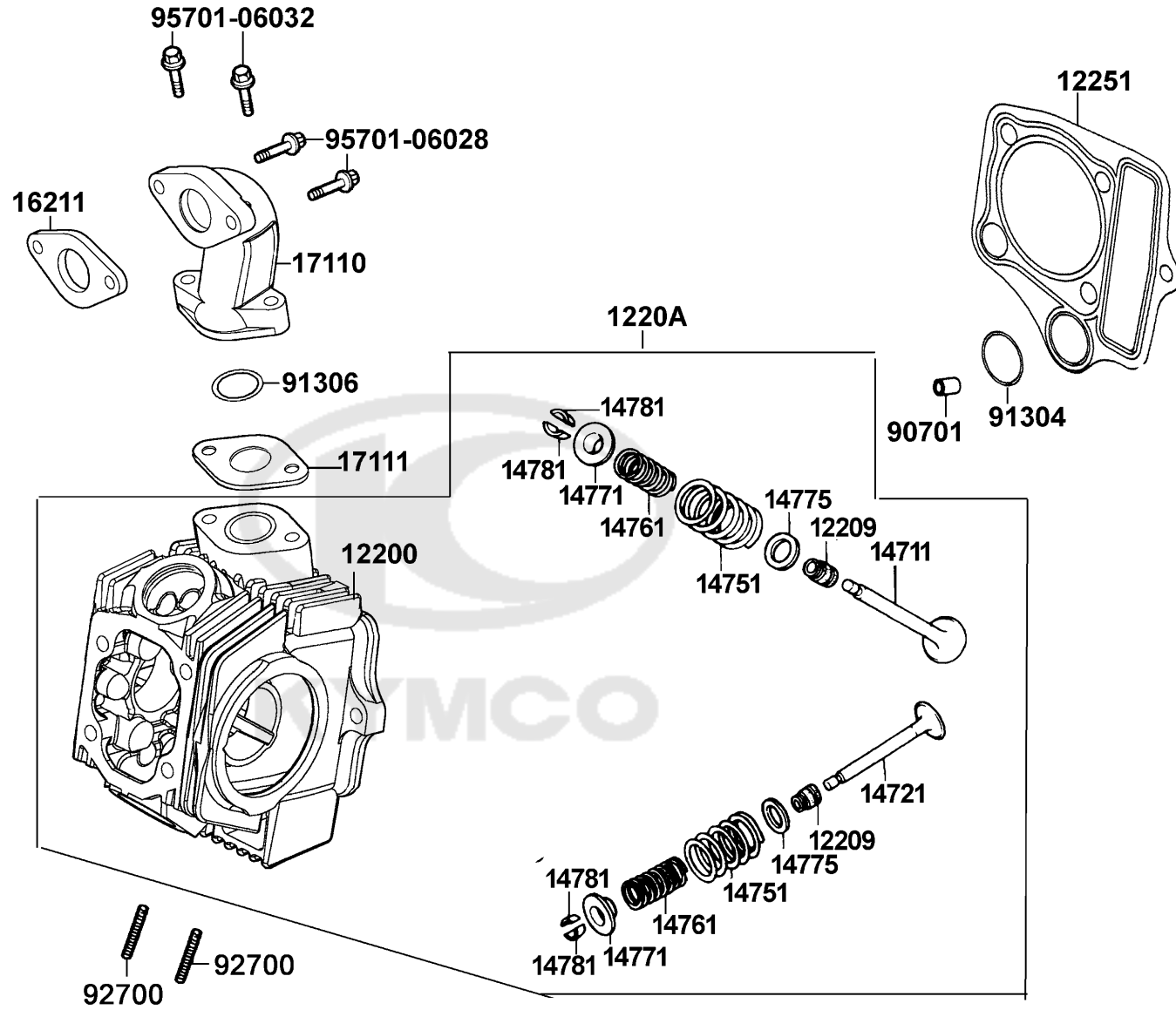
Cylinder skull



Sales mark	Ref no	Part no	Description	Reg description	Regd no	E01
	12301	12301-LBA8-C000-CK	COVER CYLINDER HEAD	COVER CYLINDER HEAD	1	
	12340	12340-LBA8-E000	COVER CYLN HEAD SIDE L	COVER CYLN HEAD SIDE L	1	
**	12361	12361-0E35-E80	HOLE CAP TAPPET ADJUSTING	HOLE CAP TAPPET ADJUSTING	1	
	12391	12391-LBA8-C10	GASKET HEAD COVER	GASKET HEAD COVER	1	
	12394	12394-LBA8-C10	GASKET CYLN HEAD COVER R	GASKET CYLN HEAD COVER R	1	
	12395	12395-LBA8-C10	GASKET CYLN HEAD COVER L	GASKET CYLN HEAD COVER L	1	
**	12440	12440-LBA8-C10	COVER CYL HEAD SIDE R	COVER CYL HEAD SIDE R	1	
	90201	90201-GFF6-011	NUT CAP 7MM	NUT CAP 7MM	1	
	90442	90442-GFF6-C00	WASHER SEALING 7MM	WASHER SEALING 7MM	1	
	90481	90481-GGS7-C00	WASHER	WASHER 6.5 MM	1	
	91302	91302-KGB4-C11	O-RING 30.8	O-RING 30.8	1	
	95701	95701-06110-08	BOLT FLANGE SH 6*110 (C)	BOLT FLANGE SH 6*110 (C)	1	
	96001	96001-06022-08	BOLT FLANGE SH 6*22	BOLT FLANGE SH 6*22	2	
	98056	98056-5771R-00	SPARK PLUG (CR7HSA)	SPARK PLUG (CR7HSA)	1	

E02

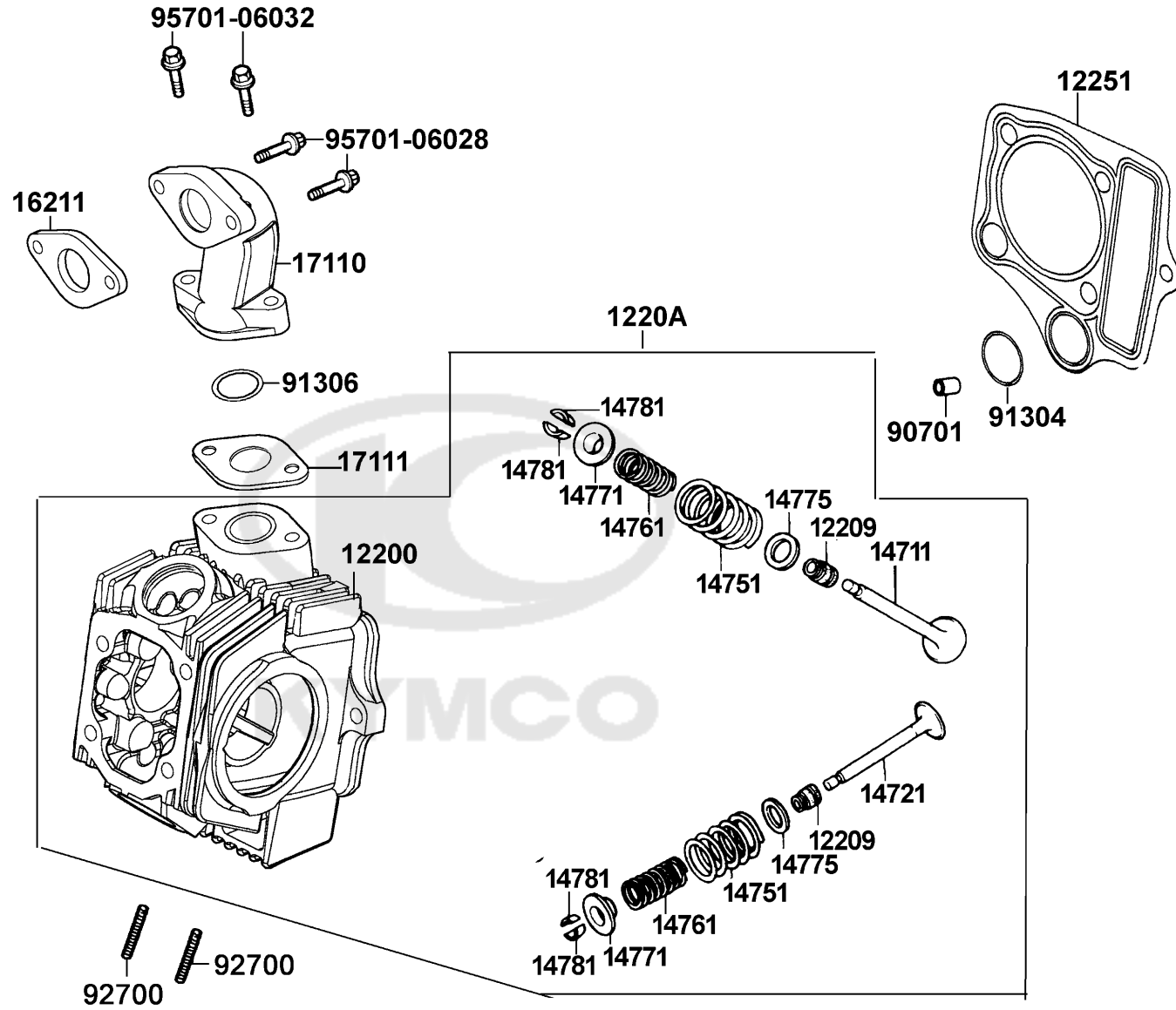
Cylinder Head



Sales mark	Ref no	Part no	Description	Reg description	Regd no	E02
12200		12200-LHD6-EY0	CYLINDER COMP HEAD	CYLINDER COMP HEAD	1	
12209		12209-GDB4-C00	SEAL VALVE STEM	SEAL VALVE STEM	1	
1220A		1220A-LHD6-EY0	HEAD CYLINDER COMP	HEAD CYLINDER COMP	1	
12251		12251-LHD6-C10	GASKET CYLINDER HEAD	GASKET CYLINDER HEAD	1	
14711		14711-LBA8-C10	VALVE INLET	VALVE INLET	1	
14721		14721-LBA8-C10	VALVE EXHAUST	VALVE EXHAUST	1	
14751		14751-LBA8-C10	SPRING VALVE OUTER	SPRING VALVE OUTER	2	
14761		14761-LBA8-C10	SPRING VALVE INNER	SPRING VALVE INNER	2	
14771		14771-GDB4-C00	RETAINER VALVE SPRING	RETAINER VALVE SPRING	1	
14775		14775-MFA6-C00	SEAT VALVE SPG OUTER	SEAT VALVE SPG OUTER	1	
14781		14781-LBA8-C10	COTTER VALVE	COTTER VALVE	1	
16211		16211-LBA8-C10	INSULATOR CARB	INSULATOR CARB	1	
17110		17110-LBA8-E80	PIPE INLET	PIPE INLET	1	
17111		17111-LBA8-C10	GASKET INLET PIPE	GASKET INLET PIPE	1	
90082		90082-0E35-C00	BOLT FLANGE 6*23	BOLT FLANGE 6*23	1	
90701		90701-LBA8-C10	PIN DOWEL SPECIAL 8*10	PIN DOWEL SPECIAL 8*10	1	
91304		91304-LBA8-C10	RECTANGULAR RING 9*11.7*1.5	RECTANGULAR RING 9*11.7*1.5	1	
91306		91306-LBA8-C10	O-RING 25*2.4	O-RING 25*2.4	1	
92700		92700-KGE2-C10	BOLT STUD 6*35 (C)	BOLT STUD 6*35 (C)	2	
95701-06028		95701-06028-08	BOLT FLANGE 6*28	BOLT FLANGE 6*28 (C)	2	

E02

Cylinder Head



Sales mark	Ref no	Part no	Description	Reg description	Regd no	E02
------------	--------	---------	-------------	-----------------	---------	------------

95701-06032

95701-06032-08

BOLT FLANGE 6*32

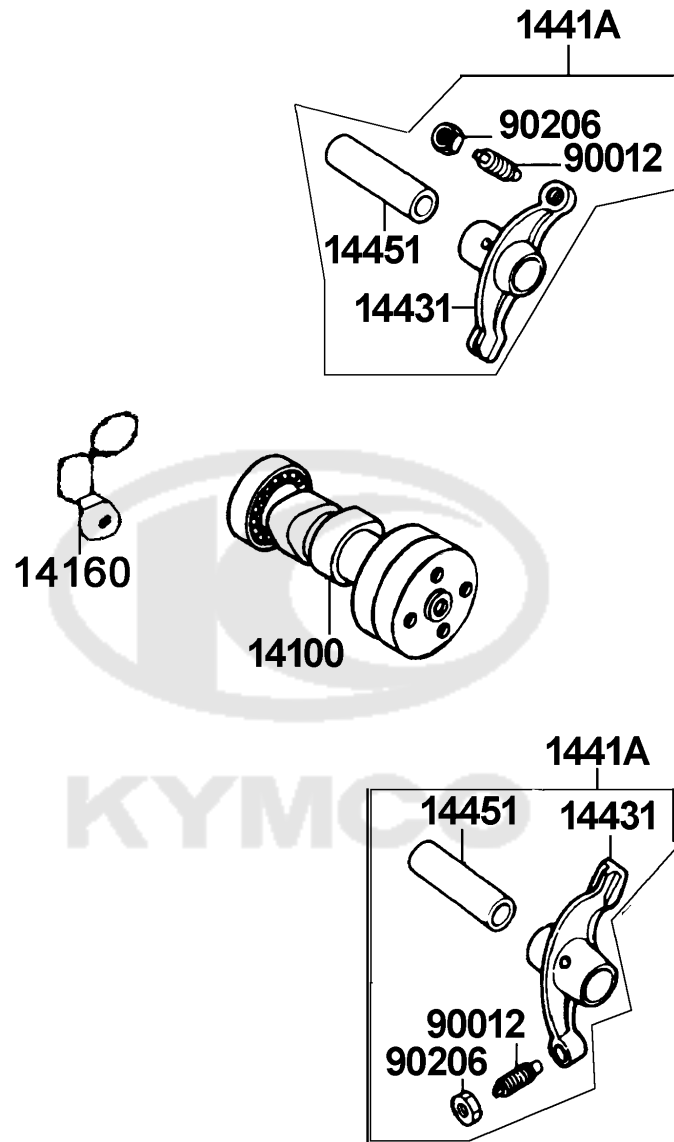
BOLT FLANGE 6*32

2



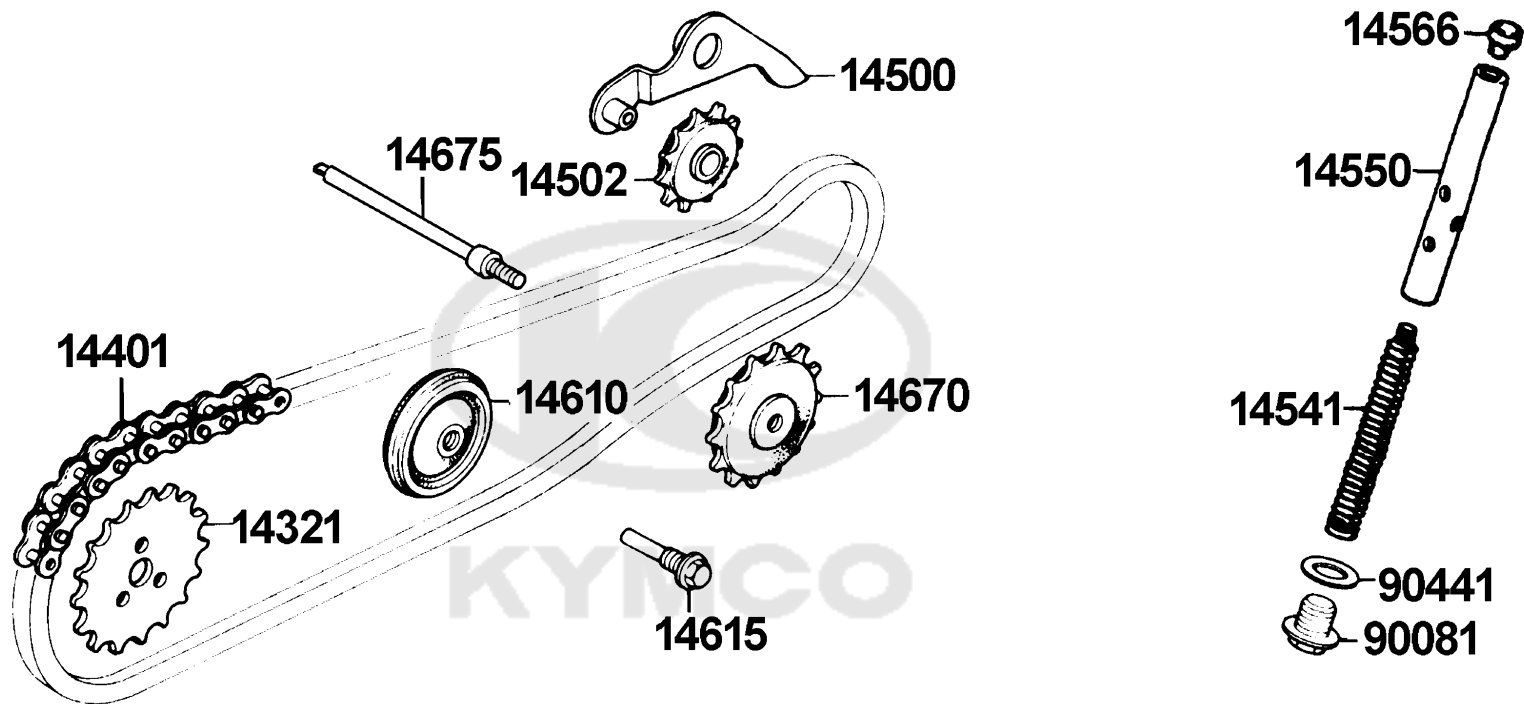
E03

Cam shaft



Sales mark	Ref no	Part no	Description	Reg description	Regd no	E03
14100		14100-LBA8-C10	SHAFT COMP CAM	SHAFT COMP CAM	1	
14160		14160-LBA8-C10	CAGING PLATE COMP	CAGING PLATE COMP	1	
1441A		1441A-LBA8-C10	ROCKER ARM ASSEMBLY	ROCKER ARM ASSEMBLY	1	
14431		14431-LBA8-C10	ARM VALVE ROCKER	ARM VALVE ROCKER	1	
14451		14451-LBA8-C10	SHAFT ROCKER ARM	SHAFT ROCKER ARM	1	
90012		90012-3C33-C00	SCREW TAPPET ADJUSTING	SCREW TAPPET ADJUSTING	1	
90206		90206-0A01-001	NUT TAPPET ADJG	NUT TAPPET ADJG	1	

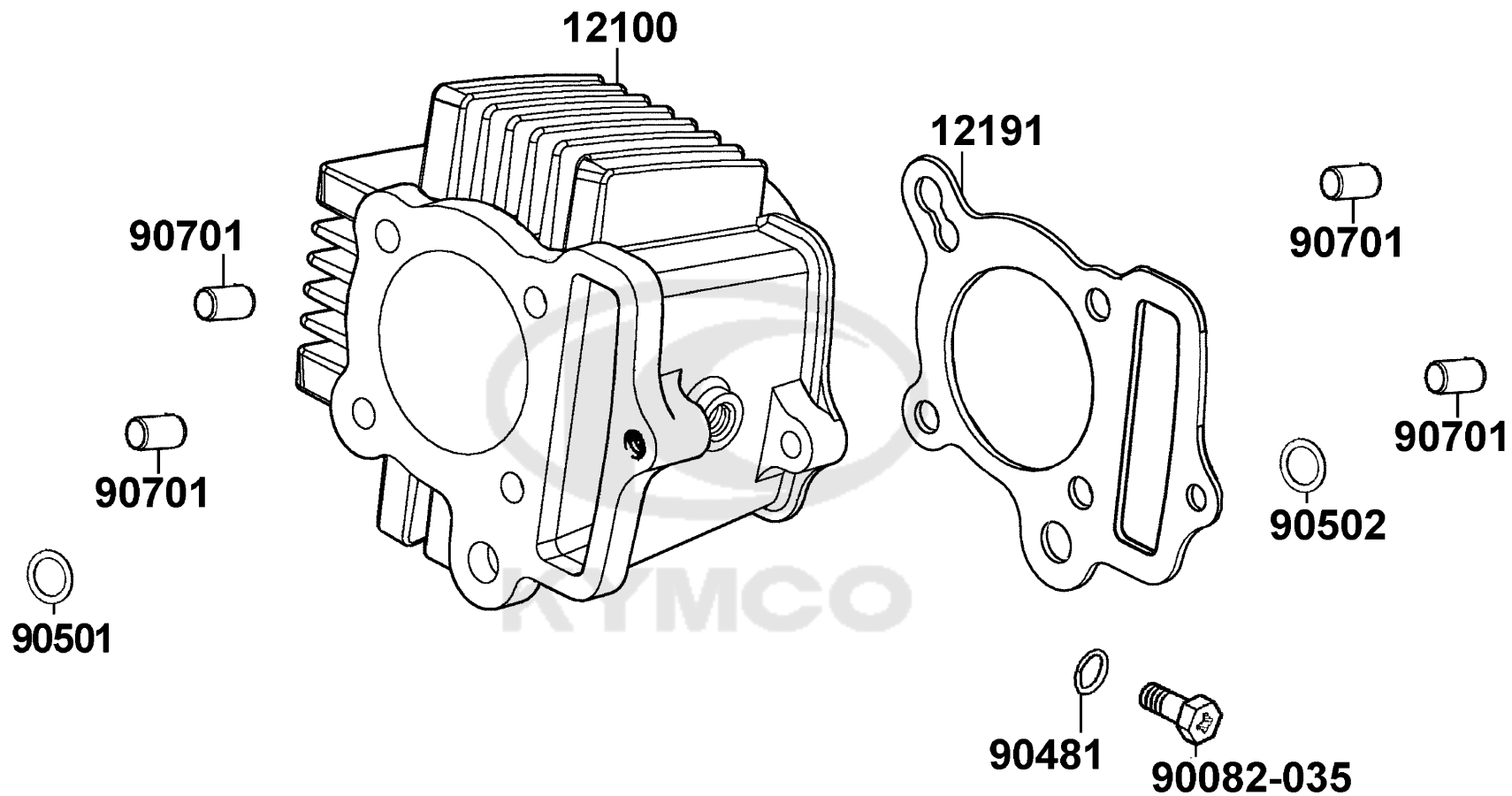




Sales mark	Ref no	Part no	Description	Reg description	Regd no	E04
14321		14321-LBA8-C10	SPROCKET CAM 28T	SPROCKET CAM 28T	1	
14401		14401-LBA8-C10	CHAIN CAM 84	CHAIN CAM 84	1	
14500		14500-LBA8-C10	ARM COMP CAM CHAIN TENSIONER	ARM COMP CAM CHAIN TENSIONER	1	
14502		14502-0F86-C00	ROLLER CAM CHAIN TENSIONER	ROLLER CAM CHAIN TENSIONER	1	
14541		14541-LBA8-C10	SPRING TENSIONER	SPRING TENSIONER	1	
14550		14550-LBA8-C10	PUSH ROD COMP TENSIONER	PUSH ROD COMP TENSIONER	1	
14566		14566-LBA8-C10	HEAD TENSIONER PUSH ROD	HEAD TENSIONER PUSH ROD	1	
14610		14610-KGC4-C00	ROLLER COMP CAM CHAIN	ROLLER COMP CAM CHAIN	1	
14615		14615-LBA8-C10	PIN GUIDE ROLLER	PIN GUIDE ROLLER	1	
14670		14670-KGB4-C10	SPROCKET CAM CHAIN GUIDE	SPROCKET CAM CHAIN GUIDE	1	
14675		14675-LBA8-C10	SPRING CAM CHAIN GUIDE SPROCK	SPRING CAM CHAIN GUIDE SPROCK	1	
90081		90081-0E35-C00	14MM SEALING BOLT	14MM SEALING BOLT	1	
90441		90441-0E35-C00	CYLINDER WASHER	CYLINDER WASHER	1	

E05

Cylinder



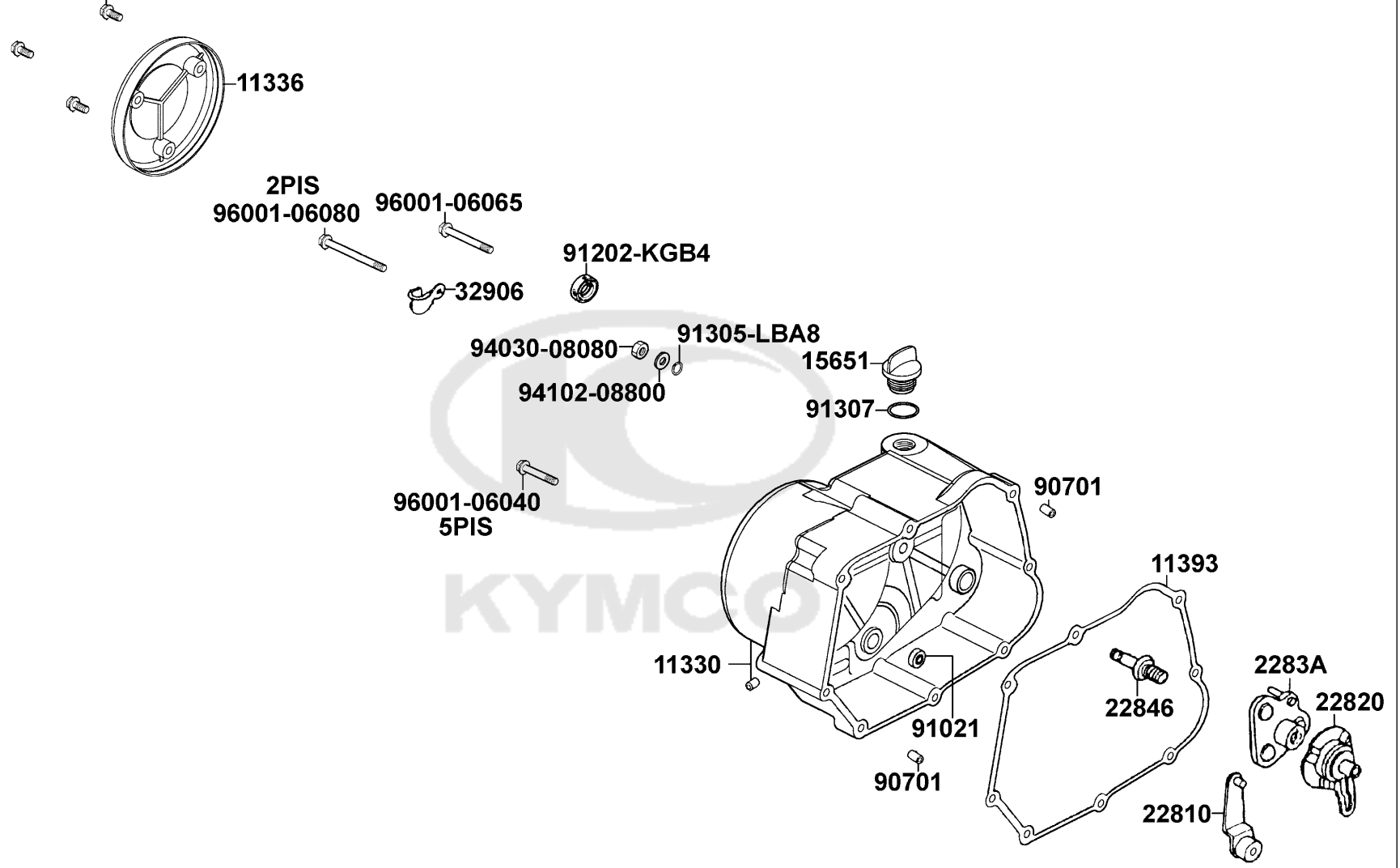
Sales mark	Ref no	Part no	Description	Reg description	Regd no	E05
12100		12100-LHD6-C10	CULINDER COMP	CULINDER COMP	1	
12191		12191-LHD6-C10	GASKET CYLINDER@A	GASKET CYLINDER@A	1	
90082		90082-0E35-C00	BOLT FLANGE 6*23	BOLT FLANGE 6*23	1	
90481		90481-LBA8-C10	WASHER 11.2X15X2.0	WASHER 11.2X15X2.0	1	
90501		90501-LBA8-C10	RECTANGULAR RING 14.5*18.5*2.4	RECTANGULAR RING 14.5*18.5*2.4	1	
90502		90502-LBA8-C10	RECTANGULAR RING 11.5*15.7*2.4	RECTANGULAR RING 11.5*15.7*2.4	1	
90701		90701-GFF6-C00	PIN DOWEL SPECIAL 8*14	PIN DOWEL SPECIAL 8*14	1	



E06

Crankcase Right Cover

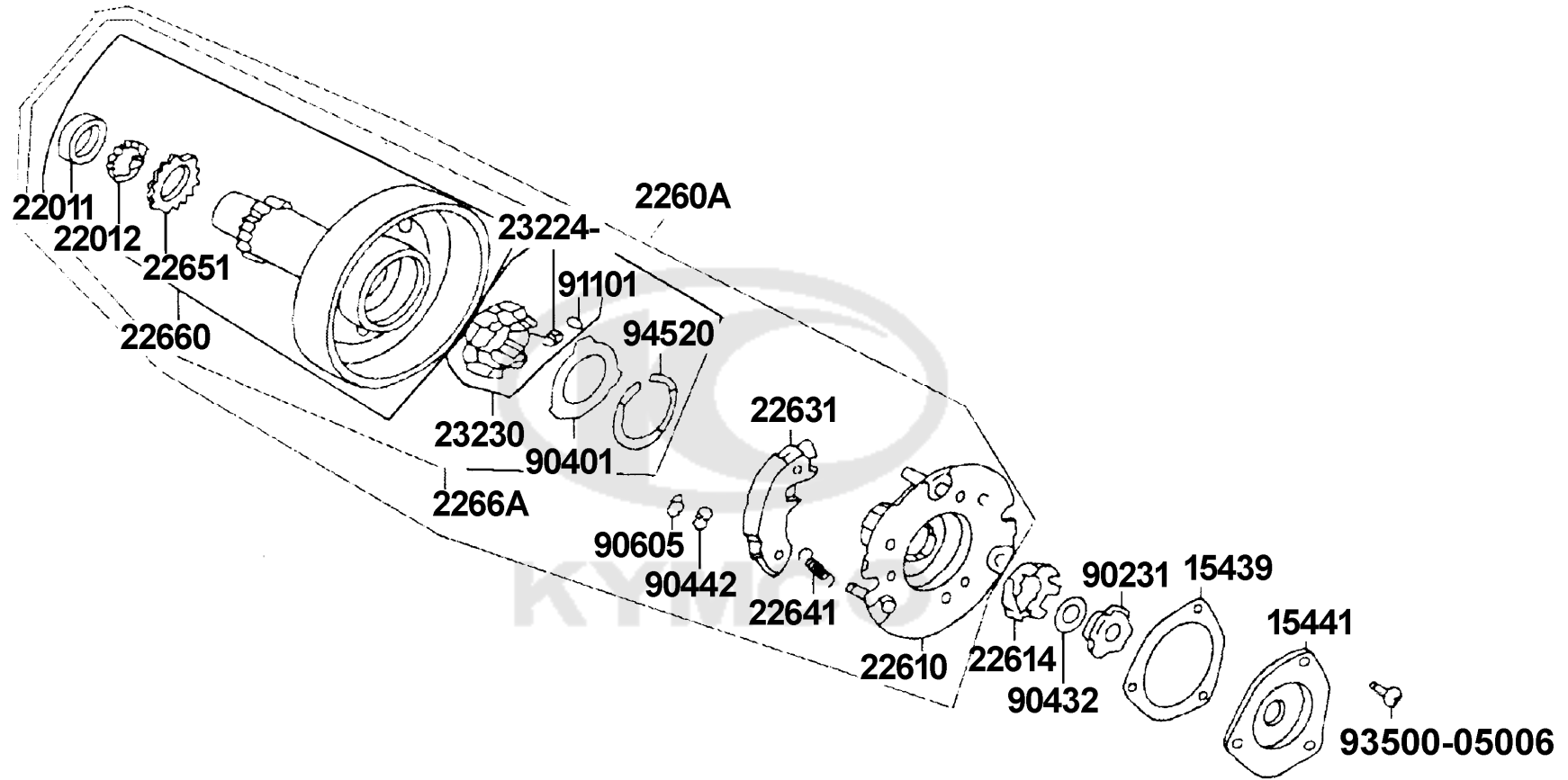
93500-06012



Sales mark	Ref no	Part no	Description	Reg description	Regd no	E06
	11330	11330-LBA8-C000	COVER COMP R CRANK CASE	COVER COMP R CRANK CASE	1	
	11336	11336-LBA8-C000	RIGHT COVER	RIGHT COVER	1	
	11393	11393-LBA8-C10	GASKET R CRANK CASE COVER	GASKET R CRANK CASE COVER	1	
	15651	15651-LBA8-C10	GUAGE OIL LEVEL	GUAGE OIL LEVEL	1	
	22810	22810-LBA8-C10	CLUTCH LEVEL COMP	CLUTCH LEVEL COMP	2	
	2283A	2283A-LBA8-C10	CLUTCH LIFTER BOSS ASSY	CLUTCH LIFTER BOSS ASSY	1	
	22846	22846-LBA8-C10	CLUTCH ADJUSTING BOLT	CLUTCH ADJUSTING BOLT	1	
	32906	32906-LBA8-C10	WIRE CLAMP (C)	WIRE CLAMP (C)	1	
	90701	90701-HDC4-C00	DOWEL PIN 8*12	DOWEL PIN 8*12	1	
	91021	91021-1H48-C00	BRG BALL RADIAL10*10	BRG BALL RADIAL10*10	1	
	91202	91202-KGB4-C10	OIL SEAL 13.7*24*5	OIL SEAL 13.7*24*5	1	
	91305	91305-LBA8-C10	O-RING 7.8*1.9	O-RING 7.8*1.9	1	
	91307	91307-0E35-W10	O-RING 18*3	O-RING 18*3	1	
	93500	93500-06012-00	SCREW PAN M6*12	SCREW PAN M6*12	3	
	94030	94030-08080-0S	NUT HEX 8MM (C)	NUT HEX 8MM (C)	1	
	94102	94102-08800	WASHER PLAIN 8MM	WASHER PLAIN 8MM	1	
	96001-06040	96001-06040-08	BOLT FLANGE 6*40	BOLT FLANGE 6*40	5	
	96001-06065	96001-06065-08	BOLT FLANGE 6*65	BOLT FLANGE 6*65	1	
	96001-06080	96001-06080-08	BOLT FLANGE SH 6*80	BOLT FLANGE SH 6*80(C)	2	

E07

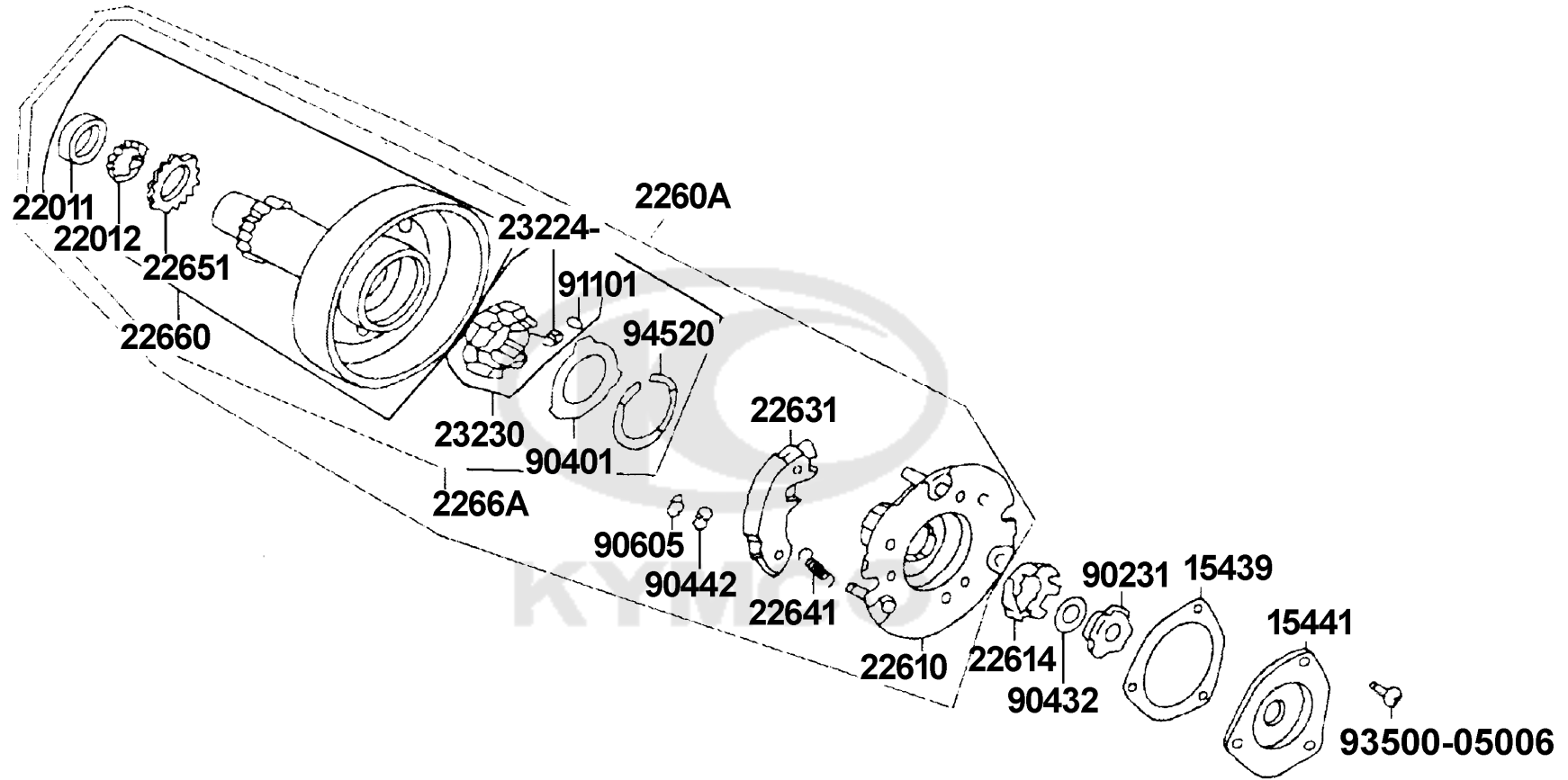
Automatic clutch



Sales mark	Ref no	Part no	Description	Reg description	Regd no	E07
15439		15439-LBA8-C11	GASKET ROTOR OIL FILTER	GASKET ROTOR OIL FILTER	1	
15441		15441-LBA8-C10	COVER ROTOR OIL FILTER	COVER ROTOR OIL FILTER	1	
22011		22011-LBA8-C10	SLEEVE GEAR	SLEEVE GEAR	1	
22012		22012-LBA8-C10	SPRING SIDE GEAR(17T)	SPRING SIDE GEAR(17T)	1	
2260A		2260A-LBA8-C10	PRIMARY CLUTCH ASSY	PRIMARY CLUTCH ASSY	1	
22610		22610-LBA8-C10	PRIMARY DRIVE PLATE	PRIMARY DRIVE PLATE	1	
22614		22614-LBA8-C10	WASHER FIXED	WASHER FIXED	1	
22631		22631-LBA8-C10	PRIMARY CLUTCH WEIGHT	PRIMARY CLUTCH WEIGHT	1	
22641		22641-LBA8-C10	PRIMARY CLUTCH SPRING	PRIMARY CLUTCH SPRING	1	
22651		22651-LBA8-C10	SIDE GEAR(17T)	SIDE GEAR(17T)	1	
22660		22660-LBA8-C10	PRIMARY DRIVE GEAR COMP	PRIMARY DRIVE GEAR COMP	1	
2266A		2266A-LBA8-C10	PRIMARY DRIVE GEAR ASSY	PRIMARY DRIVE GEAR ASSY	1	
23224		23224-LBA8-C10	SPRING 150 ONE-WAY CLUTCH	SPRING 150 ONE-WAY CLUTCH	1	
23230		23230-LBA8-C10	INNER COMP ONE-WAY CLUTCH	INNER COMP ONE-WAY CLUTCH	1	
90231		90231-GKT9-C00	NUT LICK B 14MM	NUT LOCK B 14MM	1	
90401		90401-LBA8-C10	WASHER 17.4MM	WASHER 17.4MM	1	
90432		90432-0F86-C00	WASHER LOCK B	WASHER LOCK B	1	
90442		90442-LBA8-C10	THRUST WASHER 9MM	THRUST WASHER 9MM	1	
90605		90605-1F66-C00	CIR CLIP 7MM	CIR CLIP 7MM	1	
91101		91101-LBA8-C10	ROLLER 8*8	ROLLER 8*8	1	

E07

Automatic clutch



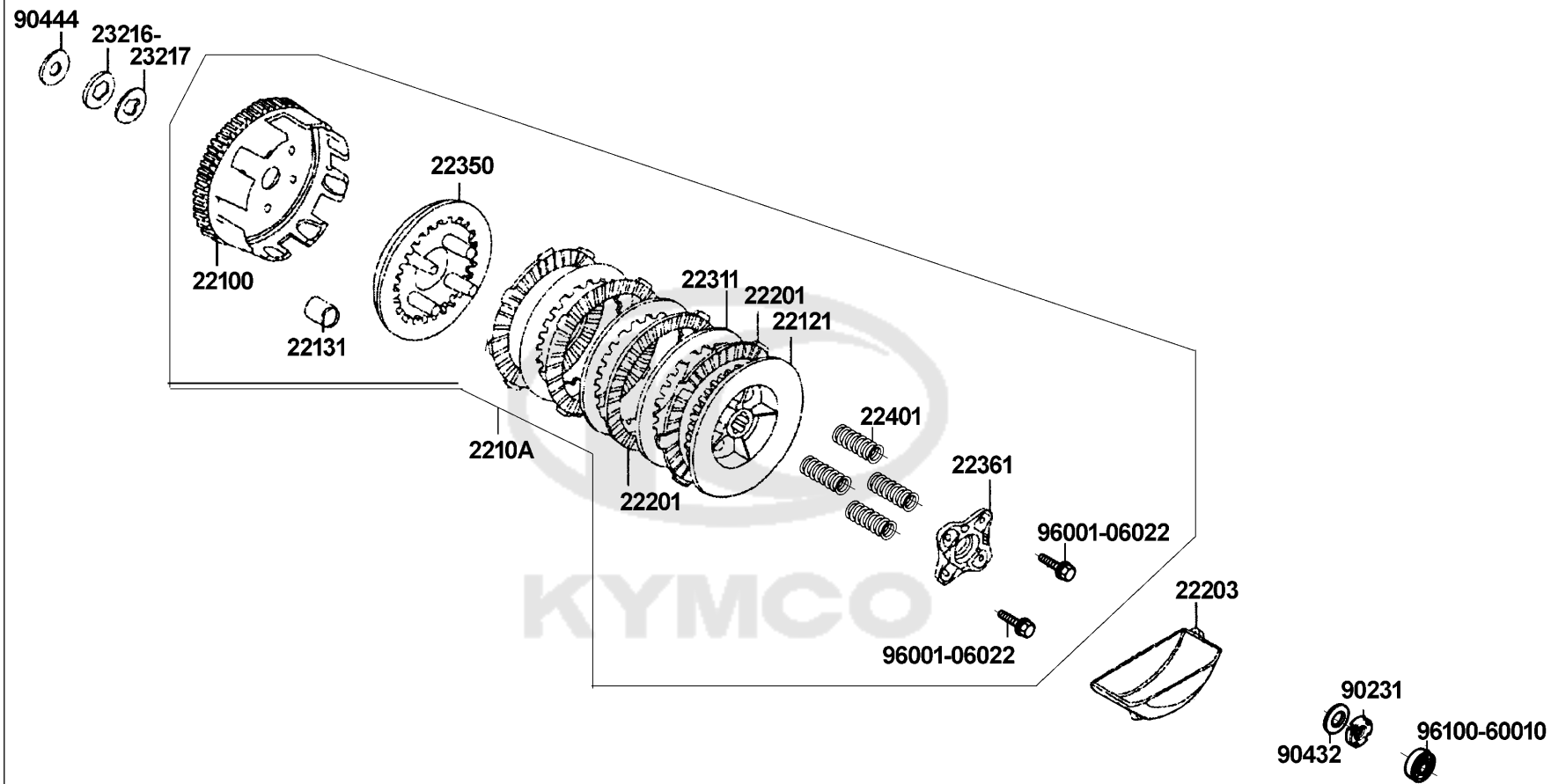
Sales mark	Ref no	Part no	Description	Reg description	Regd no	E07
------------	--------	---------	-------------	-----------------	---------	------------

93500	93500-05006-00	93500-05006-00	BOLT FLANGE SH 5*6 (C)	BOLT FLANGE SH 5*6 (C)	3	
94520	94520-42000	94520-42000	CIR CLIP IN 42MM	CIR CLIP IN 42	1	



E08

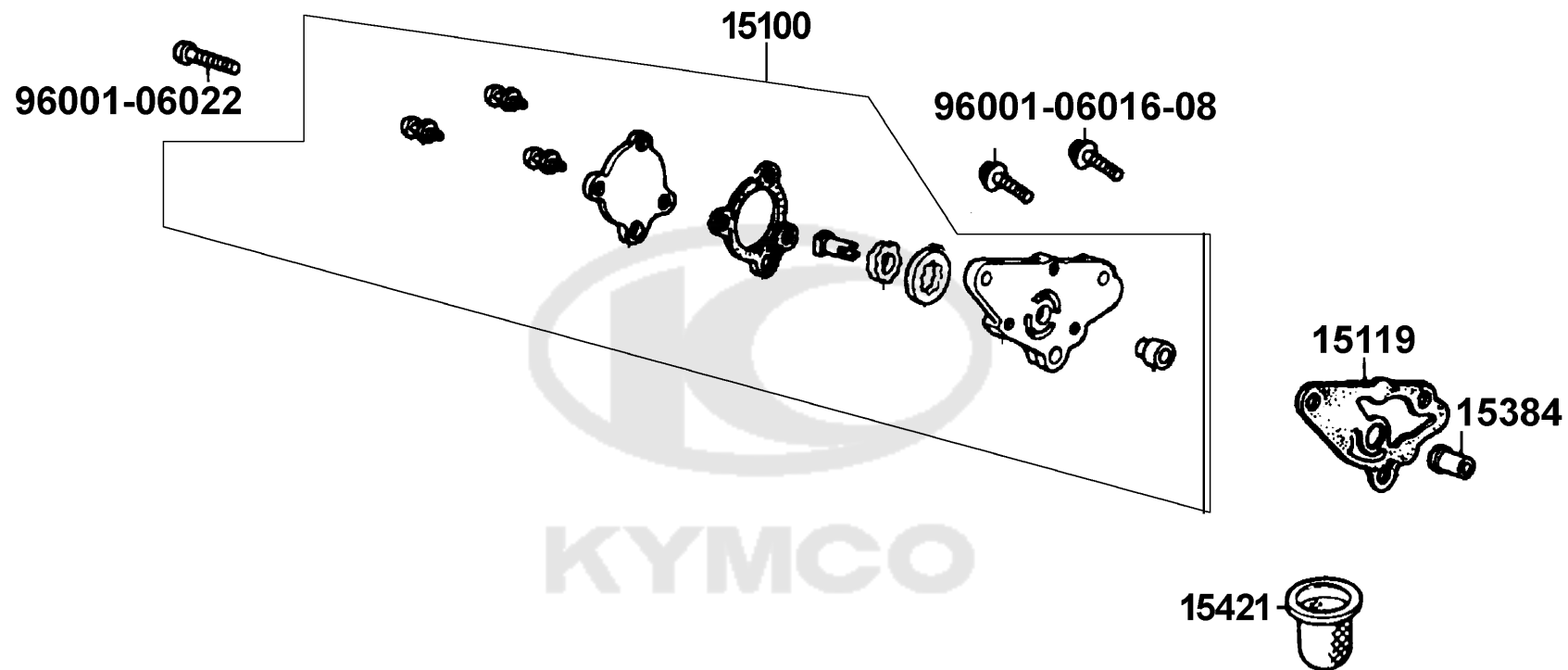
clutch



Sales mark	Ref no	Part no	Description	Reg description	Regd no	E08
22100		22100-LBA8-C10	OUTER COMP CLUTCH	OUTER COMP CLUTCH	1	
2210A		2210A-LBA8-C10	CLUTCH ASSY	CLUTCH ASSY	1	
22121		22121-LBA8-C10	CENTER CLUTCH	CENTER CLUTCH	1	
22131		22131-LBA8-C10	GUIDE CLUTCH OUTER	GUIDE CLUTCH OUTER	1	
22201		22201-LBA8-C10	DISK CLUTCH FRICTION	DISK CLUTCH FRICTION	1	
22203		22203-LBA8-C10	OIL-SEPARATING COVER	OIL-SEPARATING COVER	1	
22311		22311-1G07-C00	PLALTE CLUTCH	PLALTE CLUTCH	1	
22350		22350-LBA8-C10	PLATE CLUTCH PRESSURE	PLATE CLUTCH PRESSURE	1	
22361		22361-LBA8-C10	PLATE CLUTCH LIFTER	PLATE CLUTCH LIFTER	1	
22401		22401-LBA8-C10	SPRING CLUTCH	SPRING CLUTCH	1	
23216		23216-LBA8-C10	WASHER SPLINE 17MM	WASHER SPLINE 17MM	1	
23217		23217-LBA8-C10	WASHER FIXED	WASHER FIXED	1	
90231		90231-0G87-C00	NUT LOCK 14MM	NUT LOCK 14MM	1	
90432		90432-0F86-C00	WASHER LOCK B	WASHER LOCK B	1	
90444		90444-LBA8-C10	WASHER SPECIAL	WASHER SPECIAL	1	
96001		96001-06022-08	BOLT FLANGE SH 6*22	BOLT FLANGE SH 6*22	4	
96100		96100-60000-00	BEARING BALL RADIAL 6000	BEARING BALL RADIAL 6000	1	

E09

Oil pump

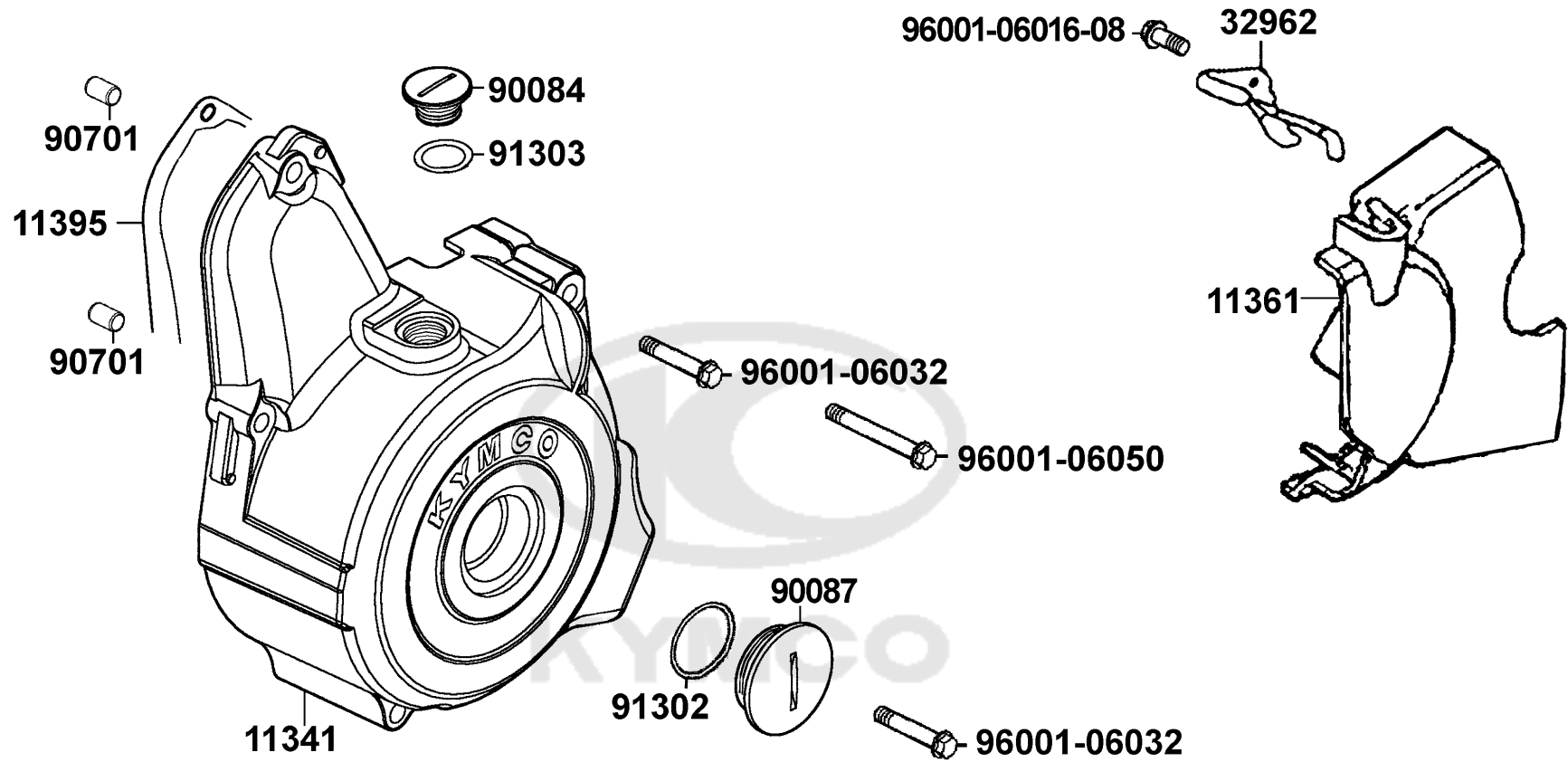


Sales mark	Ref no	Part no	Description	Reg description	Regd no	E09
	15100	15100-LBA8-C10	OIL PUMP ASSY	OIL PUMP ASSY	1	
	15119	15119-LBA8-C10	OIL PUMP BODY GASKET	OIL PUMP BODY GASKET	1	
	15384	15384-LBA8-C10	PIVOT OIL PUMP	PIVOT OIL PUMP	1	
	15421	15421-LBA8-C10	SCREEN OIL FILTER	SCREEN OIL FILTER	1	
	96001-06016	96001-06016-08	BOLT FLANGE SH 6*16	BOLT FLANGE SH 6*16	2	
	96001-06022	96001-06022-08	BOLT FLANGE SH 6*22	BOLT FLANGE SH 6*22	1	

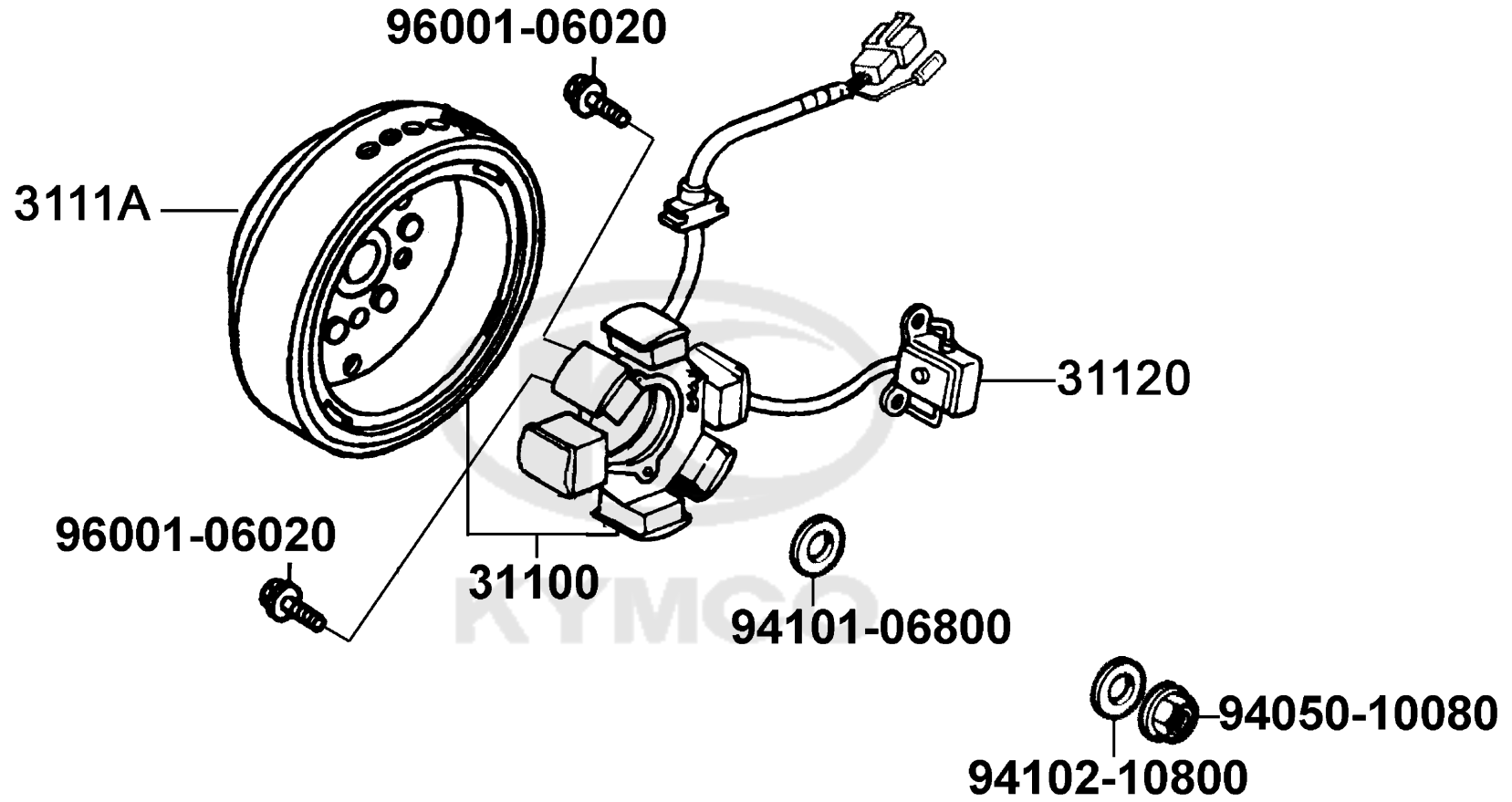


E10

Crankcase left Cover



Sales mark	Ref no	Part no	Description	Reg description	Regd no	E10
	11341	11341-LBA8-C10	COVER COMP L SIDE	COVER COMP L SIDE	1	
	11361	11361-LBA8-C000	COVER LEFT REAR CRANK	COVER LEFT REAR CRANK	1	
	11395	11395-LBA8-C10	GASKET L COVER	GASKET L COVER	1	
	32962	32962-LBA8-C10	CLAMPER PULSER CORD (C	CLAMPER PULSER CORD (C	1	
**	90084	90084-LBA8-E80	CAP ACG	CAP ACG	1	
**	90087	90087-4H28-E80	CAP 30MM	CAP 30MM	1	
	90701	90701-HDC4-C00	DOWEL PIN 8*12	DOWEL PIN 8*12	1	
	91302	91302-5G67-C00	O-RING 27.4*2.4	O-RING 27.4*2.4	1	
	91303	91303-3G77-C00	O-RING 13.8*2.5	O-RING 13.8*2.5	1	
	96001-06016	96001-06016-08	BOLT FLANGE SH 6*16	BOLT FLANGE SH 6*16	1	
	96001-06032	96001-06032-08	BOLT FLANGE SH 6*32	BOLT FLANGE SH 6*32	2	
	96001-06050	96001-06050-08	BOLT FLANGE 6*50	BOLT FLANGE SH 6*50 (C)	1	

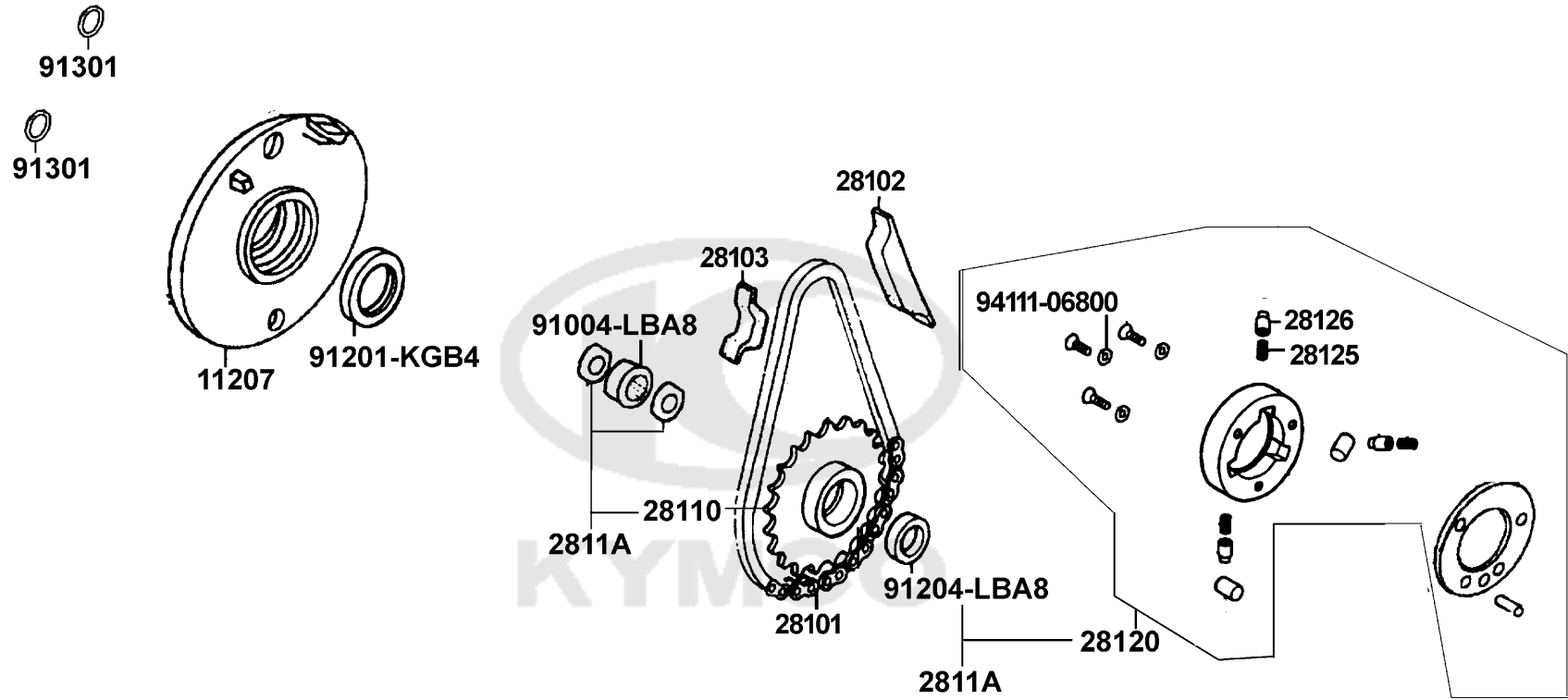


Sales mark	Ref no	Part no	Description	Reg description	Regd no	E11
31100		31100-LBA8-E000	ACG ONE WAY COMP	ACG ONE WAY COMP	1	
3111A		3111A-LBA8-C10	FLYWHEEL COMP	FLYWHEEL COMP	1	
31120		31120-LBA8-E80	STATOR COMP	STATOR COMP	1	
94050		94050-10080	NUT FLANGE 10MM	NUT FLANGE 10MM (C)	1	
94101		94101-06800	WASHER PLAIN 6MM	WASHER PLAIN 6MM (C)	1	
94102		94102-10800	WASHER PLAIN 10MM	WASHER PLAIN 10MM (C)	1	
96001		96001-06020-08	BOLT FLANGE SH 6*20	BOLT FLANGE SH 6*20	2	



E12

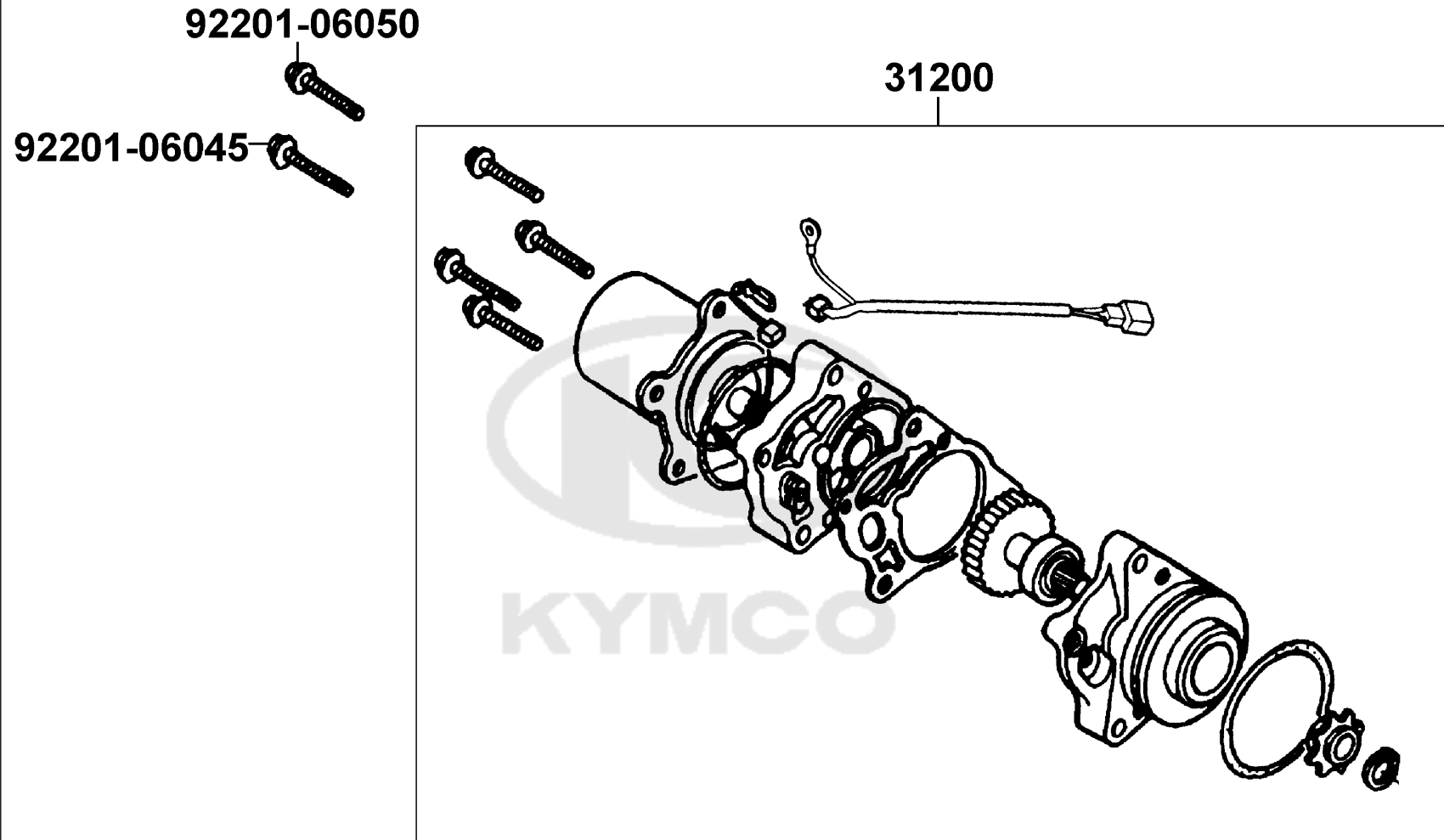
Coupling coat



Sales mark	Ref no	Part no	Description	Reg description	Regd no	E12
11207		11207-LBA8-C10	PLATE CRANK CASE L	PLATE CRANK CASE L	1	
28101		28101-LBA8-C10	CHAIN STARTER	CHAIN STARTER	1	
28102		28102-LBA8-C10	GUIDE STARTER CHAIN	GUIDE STARTER CHAIN	1	
28103		28103-KGB4-C10	PROTECTOR STARTER CHAIN(GD-	PROTECTOR STARTER CHAIN(GD-M001C)	1	
28110		28110-LBA8-C10	STARTER SPROCKET	STARTER SPROCKET	1	
2811A		2811A-LBA8-C10	STARTER SPROCKET COMP	STARTER SPROCKET COMP	1	
28120		28120-LBA8-C10	OUTER COMP CLUTCH	OUTER COMP CLUTCH	1	
28125		28125-3C23-C00	SPRING ROLLER STARTER CLUTCH	SPRING ROLLER STARTER CLUTCH	1	
28126		28126-LBA8-C10	CAP STARTING ROLLER SPRING	CAP STARTING ROLLER SPRING	1	
91004		91004-LBA8-C10	NEEDLE BEARING	NEEDLE BEARING	1	
91201		91201-KGB4-C10	OIL SEAL 30*42*4.5	OIL SEAL 30*42*4.5	1	
91204		91204-LBA8-C10	OIL SEAL 18.9*30*5	OIL SEAL 18.9*30*5	1	
91301		91301-0G27-C00	O-RING 6.8*1.9	O-RING 6.8*1.9	1	
94111		94111-06800	WASHER SPG 6MM	WASHER SPG 6MM	3	

E13

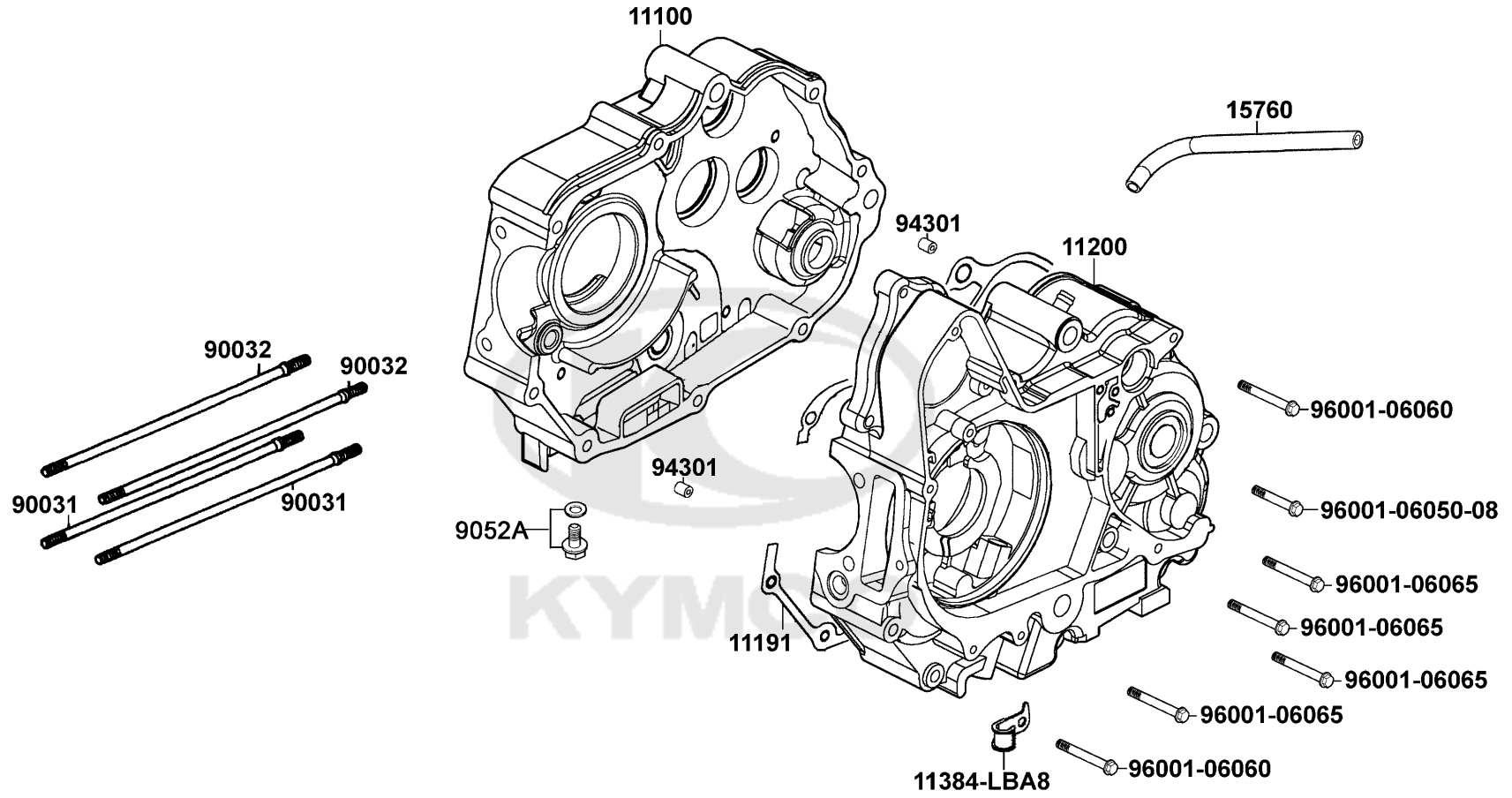
Starting Motor



Sales mark	Ref no	Part no	Description	Reg description	Regd no	E13
------------	--------	---------	-------------	-----------------	---------	------------

31200	31200-LBA8-C10	31200-LBA8-C10	MOTOR ASSY START	MOTOR ASSY START	1	
92201-06045	92201-06045-08	92201-06045-08	BOLT M6*45(C)	BOLT M6*45(C)	1	
92201-06050	92201-06050-08	92201-06050-08	BOLT M6*50(C)	BOLT M6*50(C)	1	

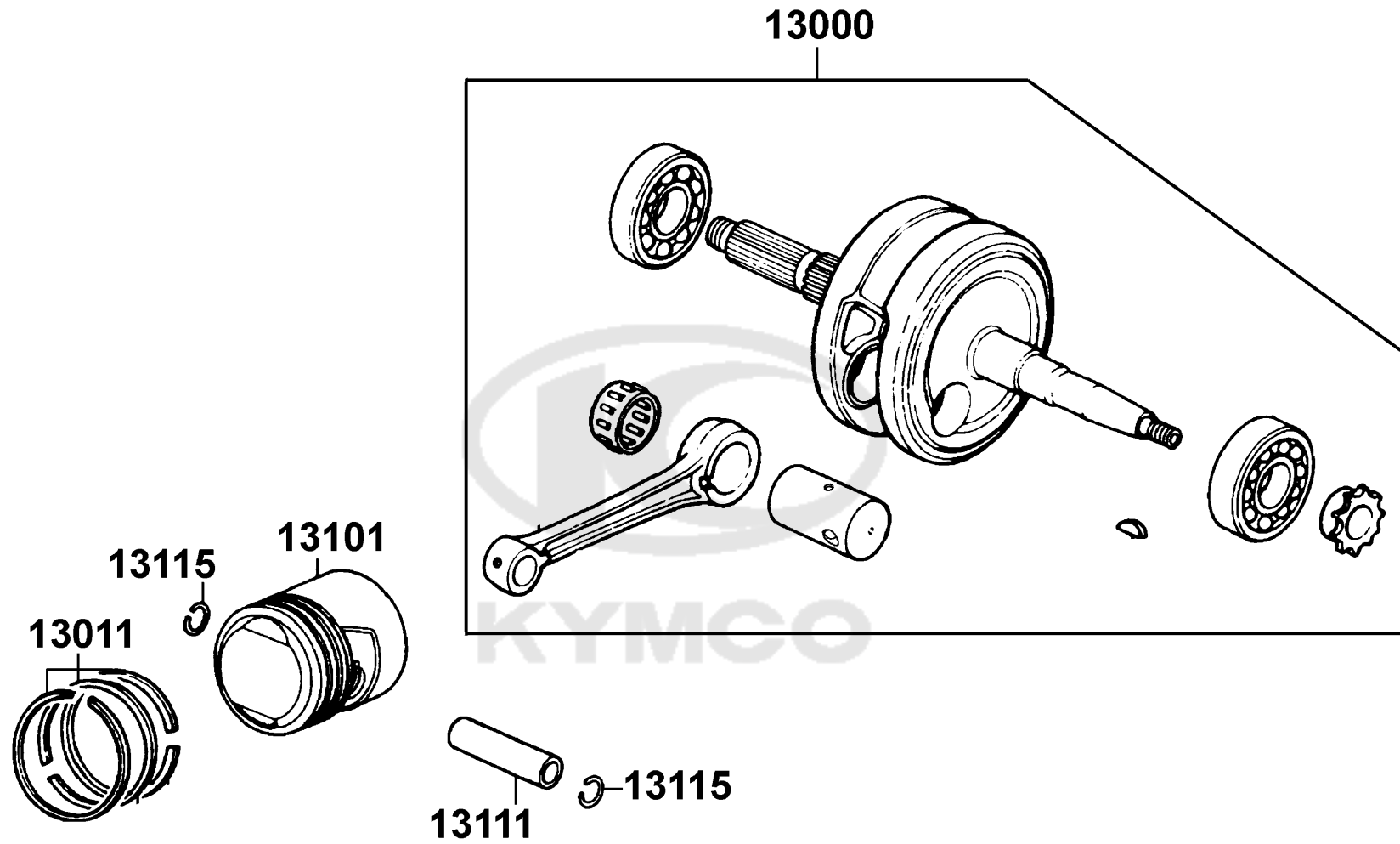




Sales mark	Ref no	Part no	Description	Reg description	Regd no	E14
**	11100	11100-LBA8-C10	CRANK CASE COMP RIGHT	CRANK CASE COMP RIGHT	1	
	11191	11191-LBA8-C10	GASKET CRANK CASE	GASKET CRANK CASE	1	
	11200	11200-LBA8-C000	CRANK CASE COMP LEFT	CRANK CASE COMP LEFT	1	
	11384	11384-LBA8-C10	CLAMP TUBE	CLAMP TUBE	1	
	15760	15760-LBA8-C10	TUBE AIR/C	TUBE AIR/C	1	
	90031	90031-LBA8-C10	BOLT A STUD 7*204*6	BOLT A STUD 7*204*6	1	
	90032	90032-LBA8-C10	BOLT B STUD 7*196*6	BOLT B STUD 7*196*6	1	
	9052A	9052A-KGB4-C10	BOLT ASSY DRAIN PLUG	BOLT ASSY DRAIN PLUG	1	
	94301	94301-10140	DOWEL PIN 10*14	PIN A DOWEL 10*14	2	
	96001-06050	96001-06050-08	BOLT FLANGE 6*50	BOLT FLANGE SH 6*50 (C)	1	
	96001-06060	96001-06060-08	BOLT FLANGE SH 6*60	BOLT FLANGE SH 6*60	2	
	96001-06065	96001-06065-08	BOLT FLANGE 6*65	BOLT FLANGE 6*65	4	

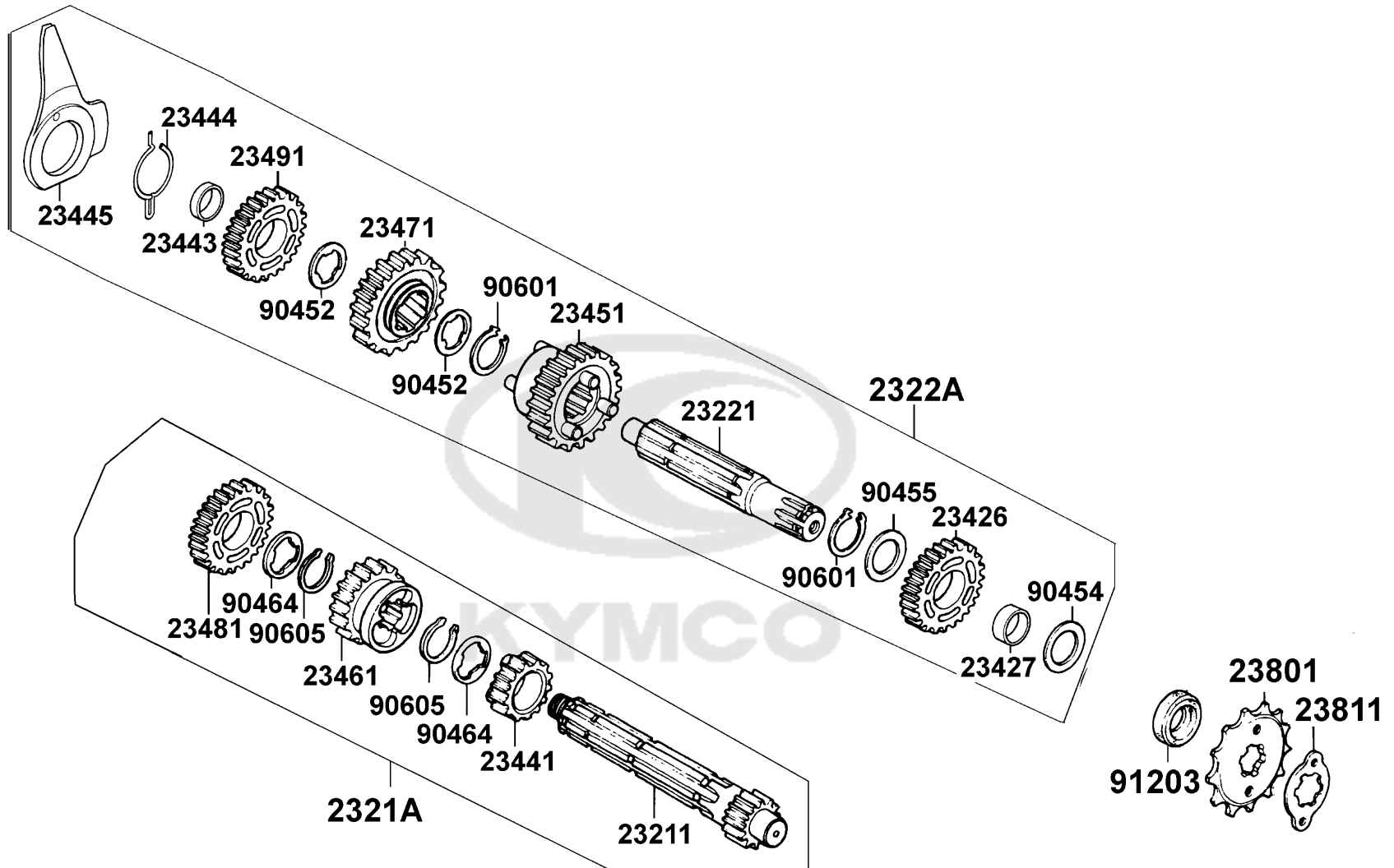
E15

Crankshaft Piston

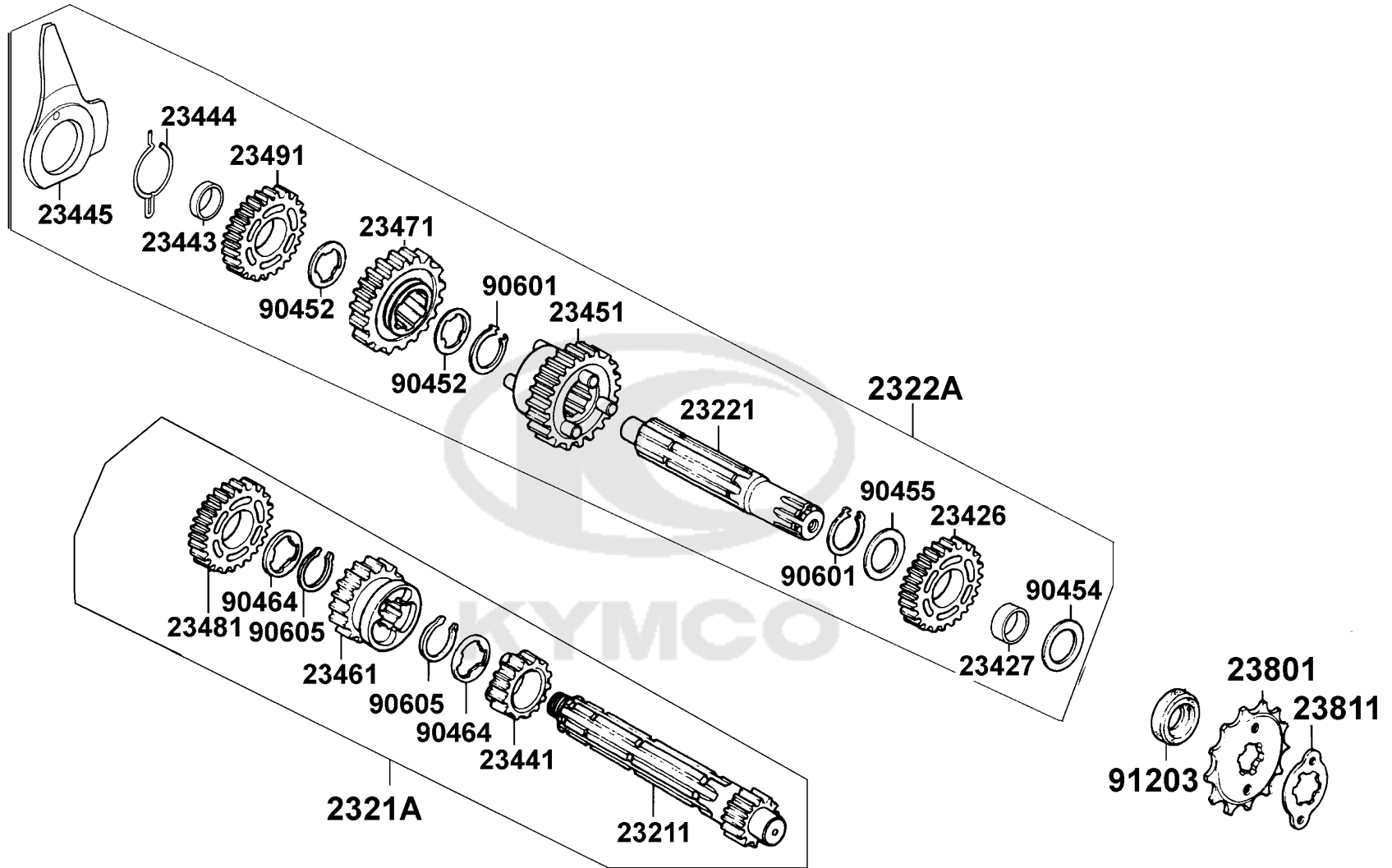


Sales mark	Ref no	Part no	Description	Reg description	Regd no	E15
13000		13000-LBA8-C10	CRANK SHAFT COMP	CRANK SHAFT COMP	1	
13011		13011-LHD6-C10	RING SET PISTON	RING SET PISTON	1	
13101		13101-LHD6-C10	PISTON	PISTON	1	
13111		13111-0G87-C00	PIN PISTON	PIN PISTON	1	
13115		13115-0A01-C00	PISTON PIN CLIP	PISTON PIN CLIP	1	





Sales mark	Ref no	Part no	Description	Reg description	Regd no	E16
23211		23211-LBA8-C10	SHAFT MAIN TRANSMISSION	SHAFT MAIN TRANSMISSION	1	
2321A		2321A-LBA8-C10	MAIN TRANSMISSION ASSY	MAIN TRANSMISSION ASSY	1	
23221		23221-LBA8-C10	SHAFT COUNTER TRANSMISSION	SHAFT COUNTER TRANSMISSION	1	
2322A		2322A-LBA8-C10	COUNTER TRANSMISSION ASSY	COUNTER TRANSMISSION ASSY	1	
23426		23426-LBA8-C10	GEAR COUNTER SHAFT LOW	GEAR COUNTER SHAFT LOW	1	
23427		23427-LBA8-C10	COLLAR COUNTER SHAFT LOW GEAR	COLLAR COUNTER SHAFT LOW GEAR	1	
23441		23441-LBA8-C10	GEAR M-2	GEAR M-2	1	
23443		23443-LBA8-C10	SLEEVE	SLEEVE	1	
23444		23444-LBA8-C10	FRICTION SPRING	FRICTION SPRING	1	
23445		23445-LBA8-C10	CAM LOCATING PLATE	CAM LOCATING PLATE	1	
23451		23451-LBA8-C10	GEAR C-2	GEAR C-2	1	
23461		23461-LBA8-C10	GEAR M-3	GEAR M-3	1	
23471		23471-LBA8-C10	GEAR C-3	GEAR C-3	1	
23481		23481-LBA8-C10	GEAR M-4	GEAR M-4	1	
23491		23491-LBA8-C10	GEAR C-4	GEAR C-4	1	
23801		23801-LBA8-C10	SPROCKET DRIVE	SPROCKET DRIVE	1	
23811		23811-LBA8-C10	PLATE A2 FIXING	PLATE A2 FIXING	1	
90452		90452-LBA8-C10	WASHER THRUST 17MM	WASHER THRUST 17MM	1	
90454		90454-LBA8-C10	WASHER THRUST 17MM	WASHER THRUST 17MM	1	
90455		90455-LBA8-C10	WASHER SPLINE 20MM	WASHER SPLINE 20MM	1	

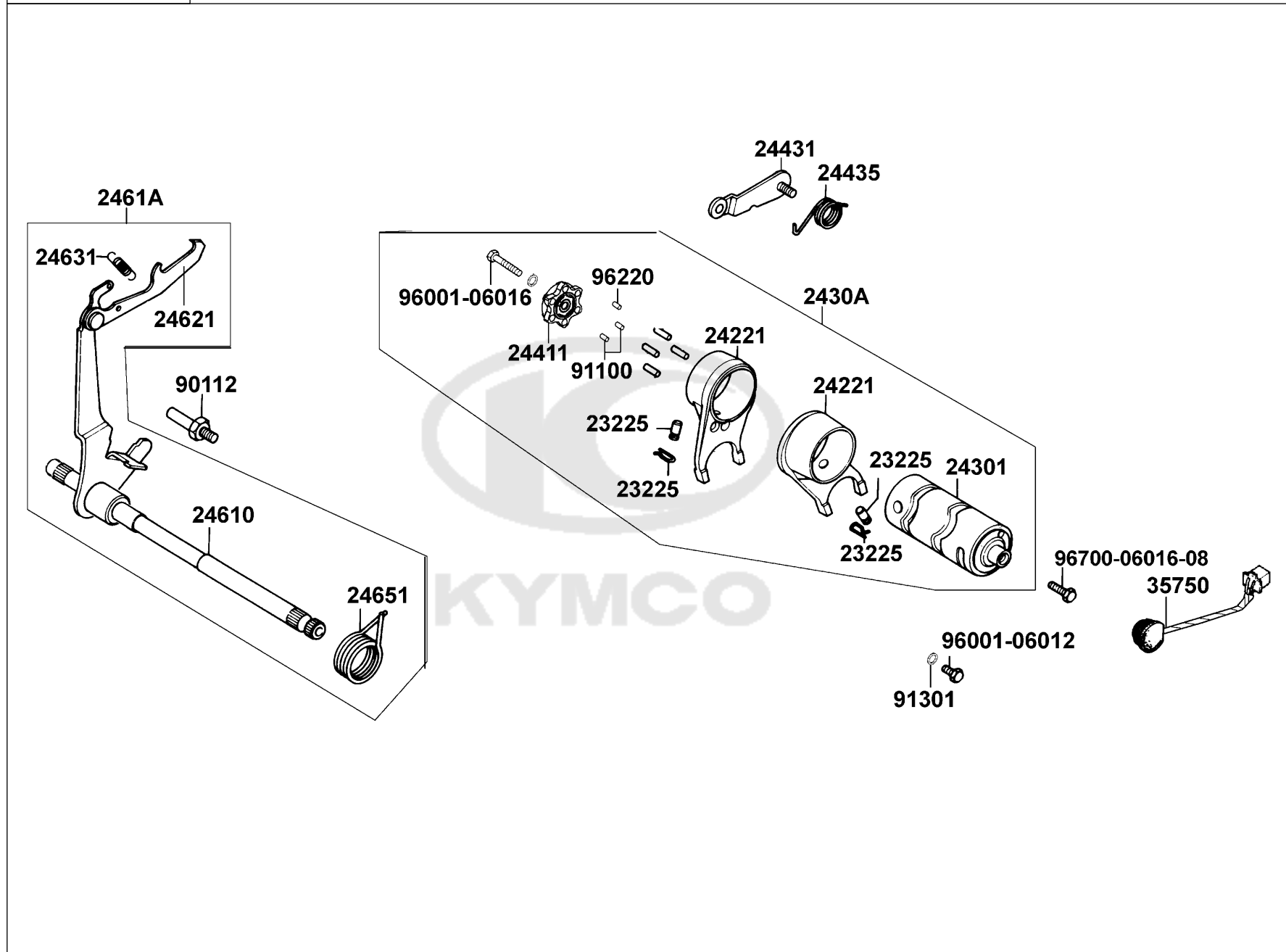


Sales mark	Ref no	Part no	Description	Reg description	Regd no	E16
	90464	90464-LBA8-C10	WASHER SPLINE 17MM	WASHER SPLINE 17MM	1	
	90601	90601-LBA8-C10	SET RING 20MM	SET RING 20MM	1	
	90605	90605-LBA8-C10	SET RING 17MM	SET RING 17MM	1	
	91203	91203-KGB4-C11	OIL SEAL 17*29*5	OIL SEAL 17*29*5	1	



E17

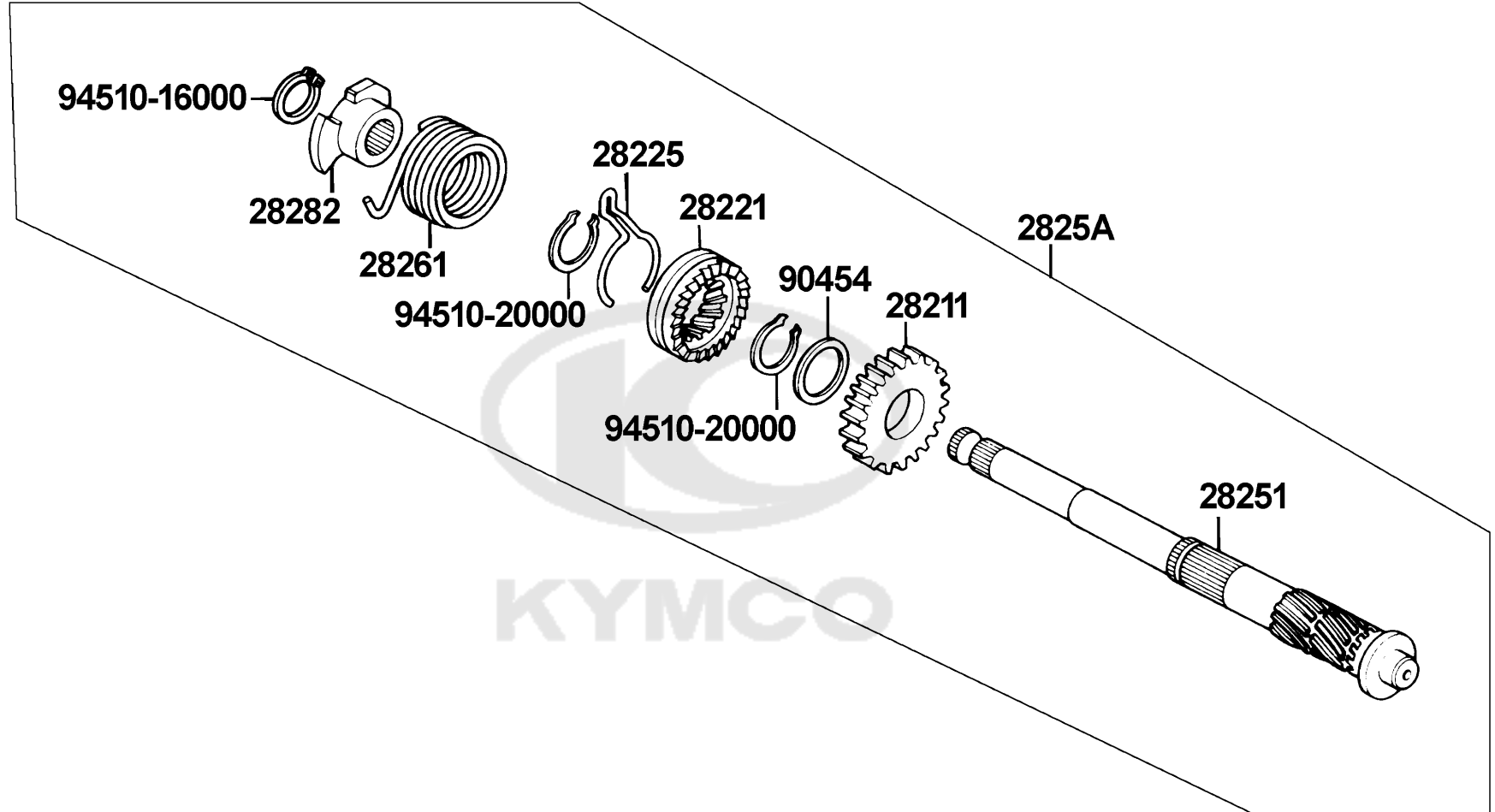
Speed change foot bar



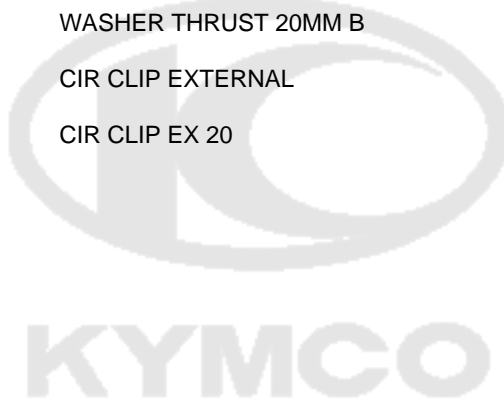
Sales mark	Ref no	Part no	Description	Reg description	Regd no	E17
23225		23225-LBA8-C10	GUIDE PIN	GUIDE PIN	1	
24221		24221-LBA8-C10	FORK GEAR SHIFT	FORK GEAR SHIFT	1	
24301		24301-LBA8-C10	DRUM GEAR SHIFT	DRUM GEAR SHIFT	1	
2430A		2430A-LBA8-C10	GEAR SHIFT CAM ASSEMBLY	GEAR SHIFT CAM ASSEMBLY	1	
24411		24411-3D24-C00	CAM GEAR SHIFT	CAM GEAR SHIFT	1	
24431		24431-LBA8-C10	STOPPER COMP GEAR	STOPPER COMP GEAR	1	
24435		24435-LBA8-C10	SPRING SHIFT DRUM STOPPER	SPRING SHIFT DRUM STOPPER	1	
24610		24610-LBA8-C10	PINDLE COMP GEAR SHIFT	PINDLE COMP GEAR SHIFT	1	
2461A		2461A-LBA8-C10	GEAR SHIFT SPINDLE ASSEMBLY	GEAR SHIFT SPINDLE ASSEMBLY	1	
24621		24621-1G07-C00	PLATE GEAR SHIFT	PLATE GEAR SHIFT	1	
24631		24631-1G07-C00	SPRING GEAR SHIFT PLATE	SPRING GEAR SHIFT PLATE	1	
24651		24651-LBA8-C10	SPRING GEAR SHIFT RETURN	SPRING GEAR SHIFT RETURN	1	
35750		35750-LBA8-C10	WIRE LEADS SET	WIRE LEADS SET	1	
90112		90112-LBA8-C10	LOCK SCREW 8*35(K)	LOCK SCREW 8*35(K)	1	
91100		91100-LBA8-C10	ROLLER 3*8.5	ROLLER 3*8.5	1	
91301		91301-LBA8-C10	O-RING 15.5*1.6	O-RING 15.5*1.6	1	
96001-06012		96001-06012-08	BOLT FLANGE 6*12	BOLT FLANGE SH 6*12 (C)	1	
96001-06016		96001-06016-08	BOLT FLANGE SH 6*16	BOLT FLANGE SH 6*16	1	
96220		96220-40100	ROLLER 4*10	ROLLER 4*10	1	
96700		96700-06016-08	BOLT SOCKET 6X16(G)	BOLT SOCKET 6X16(G)	1	

E18

Has moving axis

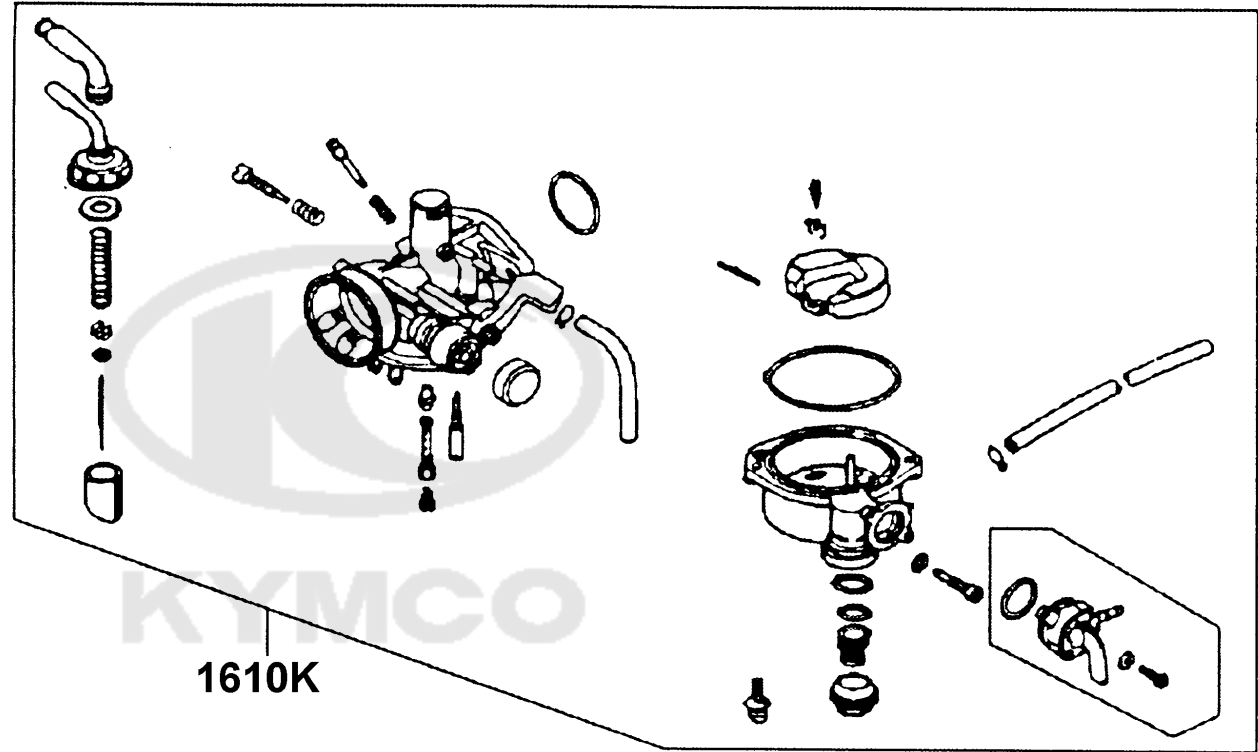
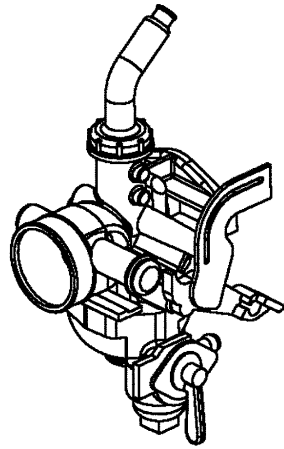


Sales mark	Ref no	Part no	Description	Reg description	Regd no	E18
	28211	28211-LBA8-C10	PINION KICK STARTER	PINION KICK STARTER	1	
	28221	28221-LBA8-C10	RATCHET KICK STARTER	RATCHET KICK STARTER	1	
	28225	28225-LBA8-C10	PLATE KICK STAR	PLATE KICK STAR	1	
	28251	28251-LBA8-C10	DPINDLE KICK STARTER	DPINDLE KICK STARTER	1	
	2825A	2825A-LBA8-C10	KIKK STARTER COMP	KIKK STARTER COMP	1	
	28261	28261-LBA8-C10	SPRING KICK STARTER	SPRING KICK STARTER	1	
	28282	28282-LBA8-C10	COLLAR KICK SPRING	COLLAR KICK SPRING	1	
	90454	90454-1G07-C00	WASHER THRUST 20MM B	WASHER THRUST 20MM B	1	
	94510-16000	94510-16000	CIR CLIP EXTERNAL	CIR CLIP EX 16	1	
	94510-20000	94510-20000	CIR CLIP EX 20	CIR CLIP EXTERNAL 20MM	2	



E19

Carburetor



1610K

Sales mark	Ref no	Part no	Description	Reg description	Regd no	E19
------------	--------	---------	-------------	-----------------	---------	------------

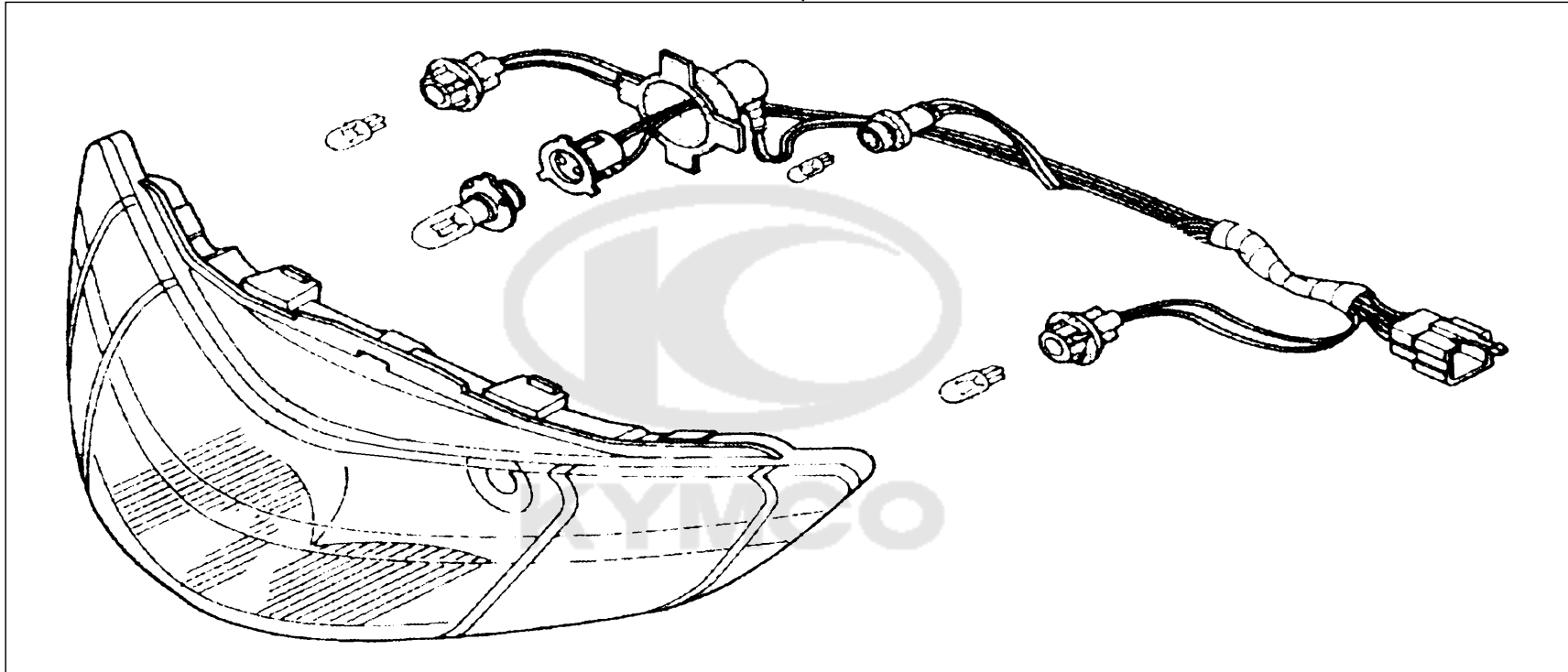
1610K	1610K-LBA8-C10	CARBURETOR ASSY	CARBURETOR ASSY		1	
-------	----------------	-----------------	-----------------	--	---	--



F01

Head Light

33100



Sales mark	Ref no	Part no	Description	Reg description	Regd no	F01
------------	--------	---------	-------------	-----------------	---------	------------

33100

33100-LBA8-E80

LIGHT ASSY FR COMB

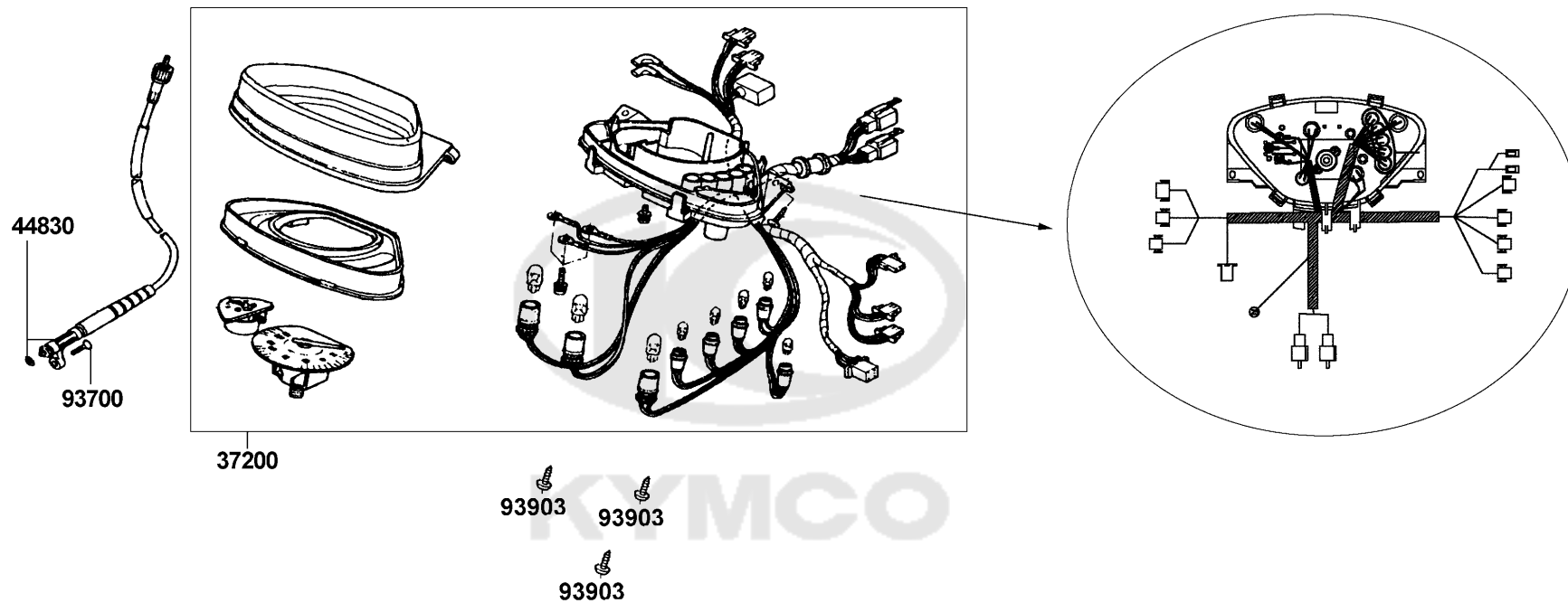
LIGHT ASSY FR COMB

1



F02

Speedometer

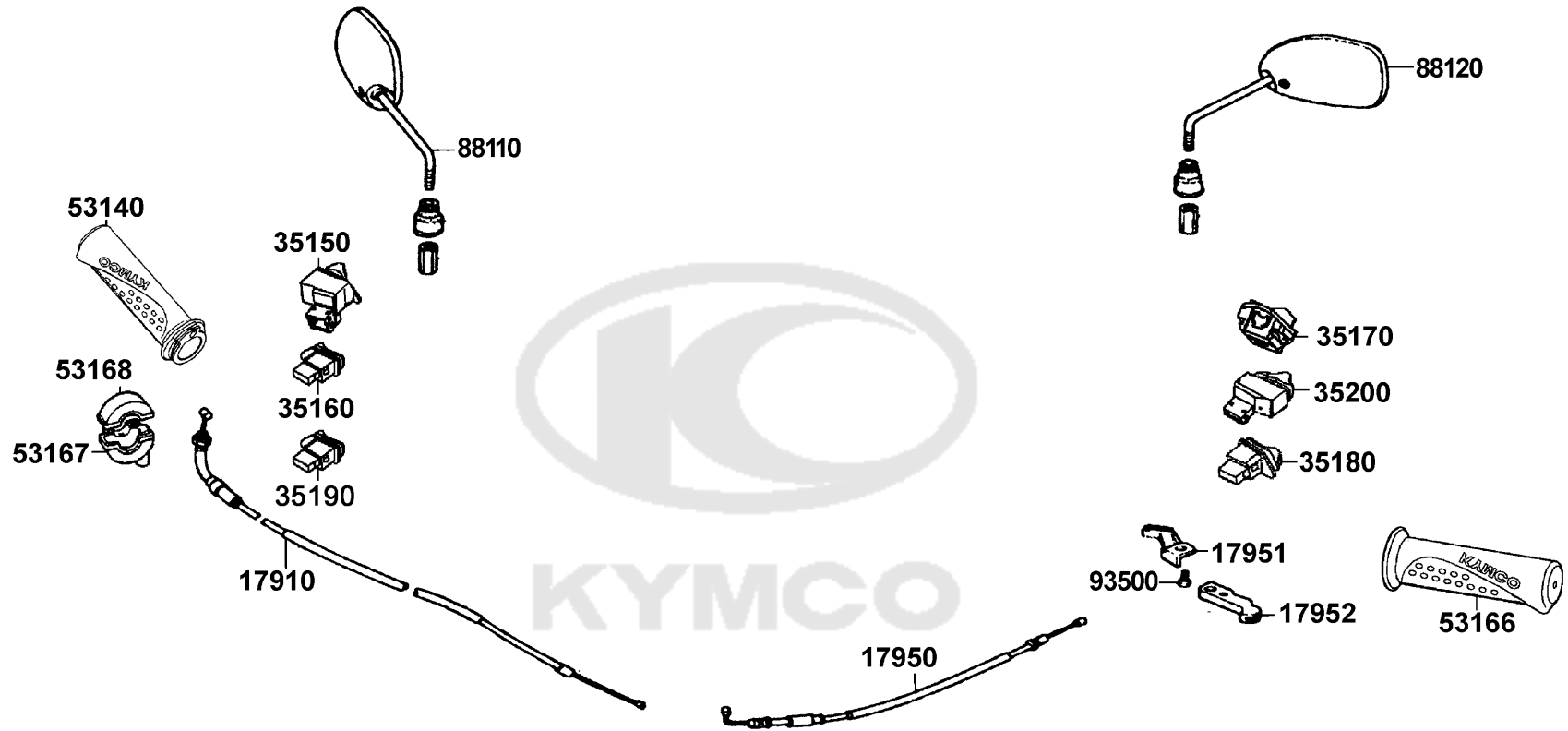


Sales mark	Ref no	Part no	Description	Reg description	Regd no	F02
37200	37200-LBA8-E80	37200-LBA8-E80	METER SET	METER SET	1	
44830	44830-LBA8-C10	44830-LBA8-C10	CABLE COMP SPDMT	CABLE COMP SPDMT	1	
93700	93700-05018-08	93700-05018-08	SCREW OVAL 5*18C	SCREW OVAL 5*18C	1	
93903	93903-35320	93903-35320	SCREW TAPPING 5*16	SCREW TAPPING 5*16	2	



F03

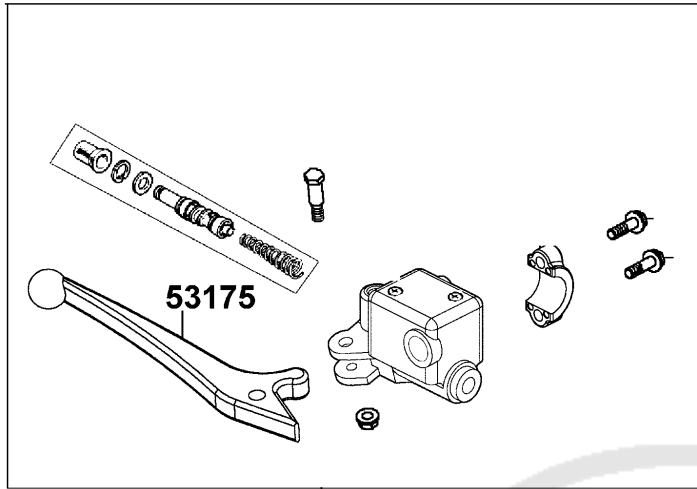
Back MirrorHandle rod



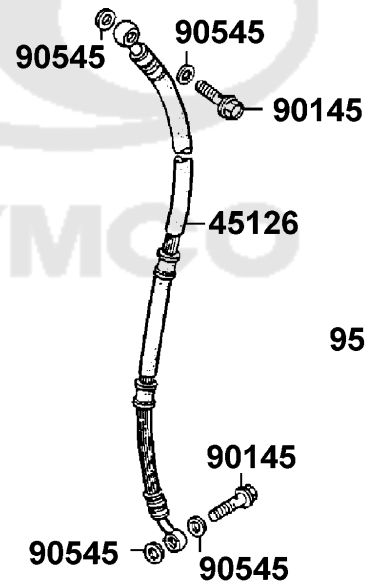
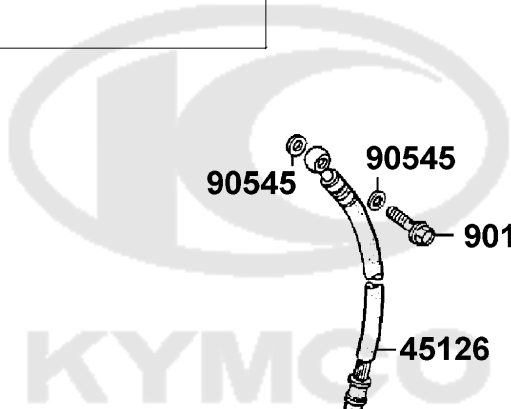
Sales mark	Ref no	Part no	Description	Reg description	Regd no	F03
17910		17910-LBA8-C10	CABLE COMP THROT	CABLE COMP THROT	1	
17950		17950-LBA8-C10	CABLE COMP CHOCK	CABLE COMP CHOCK	1	
17951		17951-LBA8-C10	STOPPER CHOCK CABLE	STOPPER CHOCK CABLE	1	
17952		17952-LBA8-C10	LEVER COMP CHOCK	LEVER COMP CHOCK	1	
35150		35150-GFY6-C00	SW ASSY RH HNDL COMP	SW ASSY RH HNDL COMP	1	
35160		35160-GFY6-C00	SW UNIT START	SW UNIT START	1	
35170		35170-KNBN-C00	SW UNIT DIMMER	SW UNIT DIMMER	1	
35180		35180-GFY6-C00	SW UNIT HORN	SW UNIT HORN	1	
35190		35190-GFY6-C00	SW UNIT HAZARD	SW UNIT HAZARD	1	
35200		35200-GFY6-C00	SW ASSY LH HNDL COMP	SW ASSY LH HNDL COMP	1	
53140		53140-KHC4-C00	GRIP COMP THROT	GRIP COMP THROT	1	
53166		53166-KFA1-C00	GRIP L HANDLE	GRIP L HANDLE	1	
53167		53167-GBN2-C00	HOUSING UND THROT	HOUSING UND THROT	1	
53168		53168-GBN2-C00	HOUSING UP THROT	HOUSING UP THROT	1	
88110		88110-LBA8-E80	MIRROR ASSY R	MIRROR ASSY R	1	
88120		88120-LBA8-E80	MIRROR ASSY L	MIRROR ASSY L	1	
93500-05012		93500-05012-0G	SCREW PAN 5*12 (K)	SCREW PAN 5*12 (K)	1	

F04

Front brake cylinder



45500



45156-LBA8

95701-06012

45127-LBA8

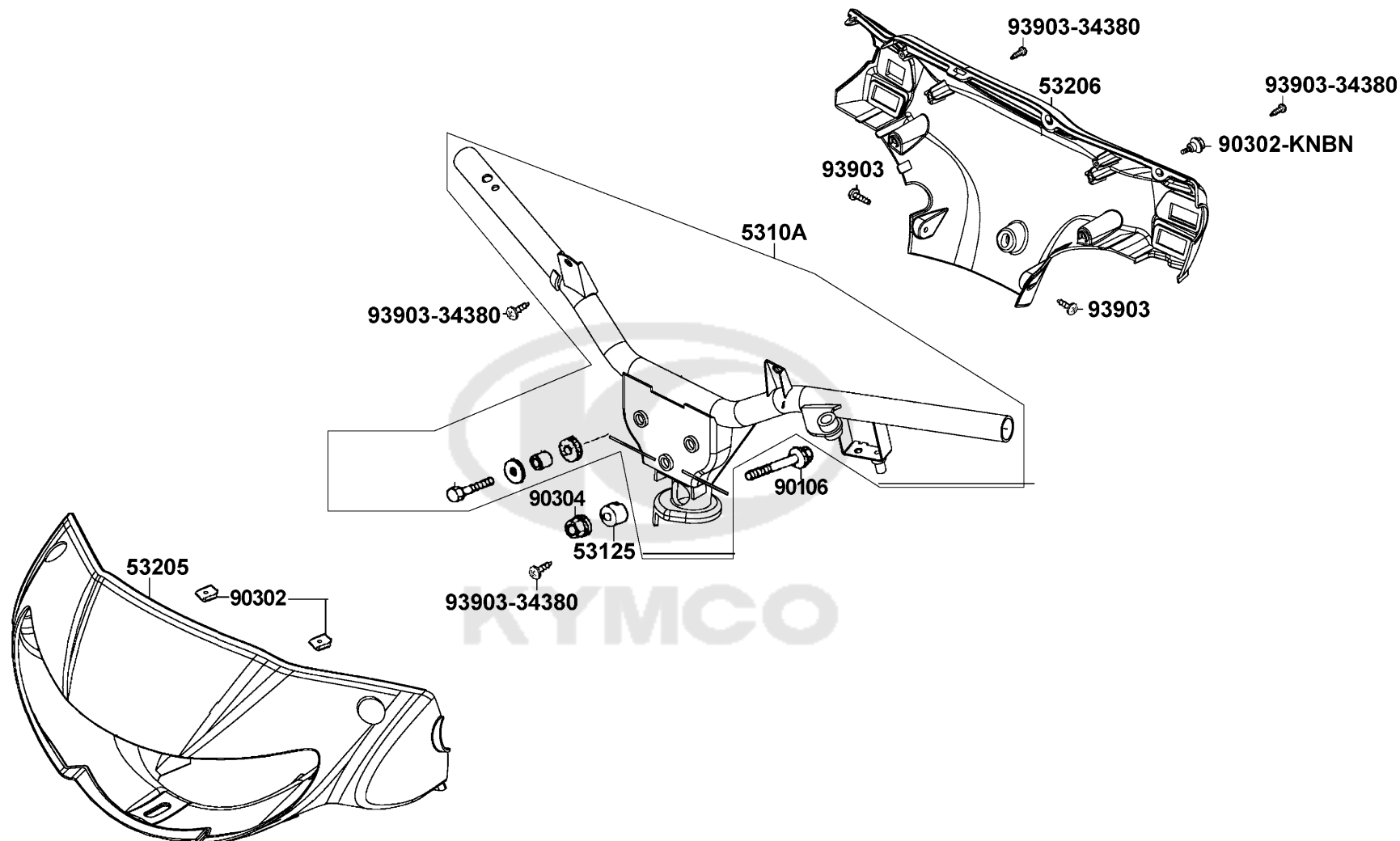
95701-06012

Sales mark	Ref no	Part no	Description	Reg description	Regd no	F04
	45126	45126-LBA8-E80	HOSE ASSY FR BRK	HOSE ASSY FR BRK	1	
	45127	45127-LBA8-C11	CLAMPER FR BRK	CLAMPER FR BRK	1	
	45156	45156-LBA8-C11	CLAMPER A FR BRK	CLAMPER A FR BRK	1	
	45500	45500-LBA8-E80	CYLINDER ASSY FR	CYLINDER ASSY FR	1	
**	53175	53175-LBA8-C11	LEVER R STRG HANDLE	LEVER R STRG HANDLE	1	
	90145	90145-9A61-C00	OIL BOLT 10*22	OIL BOLT 10*22	1	
	90545	90545-3L00-C00	WASHER OIL BOLT	WASHER OIL BOLT	1	
	95701-06012	95701-06012-08	BOLT FLANGE 6*12	BOLT FLANGE 6*12	1	



F05

Changes handle handle covers

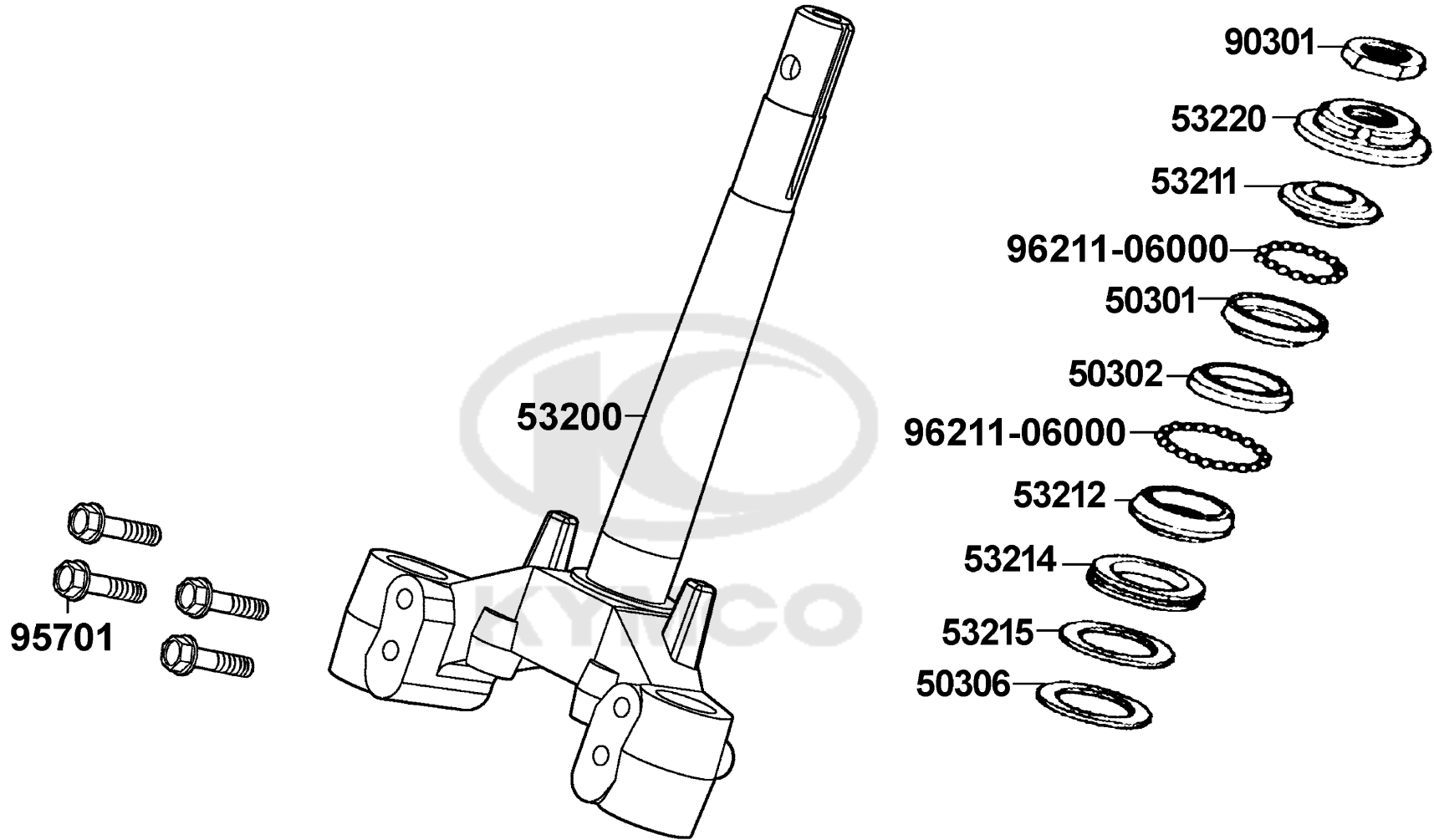


Sales mark	Ref no	Part no	Description	Reg description	Regd no	F05
5310A		5310A-LBA8-C10	HANDLE COMP STEERING	HANDLE COMP STEERING	1	
53125		53125-GEN5-C00	COLLAR HANDLE SET	COLLAR HANDLE SET	1	
90106		90106-GEN5-901	BOLT FLANGE 10*50	BOLT FLANGE 10*50	1	
90302-KNBN		90302-KNBN-C00	BOLT PAN 5*10	BOLT PAN 5*10	1	
90302-SDA4		90302-SDA4-C00	NUT SPRING 4MM	NUT SPRING 4MM	1	
90304		90304-GHE8-C00	NUT U 10MM(C)	NUT U 10MM(C)	1	
93903-14380		93903-14380	SCREW TAPPING 4*12 (K)	SCREW TAPPING 4*12 (K)	2	
93903-34380		93903-34380	SCREW TAPPING 4*12	SCREW TAPPING 4*12	4	



F06

Stem Steering



Sales mark	Ref no	Part no	Description	Reg description	Regd no	F06
50301		50301-LBA8-C10	RACE UPPER STRG BALL	RACE UPPER STRG BALL	1	
50302		50302-LBA8-C10	RACE BOT STRG BALL	RACE BOT STRG BALL	1	
50306		50306-LBA8-C10	WASHER STRG	WASHER STRG	1	
53200		53200-LBA8-C11	STEM COMP STRG	STEM COMP STRG	1	
53211		53211-LBA8-C10	RACE STRG TOP CONE	RACE STRG TOP CONE	1	
53212		53212-LBA8-C10	RACE STRG BOT CONE	RACE STRG BOT CONE	1	
53214		53214-LBA8-C10	DUST SEAL STRG HEAD	DUST SEAL STRG HEAD	1	
53215		53215-LBA8-C10	WASHER STRG HNDL	WASHER STRG HNDL	1	
53220		53220-LBA8-C10	THREAD STRG HEAD TOP	THREAD STRG HEAD TOP	1	
90301		90301-LBA8-C10	NUT STRG STEM	NUT STRG STEM	1	
95701		95701-10045-08	BOLT FLANGE 10*45(C)	BOLT FLANGE 10*45(C)	4	
96211-06000-D		96211-06000-D	BALL STEEL 6	BALL STEEL 6	1	
96211-06000-U		96211-06000-U	BALL STEEL 6	BALL STEEL 6	1	

F07

Front Fender

33741



90301

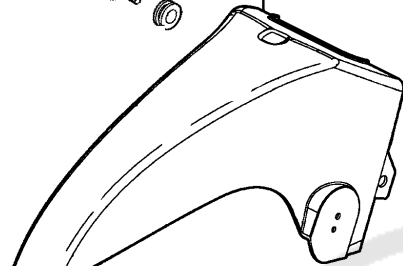
93404



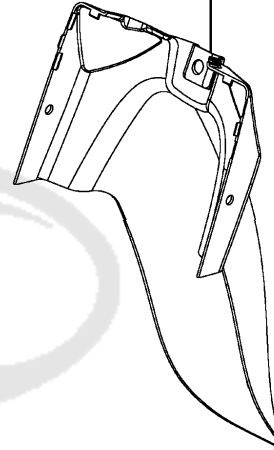
93404



61100



61101



93404



90301



33741

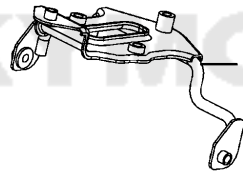


93404



KIMCO

64114



95701-06025



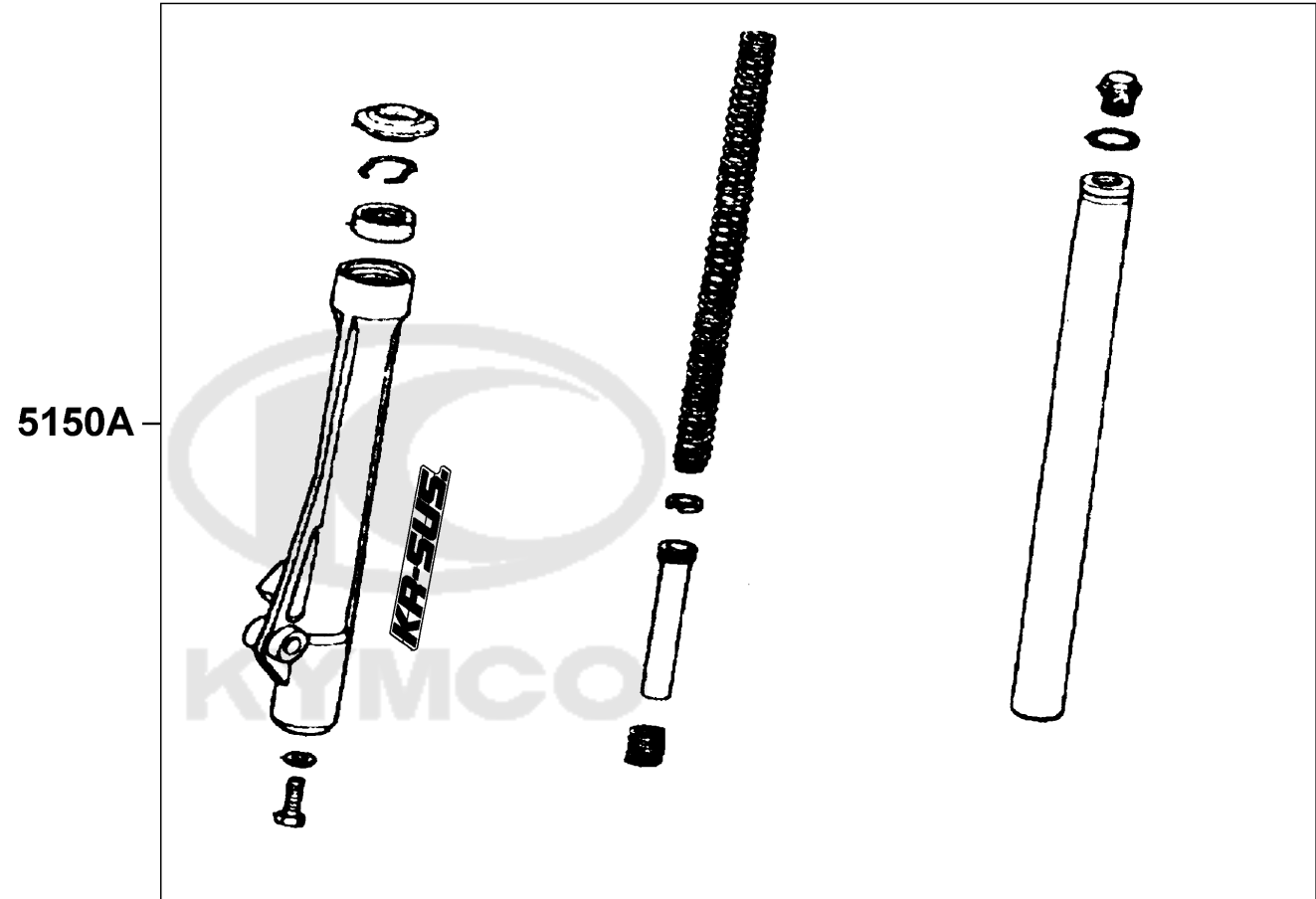
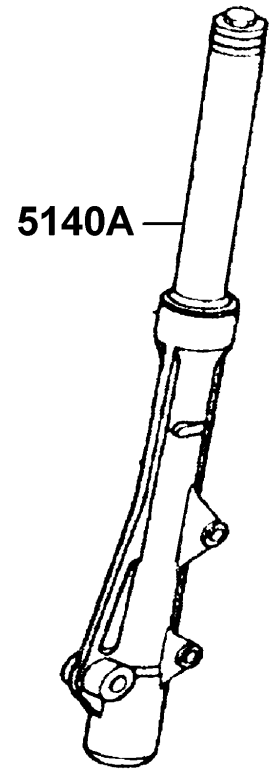
95701-06020

Sales mark	Ref no	Part no	Description	Reg description	Regd no	F07
	33741	33741-GFY6-C00	REFLEX REFLECTOR	REFLEX REFLECTOR	1	
**	61100	61100-LBA8-900	FENDER A FR	FENDER A FR	1	
**	61101	61101-LBA8-900	FENDER B FR	FENDER B FR	1	
	64114	64114-LBA8-C10	STAY B FR FENDER	STAY B FR FENDER	1	
	90301	90301-6D34-C00	NUT FLANGE 6MM	NUT FLANGE 6MM	1	
	93404	93404-06016-08	BOLT WASHER 6*16	BOLT WASHER 6*16 (C)	4	
	95701-06020	95701-06020-08	SCREW FLANGE 6*20	BOLT FLANGE 6*20 ?	2	
	95701-06025	95701-06025-08	BOLT FLANGE 6*25	BOLT FLANGE 6*25	1	



F08

Front Fork



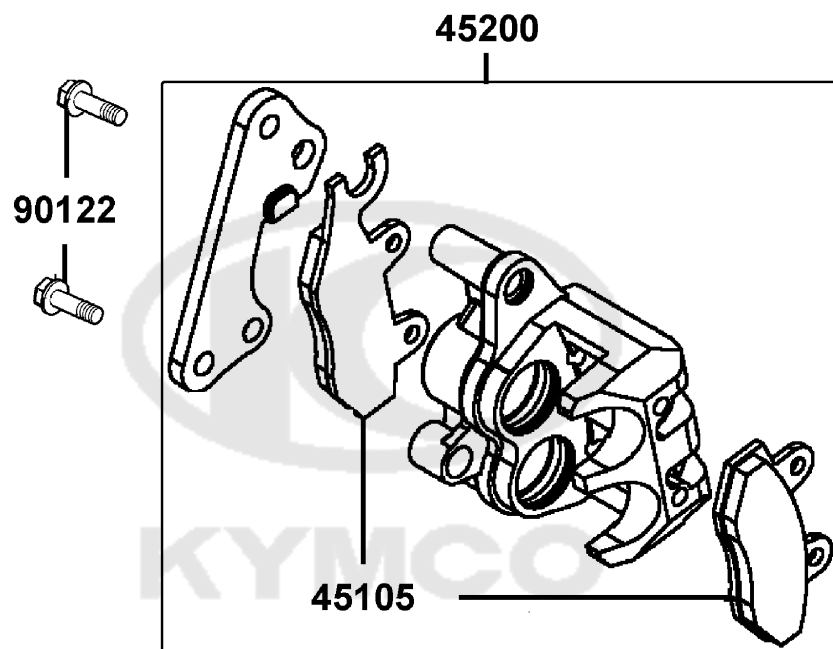
Sales mark	Ref no	Part no	Description	Reg description	Regd no	F08
------------	--------	---------	-------------	-----------------	---------	------------

5140A		5140A-LBA8-E81	FORK ASSY R FR	FORK ASSY R FR	1	
5150A		5150A-LBA8-E81	FORK SET L FR	FORK SET L FR	1	



F09

Front brake calibre



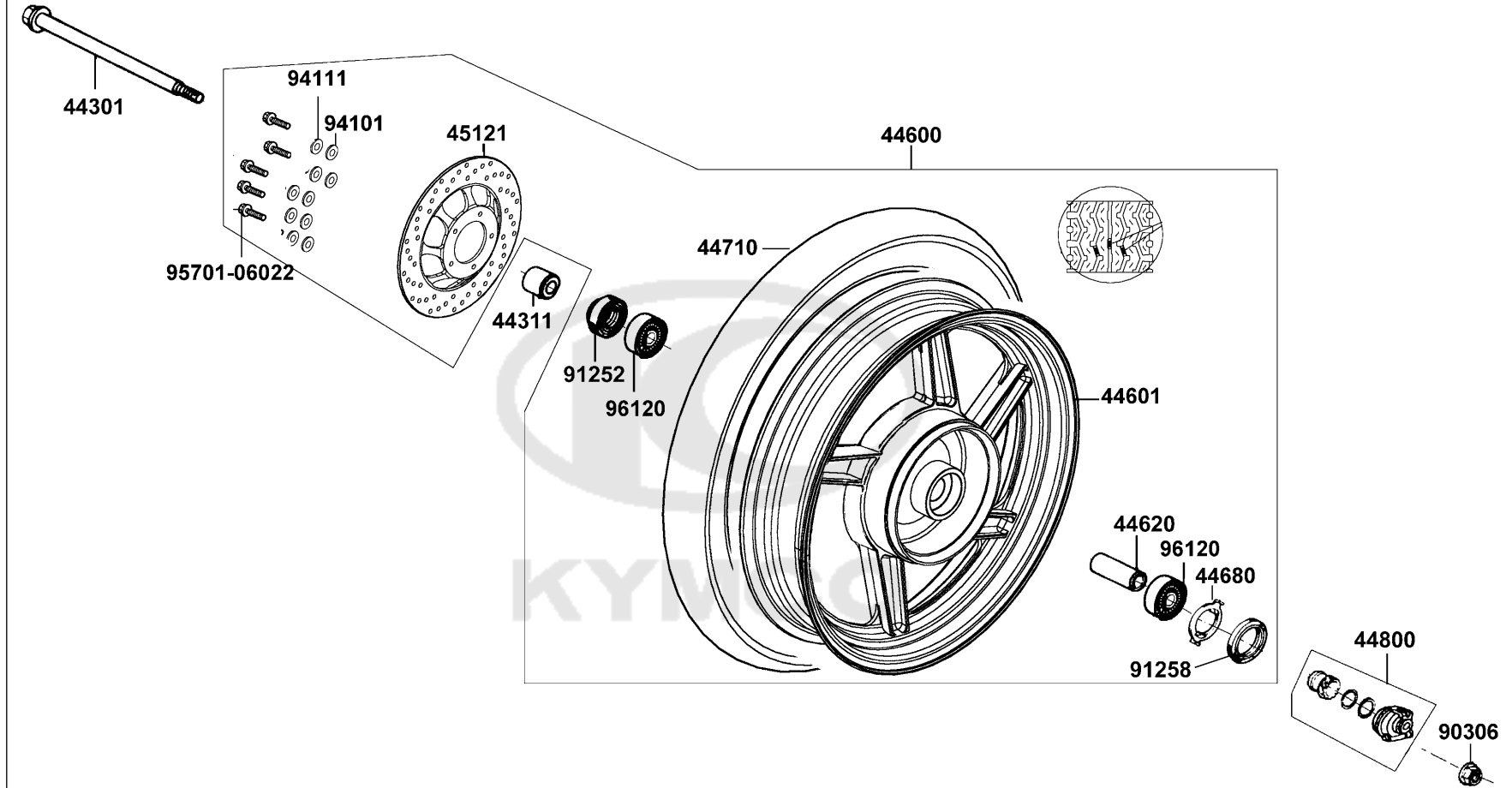
Sales mark	Ref no	Part no	Description	Reg description	Regd no	F09
------------	--------	---------	-------------	-----------------	---------	------------

	45105	45105-LBA8-305	PAD COMP A&B	PAD COMP A+B	1	
**	45200	45200-LBA8-C10	CALIPER ASSY FR	CALIPER ASSY FR	1	
	90122	90122-KGD4-C11	BOLT FLANGE 8*25 (C)	BOLT FLANGE 8*25 (C)	1	



F10

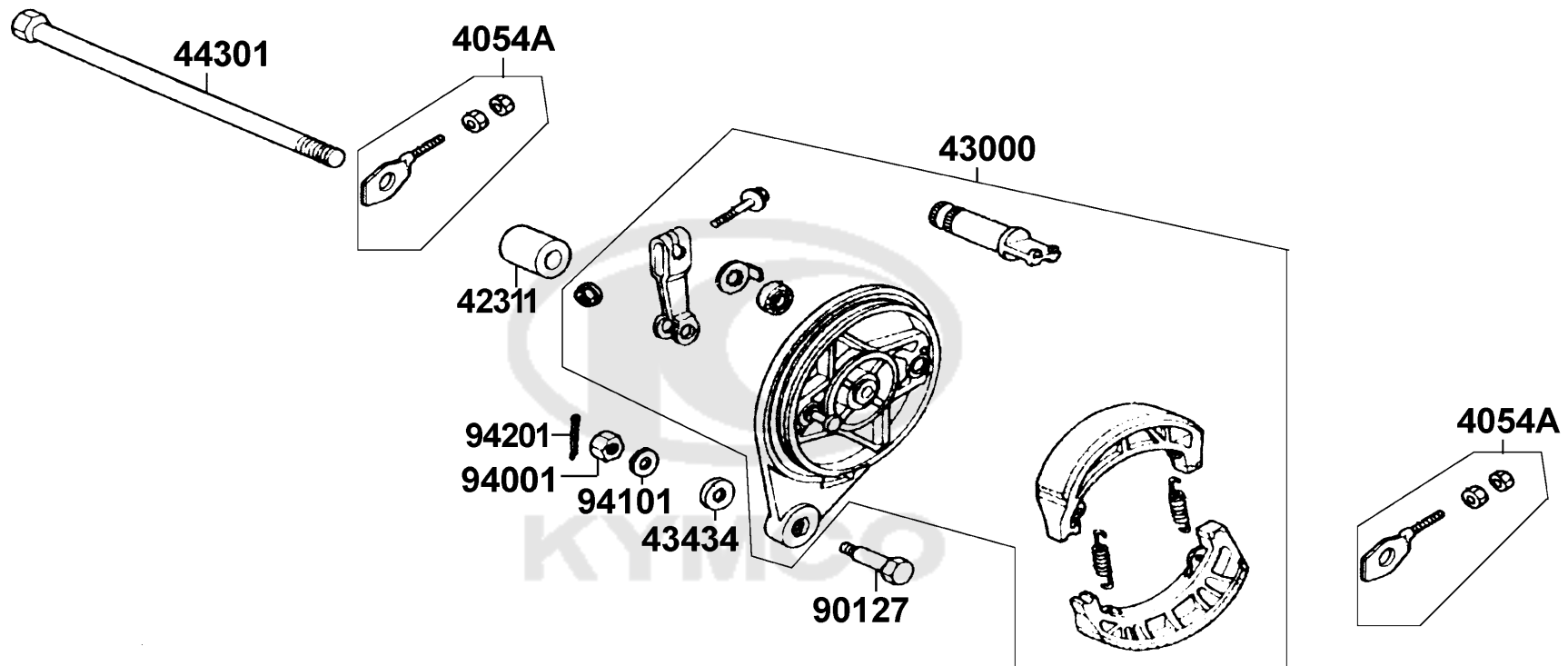
Front WheelAI



Sales mark	Ref no	Part no	Description	Reg description	Regd no	F10
	44301	44301-LBA8-C11	AXLE FR WHEEL	AXLE FR WHEEL	1	
	44311	44311-LBA8-C11	COLLAR FR WHEEL SIDE	COLLAR FR WHEEL SIDE	1	
	44600	44600-LBA8-E81	WHEEL ASSY FR	WHEEL ASSY FR	1	
	44601	44601-LBA8-C11	WHEEL COMP FR CAST	WHEEL COMP FR CAST	1	
	44620	44620-LBA8-C11	COLLAR FR DIST	COLLAR FR DIST	1	
	44680	44680-LBA8-C11	RETAINER GEAR BOX	RETAINER GEAR BOX	1	
	44710	44710-LBA8-E81	TIRE ASSY FR2.50-17(HF314A)	TIRE ASSY FR2.50-17(HF314A)	1	
**	44800	44800-LBA8-C11	GEAR BOX ASSY	GEAR BOX ASSY	1	
	45121	45121-LBA8-C11	DISK FR BRK	DISK FR BRK	1	
	90306	90306-KLF0-C00	NUT FLANGE 12MM	NUT FLANGE 12MM	1	
	91252	91252-LBA8-C11	OIL SEAL WHEEL 20*37*7	OIL SEAL WHEEL 20*37*7	1	
	91258	91258-4L10-007	DUST SEAL 40*50*5	DUST SEAL 40*50*5	1	
	94101	94101-06800	WASHER PLAIN 6MM	WASHER PLAIN 6MM (C)	1	
	94111	94111-06800	WASHER SPG 6MM	WASHER SPG 6MM	5	
	95701-06022	95701-06022-08	BOLT FLANGE 6*22	BOLT FLANGE 6*22	1	
	96120	96120-63010-10	BEARING BALL RADIAL 6301	BEARING BALL RADIAL 6301	2	

F11

Latter braking vane

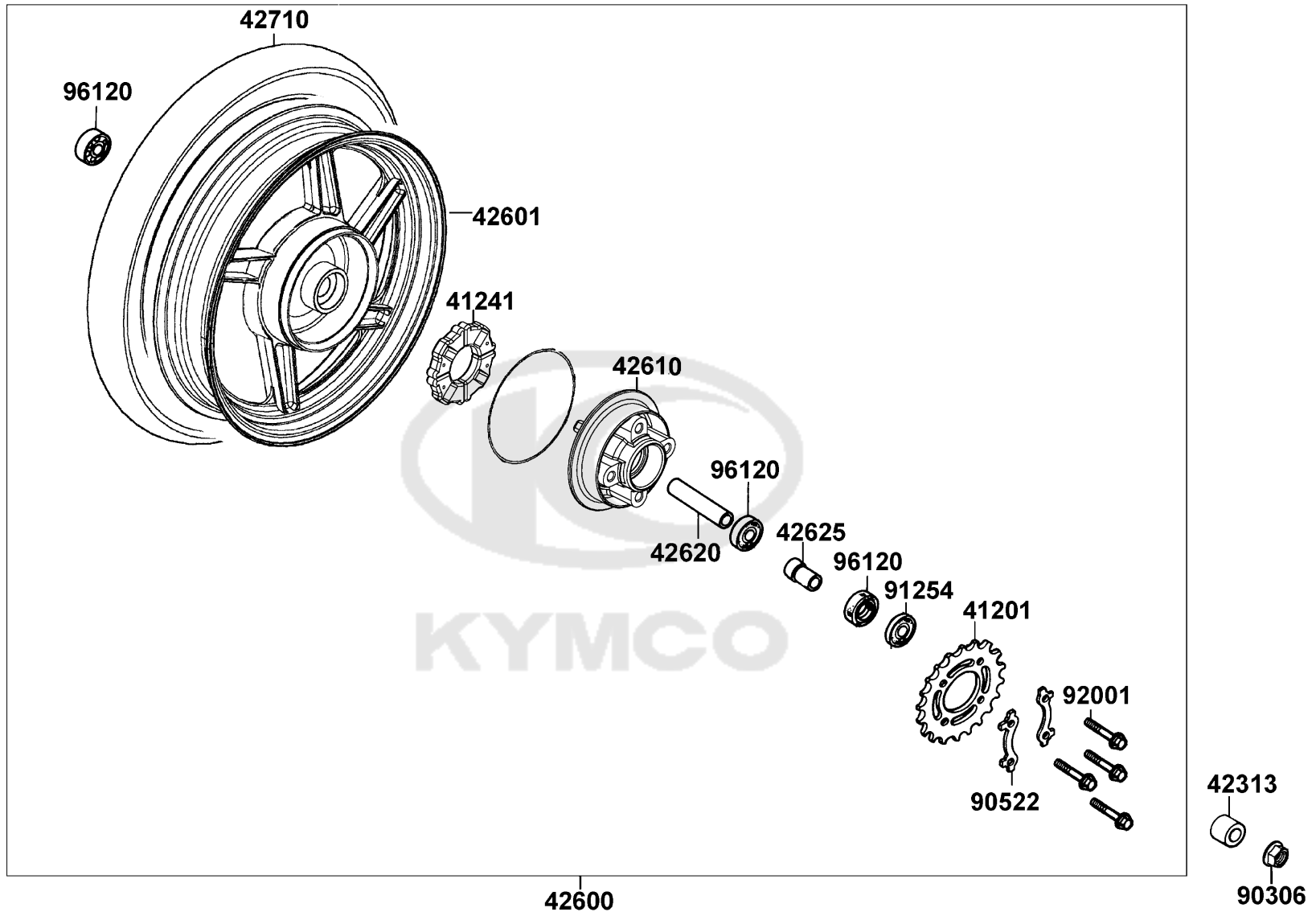


Sales mark	Ref no	Part no	Description	Reg description	Regd no	F11
	4054A	4054A-LBA8-C10	DRIVE CHAIN ADJUSTER ASSY	DRIVE CHAIN ADJUSTER ASSY	1	
	42311	42311-LBA8-C11	COLLAR RR PANEL SIDE	COLLAR RR PANEL SIDE	1	
**	43000	43000-LBA8-E80	PANEL ASSY RR BRK	PANEL ASSY RR BRK	1	
	43434	43434-2F86-C00	RUBBER STOPPER ARM CUSHION	RUBBER STOPPER ARM CUSHION	1	
	44301	44301-KFW6-C00	AXLE FR WHEEL(MFZn2-B)	AXLE FR WHEEL(MFZn2-B)	1	
	90127	90127-LBA8-C10	BOLT FLANGE8*30	BOLT FLANGE8*30	1	
	94001	94001-08080-0S	NUT HEX 8MM	NUT HEX 8MM (C)	1	
	94101	94101-08800	WASHER PLAIN 8MM	WASHER PLAIN 8MM (C)	1	
	94201	94201-20150	PIN SPLIT 2*15	PIN SPLIT 2* 15	1	

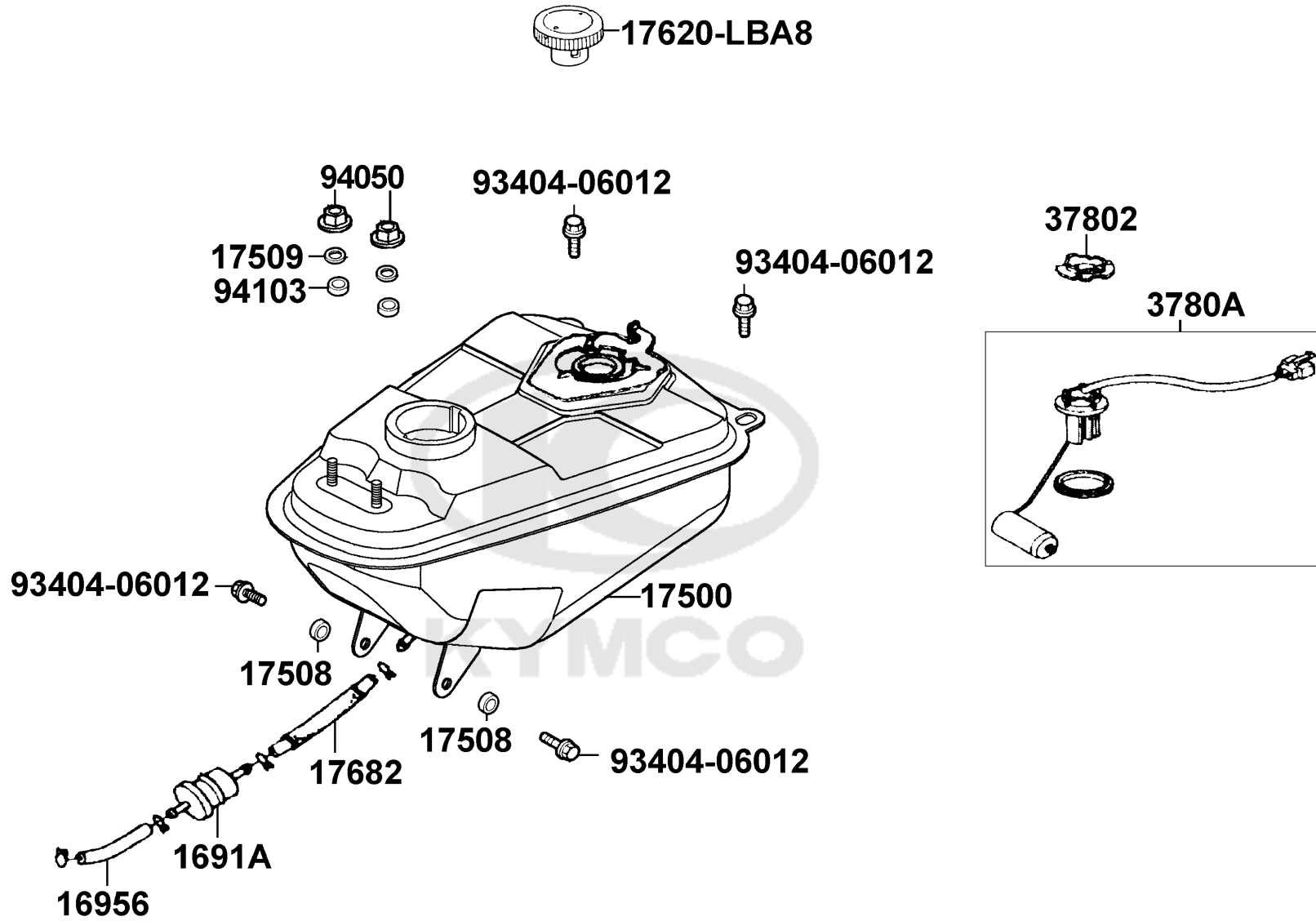


F12

Rear WheelAI



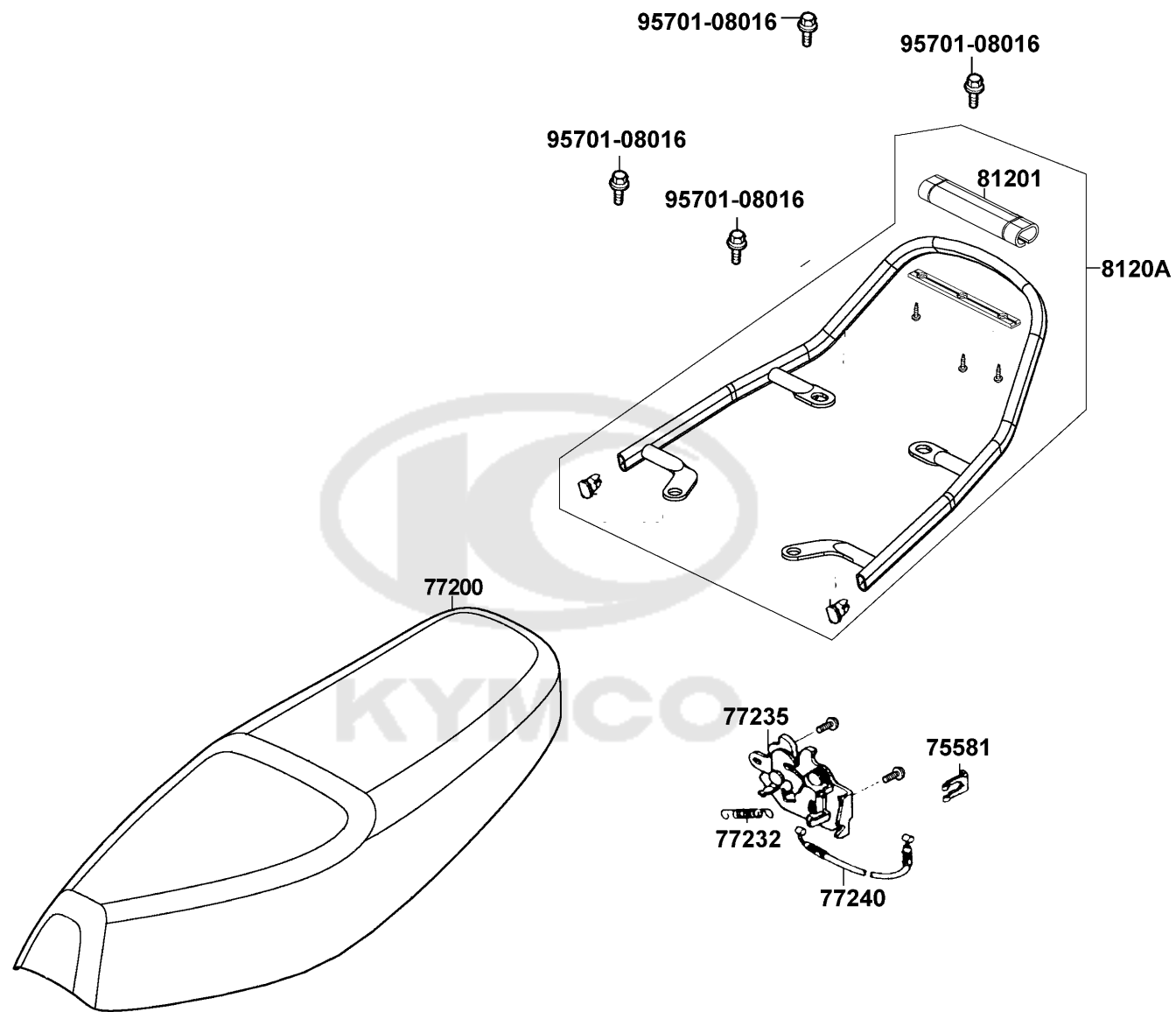
Sales mark	Ref no	Part no	Description	Reg description	Regd no	F12
	41201	41201-LBA8-C10	SPRKT DRIVEN 36T	SPRKT DRIVEN 36T	1	
	41241	41241-LBA8-C10	DAMPER RR WHEEL	DAMPER RR WHEEL	1	
	42313	42313-LBA8-C11	COLLAR RR HUB SIDE	COLLAR RR HUB SIDE	1	
	42600	42600-LBA8-C11	WHEEL ASSY RR	WHEEL ASSY RR	1	
**	42601	42601-LBA8-C11	WHEEL COMP RR CAST	WHEEL COMP RR CAST	1	
**	42610	42610-LFD6-C50	SPRKT HUB ASSY	SPRKT HUB ASSY	1	
	42620	42620-LBA8-C11	COLLAR RR DIST	COLLAR RR DIST	1	
	42625	42625-LBA8-C11	SLEEVE SPRKT HUB	SLEEVE SPRKT HUB	1	
	42710	42710-LBA8-C10	TIRE ASSY RR	TIRE ASSY RR	1	
	90306	90306-KLF0-C00	NUT FLANGE 12MM	NUT FLANGE 12MM	1	
	90522	90522-LBA8-C10	WASHER TONGUED 8MM	WASHER TONGUED 8MM	1	
	91254	91254-LBA8-C10	DUST SEAL	DUST SEAL RR WHEEL	1	
	92001	92001-LBA8-C10	BOLT FLANGE 8*35 (C)	BOLT FLANGE 8*35 (C)	4	
	96120	96120-63010-10	BEARING BALL RADIAL 6301	BEARING BALL RADIAL 6301	2	



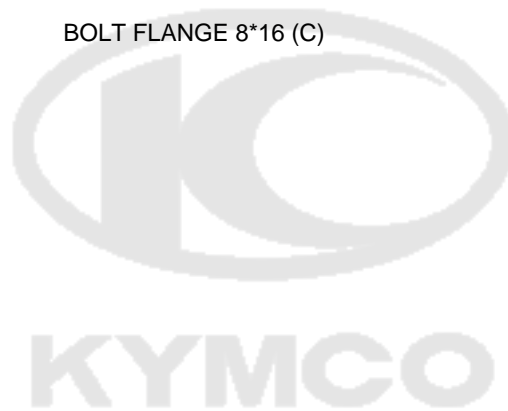
Sales mark	Ref no	Part no	Description	Reg description	Regd no	F13
1691A		1691A-GFY6-C00	STRAINER ASSY FUEL	STRAINER ASSY FUEL	1	
16956		16956-LBA8-C10	TUBE FUEL (STRAIN TO CARB)	TUBE FUEL (STRAIN TO CARB)	1	
17500		17500-LBA8-C10	TANK C0MP FUEL	TANK C0MP FUEL	1	
17508		17508-LBA8-C10	DAMPING MAT SEAT CUSHION	DAMPING MAT SEAT CUSHION	1	
17509		17509-LBA8-C10	TANK COLLAR	TANK COLLAR	1	
17620		17620-LBA8-C10	CAP FUEL FILLER	CAP FUEL FILLER	1	
17682		17682-LBA8-C10	TUBE FUEL (TANK TO STRAIN)	TUBE FUEL (TANK TO STRAIN)	1	
37802		37802-LBA8-C10	RET FUEL UNIT	RET FUEL UNIT	1	
3780A		3780A-LBA8-C10	FUEL UNIT ASSY	FUEL UNIT ASSY	1	
93404		93404-06012-08	BOLT WASHER 6*12	BOLT WASHER 6*12 (C)	4	
94050		94050-06080	NUT FLANGE 6MM	NUT FLANGE 6MM	2	
94103		94103-06800	WASH PLAIN 6MM	SPECIAL WASHERC	2	

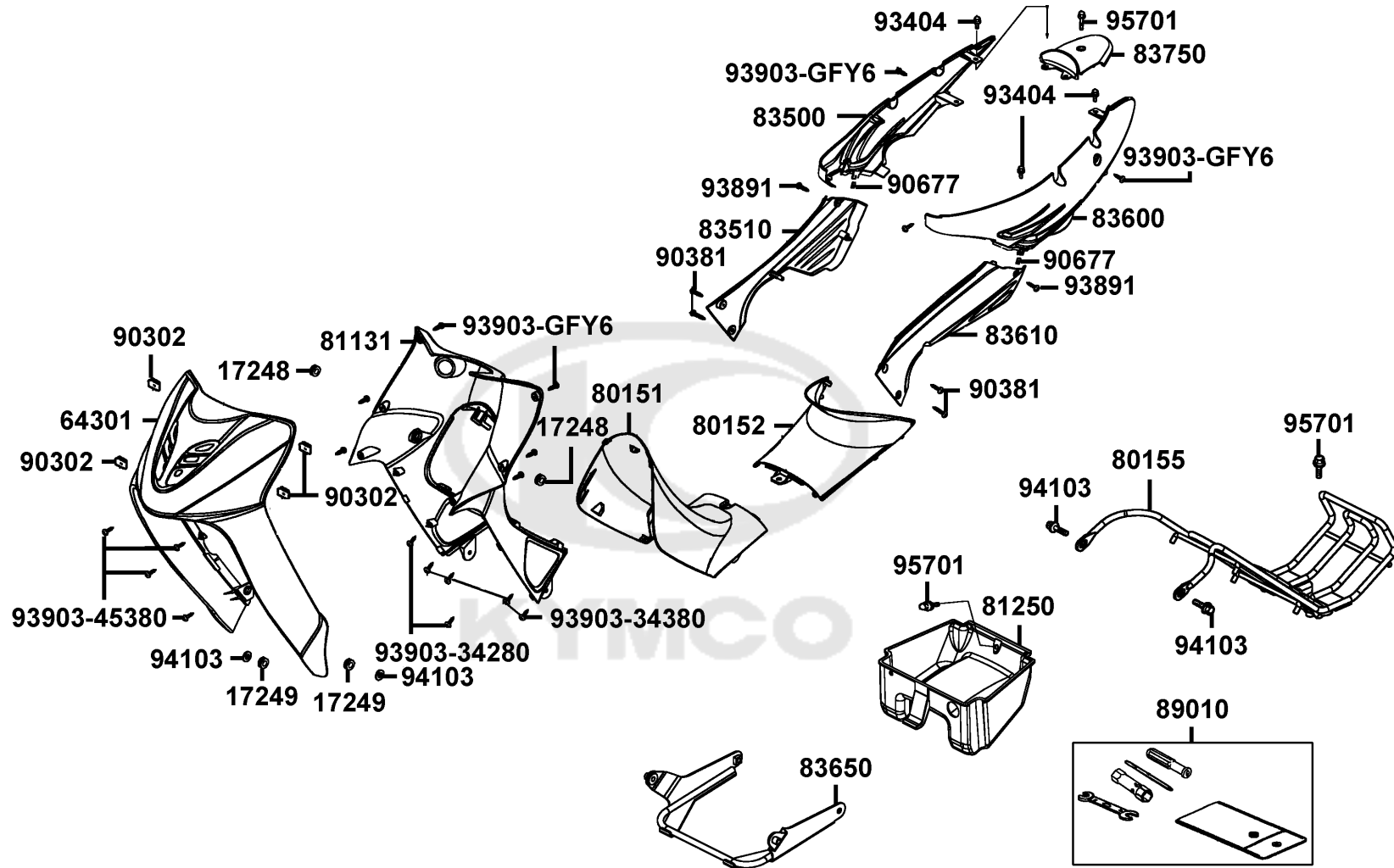
F14

SeatRear frame

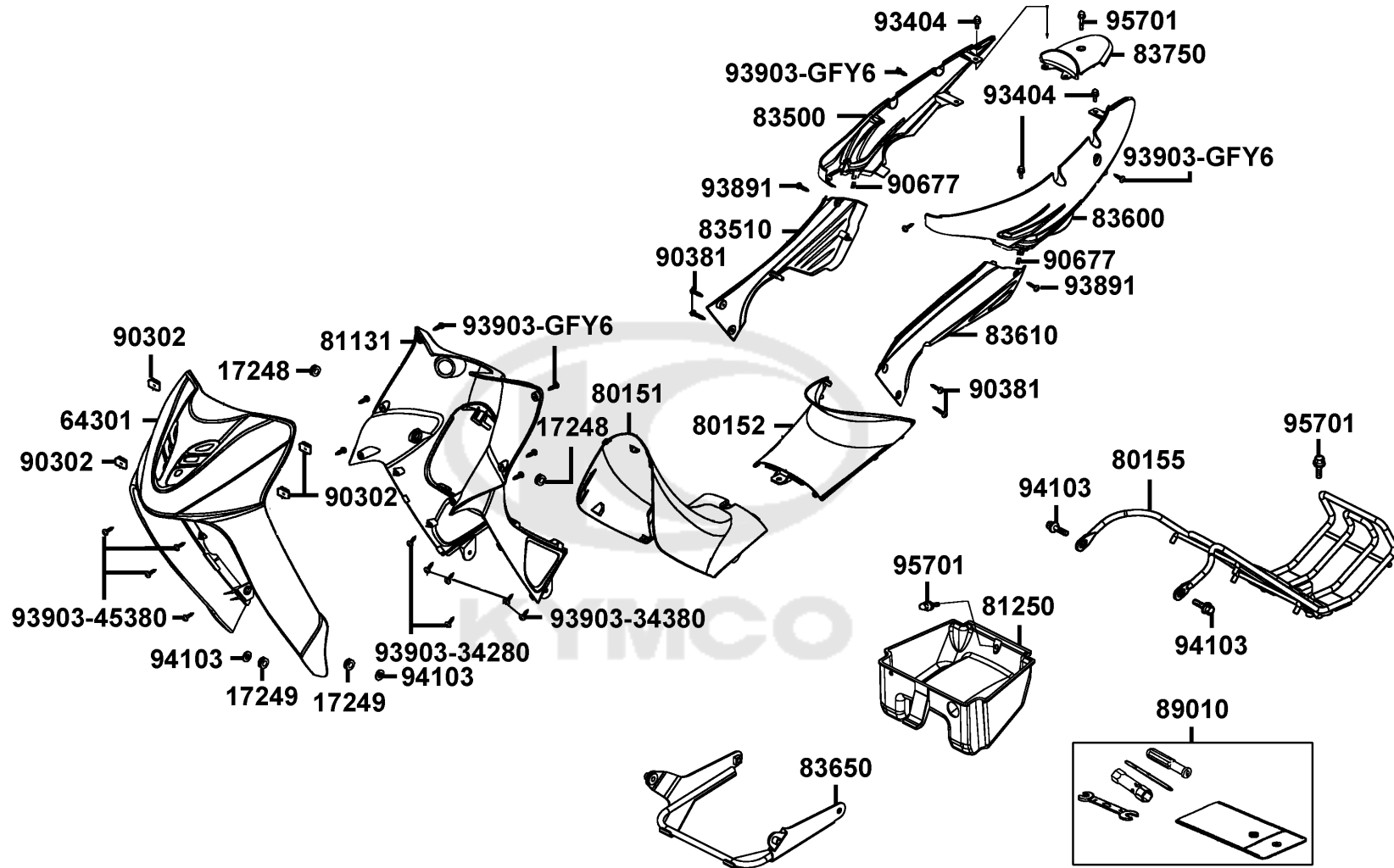


Sales mark	Ref no	Part no	Description	Reg description	Regd no	F14
	75581	75581-6C73-C00	SET SPG LOCK KET(43*C)	SET SPG LOCK KET(43*C)	1	
**	77200	77200-LBA8-E80	SEAT ASSY	SEAT ASSY	1	
	77232	77232-LLC5-C10	STAY SEAT LOCK	STAY SEAT LOCK	1	
	77235	77235-LBA8-C10	SEAT CATCH COMP	SEAT CATCH COMP	1	
	77240	77240-GGS7-C11	CABLE SEAT LOCK	CABLE SEAT LOCK	1	
	81201	81201-LBA8-C10	GRIP RR	GRIP RR	1	
	8120A	8120A-LBA8-E80	RR CARRIER ASSY	RR CARRIER ASSY	1	
	95701	95701-08016-08	BOLT FLANGE 8*16 (C)	BOLT FLANGE 8*16 (C)	4	





Sales mark	Ref no	Part no	Description	Reg description	Regd no	F15
	17248	17248-LBA8-C00	GROMMET B PILLION STEP BRACKET	GROMMET B PILLION STEP BRACKET	1	
	17249	17249-LBA8-C10	GROMMET COLLAR FR	GROMMET COLLAR FR	1	
**	64301	64301-LBA8-C10	COVER FR	COVER FR	1	
**	80151	80151-LBA8-C10	COVER CENTER UP	COVER CENTER UP	1	
**	80152	80152-LBA8-C10	COVER CENTER LOW	COVER CENTER LOW	1	
	80155	80155-LBA8-C10	CARRIER LUGGAGE	CARRIER LUGGAGE	1	
**	81131	81131-LBA8-C10	LEG SHIELD	LEG SHIELD	1	
**	81250	81250-LBA8-C10	BOX LUGGAGE	BOX LUGGAGE	1	
**	83500	83500-LBA8-C10	COVER R BODY	COVER R BODY	1	
**	83510	83510-LBA8-C10	COVER R SIDE	COVER R SIDE	1	
**	83600	83600-LBA8-C10	COVER L BODY	COVER L BODY	1	
**	83610	83610-LBA8-C10	COVER L SIDE	COVER L SIDE	1	
	83650	83650-LBA8-C000	WINDSHIELD SUPPORT	WINDSHIELD SUPPORT	1	
**	83750	83750-LBA8-C10	COVER CENTER RR	COVER CENTER RR	1	
	89010	89010-KGB4-C00	TOOL SET	TOOL SET	1	
	90302	90302-SDA4-C00	NUT SPRING 4MM	NUT SPRING 4MM	1	
	90381	90381-LBA8-C10	SCREW SPECIAL 6*20	SCREW SPECIAL 6*20	1	
	90677	90677-GAR1-C00	NUT CLIP 5MM	NUT CLIP 5MM	1	
	93404	93404-06012-08	BOLT WASHER 6*12	BOLT WASHER 6*12 (C)	4	
	93891	93891-05016-07	SCREW WASHER 5*16 (K)	SCREW WASHER 5*16 (K)	1	

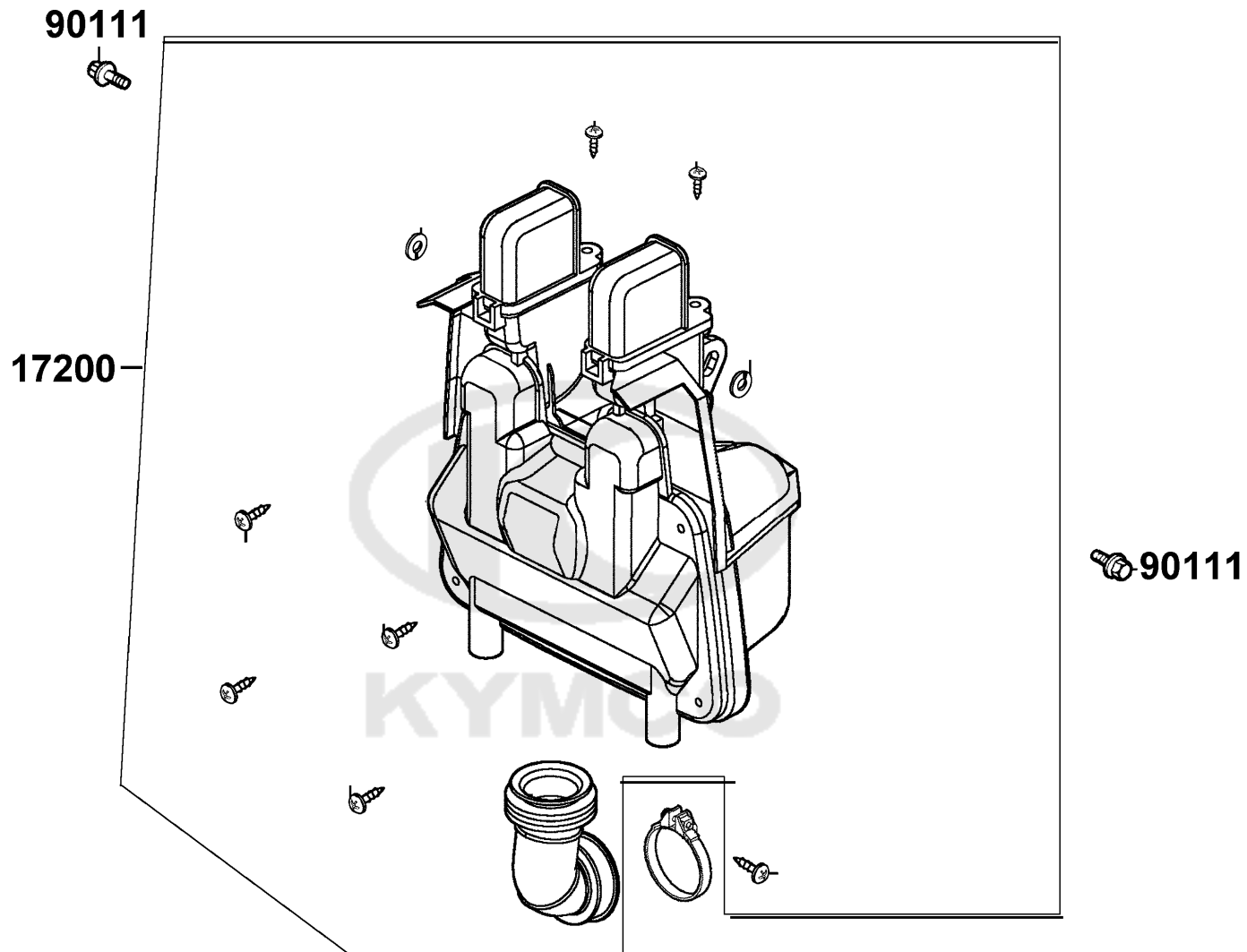


Sales mark	Ref no	Part no	Description	Reg description	Regd no	F15
	93903-34280	93903-34280	SCREW TAPPING 4*10 (K)	SCREW TAPPING 4*10 (K)	1	
	93903-34380	93903-34380	SCREW TAPPING 4*12	SCREW TAPPING 4*12	5	
	93903-45380	93903-45380	SCREW TAPPING 5*16(K)	SCREW TAPPING 5*16(K)	1	
	93903-GFY6	93903-GFY6-C00	SCREW TAPPING 4*14	SCREW TAPPING 4*14	1	
	94103	94103-LBA8-C10	WASHER SPECIAL	WASHER SPECIAL	1	
	95701	95701-06012-07	BOLT FLANGE 6*12(K)	BOLT FLANGE 6*12(K)	1	



F16

Air Cleaner



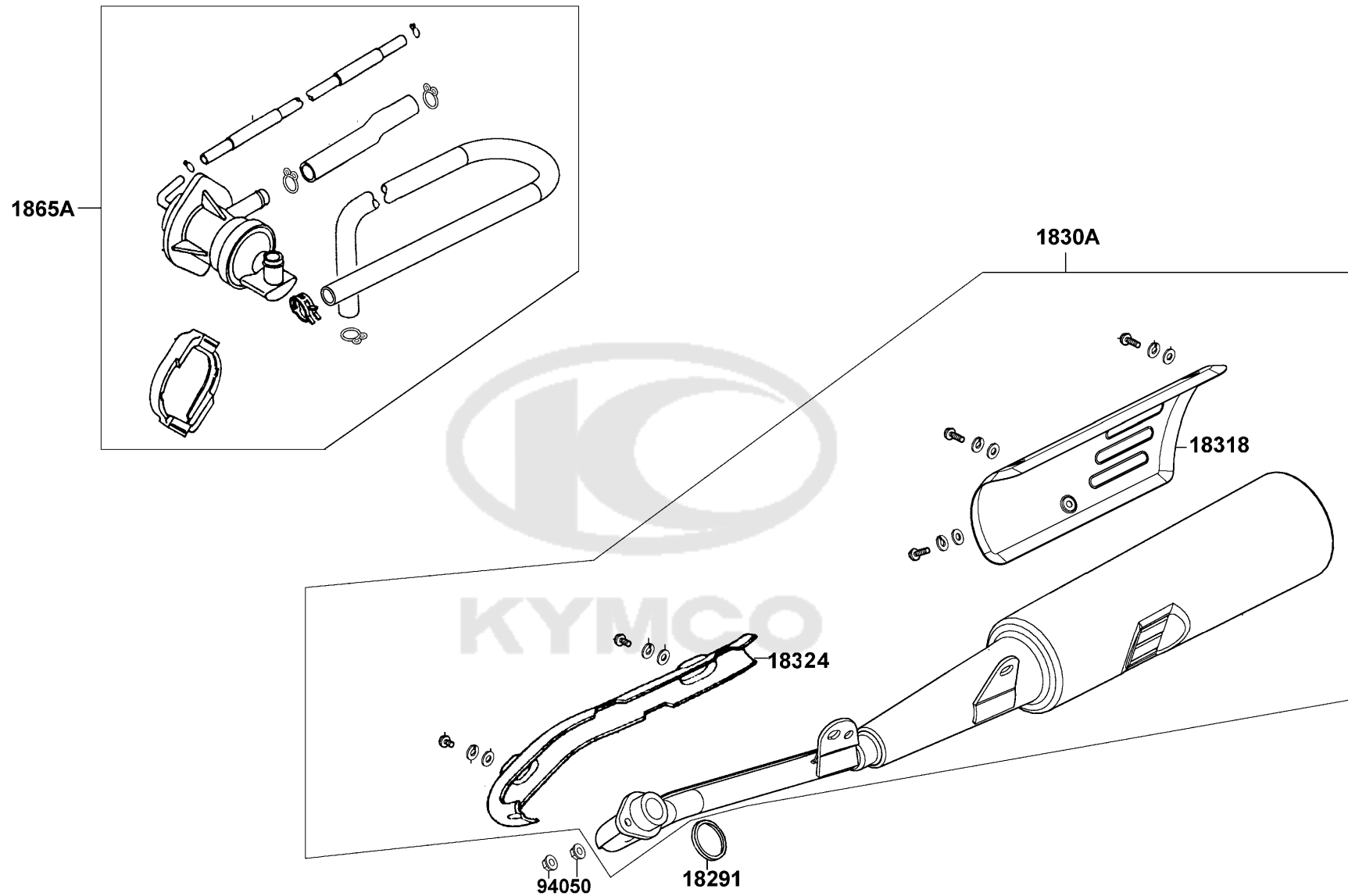
Sales mark	Ref no	Part no	Description	Reg description	Regd no	F16
------------	--------	---------	-------------	-----------------	---------	------------

17200	17200-LBA8-E00	17200-LBA8-E00	AIR/C ASSY	AIR/C ASSY	1	
90111	90111-KFW6-C00	90111-KFW6-C00	BOLT FLANGE 6MM	BOLT FLANGE 6MM	1	



F17

Muffler

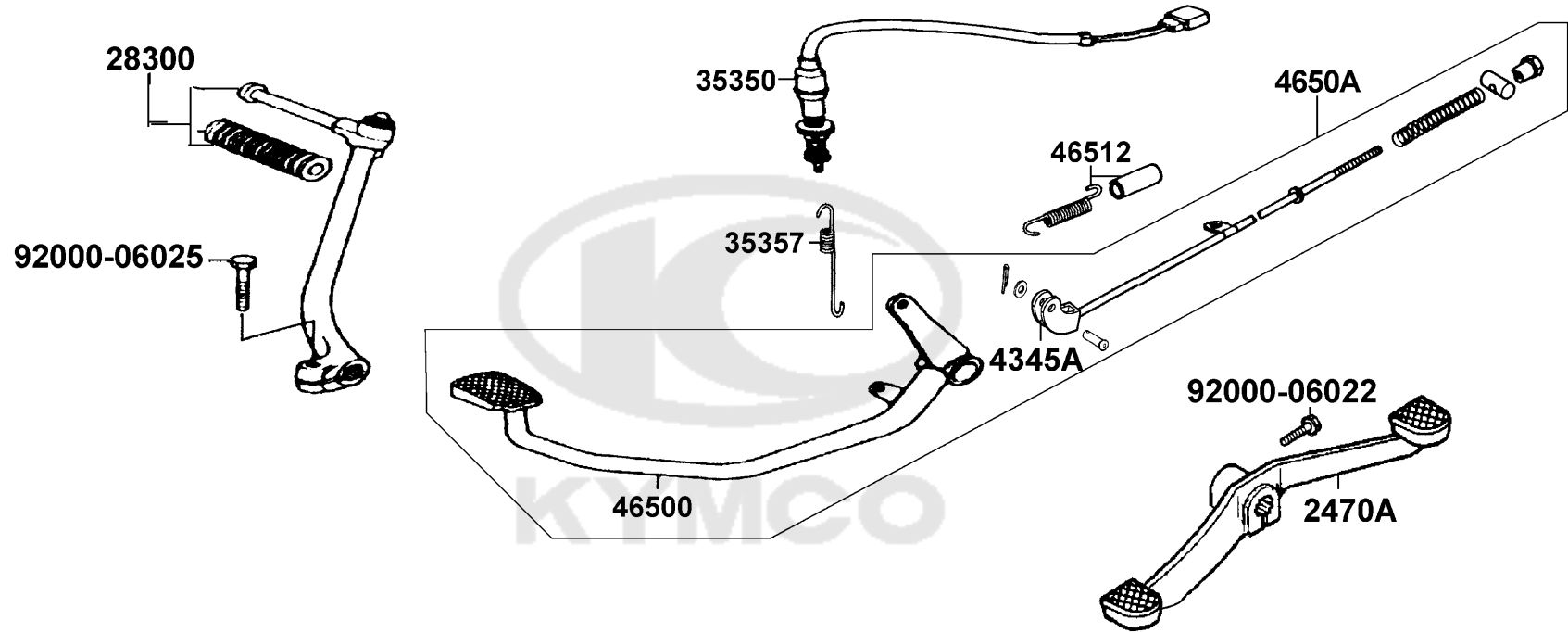


Sales mark	Ref no	Part no	Description	Reg description	Regd no	F17
	18291	18291-GHC8-C00	GASKET EXH PIPE	GASKET EXH PIPE	1	
	1830A	1830A-LBA8-E80	MUFFLER ASSY EXH	MUFFLER ASSY EXH	1	
	18318	18318-KGC4-E00	PROTECTOR MUFFLER COMP	PROTECTOR MUFFLER BODY	1	
	18324	18324-LBA8-C10	EXHAUST PIPE GUARD	EXHAUST PIPE GUARD	1	
	1865A	1865A-LBA8-E80	AIC/V SET	AIC/V SET	1	
	94050	94050-06080	NUT FLANGE 6MM	NUT FLANGE 6MM	2	

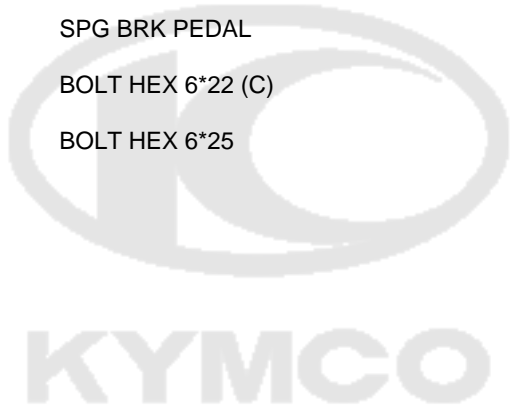


F18

Foot bar

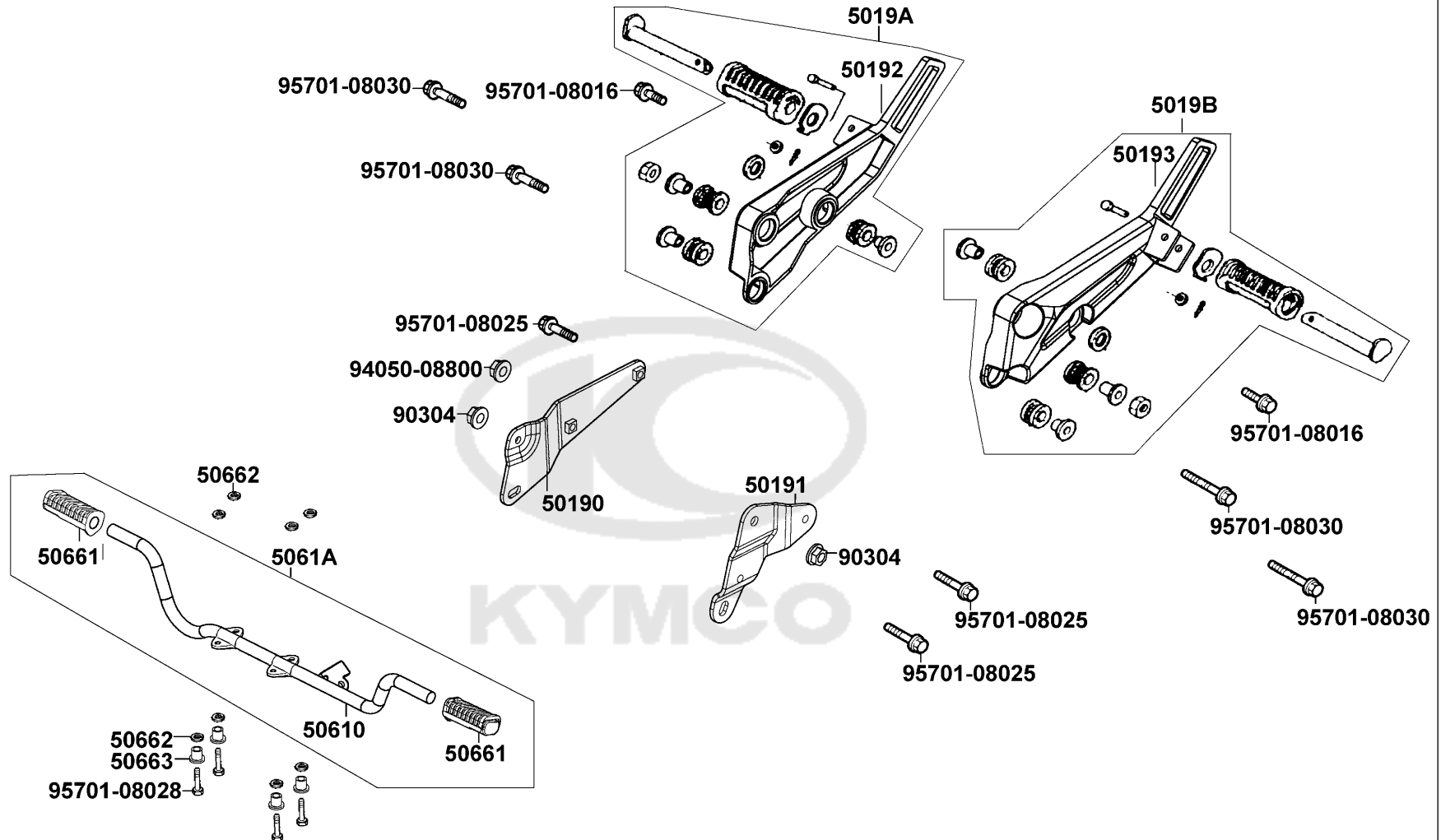


Sales mark	Ref no	Part no	Description	Reg description	Regd no	F18
2470A		2470A-LBA8-E30	PEDAL COMP CHANGE	PEDAL COMP CHANGE	1	
28300		28300-LBA8-C10	ARM ASSY KICK STARTER	ARM ASSY KICK STARTER	1	
35350		35350-KADA-C10	SW ASSY RR STOP	SW ASSY RR STOP	1	
35357		35357-LBA8-C10	SPG STOP SW	SPG STOP SW	1	
4345A		4345A-LBA8-E80	ROD ASSY RR BRK	ROD ASSY RR BRK	1	
46500		46500-LBA8-C10	PEDAL RR BRK	PEDAL RR BRK	1	
4650A		4650A-LBA8-E80	PEDAL ASSY RR BRK	PEDAL ASSY RR BRK	1	
46512		46512-LBA8-C10	SPG BRK PEDAL	SPG BRK PEDAL	1	
92000-06022		92000-06022-0H	BOLT HEX 6*22 (C)	BOLT HEX 6*22 (C)	1	
92000-06025		92000-06025-0H	BOLT HEX 6*25	BOLT HEX 6*25 (C)	1	



F19

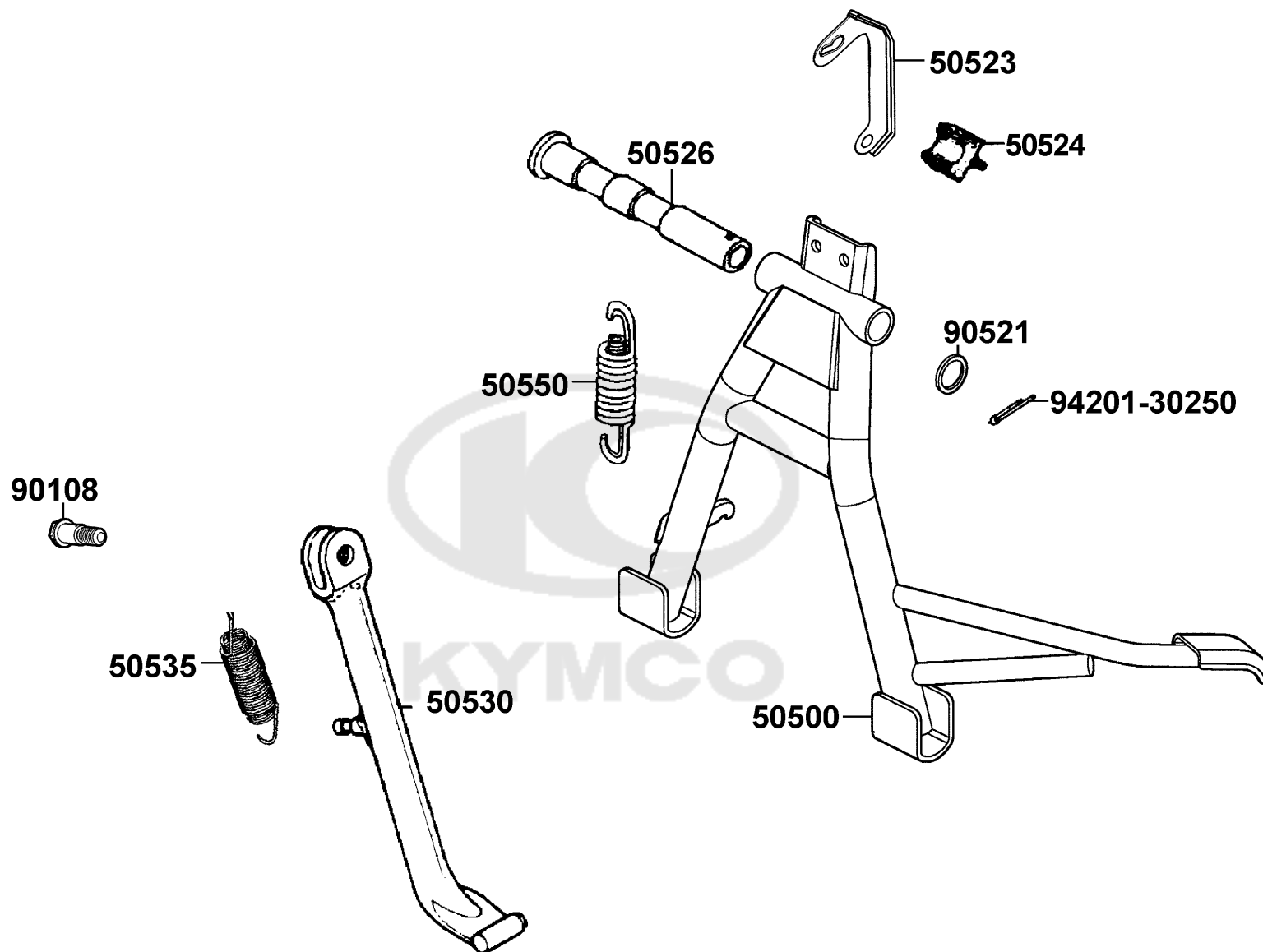
Treads foot



Sales mark	Ref no	Part no	Description	Reg description	Regd no	F19
50190		50190-LBA8-C10	BRKT R PILLION STEP	BRKT R PILLION STEP	1	
50191		50191-LBA8-C10	BRKT L PILLION STEP	BRKT L PILLION STEP	1	
5019A		5019A-LBA8-C10	STEP ASSY R PILLION	STEP ASSY R PILLION	1	
5019B		5019B-LBA8-C10	STEP ASSY L PILLION	STEP ASSY L PILLION	1	
50610		50610-LBA8-C10	BAR COMP STEP	BAR COMP STEP	1	
5061A		5061A-LBA8-C10	BAR ASSY FR STEP	BAR ASSY FR STEP	1	
50661		50661-LBA8-C10	RUBBER FR STEP	RUBBER FR STEP	1	
50662		50662-LBA8-C10	DAMPING MAT FR STEP COMP	DAMPING MAT FR STEP COMP	1	
50663		50663-LBA8-C10	COLLAR FR SYEP COMP	COLLAR FR SYEP COMP	1	
90304		90304-LBA8-C10	NUT U FLANGE 10MM (C)	NUT U FLANGE 10MM (C)	1	
94050-08800		94050-08800-08	NUT FLANGE 8MM(C)	NUT FLANGE 8MM(C)	1	
95701-08016		95701-08016-08	BOLT FLANGE 8*16 (C)	BOLT FLANGE 8*16 (C)	2	
95701-08025		95701-08025-08	BOLT FLANGE 8*25	BOLT FLANGE 8*25	3	
95701-08028		95701-08028-08	BOLT FLANGE 8*28 (C)	BOLT FLANGE 8*28 (C)	4	
95701-08030		95701-08030-08	BOLT FLANGE 8*30	BOLT FLANGE 8*30 (C)	1	

F20

Foot rest

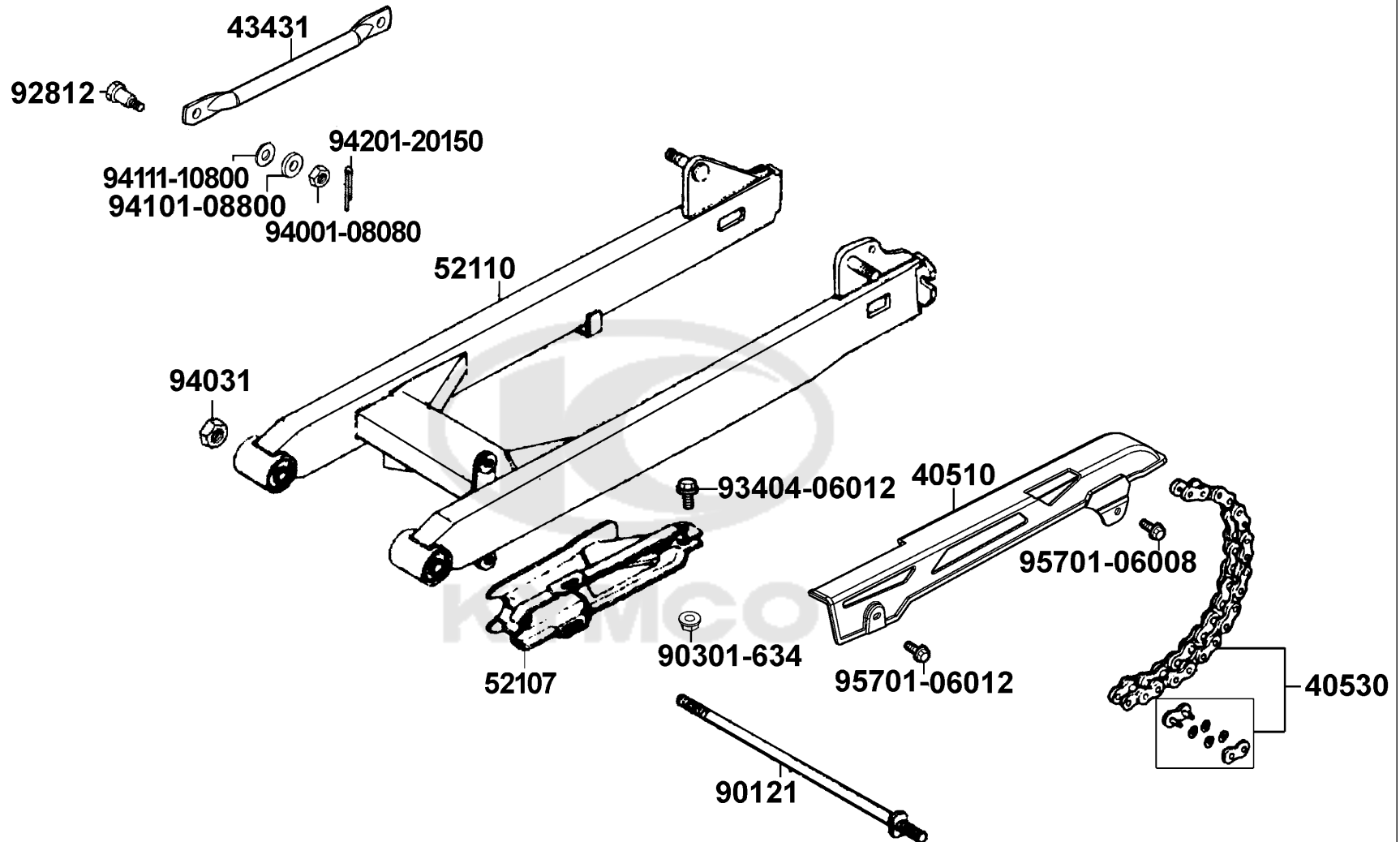


Sales mark	Ref no	Part no	Description	Reg description	Regd no	F20
50500		50500-LBA8-C10	STAND COMP MAIN	STAND COMP MAIN	1	
50523		50523-LBA8-C10	HOOK MAIN STAND	HOOK MAIN STAND	1	
50524		50524-LBA8-C10	RUBBER MAIN STAND	RUBBER MAIN STAND	1	
50526		50526-LBA8-C10	SHAFT MAIN STAND PIVOT	SHAFT MAIN STAND PIVOT	1	
50530		50530-LBA8-E80	SIDE STAND COMP	SIDE STAND COMP	1	
50535		50535-KKB1-E00	SPG A SIDE STAND	SPG A SIDE STAND	1	
50550		50550-KEB7-C00	SPG MAIN STAND COMP	SPG MAIN STAND COMP	1	
90108		90108-KUDU-900	SCREW SIDE STAND PIVOT	SIDE STAND PIVOT	1	
90521		90521-0H28-C00	DIA WASHER 17*22*1.6 C	DIA WASHER 17*22*1.6 C	1	
94201		94201-30250	PIN SPLIT 3*25	PIN SPLIT 3*25	1	

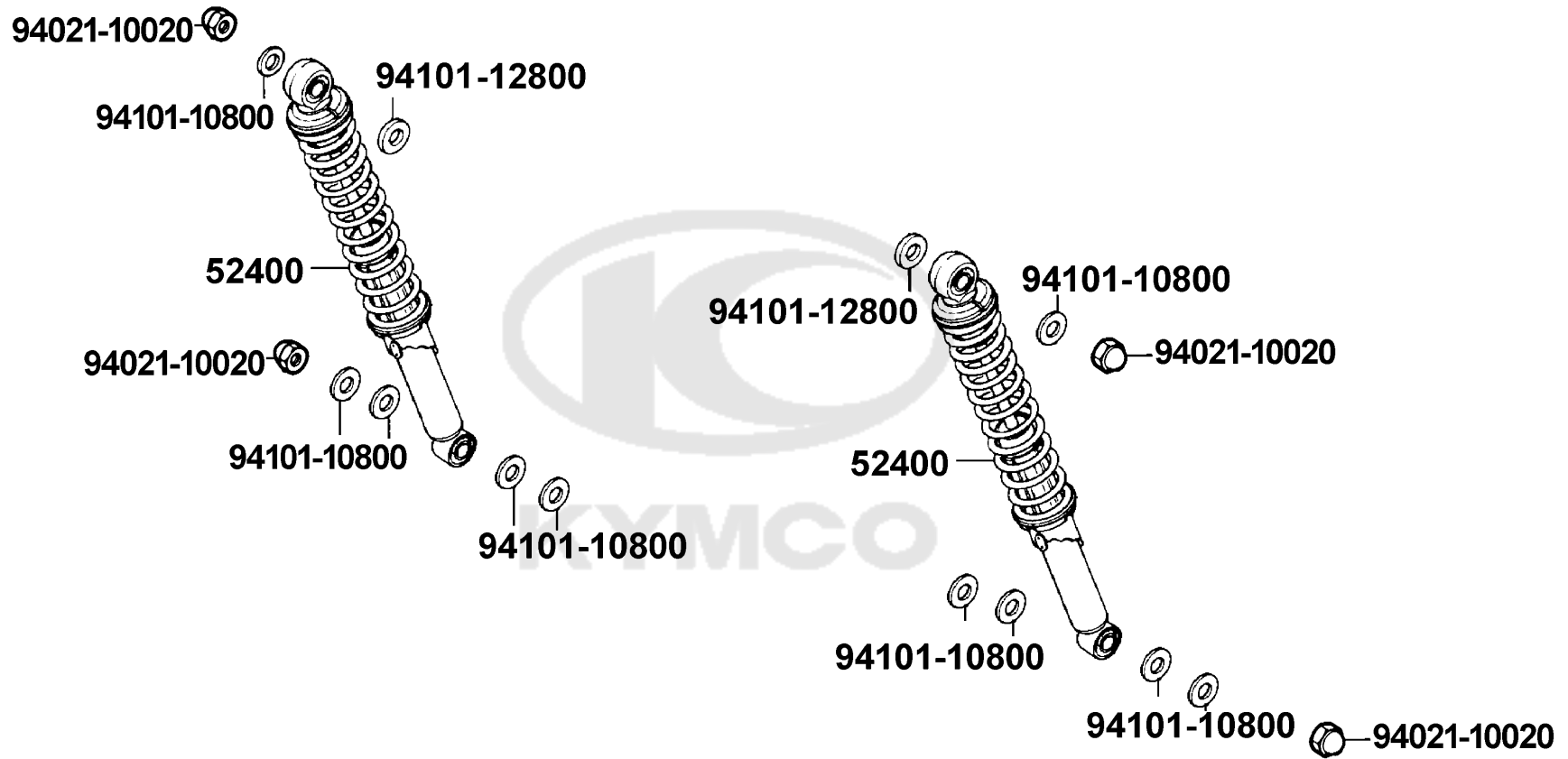


F21

Latter forks



Sales mark	Ref no	Part no	Description	Reg description	Regd no	F21
	40510	40510-LBA8-E80	CASE DRIVE CHAIN	CASE DRIVE CHAIN	1	
	40530	40530-LBA8-E80	DRIVE CHAIN 428HG-108	DRIVE CHAIN 428HG-108	1	
	43431	43431-LBA8-E000	ARM RR STPR	ARM RR STPR	1	
	52107	52107-LBA8-C10	SLIDER CHAIN	SLIDER CHAIN	1	
**	52110	52110-LBA8-E80	FORK COMP RR	FORK COMP RR	1	
	90121	90121-LBA8-C10	BOLT RR FORK PIVOT	BOLT RR FORK PIVOT	1	
	90301	90301-6D34-C00	NUT FLANGE 6MM	NUT FLANGE 6MM	1	
	92812	92812-10000	BOLT RR BRAKE STPR ARM	BOLT RR BRAKE STPR ARM	1	
	93404	93404-06012-08	BOLT WASHER 6*12	BOLT WASHER 6*12 (C)	1	
	94001	94001-08080-0S	NUT HEX 8MM	NUT HEX 8MM (C)	1	
	94031	94031-LBA8-C10	NUT HEX 10MM	NUT HEX 10MM	1	
	94101	94101-08800	WASHER PLAIN 8MM	WASHER PLAIN 8MM (C)	1	
	94111	94111-10800	WASHER SPG 10MM	WASHER SPG 10MM (C)	1	
	94201	94201-20150	PIN SPLIT 2*15	PIN SPLIT 2* 15	1	
	95701-06008	95701-06008-08	BOLT FLANGE 6*8	BOLT FLANGE 6*8 (C)	1	
	95701-06012	95701-06012-08	BOLT FLANGE 6*12	BOLT FLANGE 6*12	1	



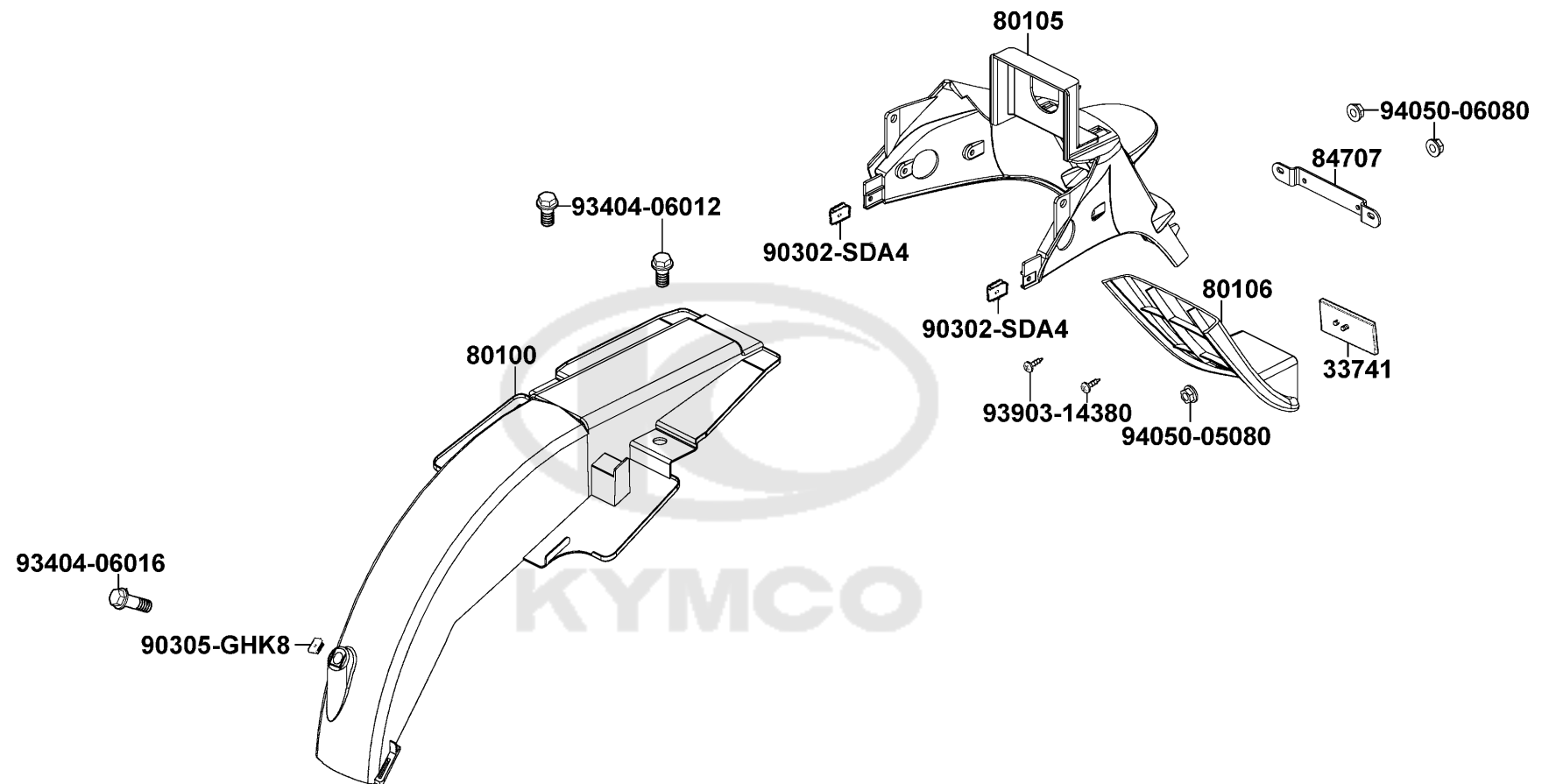
Sales mark	Ref no	Part no	Description	Reg description	Regd no	F22
------------	--------	---------	-------------	-----------------	---------	------------

52400		52400-LBA8-E80	CUSHION ASSY RR	CUSHION ASSY RR	1	
94021		94021-10020-0S	NUT HEX CAP 10MM	NUT HEX CAP 10MM (Cr)	4	
94101		94101-10800	WASHER PLAIN 10MM	WASHER PLAIN 10MM	10	



F23

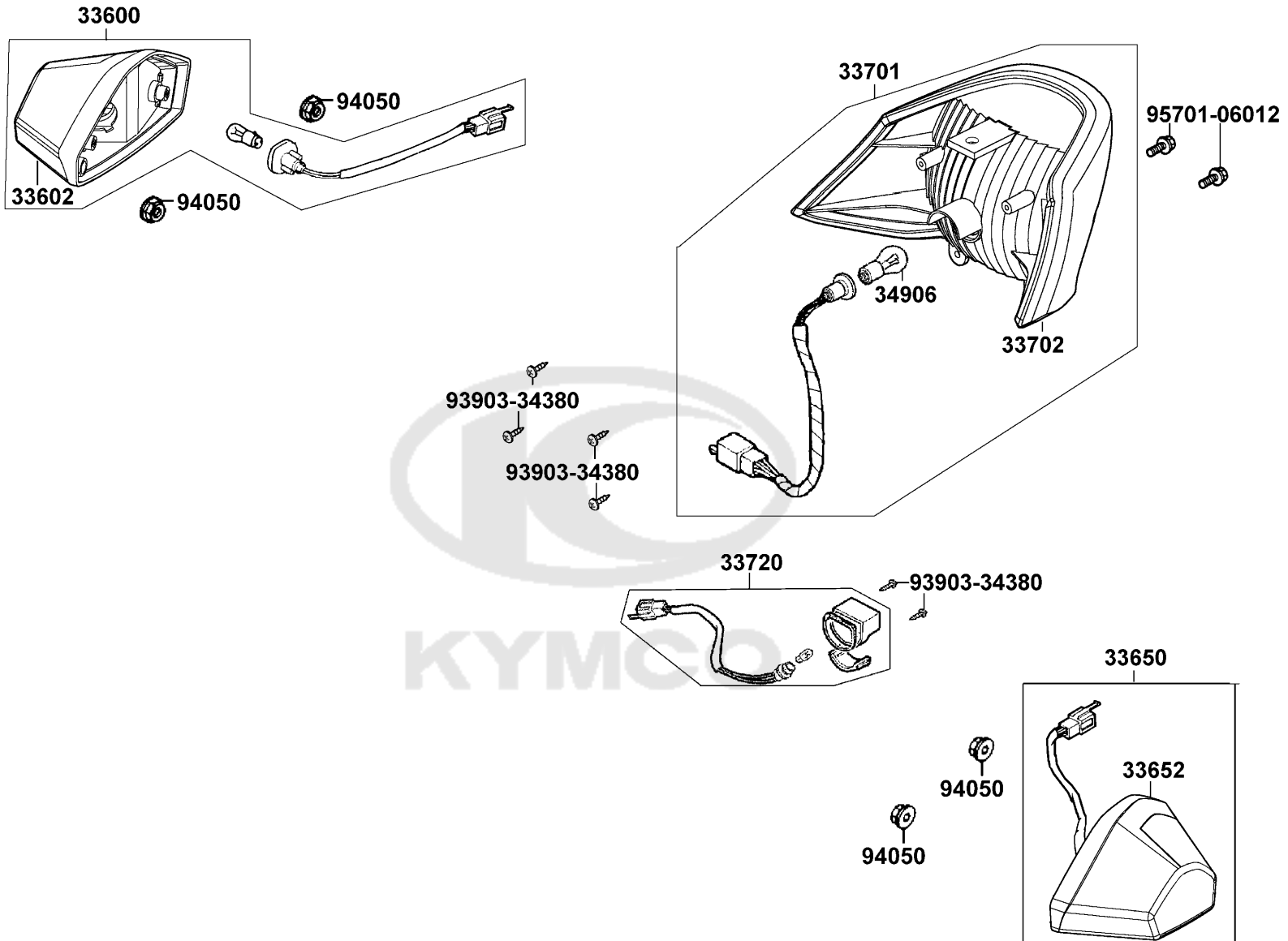
Rear Fender



Sales mark	Ref no	Part no	Description	Reg description	Regd no	F23
	33741	33741-KGB4-C00	REFLEX REFLECTOR	REFLEX REFLECTOR	1	
	80100	80100-LBA8-C10	FENDER RR INNER	FENDER RR INNER	1	
**	80105	80105-LBA8-C10	FENDER RR A	FENDER RR A	1	
**	80106	80106-LBA8-C10	FENDER RR B	FENDER RR B	1	
	84707	84707-KGB4-C10	UNDER NUMBER BRKT	UNDER NUMBER BRKT	1	
	90302-SDA4	90302-SDA4-C00	NUT SPRING 4MM	NUT SPRING 4MM	1	
	90305-GHK8	90305-GHK8-C00	NUT CLIP 6MM	NUT CLIP 6MM	1	
	93404-06012	93404-06012-08	BOLT WASHER 6*12	BOLT WASHER 6*12 (C)	2	
	93404-06016	93404-06016-08	BOLT WASHER 6*16	BOLT WASHER 6*16 (C)	1	
	93903	93903-14380	SCREW TAPPING 4*12 (K)	SCREW TAPPING 4*12 (K)	2	
	94050-05080	94050-05080	NUT FLANGE 5MM	NUT FLANGE 5MM	1	
	94050-06080	94050-06080	NUT FLANGE 6MM	NUT FLANGE 6MM	1	

F24

Winker Tail Light

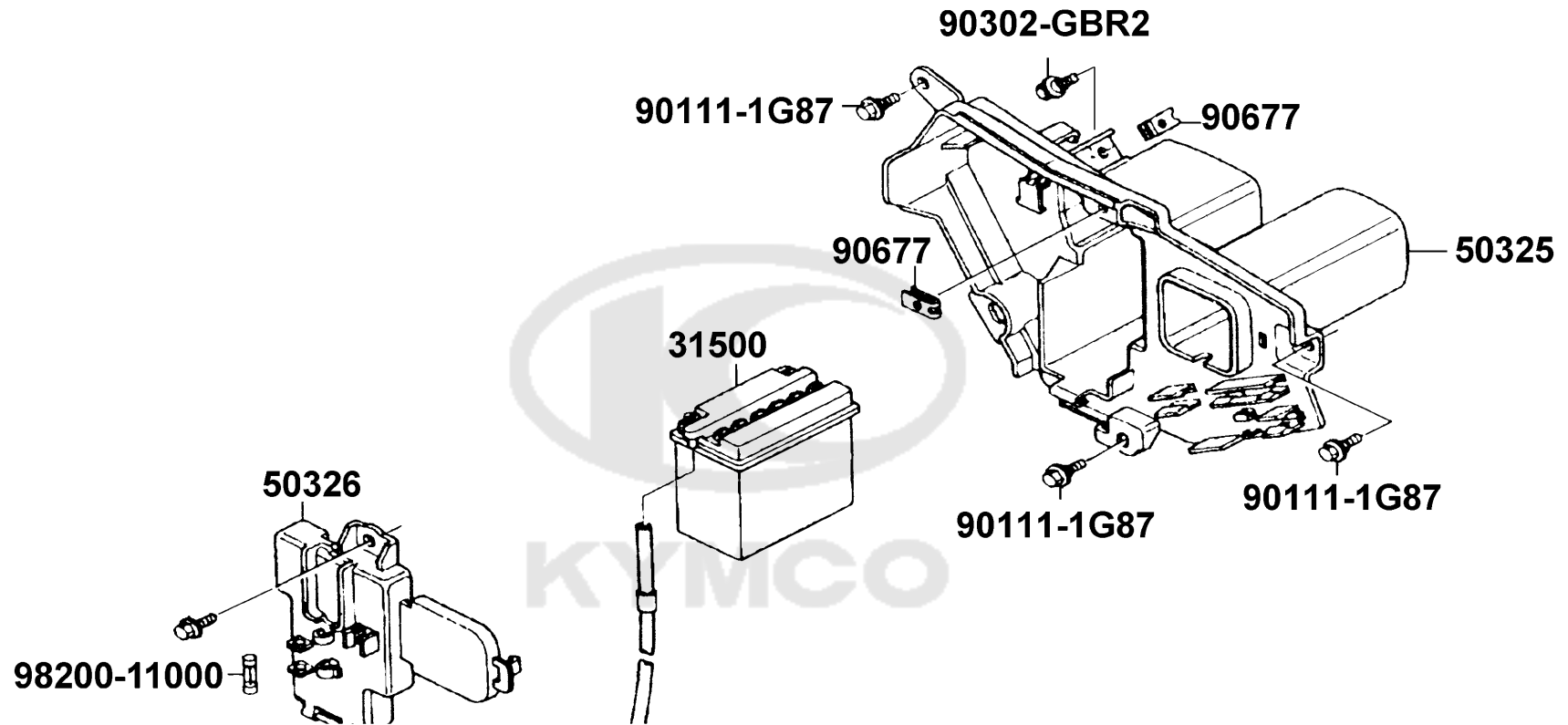


Sales mark	Ref no	Part no	Description	Reg description	Regd no	F24
	33600	33600-LBA8-E80	WINKER ASSY R RR	WINKER ASSY R RR	1	
	33602	33602-LBA8-C10	LENS R RR WINKER	LENS R RR WINKER	1	
	33650	33650-LBA8-E80	WINKER ASSY L RR	WINKER ASSY L RR	1	
	33652	33652-LBA8-C10	LENS L RR WINKER	LENS L RR WINKER	1	
	33701	33701-LBA8-E80	IGHT ASSY RR COMP	IGHT ASSY RR COMP	1	
	33702	33702-LBA8-C10	LENS TAIL LIGHT	LENS TAIL LIGHT	1	
	33720	33720-LBA8-C10	LIGHT ASSY LICENCE	LIGHT ASSY LICENCE	1	
	34906-LBA8	34906-LBA8-E80	BULB TAIL & STOP	BULB TAIL & STOP	1	
	93903-34380	93903-34380	SCREW TAPPING 4*12	SCREW TAPPING 4*12	2	
	94050	94050-06080	NUT FLANGE 6MM	NUT FLANGE 6MM	4	
	95701	95701-06012-08	BOLT FLANGE 6*12	BOLT FLANGE 6*12	2	



F25

Battery

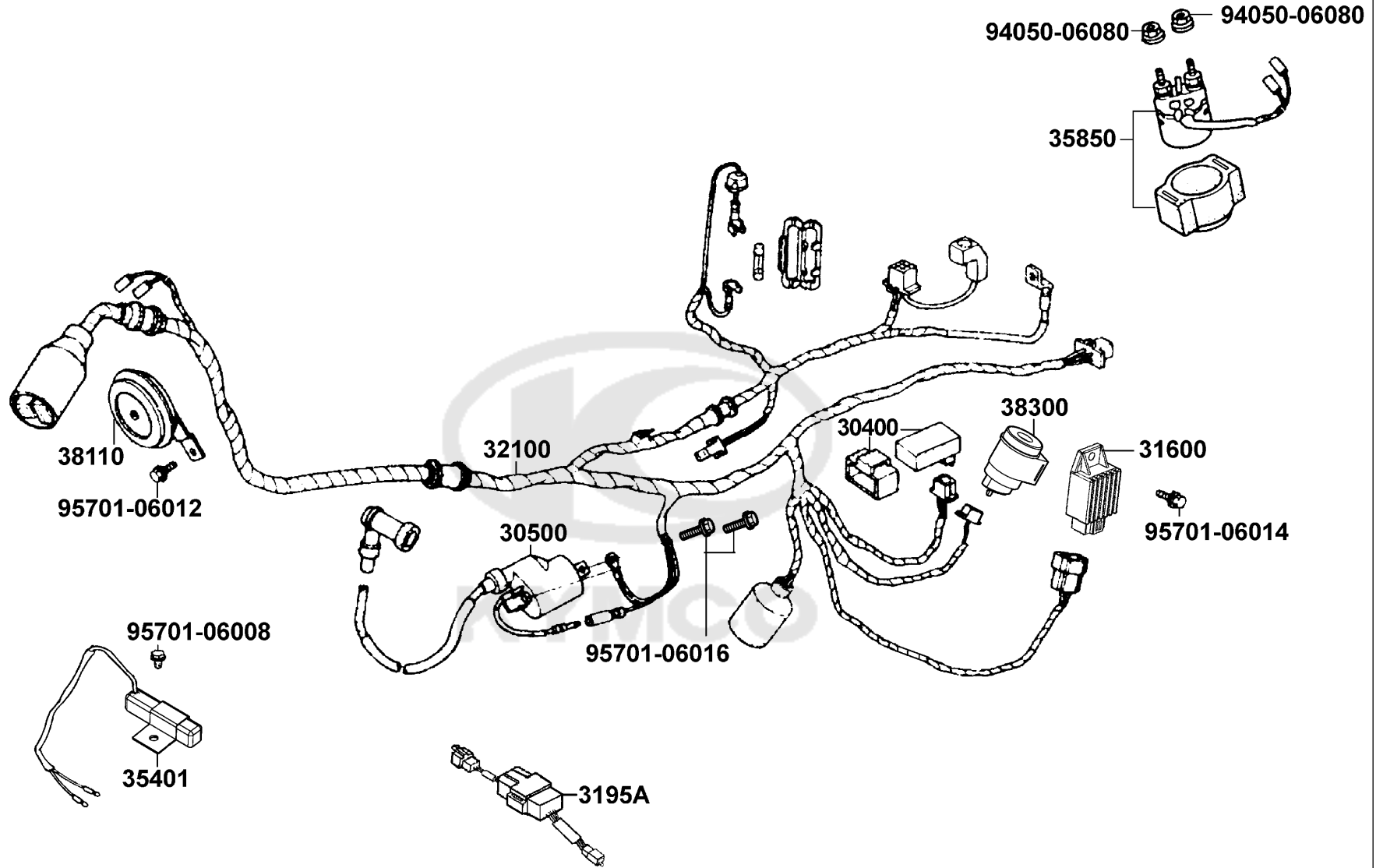


Sales mark	Ref no	Part no	Description	Reg description	Regd no	F25
	31500	31500-LBA8-E80	BATTER CB5L-B	BATTER CB5L-B	1	
**	50325	50325-LBA8-C10	CASE BATTERY	CASE BATTERY	1	
**	50326	50326-LBA8-C10	COVER BATTERY	COVER BATTERY	1	
	90111	90111-1G87-C00	BOLT FLANGE 6MM	BOLT FLANGE 6MM	1	
	90302	90302-GBR2-C00	BOLT-WASH 5*12	BOLT-WASH 5*12	1	
	90677	90677-GAR1-C00	NUT CLIP 5MM	NUT CLIP 5MM	1	
	98200	98200-11000	FUSE 10A	FUSE A10	1	



F26

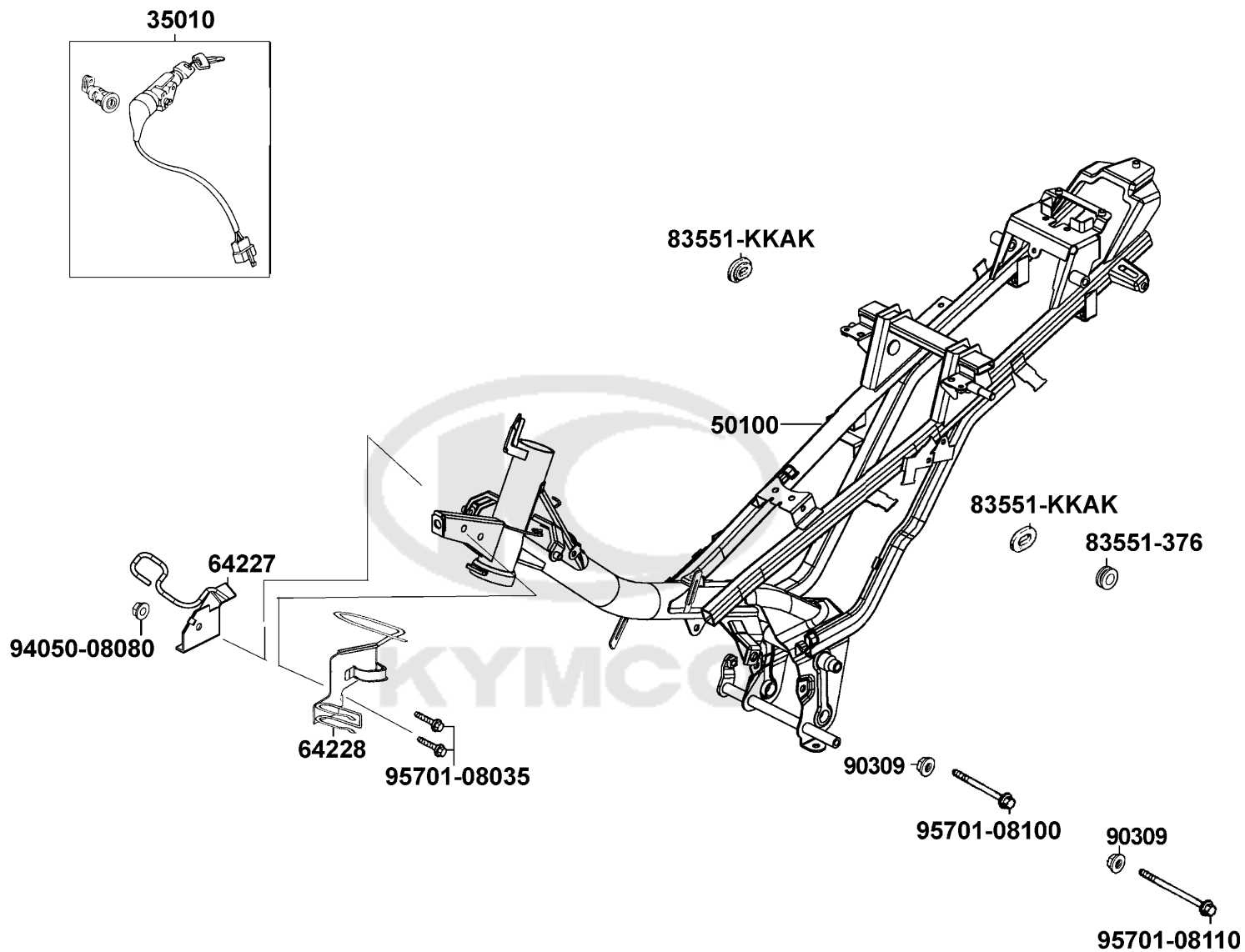
Harness Wire



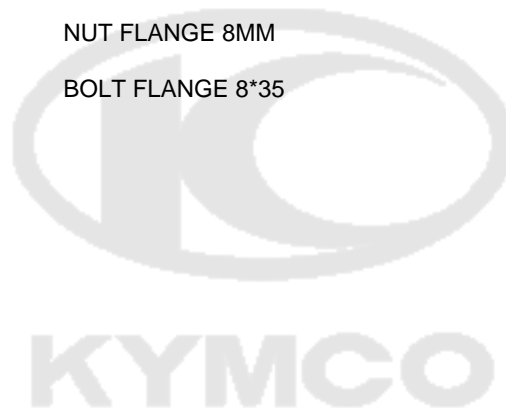
Sales mark	Ref no	Part no	Description	Reg description	Regd no	F26
30400		30400-LBA8-C10	UNIT ASSY CDI	UNIT ASSY CDI	1	
30500		30500-LBA8-C10	COIL ASSY IGN	COIL ASSY IGN	1	
31600		31600-KDU-9000	REG REC COMP(AC)	REG REC COMP(AC)	1	
3195A		3195A-LBB9-B50	HAZARD CONTROL ASSY	HAZARD CONTROL ASSY	1	
32100		32100-LBA8-E81	HARNES WIRE	HARNES WIRE	1	
35401		35401-GAR1-C00	RESISTOR COMP B	RESISTOR COMP B	1	
35850		35850-LBA8-C10	RELAY ASSY START	RELAY ASSY START	1	
38110		38110-LBA8-E0B	HORN COMP	HORN COMP	1	
38300		38300-GLW0-C00	RELAY ASSY WINKERF	RELAY ASSY WINKERF	1	
94050		94050-06080	NUT FLANGE 6MM	NUT FLANGE 6MM	2	
95701-06008		95701-06008-08	BOLT FLANGE 6*8	BOLT FLANGE 6*8 (C)	1	
95701-06012		95701-06012-08	BOLT FLANGE 6*12	BOLT FLANGE 6*12	1	
95701-06014		95701-06014-08	BOLT FLANGE 6*14	BOLT FLANGE 6*14	1	
95701-06016		95701-06016-08	BOLT FLANGE 6*16	BOLT FLANGE 6*16	2	

F27

Frame Body



Sales mark	Ref no	Part no	Description	Reg description	Regd no	F27
35010		35010-LBA8-C10	KEY SET	KEY SET	1	
50100		50100-LBA8-E80	BODY COMP FRAME	BODY COMP FRAME	1	
64227		64227-LBA8-C10	STAY HORN	STAY HORN	1	
64228		64228-LBA8-C10	STAY HANESS WIRE	STAY HANESS WIRE	1	
83551-376		83551-3F76-C00	GROMMET SIDE COVER	GROMMET SIDE COVER	1	
83551-KKAK		83551-KKAK-C00	GROMMET AIR CLEANER C	GROMMET AIR CLEANER C	1	
90309		90309-GLW0-C00	NUT U FLANGE 8MM (C)	NUT U FLANGE 8MM (C)	1	
94050		94050-08080	NUT FLANGE 8MM	NUT FLANGE 8MM	1	
95701		95701-08035-08	BOLT FLANGE 8*35	BOLT FLANGE 8*35 (C)	2	



F28

Stripe



87552



86404



86443



86453



86121



86323



86331



86131



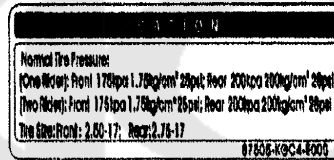
86333



86403



86423



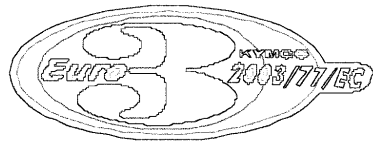
87505



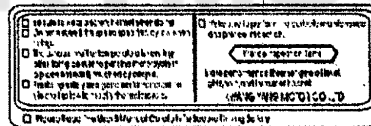
86303



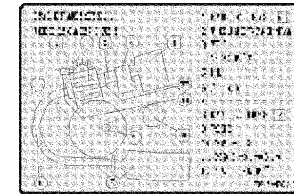
86433



87311



87560



87224

Sales mark	Ref no	Part no	Description	Reg description	Regd no	F28
**	86303	86303-LHD6-B90	STRIPT SIDE COVER	STRIPT SIDE COVER	1	
**	86331	86331-LHD6-B90	STRIPE FR COVER	STRIPE FR COVER	1	
**	86403	86403-LHD6-B90	STRIPE BODY COVER	STRIPE BODY COVER	1	
**	87224	87224-LBA8-E80	CAUTION ANTI-TAMPERING	CAUTION ANTI-TAMPERING	1	
**	87311	87311-KKD6-E00	STRIPE MARK EURO 2	STRIPE MARK EUR02	1	
**	87505	87505-KGC4-C10	LABEL TIPE	LABEL TIPE	1	
**	87552	87552-KQCQ-C00	MARK KYMCO	MARK KYMCO	1	
**	87560	87560-GFY6-C01	MARK DRIVE CAUTION	MARK DRIVE CAUTION	1	



PART NO. INDEX

PART NO.	VERSION	PAGE	PART NO.	VERSION	PAGE	PART NO.	VERSION	PAGE
11000			12391-LBA8-C10	0	E01	14566-LBA8-C10	0	E04
11100-LBA8-C10	1	E14	12394-LBA8-C10	0	E01	14610-KGC4-C00	0	E04
11191-LBA8-C10	0	E14	12395-LBA8-C10	0	E01	14615-LBA8-C10	0	E04
11200-LBA8-C000	2	E14	12440-LBA8-C10	0	E01	14670-KGB4-C10	0	E04
11207-LBA8-C10	0	E12	13000			14675-LBA8-C10	0	E04
11330-LBA8-C000	0	E06	13000-LBA8-C10	0	E15	14711-LBA8-C10	0	E02
11336-LBA8-C000	0	E06	13011-LHD6-C10	0	E15	14721-LBA8-C10	0	E02
11341-LBA8-C10	3	E10	13101-LHD6-C10	0	E15	14751-LBA8-C10	1	E02
11361-LBA8-C000	0	E10	13111-0G87-C00	1	E15	14761-LBA8-C10	1	E02
11384-LBA8-C10	0	E14	13115-0A01-C00	2	E15	14771-GDB4-C00	2	E02
11393-LBA8-C10	0	E06	14000			14775-MFA6-C00	2	E02
11395-LBA8-C10	0	E10	14100-LBA8-C10	0	E03	14781-LBA8-C10	0	E02
12000			14160-LBA8-C10	0	E03	15000		
12100-LHD6-C10	0	E05	14321-LBA8-C10	0	E04	15100-LBA8-C10	0	E09
12191-LHD6-C10	0	E05	14401-LBA8-C10	0	E04	15119-LBA8-C10	0	E09
12200-LHD6-EY0	0	E02	1441A-LBA8-C10	0	E03	15384-LBA8-C10	0	E09
12209-GDB4-C00	1	E02	14431-LBA8-C10	0	E03	15421-LBA8-C10	0	E09
1220A-LHD6-EY0	0	E02	14451-LBA8-C10	0	E03	15439-LBA8-C11	0	E07
12251-LHD6-C10	0	E02	14500-LBA8-C10	0	E04	15441-LBA8-C10	0	E07
12301-LBA8-C000-CK	0	E01	14502-0F86-C00	0	E04	15651-LBA8-C10	0	E06
12340-LBA8-E000	0	E01	14541-LBA8-C10	0	E04	15760-LBA8-C10	0	E14
12361-0E35-E80	0	E01	14550-LBA8-C10	0	E04			

PART NO. INDEX

PART NO.	VERSION	PAGE	PART NO.	VERSION	PAGE	PART NO.	VERSION	PAGE
16000			18000			22631-LBA8-C10	0	E07
1610K-LBA8-C10	0	E19	18291-GHC8-C00	0	F17	22641-LBA8-C10	0	E07
16211-LBA8-C10	0	E02	1830A-LBA8-E80	0	F17	22651-LBA8-C10	0	E07
1691A-GFY6-C00	0	F13	18318-KGC4-E00	1	F17	22660-LBA8-C10	0	E07
16956-LBA8-C10	0	F13	18324-LBA8-C10	0	F17	2266A-LBA8-C10	0	E07
17000			1865A-LBA8-E80	0	F17	22810-LBA8-C10	0	E06
17110-LBA8-E80	0	E02	22000			2283A-LBA8-C10	0	E06
17111-LBA8-C10	0	E02	23000			22846-LBA8-C10	0	E06
17200-LBA8-E00	0	F16	22011-LBA8-C10	0	E07			
17248-LBA8-C00	0	F15	22012-LBA8-C10	0	E07	23211-LBA8-C10	0	E16
17249-LBA8-C10	0	F15	22100-LBA8-C10	0	E08	23216-LBA8-C10	0	E08
17500-LBA8-C10	3	F13	2210A-LBA8-C10	0	E08	23217-LBA8-C10	0	E08
17508-LBA8-C10	1	F13	22121-LBA8-C10	0	E08	2321A-LBA8-C10	0	E16
17509-LBA8-C10	1	F13	22131-LBA8-C10	0	E08	23221-LBA8-C10	0	E16
17620-LBA8-C10	0	F13	22201-LBA8-C10	0	E08	23224-LBA8-C10	0	E07
17682-LBA8-C10	0	F13	22203-LBA8-C10	0	E08	23225-LBA8-C10	0	E17
17910-LBA8-C10	3	F03	22211-LBA8-C10	0	E08	2322A-LBA8-C10	0	E16
17950-LBA8-C10	0	F03	22311-1G07-C00	0	E08	23230-LBA8-C10	0	E07
17951-LBA8-C10	0	F03	22350-LBA8-C10	0	E08	23426-LBA8-C10	0	E16
17952-LBA8-C10	0	F03	22361-LBA8-C10	0	E08	23427-LBA8-C10	0	E16
			22401-LBA8-C10	0	E08	23441-LBA8-C10	0	E16
			2260A-LBA8-C10	0	E07	23443-LBA8-C10	0	E16
			22610-LBA8-C10	0	E07	23444-LBA8-C10	0	E16
			22614-LBA8-C10	0	E07	23445-LBA8-C10	0	E16

PART NO. INDEX

PART NO.	VERSION	PAGE	PART NO.	VERSION	PAGE	PART NO.	VERSION	PAGE
23451-LBA8-C10	0	E16	28102-LBA8-C10	0	E12	31200-LBA8-C10	2	E13
23461-LBA8-C10	0	E16	28103-KGB4-C10	0	E12	31500-LBA8-E80	0	F25
23471-LBA8-C10	0	E16	28110-LBA8-C10	0	E12	31600-KDU-9000	0	F26
23481-LBA8-C10	0	E16	2811A-LBA8-C10	0	E12	3195A-LBB9-B50	0	F26
23491-LBA8-C10	0	E16	28120-LBA8-C10	0	E12			
23801-LBA8-C10	0	E16	28125-3C23-C00	0	E12	32000		
23811-LBA8-C10	0	E16	28126-LBA8-C10	0	E12			
			28211-LBA8-C10	1	E18	32100-LBA8-E81	2	F26
24000			28221-LBA8-C10	0	E18	32906-LBA8-C10	0	E06
			28225-LBA8-C10	0	E18	32962-LBA8-C10	0	E10
24221-LBA8-C10	0	E17	28251-LBA8-C10	0	E18			
24301-LBA8-C10	0	E17	2825A-LBA8-C10	1	E18	33000		
2430A-LBA8-C10	0	E17	28261-LBA8-C10	0	E18			
24411-3D24-C00	0	E17	28282-LBA8-C10	0	E18	33100-LBA8-E80	0	F01
24431-LBA8-C10	0	E17	28300-LBA8-C10	1	F18	33600-LBA8-E80	0	F24
24435-LBA8-C10	0	E17				33602-LBA8-C10	0	F24
24610-LBA8-C10	0	E17	30000			33650-LBA8-E80	2	F24
2461A-LBA8-C10	0	E17				33652-LBA8-C10	0	F24
24621-1G07-C00	0	E17	30400-LBA8-C10	1	F26	33701-LBA8-E80	0	F24
24631-1G07-C00	0	E17	30500-LBA8-C10	2	F26	33702-LBA8-C10	0	F24
24651-LBA8-C10	0	E17				33720-LBA8-C10	1	F24
2470A-LBA8-E30	0	F18	31000			33741-GFY6-C00	0	F07
						33741-KGB4-C00	2	F23
28000			31100-LBA8-E000	1	E11			
			3111A-LBA8-C10	0	E11			
28101-LBA8-C10	0	E12	31120-LBA8-E80	0	E11			

PART NO. INDEX

PART NO.	VERSION	PAGE	PART NO.	VERSION	PAGE	PART NO.	VERSION	PAGE
34000			38000			42710-LBA8-C10	2	F12
34906-LBA8-E80	1	F24	38110-LBA8-E0B	1	F26	43000		
			38300-GLW0-C00	0	F26	43000-LBA8-E80	0	F11
35000			40000			43431-LBA8-E000	0	F21
35010-LBA8-C10	0	F27				43434-2F86-C00	0	F11
35150-GFY6-C00	1	F03	40510-LBA8-E80	1	F21	4345A-LBA8-E80	2	F18
35160-GFY6-C00	1	F03	40530-LBA8-E80	1	F21	44000		
35170-KNBN-C00	1	F03	4054A-LBA8-C10	2	F11	44301-KFW6-C00	0	F11
35180-GFY6-C00	1	F03	41000			44301-LBA8-C11	0	F10
35190-GFY6-C00	0	F03				44311-LBA8-C11	5	F10
35200-GFY6-C00	1	F03	41201-LBA8-C10	3	F12	44600-LBA8-E81	6	F10
35350-KADA-C10	0	F18	41241-LBA8-C10	1	F12	44601-LBA8-C11	0	F10
35357-LBA8-C10	0	F18	42000			44620-LBA8-C11	2	F10
35401-GAR1-C00	0	F26				44680-LBA8-C11	3	F10
35750-LBA8-C10	1	E17	42311-LBA8-C11	4	F11	44710-LBA8-E81	2	F10
35850-LBA8-C10	2	F26	42313-LBA8-C11	5	F12	44800-LBA8-C11	3	F10
37000			42600-LBA8-C11	0	F12	44830-LBA8-C10	0	F02
37200-LBA8-E80	0	F02	42601-LBA8-C11	3	F12	45000		
37802-LBA8-C10	0	F13	42610-LFD6-C50	0	F12			
3780A-LBA8-C10	0	F13	42620-LBA8-C11	1	F12	45105-LBA8-305	0	F09
			42625-LBA8-C11	5	F12	45121-LBA8-C11	1	F10

PART NO. INDEX

PART NO.	VERSION	PAGE	PART NO.	VERSION	PAGE	PART NO.	VERSION	PAGE		
45126-LBA8-E80	0	F04	50500-LBA8-C10	0	F20	53000				
45127-LBA8-C11	0	F04	50523-LBA8-C10	2	F20					
45156-LBA8-C11	0	F04	50524-LBA8-C10	0	F20					
45200-LBA8-C10	0	F09	50526-LBA8-C10	0	F20		5310A-LBA8-C10	0	F05	
45500-LBA8-E80	0	F04	50530-LBA8-E80	0	F20		53125-GEN5-C00	1	F05	
46000			50535-KKB1-E00	1	F20		53140-KHC4-C00	0	F03	
			50550-KEB7-C00	0	F20		53166-KFA1-C00	0	F03	
			50610-LBA8-C10	6	F19		53167-GBN2-C00	1	F03	
			5061A-LBA8-C10	1	F19		53168-GBN2-C00	1	F03	
46500-LBA8-C10	2	F18	50661-LBA8-C10	0	F19		53175-LBA8-C11	0	F04	
4650A-LBA8-E80	3	F18	50662-LBA8-C10	1	F19	53200-LBA8-C11	0	F06		
46512-LBA8-C10	3	F18	50663-LBA8-C10	2	F19	53205-LBA8-305	0	F05		
50000			51000			53205-LBA8-C10	0	F05		
						53206-LBA8-C10	0	F05		
						53211-LBA8-C10	2	F06		
						53212-LBA8-C10	2	F06		
						53214-LBA8-C10	2	F06		
						53215-LBA8-C10	2	F06		
						53220-LBA8-C10	2	F06		
50100-LBA8-E80	0	F27				61000				
50190-LBA8-C10	1	F19	5140A-LBA8-E81	0	F08					
50191-LBA8-C10	1	F19	5150A-LBA8-E81	0	F08					
50192-LBA8-C10	1	F19	52000							
50193-LBA8-C10	1	F19								
5019A-LBA8-C10	0	F19								
5019B-LBA8-C10	0	F19		52107-LBA8-C10	1		F21			
50301-LBA8-C10	3	F06		52110-LBA8-E80	6		F21			
50302-LBA8-C10	3	F06		52400-LBA8-E80	2		F22	61100-LBA8-900	0	F07
50306-LBA8-C10	2	F06						61101-LBA8-900	0	F07
50325-LBA8-C10	0	F25								
50326-LBA8-C10	0	F25								

PART NO. INDEX

PART NO.	VERSION	PAGE	PART NO.	VERSION	PAGE	PART NO.	VERSION	PAGE
64000			80155-LBA8-C10	2	F15	86000		
64114-LBA8-C10	4	F07	81000			86121-LBA8-E000-GR	0	F28
64227-LBA8-C10	0	F27	81131-LBA8-C10	0	F15	86121-LBA8-E80	0	F28
64228-LBA8-C10	0	F27	81201-LBA8-C10	0	F14	86131-LBA8-E000-GR	0	F28
64301-LBA8-C10	0	F15	8120A-LBA8-E80	0	F14	86131-LBA8-E80	0	F28
			81250-LBA8-C10	2	F15	86303-LHD6-B90	0	F28
75000			83000			86323-LBA8-E000-GR	0	F28
75581-6C73-C00	1	F14	83500-LBA8-C10	0	F15	86323-LBA8-E80	0	F28
77000			83510-LBA8-C10	1	F15	86331-LHD6-B90	0	F28
77200-LBA8-E80	0	F14	83551-3F76-C00	0	F27	86333-LBA8-E000-GR	0	F28
77232-LLC5-C10	0	F14	83551-KKAK-C00	0	F27	86333-LBA8-E80	0	F28
77235-LBA8-C10	1	F14	83600-LBA8-C10	0	F15	86403-LHD6-B90	0	F28
77240-GGS7-C11	0	F14	83600-LBA8-C10	3	F15	86404-LBA8-E000-GR	0	F28
			83610-LBA8-C10	0	F15	86404-LBA8-E80	0	F28
80000			83650-LBA8-C000	0	F15	86423-LBA8-E000-GR	0	F28
80100-LBA8-C10	0	F23	83750-LBA8-C10	0	F15	86423-LBA8-E80	0	F28
80105-LBA8-C10	0	F23	84000			86433-LBA8-E000-GR	0	F28
80106-LBA8-C10	0	F23	84707-KGB4-C10	0	F23	86433-LBA8-E80	0	F28
80151-LBA8-C10	0	F15				86443-LBA8-E000-GR	0	F28
80152-LBA8-C10	2	F15				86443-LBA8-E80	0	F28
						86453-LBA8-E000-GR	0	F28
						86453-LBA8-E80	0	F28

PART NO. INDEX

PART NO.	VERSION	PAGE	PART NO.	VERSION	PAGE	PART NO.	VERSION	PAGE
			90084-LBA8-E80	0	E10	90306-KLF0-C00	0	F10
			90087-4H28-E80	0	E10	90306-KLF0-C00	0	F12
			90106-GEN5-901	1	F05	90309-GLW0-C00	0	F27
87224-LBA8-E80	1	F28	90108-KUDU-900	1	F20	90381-LBA8-C10	0	F15
87311-KKD6-E00	0	F28	90111-1G87-C00	1	F25	90401-LBA8-C10	0	E07
87505-KGC4-C10	1	F28	90111-KFW6-C00	0	F16	90432-0F86-C00	0	E07
87552-KQCQ-C00	4	F28	90112-LBA8-C10	0	E17	90432-0F86-C00	0	E08
87560-GFY6-C01	3	F28	90121-LBA8-C10	2	F21	90441-0E35-C00	0	E04
			90122-KGD4-C11	0	F09	90442-GFF6-C00	0	E01
			90127-LBA8-C10	2	F11	90442-LBA8-C10	0	E07
			90145-9A61-C00	1	F04	90444-LBA8-C10	0	E08
88110-LBA8-E80	0	F03	90201-GFF6-011	0	E01	90452-LBA8-C10	0	E16
88120-LBA8-E80	0	F03	90206-0A01-001	2	E03	90454-1G07-C00	1	E18
			90231-0G87-C00	0	E08	90454-LBA8-C10	0	E16
			90231-GKT9-C00	0	E07	90455-LBA8-C10	0	E16
			90301-6D34-C00	0	F07	90464-LBA8-C10	0	E16
89010-KGB4-C00	0	F15	90301-6D34-C00	0	F21	90481-GGS7-C00	0	E01
			90301-LBA8-C10	2	F06	90481-LBA8-C10	0	E05
			90302-GBR2-C00	4	F25	90501-LBA8-C10	0	E05
			90302-KNBN-C00	1	F05	90502-LBA8-C10	0	E05
90012-3C33-C00	1	E03	90302-SDA4-C00	2	F05	90521-0H28-C00	0	F20
90031-LBA8-C10	0	E14	90302-SDA4-C00	2	F15	90522-LBA8-C10	3	F12
90032-LBA8-C10	0	E14	90302-SDA4-C00	2	F23	9052A-KGB4-C10	0	E14
90081-0E35-C00	0	E04	90304-GHE8-C00	1	F05	90545-3L00-C00	2	F04
90082-0E35-C00	0	E02	90304-LBA8-C10	1	F19	90601-LBA8-C10	0	E16
90082-0E35-C00	0	E05	90305-GHK8-C00	1	F23	90605-1F66-C00	0	E07

PART NO. INDEX

PART NO.	VERSION	PAGE	PART NO.	VERSION	PAGE	PART NO.	VERSION	PAGE
90605-LBA8-C10	0	E16	91304-LBA8-C10	0	E02	93700-05018-08	0	F02
90677-GAR1-C00	1	F15	91305-LBA8-C10	1	E06	93891-05016-07	0	F15
90677-GAR1-C00	1	F25	91306-LBA8-C10	1	E02	93903-14380	0	F05
90701-GFF6-C00	0	E05	91307-0E35-W10	1	E06	93903-14380	0	F23
90701-HDC4-C00	1	E06				93903-34280	0	F15
90701-HDC4-C00	1	E10	92000			93903-34380	6	F05
90701-LBA8-C10	0	E02				93903-34380	6	F15
91000			92000-06022-0H	0	F18	93903-34380	6	F24
			92000-06025-0H	0	F18	93903-35320	4	F02
			92001-LBA8-C10	0	F12	93903-45380	0	F15
91004-LBA8-C10	0	E12	92201-06045-08	0	E13	93903-GFY6-C00	2	F15
91021-1H48-C00	0	E06	92201-06050-08	0	E13			
91100-LBA8-C10	0	E17	92700-KGE2-C10	0	E02	94000		
91101-LBA8-C10	0	E07	92812-10000	2	F21			
91201-KGB4-C10	0	E12				94001-08080-0S	0	F11
91202-KGB4-C10	1	E06	93000			94001-08080-0S	0	F21
91203-KGB4-C11	0	E16				94021-10020-0S	0	F22
91204-LBA8-C10	0	E12	93404-06012-08	0	F13	94030-08080-0S	0	E06
91252-LBA8-C11	1	F10	93404-06012-08	0	F15	94031-LBA8-C10	1	F21
91254-LBA8-C10	0	F12	93404-06012-08	0	F21	94050-05080	2	F23
91258-4L10-007	1	F10	93404-06012-08	0	F23	94050-06080	2	F13
91301-0G27-C00	0	E12	93404-06016-08	0	F07	94050-06080	2	F17
91301-LBA8-C10	1	E17	93404-06016-08	0	F23	94050-06080	2	F23
91302-5G67-C00	0	E10	93500-05006-00	0	E07	94050-06080	2	F24
91302-KGB4-C11	0	E01	93500-05012-0G	0	F03	94050-06080	2	F26
91303-3G77-C00	0	E10	93500-06012-00	0	E06	94050-08080	4	F27

PART NO. INDEX

PART NO.	VERSION	PAGE	PART NO.	VERSION	PAGE	PART NO.	VERSION	PAGE
94050-08800-08	0	F19	95701-06012-07	0	F15	96001-06016-08	6	E17
94050-10080	1	E11	95701-06012-08	3	F04	96001-06020-08	2	E11
94101-06800	3	E11	95701-06012-08	3	F21	96001-06022-08	0	E01
94101-06800	3	F10	95701-06012-08	3	F24	96001-06022-08	0	E08
94101-08800	0	F11	95701-06012-08	3	F26	96001-06022-08	0	E09
94101-08800	0	F21	95701-06014-08	0	F26	96001-06032-08	1	E10
94101-10800	1	F22	95701-06016-08	1	F26	96001-06040-08	0	E06
94102-08800	0	E06	95701-06020-08	0	F07	96001-06050-08	1	E10
94102-10800	0	E11	95701-06022-08	0	F10	96001-06050-08	1	E14
94103-06800	0	F13	95701-06025-08	2	F07	96001-06060-08	0	E14
94103-LBA8-C10	0	F15	95701-06028-08	0	E02	96001-06065-08	0	E06
94111-06800	1	E12	95701-06032-08	1	E02	96001-06065-08	0	E14
94111-06800	1	F10	95701-06110-08	0	E01	96001-06080-08	0	E06
94111-10800	0	F21	95701-08016-08	1	F14	96100-60000-00	0	E08
94201-20150	0	F11	95701-08016-08	1	F19	96120-63010-10	0	F10
94201-20150	0	F21	95701-08025-08	2	F19	96120-63010-10	0	F12
94201-30250	0	F20	95701-08028-08	0	F19	96211-06000-D	0	F06
94301-10140	0	E14	95701-08030-08	0	F19	96211-06000-U	0	F06
94510-16000	0	E18	95701-08035-08	1	F27	96220-40100	0	E17
94510-20000	1	E18	95701-10045-08	0	F06	96700-06016-08	0	E17
94520-42000	0	E07						
			96000			98000		
95000								
			96001-06012-08	3	E17	98056-5771R-00	1	E01
95701-06008-08	0	F21	96001-06016-08	6	E09	98200-11000	1	F25
95701-06008-08	0	F26	96001-06016-08	6	E10			