

# PARTS CATALOGUE



## SCOOTERS

SB60AA(RO)

XCITING 300i



Release Date : 2010/09/08  
Print Date : 2012/02/13

## ABOUT THIS PARTS LIST

- This parts list is compiled all service parts for model SB60AA(RO).
- Any difference between color chart and motorcycle will be revised according to motorcycle.
- The Mark:
  1. Marking "\*\*\*" must add color code in the end before ordering parts.
  2. Marking "#" are parts with modification, Please find the details from e-Parts system.
- When modification or additions to this parts list are made a revised edition at an appropriate time.



# CONTENTS

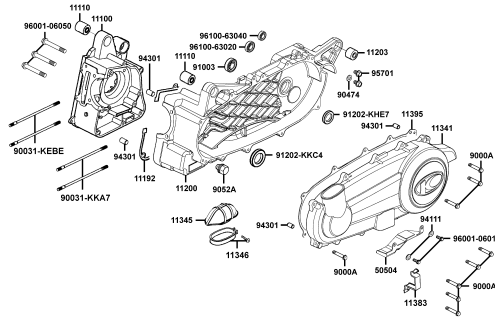
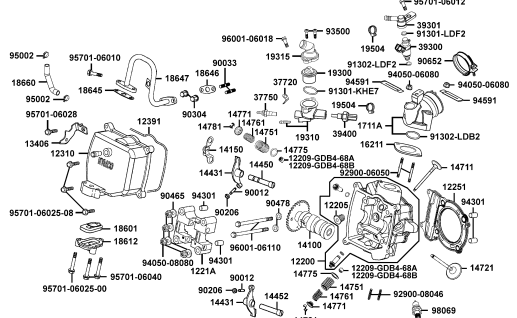
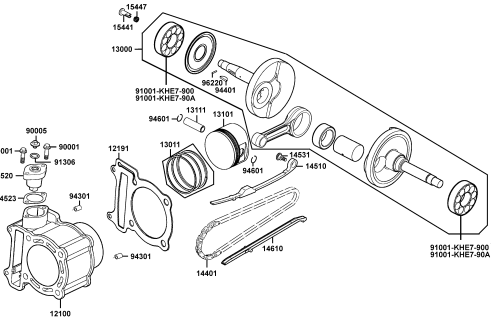
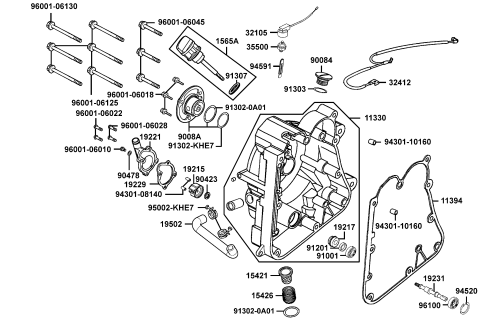
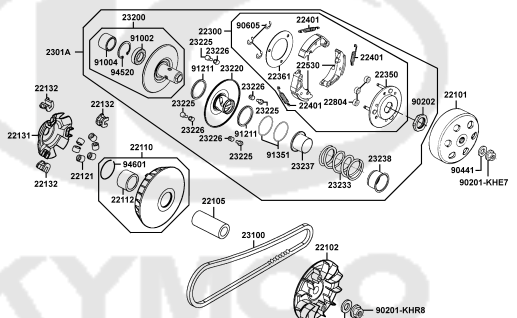
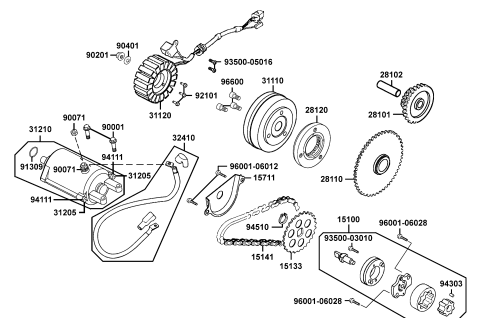
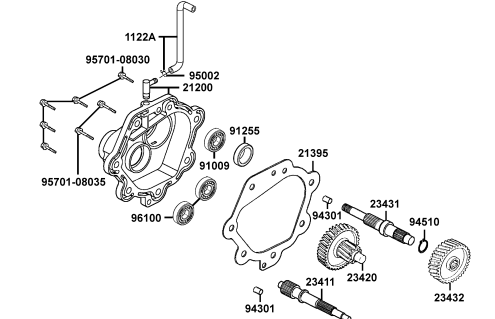
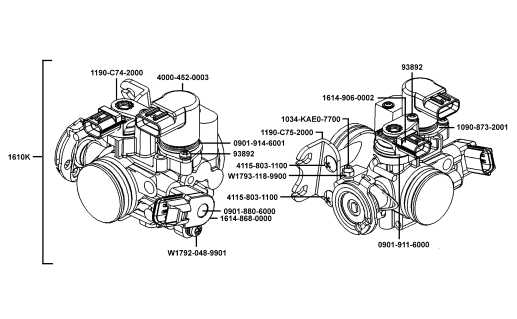
● ABOUT THIS PARTS LIST .....	1
● COLOR CHART OF SB60AA(RO) .....	3
● CONTENTS-ENGINE GROUP .....	6
● CONTENTS-FRAME GROUP .....	7
● ENGINE PARTS LIST .....	10
● FRAME PARTS LIST .....	44
● PART NO. INDEX .....	126

NO	MODEL			COLOR CHART OF SB60AA(RO)			
	PHOTO NO			NO. 1	NO. 2		
	BASIC COLOR			Bright Silver	Dark Gray Metallic		
	CODE			Bright Silver	Dark Gray Metallic		
	PARTS NAME	PARTS NO.	VERSION	NH045MA	NH124MA		
1	FENDER FR	61100-LBA2-305	4	D0C	D0M		
2	SKIRT R SIDE	64305-LBA2-E00	2	D1R			
3	SKIRT L SIDE	64306-LBA2-E00	2				
4	COVER COMP RIGHT	11330-LLJ3-E00	4				
5	COVER LEFT	11341-LDF2-900	2				
6	COVER LEFT	11341-LLJ3-E01	2				
7	HOLE CAP TAPPET	12361-LEA5-E00	1	HJA			
8	COVER WATER PUMP	19221-KHE7-900	3				
9	WHEEL RR CAST	42601-LDB2-E00	2				
10	WHEEL SET FR	44650-LBA2-305	0				
11	FORK ASSY REAR	52000-LDB2-E00	5				
12	STEM COMP STRG	53200-LBA2-E00	7	HJP			
13	CAP A.C.G	90084-LEA5-001	1				
14	TAIL CAP MUFFLER	18307-LDB2-E00	0				
15	PROTECTOR EXH PIPE	18325-LDB2-900	1				
16	LEVER R STRG HANDLE	53175-KKE5-E00	0				
17	LEVER L STRG HANDLE	53178-KKE5-E00	0	M3A			
18	CAP M/C	45513-KKA8-900	0				
19	CAP MASTER CYLINDER	45513-LEA7-E00	1				
20	GRIP COMP THROT	53140-KKC4-900	0				
21	GRIP L HANDLE	53166-KGB5-900	0				
22	COVER METER FR	53203-LBA2-E00	2	N1A			
23	COVER METER RR	53204-LBA2-E00	3				
24	COVER HNDL UP	53205-LBA2-E02	1				
25	COVER R HANDLE LOW	53206-LBA2-E00	1				
DATE OF STARTING-SALES							
DATE OF END-SALES							

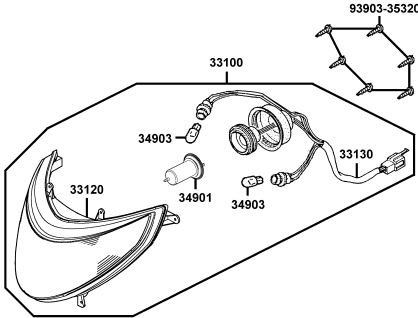
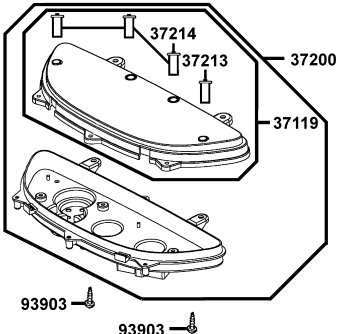
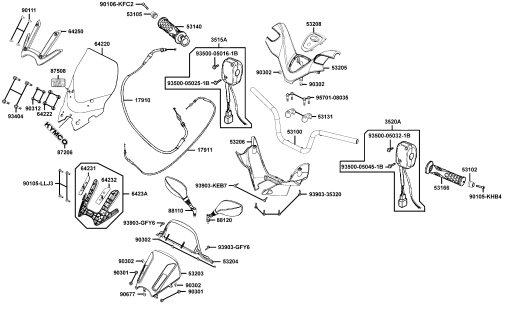
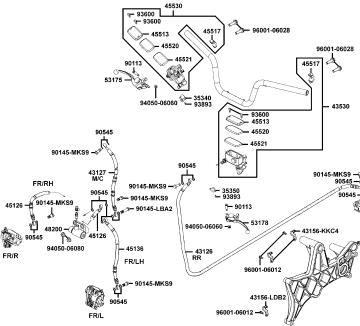
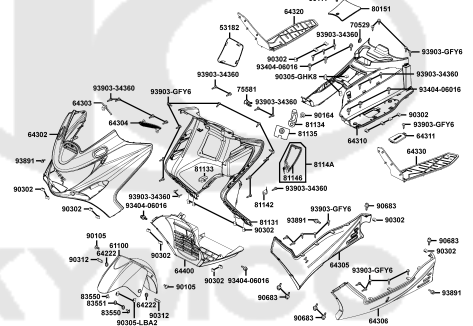
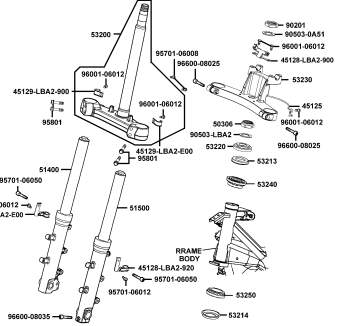
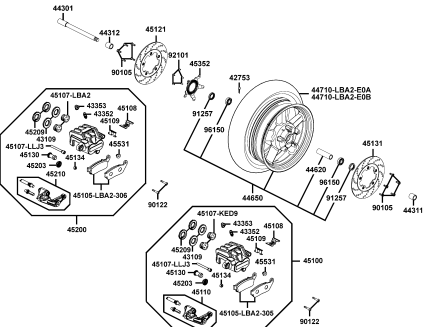
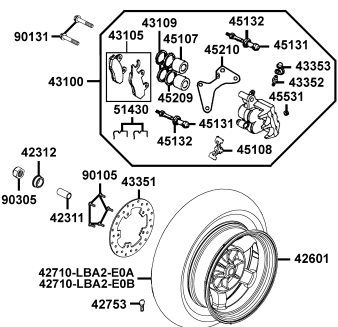
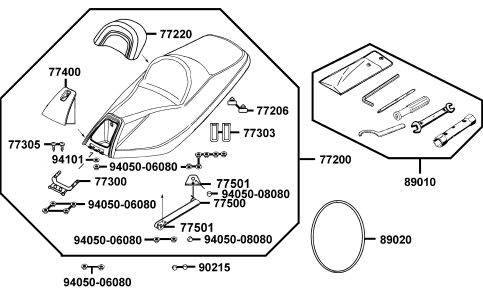
NO	MODEL			COLOR CHART OF SB60AA(RO)			
	PHOTO NO			NO. 1	NO. 2		
	BASIC COLOR			Bright Silver	Dark Gray Metallic		
	CODE			Bright Silver	Dark Gray Metallic		
	PARTS NAME	PARTS NO.	VERSION	NH045MA	NH124MA		
26	HOLDER ASSY WIND	6423A-LBA2-E00	1	N1R			
27	COVER WIND SCREEN	64250-LBA2-E00	2				
28	GRID R FR MOLDING	64303-LBA2-E00	2				
29	GRID L FR MOLDING	64304-LBA2-E00	2				
30	FLOOR PANEL	64310-LBA2-E00	4				
31	COVER R PILLION STEP	64311-LBA2-E00	1				
32	MAT R FLOOR	64320-LBA2-E00	2				
33	MAT L FLOOR	64330-LBA2-E00	2				
34	COWL UNDER	64400-LBA2-E00	2				
35	FENDER RR	80105-LBA2-E00	1				
36	COVER CENTER	80151-LBA2-E00	1				
37	LEG SHIELD	81131-LBA2-E01	2				
38	LID ASSY INNER BOX	8114A-LBA2-E00	1				
39	BAND HARNESS WIRE	90656-KUDU-900	0				
40	MOLDING FR	64302-LBA2-E02	1	N8P	NFP		
41	COVER R BODY	83500-LBA2-E00	3				
42	COVER L BODY	83600-LBA2-E00	3				
43	COVER RR CENTER	83750-LBA2-E00	2	NEA			
44	CALIPER ASSY RR	43100-LDF2-E00	2				
45	CALIPER ASSY FR L/H	45100-LBA2-E01	6				
46	BRACKET COMP FR	45110-LBA2-305	0				
47	CALIPER ASSY FR R	45200-LBA2-E00	6				
48	BRACKET COMP FR	45210-LBA2-305	0				
49	BRACKET FR CALIPER	45210-LDF2-E00	0				
50	BOTTOM CASE R	51421-LBA2-E00	0				
DATE OF STARTING-SALES							
DATE OF END-SALES							

NO	MODEL			COLOR CHART OF SB60AA(RO)			
	PHOTO NO			NO. 1	NO. 2		
	BASIC COLOR			Bright Silver	Dark Gray Metallic		
	CODE			Bright Silver	Dark Gray Metallic		
	PARTS NAME	PARTS NO.	VERSION	NH045MA	NH124MA		
51	BOTTOM CASE L	51521-LBA2-E00	0	NEA			
52	MIRROR ASSY R BACK	88110-LBA2-E02	2	NEP			
53	MIRROR ASSY L BACK	88120-LBA2-E02	2				
54	CUSHION ASSY R RR	52400-LDB2-E00	3	NES			
55	END HANDLE	53102-LEA5-E00	3				
56	END R STRG HANDLE	53105-LEA5-E00	3				
57	CARRIER RR	81200-LBA2-E00	2	NJP	NFP		
58	SEAT ASSY	77200-LDG7-E00	1				
59	SEAT ASSY PAD	77220-LDG7-E00	0				
60	EMB BODY COVER	86202-LFG2-E00	1				
61	EMB I MARK	87140-LDG7-E01	2				
62	STRIPE MARK EURO 3	87311-LCD3-E00	1				
63	LABEL TIRE	87505-LBA2-E00	1	T01			
64	LABEL CLEANNESS	87508-KKC4-E00	1				
65	CAUTION SIDE STAND	87541-GAR1-E00	1				
66	CAUTION MOBILE	87541-KKC2-E00	1				
67	MARK MAINT CAUTION	87542-GAR1-E00	2				
68	MARK DRIVE CAUTION	87560-GFY6-E00	3				
69	MUFFLER ASSY..	1830A-LFG2-E00	3				
70	PROTECTOR MUFFLER	18318-LBA2-E01	0	YYP			
71	COVER R SIDE	83520-LBA2-E00	2				
72	COVER L SIDE	83620-LBA2-E00	2				
DATE OF STARTING-SALES							
DATE OF END-SALES							

# CONTENTS - ENGINE GROUP

<b>E01 Crank Case</b>	<b>E02 Cylinder Head Cover Cylinder</b>	<b>E03 Cylinder Piston Crankshaft</b>
		
		
		

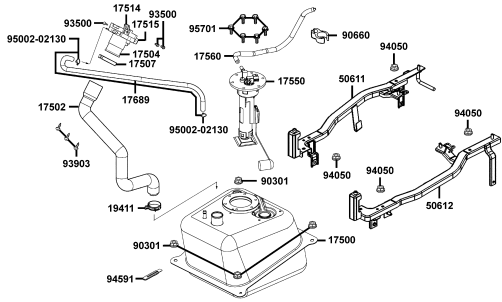
# CONTENTS - FRAME GROUP

<b>F01</b> Head Light 	<b>F02</b> Speedometer 	<b>F03</b> Handle Steering Handle Cover 
<b>F04</b> Brake Master Cylinder 	<b>F05</b> Front Cover/Floor Panel 	<b>F06</b> Front Cushion 
<b>F07</b> Front Wheel 	<b>F08</b> Rear Wheel 	<b>F09</b> Seat 

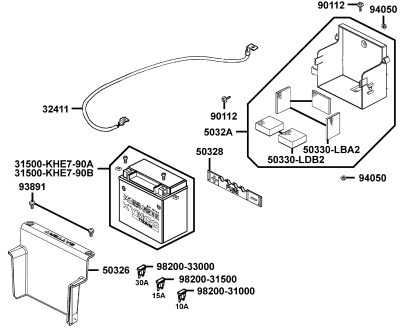


# CONTENTS - FRAME GROUP

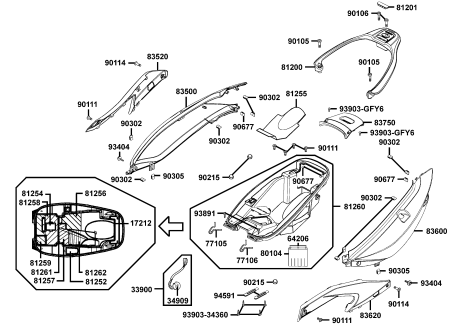
**F10 Fuel Tank**



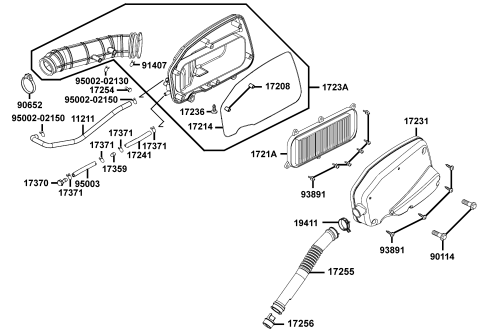
**F11 Battery**



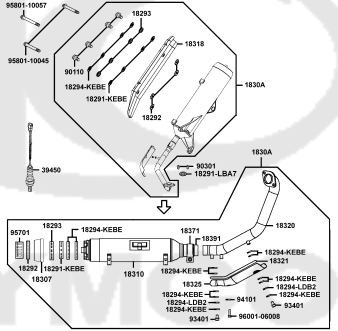
**F12 Body Cover Luggage Box**



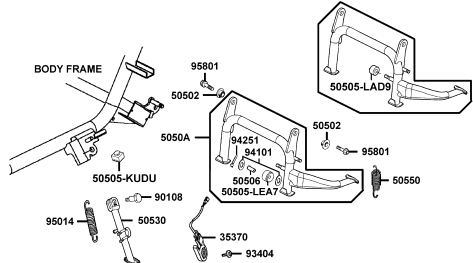
**F13 Air Cleaner**



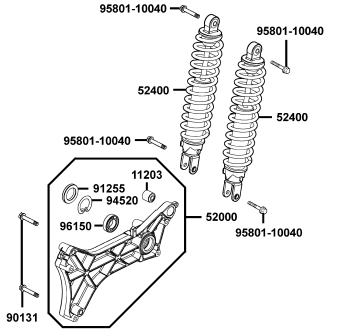
**F14 Exhaust Muffler**



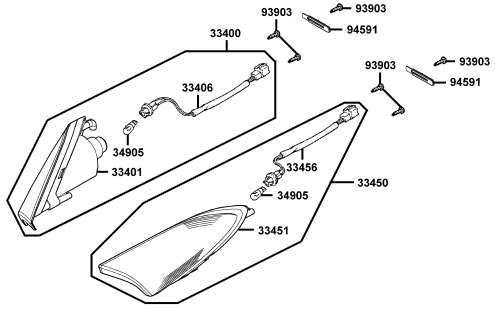
**F15 Stand Kick Starter Arm**



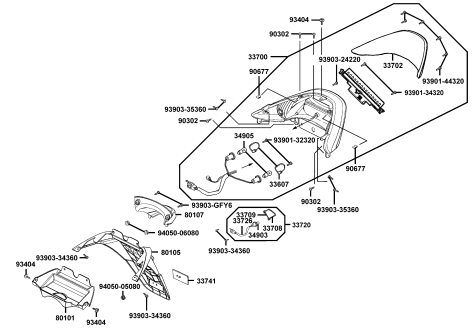
**F16 Rear Cushion**



**F17 Front Winker**

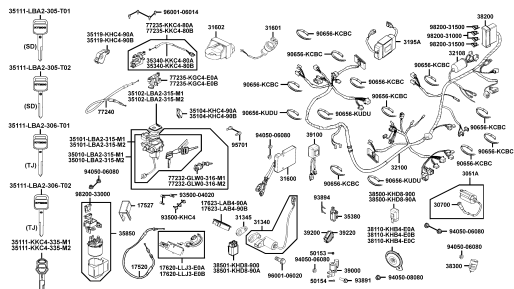


**F18 Rear Light Rear Fender**

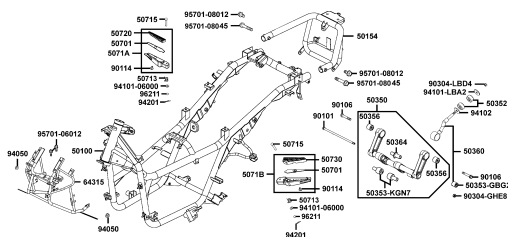


# CONTENTS - FRAME GROUP

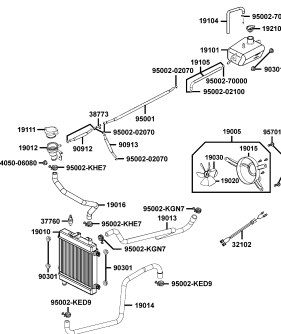
## F19 Wire Harness



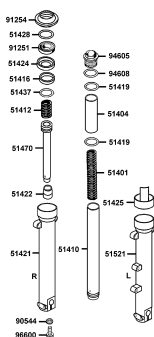
## F20 Frame Body



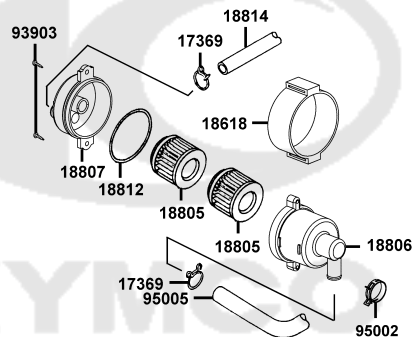
## F21 Radiator



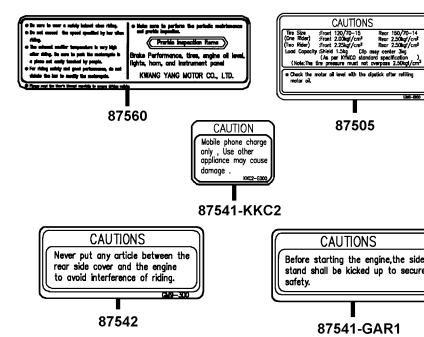
## F22 Separated Parts Of Fr Fork



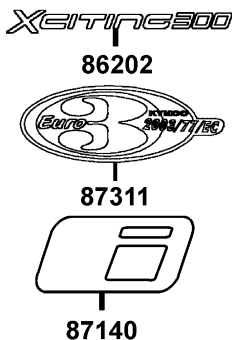
## F23 Assy Air-Aicv



## F24 Caution Label

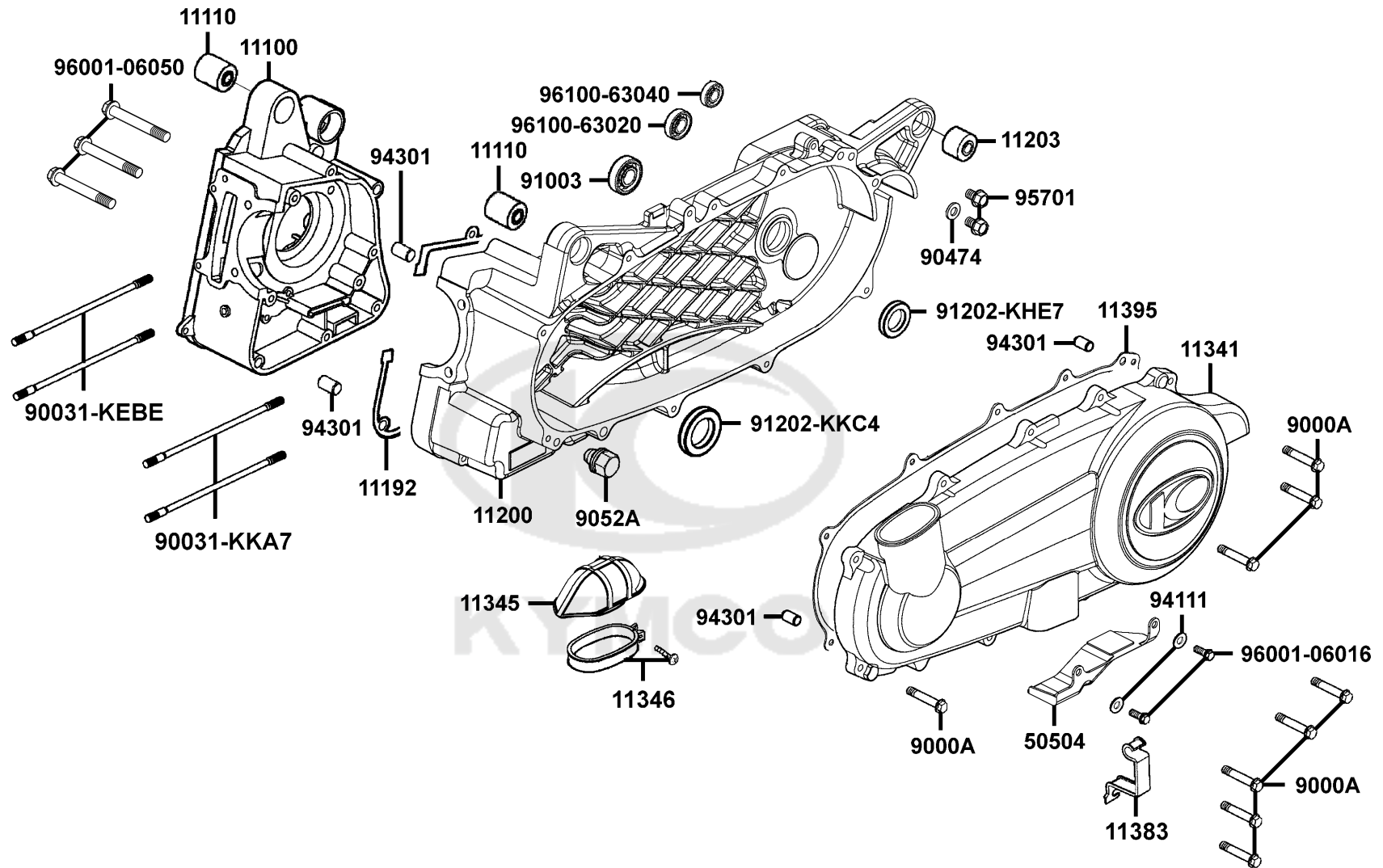


## F25 Emblem Stripe



E01

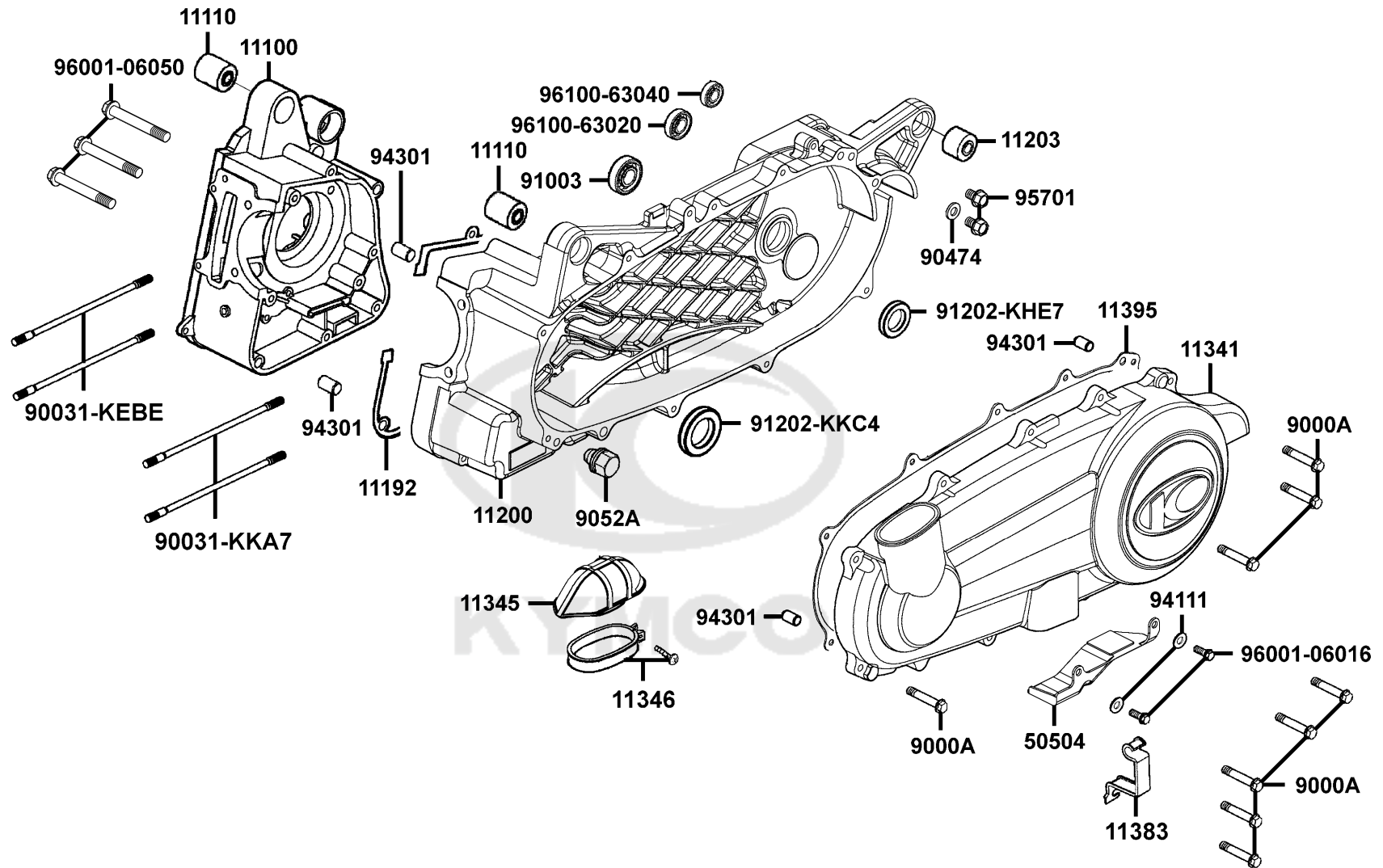
Crank Case



Sales mark	Ref no	Part no	Description	Reg description	Regd no	E01
	11100	11100-LDB2-E00	CRANK CASE COMP R	CRANK CASE COMP R	1	
	11110	11110-LLJ3-E00	RUB BUSH ENG HANGER	RUB BUSH ENG HANGER	2	
	11192	11192-KHE7-900	GASKET CRANK CASE A	GASKET CRANK CASE A	1	
	11200	11200-LDB2-E01	CASE COMP LEFT	CASE COMP LEFT	1	
	11203	11203-LBA2-E00	RUB BUSH L CASE	RUB BUSH L CASE	1	
# **	11341	11341-LDF2-900	COVER LEFT	COVER LEFT	1	
# **	11341	11341-LLJ3-E01	COVER LEFT	COVER LEFT	1	
	11345	11345-LDB2-E00	DUCT L COVER	DUCT L COVER	1	
	11346	11346-GFY6-901	BAND L COVER DUCT	BAND L COVER DUCT	1	
	11383	11383-LDF2-900	CLAMPER BREATHER TUBE	CLAMPER BREATHER TUBE	1	
	11395	11395-LLJ3-E01	GASKET L COVER	GASKET L COVER	1	
	50504	50504-LDB2-E00	STAND MAIN STOPPER	STAND MAIN STOPPER	1	
	9000A	9000A-KTDT-900	BOLT ASSY SPECIAL 6*29.5	BOLT ASSY SPECIAL 6*29.5	9	
	90031-KEBE	90031-KEBE-900	BOLT A STUD 8MM	BOLT A STUD 8MM	2	
	90031-KKA7	90031-KKA7-900	BOLT STUD	BOLT B STUD 8MM	2	
	90474	90474-3C33-001	WASHER 8MM	WASHER 8MM	1	
	9052A	9052A-LEB1-900	BOLT ASSY DRAIN PLUG	BOLT ASSY DRAIN PLUG	1	
	91003	91003-KHE7-900	BRG BALL RADIAL TMB2/22CCS15	BRG BALL RADIAL TMB2/22CCS15	1	
	91202-KHE7	91202-KHE7-900	OIL SEAL 22*34*6	OIL SEAL 22*34*6	1	
#	91202-KKC4	91202-KKC4-900	OIL SEAL 27*42*7	OIL SEAL 27*42*7	1	

E01

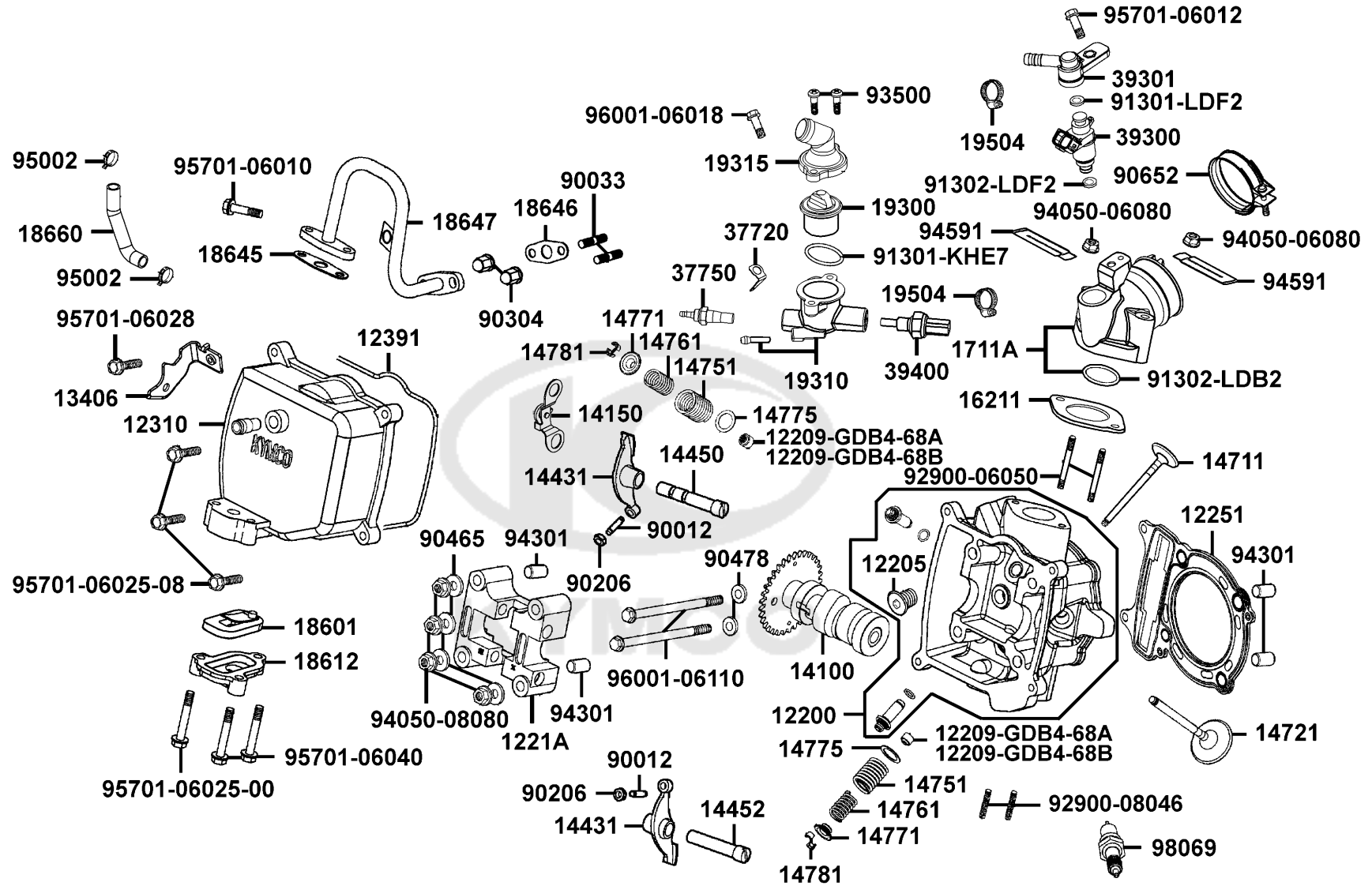
Crank Case



Sales mark	Ref no	Part no	Description	Reg description	Regd no	<b>E01</b>
#	91202-KKC4	91202-KKC4-90B	OIL SEAL 27X42X7	OIL SEAL 27X42X7	1	
	94111	94111-06800	WASHER SPRING 6MM	WASHER SPG 6MM	2	
	94301	94301-10160	DOWEL PIN 10*16	DOWEL PIN 10*16	4	
	95701	95701-08012-08	BOLT FLANGE 8*12	BOLT FLANGE 8*12	2	
	96001-06016	96001-06016-08	BOLT FLANGE SH 6*16	BOLT FLANGE SH 6*16	2	
	96001-06050	96001-06050-08	BOLT FLANGE 6*50	BOLT FLANGE SH 6*50	3	
	96100-63020	96100-63020-00	BRG BALL RADIAL 6302	BRG BALL RADIAL 6302	1	
	96100-63040	96100-63040-00	BRG BALL RADIAL 6304	BRG BALL RADIAL 6304	1	



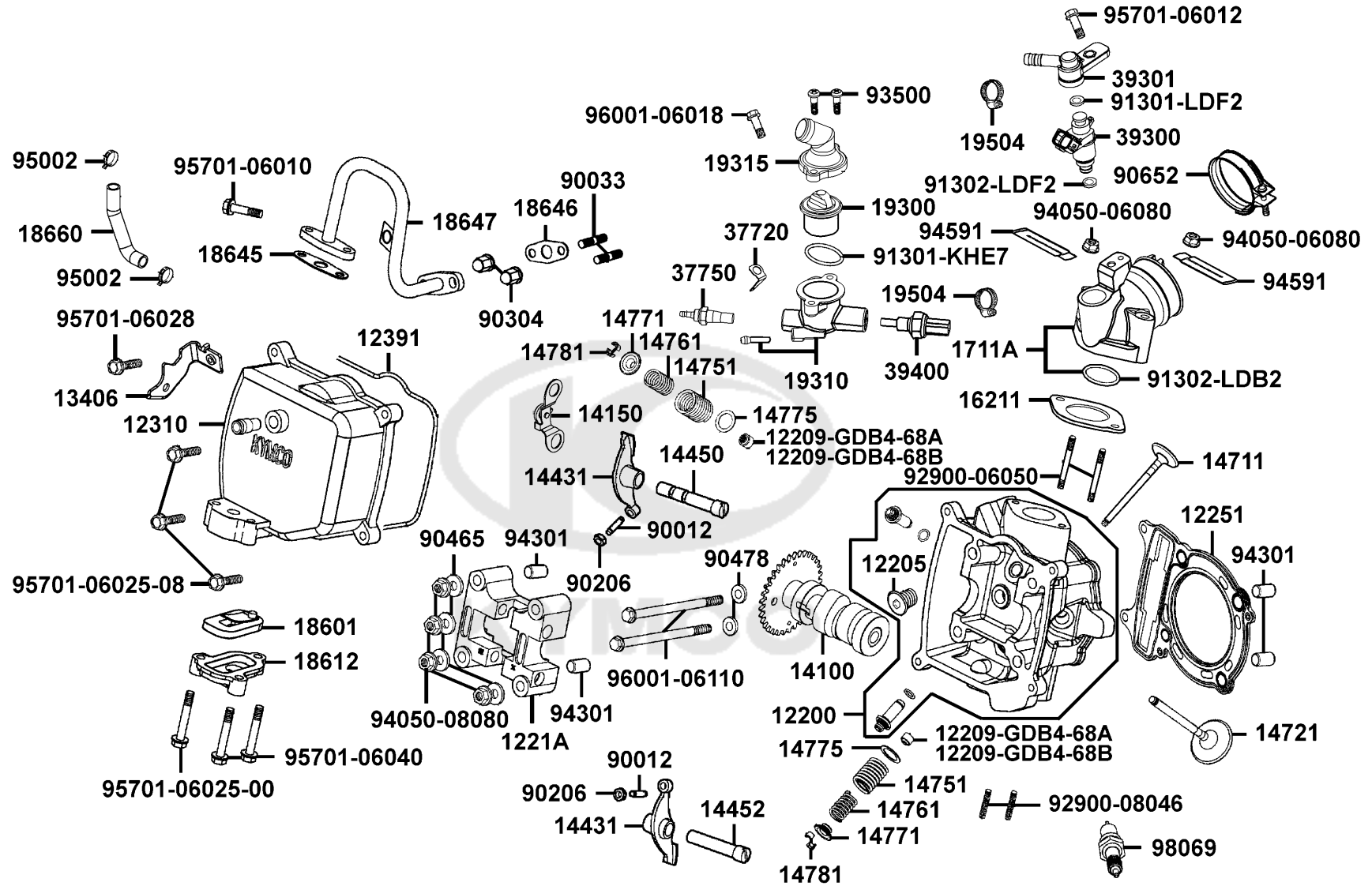
Cylinder Head Cover Cylinder Head



Sales mark	Ref no	Part no	Description	Reg description	Regd no	E02
	12200	12200-LFG2-E00	HEAD COMP CYLN	HEAD COMP CYLN	1	
	12205	12205-KHE8-301	BOLT SEALING 12MM	BOLT SEALING 12MM	1	
	12209-GDB4-68A	12209-GDB4-68A	SEAL VALVE STEM	SEAL VALVE STEM	2	
	12209-GDB4-68B	12209-GDB4-68B	SEAL VALVE STEM	SEAL VALVE STEM	2	
	1221A	1221A-LDB2-E00	HOLDER COMP CAM SHAFT	HOLDER COMP CAM SHAFT	1	
	12251	12251-KHE7-901	GASKET CYLINDER HEAD	GASKET CYLINDER HEAD	1	
	12310	12310-LDB2-E00	COVER COMP CYLN HEAD	COVER COMP CYLN HEAD	1	
	12391	12391-LDB2-E00	GASKET HEAD COVER	GASKET HEAD COVER	1	
	13406	13406-LDF2-900	PLATE EX AIR INJECTOR	PLATE EX AIR INJECTOR	1	
	14100	14100-LFG2-E00	SHAFT COMP CAM	SHAFT COMP CAM	1	
	14150	14150-LDB2-E00	PLATE COMP STOPPER	PLATE COMP STOPPER	1	
	14431	14431-LDB2-E00	ARM VALVE ROCKER	ARM VALVE ROCKER	2	
	14450	14450-KEBE-900	SHAFT COMP IN ROCKER ARM	SHAFT COMP IN ROCKER ARM	1	
	14452	14452-LDB2-E00	SHAFT EX ROCKER	SHAFT EX ROCKER	1	
	14711	14711-LFG2-E00	VALVE INLET	VALVE INLET	1	
	14721	14721-LFG2-E00	VALVE EXHAUST	VALVE EXHAUST	1	
	14751	14751-KHE7-900	SPG VALVE OUTER	SPG VALVE OUTER	2	
	14761	14761-KHE7-900	SPG VALVE INNER	SPG VALVE INNER	2	
	14771	14771-GDB4-680	RETAINER VALVE SPRING	RETAINER VALVE SPRING	2	
	14775	14775-MFA6-001	SEAT VALVE SPG OUTER	SEAT VALVE SPG OUTER	2	

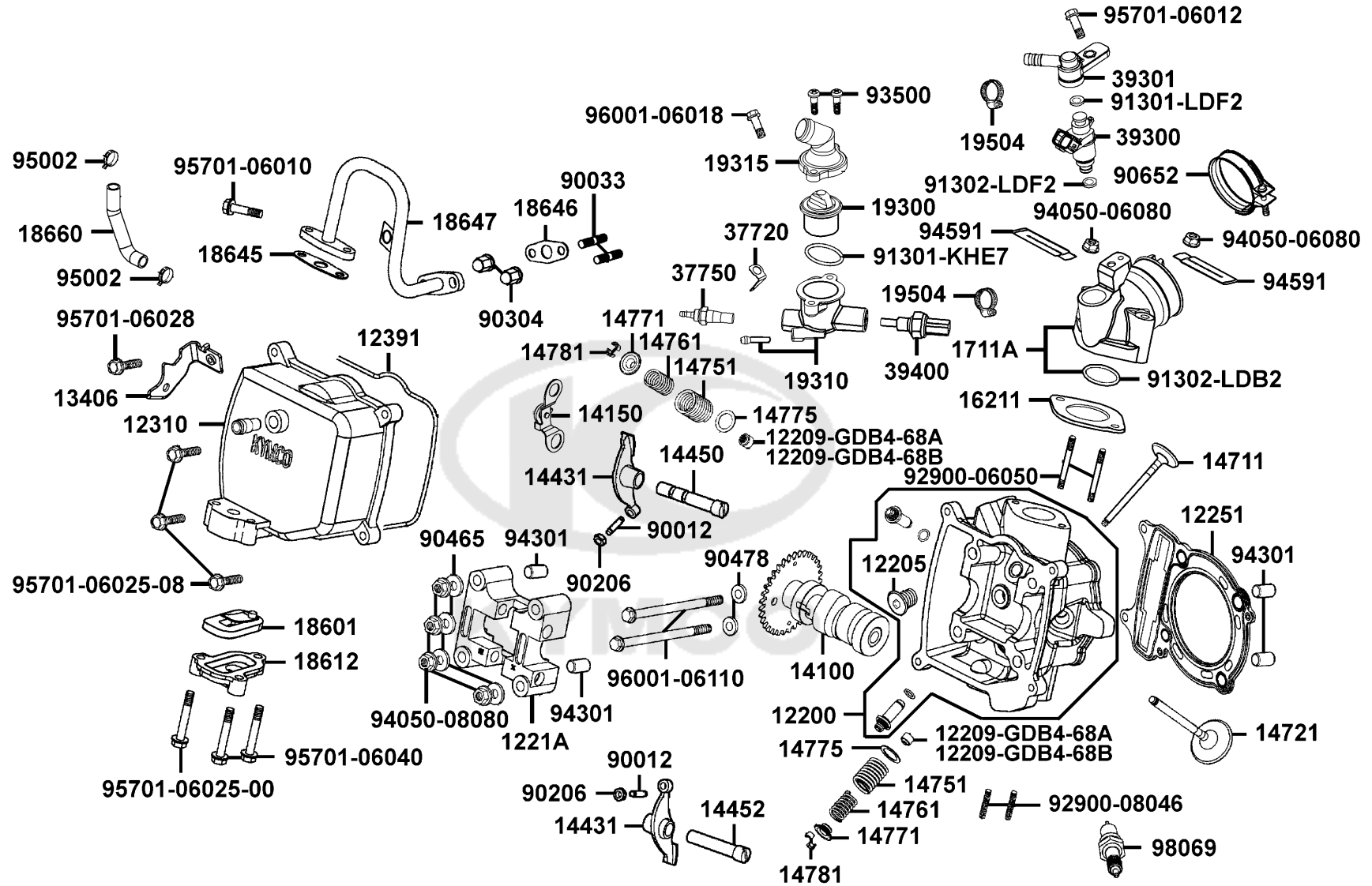


Cylinder Head Cover Cylinder Head



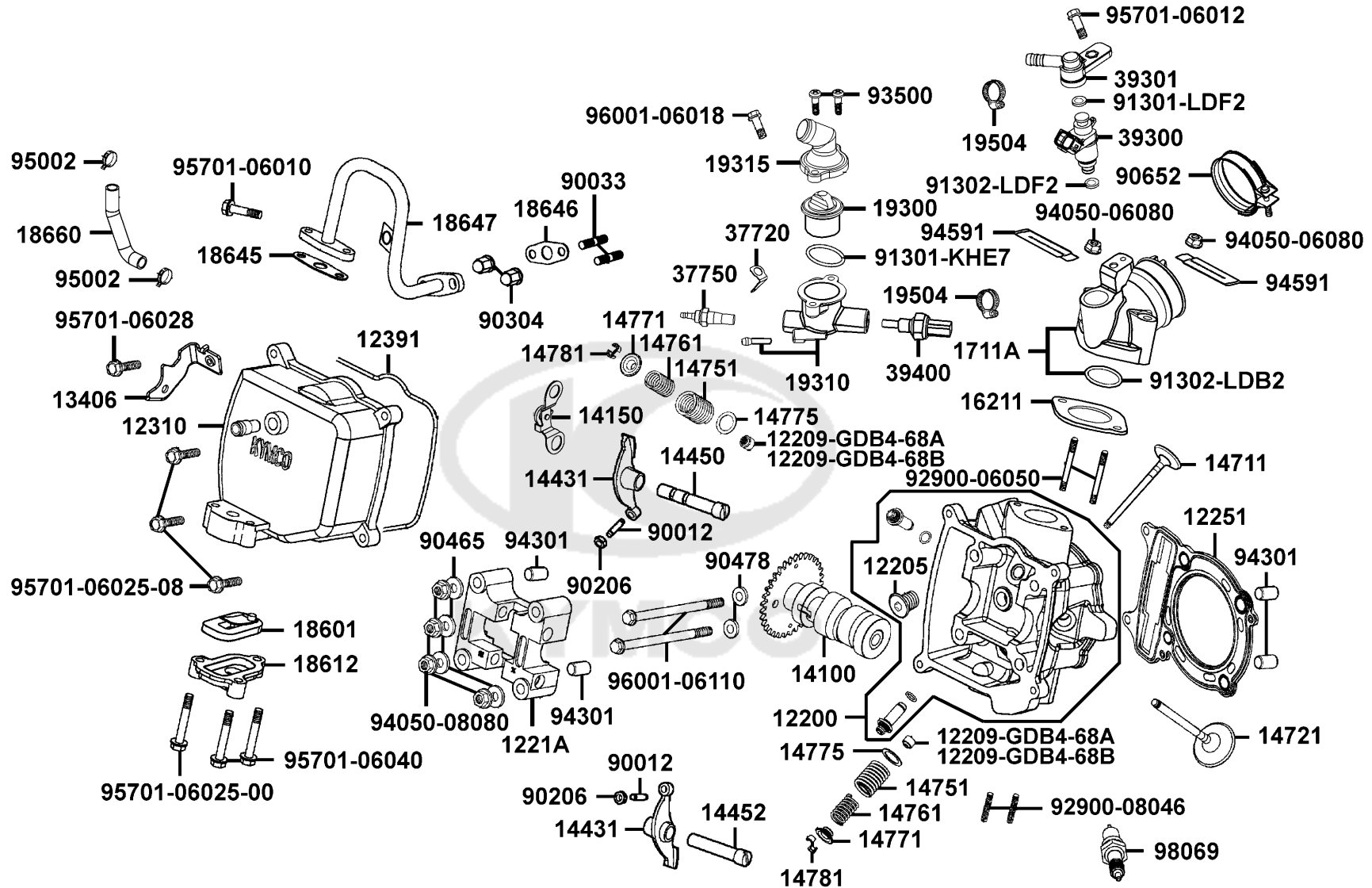
Sales mark	Ref no	Part no	Description	Reg description	Regd no	<b>E02</b>
14781		14781-MFA6-001	COTTER VALVE	COTTER VALVE	4	
16211		16211-LDF2-900	INSULATOR CARB	INSULATOR CARB	1	
1711A		1711A-LDF2-900	PIPE COMP INLET	PIPE COMP INLET	1	
18601		18601-MAJ1-791	REED VALVE COMP	VALVE COMP REED	1	
18612		18612-GFY6-941	COVER REED VALVE	COVER REED VALVE	1	
18645		18645-GFY6-941	GASKET A/I PIPE	GASKET A/I PIPE	1	
18646		18646-GFY6-941	GASKET A/I PIPE	GASKET A/I PIPE	1	
18647		18647-LDB2-900	PIPE COMP AIR	PIPE COMP AIR	1	
18660		18660-LDF2-900	TUBE EX AIR INJECTOR	TUBE EX AIR INJECTOR	1	
19300		19300-KAE1-004	THERMOSTAT ASSY	THERMOSTAT ASSY	1	
19310		19310-LDF2-900	CASE COMP THERMOSTAT	CASE COMP THERMOSTAT	1	
19315		19315-LDB2-E00	COVER THERMOSTAT	COVER THERMOSTAT	1	
19504		19504-LBA2-E00	CLAMP D16.8	CLAMP D16.8	2	
37720		37720-KGB5-900	EARTH TERMINAL THERMO	EARTH TERMINAL THERMO	1	
37750		37750-PAC1-005	THERMO UNIT ASSY	THERMO UNIT ASSY	1	
39300		39300-LDF2-800	INJECTOR UNIT FUEL	INJECTOR UNIT FUEL	1	
39301		39301-LDF2-900	CUP COMP FUEL INJECTOR	CUP COMP FUEL INJECTOR	1	
39400		39400-LDF2-800	WATER TEMP SENSOR	WATER TEMP SENSOR	1	
90012		90012-3C33-001	SCREW TAPPET ADJUSTING	SCREW TAPPET ADJUSTING	2	
90033		90033-GFY6-941	BOLT STUD 6*16	BOLT STUD 6*16	2	

Cylinder Head Cover Cylinder Head



Sales mark	Ref no	Part no	Description	Reg description	Regd no	E02
	90206	90206-0A01-001	NUT TAPPET ADJG	NUT TAPPET ADJG	2	
	90304	90304-4H38-001	NUT HEX CAP 6MM	NUT HEX CAP 6MM	2	
	90465	90465-MDC4-001	WASHER 8MM	WASHER 8MM	4	
	90478	90478-7L00-001	WASHER A 6MM	WASHER A 6MM	2	
	90652	90652-GFY6-901	BAND 49 AIR/C CONNECTING TUBE	BAND 49 AIR/C CONNECTING TUBE	1	
	91301-KHE7	91301-KHE7-900	O-RING 17.8*1.9	O-RING 17.8*1.9	1	
	91301-LDF2	91301-LDF2-800	O-RING 7.47*3.6	O-RING 7.47*3.6	1	
	91302-LDB2	91302-LDB2-E00	O-RING 37*3	O-RING 37*3	1	
	91302-LDF2	91302-LDF2-800	SEAL RING	SEAL RING	1	
	92900-06050	92900-06050-0B	BOLT STUD 6*50	BOLT STUD 6*50	2	
#	92900-08046	92900-08046-0B	BOLT STUD 8X46	BOLT STUD 8X46	2	
	93500	93500-05016-0H	SCREW PAN 5*16	SCREW PAN 5*16	2	
	94050-06080	94050-06080	NUT FLANGE 6MM	NUT FLANGE 6MM	2	
	94050-08080	94050-08080	NUT FLANGE 8MM	NUT FLANGE 8MM	4	
	94301	94301-10160	DOWEL PIN 10*16	DOWEL PIN 10*16	4	
	94591	94591-KFBF-900	CLIP 2*70	CLIP 2*70	2	
	95002	95002-KKD6-E05	CLAMP D18 TUBE	CLAMP D18 TUBE	2	
	95701-06010	95701-06010-08	BOLT FLANGE 6*10	BOLT FLANGE 6*10	1	
	95701-06012	95701-06012-08	BOLT FLANGE 6*12	BOLT FLANGE 6*12	1	
	95701-06025-00	95701-06025-00	BOLT FLANGE 6*25	BOLT FLANGE 6*25	1	

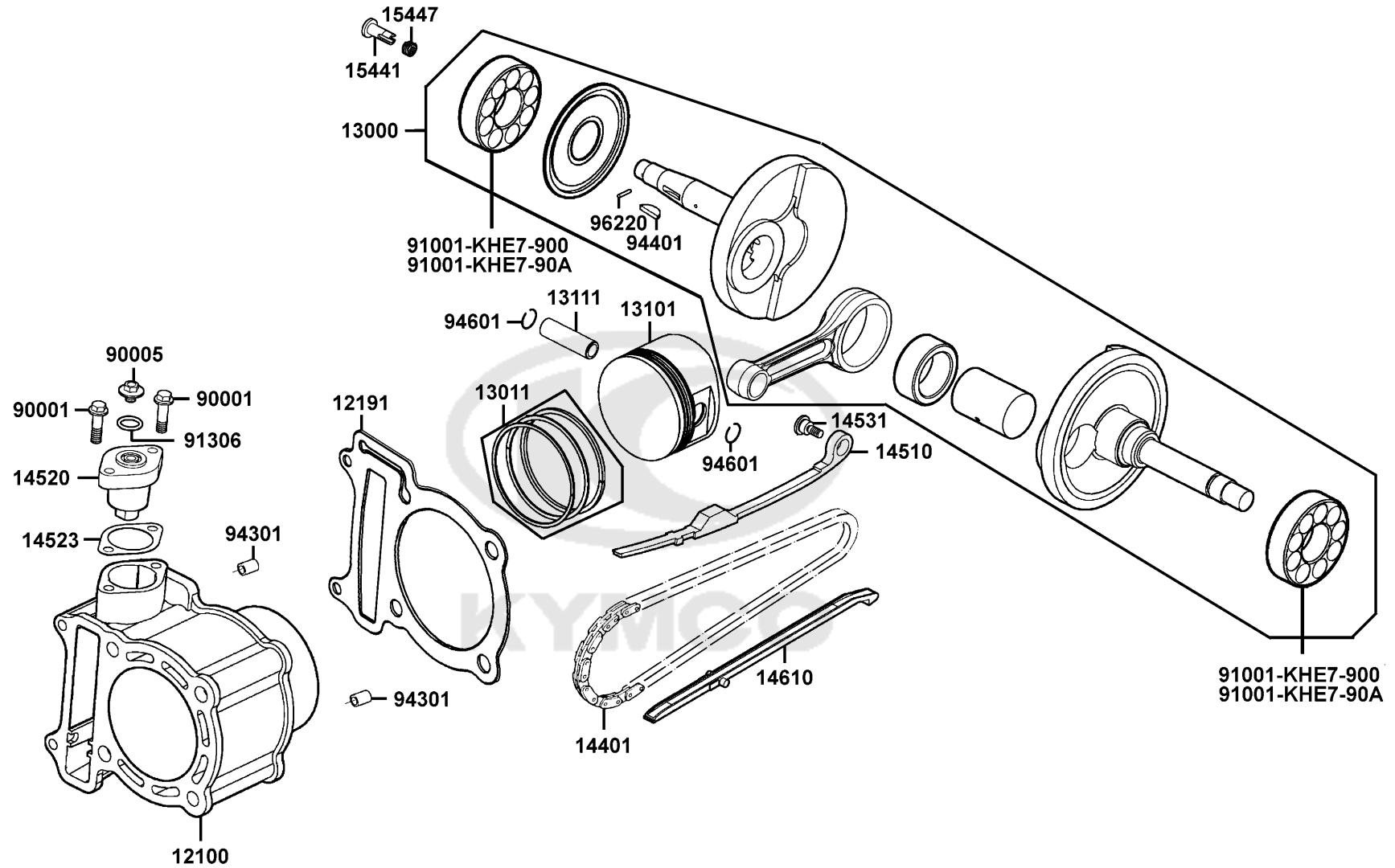
### Cylinder Head Cover Cylinder Head



Sales mark	Ref no	Part no	Description	Reg description	Regd no	<b>E02</b>
	95701-06025-08	95701-06025-08	BOLT FLANGE 6*25	BOLT FLANGE 6*25	3	
	95701-06028	95701-06028-08	BOLT FLANGE 6*28	BOLT FLANGE 6*28	1	
	95701-06040	95701-06040-08	BOLT FLANGE 6*40	BOLT FLANGE 6*40	2	
	96001-06018	96001-06018-08	BOLT FLANGE SH 6*18	BOLT FLANGE SH 6*18	1	
	96001-06110	96001-06110-08	BOLT FLANGE SH 6*110	BOLT FLANGE SH 6*110	2	
	98069	98069-5691R-00	SPARK PLUG (DPR6EA-9)	SPARK PLUG (DPR6EA-9)	1	



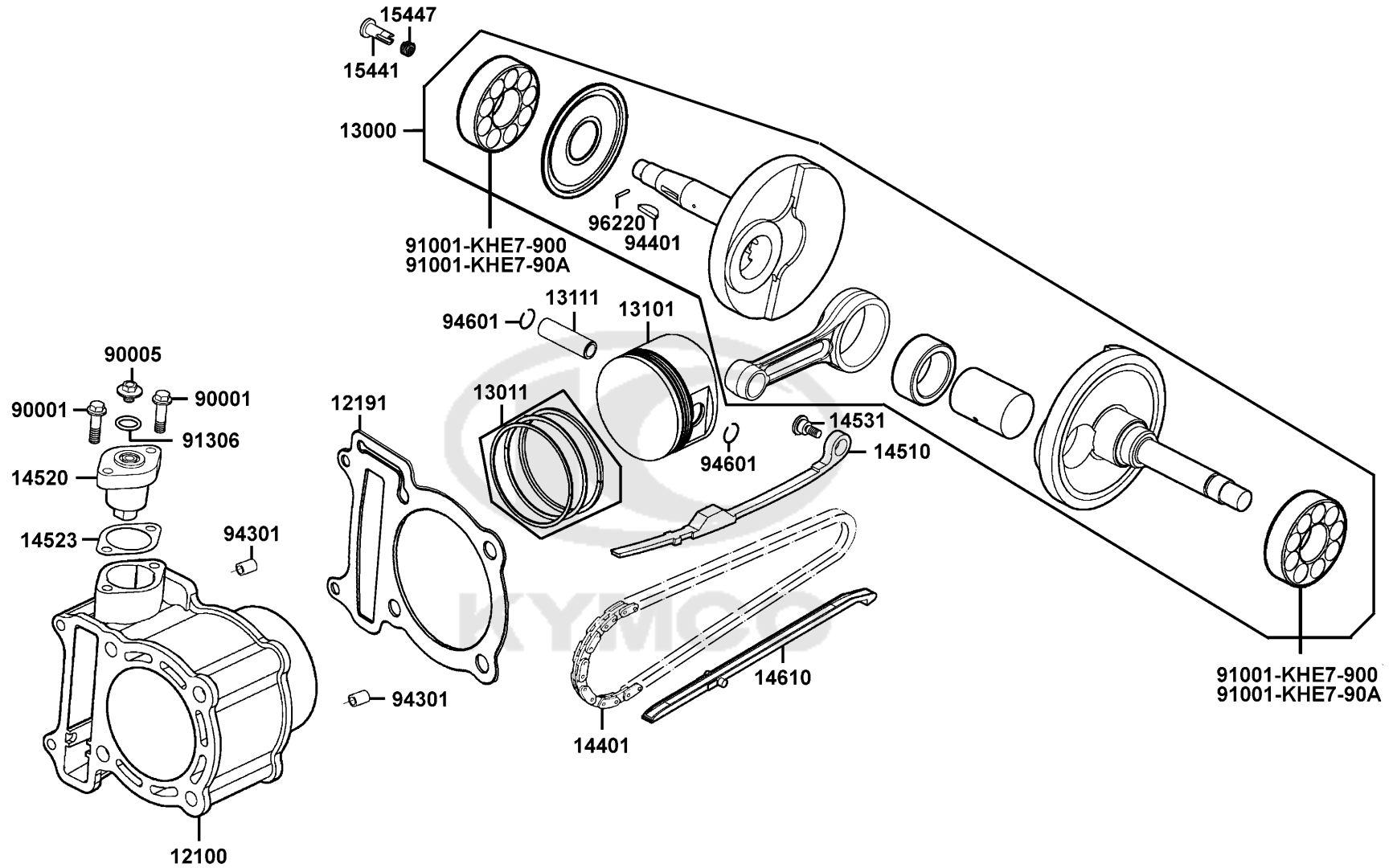
Cylinder Piston Crankshaft



Sales mark	Ref no	Part no	Description	Reg description	Regd no	E03
	12100	12100-LDE9-E00	CYLINDER COMP	CYLINDER COMP	1	
	12191	12191-KHE7-910	GASKET CYLINDER	GASKET CYLINDER	1	
	13000	13000-LFG2-E00	CRANK SHAFT COMP	CRANK SHAFT COMP	1	
	13011	13011-LFG2-E0B	RING SET PISTON	RING SET PISTON	1	
	13101	13101-LFG2-E00	PISTON	PISTON	1	
	13111	13111-LDB2-E00	PIN PISTON	PIN PISTON	1	
	14401	14401-LDE9-E00	CHAIN CAM	CHAIN CAM	1	
	14510	14510-LDE9-E00	TENSIONER CAM CHAIN	TENSIONER CAM CHAIN	1	
	14520	14520-GFY6-90A	LIFTER ASSY TENSIONER	LIFTER ASSY TENSIONER	1	
	14523	14523-KED9-900	GASKET TENSIONER LIFTER @A	GASKET TENSIONER LIFTER@A	1	
	14531	14531-KHE7-900	PIVOT CAM CHAIN TENSIONER	PIVOT CAM CHAIN TENSIONER	1	
	14610	14610-LDE9-E00	GUIDE COMP CAM CHAIN	GUIDE COMP CAM CHAIN	1	
	15441	15441-1K49-001	OIL THROUGH	OIL THROUGH	1	
	15447	15447-1K49-001	SPG OIL THROUGH	SPG OIL THROUGH	1	
	90001	90001-GBHB-661	BOLT FLANGE SH 6*22	BOLT FLANGE SH 6*22	2	
	90005	90005-KEC8-900	BOLT SPECIAL 6*6	BOLT SPECIAL 6*6	1	
	91001-KHE7-900	91001-KHE7-900	BRG BALL RADIAL TMB307JR2CS19	BRG BALL RADIAL TMB307JR2CS19	2	
	91001-KHE7-90A	91001-KHE7-90A	BRG BALL RADIAL TMB307JR2CS19	BRG BALL RADIAL TMB307JR2CS19	2	
	91306	91306-1E05-691	O-RING 1.5*9.5	O-RING 1.5*9.5	1	
	94301	94301-10160	DOWEL PIN 10*16	DOWEL PIN 10*16	2	



# Cylinder Piston Crankshaft



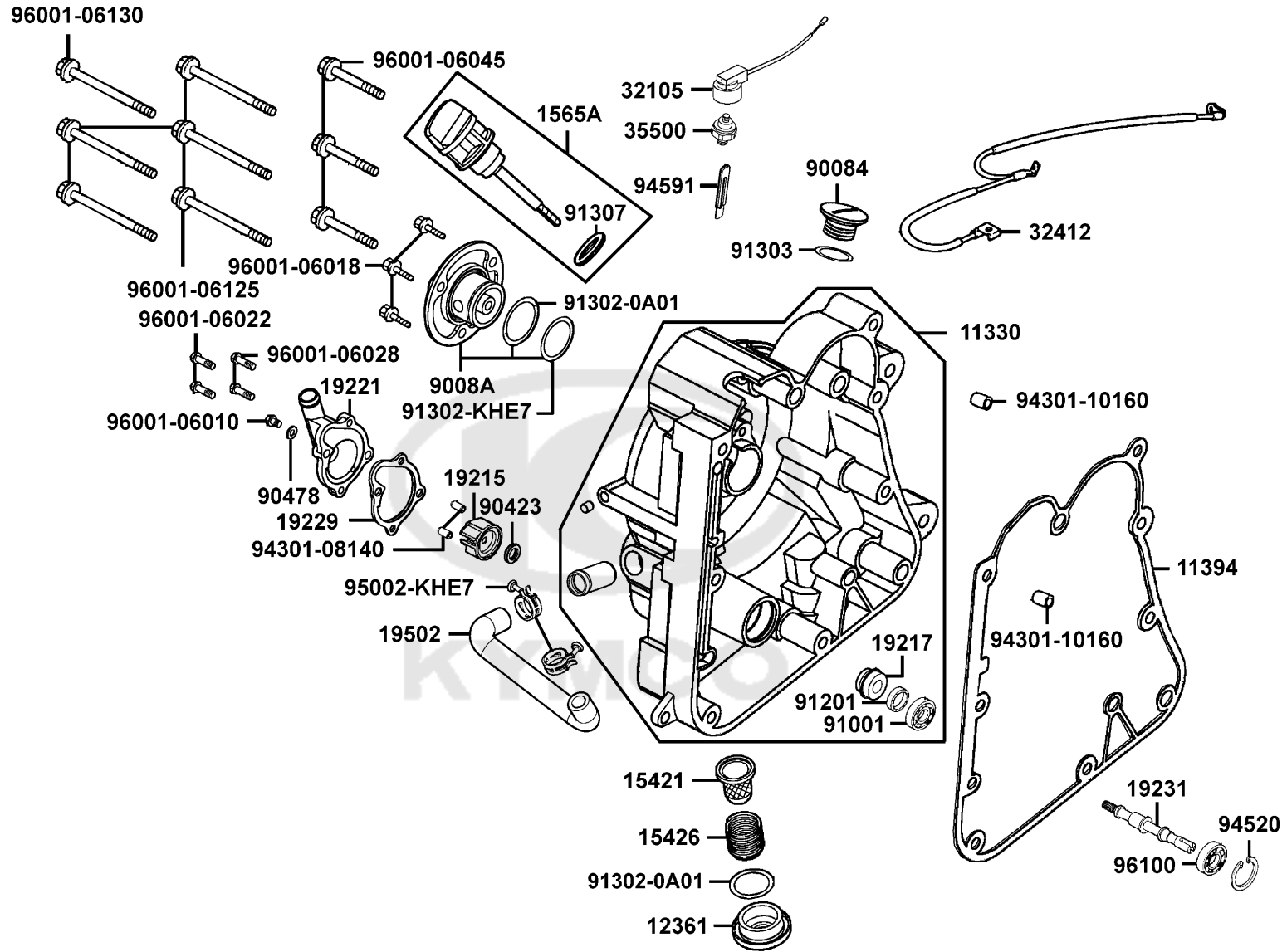
Sales mark	Ref no	Part no	Description	Reg description	Regd no	<b>E03</b>
------------	--------	---------	-------------	-----------------	---------	------------

94401		94401-25140	WOODRUFF KEY 25*14	WOODRUFF KET 25*14	1	
94601		94601-17000	CLIP PISTON PIN 17MM	CLIP PISTON PIN 17MM	2	
96220		96220-20118	ROLLER 2*11.8	ROLLER 2*11.8	1	



E04

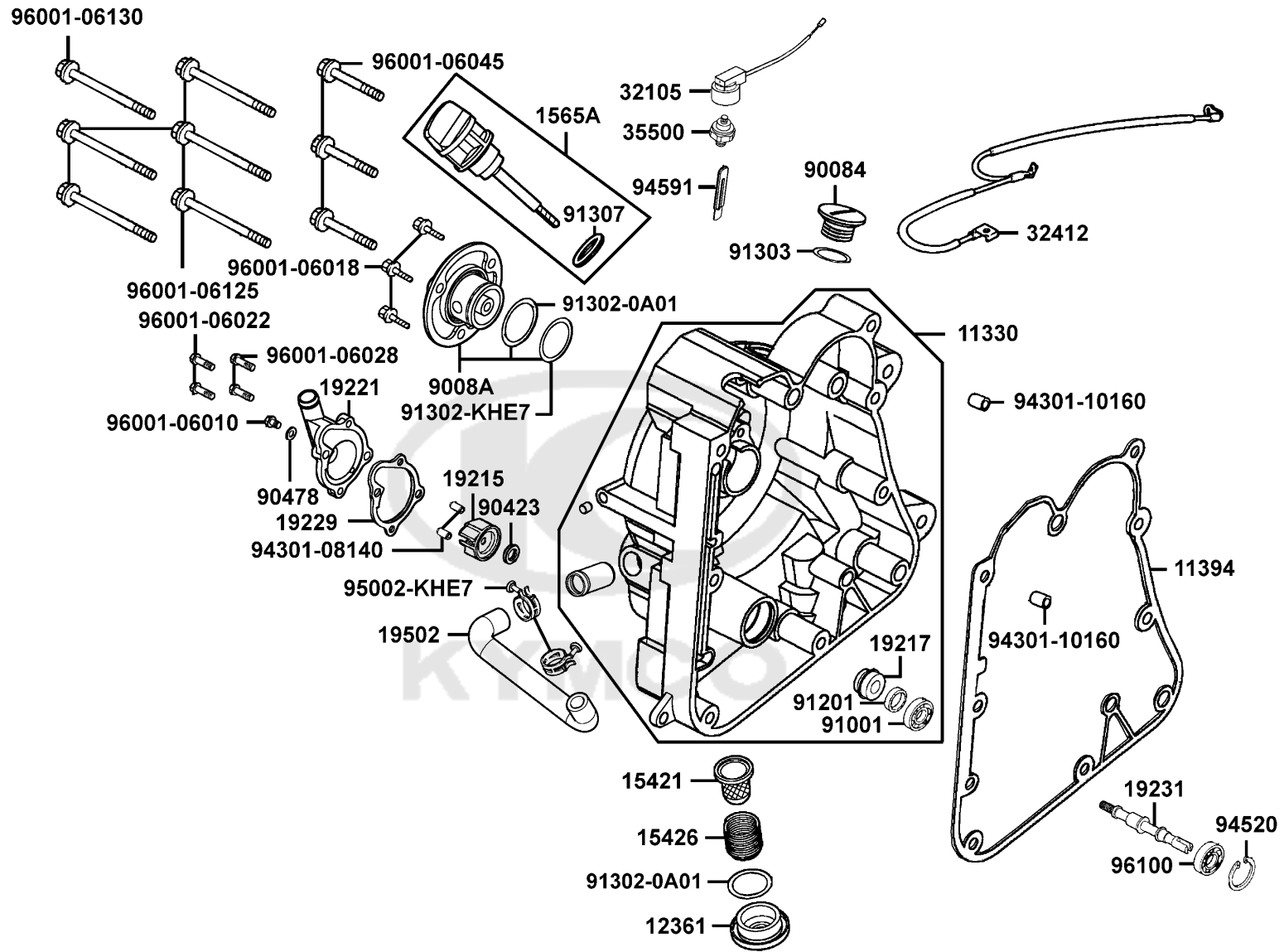
# Right Crankcase Cover Water Pump



Sales mark	Ref no	Part no	Description	Reg description	Regd no	E04
**	11330	11330-LLJ3-E00	COVER COMP RIGHT	COVER COMP RIGHT	1	
	11394	11394-KHE7-900	GASKET R COVER @ A	GASKET R COVER @ A	1	
**	12361	12361-LEA5-E00	HOLE CAP TAPPET ADJUSTING	HOLE CAP TAPPET ADJUSTING	1	
	15421	15421-1G07-001	SCREEN OIL FILTER	SCREEN OIL FILTER	1	
	15426	15426-GAE1-921	SPG OIL FILTER SCREEN	SPG OIL FILTER SCREEN	1	
	1565A	1565A-KEBE-900	GAUGE OIL LEVEL ASSY	GAUGE OIL LEVEL ASSY	1	
	19215	19215-KHE7-900	IMPELLER WATER PUMP	IMPELLER WATER PUMP	1	
	19217	19217-6G57-024	SEAL MECHANICAL	SEAL MECHANICAL	1	
**	19221	19221-KHE7-900	COVER WATER PUMP	COVER WATER PUMP	1	
	19229	19229-KHE7-900	GASKET WATER PUMP	GASKET WATER PUMP	1	
	19231	19231-KKJ9-011	SHAFT WATER PUMP	SHAFT WATER PUMP	1	
	19502	19502-KHE7-900	HOSE B WATER	HOSE B WATER	1	
	32105	32105-LLJ3-E00	SUB HARNESS	SUB HARNESS	1	
	32412	32412-LDB2-E00	CABLE EARTH	CABLE EARTH	1	
	35500	35500-KED9-900	SW ASSY OIL PRESSURE	SW ASSY OIL PRESSURE	1	
**	90084	90084-LEA5-001	CAP A.C.G	CAP A.C.G	1	
	9008A	9008A-KHE7-900	CAP ASSY R COVER	CAP ASSY R COVER	1	
	90423	90423-KKJ9-001	WASHER 7.2*13*1.2	WASHER 7.2*13*1.2	1	
	90478	90478-7L00-001	WASHER A 6MM	WASHER A 6MM	1	
	91001	91001-KKJ9-006	BRG BALL RADIAL 6901	BRG BALL RADIAL 6901	1	

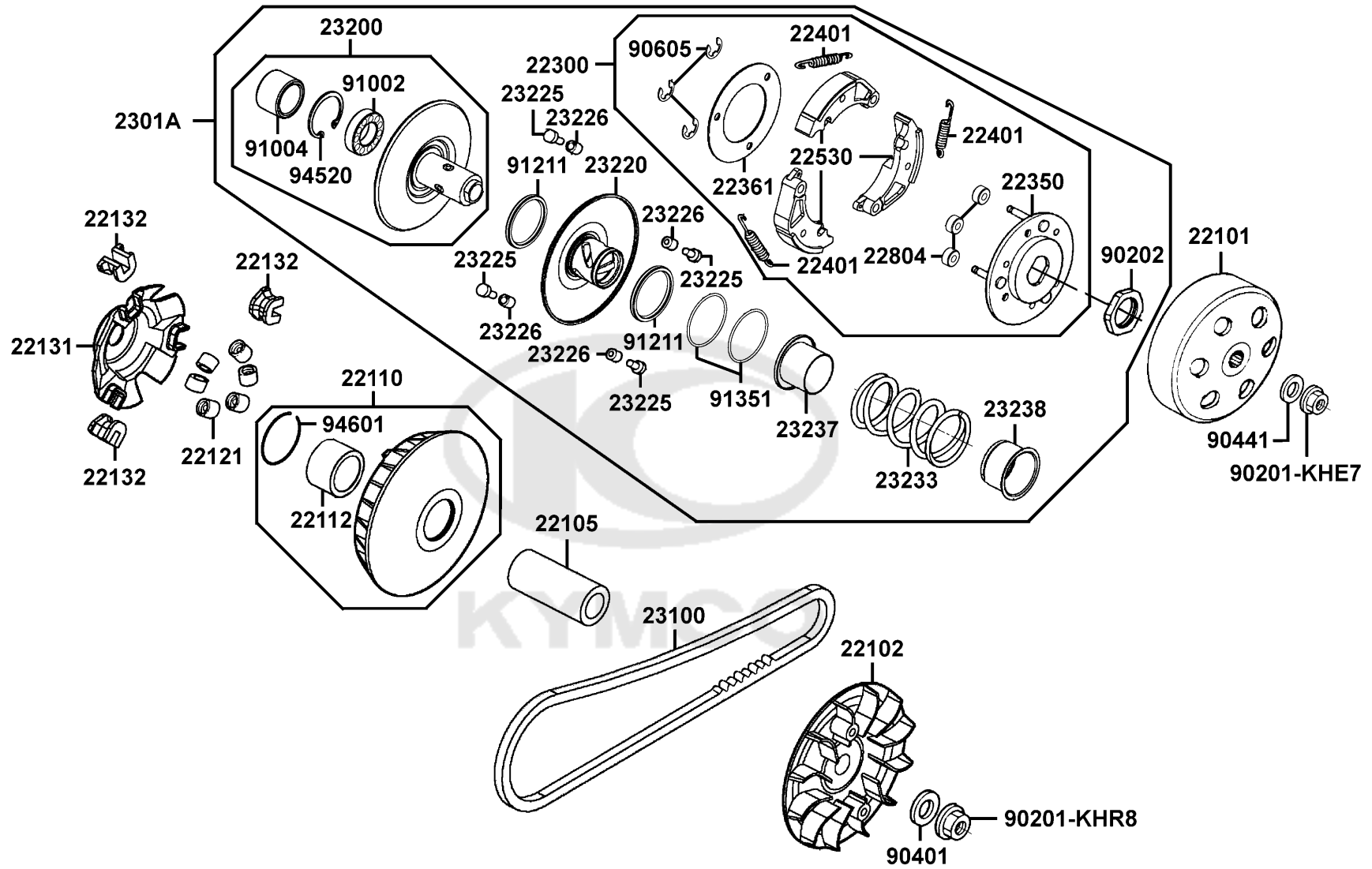
E04

# Right Crankcase Cover Water Pump



Sales mark	Ref no	Part no	Description	Reg description	Regd no	<b>E04</b>
91201		91201-KKJ9-004	OIL SEAL 12*20*4	OIL SEAL 12*20*4	1	
91302-0A01		91302-0A01-021	O-RING 30.8MM	O-RING 30.8MM	1	
91302-KHE7		91302-KHE7-900	O-RING 27.4*2.1MM	O RING 27.4*2.1	1	
91303		91303-3G77-001	O-RING 13.8*2.5	O-RING 13.8*2.5	1	
91307		91307-0E35-001	O RING 18*3	O-RING 18*3	1	
94301-08140		94301-08140	DOWEL PIN 8*14	DOWEL PIN 8*14	2	
94301-10160		94301-10160	DOWEL PIN 10*16	DOWEL PIN 10*16	2	
94520		94520-26000	CIR CLIP INTERAL 26MM	CIR CLIP IN 26	1	
94591		94591-KFBF-900	CLIP 2*70	CLIP 2*70	1	
95002-KHE7		95002-KHE7-900	CLIP WATER HOSE	CLIP WATER HOSE	2	
96001-06010		96001-06010-00	BOLT FLANGE SH 6X10	BOLT FLANGE SH 6X10	1	
96001-06018		96001-06018-02	BOLT FLANGE SH 6*18	BOLT FLANGE SH 6*18	3	
96001-06022		96001-06022-08	BOLT FLANGE SH 6*22	BOLT FLANGE SH 6*22	2	
96001-06028		96001-06028-08	BOLT FLANGE SH 6*28	BOLT FLANGE SH 6*28	2	
96001-06045		96001-06045-08	BOLT FLANGE SH 6*45	BOLT FLANGE SH 6*45	3	
96001-06125		96001-06125-08	BOLT FLANGE SH 6*125	BOLT FLANGE SH 6*125	5	
96001-06130		96001-06130-08	BOLT FLANGE SH 6*130	BOLT FLANGE SH 6*130	1	
96100		96100-60000-00	BEARING BALL RADIAL 6000	BEARING BALL RADIAL 6000	1	

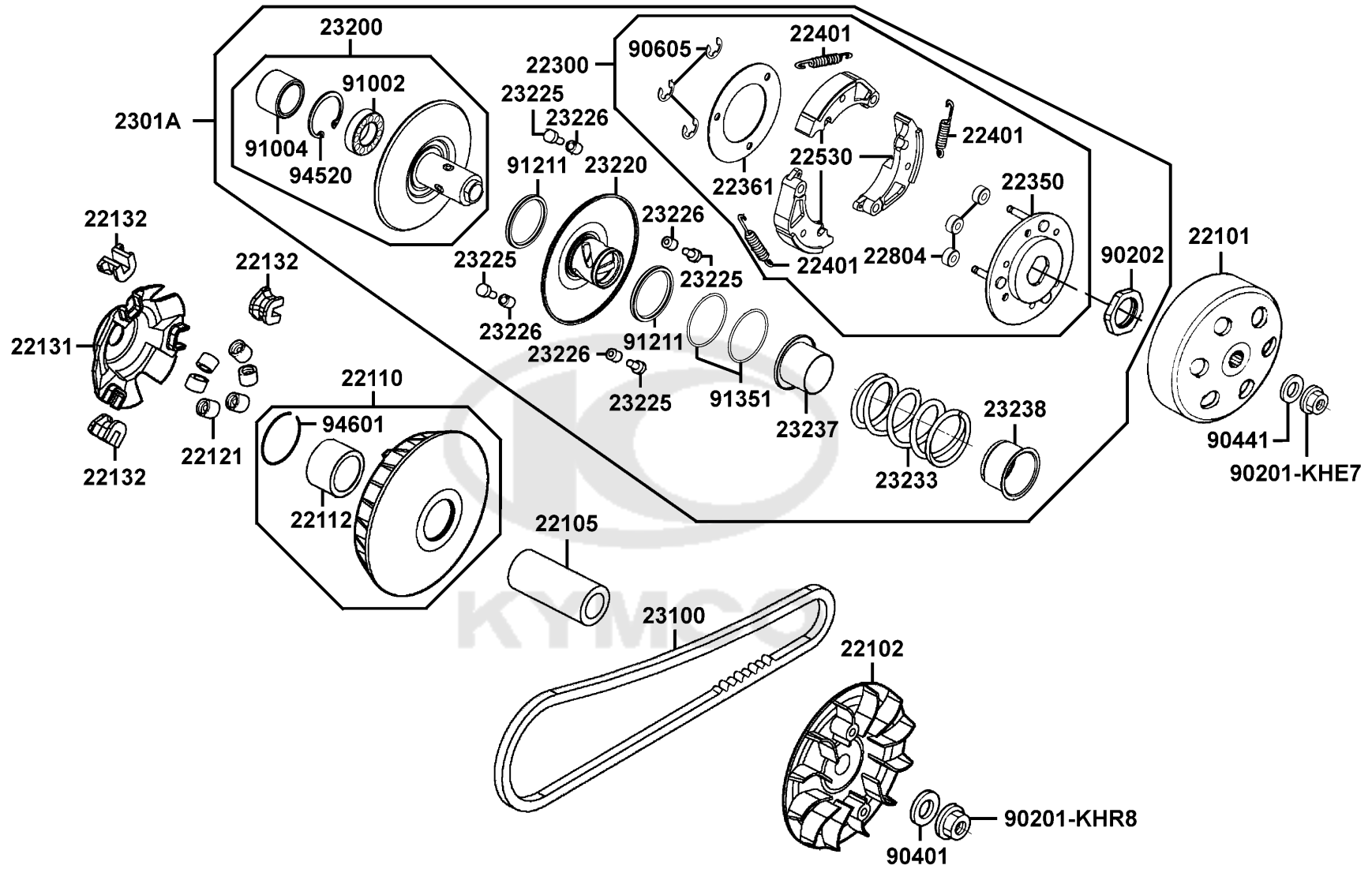
Transmission Pulley



Sales mark	Ref no	Part no	Description	Reg description	Regd no	E05
	22101	22101-KHE7-900	OUTER CLUTCH	OUTER CLUTCH	1	
	22102	22102-KHE7-900	FACE DRIVE	FACE DRIVE	1	
	22105	22105-LBA7-900	BOSS DRIVE FACE	BOSS DRIVE FACE	1	
	22110	22110-LFG1-E00	FACE COMP MOVABLE DRIVE	FACE COMP MOVABLE DRIVE	1	
	22112	22112-KHE7-900	BUSH 27*33*37	BUSH 27*33*37	1	
	22121	22121-LFG2-E00	ROLLER COMP WEIGHT	ROLLER COMP WEIGHT	6	
	22131	22131-LBA7-900	PLATE RAMP	PLATE RAMP	1	
	22132	22132-KHE7-900	PIECE SLIDE	PIECE SLIDE	3	
#	22300	22300-KHE7-900	PLATE ASSY DRIVE	PLATE ASSY DRIVE	1	
#	22300	22300-LFG2-E0A	PLATE ASSY DRIVE	PLATE ASSY DRIVE	1	
#	22300	22300-LFG2-E80	PLATE ASSY DRIVE	PLATE ASSY DRIVE	1	
	22350	22350-KHE7-900	PLATE COMP DRIVE	PLATE COMP DRIVE	1	
	22361	22361-KHE7-900	PLATE CLUTCH SIDE	PLATE CLUTCH SIDE	1	
#	22401	22401-KHE7-900	SPRING CLUTCH	SPRING CLUTCH	3	
#	22401	22401-LFG2-E80	SPRING CLUTCH	SPRING CLUTCH	1	
#	22530	22530-KHE7-900	WEIGHT CLUTCH	WEIGHT CLUTCH	3	
#	22530	22530-LFG2-E0A	WEIGHT CLUTCH	WEIGHT CLUTCH	3	
#	22530	22530-LFG2-E80	WEIGHT CLUTCH	WEIGHT CLUTCH	1	
	22804	22804-GBB2-001	RUBBER CLUTCH DAMPER	RUBBER CLUTCH DUMRER	3	
#	2301A	2301A-LFG2-E0A	PULLEY SUB ASSY	PULLEY SUB ASSY	1	

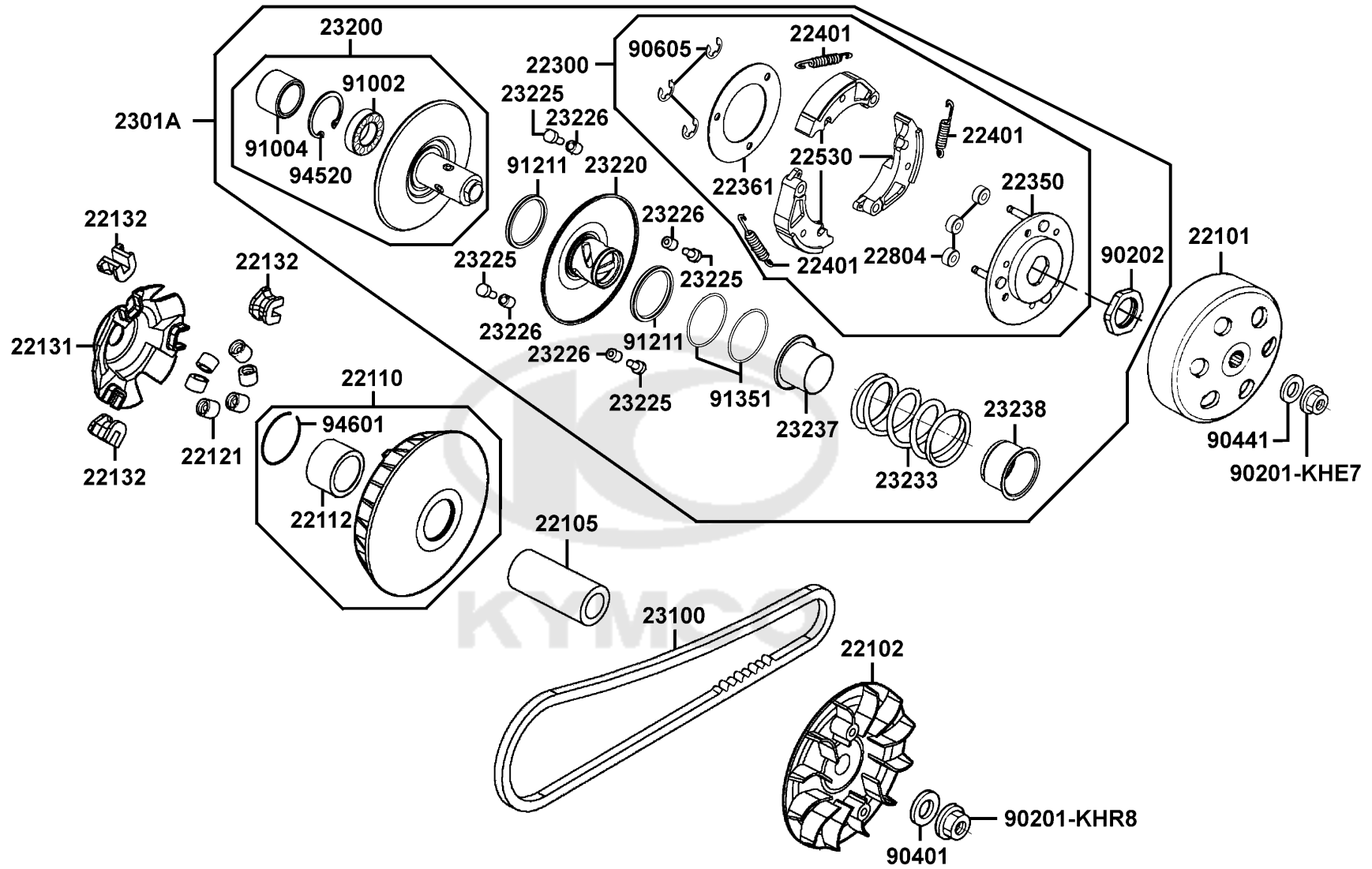


Transmission Pulley



Sales mark	Ref no	Part no	Description	Reg description	Regd no	<b>E05</b>
	2301A	2301A-LFG2-E80	PULLEY SUB ASSY	PULLEY SUB ASSY	1	
	23100	23100-LFG2-E00	BELT DRIVE	BELT DRIVE	1	
	23200	23200-KHE7-900	FACE ASSY DRIVEN	FACE ASSY DRIVEN	1	
#	23220	23220-KHE7-900	FACE COMP MOVABLE DRIVEN	FACE COMP MOVABLE DRIVEN	1	
#	23220	23220-LFG2-E00	FACE RR MOVABLE DRIVEN	FACE RR MOVABLE DRIVEN	1	
	23225	23225-KHE7-900	PIN ROLLER GUIDE	PIN ROLLER GUIDE	4	
	23226	23226-GHC8-004	ROLLER GUIDE	ROLLER GUIDE	4	
	23233	23233-KHE7-900	SPG DRIVEN FACE	SPG DRIVEN FACE	1	
	23237	23237-KHE7-900	COLLAR SEAL	COLLAR SEAL	1	
	23238	23238-KHE7-900	COLLAR SPG	COLLAR SPG	1	
	90201-KHE7	90201-KHE7-900	NUT C FLANGE M12	NUT C FLANGE M12	1	
	90201-KHR8	90201-KHR8-75A	NUT FLANGE 14MM	NUT FLANGE 14MM	1	
	90202	90202-1G87-001	NUT SPECIAL 28MM	NUT SPECIAL 28MM	1	
	90401	90401-KKJ9-001	WASHER THRUST 14*28*2	WASHER THRUST 14*28*2	1	
	90441	90441-GFY6-941	WASHER 12.2*29*2.5	WASHER 12.2*29*2.5	1	
	90605	90605-1F66-721	CIR CLIP 7MM	CIR CLIP 7MM	3	
	91002	91002-GGA7-70A	BRG BALL RADIAL 6902U	BRG BALL RADIAL 6902U	1	
	91004	91004-KHE7-900	BRG NDL 22*29*18	BRG NDL 22*29*18	1	
	91211	91211-KHE7-900	SEAL DRIVEN FACE	SEAL DRIVEN FACE	2	
	91351	91351-KHE7-900	O-RING PINION CAP	O-RING PINION CAP	2	

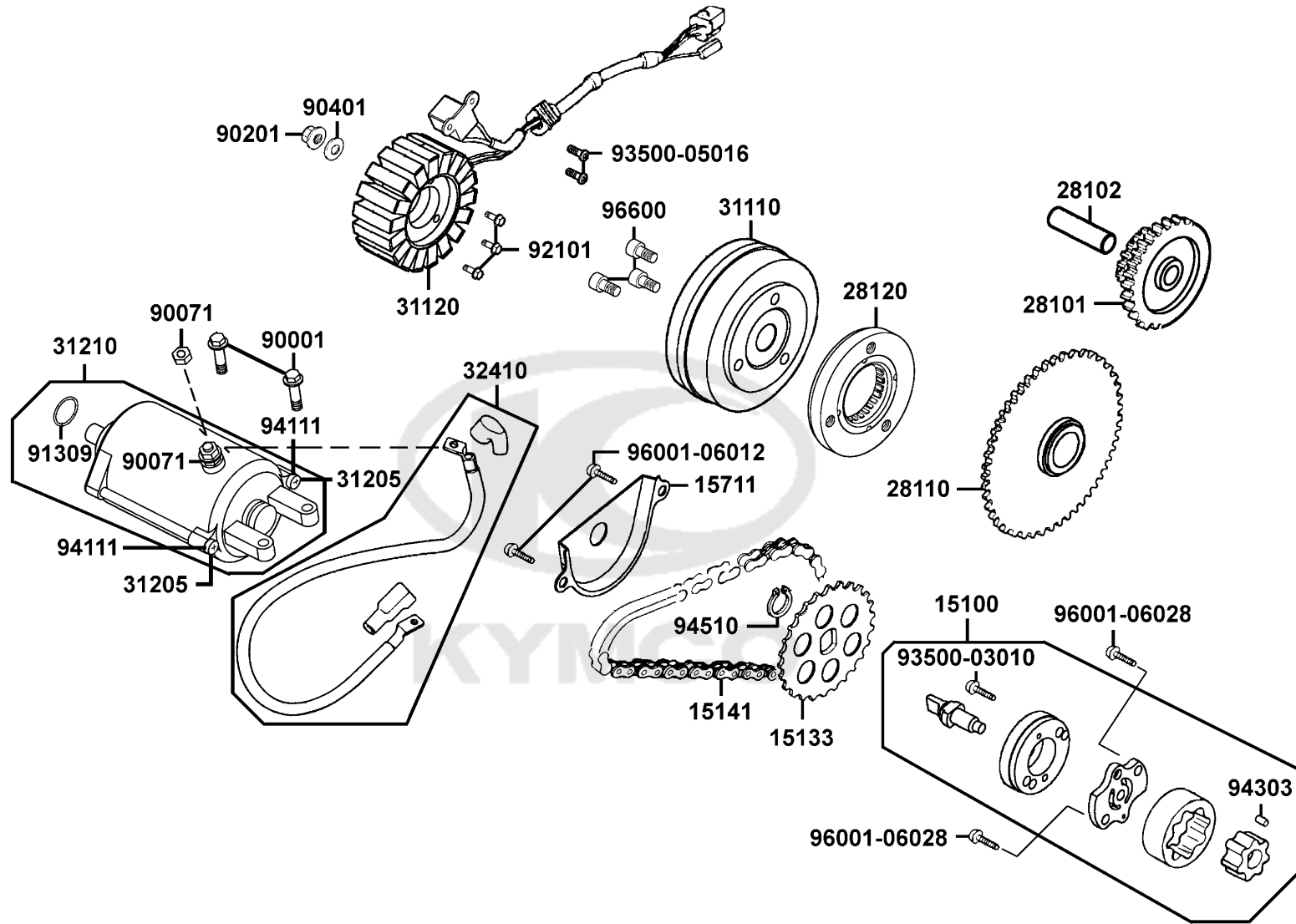
Transmission Pulley



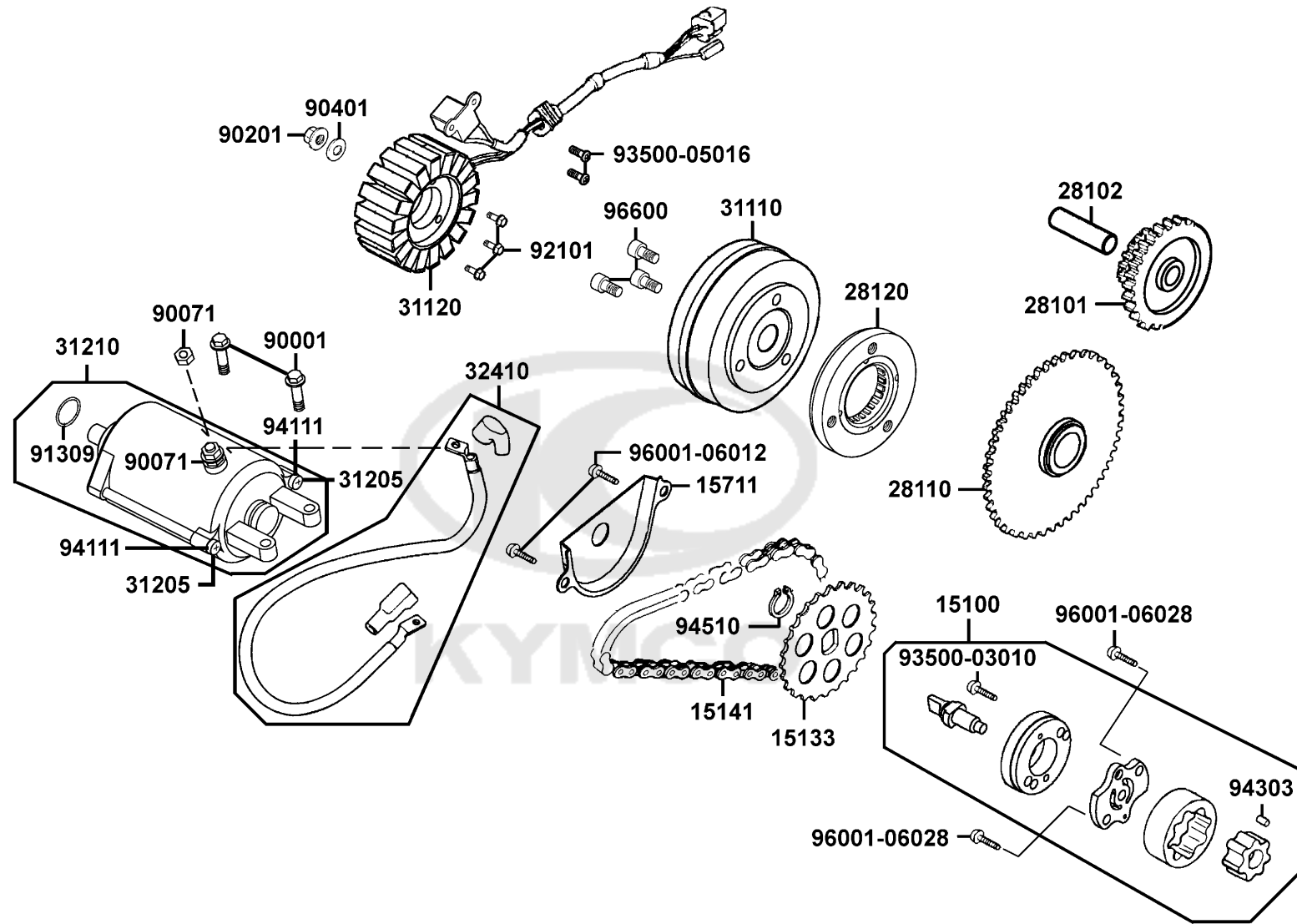
Sales mark	Ref no	Part no	Description	Reg description	Regd no	<b>E05</b>
------------	--------	---------	-------------	-----------------	---------	------------


	94520	94520-28000	CIR CLIP IN 28	CIR CLIP IN 28	1	
	94601	94601-33000	CLIP PISTON PIN 33MM	CLIP PISTON PIN 33MM	1	



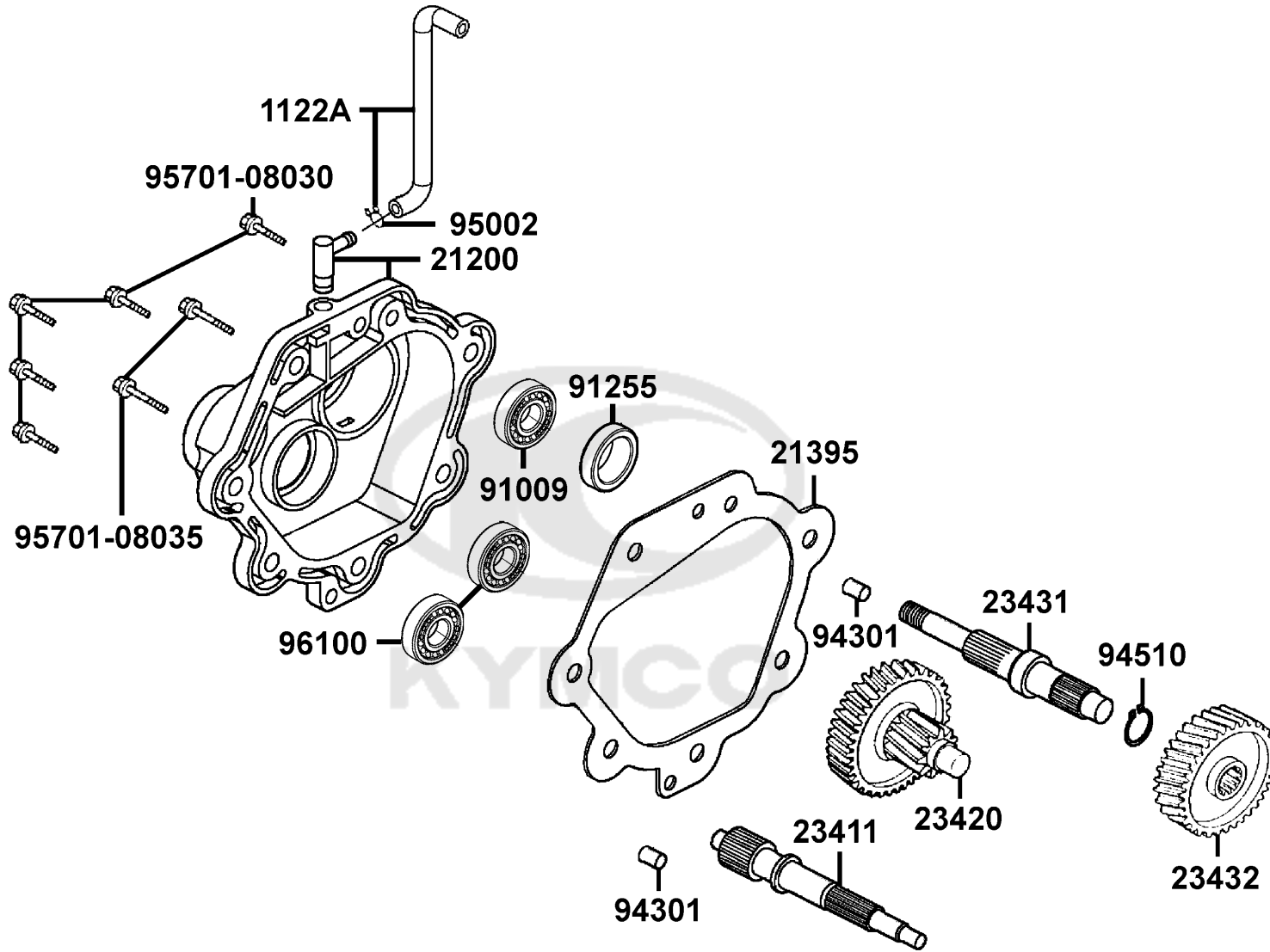


Sales mark	Ref no	Part no	Description	Reg description	Regd no	E06
15100		15100-KKC3-900	PUMP ASSY OIL	PUMP ASSY OIL	1	
15133		15133-KAM1-001	SPROCKET OIL PUMP DRIVE	SPROCKET OIL PUMP DRIVE	1	
15141		15141-KKJ9-004	CHAIN OIL PUMP	CHAIN OIL PUMP	1	
15711		15711-KHE7-900	SEPARATER OIL	SEPARATER OIL	1	
28101		28101-KHE7-900	GEAR STARTER REDUCTION	GEAR STARTER REDUCTION	1	
28102		28102-KHE7-900	SHAFT STARTER REDUCTION GEAR	SHAFT STARTER REDUCTION GEAR	1	
28110		28110-LDB2-E00	GEAR COMP STARTING CLUTCH	GEAR COMP STARTING CLUTCH	1	
28120		28120-LDB2-E00	ONE WAY CLUTCH	ONE WAY CLUTCH	1	
31110		31110-LDF2-90A	FLYWHEEL COMP /D406	FLYWHEEL COMP /D406	1	
31120		31120-LDF2-90A	STATOR COMP /D406	STATOR COMP /D406	1	
31205		31205-KKJ9-000	BOLT SET	BOLT SET	2	
31210		31210-KHE7-90A	MOTOR UNIT STARTER	MOTOR UNIT STARTER	1	
32410		32410-LDB2-E00	CABLE STARTER MOTOR	CABLE STARTER MOTOR	1	
90001		90001-GBHB-661	BOLT FLANGE SH 6*22	BOLT FLANGE SH 6*22	2	
90071		90071-MLB0-001	NUT WASH 6MM	NUT WASH 6MM	2	
90201		90201-KHR8-75A	NUT FLANGE 14MM	NUT FLANGE 14MM	1	
90401		90401-KKJ9-001	WASHER THRUST 14*28*2	WASHER THRUST 14*28*2	1	
91309		91309-4E25-004	O-RING 24.4*3.1	O-RING 24.4*3.1	1	
92101		92101-05032-0H	BOLT HEX 5*32	BOLT HEX 5*32	3	
93500-03010		93500-03010-1A	SCREW PAN 3*10 (B)	SCREW PAN 3*10	1	



Sales mark	Ref no	Part no	Description	Reg description	Regd no	<b>E06</b>
	93500-05016	93500-05016-0H	SCREW PAN 5*16	SCREW PAN 5*16	2	
	94111	94111-05800	WASHER SPRING 5MM	WASHER SPRING 5MM	2	
	94303	94303-04065	DOWEL PIN 4*6.5	PIN DOWEL 4*6.5	1	
	94510	94510-10000	CIR CLIP EX 10MM	CIR CLIP EX 10	1	
	96001-06012	96001-06012-08	BOLT FLANGE 6*12	BOLT FLANGE 6*12	2	
	96001-06028	96001-06028-08	BOLT FLANGE SH 6*28	BOLT FLANGE SH 6*28	2	
	96600	96600-08015-10	SOCKET BOLT 8*15	SOCKET BOLT 8*15	3	
						

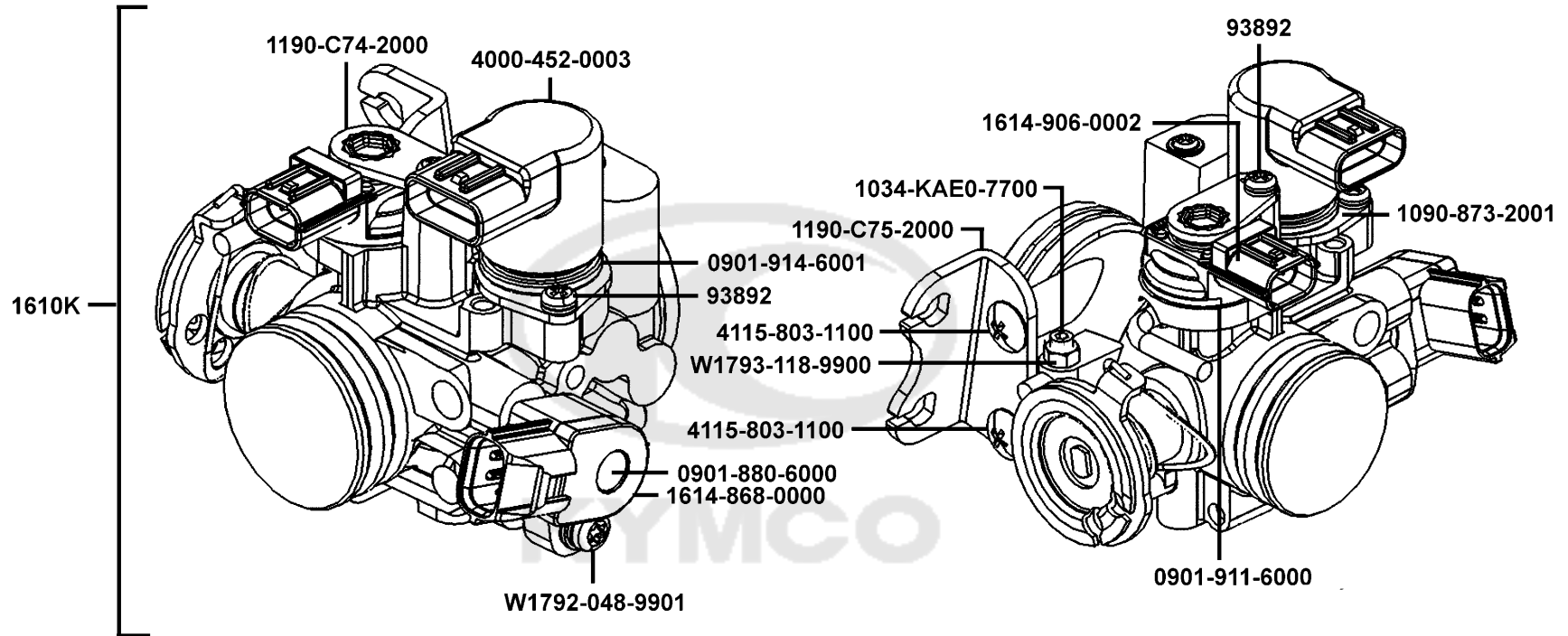




Sales mark	Ref no	Part no	Description	Reg description	Regd no	<b>E07</b>
1122A		1122A-LDB2-E00	TUBE ASSY MISSION BREATHER	TUBE ASSY MISSION BREATHER	1	
21200		21200-LDB2-E00	CASE COMP MISSION	CASE COMP MISSION	1	
21395		21395-LDF2-900	GASKET MISSION COVER @ A	GASKET MISSION COVER @ A	1	
23411		23411-KHE7-900	SHAFT DRIVE	SHAFT DRIVE	1	
23420		23420-LFG2-E00	SHAFT COMP COUNTER	SHAFT COMP COUNTER	1	
23431		23431-LDB2-E00	SHAFT FINAL	SHAFT FINAL	1	
23432		23432-LFG2-E00	GEAR FINAL	GEAR FINAL	1	
91009		91009-KHE7-900	BRG BALL RADIAL 6205LLU	BRG BALL RADIAL 6205LLU	1	
91255		91255-KHE7-900	OIL SEAL 34*52*7	OIL SEAL 34*52*7	1	
94301		94301-10160	DOWEL PIN 10*16	DOWEL PIN 10*16	2	
94510		94510-25000	CIR CLIP EXTERNAL 25	CIR CLIP EX 25	1	
95002		95002-02080	CLIP B8 TUBE	CLIP B8 TUBE	1	
95701-08030		95701-08030-08	BOLT FLANGE 8*30	BOLT FLANGE 8*30	5	
95701-08035		95701-08035-08	BOLT FLANGE 8*35	BOLT FLANGE 8*35	2	
96100		96100-63020-00	BRG BALL RADIAL 6302	BRG BALL RADIAL 6302	2	

E08

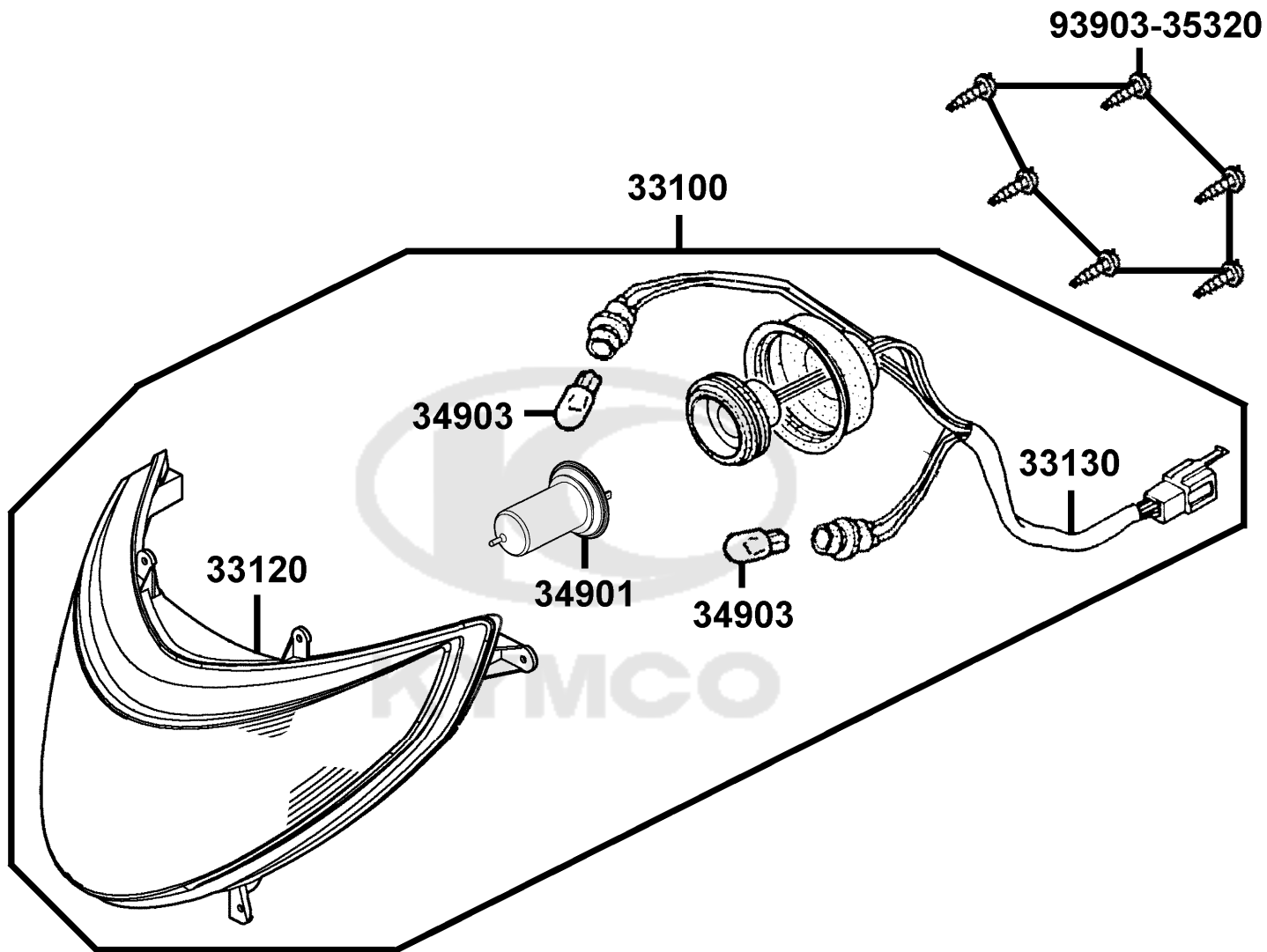
# Throttle Body



Sales mark	Ref no	Part no	Description	Reg description	Regd no	<b>E08</b>
	0901-880-6000	0901-880-6000	O-RING/TPS	O-RING/TPS	1	
	0901-911-6000	0901-911-6000	O-RING	O-RING	1	
	0901-914-6001	0901-914-6001	O-RING	O-RING	1	
	1034-KAE0-7700	1034-KAE0-7700	SCREW / THROTTLE	SCREW / THROTTLE	1	
	1090-873-2001	1090-873-2001	SET PLATE	SET PLATE	1	
	1190-C74-2000	1190-C74-2000	STAY PLATE	STAY PLATE	1	
	1190-C75-2000	1190-C75-2000	BRACKET / THROTTLE CABLE	BRACKET / THROTTLE CABLE	1	
	1610K	1610K-LDF2-E00	CARBURETOR ASSY	CARBURETOR ASSY	1	
	1614-868-0000	1614-868-0000	THROTTLE POSITION SENSER	THROTTLE POSITION SENSER	1	
	1614-906-0002	1614-906-0002	MAP SENSOR	MAP SENSOR	1	
	4000-452-0003	4000-452-0003	IDLE AIR BYPASS VALVE	IDLE AIR BYPASS VALVE	1	
	4115-803-1100	4115-803-1100	SCREW PAN	SCREW PAN	1	
	93892	93892-04008-18	SCREW WASHER 4*8	SCREW WASHER	1	
	W1792-048-9901	W1792-048-9901	SCREW TORX M5*0.8/TPS	SCREW TORX M5*0.8/TPS	1	
	W1793-118-9900	W1793-118-9900	HEX NUT/THROTTLE	HEX NUT/THROTTLE	1	

F01

Head Light

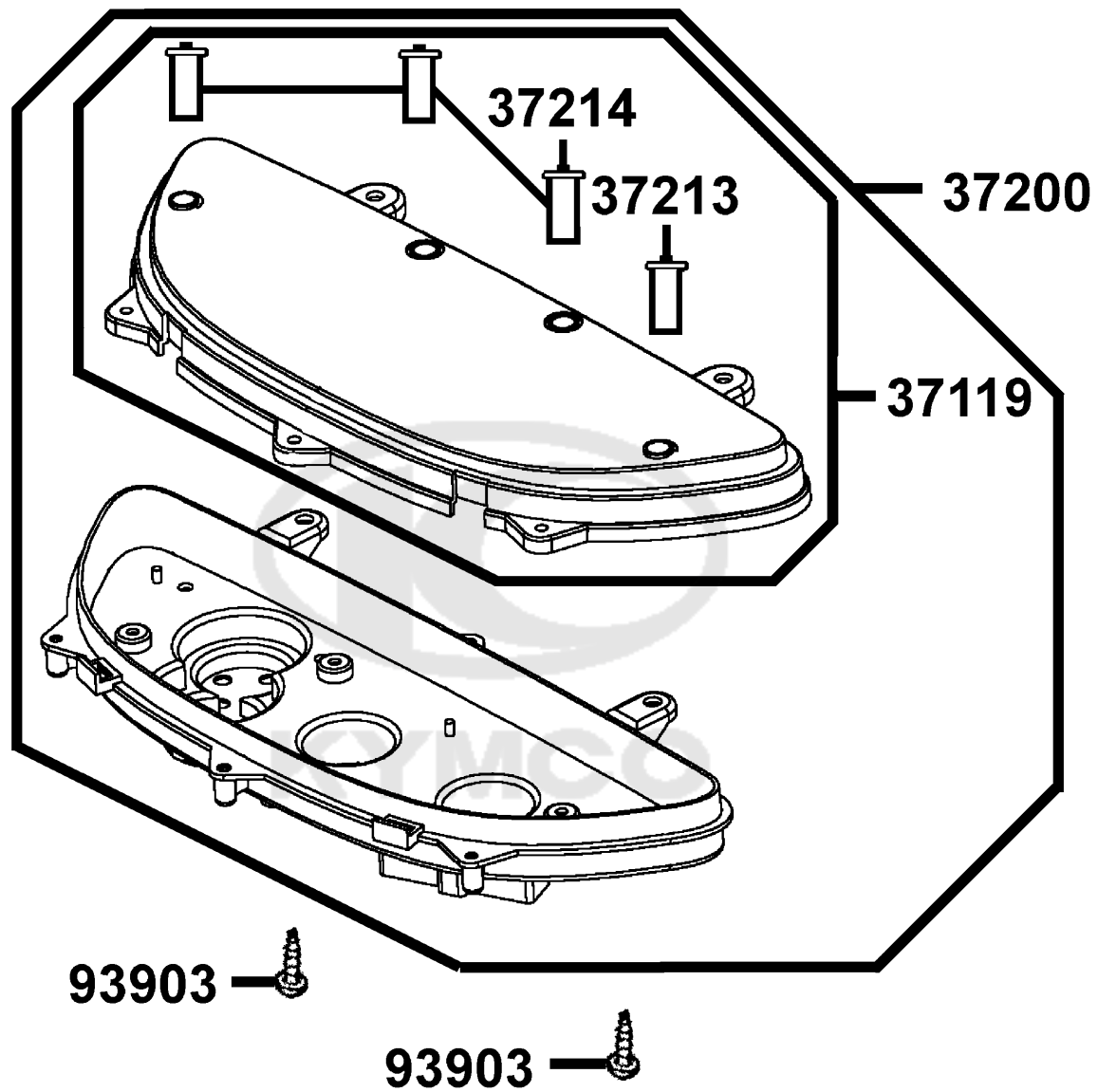


Sales mark	Ref no	Part no	Description	Reg description	Regd no	<b>F01</b>
	33100	33100-LDG7-E03	LIGHT ASSY HEAD	LIGHT ASSY HEAD	1	
	33120	33120-LDG7-E03	UNIT HEAD LIGHT	UNIT HEAD LIGHT	1	
	33130	33130-LBA2-E00	SOCKET COMP	SOCKET COMP	1	
	34901	34901-KED9-900	BULB HEAD LIGHT	BULB HEAD LIGHT	1	
	34903	34903-KPCP-900	BULB POSITION	BULB POSITION	2	
	93903-35320	93903-35320	SCREW TAPPING 5*16	SCREW TAPPING 5*16	6	



F02

Speedometer



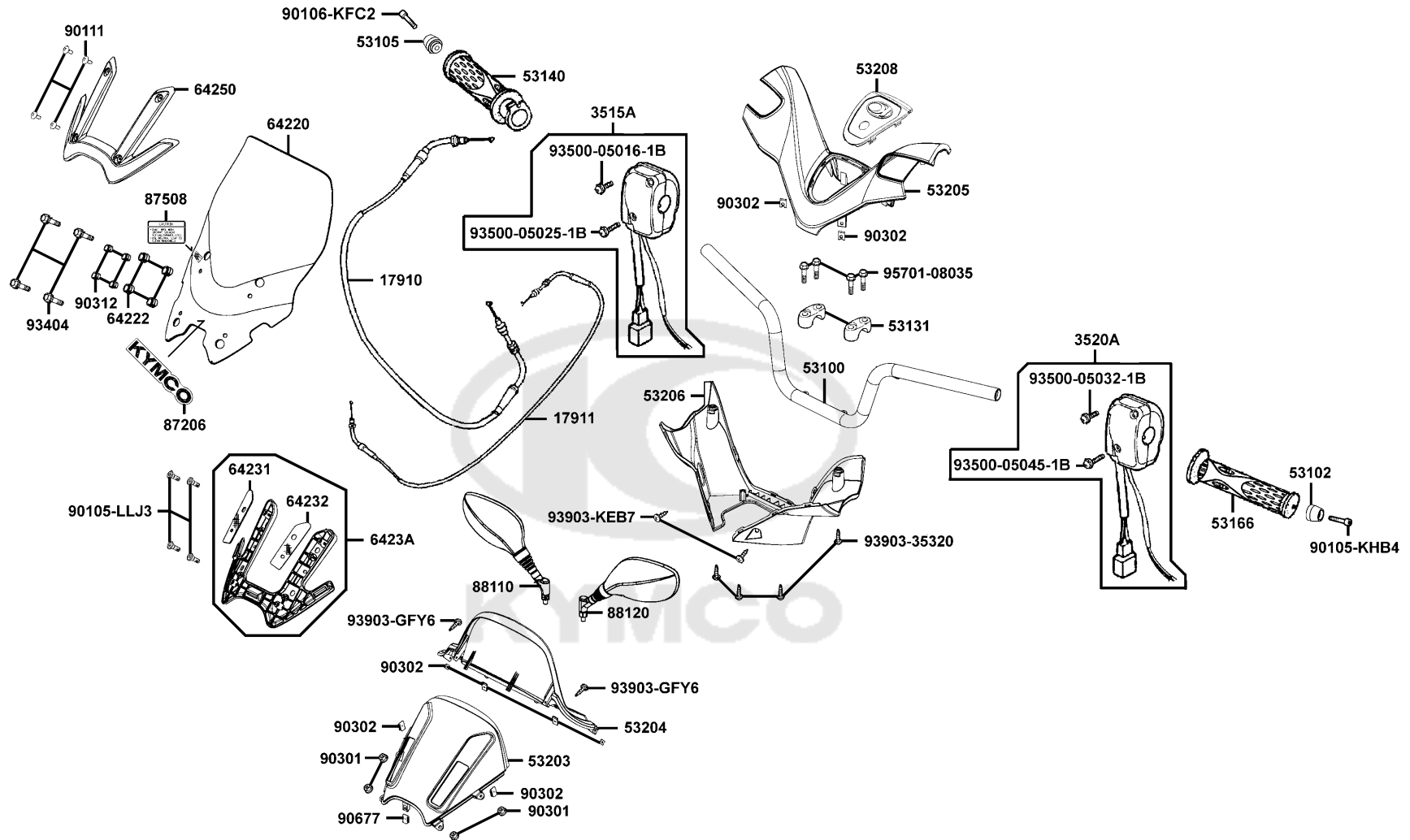
Sales mark	Ref no	Part no	Description	Reg description	Regd no	<b>F02</b>
	37119	37119-LBA2-E00	LENS	LENS	1	
	37200	37200-LDF2-90A	METER ASSY SPEED	METER ASSY SPEED	1	
	37213	37213-LBA2-E00	BUTTON A	BUTTON A	1	
	37214	37214-LBA2-E00	BUTTON B	BUTTON B	3	
	93903	93903-35320	SCREW TAPPING 5*16	SCREW TAPPING 5*16	2	





F03

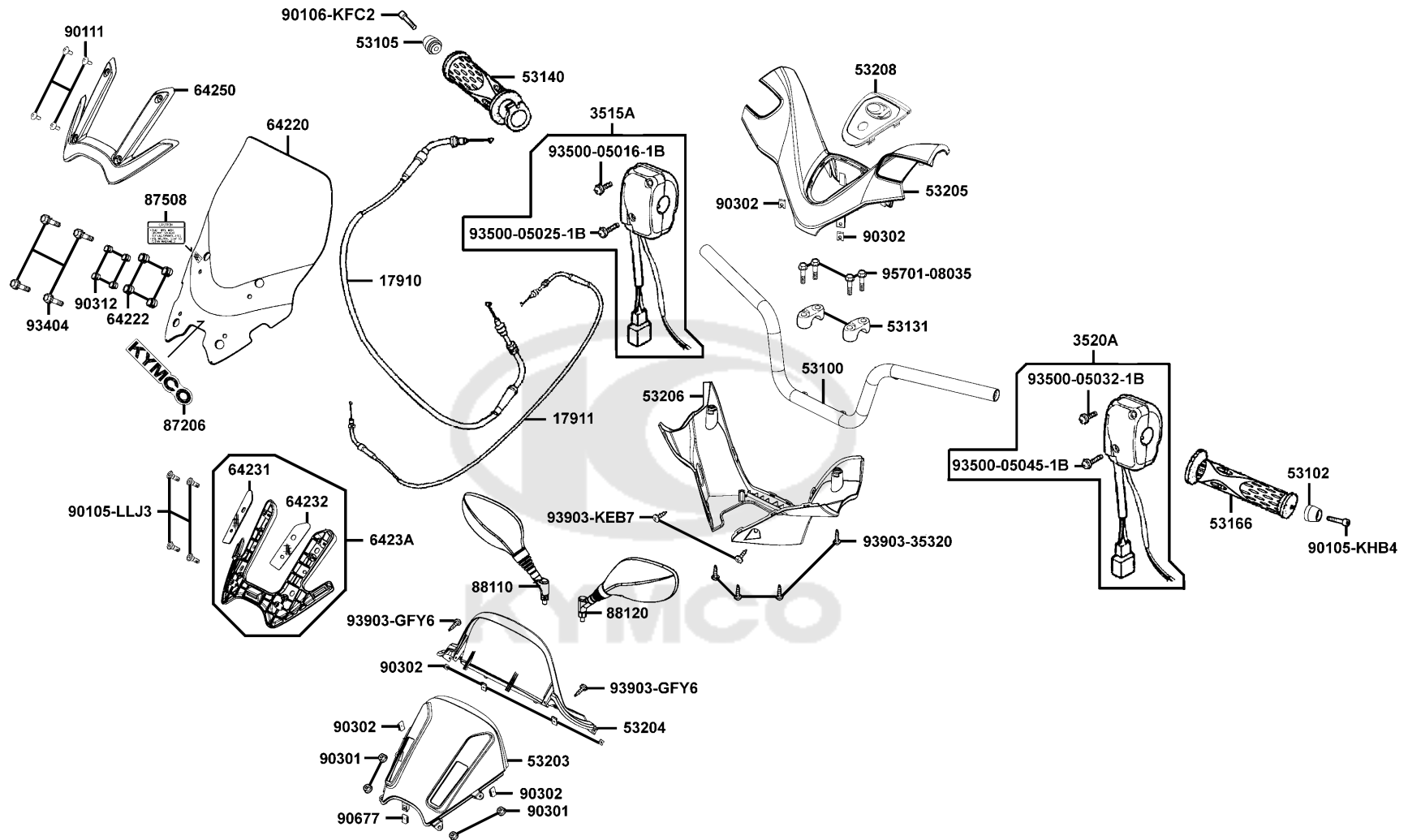
# Handle SteeringHandle Cover



Sales mark	Ref no	Part no	Description	Reg description	Regd no	F03
	17910	17910-LDF2-900	CABLE COMP THROT	CABLE COMP THROT	1	
	17911	17911-LDF2-900	CABLE B COMP THROT	CABLE B COMP THROT	1	
	3515A	3515A-LBA2-E01	SW ASSY RH HNDL COMP	SW ASSY RH HNDL COMP	1	
	3520A	3520A-KEBE-900	SW ASSY L HNDL COMP	SW ASSY L HNDL COMP	1	
	53100	53100-LBA2-E00	HANDLE COMP STRG	HANDLE COMP STRG	1	
**	53102	53102-LEA5-E00	END L HANDLE	END L HANDLE	1	
**	53105	53105-LEA5-E00	END R HANDLE	END R HANDLE	1	
	53131	53131-3H98-941	HOLDER HANDLE PIPE	HOLDER HANDLE PIPE	2	
**	53140	53140-KKC4-900	GRIP COMP THROT	GRIP COMP THROT	1	
**	53166	53166-KGB5-900	GRIP L HANDLE	GRIP L HANDLE	1	
**	53203	53203-LBA2-E00	COVER METER FR	COVER METER FR	1	
**	53204	53204-LBA2-E00	COVER METER RR	COVER METER RR	1	
**	53205	53205-LBA2-E02	COVER HNDL UP	COVER HNDL UP	1	
**	53206	53206-LBA2-E00	COVER R HANDLE LOW	COVER R HANDLE LOW	1	
	53208	53208-LBA2-E00	GRILL HANDLE UP	GRILL HANDLE UP	1	
	64220	64220-LBA2-E00	WIND SCREEN	WIND SCREEN	1	
	64222	64222-KKC4-900	RUBBER WIND SCREEN	RUBBER WIND SCREEN	4	
	64231	64231-LBA2-E00	SPONGE TAPE R HOLDER	SPONGE TAPE R HOLDER	1	
	64232	64232-LBA2-E00	SPONGE TAPE L HOLDER	SPONGE TAPE L HOLDER	1	
**	6423A	6423A-LBA2-E00	HOLDER ASSY WIND SCREEN	HOLDER ASSY WIND SCREEN	1	

F03

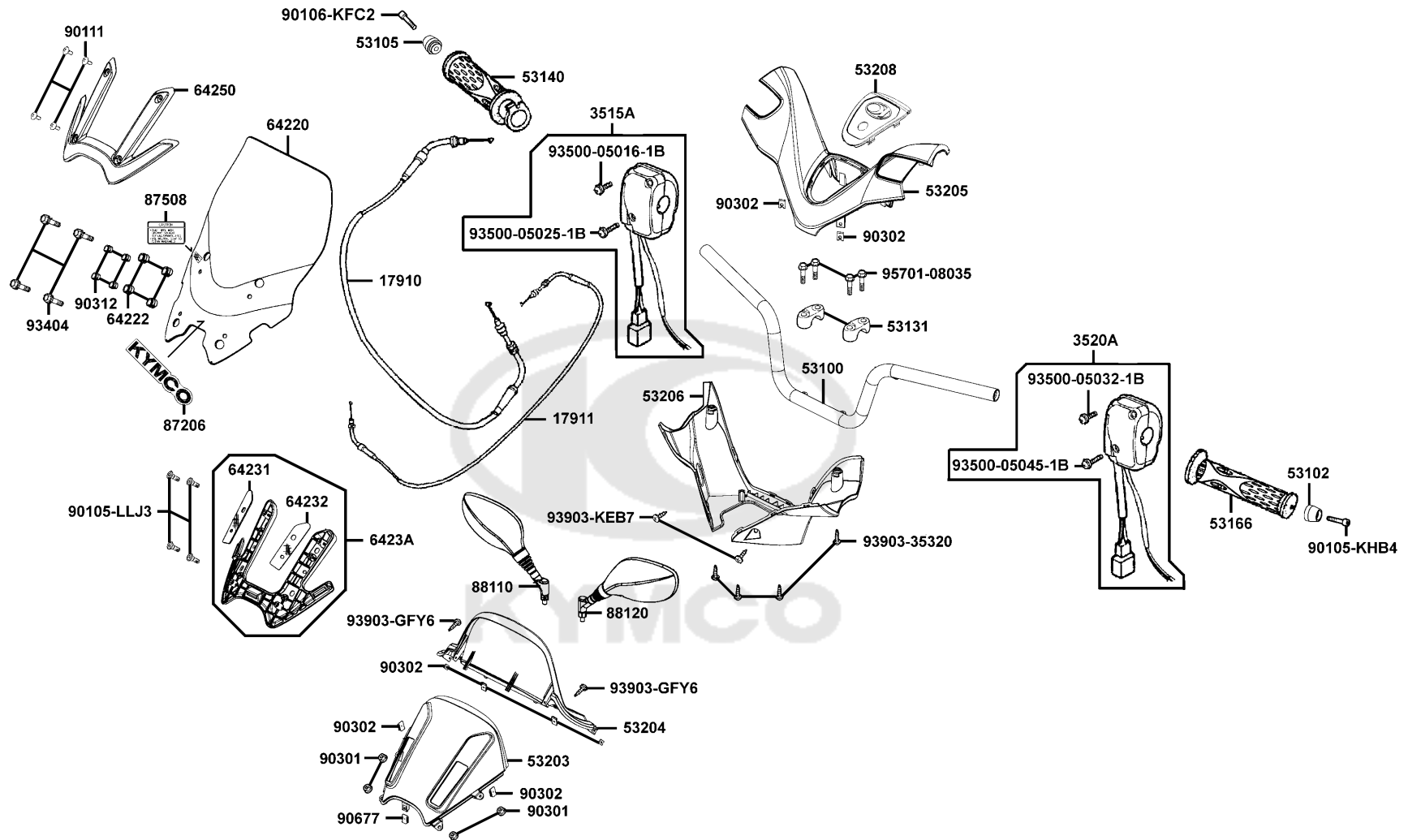
# Handle SteeringHandle Cover



Sales mark	Ref no	Part no	Description	Reg description	Regd no	F03
**	64250	64250-LBA2-E00	COVER WIND SCREEN	COVER WIND SCREEN	1	
	87206	87206-LBA2-E00	EMB MARK KYMCO	EMB MARK KYMCO	1	
**	87508	87508-KKC4-E00	LABEL CLEANNESS CAUYION	LABEL CLEANNESS CAUYION	1	
**	88110	88110-LBA2-E02	MIRROR ASSY R BACK	MIRROR ASSY R BACK	1	
**	88120	88120-LBA2-E02	MIRROR ASSY L BACK	MIRROR ASSY L BACK	1	
	90105-KHB4	90105-KHB4-900	BOLT WASH M8*60	BOLT WASH M8*60	1	
#	90105-LLJ3	90105-LLJ3-E00	BOLT SPECAL 8MM	BOLT SPECAL 8MM	4	
	90106-KFC2	90106-KFC2-900	BOLT SPECIAL 8MM	BOLT WASH 8MM	1	
	90111	90111-KED9-900	SCREW PAN 6*14	SCREW PAN 6*14	4	
	90301	90301-6D34-671	NUT FLANGE 6MM	NUT FLANGE 6MM	4	
	90302	90302-SDA4-004	NUT SPRING 4MM	NUT SPRING 4MM	8	
	90312	90312-GLF0-001	COLLAR BODY COVER	COLLAR BODY COVER	4	
	90677	90677-GAR1-004	NUT CLIP 5MM	NUT CLIP 5MM	1	
	93404	93404-06020-06	BOLT WASHER 6*20 (G)	BOLT WASH 6*20	4	
	93500-05016-1B	93500-05016-1B	SCREW PAN 5*16	SCREW PAN 5*16	1	
	93500-05025-1B	93500-05025-1B	SCREW PAN 5*25	SCREW PAN 5*25	1	
	93500-05032-1B	93500-05032-1B	SCREW PAN 5*32	SCREW PAN 5*32	1	
	93500-05045-1B	93500-05045-1B	SCREW PAN 5*45	SCREW PAN 5*45	1	
	93903-35320	93903-35320	SCREW TAPPING 5*16	SCREW TAPPING 5*16	4	
	93903-GFY6	93903-GFY6-900	SCREW TAPPING 4*14	SCREW TAPPING 4*14	2	

F03

# Handle SteeringHandle Cover

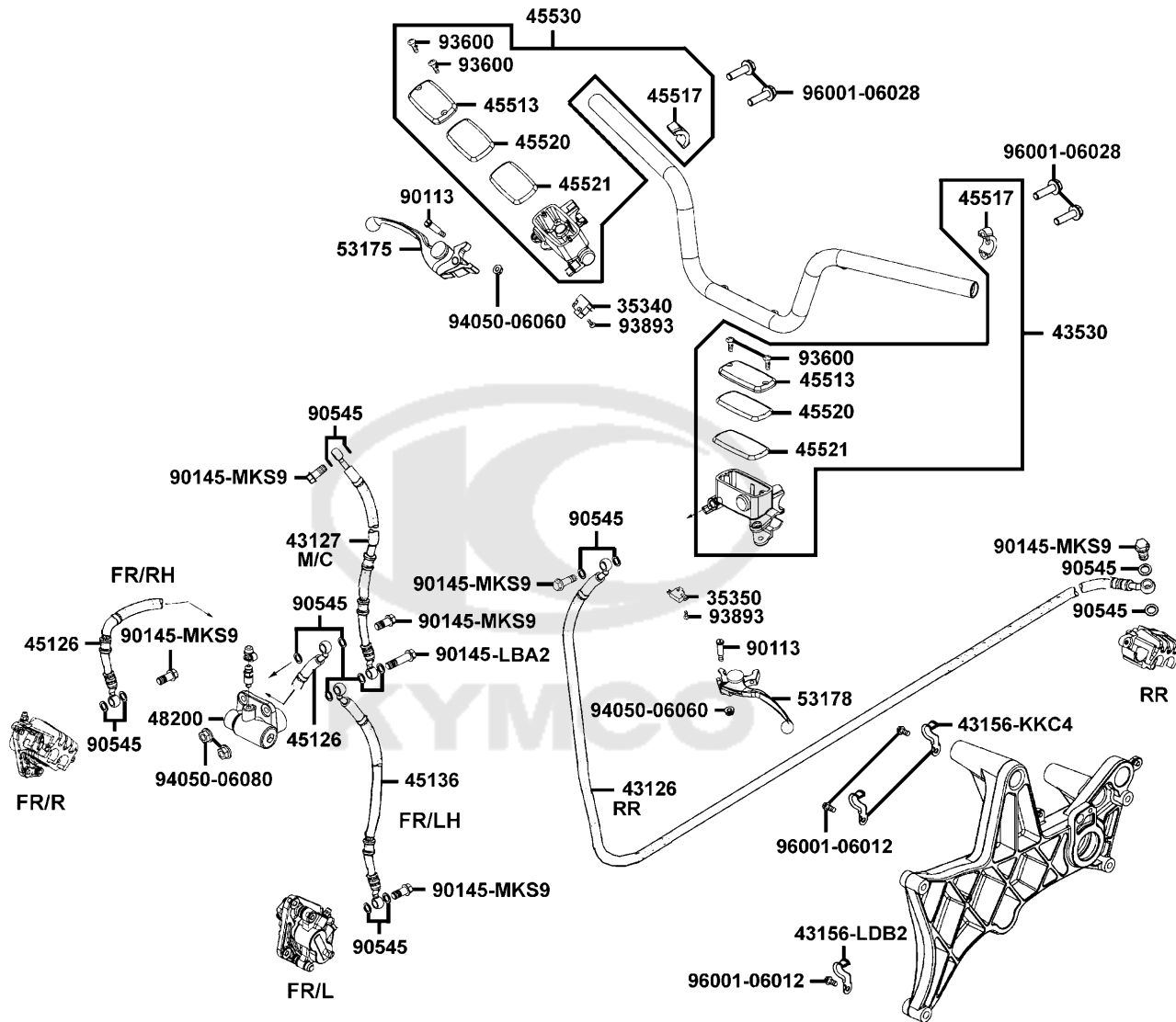


Sales mark	Ref no	Part no	Description	Reg description	Regd no	<b>F03</b>
------------	--------	---------	-------------	-----------------	---------	------------

93903-KEB7		93903-KEB7-900-06	SCREW WASHER 4*12 (G)	SCREW WASHER 4*12 (G)	2	
95701-08035		95701-08035-06	BOLT FLANGE 8*28	BOLT FLANGE 8*28	4	



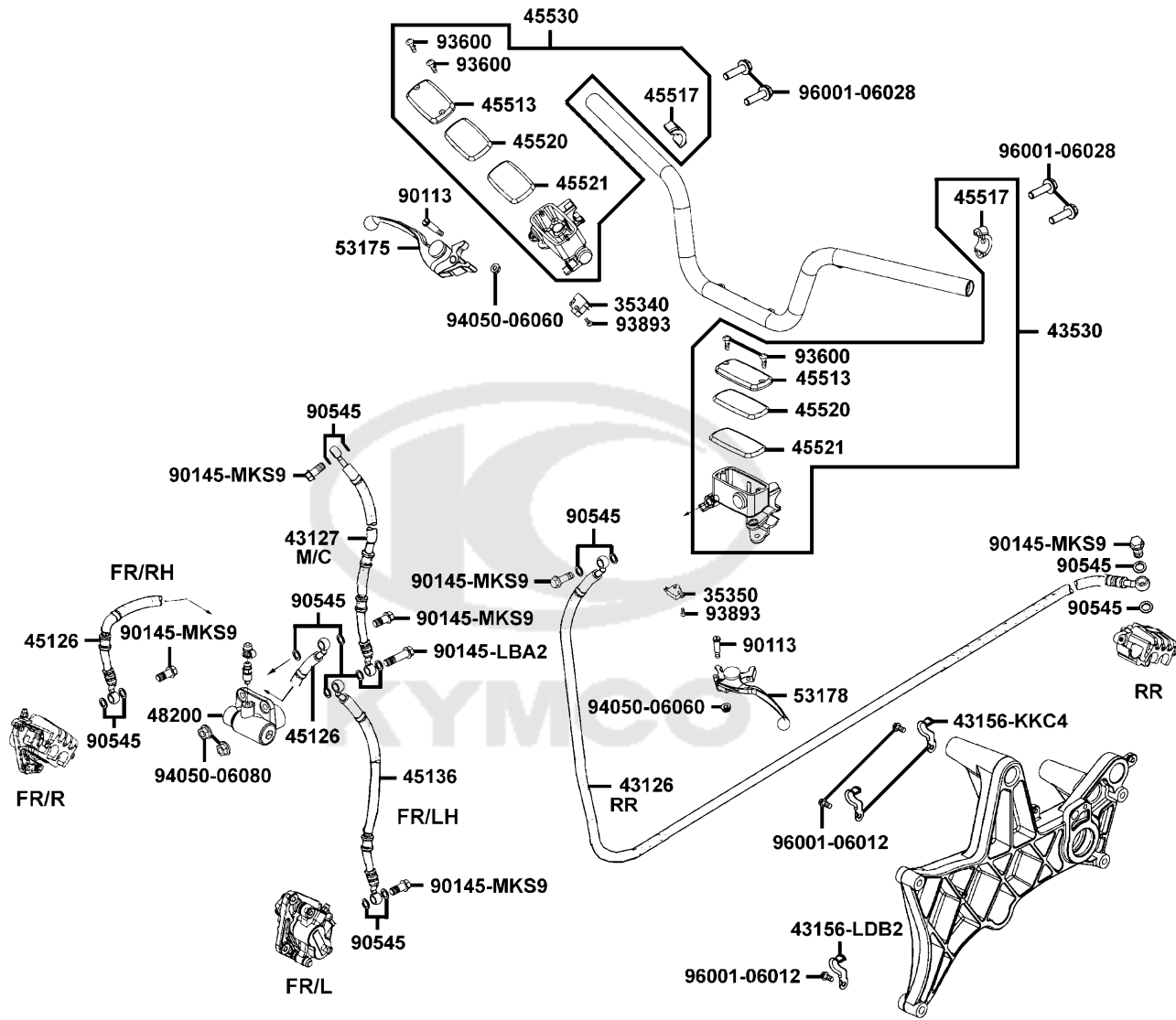
Brake Master Cylinder



Sales mark	Ref no	Part no	Description	Reg description	Regd no	F04
	35340	35340-KNBN-901	SW ASSY FR STOP	SW ASSY FR STOP	1	
	35350	35350-KNBN-901	SW ASSY RR STOP	SW ASSY RR STOP	1	
	43126	43126-LDB2-E00	HOSE ASSY C/P RR BRAKE	HOSE ASSY C/P RR BRAKE	1	
	43127	43127-LBA2-E01	HOSE ASSY M/C RR BRAKE	HOSE ASSY M/C RR BRAKE	1	
	43156-KKC4	43156-KKC4-900	CLAMPER HOSE RR	CLAMPER HOSE RR	2	
	43156-LDB2	43156-LDB2-900	CLAMPER HOSE RR	CLAMPER HOSE RR	1	
	43530	43530-KKE5-305	CYLINDER SET RR MASTER	CYLINDER SET RR MASTER	1	
	45126	45126-LBA2-E01	HOSE ASSY FR BRAKE (RH)	HOSE ASSY FR BRAKE (RH)	1	
	45136	45136-LBA2-E01	HOSE ASSY FR BRK (RH)	HOSE ASSY FR BRK (RH)	1	
# **	45513	45513-KKA8-900	CAP MASTER CYLINDER	CAP MASTER CYLINDER	2	
# **	45513	45513-LEA7-E00	CAP M/C	CAP M/C	2	
	45517	45517-LBA2-E00	HOLDER M/C	HOLDER M/C	2	
	45520	45520-KKA8-900	DIAPHRAGM	DIAPHRAGM	2	
	45521	45521-LEA7-E00	PLATE DIAPHRAGM	PLATE DIAPHRAGM	2	
	45530	45530-LBA2-308	CYLINDER SET FR MASTER	CYLINDER SET FR MASTER	1	
	48200	48200-LBA2-E01	LIMIT VALVE ASSY UBS	LIMIT VALVE ASSY UBS	1	
**	53175	53175-KKE5-E00	LEVER R STRG HANDLE	LEVER R STRG HANDLE	1	
**	53178	53178-KKE5-E00	LEVER L STRG HANDLE	LEVER L STRG HANDLE	1	
	90113	90113-KKA8-900	BOLT L STEERING HANDLE	BOLT L STEERING HANDLE	2	
	90145-LBA2	90145-LBA2-E00	OIL BOLT 10*33	OIL BOLT 10*33	1	

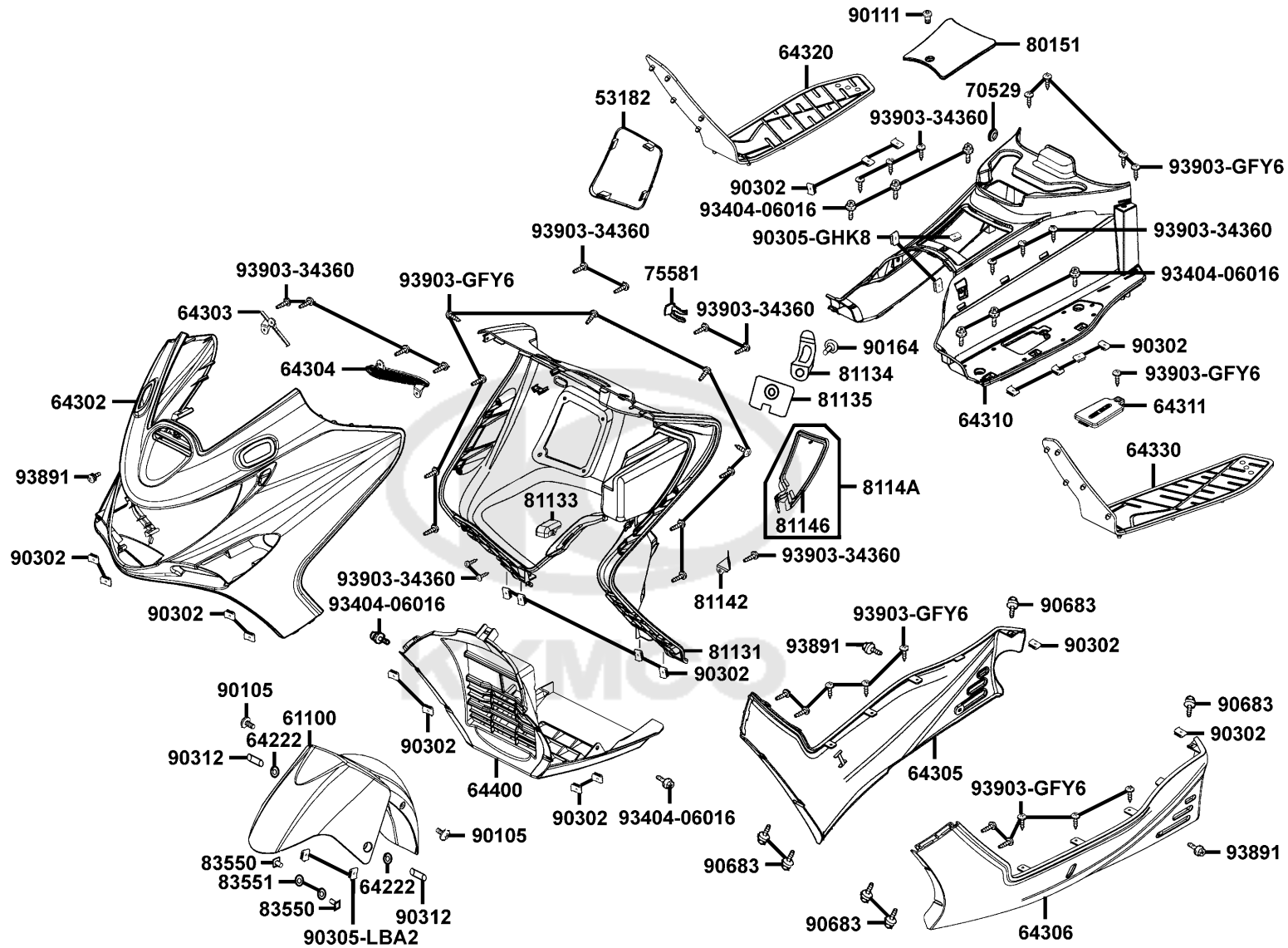


Brake Master Cylinder

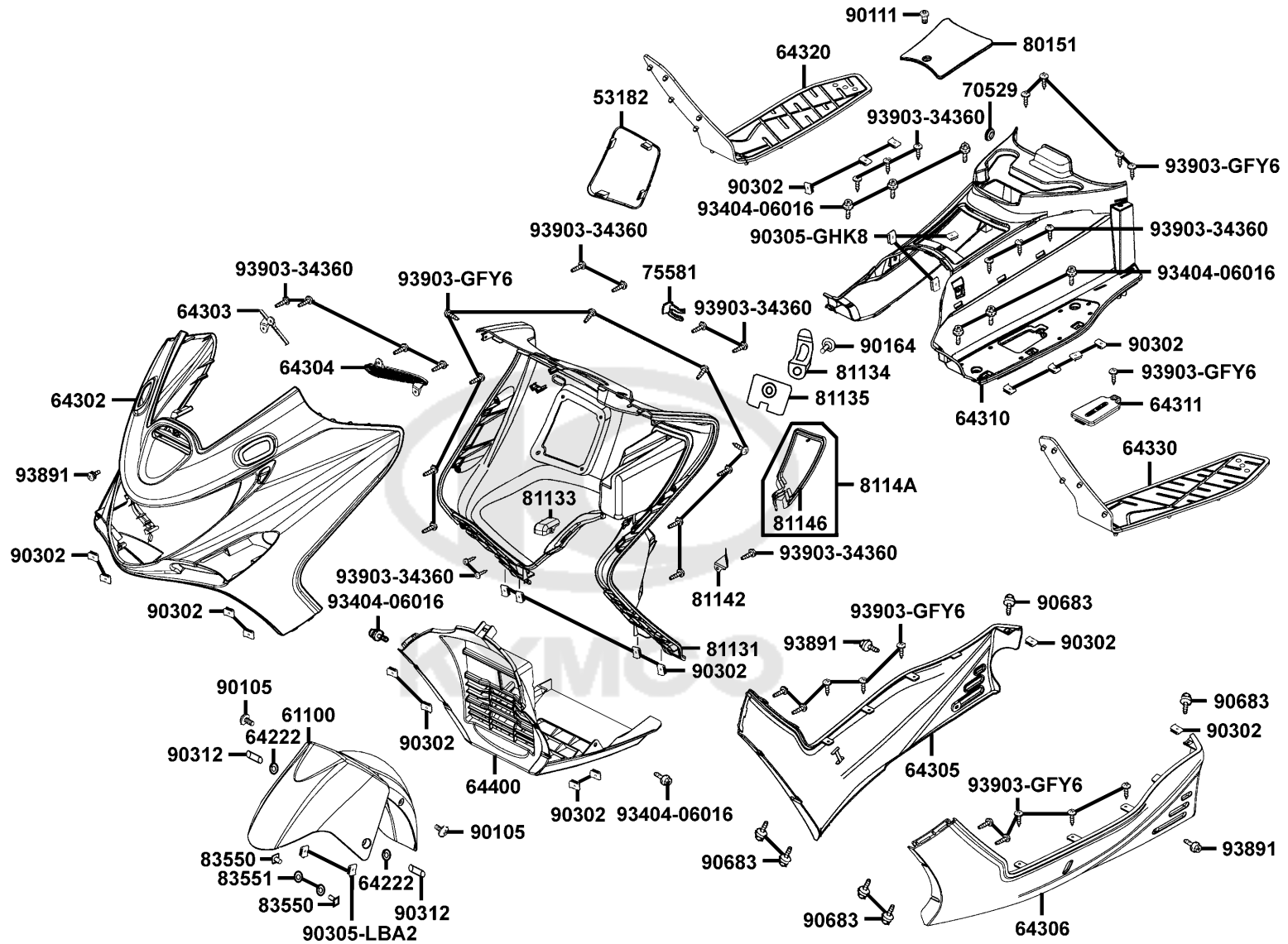


Sales mark	Ref no	Part no	Description	Reg description	Regd no	<b>F04</b>
	90145-MKS9	90145-MKS9-61A	OIL BOLT 10*22	OIL BOLT 10*22	6	
	90545	90545-3L00-001	WASHER OIL BOLT	WASHER OIL BOLT	15	
	93600	93600-04012-1A	SCREW FLAT 4*12	SCREW FLAT 4*12	4	
	93893	93893-04012-18	SCREW WASHER 4*12	SCREW WASHER 4*12	2	
	94050-06060	94050-06060	NUT FLANGE 6MM	NUT FLANGE 6MM	2	
	94050-06080	94050-06080	NUT FLANGE 6MM	NUT FLANGE 6MM	2	
	96001-06012	96001-06012-08	BOLT FLANGE 6*12	BOLT FLANGE 6*12	3	
	96001-06028	96001-06028-06	BOLT FLANGESH 6*28 (G)	BOLT FLANGESH 6*28 (G)	4	

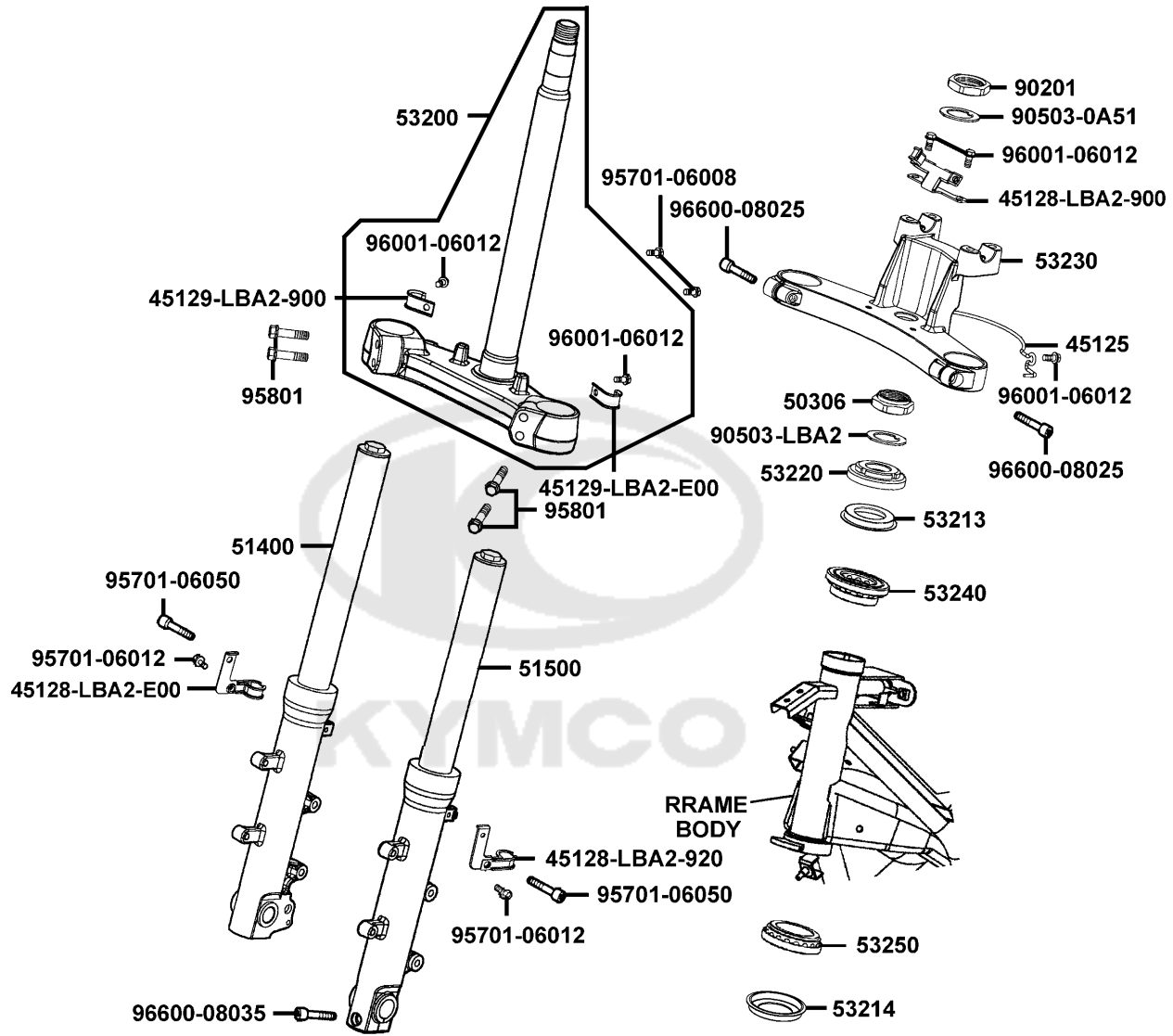




Sales mark	Ref no	Part no	Description	Reg description	Regd no	F05
	53182	53182-LDB2-E00	COVER HANDLE BRAKE	COVER HANDLE BRAKE	1	
**	61100	61100-LBA2-305	FENDER FR	FENDER FR	1	
	64222	64222-LLJ3-E00	RUBBER WIND SCREEN	RUBBER WIND SCREEN	2	
**	64302	64302-LBA2-E02	MOLDING FR	MOLDING FR	1	
**	64303	64303-LBA2-E00	GRID R FR MOLDING	GRID R FR MOLDING	1	
**	64304	64304-LBA2-E00	GRID L FR MOLDING	GRID L FR MOLDING	1	
**	64305	64305-LBA2-E00	SKIRT R SIDE	SKIRT R SIDE	1	
**	64306	64306-LBA2-E00	SKIRT L SIDE	SKIRT L SIDE	1	
**	64310	64310-LBA2-E00	FLOOR PANEL	FLOOR PANEL	1	
**	64311	64311-LBA2-E00	COVER R PILLION STEP	COVER R PILLION STEP	1	
**	64320	64320-LBA2-E00	MAT R FLOOR	MAT R FLOOR	1	
**	64330	64330-LBA2-E00	MAT L FLOOR	MAT L FLOOR	1	
**	64400	64400-LBA2-E00	COWL UNDER	COWL UNDER	1	
	70529	70529-6G57-671	GROM B SIDE PNL	GROM B SIDE PNL	1	
	75581	75581-6C73-001	SET SPG LOCK KEY	SET SPG LOCK KEY	1	
**	80151	80151-LBA2-E00	COVER CENTER	COVER CENTER	1	
**	81131	81131-LBA2-E01	LEG SHIELD	LEG SHIELD	1	
	81133	81133-LBA2-E00	CAP LEG SHIELD	CAP LEG SHIELD	1	
	81134	81134-KGBG-900	HOOK LUGGAGE	HOOK LUGGAGE	1	
	81135	81135-KGBG-900	STAY LUGGAGE HOOK	STAY LUGGAGE HOOK	1	

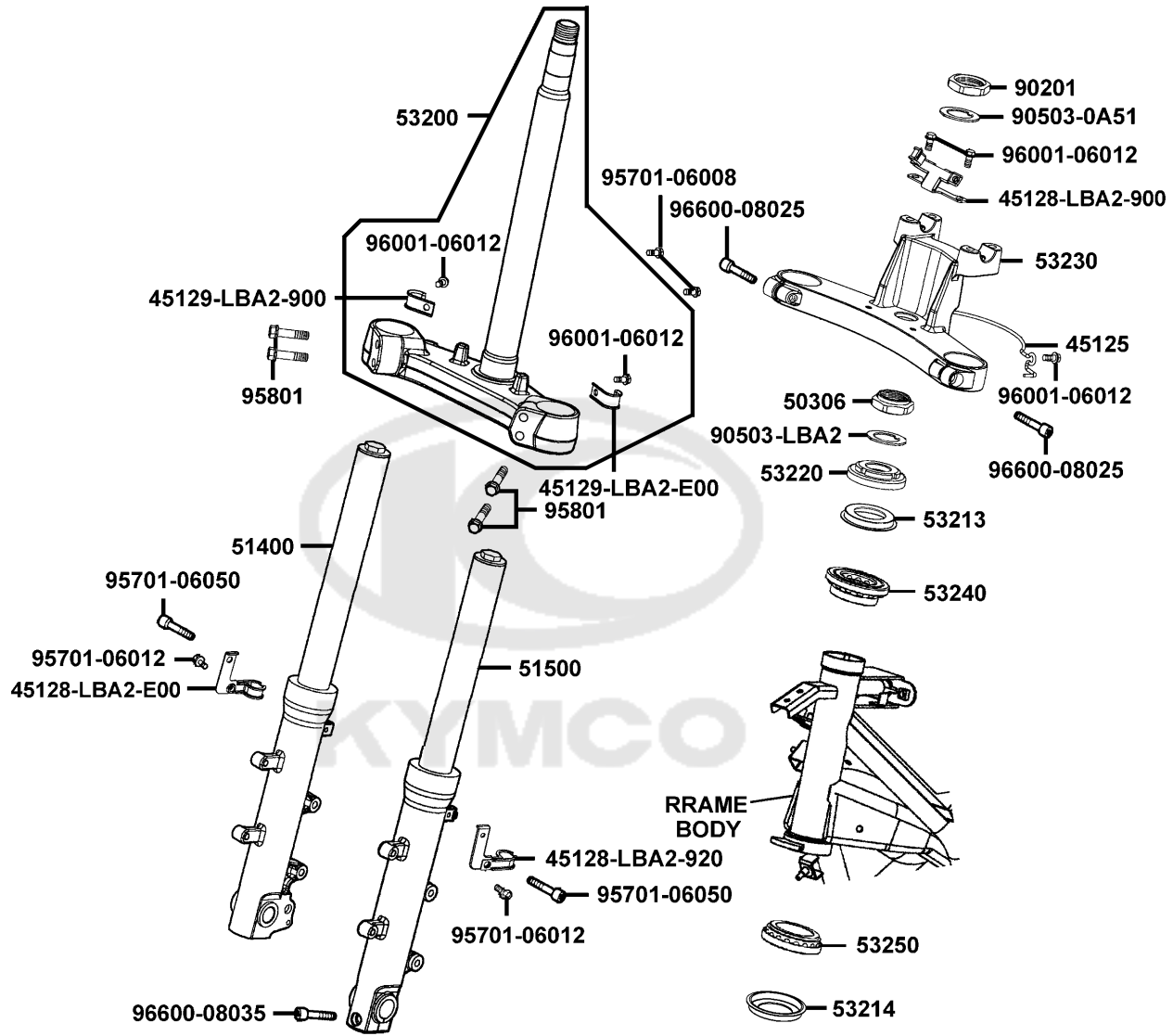


Sales mark	Ref no	Part no	Description	Reg description	Regd no	<b>F05</b>
	81142	81142-LBA2-E00	STAY LID INNER BOX	STAY LID INNER BOX	1	
	81146	81146-LBA2-E00	SEAL LID INNER BOX	SEAL LID INNER BOX	1	
**	8114A	8114A-LBA2-E00	LID ASSY INNER BOX	LID ASSY INNER BOX	1	
	83550	83550-KEC8-900	COLLAR	COLLAR	2	
	83551	83551-KEC8-900	GROMMET COVER	GROMMET COVER	2	
#	90105	90107-LEA7-E00	BOLT SPECIAL 8MM	BOLT SPECIAL 8MM	2	
	90111	90111-KED9-900	SCREW PAN 6*14	SCREW PAN 6*14	1	
	90164	90164-MDR4-901	SCREW SPECIAL 6MM	SCREW SPECIAL 6MM	1	
	90302	90302-SDA4-004	NUT SPRING 4MM	NUT SPRING 4MM	21	
	90305-GHK8	90305-GHK8-001	NUT CLIP 6MM	NUT CLIP 6MM	3	
	90305-LBA2	90305-LBA2-E00	NUT CLIP 6MM	NUT CLIP 6MM	2	
	90312	90312-LLJ3-E01	COLLAR WIND SCREEN	COLLAR WIND SCREEN	2	
	90683	90683-GAR1-004	CLIP BODY COVER	CLIP BODY COVER	6	
	93404-06016	93404-06016-06	BOLT WASHER 6*16	BOLT WASHER 6*16	8	
	93891	93891-05016-06	SCREW WASHER 5* 16	SCREW WASHER 5* 16	3	
	93903-34360	93903-34360	SCREW TAPPING 4*12 (G)	SCREW TAPPING 4*12	17	
	93903-GFY6	93903-GFY6-900	SCREW TAPPING 4*14	SCREW TAPPING 4*14	25	



Sales mark	Ref no	Part no	Description	Reg description	Regd no	<b>F06</b>
	45125	45125-LBA2-E00	CLIP BRK HOSE(TOP BRIDGE)	CLIP BRK HOSE(TOP BRIDGE)	1	
	45128-LBA2-900	45128-LBA2-900	CLAMPER FR BRK (TOP BRIDGE)	CLAMPER FR BRK (TOP BRIDGE)	1	
	45128-LBA2-920	45128-LBA2-920	CLAMPER FR BRK HOSE	CLAMPER FR BRK HOSE	1	
	45128-LBA2-E00	45128-LBA2-E00	CLAMPER FR BRK HOSE	CLAMPER FR BRK HOSE	1	
	45129-LBA2-900	45129-LBA2-900	CLAMPER FR BRK HOSE	CLAMPER FR BRK HOSE	1	
	45129-LBA2-E00	45129-LBA2-E00	CLAMPER FR BRK HOSE	CLAMPER FR BRK HOSE	1	
	50306	50306-1F96-001	NUT STRG STEM LOCK	NUT STRG STEM LOCK	1	
**	51400	51400-LDB2-E00	FORK ASSY R FR	FORK ASSY R FR	1	
**	51500	51500-LDB2-E00	FORK ASSY L FR	FORK ASSY L FR	1	
**	53200	53200-LBA2-E00	STEM COMP STRG	STEM COMP STRG	1	
	53213	53213-LBA2-E00	DUST SEAL STRG HEAD TOP	DUST SEAL STRG HEAD TOP	1	
	53214	53214-LBA2-E00	DUST SEAL STRG (HEAD)	DUST SEAL STRG (HEAD)	1	
	53220	53220-LBA2-E00	THREAD COMP STRG HEAD TOP	THREAD COMP STRG HEAD TOP	1	
	53230	53230-LBA2-E00	BRIDGE FORK TOP	BRIDGE FORK TOP	1	
	53250	53250-LBA2-E00	BEARING BOT STRG	BEARING BOT STRG	1	
	90201	90201-LBA2-E00	NUT STRG STEM	NUT STRG STEM	1	
	90503-0A51	90503-0A51-870	WASHER STEERING STEM NUT	WASHER STEERING STEM NUT	1	
	90503-LBA2	90503-LBA2-E00	WASHER STRG STEM NUT	WASHER STRG STEM NUT	1	
	95701-06008	95701-06008-06	BOLT FLANGE 6*8	BOLT FLANGE 6*8	2	
	95701-06012	95701-06012-00	BOLT FLANGE 6*12	BOLT FLANGE 6*12	2	





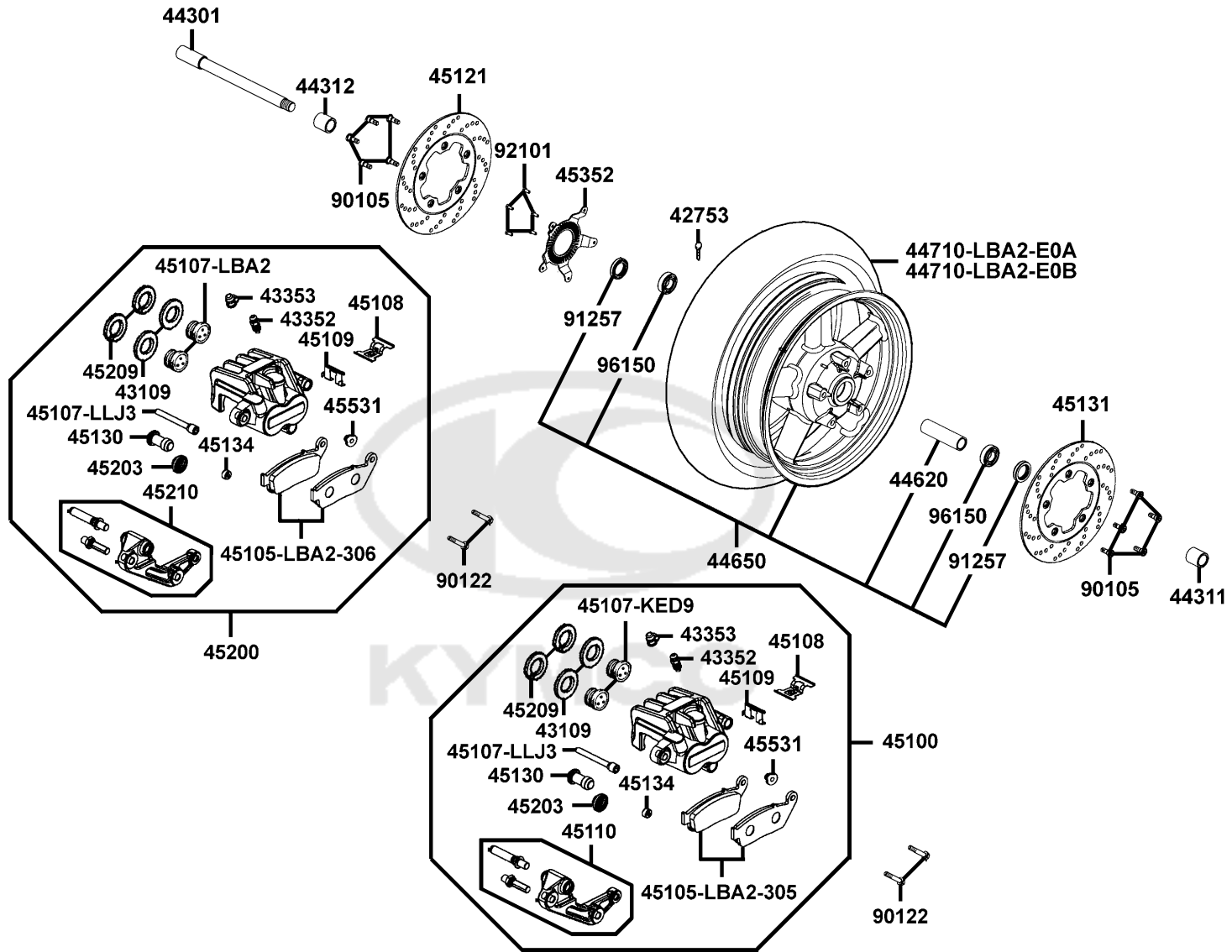
Sales mark	Ref no	Part no	Description	Reg description	Regd no	<b>F06</b>
------------	--------	---------	-------------	-----------------	---------	------------

95701-06050		95701-06050-00	BOLT FLANGE 6*50	BOLT FLANGE 6*50	2	
95801		95801-08040-08	BOLT FLANGE 8*40	BOLT FLANGE 8*40	4	
96001-06012		96001-06012-08	BOLT FLANGE 6*12	BOLT FLANGE 6*12	5	
96600-08025		96600-08025-06	SOCKET BOLT 8*25	SOCKET BOLT 8*25	2	
96600-08035		96600-08035-06	SOCKET BOLT 8*35	SOCKET BOLT 8*35	1	



F07

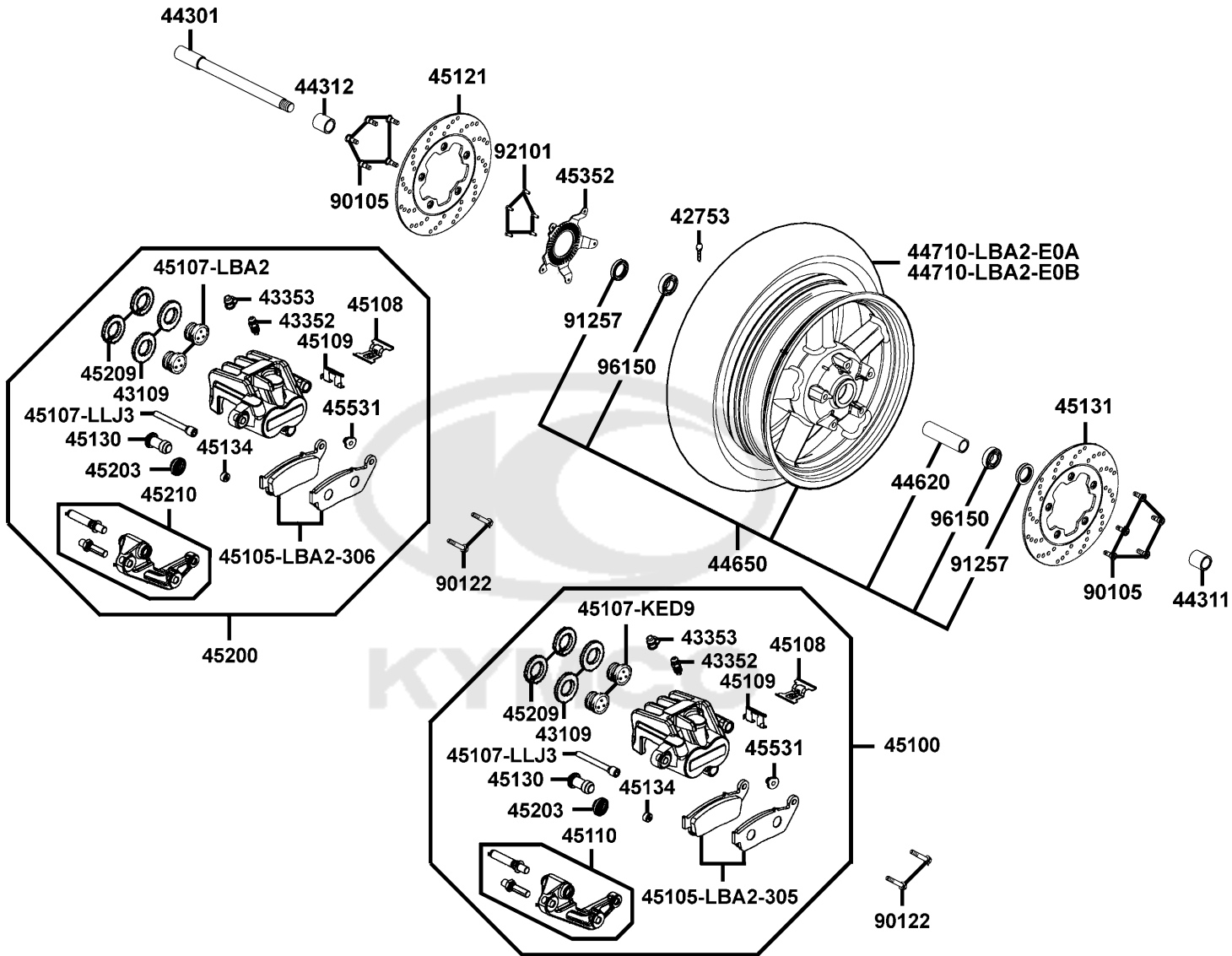
### Front Wheel



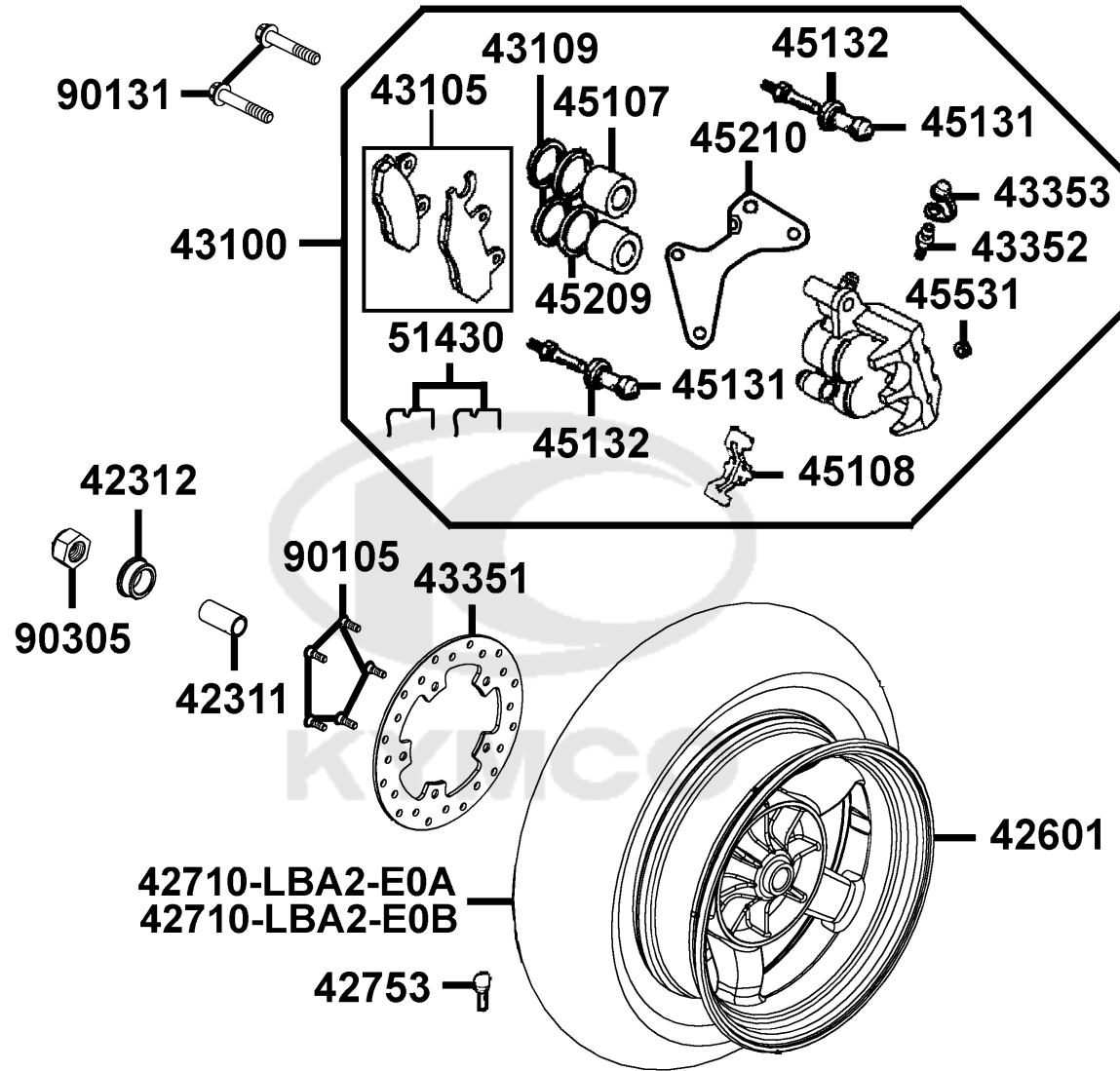
Sales mark	Ref no	Part no	Description	Reg description	Regd no	F07
	42753	42753-KNBN-90B	VALAE RIM (TR412)	VALAE RIM (TR412)	1	
	43109	43109-LBA2-E00	DUST SEAL	DUST SEAL	4	
	43353	43353-KED9-900	CAP BLEEDER	CAP BLEEDER	2	
#	43352	4335A-LBA2-E01	BLEEDER ASSY	BLEEDER ASSY	1	
	44301	44301-LBA2-E00	AXLE FR WHEEL	AXLE FR WHEEL	1	
	44311	44311-KED9-900	COLLAR FR WHEEL SIDE	COLLAR FR WHEEL SIDE	1	
	44312	44312-LBA2-E00	COLLAR FR WHEEL SIDE L	COLLAR FR WHEEL SIDE L	1	
	44620	44620-LBA2-E00	COLLAR FR AXLE DISTANCE	COLLAR FR AXLE DISTANCE	1	
**	44650	44650-LBA2-305	WHEEL SET FR	WHEEL SET FR	1	
	44710-LBA2-E0A	44710-LBA2-E0A	TIRE ASSY FR /MAXXIS	TIRE ASSY FR /MAXXIS	1	
	44710-LBA2-E0B	44710-LBA2-E0B	TIRE ASSY FR /KENDA	TIRE ASSY FR /KENDA	1	
**	45100	45100-LBA2-E01	CALIPER ASSY FR L	CALIPER ASSY FR L	1	
	45105-LBA2-305	45105-LBA2-305	PAD ASSY	PAD ASSY	1	
	45105-LBA2-306	45105-LBA2-306	PAD ASSY	PAD ASSY	1	
	45107-KED9	45107-KED9-900	PISTON	PISTON	2	
	45107-LBA2	45107-LBA2-E00	PISTON	PISTON	2	
	45107-LLJ3	45107-LLJ3-E90	PIN HANGE	PIN HANGE	2	
	45108	45108-KED9-900	SPRING PAD	SPRING PAD	2	
	45109	45109-KED9-900	SLIDE PAD	SLIDE PAD	2	
**	45110	45110-LBA2-305	BRACKET COMP FR	BRACKET COMP FR	1	

F07

# Front Wheel

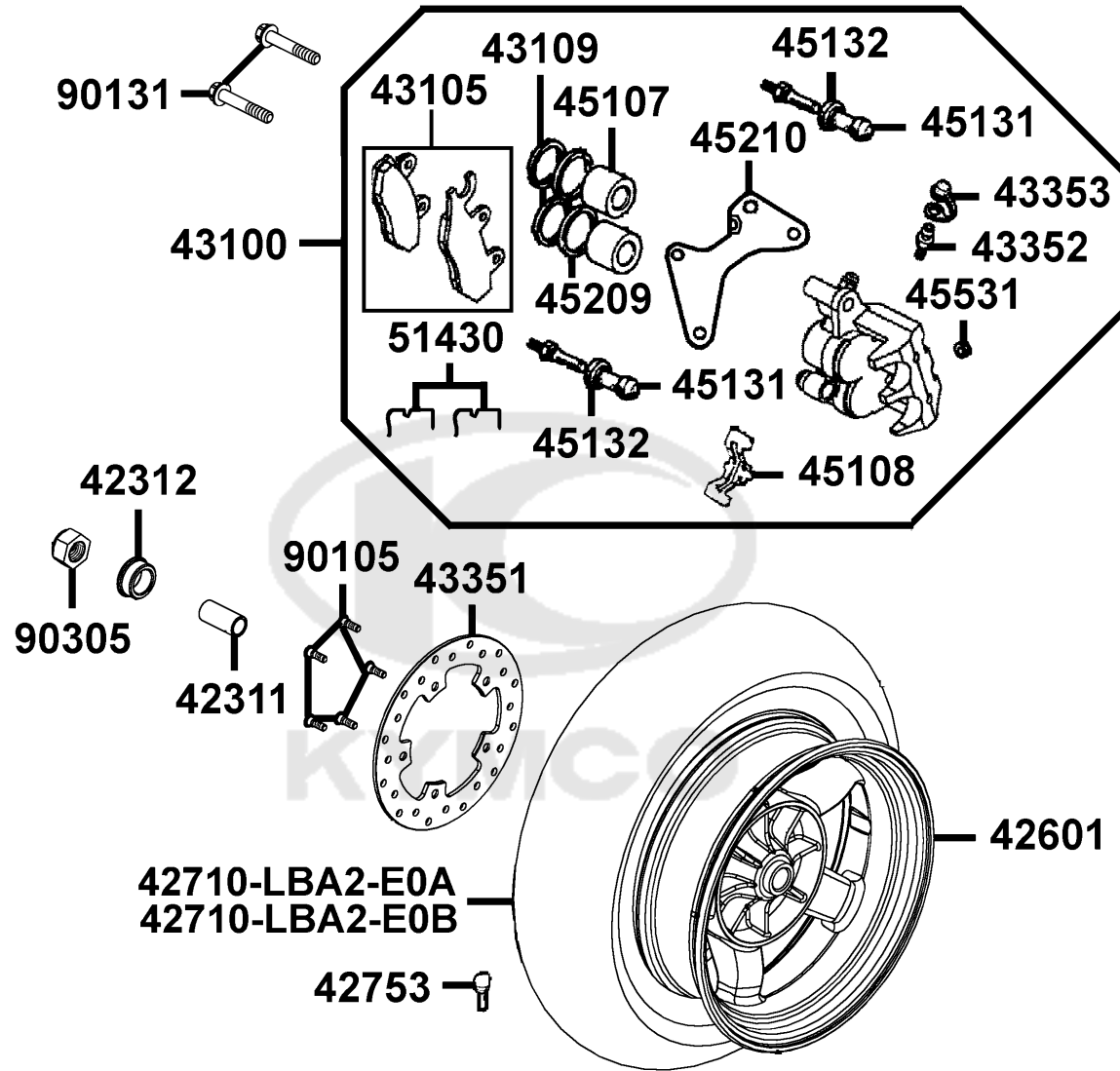


Sales mark	Ref no	Part no	Description	Reg description	Regd no	F07
	45121	45121-LDB2-E00	DISK FR BRK R	DISK FR BRK R	1	
	45130	45130-KED9-900	BUSH PIN	BUSH PIN	2	
	45131	45131-LDB2-E00	DISK FR BRK L	DISK FR BRK L	1	
	45134	45134-KED9-900	BOOT B	BOOT B	2	
**	45200	45200-LBA2-E00	CALIPER ASSY FR R	CALIPER ASSY FR R	1	
	45203	45203-KED9-900	PLUG PIN	PLUG PIN	2	
	45209	45209-LBA2-E00	SEAL PISTON	SEAL PISTON	4	
**	45210	45210-LBA2-305	BRACKET COMP FR	BRACKET COMP FR	1	
	45352	45352-LBA2-E00	READ PLATE ABS	READ PLATE ABS	1	
	45531	45531-KED9-900	PLUG	PLUG	2	
	90105	90105-KCR3-001	BOLT FR DISK 8*24	BOLT FR DISK 8*24	10	
	90122	90122-LBA2-E00	BOLT FLANGE 8*38	BOLT FLANGE 8*38	4	
	91257	91257-KED9-900	DUST SEAL 28*42*8	DUST SEAL 28*42*8	2	
	92101	92101-05012-0A	BOLT HEX 5*12	BOLT HEX 5*12	5	
	96150	96150-60040-10	BEARING BALL RADIAL 6004	BEARING BALL RADIAL 6004	2	



Sales mark	Ref no	Part no	Description	Reg description	Regd no	F08
	42311	42311-LDB2-E00	COLLAR RR AXLE A	COLLAR RR AXLE A	1	
	42312	42312-KHE7-E00	COLLAR RR AXLE SIDE	COLLAR RR AXLE SIDE	1	
**	42601	42601-LDB2-E00	WHEEL RR CAST	WHEEL RR CAST	1	
	42710-LBA2-E0A	42710-LBA2-E0A	TIRE ASSY RR /MAXXIS	TIRE ASSY RR /MAXXIS	1	
	42710-LBA2-E0B	42710-LBA2-E0B	TIRE ASSY RR /KENDA	TIRE ASSY RR /KENDA	1	
	42753	42753-KNBN-90B	VALAE RIM (TR412)	VALAE RIM (TR412)	1	
**	43100	43100-LDF2-E00	CALIPER ASSY RR	CALIPER ASSY RR	1	
#	43105	43105-LDH1-305	PAD SET	PAD SET	1	
	43109	43109-MCA3-007	SEAL PISTON	SEAL PISTON	2	
	43351	43351-LBA2-E00	DISK RR BRAKE	DISK RR BRAKE	1	
#	43352	43352-KKD6-E90	SCREW BLEEDER	SCREW BLEEDER	1	
	43353	43353-4A61-77A	CAP BLEEDER	CAP BLEEDER	1	
	45107	45107-LLJ3-E00	PISTON	PISTON	2	
	45108	45108-LDH1-E00	SPRING PAD	SPRING PAD	1	
	45131	45131-LDH1-E00	PIN BOLT	PIN BOLT	2	
	45132	45132-LDH1-E00	BUSH BOOT PIN	BUSH BOOT PIN	2	
	45209	45209-KED9-900	DUST SEAL	DUST SEAL	2	
**	45210	45210-LDF2-E00	BRACKET FR CALIPER	BRACKET FR CALIPER	1	
	45531	45531-GAR1-951	PLUG	PLUG	1	
	51430	51430-LDH1-E00	SLIDE PAD	SLIDE PAD	2	

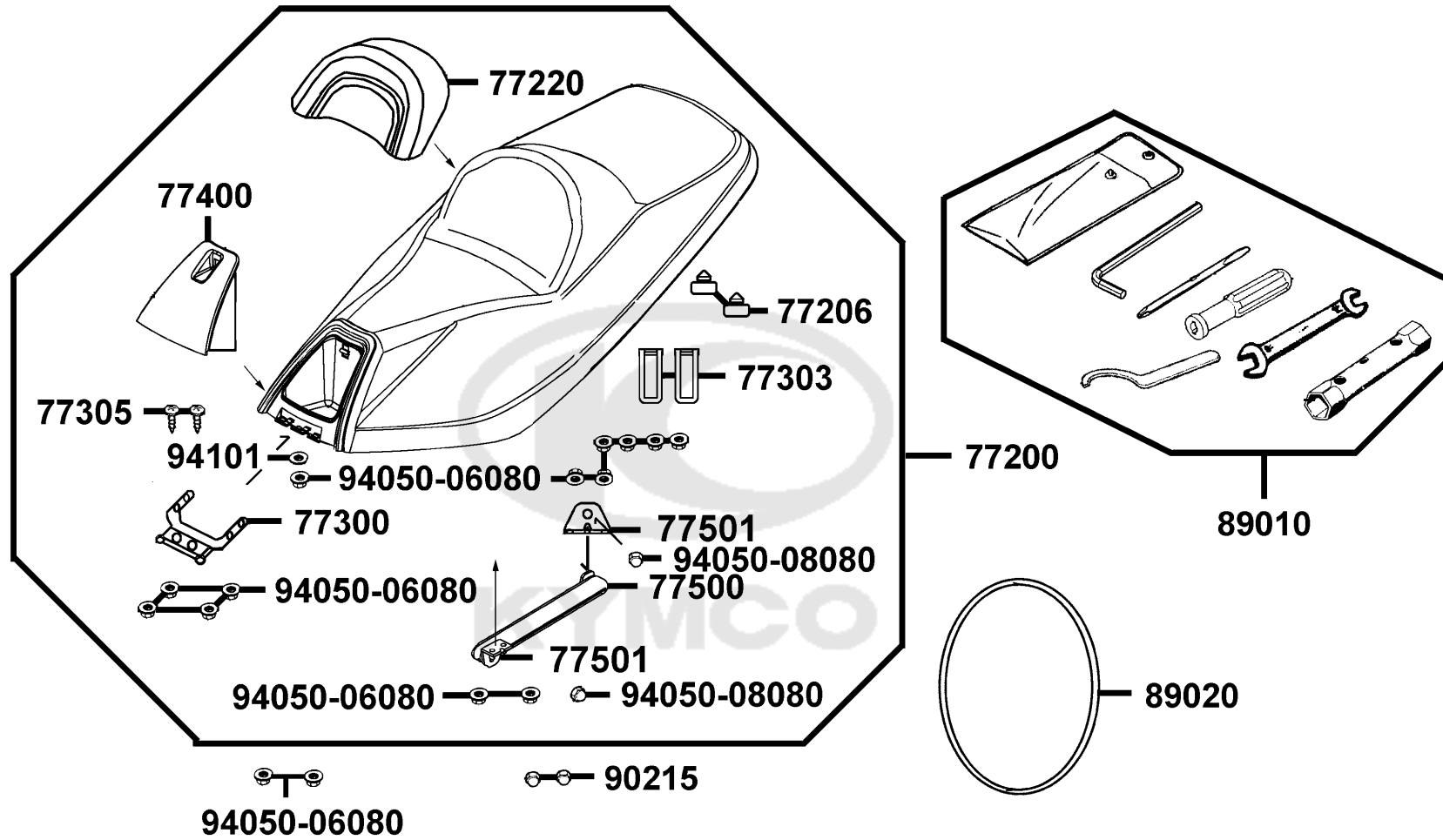




Sales mark	Ref no	Part no	Description	Reg description	Regd no	<b>F08</b>
------------	--------	---------	-------------	-----------------	---------	------------

90105		90105-KCR3-001	BOLT FR DISK 8*24	BOLT FR DISK 8*24	5	
90131		90131-LDB2-E00	BOLT FLANGE 8*42	BOLT FLANGE 8*42	2	
90305		90305-KKAK-900	NUT U 16MM	NUT U 16MM	1	

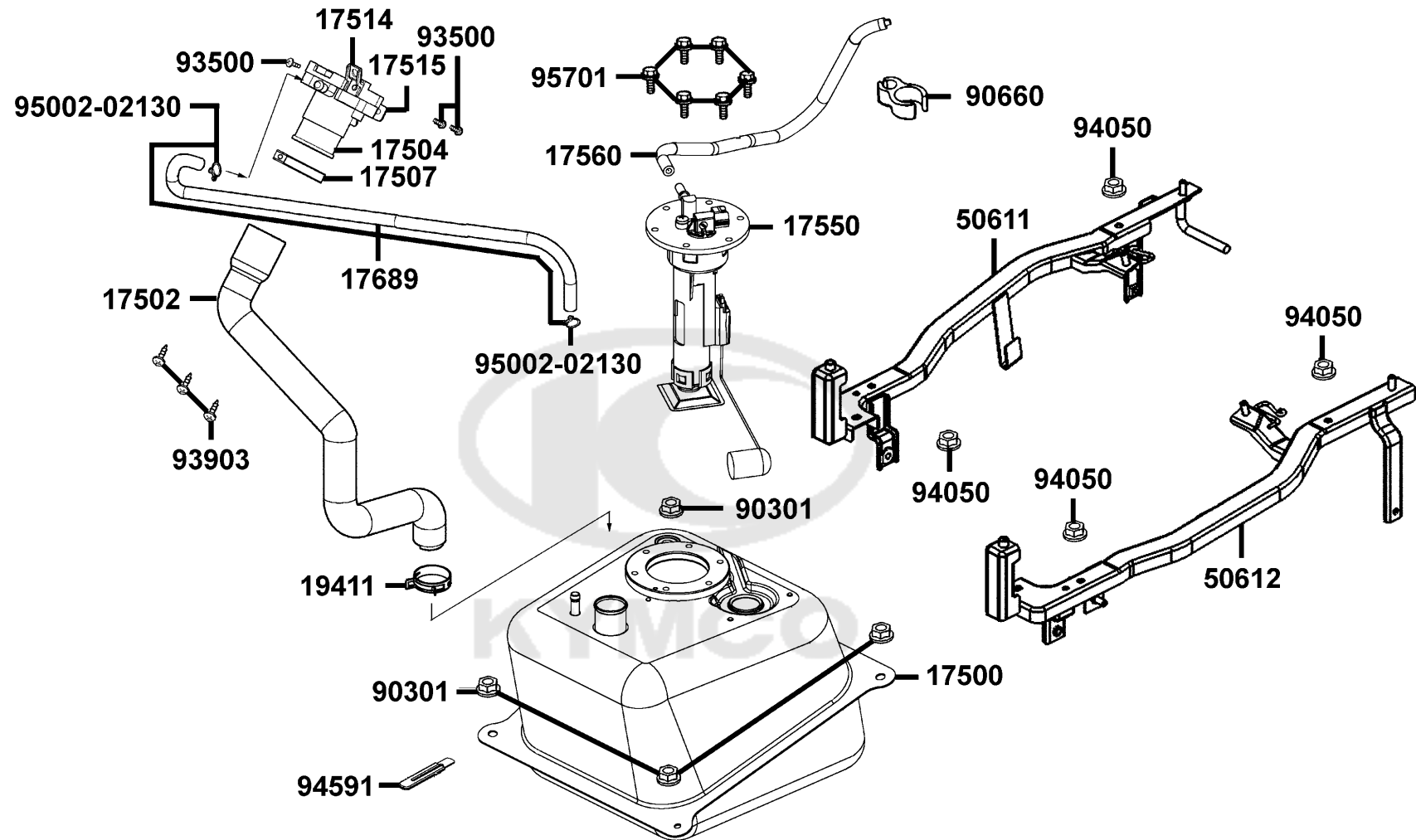




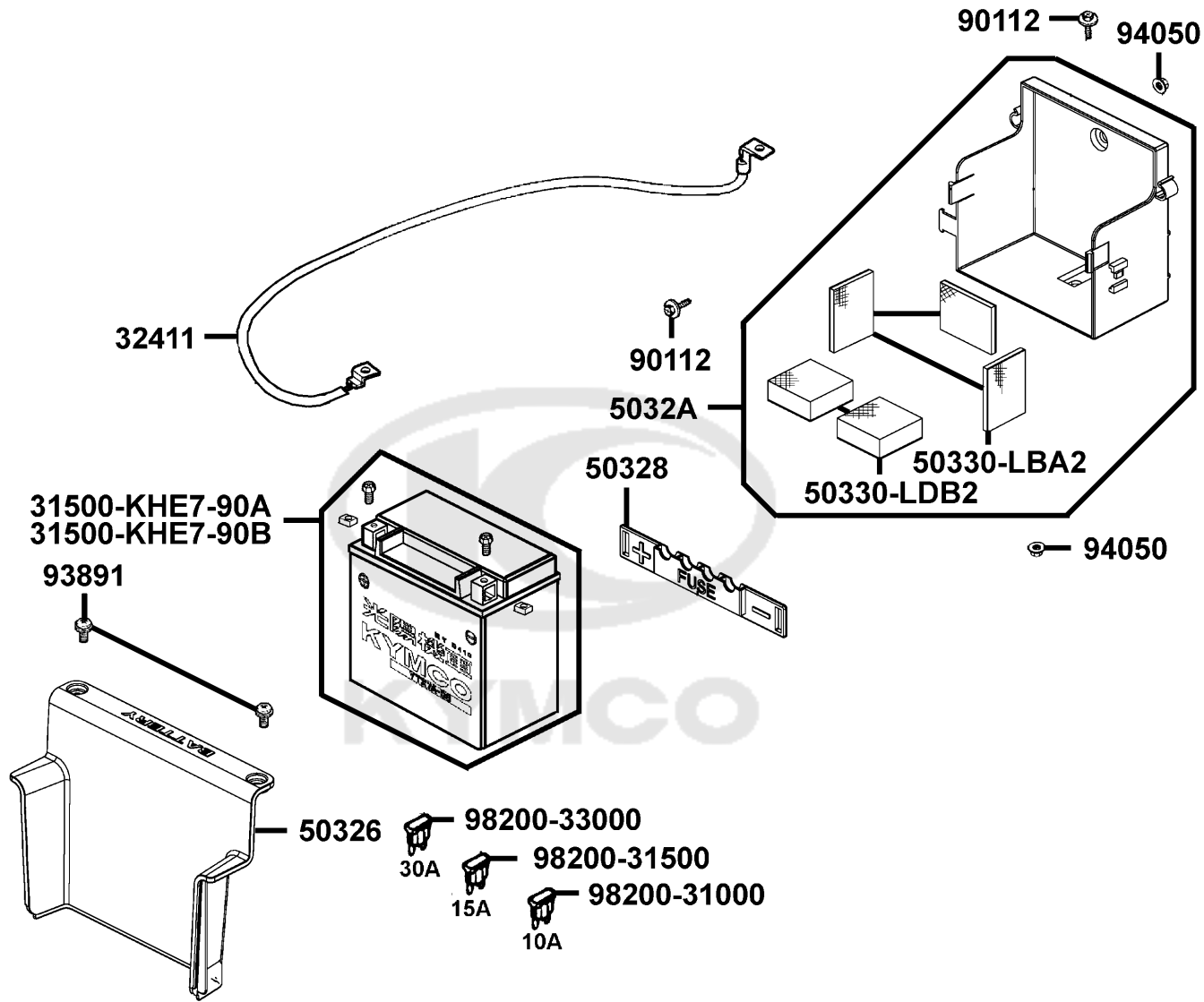
Sales mark	Ref no	Part no	Description	Reg description	Regd no	<b>F09</b>
**	77200	77200-LDG7-E00	SEAT ASSY	SEAT ASSY	1	
	77206	77206-KEB7-900	RUBBER SEAT CUSH	RUBBER SEAT CUSH	2	
**	77220	77220-LDG7-E00	SEAT ASSY PAD	SEAT ASSY PAD	1	
	77300	77300-LBA2-E00	HINGE ASSY SEAT	HINGE ASSY SEAT	1	
	77303	77303-LLJ3-E00	HOOK SEAT LOCK	HOOK SEAT LOCK	2	
	77305	77305-LDG7-E00	SCREW RIVENT	SCREW RIVENT	2	
	77400	77400-LBA2-E00	BOX ASSY SEAT	BOX ASSY SEAT	1	
	77500	77500-LBA2-E00	DAMPER GAS	DAMPER GAS	1	
	77501	77501-LBA2-E00	STAY GAS DAMPER	STAY GAS DAMPER	2	
	89010	89010-LDB2-E00	TOOL SET	TOOL SET	1	
	89020	89020-KKC4-900	BAND TOOL SET	BAND TOOL SET	1	
	90215	90215-KKC4-900	NUT CAP 6MM	NUT CAP 6MM	2	
	94050-06080	94050-06080	NUT FLANGE 6MM	NUT FLANGE 6MM	15	
	94050-08080	94050-08080	NUT FLANGE 8MM	NUT FLANGE 8MM	2	
	94101	94101-06800	WASHER PLAIN 6MM	WASHER PLAIN 6MM	1	

F10

Fuel Tank

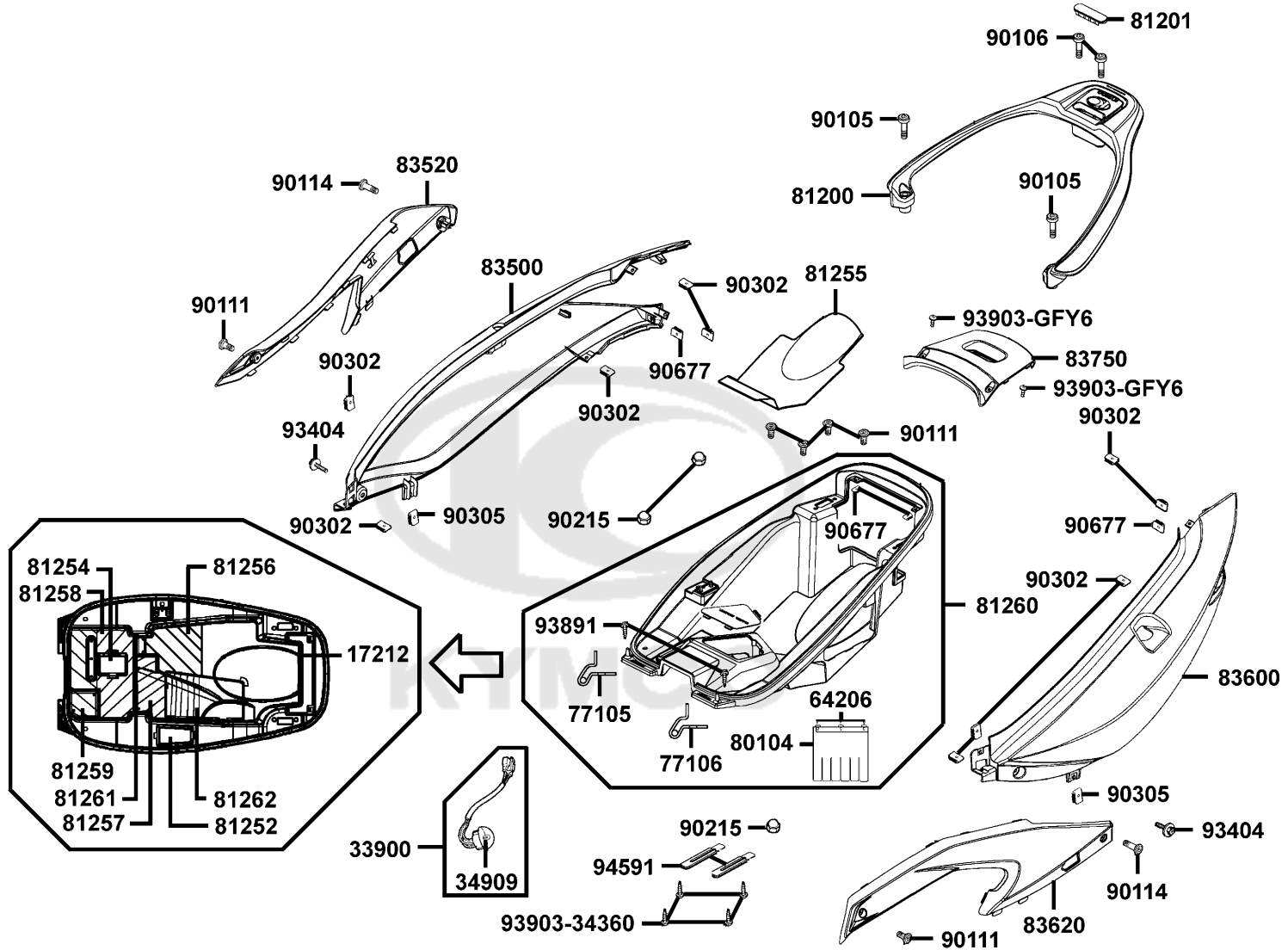


Sales mark	Ref no	Part no	Description	Reg description	Regd no	F10
	17500	17500-LDF2-910	TANK COMP FUEL	TANK COMP FUEL	1	
	17502	17502-LBA2-E00	TUBE FUEL	TUBE FUEL	1	
	17504	17504-LAB4-900	FUEL FILLER	FUEL FILLER	1	
	17507	17507-LAB4-900	BAND 50 FUEL HOSE	BAND 50 FUEL HOSE	1	
	17514	17514-LBA2-E00	STAY A FUEL FILLER	STAY A FUEL FILLER	1	
	17515	17515-LBA2-E00	STAY B FUEL FILLER	STAY B FUEL FILLER	1	
	17550	17550-LDF2-800	FUEL PUMP ASSY	FUEL PUMP ASSY	1	
	17560	17560-LDF2-900	TUBE PUMP INJECTOR	TUBE PUMP INJECTOR	1	
	17689	17689-KEBE-E00	TUBE ASSY TANK-FILLER	TUBE ASSY TANK-FILLER	1	
	19411	19411-KBCB-900	CLIP HOSE	CLIP HOSE	1	
	50611	50611-LDF2-900	RNFCT R COMP FLOOR	RNFCT R COMP FLOOR	1	
	50612	50612-LDF2-900	RNFCT L COMP FLOOR	RNFCT L COMP FLOOR	1	
	90301	90301-6D34-671	NUT FLANGE 6MM	NUT FLANGE 6MM	4	
	90660	90660-KNBN-921	CLAMP TUBE	CLAMP TUBE	1	
	93500	93500-04008-0G	SCREW PAN 4*8	SCREW PAN 4*8	3	
	93903	93903-35260	SCREW TAPPING 5*12	SCREW TAPPING 5*12	3	
	94050	94050-06080	NUT FLANGE 6MM	NUT FLANGE 6MM	4	
	94591	94591-KFBF-900	CLIP 2*70	CLIP 2*70	1	
	95002-02130	95002-02130	CLIP B12.5 TUBE	CLIP B12.5 TUBE	2	
	95701	95701-LDF2-800	BOLT FLANGE 5*6.5	BOLT FLANGE 5*6.5	6	

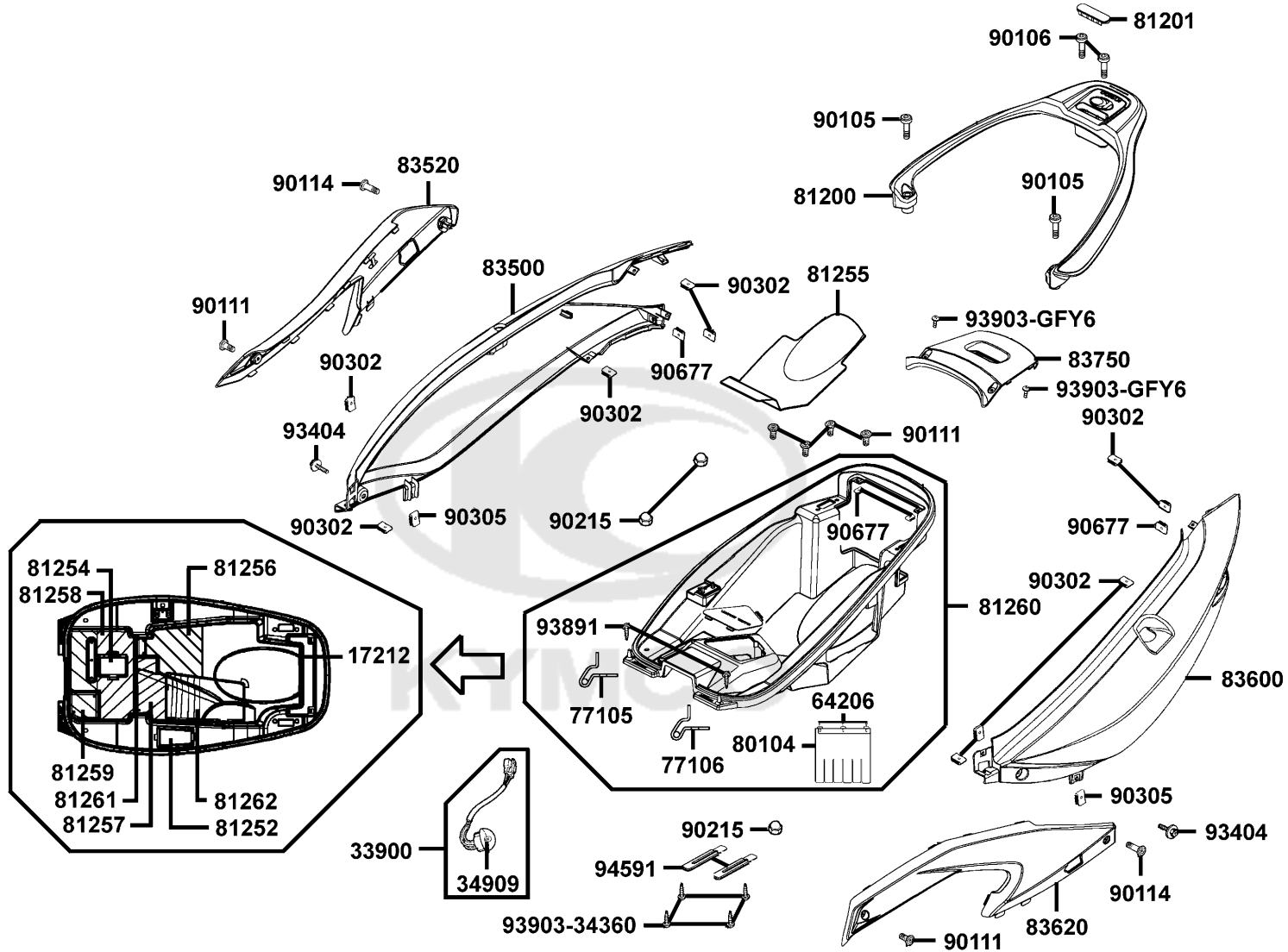


Sales mark	Ref no	Part no	Description	Reg description	Regd no	F11
	31500-KHE7-90A	31500-KHE7-90A	BATTERY YTX12-BS	BATTERY YTX12-BS	1	
	31500-KHE7-90B	31500-KHE7-90B	BATTERY GTX12-BS	BATTERY GTX12-BS	1	
	32411	32411-LBA2-E00	CABLE BATTERY	CABLE BATTERY	1	
	50326	50326-LBA2-E00	COVER BATTERY	COVER BATTERY	1	
	50328	50328-LBA2-E00	BAND BATTERY	BAND BATTERY	1	
	5032A	5032A-LDB2-E00	CASE ASSY BATTERY	CASE ASSY BATTERY	1	
	50330-LBA2	50330-LBA2-E00	SPONGE BATTERY	SPONGE BATTERY	3	
	50330-LDB2	50330-LDB2-E00	SPONGE BATTERY	SPONGE BATTERY	2	
	90112	90112-KNBN-901	BOLT FLANGE 6MM	BOLT FLANGE 6MM	2	
	93891	93891-05016-06	SCREW WASHER 5* 16	SCREW WASHER 5* 16	2	
	94050	94050-06080	NUT FLANGE 6MM	NUT FLANGE 6MM	2	
	98200-31000	98200-31000	BLADE FUSE 10A	BLADE FUSE 10A	1	
	98200-31500	98200-31500	BLADE FUSE 15A	BLADE FUSE 15A	1	
	98200-33000	98200-33000	BLADE FUSE 30A	BLADE FUSE 30A	1	

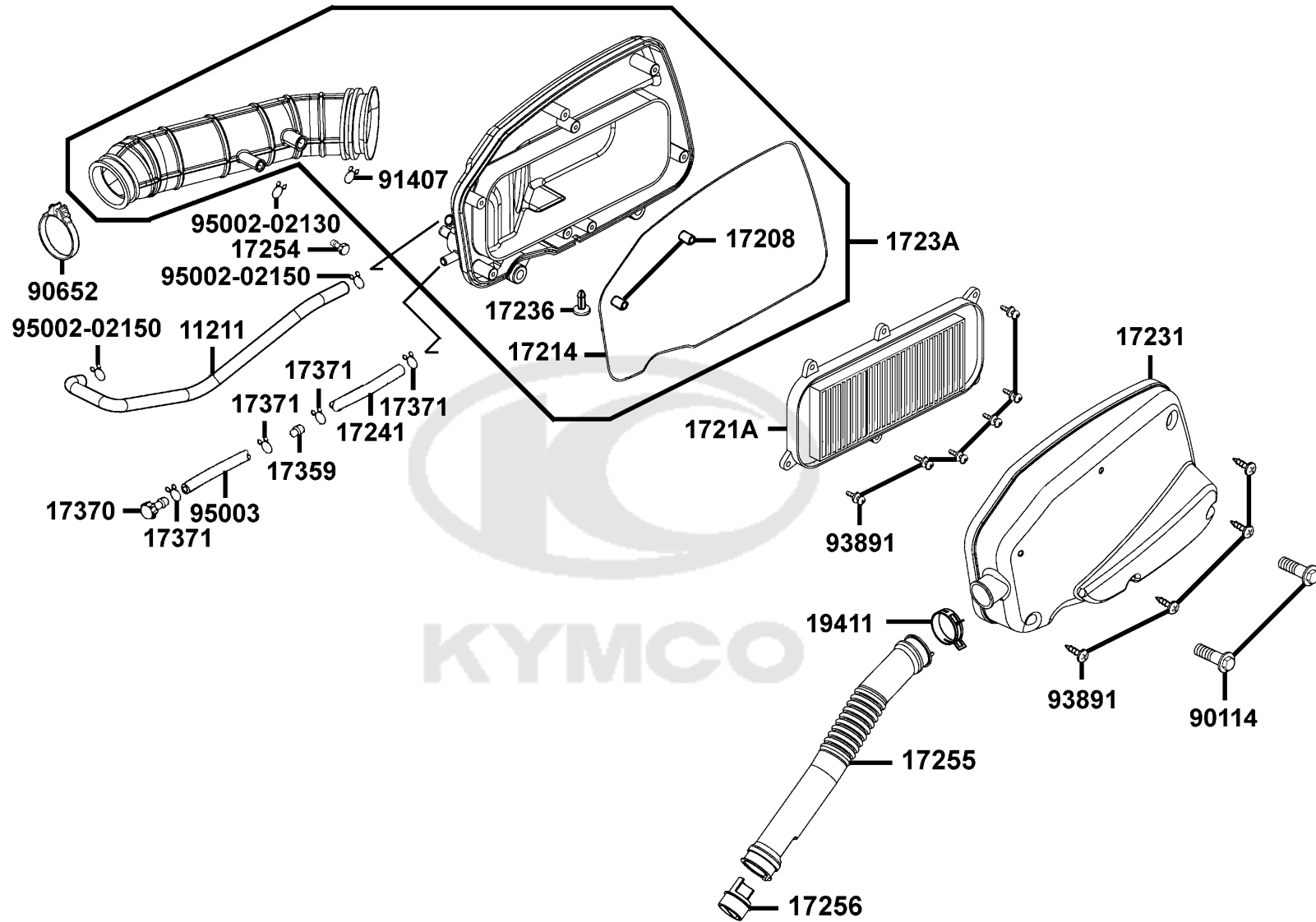




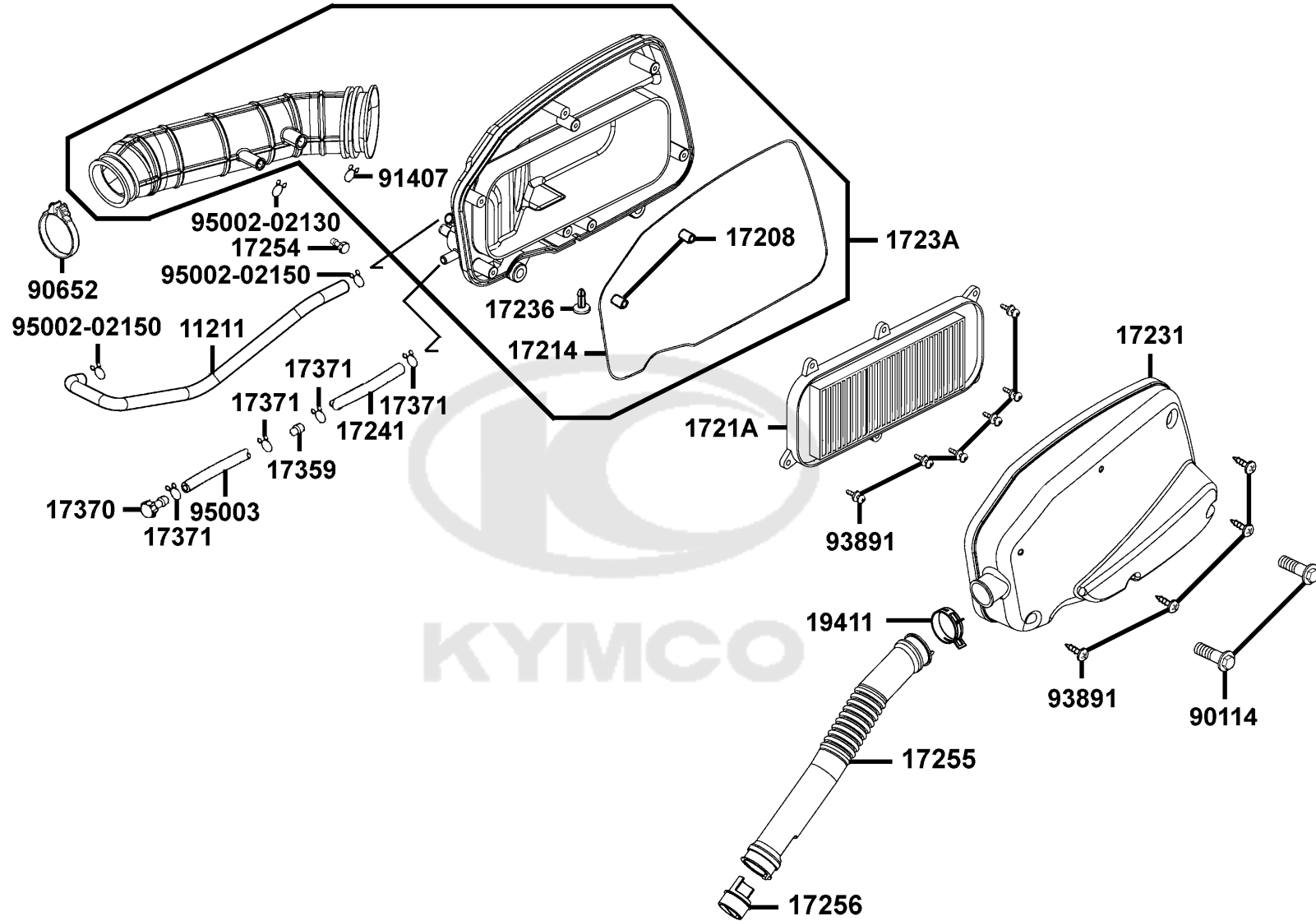
Sales mark	Ref no	Part no	Description	Reg description	Regd no	F12
	17212	17212-LDB2-E00	SAEL C LUGGAGE BOX	SAEL C LUGGAGE BOX	1	
	33900	33900-KFBF-900	LIGHT ASSY LUGGAGE BOX	LIGHT ASSY LUGGAGE BOX	1	
	34909	34909-KFBF-900	BULB WEDGE BASE	BULB WEDGE BASE	1	
	64206	64206-MLJ0-001	NUT SPEED 4MM	NUT SPEED 4MM	3	
	77105	77105-GFS6-001	HOOK R HELMET	HOOK R HELMET	1	
	77106	77106-GFS6-001	HOOK L HELMET	HOOK L HELMET	1	
	80104	80104-LDB2-E00	PLATE C SPLASH GUARD	PLATE C SPLASH GUARD	1	
**	81200	81200-LBA2-E00	CARRIER RR	CARRIER RR	1	
	81201	81201-LBA2-E00	PLUG BAR RR CARRIER	PLUG BAR RR CARRIER	1	
	81252	81252-LDB2-E00	COVER SEAT CABLE MAINT	COVER SEAT CABLE MAINT	1	
	81254	81254-LDB2-E00	COVER CARB MAINT	COVER CARB MAINT	1	
	81255	81255-LDB2-E00	BAG LUGGAGE	BAG LUGGAGE	1	
	81256	81256-LDB2-E00	HEAT GUARD A LUGGAGE BOX	HEAT GUARD A LUGGAGE BOX	1	
	81257	81257-LDB2-E00	HEAT GUARD B LUGGAGE BOX	HEAT GUARD B LUGGAGE BOX	1	
	81258	81258-LDB2-E00	HEAT GUARD C LUGGAGE BOX	HEAT GUARD C LUGGAGE BOX	1	
	81259	81259-LDB2-E00	HEAT GUARD D LUGGAGE BOX	HEAT GUARD D LUGGAGE BOX	1	
	81260	81260-LDB2-E00	BOX ASSY LUGGAGE	BOX ASSY LUGGAGE	1	
	81261	81261-LDB2-E00	HEAT GUARD E LUGGAGE BOX	HEAT GUARD E LUGGAGE BOX	1	
	81262	81262-LDB2-E00	HEAT GUARD F LUGGAGE BOX	HEAT GUARD F LUGGAGE BOX	1	
**	83500	83500-LBA2-E00	COVER R BODY	COVER R BODY	1	



Sales mark	Ref no	Part no	Description	Reg description	Regd no	F12
**	83520	83520-LBA2-E00	COVER R SIDE	COVER R SIDE	1	
**	83600	83600-LBA2-E00	COVER L BODY	COVER L BODY	1	
**	83620	83620-LBA2-E00	COVER L SIDE	COVER L SIDE	1	
**	83750	83750-LBA2-E00	COVER RR CENTER	COVER RR CENTER	1	
	90105	90105-KHB4-900	BOLT WASH M8*60	BOLT WASH M8*60	2	
	90106	90106-KFA6-900	BOLT WASH 8MM	BOLT WASH 8MM	2	
	90111	90111-KED9-900	SCREW PAN 6*14	SCREW PAN 6*14	6	
	90114	90114-LBA2-E00	SCREW PAN 6*30	SCREW PAN 6*30	2	
	90215	90215-KKC4-900	NUT CAP 6MM	NUT CAP 6MM	3	
	90302	90302-SDA4-004	NUT SPRING 4MM	NUT SPRING 4MM	10	
	90305	90305-GHK8-001	NUT CLIP 6MM	NUT CLIP 6MM	2	
	90677	90677-GAR1-004	NUT CLIP 5MM	NUT CLIP 5MM	4	
	93404	93404-06016-06	BOLT WASHER 6*16	BOLT WASHER 6*16	2	
	93891	93891-06010-07	SCREW WASHER 6*10	SCREW WASHER 6*10	2	
	93903-34360	93903-34360	SCREW TAPPING 4*12 (G)	SCREW TAPPING 4*12	4	
	93903-GFY6	93903-GFY6-900	SCREW TAPPING 4*14	SCREW TAPPING 4*14	2	
	94591	94591-27000	CLIP 2*70	CLIP 2*70	2	



Sales mark	Ref no	Part no	Description	Reg description	Regd no	<b>F13</b>
11211		11211-KKC4-900	TUBE BREATHER	TUBE BREATHER	1	
17208		17208-GAR1-011	COLLAR AIR/C SET	COLLAR AIR/C SET	2	
17214		17214-LDB2-E00	SEAL CASE	SEAL CASE	1	
1721A		1721A-KKC3-900	ELEMENT ASSY AIR/C	ELEMENT ASSY AIR/C	1	
17231		17231-LFG2-E00	COVER COMP AIR/C	COVER COMP AIR/C	1	
17236		17236-KFBF-910	PLATE AIR/C CASE	PLATE	1	
1723A		1723A-LFG2-E00	CASE ASSY AIR/C	CASE ASSY AIR/C	1	
17241		17241-LDF2-900	TUBE AIR/C COLLECT	TUBE AIR/C COLLECT	1	
17254		17254-KACA-P00	PLUG AIR/C CONN TUBE	JOINT PURGE TUBE	1	
17255		17255-LDB2-E00	DUCT COMP	DUCT COMP	1	
17256		17256-LDB2-E00	PLUG AIR/C DUCT	PLUG AIR/C DUCT	1	
17359		17359-4K19-671	JOINT BREATHER TUBE	JOINT BREATHER TUBE	1	
17370		17370-4K19-701	PLUG BREATHER TUBE	PLUG BREATHER TUBE	1	
17371		17371-1D74-671	CLIP BREATHER TUBE	CLIP BREATHER TUBE	4	
19411		19411-KHC4-900	CLIP HOSE	CLIP HOSE	1	
90114		90114-GDM4-011	BOLT FLANGE SH 6*28	BOLT FLANGE SH 6*28	2	
90652		90652-KHE7-900	BAND CONNECTING TUBE	BAND CONNECTING TUBE	1	
91407		91407-SGA7-004	CLAMP 17 FUSE HOSE	CLAMP 17 FUSE HOSE	1	
93891		93891-05016-00	SCREW WASHER 5*16	SCREW WASHER 5*16	10	
95002-02130		95002-02130	CLIP B12.5 TUBE	CLIP B12.5 TUBE	1	



KYMC

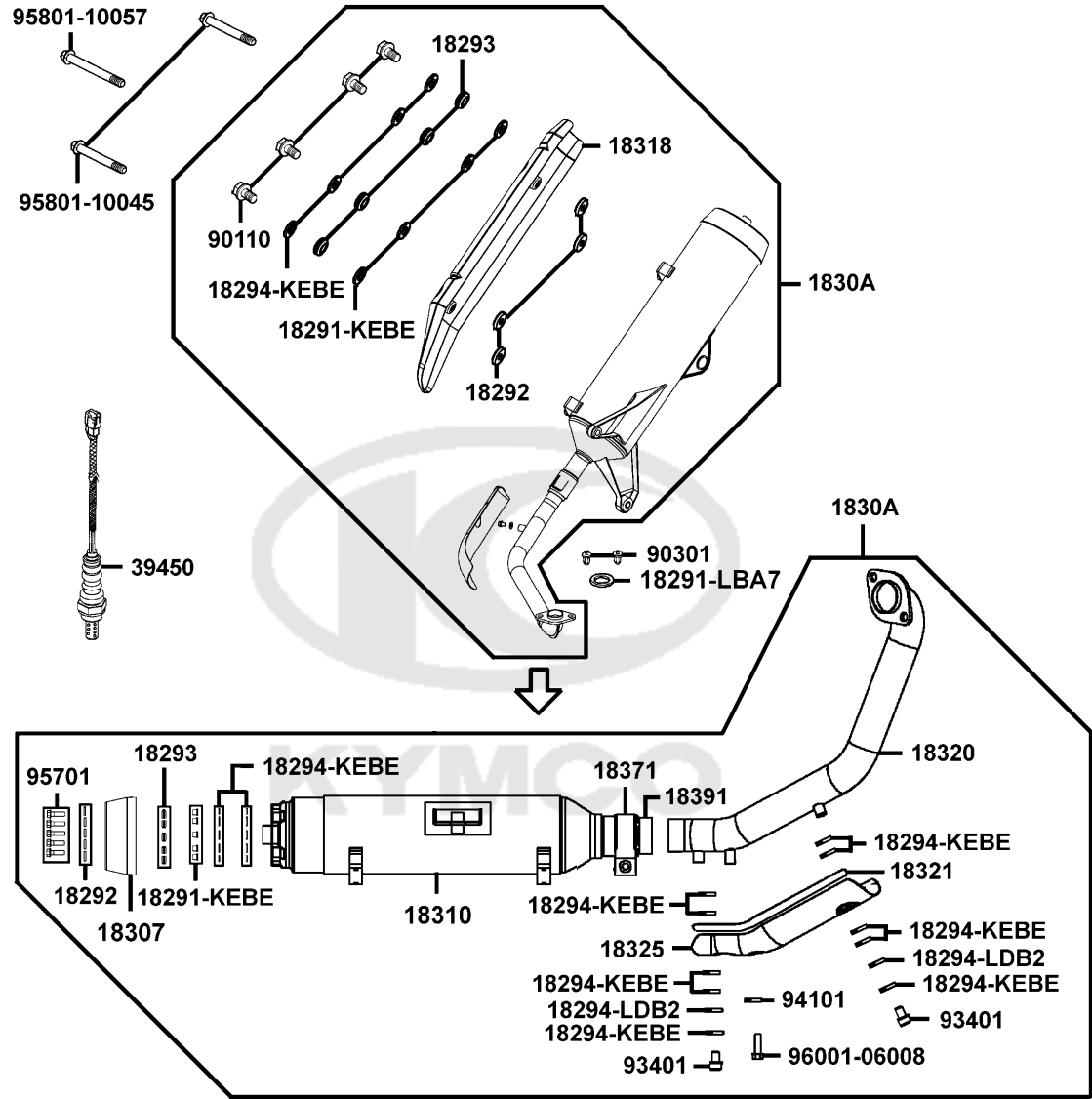
Sales mark	Ref no	Part no	Description	Reg description	Regd no	<b>F13</b>
------------	--------	---------	-------------	-----------------	---------	------------

95002-02150	95002-02150	95002-02150	CLIP B14.5 TUBE	CLIP B14.5 TUBE	2	
95003		95003-23024-60	V TUBE 8*12*240	V TUBE 8*12*240	1	



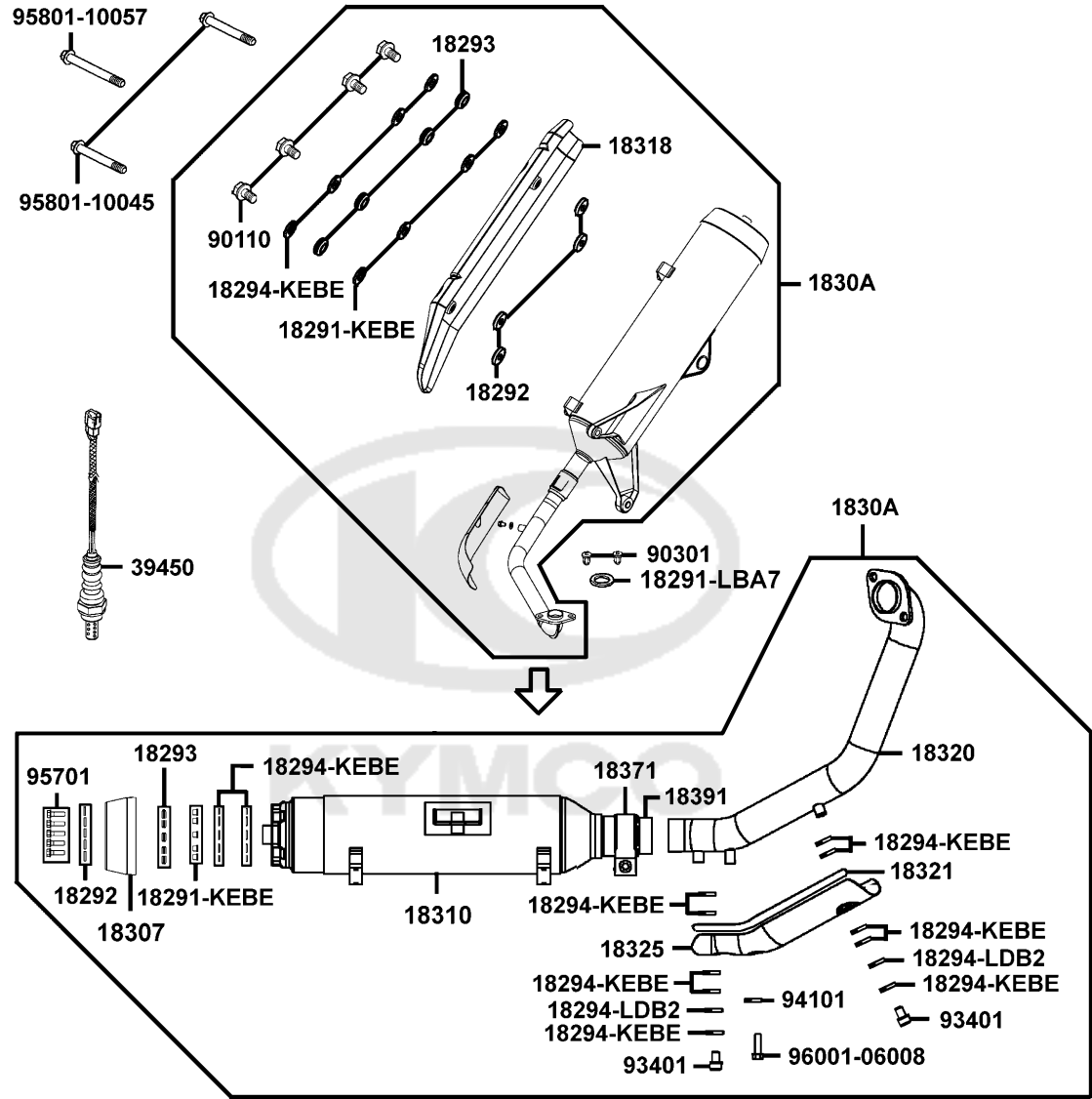


Exhaust Muffler



Sales mark	Ref no	Part no	Description	Reg description	Regd no	F14
	18291-KEBE	18291-KEBE-900	COLLAR	COLLAR	9	
	18291-LBA7	18291-LBA7-900	GASKET EXH PIPE	GASKET EXH PIPE	1	
	18292	18292-KEBE-900	PACKING PROTECTOR	PACKING PROTECTOR	9	
	18293	18293-KEBE-900	RUBBER PKG PROTR	RUBBER PKG PROTR	9	
	18294-KEBE	18294-KEBE-900	PACKING PROTECTOR	PACKING PROTECTOR	24	
	18294-LDB2	18294-LDB2-900	PACKING INNER PROTECTOR	PACKING INNER PROTECTOR	2	
**	18307	18307-LDB2-E00	TAIL CAP MUFFLER	TAIL CAP MUFFLER	1	
**	1830A	1830A-LFG2-E00	MUFFLER ASSY EXH	MUFFLER ASSY EXH	1	
	18310	18310-LFG2-E00	MUFFLER COMP EXH	MUFFLER COMP EXH	1	
**	18318	18318-LBA2-E01	PROTECTOR MUFFLER	PROTECTOR MUFFLER	1	
	18320	18320-LFG2-E00	PIPE EXHAUST	PIPE EXHAUST	1	
	18321	18321-LDB2-900	INNER PROTECTOR EXE PIPE	INNER PROTECTOR EXE PIPE	1	
**	18325	18325-LDB2-900	PROTECTOR EXH PIPE	PROTECTOR EXH PIPE	1	
	18371	18371-LDB2-E00	BAND MUFFLER	BAND MUFFLER	1	
	18391	18391-LDB2-E00	GASKET	GASKET	1	
	39450	39450-LDF2-800	O2 SENSOR	O2 SENSOR	1	
	90110	90110-KEBE-900	SCREW SPECIAL 6*22	SCREW SPECIAL 6*22	4	
	90301	90301-GFY6-901	NUT (HEX) CAP 8MM	NUT (HEX) CAP 8MM	2	
	93401	93401-LDB2-900	BOLT WASHER 6*26	BOLT WASHER 6*26	2	
	94101	94101-06700	WASHER PLAIN 6MM	WASHER PLAIN 6MM	1	

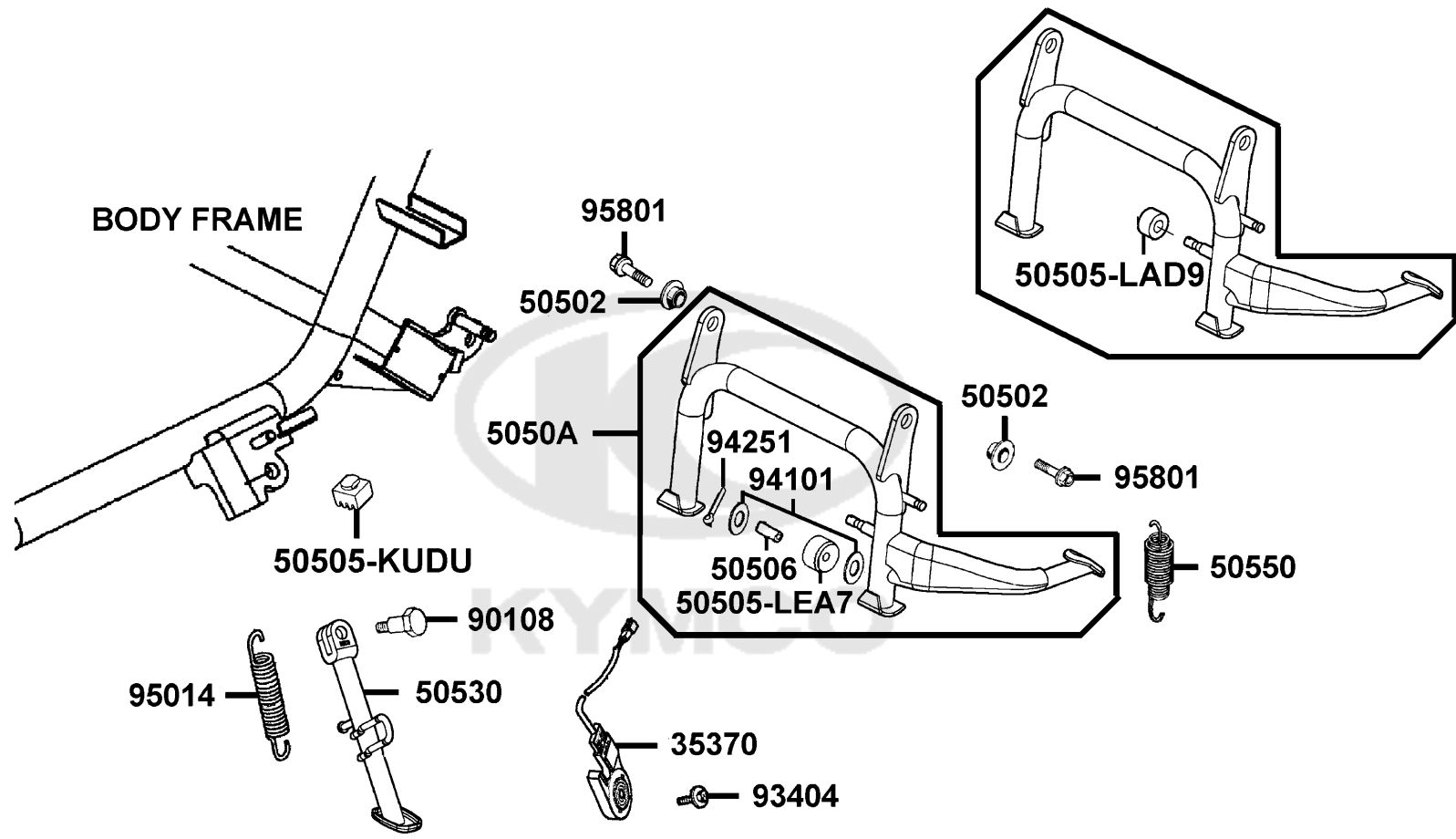
Exhaust Muffler



Sales mark	Ref no	Part no	Description	Reg description	Regd no	<b>F14</b>
------------	--------	---------	-------------	-----------------	---------	------------

95701	95701-06022-06	95701-06022-06	BOLT FLANGE 6*22	BOLT FLANGE 6*22	5	
95801-10045	95801-10045-06	95801-10045-06	BOLT FLANGE 10*45	BOLT FLANGE 10*45	2	
95801-10057	95801-10057-06	95801-10057-06	BOLT FLANGE 10*57	BOLT FLANGE 10*57	1	
96001-06008	96001-06008-07	96001-06008-07	BOLT FLANGE SH 6*8	BOLT FLANGE SH 6*8	1	

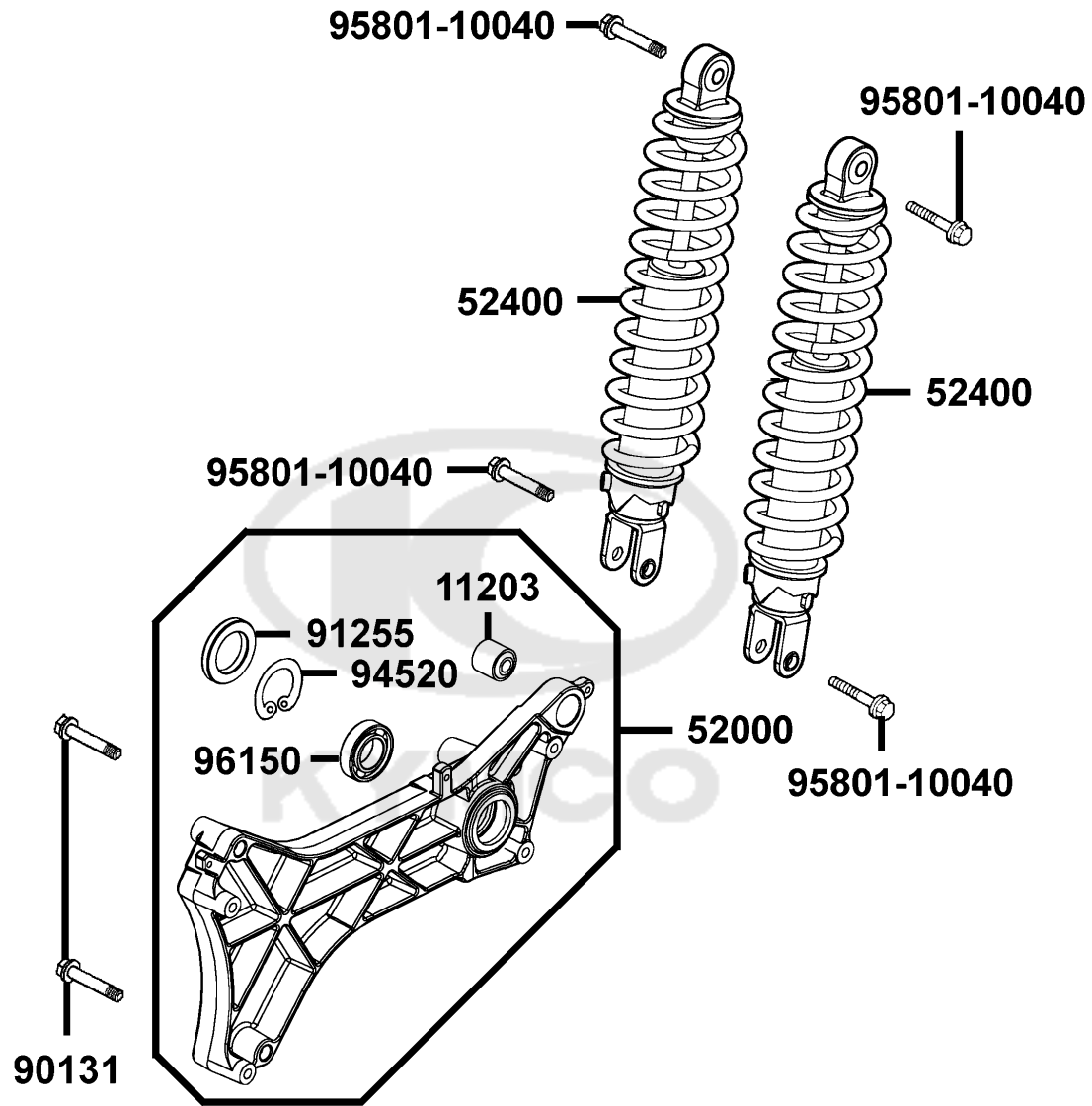




Sales mark	Ref no	Part no	Description	Reg description	Regd no	<b>F15</b>
	35370	35370-KEC8-E00	SW UNIT SIDE STAND	SW UNIT SIDE STAND	1	
	50502	50502-GFY6-901	COLLAR MAIN STAND	COLLAR MAIN STAND	2	
	50505-KUDU	50505-KUDU-900	STOPPER RUBBER STAND	STOPPER RUBBER STAND	1	
#	50505-LAD9	50505-LAD9-900	STOPPER RUBBER	STOPPER RUBBER	1	
#	50505-LEA7	50505-LEA7-E00	STOPPER RUBBER	STOPPER RUBBER	1	
	50506	50506-KHE7-E00	COLLAR STOPPER RUBBER	COLLAR STOPPER RUBBER	1	
	5050A	5050A-LDB2-E00	STAND ASSY MAIN	STAND ASSY MAIN	1	
	50530	50530-LDB2-E00	BAR SIDE STAND	BAR SIDE STAND	1	
	50550	50550-KKC2-E00	SPG ASSY MAIN STAND	SPG ASSY MAIN STAND	1	
	90108	90108-KKC4-900	SCREW SIDE STAND PIVOT	SCREW SIDE STAND PIVOT	1	
	93404	93404-06016-06	BOLT WASHER 6*16	BOLT WASHER 6*16	1	
	94101	94101-08700	WASHER PLAIN 8MM	WASHER PLAIN 8MM	2	
	94251	94251-08400	PIN LOCK 8MM	PIN LOCK 8MM	1	
	95014	95014-72204	SPG B1 SIDE STAND	SPG B1 SIDE STAND	1	
	95801	95801-10025-08	BOLT FLANGE 10*25	BOLT FLANGE 10*25	2	

F16

Rear Cushion



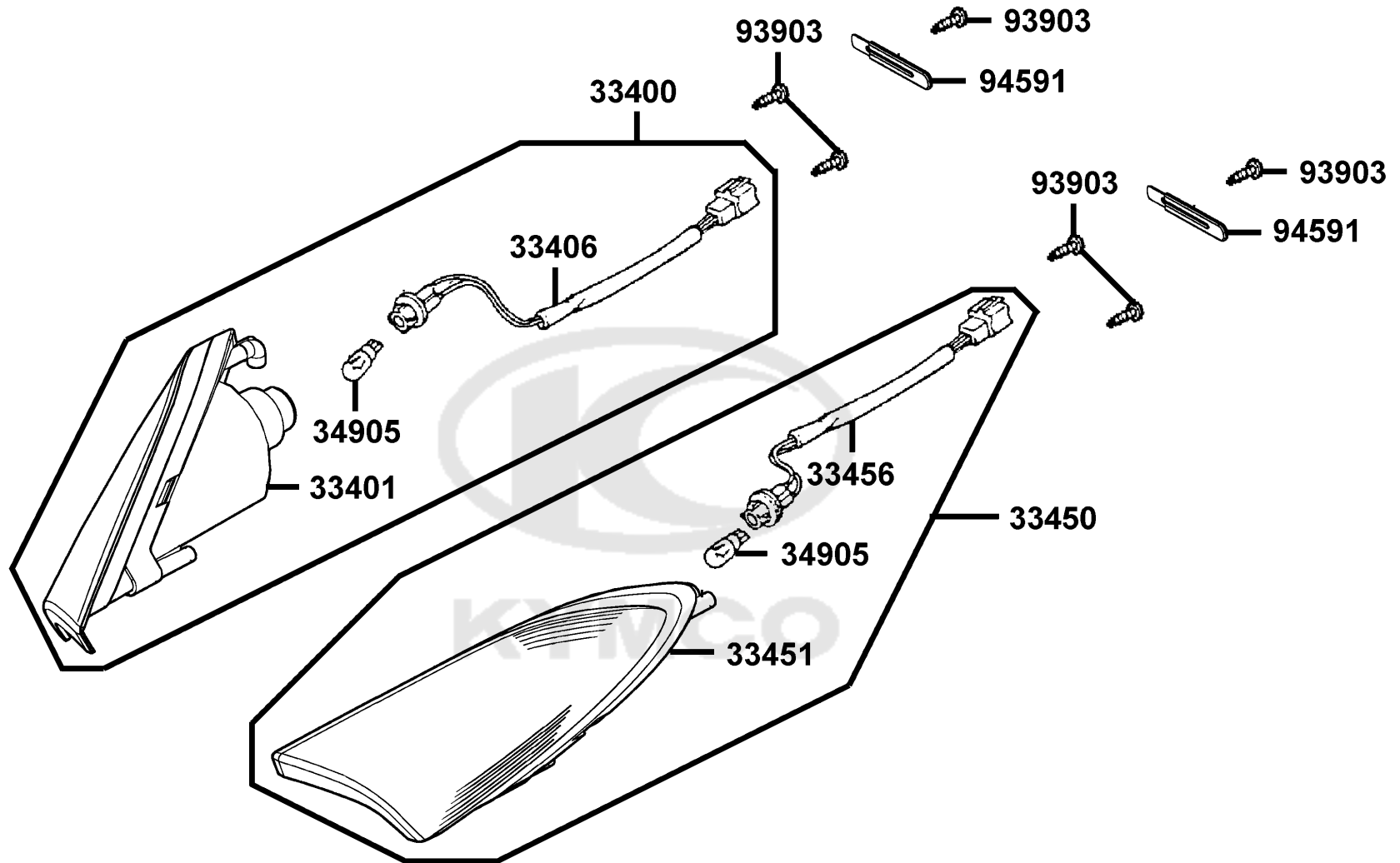
Sales mark	Ref no	Part no	Description	Reg description	Regd no	<b>F16</b>
	11203	11203-LBA2-E00	RUB BUSH L CASE	RUB BUSH L CASE	1	
**	52000	52000-LDB2-E00	FORK ASSY REAR	FORK ASSY REAR	1	
**	52400	52400-LDB2-E00	CUSHION ASSY R RR	CUSHION ASSY R RR	2	
	90131	90131-LFG2-E00	BOLT FLANGE 8*55	BOLT FLANGE 8*55	2	
	91255	91255-KHE7-900	OIL SEAL 34*52*7	OIL SEAL 34*52*7	1	
	94520	94520-47000	CIR CLIP IN 47	CIR CLIP IN 47	1	
	95801-10040	95801-10040-02	BOLT FLANGE 10*40	BOLT FLANGE 10*40	4	
	96150	96150-62040-10	BEARING BALL RADIAL 6204	BEARING BALL RADIAL 6204	1	





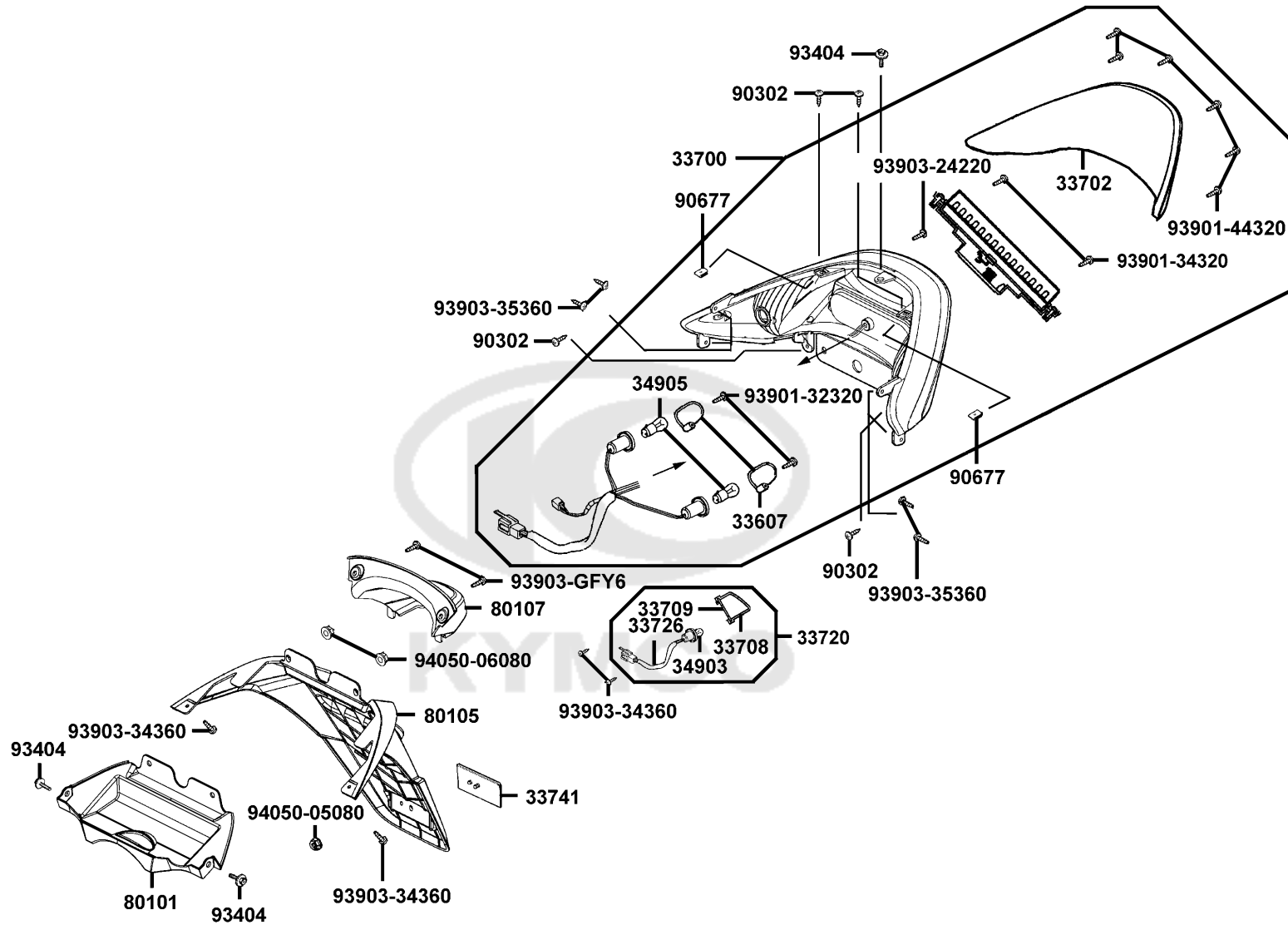
F17

Front Winker

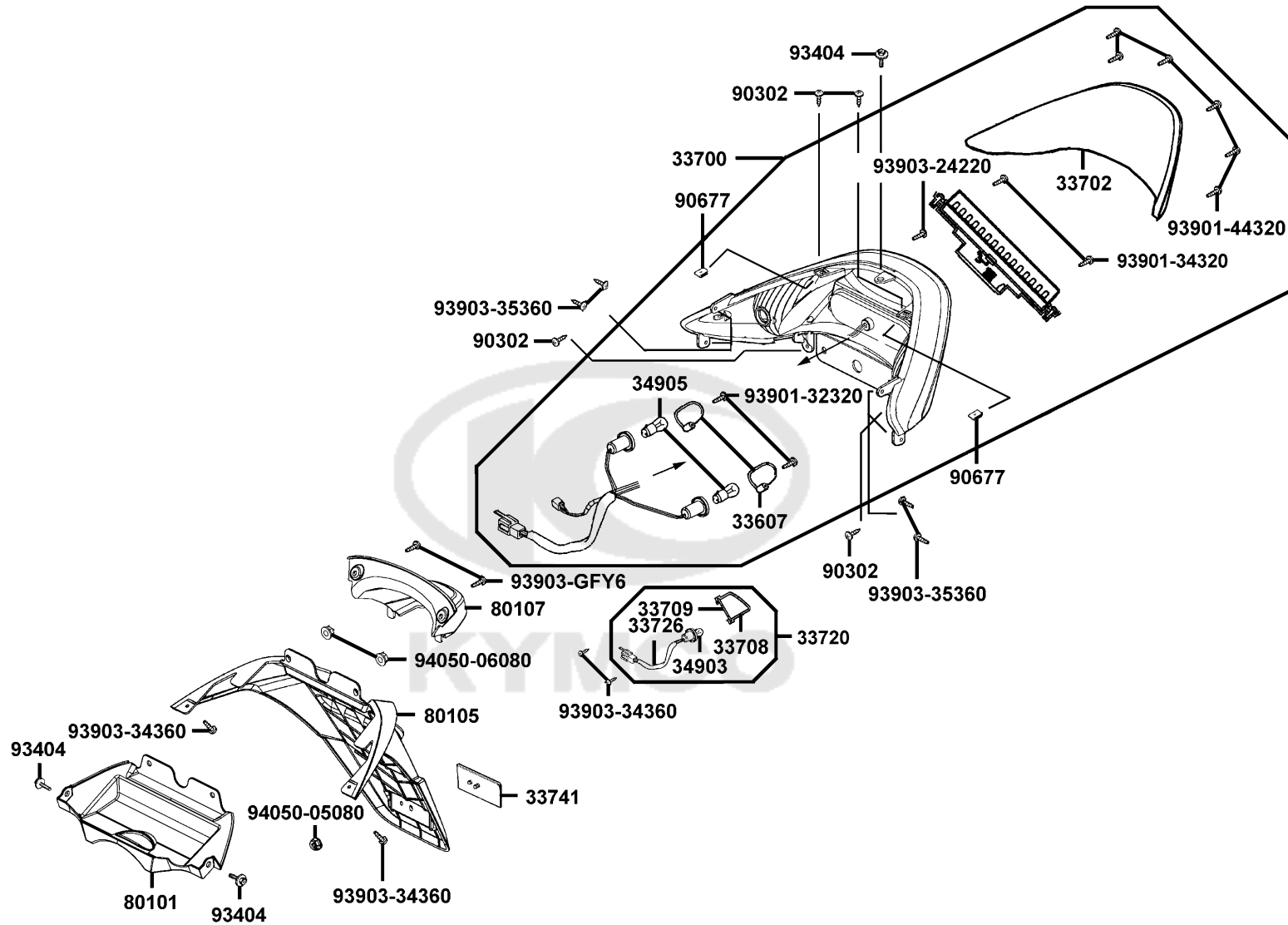



Sales mark	Ref no	Part no	Description	Reg description	Regd no	F17
	33400	33400-LBA2-E00	WINKER ASSY R FR	WINKER ASSY R FR	1	
	33401	33401-LBA2-E00	UNIT WINKER R FR	UNIT WINKER R FR	1	
	33406	33406-LBA2-E00	SOCKET WINKER R	SOCKET WINKER R	1	
	33450	33450-LBA2-E00	WINKER ASSY L FR	WINKER ASSY L FR	1	
	33451	33451-LBA2-E00	UNIT WINKER L FR	UNIT WINKER L FR	1	
	33456	33456-LBA2-E00	SOCKET WINKER L	SOCKET WINKER L	1	
	34905	34905-KPCP-900	BULB WINKER	BULB WINKER	2	
	93903	93903-34360	SCREW TAPPING 4*12 (G)	SCREW TAPPING 4*12	6	
	94591	94591-27000	CLIP 2*70	CLIP 2*70	2	





Sales mark	Ref no	Part no	Description	Reg description	Regd no	F18
	33607	33607-KKD7-E00	INNER LENS WINKER	INNER LENS WINKER	2	
	33700	33700-LBA2-E00	LIGHT ASSY RR COMB	LIGHT ASSY RR COMB	1	
	33702	33702-LBA2-E00	LENS TAIL LIGHT	LENS TAIL LIGHT	1	
	33708	33708-KHE7-E00	LENS LICENSE	LENS LICENSE	1	
	33709	33709-KHE7-E00	BASE LICENSE	BASE LICENSE	1	
	33720	33720-LBB5-E00	LIGHT ASSY LICENSE	LIGHT ASSY LICENSE	1	
	33726	33726-LBB5-E00	SCOKET COMP	SCOKET COMP	1	
	33741	33741-KHC5-M00	REFLEX REFLECTOR	REFLEX REFLECTOR	1	
	34903	34903-KPCP-900	BULB POSITION	BULB POSITION	1	
	34905	34905-KPCP-900	BULB WINKER	BULB WINKER	2	
	80101	80101-LBA2-E00	FENDER RR INNER	FENDER RR INNER	1	
**	80105	80105-LBA2-E00	FENDER RR	FENDER RR	1	
	80107	80107-LBA2-E00	COVER LICENSE LIGHT	COVER LICENSE LIGHT	1	
	90302	90302-GFY6-940	BOLT-WASH 5*16	BOLT-WASH 5*16	4	
	90677	90677-GAR1-004	NUT CLIP 5MM	NUT CLIP 5MM	2	
	93404	93404-06016-06	BOLT WASHER 6*16	BOLT WASHER 6*16	3	
	93901-32320	93901-32320	SCREW TAPPING 3*12	SCREW TAPPING 3*12	2	
	93901-34320	93901-34320	SCREW TAPPING 4*12	SCREW TAPPING 4*12	2	
	93901-44320	93901-44320	SCREW TAPPING 4*12	SCREW TAPPING 4*12	6	
	93903-24220	93903-24220	SCREW TAPPING 4*10	SCREW TAPPING 4*10	1	

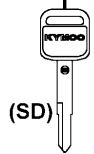


Sales mark	Ref no	Part no	Description	Reg description	Regd no	<b>F18</b>
	93903-34360	93903-34360	SCREW TAPPING 4*12 (G)	SCREW TAPPING 4*12	4	
	93903-35360	93903-35360	SCREW TAPPING 5*16	SCREW TAPPING 5*16	4	
	93903-GFY6	93903-GFY6-900	SCREW TAPPING 4*14	SCREW TAPPING 4*14	2	
	94050-05080	94050-05080	NUT FLANGE 5MM	NUT FLANGE 5MM	1	
	94050-06080	94050-06080	NUT FLANGE 6MM	NUT FLANGE 6MM	2	
						

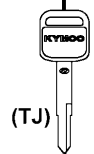
35111-LBA2-305-T01



35111-LBA2-305-T02



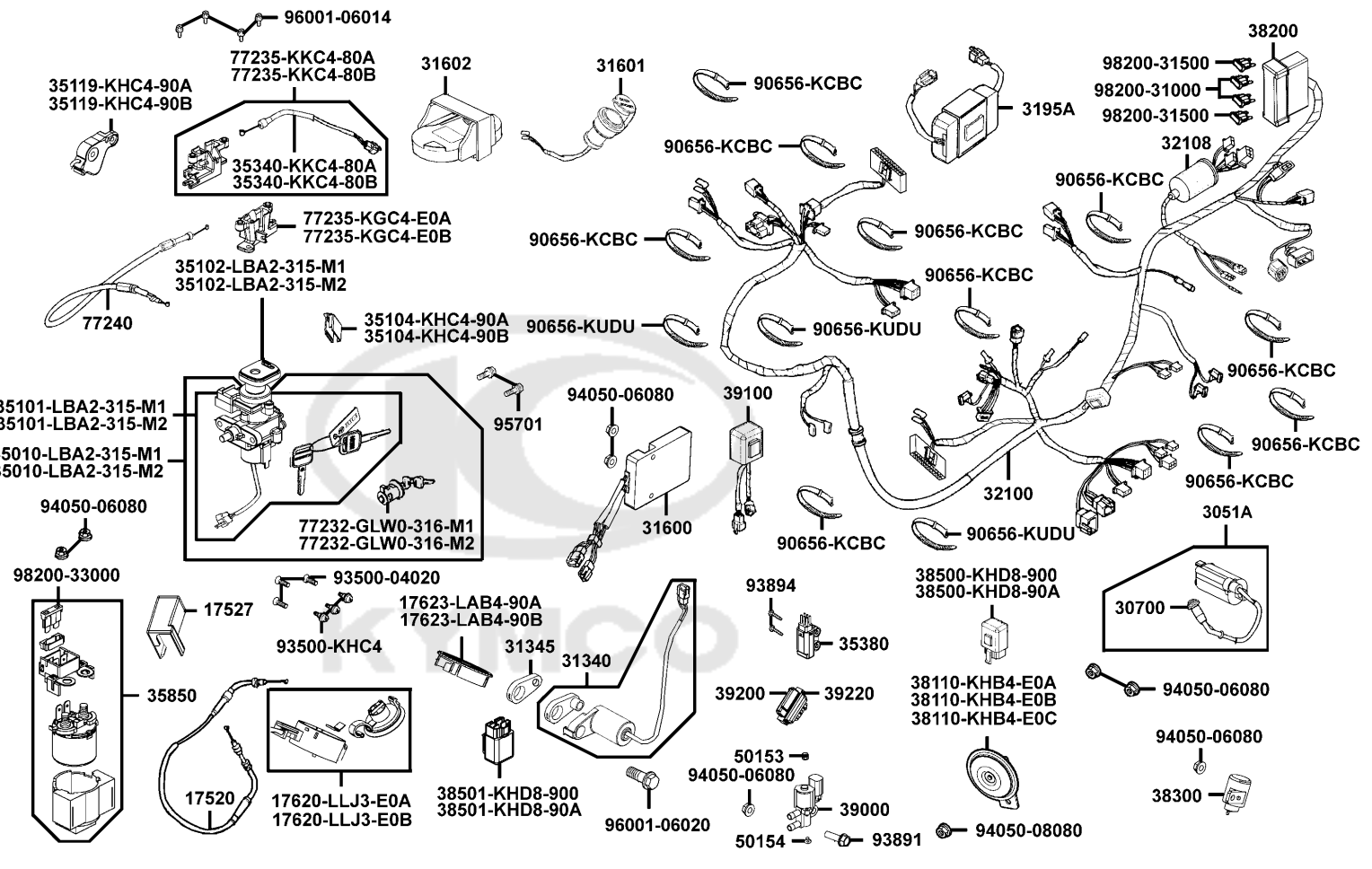
35111-LBA2-306-T01



35111-LBA2-306-T02



35111-KKC4-335-M1  
35111-KKC4-335-M2



Sales mark	Ref no	Part no	Description	Reg description	Regd no	F19
	17520	17520-LBA2-E00	CABLE COMP FUEL CAP	CABLE COMP FUEL CAP	1	
	17527	17527-LBA2-900	SLIDE COVER FUEL CAP	SLIDE COVER FUEL CAP	1	
	17620-LLJ3-E0A	17620-LLJ3-E0A	CAP COMP FUEL FILLER	CAP COMP FUEL FILLER	1	
	17620-LLJ3-E0B	17620-LLJ3-E0B	CAP COMP FUEL FILLER	CAP COMP FUEL FILLER	1	
	17623-LAB4-90A	17623-LAB4-90A	COLLAR FUEL CAP	COLLAR FUEL CAP	1	
	17623-LAB4-90B	17623-LAB4-90B	COLLAR FUEL FILLER	COLLAR FUEL FILLER	1	
	3051A	3051A-LDF2-900	COIL ASSY IGNITION	COIL ASSY IGNITION	1	
	30700	30700-KFC8-E0H	CAP ASSY NOISE SUPPR	CAP ASSY NOISE SUPPRESOR	1	
	31340	31340-LBA2-E0A	SENSOR FR WHEEL SPEED	SENSOR FR WHEEL SPEED	1	
	31345	31345-LBA2-E00	WASHER WHEEL SPEED SENSOR	WASHER WHEEL SPEED SENSOR	1	
	31600	31600-KED9-900	REG REC COMP	REG REC COMP	1	
	31601	31601-LDF2-900	SOCKET COMP DC 12V	SOCKET COMP DC 12V	1	
	31602	31602-KKC4-900	SOCKET COMP CELL-PHONE	SOCKET COMP CELL-PHONE	1	
	3195A	3195A-LBA2-E00	HAZARD CONTROL ASSY	HAZARD CONTROL ASSY	1	
	32100	32100-LFG2-E00	HARNESS WIRE	HARNESS WIRE	1	
	32108	32108-GAR1-711	COVER HARNESS WIRE	COVER HARNESS WIRE	1	
	35010-LBA2-315-M1	35010-LBA2-315-M1	KEY SET	KEY SET	1	
	35010-LBA2-315-M2	35010-LBA2-315-M2	KEY SET	KEY SET	1	
	35101-LBA2-315-M1	35101-LBA2-315-M1	SW SET COMB & LOCK	SW SET COMB & LOCK	1	
	35101-LBA2-315-M2	35101-LBA2-315-M2	SW SET COMB & LOCK	SW SET COMB & LOCK	1	





Sales mark	Ref no	Part no	Description	Reg description	Regd no	F19
	35102-LBA2-315-M1	35102-LBA2-315-M1	SHUTTER MAGNETIC	SHUTTER MAGNETIC	1	
	35102-LBA2-315-M2	35102-LBA2-315-M2	SHUTTER MAGNETIC	SHUTTER MAGNETIC	1	
	35104-KHC4-90A	35104-KHC4-90A	PLATE COVER FUEL CAP CABLE	PLATE COVER FUEL CAP CABLE	1	
	35104-KHC4-90B	35104-KHC4-90B	PLATE COVER FUEL CAP CABLE	PLATE COVER FUEL CAP CABLE	1	
	35111-KKC4-335-M1	35111-KKC4-335-M1	KEY COMP/SHUTTER MAGNETIC	KEY COMP/SHUTTER MAGNETIC LOCK(SD)	2	
	35111-KKC4-335-M2	35111-KKC4-335-M2	KEY COMP/SHUTTER MAGNETIC	KEY COMP/SHUTTER MAGNETIC LOCK(TJ)	2	
	35111-LBA2-305-T01	35111-LBA2-305-T01	KEY COMP(R TANGENT PLANE/SD)	KEY COMP / MAIN SW	1	
	35111-LBA2-305-T02	35111-LBA2-305-T02	KEY COMP (L TANGENT PLANE/SD)	KEY COMP / MAIN SW	1	
	35111-LBA2-306-T01	35111-LBA2-306-T01	KEY COMP (R TANGENT PLANE/TJ)	KEY COMP / MAIN SW	1	
	35111-LBA2-306-T02	35111-LBA2-306-T02	KEY COMP (L TANGENT PLANE/TJ)	KEY COMP / MAIN SW	1	
	35119-KHC4-90A	35119-KHC4-90A	COVER SEAT CABLE	COVER SEAT CABLE	1	
	35119-KHC4-90B	35119-KHC4-90B	COVER SEAT CABLE	COVER SEAT CABLE	1	
	35340-KKC4-80A	35340-KKC4-80A	STOP SWITCH	STOP SWITCH	1	
	35340-KKC4-80B	35340-KKC4-80B	STOP SWITCH	STOP SWITCH	1	
	35380	35380-LDF2-900	SENSOR ANGLE DETECT	SENSOR ANGLE DETECT	1	
	35850	35850-LBA2-E00	SET START MAG	SET START MAG	1	
	38110-KHB4-E0A	38110-KHB4-E0A	HORN COMP	HORN COMP	1	
	38110-KHB4-E0B	38110-KHB4-E0B	HORN COMP	HORN COMP	1	
	38110-KHB4-E0C	38110-KHB4-E0C	HORN COMP	HORN COMP	1	
	38200	38200-KHE7-900	BOX COMP FUSE	BOX COMP FUSE	1	



Sales mark	Ref no	Part no	Description	Reg description	Regd no	F19
	38300	38300-LBC6-90A	RELAY COMP WINKER	RELAY COMP WINKER	1	
	38500-KHD8-900	38500-KHD8-900	RELAY ASSY LIGHT	RELAY ASSY LIGHT	1	
	38500-KHD8-90A	38500-KHD8-90A	RELAY ASSY LIGHT	RELAY ASSY LIGHT	1	
	38501-KHD8-900	38501-KHD8-900	RELAY ASSY LIGHT	RELAY ASSY LIGHT	1	
	38501-KHD8-90A	38501-KHD8-90A	RELAY ASSY LIGHT	RELAY ASSY LIGHT	1	
	39000	39000-LDF2-800	VALVE UNIT SOLENOID	VALVE UNIT SOLENOID	1	
	39100	39100-KHD8-900	EMI FILTER MOTOR	EMI FILTER MOTOR	1	
	39200	39200-LFG2-800	ECU UNIT	ECU UNIT	1	
	39220	39220-LDF2-900	CUSHION CASE ECU	CUSHION CASE ECU	1	
	50153	50153-LDF2-900	RUBBER SOLENOID VALVE	RUBBER SOLENOID VALVE	1	
	50154	50154-LDF2-900	COLLAR	COLLAR	1	
	77232-GLW0-316-M1	77232-GLW0-316-M1	LOCK SET FUEL LID	LOCK SET FUEL LID	1	
	77232-GLW0-316-M2	77232-GLW0-316-M2	LOCK SET FUEL LID	LOCK SET FUEL LID	1	
	77235-KGC4-E0A	77235-KGC4-E0A	SEAT CATCH	SEAT CATCH	1	
	77235-KGC4-E0B	77235-KGC4-E0B	SEAT CATCH	SEAT CATCH	1	
	77235-KKC4-80A	77235-KKC4-80A	SEAT CATCH	SEAT CATCH	1	
	77235-KKC4-80B	77235-KKC4-80B	SEAT CATCH	SEAT CATCH	1	
	77240	77240-LBA2-E00	CABLE SEAT LOCK	CABLE SEAT LOCK	1	
#	93891	90302-KFC2-900	BOLT WASHER 5*25	BOLT WASH 5*25	1	
	90656-KCBC	90656-KCBC-900	BAND OIL HOSE	BAND OIL HOSE	10	

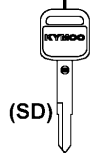
F19

Wire Harness

35111-LBA2-305-T01



35111-LBA2-305-T02



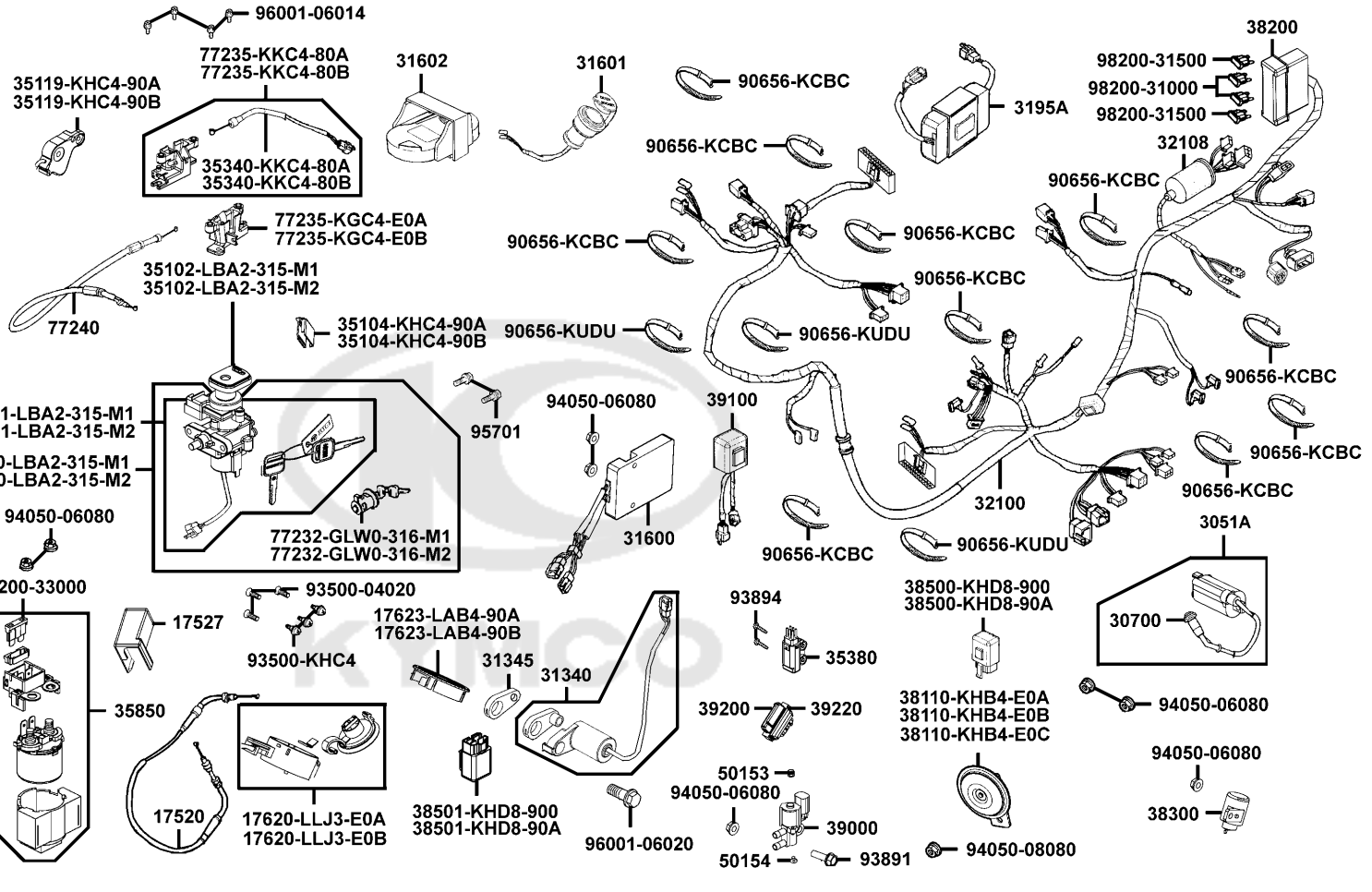
35111-LBA2-306-T01



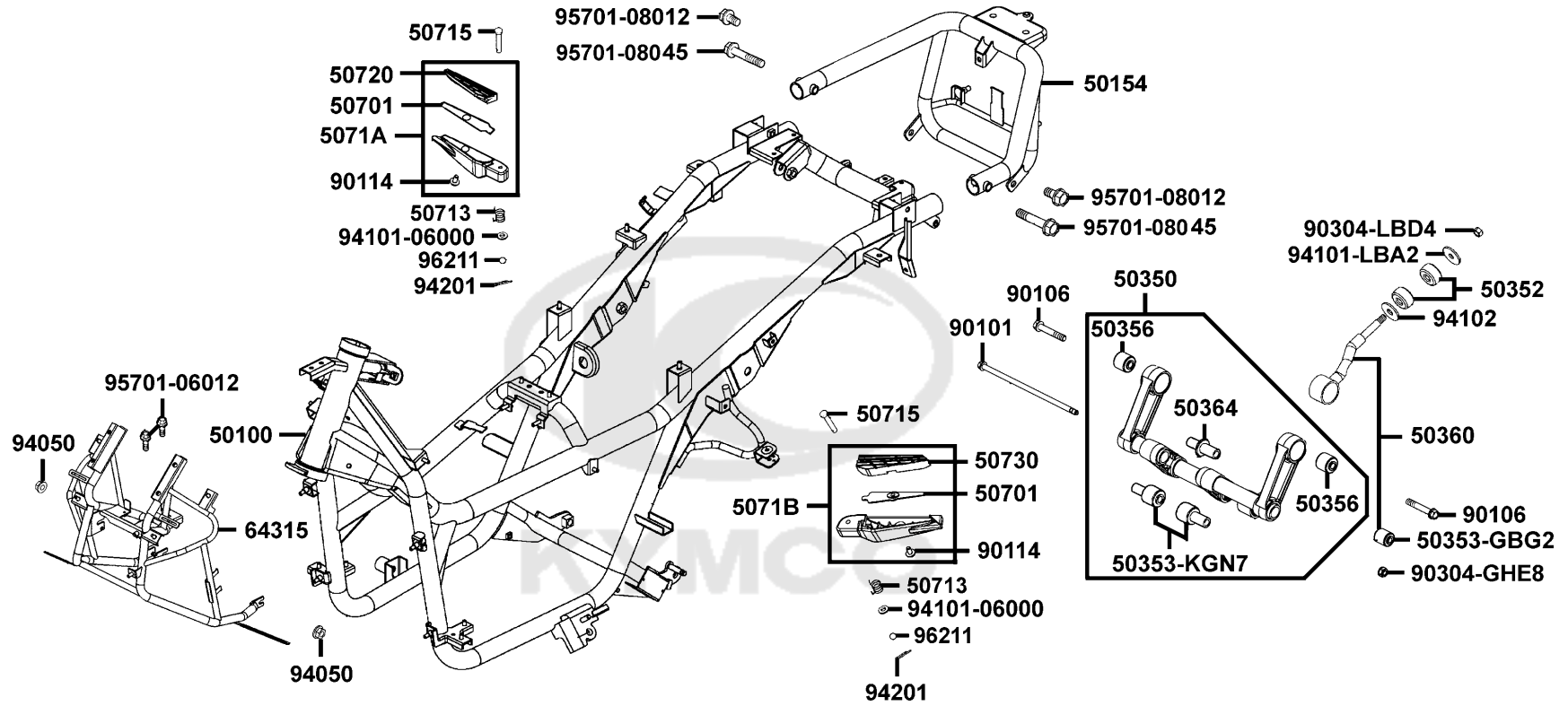
35111-LBA2-306-T02



35111-KKC4-335-M1  
35111-KKC4-335-M2



Sales mark	Ref no	Part no	Description	Reg description	Regd no	F19
**	90656-KUDU	90656-KUDU-900	BAND HARNESS WIRE	BAND HARNESS WIRE	3	
	93500-04020	93500-04020-0G	SCREW PAN 4*20	SCREW PAN 4*20	3	
	93500-KHC4	93500-KHC4-90A	SCREW PAN 5*10	SCREW PAN 5*10	3	
	93894	93894-04022-08	SCREW PLAIN WASHER 4*22	SCREW PLAIN WASHER 4*22	2	
	94050-06080	94050-06080	NUT FLANGE 6MM	NUT FLANGE 6MM	8	
	94050-08080	94050-08080	NUT FLANGE 8MM	NUT FLANGE 8MM	1	
	95701	95701-KHC5-E00	BOLT TORQUE 8*25	BOLT TORQUE 8*20	2	
	96001-06014	96001-06014-08	BOLT FLANGE 6*14	BOLT FLANGE SH 6*14	4	
	96001-06020	96001-06020-06	BOLT FLANGE SH 6*20	BOLT FLANGE SH 6*20	1	
	98200-31000	98200-31000	BLADE FUSE 10A	BLADE FUSE 10A	2	
	98200-31500	98200-31500	BLADE FUSE 15A	BLADE FUSE 15A	2	
	98200-33000	98200-33000	BLADE FUSE 30A	BLADE FUSE 30A	1	

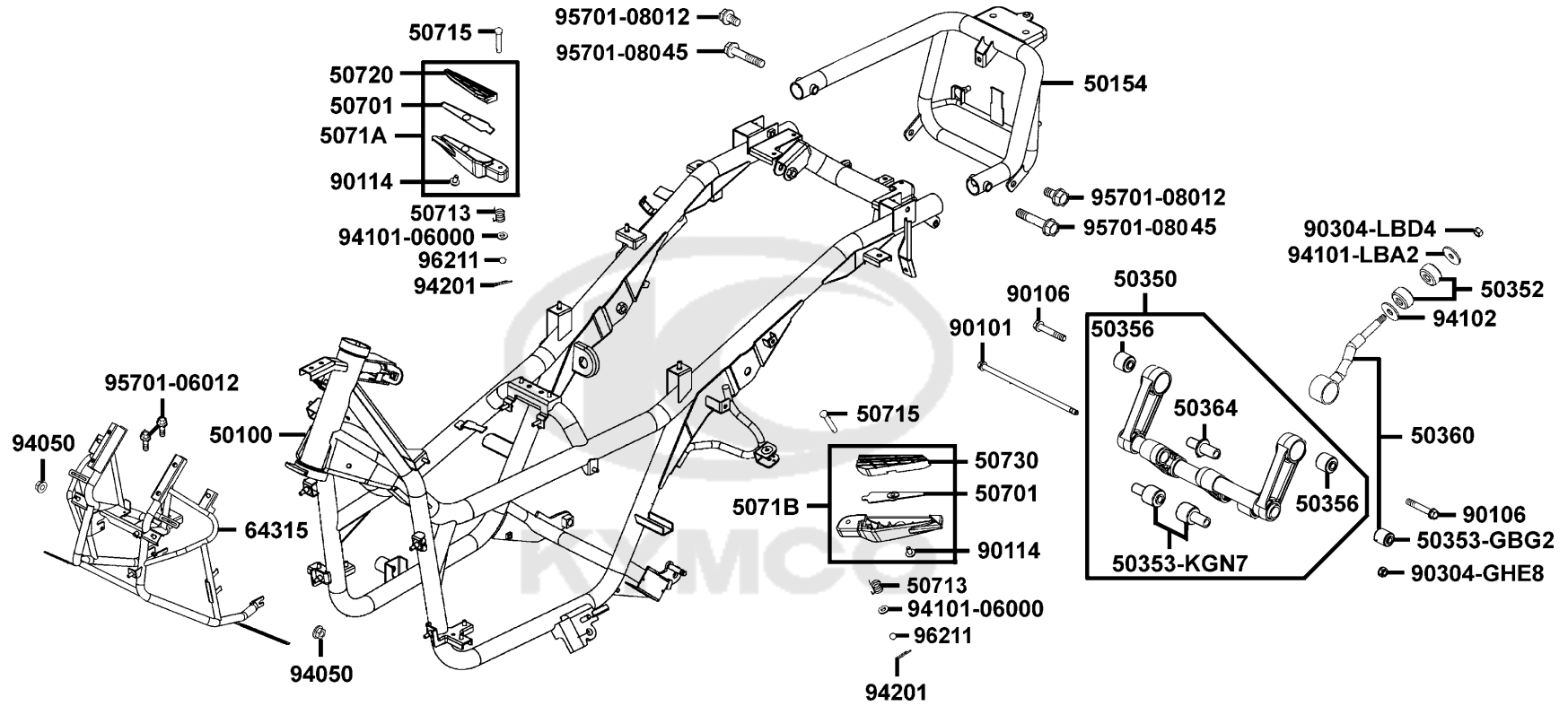


Sales mark	Ref no	Part no	Description	Reg description	Regd no	F20
	50100	50100-LDF2-900	BODY COMP FRAME	BODY COMP FRAME	1	
	50154	50154-LBA2-E00	STAY RR CARRIER	STAY RR CARRIER	1	
	50350	50350-LDB2-E00	ENG HANGER COMP	ENG HANGER COMP	1	
	50352	50352-LBA2-E00	RUBBER STOPPER	RUBBER STOPPER	2	
	50353-GBG2	50353-GBG2-711	BUSH SWING LOCK	BUSH SWING LOCK	1	
	50353-KGN7	50353-KGN7-901	BUSH A ENG HANGER	BUSH A ENG HANGER	2	
	50356	50356-KHE7-E00	BUSH SWING LOCK	BUSH SWING LOCK	2	
	50360	50360-LDB2-E00	TIE ROD ASSY ENG HANGER	TIE ROD ASSY ENG HANGER	1	
	50364	50364-KHE7-E00	COLLAR B ENG HANGER	COLLAR B ENG HANGER	1	
	50701	50701-LBA2-E00	STAY RR STEP	STAY RR STEP	2	
	50713	50713-KEB7-900	SPRING	SPRING	2	
	50715	50715-KEB7-900	PIN RR STEP	PIN RR STEP	2	
	5071A	5071A-LFG2-E00	BAR R STEP ASSY	BAR R STEP ASSY	1	
	5071B	5071B-LFG2-E00	BAR L STEP ASSY	BAR L STEP ASSY	1	
	50720	50720-LBA2-E00	RUBBER R STEP	RUBBER R STEP	1	
	50730	50730-LBA2-E00	RUBBER L STEP	RUBBER L STEP	1	
	64315	64315-LDG7-800	BRKT FR COVER	BRKT FR COVER	1	
	90101	90101-KNBN-200	BOLT FLANGE 10*275	BOLT FLANGE 10*275	1	
	90106	90106-KHE7-E00	BOLT FLANGE 12*59	BOLT FLANGE 12*59	2	
	90114	90114-KED9-900	SCREW PAN 6*12	SCREW PAN 6*12	2	

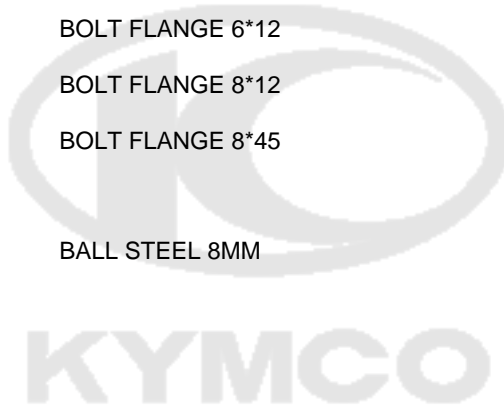


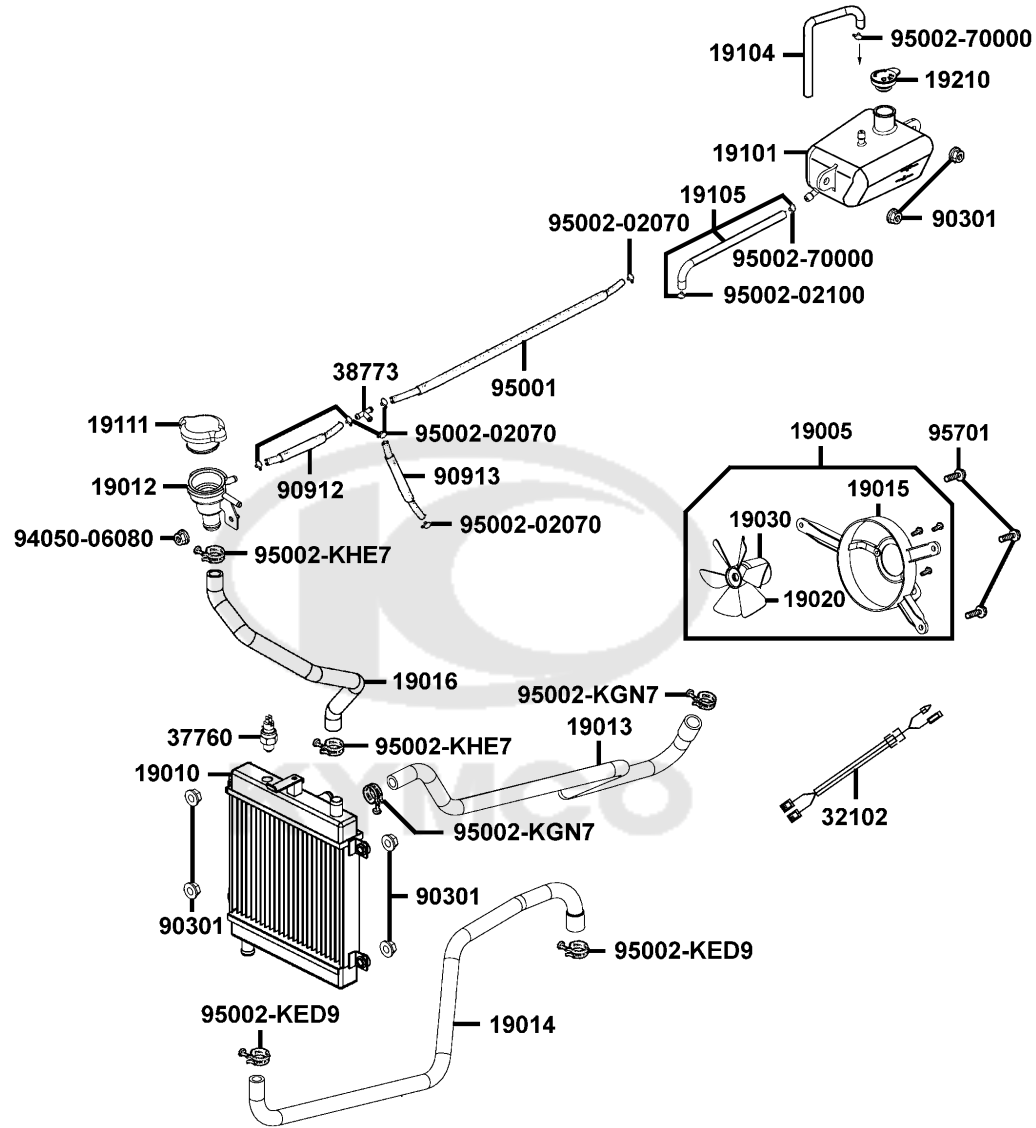
F20

Frame Body

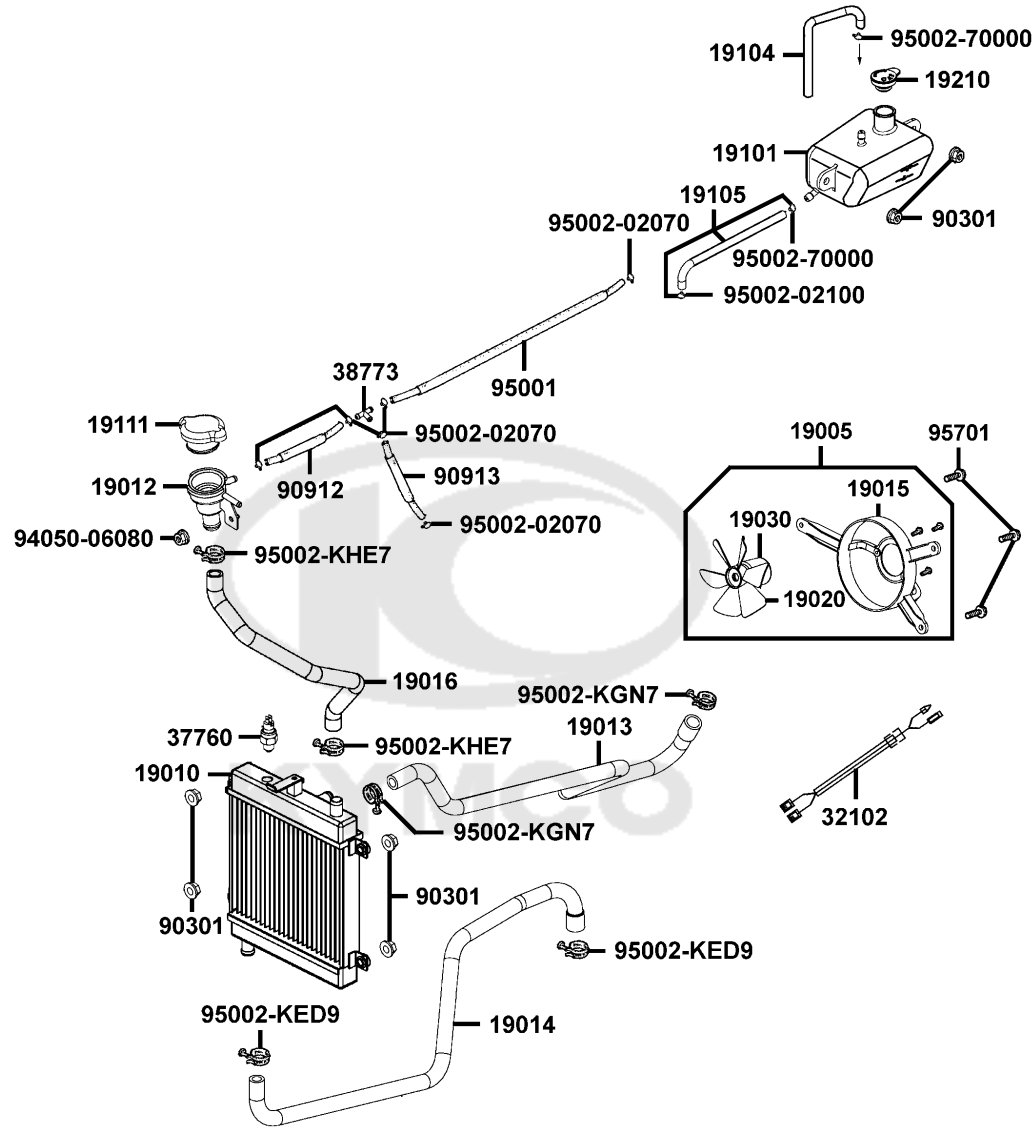


Sales mark	Ref no	Part no	Description	Reg description	Regd no	<b>F20</b>
	90304-GHE8	90304-GHE8-004-SY	NUT U 10MM	NUT U 10MM	1	
	90304-LBD4	90304-LBD4-900	NUT U FLANGE 10MM	NUT U FLANGE 10MM	1	
	94050	94050-06080	NUT FLANGE 6MM	NUT FLANGE 6MM	2	
	94101-06000	94101-06000	WASHER PLAIN 6MM	WASHER PLAIN 6MM	2	
	94101-LBA2	94101-LBA2-E00	WASHER PLATE 10.5*38*3.0	WASHER PLATE 10.5*38*3.0	1	
	94102	94102-LBA2-E00	WASHER PLAIN 38*12.5*3	WASHER PLAIN 38*12.5*3	1	
	94201	94201-16150	PIN SPLIT 1.6*15	PIN SPLIT 1.6*15	2	
	95701-06012	95701-06012-08	BOLT FLANGE 6*12	BOLT FLANGE 6*12	2	
	95701-08012	95701-08012-08	BOLT FLANGE 8*12	BOLT FLANGE 8*12	2	
	95701-08045	95701-08045-08	BOLT FLANGE 8*45	BOLT FLANGE 8*45	2	
	96211	96211-08000	BALL STEEL 8MM	BALL STEEL 8MM	2	

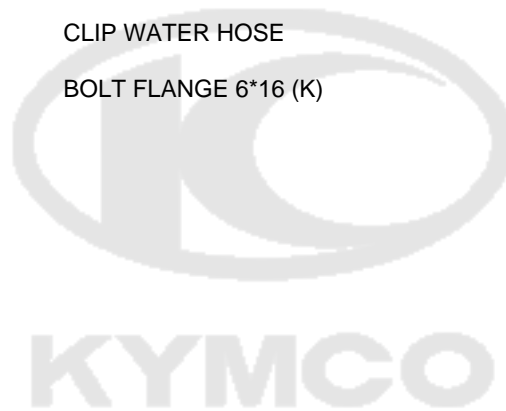




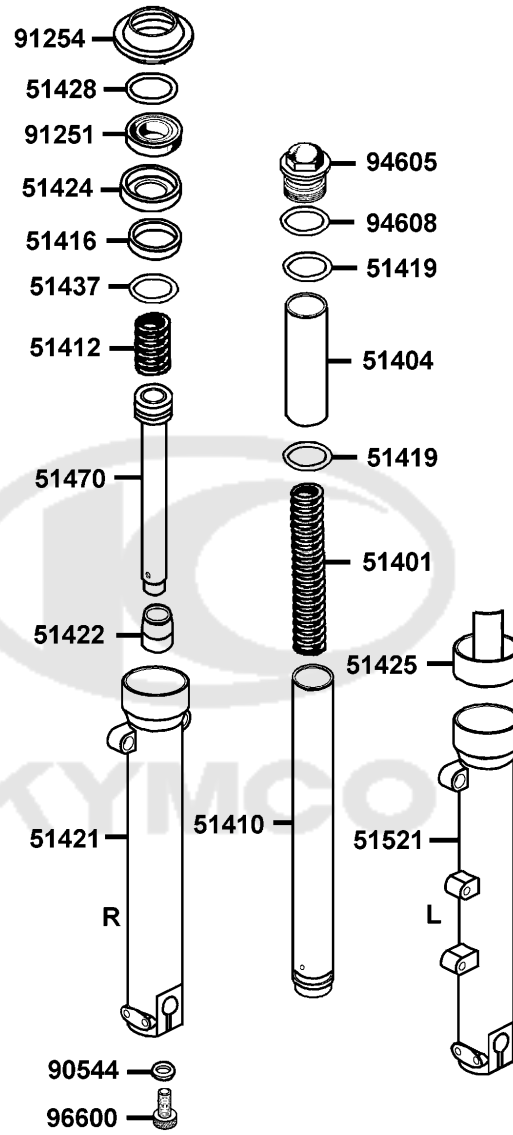
Sales mark	Ref no	Part no	Description	Reg description	Regd no	F21
	19005	19005-KKC4-900	SHROUD ASSY	SHROUD ASSY	1	
	19010	19010-LDB2-E00	RADIATOR COMP	RADIATOR COMP	1	
	19012	19012-KHD8-900	UNIT RADIATOR	UNIT RADIATOR	1	
	19013	19013-LDB2-E00	HOSE WATER INLET	HOSE WATER INLET	1	
	19014	19014-LDB2-E00	HOSE WATER OUTLET	HOSE WATER OUTLET	1	
	19015	19015-KKC4-900	SHROUD COMP	SHROUD COMP	1	
	19016	19016-LBA2-E00	HOSE EATER-UNIT CAP	HOSE EATER-UNIT CAP	1	
	19020	19020-KED9-900	FAN COOLING	FAN COOLING	1	
	19030	19030-KHD8-900	MOTOR ASSY FAN	MOTOR ASSY FAN	1	
	19101	19101-LBA2-E00	TANK RESERVE	TANK RESERVE	1	
	19104	19104-LBA2-E00	HOSE ASSY DRAIN	HOSE ASSY DRAIN	1	
	19105	19105-LBA2-E00	HOSE ASSY RESERVE-COOLER	HOSE ASSY RESERVE-COOLER	1	
	19111	19111-GBE2-004	CAP COMP	CAP COMP	1	
	19210	19210-KKC4-900	CAP RESERVE TANK	CAP RESERVE TANK	1	
	32102	32102-LBA2-E00	SUB CORD THERMO	SUB CORD THERMO	1	
	37760	37760-KHD8-900	SW ASSY THERMO	SW ASSY THERMO	1	
	38773	38773-PKB9-001	JOINT 3 WAY 3.5	JOINT 3 WAY 3.5	1	
	90301	90301-6D34-671	NUT FLANGE 6MM	NUT FLANGE 6MM	6	
	90912	90912-LBA2-E00	TUBE FUEL 3.5	TUBE FUEL 3.5	1	
	90913	90913-LDB2-E00	TUBE FUEL 3.5*1570	TUBE FUEL 3.5*1570	1	



Sales mark	Ref no	Part no	Description	Reg description	Regd no	F21
	94050-06080	94050-06080	NUT FLANGE 6MM	NUT FLANGE 6MM	1	
	95001	95001-35600-40	TUBE FUEL 3.5*600	TUBE FUEL 3.5*600	1	
	95002-02070	95002-02070	CLIP B7 TUBE	CLIP B7 TUBE	6	
	95002-02100	95002-02100	CLIP B15 TUBE	CLIP B15 TUBE	1	
	95002-70000	95002-70000	CLIP C11 TUBE	CLIP C11 TUBE	2	
	95002-KED9	95002-KED9-900	CLIP HOSE	CLIP HOSE	2	
	95002-KGN7	95002-KGN7-910	CLIP TUBE	CLIP TUBE	2	
	95002-KHE7	95002-KHE7-900	CLIP WATER HOSE	CLIP WATER HOSE	2	
	95701	95701-06016-06	BOLT FLANGE 6*16 (K)	BOLT FLANGE 6*16 (K)	3	

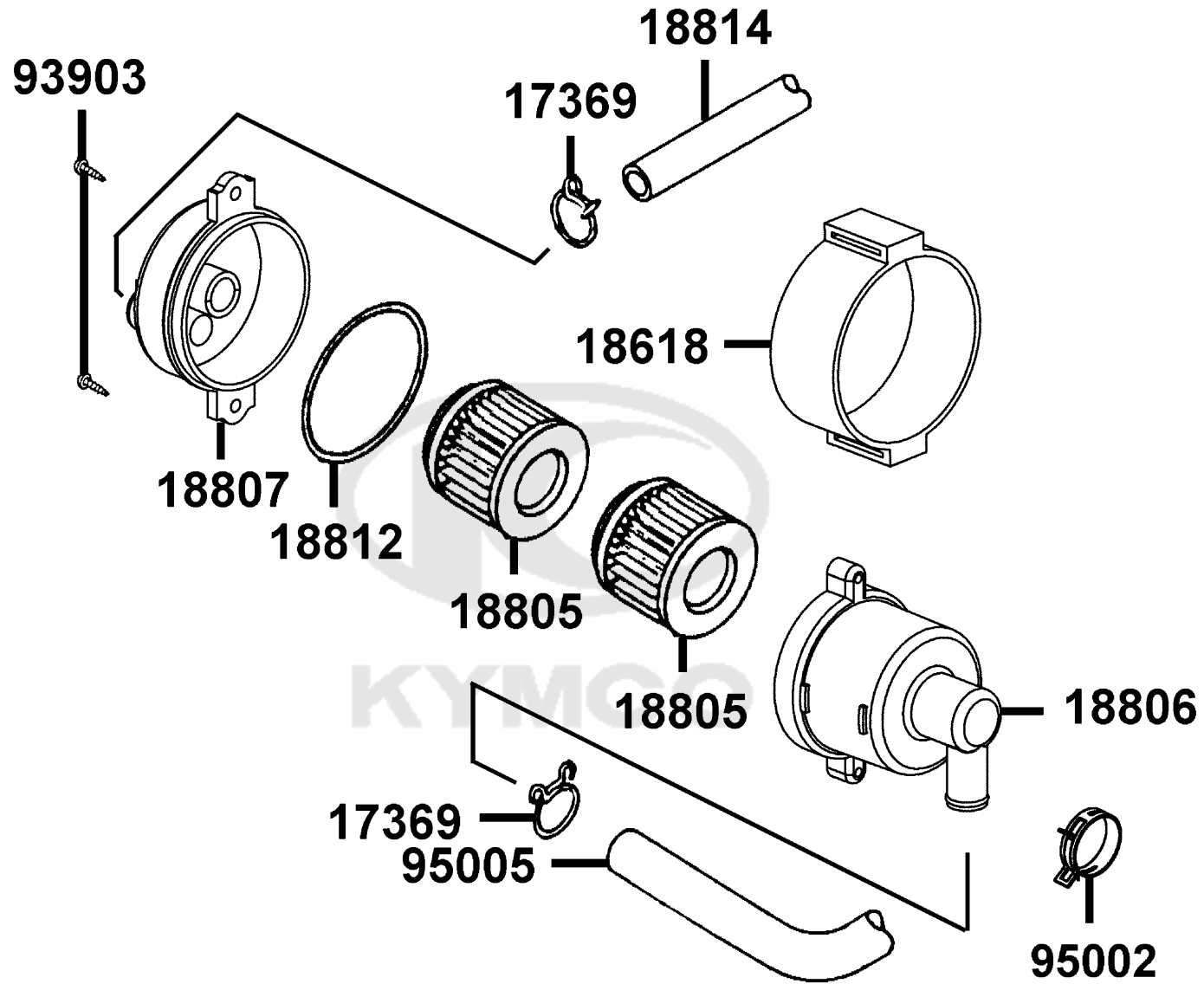


Separated Parts Of Fr Fork

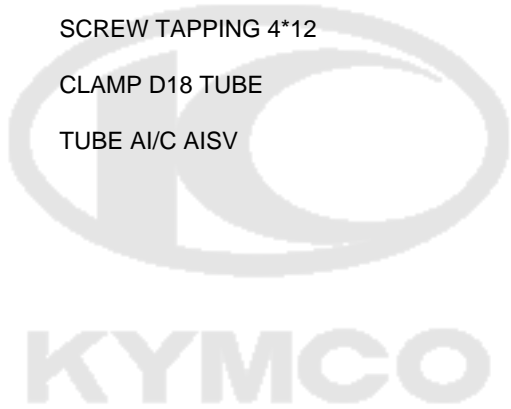


Sales mark	Ref no	Part no	Description	Reg description	Regd no	F22
	51401	51401-LDB2-E00	SPRING	SPRING	2	
	51404	51404-LDB2-E00	SPRING COLLAR	SPRING COLLAR	2	
	51410	51410-LBA2-E00	FORK PIPE COMP	FORK PIPE COMP	2	
	51412	51412-LBA2-E00	REBOUND SPRING	REBOUND SPRING	2	
	51416	51416-LBA2-E00	GUIDE BUSH	GUIDE BUSH	2	
	51419	51419-LBA2-E00	PLAIN WASHER	PLAIN WASHER	4	
**	51421	51421-LBA2-E00	BOTTOM CASE R	BOTTOM CASE R	1	
	51422	51422-LBA2-E00	OIL LOCK PIECE	OIL LOCK PIECE	2	
	51424	51424-LBA2-E00	SPACER	SPACER	2	
	51425	51425-LBA2-E00	FORK FENDER	FORK FENDER	2	
	51428	51428-LBA2-E00	OIL SEAL STOPPER RING	OIL SEAL STOPPER RING	2	
	51437	51437-LBA2-E00	PISTON RING	PISTON RING	2	
	51470	51470-LBA2-E00	PIPE SEAT COMP	PIPE SEAT COMP	2	
**	51521	51521-LBA2-E00	BOTTOM CASE L	BOTTOM CASE L	1	
	90544	90544-KEC8-900	PACKING	PACKING	2	
	91251	91251-LBA2-E00	OIL SEAL	OIL SEAL	2	
	91254	91254-LBA2-E00	DUST SEAL	DUST SEAL	2	
	94605	94605-LBA2-E00	FORK BOLT	FORK BOLT	2	
	94608	94608-LBA2-E00	O-RING	O-RING	2	
	96600	96600-LBA2-E00	BOCKET BOLT	BOCKET BOLT	2	





Sales mark	Ref no	Part no	Description	Reg description	Regd no	<b>F23</b>
17369		17369-KDB4-671	CLIP BREATHER TUBE	CLIP BREATHER TUBE	2	
18618		18618-KBE2-900	RUBBER AI CLEANER MOUNT	RUBBER AI CLEANER MOUNT	1	
18805		18805-KHB4-910	ELEMENT AI CLEANER	ELEMENT AI CLEANER	2	
18806		18806-KBE2-900	CASE AI CLEANER	CASE AI CLEANER	1	
18807		18807-KBE2-900	COVER AI CLEANER	COVER AI CLEANER	1	
18812		18812-KBE2-900	SEAL AI CLEANER COVER	SEAL AI CLEANER COVER	1	
18814		18814-LDF2-900	DUCT AI CLEANER	DUCT AI CLEANER	1	
93903		93903-24320	SCREW TAPPING 4*12	SCREW TAPPING 4*12	2	
95002		95002-KKD6-E05	CLAMP D18 TUBE	CLAMP D18 TUBE	1	
95005		95005-LDF2-E00	TUBE AI/C AISV	TUBE AI/C AISV	1	



● Be sure to wear a safety helmet when riding.  
 ● Do not exceed the speed specified by law when riding.  
 ● The exhaust muffler temperature is very high after riding. Be sure to park the motorcycle in a place not easily touched by people.  
 ● For riding safety and good performance, do not violate the law to modify the motorcycle.  
 ● Please read the Owner's Manual carefully to ensure riding safety.

● Make sure to perform the periodic maintenance and periodic inspection.

Periodic Inspection Items

Brake Performance, tires, engine oil level, lights, horn, and instrument panel

**KWANG YANG MOTOR CO., LTD.**

87560

**CAUTIONS**

Tire Size	:Front 120/70-15	Rear 150/70-14
(One Rider)	:Front 2.00kgf/cm <sup>2</sup>	Rear 2.50kgf/cm <sup>2</sup>
(Two Rider)	:Front 2.25kgf/cm <sup>2</sup>	Rear 2.50kgf/cm <sup>2</sup>
Load Capacity	:Shield 1.5kg	Clip case center 3kg
	(As per KYMCO standard specification)	
	(Note: The tire pressure must not overpass 2.50kgf/cm <sup>2</sup> )	

● Check the motor oil level with the dipstick after refilling motor oil.

LMC-820

87505

**CAUTION**

Mobile phone charge only, Use other appliance may cause damage.

KKC2-E000

87541-KKC2

**CAUTIONS**

Never put any article between the rear side cover and the engine to avoid interference of riding.

GAR-300

87542

**CAUTIONS**

Before starting the engine, the side stand shall be kicked up to secure safety.

87541-GAR1

Sales mark	Ref no	Part no	Description	Reg description	Regd no	<b>F24</b>
**	87505	87505-LBA2-E00	LABEL TIRE	LABEL TIRE	1	
**	87541-GAR1	87541-GAR1-E00	CAUTION SIDE STAND	CAUTION SIDE STAND	1	
**	87541-KKC2	87541-KKC2-E00	CAUTION MOBILE PHONE	CAUTION MOBILE PHONE	1	
**	87542	87542-GAR1-E00	MARK MAINT CAUTION	MARK MAINT CAUTION	1	
**	87560	87560-GFY6-E00	MARK DRIVE CAUTION	MARK DRIVE CAUTION	1	



**XGITING300**

**86202**



**87311**



**87140**

Sales mark	Ref no	Part no	Description	Reg description	Regd no	<b>F25</b>
------------	--------	---------	-------------	-----------------	---------	------------

**	86202	86202-LFG2-E00	EMB BODY COVER	EMB BODY COVER	2	
**	87140	87140-LDG7-E01	EMB I MARK	EMB I MARK	2	
**	87311	87311-LCD3-E00	STRIPE MARK EURO 3	MARK EURO 3 EURO 3	1	



## PART NO. INDEX

PART NO.	VERSION	PAGE	PART NO.	VERSION	PAGE	PART NO.	VERSION	PAGE
			11200-LDB2-E01	0	E01	12391-LDB2-E00	1	E02
			11203-LBA2-E00	2	E01			
			11203-LBA2-E00	2	F16	<b>13000</b>		
0901-880-6000	0	E08	11211-KKC4-900	0	F13			
0901-911-6000	0	E08	1122A-LDB2-E00	1	E07	13000-LFG2-E00	6	E03
0901-914-6001	0	E08	11330-LLJ3-E00	4	E04	13011-LFG2-E0B	3	E03
			11341-LDF2-900	2	E01	13101-LFG2-E00	5	E03
<b>1000</b>			11341-LLJ3-E01	2	E01	13111-LDB2-E00	1	E03
			11345-LDB2-E00	1	E01	13406-LDF2-900	3	E02
1034-KAE0-7700	0	E08	11346-GFY6-901	0	E01			
1090-873-2001	0	E08	11383-LDF2-900	1	E01	<b>14000</b>		
1190-C74-2000	0	E08	11394-KHE7-900	1	E04			
1190-C75-2000	0	E08	11395-LLJ3-E01	0	E01	14100-LFG2-E00	2	E02
1614-868-0000	0	E08				14150-LDB2-E00	2	E02
1614-906-0002	0	E08	<b>12000</b>			14401-LDE9-E00	2	E03
			12100-LDE9-E00	3	E03	14431-LDB2-E00	1	E02
			12191-KHE7-910	2	E03	14450-KEBE-900	0	E02
<b>4000</b>			12200-LFG2-E00	1	E02	14452-LDB2-E00	1	E02
4000-452-0003	0	E08	12205-KHE8-301	4	E02	14510-LDE9-E00	2	E03
4115-803-1100	0	E08	12209-GDB4-68A	0	E02	14520-GFY6-90A	1	E03
			12209-GDB4-68B	0	E02	14523-KED9-900	0	E03
			1221A-LDB2-E00	3	E02	14531-KHE7-900	1	E03
			12251-KHE7-901	1	E02	14610-LDE9-E00	1	E03
11100-LDB2-E00	1	E01	12310-LDB2-E00	3	E02	14711-LFG2-E00	1	E02
11110-LLJ3-E00	1	E01	12361-LEA5-E00	1	E04	14721-LFG2-E00	1	E02
11192-KHE7-900	0	E01				14751-KHE7-900	0	E02

## PART NO. INDEX

PART NO.	VERSION	PAGE	PART NO.	VERSION	PAGE	PART NO.	VERSION	PAGE
14761-KHE7-900	0	E02	17212-LDB2-E00	0	F12	17623-LAB4-90A	1	F19
14771-GDB4-680	2	E02	17214-LDB2-E00	1	F13	17623-LAB4-90B	1	F19
14775-MFA6-001	0	E02	1721A-KKC3-900	1	F13	17689-KEBE-E00	1	F10
14781-MFA6-001	0	E02	17231-LFG2-E00	1	F13	17910-LDF2-900	5	F03
			17236-KFBF-910	1	F13	17911-LDF2-900	3	F03
<b>15000</b>			1723A-LFG2-E00	2	F13	<b>18000</b>		
			17241-LDF2-900	0	F13			
15100-KKC3-900	3	E06	17254-KACA-P00	0	F13			
15133-KAM1-001	1	E06	17255-LDB2-E00	3	F13	18291-KEBE-900	0	F14
15141-KKJ9-004	0	E06	17256-LDB2-E00	1	F13	18291-LBA7-900	2	F14
15421-1G07-001	1	E04	17359-4K19-671	0	F13	18292-KEBE-900	0	F14
15426-GAE1-921	0	E04	17369-KDB4-671	1	F23	18293-KEBE-900	0	F14
15441-1K49-001	0	E03	17370-4K19-701	0	F13	18294-KEBE-900	0	F14
15447-1K49-001	0	E03	17371-1D74-671	0	F13	18294-LDB2-900	0	F14
1565A-KEBE-900	0	E04	17500-LDF2-910	3	F10	18307-LDB2-E00	0	F14
15711-KHE7-900	0	E06	17502-LBA2-E00	4	F10	1830A-LFG2-E00	3	F14
<b>16000</b>			17504-LAB4-900	2	F10	18310-LFG2-E00	2	F14
			17507-LAB4-900	2	F10	18318-LBA2-E01	0	F14
			17514-LBA2-E00	1	F10	18320-LFG2-E00	3	F14
1610K-LDF2-E00	0	E08	17515-LBA2-E00	1	F10	18321-LDB2-900	0	F14
16211-LDF2-900	1	E02	17520-LBA2-E00	3	F19	18325-LDB2-900	1	F14
<b>17000</b>			17527-LBA2-900	0	F19	18371-LDB2-E00	1	F14
			17550-LDF2-800	6	F10	18391-LDB2-E00	1	F14
			17560-LDF2-900	4	F10	18601-MAJ1-791	1	E02
1711A-LDF2-900	1	E02	17620-LLJ3-E0A	3	F19	18612-GFY6-941	0	E02
17208-GAR1-011	0	F13	17620-LLJ3-E0B	3	F19	18618-KBE2-900	0	F23



## PART NO. INDEX

PART NO.	VERSION	PAGE	PART NO.	VERSION	PAGE	PART NO.	VERSION	PAGE
18645-GFY6-941	0	E02	19215-KHE7-900	0	E04	22131-LBA7-900	1	E05
18646-GFY6-941	0	E02	19217-6G57-024	0	E04	22132-KHE7-900	2	E05
18647-LDB2-900	3	E02	19221-KHE7-900	3	E04	22300-KHE7-900	2	E05
18660-LDF2-900	2	E02	19229-KHE7-900	0	E04	22300-LFG2-E0A	2	E05
18805-KHB4-910	0	F23	19231-KKJ9-011	0	E04	22300-LFG2-E80	1	E05
18806-KBE2-900	1	F23	19300-KAE1-004	1	E02	22350-KHE7-900	1	E05
18807-KBE2-900	3	F23	19310-LDF2-900	2	E02	22361-KHE7-900	0	E05
18812-KBE2-900	0	F23	19315-LDB2-E00	1	E02	22401-KHE7-900	2	E05
18814-LDF2-900	1	F23	19411-KBCB-900	0	F10	22401-LFG2-E80	1	E05
			19411-KHC4-900	0	F13	22530-KHE7-900	1	E05
<b>19000</b>			19502-KHE7-900	0	E04	22530-LFG2-E0A	2	E05
			19504-LBA2-E00	3	E02	22530-LFG2-E80	1	E05
19005-KKC4-900	2	F21				22804-GBB2-001	0	E05
19010-LDB2-E00	2	F21	<b>21000</b>					
19012-KHD8-900	4	F21				<b>23000</b>		
19013-LDB2-E00	2	F21	21200-LDB2-E00	2	E07			
19014-LDB2-E00	1	F21	21395-LDF2-900	1	E07	2301A-LFG2-E0A	2	E05
19015-KKC4-900	2	F21				2301A-LFG2-E80	2	E05
19016-LBA2-E00	1	F21	<b>22000</b>			23100-LFG2-E00	0	E05
19020-KED9-900	1	F21				23200-KHE7-900	6	E05
19030-KHD8-900	2	F21	22101-KHE7-900	1	E05	23220-KHE7-900	4	E05
19101-LBA2-E00	2	F21	22102-KHE7-900	3	E05	23220-LFG2-E00	2	E05
19104-LBA2-E00	1	F21	22105-LBA7-900	1	E05	23225-KHE7-900	0	E05
19105-LBA2-E00	1	F21	22110-LFG1-E00	2	E05	23226-GHC8-004	0	E05
19111-GBE2-004	1	F21	22112-KHE7-900	1	E05	23233-KHE7-900	1	E05
19210-KKC4-900	0	F21	22121-LFG2-E00	2	E05	23237-KHE7-900	0	E05

## PART NO. INDEX

PART NO.	VERSION	PAGE	PART NO.	VERSION	PAGE	PART NO.	VERSION	PAGE
23238-KHE7-900	0	E05	31500-KHE7-90A	3	F11	33451-LBA2-E00	0	F17
23411-KHE7-900	3	E07	31500-KHE7-90B	3	F11	33456-LBA2-E00	0	F17
23420-LFG2-E00	1	E07	31600-KED9-900	4	F19	33607-KKD7-E00	0	F18
23431-LDB2-E00	2	E07	31601-LDF2-900	1	F19	33700-LBA2-E00	5	F18
23432-LFG2-E00	2	E07	31602-KKC4-900	0	F19	33702-LBA2-E00	0	F18
			3195A-LBA2-E00	1	F19	33708-KHE7-E00	0	F18
<b>28000</b>			<b>32000</b>			33709-KHE7-E00	0	F18
28101-KHE7-900	0	E06				33720-LBB5-E00	3	F18
28102-KHE7-900	0	E06	32100-LFG2-E00	3	F19	33726-LBB5-E00	1	F18
28110-LDB2-E00	4	E06	32102-LBA2-E00	1	F21	33741-KHC5-M00	0	F18
28120-LDB2-E00	0	E06	32105-LLJ3-E00	2	E04	33900-KFBF-900	0	F12
			32108-GAR1-711	1	F19	<b>34000</b>		
<b>30000</b>			32410-LDB2-E00	3	E06			
			32411-LBA2-E00	3	F11	34901-KED9-900	0	F01
3051A-LDF2-900	4	F19	32412-LDB2-E00	1	E04	34903-KPCP-900	0	F01
30700-KFC8-E0H	1	F19	<b>33000</b>			34903-KPCP-900	0	F18
						34905-KPCP-900	0	F17
<b>31000</b>			33100-LDG7-E03	2	F01	34905-KPCP-900	0	F18
			33120-LDG7-E03	0	F01	34909-KFBF-900	0	F12
31110-LDF2-90A	2	E06	33130-LBA2-E00	1	F01	<b>35000</b>		
31120-LDF2-90A	4	E06	33400-LBA2-E00	2	F17			
31205-KKJ9-000	0	E06	33401-LBA2-E00	0	F17	35010-LBA2-315-M1	0	F19
31210-KHE7-90A	1	E06	33406-LBA2-E00	0	F17	35010-LBA2-315-M2	0	F19
31340-LBA2-E0A	1	F19	33450-LBA2-E00	2	F17	35101-LBA2-315-M1	0	F19
31345-LBA2-E00	1	F19						

## PART NO. INDEX

PART NO.	VERSION	PAGE	PART NO.	VERSION	PAGE	PART NO.	VERSION	PAGE
35101-LBA2-315-M2	0	F19						
35102-LBA2-315-M1	0	F19	<b>37000</b>			<b>39000</b>		
35102-LBA2-315-M2	0	F19						
35104-KHC4-90A	0	F19	37119-LBA2-E00	0	F02	39000-LDF2-800	4	F19
35104-KHC4-90B	0	F19	37200-LDF2-90A	2	F02	39100-KHD8-900	0	F19
35111-KKC4-335-M1	0	F19	37213-LBA2-E00	0	F02	39200-LFG2-800	2	F19
35111-KKC4-335-M2	0	F19	37214-LBA2-E00	0	F02	39220-LDF2-900	1	F19
35111-LBA2-305-T01	0	F19	37720-KGB5-900	0	E02	39300-LDF2-800	2	E02
35111-LBA2-305-T02	0	F19	37750-PAC1-005	0	E02	39301-LDF2-900	2	E02
35111-LBA2-306-T01	0	F19	37760-KHD8-900	0	F21	39400-LDF2-800	2	E02
35111-LBA2-306-T02	0	F19				39450-LDF2-800	2	F14
35119-KHC4-90A	0	F19	<b>38000</b>					
35119-KHC4-90B	0	F19				<b>42000</b>		
3515A-LBA2-E01	1	F03	38110-KHB4-E0A	0	F19			
3520A-KEBE-900	2	F03	38110-KHB4-E0B	1	F19	42311-LDB2-E00	1	F08
35340-KKC4-80A	0	F19	38110-KHB4-E0C	1	F19	42312-KHE7-E00	0	F08
35340-KKC4-80B	0	F19	38200-KHE7-900	0	F19	42601-LDB2-E00	2	F08
35340-KNBN-901	0	F04	38300-LBC6-90A	2	F19	42710-LBA2-E0A	4	F08
35350-KNBN-901	0	F04	38500-KHD8-900	0	F19	42710-LBA2-E0B	4	F08
35370-KEC8-E00	3	F15	38500-KHD8-90A	0	F19	42753-KNBN-90B	1	F07
35380-LDF2-900	2	F19	38501-KHD8-900	0	F19	42753-KNBN-90B	1	F08
35500-KED9-900	6	E04	38501-KHD8-90A	0	F19			
35850-LBA2-E00	1	F19	38773-PKB9-001	0	F21	<b>43000</b>		
						43100-LDF2-E00	2	F08
						43105-LDH1-305	0	F08

## PART NO. INDEX

PART NO.	VERSION	PAGE	PART NO.	VERSION	PAGE	PART NO.	VERSION	PAGE
43109-LBA2-E00	0	F07	45105-LBA2-305	0	F07	45209-KED9-900	0	F08
43109-MCA3-007	0	F08	45105-LBA2-306	0	F07	45209-LBA2-E00	0	F07
43126-LDB2-E00	3	F04	45107-KED9-900	0	F07	45210-LBA2-305	0	F07
43127-LBA2-E01	2	F04	45107-LBA2-E00	0	F07	45210-LDF2-E00	0	F08
43156-KKC4-900	2	F04	45107-LLJ3-E00	0	F08	45352-LBA2-E00	4	F07
43156-LDB2-900	1	F04	45107-LLJ3-E90	0	F07	45513-KKA8-900	0	F04
43351-LBA2-E00	6	F08	45108-KED9-900	0	F07	45513-LEA7-E00	1	F04
43352-KKD6-E90	1	F08	45108-LDH1-E00	0	F08	45517-LBA2-E00	2	F04
43353-4A61-77A	0	F08	45109-KED9-900	0	F07	45520-KKA8-900	0	F04
43353-KED9-900	0	F07	45110-LBA2-305	0	F07	45521-LEA7-E00	1	F04
4335A-LBA2-E01	2	F07	45121-LDB2-E00	3	F07	45530-LBA2-308	0	F04
43530-KKE5-305	1	F04	45125-LBA2-E00	3	F06	45531-GAR1-951	0	F08
			45126-LBA2-E01	4	F04	45531-KED9-900	0	F07
<b>44000</b>			45128-LBA2-900	2	F06			
			45128-LBA2-920	1	F06	<b>48000</b>		
44301-LBA2-E00	5	F07	45128-LBA2-E00	1	F06			
44311-KED9-900	5	F07	45129-LBA2-900	1	F06	48200-LBA2-E01	1	F04
44312-LBA2-E00	2	F07	45129-LBA2-E00	2	F06			
44620-LBA2-E00	3	F07	45130-KED9-900	0	F07	<b>50000</b>		
44650-LBA2-305	0	F07	45131-LDB2-E00	3	F07			
44710-LBA2-E0A	3	F07	45131-LDH1-E00	0	F08	50100-LDF2-900	9	F20
44710-LBA2-E0B	5	F07	45132-LDH1-E00	0	F08	50153-LDF2-900	2	F19
			45134-KED9-900	0	F07	50154-LBA2-E00	3	F20
<b>45000</b>			45136-LBA2-E01	6	F04	50154-LDF2-900	1	F19
			45200-LBA2-E00	6	F07	50306-1F96-001	0	F06
45100-LBA2-E01	6	F07	45203-KED9-900	0	F07	50326-LBA2-E00	2	F11

## PART NO. INDEX

PART NO.	VERSION	PAGE	PART NO.	VERSION	PAGE	PART NO.	VERSION	PAGE
50328-LBA2-E00	2	F11	5071B-LFG2-E00	1	F20			
5032A-LDB2-E00	1	F11	50720-LBA2-E00	1	F20	<b>52000</b>		
50330-LBA2-E00	1	F11	50730-LBA2-E00	1	F20			
50330-LDB2-E00	1	F11				52000-LDB2-E00	5	F16
50350-LDB2-E00	4	F20	<b>51000</b>			52400-LDB2-E00	3	F16
50352-LBA2-E00	1	F20				<b>53000</b>		
50353-GBG2-711	1	F20	51400-LDB2-E00	4	F06			
50353-KGN7-901	0	F20	51401-LDB2-E00	0	F22			
50356-KHE7-E00	0	F20	51404-LDB2-E00	0	F22	53100-LBA2-E00	7	F03
50360-LDB2-E00	2	F20	51410-LBA2-E00	0	F22	53102-LEA5-E00	3	F03
50364-KHE7-E00	0	F20	51412-LBA2-E00	0	F22	53105-LEA5-E00	3	F03
50502-GFY6-901	3	F15	51416-LBA2-E00	0	F22	53131-3H98-941	0	F03
50504-LDB2-E00	1	E01	51419-LBA2-E00	0	F22	53140-KKC4-900	0	F03
50505-KUDU-900	1	F15	51421-LBA2-E00	0	F22	53166-KGB5-900	0	F03
50505-LAD9-900	3	F15	51422-LBA2-E00	0	F22	53175-KKE5-E00	0	F04
50505-LEA7-E00	0	F15	51424-LBA2-E00	0	F22	53178-KKE5-E00	0	F04
50506-KHE7-E00	0	F15	51425-LBA2-E00	0	F22	53182-LDB2-E00	2	F05
5050A-LDB2-E00	5	F15	51428-LBA2-E00	0	F22	53200-LBA2-E00	7	F06
50530-LDB2-E00	3	F15	51430-LDH1-E00	0	F08	53203-LBA2-E00	2	F03
50550-KKC2-E00	0	F15	51437-LBA2-E00	0	F22	53204-LBA2-E00	3	F03
50611-LDF2-900	2	F10	51470-LBA2-E00	0	F22	53205-LBA2-E02	1	F03
50612-LDF2-900	2	F10	51500-LDB2-E00	4	F06	53206-LBA2-E00	1	F03
50701-LBA2-E00	1	F20	51521-LBA2-E00	0	F22	53208-LBA2-E00	3	F03
50713-KEB7-900	0	F20				53213-LBA2-E00	2	F06
50715-KEB7-900	0	F20				53214-LBA2-E00	2	F06
5071A-LFG2-E00	1	F20				53220-LBA2-E00	2	F06

## PART NO. INDEX

PART NO.	VERSION	PAGE	PART NO.	VERSION	PAGE	PART NO.	VERSION	PAGE
53230-LBA2-E00	8	F06	64320-LBA2-E00	2	F05	77300-LBA2-E00	1	F09
53240-LBA2-E00	2	F06	64330-LBA2-E00	2	F05	77303-LLJ3-E00	2	F09
53250-LBA2-E00	2	F06	64400-LBA2-E00	2	F05	77305-LDG7-E00	0	F09
<b>61000</b>			<b>70000</b>			77400-LBA2-E00	2	F09
61100-LBA2-305	4	F05	70529-6G57-671	0	F05	77500-LBA2-E00	1	F09
<b>64000</b>			<b>75000</b>			77501-LBA2-E00	1	F09
64206-MLJ0-001	1	F12	75581-6C73-001	0	F05	<b>80000</b>		
64220-LBA2-E00	5	F03				80101-LBA2-E00	1	F18
64222-KKC4-900	3	F03	<b>77000</b>			80104-LDB2-E00	0	F12
64222-LLJ3-E00	1	F05				80105-LBA2-E00	1	F18
64231-LBA2-E00	1	F03	77105-GFS6-001	1	F12	80107-LBA2-E00	1	F18
64232-LBA2-E00	1	F03	77106-GFS6-001	1	F12	80151-LBA2-E00	1	F05
6423A-LBA2-E00	1	F03	77200-LDG7-E00	1	F09	<b>81000</b>		
64250-LBA2-E00	2	F03	77206-KEB7-900	0	F09	81131-LBA2-E01	2	F05
64302-LBA2-E02	1	F05	77220-LDG7-E00	0	F09	81133-LBA2-E00	1	F05
64303-LBA2-E00	2	F05	77232-GLW0-316-M1	0	F19	81134-KGBG-900	2	F05
64304-LBA2-E00	2	F05	77232-GLW0-316-M2	0	F19	81135-KGBG-900	2	F05
64305-LBA2-E00	2	F05	77235-KGC4-E0A	2	F19	81142-LBA2-E00	1	F05
64306-LBA2-E00	2	F05	77235-KGC4-E0B	2	F19	81146-LBA2-E00	2	F05
64310-LBA2-E00	4	F05	77235-KKC4-80A	0	F19	8114A-LBA2-E00	1	F05
64311-LBA2-E00	1	F05	77235-KKC4-80B	0	F19	81200-LBA2-E00	2	F12
64315-LDG7-800	0	F20	77240-LBA2-E00	2	F19	81201-LBA2-E00	1	F12

## PART NO. INDEX

PART NO.	VERSION	PAGE	PART NO.	VERSION	PAGE	PART NO.	VERSION	PAGE
81252-LDB2-E00	2	F12				90001-GBHB-661	2	E06
81254-LDB2-E00	2	F12	<b>87000</b>			90005-KEC8-900	3	E03
81255-LDB2-E00	2	F12				9000A-KTDT-900	1	E01
81256-LDB2-E00	2	F12	87140-LDG7-E01	2	F25	90012-3C33-001	2	E02
81257-LDB2-E00	1	F12	87206-LBA2-E00	2	F03	90031-KEBE-900	0	E01
81258-LDB2-E00	1	F12	87311-LCD3-E00	1	F25	90031-KKA7-900	0	E01
81259-LDB2-E00	1	F12	87505-LBA2-E00	1	F24	90033-GFY6-941	0	E02
81260-LDB2-E00	5	F12	87508-KKC4-E00	1	F03	90071-MLB0-001	0	E06
81261-LDB2-E00	1	F12	87541-GAR1-E00	1	F24	90084-LEA5-001	1	E04
81262-LDB2-E00	1	F12	87541-KKC2-E00	1	F24	9008A-KHE7-900	0	E04
<b>83000</b>			87542-GAR1-E00	2	F24	90101-KNBN-200	3	F20
			87560-GFY6-E00	3	F24	90105-KCR3-001	1	F07
			<b>88000</b>			90105-KCR3-001	1	F08
83500-LBA2-E00	3	F12				90105-KHB4-900	0	F03
83520-LBA2-E00	2	F12				90105-KHB4-900	0	F12
83550-KEC8-900	0	F05	88110-LBA2-E02	2	F03	90105-LLJ3-E00	3	F03
83551-KEC8-900	0	F05	88120-LBA2-E02	2	F03	90106-KFA6-900	0	F12
83600-LBA2-E00	3	F12				90106-KFC2-900	0	F03
83620-LBA2-E00	2	F12	<b>89000</b>			90106-KHE7-E00	0	F20
83750-LBA2-E00	2	F12				90107-LEA7-E00	3	F05
<b>86000</b>			89010-LDB2-E00	2	F09	90108-KKC4-900	1	F15
			89020-KKC4-900	1	F09	90110-KEBE-900	0	F14
			<b>90000</b>			90111-KED9-900	0	F03
86202-LFG2-E00	1	F25				90111-KED9-900	0	F05
						90111-KED9-900	0	F12
			90001-GBHB-661	2	E03	90112-KNBN-901	1	F11

## PART NO. INDEX

PART NO.	VERSION	PAGE	PART NO.	VERSION	PAGE	PART NO.	VERSION	PAGE
90113-KKA8-900	0	F04	90302-SDA4-004	2	F12	90656-KCBC-900	0	F19
90114-GDM4-011	2	F13	90304-4H38-001	2	E02	90656-KUDU-900	0	F19
90114-KED9-900	3	F20	90304-GHE8-004-SY	0	F20	90660-KNBN-921	0	F10
90114-LBA2-E00	1	F12	90304-LBD4-900	2	F20	90677-GAR1-004	1	F03
90122-LBA2-E00	1	F07	90305-GHK8-001	1	F05	90677-GAR1-004	1	F12
90131-LDB2-E00	2	F08	90305-GHK8-001	1	F12	90677-GAR1-004	1	F18
90131-LFG2-E00	1	F16	90305-KKAK-900	0	F08	90683-GAR1-004	4	F05
90145-LBA2-E00	2	F04	90305-LBA2-E00	1	F05	90912-LBA2-E00	8	F21
90145-MKS9-61A	1	F04	90312-GLF0-001	0	F03	90913-LDB2-E00	1	F21
90164-MDR4-901	0	F05	90312-LLJ3-E01	0	F05			
90201-KHE7-900	1	E05	90401-KKJ9-001	0	E05	<b>91000</b>		
90201-KHR8-75A	1	E05	90401-KKJ9-001	0	E06			
90201-KHR8-75A	1	E06	90423-KKJ9-001	0	E04	91001-KHE7-900	0	E03
90201-LBA2-E00	1	F06	90441-GFY6-941	0	E05	91001-KHE7-90A	0	E03
90202-1G87-001	0	E05	90465-MDC4-001	0	E02	91001-KKJ9-006	0	E04
90206-0A01-001	2	E02	90474-3C33-001	1	E01	91002-GGA7-70A	0	E05
90215-KKC4-900	1	F09	90478-7L00-001	0	E02	91003-KHE7-900	0	E01
90215-KKC4-900	1	F12	90478-7L00-001	0	E04	91004-KHE7-900	1	E05
90301-6D34-671	1	F03	90503-0A51-870	0	F06	91009-KHE7-900	0	E07
90301-6D34-671	1	F10	90503-LBA2-E00	2	F06	91201-KKJ9-004	0	E04
90301-6D34-671	1	F21	9052A-LEB1-900	1	E01	91202-KHE7-900	0	E01
90301-GFY6-901	2	F14	90544-KEC8-900	0	F22	91202-KKC4-900	0	E01
90302-GFY6-940	1	F18	90545-3L00-001	2	F04	91202-KKC4-90B	1	E01
90302-KFC2-900	1	F19	90605-1F66-721	0	E05	91211-KHE7-900	0	E05
90302-SDA4-004	2	F03	90652-GFY6-901	1	E02	91251-LBA2-E00	0	F22
90302-SDA4-004	2	F05	90652-KHE7-900	0	F13	91254-LBA2-E00	0	F22



## PART NO. INDEX

PART NO.	VERSION	PAGE	PART NO.	VERSION	PAGE	PART NO.	VERSION	PAGE
91255-KHE7-900	0	E07	93404-06016-06	0	F05	93903-24220	0	F18
91255-KHE7-900	0	F16	93404-06016-06	0	F12	93903-24320	0	F23
91257-KED9-900	2	F07	93404-06016-06	0	F15	93903-34360	0	F05
91301-KHE7-900	0	E02	93404-06016-06	0	F18	93903-34360	0	F12
91301-LDF2-800	1	E02	93404-06020-06	1	F03	93903-34360	0	F17
91302-0A01-021	0	E04	93500-03010-1A	0	E06	93903-34360	0	F18
91302-KHE7-900	0	E04	93500-04008-0G	0	F10	93903-35260	0	F10
91302-LDB2-E00	1	E02	93500-04020-0G	0	F19	93903-35320	0	F01
91302-LDF2-800	2	E02	93500-05016-0H	0	E02	93903-35320	0	F02
91303-3G77-001	0	E04	93500-05016-0H	0	E06	93903-35320	0	F03
91306-1E05-691	0	E03	93500-05016-1B	0	F03	93903-35360	0	F18
91307-0E35-001	0	E04	93500-05025-1B	0	F03	93903-GFY6-900	1	F03
91309-4E25-004	0	E06	93500-05032-1B	0	F03	93903-GFY6-900	1	F05
91351-KHE7-900	0	E05	93500-05045-1B	0	F03	93903-GFY6-900	1	F12
91407-SGA7-004	0	F13	93500-KHC4-90A	0	F19	93903-GFY6-900	1	F18
			93600-04012-1A	0	F04	93903-KEB7-900-06	1	F03
<b>92000</b>			93891-05016-00	0	F13			
			93891-05016-06	0	F05	<b>94000</b>		
92101-05012-0A	0	F07	93891-05016-06	0	F11			
92101-05032-0H	0	E06	93891-06010-07	0	F12	94050-05080	0	F18
92900-06050-0B	0	E02	93892-04008-18	0	E08	94050-06060	0	F04
92900-08046-0B	0	E02	93893-04012-18	0	F04	94050-06080	0	E02
			93894-04022-08	1	F19	94050-06080	0	F04
<b>93000</b>			93901-32320	0	F18	94050-06080	0	F09
			93901-34320	0	F18	94050-06080	0	F10
93401-LDB2-900	0	F14	93901-44320	0	F18	94050-06080	0	F11

## PART NO. INDEX

PART NO.	VERSION	PAGE	PART NO.	VERSION	PAGE	PART NO.	VERSION	PAGE
94050-06080	0	F18	94510-25000	0	E07	95002-KHE7-900	0	E04
94050-06080	0	F19	94520-26000	0	E04	95002-KHE7-900	0	F21
94050-06080	0	F20	94520-28000	0	E05	95002-KKD6-E05	0	E02
94050-06080	0	F21	94520-47000	0	F16	95002-KKD6-E05	0	F23
94050-08080	0	E02	94591-27000	0	F12	95003-23024-60	0	F13
94050-08080	0	F09	94591-27000	0	F17	95005-LDF2-E00	1	F23
94050-08080	0	F19	94591-KFBB-900	2	E02	95014-72204	0	F15
94101-06000	0	F20	94591-KFBB-900	2	E04	95701-06008-06	1	F06
94101-06700	0	F14	94591-KFBB-900	2	F10	95701-06010-08	1	E02
94101-06800	0	F09	94601-17000	0	E03	95701-06012-00	0	F06
94101-08700	0	F15	94601-33000	0	E05	95701-06012-08	0	E02
94101-LBA2-E00	1	F20	94605-LBA2-E00	0	F22	95701-06012-08	0	F20
94102-LBA2-E00	1	F20	94608-LBA2-E00	0	F22	95701-06016-06	1	F21
94111-05800	0	E06				95701-06022-06	1	F14
94111-06800	0	E01	<b>95000</b>			95701-06025-00	0	E02
94201-16150	0	F20				95701-06025-08	0	E02
94251-08400	0	F15	95001-35600-40	0	F21	95701-06028-08	0	E02
94301-08140	0	E04	95002-02070	0	F21	95701-06040-08	0	E02
94301-10160	0	E01	95002-02080	0	E07	95701-06050-00	0	F06
94301-10160	0	E02	95002-02100	0	F21	95701-08012-08	0	E01
94301-10160	0	E03	95002-02130	0	F10	95701-08012-08	0	F20
94301-10160	0	E04	95002-02130	0	F13	95701-08030-08	0	E07
94301-10160	0	E07	95002-02150	0	F13	95701-08035-06	1	F03
94303-04065	0	E06	95002-70000	0	F21	95701-08035-08	0	E07
94401-25140	4	E03	95002-KED9-900	2	F21	95701-08045-08	0	F20
94510-10000	0	E06	95002-KGN7-910	1	F21	95701-KHC5-E00	3	F19

## PART NO. INDEX

PART NO.	VERSION	PAGE	PART NO.	VERSION	PAGE	PART NO.	VERSION	PAGE				
95701-LDF2-800	2	F10	96001-06125-08	0	E04	<b>W</b>						
95801-08040-08	0	F06	96001-06130-08	0	E04							
95801-10025-08	0	F15	96100-60000-00	0	E04							
95801-10040-02	0	F16	96100-63020-00	0	E01				W1792-048-9901	0	E08	
95801-10045-06	2	F14	96100-63020-00	0	E07				W1793-118-9900	0	E08	
95801-10057-06	2	F14	96100-63040-00	1	E01							
<b>96000</b>			96150-60040-10	0	F07							
			96150-62040-10	0	F16							
			96211-08000	0	F20							
			96220-20118	0	E03							
96001-06008-07	0	F14	96600-08015-10	1	E06							
96001-06010-00	0	E04	96600-08025-06	0	F06							
96001-06012-08	0	E06	96600-08035-06	0	F06							
96001-06012-08	0	F04	96600-LBA2-E00	0	F22							
96001-06012-08	0	F06	<b>98000</b>									
96001-06014-08	0	F19										
96001-06016-08	0	E01										
96001-06018-02	0	E04										
96001-06018-08	0	E02		98069-5691R-00	0				E02			
96001-06020-06	0	F19		98200-31000	1				F11			
96001-06022-08	0	E04		98200-31000	1	F19						
96001-06028-06	0	F04		98200-31500	0	F11						
96001-06028-08	0	E04		98200-31500	0	F19						
96001-06028-08	0	E06		98200-33000	0	F11						
96001-06045-08	0	E04	98200-33000	0	F19							
96001-06050-08	0	E01										
96001-06110-08	0	E02										