

# PARTS CATALOGUE



## SCOOTERS

SF10FA(RO)

VITALITY 50



Release Date : 2011/10/24  
Print Date : 2012/02/13

## ABOUT THIS PARTS LIST

- This parts list is compiled all service parts for model SF10FA(RO).
- Any difference between color chart and motorcycle will be revised according to motorcycle.
- The Mark:
  1. Marking "\*\*\*" must add color code in the end before ordering parts.
  2. Marking "#" are parts with modification, Please find the details from e-Parts system.
- When modification or additions to this parts list are made a revised edition at an appropriate time.



# CONTENTS

● ABOUT THIS PARTS LIST .....	1
● COLOR CHART OF SF10FA(RO) .....	3
● CONTENTS-ENGINE GROUP .....	12
● CONTENTS-FRAME GROUP .....	14
● ENGINE PARTS LIST .....	17
● FRAME PARTS LIST .....	47
● PART NO. INDEX .....	107

NO	MODEL			COLOR CHART OF SF10FA(RO)							
	PHOTO NO			NO. 1	NO. 2	NO. 3	NO. 4				
	BASIC COLOR			Bright Rlue	Bright Blue	Bright Blue	Bright Silver				
	CODE			Bright Rlue	Bright Blue	Bright Blue	Bright Silver				
	PARTS NAME	PARTS NO.	VERSION	PB107MB	PB107MAA	PB107MAB	NH045MA				
1	CUSHION ASSY RR	52400-LBD5-E00	2	M2S							
2	LEVER R STRG HNDL	53175-KFA6-E00	0	M3A							
3	LEVER L STRG HNDL	53178-KXCX-E00	0								
4	COVER BATTERY	50326-KKD6-E00	2								
5	COVER UNDER	50613-KKD6-E01	1								
6	GRIP COMP THROT	53140-KNBN-960	0								
7	GRIP HANDLE L	53166-KNBN-911	0								
8	COVER RR HANDLE	53206-KFA6-900	1								
9	FLOOR PANEL	64310-KKD6-E00	2								
10	FENDER REAR	80105-LBD5-E01	0					N1R			
11	FENDER REAR LOW	80106-LBD5-E00	1								
12	FENDER B REAR	80107-KEB7-900	1								
13	COVER CENTER	80151-KKD6-E00	0								
14	COVER PLUG MAINT	80152-KKD6-E00	0								
15	COVER LEG SHIELD FR	81131-KKD6-E00	0								
16	LID LEG SHIELD	81132-KKDK-900	1								
17	COVER L SIDE	11341-KKD6-900	1	N8A							
18	CARRIER RR	81200-KKD6-E00	1	N8P		Y8P	N8P				
19	COVER FR HANDLE	53205-LBD5-E00	3	BAM	N8P	Y8P	N8P				
20	COVER FRONT	64301-LBD5-E00	3								
21	WHEEL COMP RR CAST	42601-KEB7-E0E	2	NJA							
22	WHEEL SET FR	44650-KEB7-315	2								
23	CALIPER ASSY FR	45200-KKD6-E90	2								
24	FORK SET R FR	5140A-LBD5-E00	4								
25	BOTTOM CASE R	51420-KEB7-800	1								
DATE OF STARTING-SALES											
DATE OF END-SALES											

NO	MODEL			COLOR CHART OF SF10FA(RO)			
	PHOTO NO			NO. 5	NO. 6	NO. 7	NO. 8
	BASIC COLOR			Bright Silver	Dark Gray Metallic	Ruby Red	Deep Green Metallic
	CODE			Bright Silver	Dark Gray Metallic	Ruby Red	Deep Green Metallic
	PARTS NAME	PARTS NO.	VERSION	NH045MB	NH124MA	RR004CA	BG055CA
1	CUSHION ASSY RR	52400-LBD5-E00	2	M2S			
2	LEVER R STRG HNDL	53175-KFA6-E00	0	M3A			
3	LEVER L STRG HNDL	53178-KXCX-E00	0				
4	COVER BATTERY	50326-KKD6-E00	2	N1R			
5	COVER UNDER	50613-KKD6-E01	1				
6	GRIP COMP THROT	53140-KNBN-960	0				
7	GRIP HANDLE L	53166-KNBN-911	0				
8	COVER RR HANDLE	53206-KFA6-900	1				
9	FLOOR PANEL	64310-KKD6-E00	2				
10	FENDER REAR	80105-LBD5-E01	0				
11	FENDER REAR LOW	80106-LBD5-E00	1				
12	FENDER B REAR	80107-KEB7-900	1				
13	COVER CENTER	80151-KKD6-E00	0				
14	COVER PLUG MAINT	80152-KKD6-E00	0	N8A			
15	COVER LEG SHIELD FR	81131-KKD6-E00	0				
16	LID LEG SHIELD	81132-KKDK-900	1				
17	COVER L SIDE	11341-KKD6-900	1	N8P			
18	CARRIER RR	81200-KKD6-E00	1				
19	COVER FR HANDLE	53205-LBD5-E00	3	NJA			
20	COVER FRONT	64301-LBD5-E00	3				
21	WHEEL COMP RR CAST	42601-KEB7-E0E	2				
22	WHEEL SET FR	44650-KEB7-315	2				
23	CALIPER ASSY FR	45200-KKD6-E90	2				
24	FORK SET R FR	5140A-LBD5-E00	4				
25	BOTTOM CASE R	51420-KEB7-800	1				
DATE OF STARTING-SALES							
DATE OF END-SALES							

NO	MODEL			COLOR CHART OF SF10FA(RO)			
	PHOTO NO			NO. 9	NO. 10	NO. 11	
	BASIC COLOR			Dark Gray Metallic	Ruby Red	Deep Green Metallic	
	CODE			Dark Gray Metallic	Ruby Red	Deep Green Metallic	
	PARTS NAME	PARTS NO.	VERSION	NH124MB	RR004CB	BG055CB	
1	CUSHION ASSY RR	52400-LBD5-E00	2	M2S			
2	LEVER R STRG HNDL	53175-KFA6-E00	0	M3A			
3	LEVER L STRG HNDL	53178-KXCX-E00	0				
4	COVER BATTERY	50326-KKD6-E00	2				
5	COVER UNDER	50613-KKD6-E01	1				
6	GRIP COMP THROT	53140-KNBN-960	0				
7	GRIP HANDLE L	53166-KNBN-911	0				
8	COVER RR HANDLE	53206-KFA6-900	1				
9	FLOOR PANEL	64310-KKD6-E00	2				
10	FENDER REAR	80105-LBD5-E01	0				
11	FENDER REAR LOW	80106-LBD5-E00	1				N1R
12	FENDER B REAR	80107-KEB7-900	1				
13	COVER CENTER	80151-KKD6-E00	0				
14	COVER PLUG MAINT	80152-KKD6-E00	0				
15	COVER LEG SHIELD FR	81131-KKD6-E00	0				
16	LID LEG SHIELD	81132-KKDK-900	1				
17	COVER L SIDE	11341-KKD6-900	1	N8A			
18	CARRIER RR	81200-KKD6-E00	1	N8P			
19	COVER FR HANDLE	53205-LBD5-E00	3	NFP	R1P	V3P	
20	COVER FRONT	64301-LBD5-E00	3				
21	WHEEL COMP RR CAST	42601-KEB7-E0E	2	NJA			
22	WHEEL SET FR	44650-KEB7-315	2				
23	CALIPER ASSY FR	45200-KKD6-E90	2				
24	FORK SET R FR	5140A-LBD5-E00	4				
25	BOTTOM CASE R	51420-KEB7-800	1				
DATE OF STARTING-SALES							
DATE OF END-SALES							

NO	MODEL			COLOR CHART OF SF10FA(RO)							
	PHOTO NO			NO. 1	NO. 2	NO. 3	NO. 4				
	BASIC COLOR			Bright Rlue	Bright Blue	Bright Blue	Bright Silver				
	CODE			Bright Rlue	Bright Blue	Bright Blue	Bright Silver				
	PARTS NAME	PARTS NO.	VERSION	PB107MB	PB107MAA	PB107MAB	NH045MA				
26	FORK SET L FR	5150A-LBD5-E00	4	NJA							
27	BOTTOM CASE L	51520-KEB7-800	0								
28	SEAT COMP	77200-LBD5-E00	4	T01							
29	EMB HANDLE COVER	86030-KFA6-E00	1								
30	EMB K-LOGO 30MM	86102-KFA6-E00	2								
31	CAUTION ANTI	87224-LBD5-EZ0	2								
32	LABEL TIRE	87505-KKD7-E00	0								
33	CAUTION SIDE STAND	87541-GAR1-E00	1								
34	MARK MAINT CAUTION	87542-GAR1-E00	2								
35	MARK DRIVE CAUTION	87560-KNBN-E00	1								
36	EMB BODY COVER	86202-LBD5-E10	1					T01			T01
37	EMB MARK 2T	87140-LBD5-E00	1					BAM			
38	MOLDING FR	64302-LBD5-E00	3								
39	COVER R SIDE	64305-LBD5-E00	2								
40	SKIRT L SIDE	64306-LBD5-E00	2								
41	COVER R BODY	83500-LBD5-E00	3								
42	COVER L BODY	83600-LBD5-E00	3								
43	FENDER FR	61100-LBD5-E00	1	BAM		Y8P	N8P				
44	STRIPE FR COBER	86101-LBD5-E90	1	T01							
45	STRIPE K-LOGO 50MM	86102-LBD5-E90	1								
46	STRIPE R BODY COVER	86221-LBD5-E90	2								
47	STRIPE L BODY COVER	86231-LBD5-E90	2								
48	STRIPE R SKIRT	86341-LBD5-E90	2								
49	STRIPE L SKIRT	86351-LBD5-E90	2								
50	STRIPE B R SKIRT	86361-LBD5-E90	2								
DATE OF STARTING-SALES											
DATE OF END-SALES											

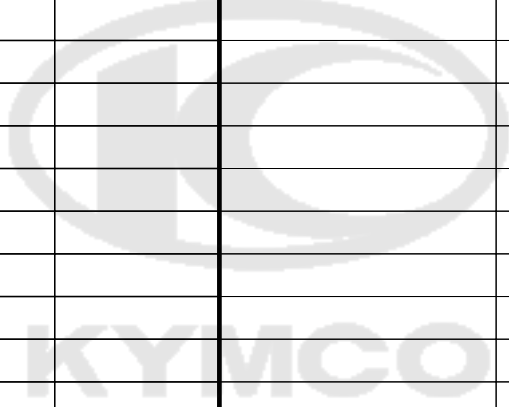
NO	MODEL			COLOR CHART OF SF10FA(RO)			
	PHOTO NO			NO. 5	NO. 6	NO. 7	NO. 8
	BASIC COLOR			Bright Silver	Dark Gray Metallic	Ruby Red	Deep Green Metallic
	CODE			Bright Silver	Dark Gray Metallic	Ruby Red	Deep Green Metallic
	PARTS NAME	PARTS NO.	VERSION	NH045MB	NH124MA	RR004CA	BG055CA
26	FORK SET L FR	5150A-LBD5-E00	4	NJA			
27	BOTTOM CASE L	51520-KEB7-800	0				
28	SEAT COMP	77200-LBD5-E00	4	T01			
29	EMB HANDLE COVER	86030-KFA6-E00	1				
30	EMB K-LOGO 30MM	86102-KFA6-E00	2				
31	CAUTION ANTI	87224-LBD5-EZ0	2				
32	LABEL TIRE	87505-KKD7-E00	0				
33	CAUTION SIDE STAND	87541-GAR1-E00	1				
34	MARK MAINT CAUTION	87542-GAR1-E00	2				
35	MARK DRIVE CAUTION	87560-KNBN-E00	1				
36	EMB BODY COVER	86202-LBD5-E10	1				
37	EMB MARK 2T	87140-LBD5-E00	1				
38	MOLDING FR	64302-LBD5-E00	3	N8P	NFP	R1P	V3P
39	COVER R SIDE	64305-LBD5-E00	2				
40	SKIRT L SIDE	64306-LBD5-E00	2				
41	COVER R BODY	83500-LBD5-E00	3				
42	COVER L BODY	83600-LBD5-E00	3				
43	FENDER FR	61100-LBD5-E00	1				
44	STRIPE FR COBER	86101-LBD5-E90	1				
45	STRIPE K-LOGO 50MM	86102-LBD5-E90	1				
46	STRIPE R BODY COVER	86221-LBD5-E90	2				
47	STRIPE L BODY COVER	86231-LBD5-E90	2				
48	STRIPE R SKIRT	86341-LBD5-E90	2				
49	STRIPE L SKIRT	86351-LBD5-E90	2				
50	STRIPE B R SKIRT	86361-LBD5-E90	2				
DATE OF STARTING-SALES							
DATE OF END-SALES							



NO	MODEL			COLOR CHART OF SF10FA(RO)			
	PHOTO NO			NO. 9	NO. 10	NO. 11	
	BASIC COLOR			Dark Gray Metallic	Ruby Red	Deep Green Metallic	
	CODE			Dark Gray Metallic	Ruby Red	Deep Green Metallic	
	PARTS NAME	PARTS NO.	VERSION	NH124MB	RR004CB	BG055CB	
26	FORK SET L FR	5150A-LBD5-E00	4	NJA			
27	BOTTOM CASE L	51520-KEB7-800	0				
28	SEAT COMP	77200-LBD5-E00	4	T01			
29	EMB HANDLE COVER	86030-KFA6-E00	1				
30	EMB K-LOGO 30MM	86102-KFA6-E00	2				
31	CAUTION ANTI	87224-LBD5-EZ0	2				
32	LABEL TIRE	87505-KKD7-E00	0				
33	CAUTION SIDE STAND	87541-GAR1-E00	1				
34	MARK MAINT CAUTION	87542-GAR1-E00	2				
35	MARK DRIVE CAUTION	87560-KNBN-E00	1				
36	EMB BODY COVER	86202-LBD5-E10	1				
37	EMB MARK 2T	87140-LBD5-E00	1				
38	MOLDING FR	64302-LBD5-E00	3	NFP	R1P	V3P	
39	COVER R SIDE	64305-LBD5-E00	2				
40	SKIRT L SIDE	64306-LBD5-E00	2				
41	COVER R BODY	83500-LBD5-E00	3				
42	COVER L BODY	83600-LBD5-E00	3				
43	FENDER FR	61100-LBD5-E00	1				
44	STRIPE FR COBER	86101-LBD5-E90	1				
45	STRIPE K-LOGO 50MM	86102-LBD5-E90	1				
46	STRIPE R BODY COVER	86221-LBD5-E90	2				
47	STRIPE L BODY COVER	86231-LBD5-E90	2				
48	STRIPE R SKIRT	86341-LBD5-E90	2				
49	STRIPE L SKIRT	86351-LBD5-E90	2				
50	STRIPE B R SKIRT	86361-LBD5-E90	2				
DATE OF STARTING-SALES							
DATE OF END-SALES							

NO	MODEL			COLOR CHART OF SF10FA(RO)			
	PHOTO NO			NO. 1	NO. 2	NO. 3	NO. 4
	BASIC COLOR			Bright Rlue	Bright Blue	Bright Blue	Bright Silver
	CODE			Bright Rlue	Bright Blue	Bright Blue	Bright Silver
	PARTS NAME	PARTS NO.	VERSION	PB107MB	PB107MAA	PB107MAB	NH045MA
51	STRIPE B L SKIRT	86371-LBD5-E90	2			T01	
DATE OF STARTING-SALES							
DATE OF END-SALES							

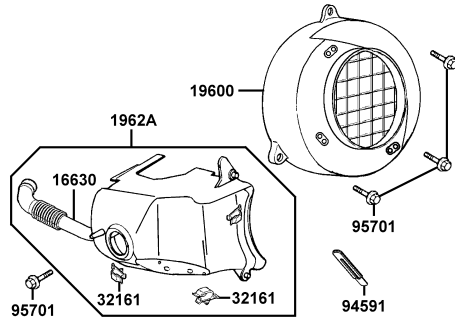
NO	MODEL			COLOR CHART OF SF10FA(RO)			
	PHOTO NO			NO. 5	NO. 6	NO. 7	NO. 8
	BASIC COLOR			Bright Silver	Dark Gray Metallic	Ruby Red	Deep Green Metallic
	CODE			Bright Silver	Dark Gray Metallic	Ruby Red	Deep Green Metallic
	PARTS NAME	PARTS NO.	VERSION	NH045MB	NH124MA	RR004CA	BG055CA
51	STRIPE B L SKIRT	86371-LBD5-E90	2				
	DATE OF STARTING-SALES						
	DATE OF END-SALES						



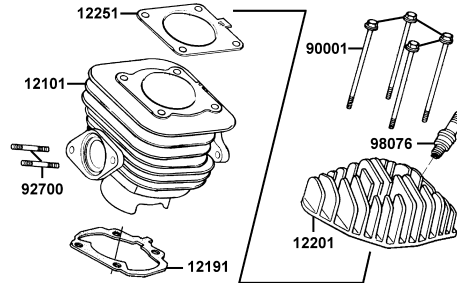
NO	MODEL			COLOR CHART OF SF10FA(RO)			
	PHOTO NO			NO. 9	NO. 10	NO. 11	
	BASIC COLOR			Dark Gray Metallic	Ruby Red	Deep Green Metallic	
	CODE			Dark Gray Metallic	Ruby Red	Deep Green Metallic	
	PARTS NAME	PARTS NO.	VERSION	NH124MB	RR004CB	BG055CB	
51	STRIPE B L SKIRT	86371-LBD5-E90	2				
DATE OF STARTING-SALES							
DATE OF END-SALES							

# CONTENTS - ENGINE GROUP

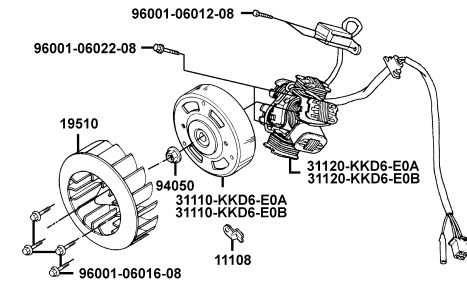
**E01** Fan CoverShroud



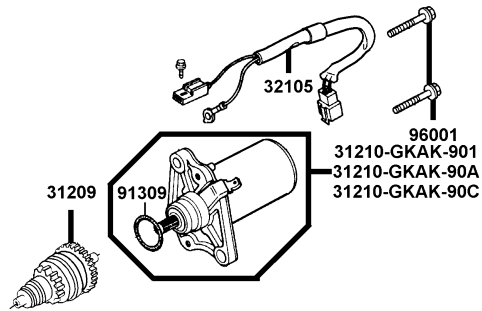
**E02** Cylinder HeadCylinder



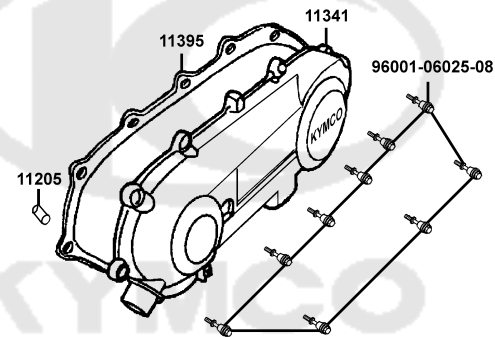
**E03** Generator



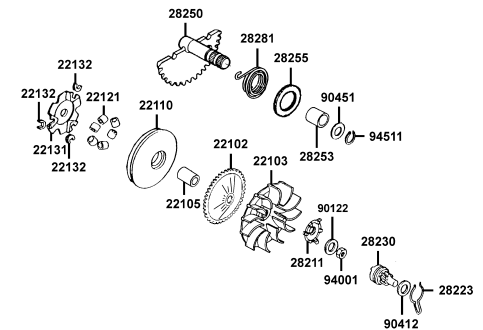
**E04** Starting Motor



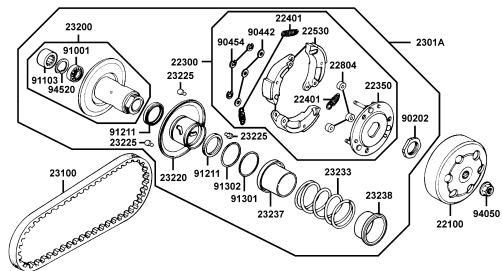
**E05** COVER L SIDE



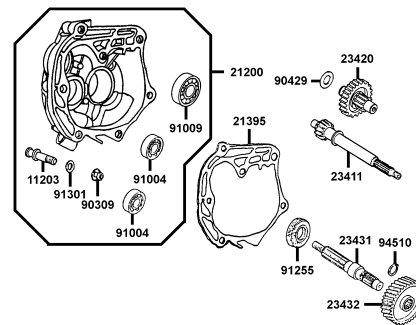
**E06** DRIVE FACE



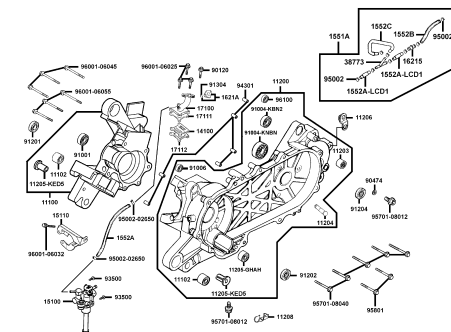
**E07** Driven Pulley



**E08** Transmission



**E09** CrankcaseOIL PUMP





# CONTENTS - FRAME GROUP

<p><b>F01</b> Head Light</p>	<p><b>F02</b> Speedometer</p>	<p><b>F03</b> Handle Steering Handle Cover</p>
<p><b>F04</b> Brake Master Cylinder</p>	<p><b>F05</b> Front Cover/Floor Panel</p>	<p><b>F06</b> Front Cushion</p>
<p><b>F07</b> Front Wheel</p>	<p><b>F08</b> Rear Wheel</p>	<p><b>F09</b> Seat</p>

# CONTENTS - FRAME GROUP

F10 Fuel Tank	F11 Battery	F12 OIL TANK
<p>95002-02080 9500C 16950 3780A 37802            1691A-GFY6-90A 95002-02070 37801            1691A-GFY6-90B 9500B 95701 17620            95002-02080 9500E 95002-02070 95701            95002-02080 17500</p>	<p>98200 95012 93903            31500 50326</p>	<p>55106 35410 55121 90302 55100            17502 15772 90302 95002-50000 55102 95002-02100 55201 55123</p>
F13 Body Cover/Luggage Box	F14 Air Cleaner	F15 Exhaust Muffler
<p>90105-KFC2 90105-KFC2 81200            90106-KKDB 81201 95701-06014            90111 94900-06080 90381 77201 77232 7723A 77240            93903-34360 93903-34360 93903-34260 93903-34260 93903-34260 93903-34260            93903-GFY6 903905 81200 90302-SDA4 90302-SDA4 90302-SDA4 77239-GFY6-339-M2            80151 93903-GFY6 93903-34360 80152 90302-KED5</p>	<p>93903-35080 17216 93903-35080 17213 17254 95002 17206 17205 17212 17207            90652 17253 17208 95701 93903-25360</p>	<p>1830A 95701-06025-08 94101 95701-06040-06 18612 18601 12311 18645 18646            95701-06008-07 94101 90110 18294 18294 18295 18295 18317 18293 18294 18284 18284 90110</p>
F16 Stand/Kick Starter Arm	F17 Rear Cushion	F18 Winker
<p>50503 50527 95701-06022 28300 5050A 50527 94251 94101 50550 50505            50535 90108 50530 50531</p>	<p>95801-08035-08 52400 95801-10035-08</p>	<p>33450 33400 33402 33452 33403 33453 34905 93901-34420 93903-34360 94591 94591 93903-34360</p>

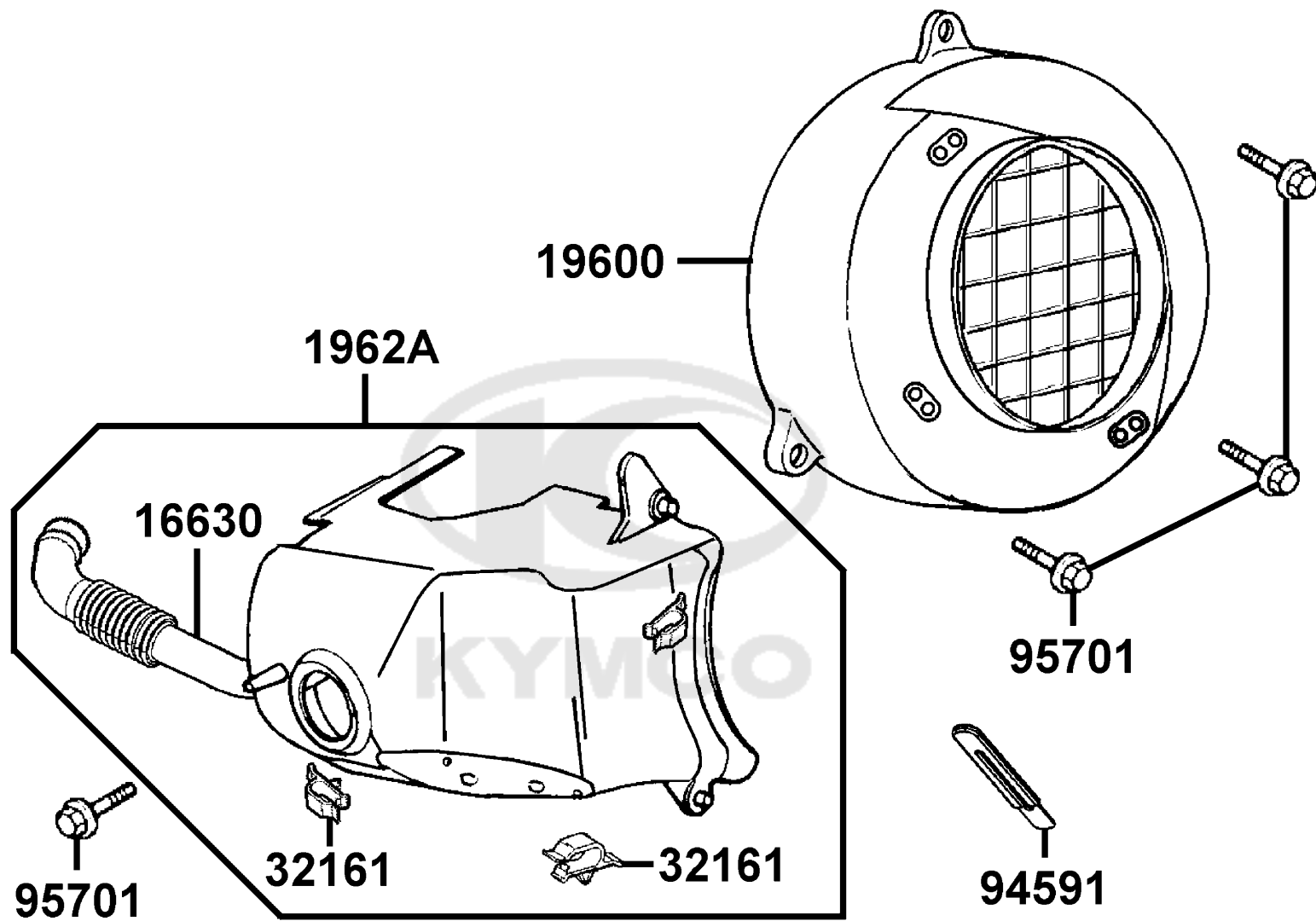


# CONTENTS - FRAME GROUP

<p><b>F19 Rear LightRear Fender</b></p>	<p><b>F20 Wire Harness</b></p>	<p><b>F21 Frame Body</b></p>
<p><b>F22 Separated Parts Of Fr Fork</b></p>	<p><b>F23 AIR CLEANER TWO</b></p>	<p><b>F24 Caution Label</b></p> <div style="display: flex; justify-content: space-around;"> <div style="border: 1px solid black; padding: 5px; width: 30%;"> <p><b>87560-KNBN-E00</b></p> <p><b>CAUTIONS</b></p> <p>Before starting the engine, the side stand shall be kicked up to secure safety.</p> </div> <div style="border: 1px solid black; padding: 5px; width: 30%;"> <p><b>87505-KKD7-E00</b></p> <p><b>CAUTIONS</b></p> <p>Never put any article between the rear side cover and the engine to avoid interference of riding.</p> </div> <div style="border: 1px solid black; padding: 5px; width: 30%;"> <p><b>87541-GAR1-E00</b></p> <p><b>CAUTIONS</b></p> <p>Never put any article between the rear side cover and the engine to avoid interference of riding.</p> </div> </div> <div style="margin-top: 10px;"> <p><b>87542-GAR1-E00</b></p> </div>
<p><b>F25 EmblemStripe</b></p>		

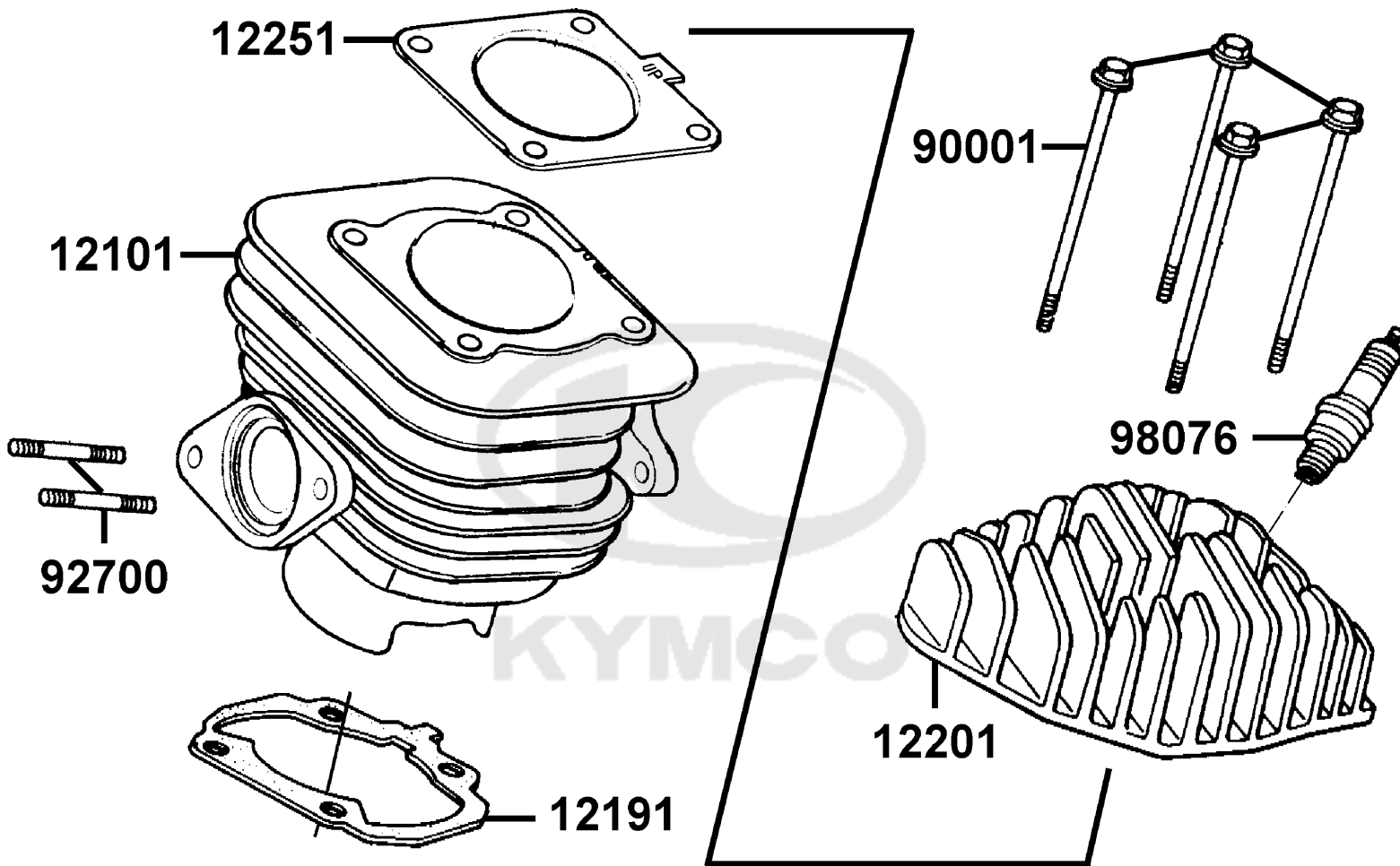
E01

Fan CoverShroud



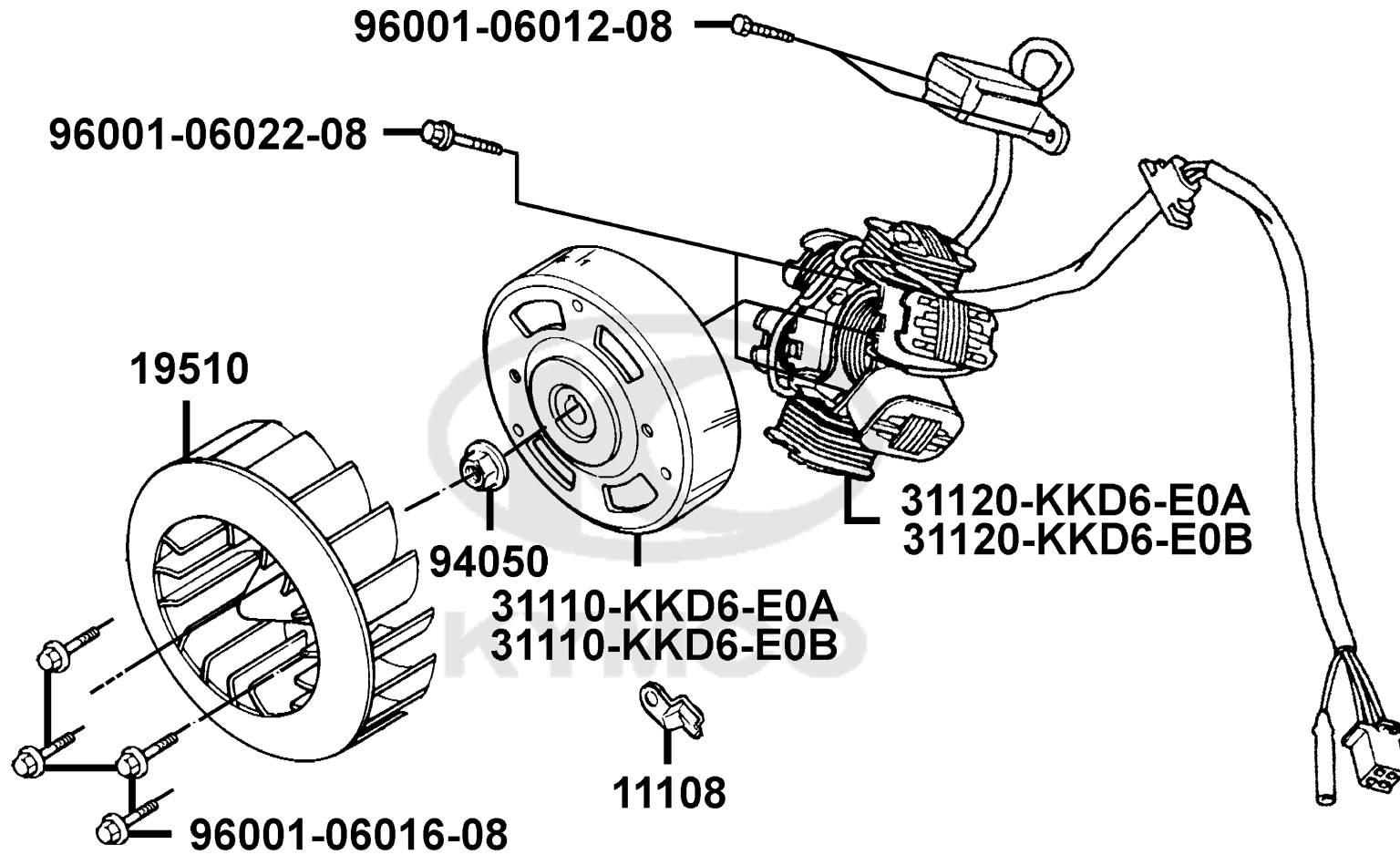
Sales mark	Ref no	Part no	Description	Reg description	Regd no	<b>E01</b>
	16630	16630-KEB7-E00	DUCT HEAT TRANSFER	DUCT HEAT TRANSFER	1	
	19600	19600-KEB7-900	COVER COMP FAN	COVER COMP FAN	1	
	1962A	1962A-KEB7-900	CLIP SET SHROUD	CLIP SET SHROUD	1	
	32161	32161-3C93-004	CLIP HARNESS WIRE	CLIP HARNESS WIRE	2	
#	94591	94591-KFBF-900	CLIP 2*70	CLIP 2*70	1	
	95701	95701-06025-08	BOLT FLANGE 6*25	BOLT FLANGE 6*25	4	



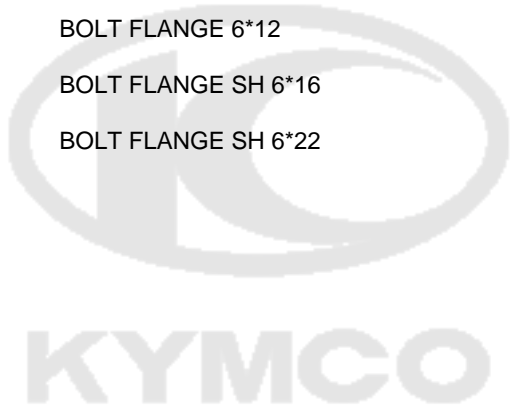


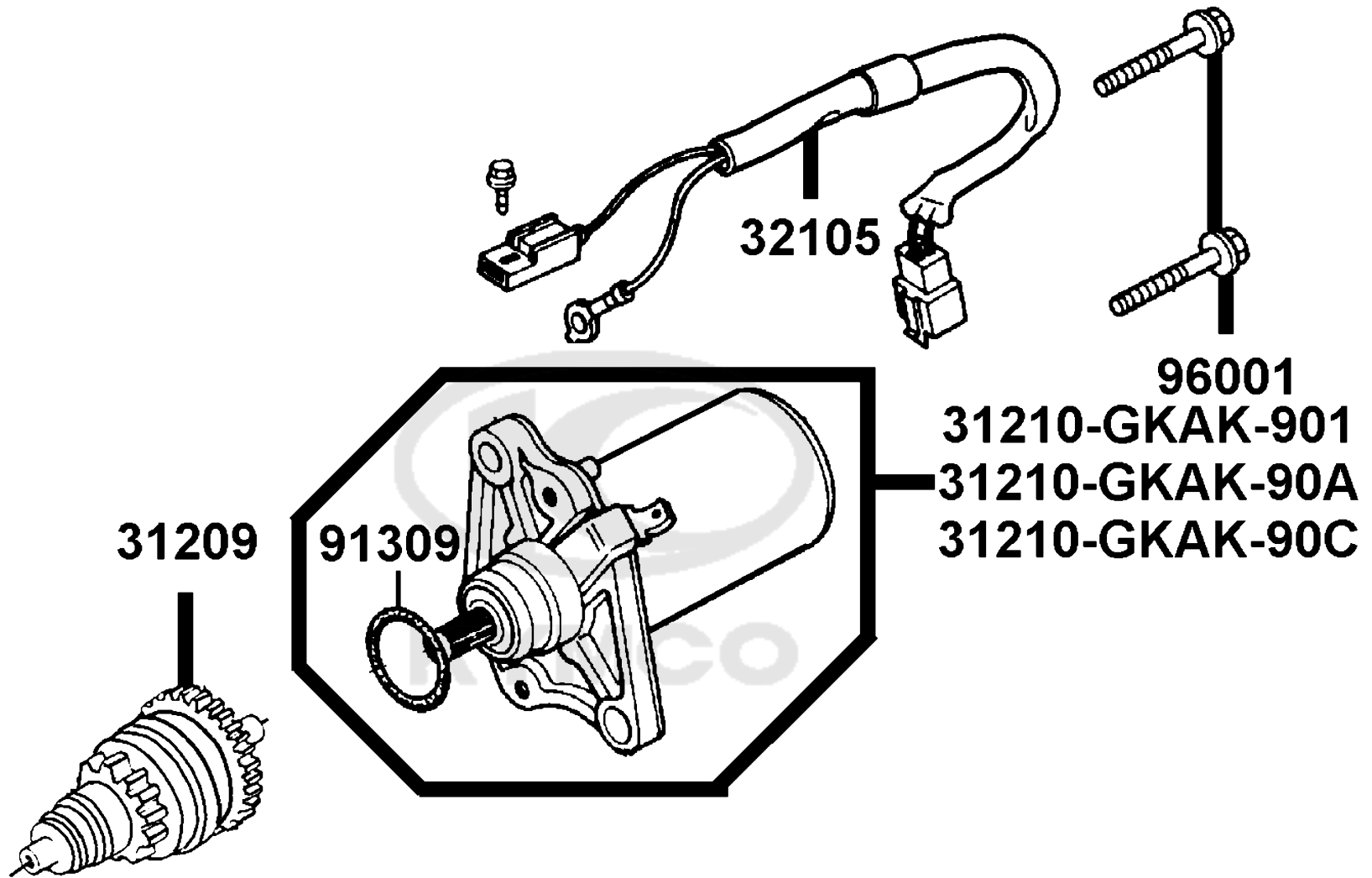
Sales mark	Ref no	Part no	Description	Reg description	Regd no	<b>E02</b>
12101	12101-KEB7-901	12101-KEB7-901	CYLINDER	CYLINDER	1	
12191	12191-KEB7-900	12191-KEB7-900	GASKET CYLINDER A	GASKET CYLINDER A	1	
12201	12201-KEB7-900	12201-KEB7-900	HEAD CYLINDER	HEAD CYLINDER	1	
12251	12251-KEB7-900	12251-KEB7-900	GASKET CYLINDER HEAD	GASKET CYLINDER HEAD	1	
90001	90001-GKAK-901	90001-GKAK-901	BOLT FLANGE 7*100	BOLT FLANGE 7*100	4	
92700	92700-06028-1B	92700-06028-1B	BOLT STUD 6*28	BOLT STUD 6*28	2	
98076	98076-5871G-00	98076-5871G-00	SPARK PLUG (BR8HSA)	SPARK PLUG (BR8HSA)	1	





Sales mark	Ref no	Part no	Description	Reg description	Regd no	<b>E03</b>
11108		11108-KEB7-900	HOLDER STATOR WIRE	HOLDER STATOR WIRE	1	
19510		19510-GBW2-901	FAN COMP COOLING	FAN COMP COOLING	1	
31110-KKD6-E0A		31110-KKD6-E0A	FLYWHEEL COMP /D402	FLYWHEEL COMP /D402	1	
31110-KKD6-E0B		31110-KKD6-E0B	FLYWHEEL COMP /D406	FLYWHEEL COMP /D406	1	
31120-KKD6-E0A		31120-KKD6-E0A	STATOR COMP /D402	STATOR COMP /D402	1	
31120-KKD6-E0B		31120-KKD6-E0B	STATOR COMP /D406	STATOR COMP /D406	1	
94050		94050-10080	NUT FLANGE 10MM	NUT FLANGE 10MM	1	
96001-06012		96001-06012-08	BOLT FLANGE 6*12	BOLT FLANGE 6*12	2	
96001-06016		96001-06016-08	BOLT FLANGE SH 6*16	BOLT FLANGE SH 6*16	4	
96001-06022		96001-06022-08	BOLT FLANGE SH 6*22	BOLT FLANGE SH 6*22	2	





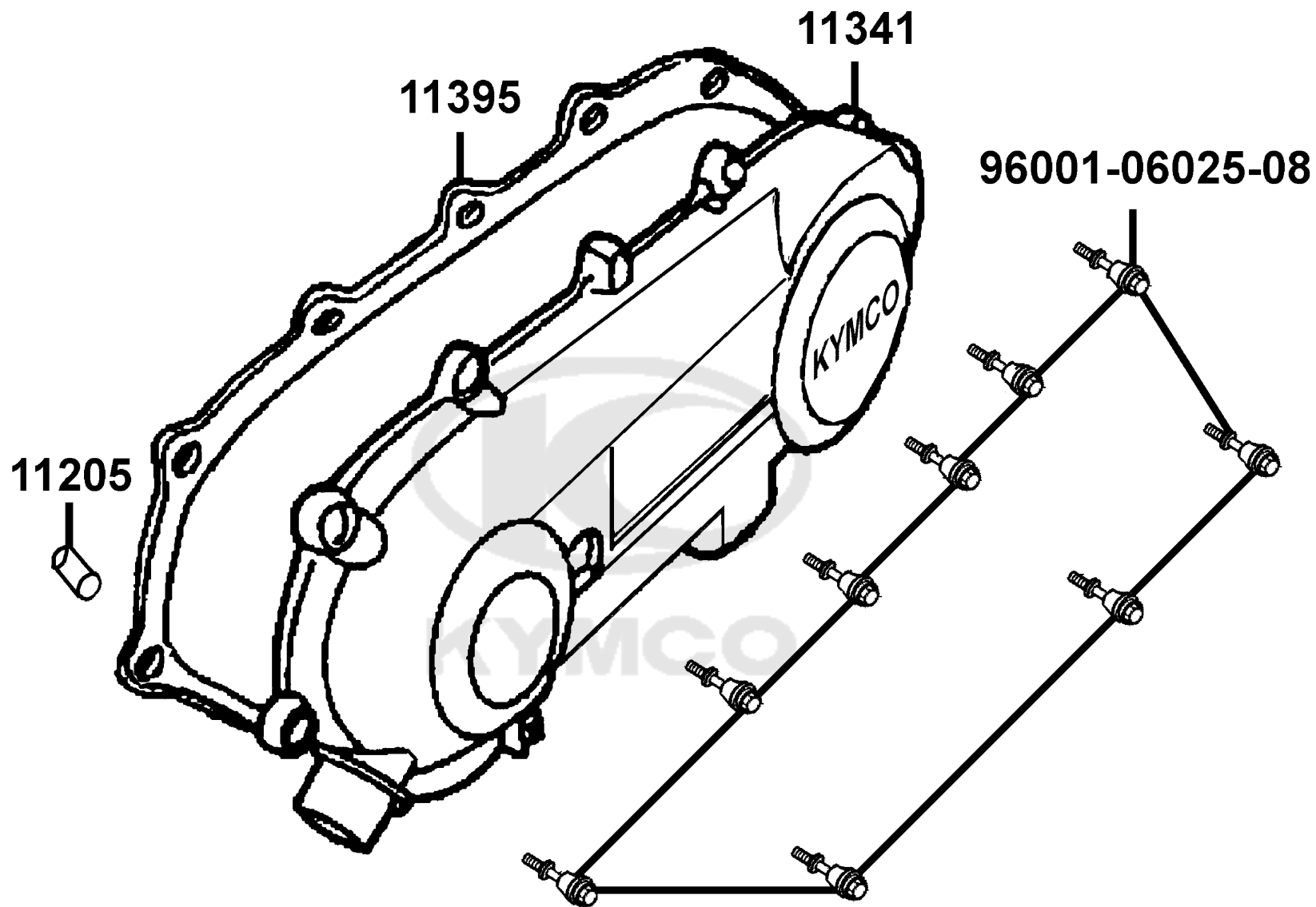


Sales mark	Ref no	Part no	Description	Reg description	Regd no	<b>E04</b>
	31209	31209-GKAK-901	PINION ASSY STARTER	PINION ASSY STARTER	1	
	31210-GKAK-901	31210-GKAK-901	MOTOR UNIT START	MOTOR UNIT START	1	
	31210-GKAK-90A	31210-GKAK-90A	MOTOR UNIT START	MOTOR UNIT START	1	
	31210-GKAK-90C	31210-GKAK-90C	MOTOR UNIT START	MOTOR UNIT START	1	
	32105	32105-KEB7-900	SUB HARNESS	SUB HARNESS	1	
	91309	91309-GKAK-901	O RING	O RING	1	
	96001	96001-06025-08	BOLT FLANGE SH 6*25	BOLT FLANGE SH 6*25	2	



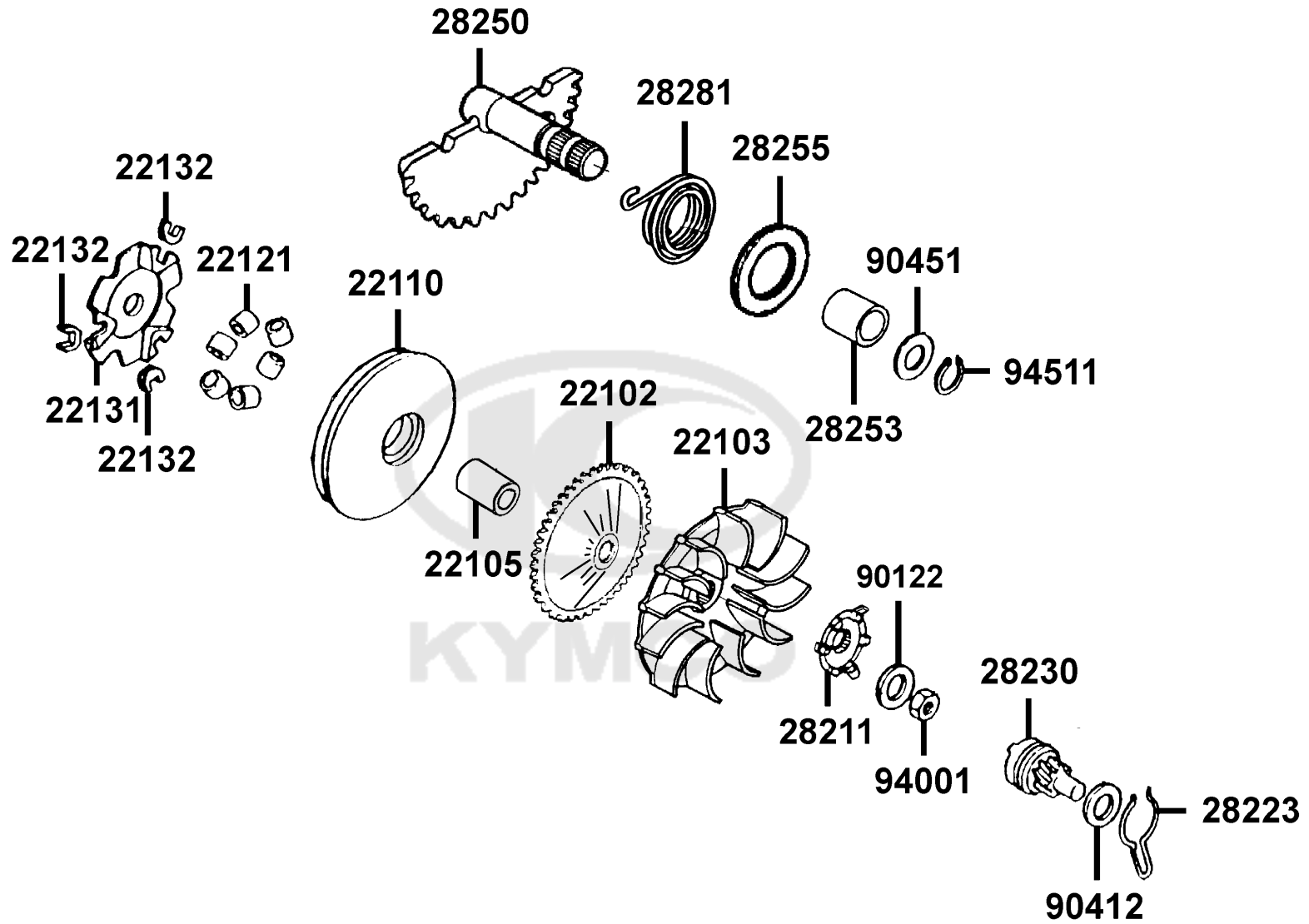
E05

COVER L SIDE

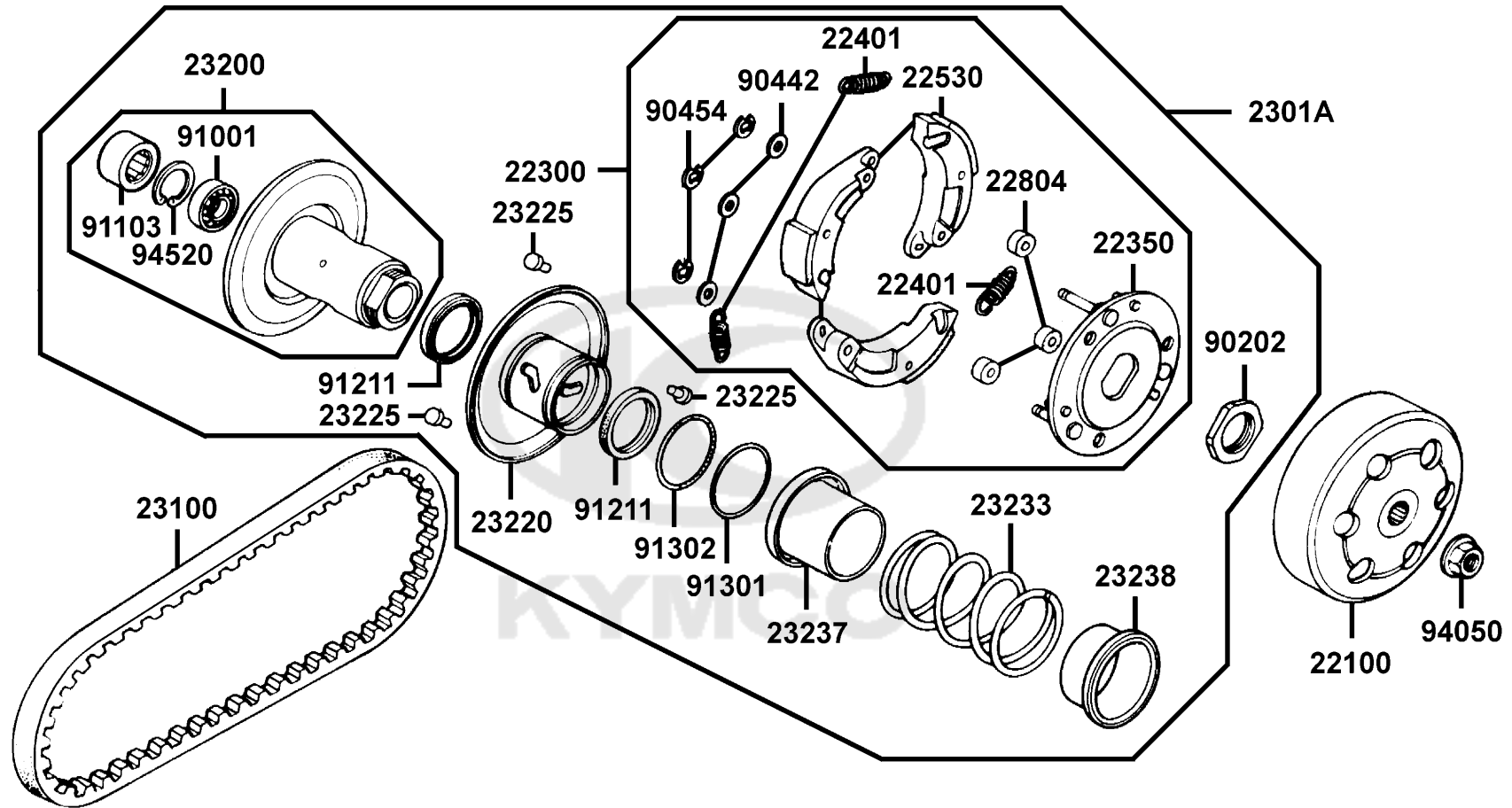


Sales mark	Ref no	Part no	Description	Reg description	Regd no	<b>E05</b>
	11205	11205-GHAH-004	BUSH 8*12*8	BUSH 8*12*8	1	
**	11341	11341-KKD6-900	COVER L SIDE	COVER L SIDE	1	
	11395	11395-KKD6-900	GASKET L COVER @ A	GASKET L COVER @ A	1	
	96001	96001-06025-08	BOLT FLANGE SH 6*25	BOLT FLANGE SH 6*25	9	

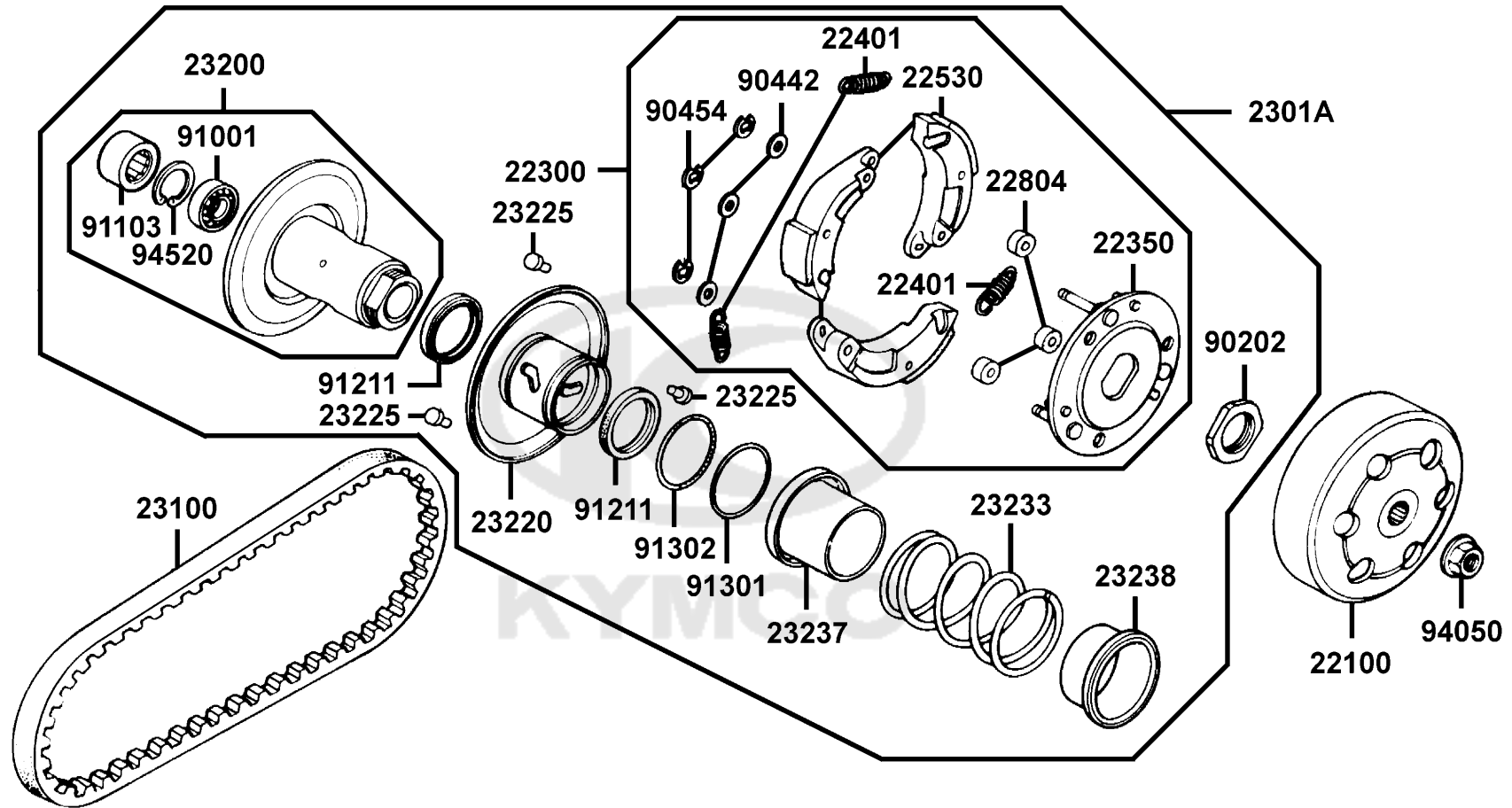




Sales mark	Ref no	Part no	Description	Reg description	Regd no	<b>E06</b>
22102		22102-KEB7-900	FACE DRIVE	FACE DRIVE	1	
22103		22103-KEB7-900	FAN CVT COOLING	FAN CVT COOLING	1	
22105		22105-KFA5-800	BOSS DRIVE FACE	BOSS DRIVE FACE	1	
22110		22110-KFA1-220	FACE COMP MOVABLE DRIVE	FACE COMP MOVABLE DRIVE	1	
22121		22121-GLW0-901	ROLLER COMP WEIGHT 8.5 gr	ROLLER COMP WEIGHT 8.5 gr	6	
22131		22131-GHAH-781	PLATE RAMP	PLATE RAMP	1	
22132		22132-GLW0-001	PIECE SLIDE	PIECE SLIDE	3	
28211		28211-KEB7-900	RATCHET KICK STARTER	RATCHET KICK STARTER	1	
28223		28223-KNBN-901	SPG KICK DRIVEN GEAR	SPG KICK DRIVEN GEAR	1	
28230		28230-GKAK-921	GEAR COMP KICK DRIVEN	GEAR COMP KICK DRIVEN	1	
28250		28250-KNBN-901	SPINDLE COMP KICK STARTER	SPINDLE COMP KICK STARTER	1	
28253		28253-GBN2-60A	BUSH KICK SPINDLE	BUSH KICK SPINDLE	1	
28255		28255-GFS6-001	COLLAR KICK BOSS	COLLAR KICK BOSS	1	
28281		28281-GBN2-60A	SPRING KICK RETURN	SPRING KICK RETURN	1	
90122		90122-GCS3-001	WASHER 12MM	WASHER 12MM	1	
90412		90412-3K29-001	WASHER THRUST 10M/M	WASHER THRUST10MM	1	
90451		90451-GBN2-601	WASHER KICK SPINDLE	WASHER KICK SPINDLE	1	
94001		94001-12280-0S	NUT HEX 12MM	NUT HEX 12MM	1	
94511		94511-14000	CIR CLIP EX 14	CIRCLIP EX 14	1	



Sales mark	Ref no	Part no	Description	Reg description	Regd no	E07
	22100	22100-GAR1-751	CLUTCH OUTER	CLUTCH OUTER	1	
	22300	22300-KXCX-900	PLATE ASSY DRIVE	PLATE ASSY DRIVE	1	
	22350	22350-GKAK-930	PLATE COMP DRIVE	PLATE COMP DRIVE	1	
	22401	22401-GBG2-900	SPRING CLUTCH	SPRING CLUTCH	3	
	22530	22530-GKAK-930	WEIGHT CLUTCH	WEIGHT CLUTCH	3	
	22804	22804-1H48-001	RUBBER CLUTCH DAMPER	RUBBER CLUTCH DAMPER	3	
	2301A	2301A-KEB7-220	PULLEY SUB ASSY	PULLEY SUB ASSY	1	
	23100	23100-KEB7-900	BELT DRIVE	BELT DRIVE	1	
	23200	23200-GAR1-220	FACE ASSY DRIVEN	FACE ASSY DRIVEN	1	
	23220	23220-GKAK-220	FACE COMP MOVABLE DRIVEN	FACE COMP MOVABLE DRIVEN	1	
	23225	23225-GAR1-751	PIN GUIDE	PIN GUIDE	3	
	23233	23233-GHE8-001	SPG DRIVEN FACE	SPG DRIVEN FACE	1	
	23237	23237-GAR1-220	COLLAR SEAL	COLLAR SEAL	1	
	23238	23238-GFY6-941	COLLAR SPG	COLLAR SPG	1	
	90202	90202-1G87-001	NUT SPECIAL 28MM	NUT SPECIAL 28MM	1	
	90442	90442-0D44-001	WASHER THRUST 6M	6M/M THRUST WASHER	3	
	90454	90454-GBB2-001	CIRCLIP 6MM	CIRCLIP 6MM	3	
	91001	91001-GGA7-70A	BRG RADIAL BALL 6901U	BRG RADIAL BALL 6901U	1	
	91103	91103-GAR1-004	BRG NEEDLE 17*25*18 WS	BRG NEEDLE 17*25*18 WS	1	
	91211	91211-GHK8-014	OIL SEAL 34*39*3	OIL SEAL 34*39*3	2	

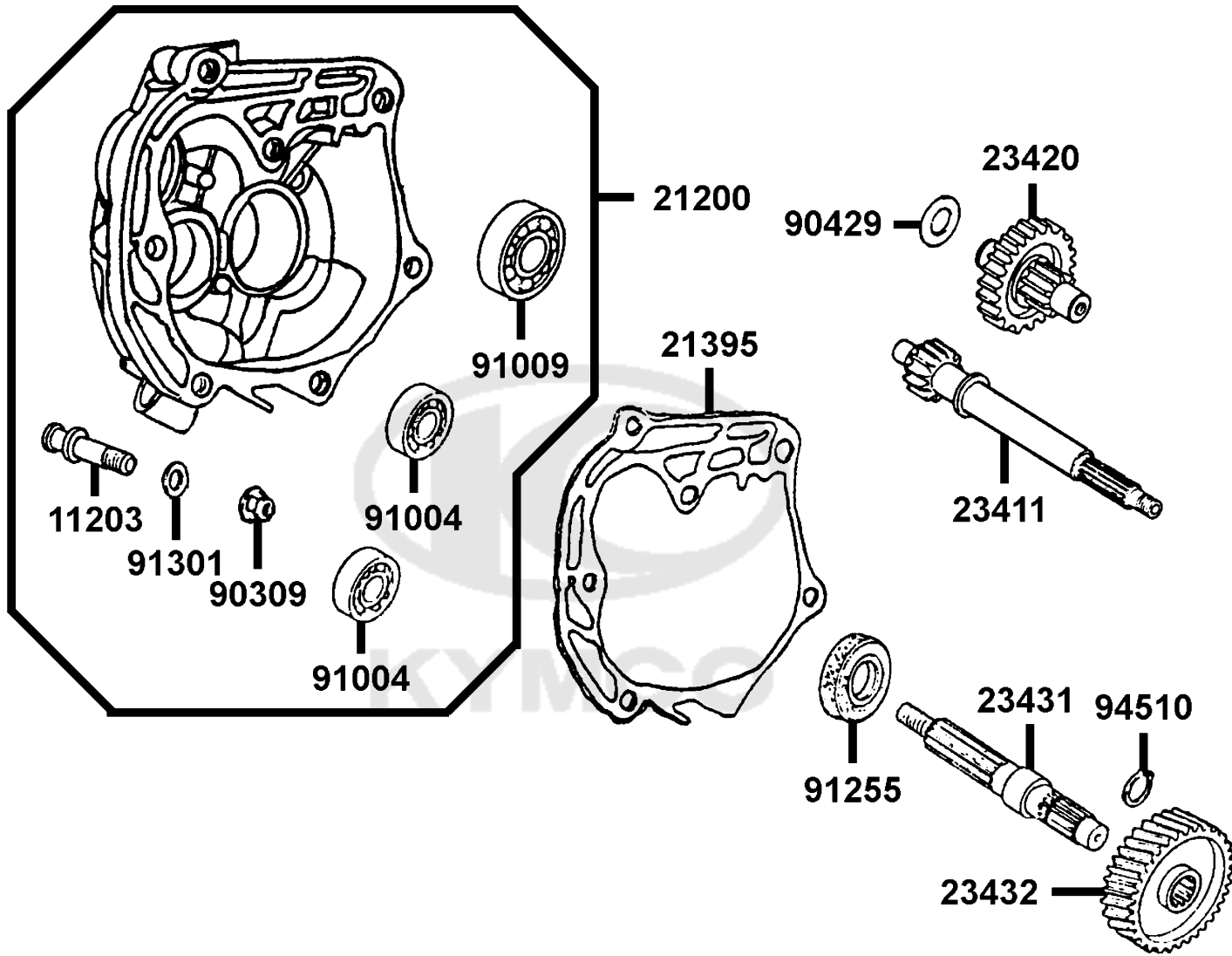




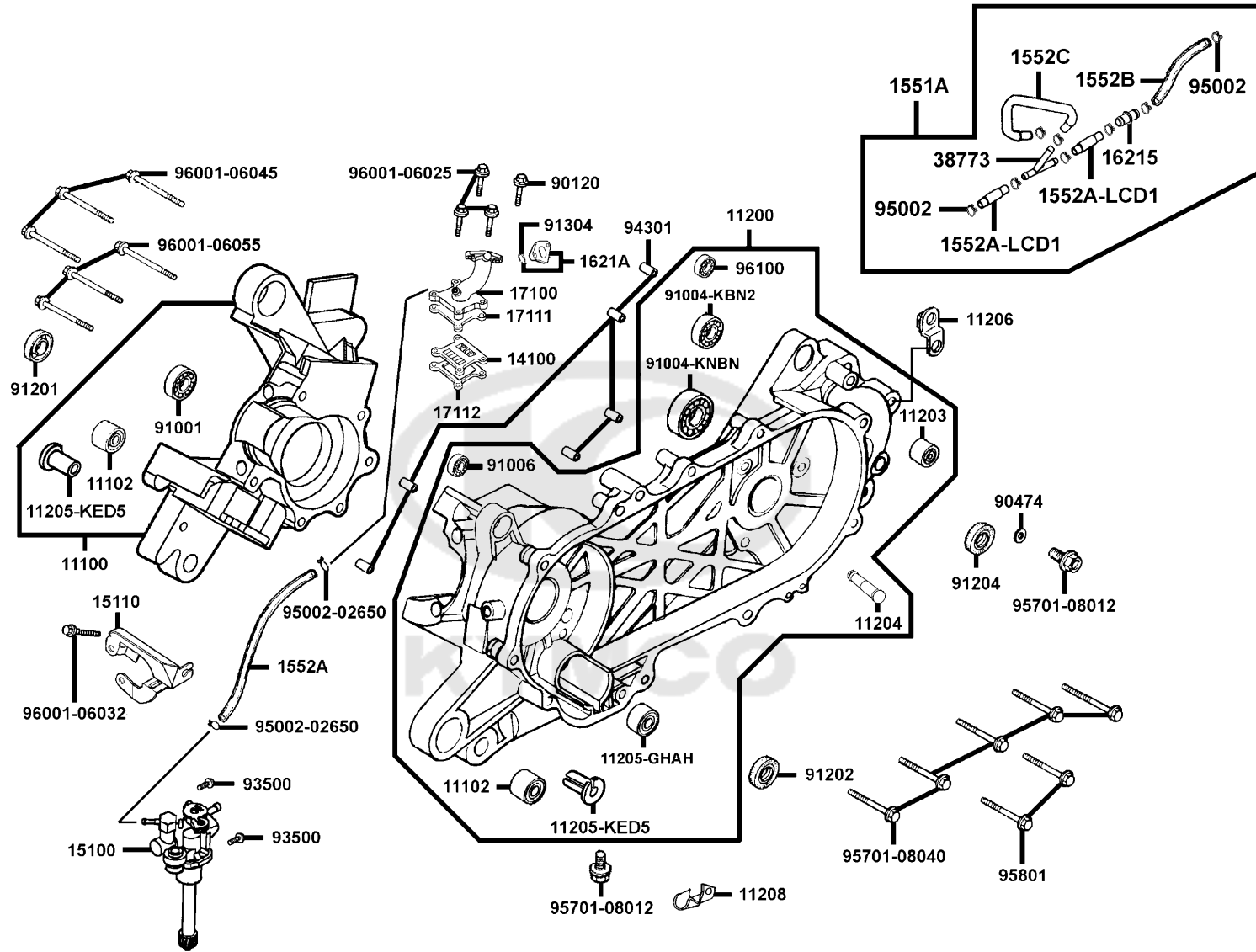
Sales mark	Ref no	Part no	Description	Reg description	Regd no	<b>E07</b>
------------	--------	---------	-------------	-----------------	---------	------------

91301		91301-KEA5-742	O-RING 36*1.5	O-RING 36*1.5	1	
91302		91302-PKA9-004	O-RING 39.8*2.2	O-RING 39.8*2.2	1	
94050		94050-10080	NUT FLANGE 10MM	NUT FLANGE 10MM	1	
94520		94520-24000	CIR CLIP IN 24	CIR CLIP IN 24	1	

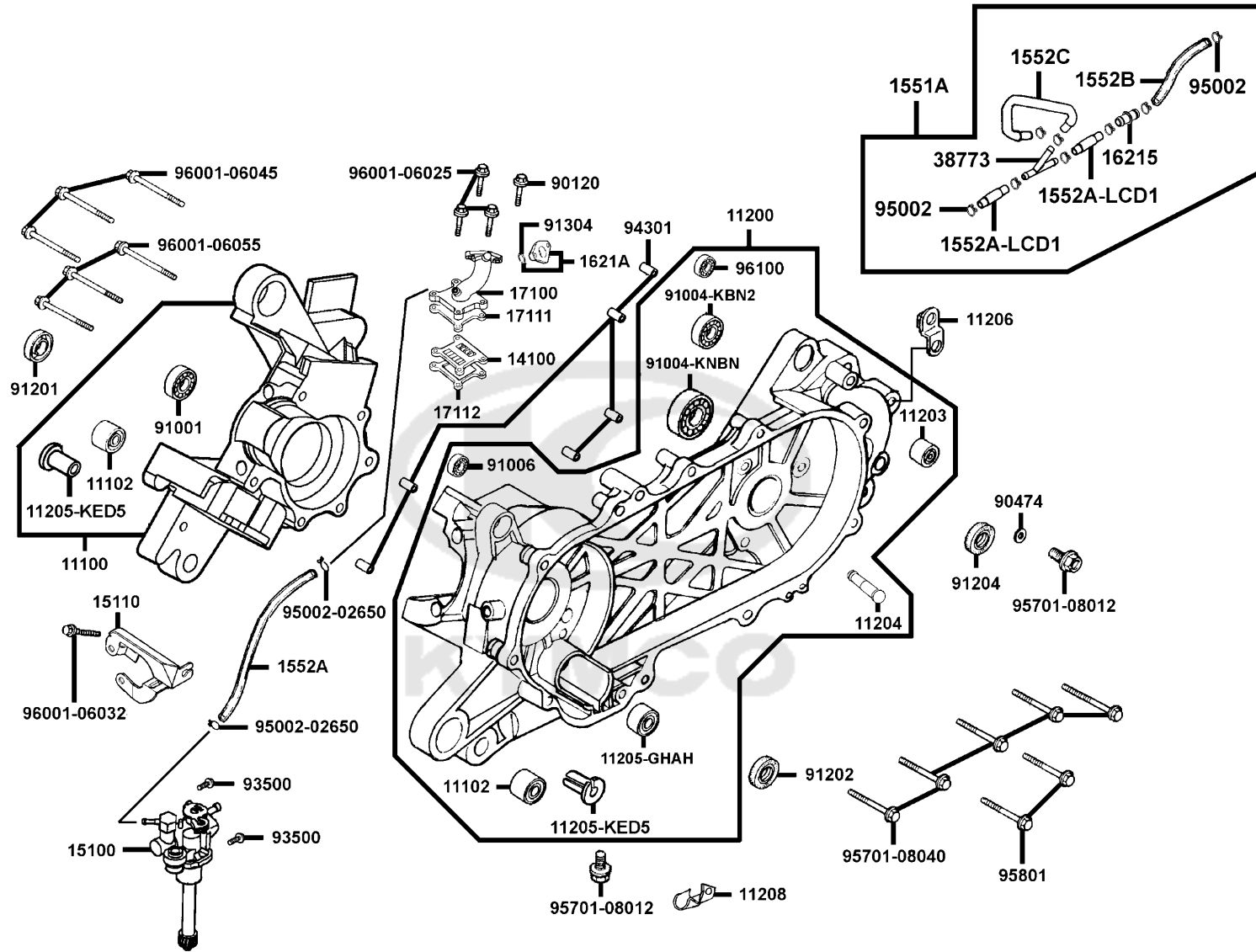




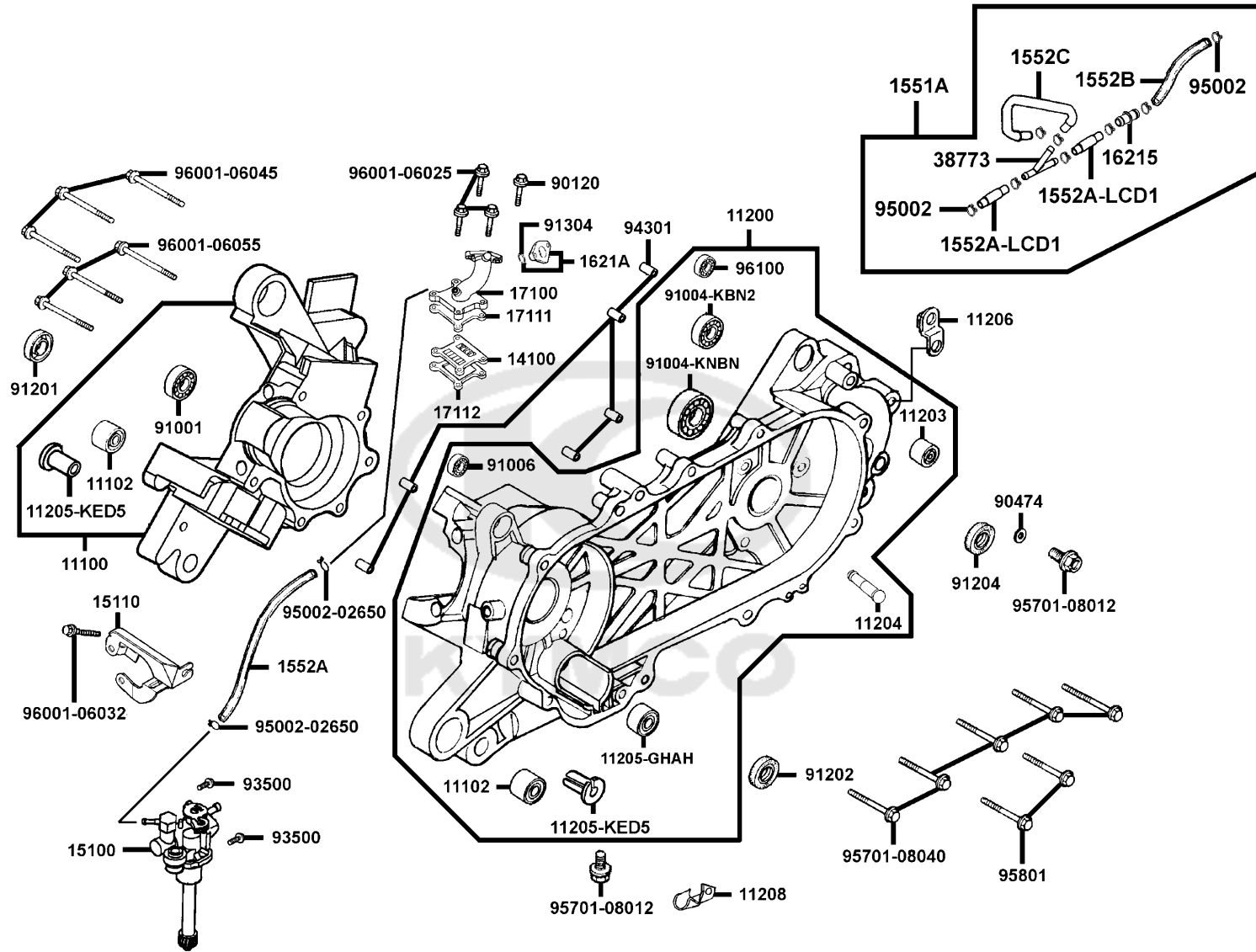
Sales mark	Ref no	Part no	Description	Reg description	Regd no	<b>E08</b>
11203		11203-KHG8-301	PIN BRAKE SHOE ANCHOR	PIN BRAKE SHOE ANCHOR	1	
21200		21200-KFA1-305	CASE SET MISSION	CASE ASSY MISSION	1	
21395		21395-KNBN-901	GASKET MISSION CASE A	GASKET MISSION CASE A	1	
23411		23411-KEB7-900	SHAFT DRIVE	SHAFT DRIVE	1	
23420		23420-KEB7-900	SHAFT COMP COUNTER	SHAFT COMP COUNTER	1	
23431		23431-KNBN-901	SHAFT FINAL	SHAFT FINAL	1	
23432		23432-KEB7-900	GEAR FINAL	GEAR FINAL	1	
90309		90309-KLF0-004-SY	NUT FLANGE 8MM	NUT FLANGE 8MM	1	
90429		90429-KNBN-901	WASHER SIDE 12MM	WASHER SIDE 12MM	1	
91004		91004-KBN2-90A	BRG BALL RADIAL 6201	BRG BALL RADIAL 6201	2	
91009		91009-GLE0-004	BRG BALL RADIAL 6004 UU	BRG BALL RADIAL 6004 UU	1	
91255		91255-GLE0-006	OIL SEAL 27*42*7	OIL SEAL 27*42*7	1	
91301		91301-OC53-001	O RING 7.5*1.5	O RING 7.5*1.5	1	
94510		94510-20000	CIR CLIP EX 20	CIR CLIP EX 20	1	



Sales mark	Ref no	Part no	Description	Reg description	Regd no	<b>E09</b>
	11100	11100-KGB5-305	CRANK CASE SET RIGHT	CRANK CASE SET RIGHT	1	
	11102	11102-1G87-004	RUB BUSH ENG HANGER	RUB BUSH ENG HANGER	2	
	11200	11200-KEB7-325	CRANK CASE SET LEFT	CRANK CASE SET LEFT	1	
	11203	11203-GGC7-301	UNDER RUBBER BUSH REAR CUSHION	UNDER RUBBER BUSH REAR CUSHION	1	
	11204	11204-KEB7-900	PIN SPG HOOK	PIN SPG HOOK	1	
	11205-GHAH	11205-GHAH-004	BUSH 8*12*8	BUSH 8*12*8	1	
	11205-KED5	11205-KED5-900	BUSH M STAND	BUSH M STAND	2	
	11206	11206-KEB7-900	STAY RR FENDER	STAY RR FENDER	1	
	11208	11208-GKAK-901	CLAMPER CARB DRAIN	CLAMPER CARB DRAIN	1	
	14100	14100-KEB7-900	VALVE COMP REED	VALVE COMP REED	1	
	15100	15100-KEB7-E00	PUMP ASSY OIL	PUMP ASSY OIL	1	
	15110	15110-KEB7-900	PLATE OIL PUMP SET	PLATE OIL PUMP SET	1	
#	1551A	1551A-LCD1-E00	TUBE ASSY OIL PUMP ASSY	TUBE ASSY OIL PUMP ASSY	1	
#	1552A	1552A-KEB7-901	TUBE ASSY OIL PASS	TUBE ASSY OIL PASS	1	
	1552A-LCD1	1552A-LCD1-E00	TUBE ASSY OIL PASS	TUBE ASSY OIL PASS	1	
	1552B	1552B-LCD1-E00	TUBE ASSY OIL PASS	TUBE ASSY OIL PASS	1	
	1552C	1552C-LCD1-E00	TUBE ASSY OIL PASS	TUBE ASSY OIL PASS	1	
	16215	16215-LCD1-E00	JOINT	JOINT	1	
	1621A	1621A-GKAK-901	INSULATOR CARB ASSY	INSULATOR CARB ASSY	1	
#	17100	17100-KEB7-901	PIPE COMP INLET	PIPE COMP INLET	1	



Sales mark	Ref no	Part no	Description	Reg description	Regd no	<b>E09</b>
#	17100	17100-KEB7-E00	PIPE COMP INLET	PIPE COMP INLET	1	
	17111	17111-KEB7-900	GASKET INLET PIPE A	GASKET INLET PIPE A	1	
	17112	17112-KEB7-900	GASKET INLET PIPE B	GASKET INLET PIPE B	1	
	38773	38773-KEC3-900	JOINT ASSY TANK CAP	JOINT ASSY TANK CAP	1	
	90120	90120-GAR1-J00	SOCKET BOLT SPECIAL 6*28	SOCKET BOLT SPECIAL 6*28	1	
	90474	90474-3C33-001	WASHER 8MM	WASHER 8MM	1	
	91001	91001-GLW0-90A	BRG BALL RADIAL 6204 SPECIAL	BRG BALL RADIAL 6204 SPECIAL	1	
	91004-KBN2	91004-KBN2-90A	BRG BALL RADIAL 6201	BRG BALL RADIAL 6201	1	
	91004-KNBN	91004-KNBN-92A	BRG BALL RADIAL 6203 SPC 17*40*12	BRG BALL RADIAL 6203	1	
	91006	91006-KNBN-901	BRG BALL RADIAL 25*56*12	BRG BALL RADIAL 25*56*12	1	
	91201	91201-KNBN-92A	OIL SEAL 15.6*25.5*7	OIL SEAL 15.6*25.5*7	1	
	91202	91202-KNBN-92A	OIL SEAL 20*31*7	OIL SEAL 20*31*7	1	
	91204	91204-KNBN-90A	OIL SEAL 17*30*6	OIL SEAL 17*30*6	1	
	91304	91304-GLB0-911	O RING 20.6*1.9	O RING 20.6*1.9	1	
	93500	93500-05012-0H	SCREW PAN 5*12	SCREW PAN 5*12	2	
	94301	94301-10200	DOWEL PIN 10*20	DOWEL PIN 10*20	6	
	95002	95002-02650	CLIP B6.5 TUBE	CLIP B6.5 TUBE	2	
	95701-08012	95701-08012-08	BOLT FLANGE 8*12	BOLT FLANGE 8*12	2	
	95701-08040	95701-08040-08	BOLT FLANGE 8*40	BOLT FLANGE 8*40	5	
	95801	95801-08035-08	BOLT FLANGE 8*35	BOLT FLANGE 8*35	2	

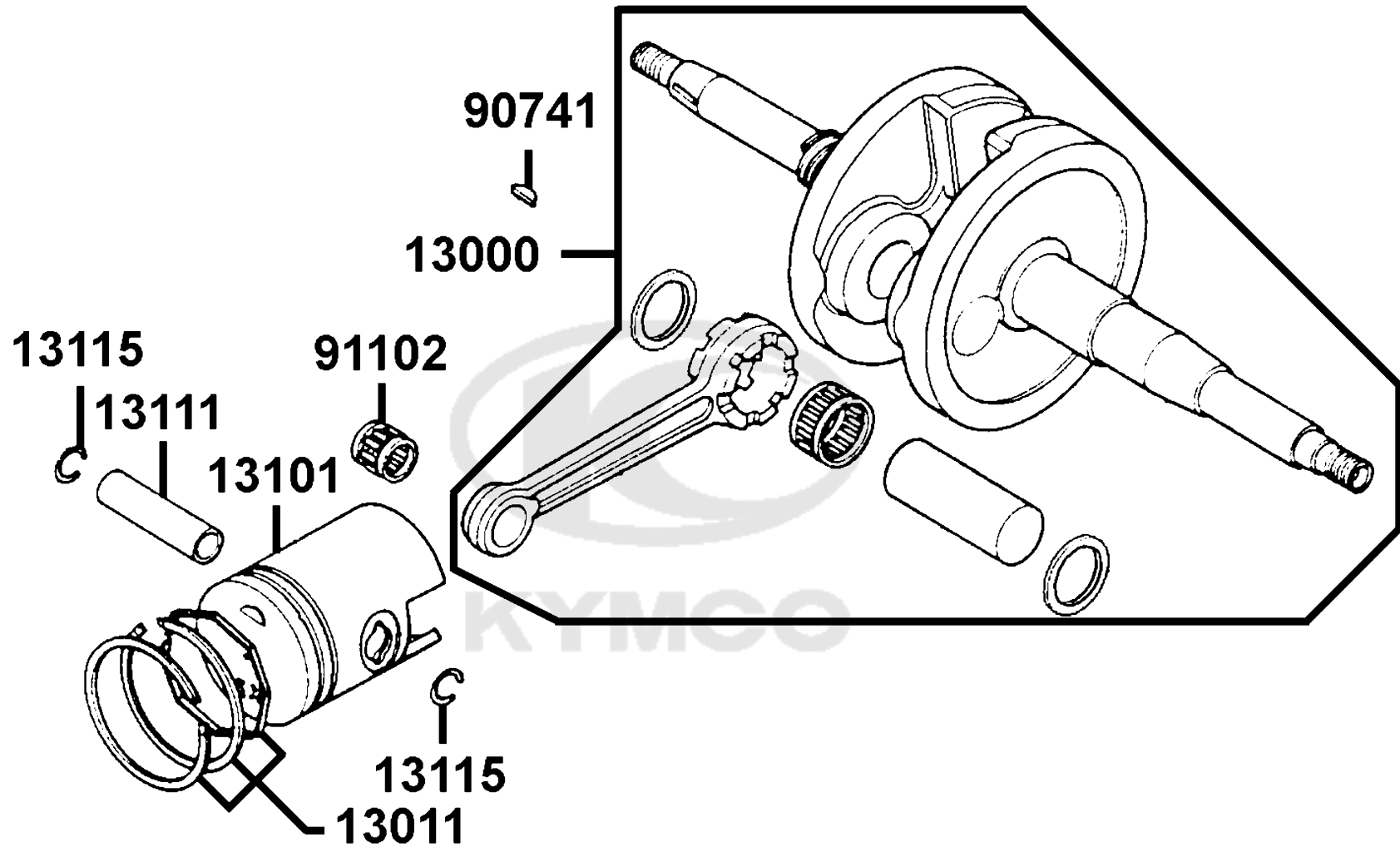




Sales mark	Ref no	Part no	Description	Reg description	Regd no	<b>E09</b>
------------	--------	---------	-------------	-----------------	---------	------------

96001-06025	96001-06025-08	96001-06025-08	BOLT FLANGE SH 6*25	BOLT FLANGE SH 6*25	3	
96001-06032	96001-06032-08	96001-06032-08	BOLT FLANGE SH 6*32	BOLT FLANGE SH 6*32	1	
96001-06045	96001-06045-08	96001-06045-08	BOLT FLANGE SH 6*45	BOLT FLANGE SH 6*45	3	
96001-06055	96001-06055-08	96001-06055-08	BOLT FLANGE SH 6*55	BOLT FLANGE SH 6*55	3	
96100	96100-62033-00	96100-62033-00	BEARING BALL RADIAL 6203	BEARING BALL RADIAL 6203	1	



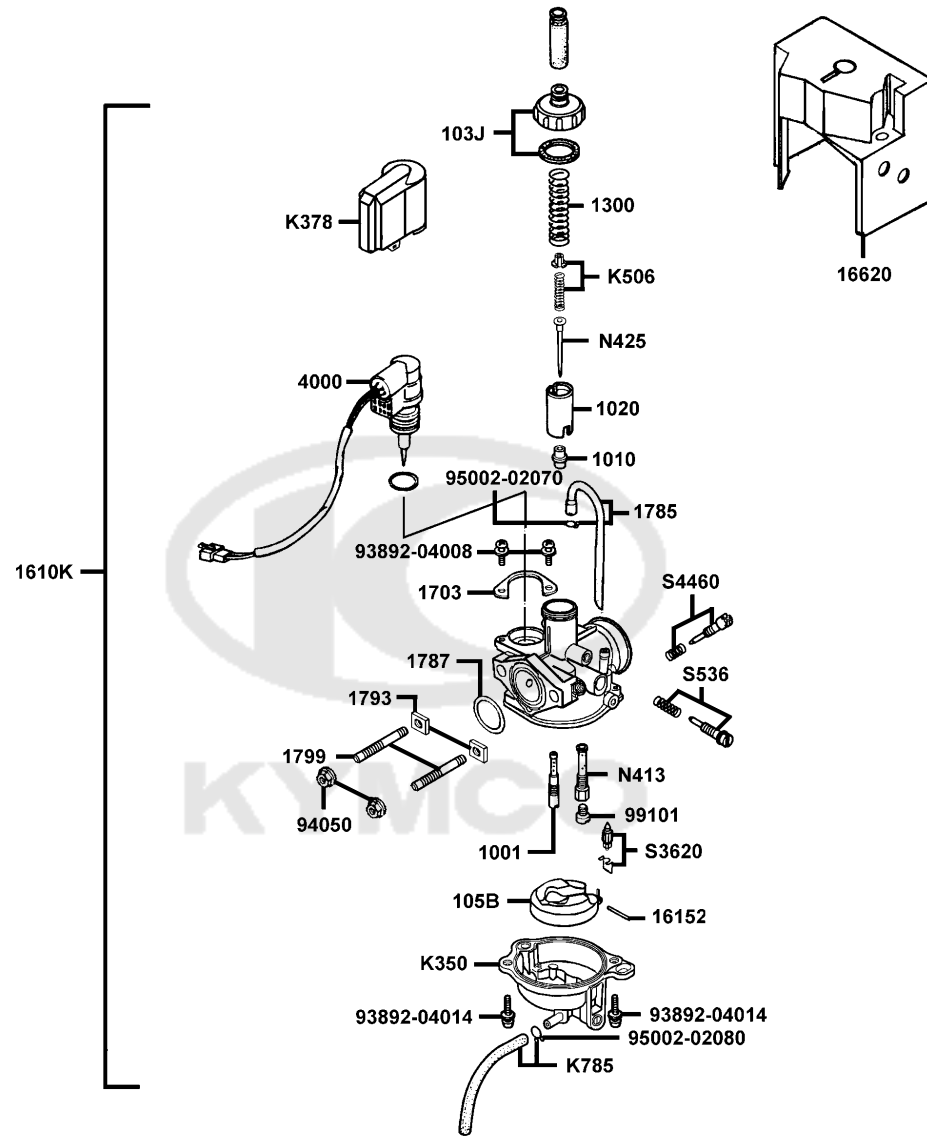


Sales mark	Ref no	Part no	Description	Reg description	Regd no	<b>E10</b>
13000		13000-GKAK-921	CRANK SHAFT COMP	CRANK SHAFT COMP	1	
13011		13011-GLW0-90A	PISTON RING SET	PISTON RING SET	1	
13101		13101-GLW0-901	PISTON	PISTON	1	
13111		13111-1F66-001	PIN PISTON	PIN PISTON	1	
13115		13115-1F56-001	CLIP PISTON PIN 12MM	CLIP PISTON PIN 12MM	2	
90741		90741-0E35-001	KEY WOODRUFF	KEY WOODRUFF	1	
91102		91102-GLW0-009	BRG CON-ROD S. E.	BRG CON-ROD S. E.	1	



E11

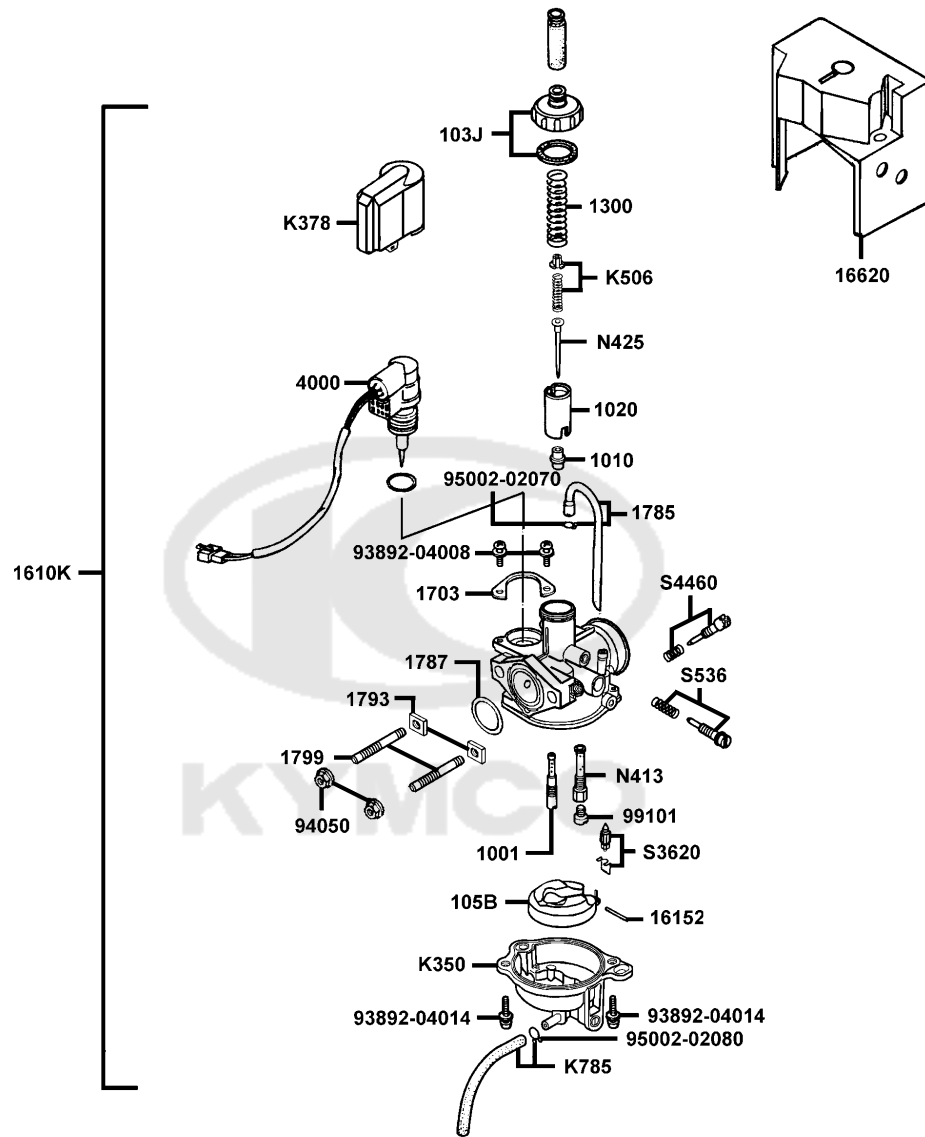
Carburetor



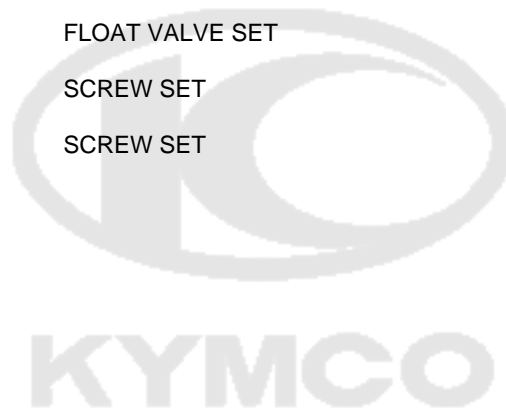
Sales mark	Ref no	Part no	Description	Reg description	Regd no	E11
	1001	1001-GC8H-0351	SLOW JET	SLOW JET	1	
	1010	1010-GAKH-9200	NEEDLE JET	NEEDLE JET	1	
	1020	1020-GAKH-9300	THROTTLE VALVE	THROTTLE VALVE	1	
	103J	103J-073H-9900-SB0	TOP SET	TOP SET	1	
	105B	105B-KBNH-9000	FLOAT COMP	FLOAT COMP	1	
	1300	1300-GW0H-9000	SPG COMPR	SPG COMPR	1	
	1610K	1610K-KKD6-E71	CARBURETOR ASSY	CARBURETOR ASSY	1	
	16152	16152-KG8-9010-M1	ARM PIN	ARM PIN	1	
	16620	16620-KEB7-E00	CAP CARBURETOR	CAP CARBURETOR	1	
	1703	1703-GJ2H-0040	SET PLATE	SET PLATE	1	
	1785	1785-KBNH-9000-SB0	TUBE SET (A.V)	TUBE SET (A.V)	1	
	1787	1787-KG8H-9010	O-RING	O-RING	1	
	1793	1793-144H-9900	HEX NUT	HEX NUT	2	
	1799	1799-KBNH-9000	STUD BOLT	STUD BOLT	2	
	4000	4000-077-0000	AUTO BYSTARTER SET	AUTO BYSTARTER SET	1	
	93892-04008	93892-04008-18	SCREW WASHER 4*8	SCREW WASHER	2	
	93892-04014	93892-04014-18	SCREW WASHER	SCREW WASHER	2	
	94050	94050-06080	NUT FLANGE 6MM	NUT FLANGE 6MM	2	
	95002-02070	95002-02070	CLIP B7 TUBE	CLIP B7 TUBE	1	
	95002-02080	95002-02080	CLIP B8 TUBE	CLIP B8 TUBE	1	

E11

Carburetor

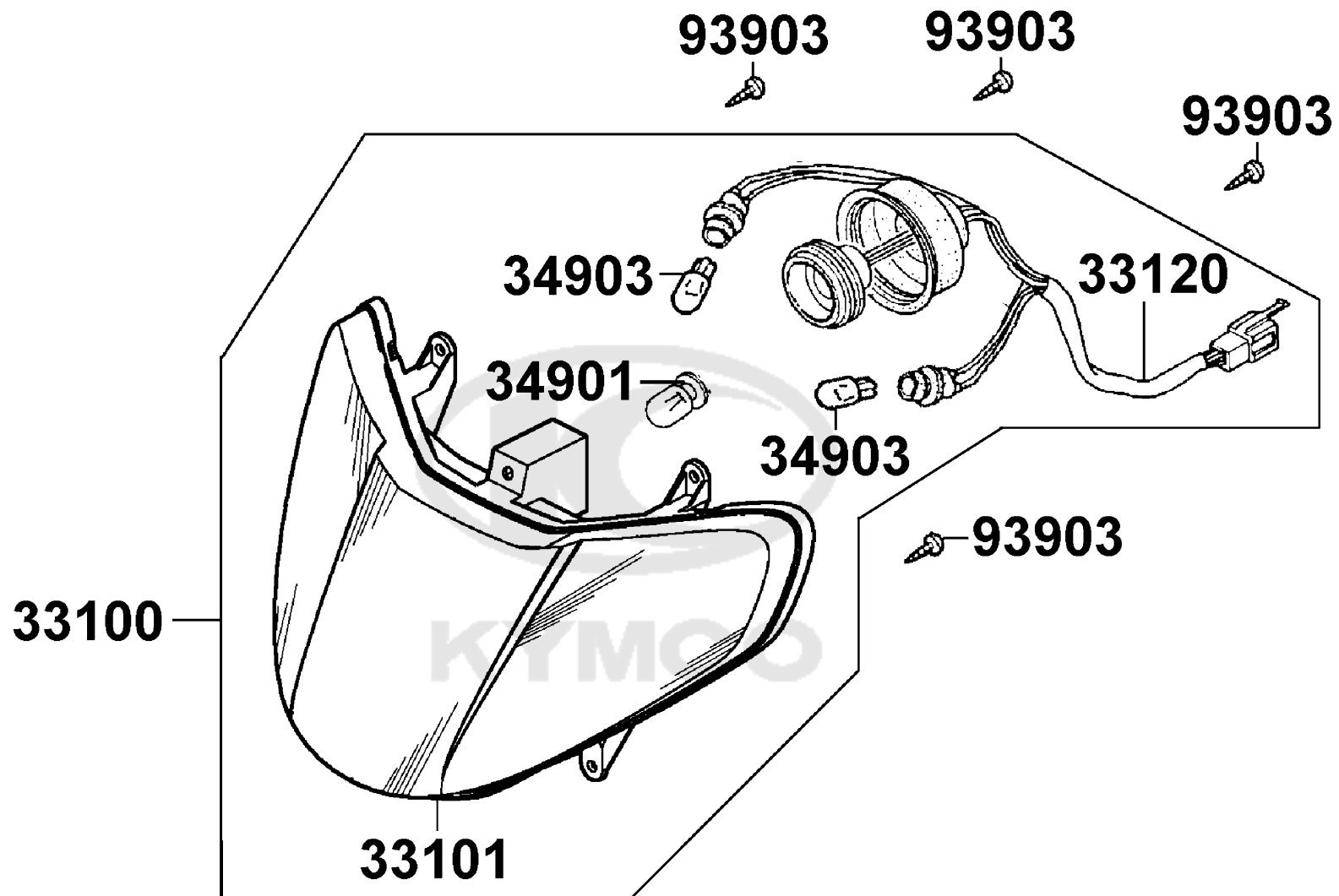


Sales mark	Ref no	Part no	Description	Reg description	Regd no	<b>E11</b>
99101		99101-116-0720	MAIN JET	MAIN JET	1	
K350		K350-KEB-0500	FLOAT CHAMBER SET	FLOAT CHAMBER SET	1	
K378		K378-001	CAP ASSY	CAP ASSY	1	
K506		K506-GW0-0100	VALVE PLATE SET	VALVE PLATE SET	1	
K785		K785-KEB-0300	TUBE SET (DRAIN)	TUBE SET (DRAIN)	1	
N413		N413-32A00	NEEDLE JET HOLDER	NEEDLE JET HOLDER	1	
N425		N425-2RFMJ	JET NEEDLE COMP	JET NEEDLE COMP	1	
S3620		S3620-031-B000	FLOAT VALVE SET	FLOAT VALVE SET	1	
S4460		S4460-213-B001	SCREW SET	SCREW SET	1	
S536		S536-1241	SCREW SET	SCREW SET	1	



F01

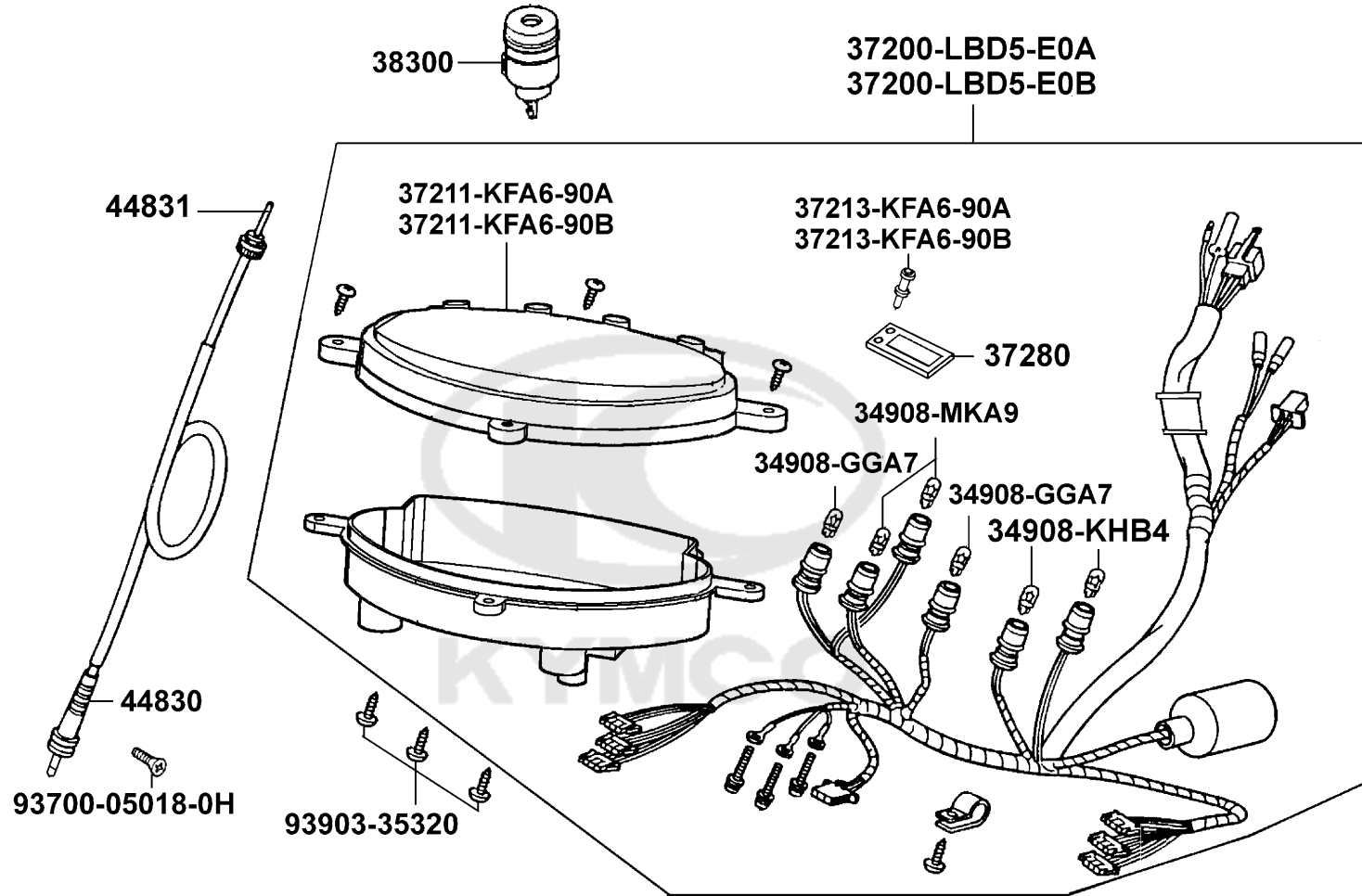
Head Light





Sales mark	Ref no	Part no	Description	Reg description	Regd no	F01
	33100	33100-KGB5-E00	LIGHT ASSY FR COMB	LIGHT ASSY FR COMB	1	
	33101	33101-KGB5-E00	LIGHT COMP FR COMB	LIGHT COMP FR COMB	1	
	33120	33120-KGB5-E00	SOCKET COMP FR COMB	SOCKET COMP FR COMB	1	
	34901	34901-KFA6-900	BULB HEAD LIGHT	BULB HEAD LIGHT	1	
	34903	34903-KPCP-900	BULB POSITION	BULB POSITION	2	
	93903	93903-35360	SCREW TAPPING 5*16	SCREW TAPPING 5*16	4	

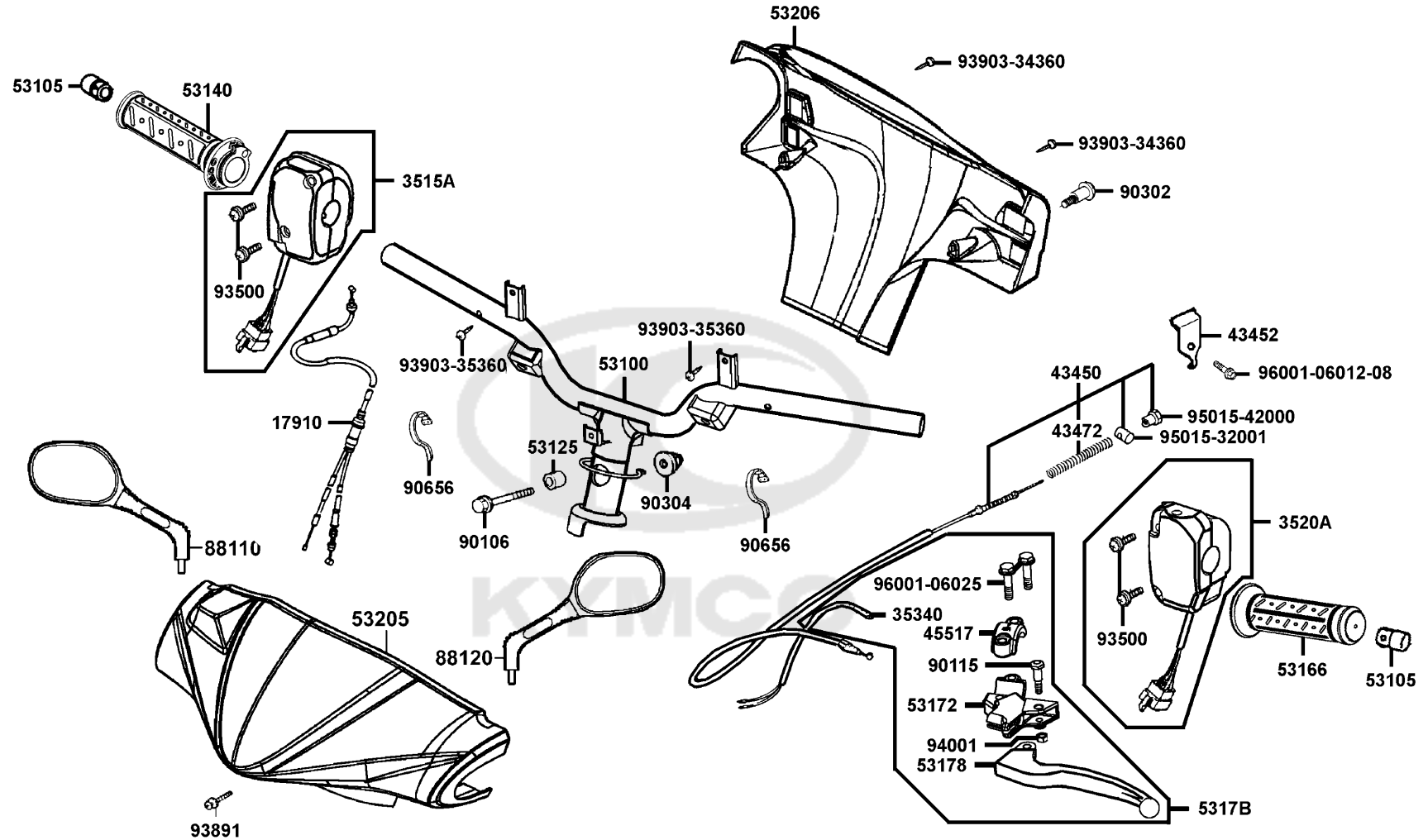




Sales mark	Ref no	Part no	Description	Reg description	Regd no	F02
	34908-GGA7	34908-GGA7-70A	BULB WEDGE BASE 12V*3.4W	BULB WEDGE BASE	2	
	34908-KHB4	34908-KHB4-900	BULB WEDGE BASE 12V*1.7W	BULB WEDGE BASE 12V*1.7W	2	
	34908-MB9	34908-MKB9-87A	BULB WEDGE BASE	BULB WEDGE BASE	2	
	37200-LBD5-E0A	37200-LBD5-E0A	METER ASSY SPEED/D408	METER ASSY SPEED/D408	1	
	37200-LBD5-E0B	37200-LBD5-E0B	METER ASSY SPEED/D403	METER ASSY SPEED/D403	1	
	37211-KFA6-90A	37211-KFA6-90A	LENS ASSY/D408	LENS ASSY	1	
	37211-KFA6-90B	37211-KFA6-90B	LENS ASSY/D403	LENS ASSY	1	
	37213-KFA6-90A	37213-KFA6-90A	PACKING (LCD)	PACKING (LCD)	1	
	37213-KFA6-90B	37213-KFA6-90B	PACKING (LCD)	PACKING (LCD)	1	
	37280	37280-KFA6-900	LCD ASSY (LOCK)	LCD ASSY (LOCK)	1	
	38300	38300-KECE-900	RELAY ASSY WINKER	RELAY ASSY WINKER	1	
	44830	44830-KKD6-E00	CABLE COMP SPDMT	CABLE COMP SPDMT	1	
	44831	44831-KKD6-E00	INNER CABLE	INNER CABLE	1	
	93700-05018-0H	93700-05018-0H	SCREW OVAL 5*18	SCREW OVAL 5*18	1	
	93903-35320	93903-35320	SCREW TAPPING 5*16	SCREW TAPPING 5*16	3	

F03

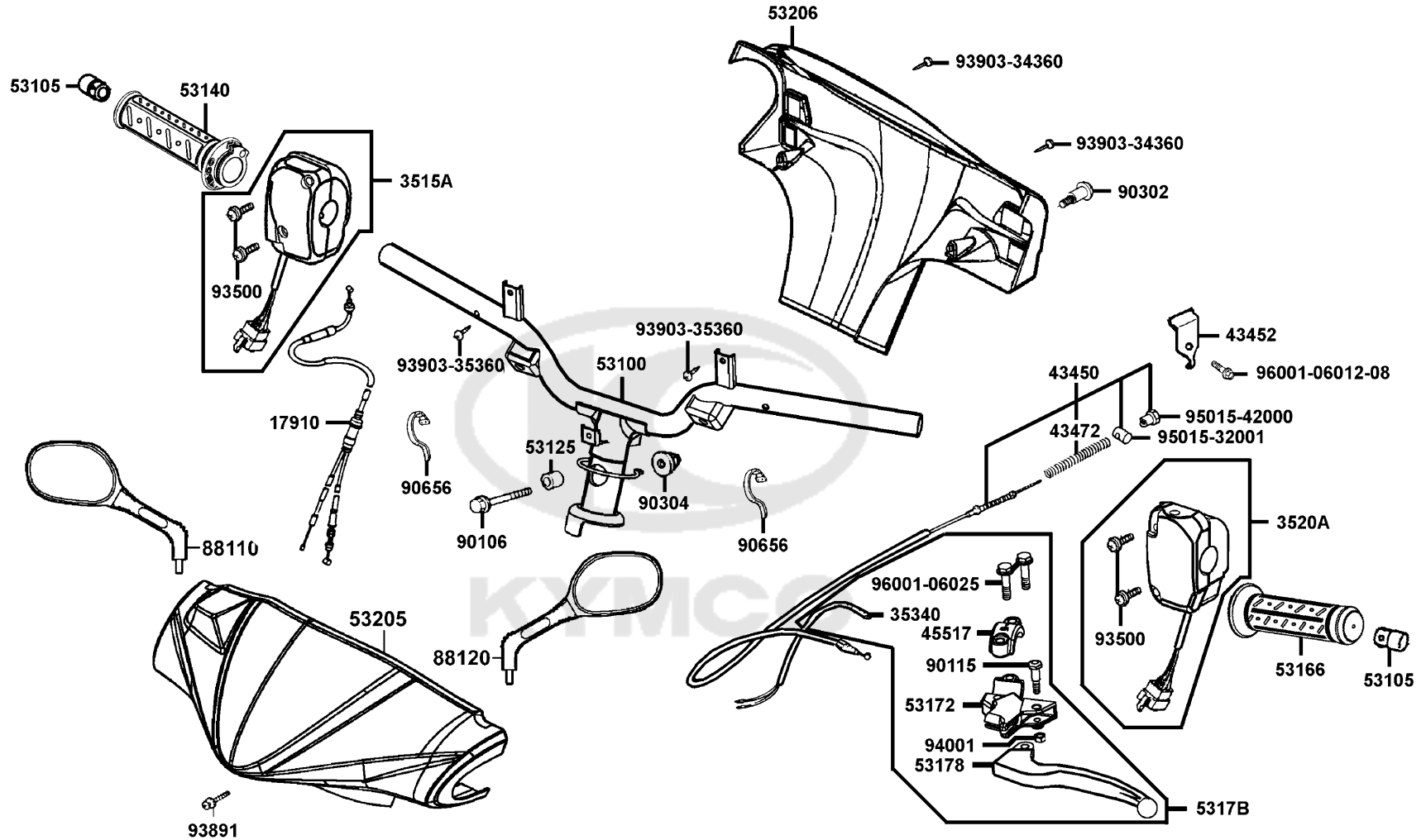
# Handle SteeringHandle Cover



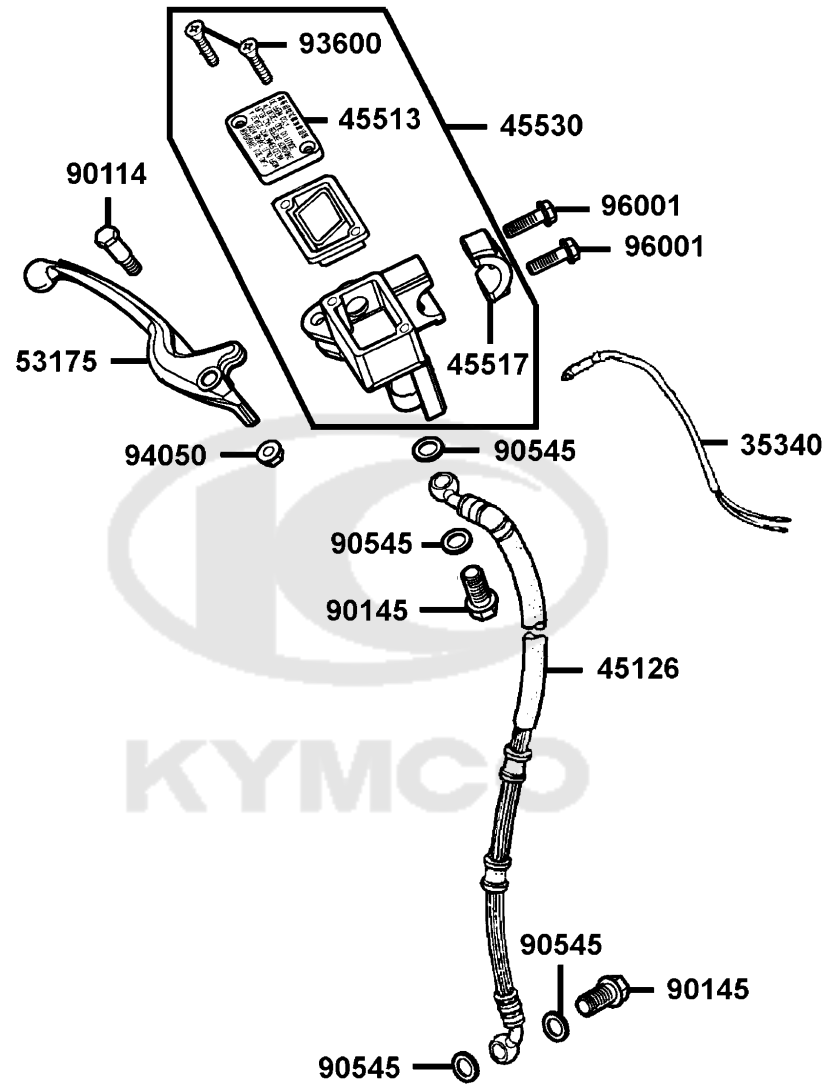
Sales mark	Ref no	Part no	Description	Reg description	Regd no	F03
	17910	17910-KKD6-E00	CABLE COMP THROT	CABLE COMP THROT	1	
	3515A	3515A-KGBG-E00	SW ASSY RH HNDL COMP	SW ASSY RH HNDL COMP	1	
	3520A	3520A-KGBG-E00	SW ASSY LH HNDL COMP	SW ASSY LH HNDL COMP	1	
	35340	35340-KKJ9-010	SW ASSY FR STOP	SW ASSY FR STOP	1	
	43450	43450-KKD6-E00	CABLE COMP RR BRK	CABLE COMP RR BRK	1	
	43452	43452-GKAK-900	CLAMP BRK CABLE	CLAMP BRK CABLE	1	
	43472	43472-1A61-001	SPG RR BRK ARM	SPG RR BRK ARM	1	
	45517	45517-GFY6-900	HOLDER HNDL BRKT	HOLDER HNDL BRKT	1	
	53100	53100-KKD6-E00	HANDLE COMP STRG	HANDLE COMP STRG	1	
	53105	53105-KNBN-910	END STRG HANDLE	END STRG HANDLE	2	
	53125	53125-GEN5-901	COLLAR HANDLE SET	COLLAR HANDLE SET	1	
**	53140	53140-KNBN-960	GRIP COMP THROT	GRIP COMP THROT	1	
**	53166	53166-KNBN-911	GRIP L HANDLE	GRIP L HANDLE	1	
	53172	53172-KTCT-900	BRKT HANDLE L	BRKT HANDLE L	1	
**	53178	53178-KXCX-E00	LEVER L STRG HNDL	LEVER L STRG HNDL	1	
	5317B	5317B-KFA6-E00	BRKT ASSY HNDL L	BRKT ASSY HNDL L	1	
**	53205	53205-LBD5-E00	COVER FR HANDLE	COVER FR HANDLE	1	
**	53206	53206-KFA6-900	COVER RR HANDLE	COVER RR HANDLE	1	
	88110	88110-LBD5-E00	MIRROR ASSY R BACK	MIRROR ASSY R BACK	1	
	88120	88120-LBD5-E00	MIRROR ASSY L BACK	MIRROR ASSY L BACK	1	

F03

# Handle SteeringHandle Cover



Sales mark	Ref no	Part no	Description	Reg description	Regd no	<b>F03</b>
90106		90106-GEN5-901	BOLT FLANGE 10*50	BOLT FLANGE 10*50	1	
90115		90115-GLE0-001	BOLT HNDL LEVER PIVOT	BOLT HNDL LEVER PIVOT	1	
90302		90302-KNBN-900	BOLT PAN 5*10	BOLT PAN 5*10	1	
90304		90304-GHE8-004	NUT U 10MM	NUT U 10MM	1	
90656		90656-GFY6-911	BAND OIL HOSE	BAND OIL HOSE	2	
93500		93500-KGBG-900	SCREW TAPPING M 5*25L	SCREW TAPPING M 5*25L	4	
93891		93891-05035-06	BOLT WASH 5*35	SCREW WASHER 5*35	1	
93903-34360		93903-34360	SCREW TAPPING 4*12 (G)	SCREW TAPPING 4*12	2	
93903-35360		93903-35360	SCREW TAPPING 5*16	SCREW TAPPING 5*16	2	
94001		94001-05080-0S	NUT HEX 5MM	NUT HEX 5MM	1	
95015-32001		95015-32001	JOINT B BRAKE ARM	JOINT B BRAKE ARM	1	
95015-42000		95015-42000	NUT B ADJUST	NUT B ADJUST	1	
96001-06012		96001-06012-08	BOLT FLANGE 6*12	BOLT FLANGE 6*12	1	
96001-06025		96001-06025-06	BOLT FLANGE SH 6*25	BOLT FLANGE 6*25	2	

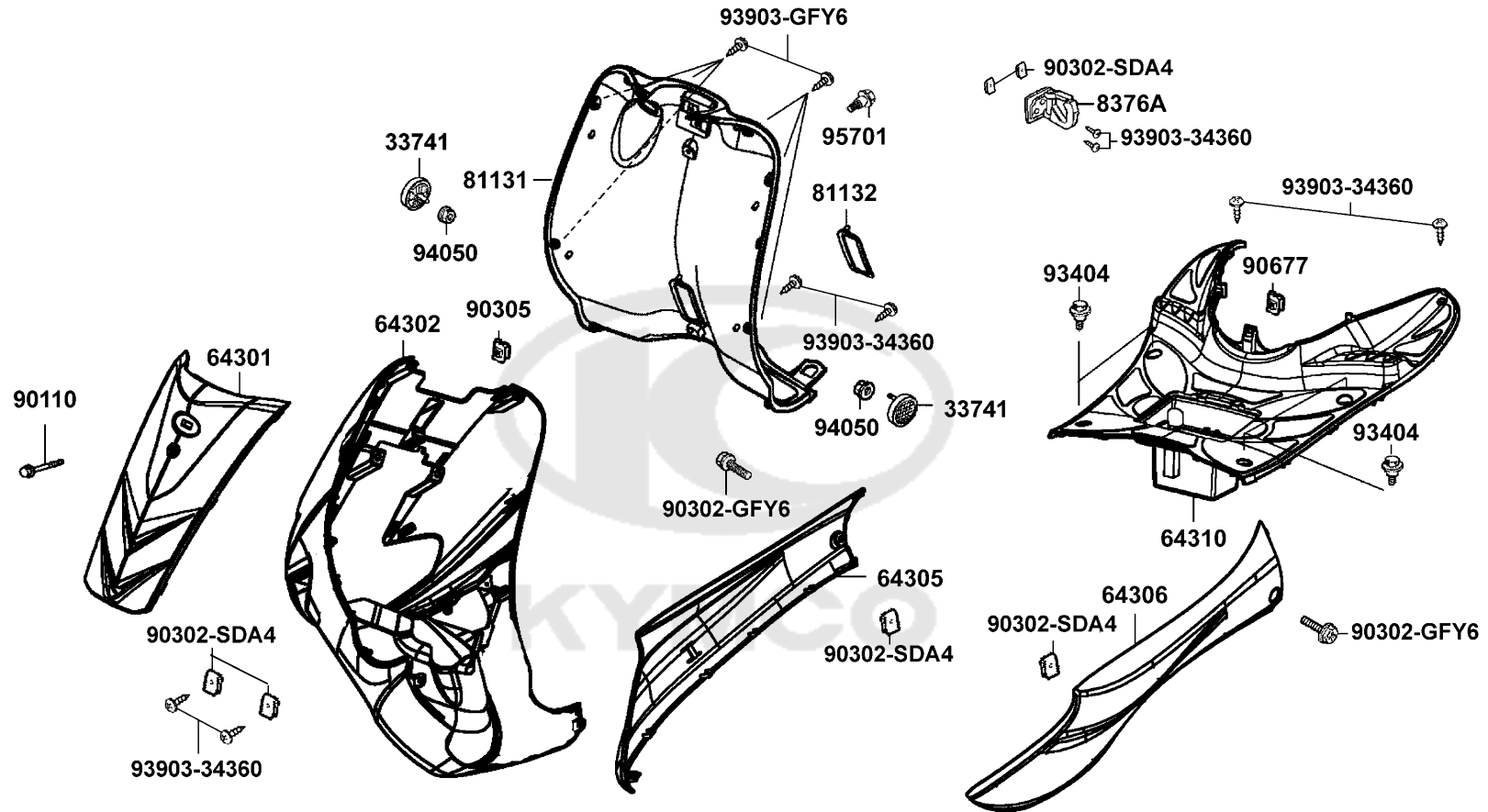




Sales mark	Ref no	Part no	Description	Reg description	Regd no	<b>F04</b>
	35340	35340-KFA6-900	SW ASSY FR STOP	SW ASSY FR STOP	1	
	45126	45126-KKD6-E00	HOSE ASSY FR BRK	HOSE ASSY FR BRK	1	
	45513	45513-KFA6-900	CAP M/C	CAP M/C	1	
	45517	45517-KFAF-910	HOLDER M/C	HOLDER M/C	1	
	45530	45530-KFA6-305	CYLN SET MASTER	CYLN SET MASTER	1	
**	53175	53175-KFA6-E00	LEVER R STRG HNDL	LEVER R STRG HNDL	1	
	90114	90114-1F66-007	BOLT HANDLE LEVER	BOLT HANDLE LEVER	1	
	90145	90145-MKS9-61A	OIL BOLT 10*22	OIL BOLT 10*22	2	
	90545	90545-3L00-001	WASHER OIL BOLT	WASHER OIL BOLT	4	
	93600	93600-04012-1G	SCREW FLAT 4*12	SCREW FLAT 4*12	2	
	94050	94050-06060	NUT FLANGE 6MM	NUT FLANGE 6MM	1	
	96001	96001-06022-06	BOLT FLANGE SH 6*22 (G)	BOLT FLANGE SH 6*22 (G)	2	

F05

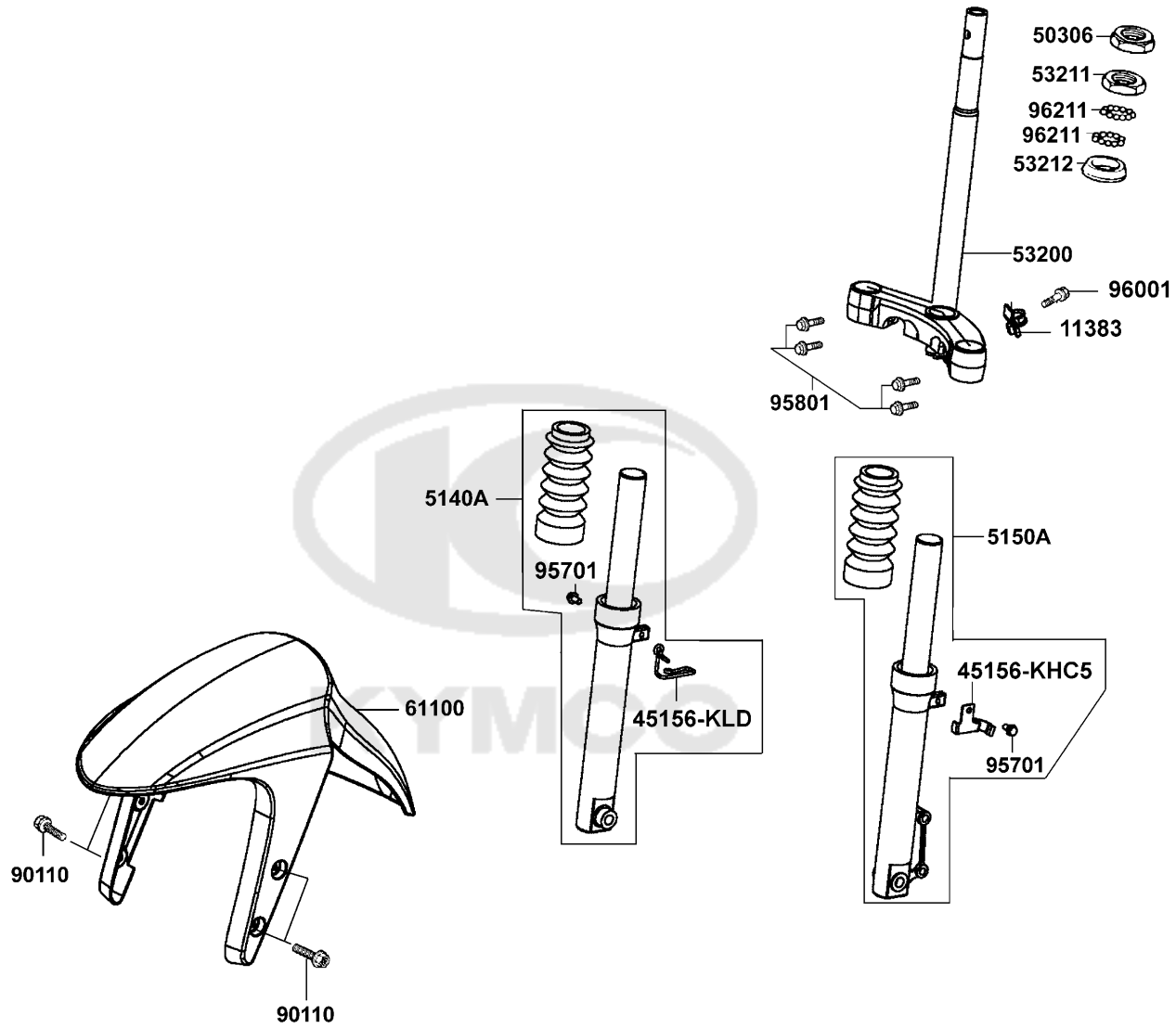
Front CoverFloor Panel



Sales mark	Ref no	Part no	Description	Reg description	Regd no	F05
	33741	33741-GFY6-C30	REFLEX REFLECTOR	REFLEX REFLECTOR	2	
**	64301	64301-LBD5-E00	COVER FRONT	COVER FRONT	1	
**	64302	64302-LBD5-E00	MOLDING FR	MOLDING FR	1	
**	64305	64305-LBD5-E00	SKIRT R SIDE	COVER R SIDE	1	
**	64306	64306-LBD5-E00	SKIRT L SIDE	SKIRT L SIDE	1	
**	64310	64310-KKD6-E00	FLOOR PANEL	FLOOR PANEL	1	
**	81131	81131-KKD6-E00	COVER LEG SHIELD FR	COVER LEG SHIELD FR	1	
**	81132	81132-KKDK-900	LID LEG SHIELD	LID LEG SHIELD	1	
	8376A	8376A-KEBE-900	CLIP ASSY CENTER	CLIP ASSY CENTER	1	
	90110	90110-GLW0-001	SCREW SPECIAL 6*14	SCREW SPECIAL 6*14	1	
	90302-GFY6	90302-GFY6-940	BOLT-WASH 5*16	BOLT-WASH 5*16	2	
	90302-SDA4	90302-SDA4-004	NUT SPRING 4MM	NUT SPRING 4MM	6	
	90305	90305-GHK8-001	NUT CLIP 6MM	NUT CLIP 6MM	1	
	90677	90677-GAR1-004	NUT CLIP 5MM	NUT CLIP 5MM	1	
	93404	93404-06020-06	BOLT WASHER 6*20 (G)	BOLT WASH 6*20	4	
	93903-34360	93903-34360	SCREW TAPPING 4*12 (G)	SCREW TAPPING 4*12	13	
	93903-GFY6	93903-GFY6-900	SCREW TAPPING 4*14	SCREW TAPPING 4*14	6	
	94050	94050-06080	NUT FLANGE 6MM	NUT FLANGE 6MM	4	
	95701	95701-06012-06	BOLT FLANGE 6*12	BOLT FLANGE 6*12	1	

F06

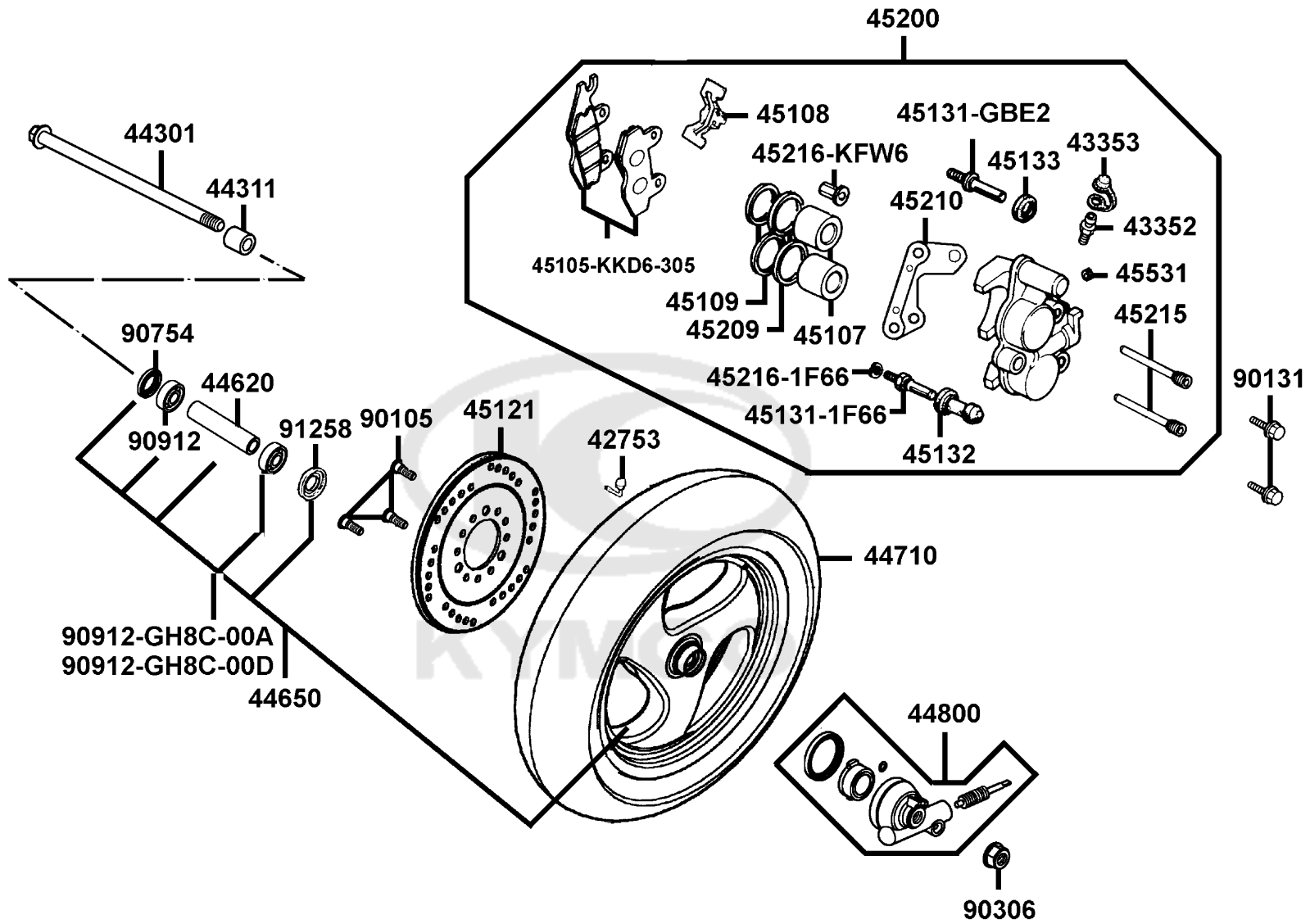
Front Cushion



Sales mark	Ref no	Part no	Description	Reg description	Regd no	F06
	11383	11383-KHE7-900	CLAMPER RR BRK HOSE	CLAMPER RR BRK HOSE	1	
	45156-KDLD	45156-KDLD-901	CLAMPER FR BRAKE HOSE	CLAMPER FR BRAKE HOSE	1	
	45156-KHC5	45156-KHC5-E10	CLAMPER FR BRAKE HOSE	CLAMPER FR BRAKE HOSE	1	
	50306	50306-1F96-001	NUT STRG STEM LOCK	NUT STRG STEM LOCK	1	
**	5140A	5140A-LBD5-E00	FORK SET R FR	FORK SET R FR	1	
**	5150A	5150A-LBD5-E00	FORK SET L FR	FORK SET L FR	1	
	53200	53200-LBD5-E00	STEM COMP STRG	STEM COMP STRG	1	
	53211	53211-GFY6-940	RACE STRG TOP CONE	RACE STRG TOP CONE	1	
	53212	53212-GHC8-004	RACE (STRG BOTTOM) CONE	RACE (STRG BOTTOM) CONE	1	
**	61100	61100-LBD5-E00	FENDER FR	FENDER FR	1	
	90110	90110-KEB7-900	SCREW SPECIAL 6*14	SCREW SPECIAL 6*14	4	
	95701	95701-06012-08	BOLT FLANGE 6*12	BOLT FLANGE 6*12	2	
	95801	95801-08040-08	BOLT FLANGE 8*40	BOLT FLANGE 8*40	4	
	96001	96001-06012-08	BOLT FLANGE 6*12	BOLT FLANGE 6*12	1	
	96211	96211-05000	BALL STEEL 5	BALL STEEL 5	55	

F07

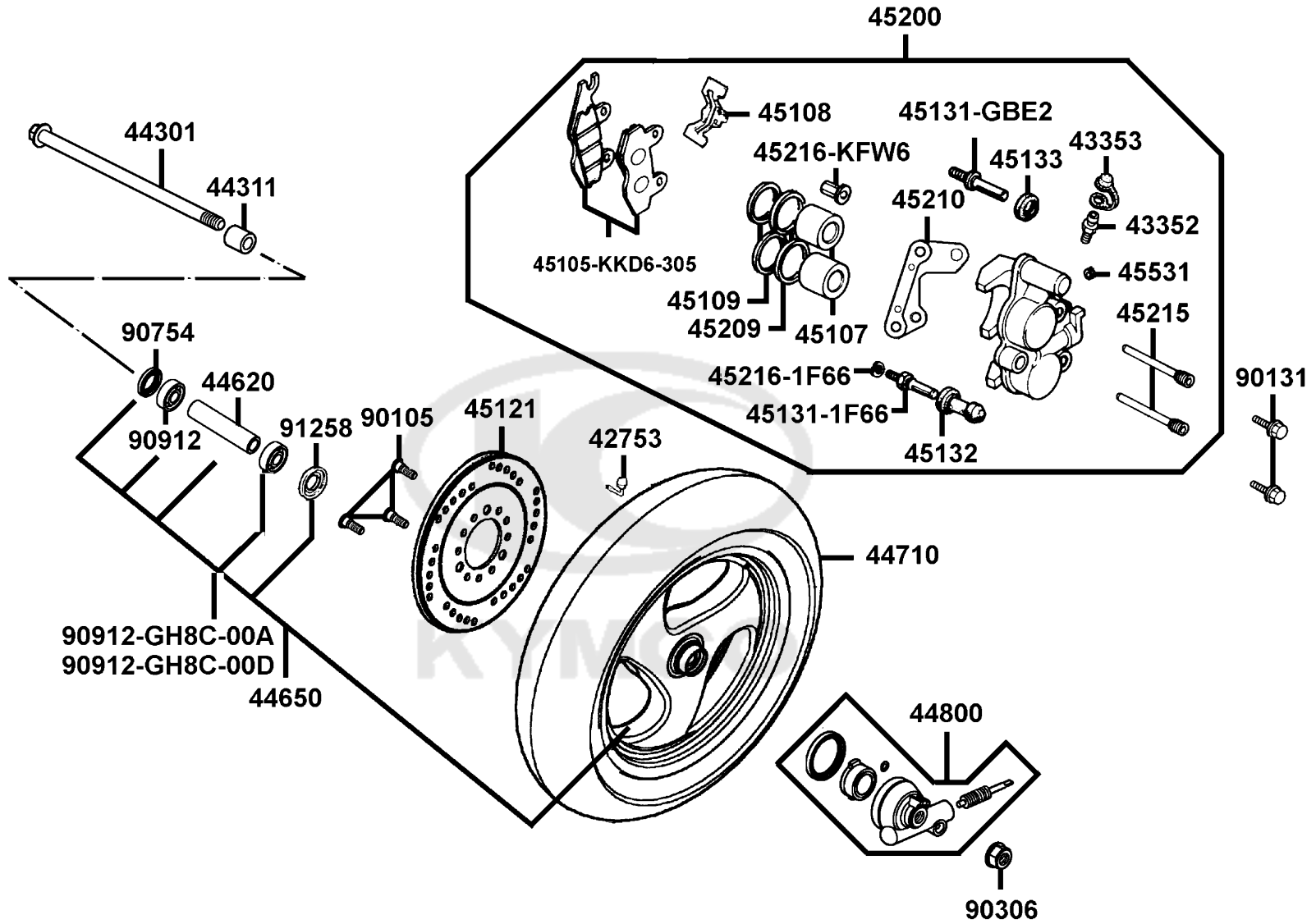
Front Wheel



Sales mark	Ref no	Part no	Description	Reg description	Regd no	F07
	42753	42753-KXCX-900	VALVE (PVR-70B) & CAP	VALVE (PVR-70B) & CAP	1	
	43352	43352-KKD6-E90	SCREW BLEEDER	SCREW BLEEDER	1	
	43353	43353-4A61-77A	CAP BLEEDER	CAP BLEEDER	1	
	44301	44301-KGB5-900	AXLE FR WHEEL	AXLE FR WHEEL	1	
	44311	44311-GLW0-911	COLLAR FR WHEEL SIDE	COLLAR FR WHEEL SIDE	1	
	44620	44620-KEB7-E00	COLLAR FR DIST	"COLLAR,FR DIST"	1	
**	44650	44650-KEB7-315	WHEEL SET FR	WHEEL SET FR	1	
	44710	44710-KEB7-E1A	TIRE ASSY FR /CHENG SHIN	TIRE ASSY FR /CHENG SHIN	1	
	44800	44800-KXCX-E00	GEAR BOX ASSY SPDMT	GEAR BOX ASSY SPDMT	1	
	45105	45105-KKD6-305	PAD COMP A+B	PAD ASSY	1	
	45107	45107-KKD6-E90	PISTON	PISTON	2	
	45108	45108-MDL4-007	PAD SPG	PAD SPG	1	
	45109	45109-GBE2-007	DUST SEAL	DUST SEAL	2	
	45121	45121-KKD6-E00	DISK FR BRAKE	DISK FR BRAKE	1	
	45131-1F66	45131-1F66-017	PIN BOLT	PIN BOLT	1	
	45131	45131-GBE2-007	PIN BOLT A	PIN BOLT A	1	
	45132	45132-1F66-017	BUSH BOOT PIN	BUSH BOOT PIN	1	
	45133	45133-MCA3-007	BOOT B	BOOT B	1	
**	45200	45200-KKD6-E90	CALIPER ASSY FR	CALIPER ASSY FR	1	
	45209	45209-GBE2-007	SEAL PISTON	SEAL PISTON	2	

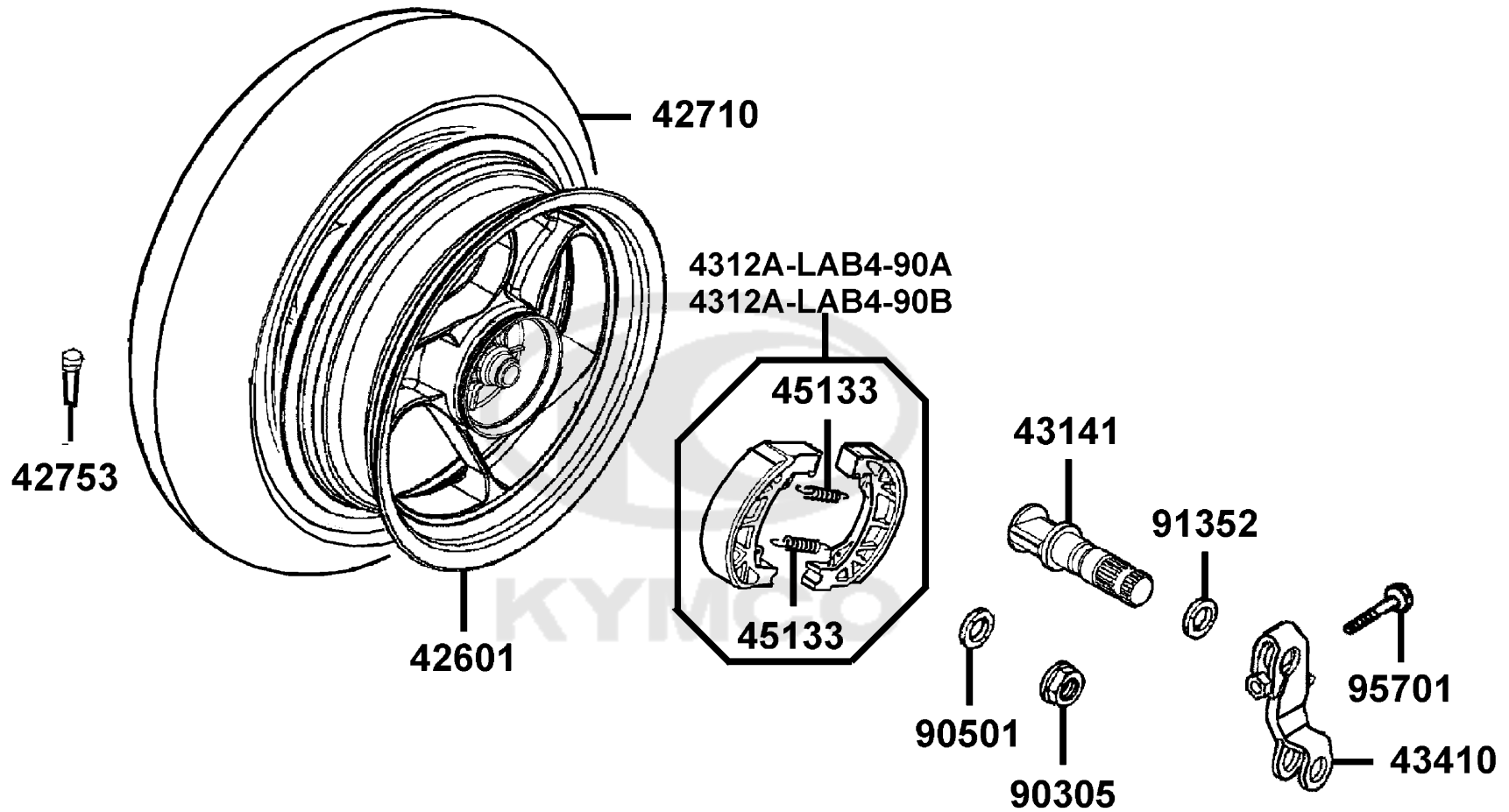
F07

Front Wheel





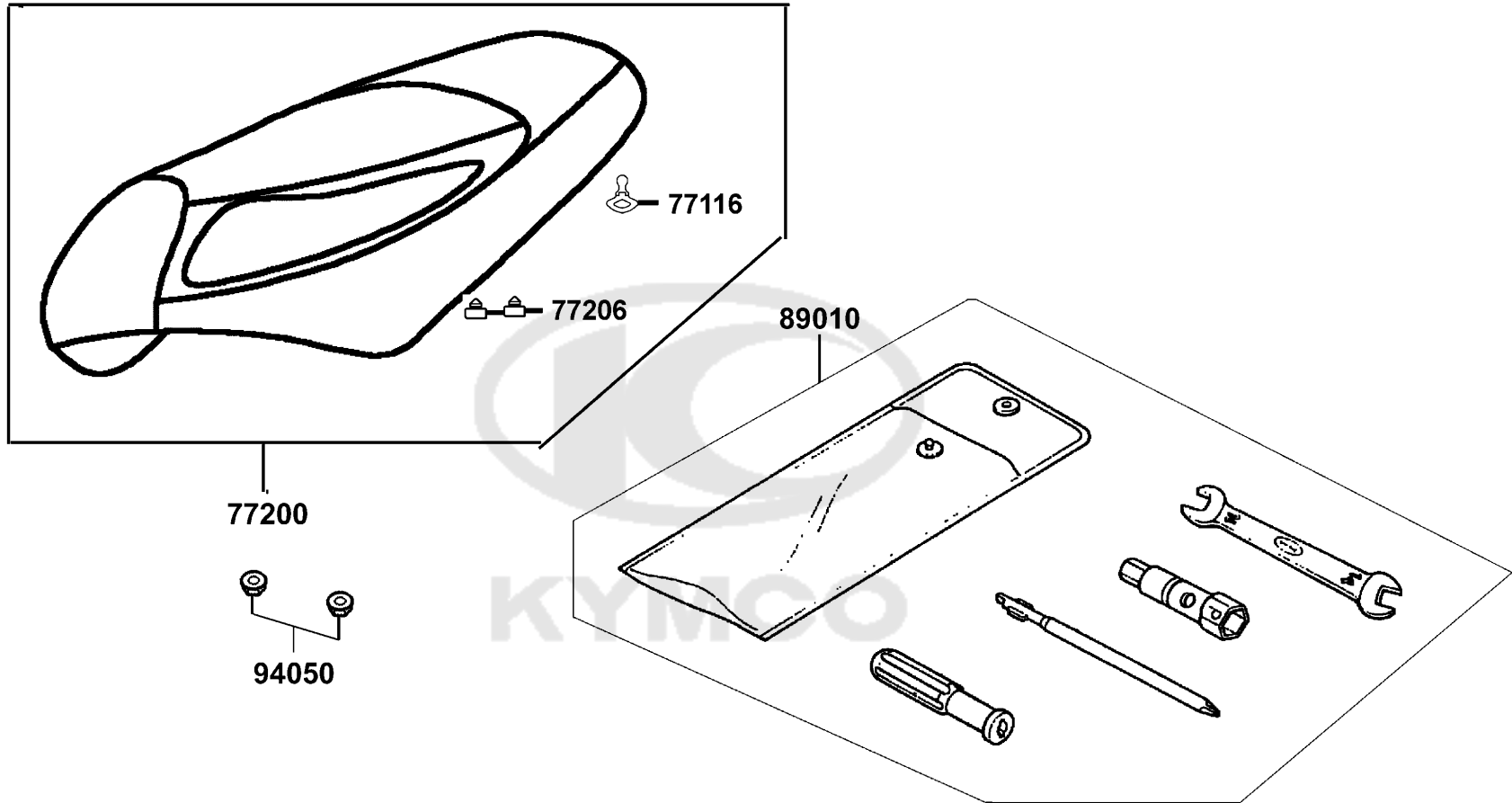
Sales mark	Ref no	Part no	Description	Reg description	Regd no	<b>F07</b>
45210		45210-KEB7-900	BRACKET FR CALIPER	BRACKET FR CALIPER	1	
45215		45215-KKD6-E90	PIN HANGER	PIN HANGER	2	
45216-1F66		45216-1F66-007	WASHER WAVE	WASHER WAVE	1	
45216-KFW6		45216-KFW6-90A	TORQUE NUT	TORQUE NUT	1	
45531		45531-GAR1-951	PLUG	PLUG	1	
90105		90105-KCR3-001	BOLT FR DISK 8*24	BOLT FR DISK 8*24	3	
90131		90131-GLW0-911	BOLT FLANGE 8*35	BOLT FLANGE 8*35	2	
90306		90306-KLF0-004-SY	NUT FLANGE 12MM	NUT FLANGE 12MM	1	
90754		90754-GHC8-00A	SEAL DUST 20*32*5	SEAL DUST 20*32*5	1	
90912-GH8C-00A		90912-GHC8-00A	BEARING 6201 (U)	BEARING 6201	2	
90912-GH8C-00D		90912-GHC8-00D	BEARING 6201	BEARING 6201	2	
91258		91258-KAM1-00A	SEAL SPDMT GEAR BOX	SEAL SPDMT GEAR BOX	1	



Sales mark	Ref no	Part no	Description	Reg description	Regd no	<b>F08</b>
**	42601	42601-KEB7-E0E	WHEEL COMP RR CAST	WHEEL COMP RR CAST	1	
	42710	42710-KEB7-E1A	TIRE ASSY RR /CHENG SHIN	TIRE ASSY RR /CHENG SHIN	1	
	42753	42753-KNBN-90B	VALAE RIM (TR412)	VALAE RIM (TR412)	1	
	4312A-LAB4-90A	4312A-LAB4-90A	SHOE COMP RR BRAKE	SHOE COMP RR BRAKE	2	
	4312A-LAB4-90B	4312A-LAB4-90B	SHOE COMP RR BRAKE	SHOE COMP RR BRAKE	2	
	43141	43141-KKD6-E00	CAM RR BRK	CAM RR BRK	1	
	43410	43410-KFA1-900	ARM COMP RR BRAKE	ARM COMP RR BRAKE	1	
	45133	45133-0H28-001	SPRING BRAKE SHOE	SPRING BRAKE SHOE	2	
	90305	90305-KNBN-90B	NUT U 16MM	NUT U 16MM	1	
	90501	90501-KNBN-901	WASHER 16MM	WASHER 16MM	1	
	91352	91352-KHG8-83B	O-RING 11.3*1.3	O-RING 11.3*1.3	1	
	95701	95701-06032-08	BOLT FLANGE 6*32	BOLT FLANGE 6*32	1	

F09

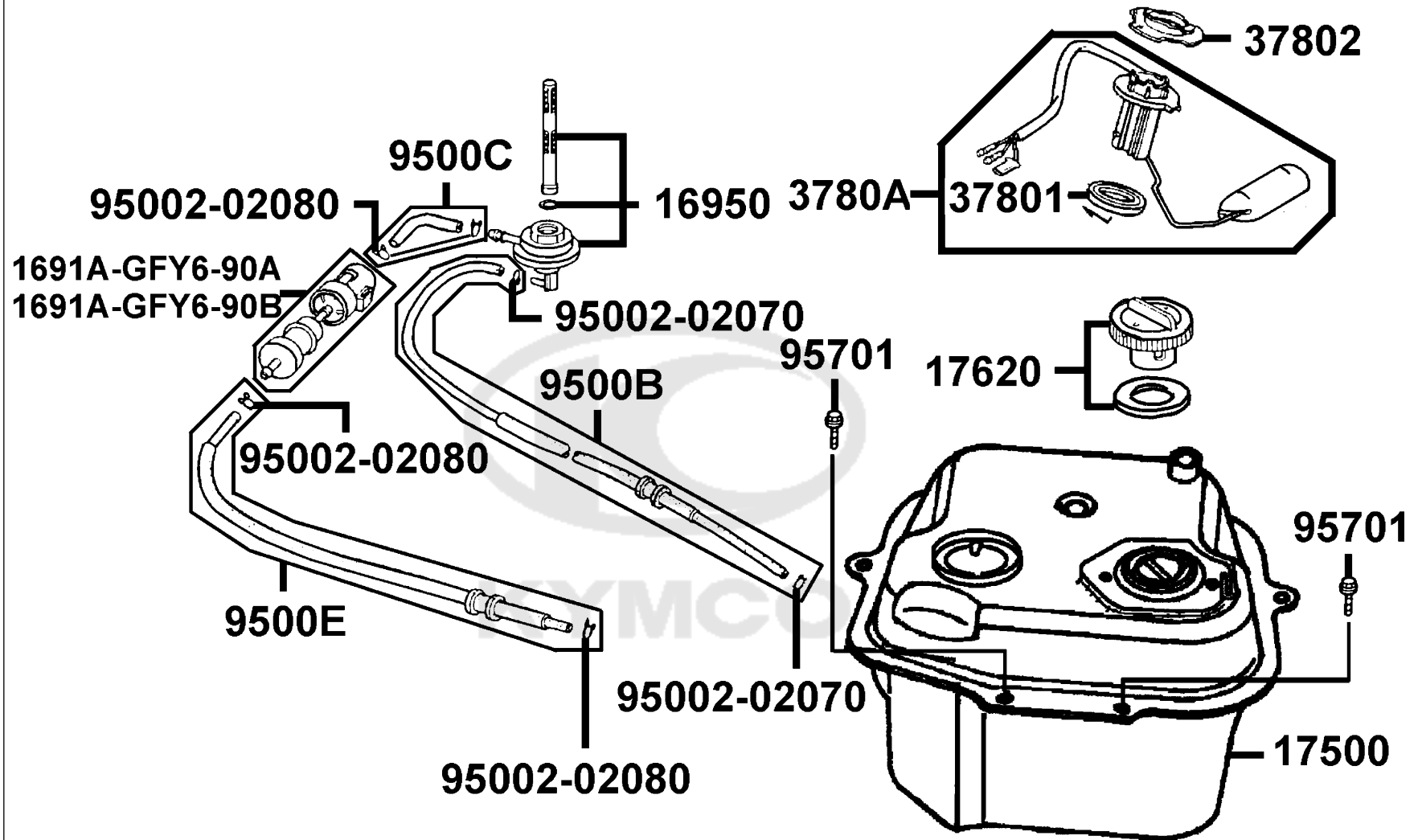
Seat



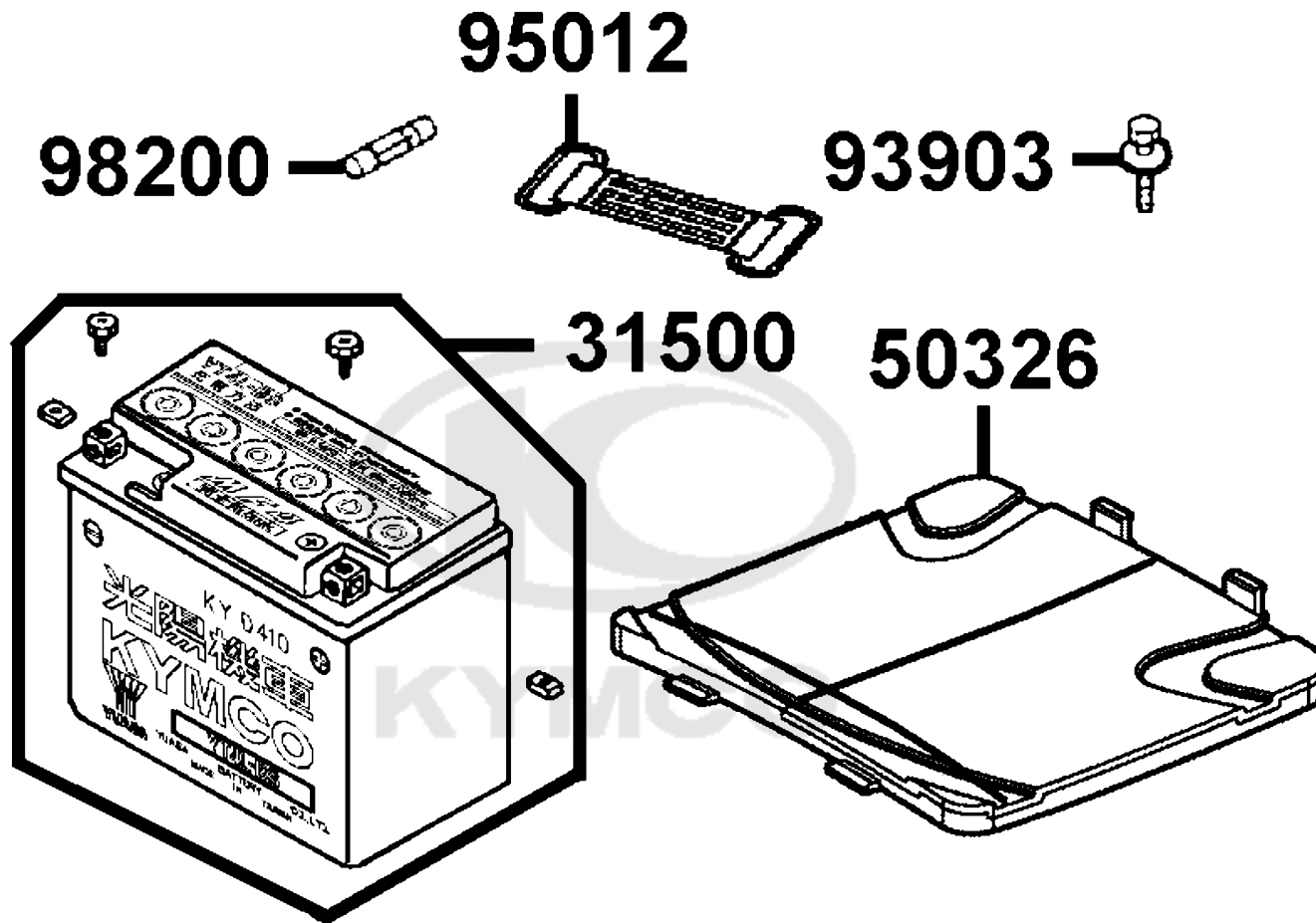
Sales mark	Ref no	Part no	Description	Reg description	Regd no	<b>F09</b>
------------	--------	---------	-------------	-----------------	---------	------------

	77116	77116-KEB7-900	RUBBER SEAL B	RUBBER SEAL B	1	
**	77200	77200-LBD5-E00	SEAT ASSY	SEAT COMP	1	
	77206	77206-KEB7-900	RUBBER SEAT CUSH	RUBBER SEAT CUSH	2	
	89010	89010-KNBN-900	TOOL SET	TOOL SET	1	
	94050	94050-06080	NUT FLANGE 6MM	NUT FLANGE 6MM	2	





Sales mark	Ref no	Part no	Description	Reg description	Regd no	<b>F10</b>
	1691A-GFY6-90A	1691A-GFY6-90A	STRAINER ASSY FUEL	STRAINER ASSY FUEL	1	
	1691A-GFY6-90B	1691A-GFY6-90B	STRAINER ASSY FUEL	STRAINER ASSY FUEL	1	
	16950	16950-KKJ9-75A	AUTO COCK ASSY FUEL	AUTO COCK ASSY FUEL	1	
	17500	17500-KEB7-E10	TANK COMP FUEL	TANK COMP FUEL	1	
	17620	17620-GGS7-E10	CAP COMP FUEL FILLER	CAP COMP FUEL FILLER	1	
	37801	37801-GGA7-701	PACKING BASE	PACKING BASE	1	
	37802	37802-GGA7-701	RET FUEL UNIT	RET FUEL UNIT	1	
	3780A	3780A-KEB7-900	FUEL UNIT ASSY	FUEL UNIT ASSY	1	
	95002-02070	95002-02070	CLIP B7 TUBE	CLIP B7 TUBE	2	
	95002-02080	95002-02080	CLIP B8 TUBE	CLIP B8 TUBE	4	
	9500B	9500B-KEB7-E00	TUBE ASSY VACUUM	TUBE ASSY VACUUM	1	
	9500C	9500C-KEB7-900	TUBE ASSY FUEL	TUBE ASSY FUEL	1	
	9500E	9500E-KEB7-900	TUBE ASSY FUEL	TUBE ASSY FUEL	1	
	95701	95701-06012-08	BOLT FLANGE 6*12	BOLT FLANGE 6*12	2	

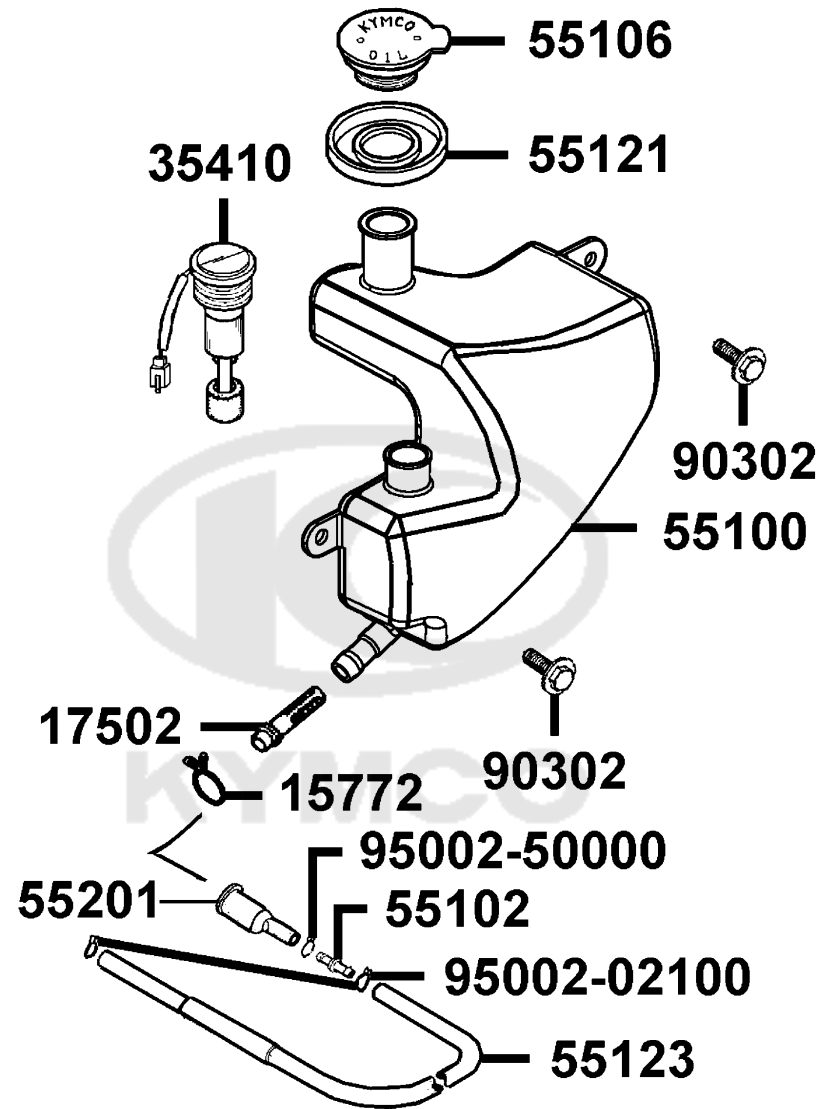




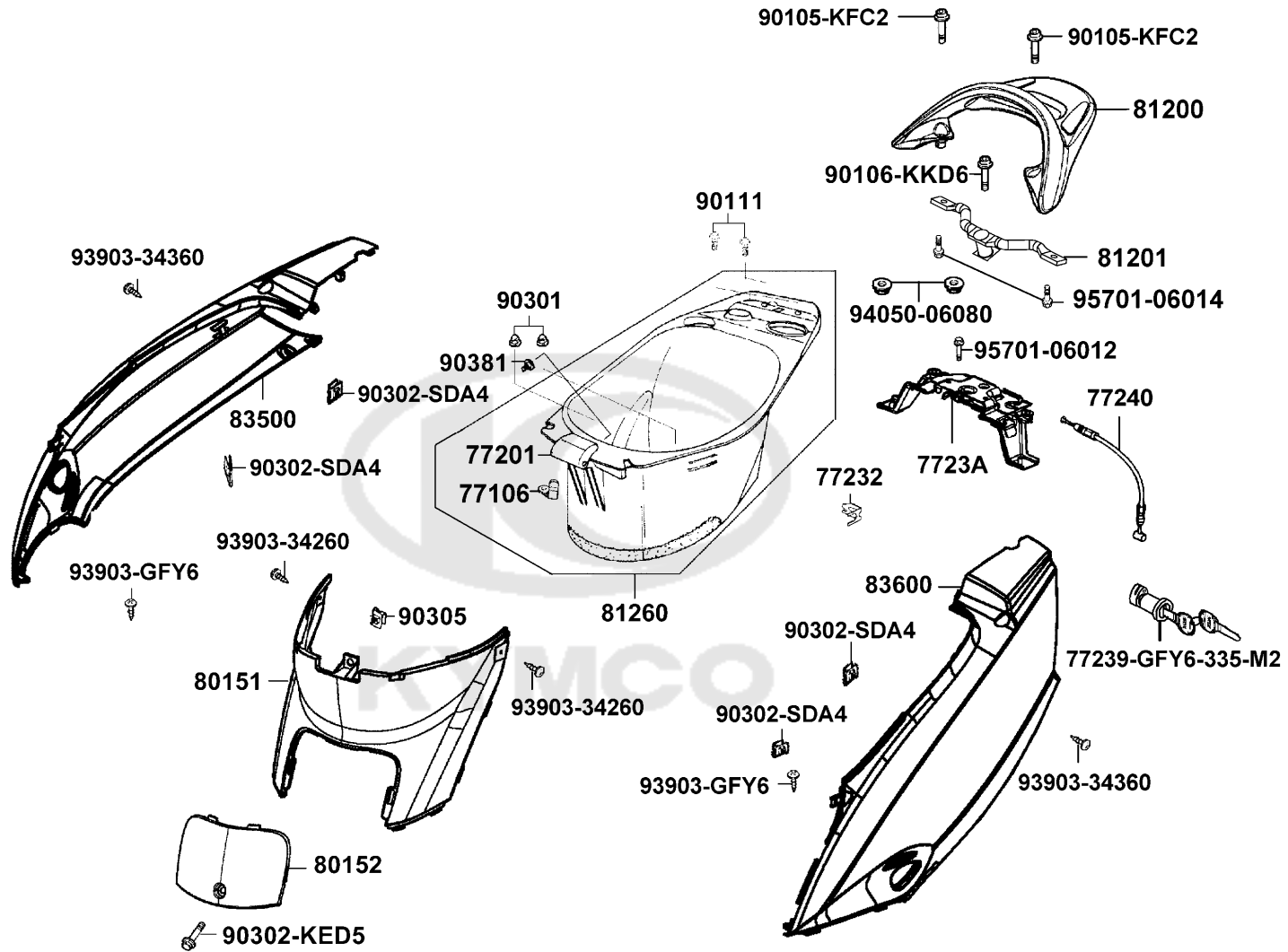
Sales mark	Ref no	Part no	Description	Reg description	Regd no	<b>F11</b>
------------	--------	---------	-------------	-----------------	---------	------------

	31500	31500-KCAC-90A	BATTERY YTX4L-BS	BATTERY YTX7A-BS	1	
**	50326	50326-KKD6-E00	COVER BATTERY	COVER BATTERY	1	
	93903	93903-35360	SCREW TAPPING 5*16	SCREW TAPPING 5*16	1	
	95012	95012-KKA7-900	TOOL BAND	TOOL BAND	1	
	98200	98200-10700	FUSE A7	FUSE A7	1	

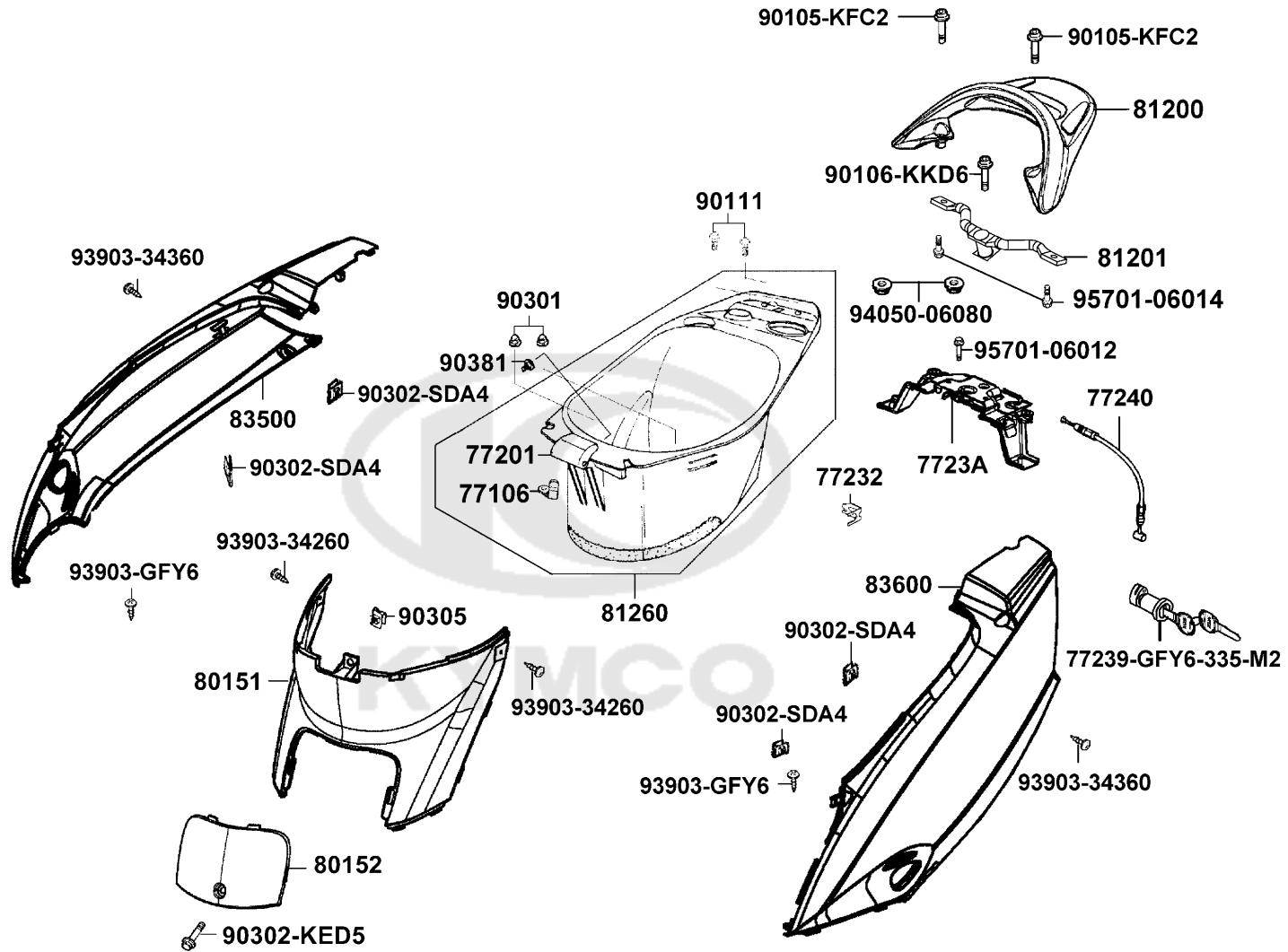





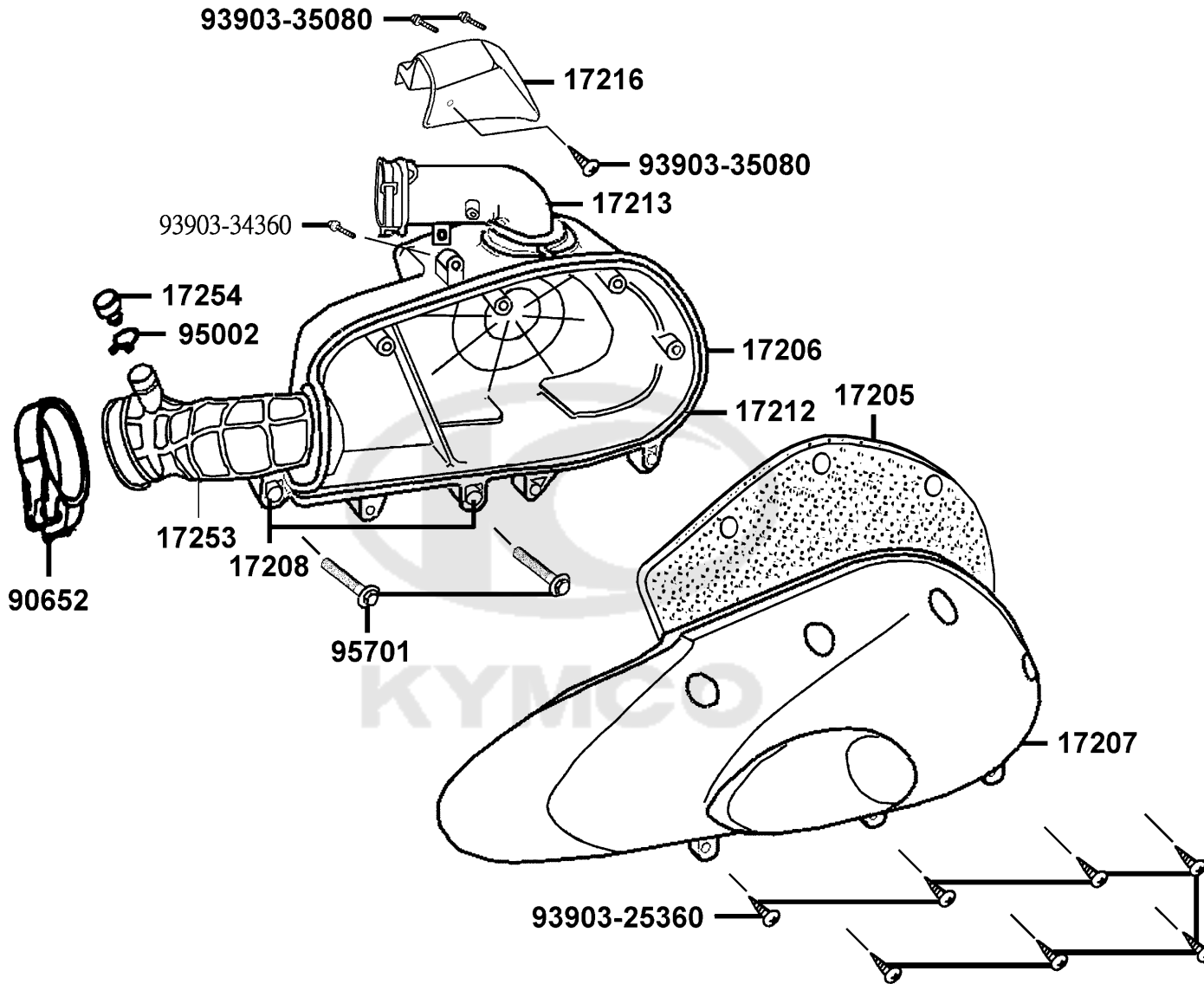
Sales mark	Ref no	Part no	Description	Reg description	Regd no	F12
15772		15772-5A51-001	CLIP BREATHER TUBE	CLIP BREATHER TUBE	1	
17502		17502-1G87-001	OIL STRAINER	OIL STRAINER	1	
35410		35410-KEB7-900	SW COMP OIL LEVEL	SW COMP OIL LEVEL	1	
55100		55100-KEB7-900	TANK OIL	TANK OIL	1	
55102		55102-1F66-001	JOINT OIL TUBE	JOINT OIL TUBE	1	
55106		55106-KEB7-900	CAP ASSY OIL	CAP ASSY OIL	1	
55121		55121-KEB7-900	RUBBER OIL GUIDE	RUBBER OIL GUIDE	1	
55123		55123-KKD6-E00	TUBE 5.3 OIL	TUBE 5.3 OIL	1	
55201		55201-GHC8-001	JOINT OIL STRN	JOINT OIL STRN	1	
90302		90302-GFY6-901	BOLT WASH 5*12	BOLT WASH 5*12	2	
95002-02100		95002-02100	CLIP B15 TUBE	CLIP B15 TUBE	2	
95002-50000		95002-50000	CLIP C9 TUBE	CLIP C9 TUBE	1	



Sales mark	Ref no	Part no	Description	Reg description	Regd no	F13
	77106	77106-KEB7-900	HOOK HELMENT	HOOK HELMENT	1	
	77201	77201-GFS6-001	HINGE SEAT	HINGE SEAT	1	
	77232	77232-KCAC-901	SET SPG SEAT LOCK	SET SPG SEAT LOCK	1	
	77239	77239-GFY6-335-M2	KEY SEAT SET	KEY SEAT LOCK	1	
	7723A	7723A-LBD5-E00	CATCH ASSY SEAT	CATCH ASSY SEAT	1	
	77240	77240-LBD5-E00	CABLE SEAT CATCH	CABLE SEAT CATCH	1	
**	80151	80151-KKD6-E00	COVER CENTER	COVER CENTER	1	
**	80152	80152-KKD6-E00	COVER PLUG MAINT	COVER PLUG MAINT	1	
**	81200	81200-KKD6-E00	CARRIER RR	CARRIER RR	1	
	81201	81201-LBD5-E00	BAR RR CARRIER	BAR RR CARRIER	1	
	81260	81260-KEB7-E00	BOX ASSY LUGGAGE	BOX ASSY LUGGAGE	1	
**	83500	83500-LBD5-E00	COVER R BODY	COVER R BODY	1	
**	83600	83600-LBD5-E00	COVER L BODY	COVER L BODY	1	
	90105	90105-KFC2-900	BOLT WASH 8*32	BOLT WASH 8*32	2	
	90106	90106-KKD6-E00	BOLT SPECIAL 8*42	BOLT SPECIAL 8*42	1	
	90111	90111-KFW6-001	BOLT FLANGE 6MM	BOLT FLANGE 6MM	2	
	90301	90301-6D34-671	NUT FLANGE 6MM	NUT FLANGE 6MM	2	
	90302-KED5	90302-KED5-900	BOLT PAN 5*11	BOLT PAN 5*9	1	
	90302-SDA4	90302-SDA4-004	NUT SPRING 4MM	NUT SPRING 4MM	4	
	90305	90305-GHK8-001	NUT CLIP 6MM	NUT CLIP 6MM	1	



Sales mark	Ref no	Part no	Description	Reg description	Regd no	<b>F13</b>
	90381	90381-GEZ5-001	SCREW SPECIAL 6*17	SCREW SPECIAL 6*17	1	
	93903-34260	93903-34260	SCREW TAPPING 4*12	SCREW TAPPING 4*12	2	
	93903-34360	93903-34360	SCREW TAPPING 4*12 (G)	SCREW TAPPING 4*12	2	
	93903-GFY6	93903-GFY6-900	SCREW TAPPING 4*14	SCREW TAPPING 4*14	2	
	94050	94050-06080	NUT FLANGE 6MM	NUT FLANGE 6MM	4	
	95701-06012	95701-06012-08	BOLT FLANGE 6*12	BOLT FLANGE 6*12	1	
	95701-06014	95701-06014-08	BOLT FLANGE 6*14	BOLT FLANGE 6*14	2	
						

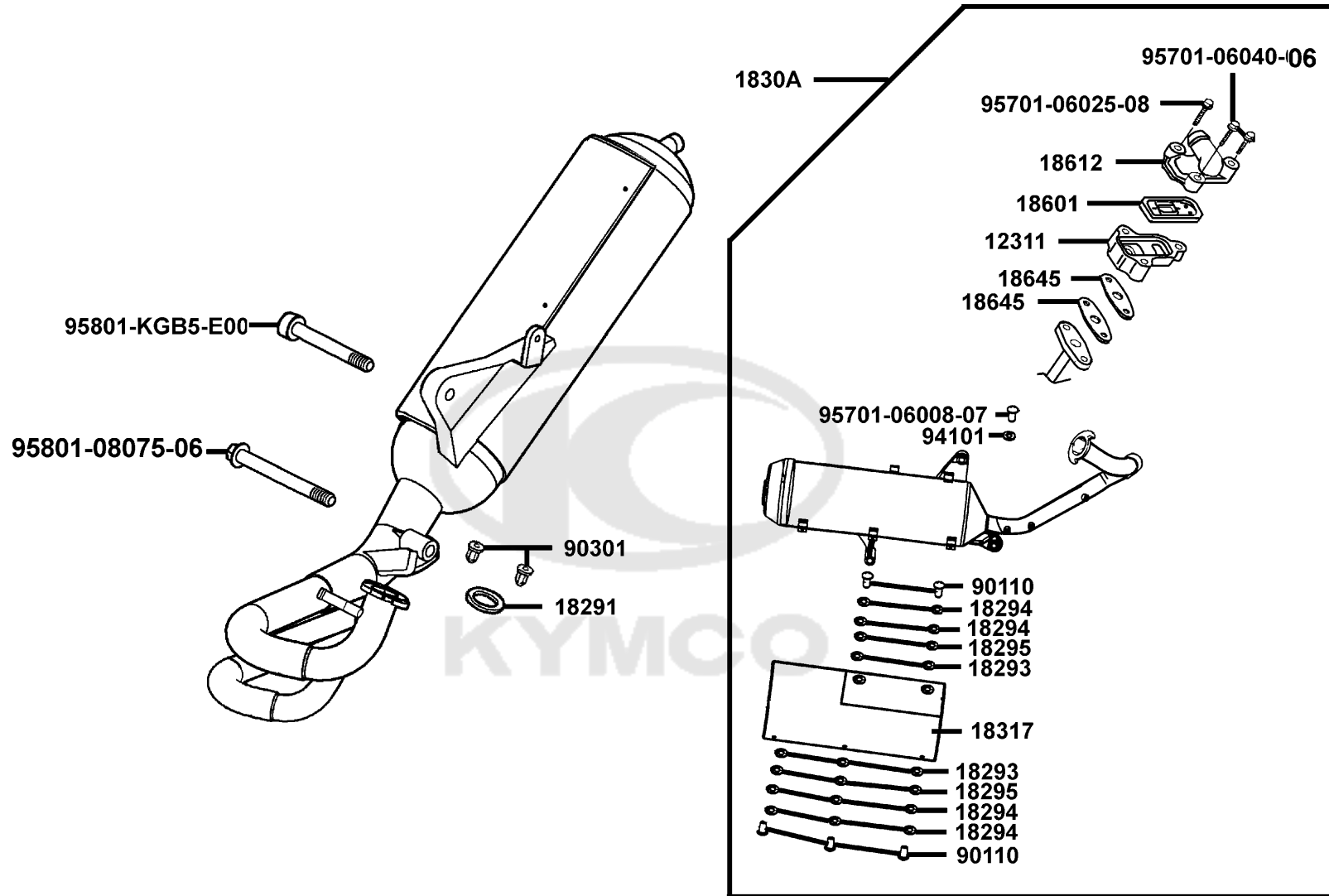




Sales mark	Ref no	Part no	Description	Reg description	Regd no	<b>F14</b>
17205		17205-KEB7-900	ELEMENT AIR/C	ELEMENT AIR/C	1	
17206		17206-KEB7-900	CASE AIR/C	CASE AIR/C	1	
17207		17207-KEB7-900	COVER A/C	COVER A/C	1	
17208		17208-KEB7-900	COLLAR AIR/C SET	COLLAR AIR/C SET	2	
17212		17212-KEB7-900	SEAL AIR/C COVER	SEAL AIR/C COVER	1	
17213		17213-KEB7-900	DUCT AIR/C INLET	DUCT AIR/C INLET	1	
17216		17216-KEB7-900	COVER JOINT	COVER JOINT	1	
17253		17253-KEB7-900	TUBE AIR/C CONN	TUBE AIR/C CONN	1	
17254		17254-KACA-P00	PLUG AIR/C CONN TUBE	JOINT PURGE TUBE	1	
90652		90652-GBHB-641	BAND 42 AIR/C CONNECTING TUBE	BAND 42 AIR/C CONNECTING TUBE	1	
93903-25360		93903-25360	SCREW TAPPING 5*16	SCREW TAPPING 5*16	7	
93903-34360		93903-34360	SCREW TAPPING 4*12 (G)	SCREW TAPPING 4*12	1	
93903-35080		93903-35080	SCREW TAPPING 5*8	SCREW TAPPING 5*8	3	
95002		95002-02110	CLIP	CLIP	1	
95701		95701-06040-08	BOLT FLANGE 6*40	BOLT FLANGE 6*40	2	

F15

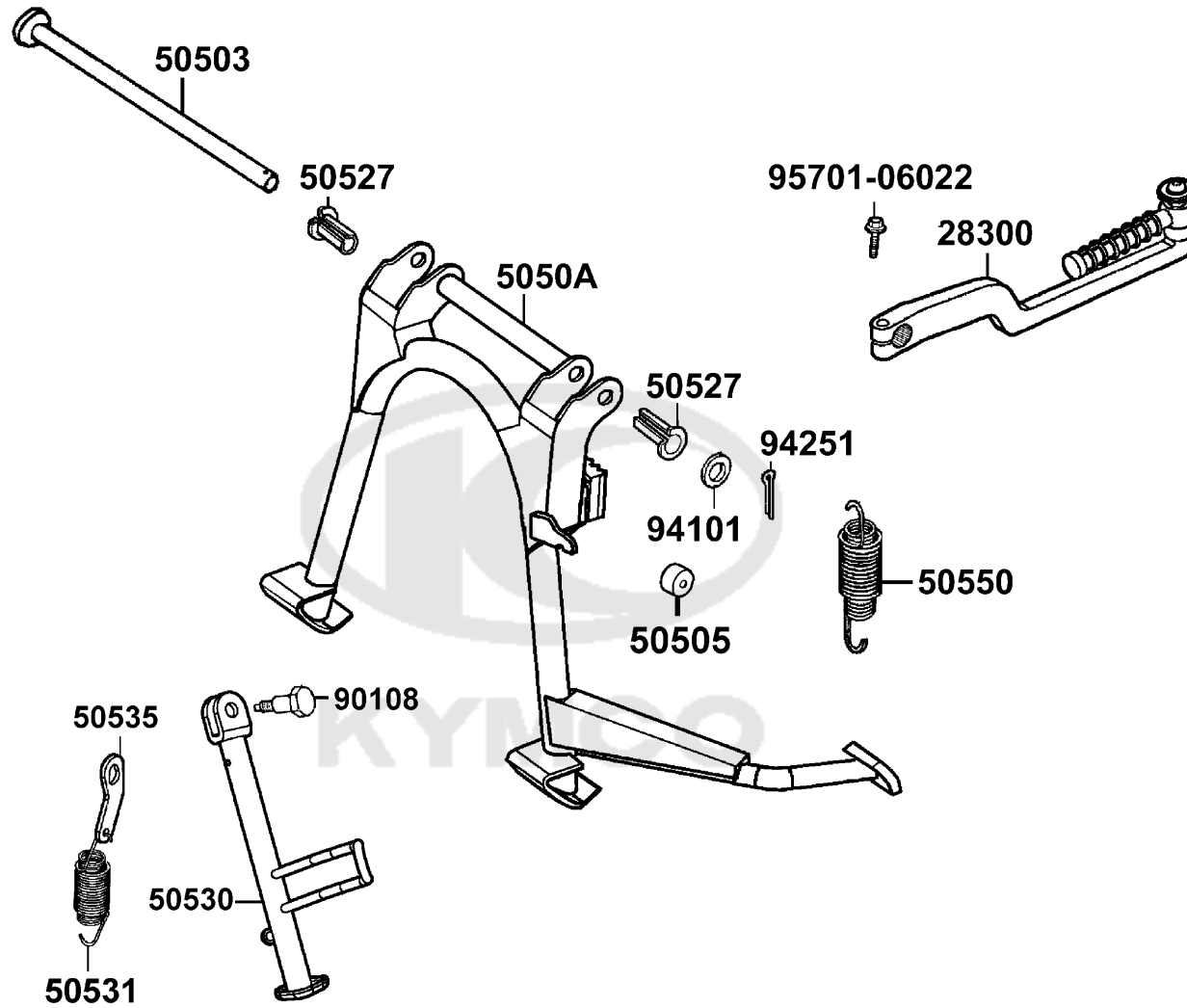
Exhaust Muffler



Sales mark	Ref no	Part no	Description	Reg description	Regd no	<b>F15</b>
12311		12311-KFB5-900	BODY REED VALVE	BODY REED VALVE	1	
18291		18291-LBA7-900	GASKET EXH PIPE	GASKET EXH PIPE	1	
18293		18293-KECE-900	RUBBER A PROTECTOR	RUBBER A PROTECTOR	5	
18294		18294-KEBE-900	PACKING PROTECTOR	PACKING PROTECTOR	10	
18295		18295-KECE-900	COLLAR 6MM	COLLAR 6MM	5	
1830A		1830A-LBD5-E00	MUFFLER ASSY EXH	MUFFLER ASSY EXH	1	
18317		18317-KHD8-E00	PROTECTOR MUFFLER	PROTECTOR MUFFLER	1	
18601		18601-KFB5-900	VALVE COMP REED	VALVE COMP REED	1	
18612		18612-KFB5-900	COVER REED VALVE	COVER REED VALVE	1	
18645		18645-KGB5-EZ0	GASKET A/I PIPE	GASKET A/I PIPE	2	
90110		90110-KHD8-900	SCREW SPECIAL 6*20	SCREW SPECIAL 6*20	5	
90301		90301-KGBG-900	NUT CAP 6MM	NUT CAP 6MM	2	
94101		94101-06700	WASHER PLAIN 6MM	WASHER PLAIN 6MM	1	
95701-06008		95701-06008-06	BOLT FLANGE 6*8	BOLT FLANGE 6*8	1	
95701-06025		95701-06025-08	BOLT FLANGE 6*25	BOLT FLANGE 6*25	1	
95701-06040		95701-06040-06	BOLT FLANGE 6*40	BOLT FLANGE 6*40	2	
95801-08075		95801-08075-06	BOLT FLANGE 8*75	BOLT FLANGE 8*75	1	
95801-KGB5		95801-KGB5-E00	BOLT FLANGE 8*60	BOLT FLANGE 8*60	1	

F16

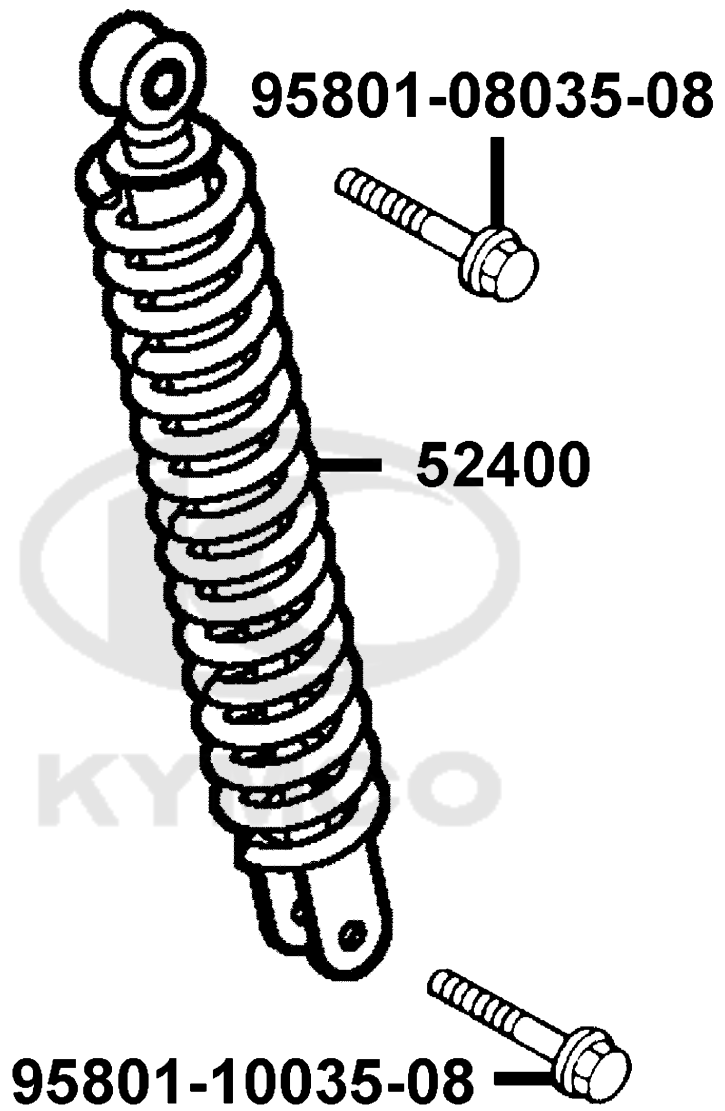
StandKick Starter Arm



Sales mark	Ref no	Part no	Description	Reg description	Regd no	<b>F16</b>
28300		28300-KNBN-901	ARM ASSY KICK STARTER	ARM ASSY KICK STARTER	1	
50503		50503-KEB7-900	SHAFT MAIN STAND	SHAFT MAIN STAND	1	
5050A		5050A-KKD6-E00	STAND ASSY MAIN	STAND ASSY MAIN	1	
50527		50527-KED5-900	BUSH OILES	BUSH OILES	2	
50530		50530-LBD5-E00	STAND COMP SIDE	BAR SIDE STAND	1	
50531		50531-KEB7-E00	PLATE SPRING STOPPER	PLATE SPRING STOPPER	1	
50535		50535-KEB7-E00	SPRING COMP SIDE STAND	SPRING COMP SIDE STAND	1	
50550		50550-KEB7-E00	SPG ASSY MAIN STAND	SPG ASSY MAIN STAND	1	
90108		90108-KEB7-E00	SCREW SIDE STAND PIVOT	SCREW SIDE STAND PIVOT	1	
94101		94101-08600	WASH PLAIN 8MM	WASH PLAIN 8MM	1	
94251		94251-08400	PIN LOCK 8MM	PIN LOCK 8MM	1	
95701		95701-06022-06	BOLT FLANGE 6*22	BOLT FLANGE 6*22	1	

F17

Rear Cushion



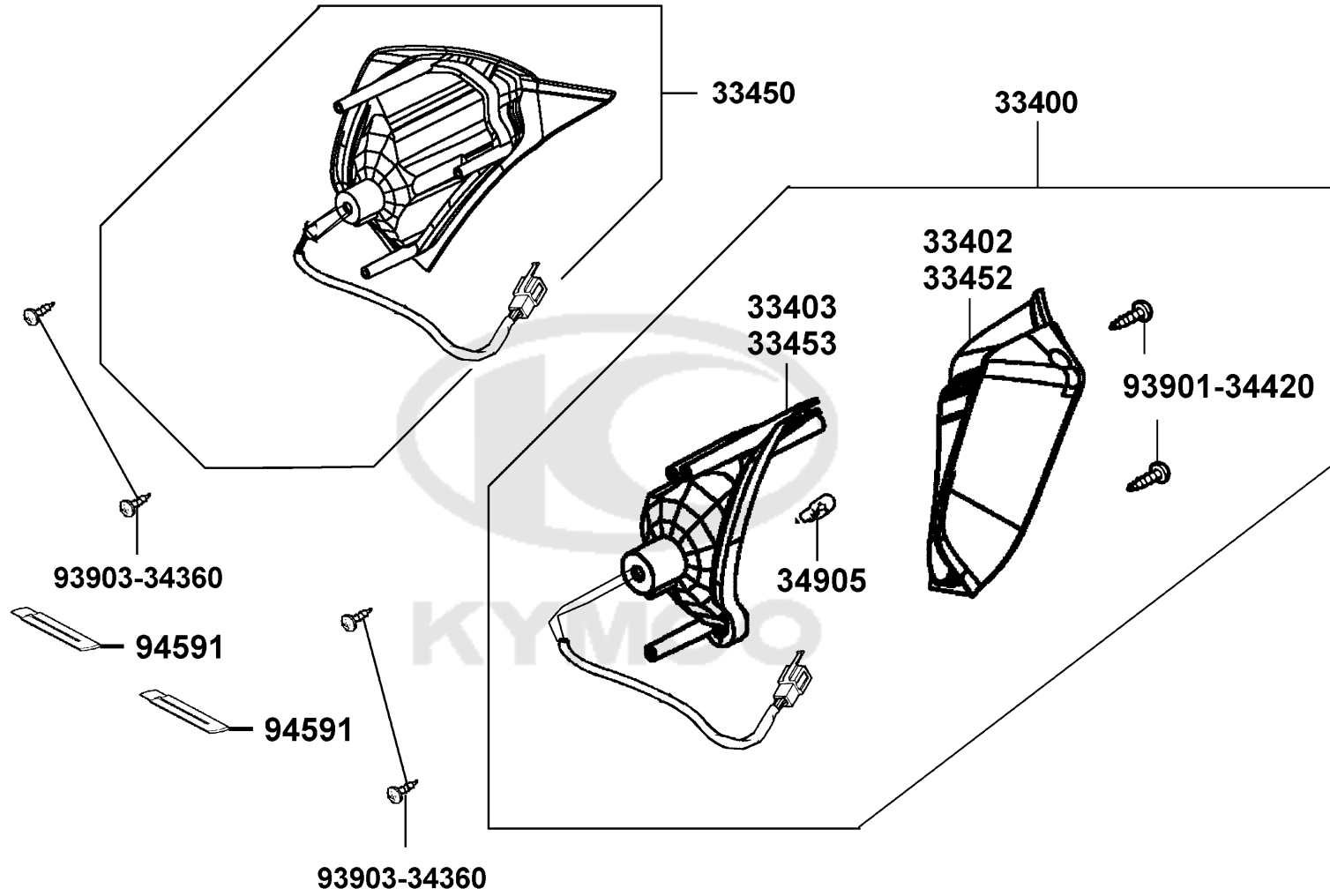
Sales mark	Ref no	Part no	Description	Reg description	Regd no	<b>F17</b>
------------	--------	---------	-------------	-----------------	---------	------------

**	52400	52400-LBD5-E00	CUSHION ASSY RR	CUSHION ASSY RR	1	
	95801-08035	95801-08035-08	BOLT FLANGE 8*35	BOLT FLANGE 8*35	1	
	95801-10035	95801-10035-08	BOLT FLANGE 10*35	BOLT FLANGE 10*35	1	



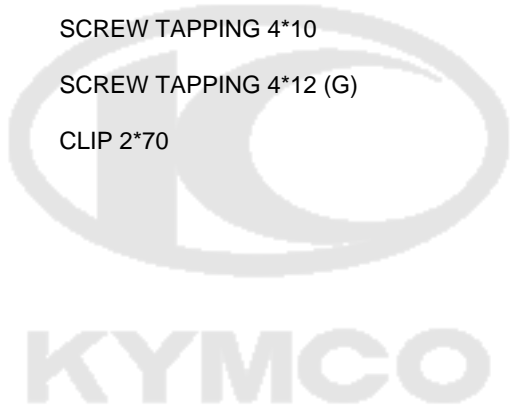
F18

Winker



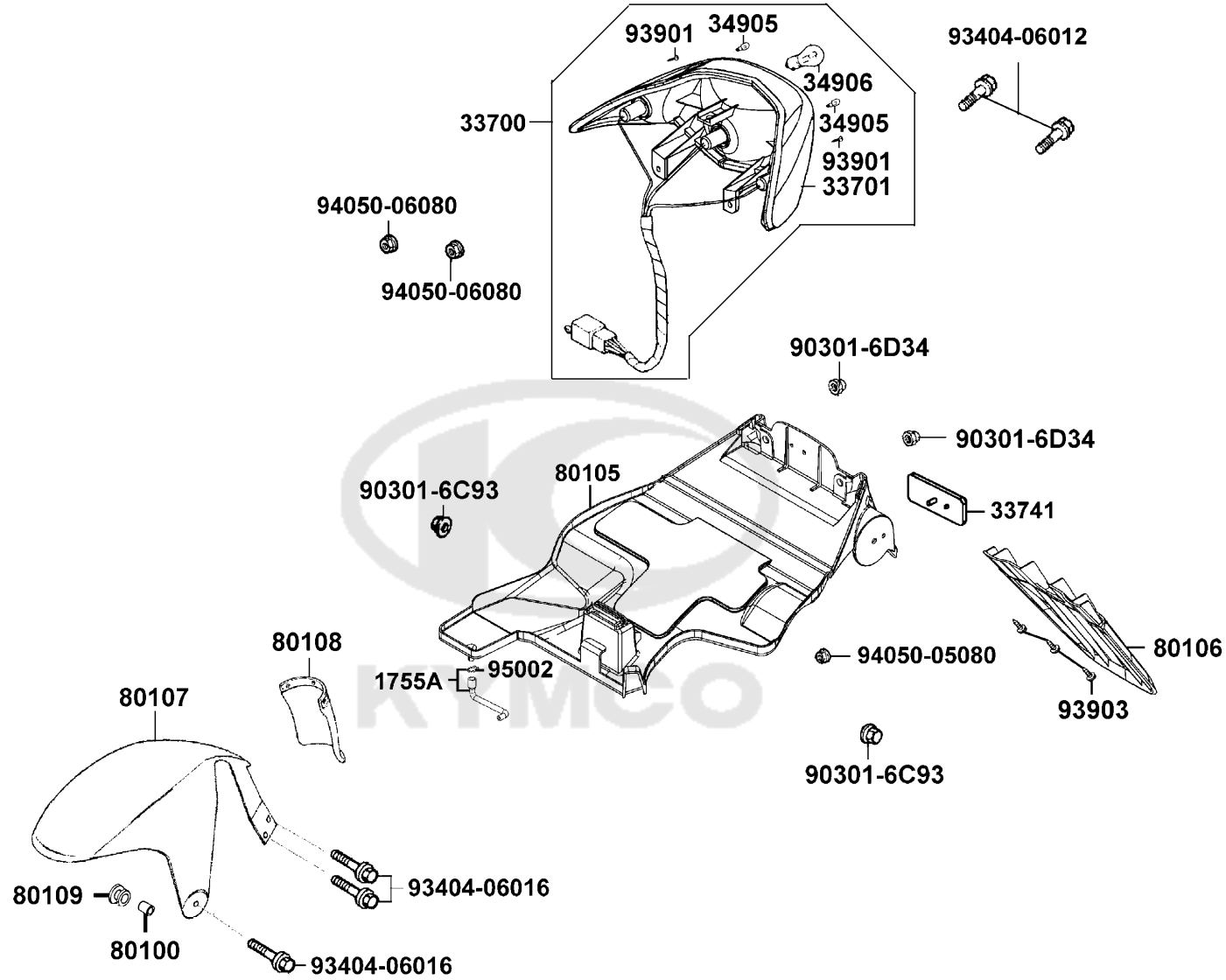


Sales mark	Ref no	Part no	Description	Reg description	Regd no	<b>F18</b>
33400		33400-LBD5-E00	WINKER ASSY R FR	WINKER ASSY R FR	1	
33402		33402-LBD5-E00	LENS R FR WINKER	LENS R FR WINKER	1	
33403		33403-LBD5-E00	BASE COMP R FR WINKER	BASE COMP R FR WINKER	1	
33450		33450-LBD5-E00	WINKER ASSY L FR	WINKER ASSY L FR	1	
33452		33452-LBD5-E10	LENS L FR WINKER	LENS L FR WINKER	1	
33453		33453-LBD5-E00	BASE COMP L FR WINKER	BASE COMP L FR WINKER	1	
34905		34905-LBA7-E00	BULB WINKER 12V10W	BULB WINKER	2	
93901		93901-34220	SCREW TAPPING 4*10	SCREW TAPPING 4*10	4	
93903		93903-34360	SCREW TAPPING 4*12 (G)	SCREW TAPPING 4*12	4	
94591		94591-27000	CLIP 2*70	CLIP 2*70	2	



F19

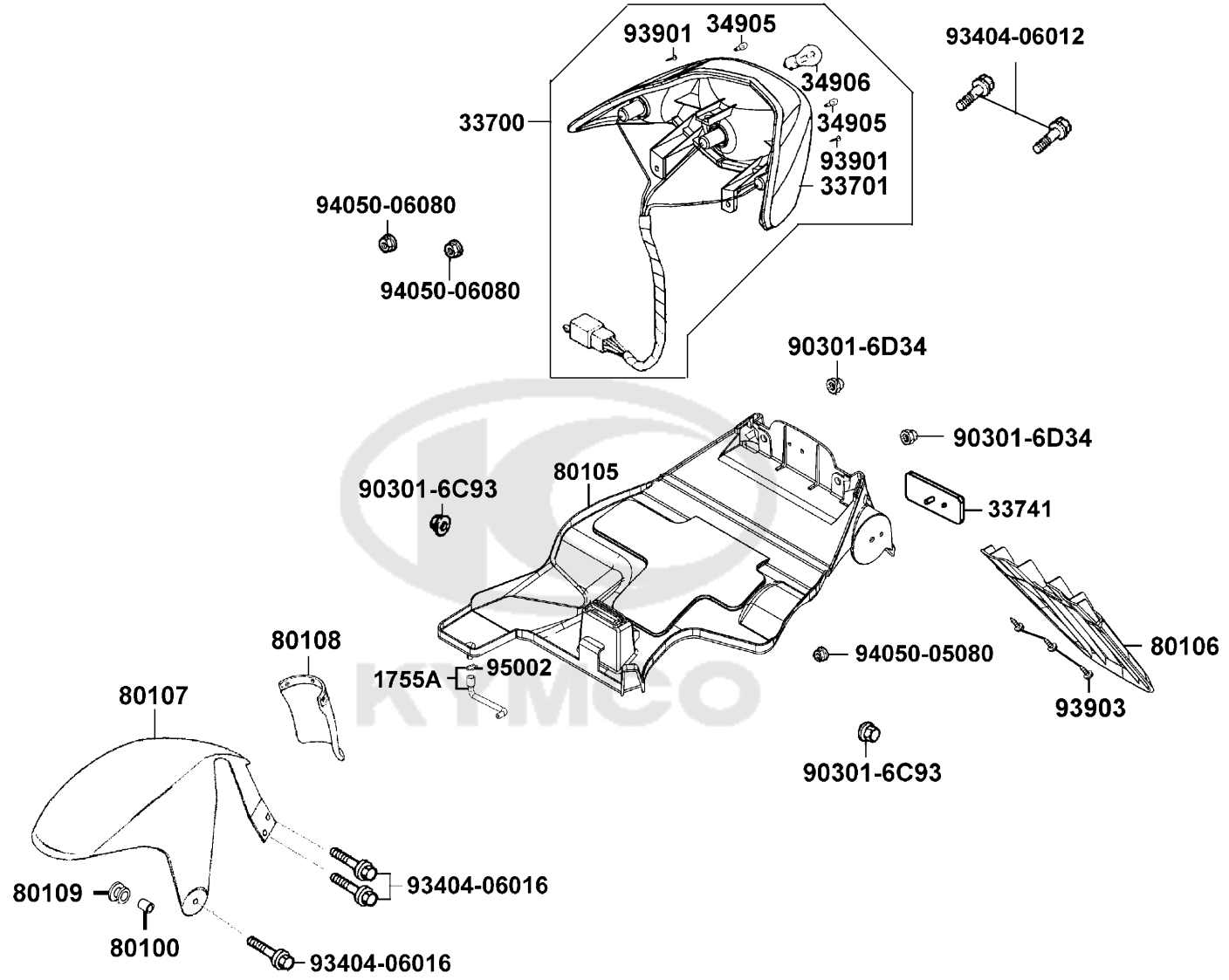
Rear LightRear Fender



Sales mark	Ref no	Part no	Description	Reg description	Regd no	F19
	1755A	1755A-KEB7-900	TUBE ASSY FUEL DRAIN	TUBE ASSY FUEL DRAIN	1	
	33700	33700-LBD5-E01	LIGHT ASSY RR COMB	LIGHT ASSY RR COMB	1	
	33701	33701-LBD5-E01	LENS COMP TAIL LIGHT	LENS COMP TAIL LIGHT	1	
	33741	33741-KEBE-900	REFLEX REFLECTOR	REFLEX REFLECTOR	1	
	34905	34905-KPCP-900	BULB WINKER	BULB WINKER	2	
	34906	34906-KPCP-900	BULB TAIL & STOP 12V21W/5W	BULB TAIL & STOP 12V21W/5W	1	
	80100	80100-KEB7-900	COLLAR RUBBER	COLLAR RUBBER	1	
**	80105	80105-LBD5-E01	FENDER REAR	FENDER REAR	1	
**	80106	80106-LBD5-E00	FENDER REAR LOW	FENDER RR LOW	1	
**	80107	80107-KEB7-900	FENDER B RR	FENDER B RR	1	
	80108	80108-KEB7-900	PLATE SPLASH GUARD	PLATE SPLASH GUARD	1	
	80109	80109-KEB7-900	RUBBER RR FENDER B	RUBBER RR FENDER B	1	
	90301-6C93	90301-6C93-001	NUT 6MM OPENSTAY	NUT 6MM OPENSTAY	2	
	90301-6D34	90301-6D34-671	NUT FLANGE 6MM	NUT FLANGE 6MM	4	
	93404-06012	93404-06012-06	BOLT WASHER 6*12 (G)	BOLT WASH 6*12	2	
	93404-06016	93404-06016-06	BOLT WASHER 6*16	BOLT WASHER 6*16	3	
	93901	93901-34220	SCREW TAPPING 4*10	SCREW TAPPING 4*10	2	
	93903	93903-34360	SCREW TAPPING 4*12 (G)	SCREW TAPPING 4*12	2	
	94050-05080	94050-05080	NUT FLANGE 5MM	NUT FLANGE 5MM	5	
	94050-06080	94050-06080	NUT FLANGE 6MM	NUT FLANGE 6MM	2	

F19

Rear LightRear Fender



Sales mark	Ref no	Part no	Description	Reg description	Regd no	<b>F19</b>
------------	--------	---------	-------------	-----------------	---------	------------

95002

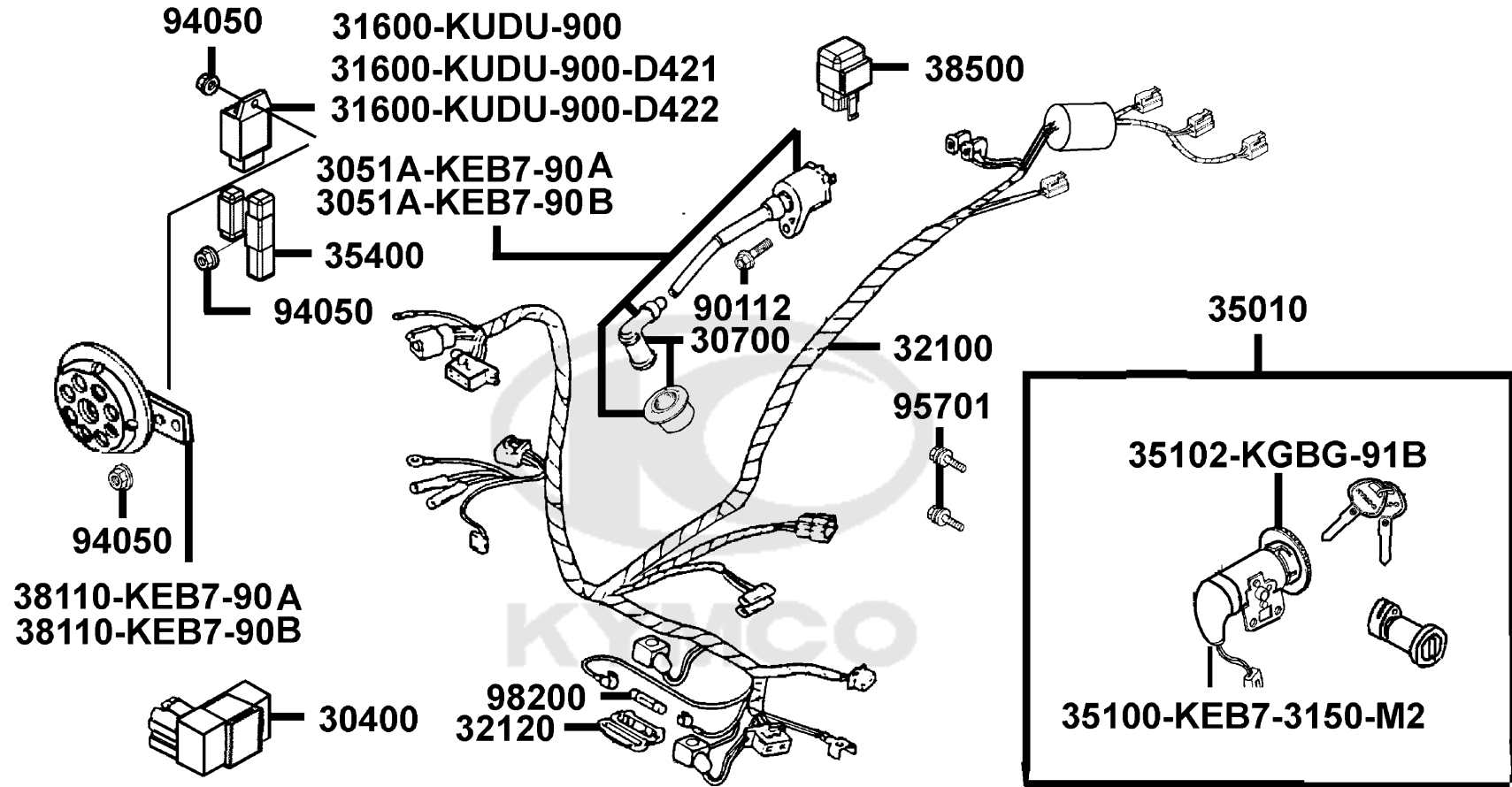
95002-02080

CLIP B8 TUBE

CLIP B8 TUBE

1

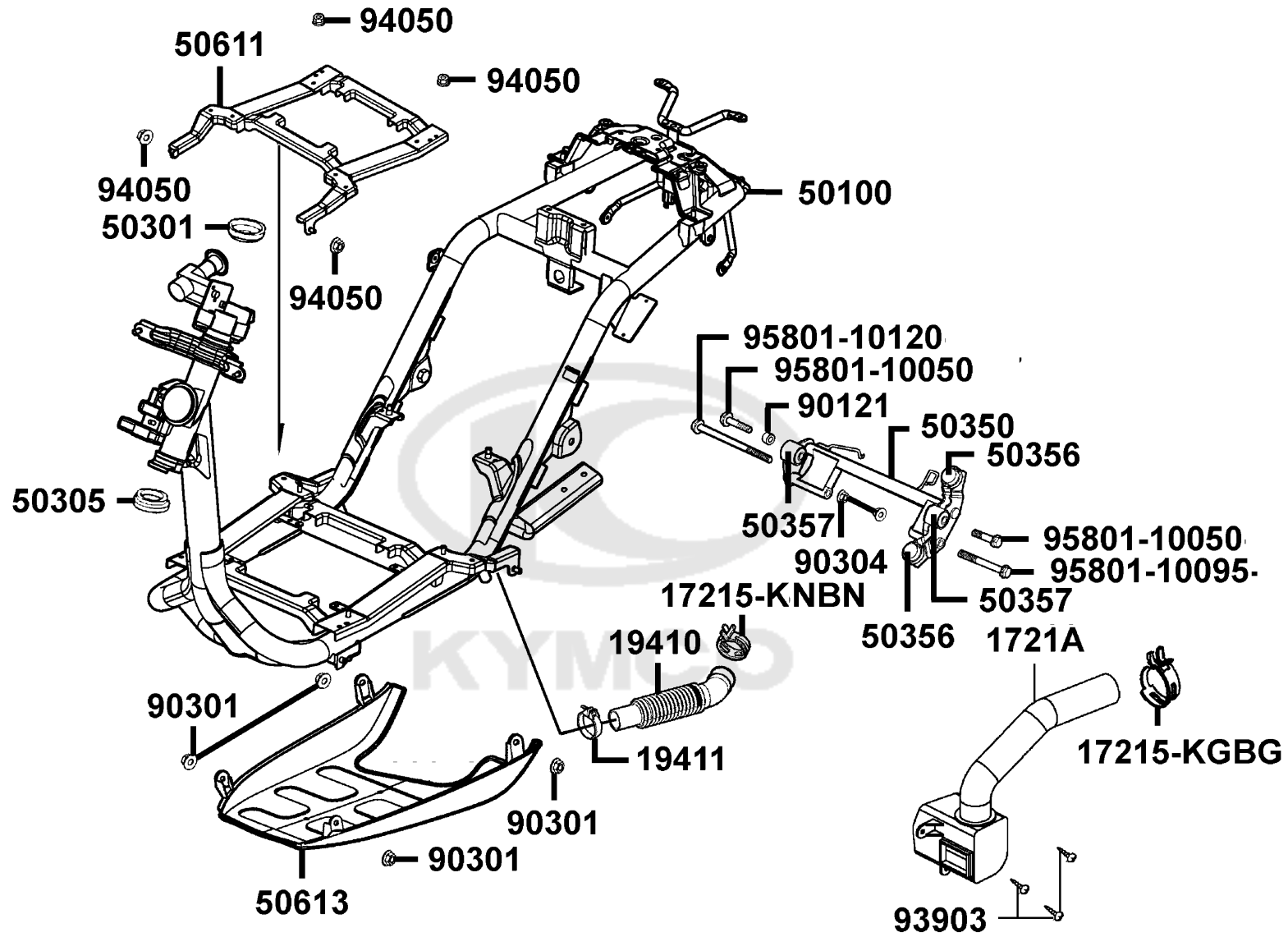




Sales mark	Ref no	Part no	Description	Reg description	Regd no	F20
	30400	30400-GKAK-901	UNIT ASSY CDI	UNIT ASSY CDI	1	
	3051A-KEB7-90A	3051A-KEB7-90A	COIL ASSY IGN	COIL ASSY IGN	1	
	3051A-KEB7-90B	3051A-KEB7-90B	COIL ASSY IGN	COIL ASSY IGN	1	
	30700	30700-KNBN-901	CAP ASSY NOISE SUPPRESOR	CAP ASSY NOISE SUPPRESOR	1	
	31600-KUDU-900	31600-KUDU-900	REG REC COMP	REG REC COMP	3	
	32100	32100-LBD5-E00	HARNESS WIRE	HARNESS WIRE	1	
	32120	32120-1E55-001	CASE FUSE	CASE FUSE	1	
	35010	35010-KKD6-E10	KEY SET	KEY SET	1	
	35100	35100-KEB7-3150-M2	SW COMB LOCK	SW COMB LOCK	1	
	35102	35102-KGBG-91B	COLLAR MAIN SW	COLLAR MAIN SW	1	
	35400	35400-KNBN-920	RESISTOR COMP	RESISTOR COMP	1	
	38110-KEB7-90A	38110-KEB7-90A	HORN COMP	HORN COMP	1	
	38110-KEB7-90B	38110-KEB7-90B	HORN COMP	HORN COMP	1	
	38500	38500-KFA6-900	RELAY ASSY START	RELAY ASSY START	1	
	90112	90112-KRDR-900	BOLT FLANGE 5*22	BOLT FLANGE 5*22	1	
	94050	94050-06080	NUT FLANGE 6MM	NUT FLANGE 6MM	3	
	95701	95701-KEB7-E00	BOLT TORQUE 6*16	BOLT TORQUE 6*16	2	
	98200	98200-10700	FUSE A7	FUSE A7	1	

F21

Frame Body

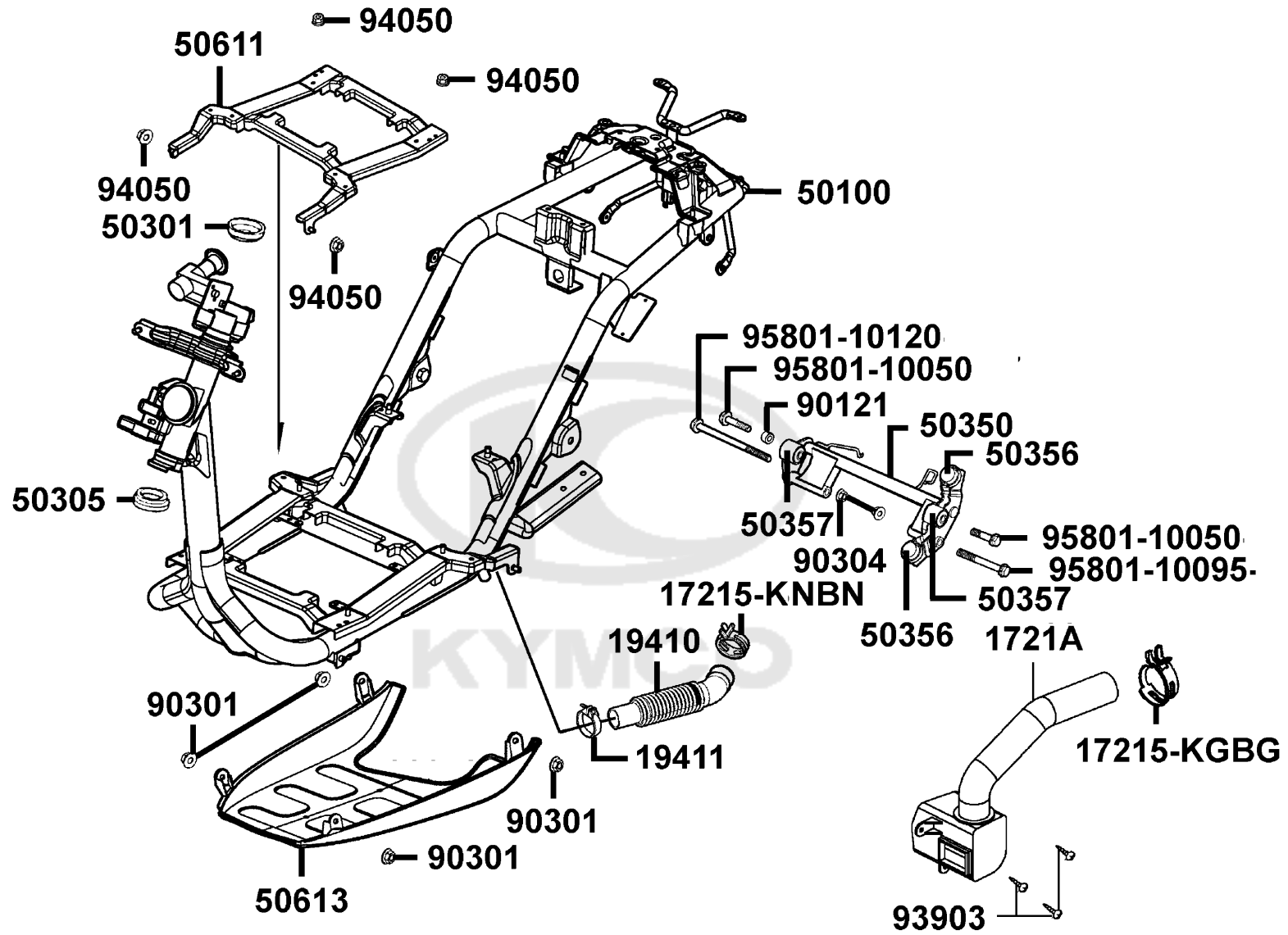




Sales mark	Ref no	Part no	Description	Reg description	Regd no	F21
	17215-KGBG	17215-KGBG-90A	CLIP ASSY A/C DUCT	CLIP ASSY A/C DUCT	1	
	17215-KNBN	17215-KNBN-200	CLIP ASSY AIR/C DUCT	CLIP ASSY AIR/C DUCT	1	
	1721A	1721A-LBD5-E00	DUCT ASSY AIR/C	DUCT ASSY AIR/C	1	
	19410	19410-KEB7-900	DUCT COLLING	DUCT COLLING	1	
	19411	19411-KNBN-900	CLIP HOSE	CLIP HOSE	1	
	50100	50100-LBD5-E00	BODY COMP FRAME	BODY COMP FRAME	1	
	50301	50301-GLM0-001	RACE UP STRG BALL	RACE UP STRG BALL	1	
	50305	50305-GHC8-004	RACE (UNDER STR ) BALL	RACE (UNDER STR ) BALL	1	
	50350	50350-KKD6-E00	HANGER ASSY ENG	HANGER ASSY ENG	1	
	50356	50356-KNBN-200	RUBBER C ENG HANGE STPR	RUBBER C STOPPER	2	
	50357	50357-KEB7-900	RUBBER BUSH ENG HANGE	RUBBER BUSH ENG HANGE	2	
	50611	50611-KKD6-E00	RNFCT FLOOR	RNFCT FLOOR	1	
**	50613	50613-KKD6-E01	COVER UNDER	COVER UNDER	1	
	90121	90121-GFY6-901	COLLAR DISTANCE	COLLAR DISTANCE	1	
	90301	90301-6D34-671	NUT FLANGE 6MM	NUT FLANGE 6MM	3	
	90304	90304-GHE8-004	NUT U 10MM	NUT U 10MM	2	
	93903	93903-34360	SCREW TAPPING 4*12 (G)	SCREW TAPPING 4*12	3	
	94050	94050-06080	NUT FLANGE 6MM	NUT FLANGE 6MM	4	
	95801-10050	95801-10050-06	BOLT FLANGE 10*50	BOLT FLANGE 10*50	2	
	95801-10095	95801-10095-06	BOLT FLANGE 10*95	BOLT FLANGE 10*95	1	

F21

Frame Body



Sales mark	Ref no	Part no	Description	Reg description	Regd no	<b>F21</b>
------------	--------	---------	-------------	-----------------	---------	------------

95801-10120

95801-10120-06

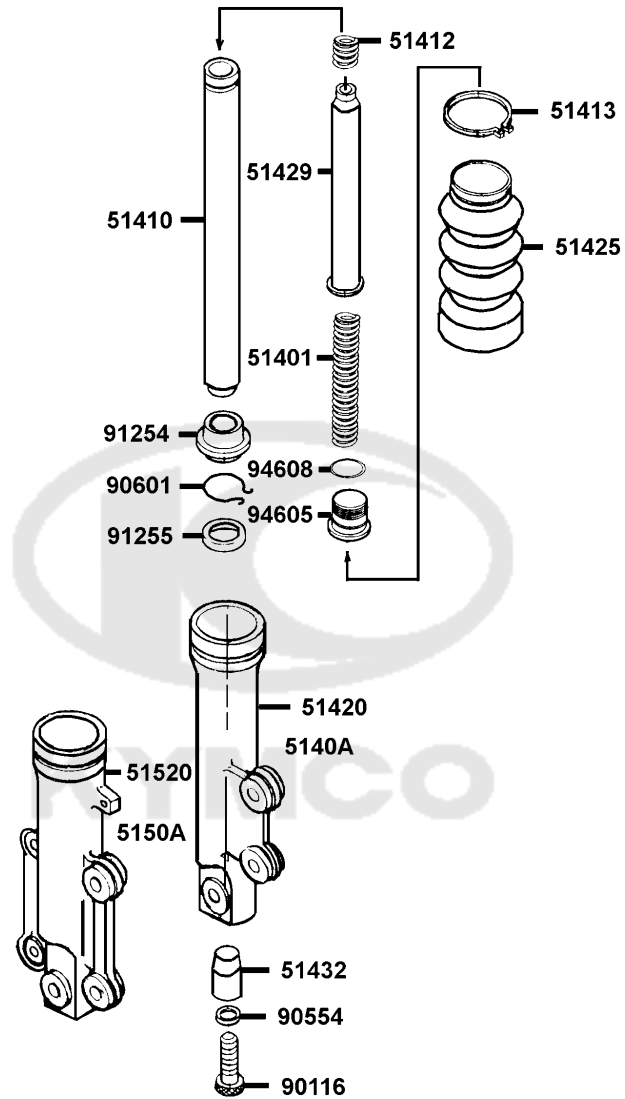
BOLT FLANGE 10\*120

BOLT FLANGE 10\*120

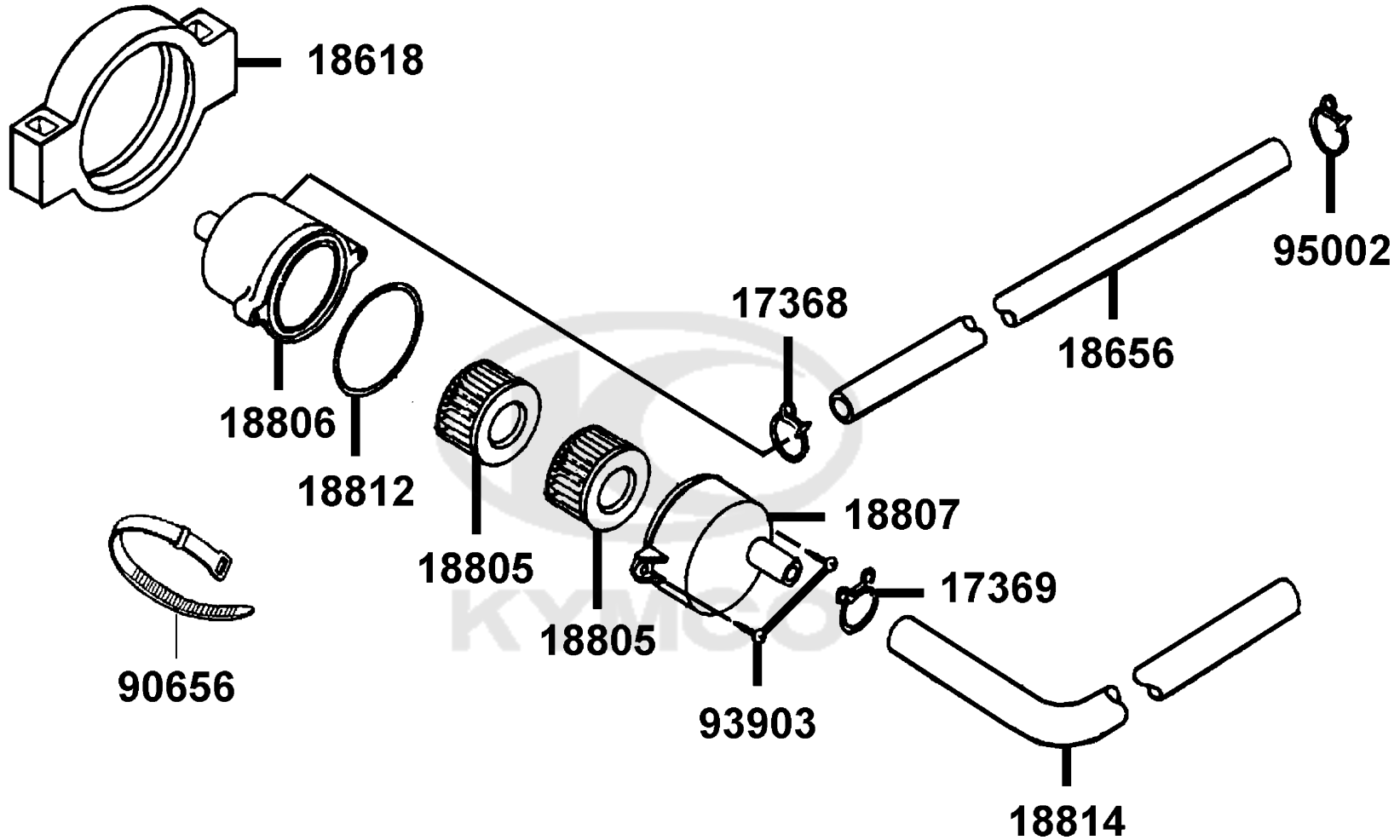
1



Separated Parts Of Fr Fork



Sales mark	Ref no	Part no	Description	Reg description	Regd no	F22
	51401	51401-LBD5-E00	SPRING	SPRING	2	
	51410	51410-LBD5-E00	FORK PIPE COMP	FORK PIPE COMP	2	
	51412	51412-KEB7-900	REBOUND SPRING	REBOUND SPRING	2	
	51413	51413-KEBE-E00	BOOT BAND	BOOT BAND	2	
**	51420	51420-KEB7-800	BOTTOM CASE R	BOTTOM CASE R	1	
	51425	51425-KEB7-900	BOOT	BOOT	2	
	51429	51429-KKD6-E00	PIPE SEAT COMP	PIPE SEAT COMP	2	
	51432	51432-KGM7-911	OIL LOCK PIECE	OIL LOCK PIECE	2	
**	51520	51520-KEB7-800	BOTTOM CASE L	BOTTOM CASE L	1	
	90116	90116-3C83-72A	BOLT	BOLT SOCKET 8*27	2	
	90554	90554-2C83-001	PACKING	WASHER SPECIAL 8MM	2	
	90601	90601-3D54-001	RING OIL-SEAL STOPPER	RING OIL-SEAL STOPPER	2	
	91254	91254-KEC5-004	DUST SEAL	DUST SEAL	2	
	91255	91255-4F46-014	OIL SEAL	OIL SEAL	2	
	94605	94605-KEBE-900	FORK BOLT	FORK BOLT	2	
	94608	94608-30000	O-RING	O-RING	2	



Sales mark	Ref no	Part no	Description	Reg description	Regd no	F23
17368		17368-KDB4-670	CLIP B 14.5 TUBE	CLIP B 14.5 TUBE	1	
17369		17369-KDB4-671	CLIP BREATHER TUBE	CLIP BREATHER TUBE	1	
18618		18618-KBE2-900	RUBBER AI CLEANER MOUNT	RUBBER AI CLEANER MOUNT	1	
18656		18656-KKD6-EZ0	TUBE AI/C REED VALVE	TUBE AI/C REED VALVE	1	
18805		18805-KHB4-910	ELEMENT AI CLEANER	ELEMENT AI CLEANER	2	
18806		18806-KBE2-900	CASE AI CLEANER	CASE AI CLEANER	1	
18807		18807-KBE2-900	COVER AI CLEANER	COVER AI CLEANER	1	
18812		18812-KBE2-900	SEAL AI CLEANER COVER	SEAL AI CLEANER COVER	1	
18814		18814-LBD5-E00	DUCT AI/C	DUCT AI/C	1	
90656		90656-KCBC-900	BAND OIL HOSE	BAND OIL HOSE	1	
93903		93903-24320	SCREW TAPPING 4*12	SCREW TAPPING 4*12	2	
95002		95002-KKD6-E05	CLAMP D18 TUBE	CLAMP D18 TUBE	1	

<p>● Be sure to wear a safety helmet when riding.</p> <p>● Do not exceed the speed specified by law when riding.</p> <p>● The exhaust muffler temperature is very high after riding. Be sure to park the motorcycle in a place not easily touched by people.</p> <p>● For riding safety and good performance, do not violate the law to modify the motorcycle.</p> <p><small>● Please read the User's Manual carefully to secure driving safety.</small></p>	<p>● Make sure to perform the periodic maintenance and periodic inspection.</p> <p style="text-align: center;">▶ Periodic Inspection Items ▶</p> <p>Brake performance, tires, 2cycle motor oil, lights, horn, and instrument panel.</p> <p style="text-align: center;">KWANG YANG MOTOR CO., LTD.</p>
--	---

**87560-KNBN-E00**

CAUTIONS		
Tire Size	:Front 120/70-12	Rear 130/70-12
(One Rider)	:Front 1.75kgf/cm <sup>2</sup>	Rear 2.25kgf/cm <sup>2</sup>
(Two Rider)	:Front 2.00kgf/cm <sup>2</sup>	Rear 2.25kgf/cm <sup>2</sup>
Load Capacity:	Shield 1.5kg	Clip assy center 3kg
	(As per KYMCO standard specification)	
	(Note: The tire pressure must not overpass 2.50kgf/cm <sup>2</sup> .)	
<p>● Check the motor oil level with the dipstick after refilling motor oil.</p>		

**87505-KKD7-E00**

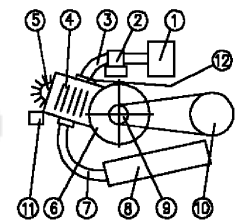
CAUTIONS
<p>Before starting the engine, the side stand shall be kicked up to secure safety.</p>

**87541-GAR1-E00**

CAUTIONS
<p>Never put any article between the rear side cover and the engine to avoid interference of riding.</p>

**87542-GAR1-E00**

TRADE NAME: KYMCO PEOPLE 50	1. <input checked="" type="checkbox"/> KYMCO KFA6
VEHICLE CATEGORY: A	2. KEHIN KT PB
	3. KYMCO KEB7
	4. KYMCO KFA6
	5. KYMCO KFA6
	6. KYMCO KFA6
	7. -----
	8. <input checked="" type="checkbox"/> KYMCO KFA6
	9. KYMCO KEB7 88
	10. KY GAK 118
	11. KYMCO KEB7
	12. -----



**87224-LBD5-EZ0**



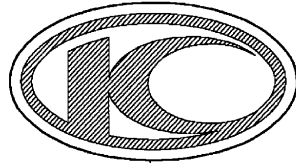
Sales mark	Ref no	Part no	Description	Reg description	Regd no	<b>F24</b>
**	87224	87224-LBD5-EZ0	CAUTION ANTI TAMPERING	CAUTION ANTI TAMPERING	1	
**	87505	87505-KKD7-E00	LABEL TIRE	LABEL TIRE	1	
**	87541	87541-GAR1-E00	CAUTION SIDE STAND	CAUTION SIDE STAND	1	
**	87542	87542-GAR1-E00	MARK MAINT CAUTION	MARK MAINT CAUTION	1	
**	87560	87560-KNBN-E00	MARK DRIVE CAUTION	MARK DRIVE CAUTION	1	



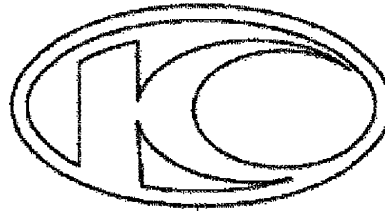
**VITALITY** SPORTSTREAM **S2T50**

86202

86101



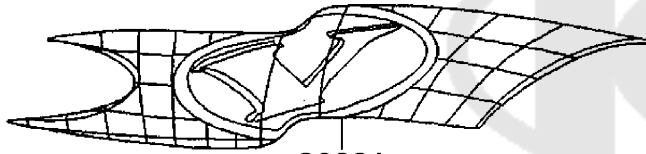
86102-KFA6



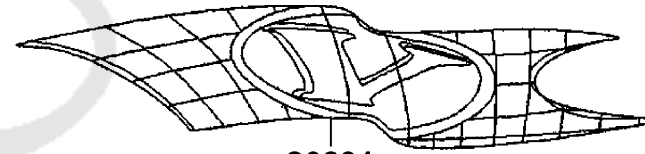
86102-LBD5



87140



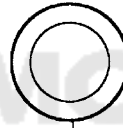
86221



86231



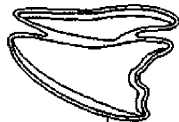
86341



86030



86351



86371



86361

Sales mark	Ref no	Part no	Description	Reg description	Regd no	<b>F25</b>
**	86030	86030-KFA6-E00	EMB HANDLE COVER RR	EMB HANDLE COVER RR	4	
**	86102	86102-KFA6-E00	EMB K-LOGO 30MM	EMB K-LOGO 30MM	1	
**	86202	86202-LBD5-E10	EMB BODY COVER	EMB BODY COVER	2	
**	87140	87140-LBD5-E00	EMB MARK 2T	EMB MARK 2T	1	



## PART NO. INDEX

PART NO.	VERSION	PAGE	PART NO.	VERSION	PAGE	PART NO.	VERSION	PAGE
<b>1000</b>			11203-KHG8-301	2	E08			
			11204-KEB7-900	0	E09	<b>14000</b>		
			11205-GHAH-004	0	E05			
1001-GC8H-0351	0	E11	11205-GHAH-004	0	E09	14100-KEB7-900	0	E09
1010-GAKH-9200	0	E11	11205-KED5-900	0	E09			
1020-GAKH-9300	0	E11	11206-KEB7-900	0	E09	<b>15000</b>		
103J-073H-9900-SB0	0	E11	11208-GKAK-901	0	E09			
105B-KBNH-9000	0	E11	11341-KKD6-900	1	E05	15100-KEB7-E00	0	E09
1300-GW0H-9000	0	E11	11383-KHE7-900	0	F06	15110-KEB7-900	0	E09
1703-GJ2H-0040	0	E11	11395-KKD6-900	0	E05	1551A-LCD1-E00	1	E09
1785-KBNH-9000-SB0	0	E11	<b>12000</b>			1552A-KEB7-901	0	E09
1787-KG8H-9010	0	E11				1552A-LCD1-E00	1	E09
1793-144H-9900	0	E11	12101-KEB7-901	2	E02	1552B-LCD1-E00	1	E09
1799-KBNH-9000	0	E11	12191-KEB7-900	0	E02	1552C-LCD1-E00	1	E09
<b>4000</b>			12201-KEB7-900	1	E02	15772-5A51-001	1	F12
			12251-KEB7-900	0	E02	<b>16000</b>		
4000-077-0000	0	E11	12311-KFB5-900	2	F15			
<b>11000</b>			<b>13000</b>			1610K-KKD6-E71	0	E11
			13000-GKAK-921	9	E10	16152-KG8-9010-M1	0	E11
11100-KGB5-305	4	E09	13011-GLW0-90A	4	E10	16215-LCD1-E00	0	E09
11102-1G87-004	3	E09	13101-GLW0-901	2	E10	1621A-GKAK-901	0	E09
11108-KEB7-900	0	E03	13111-1F66-001	2	E10	16620-KEB7-E00	1	E11
11200-KEB7-325	5	E09	13115-1F56-001	0	E10	16630-KEB7-E00	1	E01
11203-GGC7-301	2	E09				1691A-GFY6-90A	4	F10
						1691A-GFY6-90B	3	F10

## PART NO. INDEX

PART NO.	VERSION	PAGE	PART NO.	VERSION	PAGE	PART NO.	VERSION	PAGE
16950-KKJ9-75A	3	F10	17910-KKD6-E00	0	F03	19600-KEB7-900	0	E01
<b>17000</b>			<b>18000</b>			1962A-KEB7-900	4	E01
						<b>21000</b>		
17100-KEB7-901	2	E09	18291-LBA7-900	2	F15			
17100-KEB7-E00	1	E09	18293-KECE-900	0	F15	21200-KFA1-305	3	E08
17111-KEB7-900	0	E09	18294-KEBE-900	0	F15	21395-KNBN-901	1	E08
17112-KEB7-900	1	E09	18295-KECE-900	0	F15			
17205-KEB7-900	0	F14	1830A-LBD5-E00	3	F15	<b>22000</b>		
17206-KEB7-900	4	F14	18317-KHD8-E00	1	F15			
17207-KEB7-900	0	F14	18601-KFB5-900	0	F15	22100-GAR1-751	1	E07
17208-KEB7-900	0	F14	18612-KFB5-900	1	F15	22102-KEB7-900	0	E06
17212-KEB7-900	0	F14	18618-KBE2-900	0	F23	22103-KEB7-900	0	E06
17213-KEB7-900	2	F14	18645-KGB5-EZ0	1	F15	22105-KFA5-800	0	E06
17215-KGBG-90A	2	F21	18656-KKD6-EZ0	2	F23	22110-KFA1-220	0	E06
17215-KNBN-200	0	F21	18805-KHB4-910	0	F23	22121-GLW0-901	2	E06
17216-KEB7-900	0	F14	18806-KBE2-900	1	F23	22131-GHAH-781	0	E06
1721A-LBD5-E00	1	F21	18807-KBE2-900	3	F23	22132-GLW0-001	2	E06
17253-KEB7-900	0	F14	18812-KBE2-900	0	F23	22300-KXCX-900	2	E07
17254-KACA-P00	0	F14	18814-LBD5-E00	1	F23	22350-GKAK-930	1	E07
17368-KDB4-670	2	F23				22401-GBG2-900	0	E07
17369-KDB4-671	1	F23	<b>19000</b>			22530-GKAK-930	1	E07
17500-KEB7-E10	0	F10				22804-1H48-001	0	E07
17502-1G87-001	0	F12	19410-KEB7-900	2	F21			
1755A-KEB7-900	0	F19	19411-KNBN-900	1	F21			
17620-GGS7-E10	4	F10	19510-GBW2-901	6	E03			

## PART NO. INDEX

PART NO.	VERSION	PAGE	PART NO.	VERSION	PAGE	PART NO.	VERSION	PAGE
<b>23000</b>			<b>30000</b>			32161-3C93-004	0	E01
2301A-KEB7-220	1	E07	30400-GKAK-901	0	F20	<b>33000</b>		
23100-KEB7-900	0	E07	3051A-KEB7-90A	4	F20	33100-KGB5-E00	1	F01
23200-GAR1-220	2	E07	3051A-KEB7-90B	2	F20	33101-KGB5-E00	0	F01
23220-GKAK-220	1	E07	30700-KNBN-901	2	F20	33120-KGB5-E00	0	F01
23225-GAR1-751	0	E07				33400-LBD5-E00	1	F18
23233-GHE8-001	2	E07	<b>31000</b>			33402-LBD5-E00	0	F18
23237-GAR1-220	0	E07				33403-LBD5-E00	0	F18
23238-GFY6-941	0	E07	31110-KKD6-E0A	1	E03	33450-LBD5-E00	1	F18
23411-KEB7-900	1	E08	31110-KKD6-E0B	1	E03	33452-LBD5-E10	1	F18
23420-KEB7-900	3	E08	31120-KKD6-E0A	1	E03	33453-LBD5-E00	0	F18
23431-KNBN-901	2	E08	31120-KKD6-E0B	1	E03	33700-LBD5-E01	0	F19
23432-KEB7-900	3	E08	31209-GKAK-901	3	E04	33701-LBD5-E01	0	F19
			31210-GKAK-901	1	E04	33741-GFY6-C30	1	F05
<b>28000</b>			31210-GKAK-90A	0	E04	33741-KEBE-900	1	F19
28211-KEB7-900	1	E06	31210-GKAK-90C	1	E04			
28223-KNBN-901	0	E06	31500-KCAC-90A	8	F11	<b>34000</b>		
28230-GKAK-921	0	E06	31600-KUDU-900	2	F20	34901-KFA6-900	0	F01
28250-KNBN-901	1	E06				34903-KPCP-900	0	F01
28253-GBN2-60A	0	E06	<b>32000</b>			34905-KPCP-900	0	F19
28255-GFS6-001	0	E06	32100-LBD5-E00	4	F20	34905-LBA7-E00	0	F18
28281-GBN2-60A	1	E06	32105-KEB7-900	0	E04	34906-KPCP-900	0	F19
28300-KNBN-901	3	F16	32120-1E55-001	0	F20	34908-GGA7-70A	1	F02

## PART NO. INDEX

PART NO.	VERSION	PAGE	PART NO.	VERSION	PAGE	PART NO.	VERSION	PAGE
34908-KHB4-900	0	F02	3780A-KEB7-900	3	F10	43452-GKAK-900	0	F03
34908-MKB9-87A	0	F02				43472-1A61-001	2	F03
<b>35000</b>			<b>38000</b>			<b>44000</b>		
			38110-KEB7-90A	2	F20			
35010-KKD6-E10	1	F20	38110-KEB7-90B	3	F20	44301-KGB5-900	2	F07
35100-KEB7-3150-M2	0	F20	38300-KECE-900	2	F02	44311-GLW0-911	0	F07
35102-KGBG-91B	0	F20	38500-KFA6-900	0	F20	44620-KEB7-E00	0	F07
3515A-KGBG-E00	3	F03	38773-KEC3-900	0	E09	44650-KEB7-315	2	F07
3520A-KGBG-E00	4	F03				44710-KEB7-E1A	3	F07
35340-KFA6-900	0	F04	<b>42000</b>			44800-KXCX-E00	6	F07
35340-KKJ9-010	5	F03				44830-KKD6-E00	1	F02
35400-KNBN-920	0	F20	42601-KEB7-E0E	2	F08	44831-KKD6-E00	0	F02
35410-KEB7-900	0	F12	42710-KEB7-E1A	3	F08			
<b>37000</b>			42753-KNBN-90B	1	F08	<b>45000</b>		
			42753-KXCX-900	1	F07			
			<b>43000</b>			45105-KKD6-305	0	F07
37200-LBD5-E0A	3	F02				45107-KKD6-E90	1	F07
37200-LBD5-E0B	3	F02				45108-MDL4-007	2	F07
37211-KFA6-90A	0	F02	4312A-LAB4-90A	3	F08	45109-GBE2-007	0	F07
37211-KFA6-90B	0	F02	4312A-LAB4-90B	3	F08	45121-KKD6-E00	1	F07
37213-KFA6-90A	0	F02	43141-KKD6-E00	1	F08	45126-KKD6-E00	1	F04
37213-KFA6-90B	0	F02	43352-KKD6-E90	1	F07	45131-1F66-017	0	F07
37280-KFA6-900	0	F02	43353-4A61-77A	0	F07	45131-GBE2-007	1	F07
37801-GGA7-701	1	F10	43410-KFA1-900	0	F08	45132-1F66-017	0	F07
37802-GGA7-701	2	F10	43450-KKD6-E00	0	F03	45133-0H28-001	1	F08

## PART NO. INDEX

PART NO.	VERSION	PAGE	PART NO.	VERSION	PAGE	PART NO.	VERSION	PAGE
45133-MCA3-007	0	F07	5050A-KKD6-E00	6	F16			
45156-KDLD-901	2	F06	50527-KED5-900	0	F16	<b>53000</b>		
45156-KHC5-E10	0	F06	50530-LBD5-E00	2	F16			
45200-KKD6-E90	2	F07	50531-KEB7-E00	1	F16	53100-KKD6-E00	2	F03
45209-GBE2-007	0	F07	50535-KEB7-E00	3	F16	53105-KNBN-910	1	F03
45210-KEB7-900	2	F07	50550-KEB7-E00	1	F16	53125-GEN5-901	0	F03
45215-KKD6-E90	1	F07	50611-KKD6-E00	1	F21	53140-KNBN-960	0	F03
45216-1F66-007	0	F07	50613-KKD6-E01	1	F21	53166-KNBN-911	0	F03
45216-KFW6-90A	0	F07				53172-KTCT-900	0	F03
45513-KFA6-900	1	F04	<b>51000</b>			53175-KFA6-E00	0	F04
45517-GFY6-900	5	F03				53178-KXCX-E00	0	F03
45517-KFAF-910	0	F04	51401-LBD5-E00	0	F22	5317B-KFA6-E00	3	F03
45530-KFA6-305	0	F04	5140A-LBD5-E00	4	F06	53200-LBD5-E00	3	F06
45531-GAR1-951	0	F07	51410-LBD5-E00	0	F22	53205-LBD5-E00	3	F03
<b>50000</b>			51412-KEB7-900	0	F22	53206-KFA6-900	1	F03
			51413-KEBE-E00	0	F22	53211-GFY6-940	1	F06
			51420-KEB7-800	1	F22	53212-GHC8-004	1	F06
50100-LBD5-E00	6	F21	51425-KEB7-900	0	F22			
50301-GLM0-001	0	F21	51429-KKD6-E00	0	F22	<b>55000</b>		
50305-GHC8-004	0	F21	51432-KGM7-911	0	F22			
50306-1F96-001	0	F06	5150A-LBD5-E00	4	F06	55100-KEB7-900	0	F12
50326-KKD6-E00	2	F11	51520-KEB7-800	0	F22	55102-1F66-001	0	F12
50350-KKD6-E00	1	F21				55106-KEB7-900	2	F12
50356-KNBN-200	1	F21	<b>52000</b>			55121-KEB7-900	0	F12
50357-KEB7-900	1	F21				55123-KKD6-E00	0	F12
50503-KEB7-900	1	F16	52400-LBD5-E00	2	F17	55201-GHC8-001	0	F12



## PART NO. INDEX

PART NO.	VERSION	PAGE	PART NO.	VERSION	PAGE	PART NO.	VERSION	PAGE
<b>61000</b>			<b>80000</b>			<b>86000</b>		
61100-LBD5-E00	1	F06	80100-KEB7-900	0	F19	86030-KFA6-E00	1	F25
			80105-LBD5-E01	0	F19	86101-LBD5-E90	1	F25
<b>64000</b>			80106-LBD5-E00	1	F19	86102-KFA6-E00	2	F25
64301-LBD5-E00	3	F05	80107-KEB7-900	1	F19	86102-LBD5-E90	1	F25
64302-LBD5-E00	3	F05	80108-KEB7-900	0	F19	86202-LBD5-E10	1	F25
64305-LBD5-E00	2	F05	80109-KEB7-900	0	F19	86221-LBD5-E90	2	F25
64306-LBD5-E00	2	F05	80151-KKD6-E00	0	F13	86231-LBD5-E90	2	F25
64310-KKD6-E00	2	F05	80152-KKD6-E00	0	F13	86341-LBD5-E90	2	F25
<b>77000</b>			<b>81000</b>			86351-LBD5-E90	2	F25
77106-KEB7-900	0	F13	81131-KKD6-E00	0	F05	86361-LBD5-E90	2	F25
77116-KEB7-900	0	F09	81132-KKDK-900	1	F05	86371-LBD5-E90	2	F25
77200-LBD5-E00	4	F09	81200-KKD6-E00	1	F13	<b>87000</b>		
77201-GFS6-001	0	F13	81201-LBD5-E00	2	F13	87140-LBD5-E00	1	F25
77206-KEB7-900	0	F09	81260-KEB7-E00	3	F13	87224-LBD5-EZ0	2	F24
77232-KCAC-901	2	F13				87505-KKD7-E00	0	F24
77239-GFY6-335-M2	0	F13	<b>83000</b>			87541-GAR1-E00	1	F24
7723A-LBD5-E00	3	F13	83500-LBD5-E00	3	F13	87542-GAR1-E00	2	F24
77240-LBD5-E00	1	F13	83600-LBD5-E00	3	F13	87560-KNBN-E00	1	F24
			8376A-KEBE-900	4	F05			

## PART NO. INDEX

PART NO.	VERSION	PAGE	PART NO.	VERSION	PAGE	PART NO.	VERSION	PAGE
<b>88000</b>			90120-GAR1-J00	0	E09	90429-KNBN-901	0	E08
			90121-GFY6-901	1	F21	90442-0D44-001	0	E07
			90122-GCS3-001	0	E06	90451-GBN2-601	0	E06
88110-LBD5-E00	1	F03	90131-GLW0-911	0	F07	90454-GBB2-001	0	E07
88120-LBD5-E00	1	F03	90145-MKS9-61A	1	F04	90474-3C33-001	1	E09
<b>89000</b>			90202-1G87-001	0	E07	90501-KNBN-901	0	F08
			90301-6C93-001	1	F19	90545-3L00-001	2	F04
			90301-6D34-671	1	F13	90554-2C83-001	0	F22
89010-KNBN-900	0	F09	90301-6D34-671	1	F19	90601-3D54-001	0	F22
<b>90000</b>			90301-6D34-671	1	F21	90652-GBHB-641	0	F14
			90301-KGBG-900	1	F15	90656-GFY6-911	0	F03
			90302-GFY6-901	1	F12	90656-KCBC-900	0	F23
90001-GKAK-901	0	E02	90302-GFY6-940	1	F05	90677-GAR1-004	1	F05
90105-KCR3-001	1	F07	90302-KED5-900	2	F13	90741-0E35-001	0	E10
90105-KFC2-900	0	F13	90302-KNBN-900	1	F03	90754-GHC8-00A	1	F07
90106-GEN5-901	0	F03	90302-SDA4-004	2	F05	90912-GHC8-00A	0	F07
90106-KKD6-E00	0	F13	90302-SDA4-004	2	F13	90912-GHC8-00D	0	F07
90108-KEB7-E00	0	F16	90304-GHE8-004	0	F03	<b>91000</b>		
90110-GLW0-001	0	F05	90304-GHE8-004	0	F21			
90110-KEB7-900	1	F06	90305-GHK8-001	1	F05			
90110-KHD8-900	0	F15	90305-GHK8-001	1	F13	91001-GGA7-70A	2	E07
90111-KFW6-001	0	F13	90305-KNBN-90B	0	F08	91001-GLW0-90A	6	E09
90112-KRDR-900	0	F20	90306-KLF0-004-SY	1	F07	91004-KBN2-90A	0	E08
90114-1F66-007	2	F04	90309-KLF0-004-SY	1	E08	91004-KBN2-90A	0	E09
90115-GLE0-001	0	F03	90381-GEZ5-001	1	F13	91004-KNBN-92A	0	E09
90116-3C83-72A	0	F22	90412-3K29-001	0	E06	91006-KNBN-901	5	E09

## PART NO. INDEX

PART NO.	VERSION	PAGE	PART NO.	VERSION	PAGE	PART NO.	VERSION	PAGE
91009-GLE0-004	1	E08	93404-06020-06	1	F05	93903-GFY6-900	1	F13
91102-GLW0-009	0	E10	93500-05012-0H	0	E09			
91103-GAR1-004	0	E07	93500-KGBG-900	0	F03	<b>94000</b>		
91201-KNBN-92A	0	E09	93600-04012-1G	0	F04			
91202-KNBN-92A	0	E09	93700-05018-0H	0	F02	94001-05080-0S	0	F03
91204-KNBN-90A	1	E09	93891-05035-06	0	F03	94001-12280-0S	0	E06
91211-GHK8-014	1	E07	93892-04008-18	0	E11	94050-05080	0	F19
91254-KEC5-004	0	F22	93892-04014-18	0	E11	94050-06060	0	F04
91255-4F46-014	0	F22	93901-34220	0	F18	94050-06080	0	E11
91255-GLE0-006	0	E08	93901-34220	0	F19	94050-06080	0	F05
91258-KAM1-00A	1	F07	93903-24320	0	F23	94050-06080	0	F09
91301-0C53-001	0	E08	93903-25360	0	F14	94050-06080	0	F13
91301-KEA5-742	0	E07	93903-34260	0	F13	94050-06080	0	F19
91302-PKA9-004	0	E07	93903-34360	0	F03	94050-06080	0	F20
91304-GLB0-911	1	E09	93903-34360	0	F05	94050-06080	0	F21
91309-GKAK-901	0	E04	93903-34360	0	F13	94050-10080	0	E03
91352-KHG8-83B	0	F08	93903-34360	0	F14	94050-10080	0	E07
			93903-34360	0	F18	94101-06700	0	F15
<b>92000</b>			93903-34360	0	F19	94101-08600	0	F16
			93903-34360	0	F21	94251-08400	0	F16
92700-06028-1B	0	E02	93903-35080	0	F14	94301-10200	0	E09
			93903-35320	0	F02	94510-20000	0	E08
<b>93000</b>			93903-35360	0	F01	94511-14000	0	E06
			93903-35360	0	F03	94520-24000	1	E07
93404-06012-06	0	F19	93903-35360	0	F11	94591-27000	0	F18
93404-06016-06	0	F19	93903-GFY6-900	1	F05	94591-KFBF-900	2	E01

## PART NO. INDEX

PART NO.	VERSION	PAGE	PART NO.	VERSION	PAGE	PART NO.	VERSION	PAGE	
94605-KEBE-900	1	F22	95701-06014-08	0	F13	96001-06022-06	1	F04	
94608-30000	0	F22	95701-06022-06	1	F16	96001-06022-08	0	E03	
<b>95000</b>			95701-06025-08	0	E01	96001-06025-06	0	F03	
			95701-06025-08	0	F15	96001-06025-08	0	E04	
			95701-06032-08	0	F08	96001-06025-08	0	E05	
			95701-06040-06	0	F15	96001-06025-08	0	E09	
			95701-06040-08	0	F14	96001-06032-08	0	E09	
95002-02070	0	E11	95701-08012-08	0	E09	96001-06045-08	0	E09	
95002-02070	0	F10	95701-08040-08	0	E09	96001-06055-08	0	E09	
95002-02080	0	E11	95701-KEB7-E00	1	F20	96100-62033-00	0	E09	
95002-02080	0	F10	95801-08035-08	0	E09	96211-05000	0	F06	
95002-02080	0	F19	95801-08035-08	0	F17	<b>98000</b>			
95002-02100	0	F12	95801-08040-08	0	F06				
95002-02110	0	F14	95801-08075-06	0	F15				
95002-02650	0	E09	95801-10035-08	0	F17		98076-5871G-00	0	E02
95002-50000	0	F12	95801-10050-06	1	F21		98200-10700	0	F11
95002-KKD6-E05	0	F23	95801-10095-06	0	F21	98200-10700	0	F20	
9500B-KEB7-E00	0	F10	95801-10120-06	0	F21	<b>99000</b>			
9500C-KEB7-900	0	F10	95801-KGB5-E00	1	F15				
9500E-KEB7-900	0	F10	<b>96000</b>				99101-116-0720	0	E11
95012-KKA7-900	1	F11							
95015-32001	0	F03							
95015-42000	0	F03							
95701-06008-06	1	F15							
95701-06012-06	1	F05	96001-06012-08	0	E03	<b>K</b>			
95701-06012-08	0	F06	96001-06012-08	0	F03				
95701-06012-08	0	F10	96001-06012-08	0	F06		K350-KEB-0500	0	E11
95701-06012-08	0	F13	96001-06016-08	0	E03		K378-001	0	E11

## PART NO. INDEX

PART NO.	VERSION	PAGE	PART NO.	VERSION	PAGE	PART NO.	VERSION	PAGE
K506-GW0-0100	0	E11						
K785-KEB-0300	0	E11						
<b>N</b>								
N413-32A00	0	E11						
N425-2RFMJ	0	E11						
<b>S</b>								
S3620-031-B000	0	E11						
S4460-213-B001	0	E11						
S536-1241	0	E11						

