

PARTS CATALOGUE



SCOOTERS

KL10SA(RO)

SUPER8



Release Date : 2009/10/15
Print Date : 2012/02/13

ABOUT THIS PARTS LIST

- This parts list is compiled all service parts for model KL10SA(RO).
- Any difference between color chart and motorcycle will be revised according to motorcycle.
- The Mark:
 1. Marking "***" must add color code in the end before ordering parts.
 2. Marking "#" are parts with modification, Please find the details from e-Parts system.
- When modification or additions to this parts list are made a revised edition at an appropriate time.



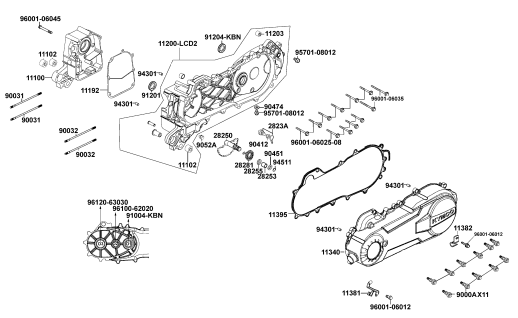
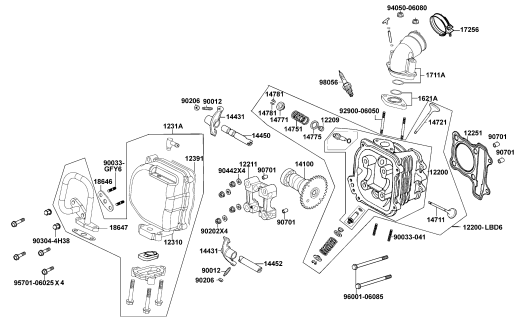
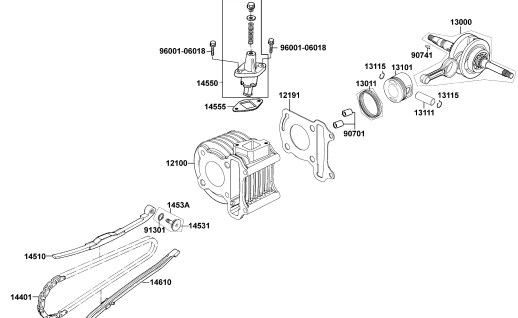
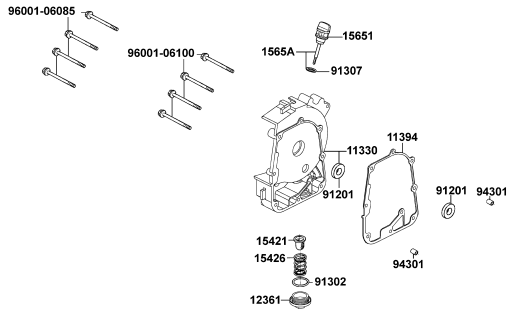
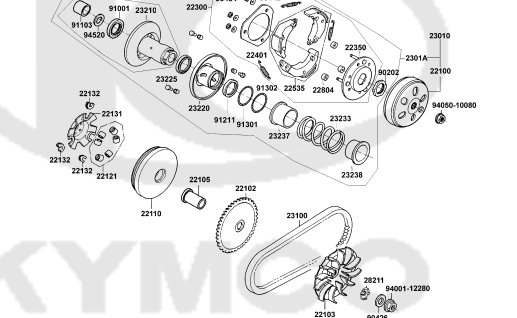
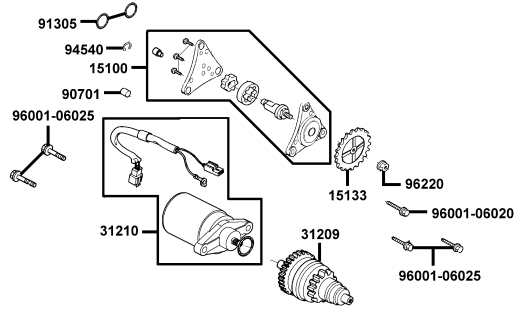
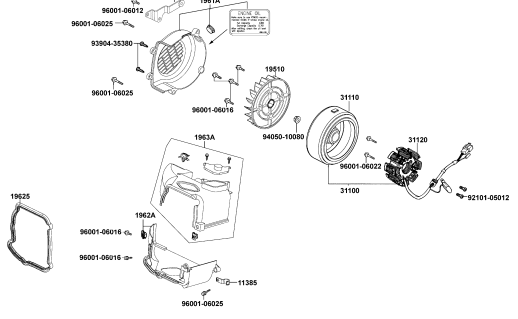
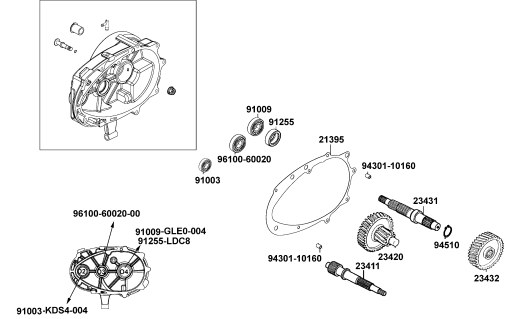
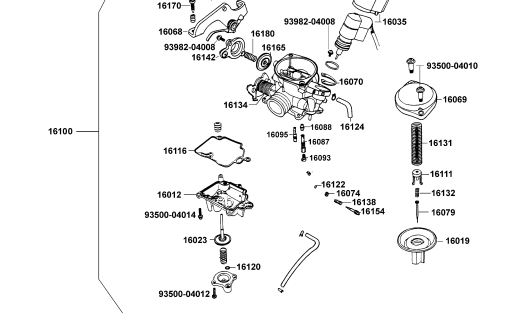
CONTENTS

● ABOUT THIS PARTS LIST	1
● COLOR CHART OF KL10SA(RO)	3
● CONTENTS-ENGINE GROUP	5
● CONTENTS-FRAME GROUP	6
● ENGINE PARTS LIST	9
● FRAME PARTS LIST	35
● PART NO. INDEX	89

NO	MODEL			COLOR CHART OF KL10SA(RO)			
	PHOTO NO			NO. 1	NO. 2	NO. 3	NO. 4
	BASIC COLOR			Orange-Bright Silver	Vivid Yellow-Bright Blue	Mat Black Metallic-Green	Bright Red-Black
	CODE			Orange-Bright Silver	Vivid Yellow-Bright Blue	Mat Black Metallic-Green	Bright Red-Black
	PARTS NAME	PARTS NO.	VERSION	MR068	YR039	NH125	RR136
1	COVER HANDLE FR	53205-LEJ2-E10	5	41P	Y3P	HJP	R9P
2	FENDER FR	61100-LEJ2-E10	0				
3	COVER FR	64301-LEJ2-E10	1				
4	SKIRT R SIDE	64305-LEJ2-E10	0				
5	SKIRT L SIDE	64306-LEJ2-E10	0				
6	COVER R BODY	83500-LEJ2-E10	0				
7	COVER L BODY	83600-LEJ2-E10	0				
8	COVER RR CENTER	83750-LEJ2-E10	0				
9	LEVER STEERING	53178-LCD1-C00	3	M3A			
10	COVER BATTERY	50326-LEJ2-E10	0	N1R			
11	COVER UNDER	50613-LEJ2-E10	0				
12	FLOOR PANEL	64310-LEJ2-E10	0				
13	FENDER RR TIRE	80100-LEJ2-E10	1				
14	LID INNER BOX	81132-LEJ2-E10	0				
15	COVER L SIDE A	83610-LEJ2-E10	0				
16	MOLE R SIDE	64302-LEJ2-E10	0	N8P	BAP	Q5P	N1P
17	MOLDING L SIDE	64303-LEJ2-E10	0				
18	TOP FRONT COVER	64309-LEJ2-E10	0				
19	CARRIER RR	81200-LEJ2-E10	0				
20	COVER R SIDE B	83520-LEJ2-E10	0				
21	COVER L SIDE B	83620-LEJ2-E10	0				
22	COVER COMP L	11340-LEJ2-E10	0	NEA			
23	WHEEL CAST RR	42601-LEJ2-E10	0				
24	WHEEL ASSY FR	44600-LEJ2-E10	0				
25	WHEEL CAST FR	44601-LEJ2-E10	0				
DATE OF STARTING-SALES							
DATE OF END-SALES							

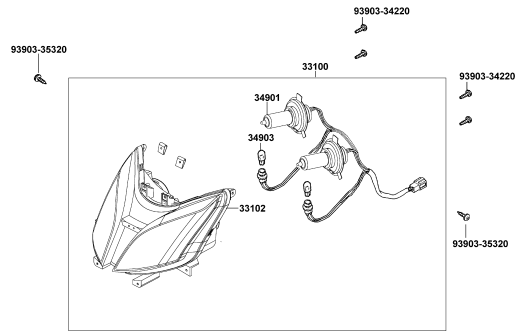
NO	MODEL			COLOR CHART OF KL10SA(RO)			
	PHOTO NO			NO. 1	NO. 2	NO. 3	NO. 4
	BASIC COLOR			Orange-Bright Silver	Vivid Yellow-Bright Blue	Mat Black Metallic-Green	Bright Red-Black
	CODE			Orange-Bright Silver	Vivid Yellow-Bright Blue	Mat Black Metallic-Green	Bright Red-Black
	PARTS NAME	PARTS NO.	VERSION	MR068	YR039	NH125	RR136
26	STEP L RR STEP	50712-LEJ2-E10	3	NEA			
27	MIRROR ASSY R BACK	88110-LEB5-C10	2	NEP			
28	MIRROR ASSY L BACK	88120-LEB5-C10	1	NE			
29	WHEEL ASSY RR	42600-LEJ2-E10	0	NH268			
30	HOOK LUGGAGE	81134-KGBG-9000	2	T01			
31	CAUTION ANTI	87224-LEJ2-E80	0	T02			
32	LABEL TIRE	87505-LEJ2-E00	0	T01			
33	MARK MAINT CAUTION	87542-GAR1-C01	2	T02			
34	MARK KYMCO	86102-LEJ2-E00	2	T02	T01		T02
35	STRIPE FR COVER	86101-LEJ2-E00	2	T02	T01	T02	T01
36	STRIPE R BODY COVER	86221-LEJ2-E00	0	T03			
37	STRIPE L BODY COVER	86231-LEJ2-E00	0	T01			
38	STRIPE R SIDE MOLD	86310-LEJ2-E00	0	T02			T04
39	STRIPE L SIDE MOLD	86320-LEJ2-E00	0	T03			
40	STRIPE B L SIDE MOLD	86350-LEJ2-E00	0	T01			
41	STRIPE B R SIDE MOLD	86330-LEJ2-E00	0	T03	T01	T03	T04
DATE OF STARTING-SALES							
DATE OF END-SALES							

CONTENTS - ENGINE GROUP

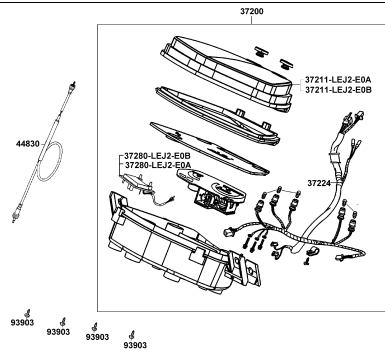
<p>E01 Crank Case</p> 	<p>E02 Cylinder Head</p> 	<p>E03 Cylinder Piston Crankshaft</p> 
<p>E04 Right Crankcase Cover</p> 	<p>E05 Driven Pulley</p> 	<p>E06 Starting Motor Oil Pump</p> 
<p>E07 Fan Cover Generator</p> 	<p>E08 Transmission</p> 	<p>E09 Carburetor</p> 

CONTENTS - FRAME GROUP

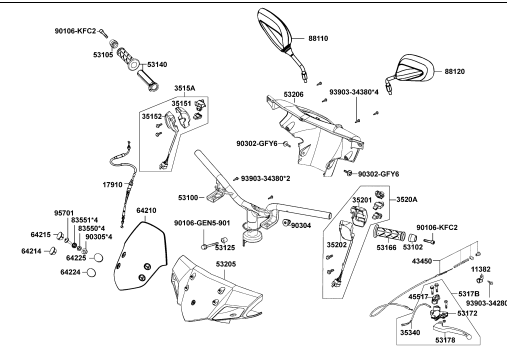
F01 Head Light



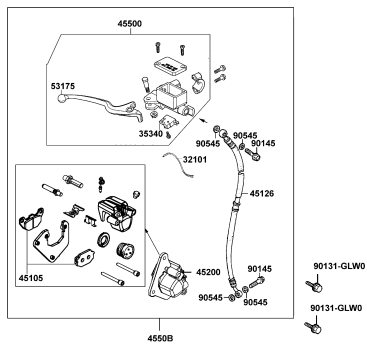
F02 Speedometer



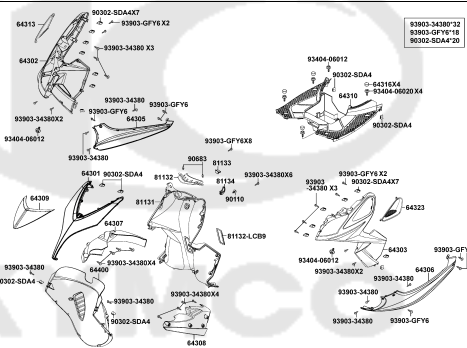
F03 Handle Steering Handle Cover



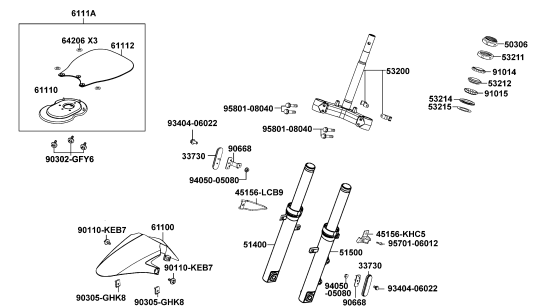
F04 Brake Master Cylinder



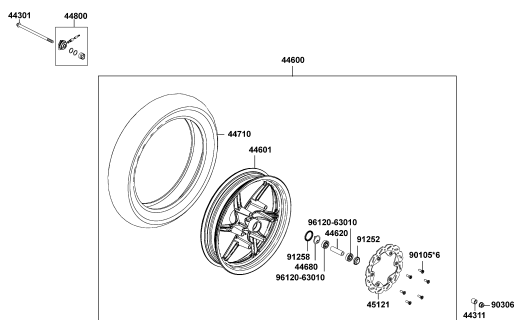
F05 Front Cover Front Fender



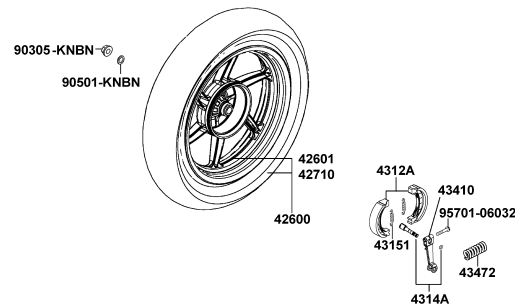
F06 Stem Steering Front Cushion



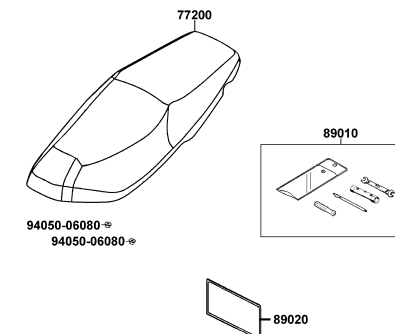
F07 Front Wheel



F08 Rear Wheel

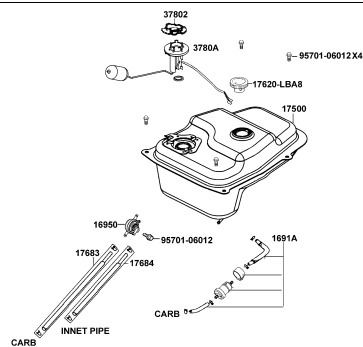


F09 Seat

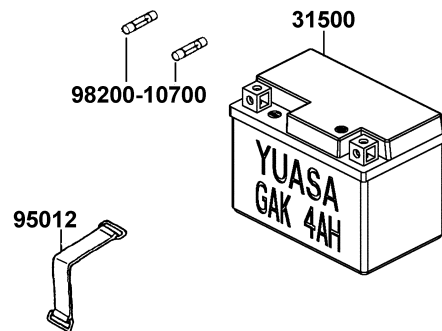


CONTENTS - FRAME GROUP

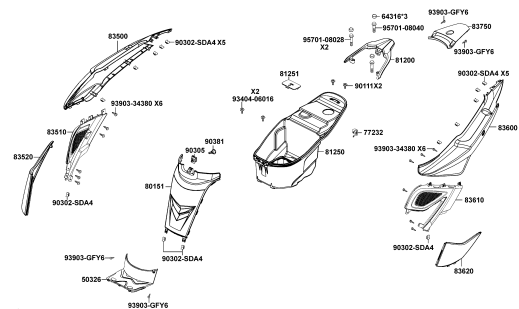
F10 Fuel Tank



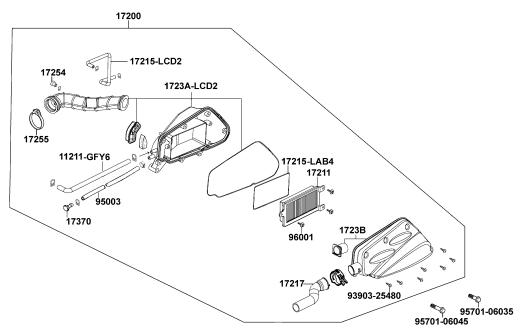
F11 Battery



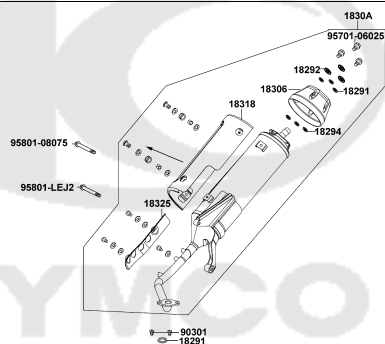
F12 Body Cover Luggage Box



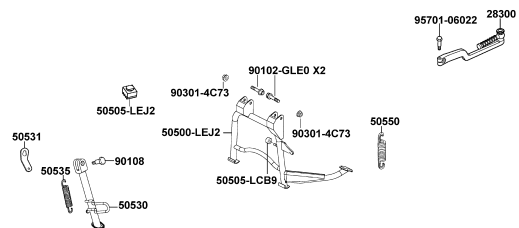
F13 Air Cleaner



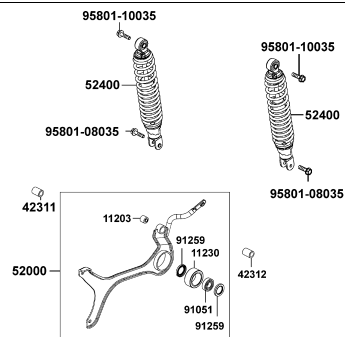
F14 Exhaust Muffler



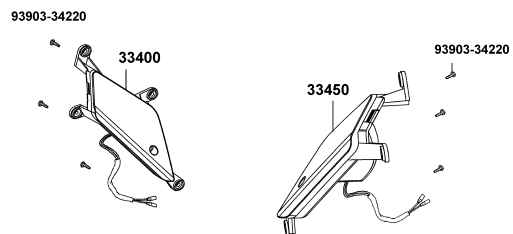
F15 Stand Kick Starter Arm



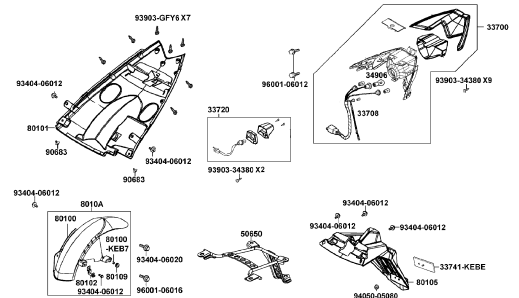
F16 Rear Cushion



F17 Front Winker



F18 Tail Light

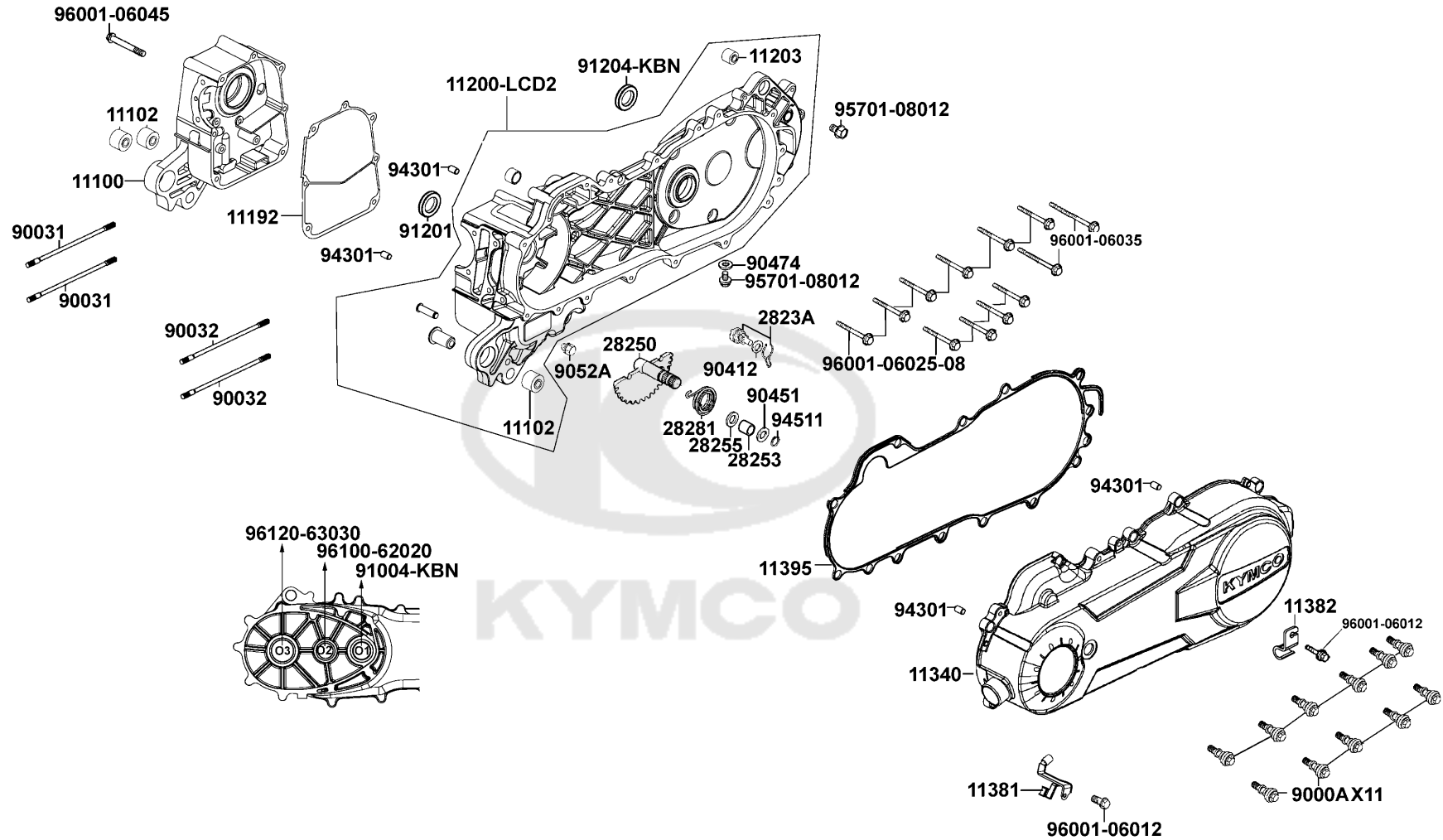


CONTENTS - FRAME GROUP

F19 Wire Harness	F20 Frame Body	F21 Air Cleaner Two
F22 Emblem Stripe		

E01

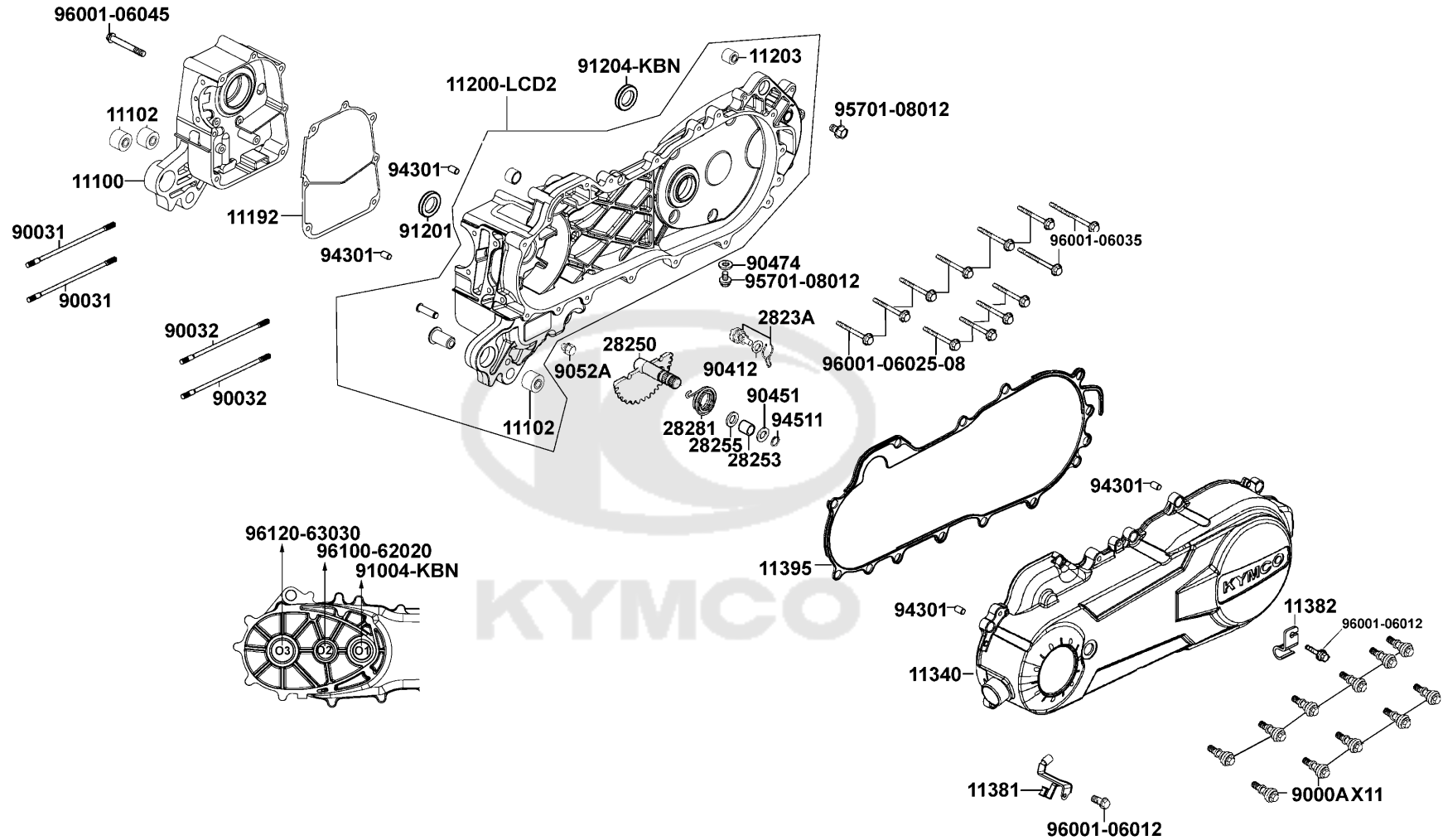
Crank Case



Sales mark	Ref no	Part no	Description	Reg description	Regd no	E01
	11100	11100-KGBG-C00	CRANK CASE COMP RIGHT	CRANK CASE COMP R	1	
	11102	11102-1G87-C00	RUB BUSH ENG HANGER	RUB BUSH ENG HANGER	1	
	11192	11192-KGBG-C10	GASKET CRANK CASE@A	GASKET CRANK CASE@A	1	
	11200	11200-LCD2-C00	CRANK CASE COMP L	CRANK CASE COMP L	1	
	11203	11203-GGC7-W10	UNDER RUBBER BUSH REAR CUSHION	UNDER RUBBER BUSH REAR CUSHION	1	
**	11340	11340-LEJ2-E10	COVER COMP L SIDE(NH105)	COVER COMP L SIDE(NH105)	1	
	11381	11381-LBC9-C00	CLAMPER THROTTLE CABLE	CLAMPER THROTTLE CABLE	1	
	11382	11382-LCD2-E00	CLAMPER BRAKE CABLE	CLAMPER BRAKE CABLE	1	
	11395	11395-LCD2-C00	GASKET L COVER	GASKET L COVER	1	
	2823A	2823A-LBD6-C00	GEAR ASSY KICK DRIVEN	GEAR ASSY KICK DRIVEN	1	
	28250	28250-LEJ2-E10	SPINDLE COMP KICK STARYER	SPINDLE COMP KICK STARYER	1	
	28253	28253-GBN2-C00	BUSH KICK SPINDLE	BUSH KICK SPINDLE	1	
	28255	28255-GFS6-C00	COLLAR KICK BOSS	COLLAR KICK BOSS	1	
	28281	28281-GBN2-C00	SPRING KICK RETURN	SPRING KICK RETURN	1	
	9000A	9000A-KTDT-C00	BOLT ASSY SPECIAL 6*29.5	BOLT ASSY SPECIAL 6X27	1	
	90031	90031-KGBG-C00	BOLT A STUD 7x168	BOLT A STUD 7x168	1	
	90032	90032-KGBG-C00	BOLT B STUD 7*176	BOLT B STUD 7*176	1	
	90412	90412-3K29-C00	WASHER THRUST 10MM	WASHER THRUST 10MM	1	
	90451	90451-GBN2-C00	WASHER KICK SPINDLE	WASHER KICK SPINDLE	1	
	90474	90474-3C33-C00	WASHER 8MM(T*2)	WASHER 8MM(T*2)	1	

E01

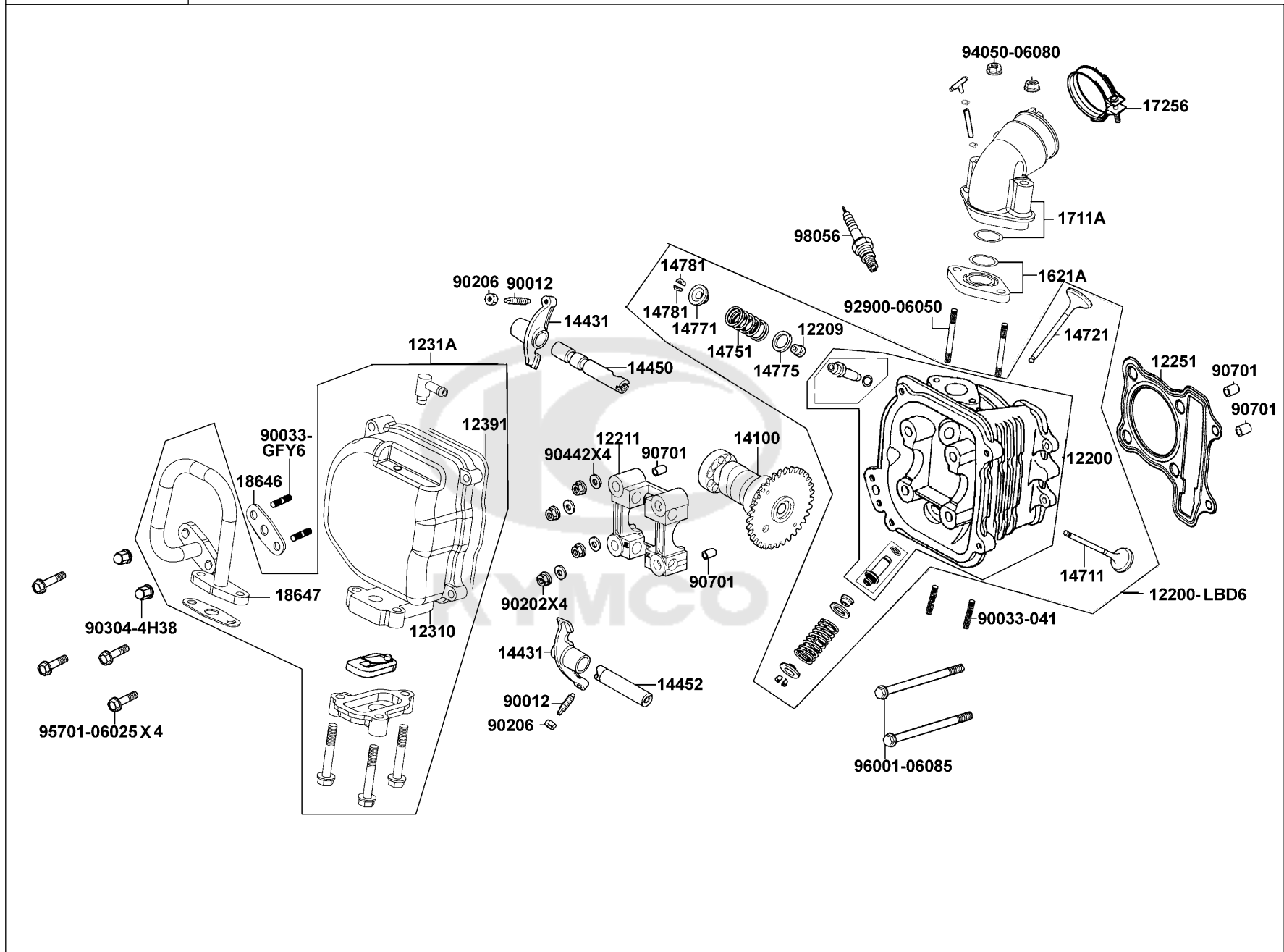
Crank Case



Sales mark	Ref no	Part no	Description	Reg description	Regd no	E01
9052A		9052A-GFY6-C00	BOLT ASSY DRAIN PLUG	BOLT ASSY DRAIN PLUG	1	
91004		91004-KNBN-C00	BRG BALL RADIAL 6203 SPC	BRG BALL RADIAL 6203 SPC	1	
91201		91201-GFY6-C00	OIL SEAL 19.8*30*5	OIL SEAL 19.8*30*5	1	
91204		91204-KNBN-C00	OIL SEAL 17*30*6	OIL SEAL 17*30*6	1	
94301		94301-08140	DOWEL PIN 8*14	DOWEL PIN 8*14	4	
94511		94511-14000	CIR CLIP EX 14	CIRCLIP EX 14	1	
95701		95701-08012-08	BOLT FLANGE 8*12	BOLT FLANGE 8*12	2	
96001-06012		96001-06012-08	BOLT FLANGE 6*12	BOLT FLANGE 6*12	2	
96001-06025		96001-06025-08	BOLT FLANGE SH 6*25	BOLT FLANGE SH 6*25	10	
96001-06035		96001-06035-08	BOLT FLANGE SH 6*35 (G)	BOLT FLANGE 6*35	2	
96001-06045		96001-06045-08	BOLT FLANGE SH 6*45	BOLT FLANGE SH 6*45	1	
96100		96100-62020-00	BEARING BALL RADIAL 6202	BEARING BALL RADIAL 6202	1	
96120		96120-63030-10	BEARING BALL RADIAL 6303Z/2A	BEARING BALL RADIAL 6303	1	

E02

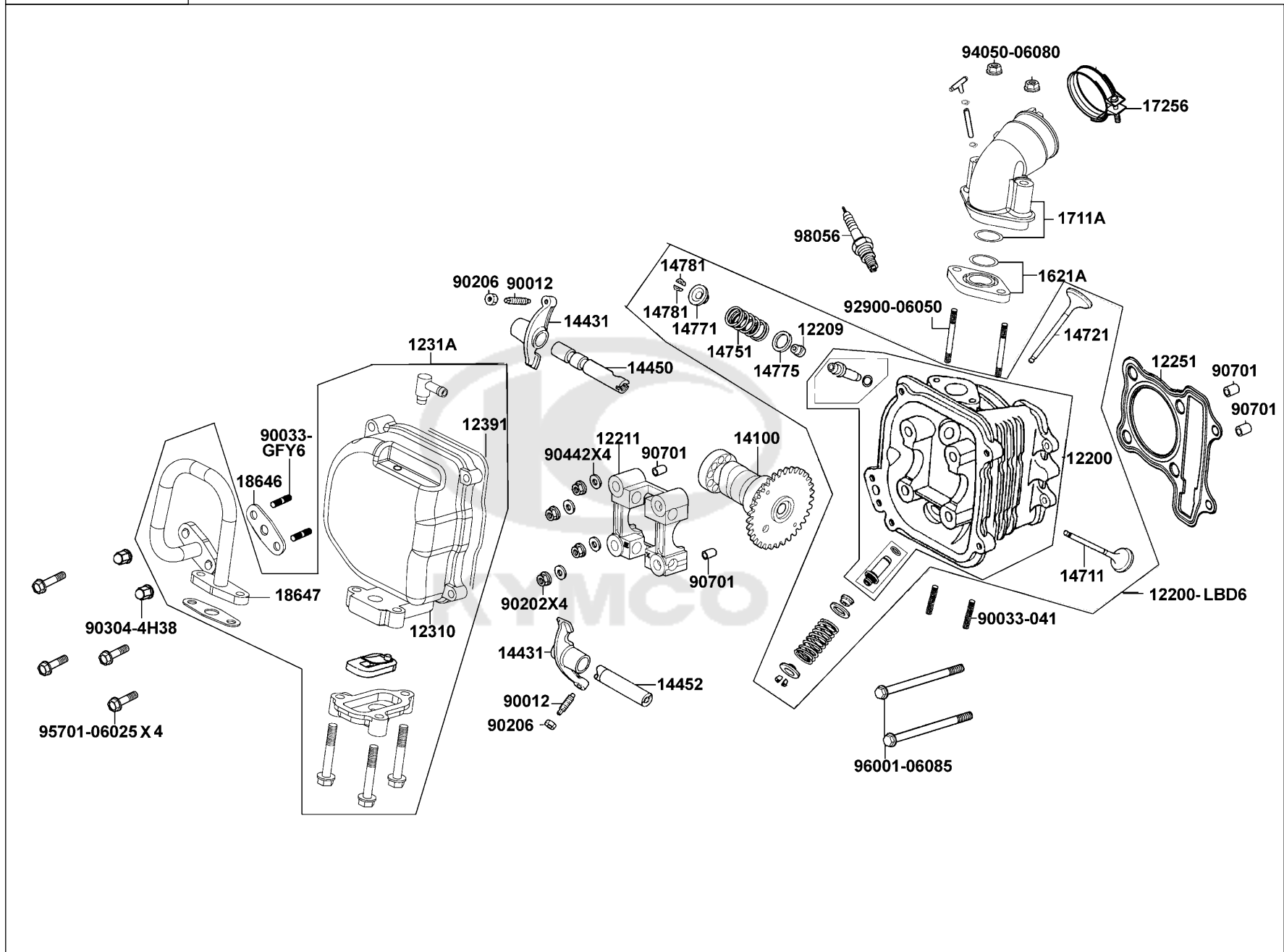
Cylinder Head



Sales mark	Ref no	Part no	Description	Reg description	Regd no	E02
	12200-KGBG	12200-KGBG-C10	CYLINDER ASSY	CYLINDER ASSY	1	
	12200-LBD6	12200-LBD6-C00	HEAD SET, CYLIN	HEAD SET, CYLIN	1	
	12209	12209-GDB4-C00	SEAL VALVE STEM	SEAL VALVE STEM	1	
	12211	12211-KGBG-C00	HOLDER CAM SHAFT	HOLDER CAM SHAFT	1	
	12251	12251-KGBG-C00	GASKET CYLINDER HEAD	GASKET CYLINDER HEAD	1	
	12310	12310-KHC5-C00	COVER COMP HEAD	COVER COMP HEAD	1	
	1231A	1231A-KHC5-C10	COVER ASSY HEAD	COVER ASSY HEAD	1	
	12391	12391-KEE1-C00	GASKET HEAD COVER	GASKET HEAD COVER	1	
	14100	14100-KGBG-900	SHAFT COMP CAM	SHAFT COMP CAM	1	
	14431	14431-KGBG-W10	ARM VALVE ROCKER	ARM VALVE ROCKER	2	
	14450	14450-KGBG-W10	SHAFT COMP IN ROCKER ARM	SHAFT COMP IN ROCKER ARM	1	
	14452	14452-KGBG-W10	SHAFT EXH ROCKER ARM	SHAFT EXH ROCKER ARM	1	
	14711	14711-KGBG-C00	VALVE INLET	VALVE INLET	1	
	14721	14721-KGBG-C00	VALVE EXHAUST	VALVE EXHAUST	1	
	14751	14751-GEN5-C00	SPRING VALVE OUTER	SPRING VALVE OUTER	1	
	14771	14771-GDB4-C00	RETAINER VALVE SPRING	RETAINER VALVE SPRING	1	
	14775	14775-MFA6-C00	SEAT VALVE SPG OUTER	SEAT VALVE SPG OUTER	1	
	14781	14781-MFA6-C00	COTTER VALVE	COTTER VALVE	1	
	1621A	1621A-KGBG-C00	INSULATOR CARB ASSY	INSULATOR CARB ASSY	1	
#	1711A	1711A-LEJ2-E11	PIPE ASSY INLET	PIPE ASSY INLET	1	

E02

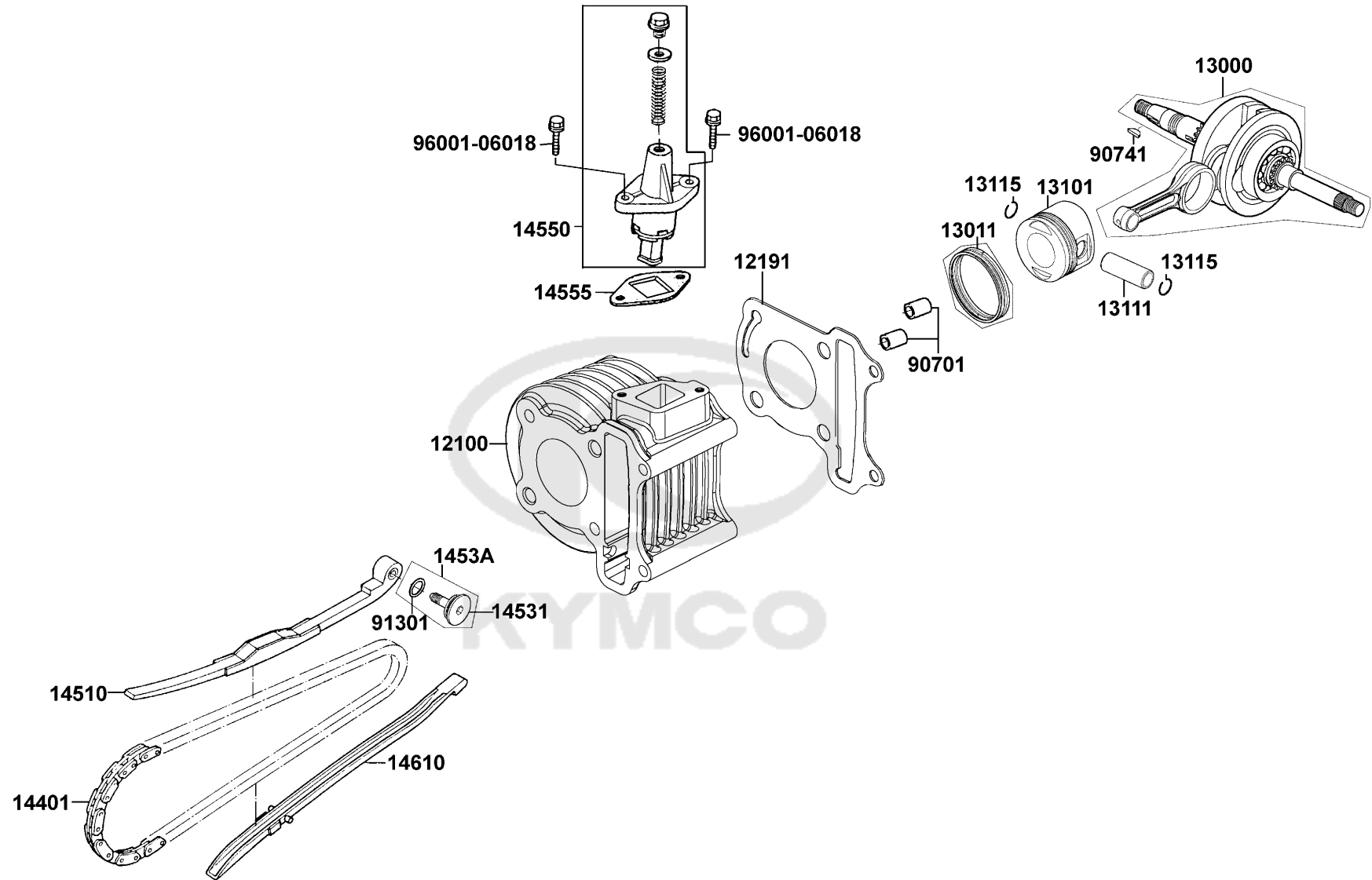
Cylinder Head



Sales mark	Ref no	Part no	Description	Reg description	Regd no	E02
	17256	17256-KGBG-C00	BAND INSULATOR	BAND INSULATOR	1	
	18646	18646-GFY6-C10	GASKET A/I PIPE	GASKET A/I PIPE	1	
	18647	18647-GFY6-C00	PIPE COMP AIR	PIPE COMP AIR	1	
	90012	90012-3C33-C00	SCREW TAPPET ADJUSTING	SCREW TAPPET ADJUSTING	1	
	90033-041	90033-0A41-C00	BOLT STUD 6*32	BOLT STUD 6*32	1	
	90033-GFY6	90033-GFY6-C10	BOLT STUD 6*16	BOLT STUD 6*16	1	
	90202	90202-GFF6-011	NUT FLANGE 7M/M	NUT FLANGE 7M/M	4	
	90206	90206-0A01-C00	NUT TAPPET ADJG	NUT TAPPET ADJG	1	
	90304	90304-4H38-C00	NUT HEX CAP 6MM	NUT HEX CAP 6MM	1	
	90442	90442-GFF6-C00	WASHER SEALING 7MM	WASHER SEALING 7MM	1	
	90701	90701-GFF6-C00	PIN DOWEL SPECIAL 8*14	PIN DOWEL SPECIAL 8*14	1	
	92900	92900-06050-0B	BOLT STUD 6*50	BOLT STUD 6*50	2	
#	94050	94050-06080	NUT FLANGE 6MM	NUT FLANGE 6MM	2	
	95701	95701-06025-08	BOLT FLANGE 6*25	BOLT FLANGE 6*25	4	
	96001	96001-06085-06	BOLT FLANGE 6*85	BOLT FLANGE 6*85	2	
	98056	98056-5771R-00	SPARK PLUG (CR7HSA)	SPARK PLUG (CR7HSA)	1	

E03

Cylinder Piston Crankshaft

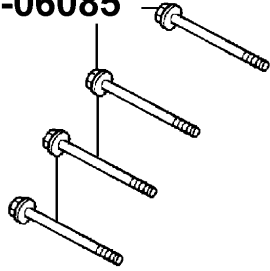


Sales mark	Ref no	Part no	Description	Reg description	Regd no	E03
	12100	12100-KGBG-A60	CYLINDER COMP	CYLINDER COMP	1	
	12191	12191-KGBG-C10	GASKET CYLINDER@A	GASKET CYLINDER@A	1	
	13000	13000-LDC5-C00	CRANK SHAFT COMP	CRANK SHAFT COMP	1	
#	13011	13011-KGBG-C00	RING ASSY PISTON	RING ASSY PISTON	1	
#	13101	13101-LCB9-B20	PISTON	PISTON	1	
	13111	13111-KGBG-C00	PIN PISTON	PIN PISTON	1	
	13115	13115-0A01-C00	PISTON PIN CLIP	PISTON PIN CLIP	1	
	14401	14401-KGBG-900	CHAIN CAM	CHAIN CAM	1	
	14510	14510-KGBG-C00	TENSIONER CAM CHAIN	TENSIONER CAM CHAIN	1	
	14531	14531-GLR0-W10	PIVOT CAM CHAIN TENSIONER	PIVOT CAM CHAIN TENSIONER	1	
	1453A	1453A-GFY6-W10	PIVOT CAM CHAIN SET	PIVOT CAM CHAIN SET	1	
	14550	14550-LDC8-C10	ADJUSTER CAM CHAIN	ADJUSTER CAM CHAIN	1	
	14555	14555-KKJ9-C10	GASKET CAM CHAIN ADJUSTER	GASKET CAM CHAIN ADJUSTER	1	
	14610	14610-KGBG-C00	GUIDE COMP CAM CHAIN	GUIDE COMP CAM CHAIN	1	
	90701	90701-GFF6-C00	PIN DOWEL SPECIAL 8*14	PIN DOWEL SPECIAL 8*14	1	
	90741	90741-0E35-C00	KEY WOODRUFF	KEY WOODRUFF	1	
	91301	91301-GLR0-W10	O-RING 15.2*1.5	O-RING 15.2*1.5	1	
	96001	96001-06018-08	BOLT FLANGE SH 6*18	BOLT FLANGE SH 6*18	2	

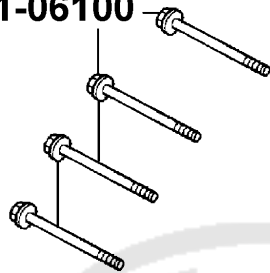
E04

Right Crankcase Cover

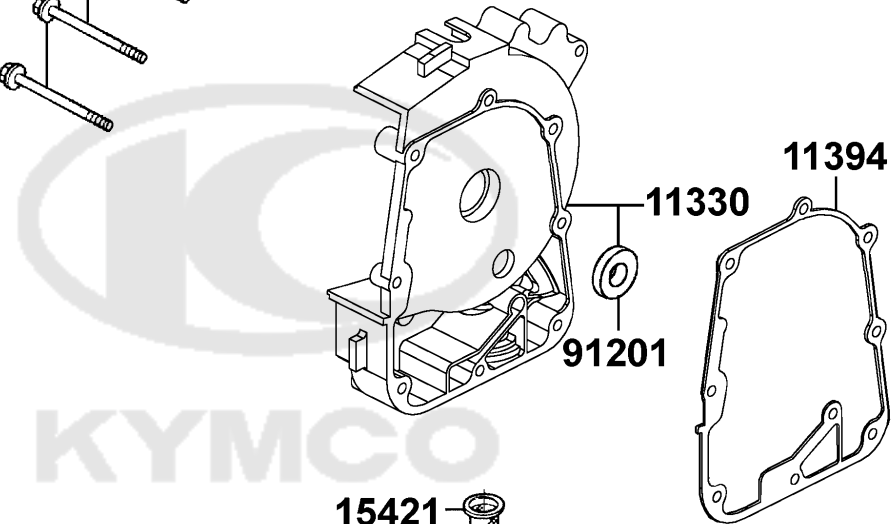
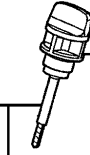
96001-06085



96001-06100



1565A 15651 91307



91201 94301

15421 15426 91302 12361

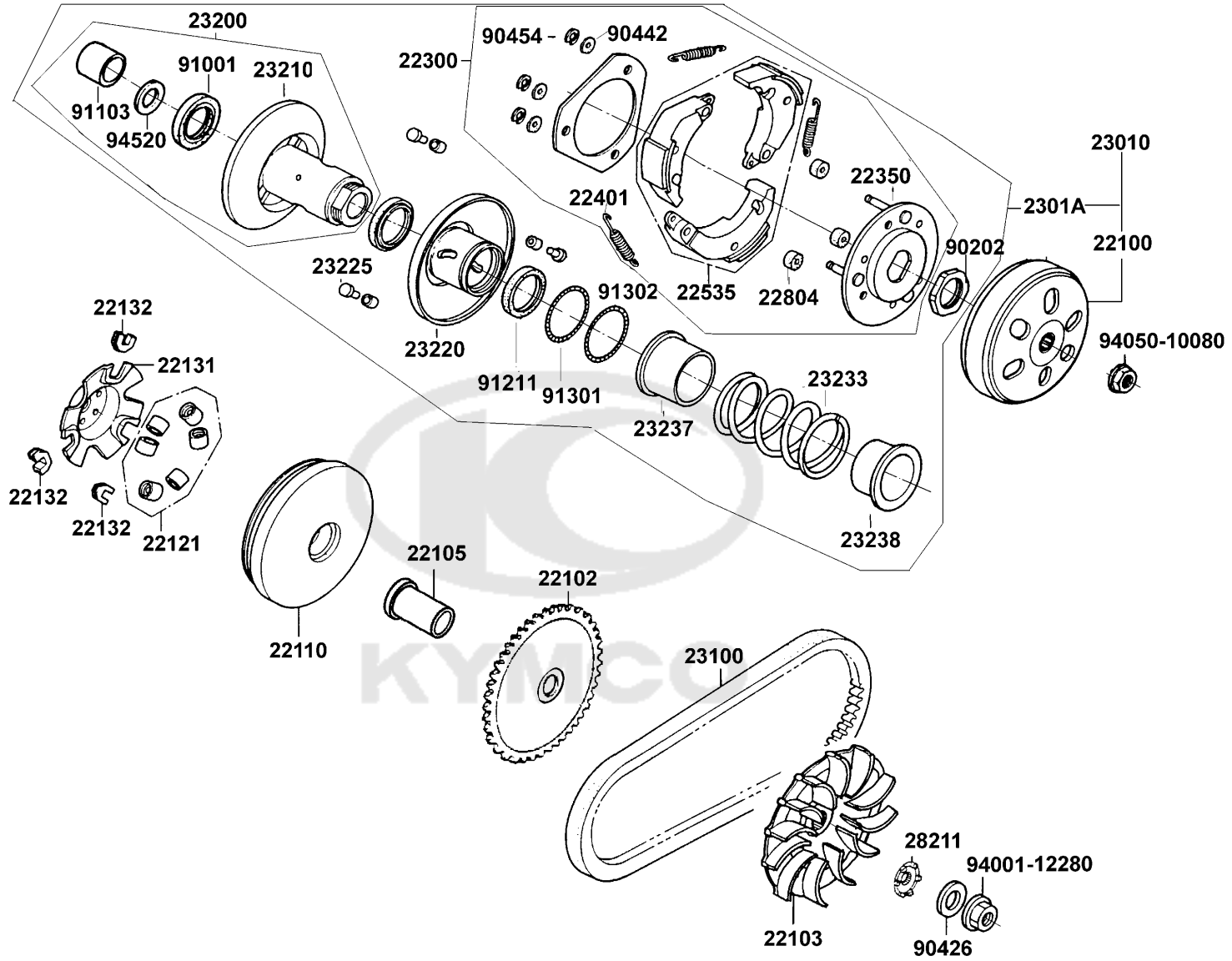


94301

Sales mark	Ref no	Part no	Description	Reg description	Regd no	E04
11330		11330-LBD6-C00	COVER COMP R CRANK CASE	COVER COMP R CRANK CASE	1	
11394		11394-KGBG-C11	GASKET R COVER	GASKET R COVER	1	
12361		12361-GFY6-C00	HOLE CAP TAPPET ADJUSTING	HOLE CAP TAPPET ADJUSTING	1	
15421		15421-1G07-W10	SCREEN OIL FILTER	SCREEN OIL FILTER	1	
15426		15426-GAE1-C00	SPG OIL FILTER SCREEN	SPG OIL FILTER SCREEN	1	
15651		15651-GFY6-C00	GAUGE OIL LEVEL	GAUGE OIL LEVEL	1	
1565A		1565A-GFY6-W10	GAUGE OIL LEVEL ASSY	GAUGE OIL LEVEL ASSY	1	
91201		91201-KGBG-C00	OIL SEAL 16.4*30*5	OIL SEAL 16.4*30*5	1	
91302		91302-0A01-C00	O-RING 30.8MM	O-RING 30.8MM	1	
91307		91307-0E35-W10	O-RING 18*3	O-RING 18*3	1	
94301		94301-08140	DOWEL PIN 8*14	DOWEL PIN 8*14	2	
96001-06085		96001-06085-06	BOLT FLANGE 6*85	BOLT FLANGE 6*85	4	
96001-06100		96001-06100-08	BOLT FLANGE SH 6*100	BOLT FLANGE SH 6*100	4	

E05

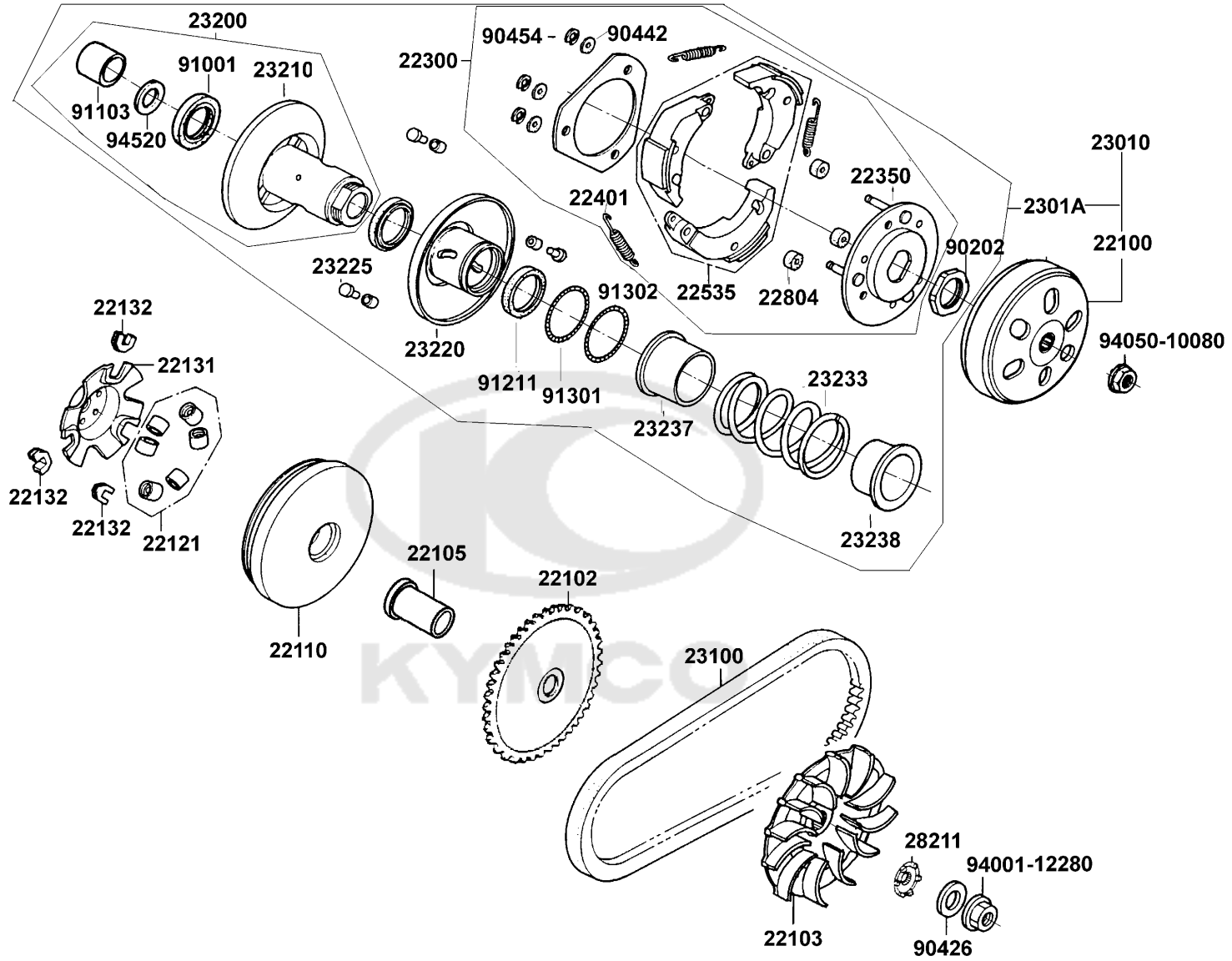
Driven Pulley



Sales mark	Ref no	Part no	Description	Reg description	Regd no	E05
22100		22100-LDC8-E10	CLUTCH OUTER	CLUTCH OUTER	1	
22102		22102-LDC8-E10	FACE DRIVE	FACE DRIVE	1	
22103		22103-KEB7-C00	FAN CVT COOLING	FAN CVT COOLING	1	
22105		22105-LEJ2-E10	BOSS DRIVE FACE	BOSS DRIVE FACE	1	
22110		22110-KFA1-C00	FACE COMP MOVABLE DRIVE	FACE COMP MOVABLE DRIVE	1	
22121		22121-LBD6-C00	ROLLER COMP WEIGHT 6.5g	ROLLER COMP WEIGHT 6.5g	1	
22131		22131-GHAH-C00	PLATE RAMP	PLATE RAMP	1	
22132		22132-GLW0-C00	PIECE SLIDE	PIECE SLIDE	1	
22300		22300-LDC8-E10	PLATE ASSY DRIVE	PLATE ASSY DRIVE	1	
22350		22350-GKAK-C00	PLATE COMP DRIVE	PLATE COMP DRIVE	1	
22401		22401-LDC8-E10	SPRING CLUTCH	SPRING CLUTCH	3	
22535		22535-GKAK-C00	WEIGHT SET CLUTCH	WEIGHT SET CLUTCH	1	
22804		22804-1H48-C00	RUBBER CLUTCH DUMPER	RUBBER CLUTCH DUMPER	1	
23010		23010-LDC8-E10	PULLEY ASSY DRIVEN	PULLEY ASSY DRIVEN	1	
2301A		2301A-LDC8-E10	PULLEY SUB ASSY	PULLEY SUB ASSY	1	
23100		23100-KEB7-C00	BELT DRIVE	BELT DRIVE	1	
23200		23200-GAR1-C00	FACE ASSY DRIVEN	FACE ASSY DRIVEN	1	
23210		23210-GAR1-C00	FACE COMP DRIVEN	FACE COMP DRIVEN	1	
23220		23220-LDC8-E10	FACE COMP MOVABLE	FACE COMP MOVABLE	1	
23225		23225-GAR1-C00	PIN GUIDE	PIN GUIDE	1	

E05

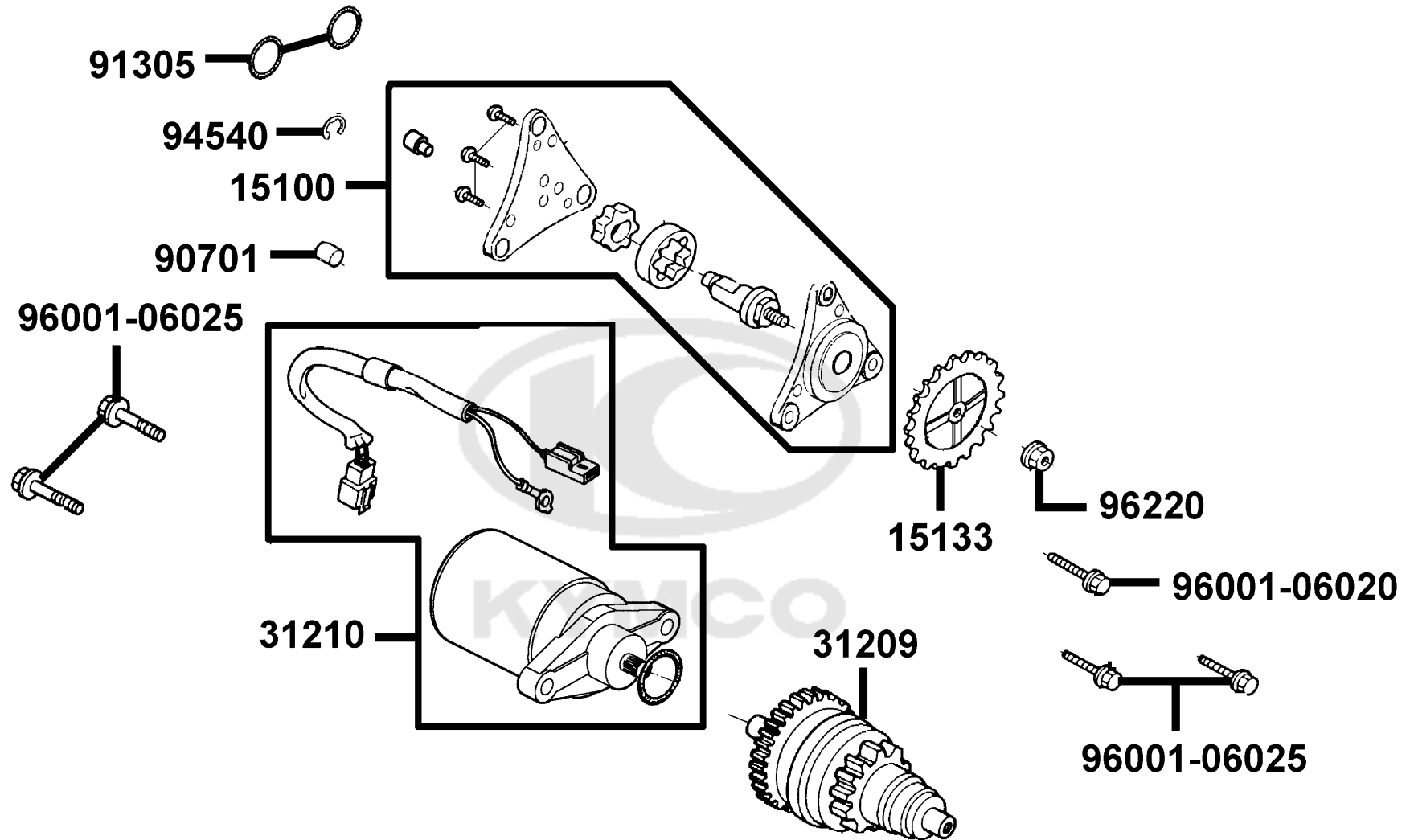
Driven Pulley



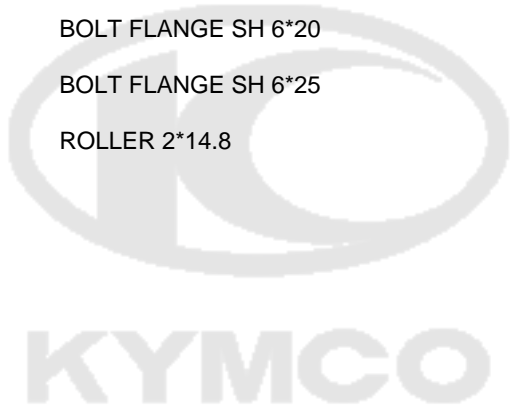
Sales mark	Ref no	Part no	Description	Reg description	Regd no	E05
23233		23233-KEE1-C10	SPG DRIVEN FACE	SPG DRIVEN FACE	1	
23237		23237-GAR1-C00	COLLAR SEAL	COLLAR SEAL	1	
23238		23238-GGS7-C00	COLLAR SPG	COLLAR SPG	1	
28211		28211-LDC8-W10	RATCHET KICK STARTER	RATCHET KICK STARTER	1	
90202		90202-1G87-C00	NUT SPECIAL 28MM	NUT SPECIAL 28MM	1	
90426		90426-KNBN-C00	WASHER SPECIAL 12MM	WASHER SPECIAL 12MM	1	
90442		90442-0D44-C00	WASHER THRUST 6M/M	WASHER THRUST 6M/M	1	
90454		90454-GBB2-C00	CIR CLIP 6MM	CIR CLIP 6MM	1	
91001		91001-GGA7-C00	BRG RADIAL BALL 6901U	BRG RADIAL BALL 6901U	1	
91103		91103-GAR1-C00	BRG NEEDLE 17*25*18 WS	BRG NEEDLE 17x25x18 WS	1	
91211		91211-KEE1-C00	OIL SEAL 34*39*3	OIL SEAL 34*39*3	1	
91301		91301-KEE1-C00	O-RING 36*1.5	O-RING 36*1.5	1	
91302		91302-KEE1-C00	O-RING 39.8*2.2	O-RING 39.8*2.2	1	
94001		94001-12280-0S	NUT HEX 12MM	NUT HEX 12MM	1	
94050		94050-10080	NUT FLANGE 10MM	NUT FLANGE 10MM	1	
94520		94520-24000	CIR CLIP IN 24	CIR CLIP IN 24	1	

E06

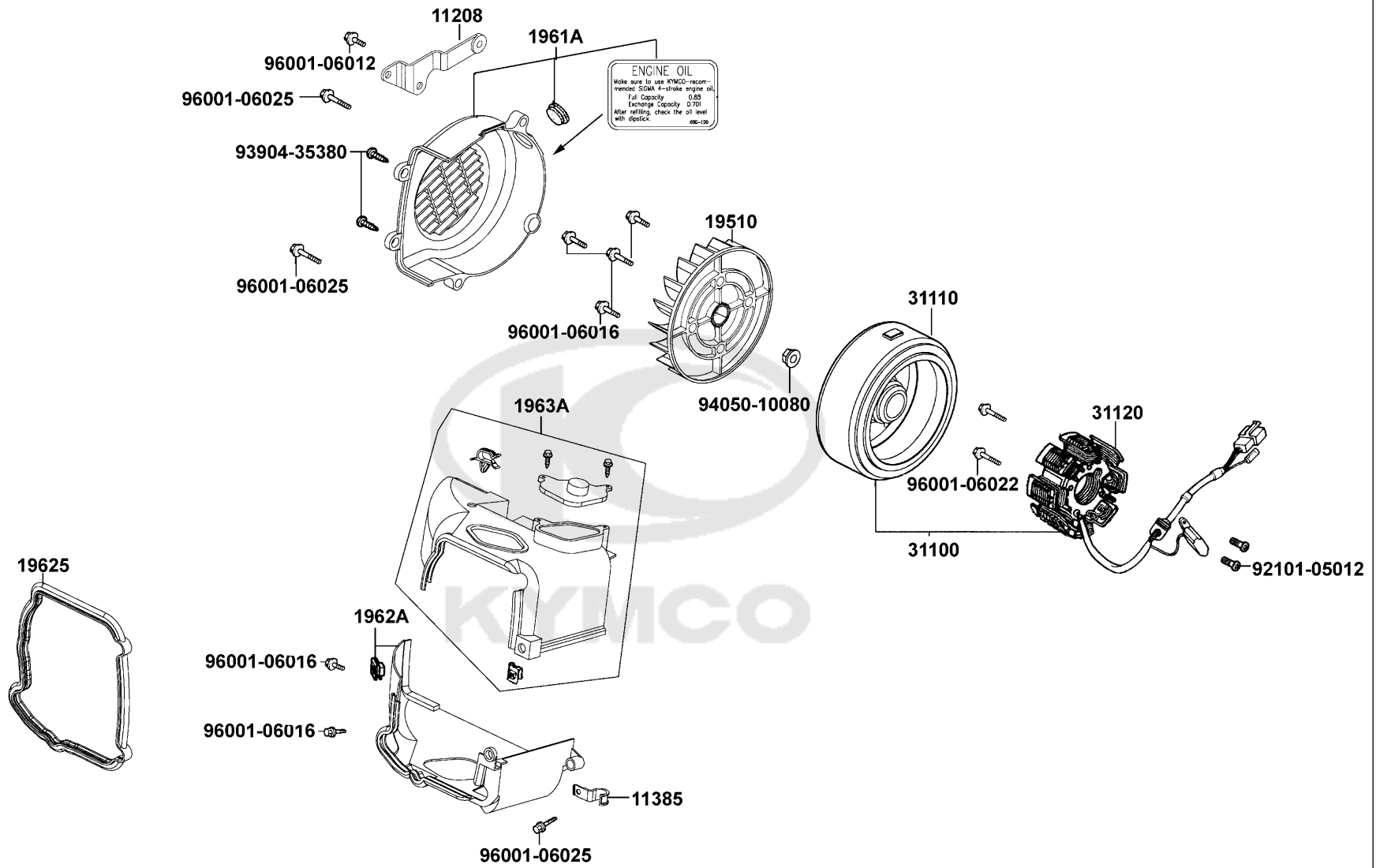
Starting Motor Oil Pump



Sales mark	Ref no	Part no	Description	Reg description	Regd no	E06
	15100	15100-LDC5-C00	PUMP ASSY OIL	PUMP ASSY OIL	1	
	15133	15133-LDC5-C00	GEAR OIL PUMP DRIVEN	GEAR OIL PUMP DRIVEN	1	
	31200	31200-LEJ2-E10	MOTOR ASSY START	MOTOR ASSY START	1	
	31209	31209-KEE1-C00	PINION ASSY STARTER	PINION ASSY STARTER	1	
	90701	90701-HDC4-C00	DOWEL PIN 8*12	DOWEL PIN 8*12	1	
	91305	91305-0H28-C00	O-RING 9*1.6	O-RING 9*1.6	1	
#	94540	94540-06018	E RING 6	E RING 6	1	
	96001-06020	96001-06020-08	BOLT FLANGE SH 6*20	BOLT FLANGE SH 6*20	2	
	96001-06025	96001-06025-08	BOLT FLANGE SH 6*25	BOLT FLANGE SH 6*25	3	
	96220	96220-LDC5-C00	ROLLER 2*14.8	ROLLER 2*14.8	1	



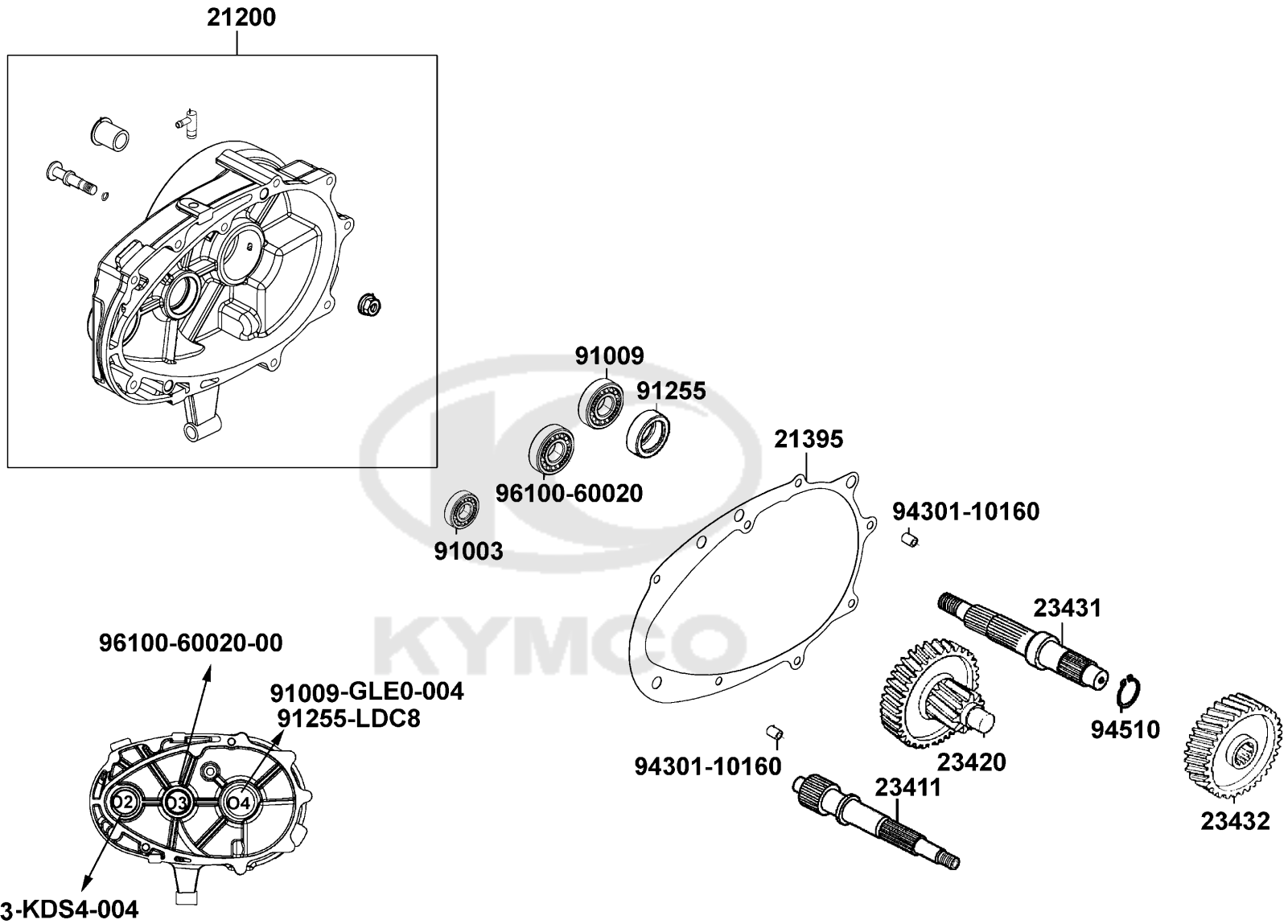
Fan Cover Generator



Sales mark	Ref no	Part no	Description	Reg description	Regd no	E07
	11208	11208-LEJ2-E10	STAY RR TIRE FENDER	STAY RR TIRE FENDER	1	
	11385	11385-GFY6-C00	CLAMPER CARB DRAIN TUBE	CLAMPER CARB DRAIN TUBE	1	
#	19510	19510-LDC5-C00	FAN COMP COOLING	FAN COMP COOLING	1	
	1961A	1961A-KGBG-E01	COVER ASSY FAN	COVER ASSY FAN	1	
	19625	19625-KEE1-C00	SEAL SHROUD	SEAL SHROUD	1	
	1962A	1962A-KEE1-C00	SHROCD ASSY A	SHROCD ASSY A	1	
	1963A	1963A-LDC8-E10	SHROUD ASSY B	SHROUD ASSY B	1	
	31100	31100-LEJ2-E10	AC GEN ASSY	AC GEN ASSY	1	
	31110	31110-LBD6-C00	FLYWHEEL COMP	FLYWHEEL COMP	1	
	31120	31120-LEJ2-E10	AC GEN ASSY	AC GEN ASSY	1	
	92101	92101-05012-0H	BOLT HEX 5*12	BOLT HEX 5*12	2	
	93904	93904-35380	SCREW TAPPING 5*16	SCREW TAPPING 5*16	2	
	94050	94050-10080	NUT FLANGE 10MM	NUT FLANGE 10MM	1	
	96001-06012	96001-06012-08	BOLT FLANGE 6*12	BOLT FLANGE 6*12	1	
	96001-06016	96001-06016-08	BOLT FLANGE SH 6*16	BOLT FLANGE SH 6*16	6	
	96001-06022	96001-06022-08	BOLT FLANGE SH 6*22	BOLT FLANGE SH 6*22	2	
	96001-06025	96001-06025-08	BOLT FLANGE SH 6*25	BOLT FLANGE SH 6*25	3	

E08

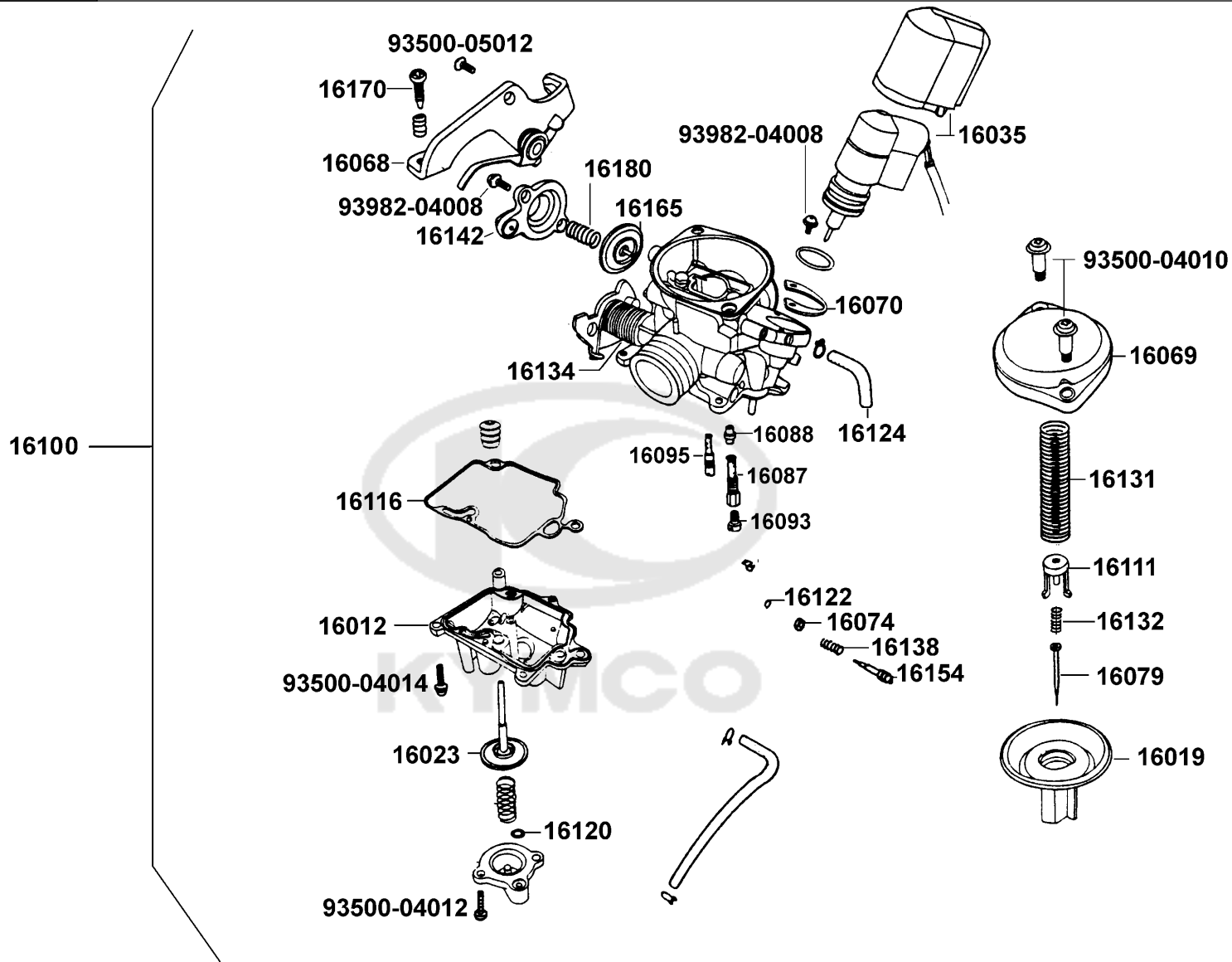
Transmission



Sales mark	Ref no	Part no	Description	Reg description	Regd no	E08
21200		21200-LCD2-C00	CASE COMP MISSION	CASE COMP MISSION	1	
21395		21395-LCD2-C00	GASKET MISSION CASE@A	GASKET MISSION CASE@A	1	
23411		23411-LCD2-C00	SHAFT DRIVE	SHAFT DRIVE	1	
23420		23420-LCD2-C00	SHAFT COMP COUNTER	SHAFT COMP COUNTER	1	
23432		23432-LCD2-C00	GEAR FINAL	GEAR FINAL	1	
23431		2343A-LEJ2-E10	SHAFT FINAL	SHAFT FINAL	1	
91003		91003-KDS4-C00	BRG BALL RADIAL 6301TMB	BRG BALL RADIAL 6301TMB	1	
91009		91009-GLE0-C00	BRG BALL RADIAL 6004 UU	BRG BALL RADIAL 6004 UU	1	
91255		91255-LDC8-E10	OIL SEAL 27*42*7	OIL SEAL 27*42*7	1	
94301		94301-10160	DOWEL PIN 10*16	DOWEL PIN 10*16	2	
94510		94510-20000	CIR CLIP EX 20	CIR CLIP EX 20	1	
96100		96100-60020-00	BRG BALL RADIAL 6002	BEARING BALL RADIAL 6002	1	

E09

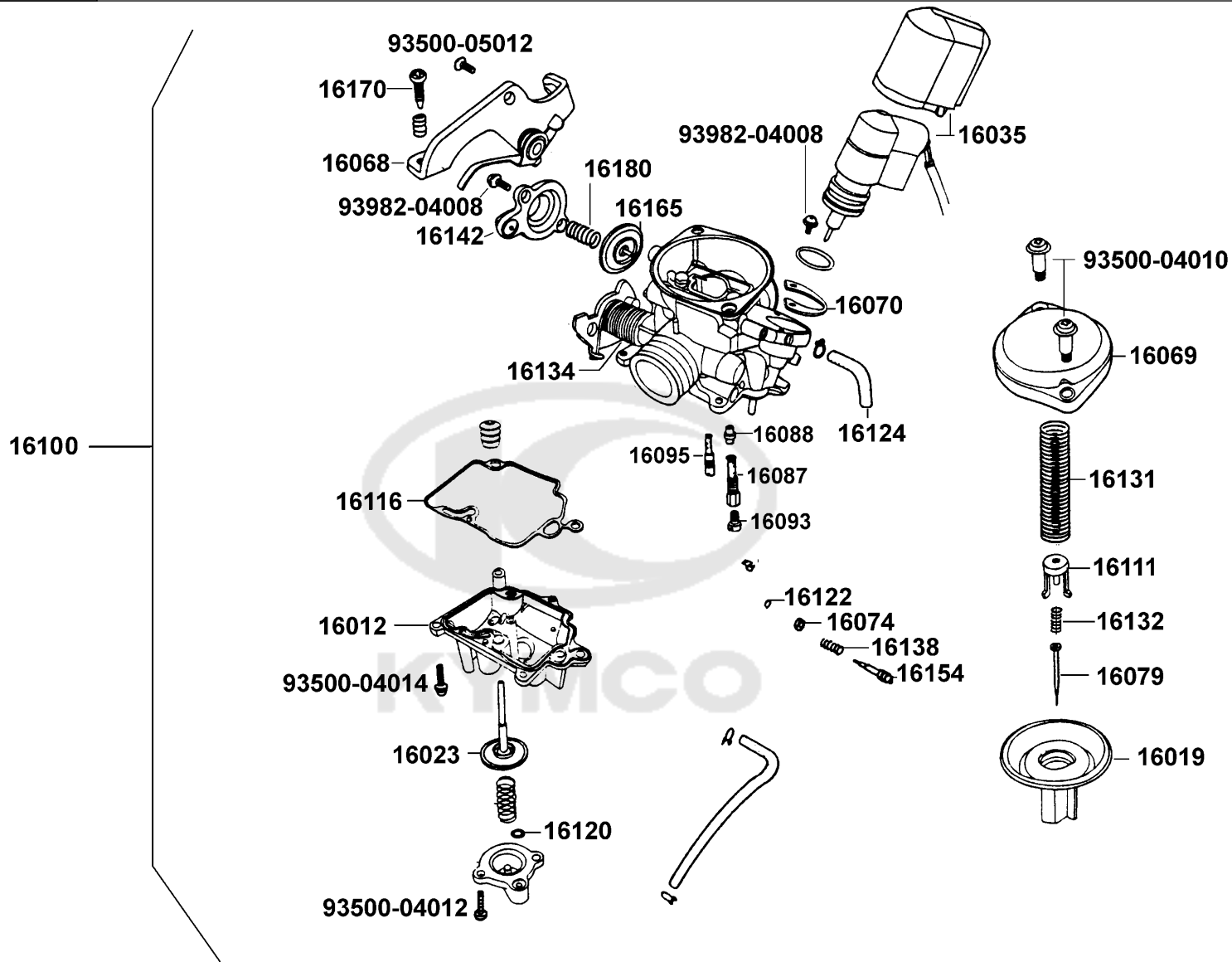
Carburetor



Sales mark	Ref no	Part no	Description	Reg description	Regd no	E09
	16012	16012-LDC8-E10	CHAMBER COMPL FLOAT	CHAMBER FLOAT ASSY	1	
	16019	16019-KGC5-900	VALVE ASSY PISTON	VALVE ASSY PISTON	1	
	16023	16023-KGC5-900	DIAPHRAGM ASSY ACCP	DIAPHRAGM ASSY ACCP	1	
	16035	16035-LDC8-E10	UNIT BY-ST	"UNIT,BY-ST"	1	
	16068	16068-KGC5-900	PLATE WIRE FIXED COMP	PLATE WIRE FIXED COMP	1	
	16069	16069-KHC4-900	COVER PISTON VALVE DIAPHRAGM	COVER PISTON VALVE DIAPHRAGM	1	
	16070	16070-KEC3-900	STOPPER BY-ST	STOPPER BY-ST	1	
	16074	16074-KEC3-900	WASHER IDLE SCREW	WASHER IDLE ADJUST SCREW	1	
	16079	16079-KHC4-900	NEEDLE ASSY JET	NEEDLE ASSY JET	1	
	16087	16087-LDC8-E10	TUBE MAIN EMULSION	TUBE MAIN EMULSION	1	
	16088	16088-KEC5-900	JET NEEDLE	JET NEEDLE	1	
	16093	16093-KEC3-9000	JET MAIN	JET MAIN	1	
	16095	16095-KEC3-9000	JET SLOW	JET SLOW	1	
#	16100	16100-LEJ2-E10	CARBURETOR ASSY	CARBURETOR ASSY	1	
#		16100-LEJ2-E90	CARBURETOR ASSY	CARBURETOR ASSY	1	
	16111	16111-KEC3-900	STOPPER J.N SPG	STOPPER J.N SPG	1	
	16116	16116-KGC5-900	PACKING FLOAT CHAMBER	PACKING FLOAT CHAMBER	1	
	16120	16120-KEC3-900	O-RING ACCP	O-RING ACCP	1	
	16122	16122-KEC3-900	O-RING IDLE SCREW	O-RING IDLE SCREW	1	
	16124	16124-KEC3-9000	TUBE COMPL 3.5*300	TUBE COMPL 3.5*300	1	

E09

Carburetor



Sales mark	Ref no	Part no	Description	Reg description	Regd no	E09
16131		16131-KGC6-900	SPG PISTON VALVE RETURN	"SPG,PISTON VALVE RETURN"	1	
16132		16132-KEC3-900	SPG JET NEEDLE	SPRING JET NEEDLE	1	
16134		16134-KGC5-900	SPG THROTTLE SHAFT	SPG THROTTLE SHAFT	1	
16138		16138-KGC5-900	SPRING IDLE ADJUST SCREW	SPG IDLE ADJ SCREW	1	
16142		16142-KGC5-900	COVER ACV	COVER ACV	1	
16154		16154-KGC5-900	SCREW IDLE ADJUST	SCREW IDLE ADJUST	1	
16165		16165-KGC5-900	DIAPHRAGM	DIAPHRAGM COMP	1	
16170		16170-KGC5-900	SCREW THROTTLE ADJ	SCREW THROTTLE ADJ	1	
16180		16180-KGC5-900	SPG ACV	SPRING ACV	1	
93500-04010		93500-04010-1A	SCREW 4*10	SCREW PAN 4*10	2	
93500-04012		93500-04012-1A	SCREW 4*12	SCREW PAN 4*12	1	
93500-04014		93500-04014-1A	SCREW 4*12	SCREW PAN 4*14	1	
93500-05012		93500-05012-1A	SCREW 5*12	SCREW PAN 5*12	1	
93892		93892-04008-18	SCREW WASHER 4*8	SCREW WASHER	2	

F01

Head Light

93903-35320



93903-34220

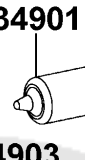


33100

93903-34220



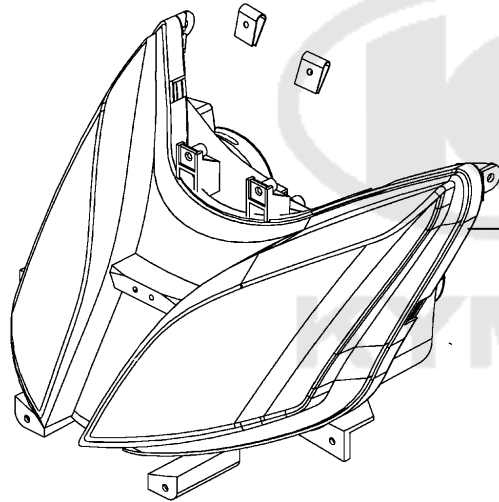
34901



34903



33102



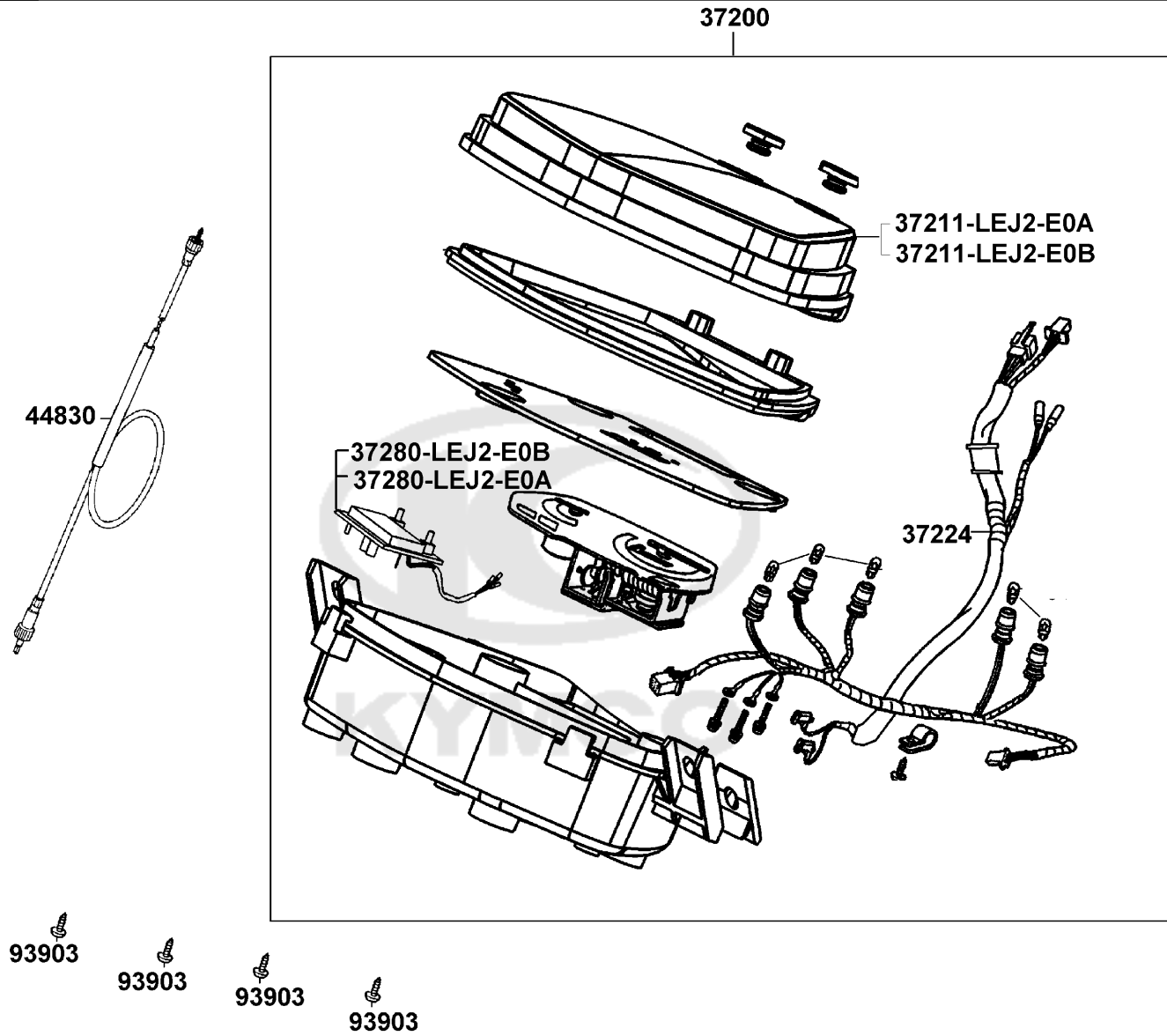
93903-35320

Sales mark	Ref no	Part no	Description	Reg description	Regd no	F01
	33100	33100-LEJ2-E10	LIGHT ASSY HEAD	LIGHT ASSY HEAD	1	
	33102	33102-LEJ2-E10	LENS HEAD LIGHT	"LENS,HEAD LIGHT"	1	
#	34901	34901-LDC8-E10	BULB HEAD LIGHT	BULB HEAD LIGHT	1	
	34903	34903-KPCP-900	BULB POSITION	BULB POSITION	2	
	93903-34220	93903-34220	SCREW TAPPING 4*10	SCREW TAPPING 4*12 (C)	4	
	93903-35320	93903-35320	SCREW TAPPING 5*16	SCREW TAPPING 5*16	2	



F02

Speedometer

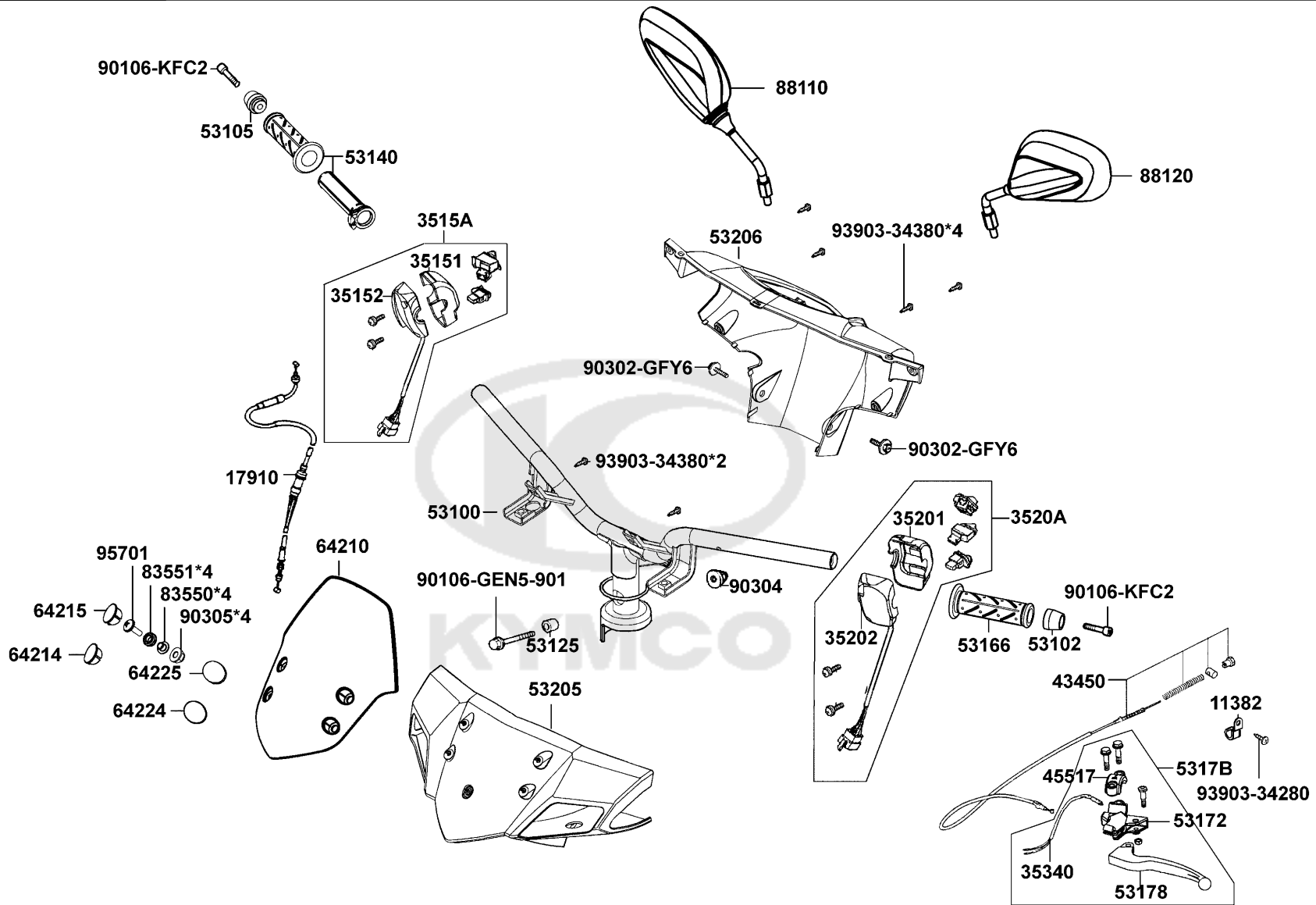


Sales mark	Ref no	Part no	Description	Reg description	Regd no	F02
	37200	37200-LEJ2-E0A	METER ASSY SPEED	METER ASSY SPEED	1	
	37211-LEJ2-E0A	37211-LEJ2-E0A	LENS COMP METER	LENS COMP METER	1	
	37211-LEJ2-E0B	37211-LEJ2-E0B	LENS COMP METER	LENS COMP METER	1	
	37224	37224-LEJ2-E10	"SOCKET COMOP,METER"	"SOCKET COMOP,METER"	1	
	37280-LEJ2-E0A	37280-LEJ2-E0A	LCD ASSY (LOCK)	LCD ASSY (LOCK)	1	
	37280-LEJ2-E0B	37280-LEJ2-E0B	LCD ASSY (LOCK)	LCD ASSY (LOCK)	1	
	44830	44830-LCD3-C00	CABLE COMP SPDMT	CABLE COMP SPDMT	1	
	93903	93903-35320	SCREW TAPPING 5*16	SCREW TAPPING 5*16	4	



F03

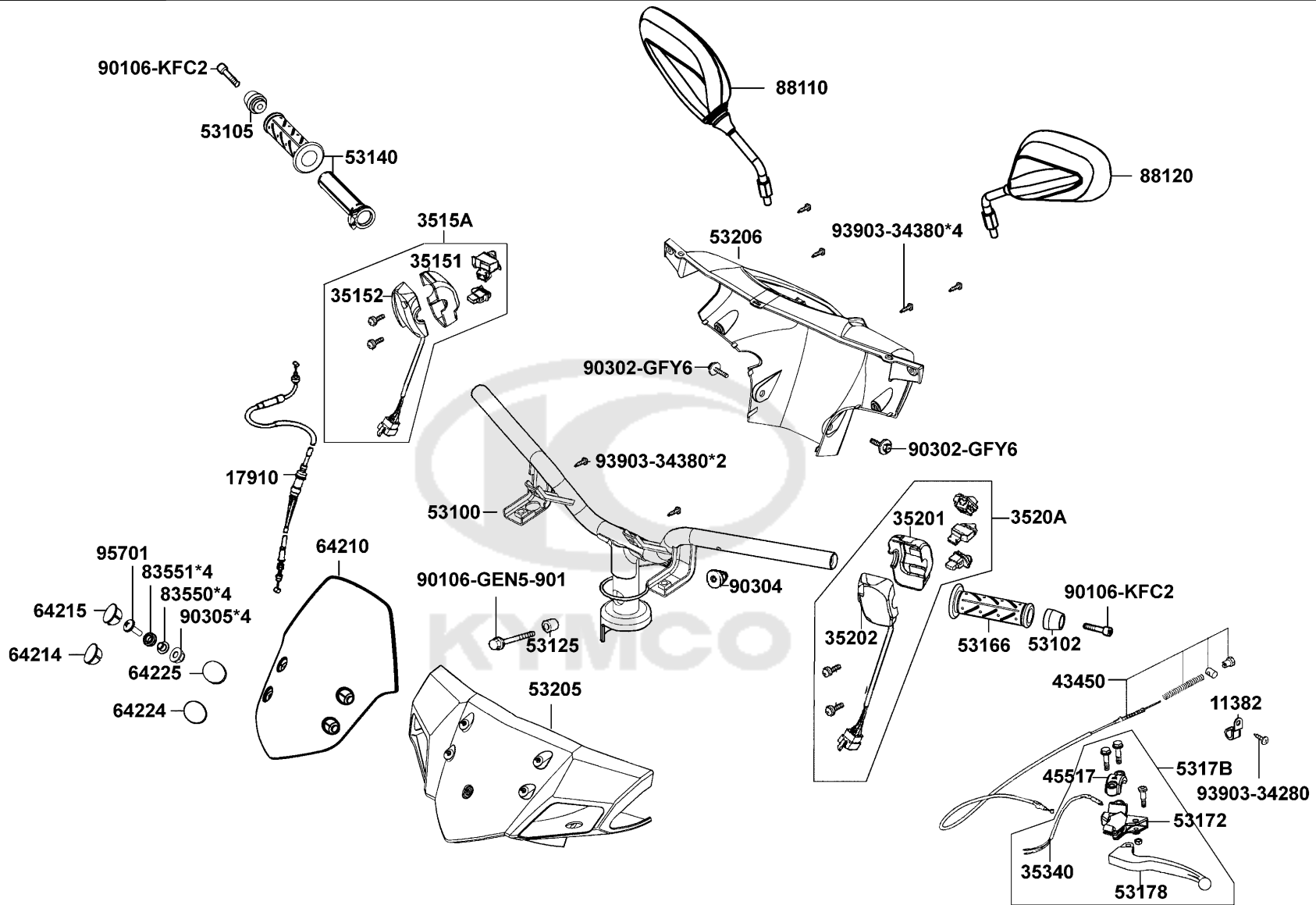
Handle Steering Handle Cover



Sales mark	Ref no	Part no	Description	Reg description	Regd no	F03
	11382	11382-KHB4-C00	CLAMPER BRAKE CABLE	CLAMPER BRAKE CABLE	1	
	17910	17910-LCD2-C00	CABLE COMP THROT	CABLE COMP THROT	1	
	35151	35151-KGBG-C00	FR CASE RH HNDL COMP SW	FR CASE RH HNDL COMP SW	1	
	35152	35152-LGB5-E10	RR CASE RH HNDL COMP SW	RR CASE RH HNDL COMP SW	1	
#	3515A	3515A-LGB5-E10	SW ASSY RH HANDLE COMP	SW ASSY RH HANDLE COMP	1	
	35201	35201-KGBG-C00	FR CASE LH HNDL COMP SW	FR CASE LH HNDL COMP SW	1	
	35202	35202-LGB5-E10	RR CASE LH HNDL SW COMP	RR CASE LH HNDL SW COMP	1	
	3520A	3520A-LGB5-E10	SW ASSY LH HANDLE COMP	SW ASSY LH HANDLE COMP	1	
	35340	35340-KKJ9-C00	SW ASSY FR STOP	SW ASSY FR STOP	1	
	43450	43450-LEJ2-E10	CABLE COMP RR BRK.	CABLE COMP RR BRK.	1	
	45517	45517-GFY6-900	HOLDER HNDL BRKT	HOLDER HNDL BRKT	1	
	53100	53100-LEJ2-E10	HANDLE COMP STRG	HANDLE COMP STRG	1	
	53102	53102-KEC8-C00	END HANDLE	END HANDLE	1	
	53105	53105-LBB5-C00	SPG RR BRK ARM	SPG RR BRK ARM	1	
	53125	53125-GEN5-C00	COLLAR HANDLE SET	COLLAR HANDLE SET	1	
	53140	53140-LEJ2-E10	GRIP COMP THROT	GRIP COMP THROT	1	
	53166	53166-LEJ2-E10	GRIP L HANDLE	GRIP L HANDLE	1	
	53172	53172-KTCT-C00	BRKT HNDL L	BRKT HNDL L	1	
**		53178-LCD1-C00	LEVER STEERING HANDLE	LEVER STEERING HANDLE	1	
	53178	53178-LCD1-E00	LEVER STEERING HANDLE	LEVER STEERING HANDLE	1	

F03

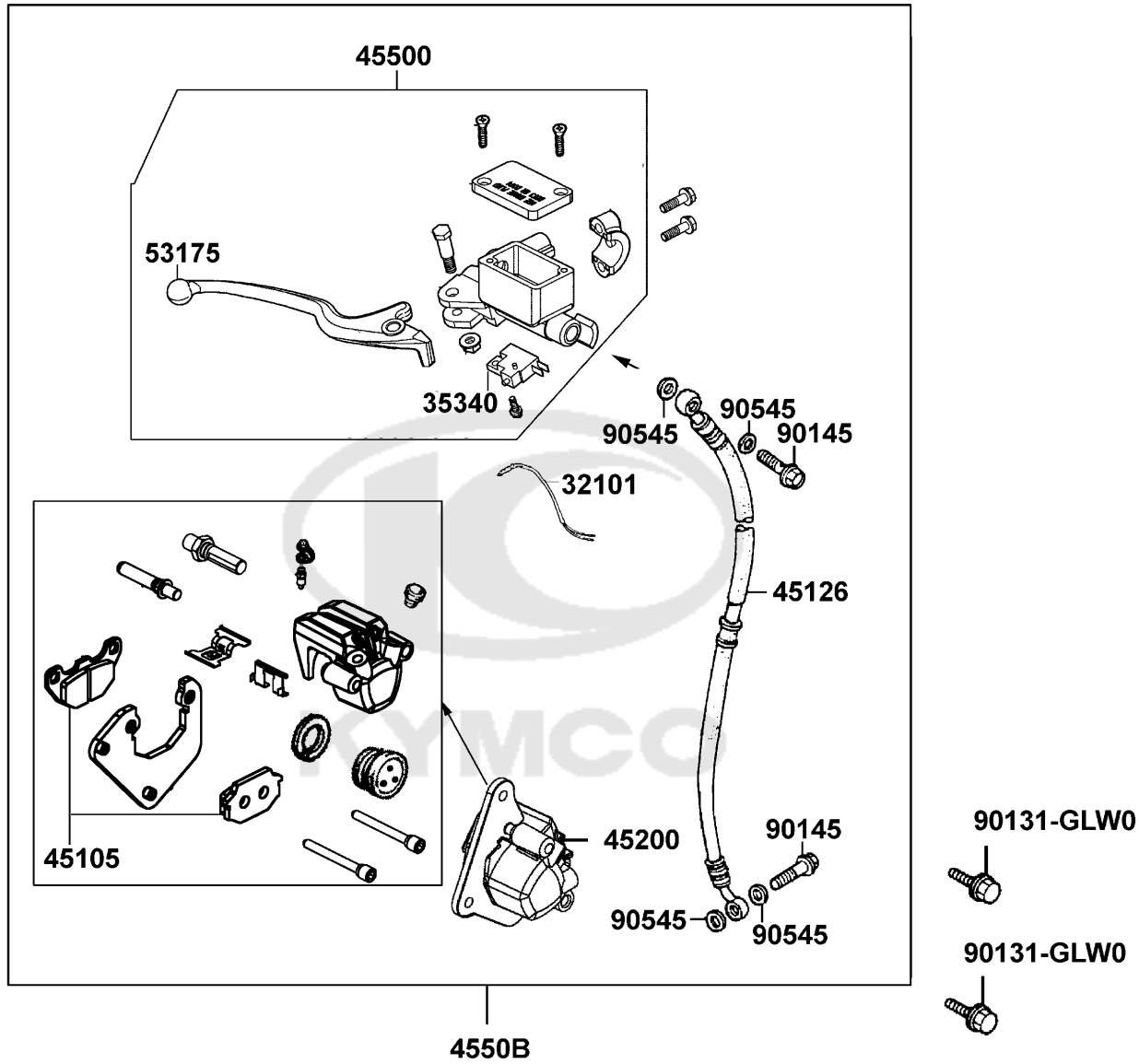
Handle Steering Handle Cover



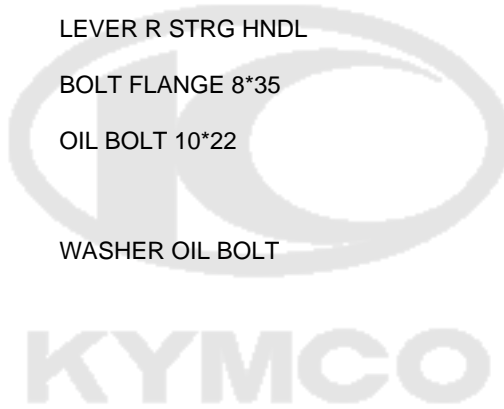
Sales mark	Ref no	Part no	Description	Reg description	Regd no	F03
	5317B	5317B-LCD1-C00	BRKT ASSY HNDL LH	BRKT ASSY HNDL LH	1	
**	53205	53205-LEJ2-E10	COVER HANDLE FR	COVER HANDLE FR	1	
	53206	53206-LEJ2-E10	COVER HANDLE RR	COVER HANDLE RR	1	
	64210	64210-LEJ2-E10	ASSY METER VISOR	ASSY METER VISOR	1	
	64214	64214-LEJ2-E10	COVER R UP VISOR	COVER R UP VISOR	1	
	64215	64215-LEJ2-E10	COVER R DOWN VISOR	COVER R DOWN VISOR	1	
	64224	64224-LEJ2-E10	COVER L UP VISOR	COVER L UP VISOR	1	
	64225	64225-LEJ2-E10	COVER L DOWN VISOR	COVER L DOWN VISOR	1	
	83550	83550-KEC8-C00	COLLAR SET METER	COLLAR SET METER	1	
	83551	83551-KEC8-C10	GROMMET COVER	GROMMET COVER	4	
**	88110	88110-LEB5-C10	MIRROR ASSY R BACK	MIRROR ASSY R BACK	1	
**	88120	88120-LEB5-C10	MIRROR ASSY L BACK	MIRROR ASSY L BACK	1	
	90106-GEN5	90106-GEN5-901	BOLT FLANGE 10*50	BOLT FLANGE 10*50	1	
	90106-KFC2	90106-KFC2-900	BOLT SPECIAL 8MM	BOLT WASH 8MM	2	
	90302	90302-GFY6-C10	BOLT-WASH 5*16	BOLT-WASH 5*16	1	
	90304	90304-GHE8-C00	NUT U 10MM(C)	NUT U 10MM(C)	1	
	90305	90305-GHK8-C00	NUT CLIP 6MM	NUT CLIP 6MM	1	
	93903-34280	93903-34280	SCREW TAPPING 4*10 (K)	SCREW TAPPING 4*10 (K)	1	
	93903-34380	93903-34380	SCREW TAPPING 4*12	SCREW TAPPING 4*12	6	
	95701	95701-06020-08	SCREW FLANGE 6*20	BOLT FLANGE 6*20	4	

F04

Brake Master Cylinder

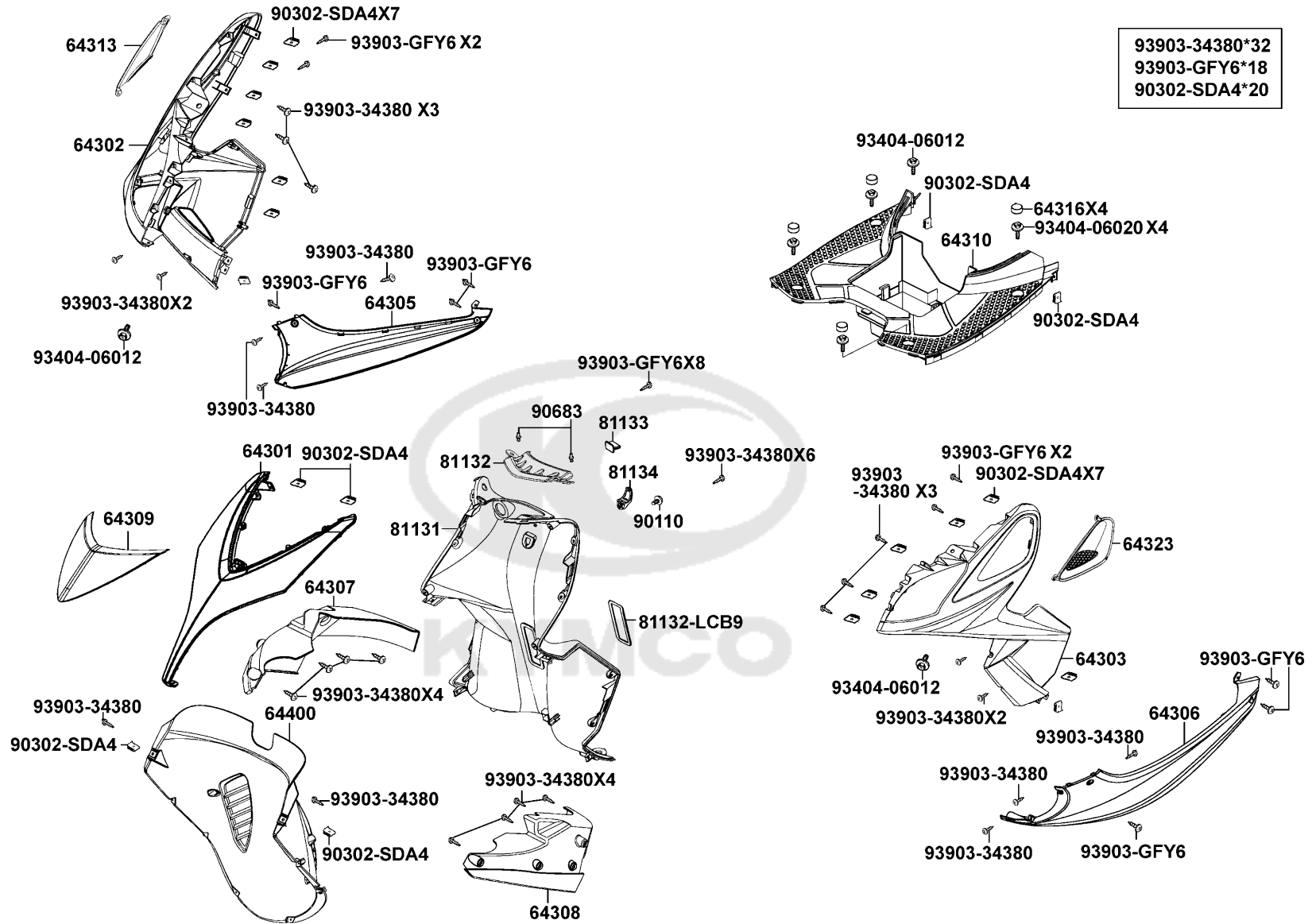


Sales mark	Ref no	Part no	Description	Reg description	Regd no	F04
32101		32101-GFY6-C00	SUB CORD R	SUB CORD R	1	
35340		35340-KNBN-901	SW ASSY FR STOP	SW ASSY FR STOP	1	
45105		45105-LEJ2-305	PAD COMP A+B	PAD COMP A+B	1	
45126		45126-LDC8-E10	HOSE ASSY FR BRAKE	HOSE ASSY FR BRAKE	1	
45200		45200-LEJ2-E1A	CALIPER ASSY FR LH	CALIPER ASSY FR LH	1	
45500		45500-LDC8-E10	M/C ASSY FR	M/C ASSY FR	1	
4550B		4550B-LEJ2-E10	SUB ASSY FR BRK	SUB ASSY FR BRK	1	
53175		53175-LDC8-E10	LEVER R STRG HNDL	LEVER R STRG HNDL	1	
90131		90131-GLW0-C00	BOLT FLANGE 8*35	BOLT FLANGE 8*35	1	
90145		90145-9A61-C00	OIL BOLT 10*22	OIL BOLT 10*22	1	
90545		90545-3L00-C00	WASHER OIL BOLT	WASHER OIL BOLT	1	



F05

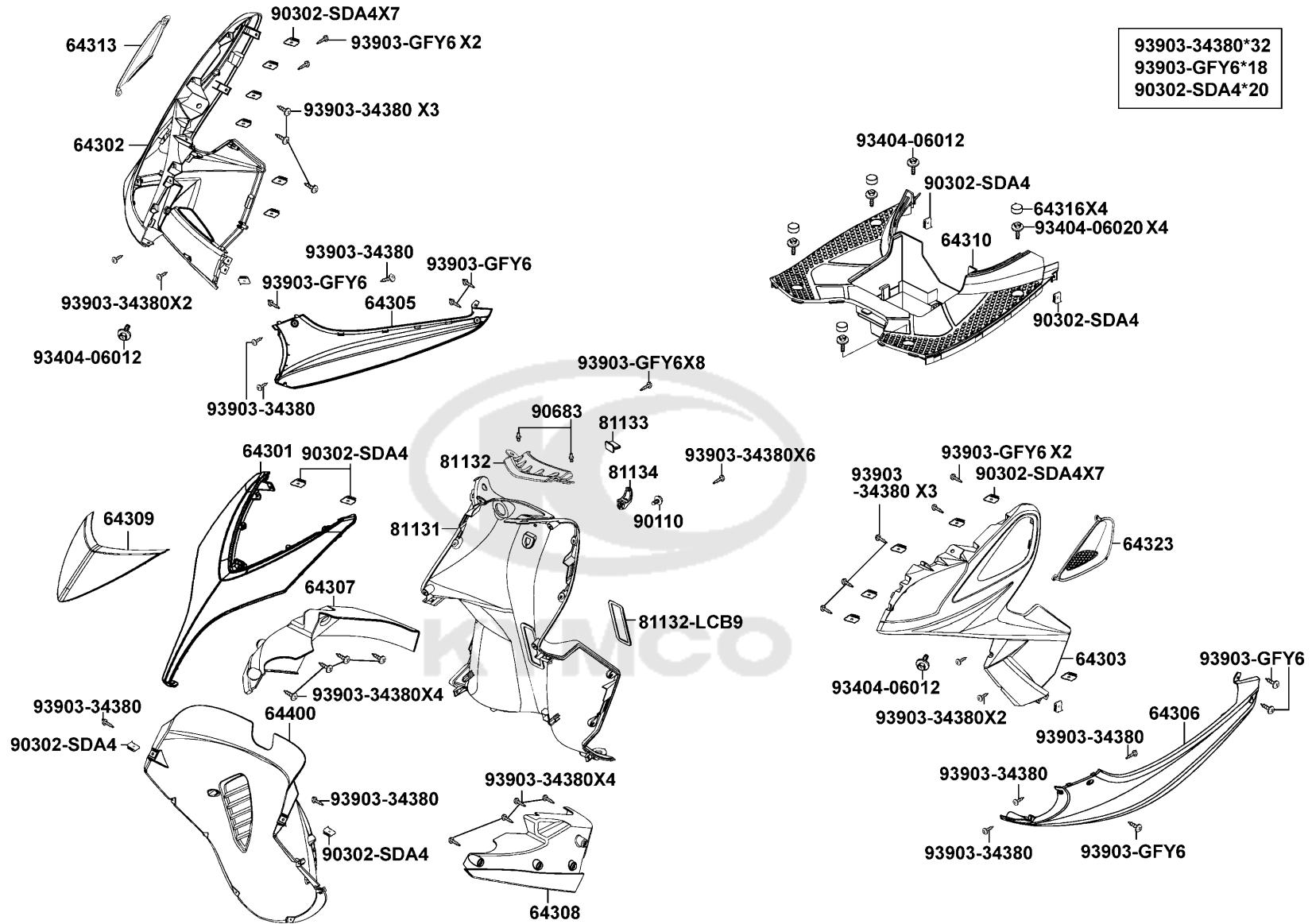
Front Cover Front Fender



Sales mark	Ref no	Part no	Description	Reg description	Regd no	F05
**	64301	64301-LEJ2-E10	COVER FR	COVER FR	1	
**	64302	64302-LEJ2-E10	MOLE R SIDE	MOLE R SIDE	1	
**	64303	64303-LEJ2-E10	COVER FR TOP	COVER FR TOP	1	
**	64305	64305-LEJ2-E10	SKIRT R SIDE	SKIRT R SIDE	1	
**	64306	64306-LEJ2-E10	SKIRT L SIDE	SKIRT L SIDE	1	
	64307	64307-LEJ2-E10	COVER R SIDE MOLD	COVER R SIDE MOLD	1	
	64308	64308-LEJ2-E10	COVER L SIDE MOLD	COVER L SIDE MOLD	1	
**	64309	64309-LEJ2-E10	COVER FR TOP	COVER FR TOP	1	
**	64310	64310-LEJ2-E10	FLOOR PANEL	FLOOR PANEL	1	
	64313	64313-LEJ2-E10	GRILL R SIDE MOLD	GRILL R SIDE MOLD	1	
	64316	64316-LCB9-C10	PLUG FLOOR	PLUG FLOOR	4	
	64323	64323-LEJ2-E10	GRILL L SIDE MOLD	GRILL L SIDE MOLD	1	
	64400	64400-LEJ2-E10	COWL UNDER	COWL UNDER	1	
	81131	81131-LEJ2-E10	LEG SHIELD UP	LEG SHIELD UP	1	
	81132-LCB9	81132-LCB9-C10	Xc	Xc	1	
**	81132-LEJ2	81132-LEJ2-E10	LID INNER BOX	LID INNER BOX	1	
	81133	81133-KGBG-C00	STOPPER LUGGAGE	STOPPER LUGGAGE	1	
**	81134	81134-KGBG-9000	HOOK LUGGAGE	HOOK LUGGAGE	1	
	90110	90110-KEB7-C00	SCREW SPECIAL 6*14	SCREW SPECIAL 6*14	1	
	90302-SDA4	90302-SDA4-C00	NUT SPRING 4MM	NUT SPRING 4MM	1	

F05

Front Cover Front Fender



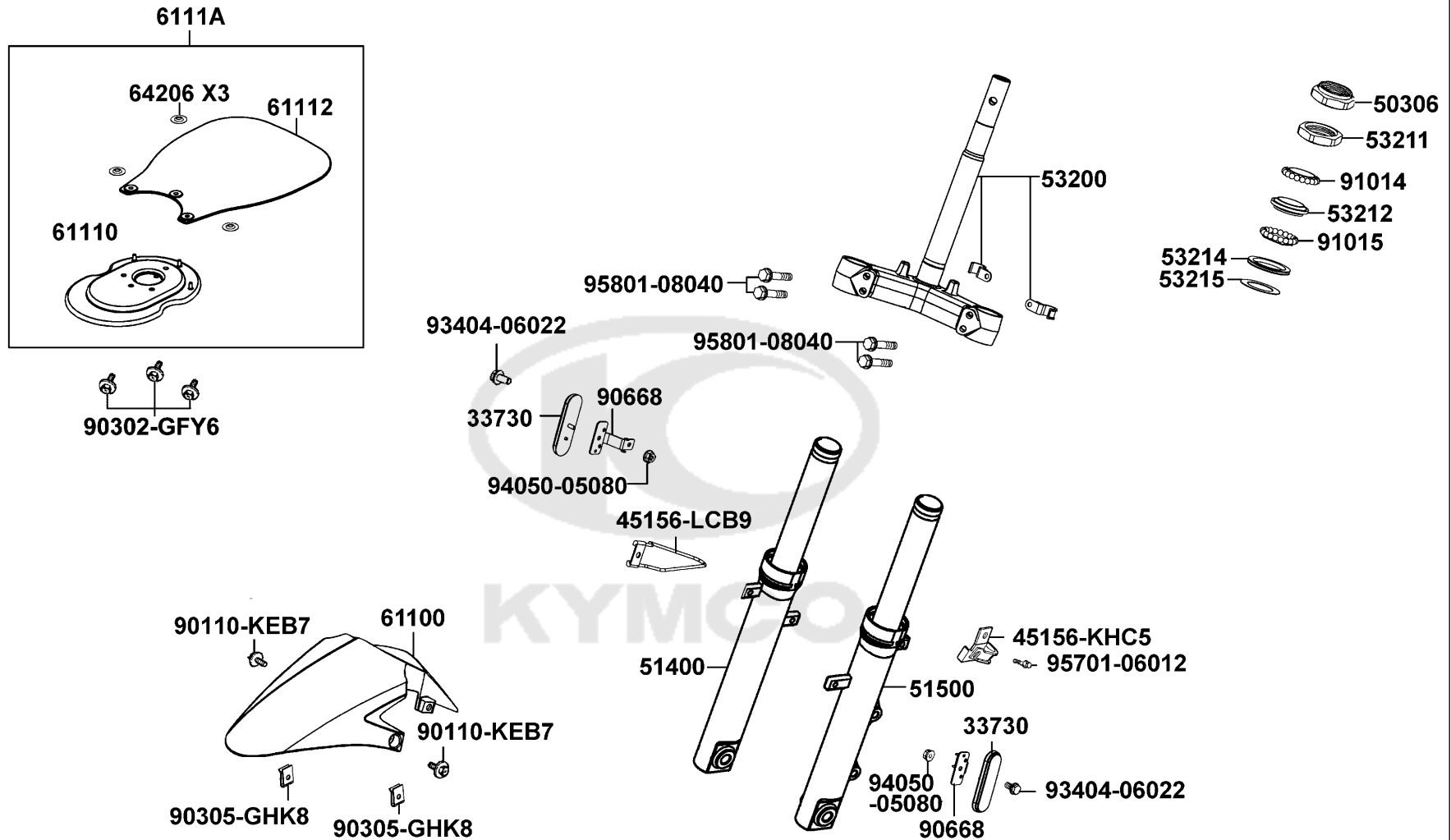
Sales mark	Ref no	Part no	Description	Reg description	Regd no	F05
------------	--------	---------	-------------	-----------------	---------	------------

90683	90683-GAR1-C00	90683-GAR1-C00	CLIP BODY COVER	CLIP BODY COVER	1	
93404-06012	93404-06012-07	93404-06012-07	BOLT WASH 6*12	BOLT WASH 6*12	3	
93404-06020	93404-06020-07	93404-06020-07	BOLT WASHER 6*20 (K)	BOLT WASHER 6*20 (K)	4	
93903-34380	93903-34380	93903-34380	SCREW TAPPING 4*12	SCREW TAPPING 4*12	33	
93903-GFY6	93903-GFY6-C00	93903-GFY6-C00	SCREW TAPPING 4*14	SCREW TAPPING 4*14	1	



F06

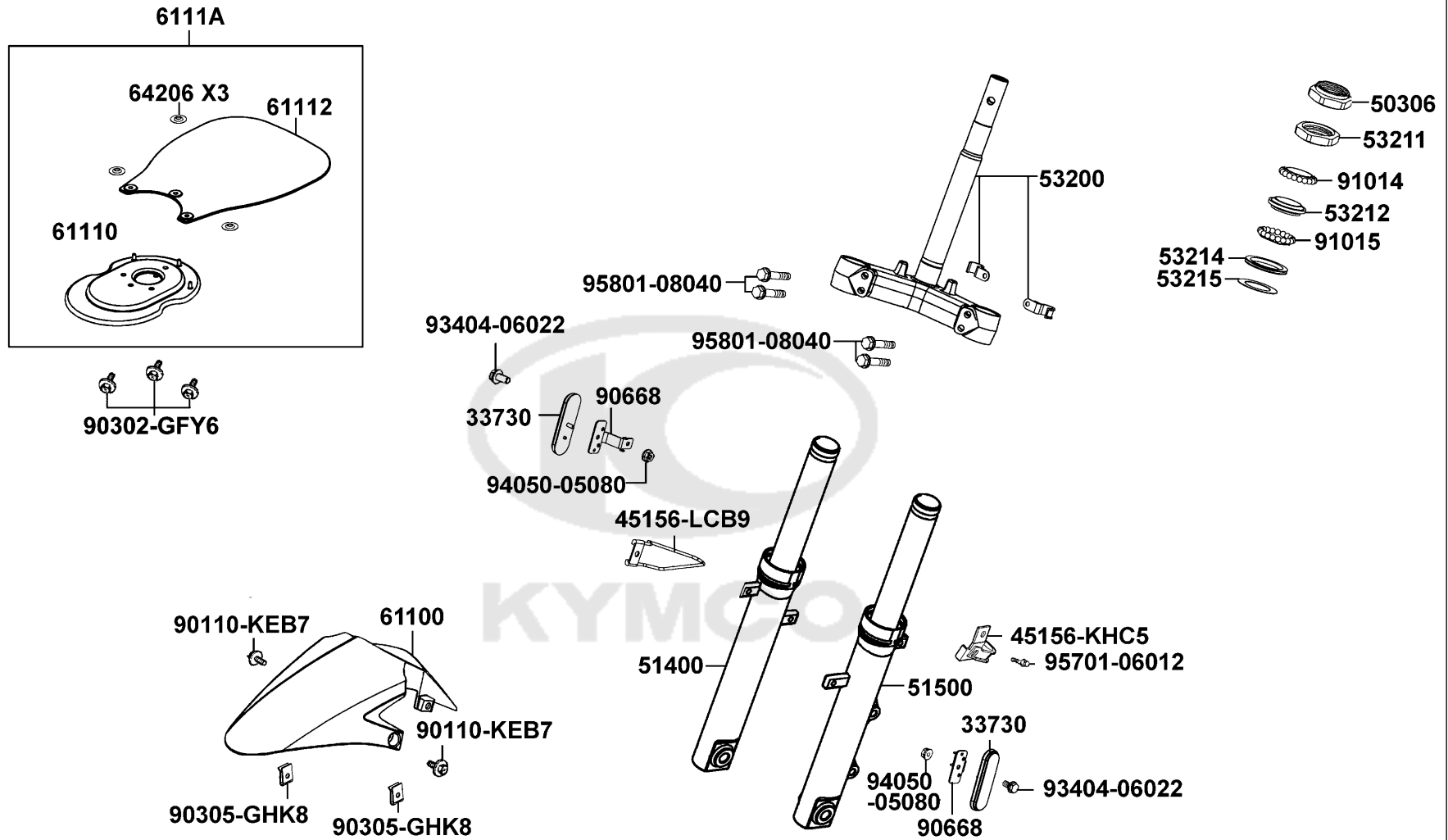
Stem Steering Front Cushion



Sales mark	Ref no	Part no	Description	Reg description	Regd no	F06
	33730	33730-LDC8-M30	"REFLEX REFLECTOR, R SIDE"	"REFLEX REFLECTOR, R SIDE"	2	
	45156-KHC5	45156-KHC5-E10	CLAMPER FR BRAKE HOSE	CLAMPER BRAKE HOSE	1	
	45156-LCB9	45156-LCB9-B20	CLAMPER FR SPDMT CABLE	CLAMPER FR SPDMT CABLE	1	
	50306	50306-1F96-C00	NUT STRG STEM LOCK	NUT STRG STEM LOCK	1	
	51400	51400-LEJ2-E10	FORK ASSY RH FR	FORK ASSY RH FR	1	
	51500	51500-LEJ2-E10	FORK ASSY LH FR	FORK ASSY LH FR	1	
	53200	53200-LEJ2-E10	STEM COMP STRG	STEM COMP STRG	1	
	53211	53211-GFY6-C00	RACE STRG TOP CONE	RACE STRG TOP CONE	1	
	53212	53212-2L50-C00	RACE (STRG BOTTOM) CONE	RACE (STRG BOTTOM) CONE	1	
	53214	53214-2L50-C00	DUST SEAL STRG HEAD	DUST SEAL STRG HEAD	1	
	53215	53215-2L50-C00	WASHER STRG HDL DUST-SEAL	WASHER STRG HDL DUST-SEAL	1	
**	61100	61100-LEJ2-E10	FENDER FR	FENDER FR	1	
	61110	61110-LDC8-E90	FENDER FR INNER	FENDER FR INNER	1	
	61112	61112-LDC8-E90	PLATE FR INNER SPLASH GUARD	PLATE FR INNER SPLASH GUARD	1	
	6111A	6111A-LDC8-E90	FENDERMFR. INNER ASSY	FENDERMFR. INNER ASSY	1	
	64206	64206-MLJ0-C00	NUT SPEED 4MM	NUT SPEED 4MM	1	
	90110	90110-KEB7-C00	SCREW SPECIAL 6*14	SCREW SPECIAL 6*14	1	
	90302	90302-GFY6-C10	BOLT-WASH 5*16	BOLT-WASH 5*16	1	
	90305	90305-GHK8-C00	NUT CLIP 6MM	NUT CLIP 6MM	1	
	90668	90668-LEJ2-E10	STAY SIDE REFLECTOR	STAY SIDE REFLECTOR	2	

F06

Stem Steering Front Cushion



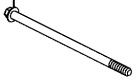
Sales mark	Ref no	Part no	Description	Reg description	Regd no	F06
	91014	91014-LLJ3-C00	CAGE STRG TOPP	CAGE STRG TOPP	1	
	91015	91015-LLJ3-C00	CAGE STRG BOT	CAGE STRG BOT	1	
	93404	93404-06022-07	BOLT WASHER 6*22 (K)	BOLT WASHER 6*22 (K)	2	
	94050	94050-05080	NUT FLANGE 5MM	NUT FLANGE 5MM	2	
	95701	95701-06012-08	BOLT FLANGE 6*12	BOLT FLANGE 6*12	1	
	95801	95801-08040-08	BOLT FLANGE 8*40	BOLT FLANGE 8*40	4	



F07

Front Wheel

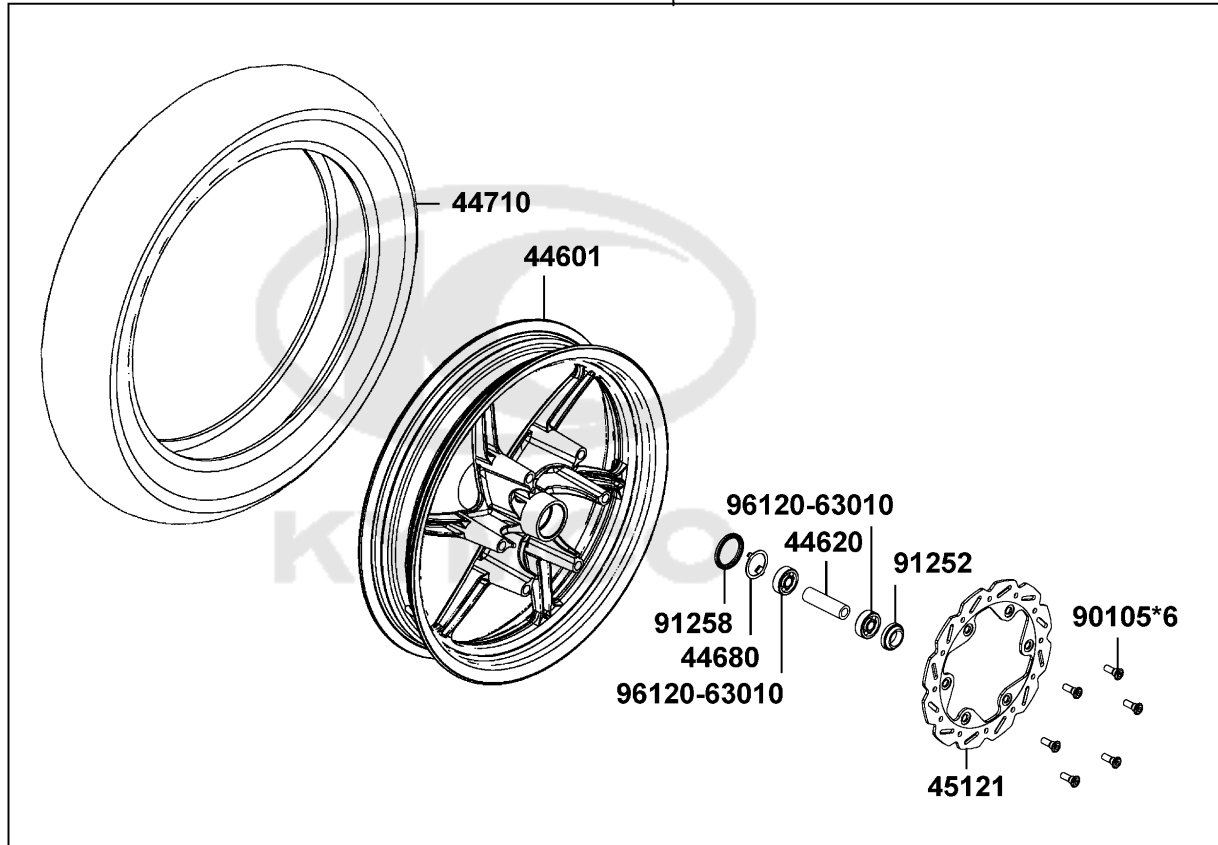
44301



44800



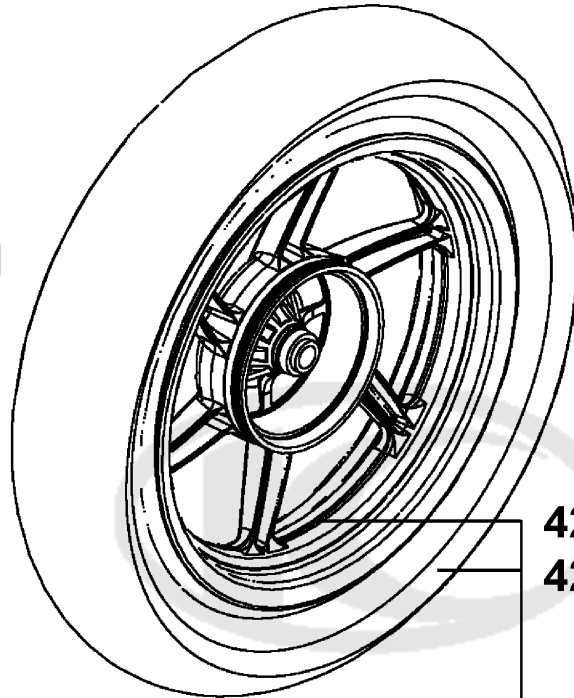
44600



Sales mark	Ref no	Part no	Description	Reg description	Regd no	F07
	44301	44301-LEJ2-E10	AXLE FR WHEEL	AXLE FR WHEEL	1	
#	44311	44311-KHB4-C00	COLLAR FR WHEEL SIDE	COLLAR FR WHEEL SIDE	1	
**		44600-LEJ2-E10	WHEEL ASSY FR	WHEEL ASSY FR	1	
**	44600	44600-LEJ2-E10	WHEEL ASSY FR	WHEEL ASSY FR	1	
**	44601	44601-LEJ2-E10	DUST SEAL 40*50*5	DUST SEAL 40*50*5	1	
	44620	44620-KFLF-C00	COLLAR FR DIST	COLLAR FR DIST	1	
	44680	44680-4L10-C00	RETAINER GEAR BOX	RETAINER GEAR BOX	1	
	44710	44710-LEJ2-E1A	TIRE ASSY FR	TIRE ASSY FR	1	
	44800	44800-LKD1-E10	GEAR BOX ASSY SPDMT	GEAR BOX ASSY SPDMT	1	
	45121	45121-LEJ2-E80	DISK FR BRK	DISK FR BRK	1	
	90105	90105-KCR3-001	BOLT FR DISK 8*24	BOLT FR DISK 8*24	5	
	90306	90306-KLF0-C00	NUT FLANGE 12MM	NUT FLANGE 12MM	1	
	91252	91252-0L30-004	OIL SEAL WHEEL 23*37*7	OIL SEAL WHEEL 23*37*7	1	
	91258	91258-4L10-007	DUST SEAL 40*50*5	DUST SEAL 40*50*5	1	
	96120	96120-63010-10	BEARING BALL RADIAL 6301	BEARING BALL RADIAL 6301	2	

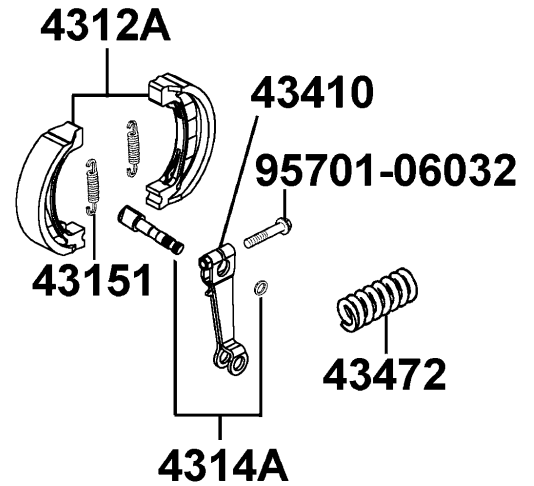
90305-KNBN

90501-KNBN

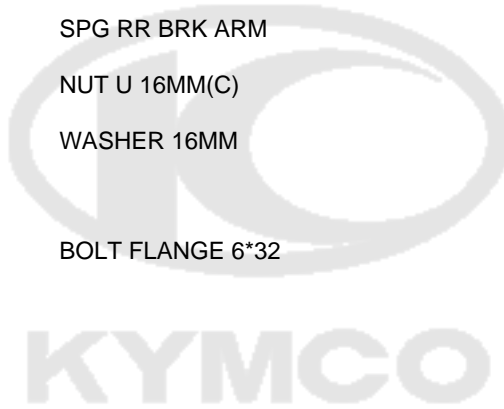


42601
42710

42600



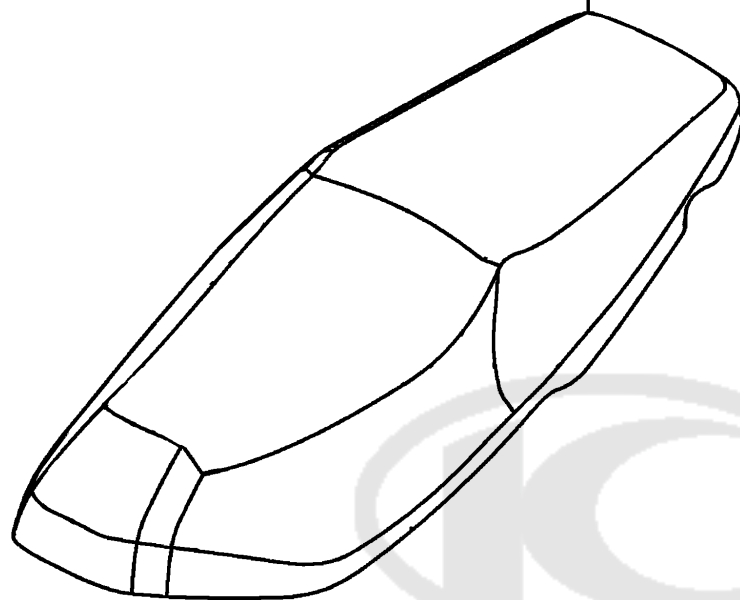
Sales mark	Ref no	Part no	Description	Reg description	Regd no	F08
**	42600	42600-LEJ2-E10	WHEEL ASSY RR	WHEEL ASSY RR	1	
**	42601	42601-LEJ2-E10	WHEEL CAST RR	WHEEL CAST RR	1	
	42710	42710-LEJ2-E10	TIRE ASSY REAR	TIRE ASSY REAR	1	
	4312A	4312A-KUDU-C00	SHOE ASSY RR BRAKE	SHOE ASSY RR BRAKE	1	
	4314A	4314A-LCD3-E00	CAM ASSY RR BRAKE	CAM ASSY RR BRAKE	1	
	43151	43151-KGM7-C00	SPRING BRAKE SHOE REAR	SPRING BRAKE SHOE REAR	1	
	43410	43410-KFA6-900	ARM RR BRAKE	ARM RR BRAKE	1	
	43472	43472-KHG8-C00	SPG RR BRK ARM	SPG RR BRK ARM	1	
	90305	90305-KNBN-C00	NUT U 16MM(C)	NUT U 16MM(C)	1	
	90501	90501-KNBN-C00	WASHER 16MM	WASHER 16MM	1	
	95701	95701-06032-08	BOLT FLANGE 6*32	BOLT FLANGE 6*32	1	



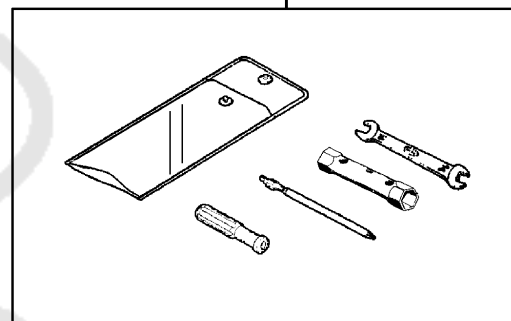
F09

Seat

77200

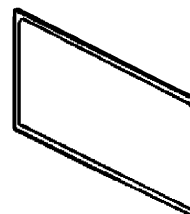


89010



94050-06080

94050-06080



89020

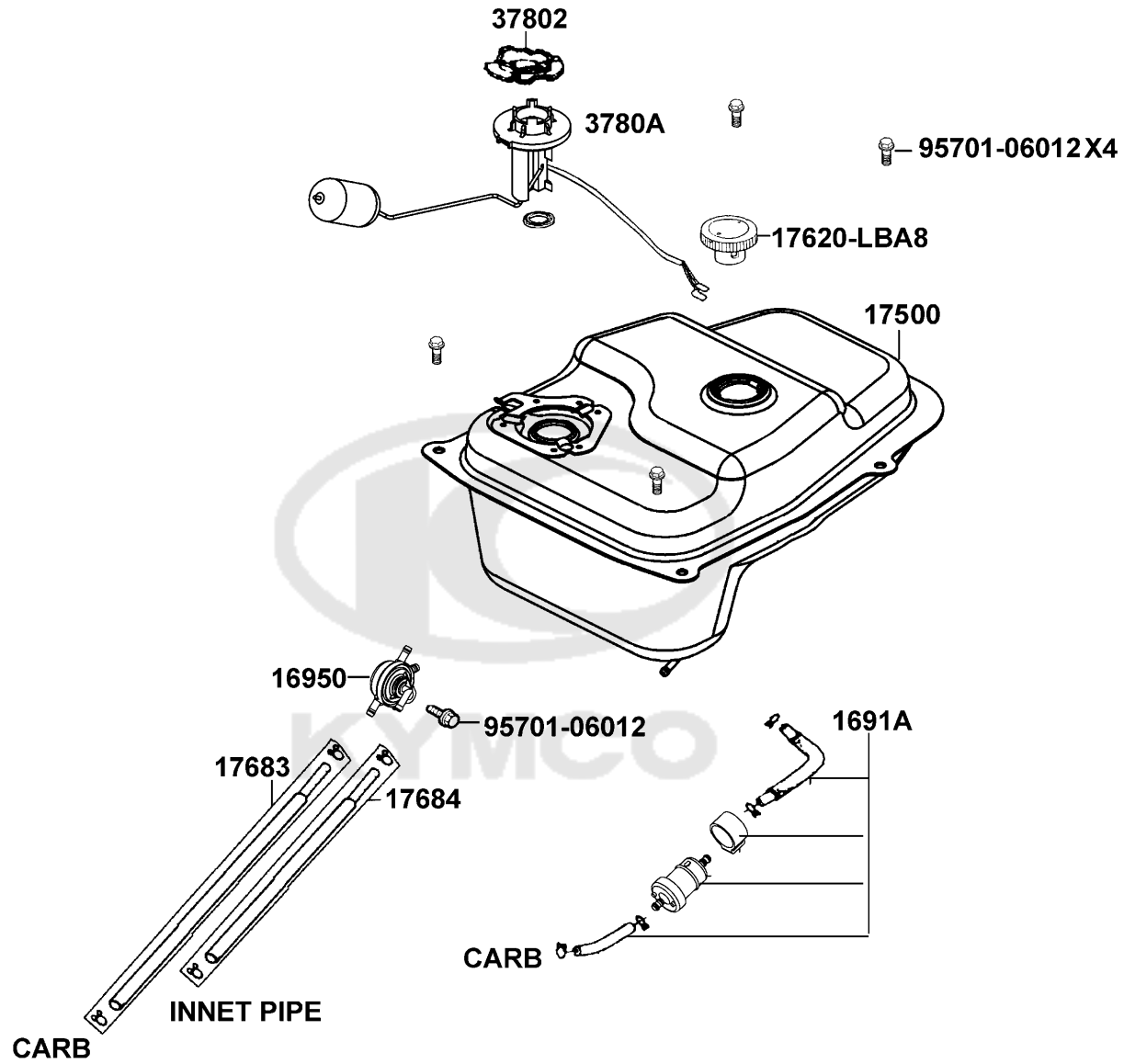
Sales mark	Ref no	Part no	Description	Reg description	Regd no	F09
------------	--------	---------	-------------	-----------------	---------	------------

	77200	77200-LEJ2-E10	SEAT ASSY	SEAT ASSY	1	
	89010	89010-KGBG-C00	TOOL SET	TOOL SET	1	
	89020	89020-KKC4-900	BAND TOOL SET	BAND TOOL SET	1	
#	94050	94050-06080	NUT FLANGE 6MM	NUT FLANGE 6MM	2	

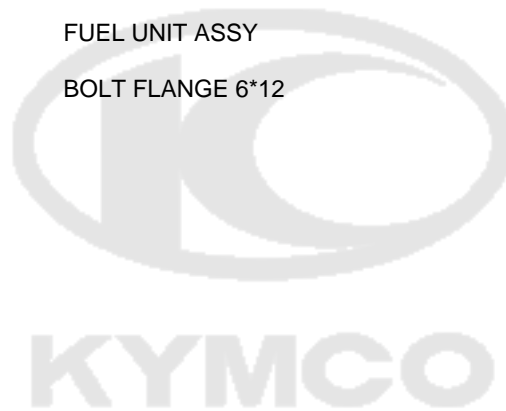


F10

Fuel Tank

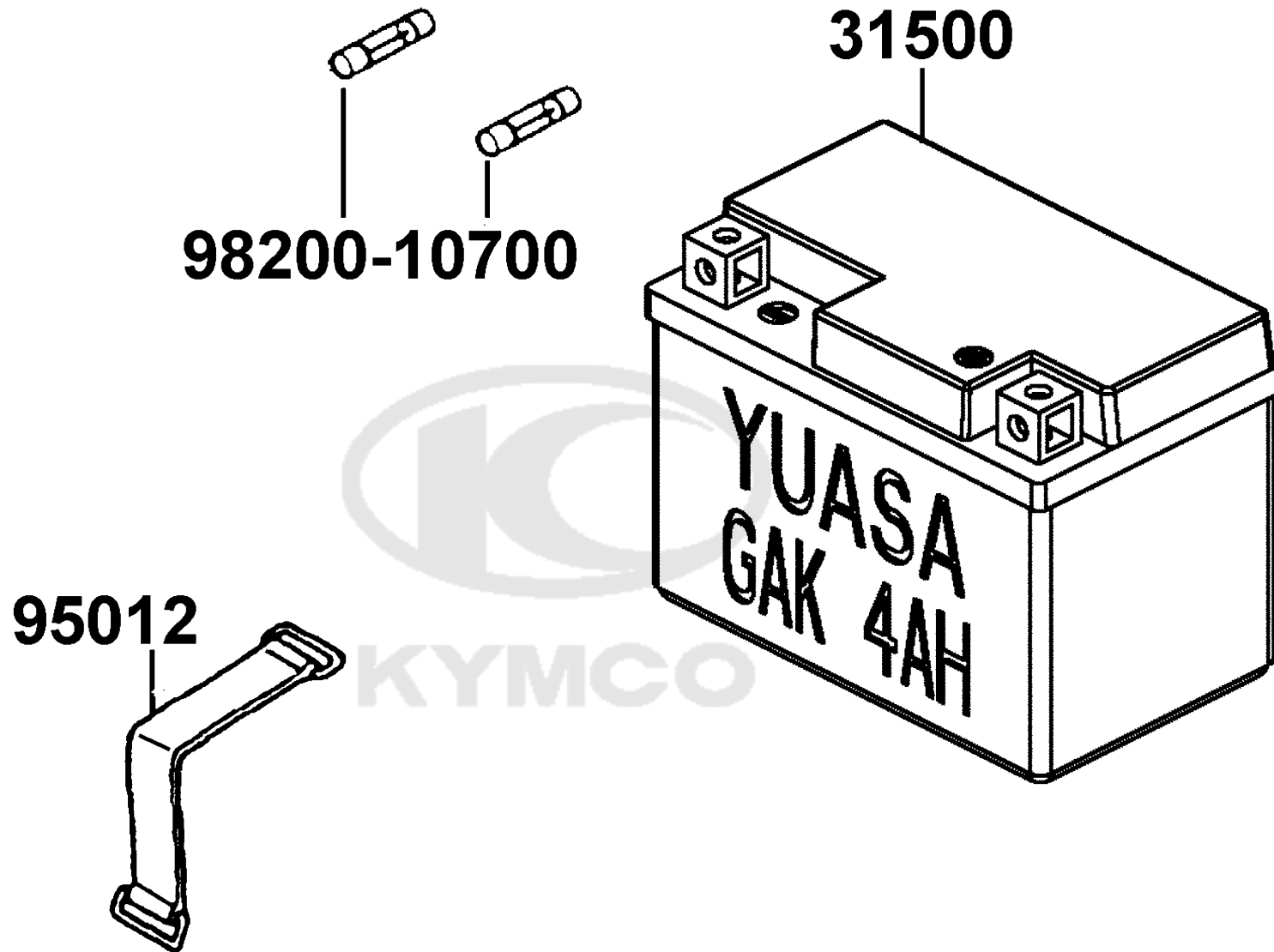


Sales mark	Ref no	Part no	Description	Reg description	Regd no	F10
	1691A	1691A-LEJ2-E10	STRAINER ASSY FUEL	STRAINER ASSY FUEL	1	
	16950	16950-LCA3-B50	AUTO COCK ASSY FUEL	AUTO COCK ASSY FUEL	1	
	17500	17500-LEJ2-E10	TANK COMP FUEL	TANK COMP FUEL	1	
	17620	17620-LBA8-C10	CAP FUEL FILLER	CAP FUEL FILLER	1	
	17683	17683-LEJ2-E10	TUBE ASSY FUEL	TUBE ASSY FUEL	1	
	17684	17684-LEJ2-E10	TUBE ASSY COCK-INLET PIPE	TUBE ASSY COCK-INLET PIPE	1	
	37802	37802-GGA7-C00	RET FUEL UNIT	RET FUEL UNIT	1	
	3780A	3780A-LEJ2-E10	FUEL UNIT ASSY	FUEL UNIT ASSY	1	
	95701	95701-06012-08	BOLT FLANGE 6*12	BOLT FLANGE 6*12	5	



F11

Battery



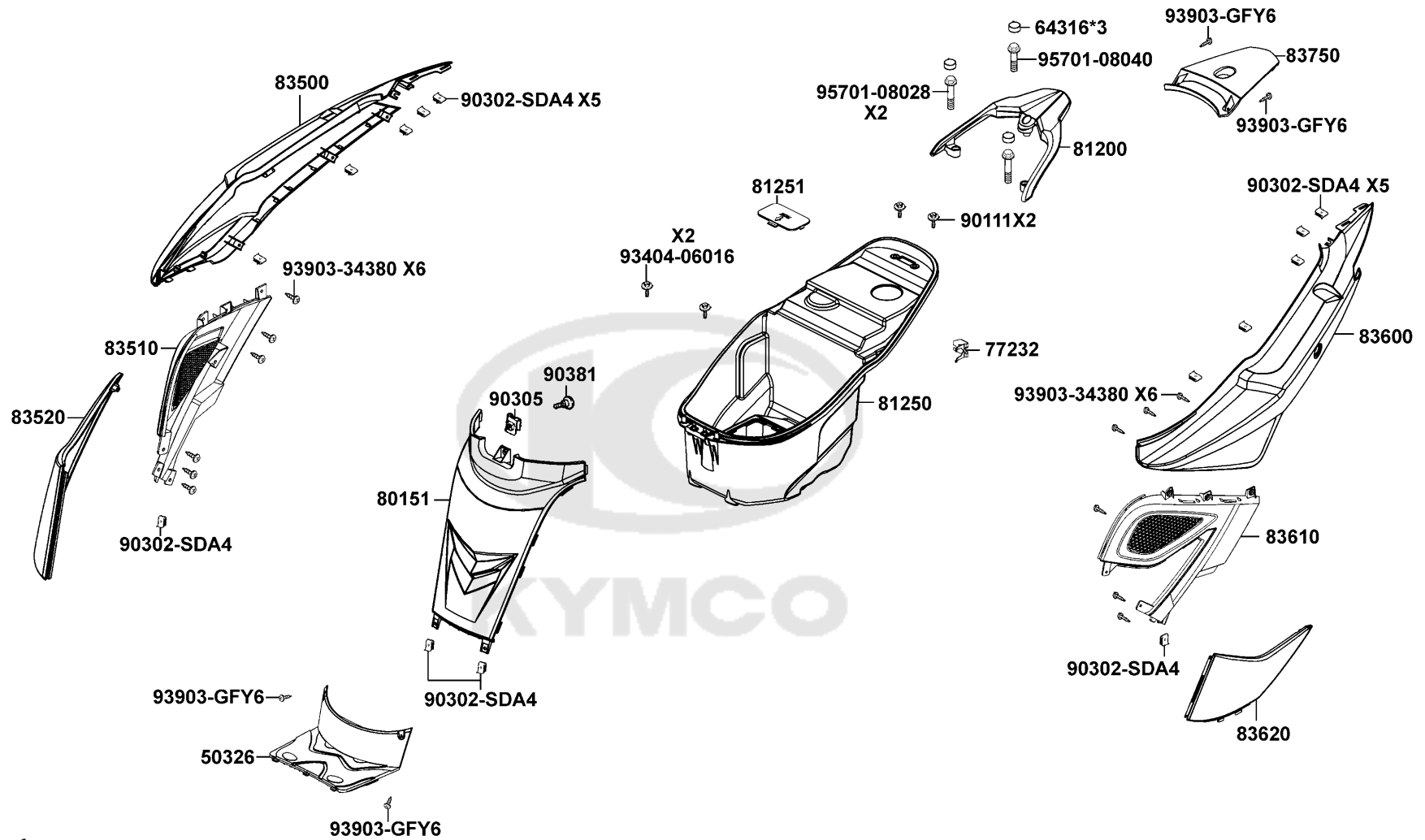
Sales mark	Ref no	Part no	Description	Reg description	Regd no	F11
------------	--------	---------	-------------	-----------------	---------	------------

31500		31500-GFY6-C00	BATTERY YTX7A-BS	BATTERY YTX7A-BS	1	
95012		95012-LEJ2-E10	BAND BATTERY	BAND BATTERY	1	
98200		98200-10700	FUSE A7	FUSE A7	2	



F12

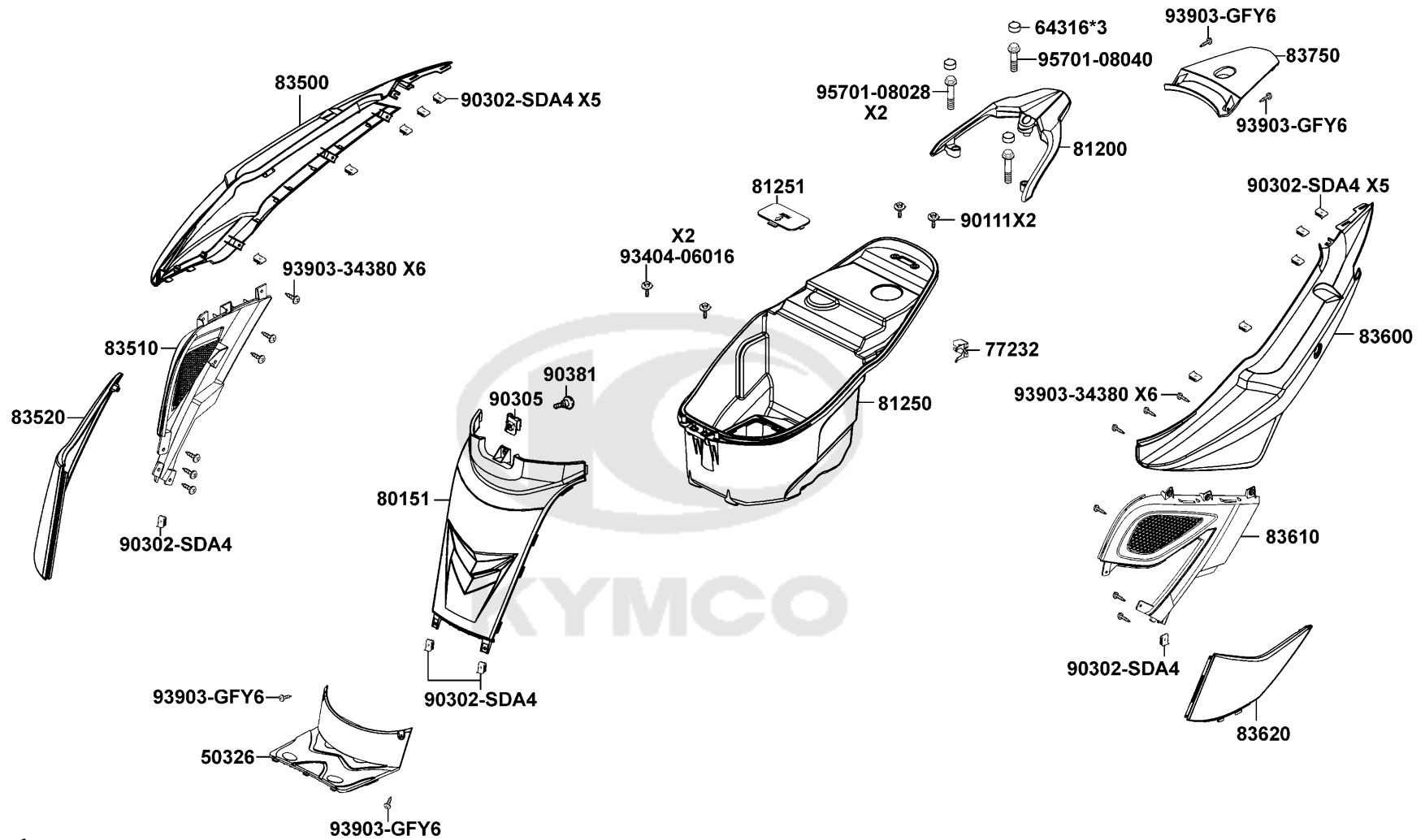
Body Cover Luggage Box



Sales mark	Ref no	Part no	Description	Reg description	Regd no	F12
**	50326	50326-LEJ2-E10	COVER BATTERY	COVER BATTERY	1	
	64316	64316-LCB9-C10	PLUG FLOOR	PLUG FLOOR	3	
	77232	77232-KCAC-C00	SET SPG SEAT LOCK	SET SPG SEAT LOCK	1	
	80151	80151-LEJ2-E10	COVER CENTER	COVER CENTER	1	
**	81200	81200-LEJ2-E10	CARRIER RR	CARRIER RR	1	
	81250	81250-LEJ3-E10	BOX LUGGAGE	BOX LUGGAGE	1	
	81251	81251-LEJ3-E10	COVER CARB MAINT	COVER CARB MAINT	1	
**	83500	83500-LEJ2-E10	COVER R BODY	COVER R BODY	1	
	83510	83510-LEJ2-E10	COVER R SIDE A	COVER R SIDE A	1	
**	83520	83520-LEJ2-E10	COVER R SIDE B	COVER R SIDE B	1	
**	83600	83600-LEJ2-E10	COVER L BODY	COVER L BODY	1	
**	83610	83610-LEJ2-E10	COVER L SIDE A	COVER L SIDE A	1	
**	83620	83620-LEJ2-E10	COVER L SIDE B	COVER L SIDE B	1	
**	83750	83750-LEJ2-E10	COVER RR CENTER	COVER RR CENTER	1	
	90111	90111-1G87-C00	BOLT FLANGE 6MM	BOLT FLANGE 6MM	1	
	90302-SDA4	90302-SDA4-C00	NUT SPRING 4MM	NUT SPRING 4MM	1	
	90305	90305-GHK8-C00	NUT CLIP 6MM	NUT CLIP 6MM	1	
	90381	90381-GEZ5-C00	SCREW SPECIAL 6*17	SCREW SPECIAL 6*17	1	
	93404	93404-06016-07	BOTL WASHER 6*16	BOTL WASHER 6*16	2	
	93903-34380	93903-34380	SCREW TAPPING 4*12	SCREW TAPPING 4*12	12	

F12

Body Cover Luggage Box



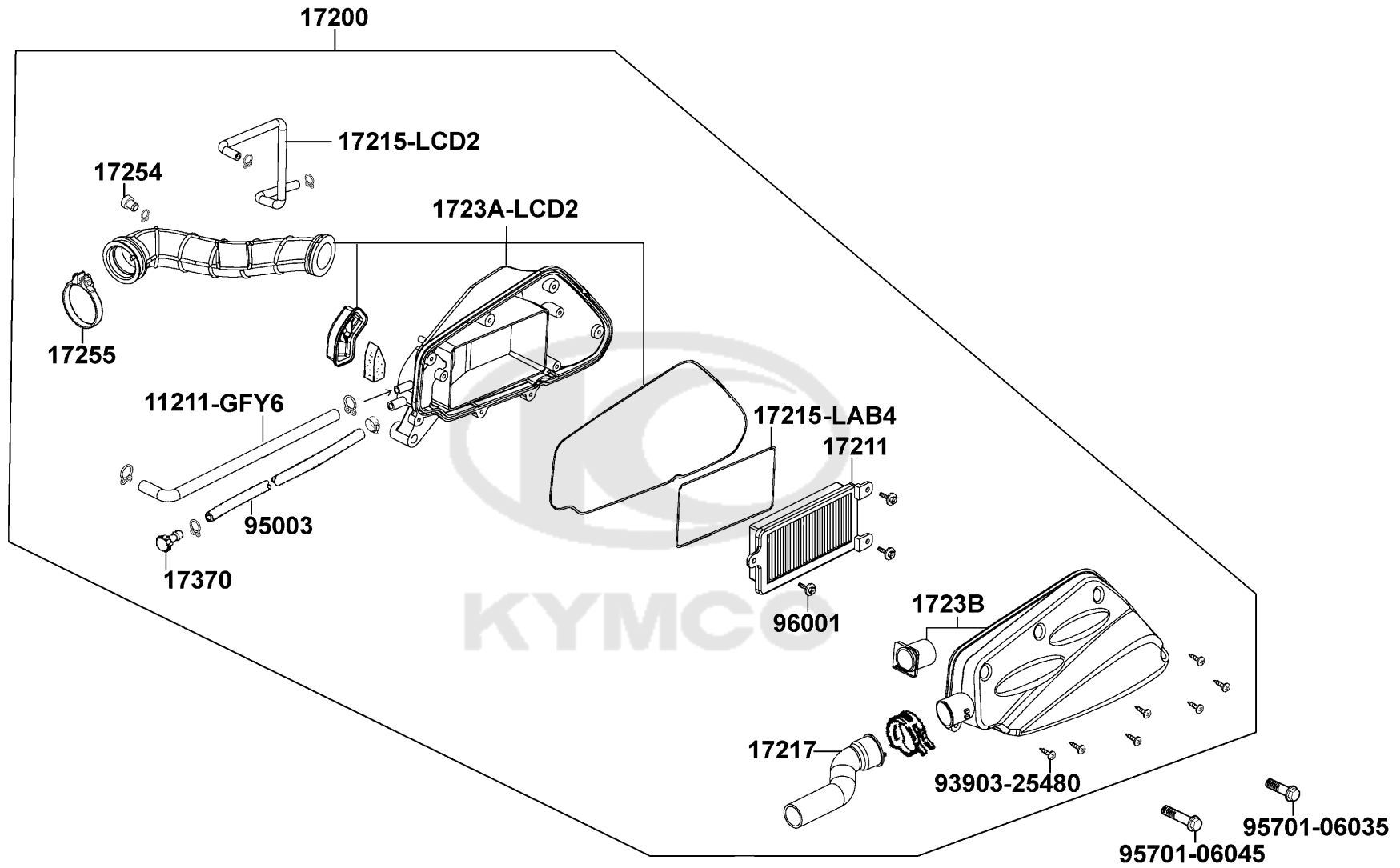
Sales mark	Ref no	Part no	Description	Reg description	Regd no	F12
------------	--------	---------	-------------	-----------------	---------	------------

93903-GFY6		93903-GFY6-C00	SCREW TAPPING 4*14	SCREW TAPPING 4*14	1	
95701-08028		95701-08028-08	BOLT FLANGE 8*28	BOLT FLANGE 8*28	2	
95701-08040		95701-08040-08	BOLT FLANGE 8*40	BOLT FLANGE 8*40	1	



F13

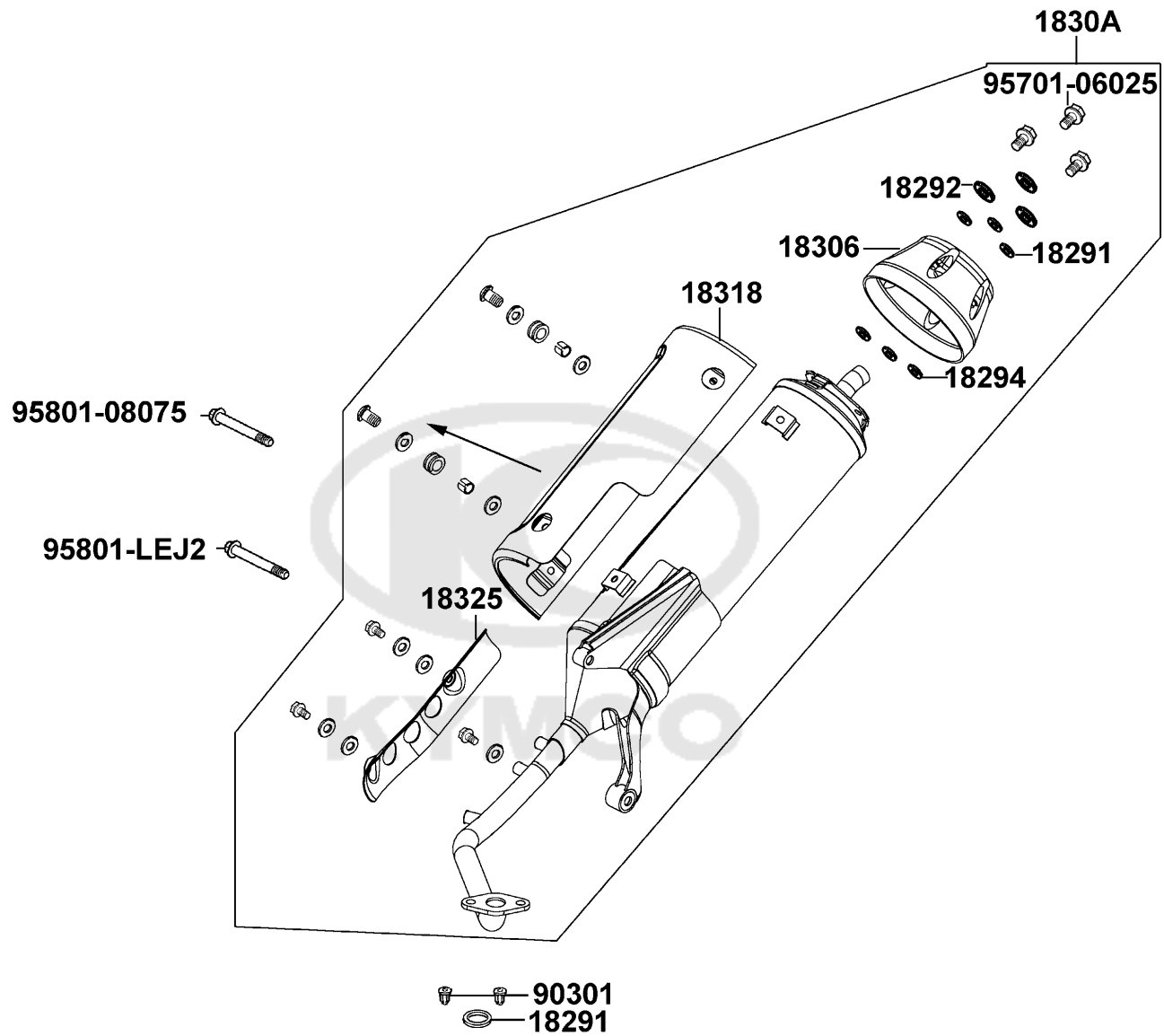
Air Cleaner



Sales mark	Ref no	Part no	Description	Reg description	Regd no	F13
	11211	11211-LCD2-E00	TUBE BREATHER	TUBE BREATHER	1	
#	17200	17200-LEJ2-E11	AIR/C ASSY	AIR/C ASSY	1	
	17211	17211-LAB4-C00	ELEMENT COMP AIR/C	ELEMENT COMP AIR/C	1	
	17215-LAB4	17215-LAB4-C00	SEAL ELEMENT	SEAL ELEMENT	1	
	17215-LCD2	17215-LCD2-C00	TUBE COMP BREATH MISSION	TUBE COMP BREATH MISSION	1	
	17217	17217-LCD2-C00	TUBE OUTER AIR/C	TUBE OUTER AIR/C	1	
	1723A	1723A-LCD2-E00	CASE ASSY AIR/C	CASE COMP AIR/C	1	
	1723B	1723B-LCD2-E00	COVER ASSY AIR/C	COVER COMP AIR/C	1	
	17254	17254-KACA-P00	PLUG AIR/C CONN TUBE	JOINT PURGE TUBE	1	
	17255	17255-KGBG-900	BAND A CONNECTING TUBE	BAND A CONNECTING TUBE	1	
	17370	17370-4K19-C00	PLUG BREATHER TUBE	PLUG BREATHER TUBE	1	
	93903	93903-25480	SCREW TAPPING 5*20	SCREW TAPPING 5*20	7	
	95003	95003-23036-60	V TUBE 8*12*360	V TUBE 8*12*360	1	
	95701-06035	95701-06035-08	BOLT FLANGE 6*35	BOLT FLANGE 8*35	1	
	95701-06045	95701-06045-08	BOLT FLANGE 6*45	BOLT FLANGE 6*45	1	
	96001	96001-GFY6-C00	BOLT SPECIAL 5*10	BOLT SPECIAL 5*10	1	

F14

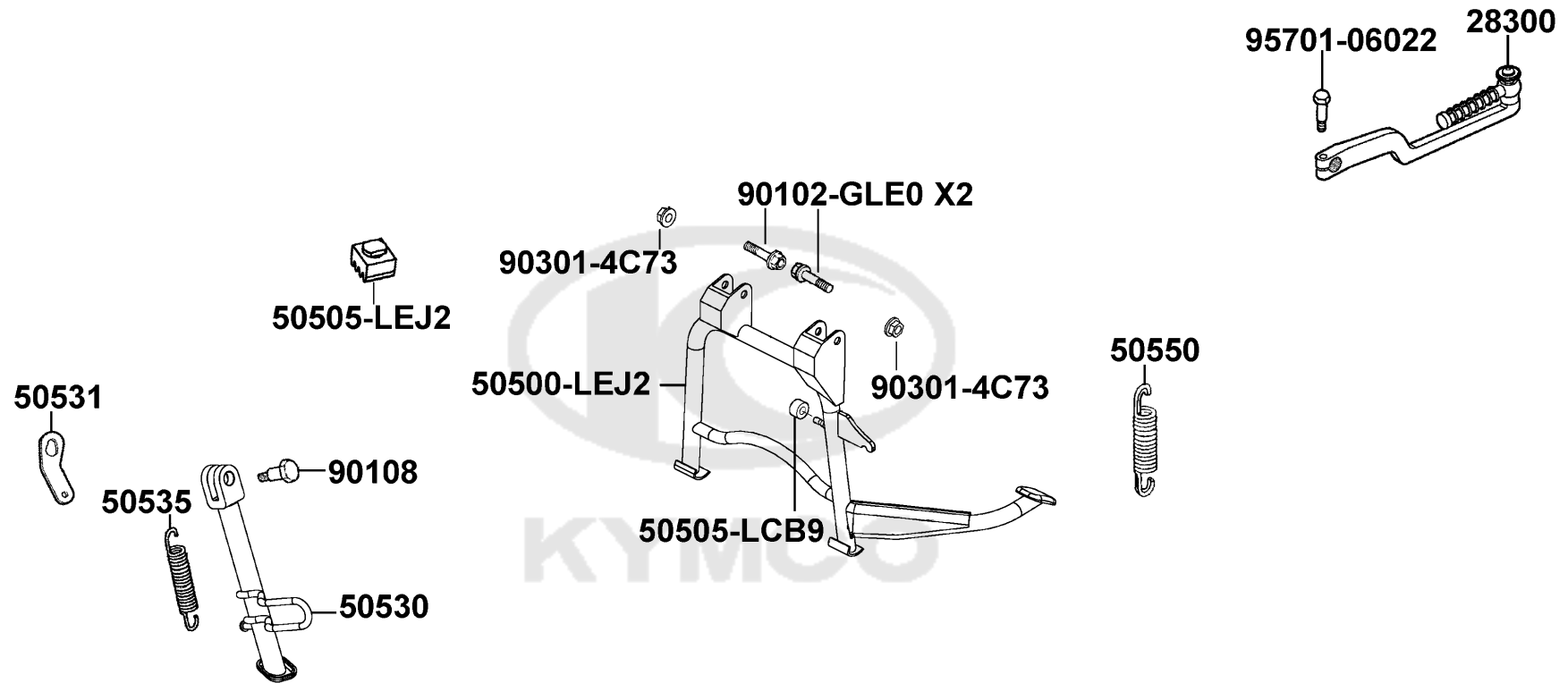
Exhaust Muffler



Sales mark	Ref no	Part no	Description	Reg description	Regd no	F14
	18291-GGA7	18291-GGA7-C00	GASKET EXH PIPE	GASKET EXH PIPE	1	
	18291-KEBE	18291-KEBE-C00	COLLAR	COLLAR	1	
	18292	18292-KEBE-C00	PACKING PROTECTOR	PACKING PROTECTOR	1	
	18294	18294-KEBE-C00	PACKING PROTECTOR	PACKING PROTECTOR	1	
	18306	18306-LEJ2-E10	TAIL CAP MUFFLER	TAIL CAP MUFFLER	1	
	1830A	1830A-LEJ2-E10	MUFFLER ASSY EXHAUST	MUFFLER ASSY EXHAUST	1	
	18318	18318-LEJ2-E10	PROTECTOR MUFF	PROTECTOR MUFF	1	
	18325	18325-LCD2-C00	PROTECTOR EXH PIPE	PROTECTOR EXH PIPE	1	
	90301	90301-KGBG-C00	NUT CAP 6MM	NUT CAP 6MM	1	
	95701	95701-06025-07	BOLT FLANGE 6*25 (K)	BOLT FLANGE SH 6*8 (K)	3	
	95801-08075	95801-08075-07	BOLT FLANGE 8*75 (K)	BOLT FLANGE 8*75 (K)	1	
	95801-LEJ2	95801-LEJ2-E10	BOLT TORX M8*75	BOLT TORX M8*75	1	

F15

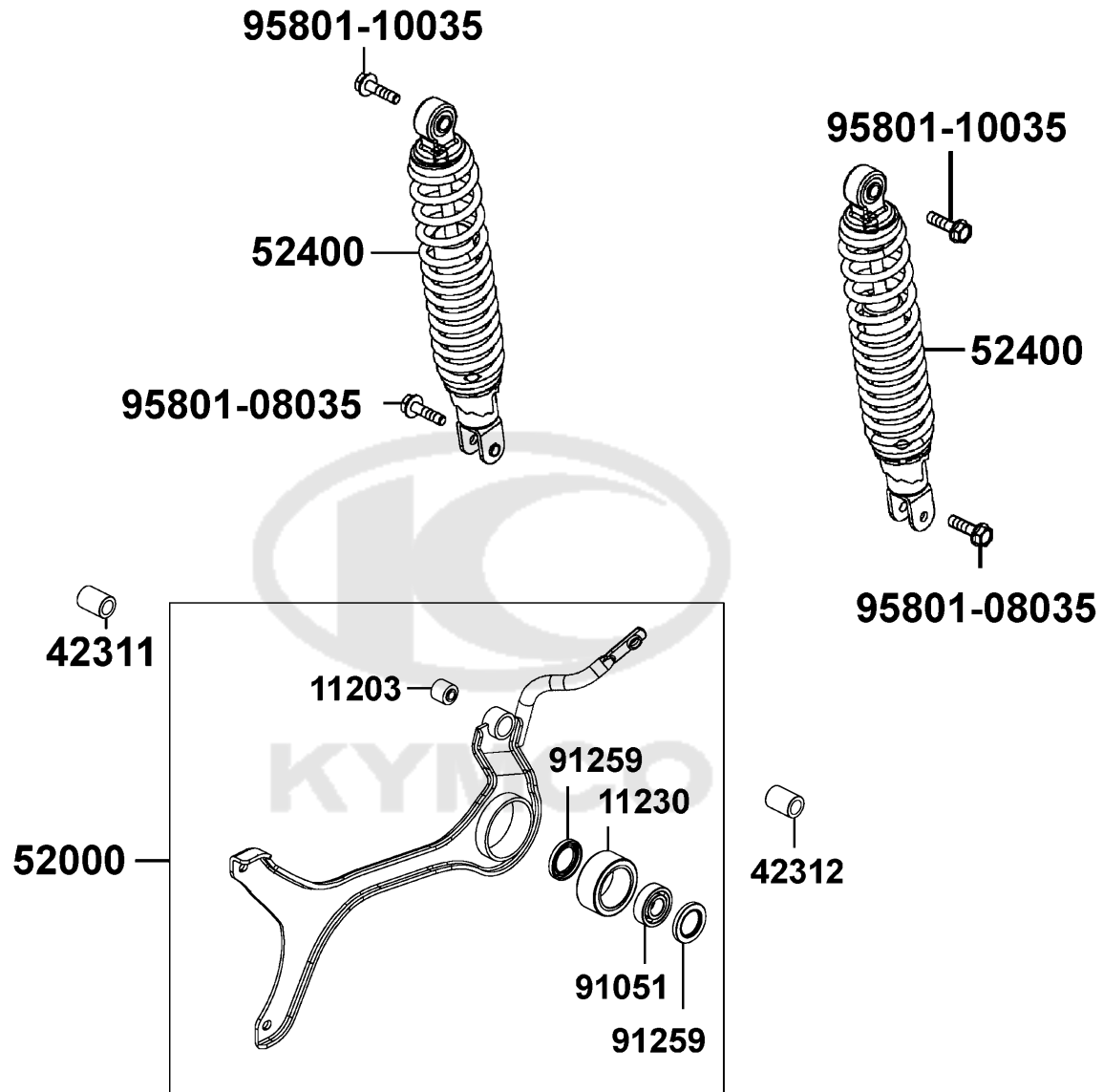
Stand Kick Starter Arm



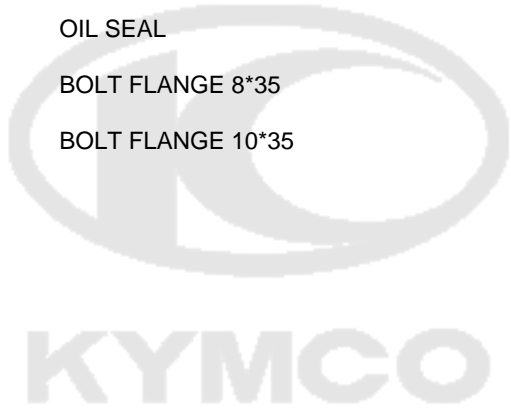
Sales mark	Ref no	Part no	Description	Reg description	Regd no	F15
28300		28300-KNBN-C00	ARM ASSY KICK STARTER	ARM ASSY KICK STARTER	1	
50500-LEJ2		50500-LEJ2-E10	STAND COMP MAIN	STAND COMP MAIN	1	
50505-LCB9		50505-LCB9-C00	STOPPER RUBBER	STOPPER RUBBER	1	
50505-LEJ2		50505-LEJ2-E10	STOPPER RUBBER	STOPPER RUBBER	1	
50530		50530-LEJ2-E10	BAR SIDE STAND	BAR SIDE STAND	1	
50531		50531-KEB7-C00	PLATE SPRING STOPPER	PLATE SPRING STOPPER	1	
50535		50535-KEB7-W10	SPRING COMP SIDE STAND	SPRING COMP SIDE STAND	1	
50550		50550-KFA6-C00	SPG ASSY MAIN STAND	SPG ASSY MAIN STAND	1	
90102		90102-GLE0-001	BOLT HINGE PIVOT	BOLT HINGE PIVOT	2	
90108		90108-KFA6-E00	SCREW SIDE STAND	SCREW SIDE STAND	1	
90301-4C73		90301-4C73-C00	NUT U 6MM(C)	NUT U 6MM(C)	1	
95701-06022		95701-06022-07	BOLT FLANGE 6*22 (K)	BOLT FLANGE 6*22 (K)	1	

F16

Rear Cushion



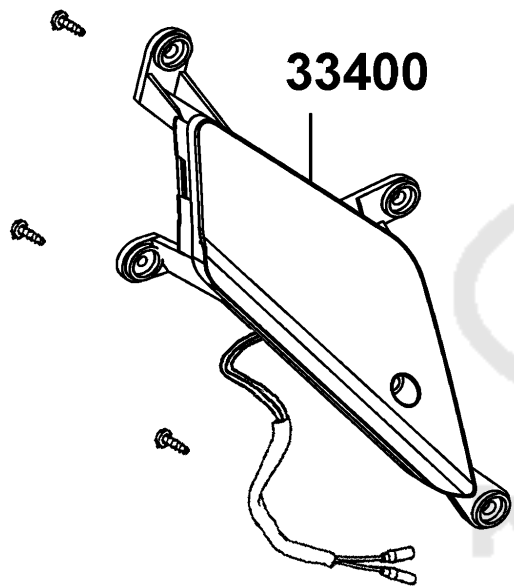
Sales mark	Ref no	Part no	Description	Reg description	Regd no	F16
11203		11203-GGC7-W10	UNDER RUBBER BUSH REAR CUSHION	UNDER RUBBER BUSH REAR CUSHION	1	
11230		11230-KFBF-C00	RUBBER BUSH RR FORK	RUBBER BUSH RR FORK	1	
42311		42311-LEJ2-E10	COLLAR RR AXLE A	COLLAR RR AXLE A	1	
42312		42312-KHB4-C00	CLOLLAR RR AXLE SIDE	CLOLLAR RR AXLE SIDE	1	
52000		52000-LEJ2-E10	FORK ASSY R	FORK ASSY R	1	
52400		52400-LEJ2-E10	CUSHION ASSY RR	CUSHION ASSY RR	2	
91051		91051-KFBF-C00	BRG BALL RADIAL 6203 LLU	BRG BALL RADIAL 6203 LLU	1	
91259		91259-KFBF-C00	OIL SEAL	OIL SEAL	1	
95801-08035		95801-08035-08	BOLT FLANGE 8*35	BOLT FLANGE 8*35	2	
95801-10035		95801-10035-08	BOLT FLANGE 10*35	BOLT FLANGE 10*35	2	



F17

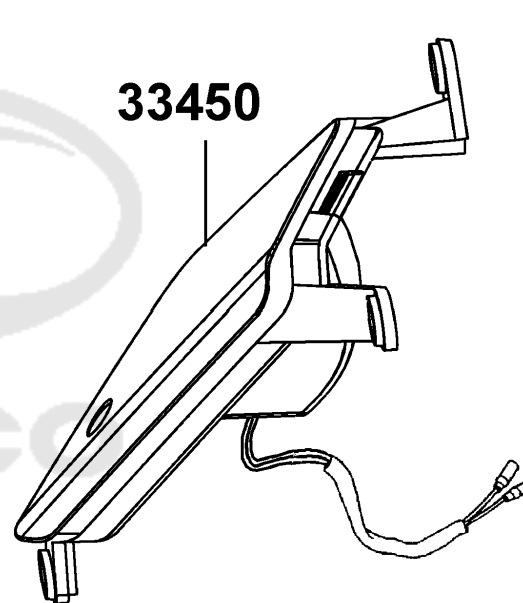
Front Winker

93903-34220



33400

93903-34220



33450

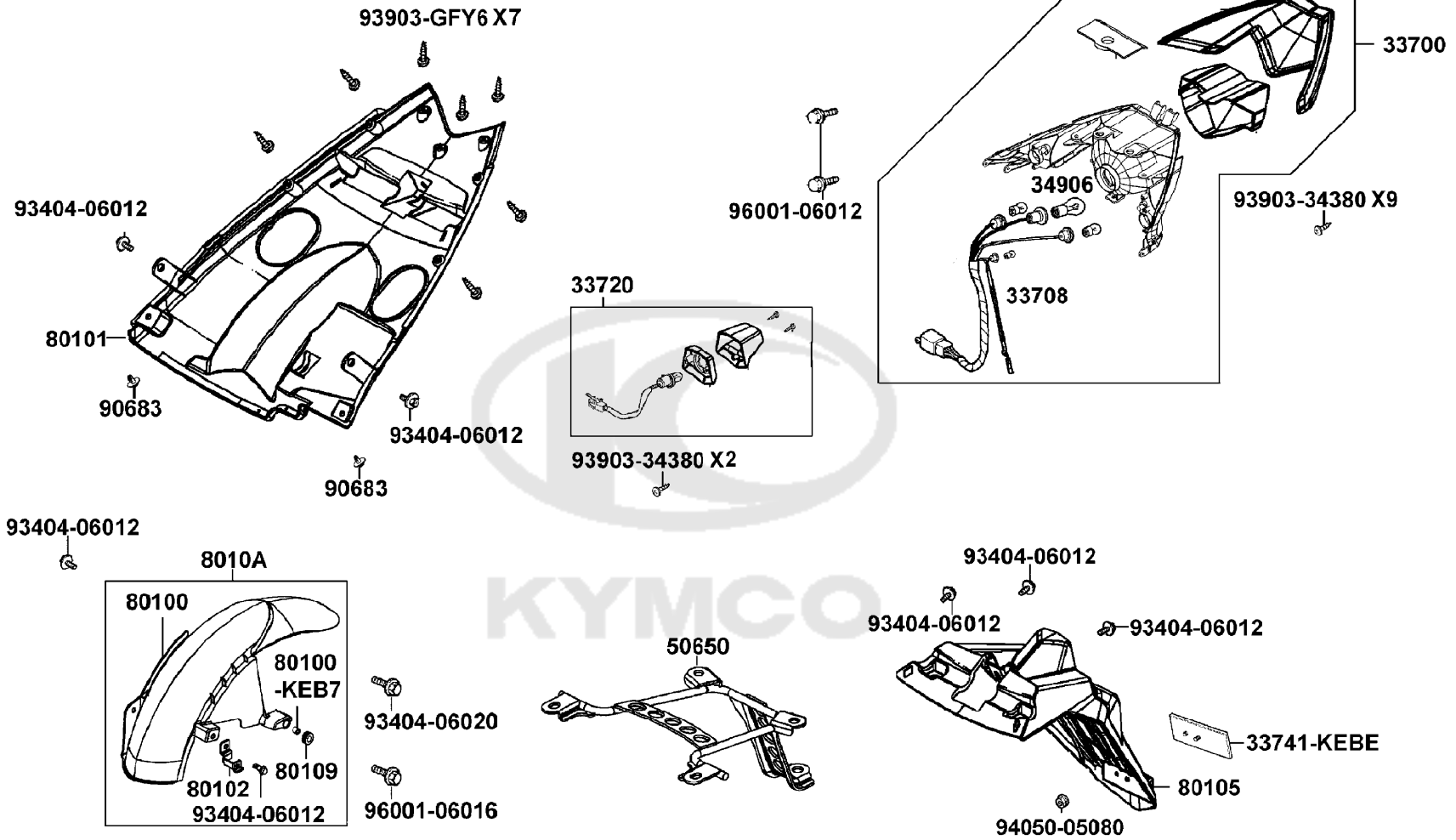
Sales mark	Ref no	Part no	Description	Reg description	Regd no	F17
------------	--------	---------	-------------	-----------------	---------	------------

33400	33400-LEJ2-E10	33400-LEJ2-E10	WINKER ASSY RH FR	WINKER ASSY RH FR	1	
33450	33450-LEJ2-E10	33450-LEJ2-E10	WINKER ASSY LH FR	WINKER ASSY LH FR	1	
93903	93903-34220	93903-34220	SCREW TAPPING 4*10	SCREW TAPPING 4*12 (C)	6	



F18

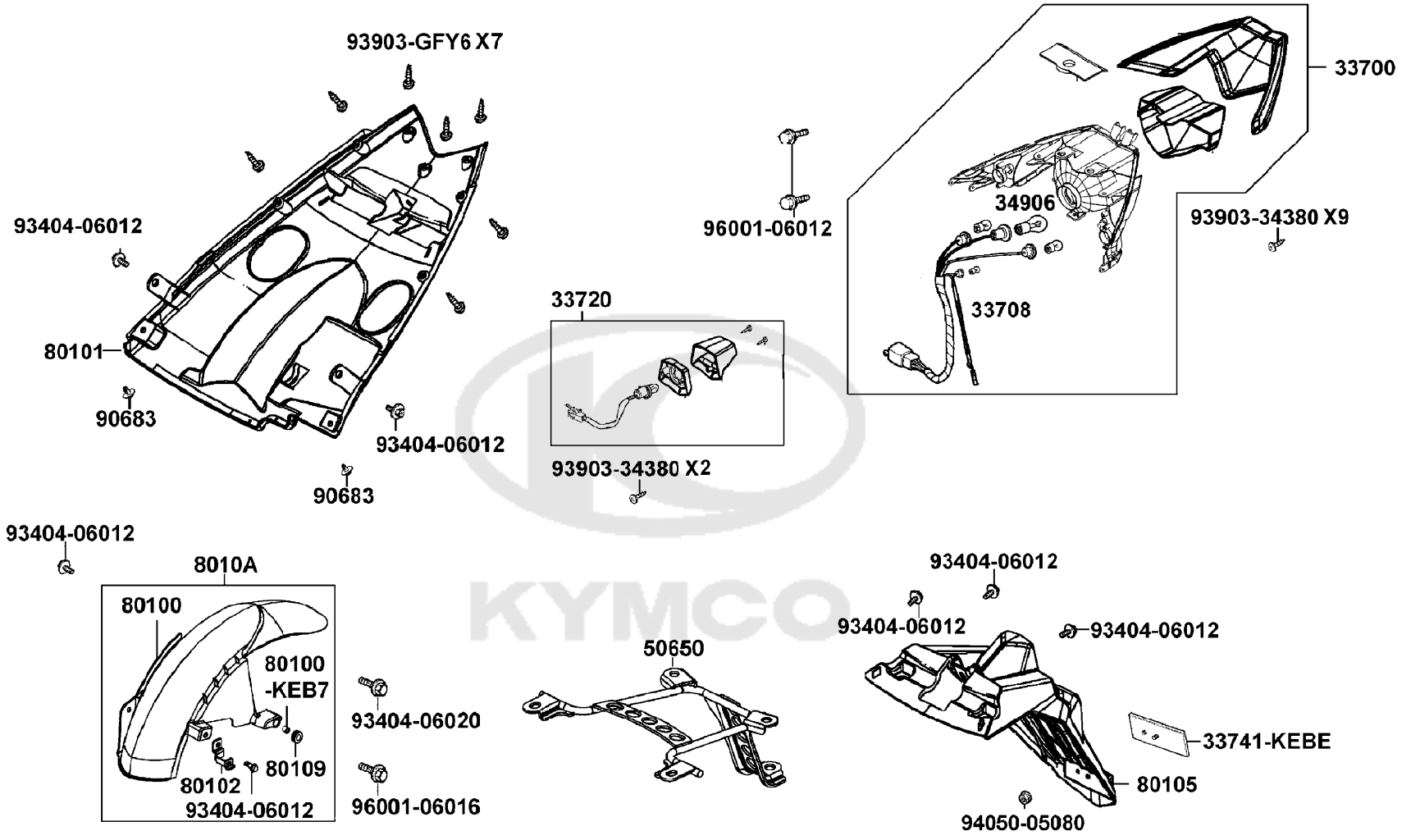
Tail Light



Sales mark	Ref no	Part no	Description	Reg description	Regd no	F18
	33700	33700-LEJ2-E10	LIGHT ASSY RR COMB	LIGHT ASSY RR COMB	1	
	33708	33708-LEJ2-E10	SOCKET COMP RR COMB	SOCKET COMP RR COMB	1	
	33720	33720-LEJ2-E10	LIGHT ASSY LICENSE	LIGHT ASSY LICENSE	1	
	33741	33741-KEBE-C00	REFLEX REFLECTOR	REFLEX REFLECTOR	1	
	34906	34906-LBA8-E80	BULB TAIL & STOP	BULB TAIL & STOP	1	
	50650	50650-LEJ2-E10	STAY RR FENDER	STAY RR FENDER	1	
	80100-KEB7	80100-KEB7-C00	COLLAR IN RUBBER	COLLAR IN RUBBER	1	
**	80100-LEJ2	80100-LEJ2-E10	FENDER RR TIRE	FENDER RR TIRE	1	
	80101	80101-LEJ2-E10	FENDER RR INNER	FENDER RR INNER	1	
	80102	80102-LCD2-C00	STAY RR TIRE FENDER	STAY RR TIRE FENDER	1	
	80105	80105-LEJ2-E10	FENDER REAR	FENDER REAR	1	
	80109	80109-KEB7-C00	RUBBER RR FENDER B	RUBBER RR FENDER B	1	
	8010A	8010A-LEJ2-E10	FENDER ASSY. RR TIRE	FENDER ASSY. RR TIRE	1	
	90683	90683-GAR1-C00	CLIP BODY COVER	CLIP BODY COVER	1	
	93404-06012	93404-06012-07	BOLT WASH 6*12	BOLT WASH 6*12	7	
	93404-06020	93404-06020-07	BOLT WASHER 6*20 (K)	BOLT WASHER 6*20 (K)	1	
	93903-34380	93903-34380	SCREW TAPPING 4*12	SCREW TAPPING 4*12	11	
	93903-GFY6	93903-GFY6-C00	SCREW TAPPING 4*14	SCREW TAPPING 4*14	1	
	94050	94050-05080	NUT FLANGE 5MM	NUT FLANGE 5MM	1	
	96001-06012	96001-06012-08	BOLT FLANGE 6*12	BOLT FLANGE 6*12	2	

F18

Tail Light



Sales mark	Ref no	Part no	Description	Reg description	Regd no	F18
------------	--------	---------	-------------	-----------------	---------	------------

96001-06016

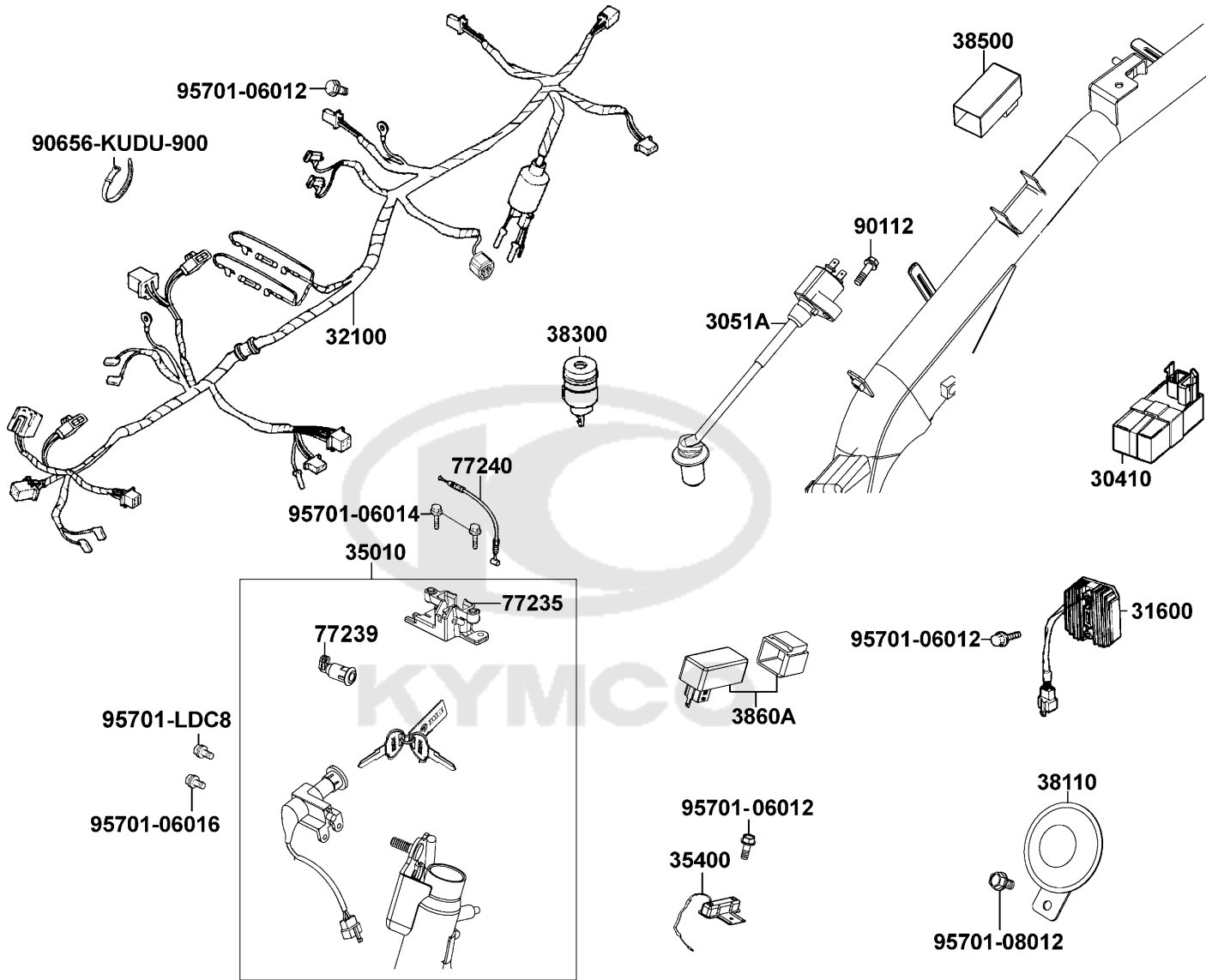
96001-06016-08

BOLT FLANGE SH 6*16

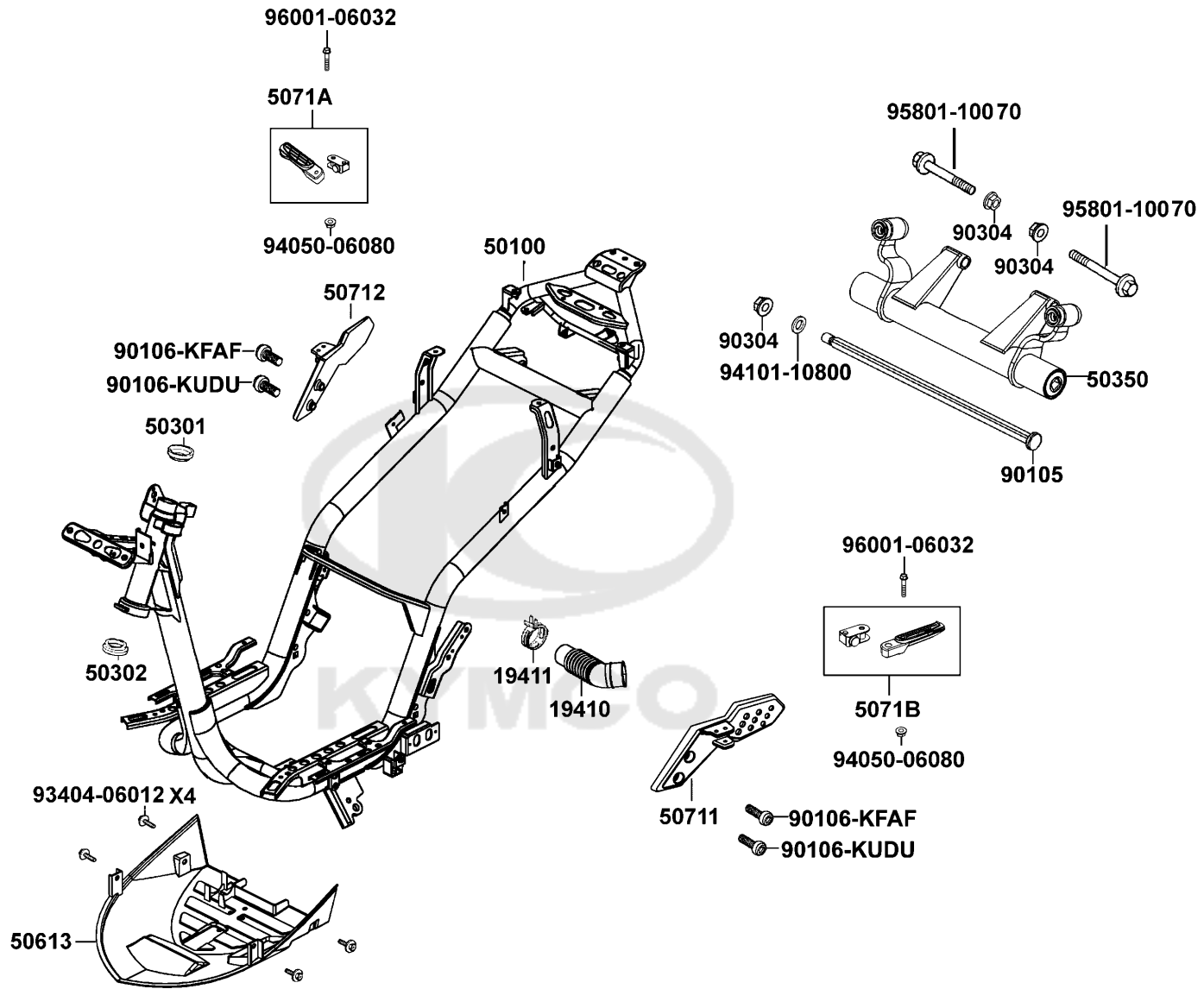
BOLT FLANGE SH 6*16

1





Sales mark	Ref no	Part no	Description	Reg description	Regd no	F19
	30410	30410-LEJ2-E10	UNIT COMP CDI	UNIT COMP CDI	1	
	3051A	3051A-LEJ2-E10	COIL ASSY IGN	COIL ASSY IGN	1	
	31600	31600-LCD3-C00	REG REC COMP(DC)	REG REC COMP(DC)	1	
	32100	32100-LEJ2-E10	HARNESS WIRE	HARNESS WIRE	1	
	35010	35010-LEJ2-E10	KEY SET	KEY SET	1	
	35400	35400-LEJ2-E10	RESISTOR COMP	RESISTOR COMP	1	
	38110	38110-KGC4-B50	HORN COMP	HORN COMP	1	
	38300	38300-KECE-W10	RELAY ASS'Y WINKER	RELAY ASS'Y WINKER	1	
	38500	38500-KKDK-C00	SET START MAG	SET START MAG	1	
	3860A	3860A-LEJ2-E10	CONTROL ASS'Y LIGHTING	CONTROL ASS'Y LIGHTING	1	
	77235	77235-KGC4-C00	SEAT CATCH	SEAT CATCH	1	
	77239	77239-GFY6-C00	KEY SEAT LOCK	KEY SEAT LOCK	1	
	77240	77240-LFC2-E10	CABLE SEAT LOCK	CABLE SEAT LOCK	1	
	90112	90112-KRDR-C00	BOLT FLANGE 5*22	BOLT FLANGE 5*22	1	
	90656	90656-KUDU-900	BAND HARNESS WIRE	BAND HARNESS WIRE	1	
	95701-06012	95701-06012-08	BOLT FLANGE 6*12	BOLT FLANGE 6*12	3	
	95701-06014	95701-06014-08	BOLT FLANGE 6*14	BOLT FLANGE 6*14	2	
	95701-06016	95701-06016-08	BOLT FLANGE 6*16	BOLT FLANGE 6*16	1	
	95701-08012	95701-08012-08	BOLT FLANGE 8*12	BOLT FLANGE 8*12	1	
	95701-LDC8	95701-LDC8-E10	BOLT TORQUE 6x16	BOLT TORQUE 6x16	1	



Sales mark	Ref no	Part no	Description	Reg description	Regd no	F20
	19410	19410-LEJ2-E10	DUCT COOLING	DUCT COOLING	1	
	19411	19411-KNBN-C00	CLIP HOSE	CLIP HOSE	1	
	50100	50100-LEJ2-E10	BODY COMP FRAME	BODY COMP FRAME	1	
	50301	50301-KGN7-C00	RACE UPPER STRG BALL	RACE UPPER STRG BALL	1	
	50302	50302-2H68-C00	RACE (STRG BOT) BALL	RACE (STRG BOT) BALL	1	
	50350	50350-LEJ2-E10	HANGER ASSY ENG.	HANGER ASSY ENG.	1	
**	50613	50613-LEJ2-E10	COVER UNDER	COVER UNDER	1	
	50711	50711-LEJ2-E10	STEP R,RR STEP	"STEP R,RR STEP"	1	
**	50712	50712-LEJ2-E10	STEP L RR STEP	STEP L RR STEP	1	
	5071A	5071A-LEJ2-E10	BAR STEP R ASSY	BAR STEP R ASSY	1	
	5071B	5071B-LEJ2-E10	BAR STEP L ASSY	BAR STEP L ASSY	1	
	90105	90105-LEJ2-E10	SQUARE BOLT	SQUARE BOLT	1	
	90106-KFAF	90106-KFAF-900	BOLT SPECIAL	BOLT SPECIAL 8MM	2	
	90106-KUDU	90106-KUDU-900	BOLT SPECIAL 8MM	BOLT WASH 8*26	2	
	90304	90304-GHE8-C00	NUT U 10MM(C)	NUT U 10MM(C)	1	
	93404	93404-06012-07	BOLT WASH 6*12	BOLT WASH 6*12	4	
#	94050	94050-06080	NUT FLANGE 6MM	NUT FLANGE 6MM	2	
	94101	94101-10800	WASHER PLAIN 10MM	WASHER PLAIN 10*22*1.6	1	
	95801	95801-10070-08	BOLT FLANGE 10*70	BOLT FLANGE 10X70	2	
#	96001	96001-06040-07	BOLT FLANGE SH 6*40 (K)	BOLT FLANGE SH 6*40 (K)	2	

F21

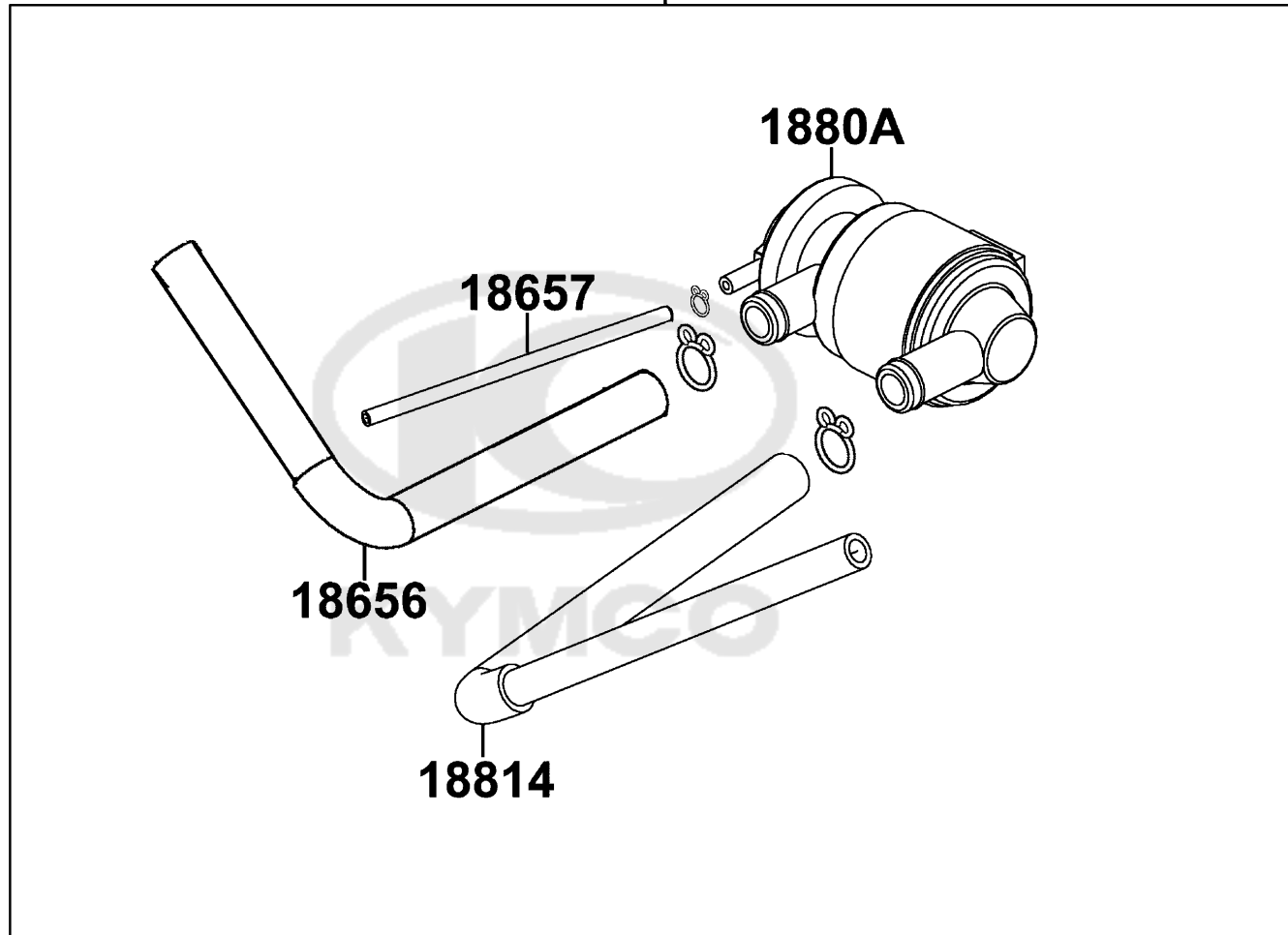
Air Cleaner Two

95002



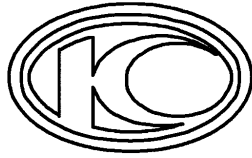
1880B

1880A



Sales mark	Ref no	Part no	Description	Reg description	Regd no	F21
18656		18656-LEJ2-E10	TUBE AICV-REED VALVE	TUBE AICV-REED VALVE	1	
18657		18657-LEJ2-E10	TUBE ASSY INLET PIPE AICV	TUBE ASSY INLET PIPE AICV	1	
1880A		1880A-LEJ2-E10	AI/C AICV ASSY	AI/C AICV ASSY	1	
1880B		1880B-LEJ2-E10	AI/C-AICV SET	AI/C-AICV SET	1	
18814		18814-LEJ2-E10	DUCT AIR-AICV	DUCT AIR-AICV	1	
95002		95002-KKD6-C00	CLAMP D18 TUBE	CLAMP D18 TUBE	1	





86102



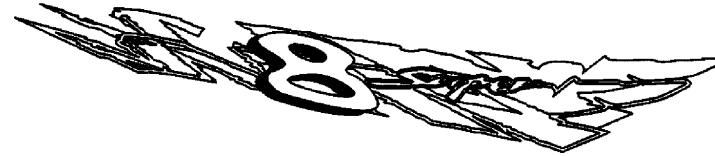
86231

CAUTIONS
Before starting the engine, the side stand shall be kicked up to secure safety.

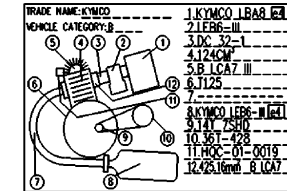
87541



86320



86221



87224



86310

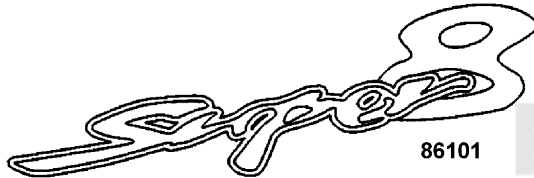


86330

86350



86212



86101



Be sure to wear a safety helmet when riding.
Do not exceed the speed specified by law when riding.
The ambient weather temperature is very high when riding. Be sure to park the motorcycle in a place not easily heated by people.
For riding safety and good performance, do not refuel the tank to exceed the maximum.
Be sure and the tank's amount enable to cover riding safety.
Be sure to perform the periodic maintenance and periodic inspection.
Periodic Inspection Items
Check Performance, tires, engine oil level, lights, horns, and instrument panel.
KIMWANG YANG MOTOR CO., LTD.

87560

CAUTIONS

Tire Size	: Front 100/80-14	Rear 120/80-14
(One Rider)	: Front 1.5 kgf/cm ²	Rear 1.75kgf/cm ²
(Two Rider)	: Front 2.0 kgf/cm ²	Rear 2.25kgf/cm ²
Load Capacity	: Shield 1.5kg	Clip assy center 3kg
	(As per KYMCO standard specification)	
	(Note: The tire pressure must not overpass 2.3 kgf/cm ²)	

Check the motor oil level with the dipstick after refilling motor oil.

87505

CAUTIONS
Never put any article between the rear side cover and the engine to avoid interference of riding.

87542

MAX LOAD : 5Kg

87556

Sales mark	Ref no	Part no	Description	Reg description	Regd no	F22
**	86101	86101-LEJ2-E00	STRIPE FR COVER	STRIPE FR COVER	1	
**	86102	86102-LEJ2-E00	STRIPE K-LOGO 22MM	STRIPE K-LOGO 22MM	1	
	86212	86212-LEJ2-E10	EMB B BODY COVER	EMB B BODY COVER	1	
**	86221	86221-LEJ2-E00	STRIPE R BODY COVER	STRIPE R BODY COVER	1	
**	86231	86231-LEJ2-E00	STRIPE L BODY COVER	STRIPE L BODY COVER	1	
**	86310	86310-LEJ2-E00	STRIPE R SIDE MOLD	STRIPE R SIDE MOLD	1	
**	86320	86320-LEJ2-E00	STRIPE L SIDE MOLD	STRIPE L SIDE MOLD	1	
**	86330	86330-LEJ2-E00	STRIPE B R/L SIDE MOLD	STRIPE B R/L SIDE MOLD	1	
**	86350	86350-LEJ2-E00	STRIPE B L SIDE MOLD	STRIPE B L SIDE MOLD	1	
**	87224	87224-LEJ2-E80	CAUTION ANTI TAMPERING	CAUTION ANTI TAMPERING	1	
**	87505	87505-LEJ2-E00	LABEL TIRE	LABEL TIRE	1	
	87541	87541-GAR1-E01	MARK SIDE STAND	LABEL OIL CAP	1	
**	87542	87542-GAR1-C01	MARK MAINT CAUTION	MARK MAINT CAUTION	1	
	87556	87556-LEJ2-E00	STRIPE GRAB RR	STRIPE GRAB RR	1	
	87560	87560-GFY6-E01	MARK DRIVE CAUTION	MARK DRIVE CAUTION	1	

PART NO. INDEX

PART NO.	VERSION	PAGE	PART NO.	VERSION	PAGE	PART NO.	VERSION	PAGE
11000			12200-LBD6-C00	0	E02	1453A-GFY6-W10	0	E03
11100-KGBG-C00	8	E01	12209-GDB4-C00	1	E02	14550-LDC8-C10	0	E03
11102-1G87-C00	1	E01	12211-KGBG-C00	0	E02	14555-KKJ9-C10	0	E03
11192-KGBG-C10	0	E01	12251-KGBG-C00	0	E02	14610-KGBG-C00	0	E03
11200-LCD2-C00	0	E01	12310-KHC5-C00	0	E02	14711-KGBG-C00	0	E02
11203-GGC7-W10	2	E01	1231A-KHC5-C10	0	E02	14721-KGBG-C00	0	E02
11203-GGC7-W10	2	F16	12361-GFY6-C00	1	E04	14751-GEN5-C00	0	E02
11208-LEJ2-E10	0	E07	12391-KEE1-C00	0	E02	14771-GDB4-C00	2	E02
11211-LCD2-E00	1	F13	13000			14775-MFA6-C00	2	E02
11230-KFBF-C00	0	F16	13000-LDC5-C00	6	E03	14781-MFA6-C00	4	E02
11330-LBD6-C00	1	E04	13011-KGBG-C00	0	E03	15000		
11340-LEJ2-E10	0	E01	13101-LCB9-B20	2	E03	15100-LDC5-C00	3	E06
11381-LBC9-C00	0	E01	13111-KGBG-C00	0	E03	15133-LDC5-C00	2	E06
11382-KHB4-C00	0	F03	13115-0A01-C00	2	E03	15421-1G07-W10	1	E04
11382-LCD2-E00	1	E01	14000			15426-GAE1-C00	1	E04
11385-GFY6-C00	0	E07	14100-KGBG-900	4	E02	15651-GFY6-C00	1	E04
11394-KGBG-C11	0	E04	14401-KGBG-900	0	E03	1565A-GFY6-W10	1	E04
11395-LCD2-C00	0	E01	14431-KGBG-W10	0	E02	16000		
12000			14450-KGBG-W10	0	E02	16012-LDC8-E10	3	E09
12100-KGBG-A60	3	E03	14452-KGBG-W10	0	E02	16019-KGC5-900	0	E09
12191-KGBG-C10	0	E03	14510-KGBG-C00	0	E03	16023-KGC5-900	1	E09
12200-KGBG-C10	0	E02	14531-GLR0-W10	1	E03	16035-LDC8-E10	0	E09

PART NO. INDEX

PART NO.	VERSION	PAGE	PART NO.	VERSION	PAGE	PART NO.	VERSION	PAGE
16068-KGC5-900	6	E09	1691A-LEJ2-E10	0	F10	18291-KEBE-C00	0	F14
16069-KHC4-900	0	E09	16950-LCA3-B50	1	F10	18292-KEBE-C00	0	F14
16070-KEC3-900	0	E09				18294-KEBE-C00	0	F14
16074-KEC3-900	0	E09	17000			18306-LEJ2-E10	3	F14
16079-KHC4-900	2	E09				1830A-LEJ2-E10	0	F14
16087-LDC8-E10	1	E09	1711A-LEJ2-E11	1	E02	18318-LEJ2-E10	0	F14
16088-KEC5-900	0	E09	17200-LEJ2-E11	0	F13	18325-LCD2-C00	0	F14
16093-KEC3-9000	1	E09	17211-LAB4-C00	0	F13	18646-GFY6-C10	1	E02
16095-KEC3-9000	2	E09	17215-LAB4-C00	0	F13	18647-GFY6-C00	1	E02
16100-LEJ2-E10	4	E09	17215-LCD2-C00	0	F13	18656-LEJ2-E10	0	F21
16100-LEJ2-E90	0	E09	17217-LCD2-C00	0	F13	18657-LEJ2-E10	0	F21
16111-KEC3-900	1	E09	1723A-LCD2-E00	3	F13	1880A-LEJ2-E10	0	F21
16116-KGC5-900	0	E09	1723B-LCD2-E00	3	F13	1880B-LEJ2-E10	0	F21
16120-KEC3-900	0	E09	17254-KACA-P00	1	F13	18814-LEJ2-E10	0	F21
16122-KEC3-900	0	E09	17255-KGBG-900	1	F13			
16124-KEC3-9000	0	E09	17256-KGBG-C00	4	E02	19000		
16131-KGC6-900	0	E09	17370-4K19-C00	0	F13			
16132-KEC3-900	0	E09	17500-LEJ2-E10	5	F10	19410-LEJ2-E10	0	F20
16134-KGC5-900	1	E09	17620-LBA8-C10	0	F10	19411-KNBN-C00	2	F20
16138-KGC5-900	0	E09	17683-LEJ2-E10	0	F10	19510-LDC5-C00	0	E07
16142-KGC5-900	1	E09	17684-LEJ2-E10	0	F10	1961A-KGBG-E01	0	E07
16154-KGC5-900	3	E09	17910-LCD2-C00	0	F03	19625-KEE1-C00	0	E07
16165-KGC5-900	0	E09				1962A-KEE1-C00	0	E07
16170-KGC5-900	2	E09	18000			1963A-LDC8-E10	1	E07
16180-KGC5-900	3	E09						
1621A-KGBG-C00	2	E02	18291-GGA7-C00	0	F14			

PART NO. INDEX

PART NO.	VERSION	PAGE	PART NO.	VERSION	PAGE	PART NO.	VERSION	PAGE
			23100-KEB7-C00	0	E05	3051A-LEJ2-E10	0	F19
			23200-GAR1-C00	0	E05			
			23210-GAR1-C00	0	E05	31000		
			23220-LDC8-E10	0	E05			
21000			23225-GAR1-C00	0	E05	31100-LEJ2-E10	2	E07
21200-LCD2-C00	0	E08	23233-KEE1-C10	1	E05	31110-LBD6-C00	0	E07
21395-LCD2-C00	0	E08	23237-GAR1-C00	0	E05	31120-LEJ2-E10	2	E07
			23238-GGS7-C00	0	E05	31200-LEJ2-E10	1	E06
			23411-LCD2-C00	0	E08	31209-KEE1-C00	2	E06
22000			23420-LCD2-C00	0	E08	31500-GFY6-C00	0	F11
22100-LDC8-E10	0	E05	23432-LCD2-C00	0	E08	31600-LCD3-C00	3	F19
22102-LDC8-E10	0	E05	2343A-LEJ2-E10	0	E08			
22103-KEB7-C00	0	E05	28000			32000		
22105-LEJ2-E10	0	E05						
22110-KFA1-C00	0	E05						
22121-LBD6-C00	2	E05						
22131-GHAH-C00	0	E05				32100-LEJ2-E10	3	F19
22132-GLW0-C00	0	E05	28211-LDC8-W10	0	E05	32101-GFY6-C00	1	F04
22300-LDC8-E10	1	E05	2823A-LBD6-C00	2	E01			
22350-GKAK-C00	0	E05	28250-LEJ2-E10	1	E01	33000		
22401-LDC8-E10	0	E05	28253-GBN2-C00	1	E01			
22535-GKAK-C00	0	E05	28255-GFS6-C00	1	E01	33100-LEJ2-E10	0	F01
22804-1H48-C00	0	E05	28281-GBN2-C00	1	E01	33102-LEJ2-E10	0	F01
			28300-KNBN-C00	3	F15	33400-LEJ2-E10	0	F17
			30000			33450-LEJ2-E10	0	F17
						33700-LEJ2-E10	0	F18
23000						33708-LEJ2-E10	0	F18
23010-LDC8-E10	0	E05				33720-LEJ2-E10	0	F18
2301A-LDC8-E10	1	E05	30410-LEJ2-E10	2	F19			

PART NO. INDEX

PART NO.	VERSION	PAGE	PART NO.	VERSION	PAGE	PART NO.	VERSION	PAGE	
33730-LDC8-M30	0	F06	37211-LEJ2-E0B	0	F02	43151-KGM7-C00	0	F08	
33741-KEBE-C00	0	F18	37224-LEJ2-E10	2	F02	43410-KFA6-900	1	F08	
34000			37280-LEJ2-E0A	0	F02	43450-LEJ2-E10	0	F03	
			37280-LEJ2-E0B	0	F02	43472-KHG8-C00	0	F08	
			37802-GGA7-C00	1	F10	44000			
	34901-LDC8-E10	1	F01	3780A-LEJ2-E10	0		F10		
	34903-KPCP-900	0	F01						
34906-LBA8-E80	1	F18	38000				44301-LEJ2-E10	4	F07
35000							44311-KHB4-C00	0	F07
			38110-KGC4-B50	2	F19	44600-LEJ2-E10	0	F07	
			38300-KECE-W10	2	F19	44601-LEJ2-E10	0	F07	
	35010-LEJ2-E10	0	F19	38500-KKDK-C00	5	F19	44620-KFLF-C00	1	F07
	35151-KGBG-C00	0	F03	3860A-LEJ2-E10	1	F19	44680-4L10-C00	0	F07
35152-LGB5-E10	0	F03	42000			44710-LEJ2-E1A	0	F07	
3515A-LGB5-E10	3	F03				44800-LKD1-E10	1	F07	
35201-KGBG-C00	0	F03				44830-LCD3-C00	0	F02	
35202-LGB5-E10	0	F03		42311-LEJ2-E10	0	F16	45000		
3520A-LGB5-E10	3	F03		42312-KHB4-C00	1	F16			
35340-KKJ9-C00	0	F03	42600-LEJ2-E10	0	F08				
35340-KNBN-901	1	F04	42601-LEJ2-E10	0	F08	45105-LEJ2-305		0	F04
35400-LEJ2-E10	0	F19	42710-LEJ2-E10	0	F08	45121-LEJ2-E80		0	F07
37000			43000			45126-LDC8-E10	2	F04	
						45156-KHC5-E10	0	F06	
						45156-LCB9-B20	0	F06	
	37200-LEJ2-E0A	0	F02	4312A-KUDU-C00	1	F08	45200-LEJ2-E1A	0	F04
	37211-LEJ2-E0A	0	F02	4314A-LCD3-E00	2	F08	45500-LDC8-E10	3	F04

PART NO. INDEX

PART NO.	VERSION	PAGE	PART NO.	VERSION	PAGE	PART NO.	VERSION	PAGE
4550B-LEJ2-E10	0	F04				53205-LEJ2-E10	5	F03
45517-GFY6-900	5	F03	51000			53206-LEJ2-E10	0	F03
50000			51400-LEJ2-E10	0	F06	53211-GFY6-C00	1	F06
			51500-LEJ2-E10	0	F06	53212-2L50-C00	1	F06
50100-LEJ2-E10	3	F20				53214-2L50-C00	1	F06
50301-KGN7-C00	2	F20	52000			53215-2L50-C00	1	F06
50302-2H68-C00	2	F20				61000		
50306-1F96-C00	1	F06	52000-LEJ2-E10	3	F16			
50326-LEJ2-E10	0	F12	52400-LEJ2-E10	2	F16	61100-LEJ2-E10	0	F06
50350-LEJ2-E10	1	F20	53000			61110-LDC8-E90	0	F06
50500-LEJ2-E10	1	F15				61112-LDC8-E90	0	F06
50505-LCB9-C00	0	F15				6111A-LDC8-E90	0	F06
50505-LEJ2-E10	0	F15	53100-LEJ2-E10	3	F03			
50530-LEJ2-E10	0	F15	53102-KEC8-C00	0	F03	64000		
50531-KEB7-C00	1	F15	53105-LBB5-C00	0	F03			
50535-KEB7-W10	3	F15	53125-GEN5-C00	1	F03	64206-MLJ0-C00	1	F06
50550-KFA6-C00	1	F15	53140-LEJ2-E10	0	F03	64210-LEJ2-E10	0	F03
50613-LEJ2-E10	0	F20	53166-LEJ2-E10	0	F03	64214-LEJ2-E10	0	F03
50650-LEJ2-E10	0	F18	53172-KTCT-C00	0	F03	64215-LEJ2-E10	0	F03
50711-LEJ2-E10	2	F20	53175-LDC8-E10	1	F04	64224-LEJ2-E10	0	F03
50712-LEJ2-E10	3	F20	53178-LCD1-C00	3	F03	64225-LEJ2-E10	0	F03
5071A-LEJ2-E10	0	F20	53178-LCD1-E00	3	F03	64301-LEJ2-E10	1	F05
5071B-LEJ2-E10	0	F20	5317B-LCD1-C00	0	F03	64302-LEJ2-E10	0	F05
			53200-LEJ2-E10	0	F06	64303-LEJ2-E10	0	F05
			53205-LEJ2-E10	0	F03	64305-LEJ2-E10	0	F05

PART NO. INDEX

PART NO.	VERSION	PAGE	PART NO.	VERSION	PAGE	PART NO.	VERSION	PAGE
64306-LEJ2-E10	0	F05	80105-LEJ2-E10	0	F18	83620-LEJ2-E10	0	F12
64307-LEJ2-E10	0	F05	80109-KEB7-C00	0	F18	83750-LEJ2-E10	0	F12
64308-LEJ2-E10	0	F05	8010A-LEJ2-E10	0	F18			
64309-LEJ2-E10	0	F05	80151-LEJ2-E10	0	F12	86000		
64310-LEJ2-E10	0	F05						
64313-LEJ2-E10	0	F05	81000			86101-LEJ2-E00	0	F22
64316-LCB9-C10	4	F05				86101-LEJ2-E00	2	F22
64316-LCB9-C10	4	F12	81131-LEJ2-E10	0	F05	86102-LEJ2-E00	2	F22
64323-LEJ2-E10	0	F05	81132-LCB9-C10	0	F05	86212-LEJ2-E10	0	F22
64400-LEJ2-E10	0	F05	81132-LEJ2-E10	0	F05	86221-LEJ2-E00	0	F22
			81133-KGBG-C00	0	F05	86231-LEJ2-E00	0	F22
77000			81134-KGBG-9000	2	F05	86310-LEJ2-E00	0	F22
			81200-LEJ2-E10	0	F12	86320-LEJ2-E00	0	F22
77200-LEJ2-E10	0	F09	81200-LEJ2-E10	2	F12	86330-LEJ2-E00	0	F22
77232-KCAC-C00	2	F12	81250-LEJ3-E10	0	F12	86350-LEJ2-E00	0	F22
77235-KGC4-C00	2	F19	81251-LEJ3-E10	0	F12			
77239-GFY6-C00	0	F19				87000		
77240-LFC2-E10	5	F19	83000					
						87224-LEJ2-E80	0	F22
80000			83500-LEJ2-E10	0	F12	87505-LEJ2-E00	0	F22
			83510-LEJ2-E10	0	F12	87541-GAR1-E01	1	F22
80100-KEB7-C00	0	F18	83520-LEJ2-E10	0	F12	87542-GAR1-C01	2	F22
80100-LEJ2-E10	0	F18	83550-KEC8-C00	1	F03	87556-LEJ2-E00	2	F22
80100-LEJ2-E10	1	F18	83551-KEC8-C10	1	F03	87560-GFY6-E01	3	F22
80101-LEJ2-E10	0	F18	83600-LEJ2-E10	0	F12			
80102-LCD2-C00	0	F18	83610-LEJ2-E10	0	F12			

PART NO. INDEX

PART NO.	VERSION	PAGE	PART NO.	VERSION	PAGE	PART NO.	VERSION	PAGE
88000			90108-KFA6-E00	1	F15	90426-KNBN-C00	1	E05
			90110-KEB7-C00	1	F05	90442-0D44-C00	0	E05
			90110-KEB7-C00	1	F06	90442-GFF6-C00	0	E02
	88110-LEB5-C10	2	F03	90111-1G87-C00	1	F12	90451-GBN2-C00	1
88120-LEB5-C10	1	F03	90112-KRDR-C00	1	F19	90454-GBB2-C00	0	E05
89000			90131-GLW0-C00	0	F04	90474-3C33-C00	1	E01
			90145-9A61-C00	1	F04	90501-KNBN-C00	1	F08
			90202-1G87-C00	0	E05	9052A-GFY6-C00	1	E01
	89010-KGBG-C00	1	F09	90202-GFF6-011	0	E02	90545-3L00-C00	2
89020-KKC4-900	1	F09	90206-0A01-C00	2	E02	90656-KUDU-900	0	F19
90000			90301-4C73-C00	0	F15	90668-LEJ2-E10	0	F06
			90301-KGBG-C00	0	F14	90683-GAR1-C00	4	F05
			90302-GFY6-C10	0	F03	90683-GAR1-C00	4	F18
	9000A-KTDT-C00	1	E01	90302-GFY6-C10	0	F06	90701-GFF6-C00	0
90012-3C33-C00	1	E02	90302-SDA4-C00	2	F05	90701-GFF6-C00	0	E03
90031-KGBG-C00	0	E01	90302-SDA4-C00	2	F12	90701-HDC4-C00	1	E06
90032-KGBG-C00	0	E01	90304-4H38-C00	0	E02	90741-0E35-C00	0	E03
90033-0A41-C00	0	E02	90304-GHE8-C00	1	F03	91000		
90033-GFY6-C10	2	E02	90304-GHE8-C00	1	F20			
90102-GLE0-001	0	F15	90305-GHK8-C00	1	F03			
90105-KCR3-001	3	F07	90305-GHK8-C00	1	F06		91001-GGA7-C00	0
90105-LEJ2-E10	0	F20	90305-GHK8-C00	1	F12	91003-KDS4-C00	1	E08
90106-GEN5-901	1	F03	90305-KNBN-C00	1	F08	91004-KNBN-C00	0	E01
90106-KFAF-900	2	F20	90306-KLF0-C00	0	F07	91009-GLE0-C00	1	E08
90106-KFC2-900	1	F03	90381-GEZ5-C00	1	F12	91014-LLJ3-C00	1	F06
90106-KUDU-900	1	F20	90412-3K29-C00	1	E01	91015-LLJ3-C00	1	F06

PART NO. INDEX

PART NO.	VERSION	PAGE	PART NO.	VERSION	PAGE	PART NO.	VERSION	PAGE
91051-KFBF-C00	1	F16	93404-06012-07	5	F20			
91103-GAR1-C00	0	E05	93404-06016-07	0	F12	94000		
91201-GFY6-C00	1	E01	93404-06020-07	4	F05			
91201-KGBG-C00	0	E04	93404-06020-07	4	F18	94001-12280-0S	0	E05
91204-KNBN-C00	1	E01	93404-06022-07	0	F06	94050-05080	2	F06
91211-KEE1-C00	0	E05	93500-04010-1A	0	E09	94050-05080	2	F18
91252-0L30-004	0	F07	93500-04012-1A	0	E09	94050-06080	2	E02
91255-LDC8-E10	4	E08	93500-04014-1A	0	E09	94050-06080	2	F09
91258-4L10-007	1	F07	93500-05012-1A	0	E09	94050-06080	2	F20
91259-KFBF-C00	0	F16	93892-04008-18	0	E09	94050-10080	1	E05
91301-GLR0-W10	1	E03	93903-25480	1	F13	94050-10080	1	E07
91301-KEE1-C00	0	E05	93903-34220	0	F01	94101-10800	1	F20
91302-0A01-C00	1	E04	93903-34220	0	F17	94301-08140	4	E01
91302-KEE1-C00	0	E05	93903-34280	0	F03	94301-08140	4	E04
91305-0H28-C00	0	E06	93903-34380	6	F03	94301-10160	4	E08
91307-0E35-W10	1	E04	93903-34380	6	F05	94510-20000	1	E08
			93903-34380	6	F12	94511-14000	1	E01
92000			93903-34380	6	F18	94520-24000	1	E05
			93903-35320	4	F01	94540-06018	2	E06
92101-05012-0H	2	E07	93903-35320	4	F02			
92900-06050-0B	1	E02	93903-GFY6-C00	2	F05	95000		
			93903-GFY6-C00	2	F12			
93000			93903-GFY6-C00	2	F18	95002-KKD6-C00	1	F21
			93904-35380	2	E07	95003-23036-60	0	F13
93404-06012-07	5	F05				95012-LEJ2-E10	0	F11
93404-06012-07	5	F18				95701-06012-08	3	F06

PART NO. INDEX

PART NO.	VERSION	PAGE	PART NO.	VERSION	PAGE	PART NO.	VERSION	PAGE
95701-06012-08	3	F10	96001-06012-08	3	E07	98200-10700	2	F11
95701-06012-08	3	F19	96001-06012-08	3	F18			
95701-06014-08	0	F19	96001-06016-08	6	E07			
95701-06016-08	1	F19	96001-06016-08	6	F18			
95701-06020-08	0	F03	96001-06018-08	1	E03			
95701-06022-07	1	F15	96001-06020-08	2	E06			
95701-06025-07	2	F14	96001-06022-08	2	E07			
95701-06025-08	2	E02	96001-06025-08	4	E01			
95701-06032-08	1	F08	96001-06025-08	4	E06			
95701-06035-08	1	F13	96001-06025-08	4	E07			
95701-06045-08	0	F13	96001-06035-08	7	E01			
95701-08012-08	2	E01	96001-06040-07	0	F20			
95701-08012-08	2	F19	96001-06045-08	1	E01			
95701-08028-08	0	F12	96001-06085-06	0	E02			
95701-08040-08	3	F12	96001-06085-06	0	E04			
95701-LDC8-E10	0	F19	96001-06100-08	2	E04			
95801-08035-08	0	F16	96001-GFY6-C00	3	F13			
95801-08040-08	4	F06	96100-60020-00	1	E08			
95801-08075-07	0	F14	96100-62020-00	1	E01			
95801-10035-08	1	F16	96120-63010-10	0	F07			
95801-10070-08	2	F20	96120-63030-10	0	E01			
95801-LEJ2-E10	0	F14	96220-LDC5-C00	0	E06			
96000			98000					
96001-06012-08	3	E01	98056-5771R-00	1	E02			