

# PARTS CATALOGUE



## SCOOTERS

BA10BA(RO)

PEOPLE S50



Release Date : 2011/05/03  
Print Date : 2012/02/09

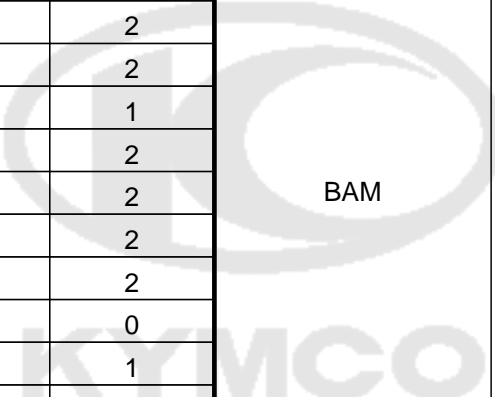
## ABOUT THIS PARTS LIST

- This parts list is compiled all service parts for model BA10BA(RO).
- Any difference between color chart and motorcycle will be revised according to motorcycle.
- The Mark:
  1. Marking "\*\*\*" must add color code in the end before ordering parts.
  2. Marking "#" are parts with modification, Please find the details from e-Parts system.
- When modification or additions to this parts list are made a revised edition at an appropriate time.



# CONTENTS

● ABOUT THIS PARTS LIST .....	1
● COLOR CHART OF BA10BA(RO) .....	3
● CONTENTS-ENGINE GROUP .....	7
● CONTENTS-FRAME GROUP .....	9
● ENGINE PARTS LIST .....	12
● FRAME PARTS LIST .....	42
● PART NO. INDEX .....	110

NO	MODEL			COLOR CHART OF BA10BA(RO)							
	PHOTO NO			NO. 1	NO. 2	NO. 3	NO. 4				
	BASIC COLOR			Bright Blue	Deep Blue	Light Blue Metallic	Black				
	CODE			Bright Blue	Deep Blue	Light Blue Metallic	Black				
	PARTS NAME	PARTS NO.	VERSION	PB107MA	PB244MA	PB142MA	NH001SA				
1	END HANDLE	53102-KEC8-900	0	F1S							
2	END R STRGHANDLE	53105-LBB5-E00	2								
3	MUFFLER ASSY EXH	1830A-LCD1-E00	6	F6S							
4	PROTECTOR MUFFLER	18318-LCD1-E00	5								
5	LEVER R STRG HNDL	53175-KXBX-E10	3	M3A							
6	LEVER L STRG HANDLE	53178-LCD1-E00	1								
7	COVER FR HANDLE	53205-LCD3-E00	3	 BAM                      C6P                      C9P                      N1P							
8	COVER RR HANDLE	53206-LCD3-E00	4								
9	PLUG COVER RR	53207-LCD3-E00	2								
10	FENDER FR	61100-LCD3-E00	2								
11	COVER FRONT	64301-LCD3-E00	1								
12	FR TOP	64303-LCD3-E00	2								
13	SKIRT R SIDE	64305-LCD3-E00	2								
14	SKIRT L SIDE	64306-LCD3-E00	2								
15	COWL UNDER	64400-LCD3-E00	2								
16	LEG SHIELD UP	81131-LCD3-E01	0								
17	LID INNER BOX	81132-LCD3-E00	1								
18	COVER R BODY	83500-LCD3-E00	1								
19	COVER L BODY	83600-LCD3-E00	1								
20	COVER R RR STEP	50712-LCD3-E00	3					N1R			
21	COVER L RR STEP	50722-LCD3-E00	3								
22	GRIP COMP THROT	53140-KGB5-900	0								
23	GRIP L HANDLE	53166-KGB5-900	0								
24	FLOOR PANEL	64310-LCD3-E00	2								
25	LEG SHIELD LOW	81141-LCD3-E00	1								
DATE OF STARTING-SALES											
DATE OF END-SALES											

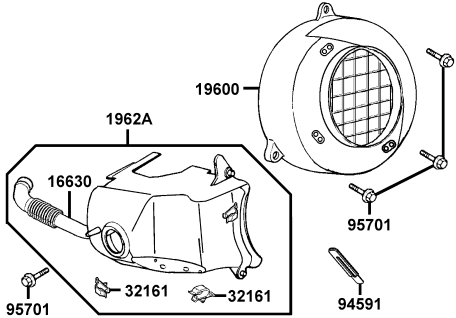
NO	MODEL			COLOR CHART OF BA10BA(RO)				
	PHOTO NO			NO. 5	NO. 6			
	BASIC COLOR			Bright Silver	Red			
	CODE			Bright Silver	Red			
	PARTS NAME	PARTS NO.	VERSION	NH045MA	RR123PA			
1	END HANDLE	53102-KEC8-900	0	F1S				
2	END R STRGHANDLE	53105-LBB5-E00	2					
3	MUFFLER ASSY EXH	1830A-LCD1-E00	6	F6S				
4	PROTECTOR MUFFLER	18318-LCD1-E00	5					
5	LEVER R STRG HNDL	53175-KXBX-E10	3	M3A				
6	LEVER L STRG HANDLE	53178-LCD1-E00	1					
7	COVER FR HANDLE	53205-LCD3-E00	3	N8P			R6P	
8	COVER RR HANDLE	53206-LCD3-E00	4					
9	PLUG COVER RR	53207-LCD3-E00	2					
10	FENDER FR	61100-LCD3-E00	2					
11	COVER FRONT	64301-LCD3-E00	1					
12	FR TOP	64303-LCD3-E00	2					
13	SKIRT R SIDE	64305-LCD3-E00	2					
14	SKIRT L SIDE	64306-LCD3-E00	2					
15	COWL UNDER	64400-LCD3-E00	2					
16	LEG SHIELD UP	81131-LCD3-E01	0					
17	LID INNER BOX	81132-LCD3-E00	1	N1R				
18	COVER R BODY	83500-LCD3-E00	1					
19	COVER L BODY	83600-LCD3-E00	1					
20	COVER R RR STEP	50712-LCD3-E00	3					
21	COVER L RR STEP	50722-LCD3-E00	3					
22	GRIP COMP THROT	53140-KGB5-900	0					
23	GRIP L HANDLE	53166-KGB5-900	0					
24	FLOOR PANEL	64310-LCD3-E00	2					
25	LEG SHIELD LOW	81141-LCD3-E00	1					
DATE OF STARTING-SALES								
DATE OF END-SALES								

NO	MODEL			COLOR CHART OF BA10BA(RO)			
	PHOTO NO			NO. 1	NO. 2	NO. 3	NO. 4
	BASIC COLOR			Bright Blue	Deep Blue	Light Blue Metallic	Black
	CODE			Bright Blue	Deep Blue	Light Blue Metallic	Black
	PARTS NAME	PARTS NO.	VERSION	PB107MA	PB244MA	PB142MA	NH001SA
26	LID LEG SHIELD	81142-KUDU-900	1	N1R			
27	COVER R SIDE	83520-LCD3-E00	1				
28	COVER L SIDE	83620-LCD3-E00	1				
29	COVER L SIDE	11341-KFA6-900	0				
30	CARRIER RR	81200-LCD3-E00	2	N8A			
31	CUSHION ASSY RR	52400-LCD1-E00	1	N8P			
32	GRILL FR COVER INNER	64313-LCD3-E00	2	N8S			
33	WHEEL COMP RR CAST	42601-LCD3-E00	2	NAR			
34	WHEEL SET FR	44600-LCD3-305	2	NJA			
35	CALIPER ASSY FR LH	45200-LCD3-E00	4				
36	FORK ASSY RH FR	51400-LCD3-E00	5				
37	BOTTOM CASE R	51420-LCD3-E00	0				
38	FORK ASSY LH FR	51500-LCD3-E00	5				
39	BOTTOM CASE L	51520-LCD3-E00	0				
40	SEAT ASSY	77200-LCD3-E00	2				
41	EMB K-LOGO 38MM	86102-LCD3-E00	3				
42	EMB BODY COVER	86202-LCD3-E10	3	T01			
43	EMB MARK 50 2T	87140-LCD1-E00	1				
44	CAUTION ANTI	87224-LCD1-EZ0	1				
45	LABEL TIRE	87505-LCD1-E00	1				
46	CAUTION SIDE STAND	87541-GAR1-E00	1				
47	MARK MAINT CAUTION	87542-GAR1-E00	2				
48	MARK DRIVE CAUTION	87560-KNBN-E00	1				
DATE OF STARTING-SALES							
DATE OF END-SALES							

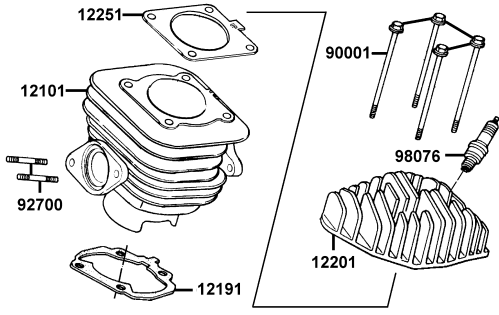
NO	MODEL			COLOR CHART OF BA10BA(RO)			
	PHOTO NO			NO. 5	NO. 6		
	BASIC COLOR			Bright Silver	Red		
	CODE			Bright Silver	Red		
	PARTS NAME	PARTS NO.	VERSION	NH045MA	RR123PA		
26	LID LEG SHIELD	81142-KUDU-900	1	N1R			
27	COVER R SIDE	83520-LCD3-E00	1				
28	COVER L SIDE	83620-LCD3-E00	1				
29	COVER L SIDE	11341-KFA6-900	0		N8A		
30	CARRIER RR	81200-LCD3-E00	2	N8P			
31	CUSHION ASSY RR	52400-LCD1-E00	1	N8S			
32	GRILL FR COVER INNER	64313-LCD3-E00	2	NAR			
33	WHEEL COMP RR CAST	42601-LCD3-E00	2	NJA			
34	WHEEL SET FR	44600-LCD3-305	2				
35	CALIPER ASSY FR LH	45200-LCD3-E00	4				
36	FORK ASSY RH FR	51400-LCD3-E00	5				
37	BOTTOM CASE R	51420-LCD3-E00	0				
38	FORK ASSY LH FR	51500-LCD3-E00	5				
39	BOTTOM CASE L	51520-LCD3-E00	0				
40	SEAT ASSY	77200-LCD3-E00	2				
41	EMB K-LOGO 38MM	86102-LCD3-E00	3	T01			
42	EMB BODY COVER	86202-LCD3-E10	3				
43	EMB MARK 50 2T	87140-LCD1-E00	1				
44	CAUTION ANTI	87224-LCD1-EZ0	1				
45	LABEL TIRE	87505-LCD1-E00	1				
46	CAUTION SIDE STAND	87541-GAR1-E00	1				
47	MARK MAINT CAUTION	87542-GAR1-E00	2				
48	MARK DRIVE CAUTION	87560-KNBN-E00	1				
DATE OF STARTING-SALES							
DATE OF END-SALES							

# CONTENTS - ENGINE GROUP

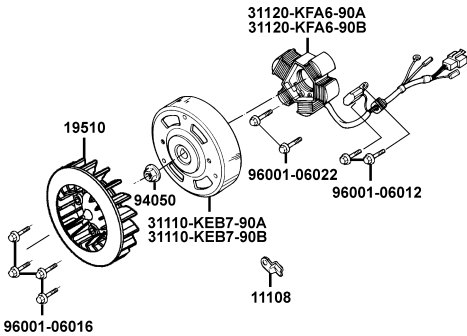
**E01 Fan CoverShroud**



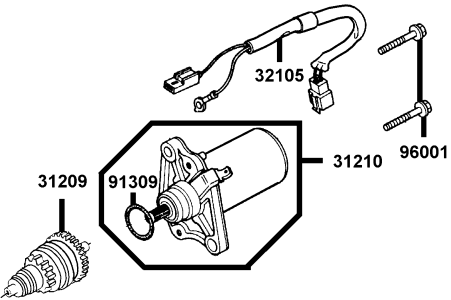
**E02 Cylinder/Cylinder Head**



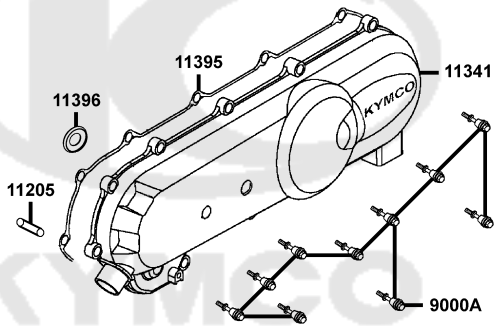
**E03 Generator**



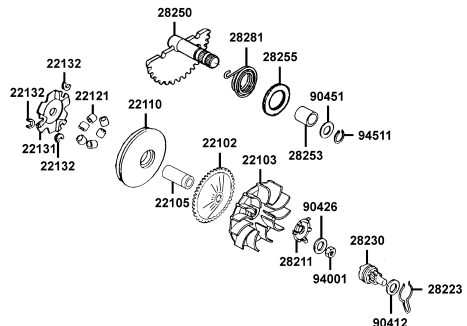
**E04 Starting Motor**



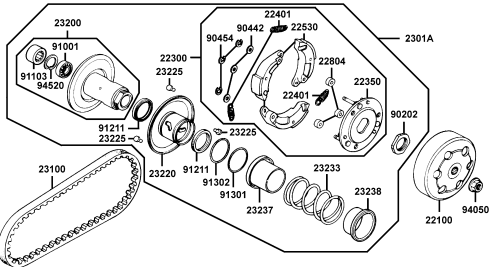
**E05 LEFT SIDE COVER**



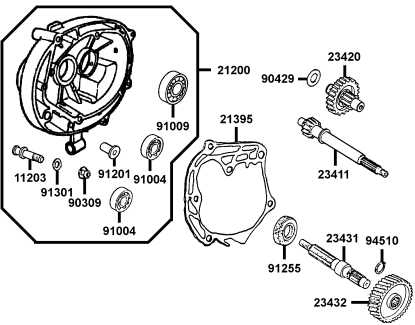
**E06 DRIVE Pulley**



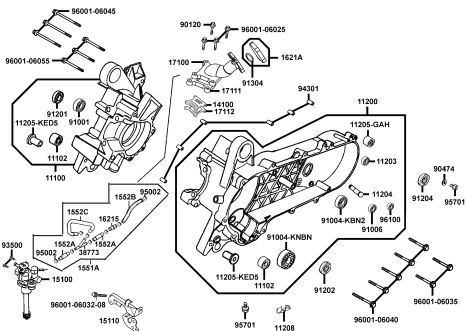
**E07 Driven Pulley**



**E08 Transmission**



**E09 Crankcase/OIL PUMP**





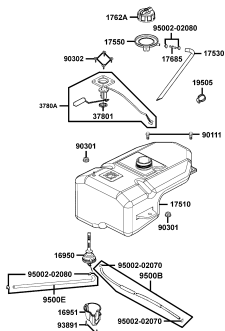


# CONTENTS - FRAME GROUP

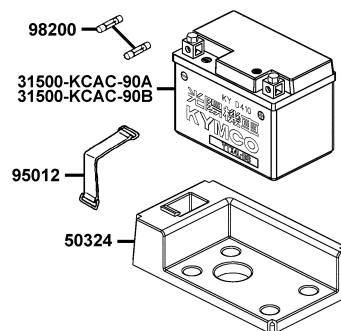
<b>F01</b> Head Light	<b>F02</b> Speedometer	<b>F03</b> Handle Steering Handle Cover
<b>F04</b> Brake Master Cylinder	<b>F05</b> Front Cover Floor Panel	<b>F06</b> Steering Stem Front Fork
<b>F07</b> Front Wheel	<b>F08</b> Rear Wheel	<b>F09</b> Seat

## CONTENTS - FRAME GROUP

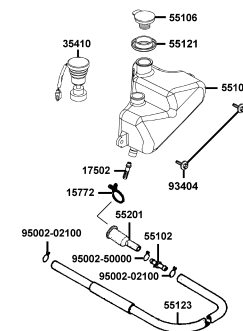
### F10 Fuel Tank



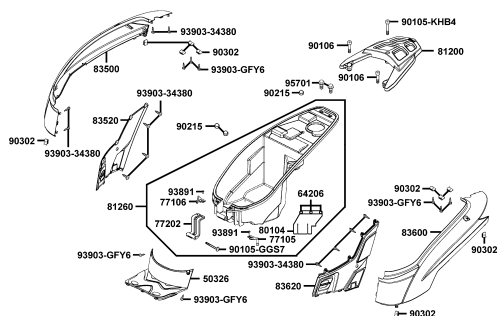
### F11 Battery



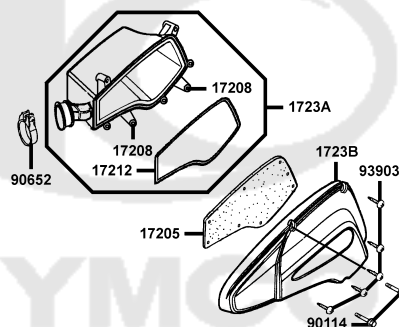
### F12 OIL TANK



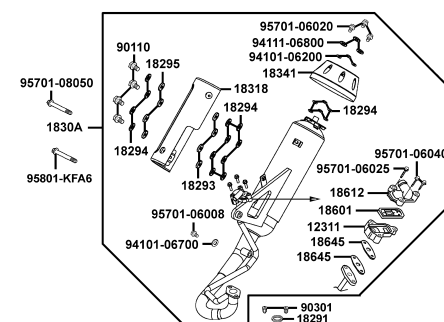
### F13 Body Cover Luggage Box



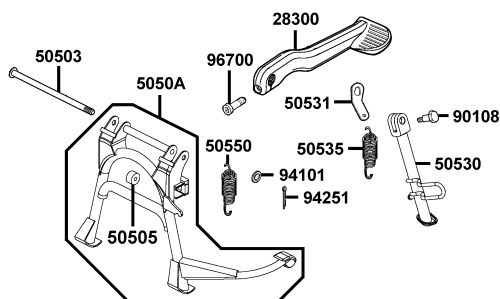
### F14 Air Cleaner



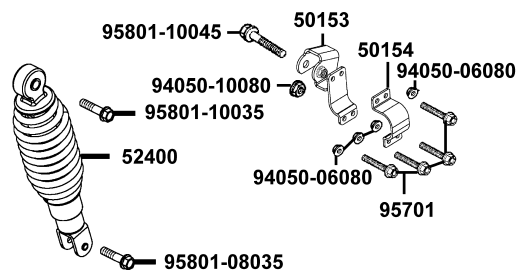
### F15 Exhaust Muffler



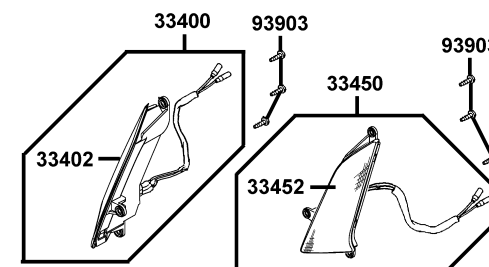
### F16 Stand Kick Starter Arm



### F17 Rear Cushion

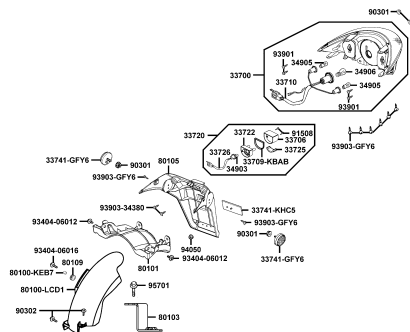


### F18 Winker

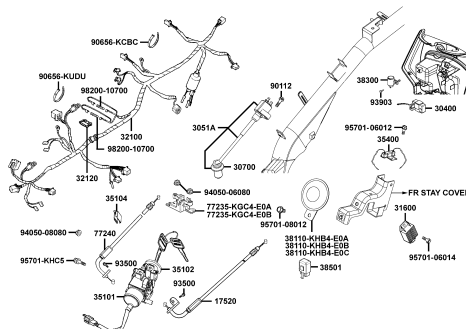


# CONTENTS - FRAME GROUP

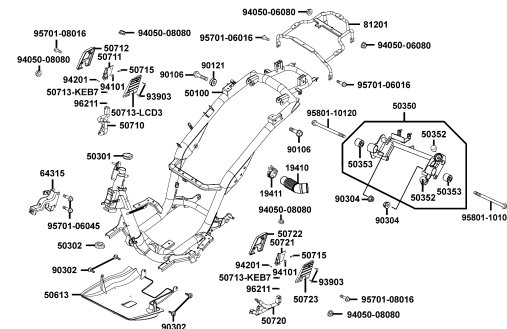
## F19 Tail Light



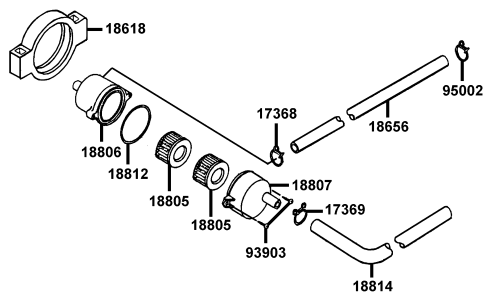
## F20 Wire Harness



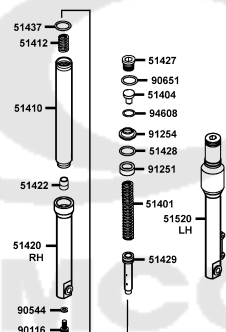
## F21 Frame Body



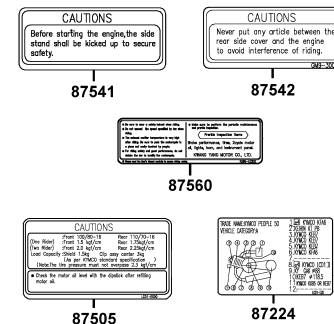
## F22 Air Cleaner Two



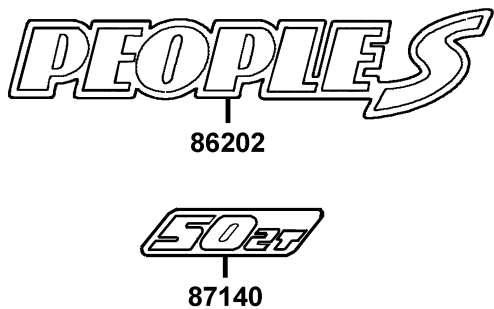
## F23 Separated Parts Of Fr Fork



## F24 Caution Label

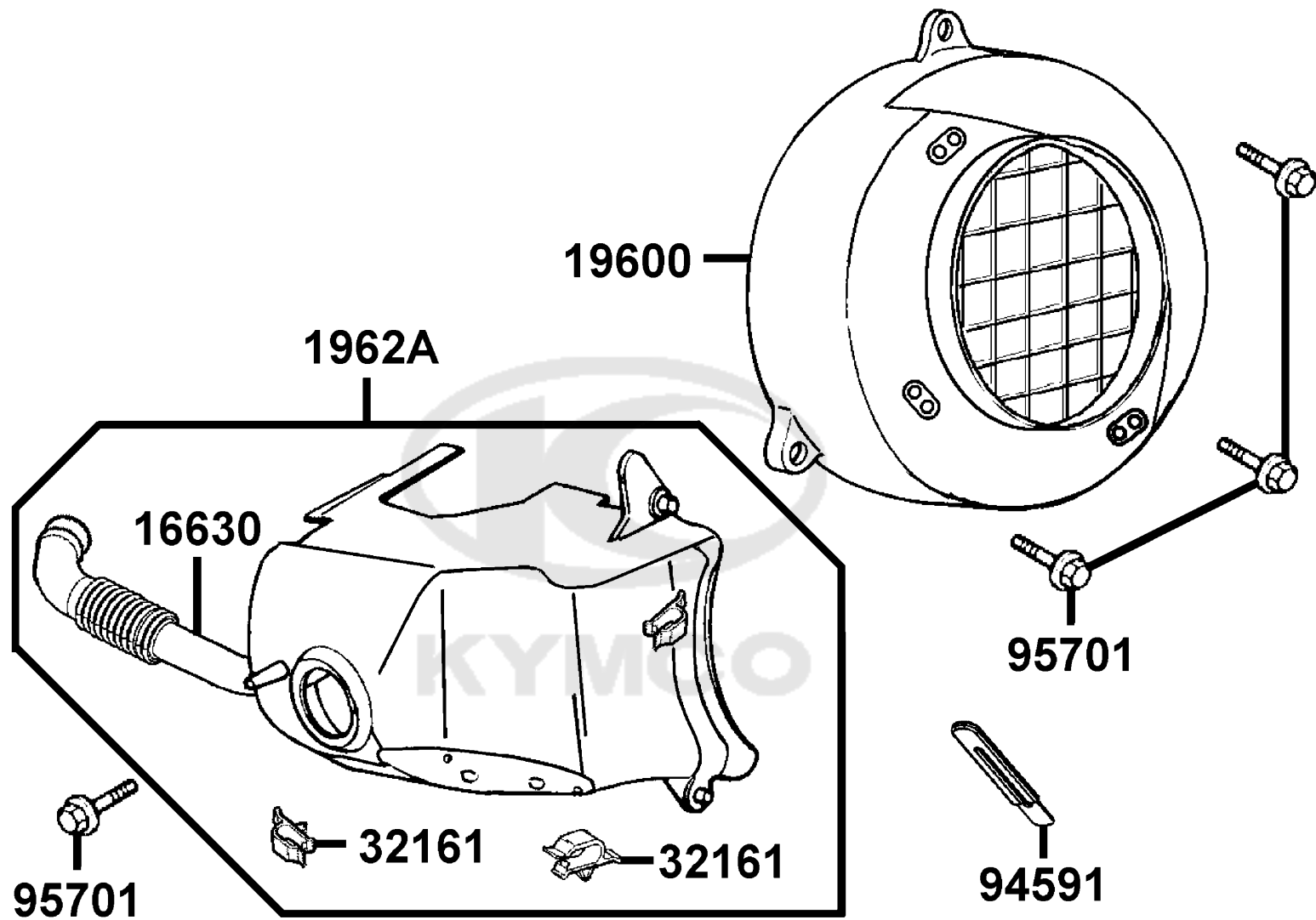


## F25 Emblem Stripe



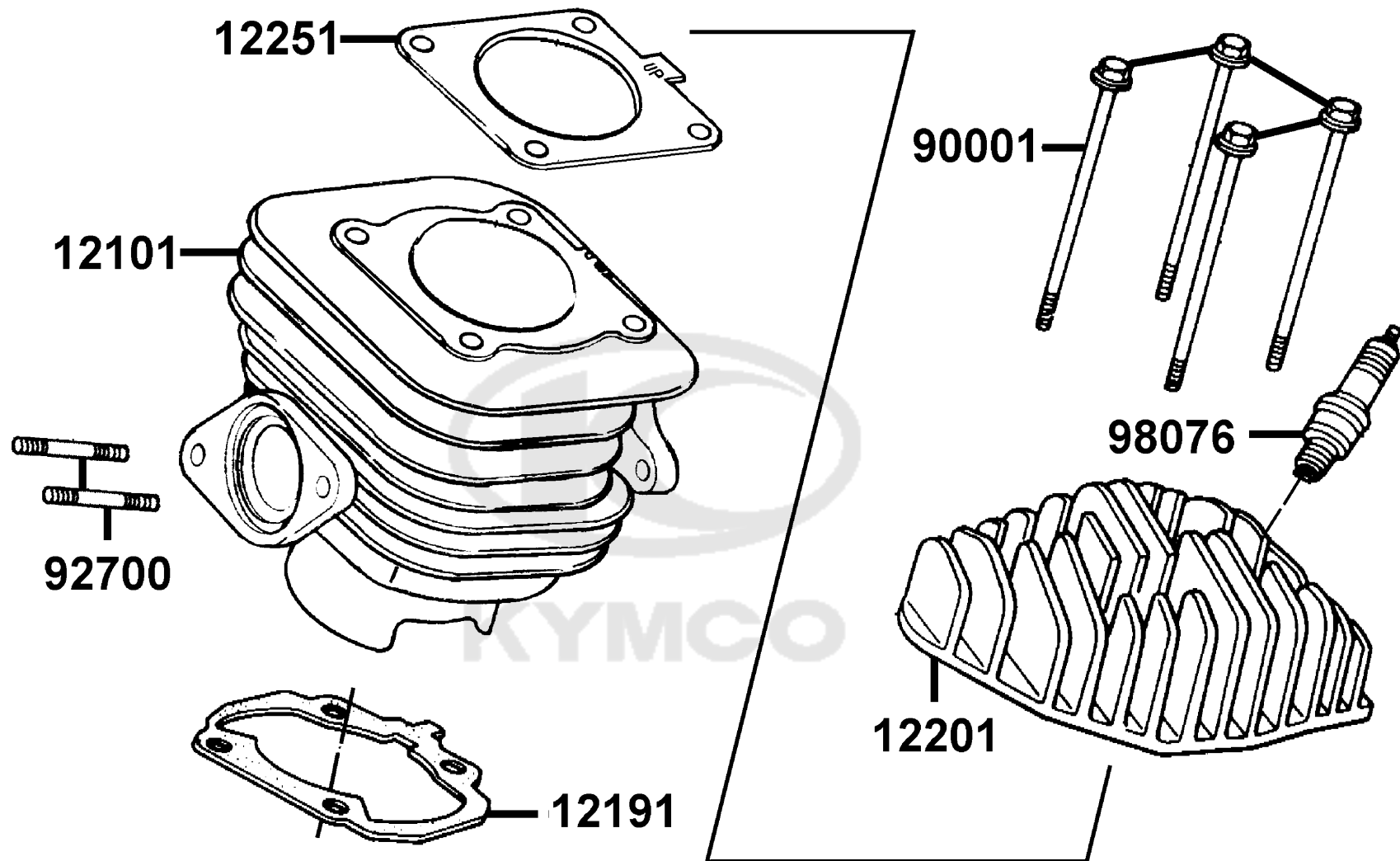
E01

Fan CoverShroud



Sales mark	Ref no	Part no	Description	Reg description	Regd no	<b>E01</b>
16630		16630-KEB7-E00	DUCT HEAT TRANSFER	DUCT HEAT TRANSFER	1	
19600		19600-KEB7-900	COVER COMP FAN	COVER COMP FAN	1	
1962A		1962A-KEB7-E00	CLIP SET SHROUD	CLIP SET SHROUD	1	
32161		32161-3C93-004	CLIP HARNESS WIRE	CLIP HARNESS WIRE	2	
94591		94591-KFBF-900	CLIP 2*70	CLIP 2*70	1	
95701		95701-06025-08	BOLT FLANGE 6*25	BOLT FLANGE 6*25	4	

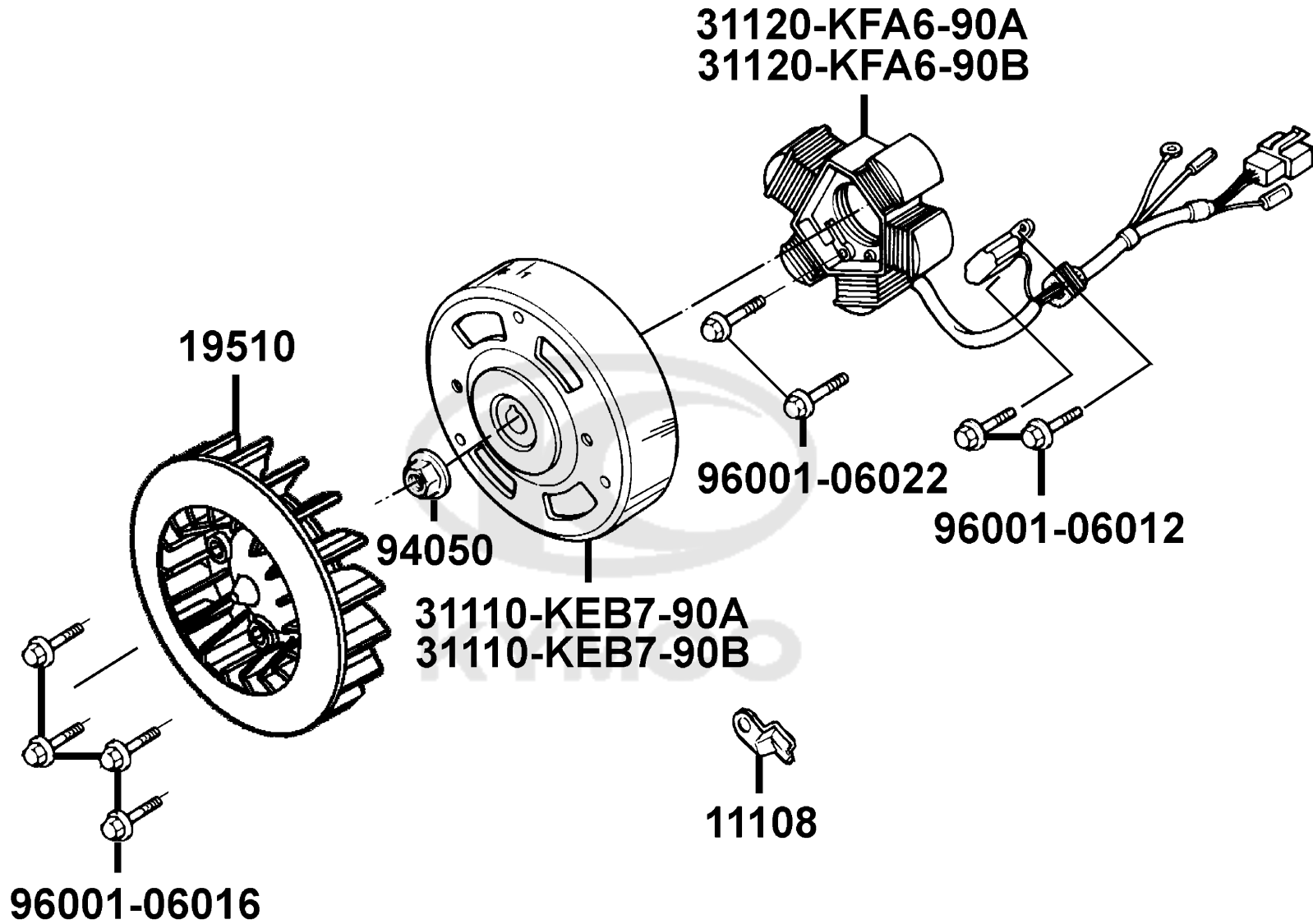




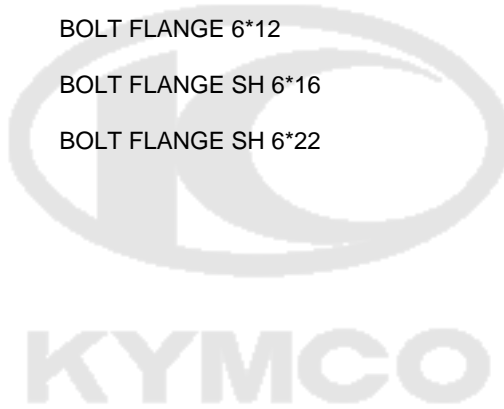
Sales mark	Ref no	Part no	Description	Reg description	Regd no	<b>E02</b>
12101	12101-KEB7-901	12101-KEB7-901	CYLINDER	CYLINDER	1	
12191	12191-KEB7-900	12191-KEB7-900	GASKET CYLINDER A	GASKET CYLINDER A	1	
12201	12201-KEB7-900	12201-KEB7-900	HEAD CYLINDER	HEAD CYLINDER	1	
12251	12251-KEB7-900	12251-KEB7-900	GASKET CYLINDER HEAD	GASKET CYLINDER HEAD	1	
90001	90001-GKAK-901	90001-GKAK-901	BOLT FLANGE 7*100	BOLT FLANGE 7*100	4	
92700	92700-06028-1B	92700-06028-1B	BOLT STUD 6*28	BOLT STUD 6*28	2	
98076	98076-5871G-00	98076-5871G-00	SPARK PLUG (BR8HSA)	SPARK PLUG (BR8HSA)	1	

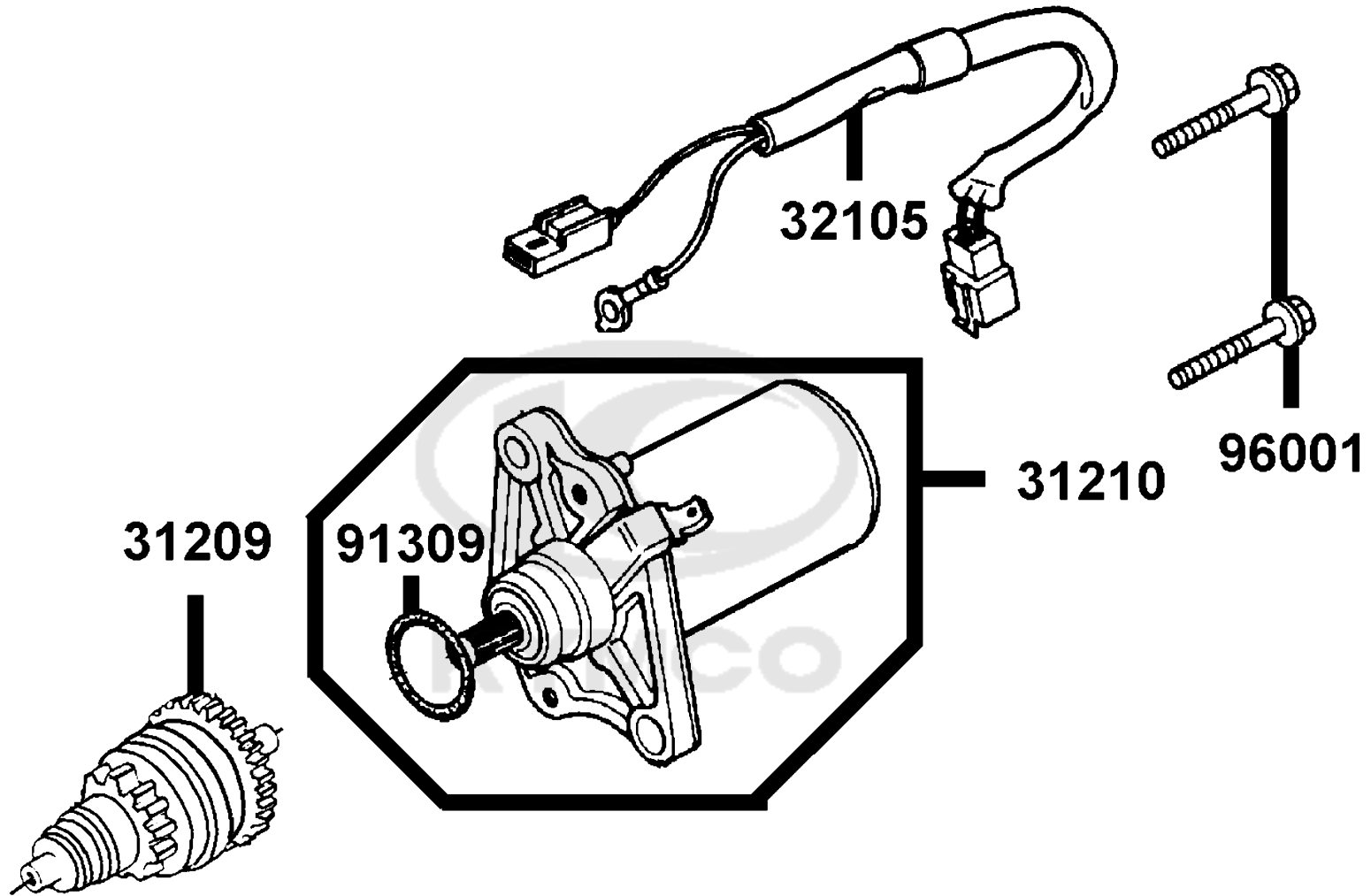






Sales mark	Ref no	Part no	Description	Reg description	Regd no	<b>E03</b>
	11108	11108-KEB7-900	HOLDER STATOR WIRE	HOLDER STATOR WIRE	1	
	19510	19510-GBW2-901	FAN COMP COOLING	FAN COMP COOLING	1	
	31110-KEB7-90A	31110-KEB7-90A	FLYWHEEL COMP /D402	FLYWHEEL COMP /D402	1	
	31110-KEB7-90B	31110-KEB7-90B	FLYWHEEL COMP /D406	FLYWHEEL COMP /D406	1	
	31120-KFA6-90A	31120-KFA6-90A	STATOR COMP /D402	STATOR COMP /D402	1	
	31120-KFA6-90B	31120-KFA6-90B	STATOR COMP /D406	STATOR COMP /D406	1	
#	94050	94050-10080	NUT FLANGE 10MM	NUT FLANGE 10MM	1	
	96001-06012	96001-06012-08	BOLT FLANGE 6*12	BOLT FLANGE 6*12	2	
	96001-06016	96001-06016-08	BOLT FLANGE SH 6*16	BOLT FLANGE SH 6*16	4	
	96001-06022	96001-06022-08	BOLT FLANGE SH 6*22	BOLT FLANGE SH 6*22	2	



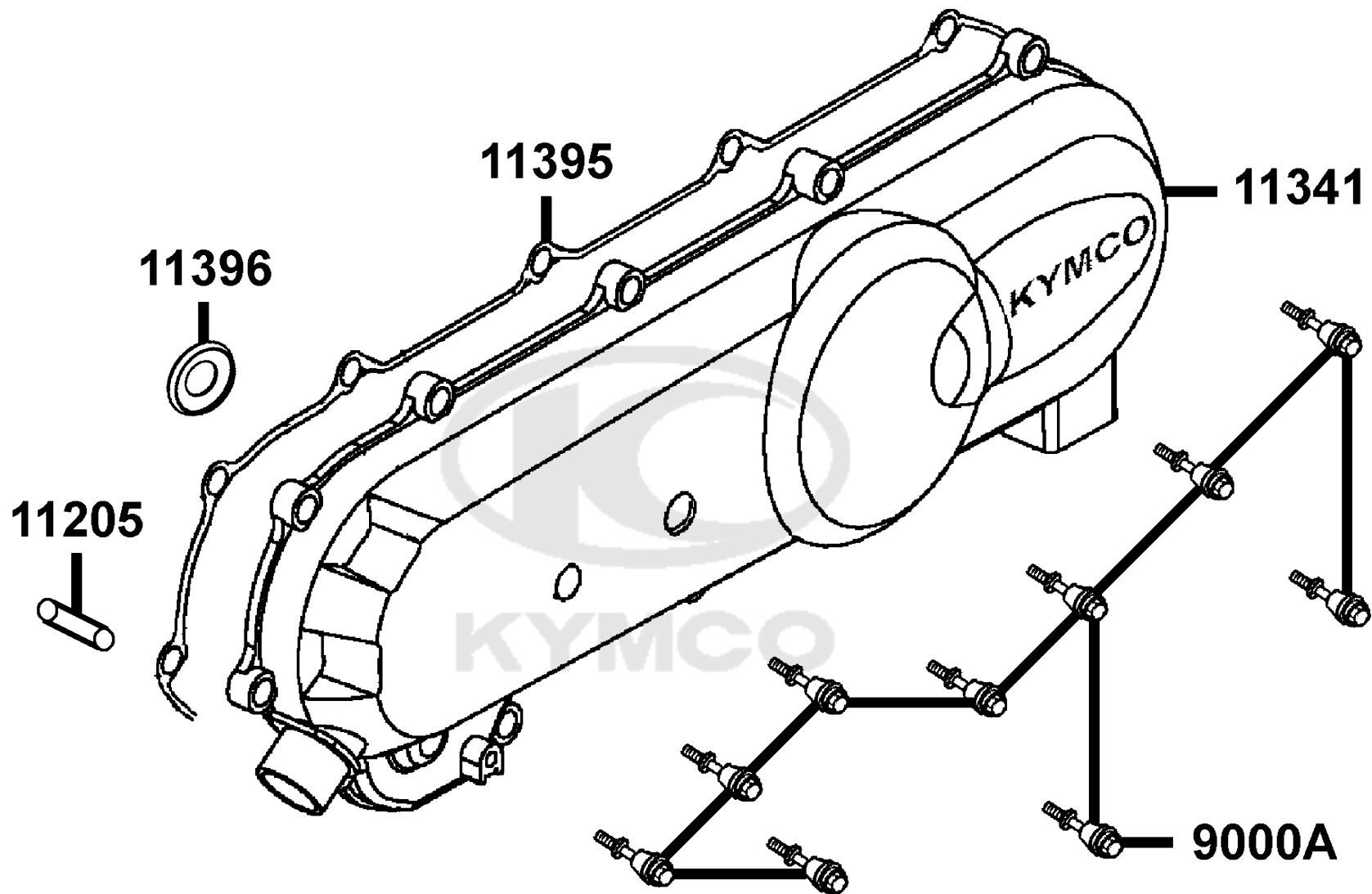


Sales mark	Ref no	Part no	Description	Reg description	Regd no	<b>E04</b>
31209		31209-GKAK-901	PINION ASSY STARTER	PINION ASSY STARTER	1	
31210		31210-GKAK-901	MOTOR UNIT START	MOTOR UNIT START	1	
32105		32105-KFA6-900	SUB HARNESS	SUB HARNESS	1	
91309		91309-GKAK-901	O RING	O RING	1	
96001		96001-06025-08	BOLT FLANGE SH 6*25	BOLT FLANGE SH 6*25	2	



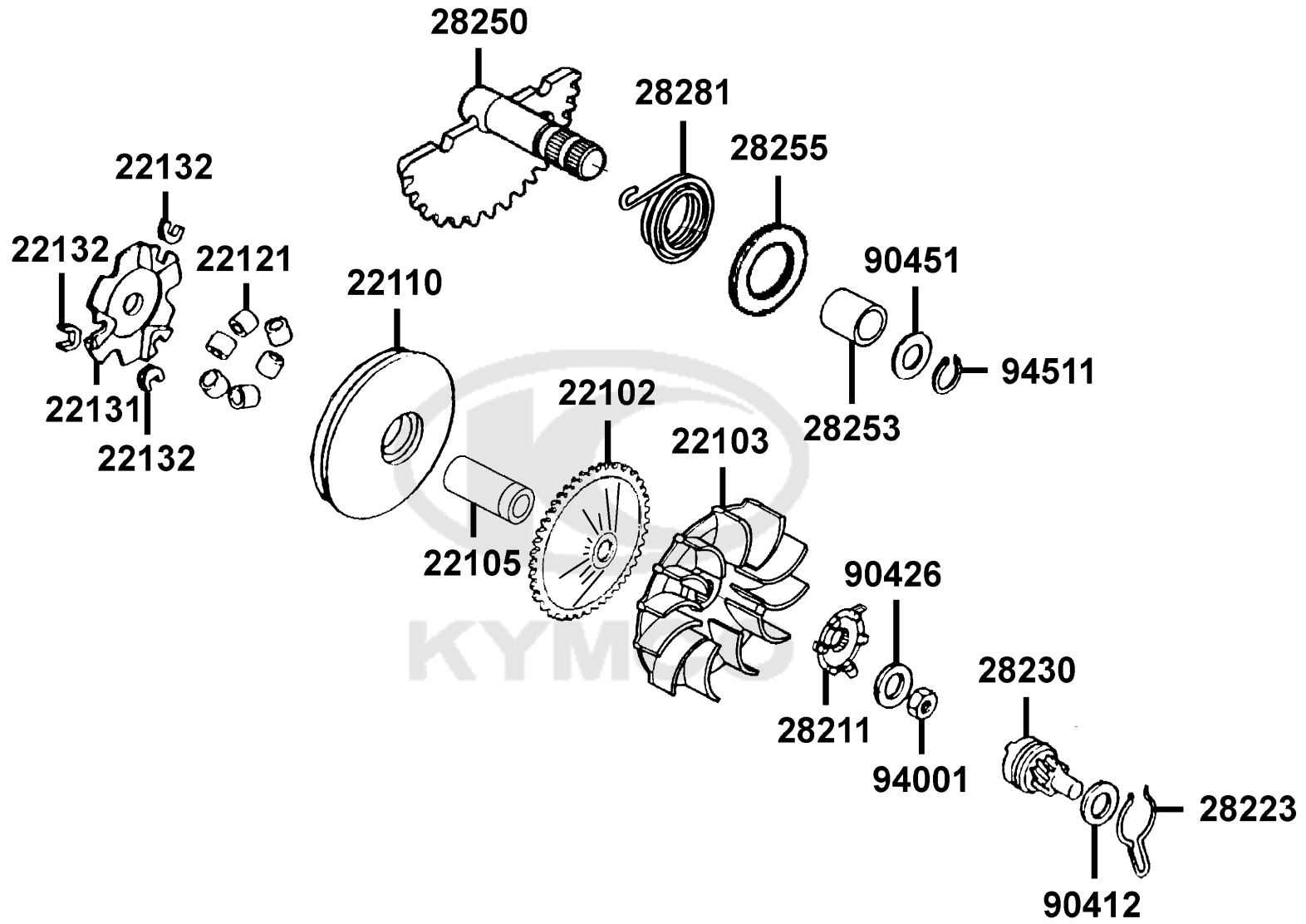
E05

LEFT SIDE COVER



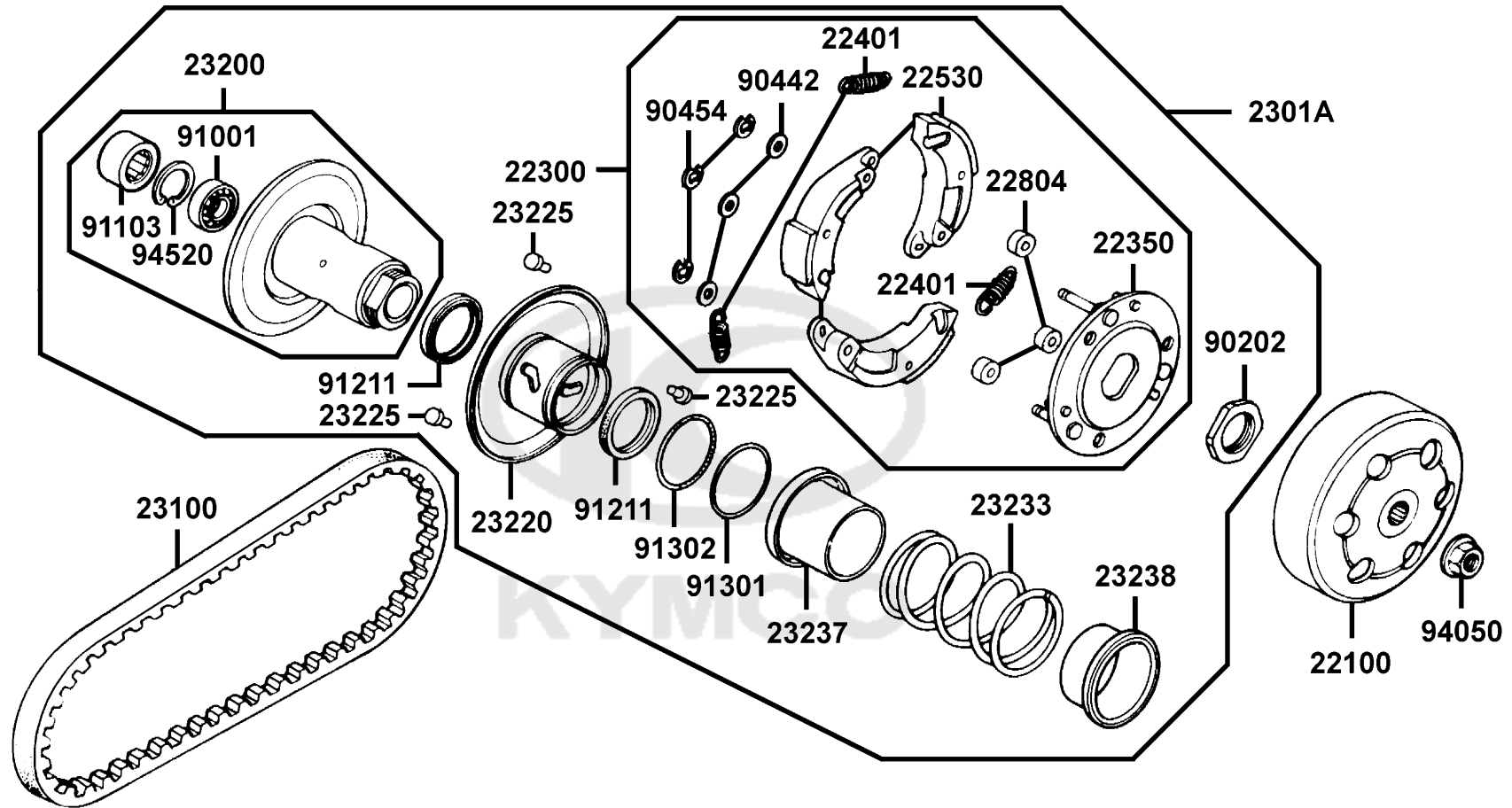
Sales mark	Ref no	Part no	Description	Reg description	Regd no	<b>E05</b>
	11205	11205-GHAH-004	BUSH 8*12*8	BUSH 8*12*8	1	
**	11341	11341-KFA6-900	COVER L SIDE	COVER L SIDE	1	
	11395	11395-KFA6-900	GASKET L COVER	GASKET L COVER	1	
	11396	11396-KFA6-900	GASKET L COVER	GASKET L COVER	1	
	9000A	9000A-KTDT-900	BOLT ASSY SPECIAL 6*29.5	BOLT ASSY SPECIAL 6*29.5	10	



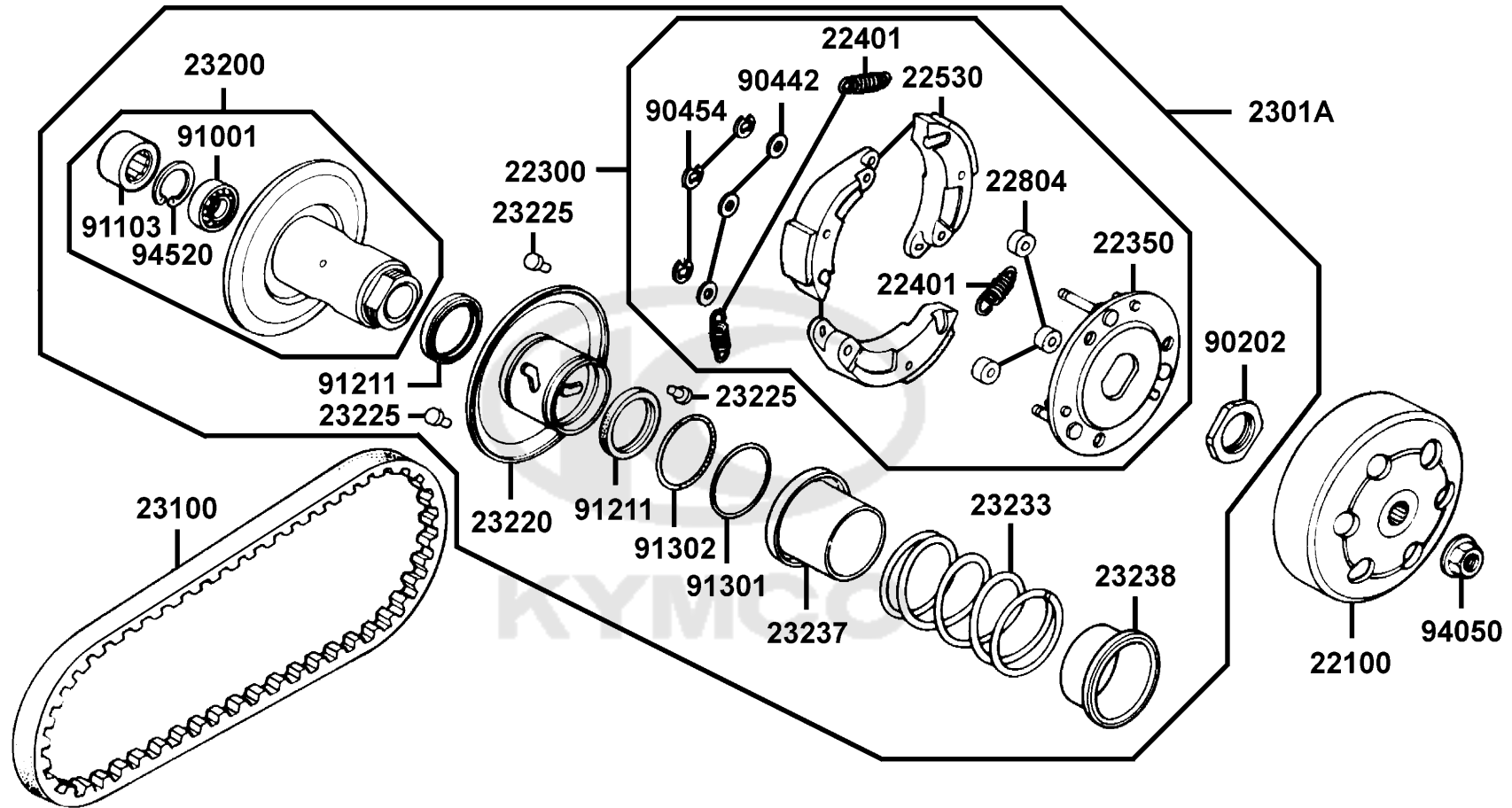


Sales mark	Ref no	Part no	Description	Reg description	Regd no	<b>E06</b>
22102		22102-KEB7-900	FACE DRIVE	FACE DRIVE	1	
22103		22103-KEB7-900	FAN CVT COOLING	FAN CVT COOLING	1	
22105		22105-KEB7-E00	BOSS DRIVE FACE	BOSS DRIVE FACE	1	
22110		22110-KFA1-220	FACE COMP MOVABLE DRIVE	FACE COMP MOVABLE DRIVE	1	
22121		22121-GLW0-901	ROLLER COMP WEIGHT 8.5 gr	ROLLER COMP WEIGHT 8.5 gr	6	
22131		22131-GHAH-781	PLATE RAMP	PLATE RAMP	1	
22132		22132-GLW0-001	PIECE SLIDE	PIECE SLIDE	3	
28211		28211-KEB7-900	RATCHET KICK STARTER	RATCHET KICK STARTER	1	
28223		28223-KNBN-901	SPG KICK DRIVEN GEAR	SPG KICK DRIVEN GEAR	1	
28230		28230-GKAK-921	GEAR COMP KICK DRIVEN	GEAR COMP KICK DRIVEN	1	
28250		28250-KCCC-900	SPINDLE COMP KICK STARTER	SPINDLE COMP KICK STARTER	1	
28253		28253-GBN2-60A	BUSH KICK SPINDLE	BUSH KICK SPINDLE	1	
28255		28255-GFS6-001	COLLAR KICK BOSS	COLLAR KICK BOSS	1	
28281		28281-GBN2-60A	SPRING KICK RETURN	SPRING KICK RETURN	1	
90412		90412-3K29-001	WASHER THRUST 10M/M	WASHER THRUST10MM	1	
90426		90426-KNBN-901	WASHER SPECIAL 12MM	WASHER SPECIAL 12MM	1	
90451		90451-GBN2-601	WASHER KICK SPINDLE	WASHER KICK SPINDLE	1	
94001		94001-12280-0S	NUT HEX 12MM	NUT HEX 12MM	1	
94511		94511-14000	CIR CLIP EX 14	CIRCLIP EX 14	1	





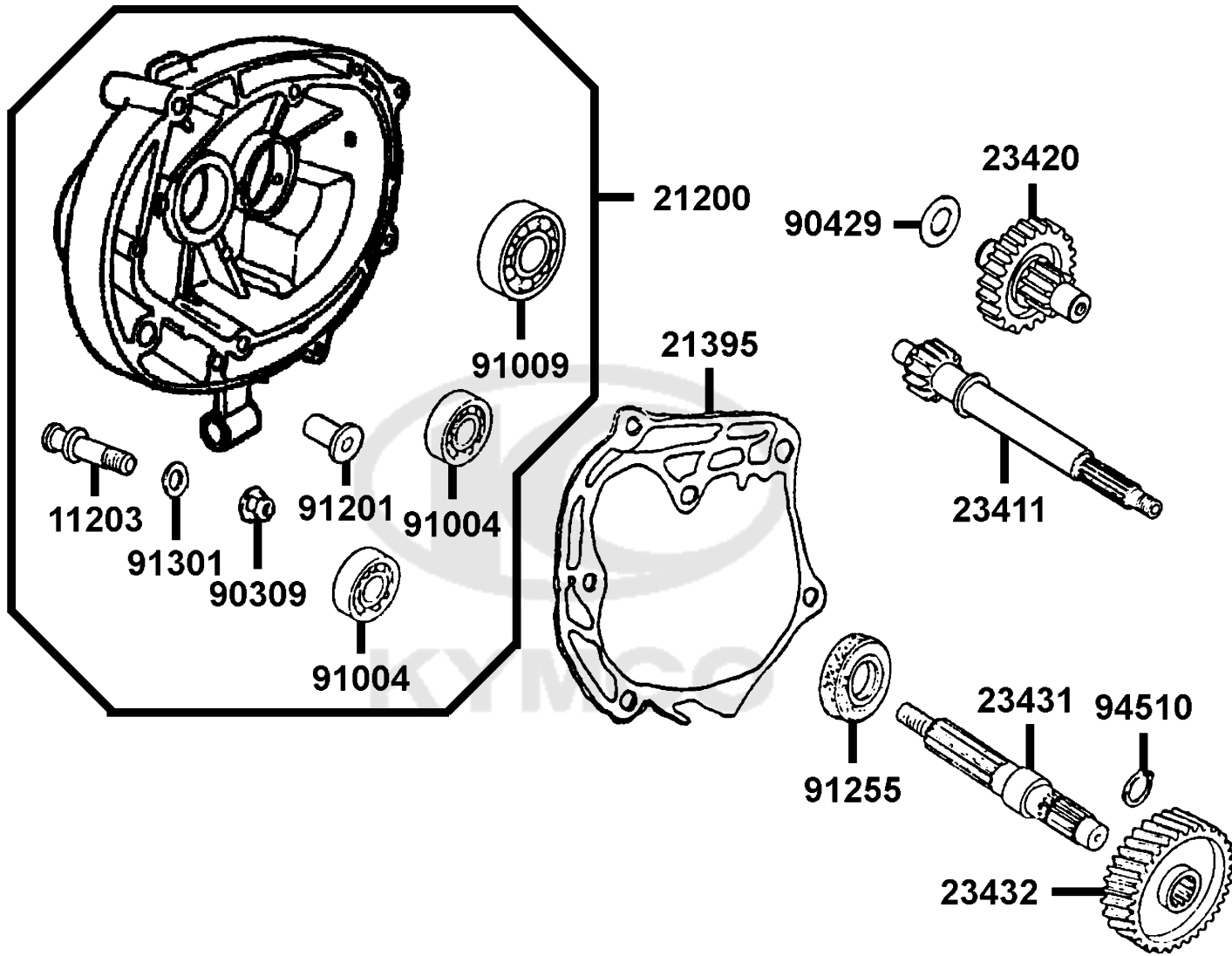
Sales mark	Ref no	Part no	Description	Reg description	Regd no	E07
	22100	22100-GAR1-751	CLUTCH OUTER	CLUTCH OUTER	1	
	22300	22300-KXCX-900	PLATE ASSY DRIVE	PLATE ASSY DRIVE	1	
	22350	22350-GKAK-930	PLATE COMP DRIVE	PLATE COMP DRIVE	1	
	22401	22401-GBG2-900	SPRING CLUTCH	SPRING CLUTCH	3	
	22530	22530-GKAK-930	WEIGHT CLUTCH	WEIGHT CLUTCH	3	
	22804	22804-1H48-001	RUBBER CLUTCH DAMPER	RUBBER CLUTCH DAMPER	3	
	2301A	2301A-KEB7-220	PULLEY SUB ASSY	PULLEY SUB ASSY	1	
	23100	23100-KEB7-900	BELT DRIVE	BELT DRIVE	1	
	23200	23200-GAR1-220	FACE ASSY DRIVEN	FACE ASSY DRIVEN	1	
	23220	23220-GKAK-220	FACE COMP MOVABLE DRIVEN	FACE COMP MOVABLE DRIVEN	1	
	23225	23225-GAR1-751	PIN GUIDE	PIN GUIDE	3	
	23233	23233-GHE8-001	SPG DRIVEN FACE	SPG DRIVEN FACE	1	
	23237	23237-GAR1-220	COLLAR SEAL	COLLAR SEAL	1	
	23238	23238-GFY6-941	COLLAR SPG	COLLAR SPG	1	
	90202	90202-1G87-001	NUT SPECIAL 28MM	NUT SPECIAL 28MM	1	
	90442	90442-0D44-001	WASHER THRUST 6M	6M/M THRUST WASHER	3	
	90454	90454-GBB2-001	CIRCLIP 6MM	CIRCLIP 6MM	3	
	91001	91001-GGA7-70A	BRG RADIAL BALL 6901U	BRG RADIAL BALL 6901U	1	
	91103	91103-GAR1-004	BRG NEEDLE 17*25*18 WS	BRG NEEDLE 17*25*18 WS	1	
	91211	91211-GHK8-014	OIL SEAL 34*39*3	OIL SEAL 34*39*3	2	



Sales mark	Ref no	Part no	Description	Reg description	Regd no	<b>E07</b>
------------	--------	---------	-------------	-----------------	---------	------------

	91301	91301-KEA5-742	O-RING 36*1.5	O-RING 36*1.5	1	
	91302	91302-PKA9-004	O-RING 39.8*2.2	O-RING 39.8*2.2	1	
#	94050	94050-10080	NUT FLANGE 10MM	NUT FLANGE 10MM	1	
	94520	94520-24000	CIR CLIP IN 24	CIR CLIP IN 24	1	

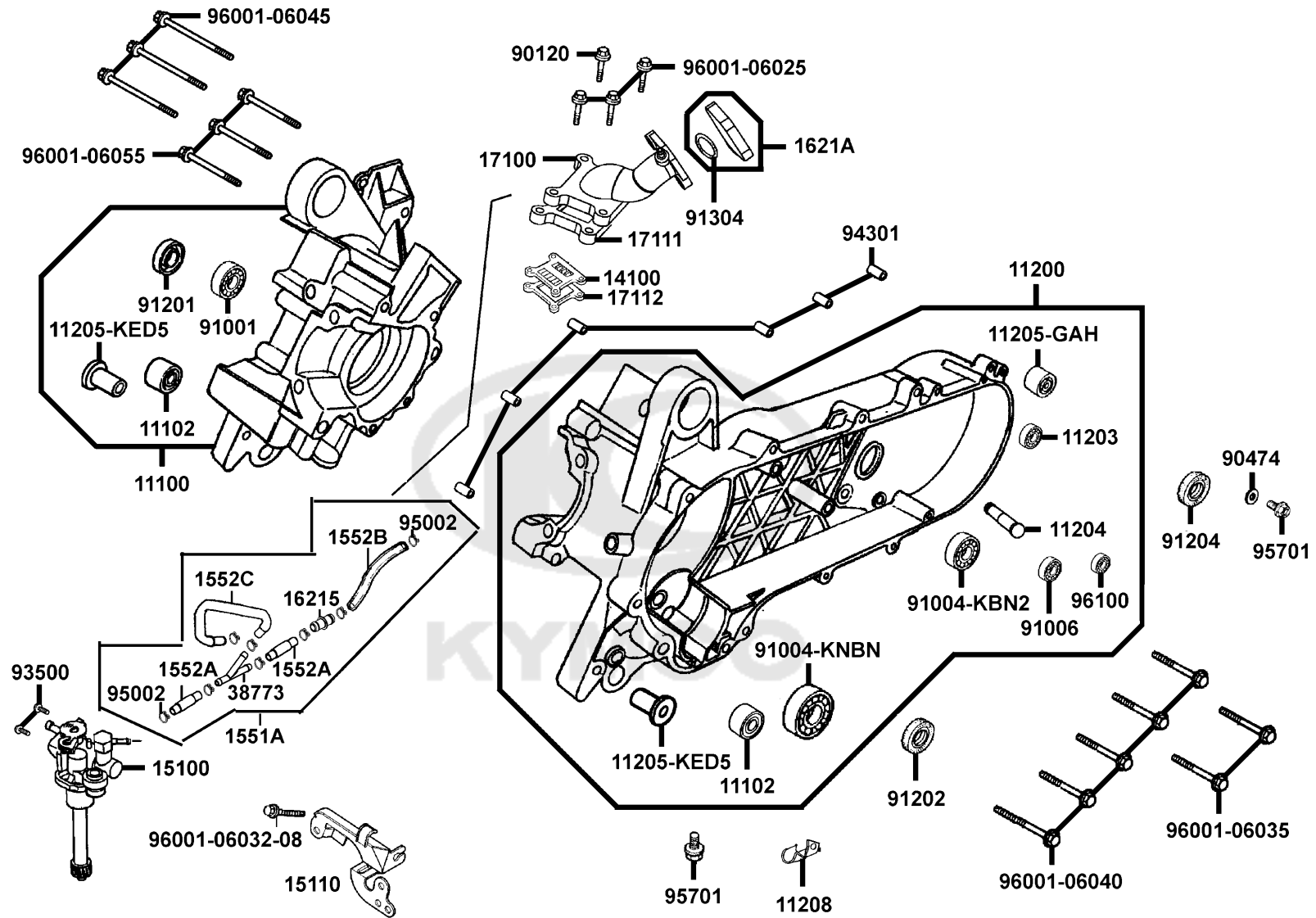




Sales mark	Ref no	Part no	Description	Reg description	Regd no	<b>E08</b>
11203		11203-KUDU-900	PIN BRAKE SHOE ANCHOR	PIN BRAKE SHOE ANCHOR	1	
21200		21200-KFA6-305	CASE ASSY MISSION	CASE ASSY MISSION	1	
21395		21395-KFA6-900	GASKET MISSION CASE A	GASKET MISSION CASE A	1	
23411		23411-KFA6-900	SHAFT DRIVE	SHAFT DRIVE	1	
23420		23420-KFA6-900	SHAFT COMP COUNTER	SHAFT COMP COUNTER	1	
23431		23431-KNBN-901	SHAFT FINAL	SHAFT FINAL	1	
23432		23432-KFA6-900	GEAR FINAL	GEAR FINAL	1	
90309		90309-KLF0-004-SY	NUT FLANGE 8MM	NUT FLANGE 8MM	1	
90429		90429-KNBN-901	WASHER SIDE 12MM	WASHER SIDE 12MM	1	
91004		91004-KBN2-90A	BRG BALL RADIAL 6201	BRG BALL RADIAL 6201	2	
91009		91009-GLE0-004	BRG BALL RADIAL 6004 UU	BRG BALL RADIAL 6004 UU	1	
91201		91201-KED1-900	BUSH MISSION	BUSH MISSION	1	
91255		91255-GLE0-006	OIL SEAL 27*42*7	OIL SEAL 27*42*7	1	
91301		91301-0C53-001	O RING 7.5*1.5	O RING 7.5*1.5	1	
94510		94510-20000	CIR CLIP EX 20	CIR CLIP EX 20	1	

E09

# CrankcaseOIL PUMP

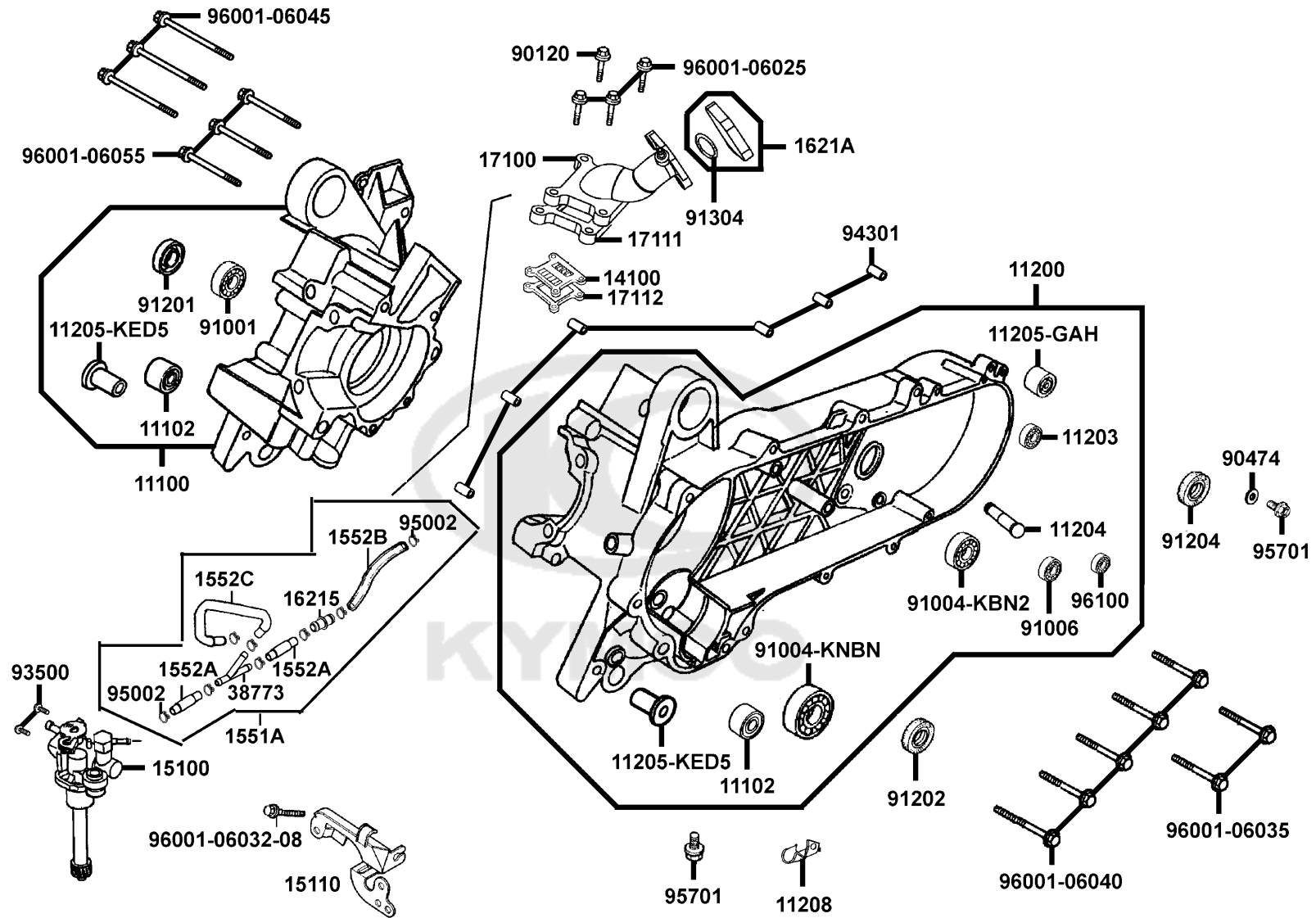


Sales mark	Ref no	Part no	Description	Reg description	Regd no	E09
	11100	11100-KEB7-325	CRANK CASE ASSY RIGHT	CRANK CASE ASSY RIGHT	1	
	11102	11102-1G87-004	RUB BUSH ENG HANGER	RUB BUSH ENG HANGER	2	
	11200	11200-KFA6-305	CRANK CASE ASSY L	CRANK CASE ASSY L	1	
	11203	11203-GGC7-301	UNDER RUBBER BUSH REAR CUSHION	UNDER RUBBER BUSH REAR CUSHION	1	
	11204	11204-KEB7-900	PIN SPG HOOK	PIN SPG HOOK	1	
	11205-GHAH	11205-GHAH-004	BUSH 8*12*8	BUSH 8*12*8	1	
	11205-KED5	11205-KED5-900	BUSH M STAND	BUSH M STAND	2	
	11208	11208-GKAK-901	CLAMPER CARB DRAIN	CLAMPER CARB DRAIN	1	
	14100	14100-KEB7-900	VALVE COMP REED	VALVE COMP REED	1	
	15100	15100-KEB7-E00	PUMP ASSY OIL	PUMP ASSY OIL	1	
	15110	15110-KEB7-900	PLATE OIL PUMP SET	PLATE OIL PUMP SET	1	
	1551A	1551A-LCD1-E00	TUBE ASSY OIL PUMP ASSY	TUBE ASSY OIL PUMP ASSY	1	
	1552A	1552A-LCD1-E00	TUBE ASSY OIL PASS	TUBE ASSY OIL PASS	1	
	1552B	1552B-LCD1-E00	TUBE ASSY OIL PASS	TUBE ASSY OIL PASS	1	
	1552C	1552C-LCD1-E00	TUBE ASSY OIL PASS	TUBE ASSY OIL PASS	1	
	16215	16215-LCD1-E00	JOINT	JOINT	1	
	1621A	1621A-GKAK-901	INSULATOR CARB ASSY	INSULATOR CARB ASSY	1	
	17100	17100-KEB7-901	PIPE COMP INLET	PIPE COMP INLET	1	
	17111	17111-KEB7-900	GASKET INLET PIPE A	GASKET INLET PIPE A	1	
	17112	17112-KEB7-900	GASKET INLET PIPE B	GASKET INLET PIPE B	1	



E09

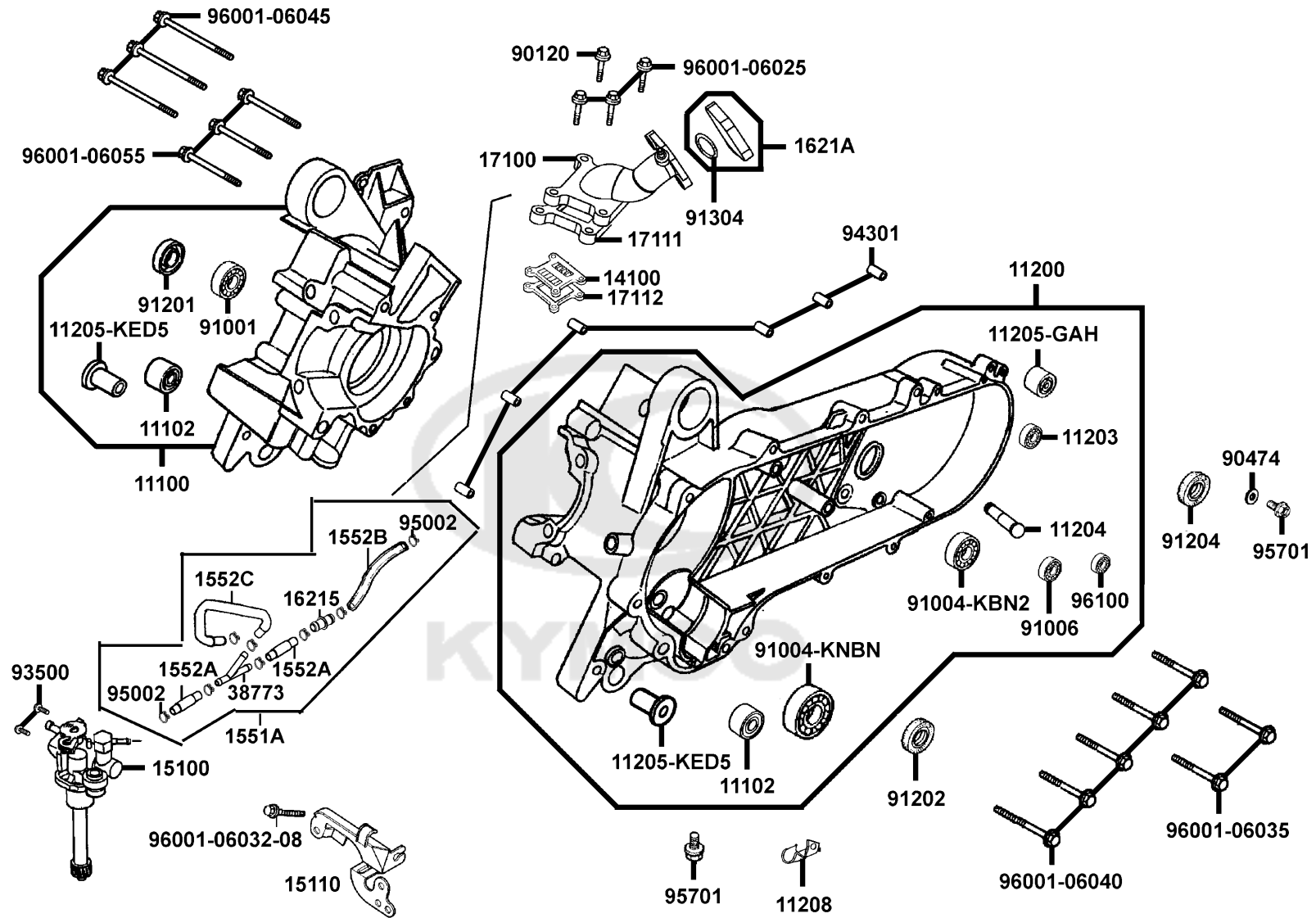
# CrankcaseOIL PUMP



Sales mark	Ref no	Part no	Description	Reg description	Regd no	E09
38773		38773-KEC3-900	JOINT ASSY TANK CAP	JOINT ASSY TANK CAP	1	
90120		90120-GAR1-J00	SOCKET BOLT SPECIAL 6*28	SOCKET BOLT SPECIAL 6*28	1	
90474		90474-3C33-001	WASHER 8MM	WASHER 8MM	1	
91001		91001-GLW0-90A	BRG BALL RADIAL 6204 SPECIAL	BRG BALL RADIAL 6204 SPECIAL	1	
91004-KBN2		91004-KBN2-90A	BRG BALL RADIAL 6201	BRG BALL RADIAL 6201	1	
91004-KNBN		91004-KNBN-92A	BRG BALL RADIAL 6203 SPC 17*40*12	BRG BALL RADIAL 6203	1	
91006		91006-KNBN-901	BRG BALL RADIAL 25*56*12	BRG BALL RADIAL 25*56*12	1	
91201		91201-KNBN-92A	OIL SEAL 15.6*25.5*7	OIL SEAL 15.6*25.5*7	1	
91202		91202-KNBN-92A	OIL SEAL 20*31*7	OIL SEAL 20*31*7	1	
91204		91204-KNBN-90A	OIL SEAL 17*30*6	OIL SEAL 17*30*6	1	
91304		91304-GLB0-911	O RING 20.6*1.9	O RING 20.6*1.9	1	
93500		93500-05012-0H	SCREW PAN 5*12	SCREW PAN 5*12	2	
94301		94301-10200	DOWEL PIN 10*20	DOWEL PIN 10*20	6	
95002		95002-02650	CLIP B6.5 TUBE	CLIP B6.5 TUBE	8	
95701		95701-08012-08	BOLT FLANGE 8*12	BOLT FLANGE 8*12	2	
96001-06025		96001-06025-08	BOLT FLANGE SH 6*25	BOLT FLANGE SH 6*25	3	
96001-06032		96001-06032-08	BOLT FLANGE SH 6*32	BOLT FLANGE SH 6*32	1	
96001-06035		96001-06035-08	BOLT FLANGE SH 6*35 (G)	BOLT FLANGE 6*35	2	
96001-06040		96001-06040-08	BOLT FLANGE 6*40	BOLT FLANGE 6*40	5	
96001-06045		96001-06045-08	BOLT FLANGE SH 6*45	BOLT FLANGE SH 6*45	3	

E09

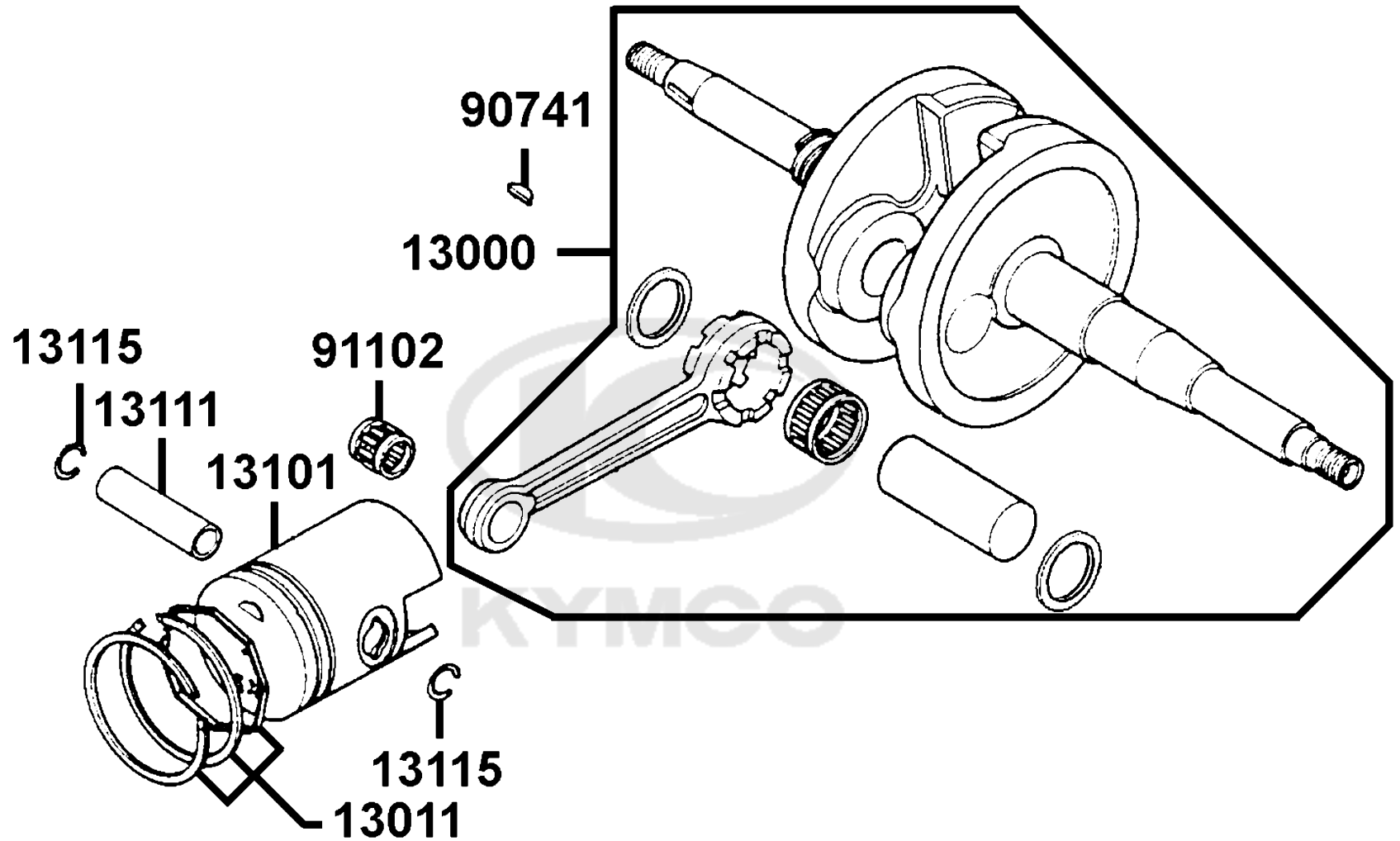
# CrankcaseOIL PUMP



Sales mark	Ref no	Part no	Description	Reg description	Regd no	<b>E09</b>
------------	--------	---------	-------------	-----------------	---------	------------

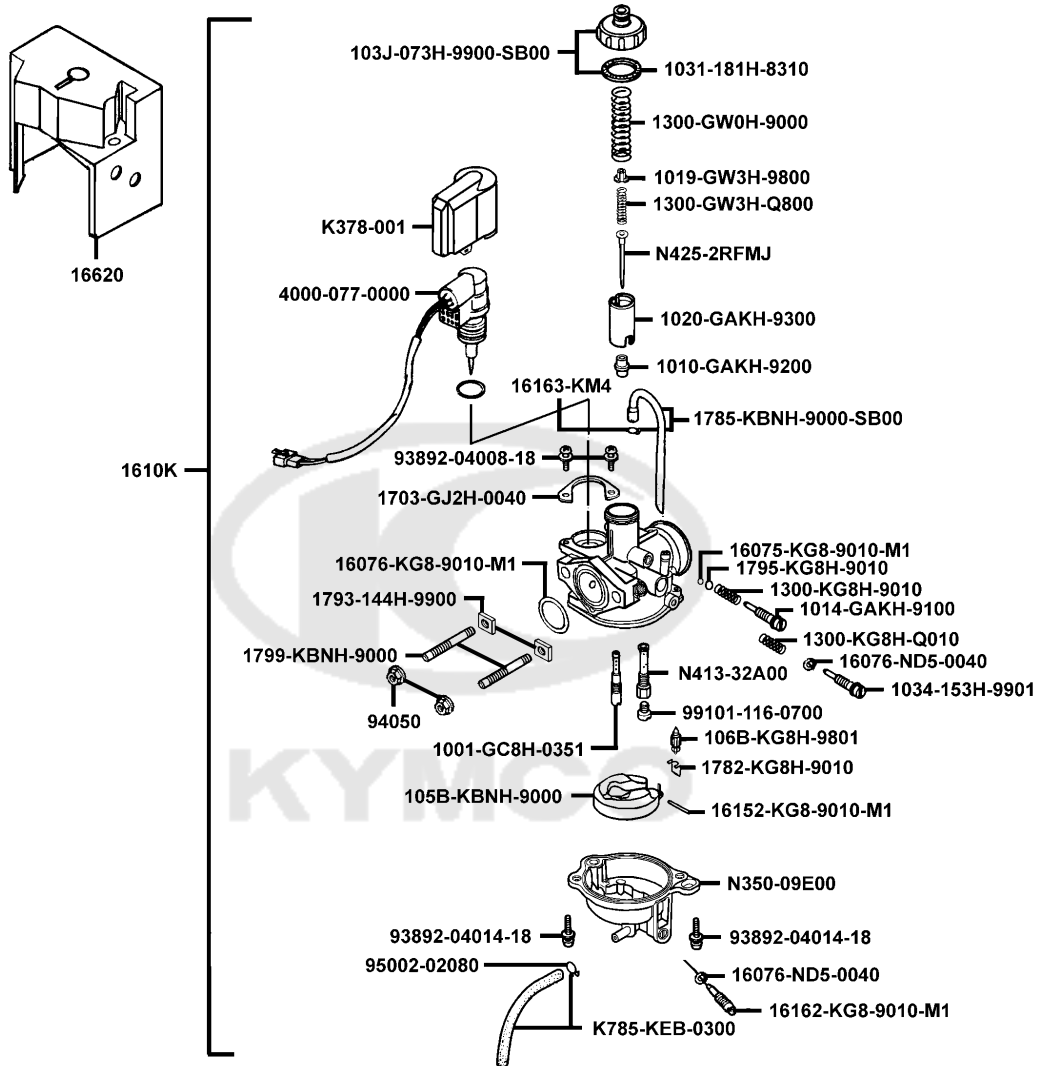
96001-06055	96001-06055-08	96001-06055-08	BOLT FLANGE SH 6*55	BOLT FLANGE SH 6*55	3	
96100	96100-62033-00	96100-62033-00	BEARING BALL RADIAL 6203	BEARING BALL RADIAL 6203	1	





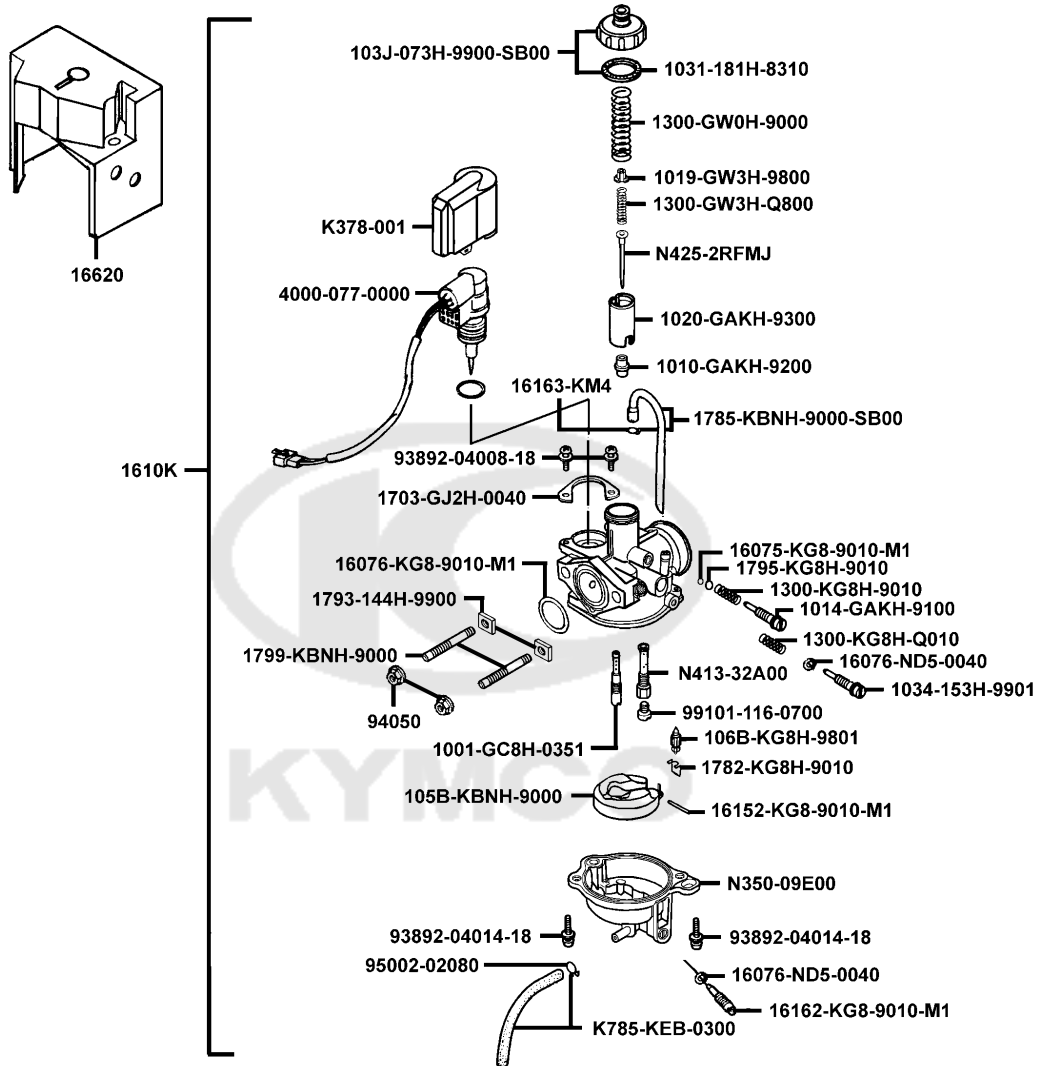
Sales mark	Ref no	Part no	Description	Reg description	Regd no	<b>E10</b>
13000		13000-GKAK-921	CRANK SHAFT COMP	CRANK SHAFT COMP	1	
13011		13011-GLW0-90A	PISTON RING SET	PISTON RING SET	1	
13101		13101-GLW0-901	PISTON	PISTON	1	
13111		13111-1F66-001	PIN PISTON	PIN PISTON	1	
13115		13115-1F56-001	CLIP PISTON PIN 12MM	CLIP PISTON PIN 12MM	2	
90741		90741-0E35-001	KEY WOODRUFF	KEY WOODRUFF	1	
91102		91102-GLW0-009	BRG CON-ROD S. E.	BRG CON-ROD S. E.	1	





Sales mark	Ref no	Part no	Description	Reg description	Regd no	E11
	1001	1001-GC8H-0351	SLOW JET	SLOW JET	1	
	1010	1010-GAKH-9200	NEEDLE JET	NEEDLE JET	1	
	1014	1014-GAKH-9100	ADJUST SCREW	ADJUST SCREW	1	
	1019	1019-GW3H-9800	VALVE PLATE	VALVE PLATE	1	
	1020	1020-GAKH-9300	THROTTLE VALVE	THROTTLE VALVE	1	
	1031	1031-181H-8310	TOP GASKET	TOP GASKET	1	
	1034	1034-153H-9901	STOP SCREW	STOP SCREW	1	
	103J	103J-073H-9900-SB0	TOP SET	TOP SET	1	
	105B	105B-KBNH-9000	FLOAT COMP	FLOAT COMP	1	
	106B	106B-KG8H-9804	FLOAT VALVE COMP	FLOAT VALVE COMP	1	
	1300-GW0H	1300-GW0H-9000	SPG COMPR	SPG COMPR	1	
	1300-GW3H	1300-GW3H-Q800	SPG COMPR	SPG COMPR	1	
	1300-KG8H-9010	1300-KG8H-9010	COMPR SPG	COMPR SPG	1	
	1300-KG8H-Q010	1300-KG8H-Q010	COMPR SPG	COMPR SPG	1	
	16075	16075-KG8-9010-M1	-RING	-RING	1	
	16076-KG8	16076-KG8-9010-M1	O-RING	O-RING	1	
	16076-ND5	16076-ND5-0040	O RING	O RING	1	
	1610K	1610K-KFA6-E05	CARBURETOR ASSY	CARBURETOR ASSY	1	
	16152	16152-KG8-9010-M1	ARM PIN	ARM PIN	1	
	16162	16162-KG8-9010-M1	DRAIN SCREW PAN	DRAIN SCREW PAN	1	

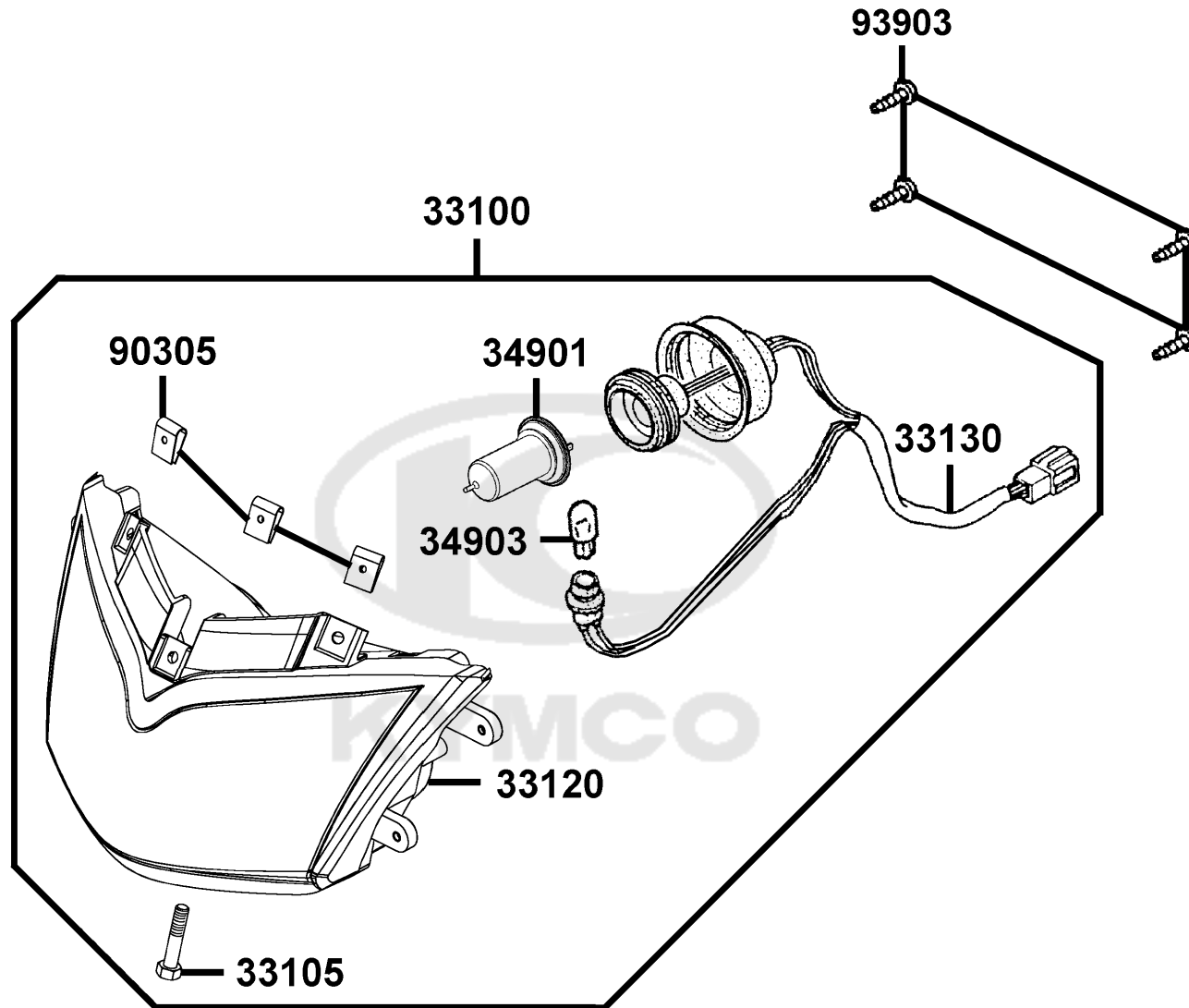




Sales mark	Ref no	Part no	Description	Reg description	Regd no	E11
	16163	16163-KM4-0040	CLIP TUBE	CLIP TUBE	1	
	16620	16620-KEB7-E00	CAP CARBURETOR	CAP CARBURETOR	1	
	1703	1703-GJ2H-0040	SET PLATE	SET PLATE	1	
	1782	1782-KG8H-9010	CLIP	CLIP	1	
	1785	1785-KBNH-9000-SB0	TUBE SET (A.V)	TUBE SET (A.V)	1	
	1793	1793-144H-9900	HEX NUT	HEX NUT	2	
	1795	1795-KG8H-9010	WASHER PLAIN	WASHER PLAIN	1	
	1799	1799-KBNH-9000	STUD BOLT	STUD BOLT	2	
	4000	4000-077-0000	AUTO BYSTARTER SET	AUTO BYSTARTER SET	1	
	93892-04008	93892-04008-18	SCREW WASHER 4*8	SCREW WASHER	2	
	93892-04014	93892-04014-18	SCREW WASHER	SCREW WASHER	2	
	94050	94050-06080	NUT FLANGE 6MM	NUT FLANGE 6MM	2	
	95002	95002-02080	CLIP B8 TUBE	CLIP B8 TUBE	1	
	99101	99101-116-0700	MAIN JET	MAIN JET	1	
	K378	K378-001	CAP ASSY	CAP ASSY	1	
	K785	K785-KEB-0300	TUBE SET (DRAIN)	TUBE SET (DRAIN)	1	
	N350	N350-09E00	FLOAT CHAMBER COMP	FLOAT CHAMBER COMP	1	
	N413	N413-32A00	NEEDLE JET HOLDER	NEEDLE JET HOLDER	1	
	N425	N425-2RFMJ	JET NEEDLE COMP	JET NEEDLE COMP	1	

F01

Head Light

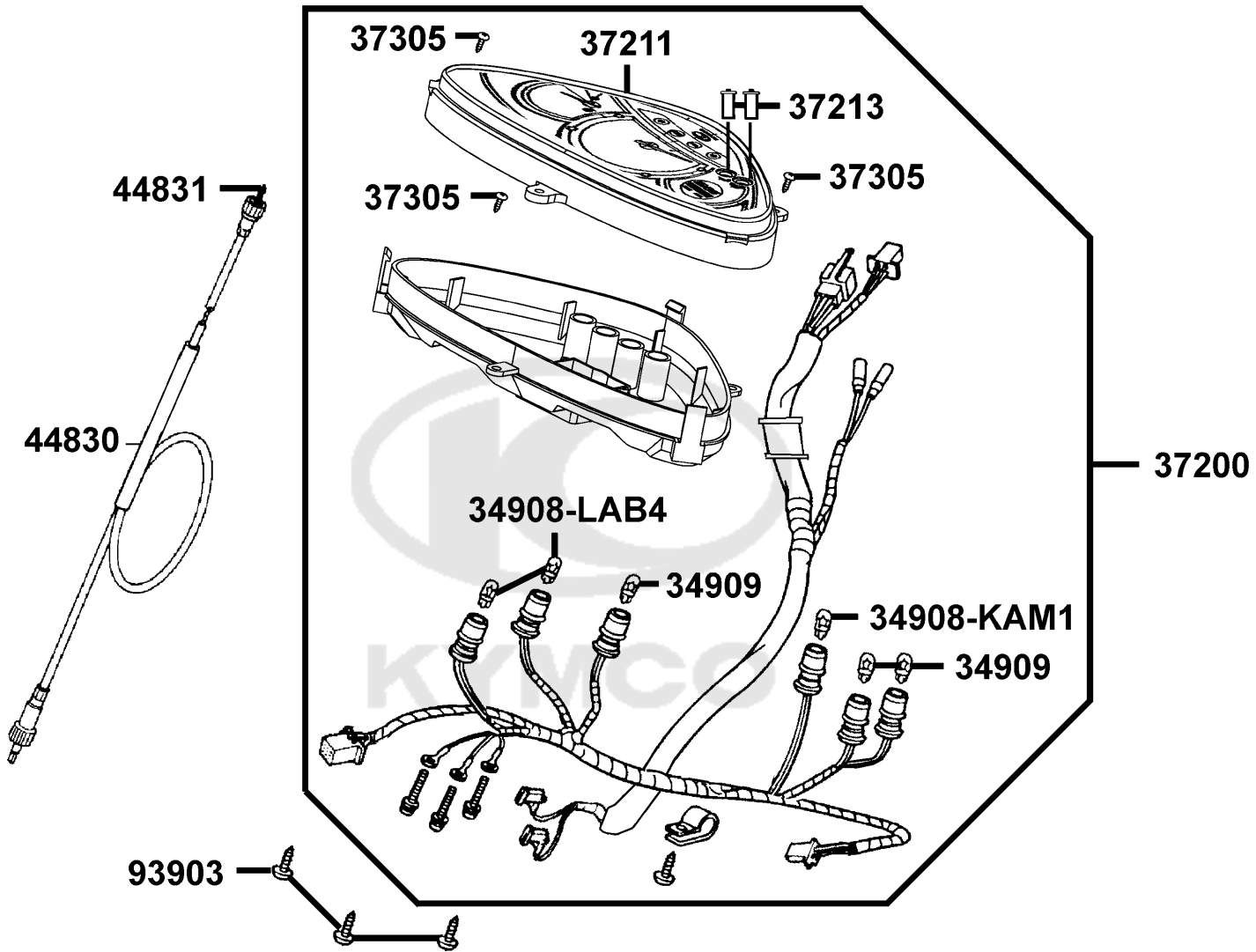


Sales mark	Ref no	Part no	Description	Reg description	Regd no	<b>F01</b>
	33100	33100-LCD1-E00	LIGHT ASSY HEAD	LIGHT ASSY HEAD	1	
	33105	33105-LCD3-E00	BOLT ADJUST	BOLT ADJUST	1	
	33120	33120-LCD1-E00	UNIT HEAD LIGHT	UNIT HEAD LIGHT	1	
	33130	33130-LCD1-E00	SOCKET COMP	SOCKET COMP	1	
	34901	34901-KFA6-900	BULB HEAD LIGHT	BULB HEAD LIGHT	1	
	34903	34903-KPCP-900	BULB POSITION	BULB POSITION	1	
	90305	90305-GHK8-001	NUT CLIP 6MM	NUT CLIP 6MM	3	
	93903	93903-35220	SCREW TAPPING 5*12	SCREW TAPPING 5*12	4	

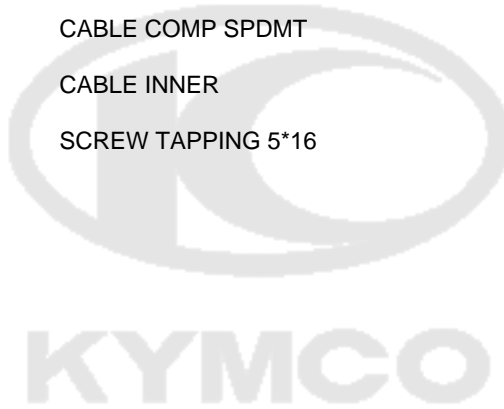


F02

Speedometer

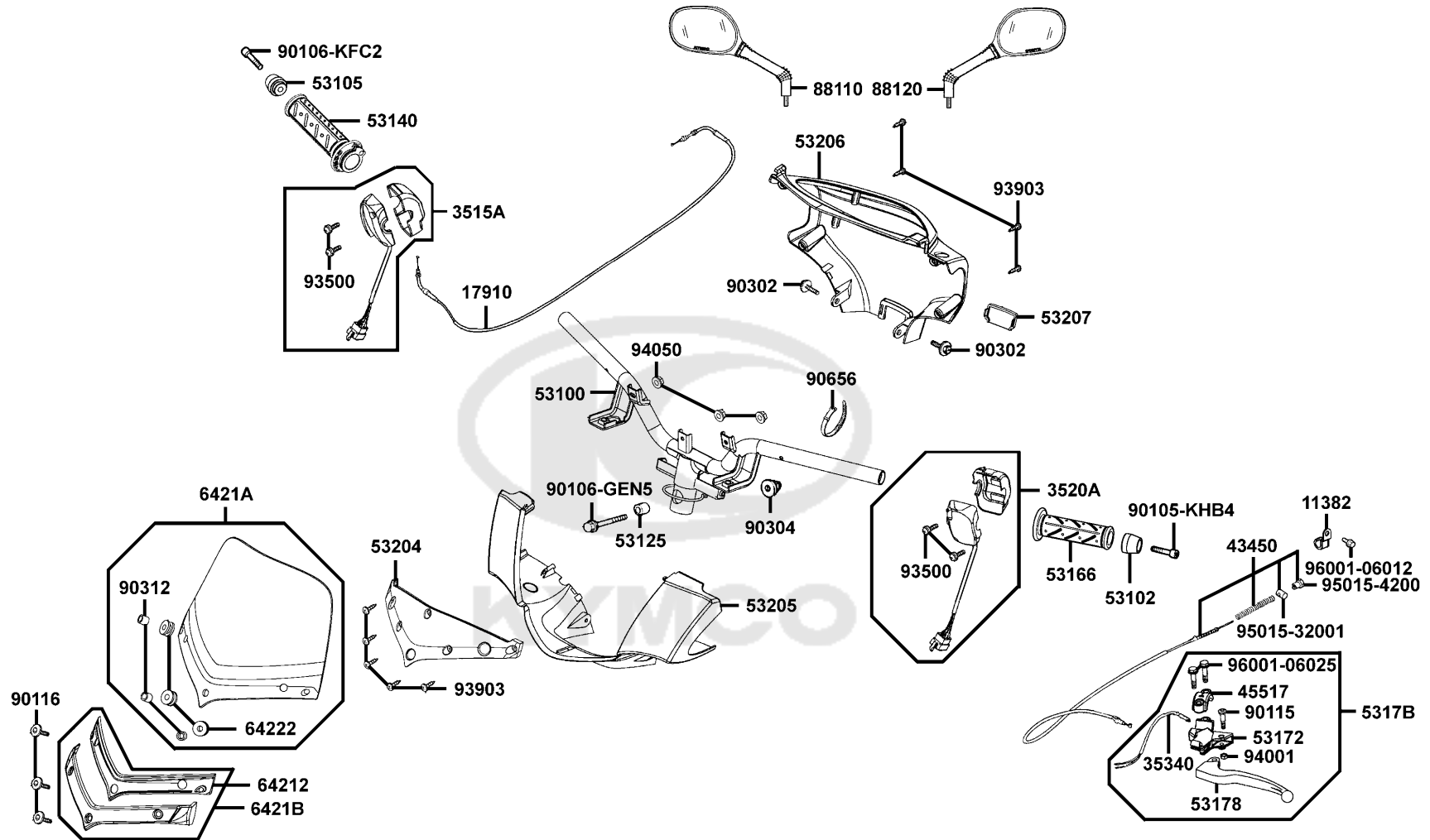


Sales mark	Ref no	Part no	Description	Reg description	Regd no	F02
	34908-KAM1	34908-KAM1-67A	BULB WEDGE BASE T6.5(12V/3W)	BULB WEDGE BASE T6.5	1	
	34908-LAB4	34908-LAB4-900	BULB WEDGE BASE T10	BULB WEDGE BASE T10	2	
	34909	34909-KEBE-900	BULB WEDGE BASE	BULB WEDGE BASE T6.5	3	
	37200	37200-LCD1-E01	METER ASSY SPEED	METER ASSY SPEED	1	
	37211	37211-LCD3-E01	LENS ASSY	LENS ASSY	1	
	37213	37213-LCD3-E00	PACKING (BOTTON)	PACKING (BOTTON)	2	
	37305	37305-KEE5-009	SCREW WASH 3*22	SCREW WASH 3*22	3	
	44830	44830-LCD3-E00	CABLE COMP SPDMT	CABLE COMP SPDMT	1	
	44831	44831-LCD3-E00	CABLE INNER	CABLE INNER	1	
	93903	93903-35320	SCREW TAPPING 5*16	SCREW TAPPING 5*16	3	



F03

# Handle SteeringHandle Cover

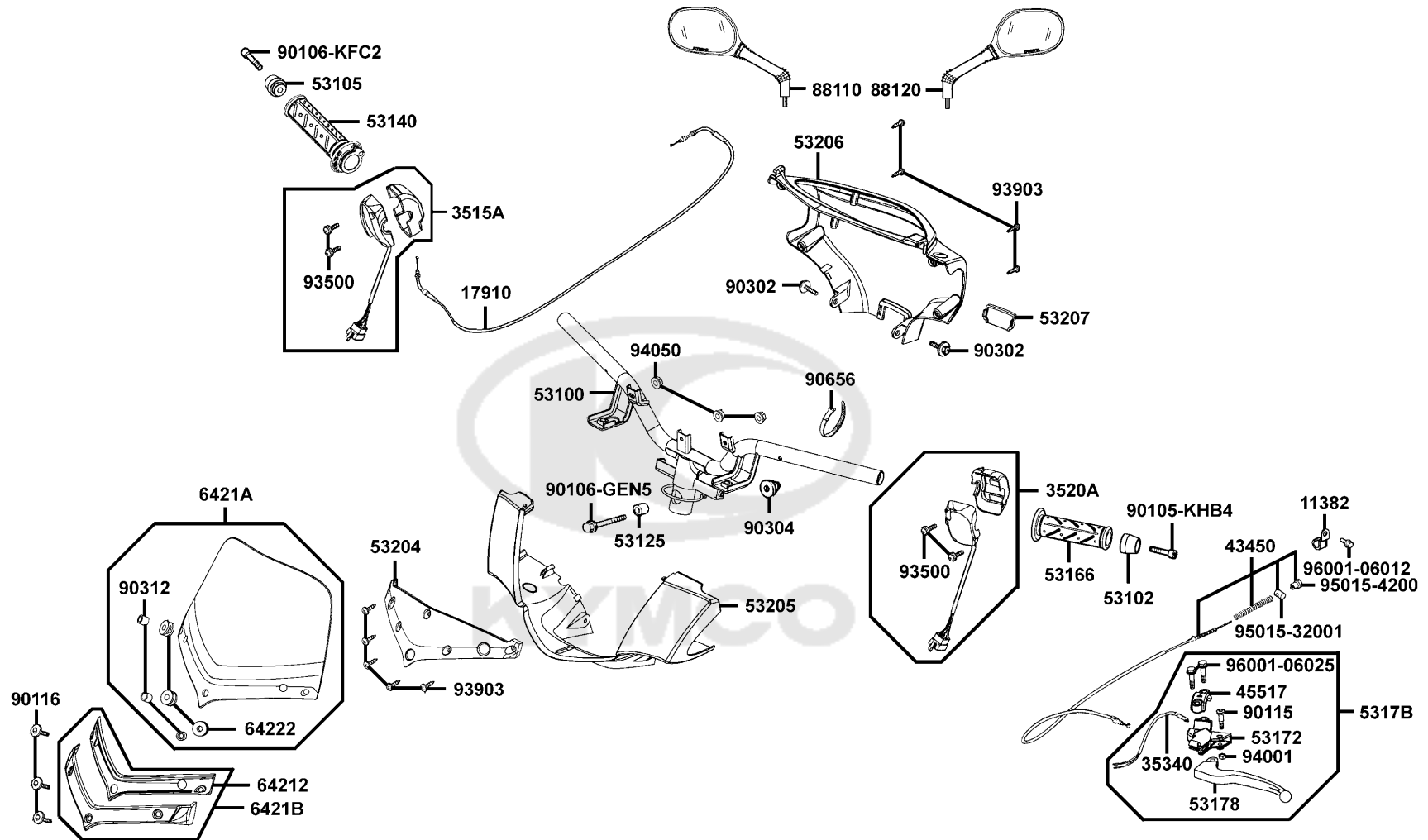


Sales mark	Ref no	Part no	Description	Reg description	Regd no	F03
	11382	11382-KHB4-900	CLAMP BRAKE CABLE	CLAMP BRAKE CABLE	1	
	17910	17910-LCD1-E00	CABLE COMP THROT	CABLE COMP THROT	1	
	3515A	3515A-KEB8-B00	SW ASSY RH HNDL COMP	SW ASSY RH HNDL COMP	1	
	3520A	3520A-LCD3-E00	SW ASSY LH HNDL COMP	SW ASSY LH HNDL COMP	1	
	35340	35340-KKJ9-010	SW ASSY FR STOP	SW ASSY FR STOP	1	
	43450	43450-LCD1-E00	CABLE COMP RR BRK	CABLE COMP RR BRK	1	
	45517	45517-GFY6-900	HOLDER HNDL BRKT	HOLDER HNDL BRKT	1	
	53100	53100-LCD1-E00	HANDLE COMP STRG	HANDLE COMP STRG	1	
**	53102	53102-KEC8-900	END R STRG HANDLE	END R STRG HANDLE	1	
**	53105	53105-LBB5-E00	END R STRG HANDLE	END R STRG HANDLE	1	
	53125	53125-GEN5-901	COLLAR HANDLE SET	COLLAR HANDLE SET	1	
**	53140	53140-KGB5-900	GRIP COMP THROT	GRIP COMP THROT	1	
**	53166	53166-KGB5-900	GRIP L HANDLE	GRIP L HANDLE	1	
	53172	53172-KTCT-900	BRKT HANDLE L	BRKT HANDLE L	1	
**	53178	53178-LCD1-E00	LEVER L STRG HANDLE	LEVER L STRG HANDLE	1	
	5317B	5317B-LCD1-E00	BRACKET ASSY HANDLE LH	BRACKET ASSY HANDLE LH	1	
	53204	53204-LCD3-E00	COVER HEAD LIGHT	COVER HEAD LIGHT	1	
**	53205	53205-LCD3-E00	COVER FR HANDLE	COVER FR HANDLE	1	
**	53206	53206-LCD3-E00	COVER RR HANDLE	COVER RR HANDLE	1	
**	53207	53207-LCD3-E00	PLUG COVER RR HANDLE	PLUG COVER RR HANDLE	1	



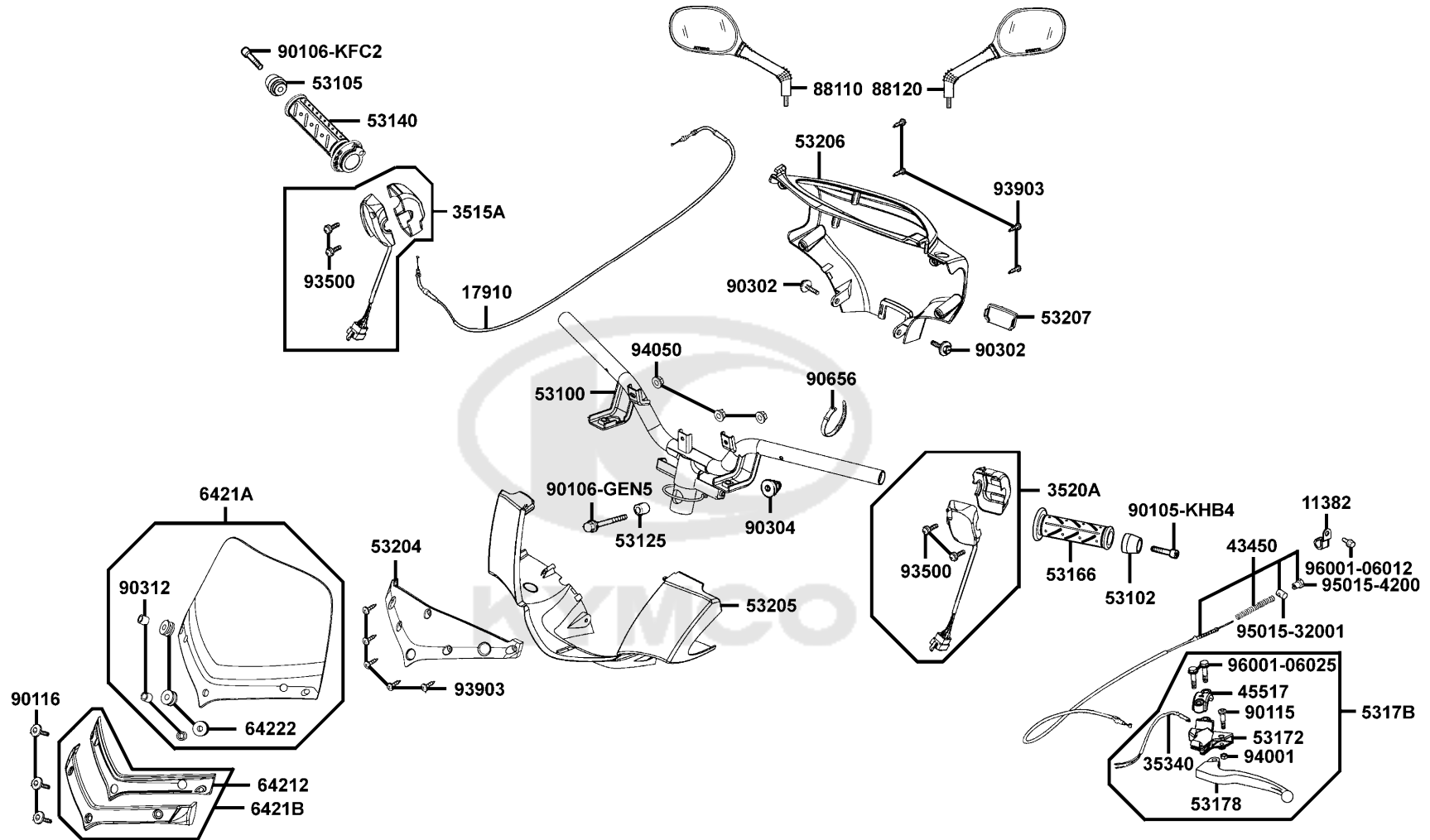
F03

# Handle SteeringHandle Cover



Sales mark	Ref no	Part no	Description	Reg description	Regd no	F03
	64212	64212-LCD3-E00	RUBBER VISOR OUT	RUBBER VISOR OUT	1	
	6421A	6421A-LCD3-E01	VISOR METER	VISOR METER	1	
	6421B	6421B-LCD3-E01	COVER ASSY VISOR OUT	COVER ASSY VISOR OUT	1	
	64222	64222-KKC4-900	RUBBER WIND SCREEN	RUBBER WIND SCREEN	3	
	88110	88110-LBD5-E00	MIRROR ASSY R BACK	MIRROR ASSY R BACK	1	
	88120	88120-LBD5-E00	MIRROR ASSY L BACK	MIRROR ASSY L BACK	1	
	90105	90105-KHB4-900	BOLT WASH M8*60	BOLT WASH M8*60	1	
	90106-GEN5	90106-GEN5-901	BOLT FLANGE 10*50	BOLT FLANGE 10*50	1	
	90106-KFC2	90106-KFC2-900	BOLT SPECIAL 8MM	BOLT WASH 8MM	1	
	90115	90115-GLE0-001	BOLT HNDL LEVER PIVOT	BOLT HNDL LEVER PIVOT	1	
	90116	90116-KED9-900	SCREW PAN 6*24	SCREW PAN 6*24	3	
	90302	90302-GFY6-940	BOLT-WASH 5*16	BOLT-WASH 5*16	2	
	90304	90304-GHE8-004	NUT U 10MM	NUT U 10MM	1	
	90312	90312-LCD3-E01	COLLAR VISOR	COLLAR VISOR	3	
	90656	90656-GFY6-911	BAND OIL HOSE	BAND OIL HOSE	1	
	93500	93500-KGBG-900	SCREW TAPPING M 5*25L	SCREW TAPPING M 5*25L	4	
	93903	93903-34360	SCREW TAPPING 4*12 (G)	SCREW TAPPING 4*12	9	
	94001	94001-05080-0S	NUT HEX 5MM	NUT HEX 5MM	1	
	94050	94050-06080	NUT FLANGE 6MM	NUT FLANGE 6MM	3	
	95015-32001	95015-32001	JOINT B BRAKE ARM	JOINT B BRAKE ARM	1	

# Handle SteeringHandle Cover



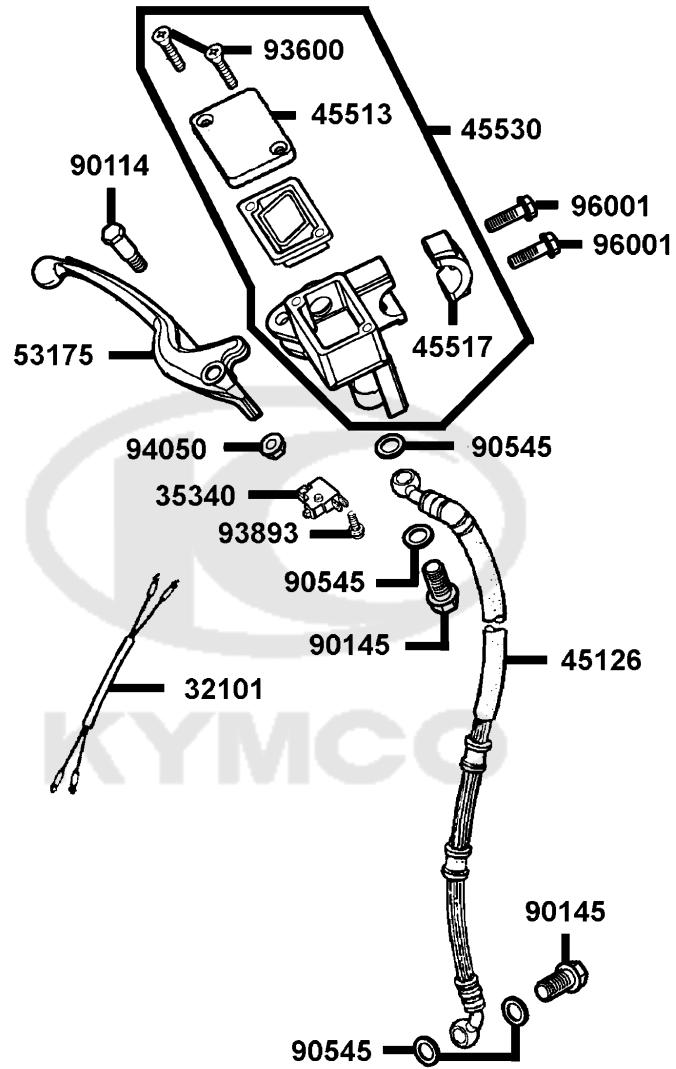
Sales mark	Ref no	Part no	Description	Reg description	Regd no	<b>F03</b>
------------	--------	---------	-------------	-----------------	---------	------------

	95015-42000	95015-42000	NUT B ADJUST	NUT B ADJUST	1	
	96001-06012	96001-06012-08	BOLT FLANGE 6*12	BOLT FLANGE 6*12	1	
	96001-06025	96001-06025-06	BOLT FLANGE SH 6*25	BOLT FLANGE 6*25	2	

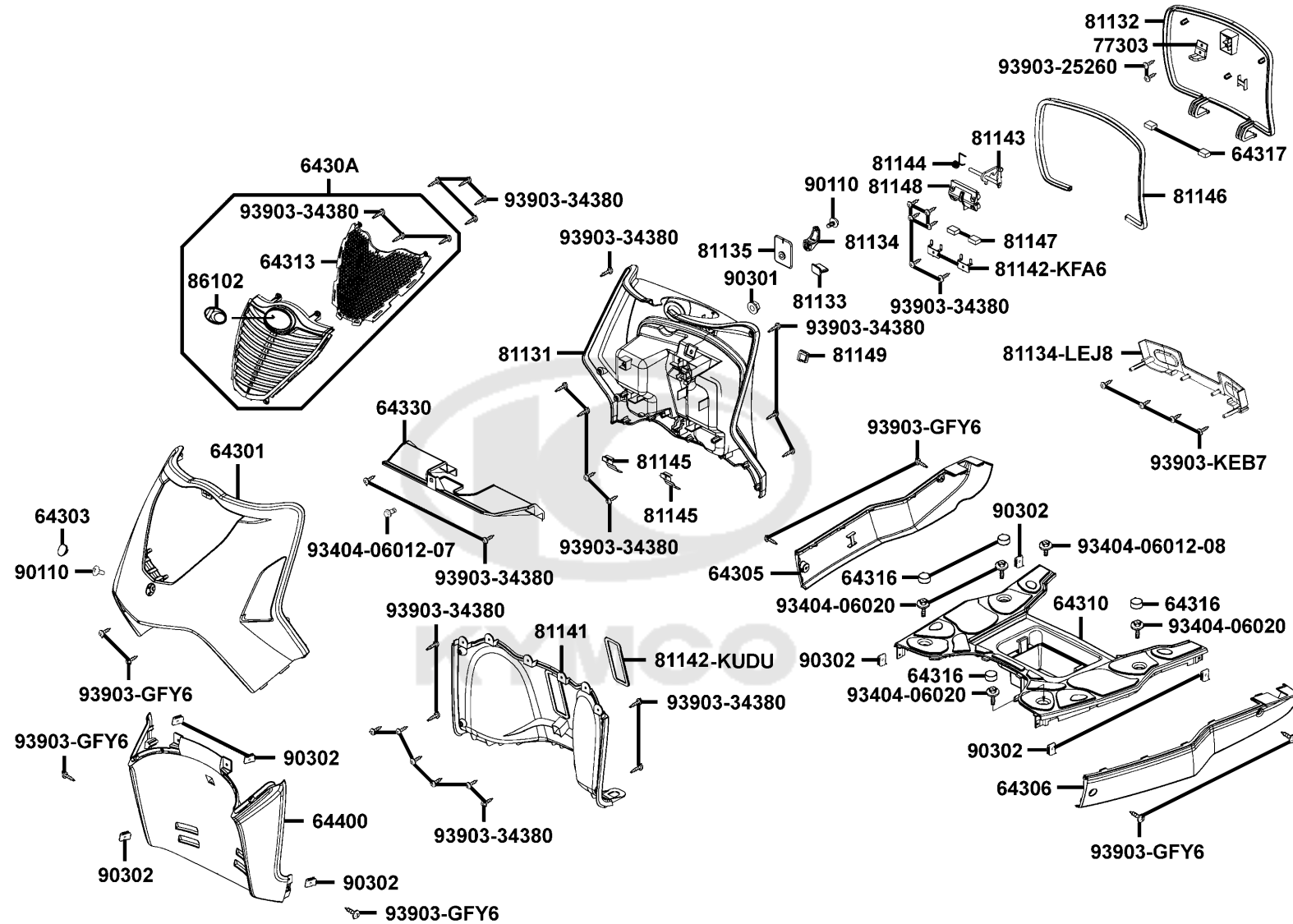


F04

# Brake Master Cylinder

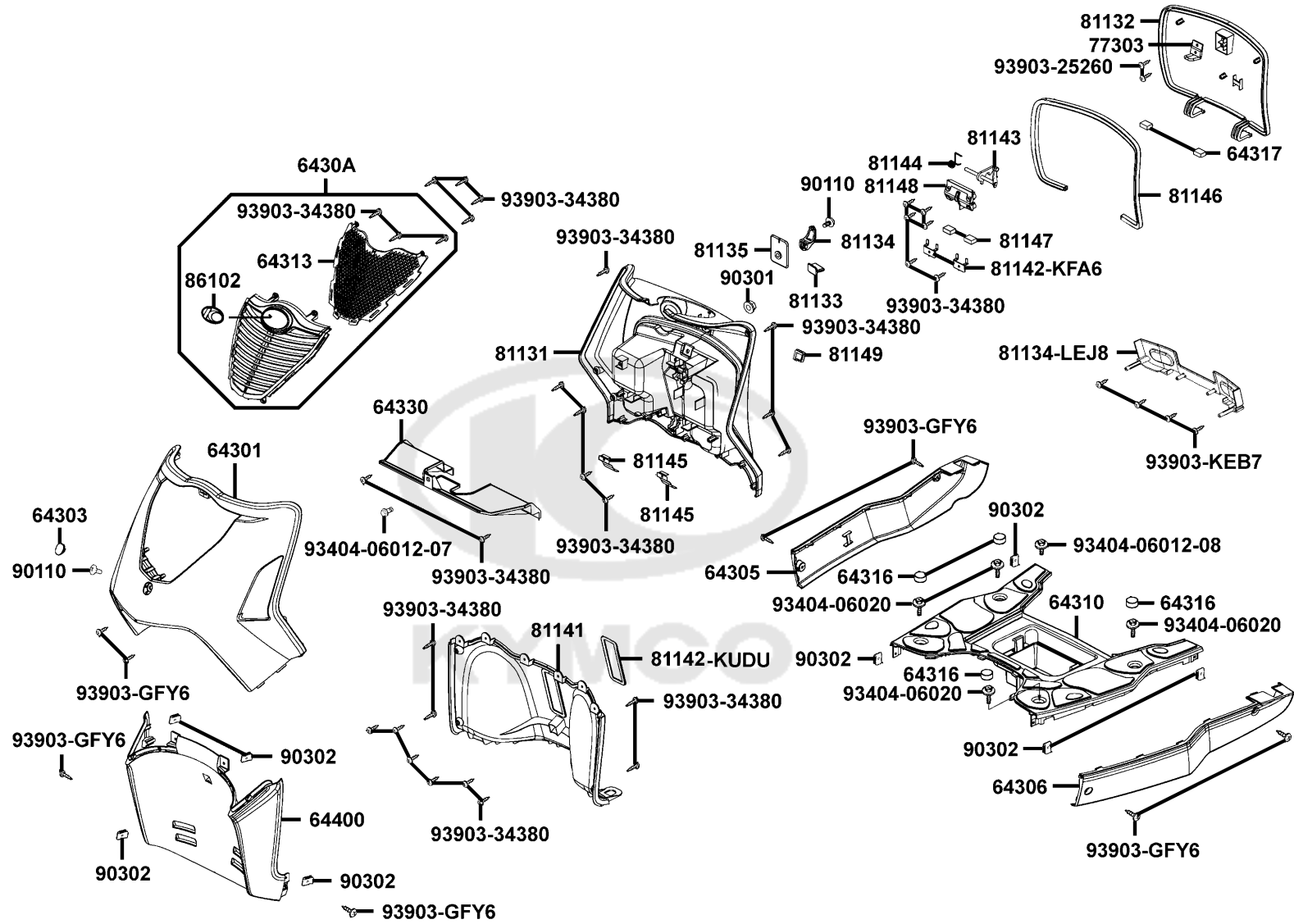


Sales mark	Ref no	Part no	Description	Reg description	Regd no	F04
	32101	32101-GFY6-901	SUB CORD R	SUB CORD R/H	1	
	35340	35340-KNBN-901	SW ASSY FR STOP	SW ASSY FR STOP	1	
	45126	45126-LCD3-E00	HOSE ASSY FR BRK	HOSE ASSY FR BRK	1	
	45513	45513-KCCC-900	CAP M/C	CAP M/C	1	
	45517	45517-KFAF-910	HOLDER M/C	HOLDER M/C	1	
	45530	45530-KEB7-306	CYLINDER SET MASTER	CYLINDER SET MASTER	1	
**	53175	53175-KXBX-E10	LEVER R STRG HANDLE	LEVER R STRG HANDLE	1	
	90114	90114-1F66-007	BOLT HANDLE LEVER	BOLT HANDLE LEVER	1	
	90145	90145-MKS9-61A	OIL BOLT 10*22	OIL BOLT 10*22	2	
	90545	90545-3L00-001	WASHER OIL BOLT	WASHER OIL BOLT	4	
	93600	93600-04012-1G	SCREW FLAT 4*12	SCREW FLAT 4*12	2	
	93893	93893-04012-18	SCREW WASHER 4*12	SCREW WASHER 4*12	1	
	94050	94050-06060	NUT FLANGE 6MM	NUT FLANGE 6MM	1	
	96001	96001-06022-06	BOLT FLANGE SH 6*22 (G)	BOLT FLANGE SH 6*22 (G)	2	

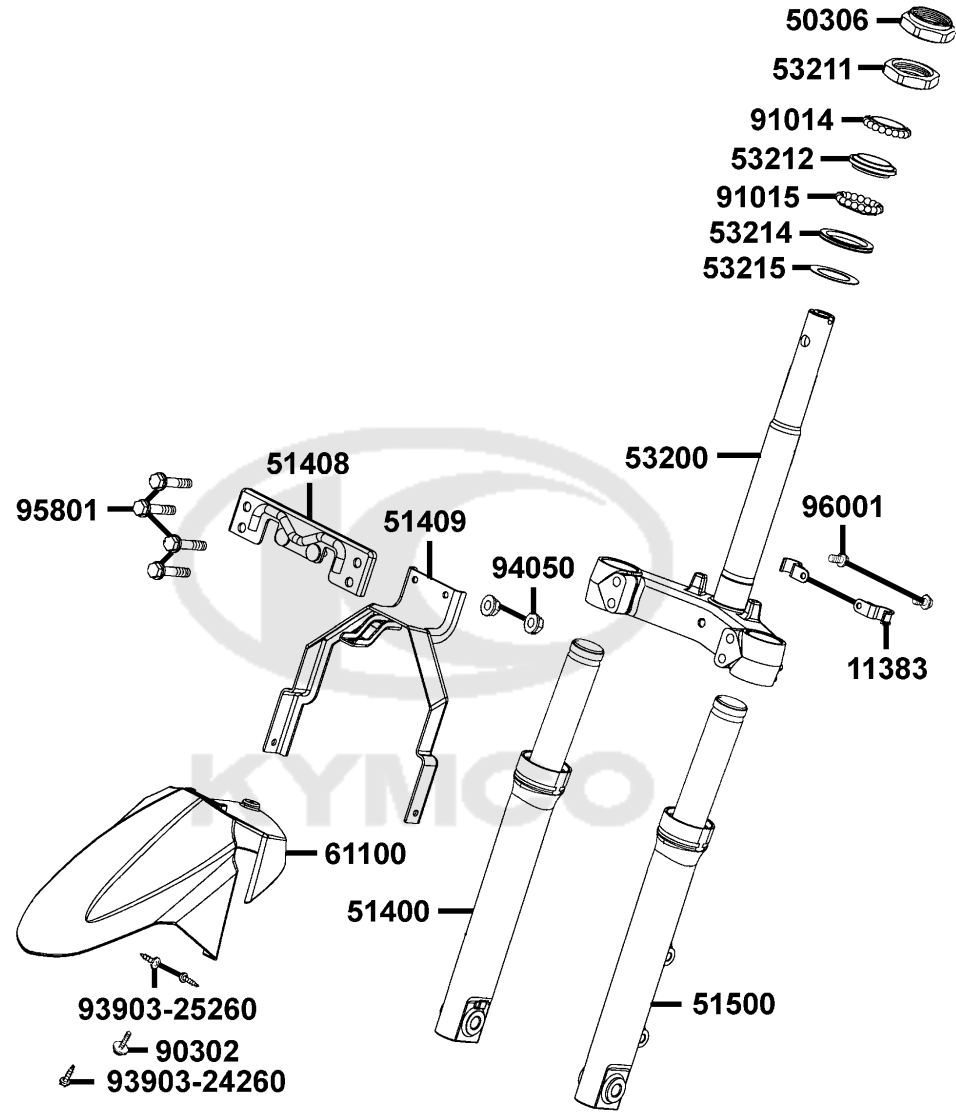


Sales mark	Ref no	Part no	Description	Reg description	Regd no	F05
**	64301	64301-LCD3-E00	COVER FRONT	COVER FRONT	1	
**	64303	64303-LCD3-E00	FR TOP	FR TOP	1	
**	64305	64305-LCD3-E00	SKIRT R SIDE	SKIRT R SIDE	1	
**	64306	64306-LCD3-E00	SKIRT L SIDE	SKIRT L SIDE	1	
	6430A	6430A-LCD3-E00	COVER ASSY FR GRILL	COVER ASSY FR GRILL	1	
**	64310	64310-LCD3-E00	FLOOR PANEL	FLOOR PANEL	1	
**	64313	64313-LCD3-E00	GRILL FR COVER INNER	GRILL FR COVER INNER	1	
	64316	64316-LCD3-E00	PLUG RR FLOOR	PLUG RR FLOOR	4	
	64317	64317-LCD3-E00	SEAL INNER BOX LID	SEAL INNER BOX LID	2	
	64330	64330-LCD3-E00	PLATE FR INNER	PLATE FR INNER	1	
**	64400	64400-LCD3-E00	COWL UNDER	COWL UNDER	1	
	77303	77303-KGC4-E00	HOOK SEAT LOCK	HOOK SEAT LOCK	1	
**	81131	81131-LCD3-E01	LEG SHIELD UP	LEG SHIELD UP	1	
**	81132	81132-LCD3-E00	LID INNER BOX	LID INNER BOX	1	
	81133	81133-KNBN-901	COVER INNER BOX	STOPPER LUGGAGE	1	
	81134-KFA6	81134-KFA6-900	HOOK LUGGAGE	HOOK LUGGAGE	1	
	81134-LEJ8	81134-LEJ8-E00	"PLATE,INNER BOX"	"PLATE,INNER BOX"	1	
	81135	81135-KGBG-900	STAY LUGGAGE HOOK	STAY LUGGAGE HOOK	1	
**	81141	81141-LCD3-E00	LEG SHIELD LOW	LEG SHIELD LOW	1	
	81142-KFA6	81142-KFA6-900	STAY LID INNER BOX	STAY LID INNER BOX	2	





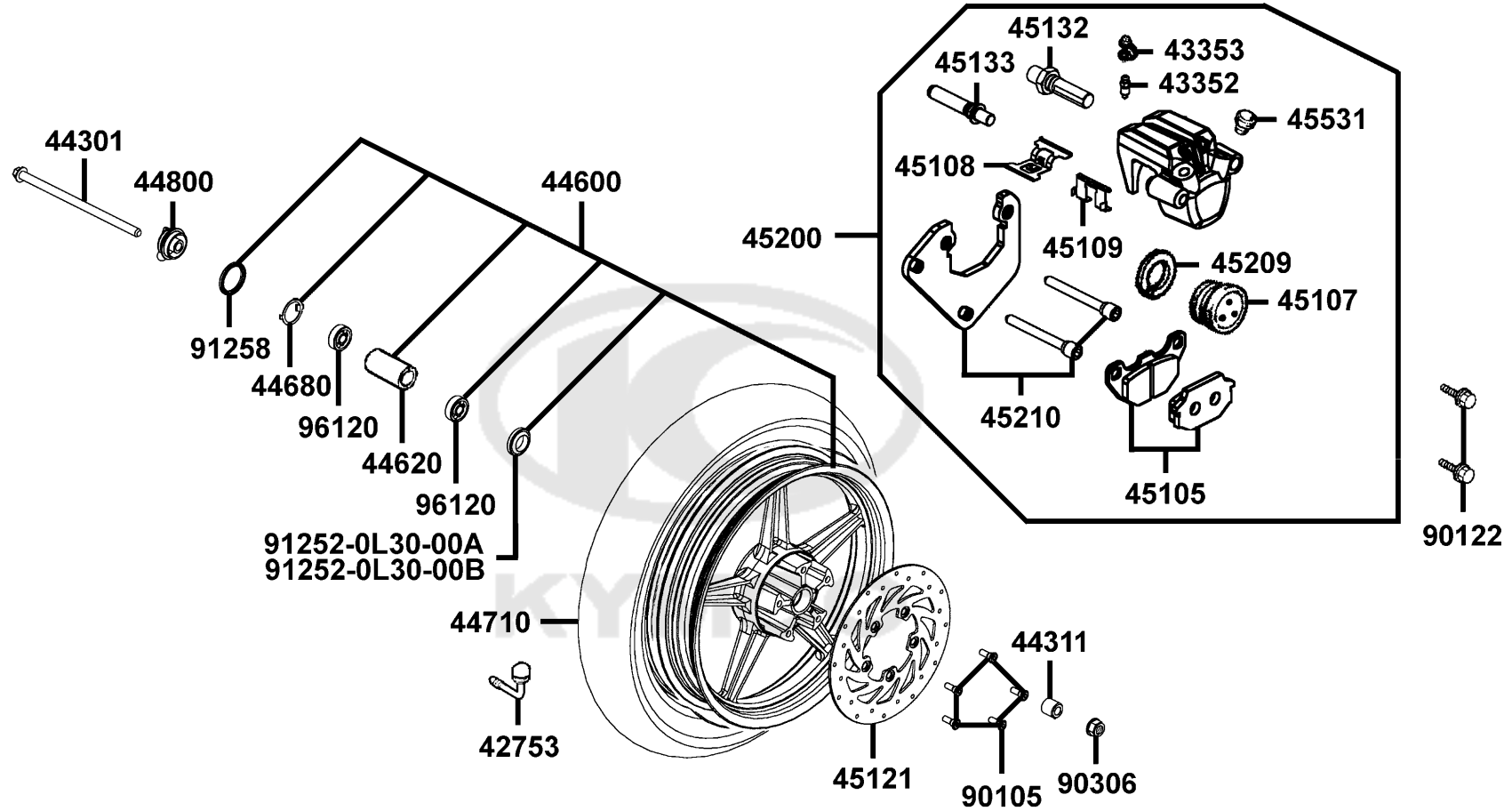
Sales mark	Ref no	Part no	Description	Reg description	Regd no	<b>F05</b>
	81143	81143-LCD3-E00	LID CATCH INNER BOX	LID CATCH INNER BOX	1	
	81144	81144-LCD3-E00	SPRING HOOK BAR	SPRING HOOK BAR	1	
	81145	81145-LCD3-E00	SPRING INNER BOX LID	SPRING INNER BOX LID	2	
	81146	81146-LCD3-E00	SEAL LID INNER BOX	SEAL LID INNER BOX	1	
	81147	81147-LCD3-E00	SPONGE INNER BOX LID	SPONGE INNER BOX LID	2	
	81148	81148-LCD3-E00	HOLDER LID CATCH	HOLDER LID CATCH	1	
	81149	81149-LCD3-E00	PLUG INNER BOX	PLUG INNER BOX	1	
**	86102	86102-LCD3-E00	EMB K-LOGO 38MM	EMB K-LOGO 38MM	1	
	90110	90110-GLW0-001	SCREW SPECIAL 6*14	SCREW SPECIAL 6*14	2	
	90301	90301-6D34-671	NUT FLANGE 6MM	NUT FLANGE 6MM	1	
	90302	90302-SDA4-004	NUT SPRING 4MM	NUT SPRING 4MM	8	
	93404-06012-07	93404-06012-06	BOLT WASHER 6*12 (G)	BOLT WASH 6*12	1	
	93404-06012-08	93404-06012-08	BOLT WASHER 6*12	BOLT WASHER 6*12	1	
	93404-06020	93404-06020-06	BOLT WASHER 6*20 (G)	BOLT WASH 6*20	4	
	93903-25260	93903-25260	SCREW TAPPING 5*12	SCREW TAPPING 5*12	2	
	93903-34360	93903-34360	SCREW TAPPING 4*12 (G)	SCREW TAPPING 4*12	33	
	93903-GFY6	93903-GFY6-900	SCREW TAPPING 4*14	SCREW TAPPING 4*14	8	
	93903-KEB7	93903-KEB7-900-06	SCREW WASHER 4*12 (G)	SCREW WASHER 4*12 (G)	4	



Sales mark	Ref no	Part no	Description	Reg description	Regd no	F06
	11383	11383-KHE7-900	CLAMPER RR BRK HOSE	CLAMPER RR BRK HOSE	2	
	50306	50306-1F96-001	NUT STRG STEM LOCK	NUT STRG STEM LOCK	1	
**	51400	51400-LCD3-E00	FORK ASSY RH FR	FORK ASSY RH FR	1	
	51408	51408-LCD3-E00	BRK FR FENDER STAY	BRK FR FENDER STAY	1	
	51409	51409-LCD3-E00	STAY FR FENDER	STAY FR FENDER	1	
**	51500	51500-LCD3-E00	FORK ASSY LH FR	FORK ASSY LH FR	1	
	53200	53200-LCD3-E00	STEM COMP STRG	STEM COMP STRG	1	
	53211	53211-GFY6-940	RACE STRG TOP CONE	RACE STRG TOP CONE	1	
	53212	53212-2L50-011	RACE STRG BOT CONE	RACE STRG BOT CONE	1	
	53214	53214-2L50-001	DUST SEAL STRG(HEAD)	DUST SEAL STRG(HEAD)	1	
	53215	53215-2L50-001	WASH STRG HDL DUST-SEAL	WASH STRG HDL DUST-SEAL	1	
**	61100	61100-LCD3-E00	FENDER FR	FENDER FR	1	
	90302	90302-GFY6-901	BOLT WASH 5*12	BOLT WASH 5*12	1	
	91014	91014-LLJ3-E00	CASE STEERING TOPP #5	CASE STEERING TOPP	1	
	91015	91015-LLJ3-E00	CASE STEERING BOT #8	CASE STEERING BOT	1	
	93903-24260	93903-24260	SCREW TAPPING 4*10	SCREW TAPPING 4*10	1	
	93903-25260	93903-25260	SCREW TAPPING 5*12	SCREW TAPPING 5*12	2	
	94050	94050-06060	NUT FLANGE 6MM	NUT FLANGE 6MM	2	
	95801	95801-08040-06	BOLT FLANGE 8*40	BOLT FLANGE 8*40	4	
	96001	96001-06012-08	BOLT FLANGE 6*12	BOLT FLANGE 6*12	2	

F07

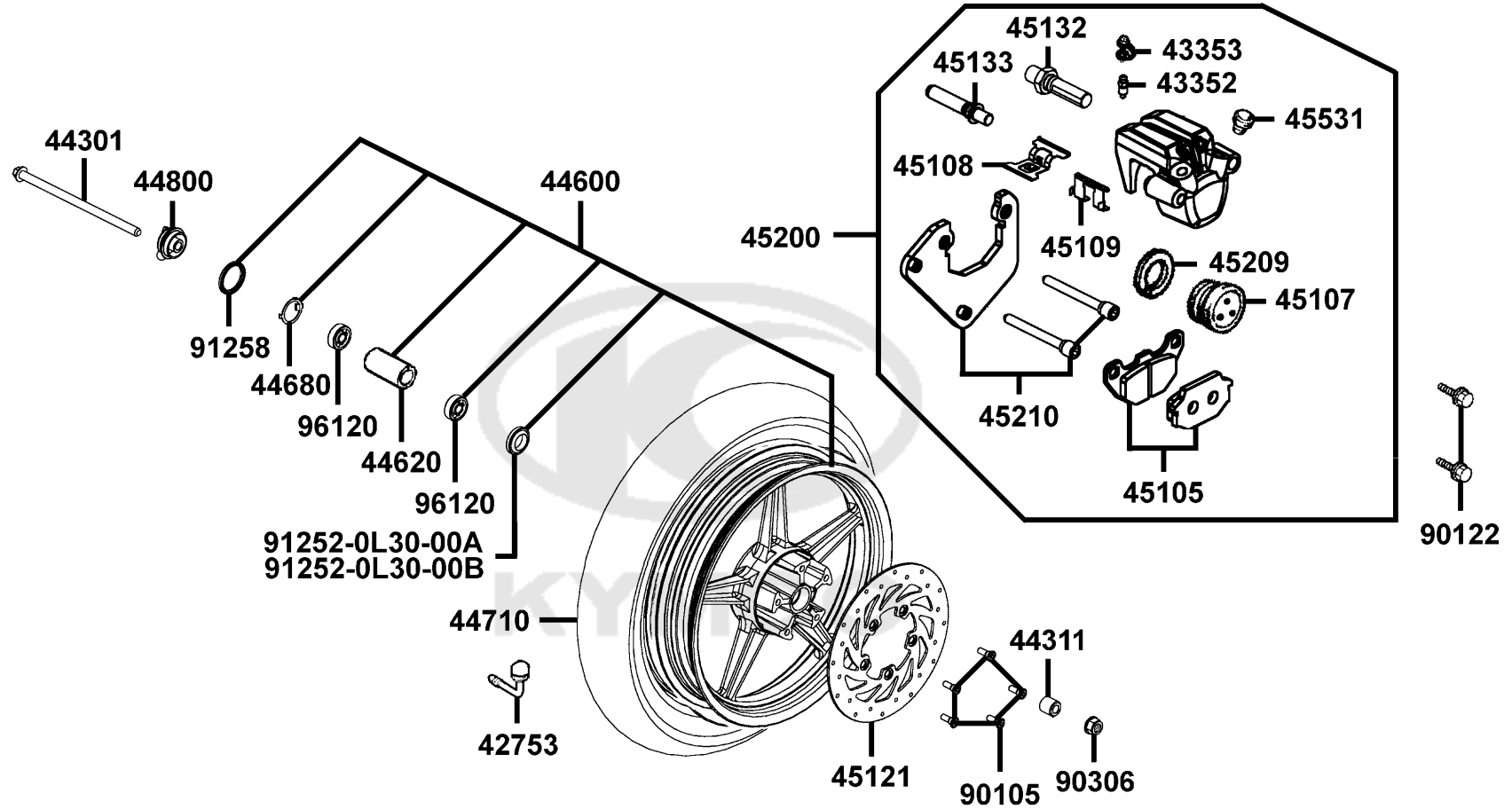
Front Wheel



Sales mark	Ref no	Part no	Description	Reg description	Regd no	F07
	42753	42753-KNBN-90B	VALAE RIM (TR412)	VALAE RIM (TR412)	1	
	43352	43352-5H68-004	SCREW BLEEDER	SCREW BLEEDER	1	
	43353	43353-4A61-77A	CAP BLEEDER	CAP BLEEDER	1	
	44301	44301-KXCX-900	AXLE FR WHEEL	AXLE FR WHEEL	1	
	44311	44311-KHB4-900	COLLAR FR WHEEL SIDE	COLLAR FR WHEEL SIDE	1	
**	44600	44600-LCD3-305	WHEEL SET FR	WHEEL SET FR	1	
	44620	44620-KFLF-930	COLLAR FR DIST	COLLAR FR DIST	1	
	44680	44680-4L10-001	RETAINER GEAR BOX	RETAINER GEAR BOX	1	
	44710	44710-LCD3-E0A	TIRE ASSY FR /KENDA	TIRE ASSY FR /KENDA	1	
	44800	44800-KFA6-900	GEAR BOX ASSY SPDMT	GEAR BOX ASSY SPDMT	1	
	45105	45105-KFA6-305	PAD ASSY (A+B)	PAD SET	1	
	45107	45107-KFA6-900	PISTON	PISTON	1	
	45108	45108-KFA6-900	SPRING PAD	SPRING PAD	1	
	45109	45109-KFA6-900	DUST SEAL	DUST SEAL	1	
	45121	45121-LCD3-E00	DISK FR BRAKE	DISK FR BRAKE	1	
	45132	45132-KFA6-900	BUSH BOOT PIN	BUSH BOOT PIN	1	
	45133	45133-KFA6-900	BOOT B	BOOT B	1	
**	45200	45200-LCD3-E00	CALIPER ASSY FR LH	CALIPER ASSY FR LH	1	
	45209	45209-KFA6-900	SEAL PISTON	SEAL PISTON	1	
	45210	45210-LCD3-305	BRACKET L	BRACKET L	1	

F07

Front Wheel



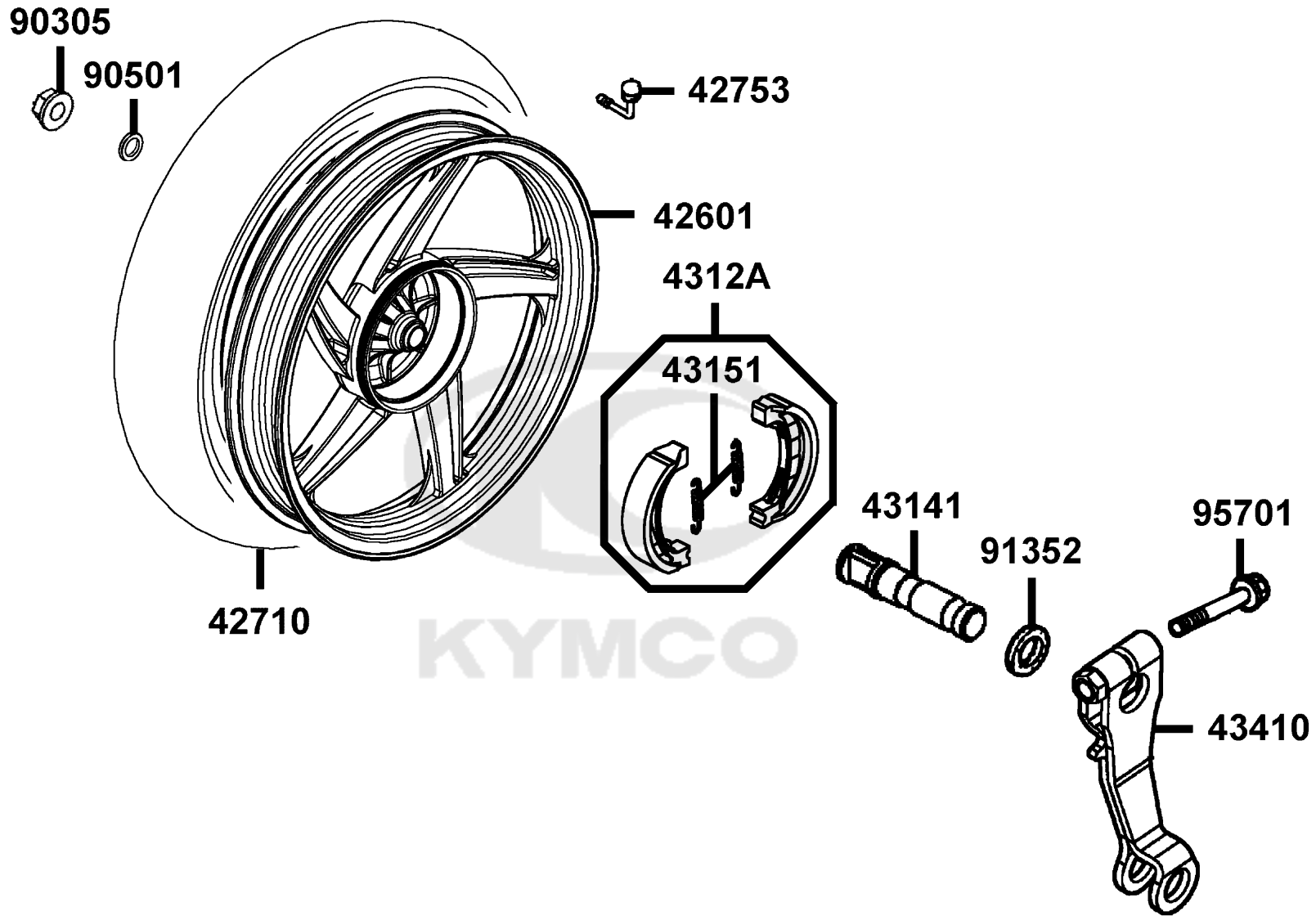
Sales mark	Ref no	Part no	Description	Reg description	Regd no	<b>F07</b>
45531		45531-GAR1-951	PLUG	PLUG	1	
90105		90105-KCR3-001	BOLT FR DISK 8*24	BOLT FR DISK 8*24	5	
90122		90122-KEBE-900	BOLT FLANGE 8*32	BOLT FLANGE 8*32	2	
90306		90306-KLF0-004-SY	NUT FLANGE 12MM	NUT FLANGE 12MM	1	
91252-0L30-00A		91252-0L30-00A	OIL SEAL WHEEL 23*37*7	OIL SEAL WHEEL 23*37*7	1	
91252-0L30-00B		91252-0L30-00B	OIL SEAL WHEEL 23*37*7	OIL SEAL WHEEL 23*37*7	1	
91258		91258-4L10-00B	DUST SEAL 40*50*5	SEAL DUST 40*50*5	1	
96120		96120-63010-10	BEARING BALL RADIAL 6301	BEARING BALL RADIAL 6301	2	





F08

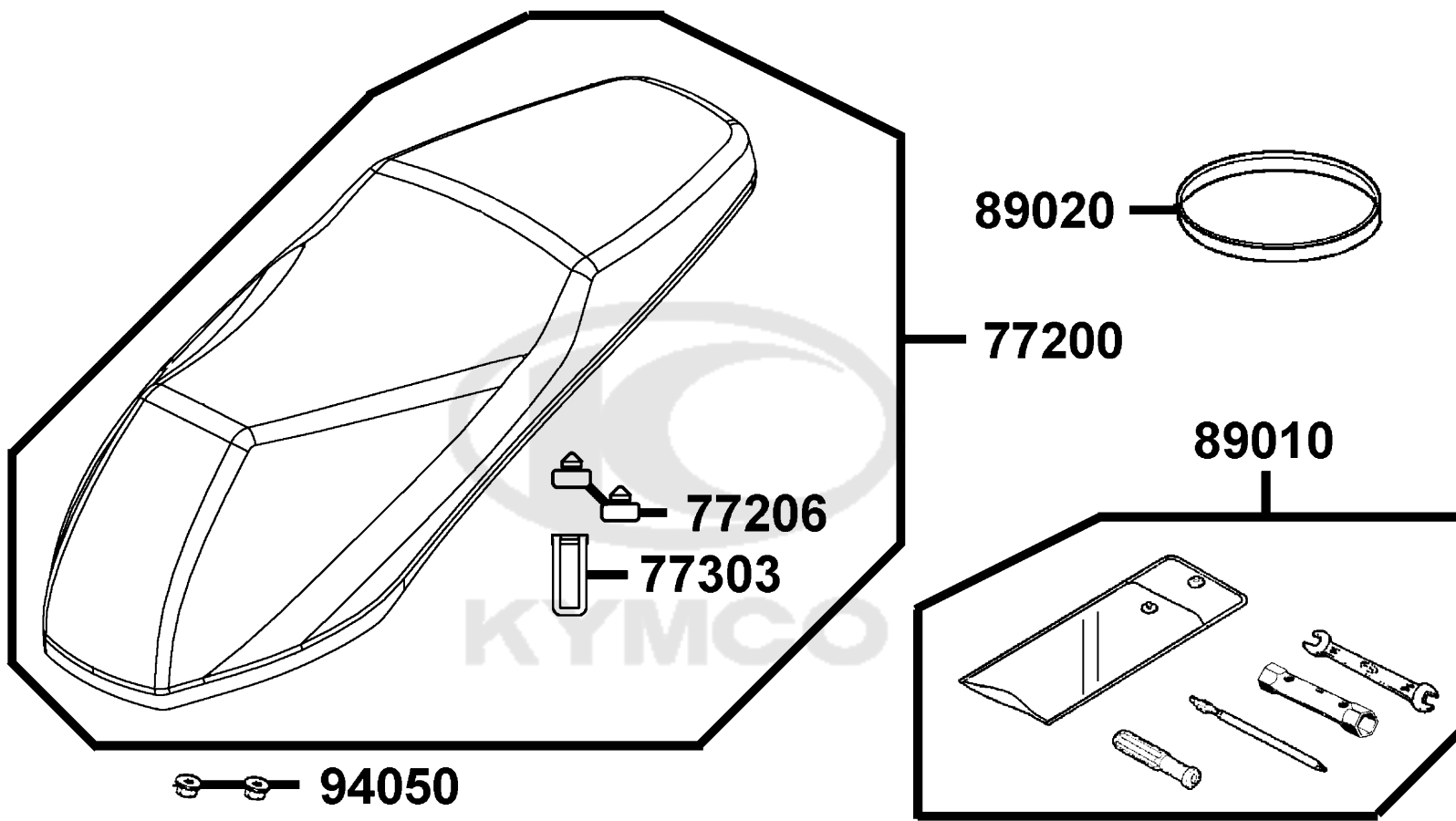
Rear Wheel



Sales mark	Ref no	Part no	Description	Reg description	Regd no	<b>F08</b>
**	42601	42601-LCD3-E00	WHEEL COMP RR CAST	WHEEL COMP RR CAST	1	
	42710	42710-LCD1-E0A	TIRE ASSY RR /KENDA	TIRE ASSY RR /KENDA	1	
	42753	42753-KNBN-90B	VALAE RIM (TR412)	VALAE RIM (TR412)	1	
	4312A	4312A-KUDU-900	SHOE ASSY RR BRAKE	SHOE ASSY RR BRAKE	1	
	43141	43141-KFA6-900	CAM RR BRK	CAM RR BRK	1	
	43151	43151-KGM7-961	SPRING BRAKE SHOE REAR	SPRING BRAKE SHOE REAR	2	
	43410	43410-KFA6-900	ARM RR BRAKE	ARM RR BRAKE	1	
	90305	90305-KNBN-90B	NUT U 16MM	NUT U 16MM	1	
	90501	90501-KNBN-901	WASHER 16MM	WASHER 16MM	1	
	91352	91352-KHG8-83B	O-RING 11.3*1.3	O-RING 11.3*1.3	1	
	95701	95701-06032-08	BOLT FLANGE 6*32	BOLT FLANGE 6*32	1	

F09

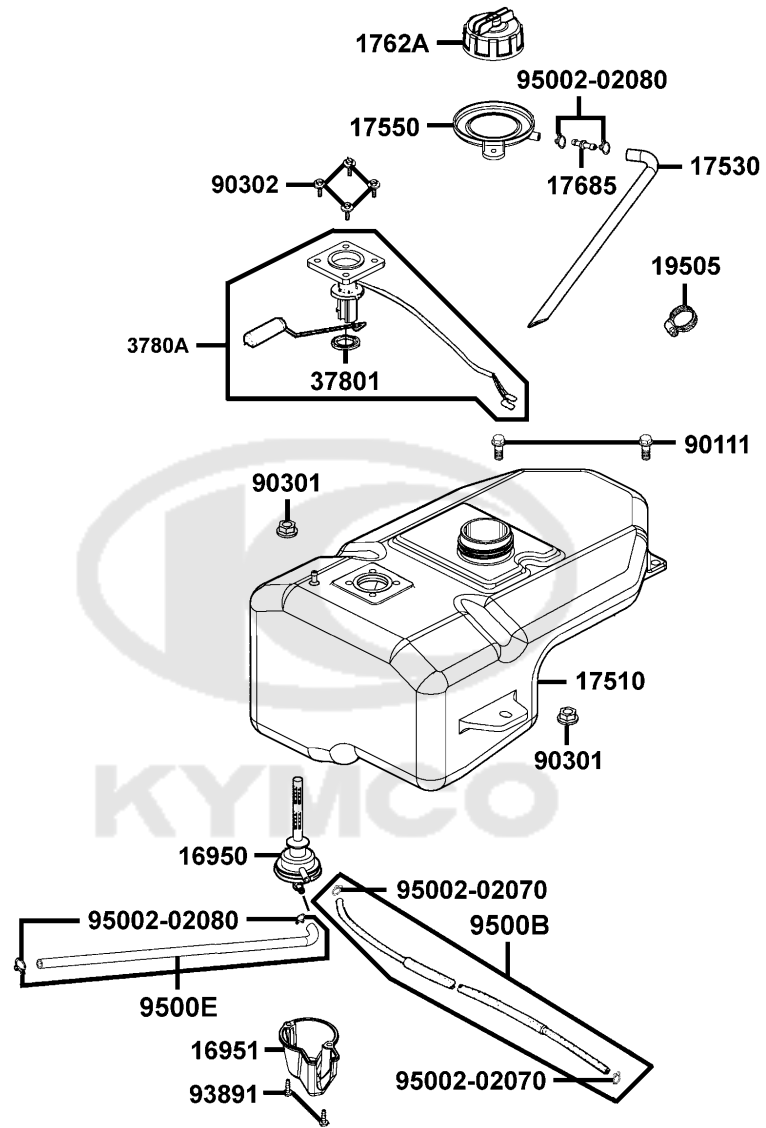
Seat



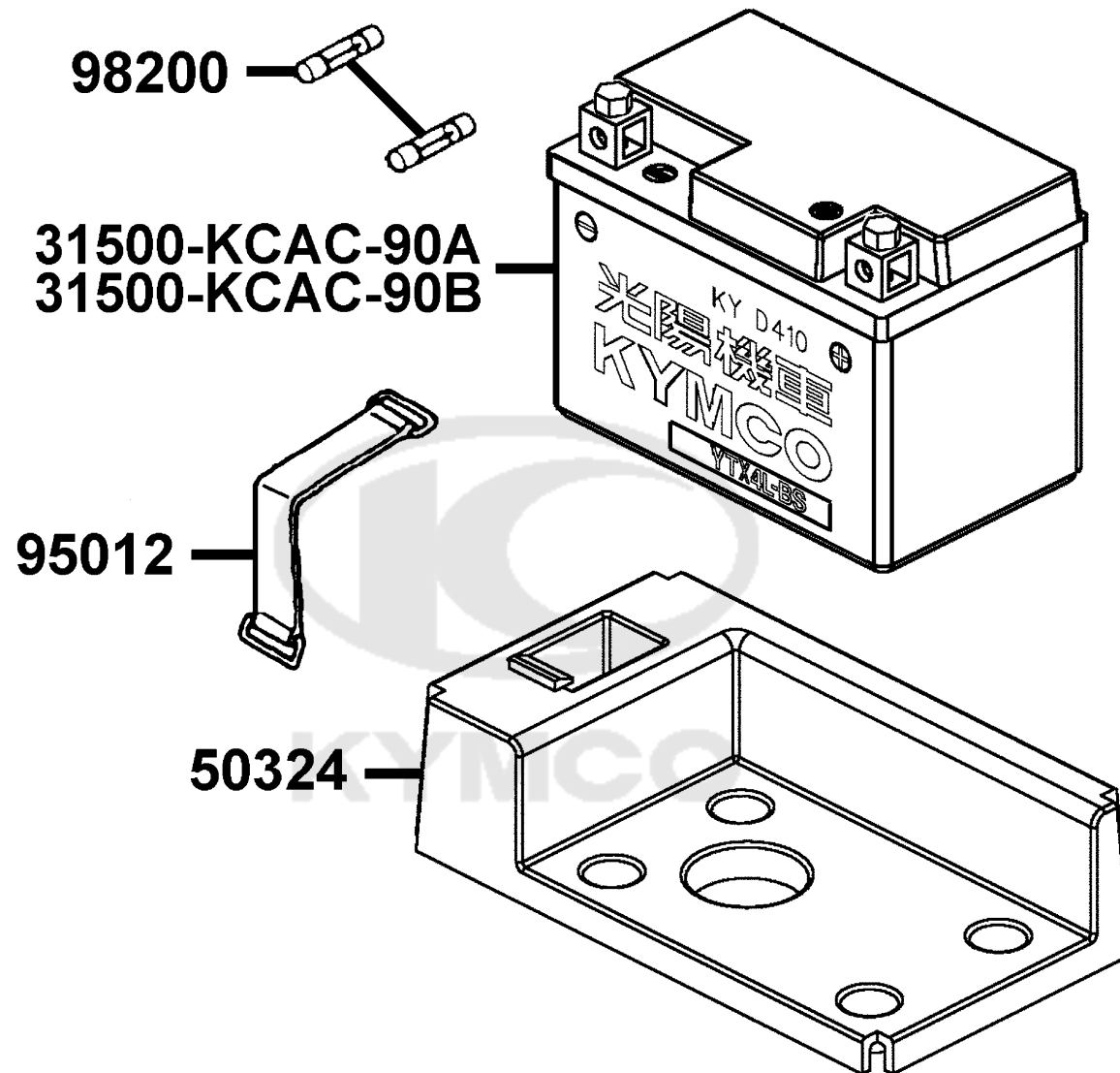
Sales mark	Ref no	Part no	Description	Reg description	Regd no	<b>F09</b>
------------	--------	---------	-------------	-----------------	---------	------------

**	77200	77200-LCD3-E00	SEAT ASSY	SEAT ASSY	1	
	77206	77206-KGBG-900	RUBBER SEAT CUSHION	RUBBER SEAT CUSHION	2	
	77303	77303-LCD3-E00	HOOK SEAT LOCK	HOOK SEAT LOCK	2	
	89010	89010-GGS7-C00	TOOL SET	TOOL SET	1	
	89020	89020-KKC4-900	BAND TOOL SET	BAND TOOL SET	1	
	94050	94050-06080	NUT FLANGE 6MM	NUT FLANGE 6MM	2	





Sales mark	Ref no	Part no	Description	Reg description	Regd no	<b>F10</b>
16950		16950-KHB4-900	AUTO COCK ASSY FUEL	AUTO COCK ASSY FUEL	1	
16951		16951-LCD3-E00	COVER FUEL AUTO COCK	COVER FUEL AUTO COCK	1	
17510		17510-LCD3-E00	TANK COMP FUEL	TANK COMP FUEL	1	
17530		17530-LCD3-E00	TUBE ASSY FUEL DRAIN	TUBE ASSY FUEL DRAIN	1	
17550		17550-KFA6-900	TRAY FUEL CAP	TRAY FUEL CAP	1	
1762A		1762A-KFA6-900	CAP ASSY FUEL FILLER	CAP ASSY FUEL FILLER	1	
17685		17685-KZCZ-900	JOINT TUBE	JOINT TUBE	1	
19505		19505-LBC6-900	CLAMP A WATER HOSE	CLAMP A WATER HOSE	1	
37801		37801-LLJ3-E00	PACKING BASE	PACKING BASE	1	
3780A		3780A-LCD3-E00	FUEL UNIT ASSY	FUEL UNIT ASSY	1	
90111		90111-1G47-001	BOLT FLANGE 6*14	BOLT FLANGE 6*14	2	
90301		90301-6D34-671	NUT FLANGE 6MM	NUT FLANGE 6MM	2	
90302		90302-GFY6-901	BOLT WASH 5*12	BOLT WASH 5*12	4	
93891		93891-05012-06	SCREW WASHER 5*12	SCREW WASHER 5*12	2	
95002-02070		95002-02070	CLIP B7 TUBE	CLIP B7 TUBE	4	
95002-02080		95002-02080	CLIP B8 TUBE	CLIP B8 TUBE	4	
9500B		9500B-LCD1-E00	TUBE ASSY VACUUM	TUBE ASSY VACUUM	1	
9500E		9500E-KXCX-900	TUBE ASSY CARB-STRAIN	TUBE ASSY CARB-STRAIN	1	

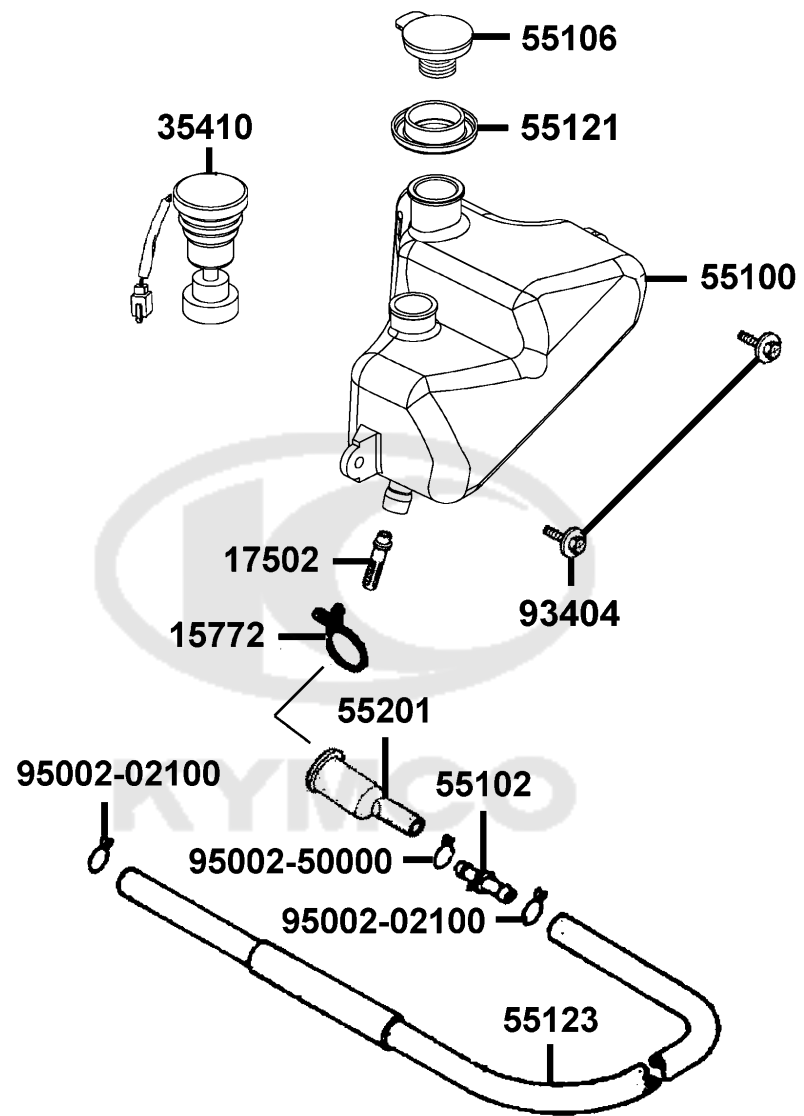


Sales mark	Ref no	Part no	Description	Reg description	Regd no	<b>F11</b>
------------	--------	---------	-------------	-----------------	---------	------------

	31500-KCAC-90A	31500-KCAC-90A	BATTERY YTX4L-BS	BATTERY YTX7A-BS	1	
	31500-KCAC-90B	31500-KCAC-90B	BATTERY GTX4L-BS	BATTERY GTX7A-BS	1	
50324		50324-LCD1-E00	CASE BATTERY PLUG	CASE BATTERY PLUG	1	
95012		95012-KED9-900	BAND BATTERY	BAND BATTERY	1	
98200		98200-10700	FUSE A7	FUSE A7	1	



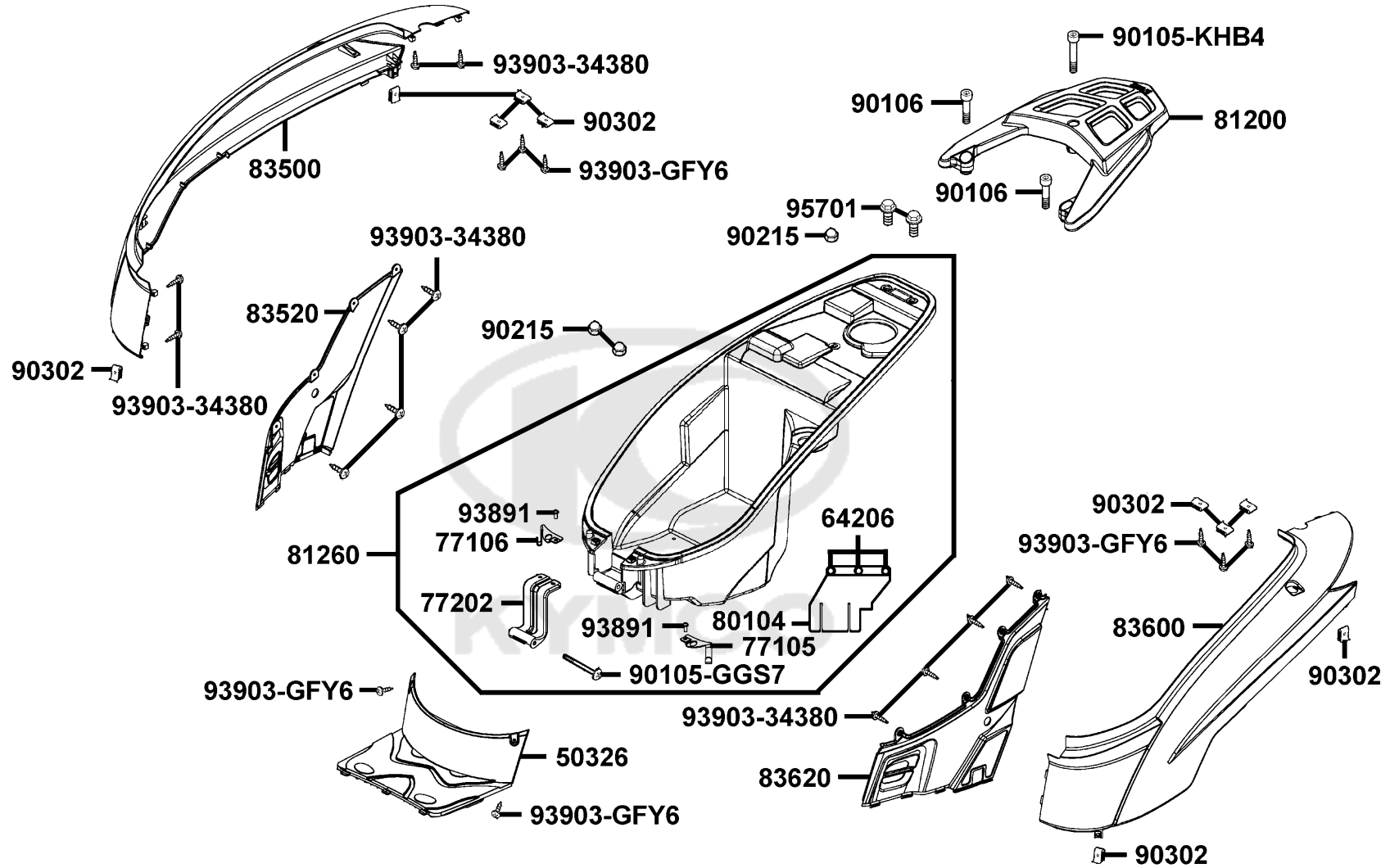




Sales mark	Ref no	Part no	Description	Reg description	Regd no	<b>F12</b>
15772		15772-5A51-001	CLIP BREATHER TUBE	CLIP BREATHER TUBE	1	
17502		17502-1G87-001	OIL STRAINER	OIL STRAINER	1	
35410		35410-GAR1-900	SW COMP OIL LEVEL	SW COMP OIL LEVEL	1	
55100		55100-LCD1-E00	TANK OIL	TANK OIL	1	
55102		55102-1F66-001	JOINT OIL TUBE	JOINT OIL TUBE	1	
55106		55106-KEB7-900	CAP ASSY OIL	CAP ASSY OIL	1	
55121		55121-LCD1-E00	RUBBER OIL GUIDE	RUBBER OIL GUIDE	1	
55123		55123-LCD1-E00	TUBE 5.3 OIL	TUBE 5.3 OIL	1	
55201		55201-GHC8-001	JOINT OIL STRN	JOINT OIL STRN	1	
93404		93404-06016-06	BOLT WASHER 6*16	BOLT WASHER 6*16	1	
95002-02100		95002-02100	CLIP B15 TUBE	CLIP B15 TUBE	2	
95002-50000		95002-50000	CLIP C9 TUBE	CLIP C9 TUBE	1	

F13

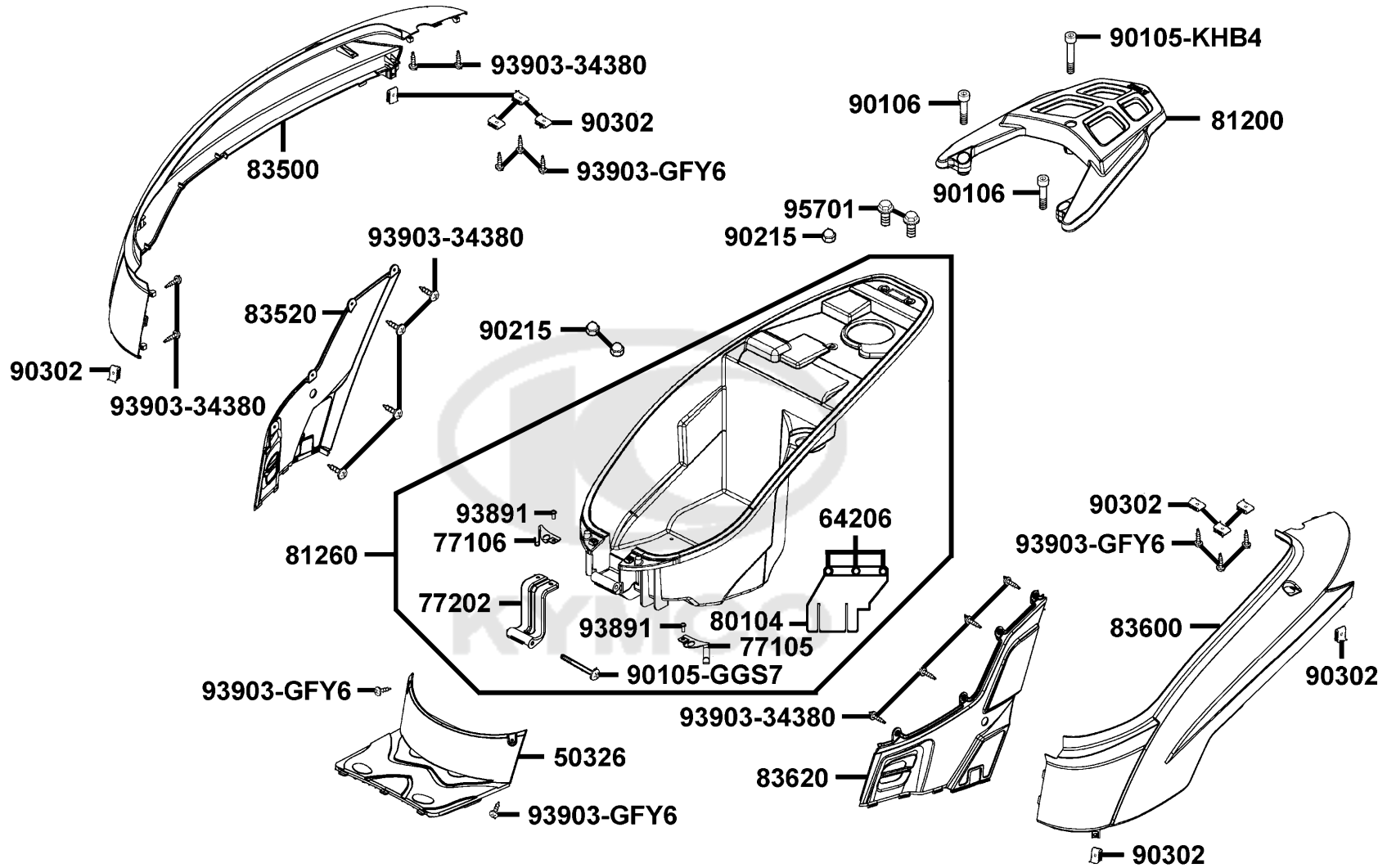
# Body Cover Luggage Box



Sales mark	Ref no	Part no	Description	Reg description	Regd no	F13
	50326	50326-LCD3-E00	COVER BATTERY	COVER BATTERY	1	
	64206	64206-MLJ0-001	NUT SPEED 4MM	NUT SPEED 4MM	3	
	77105	77105-LCD3-E00	HOOK R HELMET	HOOK R HELMET	1	
	77106	77106-LCD3-E00	HOOK L HELMET	HOOK L HELMET	1	
	77202	77202-KHB4-900	HINGE SEAT	HINGE SEAT	1	
	80104	80104-LCD1-E00	PLATE C SPLASH GUARD	PLATE C SPLASH GUARD	1	
**	81200	81200-LCD3-E00	CARRY RR	CARRY RR	1	
	81260	81260-LCD1-E00	BOX ASSY LUGGAGE	BOX ASSY LUGGAGE	1	
**	83500	83500-LCD3-E00	COVER R BODY	COVER R BODY	1	
**	83520	83520-LCD3-E00	COVER R SIDE	COVER R SIDE	1	
**	83600	83600-LCD3-E00	COVER L BODY	COVER L BODY	1	
**	83620	83620-LCD3-E00	COVER L SIDE	COVER L SIDE	1	
	90105-GGS7	90105-GGS7-001	PIN HINGE	PIN HINGE	1	
	90105-KHB4	90105-KHB4-900	BOLT WASH M8*60	BOLT WASH M8*60	1	
	90106	90106-KUDU-900	BOLT SPECIAL 8MM	BOLT WASH 8*26	2	
	90215	90215-KKC4-900	NUT CAP 6MM	NUT CAP 6MM	3	
	90302	90302-SDA4-004	NUT SPRING 4MM	NUT SPRING 4MM	10	
	93891	93891-05012-06	SCREW WASHER 5*12	SCREW WASHER 5*12	2	
	93903-34360	93903-34360	SCREW TAPPING 4*12 (G)	SCREW TAPPING 4*12	12	
	93903-GFY6	93903-GFY6-900	SCREW TAPPING 4*14	SCREW TAPPING 4*14	8	

F13

# Body Cover Luggage Box



Sales mark	Ref no	Part no	Description	Reg description	Regd no	<b>F13</b>
------------	--------	---------	-------------	-----------------	---------	------------

95701

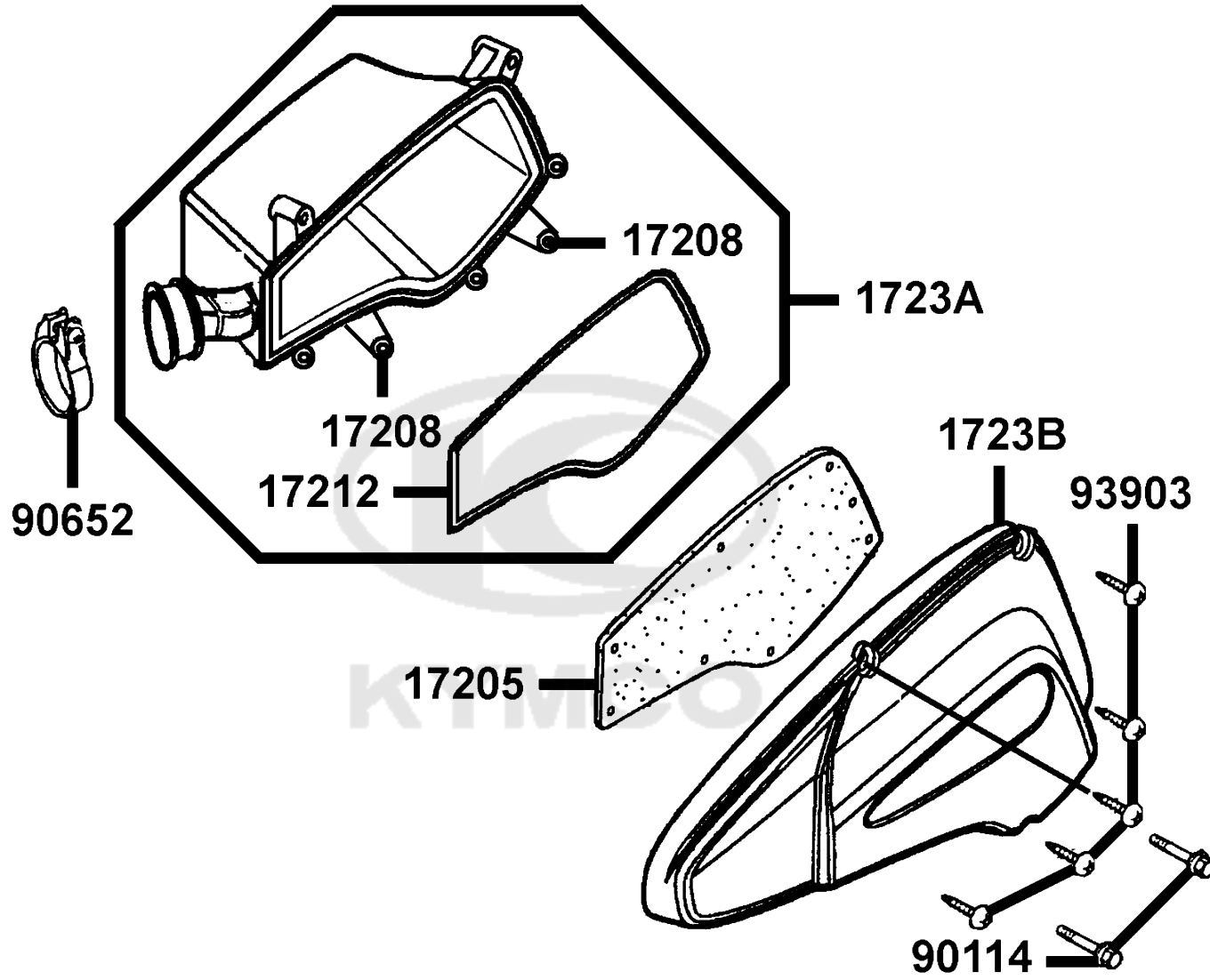
95701-06012-08

BOLT FLANGE 6\*12

BOLT FLANGE 6\*12

2

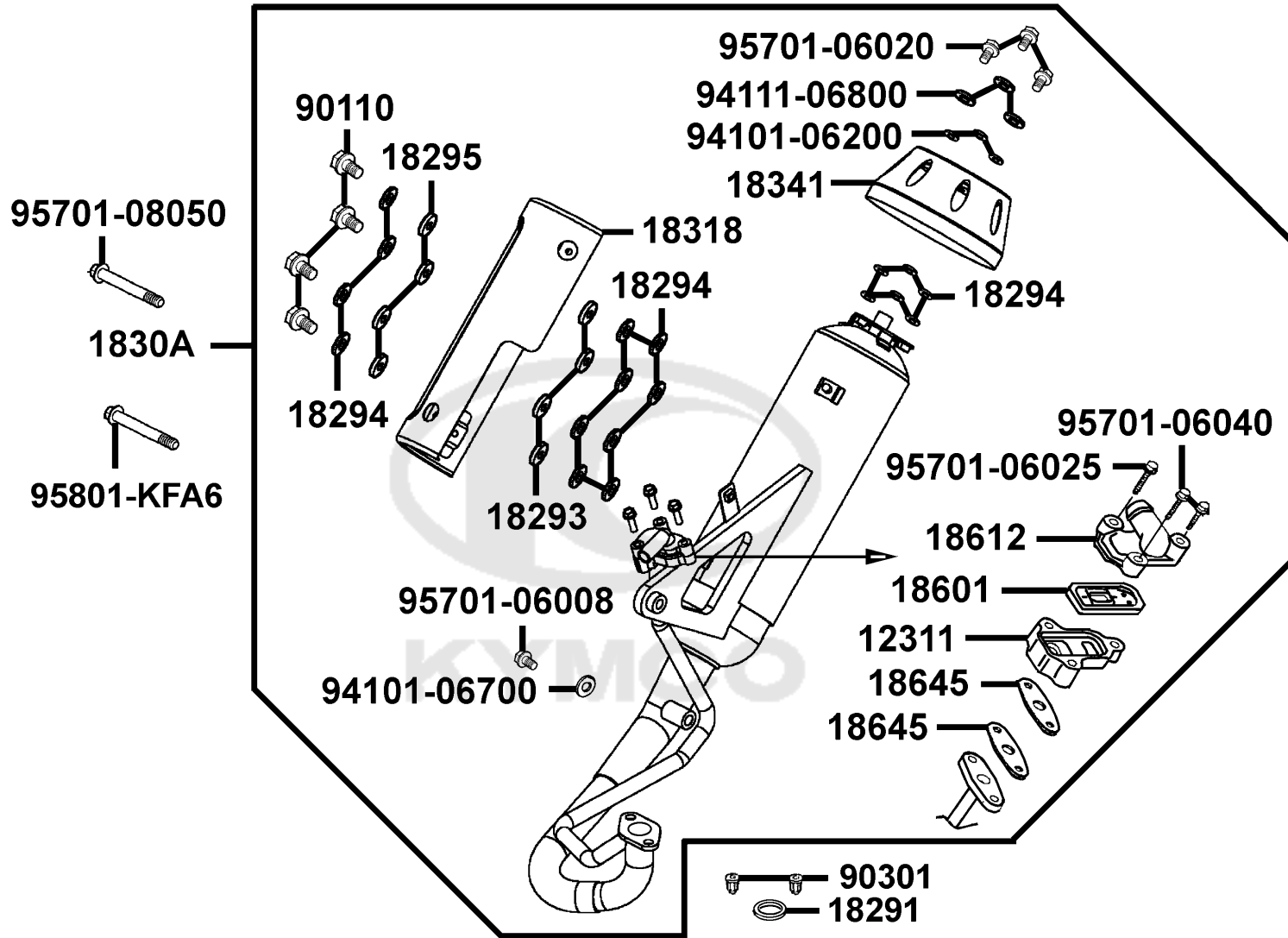




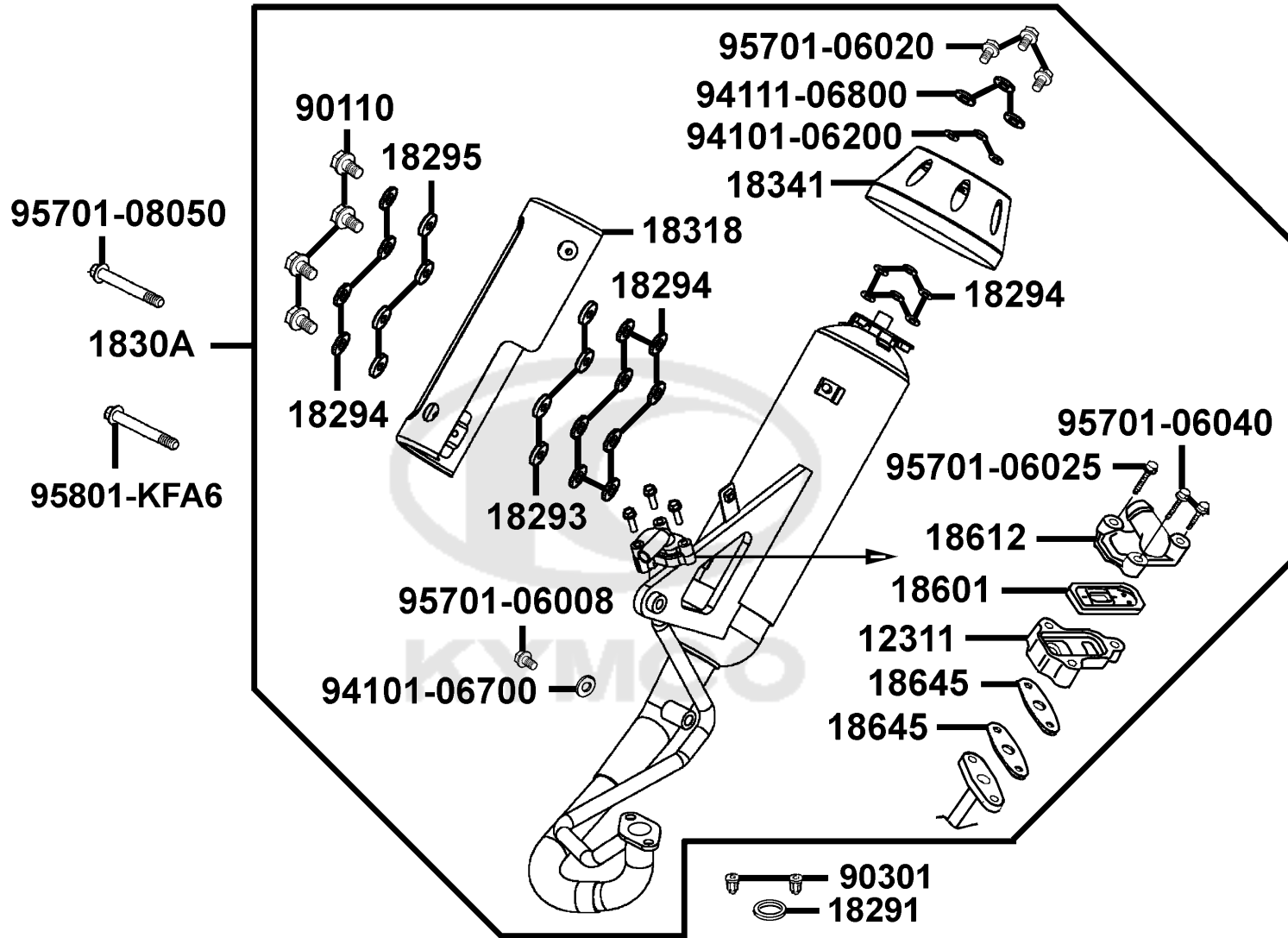
Sales mark	Ref no	Part no	Description	Reg description	Regd no	<b>F14</b>
17205		17205-KFA6-900	ELEMENT AIR/C	ELEMENT AIR/C	1	
17208		17208-KEB7-900	COLLAR AIR/C SET	COLLAR AIR/C SET	2	
17212		17212-KFA6-900	SEAL AIR/C CASE	SEAL AIR/C CASE	1	
1723A		1723A-LCD1-E00	CASE ASSY AIR/C	CASE ASSY AIR/C	1	
1723B		1723B-LCD1-E00	COVER COMPAIR/C	COVER COMPAIR/C	1	
90114		90114-KXCX-900	BOLT FLANGE SH 5*20	BOLT FLANGE SH 5*20	2	
90652		90652-KTCT-900	BAND AIR/C CONN	BAND AIR/C CONN	1	
93903		93903-25460	SCREW TAPPING 5*20	SCREW TAPPING 4*12	5	







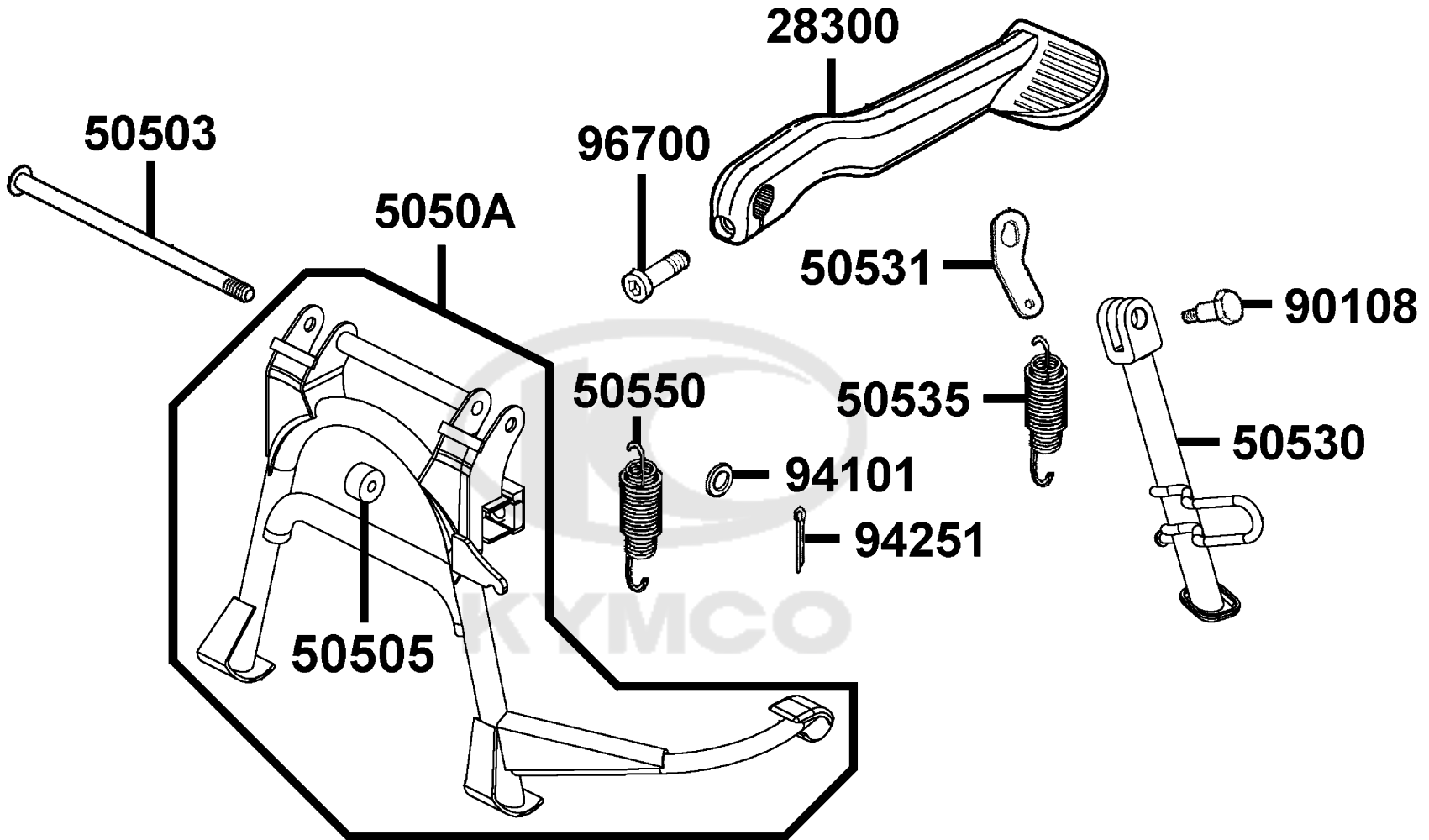
Sales mark	Ref no	Part no	Description	Reg description	Regd no	<b>F15</b>
	12311	12311-KFB5-900	BODY REED VALVE	BODY REED VALVE	1	
	18291	18291-LBA7-900	GASKET EXH PIPE	GASKET EXH PIPE	1	
	18293	18293-KECE-900	RUBBER A PROTECTOR	RUBBER A PROTECTOR	4	
	18294	18294-KEBE-900	PACKING PROTECTOR	PACKING PROTECTOR	18	
	18295	18295-KECE-900	COLLAR 6MM	COLLAR 6MM	4	
**	1830A	1830A-LCD1-E00	MUFFLER ASSY EXH /P208	MUFFLER ASSY EXH	1	
**	18318	18318-LCD1-E00	PROTECTOR MUFFLER	PROTECTOR MUFFLER	1	
	18341	18341-LCD1-E00	TAIL CAP MUFFLER	TAIL CAP MUFFLER	1	
	18601	18601-KFB5-900	VALVE COMP REED	VALVE COMP REED	1	
	18612	18612-KFB5-900	COVER REED VALVE	COVER REED VALVE	1	
	18645	18645-KGB5-EZ0	GASKET A/I PIPE	GASKET A/I PIPE	2	
	90110	90110-LCD1-E00	SCREW SPECIAL 6*25	SCREW SPECIAL 6*25	4	
	90301	90301-KGBG-900	NUT CAP 6MM	NUT CAP 6MM	2	
	94101-06200	94101-06200	WASHER PLAIN 6MM	WASHER PLAIN 6MM	3	
	94101-06700	94101-06700	WASHER PLAIN 6MM	WASHER PLAIN 6MM	1	
	94111-06800	94111-06800	WASHER SPRING 6MM	WASHER SPG 6MM	3	
	95701-06008	95701-06008-06	BOLT FLANGE 6*8	BOLT FLANGE 6*8	1	
	95701-06020	95701-06020-06	BOLT FLANGE 6*20	BOLT FLANGE 6*20	3	
	95701-06025	95701-06025-06	BOLT FLANGE 6*25	BOLT WASHER 6*25	1	
	95701-06040	95701-06040-08	BOLT FLANGE 6*40	BOLT FLANGE 6*40	2	



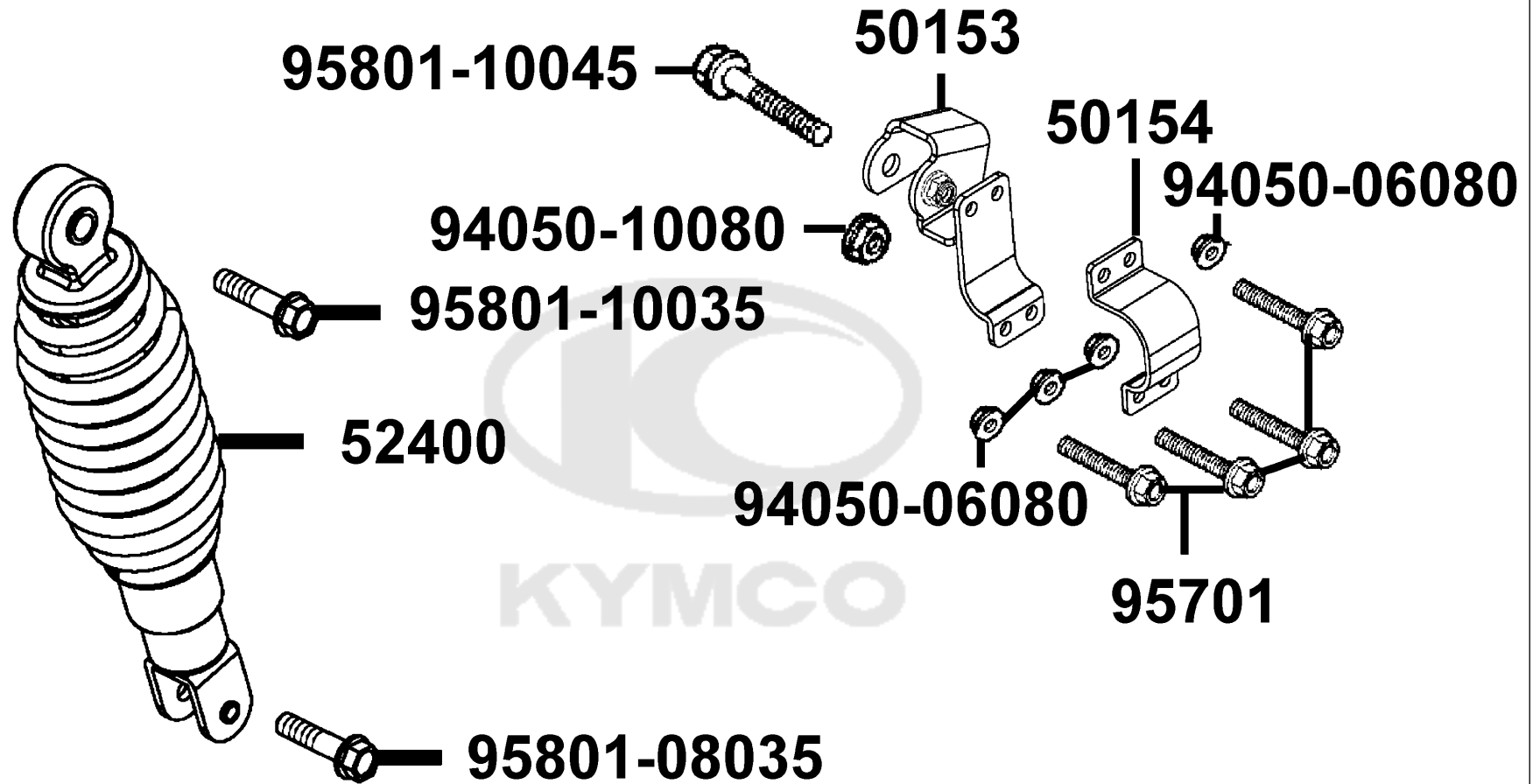
Sales mark	Ref no	Part no	Description	Reg description	Regd no	<b>F15</b>
------------	--------	---------	-------------	-----------------	---------	------------

95701-08050		95801-08050-06	BOLT FLANGE 8*50	BOLT FLANGE 8*50	1	
95801-KFA6		95801-KFA6-E00	BOLT FLANGE 8*35	BOLT FLANGE 8*35	1	

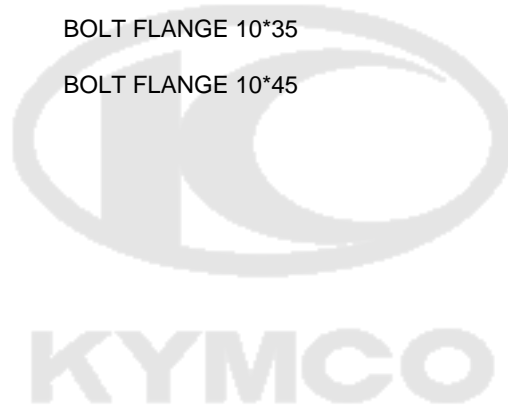




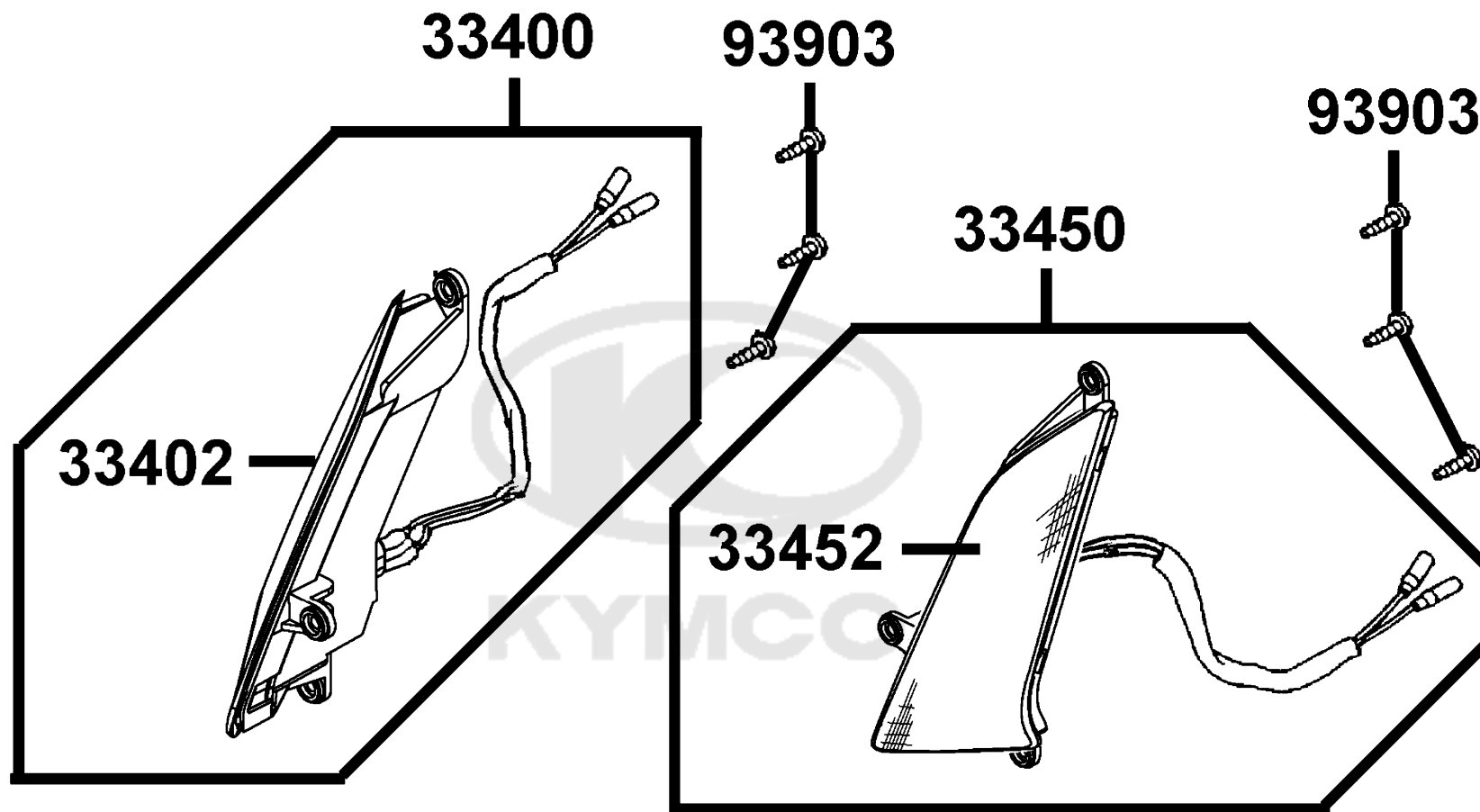
Sales mark	Ref no	Part no	Description	Reg description	Regd no	<b>F16</b>
28300		28300-KFA6-900	ARM ASSY KICK STARTER	ARM ASSY KICK STARTER	1	
50503		50503-KEB7-900	SHAFT MAIN STAND	SHAFT MAIN STAND	1	
50505		50505-KKD7-900	RUBBER STOPPER MAIN	STOPPER RUBBER	1	
5050A		5050A-LCD1-E00	STAND ASSY MAIN	STAND ASSY MAIN	1	
50530		50530-LCD3-E00	BAR SIDE STAND	BAR SIDE STAND	1	
50531		50531-KEB7-E00	PLATE SPRING STOPPER	PLATE SPRING STOPPER	1	
50535		50535-KEB7-E00	SPRING COMP SIDE STAND	SPRING COMP SIDE STAND	1	
50550		50550-KFA6-E00	SPG ASSY MAIN STAND	SPG ASSY MAIN STAND	1	
90108		90108-KFA6-E00	SCREW SIDE STAND	SCREW SIDE STAND	1	
94101		94101-08600	WASH PLAIN 8MM	WASH PLAIN 8MM	1	
94251		94251-08400	PIN LOCK 8MM	PIN LOCK 8MM	1	
96700		96700-KFA6-900	BOLT FLANGE 6*20	BOLT FLANGE 6*20	1	



Sales mark	Ref no	Part no	Description	Reg description	Regd no	<b>F17</b>
#	50153	50153-LCD1-305	BRACKET A RR CUSHION	BRACKET A RR CUSHION	1	
#	50154	50154-LCD1-305	BRACKET B RR CUSHION	BRACKET B RR CUSHION	1	
**	52400	52400-LCD1-E00	CUSHION ASSY RR	CUSHION ASSY RR	1	
	94050-06080	94050-06080	NUT FLANGE 6MM	NUT FLANGE 6MM	4	
#	94050-10080	94050-10080	NUT FLANGE 10MM	NUT FLANGE 10MM	1	
#	95701	95701-06016-08	BOLT FLANGE 6*16	BOLT FLANGE 6*16	4	
	95801-08035	95801-08035-08	BOLT FLANGE 8*35	BOLT FLANGE 8*35	1	
	95801-10035	95801-10035-08	BOLT FLANGE 10*35	BOLT FLANGE 10*35	1	
#	95801-10045	95801-10045-08	BOLT FLANGE 10*45	BOLT FLANGE 10*45	1	



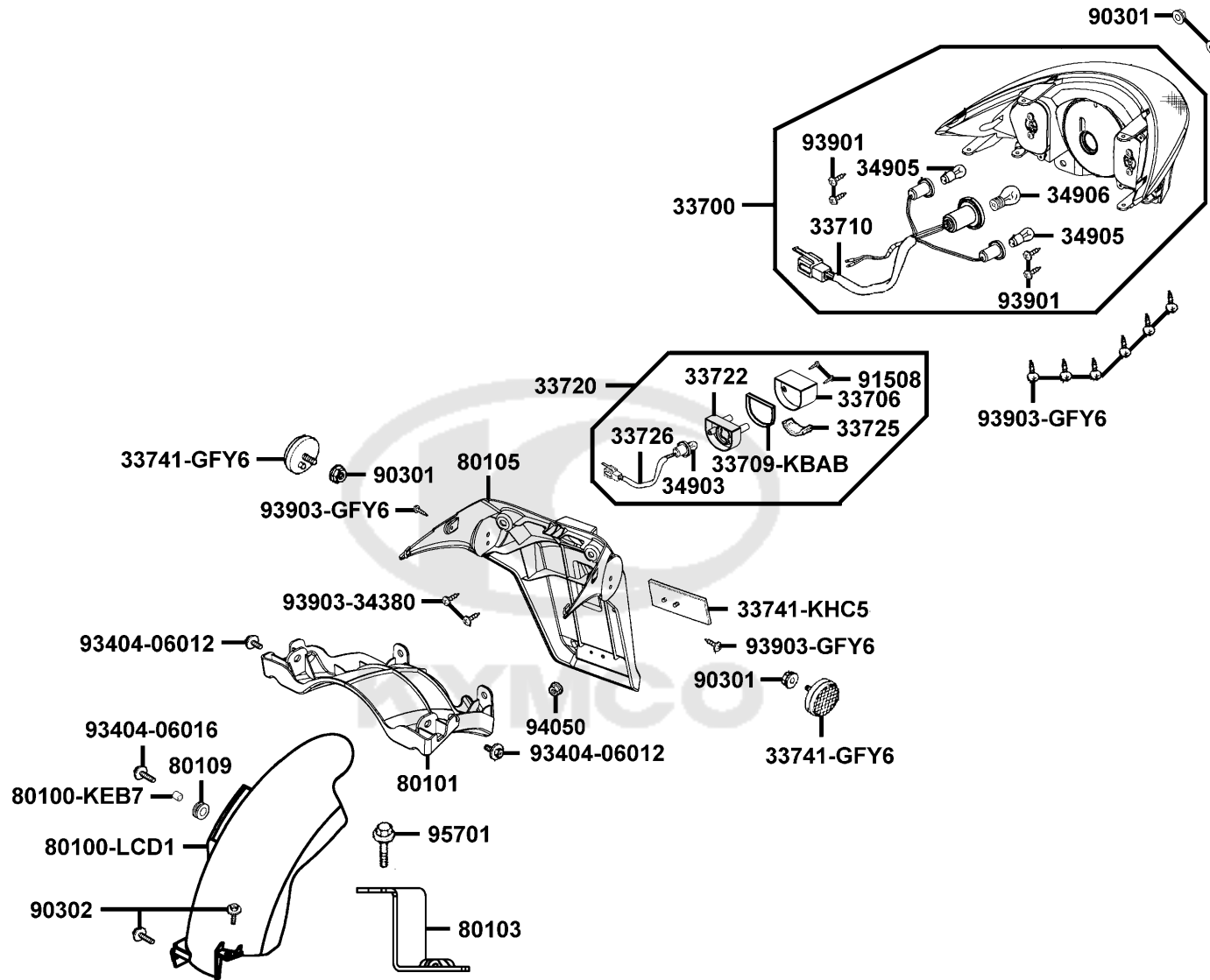




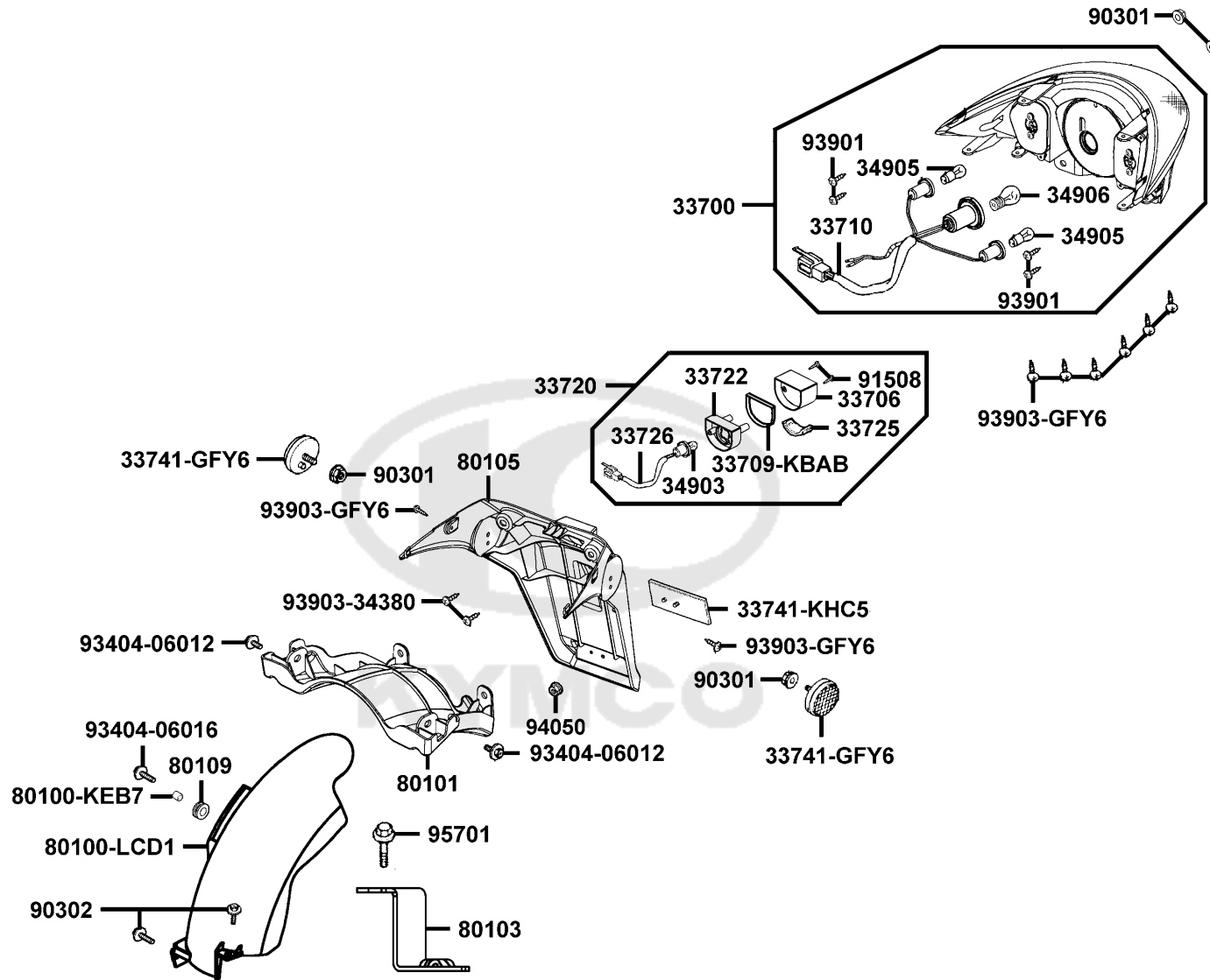
Sales mark	Ref no	Part no	Description	Reg description	Regd no	<b>F18</b>
------------	--------	---------	-------------	-----------------	---------	------------

33400		33400-LCD3-E00	WINKER ASSY R FR	WINKER ASSY R FR	1	
33450		33450-LCD3-E00	WINKER ASSY L FR	WINKER ASSY L FR	1	
93903		93903-34360	SCREW TAPPING 4*12 (G)	SCREW TAPPING 4*12	6	

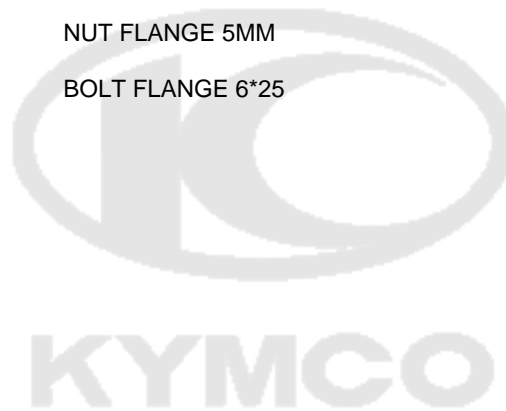


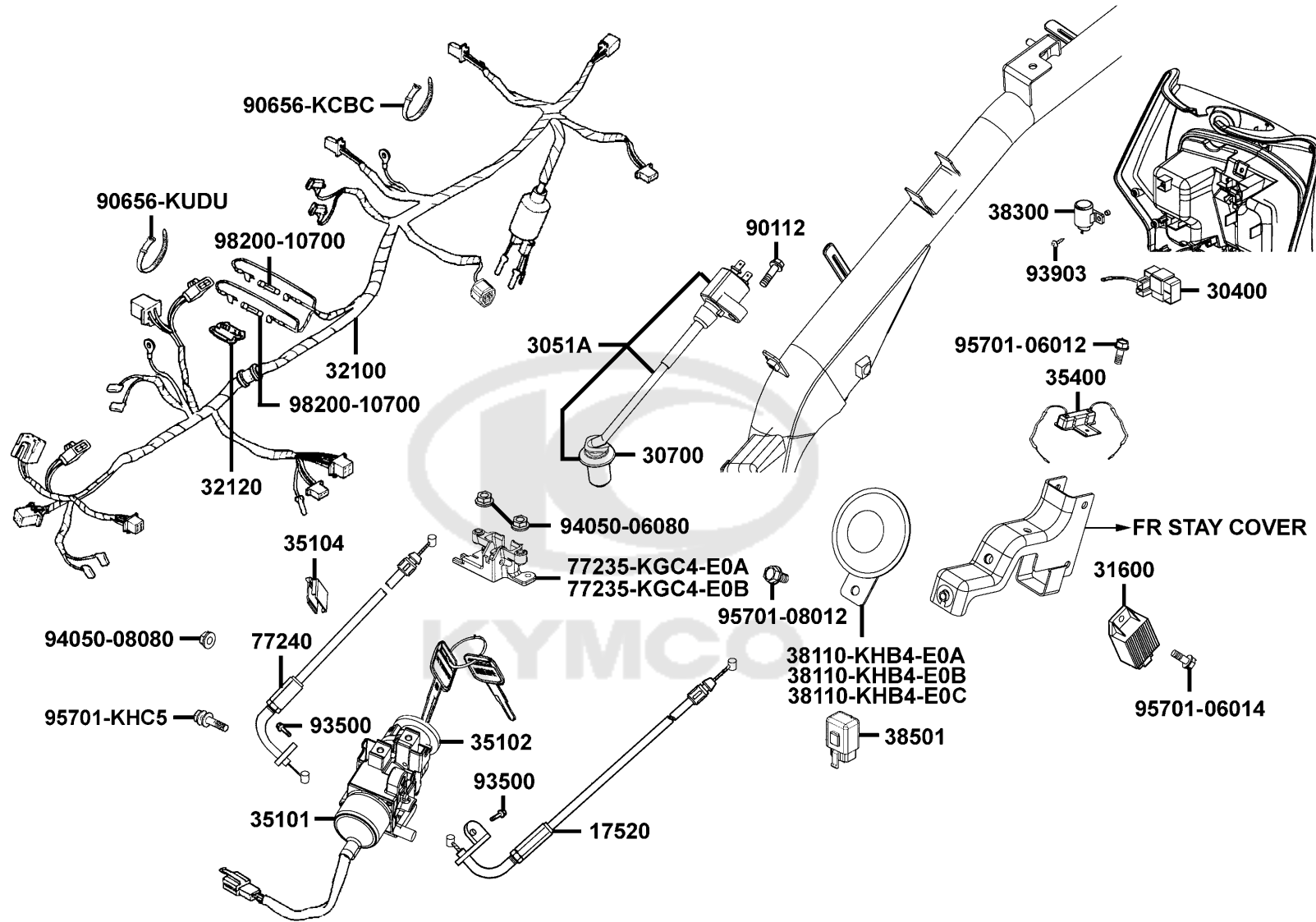


Sales mark	Ref no	Part no	Description	Reg description	Regd no	<b>F19</b>
	33700	33700-LCD1-E00	LIGHT ASSY TAIL	LIGHT ASSY TAIL	1	
	33706	33706-KHB4-E01	COVER LICENSE	COVER LICENSE	1	
	33709	33709-KBAB-003	PACKING LICENSE	PACKING LICENSE	1	
	33710	33710-LCD1-E00	SOCKET COMP	SOCKET COMP	1	
	33720	33720-KHB4-E00	LIGHT ASSY LICENSE	LIGHT ASSY LICENSE	1	
	33722	33722-KHB4-E00	BASE LICENSE	BASE LICENSE	1	
	33725	33725-KHB4-E00	LENS LICENSE	LENS LICENSE	1	
	33726	33726-KHB4-E00	SOCKET COMP	SOCKET COMP	1	
	33741-GFY6	33741-GFY6-C30	REFLEX REFLECTOR	REFLEX REFLECTOR	2	
	33741-KHC5	33741-KHC5-M00	REFLEX REFLECTOR	REFLEX REFLECTOR	1	
	34903	34903-KPCP-900	BULB POSITION	BULB POSITION	1	
	34905	34905-LCA5-E00	BULB WINKER	BULB WINKER	2	
	34906	34906-KPCP-900	BULB TAIL & STOP 12V21W/5W	BULB TAIL & STOP 12V21W/5W	1	
	80100-KEB7	80100-KEB7-900	COLLAR RUBBER	COLLAR RUBBER	1	
	80100-LCD1	80100-LCD1-E00	FENDER RR TIRE	FENDER RR TIRE	1	
	80101	80101-LCD3-E00	FENDER A REAR	FENDER A REAR	1	
	80103	80103-LCD1-E00	SATY B RR TIRE FENDER	SATY B RR TIRE FENDER	1	
	80105	80105-LCD3-E00	FENDER REAR	FENDER REAR	1	
	80109	80109-KEB7-900	RUBBER RR FENDER B	RUBBER RR FENDER B	1	
	90301	90301-6D34-671	NUT FLANGE 6MM	NUT FLANGE 6MM	4	



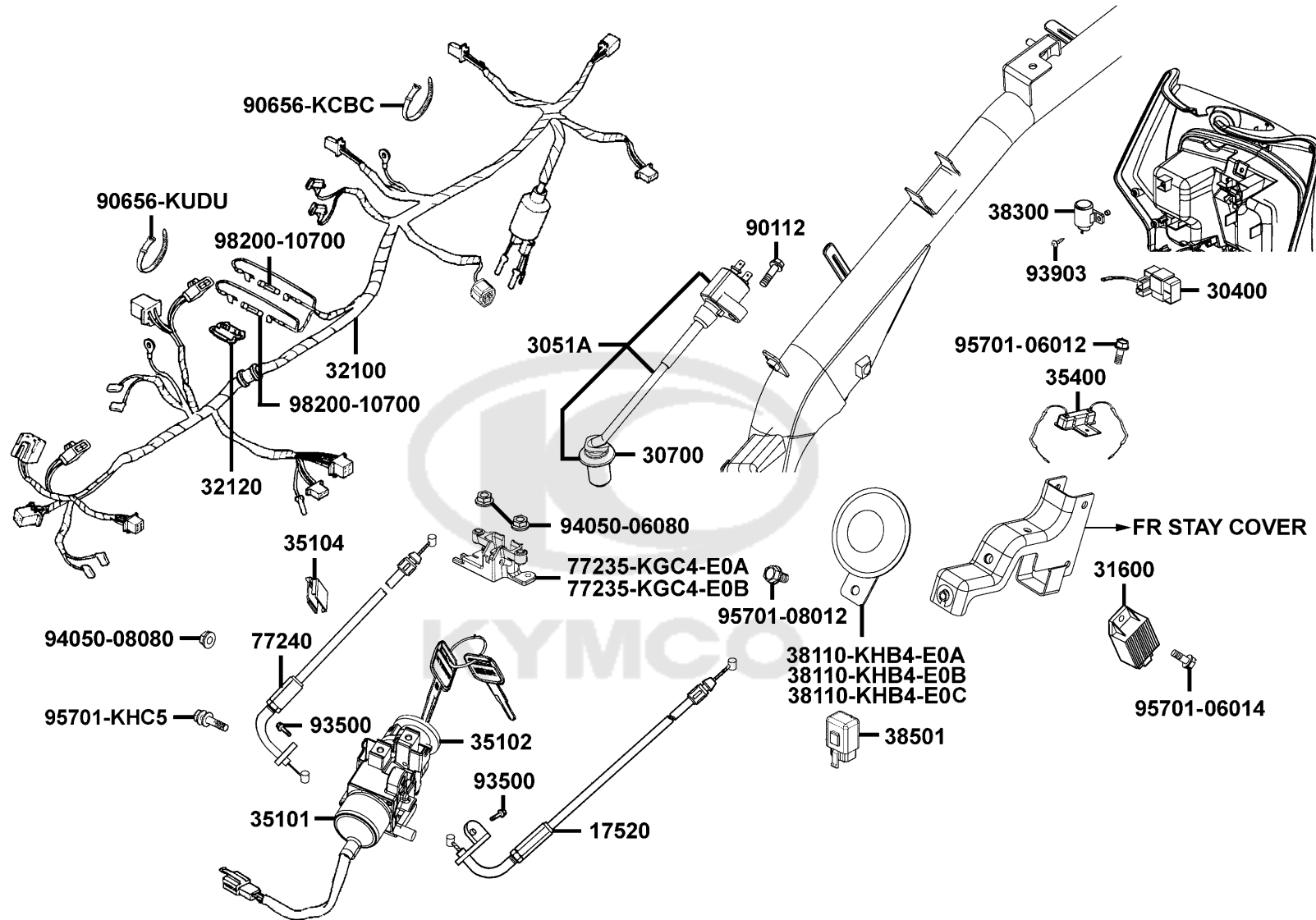
Sales mark	Ref no	Part no	Description	Reg description	Regd no	<b>F19</b>
90302		90302-GFY6-901	BOLT WASH 5*12	BOLT WASH 5*12	2	
91508		91508-KGV7-67A	SCREW TAPPING 4*14	SCREW TAPPING 4*14	2	
93404-06012		93404-06012-08	BOLT WASHER 6*12	BOLT WASHER 6*12	2	
93404-06016		93404-06016-06	BOLT WASHER 6*16	BOLT WASHER 6*16	1	
93901		93901-32320	SCREW TAPPING 3*12	SCREW TAPPING 3*12	4	
93903-34360		93903-34360	SCREW TAPPING 4*12 (G)	SCREW TAPPING 4*12	2	
93903-GFY6		93903-GFY6-900	SCREW TAPPING 4*14	SCREW TAPPING 4*14	8	
94050		94050-05080	NUT FLANGE 5MM	NUT FLANGE 5MM	1	
95701		95701-06025-08	BOLT FLANGE 6*25	BOLT FLANGE 6*25	1	



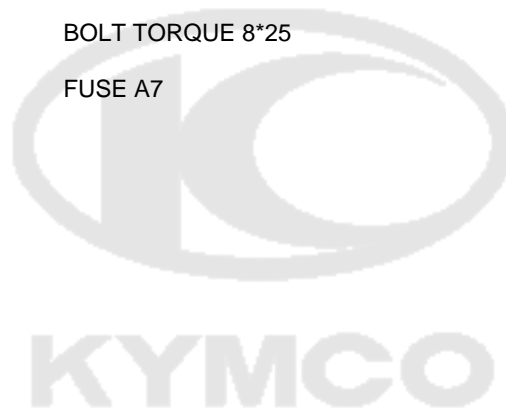


Sales mark	Ref no	Part no	Description	Reg description	Regd no	F20
	17520	17520-LCD3-E00	CABLE LID LOCK	CABLE LID LOCK	1	
	30400	30400-KFA6-900	UNIT ASSY C.D.I	UNIT ASSY C.D.I	1	
	3051A	3051A-KFA6-90B	COIL ASSY IGN	COIL ASSY IGN	1	
	30700	30700-KNBN-901	CAP ASSY NOISE SUPPRESOR	CAP ASSY NOISE SUPPRESOR	1	
	31600	31600-KUDU-900	REG REC COMP	REG REC COMP	1	
	32100	32100-LCD1-E00	HARNESS WIRE	HARNESS WIRE	1	
	32120	32120-1E55-001	CASE FUSE	CASE FUSE	1	
	35101	35101-LCD3-325-M2	SW COMB & LOCK	SW COMB & LOCK	1	
	35102	35102-LCD3-E0B	COLLAR MAIN SW	COLLAR MAIN SW	1	
	35104	35104-LBC6-90A	PLATE COVER FUEL CAP CABLE	PLATE COVER FUEL CAP CABLE	1	
	35400	35400-KEB8-B00	RESISTOR COMP	RESISTOR COMP	1	
	38110-KHB4-E0A	38110-KHB4-E0A	HORN COMP	HORN COMP	1	
	38110-KHB4-E0B	38110-KHB4-E0B	HORN COMP	HORN COMP	1	
	38110-KHB4-E0C	38110-KHB4-E0C	HORN COMP	HORN COMP	1	
	38300	38300-LCB4-900	RELAY COMP WINKER	RELAY COMP WINKER	1	
	38501	38501-GBW2-902	RELAY COMP START	RELAY COMP START	1	
	77235-KGC4-E0A	77235-KGC4-E0A	SEAT CATCH	SEAT CATCH	1	
	77235-KGC4-E0B	77235-KGC4-E0B	SEAT CATCH	SEAT CATCH	1	
	77240	77240-LCD3-E00	CABLE SEAT LOCK	CABLE SEAT LOCK	1	
	90112	90112-KRDR-900	BOLT FLANGE 5*22	BOLT FLANGE 5*22	1	



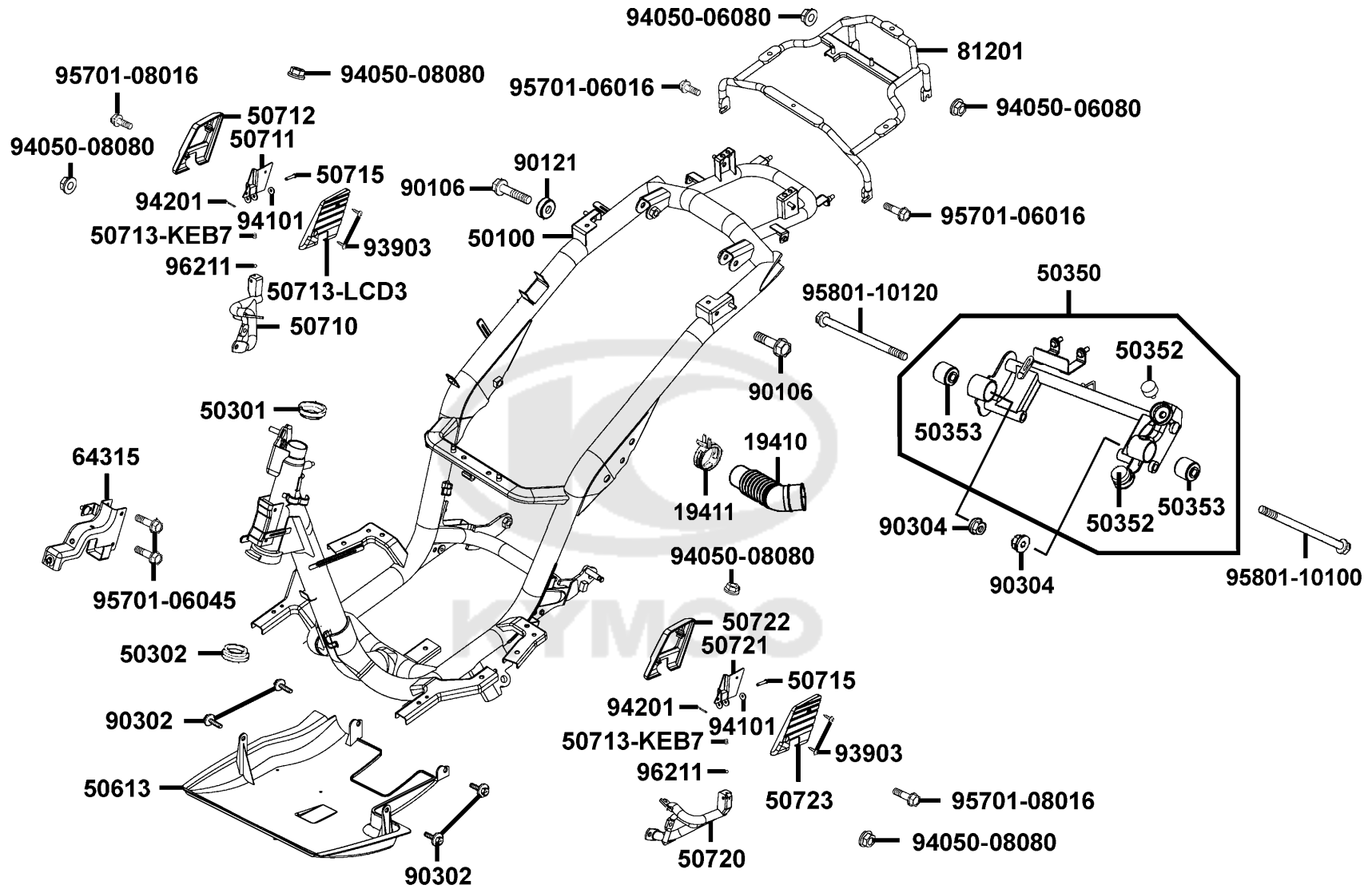


Sales mark	Ref no	Part no	Description	Reg description	Regd no	<b>F20</b>
	93500	93500-04020-0G	SCREW PAN 4*20	SCREW PAN 4*20	1	
	93903	93903-35320	SCREW TAPPING 5*16	SCREW TAPPING 5*16	1	
	94050-06080	94050-06080	NUT FLANGE 6MM	NUT FLANGE 6MM	2	
	94050-08080	94050-08080	NUT FLANGE 8MM	NUT FLANGE 8MM	1	
	95701-06012	95701-06012-08	BOLT FLANGE 6*12	BOLT FLANGE 6*12	1	
	95701-06014	95701-06014-08	BOLT FLANGE 6*14	BOLT FLANGE 6*14	1	
	95701-08012	95701-08012-08	BOLT FLANGE 8*12	BOLT FLANGE 8*12	1	
	95701-KHC5	95701-KHC5-E00	BOLT TORQUE 8*25	BOLT TORQUE 8*20	1	
	98200	98200-10700	FUZE A7	FUZE A7	2	



F21

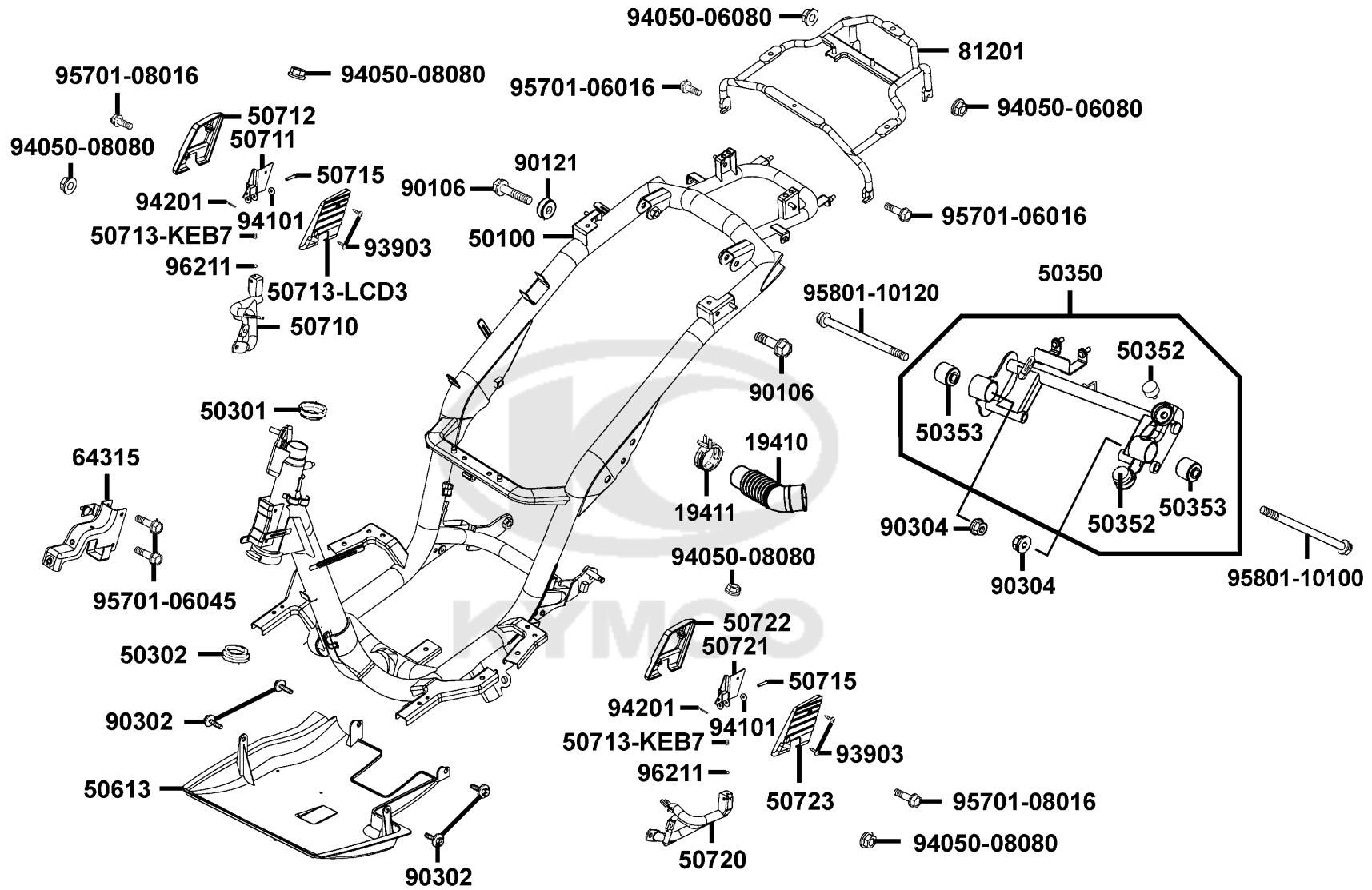
Frame Body



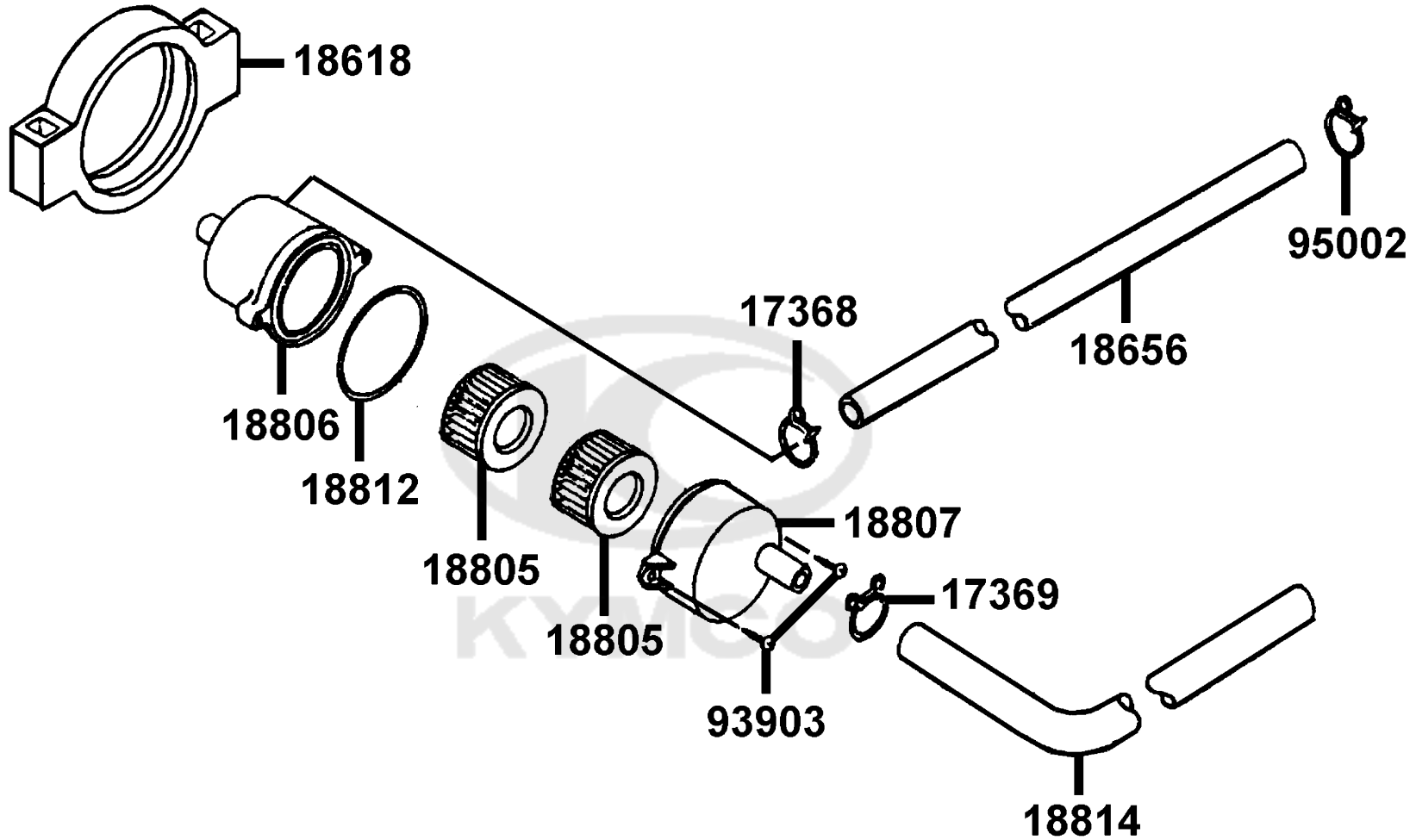
Sales mark	Ref no	Part no	Description	Reg description	Regd no	F21
	19410	19410-KFA6-900	DUCT COOLING	DUCT COOLING	1	
	19411	19411-KNBN-900	CLIP HOSE	CLIP HOSE	1	
	50100	50100-LCD1-E00	BODY COMP FRAME	BODY COMP FRAME	1	
	50301	50301-KGN7-671	RACE UP STRG BALL	RACE UP STRG BALL	1	
	50302	50302-2H68-011	RACE STRG BOT BALL	RACE STRG BOT BALL	1	
	50350	50350-LCD1-E00	ENG HANGER COMP	ENG HANGER COMP	1	
	50352	50352-GFY6-901	RUBBER STOPPER	RUBBER STOPPER	2	
	50353	50353-GBG2-711	BUSH SWING LOCK	BUSH SWING LOCK	2	
	50613	50613-LCD3-E00	COVER UNDER	COVER UNDER	1	
	50710	50710-LCD3-E00	PIPE R RR STEP	PIPE R RR STEP	1	
	50711	50711-LCD3-E00	STAY R RR STEP	STAY R RR STEP	1	
**	50712	50712-LCD3-E00	COVER R RR STEP	COVER R RR STEP	1	
	50713-KEB7	50713-KEB7-900	SPRING	SPRING	2	
	50713-LCD3	50713-LCD3-E00	RUBBER R RR STEP	RUBBER R RR STEP	1	
	50715	50715-KEB7-900	PIN RR STEP	PIN RR STEP	2	
	50720	50720-LCD3-E00	PIPE L RR STEP	PIPE L RR STEP	1	
	50721	50721-LCD3-E00	STAY L RR STEP	STAY L RR STEP	1	
**	50722	50722-LCD3-E00	COVER L RR STEP	COVER L RR STEP	1	
	50723	50723-LCD3-E00	RUBBER L RR STEP	RUBBER L RR STEP	1	
	64315	64315-LCD3-E00	STAY FR COVER	STAY FR COVER	1	

F21

Frame Body



Sales mark	Ref no	Part no	Description	Reg description	Regd no	F21
	81201	81201-LCD3-E00	STAY RR CARRIER	STAY RR CARRIER	1	
	90106	90106-GFY6-901	BOLT FLANGE 10*55	BOLT FLANGE 10*55	2	
	90121	90121-GFY6-901	COLLAR DISTANCE	COLLAR DISTANCE	1	
	90302	90302-GFY6-940	BOLT-WASH 5*16	BOLT-WASH 5*16	4	
	90304	90304-GHE8-004	NUT U 10MM	NUT U 10MM	2	
	93903	93903-34360	SCREW TAPPING 4*12 (G)	SCREW TAPPING 4*12	4	
	94050-06080	94050-06080	NUT FLANGE 6MM	NUT FLANGE 6MM	2	
	94050-08080	94050-08080	NUT FLANGE 8MM	NUT FLANGE 8MM	4	
	94101	94101-06800	WASHER PLAIN 6MM	WASHER PLAIN 6MM	2	
	94201	94201-16120	PIN SPLIT 1.6*1.2	PIN SPLIT 1.6*12	2	
#	95701-06016	95701-06016-08	BOLT FLANGE 6*16	BOLT FLANGE 6*16	2	
	95701-06045	95701-06045-08	BOLT FLANGE 6*45	BOLT FLANGE 6*45	2	
	95701-08016	95701-08016-08	BOLT FLANGE 8*16 (C)	BOLT FLANGE 8*16	2	
	95801-10100	95801-10100-06	BOLT FLANGE 10*100	BOLT FLANGE 10*100	1	
	95801-10120	95801-10120-06	BOLT FLANGE 10*120	BOLT FLANGE 10*120	1	
	96211	96211-08000	BALL STEEL 8MM	BALL STEEL 8MM	2	

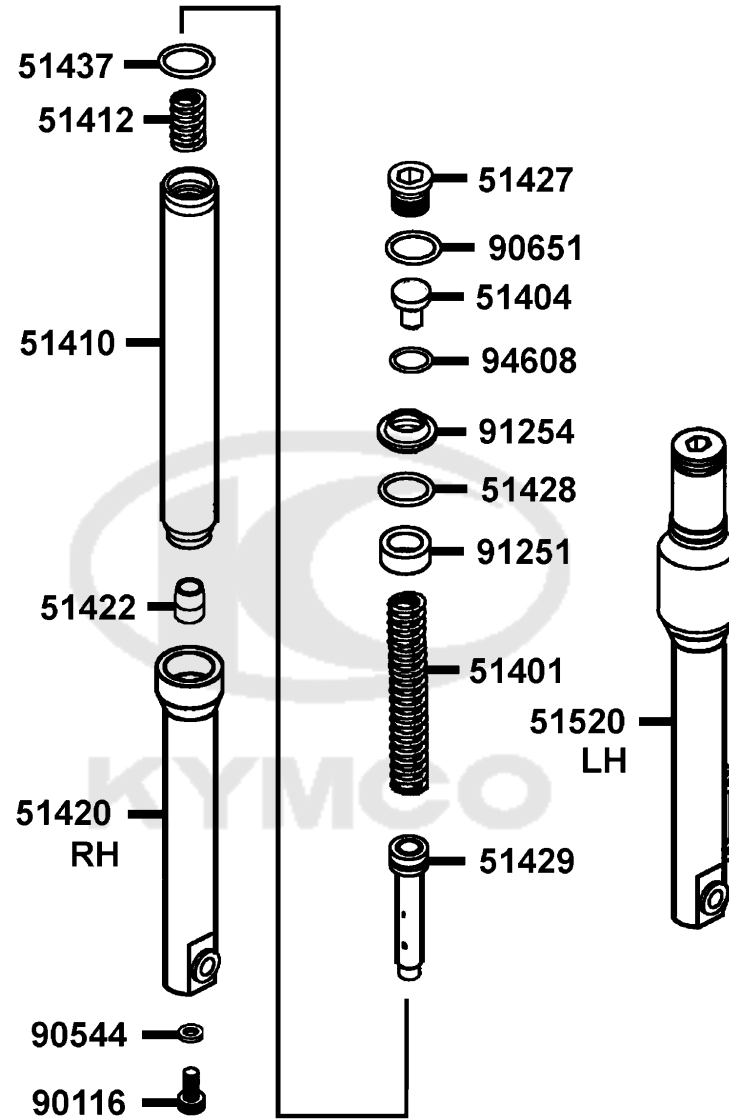


Sales mark	Ref no	Part no	Description	Reg description	Regd no	<b>F22</b>
17368		17368-KDB4-670	CLIP B 14.5 TUBE	CLIP B 14.5 TUBE	1	
17369		17369-KDB4-671	CLIP BREATHER TUBE	CLIP BREATHER TUBE	1	
18618		18618-KEBE-900	RUBBER AI CLEANER MOUNT	RUBBER AI CLEANER MOUNT	1	
18656		18656-LCD1-E00	TUBE AI/C REED VALVE	TUBE AI/C REED VALVE	1	
18805		18805-KHB4-910	ELEMENT AI CLEANER	ELEMENT AI CLEANER	2	
18806		18806-KBE2-900	CASE AI CLEANER	CASE AI CLEANER	1	
18807		18807-KBE2-900	COVER AI CLEANER	COVER AI CLEANER	1	
18812		18812-KBE2-900	SEAL AI CLEANER COVER	SEAL AI CLEANER COVER	1	
18814		18814-LCD1-E00	DUCT AI/C	DUCT AI/C	1	
93903		93903-14320	SCREW TAPPING 4*12	SCREW TAPPING 4*12	2	
95002		95002-KKD6-E05	CLAMP D18 TUBE	CLAMP D18 TUBE	1	



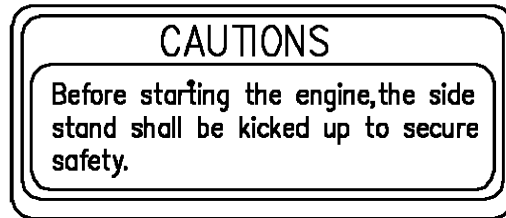
F23

Separated Parts Of Fr Fork

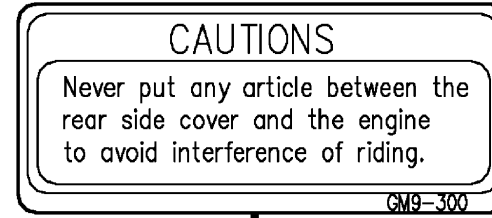


Sales mark	Ref no	Part no	Description	Reg description	Regd no	<b>F23</b>
	51401	51401-LCD3-E00	SPRING	SPRING	2	
	51404	51404-LCD3-E00	SPRING COLLAR	SPRING COLLAR	2	
	51410	51410-LCD3-E00	FORK PIPE COMP	FORK PIPE COMP	2	
	51412	51412-LCD3-E00	REBOUND SPRING	REBOUND SPRING	2	
**	51420	51420-LCD3-E00	BOTTOM CASE R	BOTTOM CASE R	1	
	51422	51422-LCD3-E00	OIL LOCK PIECE	OIL LOCK PIECE	2	
	51427	51427-LCD3-E00	FORK BOLT CAP	FORK BOLT CAP	2	
	51428	51428-KKAK-900	RING OIL SEAL STOPPER	OIL SEAL STOPPER RING	2	
	51429	51429-LCD3-E00	PIPE SEAT COMP	PIPE SEAT COMP	2	
	51437	51437-KKAK-900	PISTON RING	PISTON RING	1	
**	51520	51520-LCD3-E00	BOTTOM CASE L	BOTTOM CASE L	1	
	90544	90544-KEC8-900	PACKING	PACKING	2	
	90651	90651-LCD3-E00	STOPPER RING	STOPPER RING	2	
	91251	91251-KKAK-900	OIL SEAL	OIL SEAL	2	
	91254	91254-KHD8-900	DUST SEAL	DUST SEAL	2	
	94608	94608-LCD3-E00	O-RING	O-RING	2	
	96600	96600-LBA2-E00	BOCKET BOLT	BOCKET BOLT	2	

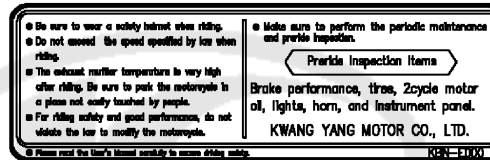
Caution Label



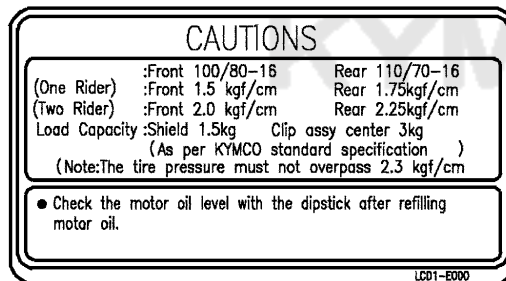
87541



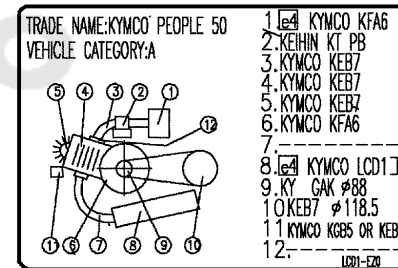
87542



87560



87505



87224

Sales mark	Ref no	Part no	Description	Reg description	Regd no	<b>F24</b>
**	87224	87224-LCD1-EZ0	CAUTION ANTI TAMPERING	CAUTION ANTI TAMPERING	1	
**	87505	87505-LCD1-E00	LABEL TIRE	LABEL TIRE	1	
**	87541	87541-GAR1-E00	CAUTION SIDE STAND	CAUTION SIDE STAND	1	
**	87542	87542-GAR1-E00	MARK MAINT CAUTION	MARK MAINT CAUTION	1	
**	87560	87560-KNBN-E00	MARK DRIVE CAUTION	MARK DRIVE CAUTION	1	



**PEOPLES**

86202

**50ET**

87140

Sales mark	Ref no	Part no	Description	Reg description	Regd no	<b>F25</b>
------------	--------	---------	-------------	-----------------	---------	------------

**	86202	86202-LCD3-E10	EMB BODY COVER	EMB BODY COVER	2	
**	87140	87140-LCD1-E00	EMB MARK 50 2T	EMB MARK 50 2T	2	



## PART NO. INDEX

PART NO.	VERSION	PAGE	PART NO.	VERSION	PAGE	PART NO.	VERSION	PAGE
<b>1000</b>			<b>4000</b>			<b>12000</b>		
1001-GC8H-0351	0	E11	4000-077-0000	0	E11	12101-KEB7-901	2	E02
1010-GAKH-9200	0	E11				12191-KEB7-900	0	E02
1014-GAKH-9100	0	E11	<b>11000</b>			12201-KEB7-900	1	E02
1019-GW3H-9800	0	E11				12251-KEB7-900	0	E02
1020-GAKH-9300	0	E11	11100-KEB7-325	0	E09	12311-KFB5-900	2	F15
1031-181H-8310	0	E11	11102-1G87-004	3	E09			
1034-153H-9901	0	E11	11108-KEB7-900	0	E03	<b>13000</b>		
103J-073H-9900-SB0	0	E11	11200-KFA6-305	1	E09	13000-GKAK-921	9	E10
105B-KBNH-9000	0	E11	11203-GGC7-301	2	E09	13011-GLW0-90A	4	E10
106B-KG8H-9804	0	E11	11203-KUDU-900	2	E08	13101-GLW0-901	2	E10
1300-GW0H-9000	0	E11	11204-KEB7-900	0	E09	13111-1F66-001	2	E10
1300-GW3H-Q800	0	E11	11205-GHAH-004	0	E05	13115-1F56-001	0	E10
1300-KG8H-9010	0	E11	11205-GHAH-004	0	E09			
1300-KG8H-Q010	0	E11	11205-KED5-900	0	E09	<b>14000</b>		
1703-GJ2H-0040	0	E11	11208-GKAK-901	0	E09	14100-KEB7-900	0	E09
1782-KG8H-9010	0	E11	11341-KFA6-900	0	E05			
1785-KBNH-9000-SB0	0	E11	11382-KHB4-900	2	F03			
1793-144H-9900	0	E11	11383-KHE7-900	0	F06			
1795-KG8H-9010	0	E11	11395-KFA6-900	0	E05	<b>15000</b>		
1799-KBNH-9000	0	E11	11396-KFA6-900	0	E05	15100-KEB7-E00	0	E09
						15110-KEB7-900	0	E09
						1551A-LCD1-E00	1	E09

## PART NO. INDEX

PART NO.	VERSION	PAGE	PART NO.	VERSION	PAGE	PART NO.	VERSION	PAGE
1552A-LCD1-E00	1	E09	17205-KFA6-900	0	F14	18612-KFB5-900	1	F15
1552B-LCD1-E00	1	E09	17208-KEB7-900	0	F14	18618-KEBE-900	0	F22
1552C-LCD1-E00	1	E09	17212-KFA6-900	0	F14	18645-KGB5-EZ0	1	F15
15772-5A51-001	1	F12	1723A-LCD1-E00	1	F14	18656-LCD1-E00	1	F22
			1723B-LCD1-E00	1	F14	18805-KHB4-910	0	F22
<b>16000</b>			17368-KDB4-670	2	F22	18806-KBE2-900	1	F22
			17369-KDB4-671	1	F22	18807-KBE2-900	3	F22
16075-KG8-9010-M1	0	E11	17502-1G87-001	0	F12	18812-KBE2-900	0	F22
16076-KG8-9010-M1	0	E11	17510-LCD3-E00	2	F10	18814-LCD1-E00	2	F22
16076-ND5-0040	0	E11	17520-LCD3-E00	1	F20			
1610K-KFA6-E05	2	E11	17530-LCD3-E00	1	F10	<b>19000</b>		
16152-KG8-9010-M1	0	E11	17550-KFA6-900	1	F10			
16162-KG8-9010-M1	0	E11	1762A-KFA6-900	3	F10	19410-KFA6-900	0	F21
16163-KM4-0040	0	E11	17685-KZCZ-900	0	F10	19411-KNBN-900	1	F21
16215-LCD1-E00	0	E09	17910-LCD1-E00	2	F03	19505-LBC6-900	0	F10
1621A-GKAK-901	0	E09				19510-GBW2-901	6	E03
16620-KEB7-E00	1	E11	<b>18000</b>			19600-KEB7-900	0	E01
16630-KEB7-E00	1	E01				1962A-KEB7-E00	1	E01
16950-KHB4-900	3	F10	18291-LBA7-900	2	F15			
16951-LCD3-E00	2	F10	18293-KECE-900	0	F15	<b>21000</b>		
			18294-KEBE-900	0	F15			
<b>17000</b>			18295-KECE-900	0	F15	21200-KFA6-305	0	E08
			1830A-LCD1-E00	6	F15	21395-KFA6-900	0	E08
17100-KEB7-901	2	E09	18318-LCD1-E00	5	F15			
17111-KEB7-900	0	E09	18341-LCD1-E00	3	F15			
17112-KEB7-900	1	E09	18601-KFB5-900	0	F15			



## PART NO. INDEX

PART NO.	VERSION	PAGE	PART NO.	VERSION	PAGE	PART NO.	VERSION	PAGE
<b>22000</b>			23238-GFY6-941	0	E07	31110-KEB7-90B	1	E03
22100-GAR1-751	1	E07	23411-KFA6-900	0	E08	31120-KFA6-90A	2	E03
22102-KEB7-900	0	E06	23420-KFA6-900	0	E08	31120-KFA6-90B	2	E03
22103-KEB7-900	0	E06	23431-KNBN-901	2	E08	31209-GKAK-901	3	E04
22105-KEB7-E00	1	E06	23432-KFA6-900	0	E08	31210-GKAK-901	1	E04
22110-KFA1-220	0	E06	<b>28000</b>			31500-KCAC-90A	8	F11
22121-GLW0-901	2	E06	28211-KEB7-900	1	E06	31500-KCAC-90B	6	F11
22131-GHAH-781	0	E06	28223-KNBN-901	0	E06	31600-KUDU-900	2	F20
22132-GLW0-001	2	E06	28230-GKAK-921	0	E06	<b>32000</b>		
22300-KXCX-900	2	E07	28250-KCCC-900	2	E06	32100-LCD1-E00	2	F20
22350-GKAK-930	1	E07	28253-GBN2-60A	0	E06	32101-GFY6-901	1	F04
22401-GBG2-900	0	E07	28255-GFS6-001	0	E06	32105-KFA6-900	1	E04
22530-GKAK-930	1	E07	28281-GBN2-60A	1	E06	32120-1E55-001	0	F20
22804-1H48-001	0	E07	28300-KFA6-900	0	F16	32161-3C93-004	0	E01
<b>23000</b>			<b>30000</b>			<b>33000</b>		
2301A-KEB7-220	1	E07	30400-KFA6-900	0	F20	33100-LCD1-E00	1	F01
23100-KEB7-900	0	E07	3051A-KFA6-90B	2	F20	33105-LCD3-E00	0	F01
23200-GAR1-220	2	E07	30700-KNBN-901	2	F20	33120-LCD1-E00	1	F01
23220-GKAK-220	1	E07	<b>31000</b>			33130-LCD1-E00	1	F01
23225-GAR1-751	0	E07	31110-KEB7-90A	2	E03	33400-LCD3-E00	3	F18
23233-GHE8-001	2	E07				33450-LCD3-E00	2	F18
23237-GAR1-220	0	E07				33700-LCD1-E00	1	F19

## PART NO. INDEX

PART NO.	VERSION	PAGE	PART NO.	VERSION	PAGE	PART NO.	VERSION	PAGE
33706-KHB4-E01	0	F19	3515A-KEB8-B00	1	F03			
33709-KBAB-003	0	F19	3520A-LCD3-E00	1	F03	<b>42000</b>		
33710-LCD1-E00	1	F19	35340-KKJ9-010	5	F03			
33720-KHB4-E00	4	F19	35340-KNBN-901	0	F04	42601-LCD3-E00	2	F08
33722-KHB4-E00	0	F19	35400-KEB8-B00	0	F20	42710-LCD1-E0A	2	F08
33725-KHB4-E00	0	F19	35410-GAR1-900	1	F12	42753-KNBN-90B	1	F07
33726-KHB4-E00	0	F19				42753-KNBN-90B	1	F08
33741-GFY6-C30	1	F19	<b>37000</b>					
33741-KHC5-M00	0	F19				<b>43000</b>		
			37200-LCD1-E01	0	F02			
<b>34000</b>			37211-LCD3-E01	0	F02	4312A-KUDU-900	4	F08
			37213-LCD3-E00	0	F02	43141-KFA6-900	0	F08
34901-KFA6-900	0	F01	37305-KEE5-009	0	F02	43151-KGM7-961	1	F08
34903-KPCP-900	0	F01	37801-LLJ3-E00	1	F10	43352-5H68-004	3	F07
34903-KPCP-900	0	F19	3780A-LCD3-E00	1	F10	43353-4A61-77A	0	F07
34905-LCA5-E00	0	F19				43410-KFA6-900	1	F08
34906-KPCP-900	0	F19	<b>38000</b>			43450-LCD1-E00	1	F03
34908-KAM1-67A	0	F02						
34908-LAB4-900	1	F02	38110-KHB4-E0A	0	F20	<b>44000</b>		
34909-KEBE-900	0	F02	38110-KHB4-E0B	1	F20			
			38110-KHB4-E0C	1	F20	44301-KXCX-900	4	F07
<b>35000</b>			38300-LCB4-900	4	F20	44311-KHB4-900	0	F07
			38501-GBW2-902	1	F20	44600-LCD3-305	2	F07
35101-LCD3-325-M2	0	F20	38773-KEC3-900	0	E09	44620-KFLF-930	1	F07
35102-LCD3-E0B	0	F20				44680-4L10-001	0	F07
35104-LBC6-90A	0	F20				44710-LCD3-E0A	2	F07

## PART NO. INDEX

PART NO.	VERSION	PAGE	PART NO.	VERSION	PAGE	PART NO.	VERSION	PAGE
44800-KFA6-900	3	F07	50153-LCD1-305	2	F17	50722-LCD3-E00	3	F21
44830-LCD3-E00	4	F02	50154-LCD1-305	0	F17	50723-LCD3-E00	3	F21
44831-LCD3-E00	0	F02	50301-KGN7-671	2	F21			
			50302-2H68-011	2	F21	<b>51000</b>		
<b>45000</b>			50306-1F96-001	0	F06			
			50324-LCD1-E00	2	F11	51400-LCD3-E00	5	F06
45105-KFA6-305	0	F07	50326-LCD3-E00	2	F13	51401-LCD3-E00	0	F23
45107-KFA6-900	0	F07	50350-LCD1-E00	2	F21	51404-LCD3-E00	0	F23
45108-KFA6-900	2	F07	50352-GFY6-901	0	F21	51408-LCD3-E00	1	F06
45109-KFA6-900	0	F07	50353-GBG2-711	1	F21	51409-LCD3-E00	3	F06
45121-LCD3-E00	2	F07	50503-KEB7-900	1	F16	51410-LCD3-E00	0	F23
45126-LCD3-E00	4	F04	50505-KKD7-900	2	F16	51412-LCD3-E00	0	F23
45132-KFA6-900	0	F07	5050A-LCD1-E00	2	F16	51420-LCD3-E00	0	F23
45133-KFA6-900	0	F07	50530-LCD3-E00	2	F16	51422-LCD3-E00	0	F23
45200-LCD3-E00	4	F07	50531-KEB7-E00	1	F16	51427-LCD3-E00	0	F23
45209-KFA6-900	0	F07	50535-KEB7-E00	3	F16	51428-KKAK-900	0	F23
45210-LCD3-305	0	F07	50550-KFA6-E00	0	F16	51429-LCD3-E00	0	F23
45513-KCCC-900	0	F04	50613-LCD3-E00	5	F21	51437-KKAK-900	0	F23
45517-GFY6-900	5	F03	50710-LCD3-E00	3	F21	51500-LCD3-E00	5	F06
45517-KFAF-910	0	F04	50711-LCD3-E00	2	F21	51520-LCD3-E00	0	F23
45530-KEB7-306	0	F04	50712-LCD3-E00	3	F21			
45531-GAR1-951	0	F07	50713-KEB7-900	0	F21	<b>52000</b>		
			50713-LCD3-E00	3	F21			
<b>50000</b>			50715-KEB7-900	0	F21	52400-LCD1-E00	1	F17
			50720-LCD3-E00	3	F21			
50100-LCD1-E00	8	F21	50721-LCD3-E00	2	F21			

## PART NO. INDEX

PART NO.	VERSION	PAGE	PART NO.	VERSION	PAGE	PART NO.	VERSION	PAGE	
<b>53000</b>			55102-1F66-001	0	F12	64317-LCD3-E00	1	F05	
			55106-KEB7-900	2	F12	64330-LCD3-E00	2	F05	
			55121-LCD1-E00	2	F12	64400-LCD3-E00	2	F05	
	53100-LCD1-E00	3	F03	55123-LCD1-E00	1	F12			
	53102-KEC8-900	0	F03	55201-GHC8-001	0	F12	<b>77000</b>		
	53105-LBB5-E00	2	F03						
	53125-GEN5-901	0	F03	<b>61000</b>		77105-LCD3-E00	2	F13	
	53140-KGB5-900	0	F03			77106-LCD3-E00	2	F13	
	53166-KGB5-900	0	F03	61100-LCD3-E00	2	F06	77200-LCD3-E00	2	F09
	53172-KTCT-900	0	F03				77202-KHB4-900	1	F13
	53175-KXBX-E10	3	F04	<b>64000</b>			77206-KGBG-900	0	F09
	53178-LCD1-E00	1	F03				77235-KGC4-E0A	2	F20
	5317B-LCD1-E00	2	F03	64206-MLJ0-001	1	F13	77235-KGC4-E0B	2	F20
	53200-LCD3-E00	5	F06	64212-LCD3-E00	2	F03	77240-LCD3-E00	1	F20
	53204-LCD3-E00	2	F03	6421A-LCD3-E01	5	F03	77303-KGC4-E00	2	F05
	53205-LCD3-E00	3	F03	6421B-LCD3-E01	1	F03	77303-LCD3-E00	1	F09
	53206-LCD3-E00	4	F03	64222-KKC4-900	3	F03			
53207-LCD3-E00	2	F03	64301-LCD3-E00	1	F05	<b>80000</b>			
53211-GFY6-940	1	F06	64303-LCD3-E00	2	F05				
53212-2L50-011	1	F06	64305-LCD3-E00	2	F05	80100-KEB7-900	0	F19	
53214-2L50-001	0	F06	64306-LCD3-E00	2	F05	80100-LCD1-E00	1	F19	
53215-2L50-001	0	F06	6430A-LCD3-E00	2	F05	80101-LCD3-E00	4	F19	
			64310-LCD3-E00	2	F05	80103-LCD1-E00	1	F19	
<b>55000</b>			64313-LCD3-E00	2	F05	80104-LCD1-E00	1	F13	
			64315-LCD3-E00	4	F21	80105-LCD3-E00	3	F19	
55100-LCD1-E00	1	F12	64316-LCD3-E00	1	F05	80109-KEB7-900	0	F19	

## PART NO. INDEX

PART NO.	VERSION	PAGE	PART NO.	VERSION	PAGE	PART NO.	VERSION	PAGE
<b>81000</b>			83520-LCD3-E00	1	F13	89020-KKC4-900	1	F09
			83600-LCD3-E00	1	F13	<b>90000</b>		
			83620-LCD3-E00	1	F13			
81131-LCD3-E01	0	F05	<b>86000</b>			90001-GKAK-901	0	E02
81132-LCD3-E00	1	F05				9000A-KTDT-900	1	E05
81133-KNBN-901	0	F05	86102-LCD3-E00	3	F05	90105-GGS7-001	0	F13
81134-KFA6-900	0	F05	86202-LCD3-E10	3	F25	90105-KCR3-001	1	F07
81134-LEJ8-E00	2	F05	<b>87000</b>			90105-KHB4-900	0	F03
81135-KGBG-900	2	F05				90105-KHB4-900	0	F13
81141-LCD3-E00	1	F05	87140-LCD1-E00	1	F25	90106-GEN5-901	0	F03
81142-KFA6-900	0	F05	87224-LCD1-EZ0	1	F24	90106-GFY6-901	0	F21
81142-KUDU-900	1	F05	87505-LCD1-E00	1	F24	90106-KFC2-900	0	F03
81143-LCD3-E00	2	F05	87541-GAR1-E00	1	F24	90106-KUDU-900	1	F13
81144-LCD3-E00	2	F05	87542-GAR1-E00	2	F24	90108-KFA6-E00	1	F16
81145-LCD3-E00	4	F05	87560-KNBN-E00	1	F24	90110-GLW0-001	0	F05
81146-LCD3-E00	1	F05	<b>88000</b>			90110-LCD1-E00	2	F15
81147-LCD3-E00	1	F05				90111-1G47-001	0	F10
81148-LCD3-E00	1	F05	88110-LBD5-E00	1	F03	90112-KRDR-900	0	F20
81149-LCD3-E00	1	F05	88120-LBD5-E00	1	F03	90114-1F66-007	2	F04
81200-LCD3-E00	2	F13	<b>89000</b>			90114-KXCX-900	1	F14
81201-LCD3-E00	2	F21				90115-GLE0-001	0	F03
81260-LCD1-E00	3	F13	89010-GGS7-C00	3	F09	90116-KED9-900	2	F03
<b>83000</b>						90120-GAR1-J00	0	E09
						90121-GFY6-901	1	F21
83500-LCD3-E00	1	F13				90122-KEBE-900	2	F07

## PART NO. INDEX

PART NO.	VERSION	PAGE	PART NO.	VERSION	PAGE	PART NO.	VERSION	PAGE
90145-MKS9-61A	1	F04	90454-GBB2-001	0	E07	91204-KNBN-90A	1	E09
90202-1G87-001	0	E07	90474-3C33-001	1	E09	91211-GHK8-014	1	E07
90215-KKC4-900	1	F13	90501-KNBN-901	0	F08	91251-KKAK-900	0	F23
90301-6D34-671	1	F05	90544-KEC8-900	0	F23	91252-0L30-00A	0	F07
90301-6D34-671	1	F10	90545-3L00-001	2	F04	91252-0L30-00B	0	F07
90301-6D34-671	1	F19	90651-LCD3-E00	0	F23	91254-KHD8-900	0	F23
90301-KGBG-900	1	F15	90652-KTCT-900	1	F14	91255-GLE0-006	0	E08
90302-GFY6-901	1	F06	90656-GFY6-911	0	F03	91258-4L10-00B	1	F07
90302-GFY6-901	1	F10	90741-0E35-001	0	E10	91301-0C53-001	0	E08
90302-GFY6-901	1	F19				91301-KEA5-742	0	E07
90302-GFY6-940	1	F03	<b>91000</b>			91302-PKA9-004	0	E07
90302-GFY6-940	1	F21				91304-GLB0-911	1	E09
90302-SDA4-004	2	F05	91001-GGA7-70A	2	E07	91309-GKAK-901	0	E04
90302-SDA4-004	2	F13	91001-GLW0-90A	6	E09	91352-KHG8-83B	0	F08
90304-GHE8-004	0	F03	91004-KBN2-90A	0	E08	91508-KGV7-67A	0	F19
90304-GHE8-004	0	F21	91004-KBN2-90A	0	E09			
90305-GHK8-001	1	F01	91004-KNBN-92A	0	E09	<b>92000</b>		
90305-KNBN-90B	0	F08	91006-KNBN-901	5	E09			
90306-KLF0-004-SY	1	F07	91009-GLE0-004	1	E08	92700-06028-1B	0	E02
90309-KLF0-004-SY	1	E08	91014-LLJ3-E00	1	F06			
90312-LCD3-E01	0	F03	91015-LLJ3-E00	1	F06	<b>93000</b>		
90412-3K29-001	0	E06	91102-GLW0-009	0	E10			
90426-KNBN-901	0	E06	91103-GAR1-004	0	E07	93404-06012-06	0	F05
90429-KNBN-901	0	E08	91201-KED1-900	0	E08	93404-06012-08	0	F05
90442-0D44-001	0	E07	91201-KNBN-92A	0	E09	93404-06012-08	0	F19
90451-GBN2-601	0	E06	91202-KNBN-92A	0	E09	93404-06016-06	0	F12

## PART NO. INDEX

PART NO.	VERSION	PAGE	PART NO.	VERSION	PAGE	PART NO.	VERSION	PAGE
93404-06016-06	0	F19	93903-GFY6-900	1	F05	94101-08600	0	F16
93404-06020-06	1	F05	93903-GFY6-900	1	F13	94111-06800	0	F15
93500-04020-0G	0	F20	93903-GFY6-900	1	F19	94201-16120	0	F21
93500-05012-0H	0	E09	93903-KEB7-900-06	1	F05	94251-08400	0	F16
93500-KGBG-900	0	F03				94301-10200	0	E09
93600-04012-1G	0	F04	<b>94000</b>			94510-20000	0	E08
93891-05012-06	0	F10				94511-14000	0	E06
93891-05012-06	0	F13	94001-05080-0S	0	F03	94520-24000	1	E07
93892-04008-18	0	E11	94001-12280-0S	0	E06	94591-KFBF-900	2	E01
93892-04014-18	0	E11	94050-05080	0	F19	94608-LCD3-E00	0	F23
93893-04012-18	0	F04	94050-06060	0	F04			
93901-32320	0	F19	94050-06060	0	F06	<b>95000</b>		
93903-14320	0	F22	94050-06080	0	E11			
93903-24260	0	F06	94050-06080	0	F03	95002-02070	0	F10
93903-25260	0	F05	94050-06080	0	F09	95002-02080	0	E11
93903-25260	0	F06	94050-06080	0	F17	95002-02080	0	F10
93903-25460	0	F14	94050-06080	0	F20	95002-02100	0	F12
93903-34360	0	F03	94050-06080	0	F21	95002-02650	0	E09
93903-34360	0	F05	94050-08080	0	F20	95002-50000	0	F12
93903-34360	0	F13	94050-08080	0	F21	95002-KKD6-E05	0	F22
93903-34360	0	F18	94050-10080	0	E03	9500B-LCD1-E00	2	F10
93903-34360	0	F19	94050-10080	0	E07	9500E-KXCX-900	0	F10
93903-34360	0	F21	94050-10080	0	F17	95012-KED9-900	1	F11
93903-35220	0	F01	94101-06200	0	F15	95015-32001	0	F03
93903-35320	0	F02	94101-06700	0	F15	95015-42000	0	F03
93903-35320	0	F20	94101-06800	0	F21	95701-06008-06	1	F15

## PART NO. INDEX

PART NO.	VERSION	PAGE	PART NO.	VERSION	PAGE	PART NO.	VERSION	PAGE
95701-06012-08	0	F13				98200-10700	0	F11
95701-06012-08	0	F20	<b>96000</b>			98200-10700	0	F20
95701-06014-08	0	F20				<b>99000</b>		
95701-06016-08	0	F17	96001-06012-08	0	E03			
95701-06016-08	0	F21	96001-06012-08	0	F03			
95701-06020-06	1	F15	96001-06012-08	0	F06	99101-116-0700	0	E11
95701-06025-06	2	F15	96001-06016-08	0	E03			
95701-06025-08	0	E01	96001-06022-06	1	F04	<b>K</b>		
95701-06025-08	0	F19	96001-06022-08	0	E03			
95701-06032-08	0	F08	96001-06025-06	0	F03	K378-001	0	E11
95701-06040-08	0	F15	96001-06025-08	0	E04	K785-KEB-0300	0	E11
95701-06045-08	0	F21	96001-06025-08	0	E09			
95701-08012-08	0	E09	96001-06032-08	0	E09	<b>N</b>		
95701-08012-08	0	F20	96001-06035-08	0	E09			
95701-08016-08	0	F21	96001-06040-08	0	E09	N350-09E00	0	E11
95701-KHC5-E00	3	F20	96001-06045-08	0	E09	N413-32A00	0	E11
95801-08035-08	0	F17	96001-06055-08	0	E09	N425-2RFMJ	0	E11
95801-08040-06	0	F06	96100-62033-00	0	E09			
95801-08050-06	1	F15	96120-63010-10	0	F07			
95801-10035-08	0	F17	96211-08000	0	F21			
95801-10045-08	0	F17	96600-LBA2-E00	0	F23			
95801-10100-06	0	F21	96700-KFA6-900	0	F16			
95801-10120-06	0	F21						
95801-KFA6-E00	1	F15	<b>98000</b>					
			98076-5871G-00	0	E02			