

PARTS CATALOGUE



SCOOTERS

BB40AA(TK)

PEOPLE S200i



檔車

Motorcycles



速克達

Scooters



全地型車

ATV



代步車

Mobilescooters

Release Date : 2011/01/13
Print Date : 2011/07/07

ABOUT THIS PARTS LIST

- This parts list is compiled all service parts for model BB40AA(TK).
- Any difference between color chart and motorcycle will be revised according to motorcycle.
- The Mark:
 1. Marking "***" must add color code in the end before ordering parts.
 2. Marking "#" are parts with modification, Please find the details from e-Parts system.
- When modification or additions to this parts list are made a revised edition at an appropriate time.



CONTENTS

● ABOUT THIS PARTS LIST	1
● COLOR CHART OF BB40AA(TK)	3
● CONTENTS-ENGINE GROUP	9
● CONTENTS-FRAME GROUP	10
● ENGINE PARTS LIST	13
● FRAME PARTS LIST	45
● PART NO. INDEX	115

NO	MODEL			COLOR CHART OF BB40AA(TK)			
	PHOTO NO			NO. 1	NO. 2	NO. 3	NO. 4
	BASIC COLOR			Light Blue Metallic	Dark Gray Metallic	Black	Bright Silver
	CODE			Light Blue Metallic	Dark Gray Metallic	Black	Bright Silver
	PARTS NAME	PARTS NO.	VERSION	PB281MA	NH230MA	NH001SA	NH045MA
1	END HANDLE	53102-KEC8-900	0	F1S			
2	END R STRGHANDLE	53105-LBB5-E00	2				
3	COVER LEFT	11341-KHB4-900	2	HJA			
4	WHEEL COMP RR CAST	42601-LEJ8-E00	1				
5	WHEEL SET FR	44600-LCD3-305	1	HJP			
6	TAIL CAP MUFFLER	18306-LAC7-900	3				
7	MUFFLER ASSY EXH	1830A-LEJ8-E00	5	HJS			
8	PROTECTOR EXH PIPE	18325-LEJ8-E00	3				
9	VISOR METER	6421A-LEJ8-E01	5	LMR			
10	LEVER R STRG HNDL	53175-KXBX-E10	3				
11	LEVER L STRG HANDLE	53178-KKBK-E00	0	M3A			
12	COVER FR HANDLE	53205-LCD3-E00	3				
13	COVER RR HANDLE	53206-LCD3-E00	4	CAP			
14	PLUG COVER RR	53207-LCD3-E00	2				
15	FENDER FR	61100-LCD3-E00	2				
16	COVER FRONT	64301-LCD3-E00	1				
17	FR TOP	64303-LCD3-E00	2				
18	SKIRT R SIDE	64305-LCD3-E00	2				
19	SKIRT L SIDE	64306-LCD3-E00	2				
20	COWL UNDER	64400-LCD3-E00	2				
21	LEG SHIELD UP	81131-LCD3-E01	0				
22	LID INNER BOX	81132-LCD3-E00	1				
23	COVER R BODY	83500-LCD3-E00	1	HKP			
24	COVER L BODY	83600-LCD3-E00	1				
25	GRIP COMP THROT	53140-KGB5-900	0				
DATE OF STARTING-SALES				N1R			
DATE OF END-SALES							

NO	MODEL			COLOR CHART OF BB40AA(TK)			
	PHOTO NO			NO. 5			
	BASIC COLOR			Pearly White			
	CODE			Pearly White			
	PARTS NAME	PARTS NO.	VERSION	NH193PA			
1	END HANDLE	53102-KEC8-900	0	F1S			
2	END R STRGHANDLE	53105-LBB5-E00	2				
3	COVER LEFT	11341-KHB4-900	2	HJA			
4	WHEEL COMP RR CAST	42601-LEJ8-E00	1				
5	WHEEL SET FR	44600-LCD3-305	1				
6	TAIL CAP MUFFLER	18306-LAC7-900	3	HJP			
7	MUFFLER ASSY EXH	1830A-LEJ8-E00	5				
8	PROTECTOR EXH PIPE	18325-LEJ8-E00	3	HJS			
9	VISOR METER	6421A-LEJ8-E01	5	LMR			
10	LEVER R STRG HNDL	53175-KXBX-E10	3	M3A			
11	LEVER L STRG HANDLE	53178-KKBK-E00	0				
12	COVER FR HANDLE	53205-LCD3-E00	3	NVP			
13	COVER RR HANDLE	53206-LCD3-E00	4				
14	PLUG COVER RR	53207-LCD3-E00	2				
15	FENDER FR	61100-LCD3-E00	2				
16	COVER FRONT	64301-LCD3-E00	1				
17	FR TOP	64303-LCD3-E00	2				
18	SKIRT R SIDE	64305-LCD3-E00	2				
19	SKIRT L SIDE	64306-LCD3-E00	2				
20	COWL UNDER	64400-LCD3-E00	2				
21	LEG SHIELD UP	81131-LCD3-E01	0				
22	LID INNER BOX	81132-LCD3-E00	1	N1R			
23	COVER R BODY	83500-LCD3-E00	1				
24	COVER L BODY	83600-LCD3-E00	1				
25	GRIP COMP THROT	53140-KGB5-900	0				
DATE OF STARTING-SALES							
DATE OF END-SALES							

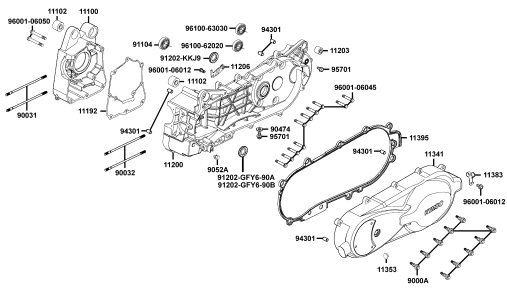
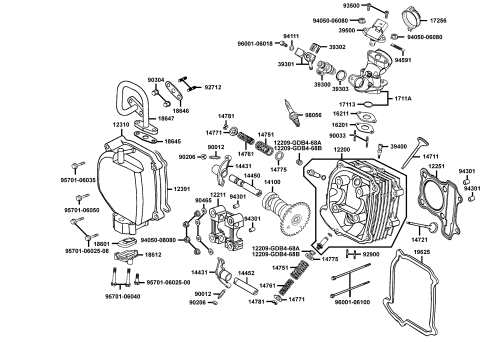
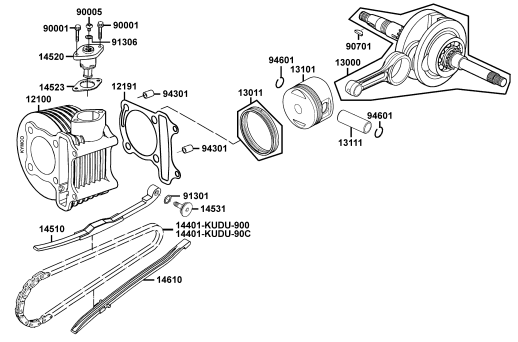
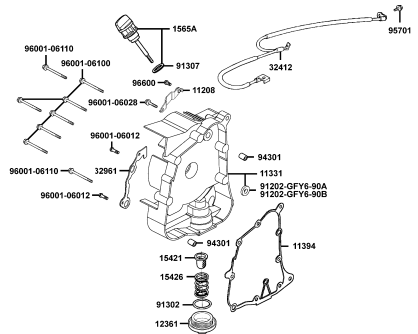
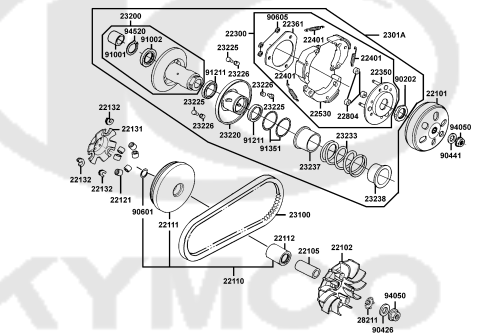
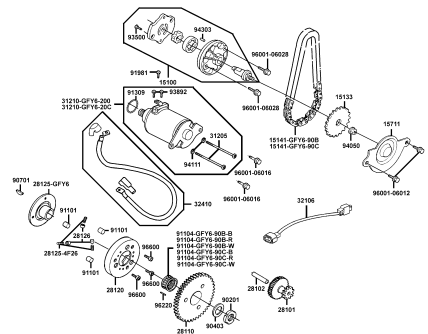
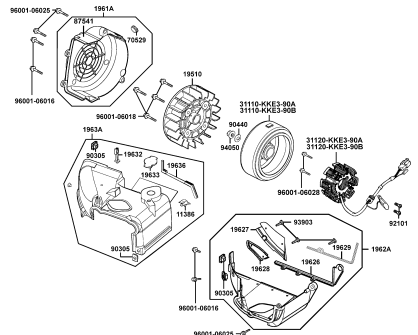
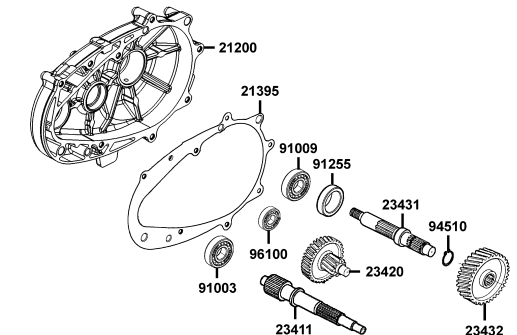
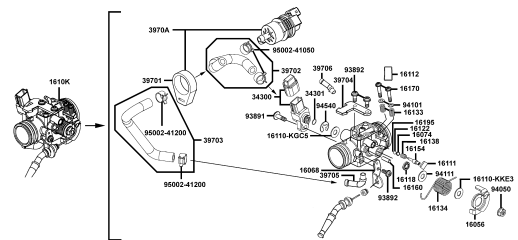
NO	MODEL			COLOR CHART OF BB40AA(TK)			
	PHOTO NO			NO. 1	NO. 2	NO. 3	NO. 4
	BASIC COLOR			Light Blue Metallic	Dark Gray Metallic	Black	Bright Silver
	CODE			Light Blue Metallic	Dark Gray Metallic	Black	Bright Silver
	PARTS NAME	PARTS NO.	VERSION	PB281MA	NH230MA	NH001SA	NH045MA
26	GRIP L HANDLE	53166-KGB5-900	0	N1R			
27	FLOOR PANEL	64310-LCD3-E00	2				
28	LEG SHIELD LOW	81141-LCD3-E00	1				
29	LID LEG SHIELD	81142-KUDU-900	1				
30	COVER R SIDE	83520-LCD3-E00	1				
31	COVER L SIDE	83620-LCD3-E00	1	NAR			
32	GRILL FR COVER INNER	64313-LCD3-E00	2				
33	CALIPER ASSY RR	43100-LEJ8-E00	1	NEA			
34	CALIPER ASSY FR LH	45200-LCD3-E00	4				
35	BRACKET FR CALIPER	45210-LDF2-E00	0				
36	CUSHION ASSY RR	52400-LCD3-E00	4	NES			
37	BAND HARNESS WIRE	90656-KUDU-900	0				
38	FORK ASSY RH FR	51400-LCD3-E00	5	NMR			
39	BOTTOM CASE R	51420-LCD3-E00	0				
40	FORK ASSY LH FR	51500-LCD3-E00	5				
41	BOTTOM CASE L	51520-LCD3-E00	0				
42	FORK ASSY RR	52000-LEJ8-E00	3				
43	COVER R RR STEP	50712-LEJ8-E00	3	NYP			
44	COVER L RR STEP	50722-LEJ8-E00	3				
45	CARRIER RR	81200-LCD3-E00	2				
46	SEAT ASSY	77200-LCD3-E00	2	T01			
47	EMB K-LOGO 38MM	86102-LCD3-E00	3				
48	EMB BODY COVER	86202-LCD3-E10	3				
49	EMB MARK MIT	87140-LDG7-M00	0				
50	EMB ENG COVER	87140-LEJ8-E10	1				
DATE OF STARTING-SALES							
DATE OF END-SALES							

NO	MODEL			COLOR CHART OF BB40AA(TK)			
	PHOTO NO			NO. 5			
	BASIC COLOR			Pearly White			
	CODE			Pearly White			
	PARTS NAME	PARTS NO.	VERSION	NH193PA			
26	GRIP L HANDLE	53166-KGB5-900	0	N1R			
27	FLOOR PANEL	64310-LCD3-E00	2				
28	LEG SHIELD LOW	81141-LCD3-E00	1				
29	LID LEG SHIELD	81142-KUDU-900	1				
30	COVER R SIDE	83520-LCD3-E00	1				
31	COVER L SIDE	83620-LCD3-E00	1				
32	GRILL FR COVER INNER	64313-LCD3-E00	2	NAR			
33	CALIPER ASSY RR	43100-LEJ8-E00	1	NEA			
34	CALIPER ASSY FR LH	45200-LCD3-E00	4				
35	BRACKET FR CALIPER	45210-LDF2-E00	0				
36	CUSHION ASSY RR	52400-LCD3-E00	4	NES			
37	BAND HARNESS WIRE	90656-KUDU-900	0	NMR			
38	FORK ASSY RH FR	51400-LCD3-E00	5	NYA			
39	BOTTOM CASE R	51420-LCD3-E00	0				
40	FORK ASSY LH FR	51500-LCD3-E00	5				
41	BOTTOM CASE L	51520-LCD3-E00	0				
42	FORK ASSY RR	52000-LEJ8-E00	3	NYP			
43	COVER R RR STEP	50712-LEJ8-E00	3				
44	COVER L RR STEP	50722-LEJ8-E00	3				
45	CARRIER RR	81200-LCD3-E00	2	T01			
46	SEAT ASSY	77200-LCD3-E00	2				
47	EMB K-LOGO 38MM	86102-LCD3-E00	3				
48	EMB BODY COVER	86202-LCD3-E10	3				
49	EMB MARK MIT	87140-LDG7-M00	0				
50	EMB ENG COVER	87140-LEJ8-E10	1				
DATE OF STARTING-SALES							
DATE OF END-SALES							

NO	MODEL			COLOR CHART OF BB40AA(TK)						
	PHOTO NO			NO. 1	NO. 2	NO. 3	NO. 4			
	BASIC COLOR			Light Blue Metallic	Dark Gray Metallic	Black	Bright Silver			
	CODE			Light Blue Metallic	Dark Gray Metallic	Black	Bright Silver			
	PARTS NAME	PARTS NO.	VERSION	PB281MA	NH230MA	NH001SA	NH045MA			
51	EMB i MARK	87140-LFG1-E01	2	T01						
52	LABEL TIRE	87505-LCD3-E00	1							
53	CAUTION SIDE STAND	87541-GAR1-E00	1							
54	CAUTION MOBILE	87541-KKC2-E00	1							
55	LABEL OIL CAP	87541-KUDU-E00	0							
56	MARK MAINT CAUTION	87542-GAR1-E00	2							
57	MARK DRIVE CAUTION	87560-GFY6-E00	3							
58	MODEL REAR	87571-HCKC-B00	6							
59	EMB B BODY COVER	87140-LBF6-E00	2					T02		
DATE OF STARTING-SALES										
DATE OF END-SALES										

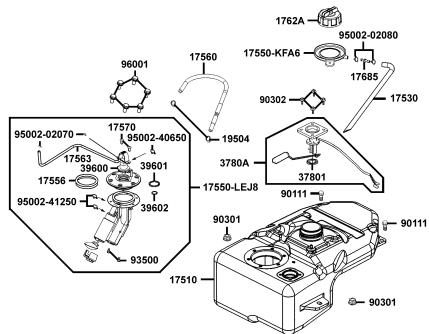
NO	MODEL			COLOR CHART OF BB40AA(TK)			
	PHOTO NO			NO. 5			
	BASIC COLOR			Pearly White			
	CODE			Pearly White			
	PARTS NAME	PARTS NO.	VERSION	NH193PA			
51	EMB i MARK	87140-LFG1-E01	2	T01			
52	LABEL TIRE	87505-LCD3-E00	1				
53	CAUTION SIDE STAND	87541-GAR1-E00	1				
54	CAUTION MOBILE	87541-KKC2-E00	1				
55	LABEL OIL CAP	87541-KUDU-E00	0				
56	MARK MAINT CAUTION	87542-GAR1-E00	2				
57	MARK DRIVE CAUTION	87560-GFY6-E00	3				
58	MODEL REAR	87571-HCKC-B00	6				
59	EMB B BODY COVER	87140-LBF6-E00	2	T02			
DATE OF STARTING-SALES							
DATE OF END-SALES							

CONTENTS - ENGINE GROUP

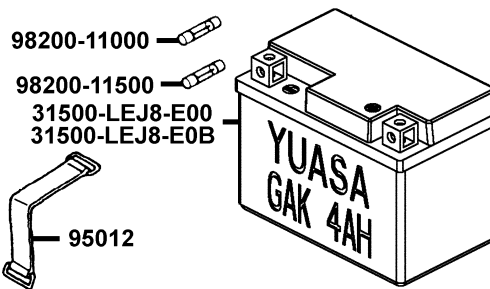
<p>E01 Crank Case</p> 	<p>E02 Cylinder Head Cover Cylinder</p> 	<p>E03 Cylinder Piston Crankshaft</p> 
<p>E04 Right Crankcase Cover</p> 	<p>E05 Transmission</p> 	<p>E06 Pulley</p> 
<p>E07 Starting Motor Oil Pump</p> 	<p>E08 Generator Water Pump</p> 	<p>E09 Carburetor</p> 

CONTENTS - FRAME GROUP

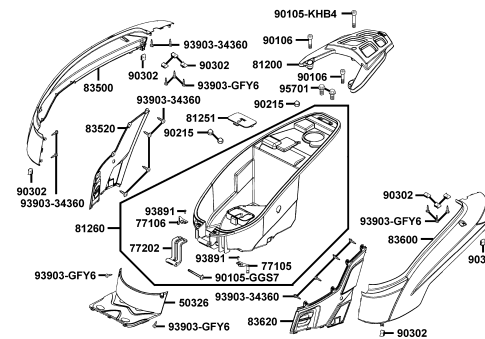
F10 Fuel Tank



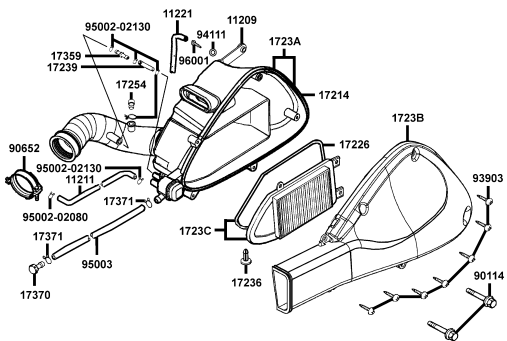
F11 Battery



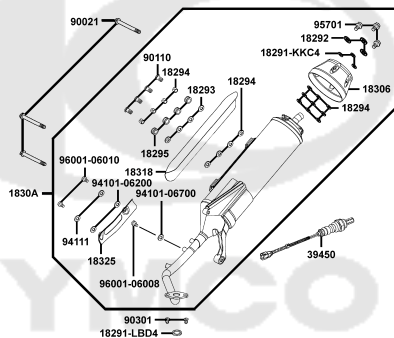
F12 Body Cover/Luggage Box



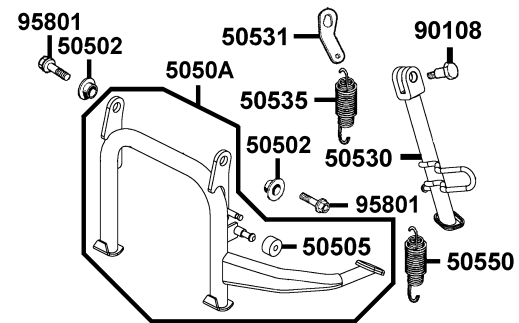
F13 Air Cleaner



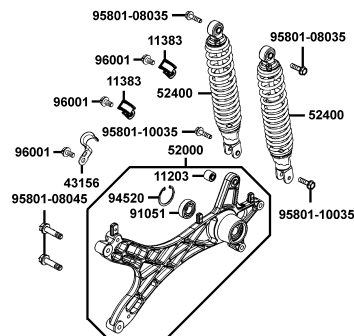
F14 Exhaust Muffler



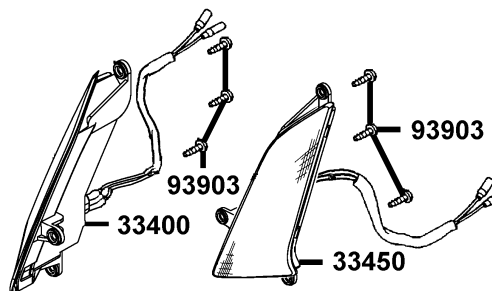
F15 Stand/Kick Starter Arm



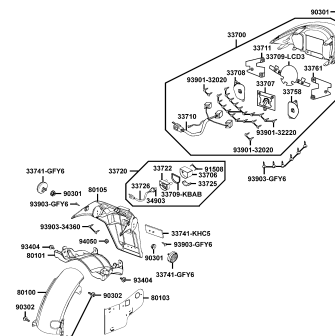
F16 Rear Cushion



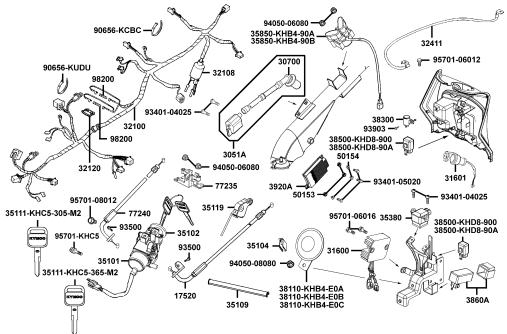
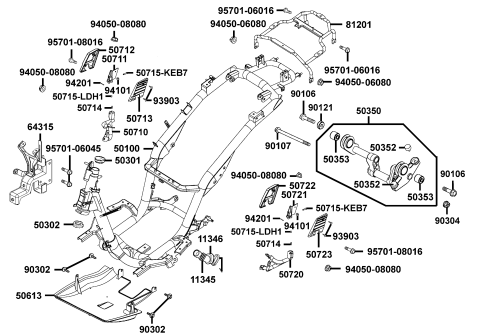
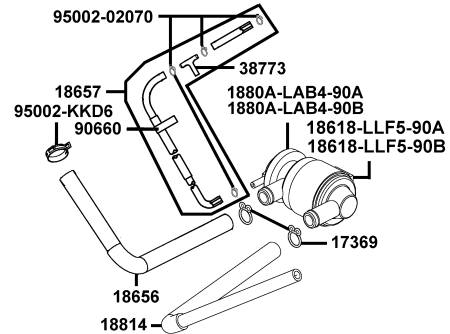
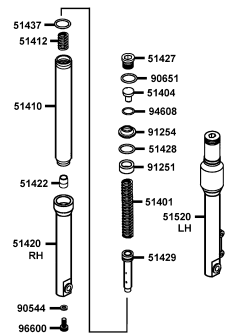
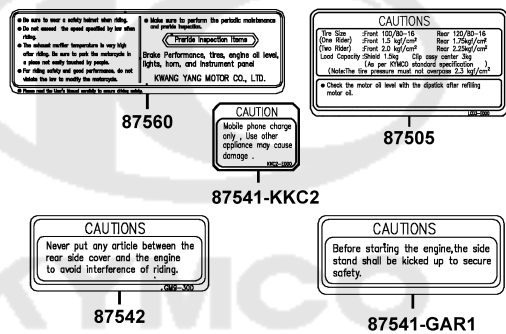
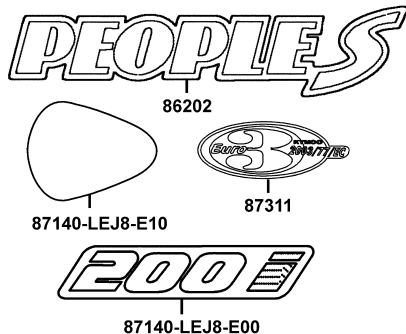
F17 Front Winker



F18 Rear Light/Rear Fender

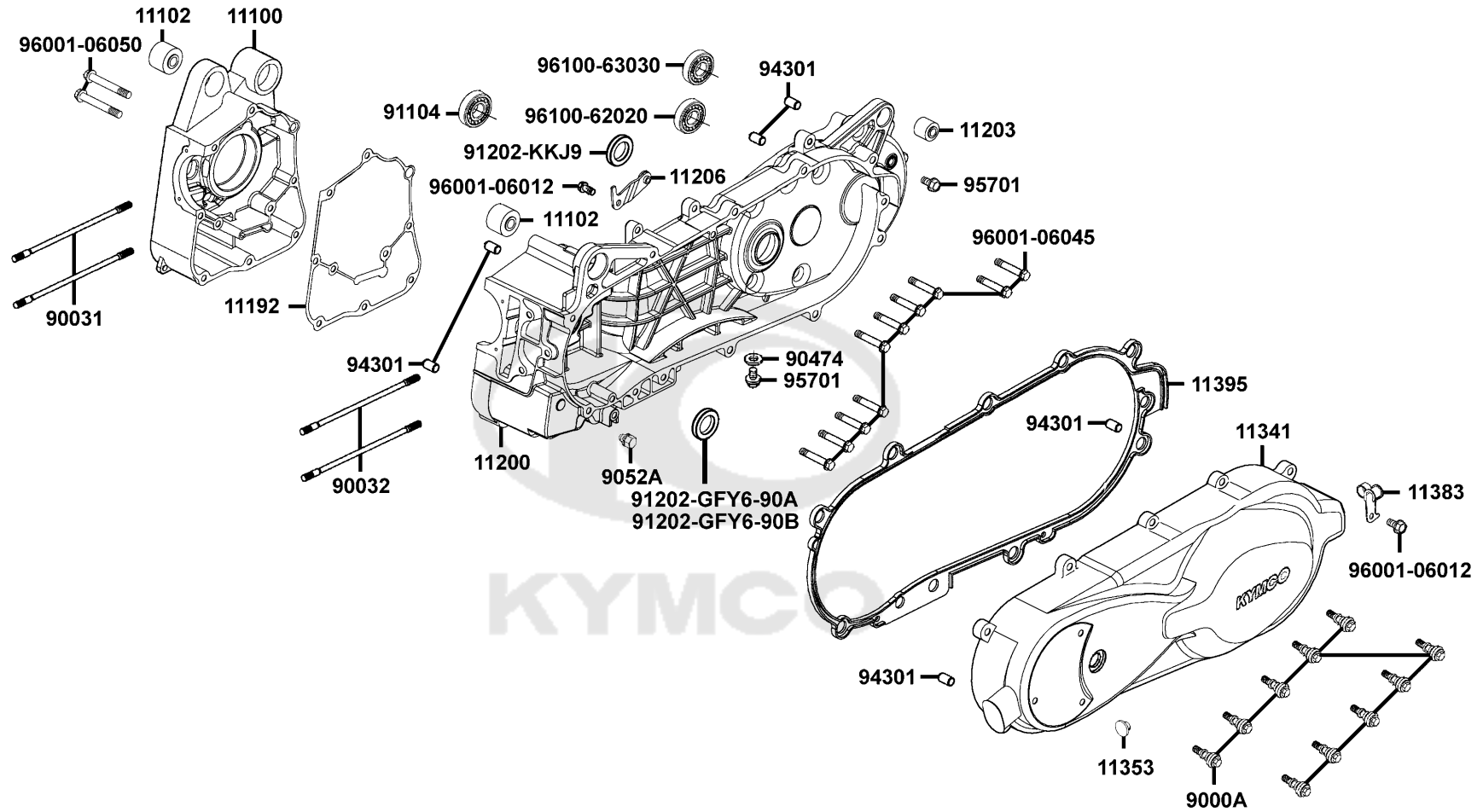


CONTENTS - FRAME GROUP

<p>F19 Wire Harness</p> 	<p>F20 Frame Body</p> 	<p>F21 Air Injection Control Valve</p> 
<p>F22 Separated Parts Of Fr Fork</p> 	<p>F23 Caution Label</p> 	<p>F24 EmblemStripe</p> 

E01

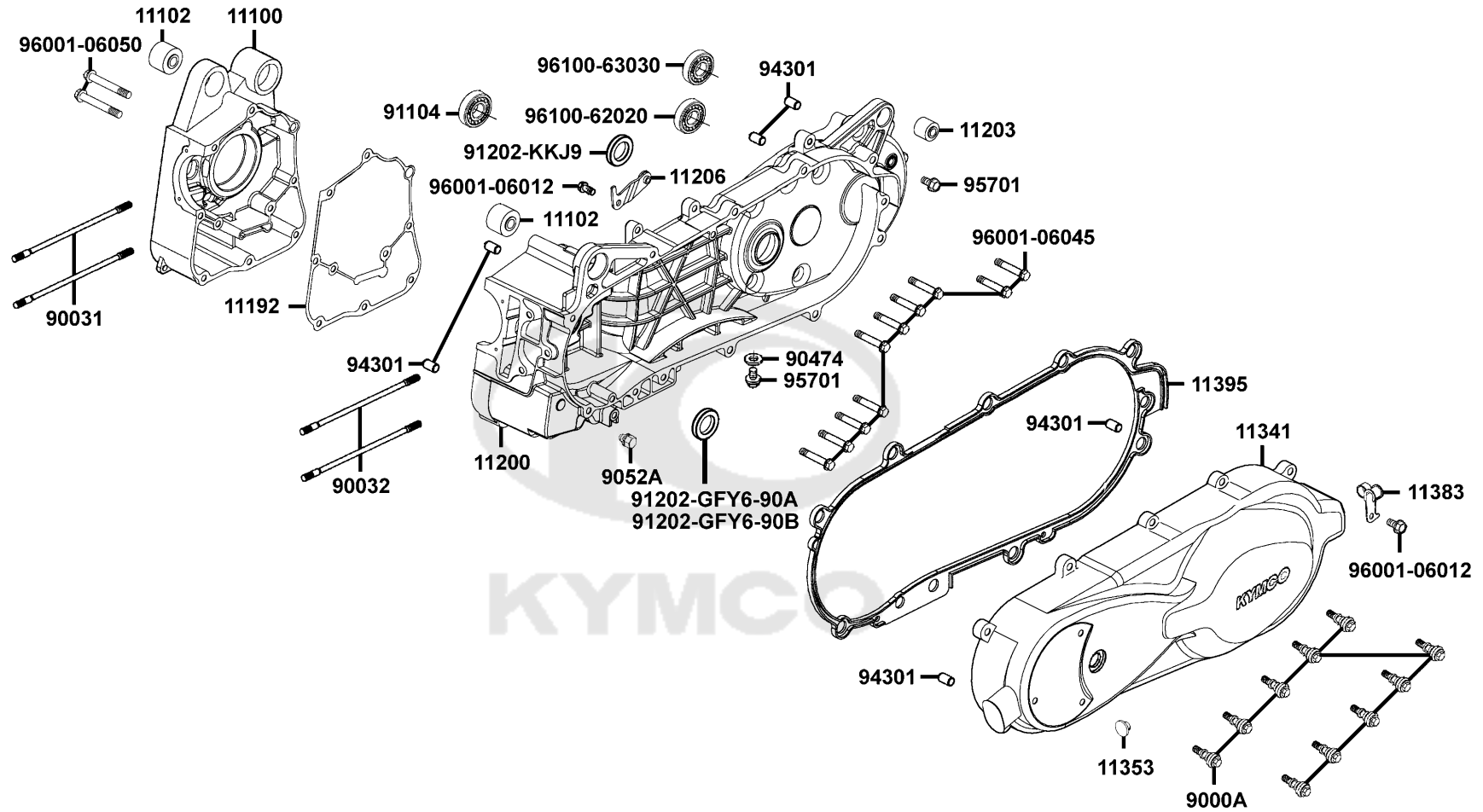
Crank Case



Sales mark	Ref no	Part no	Description	Reg description	Regd no	E01
	11100	11100-LCD4-E00	CRANKCASE SET R	CRANKCASE SET R	1	
	11102	11102-1G87-004	RUB BUSH ENG HANGER	RUB BUSH ENG HANGER	2	
	11192	11192-KUDU-900	GASKET CRANK CASE @ A	GASKET CRANK CASE @ A	1	
	11200	11200-LCD4-E00	CRANKCASE SET L	CRANKCASE SET L	1	
	11203	11203-GGC7-301	UNDER RUBBER BUSH REAR CUSHION	UNDER RUBBER BUSH REAR CUSHION	1	
	11206	11206-LCD3-E00	STAY A RR FENDER	STAY A RR FENDER	1	
**	11341	11341-KHB4-900	COVER L	COVER L	1	
	11353	11353-LEA6-900	RUBBER PLUG L COVER KICK	RUBBER PLUG L COVER KICK	1	
	11383	11383-KUDU-900	CLAMPER BREATHER DRAIN TUBE	CLAMPER BREATHER DRAIN TUBE	1	
	11395	11395-KHB4-900	GASKET L COVER @ A	GASKET L COVER @A	1	
	9000A	9000A-KTDT-900	BOLT ASSY SPECIAL 6*29.5	BOLT ASSY SPECIAL 6*29.5	10	
#	90032	90032-KHD6-900	BOLT B STUD 8*210	BOLT B STUD 8*210	2	
#	90031	90032-LAB4-900	BOLT B STUD 8*203.5	BOLT B STUD 8*203.5	2	
	90474	90474-3C33-001	WASHER 8MM	WASHER 8MM	1	
	9052A	9052A-GFY6-950	BOLT ASSY DRAIN PLUG	BOLT ASSY DRAIN PLUG	1	
	91104	91104-KGN7-671	BRG BALL RADIAL 6204	BRG BALL RADIAL 6204	1	
	91202-GFY6-90A	91202-GFY6-90A	OIL SEAL 19.8*30*5	OIL SEAL 19.8*30*5	1	
	91202-GFY6-90B	91202-GFY6-90B	OIL SEAL 19.8*30*5	OIL SEAL 19.8*30*5	1	
	91202-KKJ9	91202-KKJ9-004	OIL SEAL 20*32*6	OIL SEAL 20*32*6	1	
	94301	94301-10160	DOWEL PIN 10*16	DOWEL PIN 10*16	6	

E01

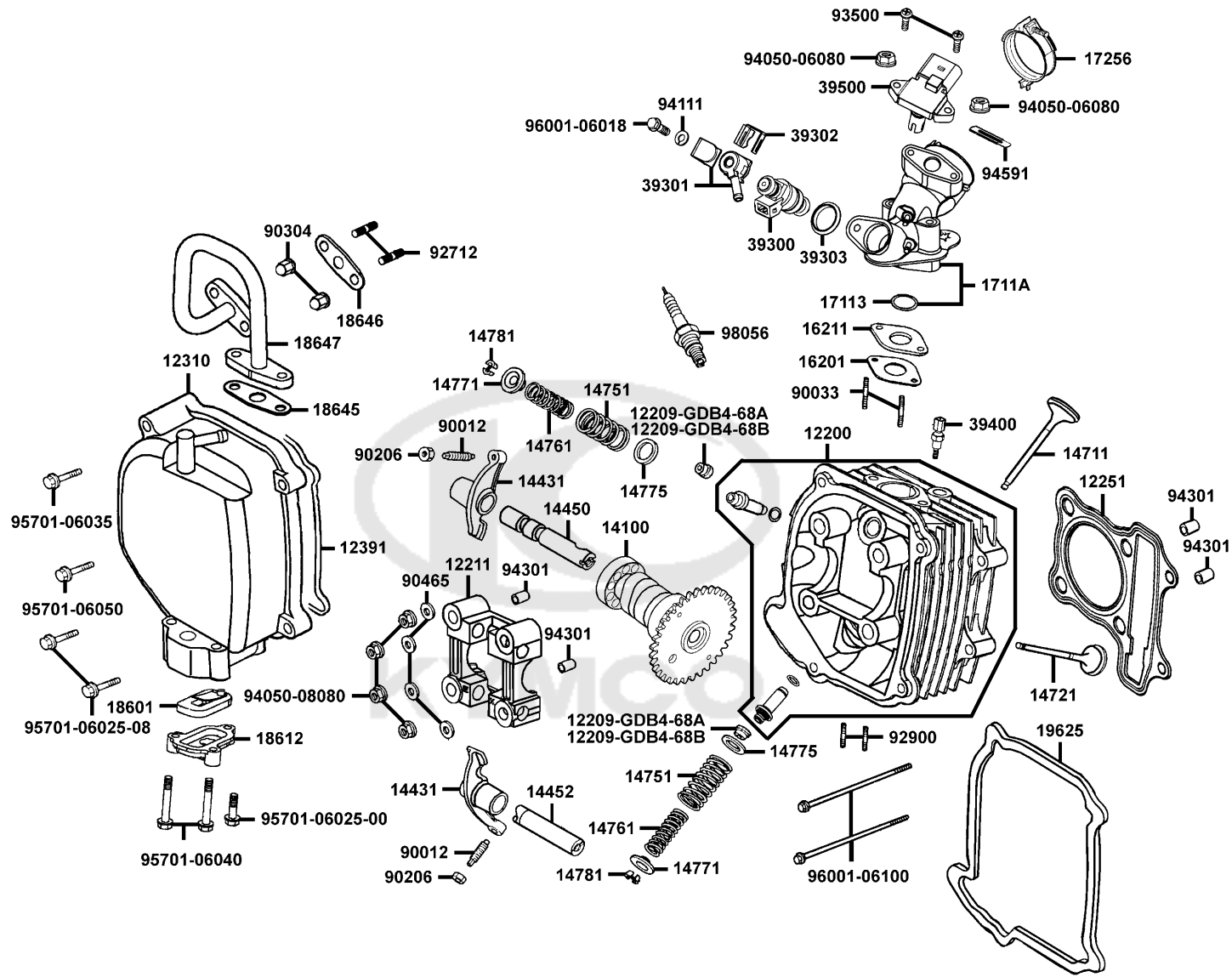
Crank Case



Sales mark	Ref no	Part no	Description	Reg description	Regd no	E01
	95701	95701-08012-08	BOLT FLANGE 8*12	BOLT FLANGE 8*12	2	
	96001-06012	96001-06012-08	BOLT FLANGE 6*12	BOLT FLANGE SH 6*12	1	
	96001-06045	96001-06045-08	BOLT FLANGE SH 6*45	BOLT FLANGE SH 6*45	10	
	96001-06050	96001-06050-08	BOLT FLANGE 6*50	BOLT FLANGE SH 6*50 (C)	2	
	96100-62020	96100-62020-00	BEARING BALL RADIAL 6202	BEARING BALL RADIAL 6202	1	
	96100-63030	96100-63030-00	BEARING BALL RADIAL 6303	BEARING BALL RADIAL 6303	1	

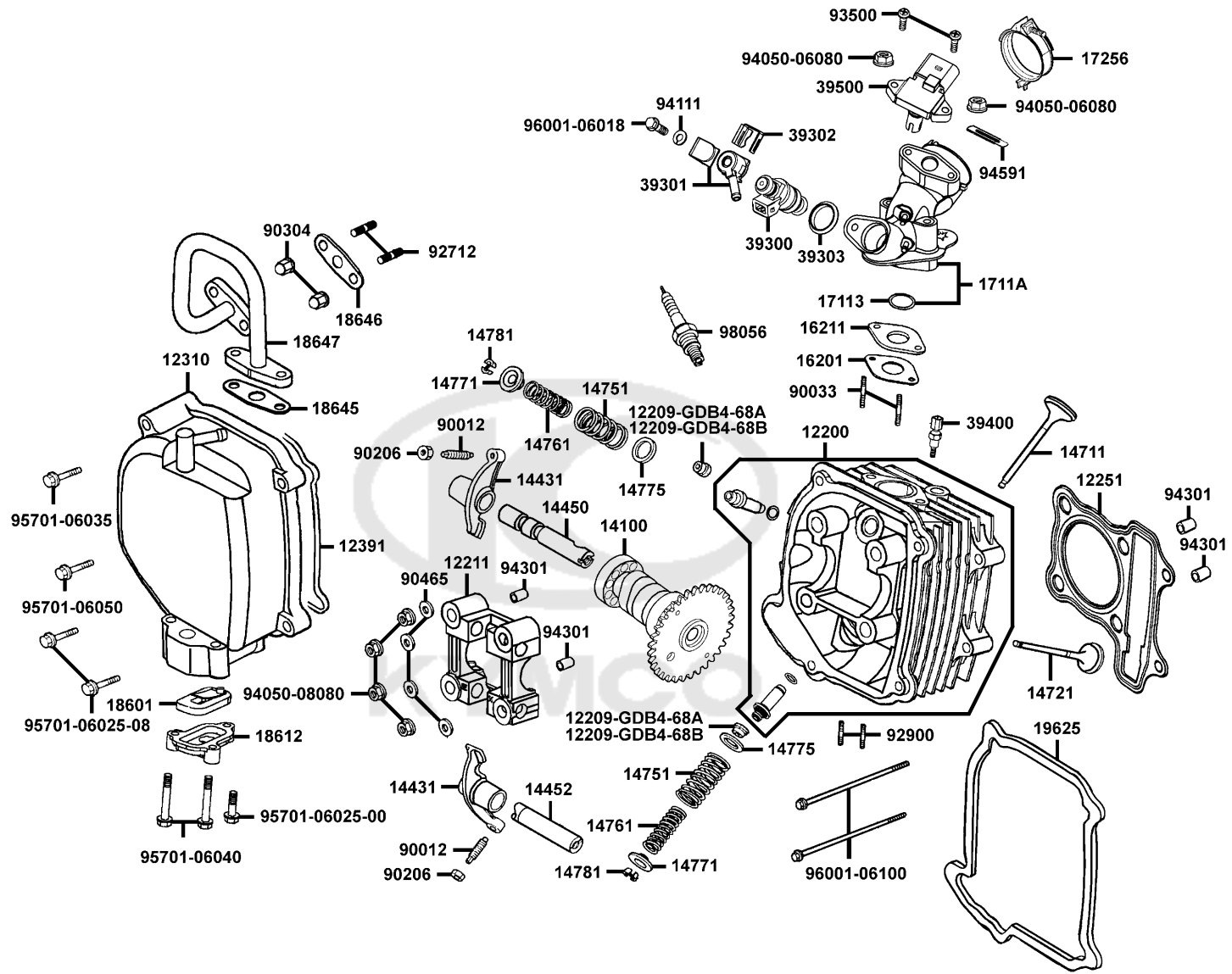


Cylinder Head Cover Cylinder Head



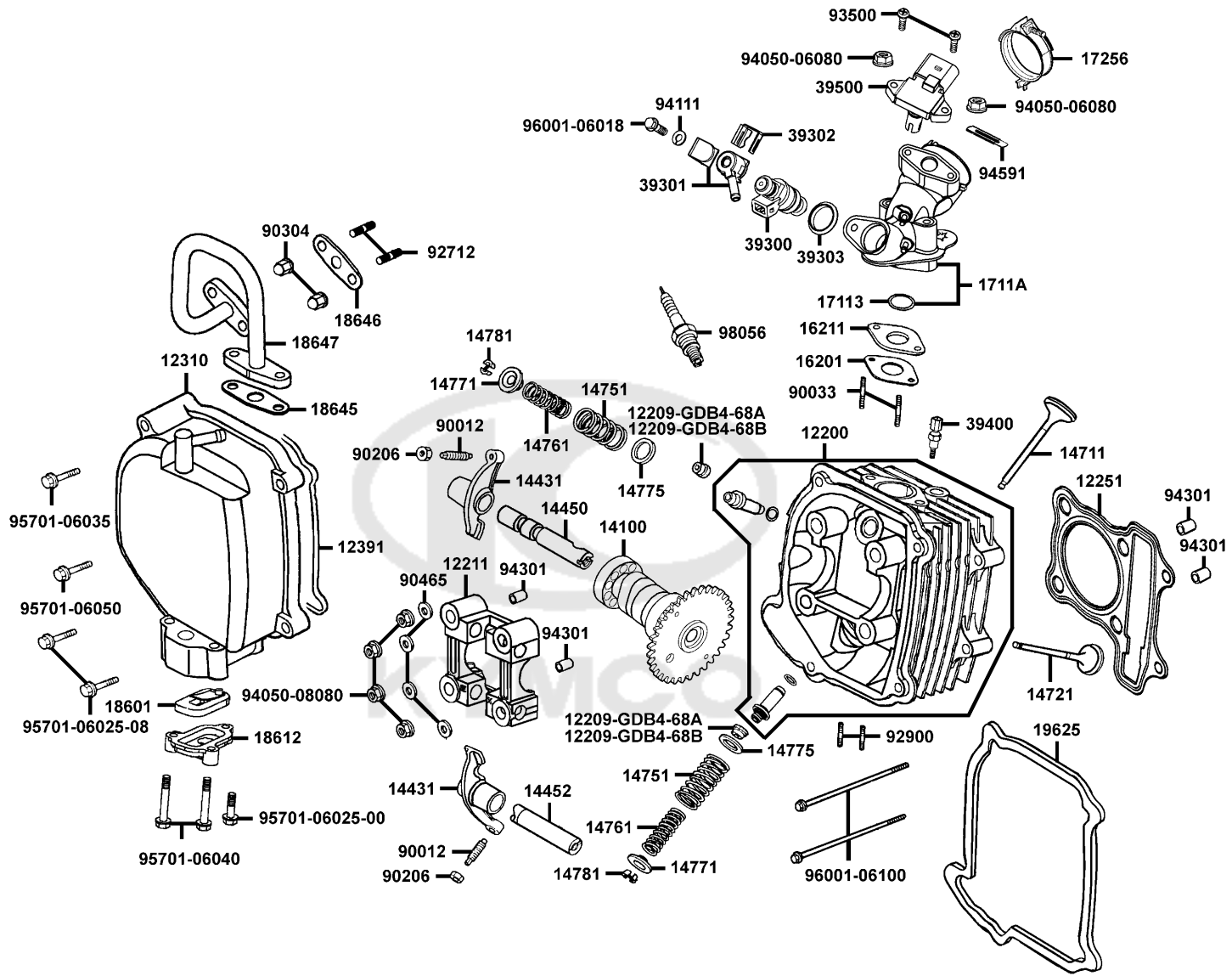
Sales mark	Ref no	Part no	Description	Reg description	Regd no	E02
	12200	12200-LEJ8-E00	HEAD COMP CYLN	HEAD COMP CYLN	1	
	12209-GDB4-68A	12209-GDB4-68A	SEAL VALVE STEM	SEAL VALVE STEM	2	
	12209-GDB4-68B	12209-GDB4-68B	SEAL VALVE STEM	SEAL VALVE STEM	2	
	12211	12211-KUDU-900	HOLDER CAM SHAFT	HOLDER CAM SHAFT	1	
	12251	12251-LCD4-E00	GASKET CYLINDER HEAD	GASKET CYLINDER HEAD	1	
	12310	12310-KHB4-900	COVER COMP HEAD	COVER COMP HEAD	1	
	12391	12391-GFY6-941	GASKET HEAD COVER	GASKET HEAD COVER	1	
	14100	14100-KFA9-220	SHAFT COMP CAM	SHAFT COMP CAM	1	
	14431	14431-KUDU-900	ARM VALVE ROCKER	ARM VALVE ROCKER	2	
	14450	14450-GFY6-901	SHAFT COMP IN ROCKER ARM	SHAFT COMP IN ROCKER ARM	1	
	14452	14452-GFY6-901	SHAFT EXH ROCKER ARM	SHAFT EXH ROCKER ARM	1	
	14711	14711-KFB7-900	VALVE INLET	VALVE INLET	1	
	14721	14721-KFB7-900	VALVE EXHAUST	VALVE EXHAUST	1	
	14751	14751-KKJ9-003	SPG VALVE OUTER	SPRING VALVE OUTER	2	
	14761	14761-KKJ9-003	SPG VALVE INNER	SPG VALVE INNER	2	
	14771	14771-GDB4-680	RETAINER VALVE SPRING	RETAINER VALVE SPRING	2	
	14775	14775-MFA6-001	SEAT VALVE SPG OUTER	SEAT VALVE SPG OUTER	2	
	14781	14781-MFA6-001	COTTER VALVE	COTTER VALVE	4	
	16201	16201-GFY6-901	GASKET CARB INSULATOR @ A	GASKET CARBURETOR INSULATOR	1	
	16211	16211-GFY6-901	INSULATOR CARB	INSULATOR CARB	1	

Cylinder Head Cover Cylinder Head



Sales mark	Ref no	Part no	Description	Reg description	Regd no	E02
17113		17113-KKE3-900	O-RING INLET PIPE	O-RING INLET PIPE	1	
1711A		1711A-KKE3-700	PIPE COMP INLET	PIPE COMP INLET	1	
17256		17256-KKE3-900	BAND INSULATOR	BAND INSULATOR	1	
18601		18601-MAJ1-791	REED VALVE COMP	REED VALVE COMP	1	
18612		18612-GFY6-941	COVER REED VALVE	COVER REED VALVE	1	
18645		18645-GFY6-941	GSKT A/I PIPE	GASKET A/I PIPE	1	
18646		18646-GFY6-941	GASKET A/I PIPE	GASKET A/I PIPE	1	
18647		18647-GFY6-941	PIPE COMP AIR	PIPE COMP AIR	1	
19625		19625-KUDU-910	SEAL SHROUD	SEAL SHROUD	1	
39300		39300-KKE3-800	FUEL INJECTOR	FUEL INJECTOR	1	
39301		39301-KKE3-910	HOLDER ASSY FUEL INJECTOR	HOLDER ASSY FUEL INJECTOR	1	
39302		39302-KKE3-900	CLIP SPRING FUEL INJECTOR	CLIP SPRING FUEL INJECTOR	1	
39303		39303-KKE3-900	SEAL HIGH TENSION FUEL	SEAL HIGH TENSION FUEL	1	
39400		39400-KKE3-800	SENSOR HEAD TEMPERATURE	SENSOR HEAD TEMPERATURE	1	
39500		39500-KKE3-800	SENSOR T-MAP	SENSOR T-MAP	1	
90012		90012-3C33-001	SCREW TAPPET ADJUSTING	SCREW TAPPET ADJUSTING	2	
90033		90033-GFY6-900	BOLT STUD 8*32	BOLT STUD 8*32	2	
90206		90206-0A01-001	NUT TAPPET ADJG	NUT TAPPET ADJG	2	
90304		90304-4H38-001	NUT HEX CAP 6MM	NUT SPECIAL 6MM	2	
90465		90465-MDC4-001	WASHER 8MM	WASHER 8MM	4	

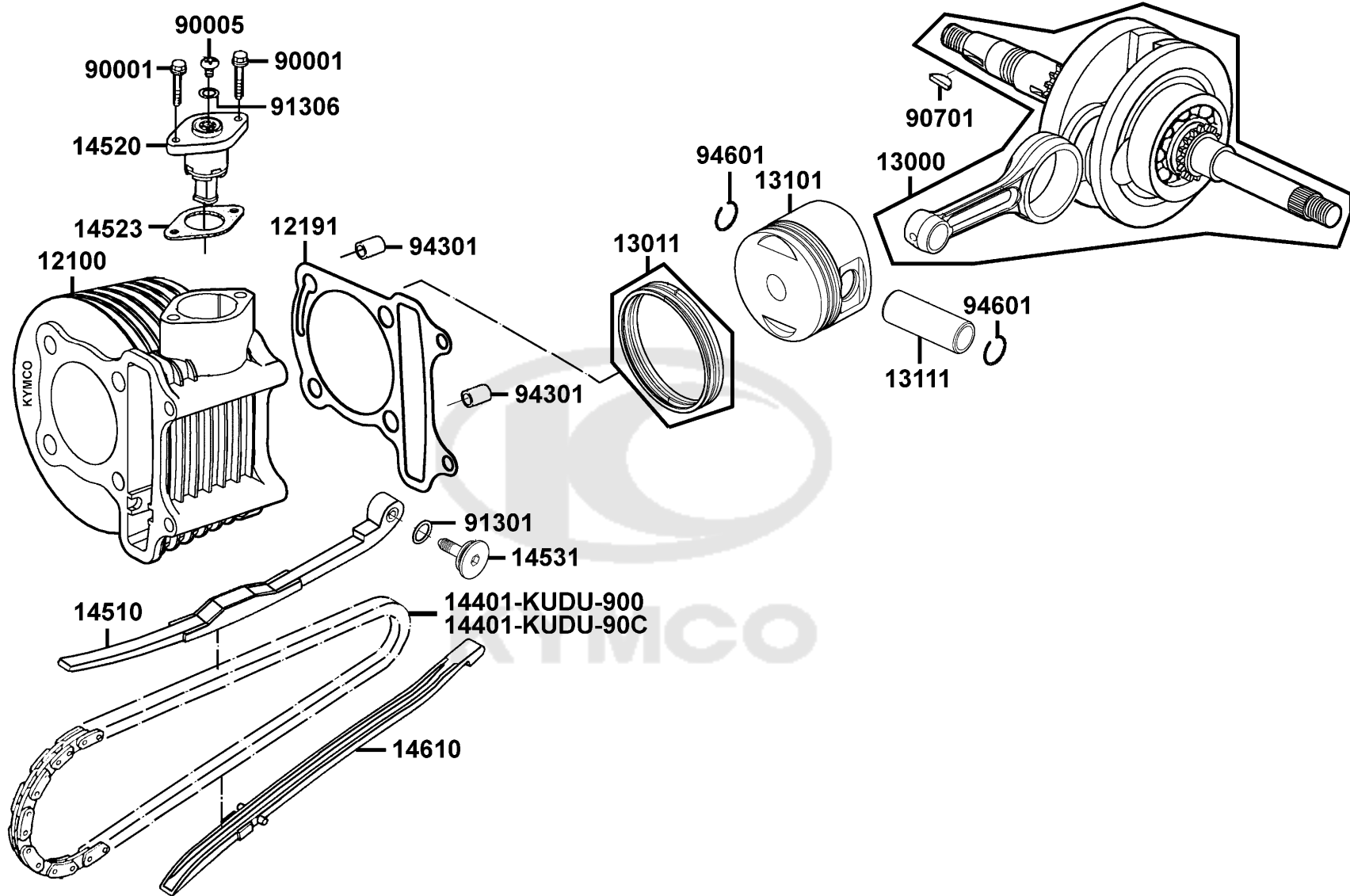
Cylinder Head Cover Cylinder Head



Sales mark	Ref no	Part no	Description	Reg description	Regd no	E02
92712		92712-06028-0B	BOLT STUD 6*28	BOLT STUD 6*28	2	
92900		92900-06060-0B	BOLT STUD 6*60	BOLT STUD 6*60	2	
93500		93500-04014-0G	SCREW PAN 4*14	SCREW PAN 4*14	2	
94050-06080		94050-06080	NUT FLANGE 6MM	NUT FLANGE 6MM	2	
94050-08080		94050-08080	NUT FLANGE 8MM	NUT FLANGE 8MM	4	
94111		94111-06800	WASHER SPG 6MM	WASHER SPG 6MM	1	
94301		94301-10160	DOWEL PIN 10*16	DOWEL PIN 10*16	4	
94591		94591-KFBF-900	CLIP 2*70	CLIP 2*70	1	
95701-06025-00		95701-06025-00	BOLT FLANGE 6*25	BOLT HEX FLANGE M6*25	1	
95701-06025-08		95701-06025-08	BOLT FLANGE 6*25	BOLT FLANGE 6*25	2	
95701-06035		95701-06035-08	BOLT FLANGE SH 6*35	BOLT FLANGE 6*35 (C)	1	
95701-06040		95701-06040-00	BOLT FLANGE 6*40	BOLT FLANGE 6*40 (B)	2	
95701-06050		95701-06050-08	BOLT FLANGE 6*50	BOLT FLANGE 6*50 (C)	1	
96001-06018		96001-06018-08	BOLT FLANGE SH 6*18	BOLT FLANGE SH 6*18	1	
96001-06100		96001-06100-08	BOLT FLANGE SH 6*100	BOLT FLANGE 6*100	2	
98056		98056-5771R-00	SPARK PLUG (CR7HSA)	SPARK PLUG (CR7HSA)	1	

E03

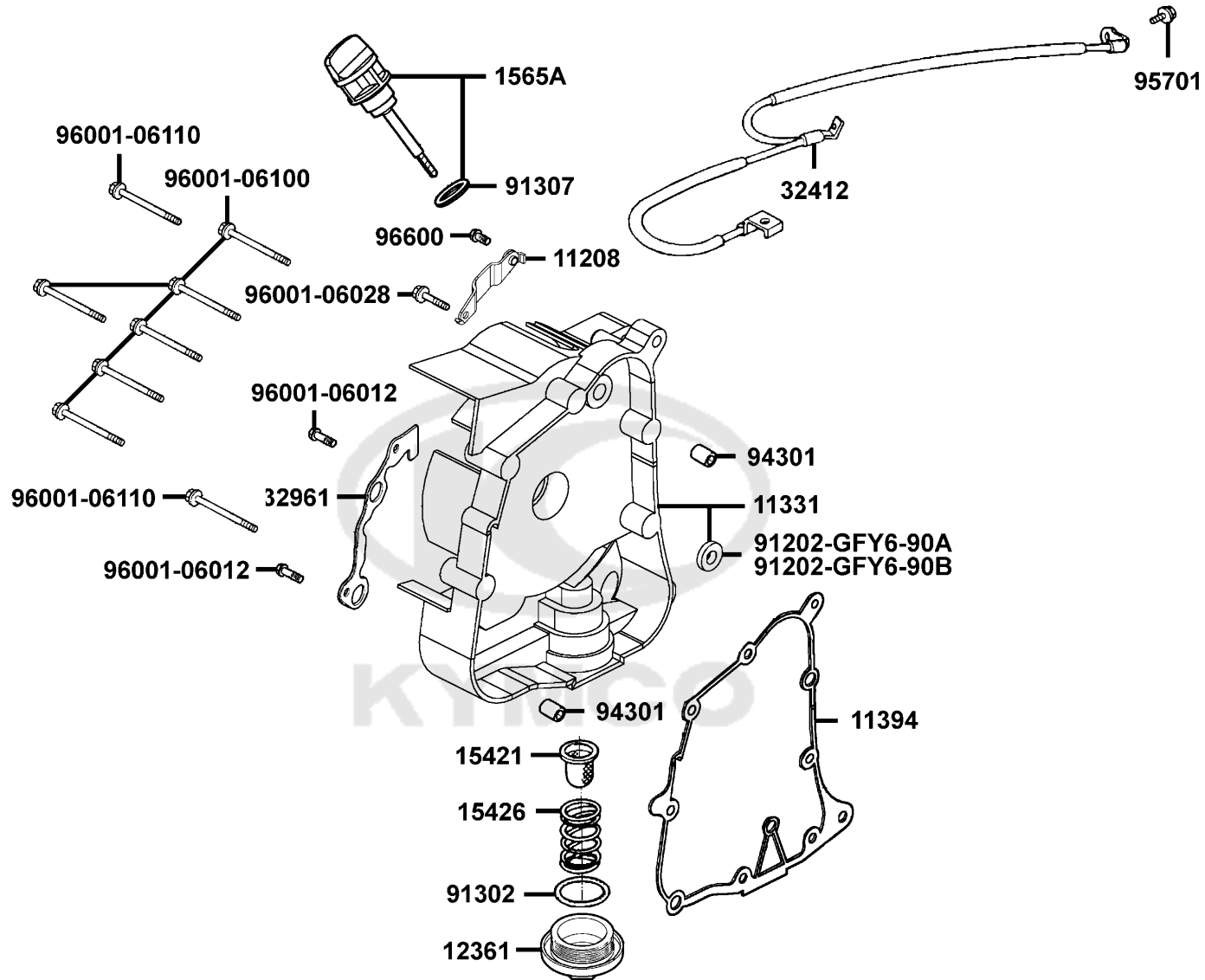
Cylinder Piston Crankshaft



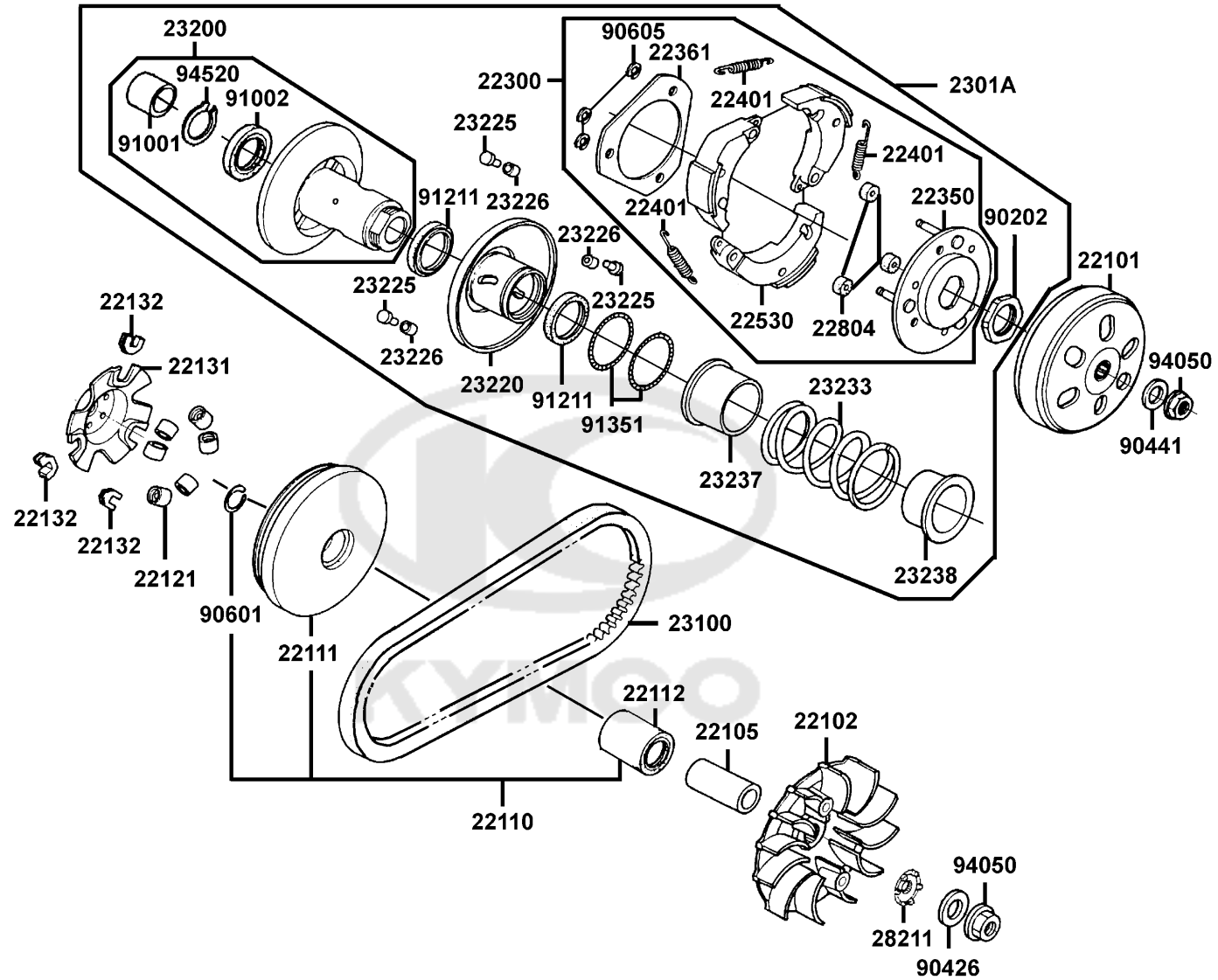
Sales mark	Ref no	Part no	Description	Reg description	Regd no	E03
	12100	12100-LCD4-E00	CYLINDER COMP	CYLINDER COMP	1	
	12191	12191-LCD4-E00	GASKET CYLINDER @ A	GASKET CYLINDER @ A	1	
	13000	13000-KFB7-900	CRANK SHAFT COMP	CRANK SHAFT COMP	1	
	13011	13011-LCD4-E00	RING ASSY PISTON	RING ASSY PISTON	1	
	13101	13101-LCD4-E00	PISTON	PISTON	1	
	13111	13111-KKJ9-001	PIN PISTON	PIN PISTON	1	
	14401-KUDU-900	14401-KUDU-900	CHAIN CAM	CHAIN CAM	1	
	14401-KUDU-90C	14401-KUDU-90C	CHAIN CAM	CHAIN CAM	1	
	14510	14510-KUDU-C00	TENSIONER CAM CHAIN	TENSIONER CAM CHAIN	1	
	14520	14520-GFY6-90A	LIFTER ASSY TENSIONER	LIFTER ASSY TENSIONER	1	
	14523	14523-GFY6-901	GASKET TENSIONER LIFTER @ A	GASKET TENSIONER LIFTER @A	1	
	14531	14531-GLR0-001	PIVOT CAM CHAIN TENSIONER	PIVOT CAM CHAIN TENSIONER	1	
	14610	14610-KUDU-C00	GUIDE COMP CAM CHAIN	GUIDE COMP CAM CHAIN	1	
	90001	90001-GBHB-661	BOLT FLANGE SH 6*22	BOLT FLANGE SH 6*22	2	
	90005	90005-KAW1-901	SCREW PAN 6*6	SCREW PAN 6*6	1	
	90701	90701-HFB6-011	KEY WOODRUFF 25*14*4	KEY WOODRUFF 25X14X4	1	
	91301	91301-GLR0-005	O RING 15.2*1.5	O RING 15.2*1.5	1	
	91306	91306-1E05-691	O-RING 1.5*9.5	O-RING 1.5*9.5	1	
	94301	94301-10160	DOWEL PIN 10*16	DOWEL PIN 10*16	2	
	94601	94601-15000	CLIP PISTON PIN 15MM	CLIP PISTON PIN 15MM	2	

E04

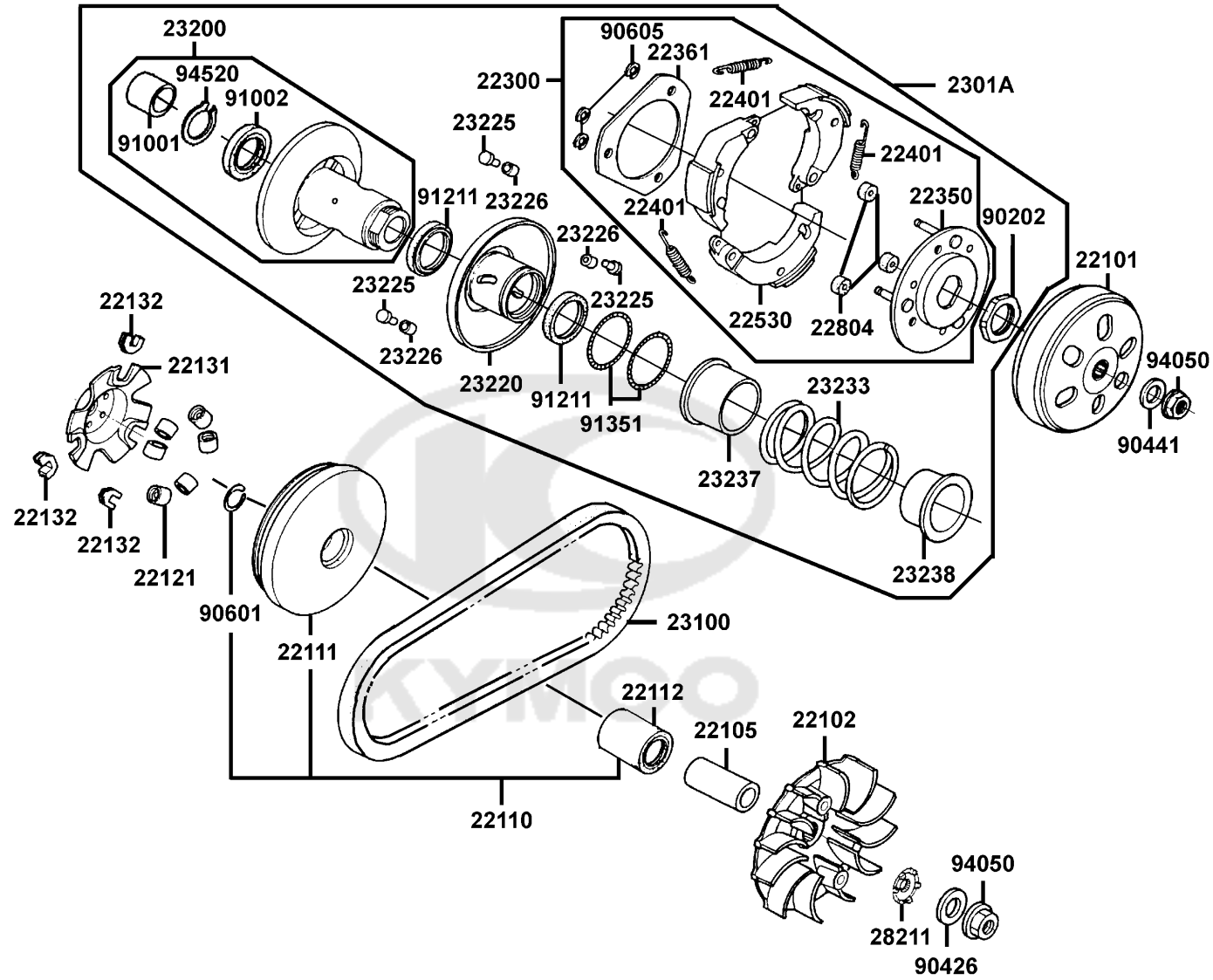
Right Crankcase Cover



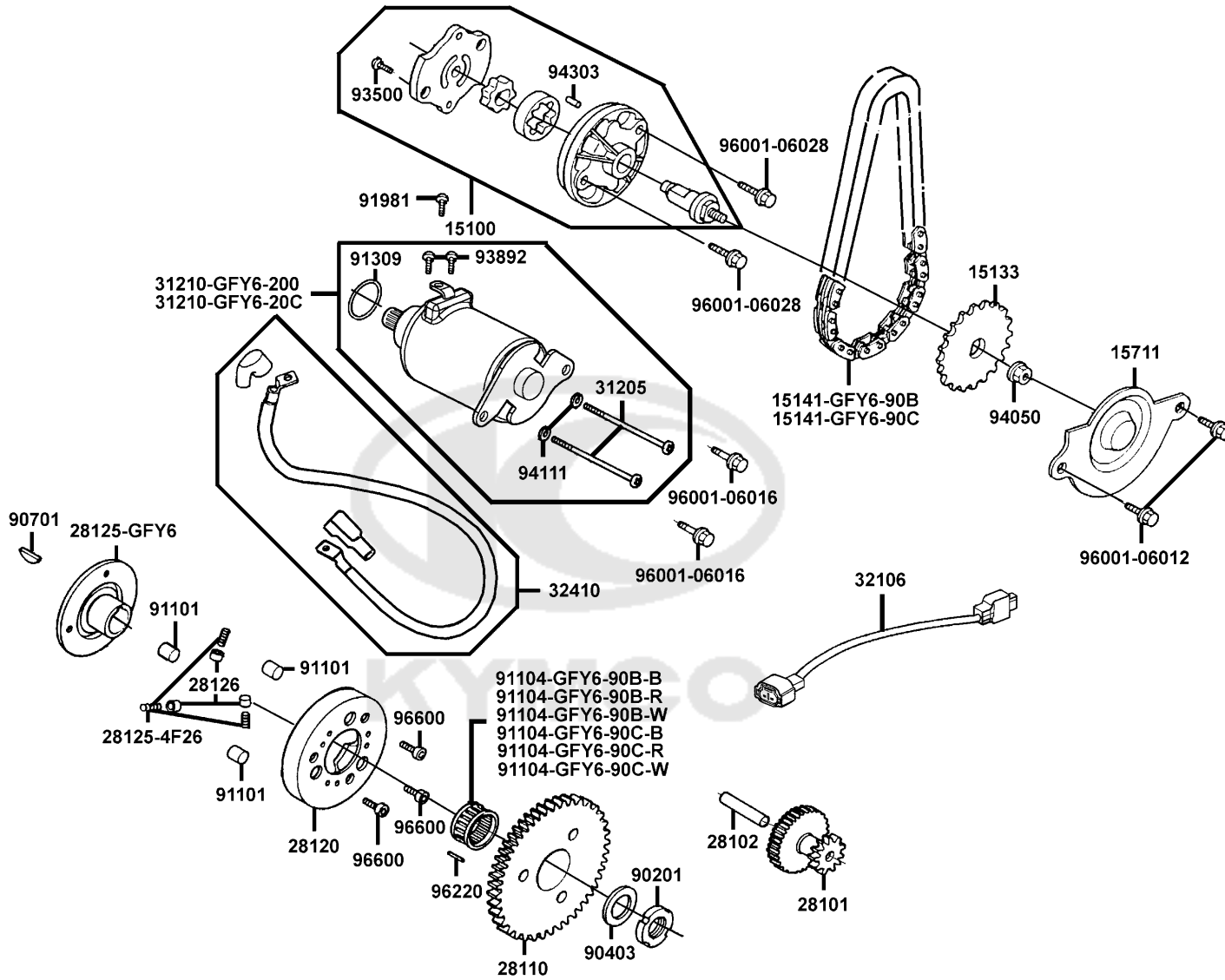
Sales mark	Ref no	Part no	Description	Reg description	Regd no	E04
11208		11208-LCD3-E00	CLAMP BRAKE WIRE	STAY RR TIRE FENDER	1	
11331		11331-LCD3-E00	COVER R CRANK CASE	COVER R CRANK CASE	1	
11394		11394-KUDU-900	GASKET R COVER	GASKET R COVER	1	
12361		12361-GFY6-901	HOLE CAP TAPPET ADJUSTING	HOLE CAP TAPPET ADJUSTING	1	
15421		15421-1G07-001	SCREEN OIL FILTER	SCREEN OIL FILTER	1	
15426		15426-GAE1-921	SPG OIL FILTER SCREEN	SPRING OIL FILTER ** GE1 **	1	
1565A		1565A-KUDU-900	GAUGE OIL LEVEL ASSY	GAUGE OIL LEVEL ASSY	1	
32412		32412-LCD3-E00	CABLE EARTH	CABLE EARTH	1	
32961		32961-KUDU-900	CLAMPER ACG CORD	CLAMPER ACG CORD	1	
91202-GFY6-90A		91202-GFY6-90A	OIL SEAL 19.8*30*5	OIL SEAL 19.8*30*5	1	
91202-GFY6-90B		91202-GFY6-90B	OIL SEAL 19.8*30*5	OIL SEAL 19.8*30*5	1	
91302		91302-0A01-021	O-RING 30.8M/M	O-RING 30.8M/M	1	
91307		91307-0E35-001	O RING 18*3	O RING 18*3	1	
94301		94301-10160	DOWEL PIN 10*16	DOWEL PIN 10*16	2	
95701		95701-06012-08	BOLT FLANGE 6*12	BOLT FLANGE 6*12	1	
96001-06012		96001-06012-08	BOLT FLANGE 6*12	BOLT FLANGE SH 6*12	2	
96001-06028		96001-06028-08	BOLT FLANGE SH 6*28	BOLT FLANGE SH 6*28	1	
96001-06100		96001-06100-08	BOLT FLANGE SH 6*100	BOLT FLANGE 6*100	6	
96001-06110		96001-06110-08	BOLT FLANGE SH 6*110	BOLT FLANGE SH 6*110 (C)	2	
96600		96600-06012-10	SOCKET BOLT 6*12	SOCKET BOLT 6*12 (B)	1	



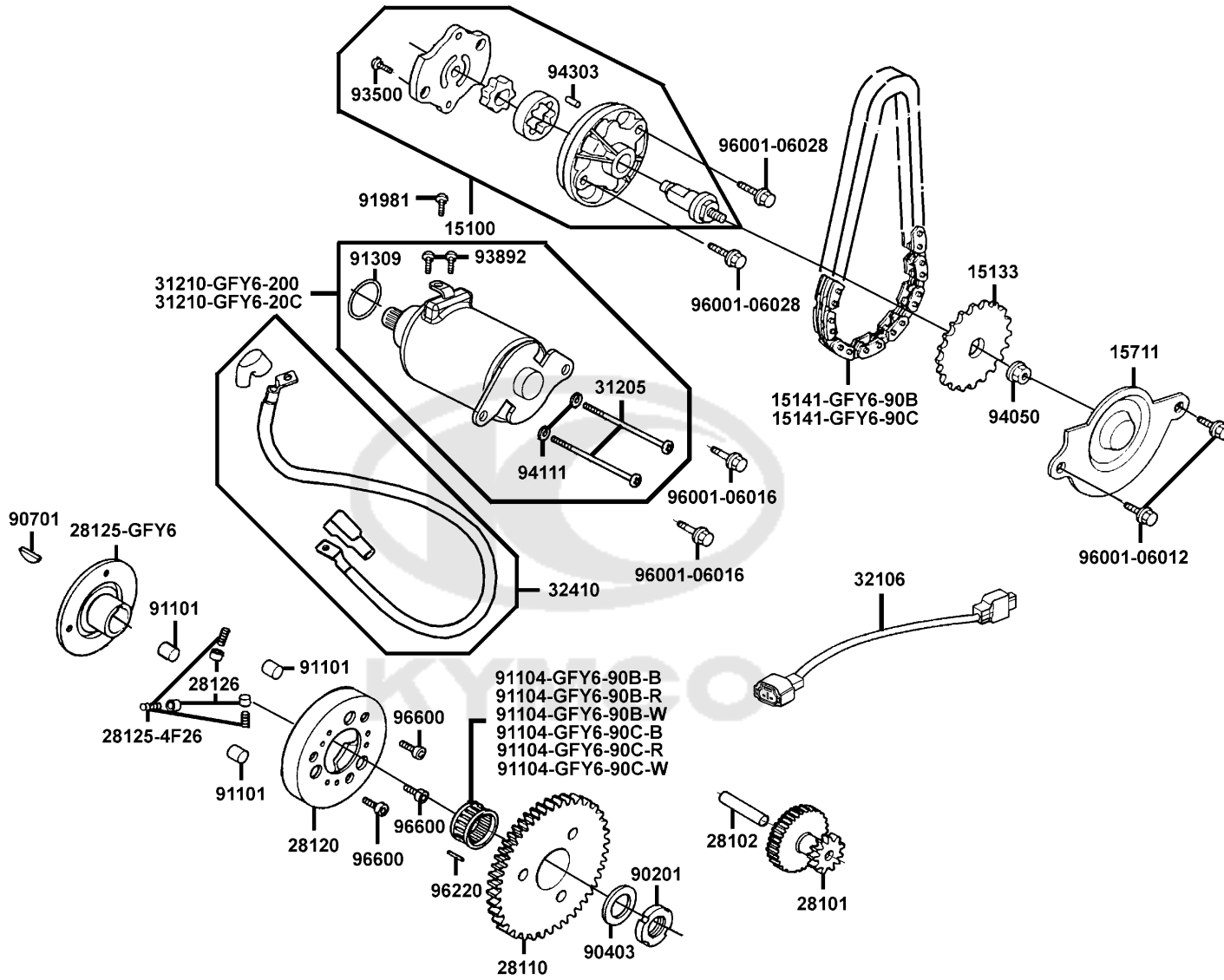
Sales mark	Ref no	Part no	Description	Reg description	Regd no	E05
	22101	22101-GFY6-941	OUTER CLUTCH	OUTER CLUTCH	1	
	22102	22102-KUDU-220	FACE DRIVE	FACE DRIVE	1	
	22105	22105-GFY6-220	BOSS DRIVE FACE	BOSS DRIVE FACE	1	
	22110	22110-KUDU-220	FACE COMP MOVABLE DRIVE	FACE COMP MOVABLE DRIVE	1	
	22111	22111-KUDU-220	FACE MOVEABLE DRIVE	FACE MOVEABLE DRIVE	1	
	22112	22112-GFY6-90A	BUSH 24*28*30	BUSH 24*28*30	1	
	22121	22121-GFY6-92A	ROLLER COMP WEIGHT 13gr	ROLLER COMP WEIGHT 13gr	6	
	22131	22131-GFY6-901	PLATE RAMP	PLATE RAMP	1	
	22132	22132-KBN2-901	PIECE SLIDE	PIECE SLIDE	3	
	22300	22300-LCD4-E00	PLATE ASSY DRIVE	PLATE ASSY DRIVE	1	
	22350	22350-GFY6-90A	PLATE COMP DRIVE	PLATE COMP DRIVE	1	
	22361	22361-KGN7-671	PLATE CLUTCH SIDE	PLATE CLUTCH SIDE	1	
	22401	22401-LCD4-E00	SPG CLUTCH	SPRING CLUTCH	3	
	22530	22530-LCD3-E00	WEIGHT CLUTCH	WEIGHT CLUTCH	3	
	22804	22804-GBB2-001	RUBBER CLUTCH DUMPER	RUBBER CLUTCH DUMRER	3	
	2301A	2301A-LCD4-E00	PULLEY SUB ASSY	PULLEY SUB ASSY	1	
	23100	23100-LCD4-E0A	BELT DRIVE	BELT DRIVE	1	
	23200	23200-GFY6-901	FACE ASSY DRIVEN	FACE ASSY DRIVEN	1	
	23220	23220-KFBF-900	FACE COMP MOVABLE DRIVEN	FACE COMP MOVABLE DRIVEN	1	
	23225	23225-GHC8-004	PIN ROLLER GUIDE	PIN ROLLER GUIDE	3	



Sales mark	Ref no	Part no	Description	Reg description	Regd no	E05
23226		23226-GHC8-004	ROLLER GUIDE	ROLLER GUIDE	3	
23233		23233-GCW3-011	SPG DRIVEN FACE	SPG DRIVEN FACE	1	
23237		23237-GFY6-941	COLLAR SEAL	COLLAR SEAL	1	
23238		23238-GFY6-941	COLLAR SPG	COLLAR SPG	1	
28211		28211-KUDU-900	RATCHET KICK STARTER	RATCHET KICK STARTER	1	
90202		90202-1G87-001	NUT SPECIAL 28MM	NUT SPECIAL 28MM	1	
90426		90426-KNBN-901	WASHER SPECIAL 12MM	WASHER SPECIAL 12MM	1	
90441		90441-GFY6-941	WASHER 12.2*29*2.5	WASHER 12.2*29*2.5	1	
90601		90601-GFY6-901	CLIP 28MM	CLIP 28MM	1	
90605		90605-1F66-721	CIR CLIP 7MM	CIR CLIP 7MM	3	
91001		91001-GFY6-90A	BRG NDL 20*29*18	BRG NDL 20*29*18	1	
91002		91002-GGA7-70A	BRG BALL RADIAL 6902U	BRG BALL RADIAL 6902U	1	
91211		91211-KEBE-900	SEAL DRIVEN FACE 34*41*4	SEAL DRIVEN FACE 34*41*4	2	
91351		91351-6B42-000	O-RING PINION CAP	O-RING PINION CAP	2	
94050		94050-12080	NUT C FLANGE 12MM	NUT FLANGE 12MM (C)	2	
94520		94520-28000	CIR CLIP IN 28	CIR CLIP IN 28	1	



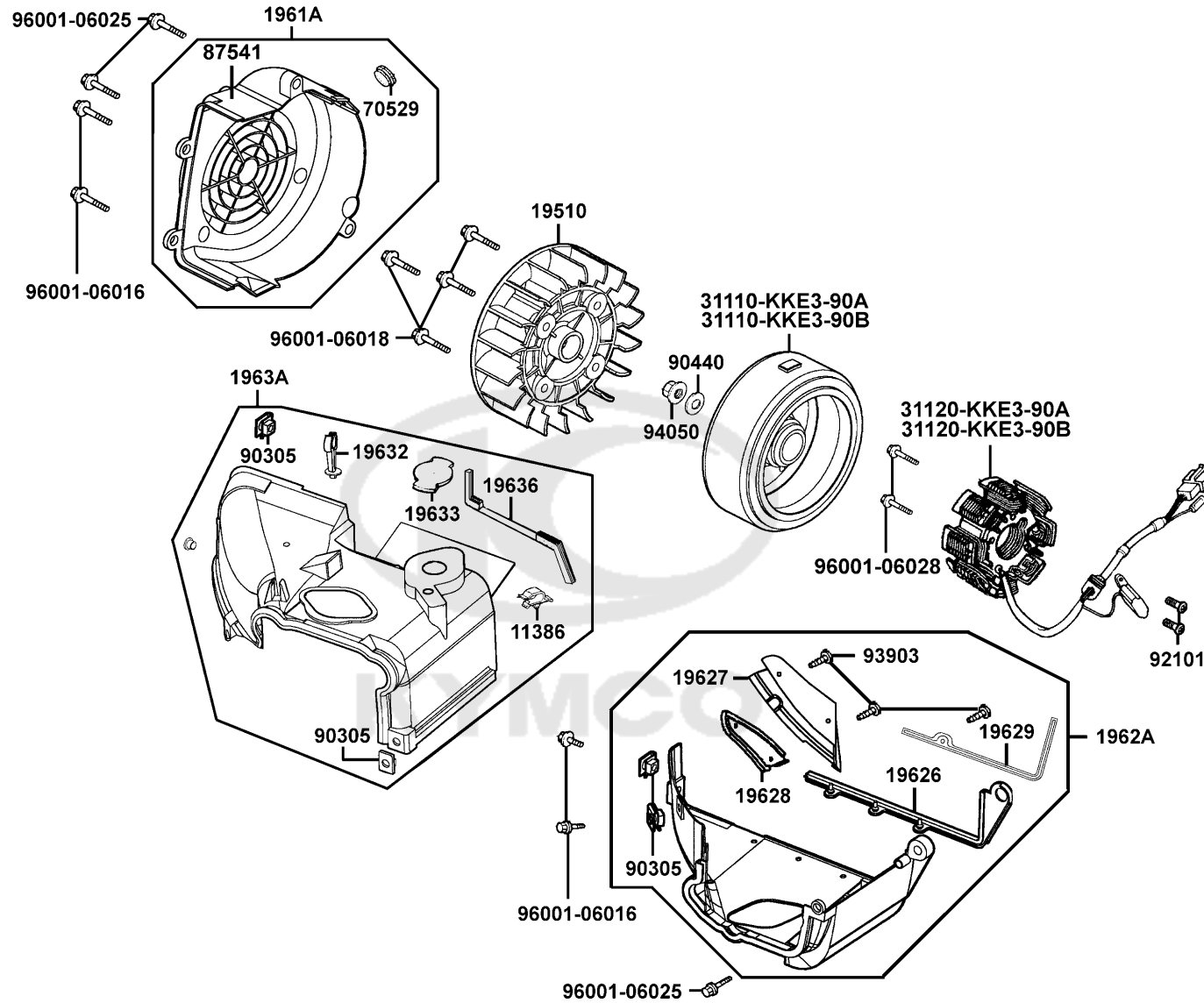
Sales mark	Ref no	Part no	Description	Reg description	Regd no	E06
	15100	15100-KFB7-900	PUMP ASSY OIL	PUMP ASSY OIL	1	
	15133	15133-GFY6-901	SPRKT OIL PUMP DRIVEN	SPROCKET OIL PUMP DRIVE	1	
	15141-GFY6-90B	15141-GFY6-90B	CHAIN OIL PUMP	CHAIN OIL PUMP	1	
	15141-GFY6-90C	15141-GFY6-90C	CHAIN OIL PUMP	CHAIN OIL PUMP	1	
	15711	15711-KUDU-900	SEPARATER OIL	SEPARATER OIL	1	
	28101	28101-GFY6-901	GEAR STARTER REDUCTION	GEAR STARTER REDUCTION	1	
	28102	28102-GFY6-901	SHAFT STARTER REDUCTION GEAR	SHAFT STARTER REDUCTION GEAR	1	
	28110	28110-GFY6-901	GEAR COMP STARTING CLUTCH	GEAR COMP STARTING CLUTCH	1	
	28120	28120-GFY6-315	OUTER COMP STARTING CLUTCH	OUTER COMP STARTING CLUTCH	1	
	28125-4F26	28125-4F26-001	SPRING ROLLER STARTER CLUTCH	SPRING ROLLER STARTER CLUTCH	3	
	28125-GFY6	28125-GFY6-960	FLANGE STARTING CLUTCH	FLANGE STARTING CLUTCH	1	
	28126	28126-KUDU-900	CAP STARTING ROLLER SPRING	CAP STARTING ROLLER SPRING	3	
	31205	31205-KGN7-670	BOLT SET	BOLT SET	2	
	31210-GFY6-200	31210-GFY6-200	MOTOR UNIT START	MOTOR UNIT START	1	
	31210-GFY6-20C	31210-GFY6-20C	MOTOR UNIT START	MOTOR UNIT START	1	
	32106	32106-KKE3-900	SUB HARNESS A	SUB HARNESS A	1	
	32410	32410-KUDU-900	CABLE START MOTOR	CABLE START MOTOR	1	
	90201	90201-GFY6-901	NUT LOCK 22MM	NUT LOCK 22MM	1	
	90403	90403-KUDU-900	WASHER THRUST 22.2*39*2.5	WASHER THRUST 22.2*39*2.5	1	
	90701	90701-HFB6-011	KEY WOODRUFF 25*14*4	KEY WOODRUFF 25X14X4	1	



Sales mark	Ref no	Part no	Description	Reg description	Regd no	E06
91101		91101-1K79-711	ROLLER 10*10	ROLLER 10*10	3	
91104-GFY6-90B-B	91104-GFY6-90B-B		BRG NEEDLE 28*32*17	BRG NEEDLE 28*32*17	1	
91104-GFY6-90B-R	91104-GFY6-90B-R		BRG NEEDLE 28*32*17	BRG NEEDLE 28*32*17	1	
91104-GFY6-90B-W	91104-GFY6-90B-W		BRG NEEDLE 28*32*17	BRG NEEDLE 28*32*17	1	
91104-GFY6-90C-B	91104-GFY6-90C-B		BRG NEEDLE 28*32*17	BRG NEEDLE 28*32*17	1	
91104-GFY6-90C-R	91104-GFY6-90C-R		BRG NEEDLE 28*32*17	BRG NEEDLE 28*32*17	1	
91104-GFY6-90C-W	91104-GFY6-90C-W		BRG NEEDLE 28*32*17	BRG NEEDLE 28*32*17	1	
91309		91309-4E25-004	O-RING 24.4*3.1	O-RING 24.4*3.1	1	
91981		91981-KGN7-670	SCREW WASH 5X8	SCREW WASH 5X8	1	
93500		93500-03010-1A	SCREW PAN 3*10	SCREW PAN 3*10	1	
93892		93892-04006-08	SCREW WASH 4*6	SCREW WASH 4*6	2	
94050		94050-06080	NUT FLANGE 6MM	NUT FLANGE 6MM	1	
94111		94111-05800	WASHER SPRING 5MM	WASHER SPRING 5MM	2	
94303		94303-04065	PIN DOWEL 4*6.5	PIN DOWEL 4*6.5	1	
96001-06012		96001-06012-08	BOLT FLANGE 6*12	BOLT FLANGE SH 6*12	2	
96001-06016		96001-06016-08	BOLT FLANGE SH 6*16	BOLT FLANGE SH 6*16	2	
96001-06028		96001-06028-08	BOLT FLANGE SH 6*28	BOLT FLANGE SH 6*28	2	
96220		96220-60100	ROLLER 6*10	ROLLER 6*10	1	
96600		96600-08010-10	SOCKET BOLT 8*10	SOCKET BOLT 8*10 (B)	3	

E07

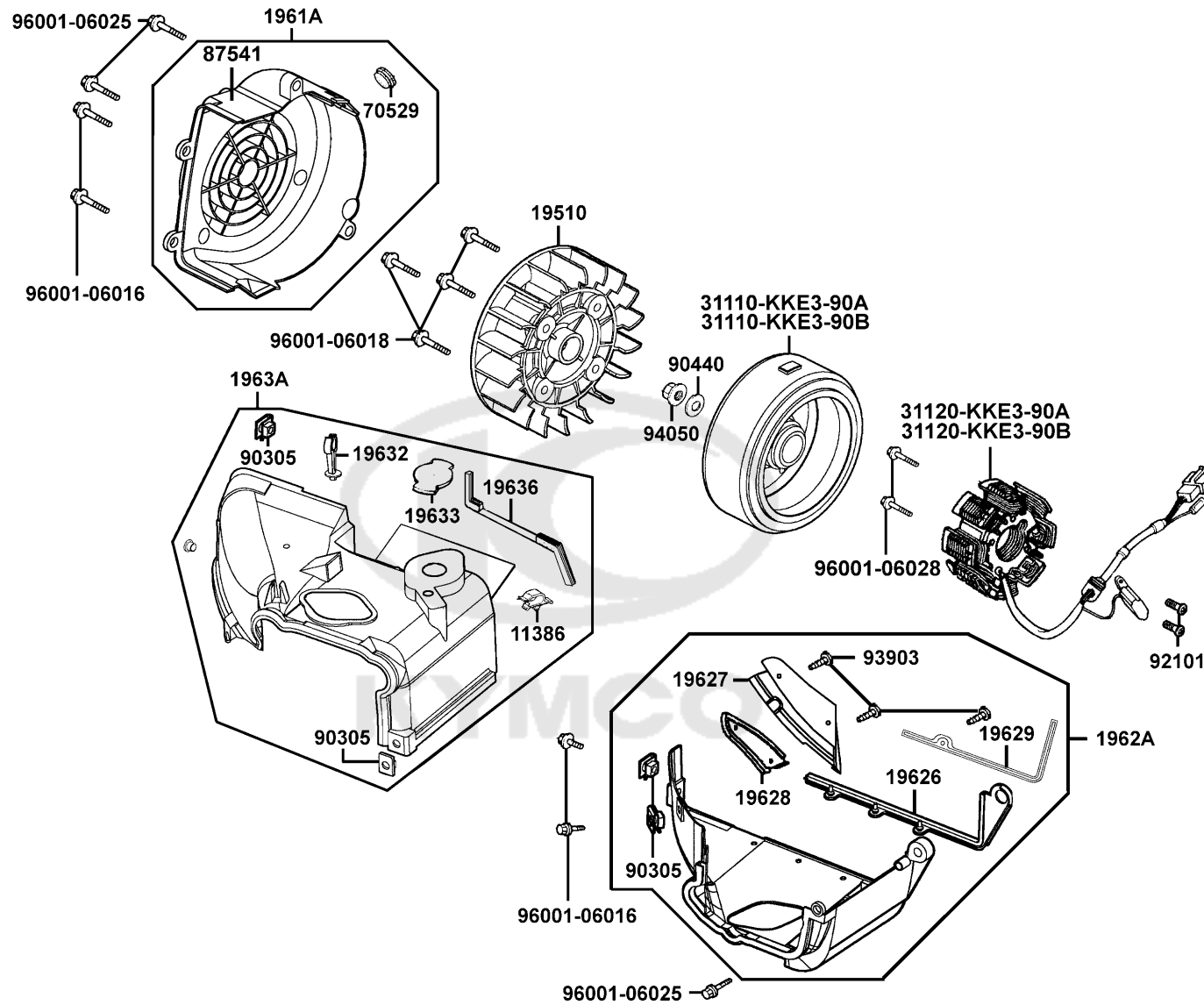
Starting Motor Oil Pump



Sales mark	Ref no	Part no	Description	Reg description	Regd no	E07
11386		11386-GFY6-900	CLIP VACUUM TUBE	CLIP VACUUM TUBE	1	
19510		19510-KFB7-900	FAN COMP COOLING	FAN COMP COOLING	1	
1961A		1961A-KUDU-E10	COVER ASSY FAN	COVER ASSY FAN	1	
19626		19626-KUDU-900	SEAL SHROUD A	SEAL SHROUD A	1	
19627		19627-LEJ8-E00	BAFFLE	BAFFLE	1	
19628		19628-LEJ8-E00	SEAL A BAFFLE	SEAL A BAFFLE	1	
19629		19629-LEJ8-E00	SEAL B BAFFLE	SEAL B BAFFLE	1	
1962A		1962A-LEJ8-E00	SHROUD ASSY A	SHROUD ASSY A	1	
19632		19632-GFY6-901	CLIP HIGHTENSION CORD	CLIP HIGHTENSION CORD	1	
19633		19633-GFY6-901	GROMMET SHROUD B	GROMMET SHROUD B	1	
19636		19636-KUDU-C00	SEAL SHROUD B	SEAL SHROUD B	1	
1963A		1963A-LEJ8-E00	SHROUD ASSY B	SHROUD ASSY B	1	
31110-KKE3-90A		31110-KKE3-90A	FLYWHEEL COMP	FLYWHEEL COMP	1	
31110-KKE3-90B		31110-KKE3-90B	FLYWHEEL COMP	FLYWHEEL COMP	1	
31120-KKE3-90A		31120-KKE3-90A	STATOR COMP	STATOR COMP	1	
31120-KKE3-90B		31120-KKE3-90B	STATOR COMP	STATOR COMP	1	
70529		70529-6G57-671	GROM B SIDE PNL	GROM B SIDE PNL	1	
90305		90305-GHK8-001	NUT CLIP 6MM	NUT CLIP 6MM	4	
90440		90440-1F66-001	WASHER PLAIN 12MM	WASHER PLAIN 12MM	1	
92101		92101-05012-0H	BOLT HEX 5*12	BOLT HEX 5*12	2	

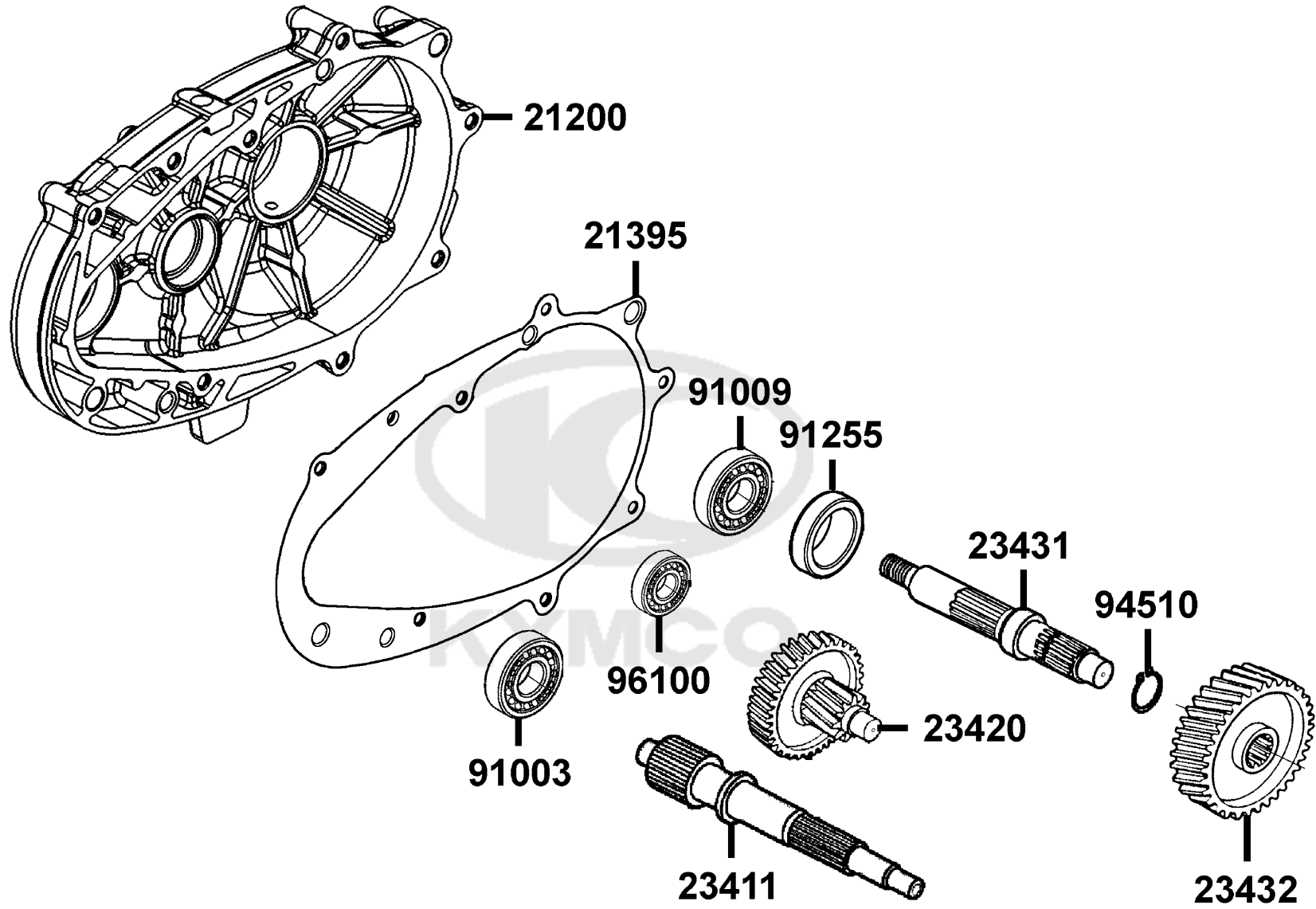
E07

Starting Motor Oil Pump

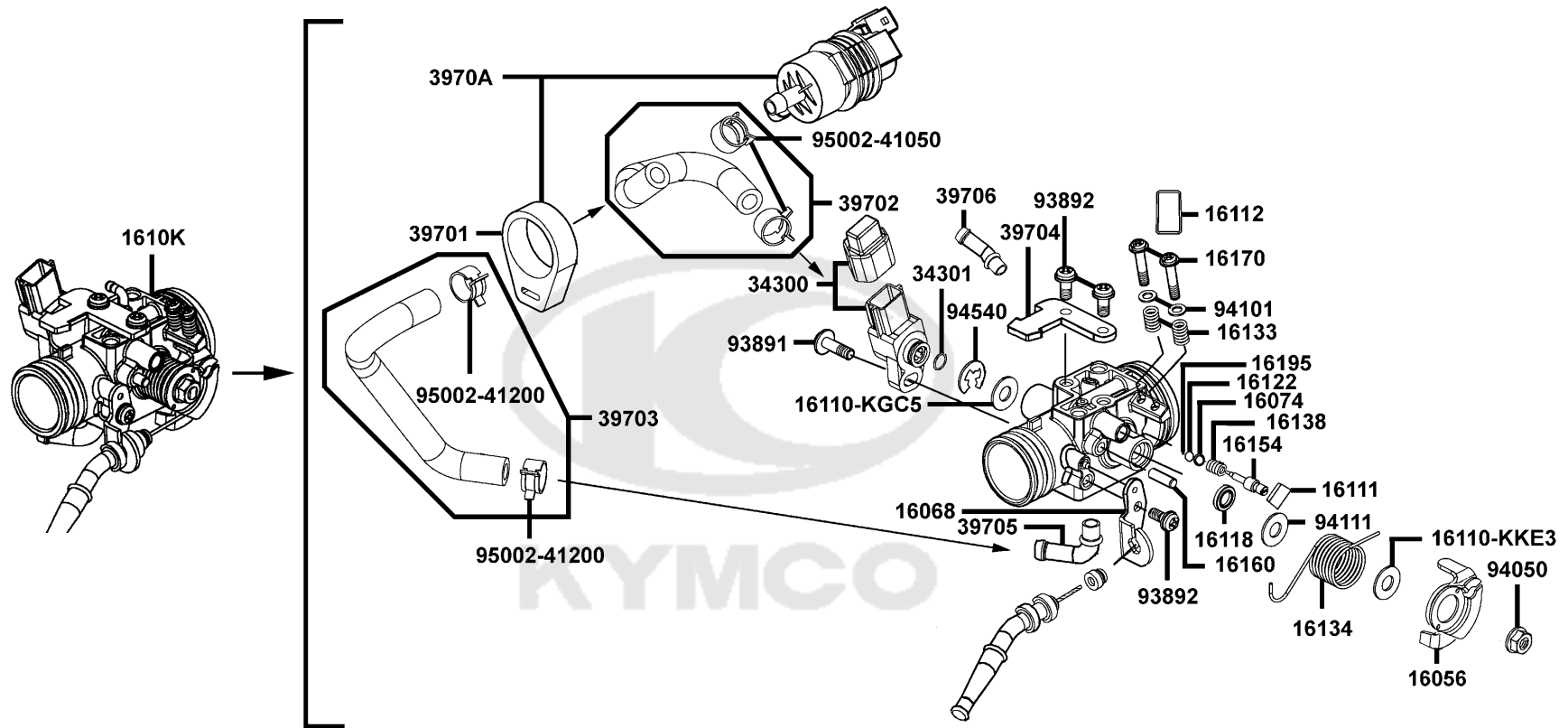


Sales mark	Ref no	Part no	Description	Reg description	Regd no	E07
	93903	93903-34360	SCREW TAPPING 4*12	SCREW TAPPING 4*12	3	
	94050	94050-12080	NUT C FLANGE 12MM	NUT FLANGE 12MM (C)	1	
	96001-06016	96001-06016-08	BOLT FLANGE SH 6*16	BOLT FLANGE SH 6*16	4	
	96001-06018	96001-06018-08	BOLT FLANGE SH 6*18	BOLT FLANGE SH 6*18	4	
	96001-06025	96001-06025-08	BOLT FLANGE SH 6*25	BOLT FLANGE 6*25	3	
	96001-06028	96001-06028-08	BOLT FLANGE SH 6*28	BOLT FLANGE SH 6*28	2	

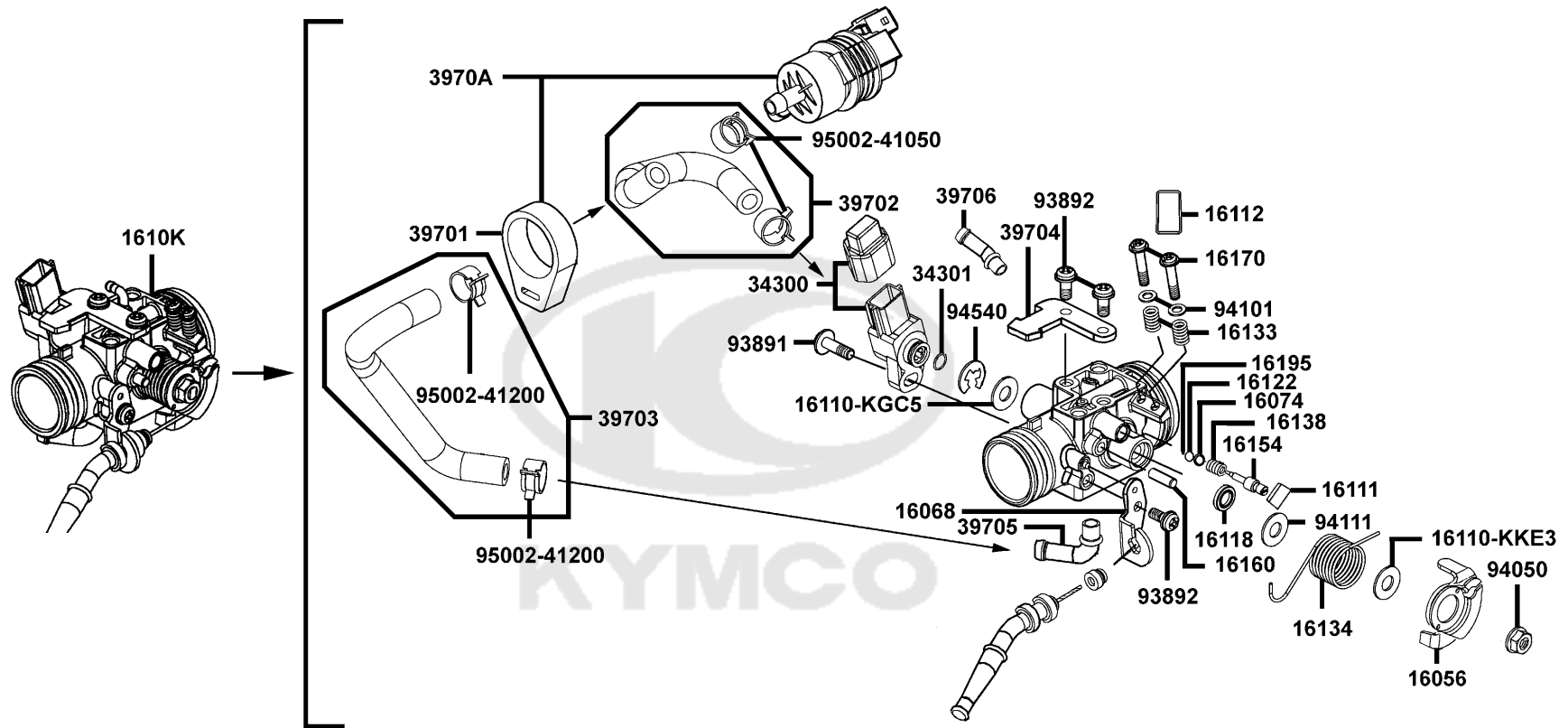




Sales mark	Ref no	Part no	Description	Reg description	Regd no	E08
21200		21200-LEJ8-E00	CASE SET MISSION	CASE SET MISSION	1	
21395		21395-LCD3-E0A	GASKET MISSION CASE @ A	GASKET MISSION CASE@A	1	
23411		23411-KHB4-900	SHAFT DRIVEN	SHAFT DRIVE	1	
23420		23420-LCD3-E00	SHAFT COMP COUNTER	SHAFT COMP COUNTER	1	
23431		23431-KHB4-900	SHAFT FINAL	SHAFT FINAL	1	
23432		23432-LCD3-E00	GEAR FINAL	GEAR FINAL	1	
91003		91003-KDS4-004	BRG BALL RADIAL 6301TMB	BRG BALL RADIAL 6301TMB	1	
91009		91009-GLE0-004	BRG BALL RADIAL 6004 UU	BRG BALL RADIAL 6004 UU	1	
91255		91255-GLE0-006	OIL SEAL 27*42*7	OIL SEAL 27*42*7	1	
94510		94510-20000	CIR CLIP EX 20	CIR CLIP EXTERNAL 20MM	1	
96100		96100-60020-00	BRG BALL RADIAL 6002	BEARING BALL RADIAL 6002	1	



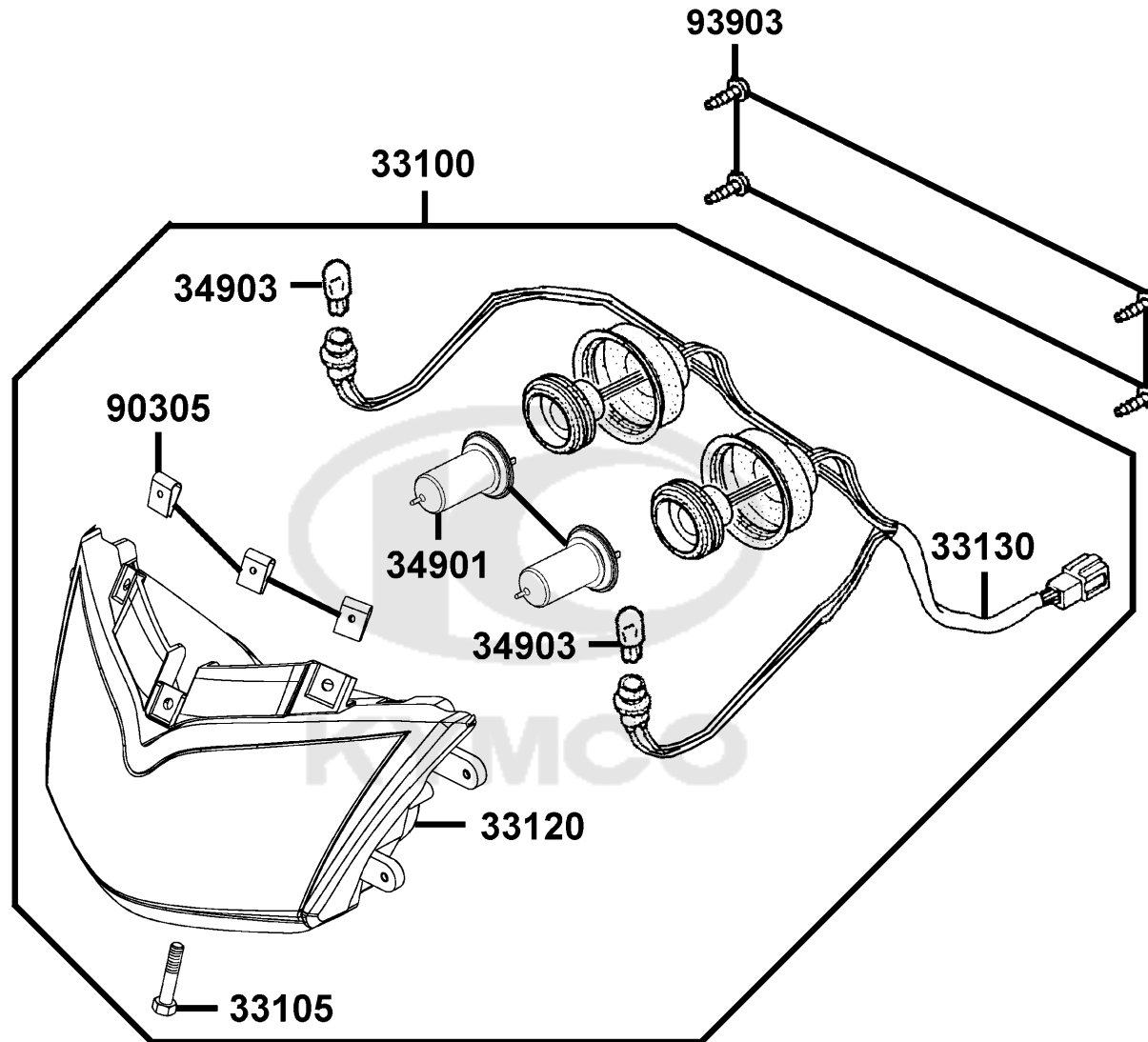
Sales mark	Ref no	Part no	Description	Reg description	Regd no	E09
16056		16056-KKE3-900	LEVER ASSY THROTTLE	LEVER ASSY THROTTLE	1	
16068		16068-KKE3-900	PLATE WIRE FIXED	PLATE WIRE FIXED	1	
16074		16074-KEC3-900	WASHER IDLE SCREW	WASHER IDLE SCREW	1	
1610K		1610K-LEJ8-E00	THROTTLE BODY ASSY	THROTTLE BODY ASSY	1	
16110-KGC5		16110-KGC5-900	WASHER THROTTLE ASSY	WASHER THROTTLE ASSY	1	
16110-KKE3		16110-KKE3-900	WASHER THROTTLE COMP	WASHER THROTTLE COMP	1	
16111		16111-KKE3-900	PLUG PILOT SCREW	PLUG PILOT SCREW	1	
16112		16112-KKE3-900	COVER IDLE SCREW	COVER IDLE SCREW	1	
16118		16118-KEC3-900	SEAL THROTTLE SHAFT	SEAL THROTTLE SHAFT	1	
16122		16122-KEC3-900	O-RING IDLE SCREW	O-RING IDLE SCREW	1	
16133		16133-KEC3-900	SPG THROTTLE ADJUST SCREW	SPG THROTTLE ADJUST SCREW	2	
16134		16134-KKE3-900	SPG THROTTLE SHAFT	SPG THROTTLE SHAFT	1	
16138		16138-KEC3-900	SPG IDLE ADJ SCREW	SPG IDLE ADJ SCREW	1	
16154		16154-KKE3-900	SCREW IDLE ADJUST	SCREW IDLE ADJUST	1	
16160		16160-KKE3-900	STOPPER THROTTLE	STOPPER THROTTLE	1	
16170		16170-KEC3-900	SCREW THROTTLE ADJUST	SCREW THROTTLE ADJUST	2	
16195		16195-KEC3-900	BALL 2.1	BALL 2.1	1	
34300		34300-KKE3-900	THROTTLE POSITION SENSOR	THROTTLE POSITION SENSOR	1	
34301		34301-KKE3-900	O-RING T.P.S.	O-RING T.P.S.	1	
39701		39701-KKE3-800	RUBBER BY-PASS VALVE MOUNT	RUBBER BY-PASS VALVE MOUNT	1	



Sales mark	Ref no	Part no	Description	Reg description	Regd no	E09
39702		39702-LEJ8-E00	TUBE ASSY BY-PASS VALVE INLET	TUBE ASSY BY-PASS VALVE INLET	1	
39703		39703-KKE3-900	TUBE ASSY BY-PASS VALVE OUTLET	TUBE ASSY BY-PASS VALVE OUTLET	1	
39704		39704-KKE3-900	BRACKET BY-PASS VALVE MOUNT	BRACKET BY-PASS VALVE MOUNT	1	
39705		39705-KKE3-900	PIPE BY PASS VALVE	PIPE BY PASS VALVE	1	
39706		39706-KKE3-900	PIPE B BY PASS VALVE	PIPE B BY PASS VALVE	1	
3970A		3970A-KKE3-800	BY PASS VALVE IDLE AIR	BY PASS VALVE IDLE AIR	1	
93891		93891-05016-08	SCREW WASHER 5*16	SCREW WASHER 5*16	1	
93892		93892-05010-08	SCREW WASH 5*10	SCREW WASH 5*10	3	
94050		94050-06080	NUT FLANGE 6MM	NUT FLANGE 6MM	1	
94101		94101-KKE3-900	WASHER PLAN 4.5*8*0.8	WASHER PLAN 4.5*8*0.8	2	
94111		94111-06800	WASHER SPG 6MM	WASHER SPG 6MM	1	
94540		94540-50029	E CLIP SHAFT	E CLIP SHAFT	1	
95002-41050		95002-41050-08	CLAMP D 10.5 TUBE	CLAMP D 10.5 TUBE	2	
95002-41200		95002-41200-08	FUEL TUBE CLAMP	FUEL TUBE CLAMP	2	

F01

Head Light

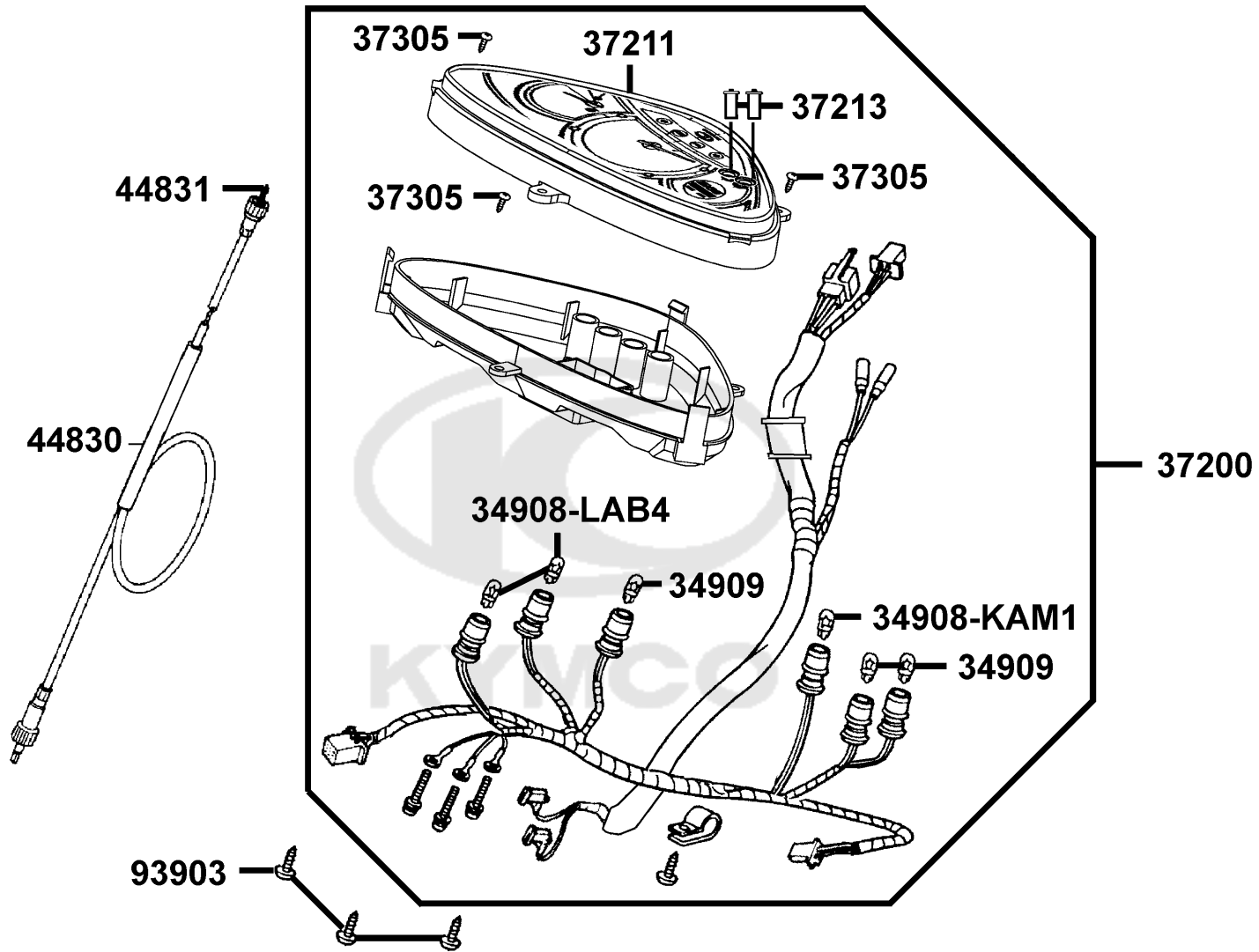


Sales mark	Ref no	Part no	Description	Reg description	Regd no	F01
	33100	33100-LCD3-E01	LIGHT ASSY HEAD	LIGHT ASSY HEAD	1	
	33105	33105-LCD3-E00	BOLT ADJUST	BOLT ADJUST	1	
	33120	33120-LCD3-E00	UNIT HEAD LIGHT	UNIT HEAD LIGHT	1	
	33130	33130-LCD3-E00	SOCKET COMP	SOCKET COMP	1	
	34901	34901-KFA6-900	BULB HEAD LIGHT	BULB HEAD LIGHT	2	
	34903	34903-KPCP-900	BULB POSITION	BULB POSITION	2	
	90305	90305-GHK8-001	NUT CLIP 6MM	NUT CLIP 6MM	3	
	93903	93903-35220	SCREW TAPPING 5*12	SCREW TAPPING 5*12	4	

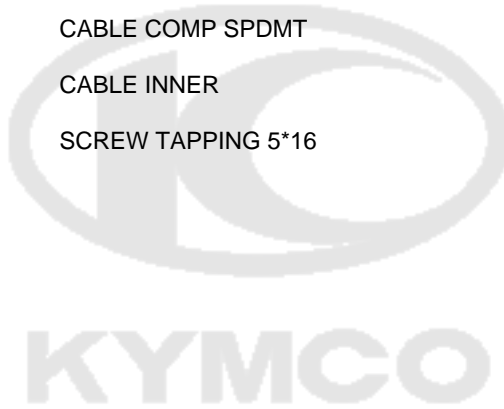


F02

Speedometer

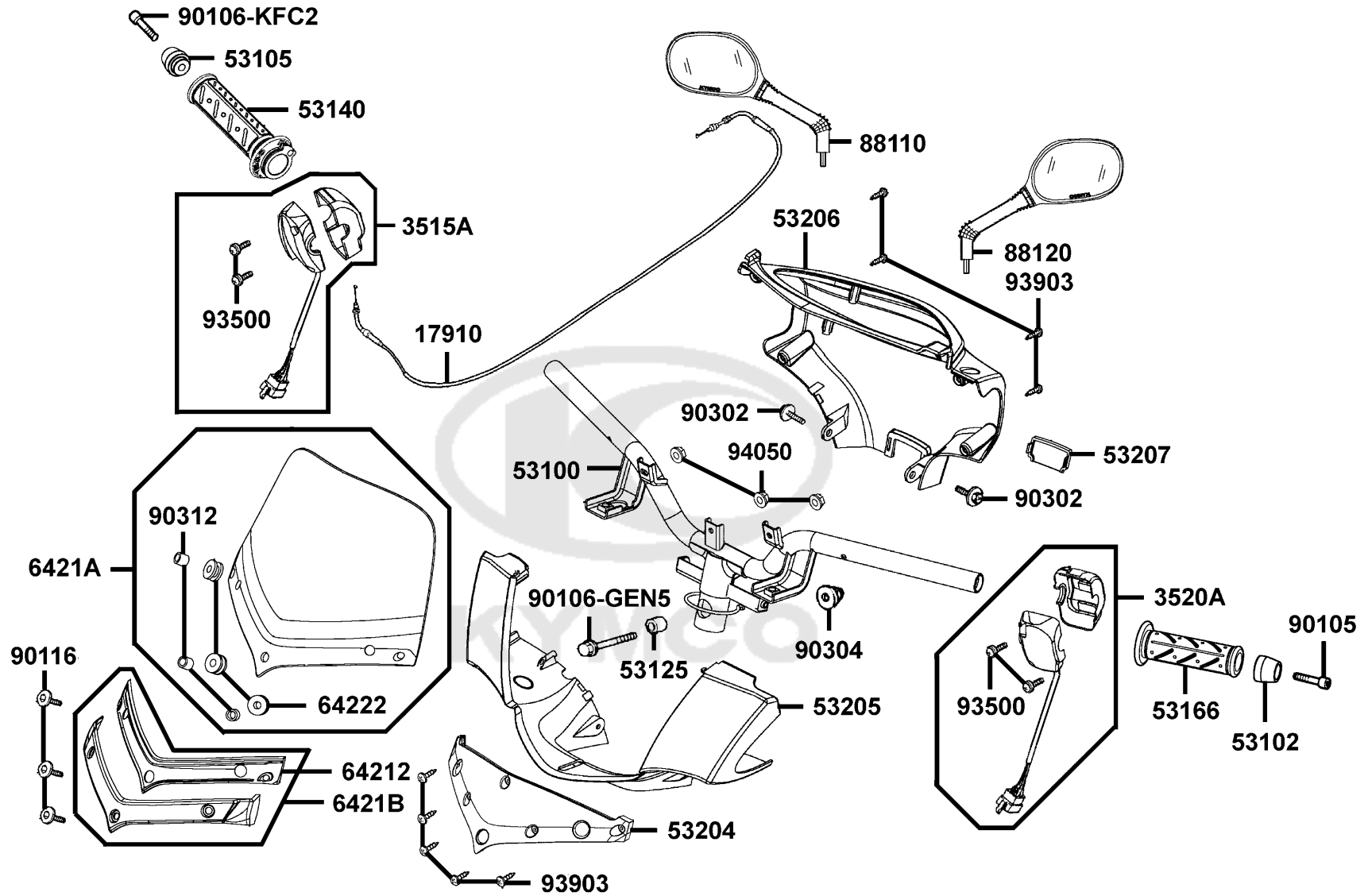


Sales mark	Ref no	Part no	Description	Reg description	Regd no	F02
	34908-KAM1	34908-KAM1-67A	BULB WEDGE BASE T6.5	BULB WEDGE BASE T6.5	1	
	34908-LAB4	34908-LAB4-900	BULB WEDGE BASE T10	BULB WEDGE BASE T10	2	
	34909	34909-KEBE-900	BULB WEDGE BASE T6.5	BULB WEDGE BASE T6.5	3	
	37200	37200-LEJ8-E01	METER ASSY SPEED	METER ASSY SPEED	1	
	37211	37211-LCD3-E01	LENS ASSY	LENS ASSY	1	
	37213	37213-LCD3-E00	PACKING (BOTTON)	PACKING (BOTTON)	2	
	37305	37305-KEE5-009	SCREW WASH 3*22	SCREW WASH 3*22	3	
	44830	44830-LCD3-E00	CABLE COMP SPDMT	CABLE COMP SPDMT	1	
	44831	44831-LCD3-E00	CABLE INNER	CABLE INNER	1	
	93903	93903-35320	SCREW TAPPING 5*16	SCREW TAPPING 5*16	3	



F03

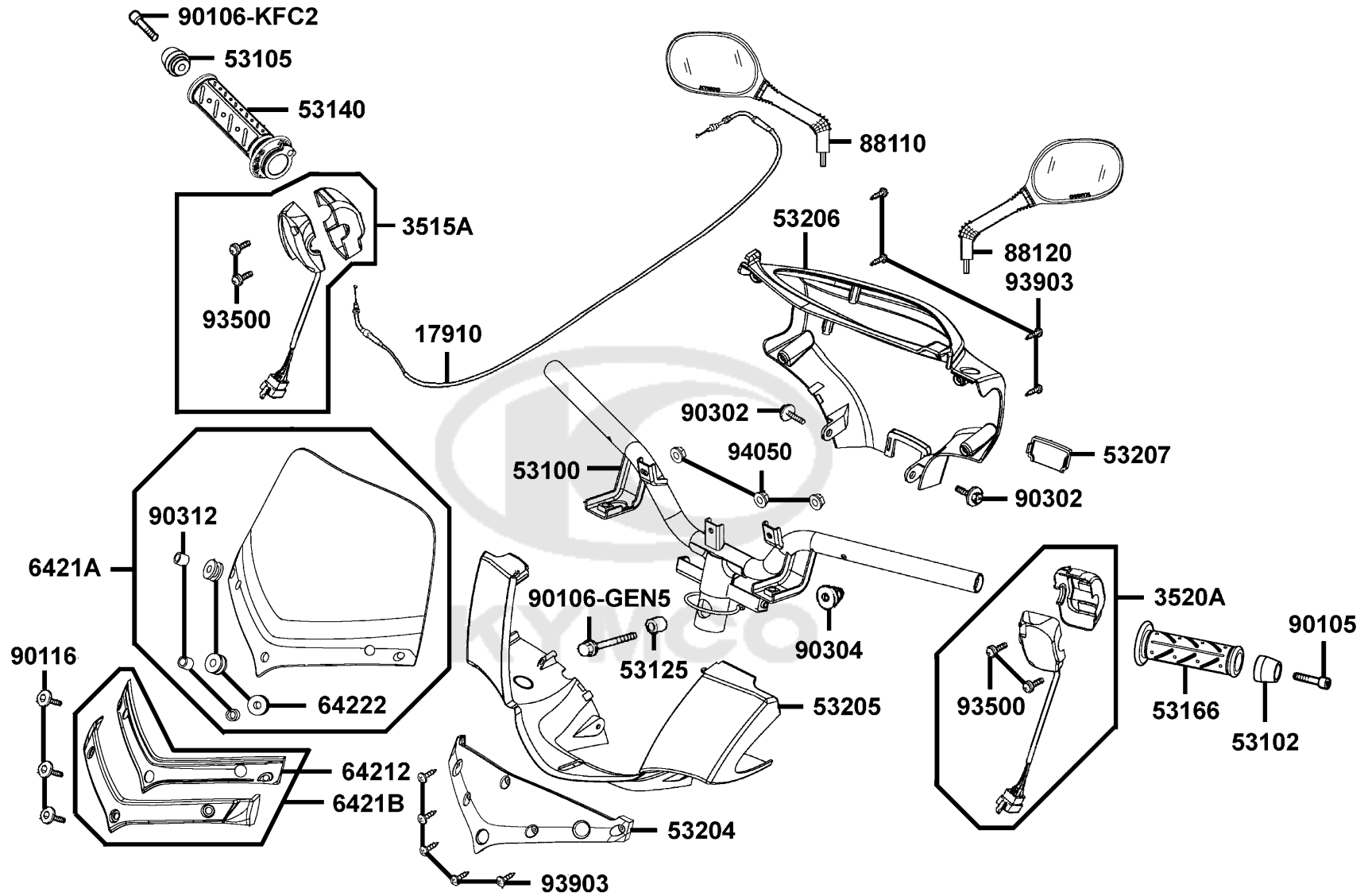
Handle SteeringHandle Cover



Sales mark	Ref no	Part no	Description	Reg description	Regd no	F03
	17910	17910-LEJ8-E00	CABLE COMP THROT	CABLE COMP THROT	1	
	3515A	3515A-KGBG-E00	SW ASSY RH HNDL COMP	SW ASSY RH HNDL COMP	1	
	3520A	3520A-LCD3-E00	SW ASSY LH HNDL COMP	SW ASSY LH HNDL COMP	1	
	53100	53100-LCD3-E00	HANDLE COMP STRG	HANDLE COMP STRG	1	
**	53102	53102-KEC8-900	END R STRG HANDLE	END R STRG HANDLE	1	
**	53105	53105-LBB5-E00	END R STRG HANDLE	END R STRG HANDLE	1	
	53125	53125-GEN5-901	COLLAR HANDLE SET	COLLAR HANDLE SET	1	
**	53140	53140-KGB5-900	GRIP COMP THROT	GRIP COMP THROT	1	
**	53166	53166-KGB5-900	GRIP L HANDLE	GRIP L HANDLE	1	
	53204	53204-LCD3-E00	COVER HEAD LIGHT	COVER HEAD LIGHT	1	
**	53205	53205-LCD3-E00	COVER FR HANDLE	COVER FR HANDLE	1	
**	53206	53206-LCD3-E00	COVER RR HANDLE	COVER RR HANDLE	1	
**	53207	53207-LCD3-E00	PLUG COVER RR HANDLE	PLUG COVER RR HANDLE	1	
	64212	64212-LCD3-E00	RUBBER VISOR OUT	RUBBER VISOR OUT	1	
**	6421A	6421A-LEJ8-E01	VISOR METER	VISOR METER	1	
	6421B	6421B-LCD3-E01	COVER ASSY VISOR OUT	COVER ASSY VISOR OUT	1	
	64222	64222-KKC4-900	RUBBER WIND SCREEN	RUBBER WIND SCREEN	3	
	88110	88110-LBD5-E00	MIRROR ASSY R BACK	MIRROR ASSY R BACK	1	
	88120	88120-LBD5-E00	MIRROR ASSY L BACK	MIRROR ASSY L BACK	1	
	90105	90105-KHB4-900	BOLT WASH M8*60	BOLT WASH M8*60	1	

F03

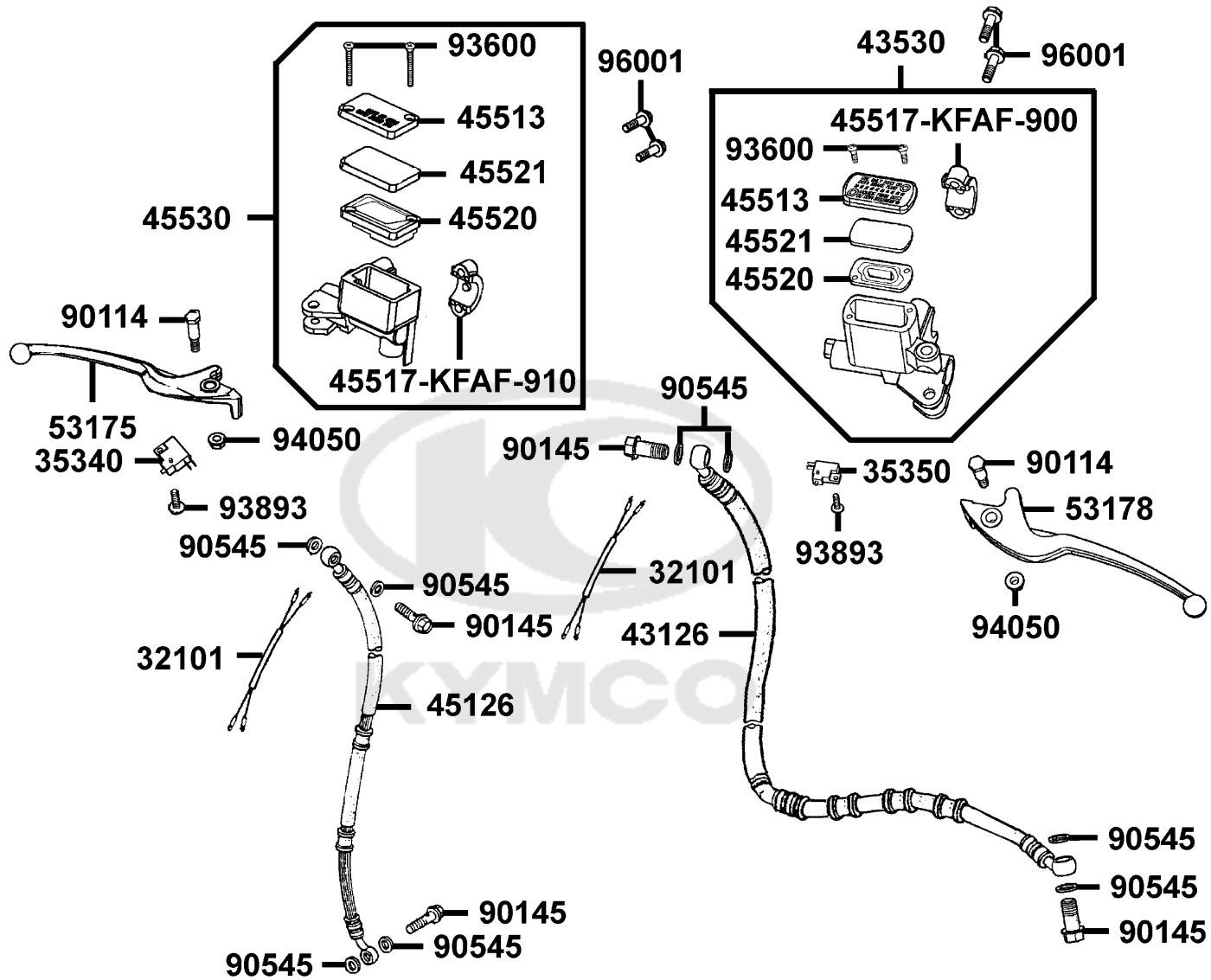
Handle SteeringHandle Cover



Sales mark	Ref no	Part no	Description	Reg description	Regd no	F03
	90106-GEN5	90106-GEN5-901	BOLT FLANGE 10*50	BOLT FLANGE 10*50	1	
	90106-KFC2	90106-KFC2-900	BOLT WASH 8MM	BOLT WASH 8MM	1	
	90116	90116-KED9-900	SCREW PAN 6*24	SCREW PAN 6*24	3	
	90302	90302-GFY6-940	BOLT-WASH 5*16	BOLT-WASH 5*16	2	
	90304	90304-GHE8-004	NUT U 10MM	NUT U 10MM	1	
	90312	90312-LCD3-E01	COLLAR VISOR	COLLAR VISOR	3	
	93500	93500-KGBG-900	SCREW TAPPING M 5*25L	SCREW TAPPING M 5*25L	4	
	93903	93903-34360	SCREW TAPPING 4*12	SCREW TAPPING 4*12	9	
	94050	94050-06080	NUT FLANGE 6MM	NUT FLANGE 6MM	3	

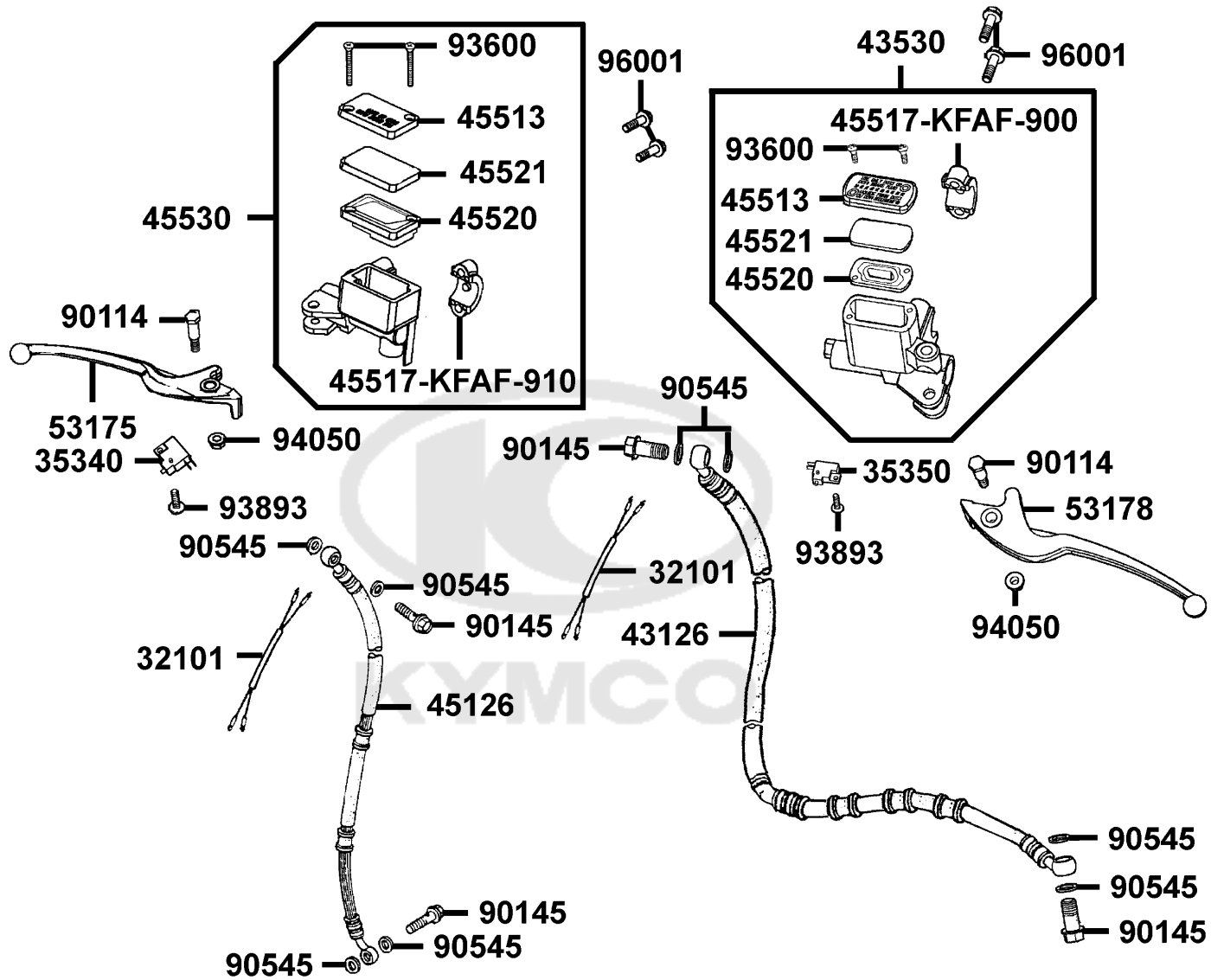


Brake Master Cylinder



Sales mark	Ref no	Part no	Description	Reg description	Regd no	F04
	32101	32101-GFY6-901	SUB CORD R/H	SUB CORD R/H	2	
	35340	35340-KNBN-901	SW ASSY FR STOP	SW ASSY FR STOP	1	
	35350	35350-KNBN-901	SW ASSY RR STOP	SW ASSY RR STOP	1	
	43126	43126-LEJ8-E00	HOSE ASSY RR BRK	HOSE ASSY RR BRK	1	
	43530	43530-KGB5-306	CYLINDER SET MASTER	CYLINDER SET MASTER	1	
	45126	45126-LCD3-E00	HOSE ASSY FR BRK	HOSE ASSY FR BRK	1	
	45513	45513-KCCC-900	CAP M/C	CAP M/C	2	
	45517-KFAF-900	45517-KFAF-900	HOLDER M/C	HOLDER M/C	1	
	45517-KFAF-910	45517-KFAF-910	HOLDER M/C	HOLDER M/C	1	
	45520	45520-KCCC-900	DIAPHRAGM	DIAPHRAGM	2	
	45521	45521-KCCC-900	PLATE DIAPHRAGM	PLATE DIAPHRAGM	2	
	45530	45530-KEB7-306	CYLINDER SET MASTER	CYLINDER SET MASTER	1	
**	53175	53175-KXBX-E10	LEVER R STRG HANDLE	LEVER R STRG HANDLE	1	
**	53178	53178-KKBK-E00	LEVER L STRG HANDLE	LEVER L STRG HANDLE	1	
	90114	90114-1F66-007	BOLT HANDLE LEVER	BOLT HANDLE LEVER	2	
	90145	90145-MKS9-61A	OIL BOLT 10*22	OIL BOLT 10*22	4	
	90545	90545-3L00-001	WASHER OIL BOLT	WASHER OIL BOLT	8	
	93600	93600-04012-1G	SCREW FLAT 4*12	SCREW FLAT 4*12	4	
	93893	93893-04012-18	SCREW WASHER 4*12	SCREW WASHER 4*12	2	
	94050	94050-06060	NUT FLANGE 6MM	NUT FLANGE 6MM	2	

Brake Master Cylinder



Sales mark	Ref no	Part no	Description	Reg description	Regd no	F04
------------	--------	---------	-------------	-----------------	---------	------------

96001

96001-06022-06

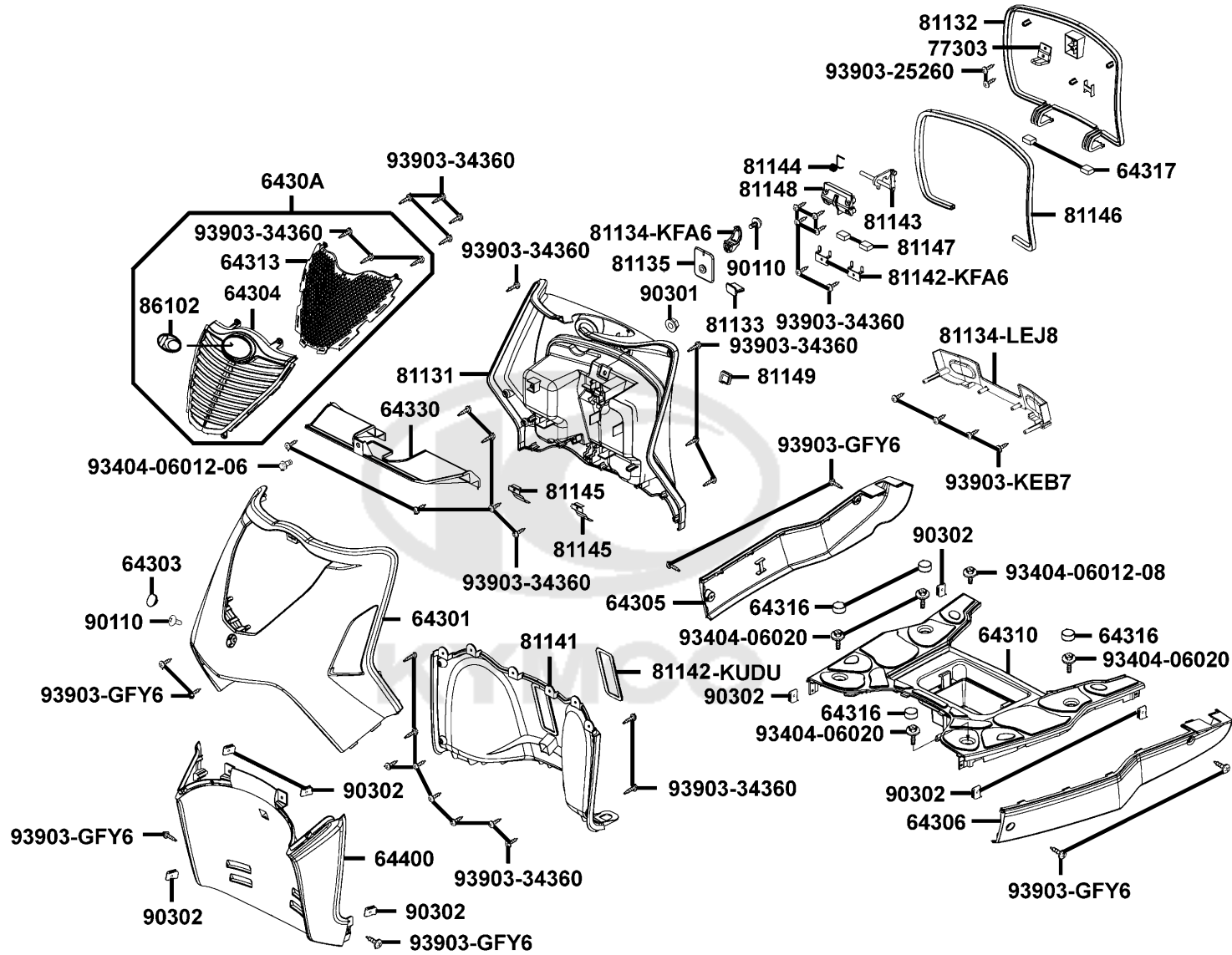
BOLT FLANGE 6*20

BOLT FLANGE 6*20

4

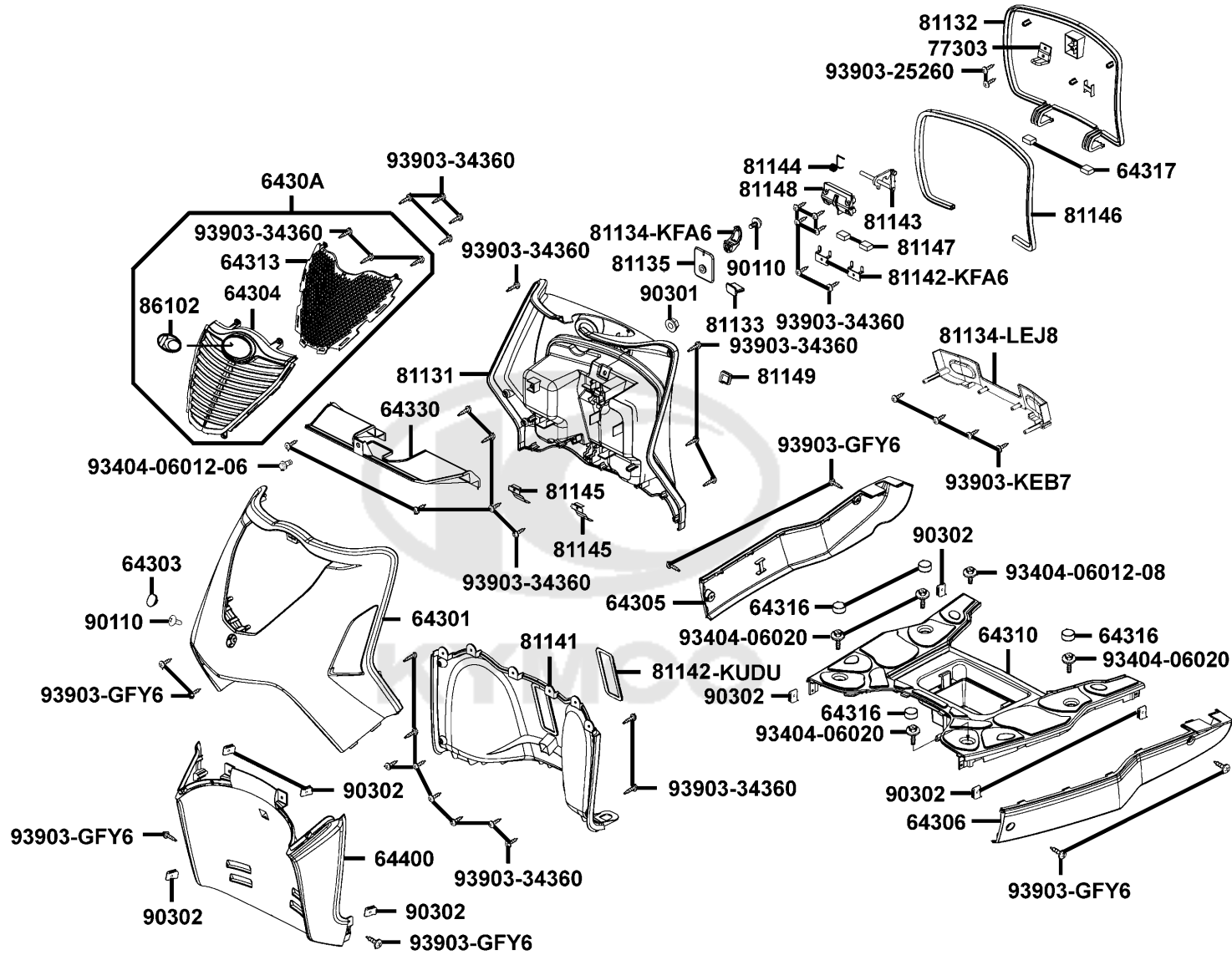


Front CoverFloor Panel

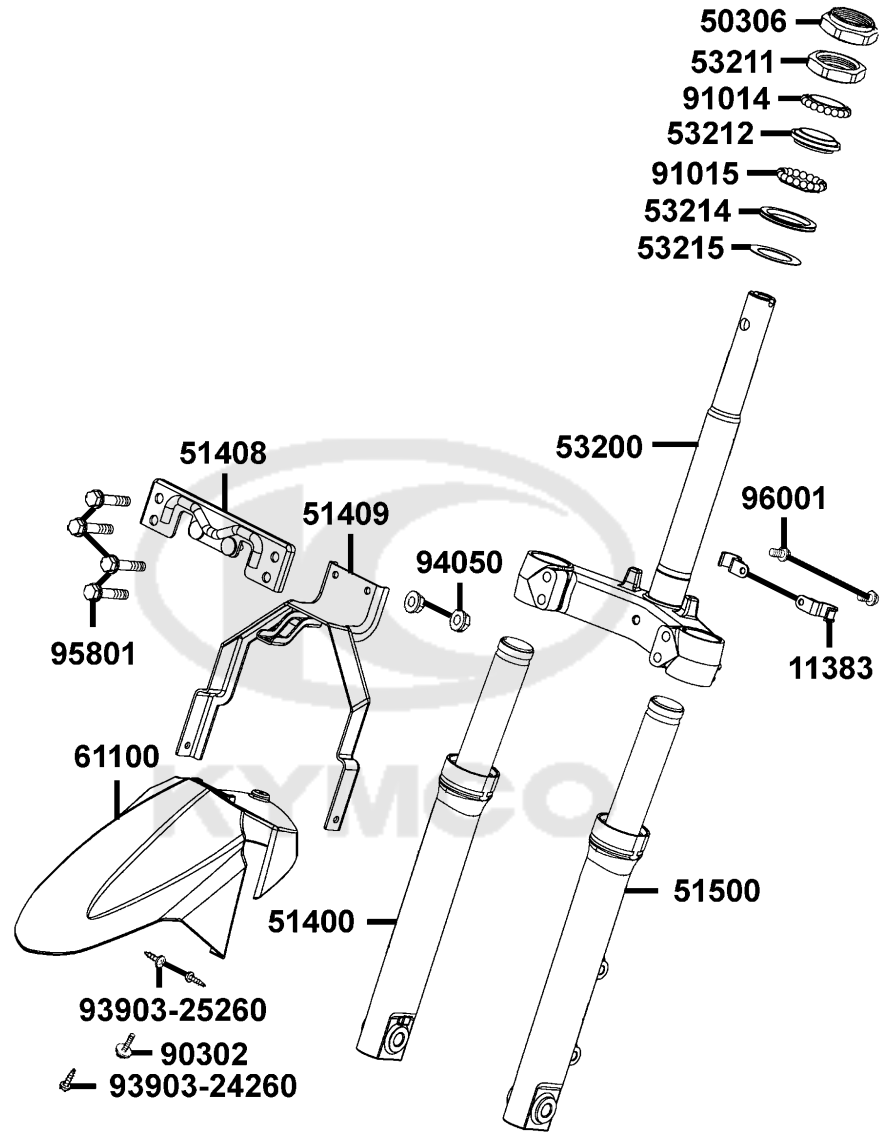


Sales mark	Ref no	Part no	Description	Reg description	Regd no	F05
**	64301	64301-LCD3-E00	COVER FRONT	COVER FRONT	1	
**	64303	64303-LCD3-E00	FR TOP	FR TOP	1	
	64304	64304-LCD3-E00	GRILL FR COVER	GRILL FR COVER	1	
**	64305	64305-LCD3-E00	SKIRT R SIDE	SKIRT R SIDE	1	
**	64306	64306-LCD3-E00	SKIRT L SIDE	SKIRT L SIDE	1	
	6430A	6430A-LCD3-E00	COVER ASSY FR GRILL	COVER ASSY FR GRILL	1	
**	64310	64310-LCD3-E00	FLOOR PANEL	FLOOR PANEL	1	
**	64313	64313-LCD3-E00	GRILL FR COVER INNER	GRILL FR COVER INNER	1	
	64316	64316-LCD3-E00	PLUG RR FLOOR	PLUG RR FLOOR	4	
	64317	64317-LCD3-E00	SEAL INNER BOX LID	SEAL INNER BOX LID	2	
	64330	64330-LCD3-E00	PLATE FR INNER	PLATE FR INNER	1	
**	64400	64400-LCD3-E00	COWL UNDER	COWL UNDER	1	
	77303	77303-KGC4-E00	HOOK SEAT LOCK	HOOK SEAT LOCK	1	
**	81131	81131-LCD3-E01	LEG SHIELD UP	LEG SHIELD UP	1	
**	81132	81132-LCD3-E00	LID INNER BOX	LID INNER BOX	1	
	81133	81133-KNBN-901	STOPPER LUGGAGE	STOPPER LUGGAGE	1	
	81134-KFA6	81134-KFA6-900	HOOK LUGGAGE	HOOK LUGGAGE	1	
	81134-LEJ8	81134-LEJ8-E00	"PLATE,INNER BOX"	"PLATE,INNER BOX"	1	
	81135	81135-KGBG-900	STAY LUGGAGE HOOK	STAY LUGGAGE HOOK	1	
**	81141	81141-LCD3-E00	LEG SHIELD LOW	LEG SHIELD LOW	1	

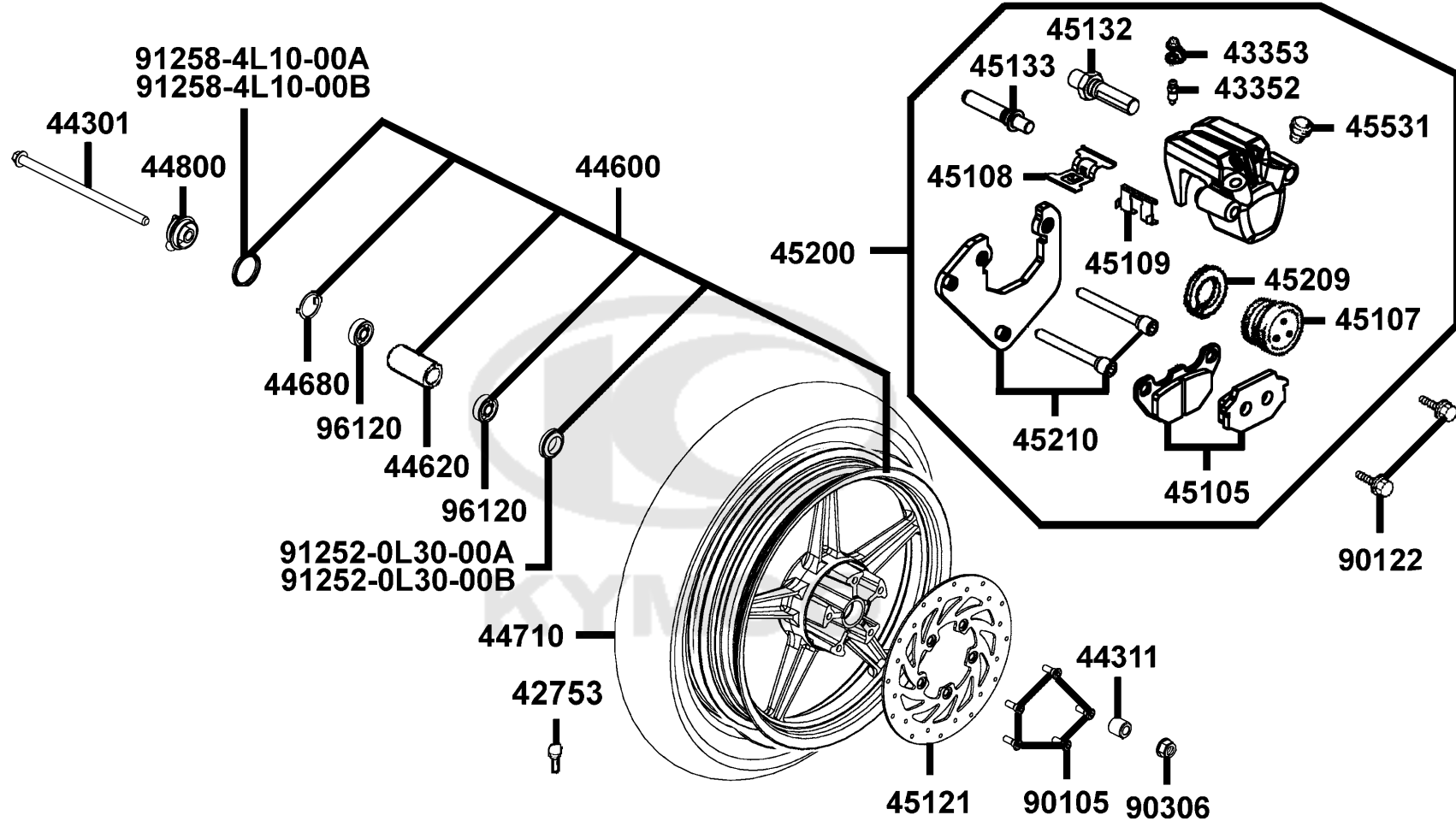
Front CoverFloor Panel



Sales mark	Ref no	Part no	Description	Reg description	Regd no	F05
	81142-KFA6	81142-KFA6-900	STAY LID INNER BOX	STAY LID INNER BOX	2	
**	81142-KUDU	81142-KUDU-900	LID LEG SHIELD	LID LEG SHIELD	1	
	81143	81143-LCD3-E00	LID CATCH INNER BOX	LID CATCH INNER BOX	1	
	81144	81144-LCD3-E00	SPRING HOOK BAR	SPRING HOOK BAR	1	
	81145	81145-LCD3-E00	SPRING INNER BOX LID	SPRING INNER BOX LID	2	
	81146	81146-LCD3-E00	SEAL LID INNER BOX	SEAL LID INNER BOX	1	
	81147	81147-LCD3-E00	SPONGE INNER BOX LID	SPONGE INNER BOX LID	2	
	81148	81148-LCD3-E00	HOLDER LID CATCH	HOLDER LID CATCH	1	
	81149	81149-LCD3-E00	PLUG INNER BOX	PLUG INNER BOX	1	
**	86102	86102-LCD3-E00	EMB K-LOGO 38MM	EMB K-LOGO 38MM	1	
	90110	90110-GLW0-001	SCREW SPECIAL 6*14	SCREW SPECIAL 6*14	2	
	90301	90301-6D34-671	NUT FLANGE 6MM	NUT FLANGE 6MM	1	
	90302	90302-SDA4-004	NUT SPRING 4MM	NUT SPRING 4MM	8	
	93404-06012-06	93404-06012-06	BOLT WASH 6*12	BOLT WASH 6*12	1	
	93404-06012-08	93404-06012-08	BOLT WASHER 6*12	BOLT WASHER 6*12	1	
	93404-06020	93404-06020-06	BOLT WASH 6*20	BOLT WASH 6*20	4	
	93903-25260	93903-25260	SCREW TAPPING 5*12	SCREW TAPPING 5*12	2	
	93903-34360	93903-34360	SCREW TAPPING 4*12	SCREW TAPPING 4*12	33	
	93903-GFY6	93903-GFY6-900	SCREW TAPPING 4*14	SCREW TAPPING 4*14	8	
	93903-KEB7	93903-KEB7-900-06	SCREW WASHER 4*12 (G)	SCREW WASHER 4*12 (G)	4	



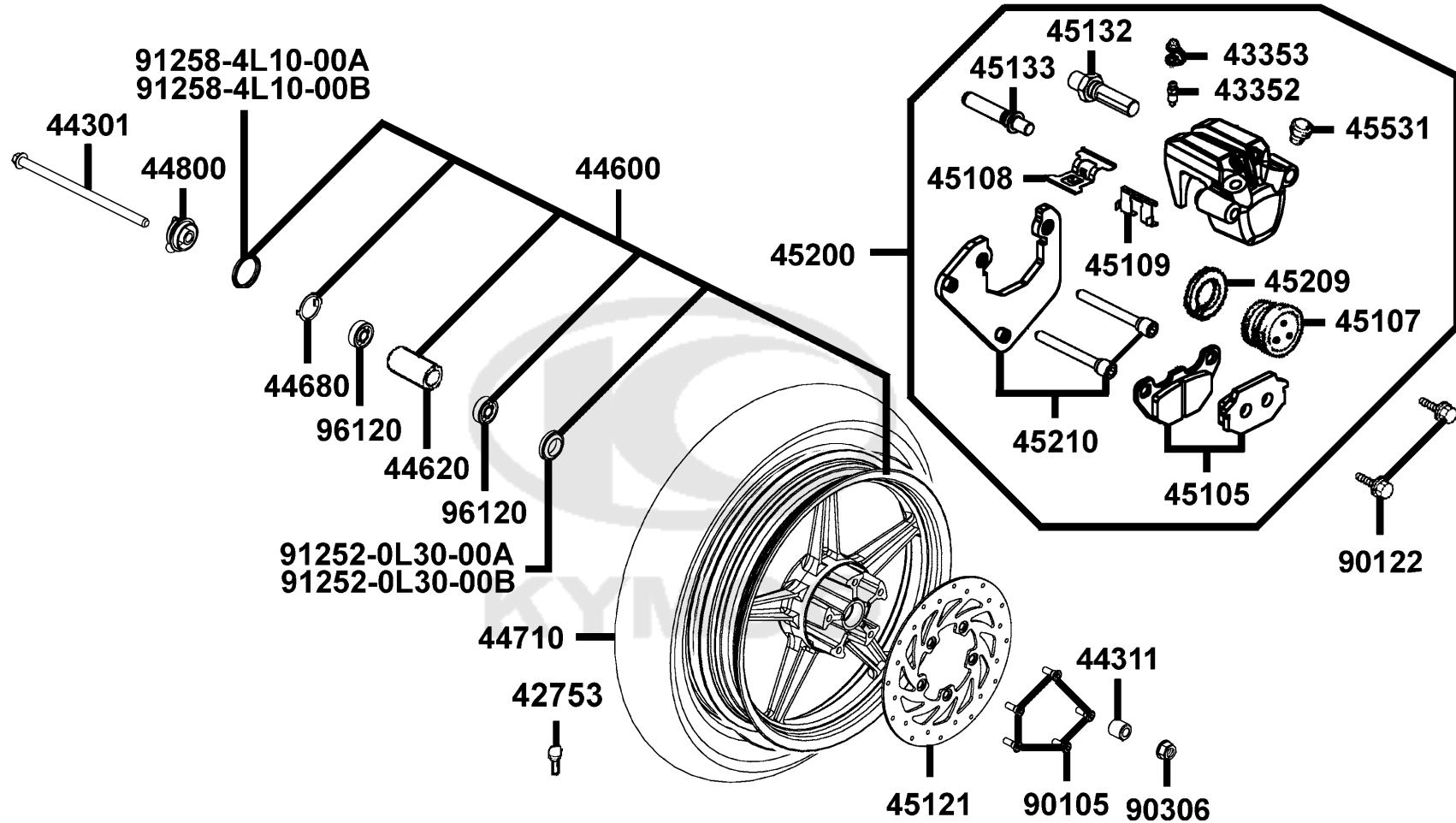
Sales mark	Ref no	Part no	Description	Reg description	Regd no	F06
	11383	11383-KHE7-900	CLAMPER RR BRK HOSE	CLAMPER RR BRK HOSE	2	
	50306	50306-1F96-001	NUT STRG STEM LOCK	NUT STRG STEM LOCK	1	
**	51400	51400-LCD3-E00	FORK ASSY RH FR	FORK ASSY RH FR	1	
	51408	51408-LCD3-E00	BRK FR FENDER STAY	BRK FR FENDER STAY	1	
	51409	51409-LCD3-E00	STAY FR FENDER	STAY FR FENDER	1	
**	51500	51500-LCD3-E00	FORK ASSY LH FR	FORK ASSY LH FR	1	
	53200	53200-LCD3-E00	STEM COMP STRG	STEM COMP STRG	1	
	53211	53211-GFY6-940	RACE STRG TOP CONE	RACE STRG TOP CONE	1	
	53212	53212-2L50-011	RACE STRG BOT CONE	RACE (STRG BOTTOM) CONE	1	
	53214	53214-2L50-001	DUST SEAL STRG(HEAD)	DUST SEAL STRG (HEAD)	1	
	53215	53215-2L50-001	WASH STRG HDL DUST-SEAL	WASH STRG HDL DUST-SEAL	1	
**	61100	61100-LCD3-E00	FENDER FR	FENDER FR	1	
	90302	90302-GFY6-901	BOLT WASH 5*12	BOLT WASH 5*12	1	
	91014	91014-LLJ3-E00	CAGE STEERING TOP	CAGE STEERING TOP	1	
	91015	91015-LLJ3-E00	CAGE STEERING BOT	CAGE STEERING BOT	1	
	93903-24260	93903-24260	SCREW TAPPING 4*10	SCREW TAPPING 4*10	1	
	93903-25260	93903-25260	SCREW TAPPING 5*12	SCREW TAPPING 5*12	2	
	94050	94050-06060	NUT FLANGE 6MM	NUT FLANGE 6MM	2	
	95801	95801-08040-06	BOLT FLANGE 8*40	BOLT FLANGE 8*40	4	
	96001	96001-06012-08	BOLT FLANGE 6*12	BOLT FLANGE SH 6*12	2	



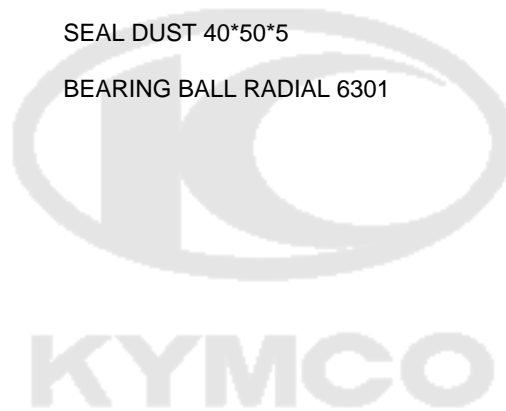
Sales mark	Ref no	Part no	Description	Reg description	Regd no	F07
	42753	42753-KNBN-90B	VALAE RIM (TR412)	VALAE RIM (TR412)	1	
	43352	43352-5H68-004	SCREW BLEEDER	SCREW BLEEDER	1	
	43353	43353-4A61-77A	CAP BLEEDER	CAP BLEEDER	1	
	44301	44301-KXCX-900	AXLE FR WHEEL	AXLE FR WHEEL	1	
	44311	44311-KHB4-900	COLLAR FR WHEEL SIDE	COLLAR FR WHEEL SIDE	1	
**	44600	44600-LCD3-305	WHEEL SET FR	WHEEL SET FR	1	
	44620	44620-KFLF-930	COLLAR FR DIST	COLLAR FR DIST	1	
	44680	44680-4L10-001	RETAINER GEAR BOX	RETAINER GEAR BOX	1	
	44710	44710-LCD3-E0A	TIRE ASSY FR /KENDA	TIRE ASSY FR /KENDA	1	
	44800	44800-KFA6-900	GEAR BOX ASSY SPDMT	GEAR BOX ASSY SPDMT	1	
	45105	45105-KFA6-305	PAD SET	PAD SET	1	
	45107	45107-KFA6-900	PISTON	PISTON	1	
	45108	45108-KFA6-900	SPRING PAD	SPRING PAD	1	
	45109	45109-KFA6-900	DUST SEAL	DUST SEAL	1	
	45121	45121-LCD3-E00	DISK FR BRAKE	DISK FR BRAKE	1	
	45132	45132-KFA6-900	BUSH BOOT PIN	BUSH BOOT PIN	1	
	45133	45133-KFA6-900	BOOT B	BOOT B	1	
**	45200	45200-LCD3-E00	CALIPER ASSY FR LH	CALIPER ASSY FR LH	1	
	45209	45209-KFA6-900	SEAL PISTON	SEAL PISTON	1	
	45210	45210-LCD3-305	BRACKET L	BRACKET L	1	

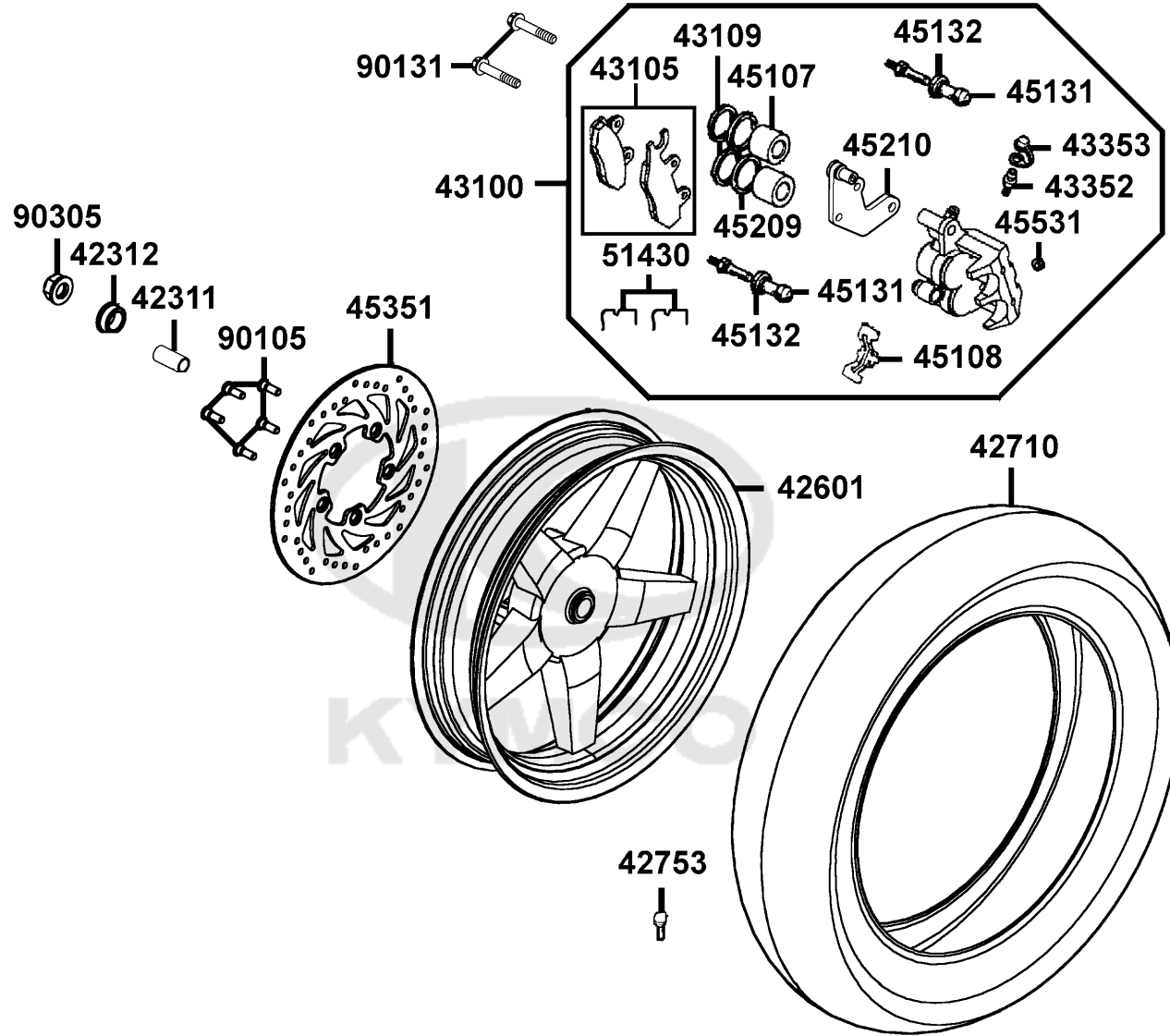
F07

Front Wheel

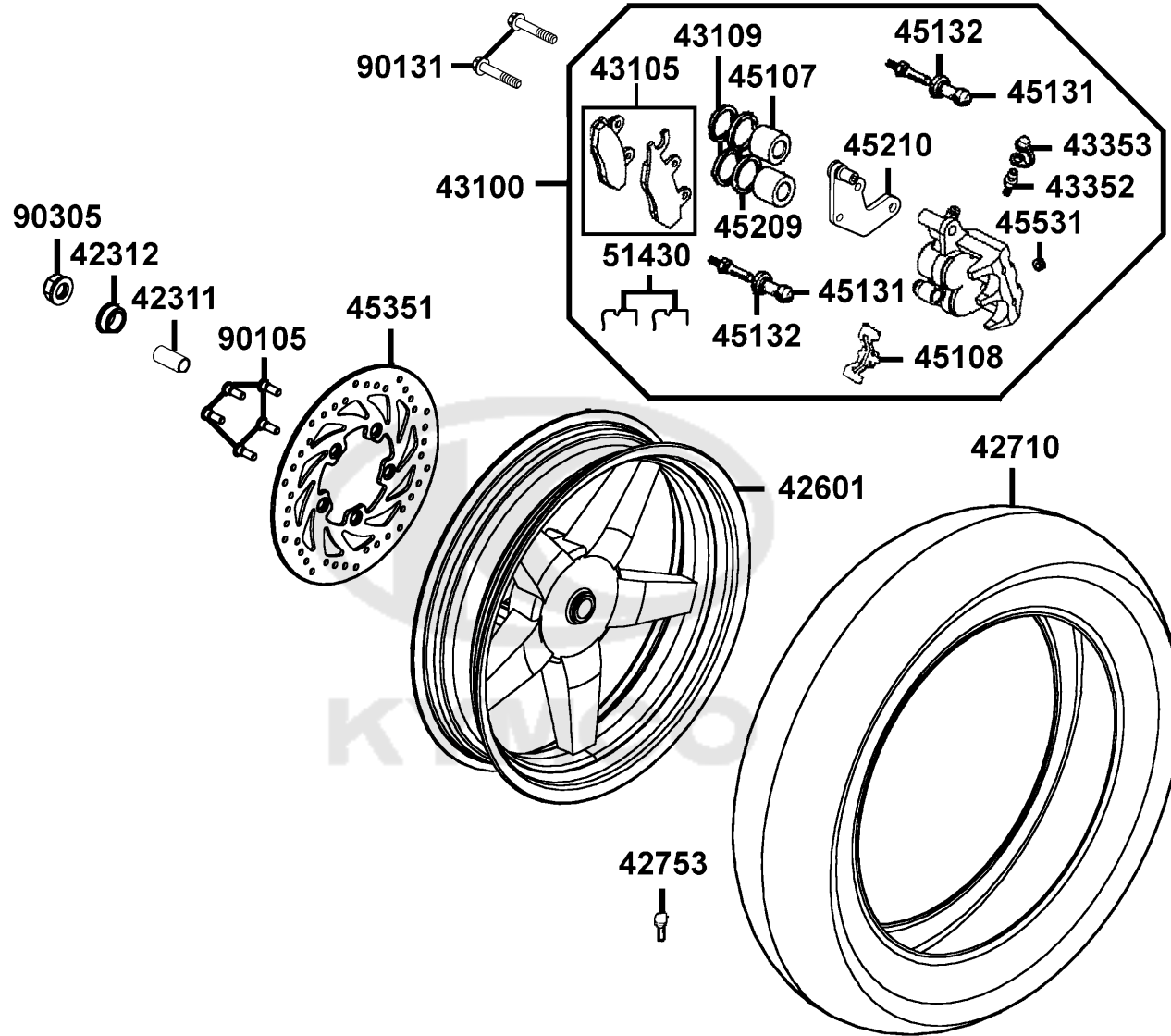


Sales mark	Ref no	Part no	Description	Reg description	Regd no	F07
45531		45531-GAR1-951	PLUG	PLUG	1	
90105		90105-KCR3-001	BOLT FR DISK 8*24	BOLT FR DISK 8*24	5	
90122		90122-KEBE-900	BOLT FLANGE 8*32	BOLT FLANGE 8*32	2	
90306		90306-KLF0-901	NUT FLANGE 12MM	NUT FLANGE 12MM	1	
91252-0L30-00A		91252-0L30-00A	OIL SEAL WHEEL 23*37*7	OIL SEAL WHEEL 23*37*7	1	
91252-0L30-00B		91252-0L30-00B	OIL SEAL WHEEL 23*37*7	OIL SEAL WHEEL 23*37*7	1	
91258-4L10-00A		91258-4L10-00A	SEAL DUST 40*50*5	SEAL DUST 40*50*5	1	
91258-4L10-00B		91258-4L10-00B	SEAL DUST 40*50*5	SEAL DUST 40*50*5	1	
96120		96120-63010-10	BEARING BALL RADIAL 6301	BEARING BALL RADIAL 6301	2	





Sales mark	Ref no	Part no	Description	Reg description	Regd no	F08
	42311	42311-KHB4-900	COLLAR RR AXLE A	COLLAR RR AXLE A	1	
	42312	42312-KHB4-900	COLLAR RR AXLE SIDE	CLOLLAR RR AXLE SIDE	1	
**	42601	42601-LEJ8-E00	WHEEL COMP RR CAST	WHEEL COMP RR CAST	1	
	42710	42710-LCD3-E0A	TIRE ASSY RR /KENDA	TIRE ASSY RR /KENDA	1	
	42753	42753-KNBN-90B	VALAE RIM (TR412)	VALAE RIM (TR412)	1	
**	43100	43100-LEJ8-E00	CALIPER ASSY RR	CALIPER ASSY RR	1	
#	43105	43105-LDH1-305	PAD SET	PAD SET	1	
	43109	43109-GBN2-007	DUST SEAL	DUST SEAL	2	
	43352	43352-KKD6-E90	SCREW BLEEDER	SCREW BLEEDER	1	
	43353	43353-4A61-77A	CAP BLEEDER	CAP BLEEDER	1	
	45107	45107-MEN5-007	PISTON	PISTON	2	
	45108	45108-LDH1-E00	SPRING PAD	SPRING PAD	1	
	45131	45131-LDH1-E00	PIN BOLT	PIN BOLT	2	
	45132	45132-LDH1-E00	BUSH BOOT PIN	BUSH BOOT PIN	2	
	45209	45209-GBE2-007	SEAL PISTON	SEAL PISTON	2	
**	45210	45210-LDF2-E00	BRACKET FR CALIPER	BRACKET FR CALIPER	1	
	45351	45351-LLJ3-E00	DISK FR BRAKE	DISK FR BRAKE	1	
	45531	45531-GAR1-951	PLUG	PLUG	1	
	51430	51430-LDH1-E00	SLIDE PAD	SLIDE PAD	2	
	90105	90105-KCR3-001	BOLT FR DISK 8*24	BOLT FR DISK 8*24	5	



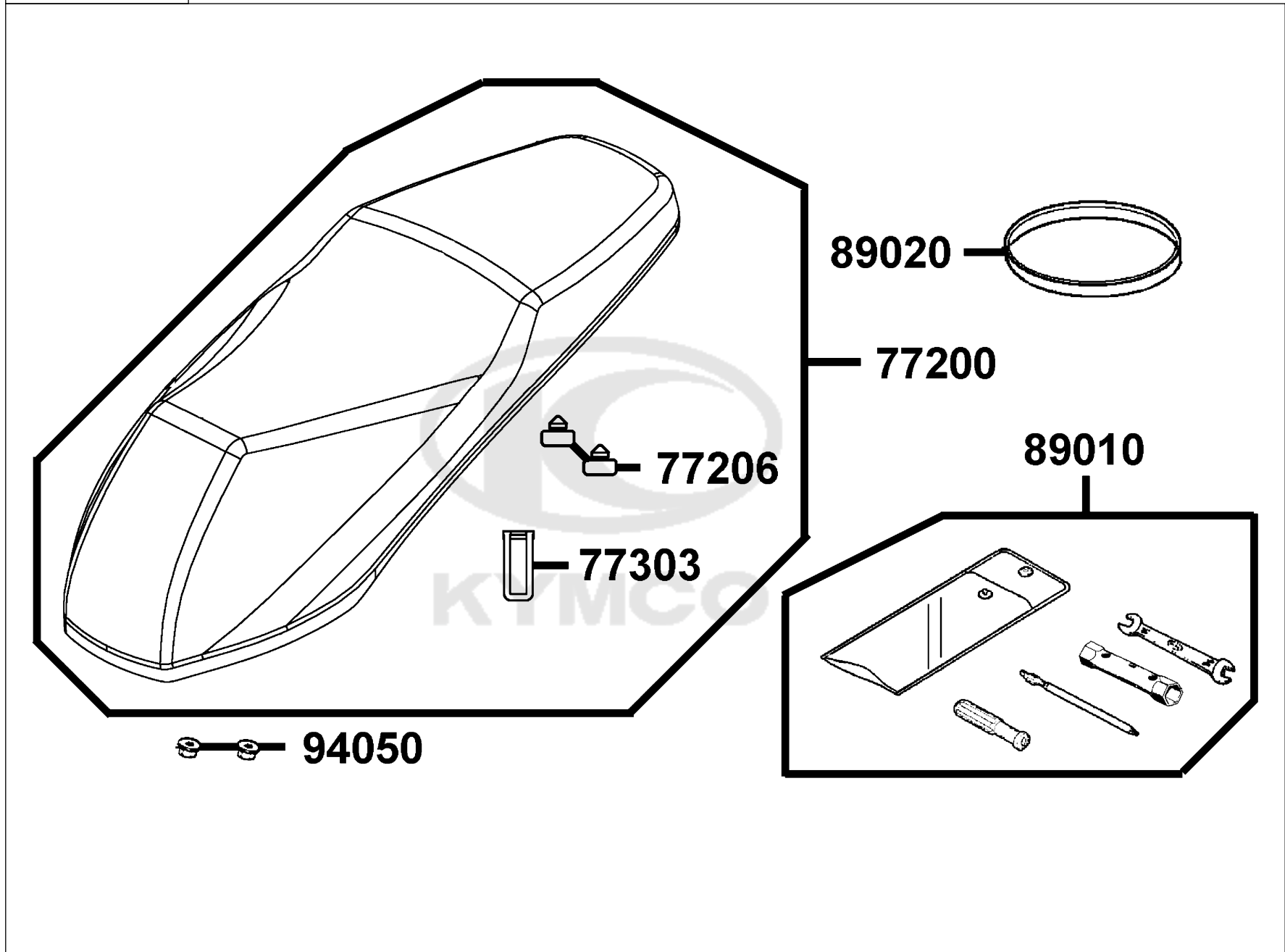
Sales mark	Ref no	Part no	Description	Reg description	Regd no	F08
------------	--------	---------	-------------	-----------------	---------	------------

	90131	90131-LDB2-E00	BOLT FLANGE 8*42	BOLT FLANGE 8*42	2	
#	90305	90305-KFW6-900	NUT U FLANGE 16MM (B)	NUT U FLANGE 16MM (B)	1	



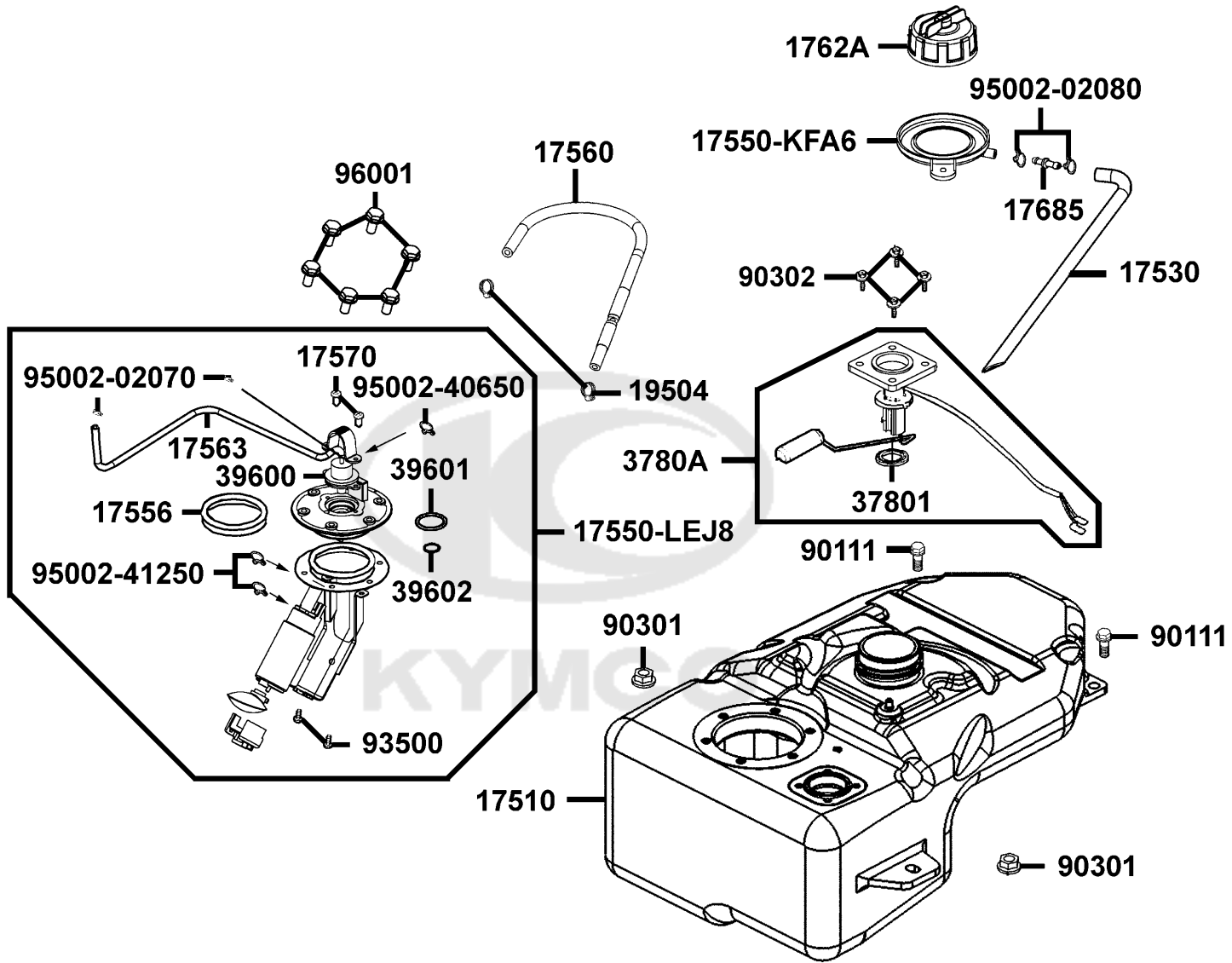
F09

Seat

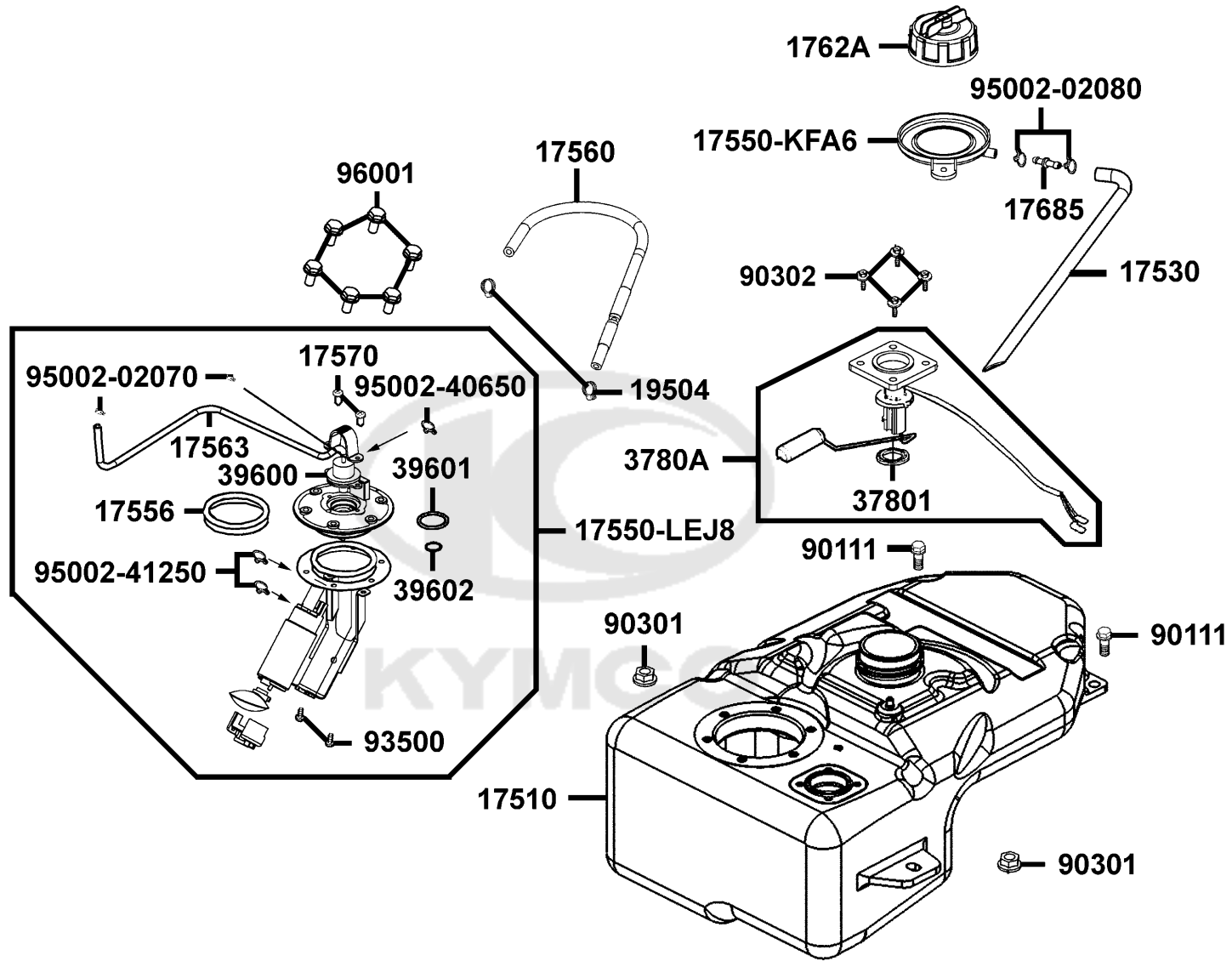


Sales mark	Ref no	Part no	Description	Reg description	Regd no	F09
**	77200	77200-LCD3-E00	SEAT ASSY	SEAT ASSY	1	
	77206	77206-KGBG-900	RUBBER SEAT CUSHION	RUBBER SEAT CUSHION	2	
	77303	77303-LCD3-E00	HOOK SEAT LOCK	HOOK SEAT LOCK	2	
	89010	89010-KGBG-900	TOOL SET	TOOL SET	1	
	89020	89020-KKC4-900	BAND TOOL SET	BAND TOOL SET	1	
	94050	94050-06080	NUT FLANGE 6MM	NUT FLANGE 6MM	2	





Sales mark	Ref no	Part no	Description	Reg description	Regd no	F10
	17510	17510-LEJ8-E00	TANK COMP FUEL	TANK COMP FUEL	1	
	17530	17530-LCD3-E00	TUBE ASSY FUEL DRAIN	TUBE ASSY FUEL DRAIN	1	
	17550-KFA6	17550-KFA6-900	TRAY FUEL CAP	TRAY FUEL CAP	1	
	17550-LEJ8	17550-LEJ8-E00	FUEL PUMP ASSY	FUEL PUMP ASSY	1	
	17556	17556-KKE3-900	O RING	O RING	1	
	17560	17560-LEJ8-E00	TUBE PUMP INJECTOR	TUBE PUMP INJECTOR	1	
	17563	17563-LEJ8-E00	TUBE FUEL RETURN	TUBE FUEL RETURN	1	
	17570	17570-KKE3-900	SCREW BOLT M 4*13	SCREW BOLT M 4*13	2	
	1762A	1762A-KFA6-900	CAP ASSY FUEL FILLER	CAP ASSY FUEL FILLER	1	
	17685	17685-KZCZ-900	JOINT TUBE	JOINT TUBE	1	
	19504	19504-LBA2-E00	CLAMP D 16.8	CLAMP D 16.8	2	
	37801	37801-LAB4-910	PACKING BASE	PACKING BASE	1	
	3780A	3780A-LEJ8-E00	FUEL UNIT ASSY	FUEL UNIT ASSY	1	
	39600	39600-KKE3-800	REGULATOR	REGULATOR	1	
	39601	39601-KKE3-900	O RING A	O RING A	1	
	39602	39602-KKE3-900	O RING B	O RING B	1	
	90111	90111-1G47-001	BOLT FLANGE 6*14	BOLT FLANGE 6*14	2	
	90301	90301-6D34-671	NUT FLANGE 6MM	NUT FLANGE 6MM	2	
	90302	90302-GFY6-901	BOLT WASH 5*12	BOLT WASH 5*12	4	
	93500	93500-05010-0H	SCREW PAN 5*10	SCREW PAN 5*10	2	



Sales mark	Ref no	Part no	Description	Reg description	Regd no	F10
	95002-02070	95002-02070	CLIP B7 TUBE	CLIP B7 TUBE	1	
	95002-02080	95002-02080	CLIP B8 TUBE	CLIP C8 TUBE	2	
	95002-40650	95002-40650-08	CLAMP D6.5 TUBE	CLAMP D6.5 TUBE	1	
	95002-41250	95002-41250-08	CLAMP D12.5 TUBE	CLAMP D12.5 TUBE	2	
	96001	96001-06014-08	BOLT FLANGE 6*14	BOLT FLANGE 6*14	6	



F11

Battery

98200-11000

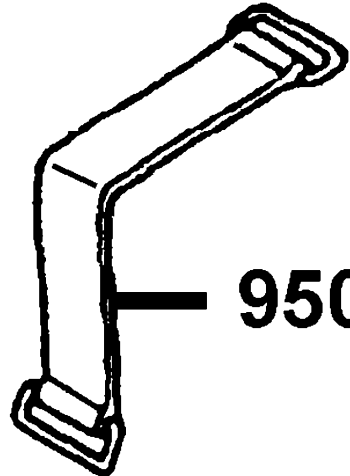


98200-11500

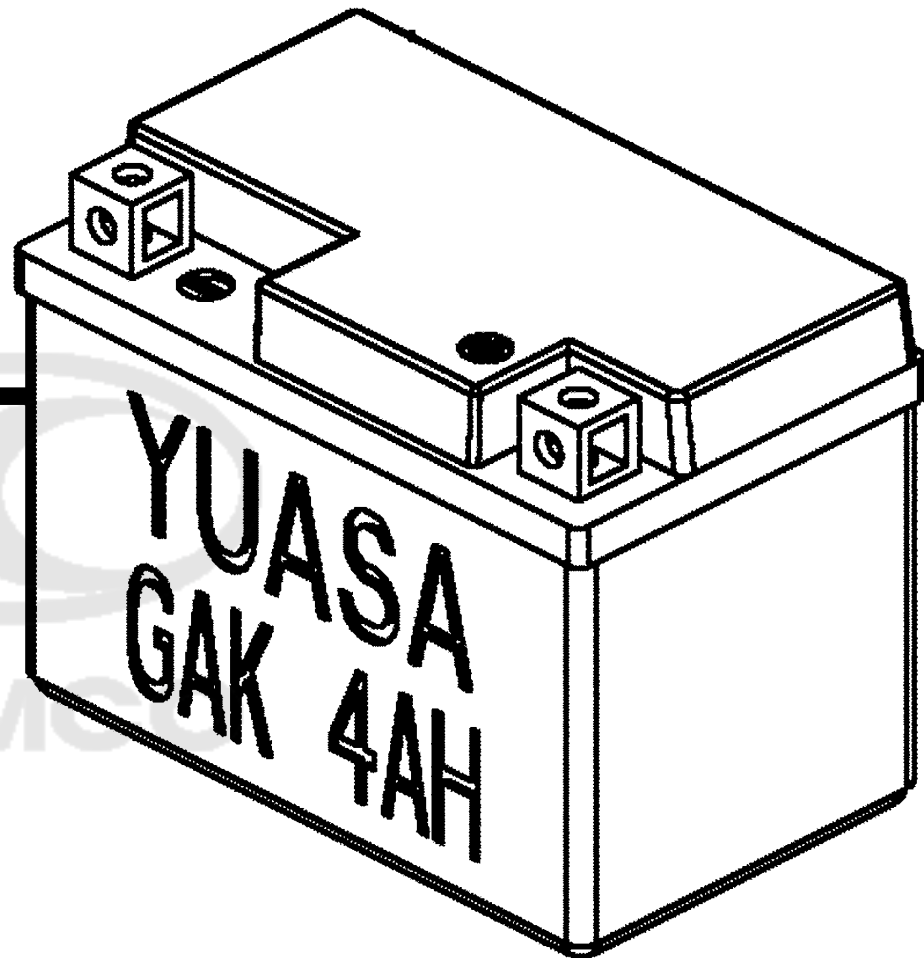


31500-LEJ8-E00

31500-LEJ8-E0B



95012



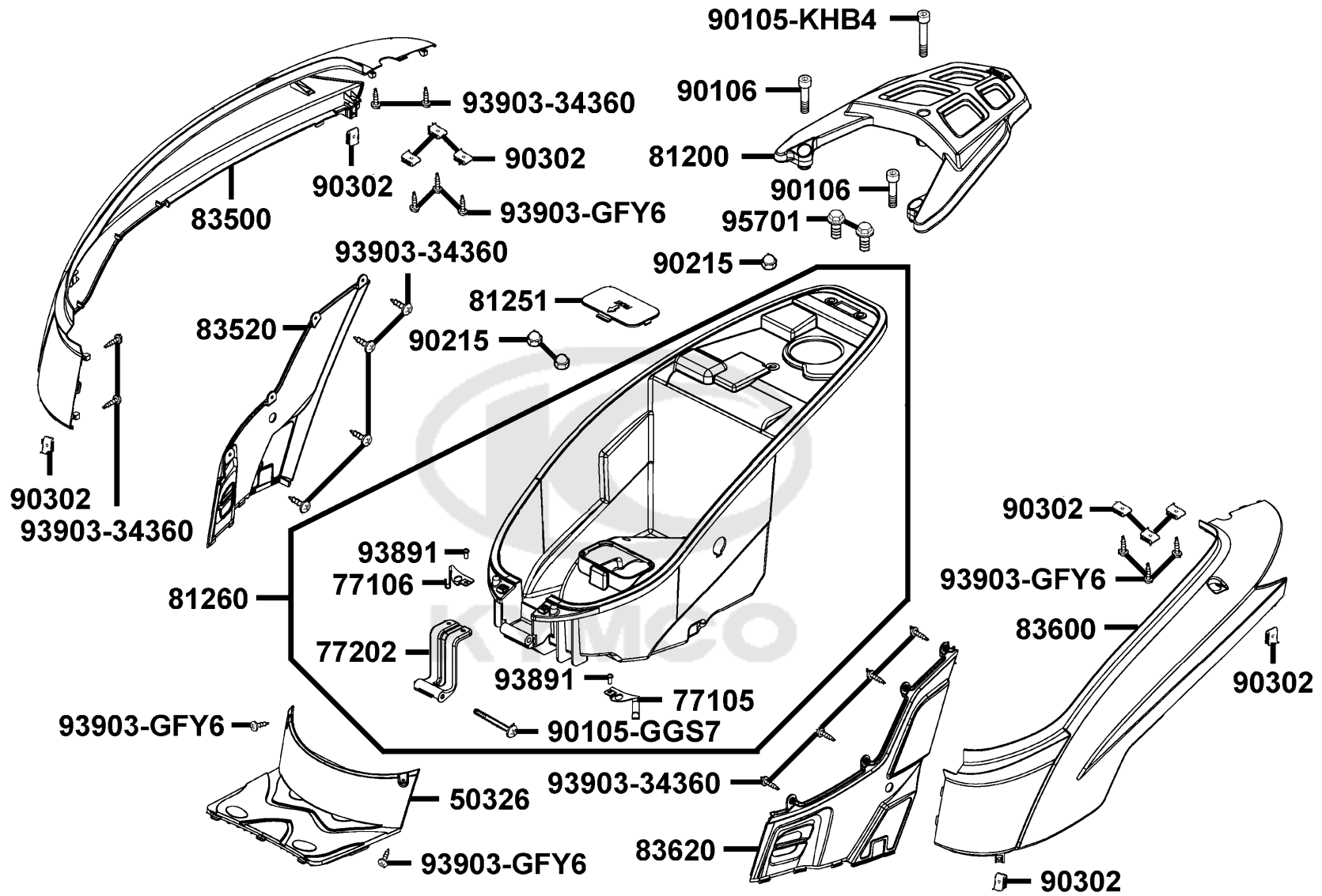
Sales mark	Ref no	Part no	Description	Reg description	Regd no	F11
------------	--------	---------	-------------	-----------------	---------	------------

#	31500-LEJ8-E00	31500-LEJ8-E00	BATTERY (TTZ10S)	BATTERY (TTZ10S)	1	
	31500-LEJ8-E0B	31500-LEJ8-E0B	BATTERY GTZ10S	BATTERY GTZ10S	1	
	95012	95012-KED9-900	BAND BATTERY	BAND BATTERY	1	
	98200-11000	98200-11000	FUSE 10A	FUSE 10A	1	
	98200-11500	98200-11500	FUSE A15	FUSE A15	1	



F12

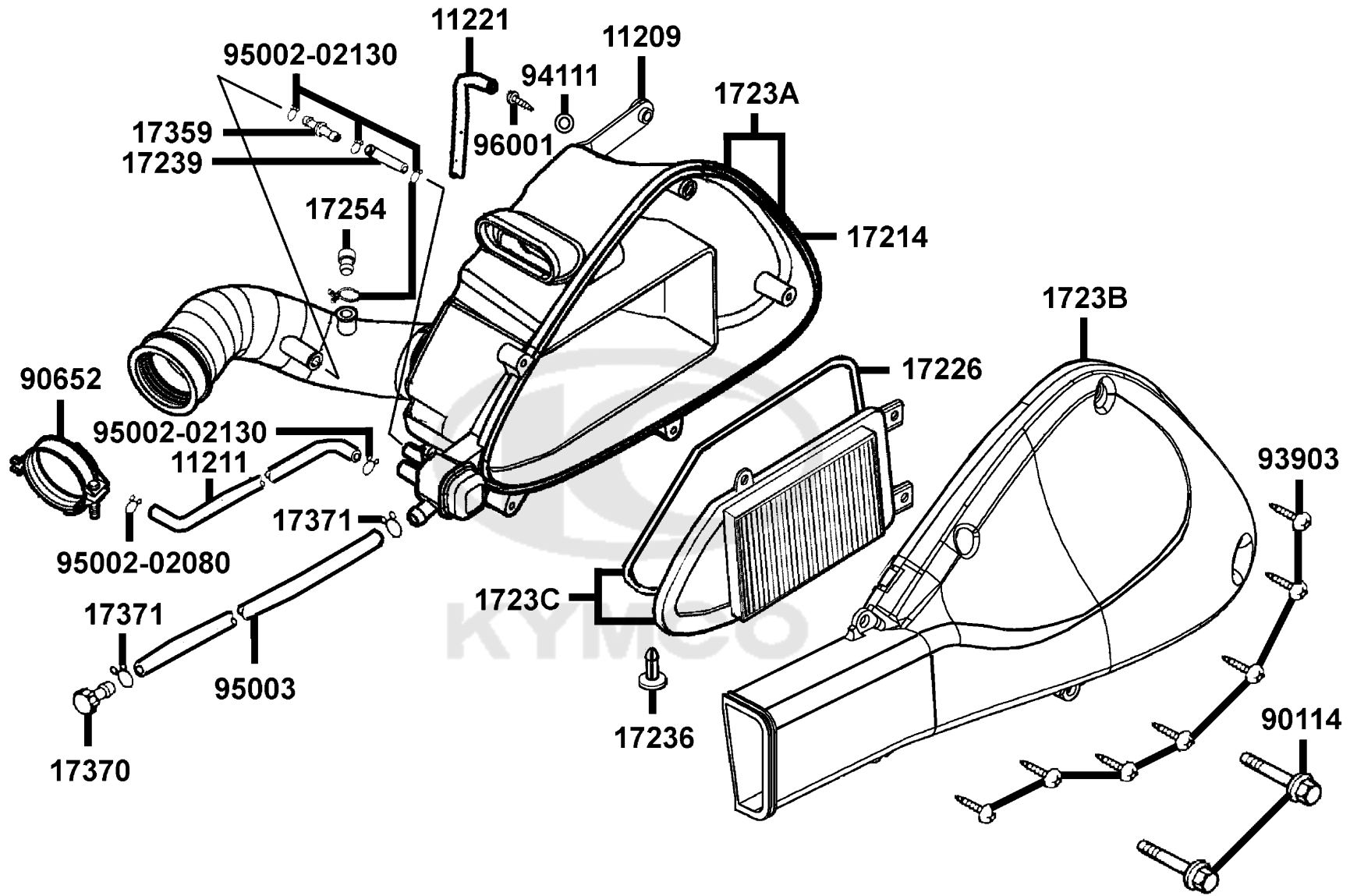
Body Cover Luggage Box



Sales mark	Ref no	Part no	Description	Reg description	Regd no	F12
	50326	50326-LCD3-E00	COVER BATTERY	COVER BATTERY	1	
	77105	77105-LCD3-E00	HOOK R HELMET	HOOK R HELMET	1	
	77106	77106-LCD3-E00	HOOK L HELMET	HOOK L HELMET	1	
	77202	77202-KHB4-900	HINGE SEAT	HINGE SEAT	1	
**	81200	81200-LCD3-E00	CARRY RR	CARRY RR	1	
	81251	81251-LAB4-900	LID CARB MAINT	LID CARB MAINT	1	
	81260	81260-LEJ8-E00	BOX ASSY LUGGAGE	BOX ASSY LUGGAGE	1	
**	83500	83500-LCD3-E00	COVER R BODY	COVER R BODY	1	
**	83520	83520-LCD3-E00	COVER R SIDE	COVER R SIDE	1	
**	83600	83600-LCD3-E00	COVER L BODY	COVER L BODY	1	
**	83620	83620-LCD3-E00	COVER L SIDE	COVER L SIDE	1	
	90105-GGS7	90105-GGS7-001	PIN HINGE	PIN HINGE	1	
	90105-KHB4	90105-KHB4-900	BOLT WASH M8*60	BOLT WASH M8*60	1	
	90106	90106-KUDU-900	BOLT WASH 8*26	BOLT WASH 8*26	2	
	90215	90215-KKC4-900	NUT CAP 6MM	NUT CAP 6MM	3	
	90302	90302-SDA4-004	NUT SPRING 4MM	NUT SPRING 4MM	10	
	93891	93891-05012-06	SCREW WASHER 5*12	SCREW WASHER 5*12	2	
	93903-34360	93903-34360	SCREW TAPPING 4*12	SCREW TAPPING 4*12	12	
	93903-GFY6	93903-GFY6-900	SCREW TAPPING 4*14	SCREW TAPPING 4*14	8	
	95701	95701-06012-08	BOLT FLANGE 6*12	BOLT FLANGE 6*12	2	

F13

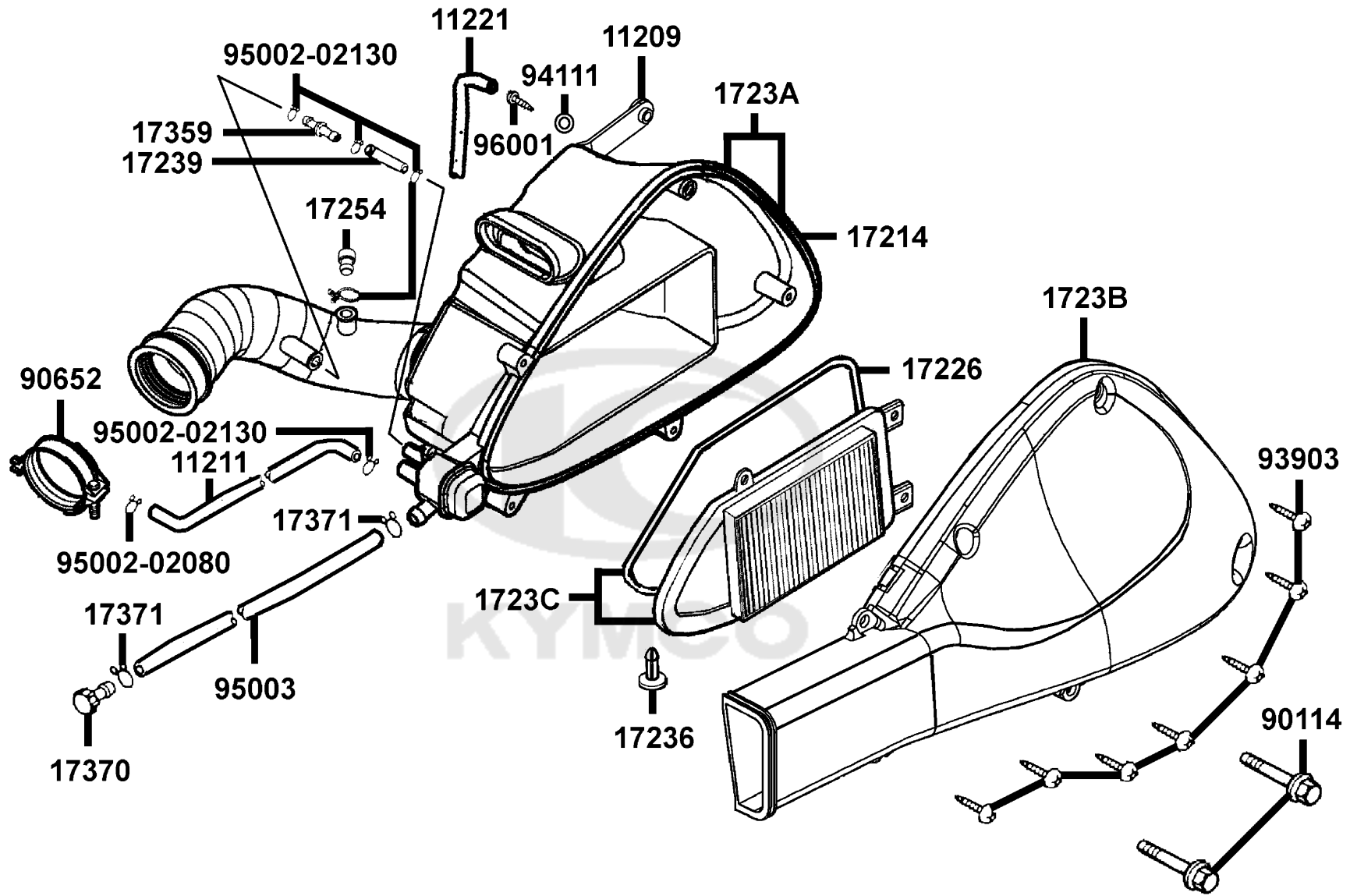
Air Cleaner



Sales mark	Ref no	Part no	Description	Reg description	Regd no	F13
	11209	11209-LCD3-E00	STAY B RR FENDER	STAY B RR FENDER	1	
	11211	11211-KHB4-900	TUBE BREATHER	TUBE BREATHER	1	
	11221	11221-KHB4-900	TUBE BREATHER MISSION	TUBE BREATHER MISSION	1	
	17214	17214-KHB4-900	SEAL AIR/C COVER	SEAL AIR/C COVER	1	
	17226	17226-KHB4-900	ELEMENT SEAL	ELEMENT SEAL	1	
	17236	17236-KFBF-910	PLATE AIR/C CASE	PLATE AIR/C CASE	1	
	17239	17239-KHB4-900	TUBE AIR/C BLOW BY	TUBE AIR/C BLOW BY	1	
	1723A	1723A-LEJ8-E00	CASE ASSY AIR/C	CASE ASSY AIR/C	1	
	1723B	1723B-LCD3-E00	COVER ASSY AIR/C	COVER ASSY AIR/C	1	
	1723C	1723C-KHB4-900	ELEMENT ASSY AIR/C	ELEMENT ASSY AIR/C	1	
	17254	17254-KACA-P00	JOINT PURGE TUBE	PLUG AIR/C CONN TUBE	1	
	17359	17359-4K19-671	JOINT BREATHER TUBE	JOINT BREATHER TUBE	1	
	17370	17370-4K19-701	PLUG BREATHM TUBE	PLUG BREATHER TUBE	1	
	17371	17371-1D74-671	CLIP BREATHER TUBE	PLUG BREATHER TUBE	2	
	90114	90114-GDM4-011	BOLT FLANGE SH 6*28	BOLT FLANGE SH 6*28	2	
	90652	90652-GFY6-901	BAND 49 AIR/C CONNECTING TUBE	BAND 49 AIR/C CONNECTING TUBE	1	
	93903	93903-25460	SCREW TAPPING 4*12	SCREW TAPPING 4*12	7	
	94111	94111-06800	WASHER SPG 6MM	WASHER SPG 6MM	1	
	95002-02080	95002-02080	CLIP B8 TUBE	CLIP C8 TUBE	1	
	95002-02130	95002-02130	CLIP B 12.5 TURE	CLIP B13 TUBE	5	

F13

Air Cleaner



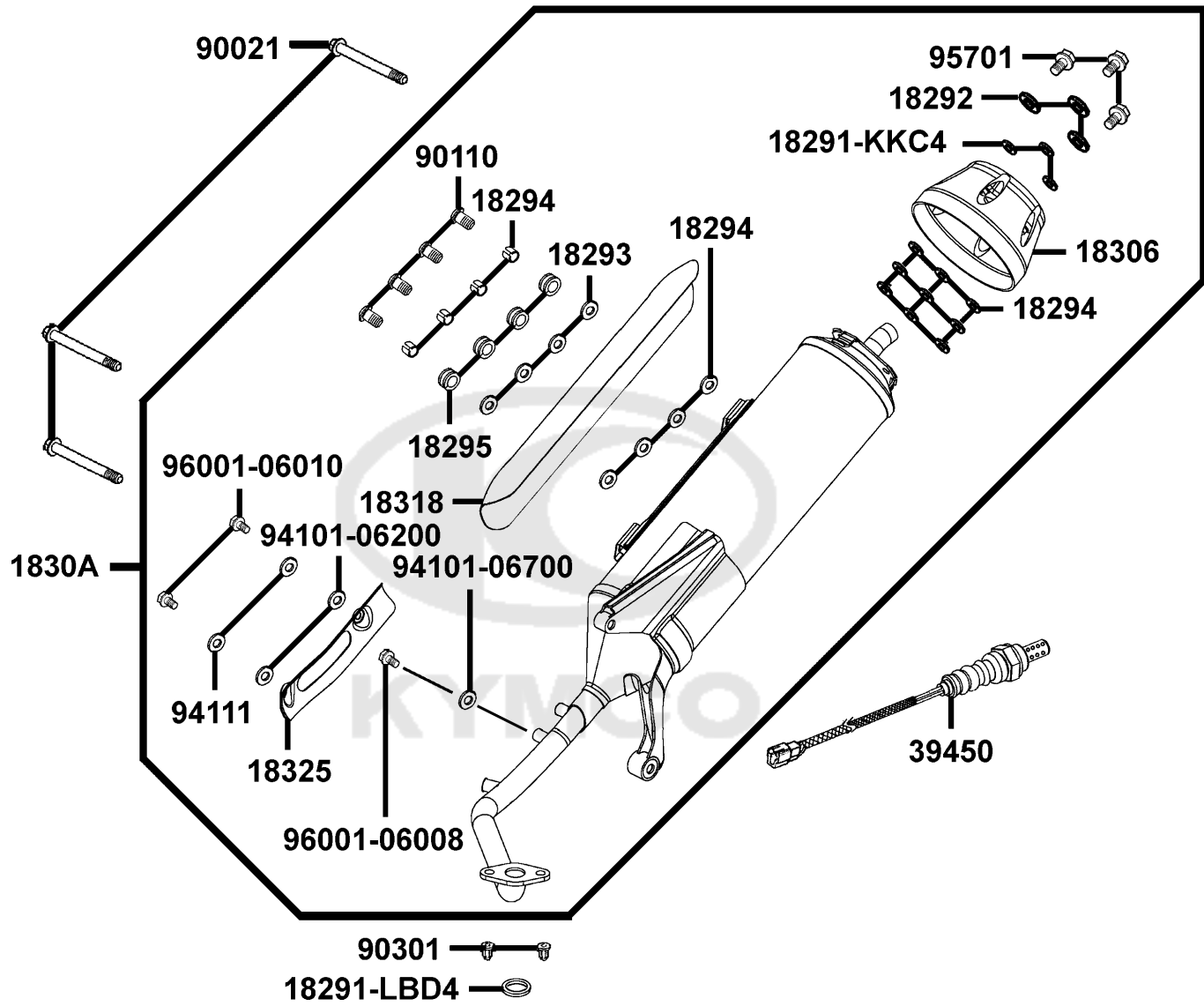
Sales mark	Ref no	Part no	Description	Reg description	Regd no	F13
------------	--------	---------	-------------	-----------------	---------	------------

95003	95003-23029-60	95003-23029-60	V TUBE 8*12*290	V TUBE 8*12*290	1	
96001	96001-GFY6-900	96001-GFY6-900	BOLT SPECIAL 5*10	BOLT SPECIAL 5X10	1	

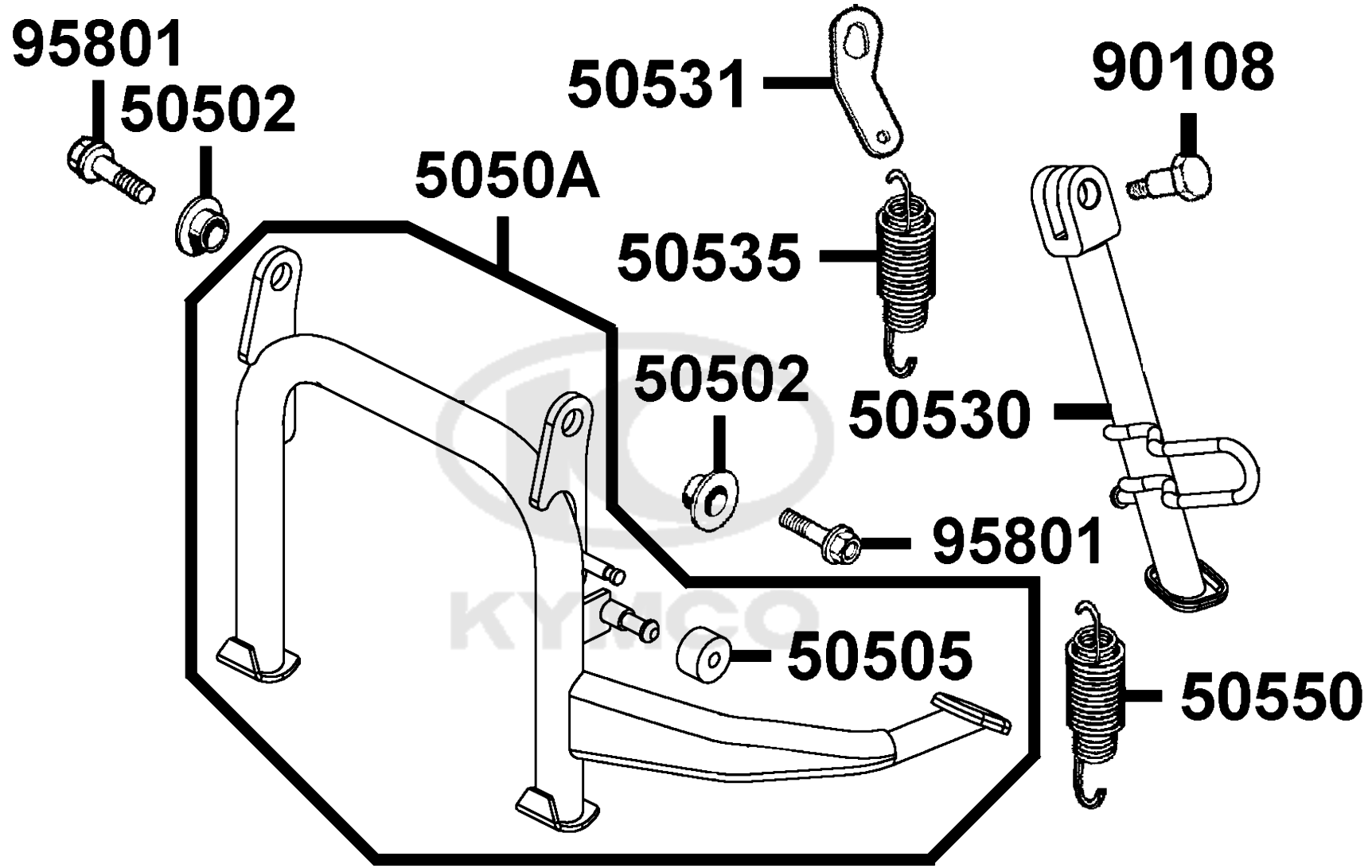


F14

Exhaust Muffler

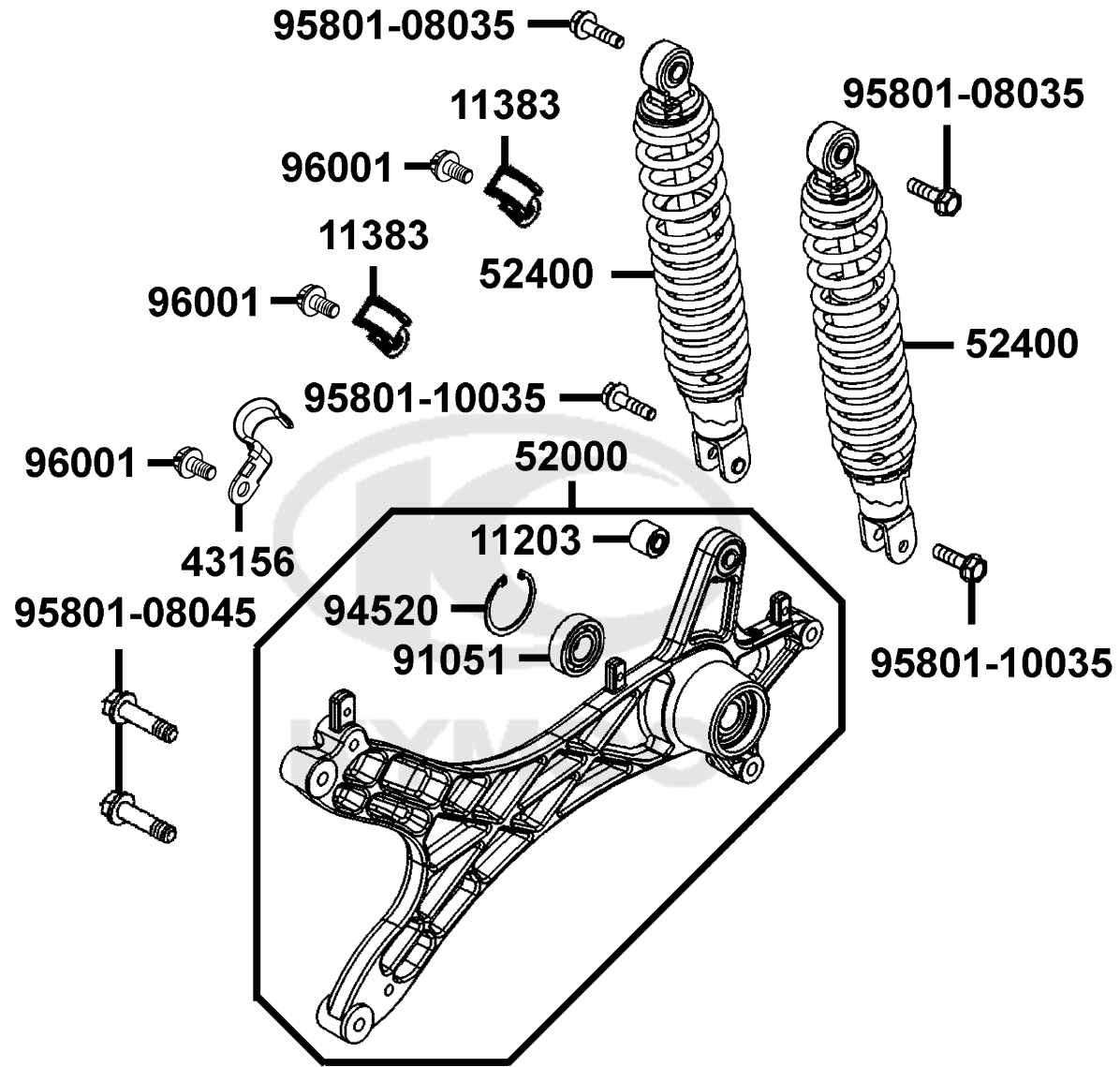


Sales mark	Ref no	Part no	Description	Reg description	Regd no	F14
	18291-KKC4	18291-KKC4-900	COLLAR	COLLAR	3	
	18291-LBD4	18291-LBD4-900	GASKET EXH PIPE	GASKET EXH PIPE	1	
	18292	18292-KEBE-900	PACKING PROTECTOR	PACKING PROTECTOR	3	
	18293	18293-KECE-900	RUBBER A PROTECTOR	RUBBER A PROTECTOR	4	
	18294	18294-KEBE-900	PACKING PROTECTOR	PACKING PROTECTOR	17	
	18295	18295-KECE-900	COLLAR 6MM	COLLAR 6MM	4	
**	18306	18306-LAC7-900	TAIL ACP MUFFLER	TAIL ACP MUFFLER	1	
**	1830A	1830A-LEJ8-E00	MUFFLER ASSY EXH	MUFFLER ASSY EXH	1	
	18318	18318-LEJ8-E00	PROTECTOR MUFFLER	PROTECTOR MUFFLER	1	
**	18325	18325-LEJ8-E00	PROTECTOR EXH PIPE	PROTECTOR EXH PIPE	1	
	39450	39450-LEA6-800	O2 SENSOR	O2 SENSOR	1	
	90021	90021-GFY6-900	BOLT WASHER COMP	BOLT WASHER COMP	3	
	90110	90110-LCD1-E00	SCREW SPECIAL 6*25	SCREW SPECIAL 6*25	4	
	90301	90301-GFY6-901	NUT (HEX) CAP 8MM	NUT (HEX) CAP 8MM	2	
	94101-06200	94101-06200	WASHER PLAIN 6MM	WASHER PLAIN 6MM	2	
	94101-06700	94101-06700	WASHER PLAIN 6MM	WASHER PLAIN 6MM	1	
	94111	94111-06800	WASHER SPG 6MM	WASHER SPG 6MM	2	
	95701	95701-06028-07	BOLT WASHER 6*28	BOLT WASHER 6*28	3	
	96001-06008	96001-06008-07	BOLT FLANGE SH 6*8	BOLT FLANGE SH 6*8 (K)	1	
	96001-06010	96001-06010-02	BOLT FLANGE SH 6*10	BOLT FLANGE SH 6*10 (Cr)	2	

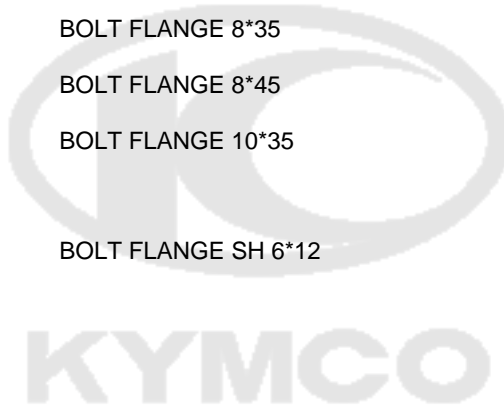


Sales mark	Ref no	Part no	Description	Reg description	Regd no	F15
50502		50502-GFY6-901	COLLAR MAIN STAND	COLLAR MAIN STAND	2	
50505		50505-LAD9-900	STOPPER RUBBER	STOPPER RUBBER	1	
5050A		5050A-LCD3-E00	STAND ASSY MAIN	STAND ASSY MAIN	1	
50530		50530-LCD3-E00	BAR SIDE STAND	BAR SIDE STAND	1	
50531		50531-KEB7-E00	PLATE SPRING STOPPER	PLATE SPRING STOPPER	1	
50535		50535-KEB7-E00	SPRING COMP SIDE STAND	SPRING COMP SIDE STAND	1	
50550		50550-KKC2-E00	SPG ASSY MAIN STAND	SPG ASSY MAIN STAND	1	
90108		90108-KFA6-E00	SCREW SIDE STAND	SCREW SIDE STAND	1	
95801		95801-10025-08	BOLT FLANGE 10*25	BOLT FLANGE 10*25 (C)	2	



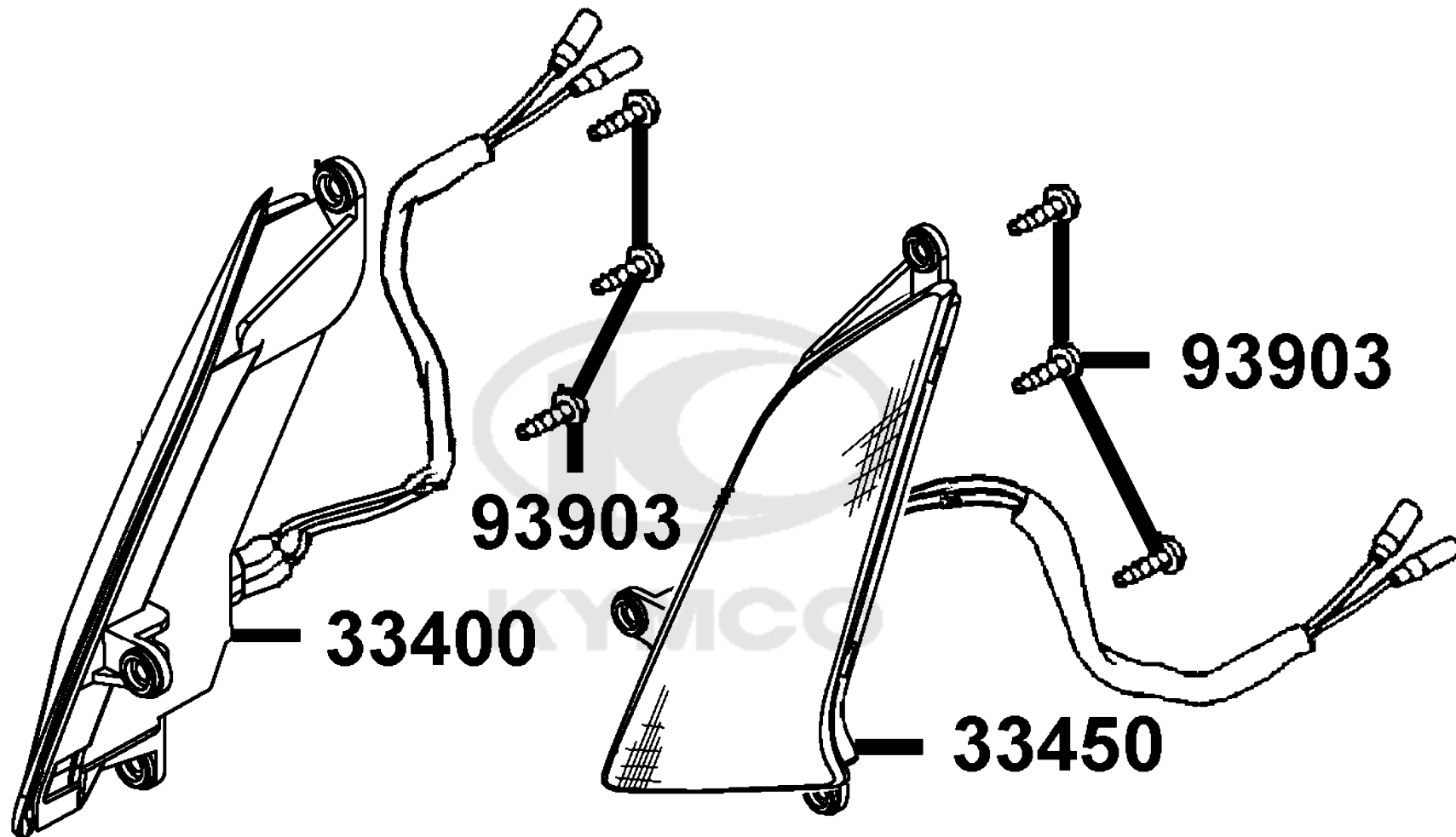


Sales mark	Ref no	Part no	Description	Reg description	Regd no	F16
	11203	11203-GGC7-301	UNDER RUBBER BUSH REAR CUSHION	UNDER RUBBER BUSH REAR CUSHION	1	
	11383	11383-KHE7-900	CLAMPER RR BRK HOSE	CLAMPER RR BRK HOSE	2	
	43156	43156-KKC4-900	CLAMPER HOSE RR	CLAMPER HOSE RR	1	
**	52000	52000-LEJ8-E00	FORK ASSY RR	FORK ASSY RR	1	
**	52400	52400-LCD3-E00	CUSHION ASSY RR	CUSHION ASSY RR	2	
	91051	91051-KFBF-901	BRG BALL RAKIAL 6203LLU	BRG BALL RAKIAL 6203LLU	1	
	94520	94520-40000	CIR CLIP IN 40	CIR CLIP IN 40	1	
	95801-08035	95801-08035-08	BOLT FLANGE 8*35	BOLT FLANGE 8*35	2	
	95801-08045	95801-08045-06	BOLT FLANGE 8*45	BOLT FLANGE 8*45	2	
	95801-10035	95801-10035-08	BOLT FLANGE 10*35	BOLT FLANGE10*35	2	
	96001	96001-06012-00	BOLT FLANGE SH 6*12	BOLT FLANGE SH 6*12 (B)	3	



F17

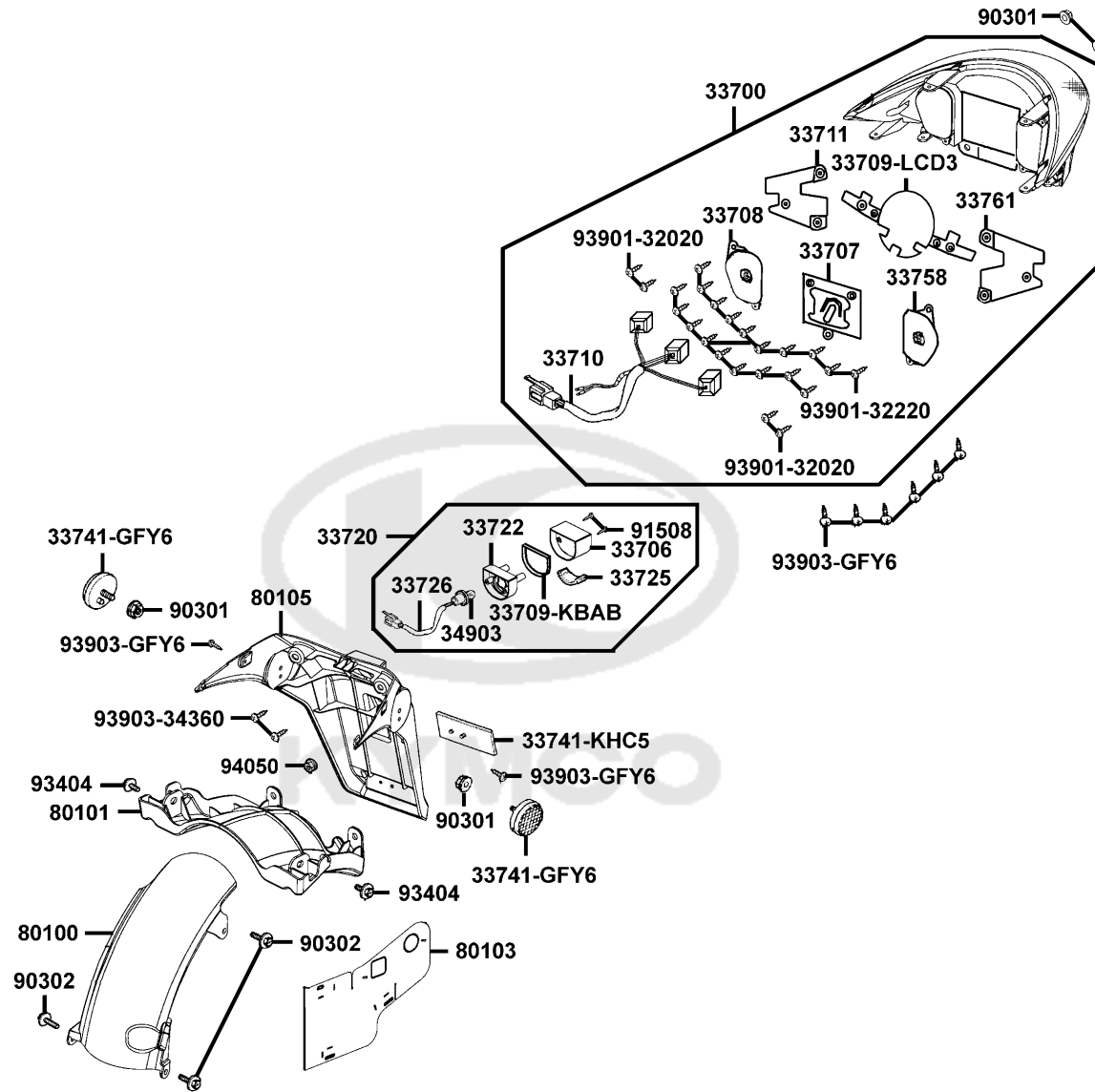
Front Winker



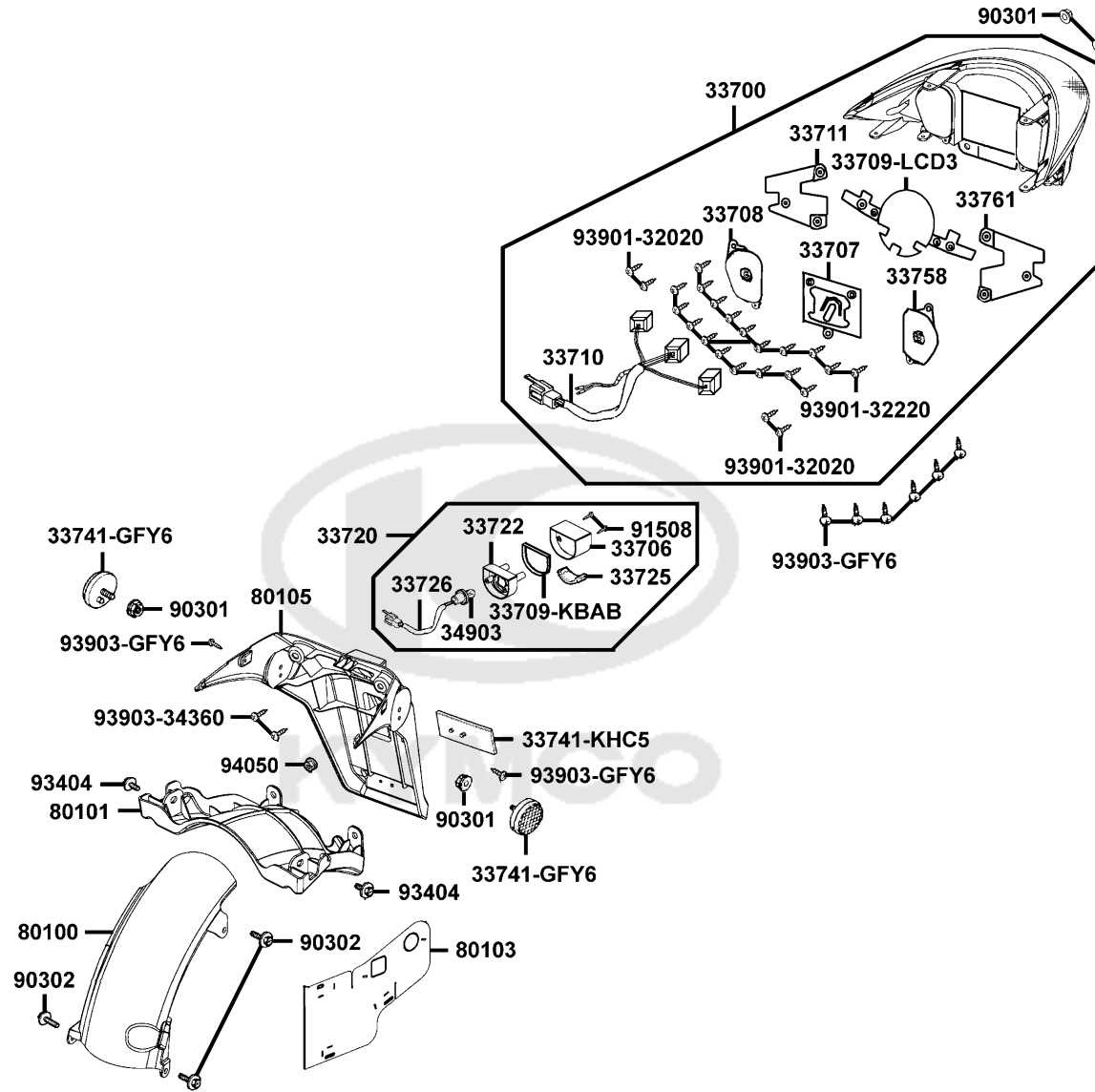
Sales mark	Ref no	Part no	Description	Reg description	Regd no	F17
------------	--------	---------	-------------	-----------------	---------	------------

33400		33400-LCD3-E00	WINKER ASSY R FR	WINKER ASSY R FR	1	
33450		33450-LCD3-E00	WINKER ASSY L FR	WINKER ASSY L FR	1	
93903		93903-34360	SCREW TAPPING 4*12	SCREW TAPPING 4*12	6	



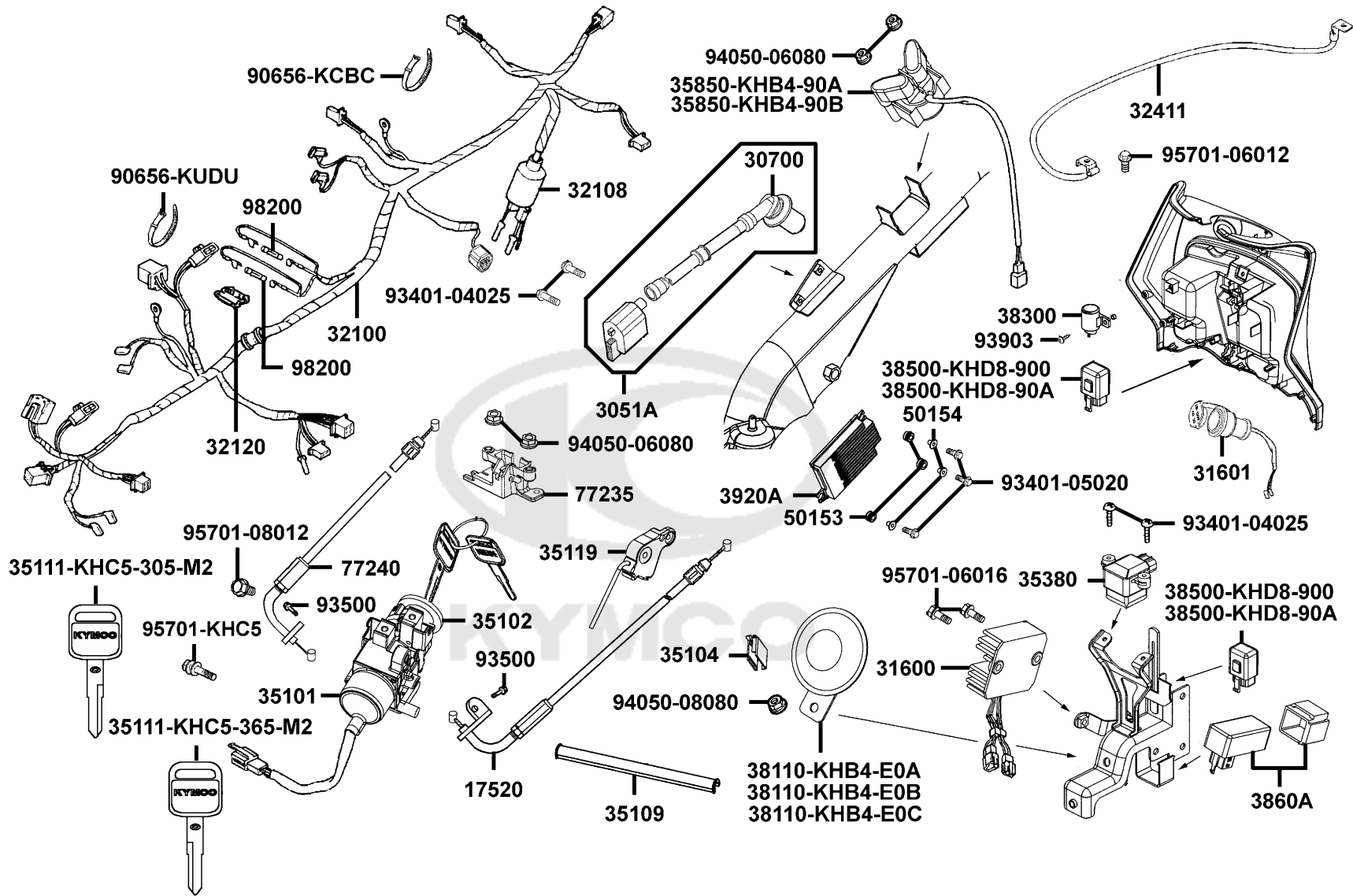


Sales mark	Ref no	Part no	Description	Reg description	Regd no	F18
33700		33700-LFG1-E00	LIGHT ASSY TAIL	LIGHT ASSY TAIL	1	
33706		33706-KHB4-E01	COVER LICENSE	COVER LICENSE	1	
33707		33707-LCD3-E00	COVER TAIL LIGHT	COVER TAIL LIGHT	1	
33708		33708-LCD3-E00	COVER RR WINKER R	COVER RR WINKER R	1	
33709-KBAB		33709-KBAB-003	PACKING LICENSE	PACKING LICENSE	1	
33709-LCD3		33709-LCD3-E00	PCB TAIL LIGHT	PCB TAIL LIGHT	1	
33710		33710-LCD3-E00	SOCKET COMP	SOCKET COMP	1	
33711		33711-LCD3-E00	PCB RR WINKER R	PCB RR WINKER R	1	
33720		33720-KHB4-E00	LIGHT ASSY LICENSE	LIGHT ASSY LICENSE	1	
33722		33722-KHB4-E00	BASE LICENSE	BASE LICENSE	1	
33725		33725-KHB4-E00	LENS LICENSE	LENS LICENSE	1	
33726		33726-KHB4-E00	SOCKET COMP	SOCKET COMP	1	
33741-GFY6		33741-GFY6-C30	REFLEX REFLECTOR	REFLEX REFLECTOR	2	
33741-KHC5		33741-KHC5-M00	REFLEX REFLECTOR	REFLEX REFLECTOR	1	
33758		33758-LCD3-E00	COVER RR WINKER L	COVER RR WINKER L	1	
33761		33761-LCD3-E00	PCB RR WINKER L	PCB RR WINKER L	1	
34903		34903-KPCP-900	BULB POSITION	BULB POSITION	1	
80100		80100-LCD3-E00	FENDER RR TIRE	FENDER RR TIRE	1	
80101		80101-LCD3-E00	FENDER A REAR	FENDER A REAR	1	
80103		80103-LCD3-E01	PLATE SPLASH BOARD	PLATE SPLASH BOARD	1	

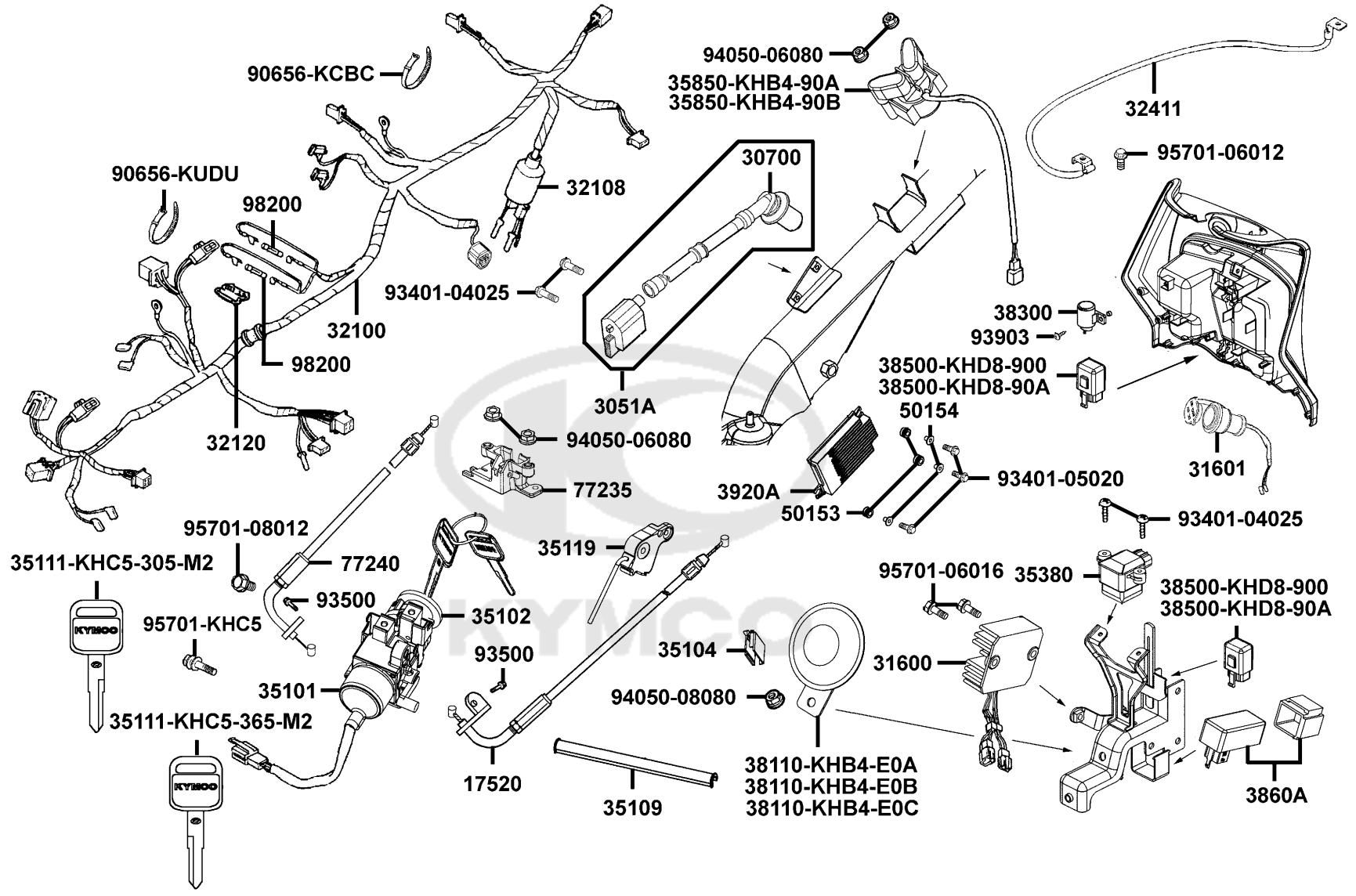


Sales mark	Ref no	Part no	Description	Reg description	Regd no	F18
80105		80105-LCD3-E00	FENDER REAR	FENDER REAR	1	
90301		90301-6D34-671	NUT FLANGE 6MM	NUT FLANGE 6MM	4	
90302		90302-GFY6-901	BOLT WASH 5*12	BOLT WASH 5*12	3	
91508		91508-KGV7-67A	SCREW TAPPING 4*14	SCREW TAPPING 4*14	2	
93404		93404-06012-08	BOLT WASHER 6*12	BOLT WASHER 6*12	2	
93901-32020		93901-32020	SCREW TAPPING 3*6	SCREW TAPPING 3*6	4	
93901-32220		93901-32220	SCREW TAPPING 3*10	SCREW TAPPING 3*10	19	
93903-34360		93903-34360	SCREW TAPPING 4*12	SCREW TAPPING 4*12	2	
93903-GFY6		93903-GFY6-900	SCREW TAPPING 4*14	SCREW TAPPING 4*14	8	
94050		94050-05080	NUT FLANGE 5MM	NUT FLANGE 5MM	1	

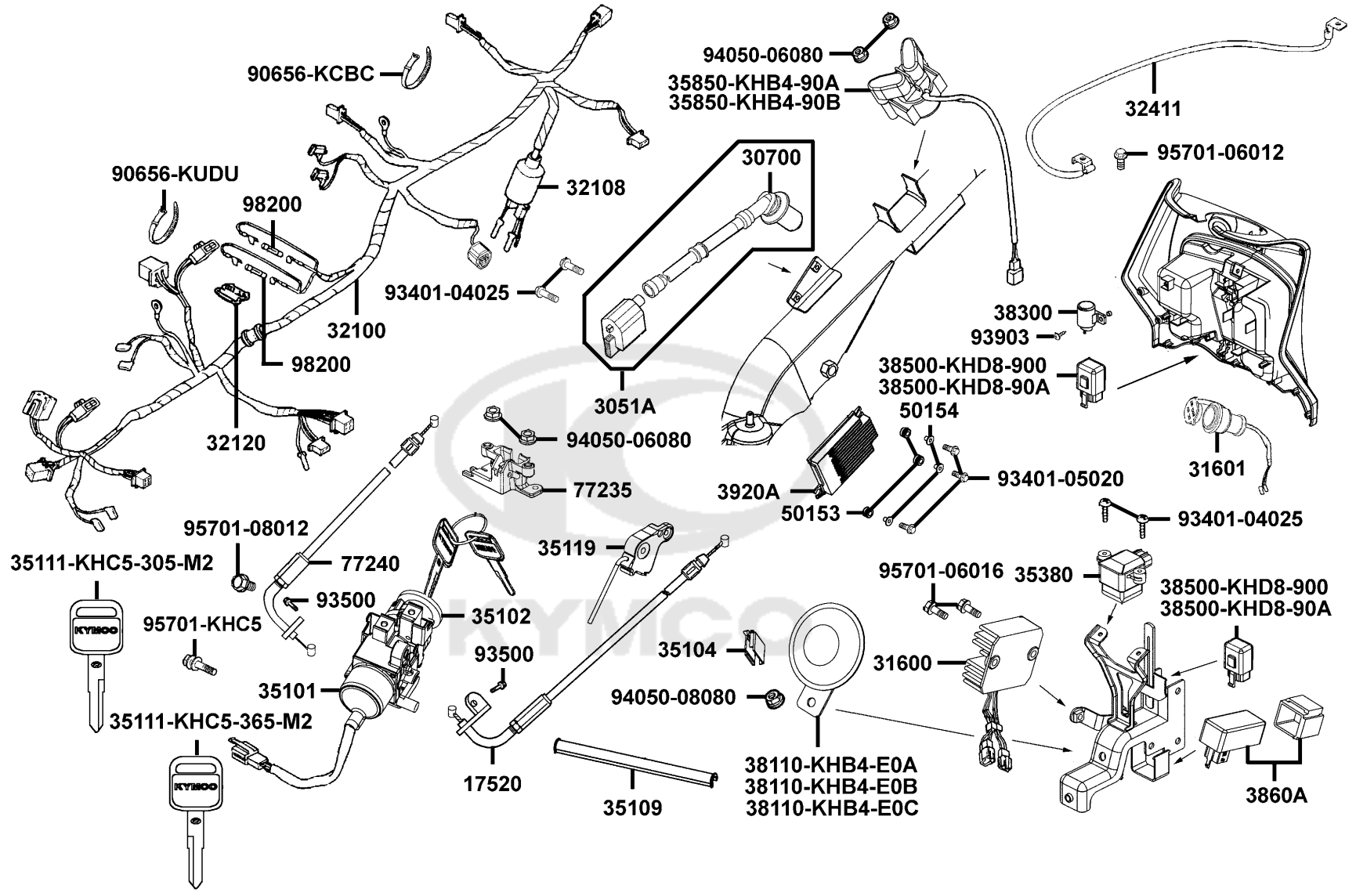




Sales mark	Ref no	Part no	Description	Reg description	Regd no	F19
	17520	17520-LCD3-E00	CABLE LID LOCK	CABLE LID LOCK	1	
	3051A	3051A-LEJ8-E00	COIL ASSY IGN	COIL ASSY IGN	1	
	30700	30700-LEJ8-E00	CAP ASSY NOISE SUPPRESOR	CAP ASSY NOISE SUPPRESOR	1	
	31600	31600-KAM1-009	REG REC COMP	REG REC COMP	1	
	31601	31601-LBA2-E00	SOCKET COMP DC 12V	SOCKET COMP DC 12V	1	
	32100	32100-LEJ8-E00	HARNESS WIRE	HARNESS WIRE	1	
	32108	32108-GAR1-711	COVER HARNESS WIRE	COVER HARNESS WIRE	1	
	32120	32120-3C83-831	CASE 10A FUSE	CASE 10A FUSE	1	
	32411	32411-LCD3-E00	CABLE BATTERY	CABLE BATTERY	1	
	35101	35101-LCD3-325-M2	SW COMB & LOCK	SW COMB & LOCK	1	
	35102	35102-LCD3-E0B	COLLAR MAIN SW	COLLAR MAIN SW	1	
	35104	35104-LBC6-90B	PLATE COVER FUEL CAP CABLE	PLATE COVER FUEL CAP CABLE	1	
	35109	35109-LBC6-90B	PROTECTING COVER CABLE	PROTECTING COVER CABLE	1	
	35111-KHC5-305-M2	35111-KHC5-305-M2	KEY COMP	KEY COMP	2	
	35111-KHC5-306-M2	35111-KHC5-306-M2	KEY COMP	KEY COMP	2	
	35119	35119-LBC6-90B	COVER SEAT CABLE	COVER SEAT CABLE	1	
	35380	35380-KKE3-900	SENSOR ANGLE DETECT	SENSOR ANGLE DETECT	1	
	35850-KHB4-90A	35850-KHB4-90A	SET START MAG	SET START MAG	1	
	35850-KHB4-90B	35850-KHB4-90B	SET START MAG	SET START MAG	1	
	38110-KHB4-E0A	38110-KHB4-E0A	HORN COMP	HORN COMP	1	



Sales mark	Ref no	Part no	Description	Reg description	Regd no	F19
	38110-KHB4-E0B	38110-KHB4-E0B	HORN COMP	HORN COMP	1	
	38110-KHB4-E0C	38110-KHB4-E0C	HORN COMP	HORN COMP	1	
	38300	38300-LBG7-900	RELAY COMP WINKER	RELAY COMP WINKER	1	
	38500-KHD8-900	38500-KHD8-900	RELAY ASSY LIGHT	RELAY ASSY LIGHT	2	
	38500-KHD8-90A	38500-KHD8-90A	RELAY ASSY LIGHT	RELAY ASSY LIGHT	2	
	3860A	3860A-LEJ8-E00	CONTROL ASSY UNIT LIGHTING	CONTROL ASSY UNIT LIGHTING	1	
	3920A	3920A-LEJ8-800	ASSY ECU	ASSY ECU	1	
	50153	50153-KKE3-900	RUBBER ECU	RUBBER ECU	3	
	50154	50154-KKE3-900	COLLAR ECU	COLLAR ECU	3	
	77235	77235-KGC4-E0B	SEAT CATCH	SEAT CATCH	1	
	77240	77240-LCD3-E00	CABLE SEAT LOCK	CABLE SEAT LOCK	1	
	90656-KCBC	90656-KCBC-900	BAND OIL HOSE	BAND OIL HOSE	1	
**	90656-KUDU	90656-KUDU-900	BAND HARNESS WIRE	BAND HARNESS WIRE	1	
	93401-04025	93401-04025-08	BOLT WASHER 4*25	BOLT WASHER 4*25	4	
	93401-05020	93401-05020-08	BOLT WASHER 5*20	BOLT WASHER 5*20	3	
	93500	93500-04020-0G	SCREW PAN 4*20	SCREW PAN 4*20	2	
	93903	93903-35320	SCREW TAPPING 5*16	SCREW TAPPING 5*16	1	
	94050-06080	94050-06080	NUT FLANGE 6MM	NUT FLANGE 6MM	4	
	94050-08080	94050-08080	NUT FLANGE 8MM	NUT FLANGE 8MM	1	
	95701-06012	95701-06012-08	BOLT FLANGE 6*12	BOLT FLANGE 6*12	1	



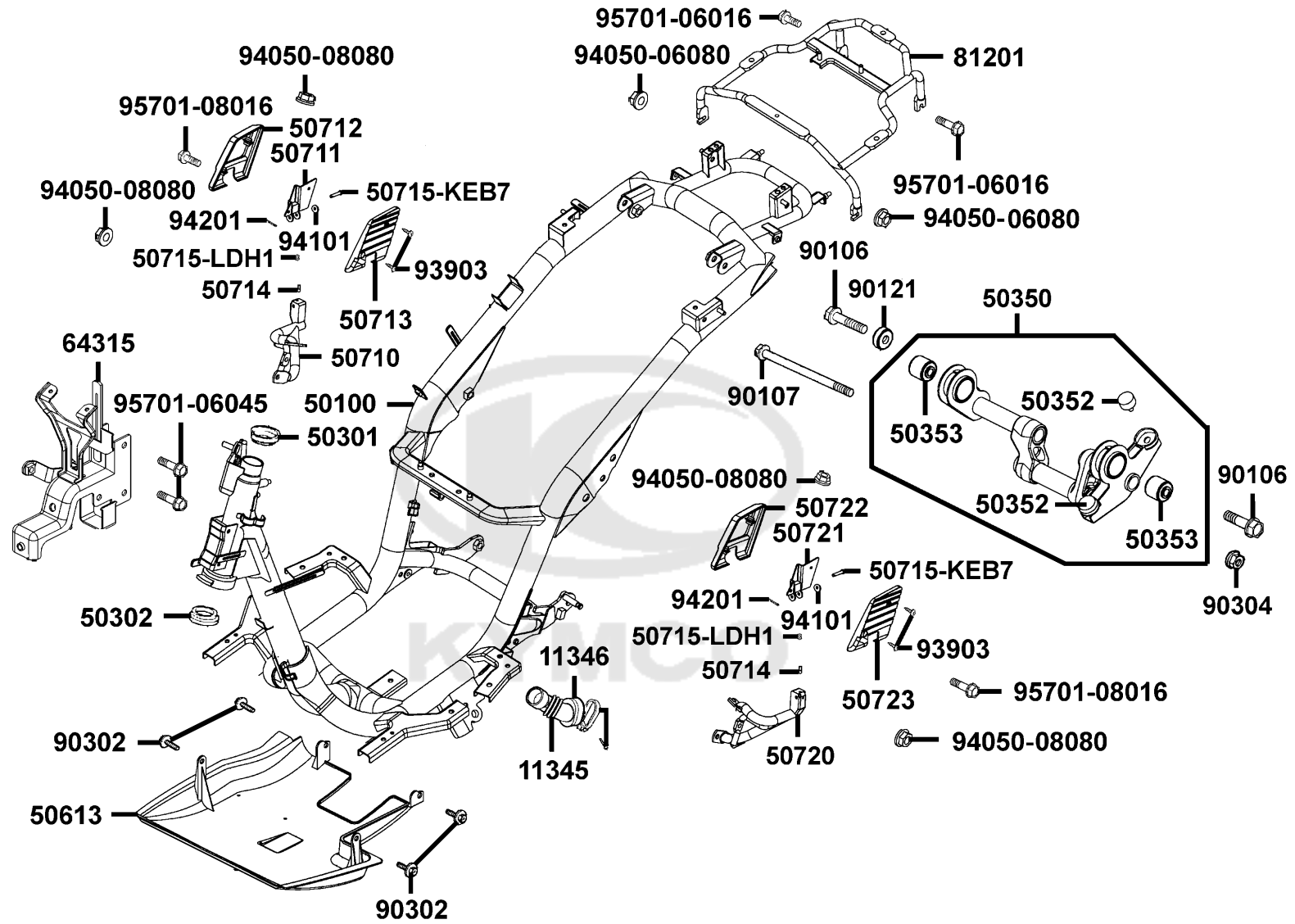
Sales mark	Ref no	Part no	Description	Reg description	Regd no	F19
------------	--------	---------	-------------	-----------------	---------	------------

	95701-06016	95701-06016-08	BOLT FLANGE 6*16	BOLT FLANGE 6*16	2	
	95701-08012	95701-08012-08	BOLT FLANGE 8*12	BOLT FLANGE 8*12	1	
	95701-KHC5	95701-KHC5-E00	BOLT TORQUE 8*20	BOLT TORQUE 8*20	1	
	98200	98200-11500	FUSE A15	FUSE A15	2	

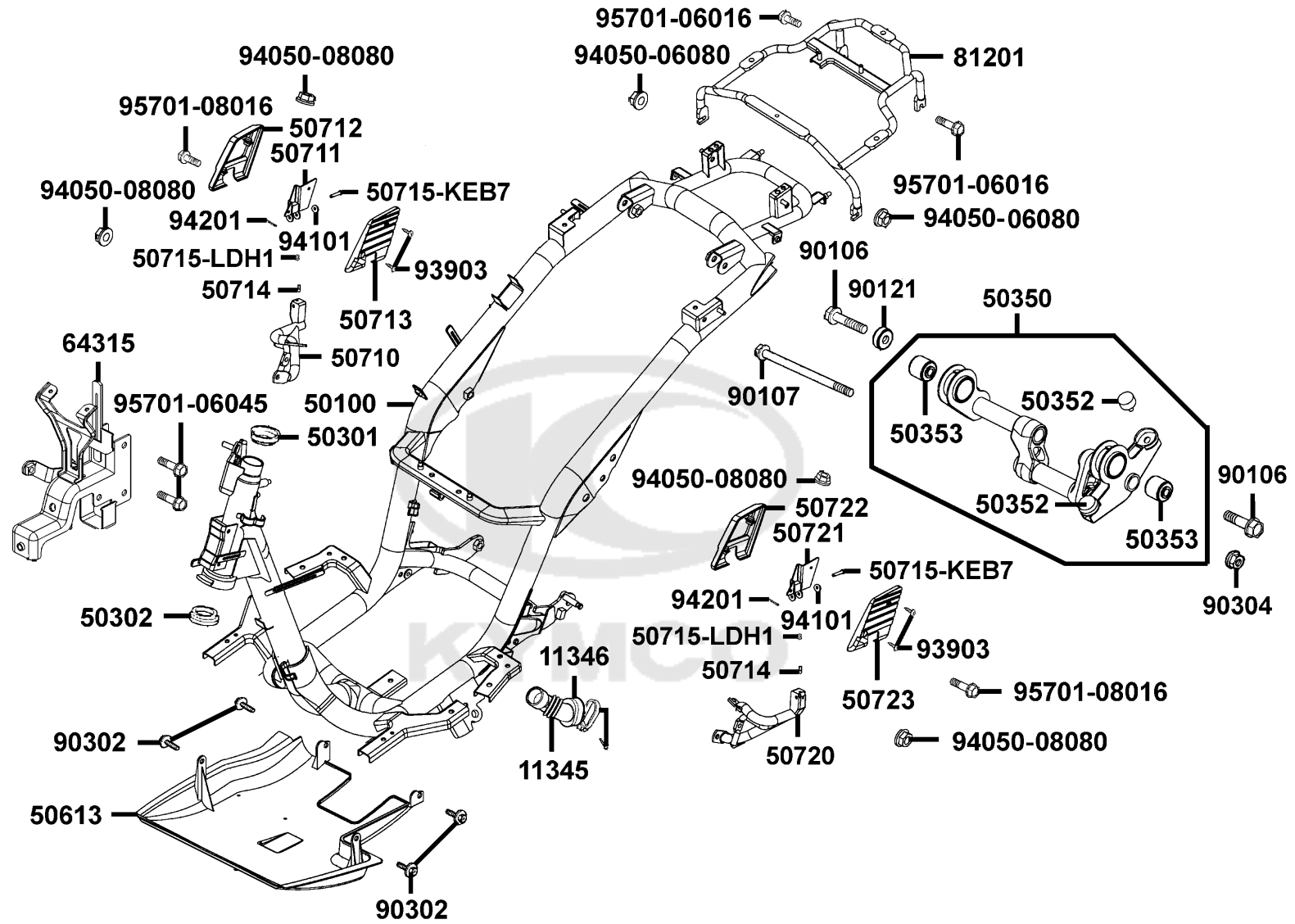


F20

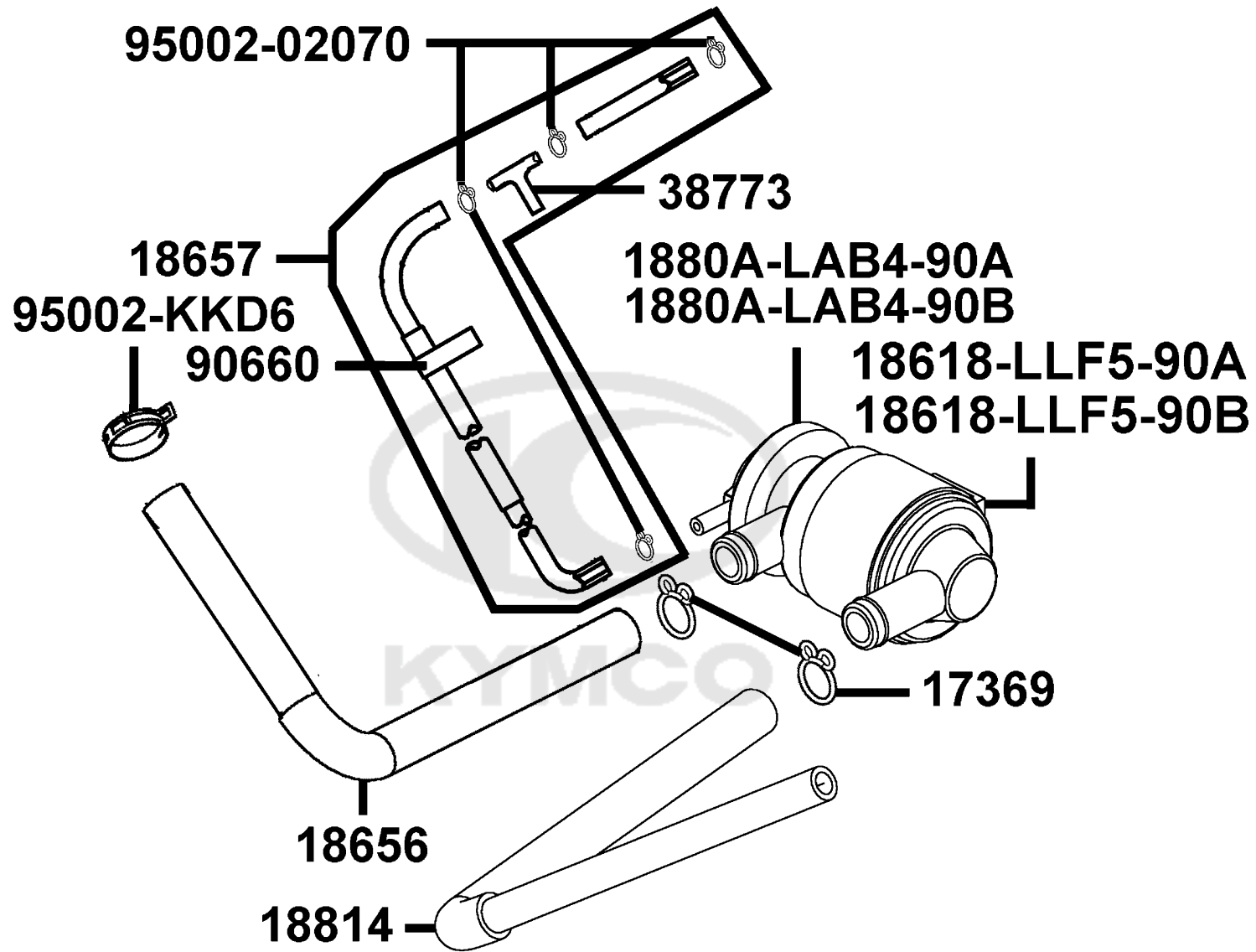
Frame Body



Sales mark	Ref no	Part no	Description	Reg description	Regd no	F20
	11345	11345-KHD6-900	DUCT L COVER	DUCT L COVER	1	
	11346	11346-KEBE-900	BAND L COVER DUCT	BAND L COVER DUCT	1	
	50100	50100-LEJ8-E00	BODY COMP FRAME	BODY COMP FRAME	1	
	50301	50301-KGN7-671	RACE UP STRG BALL	RACE UP STRG BALL	1	
	50302	50302-2H68-011	RACE STRG BOT BALL	RACE (STRG BOT) BALL	1	
	50350	50350-KHB4-901	ENG HANGER COMP	ENG HANGER COMP	1	
	50352	50352-GFY6-901	RUBBER STOPPER	RUBBER STOPPER	2	
	50353	50353-GBG2-711	BUSH SWING LOCK	BUSH SWING LOCK	2	
	50613	50613-LCD3-E00	COVER UNDER	COVER UNDER	1	
	50710	50710-LCD3-E00	PIPE R RR STEP	PIPE R RR STEP	1	
	50711	50711-LCD3-E00	STAY R RR STEP	STAY R RR STEP	1	
**	50712	50712-LEJ8-E00	COVER R RR STEP	COVER R RR STEP	1	
	50713	50713-LCD3-E00	RUBBER R RR STEP	RUBBER R RR STEP	1	
	50714	50714-LDH1-E00	PIN LOCK	PIN LOCK	2	
	50715-KEB7	50715-KEB7-900	PIN RR STEP	PIN RR STEP	2	
	50715-LDH1	50715-LDH1-E00	SPRING	SPRING	2	
	50720	50720-LCD3-E00	PIPE L RR STEP	PIPE L RR STEP	1	
	50721	50721-LCD3-E00	STAY L RR STEP	STAY L RR STEP	1	
**	50722	50722-LEJ8-E00	COVER L RR STEP	COVER L RR STEP	1	
	50723	50723-LCD3-E00	RUBBER L RR STEP	RUBBER L RR STEP	1	



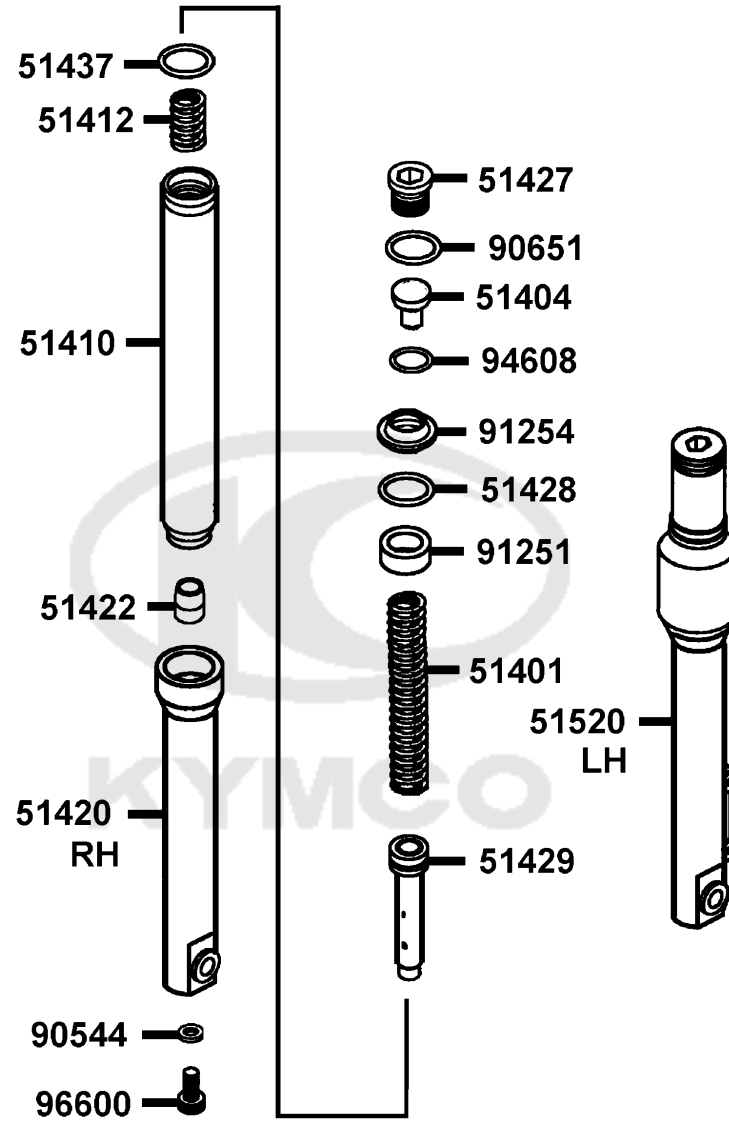
Sales mark	Ref no	Part no	Description	Reg description	Regd no	F20
64315		64315-LEJ8-E00	STAY FR COVER	STAY FR COVER	1	
81201		81201-LEJ8-E00	STAY RR CARRIER	STAY RR CARRIER	1	
90106		90106-GFY6-901	BOLT FLANGE 10*55	BOLT FLANGE 10*55	2	
90107		90107-KUDU-900	BOLT FLANGE 10*188	BOLT FLANGE 10*188	1	
90121		90121-GFY6-901	COLLAR DISTANCE	COLLAR DISTANCE	1	
90302		90302-GFY6-940	BOLT-WASH 5*16	BOLT-WASH 5*16	4	
90304		90304-GHE8-004	NUT U 10MM	NUT U 10MM	1	
93903		93903-34360	SCREW TAPPING 4*12	SCREW TAPPING 4*12	4	
94050-06080		94050-06080	NUT FLANGE 6MM	NUT FLANGE 6MM	2	
94050-08080		94050-08080	NUT FLANGE 8MM	NUT FLANGE 8MM	4	
94101		94101-06800	WASHER PLAIN 6MM	WASHER PLAIN	2	
94201		94201-16120	PIN SPLIT 1.6*12	PIN SPLIT 1.6*12	2	
95701-06016		95701-06016-08	BOLT FLANGE 6*16	BOLT FLANGE 6*16	2	
95701-06045		95701-06045-08	BOLT FLANGE 6*45	BOLT FLANGE 6*45	2	
95701-08016		95701-08016-08	BOLT FLANGE 8*16 (C)	BOLT FLANGE 8*16 (C)	2	



Sales mark	Ref no	Part no	Description	Reg description	Regd no	F21
17369		17369-KDB4-671	CLIP BREATHER TUBE	CLIP BREATHER TUBE	2	
18618-LLF5-90A		18618-LLF5-90A	RUBBER AICV MOUNT	RUBBER AICV MOUNT	1	
18618-LLF5-90B		18618-LLF5-90B	RUBBER AICV MOUNT	RUBBER AICV MOUNT	1	
18656		18656-LEJ8-E01	DUCT AICV-REED VALVE	DUCT AICV-REED VALVE	1	
18657		18657-LEJ8-E00	TUBE ASSY AICV-INLET PIPE	TUBE ASSY AICV-INLET PIPE	1	
1880A-LAB4-90A		1880A-LAB4-90A	AI/C-AICV ASSY	AI/C-AICV ASSY	1	
1880A-LAB4-90B		1880A-LAB4-90B	AI/C-AICV ASSY	AI/C-AICV ASSY	1	
18814		18814-LEJ8-E00	DUCT AIR-AICV	DUCT AIR-AICV	1	
38773		38773-PKB9-001	JOINT 3 WAY 3.5	JOINT 3 WAY 3.5	1	
90660		90660-KNBN-921	CLAMP TUBE	CLAMP TUBE	1	
95002-02070		95002-02070	CLIP B7 TUBE	CLIP B7 TUBE	4	
95002-KKD6		95002-KKD6-E05	CLAMP D18 TUBE	CLAMP D18 TUBE	1	

F22

Separated Parts Of Fr Fork



Sales mark	Ref no	Part no	Description	Reg description	Regd no	F22
	51401	51401-LCD3-E00	SPRING	SPRING	2	
	51404	51404-LCD3-E00	SPRING COLLAR	SPRING COLLAR	2	
	51410	51410-LCD3-E00	FORK PIPE COMP	FORK PIPE COMP	2	
	51412	51412-LCD3-E00	REBOUND SPRING	REBOUND SPRING	2	
**	51420	51420-LCD3-E00	BOTTOM CASE R	BOTTOM CASE R	1	
	51422	51422-LCD3-E00	OIL LOCK PIECE	OIL LOCK PIECE	2	
	51427	51427-LCD3-E00	FORK BOLT CAP	FORK BOLT CAP	2	
	51428	51428-KKAK-900	OIL SEAL STOPPER RING	OIL SEAL STOPPER RING	2	
	51429	51429-LCD3-E00	PIPE SEAT COMP	PIPE SEAT COMP	2	
	51437	51437-KKAK-900	PISTON RING	PISTON RING	1	
**	51520	51520-LCD3-E00	BOTTOM CASE L	BOTTOM CASE L	1	
	90544	90544-KEC8-900	PACKING	PACKING	2	
	90651	90651-LCD3-E00	STOPPER RING	STOPPER RING	2	
	91251	91251-KKAK-900	OIL SEAL	OIL SEAL	2	
	91254	91254-KHD8-900	DUST SEAL	DUST SEAL	2	
	94608	94608-LCD3-E00	O-RING	O-RING	2	
	96600	96600-LBA2-E00	BOCKET BOLT	BOCKET BOLT	2	

<ul style="list-style-type: none"> ● Be sure to wear a safety helmet when riding. ● Do not exceed the speed specified by law when riding. ● The exhaust muffler temperature is very high after riding. Be sure to park the motorcycle in a place not easily touched by people. ● For riding safety and good performance, do not violate the law to modify the motorcycle. 	<ul style="list-style-type: none"> ● Make sure to perform the periodic maintenance and provide inspection. <p style="text-align: center;">Provide Inspection Items</p> <p>Brake Performance, tires, engine oil level, lights, horn, and instrument panel</p> <p style="text-align: center;">KWANG YANG MOTOR CO., LTD.</p>
---	---

● Please read the User's Manual carefully to ensure driving safety.

87560

CAUTION

Mobile phone charge only, Use other appliance may cause damage.

KKC2-E000

87541-KKC2

CAUTIONS

Tire Size	:Front 100/80-16	Rear 120/80-16
(One Rider)	:Front 1.5 kgf/cm ²	Rear 1.75kgf/cm ²
(Two Rider)	:Front 2.0 kgf/cm ²	Rear 2.25kgf/cm ²
Load Capacity	:Shield 1.5kg	Clip assy center 3kg

(As per KYMCO standard specification)

(Note:The tire pressure must not overpass 2.3 kgf/cm²)

● Check the motor oil level with the dipstick after refilling motor oil.

LC03-E000

87505

CAUTIONS

Never put any article between the rear side cover and the engine to avoid interference of riding.

.GM9-300

87542

CAUTIONS

Before starting the engine,the side stand shall be kicked up to secure safety.

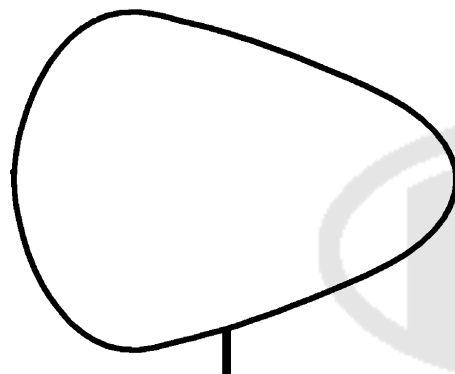
87541-GAR1

Sales mark	Ref no	Part no	Description	Reg description	Regd no	F23
**	87505	87505-LCD3-E00	LABEL TIRE	LABEL TIRE	1	
**	87541-GAR1	87541-GAR1-E00	CAUTION SIDE STAND	CAUTION SIDE STAND	1	
**	87541-KKC2	87541-KKC2-E00	CAUTION MOBILE PHONE	CAUTION MOBILE PHONE	1	
**	87542	87542-GAR1-E00	MARK MAINT CAUTION	MARK MAINT CAUTION	1	
**	87560	87560-GFY6-E00	MARK DRIVE CAUTION	MARK DRIVE CAUTION	1	

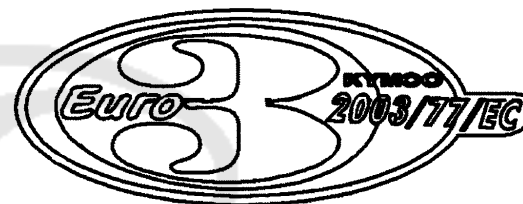




86202



87140-LEJ8-E10



87311



87140-LEJ8-E00

Sales mark	Ref no	Part no	Description	Reg description	Regd no	F24
**	86202	86202-LCD3-E10	EMB BODY COVER	EMB BODY COVER	2	
**	87140-LBF6	87140-LBF6-E00	EMB B BODY COVER	EMB B BODY COVER	2	
**	87140-LDG7	87140-LDG7-M00	EMB MARK MIT	EMB MARK MIT	1	
**	87140-LEJ8	87140-LEJ8-E10	EMB ENG COVER	EMB ENG COVER	1	
**	87140-LFG1	87140-LFG1-E01	EMB i MARK	EMB i MARK	2	
**	87571	87571-HCKC-B00	MODEL YEAR	MODEL YEAR	1	



PART NO. INDEX

PART NO.	VERSION	PAGE	PART NO.	VERSION	PAGE	PART NO.	VERSION	PAGE
11000			12000			14431-KUDU-900	3	E02
11100-LCD4-E00	2	E01	12100-LCD4-E00	3	E03	14450-GFY6-901	0	E02
11102-1G87-004	3	E01	12191-LCD4-E00	1	E03	14452-GFY6-901	0	E02
11192-KUDU-900	0	E01	12200-LEJ8-E00	1	E02	14510-KUDU-C00	0	E03
11200-LCD4-E00	3	E01	12209-GDB4-68A	0	E02	14520-GFY6-90A	1	E03
11203-GGC7-301	2	E01	12209-GDB4-68B	0	E02	14523-GFY6-901	0	E03
11203-GGC7-301	2	F16	12211-KUDU-900	4	E02	14531-GLR0-001	1	E03
11206-LCD3-E00	1	E01	12251-LCD4-E00	2	E02	14610-KUDU-C00	0	E03
11208-LCD3-E00	2	E04	12310-KHB4-900	0	E02	14711-KFB7-900	1	E02
11209-LCD3-E00	3	F13	12361-GFY6-901	1	E04	14721-KFB7-900	0	E02
11211-KHB4-900	0	F13	12391-GFY6-941	0	E02	14751-KKJ9-003	1	E02
11221-KHB4-900	1	F13				14761-KKJ9-003	1	E02
11331-LCD3-E00	4	E04	13000			14771-GDB4-680	2	E02
11341-KHB4-900	2	E01				14775-MFA6-001	0	E02
11345-KHD6-900	0	F20	13000-KFB7-900	9	E03	14781-MFA6-001	0	E02
11346-KEBE-900	0	F20	13011-LCD4-E00	1	E03	15000		
11353-LEA6-900	1	E01	13101-LCD4-E00	4	E03	15100-KFB7-900	0	E06
11383-KHE7-900	0	F06	13111-KKJ9-001	3	E03	15133-GFY6-901	0	E06
11383-KHE7-900	0	F16				15141-GFY6-90B	0	E06
11383-KUDU-900	0	E01	14000			15141-GFY6-90C	1	E06
11386-GFY6-900	0	E07				15421-1G07-001	1	E04
11394-KUDU-900	0	E04	14100-KFA9-220	1	E02	15426-GAE1-921	0	E04
11395-KHB4-900	0	E01	14401-KUDU-900	0	E03	1565A-KUDU-900	0	E04
			14401-KUDU-90C	0	E03	15711-KUDU-900	0	E06

PART NO. INDEX

PART NO.	VERSION	PAGE	PART NO.	VERSION	PAGE	PART NO.	VERSION	PAGE
16000			1711A-KKE3-700	3	E02	18000		
16056-KKE3-900	8	E09	17214-KHB4-900	0	F13	18291-KKC4-900	0	F14
16068-KKE3-900	4	E09	17226-KHB4-900	0	F13	18291-LBD4-900	2	F14
16074-KEC3-900	4	E09	17236-KFBF-910	1	F13	18292-KEBE-900	0	F14
1610K-LEJ8-E00	5	E09	17239-KHB4-900	0	F13	18293-KECE-900	0	F14
16110-KGC5-900	1	E09	1723A-LEJ8-E00	2	F13	18294-KEBE-900	0	F14
16110-KKE3-900	2	E09	1723B-LCD3-E00	3	F13	18295-KECE-900	0	F14
16111-KKE3-900	1	E09	1723C-KHB4-900	0	F13	18306-LAC7-900	3	F14
16112-KKE3-900	1	E09	17254-KACA-P00	0	F13	1830A-LEJ8-E00	5	F14
16118-KEC3-900	0	E09	17256-KKE3-900	1	E02	18318-LEJ8-E00	0	F14
16122-KEC3-900	0	E09	17359-4K19-671	0	F13	18325-LEJ8-E00	3	F14
16133-KEC3-900	1	E09	17369-KDB4-671	1	F21	18601-MAJ1-791	1	E02
16134-KKE3-900	5	E09	17370-4K19-701	0	F13	18612-GFY6-941	0	E02
16138-KEC3-900	1	E09	17371-1D74-671	0	F13	18618-LLF5-90A	2	F21
16154-KKE3-900	4	E09	17510-LEJ8-E00	4	F10	18618-LLF5-90B	1	F21
16160-KKE3-900	1	E09	17520-LCD3-E00	1	F19	18645-GFY6-941	0	E02
16170-KEC3-900	0	E09	17530-LCD3-E00	1	F10	18646-GFY6-941	0	E02
16195-KEC3-900	0	E09	17550-KFA6-900	1	F10	18647-GFY6-941	0	E02
16201-GFY6-901	0	E02	17550-LEJ8-E00	4	F10	18656-LEJ8-E01	1	F21
16211-GFY6-901	0	E02	17556-KKE3-900	5	F10	18657-LEJ8-E00	2	F21
17000			17560-LEJ8-E00	2	F10	1880A-LAB4-90A	2	F21
17113-KKE3-900	1	E02	17563-LEJ8-E00	3	F10	1880A-LAB4-90B	2	F21
			17570-KKE3-900	0	F10	18814-LEJ8-E00	2	F21
			1762A-KFA6-900	3	F10			
			17685-KZCZ-900	0	F10			
			17910-LEJ8-E00	3	F03			

PART NO. INDEX

PART NO.	VERSION	PAGE	PART NO.	VERSION	PAGE	PART NO.	VERSION	PAGE	
19000			22105-GFY6-220	1	E05	23420-LCD3-E00	1	E08	
			22110-KUDU-220	0	E05	23431-KHB4-900	2	E08	
			22111-KUDU-220	1	E05	23432-LCD3-E00	1	E08	
	19504-LBA2-E00	3	F10	22112-GFY6-90A	0	E05			
	19510-KFB7-900	0	E07	22121-GFY6-92A	2	E05	28000		
	1961A-KUDU-E10	2	E07	22131-GFY6-901	3	E05			
	19625-KUDU-910	0	E02	22132-KBN2-901	4	E05	28101-GFY6-901	2	E06
	19626-KUDU-900	0	E07	22300-LCD4-E00	2	E05	28102-GFY6-901	0	E06
	19627-LEJ8-E00	1	E07	22350-GFY6-90A	1	E05	28110-GFY6-901	2	E06
	19628-LEJ8-E00	1	E07	22361-KGN7-671	1	E05	28120-GFY6-315	6	E06
	19629-LEJ8-E00	1	E07	22401-LCD4-E00	1	E05	28125-4F26-001	0	E06
	1962A-LEJ8-E00	2	E07	22530-LCD3-E00	1	E05	28125-GFY6-960	3	E06
19632-GFY6-901	1	E07	22804-GBB2-001	0	E05	28126-KUDU-900	1	E06	
19633-GFY6-901	0	E07				28211-KUDU-900	4	E05	
19636-KUDU-C00	0	E07	23000						
1963A-LEJ8-E00	2	E07				30000			
			2301A-LCD4-E00	2	E05				
21000			23100-LCD4-E0A	2	E05	3051A-LEJ8-E00	3	F19	
			23200-GFY6-901	3	E05	30700-LEJ8-E00	2	F19	
21200-LEJ8-E00	2	E08	23220-KFBF-900	0	E05				
21395-LCD3-E0A	1	E08	23225-GHC8-004	0	E05	31000			
			23226-GHC8-004	0	E05				
22000			23233-GCW3-011	0	E05	31110-KKE3-90A	4	E07	
			23237-GFY6-941	0	E05	31110-KKE3-90B	3	E07	
22101-GFY6-941	3	E05	23238-GFY6-941	0	E05	31120-KKE3-90A	5	E07	
22102-KUDU-220	1	E05	23411-KHB4-900	0	E08	31120-KKE3-90B	3	E07	

PART NO. INDEX

PART NO.	VERSION	PAGE	PART NO.	VERSION	PAGE	PART NO.	VERSION	PAGE
31205-KGN7-670	0	E06	33400-LCD3-E00	3	F17	34908-KAM1-67A	0	F02
31210-GFY6-200	7	E06	33450-LCD3-E00	2	F17	34908-LAB4-900	1	F02
31210-GFY6-20C	4	E06	33700-LFG1-E00	1	F18	34909-KEBE-900	0	F02
31500-LEJ8-E00	2	F11	33706-KHB4-E01	0	F18			
31500-LEJ8-E0B	2	F11	33707-LCD3-E00	0	F18	35000		
31600-KAM1-009	1	F19	33708-LCD3-E00	0	F18			
31601-LBA2-E00	2	F19	33709-KBAB-003	0	F18	35101-LCD3-325-M2	0	F19
32000			33709-LCD3-E00	0	F18	35102-LCD3-E0B	0	F19
			33710-LCD3-E00	0	F18	35104-LBC6-90B	0	F19
			33711-LCD3-E00	0	F18	35109-LBC6-90B	1	F19
32100-LEJ8-E00	6	F19	33720-KHB4-E00	3	F18	35111-KHC5-305-M2	0	F19
32101-GFY6-901	1	F04	33722-KHB4-E00	0	F18	35111-KHC5-306-M2	0	F19
32106-KKE3-900	3	E06	33725-KHB4-E00	0	F18	35119-LBC6-90B	0	F19
32108-GAR1-711	1	F19	33726-KHB4-E00	0	F18	3515A-KGBG-E00	3	F03
32120-3C83-831	0	F19	33741-GFY6-C30	1	F18	3520A-LCD3-E00	1	F03
32410-KUDU-900	2	E06	33741-KHC5-M00	0	F18	35340-KNBN-901	0	F04
32411-LCD3-E00	3	F19	33758-LCD3-E00	0	F18	35350-KNBN-901	0	F04
32412-LCD3-E00	3	E04	33761-LCD3-E00	0	F18	35380-KKE3-900	2	F19
32961-KUDU-900	0	E04				35850-KHB4-90A	2	F19
33000			34000			35850-KHB4-90B	3	F19
			34300-KKE3-900	4	E09	37000		
33100-LCD3-E01	2	F01	34301-KKE3-900	2	E09			
33105-LCD3-E00	0	F01	34901-KFA6-900	0	F01	37200-LEJ8-E01	0	F02
33120-LCD3-E00	0	F01	34903-KPCP-900	0	F01	37211-LCD3-E01	0	F02
33130-LCD3-E00	1	F01	34903-KPCP-900	0	F18	37213-LCD3-E00	0	F02

PART NO. INDEX

PART NO.	VERSION	PAGE	PART NO.	VERSION	PAGE	PART NO.	VERSION	PAGE	
37305-KEE5-009	0	F02	39601-KKE3-900	0	F10	43352-5H68-004	3	F07	
37801-LAB4-910	1	F10	39602-KKE3-900	0	F10	43352-KKD6-E90	1	F08	
3780A-LEJ8-E00	2	F10	39701-KKE3-800	0	E09	43353-4A61-77A	0	F07	
38000			39702-LEJ8-E00	2	E09	43353-4A61-77A	0	F08	
			39703-KKE3-900	2	E09	43530-KGB5-306	2	F04	
			39704-KKE3-900	4	E09	44000			
			39705-KKE3-900	2	E09				
			39706-KKE3-900	1	E09				
		3970A-KKE3-800	3	E09	44301-KXCX-900		4	F07	
					44311-KHB4-900		0	F07	
38110-KHB4-E0A	0	F19	42000			44600-LCD3-305	1	F07	
38110-KHB4-E0B	1	F19				44600-LCD3-305	2	F07	
38110-KHB4-E0C	1	F19				44620-KFLF-930	1	F07	
38300-LBG7-900	2	F19				44680-4L10-001	0	F07	
38500-KHD8-900	0	F19				44710-LCD3-E0A	2	F07	
38500-KHD8-90A	0	F19	42311-KHB4-900	2	F08	44800-KFA6-900	3	F07	
3860A-LEJ8-E00	1	F19	42312-KHB4-900	0	F08	44830-LCD3-E00	4	F02	
38773-PKB9-001	0	F21	42601-LEJ8-E00	1	F08	44831-LCD3-E00	0	F02	
39000			42710-LCD3-E0A	2	F08	45000			
			42753-KNBN-90B	1	F07				
			42753-KNBN-90B	1	F08				
							45105-KFA6-305	0	F07
							45107-KFA6-900	0	F07
3920A-LEJ8-800	1	F19	43000			45107-MEN5-007	0	F08	
39300-KKE3-800	3	E02				45108-KFA6-900	2	F07	
39301-KKE3-910	3	E02				45108-LDH1-E00	0	F08	
39302-KKE3-900	2	E02							
39303-KKE3-900	1	E02		43100-LEJ8-E00	1	F08			
39400-KKE3-800	2	E02	43105-LDH1-305	0	F08				
39450-LEA6-800	2	F14	43109-GBN2-007	0	F08				
39500-KKE3-800	4	E02	43126-LEJ8-E00	2	F04				
39600-KKE3-800	1	F10	43156-KKC4-900	1	F16				

PART NO. INDEX

PART NO.	VERSION	PAGE	PART NO.	VERSION	PAGE	PART NO.	VERSION	PAGE	
45109-KFA6-900	0	F07	50154-KKE3-900	2	F19	50723-LCD3-E00	3	F20	
45121-LCD3-E00	2	F07	50301-KGN7-671	2	F20	51000			
45126-LCD3-E00	4	F04	50302-2H68-011	2	F20				
45131-LDH1-E00	0	F08	50306-1F96-001	0	F06				
45132-KFA6-900	0	F07	50326-LCD3-E00	2	F12		51400-LCD3-E00	5	F06
45132-LDH1-E00	0	F08	50350-KHB4-901	1	F20		51401-LCD3-E00	0	F22
45133-KFA6-900	0	F07	50352-GFY6-901	0	F20		51404-LCD3-E00	0	F22
45200-LCD3-E00	4	F07	50353-GBG2-711	1	F20		51408-LCD3-E00	1	F06
45209-GBE2-007	0	F08	50502-GFY6-901	3	F15		51409-LCD3-E00	3	F06
45209-KFA6-900	0	F07	50505-LAD9-900	3	F15		51410-LCD3-E00	0	F22
45210-LCD3-305	0	F07	5050A-LCD3-E00	8	F15		51412-LCD3-E00	0	F22
45210-LDF2-E00	0	F08	50530-LCD3-E00	2	F15	51420-LCD3-E00	0	F22	
45351-LLJ3-E00	3	F08	50531-KEB7-E00	1	F15	51422-LCD3-E00	0	F22	
45513-KCCC-900	0	F04	50535-KEB7-E00	3	F15	51427-LCD3-E00	0	F22	
45517-KFAF-900	0	F04	50550-KKC2-E00	0	F15	51428-KKAK-900	0	F22	
45517-KFAF-910	0	F04	50613-LCD3-E00	5	F20	51429-LCD3-E00	0	F22	
45520-KCCC-900	0	F04	50710-LCD3-E00	3	F20	51430-LDH1-E00	0	F08	
45521-KCCC-900	0	F04	50711-LCD3-E00	2	F20	51437-KKAK-900	0	F22	
45530-KEB7-306	0	F04	50712-LEJ8-E00	3	F20	51500-LCD3-E00	5	F06	
45531-GAR1-951	0	F07	50713-LCD3-E00	3	F20	51520-LCD3-E00	0	F22	
45531-GAR1-951	0	F08	50714-LDH1-E00	0	F20	52000			
50000			50715-KEB7-900	0	F20				
			50715-LDH1-E00	0	F20				
			50720-LCD3-E00	3	F20		52000-LEJ8-E00	3	F16
			50721-LCD3-E00	2	F20		52400-LCD3-E00	4	F16
			50722-LEJ8-E00	3	F20				

PART NO. INDEX

PART NO.	VERSION	PAGE	PART NO.	VERSION	PAGE	PART NO.	VERSION	PAGE
53000			64000			77000		
53100-LCD3-E00	7	F03	64212-LCD3-E00	2	F03	77105-LCD3-E00	2	F12
53102-KEC8-900	0	F03	6421A-LEJ8-E01	5	F03	77106-LCD3-E00	2	F12
53105-LBB5-E00	2	F03	6421B-LCD3-E01	1	F03	77200-LCD3-E00	2	F09
53125-GEN5-901	0	F03	64222-KKC4-900	3	F03	77202-KHB4-900	1	F12
53140-KGB5-900	0	F03	64301-LCD3-E00	1	F05	77206-KGBG-900	0	F09
53166-KGB5-900	0	F03	64303-LCD3-E00	2	F05	77235-KGC4-E0B	2	F19
53175-KXBX-E10	3	F04	64304-LCD3-E00	2	F05	77240-LCD3-E00	1	F19
53178-KKBK-E00	0	F04	64305-LCD3-E00	2	F05	77303-KGC4-E00	2	F05
53200-LCD3-E00	5	F06	64306-LCD3-E00	2	F05	77303-LCD3-E00	1	F09
53204-LCD3-E00	2	F03	6430A-LCD3-E00	2	F05			
53205-LCD3-E00	3	F03	64310-LCD3-E00	2	F05	80000		
53206-LCD3-E00	4	F03	64313-LCD3-E00	2	F05			
53207-LCD3-E00	2	F03	64315-LEJ8-E00	3	F20	80100-LCD3-E00	2	F18
53211-GFY6-940	1	F06	64316-LCD3-E00	1	F05	80101-LCD3-E00	4	F18
53212-2L50-011	1	F06	64317-LCD3-E00	1	F05	80103-LCD3-E01	1	F18
53214-2L50-001	0	F06	64330-LCD3-E00	2	F05	80105-LCD3-E00	3	F18
53215-2L50-001	0	F06	64400-LCD3-E00	2	F05			
61000			70000			81000		
61100-LCD3-E00	2	F06	70529-6G57-671	0	E07	81131-LCD3-E01	0	F05
						81132-LCD3-E00	1	F05
						81133-KNBN-901	0	F05
						81134-KFA6-900	0	F05

PART NO. INDEX

PART NO.	VERSION	PAGE	PART NO.	VERSION	PAGE	PART NO.	VERSION	PAGE
81134-LEJ8-E00	2	F05						
81135-KGBG-900	2	F05	86000			89000		
81141-LCD3-E00	1	F05						
81142-KFA6-900	0	F05	86102-LCD3-E00	3	F05	89010-KGBG-900	0	F09
81142-KUDU-900	1	F05	86202-LCD3-E10	3	F24	89020-KKC4-900	1	F09
81143-LCD3-E00	2	F05						
81144-LCD3-E00	2	F05	87000			90000		
81145-LCD3-E00	4	F05						
81146-LCD3-E00	1	F05	87140-LBF6-E00	2	F24	90001-GBHB-661	2	E03
81147-LCD3-E00	1	F05	87140-LDG7-M00	0	F24	90005-KAW1-901	1	E03
81148-LCD3-E00	1	F05	87140-LEJ8-E10	1	F24	9000A-KTDT-900	1	E01
81149-LCD3-E00	1	F05	87140-LFG1-E01	2	F24	90012-3C33-001	2	E02
81200-LCD3-E00	2	F12	87505-LCD3-E00	1	F23	90021-GFY6-900	2	F14
81201-LEJ8-E00	2	F20	87541-GAR1-E00	1	F23	90032-KHD6-900	2	E01
81251-LAB4-900	3	F12	87541-KKC2-E00	1	F23	90032-LAB4-900	1	E01
81260-LEJ8-E00	4	F12	87541-KUDU-E00	0	E07	90033-GFY6-900	0	E02
			87542-GAR1-E00	2	F23	90105-GGS7-001	0	F12
83000			87560-GFY6-E00	3	F23	90105-KCR3-001	1	F07
			87571-HCKC-B00	6	F24	90105-KCR3-001	1	F08
83500-LCD3-E00	1	F12				90105-KHB4-900	0	F03
83520-LCD3-E00	1	F12	88000			90105-KHB4-900	0	F12
83600-LCD3-E00	1	F12				90106-GEN5-901	0	F03
83620-LCD3-E00	1	F12	88110-LBD5-E00	1	F03	90106-GFY6-901	0	F20
			88120-LBD5-E00	1	F03	90106-KFC2-900	0	F03
						90106-KUDU-900	1	F12
						90107-KUDU-900	2	F20

PART NO. INDEX

PART NO.	VERSION	PAGE	PART NO.	VERSION	PAGE	PART NO.	VERSION	PAGE	
90108-KFA6-E00	1	F15	90304-4H38-001	2	E02	91000			
90110-GLW0-001	0	F05	90304-GHE8-004	0	F03				
90110-LCD1-E00	2	F14	90304-GHE8-004	0	F20				
90111-1G47-001	0	F10	90305-GHK8-001	1	E07		91001-GFY6-90A	2	E05
90114-1F66-007	2	F04	90305-GHK8-001	1	F01		91002-GGA7-70A	0	E05
90114-GDM4-011	2	F13	90305-KFW6-900	1	F08		91003-KDS4-004	1	E08
90116-KED9-900	2	F03	90306-KLF0-901	0	F07		91009-GLE0-004	1	E08
90121-GFY6-901	1	F20	90312-LCD3-E01	0	F03		91014-LLJ3-E00	1	F06
90122-KEBE-900	2	F07	90403-KUDU-900	0	E06		91015-LLJ3-E00	1	F06
90131-LDB2-E00	2	F08	90426-KNBN-901	0	E05		91051-KFBF-901	1	F16
90145-MKS9-61A	1	F04	90440-1F66-001	0	E07		91101-1K79-711	1	E06
90201-GFY6-901	0	E06	90441-GFY6-941	0	E05		91104-GFY6-90B-B	1	E06
90202-1G87-001	0	E05	90465-MDC4-001	0	E02		91104-GFY6-90B-R	1	E06
90206-0A01-001	1	E02	90474-3C33-001	1	E01		91104-GFY6-90B-W	1	E06
90215-KKC4-900	1	F12	9052A-GFY6-950	3	E01		91104-GFY6-90C-B	0	E06
90301-6D34-671	1	F05	90544-KEC8-900	0	F22		91104-GFY6-90C-R	0	E06
90301-6D34-671	1	F10	90545-3L00-001	2	F04		91104-GFY6-90C-W	0	E06
90301-6D34-671	1	F18	90601-GFY6-901	0	E05		91104-KGN7-671	0	E01
90301-GFY6-901	2	F14	90605-1F66-721	0	E05		91202-GFY6-90A	1	E01
90302-GFY6-901	1	F06	90651-LCD3-E00	0	F22	91202-GFY6-90A	1	E04	
90302-GFY6-901	1	F10	90652-GFY6-901	1	F13	91202-GFY6-90B	1	E01	
90302-GFY6-901	1	F18	90656-KCBC-900	0	F19	91202-GFY6-90B	1	E04	
90302-GFY6-940	1	F03	90656-KUDU-900	0	F19	91202-KKJ9-004	0	E01	
90302-GFY6-940	1	F20	90660-KNBN-921	0	F21	91211-KEBE-900	0	E05	
90302-SDA4-004	2	F05	90701-HFB6-011	1	E03	91251-KKAK-900	0	F22	
90302-SDA4-004	2	F12	90701-HFB6-011	1	E06	91252-0L30-00A	0	F07	

PART NO. INDEX

PART NO.	VERSION	PAGE	PART NO.	VERSION	PAGE	PART NO.	VERSION	PAGE
91252-0L30-00B	0	F07	93404-06012-08	0	F18	93903-35220	0	F01
91254-KHD8-900	0	F22	93404-06020-06	1	F05	93903-35320	0	F02
91255-GLE0-006	0	E08	93500-03010-1A	0	E06	93903-35320	0	F19
91258-4L10-00A	1	F07	93500-04014-0G	0	E02	93903-GFY6-900	1	F05
91258-4L10-00B	1	F07	93500-04020-0G	0	F19	93903-GFY6-900	1	F12
91301-GLR0-005	1	E03	93500-05010-0H	0	F10	93903-GFY6-900	1	F18
91302-0A01-021	0	E04	93500-KGBG-900	0	F03	93903-KEB7-900-06	1	F05
91306-1E05-691	0	E03	93600-04012-1G	0	F04			
91307-0E35-001	0	E04	93891-05012-06	0	F12	94000		
91309-4E25-004	0	E06	93891-05016-08	0	E09			
91351-6B42-000	0	E05	93892-04006-08	0	E06	94050-05080	0	F18
91508-KGV7-67A	0	F18	93892-05010-08	0	E09	94050-06060	0	F04
91981-KGN7-670	0	E06	93893-04012-18	0	F04	94050-06060	0	F06
			93901-32020	0	F18	94050-06080	0	E02
92000			93901-32220	0	F18	94050-06080	0	E06
			93903-24260	0	F06	94050-06080	0	E09
92101-05012-0H	0	E07	93903-25260	0	F05	94050-06080	0	F03
92712-06028-0B	1	E02	93903-25260	0	F06	94050-06080	0	F09
92900-06060-0B	0	E02	93903-25460	0	F13	94050-06080	0	F19
			93903-34360	0	E07	94050-06080	0	F20
93000			93903-34360	0	F03	94050-08080	0	E02
			93903-34360	0	F05	94050-08080	0	F19
93401-04025-08	0	F19	93903-34360	0	F12	94050-08080	0	F20
93401-05020-08	0	F19	93903-34360	0	F17	94050-12080	0	E05
93404-06012-06	0	F05	93903-34360	0	F18	94050-12080	0	E07
93404-06012-08	0	F05	93903-34360	0	F20	94101-06200	0	F14

PART NO. INDEX

PART NO.	VERSION	PAGE	PART NO.	VERSION	PAGE	PART NO.	VERSION	PAGE
94101-06700	0	F14	95002-02080	0	F10	95801-08035-08	0	F16
94101-06800	0	F20	95002-02080	0	F13	95801-08040-06	0	F06
94101-KKE3-900	1	E09	95002-02130	0	F13	95801-08045-06	0	F16
94111-05800	0	E06	95002-40650-08	0	F10	95801-10025-08	0	F15
94111-06800	0	E02	95002-41050-08	0	E09	95801-10035-08	0	F16
94111-06800	0	E09	95002-41200-08	0	E09			
94111-06800	0	F13	95002-41250-08	0	F10	96000		
94111-06800	0	F14	95002-KKD6-E05	0	F21			
94201-16120	0	F20	95003-23029-60	0	F13	96001-06008-07	0	F14
94301-10160	0	E01	95012-KED9-900	1	F11	96001-06010-02	0	F14
94301-10160	0	E02	95701-06012-08	0	E04	96001-06012-00	0	F16
94301-10160	0	E03	95701-06012-08	0	F12	96001-06012-08	0	E01
94301-10160	0	E04	95701-06012-08	0	F19	96001-06012-08	0	E04
94303-04065	0	E06	95701-06016-08	0	F19	96001-06012-08	0	E06
94510-20000	0	E08	95701-06016-08	0	F20	96001-06012-08	0	F06
94520-28000	0	E05	95701-06025-00	0	E02	96001-06014-08	0	F10
94520-40000	0	F16	95701-06025-08	0	E02	96001-06016-08	0	E06
94540-50029	0	E09	95701-06028-07	0	F14	96001-06016-08	0	E07
94591-KFBF-900	2	E02	95701-06035-08	0	E02	96001-06018-08	0	E02
94601-15000	0	E03	95701-06040-00	0	E02	96001-06018-08	0	E07
94608-LCD3-E00	0	F22	95701-06045-08	0	F20	96001-06022-06	1	F04
			95701-06050-08	0	E02	96001-06025-08	0	E07
95000			95701-08012-08	0	E01	96001-06028-08	0	E04
			95701-08012-08	0	F19	96001-06028-08	0	E06
95002-02070	0	F10	95701-08016-08	0	F20	96001-06028-08	0	E07
95002-02070	0	F21	95701-KHC5-E00	3	F19	96001-06045-08	0	E01

PART NO. INDEX

PART NO.	VERSION	PAGE	PART NO.	VERSION	PAGE	PART NO.	VERSION	PAGE
96001-06050-08	0	E01						
96001-06100-08	0	E02						
96001-06100-08	0	E04						
96001-06110-08	0	E04						
96001-GFY6-900	1	F13						
96100-60020-00	0	E08						
96100-62020-00	0	E01						
96100-63030-00	0	E01						
96120-63010-10	0	F07						
96220-60100	0	E06						
96600-06012-10	0	E04						
96600-08010-10	1	E06						
96600-LBA2-E00	0	F22						
98000								
98056-5771R-00	0	E02						
98200-11000	0	F11						
98200-11500	0	F11						
98200-11500	0	F19						