

PARTS CATALOGUE



SCOOTERS

BA10AG(RO)

PEOPLE 50



Release Date : 2011/10/24
Print Date : 2012/02/09

ABOUT THIS PARTS LIST

- This parts list is compiled all service parts for model BA10AG(RO).
- Any difference between color chart and motorcycle will be revised according to motorcycle.
- The Mark:
 1. Marking "***" must add color code in the end before ordering parts.
 2. Marking "#" are parts with modification, Please find the details from e-Parts system.
- When modification or additions to this parts list are made a revised edition at an appropriate time.



CONTENTS

| | |
|-----------------------------------|-----|
| ● ABOUT THIS PARTS LIST | 1 |
| ● COLOR CHART OF BA10AG(RO) | 3 |
| ● CONTENTS-ENGINE GROUP | 7 |
| ● CONTENTS-FRAME GROUP | 9 |
| ● ENGINE PARTS LIST | 12 |
| ● FRAME PARTS LIST | 40 |
| ● PART NO. INDEX | 102 |

| NO | MODEL | | | COLOR CHART OF BA10AG(RO) | | | |
|------------------------|--------------------|----------------|---------|---------------------------|----------|---------------|--------------------|
| | PHOTO NO | | | NO. 1 | NO. 2 | NO. 3 | NO. 4 |
| | BASIC COLOR | | | Navy Blue | Dark Red | Bright Silver | Deep Gray Metallic |
| | CODE | | | Navy Blue | Dark Red | Bright Silver | Deep Gray Metallic |
| | PARTS NAME | PARTS NO. | VERSION | PB183MA | RR132CA | NH045MA | NH129MA |
| 1 | GRILL FRONT COVER | 64303-KFA6-900 | 0 | F1P | | | |
| 2 | LEVER R STRG HNDL | 53175-KFA6-E00 | 0 | M3A | | | |
| 3 | LEVER L STRG HNDL | 53178-KXCX-E00 | 0 | | | | |
| 4 | BAND BATTERY | 50328-KFA6-900 | 0 | N1R | | | |
| 5 | GRIP COMP THROT | 53140-KNBN-960 | 0 | | | | |
| 6 | GRIP HANDLE L | 53166-KNBN-911 | 0 | | | | |
| 7 | MAT FLOOR | 64320-KFA6-900 | 0 | | | | |
| 8 | COVER L SIDE | 11341-KFA6-900 | 0 | N8A | | | |
| 9 | CARRIER REAR | 81200-KFA6-901 | 0 | N8P | | | |
| 10 | WHEEL COMP RR CAST | 42601-KFA6-900 | 2 | NJA | | | |
| 11 | WHEEL SET FR | 44600-KFA6-305 | 0 | | | | |
| 12 | CALIPER ASSY FR | 45200-KFA6-900 | 3 | | | | |
| 13 | FORK SET R FR | 5140A-KFA6-E00 | 4 | | | | |
| 14 | FORK SET L FR | 5150A-KFA6-E00 | 4 | | | | |
| 15 | LEVER R STRG HNDL | 53175-KFA6-900 | 0 | | | | |
| 16 | LEVER L STRG HNDL | 53178-KFA6-900 | 0 | | | | |
| 17 | LABEL GLOVE BOX | 81218-KCAC-P00 | 0 | | | | |
| 18 | EMB HANDLE COVER | 86030-KFA6-E00 | 1 | T01 | | | |
| 19 | EMB K-LOGO 30MM | 86102-KFA6-E00 | 2 | | | | |
| 20 | EMB BODY COVER | 86202-KFA6-E00 | 1 | | | | |
| 21 | CAUTION ANIT | 87224-KFA6-EZ1 | 0 | | | | |
| 22 | CAUTION USE GAS | 87501-KRDR-E00 | 2 | | | | |
| 23 | LABEL TIRE | 87505-KHB4-E00 | 0 | | | | |
| 24 | CAUTION SIDE STAND | 87541-GAR1-E00 | 1 | | | | |
| 25 | MARK MAINT CAUTION | 87542-GAR1-E00 | 2 | | | | |
| DATE OF STARTING-SALES | | | | | | | |
| DATE OF END-SALES | | | | | | | |

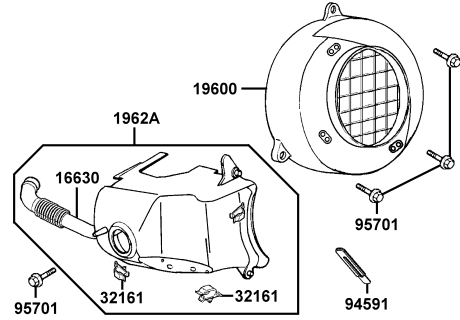
| NO | MODEL | | | COLOR CHART OF BA10AG(RO) | | | |
|------------------------|--------------------|----------------|---------|---------------------------|--|--|--|
| | PHOTO NO | | | NO. 5 | | | |
| | BASIC COLOR | | | Deep Green Metallic | | | |
| | CODE | | | Deep Green Metallic | | | |
| | PARTS NAME | PARTS NO. | VERSION | BG055CA | | | |
| 1 | GRILL FRONT COVER | 64303-KFA6-900 | 0 | F1P | | | |
| 2 | LEVER R STRG HNDL | 53175-KFA6-E00 | 0 | M3A | | | |
| 3 | LEVER L STRG HNDL | 53178-KXCX-E00 | 0 | | | | |
| 4 | BAND BATTERY | 50328-KFA6-900 | 0 | N1R | | | |
| 5 | GRIP COMP THROT | 53140-KNBN-960 | 0 | | | | |
| 6 | GRIP HANDLE L | 53166-KNBN-911 | 0 | | | | |
| 7 | MAT FLOOR | 64320-KFA6-900 | 0 | | | | |
| 8 | COVER L SIDE | 11341-KFA6-900 | 0 | N8A | | | |
| 9 | CARRIER REAR | 81200-KFA6-901 | 0 | N8P | | | |
| 10 | WHEEL COMP RR CAST | 42601-KFA6-900 | 2 | NJA | | | |
| 11 | WHEEL SET FR | 44600-KFA6-305 | 0 | | | | |
| 12 | CALIPER ASSY FR | 45200-KFA6-900 | 3 | | | | |
| 13 | FORK SET R FR | 5140A-KFA6-E00 | 4 | | | | |
| 14 | FORK SET L FR | 5150A-KFA6-E00 | 4 | | | | |
| 15 | LEVER R STRG HNDL | 53175-KFA6-900 | 0 | | | | |
| 16 | LEVER L STRG HNDL | 53178-KFA6-900 | 0 | T01 | | | |
| 17 | LABEL GLOVE BOX | 81218-KCAC-P00 | 0 | | | | |
| 18 | EMB HANDLE COVER | 86030-KFA6-E00 | 1 | | | | |
| 19 | EMB K-LOGO 30MM | 86102-KFA6-E00 | 2 | | | | |
| 20 | EMB BODY COVER | 86202-KFA6-E00 | 1 | | | | |
| 21 | CAUTION ANIT | 87224-KFA6-EZ1 | 0 | | | | |
| 22 | CAUTION USE GAS | 87501-KRDR-E00 | 2 | | | | |
| 23 | LABEL TIRE | 87505-KHB4-E00 | 0 | | | | |
| 24 | CAUTION SIDE STAND | 87541-GAR1-E00 | 1 | | | | |
| 25 | MARK MAINT CAUTION | 87542-GAR1-E00 | 2 | | | | |
| DATE OF STARTING-SALES | | | | | | | |
| DATE OF END-SALES | | | | | | | |

| NO | MODEL | | | COLOR CHART OF BA10AG(RO) | | | |
|------------------------|--------------------|----------------|---------|---------------------------|----------|---------------|--------------------|
| | PHOTO NO | | | NO. 1 | NO. 2 | NO. 3 | NO. 4 |
| | BASIC COLOR | | | Navy Blue | Dark Red | Bright Silver | Deep Gray Metallic |
| | CODE | | | Navy Blue | Dark Red | Bright Silver | Deep Gray Metallic |
| | PARTS NAME | PARTS NO. | VERSION | PB183MA | RR132CA | NH045MA | NH129MA |
| 26 | MARK DRIVE CAUTION | 87560-KNBN-E00 | 1 | T01 | | | |
| 27 | SEAT COMP | 77200-KFA6-900 | 2 | T02 | | | |
| 28 | SEAT ASSY REAR | 77210-KFA6-900 | 0 | | | | |
| 29 | COVER SET FRONT | 64301-KFA6-900 | 2 | BHP | DDF | D0C | NHP |
| 30 | COVER FR HANDLE | 53205-KFA6-E00 | 2 | BHP | R7M | N8P | NHP |
| 31 | FENDER FR | 61100-KFA6-900 | 0 | | | | |
| 32 | MOLD FRONT | 64302-KFA6-900 | 1 | | | | |
| 33 | COWL UNDER | 64400-KFA6-900 | 1 | | | | |
| 34 | COVER SET R BODY | 83500-KFA6-900 | 2 | | | | |
| 35 | COVER SET L BODY | 83600-KFA6-900 | 2 | BGR | D0C | N1R | DDF |
| 36 | COVER PLUG MAINT | 80153-KFA6-900 | 0 | | | | |
| 37 | COVER RR HANDLE | 53206-KFA6-900 | 1 | | | | |
| 38 | FLOOR PANEL | 64310-KFA6-900 | 2 | | | | |
| 39 | COVER R CENTER | 80151-KFA6-900 | 0 | | | | |
| 40 | COVER L CENTER | 80161-KFA6-900 | 0 | | | | |
| 41 | LEG SHIELD | 81131-KFA6-900 | 1 | | | | |
| 42 | LID LEG SHIELD | 81132-KFA6-900 | 1 | | | | |
| 43 | LID INNER BOX | 81141-KFA6-900 | 0 | | | | |
| | | | | | | | |
| | | | | | | | |
| | | | | | | | |
| | | | | | | | |
| | | | | | | | |
| | | | | | | | |
| | | | | | | | |
| | | | | | | | |
| | | | | | | | |
| | | | | | | | |
| | | | | | | | |
| | | | | | | | |
| | | | | | | | |
| | | | | | | | |
| | | | | | | | |
| | | | | | | | |
| DATE OF STARTING-SALES | | | | | | | |
| DATE OF END-SALES | | | | | | | |

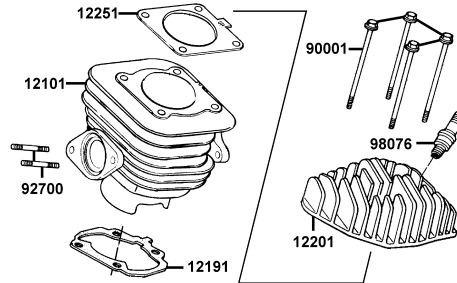
| NO | MODEL | | | COLOR CHART OF BA10AG(RO) | | | |
|------------------------|--------------------|----------------|---------|---------------------------|--|--|--|
| | PHOTO NO | | | NO. 5 | | | |
| | BASIC COLOR | | | Deep Green Metallic | | | |
| | CODE | | | Deep Green Metallic | | | |
| | PARTS NAME | PARTS NO. | VERSION | BG055CA | | | |
| 26 | MARK DRIVE CAUTION | 87560-KNBN-E00 | 1 | T01 | | | |
| 27 | SEAT COMP | 77200-KFA6-900 | 2 | T02 | | | |
| 28 | SEAT ASSY REAR | 77210-KFA6-900 | 0 | | | | |
| 29 | COVER SET FRONT | 64301-KFA6-900 | 2 | V3P | | | |
| 30 | COVER FR HANDLE | 53205-KFA6-E00 | 2 | | | | |
| 31 | FENDER FR | 61100-KFA6-900 | 0 | | | | |
| 32 | MOLD FRONT | 64302-KFA6-900 | 1 | | | | |
| 33 | COWL UNDER | 64400-KFA6-900 | 1 | | | | |
| 34 | COVER SET R BODY | 83500-KFA6-900 | 2 | | | | |
| 35 | COVER SET L BODY | 83600-KFA6-900 | 2 | | | | |
| 36 | COVER PLUG MAINT | 80153-KFA6-900 | 0 | | | | |
| 37 | COVER RR HANDLE | 53206-KFA6-900 | 1 | | | | |
| 38 | FLOOR PANEL | 64310-KFA6-900 | 2 | | | | |
| 39 | COVER R CENTER | 80151-KFA6-900 | 0 | | | | |
| 40 | COVER L CENTER | 80161-KFA6-900 | 0 | | | | |
| 41 | LEG SHIELD | 81131-KFA6-900 | 1 | | | | |
| 42 | LID LEG SHIELD | 81132-KFA6-900 | 1 | | | | |
| 43 | LID INNER BOX | 81141-KFA6-900 | 0 | | | | |
| | | | | | | | |
| | | | | | | | |
| | | | | | | | |
| | | | | | | | |
| | | | | | | | |
| | | | | | | | |
| | | | | | | | |
| | | | | | | | |
| | | | | | | | |
| DATE OF STARTING-SALES | | | | | | | |
| DATE OF END-SALES | | | | | | | |

CONTENTS - ENGINE GROUP

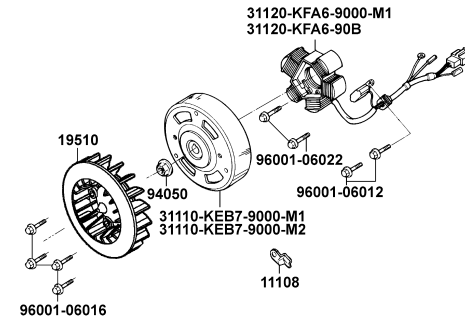
E01 Fan CoverShroud



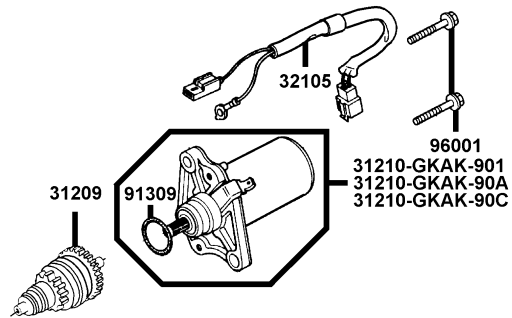
E02 CylinderCylinder Head



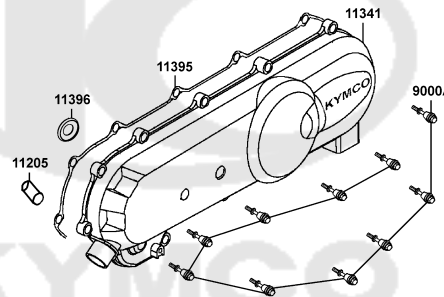
E03 Generator



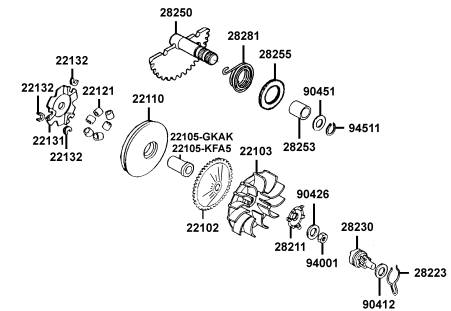
E04 Starting Motor



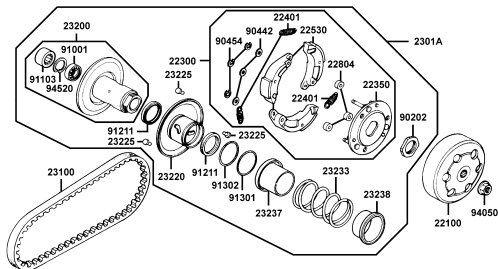
E05 LEFT SIDE COVER



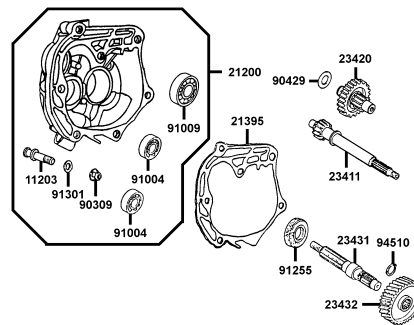
E06 DRIVE Pulley



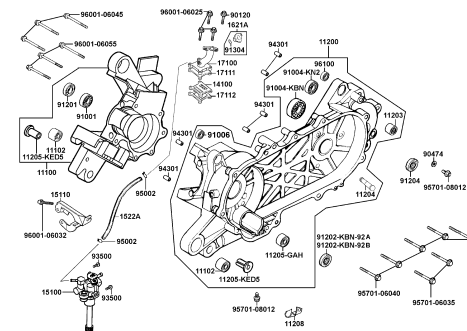
E07 Driven Pulley



E08 Transmission



E09 CrankcaseOIL PUMP

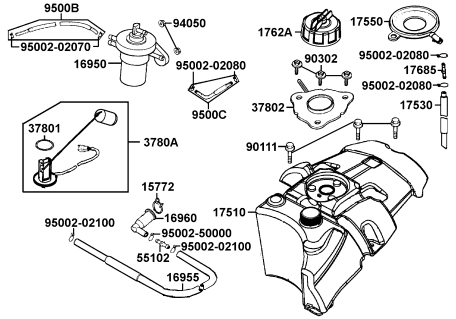


CONTENTS - FRAME GROUP

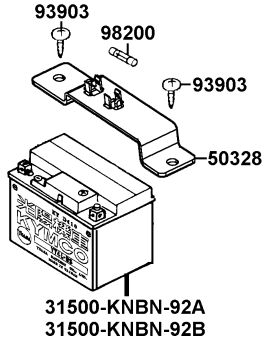
| | | |
|--|--|---|
| <p>F01 Head Light</p> | <p>F02 Speedometer</p> | <p>F03 Handle Steering Handle Cover</p> |
| | | |
| <p>F04 Brake Master Cylinder</p> | <p>F05 Front Cover Floor Panel</p> | <p>F06 Steering Stem Front Fork</p> |
| | | |
| <p>F07 Front Wheel</p> | <p>F08 Rear Wheel</p> | <p>F09 Seat</p> |
| | | |

CONTENTS - FRAME GROUP

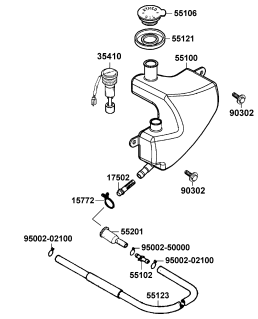
F10 Fuel Tank



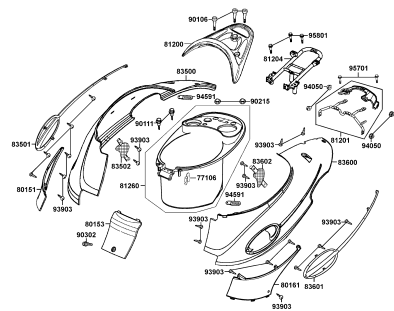
F11 Battery



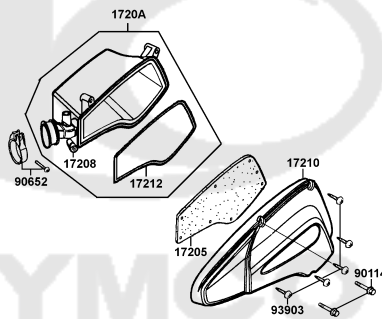
F12 OIL TANK



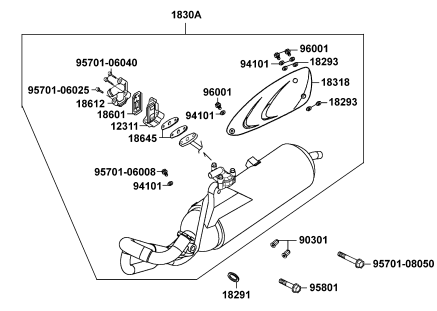
F13 Body Cover/Luggage Box



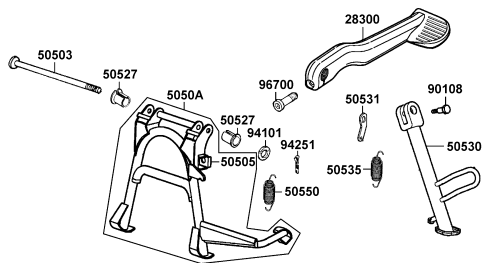
F14 Air Cleaner



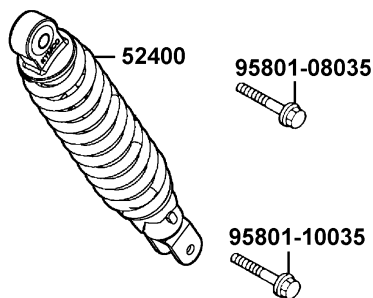
F15 Exhaust Muffler



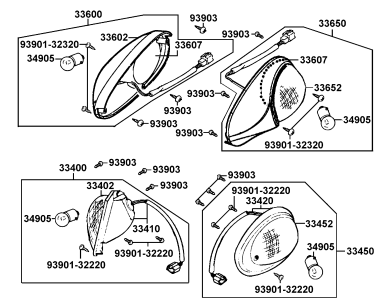
F16 Stand/Kick Starter Arm



F17 Rear Cushion

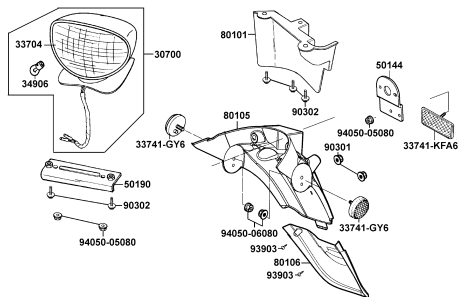


F18 Winker

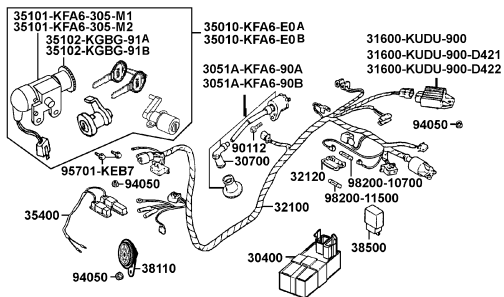


CONTENTS - FRAME GROUP

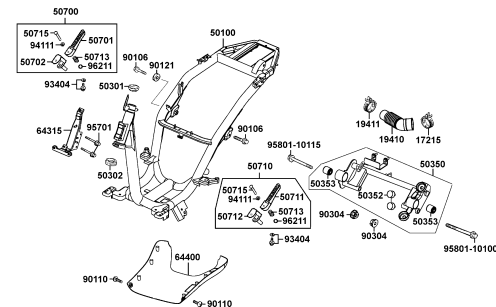
F19 Tail Light



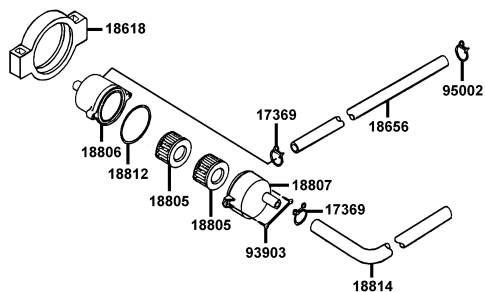
F20 Wire Harness



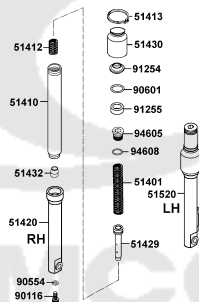
F21 Frame Body



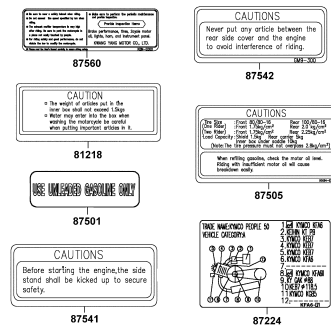
F22 Air Cleaner Two



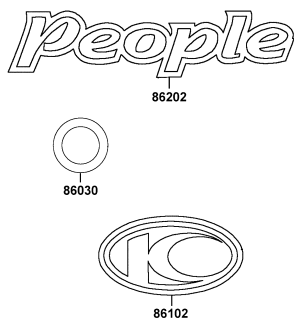
F23 Separated Parts Of Fr Fork



F24 Caution Label

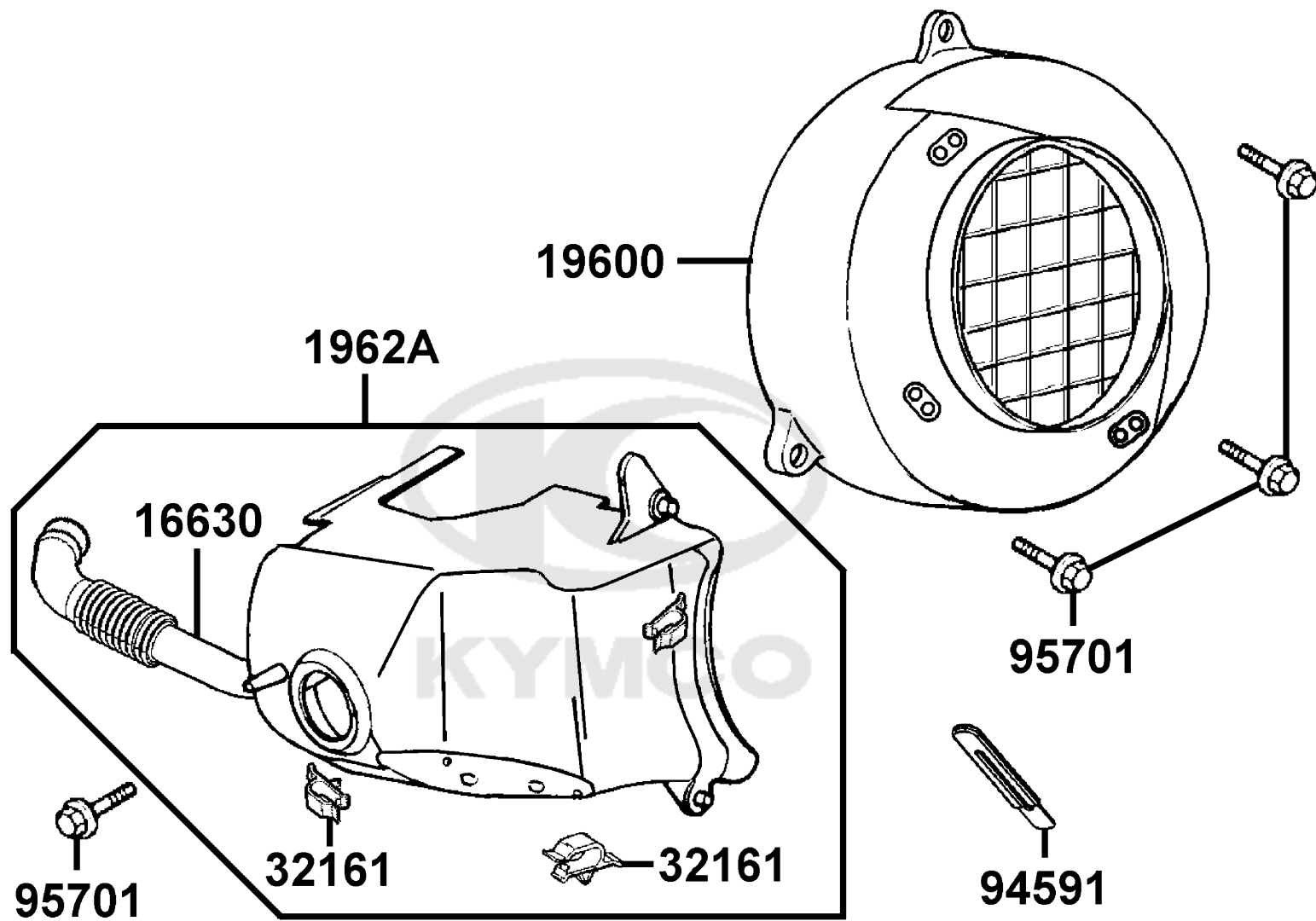


F25 Emblem Stripe



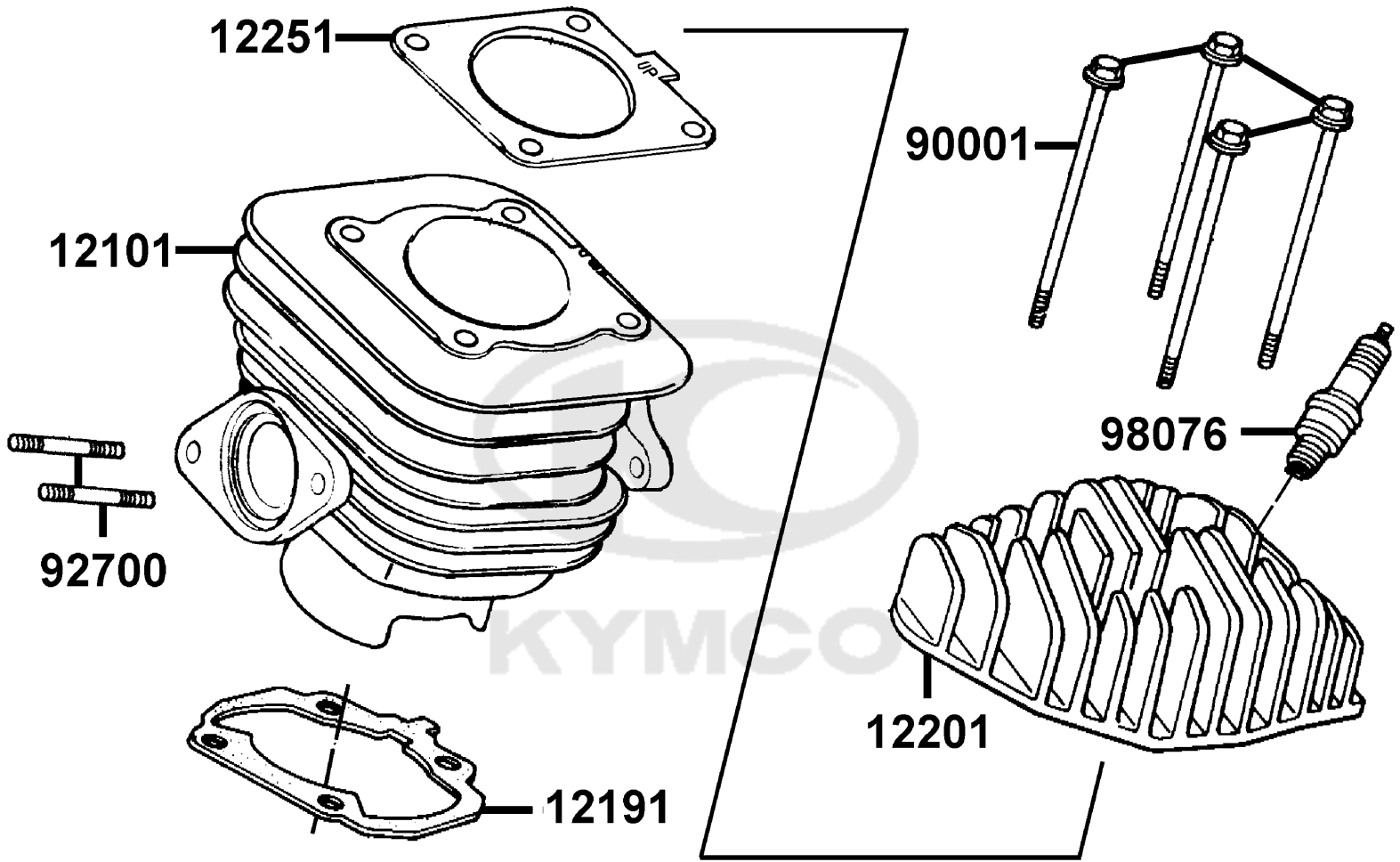
E01

Fan CoverShroud



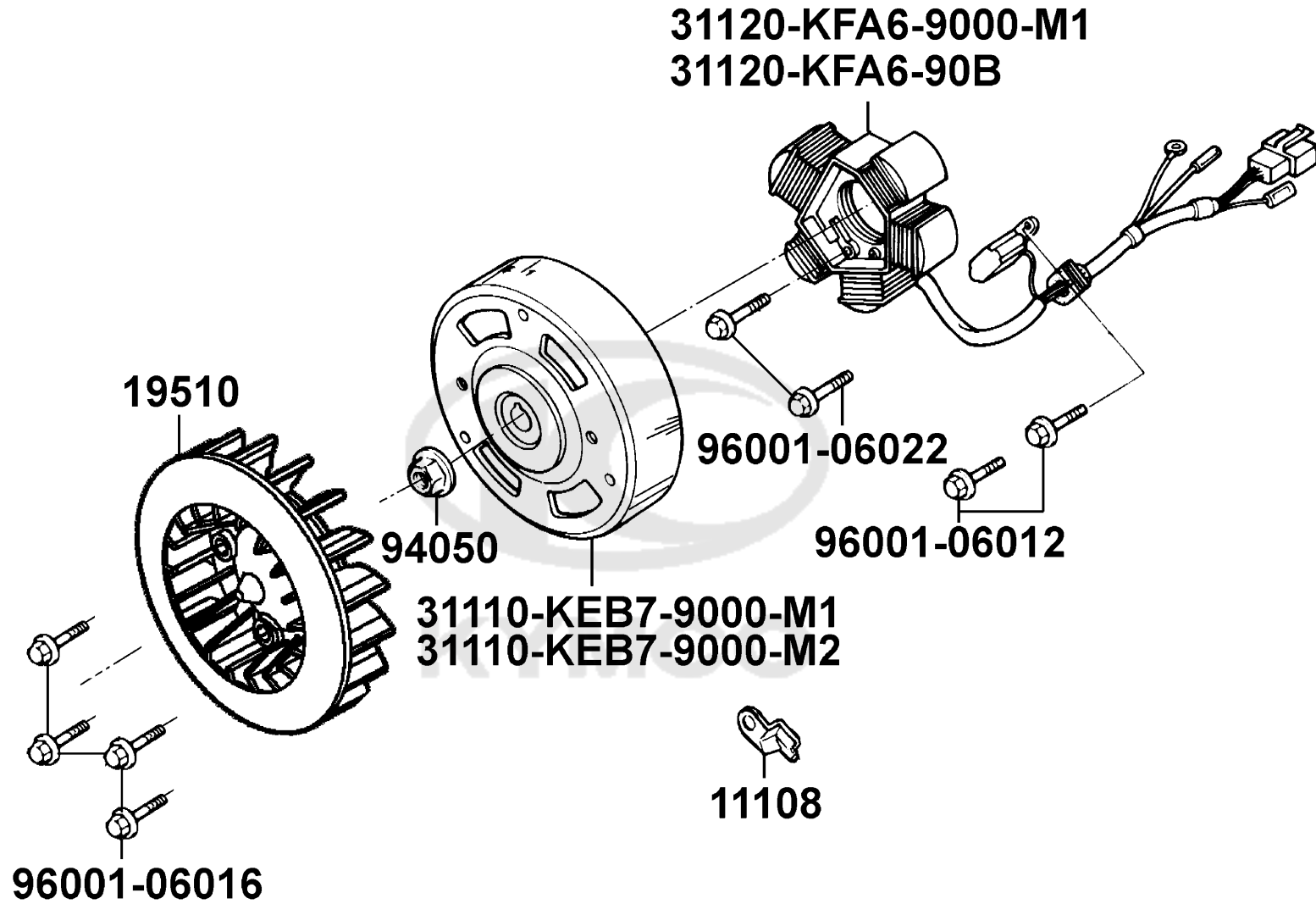
| Sales mark | Ref no | Part no | Description | Reg description | Regd no | E01 |
|------------|--------|----------------|--------------------|--------------------|---------|------------|
| 16630 | | 16630-KEB7-E00 | DUCT HEAT TRANSFER | DUCT HEAT TRANSFER | 1 | |
| 19600 | | 19600-KEB7-900 | COVER COMP FAN | COVER COMP FAN | 1 | |
| 1962A | | 1962A-KEB7-E00 | CLIP SET SHROUD | CLIP SET SHROUD | 1 | |
| 32161 | | 32161-3C93-004 | CLIP HARNESS WIRE | CLIP HARNESS WIRE | 2 | |
| 94591 | | 94591-KFBF-900 | CLIP 2*70 | CLIP 2*70 | 1 | |
| 95701 | | 95701-06025-08 | BOLT FLANGE 6*25 | BOLT FLANGE 6*25 | 4 | |



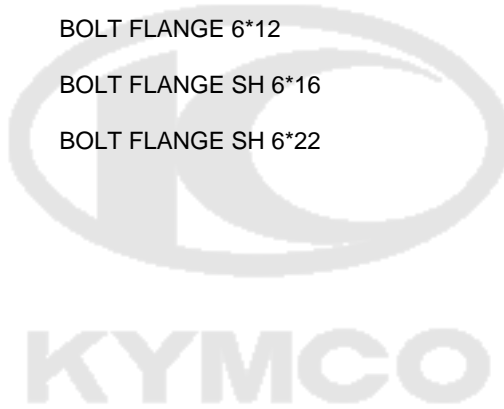


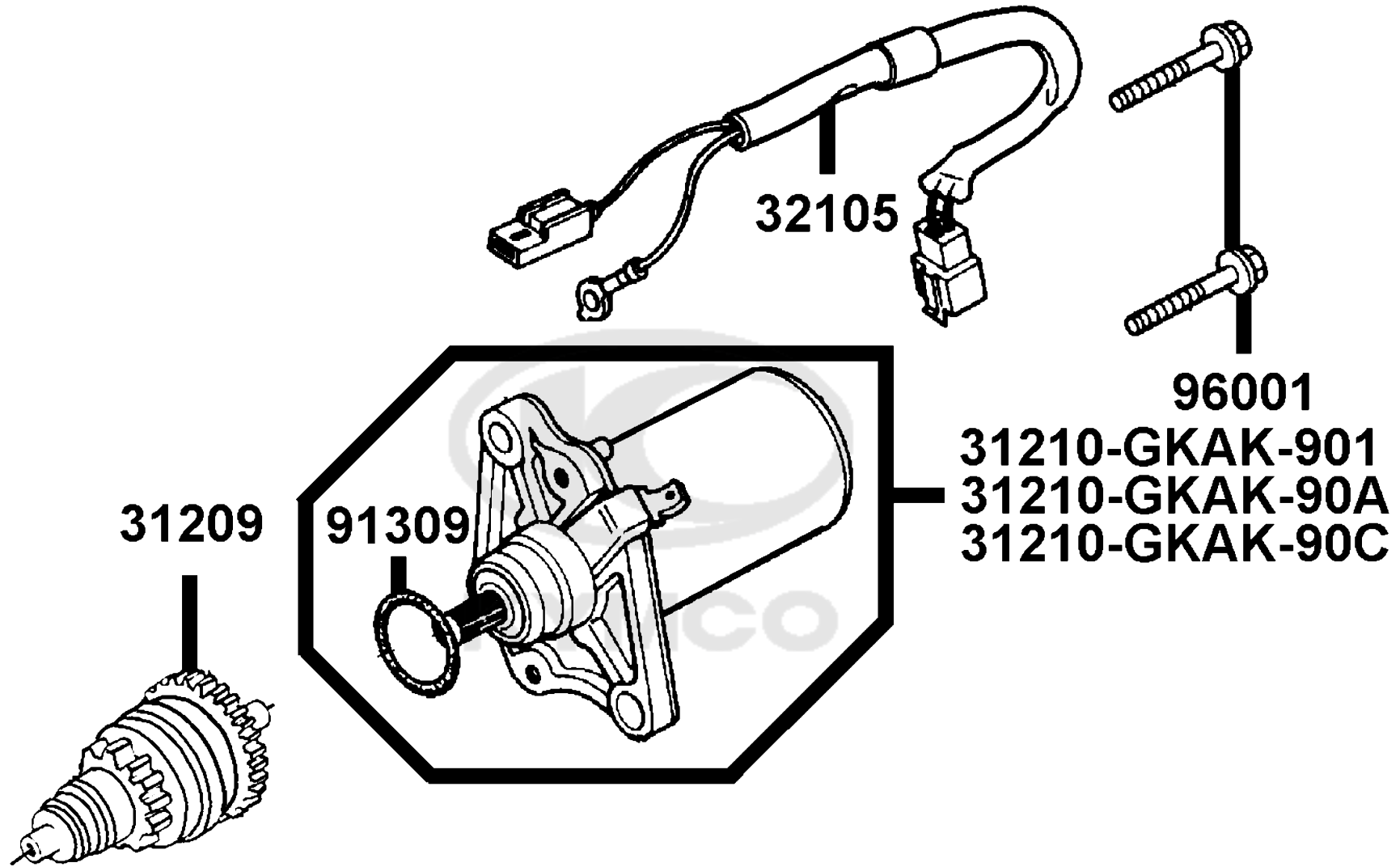
| Sales mark | Ref no | Part no | Description | Reg description | Regd no | E02 |
|------------|--------|----------------|----------------------|----------------------|---------|------------|
| 12101 | | 12101-KEB7-901 | CYLINDER | CYLINDER | 1 | |
| 12191 | | 12191-KEB7-900 | GASKET CYLINDER A | GASKET CYLINDER A | 1 | |
| 12201 | | 12201-KEB7-900 | HEAD CYLINDER | HEAD CYLINDER | 1 | |
| 12251 | | 12251-KEB7-900 | GASKET CYLINDER HEAD | GASKET CYLINDER HEAD | 1 | |
| 90001 | | 90001-GKAK-901 | BOLT FLANGE 7*100 | BOLT FLANGE 7*100 | 4 | |
| 92700 | | 92700-06028-1B | BOLT STUD 6*28 | BOLT STUD 6*28 | 2 | |
| 98076 | | 98076-5871G-00 | SPARK PLUG (BR8HSA) | SPARK PLUG (BR8HSA) | 1 | |





| Sales mark | Ref no | Part no | Description | Reg description | Regd no | E03 |
|----------------|--------|----------------|---------------------|---------------------|---------|------------|
| 11108 | | 11108-KEB7-900 | HOLDER STATOR WIRE | HOLDER STATOR WIRE | 1 | |
| 19510 | | 19510-GBW2-901 | FAN COMP COOLING | FAN COMP COOLING | 1 | |
| 31110-KEB7-90A | | 31110-KEB7-90A | FLYWHEEL COMP /D402 | FLYWHEEL COMP /D402 | 1 | |
| 31110-KEB7-90B | | 31110-KEB7-90B | FLYWHEEL COMP /D406 | FLYWHEEL COMP /D406 | 1 | |
| 31120-KFA6-90A | | 31120-KFA6-90A | STATOR COMP /D402 | STATOR COMP /D402 | 1 | |
| 31120-KFA6-90B | | 31120-KFA6-90B | STATOR COMP /D406 | STATOR COMP /D406 | 1 | |
| 94050 | | 94050-10080 | NUT FLANGE 10MM | NUT FLANGE 10MM | 1 | |
| 96001-06012 | | 96001-06012-08 | BOLT FLANGE 6*12 | BOLT FLANGE 6*12 | 2 | |
| 96001-06016 | | 96001-06016-08 | BOLT FLANGE SH 6*16 | BOLT FLANGE SH 6*16 | 4 | |
| 96001-06022 | | 96001-06022-08 | BOLT FLANGE SH 6*22 | BOLT FLANGE SH 6*22 | 2 | |



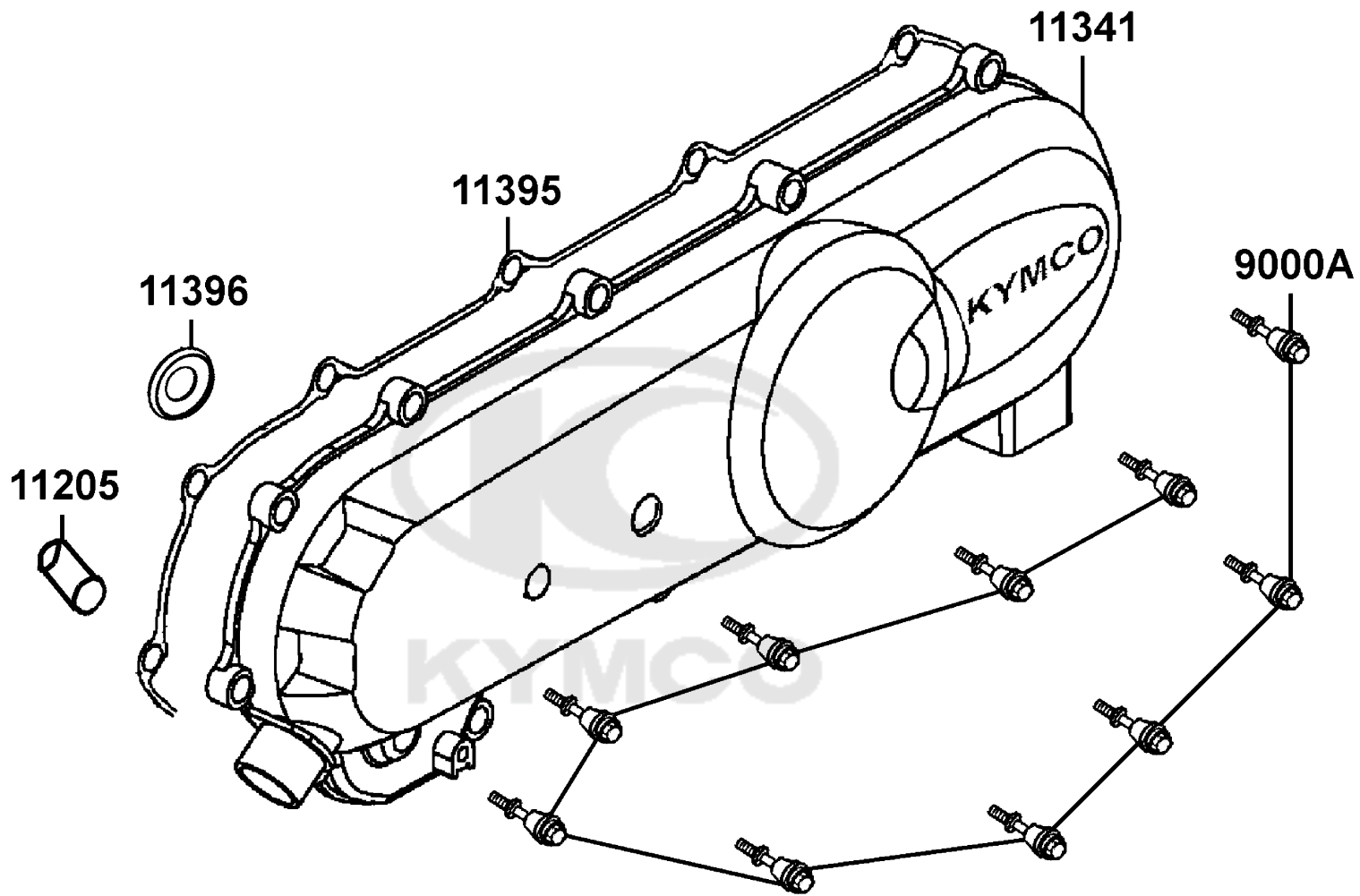


| Sales mark | Ref no | Part no | Description | Reg description | Regd no | E04 |
|------------|----------------|----------------|---------------------|---------------------|---------|------------|
| | 31209 | 31209-GKAK-901 | PINION ASSY STARTER | PINION ASSY STARTER | 1 | |
| | 31210-GKAK-901 | 31210-GKAK-901 | MOTOR UNIT START | MOTOR UNIT START | 1 | |
| | 31210-GKAK-90A | 31210-GKAK-90A | MOTOR UNIT START | MOTOR UNIT START | 1 | |
| | 31210-GKAK-90C | 31210-GKAK-90C | MOTOR UNIT START | MOTOR UNIT START | 1 | |
| | 32105 | 32105-KFA6-900 | SUB HARNESS | SUB HARNESS | 1 | |
| | 91309 | 91309-GKAK-901 | O RING | O RING | 1 | |
| | 96001 | 96001-06025-08 | BOLT FLANGE SH 6*25 | BOLT FLANGE SH 6*25 | 2 | |



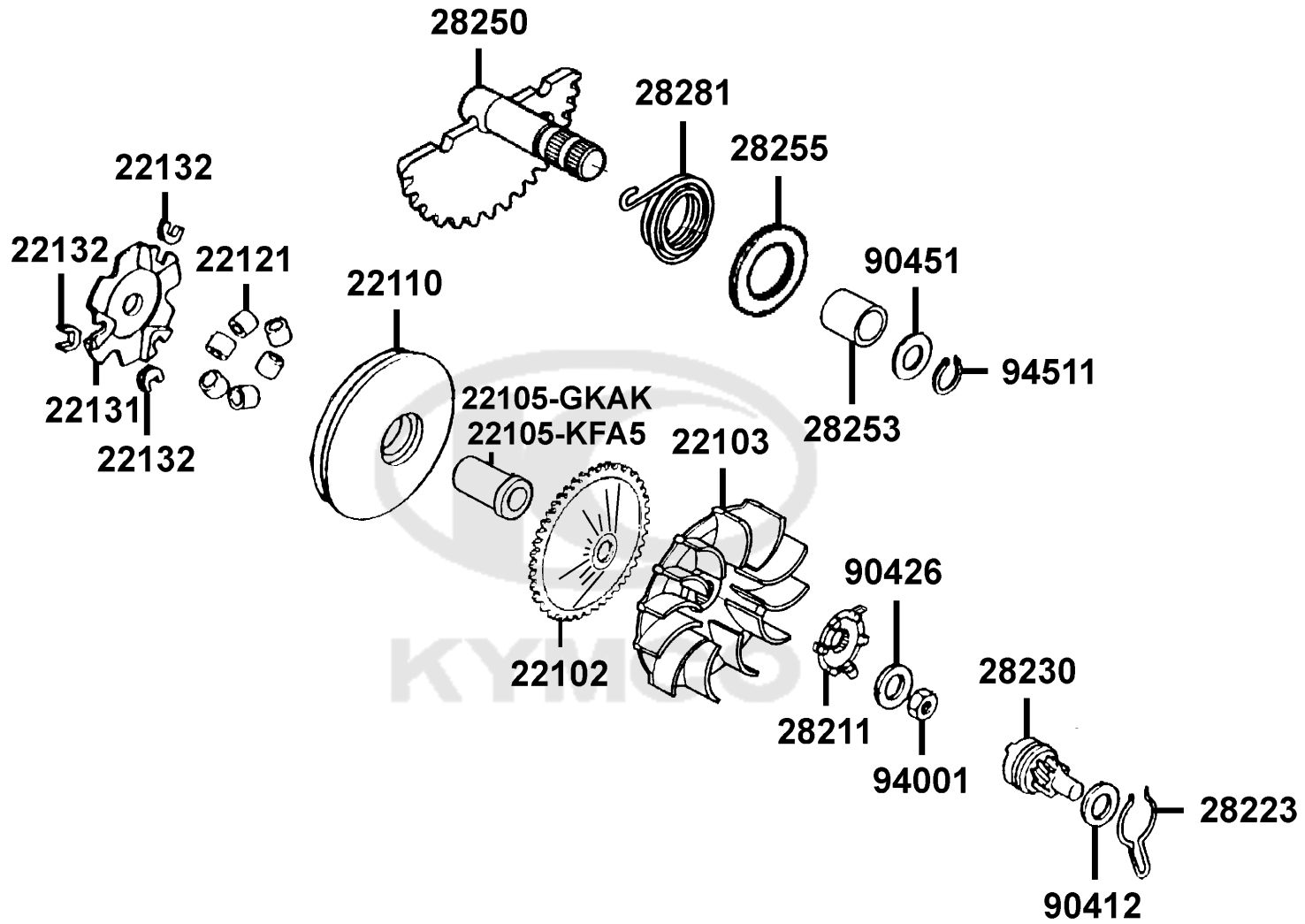
E05

LEFT SIDE COVER

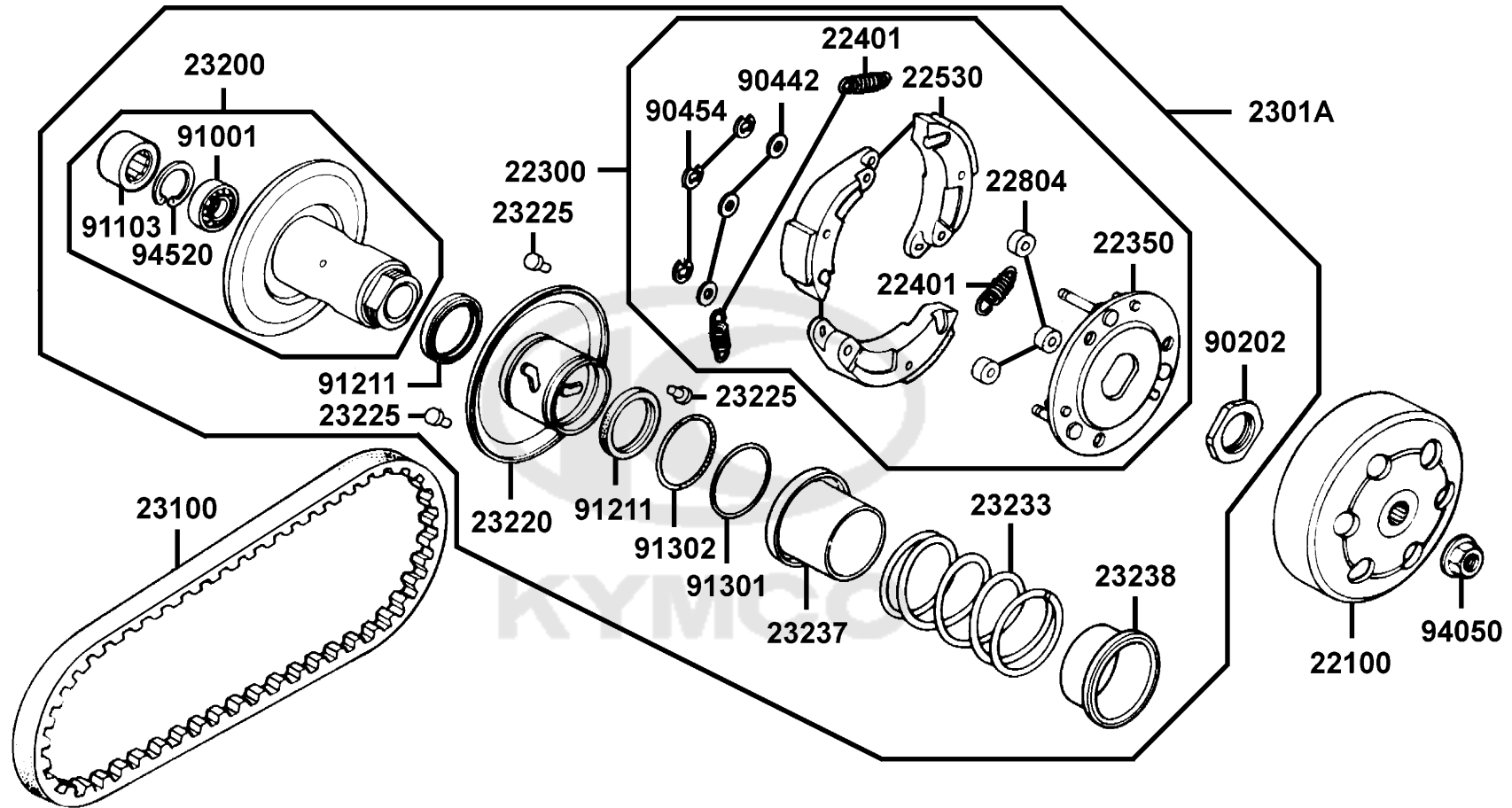


| Sales mark | Ref no | Part no | Description | Reg description | Regd no | E05 |
|------------|--------|----------------|--------------------------|--------------------------|---------|------------|
| | 11205 | 11205-GHAH-004 | BUSH 8*12*8 | BUSH 8*12*8 | 1 | |
| ** | 11341 | 11341-KFA6-900 | COVER L SIDE | COVER L SIDE | 1 | |
| | 11395 | 11395-KFA6-900 | GASKET L COVER | GASKET L COVER | 1 | |
| | 11396 | 11396-KFA6-900 | GASKET L COVER | GASKET L COVER | 1 | |
| | 9000A | 9000A-KTDT-900 | BOLT ASSY SPECIAL 6*29.5 | BOLT ASSY SPECIAL 6*29.5 | 10 | |

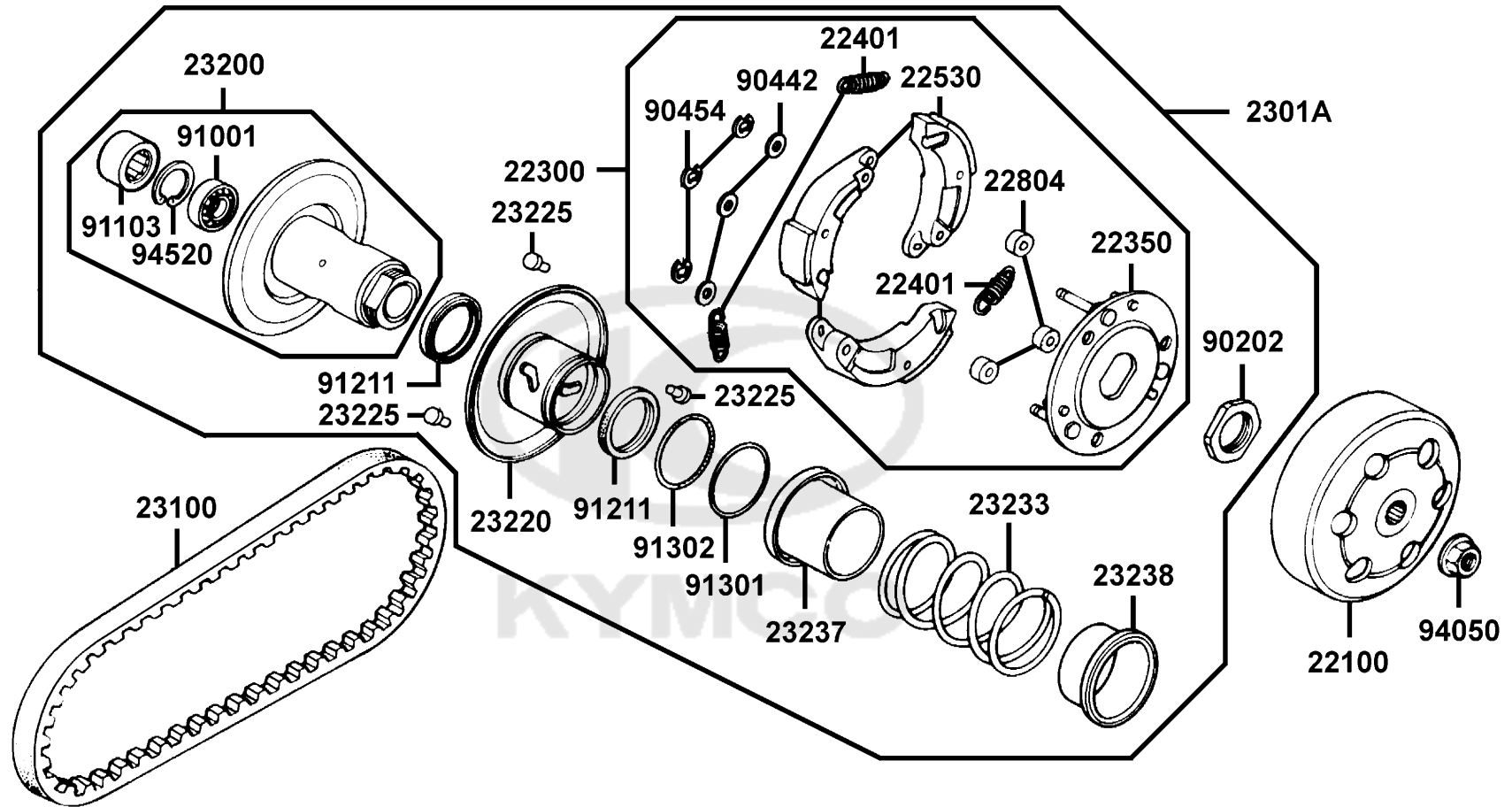




| Sales mark | Ref no | Part no | Description | Reg description | Regd no | E06 |
|------------|--------|----------------|---------------------------|---------------------------|---------|------------|
| 22102 | | 22102-KEB7-900 | FACE DRIVE | FACE DRIVE | 1 | |
| 22103 | | 22103-KEB7-900 | FAN CVT COOLING | FAN CVT COOLING | 1 | |
| 22105-GKAK | | 22105-GKAK-901 | BOSS DRIVE FACE | BOSS DRIVE FACE(OPTION) | 1 | |
| 22105-KFA5 | | 22105-KFA5-800 | BOSS DRIVE FACE | BOSS DRIVE FACE | 1 | |
| 22110 | | 22110-KFA1-220 | FACE COMP MOVABLE DRIVE | FACE COMP MOVABLE DRIVE | 1 | |
| 22121 | | 22121-GLW0-901 | ROLLER COMP WEIGHT 8.5 gr | ROLLER COMP WEIGHT 8.5 gr | 6 | |
| 22131 | | 22131-GHAH-781 | PLATE RAMP | PLATE RAMP | 1 | |
| 22132 | | 22132-GLW0-001 | PIECE SLIDE | PIECE SLIDE | 3 | |
| 28211 | | 28211-KEB7-900 | RATCHET KICK STARTER | RATCHET KICK STARTER | 1 | |
| 28223 | | 28223-KNBN-901 | SPG KICK DRIVEN GEAR | SPG KICK DRIVEN GEAR | 1 | |
| 28230 | | 28230-GKAK-921 | GEAR COMP KICK DRIVEN | GEAR COMP KICK DRIVEN | 1 | |
| 28250 | | 28250-KCCC-900 | SPINDLE COMP KICK STARTER | SPINDLE COMP KICK STARTER | 1 | |
| 28253 | | 28253-GBN2-60A | BUSH KICK SPINDLE | BUSH KICK SPINDLE | 1 | |
| 28255 | | 28255-GFS6-001 | COLLAR KICK BOSS | COLLAR KICK BOSS | 1 | |
| 28281 | | 28281-GBN2-60A | SPRING KICK RETURN | SPRING KICK RETURN | 1 | |
| 90412 | | 90412-3K29-001 | WASHER THRUST 10M/M | WASHER THRUST10MM | 1 | |
| 90426 | | 90426-KNBN-901 | WASHER SPECIAL 12MM | WASHER SPECIAL 12MM | 1 | |
| 90451 | | 90451-GBN2-601 | WASHER KICK SPINDLE | WASHER KICK SPINDLE | 1 | |
| 94001 | | 94001-12280-0S | NUT HEX 12MM | NUT HEX 12MM | 1 | |
| 94511 | | 94511-14000 | CIR CLIP EX 14 | CIRCLIP EX 14 | 1 | |

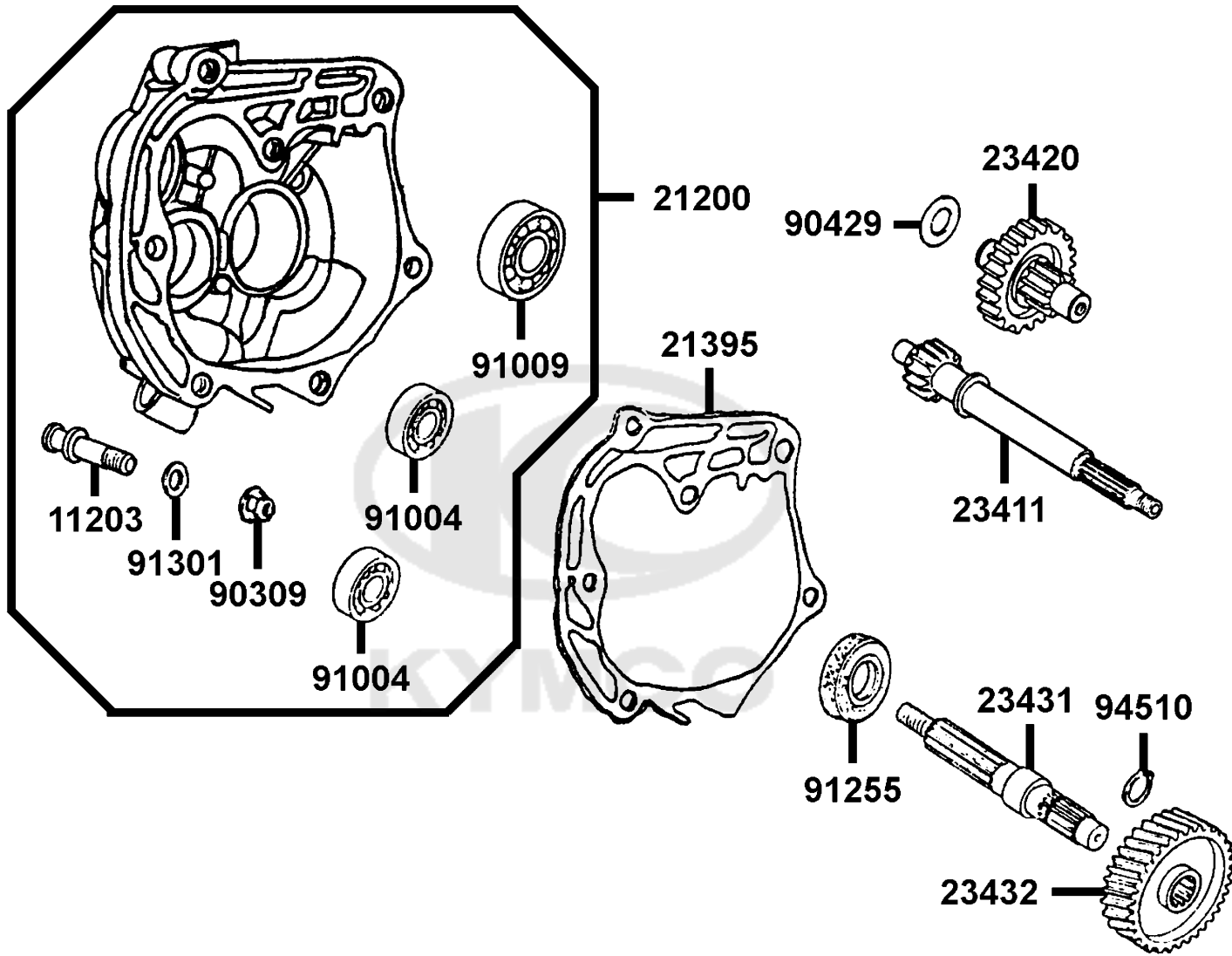


| Sales mark | Ref no | Part no | Description | Reg description | Regd no | E07 |
|------------|--------|----------------|--------------------------|--------------------------|---------|------------|
| 22100 | | 22100-GAR1-751 | CLUTCH OUTER | CLUTCH OUTER | 1 | |
| 22300 | | 22300-KXCX-900 | PLATE ASSY DRIVE | PLATE ASSY DRIVE | 1 | |
| 22350 | | 22350-GKAK-930 | PLATE COMP DRIVE | PLATE COMP DRIVE | 1 | |
| 22401 | | 22401-GBG2-900 | SPRING CLUTCH | SPRING CLUTCH | 3 | |
| 22530 | | 22530-GKAK-930 | WEIGHT CLUTCH | WEIGHT CLUTCH | 3 | |
| 22804 | | 22804-1H48-001 | RUBBER CLUTCH DAMPER | RUBBER CLUTCH DAMPER | 3 | |
| 2301A | | 2301A-KEB7-220 | PULLEY SUB ASSY | PULLEY SUB ASSY | 1 | |
| 23100 | | 23100-KEB7-900 | BELT DRIVE | BELT DRIVE | 1 | |
| 23200 | | 23200-GAR1-220 | FACE ASSY DRIVEN | FACE ASSY DRIVEN | 1 | |
| 23220 | | 23220-GKAK-220 | FACE COMP MOVABLE DRIVEN | FACE COMP MOVABLE DRIVEN | 1 | |
| 23225 | | 23225-GAR1-751 | PIN GUIDE | PIN GUIDE | 3 | |
| 23233 | | 23233-GHE8-001 | SPG DRIVEN FACE | SPG DRIVEN FACE | 1 | |
| 23237 | | 23237-GAR1-220 | COLLAR SEAL | COLLAR SEAL | 1 | |
| 23238 | | 23238-GFY6-941 | COLLAR SPG | COLLAR SPG | 1 | |
| 90202 | | 90202-1G87-001 | NUT SPECIAL 28MM | NUT SPECIAL 28MM | 1 | |
| 90442 | | 90442-0D44-001 | WASHER THRUST 6M | 6M/M THRUST WASHER | 3 | |
| 90454 | | 90454-GBB2-001 | CIRCLIP 6MM | CIRCLIP 6MM | 3 | |
| 91001 | | 91001-GGA7-70A | BRG RADIAL BALL 6901U | BRG RADIAL BALL 6901U | 1 | |
| 91103 | | 91103-GAR1-004 | BRG NEEDLE 17*25*18 WS | BRG NEEDLE 17*25*18 WS | 1 | |
| 91211 | | 91211-GHK8-014 | OIL SEAL 34*39*3 | OIL SEAL 34*39*3 | 2 | |



| Sales mark | Ref no | Part no | Description | Reg description | Regd no | E07 |
|------------|--------|----------------|-----------------|-----------------|---------|------------|
| 91301 | | 91301-KEA5-742 | O-RING 36*1.5 | O-RING 36*1.5 | 1 | |
| 91302 | | 91302-PKA9-004 | O-RING 39.8*2.2 | O-RING 39.8*2.2 | 1 | |
| 94050 | | 94050-10080 | NUT FLANGE 10MM | NUT FLANGE 10MM | 1 | |
| 94520 | | 94520-24000 | CIR CLIP IN 24 | CIR CLIP IN 24 | 1 | |

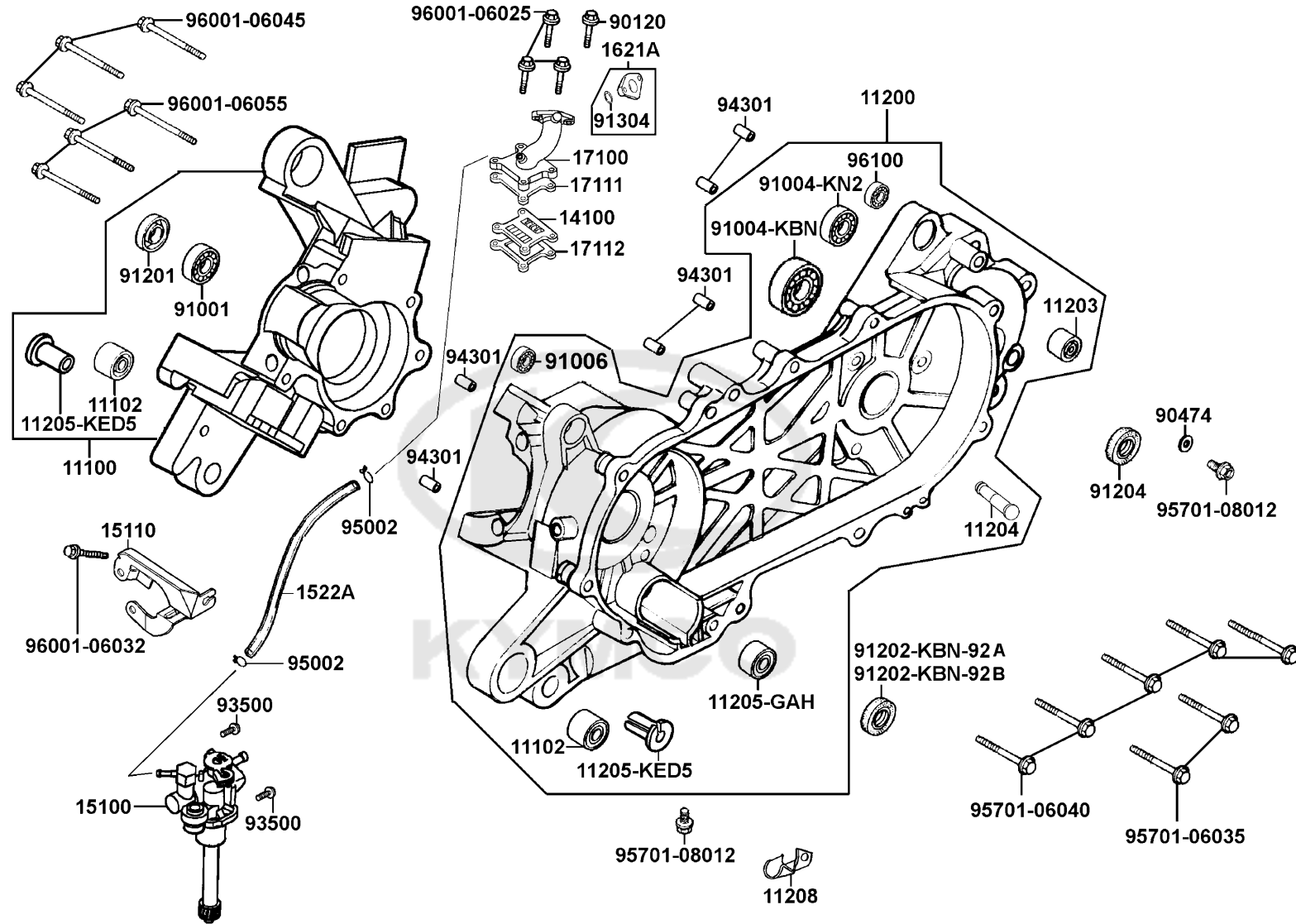




| Sales mark | Ref no | Part no | Description | Reg description | Regd no | E08 |
|------------|--------|-------------------|-------------------------|-------------------------|---------|------------|
| 11203 | | 11203-KUDU-900 | PIN BRAKE SHOE ANCHOR | PIN BRAKE SHOE ANCHOR | 1 | |
| 21200 | | 21200-KFA6-305 | CASE ASSY MISSION | CASE ASSY MISSION | 1 | |
| 21395 | | 21395-KFA6-900 | GASKET MISSION CASE A | GASKET MISSION CASE A | 1 | |
| 23411 | | 23411-KFA6-900 | SHAFT DRIVE | SHAFT DRIVE | 1 | |
| 23420 | | 23420-KFA6-900 | SHAFT COMP COUNTER | SHAFT COMP COUNTER | 1 | |
| 23431 | | 23431-KNBN-901 | SHAFT FINAL | SHAFT FINAL | 1 | |
| 23432 | | 23432-KFA6-900 | GEAR FINAL | GEAR FINAL | 1 | |
| 90309 | | 90309-KLF0-004-SY | NUT FLANGE 8MM | NUT FLANGE 8MM | 1 | |
| 90429 | | 90429-KNBN-901 | WASHER SIDE 12MM | WASHER SIDE 12MM | 1 | |
| 91004 | | 91004-KBN2-90A | BRG BALL RADIAL 6201 | BRG BALL RADIAL 6201 | 2 | |
| 91009 | | 91009-GLE0-004 | BRG BALL RADIAL 6004 UU | BRG BALL RADIAL 6004 UU | 1 | |
| 91255 | | 91255-GLE0-006 | OIL SEAL 27*42*7 | OIL SEAL 27*42*7 | 1 | |
| 91301 | | 91301-OC53-001 | O RING 7.5*1.5 | O RING 7.5*1.5 | 1 | |
| 94510 | | 94510-20000 | CIR CLIP EX 20 | CIR CLIP EX 20 | 1 | |

E09

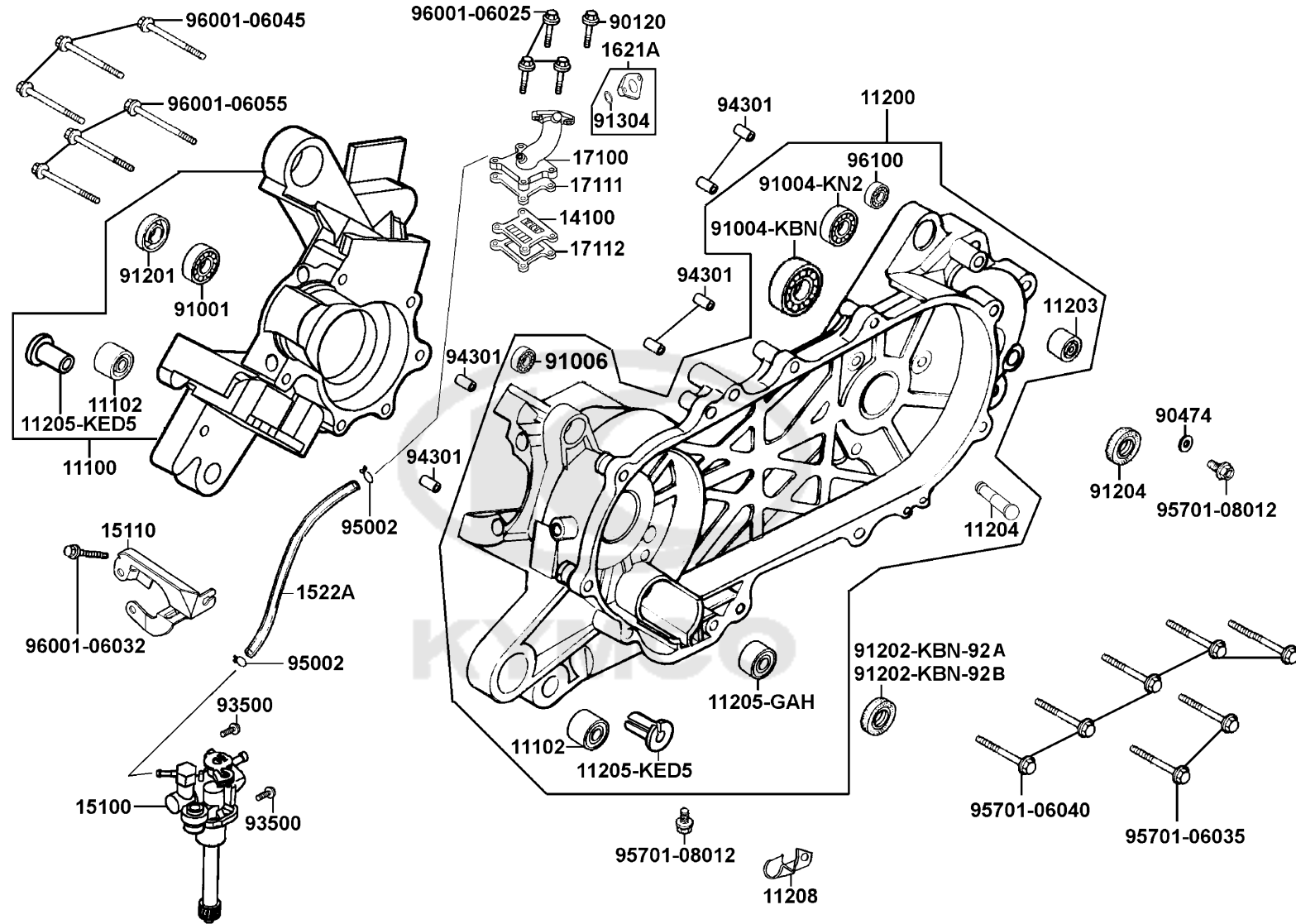
Crankcase OIL PUMP



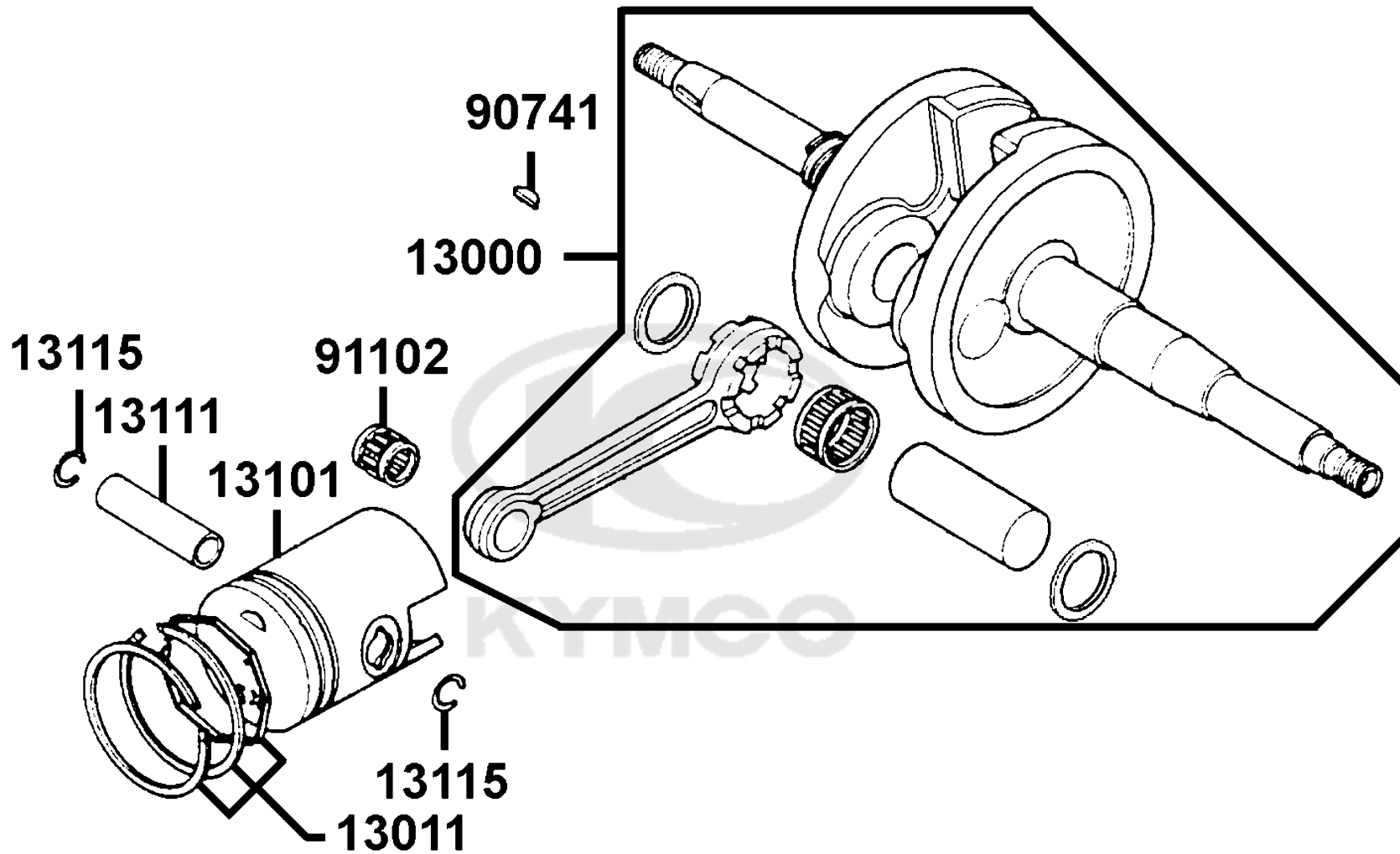
| Sales mark | Ref no | Part no | Description | Reg description | Regd no | E09 |
|------------|------------|----------------|--------------------------------|--------------------------------|---------|------------|
| | 11100 | 11100-KEB7-325 | CRANK CASE ASSY RIGHT | CRANK CASE ASSY RIGHT | 1 | |
| | 11102 | 11102-1G87-004 | RUB BUSH ENG HANGER | RUB BUSH ENG HANGER | 2 | |
| | 11200 | 11200-KFA6-305 | CRANK CASE ASSY L | CRANK CASE ASSY L | 1 | |
| | 11203 | 11203-GGC7-301 | UNDER RUBBER BUSH REAR CUSHION | UNDER RUBBER BUSH REAR CUSHION | 1 | |
| | 11204 | 11204-KEB7-900 | PIN SPG HOOK | PIN SPG HOOK | 1 | |
| | 11205-GHAH | 11205-GHAH-004 | BUSH 8*12*8 | BUSH 8*12*8 | 1 | |
| | 11205-KED5 | 11205-KED5-900 | BUSH M STAND | BUSH M STAND | 2 | |
| | 11208 | 11208-GKAK-901 | CLAMPER CARB DRAIN | CLAMPER CARB DRAIN | 1 | |
| | 14100 | 14100-KEB7-900 | VALVE COMP REED | VALVE COMP REED | 1 | |
| | 15100 | 15100-KEB7-E00 | PUMP ASSY OIL | PUMP ASSY OIL | 1 | |
| | 15110 | 15110-KEB7-900 | PLATE OIL PUMP SET | PLATE OIL PUMP SET | 1 | |
| | 1552A | 1552A-KEB7-901 | TUBE ASSY OIL PASS | TUBE ASSY OIL PASS | 1 | |
| | 1621A | 1621A-GKAK-901 | INSULATOR CARB ASSY | INSULATOR CARB ASSY | 1 | |
| | 17100 | 17100-KEB7-E00 | PIPE COMP INLET | PIPE COMP INLET | 1 | |
| | 17111 | 17111-KEB7-900 | GASKET INLET PIPE A | GASKET INLET PIPE A | 1 | |
| | 17112 | 17112-KEB7-900 | GASKET INLET PIPE B | GASKET INLET PIPE B | 1 | |
| | 90120 | 90120-GAR1-J00 | SOCKET BOLT SPECIAL 6*28 | SOCKET BOLT SPECIAL 6*28 | 1 | |
| | 90474 | 90474-3C33-001 | WASHER 8MM | WASHER 8MM | 1 | |
| | 91001 | 91001-GLW0-90A | BRG BALL RADIAL 6204 SPECIAL | BRG BALL RADIAL 6204 SPECIAL | 1 | |
| | 91004-KBN2 | 91004-KBN2-90A | BRG BALL RADIAL 6201 | BRG BALL RADIAL 6201 | 1 | |

E09

Crankcase OIL PUMP



| Sales mark | Ref no | Part no | Description | Reg description | Regd no | E09 |
|------------|----------------|----------------|-----------------------------------|--------------------------|---------|------------|
| | 91004-KNBN | 91004-KNBN-92A | BRG BALL RADIAL 6203 SPC 17*40*12 | BRG BALL RADIAL 6203 | 1 | |
| | 91006 | 91006-KNBN-901 | BRG BALL RADIAL 25*56*12 | BRG BALL RADIAL 25*56*12 | 1 | |
| | 91201 | 91201-KNBN-92A | OIL SEAL 15.6*25.5*7 | OIL SEAL 15.6*25.5*7 | 1 | |
| | 91202-KNBN-92A | 91202-KNBN-92A | OIL SEAL 20*31*7 | OIL SEAL 20*31*7 | 1 | |
| | 91202-KNBN-92B | 91202-KNBN-92B | OIL SEAL 20*31*7 | OIL SEAL 20*31*7 | 1 | |
| | 91204 | 91204-KNBN-90A | OIL SEAL 17*30*6 | OIL SEAL 17*30*6 | 1 | |
| | 91304 | 91304-GLB0-911 | O RING 20.6*1.9 | O RING 20.6*1.9 | 1 | |
| | 93500 | 93500-05012-0H | SCREW PAN 5*12 | SCREW PAN 5*12 | 2 | |
| | 94301 | 94301-10200 | DOWEL PIN 10*20 | DOWEL PIN 10*20 | 6 | |
| | 95002 | 95002-02650 | CLIP B6.5 TUBE | CLIP B6.5 TUBE | 2 | |
| | 95701-06035 | 95701-06035-08 | BOLT FLANGE 6*35 | BOLT FLANGE 8*35 | 2 | |
| | 95701-06040 | 95701-06040-08 | BOLT FLANGE 6*40 | BOLT FLANGE 6*40 | 5 | |
| | 95701-08012 | 95701-08012-08 | BOLT FLANGE 8*12 | BOLT FLANGE 8*12 | 2 | |
| | 96001-06025 | 96001-06025-08 | BOLT FLANGE SH 6*25 | BOLT FLANGE SH 6*25 | 3 | |
| | 96001-06032 | 96001-06032-08 | BOLT FLANGE SH 6*32 | BOLT FLANGE SH 6*32 | 1 | |
| | 96001-06045 | 96001-06045-08 | BOLT FLANGE SH 6*45 | BOLT FLANGE SH 6*45 | 3 | |
| | 96001-06055 | 96001-06055-08 | BOLT FLANGE SH 6*55 | BOLT FLANGE SH 6*55 | 3 | |
| | 96100 | 96100-62033-00 | BEARING BALL RADIAL 6203 | BEARING BALL RADIAL 6203 | 1 | |

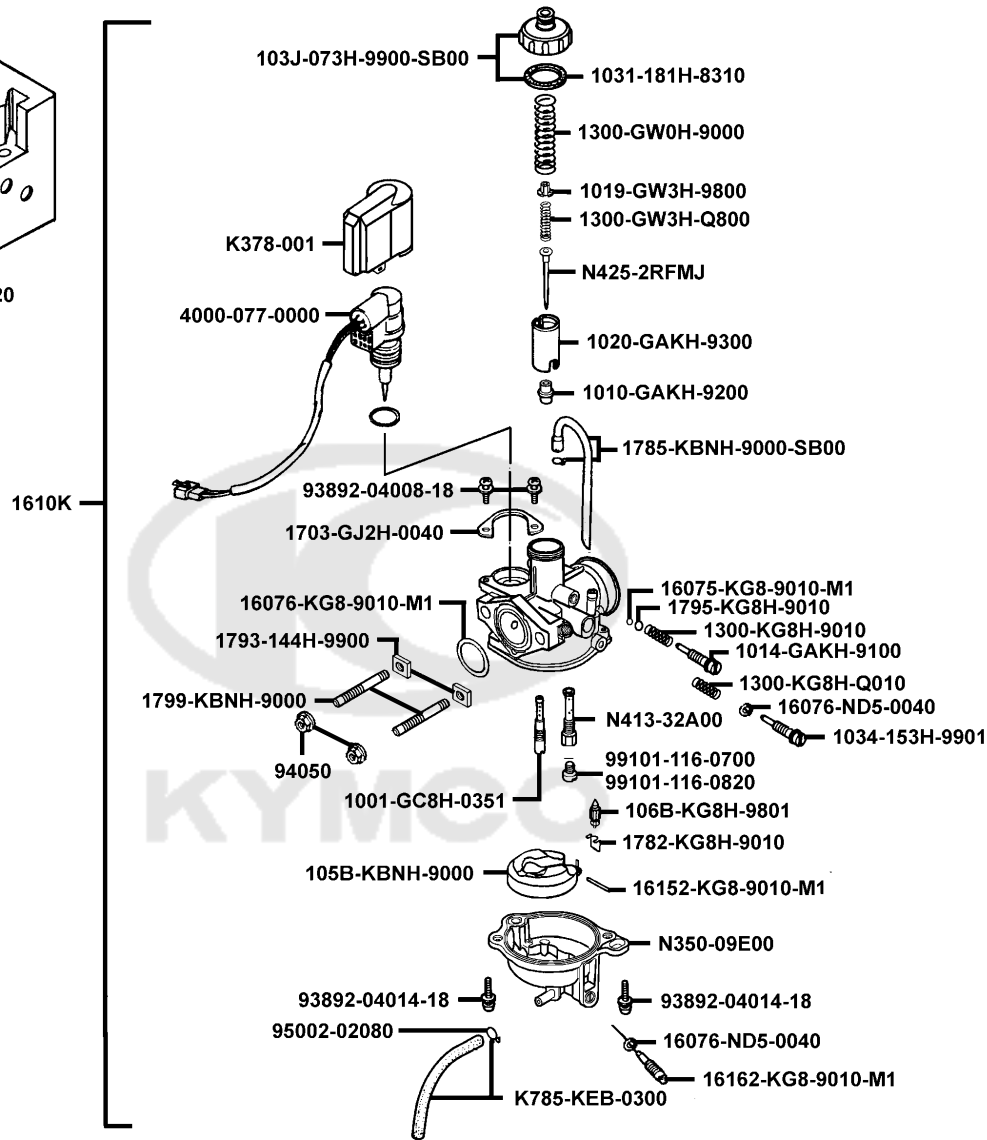
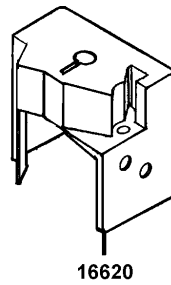


| Sales mark | Ref no | Part no | Description | Reg description | Regd no | E10 |
|------------|--------|----------------|----------------------|----------------------|---------|------------|
| 13000 | | 13000-GKAK-921 | CRANK SHAFT COMP | CRANK SHAFT COMP | 1 | |
| 13011 | | 13011-GLW0-90A | PISTON RING SET | PISTON RING SET | 1 | |
| 13101 | | 13101-GLW0-901 | PISTON | PISTON | 1 | |
| 13111 | | 13111-1F66-001 | PIN PISTON | PIN PISTON | 1 | |
| 13115 | | 13115-1F56-001 | CLIP PISTON PIN 12MM | CLIP PISTON PIN 12MM | 2 | |
| 90741 | | 90741-0E35-001 | KEY WOODRUFF | KEY WOODRUFF | 1 | |
| 91102 | | 91102-GLW0-009 | BRG CON-ROD S. E. | BRG CON-ROD S. E. | 1 | |



E11

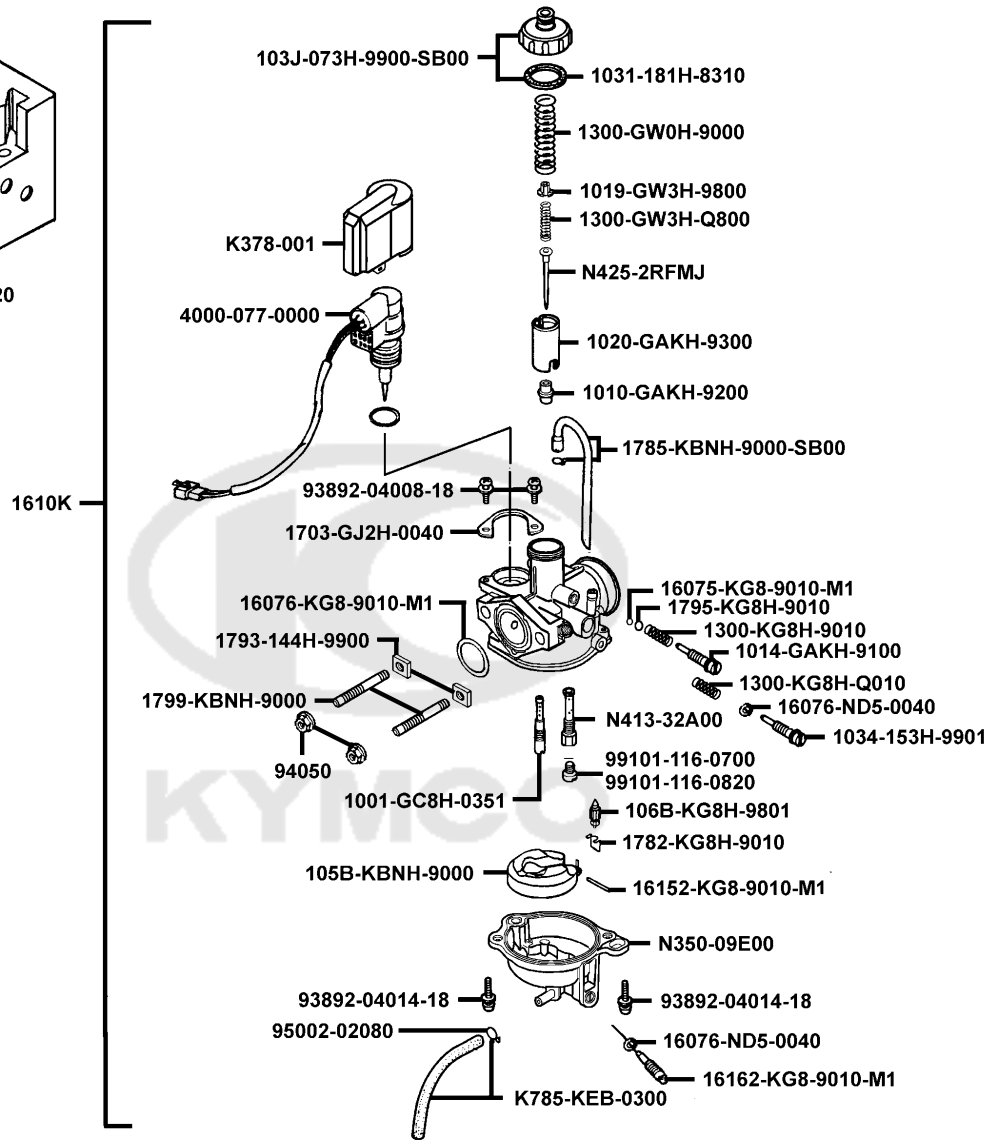
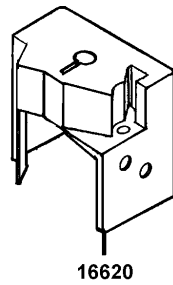
Carburetor



| Sales mark | Ref no | Part no | Description | Reg description | Regd no | E11 |
|----------------|--------|--------------------|------------------|------------------|---------|------------|
| 1001 | | 1001-GC8H-0351 | SLOW JET | SLOW JET | 1 | |
| 1010 | | 1010-GAKH-9200 | NEEDLE JET | NEEDLE JET | 1 | |
| 1014 | | 1014-GAKH-9100 | ADJUST SCREW | ADJUST SCREW | 1 | |
| 1019 | | 1019-GW3H-9800 | VALVE PLATE | VALVE PLATE | 1 | |
| 1020 | | 1020-GAKH-9300 | THROTTLE VALVE | THROTTLE VALVE | 1 | |
| 1031 | | 1031-181H-8310 | TOP GASKET | TOP GASKET | 1 | |
| 1034 | | 1034-153H-9901 | STOP SCREW | STOP SCREW | 1 | |
| 103J | | 103J-073H-9900-SB0 | TOP SET | TOP SET | 1 | |
| 105B | | 105B-KBNH-9000 | FLOAT COMP | FLOAT COMP | 1 | |
| 106B | | 106B-KG8H-9804 | FLOAT VALVE COMP | FLOAT VALVE COMP | 1 | |
| 1300-GW0H | | 1300-GW0H-9000 | SPG COMPR | SPG COMPR | 1 | |
| 1300-GW3H | | 1300-GW3H-Q800 | SPG COMPR | SPG COMPR | 1 | |
| 1300-KG8H-9010 | | 1300-KG8H-9010 | COMPR SPG | COMPR SPG | 1 | |
| 1300-KG8H-Q010 | | 1300-KG8H-Q010 | COMPR SPG | COMPR SPG | 1 | |
| 16075 | | 16075-KG8-9010-M1 | -RING | -RING | 1 | |
| 16076-KG8 | | 16076-KG8-9010-M1 | O-RING | O-RING | 1 | |
| 16076-ND5 | | 16076-ND5-0040 | O RING | O RING | 1 | |
| 1610K | | 1610K-KFA6-E05 | CARBURETOR ASSY | CARBURETOR ASSY | 1 | |
| 16152 | | 16152-KG8-9010-M1 | ARM PIN | ARM PIN | 1 | |
| 16162 | | 16162-KG8-9010-M1 | DRAIN SCREW PAN | DRAIN SCREW PAN | 1 | |

E11

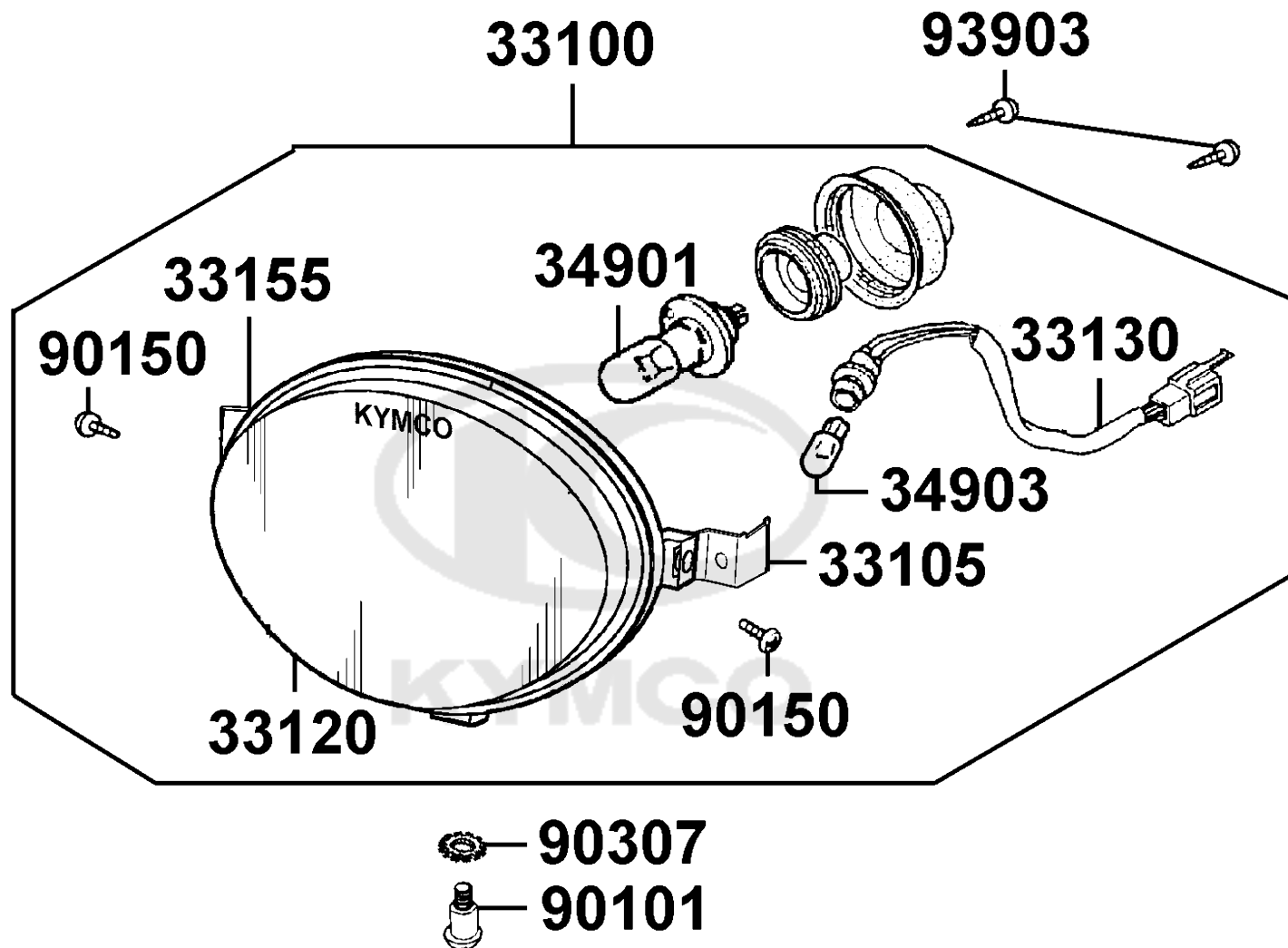
Carburetor



| Sales mark | Ref no | Part no | Description | Reg description | Regd no | E11 |
|------------|----------------|--------------------|--------------------|--------------------|---------|-----|
| | 16620 | 16620-KEB7-E00 | CAP CARBURETOR | CAP CARBURETOR | 1 | |
| | 1703 | 1703-GJ2H-0040 | SET PLATE | SET PLATE | 1 | |
| | 1782 | 1782-KG8H-9010 | CLIP | CLIP | 1 | |
| | 1785 | 1785-KBNH-9000-SB0 | TUBE SET (A.V) | TUBE SET (A.V) | 1 | |
| | 1793 | 1793-144H-9900 | HEX NUT | HEX NUT | 2 | |
| | 1795 | 1795-KG8H-9010 | WASHER PLAIN | WASHER PLAIN | 1 | |
| | 1799 | 1799-KBNH-9000 | STUD BOLT | STUD BOLT | 2 | |
| | 4000 | 4000-077-0000 | AUTO BYSTARTER SET | AUTO BYSTARTER SET | 1 | |
| | 93892-04008 | 93892-04008-18 | SCREW WASHER 4*8 | SCREW WASHER | 2 | |
| | 93892-04014 | 93892-04014-18 | SCREW WASHER | SCREW WASHER | 2 | |
| | 94050 | 94050-06080 | NUT FLANGE 6MM | NUT FLANGE 6MM | 2 | |
| | 95002 | 95002-02080 | CLIP B8 TUBE | CLIP B8 TUBE | 1 | |
| | 99101-116-0700 | 99101-116-0700 | MAIN JET | MAIN JET | 1 | |
| | 99101-116-082 | 99101-116-0820 | MAIN JET(OPTION) | MAIN JET(OPTION) | 1 | |
| | K378 | K378-001 | CAP ASSY | CAP ASSY | 1 | |
| | K785 | K785-KEB-0300 | TUBE SET (DRAIN) | TUBE SET (DRAIN) | 1 | |
| | N350 | N350-09E00 | FLOAT CHAMBER COMP | FLOAT CHAMBER COMP | 1 | |
| | N413 | N413-32A00 | NEEDLE JET HOLDER | NEEDLE JET HOLDER | 1 | |
| | N425 | N425-2RFMJ | JET NEEDLE COMP | JET NEEDLE COMP | 1 | |

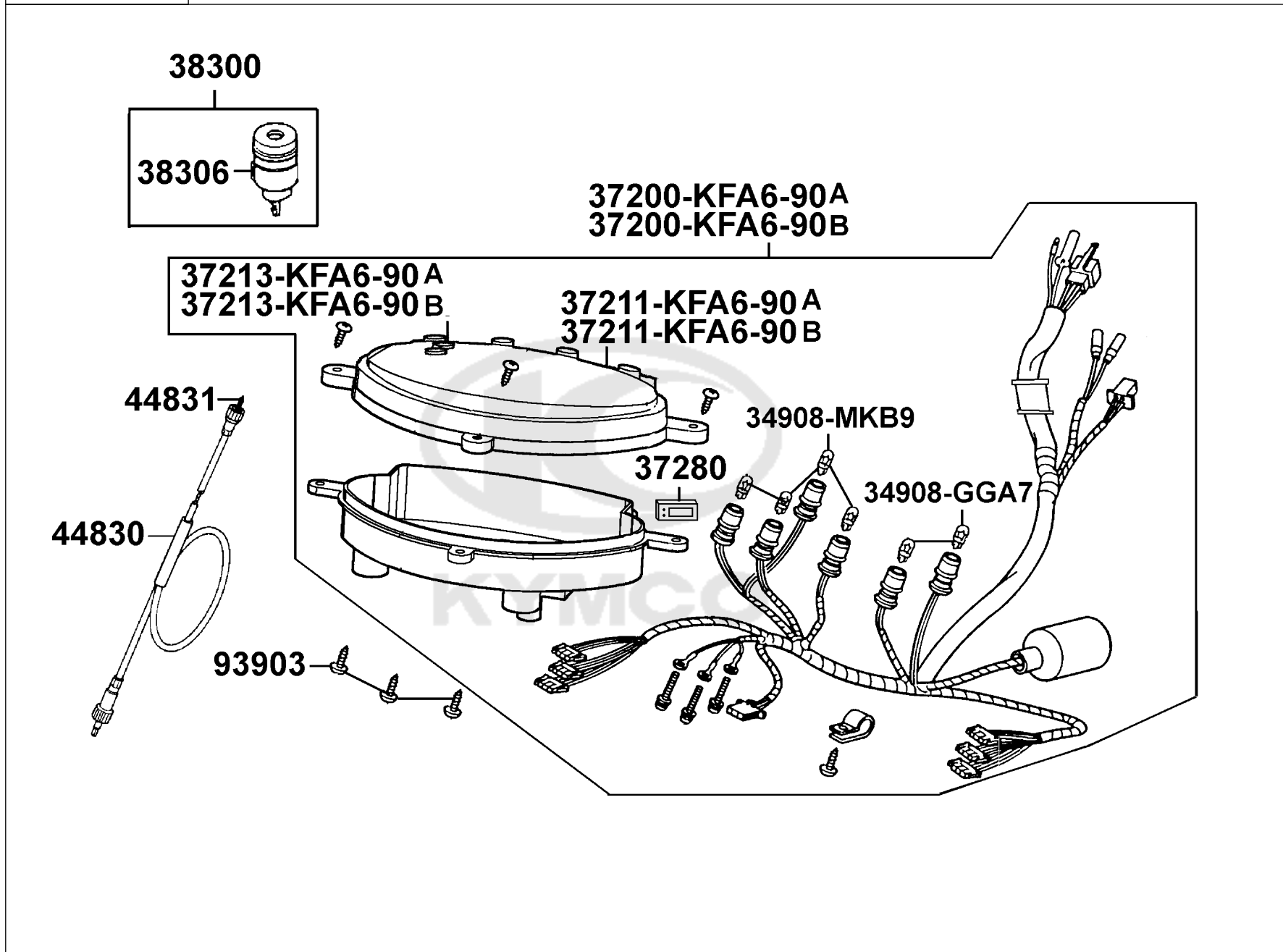
F01

Head Light



| Sales mark | Ref no | Part no | Description | Reg description | Regd no | F01 |
|------------|--------|----------------|--------------------|--------------------|---------|------------|
| | 33100 | 33100-KFA6-900 | LIGHT ASSY HEAD | LIGHT ASSY HEAD | 1 | |
| | 33105 | 33105-KFA6-900 | PLATE ADJUST (LH) | PLATE ADJUST (LH) | 1 | |
| | 33120 | 33120-KFA6-900 | UNIT HEAD LIGHT | UNIT HEAD LIGHT | 1 | |
| | 33130 | 33130-KFA6-900 | SOCKET COMP | SOCKET COMP | 1 | |
| | 33155 | 33155-KFA6-900 | PLATE ADJUST (RH) | PLATE ADJUST (RH) | 1 | |
| | 34901 | 34901-KFA6-900 | BULB HEAD LIGHT | BULB HEAD LIGHT | 1 | |
| | 34903 | 34903-KPCP-900 | BULB POSITION | BULB POSITION | 1 | |
| | 90101 | 90101-GAR1-001 | BOLT ADJUST | BOLT ADJUST | 1 | |
| | 90150 | 90150-4C63-77A | SCREW PAN 5*10 | SCREW PAN | 2 | |
| | 90307 | 90307-GFJ6-004 | WASHER LOCK 6MM | WASHER LOCK 6MM | 1 | |
| | 93903 | 93903-35220 | SCREW TAPPING 5*12 | SCREW TAPPING 5*12 | 2 | |

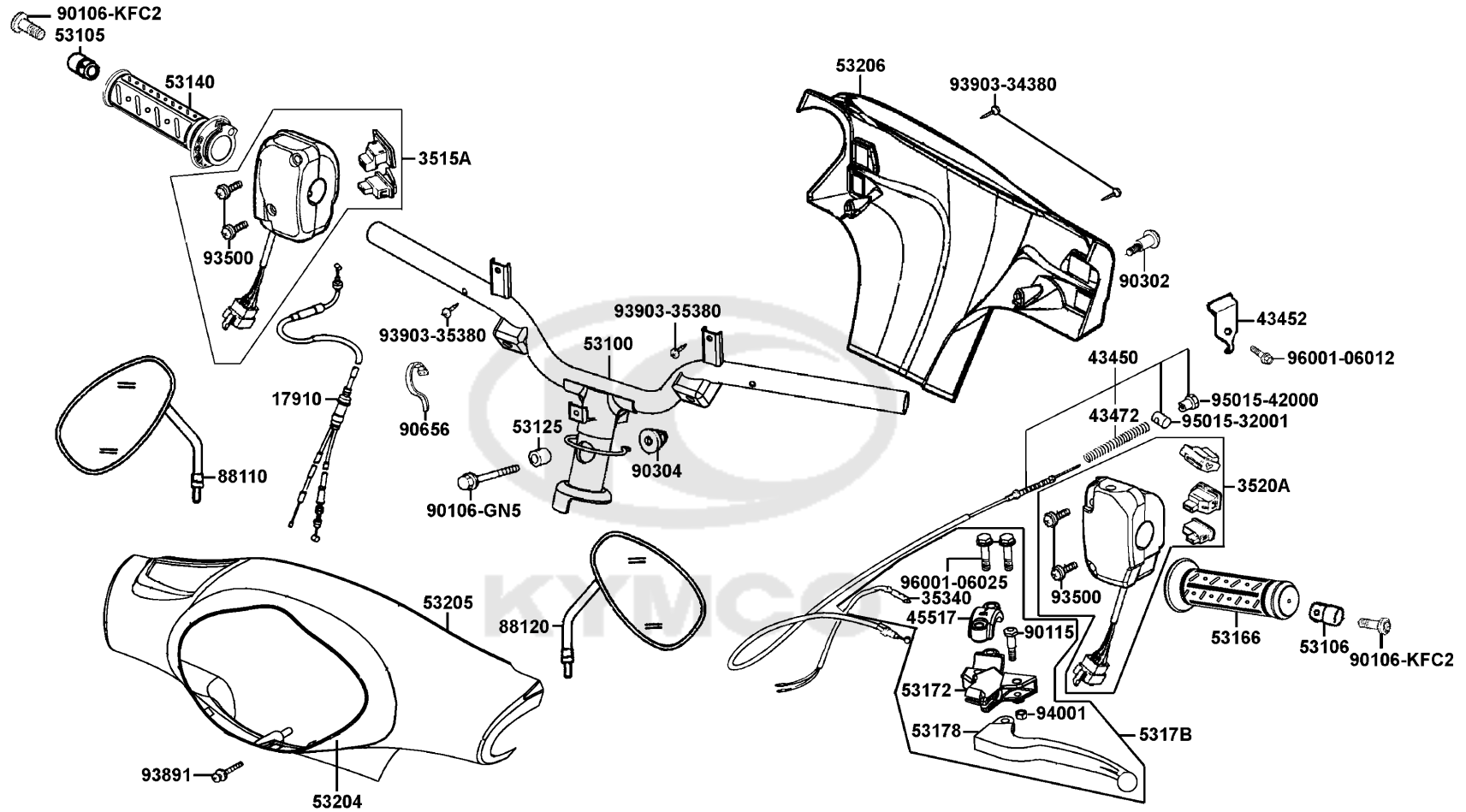




| Sales mark | Ref no | Part no | Description | Reg description | Regd no | F02 |
|------------|----------------|----------------|--------------------------|-------------------------|---------|-----|
| | 34908-GGA7 | 34908-GGA7-70A | BULB WEDGE BASE 12V*3.4W | BULB WEDGE BASE | 2 | |
| | 34908-MKB9 | 34908-MKB9-87A | BULB WEDGE BASE | BULB WEDGE BASE | 4 | |
| | 37200-KFA6-90A | 37200-KFA6-90A | METER ASSY SPEED | METER ASSY SPEED | 1 | |
| | 37200-KFA6-90B | 37200-KFA6-90B | METER ASSY SPEED | METER ASSY SPEED | 1 | |
| | 37211-KFA6-90A | 37211-KFA6-90A | LENS ASSY/D408 | LENS ASSY | 1 | |
| | 37211-KFA6-90B | 37211-KFA6-90B | LENS ASSY/D403 | LENS ASSY | 1 | |
| | 37213-KFA6-90A | 37213-KFA6-90A | PACKING (LCD) | PACKING (LCD) | 1 | |
| | 37213-KFA6-90B | 37213-KFA6-90B | PACKING (LCD) | PACKING (LCD) | 1 | |
| | 37280 | 37280-KFA6-900 | LCD ASSY (LOCK) | LCD ASSY (LOCK) | 1 | |
| | 38300 | 38300-KECE-900 | RELAY ASSY WINKER | RELAY ASSY WINKER | 1 | |
| | 38306 | 38306-2B92-C11 | SUSPENSION WINKER RELAY | SUSPENSION WINKER RELAY | 1 | |
| | 44830 | 44830-KFA6-900 | CABLE COMP SPDMT | CABLE COMP SPDMT | 1 | |
| | 44831 | 44831-KFA6-900 | CABLE INNER | CABLE INNER | 1 | |
| | 93903 | 93903-35320 | SCREW TAPPING 5*16 | SCREW TAPPING 5*16 | 3 | |

F03

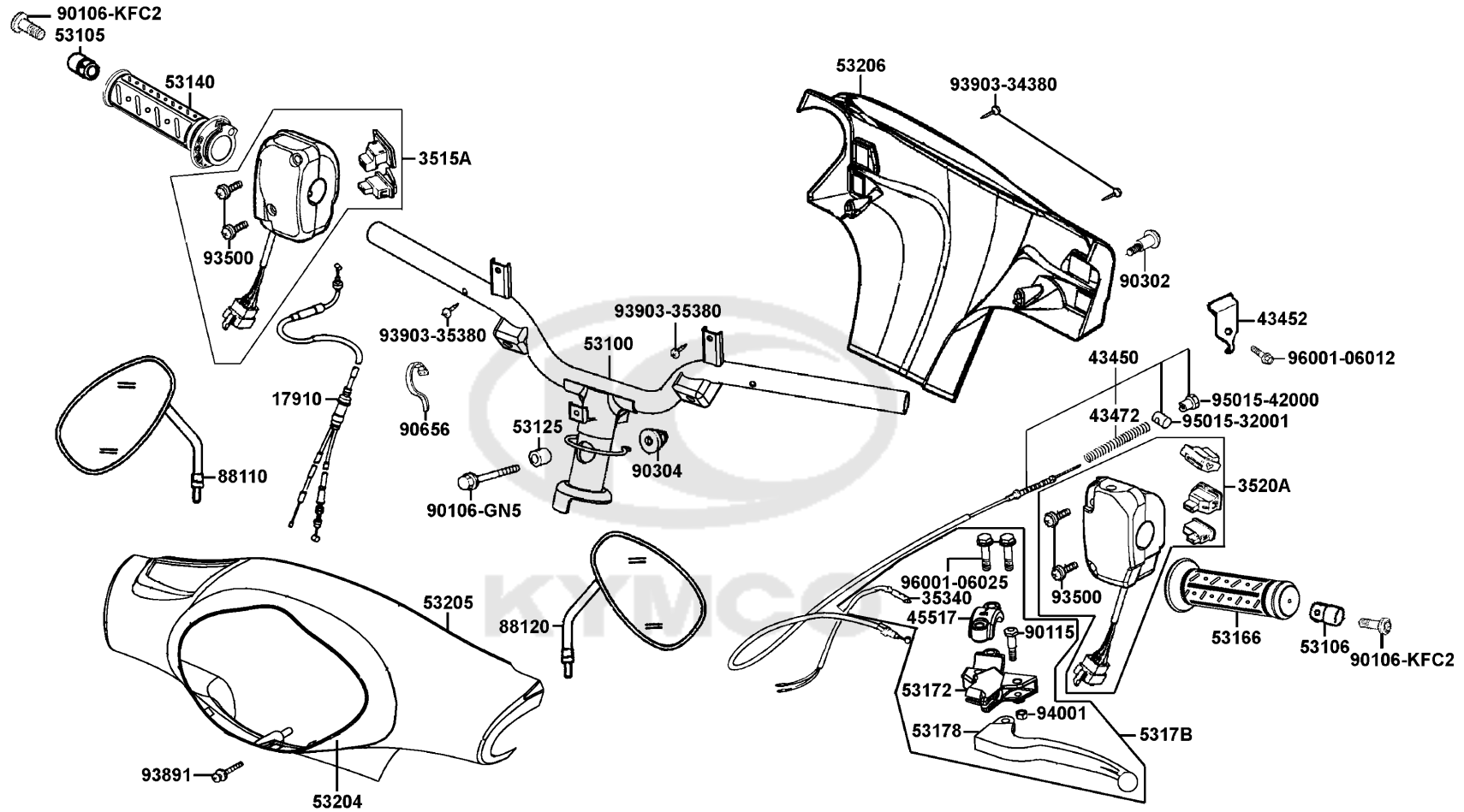
Handle Steering Handle Cover



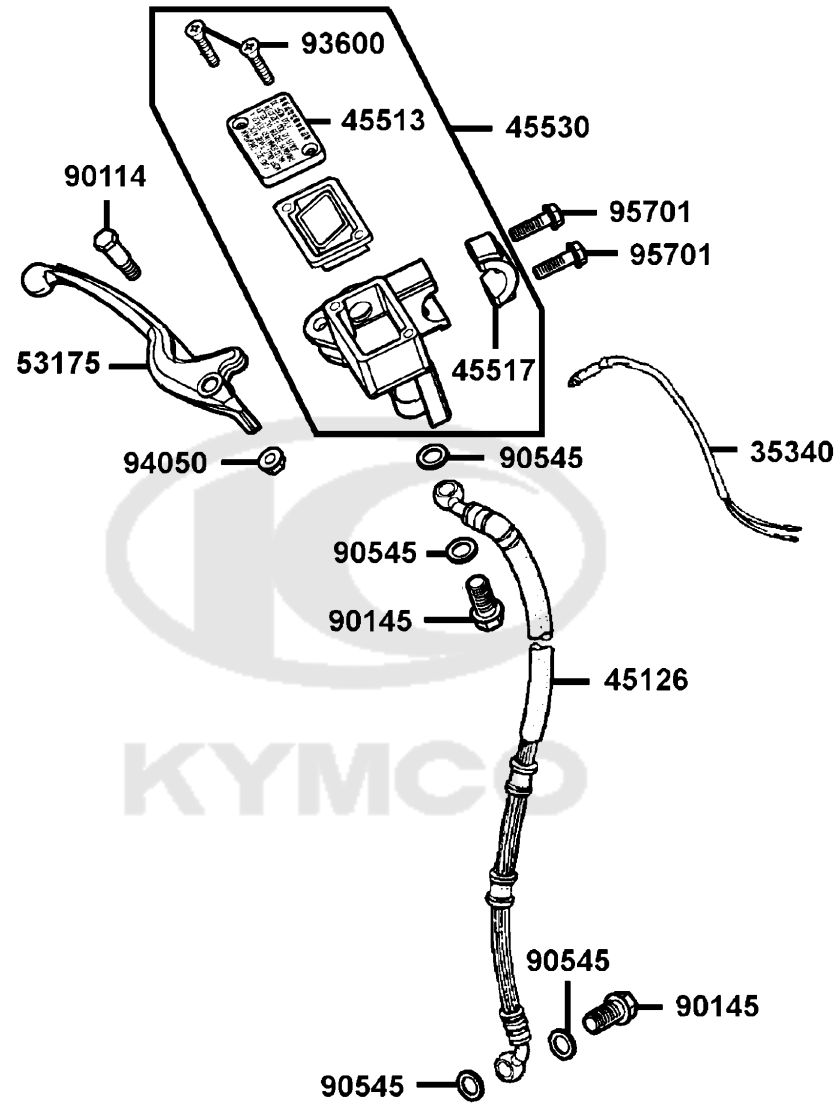
| Sales mark | Ref no | Part no | Description | Reg description | Regd no | F03 |
|------------|--------|----------------|------------------------|----------------------|---------|-----|
| | 17910 | 17910-KFA6-900 | CABLE COMP THROT | CABLE COMP THROT | 1 | |
| | 3515A | 3515A-KGBG-E00 | SW ASSY RH HNDL COMP | SW ASSY RH HNDL COMP | 1 | |
| | 3520A | 3520A-KGBG-E00 | SW ASSY LH HNDL COMP | SW ASSY LH HNDL COMP | 1 | |
| | 35340 | 35340-KKJ9-010 | SW ASSY FR STOP | SW ASSY FR STOP | 1 | |
| | 43450 | 43450-KFA6-900 | CABLE COMP RR BRK | CABLE COMP RR BRK | 1 | |
| | 43452 | 43452-GKAK-900 | CLAMP BRK CABLE | CLAMP BRK CABLE | 1 | |
| | 43472 | 43472-1A61-001 | SPG RR BRK ARM | SPG RR BRK ARM | 1 | |
| | 45517 | 45517-GFY6-900 | HOLDER HNDL BRKT | HOLDER HNDL BRKT | 1 | |
| | 53100 | 53100-KHB4-900 | HANDLE COMP STRG | HANDLE COMP STRG | 1 | |
| | 53105 | 53105-KFC8-900 | END R STRG HANDLE | END R STRG HANDLE | 1 | |
| | 53106 | 53106-KFC8-900 | END L STRG HANDLE | END L STRG HANDLE | 1 | |
| | 53125 | 53125-GEN5-901 | COLLAR HANDLE SET | COLLAR HANDLE SET | 1 | |
| ** | 53140 | 53140-KNBN-960 | GRIP COMP THROT | GRIP COMP THROT | 1 | |
| ** | 53166 | 53166-KNBN-911 | GRIP L HANDLE | GRIP L HANDLE | 1 | |
| | 53172 | 53172-KTCT-900 | BRKT HANDLE L | BRKT HANDLE L | 1 | |
| ** | 53178 | 53178-KFA6-900 | LEVER L STRG HANDLE | LEVER L STRG HNDL | 1 | |
| ** | 53178 | 53178-KXCX-E00 | LEVER L STRG HNDL | LEVER L STRG HNDL | 1 | |
| | 5317B | 5317B-KFA6-900 | BRACKET ASSY HANDLE LH | BRKT ASSY HNDL L | 1 | |
| | 5317B | 5317B-KFA6-E00 | BRKT ASSY HNDL L | BRKT ASSY HNDL L | 1 | |
| | 53204 | 53204-KFA6-900 | COVER HEAD LIGHT | COVER HEAD LIGHT | 1 | |

F03

Handle SteeringHandle Cover



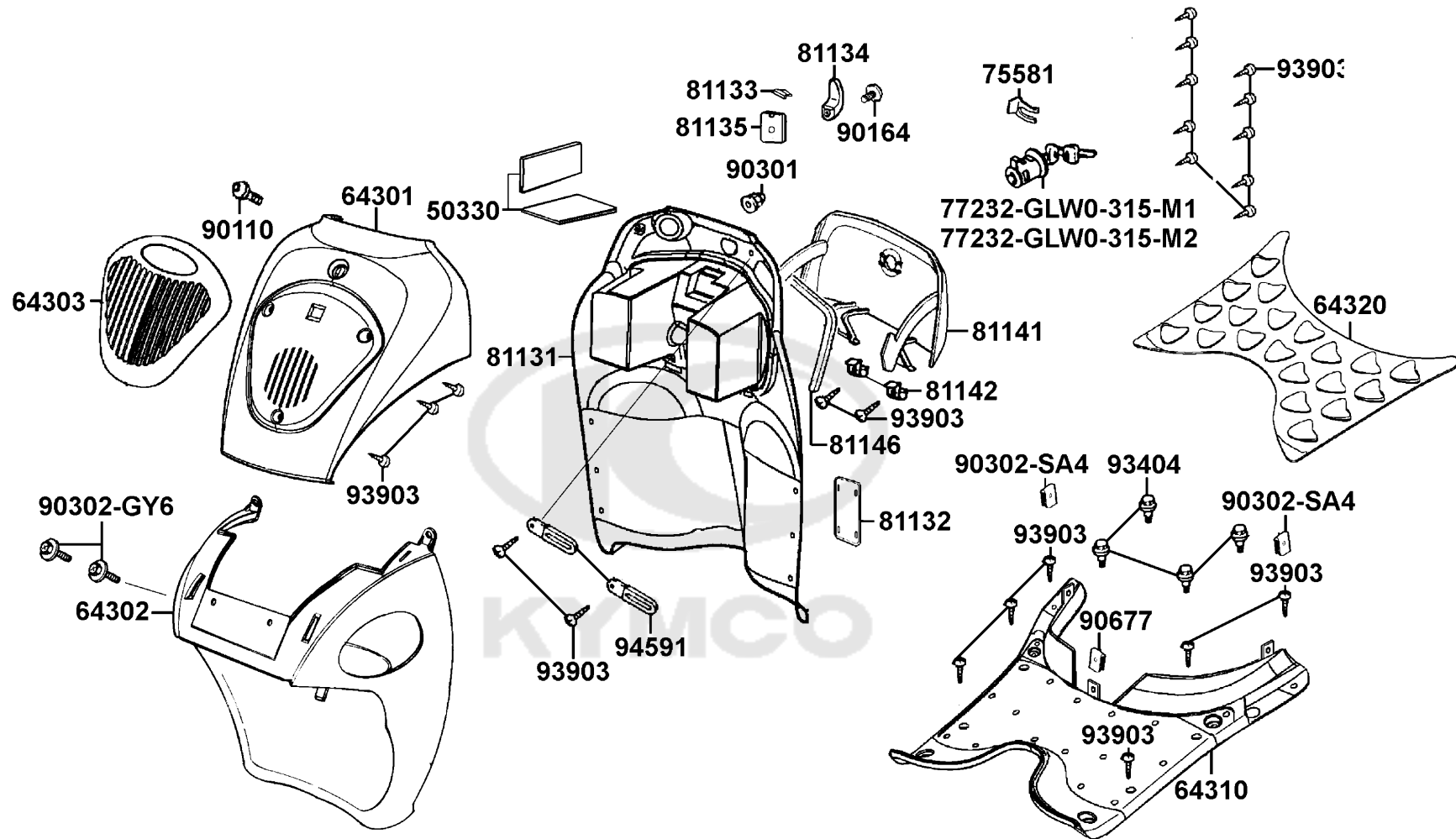
| Sales mark | Ref no | Part no | Description | Reg description | Regd no | F03 |
|------------|-------------|----------------|------------------------|-----------------------|---------|-----|
| ** | 53205 | 53205-KFA6-E00 | COVER FR HANDLE | COVER FR HANDLE | 1 | |
| | 88110 | 88110-KFA6-900 | MIRROR ASSY R BACK | MIRROR ASSY R BACK | 1 | |
| | 88120 | 88120-KFA6-900 | MIRROR ASSY L BACK | MIRROR ASSY L BACK | 1 | |
| | 90106-GEN5 | 90106-GEN5-901 | BOLT FLANGE 10*50 | BOLT FLANGE 10*50 | 1 | |
| | 90106-KFC2 | 90106-KFC2-900 | BOLT SPECIAL 8MM | BOLT WASH 8MM | 2 | |
| | 90115 | 90115-GLE0-001 | BOLT HNDL LEVER PIVOT | BOLT HNDL LEVER PIVOT | 1 | |
| | 90302 | 90302-KNBN-900 | BOLT PAN 5*10 | BOLT PAN 5*10 | 1 | |
| | 90304 | 90304-GHE8-004 | NUT U 10MM | NUT U 10MM | 1 | |
| | 90656 | 90656-GFY6-911 | BAND OIL HOSE | BAND OIL HOSE | 1 | |
| | 93500 | 93500-KGBG-900 | SCREW TAPPING M 5*25L | SCREW TAPPING M 5*25L | 4 | |
| | 93891 | 93891-05030-07 | SCREW WASHER 5*30 | SCREW WASHER 5*30 | 1 | |
| | 93903-34360 | 93903-34360 | SCREW TAPPING 4*12 (G) | SCREW TAPPING 4*12 | 2 | |
| | 93903-35360 | 93903-35360 | SCREW TAPPING 5*16 | SCREW TAPPING 5*16 | 2 | |
| | 94001 | 94001-05080-0S | NUT HEX 5MM | NUT HEX 5MM | 1 | |
| | 95015-32001 | 95015-32001 | JOINT B BRAKE ARM | JOINT B BRAKE ARM | 1 | |
| | 95015-42000 | 95015-42000 | NUT B ADJUST | NUT B ADJUST | 1 | |
| | 96001-06012 | 96001-06012-08 | BOLT FLANGE 6*12 | BOLT FLANGE 6*12 | 1 | |
| | 96001-06025 | 96001-06025-06 | BOLT FLANGE SH 6*25 | BOLT FLANGE 6*25 | 2 | |



| Sales mark | Ref no | Part no | Description | Reg description | Regd no | F04 |
|------------|--------|----------------|---------------------|-------------------|---------|------------|
| | 35340 | 35340-KFA6-900 | SW ASSY FR STOP | SW ASSY FR STOP | 1 | |
| | 45126 | 45126-KFA6-900 | HOSE ASSY FR BRK | HOSE ASSY FR BRK | 1 | |
| | 45513 | 45513-KFA6-800 | CAP M/C | CAP M/C | 1 | |
| | 45517 | 45517-KFAF-910 | HOLDER M/C | HOLDER M/C | 1 | |
| | 45530 | 45530-KFA6-305 | CYLN SET MASTER | CYLN SET MASTER | 1 | |
| ** | 53175 | 53175-KFA6-900 | LEVER R STRG HANDLE | LEVER R STRG HNDL | 1 | |
| ** | 53175 | 53175-KFA6-E00 | LEVER R STRG HNDL | LEVER R STRG HNDL | 1 | |
| | 90114 | 90114-1F66-007 | BOLT HANDLE LEVER | BOLT HANDLE LEVER | 1 | |
| | 90145 | 90145-MKS9-61A | OIL BOLT 10*22 | OIL BOLT 10*22 | 2 | |
| | 90545 | 90545-3L00-001 | WASHER OIL BOLT | WASHER OIL BOLT | 4 | |
| | 93600 | 93600-04012-1G | SCREW FLAT 4*12 | SCREW FLAT 4*12 | 2 | |
| | 94050 | 94050-06060 | NUT FLANGE 6MM | NUT FLANGE 6MM | 1 | |
| | 95701 | 95701-06022-06 | BOLT FLANGE 6*22 | BOLT FLANGE 6*22 | 2 | |

F05

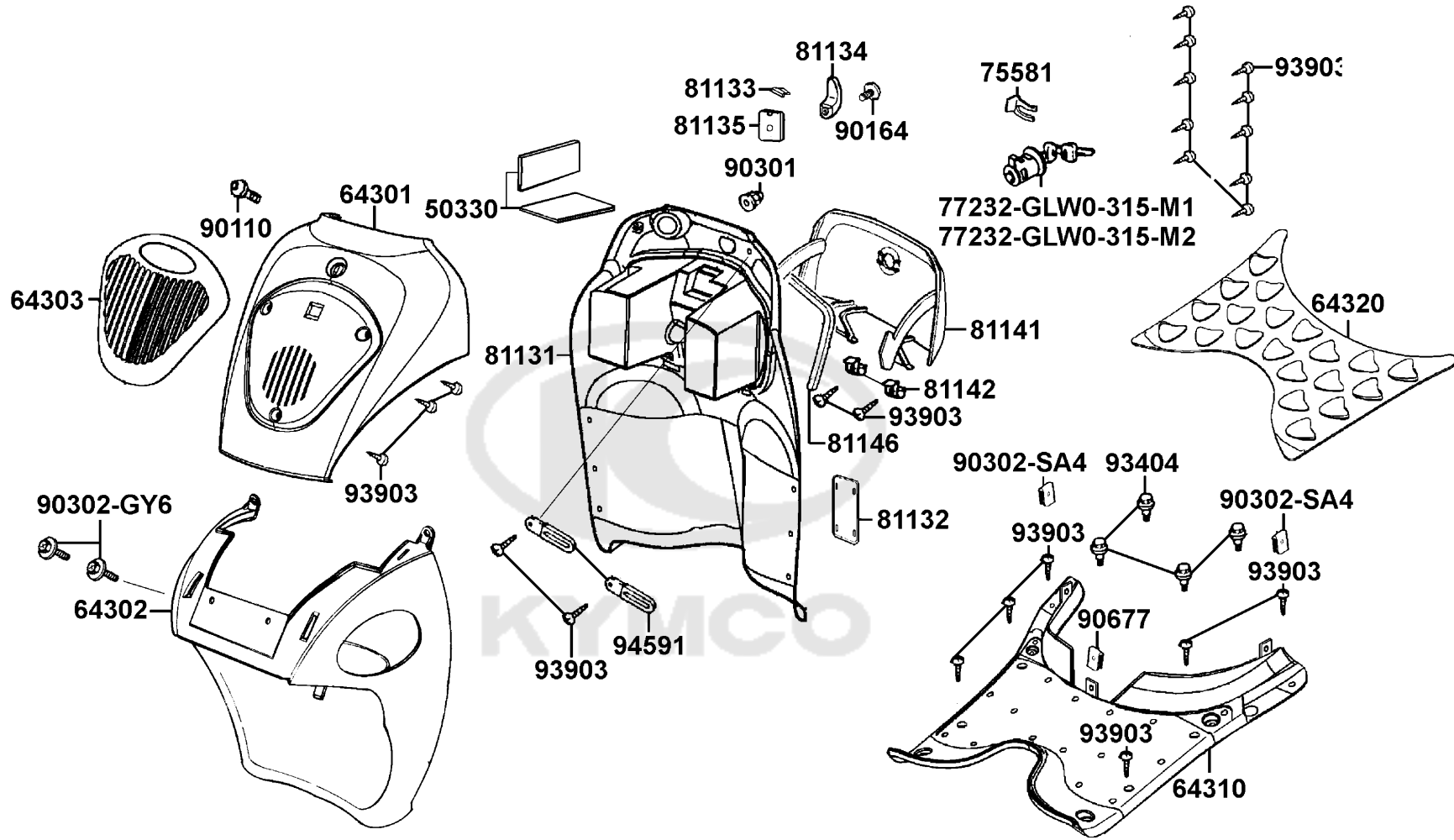
Front Cover Floor Panel



| Sales mark | Ref no | Part no | Description | Reg description | Regd no | F05 |
|------------|-------------------|-------------------|------------------------|--------------------|---------|-----|
| | 50330 | 50330-KEBE-900 | SEAL BATTERY FR | SEAL BATTERY FR | 2 | |
| ** | 64301 | 64301-KFA6-900 | COVER FRONT | COVER FRONT | 1 | |
| ** | 64302 | 64302-KFA6-900 | MOLD FRONT | MOLD FRONT | 1 | |
| ** | 64303 | 64303-KFA6-900 | GRILL FRONT COVER | GRILL FRONT COVER | 1 | |
| ** | 64320 | 64320-KFA6-900 | MAT FLOOR | MAT FLOOR | 1 | |
| | 75581 | 75581-6C73-001 | SET SPG LOCK KEY | SET SPG LOCK KEY | 1 | |
| | 77232-GLW0-315-M1 | 77232-GLW0-315-M2 | LOCK SET FUEL LID | LOCK ASSY FUEL LID | 1 | |
| | 81133 | 81133-KGBG-900 | STOPPER LUGGAGE | STOPPER LUGGAGE | 1 | |
| | 81134 | 81134-KFA6-900 | HOOK LUGGAGE | HOOK LUGGAGE | 1 | |
| | 81135 | 81135-KGBG-900 | STAY LUGGAGE HOOK | STAY LUGGAGE HOOK | 1 | |
| | 81142 | 81142-KFA6-900 | STAY LID INNER BOX | STAY LID INNER BOX | 2 | |
| | 81146 | 81146-GBN2-001 | SEAL RUBBER A | SEAL RUBBER A | 1 | |
| | 90110 | 90110-GLW0-001 | SCREW SPECIAL 6*14 | SCREW SPECIAL 6*14 | 1 | |
| | 90164 | 90164-MDR4-901 | SCREW SPECIAL 6MM | SCREW SPECIAL 6MM | 1 | |
| | 90301 | 90301-6D34-671 | NUT FLANGE 6MM | NUT FLANGE 6MM | 1 | |
| | 90302-GFY6 | 90302-GFY6-901 | BOLT WASH 5*12 | BOLT WASH 5*12 | 2 | |
| | 90302-SDA4 | 90302-SDA4-004 | NUT SPRING 4MM | NUT SPRING 4MM | 2 | |
| | 90677 | 90677-GAR1-004 | NUT CLIP 5MM | NUT CLIP 5MM | 1 | |
| | 93404 | 93404-06020-06 | BOLT WASHER 6*20 (G) | BOLT WASH 6*20 | 4 | |
| | 93903 | 93903-34360 | SCREW TAPPING 4*12 (G) | SCREW TAPPING 4*12 | 23 | |

F05

Front Cover Floor Panel



| Sales mark | Ref no | Part no | Description | Reg description | Regd no | F05 |
|------------|--------|---------|-------------|-----------------|---------|------------|
|------------|--------|---------|-------------|-----------------|---------|------------|

94591

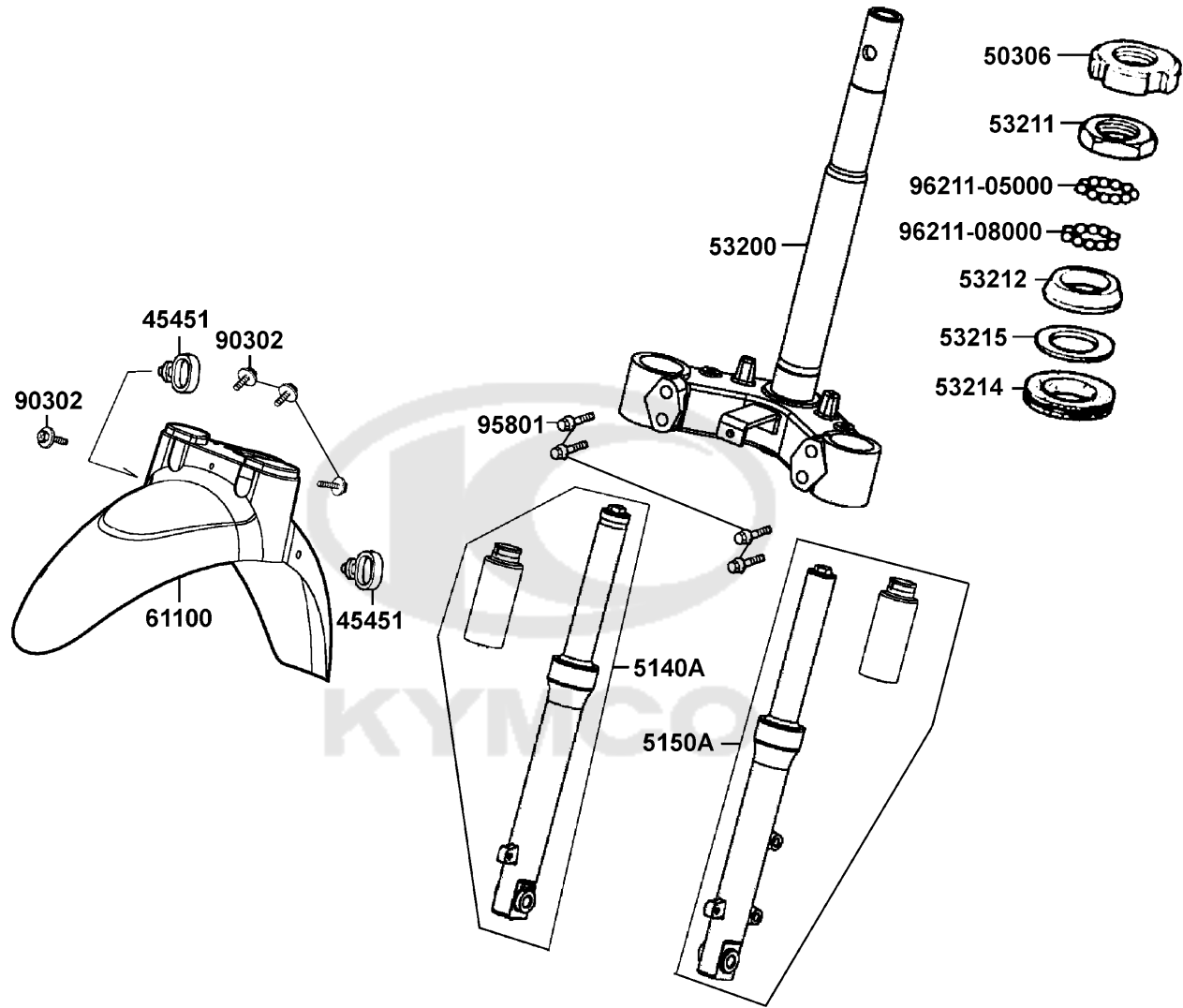
94591-27000

CLIP 2*70

CLIP 2*70

2

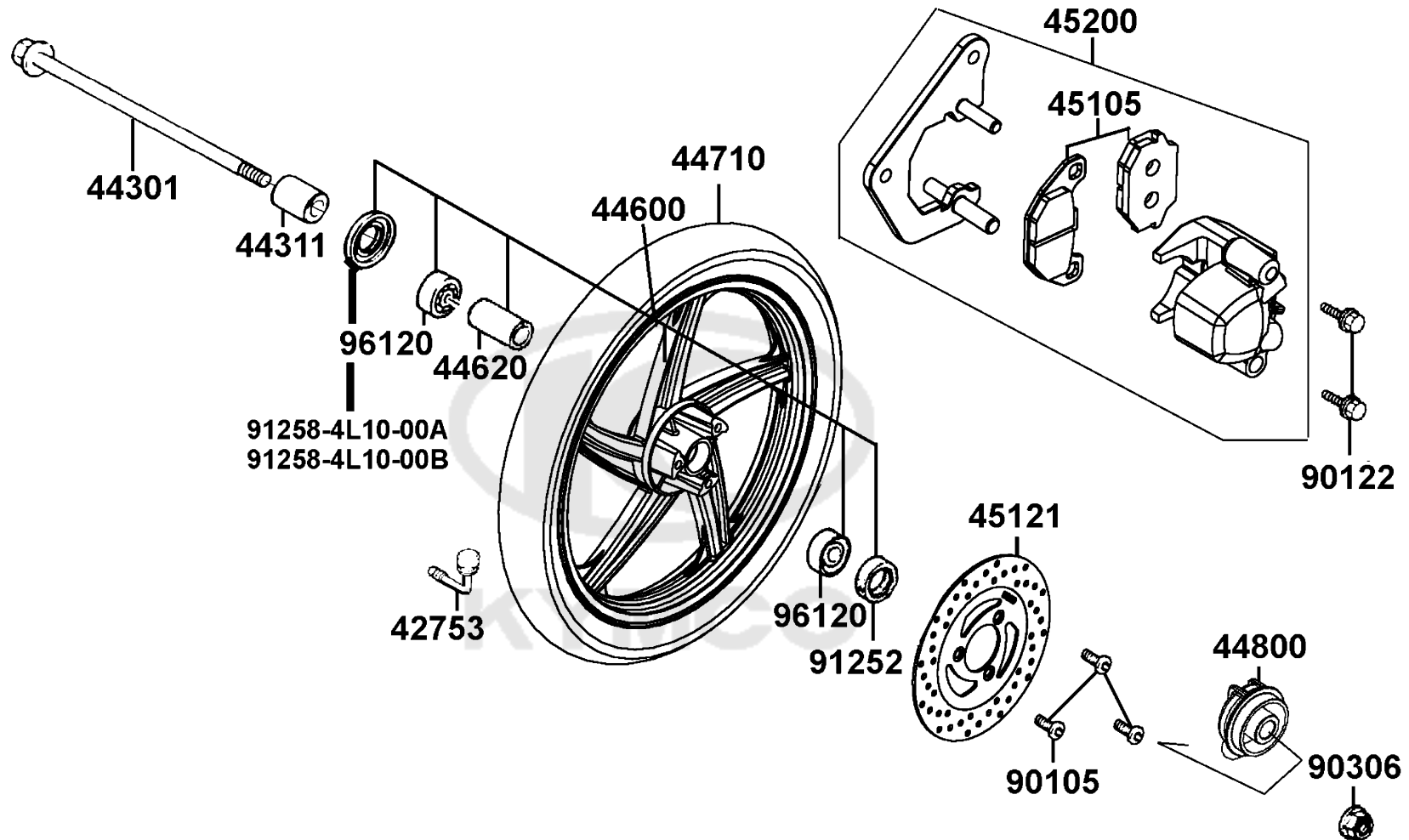




| Sales mark | Ref no | Part no | Description | Reg description | Regd no | F06 |
|------------|-------------|----------------|-------------------------|-------------------------|---------|-----|
| | 45451 | 45451-4A71-001 | GROMMET WIRE | GROMMET WIRE | 2 | |
| | 50306 | 50306-1F96-001 | NUT STRG STEM LOCK | NUT STRG STEM LOCK | 1 | |
| ** | 5140A | 5140A-KFA6-E00 | FORK SET R FR | FORK SET R FR | 1 | |
| ** | 5150A | 5150A-KFA6-E00 | FORK SET L FR | FORK SET L FR | 1 | |
| | 53200 | 53200-KFA6-900 | STEM COMP STRG | STEM COMP STRG | 1 | |
| | 53211 | 53211-GFY6-940 | RACE STRG TOP CONE | RACE STRG TOP CONE | 1 | |
| | 53212 | 53212-2L50-011 | RACE STRG BOT CONE | RACE STRG BOT CONE | 1 | |
| | 53214 | 53214-2L50-001 | DUST SEAL STRG(HEAD) | DUST SEAL STRG(HEAD) | 1 | |
| | 53215 | 53215-2L50-001 | WASH STRG HDL DUST-SEAL | WASH STRG HDL DUST-SEAL | 1 | |
| ** | 61100 | 61100-KFA6-900 | FENDER FR | FENDER FR | 1 | |
| | 90302 | 90302-GFY6-940 | BOLT-WASH 5*16 | BOLT-WASH 5*16 | 4 | |
| | 96211-05000 | 91014-LLJ3-E00 | CASE STEERING TOPP #5 | CASE STEERING TOPP | 1 | |
| | 96211-08000 | 91015-LLJ3-E00 | CASE STEERING BOT #8 | CASE STEERING BOT | 1 | |
| | 95801 | 95801-08040-08 | BOLT FLANGE 8*40 | BOLT FLANGE 8*40 | 4 | |

F07

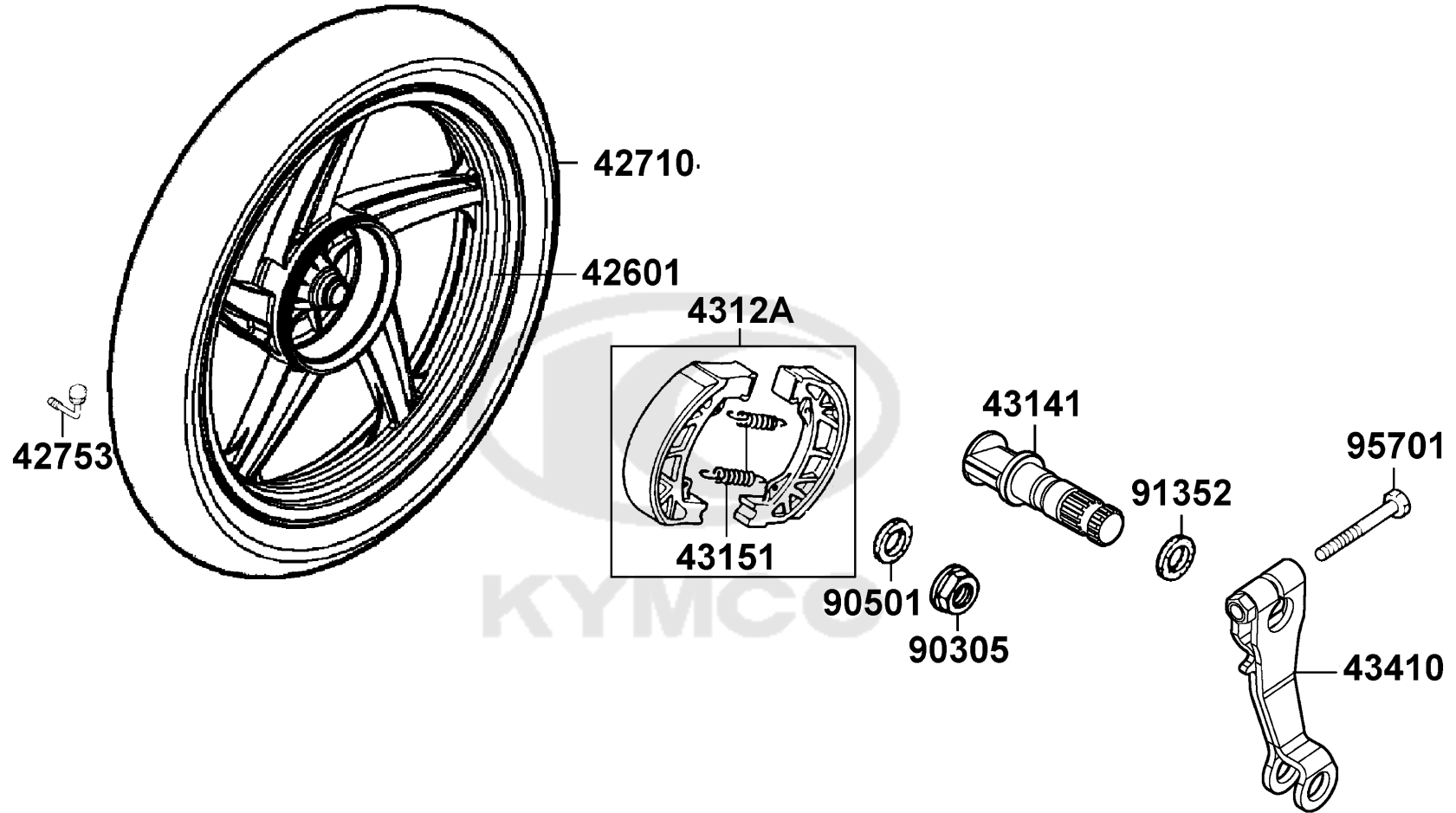
Front Wheel



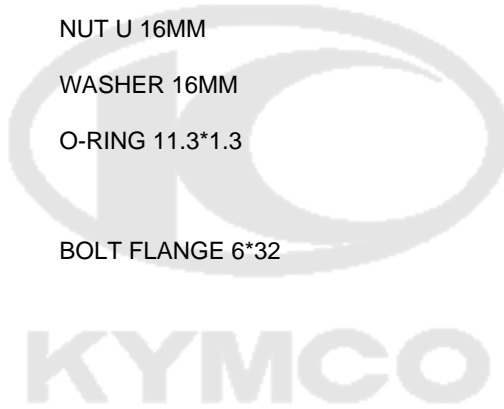
| Sales mark | Ref no | Part no | Description | Reg description | Regd no | F07 |
|------------|----------------|----------------|--------------------------|--------------------------|---------|-----|
| | 42753 | 42753-KNBN-90B | VALAE RIM (TR412) | VALAE RIM (TR412) | 1 | |
| # | 44301 | 44301-KHB4-900 | AXLE FR WHEEL | AXLE FR WHEEL | 1 | |
| | 44311 | 44311-0F46-001 | COLLAR FR WHEEL SIDE | COLLAR FR WHEEL SIDE | 1 | |
| ** | 44600 | 44600-KFA6-305 | WHEEL SET FR | WHEEL SET FR | 1 | |
| | 44620 | 44620-4L00-001 | COLLAR FR DIST | COLLAR FR DIST | 1 | |
| | 44710 | 44710-KHB4-90A | TIRE ASSY FR /CHENG SHIN | TIRE ASSY FR /CHENG SHIN | 1 | |
| | 44800 | 44800-KFA6-900 | GEAR BOX ASSY SPDMT | GEAR BOX ASSY SPDMT | 1 | |
| | 45105 | 45105-KFA6-305 | PAD ASSY (A+B) | PAD SET | 1 | |
| | 45121 | 45121-KFA6-900 | DISK FR BRAKE | DISK FR BRAKE | 1 | |
| ** | 45200 | 45200-KFA6-900 | CALIPER ASSY FR | CALIPER ASSY FR | 1 | |
| | 90105 | 90105-KCR3-001 | BOLT FR DISK 8*24 | BOLT FR DISK 8*24 | 3 | |
| | 90122 | 90122-KEBE-900 | BOLT FLANGE 8*32 | BOLT FLANGE 8*32 | 2 | |
| | 90306 | 90306-KLF0-901 | NUT FLANGE 12MM | NUT FLANGE 12MM | 1 | |
| | 91252 | 91252-0L30-00A | OIL SEAL WHEEL 23*37*7 | OIL SEAL WHEEL 23*37*7 | 1 | |
| | 91258-4L10-00A | 91258-4L10-00A | SEAL DUST 40*50*5 | SEAL DUST 40*50*5 | 1 | |
| | 91258-4L10-00B | 91258-4L10-00B | DUST SEAL 40*50*5 | SEAL DUST 40*50*5 | 1 | |
| | 96120 | 96120-63010-10 | BEARING BALL RADIAL 6301 | BEARING BALL RADIAL 6301 | 2 | |

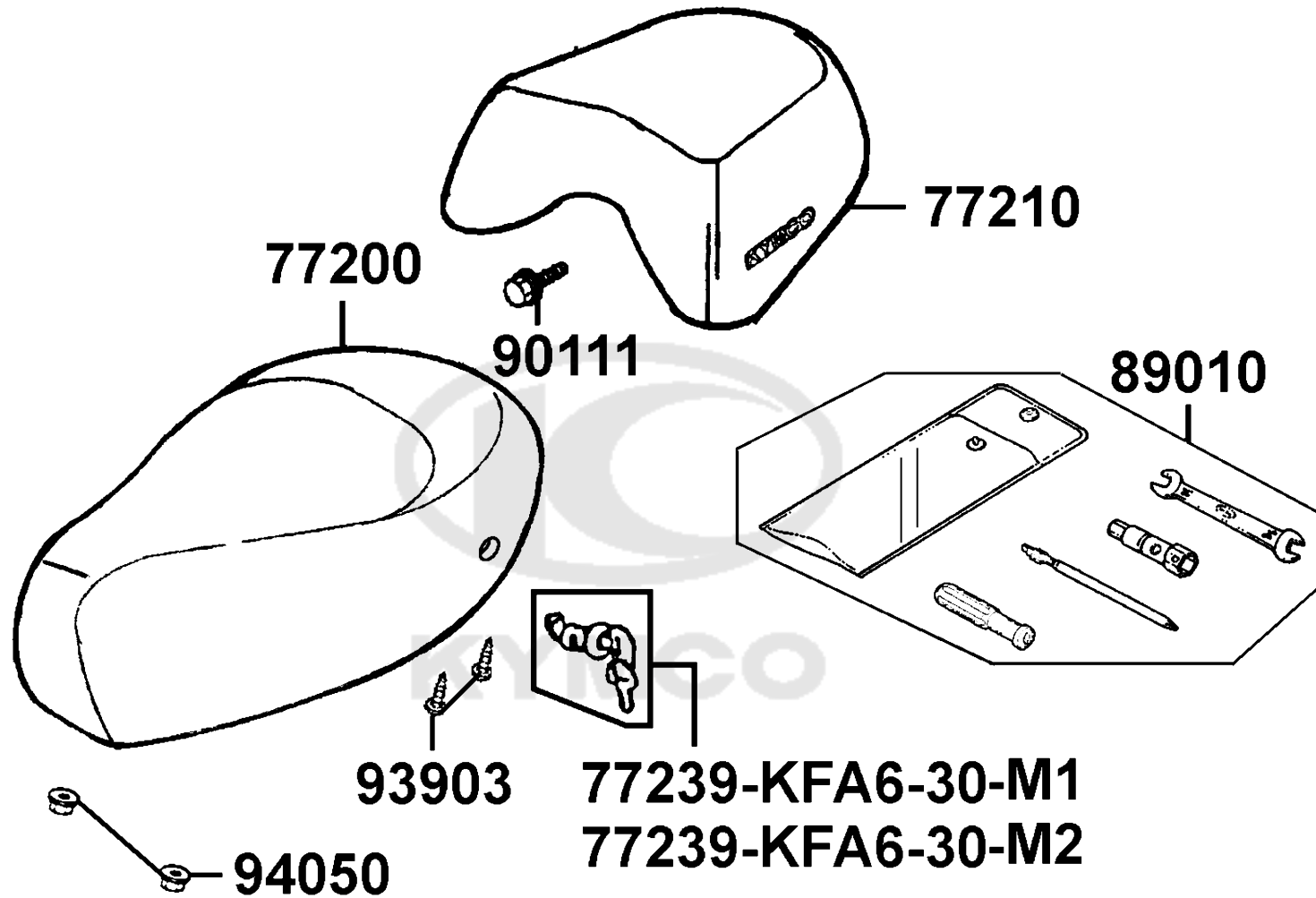
F08

Rear Wheel



| Sales mark | Ref no | Part no | Description | Reg description | Regd no | F08 |
|------------|--------|----------------|--------------------------|--------------------------|---------|-----|
| ** | 42601 | 42601-KFA6-900 | WHEEL COMP RR CAST | WHEEL COMP RR CAST | 1 | |
| | 42710 | 42710-KHB4-90A | TIRE ASSY RR /CHENG SHIN | TIRE ASSY RR /CHENG SHIN | 1 | |
| | 42753 | 42753-KNBN-90B | VALAE RIM (TR412) | VALAE RIM (TR412) | 1 | |
| | 4312A | 4312A-KUDU-900 | SHOE ASSY RR BRAKE | SHOE ASSY RR BRAKE | 1 | |
| | 43141 | 43141-KFA6-900 | CAM RR BRK | CAM RR BRK | 1 | |
| | 43151 | 43151-KGM7-961 | SPRING BRAKE SHOE REAR | SPRING BRAKE SHOE REAR | 2 | |
| | 43410 | 43410-KFA6-900 | ARM RR BRAKE | ARM RR BRAKE | 1 | |
| | 90305 | 90305-KNBN-90B | NUT U 16MM | NUT U 16MM | 1 | |
| | 90501 | 90501-KNBN-901 | WASHER 16MM | WASHER 16MM | 1 | |
| | 91352 | 91352-KHG8-83B | O-RING 11.3*1.3 | O-RING 11.3*1.3 | 1 | |
| | 95701 | 95701-06032-08 | BOLT FLANGE 6*32 | BOLT FLANGE 6*32 | 1 | |



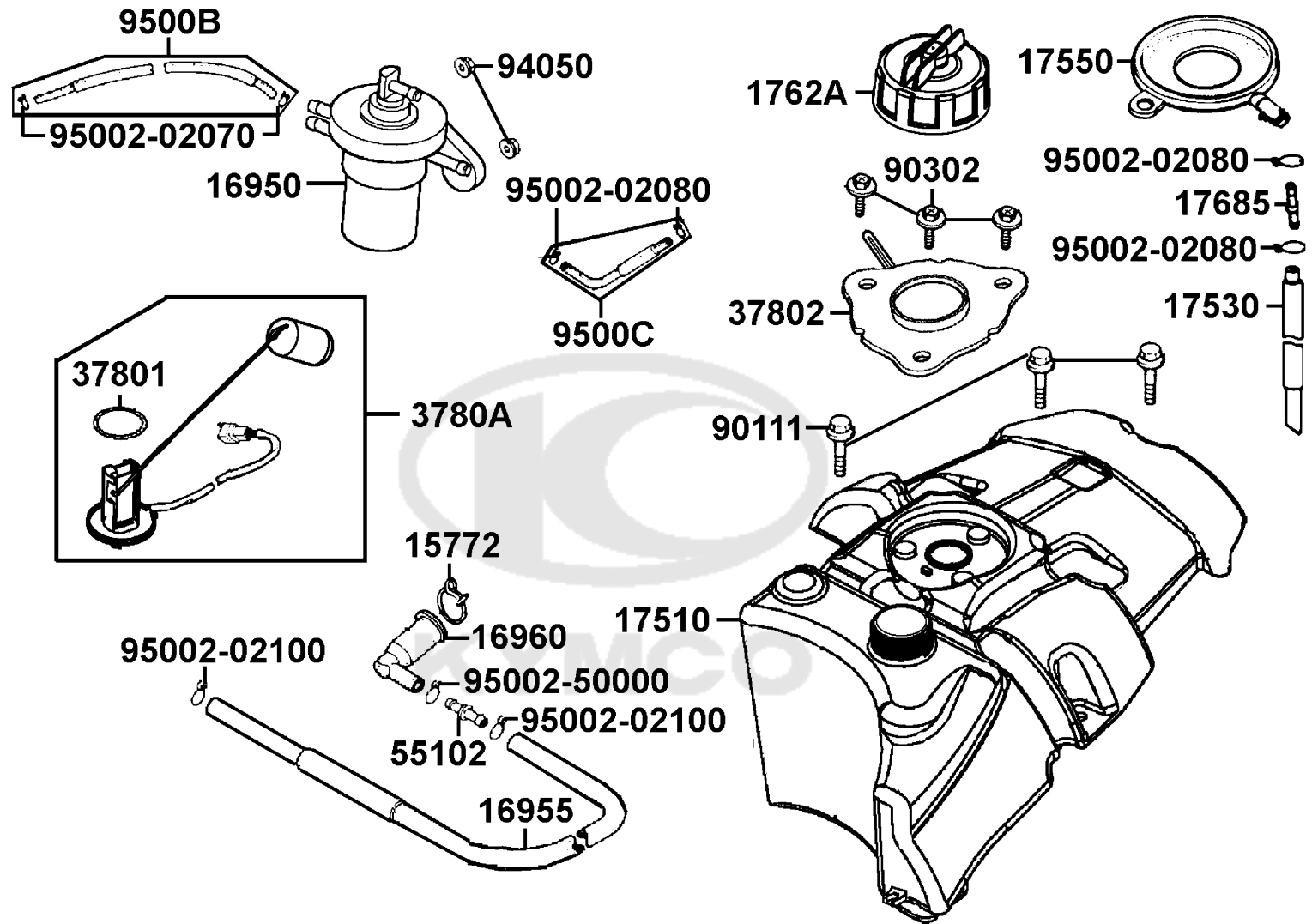


| Sales mark | Ref no | Part no | Description | Reg description | Regd no | F09 |
|------------|-------------------|-------------------|------------------------|--------------------|---------|------------|
| ** | 77200 | 77200-KFA6-900 | SEAT ASSY | SEAT ASSY | 1 | |
| ** | 77210 | 77210-KFA6-900 | SEAT ASSY REAR | SEAT ASSY REAR | 1 | |
| | 77239-KFA6-305-M1 | 77239-KFA6-305-M1 | KEY SEAT LOCK | KEY SEAT LOCK | 1 | |
| | 77239-KFA6-305-M2 | 77239-KFA6-305-M2 | KEY SEAT LOCK | KEY SEAT LOCK | 1 | |
| | 89010 | 89010-KNBN-900 | TOOL SET | TOOL SET | 1 | |
| | 90111 | 90111-1G87-001 | BOLT FLANGE 6MM | BOLT FLANGE 6MM | 1 | |
| | 93903 | 93903-34360 | SCREW TAPPING 4*12 (G) | SCREW TAPPING 4*12 | 2 | |
| | 94050 | 94050-06080 | NUT FLANGE 6MM | NUT FLANGE 6MM | 2 | |



F10

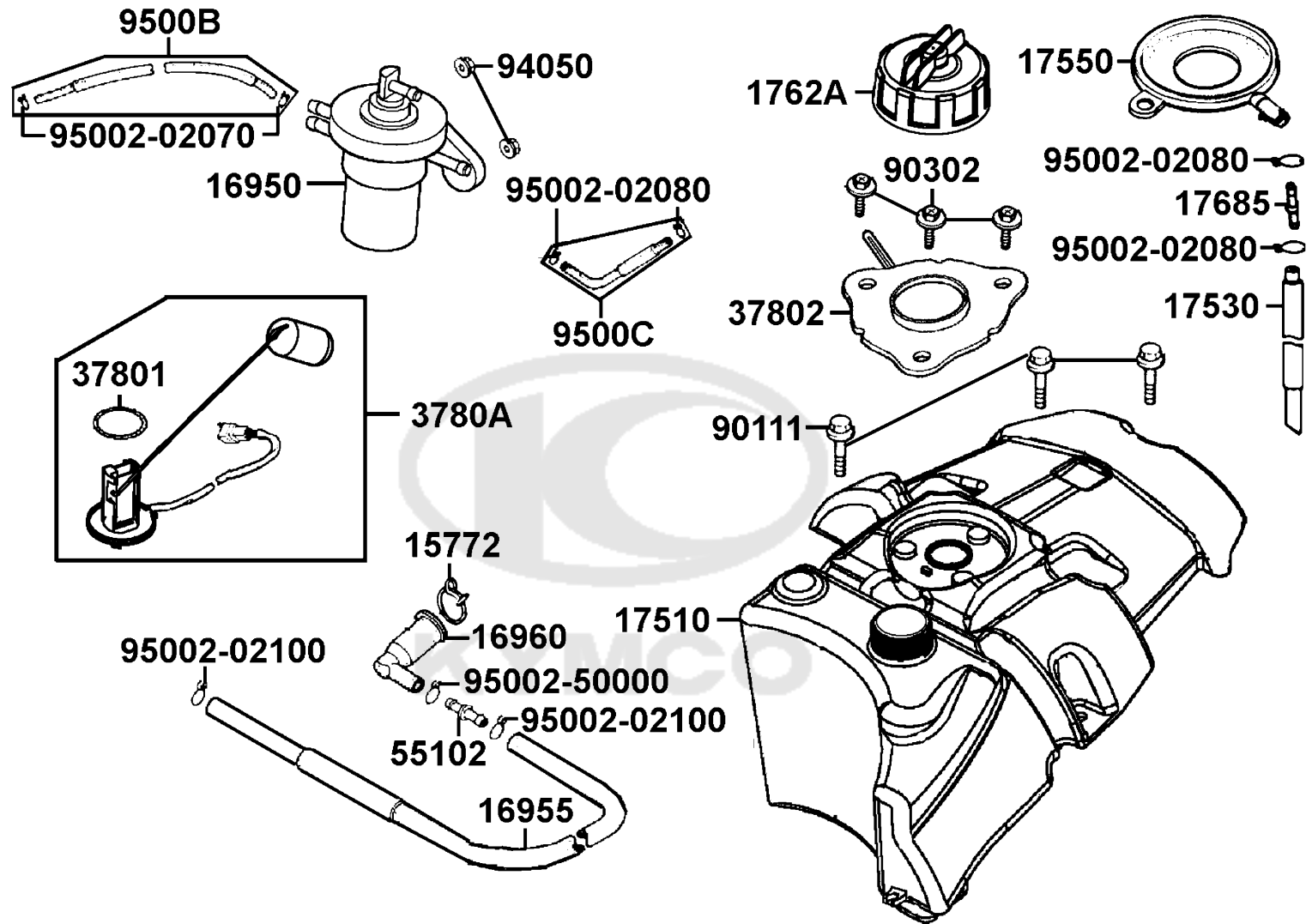
Fuel Tank



| Sales mark | Ref no | Part no | Description | Reg description | Regd no | F10 |
|-------------|--------|----------------|----------------------|----------------------|---------|------------|
| 15772 | | 15772-5A51-001 | CLIP BREATHER TUBE | CLIP BREATHER TUBE | 1 | |
| 16950 | | 16950-KEC8-900 | AUTO COCK ASSY FUEL | AUTO COCK ASSY FUEL | 1 | |
| 16955 | | 16955-KFA6-900 | TUBE ASSY FUEL | TUBE ASSY FUEL | 1 | |
| 16960 | | 16960-KEC8-900 | TUBE FUEL STRN | TUBE FUEL STRN | 1 | |
| 17510 | | 17510-KFA6-810 | TANK COMP FUEL | TANK COMP FUEL | 1 | |
| 17530 | | 17530-KFA6-900 | TUBE ASSY FUEL DRAIN | TUBE ASSY FUEL DRAIN | 1 | |
| 17550 | | 17550-KFA6-900 | TRAY FUEL CAP | TRAY FUEL CAP | 1 | |
| 1762A | | 1762A-KFA6-900 | CAP ASSY FUEL FILLER | CAP ASSY FUEL FILLER | 1 | |
| 17685 | | 17685-KZCZ-900 | JOINT TUBE | JOINT TUBE | 1 | |
| 37801 | | 37801-LAB4-910 | PACKING BASE | PACKING BASE | 1 | |
| 37802 | | 37802-KEC8-900 | RET FUEL UNIT | RET FUEL UNIT | 1 | |
| 3780A | | 3780A-KFA6-910 | FUEL UNIT ASSY | FUEL UNIT ASSY | 1 | |
| 55102 | | 55102-1F66-001 | JOINT OIL TUBE | JOINT OIL TUBE | 1 | |
| 90111 | | 90111-1G87-001 | BOLT FLANGE 6MM | BOLT FLANGE 6MM | 3 | |
| 90302 | | 90302-GFY6-901 | BOLT WASH 5*12 | BOLT WASH 5*12 | 3 | |
| 94050 | | 94050-06080 | NUT FLANGE 6MM | NUT FLANGE 6MM | 2 | |
| 95002-02070 | | 95002-02070 | CLIP B7 TUBE | CLIP B7 TUBE | 2 | |
| 95002-02080 | | 95002-02080 | CLIP B8 TUBE | CLIP B8 TUBE | 4 | |
| 95002-02100 | | 95002-02100 | CLIP B15 TUBE | CLIP B15 TUBE | 2 | |
| 95002-50000 | | 95002-50000 | CLIP C9 TUBE | CLIP C9 TUBE | 1 | |

F10

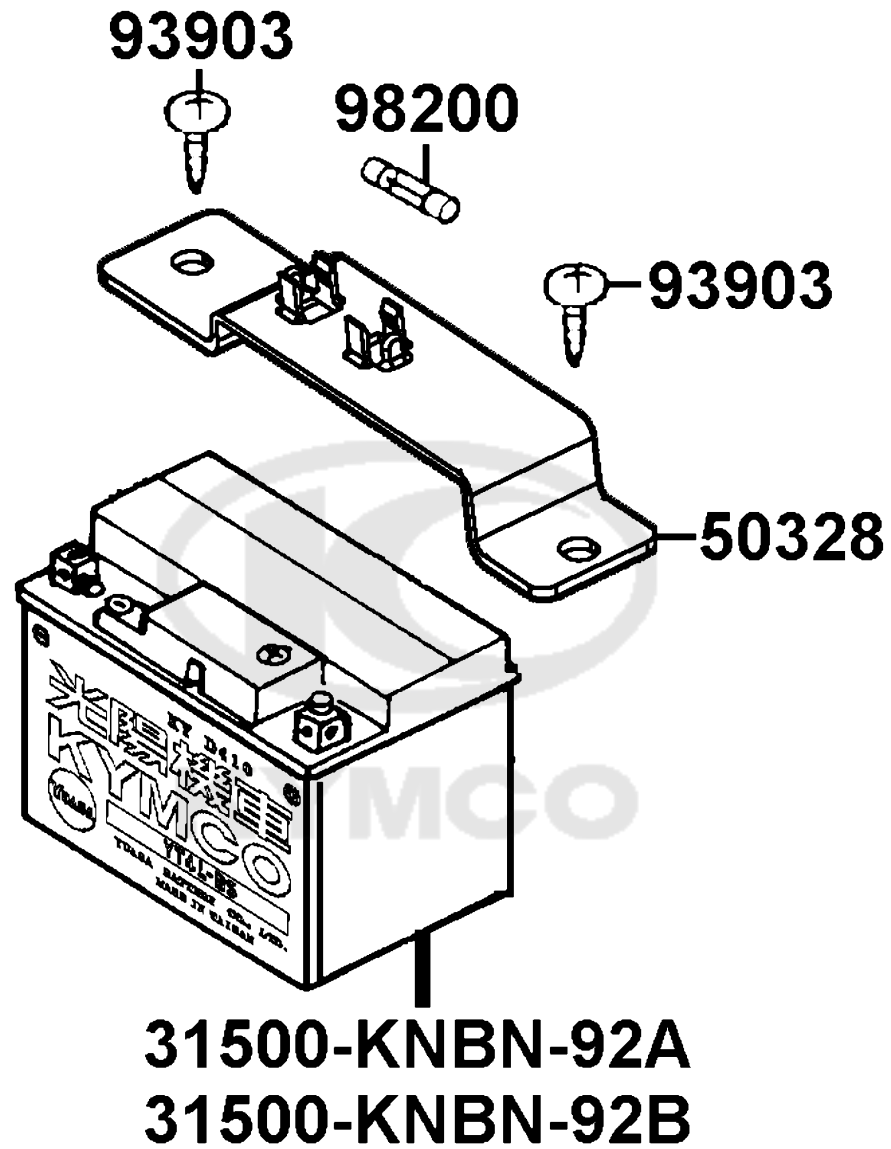
Fuel Tank



| Sales mark | Ref no | Part no | Description | Reg description | Regd no | F10 |
|------------|--------|---------|-------------|-----------------|---------|------------|
|------------|--------|---------|-------------|-----------------|---------|------------|

| | | | | | | |
|-------|--|----------------|------------------|------------------|---|--|
| 9500B | | 9500B-KFA6-900 | TUBE ASSY VACUUM | TUBE ASSY VACUUM | 1 | |
| 9500C | | 9500C-KFA6-900 | TUBE ASSY FUEL | TUBE ASSY FUEL | 1 | |





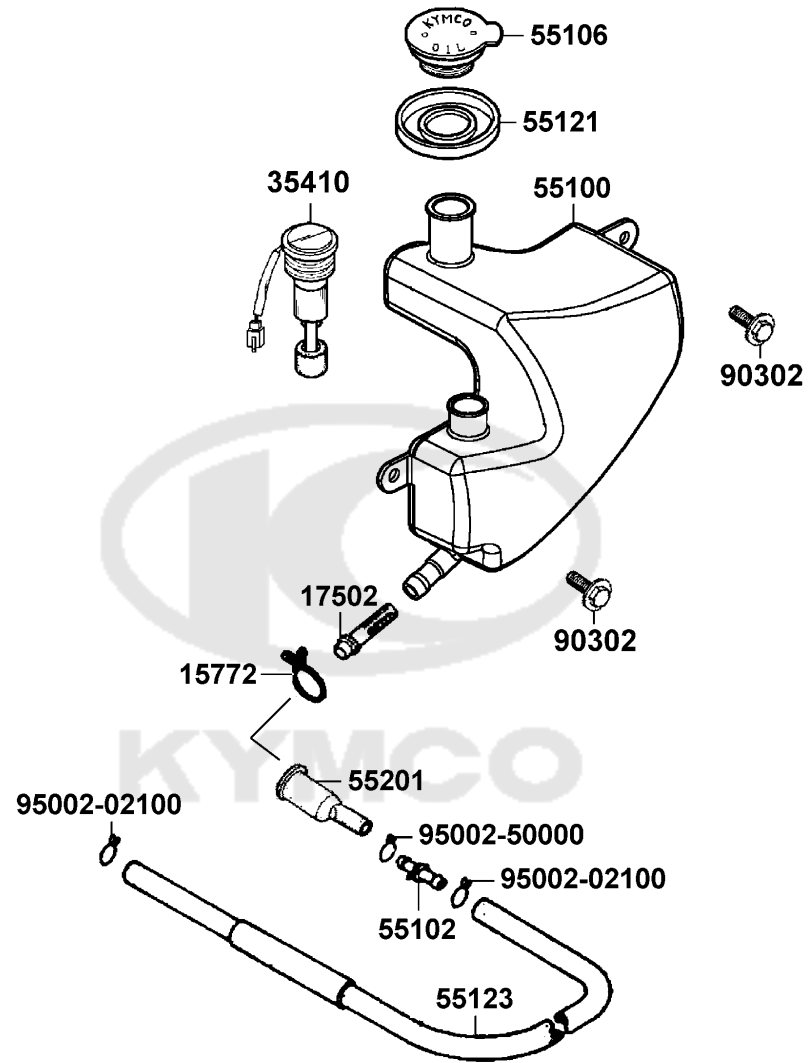
| Sales mark | Ref no | Part no | Description | Reg description | Regd no | F11 |
|------------|--------|---------|-------------|-----------------|---------|------------|
|------------|--------|---------|-------------|-----------------|---------|------------|

| | | | | | | |
|----|----------------|----------------|--------------------|--------------------|---|--|
| | 31500-KNBN-92A | 31500-KNBN-92A | BATTERY YTX5L-BS | BATTERY YTX5L-BS | 1 | |
| | 31500-KNBN-92B | 31500-KNBN-92B | BATTERY YTX5L-BS | BATTERY YTX5L-BS | 1 | |
| ** | 50328 | 50328-KFA6-900 | BAND BATTERY | BAND BATTERY | 1 | |
| | 93903 | 93903-35360 | SCREW TAPPING 5*16 | SCREW TAPPING 5*16 | 2 | |
| | 98200 | 98200-10700 | FUSE A7 | FUSE A7 | 1 | |

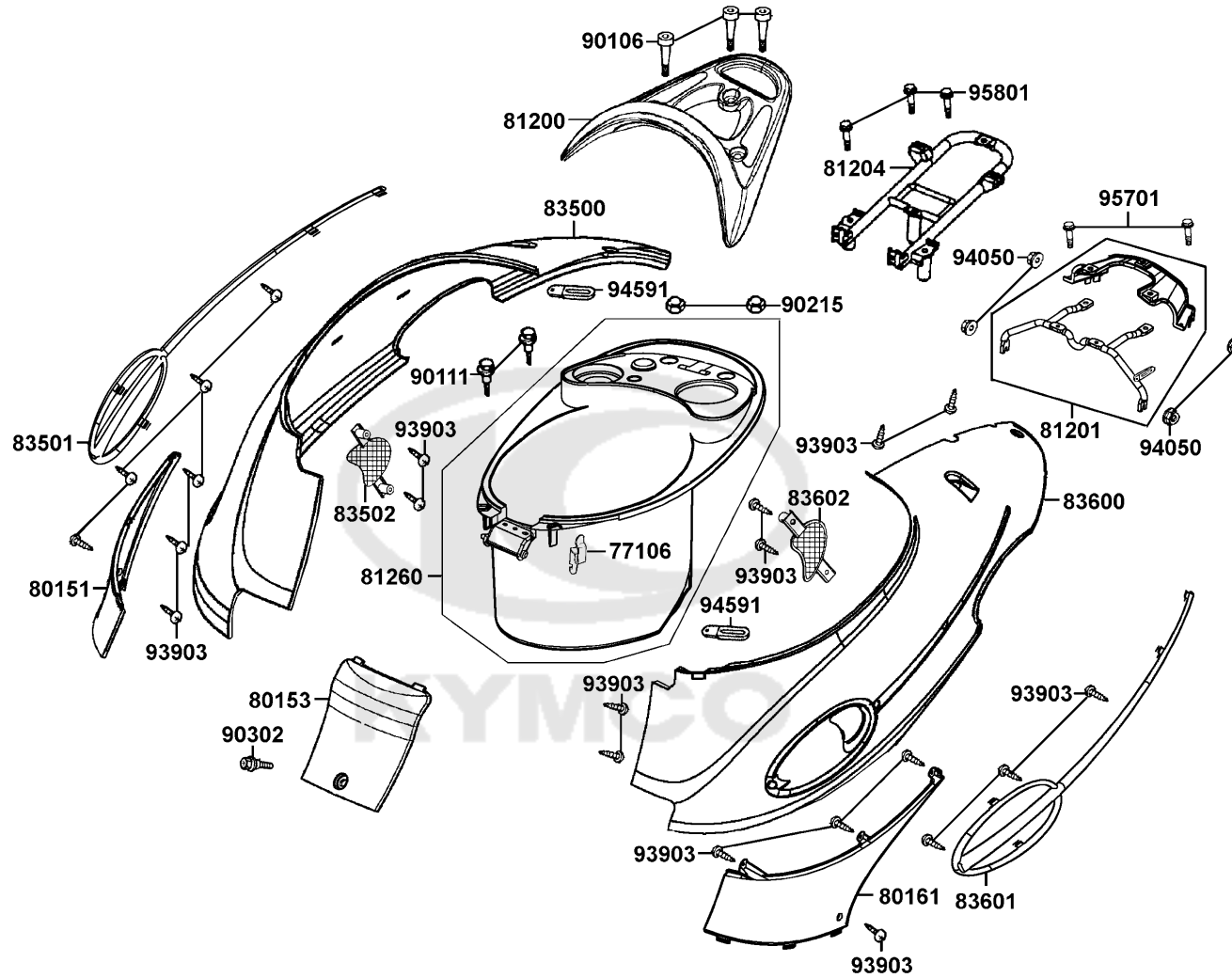


F12

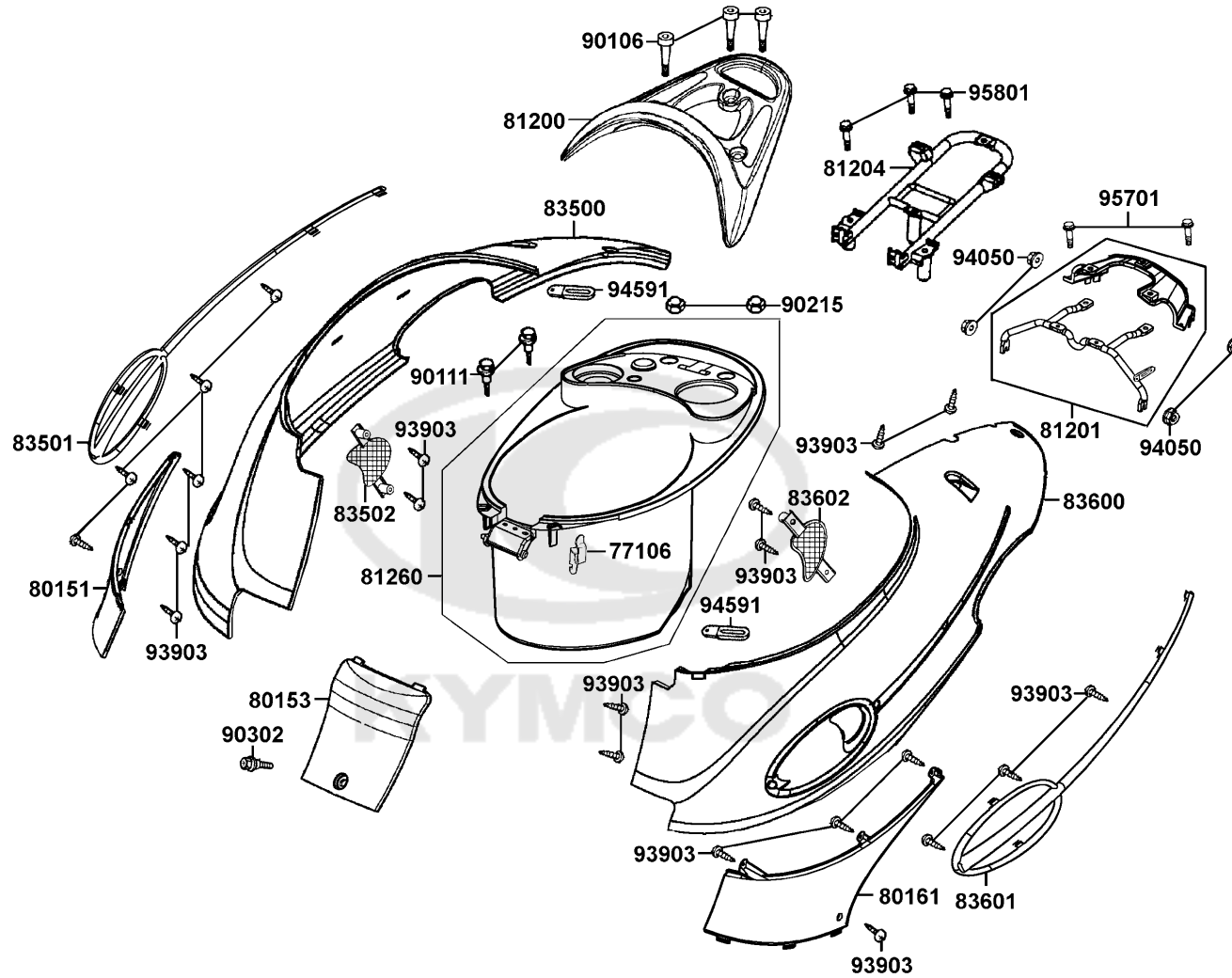
OIL TANK



| Sales mark | Ref no | Part no | Description | Reg description | Regd no | F12 |
|-------------|--------|----------------|--------------------|--------------------|---------|------------|
| 15772 | | 15772-5A51-001 | CLIP BREATHER TUBE | CLIP BREATHER TUBE | 1 | |
| 17502 | | 17502-1G87-001 | OIL STRAINER | OIL STRAINER | 1 | |
| 35410 | | 35410-KEB7-900 | SW COMP OIL LEVEL | SW COMP OIL LEVEL | 1 | |
| 55100 | | 55100-KFA6-900 | TANK OIL | TANK OIL | 1 | |
| 55102 | | 55102-1F66-001 | JOINT OIL TUBE | JOINT OIL TUBE | 1 | |
| 55106 | | 55106-KEB7-900 | CAP ASSY OIL | CAP ASSY OIL | 1 | |
| 55121 | | 55121-KEB7-900 | RUBBER OIL GUIDE | RUBBER OIL GUIDE | 1 | |
| 55123 | | 55123-KNBN-901 | TUBE 5.3 OIL | TUBE 5.3 OIL | 1 | |
| 55201 | | 55201-GHC8-001 | JOINT OIL STRN | JOINT OIL STRN | 1 | |
| 90302 | | 90302-GFY6-901 | BOLT WASH 5*12 | BOLT WASH 5*12 | 2 | |
| 95002-02100 | | 95002-02100 | CLIP B15 TUBE | CLIP B15 TUBE | 2 | |
| 95002-50000 | | 95002-50000 | CLIP C9 TUBE | CLIP C9 TUBE | 1 | |



| Sales mark | Ref no | Part no | Description | Reg description | Regd no | F13 |
|------------|--------|----------------|------------------------|----------------------|---------|-----|
| | 77106 | 77106-KEB7-900 | HOOK HELMENT | HOOK HELMENT | 1 | |
| ** | 80153 | 80153-KFA6-900 | COVER PLUG MAINT | COVER PLUG MAINT | 1 | |
| ** | 81200 | 81200-KFA6-901 | CARRIER REAR | CARRIER REAR | 1 | |
| | 81201 | 81201-KFA6-900 | BRKT COMP RR CARRIER | BRKT COMP RR CARRIER | 1 | |
| | 81204 | 81204-KFA6-900 | BRKT COMP RR CARRIER | BRKT COMP RR CARRIER | 1 | |
| | 81260 | 81260-KFA6-E00 | BOX ASSY LUGGAGE | BOX ASSY LUGGAGE | 1 | |
| ** | 83500 | 83500-KFA6-900 | COVER R BODY | COVER R BODY | 1 | |
| | 83501 | 83501-KFA6-900 | EDGING R BODY COVER | EDGING R BODY COVER | 1 | |
| | 83502 | 83502-KFA6-900 | GRILL R BODY COVER | GRILL R BODY COVER | 1 | |
| ** | 83600 | 83600-KFA6-900 | COVER SET L BODY | COVER SET L BODY | 1 | |
| | 83601 | 83601-KFA6-900 | EDGING L BODY COVER | EDGING L BODY COVER | 1 | |
| | 83602 | 83602-KFA6-900 | GRILL L BODY COVER | GRILL L BODY COVER | 1 | |
| | 90106 | 90106-KUDU-900 | BOLT SPECIAL 8MM | BOLT WASH 8*26 | 3 | |
| | 90111 | 90111-KFW6-001 | BOLT FLANGE 6MM | BOLT FLANGE 6MM | 2 | |
| | 90215 | 90215-GLM0-910 | NUT CAP 6MM | NUT CAP 6MM | 2 | |
| | 90302 | 90302-KED5-900 | BOLT PAN 5*11 | BOLT PAN 5*9 | 1 | |
| | 93903 | 93903-34360 | SCREW TAPPING 4*12 (G) | SCREW TAPPING 4*12 | 22 | |
| | 94050 | 94050-06080 | NUT FLANGE 6MM | NUT FLANGE 6MM | 4 | |
| | 94591 | 94591-27000 | CLIP 2*70 | CLIP 2*70 | 2 | |
| | 95701 | 95701-06016-08 | BOLT FLANGE 6*16 | BOLT FLANGE 6*16 | 2 | |



| Sales mark | Ref no | Part no | Description | Reg description | Regd no | F13 |
|------------|--------|---------|-------------|-----------------|---------|------------|
|------------|--------|---------|-------------|-----------------|---------|------------|

95801

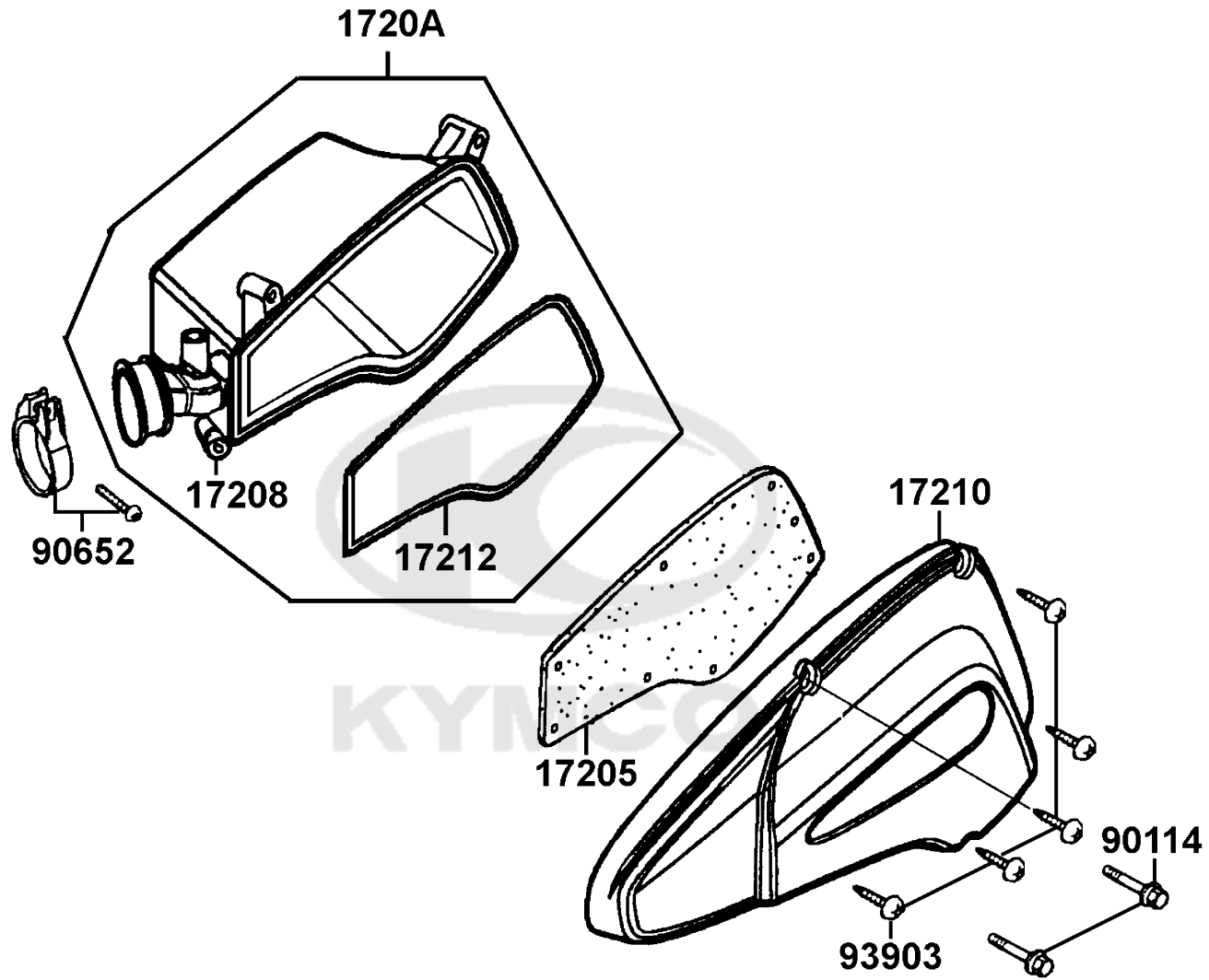
95801-08065-06

BOLT FLANGE 8*65

BOLT FLANGE 8*65

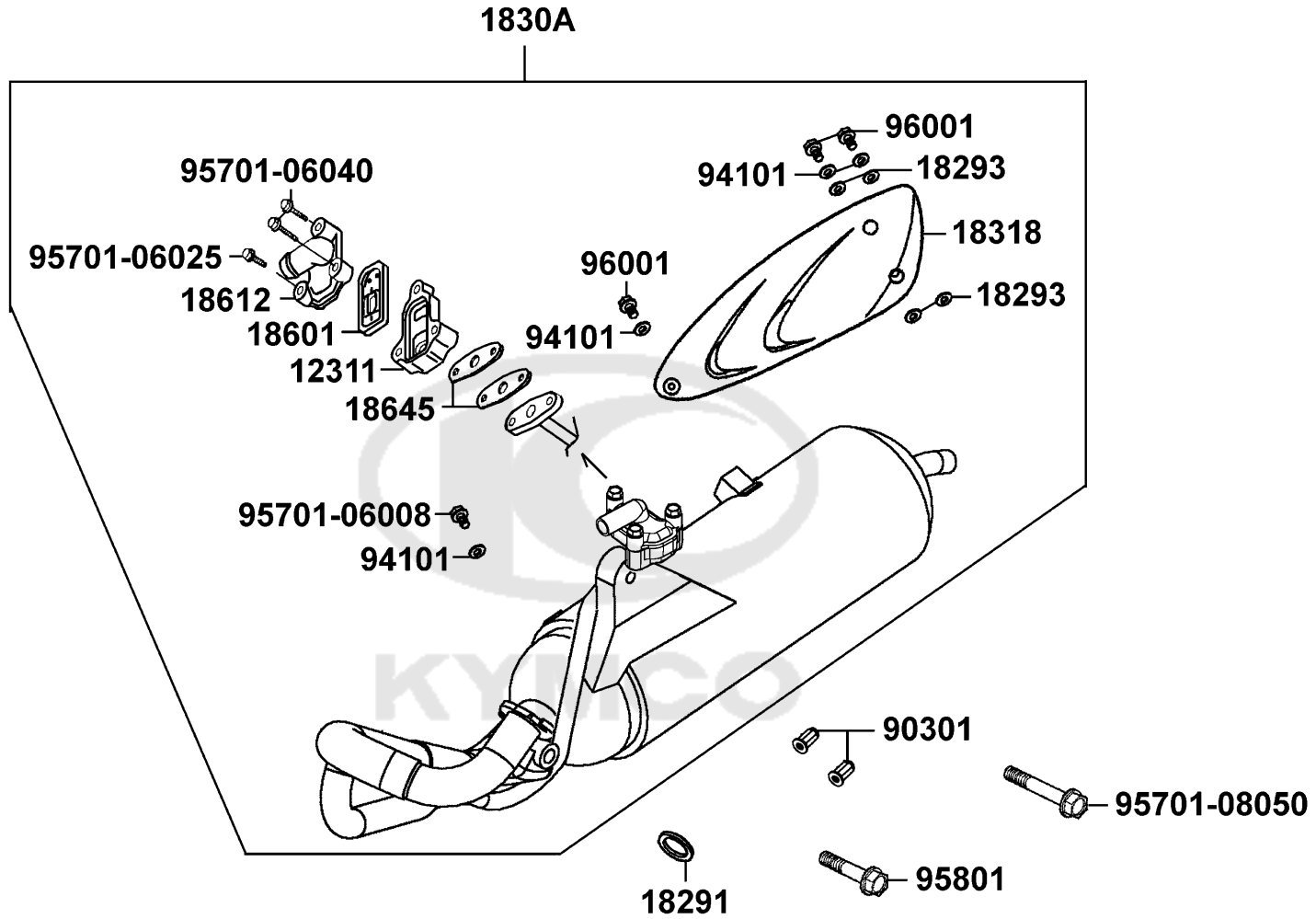
3





| Sales mark | Ref no | Part no | Description | Reg description | Regd no | F14 |
|------------|--------|----------------|---------------------|---------------------|---------|------------|
| 17205 | | 17205-KFA6-900 | ELEMENT AIR/C | ELEMENT AIR/C | 1 | |
| 17208 | | 17208-GAR1-011 | COLLAR AIR/C SET | COLLAR AIR/C SET | 2 | |
| 1720A | | 1720A-KFA6-E10 | CASE ASSY AIR/C | CASE ASSY AIR/C | 1 | |
| 17210 | | 17210-KFA6-900 | COVER COMP AIR/C | COVER COMP AIR/C | 1 | |
| 17212 | | 17212-KFA6-900 | SEAL AIR/C CASE | SEAL AIR/C CASE | 1 | |
| 90114 | | 90114-GDM4-011 | BOLT FLANGE SH 6*28 | BOLT FLANGE SH 6*28 | 2 | |
| 90652 | | 90652-KTCT-900 | BAND AIR/C CONN | BAND AIR/C CONN | 1 | |
| 93903 | | 93903-25460 | SCREW TAPPING 5*20 | SCREW TAPPING 4*12 | 5 | |

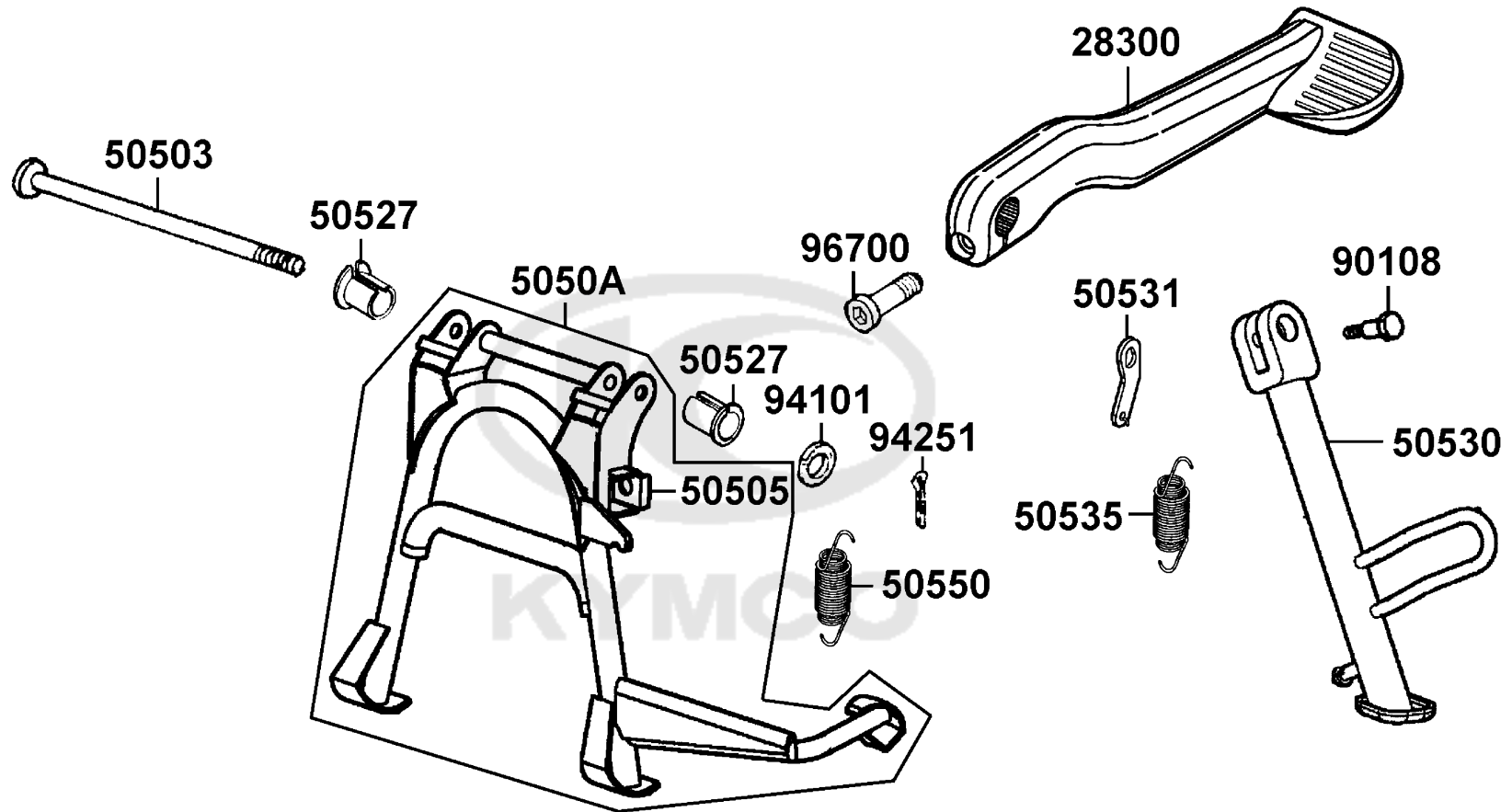




| Sales mark | Ref no | Part no | Description | Reg description | Regd no | F15 |
|-------------|--------|----------------|-------------------|-------------------|---------|------------|
| 12311 | | 12311-KFB5-900 | BODY REED VALVE | BODY REED VALVE | 1 | |
| 18291 | | 18291-LBA7-900 | GASKET EXH PIPE | GASKET EXH PIPE | 1 | |
| 18293 | | 18293-GFY6-900 | PACKING PROTECTOR | PACKING PROTECTOR | 4 | |
| 1830A | | 1830A-KFA6-E05 | MUFFLER ASSY EXH | MUFFLER ASSY EXH | 1 | |
| 18601 | | 18601-KFB5-900 | VALVE COMP REED | VALVE COMP REED | 1 | |
| 18612 | | 18612-KFB5-900 | COVER REED VALVE | COVER REED VALVE | 1 | |
| 18645 | | 18645-KGB5-EZ0 | GASKET A/I PIPE | GASKET A/I PIPE | 2 | |
| 90301 | | 90301-KGBG-900 | NUT CAP 6MM | NUT CAP 6MM | 2 | |
| 94101 | | 94101-06700 | WASHER PLAIN 6MM | WASHER PLAIN 6MM | 4 | |
| 95701-06008 | | 95701-06008-06 | BOLT FLANGE 6*8 | BOLT FLANGE 6*8 | 1 | |
| 95701-06025 | | 95701-06025-08 | BOLT FLANGE 6*25 | BOLT FLANGE 6*25 | 1 | |
| 95701-06040 | | 95701-06040-08 | BOLT FLANGE 6*40 | BOLT FLANGE 6*40 | 2 | |
| 95701-08050 | | 95701-08050-06 | BOLT FLANGE 8*50 | BOLT FLANGE 8*50 | 1 | |
| 95801 | | 95801-KFA6-E00 | BOLT FLANGE 8*35 | BOLT FLANGE 8*35 | 1 | |
| 96001 | | 96001-06012-08 | BOLT FLANGE 6*12 | BOLT FLANGE 6*12 | 3 | |

F16

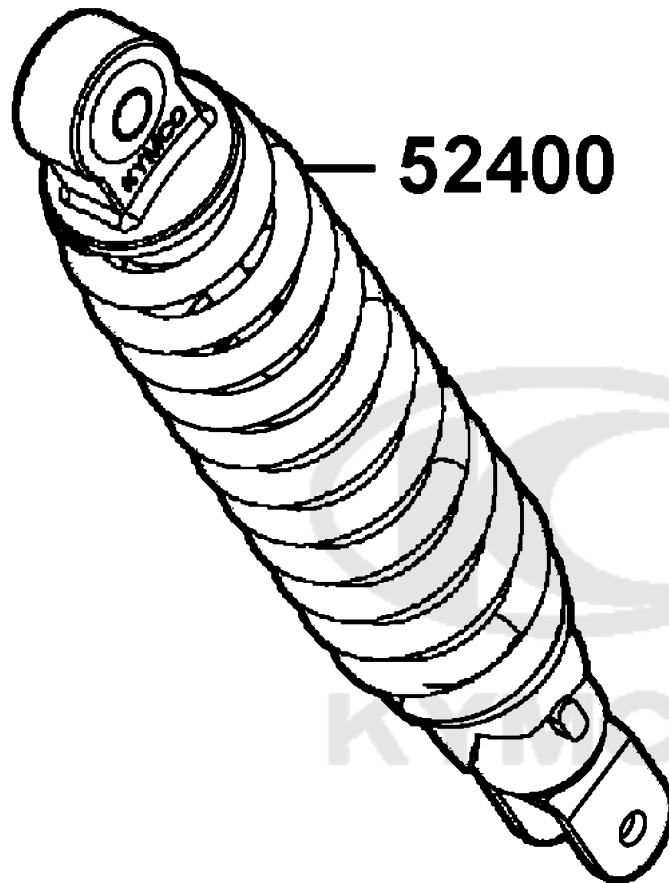
StandKick Starter Arm



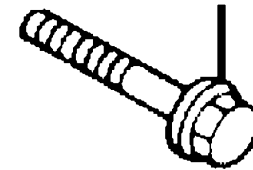
| Sales mark | Ref no | Part no | Description | Reg description | Regd no | F16 |
|------------|--------|----------------|------------------------|------------------------|---------|------------|
| 28300 | | 28300-KFA6-900 | ARM ASSY KICK STARTER | ARM ASSY KICK STARTER | 1 | |
| 50503 | | 50503-KEB7-900 | SHAFT MAIN STAND | SHAFT MAIN STAND | 1 | |
| 50505 | | 50505-KKD7-900 | RUBBER STOPPER MAIN | STOPPER RUBBER | 1 | |
| 5050A | | 5050A-KFA6-900 | STAND ASSY MAIN | STAND ASSY MAIN | 1 | |
| 50527 | | 50527-KED5-900 | BUSH OILES | BUSH OILES | 2 | |
| 50530 | | 50530-KFA6-E00 | BAR SIDE STAND | BAR SIDE STAND | 1 | |
| 50531 | | 50531-KEB7-E00 | PLATE SPRING STOPPER | PLATE SPRING STOPPER | 1 | |
| 50535 | | 50535-KEB7-E00 | SPRING COMP SIDE STAND | SPRING COMP SIDE STAND | 1 | |
| 50550 | | 50550-KFA6-E00 | SPG ASSY MAIN STAND | SPG ASSY MAIN STAND | 1 | |
| 90108 | | 90108-KFA6-E00 | SCREW SIDE STAND | SCREW SIDE STAND | 1 | |
| 94101 | | 94101-08600 | WASH PLAIN 8MM | WASH PLAIN 8MM | 1 | |
| 94251 | | 94251-08400 | PIN LOCK 8MM | PIN LOCK 8MM | 1 | |
| 96700 | | 96700-KFA6-900 | BOLT FLANGE 6*20 | BOLT FLANGE 6*20 | 1 | |

F17

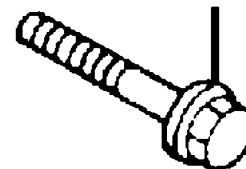
Rear Cushion



95801-08035



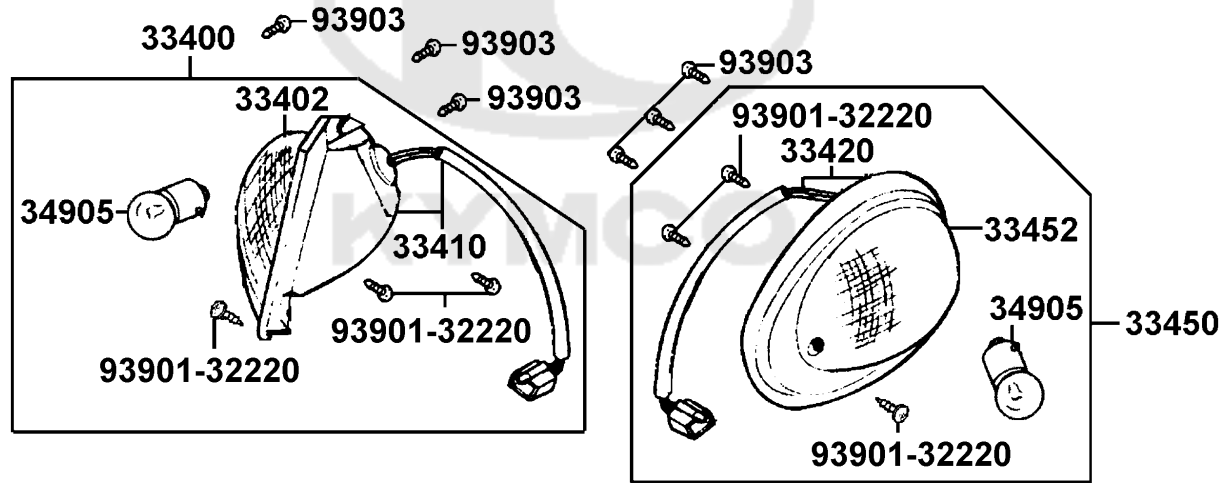
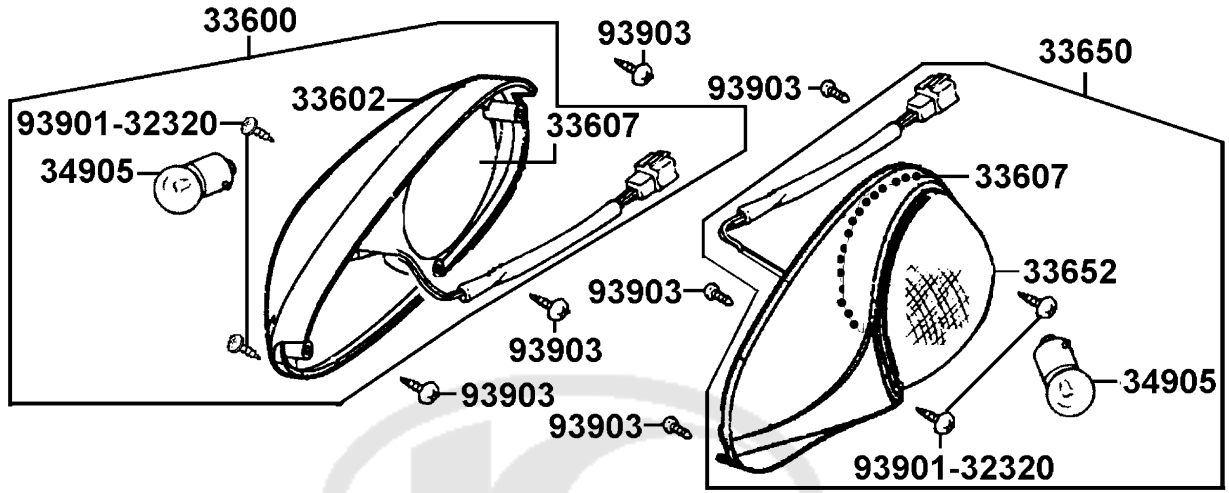
95801-10035



| Sales mark | Ref no | Part no | Description | Reg description | Regd no | F17 |
|------------|--------|---------|-------------|-----------------|---------|------------|
|------------|--------|---------|-------------|-----------------|---------|------------|

| | | | | | | |
|-------------|--|----------------|-------------------|-------------------|---|--|
| 52400 | | 52400-KFA6-E00 | CUSHION ASSY RR | CUSHION ASSY RR | 1 | |
| 95801-08035 | | 95801-08035-08 | BOLT FLANGE 8*35 | BOLT FLANGE 8*35 | 1 | |
| 95801-10035 | | 95801-10035-08 | BOLT FLANGE 10*35 | BOLT FLANGE 10*35 | 1 | |

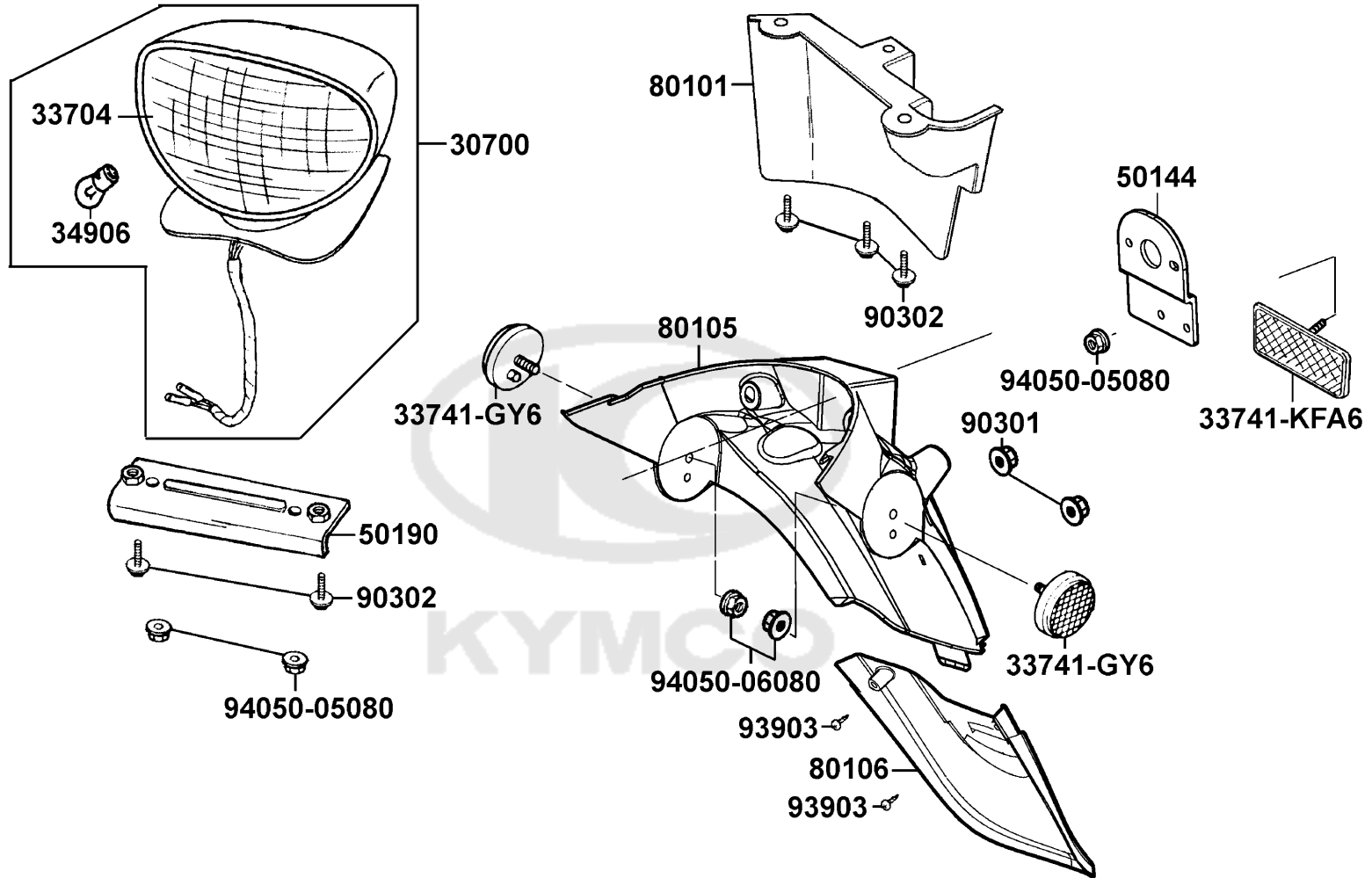




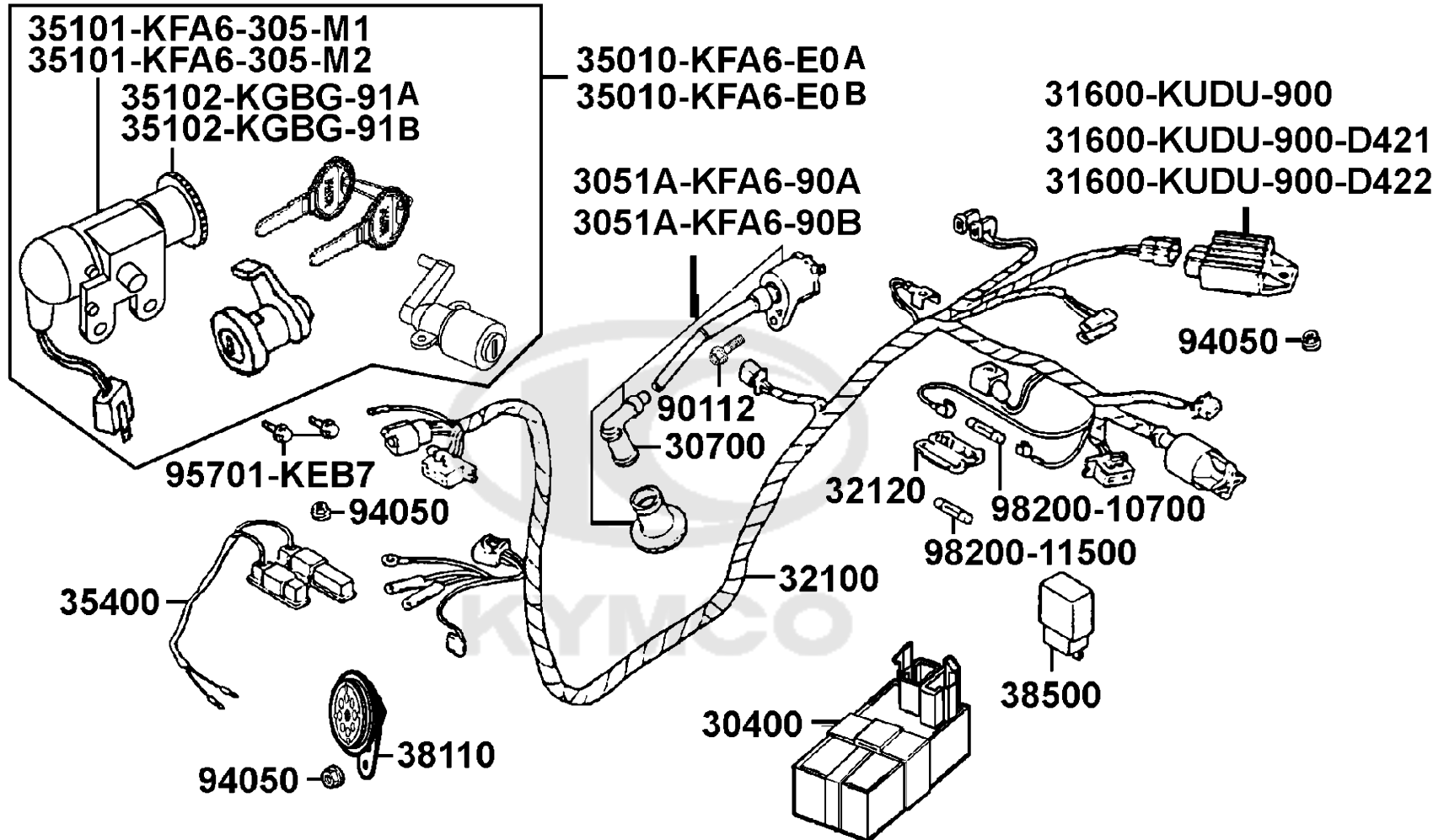
| Sales mark | Ref no | Part no | Description | Reg description | Regd no | F18 |
|-------------|--------|----------------|------------------------|-----------------------|---------|------------|
| 33400 | | 33400-KFA6-E20 | WINKER ASSY R FR | WINKER ASSY R FR | 1 | |
| 33402 | | 33402-KFA6-910 | LENS R FR WINKER | LENS R FR WINKER | 1 | |
| 33410 | | 33410-KFA6-910 | BASE COMP R FR WINKER | BASE COMP R FR WINKER | 1 | |
| 33420 | | 33420-KFA6-910 | BASE COMP L FR WINKER | BASE COMP L FR WINKER | 1 | |
| 33450 | | 33450-KFA6-E20 | WINKER ASSY L FR | WINKER ASSY L FR | 1 | |
| 33452 | | 33452-KFA6-910 | LENS L FR WINKER | LENS L FR WINKER | 1 | |
| 33600 | | 33600-KFA6-E00 | LIGHT R RR WINKER | LIGHT R RR WINKER | 1 | |
| 33602 | | 33602-KFA6-E00 | LENS R RR WINKER | LENS R FR WINKER | 1 | |
| 33607 | | 33607-KFA6-E00 | INNER LENS WINKER | COVER RUBBER | 2 | |
| 33650 | | 33650-KFA6-E00 | WINKER ASSY L RR | WINKER ASSY L RR | 1 | |
| 33652 | | 33652-KFA6-E00 | LENS L RR WINKER | LENS L FR WINKER | 1 | |
| 34905 | | 34905-KPCP-900 | BULB WINKER | BULB WINKER | 4 | |
| 93901-32220 | | 93901-32220 | SCREW TAPPING 3*10 | SCREW TAPPING 3*10 | 6 | |
| 93901-32320 | | 93901-32320 | SCREW TAPPING 3*12 | SCREW TAPPING 3*12 | 4 | |
| 93903 | | 93903-34360 | SCREW TAPPING 4*12 (G) | SCREW TAPPING 4*12 | 12 | |

F19

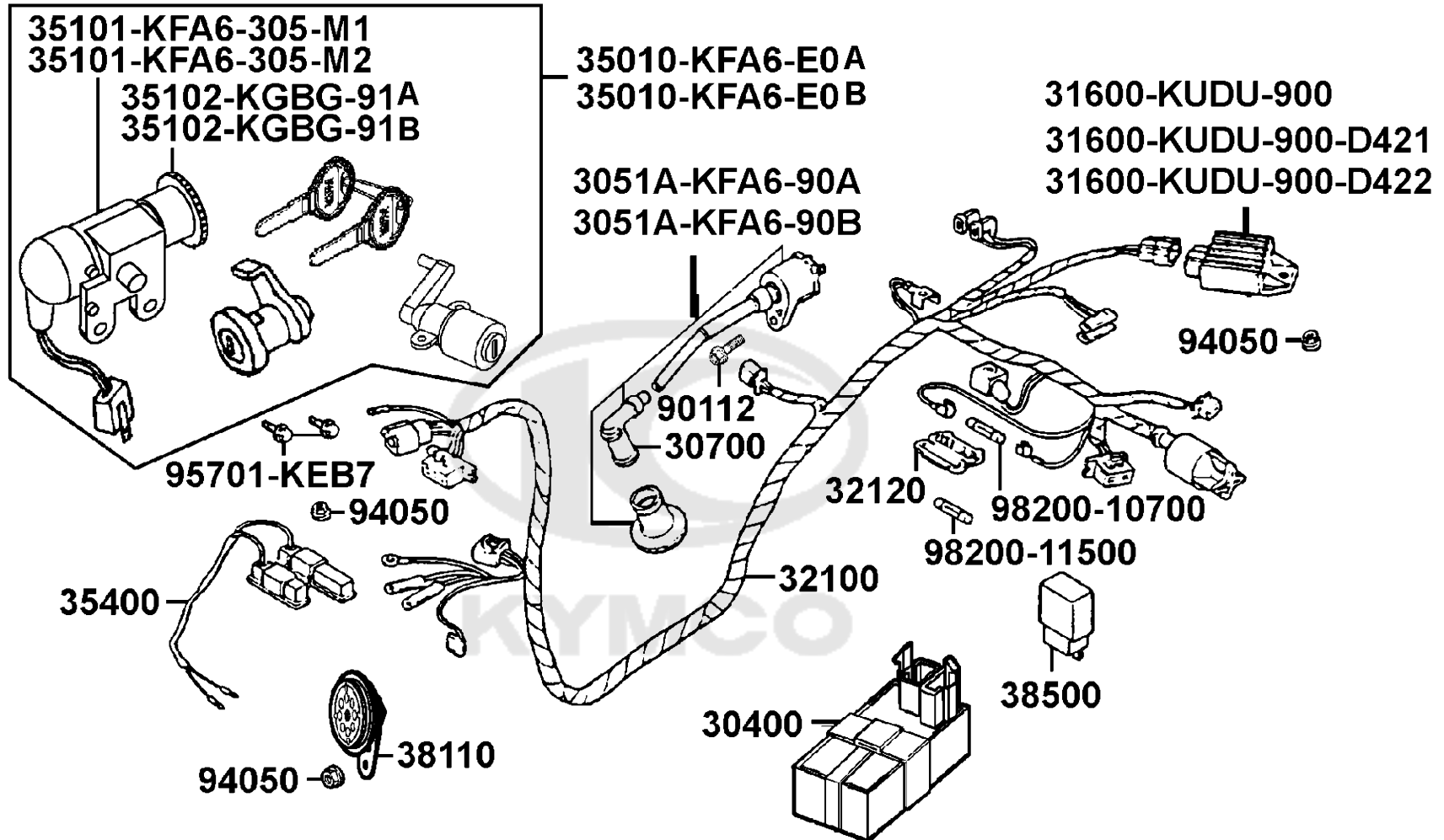
Tail Light



| Sales mark | Ref no | Part no | Description | Reg description | Regd no | F19 |
|------------|-------------|----------------|----------------------------|----------------------------|---------|------------|
| | 33700 | 33700-KFA6-E00 | LIGHT ASSY TAIL | LIGHT ASSY TAIL | 1 | |
| | 33704 | 33704-KFA6-900 | LENS COMP TAIL LIGHT | LENS COMP TAIL LIGHT | 1 | |
| | 33741-GFY6 | 33741-GFY6-C30 | REFLEX REFLECTOR | REFLEX REFLECTOR | 2 | |
| | 33741-KFA6 | 33741-KFA6-900 | REFLEX REFLECTOR | REFLEX REFLECTOR | 1 | |
| | 34906 | 34906-KPCP-900 | BULB TAIL & STOP 12V21W/5W | BULB TAIL & STOP 12V21W/5W | 1 | |
| | 50190 | 50190-KFA6-900 | STAY LIGHT TAIL | STAY LIGHT TAIL | 1 | |
| | 80101 | 80101-KFA6-900 | FENDER A RR | FENDER A RR | 1 | |
| | 80105 | 80105-KFA6-900 | FENDER REAR | FENDER REAR | 1 | |
| | 80106 | 80106-KFA6-900 | FENDER LOW REAR | FENDER LOW REAR | 1 | |
| | 90301 | 90301-6D34-671 | NUT FLANGE 6MM | NUT FLANGE 6MM | 2 | |
| | 90302 | 90302-GFY6-901 | BOLT WASH 5*12 | BOLT WASH 5*12 | 5 | |
| | 93903 | 93903-34360 | SCREW TAPPING 4*12 (G) | SCREW TAPPING 4*12 | 2 | |
| | 94050-05080 | 94050-05080 | NUT FLANGE 5MM | NUT FLANGE 5MM | 3 | |
| | 94050-06080 | 94050-06080 | NUT FLANGE 6MM | NUT FLANGE 6MM | 2 | |



| Sales mark | Ref no | Part no | Description | Reg description | Regd no | F20 |
|------------|-------------------|-------------------|--------------------------|--------------------------|---------|-----|
| | 30400 | 30400-KFA6-900 | UNIT ASSY C.D.I | UNIT ASSY C.D.I | 1 | |
| | 3051A-KFA6-90A | 3051A-KFA6-90A | COIL ASSY IGN | COIL ASSY IGN | 1 | |
| | 3051A-KFA6-90B | 3051A-KFA6-90B | COIL ASSY IGN | COIL ASSY IGN | 1 | |
| | 30700 | 30700-KNBN-901 | CAP ASSY NOISE SUPPRESOR | CAP ASSY NOISE SUPPRESOR | 1 | |
| | 31600-KUDU-900 | 31600-KUDU-900 | REG REC COMP | REG REC COMP | 3 | |
| | 32100 | 32100-KFA6-900 | HARNESS WIRE | HARNESS WIRE | 1 | |
| | 32120 | 32120-1E55-001 | CASE FUSE | CASE FUSE | 1 | |
| | 35010-KFA6-E0A | 35010-KFA6-E0A | KEY SET | KEY SET | 1 | |
| | 35010-KFA6-E0B | 35010-KFA6-E0B | KEY SET | KEY SET | 1 | |
| | 35101-KFA6-305-M1 | 35101-KFA6-305-M1 | SW COMB & LOCK | SW COMB & LOCK | 1 | |
| | 35101-KFA6-305-M2 | 35101-KFA6-305-M2 | SW COMB & LOCK | SW COMB & LOCK | 1 | |
| | 35102-KGBG-91A | 35102-KGBG-91A | COLLAR MAIN SW | COLLAR MAIN SW | 1 | |
| | 35102-KGBG-91B | 35102-KGBG-91B | COLLAR MAIN SW | COLLAR MAIN SW | 1 | |
| | 35400 | 35400-KNBN-920 | RESISTOR COMP | RESISTOR COMP | 1 | |
| | 38110 | 38110-GGS7-E0A | HORN COMP | HORN COMP | 1 | |
| | 38500 | 38500-KFA6-900 | RELAY ASSY START | RELAY ASSY START | 1 | |
| | 90112 | 90112-KRDR-900 | BOLT FLANGE 5*22 | BOLT FLANGE 5*22 | 1 | |
| | 94050 | 94050-06080 | NUT FLANGE 6MM | NUT FLANGE 6MM | 3 | |
| | 95701 | 95701-KEB7-E00 | BOLT TORQUE 6*16 | BOLT TORQUE 6*16 | 2 | |
| | 98200-10700 | 98200-10700 | FUSE A7 | FUSE A7 | 1 | |



| Sales mark | Ref no | Part no | Description | Reg description | Regd no | F20 |
|------------|--------|---------|-------------|-----------------|---------|------------|
|------------|--------|---------|-------------|-----------------|---------|------------|

98200-11500

98200-11500

FUSE A15

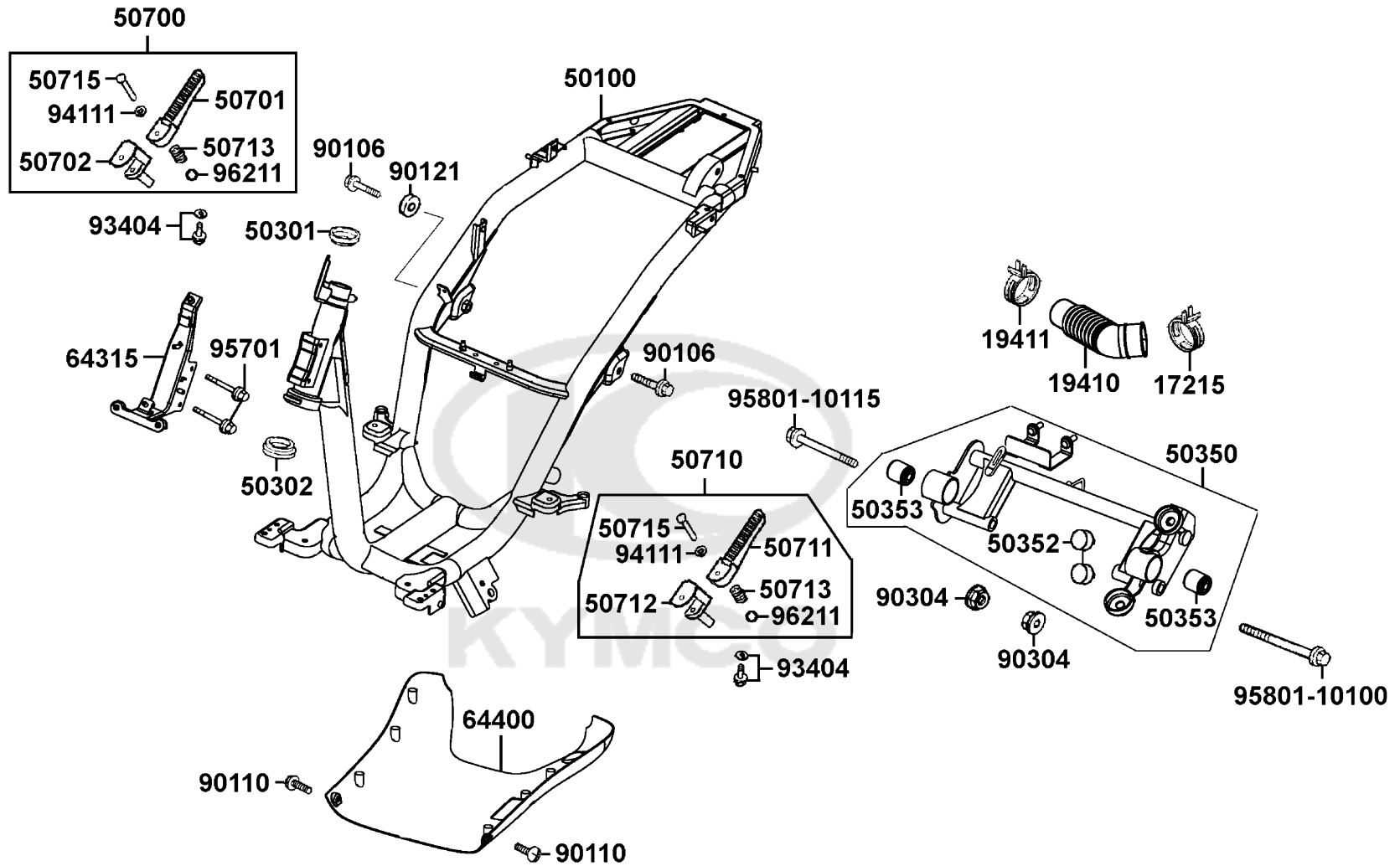
FUSE A15

1



F21

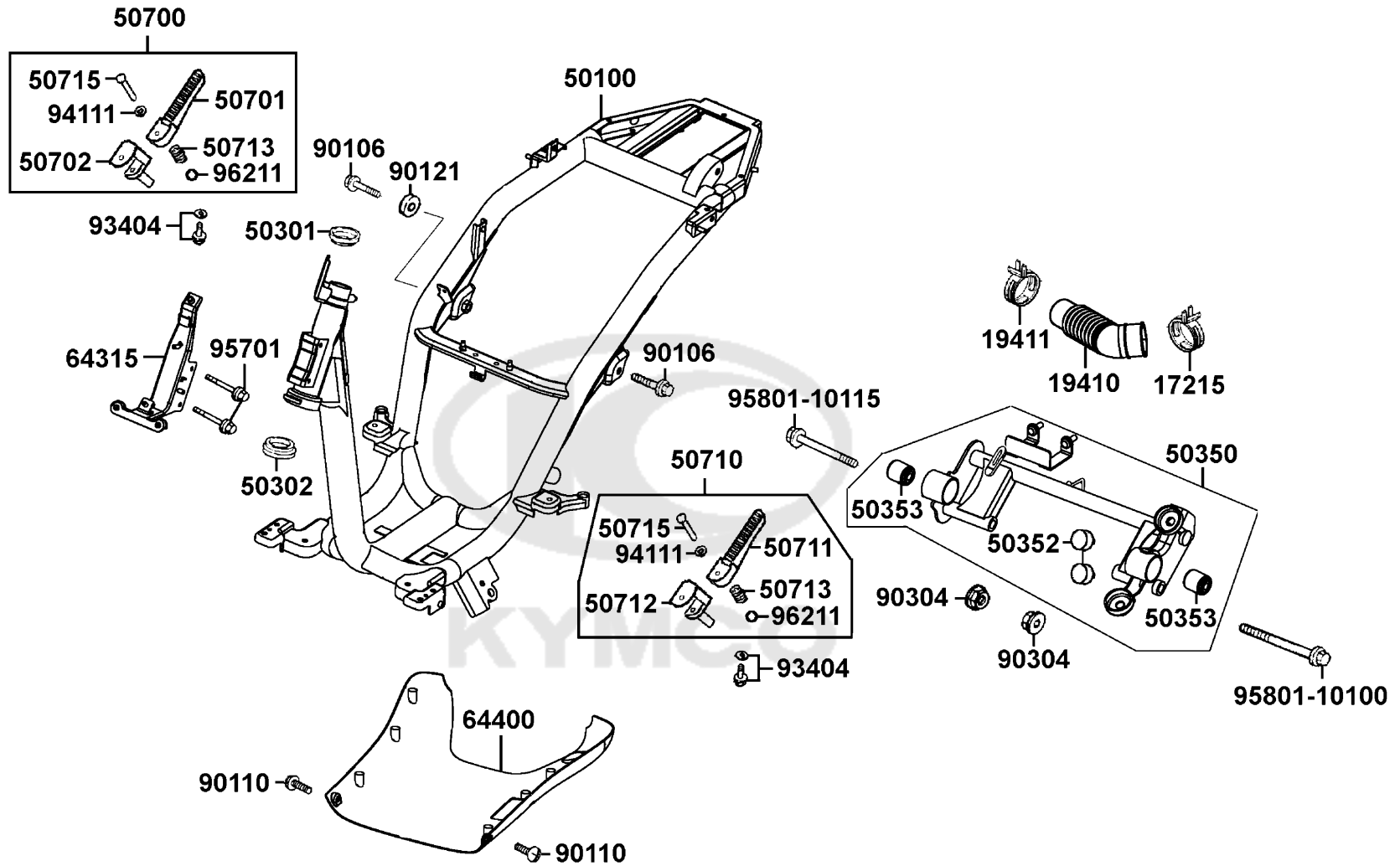
Frame Body



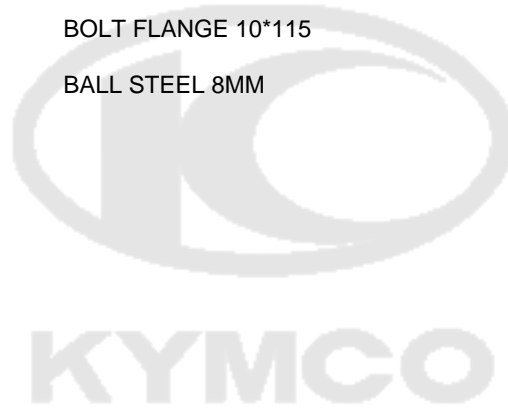
| Sales mark | Ref no | Part no | Description | Reg description | Regd no | F21 |
|------------|--------|----------------|----------------------|----------------------|---------|-----|
| | 17215 | 17215-KNBN-200 | CLIP ASSY AIR/C DUCT | CLIP ASSY AIR/C DUCT | 1 | |
| | 19410 | 19410-KFA6-900 | DUCT COOLING | DUCT COOLING | 1 | |
| | 19411 | 19411-KNBN-900 | CLIP HOSE | CLIP HOSE | 1 | |
| | 50100 | 50100-KFA6-E05 | BODY COMP FRAME | BODY COMP FRAME | 1 | |
| | 50301 | 50301-KGN7-671 | RACE UP STRG BALL | RACE UP STRG BALL | 1 | |
| | 50302 | 50302-2H68-011 | RACE STRG BOT BALL | RACE STRG BOT BALL | 1 | |
| | 50350 | 50350-KFA6-900 | HANGER ASSY ENG | HANGER ASSY ENG | 1 | |
| | 50352 | 50352-KFA6-900 | STOPPER RUBBER | STOPPER RUBBER | 2 | |
| | 50353 | 50353-GBG2-711 | BUSH SWING LOCK | BUSH SWING LOCK | 2 | |
| | 50700 | 50700-KFA6-900 | BAR ASSY R REAR STEP | BAR ASSY R REAR STEP | 1 | |
| | 50701 | 50701-KFA6-900 | BAR R REAR STEP | BAR R REAR STEP | 1 | |
| | 50702 | 50702-KFA6-900 | STAY R PILLION STEP | STAY R PILLION STEP | 1 | |
| | 50710 | 50710-KFA6-900 | BAR ASSY L REAR STEP | BAR ASSY L REAR STEP | 1 | |
| | 50711 | 50711-KFA6-900 | BAR L REAR STEP | BAR L REAR STEP | 1 | |
| | 50712 | 50712-KFA6-900 | STAY L PILLION STEP | STAY L PILLION STEP | 1 | |
| | 50713 | 50713-KEB7-900 | SPRING | SPRING | 2 | |
| | 50715 | 50715-KFA6-900 | PIN REAR STEP | PIN REAR STEP | 2 | |
| | 64315 | 64315-KFA6-900 | STAY FR COVER | STAY FR COVER | 1 | |
| ** | 64400 | 64400-KFA6-900 | COWL UNDER | COWL UNDER | 1 | |
| | 90106 | 90106-GFY6-901 | BOLT FLANGE 10*55 | BOLT FLANGE 10*55 | 2 | |

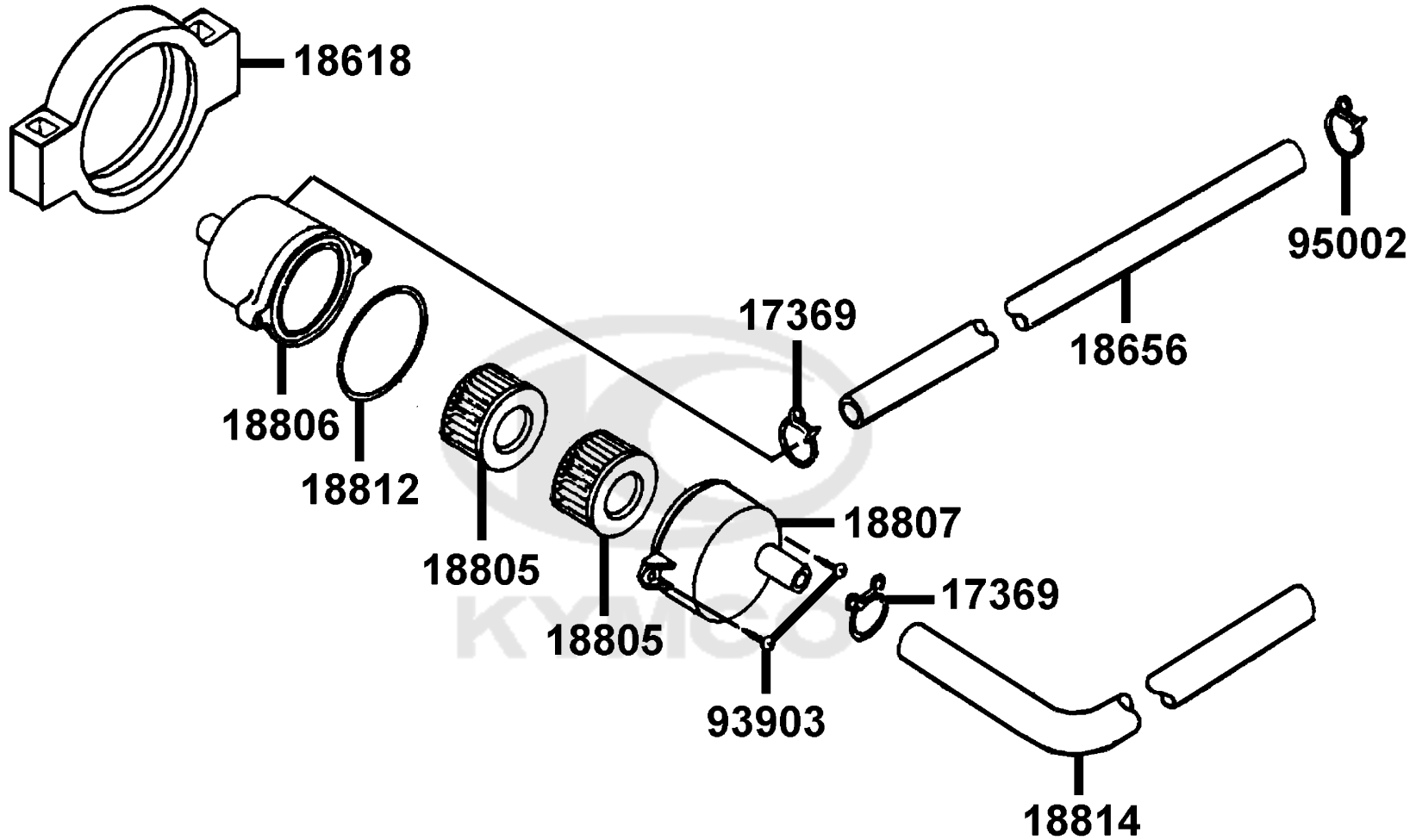
F21

Frame Body

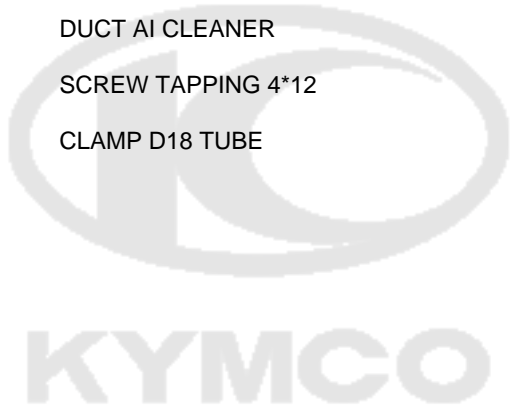


| Sales mark | Ref no | Part no | Description | Reg description | Regd no | F21 |
|-------------|--------|----------------|--------------------|--------------------|---------|-----|
| 90110 | | 90110-GLW0-001 | SCREW SPECIAL 6*14 | SCREW SPECIAL 6*14 | 2 | |
| 90121 | | 90121-GFY6-901 | COLLAR DISTANCE | COLLAR DISTANCE | 1 | |
| 90304 | | 90304-GHE8-004 | NUT U 10MM | NUT U 10MM | 2 | |
| 93404 | | 93404-06012-08 | BOLT WASHER 6*12 | BOLT WASHER 6*12 | 2 | |
| 94111 | | 94111-06000 | WASHER SPRING 6MM | WASHER SPG 6MM (B) | 2 | |
| 95701 | | 95701-06045-08 | BOLT FLANGE 6*45 | BOLT FLANGE 6*45 | 2 | |
| 95801-10100 | | 95801-10100-06 | BOLT FLANGE 10*100 | BOLT FLANGE 10*100 | 1 | |
| 95801-10115 | | 95801-10115-06 | BOLT FLANGE 10*115 | BOLT FLANGE 10*115 | 1 | |
| 96211 | | 96211-08000 | BALL STEEL 8MM | BALL STEEL 8MM | 2 | |

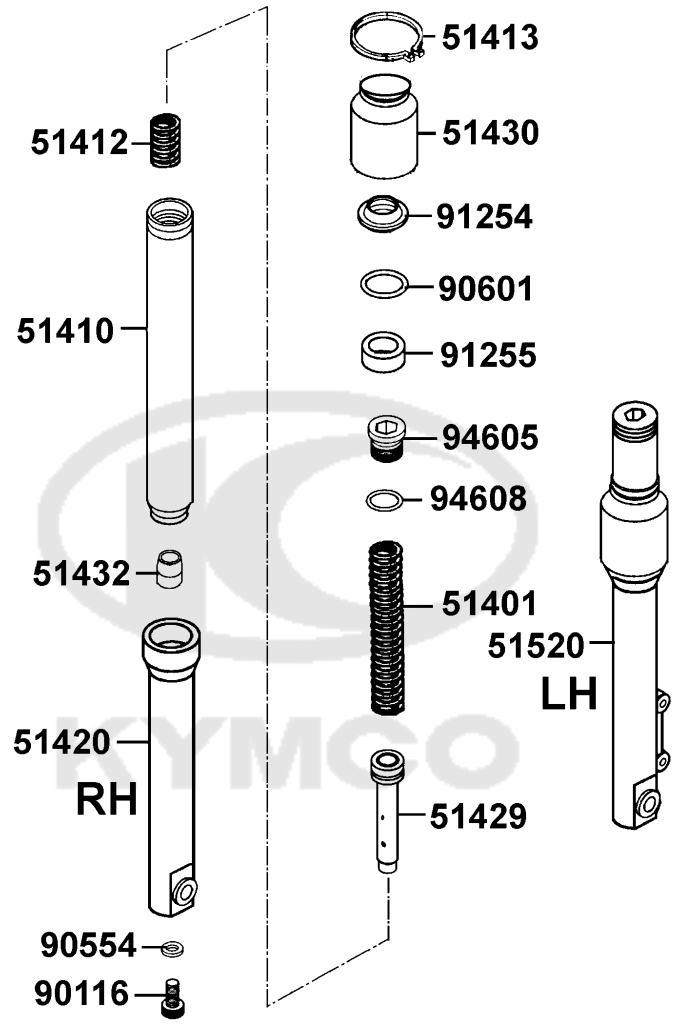




| Sales mark | Ref no | Part no | Description | Reg description | Regd no | F22 |
|------------|--------|----------------|-------------------------|-------------------------|---------|------------|
| 17369 | | 17369-KDB4-671 | CLIP BREATHER TUBE | CLIP BREATHER TUBE | 2 | |
| 18618 | | 18618-KBE2-900 | RUBBER AI CLEANER MOUNT | RUBBER AI CLEANER MOUNT | 1 | |
| 18656 | | 18656-KFA6-EZ0 | TUBE AI/C REED VALVE | TUBE AI/C REED VALVE | 1 | |
| 18805 | | 18805-KHB4-910 | ELEMENT AI CLEANER | ELEMENT AI CLEANER | 2 | |
| 18806 | | 18806-KBE2-900 | CASE AI CLEANER | CASE AI CLEANER | 1 | |
| 18807 | | 18807-KBE2-900 | COVER AI CLEANER | COVER AI CLEANER | 1 | |
| 18812 | | 18812-KBE2-900 | SEAL AI CLEANER COVER | SEAL AI CLEANER COVER | 1 | |
| 18814 | | 18814-KFA6-EZ0 | DUCT AI CLEANER | DUCT AI CLEANER | 1 | |
| 93903 | | 93903-24320 | SCREW TAPPING 4*12 | SCREW TAPPING 4*12 | 2 | |
| 95002 | | 95002-KKD6-E05 | CLAMP D18 TUBE | CLAMP D18 TUBE | 1 | |



Separated Parts Of Fr Fork



| Sales mark | Ref no | Part no | Description | Reg description | Regd no | F23 |
|------------|--------|----------------|-----------------------|-----------------------|---------|------------|
| 51401 | | 51401-KFA6-E00 | SPRING | SPRING | 2 | |
| 51410 | | 51410-KFA6-900 | FORK PIPE COMP | FORK PIPE COMP | 2 | |
| 51412 | | 51412-KFA6-E00 | REBOUND SPRING | REBOUND SPRING | 2 | |
| 51413 | | 51413-KEBE-E00 | BOOT BAND | BOOT BAND | 2 | |
| 51429 | | 51429-KFA6-900 | PIPE SEAT COMP | PIPE SEAT COMP | 2 | |
| 51430 | | 51430-KFA6-900 | BOOT FR FORK | BOOT FR FORK | 2 | |
| 51432 | | 51432-KFA6-910 | OIL LOCK PIECE | OIL LOCK PIECE | 2 | |
| 90116 | | 90116-3C83-72A | BOLT | BOLT SOCKET 8*27 | 2 | |
| 90554 | | 90554-2C83-001 | PACKING | WASHER SPECIAL 8MM | 2 | |
| 90601 | | 90601-3D54-001 | RING OIL-SEAL STOPPER | RING OIL-SEAL STOPPER | 2 | |
| 91254 | | 91254-KEC5-004 | DUST SEAL | DUST SEAL | 2 | |
| 91255 | | 91255-4F46-014 | OIL SEAL | OIL SEAL | 2 | |
| 94605 | | 94605-KEBE-900 | FORK BOLT | FORK BOLT | 2 | |
| 94608 | | 94608-30000 | O-RING | O-RING | 2 | |

Caution Label

● Be sure to wear a safety helmet when riding.
 ● Do not exceed the speed specified by law when riding.
 ● The exhaust muffler temperature is very high after riding. Be sure to park the motorcycle in a place not easily touched by people.
 ● For riding safety and good performance, do not violate the law to modify the motorcycle.
 ● Please read the User's Manual carefully to ensure riding safety.

● Be sure to perform the periodic maintenance and periodic inspection.
 Periodic Inspection Items
 Brake performance, tires, 2-cycle motor oil, lights, horn, and instrument panel.
 KWANG YANG MOTOR CO., LTD.
 KRN-3000

87560

CAUTIONS

Never put any article between the rear side cover and the engine to avoid interference of riding.

GM9-300

87542

CAUTION

- The weight of articles put in the inner box shall not exceed 1.5kgs
- Water may enter into the box when washing the motorcycle be careful when putting important articles in it.

81218

CAUTIONS

| | | |
|--|--------------------------------|-----------------------------|
| Tire Size (One Rider) | : Front 80/80-16 | Rear 100/80-16 |
| (Two Rider) | : Front 1.75kg/cm ² | Rear 2.0 kg/cm ² |
| Load Capacity | : Shield 1.5kg | Rear carrier 5kg |
| | Inner box under saddle 10kg | |
| (Note: The tire pressure must not overpass 2.8kg/cm ²) | | |

When refilling gasoline, check the motor oil level. Riding with insufficient motor oil will cause breakdown easily.

KH84-ED00

87505

USE UNLEADED GASOLINE ONLY

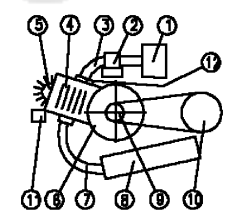
87501

CAUTIONS

Before starting the engine, the side stand shall be kicked up to secure safety.

87541

TRADE NAME: KYMCO PEOPLE 50
VEHICLE CATEGORY: A



| | |
|--|--------------|
| 1. <input checked="" type="checkbox"/> | KYMCO KFA6 |
| 2. | KEJIN KT PB |
| 3. | KYMCO KEB7 |
| 4. | KYMCO KEB7 |
| 5. | KYMCO KEB7 |
| 6. | KYMCO KFA6 |
| 7. | |
| 8. <input checked="" type="checkbox"/> | KYMCO KFA6II |
| 9. | KY CAK #88 |
| 10. | KEB7 #118.5 |
| 11. | KYMCO KGB5 |
| 12. | |

KFA6-IZI

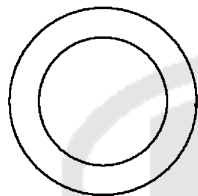
87224

| Sales mark | Ref no | Part no | Description | Reg description | Regd no | F24 |
|------------|--------|----------------|------------------------|------------------------|---------|------------|
| ** | 81218 | 81218-KCAC-P00 | CAUTION INNER BOX | CAUTION INNER BOX | 1 | |
| ** | 87224 | 87224-KFA6-EZ1 | CAUTION ANIT TAMPERING | CAUTION ANIT TAMPERING | 1 | |
| ** | 87501 | 87501-KRDR-E00 | CAUTION USE GAS ONLY | CAUTION USE GAS ONLY | 1 | |
| ** | 87505 | 87505-KHB4-E00 | LABEL TIRE | LABEL TIRE | 1 | |
| ** | 87541 | 87541-GAR1-E00 | CAUTION SIDE STAND | CAUTION SIDE STAND | 1 | |
| ** | 87542 | 87542-GAR1-E00 | MARK MAINT CAUTION | MARK MAINT CAUTION | 1 | |
| ** | 87560 | 87560-KNBN-E00 | MARK DRIVE CAUTION | MARK DRIVE CAUTION | 1 | |

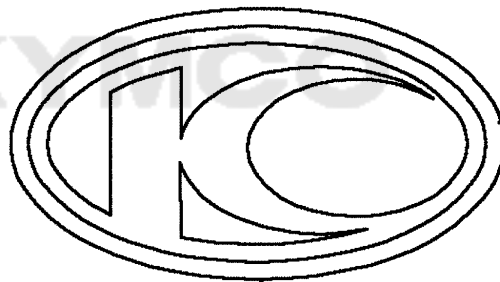


People

86202



86030



86102

| Sales mark | Ref no | Part no | Description | Reg description | Regd no | F25 |
|------------|--------|---------|-------------|-----------------|---------|------------|
|------------|--------|---------|-------------|-----------------|---------|------------|

| | | | | | | |
|----|-------|----------------|---------------------|---------------------|---|--|
| ** | 86030 | 86030-KFA6-E00 | EMB HANDLE COVER RR | EMB HANDLE COVER RR | 4 | |
| ** | 86102 | 86102-KFA6-E00 | EMB K-LOGO 30MM | EMB K-LOGO 30MM | 1 | |
| ** | 86202 | 86202-KFA6-E00 | EMB BODY COVER | EMB BODY COVER | 2 | |



PART NO. INDEX

| PART NO. | VERSION | PAGE | PART NO. | VERSION | PAGE | PART NO. | VERSION | PAGE |
|--------------------|---------|------|----------------|---------|------|----------------|---------|------|
| 1000 | | | 4000 | | | 12201-KEB7-900 | 1 | E02 |
| 1001-GC8H-0351 | 0 | E11 | 4000-077-0000 | 0 | E11 | 12251-KEB7-900 | 0 | E02 |
| 1010-GAKH-9200 | 0 | E11 | | | | 12311-KFB5-900 | 2 | F15 |
| 1014-GAKH-9100 | 0 | E11 | 11000 | | | 13000 | | |
| 1019-GW3H-9800 | 0 | E11 | | | | 13000-GKAK-921 | 9 | E10 |
| 1020-GAKH-9300 | 0 | E11 | 11100-KEB7-325 | 0 | E09 | 13011-GLW0-90A | 4 | E10 |
| 1031-181H-8310 | 0 | E11 | 11102-1G87-004 | 3 | E09 | 13101-GLW0-901 | 2 | E10 |
| 1034-153H-9901 | 0 | E11 | 11108-KEB7-900 | 0 | E03 | 13111-1F66-001 | 2 | E10 |
| 103J-073H-9900-SB0 | 0 | E11 | 11200-KFA6-305 | 1 | E09 | 13115-1F56-001 | 0 | E10 |
| 105B-KBNH-9000 | 0 | E11 | 11203-GGC7-301 | 2 | E09 | 14000 | | |
| 106B-KG8H-9804 | 0 | E11 | 11203-KUDU-900 | 2 | E08 | 14100-KEB7-900 | 0 | E09 |
| 1300-GW0H-9000 | 0 | E11 | 11204-KEB7-900 | 0 | E09 | 15000 | | |
| 1300-GW3H-Q800 | 0 | E11 | 11205-GHAH-004 | 0 | E05 | 15100-KEB7-E00 | 0 | E09 |
| 1300-KG8H-9010 | 0 | E11 | 11205-GHAH-004 | 0 | E09 | 15110-KEB7-900 | 0 | E09 |
| 1300-KG8H-Q010 | 0 | E11 | 11205-KED5-900 | 0 | E09 | 1552A-KEB7-901 | 0 | E09 |
| 1703-GJ2H-0040 | 0 | E11 | 11208-GKAK-901 | 0 | E09 | 15772-5A51-001 | 1 | F10 |
| 1782-KG8H-9010 | 0 | E11 | 11341-KFA6-900 | 0 | E05 | 15772-5A51-001 | 1 | F12 |
| 1785-KBNH-9000-SB0 | 0 | E11 | 11395-KFA6-900 | 0 | E05 | | | |
| 1793-144H-9900 | 0 | E11 | 11396-KFA6-900 | 0 | E05 | | | |
| 1795-KG8H-9010 | 0 | E11 | 12000 | | | | | |
| 1799-KBNH-9000 | 0 | E11 | | | | | | |
| | | | 12101-KEB7-901 | 2 | E02 | | | |
| | | | 12191-KEB7-900 | 0 | E02 | | | |

PART NO. INDEX

| PART NO. | VERSION | PAGE | PART NO. | VERSION | PAGE | PART NO. | VERSION | PAGE | | | | | | |
|--|---------|------|--|---------|------|--|---------|------|----------------|---|-----|--------------|--|--|
| 16000 | | | 17215-KNBN-200 | 0 | F21 | 19000 | | | | | | | | |
| 16075-KG8-9010-M1 0 E11 16076-KG8-9010-M1 0 E11 16076-ND5-0040 0 E11 1610K-KFA6-E05 2 E11 16152-KG8-9010-M1 0 E11 16162-KG8-9010-M1 0 E11 1621A-GKAK-901 0 E09 16620-KEB7-E00 1 E11 16630-KEB7-E00 1 E01 16950-KEC8-900 3 F10 16955-KFA6-900 0 F10 16960-KEC8-900 0 F10 | | | 17369-KDB4-671 | 1 | F22 | | | | | | | | | |
| | | | 17502-1G87-001 | 0 | F12 | | | | | | | | | |
| | | | 17510-KFA6-810 | 0 | F10 | | | | | | | | | |
| | | | 17530-KFA6-900 | 0 | F10 | | | | | | | | | |
| | | | 17550-KFA6-900 | 1 | F10 | | | | | | | | | |
| | | | 1762A-KFA6-900 | 3 | F10 | | | | | | | | | |
| | | | 17685-KZCZ-900 | 0 | F10 | | | | | | | | | |
| | | | 17910-KFA6-900 | 0 | F03 | | | | | | | | | |
| | | | 17000 | | | | | | 18000 | | | 21000 | | |
| | | | 17100-KEB7-E00 1 E09 17111-KEB7-900 0 E09 17112-KEB7-900 1 E09 17205-KFA6-900 0 F14 17208-GAR1-011 0 F14 1720A-KFA6-E10 0 F14 17210-KFA6-900 0 F14 17212-KFA6-900 0 F14 | | | | | | 18291-LBA7-900 | 2 | F15 | | | |
| | | | | | | | | | 18293-GFY6-900 | 0 | F15 | | | |
| | | | | | | | | | 1830A-KFA6-E05 | 4 | F15 | | | |
| | | | | | | 18601-KFB5-900 | 0 | F15 | | | | | | |
| 18612-KFB5-900 | 1 | F15 | | | | | | | | | | | | |
| 18618-KBE2-900 | 0 | F22 | | | | | | | | | | | | |
| 18645-KGB5-EZ0 | 1 | F15 | | | | | | | | | | | | |
| 18656-KFA6-EZ0 | 2 | F22 | | | | | | | | | | | | |
| 18805-KHB4-910 | 0 | F22 | | | | | | | | | | | | |
| 18806-KBE2-900 | 1 | F22 | | | | | | | | | | | | |
| 18807-KBE2-900 | 3 | F22 | | | | | | | | | | | | |
| 18812-KBE2-900 | 0 | F22 | | | | | | | | | | | | |
| 18814-KFA6-EZ0 | 2 | F22 | | | | | | | | | | | | |
| 22000 | | | 22000 | | | 19410-KFA6-900 0 F21 19411-KNBN-900 1 F21 19510-GBW2-901 6 E03 19600-KEB7-900 0 E01 1962A-KEB7-E00 1 E01 21200-KFA6-305 0 E08 21395-KFA6-900 0 E08 22100-GAR1-751 1 E07 22102-KEB7-900 0 E06 22103-KEB7-900 0 E06 22105-GKAK-901 1 E06 22105-KFA5-800 0 E06 22110-KFA1-220 0 E06 22121-GLW0-901 2 E06 22131-GHAH-781 0 E06 22132-GLW0-001 2 E06 22300-KXCX-900 2 E07 | | | | | | | | |

PART NO. INDEX

| PART NO. | VERSION | PAGE | PART NO. | VERSION | PAGE | PART NO. | VERSION | PAGE |
|----------------|---------|------|----------------|---------|------|----------------|---------|------|
| 22350-GKAK-930 | 1 | E07 | 28253-GBN2-60A | 0 | E06 | | | |
| 22401-GBG2-900 | 0 | E07 | 28255-GFS6-001 | 0 | E06 | 32000 | | |
| 22530-GKAK-930 | 1 | E07 | 28281-GBN2-60A | 1 | E06 | | | |
| 22804-1H48-001 | 0 | E07 | 28300-KFA6-900 | 0 | F16 | 32100-KFA6-900 | 4 | F20 |
| 23000 | | | 30000 | | | 32105-KFA6-900 | 1 | E04 |
| 2301A-KEB7-220 | 1 | E07 | 30400-KFA6-900 | 0 | F20 | 32120-1E55-001 | 0 | F20 |
| 23100-KEB7-900 | 0 | E07 | 3051A-KFA6-90A | 2 | F20 | 32161-3C93-004 | 0 | E01 |
| 23200-GAR1-220 | 2 | E07 | 3051A-KFA6-90B | 2 | F20 | 33000 | | |
| 23220-GKAK-220 | 1 | E07 | 30700-KNBN-901 | 2 | F20 | 33100-KFA6-900 | 1 | F01 |
| 23225-GAR1-751 | 0 | E07 | | | | 33105-KFA6-900 | 0 | F01 |
| 23233-GHE8-001 | 2 | E07 | 31000 | | | 33120-KFA6-900 | 0 | F01 |
| 23237-GAR1-220 | 0 | E07 | | | | 33130-KFA6-900 | 0 | F01 |
| 23238-GFY6-941 | 0 | E07 | 31110-KEB7-90A | 2 | E03 | 33155-KFA6-900 | 0 | F01 |
| 23411-KFA6-900 | 0 | E08 | 31110-KEB7-90B | 1 | E03 | 33400-KFA6-E20 | 0 | F18 |
| 23420-KFA6-900 | 0 | E08 | 31120-KFA6-90A | 2 | E03 | 33402-KFA6-910 | 0 | F18 |
| 23431-KNBN-901 | 2 | E08 | 31120-KFA6-90B | 2 | E03 | 33410-KFA6-910 | 0 | F18 |
| 23432-KFA6-900 | 0 | E08 | 31209-GKAK-901 | 3 | E04 | 33420-KFA6-910 | 0 | F18 |
| 28000 | | | 31210-GKAK-901 | 1 | E04 | 33450-KFA6-E20 | 0 | F18 |
| | | | 31210-GKAK-90A | 0 | E04 | 33452-KFA6-910 | 0 | F18 |
| | | | 31210-GKAK-90C | 1 | E04 | 33600-KFA6-E00 | 1 | F18 |
| 28211-KEB7-900 | 1 | E06 | 31500-KNBN-92A | 6 | F11 | 33602-KFA6-E00 | 0 | F18 |
| 28223-KNBN-901 | 0 | E06 | 31500-KNBN-92B | 8 | F11 | 33607-KFA6-E00 | 0 | F18 |
| 28230-GKAK-921 | 0 | E06 | 31600-KUDU-900 | 2 | F20 | 33650-KFA6-E00 | 1 | F18 |
| 28250-KCCC-900 | 2 | E06 | | | | 33652-KFA6-E00 | 0 | F18 |

PART NO. INDEX

| PART NO. | VERSION | PAGE | PART NO. | VERSION | PAGE | PART NO. | VERSION | PAGE |
|-------------------|---------|------|----------------|---------|------|----------------|---------|------|
| 33700-KFA6-E00 | 1 | F19 | 35400-KNBN-920 | 0 | F20 | 42710-KHB4-90A | 1 | F08 |
| 33704-KFA6-900 | 0 | F19 | 35410-KEB7-900 | 0 | F12 | 42753-KNBN-90B | 1 | F07 |
| 33741-GFY6-C30 | 1 | F19 | | | | 42753-KNBN-90B | 1 | F08 |
| 33741-KFA6-900 | 0 | F19 | 37000 | | | 43000 | | |
| 34000 | | | 37200-KFA6-90A | 3 | F02 | | | |
| | | | 37200-KFA6-90B | 2 | F02 | 4312A-KUDU-900 | 4 | F08 |
| 34901-KFA6-900 | 0 | F01 | 37211-KFA6-90A | 0 | F02 | 43141-KFA6-900 | 0 | F08 |
| 34903-KPCP-900 | 0 | F01 | 37211-KFA6-90B | 0 | F02 | 43151-KGM7-961 | 1 | F08 |
| 34905-KPCP-900 | 0 | F18 | 37213-KFA6-90A | 0 | F02 | 43410-KFA6-900 | 1 | F08 |
| 34906-KPCP-900 | 0 | F19 | 37213-KFA6-90B | 0 | F02 | 43450-KFA6-900 | 3 | F03 |
| 34908-GGA7-70A | 1 | F02 | 37280-KFA6-900 | 0 | F02 | 43452-GKAK-900 | 0 | F03 |
| 34908-MKB9-87A | 0 | F02 | 37801-LAB4-910 | 1 | F10 | 43472-1A61-001 | 2 | F03 |
| | | | 37802-KEC8-900 | 0 | F10 | | | |
| 35000 | | | 3780A-KFA6-910 | 1 | F10 | 44000 | | |
| | | | 38000 | | | 44301-KHB4-900 | 3 | F07 |
| 35010-KFA6-E0A | 1 | F20 | | | | 44311-0F46-001 | 0 | F07 |
| 35010-KFA6-E0B | 1 | F20 | | | | 44600-KFA6-305 | 0 | F07 |
| 35101-KFA6-305-M1 | 0 | F20 | 38110-GGS7-E0A | 2 | F20 | 44620-4L00-001 | 0 | F07 |
| 35101-KFA6-305-M2 | 0 | F20 | 38300-KECE-900 | 2 | F02 | 44710-KHB4-90A | 2 | F07 |
| 35102-KGBG-91A | 0 | F20 | 38306-2B92-C11 | 1 | F02 | 44800-KFA6-900 | 3 | F07 |
| 35102-KGBG-91B | 0 | F20 | 38500-KFA6-900 | 0 | F20 | 44830-KFA6-900 | 2 | F02 |
| 3515A-KGBG-E00 | 3 | F03 | | | | 44831-KFA6-900 | 0 | F02 |
| 3520A-KGBG-E00 | 4 | F03 | 42000 | | | | | |
| 35340-KFA6-900 | 0 | F04 | | | | | | |
| 35340-KKJ9-010 | 5 | F03 | 42601-KFA6-900 | 2 | F08 | | | |

PART NO. INDEX

| PART NO. | VERSION | PAGE | PART NO. | VERSION | PAGE | PART NO. | VERSION | PAGE | | |
|----------------|----------------|------|----------------|----------------|------|----------------|----------------|----------------|-----|-----|
| 45000 | | | 50505-KKD7-900 | 2 | F16 | 5150A-KFA6-E00 | 4 | F06 | | |
| | | | 5050A-KFA6-900 | 4 | F16 | 52000 | | | | |
| | | | 50527-KED5-900 | 0 | F16 | | | | | |
| | 45105-KFA6-305 | 0 | F07 | 50530-KFA6-E00 | 1 | | F16 | | | |
| | 45121-KFA6-900 | 0 | F07 | 50531-KEB7-E00 | 1 | F16 | 52400-KFA6-E00 | 1 | F17 | |
| | 45126-KFA6-900 | 1 | F04 | 50535-KEB7-E00 | 3 | F16 | 53000 | | | |
| | 45200-KFA6-900 | 3 | F07 | 50550-KFA6-E00 | 0 | F16 | | | | |
| | 45451-4A71-001 | 1 | F06 | 50700-KFA6-900 | 2 | F21 | | | | |
| | 45513-KFA6-800 | 0 | F04 | 50701-KFA6-900 | 2 | F21 | | 53100-KHB4-900 | 2 | F03 |
| | 45517-GFY6-900 | 5 | F03 | 50702-KFA6-900 | 2 | F21 | | 53105-KFC8-900 | 2 | F03 |
| 45517-KFAF-910 | 0 | F04 | 50710-KFA6-900 | 2 | F21 | 53106-KFC8-900 | | 2 | F03 | |
| 45530-KFA6-305 | 0 | F04 | 50711-KFA6-900 | 2 | F21 | 53125-GEN5-901 | | 0 | F03 | |
| | | | 50712-KFA6-900 | 2 | F21 | 53140-KNBN-960 | | 0 | F03 | |
| | | | 50713-KEB7-900 | 0 | F21 | 53166-KNBN-911 | | 0 | F03 | |
| | | | 50715-KFA6-900 | 0 | F21 | 53172-KTCT-900 | | 0 | F03 | |
| 50000 | | | | | | 53175-KFA6-900 | 0 | F04 | | |
| 50100-KFA6-E05 | 4 | F21 | 51000 | | | 53175-KFA6-E00 | 0 | F04 | | |
| 50190-KFA6-900 | 0 | F19 | | | | 53178-KFA6-900 | 0 | F03 | | |
| 50301-KGN7-671 | 2 | F21 | | | | 53178-KXCX-E00 | 0 | F03 | | |
| 50302-2H68-011 | 2 | F21 | | 51401-KFA6-E00 | 0 | F23 | 5317B-KFA6-900 | 2 | F03 | |
| 50306-1F96-001 | 0 | F06 | | 5140A-KFA6-E00 | 4 | F06 | 5317B-KFA6-E00 | 3 | F03 | |
| 50328-KFA6-900 | 0 | F11 | | 51410-KFA6-900 | 0 | F23 | 53200-KFA6-900 | 1 | F06 | |
| 50330-KEBE-900 | 0 | F05 | | 51412-KFA6-E00 | 0 | F23 | 53204-KFA6-900 | 0 | F03 | |
| 50350-KFA6-900 | 1 | F21 | | 51413-KEBE-E00 | 0 | F23 | 53205-KFA6-E00 | 2 | F03 | |
| 50352-KFA6-900 | 0 | F21 | | 51429-KFA6-900 | 0 | F23 | 53206-KFA6-900 | 1 | F03 | |
| 50353-GBG2-711 | 1 | F21 | | 51430-KFA6-900 | 0 | F23 | 53211-GFY6-940 | 1 | F06 | |
| 50503-KEB7-900 | 1 | F16 | 51432-KFA6-910 | 0 | F23 | | | | | |

PART NO. INDEX

| PART NO. | VERSION | PAGE | PART NO. | VERSION | PAGE | PART NO. | VERSION | PAGE |
|----------------|---------|------|-------------------|---------|------|----------------|---------|------|
| 53212-2L50-011 | 1 | F06 | 64400-KFA6-900 | 1 | F21 | | | |
| 53214-2L50-001 | 0 | F06 | | | | 81000 | | |
| 53215-2L50-001 | 0 | F06 | 75000 | | | 81131-KFA6-900 | 1 | F05 |
| 55000 | | | 75581-6C73-001 | 0 | F05 | 81132-KFA6-900 | 1 | F05 |
| 55100-KFA6-900 | 0 | F12 | 77000 | | | 81133-KGBG-900 | 0 | F05 |
| 55102-1F66-001 | 0 | F10 | | | | 81134-KFA6-900 | 0 | F05 |
| 55102-1F66-001 | 0 | F12 | 77106-KEB7-900 | 0 | F13 | 81135-KGBG-900 | 2 | F05 |
| 55106-KEB7-900 | 2 | F12 | 77200-KFA6-900 | 2 | F09 | 81141-KFA6-900 | 0 | F05 |
| 55121-KEB7-900 | 0 | F12 | 77210-KFA6-900 | 0 | F09 | 81142-KFA6-900 | 0 | F05 |
| 55123-KNBN-901 | 0 | F12 | 77232-GLW0-315-M2 | 0 | F05 | 81146-GBN2-001 | 0 | F05 |
| 55201-GHC8-001 | 0 | F12 | 77239-KFA6-305-M1 | 0 | F09 | 81200-KFA6-901 | 0 | F13 |
| 61000 | | | 77239-KFA6-305-M2 | 0 | F09 | 81201-KFA6-900 | 1 | F13 |
| | | | 80000 | | | 81204-KFA6-900 | 0 | F13 |
| 61100-KFA6-900 | 0 | F06 | | | | 81218-KCAC-P00 | 0 | F24 |
| 64000 | | | | | | 81260-KFA6-E00 | 0 | F13 |
| | | | 80101-KFA6-900 | 0 | F19 | 83000 | | |
| | | | 80105-KFA6-900 | 1 | F19 | | | |
| | | | 80106-KFA6-900 | 0 | F19 | 83500-KFA6-900 | 2 | F13 |
| 64301-KFA6-900 | 2 | F05 | 80151-KFA6-900 | 0 | F13 | 83501-KFA6-900 | 0 | F13 |
| 64302-KFA6-900 | 1 | F05 | 80153-KFA6-900 | 0 | F13 | 83502-KFA6-900 | 0 | F13 |
| 64303-KFA6-900 | 0 | F05 | 80161-KFA6-900 | 0 | F13 | 83600-KFA6-900 | 2 | F13 |
| 64310-KFA6-900 | 2 | F05 | | | | 83601-KFA6-900 | 0 | F13 |
| 64315-KFA6-900 | 0 | F21 | | | | 83602-KFA6-900 | 0 | F13 |
| 64320-KFA6-900 | 0 | F05 | | | | | | |

PART NO. INDEX

| PART NO. | VERSION | PAGE | PART NO. | VERSION | PAGE | PART NO. | VERSION | PAGE |
|----------------|---------|------|----------------|---------|------|-------------------|---------|------|
| 86000 | | | 90000 | | | 90150-4C63-77A | 0 | F01 |
| 86030-KFA6-E00 | 1 | F25 | 90001-GKAK-901 | 0 | E02 | 90164-MDR4-901 | 0 | F05 |
| 86102-KFA6-E00 | 2 | F25 | 9000A-KTDT-900 | 1 | E05 | 90202-1G87-001 | 0 | E07 |
| 86202-KFA6-E00 | 1 | F25 | 90101-GAR1-001 | 0 | F01 | 90215-GLM0-910 | 1 | F13 |
| | | | 90105-KCR3-001 | 1 | F07 | 90301-6D34-671 | 1 | F05 |
| 87000 | | | 90106-GEN5-901 | 0 | F03 | 90301-6D34-671 | 1 | F19 |
| 87224-KFA6-EZ1 | 0 | F24 | 90106-GEN5-901 | 0 | F21 | 90301-KGBG-900 | 1 | F15 |
| 87501-KRDR-E00 | 2 | F24 | 90106-GFY6-901 | 0 | F03 | 90302-GFY6-901 | 1 | F05 |
| 87505-KHB4-E00 | 0 | F24 | 90106-KFC2-900 | 0 | F03 | 90302-GFY6-901 | 1 | F10 |
| 87541-GAR1-E00 | 1 | F24 | 90106-KUDU-900 | 1 | F13 | 90302-GFY6-901 | 1 | F12 |
| 87542-GAR1-E00 | 2 | F24 | 90108-KFA6-E00 | 1 | F16 | 90302-GFY6-901 | 1 | F19 |
| 87560-KNBN-E00 | 1 | F24 | 90110-GLW0-001 | 0 | F05 | 90302-GFY6-940 | 1 | F06 |
| | | | 90110-GLW0-001 | 0 | F21 | 90302-KED5-900 | 2 | F13 |
| 88000 | | | 90111-1G87-001 | 1 | F09 | 90302-KNBN-900 | 1 | F03 |
| 88110-KFA6-900 | 3 | F03 | 90111-1G87-001 | 1 | F10 | 90302-SDA4-004 | 2 | F05 |
| 88120-KFA6-900 | 3 | F03 | 90111-KFW6-001 | 0 | F13 | 90304-GHE8-004 | 0 | F03 |
| | | | 90112-KRDR-900 | 0 | F20 | 90304-GHE8-004 | 0 | F21 |
| 89000 | | | 90114-1F66-007 | 2 | F04 | 90305-KNBN-90B | 0 | F08 |
| 89010-KNBN-900 | 0 | F09 | 90114-GDM4-011 | 2 | F14 | 90306-KLF0-901 | 0 | F07 |
| | | | 90115-GLE0-001 | 0 | F03 | 90307-GFJ6-004 | 1 | F01 |
| | | | 90116-3C83-72A | 0 | F23 | 90309-KLF0-004-SY | 1 | E08 |
| | | | 90120-GAR1-J00 | 0 | E09 | 90412-3K29-001 | 0 | E06 |
| | | | 90121-GFY6-901 | 1 | F21 | 90426-KNBN-901 | 0 | E06 |
| | | | 90122-KEBE-900 | 2 | F07 | 90429-KNBN-901 | 0 | E08 |
| | | | 90145-MKS9-61A | 1 | F04 | 90442-0D44-001 | 0 | E07 |
| | | | | | | 90451-GBN2-601 | 0 | E06 |

PART NO. INDEX

| PART NO. | VERSION | PAGE | PART NO. | VERSION | PAGE | PART NO. | VERSION | PAGE |
|----------------|---------|------|----------------|---------|------|----------------|---------|------|
| 90454-GBB2-001 | 0 | E07 | 91202-KNBN-92B | 0 | E09 | 93600-04012-1G | 0 | F04 |
| 90474-3C33-001 | 1 | E09 | 91204-KNBN-90A | 1 | E09 | 93891-05030-07 | 0 | F03 |
| 90501-KNBN-901 | 0 | F08 | 91211-GHK8-014 | 1 | E07 | 93892-04008-18 | 0 | E11 |
| 90545-3L00-001 | 2 | F04 | 91252-0L30-00A | 0 | F07 | 93892-04014-18 | 0 | E11 |
| 90554-2C83-001 | 0 | F23 | 91254-KEC5-004 | 0 | F23 | 93901-32220 | 0 | F18 |
| 90601-3D54-001 | 0 | F23 | 91255-4F46-014 | 0 | F23 | 93901-32320 | 0 | F18 |
| 90652-KTCT-900 | 1 | F14 | 91255-GLE0-006 | 0 | E08 | 93903-24320 | 0 | F22 |
| 90656-GFY6-911 | 0 | F03 | 91258-4L10-00A | 1 | F07 | 93903-25460 | 0 | F14 |
| 90677-GAR1-004 | 1 | F05 | 91258-4L10-00B | 1 | F07 | 93903-34360 | 0 | F03 |
| 90741-0E35-001 | 0 | E10 | 91301-0C53-001 | 0 | E08 | 93903-34360 | 0 | F05 |
| | | | 91301-KEA5-742 | 0 | E07 | 93903-34360 | 0 | F09 |
| 91000 | | | 91302-PKA9-004 | 0 | E07 | 93903-34360 | 0 | F13 |
| | | | 91304-GLB0-911 | 1 | E09 | 93903-34360 | 0 | F18 |
| 91001-GGA7-70A | 2 | E07 | 91309-GKAK-901 | 0 | E04 | 93903-34360 | 0 | F19 |
| 91001-GLW0-90A | 6 | E09 | 91352-KHG8-83B | 0 | F08 | 93903-35220 | 0 | F01 |
| 91004-KBN2-90A | 0 | E08 | 92000 | | | 93903-35320 | 0 | F02 |
| 91004-KBN2-90A | 0 | E09 | | | | 93903-35360 | 0 | F03 |
| 91004-KNBN-92A | 0 | E09 | | | | 93903-35360 | 0 | F11 |
| 91006-KNBN-901 | 5 | E09 | 92700-06028-1B | 0 | E02 | 94000 | | |
| 91009-GLE0-004 | 1 | E08 | | | | | | |
| 91014-LLJ3-E00 | 1 | F06 | 93000 | | | | | |
| 91015-LLJ3-E00 | 1 | F06 | | | | 94001-05080-0S | 0 | F03 |
| 91102-GLW0-009 | 0 | E10 | 93404-06012-08 | 0 | F21 | 94001-12280-0S | 0 | E06 |
| 91103-GAR1-004 | 0 | E07 | 93404-06020-06 | 1 | F05 | 94050-05080 | 0 | F19 |
| 91201-KNBN-92A | 0 | E09 | 93500-05012-0H | 0 | E09 | 94050-06060 | 0 | F04 |
| 91202-KNBN-92A | 0 | E09 | 93500-KGBG-900 | 0 | F03 | 94050-06080 | 0 | E11 |

PART NO. INDEX

| PART NO. | VERSION | PAGE | PART NO. | VERSION | PAGE | PART NO. | VERSION | PAGE |
|----------------|---------|------|----------------|---------|------|----------------|---------|------|
| 94050-06080 | 0 | F09 | 95002-02100 | 0 | F10 | 95801-10035-08 | 0 | F17 |
| 94050-06080 | 0 | F10 | 95002-02100 | 0 | F12 | 95801-10100-06 | 0 | F21 |
| 94050-06080 | 0 | F13 | 95002-02650 | 0 | E09 | 95801-10115-06 | 0 | F21 |
| 94050-06080 | 0 | F19 | 95002-50000 | 0 | F10 | 95801-KFA6-E00 | 1 | F15 |
| 94050-06080 | 0 | F20 | 95002-50000 | 0 | F12 | | | |
| 94050-10080 | 0 | E03 | 95002-KKD6-E05 | 0 | F22 | 96000 | | |
| 94050-10080 | 0 | E07 | 9500B-KFA6-900 | 0 | F10 | | | |
| 94101-06700 | 0 | F15 | 9500C-KFA6-900 | 1 | F10 | 96001-06012-08 | 0 | E03 |
| 94101-08600 | 0 | F16 | 95015-32001 | 0 | F03 | 96001-06012-08 | 0 | F03 |
| 94111-06000 | 0 | F21 | 95015-42000 | 0 | F03 | 96001-06012-08 | 0 | F15 |
| 94251-08400 | 0 | F16 | 95701-06008-06 | 1 | F15 | 96001-06016-08 | 0 | E03 |
| 94301-10200 | 0 | E09 | 95701-06016-08 | 0 | F13 | 96001-06022-08 | 0 | E03 |
| 94510-20000 | 0 | E08 | 95701-06022-06 | 1 | F04 | 96001-06025-06 | 0 | F03 |
| 94511-14000 | 0 | E06 | 95701-06025-08 | 0 | E01 | 96001-06025-08 | 0 | E04 |
| 94520-24000 | 1 | E07 | 95701-06025-08 | 0 | F15 | 96001-06025-08 | 0 | E09 |
| 94591-27000 | 0 | F05 | 95701-06032-08 | 0 | F08 | 96001-06032-08 | 0 | E09 |
| 94591-27000 | 0 | F13 | 95701-06035-08 | 0 | E09 | 96001-06045-08 | 0 | E09 |
| 94591-KFBF-900 | 2 | E01 | 95701-06040-08 | 0 | E09 | 96001-06055-08 | 0 | E09 |
| 94605-KEBE-900 | 1 | F23 | 95701-06040-08 | 0 | F15 | 96100-62033-00 | 0 | E09 |
| 94608-30000 | 0 | F23 | 95701-06045-08 | 0 | F21 | 96120-63010-10 | 0 | F07 |
| | | | 95701-08012-08 | 0 | E09 | 96211-08000 | 0 | F21 |
| 95000 | | | 95701-08050-06 | 0 | F15 | 96700-KFA6-900 | 0 | F16 |
| | | | 95701-KEB7-E00 | 1 | F20 | | | |
| 95002-02070 | 0 | F10 | 95801-08035-08 | 0 | F17 | 98000 | | |
| 95002-02080 | 0 | E11 | 95801-08040-08 | 0 | F06 | | | |
| 95002-02080 | 0 | F10 | 95801-08065-06 | 0 | F13 | 98076-5871G-00 | 0 | E02 |

PART NO. INDEX

| PART NO. | VERSION | PAGE | PART NO. | VERSION | PAGE | PART NO. | VERSION | PAGE |
|----------------|---------|------|----------|---------|------|----------|---------|------|
| 98200-10700 | 0 | F11 | | | | | | |
| 98200-10700 | 0 | F20 | | | | | | |
| 98200-11500 | 0 | F20 | | | | | | |
| 99000 | | | | | | | | |
| 99101-116-0700 | 0 | E11 | | | | | | |
| 99101-116-0820 | 0 | E11 | | | | | | |
| K | | | | | | | | |
| K378-001 | 0 | E11 | | | | | | |
| K785-KEB-0300 | 0 | E11 | | | | | | |
| N | | | | | | | | |
| N350-09E00 | 0 | E11 | | | | | | |
| N413-32A00 | 0 | E11 | | | | | | |
| N425-2RFMJ | 0 | E11 | | | | | | |