

PARTS CATALOGUE



SCOOTERS

BA25AB(AT)

PEOPLE 125



檔車

Motorcycles



速克達

Scooters



全地型車

ATV



代步車

Mobilescooters

Release Date : 2009/11/09
Print Date : 2012/05/24

ABOUT THIS PARTS LIST

- This parts list is compiled all service parts for model BA25AB(AT).
- Any difference between color chart and motorcycle will be revised according to motorcycle.
- The Mark:
 1. Marking "***" must add color code in the end before ordering parts.
 2. Marking "#" are parts with modification, Please find the details from e-Parts system.
- When modification or additions to this parts list are made a revised edition at an appropriate time.



CONTENTS

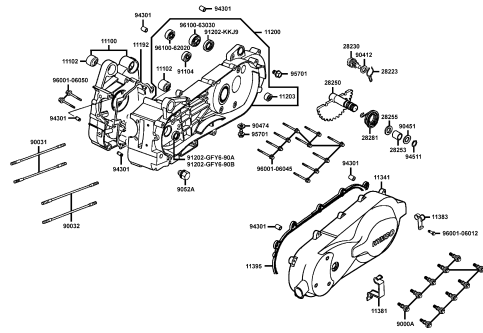
● ABOUT THIS PARTS LIST	1
● COLOR CHART OF BA25AB(AT)	3
● CONTENTS-ENGINE GROUP	5
● CONTENTS-FRAME GROUP	6
● ENGINE PARTS LIST	9
● FRAME PARTS LIST	43
● PART NO. INDEX	105



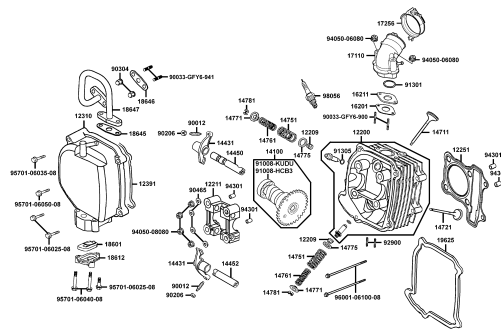
NO	MODEL			COLOR CHART OF BA25AB(AT)						
	PHOTO NO			NO. 1	NO. 2	NO. 3				
	BASIC COLOR			Blue Metallic	Bright Silver	Dark Red				
	CODE			Blue Metallic	Bright Silver	Dark Red				
	PARTS NAME	PARTS NO.	VERSION	PB023MA	NH045MA	RR132CA				
1	COVER SET FRONT	64301-KFA6-900	2	DGG	D0C	DDF				
2	GRILL FRONT COVER	64303-KFA6-900	0		F1P					
3	CUSHION ASSY RR	52400-KHB4-E00	0		F1S					
4	LEVER R STRG HNDL	53175-KFA6-E00	0		M3A					
5	LEVER L STRG HNDL	53178-KXCX-E00	0							
6	GRIP COMP THROT	53140-KNBN-960	0		N1R					
7	GRIP HANDLE L	53166-KNBN-911	0							
8	COVER RR HANDLE	53206-KFA6-900	1							
9	FLOOR PANEL	64310-KFA6-900	2							
10	MAT FLOOR	64320-KFA6-900	0							
11	COVER CENTER	80151-KHB4-900	0							
12	LEG SHIELD	81131-KFA6-900	1							
13	LID LEG SHIELD	81132-KFA6-900	1							
14	LID INNER BOX	81141-KFA6-900	0							
15	BOX ASSY LUGGAGE	81260-KHB4-E00	5							
16	WHEEL COMP RR CAST	42601-KFA6-900	2		N5A					
17	WHEEL SET FR	44600-KFA6-305	0							
18	COVER LEFT	11341-KHB4-900	2		N8A					
19	COVER FR HANDLE	53205-KFA6-E00	2							
20	FENDER FR	61100-KFA6-900	0		B4P	N8P	R7M			
21	MOLD FRONT	64302-KFA6-900	1							
22	COWL UNDER	64400-KFA6-900	0							
23	COVER MAINT PLUG	80152-KHB4-900	0							
24	COVER R BODY	83500-KHB4-900	1							
25	LID BODY COVER	83502-KHB4-900	0							
DATE OF STARTING-SALES										
DATE OF END-SALES										

CONTENTS - ENGINE GROUP

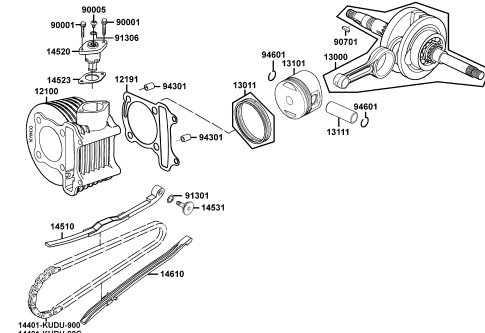
E01 Crank Case



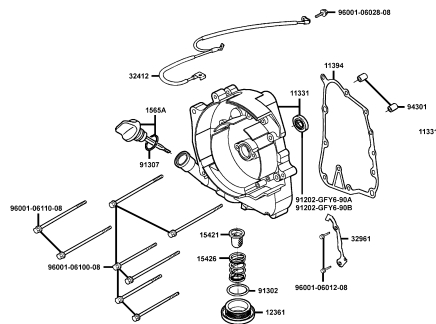
E02 Cylinder Head Cover Cylinder



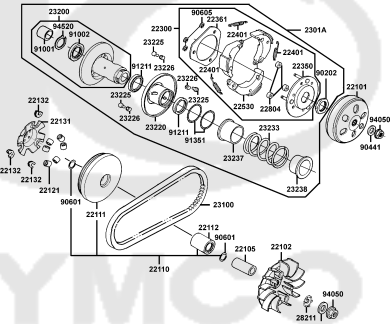
E03 Cylinder Piston Crankshaft



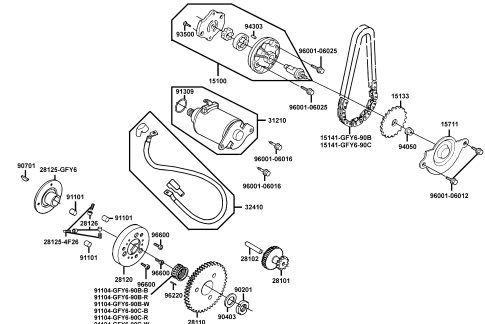
E04 Right Crankcase Cover



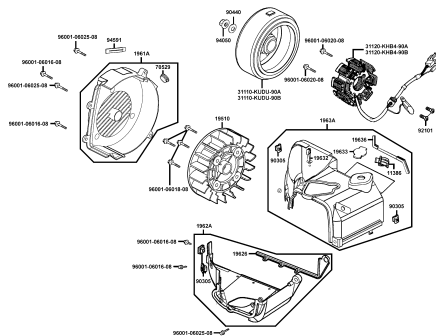
E05 Driven Pulley



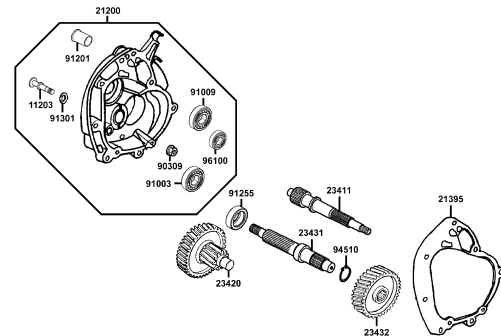
E06 Starting Motor Oil Pump



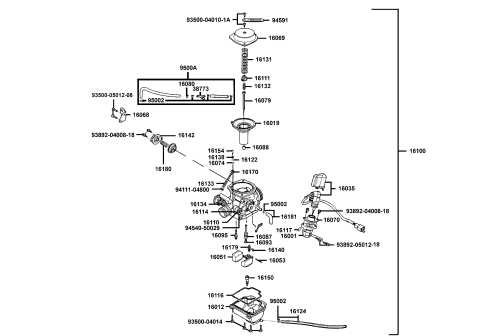
E07 Fan Cover Generator



E08 Transmission

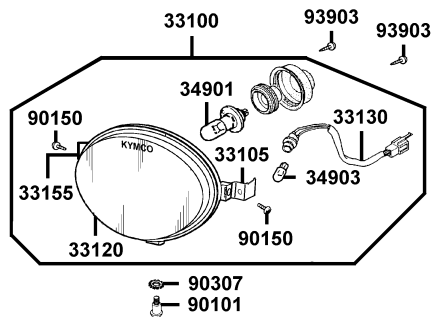


E09 Carburetor

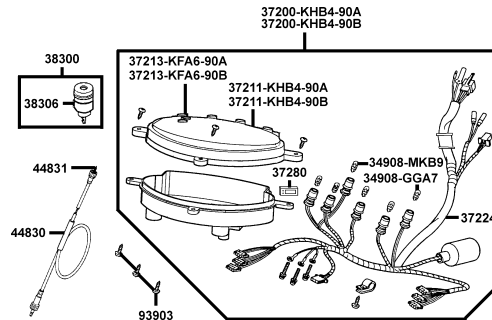


CONTENTS - FRAME GROUP

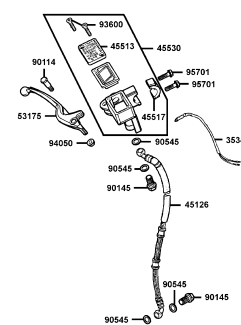
F01 Head Light



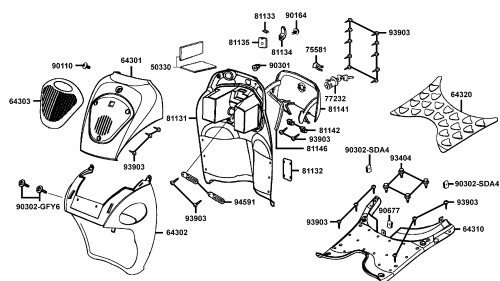
F02 Speedometer



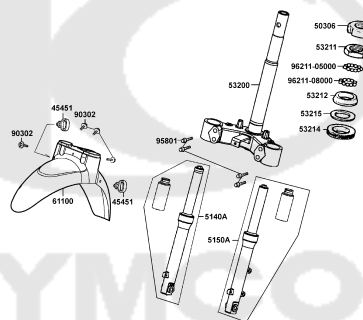
F04 Brake Master Cylinder



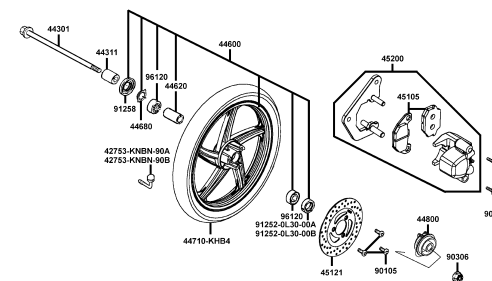
F05 Front Cover/Floor Panel



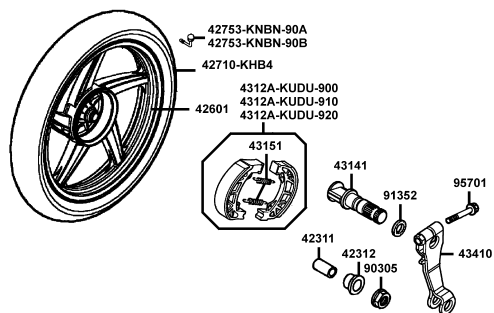
F06 Stem Steering/Front Cushion



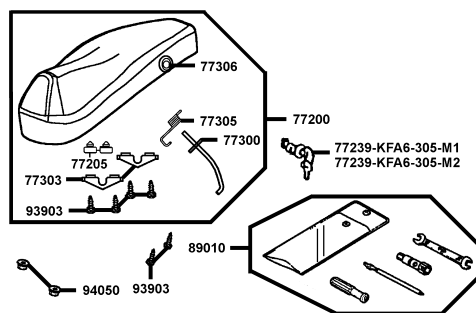
F07 Front Wheel



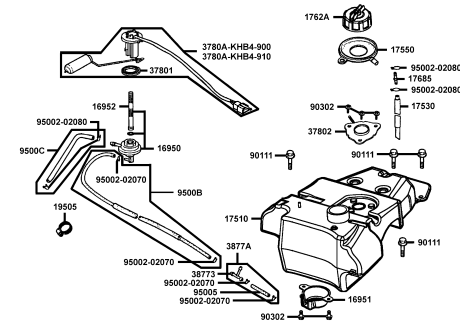
F08 Rear Wheel



F09 Seat

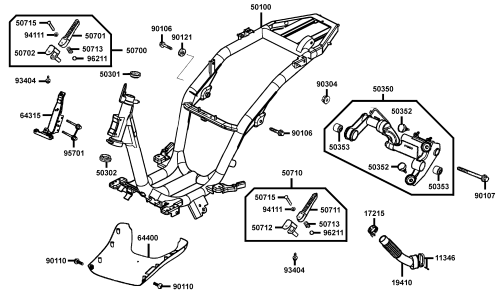


F10 Fuel Tank

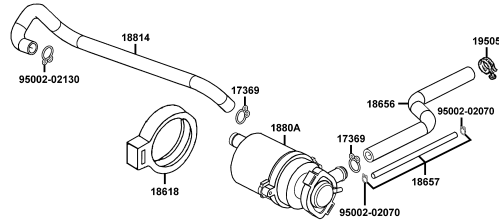


CONTENTS - FRAME GROUP

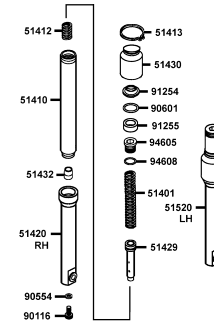
F20 Frame Body



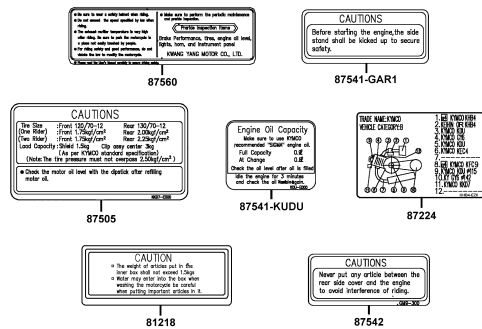
F21 Air Cleaner Two



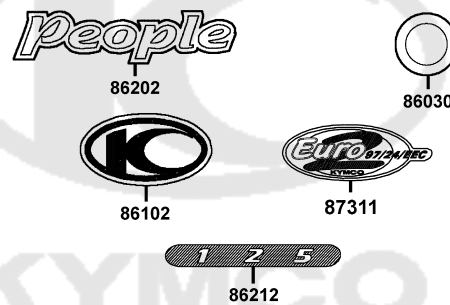
F22 Separated Parts Of Fr Fork



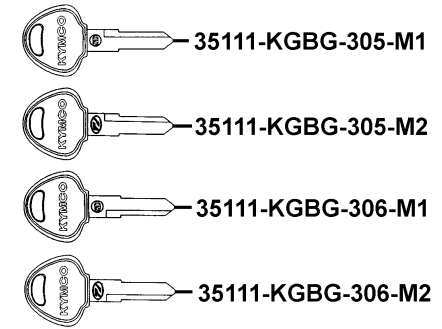
F23 Caution Label



F24 Emblem Stripe

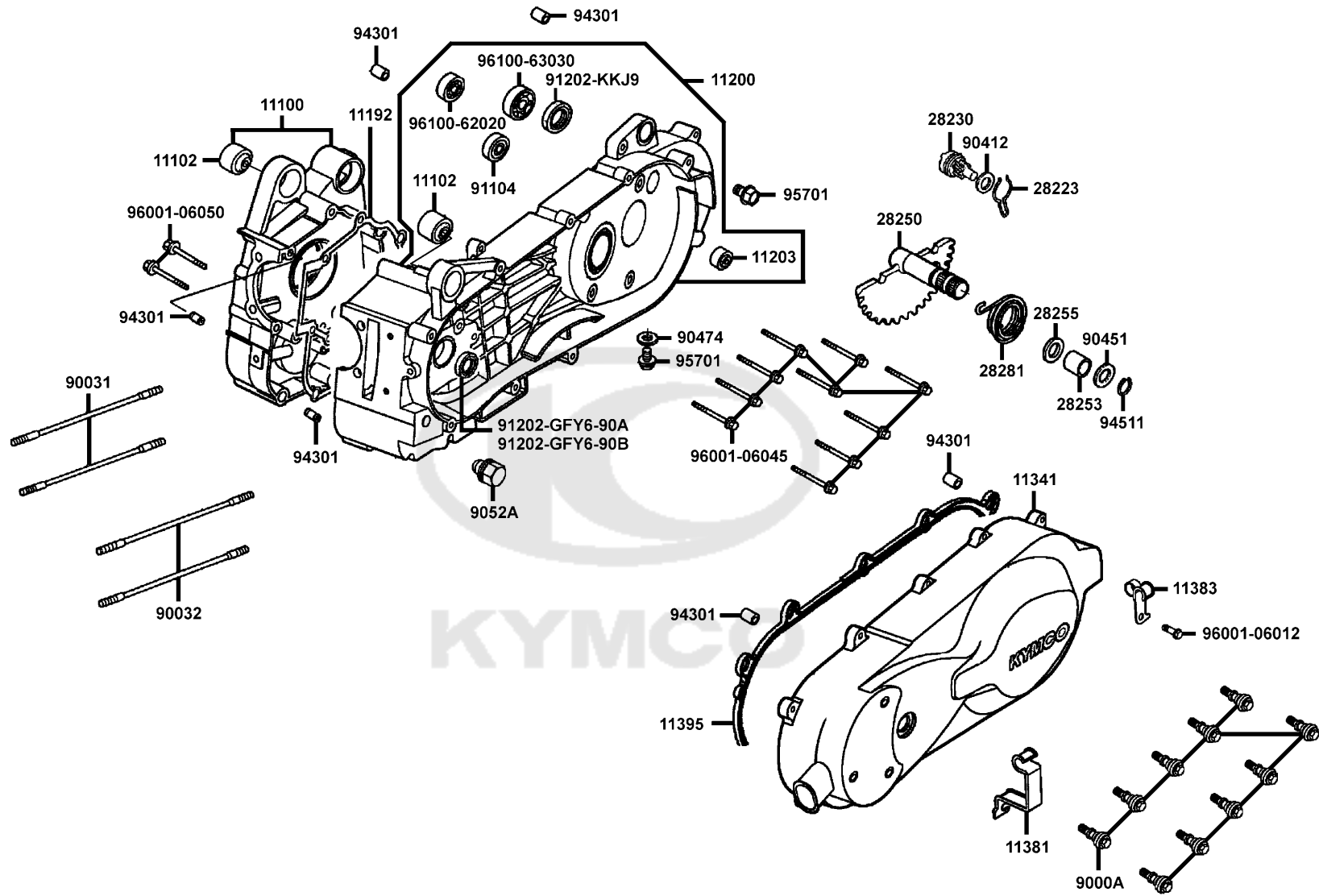


F25 KEY



E01

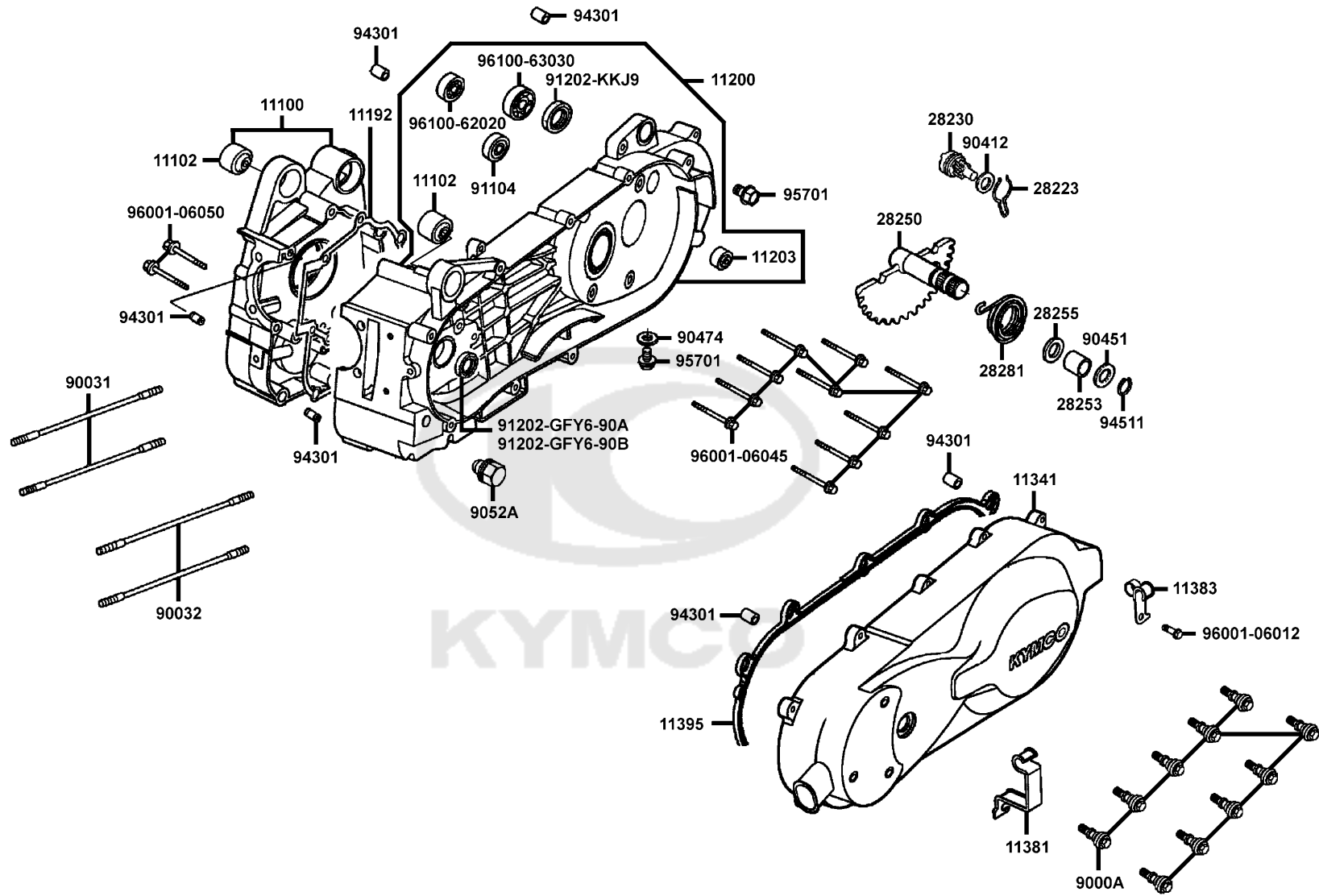
Crank Case



Sales mark	Ref no	Part no	Description	Reg description	Regd no	E01
	11100	11100-KUDU-305	CASE SET R CRANK	CASE SET R CRANK	1	
	11102	11102-1G87-004	RUB BUSH ENG HANGER	RUB BUSH ENG HANGER	2	
	11192	11192-KUDU-900	GASKET CRANK CASE @ A	GASKET CRANK CASE @ A	1	
	11200	11200-KHB4-305	CRANKCASE SET L	CRANKCASE SET L	1	
	11203	11203-GGC7-301	UNDER RUBBER BUSH REAR CUSHION	UNDER RUBBER BUSH REAR CUSHION	1	
**	11341	11341-KHB4-900	COVER L	COVER L	1	
	11381	11381-KHB4-900	CLAMPER THROTTLE CABLE	CLAMPER THROTTLE CABLE	1	
	11383	11383-KUDU-900	CLAMPER BRTH DRAIN TUBE	CLAMPER BRTH DRAIN TUBE	1	
	11395	11395-KHB4-900	GASKET L COVER @ A	GASKET L COVER @ A	1	
	28223	28223-KNBN-901	SPG KICK DRIVEN GEAR	SPG KICK DRIVEN GEAR	1	
	28230	28230-KNBN-901	GEAR COMP KICK DRIVEN	GEAR COMP KICK DRIVEN	1	
	28250	28250-KNBN-901	SPINDLE COMP KICK STARTER	SPINDLE COMP KICK STARTER	1	
	28253	28253-GBN2-60A	BUSH KICK SPINDLE	BUSH KICK SPINDLE	1	
	28255	28255-GFS6-001	COLLAR KICK BOSS	COLLAR KICK BOSS	1	
	28281	28281-GBN2-60A	SPRING KICK RETURN	SPRING KICK RETURN	1	
	9000A	9000A-KTDT-900	BOLT ASSY SPECIAL 6*29.5	BOLT ASSY SPECIAL 6*29.5	10	
	90031	90031-KUDU-900	BOLT A STUD 8*200.5	BOLT A STUD 8*200.5	2	
	90032	90032-KUDU-900	BOLT B STUD 8*208.5	BOLT B STUD 8*208.5	2	
	90412	90412-3K29-001	WASHER THRUST 10M/M	WASHER THRUST10MM	1	
	90451	90451-GBN2-601	WASHER KICK SPINDLE	WASHER KICK SPINDLE	1	

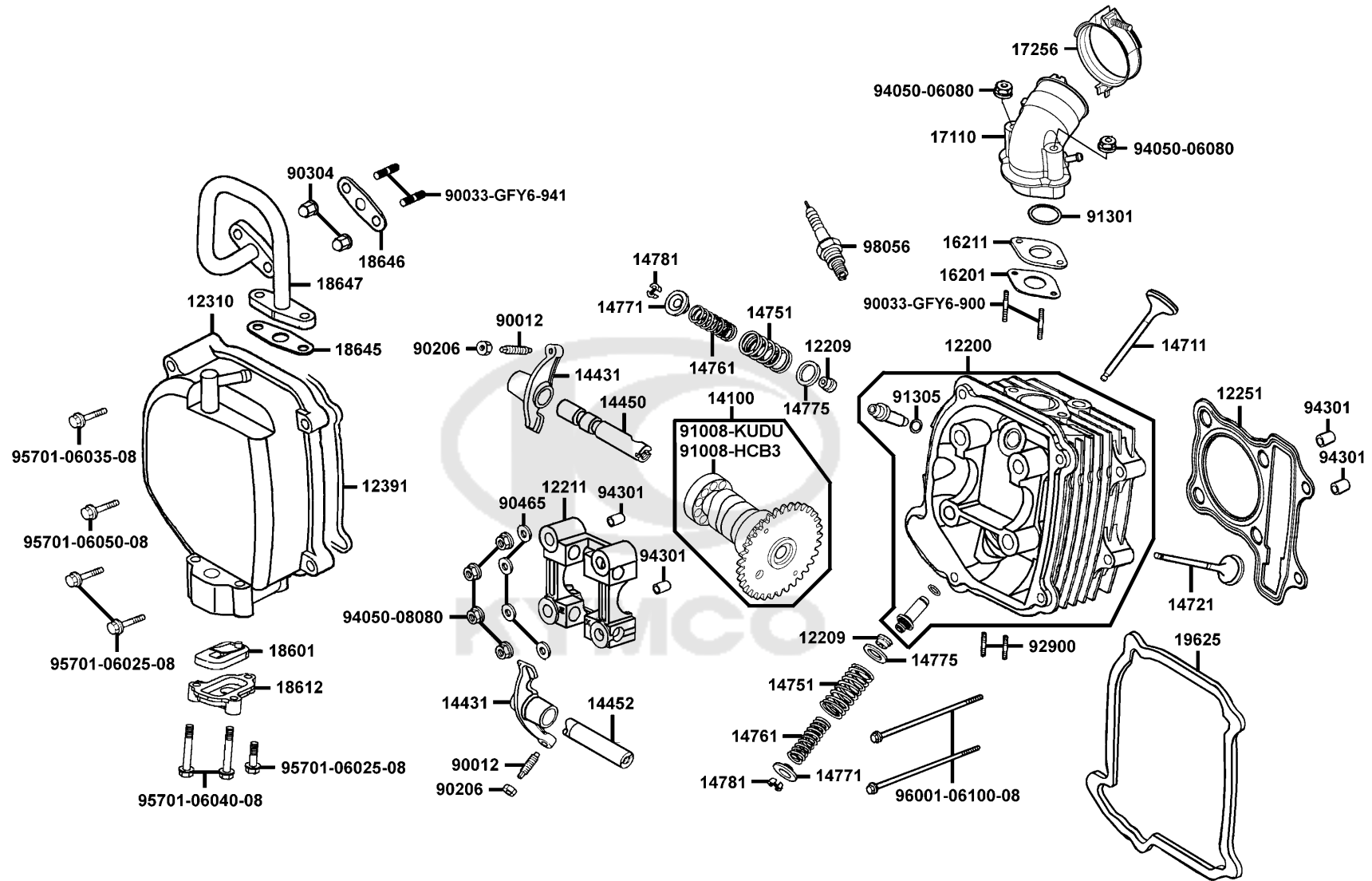
E01

Crank Case



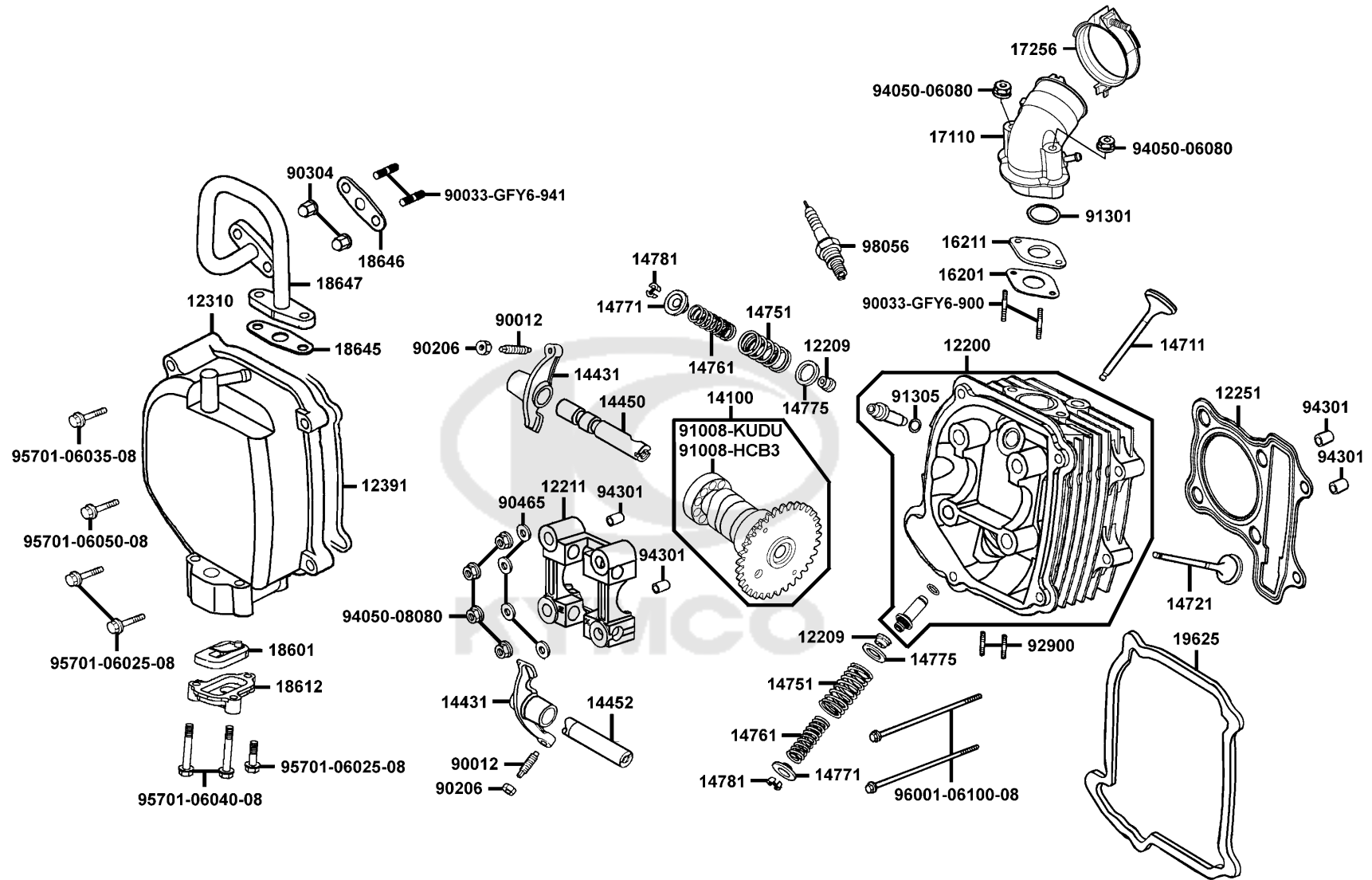
Sales mark	Ref no	Part no	Description	Reg description	Regd no	E01
90474		90474-3C33-001	WASHER 8MM	WASHER 8MM	1	
9052A		9052A-GFY6-950	BOLT ASSY DRAIN PLUG	BOLT ASSY DRAIN PLUG	1	
91104		91104-KGN7-671	BRG BALL RADIAL 6204	BRG BALL RADIAL 6204	1	
91202-GFY6-90A		91202-GFY6-90A	OIL SEAL 19.8*30*5	OIL SEAL 19.8*30*5	1	
91202-GFY6-90B		91202-GFY6-90B	OIL SEAL 19.8*30*5	OIL SEAL 19.8*30*5	1	
91202-KKJ9		91202-KKJ9-004	OIL SEAL 20*32*6	OIL SEAL 20*32*6	1	
94301		94301-10160	DOWEL PIN 10*16	DOWEL PIN 10*16	6	
94511		94511-14000	CIR CLIP EX 14	CIRCLIP EX 14	1	
95701		95701-08012-08	BOLT FLANGE 8*12	BOLT FLANGE 8*12	2	
96001-06012		96001-06012-08	BOLT FLANGE 6*12	BOLT FLANGE 6*12	1	
96001-06045		96001-06045-08	BOLT FLANGE SH 6*45	BOLT FLANGE SH 6*45	10	
96001-06050		96001-06050-08	BOLT FLANGE 6*50	BOLT FLANGE SH 6*50	2	
96100-62020		96100-62020-00	BEARING BALL RADIAL 6202	BEARING BALL RADIAL 6202	1	
96100-63030		96100-63030-00	BEARING BALL RADIAL 6303	BEARING BALL RADIAL 6303	1	

Cylinder Head Cover Cylinder Head



Sales mark	Ref no	Part no	Description	Reg description	Regd no	E02
	12200	12200-KUDU-900	HEAD COMP CYLN	HEAD ASSY CYLN	1	
	12209	12209-GDB4-68A	SEAL VALVE STEM	SEAL VALVE STEM	2	
	12211	12211-KUDU-900	HOLDER CAM SHAFT	HOLDER CAM SHAFT	1	
	12251	12251-GFY6-90A	GASKET CYLINDER HEAD	GASKET CYLINDER HEAD	1	
	12310	12310-KHB4-900	COVER COMP HEAD	COVER COMP HEAD	1	
	12391	12391-GFY6-941	GASKET HEAD COVER	GASKET HEAD COVER	1	
	14100	14100-KFA9-220	SHAFT COMP CAM	SHAFT COMP CAM	1	
	14431	14431-KUDU-900	ARM VALVE ROCKER	ARM VALVE ROCKER	2	
	14450	14450-GFY6-901	SHAFT COMP IN ROCKER ARM	SHAFT COMP IN ROCKER ARM	1	
	14452	14452-GFY6-901	SHAFT EXH ROCKER ARM	SHAFT EXH ROCKER ARM	1	
	14711	14711-KUDU-900	VALVE INLET	VALVE INLET	1	
	14721	14721-KUDU-900	VALVE EXHAUST	VALVE EXHAUST	1	
	14751	14751-KKJ9-003	SPG VALVE OUTER	SPG VALVE OUTER	2	
	14761	14761-KKJ9-003	SPG VALVE INNER	SPG VALVE INNER	2	
	14771	14771-GDB4-680	RETAINER VALVE SPRING	RETAINER VALVE SPRING	2	
	14775	14775-MFA6-001	SEAT VALVE SPG OUTER	SEAT VALVE SPG OUTER	2	
	14781	14781-MFA6-001	COTTER VALVE	COTTER VALVE	4	
	16201	16201-GFY6-901	GASKET CARB INSULATOR @ A	GASKET CARB INSULATOR @ A	1	
	16211	16211-GFY6-901	INSULATOR CARB	INSULATOR CARB	1	
	17110	17110-KUDU-900	PIPE COMP INLET	PIPE COMP INLET	1	

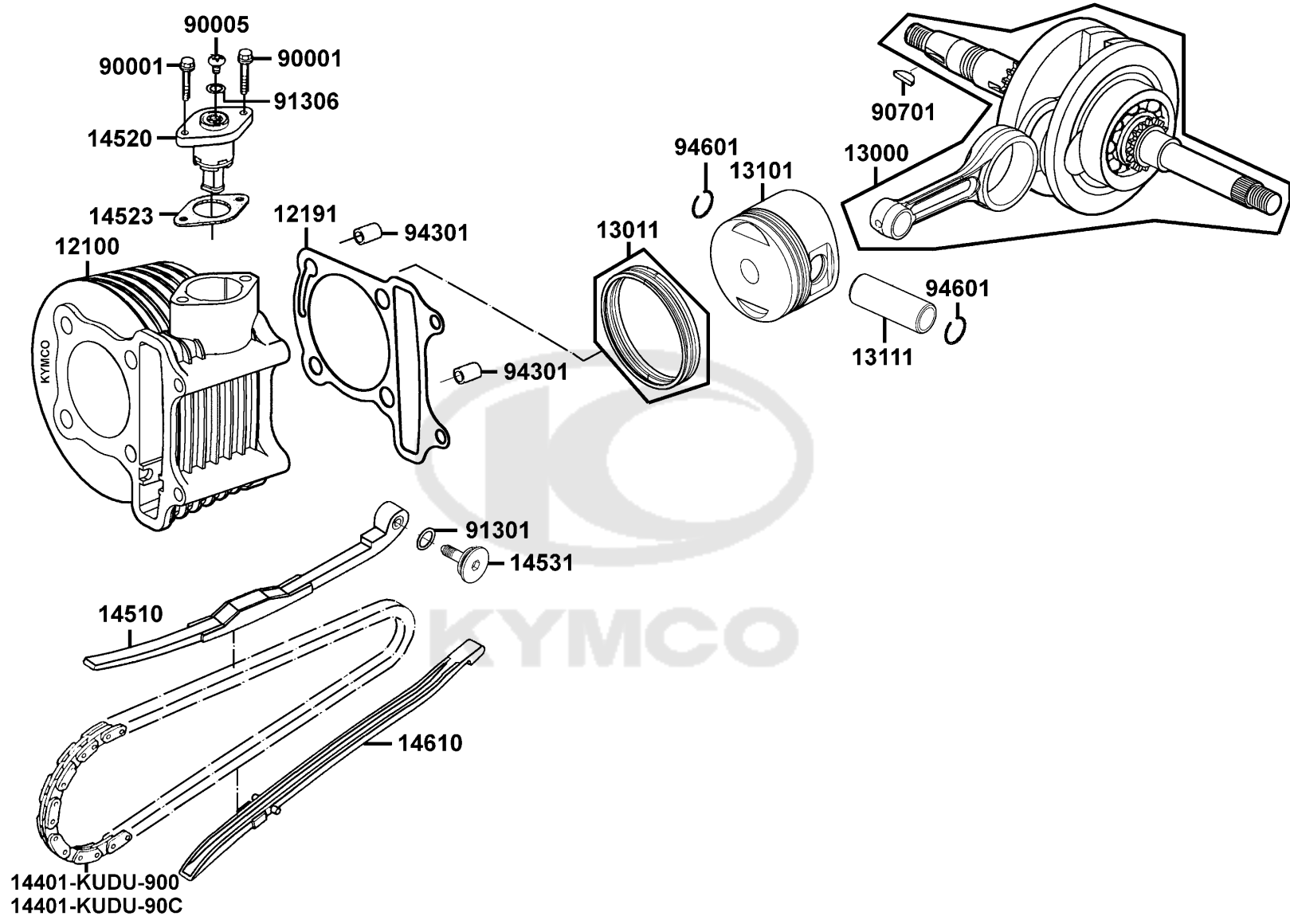
Cylinder Head Cover Cylinder Head



Sales mark	Ref no	Part no	Description	Reg description	Regd no	E02
	17256	17256-GFY6-901	BAND INSULATOR	BAND INSULATOR	1	
	18601	18601-MAJ1-791	REED VALVE COMP	VALVE COMP REED	1	
	18612	18612-GFY6-941	COVER REED VALVE	COVER REED VALVE	1	
	18645	18645-GFY6-941	GASKET A/I PIPE	GASKET A/I PIPE	1	
	18646	18646-GFY6-941	GASKET A/I PIPE	GASKET A/I PIPE	1	
	18647	18647-GFY6-941	PIPE COMP AIR	PIPE COMP AIR	1	
	19625	19625-KUDU-910	SEAL SHROUD	SEAL SHROUD	1	
	90012	90012-3C33-001	SCREW TAPPET ADJUSTING	SCREW TAPPET ADJUSTING	2	
	90033-GFY6-900	90033-GFY6-900	BOLT STUD 8*32	BOLT STUD 8*32	2	
	90033-GFY6-941	90033-GFY6-941	BOLT STUD 6*16	BOLT STUD 6*16	2	
	90206	90206-0A01-001	NUT TAPPET ADJG	NUT TAPPET ADJG	2	
	90304	90304-4H38-001	NUT HEX CAP 6MM	NUT HEX CAP 6MM	2	
	90465	90465-MDC4-001	WASHER 8MM	WASHER 8MM	4	
	91008-HCB3	91008-HCB3-00B	BRG BALL RADIAL TMB002 JR2C3	BRG BALL RADIAL TMB002 JR2C3	1	
	91008-KUDU	91008-KUDU-900	BRG BALL RADIAL TMB002JR2C3	BRG BALL RADIAL TMB002JR2C3	1	
	91301	91301-0H28-001	O RING 27*2	O RING 27*2	1	
	91305	91305-0H28-159	O-RING 9*1.6	O-RING 9*1.6	2	
	92900	92900-06060-0B	BOLT STUD 6*60	BOLT STUD 6*60	2	
	94050-06080	94050-06080	NUT FLANGE 6MM	NUT FLANGE 6MM	2	
	94050-08080	94050-08080	NUT FLANGE 8MM	NUT FLANGE 8MM	4	

Sales mark	Ref no	Part no	Description	Reg description	Regd no	E02
94301		94301-10160	DOWEL PIN 10*16	DOWEL PIN 10*16	4	
95701-06025		95701-06025-08	BOLT FLANGE 6*25	BOLT FLANGE 6*25	3	
95701-06035		95701-06035-08	BOLT FLANGE 6*35	BOLT FLANGE 8*35	1	
95701-06040		95701-06040-08	BOLT FLANGE 6*40	BOLT FLANGE 6*40	2	
95701-06050		95701-06050-08	BOLT FLANGE 6*50 (C)	BOLT FLANGE 6*50 (C)	1	
96001-06100		96001-06100-08	BOLT FLANGE SH 6*100	BOLT FLANGE SH 6*100	2	
98056		98056-5771R-00	SPARK PLUG (CR7HSA)	SPARK PLUG (CR7HSA)	1	

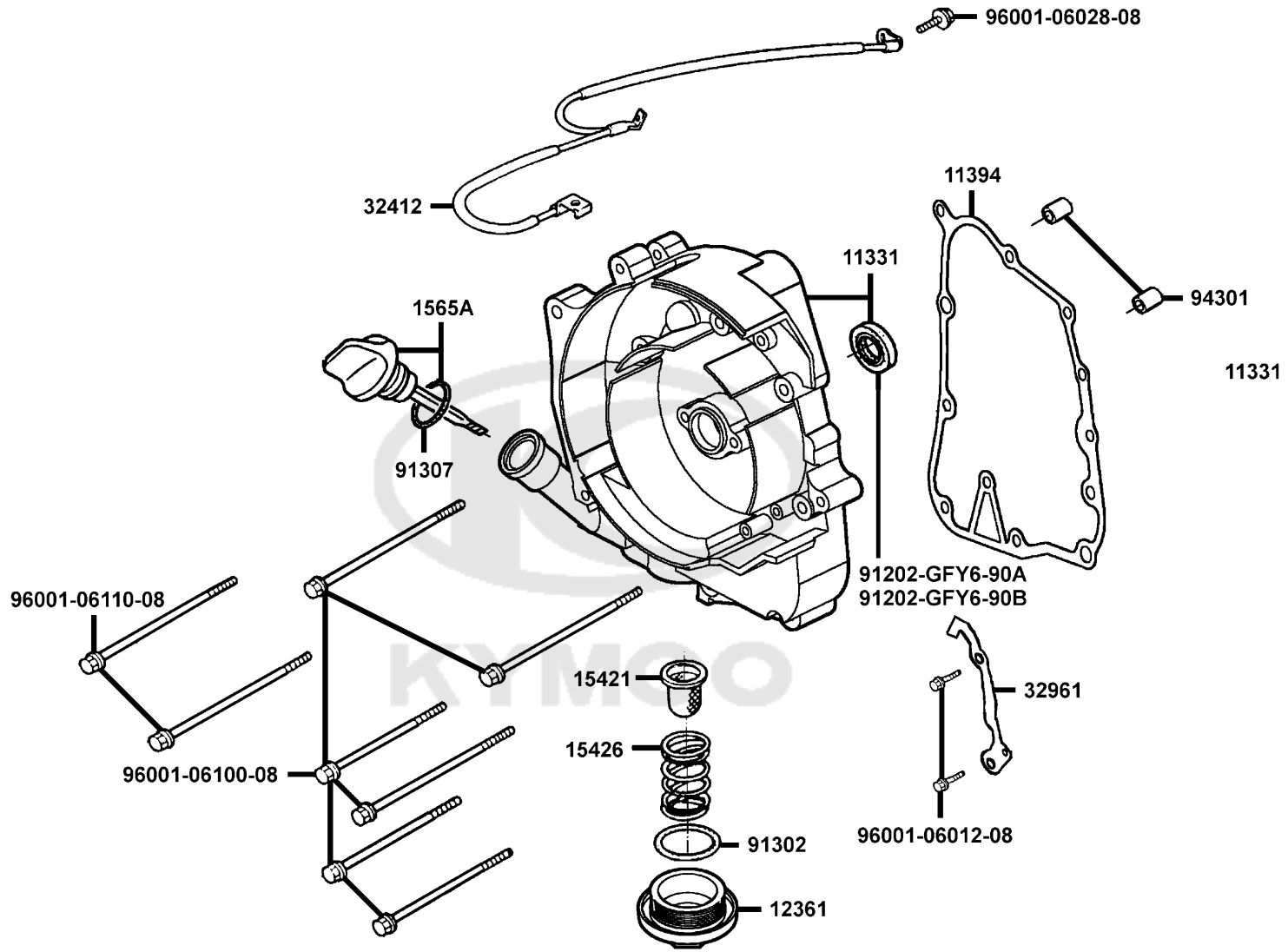




Sales mark	Ref no	Part no	Description	Reg description	Regd no	E03
	12100	12100-GFY6-901	CYLINDER COMP	CYLINDER COMP	1	
	12191	12191-GFY6-901	GASKET CYLINDER @ A	GASKET CYLINDER @ A	1	
	13000	13000-KUDU-900	CRANK SHAFT COMP	CRANK SHAFT COMP	1	
	13011	13011-GFY6-900	RING SET PISTON	RING SET PISTON	1	
	13101	13101-KUDU-900	PISTON	PISTON	1	
	13111	13111-3D84-001	PIN PISTON	PIN PISTON	1	
	14401-KUDU-900	14401-KUDU-900	CHAIN CAM	CHAIN CAM	1	
	14401-KUDU-90C	14401-KUDU-90C	CHAIN CAM	CHAIN CAM	1	
	14510	14510-KUDU-C00	TENSIONER CAM CHAIN	TENSIONER CAM CHAIN	1	
	14520	14520-GFY6-90A	LIFTER ASSY TENSIONER	LIFTER ASSY TENSIONER	1	
	14523	14523-GFY6-901	GASKET TENSIONER LIFTER @ A	GASKET TENSIONER LIFTER @A	1	
	14531	14531-GLR0-001	PIVOT CAM CHAIN TENSIONER	PIVOT CAM CHAIN TENSIONER	1	
	14610	14610-KUDU-C00	GUIDE COMP CAM CHAIN	GUIDE COMP CAM CHAIN	1	
	90001	90001-GBHB-661	BOLT FLANGE SH 6*22	BOLT FLANGE SH 6*22	2	
	90005	90005-KAW1-901	SCREW PAN 6*6	SCREW PAN 6*6	1	
	90701	90701-HFB6-011	KEY WOODRUFF 25*14*4	KEY WOODRUFF 25*14*4	1	
	91301	91301-GLR0-005	O-RING 15.2*1.5	O-RING 15.2*1.5	1	
	91306	91306-1E05-691	O-RING 1.5*9.5	O-RING 1.5*9.5	1	
	94301	94301-10160	DOWEL PIN 10*16	DOWEL PIN 10*16	2	
	94601	94601-15000	CLIP PISTON PIN 15MM	CIR PISTON PIN 15MM	2	

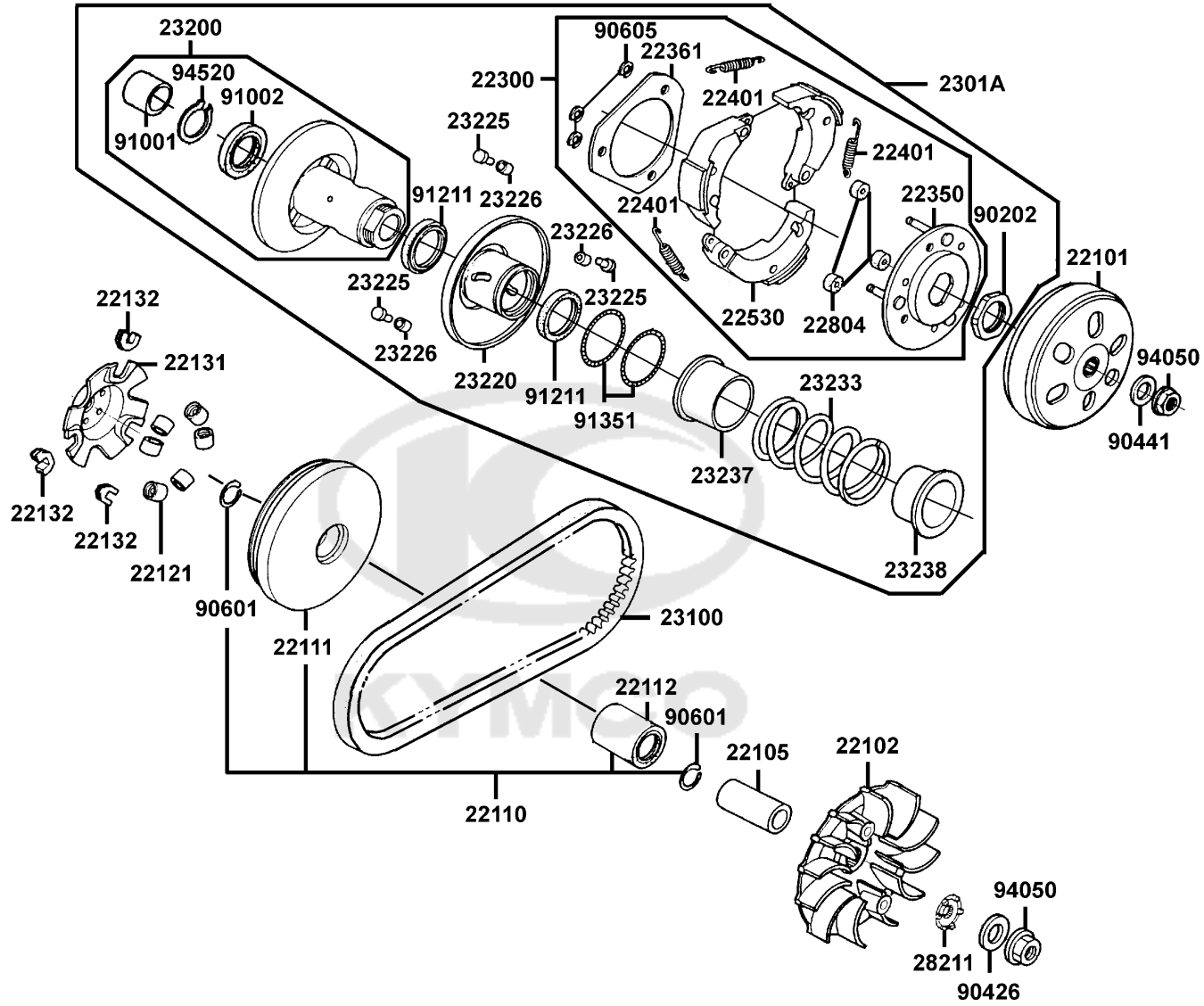
E04

Right Crankcase Cover



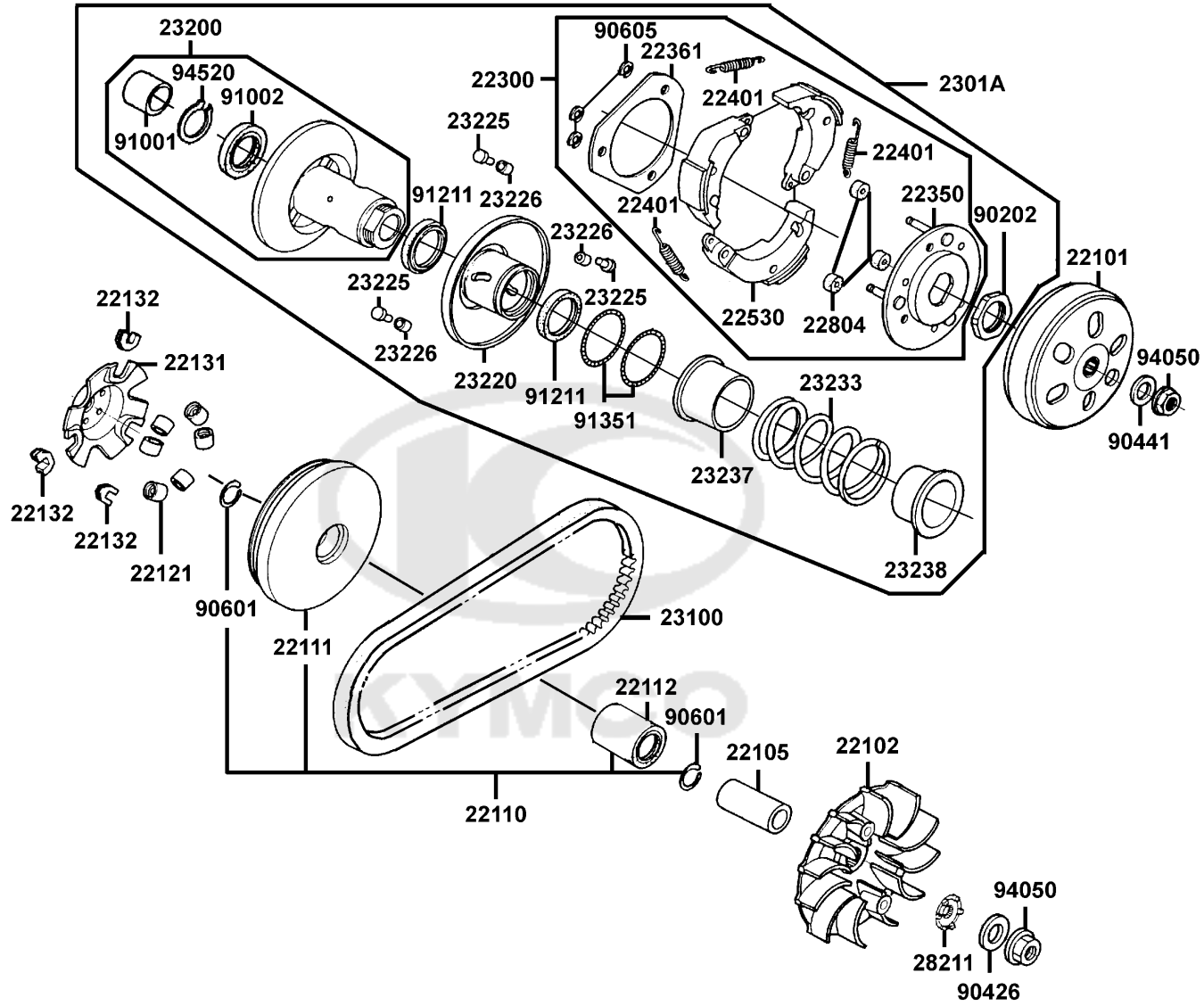
Sales mark	Ref no	Part no	Description	Reg description	Regd no	E04
11331		11331-KHB4-C00	COVER R CRANK CASE	COVER R CRANK CASE	1	
11394		11394-KUDU-900	GASKET R COVER	GASKET R COVER	1	
12361		12361-GFY6-901	HOLE CAP TAPPET ADJUSTING	HOLE CAP TAPPET ADJUSTING	1	
15421		15421-1G07-001	SCREEN OIL FILTER	SCREEN OIL FILTER	1	
15426		15426-GAE1-921	SPG OIL FILTER SCREEN	SPG OIL FILTER SCREEN	1	
1565A		1565A-KUDU-900	GAUGE OIL LEVEL ASSY	GAUGE OIL LEVEL ASSY	1	
32412		32412-KHB4-900	CABLE EARTH	CABLE EARTH	1	
32961		32961-KUDU-900	CLAMPER ACG CORD	CLAMPER ACG CORD	1	
91202-GFY6-90A		91202-GFY6-90A	OIL SEAL 19.8*30*5	OIL SEAL 19.8*30*5	1	
91202-GFY6-90B		91202-GFY6-90B	OIL SEAL 19.8*30*5	OIL SEAL 19.8*30*5	1	
91302		91302-0A01-021	O-RING 30.8M/M	O-RING 30.8MM	1	
91307		91307-0E35-001	O RING 18*3	O-RING 18*3	1	
94301		94301-10160	DOWEL PIN 10*16	DOWEL PIN 10*16	2	
96001-06012		96001-06012-08	BOLT FLANGE 6*12	BOLT FLANGE 6*12	2	
96001-06028		96001-06028-08	BOLT FLANGE SH 6*28	BOLT FLANGE SH 6*28	1	
96001-06100		96001-06100-08	BOLT FLANGE SH 6*100	BOLT FLANGE SH 6*100	6	
96001-06110		96001-06110-08	BOLT FLANGE SH 6*110	BOLT FLANGE SH 6*110	2	

Driven Pulley



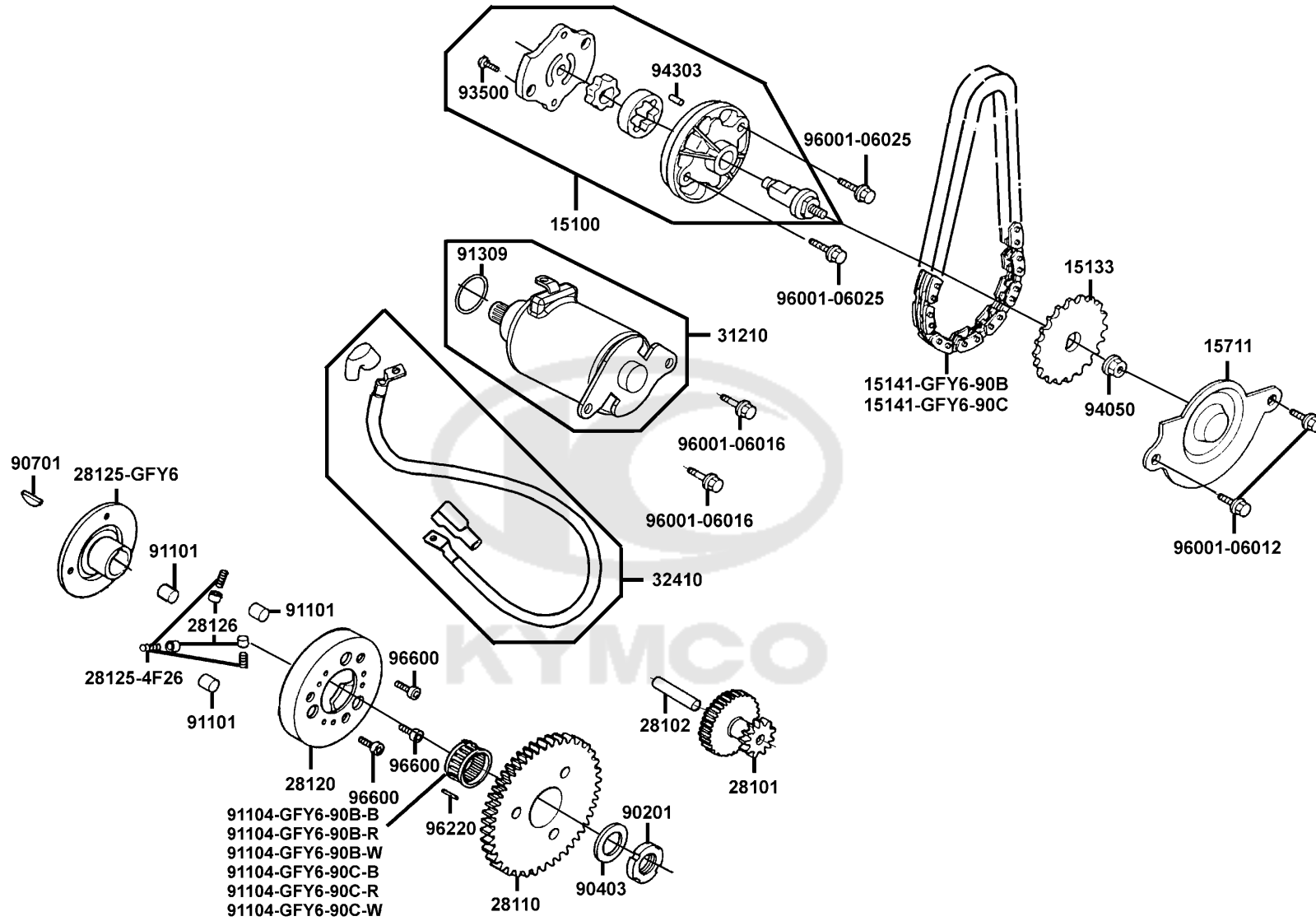
Sales mark	Ref no	Part no	Description	Reg description	Regd no	E05
	22101	22101-GFY6-941	OUTER CLUTCH	OUTER CLUTCH	1	
	22102	22102-KUDU-220	FACE DRIVE	FACE DRIVE	1	
	22105	22105-GFY6-220	BOSS DRIVE FACE	BOSS DRIVE FACE	1	
	22110	22110-KUDU-220	FACE COMP MOVABLE DRIVE	FACE COMP MOVABLE DRIVE	1	
	22111	22111-KUDU-220	FACE MOVEABLE DRIVE	FACE MOVEABLE DRIVE	1	
	22112	22112-GFY6-90A	BUSH 24*28*30	BUSH 24*28*30	1	
	22121	22121-GFY6-92A	ROLLER COMP WEIGHT 13gr	ROLLER COMP WEIGHT 13gr	6	
	22131	22131-GFY6-901	PLATE RAMP	PLATE RAMP	1	
	22132	22132-KBN2-901	PIECE SLIDE	PIECE SLIDE	3	
	22300	22300-KEC6-900	PLATE ASSY DRIVE	PLATE ASSY DRIVE	1	
	22350	22350-GFY6-90A	PLATE COMP DRIVE	PLATE COMP DRIVE	1	
	22361	22361-KGN7-671	PLATE CLUTCH SIDE	PLATE CLUTCH SIDE	1	
	22401	22401-GFY6-90A	SPRING CLUTCH	SPRING CLUTCH	3	
	22530	22530-GFY6-94A	WEIGHT CLUTCH	WEIGHT CLUTCH	3	
	22804	22804-GBB2-001	RUBBER CLUTCH DAMPER	RUBBER CLUTCH DUMRER	3	
	2301A	2301A-KEC6-900	PULLEY SUB ASSY	PULLEY SUB ASSY	1	
	23100	23100-KEC4-900	BELT DRIVE	BELT DRIVE	1	
	23200	23200-GFY6-901	FACE ASSY DRIVEN	FACE ASSY DRIVEN	1	
	23220	23220-KFBF-900	FACE COMP MOVABLE DRIVEN	FACE COMP MOVABLE DRIVEN	1	
	23225	23225-GHC8-004	PIN ROLLER GUIDE	PIN ROLLER GUIDE	3	

Driven Pulley



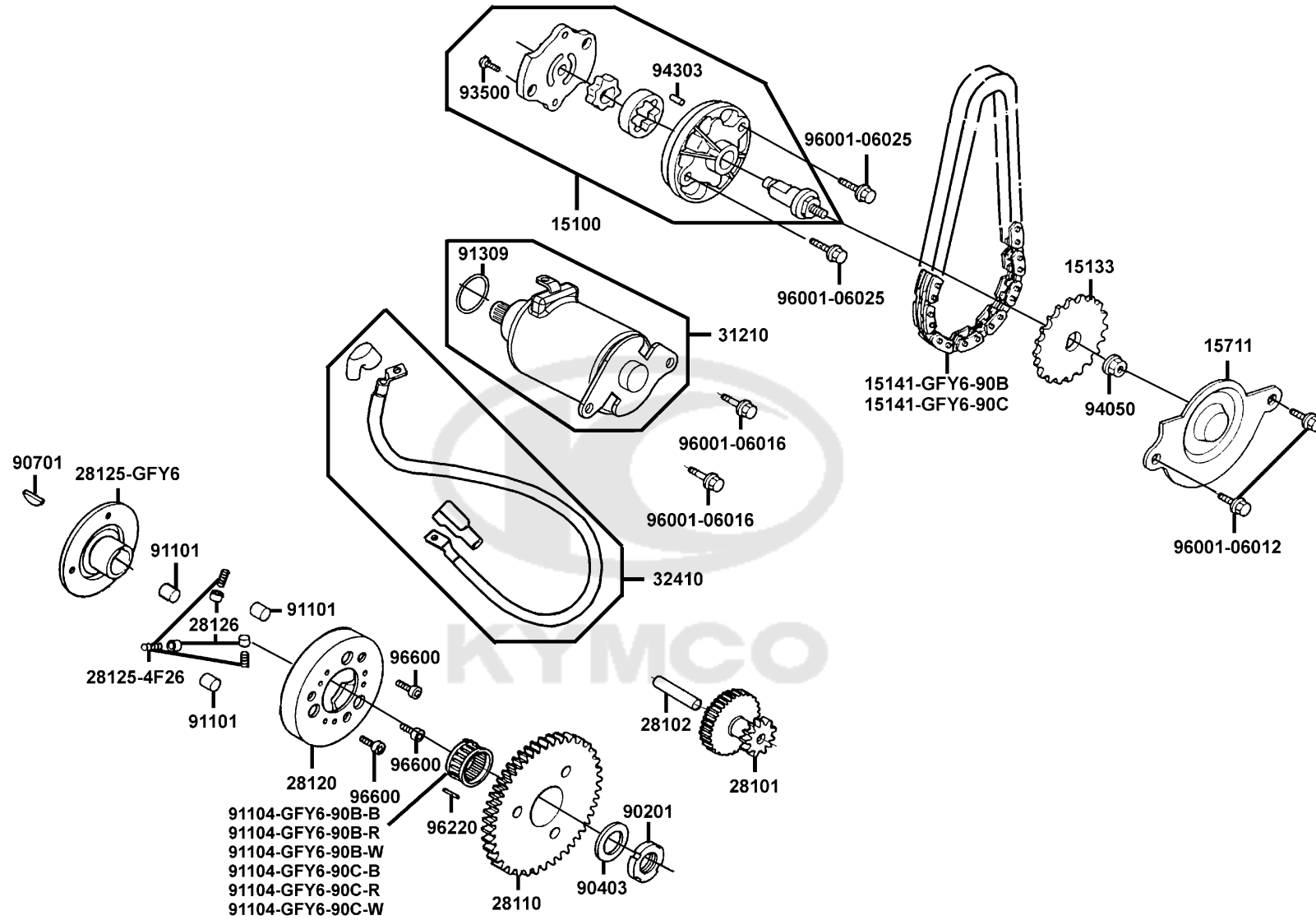
Sales mark	Ref no	Part no	Description	Reg description	Regd no	E05
23226		23226-GHC8-004	ROLLER GUIDE	ROLLER GUIDE	3	
23233		23233-GCW3-011	SPG DRIVEN FACE	SPG DRIVEN FACE	1	
23237		23237-GFY6-941	COLLAR SEAL	COLLAR SEAL	1	
23238		23238-GFY6-941	COLLAR SPG	COLLAR SPG	1	
28211		28211-KUDU-900	RATCHET KICK STARTER	RATCHET KICK STARTER	1	
90202		90202-1G87-001	NUT SPECIAL 28MM	NUT SPECIAL 28MM	1	
90426		90426-KNBN-901	WASHER SPECIAL 12MM	WASHER SPECIAL 12MM	1	
90441		90441-GFY6-941	WASHER 12.2*29*2.5	WASHER 12.2*29*2.5	1	
90601		90601-GFY6-901	CLIP 28MM	CLIP 28MM	2	
90605		90605-1F66-721	CIR CLIP 7MM	CIR CLIP 7MM	3	
91001		91001-GFY6-90A	BRG NDL 20*29*18	BRG NDL 20*29*18	1	
91002		91002-GGA7-70A	BRG BALL RADIAL 6902U	BRG BALL RADIAL 6902U	1	
91211		91211-KEBE-900	SEAL DRIVEN FACE 34*41*4	SEAL DRIVEN FACE 34*41*4	2	
91351		91351-6B42-000	O-RING PINION CAP	O-RING 38.8*1.9	2	
94050		94050-12080	NUT C FLANGE 12MM	NUT C FLANGE 12MM	2	
94520		94520-28000	CIR CLIP IN 28	CIR CLIP IN 28	1	

Starting Motor Oil Pump



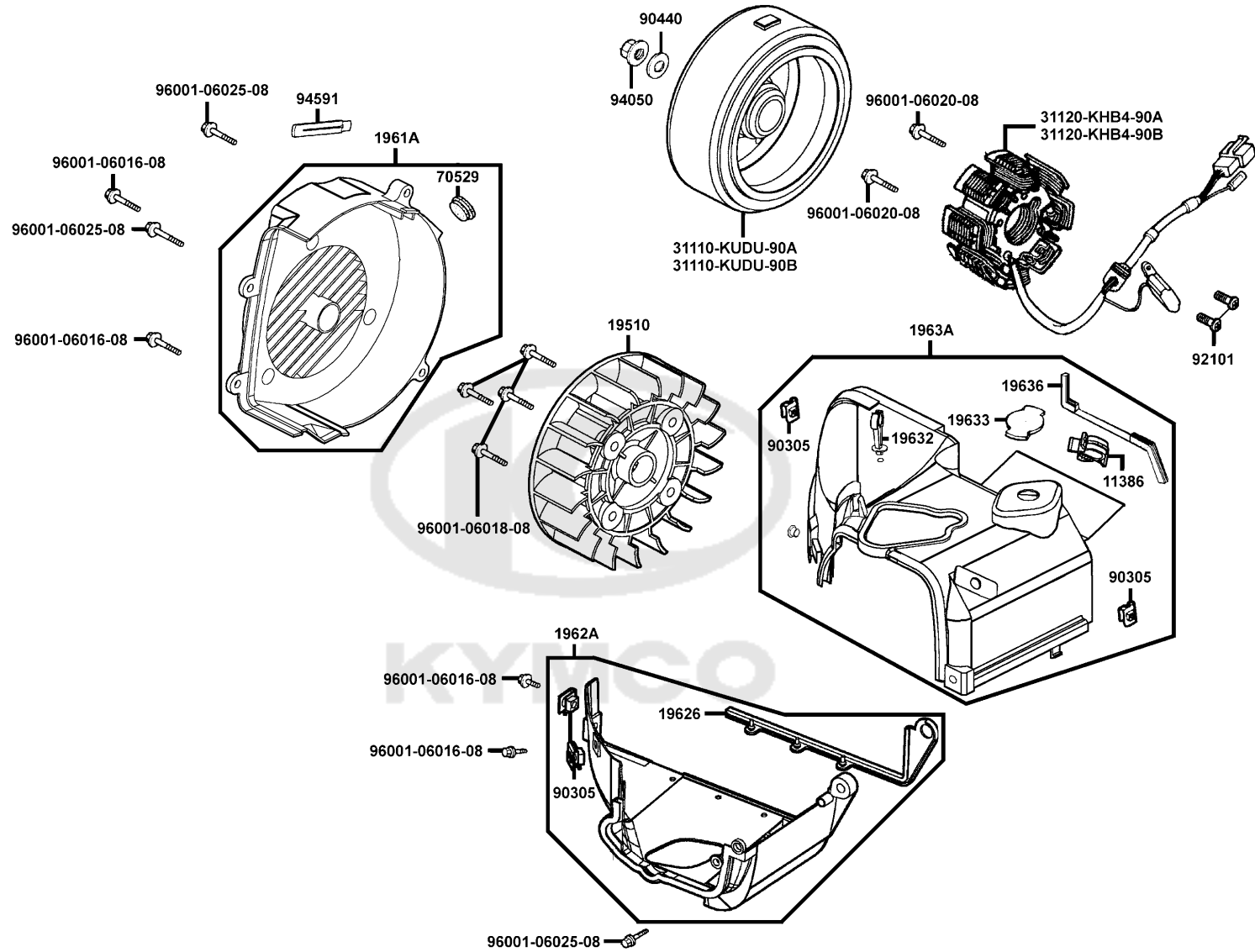
Sales mark	Ref no	Part no	Description	Reg description	Regd no	E06
	15100	15100-KUDU-900	PUMP ASSY OIL	PUMP ASSY OIL	1	
	15133	15133-GFY6-901	SPRKT OIL PUMP DRIVEN	SPROCKET OIL PUMP DRIVE	1	
	15141-GFY6-90B	15141-GFY6-90B	CHAIN OIL PUMP	CHAIN OIL PUMP	1	
	15141-GFY6-90C	15141-GFY6-90C	CHAIN OIL PUMP	CHAIN OIL PUMP	1	
	15711	15711-KUDU-900	SEPARATER OIL	SEPARATER OIL	1	
	28101	28101-GFY6-901	GEAR STARTER REDUCTION	GEAR STARTER REDUCTION	1	
	28102	28102-GFY6-901	SHAFT STARTER REDUCTION GEAR	SHAFT STARTER REDUCTION GEAR	1	
	28110	28110-GFY6-901	GEAR COMP STARTING CLUTCH	GEAR COMP STARTING CLUTCH	1	
	28120	28120-GFY6-315	OUTER COMP STARTING CLUTCH	OUTER COMP STARTING CLUTCH	1	
	28125-4F26	28125-4F26-001	SPRING ROLLER STARTER CLUTCH	SPRING ROLLER STARTER CLUTCH	3	
	28125-GFY6	28125-GFY6-960	FLANGE STARTING CLUTCH	FLANGE STARTING CLUTCH	1	
	28126	28126-KUDU-900	CAP STARTING ROLLER SPRING	CAP STARTING ROLLER SPRING	3	
	31210	31210-GFY6-20C	MOTOR UNIT START	MOTOR UNIT START	1	
	32410	32410-KUDU-900	CABLE START MOTOR	CABLE START MOTOR	1	
	90201	90201-GFY6-901	NUT LOCK 22MM	NUT LOCK 22MM	1	
	90403	90403-KUDU-900	WASHER THRUST 22.2*39*2.5	WASHER THRUST 22.2*39*2.5	1	
	90701	90701-HFB6-011	KEY WOODRUFF 25*14*4	KEY WOODRUFF 25*14*4	1	
	91101	91101-1K79-711	ROLLER 10*10	ROLLER 10*10	3	
	91104-GFY6-90B-B	91104-GFY6-90B-B	BRG NEEDLE 28*32*17	BRG NEEDLE 28*32*17	1	
	91104-GFY6-90B-R	91104-GFY6-90B-R	BRG NEEDLE 28*32*17	BRG NEEDLE 28*32*17	1	

Starting Motor Oil Pump



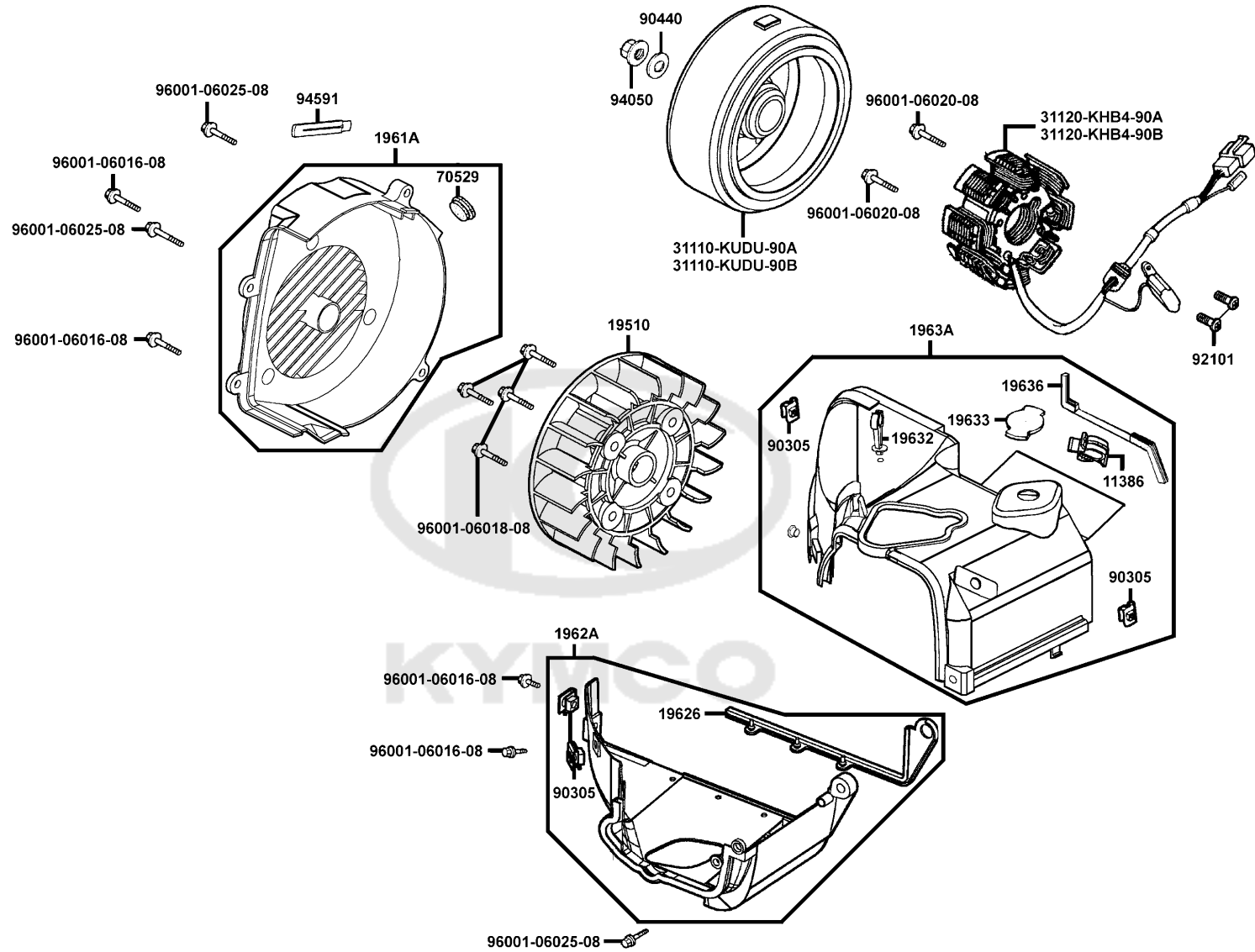
Sales mark	Ref no	Part no	Description	Reg description	Regd no	E06
	91104-GFY6-90B-W	91104-GFY6-90B-W	BRG NEEDLE 28*32*17	BRG NEEDLE 28*32*17	1	
	91104-GFY6-90C-B	91104-GFY6-90C-B	BRG NEEDLE 28*32*17	BRG NEEDLE 28*32*17	1	
	91104-GFY6-90C-R	91104-GFY6-90C-R	BRG NEEDLE 28*32*17	BRG NEEDLE 28*32*17	1	
	91104-GFY6-90C-W	91104-GFY6-90C-W	BRG NEEDLE 28*32*17	BRG NEEDLE 28*32*17	1	
	91309	91309-4E25-004	O-RING 24.4*3.1	O-RING 24.4*3.1	1	
	93500	93500-03010-1A	SCREW PAN 3*10 (B)	SCREW PAN 3*10	1	
	94050	94050-06080	NUT FLANGE 6MM	NUT FLANGE 6MM	1	
	94303	94303-04065	DOWEL PIN 4*6.5	PIN DOWEL 4*6.5	1	
	96001-06012	96001-06012-08	BOLT FLANGE 6*12	BOLT FLANGE 6*12	2	
	96001-06016	96001-06016-08	BOLT FLANGE SH 6*16	BOLT FLANGE SH 6*16	2	
	96001-06025	96001-06025-08	BOLT FLANGE SH 6*25	BOLT FLANGE SH 6*25	2	
	96220	96220-60100	ROLLER 6*10	ROLLER 6*10	1	
	96600	96600-08010-10	SOCKET BOLT 8*10	SOCKET BOLT 8*10	3	

Fan Cover Generator



Sales mark	Ref no	Part no	Description	Reg description	Regd no	E07
	11386	11386-GFY6-900	CLIP VACUUM TUBE	CLIP VACUUM TUBE	1	
	19510	19510-GFY6-901	FAN COMP COOLING	FAN COMP COOLING	1	
	1961A	1961A-KUDU-E10	COVER ASSY FAN	COVER ASSY FAN	1	
	19626	19626-KUDU-900	SEAL SHROUD A	SEAL SHROUD A	1	
	1962A	1962A-KUDU-900	SHROUD ASSY A	SHROUD ASSY A	1	
	19632	19632-GFY6-901	CLIP HIGHTENSION CORD	CLIP HIGHTENSION CORD	1	
	19633	19633-GFY6-901	GROMET SHROUD B	GROMET SHROUD B	1	
	19636	19636-KUDU-C00	SEAL SHROUD B	SEAL SHROUD B	1	
	1963A	1963A-KUDU-C00	SHROUD ASSY B	SHROUD ASSY B	1	
	31110-KUDU-90A	31110-KUDU-90A	FLYWHEEL COMP	FLYWHEEL COMP	1	
	31110-KUDU-90B	31110-KUDU-90B	FLYWHEEL COMP /D406	FLYWHEEL COMP /D406	1	
	31120-KHB4-90A	31120-KHB4-90A	STATOR COMP /D402	STATOR COMP /D402	1	
	31120-KHB4-90B	31120-KHB4-90B	STATOR COMP /D406	STATOR COMP /D406	1	
	70529	70529-6G57-671	GROM B SIDE PNL	GROM B SIDE PNL	1	
	90305	90305-GHK8-001	NUT CLIP 6MM	NUT CLIP 6MM	4	
	90440	90440-1F66-001	WASHER PLAIN 12MM	WASHER PLAIN 12MM	1	
	92101	92101-05012-0H	BOLT HEX 5*12	BOLT HEX 5*12	2	
	94050	94050-12080	NUT C FLANGE 12MM	NUT C FLANGE 12MM	1	
	94591	94591-KFBF-900	CLIP 2*70	CLIP 2*70	1	
	96001-06016	96001-06016-08	BOLT FLANGE SH 6*16	BOLT FLANGE SH 6*16	4	

Fan CoverGenerator



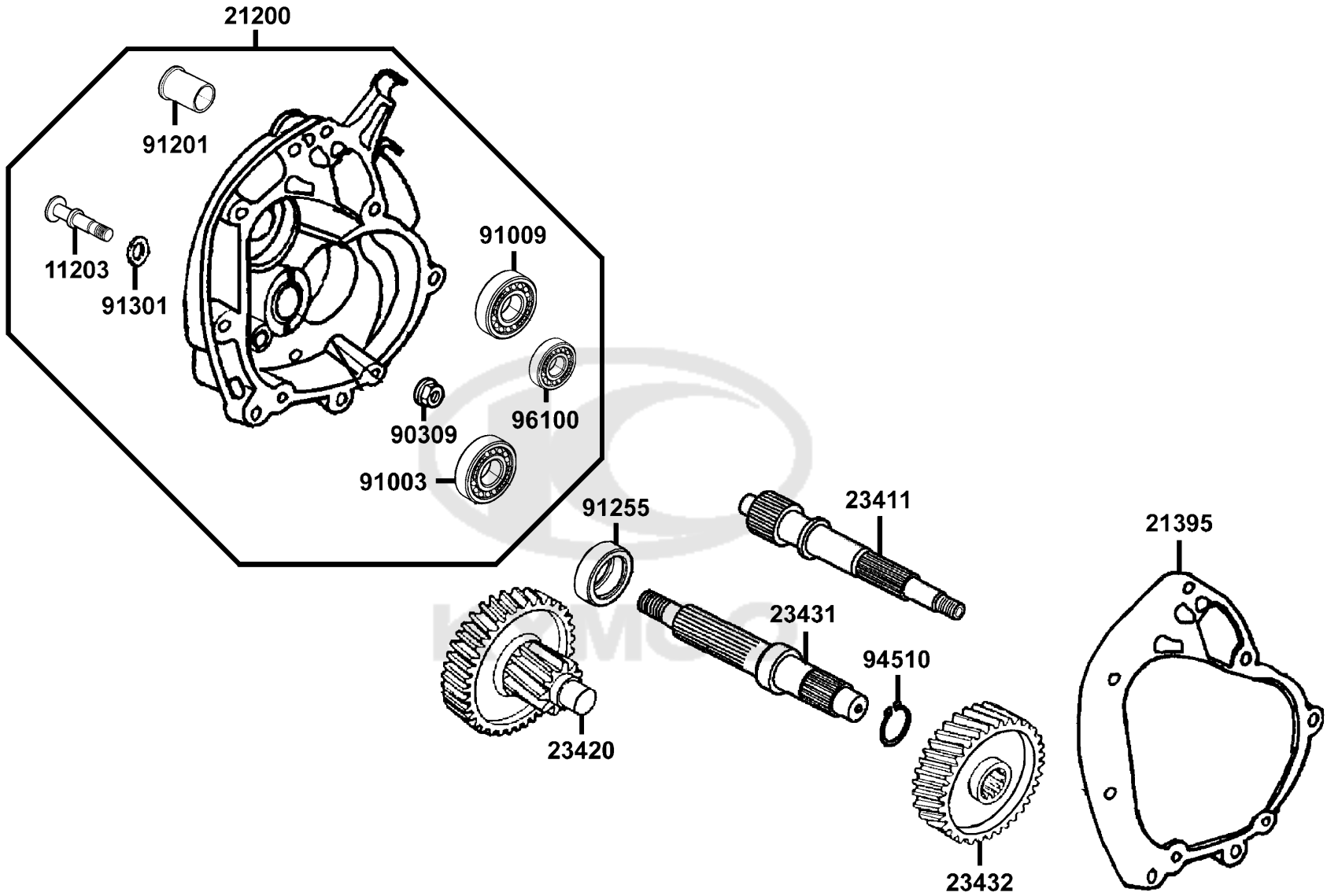
Sales mark	Ref no	Part no	Description	Reg description	Regd no	E07
------------	--------	---------	-------------	-----------------	---------	------------

96001-06018		96001-06018-08	BOLT FLANGE SH 6*18	BOLT FLANGE SH 6*18	4	
96001-06020		96001-06020-08	BOLT FLANGE SH 6*20	BOLT FLANGE SH 6*20	2	
96001-06025		96001-06025-08	BOLT FLANGE SH 6*25	BOLT FLANGE SH 6*25	3	

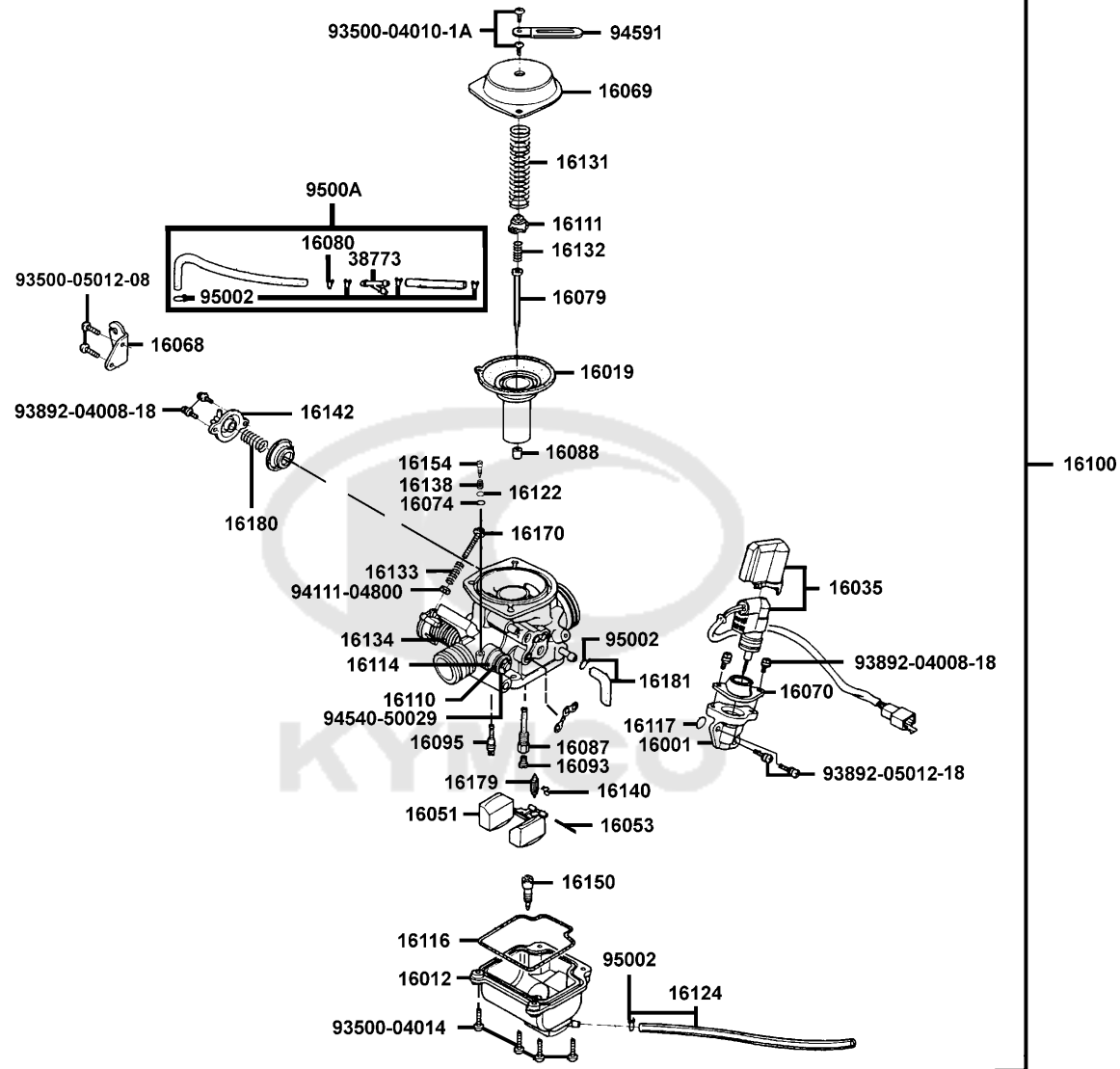


E08

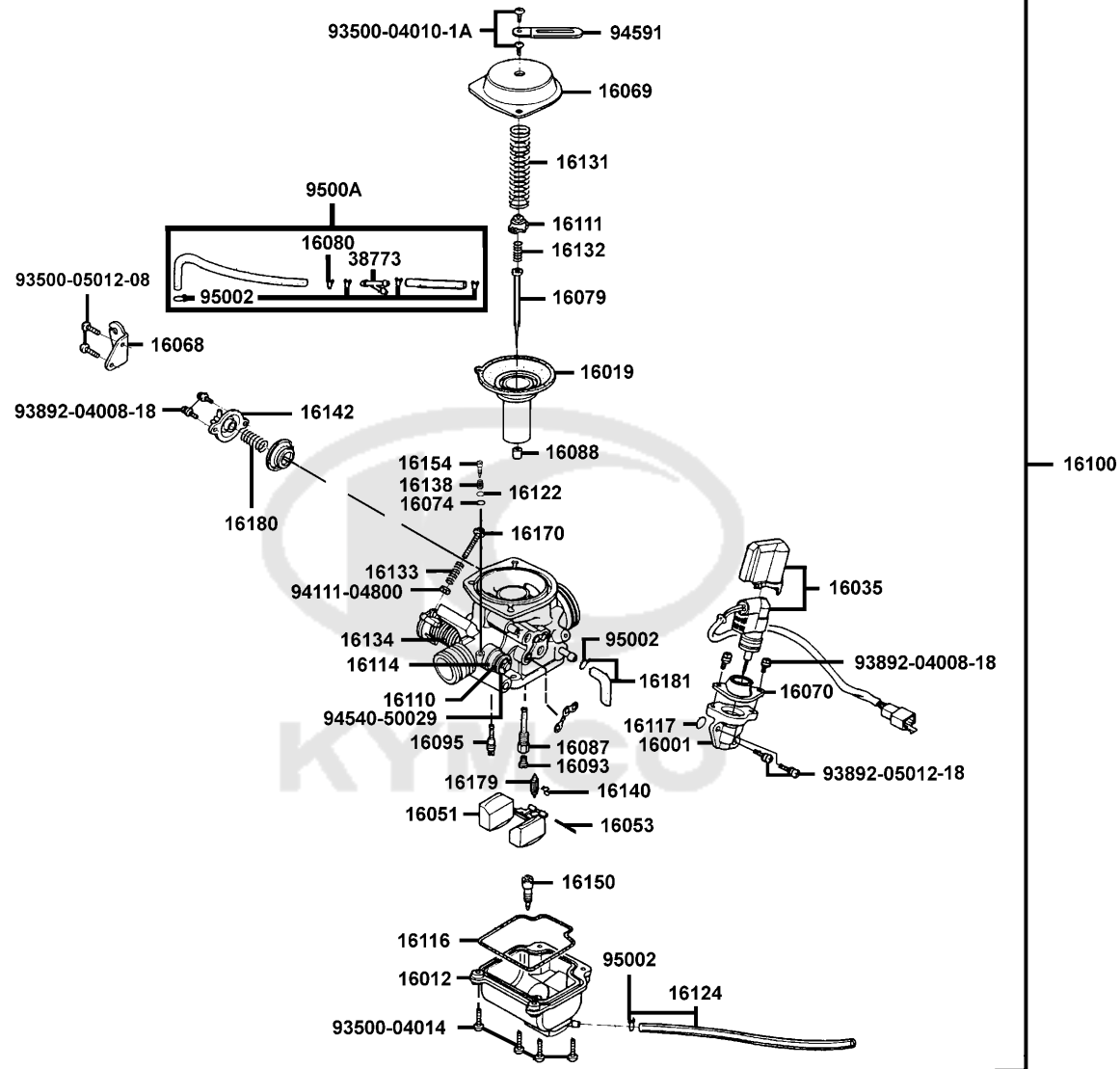
Transmission



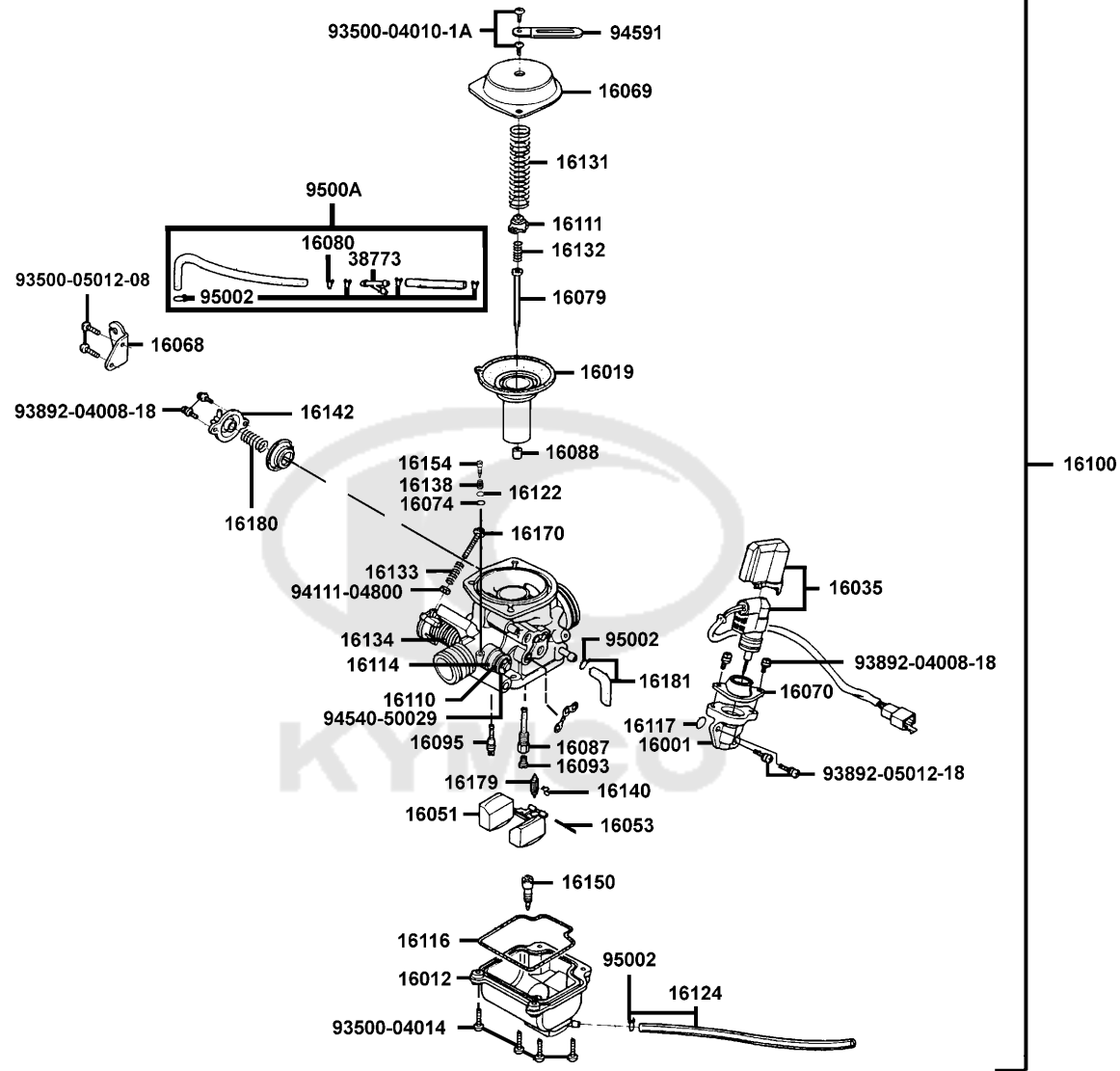
Sales mark	Ref no	Part no	Description	Reg description	Regd no	E08
11203		11203-KUDU-900	PIN BRAKE SHOE ANCHOR	PIN BRAKE SHOE ANCHOR	1	
21200		21200-KHB4-305	CASE SET MISSION	CASE SET MISSION	1	
21395		21395-KHB4-900	GASKET MISSION CASE @ A	GASKET MISSION CASE @ A	1	
23411		23411-KHB4-900	SHAFT DRIVEN	SHAFT DRIVEN	1	
23420		23420-KHB4-900	SHAFT COMP COUNTER	SHAFT COMP COUNTER	1	
23431		23431-KHB4-900	SHAFT FINAL	SHAFT FINAL	1	
23432		23432-KHB4-900	GEAR FINAL	GEAR FINAL	1	
90309		90309-KLF0-004-SY	NUT FLANGE 8MM	NUT FLANGE 8MM	1	
91003		91003-KDS4-004	BRG BALL RADIAL 6301TMB	BRG BALL RADIAL 6301TMB	1	
91009		91009-GLE0-004	BRG BALL RADIAL 6004 UU	BRG BALL RADIAL 6004 UU	1	
91201		91201-KED1-900	BUSH MISSION	BUSH MISSION	1	
91255		91255-GLE0-006	OIL SEAL 27*42*7	OIL SEAL 27*42*7	1	
91301		91301-OC53-001	O RING 7.5*1.5	O RING 7.5*1.5	1	
94510		94510-20000	CIR CLIP EX 20	CIR CLIP EX 20	1	
96100		96100-60020-00	BRG BALL RADIAL 6002	BEARING BALL RADIAL 6002	1	



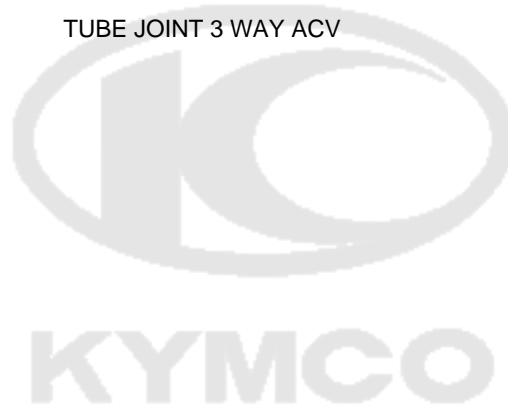
Sales mark	Ref no	Part no	Description	Reg description	Regd no	E09
16001		16001-KEC3-900	BODY ASSY BY-ST	BODY ASSY BY-ST	1	
16012		16012-KEC3-800	CHAMBER COMP FLOAT	CHAMBER COMP FLOAT	1	
16019		16019-KUDU-900	VALVE ASSY PISTON	VALVE ASSY PISTON	1	
16035		16035-KHB4-EZ0	UNIT BY-ST	UNIT BY-ST	1	
16051		16051-KEC3-90A	BODY FLOAT	BODY FLOAT	1	
16053		16053-KEC3-900	PIN FLOAT	PIN FLOAT	1	
16068		16068-KEC3-900	PLATE WIRE FIXED	PLATE WIRE FIXED	1	
16069		16069-KEC3-900	COVER PISTON VALVE DIAPHRAGM	COVER PISTON VALVE DIAPHRAGM	1	
16070		16070-KEC3-900	STOPPER BY-ST	STOPPER BY-ST	1	
16074		16074-KEC3-900	WASHER IDLE SCREW	WASHER IDLE ADJUST SCREW	1	
16079		16079-KEC3-900	NEEDLE ASSY JET	NEEDLE ASSY JET	1	
16080		16080-KEC3-900	CLIP TUBE HOLDER	CLIP TUBE HOLDER	1	
16087		16087-KEC3-900	TUBE MAIN EMULSION	TUBE MAIN EMULSION	1	
16088		16088-KEC3-900	JET NEEDLE	JET NEEDLE	1	
16093		16093-KEC3-112	JET MAIN	JET MAIN	1	
16095		16095-KEC3-900	JET SLOW	JET SLOW	1	
16100		16100-KHB4-EZ0	CARBURETOR ASSY	CARBURETOR ASSY	1	
16110		16110-KEC3-900	WASHER THROTTLE ASSY	WASHER THROTTLE ASSY	1	
16111		16111-KEC3-900	STOPPER J.N SPG	STOPPER J.N SPG	1	
16114		16114-KEC3-900	SHAFT COVER	SHAFT COVER	1	



Sales mark	Ref no	Part no	Description	Reg description	Regd no	E09
16116		16116-KEC3-900	PACKING FLOAT CHAMBER	PACKING FLOAT CHAMBER	1	
16117		16117-KEC3-900	PACKING BY-ST	PACKING BY-ST	1	
16122		16122-KEC3-900	O-RING IDLE SCREW	O-RING IDLE SCREW	1	
16124		16124-KEC3-900	TUBE COMPL 3.5*300	TUBE COMPL 3.5*300	1	
16131		16131-KEC3-900	SPG PISTON VALVE RETURN	SPG PISTON VALVE RETURN	1	
16132		16132-KEC3-900	SPG JET NEEDLE	SPRING JET NEEDLE	1	
16133		16133-KEC3-900	SPG THROTTLE ADJ SCREW	SPG THROTTLE ADJ SCREW	1	
16134		16134-KEC3-900	SPG THROTTLE SHAFT	SPG THROTTLE SHAFT	1	
16138		16138-KEC3-900	SPG IDLE SCREW	SPRING IDLE ADJUST SCREW	1	
16140		16140-KEC3-900	CLIP FLOAT VALVE	CLIP FLOAT VALVE	1	
16142		16142-KEC3-900	COVER ACV	COVER ACV	1	
16150		16150-KEC3-900	SCREW COMP DRAIN	SCREW COMPL DRAIN	1	
16154		16154-KEC3-900	SCREW IDLE ADJ	SCREW IDLE ADJ	1	
16170		16170-KEC3-900	SCREW THROTTLE ADJ	SCREW THROTTLE ADJ	1	
16179		16179-KEC3-900	VALVE ASSY FLOAT	FLOAT VALVE ASSY	1	
16180		16180-KEC3-900	SPRING ACV	SPRING ACV	1	
16181		16181-KEC3-900	TUBE AIR VENT	TUBE AIR VENT	1	
38773		38773-KEC3-900	JOINT ASSY TANK CAP	JOINT ASSY TANK CAP	1	
93500-04010-1A		93500-04010-1A	SCREW 4*10	SCREW PAN 4*10	2	
93500-04014-1A		93500-04014-1A	SCREW 4*12	SCREW PAN 4*14	4	

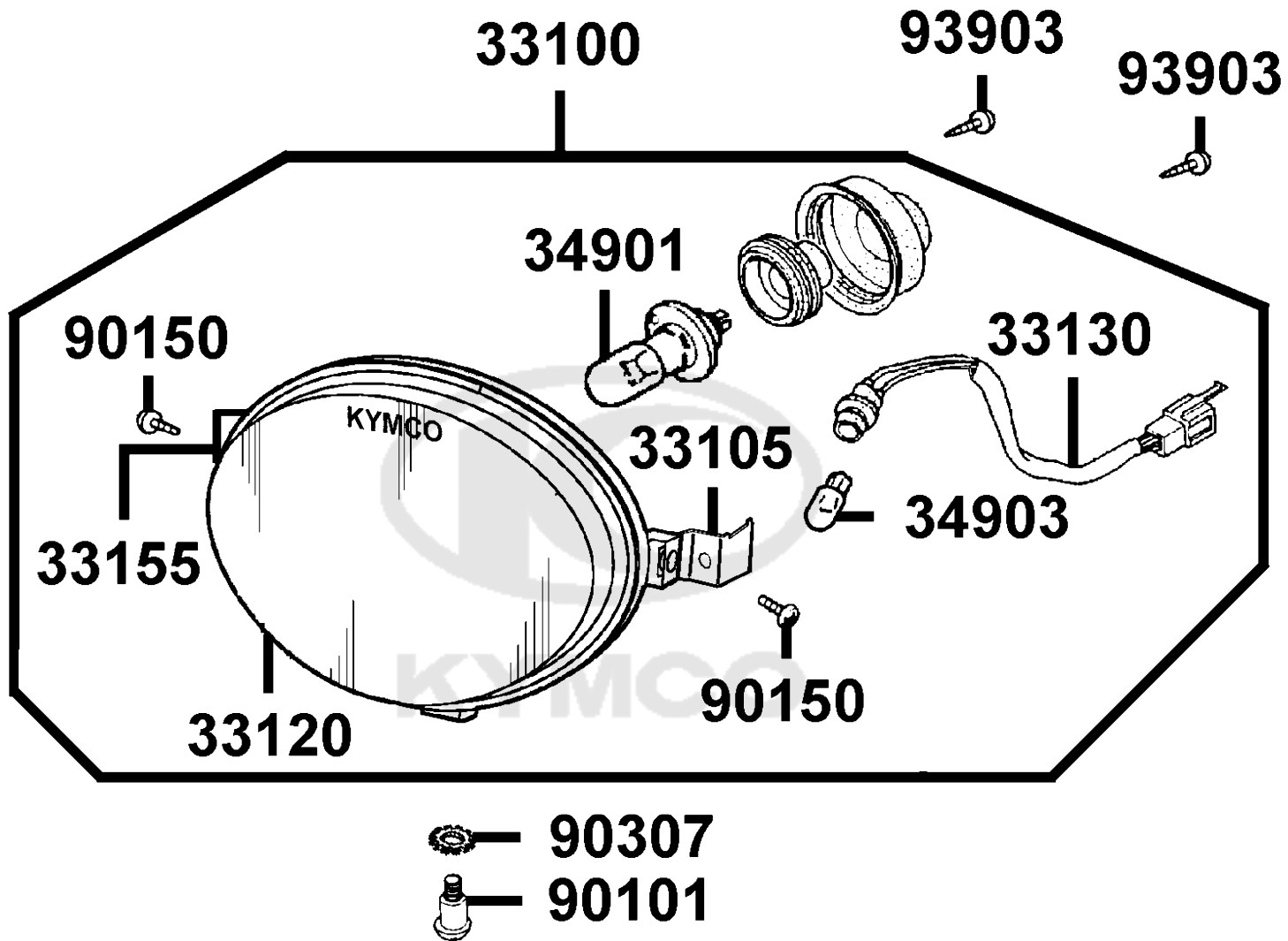


Sales mark	Ref no	Part no	Description	Reg description	Regd no	E09
	93500-05012-08	93500-05012-08	SCREW PAN 5*12	SCREW PAN 5*12	2	
	93892-04008-18	93892-04008-18	SCREW WASHER 4*8	SCREW WASHER	4	
	93892-05012-18	93892-05012-18	SCREW WASHER 5*12	WASHER SCREW	2	
	94111-04800	94111-04800	WASHER SPRING 4MM	WASHER SPRING 4MM	1	
	94540-50029	94540-50029	E CLIP SHAFT	E CLIP SHAFT	1	
	94591	94591-25000	CLIP BIND	CLIP BIND	1	
	95002	95002-02070	CLIP B7 TUBE	CLIP B7 TUBE	6	
	9500A	9500A-35200-20	TUBE JOINT 3 WAY ACV	TUBE JOINT 3 WAY ACV	1	



F01

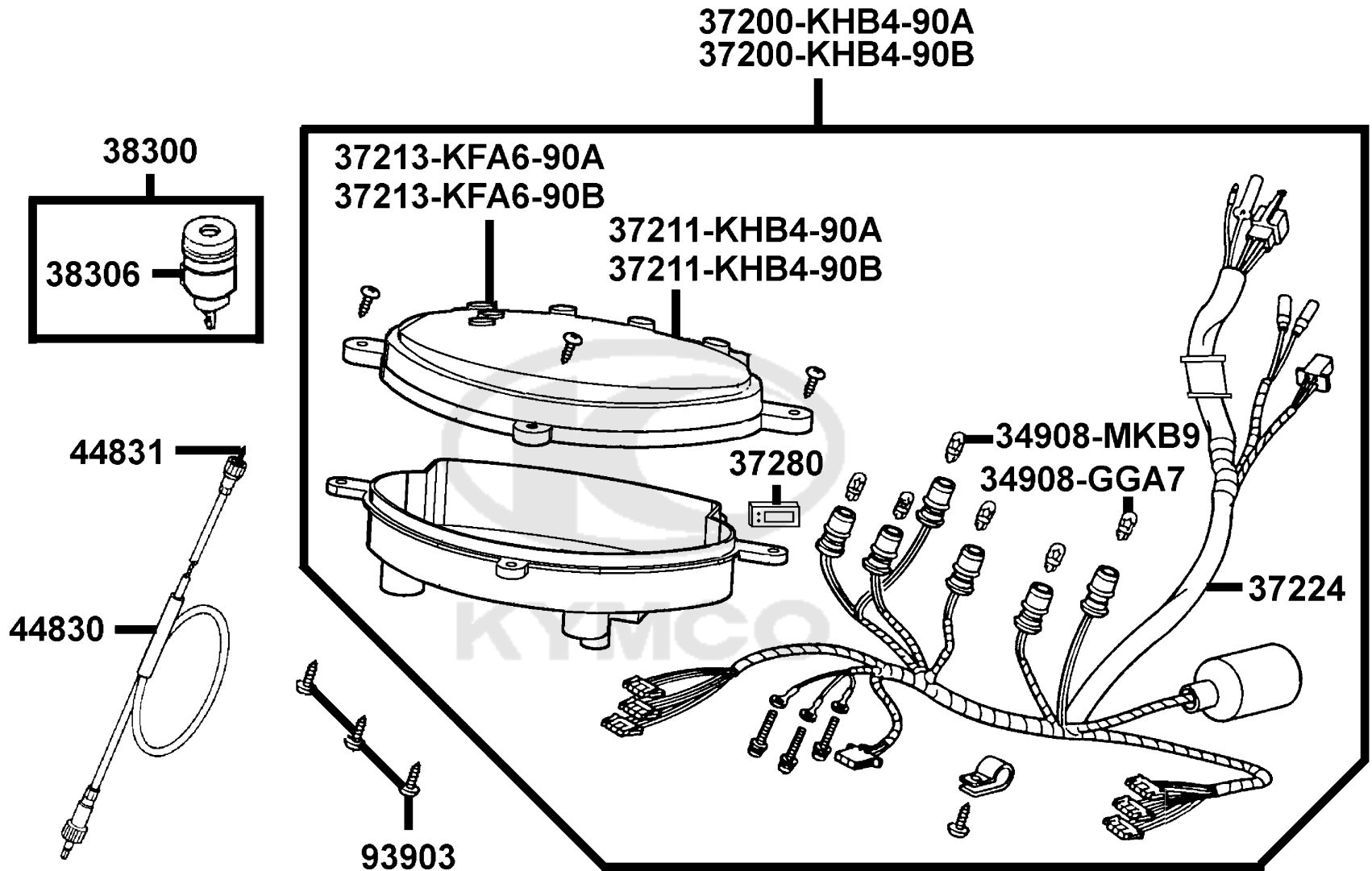
Head Light



Sales mark	Ref no	Part no	Description	Reg description	Regd no	F01
	33100	33100-KFA6-900	LIGHT ASSY HEAD	LIGHT ASSY HEAD	1	
	33105	33105-KFA6-900	PLATE ADJUST (LH)	PLATE ADJUST (LH)	1	
	33120	33120-KFA6-900	UNIT HEAD LIGHT	UNIT HEAD LIGHT	1	
	33130	33130-KFA6-900	SOCKET COMP	SOCKET COMP	1	
	33155	33155-KFA6-900	PLATE ADJUST (RH)	PLATE ADJUST (RH)	1	
	34901	34901-KFA6-900	BULB HEAD LIGHT	BULB HEAD LIGHT	1	
	34903	34903-KPCP-900	BULB POSITION	BULB POSITION	1	
	90101	90101-GAR1-001	BOLT ADJUST	BOLT ADJUST	1	
	90150	90150-4C63-77A	SCREW PAN 5*10	SCREW PAN	2	
	90307	90307-GFJ6-004	WASHER LOCK 6MM	WASHER LOCK 6MM	1	
	93903	93903-35220	SCREW TAPPING 5*12	SCREW TAPPING 5*12	2	

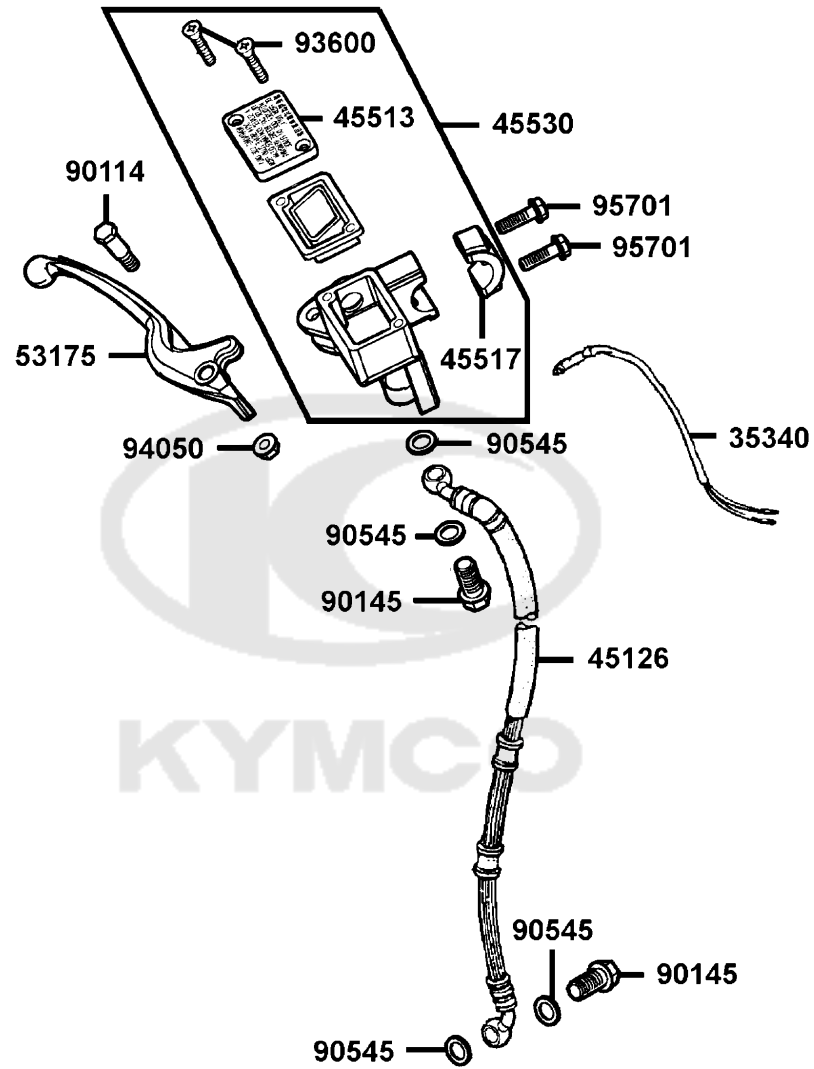
F02

Speedometer

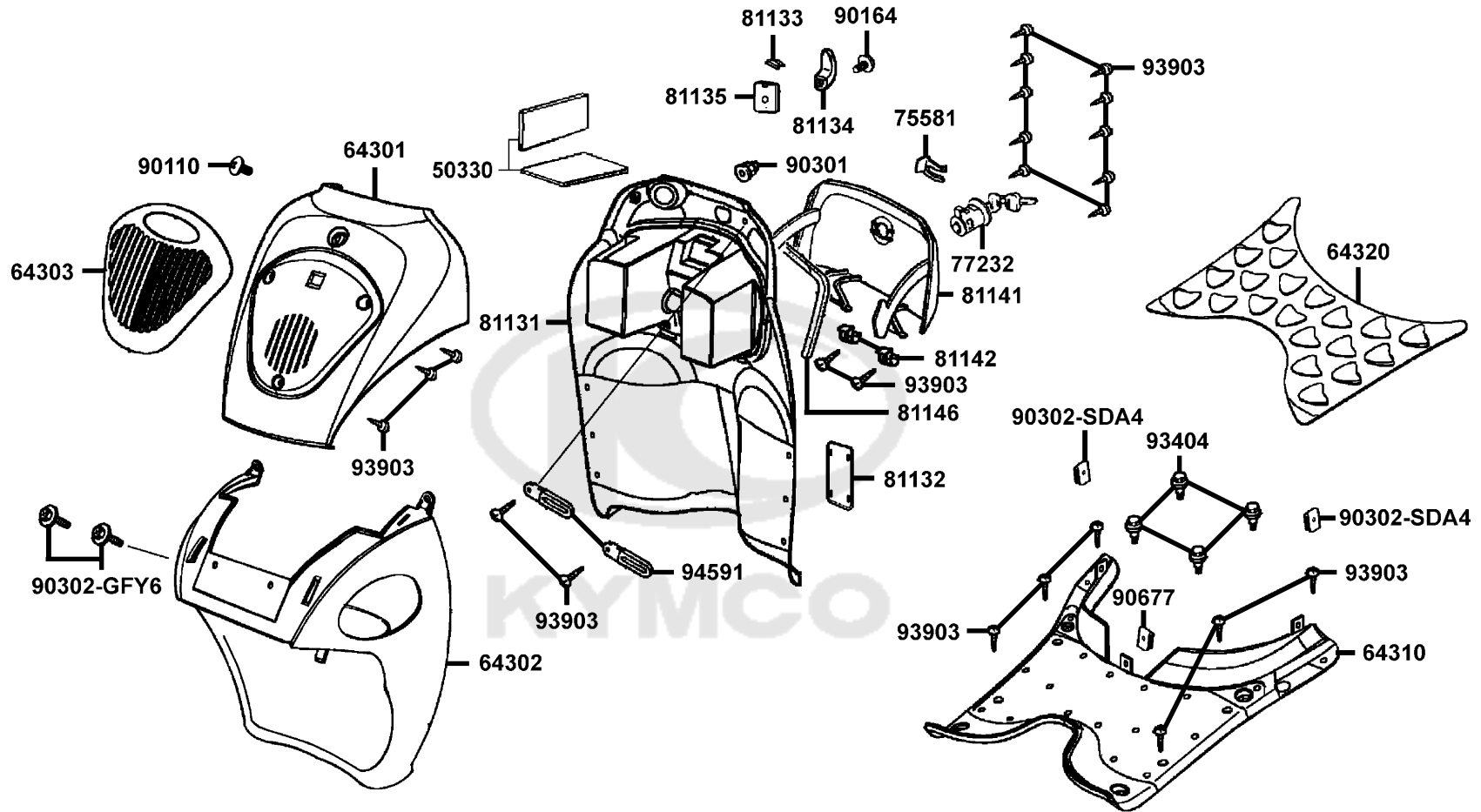


Sales mark	Ref no	Part no	Description	Reg description	Regd no	F02
	34908-GGA7	34908-GGA7-70A	BULB WEDGE BASE 12V*3.4W	BULB WEDGE BASE	2	
	34908-MKB9	34908-MKB9-87A	BULB WEDGE BASE T10	BULB WEDGE BASE T10	2	
	37200-KHB4-90A	37200-KHB4-90A	METER ASSY SPEED	METER ASSY SPEED	1	
	37200-KHB4-90B	37200-KHB4-90B	METER ASSY SPEED	METER ASSY SPEED	1	
	37211-KHB4-90A	37211-KHB4-90A	LENS ASSY	LENS ASSY	1	
	37211-KHB4-90B	37211-KHB4-90B	LENS ASSY	LENS ASSY	1	
	37213-KFA6-90A	37213-KFA6-90A	PACKING (LCD)	PACKING (LCD)	1	
	37213-KFA6-90B	37213-KFA6-90B	PACKING (LCD)	PACKING (LCD)	1	
	37224	37224-KHB4-900	SOCKET COMP METER	SOCKET COMP METER	1	
	37280	37280-KFA6-900	LCD ASSY (LOCK)	LCD ASSY (LOCK)	1	
	38300	38300-KECE-900	RELAY ASSY WINKER	RELAY ASSY WINKER	1	
	38306	38306-2B92-C11	SUSPENSION WINKER RELAY	SUSPENSION WINKER RELAY	1	
	44830	44830-KFA6-900	CABLE COMP SPDMT	CABLE COMP SPDMT	1	
	44831	44831-KFA6-900	CABLE INNER	CABLE INNER	1	
	93903	93903-35320	SCREW TAPPING 5*16	SCREW TAPPING 5*16	3	

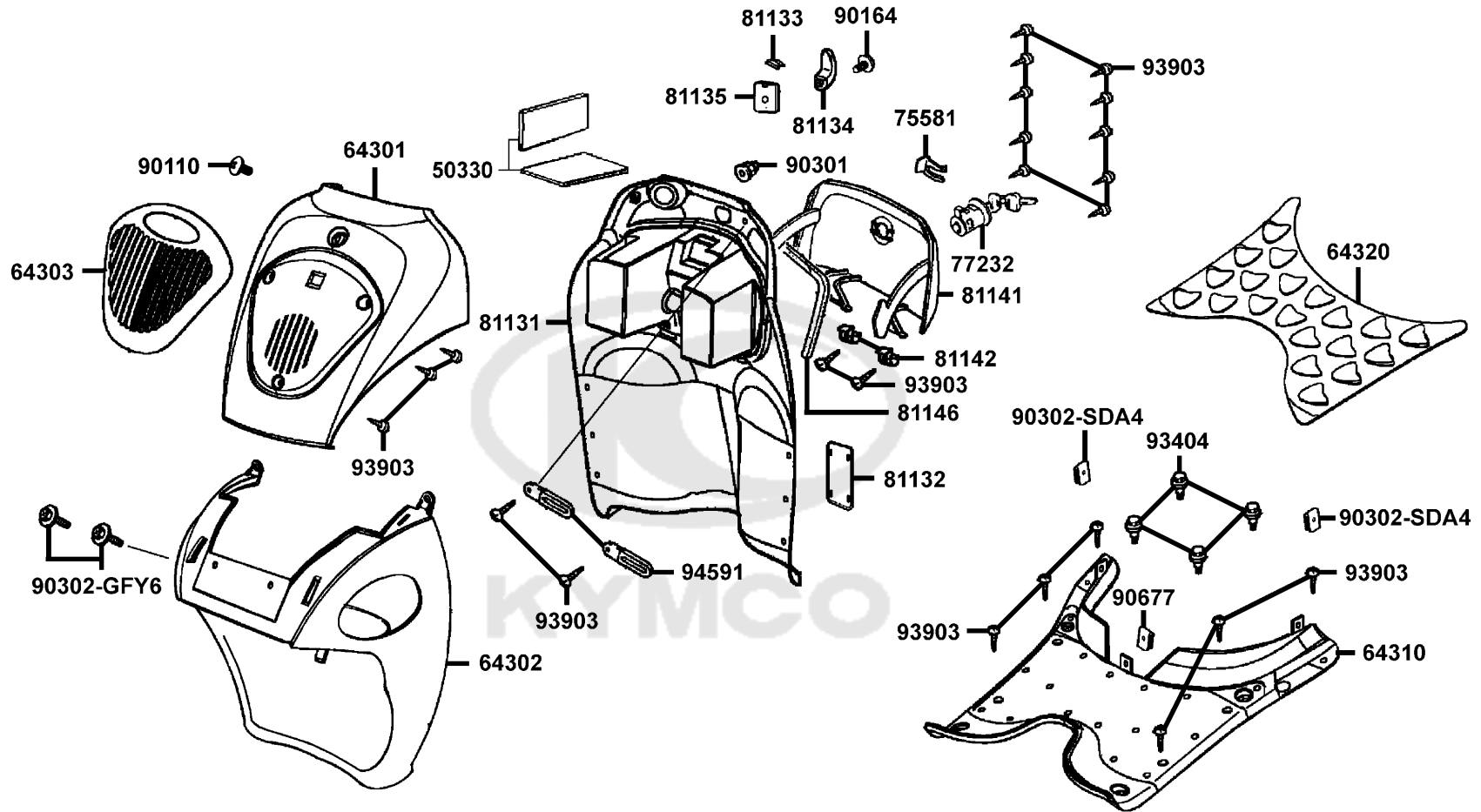
Brake Master Cylinder



Sales mark	Ref no	Part no	Description	Reg description	Regd no	F04
	35340	35340-KFA6-900	SW ASSY FR STOP	SW ASSY FR STOP	1	
	45126	45126-KFA6-900	HOSE ASSY FR BRK	HOSE ASSY FR BRK	1	
	45513	45513-KFA6-900	CAP M/C	CAP M/C	1	
	45517	45517-KFAF-910	HOLDER M/C	HOLDER M/C	1	
	45530	45530-KFA6-305	CYLN SET MASTER	CYLN SET MASTER	1	
**	53175	53175-KFA6-E00	LEVER R STRG HNDL	LEVER R STRG HNDL	1	
	90114	90114-1F66-007	BOLT HANDLE LEVER	BOLT HANDLE LEVER	1	
	90145	90145-MKS9-61A	OIL BOLT 10*22	OIL BOLT 10*22	2	
	90545	90545-3L00-001	WASHER OIL BOLT	WASHER OIL BOLT	4	
	93600	93600-04012-1G	SCREW FLAT 4*12	SCREW FLAT 4*12	2	
	94050	94050-06060	NUT FLANGE 6MM	NUT FLANGE 6MM	1	
	95701	95701-06022-06	BOLT FLANGE 6*22	BOLT FLANGE 6*22	2	



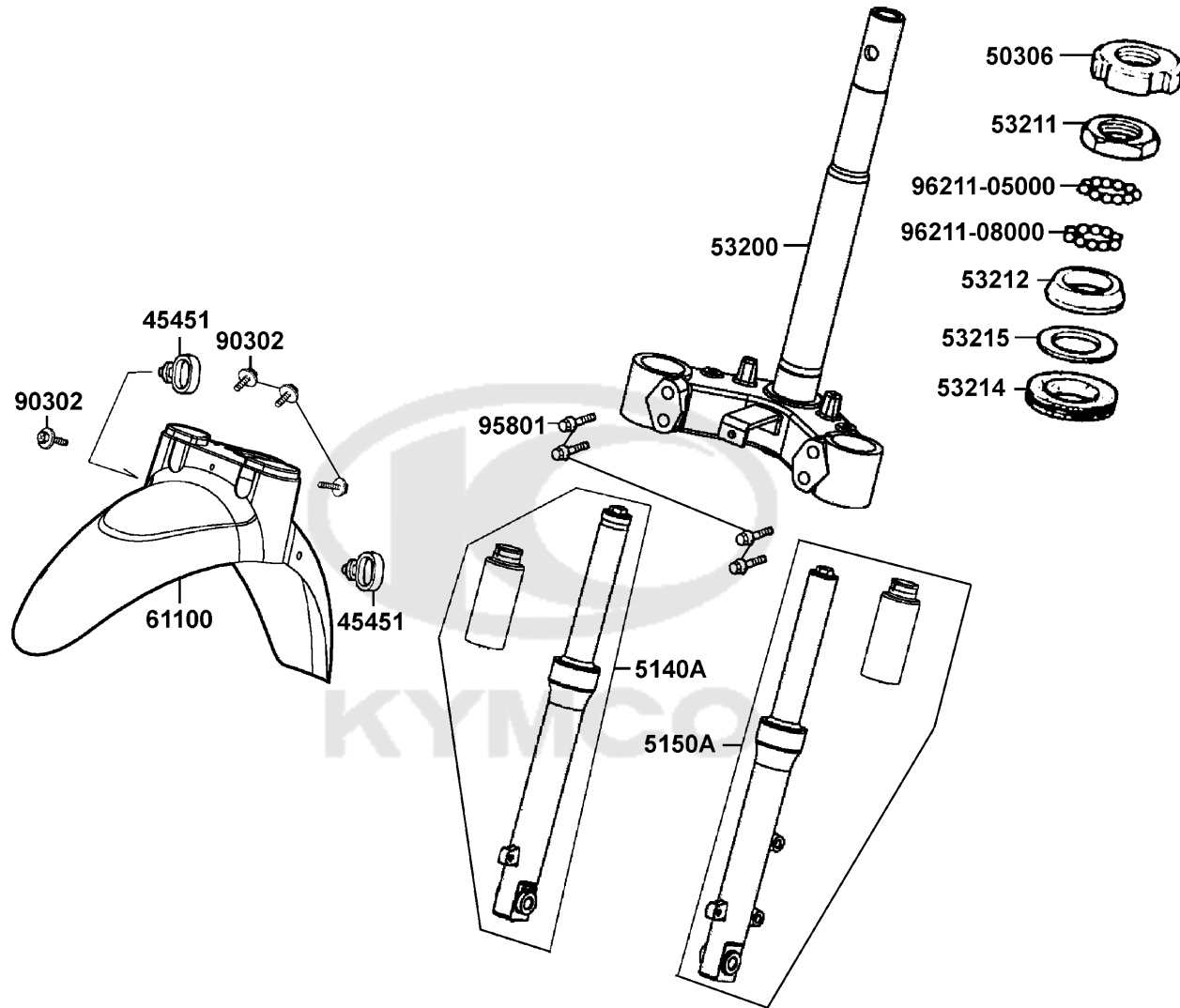
Sales mark	Ref no	Part no	Description	Reg description	Regd no	F05
	50330	50330-KEBE-900	SEAL BATTERY FR	SEAL BATTERY FR	2	
**	64301	64301-KFA6-900	COVER SET FRONT	COVER SET FRONT	1	
**	64302	64302-KFA6-900	MOLD FRONT	MOLD FRONT	1	
**	64303	64303-KFA6-900	GRILL FRONT COVER	GRILL FRONT COVER	1	
**	64310	64310-KFA6-900	FLOOR PANEL	FLOOR PANEL	1	
**	64320	64320-KFA6-900	MAT FLOOR	MAT FLOOR	1	
	75581	75581-6C73-001	SET SPG LOCK KEY	SET SPG LOCK KEY	1	
	77232	77232-GLW0-315-M2	LOCK SET FUEL LID	LOCK ASSY FUEL LID	1	
**	81131	81131-KFA6-900	LEG SHIELD	LEG SHIELD	1	
**	81132	81132-KFA6-900	LID LEG SHIELD	LID LEG SHIELD	1	
	81133	81133-KGBG-900	STOPPER LUGGAGE	STOPPER LUGGAGE	1	
	81134	81134-KFA6-900	HOOK LUGGAGE	HOOK LUGGAGE	1	
	81135	81135-KGBG-900	STAY LUGGAGE HOOK	STAY LUGGAGE HOOK	1	
**	81141	81141-KFA6-900	LID INNER BOX	LID INNER BOX	1	
	81142	81142-KFA6-900	STAY LID INNER BOX	STAY LID INNER BOX	2	
	81146	81146-GBN2-001	SEAL RUBBER A	SEAL RUBBER A	1	
	90110	90110-GLW0-001	SCREW SPECIAL 6*14	SCREW SPECIAL 6*14	1	
	90164	90164-KGBG-900	SCREW SPECIAL 6MM	SCREW SPECIAL 6MM	1	
	90301	90301-6D34-671	NUT FLANGE 6MM	NUT FLANGE 6MM	1	
#	90302-GFY6	90302-GFY6-901	BOLT WASH 5*12	BOLT WASH 5*12	2	



Sales mark	Ref no	Part no	Description	Reg description	Regd no	F05
------------	--------	---------	-------------	-----------------	---------	------------

90302-SDA4		90302-SDA4-004	NUT SPRING 4MM	NUT SPRING 4MM	2	
90677		90677-GAR1-004	NUT CLIP 5MM	NUT CLIP 5MM	1	
93404		93404-06020-06	BOLT WASHER 6*20 (G)	BOLT WASH 6*20	4	
93903		93903-34360	SCREW TAPPING 4*12 (G)	SCREW TAPPING 4*12	23	
94591		94591-27000	CLIP 2*70	CLIP 2*70	2	

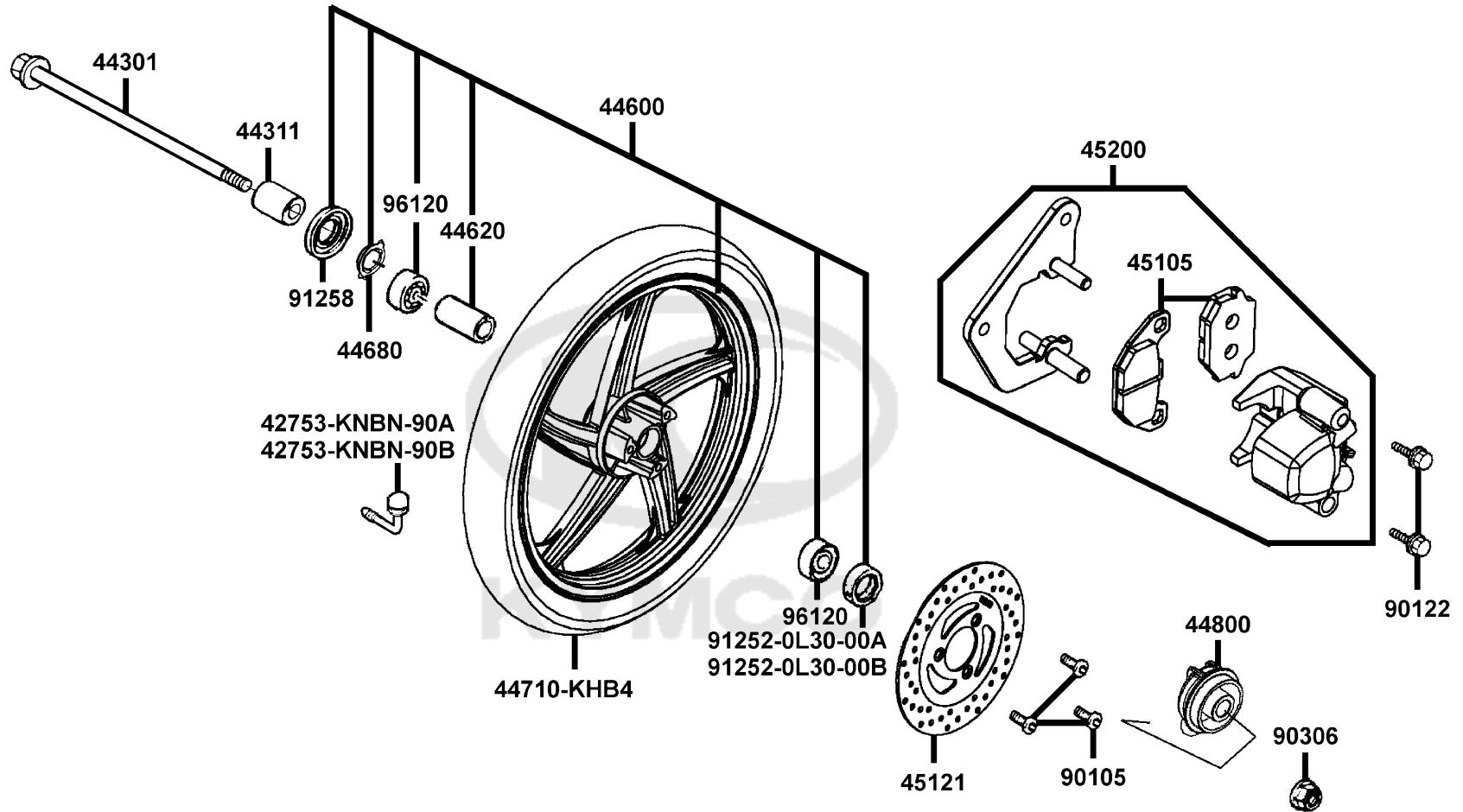




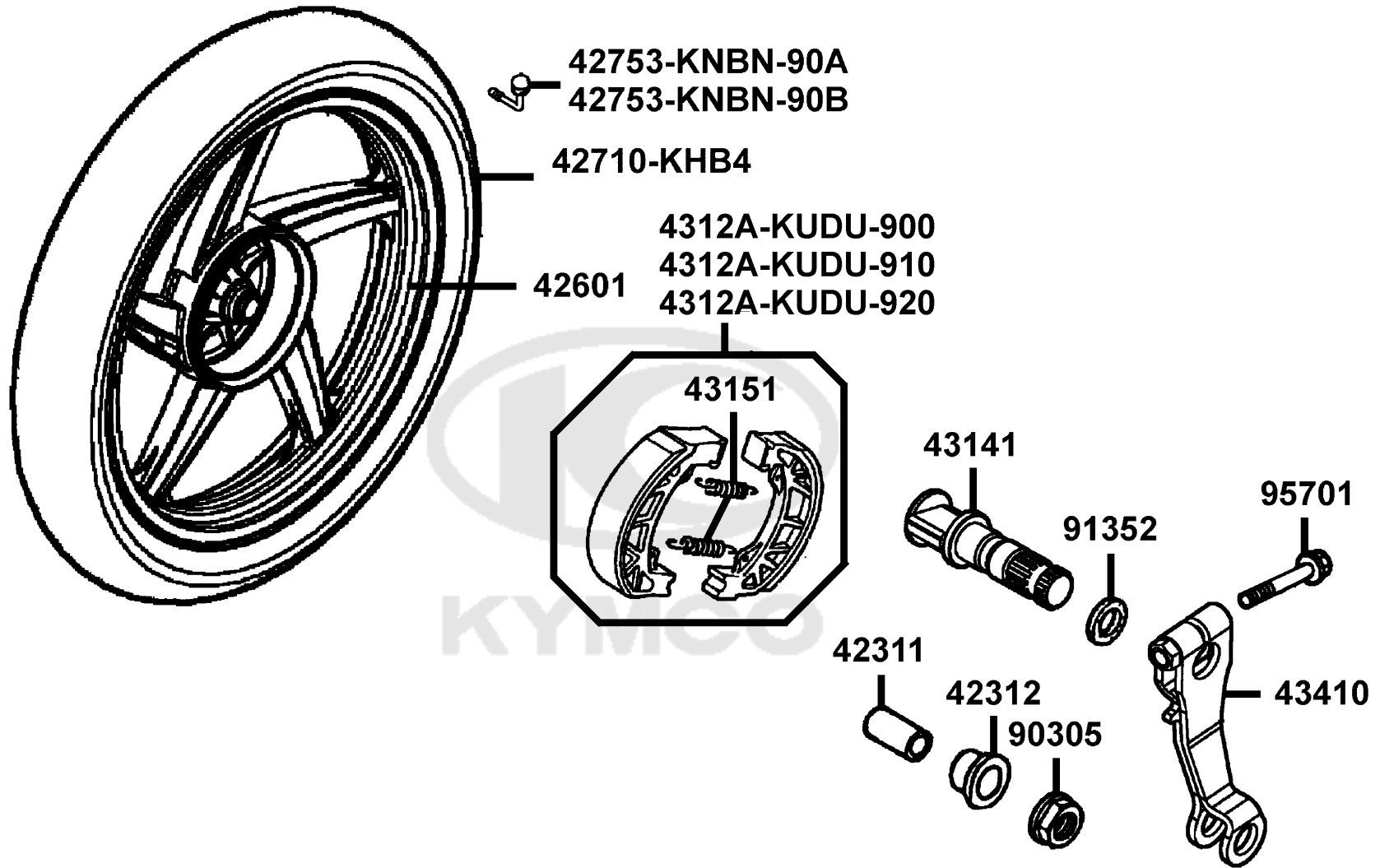
Sales mark	Ref no	Part no	Description	Reg description	Regd no	F06
	45451	45451-4A71-001	GROMMET WIRE	GROMMET WIRE	2	
	50306	50306-1F96-001	NUT STRG STEM LOCK	NUT STRG STEM LOCK	1	
**	5140A	5140A-KHB4-E00	FORK SET R FR	FORK SET R FR	1	
**	5150A	5150A-KHB4-E00	FORK SET L FR	FORK SET L FR	1	
	53200	53200-KFA6-900	STEM COMP STRG	STEM COMP STRG	1	
	53211	53211-GFY6-940	RACE STRG TOP CONE	RACE STRG TOP CONE	1	
	53212	53212-2L50-011	RACE STRG BOT CONE	RACE STRG BOT CONE	1	
	53214	53214-2L50-001	DUST SEAL STRG(HEAD)	DUST SEAL STRG(HEAD)	1	
	53215	53215-2L50-001	WASH STRG HDL DUST-SEAL	WASH STRG HDL DUST-SEAL	1	
**	61100	61100-KFA6-900	FENDER FR	FENDER FR	1	
	90302	90302-GFY6-940	BOLT-WASH 5*16	BOLT-WASH 5*16	4	
	96211-05000	91014-LLJ3-E00	CASE STEERING TOPP #5	CASE STEERING TOPP	1	
	96211-08000	91015-LLJ3-E00	CASE STEERING BOT #8	CASE STEERING BOT	1	
	95801	95801-08040-08	BOLT FLANGE 8*40	BOLT FLANGE 8*40	4	

F07

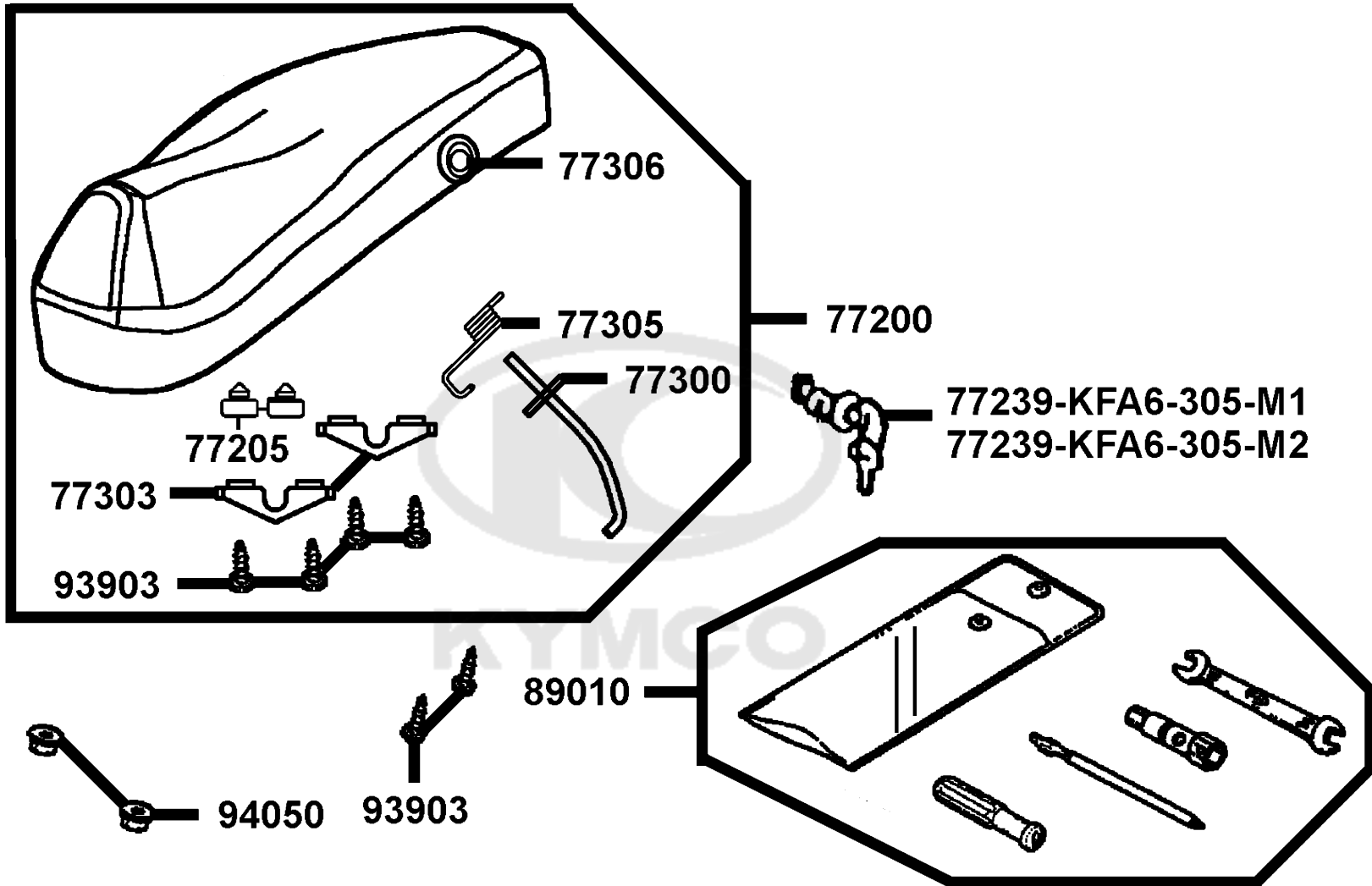
Front Wheel



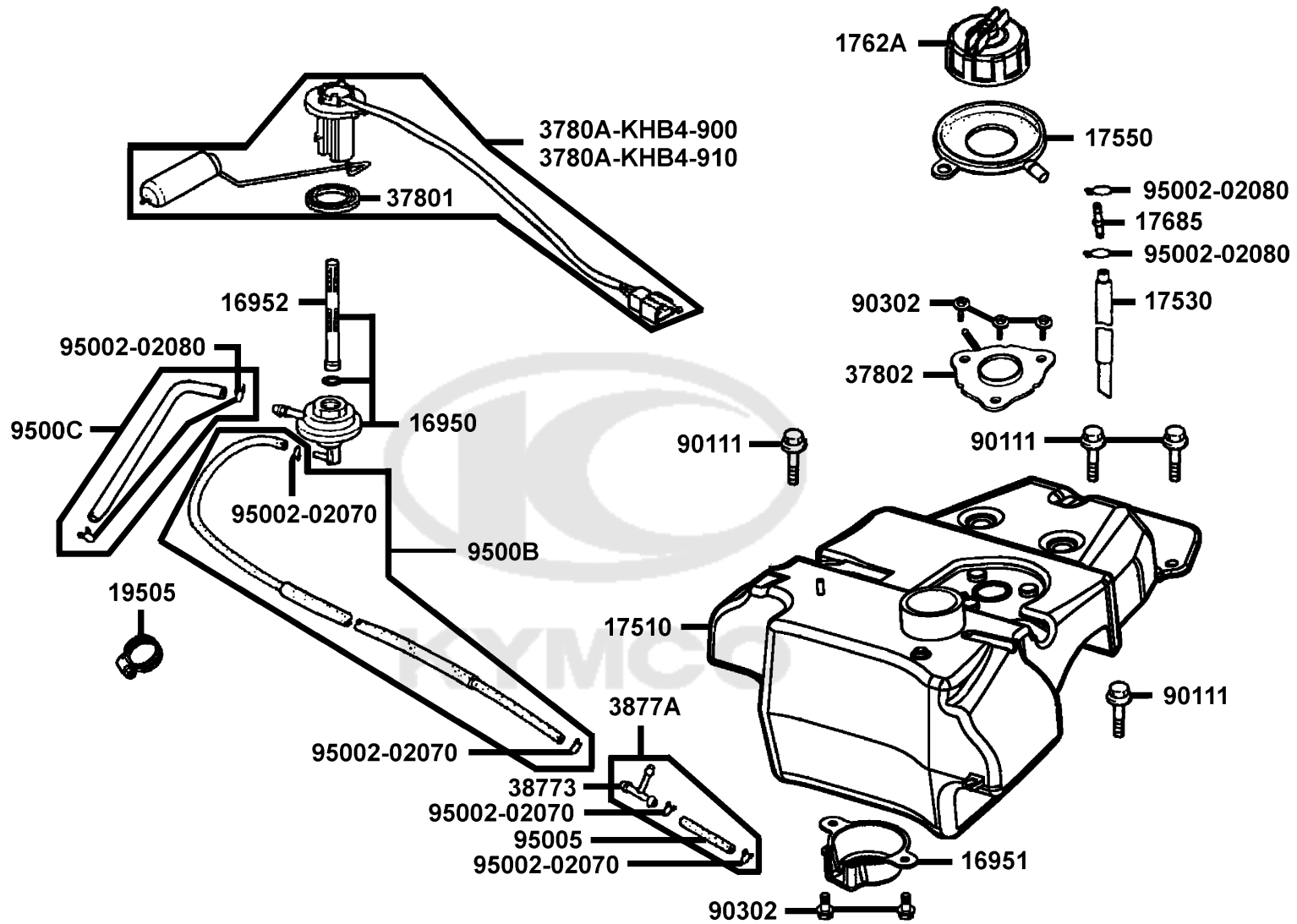
Sales mark	Ref no	Part no	Description	Reg description	Regd no	F07
	42753-KNBN-90A	42753-KNBN-90A	VALVE	VALVE	1	
	42753-KNBN-90B	42753-KNBN-90B	VALAE RIM (TR412)	VALAE RIM (TR412)	1	
	44301	44301-KHB4-900	AXLE FR WHEEL	AXLE FR WHEEL	1	
	44311	44311-KHB4-900	COLLAR FR WHEEL SIDE	COLLAR FR WHEEL SIDE	1	
**	44600	44600-KFA6-305	WHEEL SET FR	WHEEL SET FR	1	
	44620	44620-4L00-001	COLLAR FR DIST	COLLAR FR DIST	1	
	44680	44680-4L10-001	RETAINER GEAR BOX	RETAINER GEAR BOX	1	
	44710-KHB4	44710-KHB4-90A	TIRE ASSY FR /CHENG SHIN	TIRE ASSY FR /CHENG SHIN	1	
	44800	44800-KFA6-900	GEAR BOX ASSY SPDMT	GEAR BOX ASSY SPDMT	1	
	45105	45105-KFA6-305	PAD ASSY (A+B)	PAD SET	1	
	45121	45121-KFA6-900	DISK FR BRAKE	DISK FR BRAKE	1	
**	45200	45200-KFA6-900	CALIPER ASSY FR	CALIPER ASSY FR	1	
	90105	90105-KCR3-001	BOLT FR DISK 8*24	BOLT FR DISK 8*24	3	
	90122	90122-KEBE-900	BOLT FLANGE 8*32	BOLT FLANGE 8*32	2	
	90306	90306-KLF0-901	NUT FLANGE 12MM	NUT FLANGE 12MM	1	
	91252-0L30-00A	91252-0L30-00A	OIL SEAL WHEEL 23*37*7	OIL SEAL WHEEL 23*37*7	1	
	91252-0L30-00B	91252-0L30-00B	OIL SEAL WHEEL 23*37*7	OIL SEAL WHEEL 23*37*7	1	
	91258	91258-4L10-00B	DUST SEAL 40*50*5	SEAL DUST 40*50*5	1	
	96120	96120-63010-10	BEARING BALL RADIAL 6301	BEARING BALL RADIAL 6301	2	



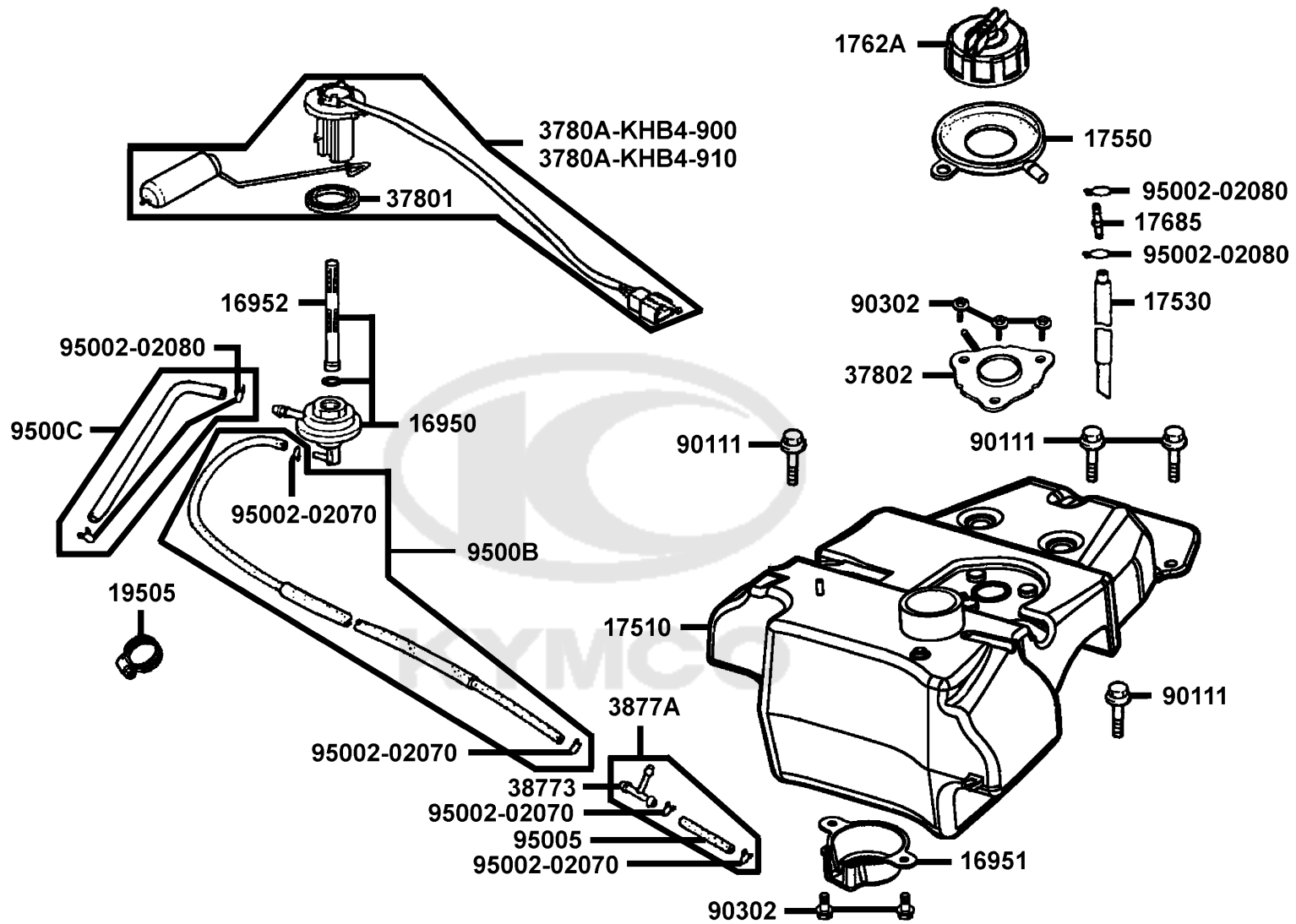
Sales mark	Ref no	Part no	Description	Reg description	Regd no	F08
	42311	42311-KHB4-900	COLLAR RR AXLE A	COLLAR RR AXLE A	1	
	42312	42312-KHB4-900	COLLAR RR AXLE SIDE	CLOLLAR RR AXLE SIDE	1	
**	42601	42601-KFA6-900	WHEEL COMP RR CAST	WHEEL COMP RR CAST	1	
	42710-KHB4	42710-KHB4-90A	TIRE ASSY RR /CHENG SHIN	TIRE ASSY RR /CHENG SHIN	1	
	42753-KNBN-90A	42753-KNBN-90A	VALVE	VALVE	1	
	42753-KNBN-90B	42753-KNBN-90B	VALAE RIM (TR412)	VALAE RIM (TR412)	1	
	4312A-KUDU-900	4312A-KUDU-900	SHOE ASSY RR BRAKE	SHOE ASSY RR BRAKE	1	
	4312A-KUDU-910	4312A-KUDU-910	SHOE ASSY RR BRAKE	SHOE ASSY RR BRAKE	1	
	4312A-KUDU-920	4312A-KUDU-920	SHOE ASSY RR BRAKE	SHOE ASSY RR BRAKE	1	
	43141	43141-KED1-900	CAM RR BRK	CAM RR BRK	1	
	43151	43151-KGM7-961	SPRING BRAKE SHOE REAR	SPRING BRAKE SHOE REAR	2	
	43410	43410-KHB4-900	ARM RR BRAKE	ARM RR BRAKE	1	
#	90305	90305-KFW6-900	NUT U FLANGE 16MM (B)	NUT U FLANGE 16MM (B)	1	
	91352	91352-KHG8-83B	O-RING 11.3*1.3	O-RING 11.3*1.3	1	
	95701	95701-06032-08	BOLT FLANGE 6*32	BOLT FLANGE 6*32	1	



Sales mark	Ref no	Part no	Description	Reg description	Regd no	F09
**	77200	77200-KHB4-E00	SEAT ASSY	SEAT ASSY	1	
	77205	77205-KFA6-900	RUBBER SEAT CUSH	RUBBER SEAT CUSH	2	
	77239-KFA6-305-M1	77239-KFA6-305-M1	KEY SEAT LOCK	KEY SEAT LOCK	1	
	77239-KFA6-305-M2	77239-KFA6-305-M2	KEY SEAT LOCK	KEY SEAT LOCK	1	
	77300	77300-KHB4-900	LOCK COMP SEAT	LOCK COMP SEAT	1	
	77303	77303-KFA6-900	HOLDER HOOK BAR	HOLDER HOOK BAR	2	
	77305	77305-KFA6-900	SPRING HOOK BAR	SPRING HOOK BAR	1	
	77306	77306-KHB4-900	COLLAR SEAT LOCK	COLLAR SEAT LOCK	1	
	89010	89010-KGBG-900	TOOL SET	TOOL SET	1	
	93903	93903-34360	SCREW TAPPING 4*12 (G)	SCREW TAPPING 4*12	6	
	94050	94050-06080	NUT FLANGE 6MM	NUT FLANGE 6MM	2	



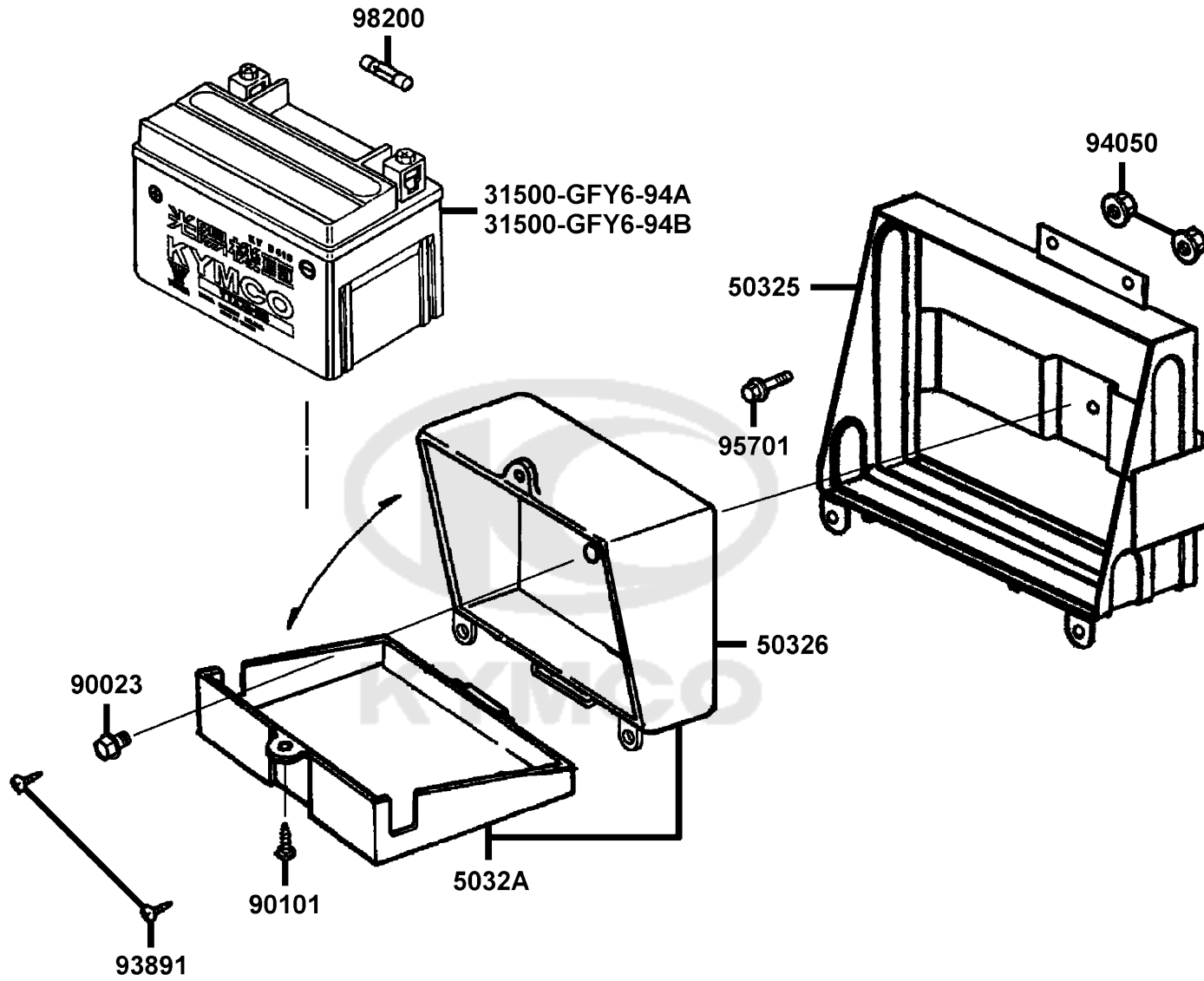
Sales mark	Ref no	Part no	Description	Reg description	Regd no	F10
	16950	16950-KHB4-900	AUTO COCK ASSY FUEL	AUTO COCK ASSY FUEL	1	
	16951	16951-KHB4-900	COVER FUEL AUTO-COCK	COVER FUEL AUTO-COCK	1	
	16952	16952-KEC8-900	SCREEN FUEL STRAINER	SCREEN FUEL STRAINER	1	
#	17510	17510-KHB4-E01	TANK COMP FUEL	TANK COMP FUEL	1	
	17530	17530-KHB4-900	TUBE ASSY FUEL DRAIN	TUBE ASSY FUEL DRAIN	1	
	17550	17550-KFA6-900	TRAY FUEL CAP	TRAY FUEL CAP	1	
	1762A	1762A-KFA6-900	CAP ASSY FUEL FILLER	CAP ASSY FUEL FILLER	1	
	17685	17685-KZCZ-900	JOINT TUBE	JOINT TUBE	1	
	19505	19505-GFY6-940	CLAMP A WATER HOSE	CLAMP A WATER HOSE	1	
	37801	37801-LAB4-910	PACKING BASE	PACKING BASE	1	
	37802	37802-KHB4-900	RET FUEL UNIT	RET FUEL UNIT	1	
#	3780A-KHB4-900	3780A-KHB4-900	FUEL UNIT ASSY	FUEL UNIT ASSY	1	
#	3780A-KHB4-910	3780A-KHB4-910	FUEL UNIT ASSY	FUEL UNIT ASSY	1	
	38773	38773-PKB9-001	JOINT 3 WAY 3.5	JOINT 3 WAY 3.5	1	
	3877A	3877A-PKB9-001	JOINT ASSY 3WAY	JOINT ASSY 3WAY	1	
	90111	90111-1G87-001	BOLT FLANGE 6MM	BOLT FLANGE 6MM	4	
#	90302	90302-GBR2-001	BOLT WASH 5*16	BOLT-WASH 5*16	4	
#	90302	90302-GFY6-901	BOLT WASH 5*12	BOLT WASH 5*12	5	
	95002-02070	95002-02070	CLIP B7 TUBE	CLIP B7 TUBE	4	
	95002-02080	95002-02080	CLIP B8 TUBE	CLIP B8 TUBE	4	



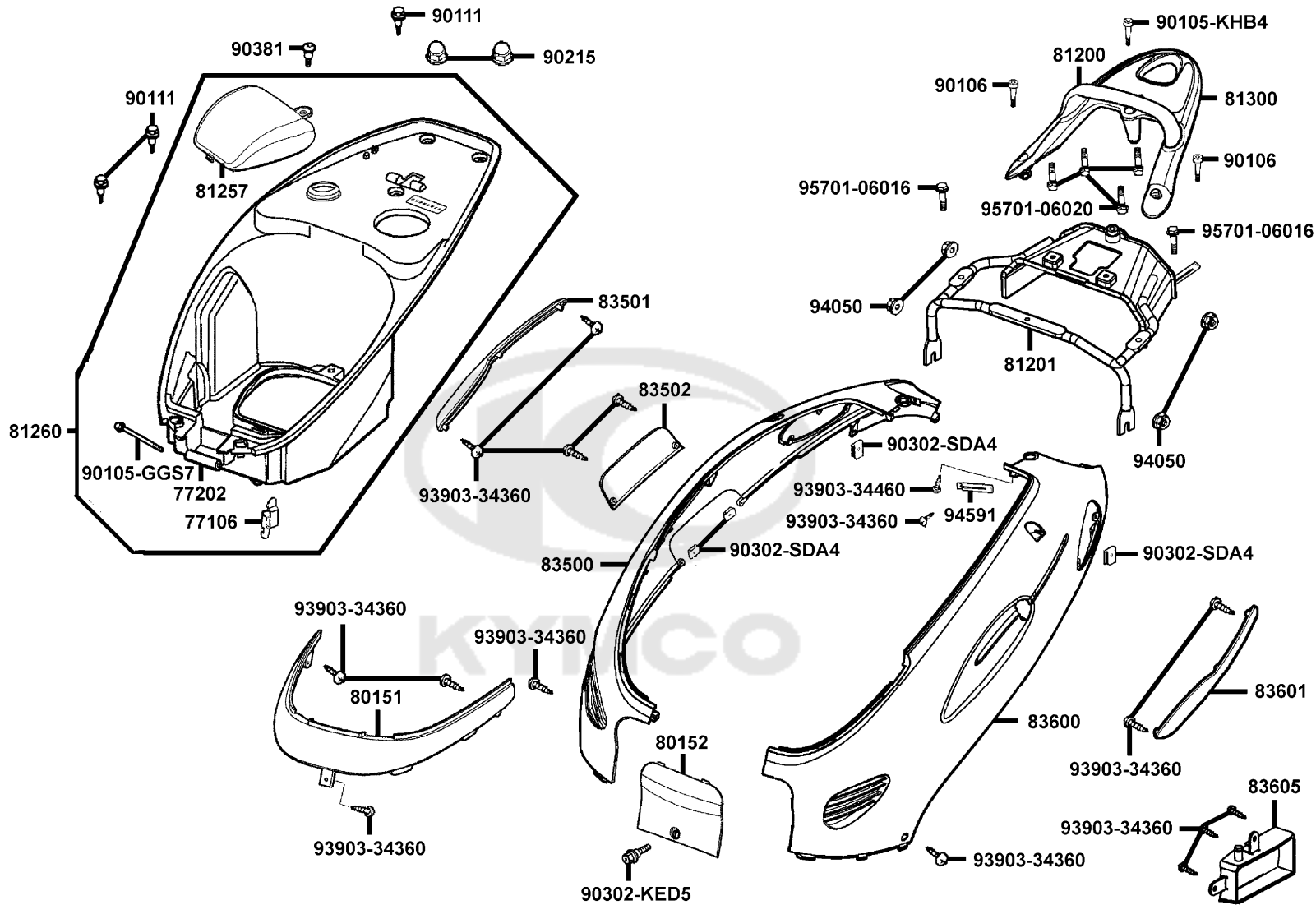
Sales mark	Ref no	Part no	Description	Reg description	Regd no	F10
------------	--------	---------	-------------	-----------------	---------	------------

95005		95005-35065-10	TUBE 3.5*6.5	TUBE 3.5*6.5	1	
9500B		9500B-KHB4-900	TUBE ASSY VACUUM	TUBE ASSY VACUUM	1	
9500C		9500C-KHB4-900	TUBE ASSY FUEL	TUBE ASSY FUEL	1	

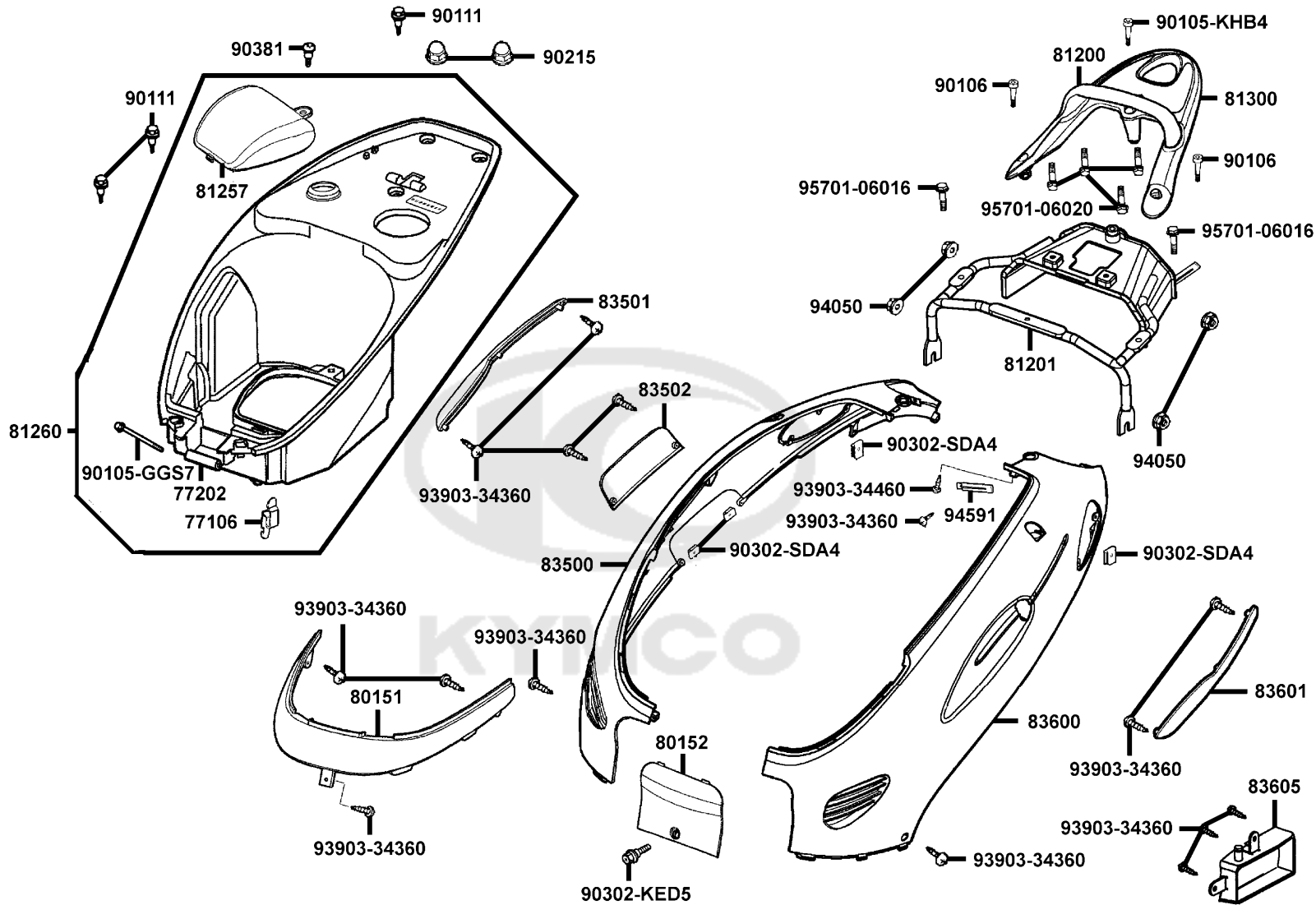




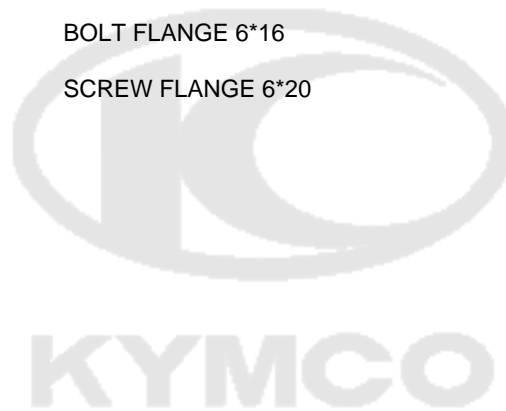
Sales mark	Ref no	Part no	Description	Reg description	Regd no	F11
	31500-GFY6-94A	31500-GFY6-94A	BATTERY YTX7A-BS	BATTERY YTX7A-BS	1	
	31500-GFY6-94B	31500-GFY6-94B	BATTERY GTX7A-BS	BATTERY GTX7A-BS	1	
	50325	50325-KHB4-900	STAY BATTERY CASE	STAY BATTERY CASE	1	
	50326	50326-KEBE-900	CASE BATTERY	CASE BATTERY	1	
	5032A	5032A-KHB4-900	COVER ASSY BATTERY	COVER ASSY BATTERY	1	
	90023	90023-GBN2-001	BOLT SEAT LOCK 6*13.5 (B)	BOLT SEAT LOCK 6*13.5 (B)	1	
	90101	90101-KNBN-901	SCREW SPECIAL 5*10	SCREW SPECIAL 5*10	1	
	93891	93891-05012-06	SCREW WASHER 5*12	SCREW WASHER 5*12	2	
	94050	94050-06080	NUT FLANGE 6MM	NUT FLANGE 6MM	2	
	95701	95701-06012-08	BOLT FLANGE 6*12	BOLT FLANGE 6*12	1	
	98200	98200-10700	FUSE A7	FUSE A7	1	

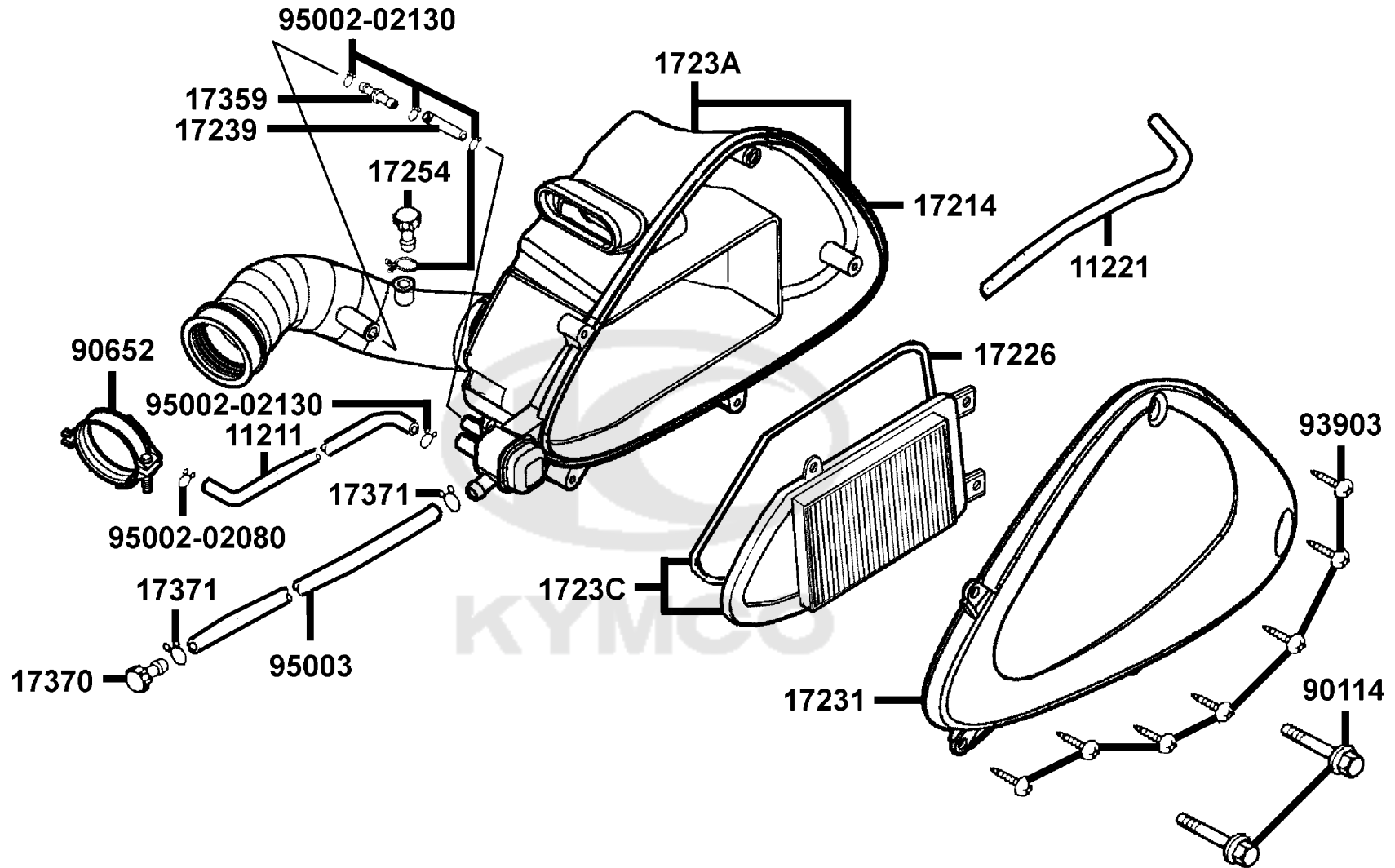


Sales mark	Ref no	Part no	Description	Reg description	Regd no	F12
	77106	77106-KEB7-900	HOOK HELMENT	HOOK HELMENT	1	
	77202	77202-KHB4-900	HINGE SEAT	HINGE SEAT	1	
**	80151	80151-KHB4-900	COVER CENTER	COVER CENTER	1	
**	80152	80152-KHB4-900	COVER MAINT PLUG	COVER MAINT PLUG	1	
**	81200	81200-KHB4-900	GRIP REAR	GRIP REAR	1	
	81201	81201-KHB4-900	BRKT COMP RR CARRIER	BRKT COMP RR CARRIER	1	
	81257	81257-KHB4-900	COVER ASSY CARB MAINT	COVER ASSY CARB MAINT	1	
**	81260	81260-KHB4-E00	BOX ASSY LUGGAGE	BOX ASSY LUGGAGE	1	
**	81300	81300-KHB4-900	CARRIER LUGGAGE	CARRIER LUGGAGE	1	
**	83500	83500-KHB4-900	COVER R BODY	COVER R BODY	1	
	83501	83501-KHB4-900	ENDING R BODY COVER	ENDING R BODY COVER	1	
**	83502	83502-KHB4-900	LID BODY COVER	LID BODY COVER	1	
**	83600	83600-KHB4-900	COVER L BODY	COVER L BODY	1	
	83601	83601-KHB4-900	ENDING L BODY COVER	ENDING L BODY COVER	1	
	83605	83605-KHB4-900	YUBE CASE AICV INT	YUBE CASE AICV INT	1	
	90105-GGS7	90105-GGS7-001	PIN HINGE	PIN HINGE	1	
	90105-KHB4	90105-KHB4-900	BOLT WASH M8*60	BOLT WASH M8*60	1	
	90106	90106-KFC2-900	BOLT SPECIAL 8MM	BOLT WASH 8MM	2	
	90111	90111-KFW6-001	BOLT FLANGE 6MM	BOLT FLANGE 6MM	3	
	90215	90215-GLM0-910	NUT CAP 6MM	NUT CAP 6MM	2	

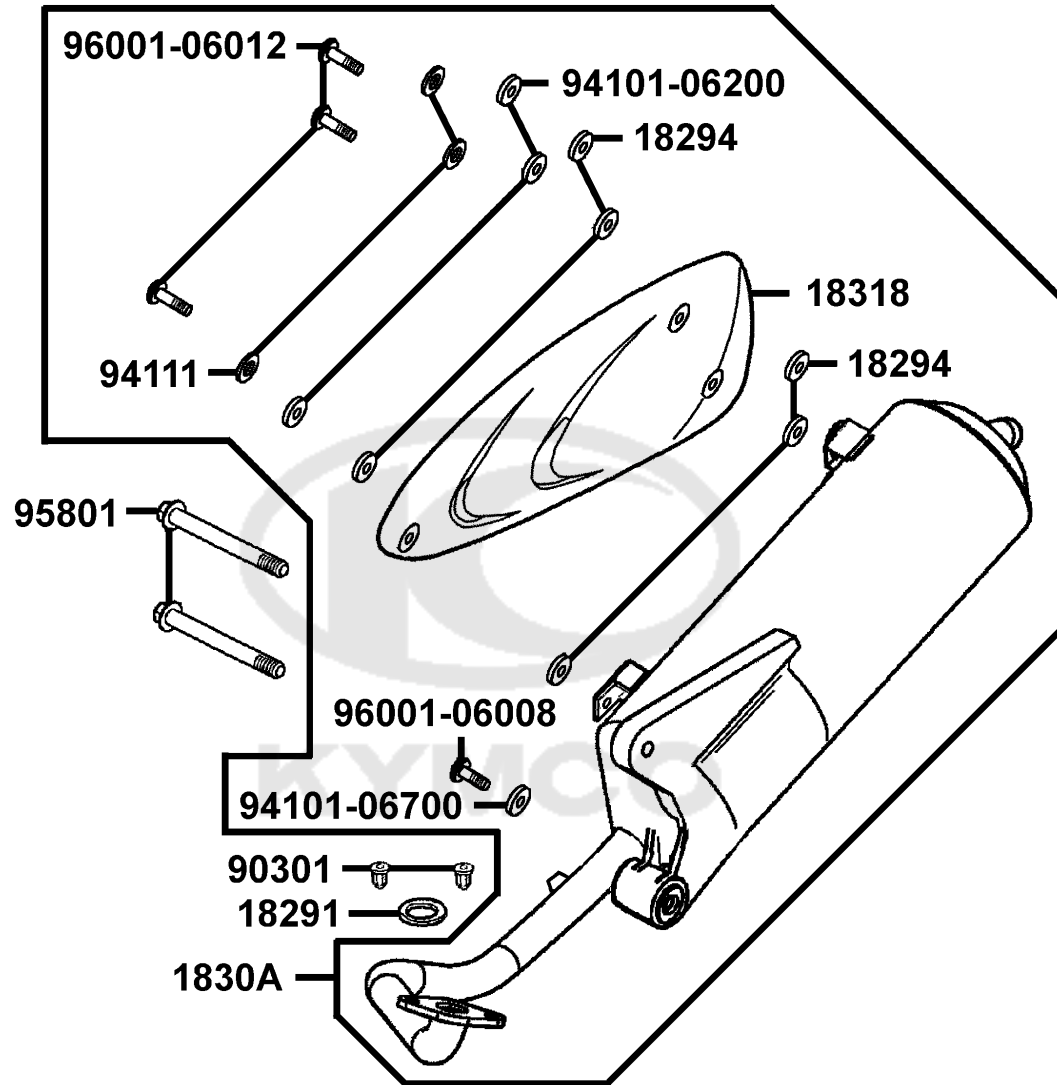


Sales mark	Ref no	Part no	Description	Reg description	Regd no	F12
	90302-KED5	90302-KED5-900	BOLT PAN 5*11	BOLT PAN 5*9	1	
	90302-SDA4	90302-SDA4-004	NUT SPRING 4MM	NUT SPRING 4MM	4	
	90381	90381-GEZ5-001	SCREW SPECIAL 6*17	SCREW SPECIAL 6*17	1	
	93903-34360	93903-34360	SCREW TAPPING 4*12 (G)	SCREW TAPPING 4*12	15	
	93903-34460	93903-34460	SCREW TAPPING 4*16	SCREW TAPPING 4*16	1	
	94050	94050-06080	NUT FLANGE 6MM	NUT FLANGE 6MM	4	
	94591	94591-27000	CLIP 2*70	CLIP 2*70	1	
	95701-06016	95701-06016-08	BOLT FLANGE 6*16	BOLT FLANGE 6*16	2	
	95701-06020	95701-06020-08	SCREW FLANGE 6*20	BOLT FLANGE 6*20	4	

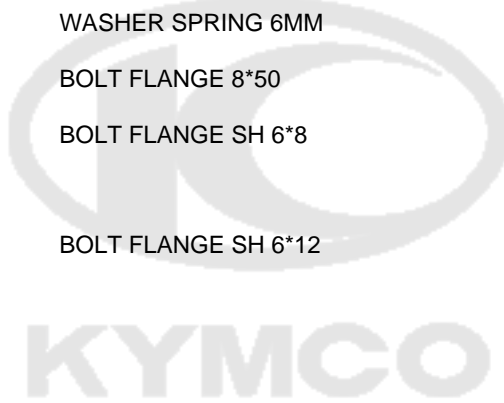


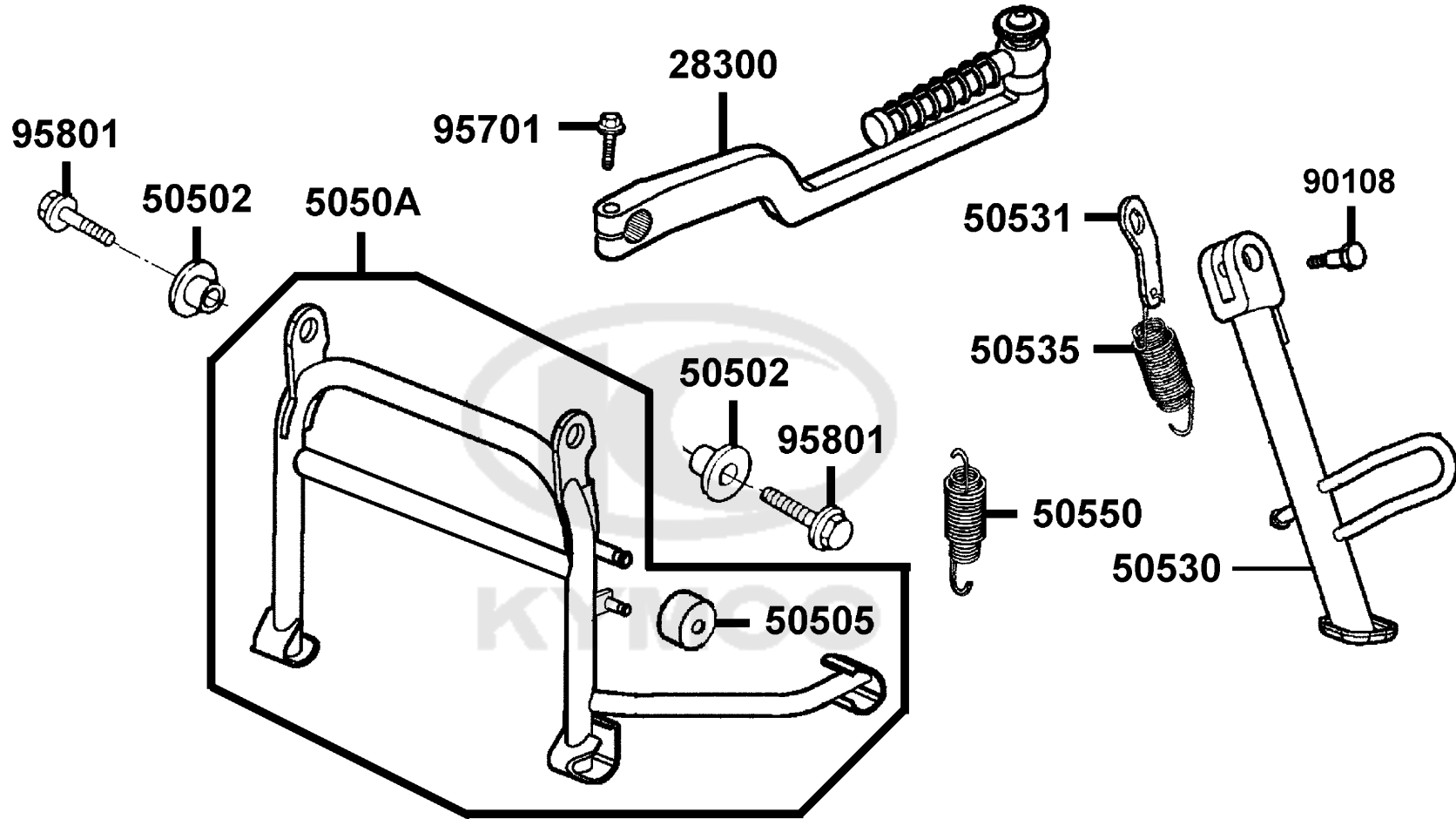


Sales mark	Ref no	Part no	Description	Reg description	Regd no	F13
11211		11211-KHB4-900	TUBE BREATHER	TUBE BREATHER	1	
11221		11221-KHB4-900	TUBE BREATHER MISSION	TUBE BREATHER MISSION	1	
17214		17214-KHB4-900	SEAL AIR/C COVER	SEAL AIR/C COVER	1	
17226		17226-KHB4-900	ELEMENT SEAL	ELEMENT SEAL	1	
17231		17231-KHB4-900	COVER AIR/C	COVER AIR/C	1	
17239		17239-KHB4-900	TUBE AIR/C BLOW BY	TUBE AIR/C BLOW BY	1	
1723A		1723A-KHB4-900	CASE ASSY AIR/C	CASE ASSY AIR/C	1	
1723C		1723C-KHB4-900	ELEMENT ASSY AIR/C	ELEMENT ASSY AIR/C	1	
17254		17254-KACA-P00	PLUG AIR/C CONN TUBE	JOINT PURGE TUBE	1	
17359		17359-4K19-671	JOINT BREATHER TUBE	JOINT BREATHER TUBE	1	
17370		17370-4K19-701	PLUG BREATHER TUBE	PLUG BREATHER TUBE	1	
17371		17371-1D74-671	CLIP BREATHER TUBE	CLIP BREATHER TUBE	2	
90114		90114-GDM4-011	BOLT FLANGE SH 6*28	BOLT FLANGE SH 6*28	2	
90652		90652-GFY6-901	BAND 49 AIR/C CONNECTING TUBE	BAND 49 AIR/C CONNECTING TUBE	1	
93903		93903-25460	SCREW TAPPING 5*20	SCREW TAPPING 4*12	7	
95002-02080		95002-02080	CLIP B8 TUBE	CLIP B8 TUBE	1	
95002-02130		95002-02130	CLIP B12.5 TUBE	CLIP B12.5 TUBE	5	
95003		95003-23024-60	V TUBE 8*12*240	V TUBE 8*12*240	1	



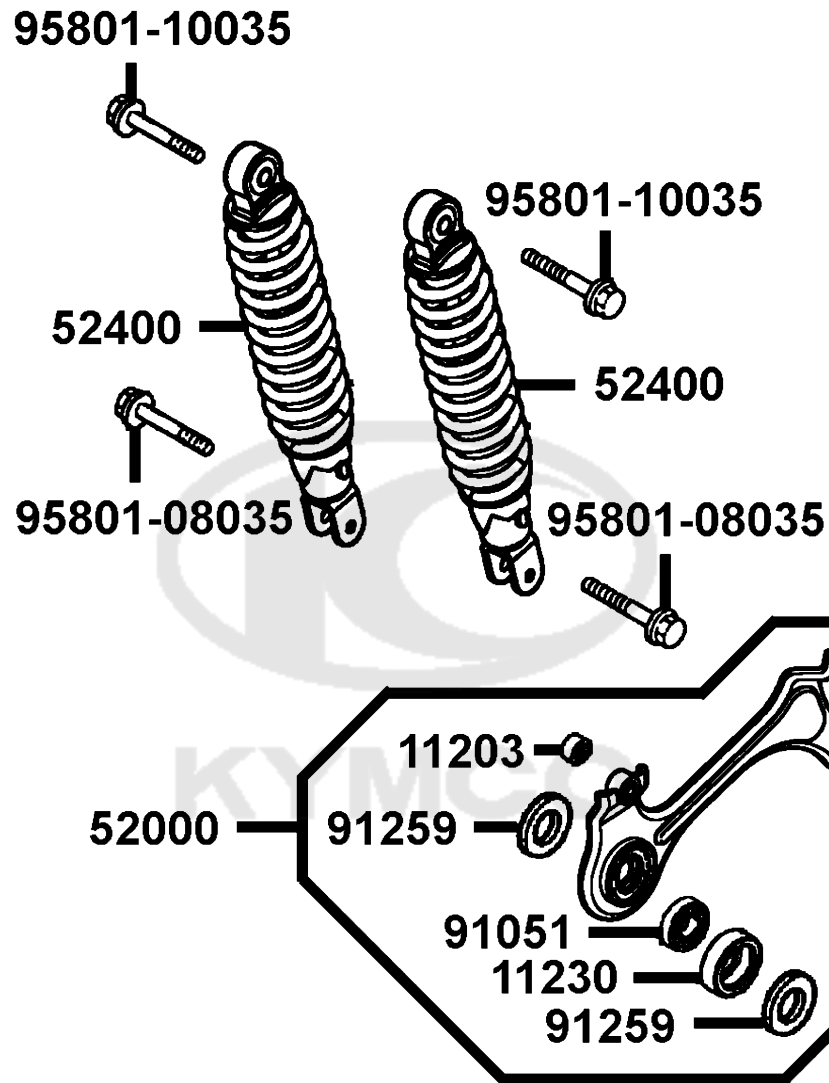
Sales mark	Ref no	Part no	Description	Reg description	Regd no	F14
	18291	18291-LBD4-900	GASKET EXH PIPE	GASKET EXH PIPE	1	
	18294	18294-KTCT-900	PACKING PROTECTOR	PACKING PROTECTOR	6	
	1830A	1830A-KHB4-EZ0	MUFFLER ASSY EXH	MUFFLER ASSY EXH	1	
	18318	18318-KFAF-E00	PROTECTOR MUFFLER	PROTECTOR MUFFLER	1	
	90301	90301-GFY6-901	NUT (HEX) CAP 8MM	NUT (HEX) CAP 8MM	2	
	94101-06200	94101-06200	WASHER PLAIN 6MM	WASHER PLAIN 6MM	3	
	94101-06700	94101-06700	WASHER PLAIN 6MM	WASHER PLAIN 6MM	1	
	94111	94111-06800	WASHER SPRING 6MM	WASHER SPG 6MM	3	
	95801	95801-08050-06	BOLT FLANGE 8*50	BOLT FLANGE 8*50	2	
	96001-06008	96001-06008-07	BOLT FLANGE SH 6*8	BOLT FLANGE SH 6*8	1	
	96001-06012	96001-06012-02	BOLT FLANGE SH 6*12	BOLT FLANGE SH 6*12	3	





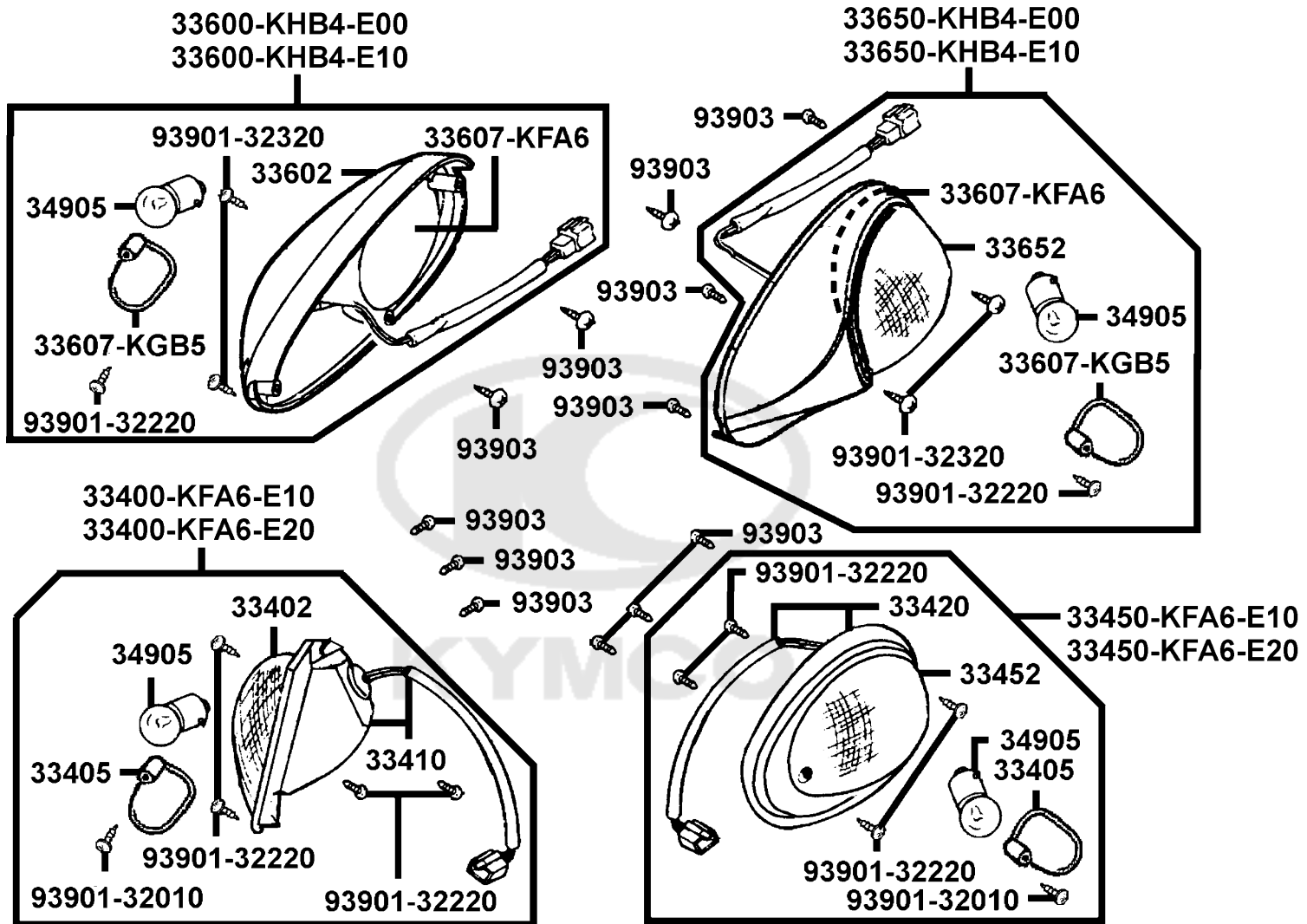
Sales mark	Ref no	Part no	Description	Reg description	Regd no	F15
	28300	28300-KNBN-901	ARM ASSY KICK STARTER	ARM ASSY KICK STARTER	1	
	50502	50502-GFY6-901	COLLAR MAIN STAND	COLLAR MAIN STAND	2	
	50505	50505-KKD7-900	RUBBER STOPPER MAIN	STOPPER RUBBER	1	
	5050A	5050A-KHB4-900	STAND ASSY MAIN	STAND ASSY MAIN	1	
	50530	50530-KFA6-E00	BAR SIDE STAND	BAR SIDE STAND	1	
	50531	50531-KEB7-E00	PLATE SPRING STOPPER	PLATE SPRING STOPPER	1	
	50535	50535-KEB7-E00	SPRING COMP SIDE STAND	SPRING COMP SIDE STAND	1	
	50550	50550-KEB7-E00	SPG ASSY MAIN STAND	SPG ASSY MAIN STAND	1	
	90108	90108-KFA6-E00	SCREW SIDE STAND	SCREW SIDE STAND	1	
	95701	95701-06022-06	BOLT FLANGE 6*22	BOLT FLANGE 6*22	1	
	95801	95801-10025-08	BOLT FLANGE 10*25	BOLT FLANGE 10*25	2	



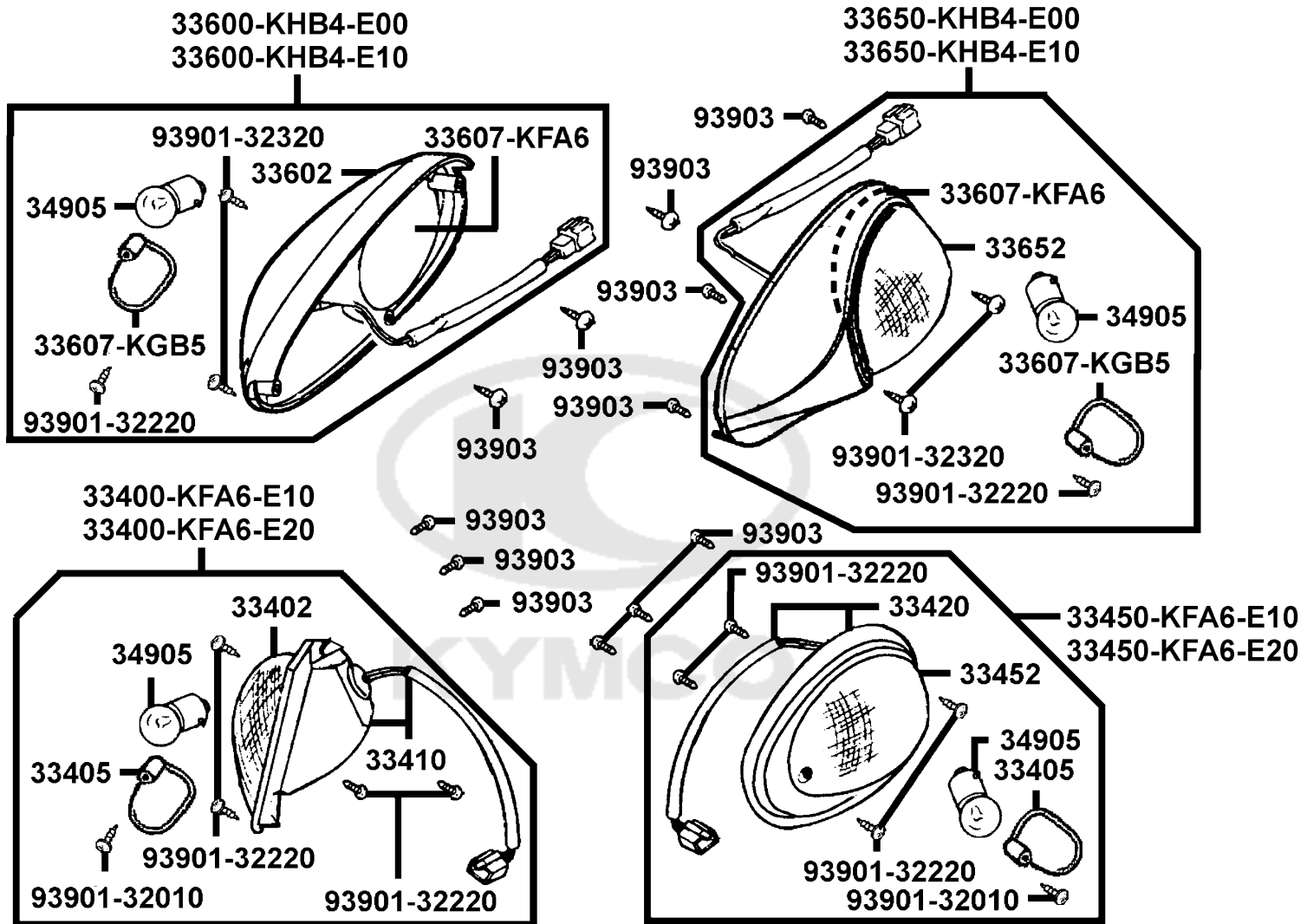


Sales mark	Ref no	Part no	Description	Reg description	Regd no	F16
	11203	11203-GGC7-301	UNDER RUBBER BUSH REAR CUSHION	UNDER RUBBER BUSH REAR CUSHION	1	
	11230	11230-KFBF-900	RUBBER BUSH RR FORK	RUBBER BUSH RR FORK	1	
	52000	52000-KHB4-900	FORK ASSY RR	FORK ASSY RR	1	
**	52400	52400-KHB4-E00	CUSHION ASSY RR	CUSHION ASSY RR	2	
	91051	91051-KFBF-901	BRG BALL RAKIAL 6203LLU	BRG BALL RAKIAL 6203LLU	1	
	91259	91259-KFBF-900	SEAL OIL	SEAL OIL	2	
	95801-08035	95801-08035-08	BOLT FLANGE 8*35	BOLT FLANGE 8*35	2	
	95801-10035	95801-10035-08	BOLT FLANGE 10*35	BOLT FLANGE 10*35	2	





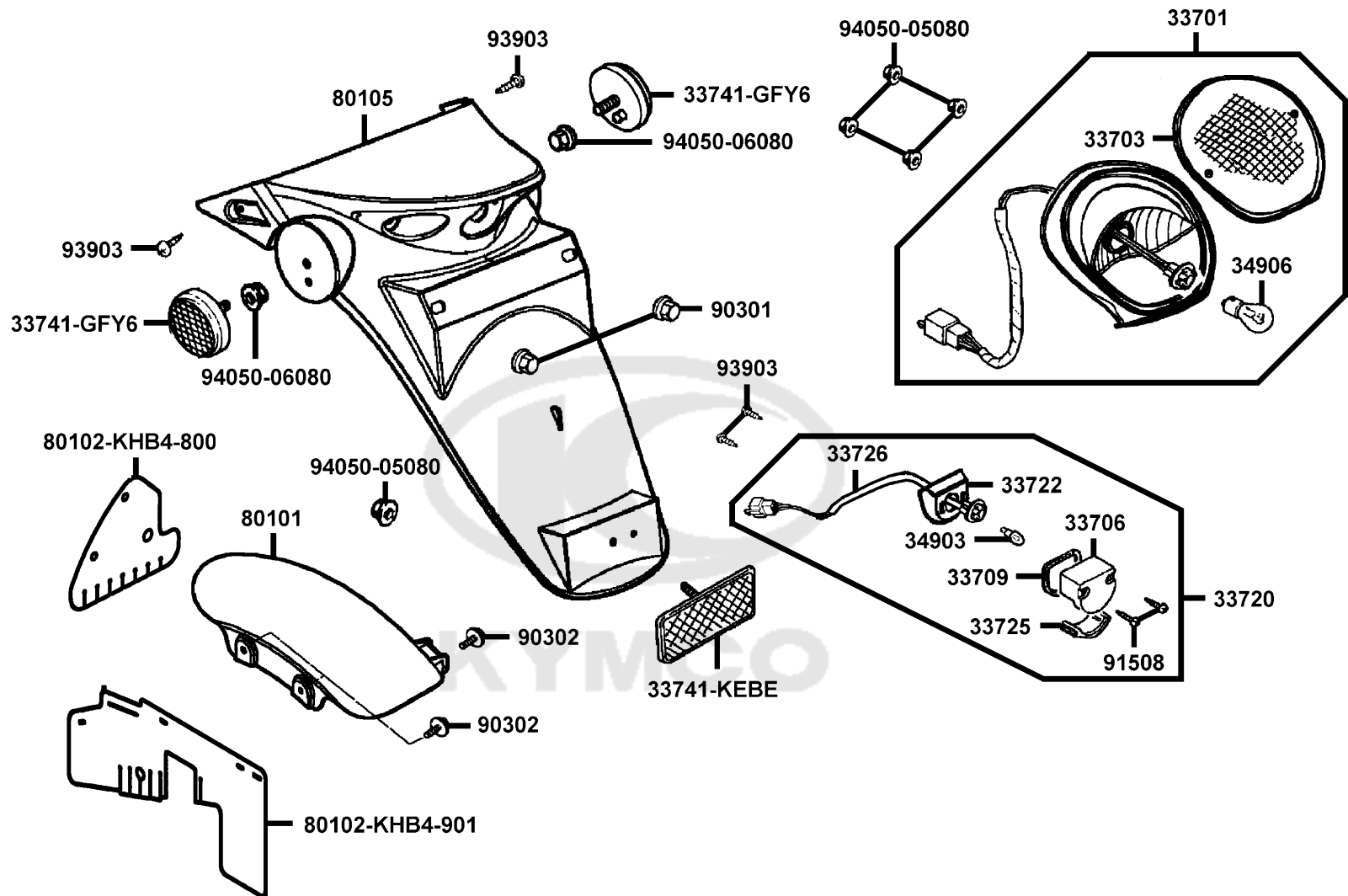
Sales mark	Ref no	Part no	Description	Reg description	Regd no	F17
	33400-KFA6-E10	33400-KFA6-E10	WINKER ASSY R FR	WINKER ASSY R FR	1	
	33400-KFA6-E20	33400-KFA6-E20	WINKER ASSY R FR	WINKER ASSY R FR	1	
	33402	33402-KFA6-E10	LENS R FR WINKER	LENS R FR WINKER	1	
	33405	33405-KKD7-E00	INNER LENS R FR WINKER	INNER LENS R FR WINKER	2	
	33410	33410-KFA6-E10	BASE COMP R FR WINKER	BASE COMP R FR WINKER	1	
	33420	33420-KFA6-E10	BASE COMP L FR WINKER	BASE COMP L FR WINKER	1	
	33450-KFA6-E10	33450-KFA6-E10	WINKER ASSY L FR	WINKER ASSY L FR	1	
	33450-KFA6-E20	33450-KFA6-E20	WINKER ASSY L FR	WINKER ASSY L FR	1	
	33452	33452-KFA6-E10	LENS L FR WINKER	LENS L FR WINKER	1	
	33600-KHB4-E00	33600-KHB4-E00	WINKER ASSY R RR	WINKER ASSY R RR	1	
	33600-KHB4-E10	33600-KHB4-E10	LIGHT ASSY R RR WINKER	LIGHT ASSY R RR WINKER	1	
	33602	33602-KKD6-E00	LENS R RR WINKER	LENS R RR WINKER	1	
	33607-KFA6	33607-KFA6-E00	INNER LENS WINKER	COVER RUBBER	2	
	33607-KGB5	33607-KGB5-900	INNER LENS R RR WINKER	INNER LENS R RR WINKER	2	
	33650-KHB4-E00	33650-KHB4-E00	WINKER ASSY L RR	WINKER ASSY L RR	1	
	33650-KHB4-E10	33650-KHB4-E10	WINKER ASSY L RR	WINKER ASSY L RR	1	
	33652	33652-KKD6-E00	LENS L RR WINKER	LENS L RR WINKER	1	
	34905	34905-KPCP-900	BULB WINKER	BULB WINKER	4	
	93901-32010	93901-32010	SCREW TAPPING 3*6	SCREW TAPPING 3*6	2	
	93901-32220	93901-32220	SCREW TAPPING 3*10	SCREW TAPPING 3*10	6	



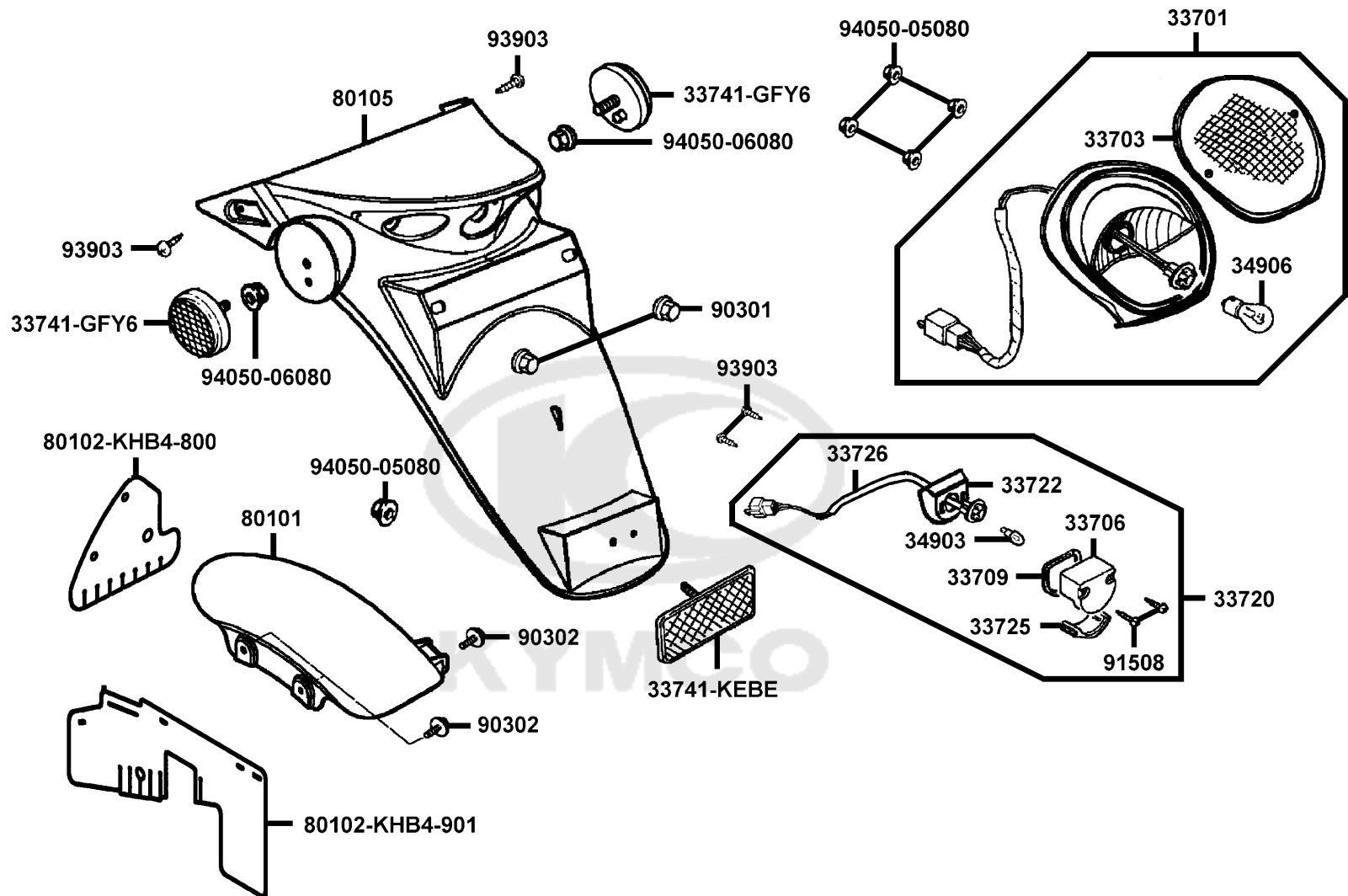
Sales mark	Ref no	Part no	Description	Reg description	Regd no	F17
------------	--------	---------	-------------	-----------------	---------	------------

	93901-32320	93901-32320	SCREW TAPPING 3*12	SCREW TAPPING 3*12	4	
93903		93903-34360	SCREW TAPPING 4*12 (G)	SCREW TAPPING 4*12	12	





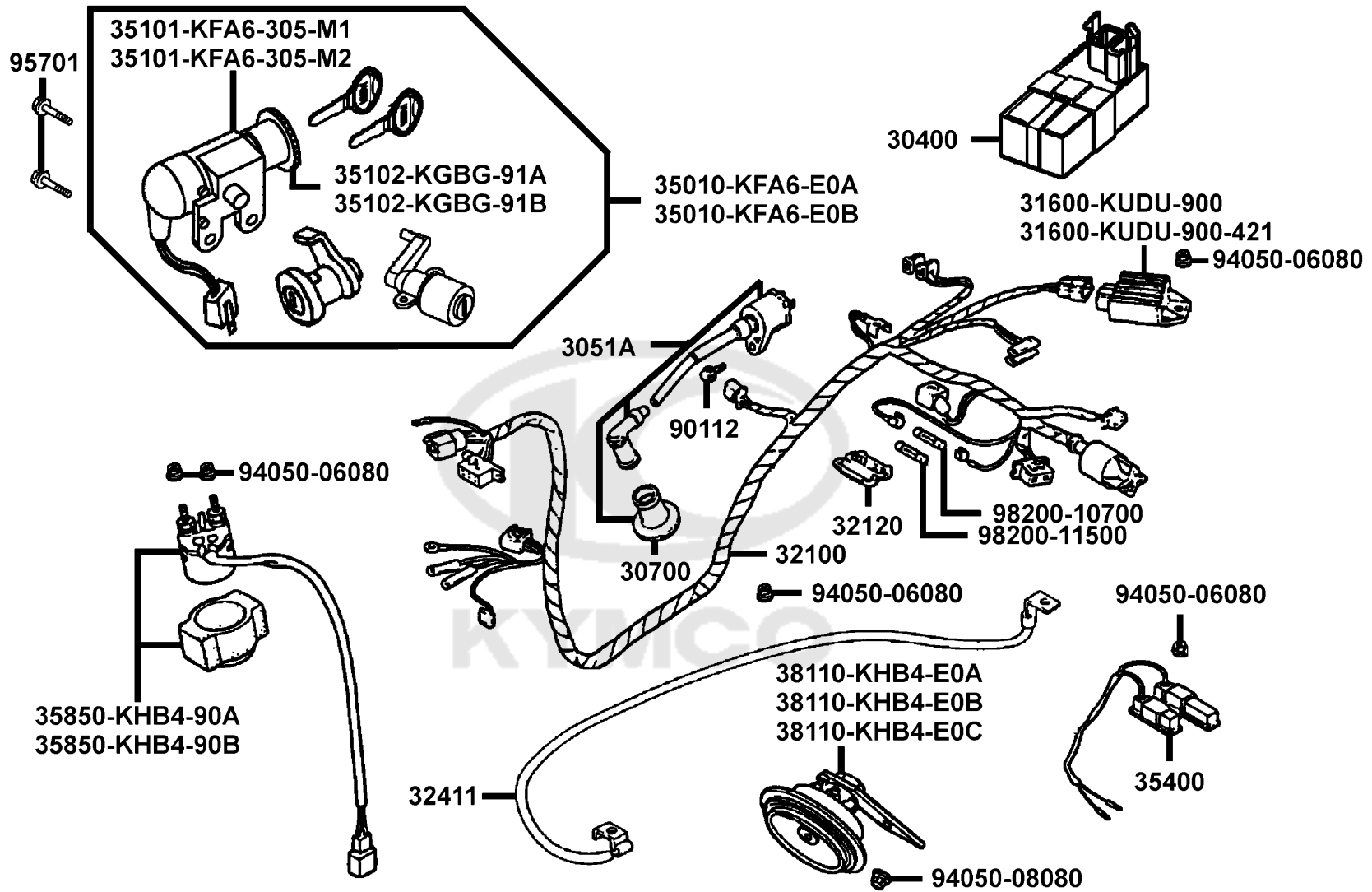
Sales mark	Ref no	Part no	Description	Reg description	Regd no	F18
	33701	33701-KHB4-E00	LIGHT ASSY TAIL	LIGHT ASSY TAIL	1	
	33703	33703-KHB4-E00	LENS TAIL LIGHT	LENS TAIL LIGHT	1	
	33706	33706-KHB4-E01	COVER LICENSE	COVER LICENSE	1	
	33709	33709-KBAB-003	PACKING LICENSE	PACKING LICENSE	1	
	33720	33720-KHB4-E00	LIGHT ASSY LICENSE	LIGHT ASSY LICENSE	1	
	33722	33722-KHB4-E00	BASE LICENSE	BASE LICENSE	1	
	33725	33725-KHB4-E00	LENS LICENSE	LENS LICENSE	1	
	33726	33726-KHB4-E00	SOCKET COMP	SOCKET COMP	1	
	33741-GFY6	33741-GFY6-C30	REFLEX REFLECTOR	REFLEX REFLECTOR	2	
	33741-KEBE	33741-KEBE-900	REFLEX REFLECTOR	REFLEX REFLECTOR	1	
	34903	34903-KPCP-900	BULB POSITION	BULB POSITION	1	
	34906	34906-KPCP-900	BULB TAIL & STOP 12V21W/5W	BULB TAIL & STOP 12V21W/5W	1	
	80101	80101-KHB4-E00	FENDER A REAR	FENDER A REAR	1	
	80102-KHB4-800	80102-KHB4-800	PLATE SPLASH BOARD	PLATE SPLASH BOARD	1	
	80102-KHB4-901	80102-KHB4-901	PLATE SPLASH BOARD	PLATE SPLASH BOARD	1	
	80105	80105-KHB4-900	FENDER REAR	FENDER REAR	1	
	90301	90301-6D34-671	NUT FLANGE 6MM	NUT FLANGE 6MM	2	
#	90302	90302-GFY6-901	BOLT WASH 5*12	BOLT WASH 5*12	3	
	91508	91508-KGV7-67A	SCREW TAPPING 4*14	SCREW TAPPING 4*14	2	
	93903	93903-34360	SCREW TAPPING 4*12 (G)	SCREW TAPPING 4*12	4	



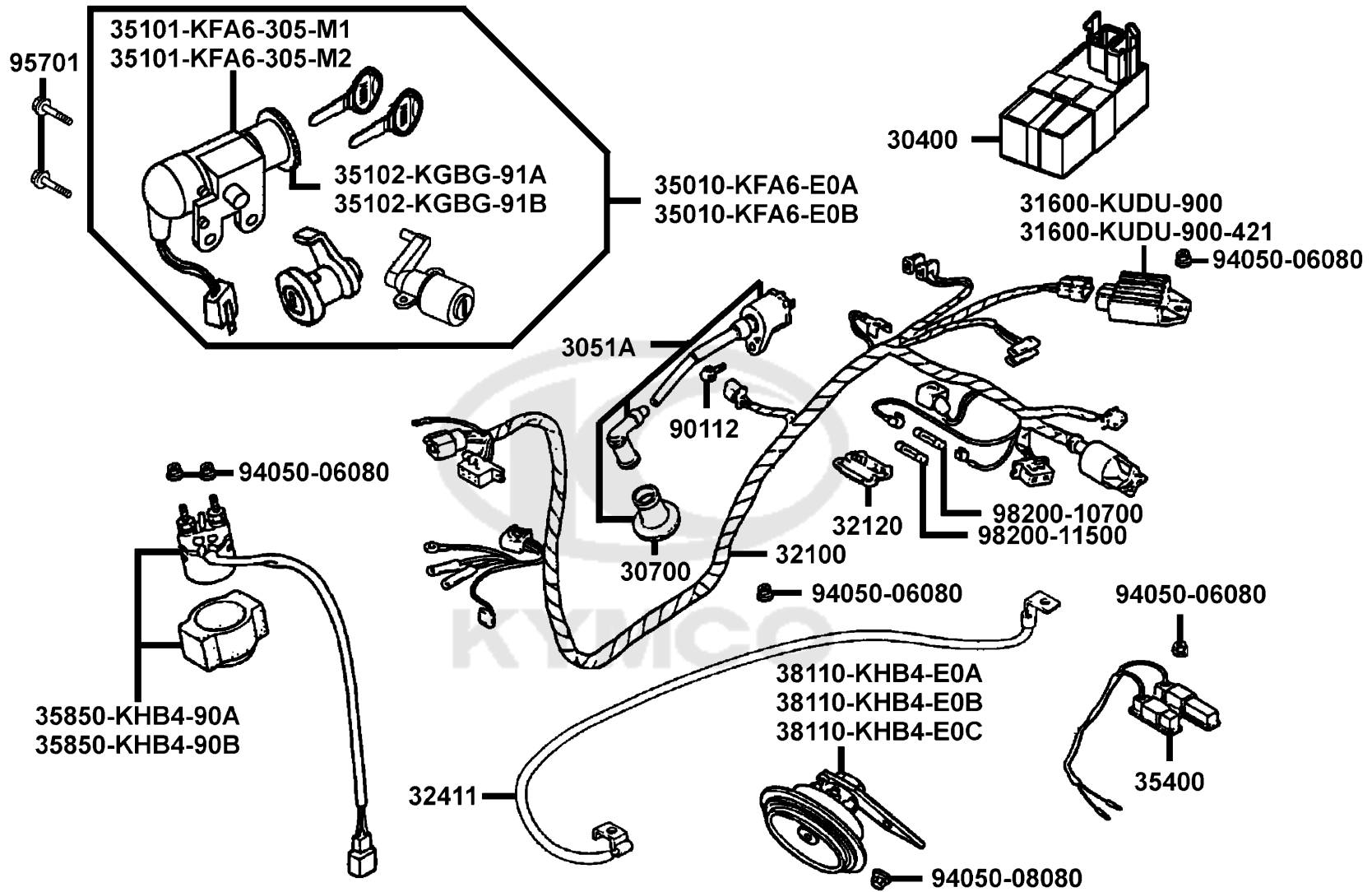
Sales mark	Ref no	Part no	Description	Reg description	Regd no	F18
------------	--------	---------	-------------	-----------------	---------	------------

	94050-05080	94050-05080	NUT FLANGE 5MM	NUT FLANGE 5MM	5	
	94050-06080	94050-06080	NUT FLANGE 6MM	NUT FLANGE 6MM	2	





Sales mark	Ref no	Part no	Description	Reg description	Regd no	F19
	30400	30400-KHB4-900	UNIT ASSY C.D.I	UNIT ASSY C.D.I	1	
	3051A	3051A-KHB4-900	COIL ASSY IGN	COIL ASSY IGN	1	
	30700	30700-GFY6-901	CAP ASSY NOISE SUPPRESOR	CAP ASSY NOISE SUPPRESOR	1	
	31600-KUDU-900	31600-KUDU-900	REG REC COMP	REG REC COMP	2	
	32100	32100-KHB4-900	HARNESS WIRE	HARNESS WIRE	1	
	32120	32120-1E55-001	CASE FUSE	CASE FUSE	1	
	32411	32411-KHB4-900	CABLE BATTERY	CABLE BATTERY	1	
	35010-KFA6-E0A	35010-KFA6-E0A	KEY SET	KEY SET	1	
	35010-KFA6-E0B	35010-KFA6-E0B	KEY SET	KEY SET	1	
	35101-KFA6-305-M1	35101-KFA6-305-M1	SW COMB & LOCK	SW COMB & LOCK	1	
	35101-KFA6-305-M2	35101-KFA6-305-M2	SW COMB & LOCK	SW COMB & LOCK	1	
	35102-KGBG-91A	35102-KGBG-91A	COLLAR MAIN SW	COLLAR MAIN SW	1	
	35102-KGBG-91B	35102-KGBG-91B	COLLAR MAIN SW	COLLAR MAIN SW	1	
	35400	35400-KHB4-900	RESISTOR COMP	RESISTOR COMP	1	
	35850-KHB4-90A	35850-KHB4-90A	SET START MAG	SET START MAG	1	
	35850-KHB4-90B	35850-KHB4-90B	SET START MAG	SET START MAG	1	
	38110-KHB4-E0A	38110-KHB4-E0A	HORN COMP	HORN COMP	1	
	38110-KHB4-E0B	38110-KHB4-E0B	HORN COMP	HORN COMP	1	
	38110-KHB4-E0C	38110-KHB4-E0C	HORN COMP	HORN COMP	1	
	90112	90112-KRDR-900	BOLT FLANGE 5*22	BOLT FLANGE 5*22	1	



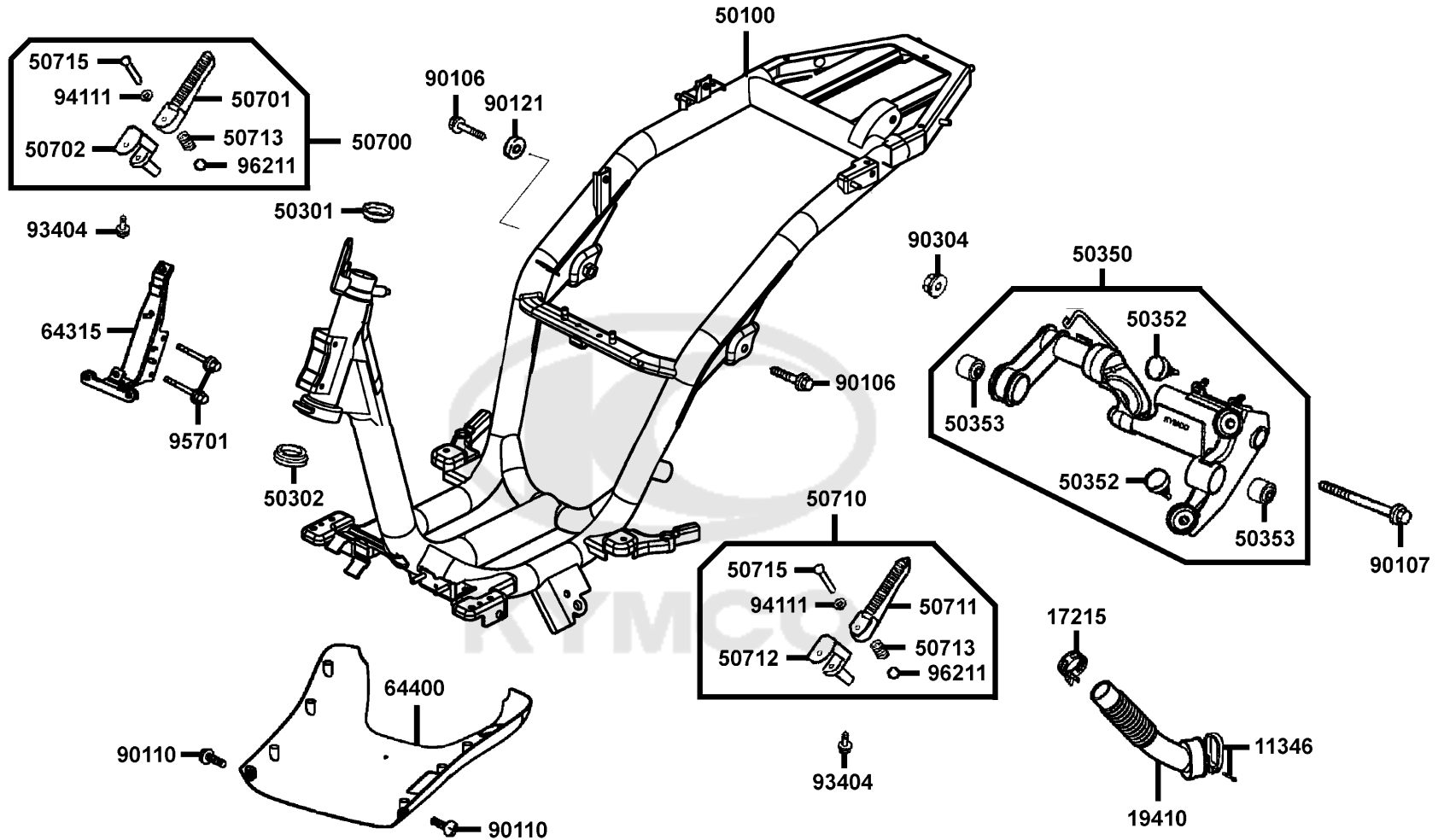
Sales mark	Ref no	Part no	Description	Reg description	Regd no	F19
------------	--------	---------	-------------	-----------------	---------	------------

	94050-06080	94050-06080	NUT FLANGE 6MM	NUT FLANGE 6MM	5	
	94050-08080	94050-08080	NUT FLANGE 8MM	NUT FLANGE 8MM	1	
	95701	95701-KEB7-E00	BOLT TORQUE 6*16	BOLT TORQUE 6*16	2	
	98200-10700	98200-10700	FUSE A7	FUSE A7	1	
	98200-11500	98200-11500	FUSE A15	FUSE A15	1	

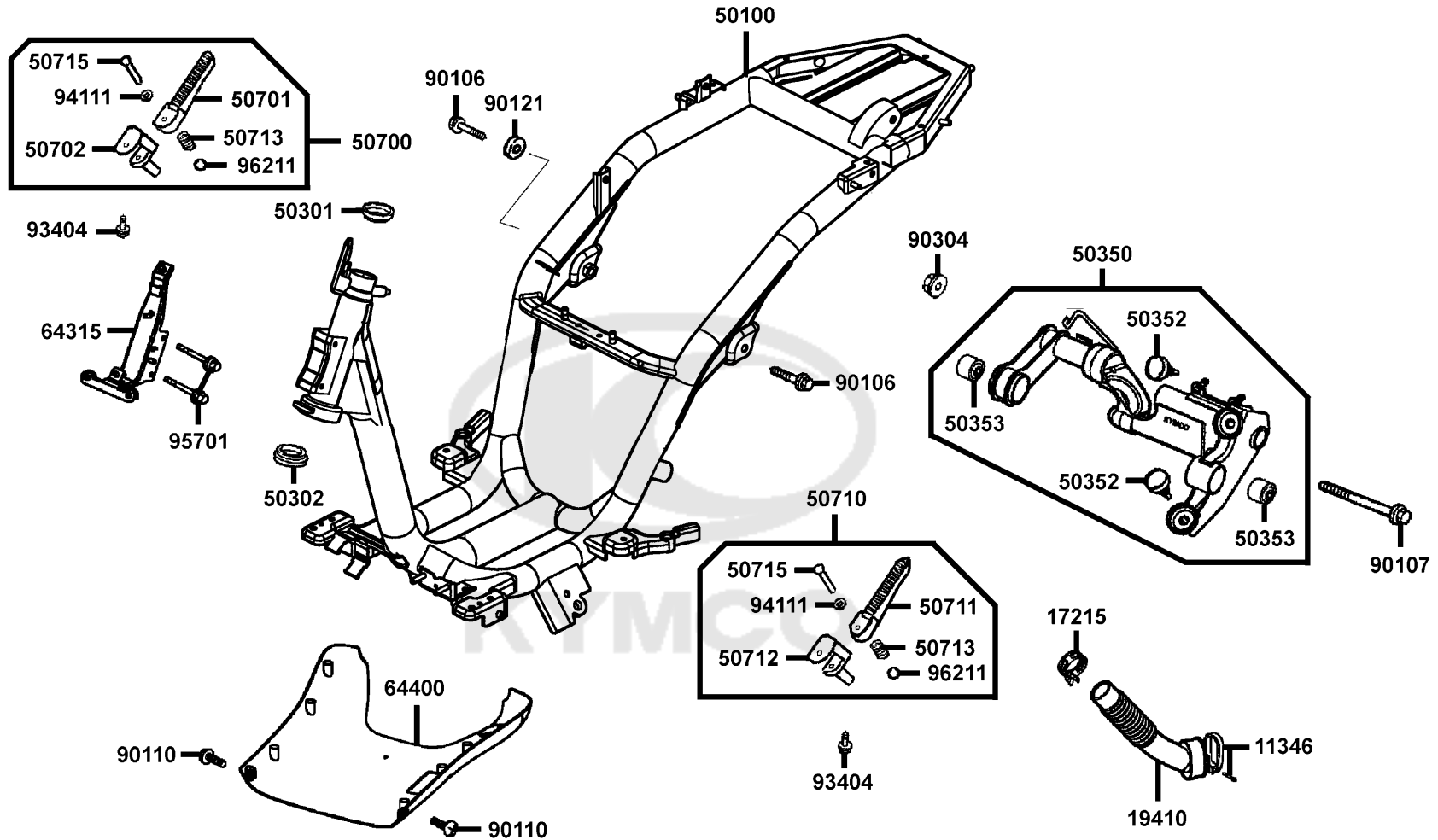


F20

Frame Body



Sales mark	Ref no	Part no	Description	Reg description	Regd no	F20
	11346	11346-KEBE-900	BAND L COVER DUCT	BAND L COVER DUCT	1	
	17215	17215-KNBN-200	CLIP ASSY AIR/C DUCT	CLIP ASSY AIR/C DUCT	1	
	19410	19410-KHB4-900	DUCT COOLING	DUCT COOLING	1	
	50100	50100-KHB4-EZ0	BODY COMP FRAME	BODY COMP FRAME	1	
	50301	50301-KGN7-671	RACE UP STRG BALL	RACE UP STRG BALL	1	
	50302	50302-2H68-011	RACE STRG BOT BALL	RACE STRG BOT BALL	1	
	50350	50350-KHB4-901	ENG HANGER COMP	ENG HANGER COMP	1	
	50352	50352-GFY6-901	RUBBER STOPPER	RUBBER STOPPER	2	
	50353	50353-GBG2-711	BUSH SWING LOCK	BUSH SWING LOCK	2	
	50700	50700-KFA6-900	BAR ASSY R REAR STEP	BAR ASSY R REAR STEP	1	
	50701	50701-KFA6-900	BAR R REAR STEP	BAR R REAR STEP	1	
	50702	50702-KFA6-900	STAY R PILLION STEP	STAY R PILLION STEP	1	
	50710	50710-KFA6-900	BAR ASSY L REAR STEP	BAR ASSY L REAR STEP	1	
	50711	50711-KFA6-900	BAR L REAR STEP	BAR L REAR STEP	1	
	50712	50712-KFA6-900	STAY L PILLION STEP	STAY L PILLION STEP	1	
	50713	50713-KEB7-900	SPRING	SPRING	2	
	50715	50715-KFA6-900	PIN REAR STEP	PIN REAR STEP	2	
	64315	64315-KHB4-900	STAY FR COVER	STAY FR COVER	1	
**	64400	64400-KFA6-900	COWL UNDER	COWL UNDER	1	
	90106	90106-GFY6-901	BOLT FLANGE 10*55	BOLT FLANGE 10*55	2	

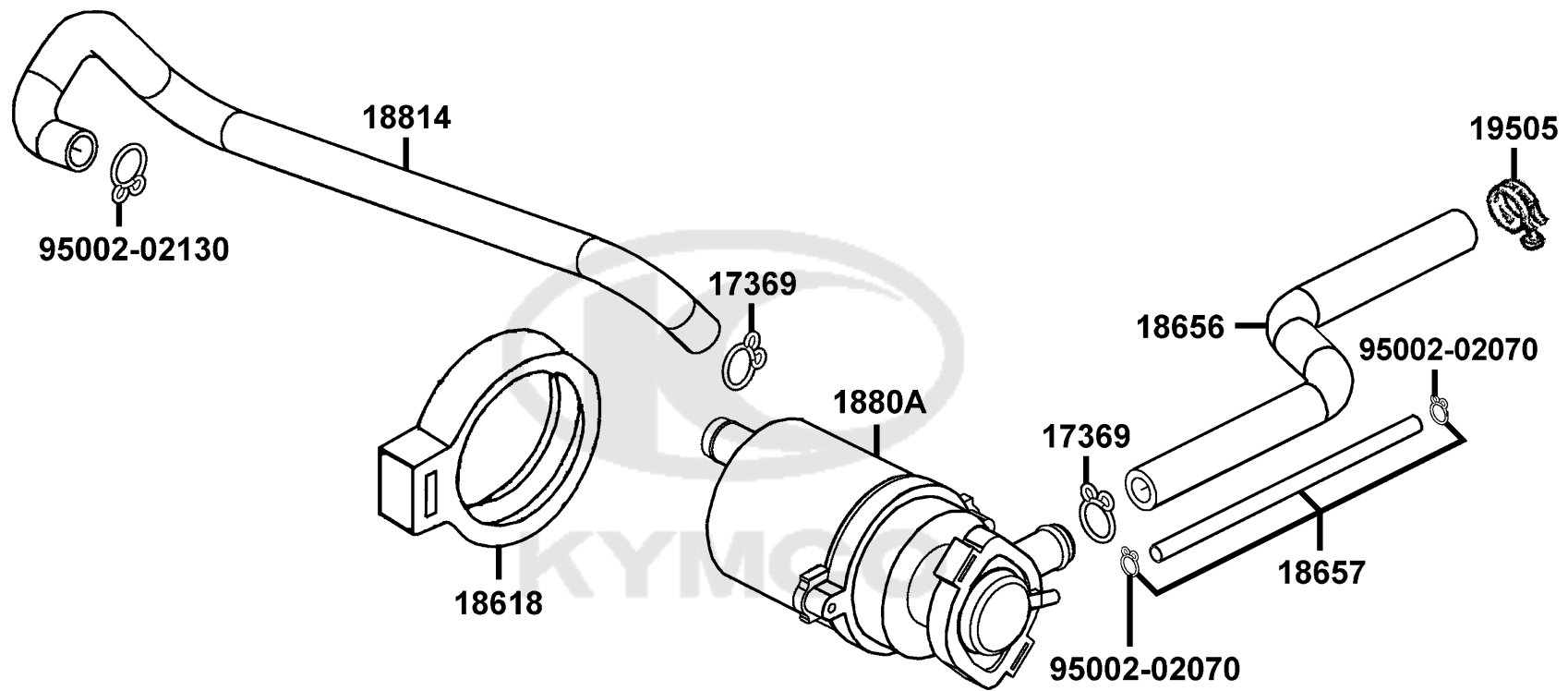


Sales mark	Ref no	Part no	Description	Reg description	Regd no	F20
90107	90107-KUDU-900	90107-KUDU-900	BOLT FLANGE 10*188	BOLT FLANGE 10*188	1	
90110	90110-GLW0-001	90110-GLW0-001	SCREW SPECIAL 6*14	SCREW SPECIAL 6*14	2	
90121	90121-GFY6-901	90121-GFY6-901	COLLAR DISTANCE	COLLAR DISTANCE	1	
90304	90304-GHE8-004	90304-GHE8-004	NUT U 10MM	NUT U 10MM	1	
93404	93404-06012-08	93404-06012-08	BOLT WASHER 6*12	BOLT WASHER 6*12	2	
94111	94111-06000	94111-06000	WASHER SPRING 6MM	WASHER SPG 6MM (B)	2	
95701	95701-06045-08	95701-06045-08	BOLT FLANGE 6*45	BOLT FLANGE 6*45	2	
96211	96211-08000	96211-08000	BALL STEEL 8MM	BALL STEEL 8MM	2	

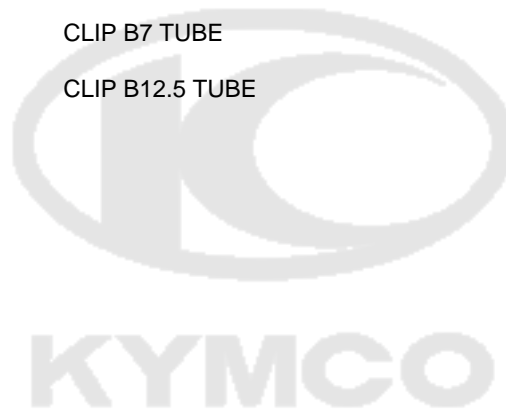


F21

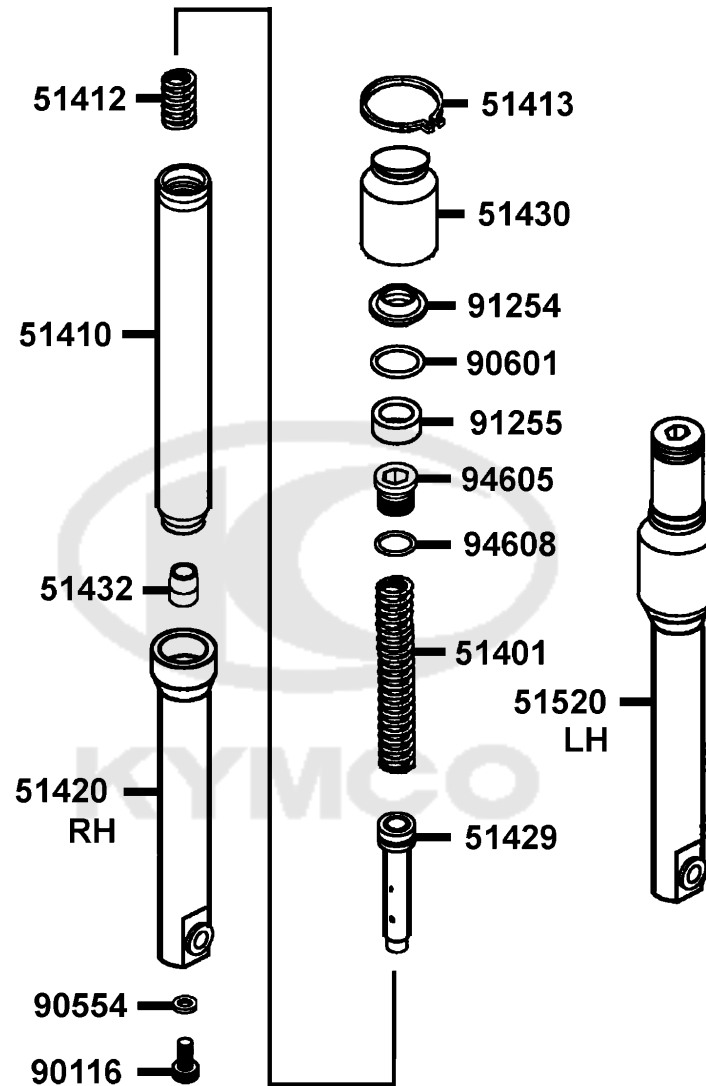
Air Cleaner Two



Sales mark	Ref no	Part no	Description	Reg description	Regd no	F21
17369		17369-KDB4-671	CLIP BREATHER TUBE	CLIP BREATHER TUBE	2	
18618		18618-GFY6-960	RUBBER AIC-AICV MOUNT	RUBBER AIC-AICV MOUNT	1	
18656		18656-KHB4-900	DUCT AICV-REED VALVE	DUCT AICV-REED VALVE	1	
18657		18657-KHB4-900	TUBE ASSY AICV-INLET PIPE	TUBE ASSY AICV-INLET PIPE	1	
1880A		1880A-KHB4-91A	AI/C-AICV ASSY	AI/C-AICV ASSY	1	
18814		18814-KHB4-900	DUCT AIR-AICV	DUCT AIR-AICV	1	
19505		19505-GFY6-940	CLAMP A WATER HOSE	CLAMP A WATER HOSE	1	
95002-02070		95002-02070	CLIP B7 TUBE	CLIP B7 TUBE	2	
95002-02130		95002-02130	CLIP B12.5 TUBE	CLIP B12.5 TUBE	1	



Separated Parts Of Fr Fork



Sales mark	Ref no	Part no	Description	Reg description	Regd no	F22
51401		51401-KFA6-E00	SPRING	SPRING	2	
51410		51410-KFA6-900	FORK PIPE COMP	FORK PIPE COMP	2	
51412		51412-KFA6-E00	REBOUND SPRING	REBOUND SPRING	2	
51413		51413-KEBE-E00	BOOT BAND	BOOT BAND	2	
51420		51420-KHB4-900	BOTTOM CASE R	BOTTOM CASE R	1	
51429		51429-KFA6-900	PIPE SEAT COMP	PIPE SEAT COMP	2	
51430		51430-KFA6-900	BOOT FR FORK	BOOT FR FORK	2	
51432		51432-KFA6-910	OIL LOCK PIECE	OIL LOCK PIECE	2	
51520		51520-KHB4-900	BOTTOM CASE L	BOTTOM CASE L	1	
90116		90116-3C83-72A	BOLT	BOLT SOCKET 8*27	2	
90554		90554-2C83-001	PACKING	WASHER SPECIAL 8MM	2	
90601		90601-3D54-001	RING OIL-SEAL STOPPER	RING OIL-SEAL STOPPER	2	
91254		91254-KEC5-004	DUST SEAL	DUST SEAL	2	
91255		91255-4F46-014	OIL SEAL	OIL SEAL	2	
94605		94605-KEBE-900	FORK BOLT	FORK BOLT	2	
94608		94608-30000	O-RING	O-RING	2	

Caution Label

● Be sure to wear a safety helmet when riding.
 ● Do not exceed the speed specified by law when riding.
 ● The exhaust muffler temperature is very high after riding. Be sure to park the motorcycle in a place not easily touched by people.
 ● For riding safety and good performance, do not violate the law to modify the motorcycle.
 ● Please read the User's Manual carefully to ensure riding safety.

● Make sure to perform the periodic maintenance and periodic inspection.

Periodic Inspection Items

Brake Performance, tires, engine oil level, lights, horn, and instrument panel

KWANG YANG MOTOR CO., LTD.

87560

CAUTIONS

Before starting the engine, the side stand shall be kicked up to secure safety.

87541-GAR1

CAUTIONS

Tire Size	:Front 120/70-12	Rear 130/70-12
(One Rider)	:Front 1.75kgf/cm ²	Rear 2.00kgf/cm ²
(Two Rider)	:Front 1.75kgf/cm ²	Rear 2.25kgf/cm ²
Load Capacity:	Shield 1.5kg	Clip assy center 3kg
	(As per KYMCO standard specification)	
	(Note: The tire pressure must not overpass 2.50kgf/cm ² .)	

● Check the motor oil level with the dipstick after refilling motor oil.

KKD7-E000

87505

Engine Oil Capacity

Make sure to use KYMCO recommended "SIGMA" engine oil.

Full Capacity	0.8
At Change	0.8

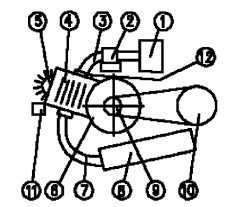
Check the oil level after oil is filled

Idle the engine for 3 minutes and check the oil level again.

KDU-E000

87541-KUDU

TRADE NAME: KYMCO
 VEHICLE CATEGORY: B



1.	<input checked="" type="checkbox"/> KYMCO KHB4
2.	KEIHIN OR KHB4
3.	KYMCO KDU
4.	KYMCO GY6
5.	KYMCO KDU
6.	KYMCO KEC4
7.	
8.	<input checked="" type="checkbox"/> KYMCO KFC9
9.	KYMCO KDU #115
10.	KY GY6 #142
11.	KYMCO KKD7
12.	

KHB4-EZ0

87224

CAUTION

- The weight of articles put in the inner box shall not exceed 1.5kgs
- Water may enter into the box when washing the motorcycle be careful when putting important articles in it.

81218

CAUTIONS

Never put any article between the rear side cover and the engine to avoid interference of riding.

.GM9-300

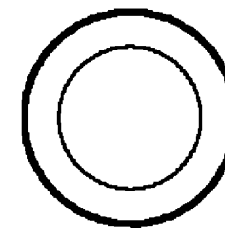
87542

Sales mark	Ref no	Part no	Description	Reg description	Regd no	F23
**	81218	81218-KCAC-P00	CAUTION INNER BOX	CAUTION INNER BOX	1	
	87224	87224-KHB4-EZ0	CAUTION ANTI TAMPERING	CAUTION ANTI TAMPERING	1	
**	87505	87505-KHB4-E00	LABEL TIRE	LABEL TIRE	1	
**	87541-GAR1	87541-GAR1-E00	CAUTION SIDE STAND	CAUTION SIDE STAND	1	
**	87541-KUDU	87541-KUDU-E00	LABEL OIL CAP	LABEL OIL CAP	1	
**	87542	87542-GAR1-E00	MARK MAINT CAUTION	MARK MAINT CAUTION	1	
**	87560	87560-GFY6-E00	MARK DRIVE CAUTION	MARK DRIVE CAUTION	1	





86202



86030



86102



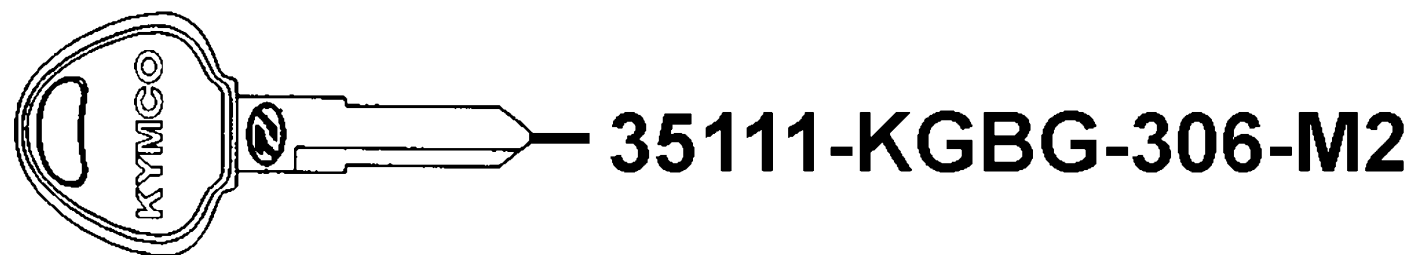
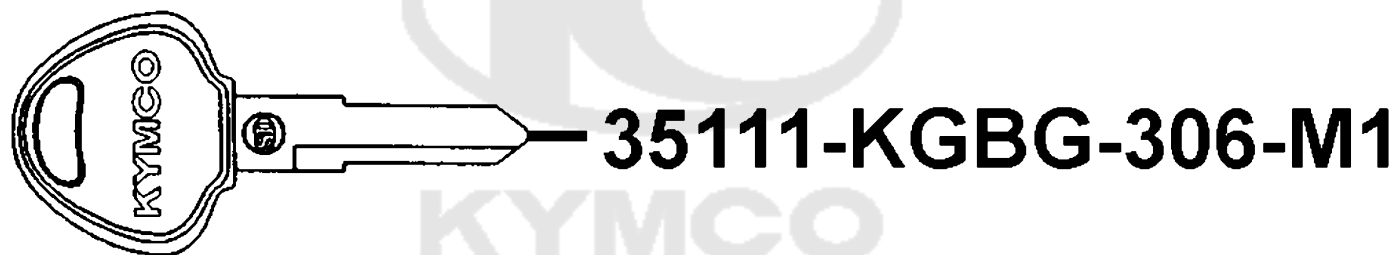
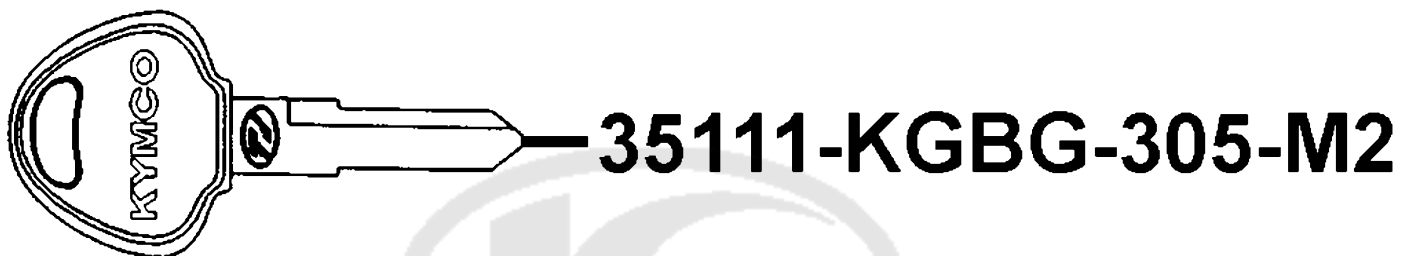
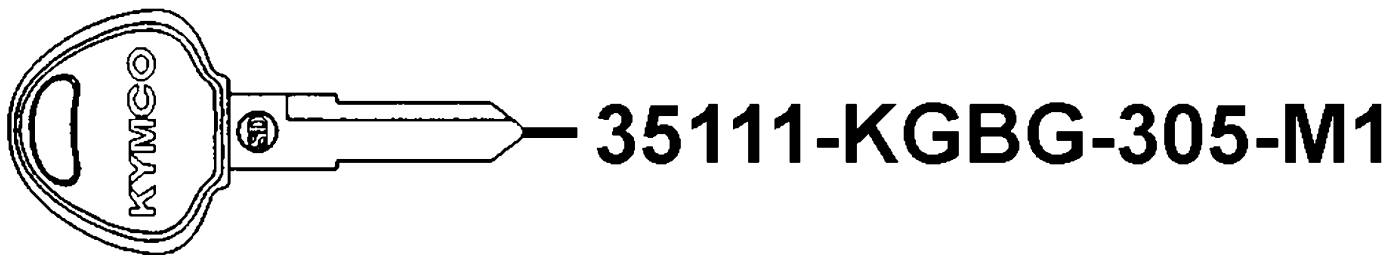
87311



86212

Sales mark	Ref no	Part no	Description	Reg description	Regd no	F24
**	86030	86030-KFA6-E00	EMB HANDLE COVER RR	EMB HANDLE COVER RR	4	
**	86102	86102-KFA6-E00	EMB K-LOGO 30MM	EMB K-LOGO 30MM	1	
**	86202	86202-KFA6-E00	EMB BODY COVER	EMB BODY COVER	2	
	86212	86212-KHB4-E00	EMB B BODY COVER	EMB B BODY COVER	1	
**	87311	87311-KKD6-E00	STRIPE MARK EURO 2	STRIPE MARK EURO 2	1	





Sales mark	Ref no	Part no	Description	Reg description	Regd no	F25
	35111-KGBG-305-M1	35111-KGBG-305-M1	KEY COMP	KEY COMP	1	
	35111-KGBG-305-M2	35111-KGBG-305-M2	KEY COMP	KEY COMP	1	
	35111-KGBG-306-M1	35111-KGBG-306-M1	KEY COMP	KEY COMP	1	
	35111-KGBG-306-M2	35111-KGBG-306-M2	KEY COMP	KEY COMP	1	



PART NO. INDEX

PART NO.	VERSION	PAGE	PART NO.	VERSION	PAGE	PART NO.	VERSION	PAGE
11000			12000			14450-GFY6-901	0	E02
11100-KUDU-305	5	E01	12100-GFY6-901	7	E03	14452-GFY6-901	0	E02
11102-1G87-004	3	E01	12191-GFY6-901	1	E03	14510-KUDU-C00	0	E03
11192-KUDU-900	0	E01	12200-KUDU-900	10	E02	14520-GFY6-90A	1	E03
11200-KHB4-305	0	E01	12209-GDB4-68A	0	E02	14523-GFY6-901	0	E03
11203-GGC7-301	2	E01	12211-KUDU-900	4	E02	14531-GLR0-001	1	E03
11203-GGC7-301	2	F16	12251-GFY6-90A	1	E02	14610-KUDU-C00	0	E03
11203-KUDU-900	2	E08	12310-KHB4-900	0	E02	14711-KUDU-900	1	E02
11211-KHB4-900	0	F13	12361-GFY6-901	1	E04	14721-KUDU-900	0	E02
11221-KHB4-900	1	F13	12391-GFY6-941	0	E02	14751-KKJ9-003	1	E02
11230-KFBF-900	0	F16				14761-KKJ9-003	1	E02
11331-KHB4-C00	1	E04	13000			14771-GDB4-680	2	E02
11341-KHB4-900	2	E01				14775-MFA6-001	0	E02
11346-KEBE-900	0	F20	13000-KUDU-900	10	E03	14781-MFA6-001	0	E02
11381-KHB4-900	0	E01	13011-GFY6-900	0	E03	15000		
11382-KHB4-900	2		13101-KUDU-900	1	E03	15100-KUDU-900	1	E06
11382-KHB4-900	2	F03	13111-3D84-001	3	E03	15133-GFY6-901	0	E06
11383-KUDU-900	0	E01				15141-GFY6-90B	0	E06
11386-GFY6-900	0	E07	14000			15141-GFY6-90C	1	E06
11394-KUDU-900	0	E04				15421-1G07-001	1	E04
11395-KHB4-900	0	E01	14100-KFA9-220	1	E02	15426-GAE1-921	0	E04
			14401-KUDU-900	0	E03	1565A-KUDU-900	0	E04
			14401-KUDU-90C	0	E03	15711-KUDU-900	0	E06
			14431-KUDU-900	3	E02			

PART NO. INDEX

PART NO.	VERSION	PAGE	PART NO.	VERSION	PAGE	PART NO.	VERSION	PAGE	
16000			16124-KEC3-900	2	E09	17231-KHB4-900	1	F13	
			16131-KEC3-900	0	E09	17239-KHB4-900	0	F13	
			16132-KEC3-900	1	E09	1723A-KHB4-900	3	F13	
	16001-KEC3-900	3	E09	16133-KEC3-900	1	E09	1723C-KHB4-900	0	F13
	16012-KEC3-800	4	E09	16134-KEC3-900	0	E09	17254-KACA-P00	0	F13
	16019-KUDU-900	0	E09	16138-KEC3-900	1	E09	17256-GFY6-901	4	E02
	16035-KHB4-EZ0	0	E09	16140-KEC3-900	1	E09	17359-4K19-671	0	F13
	16051-KEC3-90A	1	E09	16142-KEC3-900	1	E09	17369-KDB4-671	1	F21
	16053-KEC3-900	0	E09	16150-KEC3-900	1	E09	17370-4K19-701	0	F13
	16068-KEC3-900	0	E09	16154-KEC3-900	0	E09	17371-1D74-671	0	F13
	16069-KEC3-900	3	E09	16170-KEC3-900	0	E09	17510-KHB4-E01	0	F10
	16070-KEC3-900	3	E09	16179-KEC3-900	2	E09	17530-KHB4-900	0	F10
	16074-KEC3-900	4	E09	16180-KEC3-900	0	E09	17550-KFA6-900	1	F10
	16079-KEC3-900	3	E09	16181-KEC3-900	1	E09	1762A-KFA6-900	3	F10
	16080-KEC3-900	0	E09	16201-GFY6-901	0	E02	17685-KZCZ-900	0	F10
	16087-KEC3-900	3	E09	16211-GFY6-901	0	E02	17910-GFY6-901	3	
	16088-KEC3-900	1	E09	16950-KHB4-900	3	F10	17910-GFY6-901	3	F03
	16093-KEC3-112	1	E09	16951-KHB4-900	0	F10			
	16095-KEC3-900	2	E09	16952-KEC8-900	0	F10	18000		
	16100-KHB4-EZ0	0	E09						
16110-KEC3-900	1	E09	17000			18291-LBD4-900	2	F14	
16111-KEC3-900	1	E09				18294-KTCT-900	0	F14	
16114-KEC3-900	0	E09	17110-KUDU-900	5	E02	1830A-KHB4-EZ0	0	F14	
16116-KEC3-900	1	E09	17214-KHB4-900	0	F13	18318-KFAF-E00	2	F14	
16117-KEC3-900	0	E09	17215-KNBN-200	0	F20	18601-MAJ1-791	1	E02	
16122-KEC3-900	0	E09	17226-KHB4-900	0	F13	18612-GFY6-941	0	E02	

PART NO. INDEX

PART NO.	VERSION	PAGE	PART NO.	VERSION	PAGE	PART NO.	VERSION	PAGE
18618-GFY6-960	0	F21						
18645-GFY6-941	0	E02	21000			23000		
18646-GFY6-941	0	E02						
18647-GFY6-941	0	E02	21200-KHB4-305	0	E08	2301A-KEC6-900	3	E05
18656-KHB4-900	0	F21	21395-KHB4-900	1	E08	23100-KEC4-900	2	E05
18657-KHB4-900	1	F21				23200-GFY6-901	3	E05
1880A-KHB4-91A	0	F21	22000			23220-KFBF-900	0	E05
18814-KHB4-900	0	F21				23225-GHC8-004	0	E05
19000			22101-GFY6-941	3	E05	23226-GHC8-004	0	E05
			22102-KUDU-220	1	E05	23233-GCW3-011	0	E05
			22105-GFY6-220	1	E05	23237-GFY6-941	0	E05
19410-KHB4-900	0	F20	22110-KUDU-220	0	E05	23238-GFY6-941	0	E05
19505-GFY6-940	3	F10	22111-KUDU-220	1	E05	23411-KHB4-900	0	E08
19505-GFY6-940	3	F21	22112-GFY6-90A	0	E05	23420-KHB4-900	1	E08
19510-GFY6-901	4	E07	22121-GFY6-92A	2	E05	23431-KHB4-900	2	E08
1961A-KUDU-E10	2	E07	22131-GFY6-901	3	E05	23432-KHB4-900	0	E08
19625-KUDU-910	0	E02	22132-KBN2-901	4	E05			
19626-KUDU-900	0	E07	22300-KEC6-900	0	E05	28000		
1962A-KUDU-900	2	E07	22350-GFY6-90A	1	E05			
19632-GFY6-901	1	E07	22361-KGN7-671	1	E05	28101-GFY6-901	2	E06
19633-GFY6-901	0	E07	22401-GFY6-90A	1	E05	28102-GFY6-901	0	E06
19636-KUDU-C00	0	E07	22530-GFY6-94A	1	E05	28110-GFY6-901	2	E06
1963A-KUDU-C00	0	E07	22804-GBB2-001	0	E05	28120-GFY6-315	6	E06
						28125-4F26-001	0	E06
						28125-GFY6-960	3	E06
						28126-KUDU-900	1	E06

PART NO. INDEX

PART NO.	VERSION	PAGE	PART NO.	VERSION	PAGE	PART NO.	VERSION	PAGE
28211-KUDU-900	4	E05				33600-KHB4-E00	0	F17
28223-KNBN-901	0	E01	32000			33600-KHB4-E10	1	F17
28230-KNBN-901	0	E01				33602-KKD6-E00	0	F17
28250-KNBN-901	1	E01	32100-KHB4-900	1	F19	33607-KFA6-E00	0	F17
28253-GBN2-60A	0	E01	32120-1E55-001	0	F19	33607-KGB5-900	0	F17
28255-GFS6-001	0	E01	32410-KUDU-900	2	E06	33650-KHB4-E00	0	F17
28281-GBN2-60A	1	E01	32411-KHB4-900	1	F19	33650-KHB4-E10	1	F17
28300-KNBN-901	3	F15	32412-KHB4-900	1	E04	33652-KKD6-E00	0	F17
			32961-KUDU-900	0	E04	33701-KHB4-E00	1	F18
30000			33000			33703-KHB4-E00	0	F18
30400-KHB4-900	0	F19				33706-KHB4-E01	0	F18
3051A-KHB4-900	1	F19	33100-KFA6-900	1	F01	33709-KBAB-003	0	F18
30700-GFY6-901	3	F19	33105-KFA6-900	0	F01	33720-KHB4-E00	4	F18
			33120-KFA6-900	0	F01	33722-KHB4-E00	0	F18
31000			33130-KFA6-900	0	F01	33725-KHB4-E00	0	F18
			33155-KFA6-900	0	F01	33726-KHB4-E00	0	F18
31110-KUDU-90A	4	E07	33400-KFA6-E10	1	F17	33741-GFY6-C30	1	F18
31110-KUDU-90B	3	E07	33400-KFA6-E20	0	F17	33741-KEBE-900	1	F18
31120-KHB4-90A	0	E07	33402-KFA6-E10	0	F17	34000		
31120-KHB4-90B	1	E07	33405-KKD7-E00	0	F17			
31210-GFY6-20C	4	E06	33410-KFA6-E10	0	F17	34901-KFA6-900	0	F01
31500-GFY6-94A	5	F11	33420-KFA6-E10	0	F17	34903-KPCP-900	0	F01
31500-GFY6-94B	7	F11	33450-KFA6-E10	1	F17	34903-KPCP-900	0	F18
31600-KUDU-900	2	F19	33450-KFA6-E20	0	F17	34905-KPCP-900	0	F17
			33452-KFA6-E10	0	F17	34906-KPCP-900	0	F18

PART NO. INDEX

PART NO.	VERSION	PAGE	PART NO.	VERSION	PAGE	PART NO.	VERSION	PAGE		
34908-GGA7-70A	1	F02	3520A-KGBG-E00	4	F03	38110-KHB4-E0B	1	F19		
34908-MKB9-87A	0	F02	35340-KFA6-900	0	F04	38110-KHB4-E0C	1	F19		
35000			35340-KKJ9-010	5		38300-KECE-900	3	F02		
			35340-KKJ9-010	5	F03	38306-2B92-C11	1	F02		
			35400-KHB4-900	0	F19	38773-KEC3-900	0	E09		
			35850-KHB4-90A	2	F19	38773-PKB9-001	0	F10		
35010-KFA6-E0A	1	F19	35850-KHB4-90B	3	F19	3877A-PKB9-001	1	F10		
35010-KFA6-E0B	1	F19	37000			42000				
35101-KFA6-305-M1	0	F19								
35101-KFA6-305-M2	0	F19								
35102-KGBG-91A	0	F19								
35102-KGBG-91B	0	F19		37200-KHB4-90A	3		F02	42311-KHB4-900	2	F08
35111-KGBG-305-M1	0	F25		37200-KHB4-90B	2		F02	42312-KHB4-900	0	F08
35111-KGBG-305-M2	0	F25		37211-KHB4-90A	0		F02	42601-KFA6-900	2	F08
35111-KGBG-306-M1	0	F25		37211-KHB4-90B	0		F02	42710-KHB4-90A	1	F08
35111-KGBG-306-M2	0	F25		37213-KFA6-90A	0		F02	42753-KNBN-90A	0	F07
35151-KGBG-910	1			37213-KFA6-90B	0		F02	42753-KNBN-90A	0	F08
35151-KGBG-910	1	F03	37224-KHB4-900	1	F02	42753-KNBN-90B	1	F07		
35152-KGBG-900	2		37280-KFA6-900	0	F02	42753-KNBN-90B	1	F08		
35152-KGBG-900	2	F03	37801-LAB4-910	1	F10	43000				
3515A-KGBG-E00	3		37802-KHB4-900	3	F10					
3515A-KGBG-E00	3	F03	3780A-KHB4-900	1	F10					
35201-KGBG-910	1		3780A-KHB4-910	1	F10		4312A-KUDU-900	4	F08	
35201-KGBG-910	1	F03	38000				4312A-KUDU-910	0	F08	
35202-KGBG-900	3						4312A-KUDU-920	1	F08	
35202-KGBG-900	3	F03					43141-KED1-900	0	F08	
3520A-KGBG-E00	4						43151-KGM7-961	1	F08	
				38110-KHB4-E0A	0	F19				

PART NO. INDEX

PART NO.	VERSION	PAGE	PART NO.	VERSION	PAGE	PART NO.	VERSION	PAGE
43410-KHB4-900	1	F08	45451-4A71-001	1	F06	50550-KEB7-E00	1	F15
43450-KHB4-900	2		45513-KFA6-900	1	F04	50700-KFA6-900	2	F20
43450-KHB4-900	2	F03	45517-GFY6-900	5		50701-KFA6-900	2	F20
43452-GKAK-900	0		45517-GFY6-900	5	F03	50702-KFA6-900	2	F20
43452-GKAK-900	0	F03	45517-KFAF-910	0	F04	50710-KFA6-900	2	F20
43472-1A61-001	2		45530-KFA6-305	0	F04	50711-KFA6-900	2	F20
43472-1A61-001	2	F03				50712-KFA6-900	2	F20
			50000			50713-KEB7-900	0	F20
44000						50715-KFA6-900	0	F20
			50100-KHB4-EZ0	2	F20			
44301-KHB4-900	3	F07	50301-KGN7-671	2	F20	51000		
44311-KHB4-900	0	F07	50302-2H68-011	2	F20			
44600-KFA6-305	0	F07	50306-1F96-001	0	F06	51401-KFA6-E00	0	F22
44620-4L00-001	0	F07	50325-KHB4-900	0	F11	5140A-KHB4-E00	2	F06
44680-4L10-001	0	F07	50326-KEBE-900	2	F11	51410-KFA6-900	0	F22
44710-KHB4-90A	2	F07	5032A-KHB4-900	0	F11	51412-KFA6-E00	0	F22
44800-KFA6-900	3	F07	50330-KEBE-900	0	F05	51413-KEBE-E00	0	F22
44830-KFA6-900	2	F02	50350-KHB4-901	1	F20	51420-KHB4-900	0	F22
44831-KFA6-900	0	F02	50352-GFY6-901	0	F20	51429-KFA6-900	0	F22
			50353-GBG2-711	1	F20	51430-KFA6-900	0	F22
45000			50502-GFY6-901	3	F15	51432-KFA6-910	0	F22
			50505-KKD7-900	2	F15	5150A-KHB4-E00	2	F06
45105-KFA6-305	0	F07	5050A-KHB4-900	7	F15	51520-KHB4-900	0	F22
45121-KFA6-900	0	F07	50530-KFA6-E00	1	F15			
45126-KFA6-900	1	F04	50531-KEB7-E00	1	F15			
45200-KFA6-900	3	F07	50535-KEB7-E00	3	F15			

PART NO. INDEX

PART NO.	VERSION	PAGE	PART NO.	VERSION	PAGE	PART NO.	VERSION	PAGE
52000			5317B-KFA6-E00	3	F03	64400-KFA6-900	1	F20
			53200-KFA6-900	1	F06			
			53204-KFA6-900	0		70000		
52000-KHB4-900	1	F16	53204-KFA6-900	0	F03			
52400-KHB4-E00	0	F16	53205-KFA6-E00	2		70529-6G57-671	0	E07
53000			53205-KFA6-E00	2	F03			
			53206-KFA6-900	1		75000		
			53206-KFA6-900	1	F03			
53100-KHB4-900	2		53211-GFY6-940	1	F06	75581-6C73-001	0	F05
53100-KHB4-900	2	F03	53212-2L50-011	1	F06			
53105-KFC8-900	2		53214-2L50-001	0	F06	77000		
53105-KFC8-900	2	F03	53215-2L50-001	0	F06			
53106-KFC8-900	2					77106-KEB7-900	0	F12
53106-KFC8-900	2	F03	61000			77200-KHB4-E00	2	F09
53125-GEN5-901	0					77202-KHB4-900	1	F12
53125-GEN5-901	0	F03	61100-KFA6-900	0	F06	77205-KFA6-900	0	F09
53140-KNBN-960	0					77232-GLW0-315-M2	0	F05
53140-KNBN-960	0	F03	64000			77239-KFA6-305-M1	0	F09
53166-KNBN-911	0					77239-KFA6-305-M2	0	F09
53166-KNBN-911	0	F03	64301-KFA6-900	2	F05	77300-KHB4-900	2	F09
53172-KTCT-900	0		64302-KFA6-900	1	F05	77303-KFA6-900	1	F09
53172-KTCT-900	0	F03	64303-KFA6-900	0	F05	77305-KFA6-900	0	F09
53175-KFA6-E00	0	F04	64310-KFA6-900	2	F05	77306-KHB4-900	0	F09
53178-KXCX-E00	0		64315-KHB4-900	1	F20			
53178-KXCX-E00	0	F03	64320-KFA6-900	0	F05			
5317B-KFA6-E00	3		64400-KFA6-900	0	F20			

PART NO. INDEX

PART NO.	VERSION	PAGE	PART NO.	VERSION	PAGE	PART NO.	VERSION	PAGE
80000			83000			88000		
80101-KHB4-E00	0	F18	83500-KHB4-900	1	F12	88110-KFA6-900	3	
80102-KHB4-800	2	F18	83501-KHB4-900	1	F12	88110-KFA6-900	3	F03
80102-KHB4-901	2	F18	83502-KHB4-900	0	F12	88120-KFA6-900	3	
80105-KHB4-900	0	F18	83600-KHB4-900	1	F12	88120-KFA6-900	3	F03
80151-KHB4-900	0	F12	83601-KHB4-900	1	F12			
80152-KHB4-900	0	F12	83605-KHB4-900	0	F12	89000		
81000			86000			89010-KGBG-900	0	F09
81131-KFA6-900	1	F05	86030-KFA6-E00	1	F24	90000		
81132-KFA6-900	1	F05	86102-KFA6-E00	2	F24	90001-GBHB-661	2	E03
81133-KGBG-900	0	F05	86202-KFA6-E00	1	F24	90005-KAW1-901	1	E03
81134-KFA6-900	0	F05	86212-KHB4-E00	0	F24	9000A-KTDT-900	1	E01
81135-KGBG-900	2	F05	87000			90012-3C33-001	1	E02
81141-KFA6-900	0	F05	87224-KHB4-EZ0	1	F23	90023-GBN2-001	3	F11
81142-KFA6-900	0	F05	87311-KKD6-E00	1	F24	90031-KUDU-900	0	E01
81146-GBN2-001	0	F05	87505-KHB4-E00	0	F23	90032-KUDU-900	0	E01
81200-KHB4-900	0	F12	87541-GAR1-E00	1	F23	90033-GFY6-900	0	E02
81201-KHB4-900	1	F12	87541-KUDU-E00	0	F23	90033-GFY6-941	0	E02
81218-KCAC-P00	0	F23	87542-GAR1-E00	2	F23	90101-GAR1-001	0	F01
81257-KHB4-900	0	F12	87560-GFY6-E00	3	F23	90101-KNBN-901	0	F11
81260-KHB4-E00	5	F12				90105-GGS7-001	0	F12
81300-KHB4-900	1	F12						

PART NO. INDEX

PART NO.	VERSION	PAGE	PART NO.	VERSION	PAGE	PART NO.	VERSION	PAGE
90105-KCR3-001	1	F07	90202-1G87-001	0	E05	90403-KUDU-900	0	E06
90105-KHB4-900	0	F12	90206-0A01-001	2	E02	90412-3K29-001	0	E01
90106-GEN5-901	0		90215-GLM0-910	1	F12	90426-KNBN-901	0	E05
90106-GEN5-901	0	F03	90301-6D34-671	1	F05	90440-1F66-001	0	E07
90106-GFY6-901	0	F20	90301-6D34-671	1	F18	90441-GFY6-941	0	E05
90106-KFC2-900	0		90301-GFY6-901	2	F14	90451-GBN2-601	0	E01
90106-KFC2-900	0	F03	90302-GBR2-001	1	F10	90465-MDC4-001	0	E02
90106-KFC2-900	0	F12	90302-GFY6-901	1	F05	90474-3C33-001	1	E01
90107-KUDU-900	2	F20	90302-GFY6-901	1	F10	9052A-GFY6-950	3	E01
90108-KFA6-E00	1	F15	90302-GFY6-901	1	F18	90545-3L00-001	2	F04
90110-GLW0-001	0	F05	90302-GFY6-940	1	F06	90554-2C83-001	0	F22
90110-GLW0-001	0	F20	90302-KED5-900	2	F12	90601-3D54-001	0	F22
90111-1G87-001	1	F10	90302-KNBN-900	1		90601-GFY6-901	0	E05
90111-KFW6-001	0	F12	90302-KNBN-900	1	F03	90605-1F66-721	0	E05
90112-KRDR-900	0	F19	90302-SDA4-004	2	F05	90652-GFY6-901	1	F13
90114-1F66-007	2	F04	90302-SDA4-004	2	F12	90656-GFY6-911	0	
90114-GDM4-011	2	F13	90304-4H38-001	2	E02	90656-GFY6-911	0	F03
90115-GLE0-001	0		90304-GHE8-004	0		90677-GAR1-004	1	F05
90115-GLE0-001	0	F03	90304-GHE8-004	0	F03	90701-HFB6-011	1	E03
90116-3C83-72A	0	F22	90304-GHE8-004	0	F20	90701-HFB6-011	1	E06
90121-GFY6-901	1	F20	90305-GHK8-001	1	E07			
90122-KEBE-900	2	F07	90305-KFW6-900	1	F08	91000		
90145-MKS9-61A	1	F04	90306-KLF0-901	0	F07			
90150-4C63-77A	0	F01	90307-GFJ6-004	1	F01	91001-GFY6-90A	2	E05
90164-KGBG-900	1	F05	90309-KLF0-004-SY	1	E08	91002-GGA7-70A	0	E05
90201-GFY6-901	0	E06	90381-GEZ5-001	1	F12	91003-KDS4-004	1	E08

PART NO. INDEX

PART NO.	VERSION	PAGE	PART NO.	VERSION	PAGE	PART NO.	VERSION	PAGE
91008-HCB3-00B	0	E02	91258-4L10-00B	1	F07	93500-05012-08	0	E09
91008-KUDU-900	0	E02	91259-KFBF-900	0	F16	93500-KGBG-900	0	
91009-GLE0-004	1	E08	91301-0C53-001	0	E08	93500-KGBG-900	0	F03
91014-LLJ3-E00	1	F06	91301-0H28-001	0	E02	93600-04012-1G	0	F04
91015-LLJ3-E00	1	F06	91301-GLR0-005	1	E03	93891-05012-06	0	F11
91051-KFBF-901	1	F16	91302-0A01-021	0	E04	93891-05030-07	0	
91101-1K79-711	1	E06	91305-0H28-159	0	E02	93891-05030-07	0	F03
91104-GFY6-90B-B	1	E06	91306-1E05-691	0	E03	93892-04008-18	0	E09
91104-GFY6-90B-R	1	E06	91307-0E35-001	0	E04	93892-05012-18	0	E09
91104-GFY6-90B-W	1	E06	91309-4E25-004	0	E06	93901-32010	0	F17
91104-GFY6-90C-B	0	E06	91351-6B42-000	0	E05	93901-32220	0	F17
91104-GFY6-90C-R	0	E06	91352-KHG8-83B	0	F08	93901-32320	0	F17
91104-GFY6-90C-W	0	E06	91508-KGV7-67A	0	F18	93903-25460	0	F13
91104-KGN7-671	0	E01				93903-34360	0	
91201-KED1-900	0	E08	92000			93903-34360	0	F03
91202-GFY6-90A	1	E01				93903-34360	0	F05
91202-GFY6-90A	1	E04	92101-05012-0H	0	E07	93903-34360	0	F09
91202-GFY6-90B	1	E01	92900-06060-0B	0	E02	93903-34360	0	F12
91202-GFY6-90B	1	E04				93903-34360	0	F17
91202-KKJ9-004	0	E01	93000			93903-34360	0	F18
91211-KEBE-900	0	E05				93903-34460	0	F12
91252-0L30-00A	0	F07	93404-06012-08	0	F20	93903-35220	0	F01
91252-0L30-00B	0	F07	93404-06020-06	1	F05	93903-35320	0	F02
91254-KEC5-004	0	F22	93500-03010-1A	0	E06	93903-35360	0	
91255-4F46-014	0	F22	93500-04010-1A	0	E09	93903-35360	0	F03
91255-GLE0-006	0	E08	93500-04014-1A	0	E09			

PART NO. INDEX

PART NO.	VERSION	PAGE	PART NO.	VERSION	PAGE	PART NO.	VERSION	PAGE	
94000			94301-10160	0	E04	9500B-KHB4-900	0	F10	
			94303-04065	0	E06	9500C-KHB4-900	0	F10	
			94510-20000	0	E08	95015-32001	0		
	94001-05080-0S	0	94511-14000	0	E01	95015-32001	0	F03	
	94001-05080-0S	0	F03	94520-28000	0	E05	95015-42000	0	
	94050-05080	0	F18	94540-50029	0	E09	95015-42000	0	F03
	94050-06060	0	F04	94591-25000	0	E09	95701-06012-08	0	F11
	94050-06080	0	E02	94591-27000	0	F05	95701-06016-08	0	F12
	94050-06080	0	E06	94591-27000	0	F12	95701-06020-08	0	F12
	94050-06080	0	F09	94591-KFBB-900	2	E07	95701-06022-06	1	F04
	94050-06080	0	F11	94601-15000	0	E03	95701-06022-06	1	F15
	94050-06080	0	F12	94605-KEBE-900	1	F22	95701-06025-08	0	E02
	94050-06080	0	F18	94608-30000	0	F22	95701-06032-08	0	F08
	94050-06080	0	F19				95701-06035-08	0	E02
	94050-08080	0	E02	95000			95701-06040-08	0	E02
	94050-08080	0	F19				95701-06045-08	0	F20
	94050-12080	0	E05	95002-02070	0	E09	95701-06050-08	0	E02
94050-12080	0	E07	95002-02070	0	F10	95701-08012-08	0	E01	
94101-06200	0	F14	95002-02070	0	F21	95701-KEB7-E00	1	F19	
94101-06700	0	F14	95002-02080	0	F10	95801-08035-08	0	F16	
94111-04800	0	E09	95002-02080	0	F13	95801-08040-08	0	F06	
94111-06000	0	F20	95002-02130	0	F13	95801-08050-06	1	F14	
94111-06800	0	F14	95002-02130	0	F21	95801-10025-08	0	F15	
94301-10160	0	E01	95003-23024-60	0	F13	95801-10035-08	0	F16	
94301-10160	0	E02	95005-35065-10	0	F10				
94301-10160	0	E03	9500A-35200-20	0	E09				

PART NO. INDEX

PART NO.	VERSION	PAGE	PART NO.	VERSION	PAGE	PART NO.	VERSION	PAGE
96000			96100-63030-00	0	E01			
			96120-63010-10	0	F07			
			96211-08000	0	F20			
	96001-06008-07	0	F14	96220-60100	0	E06		
	96001-06012-02	0	F14	96600-08010-10	1	E06		
	96001-06012-08	0						
	96001-06012-08	0	E01	98000				
	96001-06012-08	0	E04					
	96001-06012-08	0	E06	98056-5771R-00	0	E02		
	96001-06012-08	0	F03	98200-10700	0	F11		
	96001-06016-08	0	E06	98200-10700	0	F19		
	96001-06016-08	0	E07	98200-11500	0	F19		
	96001-06018-08	0	E07					
	96001-06020-08	0	E07					
	96001-06025-06	0						
	96001-06025-06	0	F03					
	96001-06025-08	0	E06					
	96001-06025-08	0	E07					
	96001-06028-08	0	E04					
	96001-06045-08	0	E01					
96001-06050-08	0	E01						
96001-06100-08	0	E02						
96001-06100-08	0	E04						
96001-06110-08	0	E04						
96100-60020-00	0	E08						
96100-62020-00	0	E01						