

# PARTS CATALOGUE



## SCOOTERS

KN25DA(VN)

LIKE 125(2010)



Release Date : 2010/12/23  
Print Date : 2011/12/28

## ABOUT THIS PARTS LIST

- This parts list is compiled all service parts for model KN25DA(VN).
- Any difference between color chart and motorcycle will be revised according to motorcycle.
- The Mark:
  1. Marking "\*\*\*" must add color code in the end before ordering parts.
  2. Marking "#" are parts with modification, Please find the details from e-Parts system.
- When modification or additions to this parts list are made a revised edition at an appropriate time.



# CONTENTS

● ABOUT THIS PARTS LIST .....	1
● COLOR CHART OF KN25DA(VN) .....	3
● CONTENTS-ENGINE GROUP .....	7
● CONTENTS-FRAME GROUP .....	8
● ENGINE PARTS LIST .....	11
● FRAME PARTS LIST .....	37
● PART NO. INDEX .....	91

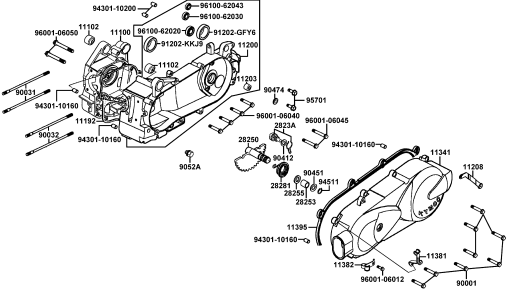
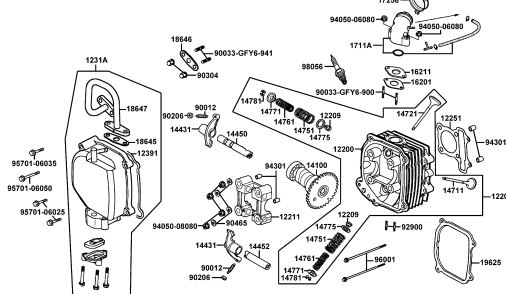
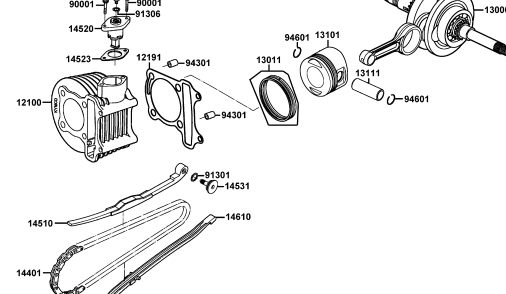
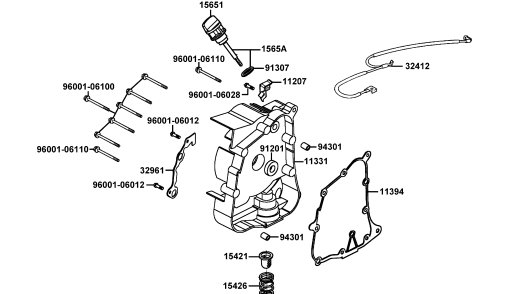
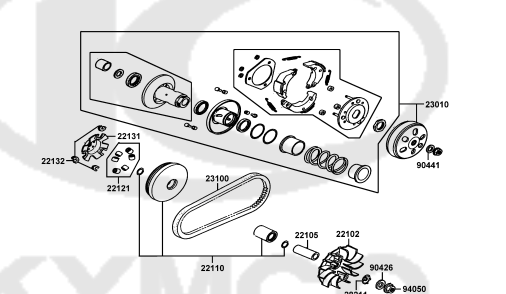
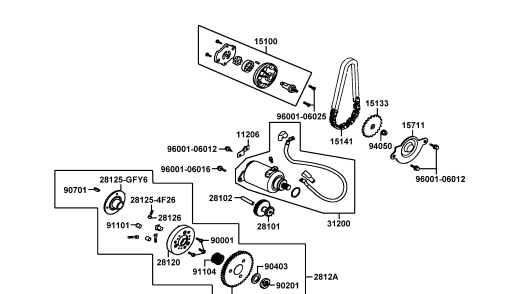
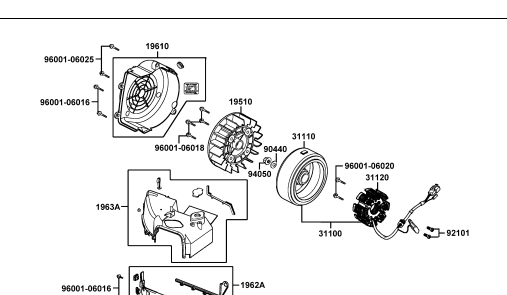
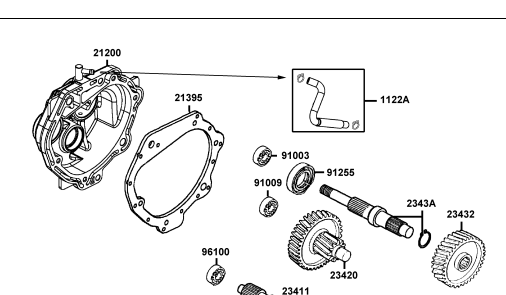
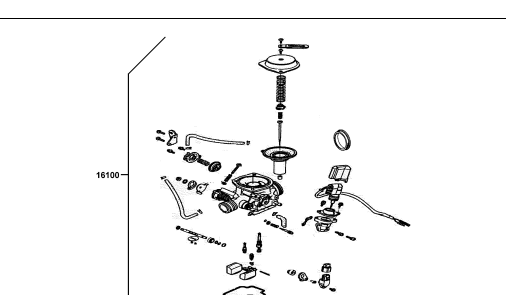
NO	MODEL			COLOR CHART OF KN25DA(VN)			
	PHOTO NO			NO. 1	NO. 2	NO. 3	NO. 4
	BASIC COLOR			Pearly White	Dark Gray Metallic	Bright Red	Brown
	CODE			Pearly White	Dark Gray Metallic	Bright Red	Brown
	PARTS NAME	PARTS NO.	VERSION	VN801PA	VN804MA	VR855CA	VY830MA
1	COVER BATTERY	50326-LGR5-E10	0	22R			
2	PANEL FLOOR	64310-LGR5-E10	2				
3	LID LEG SHIELD	81132-LCB9-C10	0				
4	LEG SHIELD LOW	81151-LGR5-E10	1				
5	GRIP COMP THROT	53140-KNBN-C00	1	E3R			
6	GRIP L HANDLE	53166-KNBN-C00	0				
7	COVER UNDER	50613-LGR5-E10	1	N1R			
8	FENDER FR INNER	61110-LGR5-E10	3				
9	LID FR COVER LOW	64304-LGR5-E10	2				
10	LID R SIDE SKIRT	64307-LGR5-E10	1				
11	LID L SIDE SKIRT	64308-LGR5-E10	1				
12	UNDER COWL	64400-LGR5-E10	1				
13	FENDER REAR. TIRE	80100-ALA5-BA0	0				
14	FENDER REAR UP	80101-LGR5-E10	2				
15	LID MAIN TAIL LIGHT	80102-LGR5-E10	1				
16	FENDER REAR	80105-LGR5-E10	2				
17	PLATE INNER BOX	81134-LGR5-E10	1				
18	LID R MAINT. FR.	81135-LGR5-E10	1				
19	LID L MAINT FR WINKER	81136-LGR5-E10	1				
20	BOX LUGGAGE	81250-LGR5-E10	1				
21	LID CARB MAINT	81251-LGR5-E10	1				
22	LID R BODY COVER	83510-LGR5-E10	1				
23	LID L BODY COVER	83610-LGR5-E10	1				
24	COVER COMP L SIDE	11341-KEC4-900	1	N8A			
25	WHEEL COMP RR CAST	42601-ALA5-BA0	0				
DATE OF STARTING-SALES							
DATE OF END-SALES							

NO	MODEL			COLOR CHART OF KN25DA(VN)			
	PHOTO NO			NO. 5			
	BASIC COLOR			Orange			
	CODE			Orange			
	PARTS NAME	PARTS NO.	VERSION	VY813SA			
1	COVER BATTERY	50326-LGR5-E10	0	22R			
2	PANEL FLOOR	64310-LGR5-E10	2				
3	LID LEG SHIELD	81132-LCB9-C10	0				
4	LEG SHIELD LOW	81151-LGR5-E10	1				
5	GRIP COMP THROT	53140-KNBN-C00	1	E3R			
6	GRIP L HANDLE	53166-KNBN-C00	0				
7	COVER UNDER	50613-LGR5-E10	1	N1R			
8	FENDER FR INNER	61110-LGR5-E10	3				
9	LID FR COVER LOW	64304-LGR5-E10	2				
10	LID R SIDE SKIRT	64307-LGR5-E10	1				
11	LID L SIDE SKIRT	64308-LGR5-E10	1				
12	UNDER COWL	64400-LGR5-E10	1				
13	FENDER REAR. TIRE	80100-ALA5-BA0	0				
14	FENDER REAR UP	80101-LGR5-E10	2				
15	LID MAIN TAIL LIGHT	80102-LGR5-E10	1				
16	FENDER REAR	80105-LGR5-E10	2				
17	PLATE INNER BOX	81134-LGR5-E10	1				
18	LID R MAINT. FR.	81135-LGR5-E10	1				
19	LID L MAINT FR WINKER	81136-LGR5-E10	1				
20	BOX LUGGAGE	81250-LGR5-E10	1				
21	LID CARB MAINT	81251-LGR5-E10	1				
22	LID R BODY COVER	83510-LGR5-E10	1				
23	LID L BODY COVER	83610-LGR5-E10	1				
24	COVER COMP L SIDE	11341-KEC4-900	1	N8A			
25	WHEEL COMP RR CAST	42601-ALA5-BA0	0				
DATE OF STARTING-SALES							
DATE OF END-SALES							

NO	MODEL			COLOR CHART OF KN25DA(VN)			
	PHOTO NO			NO. 1	NO. 2	NO. 3	NO. 4
	BASIC COLOR			Pearly White	Dark Gray Metallic	Bright Red	Brown
	CODE			Pearly White	Dark Gray Metallic	Bright Red	Brown
	PARTS NAME	PARTS NO.	VERSION	VN801PA	VN804MA	VR855CA	VY830MA
26	WHEEL COMP FR CAST	44601-LGR5-E10	0	N8A			
27	EMB K-LOGO	86102-ALA5-BA0	0	T01			
28	EMB K-LOGO	86102-ALA5-BA1	0				
29	STRIPE BODY COVER	86201-ALA5-BA0	0				
30	STRIPE R BODY COVER	86221-ALA5-BA0	0				
31	EMB R BODY COVER	86222-LGR5-BA0	0				
32	STRIPE L BODY COVER	86231-ALA5-BA0	0				
33	EMB L BODY COVER	86232-LGR5-BA0	0				
34	EMB R SKIRT	86342-LGR5-BA0	1				
35	EMB L SKIRT	86352-LGR5-BA0	1				
36	EMB B R SKIRT	86362-LGR5-BA0	1				
37	EMB B L SKIRT	86372-LGR5-BA0	1				
38	EMB R FRINGE	86420-LGR5-E00	1				
39	EMB L FRINGE	86422-LGR5-E00	1				
40	EMB SIDE REFLECTOR	87311-ALA5-BA0	0				
41	LABEL TIRE	87505-LGR5-BA0	1				
42	CAUTION SIDE STAND	87541-GAR1-C01	1				
43	LABEL OIL CAP	87541-KUDU-E00	1				
44	MARK MAINT CAUTION	87542-GAR1-E01	2				
45	MARK DRIVE CAUTION	87560-GFY6-C01	3				
46	PLUG FLOOR	64316-LCB9-C10	4				
DATE OF STARTING-SALES							
DATE OF END-SALES							

NO	MODEL			COLOR CHART OF KN25DA(VN)			
	PHOTO NO			NO. 5			
	BASIC COLOR			Orange			
	CODE			Orange			
	PARTS NAME	PARTS NO.	VERSION	VY813SA			
26	WHEEL COMP FR CAST	44601-LGR5-E10	0				
27	EMB K-LOGO	86102-ALA5-BA0	0				
28	EMB K-LOGO	86102-ALA5-BA1	0				
29	STRIPE BODY COVER	86201-ALA5-BA0	0				
30	STRIPE R BODY COVER	86221-ALA5-BA0	0				
31	EMB R BODY COVER	86222-LGR5-BA0	0				
32	STRIPE L BODY COVER	86231-ALA5-BA0	0				
33	EMB L BODY COVER	86232-LGR5-BA0	0				
34	EMB R SKIRT	86342-LGR5-BA0	1				
35	EMB L SKIRT	86352-LGR5-BA0	1				
36	EMB B R SKIRT	86362-LGR5-BA0	1	T01			
37	EMB B L SKIRT	86372-LGR5-BA0	1				
38	EMB R FRINGE	86420-LGR5-E00	1				
39	EMB L FRINGE	86422-LGR5-E00	1				
40	EMB SIDE REFLECTOR	87311-ALA5-BA0	0				
41	LABEL TIRE	87505-LGR5-BA0	1				
42	CAUTION SIDE STAND	87541-GAR1-C01	1				
43	LABEL OIL CAP	87541-KUDU-E00	1				
44	MARK MAINT CAUTION	87542-GAR1-E01	2				
45	MARK DRIVE CAUTION	87560-GFY6-C01	3				
46	PLUG FLOOR	64316-LCB9-C10	4	X1R			
DATE OF STARTING-SALES							
DATE OF END-SALES							

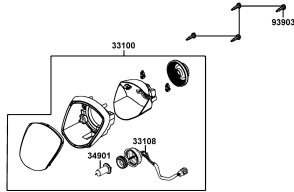
# CONTENTS - ENGINE GROUP

<p><b>E01 Crank Case</b></p> 	<p><b>E02 Cylinder Head</b></p> 	<p><b>E03 Cylinder Piston Crankshaft</b></p> 
<p><b>E04 Right Crankcase Cover</b></p> 	<p><b>E05 Driven Pulley</b></p> 	<p><b>E06 Starting Motor Oil Pump</b></p> 
<p><b>E07 Fan Cover Generator</b></p> 	<p><b>E08 Transmission</b></p> 	<p><b>E09 Carburetor</b></p> 

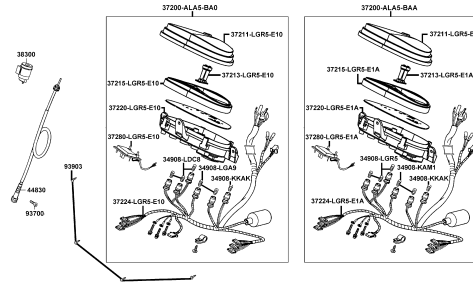


# CONTENTS - FRAME GROUP

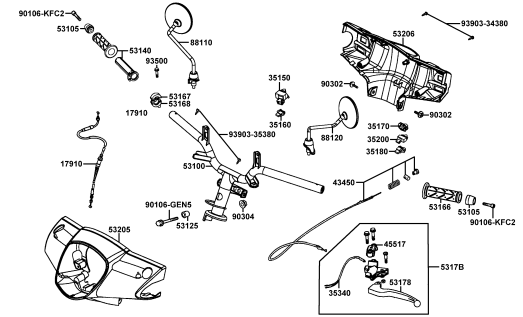
**F01** Head Light



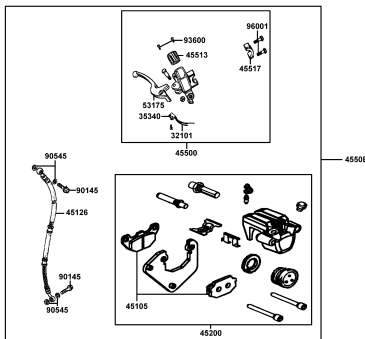
**F02** Speedometer



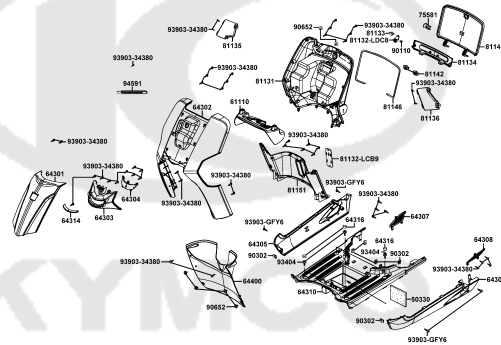
**F03** Handle Steering Handle Cover



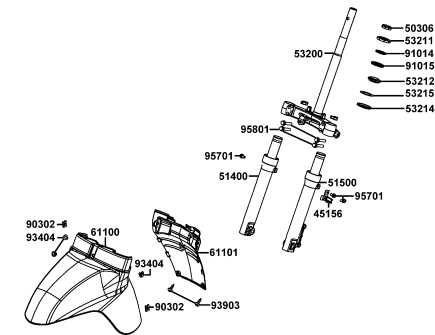
**F04** Brake Master Cylinder



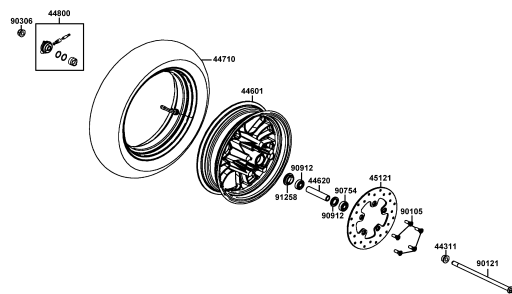
**F05** Front Cover Front Fender



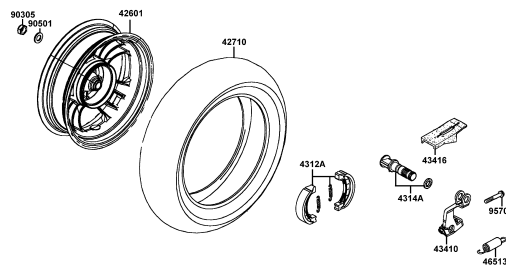
**F06** Stem Steering Front Cushion



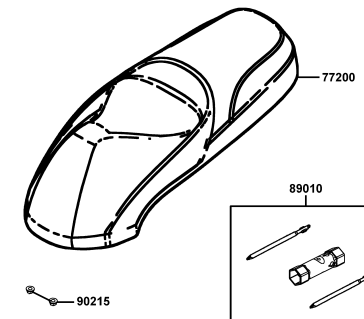
**F07** Front Wheel



**F08** Rear Wheel

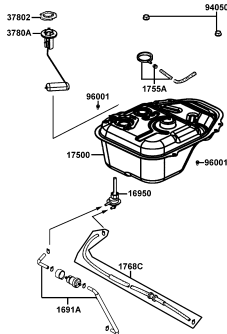


**F09** Seat

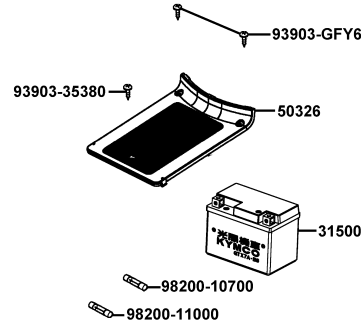


# CONTENTS - FRAME GROUP

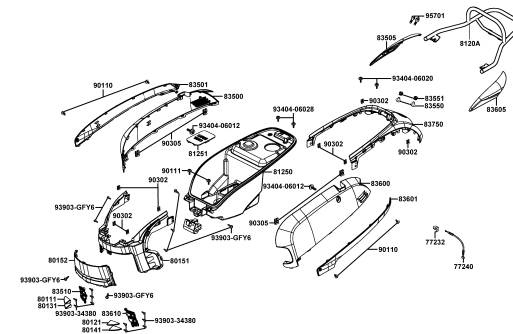
**F10 Fuel Tank**



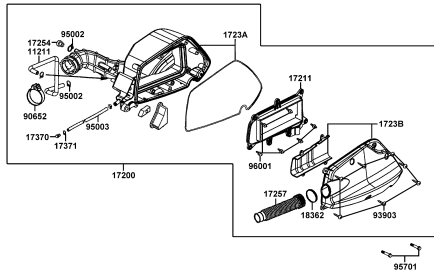
**F11 Battery**



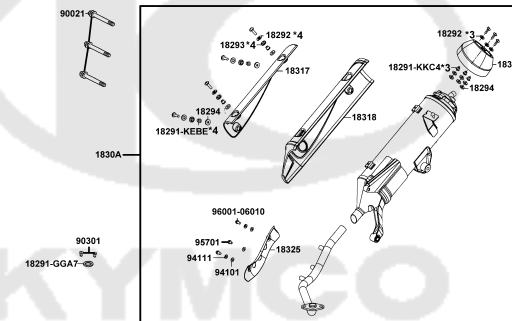
**F12 Body Cover Luggage Box**



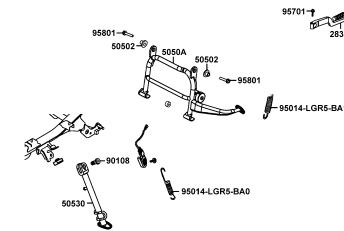
**F13 Air Cleaner**



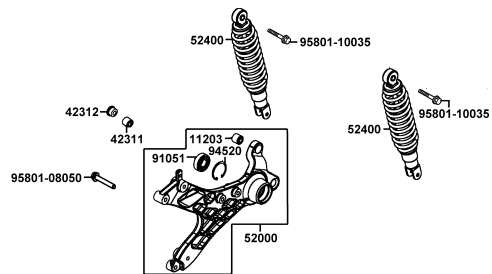
**F14 Exhaust Muffler**



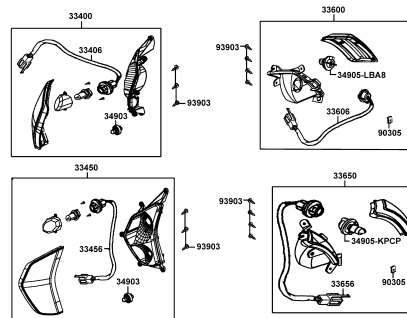
**F15 Stand Kick Starter Arm**



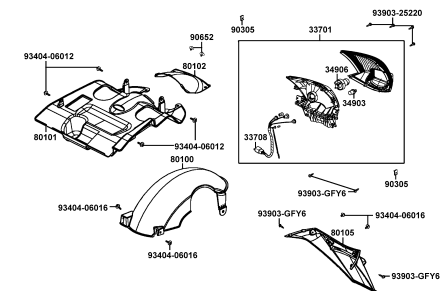
**F16 Rear Cushion**



**F17 Front Winker**

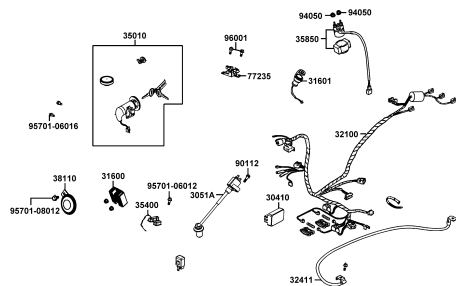


**F18 Tail Light**

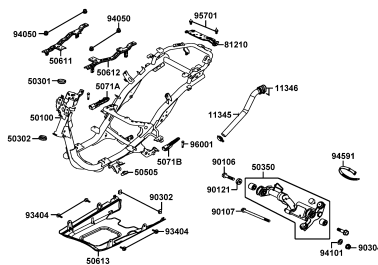


## CONTENTS - FRAME GROUP

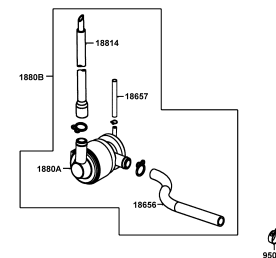
### F19 Wire Harness



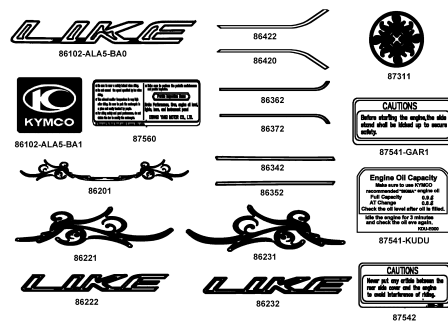
### F20 Frame Body



### F21 Air Cleaner Two

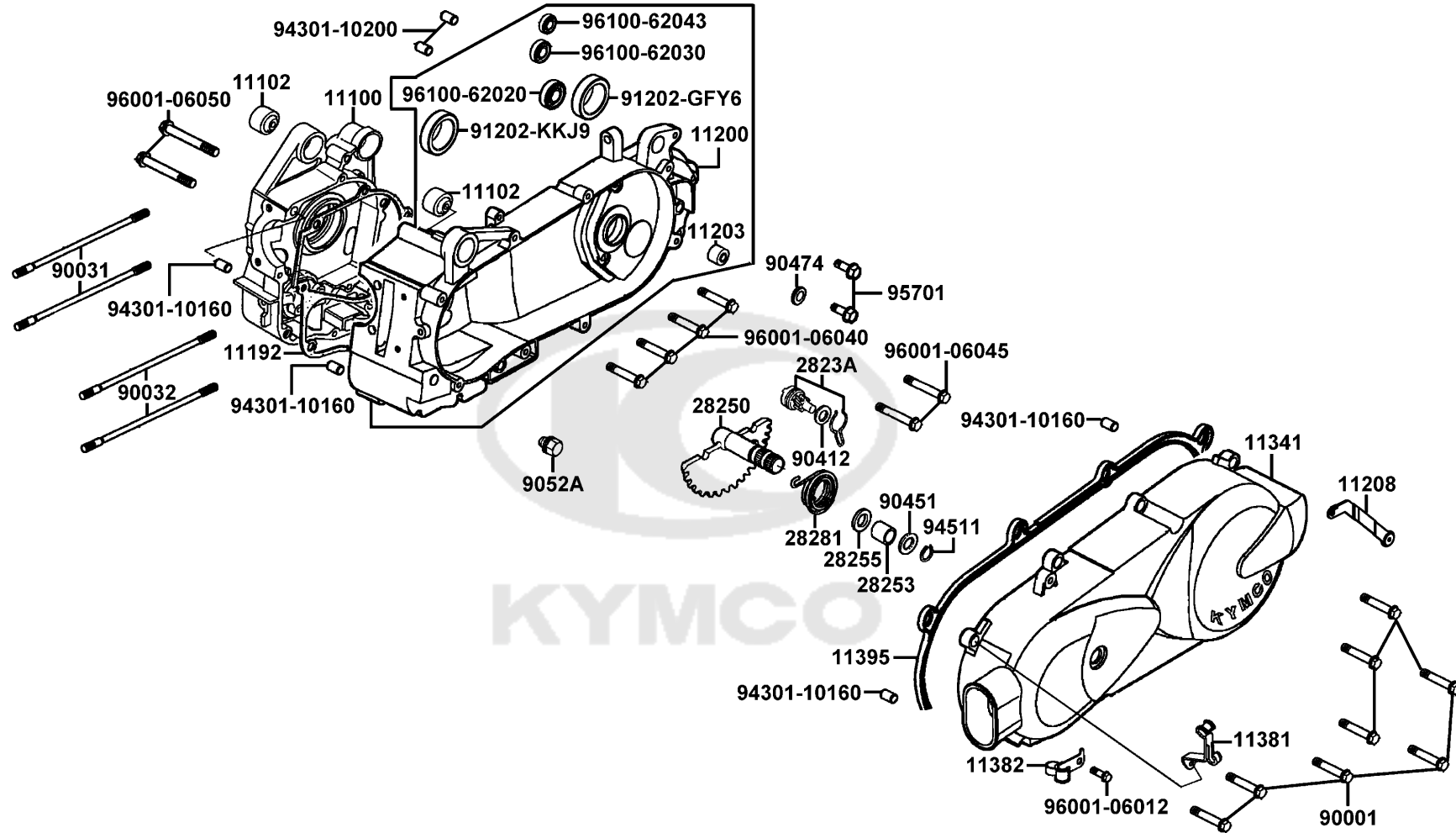


### F22 Emblem Stripe



E01

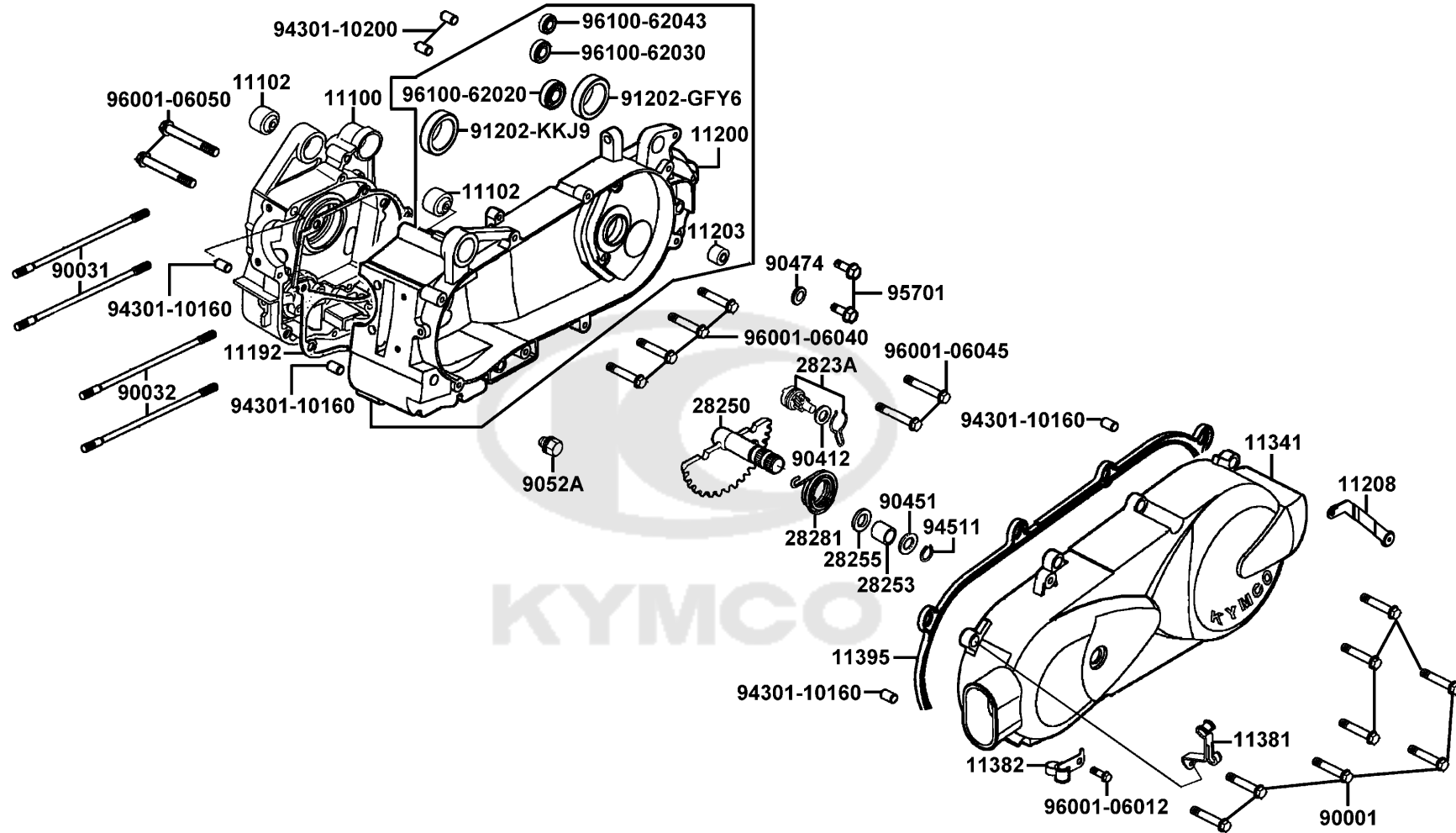
# Crank Case



Sales mark	Ref no	Part no	Description	Reg description	Regd no	E01
	11100	11100-KUDU-C00	CRANK CASE COMP R	CRANK CASE COMP R	1	
	11102	11102-1G87-C00	RUB BUSH ENG HANGER	RUBBER BUSH ENGINE HANGER	1	
	11192	11192-KUDU-C10	GASKET CRANK CASE @ A	GASKET CRANK CASE @ A	1	
	11200	11200-KEC4-C00	CRANK CASE COMP L	CRANK CASE COMP L	1	
	11203	11203-GGC7-W10	UNDER RUBBER BUSH REAR CUSHION	UNDER RUBBER BUSH RR CUSHION	1	
	11208	11208-LGR5-BA0	"STAY B, RR FENDER"	"STAY B, RR FENDER"	1	
**	11341	11341-KEC4-900	COVER L	COVER LEFT	1	
	11381	11381-KUDU-C00	CLAMPER THROTTLE CABLE	CLAMPER THROTTLE CABLE	1	
	11382	11382-KUDU-BA0	CLAMPER BRAKE CABLE	CLAMPER BRAKE CABLE	1	
	11395	11395-KKD7-C10	GASKET L COVER @A	GASKET L COVER @A	1	
	2823A	2823A-GKAK-W10	GEAR ASSY KICK DRIVEN	GEAR ASSY KICK DRIVEN	1	
	28250	28250-LDF7-E10	SPINDLE COMP KICK STARTER	SPINDLE COMP KICK STARTER	1	
	28253	28253-GBN2-C00	BUSH KICK SPINDLE	BUSH KICK SPDL	1	
	28255	28255-GFS6-C00	COLLAR KICK BOSS	COLLAR KICK BOSS	1	
	28281	28281-GBN2-C00	SPRING KICK RETURN	SPRING KICK RETURN	1	
	90001	90001-LGR5-BA0	BOLT FLANGE SHF 6*40(Cr)	BOLT FLANGE SHF 6*40(Cr)	8	
	90031	90031-KUDU-C00	BOLT A STUD 8*200.5	BOLT A STUD 8*200.5	2	
	90032	90032-KUDU-C00	BOLT B STUD 8*208.5	BOLT B STUD 8*208.5	2	
	90412	90412-3K29-C00	WASHER THRUST 10MM	WASHER THRUST 10MM	1	
	90451	90451-GBN2-C00	WASHER KICK SPINDLE	WASHER KICK SPINDLE	1	

E01

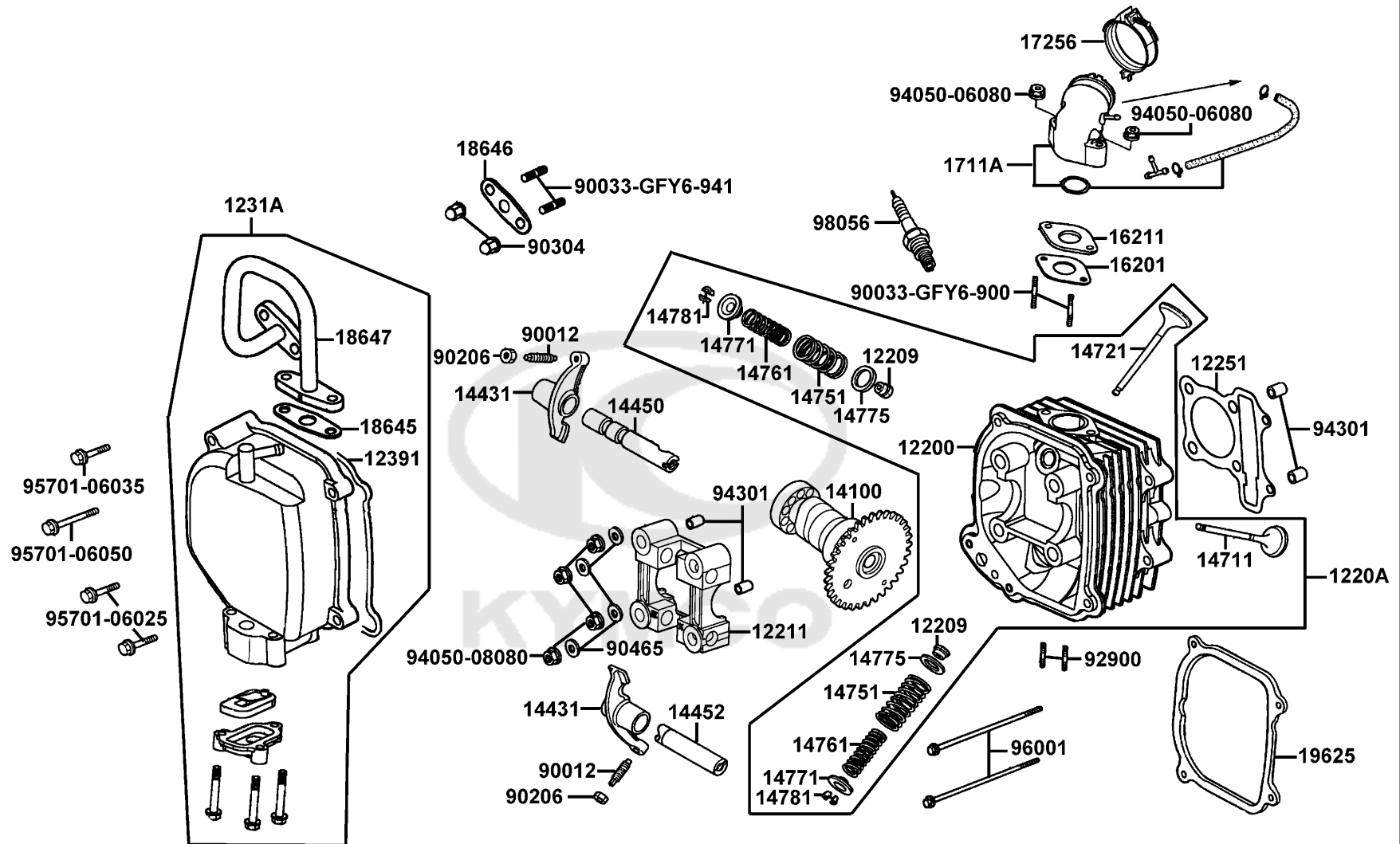
Crank Case



Sales mark	Ref no	Part no	Description	Reg description	Regd no	E01
90474		90474-3C33-C00	WASHER 8MM(T*2)	WASHER 8MM (T*2)	1	
9052A		9052A-LGR5-BA0	BOLT ASSY DRAIN PLUG	BOLT ASSY DRAIN PLUG	1	
91202-GFY6		91202-GFY6-C00	OIL SEAL 19.8*30*5	OIL SEAL 19.8*30*5	1	
91202-KKJ9		91202-KKJ9-C00	OIL SEAL 20*32*6	OIL SEAL 20*32*6	1	
94301-10160		94301-10160	DOWEL PIN 10*16	DOWEL PIN 10*16	4	
94301-10200		94301-10200-M2	DOWEL PIN 10*20	DOWEL PIN 10*20	2	
94511		94511-14000	CIR CLIP EX 14	CIR CLIP EX 14	1	
95701-08012		95701-08012-02	BOLT FLANGE 8*12 (G)	BOLT FLANGE 8*12 (G)	2	
96001-06012		96001-06012-02	BOLT FLANGE SH 6*12	BOLT FLANGE 6*12	1	
96001-06040		96001-06040-06	BOLT FLANGE SH 6*40 (G)	BOLT FLANGE 6X40(G)	4	
96001-06045		96001-06045-02	BOLT FLANGE SH 6*45	BOLT FLANGE SH 6*45 (Cr)	3	
96001-06050		96001-06050-08	BOLT FLANGE 6*50	BOLT FLANGE 6*50	2	
96100-62020		96100-62020-00	BEARING BALL RADIAL 6202	BEARING BALL RADIAL 6202	1	
96100-62030		96100-62030-00	BRG BALL RADIAL 6203	BEARING BALL RADIAL 6203	1	
96100-62043		96100-62043-00	BEARING BALL RADIAL 6204	BEARING BALL RADIAL 6204	1	

E02

# Cylinder Head

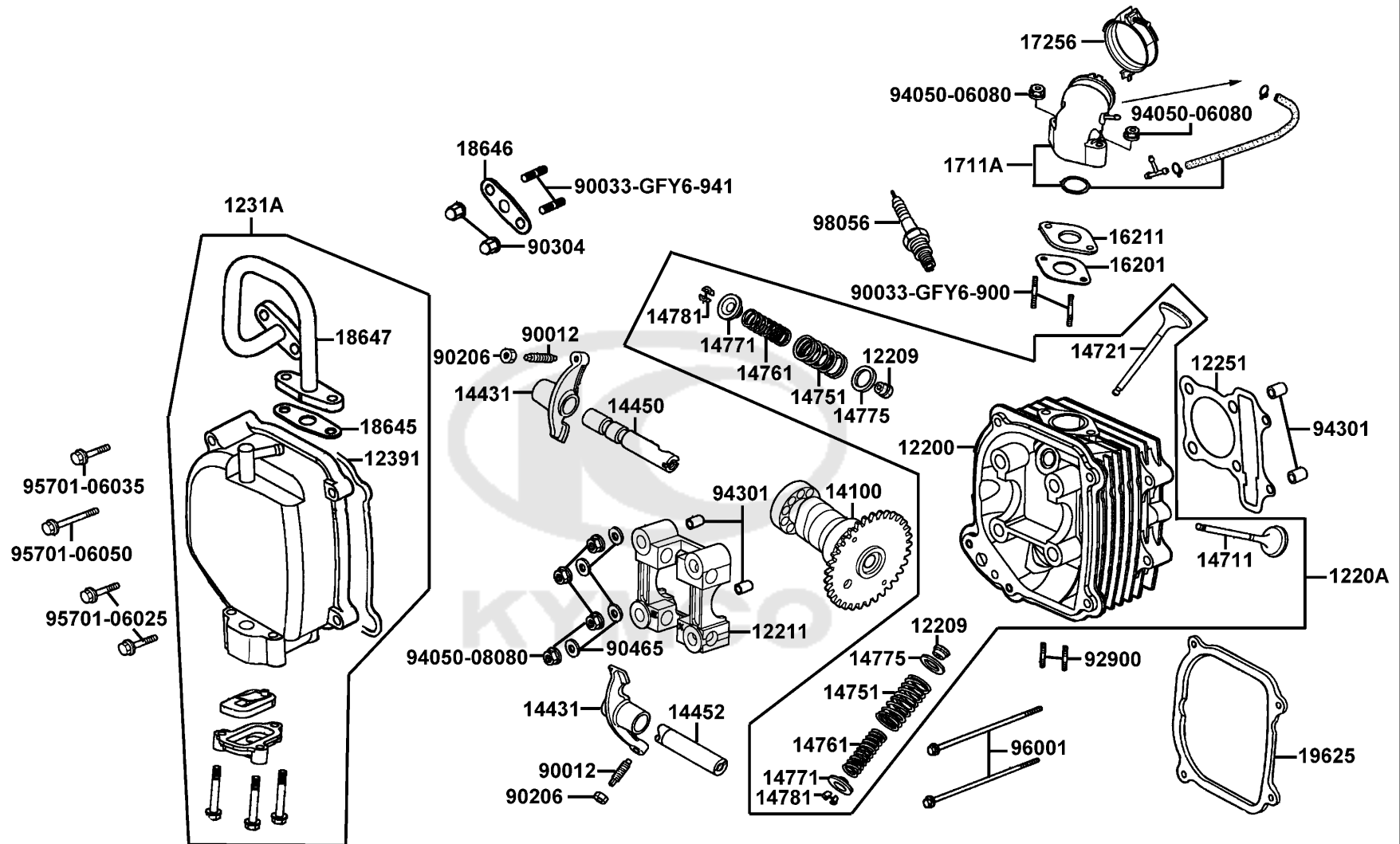




Sales mark	Ref no	Part no	Description	Reg description	Regd no	E02
	12200	12200-KUDU-C10	HEAD COMP CYLN	HEAD COMP CYLN	1	
	12209	12209-GDB4-C00	SEAL VALVE STEM	SEAL VALVE STEM	1	
	1220A	1220A-KUDU-C00	HEAD ASSY CYLINDER	HEAD ASSY CYLINDER	1	
	12211	12211-KUDU-W10	HOLDER CAM SHAFT	HOLDER CAM SHAFT	1	
	12251	12251-GFY6-C00	GASKET CYLINDER HEAD	GASKET CYLINDER HEAD	1	
	1231A	1231A-KUDU-C10	COVER ASSY HEAD	COVER ASSY HEAD	1	
	12391	12391-GFY6-941	GASKET HEAD COVER	GASKET HEAD COVER	1	
	14100	14100-KKE6-900	SHAFT COMP CAM	SHAFT COMP CAM	1	
	14431	14431-KUDU-W10	ARM VALVE ROCKER	ARM VALVE ROCKER	2	
	14450	14450-GFY6-W10	SHAFT COMP IN ROCKER ARM	SHAFT COMP IN ROCKER ARM	1	
	14452	14452-GFY6-W10	SHAFT EXH ROCKER ARM	SHAFT EXH ROCKER ARM	1	
	14711	14711-KUDU-C00	VALVE INLET	VALVE INLET	1	
	14721	14721-KUDU-C00	VALVE EXHAUST	VALVE EXHAUST	1	
	14751	14751-KUDU-C10	SPRING VALVE OUTER	SPRING VALVE OUTER	2	
	14761	14761-KUDU-C10	SPG VALVE INNER	SPG VALVE INNER	2	
	14771	14771-GDB4-C00	RETAINER VALVE SPRING	RETAINER VALVE SPRING	1	
	14775	14775-MFA6-C00	SEAT VALVE SPG OUTER	SEAT VALVE SPG OUTER	1	
	14781	14781-MFA6-C00	COTTER VALVE	COTTER VALVE	1	
	16201	16201-GFY6-C10	GASKET CARB INSULATOR @A	GASKET CARB INSULATOR @A	1	
	16211	16211-GFY6-W10	INSULATOR CARB	INSULATOR CARB	1	

E02

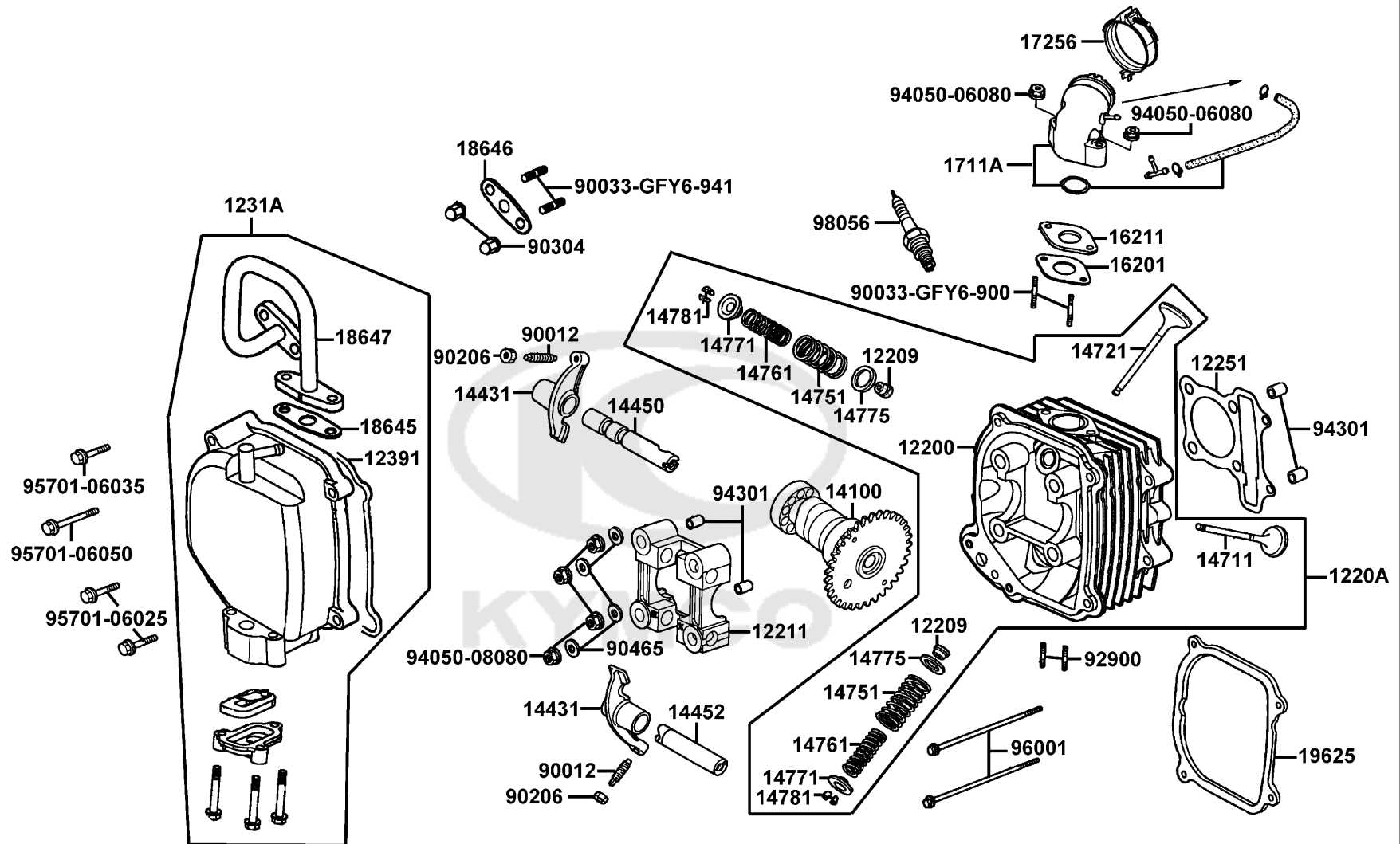
# Cylinder Head



Sales mark	Ref no	Part no	Description	Reg description	Regd no	E02
	1711A	1711A-LDF7-E10	PIPE COMP INLET	PIPE COMP INLET	1	
	17256	17256-GFY6-901	BAND INSULATOR	BAND INSULATOR	1	
	18645	18645-GFY6-C00	GASKET A/I PIPE	GASKET A/I PIPE	1	
	18646	18646-LDC8-E10	GASKET A/I PIPE	GASKET A/I PIPE	1	
	18647	18647-GFY6-C00	PIPE COMP AIR	PIPE COMP AIR	1	
	19625	19625-KUDU-C00	SEAL SHROUD	SEAL SHROUD	1	
	90012	90012-3C33-C00	SCREW TAPPET ADJUSTING	SCREW TAPPET ADJUSTING	2	
	90033-GFY6-900	90033-GFY6-900	BOLT STUD 8*32	GASKET HEAD COVER	2	
	90033-GFY6-941	90033-GFY6-941	BOLT STUD 6*16	BOLT STUD 6*16	2	
	90206	90206-0A01-C00	NUT TAPPET ADJG	NUT TAPPET ADJG	1	
	90304	90304-4H38-C00	NUT HEX CAP 6MM	NUT HEX CAP 6MM	1	
	90465	90465-MDC4-C00	WASHER 8MM	WASHER 8MM	4	
	92900	92900-06060-0B	BOLT STUD 6*60	BOLT STUD 6*60	2	
	94050-06080	94050-06080	NUT FLANGE 6MM	NUT FLANGE 6MM (C)	2	
	94050-08080	94050-08080	NUT FLANGE 8MM	NUT FLANGE 8MM	4	
	94301	94301-10160	DOWEL PIN 10*16	DOWEL PIN 10*16	4	
	95701-06025	95701-06025-08	BOLT FLANGE 6*25	BOLT FLANGE 6*25 (C)	2	
	95701-06035	95701-06035-08	BOLT FLANGE 6*35	BOLT FLANGE 6*35	1	
	95701-06050	95701-06050-08	BOLT FLANGE 6*50 (C)	BOLT FLANGE 6*50 (C)	1	
	96001	96001-06100-08	BOLT FLANGE SH 6*100	BOLT FLANGE SH 6*100	2	

E02

# Cylinder Head



Sales mark	Ref no	Part no	Description	Reg description	Regd no	<b>E02</b>
------------	--------	---------	-------------	-----------------	---------	------------

98056

98056-5771R-00

SPARK PLUG (CR7HSA)

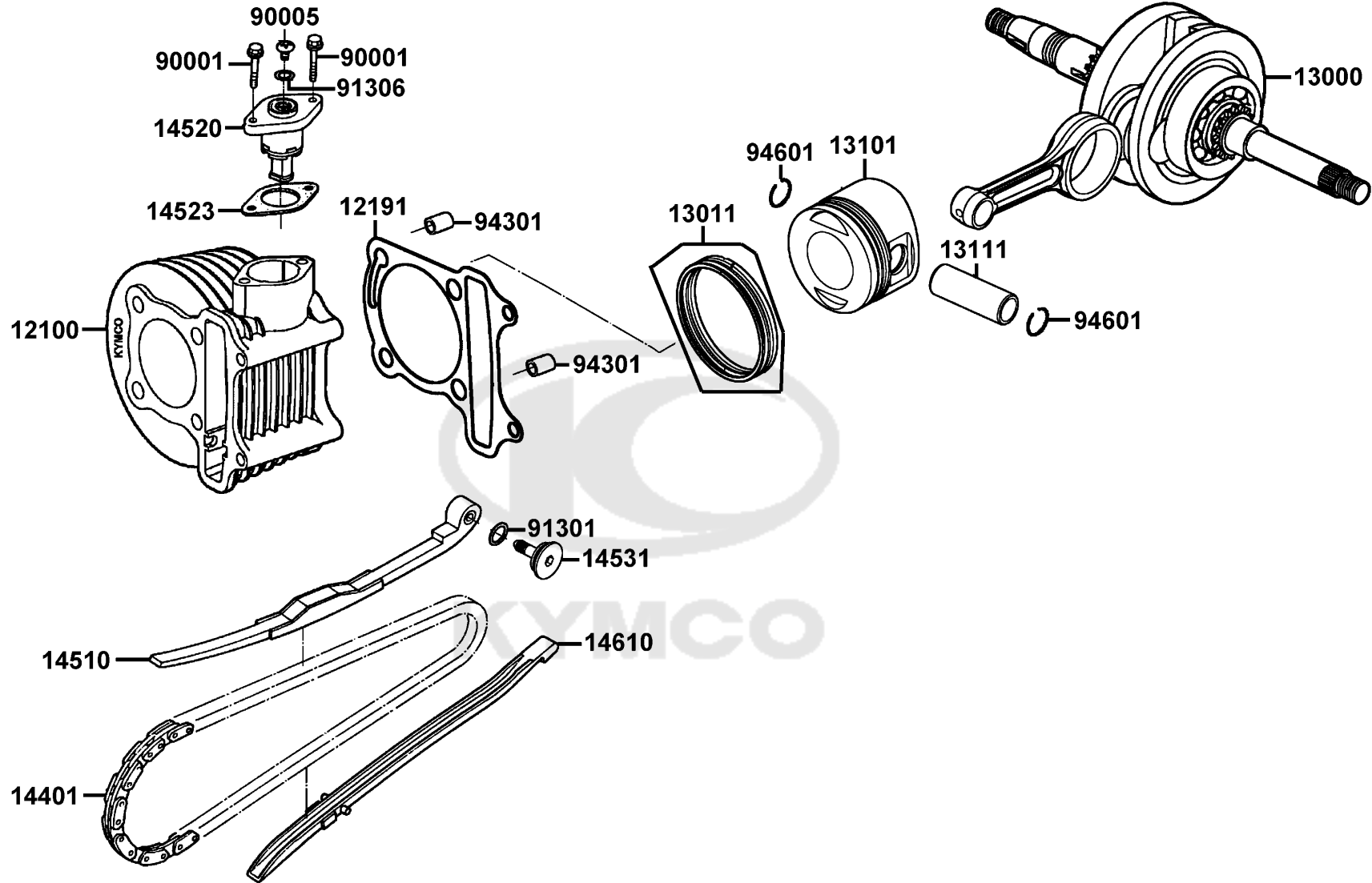
SPARK PLUG (CR7HSA)

1



E03

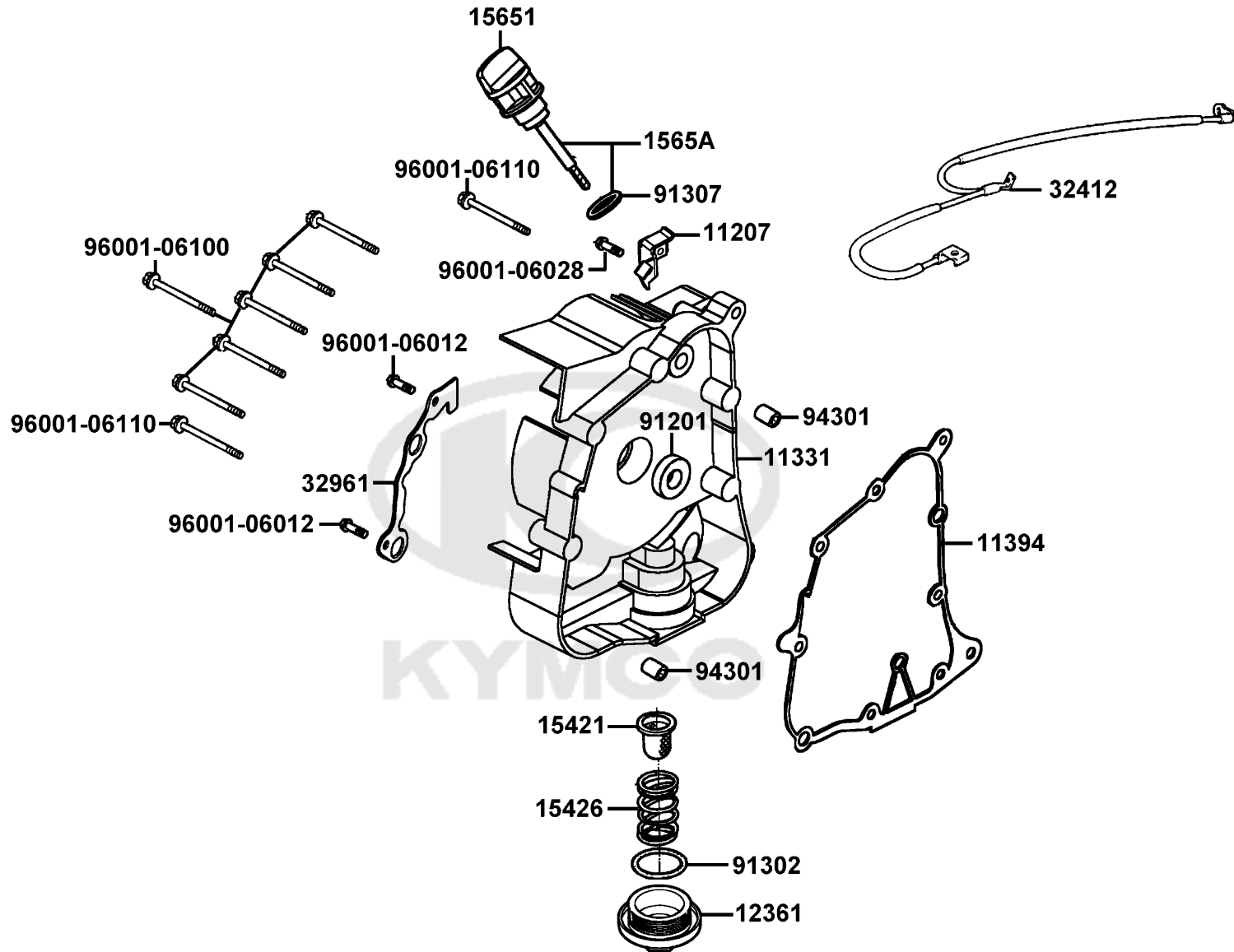
# Cylinder Piston Crankshaft



Sales mark	Ref no	Part no	Description	Reg description	Regd no	E03
	12100	12100-GFY6-C00	CYLINDER COMP	CYLINDER COMP	1	
	12191	12191-GFY6-C10	GASKET CYLINDER @A	GASKET CRANK CASE @ A	1	
	13000	13000-KUDU-C00	CRANK SHAFT COMP	CRANK SHAFT COMP	1	
	13011	13011-GFY6-C00	RING ASSY PISTON	RING PISTON ASSY	1	
	13101	13101-KUDU-C00	PISTON	PISTON	1	
	13111	13111-3D84-C00	PIN PISTON	PIN PISTON	1	
	14401	14401-KUDU-C00	CHAIN CAM	CHAIN CAM	1	
	14510	14510-KUDU-W10	TENSIONER CAM CHAIN	TENSIONER CAM CHAIN	1	
	14520	14520-GFY6-C00	LIFTER ASSY TENSIONER	LIFTER ASSY TENSIONER	1	
	14523	14523-GFY6-C10	GASKET TENSIONER LIFTER@A	GASKET TENSIONER LIFTER @A	1	
	14531	14531-GLR0-W10	PIVOT CAM CHAIN TENSIONER	PIVOT CAM CHAIN TENSIONER	1	
	14610	14610-KUDU-C10	GUIDE COMP CAM CHAIN	GUIDE COMP CAM CHAIN	1	
	90001	90001-GBHB-C00	BOLT FLANGE SHF 6*22 (B)	BOLT FLANGE SHF 6*22 (B)	2	
	90005	90005-KAW1-901	SCREW PAN 6*6	SCREW PAN 6*6	1	
	91301	91301-GLR0-W10	O-RING 15.2*1.5	O-RING 15.2*1.5	1	
	91306	91306-1E05-691	O-RING 1.5*9.5	O-RING 1.5*9.5	1	
	94301	94301-10160	DOWEL PIN 10*16	DOWEL PIN 10*16	2	
	94601	94601-15000	CLIP PISTON PIN 15MM	CLIP PISTON PIN 15MM	2	

E04

# Right Crankcase Cover

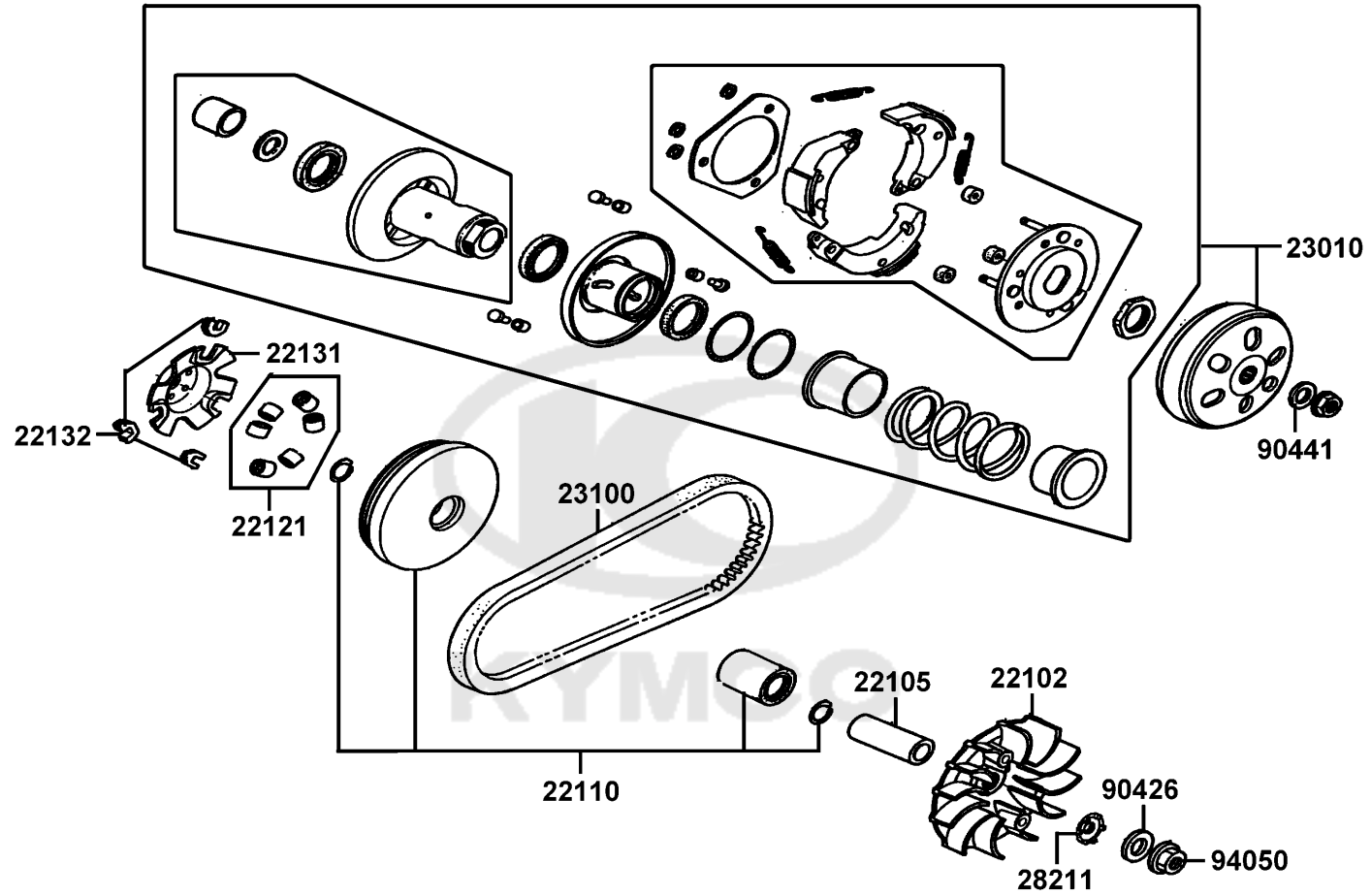




Sales mark	Ref no	Part no	Description	Reg description	Regd no	E04
	11207	11207-KKE3-C00	STAY B RR FENDER	STAY B RR FENDER	1	
	11331	11331-LCD3-E00	COVER R CRANK CASE	COVER R CRANK CASE	1	
	11394	11394-KUDU-C10	GASKET R COVER	STAY B RR FENDER	1	
	12361	12361-GFY6-C00	HOLE CAP TAPPET ADJUSTING	HOLE CAP TAPPET ADJUSTING	1	
	15421	15421-1G07-W10	SCREEN OIL FILTER	SCREEN OIL FILTER	1	
	15426	15426-GAE1-C00	SPG OIL FILTER SCREEN	SPG OIL FILTER SCREEN	1	
	15651	15651-KUDU-W10	GUAGE OIL LEVEL	GUAGE OIL LEVEL	1	
	1565A	1565A-KUDU-W10	GAUGE OIL LEVEL ASSY	GAUGE OIL LEVEL ASSY	1	
	32412	32412-LDF7-E10	CABLE EARTH	CABLE EARTH	1	
	32961	32961-KUDU-C00	CLAMPER ACG CORD	CLAMPER ACG CORD	1	
	91201	91201-GFY6-C00	OIL SEAL 19.8*30*5	OIL SEAL 19.8*30*5	1	
	91302	91302-0A01-C00	O-RING 30.8MM	O-RING 30.8MM	1	
	91307	91307-0E35-W10	O-RING 18*3	O-RING 18*3	1	
	94301	94301-10160	DOWEL PIN 10*16	DOWEL PIN 10*16	2	
	96001-06012	96001-06012-08	BOLT FLANGE 6*12	BOLT FLANGE 6*12	2	
	96001-06028	96001-06028-08	BOLT FLANGE SH 6*28	BOLT FLANGE 6*28	1	
	96001-06100	96001-06100-08	BOLT FLANGE SH 6*100	BOLT FLANGE SH 6*100	6	
	96001-06110	96001-06110-08	BOLT FLANGE SH 6*110	BOLT FLANGE SH 6*110 (C)	2	

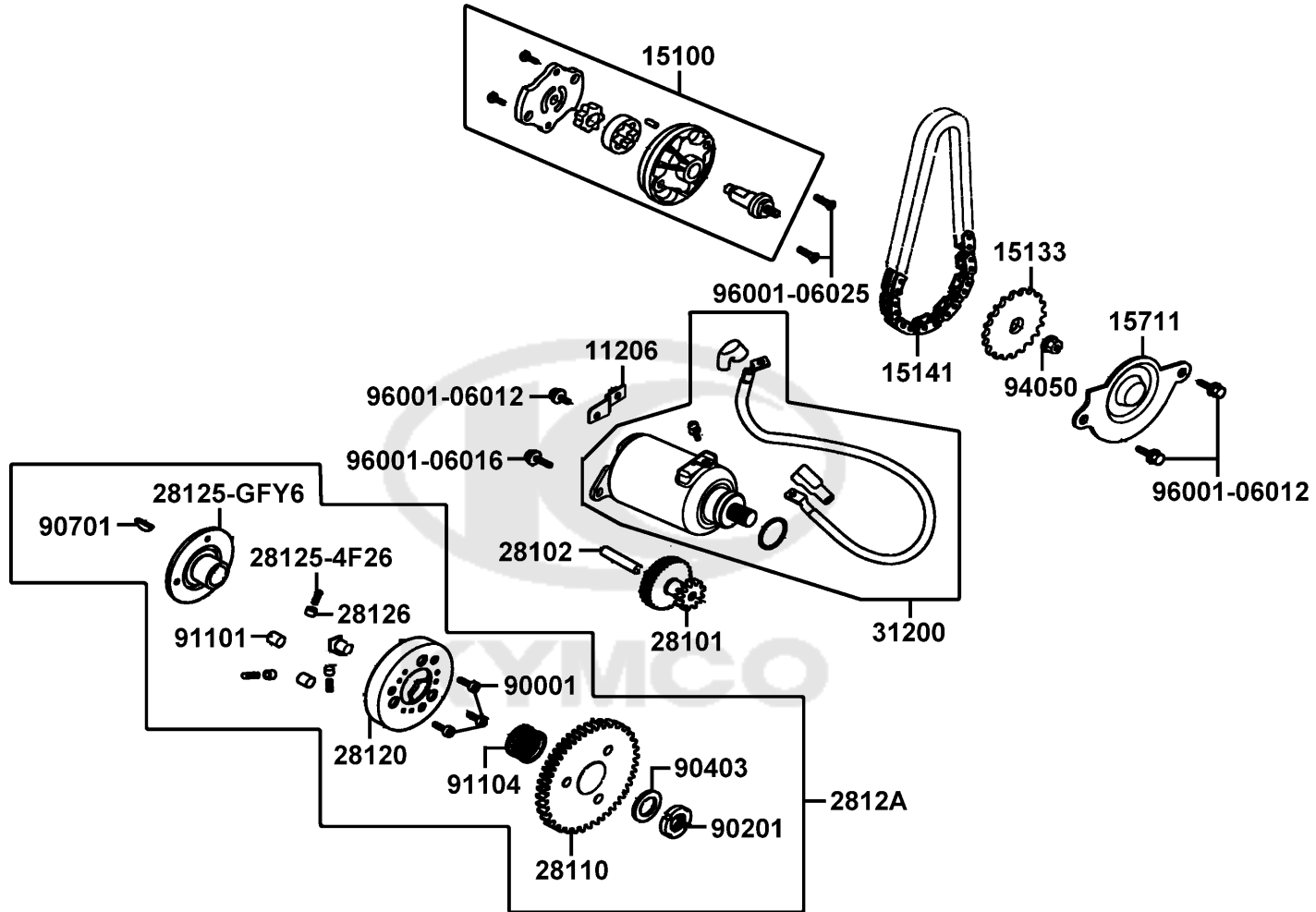
E05

# Driven Pulley

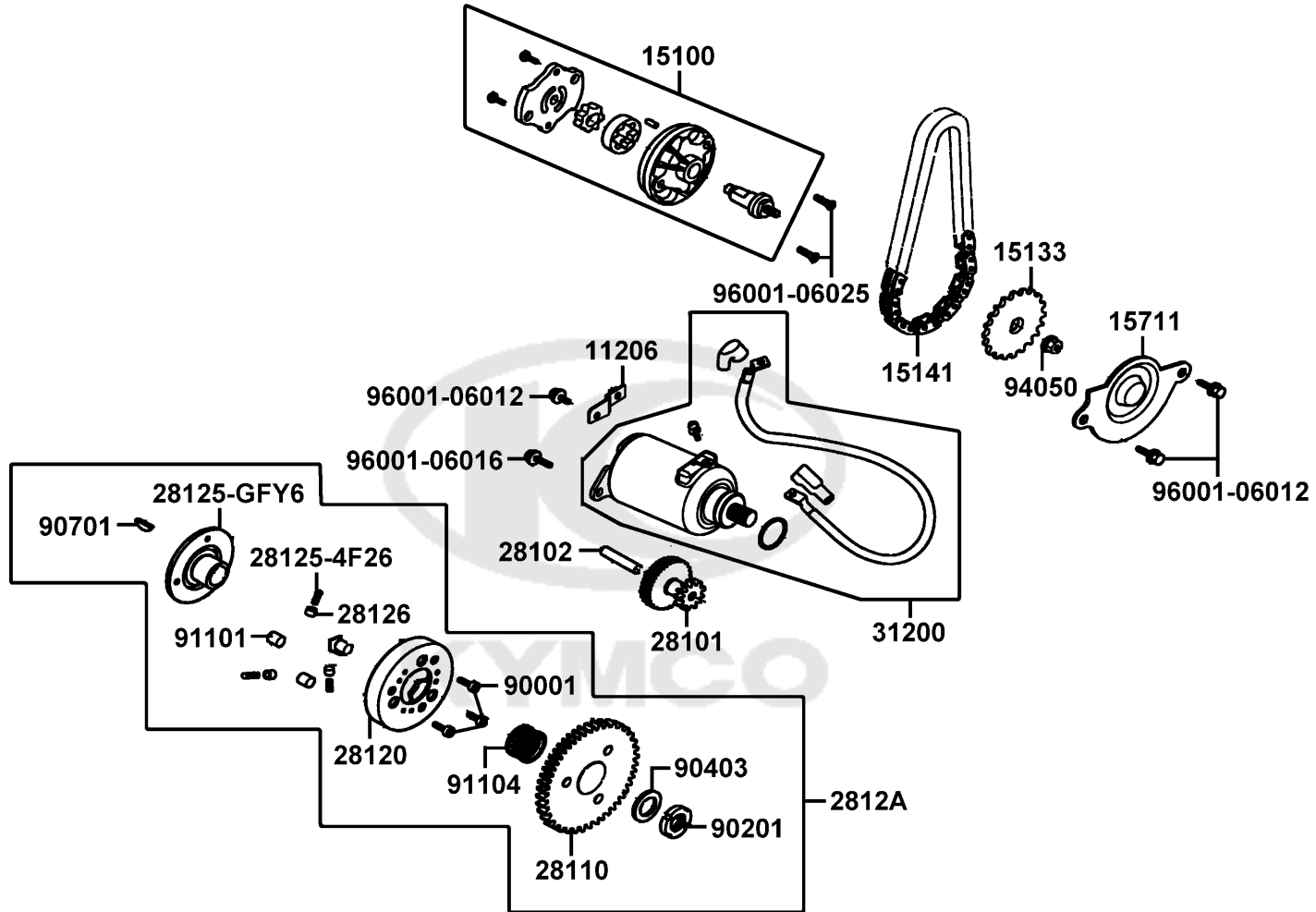


Sales mark	Ref no	Part no	Description	Reg description	Regd no	<b>E05</b>
22102		22102-ALA5-BA0	FACE DRIVE	FACE DRIVE	1	
22105		22105-ALA5-BA0	BOSS DRIVE FACE	BOSS DRIVE FACE	1	
22110		22110-ALA5-BA0	FACE COMP MOVABLE DRIVE	FACE COMP MOVABLE DRIVE	1	
22121		22121-ALA5-BA0	ROLLER COMP WEIGHT	ROLLER COMP WEIGHT	1	
22131		22131-ALA5-BA0	PLATE RAMP	PLATE RAMP	1	
22132		22132-ALA5-BA0	PIECE SLIDE	PIECE SLIDE	1	
23010		23010-ALA5-BA0	PULLY ASSY DRIVEN	PULLY ASSY DRIVEN	1	
23100		23100-KEC4-C00	BELT DRIVE	BELT DRIVE	1	
28211		28211-KUDU-W10	RATCHET KICK STARTER	RATCHET KICK STARTER	1	
90426		90426-KNBN-C00	WASHER SPECIAL 12MM	WASHER SPECIAL 12MM	1	
90441		90441-GFY6-C00	WASHER 12.2*29*2.5	WASHER 12.2*29*2.5	1	
94050		94050-12080	NUT C FLANGE 12MM	NUT FLANGE 12MM (C)	1	

Starting Motor Oil Pump



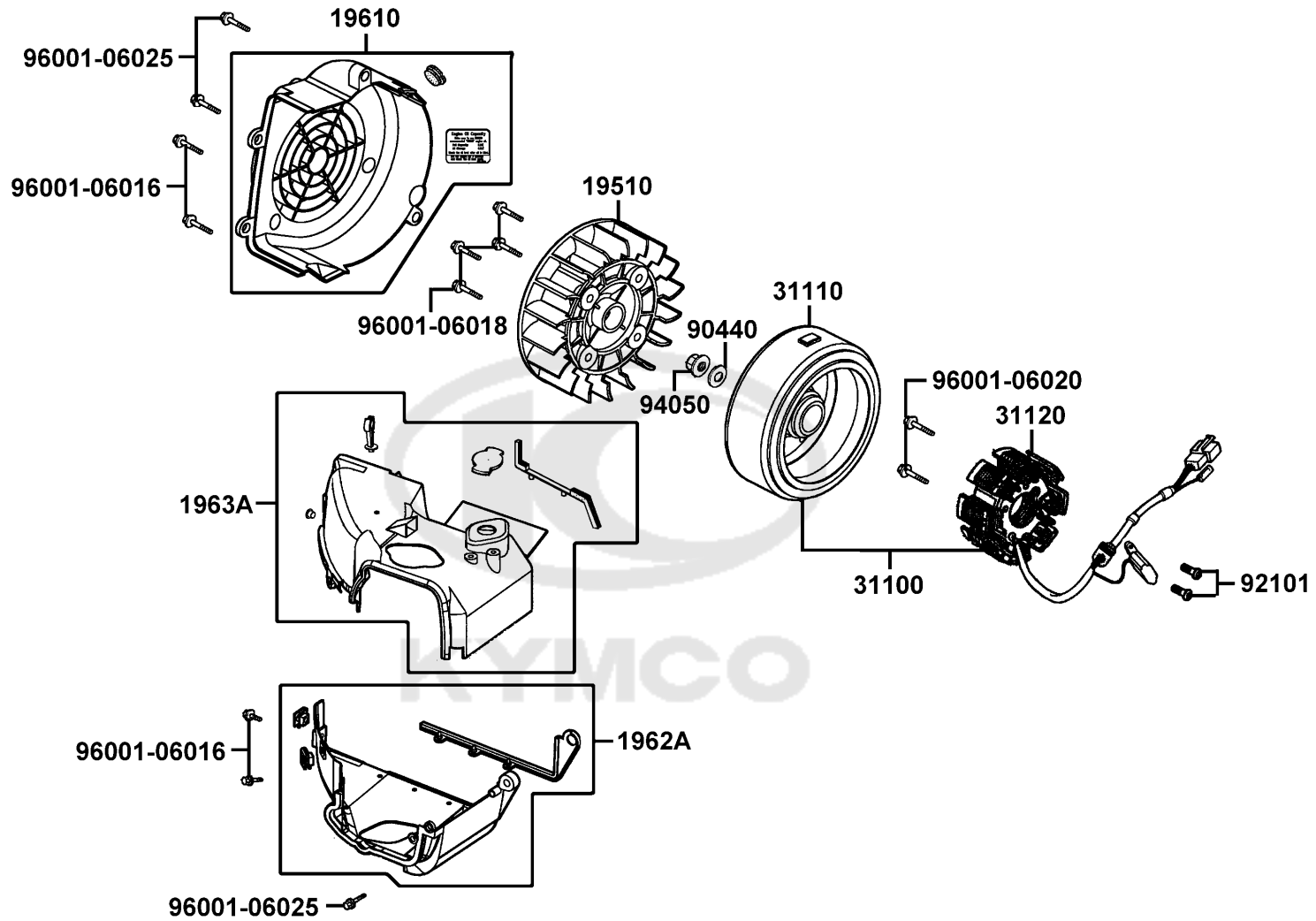
Sales mark	Ref no	Part no	Description	Reg description	Regd no	E06
11206		11206-LGR5-E10	STAY A RR FENDER	STAY A RR FENDER	1	
15100		15100-KUDU-W10	PUMP ASSY OIL	PUMP ASSY OIL	1	
15133		15133-GFY6-W10	SPROCKET OIL PUMP DRIVE	SPROCKET OIL PUMP DRIVE	1	
15141		15141-GFY6-C00	BOLT FLANGE SH 6*16 (C)	BOLT FLANGE SH 6*16 (C)	1	
15711		15711-KUDU-C00	SEPARATER OIL	SEPARATER OIL	1	
28101		28101-GFY6-C00	GEAR STARTER REDUCTION	GEAR STARTER REDUCTION	1	
28102		28102-GFY6-C00	SHAFT STARTER REDUCTION GEAR	SHAFT COMP STARTER REDUCTION	1	
28110		28110-GFY6-C10	GEAR COMP STARTING CLUTCH	GEAR COMP STARTING CLUTCH	1	
28120		28120-GFY6-C10	OUTER COMP STARTING CLUTCH	OUTER COMP STARTING CLUTCH	1	
28125-4F26		28125-4F26-C00	SPRING ROLLER STARTER CLUTCH	SPRING ROLLER STARTER CLUTCH	1	
28125-GFY6		28125-GFY6-C10	FLANGE STARTING CLUTCH	FLANGE STARTING CLUTCH	1	
28126		28126-3C23-C00	CAP STARTING ROLLER SPRING	CAP STARTING ROLLER SPRING	1	
2812A		2812A-GFY6-C10	OUTER ASSY START CLUTCH	OUTER ASSY START CLUTCH	1	
31200		31200-KUDU-BA0	MOTER ASSY START	MOTER ASSY START	1	
90001		90001-GFY6-C00	SOCKET BOLT 6*10	SOCKET BOLT 6*10	3	
90201		90201-GFY6-901	NUT LOCK 22MM	NUT LOCK 22MM	1	
90403		90403-KUDU-900	WASHER THRUST 22.2*39*2.5	WASHER THRUST 22.2*39*2.5	1	
90701		90701-GFY6-C00	PIN DOWEL 5*6	PIN DOWEL 5*6	1	
91101		91101-1K79-C00	ROLLER 10*10	ROLLER 10*10	3	
91104		91104-GFY6-C00	BRG NEEDLE 28*32*17	BRG NEEDLE 28*32*17	2	



Sales mark	Ref no	Part no	Description	Reg description	Regd no	<b>E06</b>
------------	--------	---------	-------------	-----------------	---------	------------

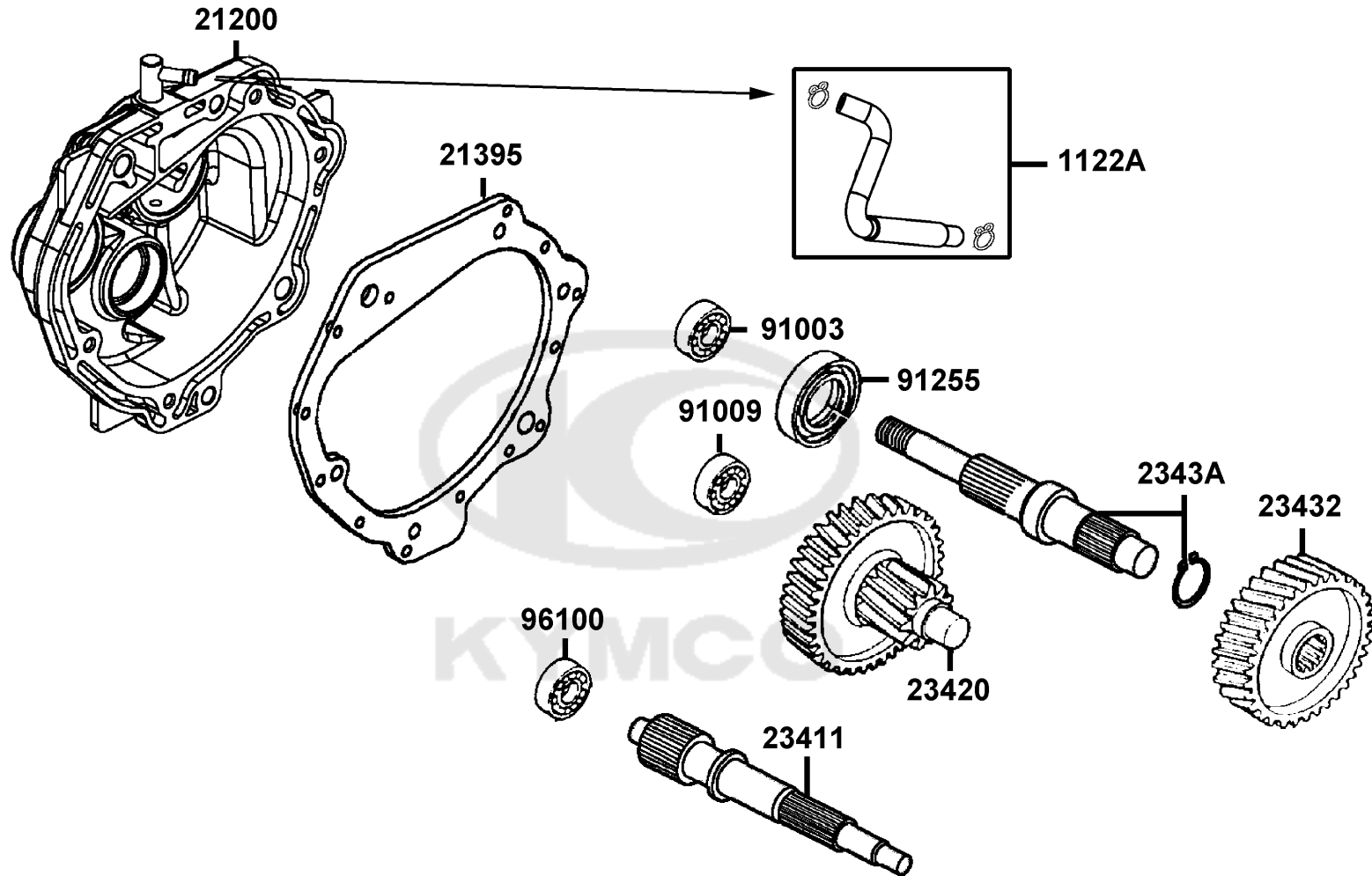
94050		94050-06080	NUT FLANGE 6MM	NUT FLANGE 6MM (C)	1	
96001-06012		96001-06012-08	BOLT FLANGE 6*12	BOLT FLANGE 6*12	3	
96001-06016		96001-06016-08	BOLT FLANGE SH 6*16	BOLT FLANGE SH 6*16(C)	2	
96001-06025		96001-06025-08	BOLT FLANGE SH 6*25	BOLT FLANGE SH 6*25 (C)	2	







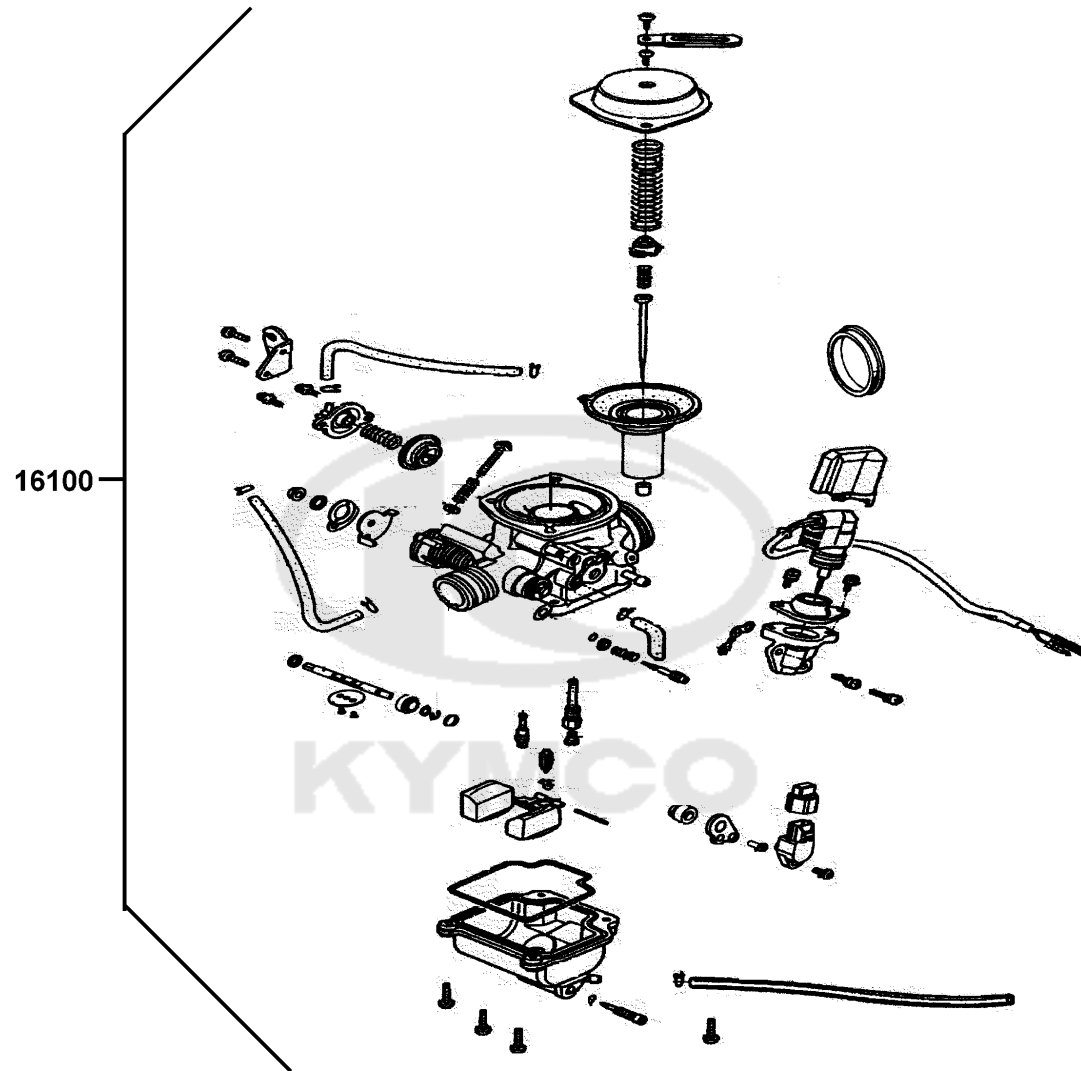
Sales mark	Ref no	Part no	Description	Reg description	Regd no	E07
19510		19510-GFY6-C00	FAN COMP COOLING	FAN COMP COOLING	1	
19610		19610-KUDU-C10	FAN COVER COMP	FAN COVER COMP	1	
1962A		1962A-KUDU-C00	SHROUD ASSY A	SHROUD COMP A	1	
1963A		1963A-LDF7-E10	SHROUD ASSY B	SHROUD COMP B	1	
31100		31100-ALA5-BA0	AC GEN ASSY	AC GEN ASSY	1	
31110		31110-ALA5-BA0	FLYWHEEL COMP	FLYWHEEL COMP	1	
31120		31120-ALA5-BA0	STATOR COMP.	STATOR COMP.	1	
90440		90440-1F66-C00	WASHER PLAIN 12MM	WASHER PLAIN 12MM	1	
92101		92101-05012-0H	BOLT HEX 5*12	BOLT HEX 5*12 (C)	2	
94050		94050-12080	NUT C FLANGE 12MM	NUT FLANGE 12MM (C)	1	
96001-06016		96001-06016-08	BOLT FLANGE SH 6*16	BOLT FLANGE SH 6*16(C)	4	
96001-06018		96001-06018-08	BOLT FLANGE SH 6*18	BOLT FLANGE SH 6*18	4	
96001-06020		96001-06020-08	BOLT FLANGE SH 6*20	BOLT FLANGE SH 6*20 (C)	2	
96001-06025		96001-06025-02	BOLT FLANGE SH 6*25	BOLT FLANGE SH 6*25 (C)	3	



Sales mark	Ref no	Part no	Description	Reg description	Regd no	<b>E08</b>
1122A		1122A-LGR5-E10	TUBE ASSY MISSION BREATHER	TUBE ASSY MISSION BREATHER	1	
21200		21200-KEC4-C00	CASE COMP MISSION	CASE COMP MISSION	1	
21395		21395-KEC4-C10	GASKET MISSION CASE	GASKET MISSION CASE	1	
23411		23411-KEC4-C00	SHAFT DRIVE	SHAFT DRIVE	1	
23420		23420-KEC4-C00	SHAFT COMP COUNTER	SHAFT COMP COUNTER	1	
23432		23432-KEC4-C00	GEAR FINAL	GEAR FINAL	1	
2343A		2343A-KKD5-C00	SHAFT FINAL	SHAFT FINAL	1	
91003		91003-KDS4-C00	BRG BALL RADIAL 6301TMB	BRG BALL RADIAL 6301TMB	1	
91009		91009-GLE0-C00	BRG BALL RADIAL 6004 UU	BRG BALL RADIAL 6004 UU	1	
91255		91255-LDC8-E10	OIL SEAL 27*42*7	OIL SEAL 27*42*7	1	
96100		96100-60020-00	BRG BALL RADIAL 6002	BEARING BALL RADIAL 6002	1	

E09

Carburetor



Sales mark	Ref no	Part no	Description	Reg description	Regd no	<b>E09</b>
------------	--------	---------	-------------	-----------------	---------	------------

16100

16100-LGR5-A60

CARBURETOR ASSY.

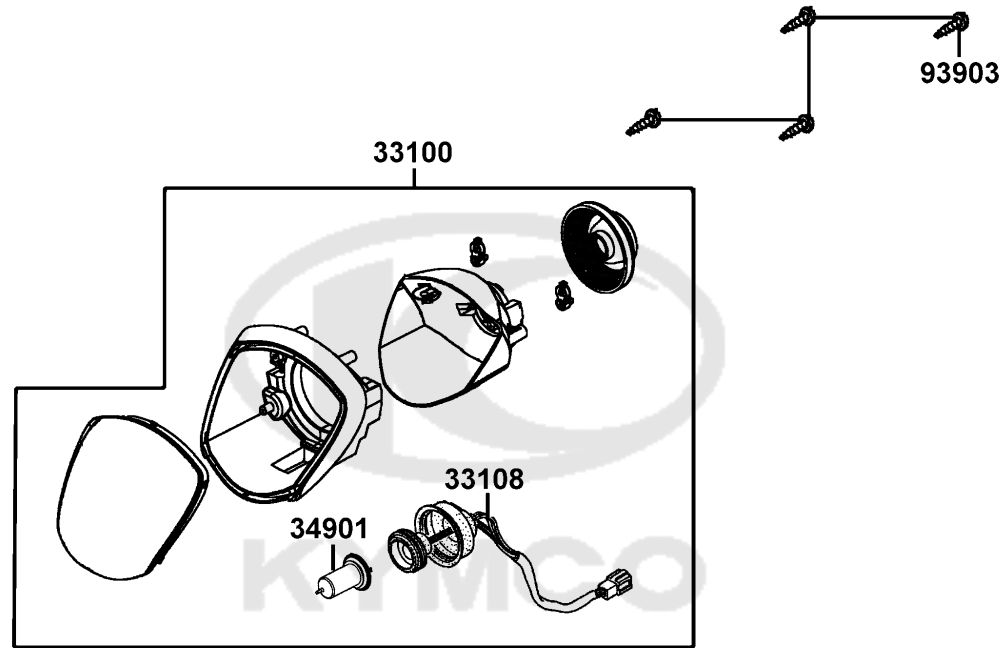
CARBURETOR ASSY.


1

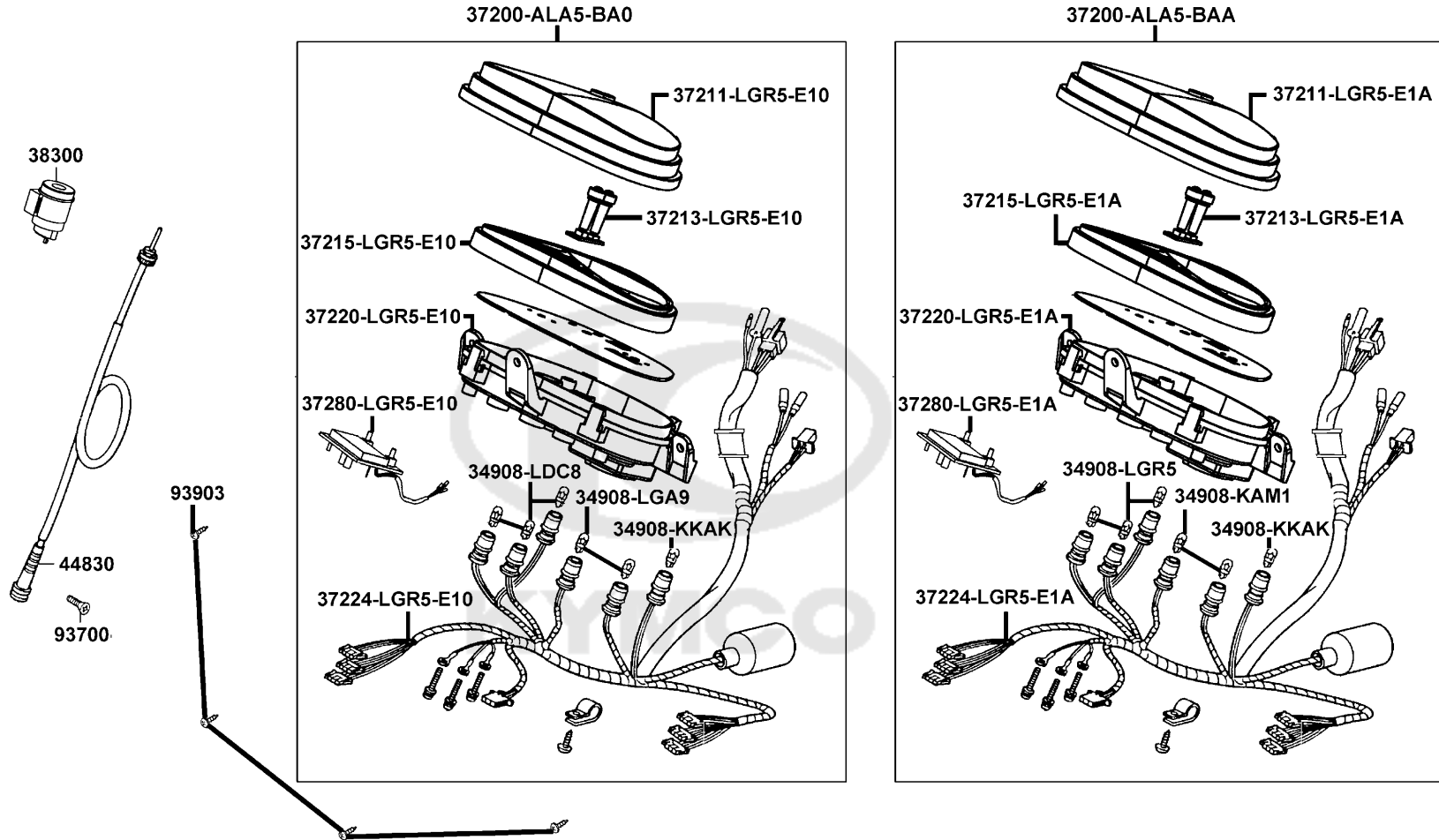


F01

# Head Light

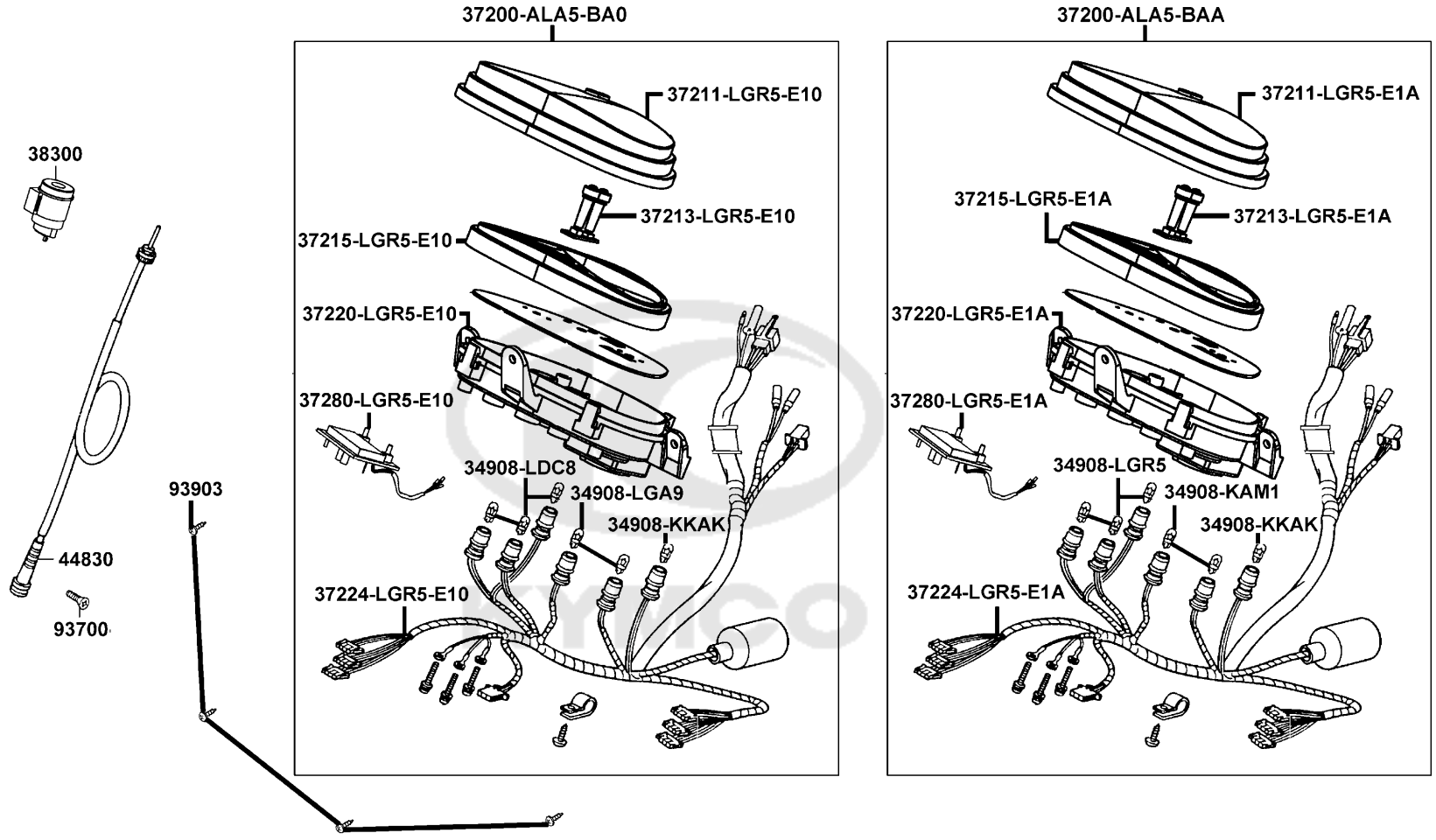


Sales mark	Ref no	Part no	Description	Reg description	Regd no	<b>F01</b>
	33100	33100-LGR5-BA0	LIGHT ASSY HEAD	LIGHT ASSY HEAD	1	
	33108	33108-LGR4-M30	COVER WATER-PROOF	COVER WATER-PROOF	1	
	34901	34901-LDC8-E10	BULB HEAD LIGHT	BULB HEAD LIGHT	1	
	93903	93903-35220	SCREW TAPPING 5*12	SCREW TAPPING 5*12	4	
						





Sales mark	Ref no	Part no	Description	Reg description	Regd no	F02
	34908-KAM1	34908-KAM1-67A	BULB WEDGE BASE T6.5(12V/3W)	"BULB WEDGE BASE T6.5(12V,3W)"	2	
	34908-KKAK	34908-KKAK-C00	BULB WEDGE BASE T6.5(12V,1.7W)	BULB WEDGE BASE T6.5	1	
	34908-LDC8	34908-LDC8-E00	BULB WEDGE BASE T5 12V 1.7W	BULB WEDGE BASE T5 12V 1.7W	3	
	34908-LGA9	34908-LGA9-C10	BULB WEDGE BASE T6.5 12V 3.4W	BULB WEDGE BASE T6.5 12V 3.4W	2	
	34908-LGR5	34908-LGR5-E00	BULB WEDGE BASE 12V 2W	BULB WEDGE BASE 12V 2W	3	
	37200-ALA5-BA0	37200-ALA5-BA0	SPEED METER ASSY	SPEED METER ASSY	1	
	37200-ALA5-BAA	37200-ALA5-BAA	METER ASSY SPEED	METER ASSY SPEED	1	
	37211-LGR5-E10	37211-LGR5-E10	"LENS COMP.,METER"	"LENS COMP.,METER"	1	
	37211-LGR5-E1A	37211-LGR5-E1A	LENS COMP METER	LENS COMP METER	1	
	37213-LGR5-E10	37213-LGR5-E10	BUTTON ADJUST	BUTTON ADJUST	2	
	37213-LGR5-E1A	37213-LGR5-E1A	BUTTON ADJUST	BUTTON ADJUST	2	
	37215-LGR5-E10	37215-LGR5-E10	PLATE COSMETIC	PLATE COSMETIC	1	
	37215-LGR5-E1A	37215-LGR5-E1A	PLATE COSMETIC	PLATE COSMETIC	1	
	37220-LGR5-E10	37220-LGR5-E10	CASE ASSY METER	CASE ASSY METER	1	
	37220-LGR5-E1A	37220-LGR5-E1A	CASE ASSY METER	CASE ASSY METER	1	
	37224-LGR5-E10	37224-LGR5-E10	SOCKET COMP.,METER	SOCKET COMP.,METER	1	
	37224-LGR5-E1A	37224-LGR5-E1A	SOCKER COMP METER	SOCKER COMP METER	1	
	37280-LGR5-E10	37280-LGR5-E10	LCD ASSY CLOCK	LCD ASSY CLOCK	1	
	37280-LGR5-E1A	37280-LGR5-E1A	LCD ASSY (LOCK)	LCD ASSY (LOCK)	1	
	38300	38300-KECE-W10	RELAY ASS'Y WINKER	RELAY ASS'Y WINKER	1	



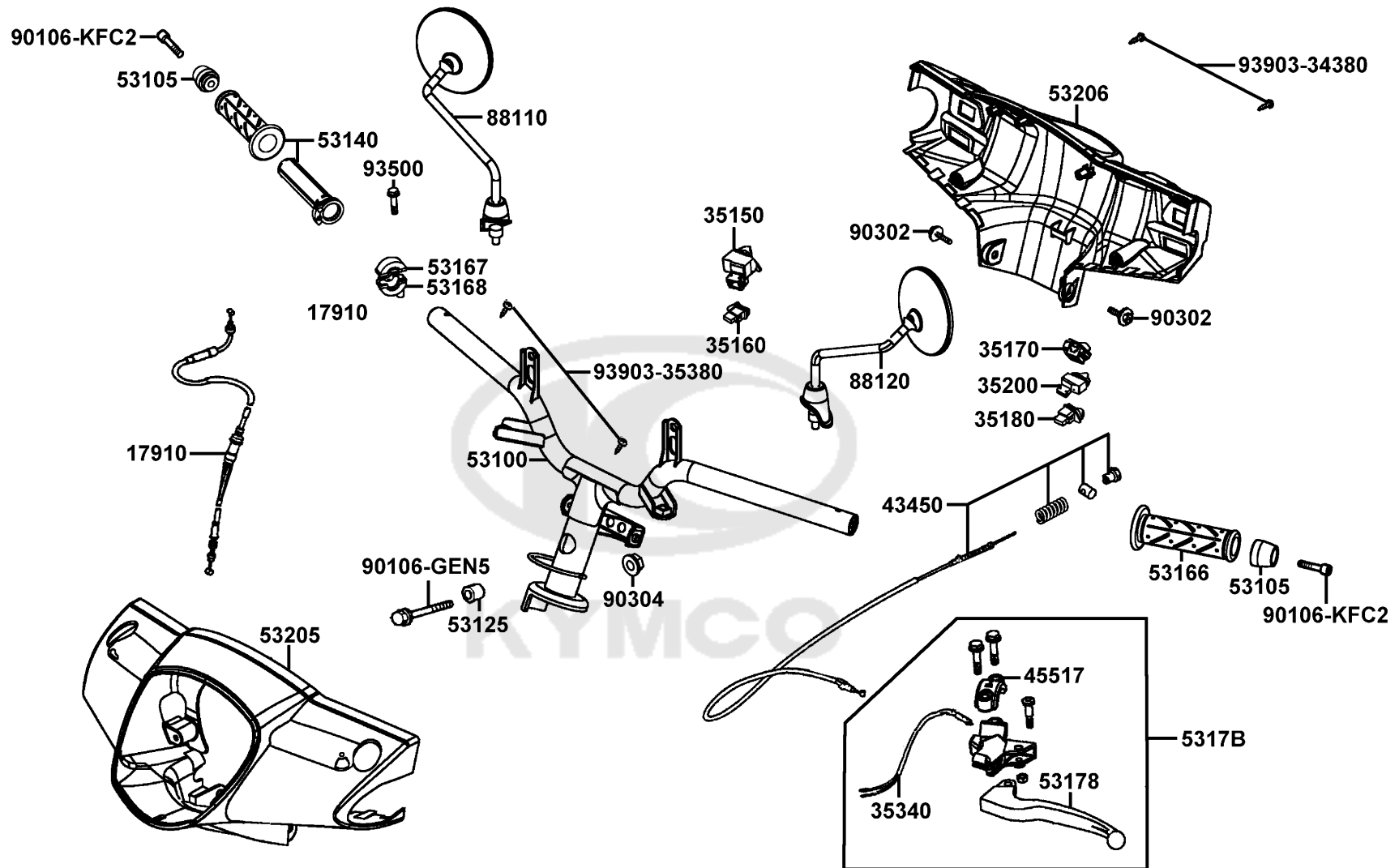
Sales mark	Ref no	Part no	Description	Reg description	Regd no	<b>F02</b>
------------	--------	---------	-------------	-----------------	---------	------------

44830		44830-LDC8-E10	CABLE COMP SPDMT	CABLE COMP SPDMT	1	
93700		93700-05018-02	SCREW OVAL 5*18 (Cr)	SCREW OVAL 5*18 (Cr)	1	
93903		93903-25220	SCREW TAPPING 5*12 (C)	SCREW TAPPING 5*12 (C)	4	



F03

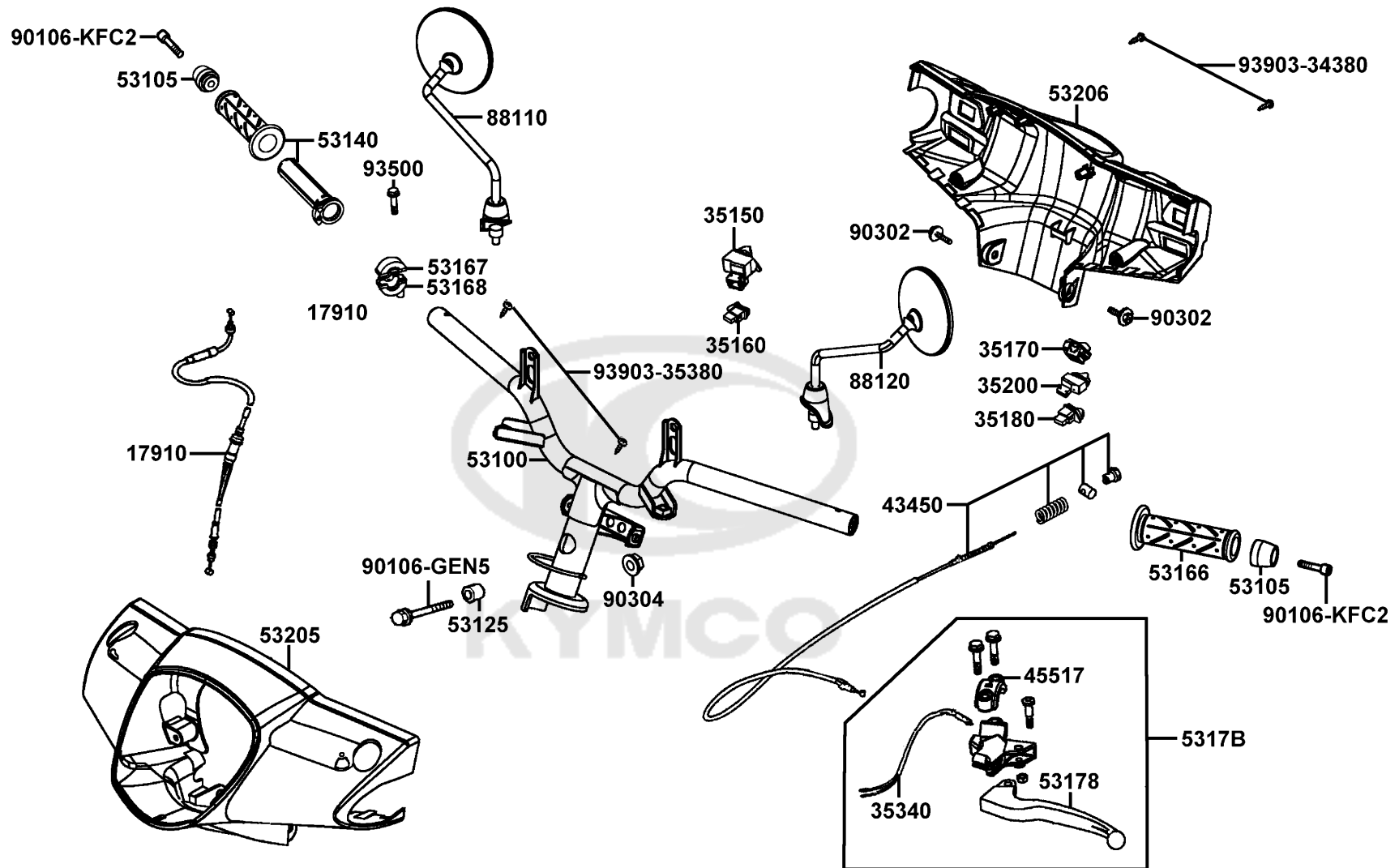
# Handle Steering Handle Cover



Sales mark	Ref no	Part no	Description	Reg description	Regd no	<b>F03</b>
	17910	17910-LGR5-E10	CABLE COMP THROT	CABLE COMP THROT	1	
	35150	35150-GFY6-C00	SW ASSY RH HNDL COMP	SW ASSY RH HNDL COMP	1	
	35160	35160-GFY6-C00	SW UNIT START	SW UNIT START	1	
	35170	35170-KNBN-C00	SW UNIT DIMMER	SW UNIT DIMMER	1	
	35180	35180-GFY6-C00	SW UNIT HORN	SW UNIT HORN	1	
	35200	35200-GFY6-C00	SW ASSY LH HNDL COMP	SW ASSY LH HNDL COMP	1	
	35340	35340-KFLF-C00	SW ASSY FR STOP	SW ASSY FR STOP	1	
	43450	43450-ALA5-BA0	CABLE COMP RR BRK	CABLE COMP RR BRK	1	
	45517	45517-GFY6-900	HOLDER HNDL BRKT	HOLDER HNDL BRKT	1	
	53100	53100-LGR5-E10	HANDLE COMP STRG	HANDLE COMP STRG	1	
	53105	53105-LGR5-E10	END R HANDLE	END R HANDLE	2	
	53125	53125-GEN5-C00	COLLAR HANDLE SET	COLLAR HANDLE SET	1	
**	53140	53140-KNBN-C00	GRIP COMP THROT	GRIP COMP THROT	1	
**	53166	53166-KNBN-C00	GRIP L HANDLE	GRIP L HANDLE	1	
	53167	53167-GBN2-C00	HOUSING UND THROT	HOUSING UND THROT	1	
	53168	53168-GBN2-C00	HOUSING UP THROT	HOUSING UP THROT	1	
	53178	53178-KXCX-C00	LEVER L STRG HANDLE	LEVER L STRG HANDLE	1	
	5317B	5317B-KUDU-E00	BRKT ASSY L/H HANDLE	BRKT ASSY L/H HANDLE	1	
	53205	53205-LGR5-BA0	COVER HANDLE FR	COVER HANDLE FR	1	
	53206	53206-LGR5-E10	COVER HANDLE RR	COVER HANDLE RR	1	

F03

# Handle Steering Handle Cover

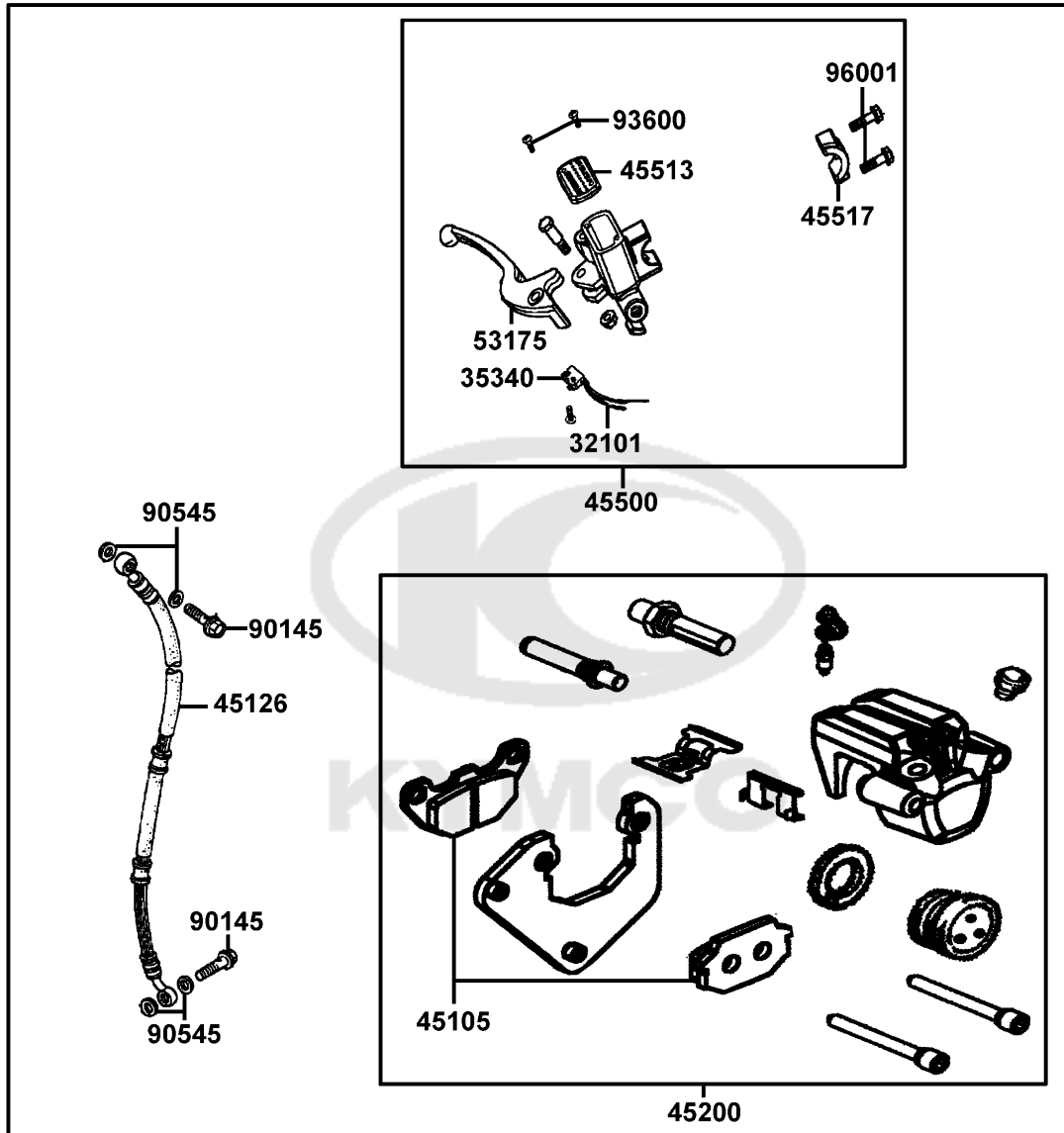


Sales mark	Ref no	Part no	Description	Reg description	Regd no	F03
	88110	88110-LGR5-BA0	MIRROR ASSY R BACK	MIRROR ASSY R BACK	1	
	88120	88120-LGR5-BA0	MIRROR ASSY L BACK	MIRROR ASSY L BACK	1	
	90106-GEN5	90106-GEN5-901	BOLT FLANGE 10*50	BOLT FLANGE 10*50	1	
	90106-KFC2	90106-KFC2-900	BOLT SPECIAL 8MM	BOLT WASHER 8MM	2	
	90302	90302-LGR5-BA0	BOLT-WASH 5*12 (Cr)	BOLT-WASH 5*12 (Cr)	2	
	90304	90304-GHE8-C00	NUT U 10MM(C)	NUT U 10MM(C)	1	
	93500	93500-05022-0G	SCREW PAN 5*22	SCREW PAN 5*22	2	
	93903-34380	93903-34380	SCREW TAPPING 4*12	BOLT FLANGE	2	
	93903-35380	93903-35380	SCREW TAPPING 5*16	SCREW TAPPING 5*16 (K)	2	



F04

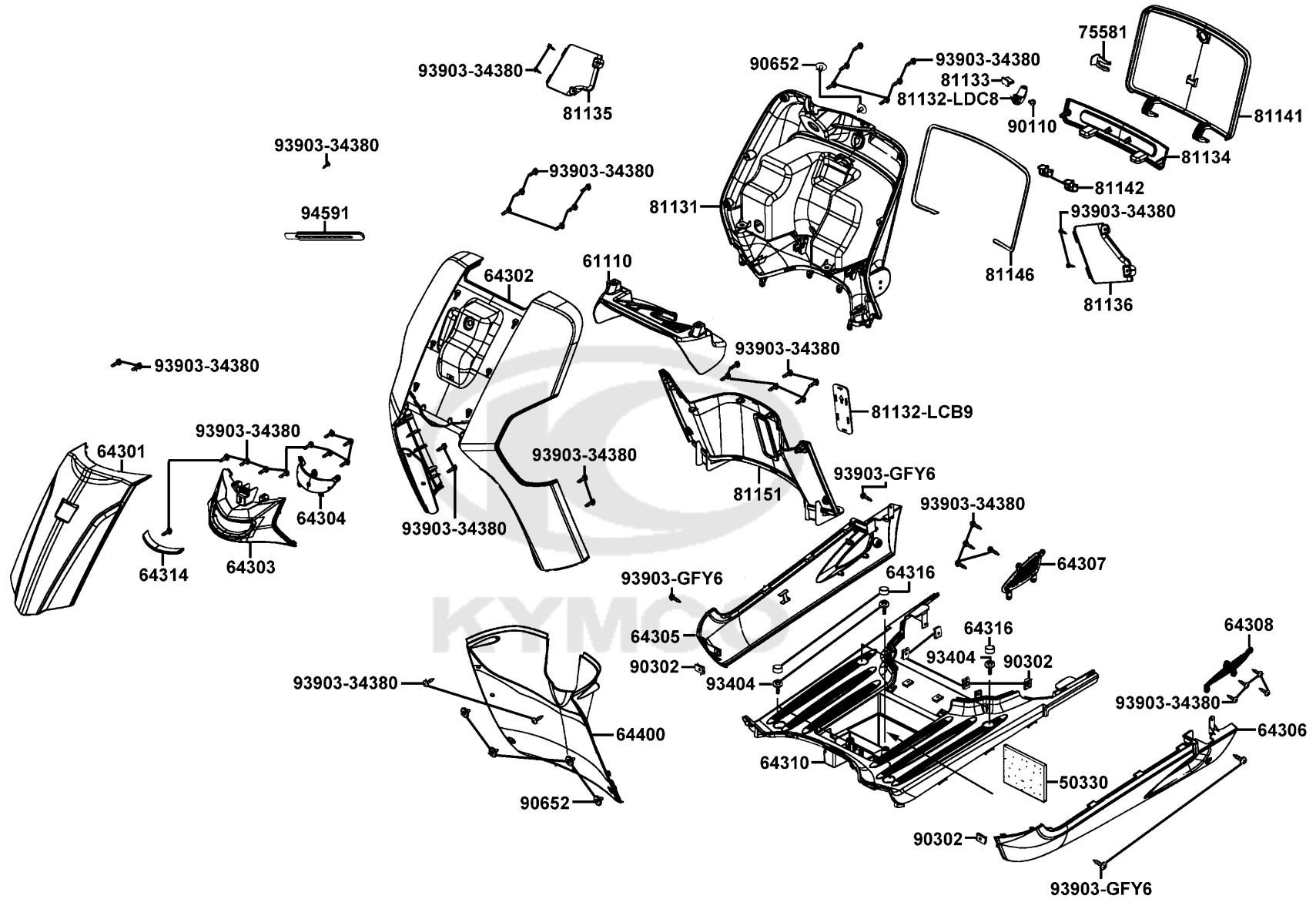
# Brake Master Cylinder



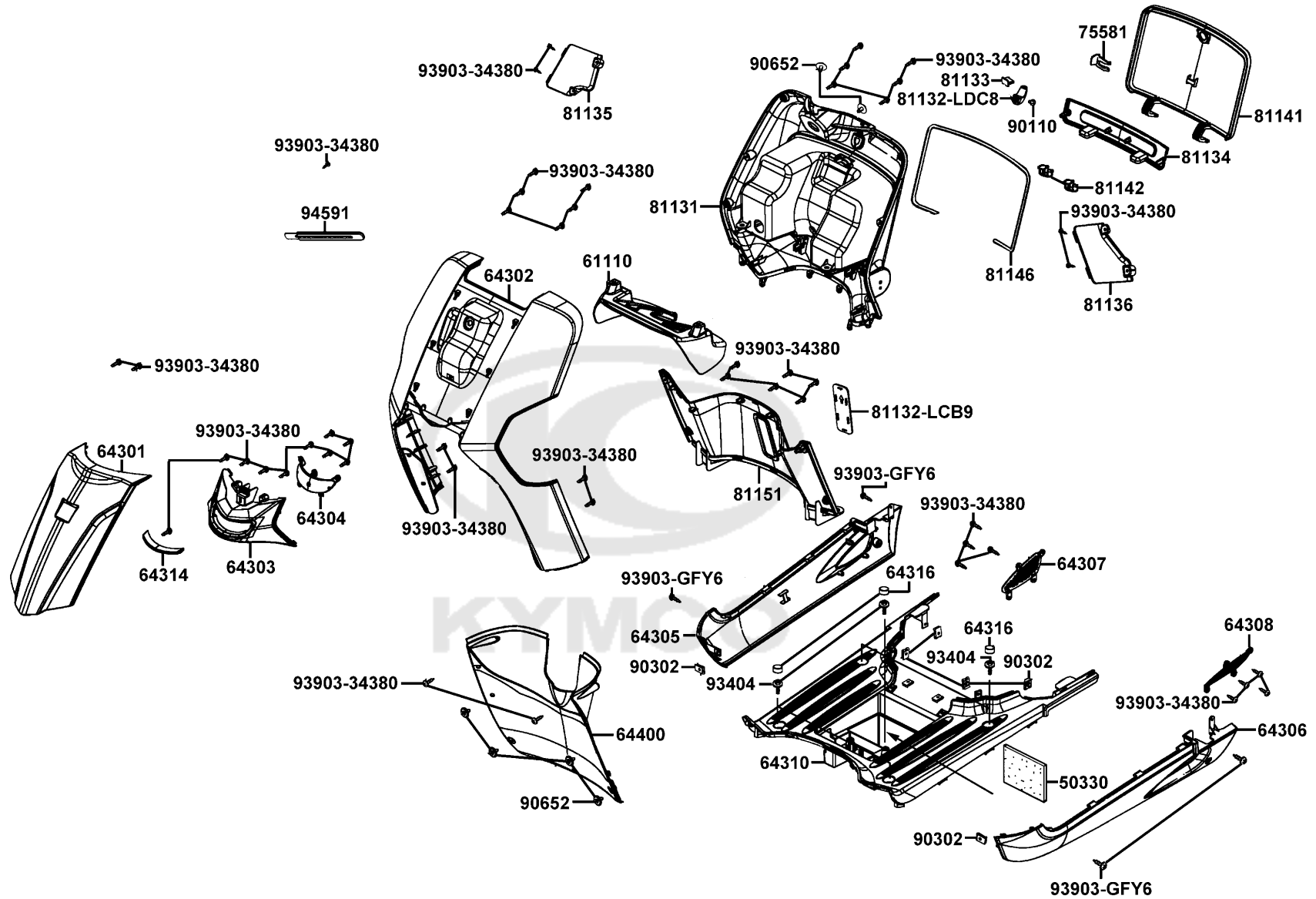
4550B



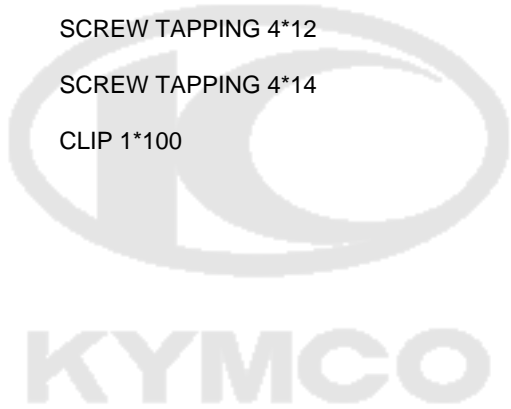
Sales mark	Ref no	Part no	Description	Reg description	Regd no	<b>F04</b>
32101		32101-GFY6-C00	SUB CORD R	SUB CORD R	1	
35340		35340-KNBN-901	SW ASSY FR STOP	SW ASSY FR STOP	1	
45105		45105-LDC8-305	PAD COMP A+B	PAD COMP A+B	1	
45126		45126-LGR5-E1A	HOSE ASSY FR BRK	HOSE ASSY FR BRK	1	
45200		45200-LGR5-E10	CALIPER ASSY L FR	CALIPER ASSY L FR	1	
45500		45500-LGR5-E10	SUB HARNESS SET FR M/C	SUB HARNESS SET FR M/C	1	
4550B		4550B-LGR5-E10	SUB ASSSY FR BRK	SUB ASSSY FR BRK	1	
45513		45513-KCCC-910	CAP MASTER CYLINDER	CAP M/C	1	
45517		45517-KFAF-910	HOLDER M/C	HOLDER M/C	2	
53175		53175-KXBX-E00	LEVER R STRG HNDL	LEVER R STRG HNDL	1	
90145		90145-9A61-C00	OIL BOLT 10*22	OIL BOLT 10*22	1	
90545		90545-3L00-C00	WASHER OIL BOLT	WASHER OIL BOLT	1	
93600		93600-04012-1G	SCREW FLAT 4*12	SCREW FLAT 4*12 (K)	2	
96001-06025		96001-06025-08	BOLT FLANGE SH 6*25	BOLT FLANGE SH 6*25 (C)	2	

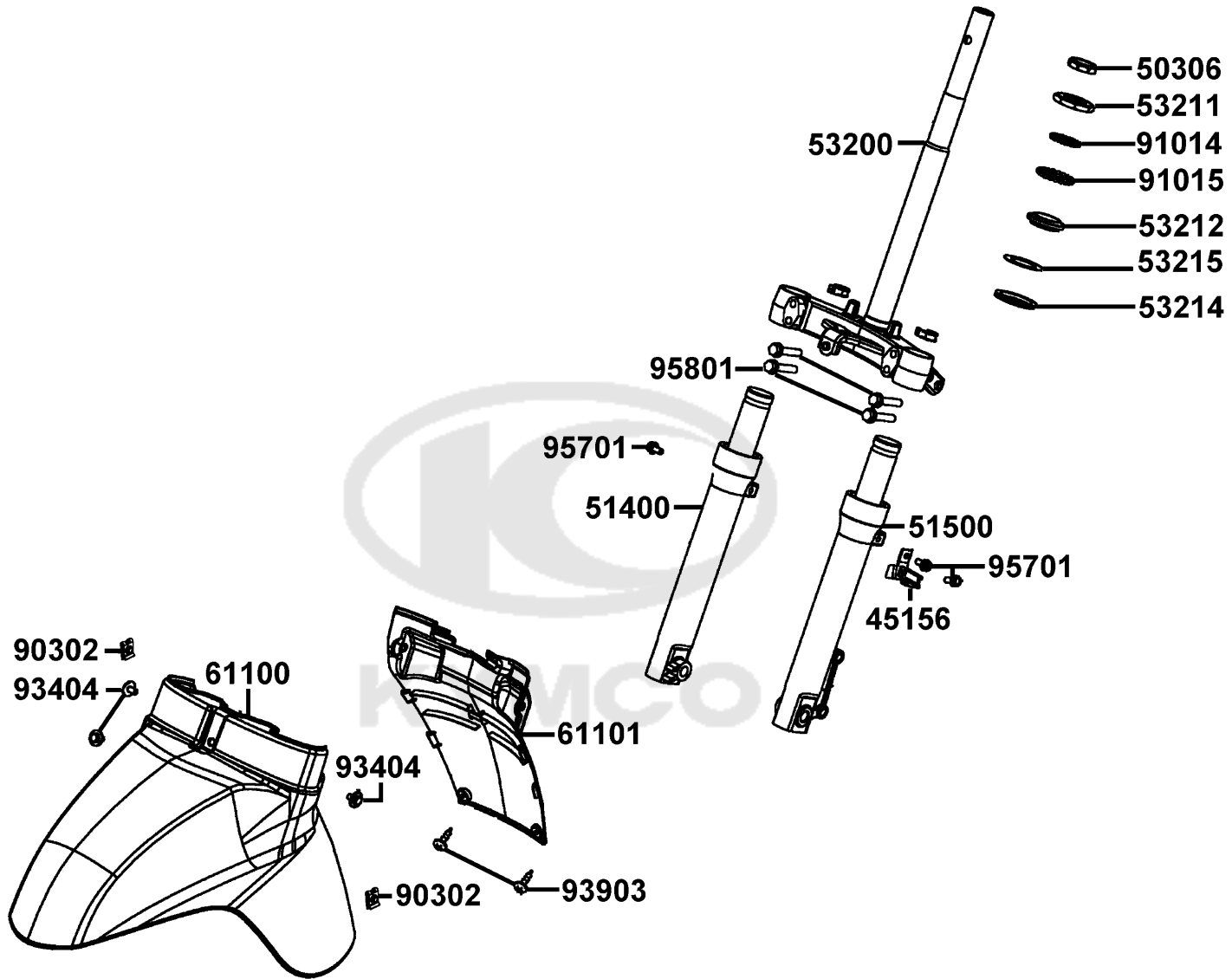


Sales mark	Ref no	Part no	Description	Reg description	Regd no	F05
	50330	50330-KEBE-C00	SEAL BATTERY FRONT	SEAL BATTERY FRONT	1	
**	61110	61110-LGR5-E10	FENDER FR. INNER	FENDER FR. INNER	1	
	64301	64301-LGR5-E10	COVER FR	COVER FR	1	
	64302	64302-LGR5-E10	MOLD FRONT	MOLD FRONT	1	
	64303	64303-LGR5-E10	FR. COVER LOW	FR COVER LOW	1	
**	64304	64304-LGR5-E10	LID FR COVER LOW	LID FR COVER LOW	1	
	64305	64305-LGR5-E10	SKIRT R SIDE	SKIRT R SIDE	1	
	64306	64306-LGR5-E10	SKIRT L SIDE	SKIRT L SIDE	1	
**	64307	64307-LGR5-E10	LID R SIDE SKIRT	LID R SIDE SKIRT	1	
**	64308	64308-LGR5-E10	LID L SIDE SKIRT	LID L SIDE SKIRT	1	
	64314	64314-LGR5-E10	RIB FRONT COVER LOW	RIB FRONT COVER LOW	1	
**	64316	64316-LCB9-C10	PLUG FLOOR	PLUG FLOOR	4	
**	64400	64400-LGR5-E10	UNDER COWL	UNDER COWL	1	
	75581	75581-6C73-C00	SET SPG LOCK KET(43°C)	SET SPG LOCK KET(43°C)	1	
	81131	81131-LGR5-E10	LEG SHIELD UP	LEG SHIELD	1	
	81132-LDC8	81132-LDC8-E10	HOOK LUGGAGE	HOOK LUGGAGE	1	
	81133	81133-KNBN-C00	STOPPER LUGGAGE	STOPPER LUGGAGE	1	
**	81134	81134-LGR5-E10	PLATE INNER BOX	PLATE INNER BOX	1	
**	81135	81135-LGR5-E10	LID R MAINT. FR. WINKER	LID R MAINT. FR. WINKER	1	
**	81136	81136-LGR5-E10	LID L MAINT FR WINKER	LID L MAINT FR WINKER	1	



Sales mark	Ref no	Part no	Description	Reg description	Regd no	<b>F05</b>
81141		81141-LGR5-E10	LEG SHIELD	LEG SHIELD	1	
81142		81142-KFA6-C00	STAY LID INNER BOX	STAY LID INNER BOX	1	
81146		81146-LGR5-E10	SEAL LID INNER BOX	SEAL LID INNER BOX	1	
90110		90110-GLW0-C00	SCREW SPECIAL 6*14	SCREW SPECIAL 6*14	1	
90302		90302-SDA4-C00	NUT SPRING 4MM	NUT SPRING 4MM	8	
90652		90652-LCA4-C10	CLIP MUDGUARD	CLIP MUDGUARD	6	
93404		93404-06020-06	BOLT WASHER 6*20 (G)	BOLT WASHER 6*20 (K)	4	
93903-34380		93903-34380	SCREW TAPPING 4*12	BOLT FLANGE	48	
93903-GFY6		93903-GFY6-C00	SCREW TAPPING 4*14	SCREW TAPPING 4*14	2	
94591-LGR5		94591-LGR5-E10	CLIP 1*100	CLIP 1*100	1	

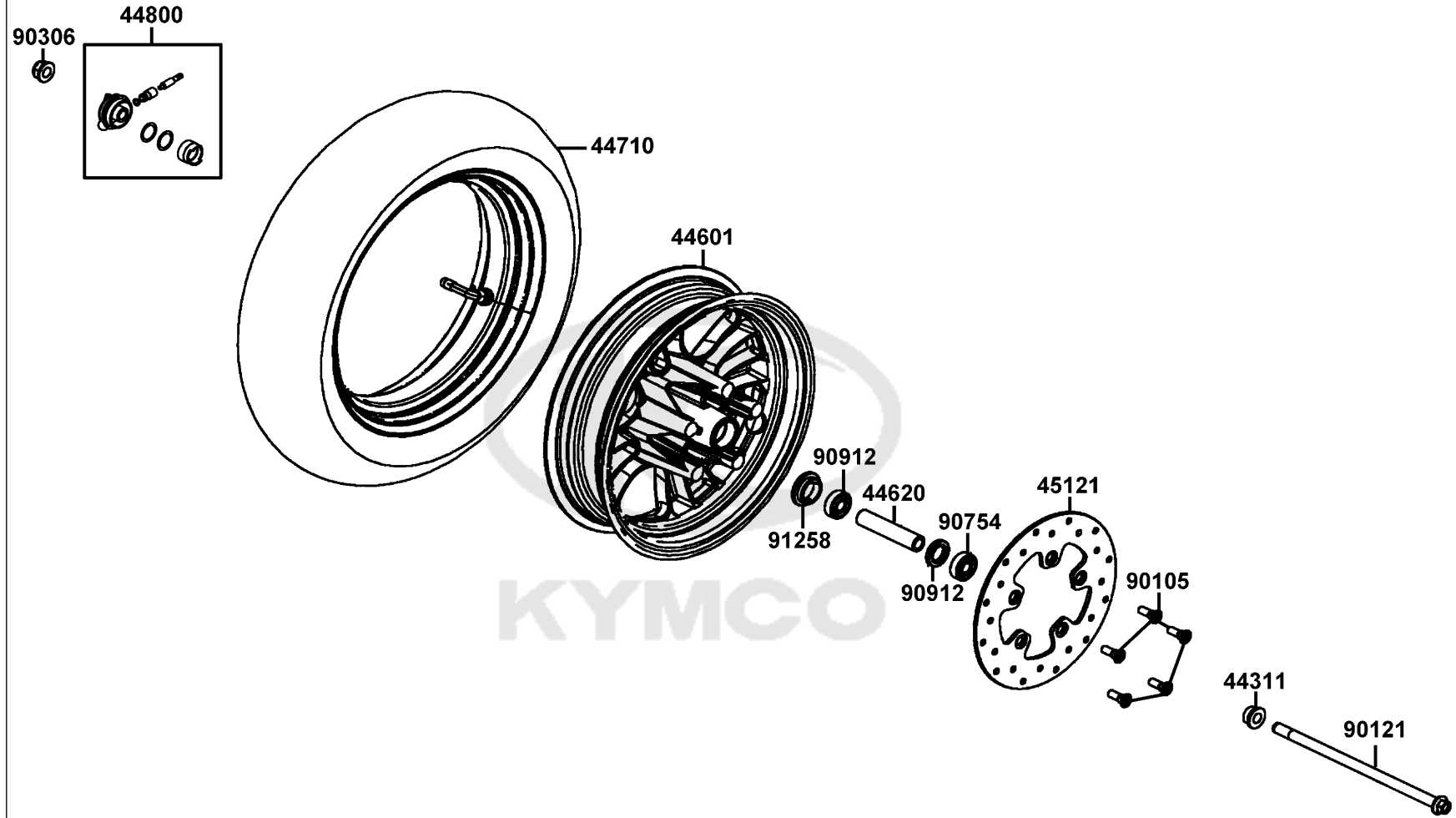




Sales mark	Ref no	Part no	Description	Reg description	Regd no	F06
45156		45156-KNBN-C00	CLAMPER FR BRAKE HOSE	CLAMPER FR BRAKE HOSE	1	
50306		50306-1F96-C00	NUT STRG STEM LOCK	NUT STRG STEM LOCK	1	
51400		51400-LGR5-BA0	FORK SET FR R	FORK SET FR R	1	
51500		51500-LGR5-BA0	FORK SET FR L	FORK SET FR L	1	
53200		53200-LGR5-E10	STEM COMP STRG.	STEM COMP STRG.	1	
53211		53211-GFY6-C00	RACE STRG TOP CONE	RACE STRG. CONE TOP	1	
53212		53212-2L50-C00	RACE (STRG BOTTOM) CONE	RACE STRG. BOTTOM CONE	1	
53214		53214-2L50-C00	DUST SEAL STRG HEAD	DUST SEAL STRG. HEAD BOT	1	
53215		53215-2L50-C00	WASHER STRG HDL DUST-SEAL	"WASHER,STRG. HEAD DUST SEAL"	1	
61100		61100-LGR5-E10	FENDER FRONT A	FENDER FRONT A	1	
61101		61101-LGR5-E10	FENDER FRONT B	FENDER FRONT B	1	
90302		90302-SDA4-C00	NUT SPRING 4MM	NUT SPRING 4MM	1	
91014		91014-LLJ3-C00	CAGE STRG TOPP	CAGE STRG TOP	1	
91015		91015-LLJ3-C00	CAGE STRG BOT	CAGE STRG BOT	1	
93404		93404-06016-06	BOLT WASHER 6*16	BOLT WASHER 6*16 (K)	3	
93903		93903-GFY6-C00	SCREW TAPPING 4*14	SCREW TAPPING 4*14	2	
95701		95701-06012-08	BOLT FLANGE 6*12	BOLT FLANGE 6*12 (C)	3	
95801		95801-08040-08	BOLT FLANGE 8*40	BOLT FLANGE 8*40 (C)	4	

F07

Front Wheel

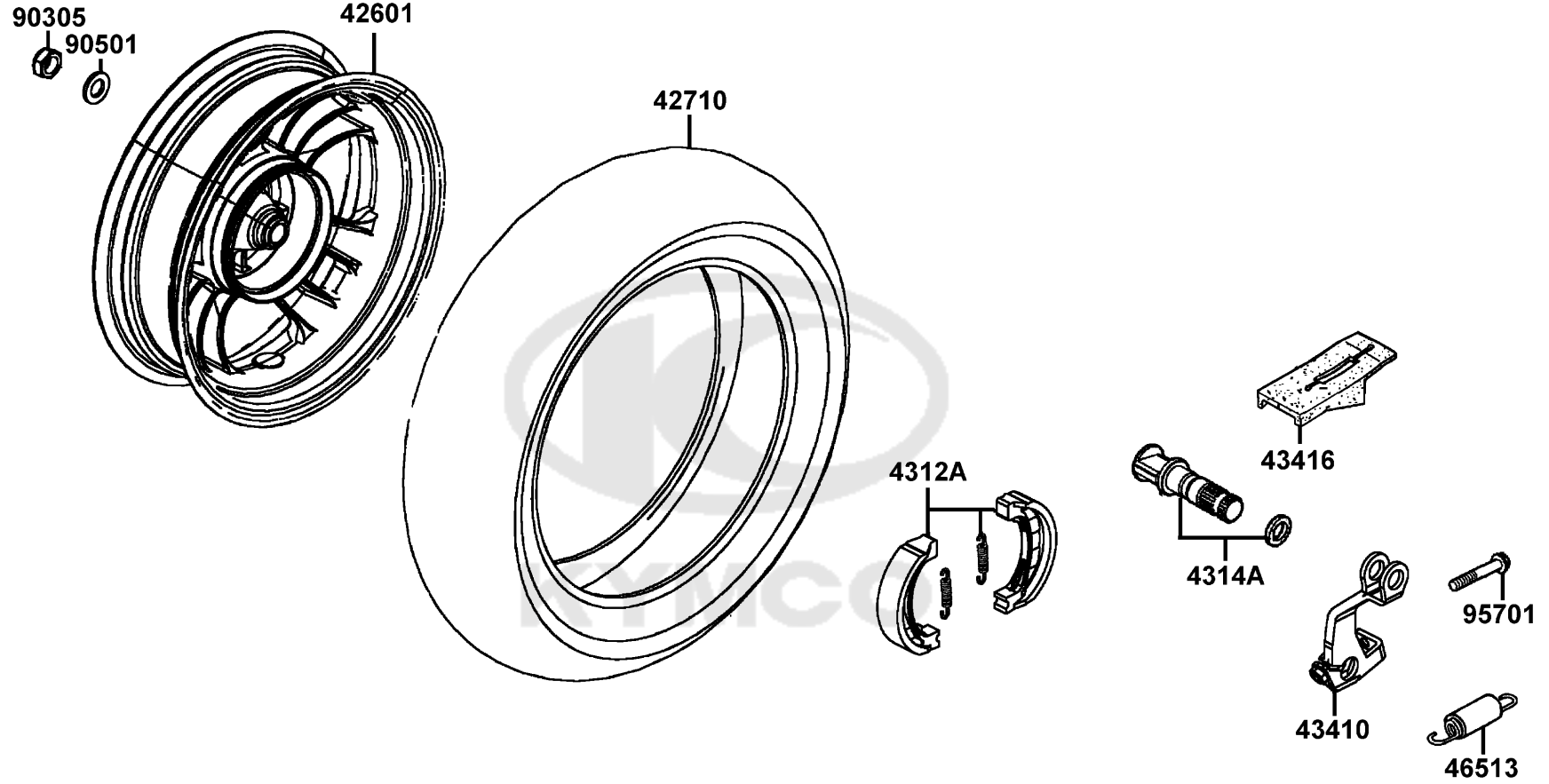




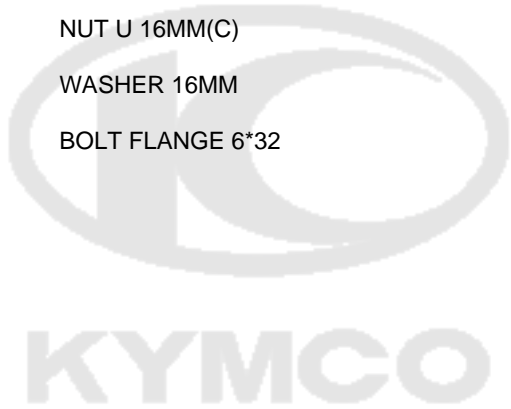
Sales mark	Ref no	Part no	Description	Reg description	Regd no	F07
44311		44311-GLW0-W10	COLLAR FR WHEEL SIDE	COLLAR FR WHEEL SIDE	1	
44620		44620-KEB7-C00	COLLAR FR DIST	COLLAR FR DIST	1	
44710		44710-LGR5-BA0	"TIRE ASSY ,FR"	"TIRE ASSY ,FR"	1	
44800		44800-LDC8-E10	GEAR BOX ASSY SPDMT	GEAR BOX ASSY SPDMT	1	
45121		45121-LGR5-E80	DISK FR BRK	DISK FR BRK	1	
90105		90105-KCR3-001	BOLT FR DISK 8*24	BOLT FR DISK 8*24	5	
90121		90121-ALA5-BA0	BOLT RR FORK PIVOT	BOLT RR FORK PIVOT	1	
90306		90306-LGR5-BA0	NUT FLANGE 12MM(Cr)	NUT FLANGE 12MM(Cr)	1	
90754		90754-GHC8-C00	DUST SEAL 20*32*5	DUST SEAL 20*32*5	1	
90912		90912-GHC8-C00	BEARING 6201 (U) (NTN)	BEARING 6201 (U) (NTN)	2	
91258		91258-KAM1-C00	SEAL SPDMT GEAR BOX	SEAL SPDMT GEAR BOX	1	

F08

Rear Wheel

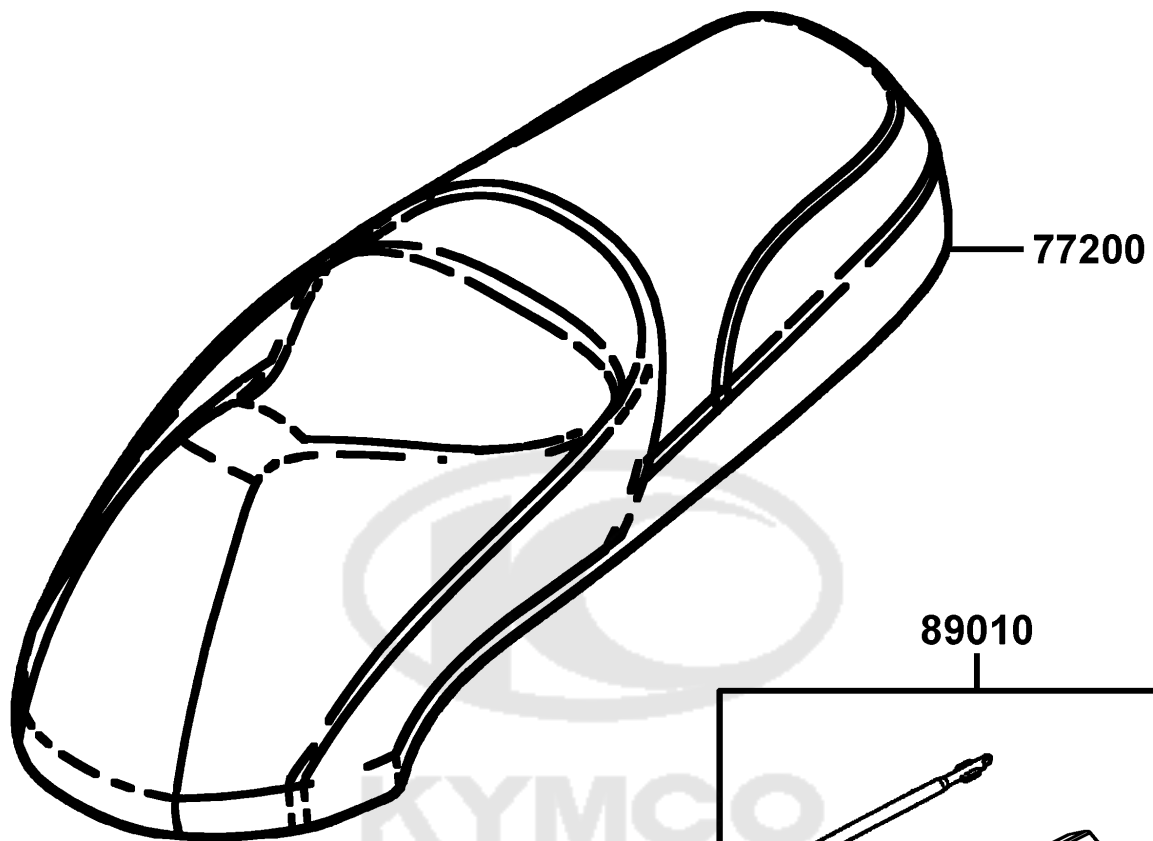


Sales mark	Ref no	Part no	Description	Reg description	Regd no	F08
**	42601	42601-ALA5-BA0	WHEEL COMP RR CAST	WHEEL COMP RR CAST	1	
	42710	42710-LGR5-BA0	"TIRE ASSY ,FR"	"TIRE ASSY ,FR"	1	
	4312A	4312A-ALA5-BA0	SHOE ASSY RR BRAKE	SHOE ASSY RR BRAKE	1	
	4314A	4314A-LDF7-E10	CAM ASSY RR BRK	CAM ASSY RR BRK	1	
	43410	43410-KEC4-900	ARM COMP RR BRAKE	ARM COMP RR BRAKE	1	
	43416	43416-KUDU-C00	GUARD RR BRK ARM	GUARD RR BRK ARM	1	
	46513	46513-KUDU-900	SPG ASSY BRK ARM	SPG ASSY BRK ARM	1	
	90305	90305-KNBN-C00	NUT U 16MM(C)	NUT U 16MM(C)	1	
	90501	90501-KNBN-C00	WASHER 16MM	WASHER 16MM	1	
	95701	95701-06032-08	BOLT FLANGE 6*32	BOLT FLANGE 6*32	1	

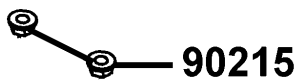
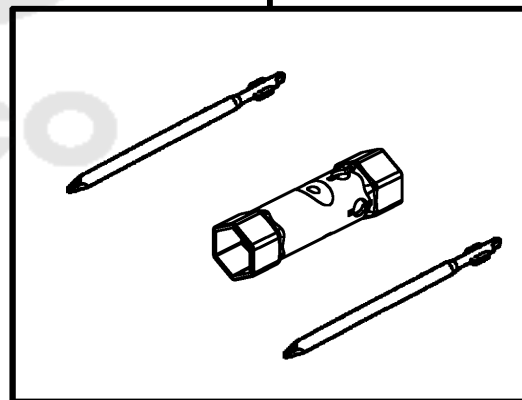


F09

Seat



89010



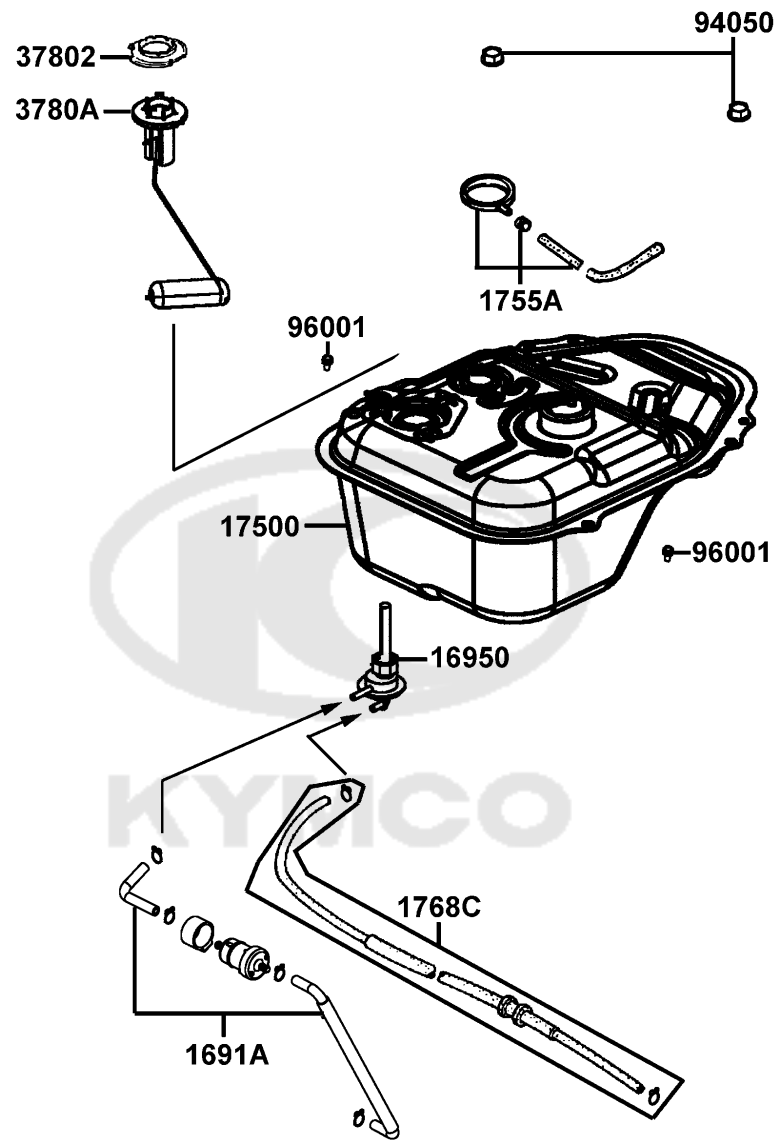
Sales mark	Ref no	Part no	Description	Reg description	Regd no	<b>F09</b>
------------	--------	---------	-------------	-----------------	---------	------------

77200		77200-LGR5-BA1	SEAT ASSY	SEAT ASSY	1	
89010		89010-KGBG-C00	TOOL SET	TOOL SET	1	
90215-KKC4		90215-KKC4-C00	NUT CAP 6MM	NUT CAP 6MM	1	

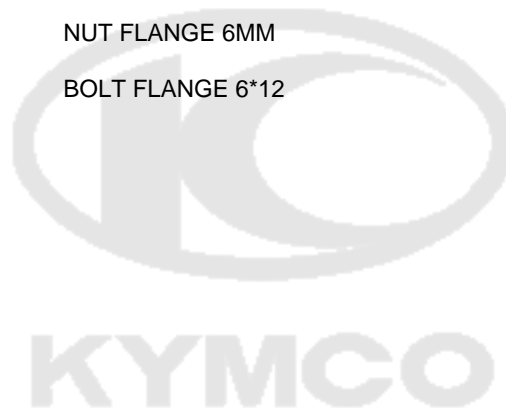


F10

Fuel Tank

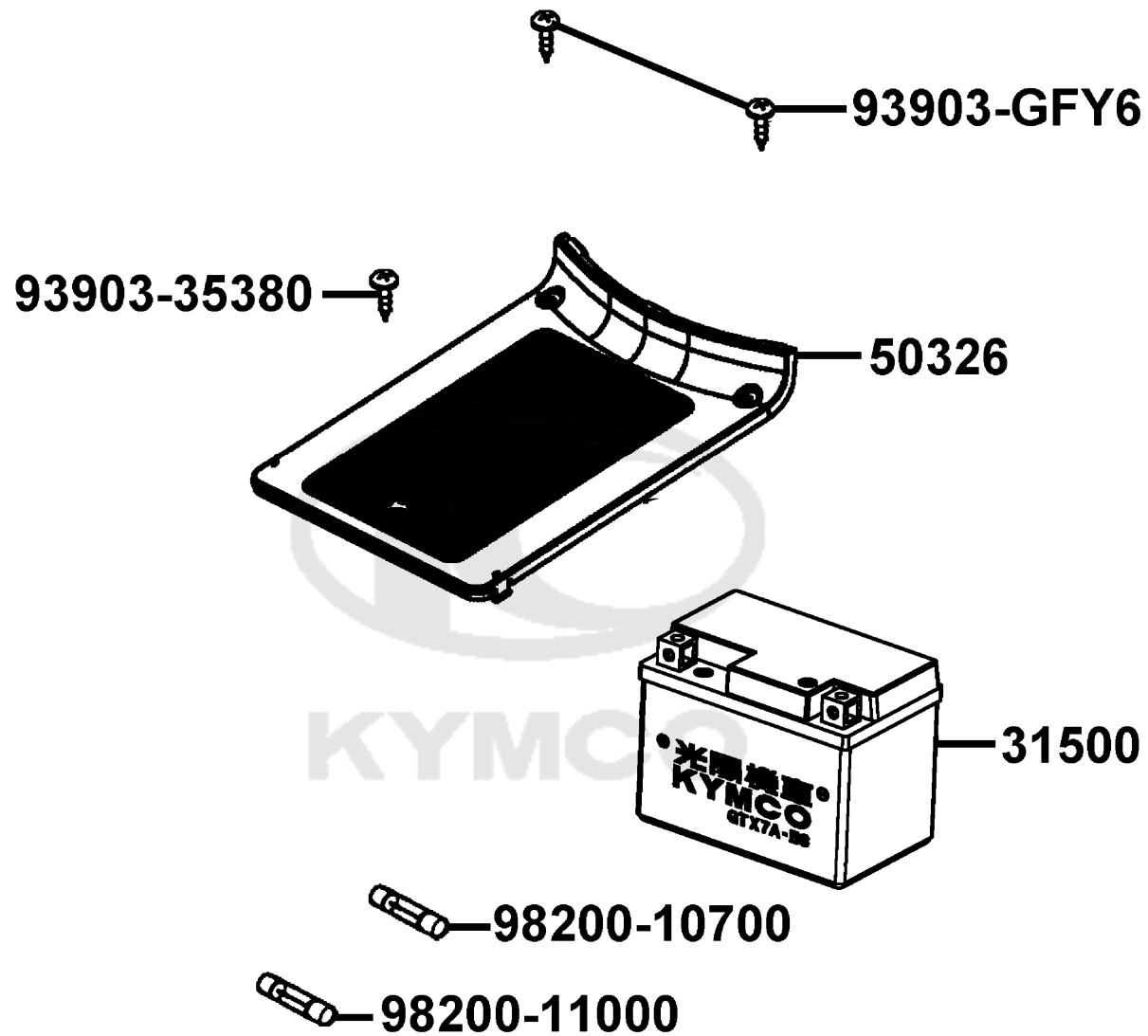


Sales mark	Ref no	Part no	Description	Reg description	Regd no	<b>F10</b>
1691A		1691A-LGR5-E10	STRAINER ASSY FUEL	STRAINER ASSY FUEL	1	
16950		16950-KKJ9-C00	AUTO COCK ASSY FUEL	AUTO COCK ASSY FUEL	1	
17500		17500-LGR5-BA0	TANK COMP FUEL	TANK COMP FUEL	1	
1755A		1755A-LGR5-E10	TRAY ASSY.,FUEL CAP	TRAY ASSY.,FUEL CAP	1	
1768C		1768C-LGR5-E10	TUBE ASSY COCK TO INLET PIPE	TUBE ASSY COCK TO INLET PIPE	1	
37802		37802-GGA7-C00	RET FUEL UNIT	RET FUEL UNIT	1	
3780A		3780A-LGR5-E10	FUEL UNIT ASSY	FUEL UNIT ASSY	1	
94050		94050-06080	NUT FLANGE 6MM	NUT FLANGE 6MM (C)	2	
96001		96001-06012-08	BOLT FLANGE 6*12	BOLT FLANGE 6*12	2	



F11

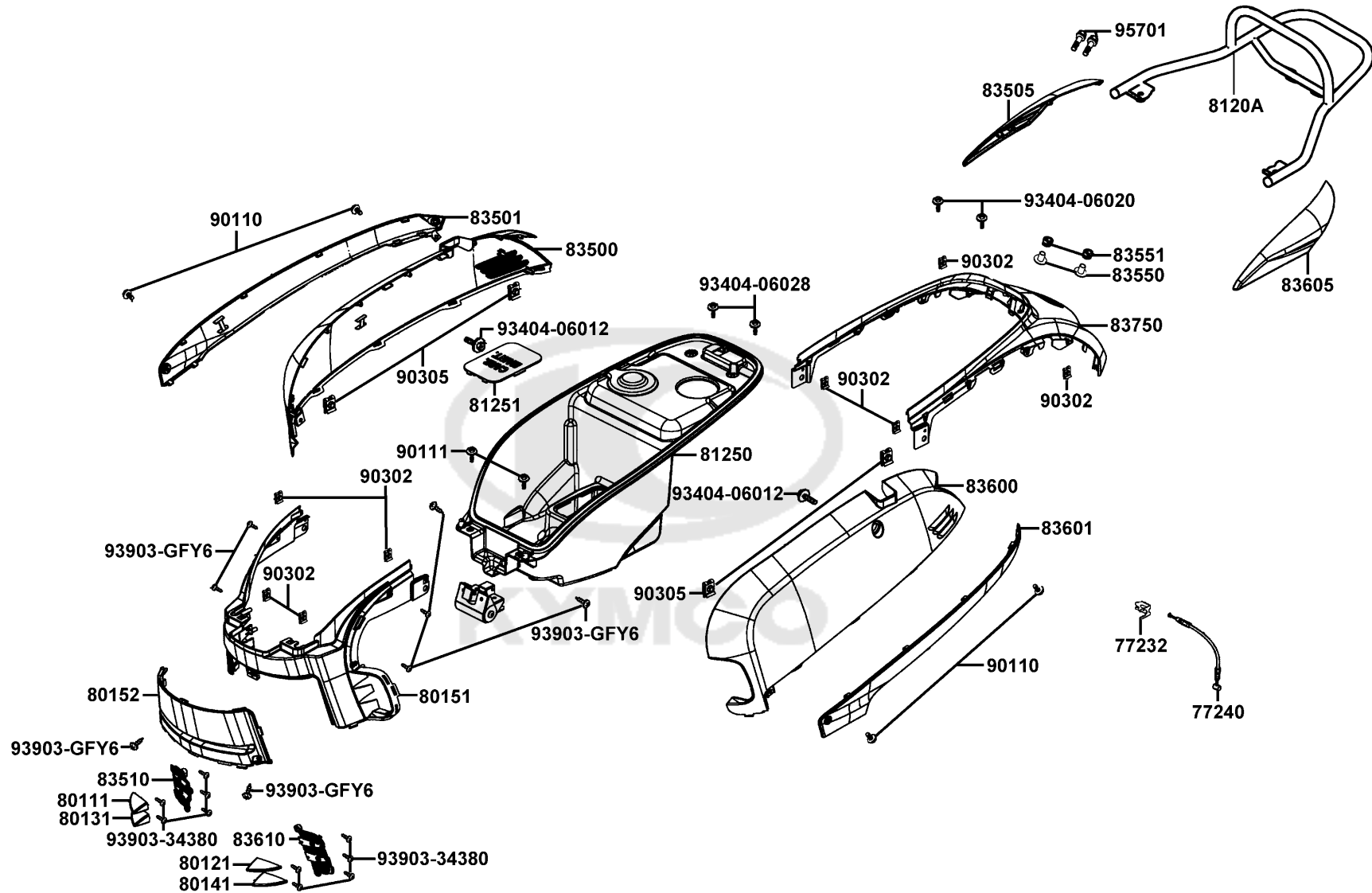
Battery



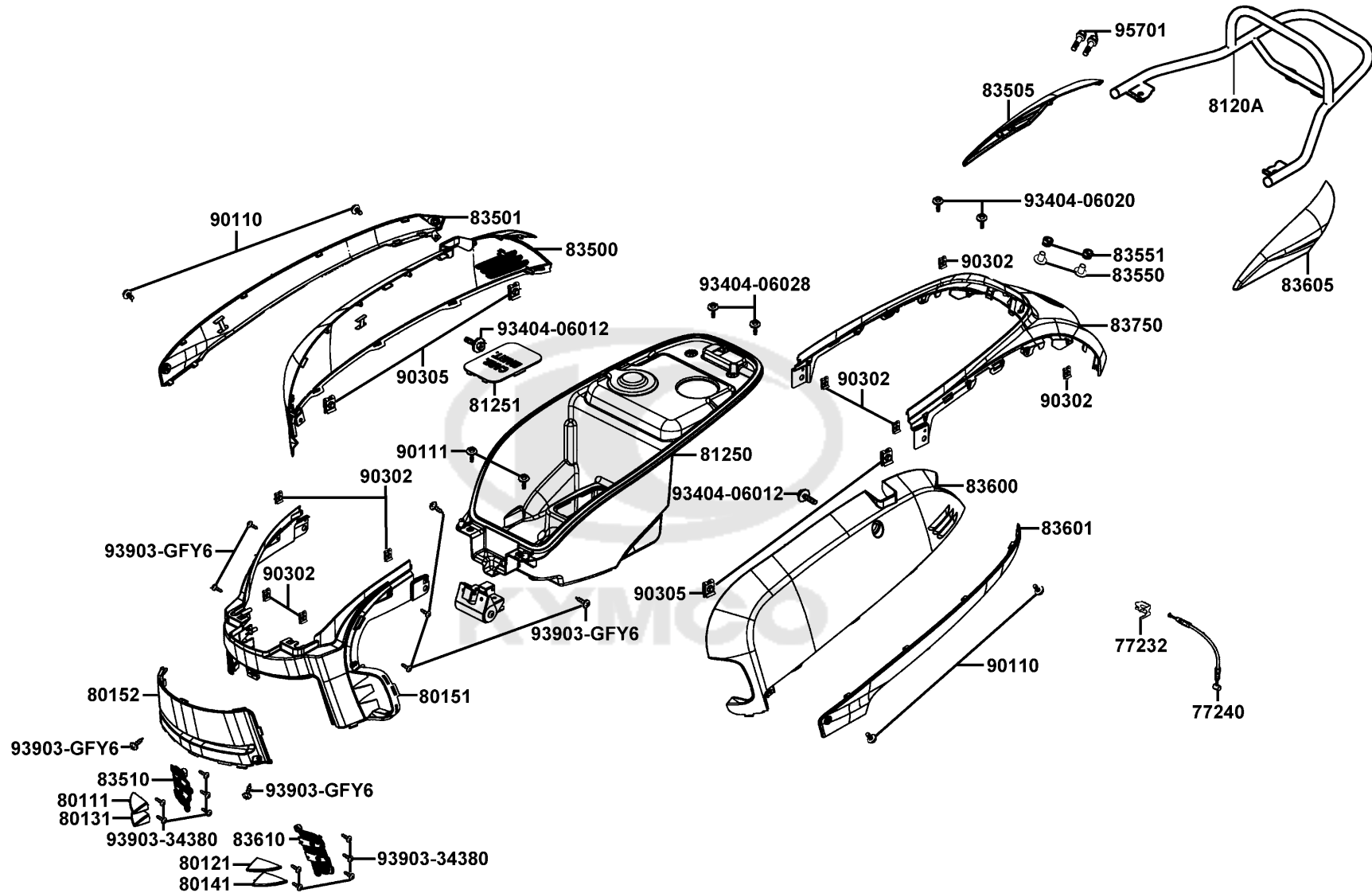


Sales mark	Ref no	Part no	Description	Reg description	Regd no	<b>F11</b>
	31500	31500-LBC9-BA0	BATTERY	BATTERY	1	
	93903-35380	93903-35380	SCREW TAPPING 5*16	SCREW TAPPING 5*16 (K)	1	
	93903-GFY6	93903-GFY6-C00	SCREW TAPPING 4*14	SCREW TAPPING 4*14	2	
	98200-10700	98200-10700	FUSE A7	FUSE A7	1	
	98200-11000	98200-11000	FUSE A10	FUSE A10	1	

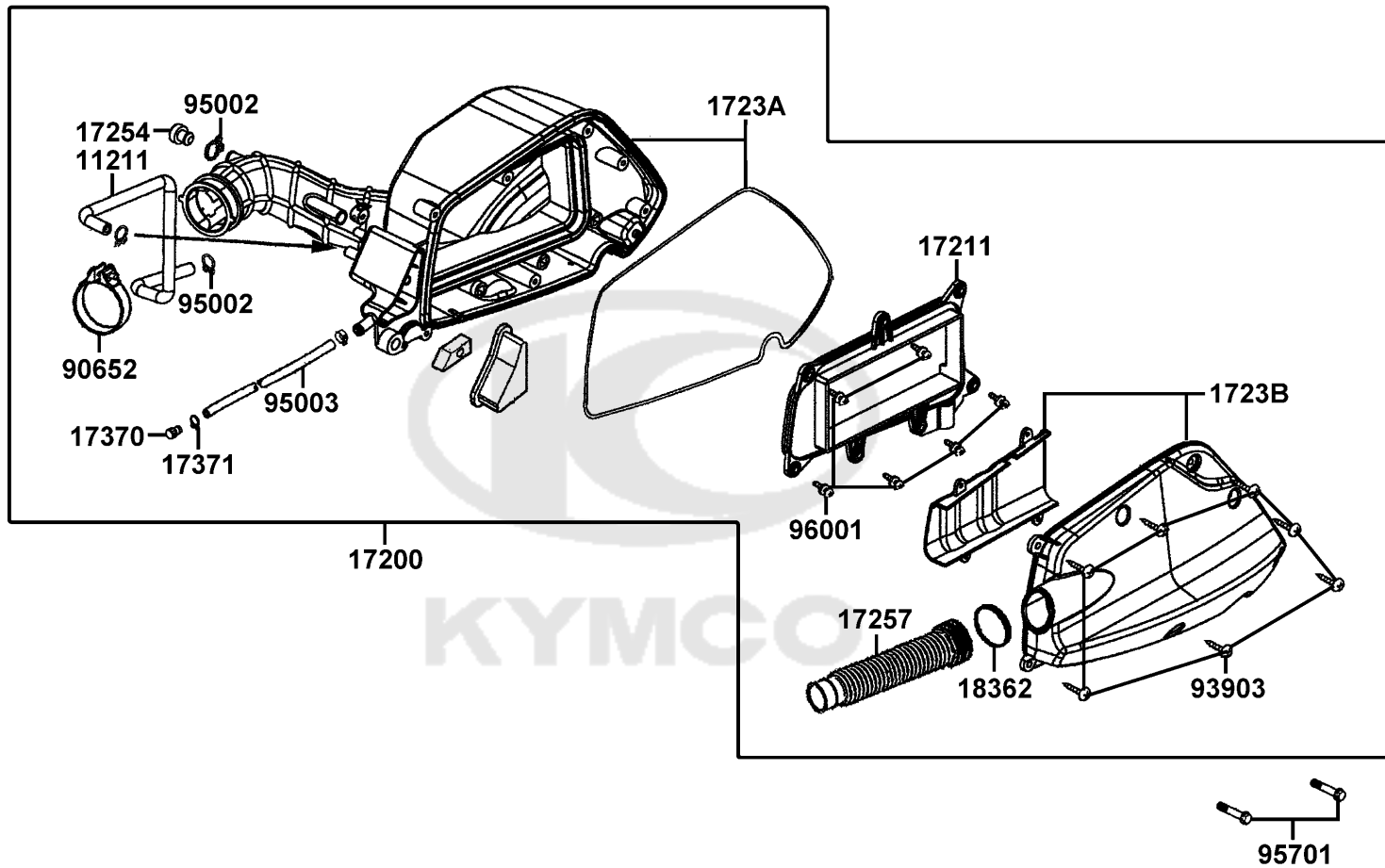




Sales mark	Ref no	Part no	Description	Reg description	Regd no	F12
	77232	77232-KCAC-C00	SET SPG SEAT LOCK	SET SPG SEAT LOCK	1	
	77240	77240-LGB5-E10	CABLE COMP SEAT LOCK	CABLE COMP SEAT LOCK	1	
	80111	80111-LGR5-E10	UP RIB R CENTER COVER	UP RIB R CENTER COVER	1	
	80121	80121-LGR5-E10	UP RIB L CENTER COVER	UP RIB L CENTER COVER	1	
	80131	80131-LGR5-E10	LOW RIB R CENTER COVER	LOW RIB R CENTER COVER	1	
	80141	80141-LGR5-E10	LOW RIB L CENTER COVER	LOW RIB L CENTER COVER	1	
	80151	80151-LGR5-E10	COVER CENTER UP	COVER CENTER UP	1	
	80152	80152-LGR5-E10	COVER CENTER LOW	COVER CENTER LOW	1	
	8120A	8120A-ALA5-BA0	REAR CARRIER ASSY	REAR CARRIER ASSY	1	
**	81250	81250-LGR5-E10	BOX LUGGAGE	BOX LUGGAGE	1	
**	81251	81251-LGR5-E10	"LID,CABR. MAINT."	"LID,CABR. MAINT."	1	
	83500	83500-LGR5-E10	COVER R BODY	COVER R BODY	1	
	83501	83501-LGR5-E10	MOLD R SIDE	MOLD R SIDE	1	
	83505	83505-ALA5-BA0	COVER R CARRIER	COVER R CARRIER	1	
**	83510	83510-LGR5-E10	LID R BODY COVER	LID R BODY COVER	1	
	83550	83550-KEC8-C00	COLLAR SET METER	COLLAR SET METER	1	
	83551	83551-KEC8-C10	GROMMET COVER	GROMMET COVER	1	
	83600	83600-LGR5-E10	COVER L BODY	COVER L BODY	1	
	83601	83601-LGR5-E10	MOLD L SIDE	MOLD L SIDE	1	
	83605	83605-ALA5-BA0	COVER L CARRIER	COVER L CARRIER	1	



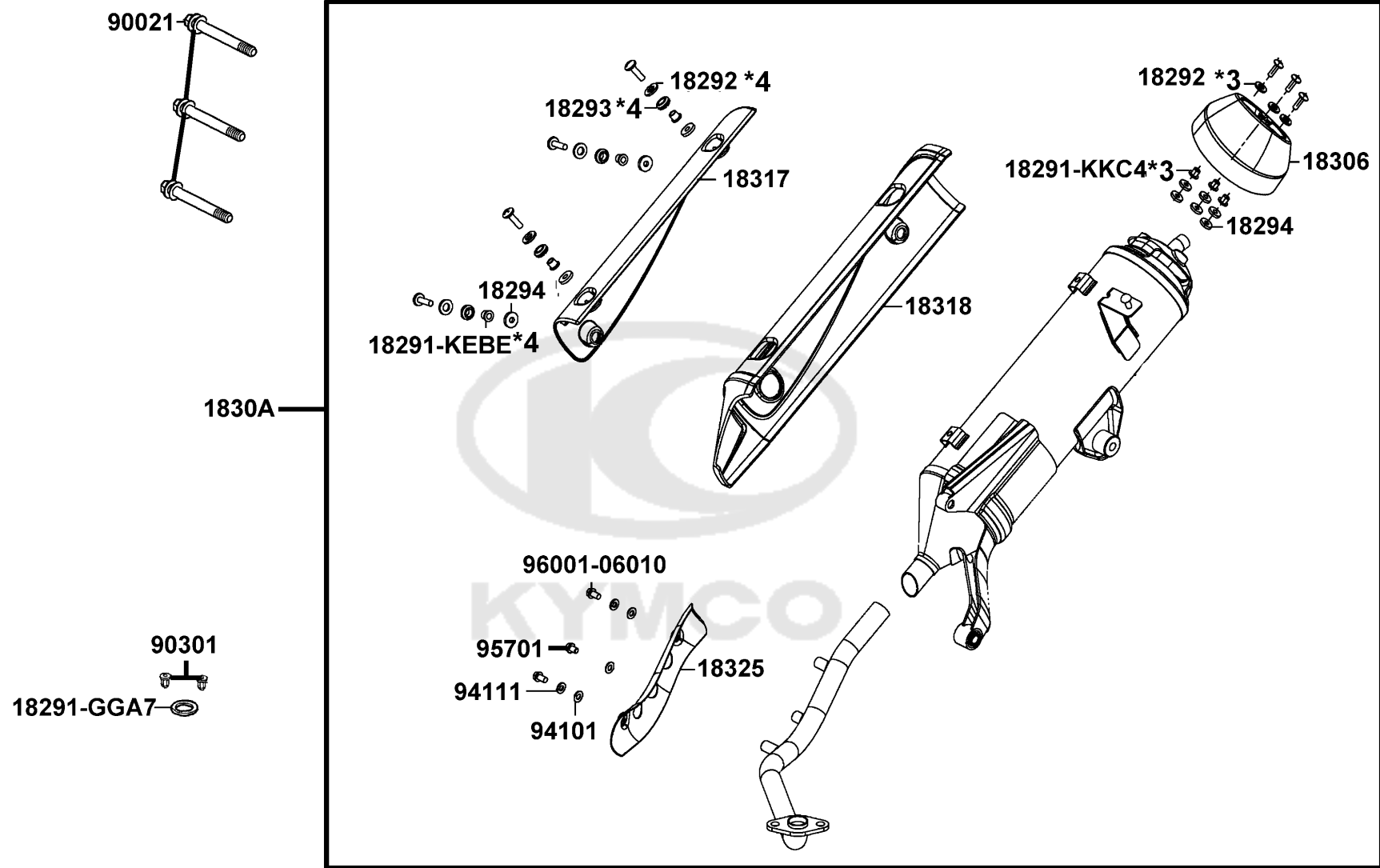
Sales mark	Ref no	Part no	Description	Reg description	Regd no	F12
**	83610	83610-LGR5-E10	LID L BODY COVER	LID L BODY COVER	1	
	83750	83750-LGR5-E10	REAR CENTER COVER	REAR CENTER COVER	1	
	90110	90110-GLW0-C00	SCREW SPECIAL 6*14	SCREW SPECIAL 6*14	1	
	90111	90111-LGR5-BA0	BOLT FLANGE 6*14(Cr)	BOLT FLANGE 6*14(Cr)	2	
	90302	90302-SDA4-C00	NUT SPRING 4MM	NUT SPRING 4MM	8	
	90305	90305-GHK8-C00	NUT CLIP 6MM	NUT CLIP 6MM	1	
	93404-06012	93404-06012-06	BOLT WASHER 6*12 (G)	BOLT WASHER 6*12 (G)	1	
	93404-06020	93404-06020-02	BOLT WASHER 6*20 (Cr)	BOLT WASHER 6*20 (Cr)	1	
	93404-06028	93404-06028-02	BOLT WASHER 6*28(Cr)	BOLT WASHER 6*28(Cr)	2	
	93903-34380	93903-34380	SCREW TAPPING 4*12	BOLT FLANGE	20	
	93903-GFY6	93903-GFY6-900	SCREW TAPPING 4*14	SCREW TAPPING 4*14	4	
	95701	95701-08016-08	BOLT FLANGE 8*16 (C)	BOLT FLANGE 8*16 (C)	2	



Sales mark	Ref no	Part no	Description	Reg description	Regd no	F13
11211		11211-KUDU-C00	TUBE BREATHER	TUBE BREATHER	1	
17200		17200-LGR5-E10	AIR/C ASSY	AIR/C ASSY	1	
17211		17211-LGR5-E10	ELEMENT COMP AIR/C	ELEMENT COMP AIR/C	1	
1723A		1723A-LGR5-E10	CASE COMP AIR/C	CASE COMP AIR/C	1	
1723B		1723B-LGR5-E10	COVER COMP AIR/C	COVER COMP AIR/C	1	
17254		17254-KACA-P00	PLUG AIR/C CONN TUBE	PLUG AIR/C CONN TUBE	1	
17257		17257-LGR5-E10	TUBE AIR/C CONN	TUBE AIR/C CONN	1	
17370		17370-4K19-701	PLUG BREATHER TUBE	PLUG BREATHER TUBE	1	
17371		17371-1D74-C00	CLIP BREATHER TUBE	CLIP BREATHER TUBE	1	
18362		18362-LGR5-E10	SPRING CLIP	SPRING CLIP	1	
90652		90652-GFY6-C00	BAND 49 AIR/C CONNECTING TUBE	BAND 49 AIR/C CONNECTING TUBE	1	
93903		93903-25480	SCREW TAPPING 5*20	SCREW TAPPING 5*20 (K)	7	
95002		95002-02120	CLIP B12 TUBE	CLIP B12 TUBE	2	
95003		95003-23024-60	V TUBE 8*12*240	V TUBE 8*12*240	1	
95701		95701-06032-02	BOLT FLANGE 6*32(Cr)	BOLT FLANGE 6*32(Cr)	2	
96001		96001-GFY6-900	BOLT SPECIAL 5*10	BOLT SPECIAL 5*10	6	

F14

Exhaust Muffler

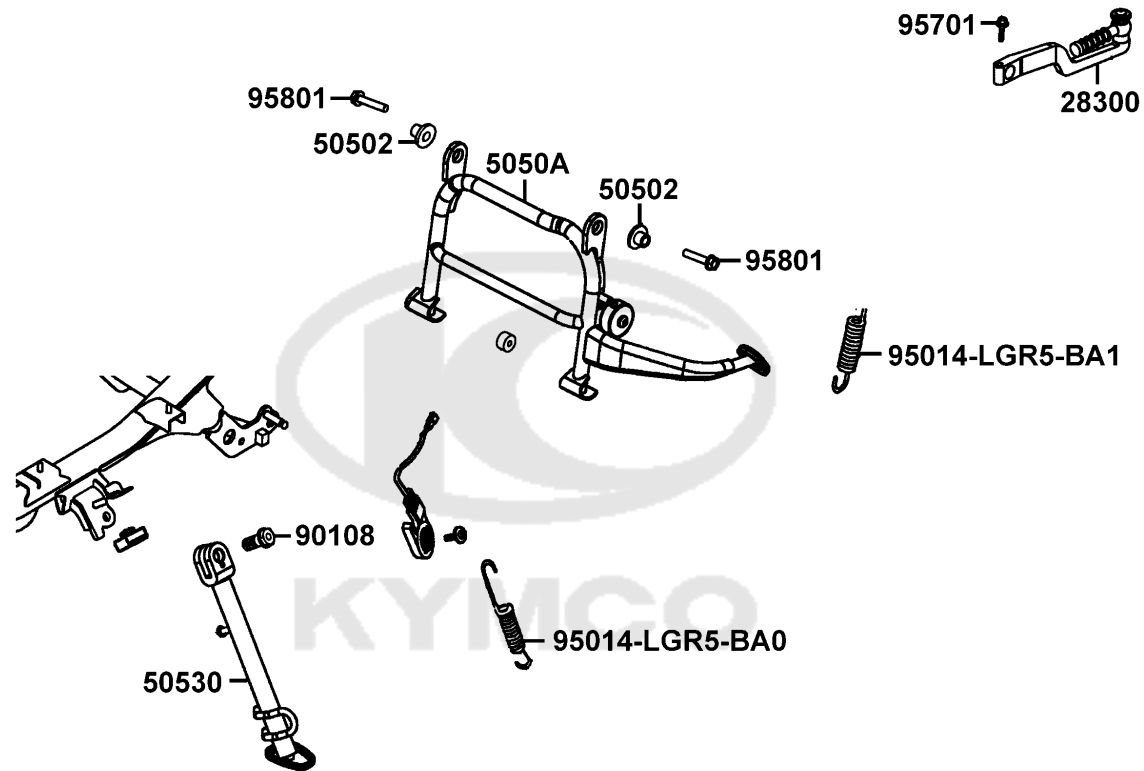




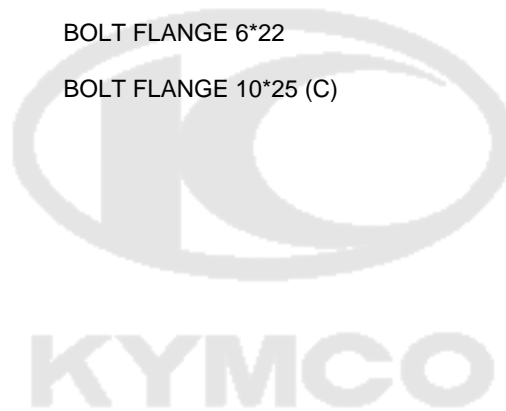
Sales mark	Ref no	Part no	Description	Reg description	Regd no	<b>F14</b>
	18291-GGA7	18291-GGA7-080	GASKET EXH PIPE	GASKET EXH PIPE	1	
	18291-KEBE	18291-KEBE-900	COLLAR	COLLAR	1	
	18291-KKC4	18291-KKC4-900	COLLAR	COLLAR	1	
	18292	18292-KEBE-900	PACKING PROTECTOR	PACKING PROTECTOR	1	
	18293	18293-KEBE-900	RUBBER PKG PROTR	RUBBER PKG PROTR	1	
	18294	18294-KEBE-900	PACKING PROTECTOR	PACKING PROTECTOR	1	
	18306	18306-LEJ2-E10	TAIL CAP MUFFLER	TAIL CAP MUFFLER	1	
	1830A	1830A-ALA5-BA0	MUFFLER ASSY EXHAUST	MUFFLER ASSY EXHAUST	1	
	18317	18317-LGR5-E10	PROTECTOR A MUFFLER	PROTECTOR A MUFFLER	1	
	18318	18318-LCD3-C00	PROTECTOR MUFFLER	PROTECTOR MUFFLER	1	
	18325	18325-LGR5-E10	PROTECTOR EXHAUST PIPE	PROTECTOR EXHAUST PIPE	1	
	90021	90021-LGR5-BA0	BOLT WASHER COMP	BOLT WASHER COMP	3	
	90301	90301-GFY6-C00	NUT (HEX) CAP 8MM	NUT (HEX) CAP 8MM	2	
	94101	94101-06200	WASHER PLAIN 6MM	WASHER PLAIN 6MM (Cr)	3	
	94111	94111-06800	WASHER SPRING 6MM	WASHER SPG 6MM (C)	2	
	95701	95701-06025-07	BOLT FLANGE 6*25 (K)	BOLT WASHER 6*25(K)	1	
	96001-06010	96001-06010-02	BOLT FLANGE SH 6*10	BOLT FLANGE SH 6*10 (Cr)	2	

F15

Stand Kick Starter Arm

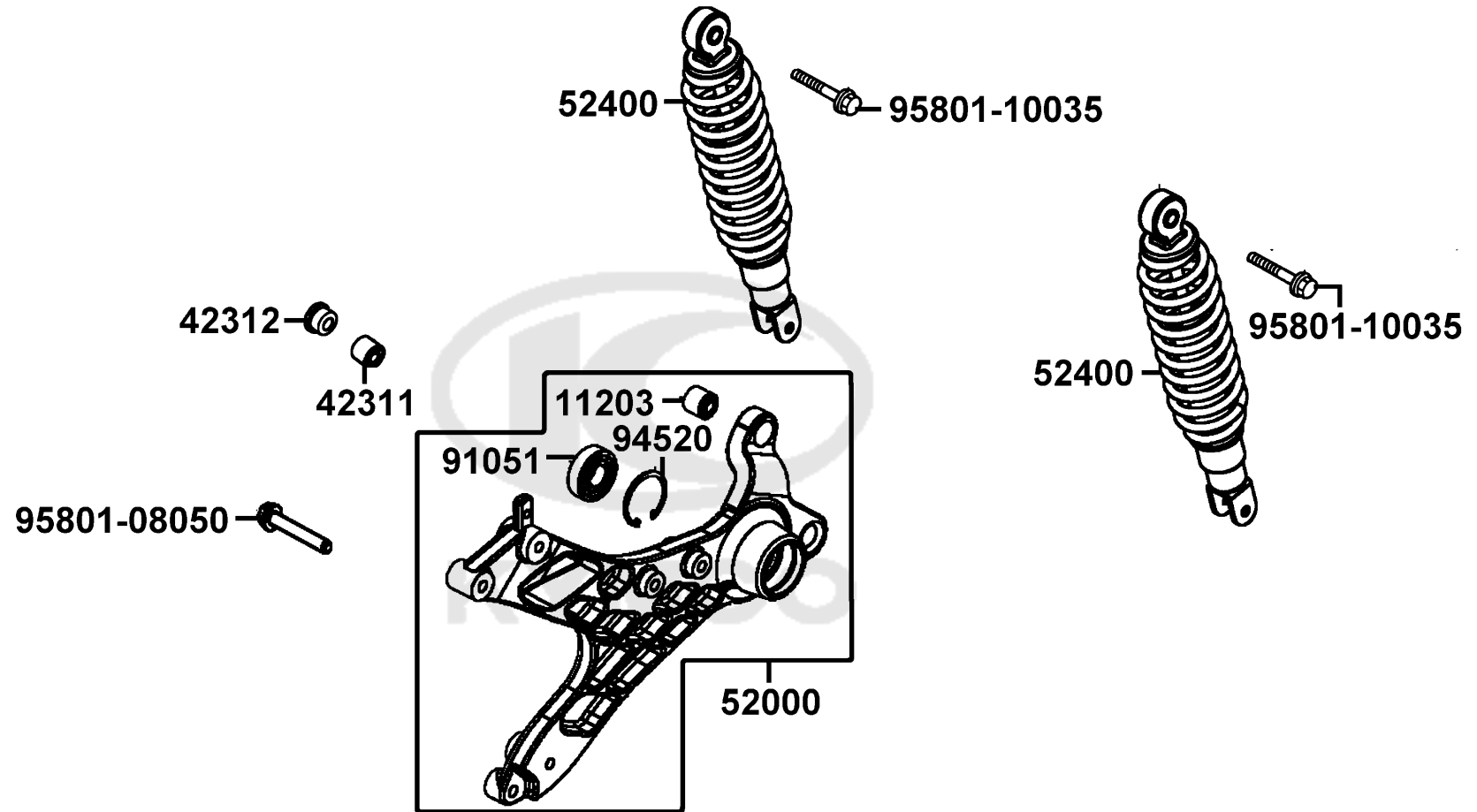


Sales mark	Ref no	Part no	Description	Reg description	Regd no	<b>F15</b>
28300		28300-LAD9-BA0	ARM ASSY KICK STARTER	ARM ASSY KICK STARTER	1	
50502		50502-LDF7-C00	COLLAR,MAIN STAND	COLLAR,MAIN STAND	1	
5050A		5050A-ALA5-BA0	STAND COMP MAIN	STAND COMP MAIN	1	
50530		50530-ALA5-BA0	SIDE SIAND COMP.	SIDE SIAND COMP.	1	
90108		90108-KUDU-900	SCREW SIDE STAND PIVOT	SCREW SIDE STAND PIVOT	1	
95014-LGR5-BA0		95014-LGR5-BA0	SPG A MAIN STAND	SPG A MAIN STAND	1	
95014-LGR5-BA1		95014-LGR5-BA1	SPG B MAIN STAND	SPG B MAIN STAND	1	
95701		95701-06022-02	BOLT FLANGE 6*22	BOLT FLANGE 6*22	1	
95801		95801-10025-02	BOLT FLANGE 10*25 (C)	BOLT FLANGE 10*25 (C)	2	

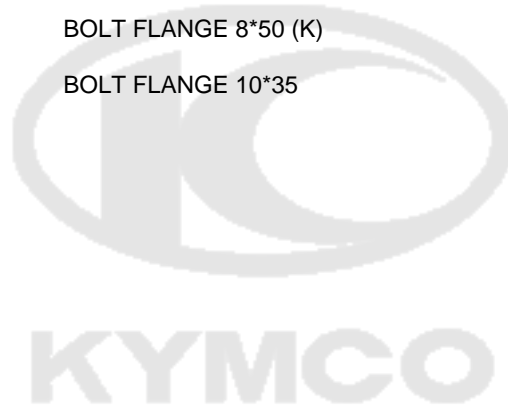


F16

Rear Cushion



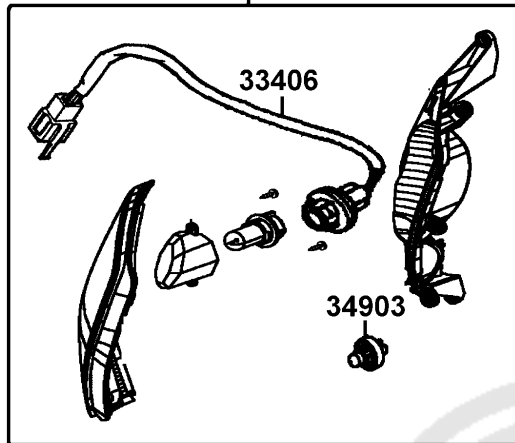
Sales mark	Ref no	Part no	Description	Reg description	Regd no	<b>F16</b>
	11203	11203-GGC7-W10	UNDER RUBBER BUSH REAR CUSHION	UNDER RUBBER BUSH RR CUSHION	1	
	42311	42311-KKD5-C10	COLLAR RR AXLE A	COLLAR RR AXLE A	1	
	42312	42312-KHB4-C00	CLOLLAR RR AXLE SIDE	CLOLLAR RR AXLE SIDE	1	
	52000	52000-ALA5-BA0	FORK ASSY RR	FORK ASSY RR	1	
	52400	52400-LGR5-BA0	CUSHION ASSY REAR	CUSHION ASSY REAR	2	
	91051	91051-KFBF-C00	BRG BALL RADIAL 6203 LLU	BRG BALL RADIAL 6203 LLU	1	
	94520	94520-40000	CIR CLIP IN 40	CIRCLIP IN 40	1	
	95801-08050	95801-08050-02	BOLT FLANGE 8*50 (K)	BOLT FLANGE 8*50 (K)	1	
	95801-10035	95801-10035-08	BOLT FLANGE 10*35	BOLT FLANGE 10*35 (C)	2	



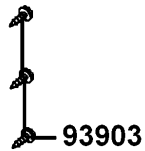
F17

Front Winker

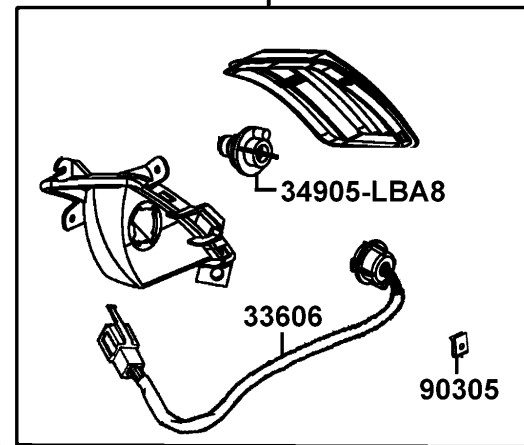
33400



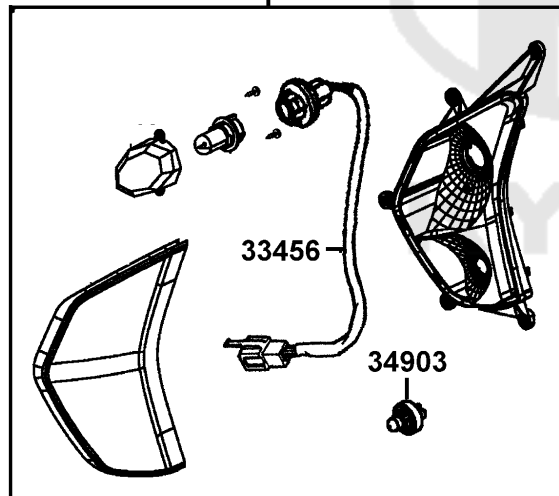
93903



33600



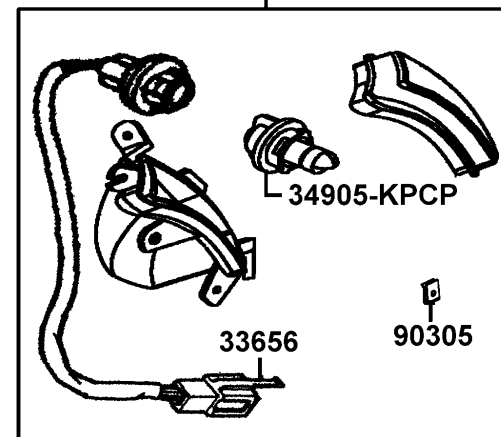
33450



93903



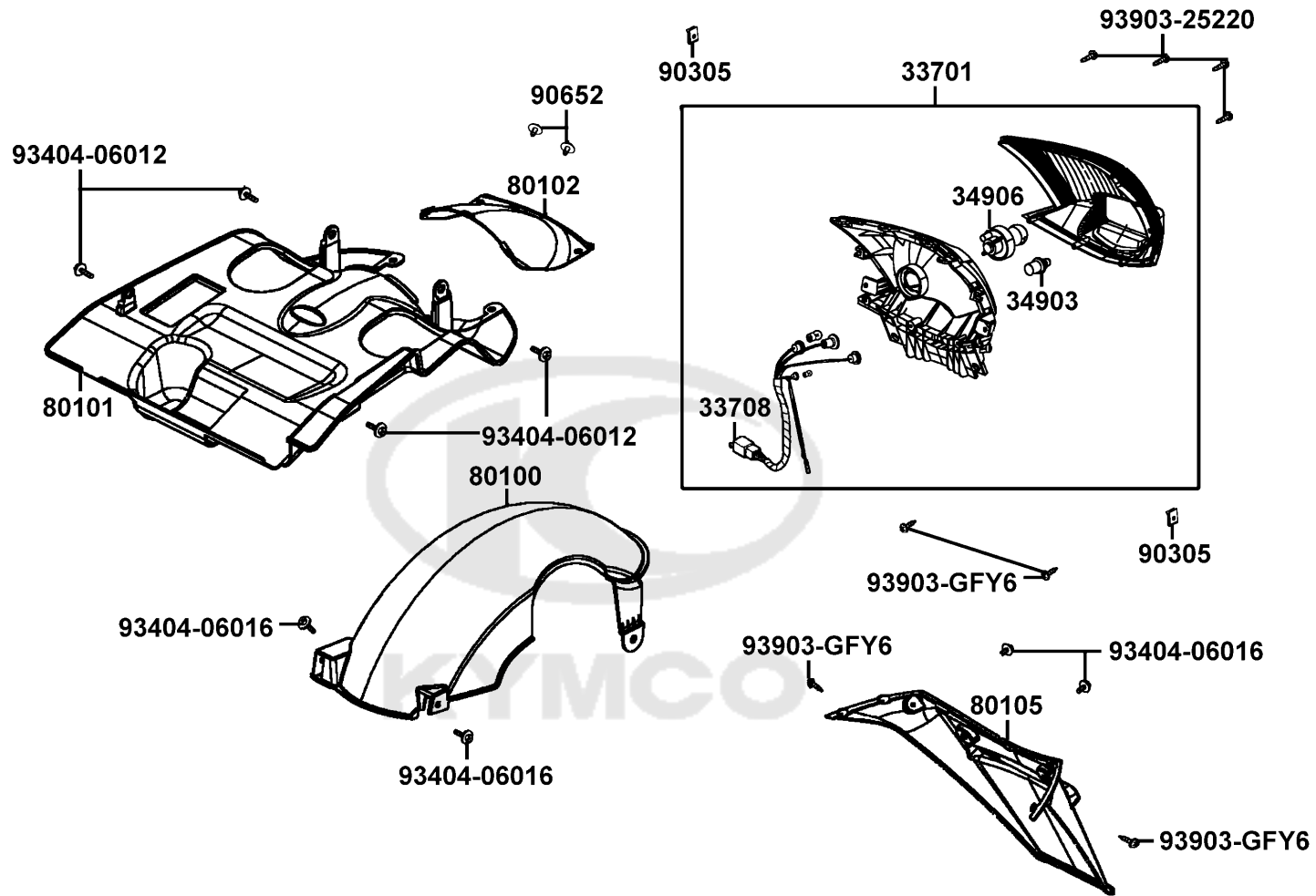
33650



Sales mark	Ref no	Part no	Description	Reg description	Regd no	F17
33400		33400-LGR5-E10	WINKER ASSY R FR	WINKER ASSY R FR	1	
33406		33406-LGR5-E10	SOCKET COMP R FR WINKER	SOCKET COMP R FR WINKER	1	
33450		33450-LGR5-E10	WINKER ASSY L FR	WINKER ASSY L FR	1	
33456		33456-LGR5-E10	SOCKET COMP L FR WINKER	SOCKET COMP L FR WINKER	1	
33600		33600-LGR5-E10	WINKER SET R RR	WINKER SET R RR	1	
33606		33606-LGR5-E10	SOCKET COMP R RR WINKER	SOCKET COMP R RR WINKER	1	
33650		33650-LGR5-E10	WINKER SET L RR	WINKER SET L RR	1	
33656		33656-LGR5-E10	SOCKET COMP L RR WINKER	SOCKET COMP L RR WINKER	1	
34903		34903-LDC8-E10	BULB POSITION	BULB POSITION	2	
34905-KPCP		34905-KPCP-C00	BULB WINKER	BULB WINKER	1	
34905-LBA8		34905-LBA8-E80	BULB WINKER	BULB WINKER	2	
90305		90305-GHK8-C00	NUT CLIP 6MM	NUT CLIP 6MM	1	
93903		93903-34380	SCREW TAPPING 4*12	BOLT FLANGE	14	

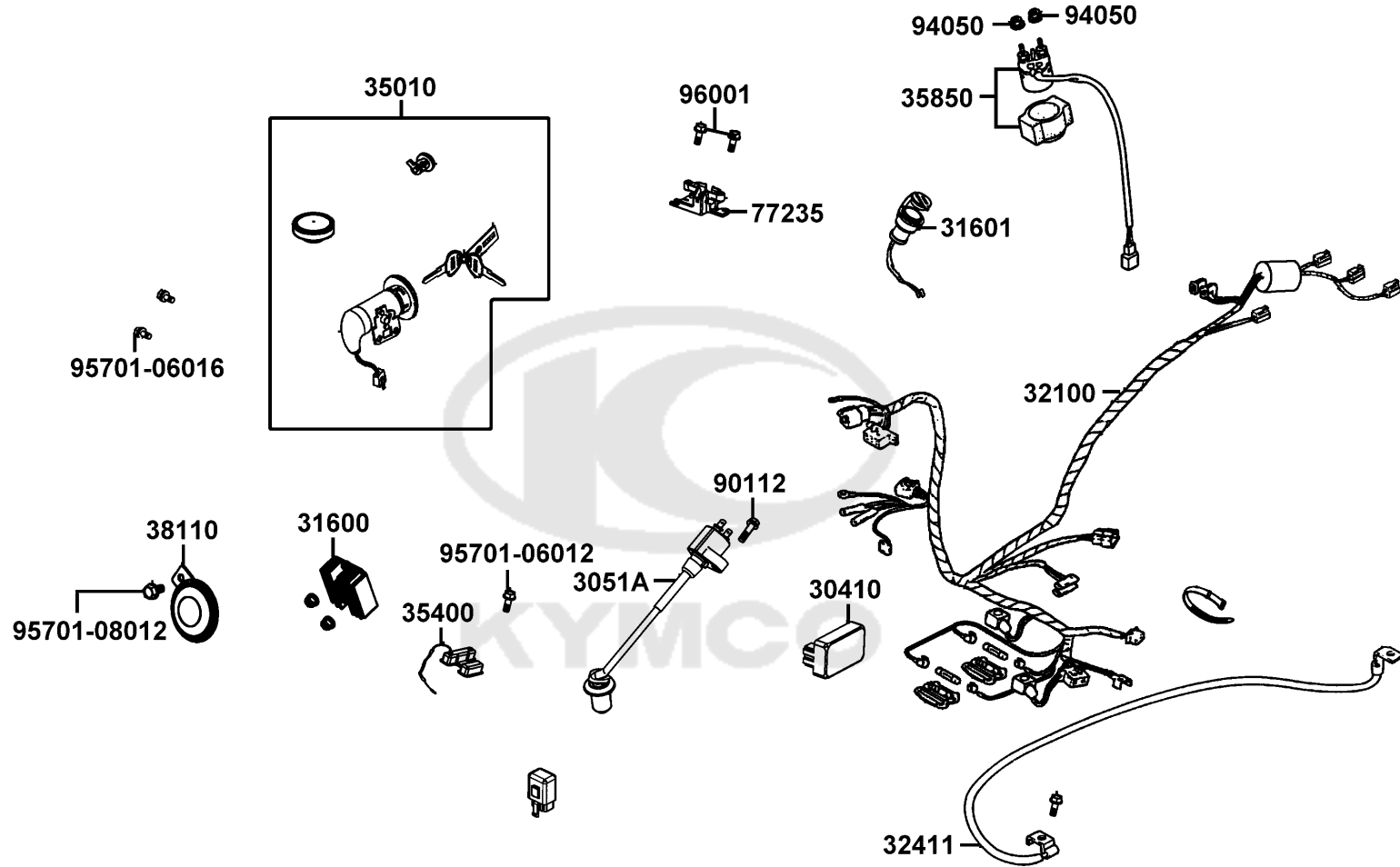
F18

Tail Light





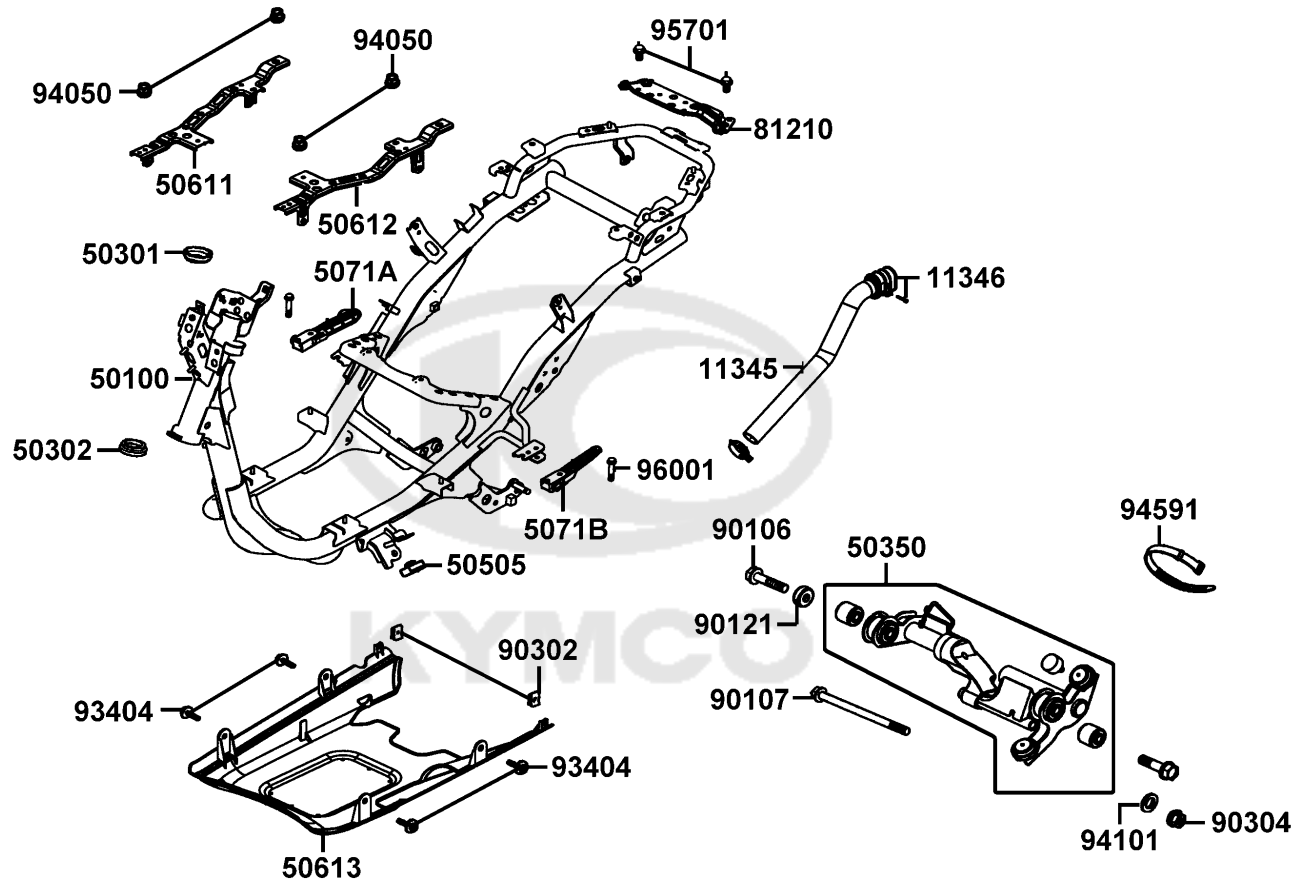
Sales mark	Ref no	Part no	Description	Reg description	Regd no	<b>F18</b>
	33701	33701-LGR5-E10	UNIT TAIL LIGHT	UNIT TAIL LIGHT	1	
	33708	33708-LGR5-E10	SOCKET COMP RR COMB	SOCKET COMP RR COMB	1	
	34903	34903-LDC8-E10	BULB POSITION	BULB POSITION	1	
	34906	34906-LBA8-E80	BULB TAIL & STOP	BULB TAIL & STOP	1	
**	80100	80100-ALA5-BA0	FENDER REAR. TIRE	FENDER REAR. TIRE	1	
**	80101	80101-LGR5-E10	FENDER REAR UP	FENDER REAR UP	1	
**	80102	80102-LGR5-E10	LID MAINT. TAIL LIGHT	LID MAINT. TAIL LIGHT	1	
**	80105	80105-LGR5-E10	FENDER REAR	FENDER REAR	1	
	90305	90305-GHK8-C00	NUT CLIP 6MM	NUT CLIP 6MM	1	
	90652	90652-LCA4-C10	CLIP MUDGUARD	CLIP MUDGUARD	1	
	93404-06012	93404-06012-06	BOLT WASHER 6*12 (G)	BOLT WASHER 6*12 (G)	4	
	93404-06016	93404-06016-02	BOLT WASHER 6*16 (Cr)	BOLT WASHER 6*16 (Cr)	2	
	93903-25220	93903-25220	SCREW TAPPING 5*12 (C)	SCREW TAPPING 5*12 (C)	4	
	93903-GFY6	93903-GFY6-900	SCREW TAPPING 4*14	SCREW TAPPING 4*14	4	



Sales mark	Ref no	Part no	Description	Reg description	Regd no	F19
	30410	30410-LEJ3-E10	UNIT COMP. C.D.I	UNIT COMP. C.D.I	1	
	3051A	3051A-KHC4-C00	COIL ASSY IGN	COIL ASSY IGN	1	
	31600	31600-LCD3-C00	REG REC COMP(DC)	REG REC COMP(DC)	1	
	31601	31601-LFC2-E10	SOCKET COMP DC 12V	SOCKET COMP DC 12V	1	
	32100	32100-ALA5-BA0	HARNESS WIRE	HARNESS WIRE	1	
	32411	32411-LDF7-E10	CABLE BAT	CABLE BAT	1	
	35010	35010-ALA5-BA0	KEY SET	KEY SET	1	
	35400	35400-LEJ3-E10	RESISTOR COMP	RESISTOR COMP	1	
	35850	35850-KHD8-C00	RELAY ASSY START	RELAY ASSY START	1	
	38110	38110-LAD9-BA0	HORN COMP	HORN COMP	1	
	77235	77235-LGB5-E10	SEAT CATCH COMP	SEAT CATCH COMP	1	
	90112	90112-KRDR-C00	BOLT FLANGE 5*22	BOLT FLANGE 5*22	1	
	94050	94050-06080	NUT FLANGE 6MM	NUT FLANGE 6MM (C)	3	
	95701-06012	95701-06012-08	BOLT FLANGE 6*12	BOLT FLANGE 6*12 (C)	1	
	95701-06016	95701-06016-08	BOLT FLANGE 6*16	BOLT FLANGE 6*16 (C)	1	
	95701-08012	95701-08012-08	BOLT FLANGE 8*12	BOLT FLANGE 8*12 (C)	1	
	96001	96001-06012-08	BOLT FLANGE 6*12	BOLT FLANGE 6*12	2	

F20

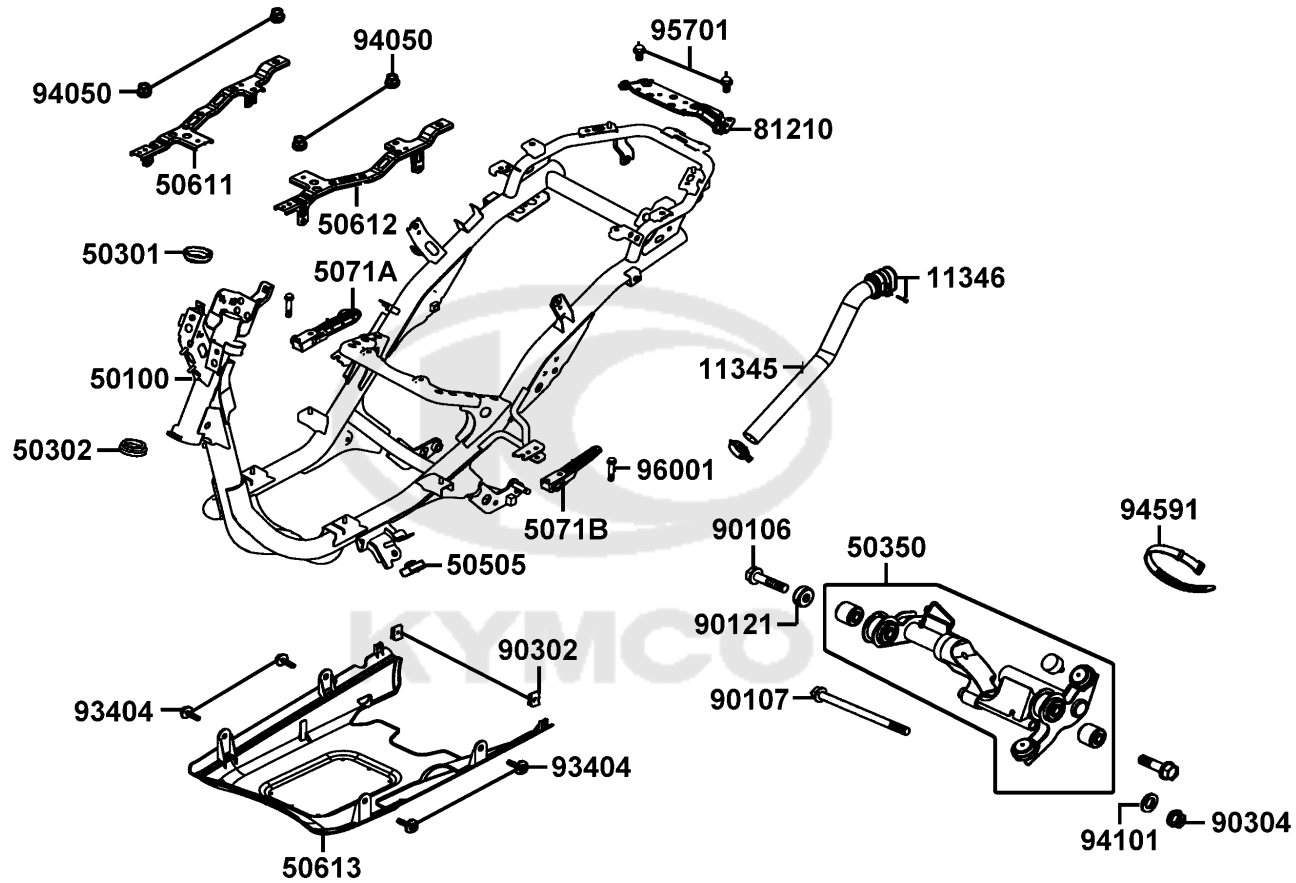
Frame Body



Sales mark	Ref no	Part no	Description	Reg description	Regd no	<b>F20</b>
	11345	11345-LDF7-E10	DUCT L COVER	DUCT L COVER	1	
	11346	11346-KEBE-C00	BAND L COVER DUCT	BAND L COVER DUCT	1	
	50100	50100-ALA5-BA0	BODY COMP FRAME	BODY COMP FRAME	1	
	50301	50301-GLM0-C00	RACE UPPER STRG BALL	RACE UPPER STRG BALL	1	
	50302	50302-2H68-C00	RACE (STRG BOT) BALL	RACE (STRG BOT) BALL	1	
	50350	50350-LFC3-B40	ENG HANGER COMP	ENG HANGER COMP	1	
	50505	50505-PUA3-B50	STOPPER,RUBBER	STOPPER,RUBBER	1	
	50611	50611-LGR5-E10	RNFCT R FLOOR	RNFCT R FLOOR	1	
	50612	50612-LGR5-E10	RNFCT L FLOOR	RNFCT L FLOOR	1	
**	50613	50613-LGR5-E10	COVER UNDER	COVER UNDER	1	
	5071A	5071A-LDA6-90B	BAR R STEP ASSY	BAR R P STEP ASSY	1	
	5071B	5071B-LDA6-90B	BAR L STEP ASSY	BAR L P STEP ASSY	1	
	81210	81210-LGR5-E10	STAY CARRIER	STAY CARRIER	1	
	90106	90106-GFY6-901	BOLT FLANGE 10*55	BOLT FLANGE 10*55	2	
	90107	90107-KUDU-900	BOLT FLANGE 10*188	BOLT FLANGE 10*188	1	
	90121	90121-GFY6-C00	COLLAR DISTANCE	COLLAR DISTANCE	1	
	90302	90302-SDA4-C00	NUT SPRING 4MM	NUT SPRING 4MM	2	
	90304	90304-GHE8-C00	NUT U 10MM(C)	NUT U 10MM(C)	1	
	93404	93404-06012-06	BOLT WASHER 6*12 (G)	BOLT WASHER 6*12 (G)	4	
	94050	94050-06080	NUT FLANGE 6MM	NUT FLANGE 6MM (C)	4	

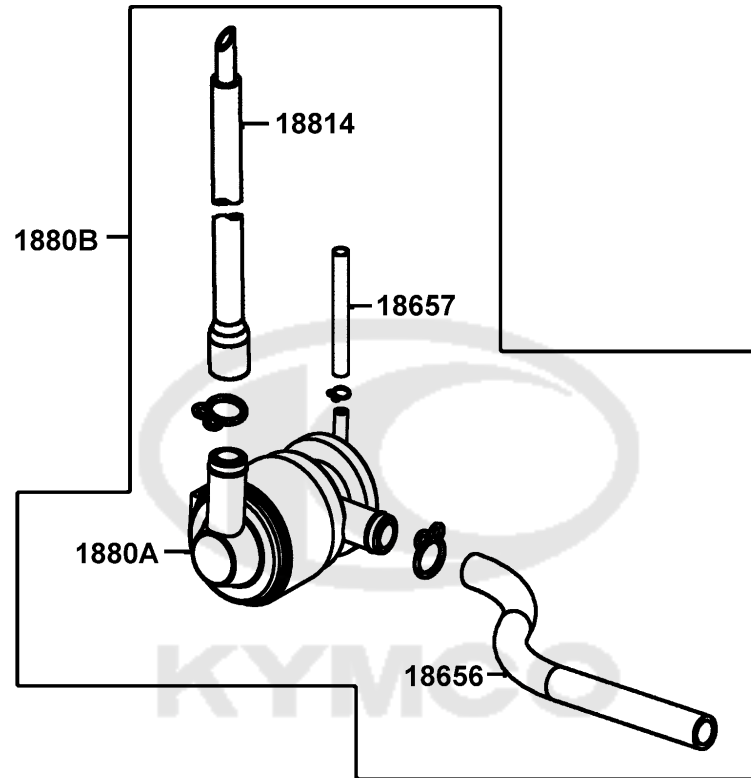
F20

Frame Body



Sales mark	Ref no	Part no	Description	Reg description	Regd no	<b>F20</b>
94101	94101-10800	94101-10800	WASHER PLAIN 10MM	WASHER PLAIN 10MM	1	
94591	94591-LDC8-E10	94591-LDC8-E10	CLIP BIND	CLIP BIND	1	
95701	95701-06012-08	95701-06012-08	BOLT FLANGE 6*12	BOLT FLANGE 6*12 (C)	2	
96001	96001-06035-08	96001-06035-08	BOLT FLANGE SH 6*35 (G)	BOLT FLANGE SH 6*35 (G)	2	







Sales mark	Ref no	Part no	Description	Reg description	Regd no	<b>F21</b>
18656		18656-LDF7-E10	DUCT AICV-REED VALVE	DUCT AICV-REED VALVE	1	
18657		18657-LDC8-E10	TUBE ASSY AICV-INNET PIPE	AICV-INLET PIPE TUBE ASSY	1	
1880A		1880A-LGR5-E10	AI/C -AICV ASSY	AI/C -AICV ASSY	1	
1880B		1880B-LGR5-E10	AI/C -AICV SET	AI/C -AICV SET	1	
18814		18814-LDC8-E10	DUCT ASSY AIR-AICV	DUCT ASSY AIR-AICV	1	
95002		95002-KKD6-C00	CLAMP D18 TUBE	CLAMP D18 TUBE	1	

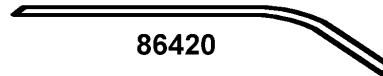




86102-ALA5-BA0



86422



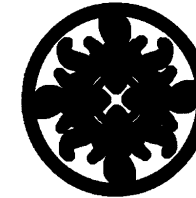
86420



86362



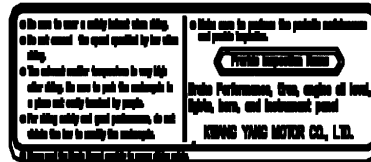
86372



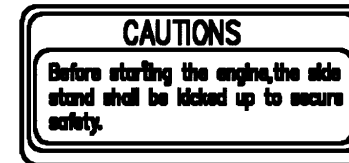
87311



86102-ALA5-BA1



87560



**CAUTIONS**

Before starting the engine, the side stand shall be kicked up to secure safety.

87541-GAR1



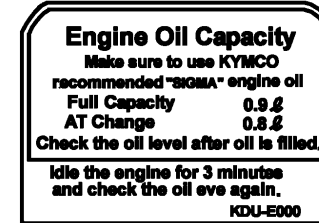
86201



86342



86352



**Engine Oil Capacity**

Make sure to use KYMCO recommended "sioMA" engine oil

Full Capacity	0.9ℓ
AT Change	0.8ℓ

Check the oil level after oil is filled.

Idle the engine for 3 minutes and check the oil level again.

KDU-E000

87541-KUDU



86221



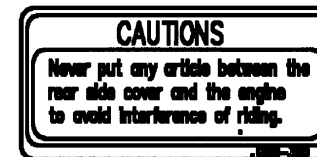
86231



86222



86232



**CAUTIONS**

Never put any article between the rear side cover and the engine to avoid interference of riding.

87542

Sales mark	Ref no	Part no	Description	Reg description	Regd no	F22
**	86102-ALA5-BA0	86102-ALA5-BA0	EMB K-LOGO	EMB K-LOGO	1	
**	86102-ALA5-BA1	86102-ALA5-BA1	EMB K-LOGO	EMB K-LOGO	1	
**	86201	86201-ALA5-BA0	STRIPE BODY COVER	STRIPE BODY COVER	2	
**	86221	86221-ALA5-BA0	STRIPE R BODY COVER	STRIPE R BODY COVER	1	
	86222	86222-LGR5-BA0-T01	EMB R BODY COVER	EMB R BODY COVER	1	
**	86231	86231-ALA5-BA0	STRIPE L BODY COVER	STRIPE L BODY COVER	1	
	86232	86232-LGR5-BA0-T01	EMB L BODY COVER	EMB L BODY COVER	1	
**	86342	86342-LGR5-BA0	EMB R SKIRT	EMB R SKIRT	1	
**	86352	86352-LGR5-BA0	EMB L SKIRT	EMB L SKIRT	1	
**	86362	86362-LGR5-BA0	EMB B R SKIRT	EMB B R SKIRT	1	
**	86372	86372-LGR5-BA0	EMB B L SKIRT	EMB B L SKIRT	1	
**	86420	86420-LGR5-E00	EMB R FRINGE	EMB R FRINGE	1	
**	86422	86422-LGR5-E00	EMB L FRINGE	EMB L FRINGE	1	
**	87311	87311-ALA5-BA0	EMB SIDE REFLECTOR	EMB SIDE REFLECTOR	2	
**	87505	87505-LGR5-BA0	LABEL TIRE	LABEL TIRE	1	
**	87541-GAR1	87541-GAR1-C01	MARK MAINT CAUTION L	MARK MAINT CAUTION L	1	
**	87541-KUDU	87541-KUDU-E00	LABEL OIL CAP	LABEL OIL CAP	1	
**	87542	87542-GAR1-E01	MARK MAINT CAUTION	MARK MAINT CAUTION	1	
**	87560	87560-GFY6-C01	MARK DRIVE CAUTION	MARK DRIVE CAUTION	1	

## PART NO. INDEX

PART NO.	VERSION	PAGE	PART NO.	VERSION	PAGE	PART NO.	VERSION	PAGE
<b>11000</b>			12191-GFY6-C10	1	E03	14523-GFY6-C10	1	E03
11100-KUDU-C00	6	E01	12200-KUDU-C10	1	E02	14531-GLR0-W10	1	E03
11102-1G87-C00	1	E01	12209-GDB4-C00	1	E02	14610-KUDU-C10	1	E03
11192-KUDU-C10	1	E01	1220A-KUDU-C00	9	E02	14711-KUDU-C00	1	E02
11200-KEC4-C00	6	E01	12211-KUDU-W10	4	E02	14721-KUDU-C00	1	E02
11203-GGC7-W10	2	E01	12251-GFY6-C00	1	E02	14751-KUDU-C10	2	E02
11203-GGC7-W10	2	F16	1231A-KUDU-C10	1	E02	14761-KUDU-C10	2	E02
11206-LGR5-E10	1	E06	12361-GFY6-C00	1	E04	14771-GDB4-C00	2	E02
11207-KKE3-C00	6	E04	12391-GFY6-941	1	E02	14775-MFA6-C00	2	E02
11208-LGR5-BA0	1	E01	<b>13000</b>			14781-MFA6-C00	4	E02
11211-KUDU-C00	1	F13	13000-KUDU-C00	9	E03	<b>15000</b>		
1122A-LGR5-E10	1	E08	13011-GFY6-C00	1	E03	15100-KUDU-W10	1	E06
11331-LCD3-E00	4	E04	13101-KUDU-C00	1	E03	15133-GFY6-W10	1	E06
11341-KEC4-900	1	E01	13111-3D84-C00	1	E03	15141-GFY6-C00	1	E06
11345-LDF7-E10	1	F20	<b>14000</b>			15421-1G07-W10	1	E04
11346-KEBE-C00	1	F20	14100-KKE6-900	1	E02	15426-GAE1-C00	1	E04
11381-KUDU-C00	1	E01	14401-KUDU-C00	1	E03	15651-KUDU-W10	1	E04
11382-KUDU-BA0	0	E01	14431-KUDU-W10	1	E02	1565A-KUDU-W10	1	E04
11394-KUDU-C10	1	E04	14450-GFY6-W10	1	E02	15711-KUDU-C00	1	E06
11395-KKD7-C10	1	E01	14452-GFY6-W10	1	E02	<b>16000</b>		
<b>12000</b>			14510-KUDU-W10	1	E03	16100-LGR5-A60	0	E09
12100-GFY6-C00	6	E03	14520-GFY6-C00	1	E03	16201-GFY6-C10	1	E02

## PART NO. INDEX

PART NO.	VERSION	PAGE	PART NO.	VERSION	PAGE	PART NO.	VERSION	PAGE
16211-GFY6-W10	1	E02	18292-KEBE-900	1	F14			
1691A-LGR5-E10	1	F10	18293-KEBE-900	1	F14	<b>21000</b>		
16950-KKJ9-C00	3	F10	18294-KEBE-900	1	F14			
<b>17000</b>			18306-LEJ2-E10	3	F14	21200-KEC4-C00	1	E08
			1830A-ALA5-BA0	0	F14	21395-KEC4-C10	1	E08
			18317-LGR5-E10	2	F14			
1711A-LDF7-E10	2	E02	18318-LCD3-C00	2	F14	<b>22000</b>		
17200-LGR5-E10	2	F13	18325-LGR5-E10	1	F14			
17211-LGR5-E10	2	F13	18362-LGR5-E10	1	F13	22102-ALA5-BA0	0	E05
1723A-LGR5-E10	1	F13	18645-GFY6-C00	1	E02	22105-ALA5-BA0	0	E05
1723B-LGR5-E10	1	F13	18646-LDC8-E10	1	E02	22110-ALA5-BA0	0	E05
17254-KACA-P00	1	F13	18647-GFY6-C00	1	E02	22121-ALA5-BA0	0	E05
17256-GFY6-901	4	E02	18656-LDF7-E10	1	F21	22131-ALA5-BA0	0	E05
17257-LGR5-E10	1	F13	18657-LDC8-E10	1	F21	22132-ALA5-BA0	0	E05
17370-4K19-701	1	F13	1880A-LGR5-E10	1	F21			
17371-1D74-C00	1	F13	1880B-LGR5-E10	1	F21	<b>23000</b>		
17500-LGR5-BA0	1	F10	18814-LDC8-E10	1	F21			
1755A-LGR5-E10	1	F10				23010-ALA5-BA0	0	E05
1768C-LGR5-E10	1	F10	<b>19000</b>			23100-KEC4-C00	1	E05
17910-LGR5-E10	2	F03				23411-KEC4-C00	1	E08
<b>18000</b>			19510-GFY6-C00	1	E07	23420-KEC4-C00	1	E08
			19610-KUDU-C10	2	E07	23432-KEC4-C00	1	E08
			19625-KUDU-C00	1	E02	2343A-KKD5-C00	0	E08
18291-GGA7-080	1	F14	1962A-KUDU-C00	1	E07			
18291-KEBE-900	1	F14	1963A-LDF7-E10	1	E07			
18291-KKC4-900	3	F14						

## PART NO. INDEX

PART NO.	VERSION	PAGE	PART NO.	VERSION	PAGE	PART NO.	VERSION	PAGE
<b>28000</b>			<b>31000</b>			33456-LGR5-E10	1	F17
28101-GFY6-C00	1	E06	31100-ALA5-BA0	1	E07	33600-LGR5-E10	1	F17
28102-GFY6-C00	1	E06	31110-ALA5-BA0	0	E07	33606-LGR5-E10	1	F17
28110-GFY6-C10	1	E06	31120-ALA5-BA0	0	E07	33650-LGR5-E10	1	F17
28120-GFY6-C10	1	E06	31200-KUDU-BA0	1	E06	33656-LGR5-E10	1	F17
28125-4F26-C00	1	E06	31500-LBC9-BA0	0	F11	33701-LGR5-E10	1	F18
28125-GFY6-C10	3	E06	31600-LCD3-C00	3	F19	33708-LGR5-E10	1	F18
28126-3C23-C00	1	E06	31601-LFC2-E10	1	F19	<b>34000</b>		
2812A-GFY6-C10	2	E06				34901-LDC8-E10	1	F01
28211-KUDU-W10	4	E05	<b>32000</b>			34903-LDC8-E10	1	F17
2823A-GKAK-W10	1	E01				34903-LDC8-E10	1	F18
28250-LDF7-E10	1	E01	32100-ALA5-BA0	0	F19	34905-KPCP-C00	1	F17
28253-GBN2-C00	1	E01	32101-GFY6-C00	1	F04	34905-LBA8-E80	1	F17
28255-GFS6-C00	1	E01	32411-LDF7-E10	2	F19	34906-LBA8-E80	1	F18
28281-GBN2-C00	1	E01	32412-LDF7-E10	1	E04	34908-KAM1-67A	1	F02
28300-LAD9-BA0	1	F15	32961-KUDU-C00	1	E04	34908-KKAK-C00	1	F02
<b>30000</b>			<b>33000</b>			34908-LDC8-E00	1	F02
30410-LEJ3-E10	1	F19	33100-LGR5-BA0	1	F01	34908-LGA9-C10	1	F02
3051A-KHC4-C00	1	F19	33108-LGR4-M30	1	F01	34908-LGR5-E00	1	F02
			33400-LGR5-E10	1	F17	<b>35000</b>		
			33406-LGR5-E10	1	F17	35010-ALA5-BA0	0	F19
			33450-LGR5-E10	1	F17	35150-GFY6-C00	1	F03

## PART NO. INDEX

PART NO.	VERSION	PAGE	PART NO.	VERSION	PAGE	PART NO.	VERSION	PAGE
35160-GFY6-C00	1	F03	3780A-LGR5-E10	1	F10	44620-KEB7-C00	0	F07
35170-KNBN-C00	1	F03				44710-LGR5-BA0	0	F07
35180-GFY6-C00	2	F03	<b>38000</b>			44800-LDC8-E10	1	F07
35200-GFY6-C00	1	F03				44830-LDC8-E10	3	F02
35340-KFLF-C00	1	F03	38110-LAD9-BA0	0	F19			
35340-KNBN-901	1	F04	38300-KECE-W10	2	F02	<b>45000</b>		
35400-LEJ3-E10	1	F19						
35850-KHD8-C00	1	F19	<b>42000</b>			45105-LDC8-305	1	F04
<b>37000</b>			42311-KKD5-C10	1	F16	45121-LGR5-E80	1	F07
			42312-KHB4-C00	1	F16	45126-LGR5-E1A	1	F04
37200-ALA5-BA0	1	F02	42601-ALA5-BA0	0	F08	45156-KNBN-C00	1	F06
37200-ALA5-BAA	0	F02	42710-LGR5-BA0	0	F08	45200-LGR5-E10	1	F04
37211-LGR5-E10	1	F02				45500-LGR5-E10	1	F04
37211-LGR5-E1A	1	F02	<b>43000</b>			4550B-LGR5-E10	2	F04
37213-LGR5-E10	1	F02				45513-KCCC-910	1	F04
37213-LGR5-E1A	1	F02	4312A-ALA5-BA0	0	F08	45517-GFY6-900	5	F03
37215-LGR5-E10	1	F02	4314A-LDF7-E10	3	F08	45517-KFAF-910	1	F04
37215-LGR5-E1A	1	F02	43410-KEC4-900	1	F08			
37220-LGR5-E10	1	F02	43416-KUDU-C00	1	F08	<b>46000</b>		
37220-LGR5-E1A	1	F02	43450-ALA5-BA0	0	F03	46513-KUDU-900	2	F08
37224-LGR5-E10	2	F02						
37224-LGR5-E1A	1	F02	<b>44000</b>			<b>50000</b>		
37280-LGR5-E10	1	F02						
37280-LGR5-E1A	1	F02	44311-GLW0-W10	1	F07	50100-ALA5-BA0	2	F20
37802-GGA7-C00	1	F10	44601-LGR5-E10	0	F07	50301-GLM0-C00	1	F20

## PART NO. INDEX

PART NO.	VERSION	PAGE	PART NO.	VERSION	PAGE	PART NO.	VERSION	PAGE
50302-2H68-C00	2	F20				61110-LGR5-E10	3	F05
50306-1F96-C00	1	F06	<b>53000</b>					
50326-LGR5-E10	0	F11				<b>64000</b>		
50330-KEBE-C00	1	F05	53100-LGR5-E10	1	F03			
50350-LFC3-B40	1	F20	53105-LGR5-E10	1	F03	64301-LGR5-E10	1	F05
50502-LDF7-C00	1	F15	53125-GEN5-C00	1	F03	64302-LGR5-E10	2	F05
50505-PUA3-B50	1	F20	53140-KNBN-C00	0	F03	64303-LGR5-E10	1	F05
5050A-ALA5-BA0	3	F15	53140-KNBN-C00	1	F03	64304-LGR5-E10	2	F05
50530-ALA5-BA0	0	F15	53166-KNBN-C00	0	F03	64305-LGR5-E10	2	F05
50611-LGR5-E10	1	F20	53167-GBN2-C00	1	F03	64306-LGR5-E10	2	F05
50612-LGR5-E10	1	F20	53168-GBN2-C00	1	F03	64307-LGR5-E10	1	F05
50613-LGR5-E10	1	F20	53175-KXBX-E00	1	F04	64308-LGR5-E10	1	F05
5071A-LDA6-90B	1	F20	53178-KXCX-C00	1	F03	64310-LGR5-E10	2	F05
5071B-LDA6-90B	1	F20	5317B-KUDU-E00	0	F03	64314-LGR5-E10	1	F05
			53200-LGR5-E10	1	F06	64316-LCB9-C10	4	F05
<b>51000</b>			53205-LGR5-BA0	1	F03	64400-LGR5-E10	1	F05
			53206-LGR5-E10	1	F03			
51400-LGR5-BA0	1	F06	53211-GFY6-C00	1	F06	<b>75000</b>		
51500-LGR5-BA0	0	F06	53212-2L50-C00	1	F06			
			53214-2L50-C00	1	F06	75581-6C73-C00	1	F05
<b>52000</b>			53215-2L50-C00	1	F06			
			<b>61000</b>			<b>77000</b>		
52000-ALA5-BA0	1	F16				77200-LGR5-BA1	0	F09
52400-LGR5-BA0	0	F16				77232-KCAC-C00	2	F12
			61100-LGR5-E10	1	F06	77235-LGB5-E10	6	F19
			61101-LGR5-E10	1	F06			



## PART NO. INDEX

PART NO.	VERSION	PAGE	PART NO.	VERSION	PAGE	PART NO.	VERSION	PAGE
77240-LGB5-E10	1	F12	81142-KFA6-C00	1	F05	<b>86000</b>		
<b>80000</b>			81146-LGR5-E10	1	F05			
			81151-LGR5-E10	1	F05			
			8120A-ALA5-BA0	0	F12	86102-ALA5-BA0	0	F22
80100-ALA5-BA0	0	F18	81210-LGR5-E10	1	F20	86102-ALA5-BA1	0	F22
80100-ALA5-BA0	1	F18	81250-LGR5-E10	0	F12	86201-ALA5-BA0	0	F22
80101-LGR5-E10	2	F18	81250-LGR5-E10	1	F12	86221-ALA5-BA0	0	F22
80102-LGR5-E10	1	F18	81251-LGR5-E10	0	F12	86222-LGR5-BA0	0	F22
80105-LGR5-E10	2	F18	81251-LGR5-E10	1	F12	86222-LGR5-BA0	2	F22
80111-LGR5-E10	1	F12	<b>83000</b>			86231-ALA5-BA0	0	F22
80121-LGR5-E10	1	F12				86232-LGR5-BA0	0	F22
80131-LGR5-E10	1	F12				86232-LGR5-BA0	2	F22
80141-LGR5-E10	1	F12	83500-LGR5-E10	1	F12	86342-LGR5-BA0	0	F22
80151-LGR5-E10	1	F12	83501-LGR5-E10	1	F12	86342-LGR5-BA0	1	F22
80152-LGR5-E10	1	F12	83505-ALA5-BA0	1	F12	86352-LGR5-BA0	0	F22
<b>81000</b>			83510-LGR5-E10	0	F12	86352-LGR5-BA0	1	F22
			83510-LGR5-E10	1	F12	86362-LGR5-BA0	0	F22
			83550-KEC8-C00	1	F12	86362-LGR5-BA0	1	F22
81131-LGR5-E10	5	F05	83551-KEC8-C10	1	F12	86372-LGR5-BA0	0	F22
81132-LCB9-C10	0	F05	83600-LGR5-E10	1	F12	86372-LGR5-BA0	1	F22
81132-LDC8-E10	1	F05	83601-LGR5-E10	1	F12	86420-LGR5-E00	1	F22
81133-KNBN-C00	1	F05	83605-ALA5-BA0	1	F12	86422-LGR5-E00	0	F22
81134-LGR5-E10	1	F05	83610-LGR5-E10	0	F12	86422-LGR5-E00	1	F22
81135-LGR5-E10	1	F05	83610-LGR5-E10	1	F12			
81136-LGR5-E10	1	F05	83750-LGR5-E10	1	F12			
81141-LGR5-E10	1	F05						

## PART NO. INDEX

PART NO.	VERSION	PAGE	PART NO.	VERSION	PAGE	PART NO.	VERSION	PAGE
<b>87000</b>			<b>90000</b>			90201-GFY6-901	1	E06
87311-ALA5-BA0	0	F22	90001-GBHB-C00	1	E03	90206-0A01-C00	2	E02
87505-LGR5-BA0	0	F22	90001-GFY6-C00	1	E06	90215-KKC4-C00	1	F09
87505-LGR5-BA0	1	F22	90001-LGR5-BA0	1	E01	90301-GFY6-C00	2	F14
87541-GAR1-C01	0	F22	90005-KAW1-901	1	E03	90302-LGR5-BA0	1	F03
87541-GAR1-C01	1	F22	90012-3C33-C00	1	E02	90302-SDA4-C00	2	F05
87541-GAR1-E01	1	F22	90021-LGR5-BA0	1	F14	90302-SDA4-C00	2	F06
87541-KUDU-E00	0	F22	90031-KUDU-C00	1	E01	90302-SDA4-C00	2	F12
87541-KUDU-E00	1	F22	90032-KUDU-C00	1	E01	90302-SDA4-C00	2	F20
87542-GAR1-E01	2	F22	90033-GFY6-900	1	E02	90304-4H38-C00	0	E02
87560-GFY6-C01	3	F22	90033-GFY6-941	1	E02	90304-GHE8-C00	1	F03
87560-GFY6-E01	3	F22	90105-KCR3-001	3	F07	90304-GHE8-C00	1	F20
			90106-GEN5-901	1	F03	90305-GHK8-C00	1	F12
<b>88000</b>			90106-GFY6-901	1	F20	90305-GHK8-C00	1	F17
88110-LGR5-BA0	1	F03	90106-KFC2-900	1	F03	90305-GHK8-C00	1	F18
88120-LGR5-BA0	1	F03	90107-KUDU-900	2	F20	90305-KNBN-C00	1	F08
			90108-KUDU-900	1	F15	90306-LGR5-BA0	0	F07
			90110-GLW0-C00	0	F05	90403-KUDU-900	1	E06
<b>89000</b>			90110-GLW0-C00	0	F12	90412-3K29-C00	1	E01
89010-KGBG-C00	1	F09	90111-LGR5-BA0	1	F12	90426-KNBN-C00	1	E05
			90112-KRDR-C00	1	F19	90440-1F66-C00	0	E07
			90121-ALA5-BA0	4	F07	90441-GFY6-C00	1	E05
			90121-GFY6-C00	1	F20	90451-GBN2-C00	1	E01
			90145-9A61-C00	1	F04	90465-MDC4-C00	0	E02
						90474-3C33-C00	1	E01
						90501-KNBN-C00	1	F08

## PART NO. INDEX

PART NO.	VERSION	PAGE	PART NO.	VERSION	PAGE	PART NO.	VERSION	PAGE
9052A-LGR5-BA0	1	E01	91307-0E35-W10	1	E04	93903-34380	6	F17
90545-3L00-C00	2	F04				93903-35220	3	F01
90652-GFY6-C00	1	F13	<b>92000</b>			93903-35380	2	F03
90652-LCA4-C10	0	F05				93903-35380	2	F11
90652-LCA4-C10	0	F18	92101-05012-0H	2	E07	93903-GFY6-900	2	F12
90701-GFY6-C00	6	E06	92900-06060-0B	2	E02	93903-GFY6-900	2	F18
90754-GHC8-C00	1	F07				93903-GFY6-C00	2	F05
90912-GHC8-C00	1	F07	<b>93000</b>			93903-GFY6-C00	2	F06
<b>91000</b>			93404-06012-06	1	F12	93903-GFY6-C00	2	F11
			93404-06012-06	1	F18	<b>94000</b>		
91003-KDS4-C00	1	E08	93404-06012-06	1	F20			
91009-GLE0-C00	1	E08	93404-06016-02	1	F18	94050-06080	2	E02
91014-LLJ3-C00	1	F06	93404-06016-06	1	F06	94050-06080	2	E06
91015-LLJ3-C00	1	F06	93404-06020-02	1	F12	94050-06080	2	F10
91051-KFBF-C00	1	F16	93404-06020-06	1	F05	94050-06080	2	F19
91101-1K79-C00	1	E06	93404-06028-02	0	F12	94050-06080	2	F20
91104-GFY6-C00	1	E06	93500-05022-0G	2	F03	94050-08080	4	E02
91201-GFY6-C00	1	E04	93600-04012-1G	1	F04	94050-12080	1	E05
91202-GFY6-C00	1	E01	93700-05018-02	1	F02	94050-12080	1	E07
91202-KKJ9-C00	1	E01	93903-25220	1	F02	94101-06200	1	F14
91255-LDC8-E10	4	E08	93903-25220	1	F18	94101-10800	1	F20
91258-KAM1-C00	1	F07	93903-25480	1	F13	94111-06800	1	F14
91301-GLR0-W10	1	E03	93903-34380	6	F03	94301-10160	4	E01
91302-0A01-C00	1	E04	93903-34380	6	F05	94301-10160	4	E02
91306-1E05-691	1	E03	93903-34380	6	F12	94301-10160	4	E03

## PART NO. INDEX

PART NO.	VERSION	PAGE	PART NO.	VERSION	PAGE	PART NO.	VERSION	PAGE
94301-10160	4	E04	95701-08012-02	0	E01	96001-06045-02	1	E01
94301-10200-M2	1	E01	95701-08012-08	2	F19	96001-06050-08	1	E01
94511-14000	1	E01	95701-08016-08	1	F12	96001-06100-08	2	E02
94520-40000	1	F16	95801-08040-08	4	F06	96001-06100-08	2	E04
94591-LDC8-E10	1	F20	95801-08050-02	0	F16	96001-06110-08	1	E04
94591-LGR5-E10	1	F05	95801-10025-02	0	F15	96001-GFY6-900	1	F13
94601-15000	1	E03	95801-10035-08	1	F16	96100-60020-00	1	E08
						96100-62020-00	1	E01
<b>95000</b>			<b>96000</b>			96100-62030-00	1	E01
						96100-62043-00	1	E01
95002-02120	1	F13	96001-06010-02	1	F14			
95002-KKD6-C00	1	F21	96001-06012-02	3	E01	<b>98000</b>		
95003-23024-60	1	F13	96001-06012-08	3	E04			
95014-LGR5-BA0	1	F15	96001-06012-08	3	E06	98056-5771R-00	1	E02
95014-LGR5-BA1	0	F15	96001-06012-08	3	F10	98200-10700	2	F11
95701-06012-08	3	F06	96001-06012-08	3	F19	98200-11000	1	F11
95701-06012-08	3	F19	96001-06016-08	6	E06			
95701-06012-08	3	F20	96001-06016-08	6	E07			
95701-06016-08	1	F19	96001-06018-08	1	E07			
95701-06022-02	1	F15	96001-06020-08	2	E07			
95701-06025-07	2	F14	96001-06025-02	4	E07			
95701-06025-08	2	E02	96001-06025-08	4	E06			
95701-06032-02	1	F13	96001-06025-08	4	F04			
95701-06032-08	1	F08	96001-06028-08	1	E04			
95701-06035-08	1	E02	96001-06035-08	7	F20			
95701-06050-08	1	E02	96001-06040-06	1	E01			