

# PARTS CATALOGUE



## SCOOTERS

SB10AP(IT)

HEROISM 50



檔車

Motorcycles



速克達

Scooters



全地型車

ATV



代步車

Mobilescooters

Release Date : 2010/12/08  
Print Date : 2012/08/01

## ABOUT THIS PARTS LIST

- This parts list is compiled all service parts for model SB10AP(IT).
- Any difference between color chart and motorcycle will be revised according to motorcycle.
- The Mark:
  1. Marking "\*\*\*" must add color code in the end before ordering parts.
  2. Marking "#" are parts with modification, Please find the details from e-Parts system.
- When modification or additions to this parts list are made a revised edition at an appropriate time.



# CONTENTS

● ABOUT THIS PARTS LIST .....	1
● COLOR CHART OF SB10AP(IT) .....	3
● CONTENTS-ENGINE GROUP .....	6
● CONTENTS-FRAME GROUP .....	8
● ENGINE PARTS LIST .....	11
● FRAME PARTS LIST .....	39
● PART NO. INDEX .....	97

NO	MODEL			COLOR CHART OF SB10AP(IT)			
	PHOTO NO			NO. 1	NO. 2	NO. 3	NO. 4
	BASIC COLOR			Light Green	Silver	Dark Shpphire Blue	Paddy Yellow
	CODE			Light Green	Silver	Dark Shpphire Blue	Paddy Yellow
	PARTS NAME	PARTS NO.	VERSION	GG231MA	NH131MA	PP038MA	YR034SA
1	COVER R PIVOT ARM	51103-KKBK-900	0	GFP	NJP	P4P	Y1P
2	COVER L PIVOT ARM	51104-KKBK-900	0				
3	COVER FR HANDLE	53205-KKBK-900	0				
4	FENDER A FRONT	61100-KKBK-900	0				
5	FENDER B FR	61101-KKBK-900	0				
6	COVER FRONT	64301-KKBK-900	1				
7	SKIRT R SIDE	64305-KKBK-900	0				
8	SKIRT L SIDE	64306-KKBK-900	0				
9	COVER ASSY BODY	83500-KFAF-900	11				
10	COVER SET BODY	83500-KKBK-305	0				
11	MOLDING R RR	83501-KFAF-900	9				
12	LID CYLN HEAD MAINT	83505-KFAF-900	1				
13	MOLDING L RR	83601-KFAF-900	9				
14	MOLDING RR	83751-KFAF-900	3				
15	MIRROR ASSY R BACK	88110-KKBK-J00	0				
16	MIRROR ASSY L BACK	88120-KKBK-J00	0				
17	COVER SET FRONT	64301-KXBX-305	0				
18	LEVER R STRG HNDL	53175-KXBX-E10	3	M3A			
19	LEVER L STRG HANDLE	53178-KXBX-E00	0				
20	GRIP COMP THORT	53140-GFY6-960	0				
21	GRIP L HANDLE	53166-GBW2-001	1				
22	PLUG HANDLE COVER	53216-KXBX-900	0	N1R			
23	FENDER RR	80105-KFAF-900	5				
24	COVER ASSY CARB	81257-GFY6-901	0				
25	BOX ASSY LUGGAGE	8126A-KZCZ-900	2				
DATE OF STARTING-SALES							
DATE OF END-SALES							

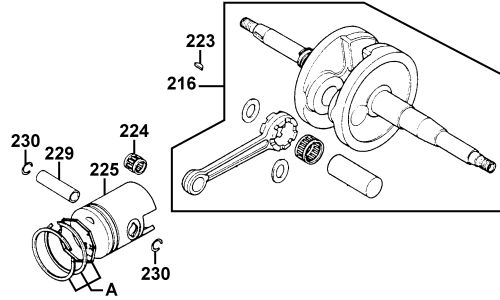
NO	MODEL			COLOR CHART OF SB10AP(IT)			
	PHOTO NO			NO. 1	NO. 2	NO. 3	NO. 4
	BASIC COLOR			Light Green	Silver	Dark Shpphire Blue	Paddy Yellow
	CODE			Light Green	Silver	Dark Shpphire Blue	Paddy Yellow
	PARTS NAME	PARTS NO.	VERSION	GG231MA	NH131MA	PP038MA	YR034SA
26	WHEEL FR CAST	44601-KFLF-910	2	NGA			
27	WHEEL COMP RR CAST	42601-KZCZ-900	1	NJA			
28	WHEEL SET FR	44650-KFLF-901	2				
29	CALIPER SET FR	4520A-KKKBK-900	5				
30	CARRIER REAR	81200-KFBF-900	2				
31	GRILL CENTER	64302-KKKBK-E00	0				
32	COVER L SIDE	11341-KBCB-900	0	NQA			
33	COVER BATTERY	50326-KFAF-900	0	NRR			
34	COVER RR HANDLE	53206-KKKBK-900	1				
35	PLUG RR HANDLE	53216-KPCP-900	0				
36	LEG SHIELD	64304-KNDN-E00	0				
37	LID INNER BOX	64308-KKKBK-900	0				
38	FLOOR PANEL COMP	64310-KZCZ-900	0				
39	MAT FLOOR	64320-KKKBK-900	0				
40	COWL UNDER	64400-KKKBK-900	0				
41	LID SPARK MAINT	80152-KFAF-901	4				
42	SEAT ASSY	77100-KFAF-E00	2				
43	LABEL AIR DUCT	81218-GFY6-E00	1	T01			
44	EMB BODY COVER	87231-KXBX-E00	0				
45	LABEL TIRE	87505-KNBN-E10	0				
46	CAUTION SIDE STAND	87541-GAR1-E00	1				
47	LABEL OIL CAP	87541-KFBF-E00	0				
48	MARK MAINT CAUTION	87542-GAR1-E00	2				
49	MARK DRIVE CAUTION	87560-KNBN-E00	1				
50	MARK KYMCO	87532-KGAG-V00	5				
DATE OF STARTING-SALES							
DATE OF END-SALES							

NO	MODEL			COLOR CHART OF SB10AP(IT)			
	PHOTO NO			NO. 1	NO. 2	NO. 3	NO. 4
	BASIC COLOR			Light Green	Silver	Dark Shpphire Blue	Paddy Yellow
	CODE			Light Green	Silver	Dark Shpphire Blue	Paddy Yellow
	PARTS NAME	PARTS NO.	VERSION	GG231MA	NH131MA	PP038MA	YR034SA
51	EMB MARK KYMCO	87556-KFAF-E00	2	T02			
DATE OF STARTING-SALES							
DATE OF END-SALES							

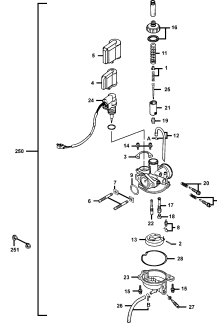


## CONTENTS - ENGINE GROUP

**E10** CrankshaftPiston



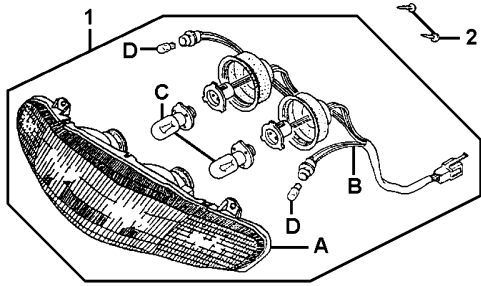
**E11** Carburetor



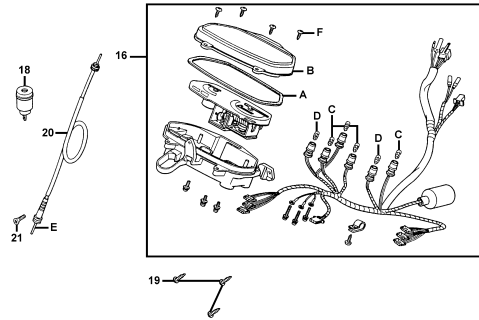


## CONTENTS - FRAME GROUP

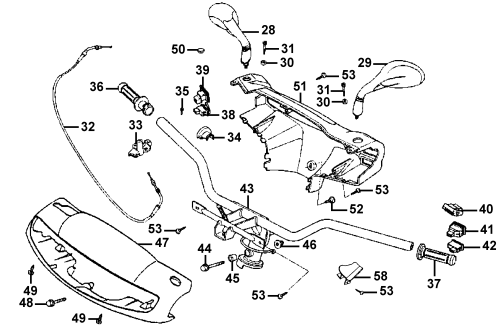
**F01** Head Light



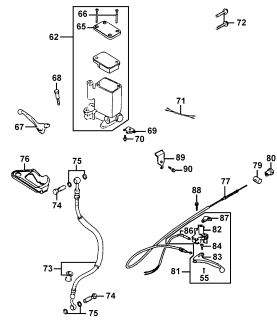
**F02** Speedometer



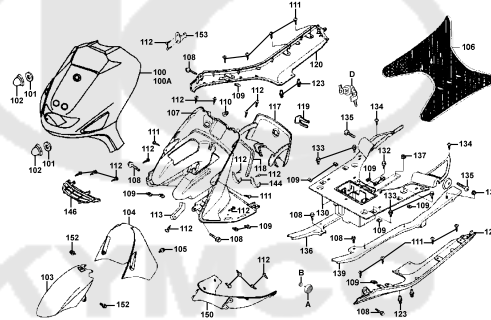
**F03** Handle Steering Handle Cover



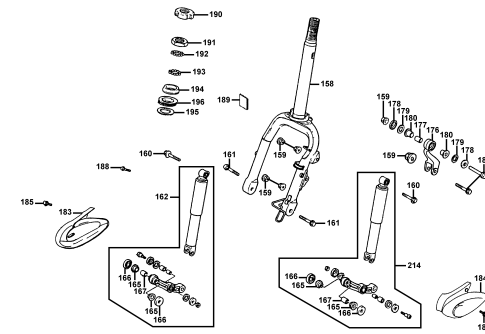
**F04** Brake Master Cylinder



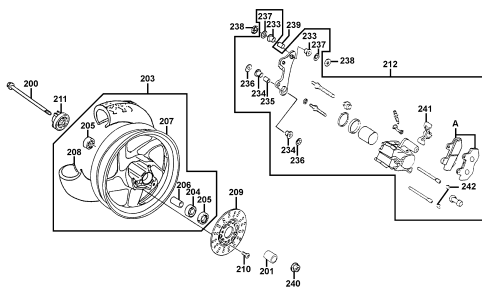
**F05** Front Cover Floor Panel



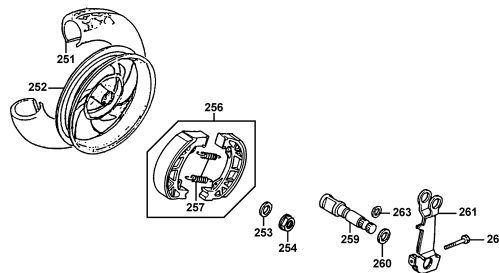
**F06** Front Fork Front Cushion



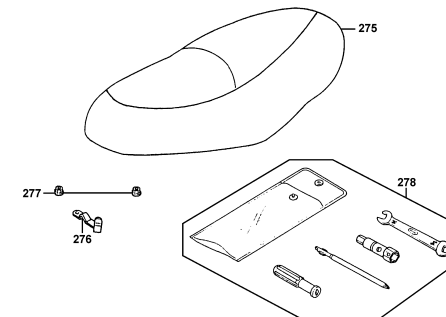
**F07** Front Wheel



**F08** Rear Wheel

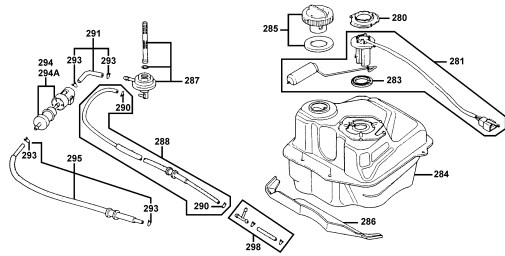


**F09** Seat

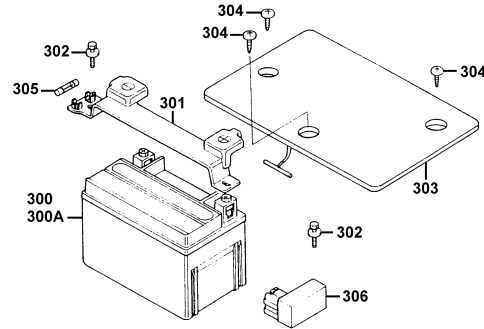


## CONTENTS - FRAME GROUP

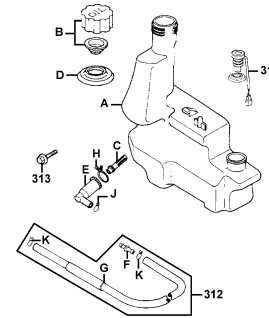
**F10 Fuel Tank**



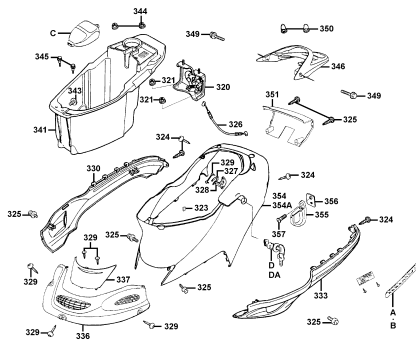
**F11 Battery**



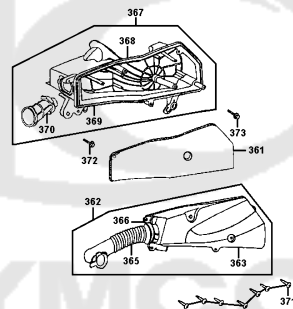
**F12 Oil Tank**



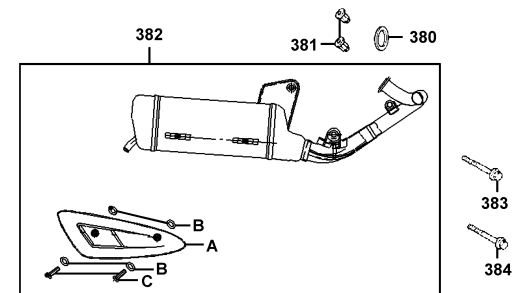
**F13 Body Cover Luggage Box**



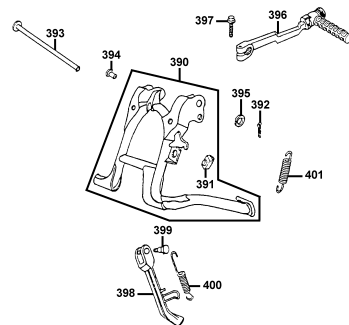
**F14 Air Cleaner**



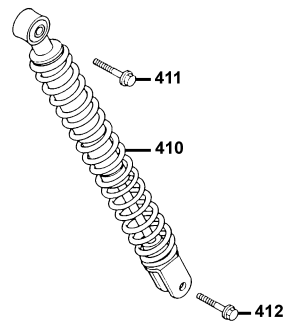
**F15 Exhaust Muffler**



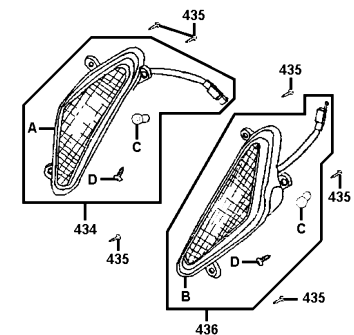
**F16 Stand Kick Starter Arm**



**F17 Rear Cushion**

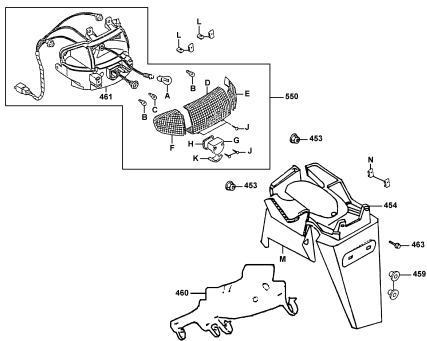


**F18 Front Winker**

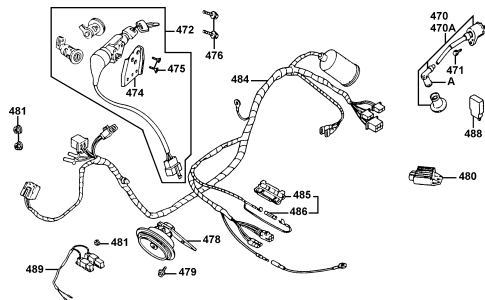


## CONTENTS - FRAME GROUP

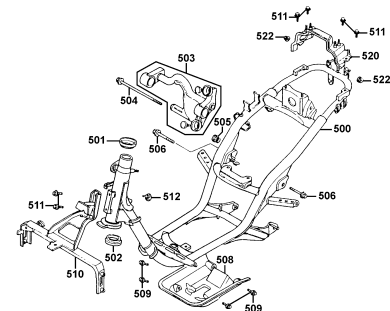
### F19 Tail LightRear Fender



### F20 Wire Harness



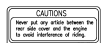
### F21 Frame Body



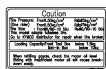
### F22 Caution Label



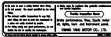
660



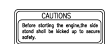
663



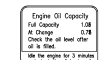
661



664



662



665

### F23 EmblemStripe



671



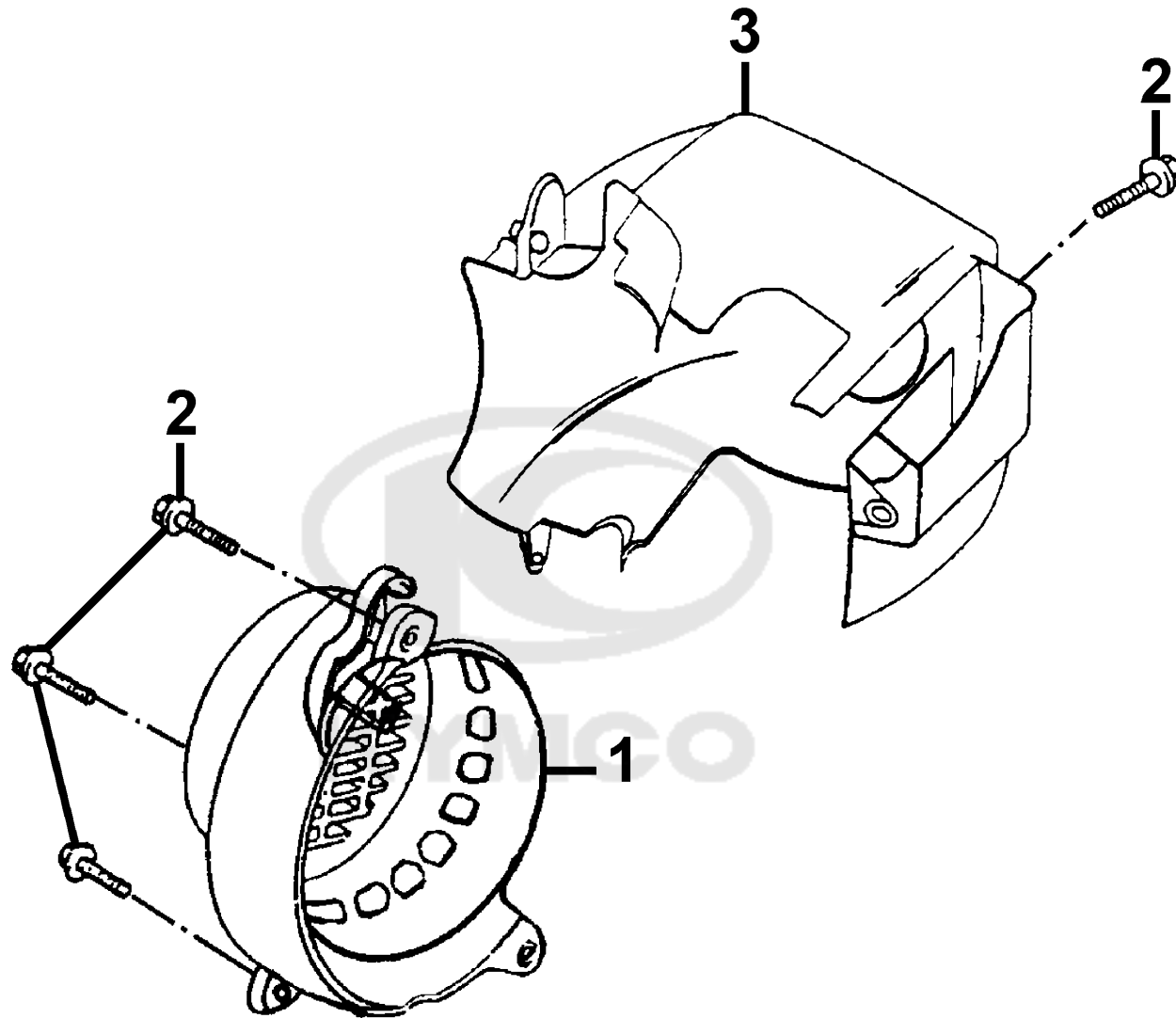
672



673

E01

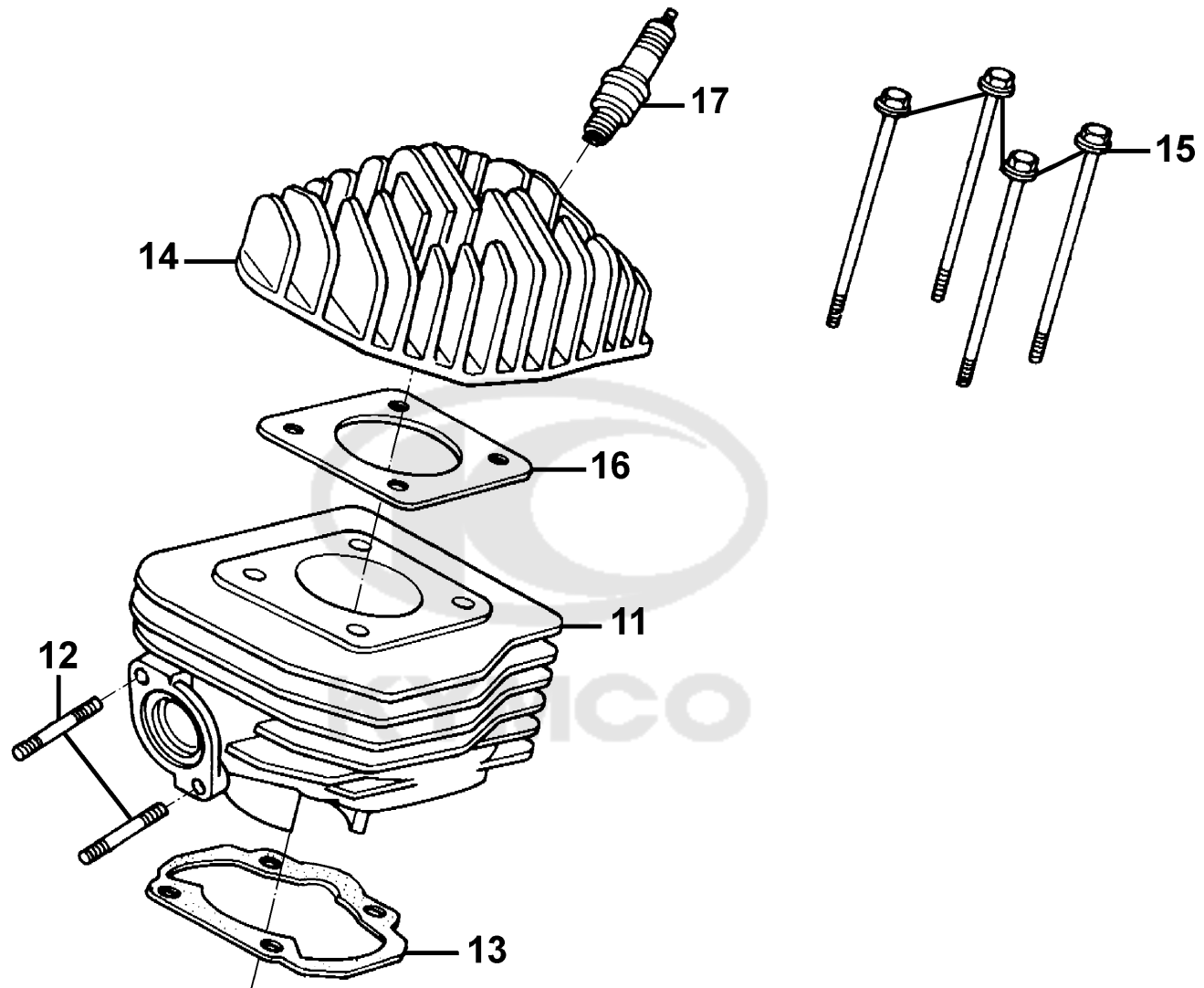
Fan CoverShroud



Sales mark	Ref no	Part no	Description	Reg description	Regd no	<b>E01</b>
------------	--------	---------	-------------	-----------------	---------	------------

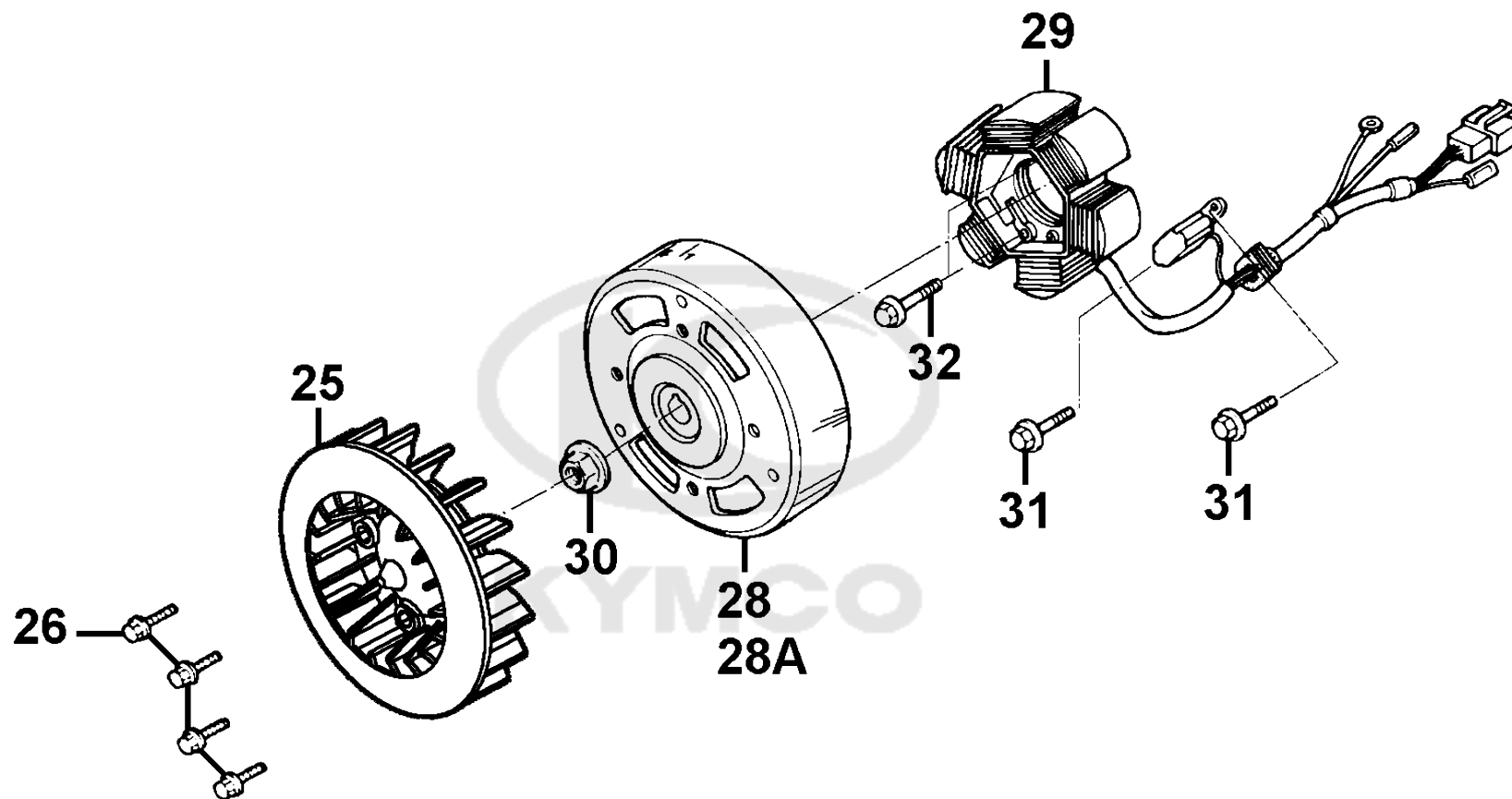
1		19600-KTDT-900	COVER COMP FAN	COVER COMP FAN	1	
3		19620-KZCZ-900	SHROUD COMP	SHROUD COMP	1	
2		95701-06025-08	BOLT FLANGE 6*25	BOLT FLANGE 6*25	4	





Sales mark	Ref no	Part no	Description	Reg description	Regd no	<b>E02</b>
11		12101-GKAK-931	CYLINDER	CYLINDER	1	
13		12191-GKAK-901	GASKET CYLINDER A	GASKET CYLINDER A	1	
14		12201-GKAK-921	HEAD CYLINDER	HEAD CYLINDER	1	
16		12251-GKAK-902	GASKET CYLINDER HEAD	GASKET CYLINDER HEAD	1	
15		90001-GKAK-901	BOLT FLANGE 7*100	BOLT FLANGE 7*100	4	
12		92700-06028-1B	BOLT STUD 6*28	BOLT STUD 6*28	2	
17		98076-5871G-00	SPARK PLUG (BR8HSA)	SPARK PLUG (BR8HSA)	1	





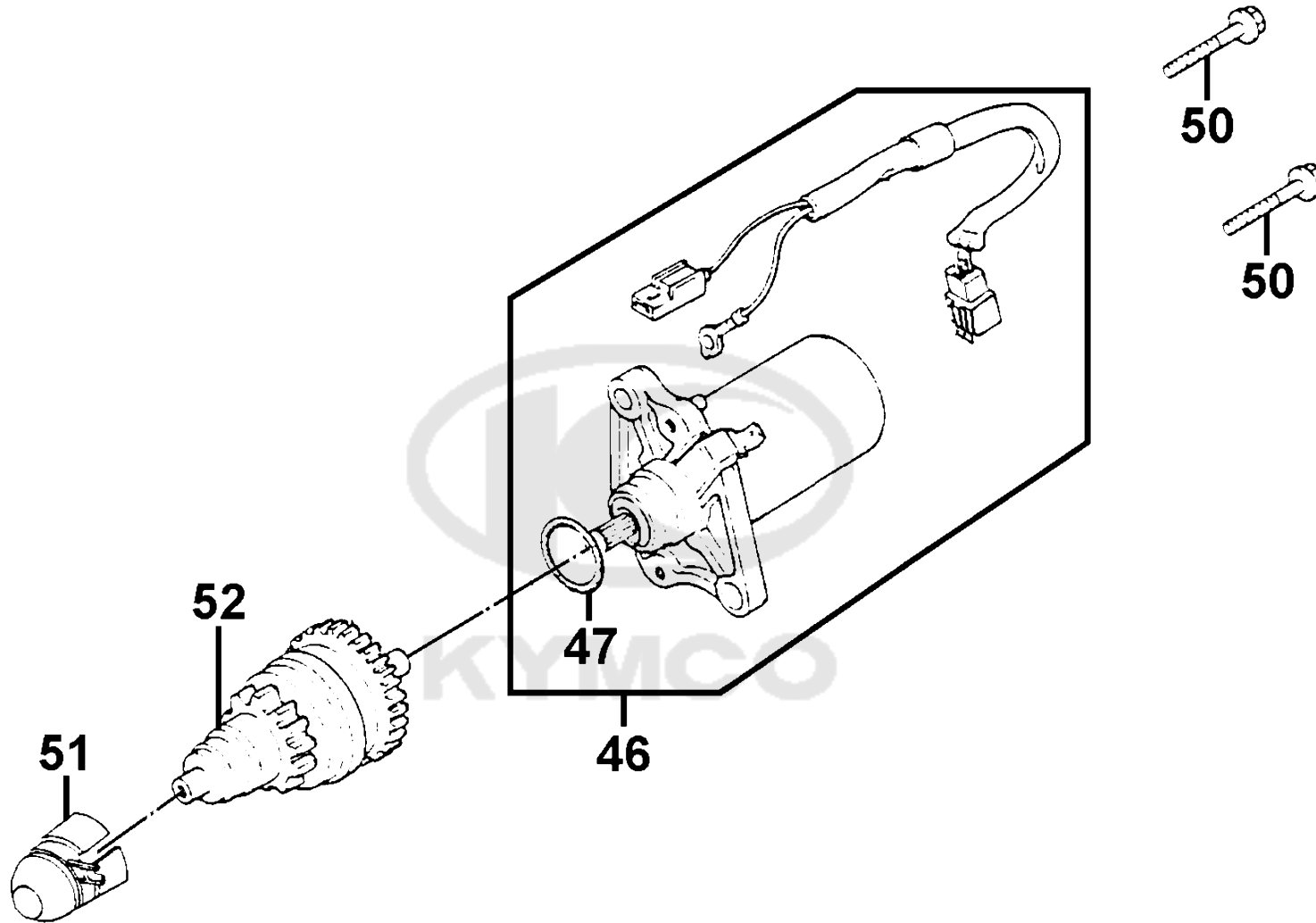


Sales mark	Ref no	Part no	Description	Reg description	Regd no	<b>E03</b>
25		19510-GBW2-901	FAN COMP COOLING	FAN COMP COOLING	1	
28		31110-GKAK-901	FLYWHEEL COMP /D406	FLYWHEEL COMP /D406	1	
28A		31110-GKAK-90A	FLYWHEEL COMP /D402	FLYWHEEL COMP /D402	1	
29		31120-KZCZ-90A	STATOR COMP /D406	STATOR COMP /D406	1	
30		94050-10080	NUT FLANGE 10MM	NUT FLANGE 10MM	1	
31		96001-06012-08	BOLT FLANGE 6*12	BLOT FLANGE SH 6*12	2	
26		96001-06016-08	BOLT FLANGE SH 6*16	BOLT FLANGE 6*16	4	
32		96001-06022-08	BOLT FLANGE SH 6*22	BOLT FLANGE SH 6*22	2	



E04

# Starting Motor

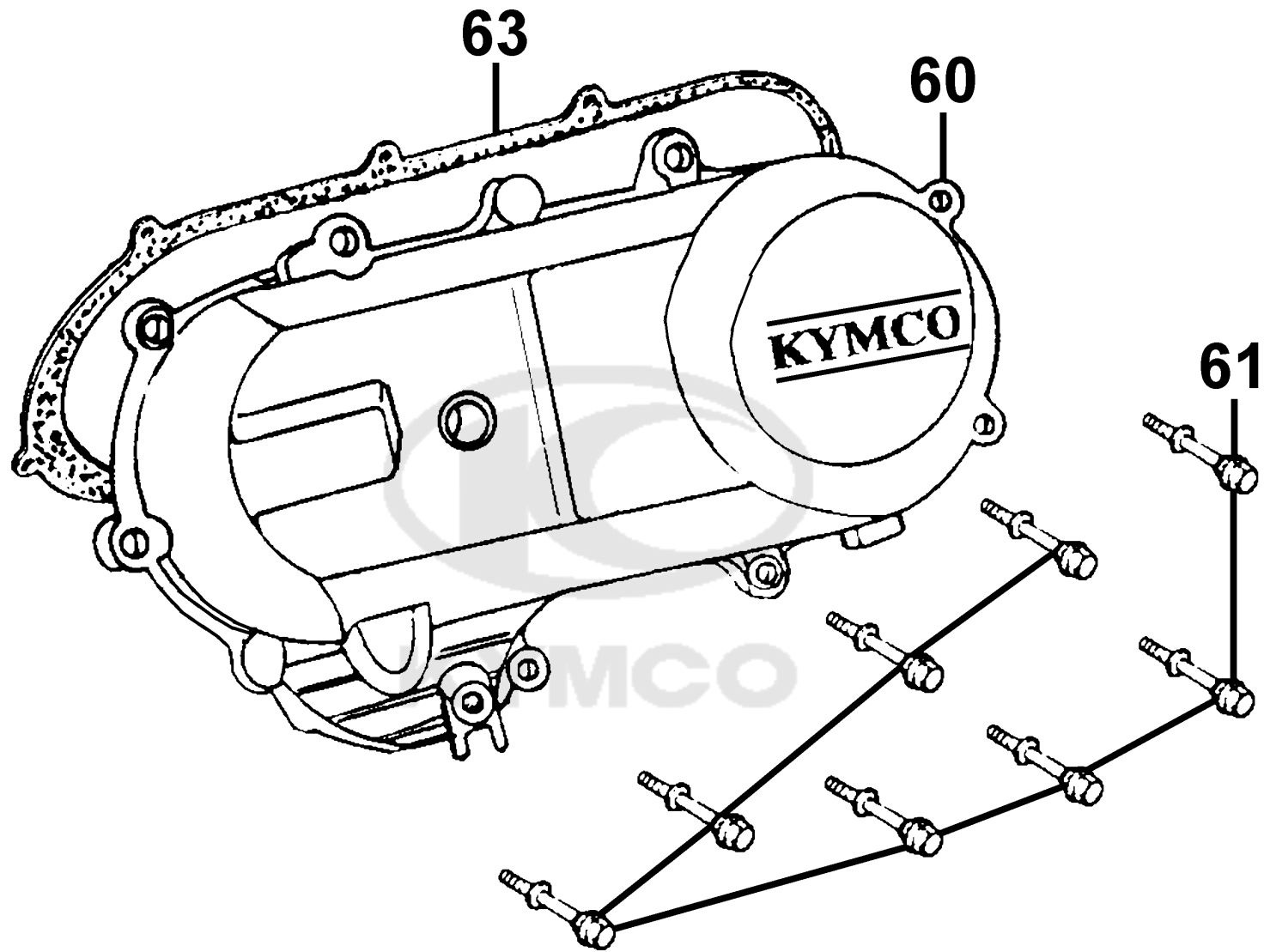


Sales mark	Ref no	Part no	Description	Reg description	Regd no	<b>E04</b>
51		31203-GKAK-901	HOLDER COMP STARTER PINION	HOLDER COMP STARTER PINION	1	
52		31209-GKAK-901	PINION ASSY STARTER	PINION ASSY STARTER	1	
46		31210-GKAK-90C	MOTOR UNIT START	MOTOR UNIT START	1	
47		91309-GKAK-901	O RING	O RING	1	
50		96001-06025-08	BOLT FLANGE SH 6*25	BOLT FLANGE SH 6*25	2	



E05

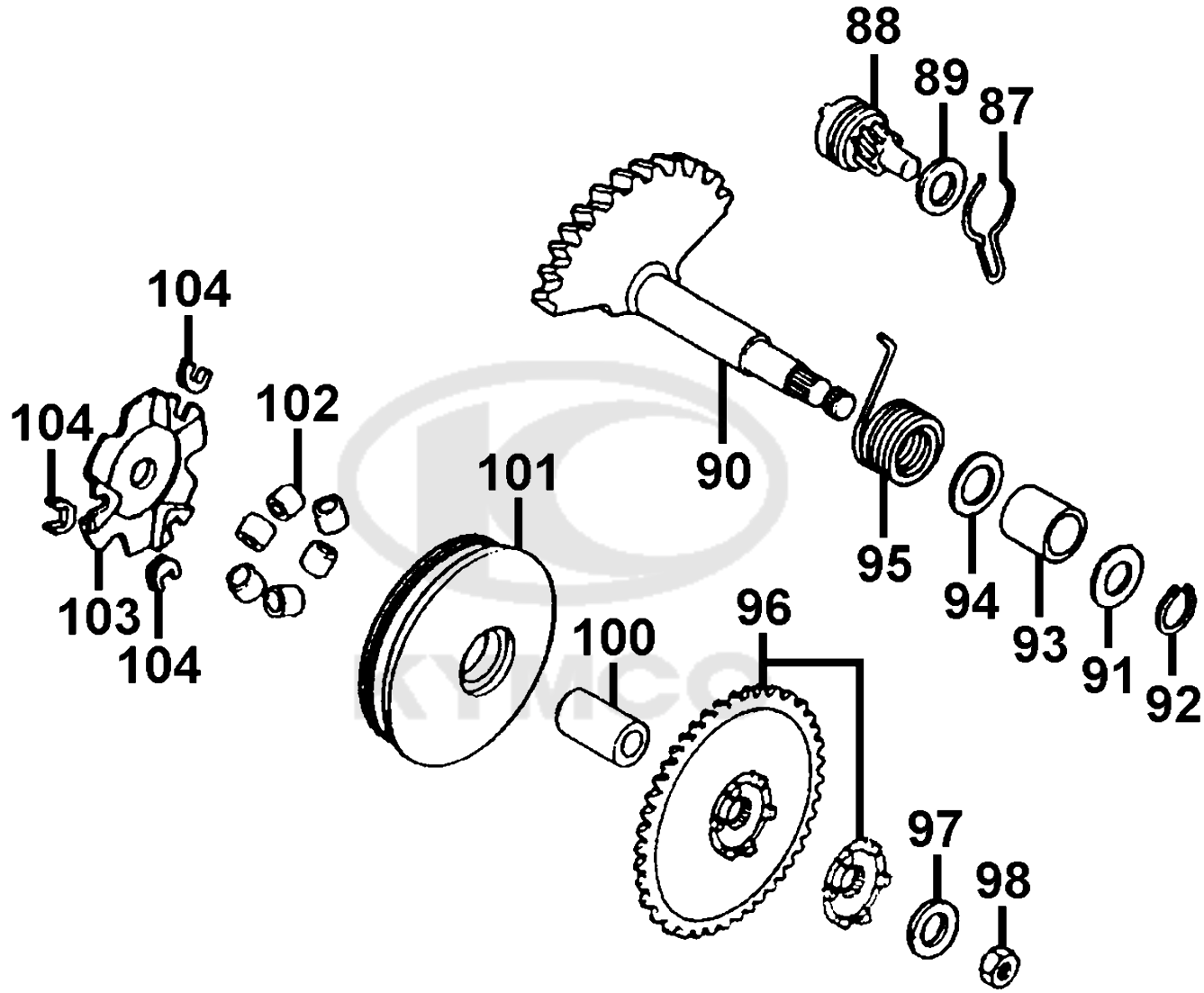
Left Side Cover



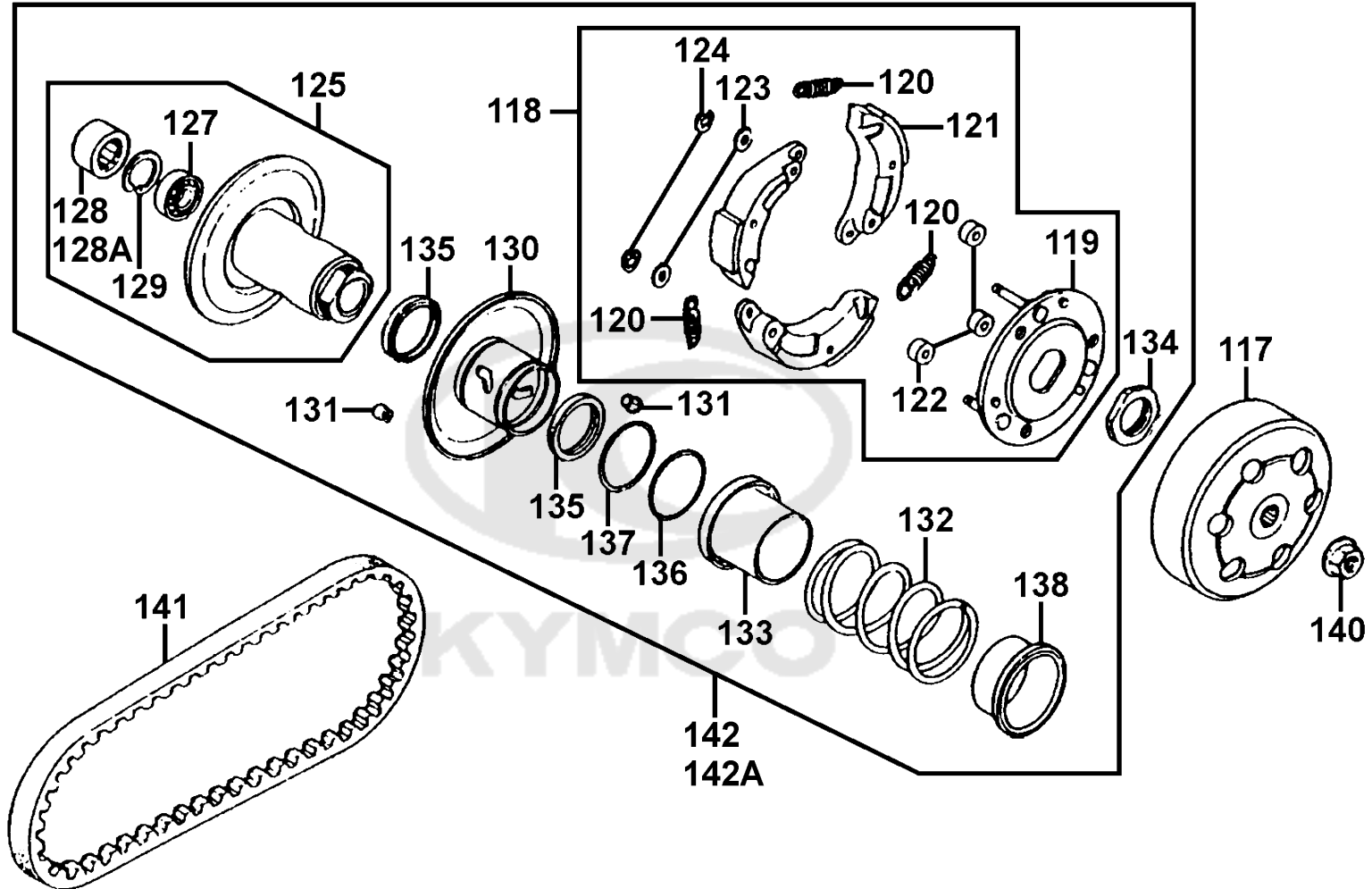
Sales mark	Ref no	Part no	Description	Reg description	Regd no	<b>E05</b>
------------	--------	---------	-------------	-----------------	---------	------------

**	60	11341-KBCB-900	COVER L SIDE	COVER L SIDE	1	
	63	11395-GKAK-901	GASKET L COVER	GASKET L COVER	1	
	61	9000A-KTDT-900	BOLT ASSY SPECIAL 6*29.5	BOLT ASSY SPECIAL 6*29.5	9	



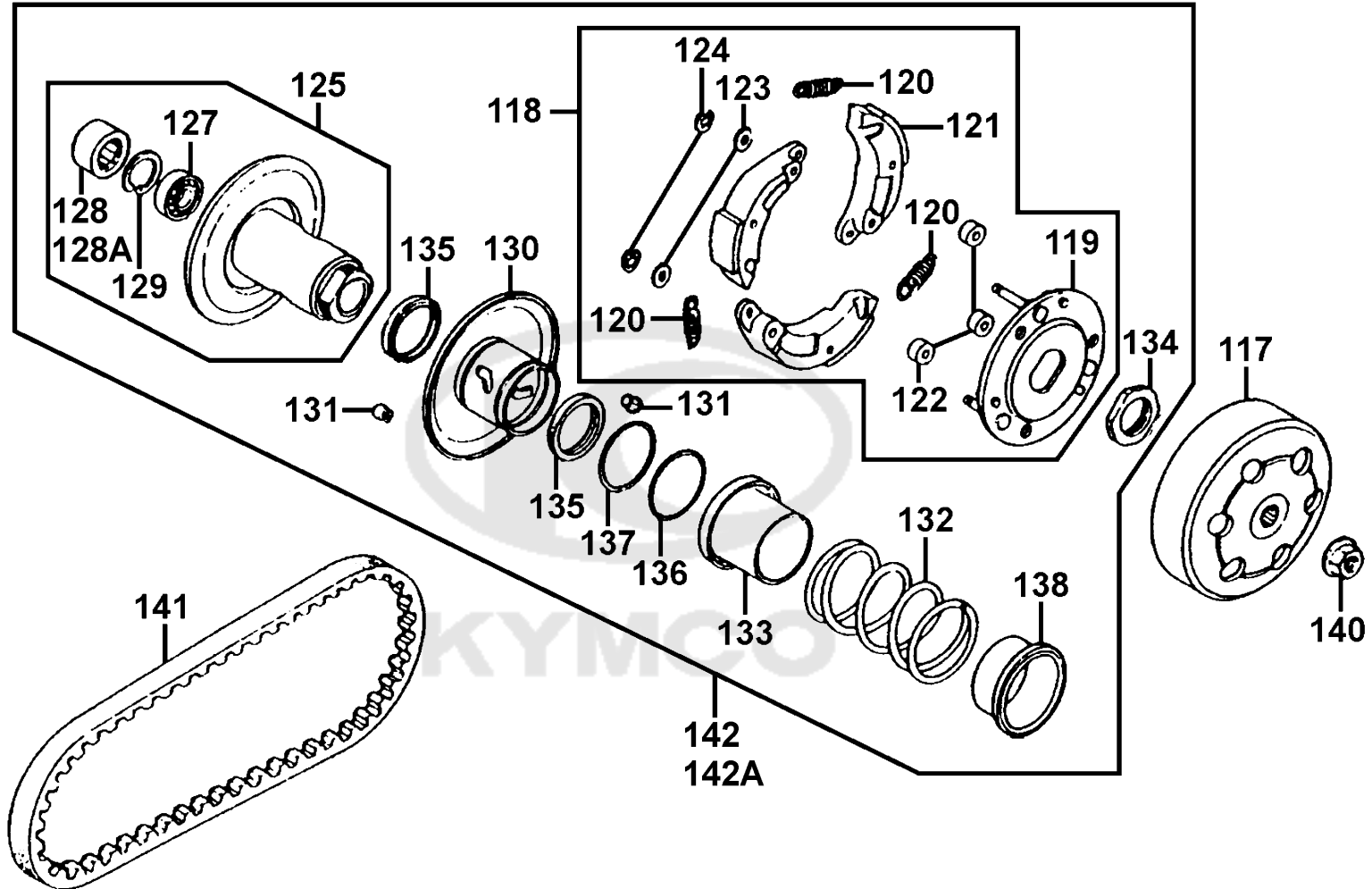


Sales mark	Ref no	Part no	Description	Reg description	Regd no	<b>E06</b>
96		22102-GHAH-721	FACE COMP DRIVE	FACE COMP DRIVE	1	
100		22105-GHAH-780	BOSS DRIVE FACE	BOSS DRIVE FACE	1	
101		22110-KFA1-220	FACE COMP MOVABLE DRIVE	FACE COMP MOVABLE DRIVE	1	
102		22121-GHT8-602	ROLLER COMP WEIGHT	ROLLER COMP WEIGHT	6	
103		22131-GHAH-781	PLATE RAMP	PLATE RAMP	1	
104		22132-GLW0-001	PIECE SLIDE	PIECE SLIDE	3	
87		28223-KNBN-901	SPG KICK DRIVEN GEAR	SPG KICK DRIVEN GEAR	1	
88		28230-GKAK-921	GEAR COMP KICK DRIVEN	GEAR COMP KICK DRIVEN	1	
90		28250-KNBN-901	SPINDLE COMP KICK STARTER	SPINDLE COMP KICK STARTER	1	
93		28253-GBN2-60A	BUSH KICK SPINDLE	BUSH KICK SPINDLE	1	
94		28255-GFS6-001	COLLAR KICK BOSS	COLLAR KICK BOSS	1	
95		28281-GBN2-60A	SPRING KICK RETURN	SPRING KICK RETURN	1	
89		90412-3K29-001	WASHER THRUST 10M/M	WASHER THRUST 10M/M	1	
97		90426-KNBN-901	WASHER SPECIAL 12MM	WASHER SPECIAL 12MM	1	
91		90451-GBN2-601	WASHER KICK SPINDLE	WASHER KICK SPINDLE	1	
98		94001-12280-0S	NUT HEX 12MM	NUT HEX 12MM	1	
92		94511-14000	CIR CLIP EX 14	CIRCLIP EX 14	1	



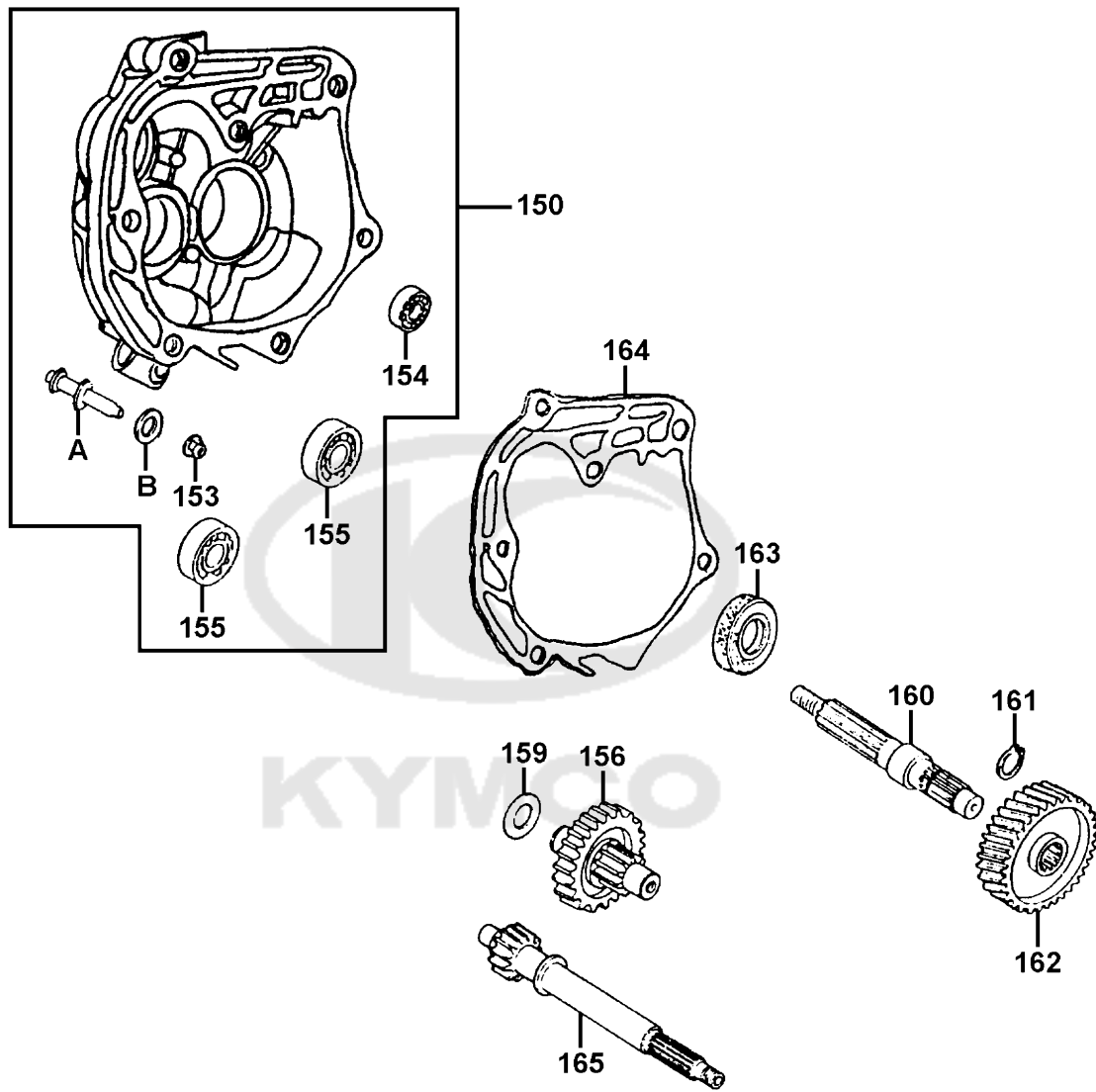


Sales mark	Ref no	Part no	Description	Reg description	Regd no	E07
	117	22100-GAR1-751	CLUTCH OUTER	CLUTCH OUTER	1	
	118	22300-KXCX-900	PLATE ASSY DRIVE	PLATE ASSY DRIVE	1	
	119	22350-GKAK-930	PLATE COMP DRIVE	PLATE COMP DRIVE	1	
	120	22401-GKAK-931	SPRING CLUTCH	SPRING CLUTCH	3	
	121	22530-GKAK-220	WEIGHT SET CLUTCH	WEIGHT SET CLUTCH	1	
	122	22804-1H48-001	RUBBER CLUTCH DAMPER	RUBBER CLUTCH DAMPER	3	
	142	2301A-GKAK-220	PULLEY SET DRIVEN	PULLEY SET DRIVEN	1	
	142A	2301A-GKAK-930	PULLEY COMP DRIVEN	PULLEY COMP DRIVEN	1	
	141	23100-GKAK-901	BELT DRIVE	BELT DRIVE	1	
	125	23200-GAR1-751	FACE ASSY DRIVEN	FACE ASSY DRIVEN	1	
	130	23220-GKAK-220	FACE COMP MOVABLE DRIVEN	FACE COMP MOVABLE DRIVEN	1	
	131	23225-GAR1-751	PIN GUIDE	PIN GUIDE	3	
	132	23233-GHE8-001	SPG DRIVEN FACE	SPG DRIVEN FACE	1	
	133	23237-GAR1-881	COLLAR SEAL	COLLAR SEAL	1	
	138	23238-GFY6-941	COLLAR SPG	COLLAR SEAL	1	
	134	90202-1G87-001	NUT SPECIAL 28MM	NUT SPECIAL 28MM	1	
	123	90442-0D44-001	WASHER THRUST 6M	6M/M THRUST WASHER	3	
	124	90454-GBB2-001	CIRCLIP 6MM	CIRCLIP 6MM	3	
	127	91001-GGA7-70A	BRG RADIAL BALL 6901U	BRG RADIAL BALL 6901U	1	
	128	91103-GAR1-004	BRG NEEDLE 17*25*18 WS	BRG NEEDLE 17*25*18 WS	1	

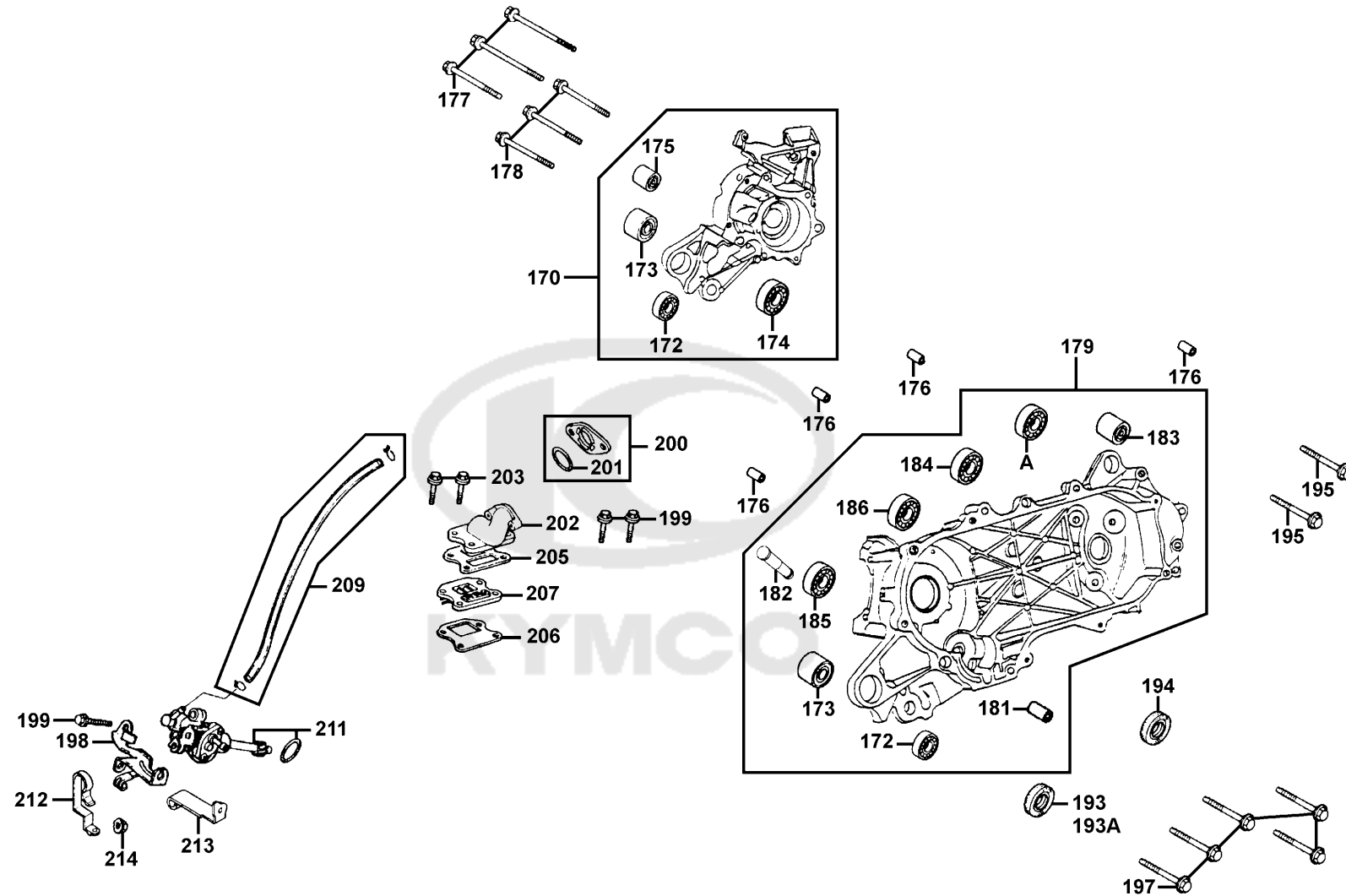


Sales mark	Ref no	Part no	Description	Reg description	Regd no	<b>E07</b>
128A		91103-GAR1-00A	BRG NEEDLE 17*25*18 WS	BRG NEEDLE 17*25*18 WS	1	
135		91211-GHK8-014	OIL SEAL 34*39*3	OIL SEAL 34*39*3	2	
136		91301-KEA5-742	O-RING 36*1.5	O-RING 36*1.5	1	
137		91302-PKA9-004	O-RING 39.8*2.2	O-RING 39.8*2.2	1	
140		94050-10080	NUT FLANGE 10MM	NUT FLANGE 10MM	1	
129		94520-24000	CIR CLIP IN 24	CIR CLIP IN 24	1	

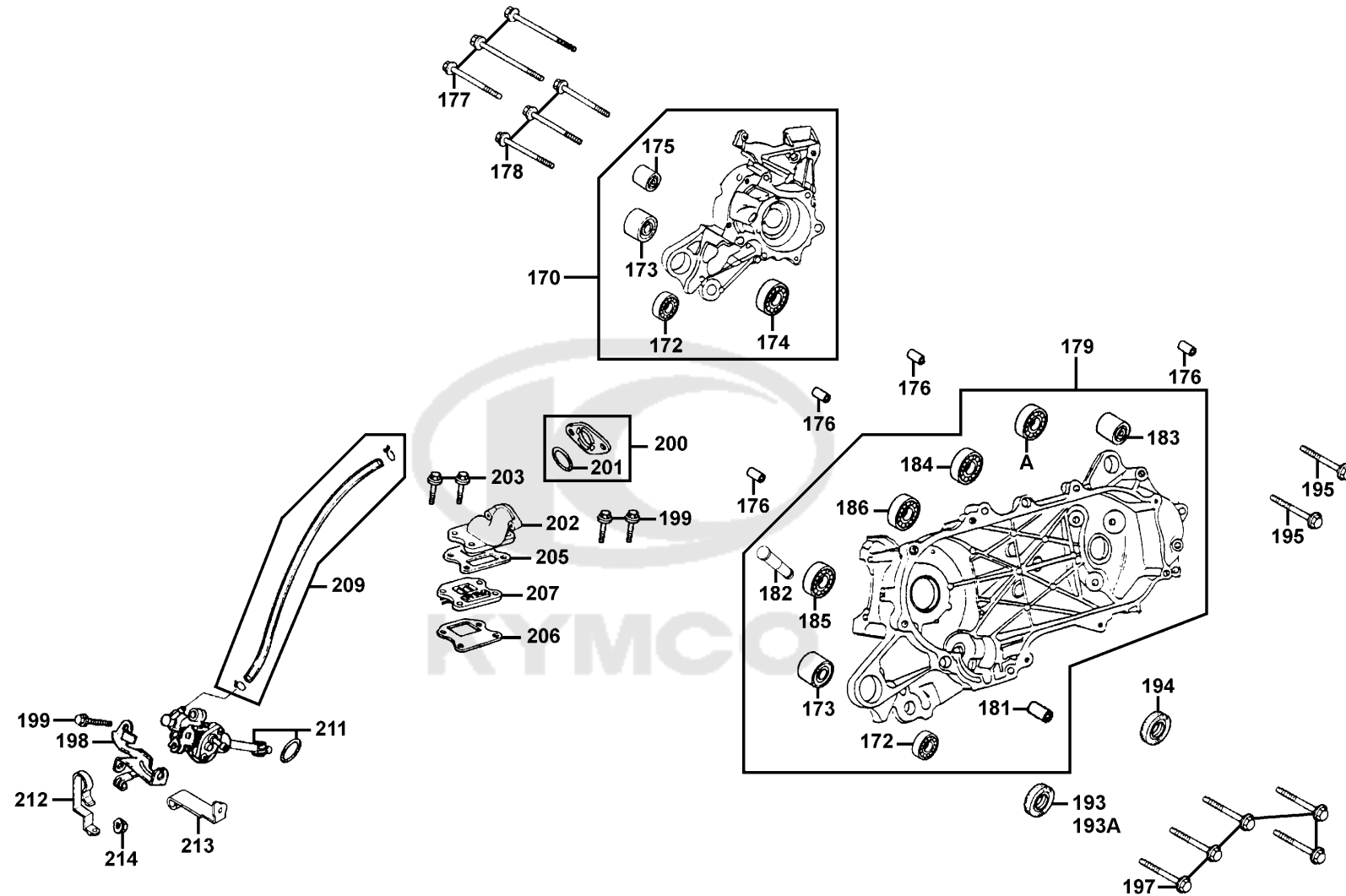




Sales mark	Ref no	Part no	Description	Reg description	Regd no	<b>E08</b>
A		11203-KHG8-301	PIN BRAKE SHOE ANCHOR	PIN BRAKE SHOE ANCHOR	1	
150		21200-GKAK-305	CASE ASSY MISSION	CASE ASSY MISSION	1	
164		21395-KNBN-901	GASKET MISSION CASE A	GASKET MISSION CASE @ A	1	
165		23411-GKAK-921	SHAFT DRIVE	SHAFT DRIVE	1	
156		23420-GKAK-901	SHAFT COMP COUNTER	SHAFT COMP COUNTER	1	
160		23431-KNBN-901	SHAFT FINAL	SHAFT FINAL	1	
162		23432-KNBN-901	GEAR FINAL	GEAR FINAL	1	
153		90309-KLF0-004-SY	NUT FLANGE 8MM	NUT FLANGE 8MM	1	
159		90429-KNBN-901	WASHER SIDE 12MM	WASHER SIDE 12MM	1	
155		91004-KBN2-90A	BRG BALL RADIAL 6201	BRG BALL RADIAL 6201	2	
154		91009-GLE0-004	BRG BALL RADIAL 6004 UU	BRG BALL RADIAL 6004 UU	1	
163		91255-GLE0-006	OIL SEAL 27*42*7	OIL SEAL 27*42*7	1	
B		91301-OC53-001	O RING 7.5*1.5	O-RING 7.5*1.5	1	
161		94510-20000	CIR CLIP EX 20	CIR CLIP EX 20	1	

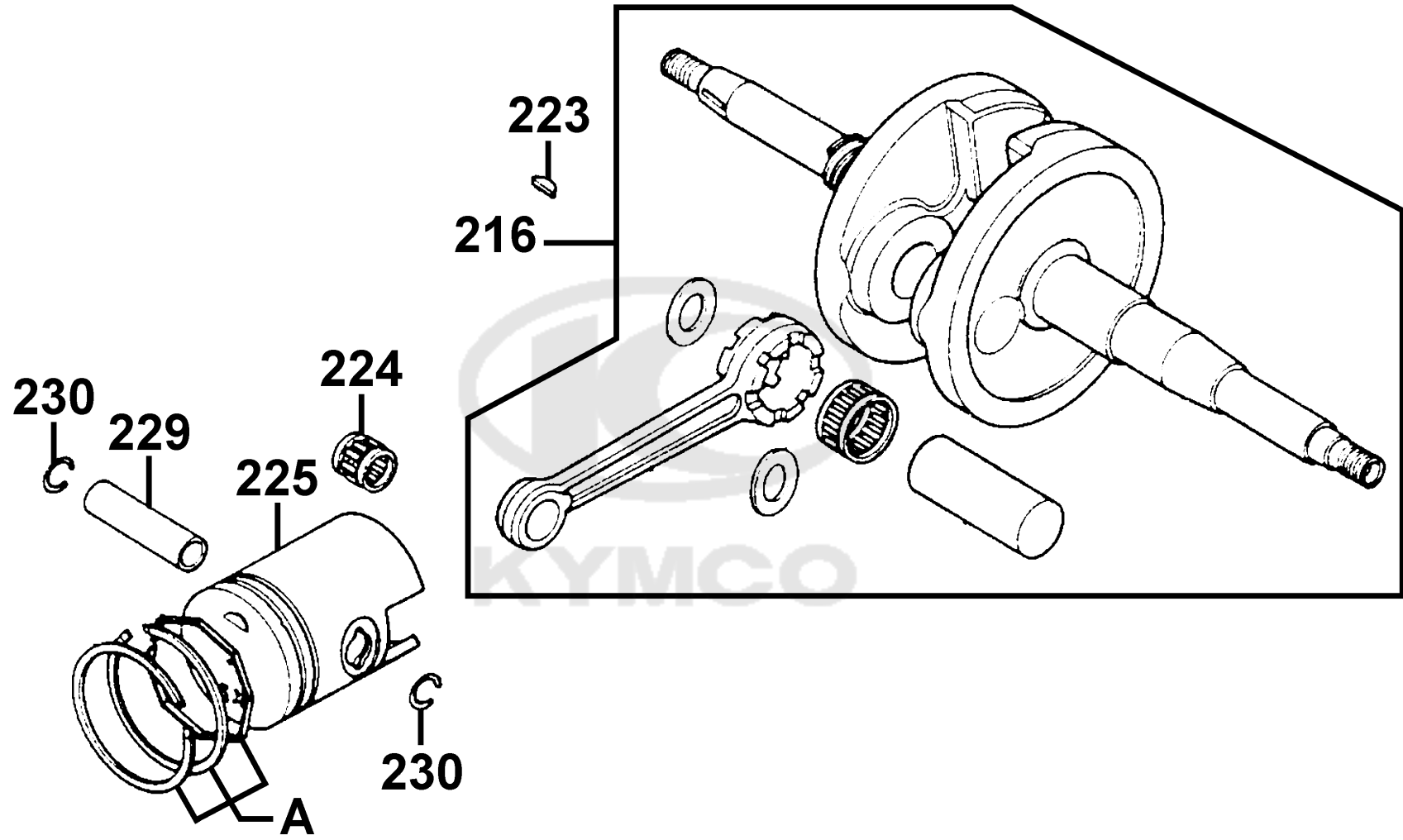


Sales mark	Ref no	Part no	Description	Reg description	Regd no	<b>E09</b>
170		11100-KZCZ-305	CRANK CASE ASSY R	CRANK CASE ASSY R	1	
173		11102-1G87-004	RUB BUSH ENG HANGER	RUB BUSH ENG HANGER	1	
179		11200-KZCZ-306	CRANK CASE ASSY L	CRANK CASE ASSY L	1	
183		11203-GGC7-301	UNDER RUBBER BUSH REAR CUSHION	UNDER RUBBER BUSH RR CUSHION	1	
182		11204-KNBN-901	PIN SPG HOOK	PIN SPG HOOK	1	
181		11205-GHAH-004	BUSH 8*12*8	BUSH 8*12*8	1	
172		11205-KNBN-901	BUSH M STAND	BUSH M STAND	1	
213		11208-GKAK-901	CLAMPER CARB DRAIN	CLAMPER CARB DRAIN	1	
207		14100-GKAK-921	VALVE COMP REED	VALVE COMP REED	1	
211		15100-KEB7-E00	PUMP ASSY OIL	PUMP ASSY OIL	1	
198		15110-KNBN-901	PLATE COMP OIL PUMP SET	PLATE COMP OIL PUMP SET	1	
212		15115-KNBN-921	CLAMPER OIL TUBE	CLAMPER OIL TUBE	1	
209		1552A-KEB8-900	TUBE ASSY OIL PASS	TUBE ASSY OIL PASS	1	
200		1621A-GKAK-901	INSULATOR CARB ASSY	INSULATOR CARB ASSY	1	
202		17100-GKAK-921	PIPE COMP INLET	PIPE COMP INLET	1	
205		17111-GKAK-90A	GASKET INLET PIPE A	GASKET INLET PIPE A	1	
206		17112-GKAK-90A	GASKET INLET PIPE B	GASKET INLET PIPE B	1	
174		91001-GLW0-90A	BRG BALL RADIAL 6204 SPECIAL	BRG BALL RADIAL 6204 SPECIAL	1	
186		91004-KBN2-90A	BRG BALL RADIAL 6201	BRG BALL RADIAL 6201	1	
A		91004-KNBN-92A	BRG BALL RADIAL 6203 SPC 17*40*12	BRG BALL RADIAL 6203	1	





Sales mark	Ref no	Part no	Description	Reg description	Regd no	<b>E09</b>
184		91006-KNBN-901	BRG BALL RADIAL 25*56*12	BRG BALL RADIAL 25*56*12	1	
175		91201-KNBN-92A	OIL SEAL 15.6*25.5*7	OIL SEAL 15.6*25.5*7	1	
193		91202-KNBN-92A	OIL SEAL 20*31*7	OIL SEAL 20*31*7	1	
193A		91202-KNBN-92B	OIL SEAL 20*31*7	OIL SEAL 20*31*7	1	
194		91204-KNBN-90A	OIL SEAL 17*30*6	OIL SEAL 17*30*6	1	
201		91304-GLB0-911	O RING 20.6*1.9	O RING 20.6*1.9	1	
214		94050-06080	NUT FLANGE 6MM	NUT FLANGE 6MM	1	
176		94301-10200	DOWEL PIN 10*20	DOWEL PIN 10*20	6	
195		95701-08035-08	BOLT FLANGE 8*35	BOLT FLANGE 8*35	2	
197		95701-08040-08	BOLT FLANGE 8*40	BOLT FLANGE 8*40	5	
203		96001-06022-08	BOLT FLANGE SH 6*22	BOLT FLANGE SH 6*22	2	
199		96001-06032-08	BOLT FLANGE SH 6*32	BOLT FLANGE 6*32	3	
177		96001-06045-08	BOLT FLANGE SH 6*45	BOLT FLANGE 6*45	3	
178		96001-06055-08	BOLT FLANGE SH 6*55	BOLT FLANGE SH 6*55	3	
185		96100-62033-00	BEARING BALL RADIAL 6203	BEARING BALL RADIAL 6203	1	

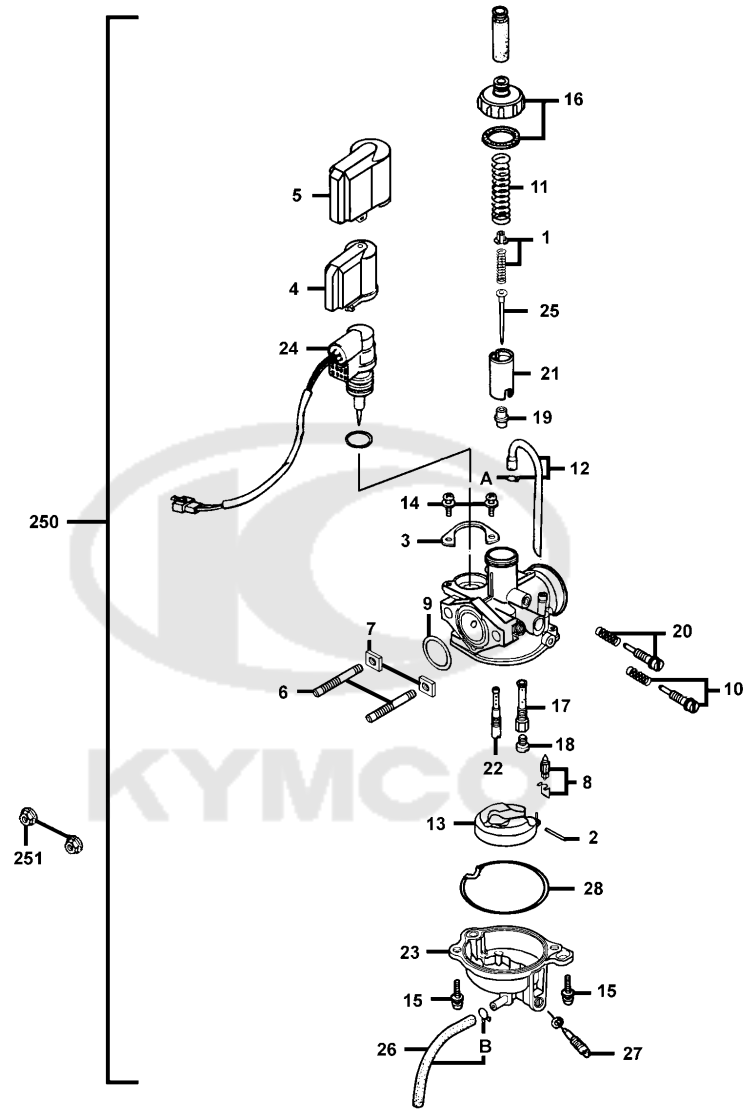


Sales mark	Ref no	Part no	Description	Reg description	Regd no	<b>E10</b>
	216	13000-GKAK-921	CRANK SHAFT COMP	CRANK SHAFT COMP	1	
A		13011-GKAK-91A	RING SET PISTON	RING SET PISTON	1	
	225	13101-GKAK-902	PISTON	PISTON	1	
	229	13111-1F66-001	PIN PISTON	PIN PISTON	1	
	230	13115-1F56-001	CLIP PISTON PIN 12MM	CLIP PISTON PIN 12MM	2	
	223	90741-0E35-001	KEY WOODRUFF	KEY WOODRUFF	1	
	224	91102-GLW0-009	BRG CON-ROD S. E.	BRG CON-ROD S. E.	1	



E11

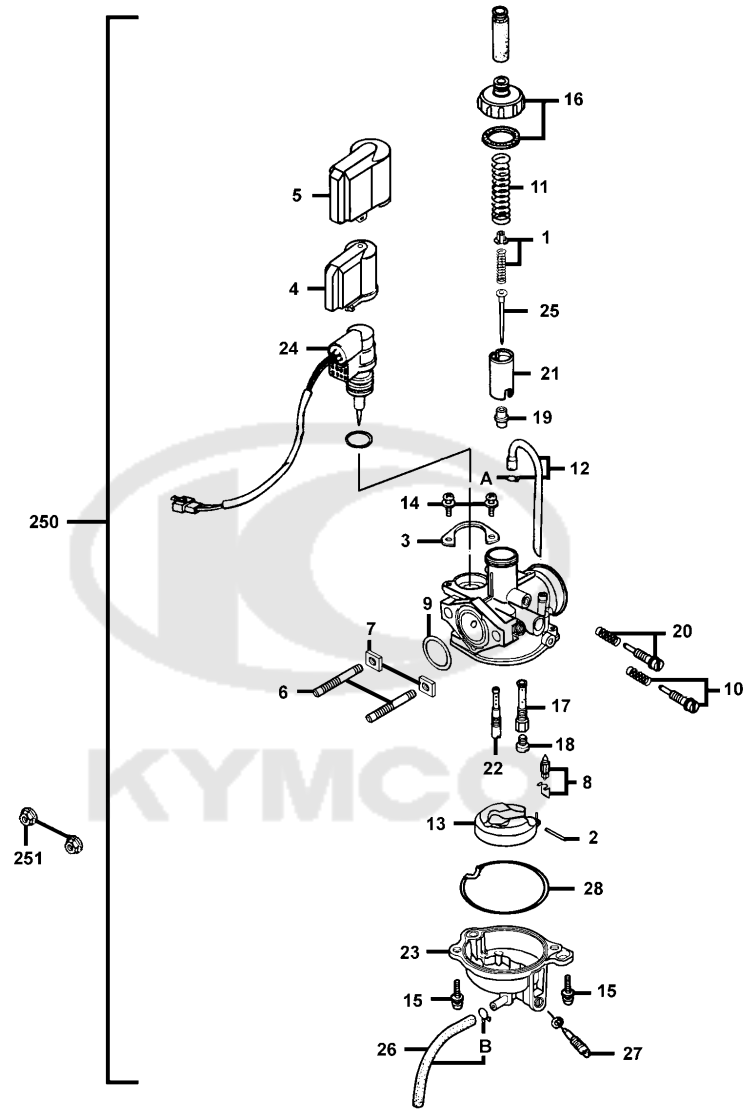
# Carburetor



Sales mark	Ref no	Part no	Description	Reg description	Regd no	E11
22		1001-GC7H-0381	JET (S.J)	JET (S.J)	1	
19		1010-GAKH-9000	NEEDLE JET	NEEDLE JET	1	
21		1020-GAKH-9000	THROTTLE VALVE	THROTTLE VALVE	1	
16		103J-073H-9900-SB0	TOP SET	TOP SET	1	
28		1051-KG8H-9010	FLOAT CHAMBER GASKET	FLOAT CHAMBER GASKET	1	
13		105B-KBNH-9000	FLOAT COMP	FLOAT COMP	1	
11		1300-GW0H-9000-K	SPG COMPR	SPG COMPR	1	
250		1610K-KZCZ-900	CARBURETOR ASSY	CARBURETOR ASSY	1	
2		16152-KG8-9010-M1	ARM PIN	ARM PIN	1	
27		16162-KG8-9010-M1	DRAIN SCREW PAN	DRAIN SCREW PAN	1	
3		1703-GJ2H-0040	SET PLATE	SET PLATE	1	
4		1738-GJ2H-0040	HOLDER CAP	HOLDER CAP	1	
12		1785-KBNH-9000-SB0	TUBE SET (A.V)	TUBE SET (A.V)	1	
9		1787-KG8H-9010	O-RING	O-RING	1	
7		1793-144H-9900	HEX NUT	HEX NUT	2	
6		1799-KBNH-9000	STUD BOLT	STUD BOLT	2	
24		4000-022-0001	AUTO BYSTARTER SET	AUTO BYSTARTER SET	1	
14		93892-04008-18	SCREW WASHER 4*8	SCREW WASHER 4*8	2	
15		93892-04014-18-3	SCREW WASHER 4*14	SCREW WASHER	2	
251		94050-06080	NUT FLANGE 6MM	NUT FLANGE 6MM	2	

E11

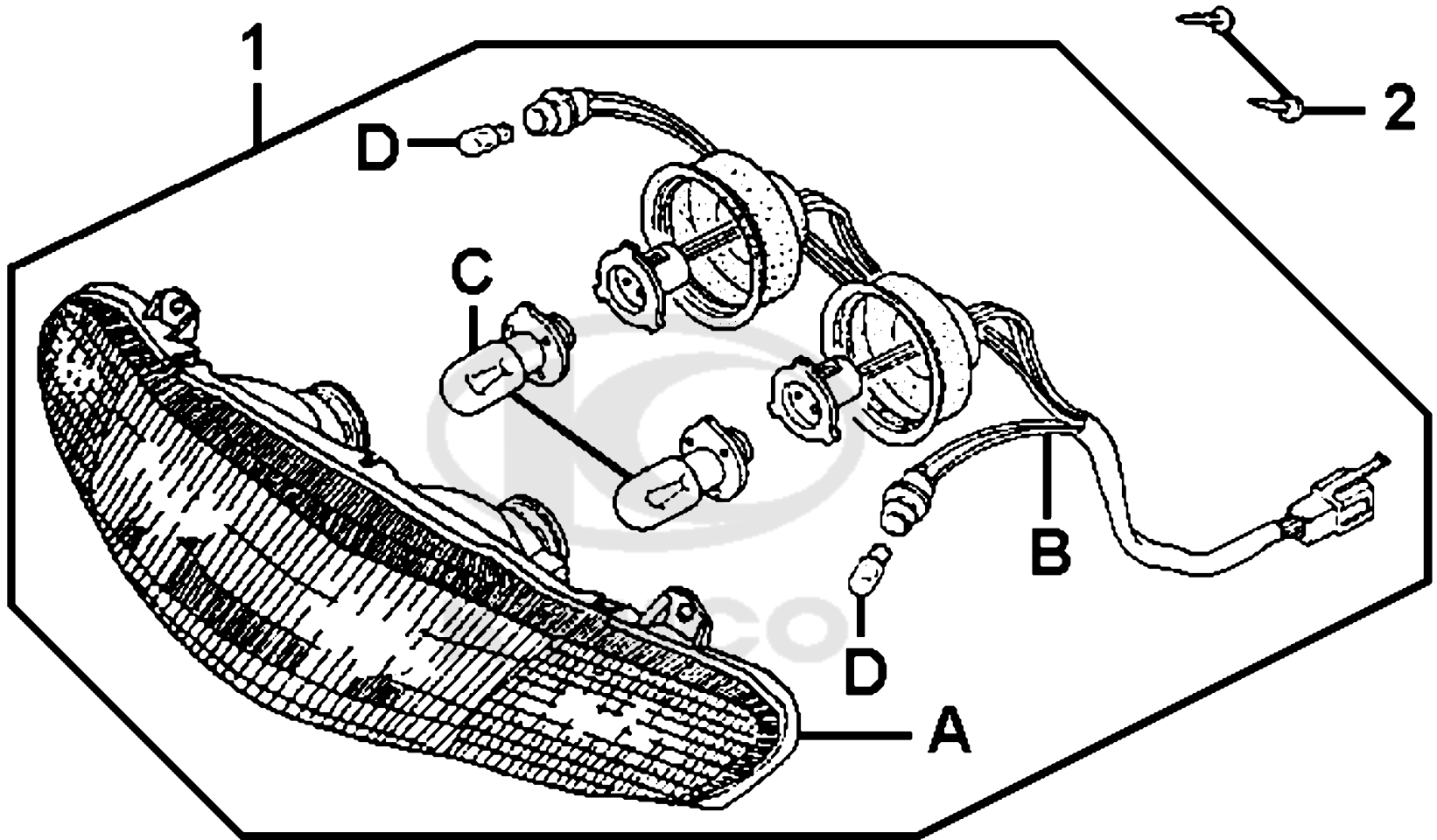
# Carburetor



Sales mark	Ref no	Part no	Description	Reg description	Regd no	<b>E11</b>
A		95002-02070	CLIP B7 TUBE	CLIP B7 TUBE	1	
B		95002-02080	CLIP B8 TUBE	CLIP B8 TUBE	1	
18		99101-116-0850	MAIN JET #85	MAIN JET #85	1	
25		D1425-2RFQH	JET NEEDLE COMP	JET NEEDLE COMP	1	
23		K350-GAK-0200	FLOAT CHAMBER SET	FLOAT CHAMBER SET	1	
5		K378-001	CAP ASSY	CAP ASSY	1	
20		K446-GAK-0100	SCREW SET (A.S)	SCREW SET (A.S)	1	
1		K506-GW0-0100	VALVE PLATE SET	VALVE PLATE SET	1	
17		N413-32A00	NEEDLE JET HOLDER	NEEDLE JET HOLDER	1	
8		S3620-031-B000	FLOAT VALVE SET	FLOAT VALVE SET	1	
10		S536-1231	SCREW SET	SCREW SET	1	
26		S785-1600	TUBE SET (DRAIN)	TUBE SET (DRAIN)	1	

F01

Head Light



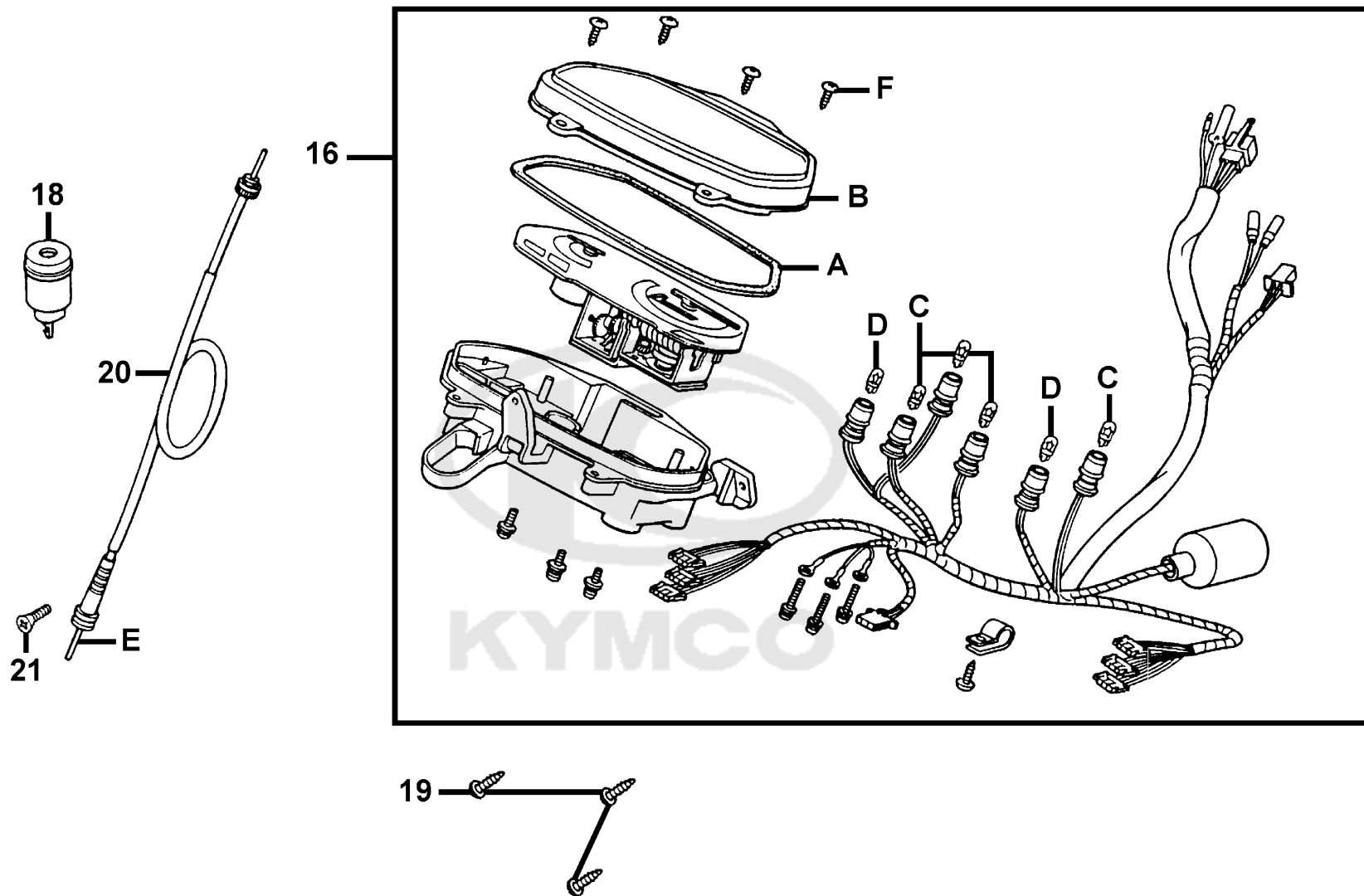


Sales mark	Ref no	Part no	Description	Reg description	Regd no	<b>F01</b>
1		33100-KKBK-E00	LIGHT ASSY FR COMB	LIGHT ASSY FR COMB	1	
A		33120-KKBK-E00	UNIT HEAD LIGHT	UNIT HEAD LIGHT	1	
B		33130-KKBK-E00	SOCKET COMP	SOCKET COMP	1	
C		34901-KPCP-900	BULB HEAD LIGHT	BULB HEAD LIGHT	1	
D		34908-KUCU-900	BULB POSITION LIGHT	BULB POSITION LIGHT	2	
2		93903-35360	SCREW TAPPING 5*16	SCREW TAPPING 5*16	4	

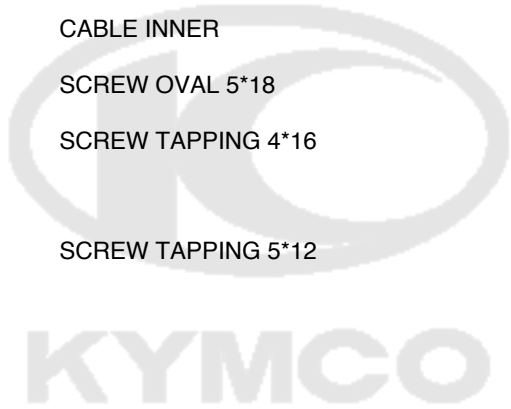


F02

# Speedometer

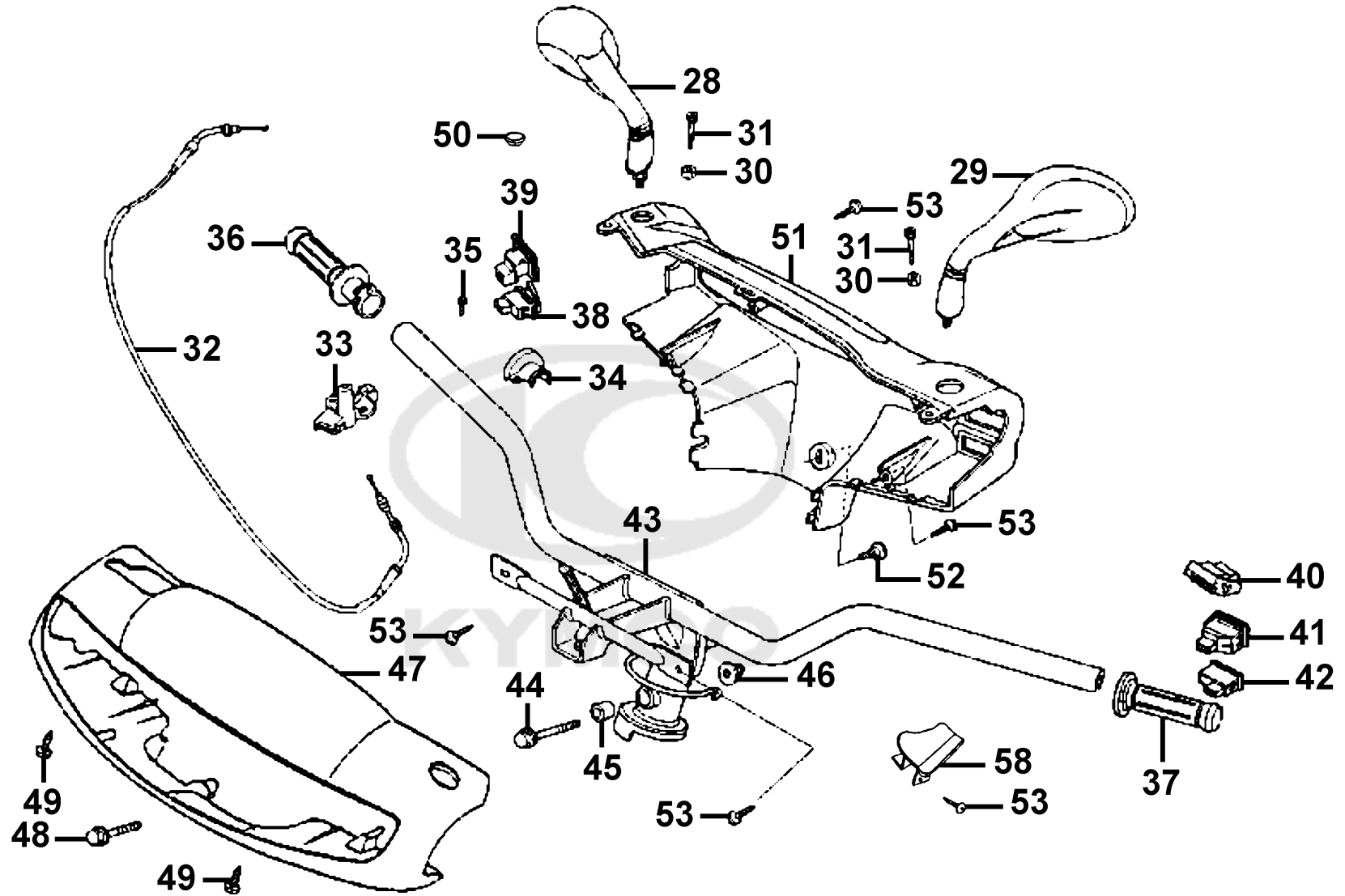


Sales mark	Ref no	Part no	Description	Reg description	Regd no	F02
D		34908-GGA7-70A	BULB WEDGE BASE 12V*3.4W	BULB WEDGE BASE	2	
C		34908-MKB9-87A	BULB WEDGE BASE T10	BULB WEDGE BASE T10	4	
B		37119-GFY6-90A	LENS	LENS	1	
16		37200-KNDN-E00	METER ASSY SPEED	METER ASSY SPEED	1	
A		37302-GFY6-900	PLATE REFLECTING ASSY	PLATE REFLECTING ASSY	1	
18		38300-KECE-900	RELAY ASSY WINKER	RELAY ASSY WINKER	1	
20		44830-KFLF-901	CABLE COMP SPDMT	CABLE COMP SPDMT	1	
E		44831-KFLF-900	CABLE INNER	CABLE INNER	1	
21		93700-05018-0H	SCREW OVAL 5*18	SCREW OVAL 5*18	1	
F		93903-24420	SCREW TAPPING 4*16	SCREW TAPPING 4*16	5	
19		93903-35220	SCREW TAPPING 5*12	SCREW TAPPING 5*12	3	



F03

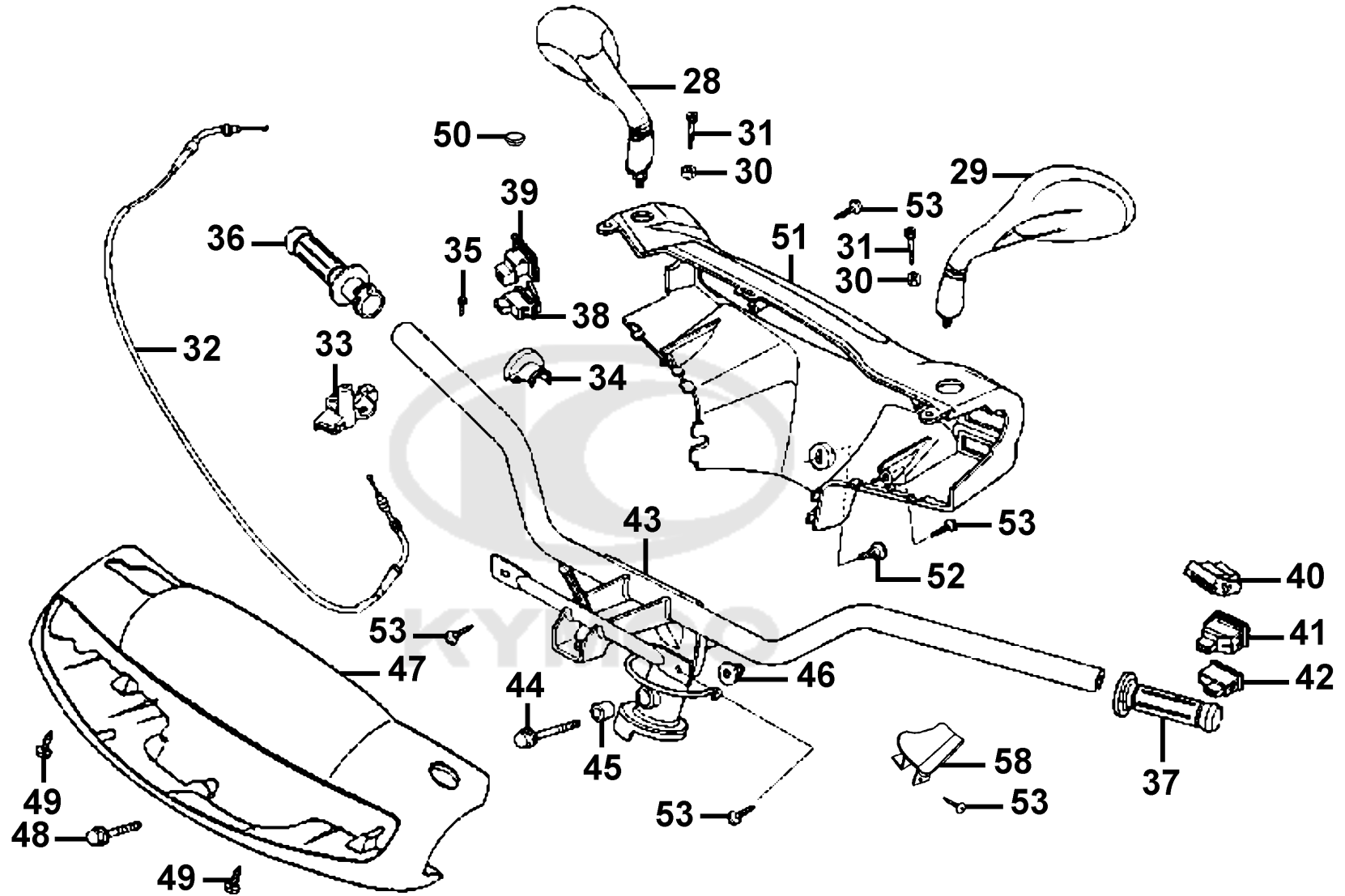
# Handle SteeringHandle Cover



Sales mark	Ref no	Part no	Description	Reg description	Regd no	F03
	32	17910-KZCZ-900	CABLE COMP THORT	CABLE COMP THORT	1	
	39	35150-GFY6-900	SW UNIT LIGHTING	SW UNIT LIGHTING	1	
	38	35160-GFY6-900	SW UNIT STARTER	SW UNIT STARTER	1	
	40	35170-KNBN-910	SW UNIT DIMMER & PASSING	SW UNIT DIMMER & PASSING	1	
	42	35180-GFY6-900	SW UNIT HORN	SW UNIT HORN	1	
	41	35200-GFY6-910	SW UNIT WINKER	SW UNIT WINKER	1	
	43	53100-KKBK-900	HANDLE COMP STRG	HANDLE COMP STRG	1	
	45	53125-GEN5-901	COLLAR HANDLE SET	COLLAR HANDLE SET	1	
**	36	53140-GFY6-960	GRIP COMP THROT	GRIP COMP THROT	1	
**	37	53166-GBW2-001	GRIP L HANDLE	GRIP L HANDLE	1	
	33	53167-GAR1-951	HOUSING UND THROT	HOUSING UND THROT	1	
	34	53168-GAR1-951	HOUSING UP THROT	HOUSING UP THROT	1	
**	47	53205-KKBK-900	COVER FR HANDLE	COVER FR HANDLE	1	
**	51	53206-KKBK-900	COVER RR HANDLE	COVER RR HANDLE	1	
**	50	53216-KPCP-900	PLUG RR HANDLE COVER	PLUG RR HANDLE COVER	1	
**	58	53216-KXBX-900	PLUG HANDLE COVER	PLUG HANDLE COVER	1	
**	28	88110-KKBK-J00	MIRROR ASSY R BACK	MIRROR ASSY R BACK	1	
	30	88112-GHC8-001	CAP SOC BOLT 8MM	CAP SOC BOLT 8MM	2	
**	29	88120-KKBK-J00	MIRROR ASSY L BACK	MIRROR ASSY L BACK	1	
	49	90101-0G87-721	SCREW HEAD LIGHTT SET	SCREW HEAD LIGHTT SET	2	

F03

# Handle SteeringHandle Cover

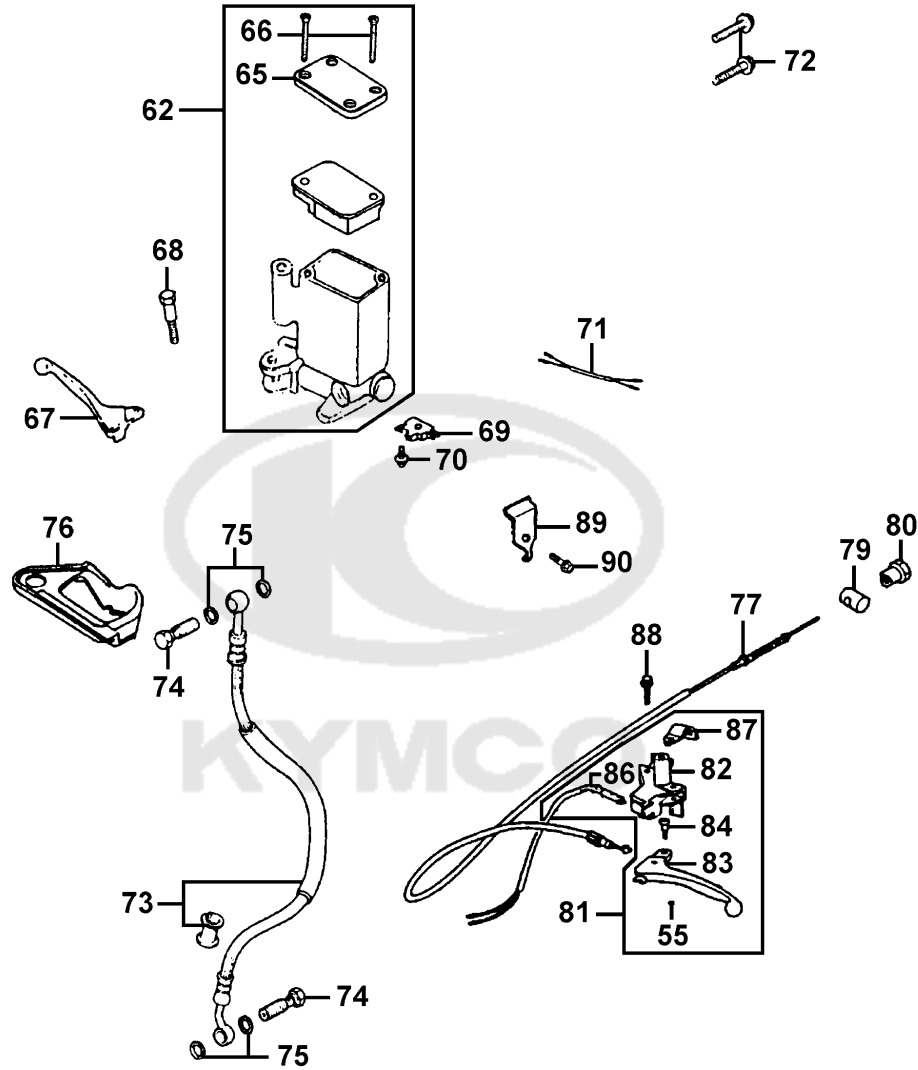


Sales mark	Ref no	Part no	Description	Reg description	Regd no	<b>F03</b>
44		90106-GEN5-901	BOLT FLANGE 10*50	BOLT FLANGE 10*50	1	
31		90185-KFLF-900	BOLT SOCKET 8*45	BOLT SOCKET 8*45	2	
52		90302-KNBN-900	BOLT PAN 5*10	BOLT PAN 5*10	1	
46		90304-GHE8-004	NUT U 10MM	NUT U 10MM	1	
35		93500-05022-06	SCREW PAN 5*22	SCREW PAN 5*22	1	
48		93891-05035-06	BOLT WASH 5*35	BOLT WASH 5*35	1	
53		93903-34360	SCREW TAPPING 4*12 (G)	SCREW TAPPING 4*12	4	



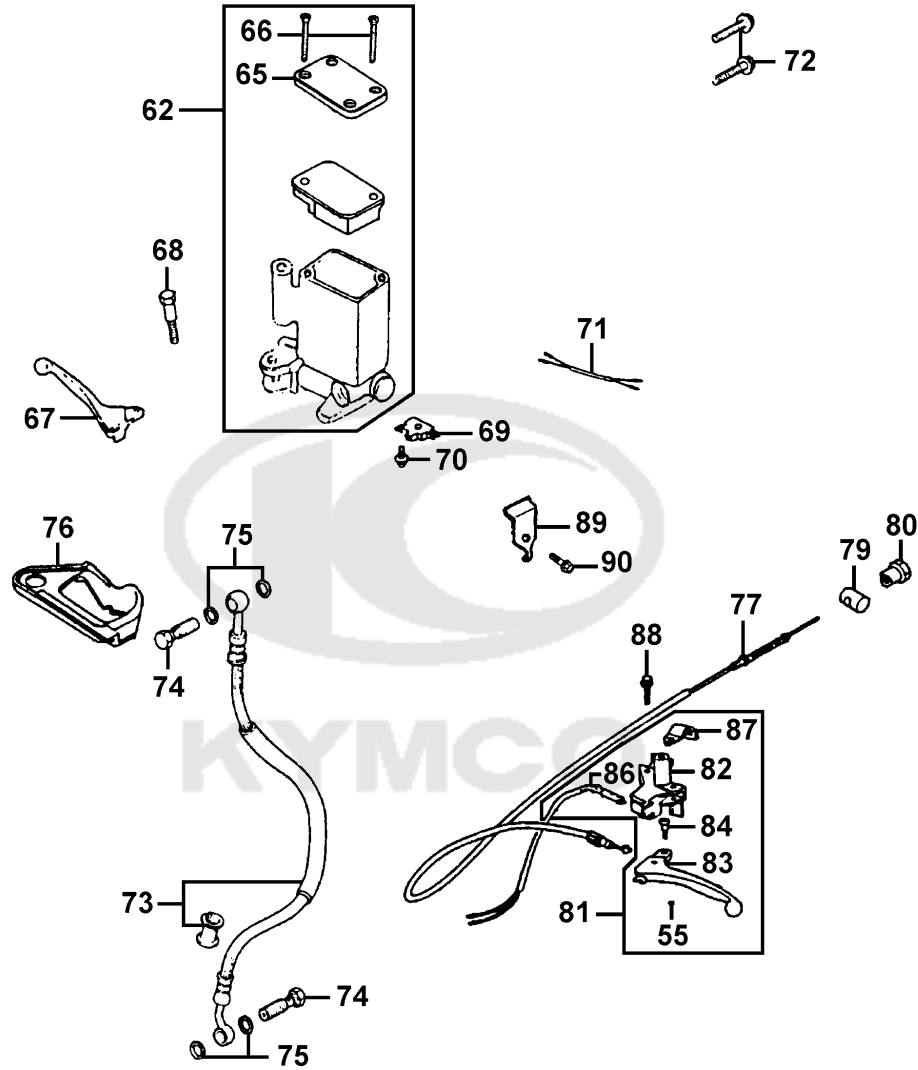
F04

# Brake Master Cylinder



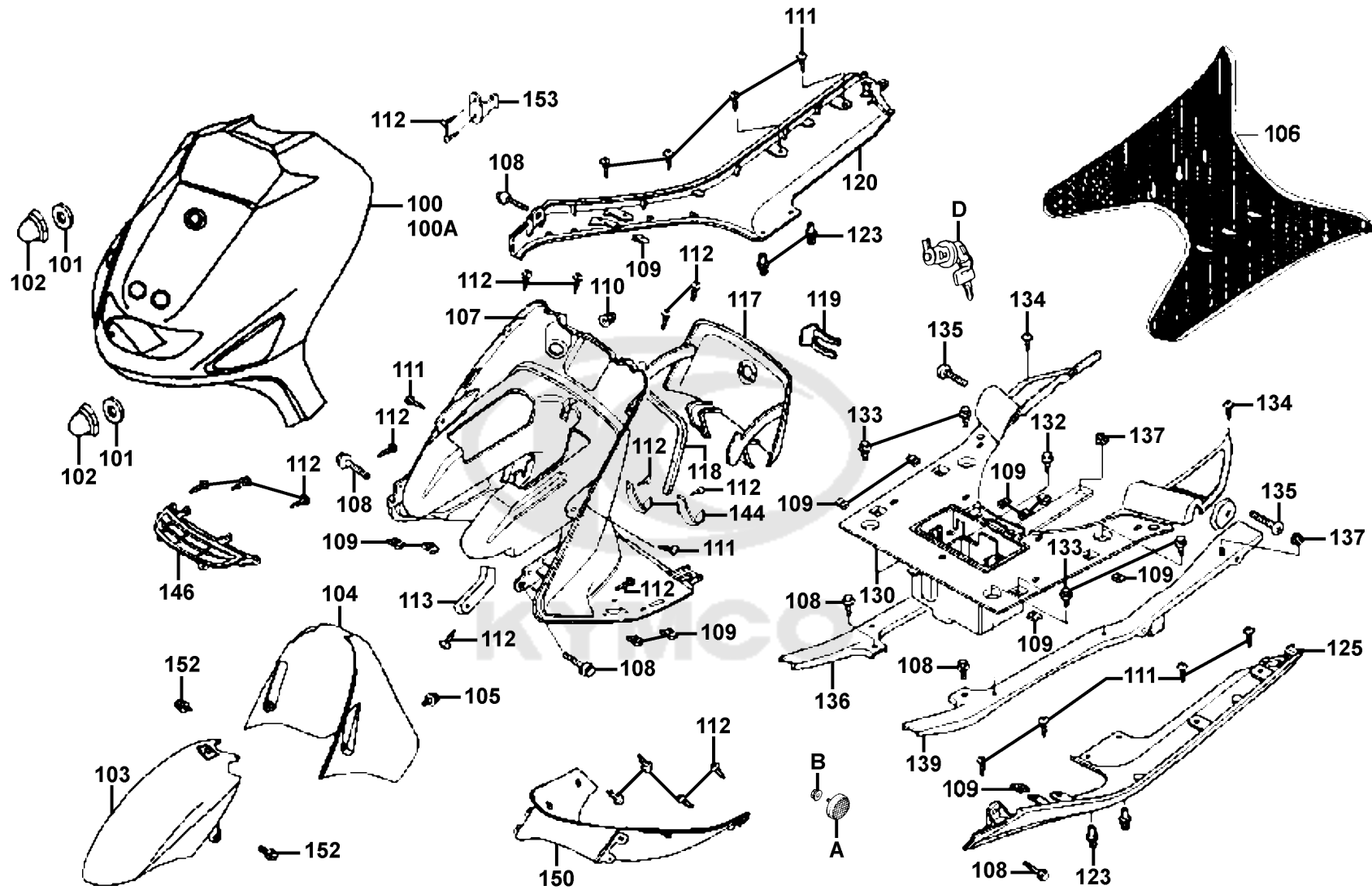


Sales mark	Ref no	Part no	Description	Reg description	Regd no	F04
	71	32106-KNBN-901	SUB HARNESS	SUB HARNESS	1	
	86	35340-GKAK-900	SW ASSY FR STOP	SW ASSY FR STOP	1	
	69	35340-KNBN-901	SW ASSY FR STOP	SW ASSY FR STOP	1	
	77	43450-KZCZ-900	CABLE COMP RR BRK	CABLE COMP RR BRK	1	
	89	43452-GKAK-900	CLAMP BRK CABLE	CLAMP BRK CABLE	1	
	73	45126-KKBK-900	HOSE ASSY FR BRK	HOSE ASSY FR BRK	1	
	65	45513-KFAF-901	CAP MASTER CYLINDER	CAP MASTER CYLINDER	1	
	87	45517-GFY6-900	HOLDER HNDL BRKT	HOLDER HNDL BRKT	1	
	62	45530-KFAF-305	CYLINDER SET MASTER	CYLINDER SET MASTER	1	
	82	53172-KFAF-910	BRKT HNDL	BRKT HNDL	1	
**	67	53175-KXBX-E10	LEVER R STRG HANDLE	LEVER R STRG HANDLE	1	
**	83	53178-KXBX-E00	LEVER L STRG HANDLE	LEVER L STRG HANDLE	1	
	81	5317B-KXBX-E00	BRKT ASSY L HANDLE	BRKT ASSY L HANDLE	1	
	76	53214-KKBK-900	SEAL R M/C	SEAL R M/C	1	
	68	90114-1F66-007	BOLT HANDLE LEVER	BOLT HANDLE LEVER	1	
	84	90115-GLE0-001	BOLT HNDL LEVER PIVOT	BOLT HNDL LEVER PIVOT	1	
	74	90145-MKS9-61A	OIL BOLT 10*22	OIL BOLT 10*22	2	
	75	90545-3L00-001	WASHER OIL BOLT	WASHER OIL BOLT	4	
	66	93600-04012-1G	SCREW FLAT 4*12	SCREW FLAT 4*12	2	
	70	93893-04012-18	SCREW WASHER 4*12	SCREW WASHER 4*12	1	



Sales mark	Ref no	Part no	Description	Reg description	Regd no	<b>F04</b>
55		94001-05080-0S	NUT HEX 5MM	NUT HEX 5MM	1	
79		95015-32001	JOINT B BRAKE ARM	JOINT B BRAKE ARM	1	
80		95015-42000	NUT B ADJUST	NUT B ADJUST	1	
72		95701-06025-06	BOLT FLANGE 6*25	BOLT WASHER 6*25	2	
90		96001-06012-08	BOLT FLANGE 6*12	BLOT FLANGE SH 6*12	1	
88		96001-06025-06	BOLT FLANGE SH 6*25	BOLT FLANGE 6*25	2	

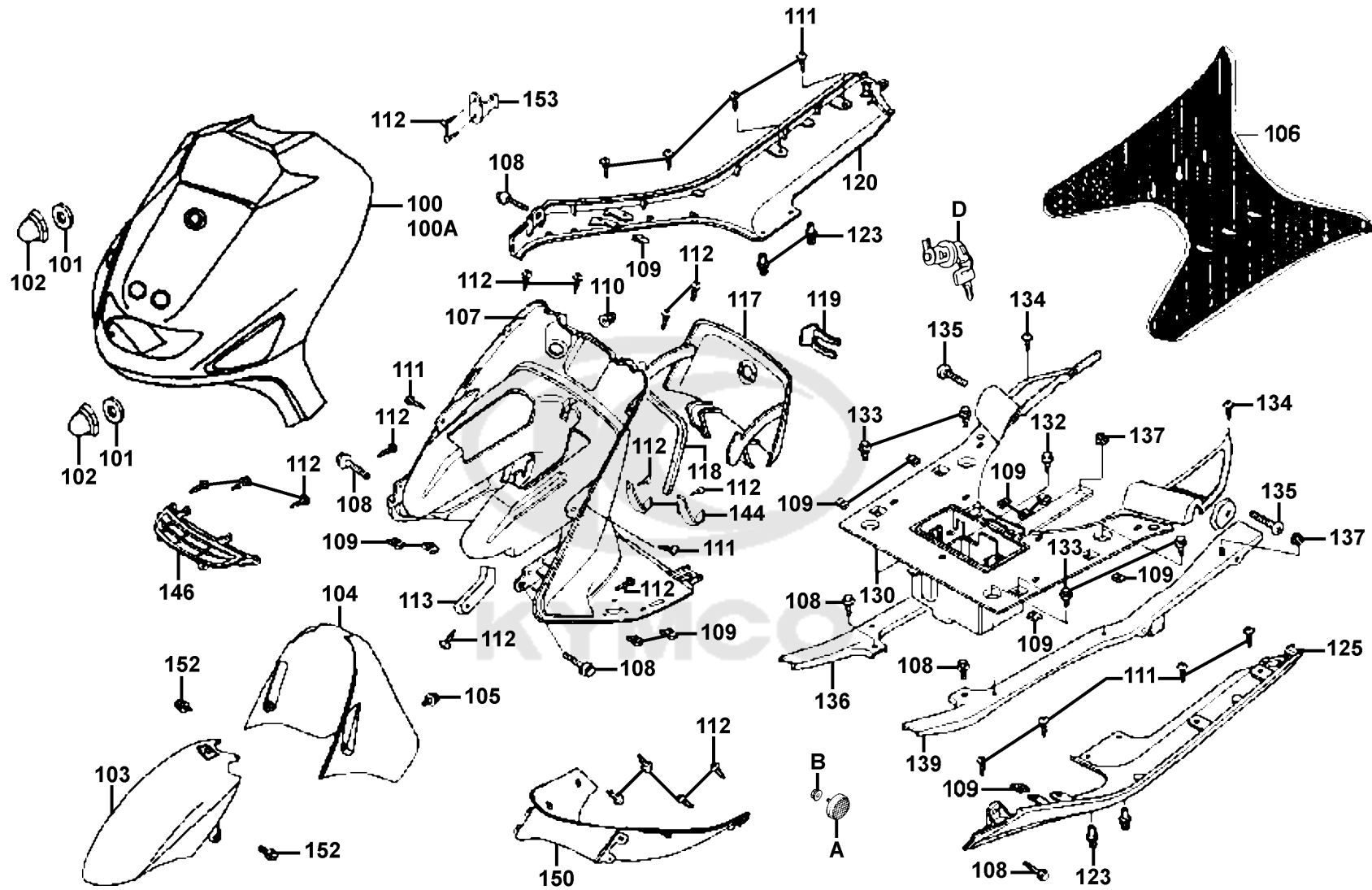




Sales mark	Ref no	Part no	Description	Reg description	Regd no	F05
A		33741-GFY6-C30	REFLEX REFLECTOR	REFLEX REFLECTOR	2	
136		50611-KFBF-900	RNFCT R FLOOR	RNFCT R FLOOR	1	
139		50612-KFBF-900	RNFCT L FLOOR	RNFCT L FLOOR	1	
**	103	61100-KKBK-900	FENDER A FR	FENDER A FR	1	
**	104	61101-KKBK-900	FENDER B FR	FENDER B FR	1	
**	100	64301-KKBK-900	COVER SET FRONT	COVER SET FRONT	1	
**	146	64302-KKBK-E00	GRILL CENTER	GRILL CENTER	1	
**	107	64304-KNDN-E00	LEG SHIELD	LEG SHIELD	1	
**	120	64305-KKBK-900	SKIRT R SIDE	SKIRT R SIDE	1	
**	125	64306-KKBK-900	SKIRT L SIDE	SKIRT L SIDE	1	
**	117	64308-KKBK-900	LID INNER BOX	LID INNER BOX	1	
**	130	64310-KZCZ-900	FLOOR PANEL COMP	FLOOR PANEL COMP	1	
	153	64311-KFAF-900	STAY RELAY	STAY RELAY	1	
**	106	64320-KKBK-900	MAT FLOOR	MAT FLOOR	1	
**	150	64400-KKBK-900	COWL UNDER	COWL UNDER	1	
	119	75581-6C73-001	SET SPG LOCK KEY	SET SPG LOCK KET	1	
D		77233-GFY6-305	LOCK ASSY INNER BOX	LOCK ASSY INNER BOX	1	
	144	81142-KKBK-900	STAY INNER BOX LID	STAY INNER BOX LID	2	
	118	81146-KFAF-900	SEAL INNER BOX	SEAL INNER BOX	1	
	133	90111-1G47-001	BOLT FLANGE 6*14	BOLT FLANGE 6*14	4	

F05

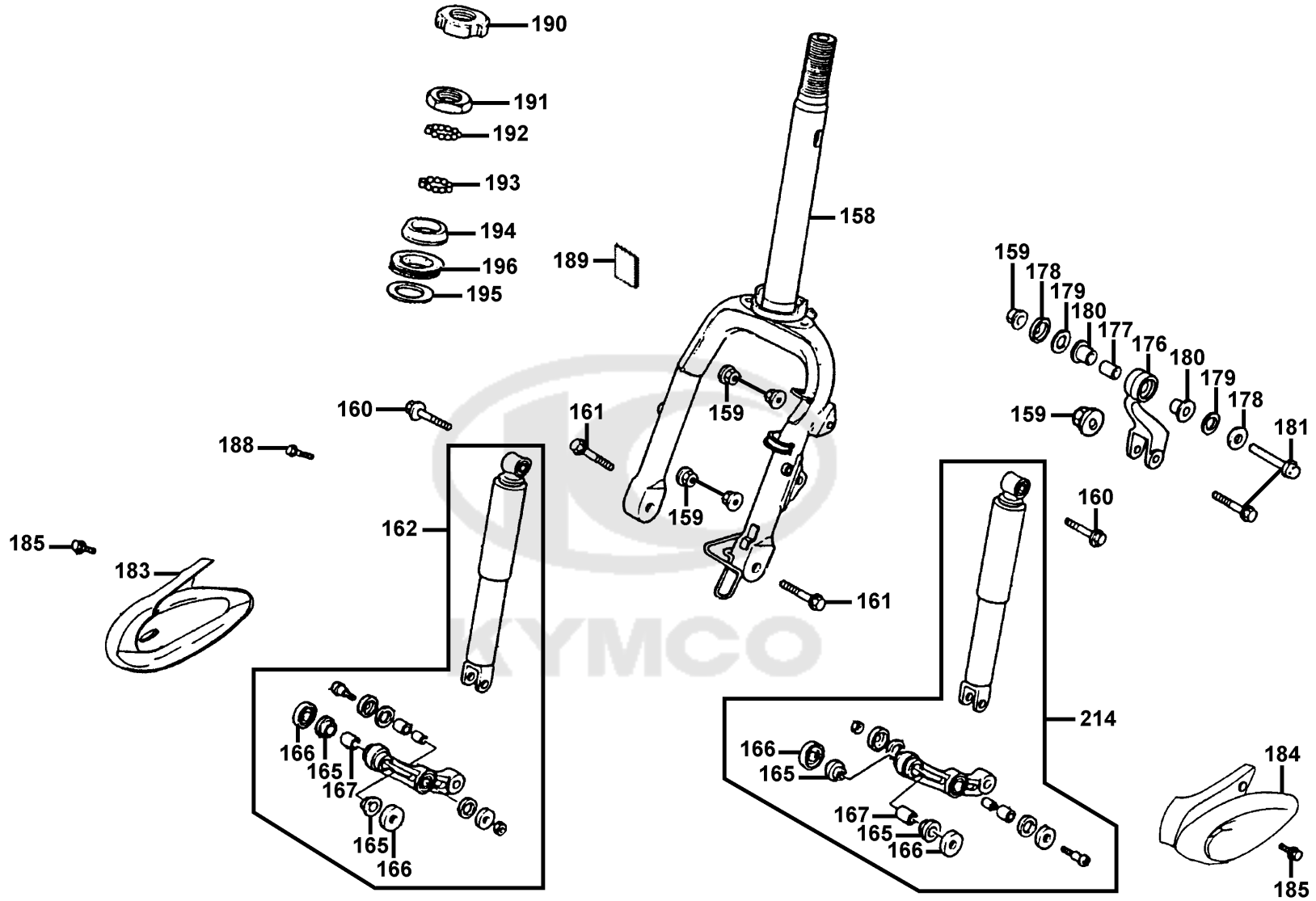
Front CoverFloor Panel



Sales mark	Ref no	Part no	Description	Reg description	Regd no	F05
132		90111-1G87-001	BOLT FLANGE 6MM	BOLT FLANGE 6MM	1	
105		90111-KFW6-001	BOLT FLANGE 6MM	BOLT FLANGE 6MM	2	
110		90301-6C93-001	NUT 6MM OPENSTAY	NUT 6MM OPEN STAY	1	
B		90301-6D34-671	NUT FLANGE 6MM	NUT FLANGE 6MM	2	
135		90302-GBR2-001	BOLT WASH 5*16	BOLT-WASH 5x16	2	
109		90302-SDA4-004	NUT SPRING 4MM	NUT SPRING 4MM	14	
101		90474-7D04-000	WASHER 6*17*23	WASHER 6*17*23	3	
123		90683-GAR1-004	CLIP BODY COVER	CLIP BODY COVER	4	
152		93891-06016-06	SCREW WASHER 6X16	SCREW WASHER 6X16	2	
134		93903-14360	SCREW TAPPING 4*12	SCREW TAPPING 4*12	2	
112		93903-34360	SCREW TAPPING 4*12 (G)	SCREW TAPPING 4*12	16	
111		93903-GFY6-900	SCREW TAPPING 4*14	SCREW TAPPING 4*14	12	
102		94021-06020-0S	NUT HEX CAP 6MM	NUT HEX CAP 6MM	3	
137		94050-06080	NUT FLANGE 6MM	NUT FLANGE 6MM	2	
113		94591-27000	CLIP 2*70	CLIP 2*70	1	
108		95701-06012-08	BOLT FLANGE 6*12	BOLT FLANGE 6*12	6	

F06

# Front ForkFront Cushion

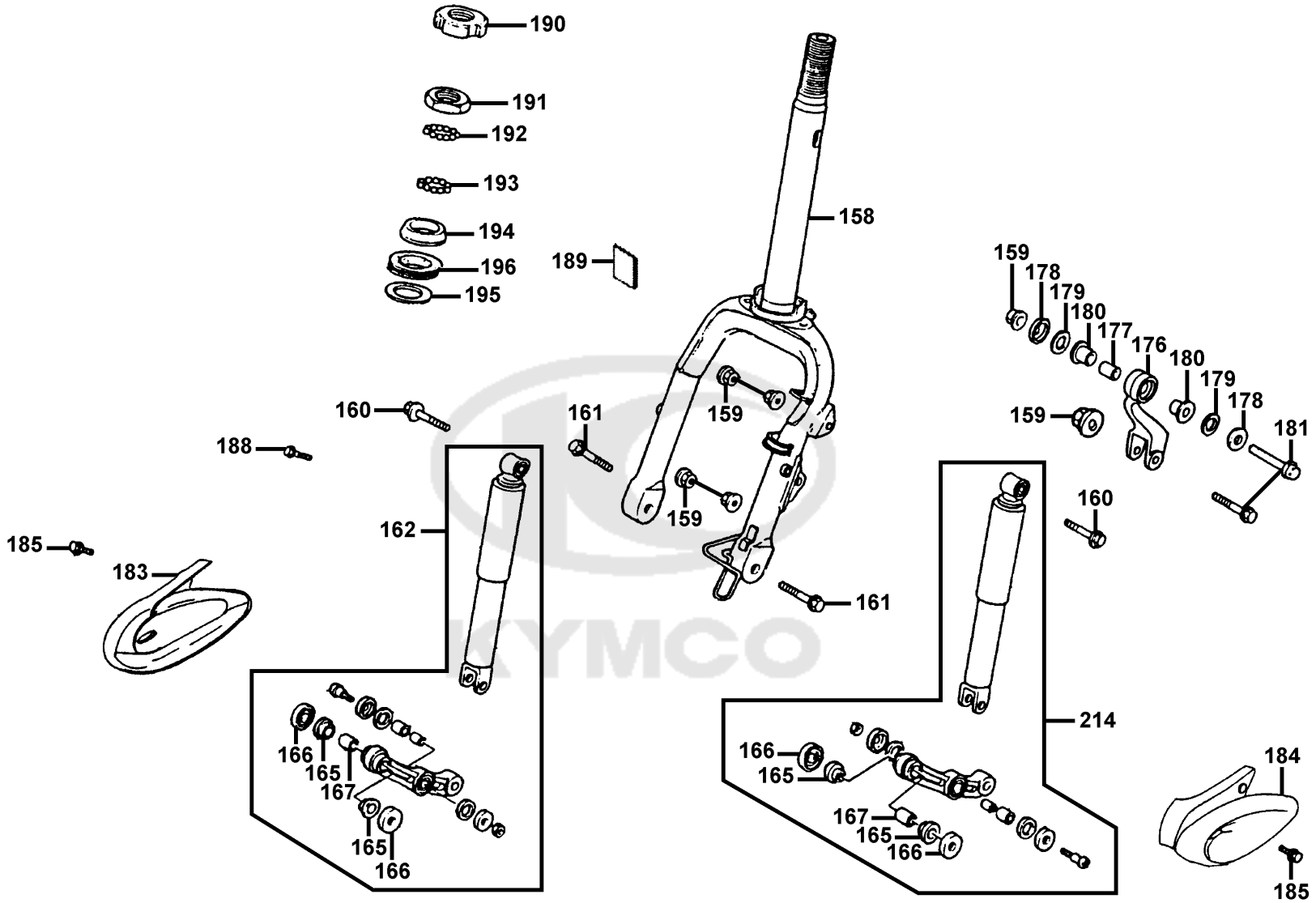




Sales mark	Ref no	Part no	Description	Reg description	Regd no	<b>F06</b>
	176	45432-KFLF-900	TRQUE LINK FR BRK	TRQUE LINK FR BRK	1	
	190	50306-1F96-001	NUT STRG STEM LOCK	NUT STRG STEM LOCK	1	
**	183	51103-KKBK-900	COVER R PIVOT ARM	COVER R PIVOT ARM	1	
**	184	51104-KKBK-900	COVER L PIVOT ARM	COVER L PIVOT ARM	1	
	158	51105-KKBK-900	FORK COMP FR	FORK COMP FR	1	
	166	51305-GKM9-004	DUST SEAL FR ARM	DUST SEAL FR ARM	4	
	180	51312-GFY6-900	BUSH TORQUE LINK	BUSH TORQUE LINK	2	
	165	51314-GKM9-71A	BUSH FR FORK UND	BUSH FR FORK UND	4	
	167	51334-GKM9-001	COLLAR FR FORK DIST	COLLAR FR FORK DIST	2	
	177	51334-KGV7-670	COLLAR TORQUE LINK	COLLAR TORQUE LINK	1	
	179	51335-0A01-001	SEAL FR CUSH UNDER	SEAL FR CUSH UNDER	2	
	178	51336-0A01-001	CAP FR CUSH UNDER DUST SEAL	CAP FR CUSH UNDER DUST SEAL	2	
	162	51350-KFAF-E00	ARM ASSY R	ARM ASSY R	1	
	214	51450-KFAF-E00	ARM ASSY L	ARM ASSY L	1	
	191	53211-GFY6-940	RACE STRG TOP CONE	RACE STRG TOP CONE	1	
	194	53212-2L50-011	RACE STRG BOT CONE	RACE (STRG BOTTOM) CONE	1	
	196	53214-2L50-001	DUST SEAL STRG(HEAD)	DUST SEAL STRG(HEAD)	1	
	195	53215-2L50-001	WASH STRG HDL DUST-SEAL	WASH STRG HDL DUST-SEAL	1	
	189	81142-HEH5-901	RUBBER LID STPR	RUBBER LID STPR	1	
	161	90111-GCC3-001	BOLT FLANGE 8*48	BOLT FLANGE 8*48	2	

F06

Front ForkFront Cushion

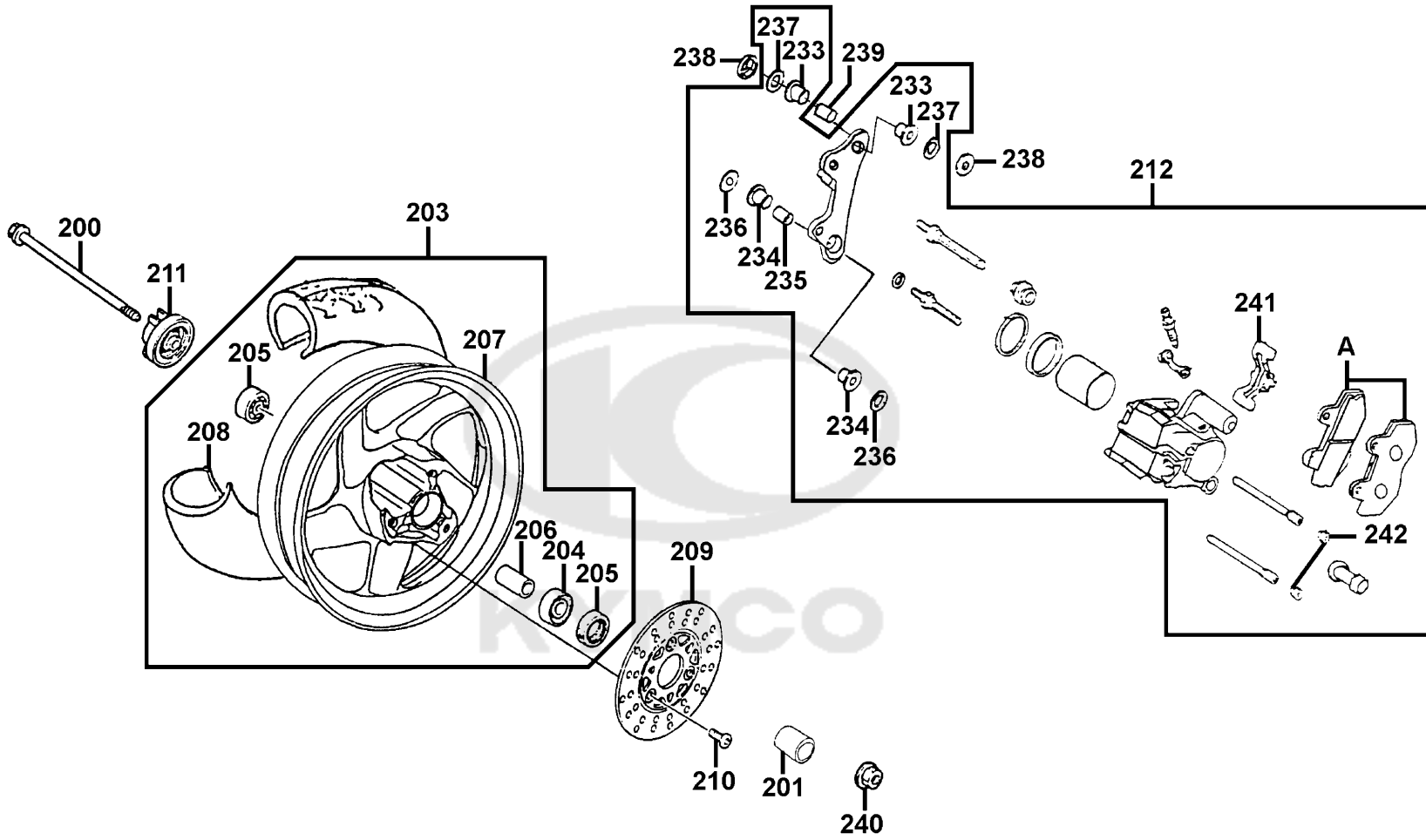


Sales mark	Ref no	Part no	Description	Reg description	Regd no	<b>F06</b>
160		90118-4A71-001	BOLT FLANGE 8*37	BOLT FLANGE 8*37	2	
181		90118-GFY6-901	BOLT FLANGE 8*38	BOLT FLANGE 8*38	2	
159		90309-GLW0-90A	NUT U FLANGE 8MM	NUT U FLANGE 8MM	6	
185		90508-GHC8-000	BOLT FLANGE 5*7	BOLT FLANGE 5*7	2	
192		91014-LLJ3-E00	CASE STEERING TOPP #5	CAGE STEERING TOP	1	
193		91015-LLJ3-E00	CASE STEERING BOT #8	CAGE STEERING BOT	1	
188		95701-06010-08	BOLT FLANGE 6*10	BOLT FLANGE 6*10	1	



F07

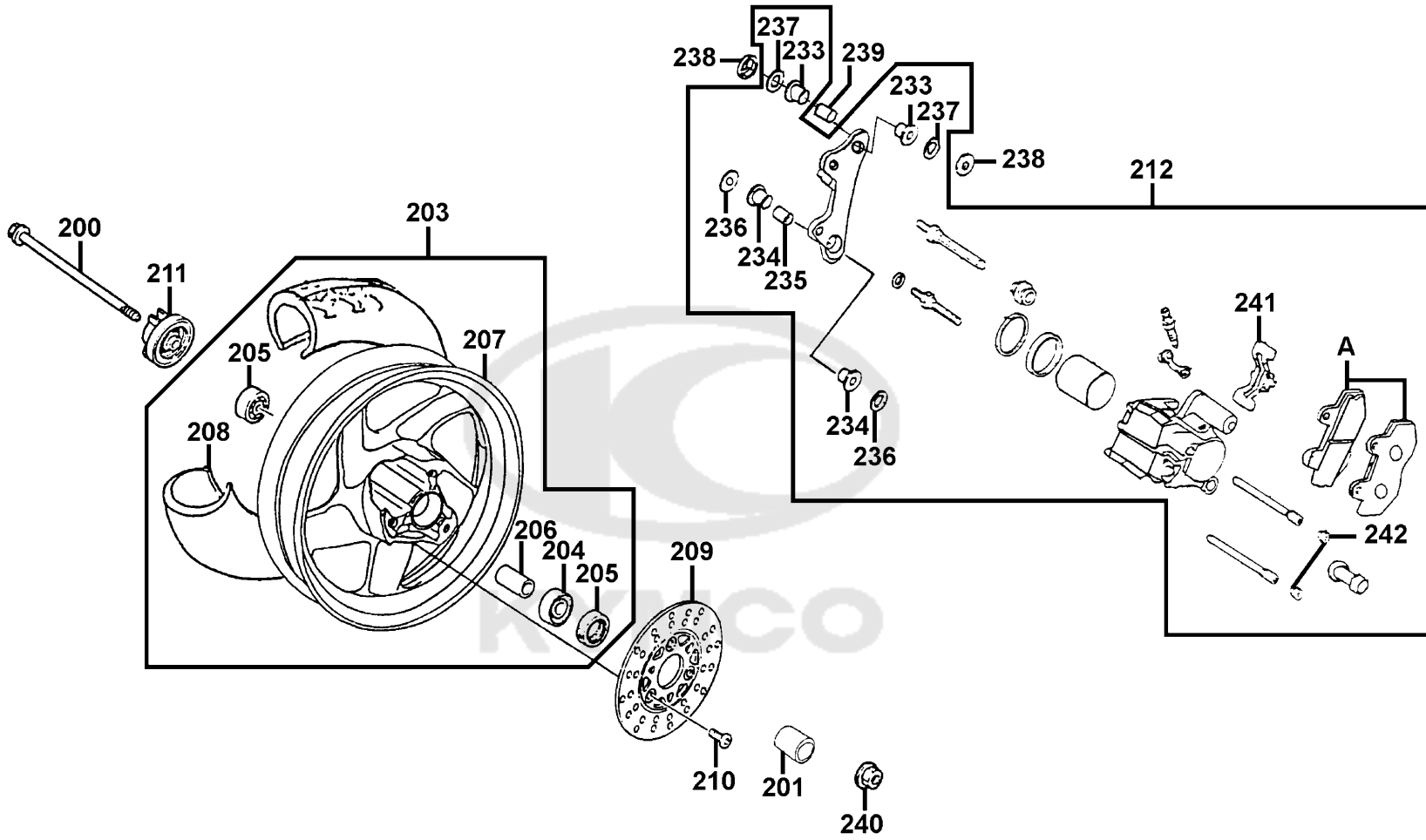
Front Wheel



Sales mark	Ref no	Part no	Description	Reg description	Regd no	F07
	208	42710-KZCZ-90B	TIRE ASSY	TIRE ASSY	1	
	200	44301-KKB1-E00	AXLE FR WHEEL	AXLE FR WHEEL	1	
	201	44311-GAR1-950	COLLAR FR WHEEL SIDE	COLLAR FR WHEEL SIDE	1	
	235	44313-KFLF-900	COLLAR FR CALIPER BRKT	COLLAR FR CALIPER BRKT	1	
**	207	44601-KFLF-910	WHEEL FR CAST	WHEEL FR CAST	1	
	206	44620-KFLF-910	COLLAR FR AXLE DISTANCE	COLLAR FR AXLE DISTANCE	1	
**	203	44650-KFLF-901	WHEEL SET FR	WHEEL SET FR	1	
	211	44800-KFLF-C00	GEAR BOX ASSY	GEAR BOX ASSY	1	
	236	45104-GKM9-004	DUST SEAL CALIPER	DUST SEAL CALIPER	2	
	241	45108-KKBK-901	SPRING PAD	SPRING PAD	1	
	209	45121-GAR1-950	DISK FR BRK	DISK FR BRK	1	
	234	45131-GFY6-900	BUSH FR BRAKE (CALIPER)	BUSH FR BRAKE (CALIPER)	2	
A		45150-KKBK-90B	PAD COMP FRONT	PAD COMP FRONT	2	
	242	45203-GAR1-951	PLUG PIN	PLUG PIN	2	
**	212	4520A-KKBK-900	CALIPER SET FR	CALIPER SET FR	1	
	233	51312-GFY6-900	BUSH TORQUE LINK	BUSH TORQUE LINK	2	
	239	51334-KGV7-670	COLLAR TORQUE LINK	COLLAR TORQUE LINK	1	
	237	51335-0A01-001	SEAL FR CUSH UNDER	SEAL FR CUSH UNDER	2	
	238	51336-0A01-001	CAP FR CUSH UNDER DUST SEAL	CAP FR CUSH UNDER DUST SEAL	2	
	210	90105-GAR1-950	BOLT FR DISK 8*17	BOLT FR DISK 8*17	3	

F07

Front Wheel



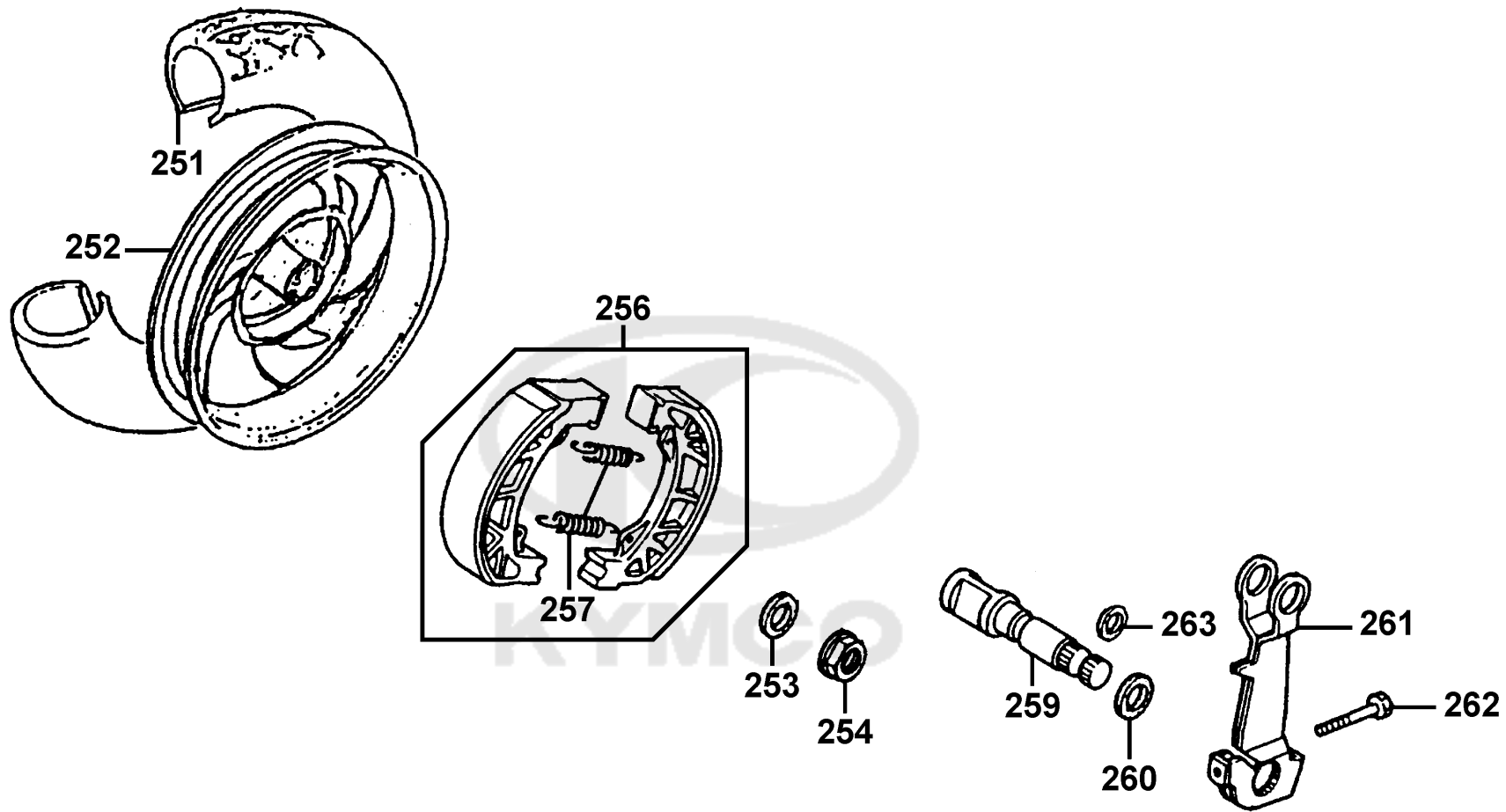
Sales mark	Ref no	Part no	Description	Reg description	Regd no	<b>F07</b>
------------	--------	---------	-------------	-----------------	---------	------------

240		90306-GLW0-90A	NUT FLANGE 12MM	NUT U FLANGE 12MM?	1	
204		90754-GHC8-00A	SEAL DUST 20*32*5	DUST SEAL 20*32*5	1	
205		90912-KFLF-00A	BEARING 6201 LLU	BEARING 6201 LLU	2	



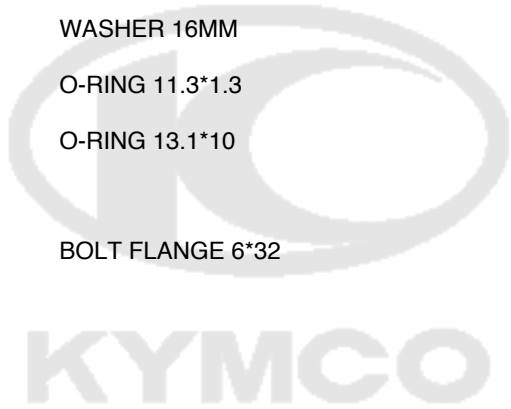
F08

Rear Wheel



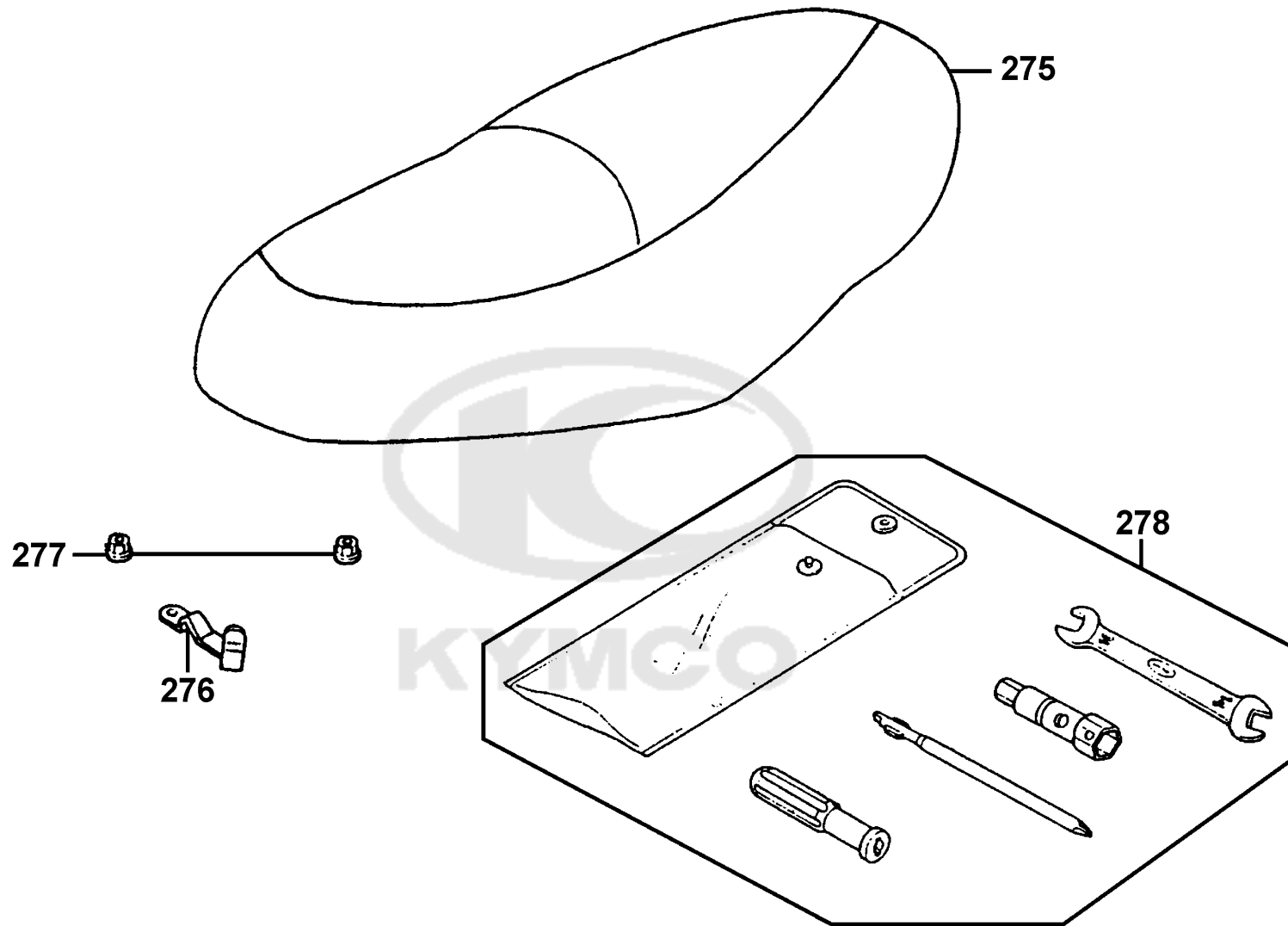


Sales mark	Ref no	Part no	Description	Reg description	Regd no	F08
**	252	42601-KZCZ-900	WHEEL COMP RR CAST	WHEEL COMP RR CAST	1	
	251	42710-KZCZ-90B	TIRE ASSY	TIRE ASSY	1	
	256	4312A-KZCZ-900	SHOE ASSY RR BRAKE	SHOE ASSY RR BRAKE	1	
	259	43141-GKAK-901	CAM RR BRAKE	CAM RR BRAKE	1	
	261	43410-GKAK-901	ARM COMP RR BRAKE	ARM COMP RR BRAKE	1	
	257	45133-0H28-001	SPRING BRAKE SHOE	SPRING BRAKE SHOE	2	
	254	90305-KNBN-90B	NUT U 16MM	NUT U 16MM	1	
	253	90501-KNBN-901	WASHER 16MM	WASHER 16MM	1	
	260	91352-KHG8-83B	O-RING 11.3*1.3	O-RING 11.3*1.3	1	
	263	91353-GFY6-900	O-RING 13.1*10	O-RING 13.1*1.0	1	
	262	95701-06032-08	BOLT FLANGE 6*32	BOLT FLANGE 6*32	1	



F09

Seat



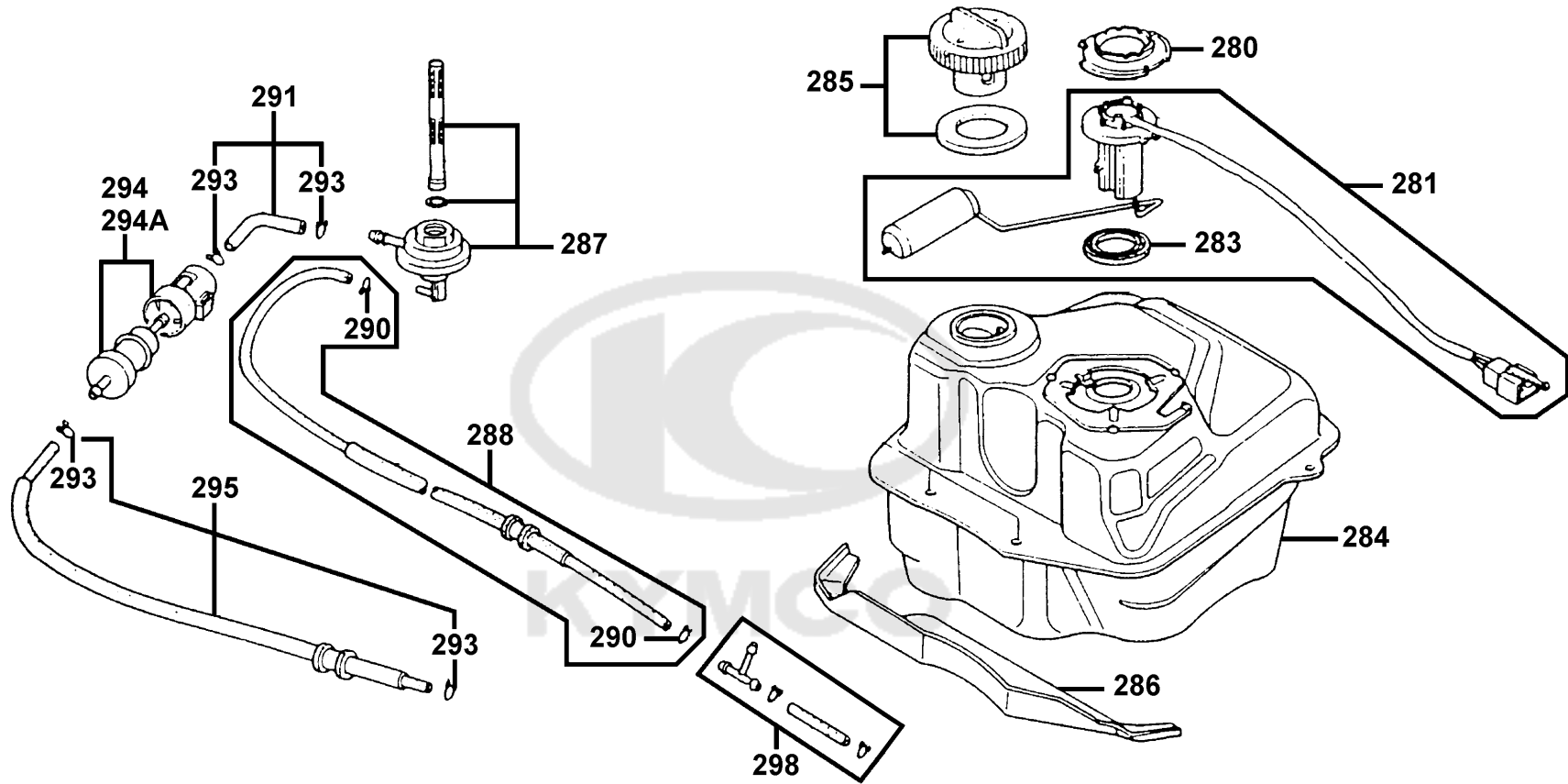
Sales mark	Ref no	Part no	Description	Reg description	Regd no	<b>F09</b>
------------	--------	---------	-------------	-----------------	---------	------------

**	275	77100-KFAF-E00	SEAT ASSY	SEAT ASSY	1	
	276	77106-GFY6-901	HOOK HELMET	HOOK HELMET	1	
	278	89010-KNBN-900	TOOL SET	TOOL SET	1	
	277	94050-06080	NUT FLANGE 6MM	NUT FLANGE 6MM	2	



F10

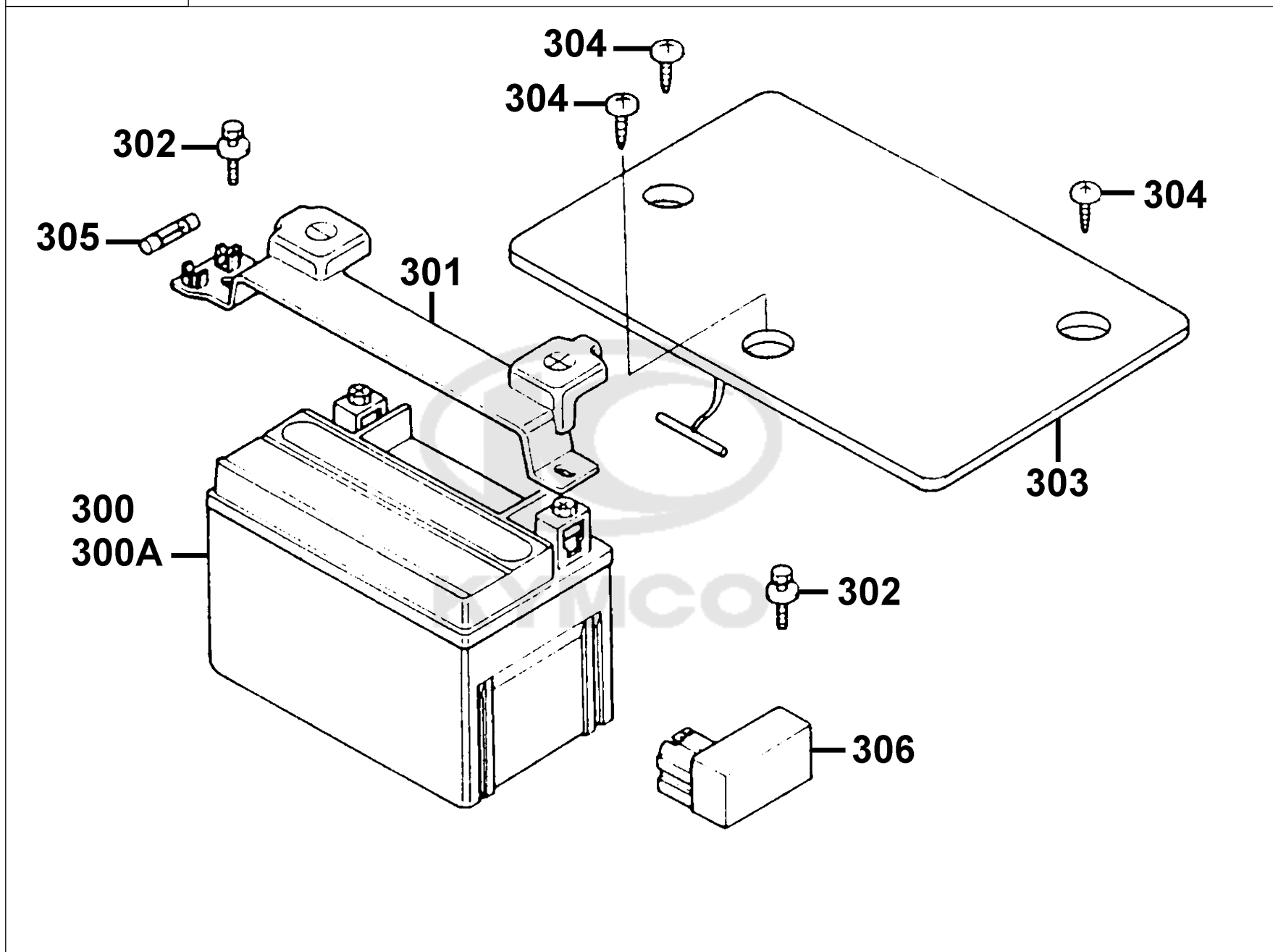
Fuel Tank



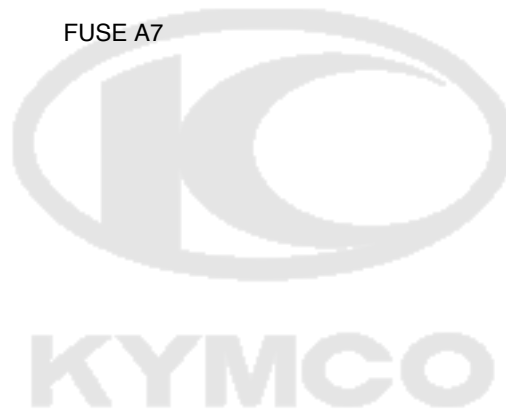
Sales mark	Ref no	Part no	Description	Reg description	Regd no	<b>F10</b>
294		1691A-GFY6-90A	STRAINER ASSY FUEL	STRAINER ASSY FUEL	1	
294A		1691A-GFY6-90B	STRAINER ASSY FUEL	STRAINER ASSY FUEL	1	
287		16950-KKJ9-75A	AUTO COCK ASSY FUEL	AUTO COCK ASSY FUEL	1	
284		17500-KFAF-C00	TANK COMP FUEL	TANK COMP FUEL	1	
286		17551-KZCZ-900	PLATE FUEL GUIDE	PLATE FUEL GUIDE	1	
285		17620-GGS7-67A	CAP COMP FUEL FILLER	CAP COMP FUEL FILLER	1	
298		17685-KZCZ-900	JOINT TUBE	JOINT TUBE	1	
291		1768A-KZCZ-900	TUBE ASSY FUEL	TUBE ASSY FUEL	1	
288		1768B-KZCZ-900	TUBE ASSY VACUUM	TUBE ASSY VACUUM	1	
295		1768C-KZCZ-900	TUBE ASSY FUEL	TUBE ASSY FUEL	1	
283		37801-GGA7-701	PACKING BASE	PACKING BASE	1	
280		37802-GGA7-701	RET FUEL UNIT	RET FUEL UNIT	1	
281		3780A-GFY6-940	FUEL UNIT ASSY	FUEL UNIT ASSY	1	
290		95002-02070	CLIP B7 TUBE	CLIP B7 TUBE	2	
293		95002-02080	CLIP B8 TUBE	CLIP B8 TUBE	4	

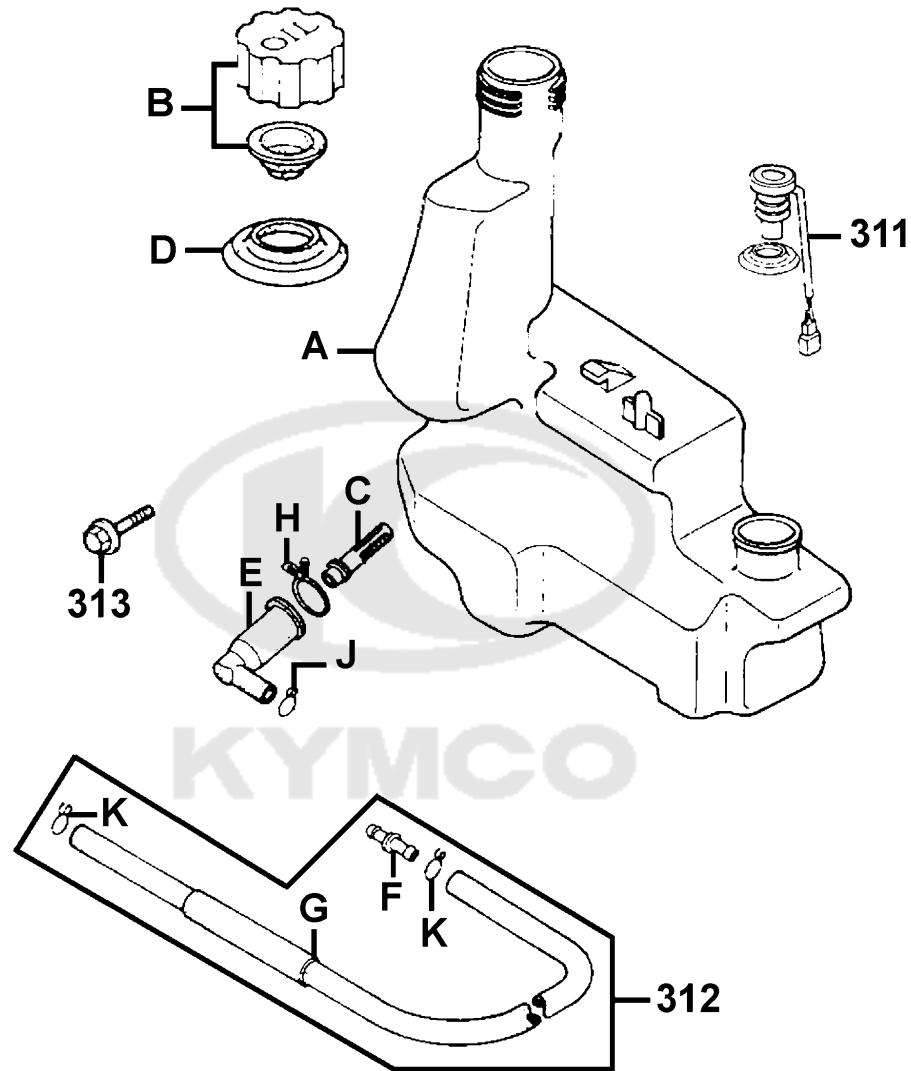
F11

Battery



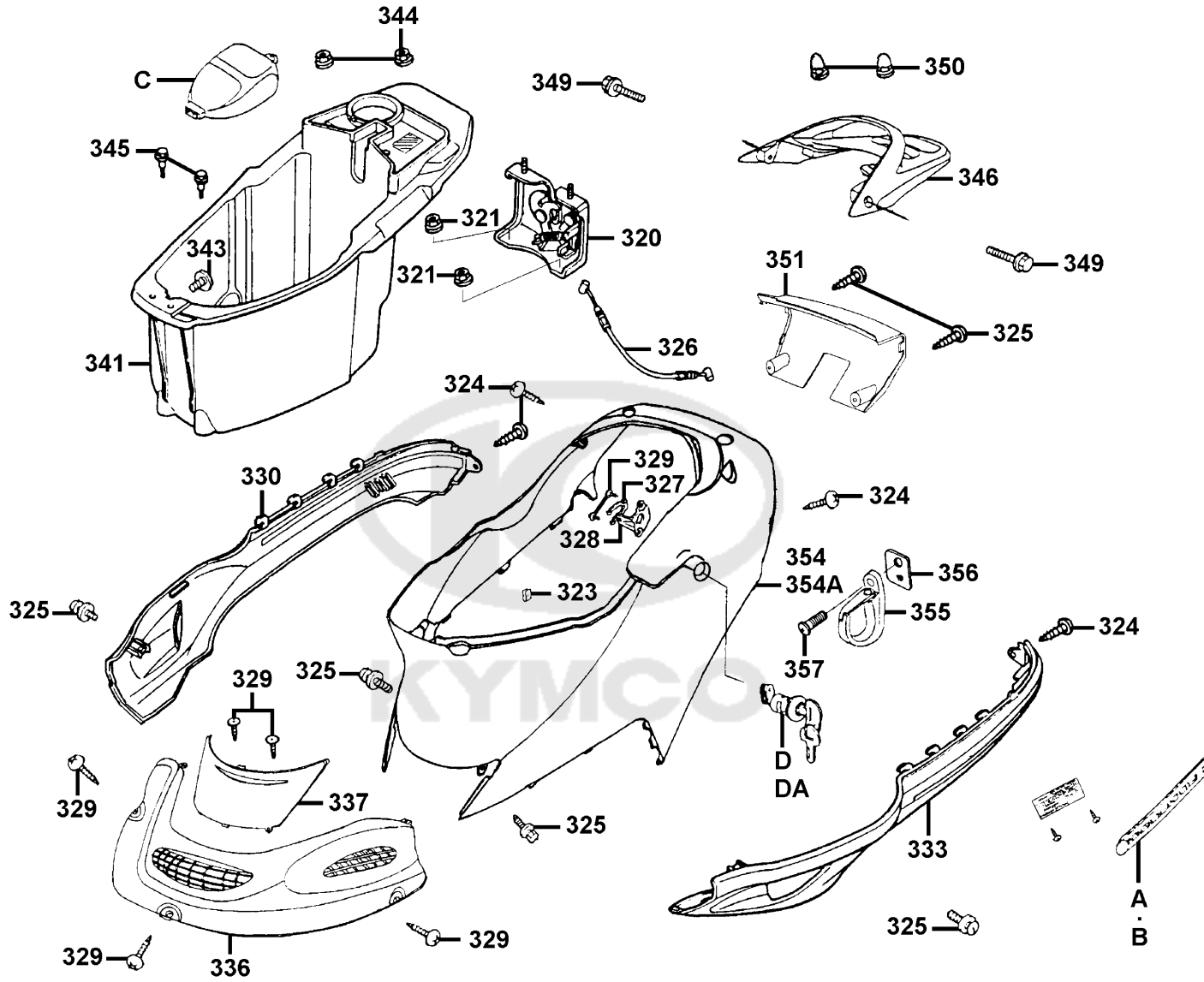
Sales mark	Ref no	Part no	Description	Reg description	Regd no	F11
	306	30400-KZCZ-900	UNIT COMP C D I &SPEED CONTROL	UNIT COMP C D I &SPEED CONTROL	1	
	300	31500-KCAC-90A	BATTERY YTX4L-BS	BATTERY YTX7A-BS	1	
	300A	31500-KCAC-90B	BATTERY GTX4L-BS	BATTERY GTX7A-BS	1	
**	303	50326-KFAF-900	COVER BATTERY	COVER BATTERY	1	
	301	50328-KZCZ-900	BAND BATTERT	BAND BATTERT	1	
	302	90302-GFY6-901	BOLT WASH 5*12	BOLT WASH 5*12	2	
	304	93903-45360	SCREW TAPPING 5*16	SCREW TAPPING 5*16	3	
	305	98200-10700	FUSE A7	FUSE A7	1	



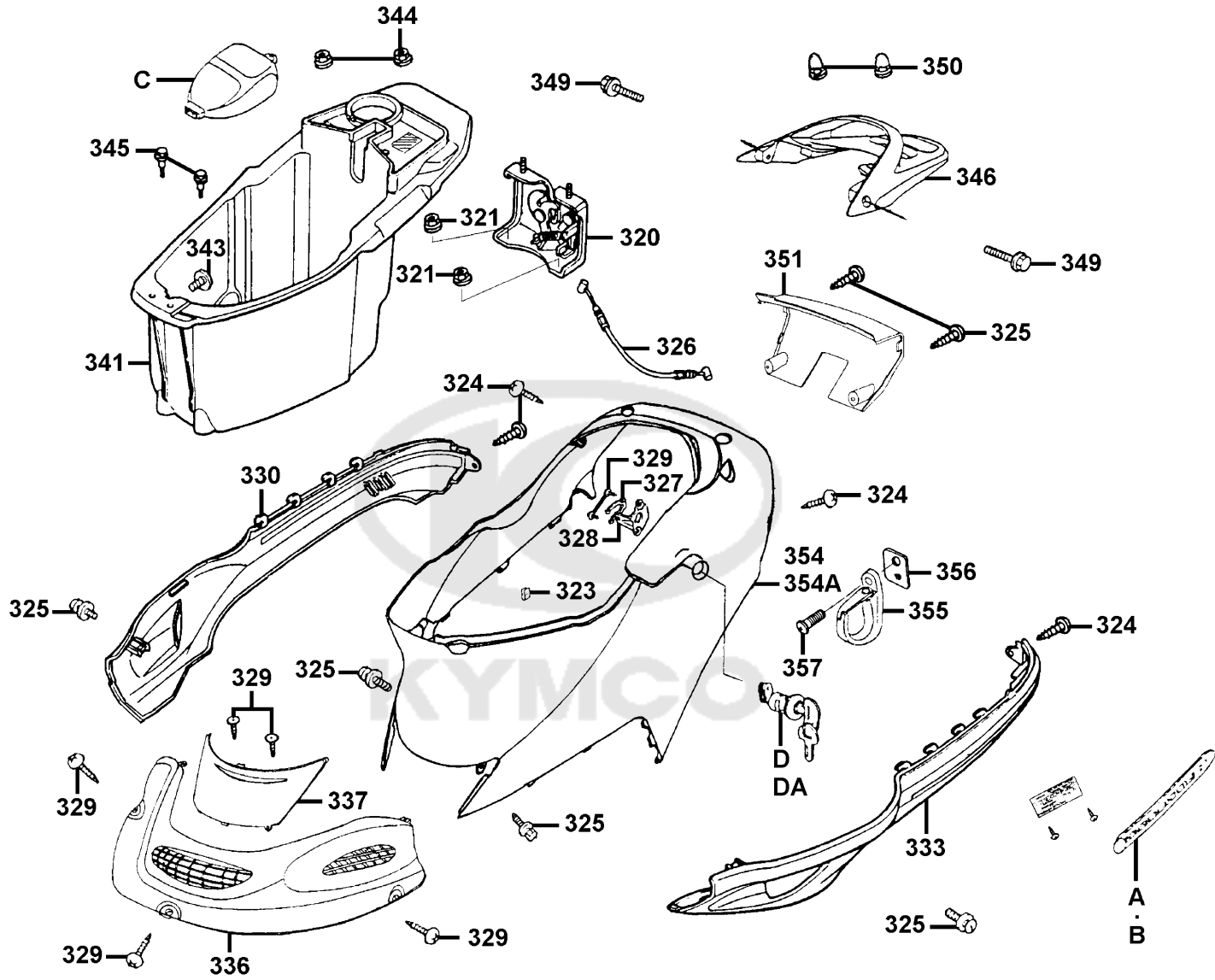




Sales mark	Ref no	Part no	Description	Reg description	Regd no	F12
H		15772-5A51-001	CLIP BREATHER TUBE	CLIP BREATHER TUBE	1	
C		17502-1G87-001	OIL STRAINER	OIL STRAINER	1	
311		35410-KZCZ-900	SW COMP OIL LEVEL	SW COMP OIL LEVEL	1	
A		55100-KZCZ-900	TANK OIL	TANK OIL	1	
F		55102-1F66-001	JOINT OIL TUBE	JOINT OIL TUBE	1	
B		55105-GHK8-001	CAP ASSY OIL	CAP ASSY OIL	1	
D		55121-KZCZ-900	RUBBER OIL GUIDE	RUBBER OIL GUIDE	1	
G		55123-KNBN-901	TUBE 5.3 OIL	TUBE 5.3 OIL	1	
312		55200-KNBN-901	TUBE ASSY OIL	TUBE ASSY OIL	1	
E		55201-GHC8-001	JOINT OIL STRN	JOINT OIL STRN	1	
313		93404-06016-06	BOLT WASHER 6*16	BOLT WASHER 6*16	1	
K		95002-02100	CLIP B15 TUBE	CLIP B10 TUBE	2	
J		95002-50000	CLIP C9 TUBE	CLIP C9 TUBE	1	

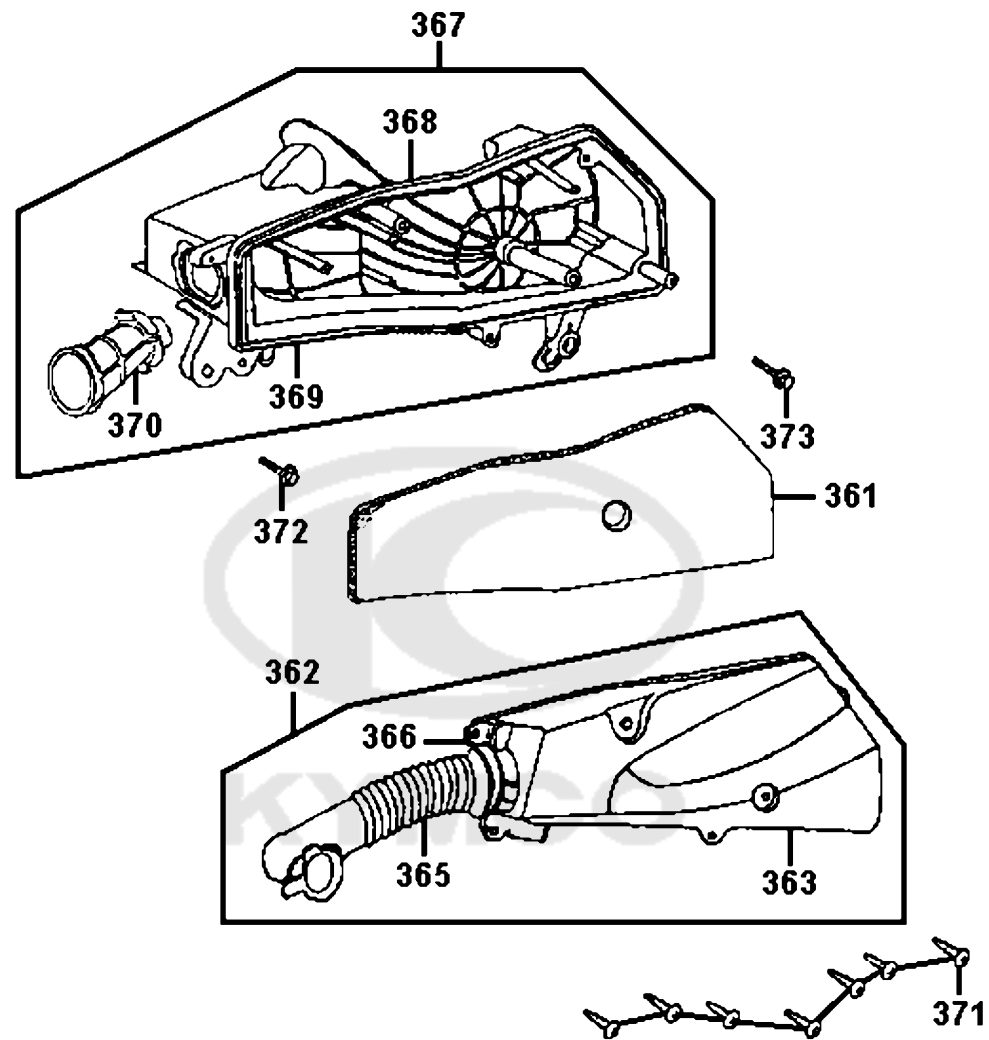


Sales mark	Ref no	Part no	Description	Reg description	Regd no	F13
	327	75581-6C73-001	SET SPG LOCK KEY	SET SPG LOCK KET	1	
	328	77232-KFAF-900	STAY SEAT LOCK	STAY SEAT LOCK	1	
	320	77235-GFY6-901	SEAT CATCH COMP	SEAT CATCH COMP	1	
	D	77239-GFY6-335-M1	KEY SEAT LOCK	KEY SEAT LOCK	1	
	DA	77239-GFY6-335-M2	KEY SEAT SET	KEY SEAT SET	1	
	326	77240-GGS7-001	CABLE SEAT LOCK	CABLE SEAT LOCK	1	
**	336	80152-KFAF-901	LID SPARK MAINT	LID SPARK MAINT	1	
**	346	81200-KFBF-900	CARRIER LUGGAGE	CARRIER LUGGAGE	1	
**	C	81257-GFY6-901	COVER ASSY CARB MAINT	COVER ASSY CARB MAINT	1	
**	341	8126A-KZCZ-900	BOX ASSY LUGGAGE	BOX ASSY LUGGAGE	1	
**	354	83500-KFAF-900	COVER SET BODY	COVER SET BODY	1	
**	354A	83500-KKBK-305	COVER SET BODY	COVER SET BODY	1	
**	330	83501-KFAF-900	R MOLD RR SIDE	R MOLD RR SIDE	1	
**	337	83505-KFAF-900	LID CYLN HEAD MAINT	LID CYLN HEAD MAINT	1	
	A	83507-KFAF-900	BUMMPER SIDE	BUMMPER SIDE	1	
**	333	83601-KFAF-900	L MOLD RR SIDE	L MOLD RR SIDE	1	
	B	83607-KFAF-900	BUMPER SIDE	BUMPER SIDE	1	
**	351	83751-KFAF-900	MOLDING RR CENTER	MOLDING RR CENTER	1	
	355	8376A-GFY6-900	HOOK CENTER ASSY	HOOK CENTER ASSY	1	
	356	83770-KFAF-900	STAY CENTER CLIP	STAY CENTER CLIP	1	

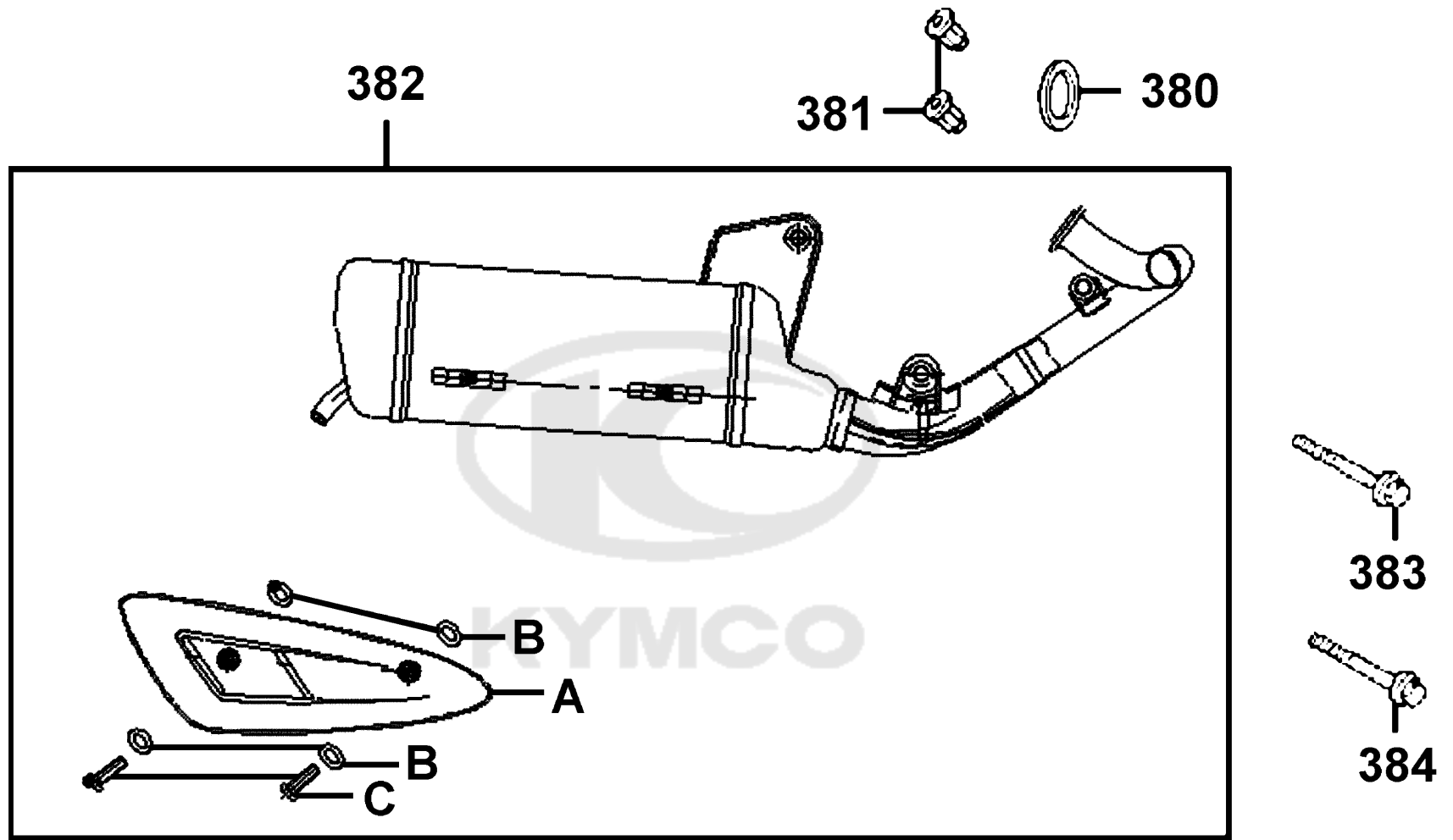


Sales mark	Ref no	Part no	Description	Reg description	Regd no	<b>F13</b>
350		90005-GGS7-000	NUT CAP BODY COVER	NUT CAP BODY COVER	2	
357		90101-KHLH-900	SCREW SPECIAL 6*20	SCREW SPECIAL 6*20	1	
349		90106-KFAF-900	BOLT SPECIAL	BOLT SPECIAL	2	
345		90111-1G87-001	BOLT FLANGE 6MM	BOLT FLANGE 6MM	2	
344		90301-6D34-671	NUT FLANGE 6MM	NUT FLANGE 6MM	2	
323		90305-GHK8-001	NUT CLIP 6MM	NUT CLIP 6MM	1	
343		90380-GGS7-001	SCREW SPECIAL 6*16	SCREW SPECIAL 6*16	1	
325		93891-05016-06	SCREW WASHER 5* 16	SCREW WASHER R/L 5*16	6	
329		93903-34360	SCREW TAPPING 4*12 (G)	SCREW TAPPING 4*12	6	
324		93903-GFY6-900	SCREW TAPPING 4*14	SCREW TAPPING 4*14	4	
321		94050-06080	NUT FLANGE 6MM	NUT FLANGE 6MM	2	





Sales mark	Ref no	Part no	Description	Reg description	Regd no	<b>F14</b>
361		17205-KZCZ-900	ELEMNT AIR/C	ELEMENT AIR/C	1	
368		17206-KNBN-901	CASE AIR/C	CASE AIR/C	1	
367		1720A-KNBN-901	CASE ASSY AIR/C	CASE ASSY AIR/C	1	
362		1720B-KZCZ-900	COVER ASSY AIR/C	COVER ASSY AIR/C	1	
363		17210-GKAK-901	COVER COMP AIR/C CASE	COVER COMP AIR/C CASE	1	
369		17212-KNBN-901	SEAL AIR/C CASE	SEAL AIR/C CASE	1	
365		17214-KNBN-901	DUCT A/C CASE	DUCT A/C CASE	1	
370		17253-KNBN-921	TUBE AIR/C CONN	TUBE AIR/C CONN	1	
366		18362-KDA4-701	BAND SILENCR SEAL	BAND SILENCR SEAL	1	
373		93404-06025-06	BOLT WASHER 6*25	BOLT WASHER 6*25	1	
371		93903-25580	SCREW TAPPING 5X25	SCREW TAPPING 5*20	7	
372		95801-06045-08	BOLT FLANGE 6*45	BOLT FLANGE 6*45	1	



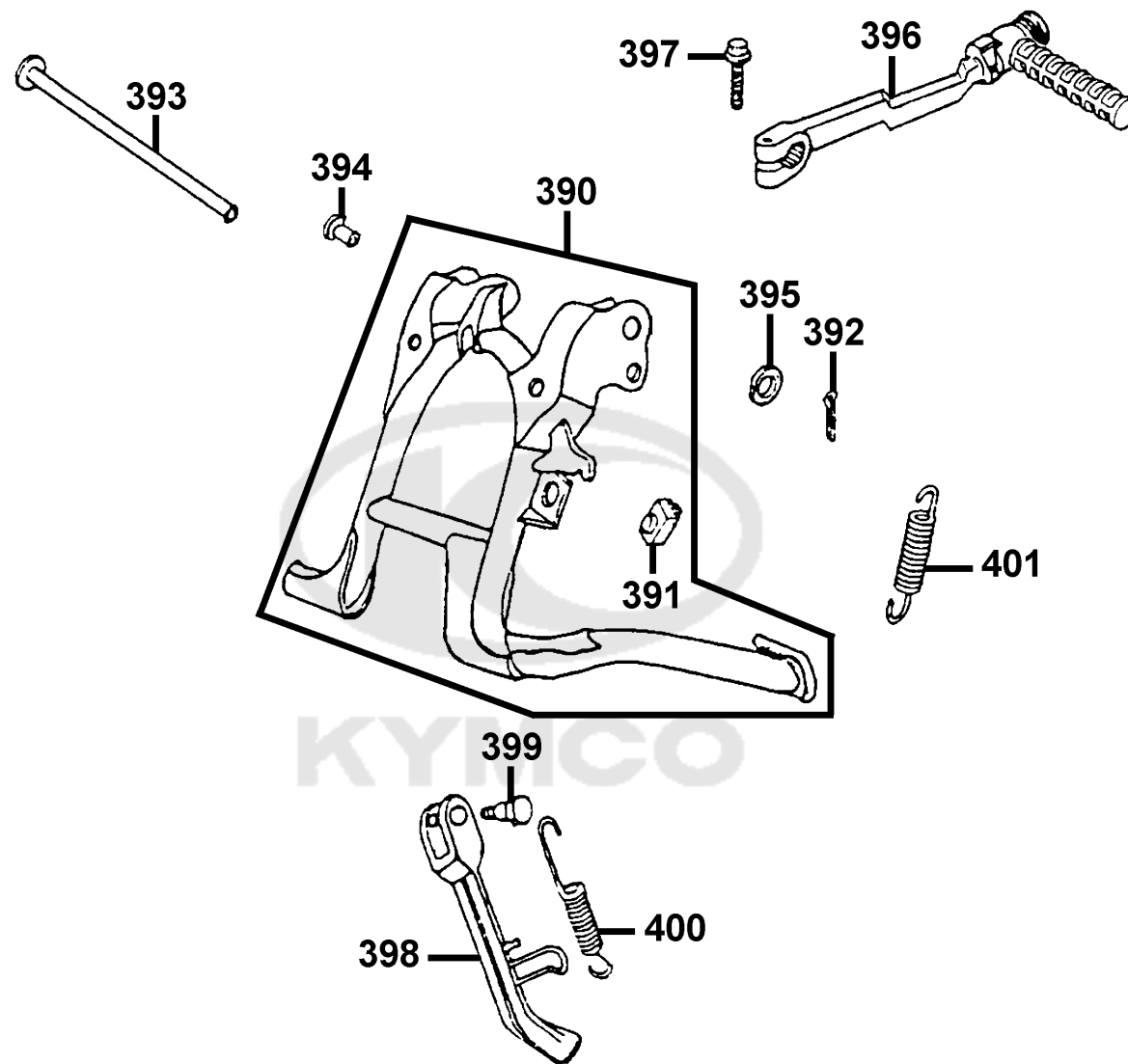


Sales mark	Ref no	Part no	Description	Reg description	Regd no	<b>F15</b>
380		18291-LBA7-900	GASKET EXH PIPE	GASKET EXH PIPE	1	
B		18292-1G47-001	PACKING MUFFLER PROTECTOR	PACKING MUFFLER PROTECTOR	4	
382		1830A-KZCZ-900	MUFFLER ASSY EXH	MUFFLER ASSY EXH	1	
A		18318-KBCB-900	PROTECTOR MUFFLER	PROTECTOR MUFFLER	1	
384		90021-GFY6-900	BOLT WASHER COMP	BOLT WASHER COMP	1	
381		90301-KGBG-900	NUT CAP 6MM	NUT CAP 6MM	2	
C		93891-05010-07	SCREW WASH 5*10	SCREW WASH 5*10	2	
383		95801-08042-06	BOLT FLANGE 8*42	BOLT FLANGE 8*42	1	



F16

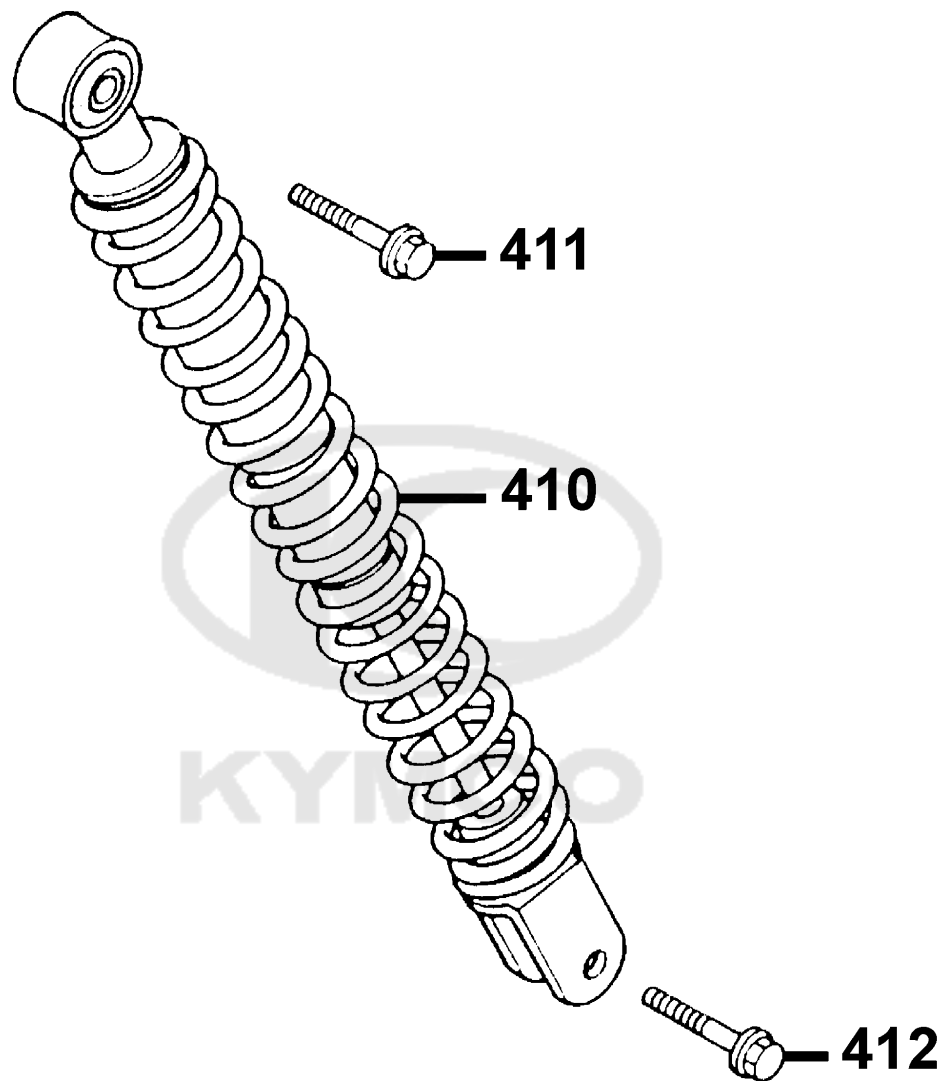
StandKick Starter Arm



Sales mark	Ref no	Part no	Description	Reg description	Regd no	<b>F16</b>
396		28300-KNBN-901	ARM ASSY KICK STARTER	ARM ASSY KICK STARTER	1	
394		50502-KNBN-901	RUBBER MAIN STAND SHAFT	RUBBER MAIN STAND SHAFT	1	
393		50503-KNBN-901	SHAFT MAIN STAND	SHAFT MAIN STAND	1	
390		5050A-KZCZ-900	STAND ASSY MAIN	STAND ASSY MAIN	1	
398		50530-KZCZ-900	STAND COMP SIDE	STAND COMP SIDE	1	
399		90108-GFY6-901	SCREW SIDE STAND PIVOT	SCREW SIDE STAND PIVOT	1	
395		94101-08800	WASHER PLAIN 8MM	WASHER PLAIN 8MM	1	
392		94251-08400	PIN LOCK 8MM	PIN LOCK 8MM	1	
391		95011-61000	STOPPER RUBBER	STOPPER RUBBER	1	
401		95014-71402	SPRING D MAIN STAND	SPRING D MAIN STAND	1	
400		95014-72204	SPG B1 SIDE STAND	SPG B1 SIDE STAND	1	
397		95701-06022-06	BOLT FLANGE 6*22	BOLT FLANGE 6*22	1	

F17

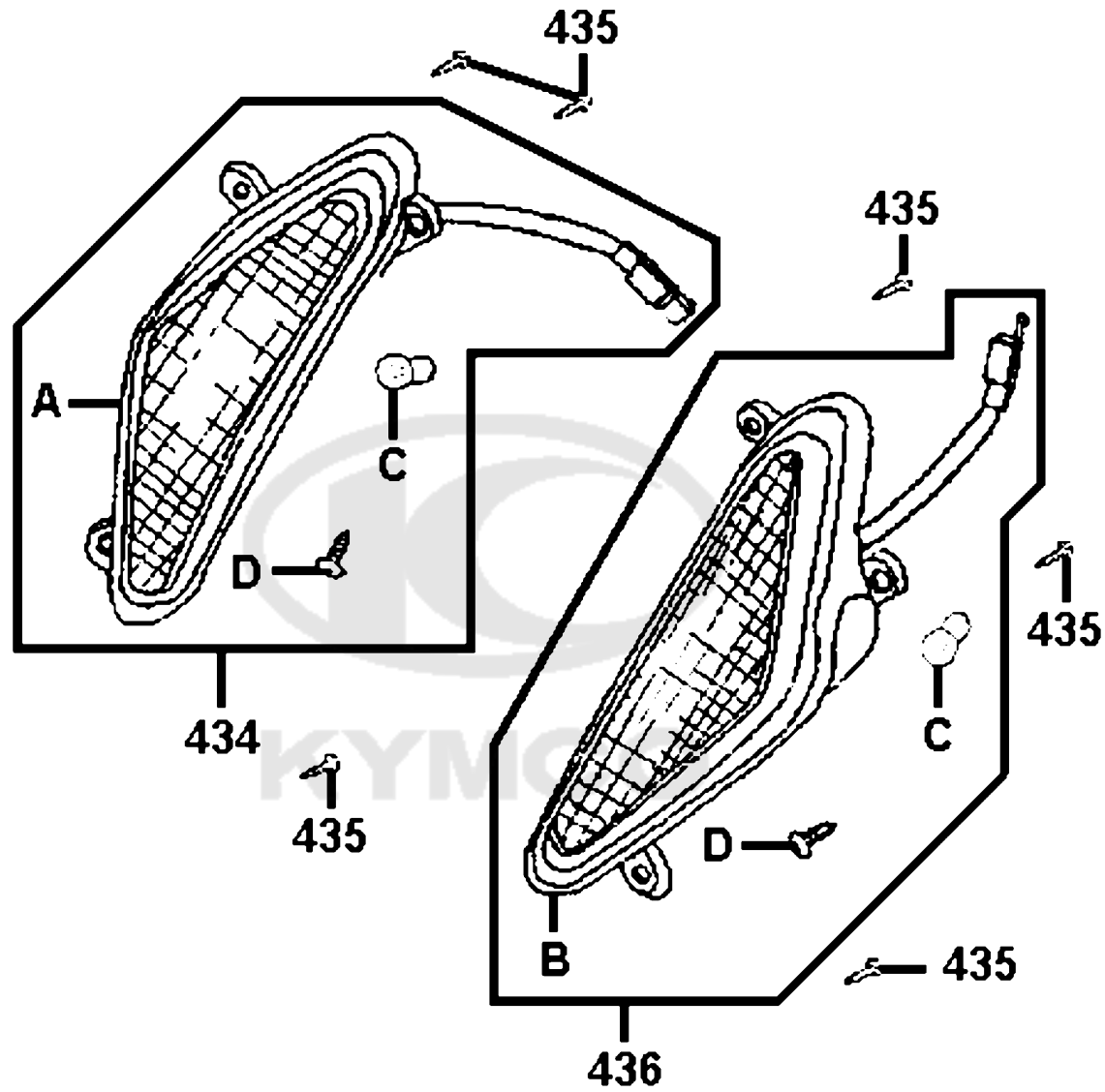
Rear Cushion



Sales mark	Ref no	Part no	Description	Reg description	Regd no	<b>F17</b>
------------	--------	---------	-------------	-----------------	---------	------------

410		52400-KZCZ-E00	CUSHION ASSY REAR	CUSHION ASSY REAR	1	
412		95801-08035-08	BOLT FLANGE 8*35	BOLT FLANGE 8*35	1	
411		95801-10035-08	BOLT FLANGE 10*35	BOLT FLANGE 10*35	1	



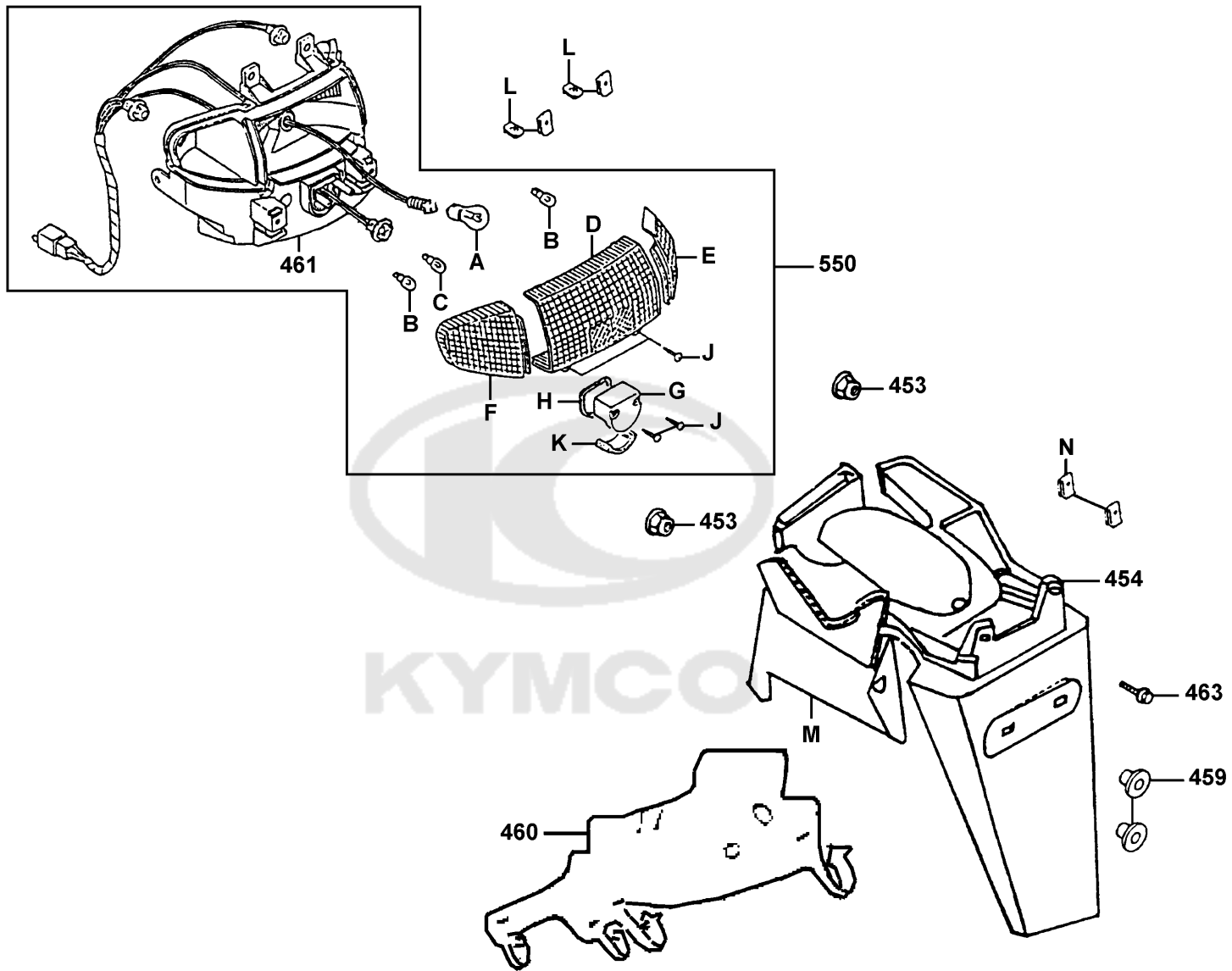


Sales mark	Ref no	Part no	Description	Reg description	Regd no	<b>F18</b>
	434	33400-KKBK-E00	WINKER ASSY FR R	WINKER ASSY FR R	1	
A		33402-KKBK-E00	LENS R FR WINKER	LENS R FR WINKER	1	
436		33450-KKBK-E00	WINKER ASSY FR L	WINKER ASSY FR L	1	
B		33452-KKBK-E00	LENS L FR WINKER	LENS L FR WINKER	1	
C		34905-KPCP-900	BULB WINKER	BULB WINKER	2	
D		93901-32510	SCREW TAPPING 3*10	SCREW TAPPING 3*10	2	
435		93903-34360	SCREW TAPPING 4*12 (G)	SCREW TAPPING 4*12	6	



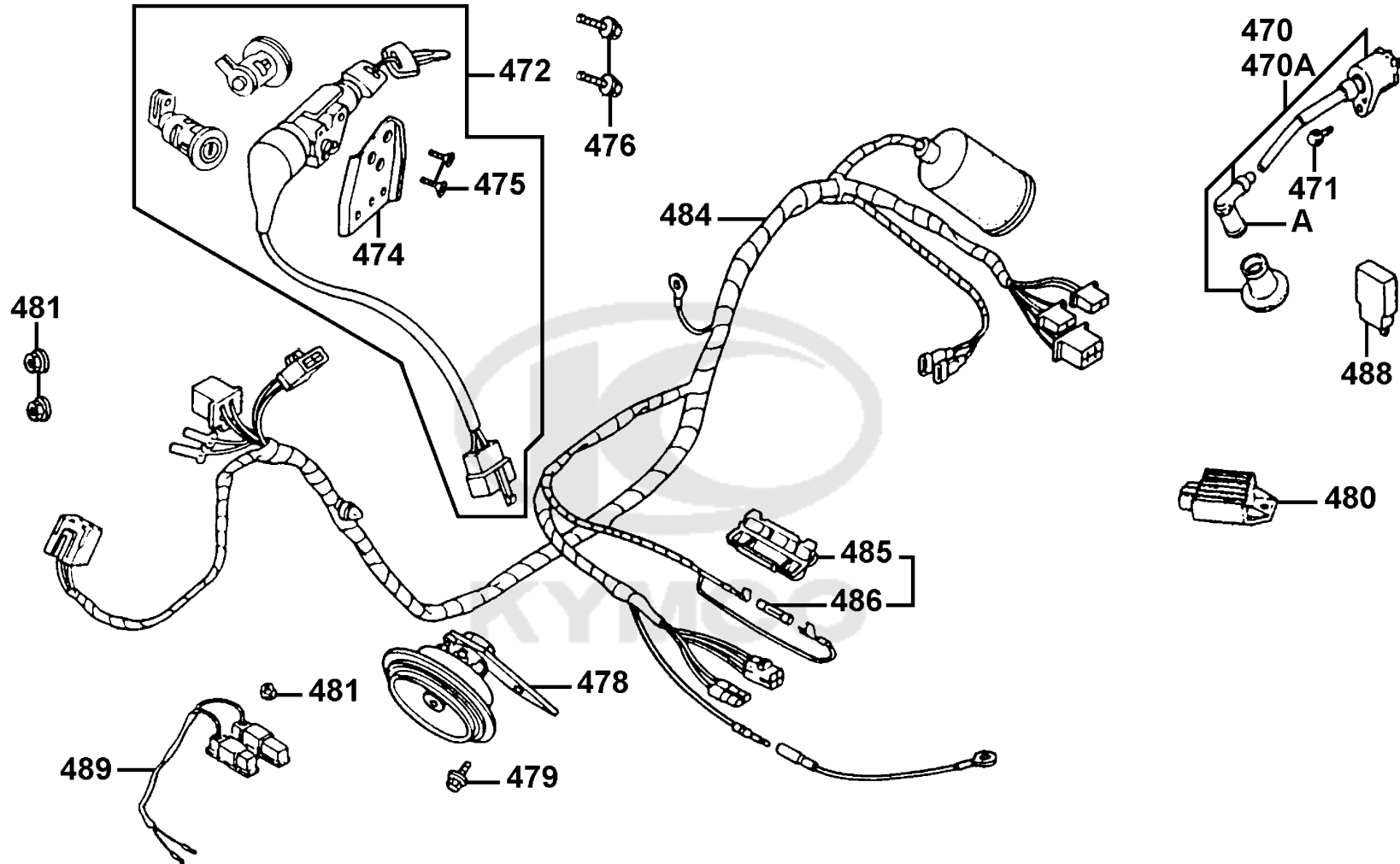
F19

Tail Light Rear Fender

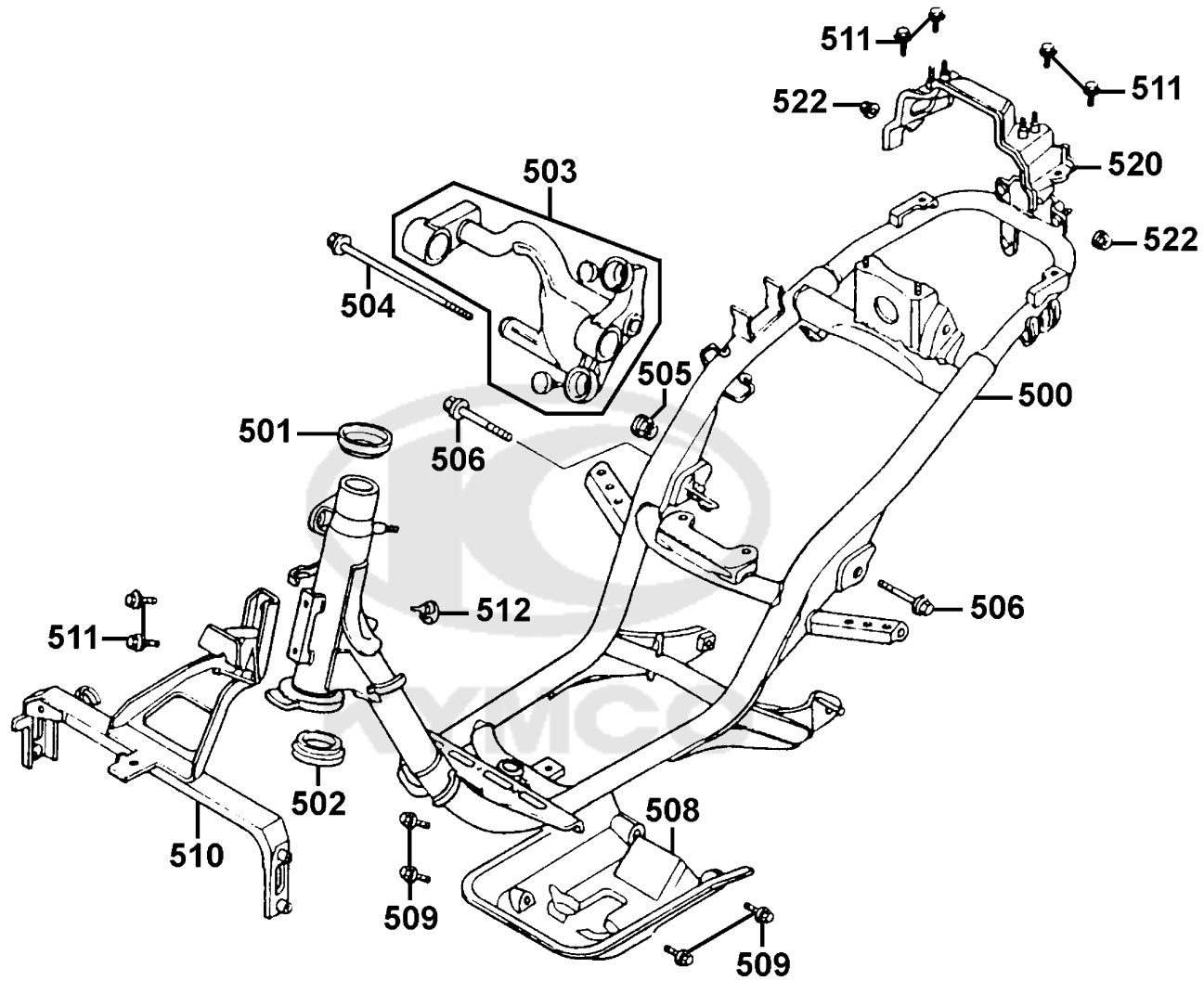




Sales mark	Ref no	Part no	Description	Reg description	Regd no	F19
	550	33700-KFAF-E00	LIGHT ASSY RR COMB	LIGHT ASSY RR COMB	1	
	D	33702-KFAF-900	LENS COMP TAIL LIGHT	LENS COMP TAIL LIGHT	1	
	E	33704-KFAF-900	LENS R RR WINKER	LENS R RR WINKER	1	
	K	33705-GCN3-67A	LENS LICENSE	LENS LICENSE	1	
	461	33705-KFAF-E00	BASE RR COMB	BASE RR COMB	1	
	G	33706-GCN3-67A	COVER LICENSE	COVER LICENSE	1	
	H	33709-KBAB-003	PACKING LICENSE	PACKING LICENSE	1	
	F	33754-KFAF-900	LENS L RR WINKER	LENS L RR WINKER	1	
	C	34903-KPCP-900	BULB POSITION	BULB POSITION	1	
	B	34905-KPCP-900	BULB WINKER	BULB WINKER	2	
	A	34906-KPCP-900	BULB TAIL & STOP 12V21W/5W	BULB TAIL & STOP 12V21W/5W	1	
	460	80102-KZCZ-900	PLATE SPLASH GUARD	PLATE SPLASH GUARD	1	
	M	80104-GFY6-941	PLATE SPLASH GUARD	PLATE SPLASH GUARD	1	
**	454	80105-KFAF-900	FENDER RR	FENDER RR	1	
	463	90101-0G87-721	SCREW HEAD LIGHTT SET	SCREW HEAD LIGHTT SET	1	
	453	90301-6D34-671	NUT FLANGE 6MM	NUT FLANGE 6MM	4	
	L	90302-SDA4-004	NUT SPRING 4MM	NUT SPRING 4MM	4	
	459	90522-0H28-001	WASHER CHAIN CASE SETTING	WASHER CHAIN CASE SETTING	2	
	N	90677-GAR1-004	NUT CLIP 5MM	NUT CLIP 5MM	2	
	J	91508-KGV7-67A	SCREW TAPPING 4*14	SCREW TAPPING 4*14	2	




Sales mark	Ref no	Part no	Description	Reg description	Regd no	<b>F20</b>
470		30500-KZCZ-90A	IGN COIL PLUG CAP ASSY	IGN COIL PLUG CAP ASSY	1	
470A		30500-KZCZ-90B	IGN COIL PLUG CAP ASSY	IGN COIL PLUG CAP ASSY	1	
A		30700-KNBN-901	CAP ASSY NOISE SUPPRESOR	CAP ASSY NOISE SUPPRESOR	1	
480		31600-KUDU-900	REG REC COMP	REG REC COMP	1	
484		32100-KNDN-900	HARNES WIRE	HARNES WIRE	1	
485		32120-1E55-001	CASE FUSE	CASE FUSE	1	
472		3501A-KNDN-900	SW ASSY LOCK	SW ASSY LOCK	1	
489		35400-KNBN-900	RESISTER COMP	RESISTER COMP	1	
478		38110-GGS7-E0A	HORN COMP	HORN COMP	1	
488		38501-GBW2-902	RELAY COMP START	RELAY COMP START	1	
474		53129-KNDN-90B	PLATE HANDLE LOCK	PLATE HANDLE LOCK	1	
471		90112-KRDR-900	BOLT FLANGE 5*22	BOLT FLANGE 5*22	1	
475		90164-0H28-900	SCREW FLAT U LOCK 6*12	SCREW FLAT U LOCK 6*12	2	
481		94050-06080	NUT FLANGE 6MM	NUT FLANGE 6MM	4	
479		95701-08012-08	BOLT FLANGE 8*12	BOLT FLANGE 8*12	1	
476		95701-08016-08	BOLT FLANGE 8*16 (C)	BOLT FLANGE 8*16	2	
486		98200-10700	FUSE A7	FUSE A7	1	



Sales mark	Ref no	Part no	Description	Reg description	Regd no	F21
500		50100-KNDN-E10	BODY COMP FRAME	BODY COMP FRAME	1	
501		50301-KGN7-671	RACE UP STRG BALL	RACE UP STRG BALL	1	
502		50302-2H68-011	RACE STRG BOT BALL	RACE STRG BOT BALL	1	
503		50350-KZCZ-900	HANGER ASSY ENG	HANGER ASSY ENG	1	
508		50613-KNDN-900	COVER UNDER	COVER UNDER	1	
512		64307-GFY6-901	CAP PIPE END	CAP PIPE END	1	
510		64315-KKBK-901	STAY FR COVER	STAY FR COVER	1	
520		81202-KFAF-900	BRKT CARRIER	BRKT CARRIER	1	
504		90106-KZCZ-900	BOLT FLANGE 10*260	BOLT FLANGE 10*260	1	
505		90304-GHE8-004	NUT U 10MM	NUT U 10MM	1	
522		94050-06080	NUT FLANGE 6MM	NUT FLANGE 6MM	2	
511		95701-06012-08	BOLT FLANGE 6*12	BOLT FLANGE 6*12	6	
509		95701-06016-08	BOLT FLANGE 6*16	SCREW SPECIAL 6*16	4	
506		95801-10040-08	BOLT FLANGE 10*40	BOLT FLANGE 10*40	4	

**CAUTION**

- This air hole is a air inlet hole.
- Do't block the air hole, avoid affecting the engine performance.
- Articles put in this box should not exceed 1.5kg.
- Water may enter into the box when washing the motorcycle. Be careful when put important articles in it.



Air Hole

Air Inlet Hole

660

**CAUTIONS**

Never put any article between the rear side cover and the engine to avoid interference of riding.

GMS-300

663

**Caution**

Tire Pressure: Front 50kg/cm<sup>2</sup> Rear 25kg/cm<sup>2</sup>  
 (One rider) Front 50kg/cm<sup>2</sup> Rear 25kg/cm<sup>2</sup>  
 Tire Size : Front 80/90-10 50J Rear 80/90-10 50J  
 This model adopts tubeless tire.  
 Go to KYMCO distributor for repair when tire broken.

Loading Capacity: Front Tool Box below 1.5kg  
 Met-in Box below 10kg

When refilling gasoline, check the motor oil level.  
 Riding with insufficient motor oil will cause break-down easily.

KYM-310

661

● Do not use to over a safety helmet when riding. Do not exceed the speed specified by law when riding.

● The exhaust outlet temperature is very high after riding. Be care to avoid the motorcycle is a flame and easily ignited by smoke.

● For riding safety and good performance, do not change the tire to modify the motorcycle.

● Make sure to perform the periodic maintenance and service frequently.

**Provide Inspection Items**

Engine performance, tires, 2cycle motor oil, lights, horn and instrument panel.

KYANG YANG MOTOR CO., LTD.

664

**CAUTIONS**

Before starting the engine, the side stand shall be kicked up to secure safety.

662

**Engine Oil Capacity**

Full Capacity	1.0ℓ
At Change	0.7ℓ

Check the oil level after oil is filled.

Idle the engine for 3 minutes and check the oil level again.

665

Sales mark	Ref no	Part no	Description	Reg description	Regd no	<b>F22</b>
**	660	81218-GFY6-E00	LABEL AIR DUCT CAUTION	LABEL AIR DUCT CAUTION	1	
**	661	87505-KNBN-E10	LABEL TIRE	LABEL TIRE	1	
**	662	87541-GAR1-E00	CAUTION SIDE STAND	CAUTION SIDE STAND	1	
**	665	87541-KFBF-E00	LABEL OIL CAP	LABEL OIL CAP	1	
**	663	87542-GAR1-E00	MARK MAINT CAUTION	MARK MAINT CAUTION	1	
**	664	87560-KNBN-E00	MARK DRIVE CAUTION	MARK DRIVE CAUTION	1	





671



672



673



Sales mark	Ref no	Part no	Description	Reg description	Regd no	<b>F23</b>
------------	--------	---------	-------------	-----------------	---------	------------

**	672	87231-KXBX-E00	EMB BODY COVER	EMB BODY COVER	3	
**	673	87532-KGAG-V00	MARK KYMCO	MARK KYMCO	1	
**	671	87556-KFAF-E00	EMB MARK KYMCO	EMB MARK KYMCO	1	



## PART NO. INDEX

PART NO.	VERSION	PAGE	PART NO.	VERSION	PAGE	PART NO.	VERSION	PAGE
<b>1000</b>			11203-GGC7-301	2	E09			
			11203-KHG8-301	2	E08	<b>14000</b>		
			11204-KNBN-901	0	E09			
1001-GC7H-0381	0	E11	11205-GHAH-004	0	E09	14100-GKAK-921	0	E09
1010-GAKH-9000	0	E11	11205-KNBN-901	0	E09			
1020-GAKH-9000	0	E11	11208-GKAK-901	0	E09	<b>15000</b>		
103J-073H-9900-SB0	0	E11	11341-KBCB-900	0	E05			
1051-KG8H-9010	0	E11	11395-GKAK-901	0	E05	15100-KEB7-E00	0	E09
105B-KBNH-9000	0	E11				15110-KNBN-901	0	E09
1300-GW0H-9000-K	0	E11	<b>12000</b>			15115-KNBN-921	0	E09
1703-GJ2H-0040	0	E11				1552A-KEB8-900	0	E09
1738-GJ2H-0040	0	E11	12101-GKAK-931	0	E02	15772-5A51-001	1	F12
1785-KBNH-9000-SB0	0	E11	12191-GKAK-901	0	E02			
1787-KG8H-9010	0	E11	12201-GKAK-921	0	E02	<b>16000</b>		
1793-144H-9900	0	E11	12251-GKAK-902	0	E02			
1799-KBNH-9000	0	E11				1610K-KZCZ-900	0	E11
			<b>13000</b>			16152-KG8-9010-M1	0	E11
<b>4000</b>						16162-KG8-9010-M1	0	E11
			13000-GKAK-921	9	E10	1621A-GKAK-901	0	E09
4000-022-0001	0	E11	13011-GKAK-91A	0	E10	1691A-GFY6-90A	4	F10
			13101-GKAK-902	1	E10	1691A-GFY6-90B	3	F10
<b>11000</b>			13111-1F66-001	2	E10	16950-KKJ9-75A	3	F10
			13115-1F56-001	0	E10			
11100-KZCZ-305	0	E09				<b>17000</b>		
11102-1G87-004	3	E09						
11200-KZCZ-306	0	E09				17100-GKAK-921	2	E09

## PART NO. INDEX

PART NO.	VERSION	PAGE	PART NO.	VERSION	PAGE	PART NO.	VERSION	PAGE
17111-GKAK-90A	0	E09	18362-KDA4-701	0	F14	22804-1H48-001	0	E07
17112-GKAK-90A	0	E09						
17205-KZCZ-900	0	F14	<b>19000</b>			<b>23000</b>		
17206-KNBN-901	1	F14						
1720A-KNBN-901	0	F14	19510-GBW2-901	6	E03	2301A-GKAK-220	2	E07
1720B-KZCZ-900	0	F14	19600-KTDT-900	0	E01	2301A-GKAK-930	1	E07
17210-GKAK-901	0	F14	19620-KZCZ-900	1	E01	23100-GKAK-901	1	E07
17212-KNBN-901	0	F14				23200-GAR1-751	0	E07
17214-KNBN-901	0	F14	<b>21000</b>			23220-GKAK-220	1	E07
17253-KNBN-921	0	F14				23225-GAR1-751	0	E07
17500-KFAF-C00	0	F10	21200-GKAK-305	6	E08	23233-GHE8-001	2	E07
17502-1G87-001	0	F12	21395-KNBN-901	1	E08	23237-GAR1-881	0	E07
17551-KZCZ-900	0	F10				23238-GFY6-941	0	E07
17620-GGS7-67A	5	F10	<b>22000</b>			23411-GKAK-921	0	E08
17685-KZCZ-900	0	F10				23420-GKAK-901	3	E08
1768A-KZCZ-900	0	F10	22100-GAR1-751	1	E07	23431-KNBN-901	2	E08
1768B-KZCZ-900	0	F10	22102-GHAH-721	2	E06	23432-KNBN-901	3	E08
1768C-KZCZ-900	0	F10	22105-GHAH-780	1	E06			
17910-KZCZ-900	0	F03	22110-KFA1-220	0	E06	<b>28000</b>		
			22121-GHT8-602	1	E06			
<b>18000</b>			22131-GHAH-781	0	E06	28223-KNBN-901	0	E06
			22132-GLW0-001	2	E06	28230-GKAK-921	0	E06
18291-LBA7-900	2	F15	22300-KXCX-900	2	E07	28250-KNBN-901	1	E06
18292-1G47-001	0	F15	22350-GKAK-930	1	E07	28253-GBN2-60A	0	E06
1830A-KZCZ-900	1	F15	22401-GKAK-931	0	E07	28255-GFS6-001	0	E06
18318-KBCB-900	0	F15	22530-GKAK-220	0	E07	28281-GBN2-60A	1	E06

## PART NO. INDEX

PART NO.	VERSION	PAGE	PART NO.	VERSION	PAGE	PART NO.	VERSION	PAGE
28300-KNBN-901	3	F16				34906-KPCP-900	0	F19
			<b>33000</b>			34908-GGA7-70A	1	F02
						34908-KUCU-900	0	F01
						34908-MKB9-87A	0	F02
						<b>35000</b>		
30400-KZCZ-900	0	F11	33100-KKBK-E00	0	F01			
30500-KZCZ-90A	1	F20	33120-KKBK-E00	0	F01			
30500-KZCZ-90B	2	F20	33130-KKBK-E00	0	F01			
30700-KNBN-901	2	F20	33400-KKBK-E00	0	F18			
			33402-KKBK-E00	0	F18	3501A-KNDN-900	0	F20
			33450-KKBK-E00	0	F18	35150-GFY6-900	4	F03
			33452-KKBK-E00	0	F18	35160-GFY6-900	2	F03
			33700-KFAF-E00	0	F19	35170-KNBN-910	1	F03
31110-GKAK-901	0	E03	33702-KFAF-900	1	F19	35180-GFY6-900	2	F03
31110-GKAK-90A	0	E03	33704-KFAF-900	1	F19	35200-GFY6-910	1	F03
31120-KZCZ-90A	0	E03	33705-GCN3-67A	0	F19	35340-GKAK-900	1	F04
31203-GKAK-901	0	E04	33705-KFAF-E00	0	F19	35340-KNBN-901	0	F04
31209-GKAK-901	3	E04	33706-GCN3-67A	0	F19	35400-KNBN-900	0	F20
31210-GKAK-90C	1	E04	33709-KBAB-003	0	F19	35410-KZCZ-900	0	F12
31500-KCAC-90A	9	F11	33741-GFY6-C30	1	F05			
31500-KCAC-90B	7	F11	33754-KFAF-900	1	F19	<b>37000</b>		
31600-KUDU-900	2	F20						
			<b>34000</b>			37119-GFY6-90A	0	F02
						37200-KNDN-E00	0	F02
			34901-KPCP-900	0	F01	37302-GFY6-900	0	F02
32100-KNDN-900	0	F20	34903-KPCP-900	0	F19	37801-GGA7-701	1	F10
32106-KNBN-901	0	F04	34905-KPCP-900	0	F18	37802-GGA7-701	2	F10
32120-1E55-001	0	F20	34905-KPCP-900	0	F19	3780A-GFY6-940	2	F10

## PART NO. INDEX

PART NO.	VERSION	PAGE	PART NO.	VERSION	PAGE	PART NO.	VERSION	PAGE	
<b>38000</b>			44601-KFLF-910	2	F07	50301-KGN7-671	2	F21	
			44620-KFLF-910	0	F07	50302-2H68-011	2	F21	
			44650-KFLF-901	2	F07	50306-1F96-001	0	F06	
	38110-GGS7-E0A	2	F20	44800-KFLF-C00	4	F07	50326-KFAF-900	0	F11
	38300-KECE-900	3	F02	44830-KFLF-901	3	F02	50328-KZCZ-900	0	F11
38501-GBW2-902	1	F20	44831-KFLF-900	0	F02	50350-KZCZ-900	1	F21	
<b>42000</b>						50502-KNBN-901	0	F16	
						50503-KNBN-901	1	F16	
						5050A-KZCZ-900	3	F16	
	42601-KZCZ-900	1	F08	45104-GKM9-004	0	F07	50530-KZCZ-900	0	F16
	42710-KZCZ-90B	2	F07	45108-KKBK-901	0	F07	50611-KFBF-900	2	F05
42710-KZCZ-90B	2	F08	45121-GAR1-950	2	F07	50612-KFBF-900	2	F05	
<b>43000</b>			45126-KKBK-900	1	F04	50613-KNDN-900	0	F21	
			45131-GFY6-900	0	F07				
			45133-0H28-001	1	F08				
	4312A-KZCZ-900	0	F08	45150-KKBK-90B	0	F07			
	43141-GKAK-901	3	F08	45203-GAR1-951	0	F07	51103-KKBK-900	0	F06
43410-GKAK-901	0	F08	4520A-KKBK-900	5	F07	51104-KKBK-900	0	F06	
43450-KZCZ-900	1	F04	45432-KFLF-900	0	F06	51105-KKBK-900	2	F06	
43452-GKAK-900	0	F04	45513-KFAF-901	0	F04	51305-GKM9-004	0	F06	
<b>44000</b>			45517-GFY6-900	5	F04	51312-GFY6-900	0	F06	
			45530-KFAF-305	1	F04	51312-GFY6-900	0	F07	
						51314-GKM9-71A	0	F06	
	44301-KKB1-E00	3	F07			51334-GKM9-001	0	F06	
	44311-GAR1-950	0	F07			51334-KGV7-670	2	F06	
44313-KFLF-900	1	F07	50100-KNDN-E10	0	F21	51334-KGV7-670	2	F07	

## PART NO. INDEX

PART NO.	VERSION	PAGE	PART NO.	VERSION	PAGE	PART NO.	VERSION	PAGE
51335-0A01-001	0	F06	53211-GFY6-940	1	F06	64301-KXBX-305	0	F05
51335-0A01-001	0	F07	53212-2L50-011	1	F06	64302-KKKBK-E00	0	F05
51336-0A01-001	0	F06	53214-2L50-001	0	F06	64304-KNDN-E00	0	F05
51336-0A01-001	0	F07	53214-KKKBK-900	0	F04	64305-KKKBK-900	0	F05
51350-KFAF-E00	3	F06	53215-2L50-001	0	F06	64306-KKKBK-900	0	F05
51450-KFAF-E00	3	F06	53216-KPCP-900	0	F03	64307-GFY6-901	1	F21
			53216-KXBX-900	0	F03	64308-KKKBK-900	0	F05
<b>52000</b>						64310-KZCZ-900	0	F05
			<b>55000</b>			64311-KFAF-900	0	F05
52400-KZCZ-E00	2	F17				64315-KKKBK-901	0	F21
			55100-KZCZ-900	0	F12	64320-KKKBK-900	0	F05
<b>53000</b>			55102-1F66-001	0	F12	64400-KKKBK-900	0	F05
			55105-GHK8-001	0	F12			
53100-KKKBK-900	1	F03	55121-KZCZ-900	0	F12	<b>75000</b>		
53125-GEN5-901	0	F03	55123-KNBN-901	0	F12			
53129-KNDN-90B	0	F20	55200-KNBN-901	0	F12	75581-6C73-001	0	F05
53140-GFY6-960	0	F03	55201-GHC8-001	0	F12	75581-6C73-001	0	F13
53166-GBW2-001	1	F03						
53167-GAR1-951	0	F03	<b>61000</b>			<b>77000</b>		
53168-GAR1-951	0	F03						
53172-KFAF-910	4	F04	61100-KKKBK-900	0	F05	77100-KFAF-E00	2	F09
53175-KXBX-E10	3	F04	61101-KKKBK-900	0	F05	77106-GFY6-901	0	F09
53178-KXBX-E00	0	F04				77232-KFAF-900	0	F13
5317B-KXBX-E00	2	F04	<b>64000</b>			77233-GFY6-305	0	F05
53205-KKKBK-900	0	F03				77235-GFY6-901	1	F13
53206-KKKBK-900	1	F03	64301-KKKBK-900	1	F05	77239-GFY6-335-M1	0	F13

## PART NO. INDEX

PART NO.	VERSION	PAGE	PART NO.	VERSION	PAGE	PART NO.	VERSION	PAGE
77239-GFY6-335-M2	0	F13	83505-KFAF-900	1	F13			
77240-GGS7-001	2	F13	83507-KFAF-900	3	F13	<b>89000</b>		
<b>80000</b>			83601-KFAF-900	9	F13			
			83607-KFAF-900	3	F13	89010-KNBN-900	0	F09
			83751-KFAF-900	3	F13			
80102-KZCZ-900	0	F19	8376A-GFY6-900	2	F13	<b>90000</b>		
80104-GFY6-941	0	F19	83770-KFAF-900	1	F13			
80105-KFAF-900	5	F19				90001-GKAK-901	0	E02
80152-KFAF-901	4	F13	<b>87000</b>			90005-GGS7-000	0	F13
<b>81000</b>						9000A-KTDT-900	1	E05
			87231-KXBX-E00	0	F23	90021-GFY6-900	2	F15
			87505-KNBN-E10	0	F22	90101-0G87-721	2	F03
81142-HEH5-901	0	F06	87532-KGAG-V00	5	F23	90101-0G87-721	2	F19
81142-KKBK-900	0	F05	87541-GAR1-E00	1	F22	90101-KHLH-900	1	F13
81146-KFAF-900	0	F05	87541-KFBF-E00	0	F22	90105-GAR1-950	2	F07
81200-KFBF-900	2	F13	87542-GAR1-E00	2	F22	90106-GEN5-901	0	F03
81202-KFAF-900	0	F21	87556-KFAF-E00	2	F23	90106-KFAF-900	2	F13
81218-GFY6-E00	1	F22	87560-KNBN-E00	1	F22	90106-KZCZ-900	0	F21
81257-GFY6-901	0	F13				90108-GFY6-901	0	F16
8126A-KZCZ-900	2	F13	<b>88000</b>			90111-1G47-001	0	F05
<b>83000</b>						90111-1G87-001	1	F05
			88110-KKBK-J00	0	F03	90111-1G87-001	1	F13
			88112-GHC8-001	0	F03	90111-GCC3-001	0	F06
83500-KFAF-900	11	F13	88120-KKBK-J00	0	F03	90111-KFW6-001	0	F05
83500-KKBK-305	0	F13				90112-KRDR-900	0	F20
83501-KFAF-900	9	F13				90114-1F66-007	2	F04

## PART NO. INDEX

PART NO.	VERSION	PAGE	PART NO.	VERSION	PAGE	PART NO.	VERSION	PAGE
90115-GLE0-001	0	F04	90426-KNBN-901	0	E06	91015-LLJ3-E00	1	F06
90118-4A71-001	0	F06	90429-KNBN-901	0	E08	91102-GLW0-009	0	E10
90118-GFY6-901	2	F06	90442-0D44-001	0	E07	91103-GAR1-004	0	E07
90145-MKS9-61A	1	F04	90451-GBN2-601	0	E06	91103-GAR1-00A	0	E07
90164-0H28-900	2	F20	90454-GBB2-001	0	E07	91201-KNBN-92A	0	E09
90185-KFLF-900	2	F03	90474-7D04-000	0	F05	91202-KNBN-92A	0	E09
90202-1G87-001	0	E07	90501-KNBN-901	0	F08	91202-KNBN-92B	0	E09
90301-6C93-001	1	F05	90508-GHC8-000	1	F06	91204-KNBN-90A	1	E09
90301-6D34-671	1	F05	90522-0H28-001	0	F19	91211-GHK8-014	1	E07
90301-6D34-671	1	F13	90545-3L00-001	2	F04	91255-GLE0-006	0	E08
90301-6D34-671	1	F19	90677-GAR1-004	1	F19	91301-0C53-001	0	E08
90301-KGBG-900	1	F15	90683-GAR1-004	4	F05	91301-KEA5-742	0	E07
90302-GBR2-001	1	F05	90741-0E35-001	0	E10	91302-PKA9-004	0	E07
90302-GFY6-901	1	F11	90754-GHC8-00A	1	F07	91304-GLB0-911	1	E09
90302-KNBN-900	1	F03	90912-KFLF-00A	0	F07	91309-GKAK-901	0	E04
90302-SDA4-004	2	F05	<b>91000</b>			91352-KHG8-83B	0	F08
90302-SDA4-004	2	F19				91353-GFY6-900	0	F08
90304-GHE8-004	0	F03			91508-KGV7-67A	0	F19	
90304-GHE8-004	0	F21	91001-GGA7-70A	2	E07			
90305-GHK8-001	1	F13	91001-GLW0-90A	6	E09	<b>92000</b>		
90305-KNBN-90B	0	F08	91004-KBN2-90A	0	E08			
90306-GLW0-90A	1	F07	91004-KBN2-90A	0	E09	92700-06028-1B	0	E02
90309-GLW0-90A	1	F06	91004-KNBN-92A	0	E09			
90309-KLF0-004-SY	1	E08	91006-KNBN-901	5	E09	<b>93000</b>		
90380-GGS7-001	1	F13	91009-GLE0-004	1	E08			
90412-3K29-001	0	E06	91014-LLJ3-E00	1	F06	93404-06016-06	0	F12



## PART NO. INDEX

PART NO.	VERSION	PAGE	PART NO.	VERSION	PAGE	PART NO.	VERSION	PAGE
93404-06025-06	0	F14				95002-02070	0	F10
93500-05022-06	0	F03	<b>94000</b>			95002-02080	0	E11
93600-04012-1G	0	F04				95002-02080	0	F10
93700-05018-0H	0	F02	94001-05080-0S	0	F04	95002-02100	0	F12
93891-05010-07	0	F15	94001-12280-0S	0	E06	95002-50000	0	F12
93891-05016-06	0	F13	94021-06020-0S	0	F05	95011-61000	0	F16
93891-05035-06	0	F03	94050-06080	0	E09	95014-71402	0	F16
93891-06016-06	0	F05	94050-06080	0	E11	95014-72204	0	F16
93892-04008-18	0	E11	94050-06080	0	F05	95015-32001	0	F04
93892-04014-18-3	0	E11	94050-06080	0	F09	95015-42000	0	F04
93893-04012-18	0	F04	94050-06080	0	F13	95701-06010-08	1	F06
93901-32510	0	F18	94050-06080	0	F20	95701-06012-08	0	F05
93903-14360	0	F05	94050-06080	0	F21	95701-06012-08	0	F21
93903-24420	0	F02	94050-10080	0	E03	95701-06016-08	0	F21
93903-25580	0	F14	94050-10080	0	E07	95701-06022-06	1	F16
93903-34360	0	F03	94101-08800	0	F16	95701-06025-06	2	F04
93903-34360	0	F05	94251-08400	0	F16	95701-06025-08	0	E01
93903-34360	0	F13	94301-10200	0	E09	95701-06032-08	0	F08
93903-34360	0	F18	94510-20000	0	E08	95701-08012-08	0	F20
93903-35220	0	F02	94511-14000	0	E06	95701-08016-08	0	F20
93903-35360	0	F01	94520-24000	1	E07	95701-08035-08	0	E09
93903-45360	0	F11	94591-27000	0	F05	95701-08040-08	0	E09
93903-GFY6-900	1	F05				95801-06045-08	0	F14
93903-GFY6-900	1	F13	<b>95000</b>			95801-08035-08	0	F17
						95801-08042-06	0	F15
			95002-02070	0	E11	95801-10035-08	0	F17

## PART NO. INDEX

PART NO.	VERSION	PAGE	PART NO.	VERSION	PAGE	PART NO.	VERSION	PAGE
95801-10040-08	0	F21						
<b>96000</b>			<b>D</b>					
			D1425-2RFQH	0	E11			
96001-06012-08	0	E03						
96001-06012-08	0	F04	<b>K</b>					
96001-06016-08	0	E03						
96001-06022-08	0	E03	K350-GAK-0200	0	E11			
96001-06022-08	0	E09	K378-001	0	E11			
96001-06025-06	0	F04	K446-GAK-0100	0	E11			
96001-06025-08	0	E04	K506-GW0-0100	0	E11			
96001-06032-08	0	E09						
96001-06045-08	0	E09	<b>N</b>					
96001-06055-08	0	E09						
96100-62033-00	0	E09	N413-32A00	0	E11			
<b>98000</b>			<b>S</b>					
98076-5871G-00	0	E02	S3620-031-B000	0	E11			
98200-10700	0	F11	S536-1231	0	E11			
98200-10700	0	F20	S785-1600	0	E11			
<b>99000</b>								
99101-116-0850	0	E11						