

# PARTS CATALOGUE



## SCOOTERS

SF10JB(GM)

CHERRY 50



Date : 2009/02/12

## ABOUT THIS PARTS LIST

- This parts list is compiled all service parts for model SF10JB(GM).
- Any difference between color chart and motorcycle will be revised according to motorcycle.
- The sales mark:
  1. marking "\*\*\*" must add color code in the end before ordering parts.
- When modification or additions to this parts list are made a revised edition at an appropriate time.

# CONTENTS

● ABOUT THIS PARTS LIST .....	1
● COLOR CHART OF SF10JB(GM) .....	3
● CONTENTS-ENGINE GROUP .....	9
● CONTENTS-FRAME GROUP .....	11
● ENGINE PARTS LIST .....	14
● FRAME PARTS LIST .....	44
● PART NO. INDEX .....	114

NO	MODEL			SF10JB(GM) COLOR CHART			
	PHOTO NO			NO. 1	NO. 2	NO. 3	NO. 4
	BASIC COLOR			Deep Blue Metallic	Dark Gray Metallic	Champagne Golden	Silver Crystal
	CODE			Deep Blue Metallic	Dark Gray Metallic	Champagne Golden	Silver Crystal
	PARTS NAME	PARTS NO.	VERSION	PB183MA	NH230MA	NH095MA	NH263MA
1	CUSHION ASSY RR	52400-LBD5-E00	2	M2S			
2	LEVER R STRG HNDL	53175-KFA5-E10	0	M3A			
3	LEVER L STRG HNDL	53178-KFA5-E10	0				
4	COVER UNDER	50613-KKC4-900	1	N1R			
5	GRIP COMP THROT	53140-KKC3-900	0				
6	GRIP L HANDLE	53166-KGB5-900	0				
7	COVER R HANDLE LOW	53206-KKC4-900	1				
8	COVER L HANDLE LOW	53207-KKC4-900	0				
9	GRID R METER COVER	53214-KKC4-900	0				
10	GRID L METER COVER	53224-KKC4-900	0				
11	"LID, FR. MOLDING "	64303-LFD9-E00	2				
12	"GRILLE, R FR.	64307-LFD9-E00	1				
13	"GRILLE, L FR.	64308-LFD9-E00	1				
14	FLOOR PANEL	64310-KKC4-900	0				
15	COVER R PILLION STEP	64311-KKC4-900	3				
16	GRID R PILLION STEP	64312-KKC4-900	3				
17	MAT FLOOR	64320-KKC4-900	0				
18	COVER L PILLION STEP	64321-KKC4-900	3				
19	GRID L PILLION STEP	64322-KKC4-900	1				
20	FENDER RR UP	80101-KKC4-900	1				
21	FENDER RR	80105-KKC4-900	3				
22	COVER CENTER	80151-KKC4-900	0				
23	LEG SHIELD	81131-KKC4-900	0				
24	LID LEG SHIELD	81132-KEB7-900	1				
25	LID LEG SHIELD WIND	81132-LDA5-E00	2				
DATE OF STARTING-SALES							
DATE OF END-SALES							

NO	MODEL			SF10JB(GM) COLOR CHART			
	PHOTO NO			NO. 5	NO. 6		
	BASIC COLOR			Bright Silver	Ruby Red		
	CODE			Bright Silver	Ruby Red		
	PARTS NAME	PARTS NO.	VERSION	NH045MA	RR004CA		
1	CUSHION ASSY RR	52400-LBD5-E00	2	M2S			
2	LEVER R STRG HNDL	53175-KFA5-E10	0	M3A			
3	LEVER L STRG HNDL	53178-KFA5-E10	0				
4	COVER UNDER	50613-KKC4-900	1				
5	GRIP COMP THROT	53140-KKC3-900	0				
6	GRIP L HANDLE	53166-KGB5-900	0				
7	COVER R HANDLE LOW	53206-KKC4-900	1				
8	COVER L HANDLE LOW	53207-KKC4-900	0				
9	GRID R METER COVER	53214-KKC4-900	0				
10	GRID L METER COVER	53224-KKC4-900	0				
11	"LID, FR. MOLDING "	64303-LFD9-E00	2				N1R
12	"GRILLE, R FR.	64307-LFD9-E00	1				
13	"GRILLE, L FR.	64308-LFD9-E00	1				
14	FLOOR PANEL	64310-KKC4-900	0				
15	COVER R PILLION STEP	64311-KKC4-900	3				
16	GRID R PILLION STEP	64312-KKC4-900	3				
17	MAT FLOOR	64320-KKC4-900	0				
18	COVER L PILLION STEP	64321-KKC4-900	3				
19	GRID L PILLION STEP	64322-KKC4-900	1				
20	FENDER RR UP	80101-KKC4-900	1				
21	FENDER RR	80105-KKC4-900	3				
22	COVER CENTER	80151-KKC4-900	0				
23	LEG SHIELD	81131-KKC4-900	0				
24	LID LEG SHIELD	81132-KEB7-900	1				
25	LID LEG SHIELD WIND	81132-LDA5-E00	2				
DATE OF STARTING-SALES							
DATE OF END-SALES							

NO	MODEL			SF10JB(GM) COLOR CHART			
	PHOTO NO			NO. 1	NO. 2	NO. 3	NO. 4
	BASIC COLOR			Deep Blue Metallic	Dark Gray Metallic	Champagne Golden	Silver Crystal
	CODE			Deep Blue Metallic	Dark Gray Metallic	Champagne Golden	Silver Crystal
	PARTS NAME	PARTS NO.	VERSION	PB183MA	NH230MA	NH095MA	NH263MA
26	GRID R LEG SHIELD	81137-KKC4-900	0	N1R			
27	GRID L LEG SHIELD	81147-KKC4-900	0				
28	SIDE R GRIP	81400-KKC4-900	0				
29	SIDE L GRIP	81500-KKC4-900	0				
30	BAND HARNESS WIRE	90656-KUDU-900	0				
31	COVER METER	53204-KKC4-900	2	N8P		N1R	N8P
32	LID RESERVE TANK	81136-LDA5-E00	1	N8A			
33	COVER L SIDE	11341-KEB7-900	3				
34	METER COVER FR	37203-KKC3-900	0	BHP	HKP	HMP	HUP
35	METER COVER UPPER	37204-LDA5-E00	1				
36	METER COVER LOWER	37205-LDA5-E00	1				
37	FENDER FR	61110-KHD8-900	2				
38	COVER SCREEN	64301-KKC4-900	0				
39	MOLDING FR	64302-LFD9-E00	2				
40	SKIRT R SIDE	64305-KKC4-900	2				
41	SKIRT L SIDE	64306-KKC4-900	2				
42	COWL UNDER	64400-KKC4-900	0				
43	COVER R BODY	83500-KKC4-900	0				
44	COVER L BODY	83600-KKC4-900	1				
45	COVER RR CENTER	83750-KKC4-900	1				
46	MIRROR ASSY R BACK	88110-LFD9-E00	2				
47	MIRROR ASSY L BACK	88120-LFD9-E00	2				
48	COVER HNDL UP	53205-KKC4-900	2	N8P			
49	GRILL HANDLE UP	53208-KKC4-900	0				
50	COVER HANDLE L PLUG	53216-LDA5-E00	1				
DATE OF STARTING-SALES							
DATE OF END-SALES							

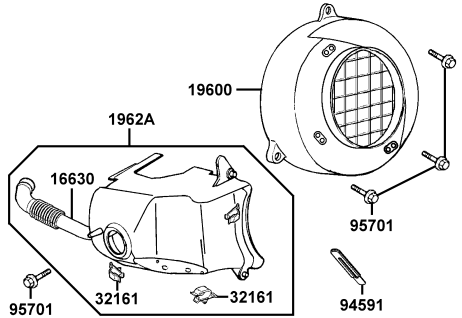
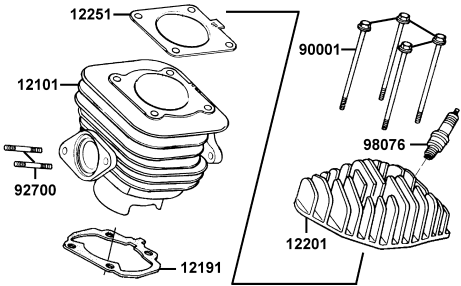
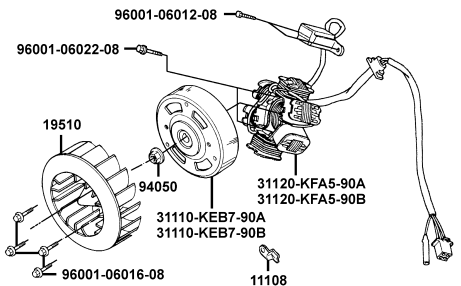
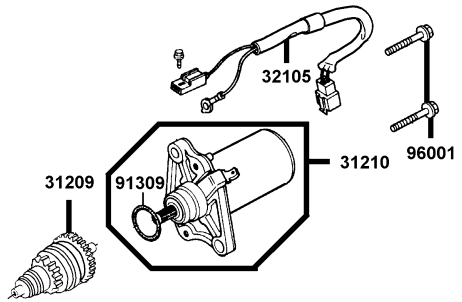
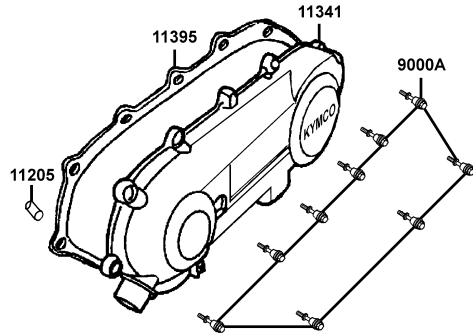
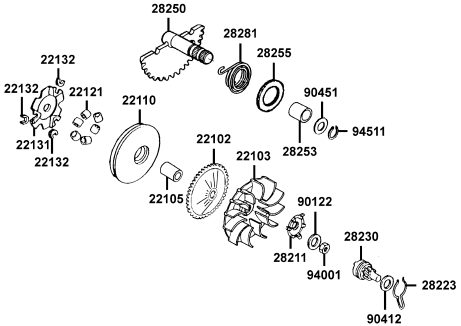
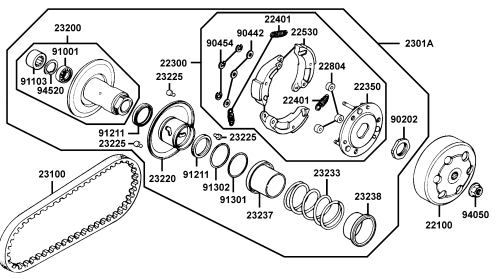
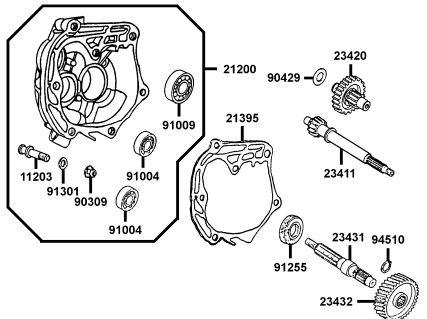
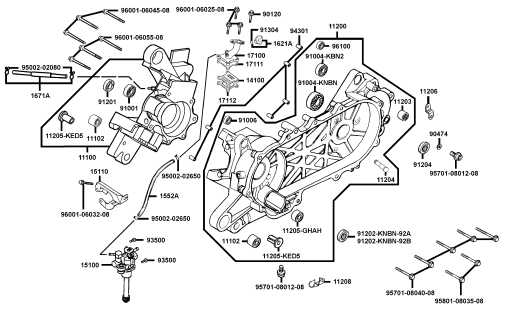
NO	MODEL			SF10JB(GM) COLOR CHART			
	PHOTO NO			NO. 5	NO. 6		
	BASIC COLOR			Bright Silver	Ruby Red		
	CODE			Bright Silver	Ruby Red		
	PARTS NAME	PARTS NO.	VERSION	NH045MA	RR004CA		
26	GRID R LEG SHIELD	81137-KKC4-900	0	N1R			
27	GRID L LEG SHIELD	81147-KKC4-900	0				
28	SIDE R GRIP	81400-KKC4-900	0				
29	SIDE L GRIP	81500-KKC4-900	0				
30	BAND HARNESS WIRE	90656-KUDU-900	0				
31	COVER METER	53204-KKC4-900	2	N1R	N8P		
32	LID RESERVE TANK	81136-LDA5-E00	1	N8A			
33	COVER L SIDE	11341-KEB7-900	3	N8P			R1P
34	METER COVER FR	37203-KKC3-900	0				
35	METER COVER UPPER	37204-LDA5-E00	1				
36	METER COVER LOWER	37205-LDA5-E00	1				
37	FENDER FR	61110-KHD8-900	2				
38	COVER SCREEN	64301-KKC4-900	0				
39	MOLDING FR	64302-LFD9-E00	2				
40	SKIRT R SIDE	64305-KKC4-900	2				
41	SKIRT L SIDE	64306-KKC4-900	2				
42	COWL UNDER	64400-KKC4-900	0				
43	COVER R BODY	83500-KKC4-900	0				
44	COVER L BODY	83600-KKC4-900	1				
45	COVER RR CENTER	83750-KKC4-900	1				
46	MIRROR ASSY R BACK	88110-LFD9-E00	2				
47	MIRROR ASSY L BACK	88120-LFD9-E00	2				
48	COVER HNDL UP	53205-KKC4-900	2	N8P			
49	GRILL HANDLE UP	53208-KKC4-900	0				
50	COVER HANDLE L PLUG	53216-LDA5-E00	1				
DATE OF STARTING-SALES							
DATE OF END-SALES							

NO	MODEL			SF10JB(GM) COLOR CHART			
	PHOTO NO			NO. 1	NO. 2	NO. 3	NO. 4
	BASIC COLOR			Deep Blue Metallic	Dark Gray Metallic	Champagne Golden	Silver Crystal
	CODE			Deep Blue Metallic	Dark Gray Metallic	Champagne Golden	Silver Crystal
	PARTS NAME	PARTS NO.	VERSION	PB183MA	NH230MA	NH095MA	NH263MA
51	WHEEL COMP RR CAST	42601-KEB7-E0E	2	NJA			
52	WHEEL SET FR	44650-KHD8-30A	3				
53	WHEEL SET FR	44650-KHD8-30C	4				
54	CALIPER ASSY FR	45200-KKC2-E00	1				
55	FORK ASSY R FR	51400-KKC4-900	2				
56	BOTTOM CASE R	51420-KKC4-900	0				
57	FORK SET L FR	5150A-KKC4-900	3				
58	BOTTOM CASE L	51520-KKC4-900	0				
59	CARRIER ASSY RR	8120A-KKC4-900	6				
60	SEAT ASSY	77200-KKC4-E01	1				
61	SEAT ASSY BACK	77210-KKC4-900	0				
62	SEAT ASSY PAD	77220-KKC4-910	1				
63	EMB HANDLE COVER	86030-KKC4-900	2				
64	EMB K-LOGO 28MM	86102-LEA5-E00	1				
65	EMB BODY COVER	86202-KKC4-E00	0				
66	CAUTION ANTI	87224-LDA5-EZ2	0				
67	LABEL TIRE	87505-KEB7-E10	1				
68	LABEL CLEANNESS	87508-KKC4-E00	1				
69	CAUTION SIDE STAND	87541-GAR1-E00	1				
70	CAUTION MOBILE	87541-KKC2-E00	1				
71	MARK MAINT CAUTION	87542-GAR1-E00	2				
72	MARK DRIVE CAUTION	87560-KNBN-E00	1				
73	STRIPE K-LOGO 60MM	86102-LLB5-E00	1	T05			
DATE OF STARTING-SALES							
DATE OF END-SALES							

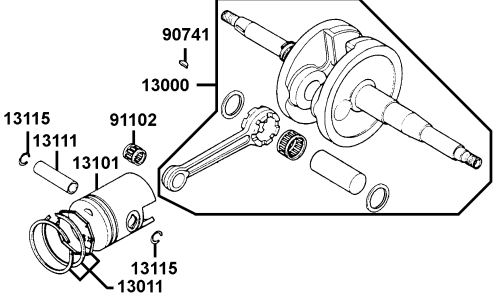
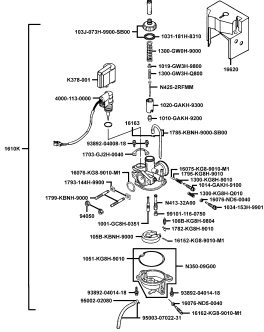


NO	MODEL			SF10JB(GM) COLOR CHART			
	PHOTO NO			NO. 5	NO. 6		
	BASIC COLOR			Bright Silver	Ruby Red		
	CODE			Bright Silver	Ruby Red		
	PARTS NAME	PARTS NO.	VERSION	NH045MA	RR004CA		
51	WHEEL COMP RR CAST	42601-KEB7-E0E	2	NJA			
52	WHEEL SET FR	44650-KHD8-30A	3				
53	WHEEL SET FR	44650-KHD8-30C	4				
54	CALIPER ASSY FR	45200-KKC2-E00	1				
55	FORK ASSY R FR	51400-KKC4-900	2				
56	BOTTOM CASE R	51420-KKC4-900	0				
57	FORK SET L FR	5150A-KKC4-900	3				
58	BOTTOM CASE L	51520-KKC4-900	0				
59	CARRIER ASSY RR	8120A-KKC4-900	6				
60	SEAT ASSY	77200-KKC4-E01	1				
61	SEAT ASSY BACK	77210-KKC4-900	0				
62	SEAT ASSY PAD	77220-KKC4-910	1				
63	EMB HANDLE COVER	86030-KKC4-900	2				
64	EMB K-LOGO 28MM	86102-LEA5-E00	1				
65	EMB BODY COVER	86202-KKC4-E00	0				
66	CAUTION ANTI	87224-LDA5-EZ2	0				
67	LABEL TIRE	87505-KEB7-E10	1				
68	LABEL CLEANNESS	87508-KKC4-E00	1				
69	CAUTION SIDE STAND	87541-GAR1-E00	1				
70	CAUTION MOBILE	87541-KKC2-E00	1				
71	MARK MAINT CAUTION	87542-GAR1-E00	2				
72	MARK DRIVE CAUTION	87560-KNBN-E00	1				
73	STRIPE K-LOGO 60MM	86102-LLB5-E00	1	T02	T05		
DATE OF STARTING-SALES							
DATE OF END-SALES							

# CONTENTS - ENGINE GROUP

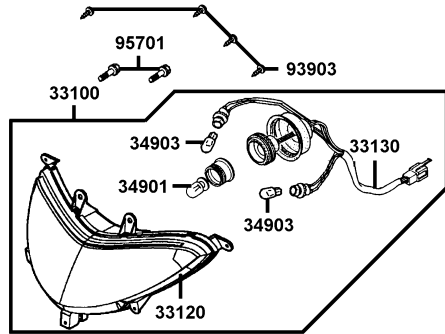
<p><b>E01 Fan CoverShroud</b></p> 	<p><b>E02 Cylinder HeadCylinder</b></p> 	<p><b>E03 Generator</b></p> 
<p><b>E04 Starting Motor</b></p> 	<p><b>E05 LEFT SIDE COVER</b></p> 	<p><b>E06 DRIVE Pulley</b></p> 
<p><b>E07 Driven Pulley</b></p> 	<p><b>E08 Transmission</b></p> 	<p><b>E09 CrankcaseOIL PUMP</b></p> 

# CONTENTS - ENGINE GROUP

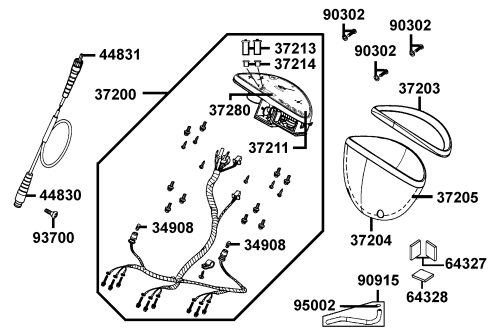
E10 CrankshaftPiston	E11 Carburetor	
		

# CONTENTS - FRAME GROUP

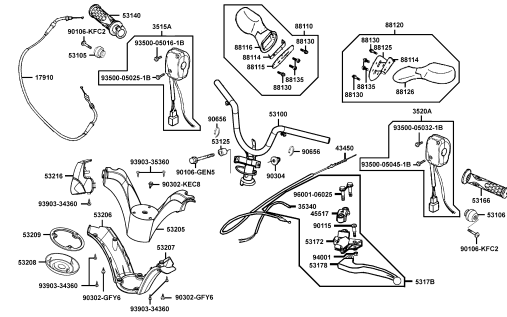
**F01** Head Light



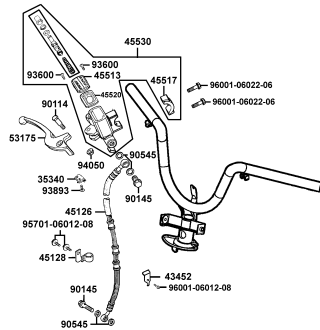
**F02** Speedometer



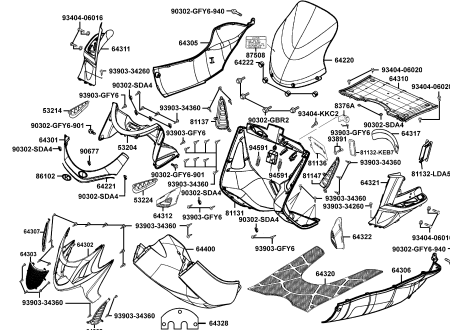
**F03** CableSwitch



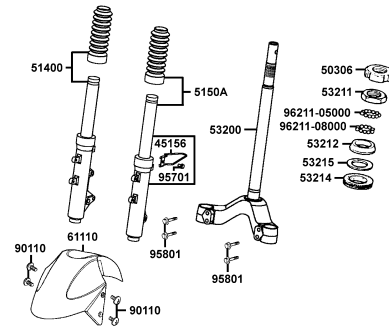
**F04** Front Master Cylinder



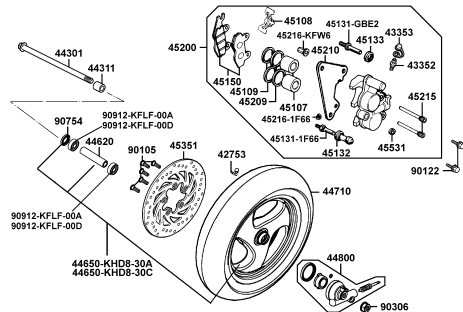
**F05** Front CoverFloor Panel



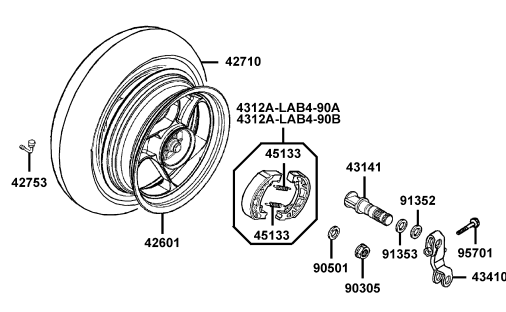
**F06** Front Cushion



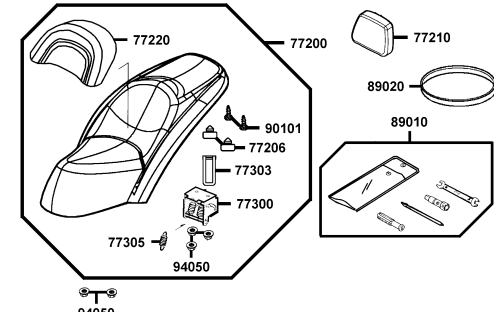
**F07** Front Wheel



**F08** Rear Wheel

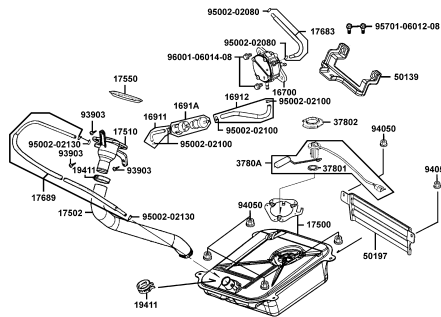


**F09** Seat

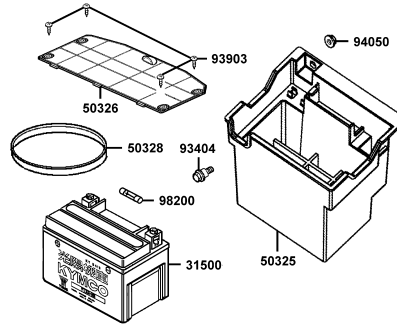


# CONTENTS - FRAME GROUP

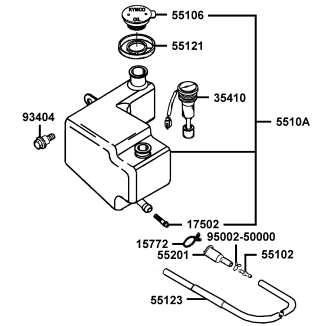
**F10 Fuel Tank**



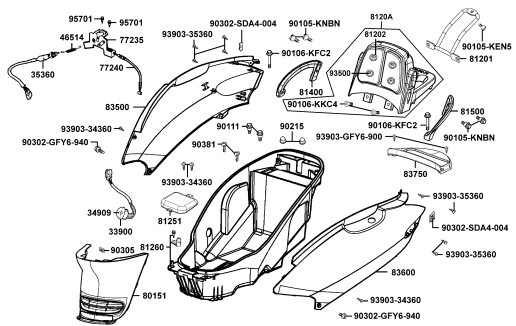
**F11 Battery**



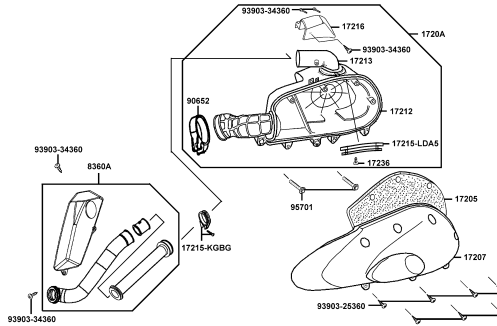
**F12 OIL TANK**



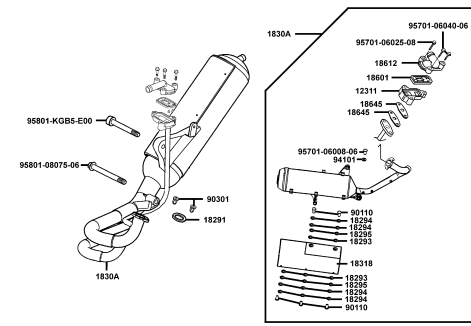
**F13 Body Cover Luggage Box**



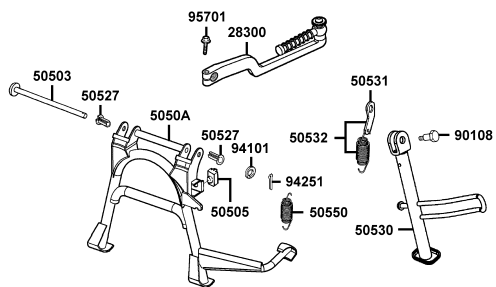
**F14 Air Cleaner**



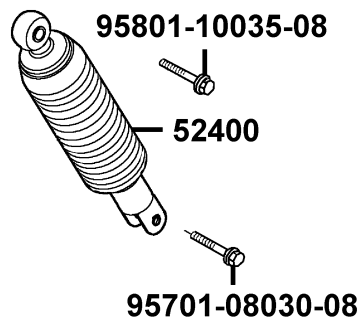
**F15 Exhaust Muffler**



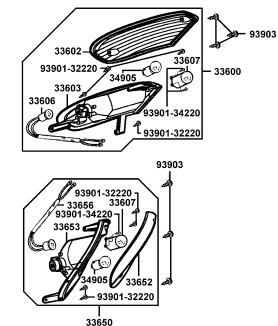
**F16 Stand Kick Starter Arm**



**F17 Rear Cushion**



**F18 Winker**

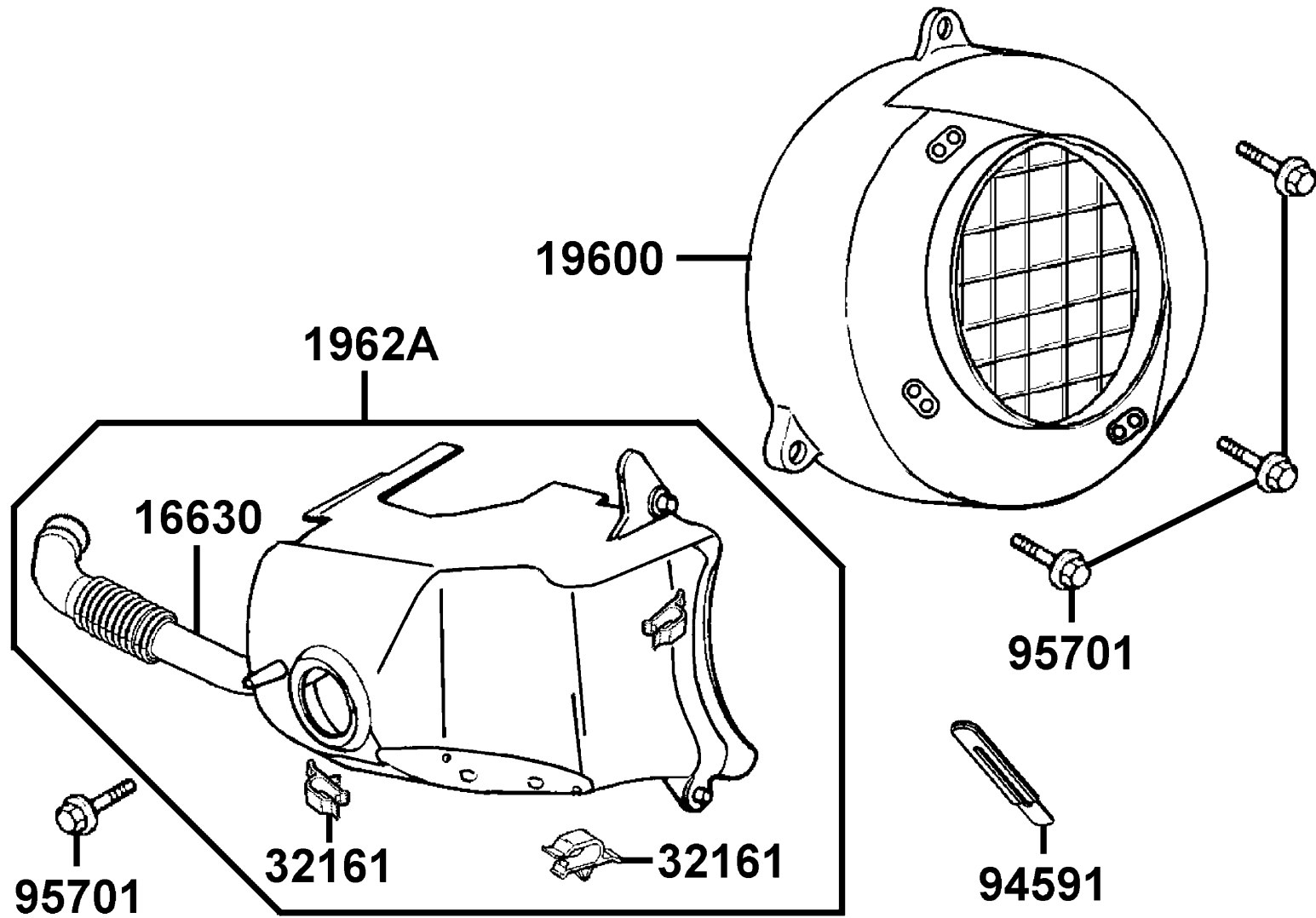


# CONTENTS - FRAME GROUP

<p><b>F19 Tail Light</b></p>	<p><b>F20 Wire Harness</b></p>	<p><b>F21 Frame Body</b></p>
<p><b>F22 Separated Parts Of Fr Fork</b></p>	<p><b>F23 Canister</b></p>	<p><b>F24 Caution Label</b></p>
<p><b>F25 EmblemStripe</b></p>		

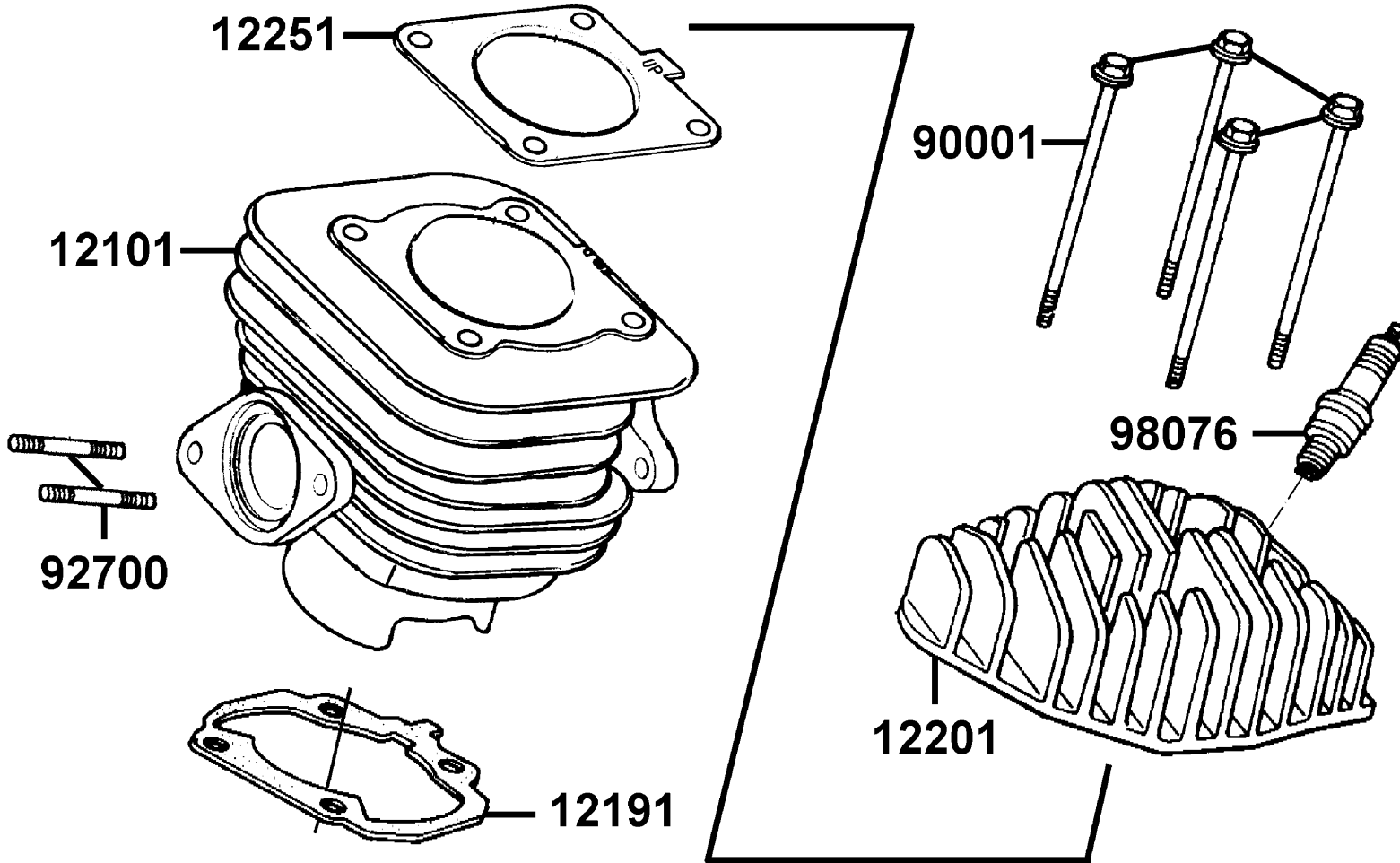
E01

Fan CoverShroud

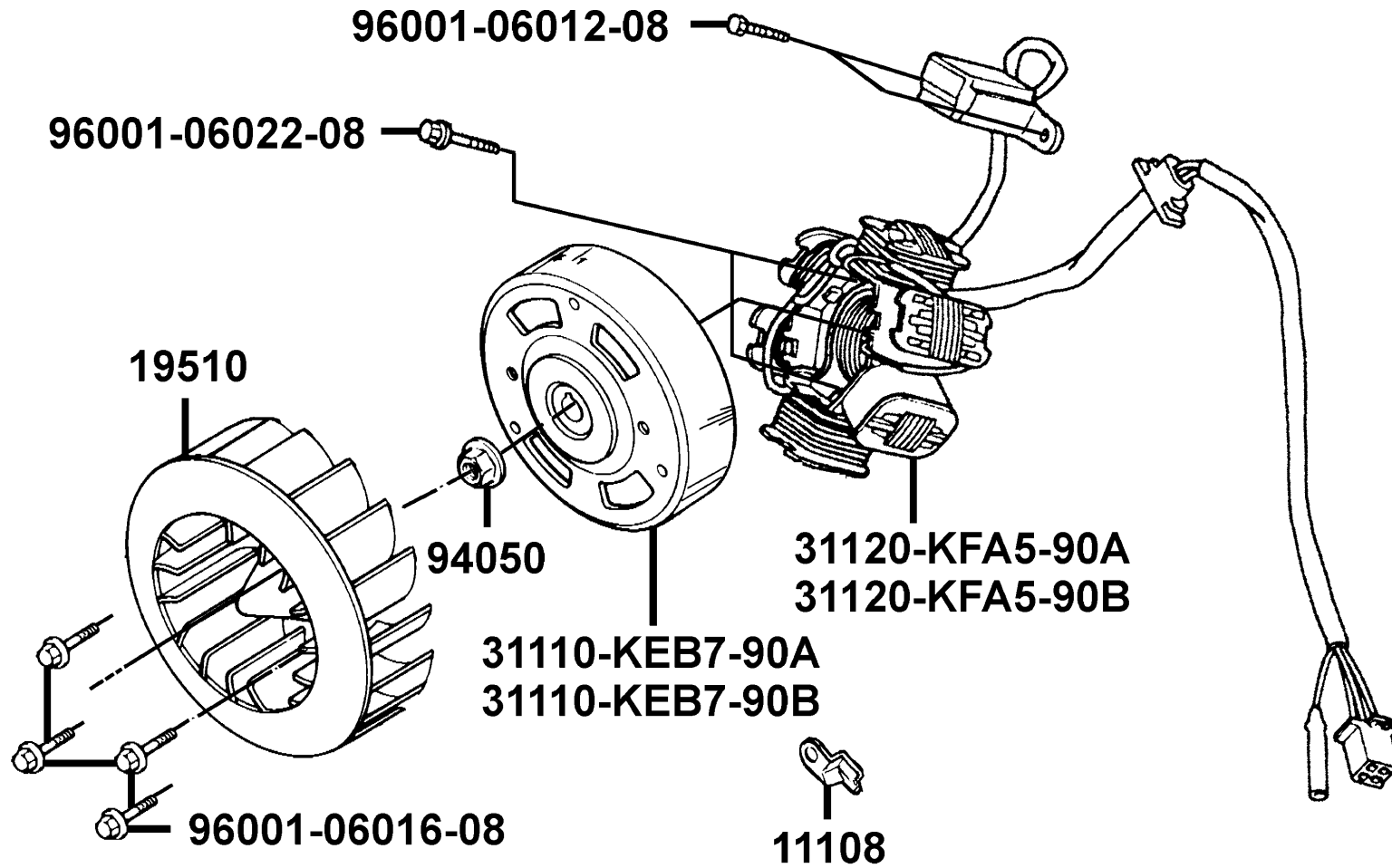


Sales mark	Ref no	Part no	Ver	Description	Reg description	Regd no	<b>E01</b>
	16630	16630-KEB7-E00	1	DUCT HEAT TRANSFER	DUCT HEAT TRANSFER	1	
	19600	19600-KEB7-900	0	COVER COMP FAN	COVER COMP FAN	1	
	1962A	1962A-KEB7-E00	1	CLIP SET SHROUD	CLIP SET SHROUD	1	
	32161	32161-3C93-004	0	CLIP HARNESS WIRE	CLIP HARNESS WIRE	2	
	94591	94591-KFBF-900	2	CLIP 2*70	CLIP 2*70	1	
	95701	95701-06025-08	0	BOLT FLANGE 6*25	BOLT FLANGE 6*25	4	

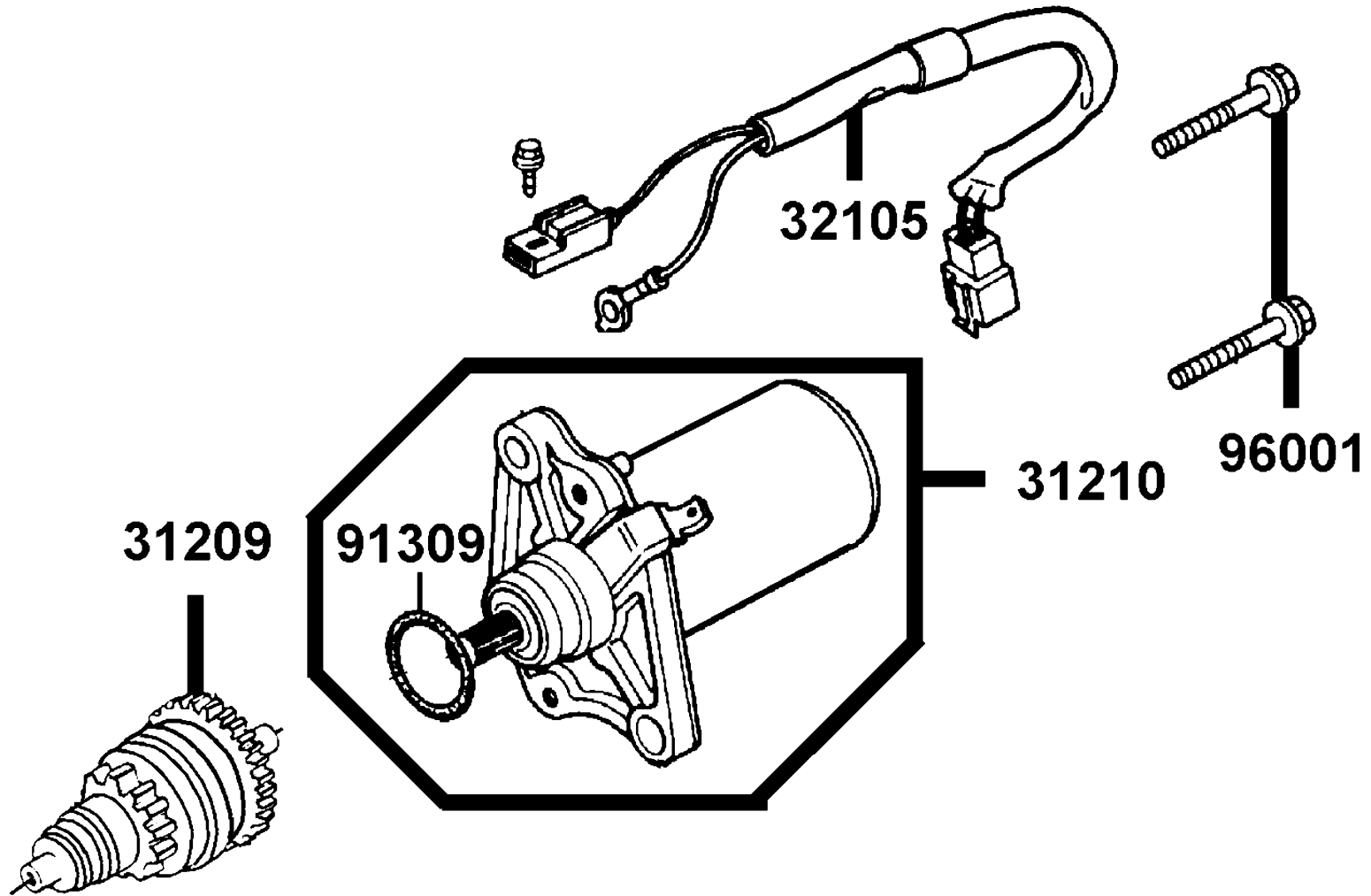




Sales mark	Ref no	Part no	Ver	Description	Reg description	Regd no	<b>E02</b>
	12101	12101-KEB7-901	2	CYLINDER	CYLINDER	1	
	12191	12191-KEB7-900	0	GASKET CYLINDER A	GASKET CYLINDER A	1	
	12201	12201-KEB7-900	1	HEAD CYLINDER	HEAD CYLINDER	1	
	12251	12251-KEB7-900	0	GASKET CYLINDER HEAD	GASKET CYLINDER HEAD	1	
	90001	90001-GKAK-901	0	BOLT FLANGE 7*100	BOLT FLANGE 7*100	4	
	92700	92700-06028-1B	0	BOLT STUD 6*28	BOLT STUD 6*28	2	
	98076	98076-5871G-00	0	SPARK PLUG (BR8HSA)	SPARK PLUG (BR8HSA)	1	



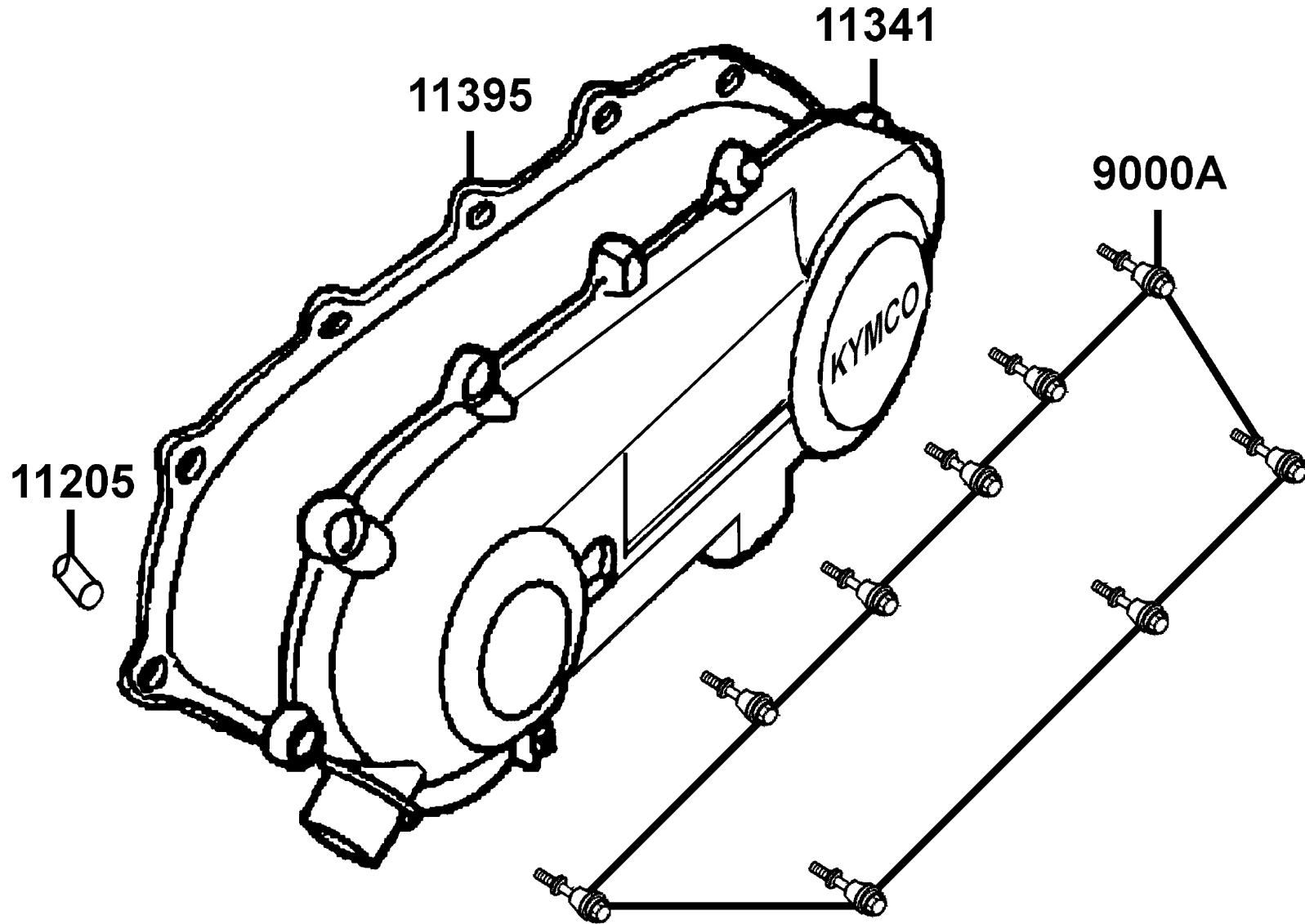
Sales mark	Ref no	Part no	Ver	Description	Reg description	Regd no	<b>E03</b>
	11108	11108-KEB7-900	0	HOLDER STATOR WIRE	HOLDER STATOR WIRE	1	
	19510	19510-GBW2-901	3	FAN COMP COOLING	FAN COMP COOLING	1	
	31110-KEB7-90A	31110-KEB7-90A	2	FLYWHEEL COMP	FLYWHEEL COMP	1	
	31110-KEB7-90B	31110-KEB7-90B	1	FLYWHEEL COMP	FLYWHEEL COMP	1	
	31120-KFA5-90A	31120-KFA5-90A	1	STATOR COMP	STATOR COMP	1	
	31120-KFA5-90B	31120-KFA5-90B	2	STATOR COMP	STATOR COMP	1	
	94050	94050-10080	0	NUT FLANGE 10MM	NUT FLANGE 10MM	1	
#	96001-06012-08	96001-06012-08	0	BOLT FLANGE 6*12	BOLT FLANGE 6*12	2	
	96001-06016-08	96001-06016-08	0	BOLT FLANGE SH 6*16	BOLT FLANGE SH 6*16	4	
#	96001-06022-08	96001-06022-08	0	BOLT FLANGE SH 6*22	BOLT FLANGE SH 6*22	2	



Sales mark	Ref no	Part no	Ver	Description	Reg description	Regd no	<b>E04</b>
	31209	31209-GKAK-901	3	PINION ASSY STARTER	PINION ASSY STARTER	1	
	31210	31210-GKAK-901	1	MOTOR UNIT START	MOTOR UNIT START	1	
	32105	32105-KFA5-900	2	SUB HARNESS	SUB HARNESS	1	
	91309	91309-GKAK-901	0	O RING	O RING	1	
#	96001	96001-06025-08	0	BOLT FLANGE SH 6*25	BOLT FLANGE SH 6*25	2	

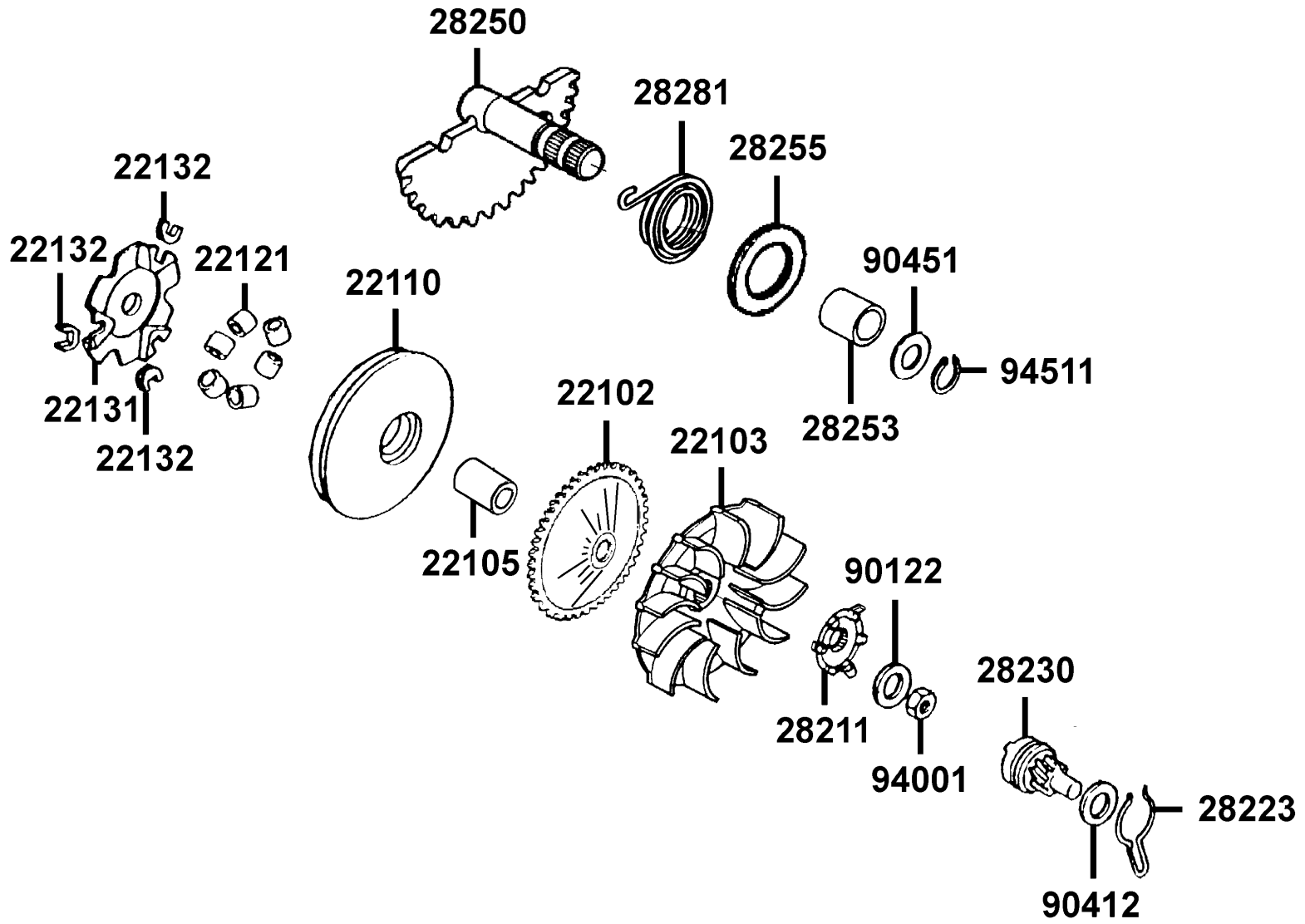
E05

LEFT SIDE COVER

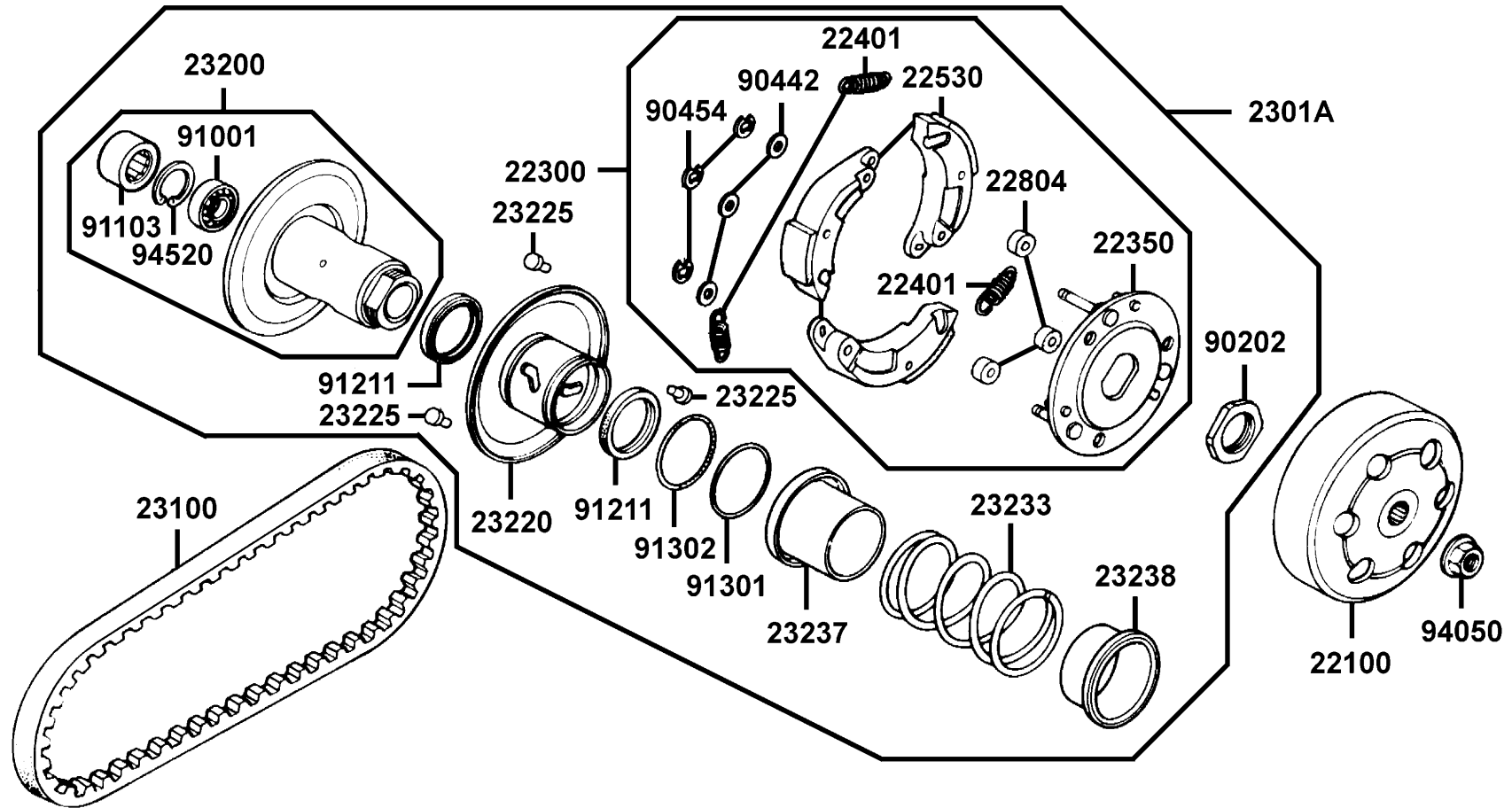


Sales mark	Ref no	Part no	Ver	Description	Reg description	Regd no	<b>E05</b>
	11205	11205-GHAH-004	0	BUSH 8*12*8	BUSH 8*12*8	1	
**	11341	11341-KEB7-900	3	COVER L SIDE	COVER L SIDE	1	
	11395	11395-KEB7-900	0	GASKET L COVER	GASKET L COVER	1	
	9000A	9000A-KTDT-900	1	BOLT ASSY SPECIAL 6*29.5	BOLT ASSY SPECIAL 6*29.5	9	

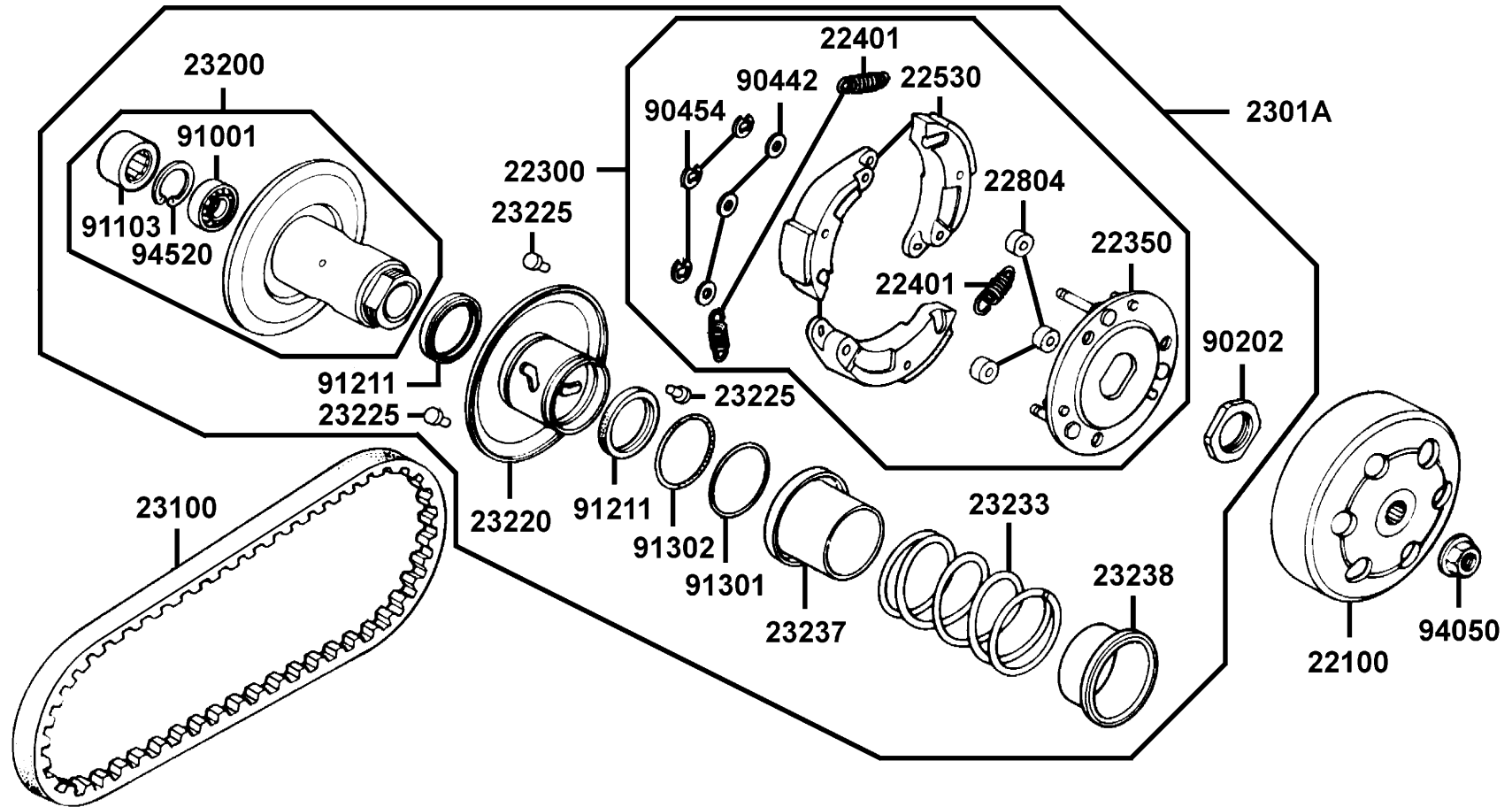




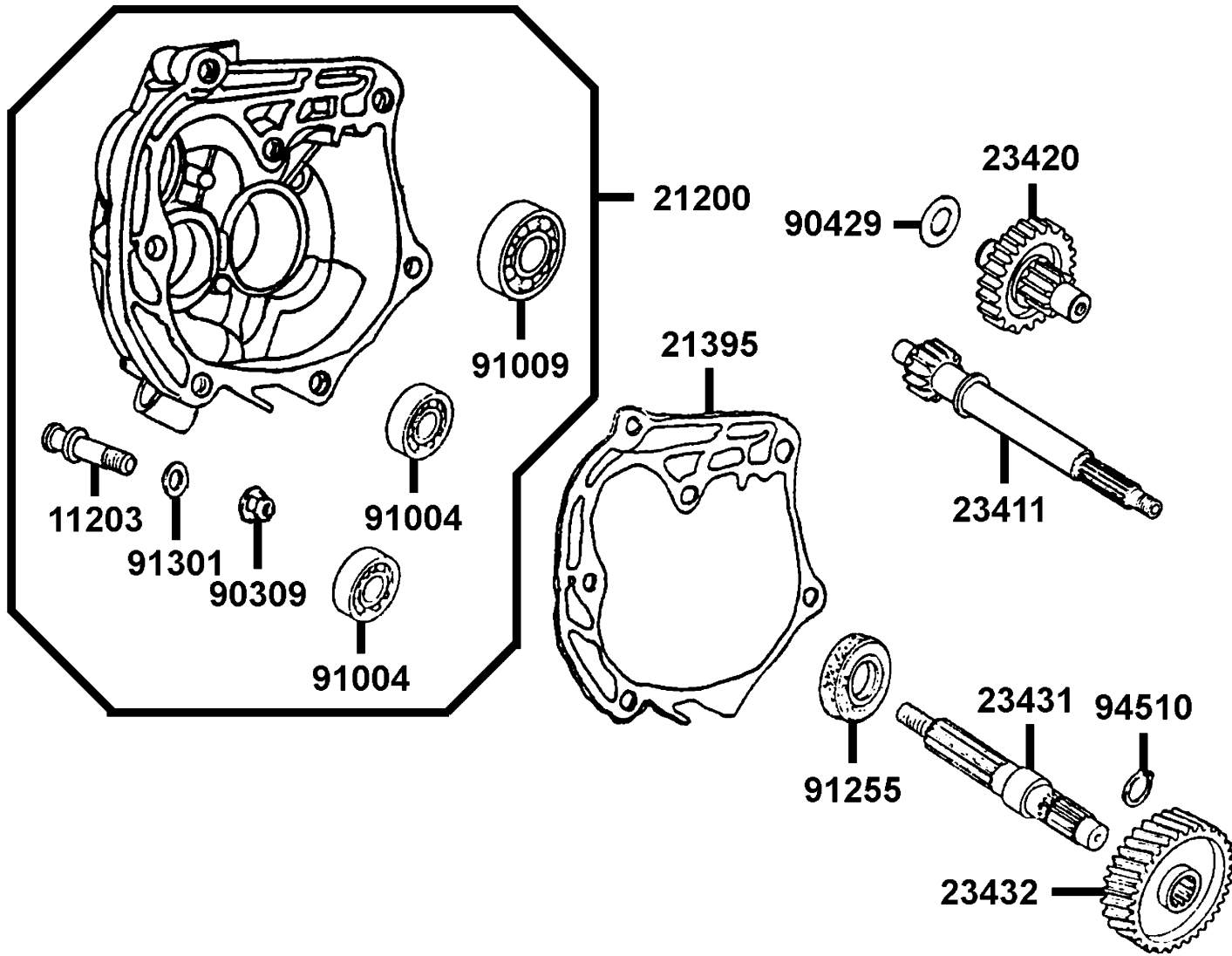
Sales mark	Ref no	Part no	Ver	Description	Reg description	Regd no	<b>E06</b>
	22102	22102-KEB7-900	0	FACE DRIVE	FACE DRIVE	1	
	22103	22103-KEB7-900	0	FAN CVT COOLING	FAN CVT COOLING	1	
	22105	22105-KEB7-E00	1	BOSS DRIVE FACE	BOSS DRIVE FACE	1	
	22110	22110-KFA1-220	0	FACE COMP MOVABLE DRIVE	FACE COMP MOVABLE DRIVE	1	
	22121	22121-GLW0-901	2	ROLLER COMP WEIGHT 8.5 gr	ROLLER COMP WEIGHT 8.5 gr	6	
	22131	22131-GHAH-781	0	PLATE RAMP	PLATE RAMP	1	
	22132	22132-GLW0-001	2	PIECE SLIDE	PIECE SLIDE	3	
	28211	28211-KEB7-900	1	RATCHET KICK STARTER	RATCHET KICK STARTER	1	
	28223	28223-KNBN-901	0	SPG KICK DRIVEN GEAR	SPG KICK DRIVEN GEAR	1	
	28230	28230-GKAK-921	0	GEAR COMP KICK DRIVEN	GEAR COMP KICK DRIVEN	1	
	28250	28250-KNBN-901	1	SPINDLE COMP KICK STARTER	SPINDLE COMP KICK STARTER	1	
	28253	28253-GBN2-60A	0	BUSH KICK SPINDLE	BUSH KICK SPINDLE	1	
	28255	28255-GFS6-001	0	COLLAR KICK BOSS	COLLAR KICK BOSS	1	
	28281	28281-GBN2-60A	1	SPRING KICK RETURN	SPRING KICK RETURN	1	
	90122	90122-GCS3-001	0	WASHER 12MM	WASHER 12MM	1	
	90412	90412-3K29-001	0	WASHER THRUST10MM	WASHER THRUST10MM	1	
	90451	90451-GBN2-601	0	WASHER KICK SPINDLE	WASHER KICK SPINDLE	1	
	94001	94001-12280-0S	0	NUT HEX 12MM	NUT HEX 12MM	1	
	94511	94511-14000	0	CIRCLIP EX 14	CIRCLIP EX 14	1	



Sales mark	Ref no	Part no	Ver	Description	Reg description	Regd no	E07
	22100	22100-GAR1-751	0	CLUTCH OUTER	CLUTCH OUTER	1	
	22300	22300-KXCX-900	2	PLATE ASSY DRIVE	PLATE ASSY DRIVE	1	
	22350	22350-GKAK-930	1	PLATE COMP DRIVE	PLATE COMP DRIVE	1	
	22401	22401-GBG2-900	0	SPRING CLUTCH	SPRING CLUTCH	3	
	22530	22530-GKAK-930	1	WEIGHT CLUTCH	WEIGHT CLUTCH	3	
	22804	22804-1H48-001	0	RUBBER CLUTCH DUMPER	RUBBER CLUTCH DUMPER	3	
	2301A	2301A-KEB7-220	0	PULLEY SUB ASSY	PULLEY SUB ASSY	1	
	23100	23100-KEB7-900	0	BELT DRIVE	BELT DRIVE	1	
	23200	23200-GAR1-220	1	FACE ASSY DRIVEN	FACE ASSY DRIVEN	1	
	23220	23220-GKAK-220	1	FACE COMP MOVABLE DRIVEN	FACE COMP MOVABLE DRIVEN	1	
	23225	23225-GAR1-751	0	PIN GUIDE	PIN GUIDE	3	
	23233	23233-GHE8-001	2	SPG DRIVEN FACE	SPG DRIVEN FACE	1	
	23237	23237-GAR1-220	0	COLLAR SEAL	COLLAR SEAL	1	
	23238	23238-GFY6-941	0	COLLAR SPG	COLLAR SPG	1	
	90202	90202-1G87-001	0	NUT SPECIAL 28MM	NUT SPECIAL 28MM	1	
	90442	90442-0D44-001	0	6M/M THRUST WASHER	6M/M THRUST WASHER	3	
	90454	90454-GBB2-001	0	CIRCLIP 6MM	CIRCLIP 6MM	3	
	91001	91001-GGA7-70A	2	BRG RADIAL BALL 6901U	BRG RADIAL BALL 6901U	1	
	91103	91103-GAR1-004	0	BRG NEEDLE 17*25*18 WS	BRG NEEDLE 17*25*18 WS	1	
	91211	91211-GHK8-014	0	OIL SEAL 34*39*3	OIL SEAL 34*39*3	2	



Sales mark	Ref no	Part no	Ver	Description	Reg description	Regd no	<b>E07</b>
	91301	91301-KEA5-742	0	O-RING 36*1.5	O-RING 36*1.5	1	
	91302	91302-PKA9-004	0	O-RING 39.8*2.2	O-RING 39.8*2.2	1	
	94050	94050-10080	0	NUT FLANGE 10MM	NUT FLANGE 10MM	1	
	94520	94520-24000	1	CIR CLIP IN 24	CIR CLIP IN 24	1	

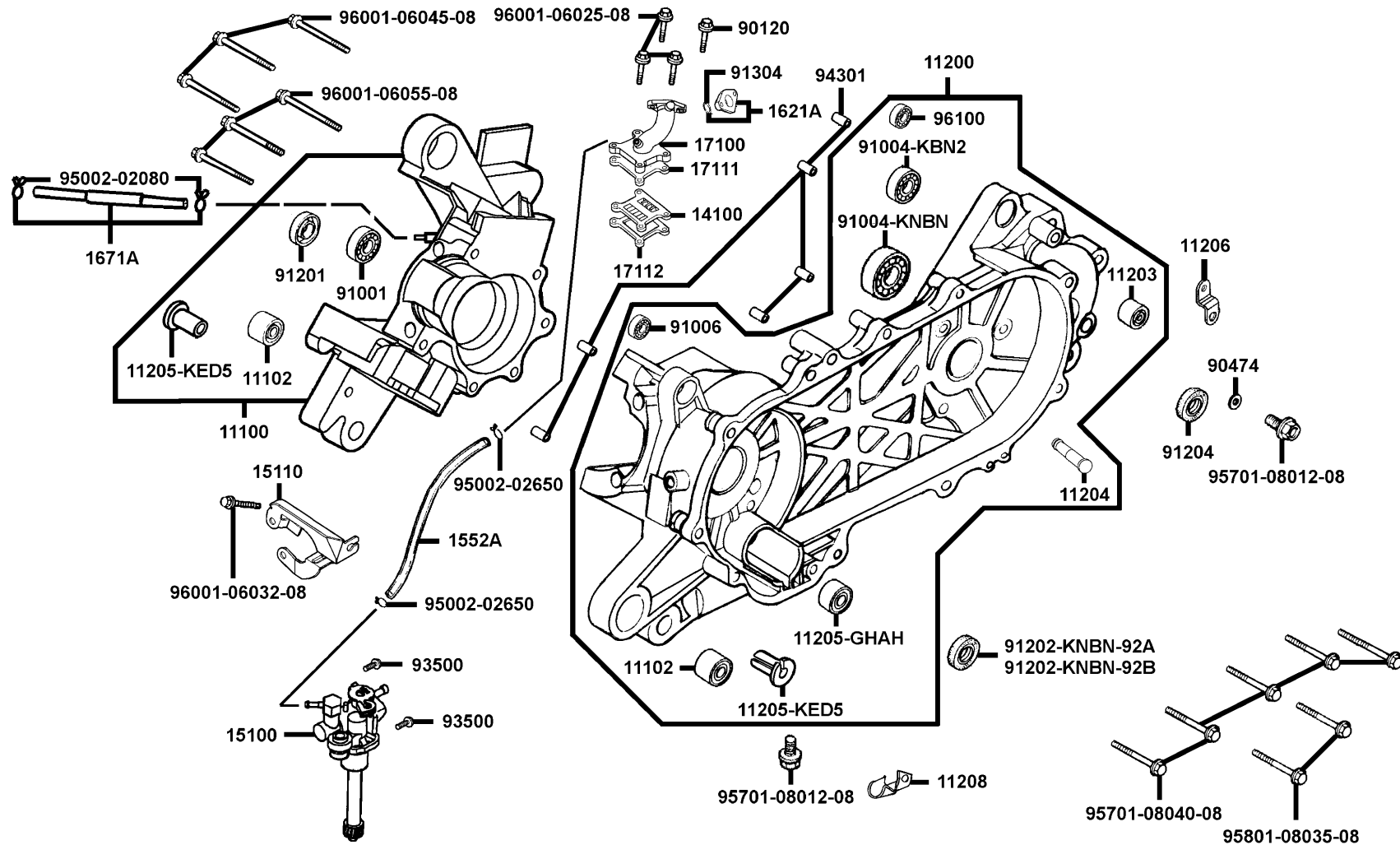


Sales mark	Ref no	Part no	Ver	Description	Reg description	Regd no	<b>E08</b>
	11203	11203-KHG8-301	2	PIN BRAKE SHOE ANCHOR	PIN BRAKE SHOE ANCHOR	1	
	21200	21200-GKAK-305	6	CASE ASSY MISSION	CASE ASSY MISSION	1	
	21395	21395-KNBN-901	1	GASKET MISSION CASE A	GASKET MISSION CASE A	1	
	23411	23411-KEB7-900	1	SHAFT DRIVE	SHAFT DRIVE	1	
	23420	23420-KEB7-900	3	SHAFT COMP COUNTER	SHAFT COMP COUNTER	1	
	23431	23431-KNBN-901	2	SHAFT FINAL	SHAFT FINAL	1	
	23432	23432-KEB7-900	3	GEAR FINAL	GEAR FINAL	1	
	90309	90309-KLF0-004-SY	1	NUT FLANGE 8MM	NUT FLANGE 8MM	1	
	90429	90429-KNBN-901	0	WASHER SIDE 12MM	WASHER SIDE 12MM	1	
	91004	91004-KBN2-90A	0	BRG BALL RADIAL 6201	BRG BALL RADIAL 6201	2	
	91009	91009-GLE0-004	1	BRG BALL RADIAL 6004 UU	BRG BALL RADIAL 6004 UU	1	
#	91255	91255-GLE0-006	0	OIL SEAL 27*42*7	OIL SEAL 27*42*7	1	
	91301	91301-OC53-001	0	O RING 7.5*1.5	O RING 7.5*1.5	1	
	94510	94510-20000	0	CIR CLIP EX 20	CIR CLIP EX 20	1	



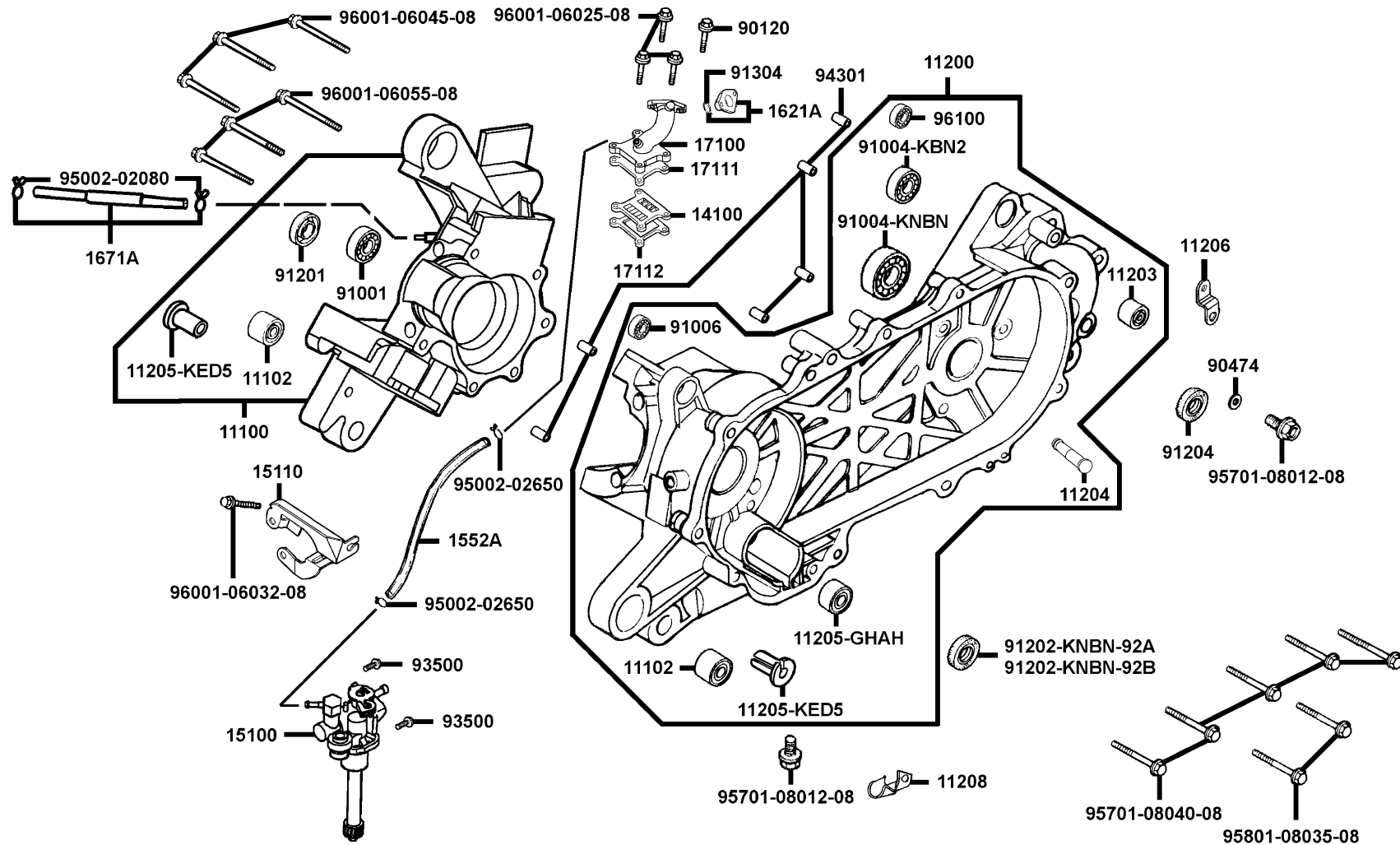
E09

# Crankcase OIL PUMP



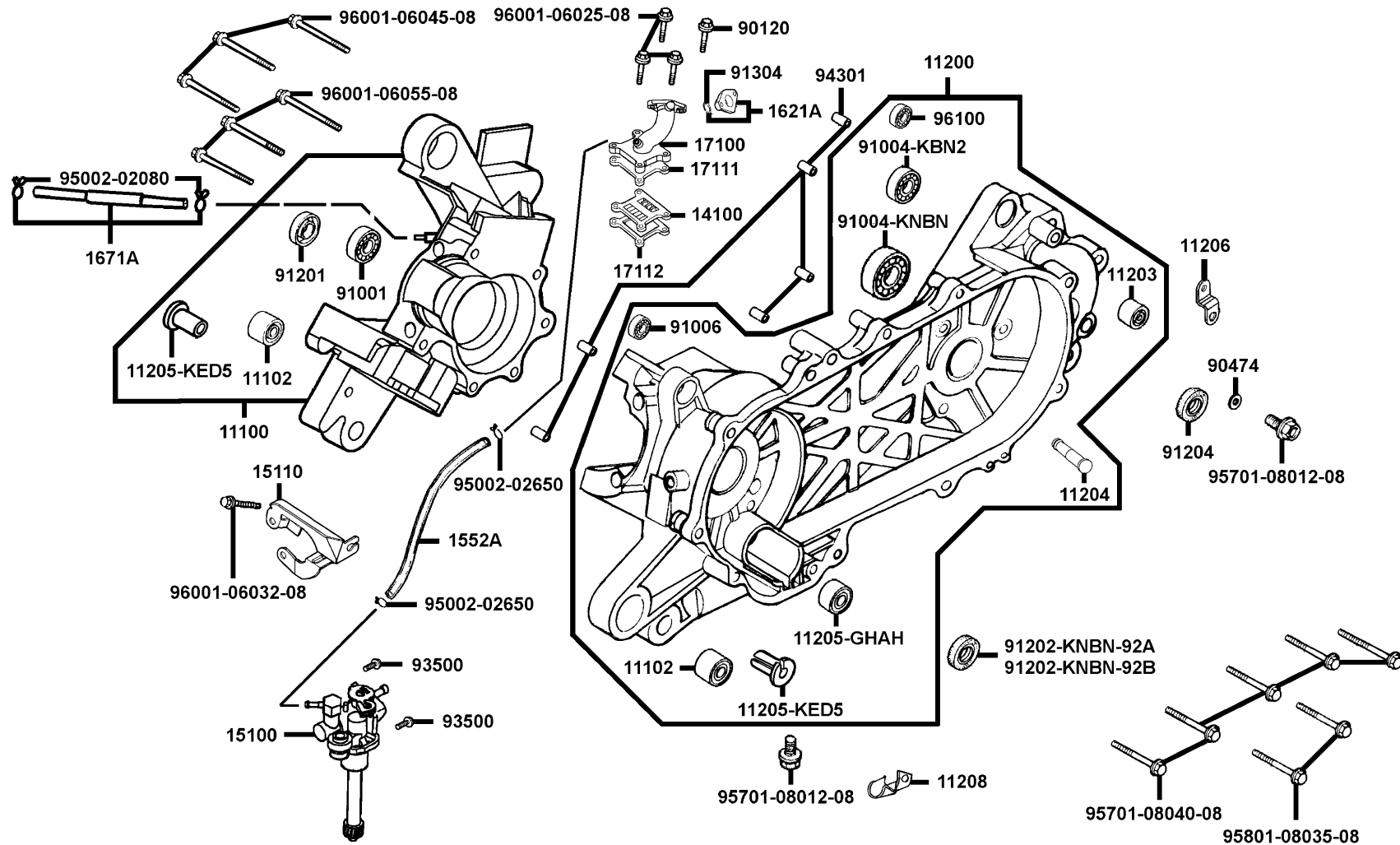
Sales mark	Ref no	Part no	Ver	Description	Reg description	Regd no	<b>E09</b>
	11100	11100-KFA5-305	3	CRANK CASE ASSY RIGHT	CRANK CASE ASSY RIGHT	1	
	11102	11102-1G87-004	3	RUB BUSH ENG HANGER	RUB BUSH ENG HANGER	2	
	11200	11200-KEB7-325	5	CRANK CASE SET LEFT	CRANK CASE SET LEFT	1	
	11203	11203-GGC7-301	2	UNDER RUBBER BUSH REAR	UNDER RUBBER BUSH REAR	1	
	11204	11204-KEB7-900	0	PIN SPG HOOK	PIN SPG HOOK	1	
	11205-GHAH	11205-GHAH-004	0	BUSH 8*12*8	BUSH 8*12*8	1	
	11205-KED5	11205-KED5-900	0	BUSH M STAND	BUSH M STAND	2	
	11206	11206-KEB7-900	0	STAY RR FENDER	STAY RR FENDER	1	
	11208	11208-GKAK-901	0	CLAMPER CARB DRAIN	CLAMPER CARB DRAIN	1	
	14100	14100-KEB7-900	0	VALVE COMP REED	VALVE COMP REED	1	
	15100	15100-KEB7-E00	0	PUMP ASSY OIL	PUMP ASSY OIL	1	
	15110	15110-KEB7-900	0	PLATE OIL PUMP SET	PLATE OIL PUMP SET	1	
	1552A	1552A-KEB7-901	0	TUBE ASSY OIL PASS	TUBE ASSY OIL PASS	1	
	1621A	1621A-GKAK-901	0	INSULATOR CARB ASSY	INSULATOR CARB ASSY	1	
	1671A	1671A-KFA5-900	1	TUBE ASSY PULSE	TUBE ASSY PULSE	1	
	17100	17100-KEB7-E01	0	PIPE COMP INLET	PIPE COMP INLET	1	
	17111	17111-KEB7-900	0	GASKET INLET PIPE A	GASKET INLET PIPE A	1	
	17112	17112-KEB7-900	1	GASKET INLET PIPE B	GASKET INLET PIPE B	1	
	90120	90120-GAR1-J00	0	SOCKET BOLT SPECIAL 6*28	SOCKET BOLT SPECIAL 6*28	1	
#	90474	90474-3C33-001	1	WASHER 8MM	WASHER 8MM	1	

CrankcaseOIL PUMP

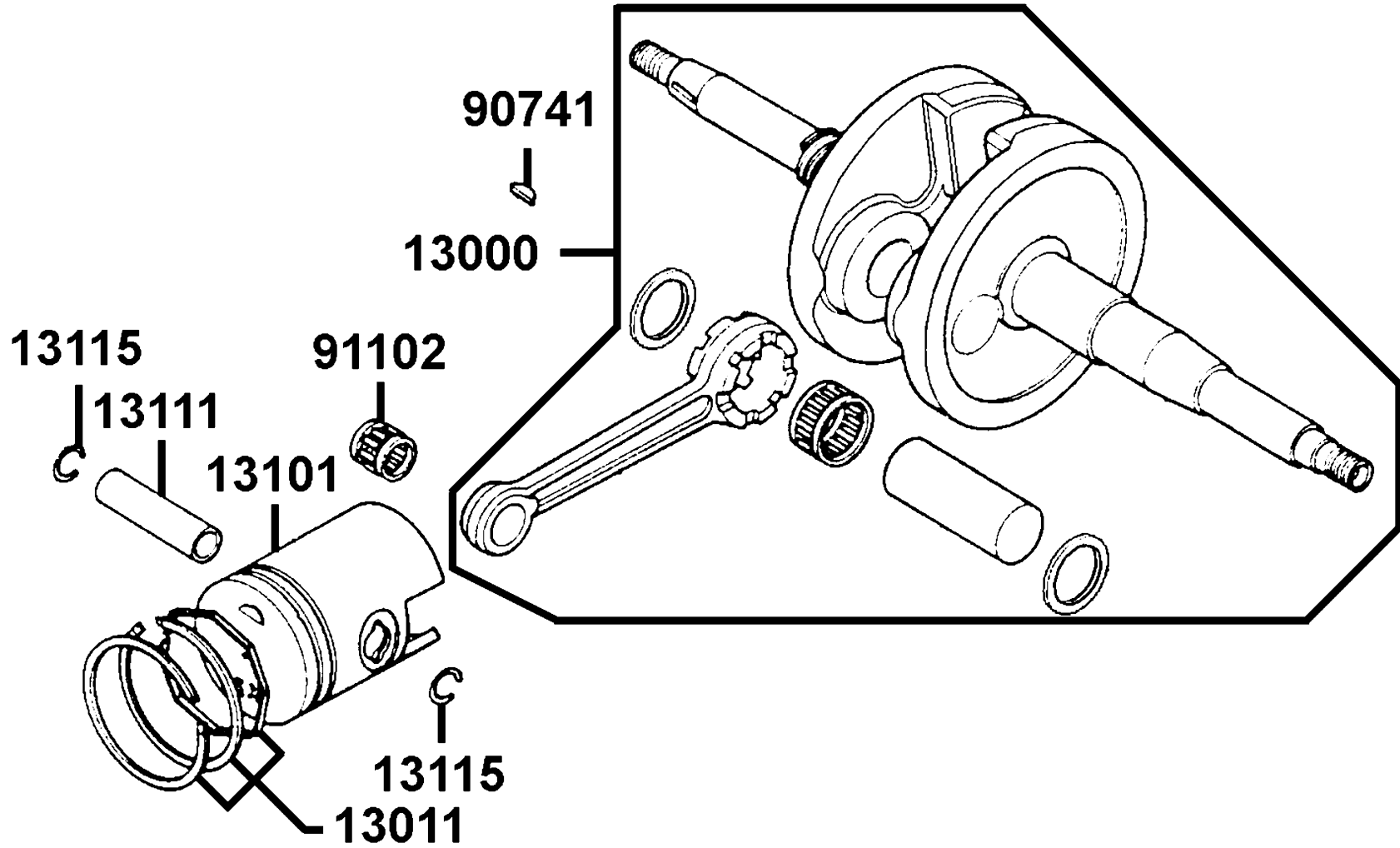


Sales mark	Ref no	Part no	Ver	Description	Reg description	Regd no	E09
	91001	91001-GLW0-90A	6	BRG BALL RADIAL 6204 SPECIAL	BRG BALL RADIAL 6204 SPECIAL	1	
	91004-KBN2	91004-KBN2-90A	0	BRG BALL RADIAL 6201	BRG BALL RADIAL 6201	1	
	91004-KNBN	91004-KNBN-92A	0	BRG BALL RADIAL 6203	BRG BALL RADIAL 6203	1	
	91006	91006-KNBN-901	5	BRG BALL RADIAL 25*56*12	BRG BALL RADIAL 25*56*12	1	
	91201	91201-KNBN-92A	0	OIL SEAL 15.6*25.5*7	OIL SEAL 15.6*25.5*7	1	
	91202-KNBN-92A	91202-KNBN-92A	0	OIL SEAL 20*31*7	OIL SEAL 20*31*7	1	
	91202-KNBN-92B	91202-KNBN-92B	0	OIL SEAL 20*31*7	OIL SEAL 20*31*7	1	
	91204	91204-KNBN-90A	1	OIL SEAL 17*30*6	OIL SEAL 17*30*6	1	
	91304	91304-GLB0-911	1	O RING 20.6*1.9	O RING 20.6*1.9	1	
	93500	93500-05012-0H	0	SCREW PAN 5*12	SCREW PAN 5*12	2	
	94301	94301-10200	0	DOWEL PIN 10*20	DOWEL PIN 10*20	6	
	95002-02080	95002-02080	0	CLIP B8 TUBE	CLIP B8 TUBE	2	
	95002-02650	95002-02650	0	CLIP B6.5 TUBE	CLIP B6.5 TUBE	2	
#	95701-08012-08	95701-08012-08	0	BOLT FLANGE 8*12	BOLT FLANGE 8*12	2	
	95701-08040-08	95701-08040-08	0	BOLT FLANGE 8*40	BOLT FLANGE 8*40	5	
	95801-08035-08	95801-08035-08	0	BOLT FLANGE 8*35	BOLT FLANGE 8*35	2	
#	96001-06025-08	96001-06025-08	0	BOLT FLANGE SH 6*25	BOLT FLANGE SH 6*25	3	
	96001-06032-08	96001-06032-08	0	BOLT FLANGE SH 6*32	BOLT FLANGE SH 6*32	1	
	96001-06045-08	96001-06045-08	0	BOLT FLANGE SH 6*45	BOLT FLANGE SH 6*45	3	
	96001-06055-08	96001-06055-08	0	BOLT FLANGE SH 6*55	BOLT FLANGE SH 6*55	3	

CrankcaseOIL PUMP

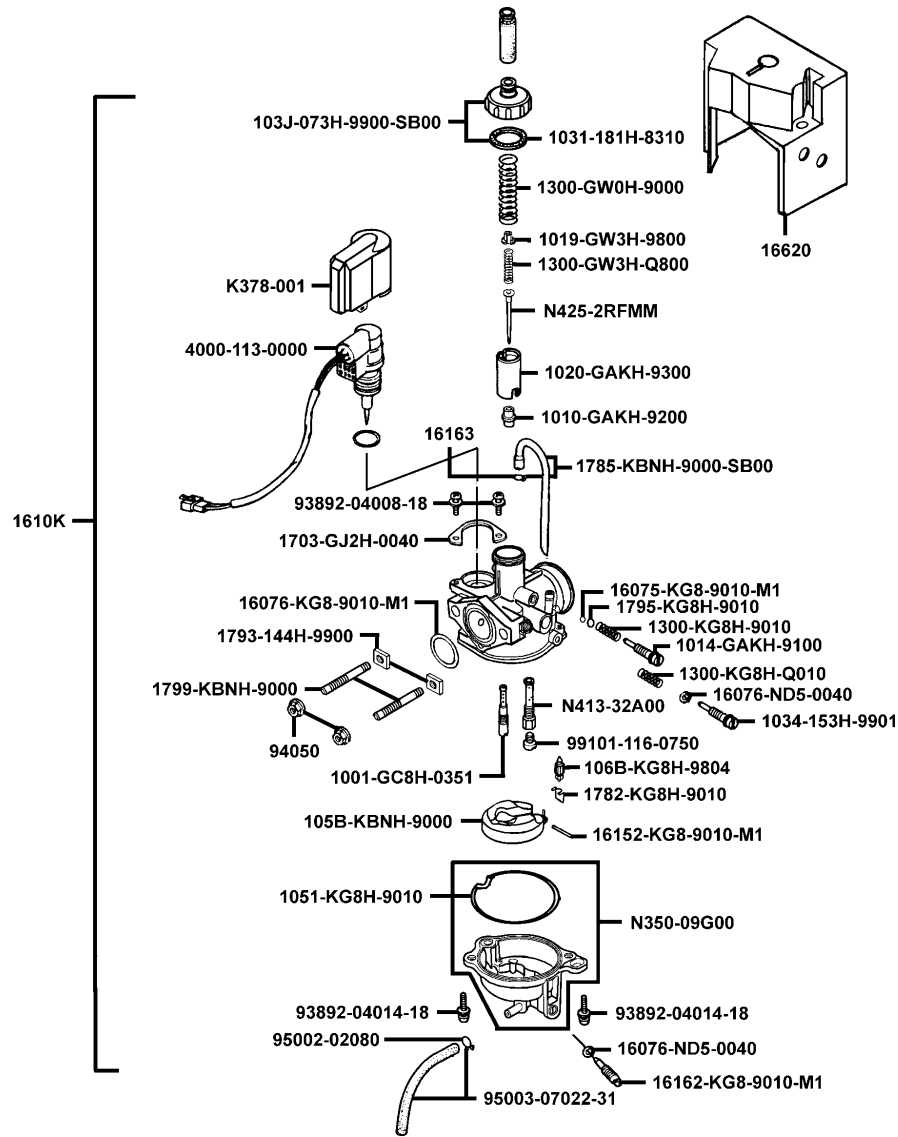


Sales mark	Ref no	Part no	Ver	Description	Reg description	Regd no	<b>E09</b>
	96100	96100-62033-00	0	BEARING BALL RADIAL 6203	BEARING BALL RADIAL 6203	1	

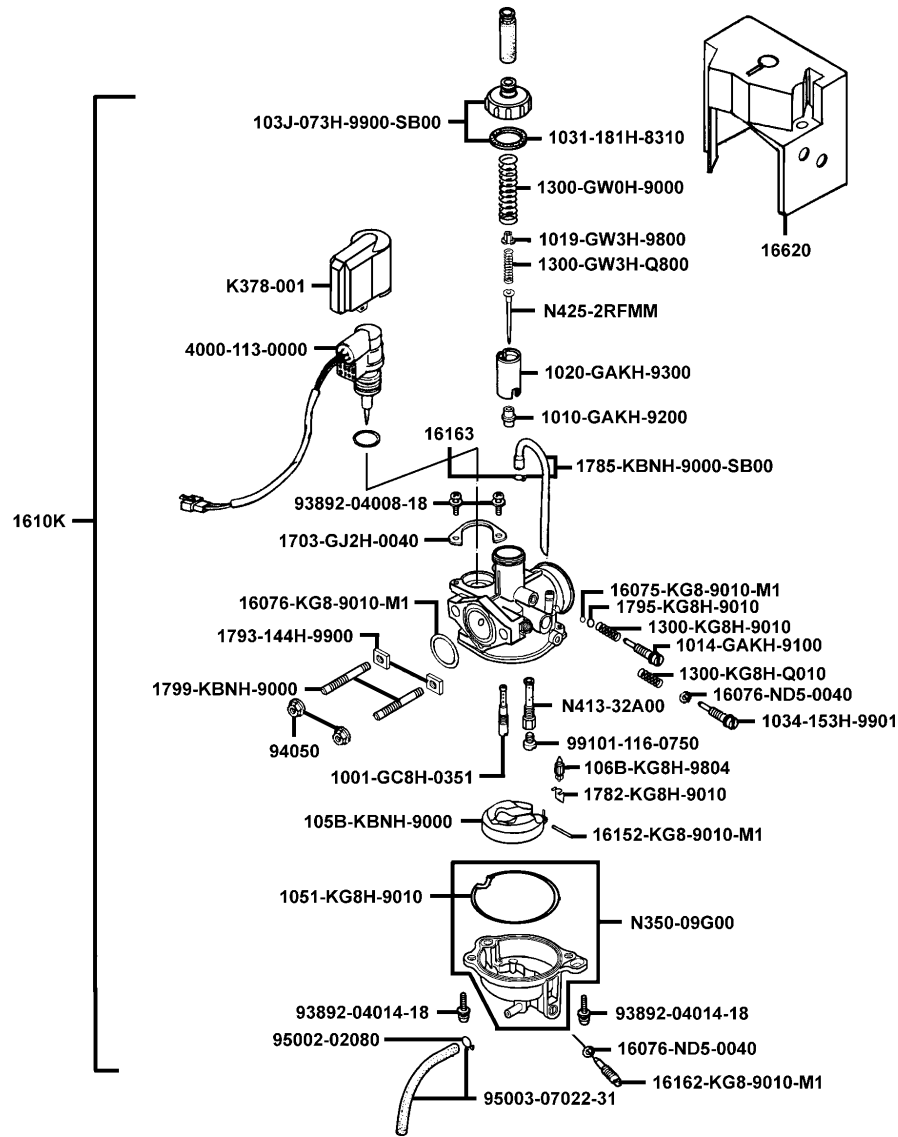


Sales mark	Ref no	Part no	Ver	Description	Reg description	Regd no	<b>E10</b>
	13000	13000-GKAK-921	6	CRANK SHAFT COMP	CRANK SHAFT COMP	1	
	13011	13011-GLW0-90A	4	PISTON RING SET	PISTON RING SET	1	
	13101	13101-GLW0-901	2	PISTON	PISTON	1	
	13111	13111-1F66-001	2	PIN PISTON	PIN PISTON	1	
	13115	13115-1F56-001	0	CLIP PISTON PIN 12MM	CLIP PISTON PIN 12MM	2	
	90741	90741-0E35-001	0	KEY WOODRUFF	KEY WOODRUFF	1	
	91102	91102-GLW0-009	0	BRG CON-ROD S. E.	BRG CON-ROD S. E.	1	





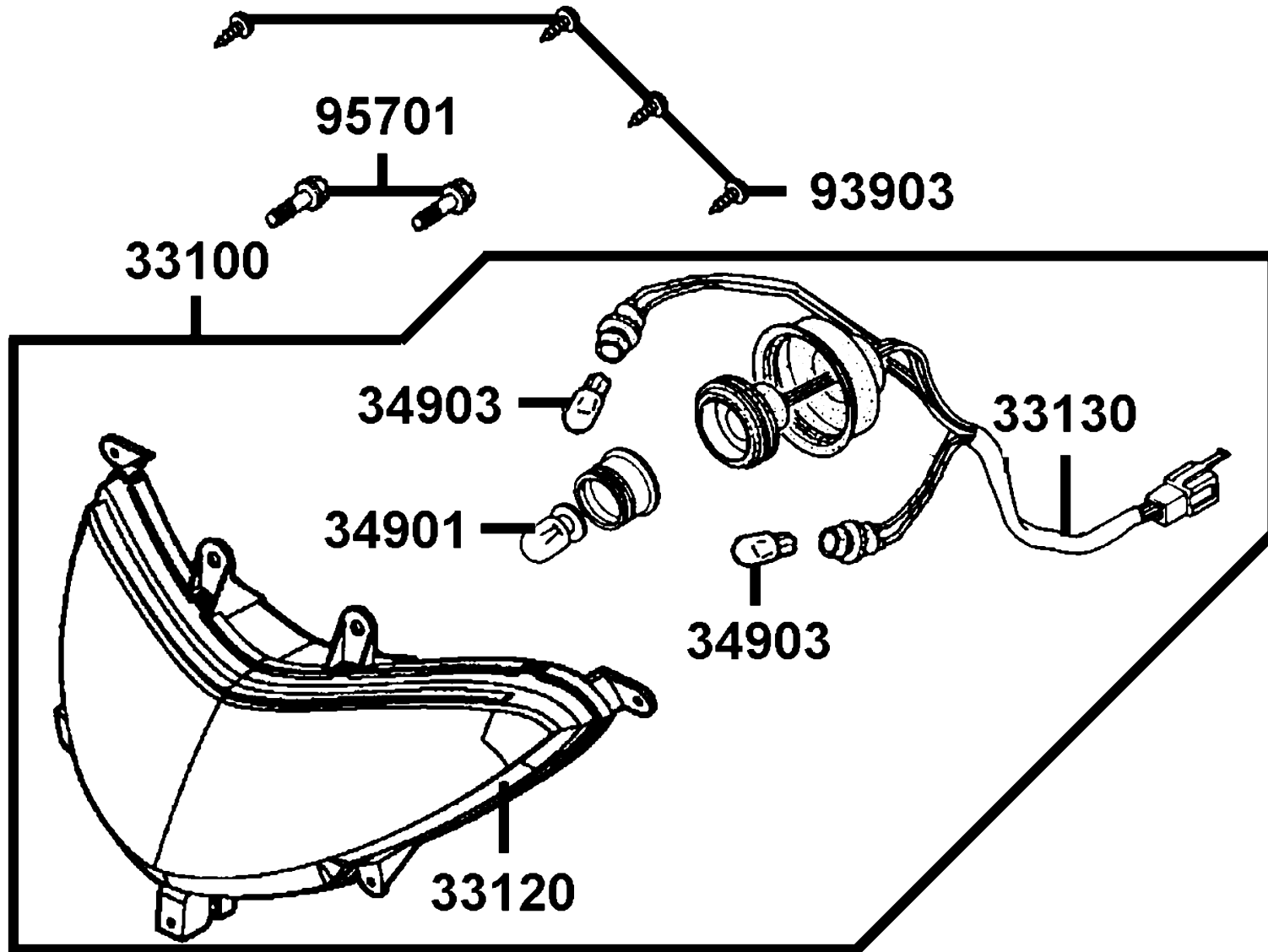
Sales mark	Ref no	Part no	Ver	Description	Reg description	Regd no	E11
	1001-GC8H-0351	1001-GC8H-0351	0	SLOW JET	SLOW JET	1	
	1010-GAKH-9200	1010-GAKH-9200	0	NEEDLE JET	NEEDLE JET	1	
	1014-GAKH-9100	1014-GAKH-9100	0	ADJUST SCREW	ADJUST SCREW	1	
	1019-GW3H-9800	1019-GW3H-9800	0	VALVE PLATE	VALVE PLATE	1	
	1020-GAKH-9300	1020-GAKH-9300	0	THROTTLE VALVE	THROTTLE VALVE	1	
	1031-181H-8310	1031-181H-8310	0	TOP GASKET	TOP GASKET	1	
	1034-153H-9901	1034-153H-9901	0	STOP SCREW	STOP SCREW	1	
	103J-073H-9900-	103J-073H-9900-SB00	0	TOP SET	TOP SET	1	
	1051-KG8H-9010	1051-KG8H-9010	0	FLOAT CHAMBER GASKET	FLOAT CHAMBER GASKET	1	
	105B-KBNH-9000	105B-KBNH-9000	0	FLOAT COMP	FLOAT COMP	1	
	106B-KG8H-9804	106B-KG8H-9804	0	FLOAT VALVE COMP	FLOAT VALVE COMP	1	
	1300-GW0H-9000	1300-GW0H-9000	0	SPG COMPR	SPG COMPR	1	
	1300-GW3H-Q800	1300-GW3H-Q800	0	SPG COMPR	SPG COMPR	1	
	1300-KG8H-9010	1300-KG8H-9010	0	COMPR SPG	COMPR SPG	1	
	1300-KG8H-Q010	1300-KG8H-Q010	0	COMPR SPG	COMPR SPG	1	
	16075-KG8-9010-	16075-KG8-9010-M1	0	O RING	O RING	1	
	16076-KG8-9010-	16076-KG8-9010-M1	0	O-RING	O-RING	1	
	16076-ND5-0040	16076-ND5-0040	0	O RING	O RING	1	
	1610K	1610K-LDA5-E00	1	CARBURETOR ASSY	CARBURETOR ASSY	1	
	16152-KG8-9010-	16152-KG8-9010-M1	0	ARM PIN	ARM PIN	1	



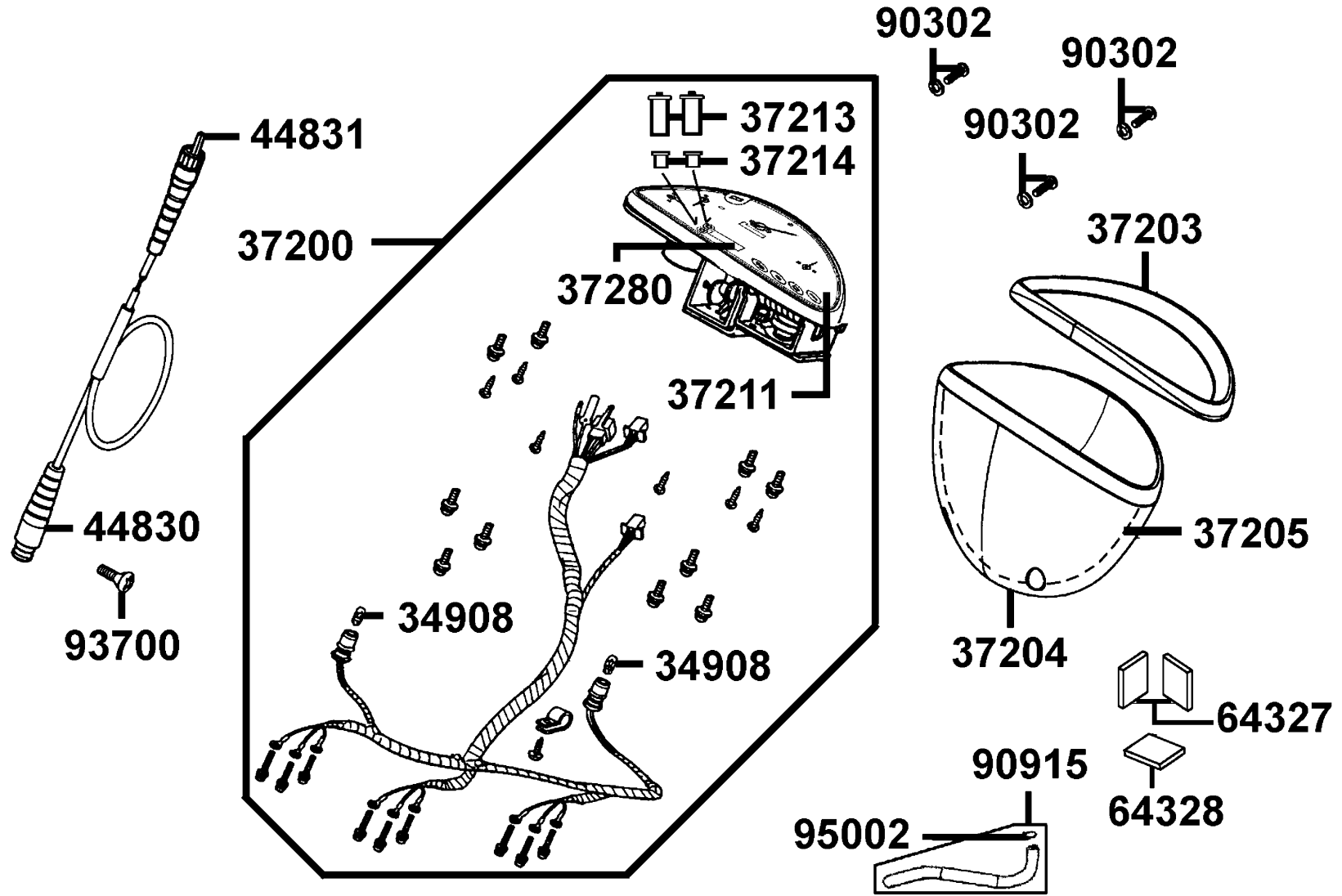
Sales mark	Ref no	Part no	Ver	Description	Reg description	Regd no	E11
	16162-KG8-9010-	16162-KG8-9010-M1	0	DRAIN SCREW PAN	DRAIN SCREW PAN	1	
	16163	16163-KM4-0040	0	CLIP TUBE	CLIP TUBE	1	
	16620	16620-KEB7-E00	1	CAP CARBURETOR	CAP CARBURETOR	1	
	1703-GJ2H-0040	1703-GJ2H-0040	0	SET PLATE	SET PLATE	1	
	1782-KG8H-9010	1782-KG8H-9010	0	CLIP	CLIP	1	
	1785-KBNH-9000-	1785-KBNH-9000-SB00	0	TUBE SET (A.V)	TUBE SET (A.V)	1	
	1793-144H-9900	1793-144H-9900	0	HEX NUT	HEX NUT	2	
	1795-KG8H-9010	1795-KG8H-9010	0	WASHER PLAIN	WASHER PLAIN	1	
	1799-KBNH-9000	1799-KBNH-9000	0	STUD BOLT	STUD BOLT	2	
	4000-113-0000	4000-113-0000	0	AUTO BYSTARTER SET	AUTO BYSTARTER SET	1	
	93892-04008-18	93892-04008-18	0	SCREW WASHER	SCREW WASHER	2	
	93892-04014-18	93892-04014-18	0	SCREW WASHER	SCREW WASHER	2	
#	94050	94050-06080	0	NUT FLANGE 6MM	NUT FLANGE 6MM	2	
	95002-02080	95002-02080	0	CLIP B8 TUBE	CLIP B8 TUBE	1	
	95003-07022-31	95003-07022-31	0	OF TUBE	OF TUBE	1	
	99101-116-0750	99101-116-0750	0	MAIN JET	MAIN JET	1	
	K378-001	K378-001	0	CAP ASSY	CAP ASSY	1	
	N350-09G00	N350-09G00	0	FLOAT CHAMBER SET	FLOAT CHAMBER SET	1	
	N413-32A00	N413-32A00	0	NEEDLE JET HOLDER	NEEDLE JET HOLDER	1	
	N425-2RFMM	N425-2RFMM	0	JET NEEDLE COMP	JET NEEDLE COMP	1	

F01

Head Light



Sales mark	Ref no	Part no	Ver	Description	Reg description	Regd no	<b>F01</b>
	33100	33100-LDA5-E00	1	LIGHT ASSY HEAD	LIGHT ASSY HEAD	1	
	33120	33120-KKC4-E00	1	UNIT HEAD LIGHT	UNIT HEAD LIGHT	1	
	33130	33130-LDA5-E00	0	SOCKET COMP	SOCKET COMP	1	
	34901	34901-KFA6-900	0	BULB HEAD LIGHT	BULB HEAD LIGHT	1	
	34903	34903-KPCP-900	0	BULB POSITION	BULB POSITION	2	
	93903	93903-35360	0	SCREW TAPPING 5*16	SCREW TAPPING 5*16	4	
#	95701	95701-06012-08	0	BOLT FLANGE 6*12	BOLT FLANGE 6*12	2	

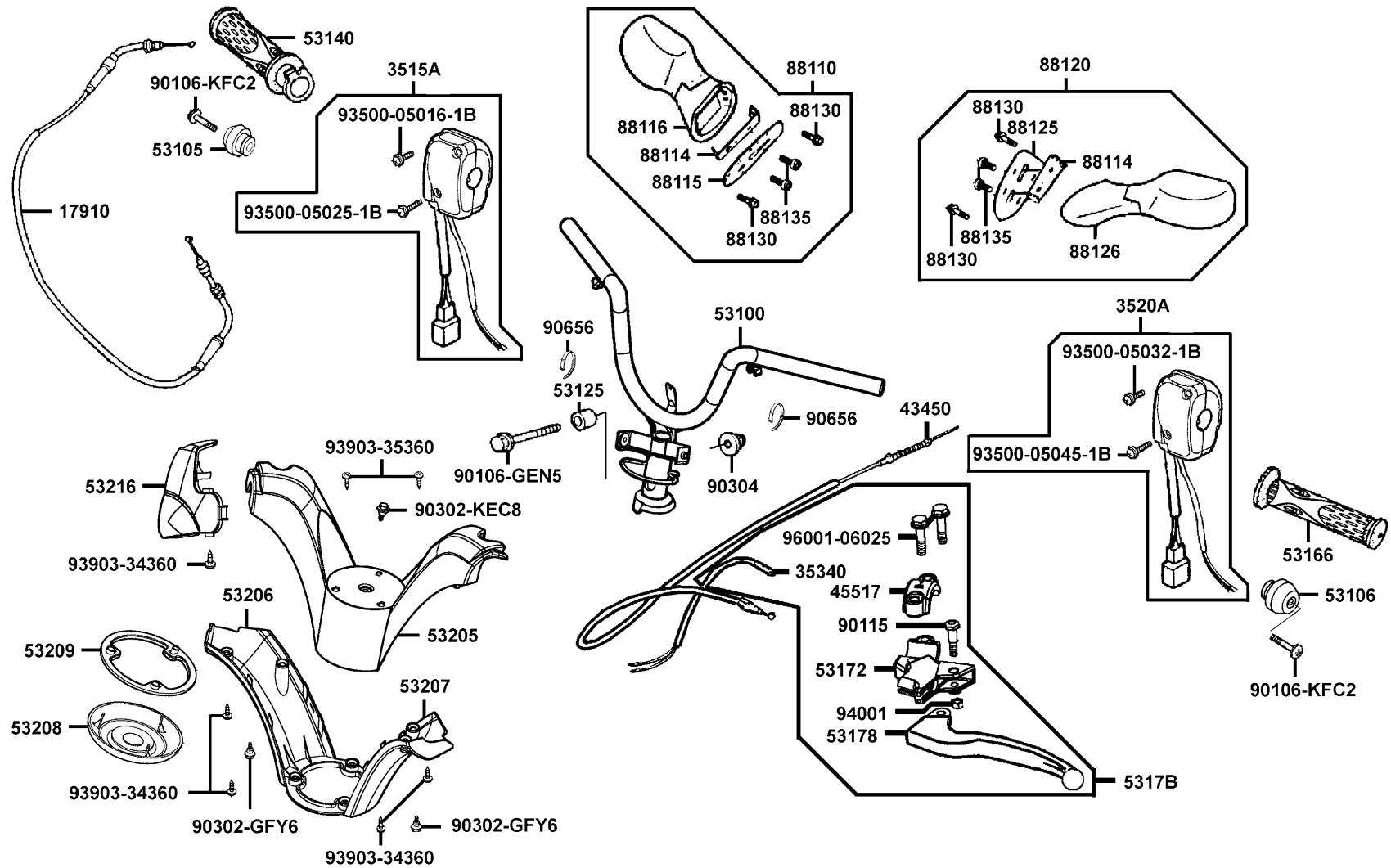


Sales mark	Ref no	Part no	Ver	Description	Reg description	Regd no	F02
	34908	34908-MKB9-87A	0	BULB WEDGE BASE	BULB WEDGE BASE	2	
	37200	37200-LDA5-E00	2	METER ASSY SPEED	METER ASSY SPEED	1	
**	37203	37203-KKC3-900	0	METER COVER FR	METER COVER FR	1	
**	37204	37204-LDA5-E00	1	METER COVER UPPER	METER COVER UPPER	1	
**	37205	37205-LDA5-E00	1	METER COVER LOWER	METER COVER LOWER	1	
	37211	37211-KKC3-900	1	LENS ASSY	LENS ASSY	1	
	37213	37213-KKC3-900	1	PACKING	PACKING	2	
	37214	37214-KKC3-900	0	RESET PIN	RESET PIN	2	
	37280	37280-KKC3-900	0	LCD ASSY (CLOCK)	LCD ASSY (CLOCK)	1	
	44830	44830-KKC4-900	3	CABLE COMP SPDMT	CABLE COMP SPDMT	1	
	44831	44831-KKC4-900	0	CABLE INNER	CABLE INNER	1	
	64327	64327-KKC4-900	1	SPONGE TAPE METER COVER	SPONGE TAPE METER COVER	2	
	64328	64328-KKC4-900	0	SPONGE TAPE METER COVER	SPONGE TAPE METER COVER	1	
	90302	90302-GFY6-940	1	BOLT-WASH 5*16	BOLT-WASH 5*16	3	
	90915	90915-KKC4-900	1	TUBE DRAIN	TUBE DRAIN	1	
	93700	93700-05018-0H	0	SCREW OVAL 5*18	SCREW OVAL 5*18	1	
	95002	95002-50000	0	CLIP C9 TUBE	CLIP C9 TUBE	1	



F03

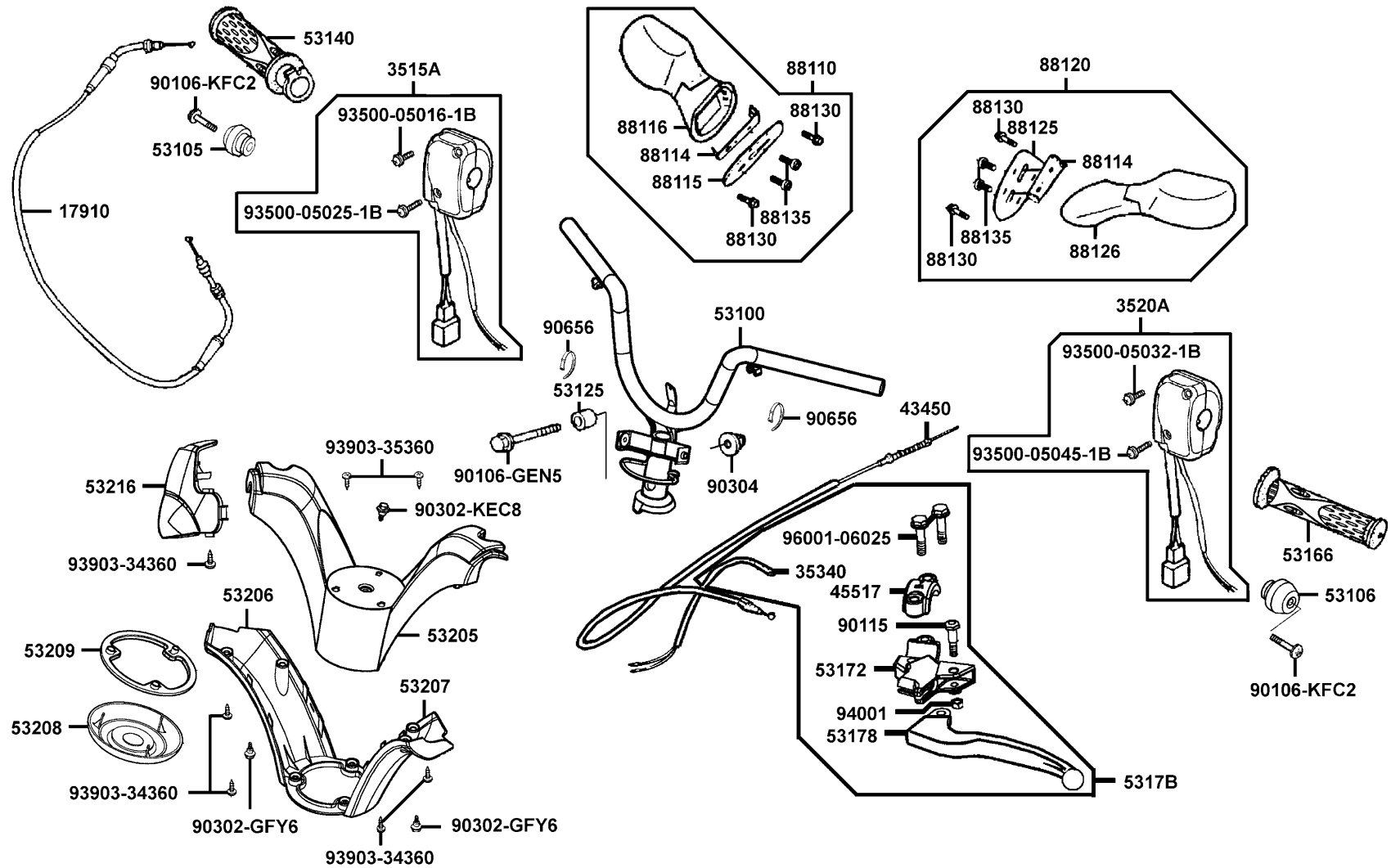
CableSwitch



Sales mark	Ref no	Part no	Ver	Description	Reg description	Regd no	F03
	17910	17910-LDA5-E00	3	CABLE COMP THROT	CABLE COMP THROT	1	
	3515A	3515A-LDA5-E00	1	SW ASSY RH HNDL COMP	SW ASSY RH HNDL COMP	1	
	3520A	3520A-LDA5-E00	1	SW ASSY L HNDL COMP	SW ASSY L HNDL COMP	1	
	35340	35340-KED1-900	0	SW ASSY FR STOP	SW ASSY FR STOP	1	
	43450	43450-LDA5-E00	1	CABLE COMP RR BRK	CABLE COMP RR BRK	1	
	45517	45517-GFY6-900	5	HOLDER HNDL BRKT	HOLDER HNDL BRKT	1	
	53100	53100-KKC4-900	0	HANDLE COMP STRG	HANDLE COMP STRG	1	
**	53105	53105-KFC8-900	2	END R STRG HANDLE	END R STRG HANDLE	1	
**	53106	53106-KFC8-900	2	END L STRG HANDLE	END L STRG HANDLE	1	
	53125	53125-GEN5-901	0	COLLAR HANDLE SET	COLLAR HANDLE SET	1	
**	53140	53140-KKC3-900	0	GRIP COMP THROT	GRIP COMP THROT	1	
**	53166	53166-KGB5-900	0	GRIP L HANDLE	GRIP L HANDLE	1	
	53172	53172-KED1-900	0	BRKT HANDLE L	BRKT HANDLE L	1	
**	53178	53178-KFA5-E10	0	LEVER L STRG HANDLE	LEVER L STRG HANDLE	1	
	5317B	5317B-KFA5-E10	1	BRKT ASSY L HANDLE	BRKT ASSY L HANDLE	1	
**	53205	53205-KKC4-900	2	COVER HNDL UP	COVER HNDL UP	1	
**	53206	53206-KKC4-900	1	COVER R HANDLE LOW	COVER R HANDLE LOW	1	
**	53207	53207-KKC4-900	0	COVER L HANDLE LOW	COVER L HANDLE LOW	1	
**	53208	53208-KKC4-900	0	GRILL HANDLE UP	GRILL HANDLE UP	1	
	53209	53209-KKC4-900	0	PACKING HANDLE UP	PACKING HANDLE UP	1	

F03

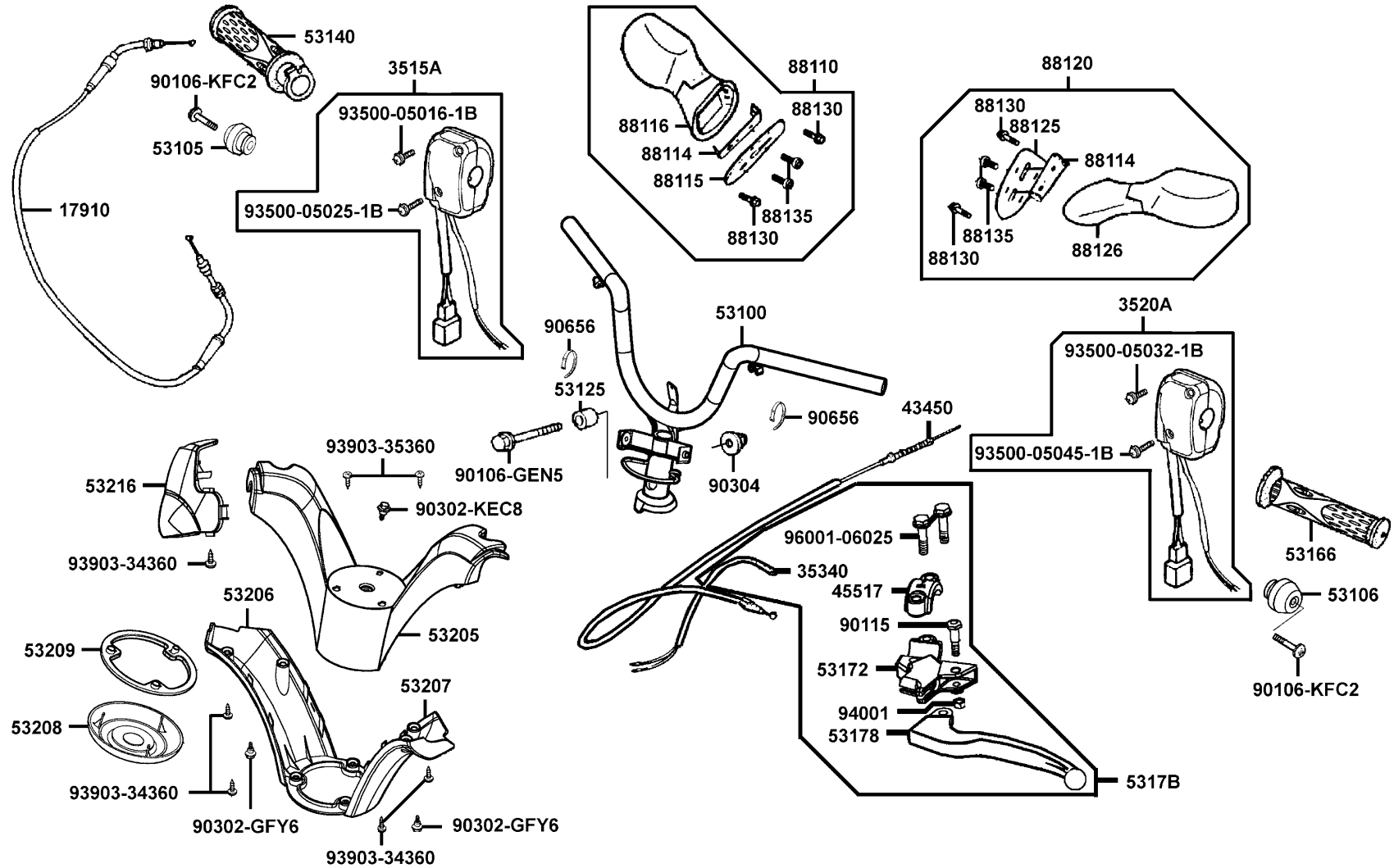
CableSwitch



Sales mark	Ref no	Part no	Ver	Description	Reg description	Regd no	F03
**	53216	53216-LDA5-E00	1	COVER HANDLE L PLUG	COVER HANDLE L PLUG	1	
**	88110	88110-LFD9-E00	2	MIRROR ASSY R BACK	MIRROR ASSY R BACK	1	
	88114	88114-KKC4-900	3	STAY MIRROR	STAY MIRROR	2	
	88115	88115-KKC4-900	0	PAD R MIRROR	PAD R MIRROR	1	
	88116	88116-KKC4-900	3	BASE R MIRROR	BASE R MIRROR	1	
**	88120	88120-LFD9-E00	4	MIRROR ASSY L BACK	MIRROR ASSY L BACK	1	
	88125	88125-KKC4-900	0	PAD L MIRROR	PAD L MIRROR	1	
	88126	88126-KKC4-900	3	BASE L MIRROR	BASE L MIRROR	1	
	88130	88130-KKC4-900	0	BOLT SPECIAL	BOLT SPECIAL	4	
	88135	88135-KKC4-900	1	SCREW PAN 5*20	SCREW PAN 5*20	4	
	90106-GEN5	90106-GEN5-901	0	BOLT FLANGE 10*50	BOLT FLANGE 10*50	1	
	90106-KFC2	90106-KFC2-900	0	BOLT WASH 8MM	BOLT WASH 8MM	2	
	90115	90115-GLE0-001	0	BOLT HNDL LEVER PIVOT	BOLT HNDL LEVER PIVOT	1	
	90302-GFY6	90302-GFY6-901	1	BOLT WASH 5*12	BOLT WASH 5*12	2	
	90302-KEC8	90302-KEC8-900	1	BOLT PAN 5*9	BOLT PAN 5*9	1	
#	90304	90304-GHE8-004	0	NUT U 10MM	NUT U 10MM	1	
#	90656	90656-GFY6-911	0	BAND OIL HOSE	BAND OIL HOSE	2	
	93500-05016-1B	93500-05016-1B	0	SCREW PAN 5*16	SCREW PAN 5*16	1	
	93500-05025-1B	93500-05025-1B	0	SCREW PAN 5*25	SCREW PAN 5*25	1	
	93500-05032-1B	93500-05032-1B	0	SCREW PAN 5*32	SCREW PAN 5*32	1	

F03

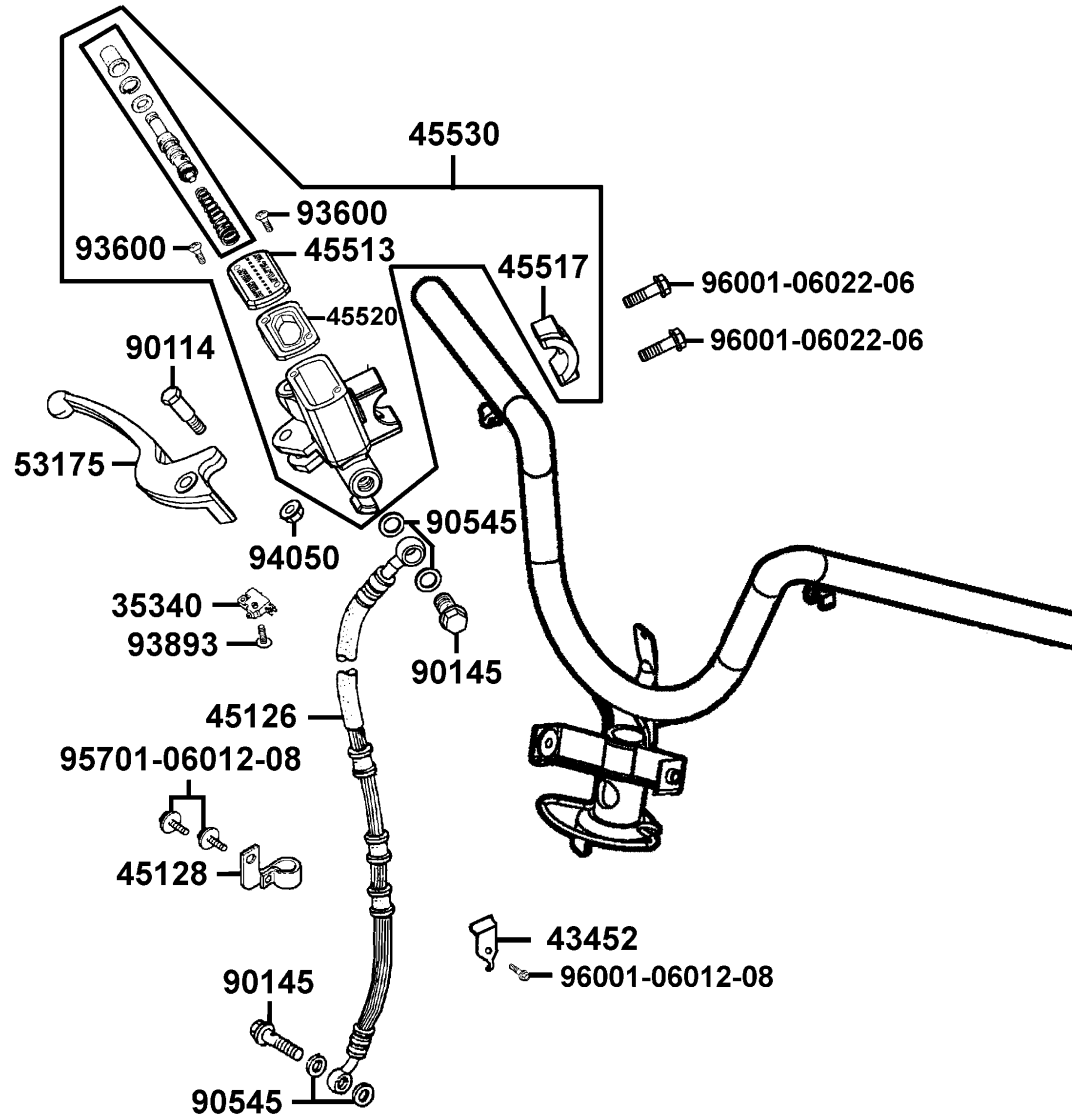
CableSwitch



Sales mark	Ref no	Part no	Ver	Description	Reg description	Regd no	<b>F03</b>
	93500-05045-1B	93500-05045-1B	0	SCREW PAN 5*45	SCREW PAN 5*45	1	
#	93903-34360	93903-34360	0	SCREW TAPPING 4*12	SCREW TAPPING 4*12	5	
	93903-35360	93903-35360	0	SCREW TAPPING 5*16	SCREW TAPPING 5*16	2	
	94001	94001-05080-0S	0	NUT HEX 5MM	NUT HEX 5MM	1	
	96001-06025	96001-06025-06	0	BOLT FLANGE 6*25	BOLT FLANGE 6*25	2	

F04

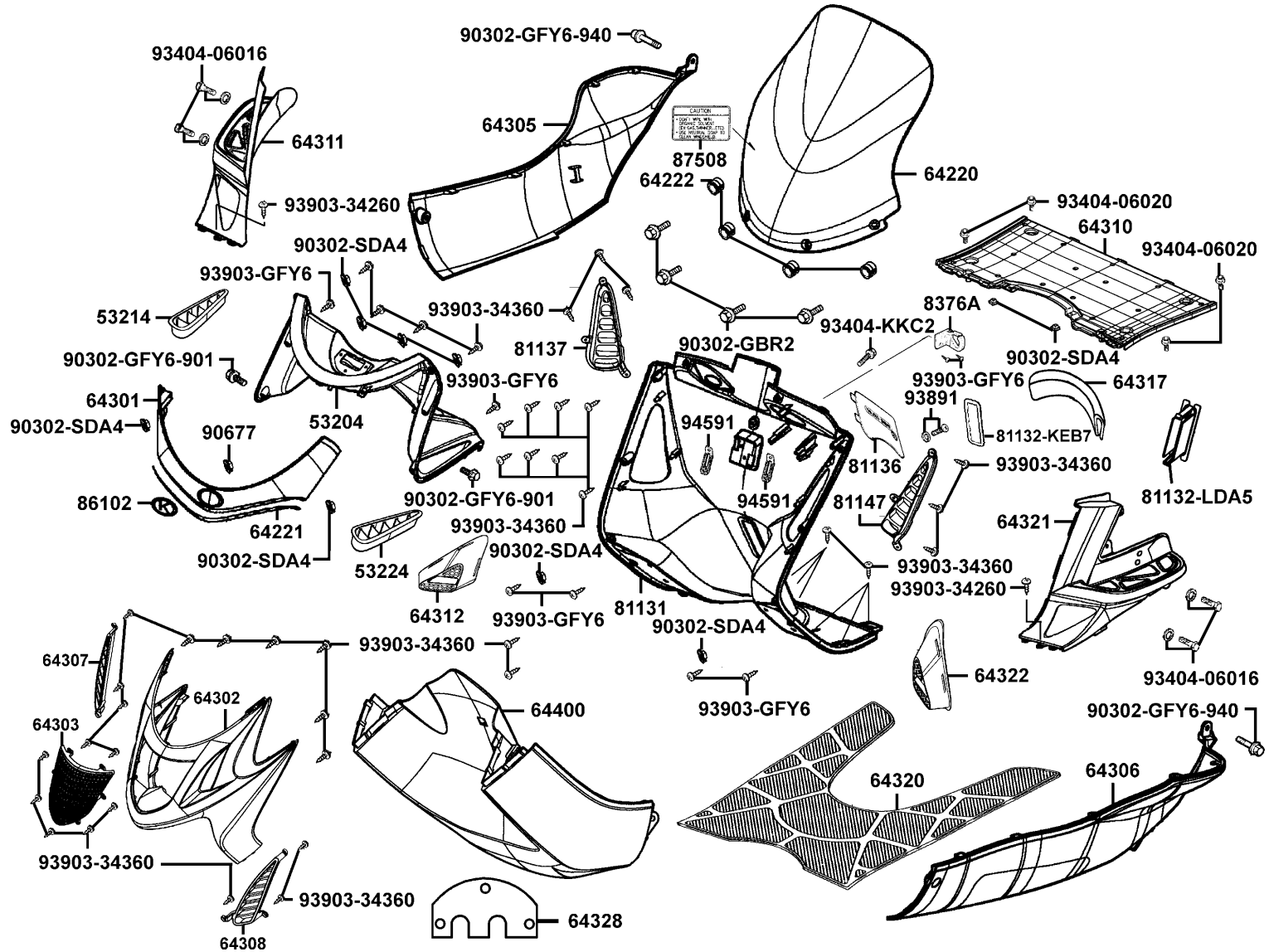
# Front Master Cylinder



Sales mark	Ref no	Part no	Ver	Description	Reg description	Regd no	F04
	35340	35340-KNBN-901	0	SW ASSY FR STOP	SW ASSY FR STOP	1	
	43452	43452-GKAK-900	0	CLAMP BRK CABLE	CLAMP BRK CABLE	1	
	45126	45126-KKC2-900	2	HOSE ASSY FR BRK	HOSE ASSY FR BRK	1	
	45128	45128-KEBE-900	0	CLAMPER FR BRAKE HOSE	CLAMPER FR BRAKE HOSE	1	
	45513	45513-KXCX-M00	1	CAP MASTER CYLINDER	CAP MASTER CYLINDER	1	
	45517	45517-KFAF-910	0	HOLDER M/C	HOLDER M/C	1	
	45520	45520-GLW0-91A	0	DIAPHRAGM	DIAPHRAGM	1	
	45530	45530-KFC8-E00-IT	2	CYLN SET FR MASTER	CYLN SET FR MASTER	1	
**	53175	53175-KFA5-E10	0	LEVER R STRG HNDL	LEVER R STRG HNDL	1	
	90114	90114-1F66-007	2	BOLT HANDLE LEVER	BOLT HANDLE LEVER	1	
	90145	90145-MKS9-61A	1	OIL BOLT 10*22	OIL BOLT 10*22	2	
	90545	90545-3L00-001	2	WASHER OIL BOLT	WASHER OIL BOLT	4	
	93600	93600-04012-1G	0	SCREW FLAT 4*12	SCREW FLAT 4*12	2	
	93893	93893-04012-18	0	SCREW WASHER 4*12	SCREW WASHER 4*12	1	
	94050	94050-06060	0	NUT FLANGE 6MM	NUT FLANGE 6MM	1	
#	95701-06012-08	95701-06012-08	0	BOLT FLANGE 6*12	BOLT FLANGE 6*12	1	
#	96001-06012-08	96001-06012-08	0	BOLT FLANGE 6*12	BOLT FLANGE 6*12	1	
	96001-06022-06	96001-06022-06	1	BOLT FLANGE 6*20	BOLT FLANGE 6*20	2	

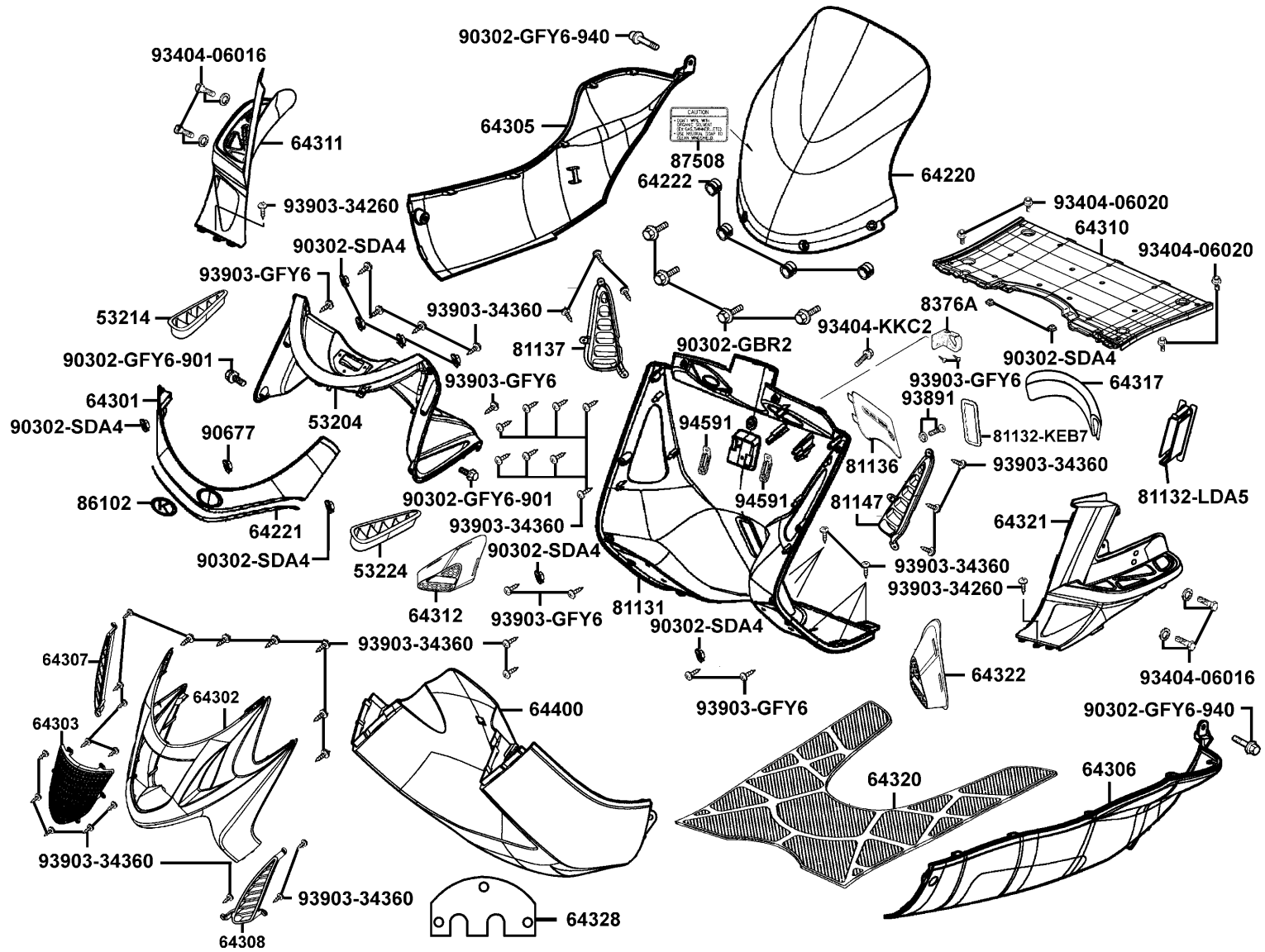


Front CoverFloor Panel



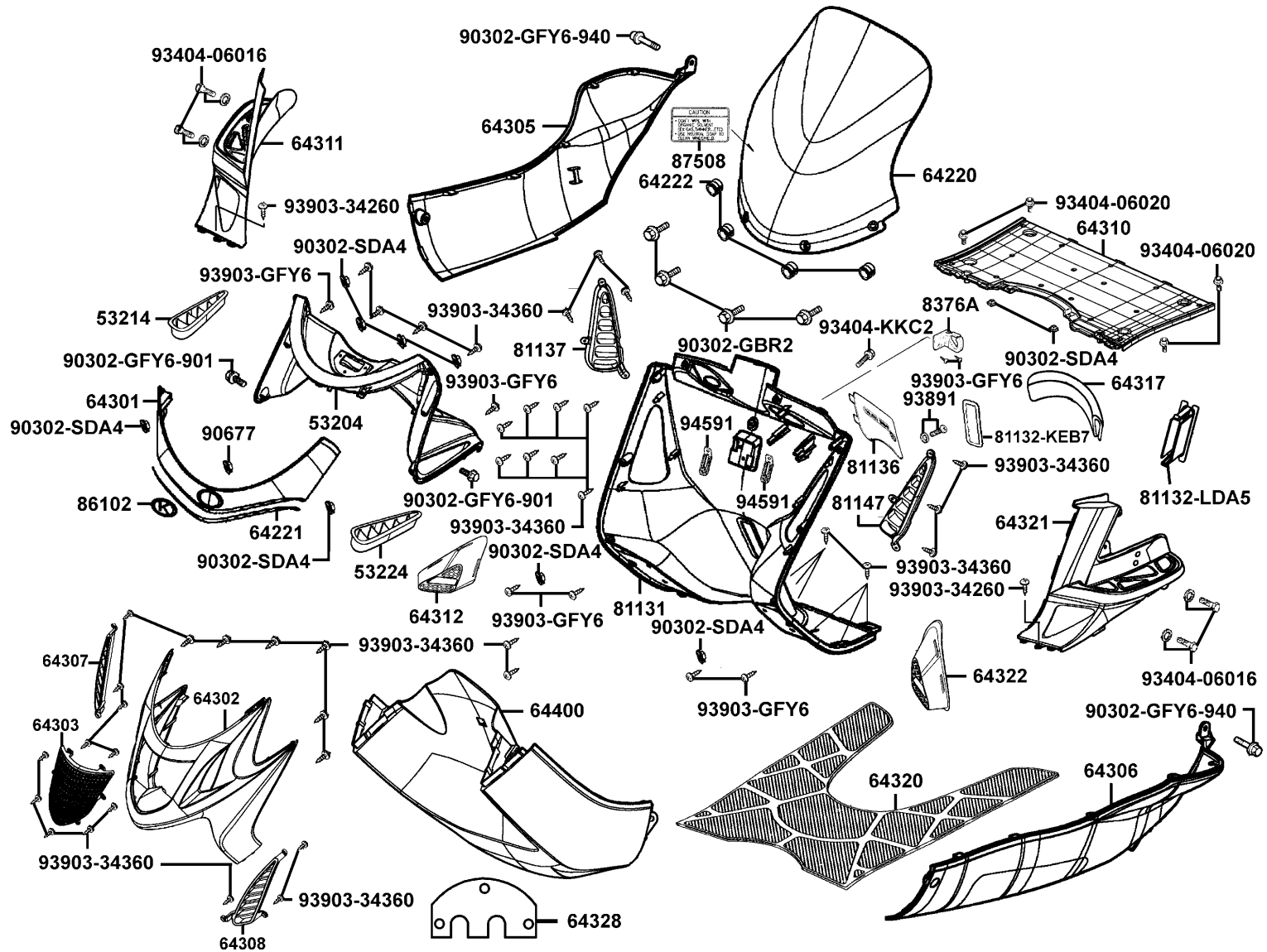
Sales mark	Ref no	Part no	Ver	Description	Reg description	Regd no	F05
**	53204	53204-KKC4-900	2	COVER METER	COVER METER	1	
**	53214	53214-KKC4-900	0	GRID R METER COVER	GRID R METER COVER	1	
**	53224	53224-KKC4-900	0	GRID L METER COVER	GRID L METER COVER	1	
	64220	64220-KKC4-900	1	WIND SCREEN	WIND SCREEN	1	
	64221	64221-KKC4-900	0	SEAL WIND SCREEN	SEAL WIND SCREEN	1	
	64222	64222-KKC4-900	3	RUBBER WIND SCREEN	RUBBER WIND SCREEN	4	
**	64301	64301-KKC4-900	0	COVER SCREEN	COVER SCREEN	1	
**	64302	64302-LFD9-E00	2	MOLDING FR	MOLDING FR	1	
**	64303	64303-LFD9-E00	2	LID FR MOLDING	LID FR MOLDING	1	
**	64305	64305-KKC4-900	2	SKIRT R SIDE	SKIRT R SIDE	1	
**	64306	64306-KKC4-900	2	SKIRT L SIDE	SKIRT L SIDE	1	
**	64307	64307-LFD9-E00	1	GRILLE R FR MOLDING	GRILLE R FR MOLDING	1	
**	64308	64308-LFD9-E00	1	GRILLE L FR MOLDING	GRILLE L FR MOLDING	1	
**	64310	64310-KKC4-900	0	FLOOR PANEL	FLOOR PANEL	1	
**	64311	64311-KKC4-900	3	COVER R PILLION STEP	COVER R PILLION STEP	1	
**	64312	64312-KKC4-900	3	GRID R PILLION STEP	GRID R PILLION STEP	1	
**	64317	64317-KKC4-900	1	SEAL METER COVER FR	SEAL METER COVER FR	1	
**	64320	64320-KKC4-900	0	MAT FLOOR	MAT FLOOR	1	
**	64321	64321-KKC4-900	3	COVER L PILLION STEP	COVER L PILLION STEP	1	
**	64322	64322-KKC4-900	1	GRID L PILLION STEP	GRID L PILLION STEP	1	

Front CoverFloor Panel



Sales mark	Ref no	Part no	Ver	Description	Reg description	Regd no	F05
	64328	64328-KKC2-900	1	HEAT GUARD METER COVER	HEAT GUARD METER COVER	1	
**	64400	64400-KKC4-900	0	COWL UNDER	COWL UNDER	1	
**	81131	81131-KKC4-900	0	LEG SHIELD	LEG SHIELD	1	
**	81132-KEB7	81132-KEB7-900	1	LID LEG SHIELD	LID LEG SHIELD	1	
**	81132-LDA5	81132-LDA5-E00	2	LID LEG SHIELD WIND	LID LEG SHIELD WIND	1	
**	81136	81136-LDA5-E00	1	LID RESERVE TANK	LID RESERVE TANK	1	
**	81137	81137-KKC4-900	0	GRID R LEG SHIELD	GRID R LEG SHIELD	1	
**	81147	81147-KKC4-900	0	GRID L LEG SHIELD	GRID L LEG SHIELD	1	
	8376A	8376A-KEBE-900	4	CLIP ASSY CENTER	CLIP ASSY CENTER	1	
**	87508	87508-KKC4-E00	1	LABEL CLEANNESS CAUYION	LABEL CLEANNESS CAUYION	1	
	90302-GBR2	90302-GBR2-001	1	BOLT WASH 5*16	BOLT WASH 5*16	4	
	90302-GFY6-901	90302-GFY6-901	1	BOLT WASH 5*12	BOLT WASH 5*12	2	
	90302-GFY6-940	90302-GFY6-940	1	BOLT-WASH 5*16	BOLT-WASH 5*16	2	
#	90302-SDA4	90302-SDA4-004	1	NUT SPRING 4MM	NUT SPRING 4MM	10	
	90677	90677-GAR1-004	1	NUT CLIP 5MM	NUT CLIP 5MM	1	
#	93404-06016	93404-06016-06	0	BOLT WASHER 6*16	BOLT WASHER 6*16	4	
	93404-06020	93404-06020-06	1	BOLT WASH 6*20	BOLT WASH 6*20	4	
	93404-KKC2	93404-KKC2-900	1	BOLT WASH 6*16	BOLT WASH 6*16	1	
	93891	93891-05012-06	0	SCREW WASHER 5*12	SCREW WASHER 5*12	1	
	93903-34260	93903-34260	0	SCREW TAPPING 4*12	SCREW TAPPING 4*12	2	

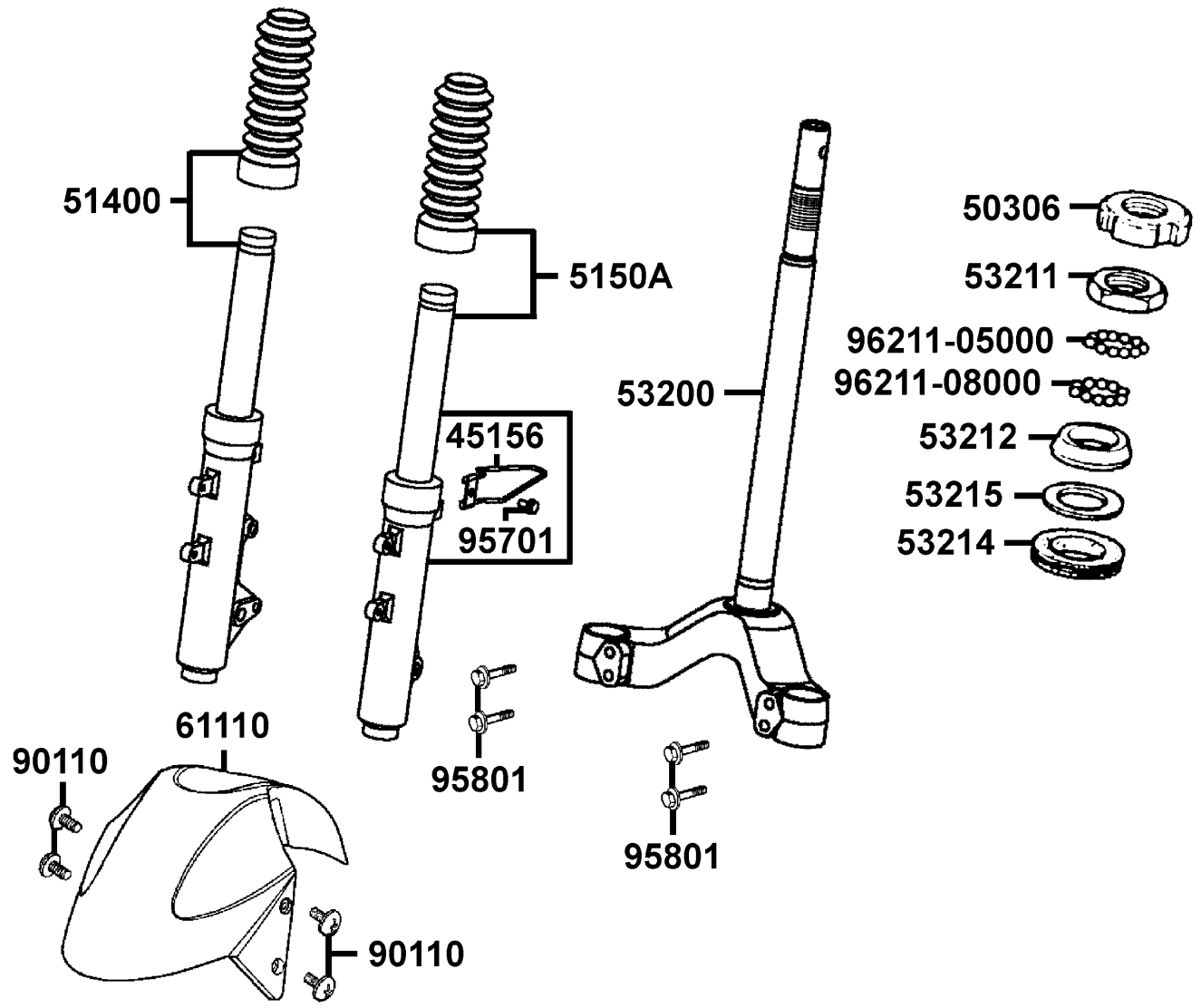
Front CoverFloor Panel



Sales mark	Ref no	Part no	Ver	Description	Reg description	Regd no	<b>F05</b>
#	93903-34360	93903-34360	0	SCREW TAPPING 4*12	SCREW TAPPING 4*12	39	
	93903-GFY6	93903-GFY6-900	1	SCREW TAPPING 4*14	SCREW TAPPING 4*14	8	
#	94050	94050-06080	0	NUT FLANGE 6MM	NUT FLANGE 6MM	2	
#	94591	94591-27000	0	CLIP 2*70	CLIP 2*70	2	

F06

Front Cushion

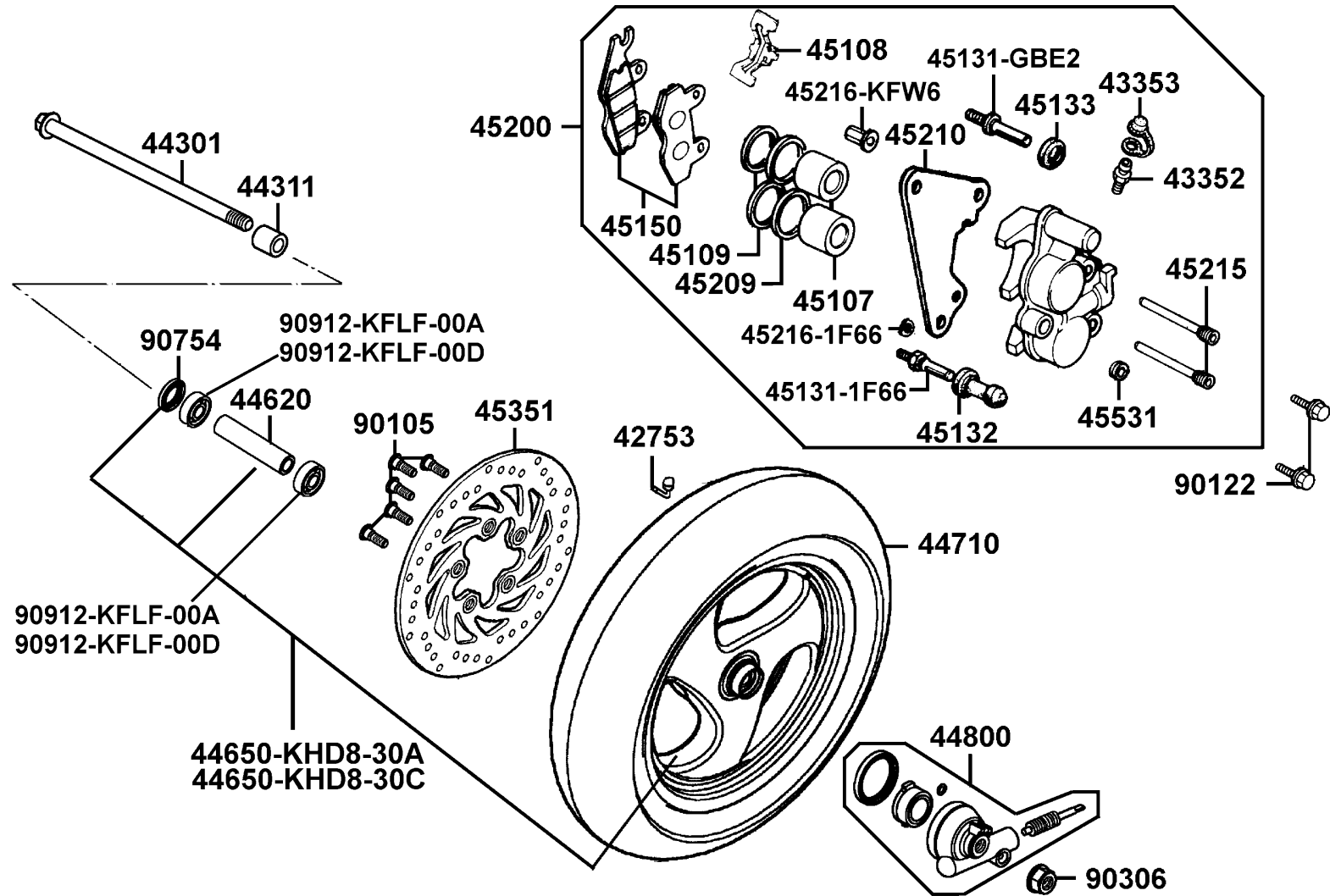


Sales mark	Ref no	Part no	Ver	Description	Reg description	Regd no	<b>F06</b>
	45156	45156-KECE-900	2	CLAMPER FR BRK CABLE	CLAMPER FR BRK CABLE	1	
	50306	50306-1F96-001	0	NUT STRG STEM LOCK	NUT STRG STEM LOCK	1	
**	51400	51400-KKC4-900	2	FORK ASSY R FR	FORK ASSY R FR	1	
**	5150A	5150A-KKC4-900	3	FORK SET L FR	FORK SET L FR	1	
	53200	53200-LDA5-E00	1	STEM COMP STRG	STEM COMP STRG	1	
	53211	53211-GFY6-940	1	RACE STRG TOP CONE	RACE STRG TOP CONE	1	
	53212	53212-2L50-011	1	RACE STRG BOT CONE	RACE STRG BOT CONE	1	
	53214	53214-2L50-001	0	DUST SEAL STRG(HEAD)	DUST SEAL STRG(HEAD)	1	
	53215	53215-2L50-001	0	WASH STRG HDL DUST-SEAL	WASH STRG HDL DUST-SEAL	1	
**	61110	61110-KHD8-900	2	FENDER FR	FENDER FR	1	
	90110	90110-KEB7-900	1	SCREW SPECIAL 6*14	SCREW SPECIAL 6*14	4	
#	95701	95701-06012-08	0	BOLT FLANGE 6*12	BOLT FLANGE 6*12	1	
	95801	95801-08040-08	0	BOLT FLANGE 8*40	BOLT FLANGE 8*40	4	
	96211-05000	96211-05000	0	BALL STEEL 5	BALL STEEL 5	20	
	96211-08000	96211-08000	0	BALL STEEL 8MM	BALL STEEL 8MM	15	



F07

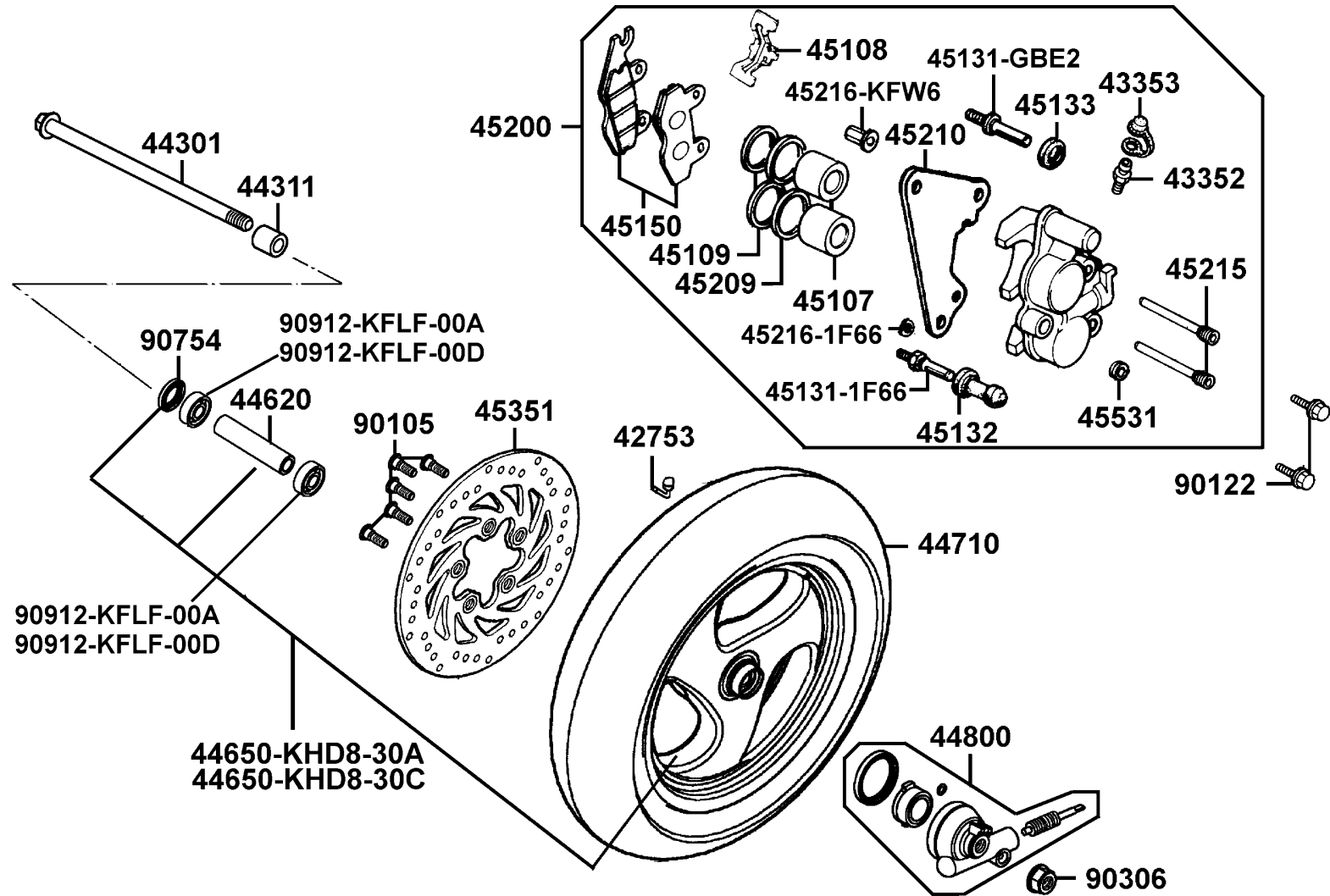
Front Wheel



Sales mark	Ref no	Part no	Ver	Description	Reg description	Regd no	F07
	42753	42753-KNBN-90B	1	VALVE RIM (TR 412)	VALVE RIM (TR 412)	1	
	43352	43352-5H68-004	3	SCREW BLEEDER	SCREW BLEEDER	1	
	43353	43353-4A61-77A	0	CAP BLEEDER	CAP BLEEDER	1	
	44301	44301-KXCX-900	4	AXLE FR WHEEL	AXLE FR WHEEL	1	
	44311	44311-KEBE-900	0	COLLAR FR WHEEL SIDE	COLLAR FR WHEEL SIDE	1	
	44620	44620-KHD8-900	1	COLLAR FR AXLE DISTANCE	COLLAR FR AXLE DISTANCE	1	
**	44650-KHD8-30A	44650-KHD8-30A	3	WHEEL SET FR	WHEEL SET FR	1	
**	44650-KHD8-30C	44650-KHD8-30C	4	WHEEL SET FR	WHEEL SET FR	1	
	44710	44710-KKC4-900	3	TIRE ASSY FR	TIRE ASSY FR	1	
	44800	44800-KFA5-900	1	GEAR BOX ASSY	GEAR BOX ASSY	1	
	45107	45107-MEN5-007	0	PISTON	PISTON	2	
	45108	45108-MDL4-007	2	PAD SPG	PAD SPG	1	
	45109	45109-GBE2-007	0	DUST SEAL	DUST SEAL	2	
	45131-1F66	45131-1F66-017	0	PIN BOLT	PIN BOLT	1	
	45131-GBE2	45131-GBE2-007	1	PIN BOLT A	PIN BOLT A	1	
	45132	45132-1F66-017	0	BUSH BOOT PIN	BUSH BOOT PIN	1	
	45133	45133-MCA3-007	0	BOOT B	BOOT B	1	
	45150	45150-LLB5-305	0	PAD COMP	PAD COMP	1	
**	45200	45200-KKC2-E00	1	CALIPER ASSY FR	CALIPER ASSY FR	1	
	45209	45209-GBE2-007	0	SEAL PISTON	SEAL PISTON	2	

F07

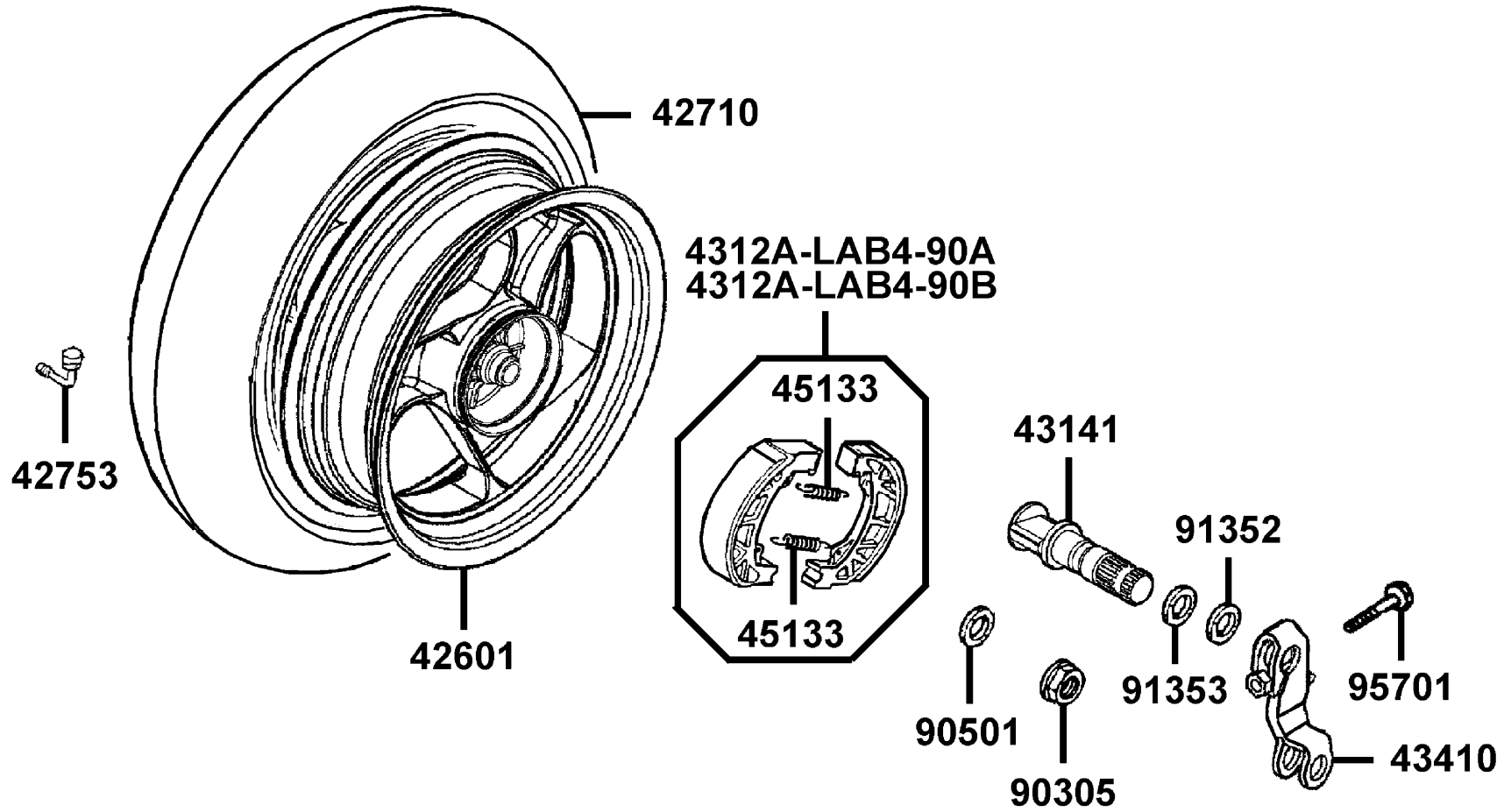
Front Wheel



Sales mark	Ref no	Part no	Ver	Description	Reg description	Regd no	<b>F07</b>
	45210	45210-KHD8-900	0	BRACKET FR	BRACKET FR	1	
	45215	45215-KECE-900	0	PIN HANGER	PIN HANGER	2	
	45216-1F66	45216-1F66-007	0	WASHER WAVE	WASHER WAVE	1	
	45216-KFW6	45216-KFW6-90A	0	TORQUE NUT	TORQUE NUT	1	
	45351	45351-KHE7-E00	1	DISK RR BRAKE	DISK RR BRAKE	1	
**	45531	45531-GAR1-951	0	PLUG	PLUG	1	
	90105	90105-KCR3-001	1	BOLT FR DISK 8*24	BOLT FR DISK 8*24	5	
	90122	90122-KEBE-900	2	BOLT FLANGE 8*32	BOLT FLANGE 8*32	2	
	90306	90306-KLF0-901	0	NUT FLANGE 12MM	NUT FLANGE 12MM	1	
	90754	90754-GHC8-00A	1	SEAL DUST 20*32*5	SEAL DUST 20*32*5	1	
	90912-KFLF-00A	90912-KFLF-00A	0	BEARING 6201 LLU	BEARING 6201 LLU	2	
	90912-KFLF-00D	90912-KFLF-00D	0	BEARING 6201 LLU	BEARING 6201 LLU	2	

F08

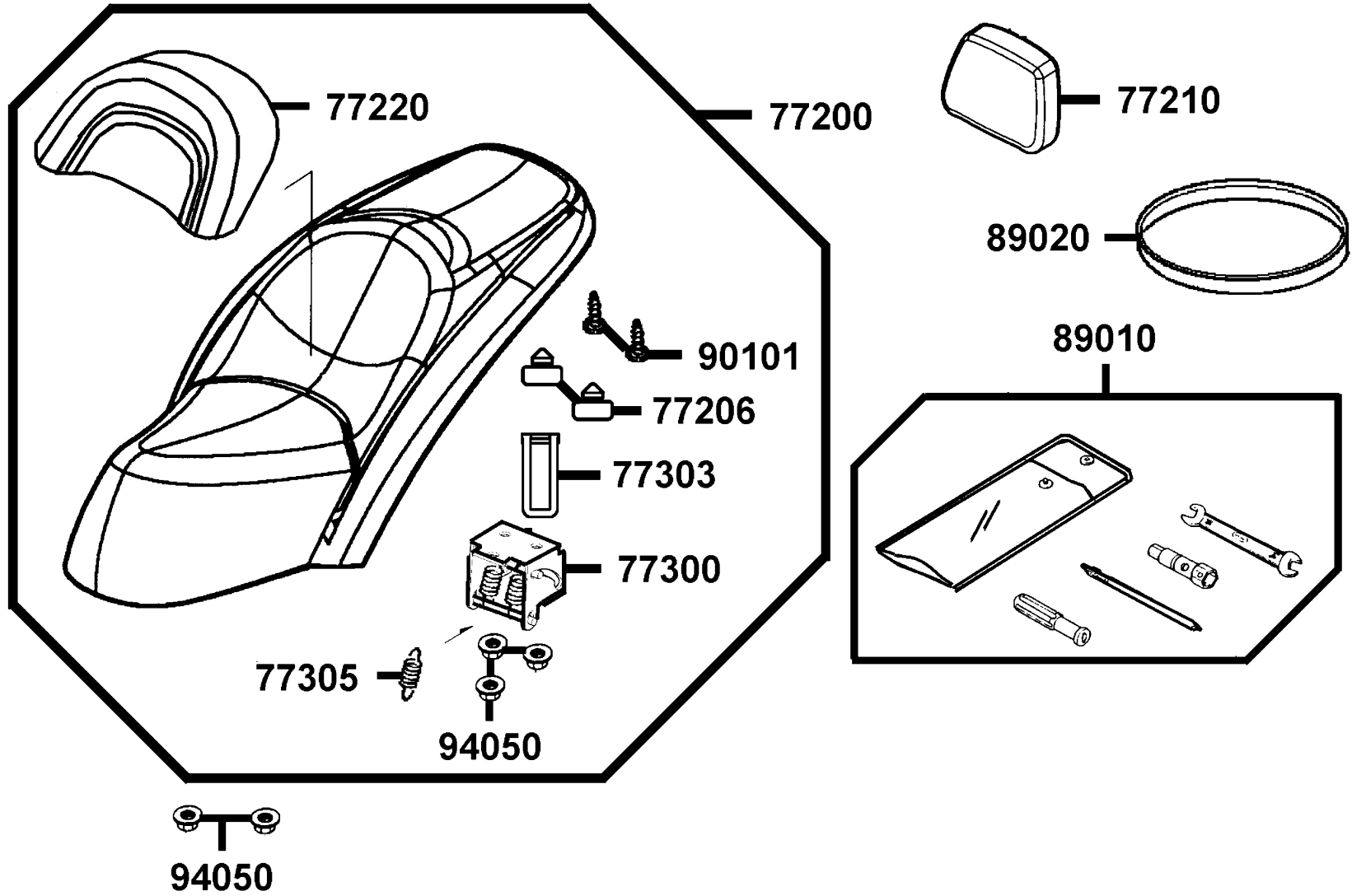
Rear Wheel



Sales mark	Ref no	Part no	Ver	Description	Reg description	Regd no	<b>F08</b>
**	42601	42601-KEB7-E0E	2	WHEEL COMP RR CAST	WHEEL COMP RR CAST	1	
	42710	42710-KEB7-E1A	3	TIRE ASSY RR	TIRE ASSY RR	1	
	42753	42753-KNBN-90B	1	VALVE RIM (TR 412)	VALVE RIM (TR 412)	1	
	4312A-LAB4-90A	4312A-LAB4-90A	3	SHOE COMP RR BRAKE	SHOE COMP RR BRAKE	1	
	4312A-LAB4-90B	4312A-LAB4-90B	3	SHOE COMP RR BRAKE	SHOE COMP RR BRAKE	1	
	43141	43141-KKD6-E00	1	CAM RR BRK	CAM RR BRK	1	
	43410	43410-KFA1-900	0	ARM COMP RR BRAKE	ARM COMP RR BRAKE	1	
	45133	45133-0H28-001	1	SPRING BRAKE SHOE	SPRING BRAKE SHOE	2	
	90305	90305-KNBN-90B	0	NUT U 16MM	NUT U 16MM	1	
	90501	90501-KNBN-901	0	WASHER 16MM	WASHER 16MM	1	
	91352	91352-KHG8-83B	0	O-RING 11.3*1.3	O-RING 11.3*1.3	1	
	91353	91353-GFY6-900	0	O-RING 13.1*10	O-RING 13.1*10	1	
	95701	95701-06022-08	0	BOLT FLANGE 6*22	BOLT FLANGE 6*22	1	

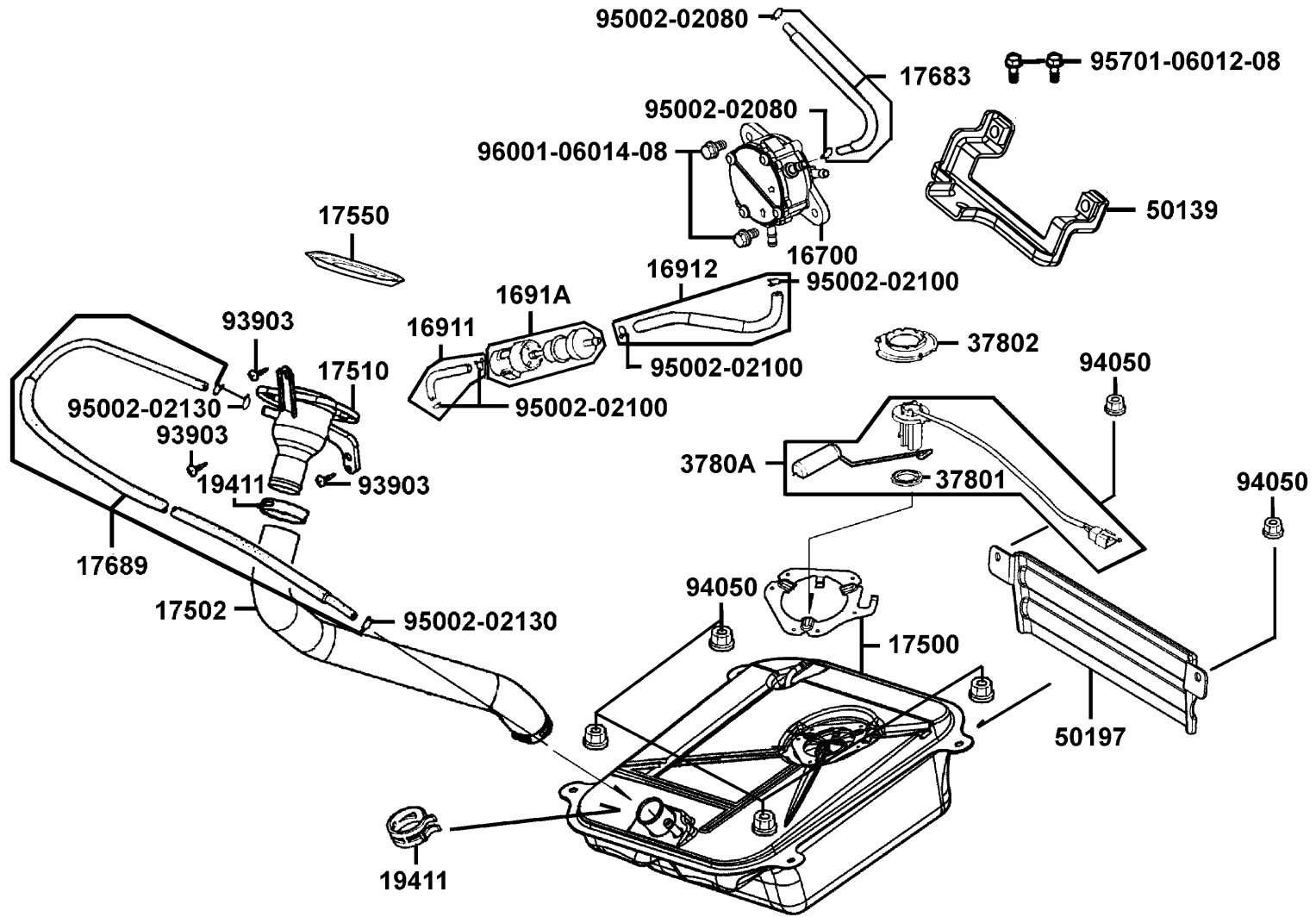
F09

Seat

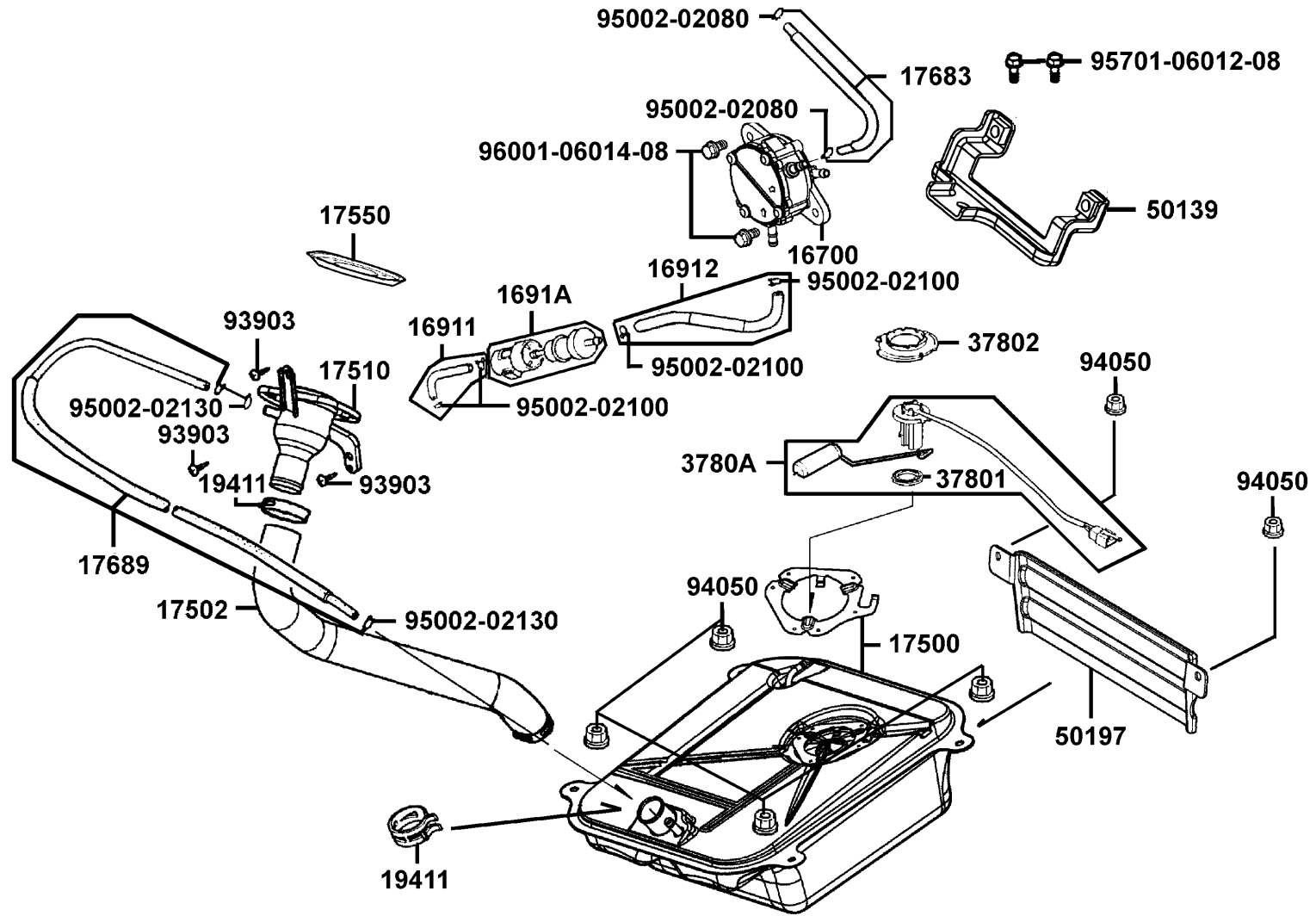


Sales mark	Ref no	Part no	Ver	Description	Reg description	Regd no	<b>F09</b>
**	77200	77200-KKC4-E01	1	SEAT ASSY	SEAT ASSY	1	
	77206	77206-KEB7-900	0	RUBBER SEAT CUSH	RUBBER SEAT CUSH	2	
**	77210	77210-KKC4-900	0	SEAT ASSY BACK	SEAT ASSY BACK	1	
**	77220	77220-KKC4-910	1	SEAT ASSY PAD	SEAT ASSY PAD	1	
	77300	77300-KKC4-900	3	HINGE ASSY SEAT	HINGE ASSY SEAT	1	
	77303	77303-LLF5-900	2	HOOK SEAT LOCK	HOOK SEAT LOCK	1	
	77305	77305-KKC4-900	1	SPRING HINGE	SPRING HINGE	2	
	89010	89010-GGS7-C00	3	TOOL SET	TOOL SET	1	
	89020	89020-KKC4-900	1	BAND TOOL SET	BAND TOOL SET	1	
	90101	90101-KGC4-E00	1	SCREW SPECIAL 6*15	SCREW SPECIAL 6*15	2	
#	94050	94050-06080	0	NUT FLANGE 6MM	NUT FLANGE 6MM	5	





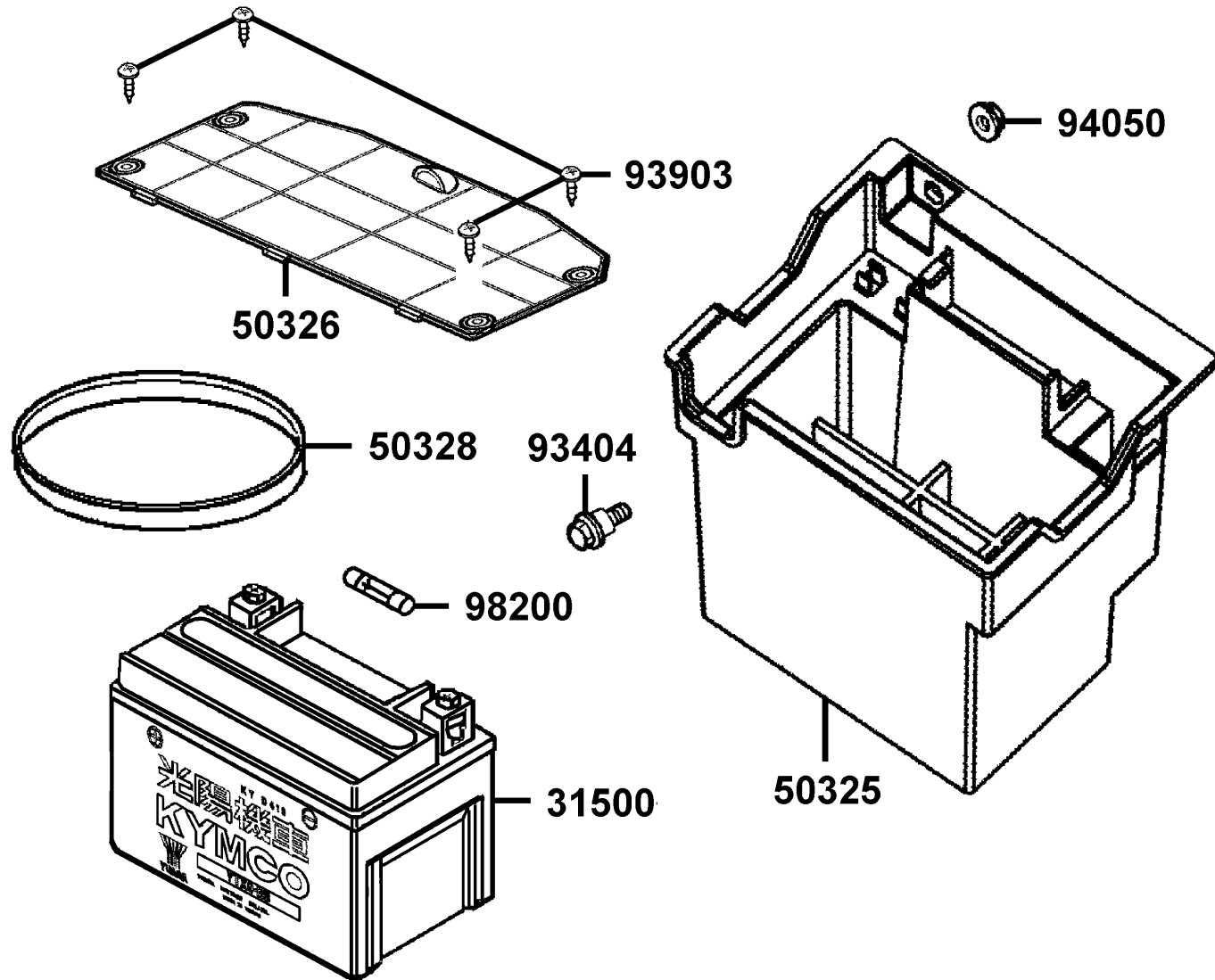
Sales mark	Ref no	Part no	Ver	Description	Reg description	Regd no	<b>F10</b>
	16700	16700-GKAK-220	1	FUEL PUMP ASSY	FUEL PUMP ASSY	1	
	16911	16911-LDA5-E00	3	TUBE ASSY TANK TO STRAINER	TUBE ASSY TANK TO STRAINER	1	
	16912	16912-LDA5-E00	1	TUBE ASSY STRAINER TO FUEL	TUBE ASSY STRAINER TO FUEL	1	
	1691A	1691A-KEC2-E00	0	STRAINER ASSY FUEL	STRAINER ASSY FUEL	1	
	17500	17500-KKC4-900	3	TANK COMP FUEL	TANK COMP FUEL	1	
	17502	17502-KKC4-900	0	TUBE FUEL	TUBE FUEL	1	
	17510	17510-KKC4-E00	0	PIPE ASSY FUEL FILLER	PIPE ASSY FUEL FILLER	1	
	17550	17550-KHC4-900	0	TRAY FUEL CAP	TRAY FUEL CAP	1	
	17683	17683-LDA5-E00	1	TUBE ASSY FUEL	TUBE ASSY FUEL	1	
	17689	17689-KEBE-900	1	TUBE ASSY TANK TO 3 WJT	TUBE ASSY TANK TO 3 WJT	1	
	19411	19411-KBCB-900	0	CLIP HOSE	CLIP HOSE	2	
	37801	37801-GGA7-701	1	PACKING BASE	PACKING BASE	1	
	37802	37802-GGA7-701	2	RET FUEL UNIT	RET FUEL UNIT	1	
	3780A	3780A-KKC3-900	3	FUEL UNIT ASSY	FUEL UNIT ASSY	1	
	50139	50139-LDA5-E00	1	STAY FUEL PUMP	STAY FUEL PUMP	1	
	50197	50197-KKC4-900	1	STAY FLOOR	STAY FLOOR	1	
	93903	93903-35220	0	SCREW TAPPING 5*12	SCREW TAPPING 5*12	3	
#	94050	94050-06080	0	NUT FLANGE 6MM	NUT FLANGE 6MM	6	
	95002-02080	95002-02080	0	CLIP B8 TUBE	CLIP B8 TUBE	2	
	95002-02100	95002-02100	0	CLIP B15 TUBE	CLIP B15 TUBE	4	



Sales mark	Ref no	Part no	Ver	Description	Reg description	Regd no	<b>F10</b>
	95002-02130	95002-02130	0	CLIP B 12.5 TURE	CLIP B 12.5 TURE	3	
#	95701-06012-08	95701-06012-08	0	BOLT FLANGE 6*12	BOLT FLANGE 6*12	2	
	96001-06014-08	96001-06014-08	0	BOLT FLANGE 6*14	BOLT FLANGE 6*14	2	

F11

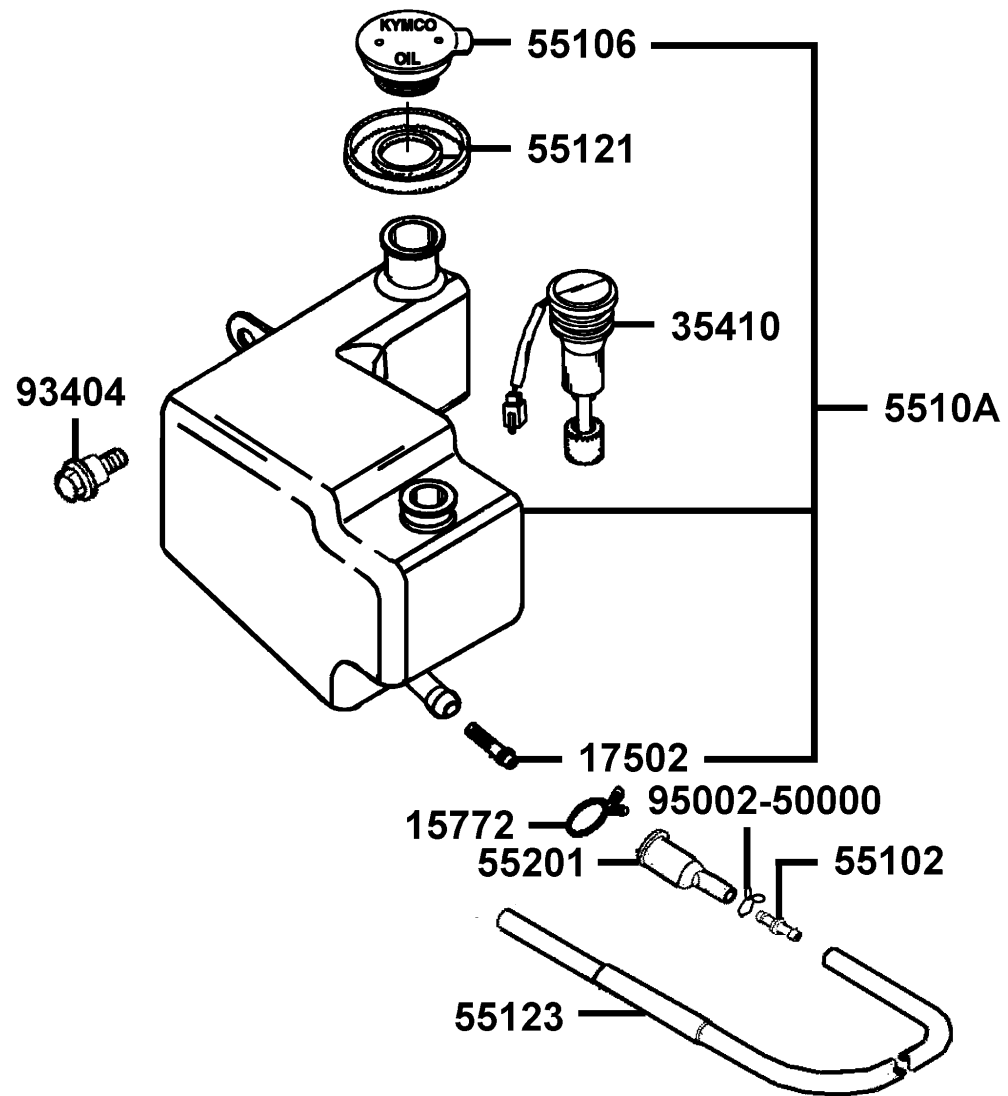
Battery



Sales mark	Ref no	Part no	Ver	Description	Reg description	Regd no	<b>F11</b>
	31500	31500-KCAC-90A	7	BATTERY YTX7A-BS	BATTERY YTX7A-BS	1	
	50325	50325-LDA5-E00	1	CASE BATTERY	CASE BATTERY	1	
	50326	50326-LDA5-E00	2	COVER BATTERY	COVER BATTERY	1	
	50328	50328-GKAK-200	0	BAND BATTERY	BAND BATTERY	1	
#	93404	93404-06016-06	0	BOLT WASHER 6*16	BOLT WASHER 6*16	1	
	93903	93903-GFY6-900	1	SCREW TAPPING 4*14	SCREW TAPPING 4*14	4	
#	94050	94050-06080	0	NUT FLANGE 6MM	NUT FLANGE 6MM	1	
	98200	98200-10700	0	FUSE A7	FUSE A7	1	

F12

OIL TANK

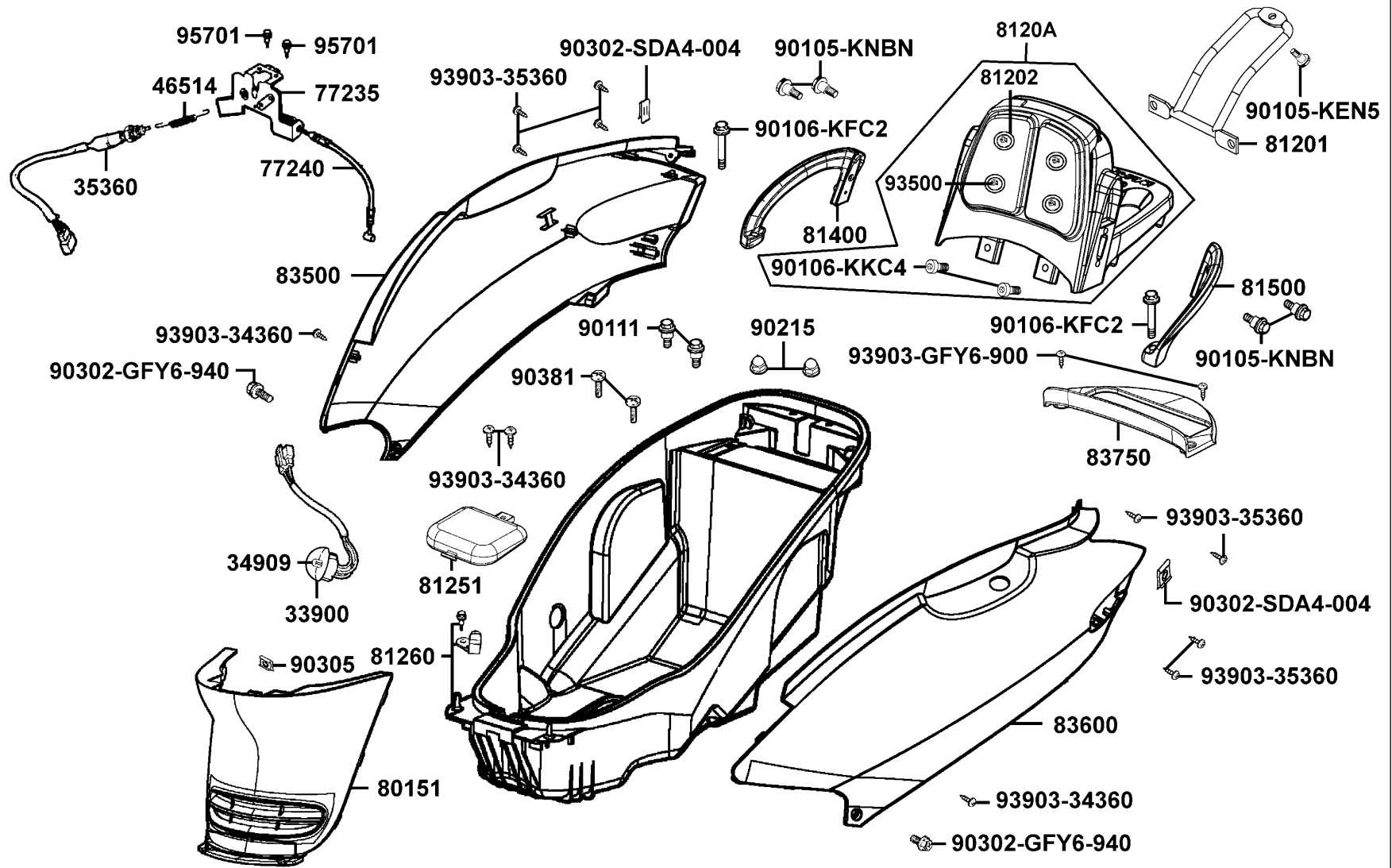


Sales mark	Ref no	Part no	Ver	Description	Reg description	Regd no	<b>F12</b>
	15772	15772-5A51-001	1	CLIP BREATHER TUBE	CLIP BREATHER TUBE	1	
	17502	17502-1G87-001	0	OIL STRAINER	OIL STRAINER	1	
	35410	35410-KEB7-900	0	SW COMP OIL LEVEL	SW COMP OIL LEVEL	1	
	55102	55102-1F66-001	0	JOINT OIL TUBE	JOINT OIL TUBE	1	
	55106	55106-KEB7-900	2	CAP ASSY OIL	CAP ASSY OIL	1	
	5510A	5510A-LDA5-E00	6	TANK OIL	TANK OIL	1	
	55121	55121-LDA5-E00	1	RUBBER OIL GUIDE	RUBBER OIL GUIDE	1	
	55123	55123-LDA5-E00	1	TUBE 5.3 OIL	TUBE 5.3 OIL	1	
	55201	55201-1G87-001	0	JOINT OIL STRN	JOINT OIL STRN	1	
#	93404	93404-06016-06	0	BOLT WASHER 6*16	BOLT WASHER 6*16	1	
	95002-50000	95002-50000	0	CLIP C9 TUBE	CLIP C9 TUBE	1	



F13

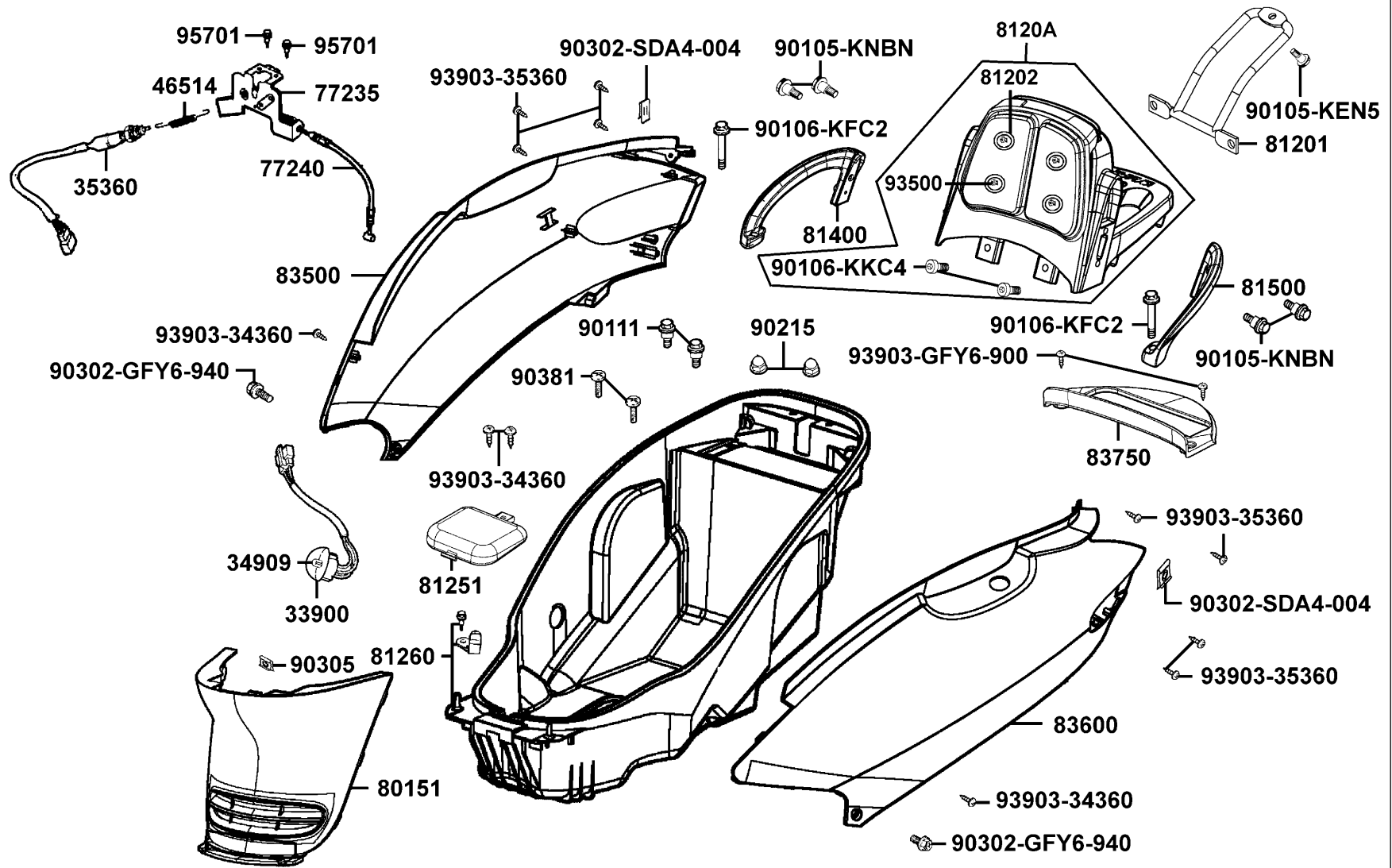
# Body Cover Luggage Box



Sales mark	Ref no	Part no	Ver	Description	Reg description	Regd no	F13
	33900	33900-KFBF-900	0	LIGHT ASSY LUGGAGE BOX	LIGHT ASSY LUGGAGE BOX	1	
	34909	34909-KFBF-900	0	BULB WEDGE BASE	BULB WEDGE BASE	1	
	35360	35360-KFBF-900	1	SW UNIT LUGGAGE BOX LIGHT	SW UNIT LUGGAGE BOX LIGHT	1	
	46514	46514-KFBF-900	0	SPRING STOP SWITCH	SPRING STOP SWITCH	1	
	77235	77235-KKC4-900	0	CATCH COMP SEAT	CATCH COMP SEAT	1	
	77240	77240-KKC4-900	1	CABLE COMP SEAT LOCK	CABLE COMP SEAT LOCK	1	
**	80151	80151-KKC4-900	0	COVER CENTER	COVER CENTER	1	
	81201	81201-KKC4-900	1	POWER BAR RR CARRIER	POWER BAR RR CARRIER	1	
	81202	81202-KKC4-900	0	UNBRELLALIKE CLASP	UNBRELLALIKE CLASP	4	
**	8120A	8120A-KKC4-900	6	CARRIER RR	CARRIER RR	1	
**	81251	81251-KKC4-900	0	COVER CABB MAINT	COVER CABB MAINT	1	
**	81260	81260-KKC4-900	1	BOX ASSY LUGGAGE	BOX ASSY LUGGAGE	1	
**	81400	81400-KKC4-900	0	SIDE R GRIP	SIDE R GRIP	1	
**	81500	81500-KKC4-900	0	SIDE L GRIP	SIDE L GRIP	1	
**	83500	83500-KKC4-900	0	COVER R BODY	COVER R BODY	1	
**	83600	83600-KKC4-900	1	COVER L BODY	COVER L BODY	1	
**	83750	83750-KKC4-900	1	COVER RR CENTER	COVER RR CENTER	1	
	90105-KEN5	90105-KEN5-001	0	BOLT DISK 6*17	BOLT DISK 6*17	1	
	90105-KNBN	90105-KNBN-901	0	BOLT SPECIAL 8MM	BOLT SPECIAL 8MM	4	
	90106-KFC2	90106-KFC2-900	0	BOLT WASH 8MM	BOLT WASH 8MM	2	

F13

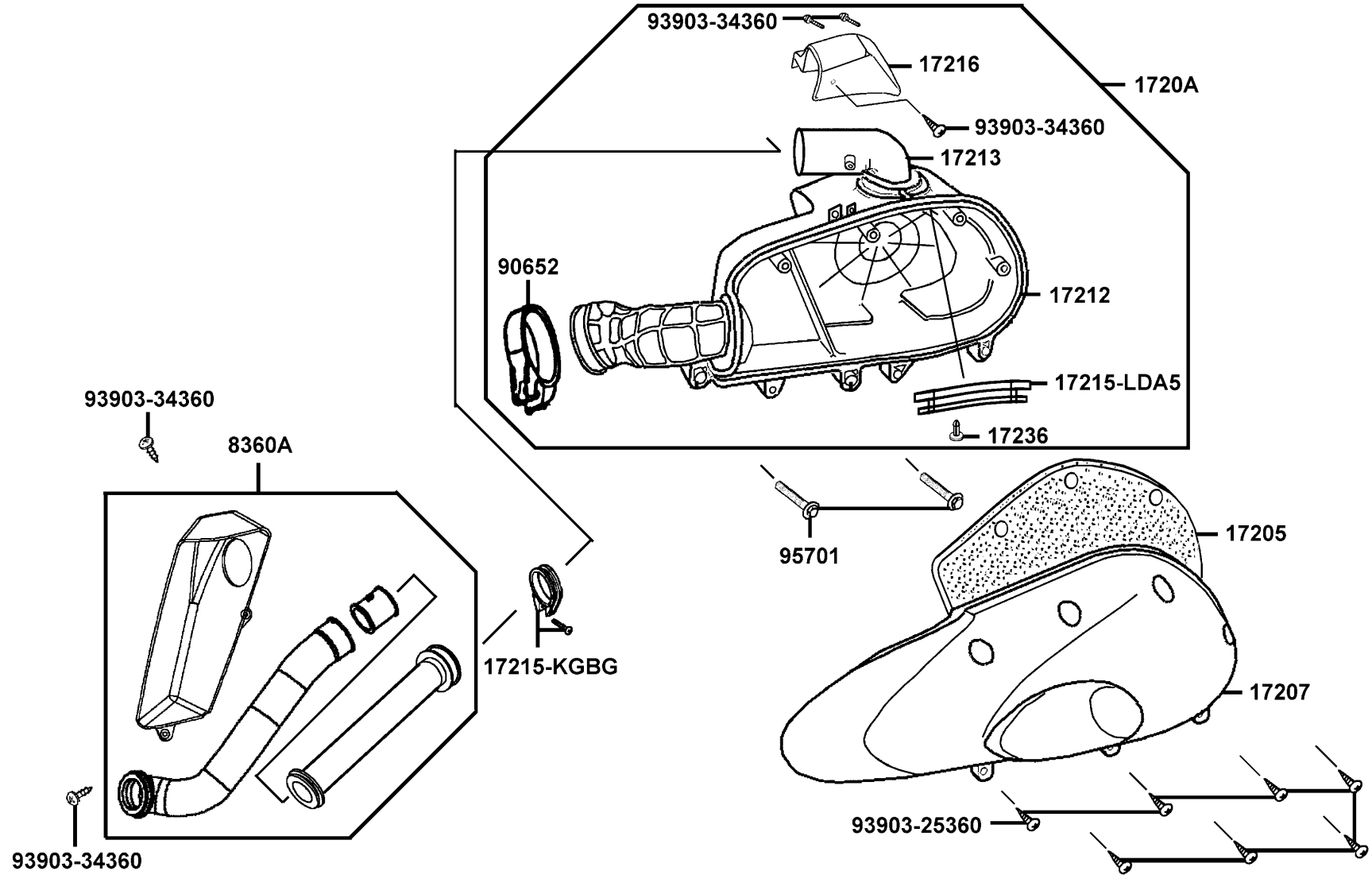
# Body Cover Luggage Box



Sales mark	Ref no	Part no	Ver	Description	Reg description	Regd no	<b>F13</b>
	90106-KKC4	90106-KKC4-900	0	BOLT WASH 8MM	BOLT WASH 8MM	2	
#	90111	90111-1G87-001	1	BOLT FLANGE 6MM	BOLT FLANGE 6MM	2	
	90215	90215-KKC4-900	1	NUT CAP 6MM	NUT CAP 6MM	2	
	90302-GFY6-940	90302-GFY6-940	1	BOLT-WASH 5*16	BOLT-WASH 5*16	2	
#	90302-SDA4-004	90302-SDA4-004	1	NUT SPRING 4MM	NUT SPRING 4MM	2	
	90305	90305-GHK8-001	1	NUT CLIP 6MM	NUT CLIP 6MM	1	
	90381	90381-GEZ5-001	1	SCREW SPECIAL 6*17	SCREW SPECIAL 6*17	2	
	93500	93500-04012-0H	0	SCREW 4*12	SCREW 4*12	4	
#	93903-34360	93903-34360	0	SCREW TAPPING 4*12	SCREW TAPPING 4*12	4	
	93903-35360	93903-35360	0	SCREW TAPPING 5*16	SCREW TAPPING 5*16	8	
	93903-GFY6-900	93903-GFY6-900	1	SCREW TAPPING 4*14	SCREW TAPPING 4*14	2	
#	95701	95701-06012-08	0	BOLT FLANGE 6*12	BOLT FLANGE 6*12	2	

F14

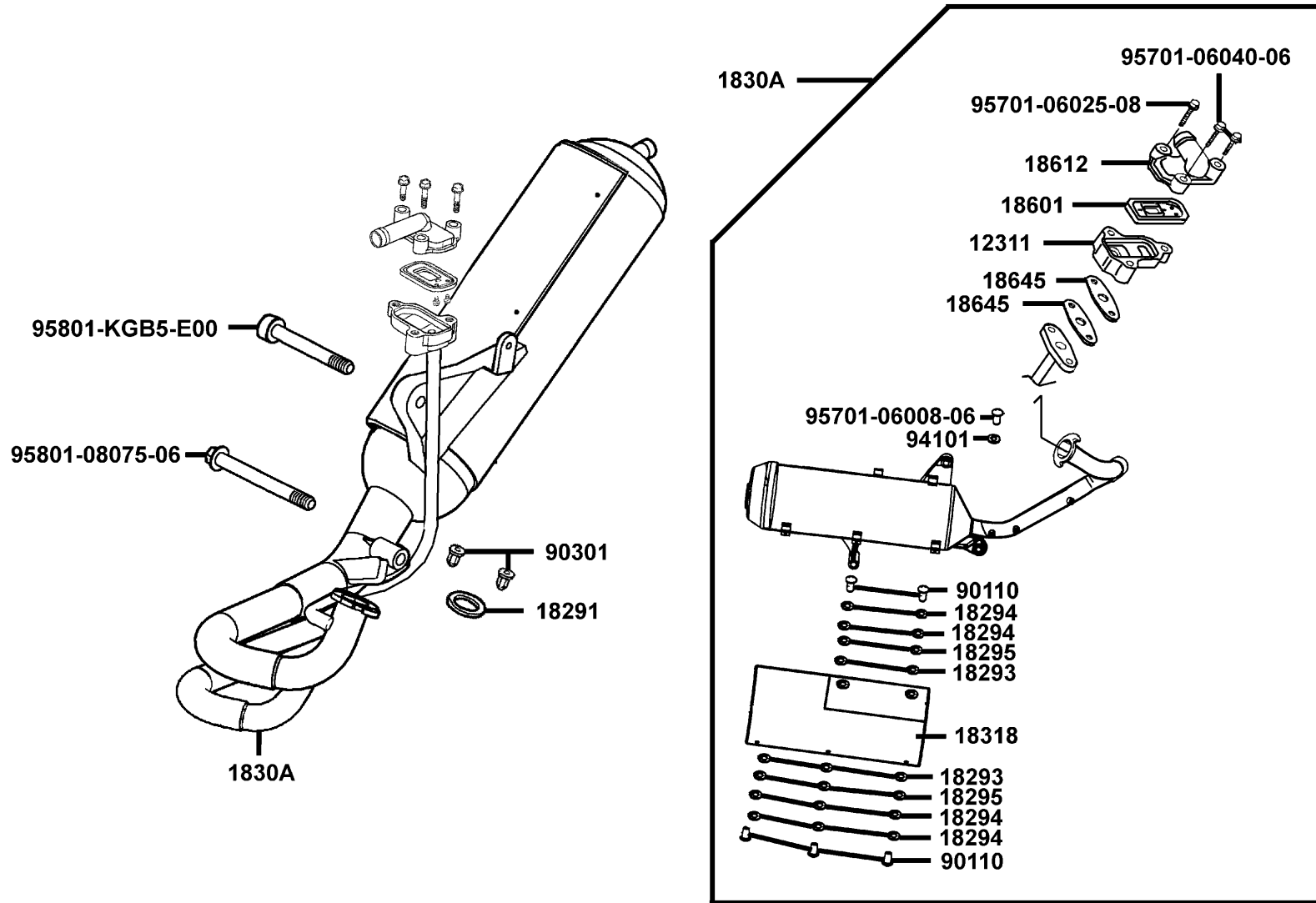
Air Cleaner



Sales mark	Ref no	Part no	Ver	Description	Reg description	Regd no	<b>F14</b>
	17205	17205-KEB7-900	0	ELEMENT AIR/C	ELEMENT AIR/C	1	
	17207	17207-KEB7-900	0	COVER A/C	COVER A/C	1	
	1720A	1720A-LDA5-E00	0	CASE AIR/C	CASE AIR/C	1	
	17212	17212-KEB7-900	0	SEAL AIR/C COVER	SEAL AIR/C COVER	1	
	17213	17213-KEB7-900	2	DUCT AIR/C INLET	DUCT AIR/C INLET	1	
	17215-KGBG	17215-KGBG-90A	2	CLIP ASSY A/C DUCT	CLIP ASSY A/C DUCT	1	
	17215-LDA5	17215-LDA5-E00	1	RUBBER JOINT	RUBBER JOINT	1	
	17216	17216-LDA5-E00	2	COVER JOINT	COVER JOINT	1	
	17236	17236-KFBF-910	1	PLATE AIR/C CASE	PLATE AIR/C CASE	1	
	8360A	8360A-LDA5-E00	2	CHAMBER ASSY AIR/C	CHAMBER ASSY AIR/C	1	
	90652	90652-KTCT-900	1	BAND AIR/C CONN	BAND AIR/C CONN	1	
	93903-25360	93903-25360	0	SCREW TAPPING 5*16	SCREW TAPPING 5*16	7	
#	93903-34360	93903-34360	0	SCREW TAPPING 4*12	SCREW TAPPING 4*12	5	
	95701	95701-06040-08	0	BOLT FLANGE 6*40	BOLT FLANGE 6*40	2	

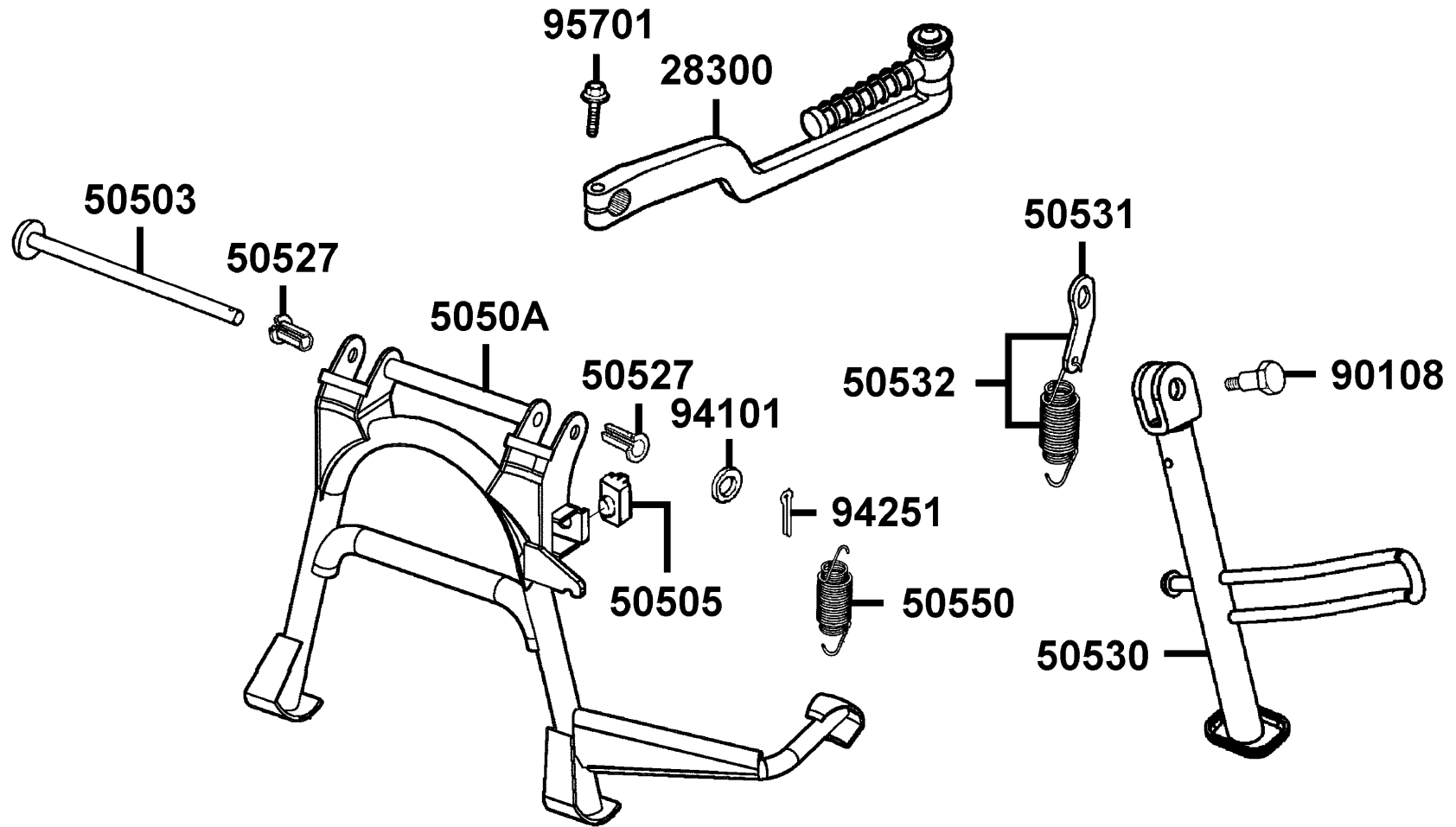
F15

# Exhaust Muffler

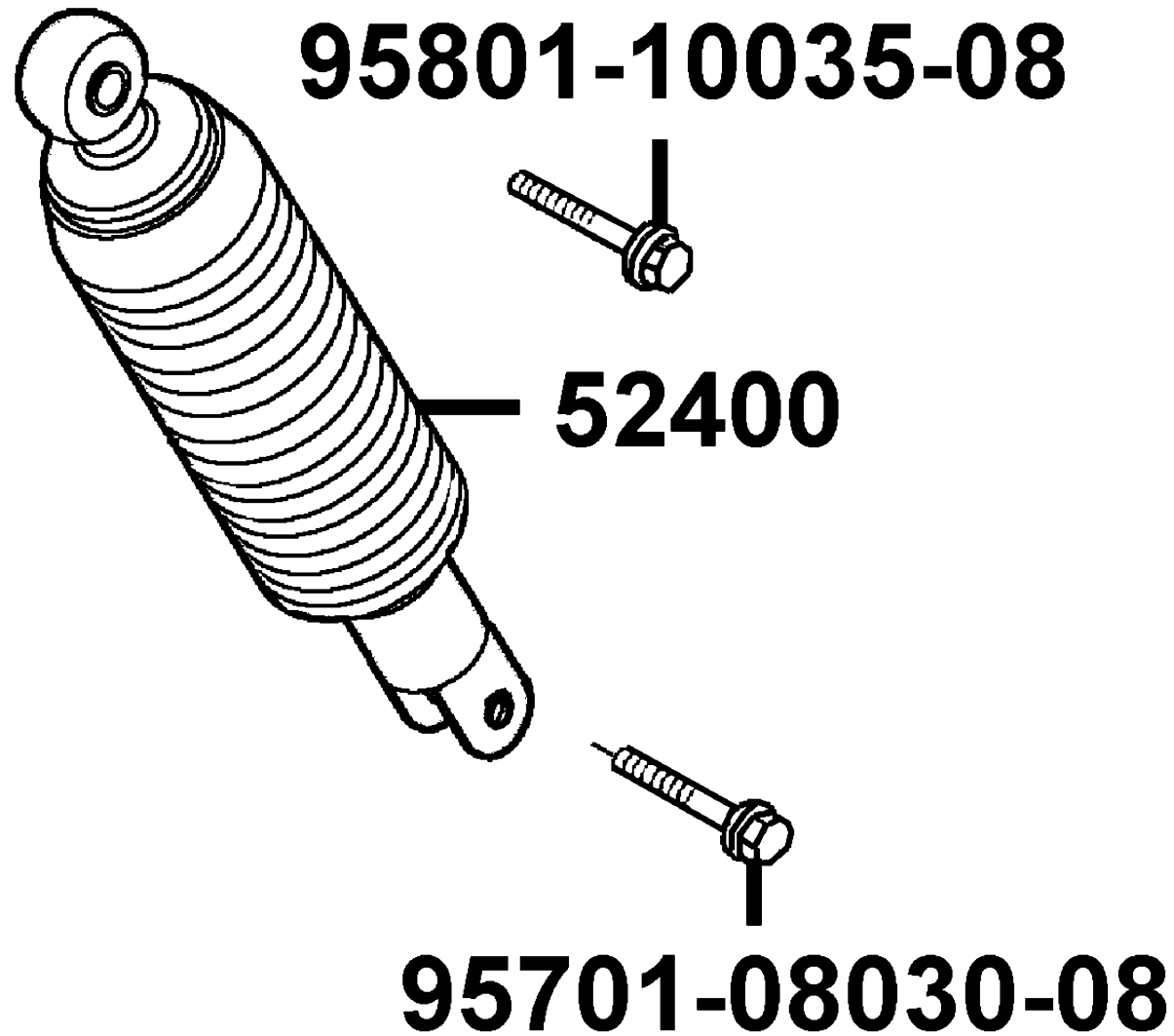


Sales mark	Ref no	Part no	Ver	Description	Reg description	Regd no	<b>F15</b>
	12311	12311-KFB5-900	2	BODY REED VALVE	BODY REED VALVE	1	
	18291	18291-LBA7-900	2	GASKET EXH PIPE	GASKET EXH PIPE	1	
	18293	18293-KECE-900	0	RUBBER A PROTECTOR	RUBBER A PROTECTOR	5	
	18294	18294-KEBE-900	0	PACKING PROTECTOR	PACKING PROTECTOR	10	
	18295	18295-KECE-900	0	COLLAR 6MM	COLLAR 6MM	5	
	1830A	1830A-LDA5-E01	0	MUFFLER ASSY EXH	MUFFLER ASSY EXH	1	
	18318	18318-KKC1-E00	0	PROTECTOR MUFFLER	PROTECTOR MUFFLER	1	
	18601	18601-KFB5-900	0	VALVE COMP REED	VALVE COMP REED	1	
	18612	18612-KFB5-900	1	COVER REED VALVE	COVER REED VALVE	1	
	18645	18645-KGB5-EZ0	1	GASKET A/I PIPE	GASKET A/I PIPE	2	
	90110	90110-KHD8-900	0	SCREW SPECIAL 6*20	SCREW SPECIAL 6*20	5	
	90301	90301-KGBG-900	1	NUT CAP 6MM	NUT CAP 6MM	2	
	94101	94101-06700	0	WASHER PLAIN 6MM	WASHER PLAIN 6MM	1	
	95701-06008-06	95701-06008-06	1	BOLT FLANGE 6*8	BOLT FLANGE 6*8	1	
	95701-06025-08	95701-06025-08	0	BOLT FLANGE 6*25	BOLT FLANGE 6*25	1	
	95701-06040-06	95701-06040-06	0	BOLT FLANGE 6*40	BOLT FLANGE 6*40	2	
	95801-08075-06	95801-08075-06	0	BOLT FLANGE 8*75	BOLT FLANGE 8*75	1	
	95801-KGB5-E00	95801-KGB5-E00	1	BOLT FLANGE 8*60	BOLT FLANGE 8*60	1	

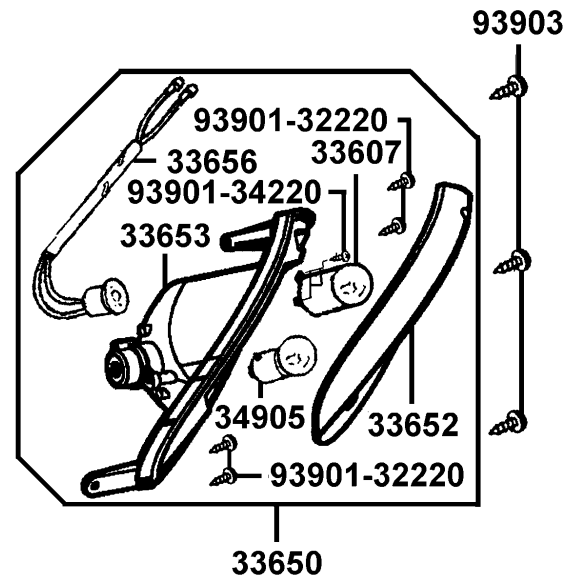
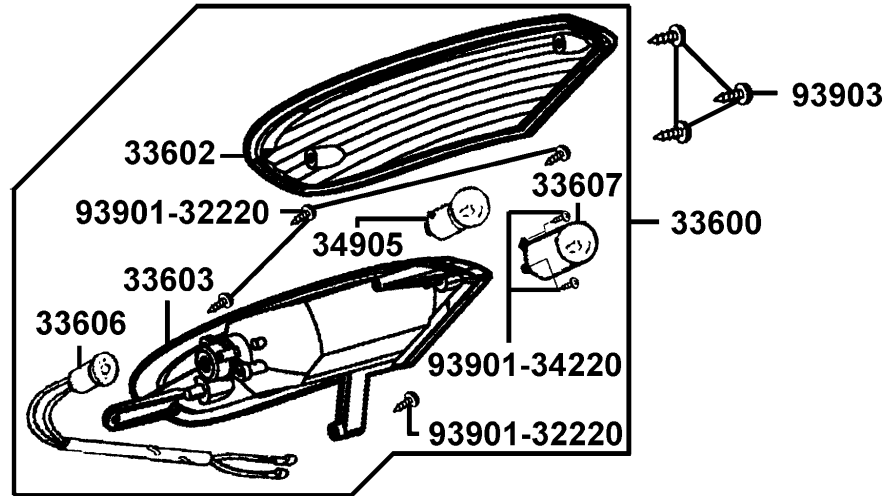




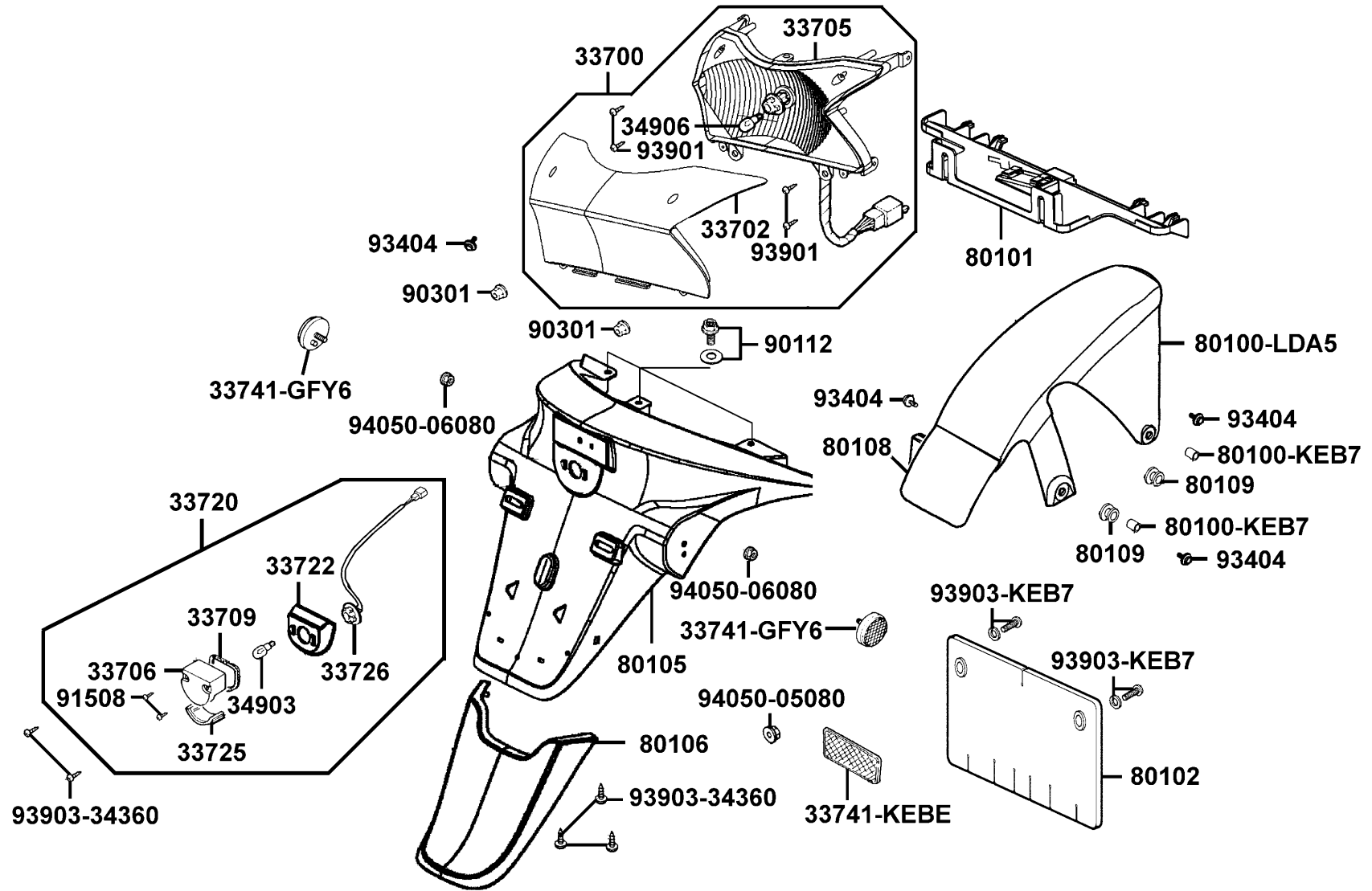
Sales mark	Ref no	Part no	Ver	Description	Reg description	Regd no	<b>F16</b>
28300		28300-KGB5-900	0	ARM ASSY KICK STARTER	ARM ASSY KICK STARTER	1	
50503		50503-KEB7-900	1	SHAFT MAIN STAND	SHAFT MAIN STAND	1	
50505		50505-KEBE-900	0	STOPPER RUBBER	STOPPER RUBBER	1	
5050A		5050A-LDA5-E00	1	STAND ASSY MAIN	STAND ASSY MAIN	1	
50527		50527-KED5-900	0	BUSH OILES	BUSH OILES	2	
50530		50530-KKC4-E00	1	BAR SIDE STAND	BAR SIDE STAND	1	
50531		50531-KEB7-E00	1	PLATE SPRING STOPPER	PLATE SPRING STOPPER	1	
50532		50532-KGBG-E00	1	SPRING COMP SIDE STAND	SPRING COMP SIDE STAND	1	
50550		50550-KEB7-E00	1	SPG ASSY MAIN STAND	SPG ASSY MAIN STAND	1	
90108		90108-KFC8-E00	0	SCREW SIDE STAND PIVOT	SCREW SIDE STAND PIVOT	1	
94101		94101-08600	0	WASHER PLAIN 8MM	WASHER PLAIN 8MM	1	
94251		94251-08400	0	PIN LOCK 8MM	PIN LOCK 8MM	1	
95701		95701-06022-00	0	BOLT FLANGE 6*22	BOLT FLANGE 6*22	1	



Sales mark	Ref no	Part no	Ver	Description	Reg description	Regd no	<b>F17</b>
**	52400	52400-LBD5-E00	2	CUSHION ASSY RR	CUSHION ASSY RR	1	
	95701-08030-08	95701-08030-08	0	BOLT FLANGE 8*30	BOLT FLANGE 8*30	1	
	95801-10035-08	95801-10035-08	0	BOLT FLANGE 10*35	BOLT FLANGE 10*35	1	

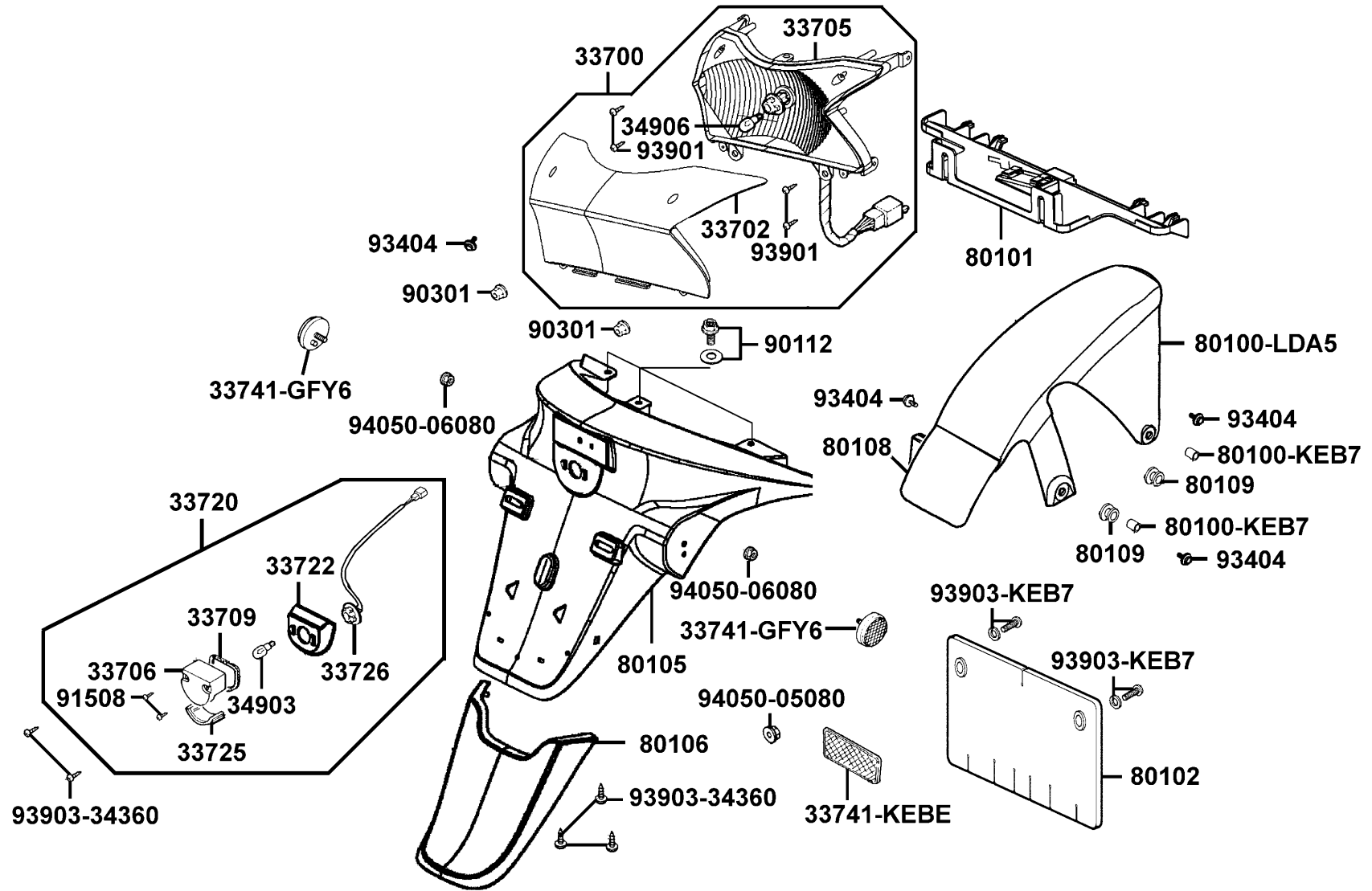


Sales mark	Ref no	Part no	Ver	Description	Reg description	Regd no	<b>F18</b>
	33600	33600-KKC4-E00	2	WINKER ASSY R RR	WINKER ASSY R RR	1	
	33602	33602-KKC4-E00	0	LENS R RR WINKER	LENS R RR WINKER	1	
	33603	33603-KKC4-E00	0	BASE R RR WINKER	BASE R RR WINKER	1	
	33606	33606-KKC4-E00	0	SOCKET COMP R/L RR WINKER	SOCKET COMP R/L RR WINKER	1	
	33607	33607-KKD7-E00	0	INNER LENS WINKER	INNER LENS WINKER	2	
	33650	33650-KKC4-E00	2	WINKER ASSY L RR	WINKER ASSY L RR	1	
	33652	33652-KKC4-E00	0	LENS L RR WINKER	LENS L RR WINKER	1	
	33653	33653-KKC4-E00	0	BASE L RR WINKER	BASE L RR WINKER	1	
	33656	33656-KKC4-E00	0	SOCKET COMP R/L RR WINKER	SOCKET COMP R/L RR WINKER	1	
	34905	34905-KPCP-900	0	BULB WINKER	BULB WINKER	4	
	93901-32220	93901-32220	0	SCREW TAPPING 3*10	SCREW TAPPING 3*10	8	
	93901-34220	93901-34220	0	SCREW TAPPING 4*10	SCREW TAPPING 4*10	4	
#	93903	93903-34360	0	SCREW TAPPING 4*12	SCREW TAPPING 4*12	6	

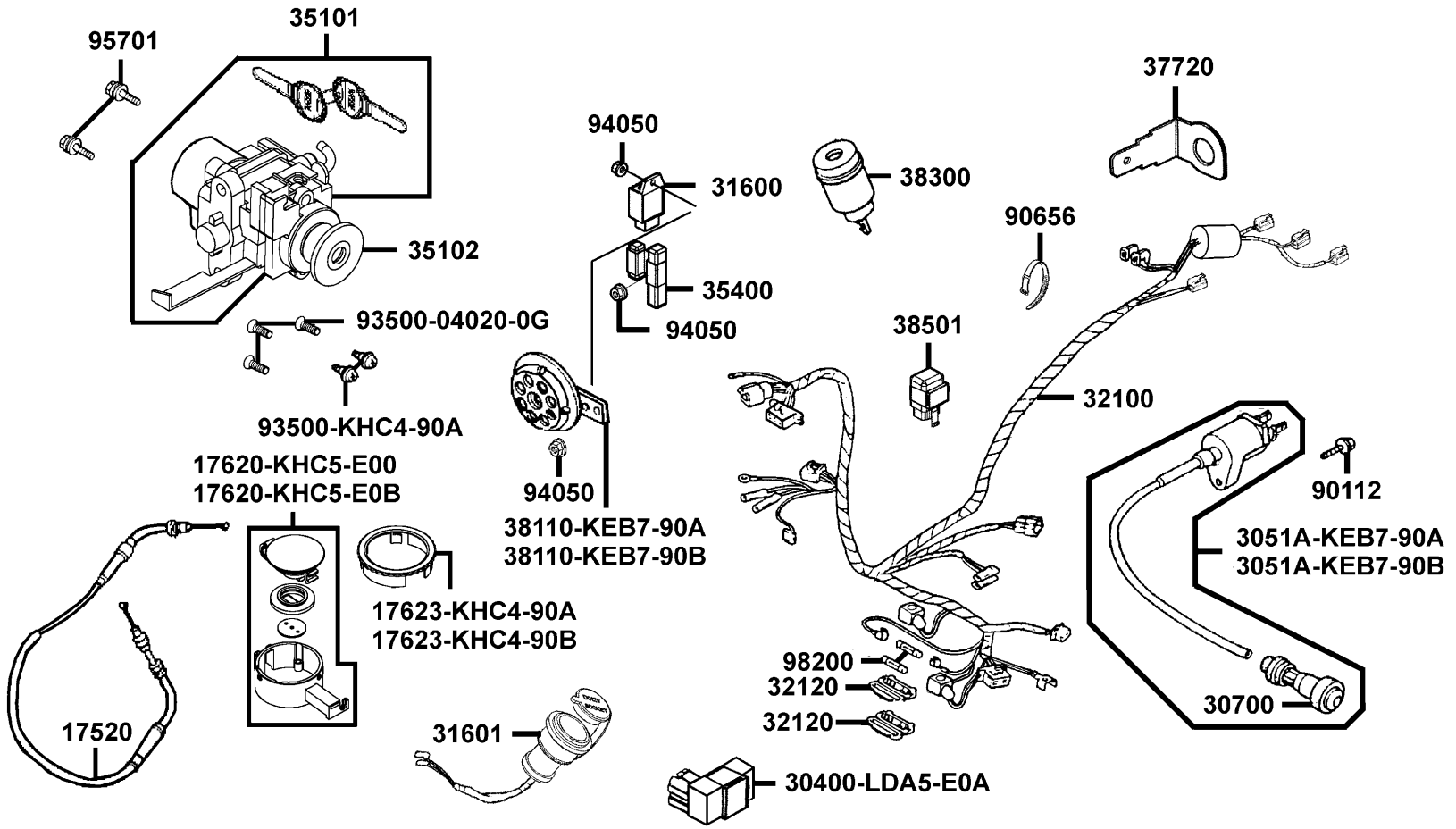


Sales mark	Ref no	Part no	Ver	Description	Reg description	Regd no	<b>F19</b>
	33700	33700-KKC4-E00	1	LIGHT ASSY RR COMB	LIGHT ASSY RR COMB	1	
	33702	33702-KKC4-E00	0	LENS TAIL LIGHT	LENS TAIL LIGHT	1	
	33705	33705-KKC4-E00	0	BASE COMP TAIL LIGHT	BASE COMP TAIL LIGHT	1	
	33706	33706-KHB4-E01	0	COVER LICENSE	COVER LICENSE	1	
	33709	33709-KBAB-003	0	PACKING LICENSE	PACKING LICENSE	1	
#	33720	33720-KHB4-E00	3	LIGHT ASSY LICENSE	LIGHT ASSY LICENSE	1	
	33722	33722-KHB4-E00	0	BASE LICENSE	BASE LICENSE	1	
	33725	33725-KHB4-E00	0	LENS LICENSE	LENS LICENSE	1	
	33726	33726-KHB4-E00	0	SOCKET COMP	SOCKET COMP	1	
	33741-GFY6	33741-GFY6-C30	1	REFLEX REFLECTOR	REFLEX REFLECTOR	2	
	33741-KEBE	33741-KEBE-900	0	REFLEX REFLECTOR	REFLEX REFLECTOR	1	
	34903	34903-KPCP-900	0	BULB POSITION	BULB POSITION	1	
	34906	34906-KPCP-900	0	BULB TAIL & STOP 12V21W/5W	BULB TAIL & STOP 12V21W/5W	1	
	80100-KEB7	80100-KEB7-900	0	COLLAR RUBBER	COLLAR RUBBER	2	
	80100-LDA5	80100-LDA5-E00	3	FENDER RR TIRE	FENDER RR TIRE	1	
**	80101	80101-KKC4-900	1	FENDER RR UP	FENDER RR UP	1	
	80102	80102-KKC4-900	2	PLATE C SPLASH GUARD	PLATE C SPLASH GUARD	1	
**	80105	80105-KKC4-900	3	FENDER RR	FENDER RR	1	
	80106	80106-KKC4-900	0	FENDER B RR	FENDER B RR	1	
	80108	80108-KEB7-900	0	PLATE SPLASH GUARD	PLATE SPLASH GUARD	1	

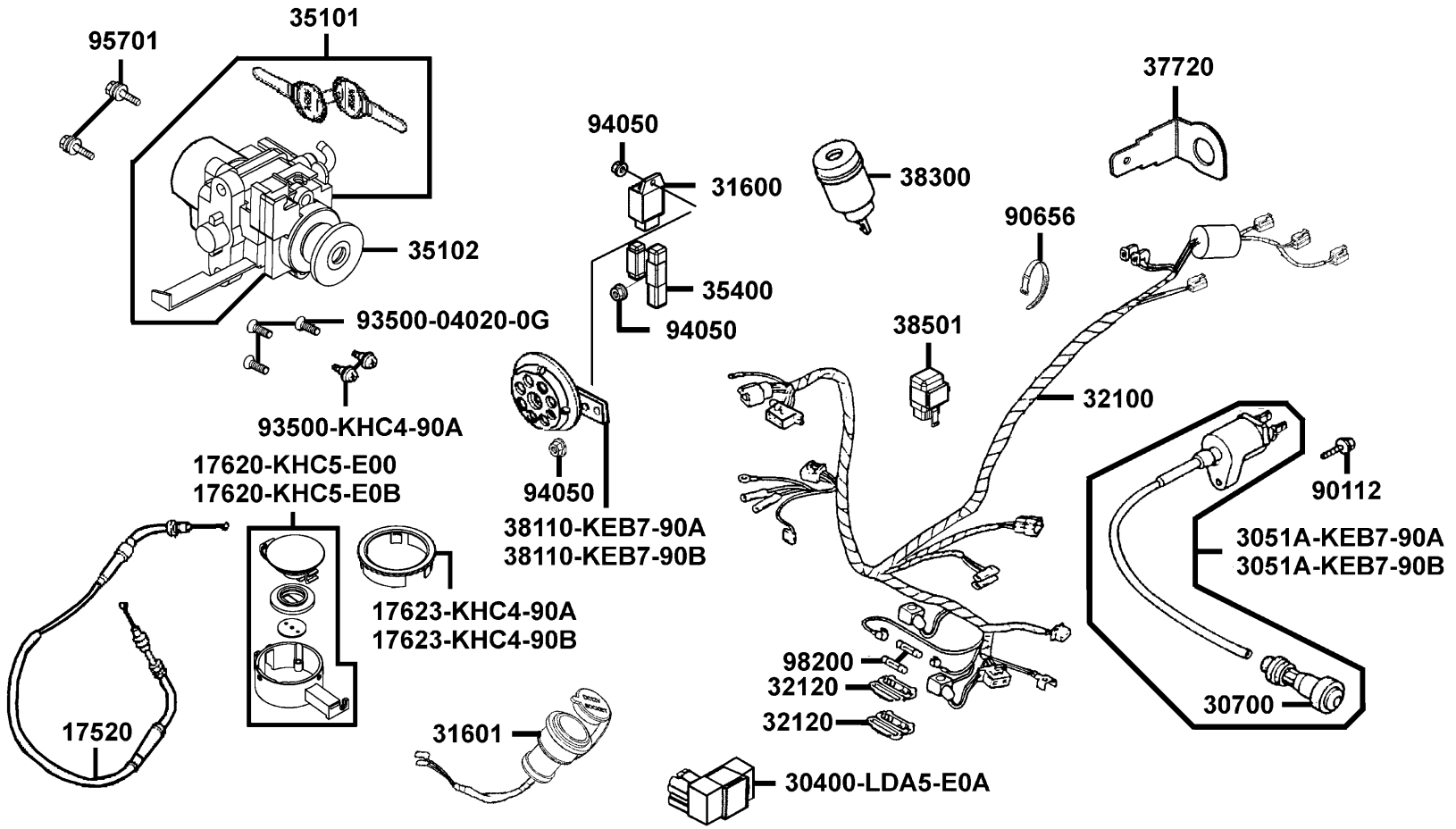




Sales mark	Ref no	Part no	Ver	Description	Reg description	Regd no	<b>F19</b>
	80109	80109-KEB7-900	0	RUBBER RR FENDER B	RUBBER RR FENDER B	2	
	90112	90112-KNBN-901	1	BOLT FLANGE 6MM	BOLT FLANGE 6MM	3	
	90301	90301-6D34-671	1	NUT FLANGE 6MM	NUT FLANGE 6MM	2	
	91508	91508-KGV7-67A	0	SCREW TAPPING 4*14	SCREW TAPPING 4*14	2	
#	93404	93404-06016-06	0	BOLT WASHER 6*16	BOLT WASHER 6*16	4	
	93901	93901-34320	0	SCREW TAPPING 4*12	SCREW TAPPING 4*12	4	
#	93903-34360	93903-34360	0	SCREW TAPPING 4*12	SCREW TAPPING 4*12	5	
	93903-KEB7	93903-KEB7-900-06	1	SCREW WASHER 4*12 (G)	SCREW WASHER 4*12 (G)	2	
#	94050-05080	94050-05080	0	NUT FLANGE 5MM	NUT FLANGE 5MM	1	
#	94050-06080	94050-06080	0	NUT FLANGE 6MM	NUT FLANGE 6MM	2	



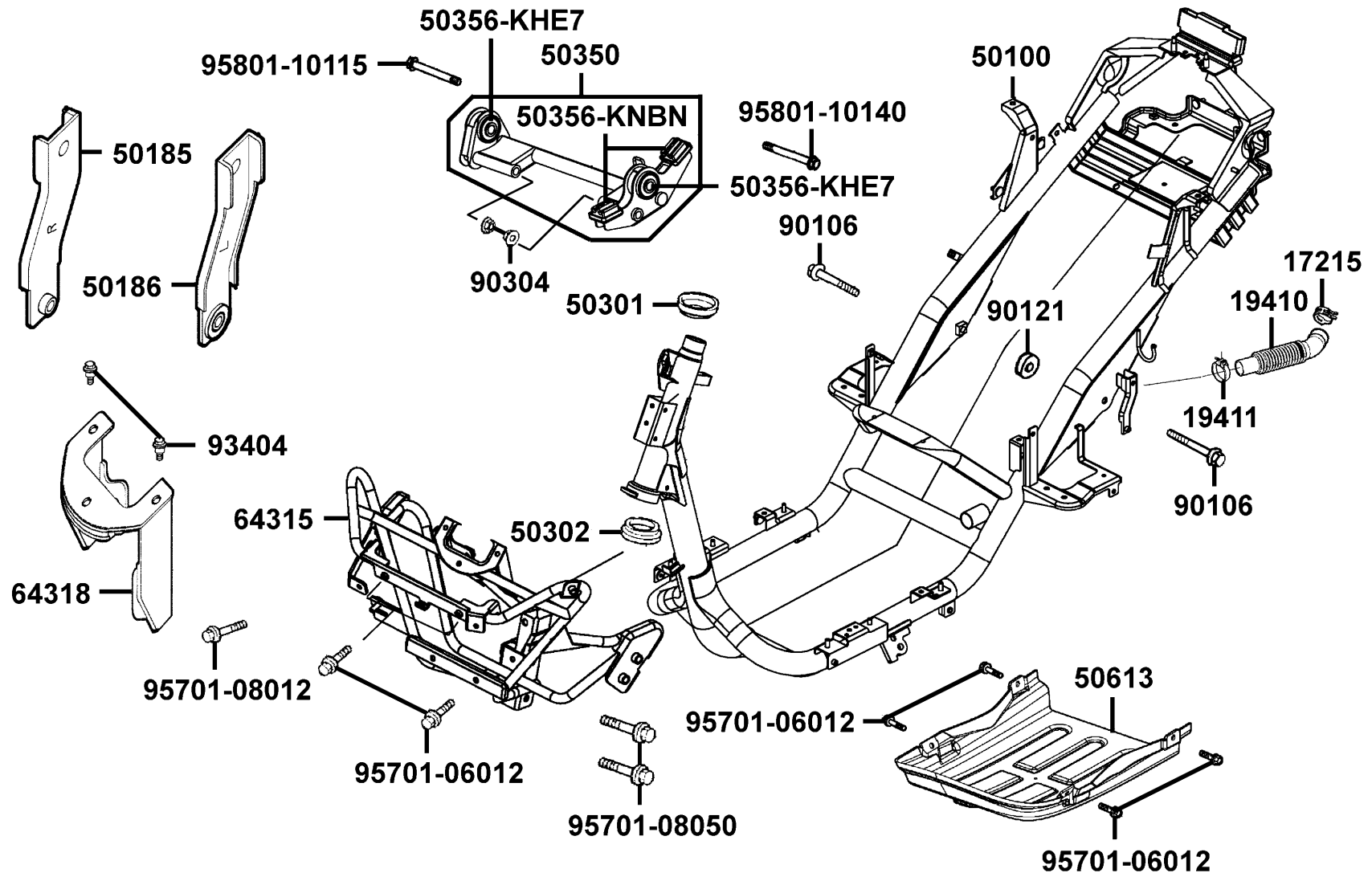
Sales mark	Ref no	Part no	Ver	Description	Reg description	Regd no	<b>F20</b>
	17520	17520-KKC4-900	1	CABLE COMP FUEL CAP	CABLE COMP FUEL CAP	1	
	17620-KHC5-E00	17620-KHC5-E00	0	CAP COMP FUEL FILLER	CAP COMP FUEL FILLER	1	
	17620-KHC5-E0B	17620-KHC5-E0B	1	CAP COMP FUEL FILLER	CAP COMP FUEL FILLER	1	
	17623-KHC4-90A	17623-KHC4-90A	6	COLLAR FUEL CAP	COLLAR FUEL CAP	1	
	17623-KHC4-90B	17623-KHC4-90B	1	COLLAR FUEL CAP	COLLAR FUEL CAP	1	
	30400-LDA5-E0A	30400-LDA5-E0A	1	UNIT ASSY CDI	UNIT ASSY CDI	1	
	3051A-KEB7-90A	3051A-KEB7-90A	4	COIL ASSY IGN	COIL ASSY IGN	1	
	3051A-KEB7-90B	3051A-KEB7-90B	2	COIL ASSY IGN	COIL ASSY IGN	1	
	30700	30700-KNBN-901	2	CAP ASSY NOISE SUPPRESOR	CAP ASSY NOISE SUPPRESOR	1	
	31600	31600-KUDU-900	2	REG REC COMP	REG REC COMP	1	
	31601	31601-LBA2-E00	2	SOCKET COMP DC 12V	SOCKET COMP DC 12V	1	
	32100	32100-LDA5-E70	0	HARNESS WIRE	HARNESS WIRE	1	
	32120	32120-1E55-001	0	CASE FUSE	CASE FUSE	2	
	35101	35101-KKC2-325	0	SW SET COMB & LOCK	SW SET COMB & LOCK	1	
	35102	35102-KHC4-900	2	COLLAR MAIN SW	COLLAR MAIN SW	1	
	35400	35400-KNBN-920	0	RESISTOR COMP	RESISTOR COMP	1	
	37720	37720-KGBG-E00	0	EARTH TERMINAL HEATER	EARTH TERMINAL HEATER	1	
	38110-KEB7-90A	38110-KEB7-90A	2	HORN COMP	HORN COMP	1	
	38110-KEB7-90B	38110-KEB7-90B	2	HORN COMP	HORN COMP	1	
	38300	38300-KECE-900	2	RELAY ASSY WINKER	RELAY ASSY WINKER	1	



Sales mark	Ref no	Part no	Ver	Description	Reg description	Regd no	<b>F20</b>
	38501	38501-GBW2-902	1	RELAY COMP START	RELAY COMP START	1	
	90112	90112-KRDR-900	0	BOLT FLANGE 5*22	BOLT FLANGE 5*22	1	
# **	90656	90656-KUDU-900	0	BAND HARNESS WIRE	BAND HARNESS WIRE	1	
	93500-04020-0G	93500-04020-0G	0	SCREW PAN 4*20	SCREW PAN 4*20	3	
	93500-KHC4-90A	93500-KHC4-90A	0	SCREW PAN 5*10	SCREW PAN 5*10	2	
#	94050	94050-06080	0	NUT FLANGE 6MM	NUT FLANGE 6MM	4	
	95701	95701-KHC5-E00	3	BOLT TORQUE 8*20	BOLT TORQUE 8*20	2	
	98200	98200-10700	0	FUSE A7	FUSE A7	2	

F21

Frame Body

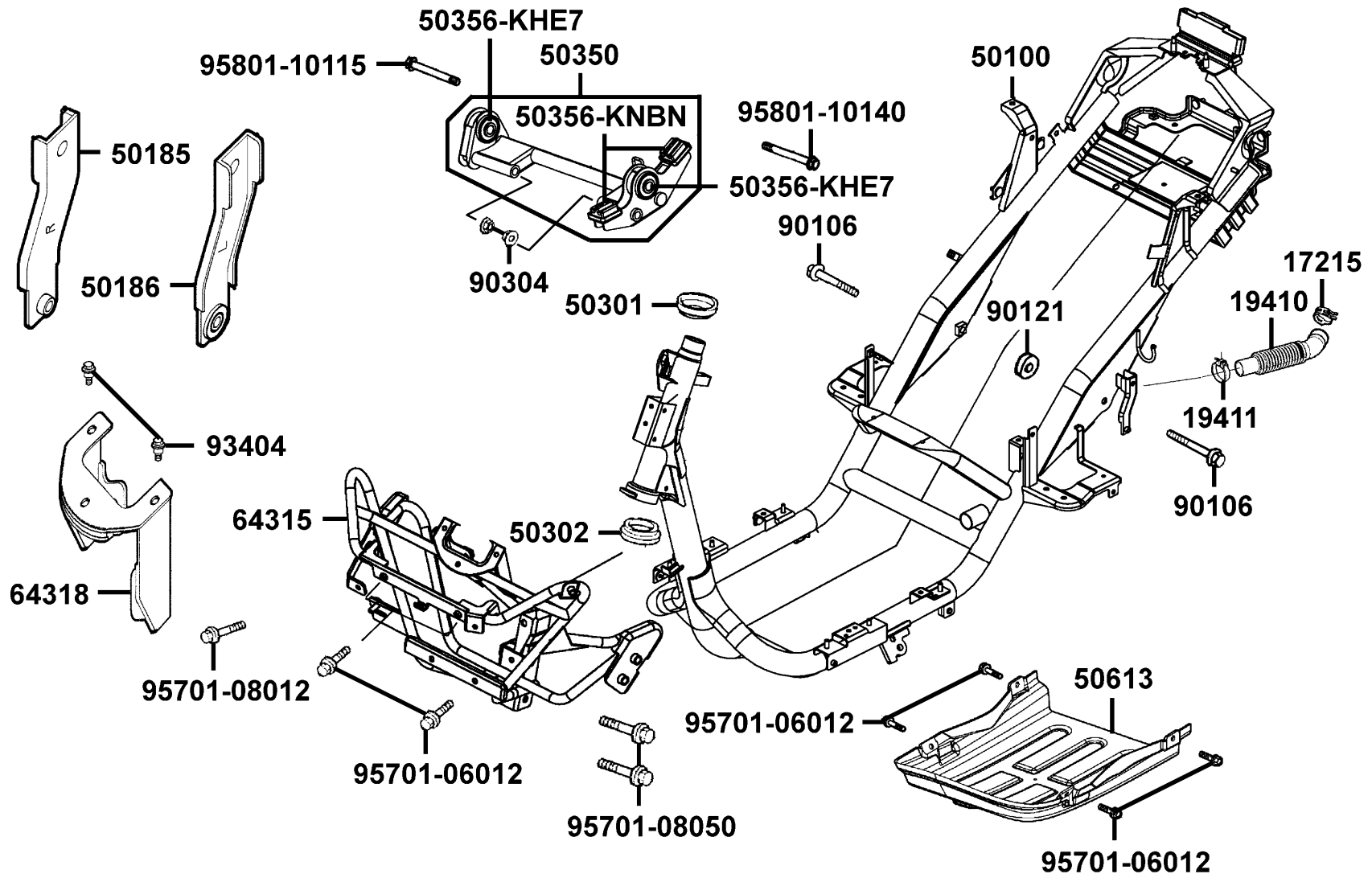


Sales mark	Ref no	Part no	Ver	Description	Reg description	Regd no	F21
	17215	17215-KNBN-200	0	CLIP ASSY AIR/C DUCT	CLIP ASSY AIR/C DUCT	1	
	19410	19410-KEB7-900	2	DUCT COLLING	DUCT COLLING	1	
	19411	19411-KNBN-900	1	CLIP HOSE	CLIP HOSE	1	
	50100	50100-LDA5-E00	5	BODY COMP FRAME	BODY COMP FRAME	1	
	50185	50185-KKC4-900	0	STAY R BODY COVER	STAY R BODY COVER	1	
	50186	50186-KKC4-900	0	STAY L BODY COVER	STAY L BODY COVER	1	
	50301	50301-KGN7-671	2	RACE UP STRG BALL	RACE UP STRG BALL	1	
	50302	50302-2H68-011	2	RACE STRG BOT BALL	RACE STRG BOT BALL	1	
	50350	50350-LDA5-E00	3	HANGER ASSY ENG	HANGER ASSY ENG	1	
	50356-KHE7	50356-KHE7-E00	0	BUSH SWING LOCK	BUSH SWING LOCK	2	
	50356-KNBN	50356-KNBN-200	1	RUBBER C ENG HANGE STPR	RUBBER C ENG HANGE STPR	2	
**	50613	50613-KKC4-900	1	COVER UNDER	COVER UNDER	1	
	64315	64315-LDA5-E00	3	STAY FR COVER	STAY FR COVER	1	
	64318	64318-KKC4-900	0	STAY METER	STAY METER	1	
	90106	90106-KHE7-E00	0	BOLT FLANGE 12*59	BOLT FLANGE 12*59	2	
	90121	90121-KHE7-E00	0	COLLAR DISTANCE	COLLAR DISTANCE	1	
#	90304	90304-GHE8-004	0	NUT U 10MM	NUT U 10MM	2	
#	93404	93404-06016-06	0	BOLT WASHER 6*16	BOLT WASHER 6*16	2	
#	95701-06012	95701-06012-08	0	BOLT FLANGE 6*12	BOLT FLANGE 6*12	6	
#	95701-08012	95701-08012-08	0	BOLT FLANGE 8*12	BOLT FLANGE 8*12	1	



F21

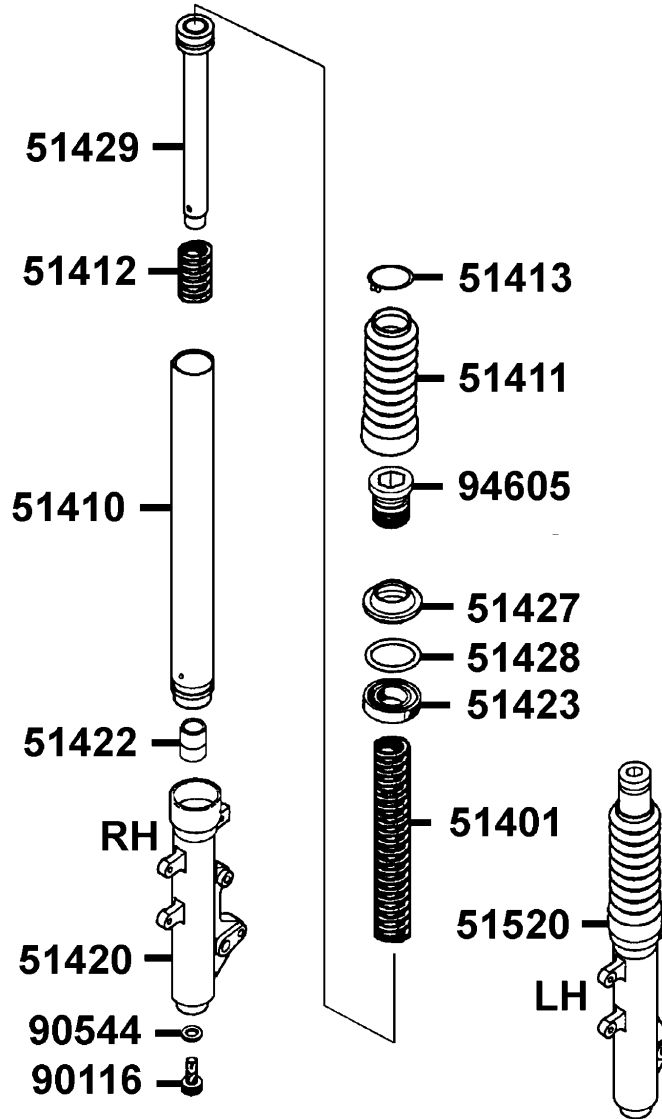
Frame Body



Sales mark	Ref no	Part no	Ver	Description	Reg description	Regd no	<b>F21</b>
	95701-08050	95701-08050-08	0	BOLT FLANGE 8*50	BOLT FLANGE 8*50	2	
	95801-10115	95801-10115-06	0	BOLT FLANGE 10*115	BOLT FLANGE 10*115	1	
	95801-10140	95801-10140-08	0	BOLT FLANGE 10*140	BOLT FLANGE 10*140	1	

F22

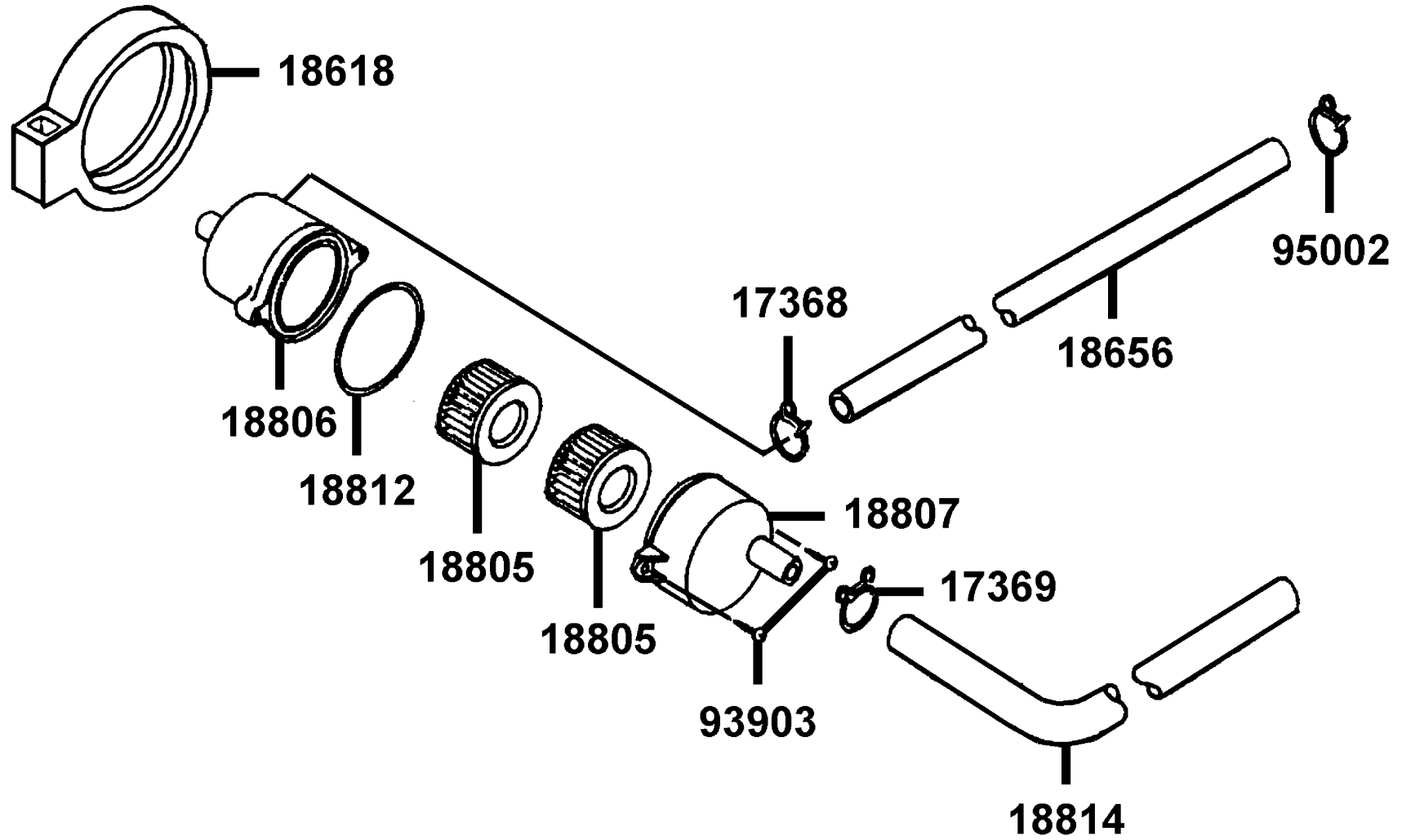
### Separated Parts Of Fr Fork



Sales mark	Ref no	Part no	Ver	Description	Reg description	Regd no	<b>F22</b>
	51401	51401-KHD8-900	0	SPRING	SPRING	2	
	51410	51410-KHD8-900	0	FORK PIPE COMP	FORK PIPE COMP	2	
**	51411	51411-KHD8-900	0	BOOT	BOOT	2	
	51412	51412-KHD8-900	0	REBOUND SPRING	REBOUND SPRING	2	
	51413	51413-KHD8-900	0	BOOT BAND	BOOT BAND	2	
**	51420	51420-KKC4-900	0	BOTTOM CASE R	BOTTOM CASE R	1	
	51422	51422-KKC4-900	0	OIL LOCK PIECE	OIL LOCK PIECE	2	
	51423	51423-KKAK-900	0	OIL SEAL	OIL SEAL	2	
	51427	51427-KKAK-900	0	DUST SEAL	DUST SEAL	2	
	51428	51428-KKAK-900	0	OIL SEAL STOPPER RING	OIL SEAL STOPPER RING	2	
	51429	51429-KHD8-900	0	PIPE SEAT COMP	PIPE SEAT COMP	2	
**	51520	51520-KKC4-900	0	BOTTOM CASE L	BOTTOM CASE L	1	
	90116	90116-KHD8-900	0	BOLT	BOLT	2	
	90544	90544-KEC8-900	0	PACKING	PACKING	2	
	94605	94605-KHD8-900	0	FORK BOLT	FORK BOLT	2	

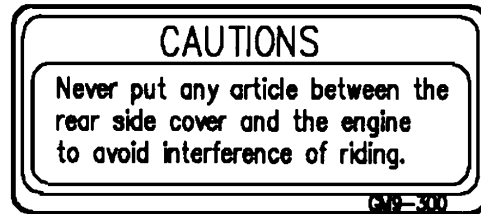
F23

Canister

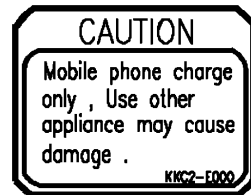


Sales mark	Ref no	Part no	Ver	Description	Reg description	Regd no	<b>F23</b>
17368		17368-KDB4-670	2	CLIP B 14.5 TUBE	CLIP B 14.5 TUBE	1	
17369		17369-KDB4-671	1	CLIP BREATHER TUBE	CLIP BREATHER TUBE	1	
18618		18618-KEBE-900	0	RUBBER AI CLEANER MOUNT	RUBBER AI CLEANER MOUNT	1	
18656		18656-LDA5-E00	2	TUBE AI/C REED VALVE	TUBE AI/C REED VALVE	1	
18805		18805-KHB4-910	0	ELEMENT AI CLEANER	ELEMENT AI CLEANER	2	
18806		18806-KBE2-900	1	CASE AI CLEANER	CASE AI CLEANER	1	
18807		18807-KBE2-900	3	COVER AI CLEANER	COVER AI CLEANER	1	
18812		18812-KBE2-900	0	SEAL AI CLEANER COVER	SEAL AI CLEANER COVER	1	
18814		18814-KKD6-EZ0	2	DUCT AI/C	DUCT AI/C	1	
93903		93903-24320	0	SCREW TAPPING 4*12	SCREW TAPPING 4*12	2	
95002		95002-KKD6-E05	0	CLAMP D18 TUBE	CLAMP D18 TUBE	1	

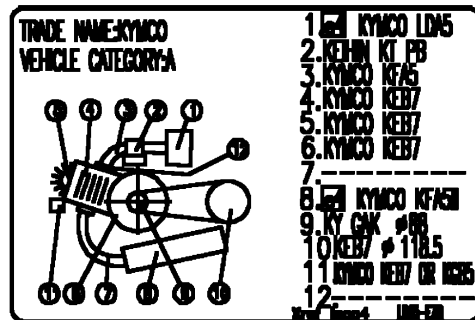
Caution Label



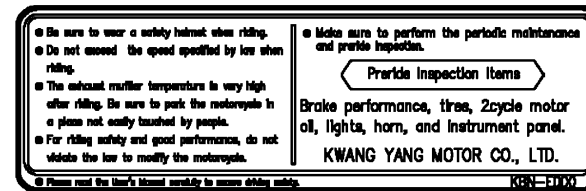
87542



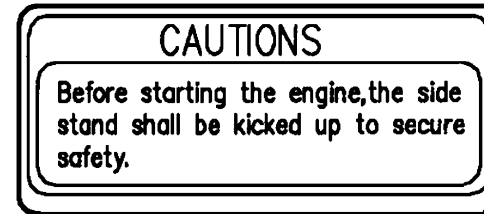
87541-KKC2



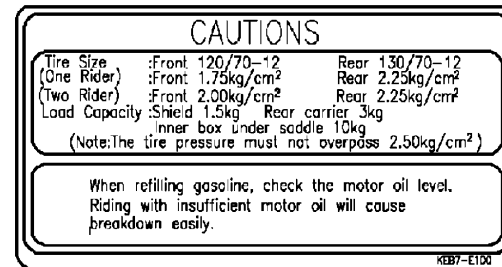
87224



87560



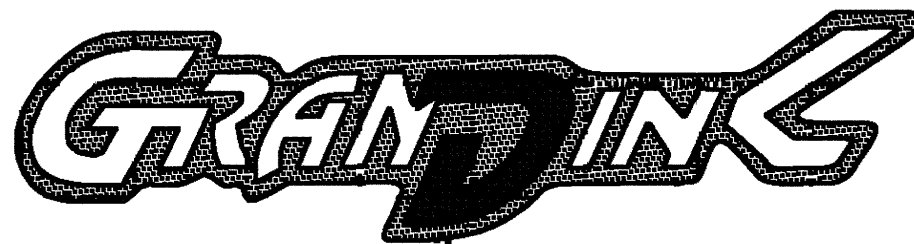
87541-GAR1



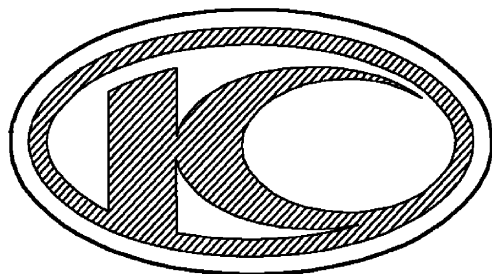
87505

Sales mark	Ref no	Part no	Ver	Description	Reg description	Regd no	<b>F24</b>
**	87224	87224-LDA5-EZ2	0	CAUTION ANTI TAMPERING	CAUTION ANTI TAMPERING	1	
**	87505	87505-KEB7-E10	1	LABEL TIRE	LABEL TIRE	1	
**	87541-GAR1	87541-GAR1-E00	1	CAUTION SIDE STAND	CAUTION SIDE STAND	1	
**	87541-KKC2	87541-KKC2-E00	1	CAUTION MOBILE PHONE	CAUTION MOBILE PHONE	1	
**	87542	87542-GAR1-E00	2	MARK MAINT CAUTION	MARK MAINT CAUTION	1	
**	87560	87560-KNBN-E00	1	MARK DRIVE CAUTION	MARK DRIVE CAUTION	1	





86202



86102-LLB5



86030



86102-LEA5

Sales mark	Ref no	Part no	Ver	Description	Reg description	Regd no	<b>F25</b>
**	86030	86030-KKC4-900	2	EMB HANDLE COVER RR	EMB HANDLE COVER RR	1	
**	86102-LEA5	86102-LEA5-E00	1	EMB K-LOGO 28MM	EMB K-LOGO 28MM	1	
**	86102-LLB5	86102-LLB5-E00	1	STRIPE K-LOGO 60MM	STRIPE K-LOGO 60MM	2	
**	86202	86202-KKC4-E00	0	EMB BODY COVER	EMB BODY COVER	2	

## PART NO. INDEX

PART NO.	VERSION	PAGE	PART NO.	VERSION	PAGE	PART NO.	VERSION	PAGE
<b>1000</b>			<b>4000</b>			12201-KEB7-900	1	E02
1001-GC8H-0351	0	E11	4000-113-0000	0	E11	12251-KEB7-900	0	E02
1010-GAKH-9200	0	E11				12311-KFB5-900	2	F15
1014-GAKH-9100	0	E11	<b>11000</b>			<b>13000</b>		
1019-GW3H-9800	0	E11				13000-GKAK-921	6	E10
1020-GAKH-9300	0	E11	11100-KFA5-305	3	E09	13011-GLW0-90A	4	E10
1031-181H-8310	0	E11	11102-1G87-004	3	E09	13101-GLW0-901	2	E10
1034-153H-9901	0	E11	11108-KEB7-900	0	E03	13111-1F66-001	2	E10
103J-073H-9900-SB00	0	E11	11200-KEB7-325	5	E09	13115-1F56-001	0	E10
1051-KG8H-9010	0	E11	11203-GGC7-301	2	E09	<b>14000</b>		
105B-KBNH-9000	0	E11	11203-KHG8-301	2	E08			
106B-KG8H-9804	0	E11	11204-KEB7-900	0	E09	14100-KEB7-900	0	E09
1300-GW0H-9000	0	E11	11205-GHAH-004	0	E05	<b>15000</b>		
1300-GW3H-Q800	0	E11	11205-GHAH-004	0	E09			
1300-KG8H-9010	0	E11	11205-KED5-900	0	E09	15100-KEB7-E00	0	E09
1300-KG8H-Q010	0	E11	11206-KEB7-900	0	E09	15110-KEB7-900	0	E09
1703-GJ2H-0040	0	E11	11208-GKAK-901	0	E09	1552A-KEB7-901	0	E09
1782-KG8H-9010	0	E11	11341-KEB7-900	3	E05	15772-5A51-001	1	F12
1785-KBNH-9000-SB00	0	E11	11395-KEB7-900	0	E05	<b>16000</b>		
1793-144H-9900	0	E11	<b>12000</b>					
1795-KG8H-9010	0	E11				16075-KG8-9010-M1	0	E11
1799-KBNH-9000	0	E11	12101-KEB7-901	2	E02			
			12191-KEB7-900	0	E02			

## PART NO. INDEX

PART NO.	VERSION	PAGE	PART NO.	VERSION	PAGE	PART NO.	VERSION	PAGE
16076-KG8-9010-M1	0	E11	17215-KNBN-200	0	F21	1830A-LDA5-E01	0	F15
16076-ND5-0040	0	E11	17215-LDA5-E00	1	F14	18318-KKC1-E00	0	F15
1610K-LDA5-E00	1	E11	17216-LDA5-E00	2	F14	18601-KFB5-900	0	F15
16152-KG8-9010-M1	0	E11	17236-KFBB-910	1	F14	18612-KFB5-900	1	F15
16162-KG8-9010-M1	0	E11	17368-KDB4-670	2	F23	18618-KEBE-900	0	F23
16163-KM4-0040	0	E11	17369-KDB4-671	1	F23	18645-KGB5-EZ0	1	F15
1621A-GKAK-901	0	E09	17500-KKC4-900	3	F10	18656-LDA5-E00	2	F23
16620-KEB7-E00	1	E11	17502-1G87-001	0	F12	18805-KHB4-910	0	F23
16630-KEB7-E00	1	E01	17502-KKC4-900	0	F10	18806-KBE2-900	1	F23
16700-GKAK-220	1	F10	17510-KKC4-E00	0	F10	18807-KBE2-900	3	F23
1671A-KFA5-900	1	E09	17520-KKC4-900	1	F20	18812-KBE2-900	0	F23
16911-LDA5-E00	3	F10	17550-KHC4-900	0	F10	18814-KKD6-EZ0	2	F23
16912-LDA5-E00	1	F10	17620-KHC5-E00	0	F20			
1691A-KEC2-E00	0	F10	17620-KHC5-E0B	1	F20	<b>19000</b>		
			17623-KHC4-90A	6	F20			
<b>17000</b>			17623-KHC4-90B	1	F20	19410-KEB7-900	2	F21
			17683-LDA5-E00	1	F10	19411-KBCB-900	0	F10
17100-KEB7-E01	0	E09	17689-KEBE-900	1	F10	19411-KNBN-900	1	F21
17111-KEB7-900	0	E09	17910-LDA5-E00	3	F03	19510-GBW2-901	3	E03
17112-KEB7-900	1	E09				19600-KEB7-900	0	E01
17205-KEB7-900	0	F14	<b>18000</b>			1962A-KEB7-E00	1	E01
17207-KEB7-900	0	F14						
1720A-LDA5-E00	0	F14	18291-LBA7-900	2	F15	<b>21000</b>		
17212-KEB7-900	0	F14	18293-KECE-900	0	F15			
17213-KEB7-900	2	F14	18294-KEBE-900	0	F15	21200-GKAK-305	6	E08
17215-KGBG-90A	2	F14	18295-KECE-900	0	F15	21395-KNBN-901	1	E08

## PART NO. INDEX

PART NO.	VERSION	PAGE	PART NO.	VERSION	PAGE	PART NO.	VERSION	PAGE
<b>22000</b>			23238-GFY6-941	0	E07			
			23411-KEB7-900	1	E08	<b>31000</b>		
			23420-KEB7-900	3	E08			
22100-GAR1-751	0	E07	23431-KNBN-901	2	E08	31110-KEB7-90A	2	E03
22102-KEB7-900	0	E06	23432-KEB7-900	3	E08	31110-KEB7-90B	1	E03
22103-KEB7-900	0	E06				31120-KFA5-90A	1	E03
22105-KEB7-E00	1	E06	<b>28000</b>			31120-KFA5-90B	2	E03
22110-KFA1-220	0	E06				31209-GKAK-901	3	E04
22121-GLW0-901	2	E06	28211-KEB7-900	1	E06	31210-GKAK-901	1	E04
22131-GHAH-781	0	E06	28223-KNBN-901	0	E06	31500-KCAC-90A	7	F11
22132-GLW0-001	2	E06	28230-GKAK-921	0	E06	31600-KUDU-900	2	F20
22300-KXCX-900	2	E07	28250-KNBN-901	1	E06	31601-LBA2-E00	2	F20
22350-GKAK-930	1	E07	28253-GBN2-60A	0	E06			
22401-GBG2-900	0	E07	28255-GFS6-001	0	E06	<b>32000</b>		
22530-GKAK-930	1	E07	28281-GBN2-60A	1	E06			
22804-1H48-001	0	E07	28300-KGB5-900	0	F16	32100-LDA5-E70	0	F20
						32105-KFA5-900	2	E04
<b>23000</b>			<b>30000</b>			32120-1E55-001	0	F20
						32161-3C93-004	0	E01
2301A-KEB7-220	0	E07	30400-LDA5-E0A	1	F20			
23100-KEB7-900	0	E07	3051A-KEB7-90A	4	F20	<b>33000</b>		
23200-GAR1-220	1	E07	3051A-KEB7-90B	2	F20			
23220-GKAK-220	1	E07	30700-KNBN-901	2	F20	33100-LDA5-E00	1	F01
23225-GAR1-751	0	E07				33120-KKC4-E00	1	F01
23233-GHE8-001	2	E07				33130-LDA5-E00	0	F01
23237-GAR1-220	0	E07				33600-KKC4-E00	2	F18

## PART NO. INDEX

PART NO.	VERSION	PAGE	PART NO.	VERSION	PAGE	PART NO.	VERSION	PAGE
33602-KKC4-E00	0	F18	34905-KPCP-900	0	F18	37280-KKC3-900	0	F02
33603-KKC4-E00	0	F18	34906-KPCP-900	0	F19	37720-KGBG-E00	0	F20
33606-KKC4-E00	0	F18	34908-MKB9-87A	0	F02	37801-GGA7-701	1	F10
33607-KKD7-E00	0	F18	34909-KFBB-900	0	F13	37802-GGA7-701	2	F10
33650-KKC4-E00	2	F18				3780A-KKC3-900	3	F10
33652-KKC4-E00	0	F18	<b>35000</b>					
33653-KKC4-E00	0	F18				<b>38000</b>		
33656-KKC4-E00	0	F18	35101-KKC2-325	0	F20			
33700-KKC4-E00	1	F19	35102-KHC4-900	2	F20	38110-KEB7-90A	2	F20
33702-KKC4-E00	0	F19	3515A-LDA5-E00	1	F03	38110-KEB7-90B	2	F20
33705-KKC4-E00	0	F19	3520A-LDA5-E00	1	F03	38300-KECE-900	2	F20
33706-KHB4-E01	0	F19	35340-KED1-900	0	F03	38501-GBW2-902	1	F20
33709-KBAB-003	0	F19	35340-KNBN-901	0	F04			
33720-KHB4-E00	3	F19	35360-KFBB-900	1	F13	<b>42000</b>		
33722-KHB4-E00	0	F19	35400-KNBN-920	0	F20			
33725-KHB4-E00	0	F19	35410-KEB7-900	0	F12	42601-KEB7-E0E	2	F08
33726-KHB4-E00	0	F19				42710-KEB7-E1A	3	F08
33741-GFY6-C30	1	F19	<b>37000</b>			42753-KNBN-90B	1	F07
33741-KEBE-900	0	F19				42753-KNBN-90B	1	F08
33900-KFBB-900	0	F13	37200-LDA5-E00	2	F02			
<b>34000</b>			37203-KKC3-900	0	F02	<b>43000</b>		
			37204-LDA5-E00	1	F02			
			37205-LDA5-E00	1	F02	4312A-LAB4-90A	3	F08
34901-KFA6-900	0	F01	37211-KKC3-900	1	F02	4312A-LAB4-90B	3	F08
34903-KPCP-900	0	F01	37213-KKC3-900	1	F02	43141-KKD6-E00	1	F08
34903-KPCP-900	0	F19	37214-KKC3-900	0	F02	43352-5H68-004	3	F07

## PART NO. INDEX

PART NO.	VERSION	PAGE	PART NO.	VERSION	PAGE	PART NO.	VERSION	PAGE
43353-4A61-77A	0	F07	45132-1F66-017	0	F07	50139-LDA5-E00	1	F10
43410-KFA1-900	0	F08	45133-0H28-001	1	F08	50185-KKC4-900	0	F21
43450-LDA5-E00	1	F03	45133-MCA3-007	0	F07	50186-KKC4-900	0	F21
43452-GKAK-900	0	F04	45150-LLB5-305	0	F07	50197-KKC4-900	1	F10
<b>44000</b>			45156-KECE-900	2	F06	50301-KGN7-671	2	F21
			45200-KKC2-E00	1	F07	50302-2H68-011	2	F21
			45209-GBE2-007	0	F07	50306-1F96-001	0	F06
			45210-KHD8-900	0	F07	50325-LDA5-E00	1	F11
44301-KXCX-900	4	F07	45215-KECE-900	0	F07	50326-LDA5-E00	2	F11
44311-KEBE-900	0	F07	45216-1F66-007	0	F07	50328-GKAK-200	0	F11
44620-KHD8-900	1	F07	45216-KFW6-90A	0	F07	50350-LDA5-E00	3	F21
44650-KHD8-30A	3	F07	45351-KHE7-E00	1	F07	50356-KHE7-E00	0	F21
44650-KHD8-30C	4	F07	45513-KXCX-M00	1	F04	50356-KNBN-200	1	F21
44710-KKC4-900	3	F07	45517-GFY6-900	5	F03	50503-KEB7-900	1	F16
44800-KFA5-900	1	F07	45517-KFAF-910	0	F04	50505-KEBE-900	0	F16
44830-KKC4-900	3	F02	45520-GLW0-91A	0	F04	5050A-LDA5-E00	1	F16
44831-KKC4-900	0	F02	45530-KFC8-E00-IT	2	F04	50527-KED5-900	0	F16
<b>45000</b>			45531-GAR1-951	0	F07	50530-KKC4-E00	1	F16
			<b>46000</b>			50531-KEB7-E00	1	F16
						50532-KGBG-E00	1	F16
						50550-KEB7-E00	1	F16
45107-MEN5-007	0	F07	46514-KFBF-900	0	F13	50613-KKC4-900	1	F21
45108-MDL4-007	2	F07	<b>50000</b>			<b>51000</b>		
45109-GBE2-007	0	F07						
45126-KKC2-900	2	F04						
45128-KEBE-900	0	F04						
45131-1F66-017	0	F07						
45131-GBE2-007	1	F07	50100-LDA5-E00	5	F21	51400-KKC4-900	2	F06

## PART NO. INDEX

PART NO.	VERSION	PAGE	PART NO.	VERSION	PAGE	PART NO.	VERSION	PAGE
51401-KHD8-900	0	F22	53172-KED1-900	0	F03	55201-1G87-001	0	F12
51410-KHD8-900	0	F22	53175-KFA5-E10	0	F04			
51411-KHD8-900	0	F22	53178-KFA5-E10	0	F03	<b>61000</b>		
51412-KHD8-900	0	F22	5317B-KFA5-E10	1	F03			
51413-KHD8-900	0	F22	53200-LDA5-E00	1	F06	61110-KHD8-900	2	F06
51420-KKC4-900	0	F22	53204-KKC4-900	2	F05			
51422-KKC4-900	0	F22	53205-KKC4-900	2	F03	<b>64000</b>		
51423-KKAK-900	0	F22	53206-KKC4-900	1	F03			
51427-KKAK-900	0	F22	53207-KKC4-900	0	F03	64220-KKC4-900	1	F05
51428-KKAK-900	0	F22	53208-KKC4-900	0	F03	64221-KKC4-900	0	F05
51429-KHD8-900	0	F22	53209-KKC4-900	0	F03	64222-KKC4-900	3	F05
5150A-KKC4-900	3	F06	53211-GFY6-940	1	F06	64301-KKC4-900	0	F05
51520-KKC4-900	0	F22	53212-2L50-011	1	F06	64302-LFD9-E00	2	F05
			53214-2L50-001	0	F06	64303-LFD9-E00	2	F05
<b>52000</b>			53214-KKC4-900	0	F05	64305-KKC4-900	2	F05
			53215-2L50-001	0	F06	64306-KKC4-900	2	F05
52400-LBD5-E00	2	F17	53216-LDA5-E00	1	F03	64307-LFD9-E00	1	F05
			53224-KKC4-900	0	F05	64308-LFD9-E00	1	F05
<b>53000</b>			<b>55000</b>			64310-KKC4-900	0	F05
53100-KKC4-900	0	F03				64311-KKC4-900	3	F05
53105-KFC8-900	2	F03	55102-1F66-001	0	F12	64312-KKC4-900	3	F05
53106-KFC8-900	2	F03	55106-KEB7-900	2	F12	64315-LDA5-E00	3	F21
53125-GEN5-901	0	F03	5510A-LDA5-E00	6	F12	64317-KKC4-900	1	F05
53140-KKC3-900	0	F03	55121-LDA5-E00	1	F12	64318-KKC4-900	0	F21
53166-KGB5-900	0	F03	55123-LDA5-E00	1	F12	64320-KKC4-900	0	F05
						64321-KKC4-900	3	F05



## PART NO. INDEX

PART NO.	VERSION	PAGE	PART NO.	VERSION	PAGE	PART NO.	VERSION	PAGE
64322-KKC4-900	1	F05	80108-KEB7-900	0	F19	8376A-KEBE-900	4	F05
64327-KKC4-900	1	F02	80109-KEB7-900	0	F19			
64328-KKC2-900	1	F05	80151-KKC4-900	0	F13	<b>86000</b>		
64328-KKC4-900	0	F02						
64400-KKC4-900	0	F05	<b>81000</b>			86030-KKC4-900	2	F25
						86102-LEA5-E00	1	F25
<b>77000</b>			81131-KKC4-900	0	F05	86102-LLB5-E00	1	F25
			81132-KEB7-900	1	F05	86202-KKC4-E00	0	F25
77200-KKC4-E01	1	F09	81132-LDA5-E00	2	F05			
77206-KEB7-900	0	F09	81136-LDA5-E00	1	F05	<b>87000</b>		
77210-KKC4-900	0	F09	81137-KKC4-900	0	F05			
77220-KKC4-910	1	F09	81147-KKC4-900	0	F05	87224-LDA5-EZ2		F24
77235-KKC4-900	0	F13	81201-KKC4-900	1	F13	87224-LDA5-EZ2	0	F24
77240-KKC4-900	1	F13	81202-KKC4-900	0	F13	87505-KEB7-E10	1	F24
77300-KKC4-900	3	F09	8120A-KKC4-900	6	F13	87508-KKC4-E00	1	F05
77303-LLF5-900	2	F09	81251-KKC4-900	0	F13	87541-GAR1-E00	1	F24
77305-KKC4-900	1	F09	81260-KKC4-900	1	F13	87541-KKC2-E00	1	F24
			81400-KKC4-900	0	F13	87542-GAR1-E00	2	F24
<b>80000</b>			81500-KKC4-900	0	F13	87560-KNBN-E00	1	F24
			<b>83000</b>			<b>88000</b>		
80100-KEB7-900	0	F19						
80100-LDA5-E00	3	F19						
80101-KKC4-900	1	F19	83500-KKC4-900	0	F13	88110-LFD9-E00	2	F03
80102-KKC4-900	2	F19	83600-KKC4-900	1	F13	88114-KKC4-900	3	F03
80105-KKC4-900	3	F19	8360A-LDA5-E00	2	F14	88115-KKC4-900	0	F03
80106-KKC4-900	0	F19	83750-KKC4-900	1	F13	88116-KKC4-900	3	F03

## PART NO. INDEX

PART NO.	VERSION	PAGE	PART NO.	VERSION	PAGE	PART NO.	VERSION	PAGE
88120-LFD9-E00	2	F03	90110-KEB7-900	1	F06	90304-GHE8-004	0	F03
88120-LFD9-E00	4	F03	90110-KHD8-900	0	F15	90304-GHE8-004	0	F21
88125-KKC4-900	0	F03	90111-1G87-001	1	F13	90305-GHK8-001	1	F13
88126-KKC4-900	3	F03	90112-KNBN-901	1	F19	90305-KNBN-90B	0	F08
88130-KKC4-900	0	F03	90112-KRDR-900	0	F20	90306-KLF0-901	0	F07
88135-KKC4-900	1	F03	90114-1F66-007	2	F04	90309-KLF0-004-SY	1	E08
			90115-GLE0-001	0	F03	90381-GEZ5-001	1	F13
<b>89000</b>			90116-KHD8-900	0	F22	90412-3K29-001	0	E06
			90120-GAR1-J00	0	E09	90429-KNBN-901	0	E08
89010-GGS7-C00	3	F09	90121-KHE7-E00	0	F21	90442-0D44-001	0	E07
89020-KKC4-900	1	F09	90122-GCS3-001	0	E06	90451-GBN2-601	0	E06
			90122-KEBE-900	2	F07	90454-GBB2-001	0	E07
<b>90000</b>			90145-MKS9-61A	1	F04	90474-3C33-001	1	E09
			90202-1G87-001	0	E07	90501-KNBN-901	0	F08
90001-GKAK-901	0	E02	90215-KKC4-900	1	F13	90544-KEC8-900	0	F22
9000A-KTDT-900	1	E05	90301-6D34-671	1	F19	90545-3L00-001	2	F04
90101-KGC4-E00	1	F09	90301-KGBG-900	1	F15	90652-KTCT-900	1	F14
90105-KCR3-001	1	F07	90302-GBR2-001	1	F05	90656-GFY6-911	0	F03
90105-KEN5-001	0	F13	90302-GFY6-901	1	F03	90656-KUDU-900	0	F20
90105-KNBN-901	0	F13	90302-GFY6-901	1	F05	90677-GAR1-004	1	F05
90106-GEN5-901	0	F03	90302-GFY6-940	1	F02	90741-0E35-001	0	E10
90106-KFC2-900	0	F03	90302-GFY6-940	1	F05	90754-GHC8-00A	1	F07
90106-KFC2-900	0	F13	90302-GFY6-940	1	F13	90912-KFLF-00A	0	F07
90106-KHE7-E00	0	F21	90302-KEC8-900	1	F03	90912-KFLF-00D	0	F07
90106-KKC4-900	0	F13	90302-SDA4-004	1	F05	90915-KKC4-900	1	F02
90108-KFC8-E00	0	F16	90302-SDA4-004	1	F13			

## PART NO. INDEX

PART NO.	VERSION	PAGE	PART NO.	VERSION	PAGE	PART NO.	VERSION	PAGE
<b>91000</b>			<b>92000</b>			93892-04014-18	0	E11
91001-GGA7-70A	2	E07	92700-06028-1B	0	E02	93893-04012-18	0	F04
91001-GLW0-90A	6	E09				93901-32220	0	F18
91004-KBN2-90A	0	E08	<b>93000</b>			93901-34220	0	F18
91004-KBN2-90A	0	E09				93901-34320	0	F19
91004-KNBN-92A	0	E09	93404-06016-06	0	F05	93903-24320	0	F23
91006-KNBN-901	5	E09	93404-06016-06	0	F11	93903-25360	0	F14
91009-GLE0-004	1	E08	93404-06016-06	0	F12	93903-34260	0	F05
91102-GLW0-009	0	E10	93404-06016-06	0	F19	93903-34360	0	F03
91103-GAR1-004	0	E07	93404-06016-06	0	F21	93903-34360	0	F05
91201-KNBN-92A	0	E09	93404-06020-06	1	F05	93903-34360	0	F13
91202-KNBN-92A	0	E09	93404-KKC2-900	1	F05	93903-34360	0	F14
91202-KNBN-92B	0	E09	93500-04012-0H	0	F13	93903-34360	0	F18
91204-KNBN-90A	1	E09	93500-04020-0G	0	F20	93903-35220	0	F19
91211-GHK8-014	0	E07	93500-05012-0H	0	E09	93903-35360	0	F10
91255-GLE0-006	0	E08	93500-05016-1B	0	F03	93903-35360	0	F01
91301-0C53-001	0	E08	93500-05025-1B	0	F03	93903-35360	0	F03
91301-KEA5-742	0	E07	93500-05032-1B	0	F03	93903-GFY6-900	1	F13
91302-PKA9-004	0	E07	93500-05045-1B	0	F03	93903-GFY6-900	1	F11
91304-GLB0-911	1	E09	93500-KHC4-90A	0	F20	93903-GFY6-900	1	F13
91309-GKAK-901	0	E04	93600-04012-1G	0	F04	93903-KEB7-900-06	1	F19
91352-KHG8-83B	0	F08	93700-05018-0H	0	F02	<b>94000</b>		
91353-GFY6-900	0	F08	93891-05012-06	0	F05			
91508-KGV7-67A	0	F19	93892-04008-18	0	E11	94001-05080-0S	0	F03

## PART NO. INDEX

PART NO.	VERSION	PAGE	PART NO.	VERSION	PAGE	PART NO.	VERSION	PAGE
94001-12280-0S	0	E06	95002-02080	0	E11	95701-08050-08	0	F21
94050-05080	0	F19	95002-02080	0	F10	95701-KHC5-E00	3	F20
94050-06060	0	F04	95002-02100	0	F10	95801-08035-08	0	E09
94050-06080	0	E11	95002-02130	0	F10	95801-08040-08	0	F06
94050-06080	0	F05	95002-02650	0	E09	95801-08075-06	0	F15
94050-06080	0	F09	95002-50000	0	F02	95801-10035-08	0	F17
94050-06080	0	F10	95002-50000	0	F12	95801-10115-06	0	F21
94050-06080	0	F11	95002-KKD6-E05	0	F23	95801-10140-08	0	F21
94050-06080	0	F19	95003-07022-31	0	E11	95801-KGB5-E00	1	F15
94050-06080	0	F20	95701-06008-06	1	F15			
94050-10080	0	E03	95701-06012-08	0	F01	<b>96000</b>		
94050-10080	0	E07	95701-06012-08	0	F04			
94101-06700	0	F15	95701-06012-08	0	F06	96001-06012-08	0	E03
94101-08600	0	F16	95701-06012-08	0	F10	96001-06012-08	0	F04
94251-08400	0	F16	95701-06012-08	0	F13	96001-06014-08	0	F10
94301-10200	0	E09	95701-06012-08	0	F21	96001-06016-08	0	E03
94510-20000	0	E08	95701-06022-00	0	F16	96001-06022-06	1	F04
94511-14000	0	E06	95701-06022-08	0	F08	96001-06022-08	0	E03
94520-24000	1	E07	95701-06025-08	0	E01	96001-06025-06	0	F03
94591-27000	0	F05	95701-06025-08	0	F15	96001-06025-08	0	E04
94591-KFBF-900	2	E01	95701-06040-06	0	F15	96001-06025-08	0	E09
94605-KHD8-900	0	F22	95701-06040-08	0	F14	96001-06032-08	0	E09
			95701-08012-08	0	E09	96001-06045-08	0	E09
<b>95000</b>			95701-08012-08	0	F21	96001-06055-08	0	E09
			95701-08030-08	0	F17	96100-62033-00	0	E09
95002-02080	0	E09	95701-08040-08	0	E09	96211-05000	0	F06

## PART NO. INDEX

PART NO.	VERSION	PAGE	PART NO.	VERSION	PAGE	PART NO.	VERSION	PAGE
96211-08000	0	F06						
<b>98000</b>								
98076-5871G-00	0	E02						
98200-10700	0	F11						
98200-10700	0	F20						
<b>99000</b>								
99101-116-0750	0	E11						
<b>K</b>								
K378-001	0	E11						
<b>N</b>								
N350-09G00	0	E11						
N413-32A00	0	E11						
N425-2RFMM	0	E11						