

# PARTS CATALOGUE



## SCOOTERS

SJ40AA(TK)

DINK 200i



Release Date : 2011/05/04  
Print Date : 2011/07/07

## ABOUT THIS PARTS LIST

- This parts list is compiled all service parts for model SJ40AA(TK).
- Any difference between color chart and motorcycle will be revised according to motorcycle.
- The Mark:
  1. Marking "\*\*\*" must add color code in the end before ordering parts.
  2. Marking "#" are parts with modification, Please find the details from e-Parts system.
- When modification or additions to this parts list are made a revised edition at an appropriate time.



# CONTENTS

● ABOUT THIS PARTS LIST .....	1
● COLOR CHART OF SJ40AA(TK) .....	3
● CONTENTS-ENGINE GROUP .....	11
● CONTENTS-FRAME GROUP .....	12
● ENGINE PARTS LIST .....	15
● FRAME PARTS LIST .....	51
● PART NO. INDEX .....	127

NO	MODEL			COLOR CHART OF SJ40AA(TK)							
	PHOTO NO			NO. 1	NO. 2	NO. 3	NO. 4				
	BASIC COLOR			Black Blue	Light Blue Metallic	Black Diamond	Silver Crystal				
	CODE			Black Blue	Light Blue Metallic	Black Diamond	Silver Crystal				
	PARTS NAME	PARTS NO.	VERSION	PB184PA	PB281MA	NH191MA	NH263MA				
1	COVER COMP RIGHT	11330-KKC3-900	6	HJA							
2	COVER L	11341-KKC3-900	7								
3	HOLE CAP TAPPET	12361-LEA5-E00	1								
4	WHEEL COMP RR CAST	42601-KHD8-90A	3								
5	WHEEL RR CAST	42601-KHD8-90B	2								
6	WHEEL RR CAST	42601-KHD8-90C	2								
7	WHEEL SET FR	44650-LEA5-305	0								
8	CAP A.C.G	90084-LEA5-001	1								
9	CAP ASSY 30MM	9008A-LEA5-001	1								
10	TAIL CAP MUFFLER	18307-LDB2-E00	0					HJP			
11	MUFFLER ASSY	1830A-LEA6-E01	1								
12	PROTECTOR MUFFLER	18318-LEA5-E00	2								
13	VISOR METER	64210-LEA5-E00	5	LRR							
14	COVER BATTERY	50326-LEA5-E00	2								
15	COVER UNDER	50613-LEA5-E00	4	N1R							
16	GRIP COMP THROT	53140-KKC3-900	0								
17	GRIP L HANDLE	53166-KGB5-900	0								
18	COVER METER	53204-LEA5-E00	2								
19	COVER HNDL UP	53205-LEA5-E00	3								
20	COVER R HANDLE LOW	53206-LEA5-E00	3								
21	COVER ASSY VISOR	6421B-LEA5-E00	2								
22	FR GRILL	64303-LEA5-E00	4								
23	LID COVER FR	64304-LEA5-E00	2								
24	FLOOR PANEL	64310-LEA5-E00	3								
25	PLUG FLOOR	64316-KHE2-900	1								
DATE OF STARTING-SALES											
DATE OF END-SALES											

NO	MODEL			COLOR CHART OF SJ40AA(TK)			
	PHOTO NO			NO. 5	NO. 6	NO. 7	NO. 8
	BASIC COLOR			Bright Silver	Pearly White	Deep Silver Metallic	Red
	CODE			Bright Silver	Pearly White	Deep Silver Metallic	Red
	PARTS NAME	PARTS NO.	VERSION	NH045MA	NH193PA	NH232MA	RR123PA
1	COVER COMP RIGHT	11330-KKC3-900	6	HJA			
2	COVER L	11341-KKC3-900	7				
3	HOLE CAP TAPPET	12361-LEA5-E00	1				
4	WHEEL COMP RR CAST	42601-KHD8-90A	3				
5	WHEEL RR CAST	42601-KHD8-90B	2				
6	WHEEL RR CAST	42601-KHD8-90C	2				
7	WHEEL SET FR	44650-LEA5-305	0				
8	CAP A.C.G	90084-LEA5-001	1				
9	CAP ASSY 30MM	9008A-LEA5-001	1				
10	TAIL CAP MUFFLER	18307-LDB2-E00	0				
11	MUFFLER ASSY	1830A-LEA6-E01	1				
12	PROTECTOR MUFFLER	18318-LEA5-E00	2	LRR			
13	VISOR METER	64210-LEA5-E00	5				
14	COVER BATTERY	50326-LEA5-E00	2				
15	COVER UNDER	50613-LEA5-E00	4	N1R			
16	GRIP COMP THROT	53140-KKC3-900	0				
17	GRIP L HANDLE	53166-KGB5-900	0				
18	COVER METER	53204-LEA5-E00	2				
19	COVER HNDL UP	53205-LEA5-E00	3				
20	COVER R HANDLE LOW	53206-LEA5-E00	3				
21	COVER ASSY VISOR	6421B-LEA5-E00	2				
22	FR GRILL	64303-LEA5-E00	4				
23	LID COVER FR	64304-LEA5-E00	2				
24	FLOOR PANEL	64310-LEA5-E00	3				
25	PLUG FLOOR	64316-KHE2-900	1				
DATE OF STARTING-SALES							
DATE OF END-SALES							

NO	MODEL			COLOR CHART OF SJ40AA(TK)							
	PHOTO NO			NO. 1	NO. 2	NO. 3	NO. 4				
	BASIC COLOR			Black Blue	Light Blue Metallic	Black Diamond	Silver Crystal				
	CODE			Black Blue	Light Blue Metallic	Black Diamond	Silver Crystal				
	PARTS NAME	PARTS NO.	VERSION	PB184PA	PB281MA	NH191MA	NH263MA				
26	FENDER RR	80105-LEA5-E00	3	N1R							
27	FENDER RR INNER	80106-LEA5-E00	6								
28	COVER CENTER	80151-LEA5-E00	2								
29	LEG SHIELD	81131-LEA5-E00	3								
30	LID RESERVE TANK	81136-LEA5-E00	3								
31	LID LEG SHIELD	81142-KUDU-900	1								
32	COVER BATTERY	81253-LEA5-E00	3								
33	COVER PROTECTOR	83503-KHD6-900	2								
34	COVER R SIDE	83520-LEA5-E00	2								
35	COVER L SIDE	83620-LEA5-E00	2								
36	BAND HARNESS WIRE	90656-KUDU-900	0	N1S							
37	DISK FR BRAKE	45351-LEA5-E00	2								
38	FENDER FR	61100-LEA5-E00	4								
39	COVER FR	64301-LEA5-E00	2								
40	SKIRT R SIDE	64305-LEA5-E00	3								
41	SKIRT L SIDE	64306-LEA5-E00	3								
42	COWL UNDER	64400-LEA5-E00	2					BJP	CAP	HTP	HUP
43	COVER R BODY	83500-LEA5-E00	2								
44	COVER L BODY	83600-LEA5-E00	2								
45	MOLDING RR CENTER	83751-LEA5-E00	3					NEA			
46	COVER RR CENTER	8375A-LEA5-E00	2								
47	CALIPER ASSY RR	43100-LEA5-900	1								
48	BRACKET RR	43210-KEBE-900	2								
49	CALIPER ASSY FR	45200-LEA5-E00	1								
50	MIRROR ASSY.. R BACK	88110-LEA6-900	4	NEP							
DATE OF STARTING-SALES											
DATE OF END-SALES											

NO	MODEL			COLOR CHART OF SJ40AA(TK)							
	PHOTO NO			NO. 5	NO. 6	NO. 7	NO. 8				
	BASIC COLOR			Bright Silver	Pearly White	Deep Silver Metallic	Red				
	CODE			Bright Silver	Pearly White	Deep Silver Metallic	Red				
	PARTS NAME	PARTS NO.	VERSION	NH045MA	NH193PA	NH232MA	RR123PA				
26	FENDER RR	80105-LEA5-E00	3	N1R							
27	FENDER RR INNER	80106-LEA5-E00	6								
28	COVER CENTER	80151-LEA5-E00	2								
29	LEG SHIELD	81131-LEA5-E00	3								
30	LID RESERVE TANK	81136-LEA5-E00	3								
31	LID LEG SHIELD	81142-KUDU-900	1								
32	COVER BATTERY	81253-LEA5-E00	3								
33	COVER PROTECTOR	83503-KHD6-900	2								
34	COVER R SIDE	83520-LEA5-E00	2								
35	COVER L SIDE	83620-LEA5-E00	2								
36	BAND HARNESS WIRE	90656-KUDU-900	0	N1S							
37	DISK FR BRAKE	45351-LEA5-E00	2								
38	FENDER FR	61100-LEA5-E00	4								
39	COVER FR	64301-LEA5-E00	2								
40	SKIRT R SIDE	64305-LEA5-E00	3								
41	SKIRT L SIDE	64306-LEA5-E00	3								
42	COWL UNDER	64400-LEA5-E00	2					N8P	NVP	NZP	R6P
43	COVER R BODY	83500-LEA5-E00	2								
44	COVER L BODY	83600-LEA5-E00	2								
45	MOLDING RR CENTER	83751-LEA5-E00	3					NEA			
46	COVER RR CENTER	8375A-LEA5-E00	2								
47	CALIPER ASSY RR	43100-LEA5-900	1								
48	BRACKET RR	43210-KEBE-900	2								
49	CALIPER ASSY FR	45200-LEA5-E00	1								
50	MIRROR ASSY.. R BACK	88110-LEA6-900	4	NEP							
DATE OF STARTING-SALES											
DATE OF END-SALES											

NO	MODEL			COLOR CHART OF SJ40AA(TK)			
	PHOTO NO			NO. 1	NO. 2	NO. 3	NO. 4
	BASIC COLOR			Black Blue	Light Blue Metallic	Black Diamond	Silver Crystal
	CODE			Black Blue	Light Blue Metallic	Black Diamond	Silver Crystal
	PARTS NAME	PARTS NO.	VERSION	PB184PA	PB281MA	NH191MA	NH263MA
51	MIRROR ASSY.. L BACK	88120-LEA6-900	4	NEP			
52	CUSHION ASSY R RR	52400-LEA5-E00	3	NES			
53	END HANDLE	53102-LEA5-E00	3				
54	END R STRG HANDLE	53105-LEA5-E00	3				
55	CAP COMP FUEL FILLER	17620-LLJ3-E0A	3				
56	CAP COMP FUEL FILLER	17620-LLJ3-E0B	3	NYA			
57	FORK ASSY R FR	51400-LEA5-E00	2				
58	BOTTOM CASE R	51420-KHD8-900	0				
59	FORK SET L FR	51500-LEA5-E00	2				
60	BOTTOM CASE L	51520-KHD8-900	0				
61	FORK ASSY REAR	52000-LEA5-E00	6				
62	CARRIER ASSY RR	8120A-LEA5-E00	2				
63	BAR-RR CARRIER	81205-LEA5-E00	2				
64	REPLACEMENT ASSY	77200-LEA5-305	0	T01			
65	SEAT ASSY BACK	77210-LEA5-E00	2				
66	EMB K-LOGO 38MM	86102-LCD3-E00	3				
67	EMB K-LOGO 30MM	86102-LEA5-E00	1				
68	EMB BODY COVER	86202-LEA5-E00	1				
69	EMB I MARK	87140-LDG7-E00	2				
70	EMB ENG COVER	87140-LEA6-900	1				
71	EMB MARK 200	87140-LEA6-E00	1				
72	LABEL TIRE	87505-LEA5-E00	1				
73	CAUTION SIDE STAND	87541-GAR1-E00	1				
74	MARK MAINT CAUTION	87542-GAR1-E00	2				
75	MARK DRIVE CAUTION	87560-GFY6-E00	3				
DATE OF STARTING-SALES							
DATE OF END-SALES							



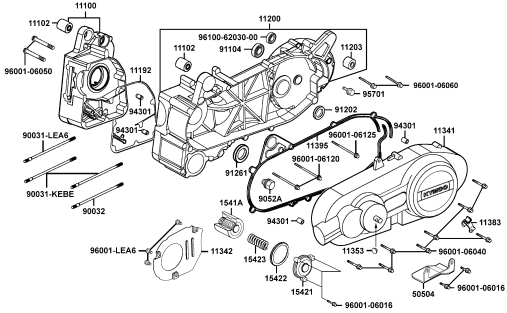
NO	MODEL			COLOR CHART OF SJ40AA(TK)			
	PHOTO NO			NO. 5	NO. 6	NO. 7	NO. 8
	BASIC COLOR			Bright Silver	Pearly White	Deep Silver Metallic	Red
	CODE			Bright Silver	Pearly White	Deep Silver Metallic	Red
	PARTS NAME	PARTS NO.	VERSION	NH045MA	NH193PA	NH232MA	RR123PA
51	MIRROR ASSY.. L BACK	88120-LEA6-900	4	NEP			
52	CUSHION ASSY R RR	52400-LEA5-E00	3	NES			
53	END HANDLE	53102-LEA5-E00	3				
54	END R STRG HANDLE	53105-LEA5-E00	3				
55	CAP COMP FUEL FILLER	17620-LLJ3-E0A	3				
56	CAP COMP FUEL FILLER	17620-LLJ3-E0B	3	NYA			
57	FORK ASSY R FR	51400-LEA5-E00	2				
58	BOTTOM CASE R	51420-KHD8-900	0				
59	FORK SET L FR	51500-LEA5-E00	2				
60	BOTTOM CASE L	51520-KHD8-900	0				
61	FORK ASSY REAR	52000-LEA5-E00	6				
62	CARRIER ASSY RR	8120A-LEA5-E00	2				
63	BAR-RR CARRIER	81205-LEA5-E00	2				
64	REPLACEMENT ASSY	77200-LEA5-305	0	T01			
65	SEAT ASSY BACK	77210-LEA5-E00	2				
66	EMB K-LOGO 38MM	86102-LCD3-E00	3				
67	EMB K-LOGO 30MM	86102-LEA5-E00	1				
68	EMB BODY COVER	86202-LEA5-E00	1				
69	EMB I MARK	87140-LDG7-E00	2				
70	EMB ENG COVER	87140-LEA6-900	1				
71	EMB MARK 200	87140-LEA6-E00	1				
72	LABEL TIRE	87505-LEA5-E00	1				
73	CAUTION SIDE STAND	87541-GAR1-E00	1				
74	MARK MAINT CAUTION	87542-GAR1-E00	2				
75	MARK DRIVE CAUTION	87560-GFY6-E00	3				
DATE OF STARTING-SALES							
DATE OF END-SALES							

NO	MODEL			COLOR CHART OF SJ40AA(TK)			
	PHOTO NO			NO. 1	NO. 2	NO. 3	NO. 4
	BASIC COLOR			Black Blue	Light Blue Metallic	Black Diamond	Silver Crystal
	CODE			Black Blue	Light Blue Metallic	Black Diamond	Silver Crystal
	PARTS NAME	PARTS NO.	VERSION	PB184PA	PB281MA	NH191MA	NH263MA
76	MODEL REAR	87571-HCKC-B00	6	T01			
DATE OF STARTING-SALES							
DATE OF END-SALES							

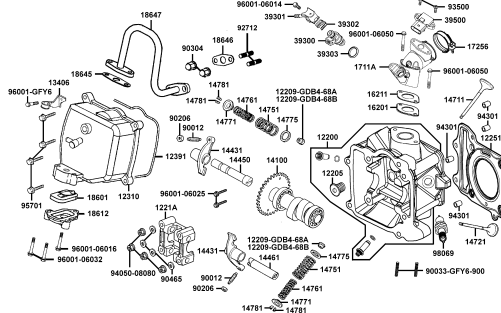
NO	MODEL			COLOR CHART OF SJ40AA(TK)			
	PHOTO NO			NO. 5	NO. 6	NO. 7	NO. 8
	BASIC COLOR			Bright Silver	Pearly White	Deep Silver Metallic	Red
	CODE			Bright Silver	Pearly White	Deep Silver Metallic	Red
	PARTS NAME	PARTS NO.	VERSION	NH045MA	NH193PA	NH232MA	RR123PA
76	MODEL REAR	87571-HCKC-B00	6	T01			
DATE OF STARTING-SALES							
DATE OF END-SALES							

# CONTENTS - ENGINE GROUP

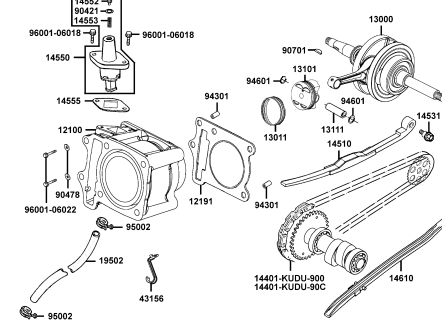
## E01 Crank Case



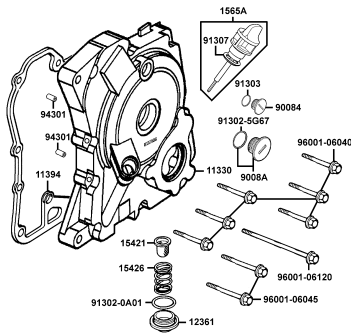
## E02 Cylinder Head Cover Cylinder



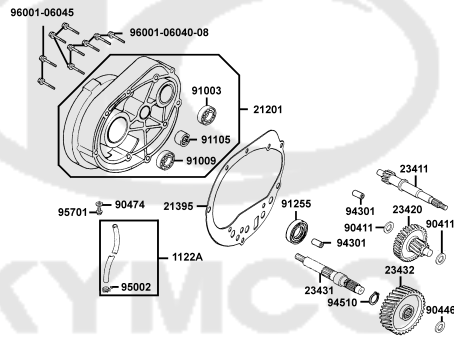
## E03 Cylinder Piston Crankshaft



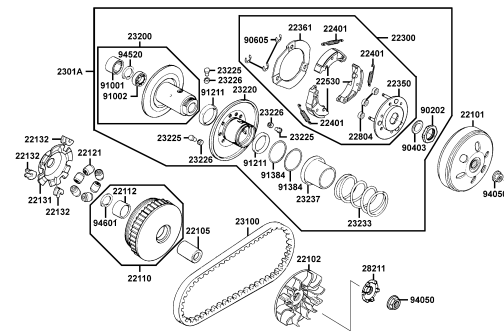
## E04 Right Crankcase CoverWater



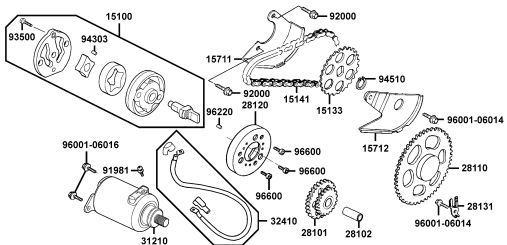
## E05 Transmission



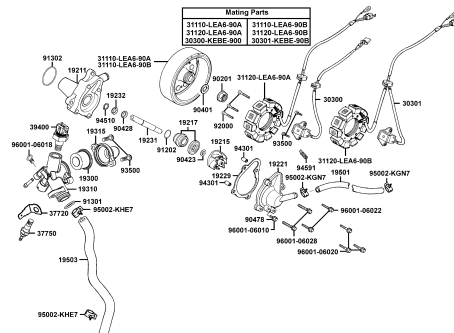
## E06 Driven Pulley



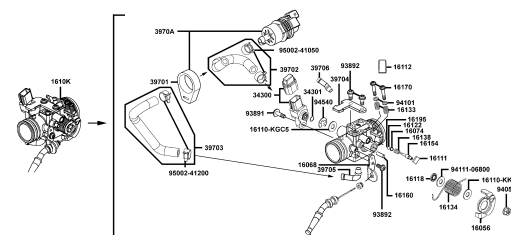
## E07 Starting Motor/Oil Pump



## E08 Transmission

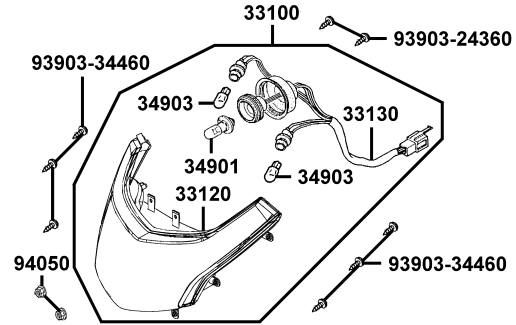


## E09 Carburetor

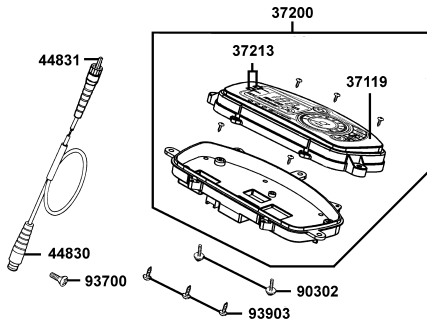


# CONTENTS - FRAME GROUP

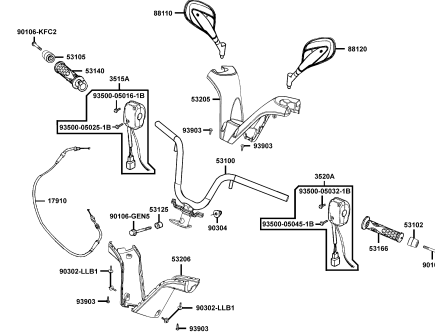
**F01** Head Light



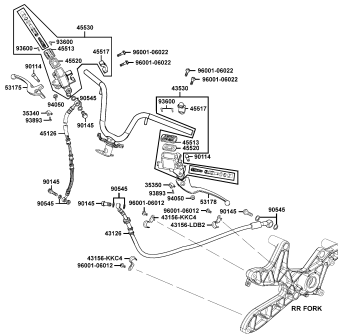
**F02** Speedometer



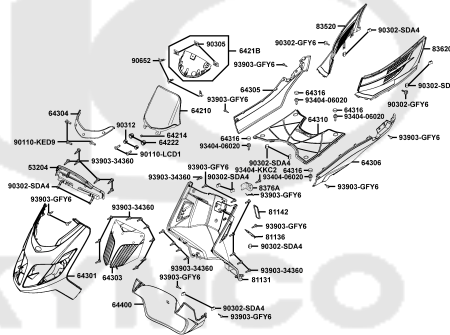
**F03** Handle Steering Handle Cover



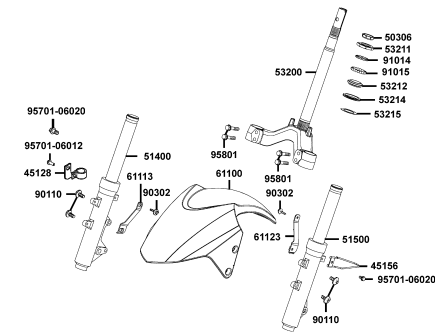
**F04** Brake Master Cylinder



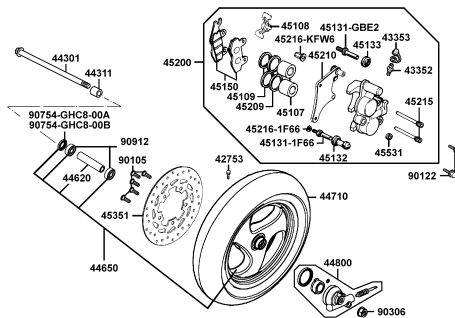
**F05** Front Cover Floor Panel



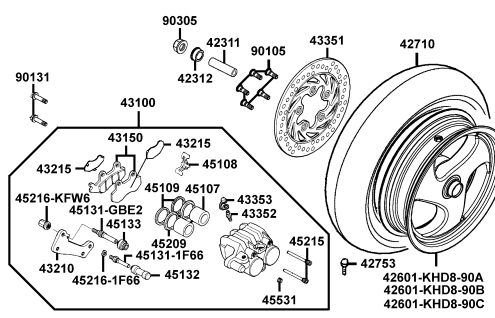
**F06** Front Cushion



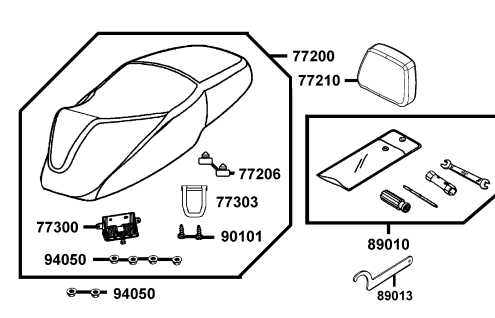
**F07** Front Wheel



**F08** Rear Wheel



**F09** Seat

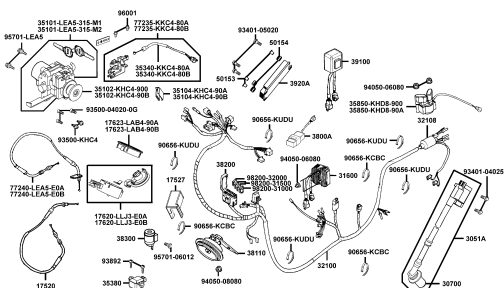


# CONTENTS - FRAME GROUP

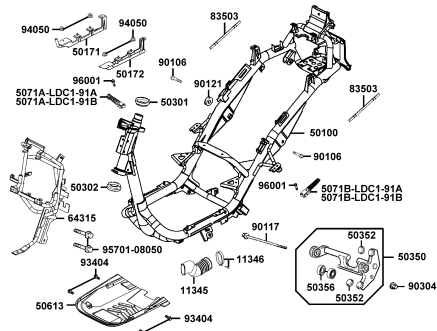
F10 Fuel Tank	F11 Battery	F12 Body CoverLuggage Box
F13 Air Cleaner	F14 Exhaust Muffler	F15 StandKick Starter Arm
F16 Rear Cushion	F17 Front Winker	F18 Tail LightRear Fender

# CONTENTS - FRAME GROUP

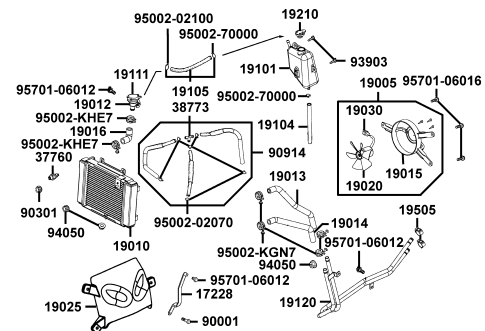
## F19 Wire Harness



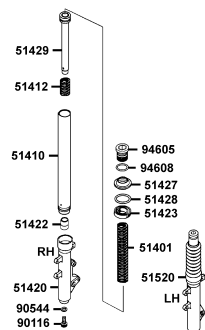
## F20 Frame Body



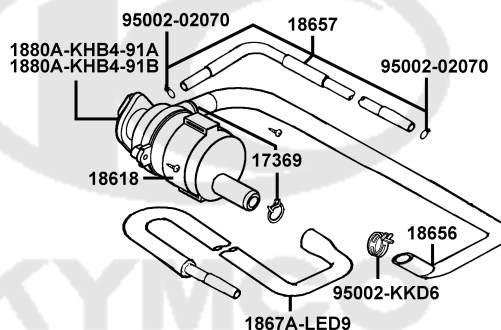
## F21 Radiator



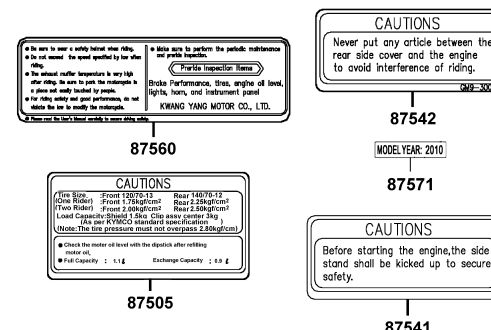
## F22 Separated Parts Of Fr Fork



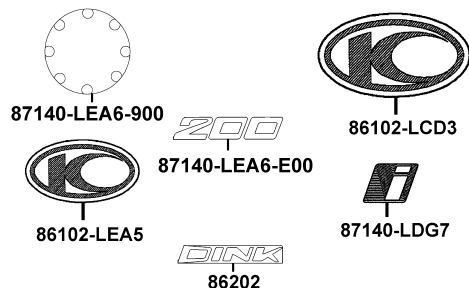
## F23 Air Cleaner Two



## F24 Caution Label



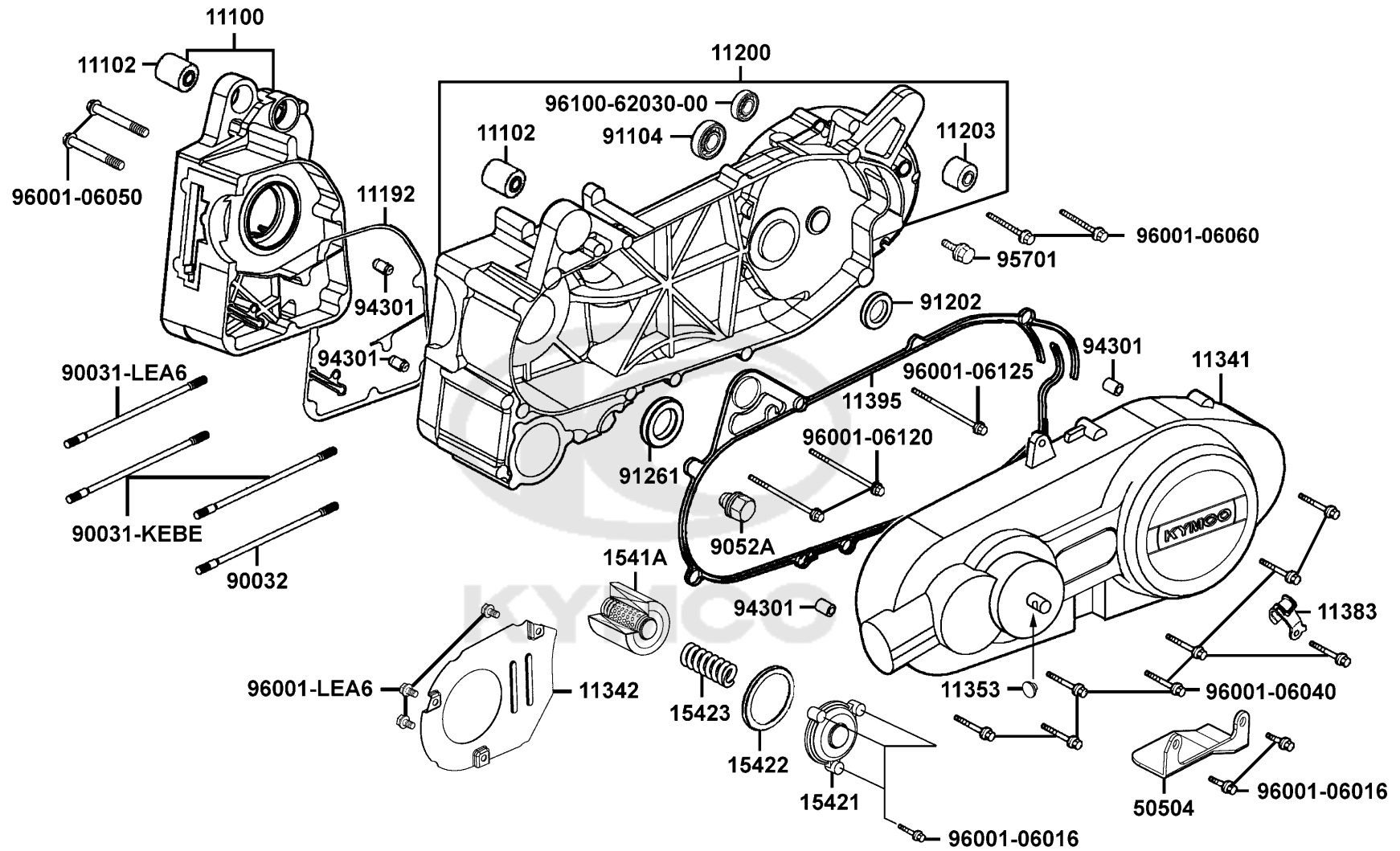
## F25 Emblem/Stripe





E01

# Crank Case

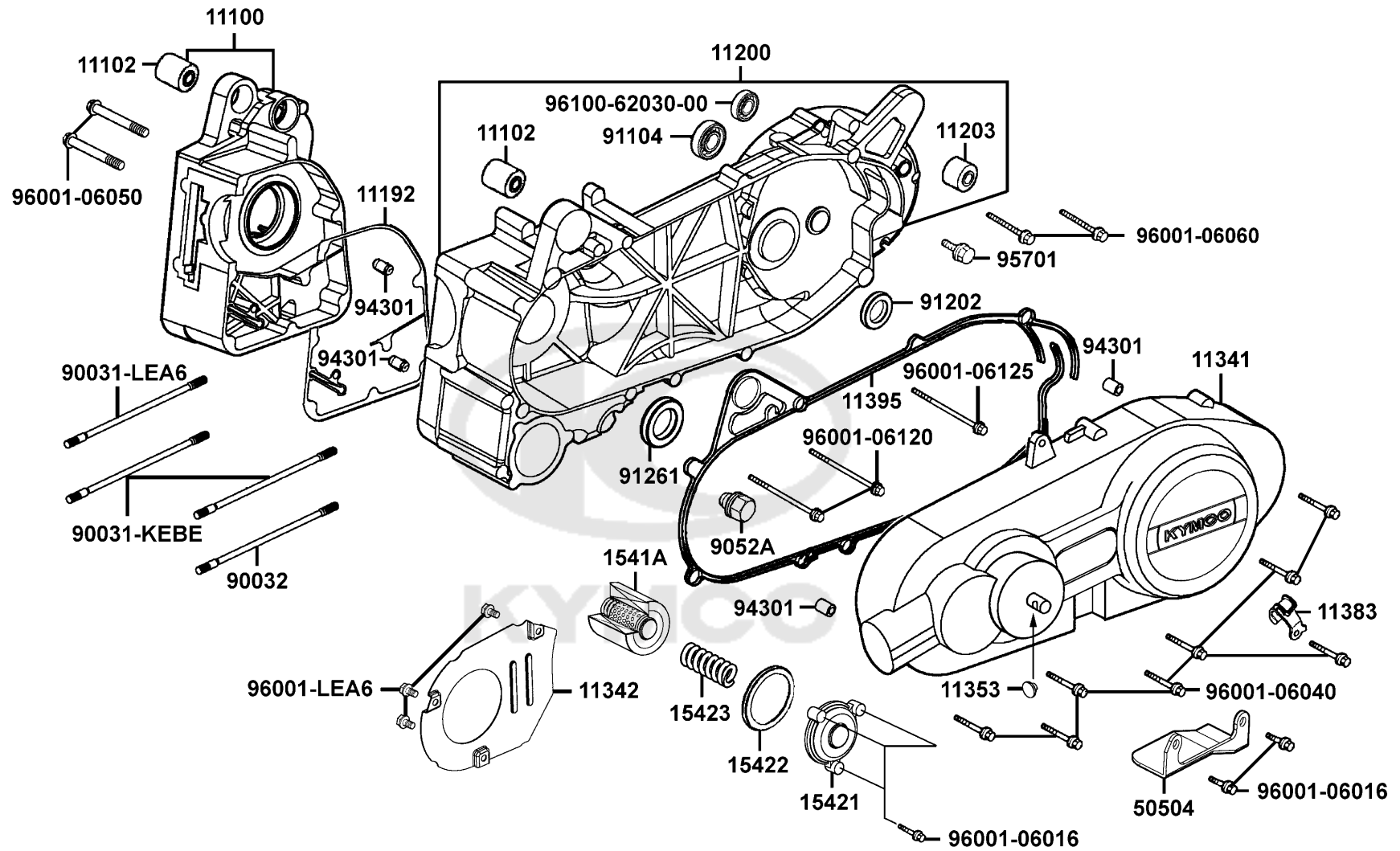




Sales mark	Ref no	Part no	Description	Reg description	Regd no	E01
	11100	11100-LEA6-305	CRANK CASE ASSY R	CRANK CASE ASSY R	1	
	11102	11102-1G87-004	RUB BUSH ENG HANGER	RUB BUSH ENG HANGER	2	
	11192	11192-LEA5-E00	GASKET CRANK CASE @	GASKET CRANK CASE @	1	
	11200	11200-LEA6-305	CASE SET L CRANK	CASE SET L CRANK	1	
	11203	11203-GGC7-301	UNDER RUBBER BUSH REAR CUSHION	UNDER RUBBER BUSH REAR CUSHION	1	
**	11341	11341-KKC3-900	COVER L	COVER L	1	
	11342	11342-LEA6-900	PLATE COVER L	PLATE COVER L	1	
	11353	11353-LEA6-900	RUBBER PLUG L COVER KICK	RUBBER PLUG L COVER KICK	1	
	11383	11383-KUDU-900	CLAMPER BREATHER DRAIN TUBE	CLAMPER BREATHER DRAIN TUBE	1	
	11395	11395-LEA5-E00	GASKET L COVER @	GASKET L COVER @	1	
	1541A	1541A-KKC3-900	ELEMENT ASSY OIL FILTER	ELEMENT ASSY OIL FILTER	1	
	15421	15421-KKC3-900	CAP OIL FILTER	CAP OIL FILTER	1	
	15422	15422-KKC3-900	O RING 53.65*2.62	O RING 53.65*2.62	1	
	15423	15423-KKC3-900	SPRING CAP OIL	SPRING CAP OIL	1	
	50504	50504-LEA5-E01	STOPPER MAIN STAND	STOPPER MAIN STAND	1	
	90031-KEBE	90031-KEBE-900	BOLT A STUD 8MM	BOLT A STUD 8MM	2	
	90031-LEA6	90031-LEA6-900	BOLT A STUD 8*22	BOLT A STUD 8*22	1	
	90032	90032-KEBE-900	BOLT B STUD 8MM	BOLT B STUD 8MM	1	
	9052A	9052A-GFY6-950	BOLT ASSY DRAIN PLUG	BOLT ASSY DRAIN PLUG	1	
	91104	91104-KGN7-671	BRG BALL RADIAL 6204	BRG BALL RADIAL 6204	1	

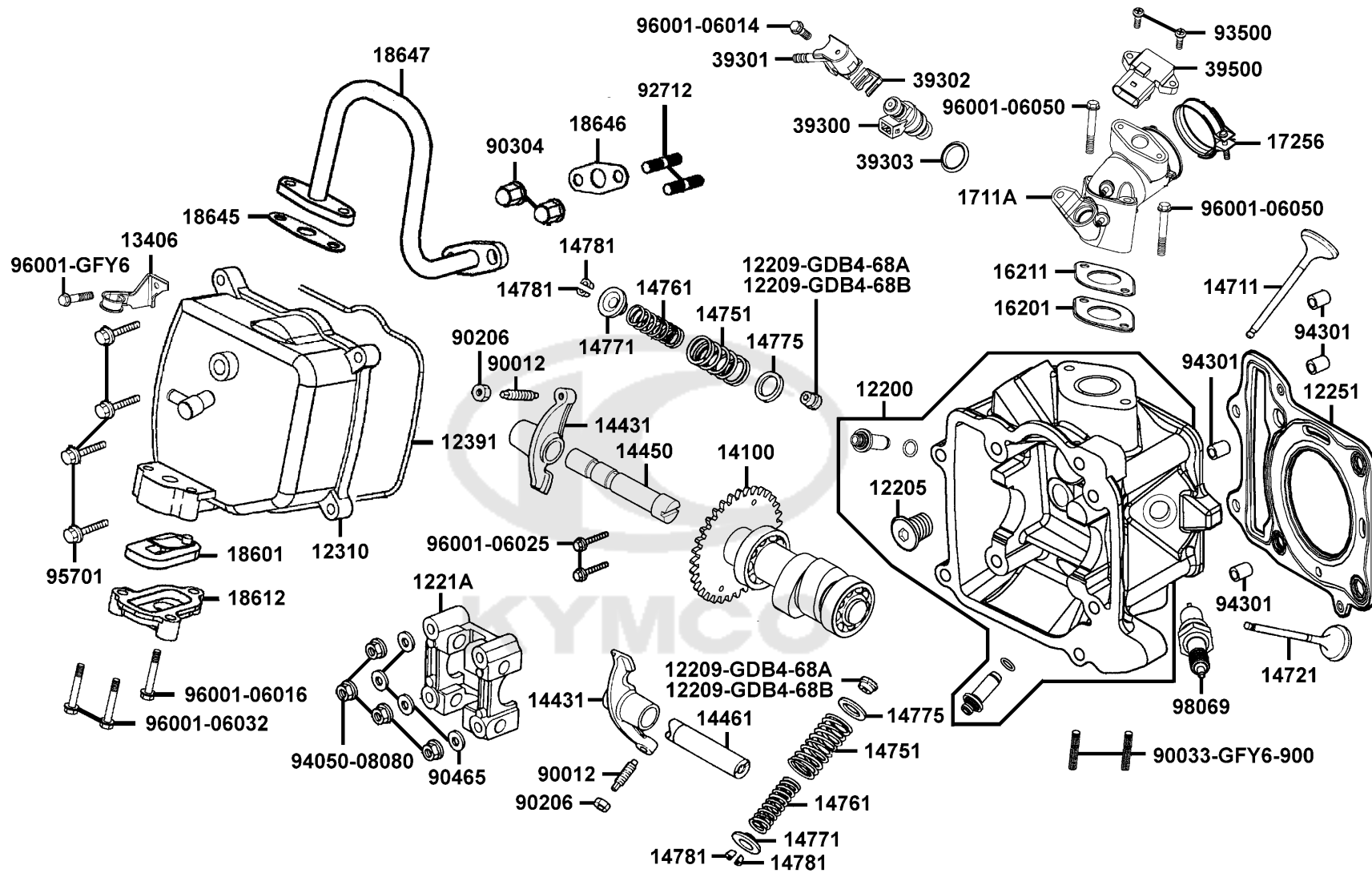
E01

Crank Case



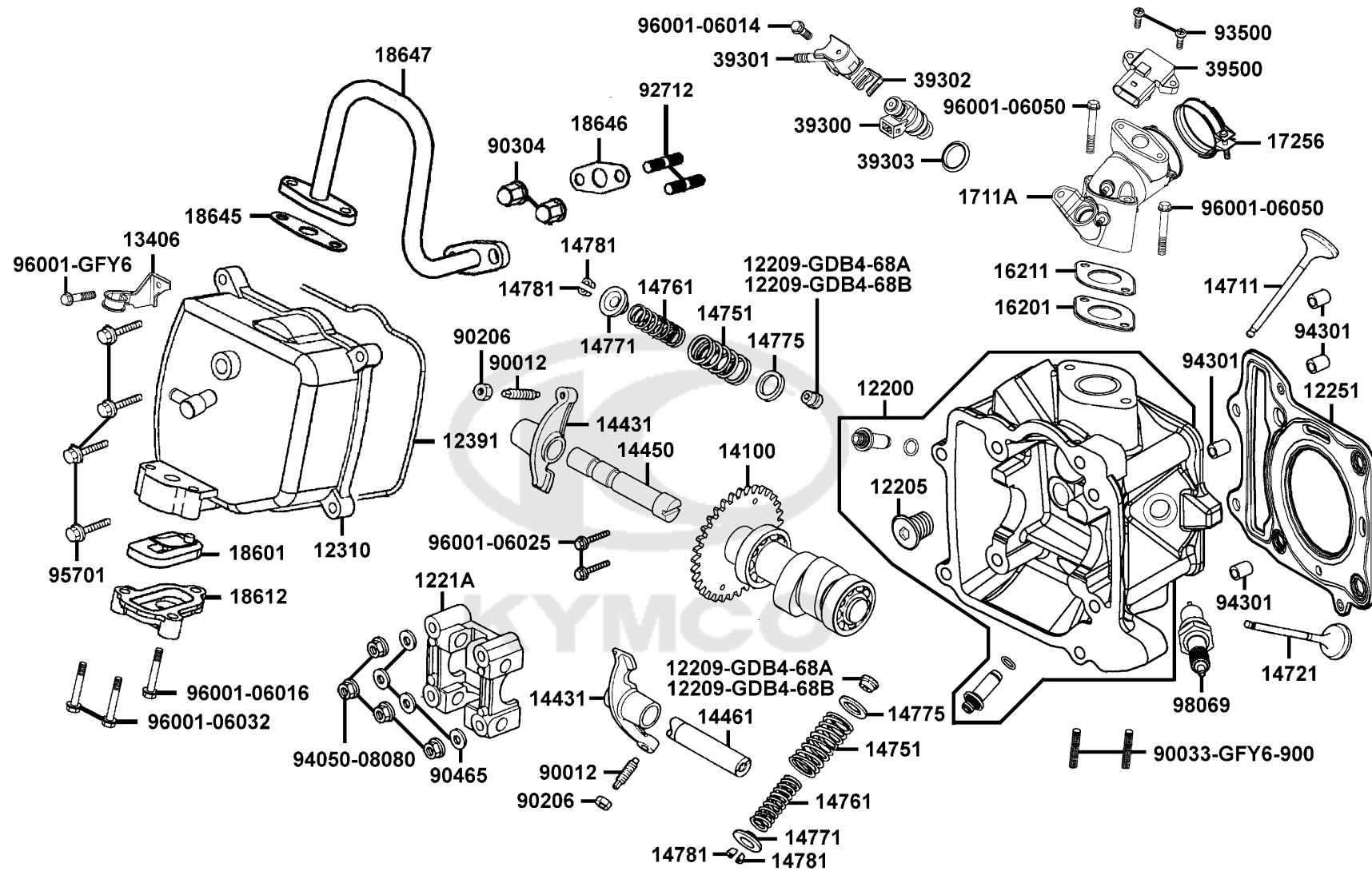
Sales mark	Ref no	Part no	Description	Reg description	Regd no	<b>E01</b>
91202		91202-KKJ9-004	OIL SEAL 20*32*6	OIL SEAL 20*32*6	1	
91261		91261-4E15-004	OIL SEAL 25*40*8	OIL SEAL 25*40*8	1	
94301		94301-08140	DOWEL PIN 8*14	DOWEL PIN 8*14	4	
95701		95701-08012-08	BOLT FLANGE 8*12	BOLT FLANGE 8*12	1	
96001-06016		96001-06016-08	BOLT FLANGE SH 6*16	BOLT FLANGE SH 6*16	5	
96001-06040		96001-06040-08	BOLT FLANGE 6*40	BOLT FLANGE 6*40	8	
96001-06050		96001-06050-08	BOLT FLANGE 6*50	BOLT FLANGE SH 6*50 (C)	2	
96001-06060		96001-06060-08	BOLT FLANGE SH 6*60	BOLT FLANGE SH 6*60	2	
96001-06120		96001-06120-08	BOLT FLANGE SH 6*120	BOLT FLANGE SH 6*120	2	
96001-06125		96001-06125-08	BOLT FLANGE SH 6*125	BOLT FLANGE SH 6*125	1	
96001-LEA6		96001-LEA6-900	BOLT SPECIAL 6*8	BOLT SPECIAL 6*8	3	
96100		96100-62030-00	BRG BALL RADIAL 6203	BEARING BALL RADIAL 6203	1	

# Cylinder Head Cover Cylinder Head



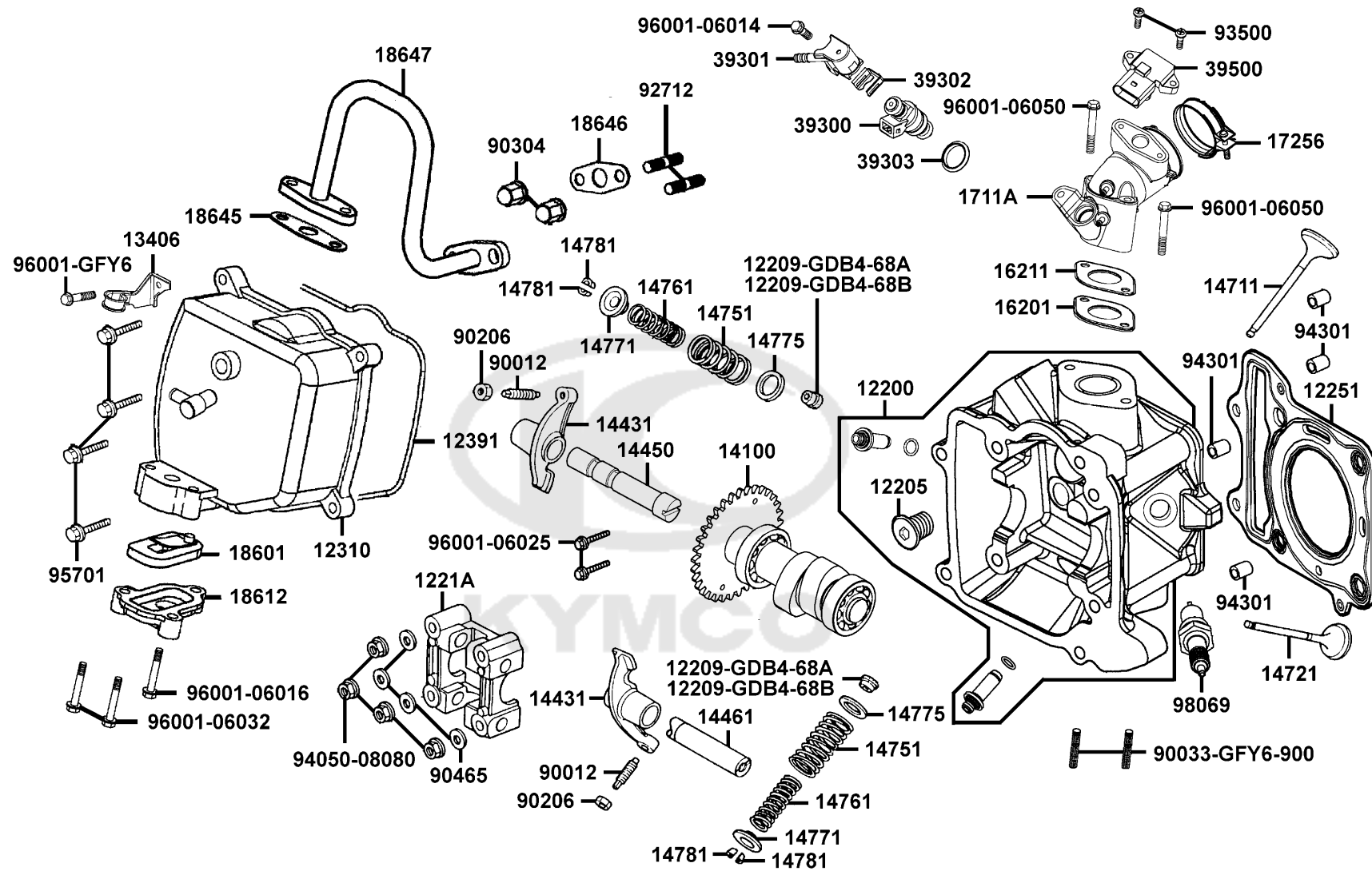
Sales mark	Ref no	Part no	Description	Reg description	Regd no	<b>E02</b>
12200		12200-LEA6-900	HEAD COMP CYL N	HEAD COMP CYL N	1	
12205		12205-KHE8-301	BOLT SEALING 12MM	BOLT SEALING 12MM	1	
12209-GDB4-68A		12209-GDB4-68A	SEAL VALVE STEM	SEAL VALVE STEM	2	
12209-GDB4-68B		12209-GDB4-68B	SEAL VALVE STEM	SEAL VALVE STEM	2	
1221A		1221A-KEBE-900	HOLDER CAM SHAFT COMP	HOLDER CAM SHAFT COMP	1	
12251		12251-LEA6-900	GASKET CYLINDER HEAD	GASKET CYLINDER HEAD	1	
12310		12310-KEBE-900	COVER COMP CYL N HEAD	COVER COMP CYL N HEAD	1	
12391		12391-KEBE-900	GASKET HEAD COVER	GASKET HEAD COVER	1	
13406		13406-LEA6-900	PLATE FUEL INJECTOR	PLATE FUEL INJECTOR	1	
14100		14100-LEA6-910	SHAFT COMP CAM	SHAFT COMP CAM	1	
14431		14431-KKC1-900	ARM VALVE ROCKER	ARM VALVE ROCKER	2	
14450		14450-KEBE-900	SHAFT COMP IN ROCKER ARM	SHAFT COMP IN ROCKER ARM	1	
14461		14461-KEBE-900	SHAFT EX ROCKER ARM	SHAFT EX ROCKER ARM	1	
14711		14711-KEBE-900	VALVE INLET	VALVE INLET	1	
14721		14721-KAAA-900	VALVE EXHAUST	VALVE EXHAUST	1	
14751		14751-KKJ9-003	SPG VALVE OUTER	SPRING VALVE OUTER	2	
14761		14761-KKJ9-003	SPG VALVE INNER	SPG VALVE INNER	2	
14771		14771-GDB4-680	RETAINER VALVE SPRING	RETAINER VALVE SPRING	2	
14775		14775-MFA6-001	SEAT VALVE SPG OUTER	SEAT VALVE SPG OUTER	2	
14781		14781-MFA6-001	COTTER VALVE	COTTER VALVE	4	

# Cylinder Head Cover Cylinder Head



Sales mark	Ref no	Part no	Description	Reg description	Regd no	E02
	16201	16201-GFY6-910	GASKET CARB INSULATOR	GASKET CARB INSULATOR	1	
	16211	16211-GFY6-901	INSULATOR CARB	INSULATOR CARB	1	
	1711A	1711A-LEA6-900	PIPE ASSY INLET	PIPE ASSY INLET	1	
	17256	17256-KKE3-900	BAND INSULATOR	BAND INSULATOR	1	
	18601	18601-MAJ1-791	REED VALVE COMP	REED VALVE COMP	1	
	18612	18612-KEBE-900	COVER REED VALVE	COVER REED VALVE	1	
	18645	18645-GFY6-941	GSKT A/I PIPE	GASKET A/I PIPE	1	
	18646	18646-GFY6-941	GASKET A/I PIPE	GASKET A/I PIPE	1	
	18647	18647-KEBE-900	PIPE COMP AIR	PIPE COMP AIR	1	
	39300	39300-LEA6-800	FUEL INJECTOR	FUEL INJECTOR	1	
	39301	39301-LEA6-900	HOLDER ASSY FUEL INJECTOR	HOLDER ASSY FUEL INJECTOR	1	
	39302	39302-KKE3-900	CLIP SPRING FUEL INJECTOR	CLIP SPRING FUEL INJECTOR	1	
	39303	39303-LEA6-900	SEAL HIGH TENSION FUEL	SEAL HIGH TENSION FUEL	1	
	39500	39500-KKE3-800	SENSOR T-MAP	SENSOR T-MAP	1	
	90012	90012-3C33-001	SCREW TAPPET ADJUSTING	SCREW TAPPET ADJUSTING	2	
	90033-GFY6-900	90033-GFY6-900	BOLT STUD 8*32	BOLT STUD 8*32	2	
	90206	90206-0A01-001	NUT TAPPET ADJG	NUT TAPPET ADJG	2	
	90304	90304-4H38-001	NUT HEX CAP 6MM	NUT SPECIAL 6MM	2	
	90465	90465-MDC4-001	WASHER 8MM	WASHER 8MM	4	
	92712	92712-06028-0B	BOLT STUD 6*28	BOLT STUD 6*28	2	

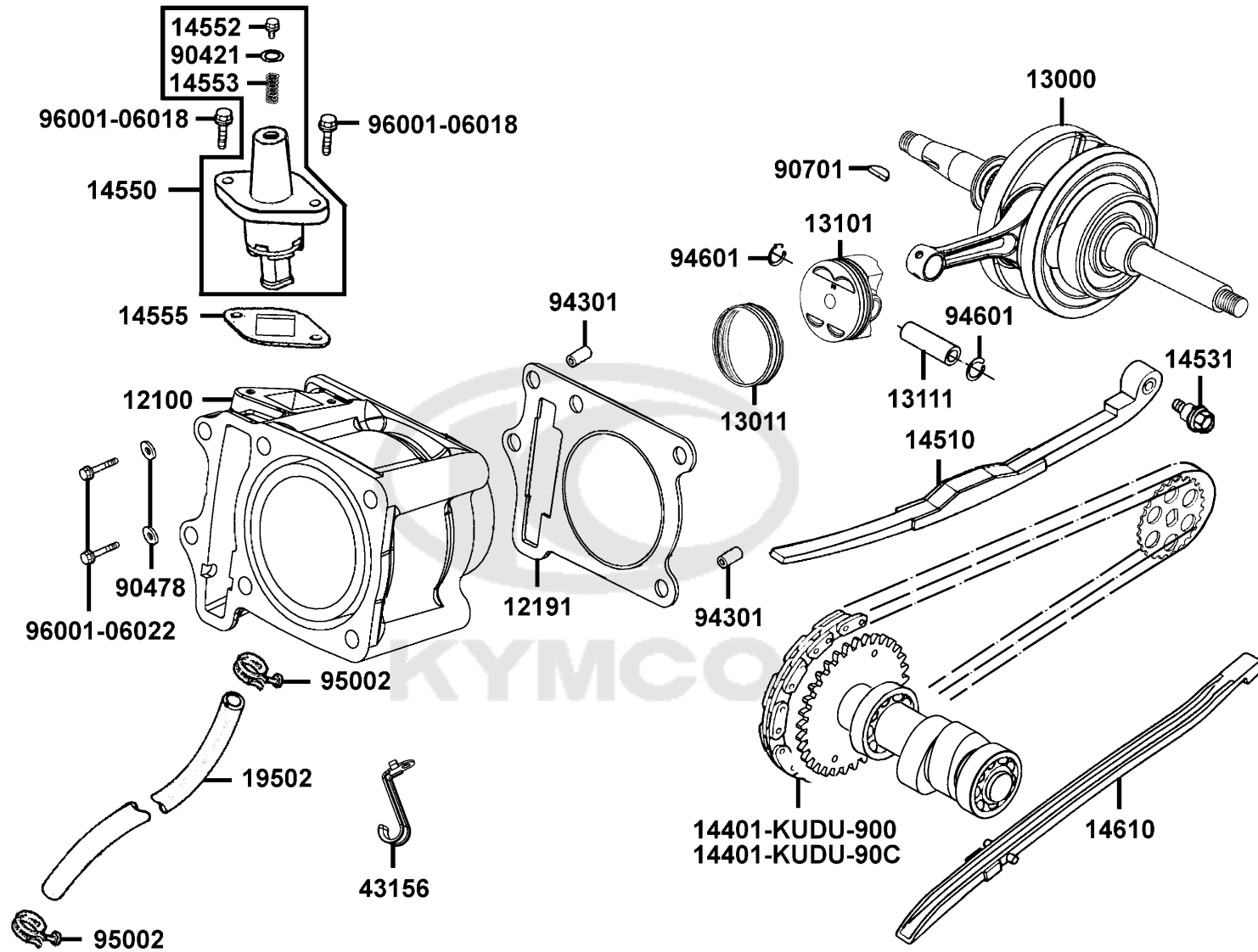
# Cylinder Head Cover Cylinder Head





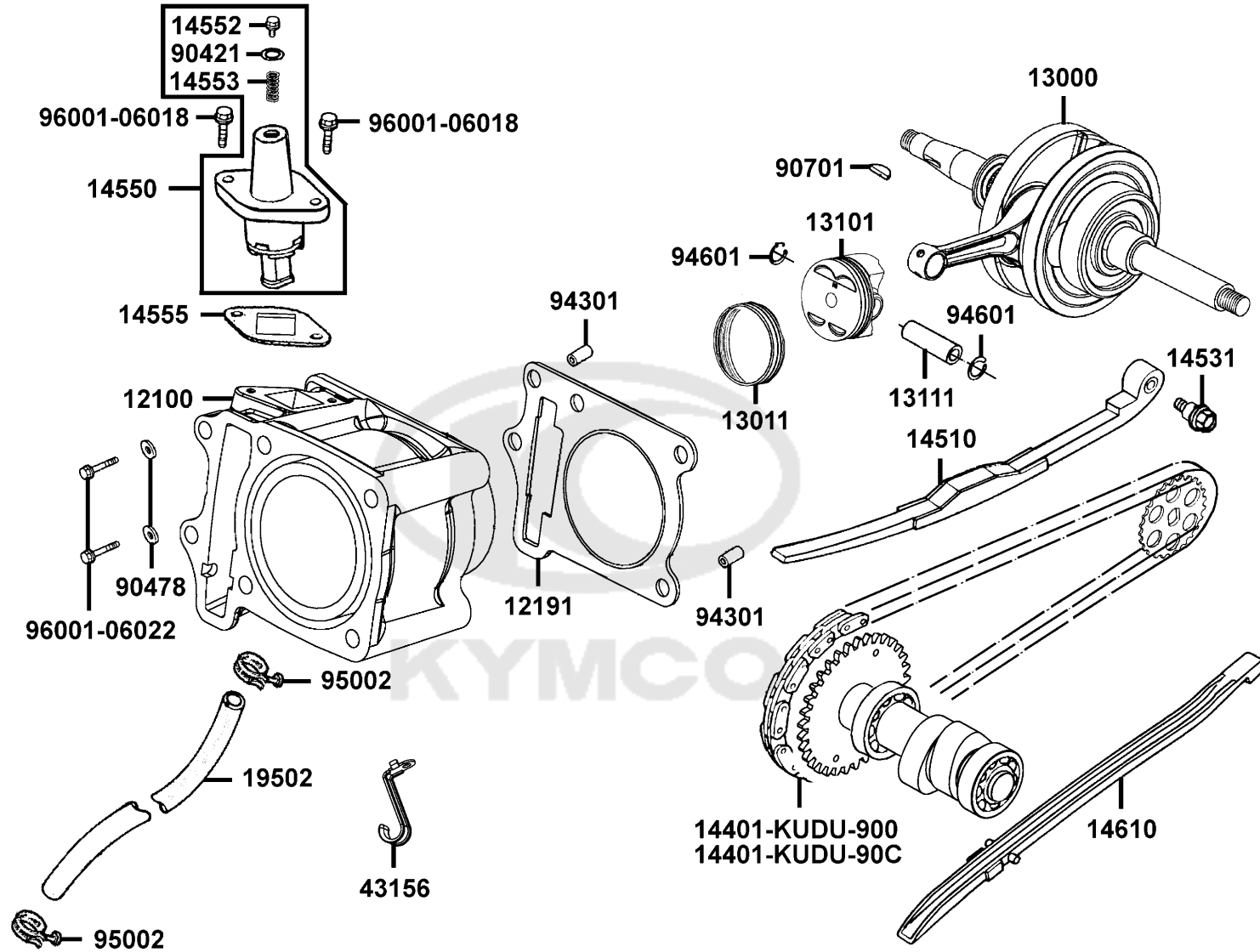
Sales mark	Ref no	Part no	Description	Reg description	Regd no	<b>E02</b>
93500		93500-04014-06	SCREW PAN 4*14	SCREW PAN 4*14	2	
94050-08080		94050-08080	NUT FLANGE 8MM	NUT FLANGE 8MM	4	
94301		94301-10160	DOWEL PIN 10*16	DOWEL PIN 10*16	4	
95701		95701-06025-08	BOLT FLANGE 6*25	BOLT FLANGE 6*25	4	
96001-06014		96001-06014-08	BOLT FLANGE 6*14	BOLT FLANGE 6*14	1	
96001-06016		96001-06016-08	BOLT FLANGE SH 6*16	BOLT FLANGE SH 6*16	1	
96001-06025		96001-06025-08	BOLT FLANGE SH 6*25	BOLT FLANGE 6*25	2	
96001-06032		96001-06032-08	BOLT FLANGE SH 6*32	BOLT FLANGE SH 6*32	2	
96001-06050		96001-06050-08	BOLT FLANGE 6*50	BOLT FLANGE SH 6*50 (C)	2	
96001-GFY6		96001-GFY6-900	BOLT SPECIAL 5*10	BOLT SPECIAL 5X10	1	
98069		98069-5691R-00	SPARK PLUG (DPR6EA-9)	SPARK PLUG (DPR6EA-9)	1	


# Cylinder Piston Crankshaft



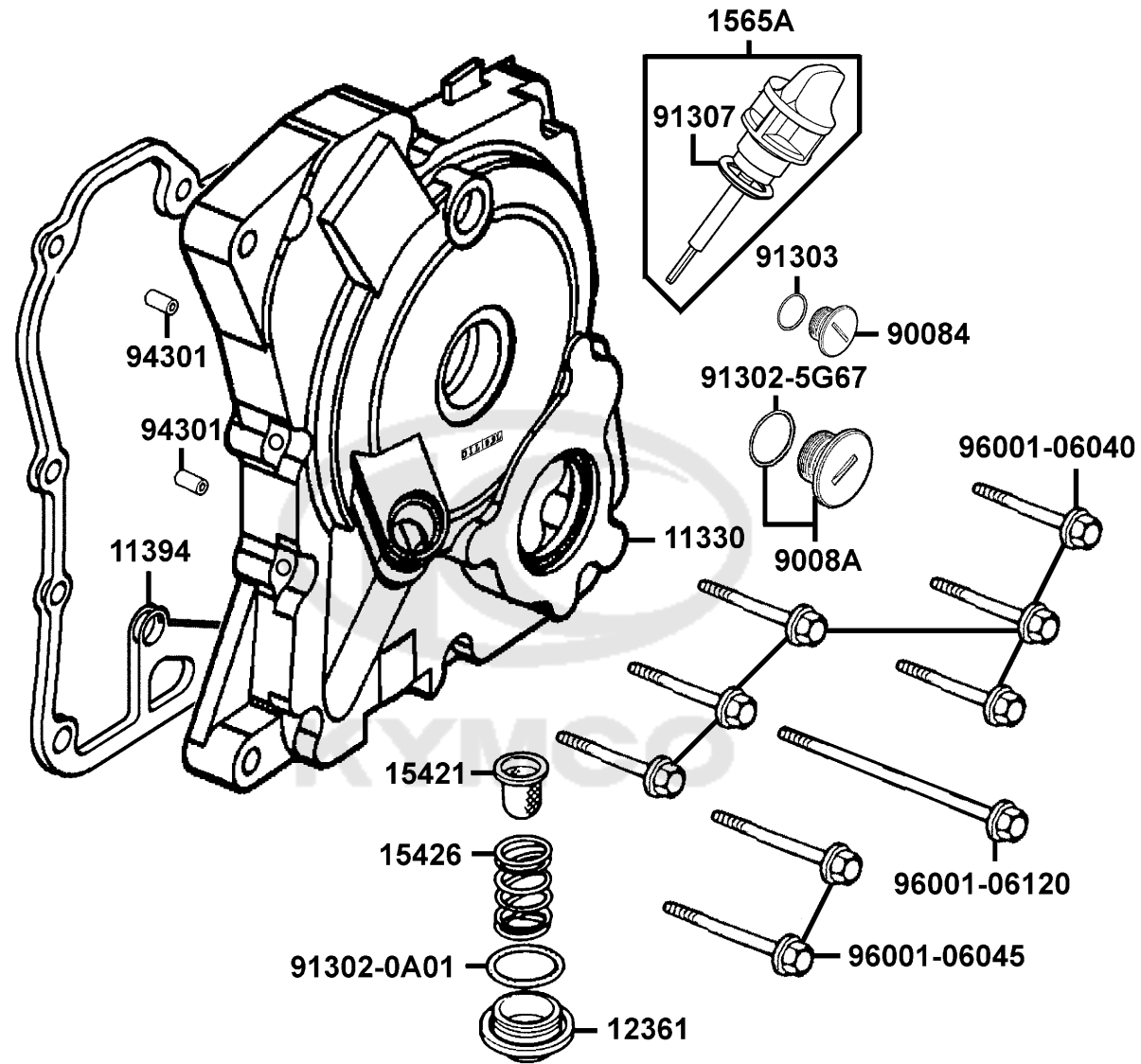
Sales mark	Ref no	Part no	Description	Reg description	Regd no	E03
	12100	12100-LEA6-900	CYLINDER COMP	CYLINDER COMP	1	
	12191	12191-LEA6-900	GASKET CYLINDER	GASKET CYLINDER	1	
	13000	13000-LEA6-900	CRANK SHAFT COMP	CRANK SHAFT COMP	1	
	13011	13011-LBF6-E00	RING SET PISTON	RING SET PISTON	1	
	13101	13101-LEA6-900	PISTON	PISTON	1	
	13111	13111-KKJ9-001	PIN PISTON	PIN PISTON	1	
	14401-KUDU-900	14401-KUDU-900	CHAIN CAM	CHAIN CAM	1	
	14401-KUDU-90C	14401-KUDU-90C	CHAIN CAM	CHAIN CAM	1	
	14510	14510-KEBE-900	TENSIONER CAM CHAIN	TENSIONER CAM CHAIN	1	
	14531	14531-KKJ9-001	PIVOT CAM CHAIN TENSIONER	PIVOT CAM CHAIN TENSIONER	1	
	14550	14550-KDS4-00B	ADJUSTER CAM CHAIN	ADJUSTER CAM CHAIN	1	
	14552	14552-KDS4-004	PLUG ADJUSTER	PLUG ADJUSTER	1	
	14553	14553-KDS4-004	SPRING CAM CHAIN ADJUSTER	SPRING CAM CHAIN ADJUSTER	1	
	14555	14555-LBA2-E00	GASKET CAM CHAIN ADJUSTER	GASKET CAM CHAIN ADJUSTER	1	
	14610	14610-KKJ9-001	GUIDE COMP CAM CHAIN	GUIDE COMP CAM CHAIN	1	
	19502	19502-KEBE-900	HOSE WATER B	HOSE WATER B	1	
	43156	43156-LEA5-E00	CLAMPER RR BRK HOSE	CLAMPER RR BRK HOSE	1	
	90421	90421-KAM1-004	WASHER SEALING 8*16*1.6	WASHER SEALING 8*16*1.6	1	
	90478	90478-7L00-001	WASHER 6MM	WASHER 6MM	2	
	90701	90701-HFB6-011	KEY WOODRUFF 25*14*4	KEY WOODRUFF 25X14X4	1	

Cylinder Piston Crankshaft



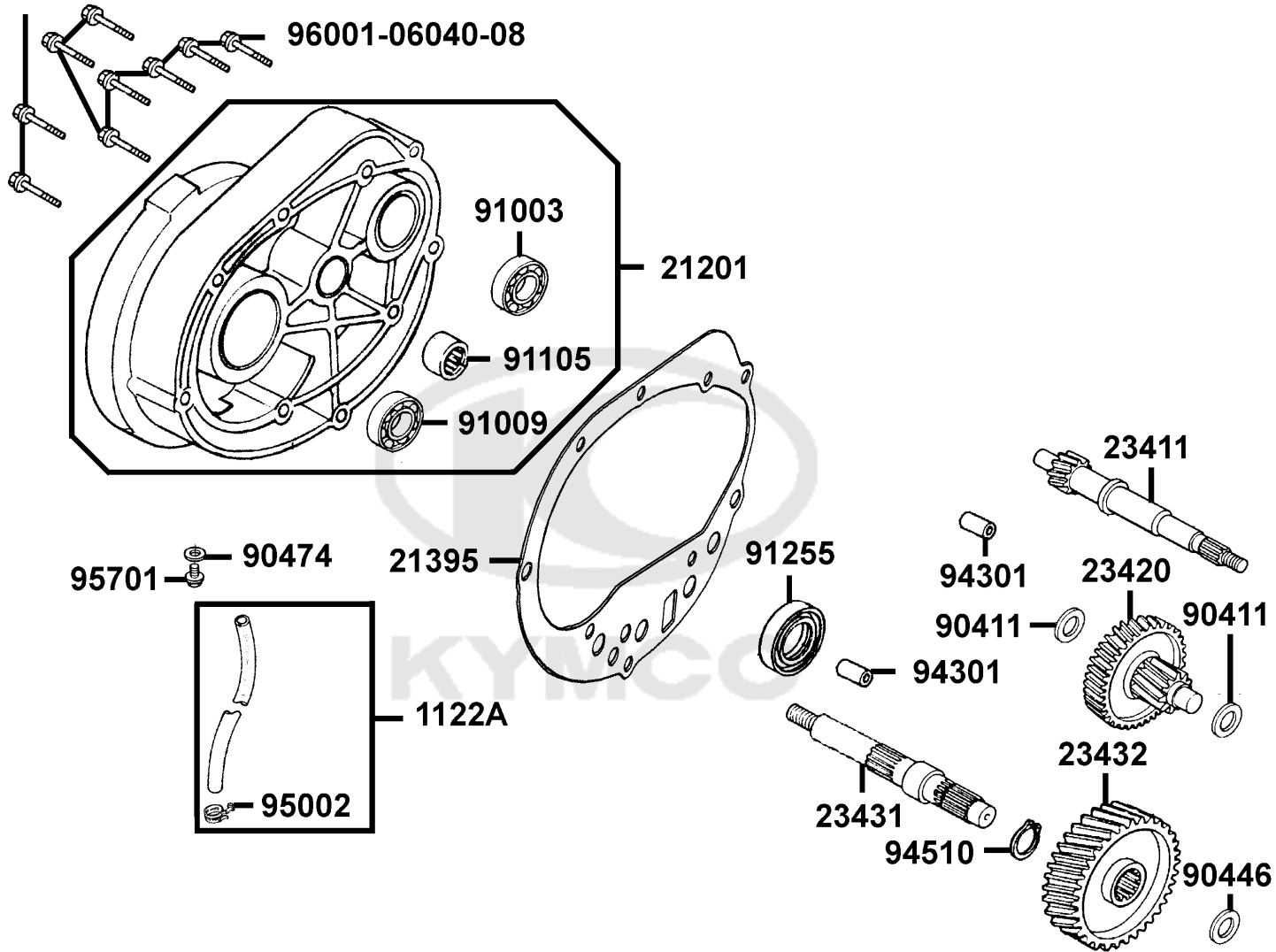
Sales mark	Ref no	Part no	Description	Reg description	Regd no	<b>E03</b>
	94301	94301-10160	DOWEL PIN 10*16	DOWEL PIN 10*16	2	
	94601	94601-15000	CLIP PISTON PIN 15MM	CLIP PISTON PIN 15MM	2	
	95002	95002-KGN7-910	CLIP TUBE	CLIP TUBE	2	
	96001-06018	96001-06018-08	BOLT FLANGE SH 6*18	BOLT FLANGE SH 6*18	2	
	96001-06022	96001-06022-08	BOLT FLANGE SH 6*22	BOLT FLANGE SH 6*22	2	
						

Right Crankcase Cover Water Pump



Sales mark	Ref no	Part no	Description	Reg description	Regd no	<b>E04</b>
**	11330	11330-KKC3-900	COVER COMP RIGHT	COVER COMP RIGHT	1	
	11394	11394-LEA5-E00	GASKET R COVER @	GASKET R COVER @	1	
**	12361	12361-LEA5-E00	HOLE CAP TAPPET ADJUSTING	HOLE CAP TAPPET ADJUSTING	1	
	15421	15421-1G07-001	SCREEN OIL FILTER	SCREEN OIL FILTER	1	
	15426	15426-GAE1-921	SPG OIL FILTER SCREEN	SPRING OIL FILTER ** GE1 **	1	
	1565A	1565A-KEBE-900	GAUGE OIL LEVEL ASSY	GAUGE OIL LEVEL ASSY	1	
**	90084	90084-LEA5-001	CAP A.C.G	CAP A.C.G	1	
**	9008A	9008A-LEA5-001	CAP ASSY 30MM	CAP ASSY 30MM	1	
	91302-0A01	91302-0A01-021	O-RING 30.8MM	O-RING 30.8M/M	1	
	91302-5G67	91302-5G67-004	O-RING 27.4*2.4	O-RING 27.4*2.4	1	
	91303	91303-3G77-001	O-RING 13.8*2.5	O-RING 13.8*2.5	1	
	91307	91307-0E35-001	O RING 18*3	O RING 18*3	1	
	94301	94301-08140	DOWEL PIN 8*14	DOWEL PIN 8*14	2	
	96001-06040	96001-06040-08	BOLT FLANGE 6*40	BOLT FLANGE 6*40	6	
	96001-06045	96001-06045-08	BOLT FLANGE SH 6*45	BOLT FLANGE SH 6*45	2	
	96001-06120	96001-06120-08	BOLT FLANGE SH 6*120	BOLT FLANGE SH 6*120	1	

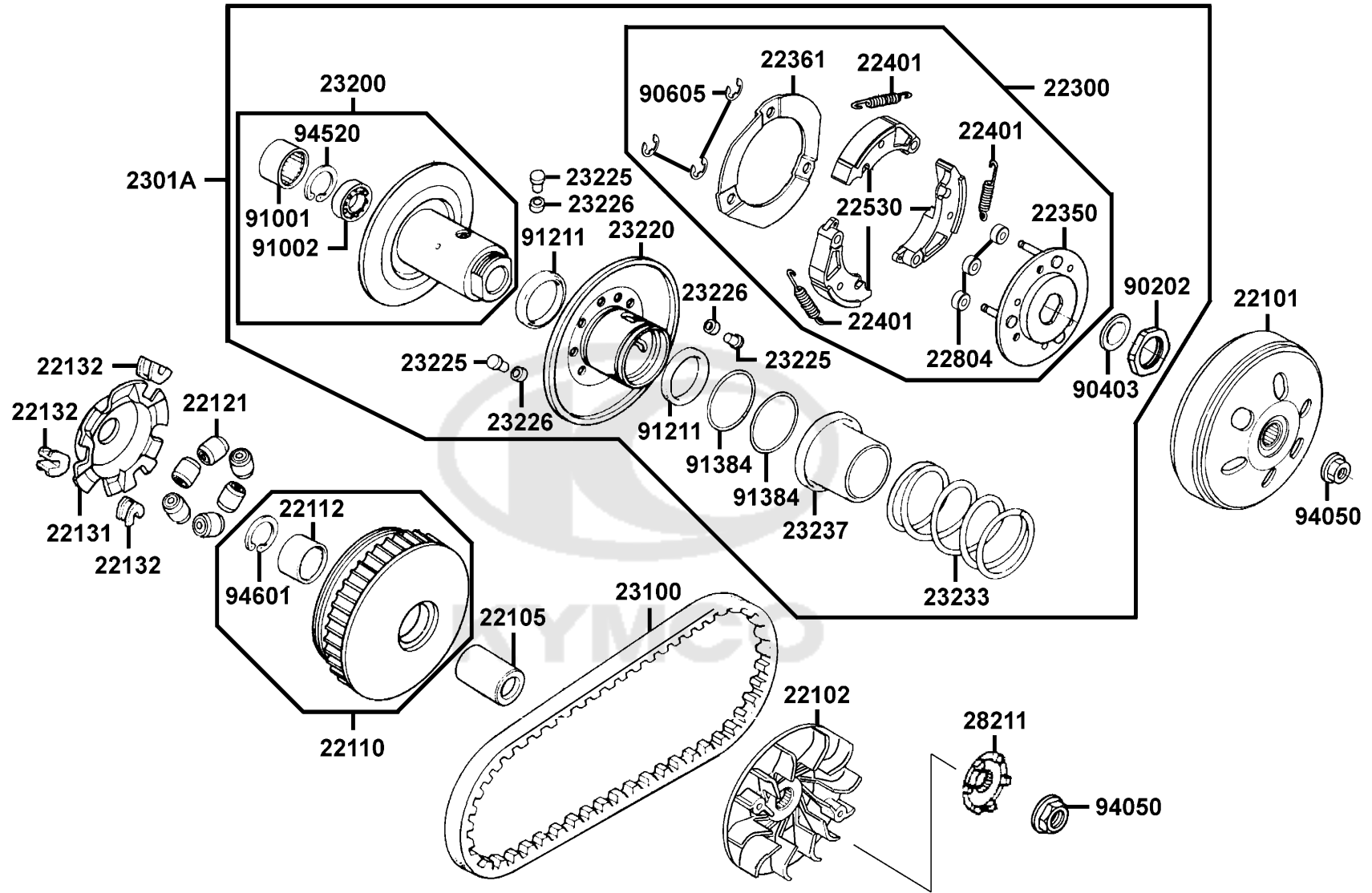
96001-06045





Sales mark	Ref no	Part no	Description	Reg description	Regd no	<b>E05</b>
1122A		1122A-LEA6-900	TUBE ASSY	TUBE ASSY	1	
21201		21201-KFC8-305	CASE SET MISSION	CASE SET MISSION	1	
21395		21395-LEA5-E00	GASKET MISSION CASE @	GASKET MISSION CASE @	1	
23411		23411-LEA6-E00	SHAFT DRIVE	SHAFT DRIVE	1	
23420		23420-LEA6-E00	SHAFT COMP COUNTER	SHAFT COMP COUNTER	1	
23431		23431-KFC8-900	SHAFT FINAL	SHAFT FINAL	1	
23432		23432-LEA6-E00	GEAR FINAL	GEAR FINAL	1	
90411		90411-KAM1-001	WASHER THRUST 14*32*1	WASHER THRUST 14*32*1	2	
90446		90446-3G57-001	WASHER THRUST 17.2MM	WASHER THRUST 17.2MM	1	
90474		90474-3C33-001	WASHER 8MM	WASHER 8MM	1	
91003		91003-KDS4-004	BRG BALL RADIAL 6301TMB	BRG BALL RADIAL 6301TMB	1	
91009		91009-GLE0-004	BRG BALL RADIAL 6004 UU	BRG BALL RADIAL 6004 UU	1	
91105		91105-KGN7-672	BRG NEEDLE	BRG NEEDLE	1	
91255		91255-GLE0-006	OIL SEAL 27*42*7	OIL SEAL 27*42*7	1	
94301		94301-08140	DOWEL PIN 8*14	DOWEL PIN 8*14	2	
94510		94510-20000	CIR CLIP EX 20	CIR CLIP EXTERNAL 20MM	1	
95002		95002-02080	CLIP B8 TUBE	CLIP C8 TUBE	1	
95701		95701-08012-08	BOLT FLANGE 8*12	BOLT FLANGE 8*12	1	
96001-06040-08		96001-06040-08	BOLT FLANGE 6*40	BOLT FLANGE 6*40	6	
96001-06045		96001-06045-08	BOLT FLANGE SH 6*45	BOLT FLANGE SH 6*45	2	

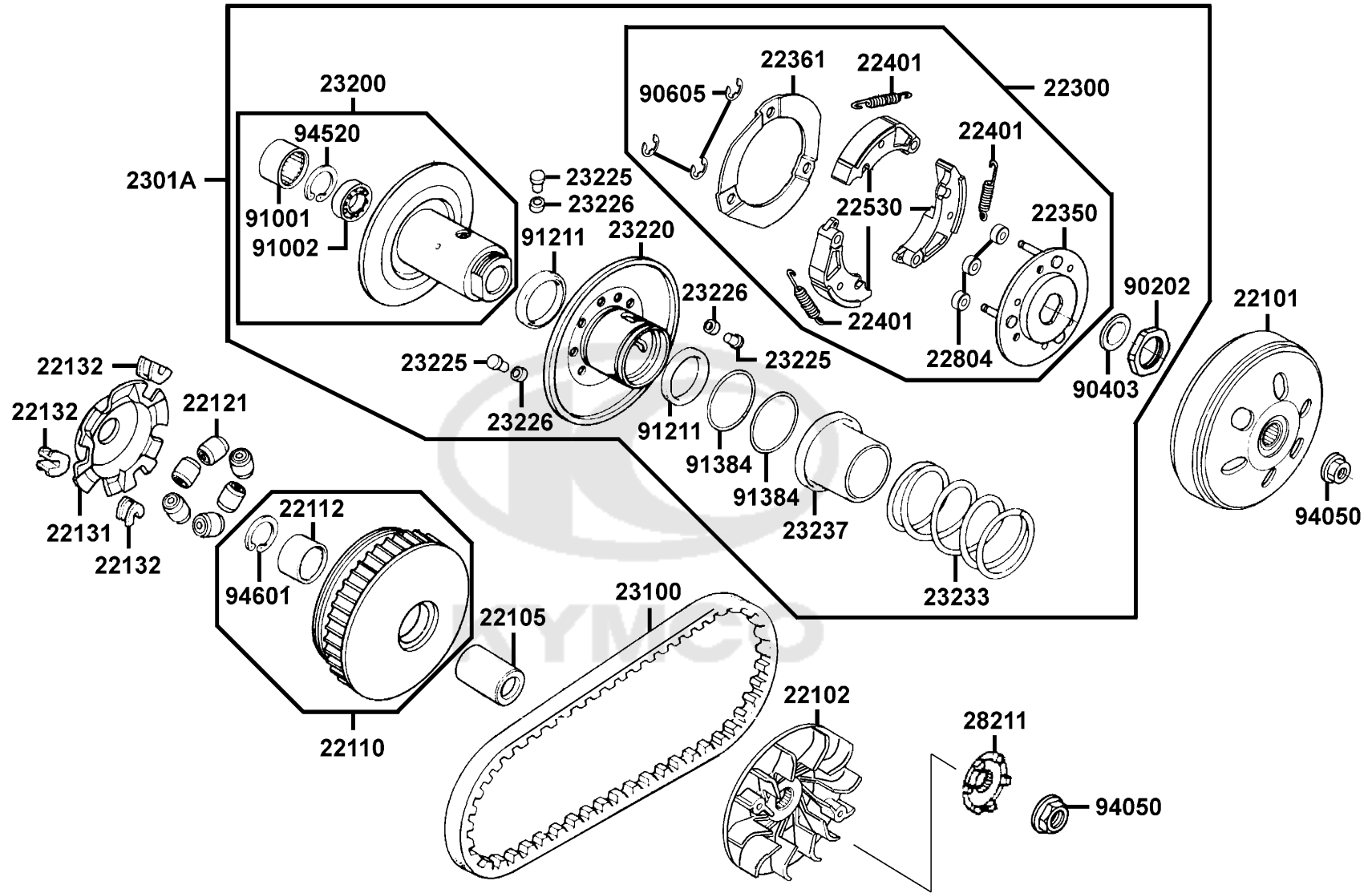
Driven Pulley



Sales mark	Ref no	Part no	Description	Reg description	Regd no	E06
	22101	22101-KEBE-900	OUTER CLUTCH	OUTER CLUTCH	1	
	22102	22102-KKC3-900	FACE DRIVE	FACE DRIVE	1	
	22105	22105-LEA6-900	BOSS DRIVE FACE	BOSS DRIVE FACE	1	
	22110	22110-KKC3-900	FACE COMP MOVABLE DRIVE	FACE COMP MOVABLE DRIVE	1	
	22112	22112-KAAA-900	COLLAR DRIVE FACE	COLLAR DRIVE FACE	1	
	22121	22121-LEA5-E00	ROLLER COMP WEIGHT	ROLLER COMP WEIGHT	6	
	22131	22131-KAAA-900	PLATE RAMP	PLATE RAMP	1	
	22132	22132-LEA6-900	PIECE SLIDE	PIECE SLIDE	3	
	22300	22300-LEA6-900	PLATE ASSY DRIVE	PLATE ASSY DRIVE	1	
	22350	22350-LEA6-900	PLATE COMP DRIVE	PLATE COMP DRIVE	1	
	22361	22361-KGN7-671	PLATE CLUTCH SIDE	PLATE CLUTCH SIDE	1	
	22401	22401-KEB8-900	SPRING CLUTCH	SPRING CLUTCH	3	
	22530	22530-KGN7-671	WEIGHT CLUTCH	WEIGHT CLUTCH	3	
	22804	22804-GBB2-001	RUBBER CLUTCH DUMPER	RUBBER CLUTCH DUMRER	3	
	2301A	2301A-LEA6-900	PULLEY SUB ASSY	PULLEY SUB ASSY	1	
	23100	23100-LEA6-900	BELT DRIVE	BELT DRIVE	1	
	23200	23200-KEBE-900	FACE ASSY DRIVEN	FACE ASSY DRIVEN	1	
	23220	23220-LEA6-900	FACE COMP MOVABLE DRIVEN	FACE COMP MOVABLE DRIVEN	1	
	23225	23225-GHC8-004	PIN ROLLER GUIDE	PIN ROLLER GUIDE	3	
	23226	23226-GHC8-004	ROLLER GUIDE	ROLLER GUIDE	3	

E06

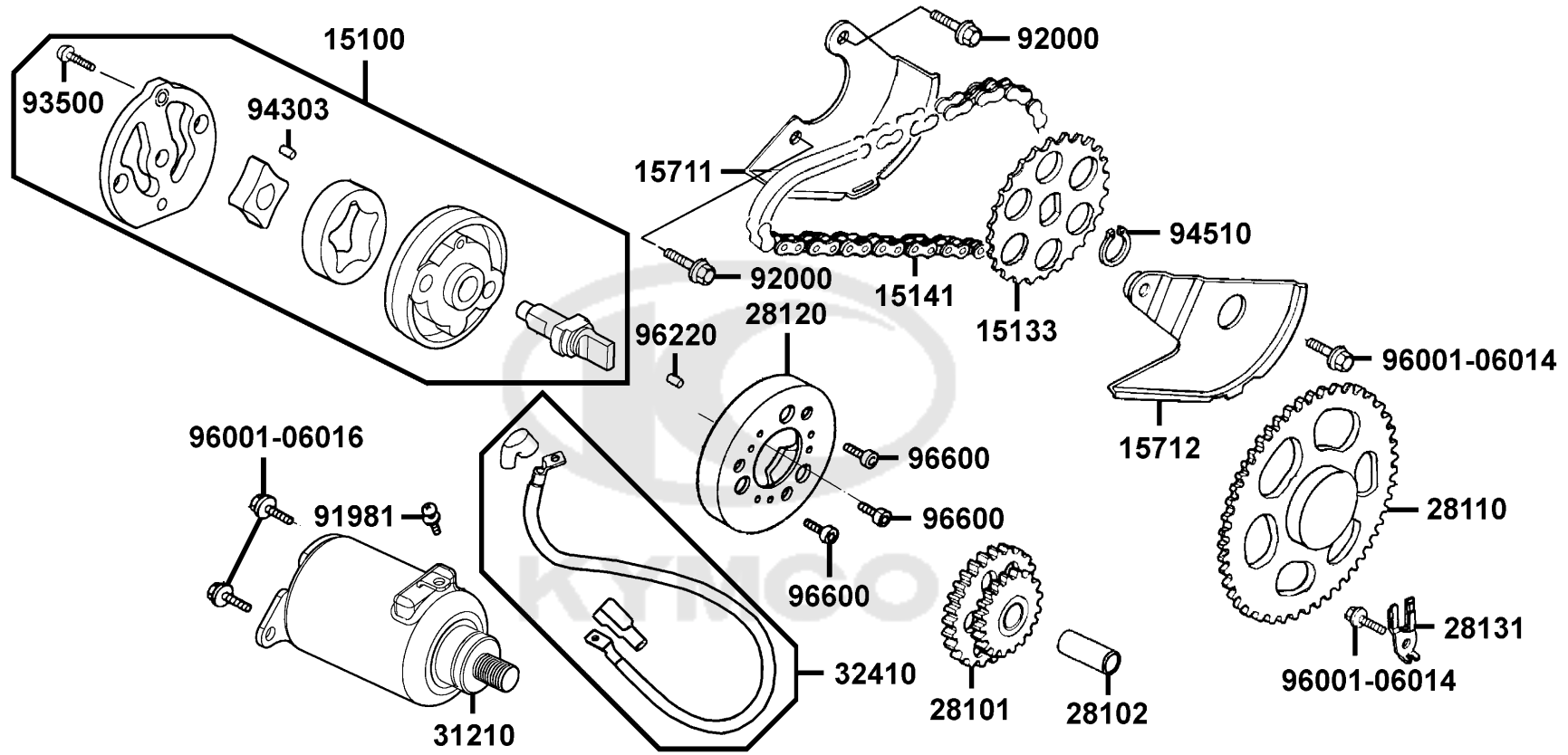
# Driven Pulley



Sales mark	Ref no	Part no	Description	Reg description	Regd no	<b>E06</b>
23233		23233-LEA6-900	SPG DRIVEN FACE	SPG DRIVEN FACE	1	
23237		23237-KHG8-901	COLLAR SEAL	COLLAR SEAL	1	
28211		28211-KFC8-900	RATCHET KICK STARTER	RATCHET KICK STARTER	1	
90202		90202-KGN7-671	NUT SPECIAL 28MM	NUT SPECIAL 28MM	1	
90403		90403-KGN7-671	WASHER THRUST	WASHER THRUST	1	
90605		90605-1F66-721	CIR CLIP 7MM	CIR CLIP 7MM	3	
91001		91001-GFY6-90A	BRG NDL 20*29*18	BRG NDL 20*29*18	1	
91002		91002-GGA7-70A	BRG BALL RADIAL 6902U	BRG BALL RADIAL 6902U	1	
91211		91211-KEBE-900	SEAL DRIVEN FACE 34*41*4	SEAL DRIVEN FACE 34*41*4	2	
91384		91384-KEBE-900	O-RING	O-RING	2	
94050		94050-12080	NUT C FLANGE 12MM	NUT FLANGE 12MM (C)	2	
94520		94520-28000	CIR CLIP IN 28	CIR CLIP IN 28	1	
94601		94601-33000	CLIP PISTON PIN 33MM	CLIP PISTON PIN 33MM	1	

E07

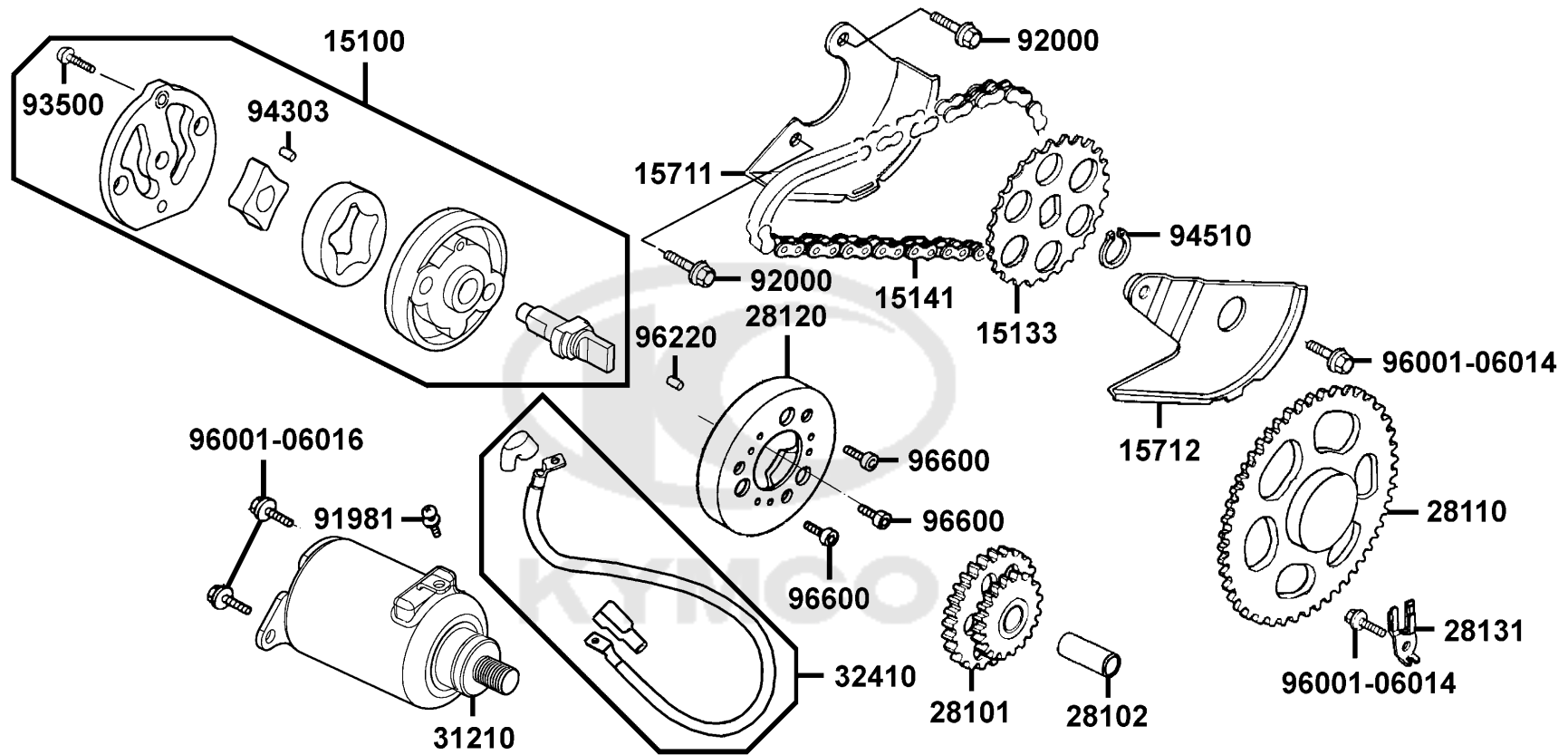
# Starting Motor Oil Pump



Sales mark	Ref no	Part no	Description	Reg description	Regd no	E07
	15100	15100-KKC3-900	PUMP ASSY OIL	PUMP ASSY OIL	1	
	15133	15133-KAM1-001	SPROCKET OIL PUMP DRIVE	SPROCKET OIL PUMP DRIVE	1	
	15141	15141-KKJ9-004	CHAIN OIL PUMP	CHAIN OIL PUMP	1	
	15711	15711-KKC3-900	OIL SEPARATER A	OIL SEPARATER A	1	
	15712	15712-KEBE-900	OIL SEPARATER COMP B	OIL SEPARATER COMP B	1	
	28101	28101-KKJ9-011	GEAR STARTER REDUCTION	GEAR STARTER REDUCTION	1	
	28102	28102-KKJ9-001	SHAFT STARTER REDUCTION GEAR	SHAFT STARTER REDUCTION GEAR	1	
	28110	28110-LEA6-900	GEAR COMP STARTING CLUTCH	GEAR COMP STARTING CLUTCH	1	
	28120	28120-LDB2-E00	ONE WAY CLUTCH STARTER ASSY	ONE WAY CLUTCH STARTER ASSY	1	
	28131	28131-KGN7-671	GUIDE STARTING DRIVEN GEAR	GUIDE STARTING DRIVEN GEAR	1	
	31210	31210-LEA6-900	MOTOR UNIT START	MOTOR UNIT START	1	
	32410	32410-LEA5-E00	CABLE START MOTOR	CABLE START MOTOR	1	
	91981	91981-KGN7-670	SCREW WASH 5X8	SCREW WASH 5X8	1	
	92000	92000-06028-0H	BOLT FLANGE SH 6*28	BOLT FLANGE SH 6*28	2	
	93500	93500-03010-1A	SCREW PAN 3*10	SCREW PAN 3*10	1	
	94303	94303-04065	PIN DOWEL 4*6.5	PIN DOWEL 4*6.5	1	
	94510	94510-10000	CIR CLIP EX 10MM	CIR CLIP EX 10MM	1	
	96001-06014	96001-06014-08	BOLT FLANGE 6*14	BOLT FLANGE 6*14	2	
	96001-06016	96001-06016-08	BOLT FLANGE SH 6*16	BOLT FLANGE SH 6*16	2	
	96220	96220-60100	ROLLER 6*10	ROLLER 6*10	1	

E07

### Starting Motor Oil Pump





Sales mark	Ref no	Part no	Description	Reg description	Regd no	<b>E07</b>
------------	--------	---------	-------------	-----------------	---------	------------

96600

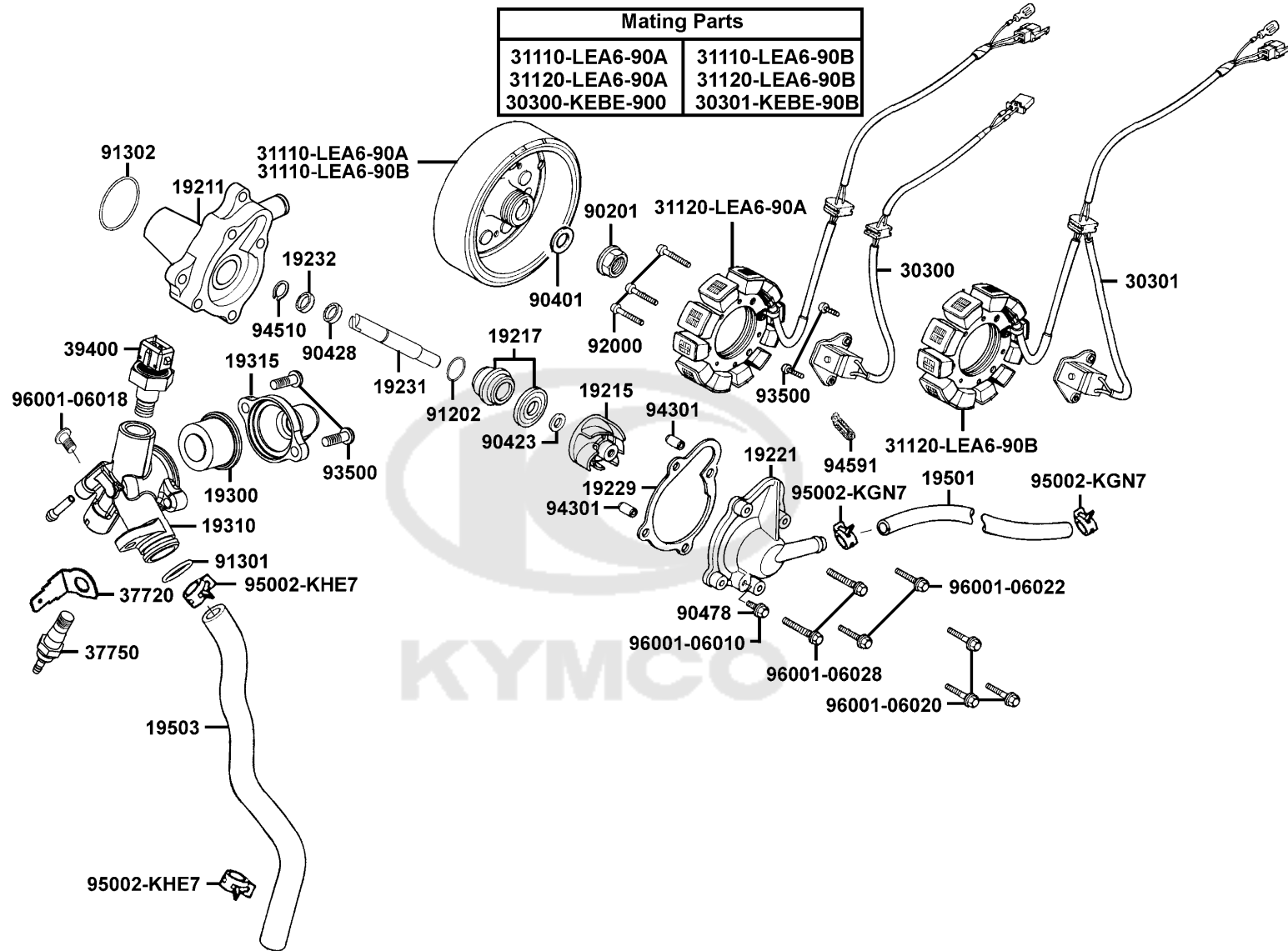
96600-08015-10

SOCKET BOLT 8\*15

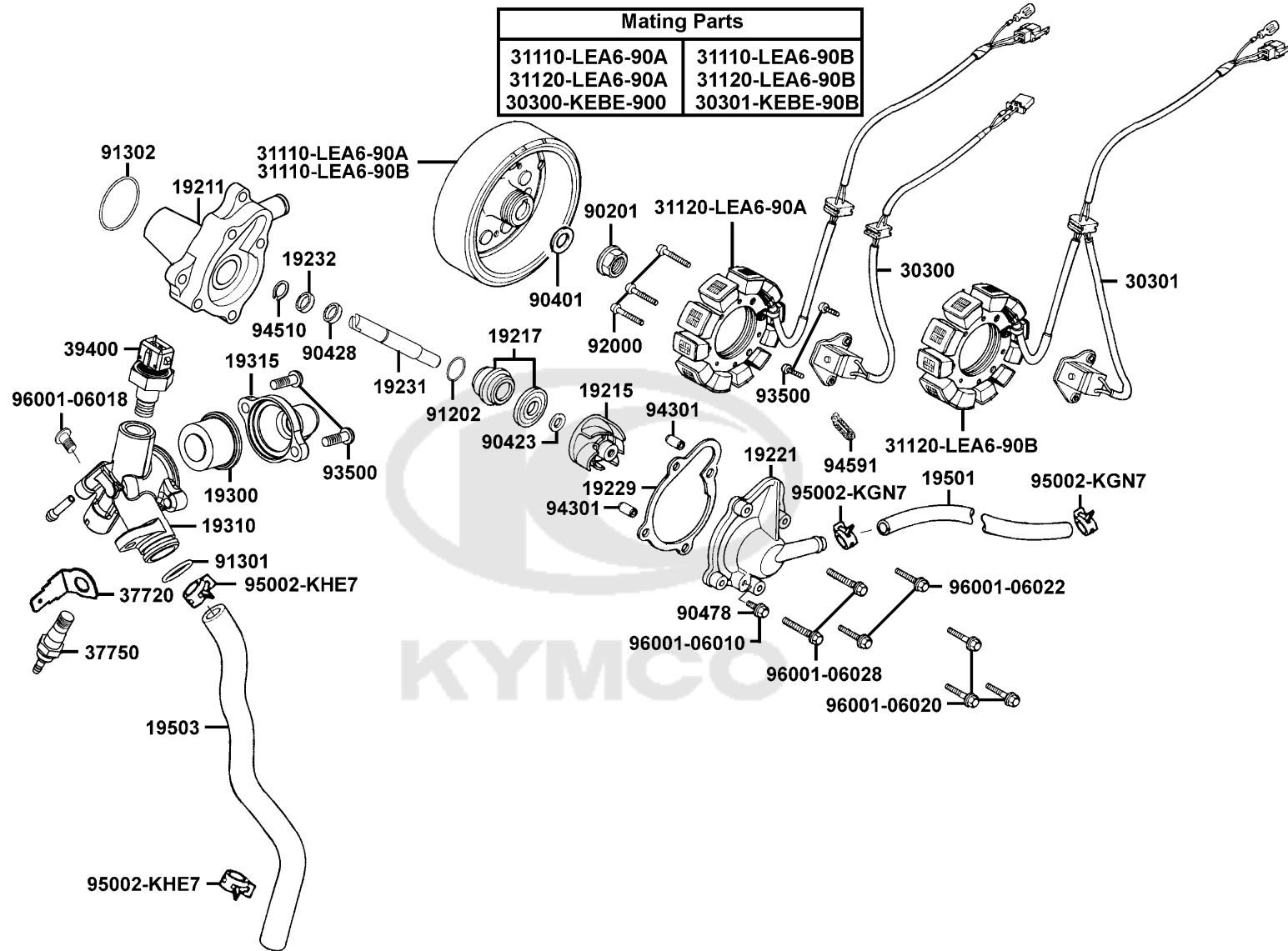
SOCKET BOLT 8\*15

3

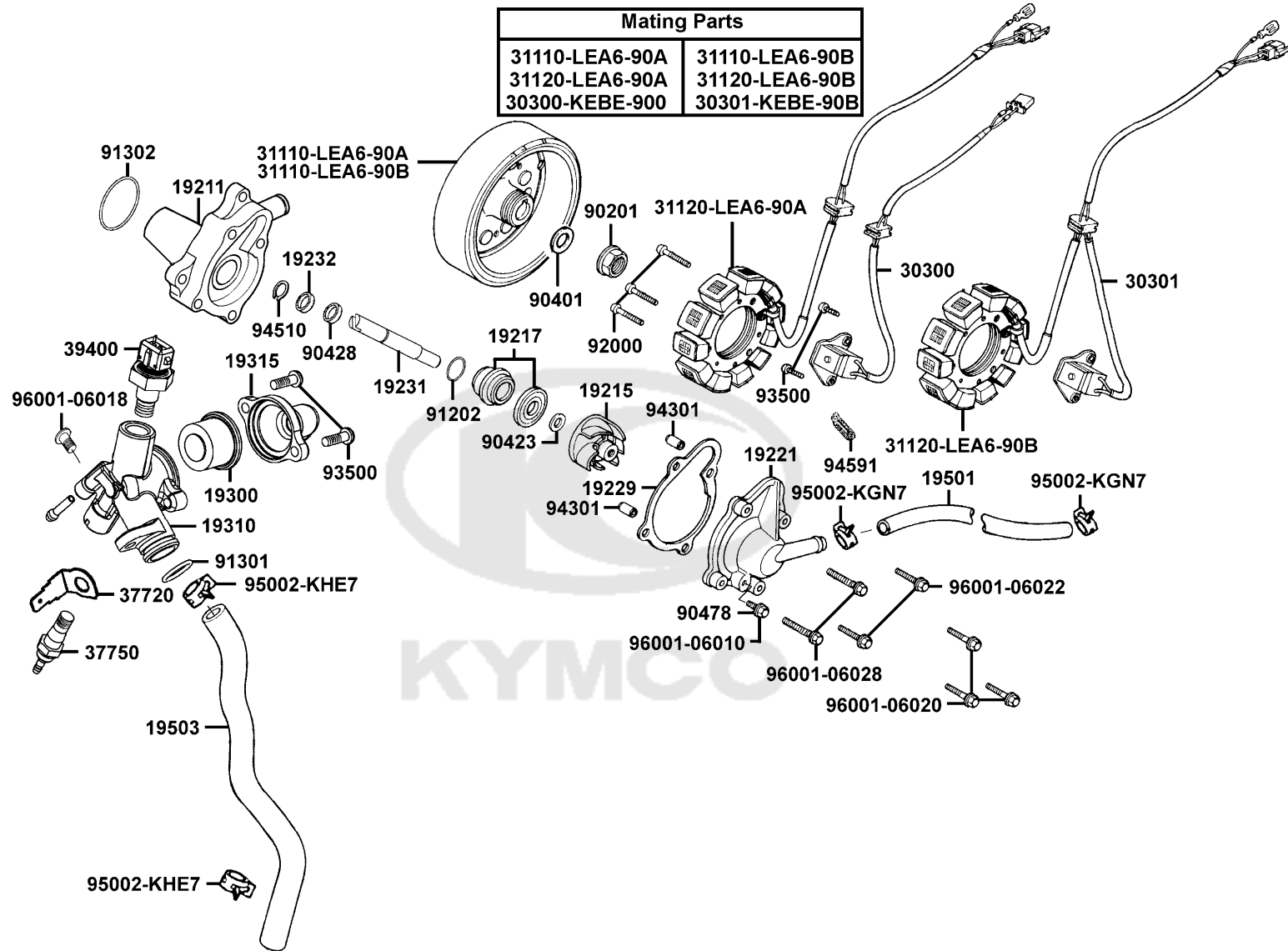




Sales mark	Ref no	Part no	Description	Reg description	Regd no	E08
	19211	19211-LEA5-E00	BODY WATER PUMP	BODY WATER PUMP	1	
	19215	19215-KKJ9-011	IMPELLER WATER PUMP	IMPELLER WATER PUMP	1	
	19217	19217-6G57-024	SEAL MECHANICAL	SEAL MECHANICAL	1	
	19221	19221-KKC3-900	COVER WATER PUMP	COVER WATER PUMP	1	
	19229	19229-KKC3-900	GASKET WATER PUMP	GASKET WATER PUMP	1	
	19231	19231-LEA5-E00	SHAFT WATER PUMP	SHAFT WATER PUMP	1	
	19232	19232-LBA2-E00	WASHER 21*13.8*1.5	WASHER 21*13.8*1.5	1	
	19300	19300-KAE1-004	THERMOSTAT ASSY	THERMOSTAT ASSY	1	
	19310	19310-LEA6-900	CASE COMP THERMOSTAT	CASE COMP THERMOSTAT	1	
	19315	19315-LDB2-E00	COVER THERMOSTAT	COVER THERMOSTAT	1	
	19501	19501-LEA5-E00	HOSE WATER A	HOSE WATER A	1	
	19503	19503-LEA6-900	HOSE C WATER	HOSE C WATER	1	
	30300	30300-KEBE-900	GEN ASSY PULSE	GEN ASSY PULSE	1	
	30301	30301-KEBE-90B	GEN ASSY PULSE	GEN ASSY PULSE	1	
	31110-LEA6-90A	31110-LEA6-90A	FLYWHEEL COMP	FLYWHEEL COMP	1	
	31110-LEA6-90B	31110-LEA6-90B	FLYWHEEL COMP	FLYWHEEL COMP	1	
	31120-LEA6-90A	31120-LEA6-90A	STATOR COMP	STATOR COMP	1	
	31120-LEA6-90B	31120-LEA6-90B	STATOR COMP	STATOR COMP	1	
	37720	37720-KGB5-900	EARTH TERMINAL THERMO	EARTH TERMINAL THERMO	1	
	37750	37750-PAC1-005	THERMO UNIT ASSY	THERMO UNIT ASSY	1	



Sales mark	Ref no	Part no	Description	Reg description	Regd no	<b>E08</b>
39400		39400-LEA6-800	WATER TEMP SENSOR	WATER TEMP SENSOR	1	
90201		90201-KHR8-75A	NUT FLANGE 14MM	NUT FLANGE 14MM	1	
90401		90401-KKJ9-001	WASHER THRUST 14*28*2	WASHER THRUST 14*28*2	1	
90423		90423-KKJ9-001	WASHER 7.2*13*1.2	WASHER 7.2*13*1.2	1	
90428		90428-9H58-001	WASHER THRUST 14MM	WASHER THRUST 14MM	1	
90478		90478-7L00-001	WASHER 6MM	WASHER 6MM	1	
91202		91202-KGB4-C00	OIL SEAL 13.7*24*5	OIL SEAL 13.7*24*5	1	
91301		91301-KHE7-900	O-RING 17.8*1.9	O-RING 17.8*1.9	1	
91302		91302-5G67-004	O-RING 27.4*2.4	O-RING 27.4*2.4	1	
92000		92000-LEA6-900	BOLT HEX 5*40	BOLT HEX 5*40	3	
93500		93500-05016-0H	SCREW PAN 5*16	SCREW PAN 5*16 (C)	4	
94301		94301-08140	DOWEL PIN 8*14	DOWEL PIN 8*14	2	
94510		94510-14000	CIR CLIP EXTERNAL 14	CIR CLIP EX 14	1	
94591		94591-KFBF-900	CLIP 2*70	CLIP 2*70	1	
95002-KGN7		95002-KGN7-910	CLIP TUBE	CLIP TUBE	2	
95002-KHE7		95002-KHE7-900	CLIP WATER HOSE	CLIP WATER HOSE	2	
96001-06010		96001-06010-00	BOLT FLANGE SH 6X10	BOLT FLANGE SH 6X10	1	
96001-06018		96001-06018-08	BOLT FLANGE SH 6*18	BOLT FLANGE SH 6*18	1	
96001-06020		96001-06020-08	BOLT FLANGE SH 6*20	BOLT FLANGE SH 6*20	3	
96001-06022		96001-06022-06	BOLT FLANGE 6*20	BOLT FLANGE 6*20	2	



Sales mark	Ref no	Part no	Description	Reg description	Regd no	<b>E08</b>
------------	--------	---------	-------------	-----------------	---------	------------

96001-06028

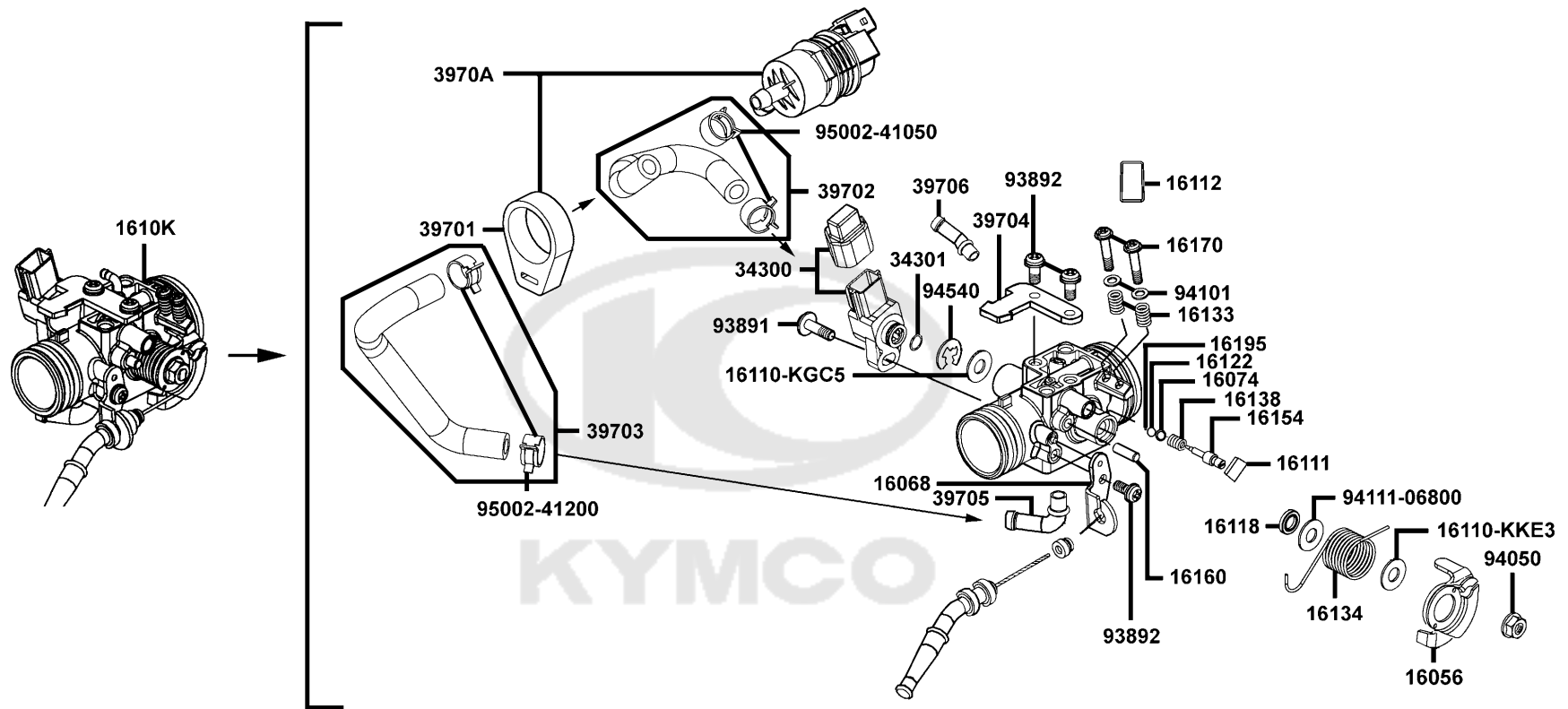
96001-06028-06

BOLT FLANGE 6\*28

BOLT FLANGE 6\*28

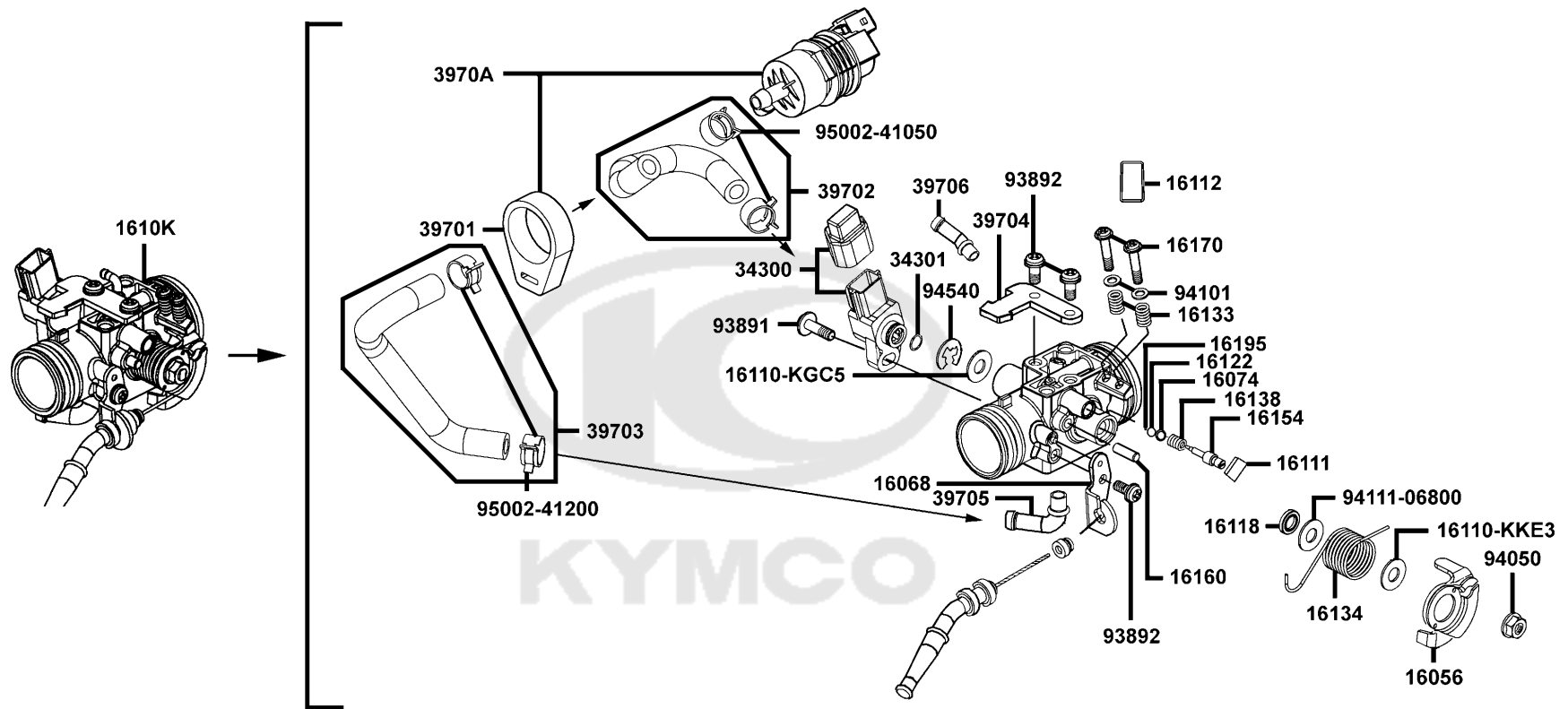
2







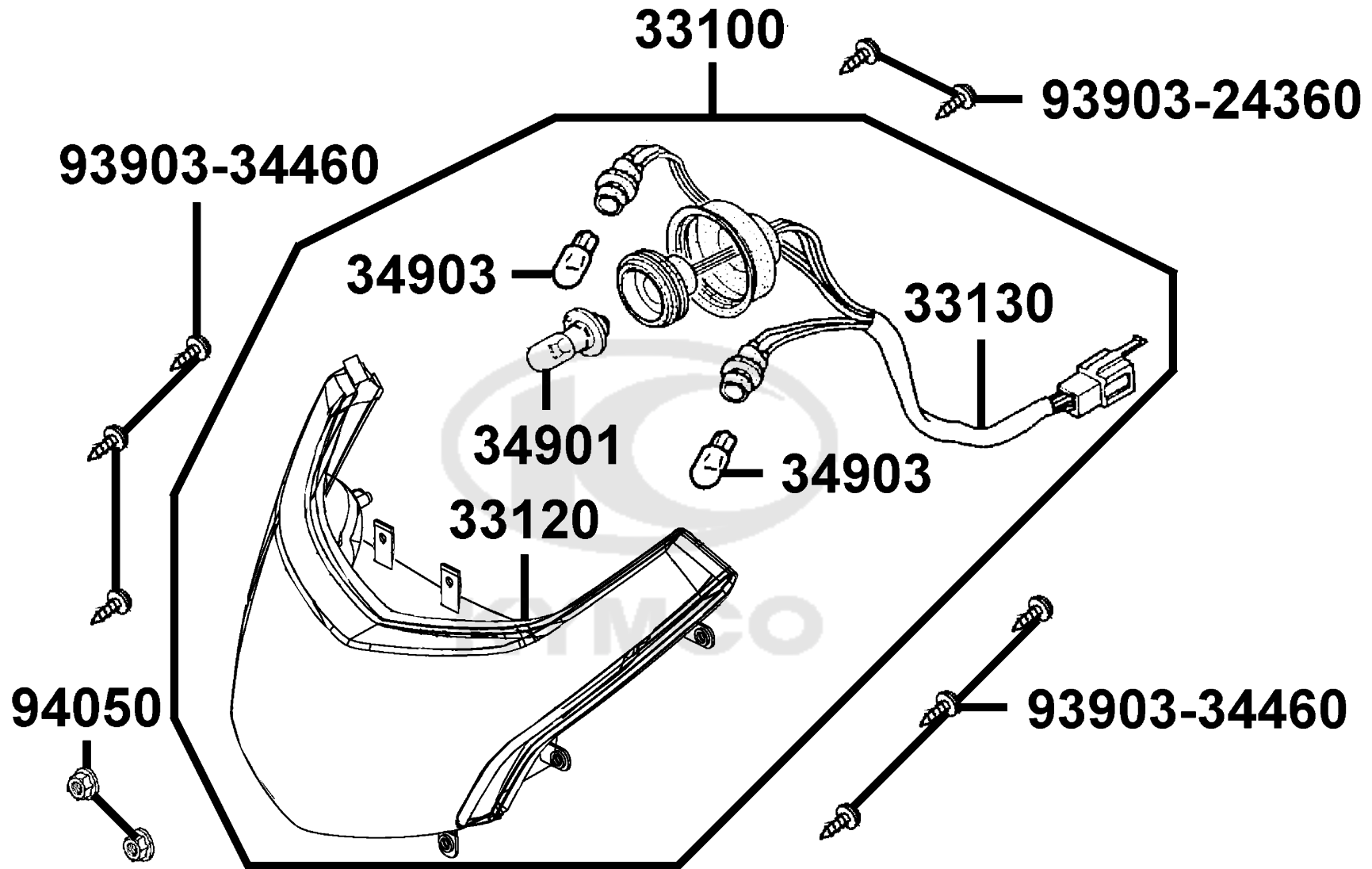
Sales mark	Ref no	Part no	Description	Reg description	Regd no	<b>E09</b>
16056		16056-KKE3-900	LEVER ASSY THROTTLE	LEVER ASSY THROTTLE	1	
16068		16068-KKE3-900	PLATE WIRE FIXED	PLATE WIRE FIXED	1	
16074		16074-KEC3-900	WASHER IDLE SCREW	WASHER IDLE SCREW	1	
1610K		1610K-LEA6-E00	THROTTLE BODY ASSY	THROTTLE BODY ASSY	1	
16110-KGC5		16110-KGC5-900	WASHER THROTTLE ASSY	WASHER THROTTLE ASSY	1	
16110-KKE3		16110-KKE3-900	WASHER THROTTLE COMP	WASHER THROTTLE COMP	1	
16111		16111-KKE3-900	PLUG PILOT SCREW	PLUG PILOT SCREW	1	
16112		16112-KKE3-900	COVER IDLE SCREW	COVER IDLE SCREW	1	
16118		16118-KEC3-900	SEAL THROTTLE SHAFT	SEAL THROTTLE SHAFT	1	
16122		16122-KEC3-900	O-RING IDLE SCREW	O-RING IDLE SCREW	1	
16133		16133-KEC3-900	SPG THROTTLE ADJUST SCREW	SPG THROTTLE ADJUST SCREW	2	
16134		16134-KKE3-900	SPG THROTTLE SHAFT	SPG THROTTLE SHAFT	1	
16138		16138-KEC3-900	SPG IDLE ADJ SCREW	SPG IDLE ADJ SCREW	1	
16154		16154-KKE3-900	SCREW IDLE ADJUST	SCREW IDLE ADJUST	1	
16160		16160-KKE3-900	STOPPER THROTTLE	STOPPER THROTTLE	1	
16170		16170-KEC3-900	SCREW THROTTLE ADJUST	SCREW THROTTLE ADJUST	2	
16195		16195-KEC3-900	BALL 2.1	BALL 2.1	1	
34300		34300-KKE3-900	THROTTLE POSITION SENSOR	THROTTLE POSITION SENSOR	1	
34301		34301-KKE3-900	O-RING T.P.S.	O-RING T.P.S.	1	
39701		39701-KKE3-800	RUBBER BY-PASS VALVE MOUNT	RUBBER BY-PASS VALVE MOUNT	1	



Sales mark	Ref no	Part no	Description	Reg description	Regd no	<b>E09</b>
39702		39702-LEJ8-E00	TUBE ASSY BY-PASS VALVE INLET	TUBE ASSY BY-PASS VALVE INLET	1	
39703		39703-KKE3-900	TUBE ASSY BY-PASS VALVE OUTLET	TUBE ASSY BY-PASS VALVE OUTLET	1	
39704		39704-LEA6-900	BRACKET BY-PASS VALVE MOUNT	BRACKET BY-PASS VALVE MOUNT	1	
39705		39705-KKE3-900	PIPE BY PASS VALVE	PIPE BY PASS VALVE	1	
39706		39706-KKE3-900	PIPE B BY PASS VALVE	PIPE B BY PASS VALVE	1	
3970A		3970A-KKE3-800	BY PASS VALVE IDLE AIR	BY PASS VALVE IDLE AIR	1	
93891		93891-05016-08	SCREW WASHER 5*16	SCREW WASHER 5*16	1	
93892		93892-05010-08	SCREW WASH 5*10	SCREW WASH 5*10	3	
94050		94050-06080	NUT FLANGE 6MM	NUT FLANGE 6MM	1	
94101		94101-KKE3-900	WASHER PLAN 4.5*8*0.8	WASHER PLAN 4.5*8*0.8	2	
94111-06800		94111-06800	WASHER SPG 6MM	WASHER SPG 6MM	1	
94540		94540-50029	E CLIP SHAFT	E CLIP SHAFT	1	
95002-41050		95002-41050-08	CLAMP D 10.5 TUBE	CLAMP D 10.5 TUBE	2	
95002-41200		95002-41200-08	FUEL TUBE CLAMP	FUEL TUBE CLAMP	2	

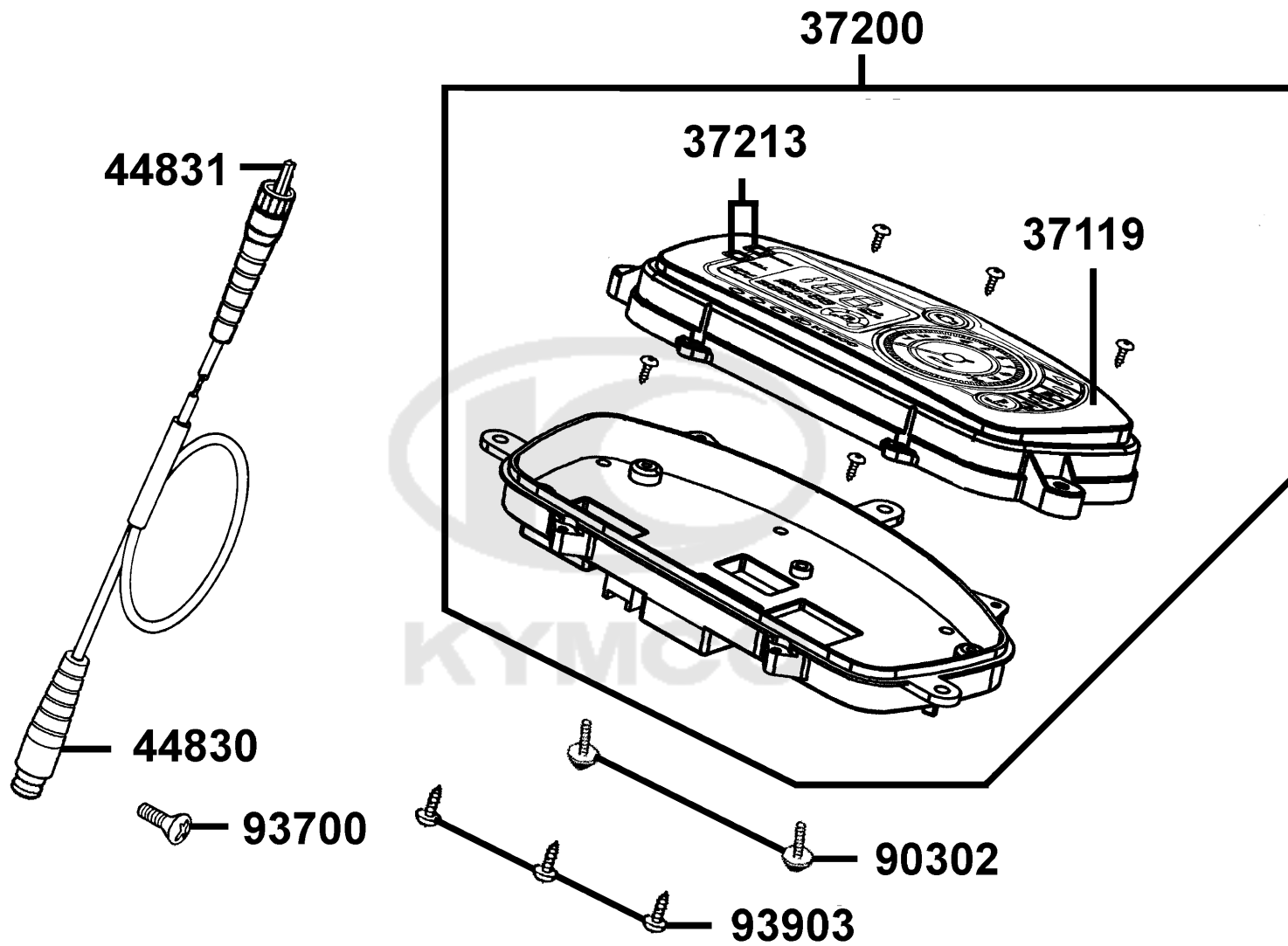
F01

Head Light



Sales mark	Ref no	Part no	Description	Reg description	Regd no	<b>F01</b>
	33100	33100-LEA5-E00	LIGHT ASSY HEAD	LIGHT ASSY HEAD	1	
	33120	33120-LEA5-E00	UNIT HEAD LIGHT	UNIT HEAD LIGHT	1	
	33130	33130-LEA5-E00	SOCKET COMP HEAD	SOCKET COMP HEAD	1	
	34901	34901-KED9-900	BULB HEAD LIGHT	BULB HEAD LIGHT	1	
	34903	34903-KPCP-900	BULB POSITION	BULB POSITION	2	
	93903-24360	93903-24360	SCREW TAPPING 4*12	SCREW TAPPING 4*12	2	
	93903-34460	93903-34460	SCREW TAPPING 4*16	SCREW TAPPING 4*16	6	
	94050	94050-06080	NUT FLANGE 6MM	NUT FLANGE 6MM	2	



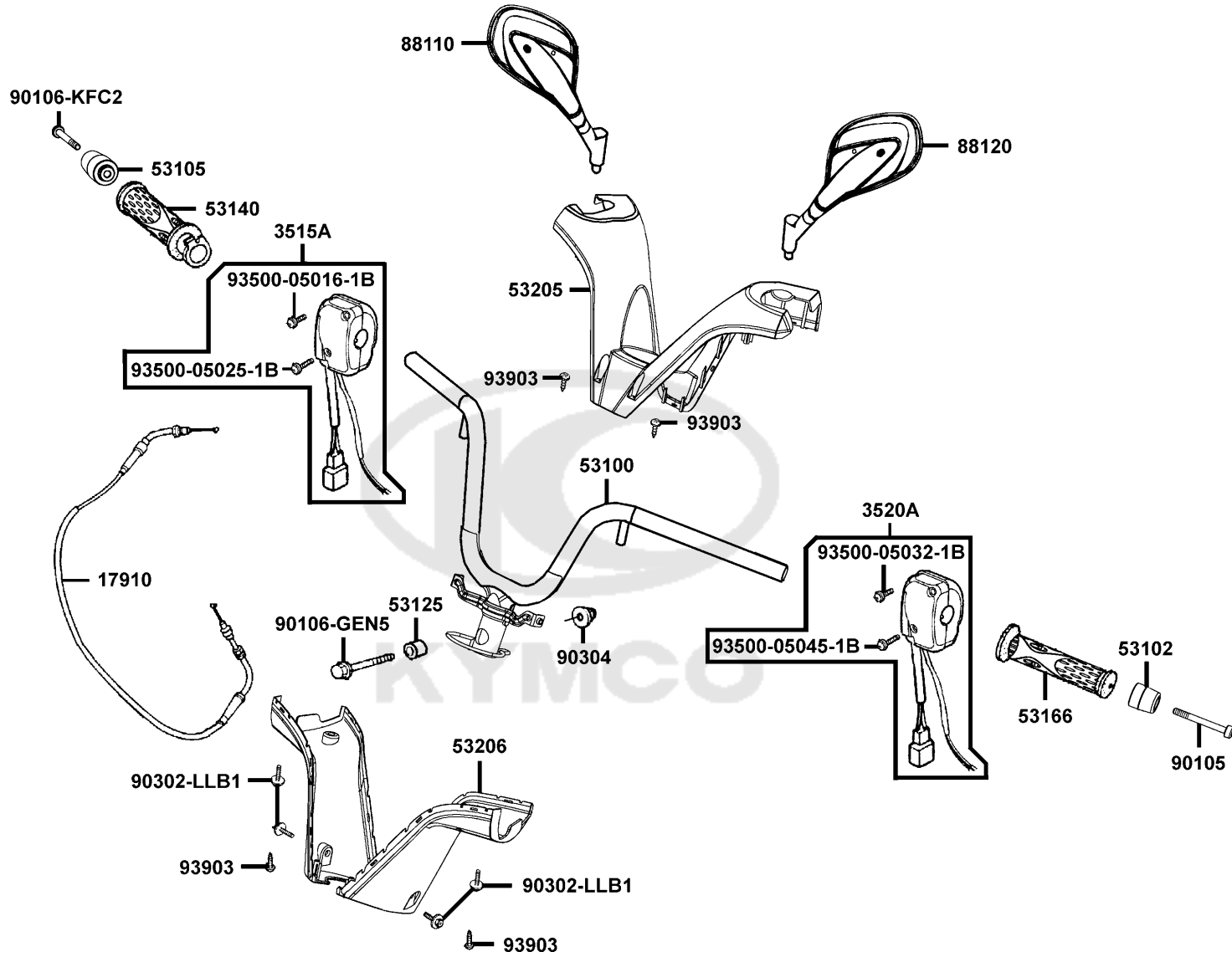


Sales mark	Ref no	Part no	Description	Reg description	Regd no	<b>F02</b>
	37119	37119-LEA5-E0A	LENS ASSY	LENS ASSY	1	
	37200	37200-LEA6-E0A	METER ASSY SPEED	METER ASSY SPEED	1	
	37213	37213-LDA6-900	BUTTON / RUBBER	BUTTON / RUBBER	2	
	44830	44830-KGBG-900	CABLE COMP SPDMT	CABLE COMP SPDMT	1	
	44831	44831-KGBG-900	CABLE INNER	CABLE INNER	1	
	90302	90302-GFY6-940	BOLT-WASH 5*16	BOLT-WASH 5*16	2	
	93700	93700-05018-0H	SCREW OVAL 5*18	SCREW OVAL 5*18	1	
	93903	93903-35320	SCREW TAPPING 5*16	SCREW TAPPING 5*16	3	



F03

# Handle SteeringHandle Cover

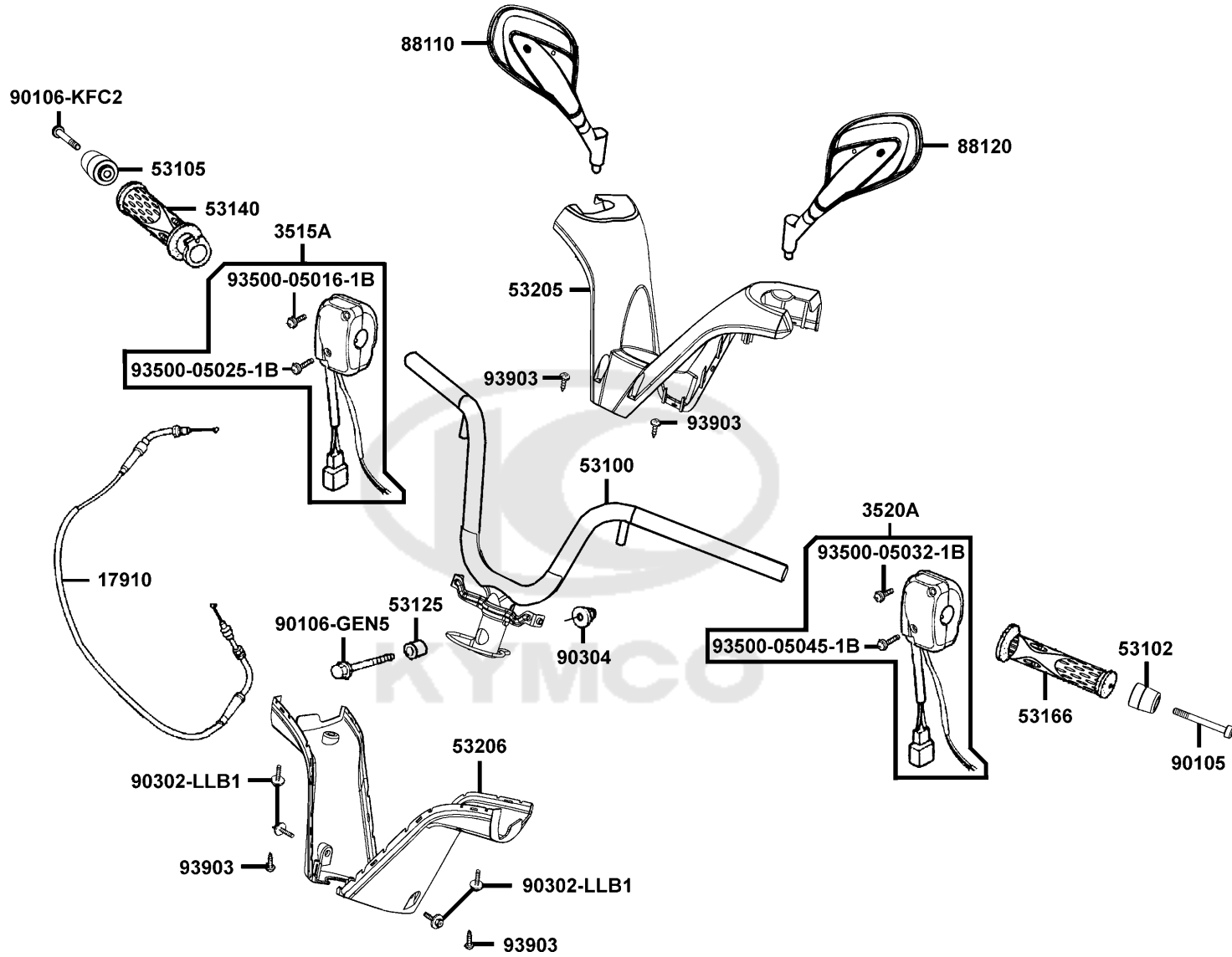




Sales mark	Ref no	Part no	Description	Reg description	Regd no	F03
	17910	17910-LEA6-E00	CABLE COMP THROT	CABLE COMP THROT	1	
	3515A	3515A-LBF6-E00	SW ASSY R HNDL COMP	SW ASSY R HNDL COMP	1	
	3520A	3520A-KEBE-900	SW ASSY L HNDL COMP	SW ASSY L HNDL COMP	1	
	53100	53100-LEA5-E00	HANDLE COMP STRG	HANDLE COMP STRG	1	
**	53102	53102-LEA5-E00	END L HANDLE	END L HANDLE	1	
**	53105	53105-LEA5-E00	END R HANDLE	END R HANDLE	1	
	53125	53125-GEN5-901	COLLAR HANDLE SET	COLLAR HANDLE SET	1	
**	53140	53140-KKC3-900	GRIP COMP THROT	GRIP COMP THROT	1	
**	53166	53166-KGB5-900	GRIP L HANDLE	GRIP L HANDLE	1	
**	53205	53205-LEA5-E00	COVER HNDL UP	COVER HNDL UP	1	
**	53206	53206-LEA5-E00	COVER R HANDLE LOW	COVER R HANDLE LOW	1	
**	88110	88110-LEA6-900	MIRROR ASSY R BACK	MIRROR ASSY R BACK	1	
**	88120	88120-LEA6-900	MIRROR ASSY L BACK	MIRROR ASSY L BACK	1	
	90106-GEN5	90106-GEN5-901	BOLT FLANGE 10*50	BOLT FLANGE 10*50	1	
#	90106-KFC2	90106-KFC2-900	BOLT WASH 8MM	BOLT WASH 8MM	2	
	90302-LLB1	90302-LLB1-E00	BOLT-WASHER 5*12	BOLT-WASH 5X12	4	
	90304	90304-GHE8-004-SY	NUT U 10MM	NUT U 10MM	1	
	93500-05016-1B	93500-05016-1B	SCREW PAN 5*16	SCREW PAN 5*16	1	
	93500-05025-1B	93500-05025-1B	SCREW PAN 5*25	SCREW PAN 5*25	1	
	93500-05032-1B	93500-05032-1B	SCREW PAN 5*32	SCREW PAN 5*32	1	

F03

# Handle SteeringHandle Cover

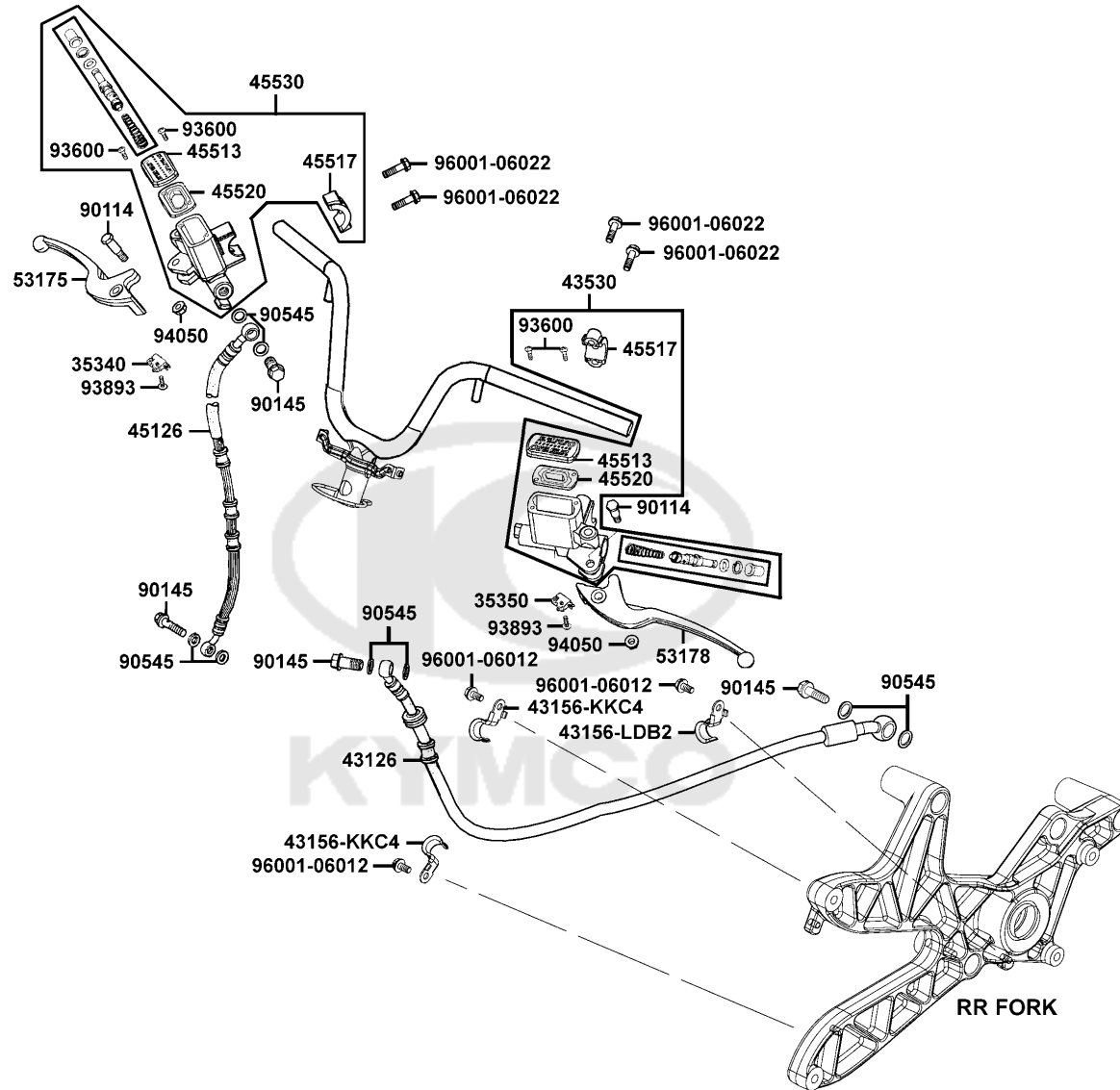


Sales mark	Ref no	Part no	Description	Reg description	Regd no	<b>F03</b>
------------	--------	---------	-------------	-----------------	---------	------------

	93500-05045-1B	93500-05045-1B	SCREW PAN 5*45	SCREW PAN 5*45	1	
	93903	93903-34360	SCREW TAPPING 4*12	SCREW TAPPING 4*12	4	

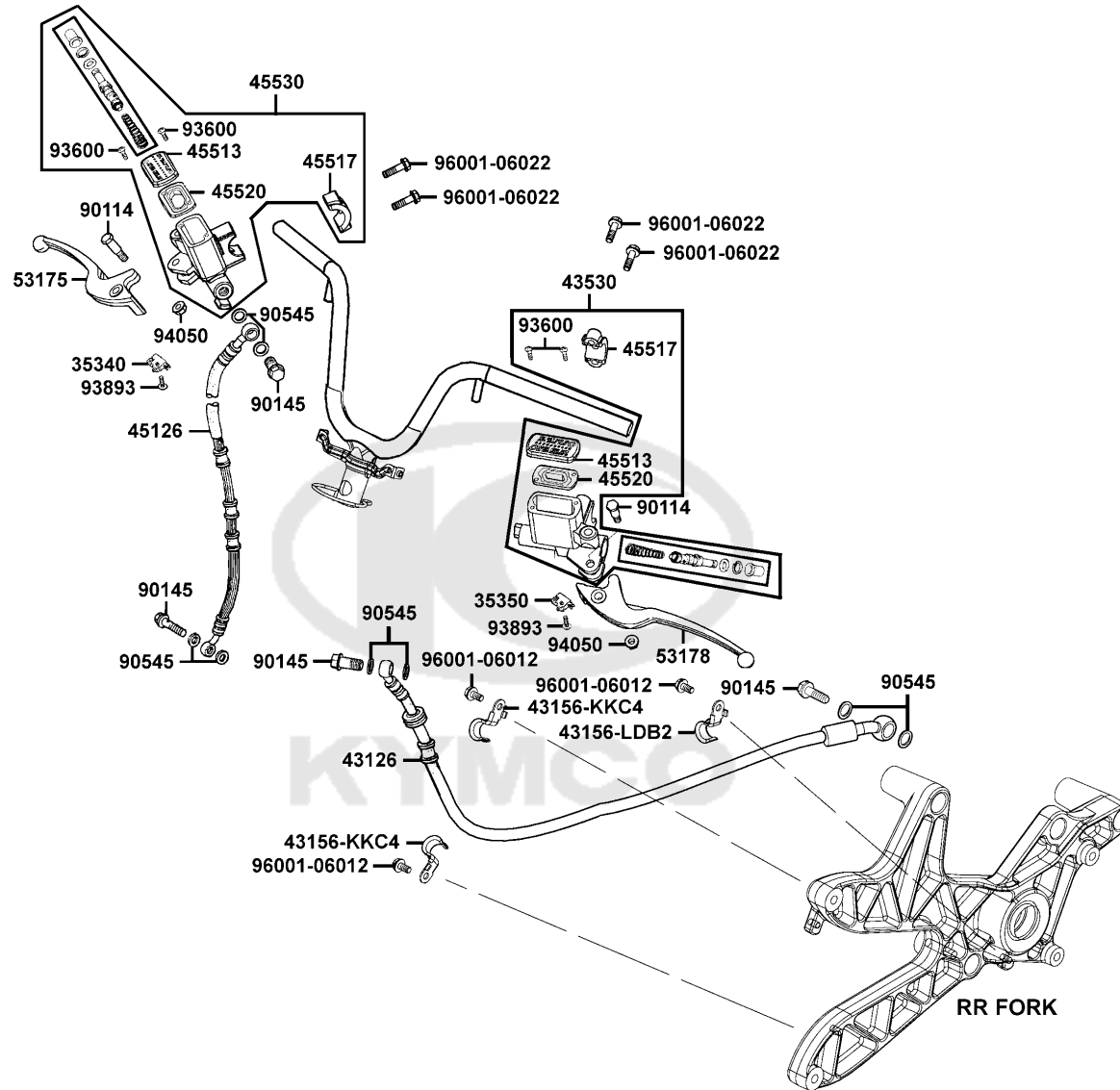


# Brake Master Cylinder



Sales mark	Ref no	Part no	Description	Reg description	Regd no	<b>F04</b>
35340		35340-KNBN-901	SW ASSY FR STOP	SW ASSY FR STOP	1	
35350		35350-KNBN-901	SW ASSY RR STOP	SW ASSY RR STOP	1	
43126		43126-LEA5-E00	HOSE ASSY RR BRAAKE	HOSE ASSY RR BRAAKE	1	
43156-KKC4		43156-KKC4-900	CLAMPER HOSE RR	CLAMPER HOSE RR	2	
43156-LDB2		43156-LDB2-900	CLAMPER HOSE RR	CLAMPER HOSE RR	1	
43530		43530-KHD4-305	CYLN SET RR MASTER	CYLN SET RR MASTER	1	
45126		45126-LEA5-E00	HOSE ASSY FR BRK	HOSE ASSY FR BRK	1	
45513		45513-KHD4-B00	CAP MASTER CYLINDER	CAP MASTER CYLINDER	2	
45517		45517-KFAF-910	HOLDER M/C	HOLDER M/C	2	
45520		45520-GLW0-91A	DIAPHRAGM	DIAPHRAGM	2	
45530		45530-KHD4-305	CYLN SET FR MASTER	CYLN SET FR MASTER	1	
53175		53175-LEA5-E00	LEVER R STRG HNDL	LEVER R STRG HNDL	1	
53178		53178-LEA5-E00	LEVER L STRG HNDL	LEVER L STRG HNDL	1	
90114		90114-1F66-007	BOLT HANDLE LEVER	BOLT HANDLE LEVER	2	
90145		90145-MKS9-61A	OIL BOLT 10*22	OIL BOLT 10*22	4	
90545		90545-3L00-001	WASHER OIL BOLT	WASHER OIL BOLT	8	
93600		93600-04012-1G	SCREW FLAT 4*12	SCREW FLAT 4*12	4	
93893		93893-04012-18	SCREW WASHER 4*12	SCREW WASHER 4*12	2	
94050		94050-06060	NUT FLANGE 6MM	NUT FLANGE 6MM	2	
96001-06012		96001-06012-06	BOLT FLANGE SH 6*12	BOLT FLANGE SH 6*12	3	

# Brake Master Cylinder



Sales mark	Ref no	Part no	Description	Reg description	Regd no	<b>F04</b>
------------	--------	---------	-------------	-----------------	---------	------------

96001-06022

96001-06022-06

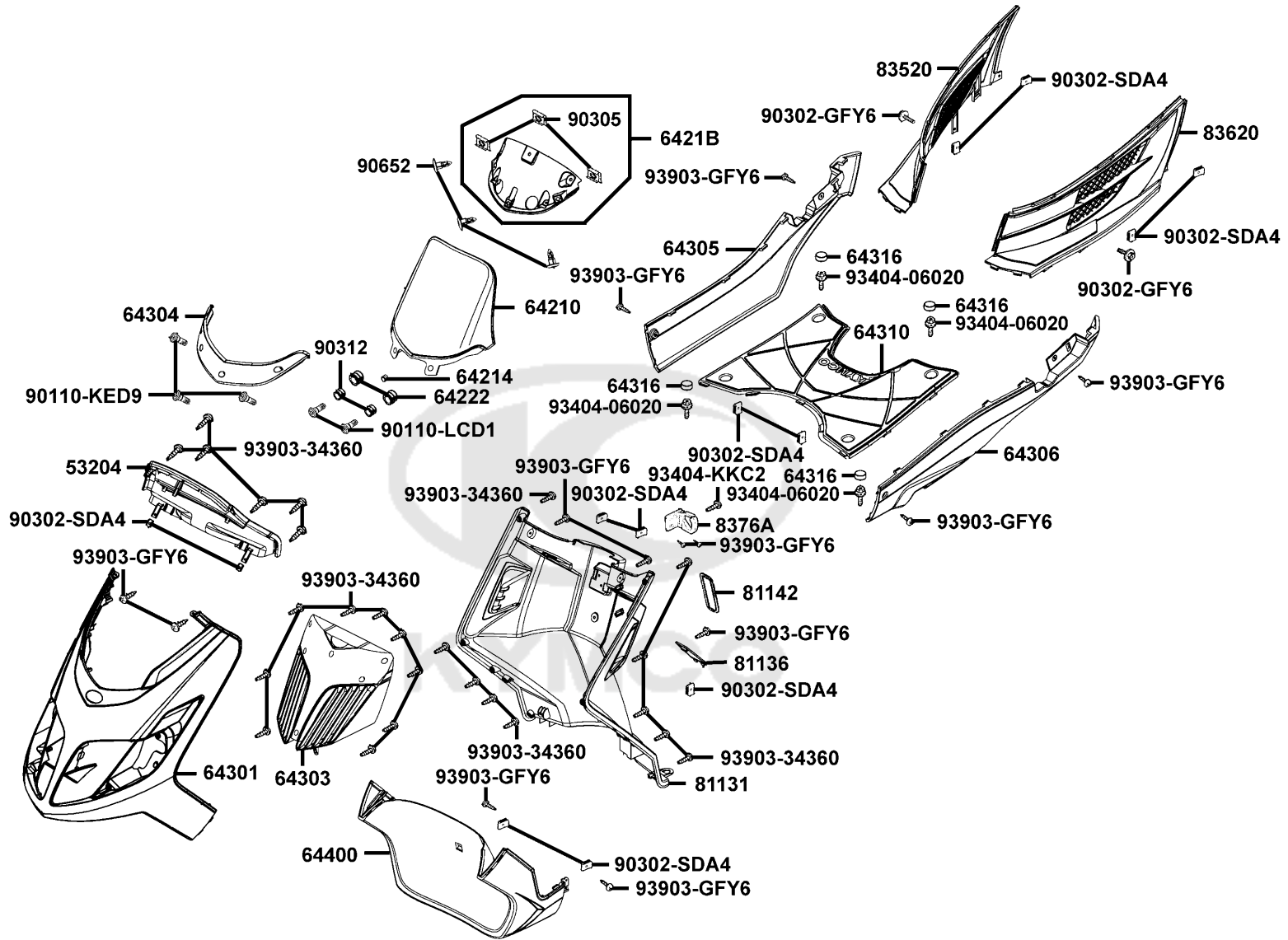
BOLT FLANGE 6\*20

BOLT FLANGE 6\*20

4



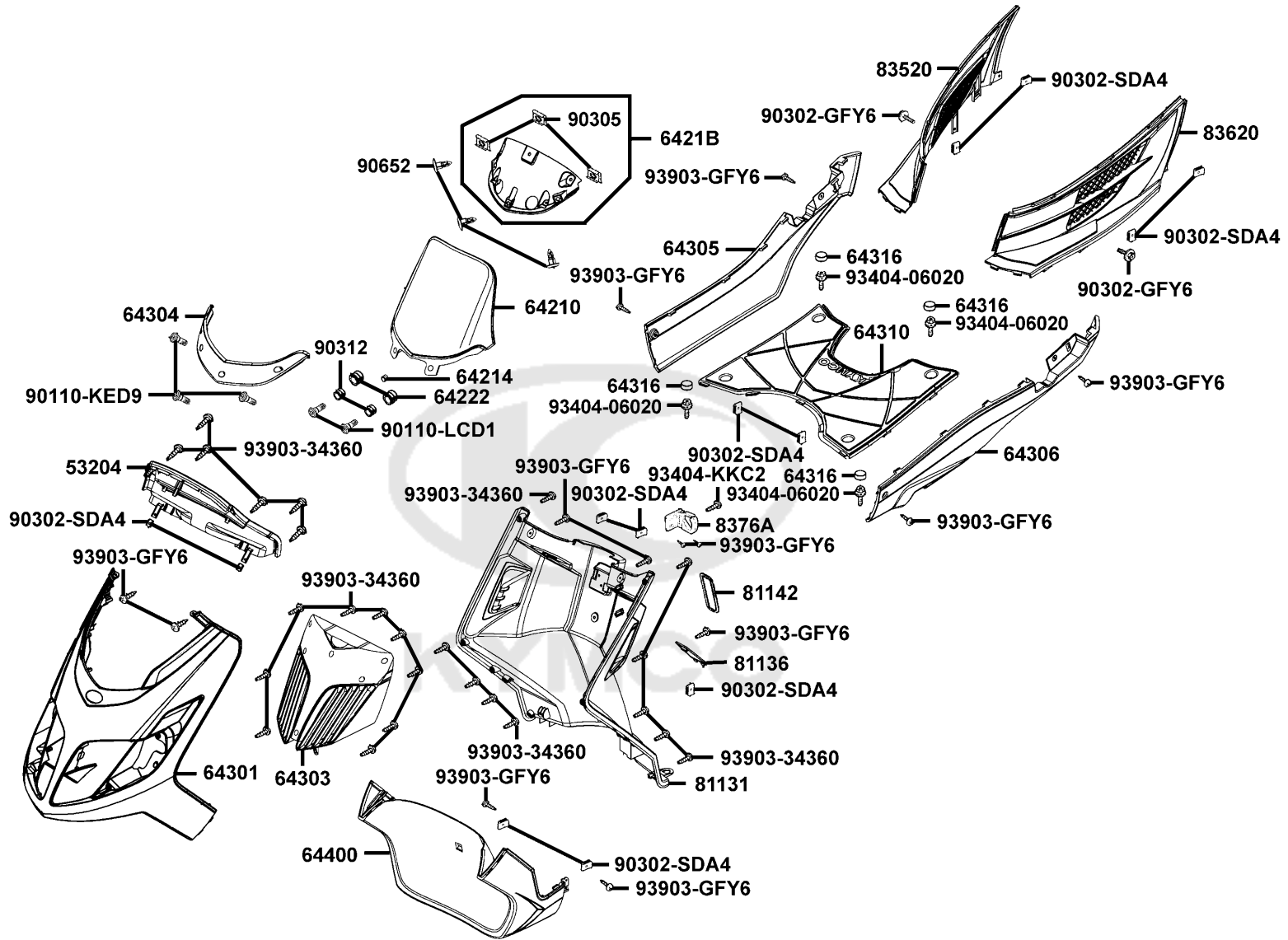
Front Cover/Floor Panel





Sales mark	Ref no	Part no	Description	Reg description	Regd no	F05
**	53204	53204-LEA5-E00	COVER METER	COVER METER	1	
**	64210	64210-LEA5-E00	VISOR METER	VISOR METER	1	
	64214	64214-LEA5-E00	PLUG VISOR	PLUG VISOR	1	
**	6421B	6421B-LEA5-E00	COVER ASSY VISOR INNER	COVER ASSY VISOR INNER	1	
	64222	64222-KKC4-900	RUBBER WIND SCREEN	RUBBER WIND SCREEN	4	
**	64301	64301-LEA5-E00	COVER FR	COVER FR	1	
**	64303	64303-LEA5-E00	FR GRILL	FR GRILL	1	
**	64304	64304-LEA5-E00	LID COVER FR	LID COVER FR	1	
**	64305	64305-LEA5-E00	SKIRT R SIDE	SKIRT R SIDE	1	
**	64306	64306-LEA5-E00	SKIRT L SIDE	SKIRT L SIDE	1	
**	64310	64310-LEA5-E00	FLOOR PANEL	FLOOR PANEL	1	
**	64316	64316-KHE2-900	PLUG FLOOR	PLUG FLOOR	4	
**	64400	64400-LEA5-E00	COWL UNDER	COWL UNDER	1	
**	81131	81131-LEA5-E00	LEG SHIELD	LEG SHIELD	1	
**	81136	81136-LEA5-E00	LID RESERVE TANK	LID RESERVE TANK	1	
**	81142	81142-KUDU-900	LID LEG SHIELD	LID LEG SHIELD	1	
**	83520	83520-LEA5-E00	COVER R SIDE	COVER R SIDE	1	
**	83620	83620-LEA5-E00	COVER L SIDE	COVER L SIDE	1	
	8376A	8376A-KEBE-900	CLIP ASSY CENTER	CLIP ASSY CENTER	1	
	90110-KED9	90110-KED9-900	SCREW PAN 6*18	SCREW PAN 6*18	3	

Front Cover/Floor Panel

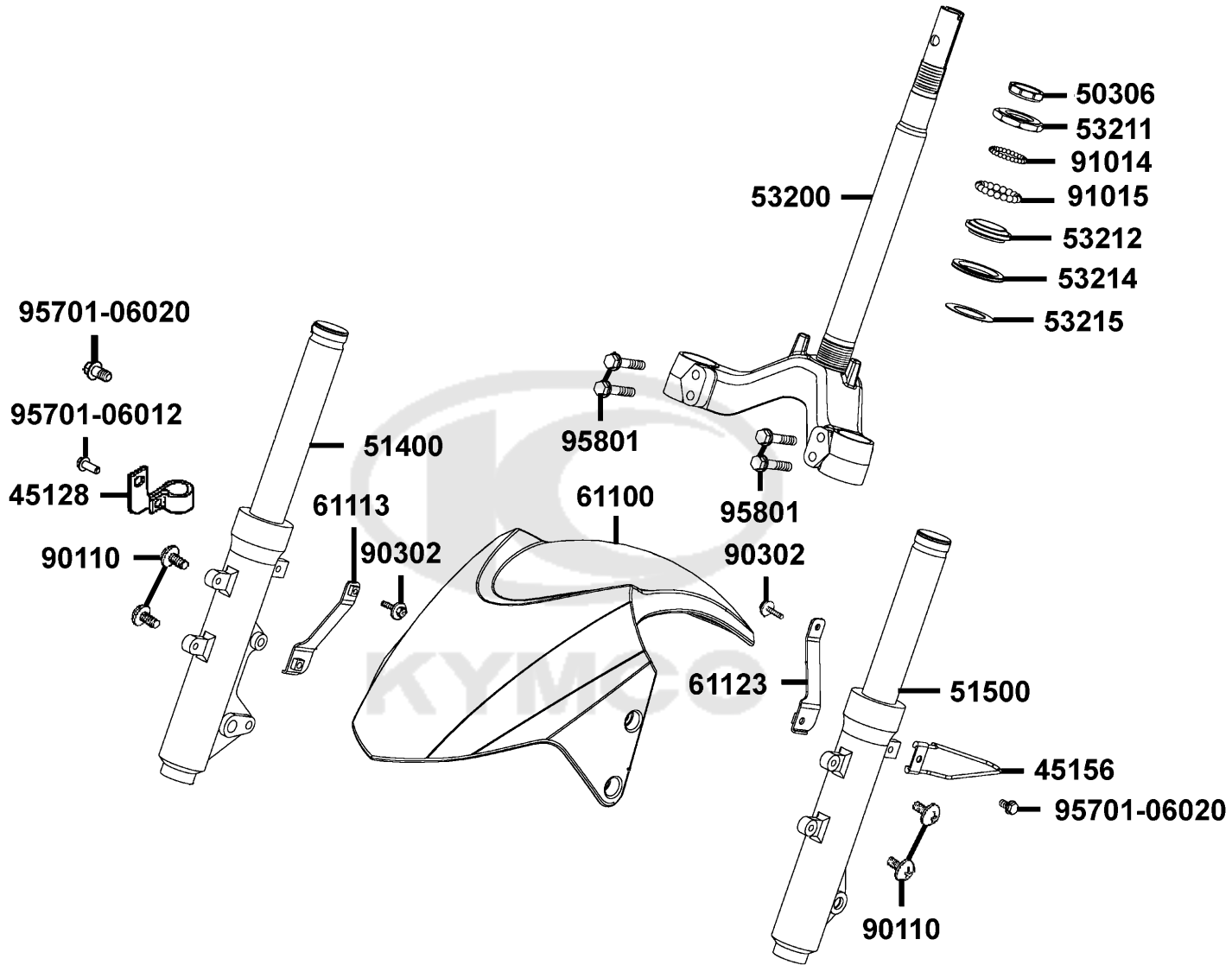


Sales mark	Ref no	Part no	Description	Reg description	Regd no	F05
	90110-LCD1	90110-LCD1-E00	SCREW SPECIAL 6*25	SCREW SPECIAL 6*25	2	
	90302-GFY6	90302-GFY6-901	BOLT WASH 5*12	BOLT WASH 5*12	2	
	90302-SDA4	90302-SDA4-004	NUT SPRING 4MM	NUT SPRING 4MM	13	
	90305	90305-GHK8-001	NUT CLIP 6MM	NUT CLIP 6MM	3	
	90312	90312-LCD3-E01	COLLAR VISOR	COLLAR VISOR	2	
	90652	90652-LCA4-E00	CLIP MUDGUARD	CLIP MUDGUARD	3	
	93404-06020	93404-06020-06	BOLT WASH 6*20	BOLT WASH 6*20	4	
	93404-KKC2	93404-KKC2-900	BOLT WASH 6*16	BOLT WASH 6*16	1	
	93903-34360	93903-34360	SCREW TAPPING 4*12	SCREW TAPPING 4*12	25	
	93903-GFY6	93903-GFY6-900	SCREW TAPPING 4*14	SCREW TAPPING 4*14	13	



F06

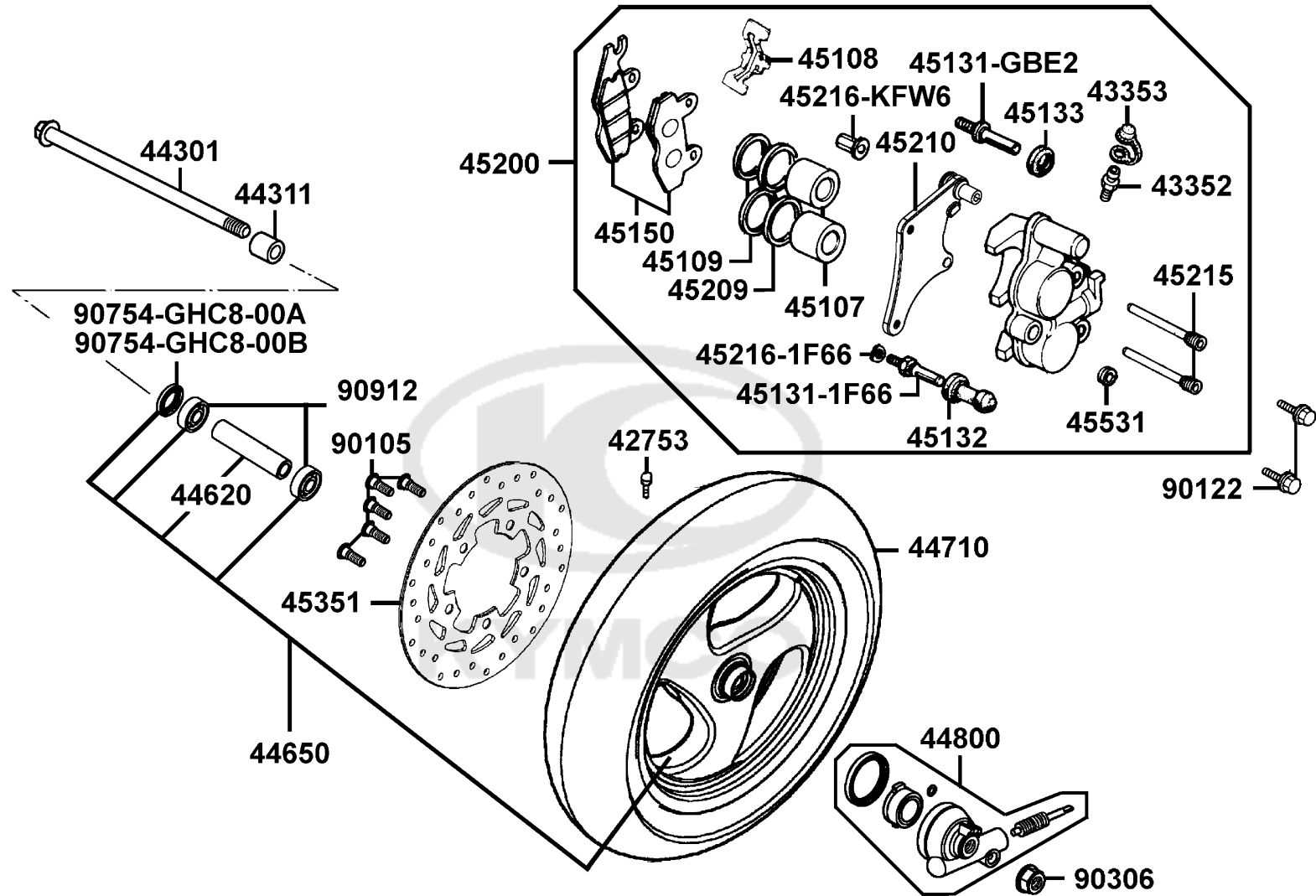
Front Cushion



Sales mark	Ref no	Part no	Description	Reg description	Regd no	F06
	45128	45128-KEBE-900	CLAMPER FR BRAKE HOSE	CLAMPER FR BRAKE HOSE	1	
	45156	45156-KECE-900	CLAMPER FR BRK CABLE	CLAMPER FR BRK CABLE	1	
	50306	50306-1F96-001	NUT STRG STEM LOCK	NUT STRG STEM LOCK	1	
**	51400	51400-LEA5-E00	FORK ASSY R FR	FORK ASSY R FR	1	
**	51500	51500-LEA5-E00	FORK SET L FR	FORK SET L FR	1	
	53200	53200-KKC2-900	STEM COMP STRG	STEM COMP STRG	1	
	53211	53211-GFY6-940	RACE STRG TOP CONE	RACE STRG TOP CONE	1	
	53212	53212-2L50-011	RACE STRG BOT CONE	RACE (STRG BOTTOM) CONE	1	
	53214	53214-2L50-001	DUST SEAL STRG(HEAD)	DUST SEAL STRG (HEAD)	1	
	53215	53215-2L50-001	WASH STRG HDL DUST-SEAL	WASH STRG HDL DUST-SEAL	1	
**	61100	61100-LEA5-E00	FENDER FR	FENDER FR	1	
	61113	61113-LEA5-E00	STAY R FR FENDER	STAY R FR FENDER	1	
	61123	61123-LEA5-E00	STAY L FR FENDER	STAY L FR FENDER	1	
	90110	90110-KEB7-900	SCREW SPECIAL 6*14	SCREW SPECIAL 6*14	4	
	90302	90302-GFY6-901	BOLT WASH 5*12	BOLT WASH 5*12	2	
	91014	91014-LLJ3-E00	CAGE STEERING TOP	CAGE STEERING TOP	1	
	91015	91015-LLJ3-E00	CAGE STEERING BOT	CAGE STEERING BOT	1	
	95701-06012	95701-06012-06	BOLT FLANGE 6*12	BOLT FLANGE 6*12	1	
	95701-06020	95701-06020-06	BOLT FLANGE 6*20	BOLT FLANGE 6*20	2	
	95801	95801-08040-06	BOLT FLANGE 8*40	BOLT FLANGE 8*40	4	

F07

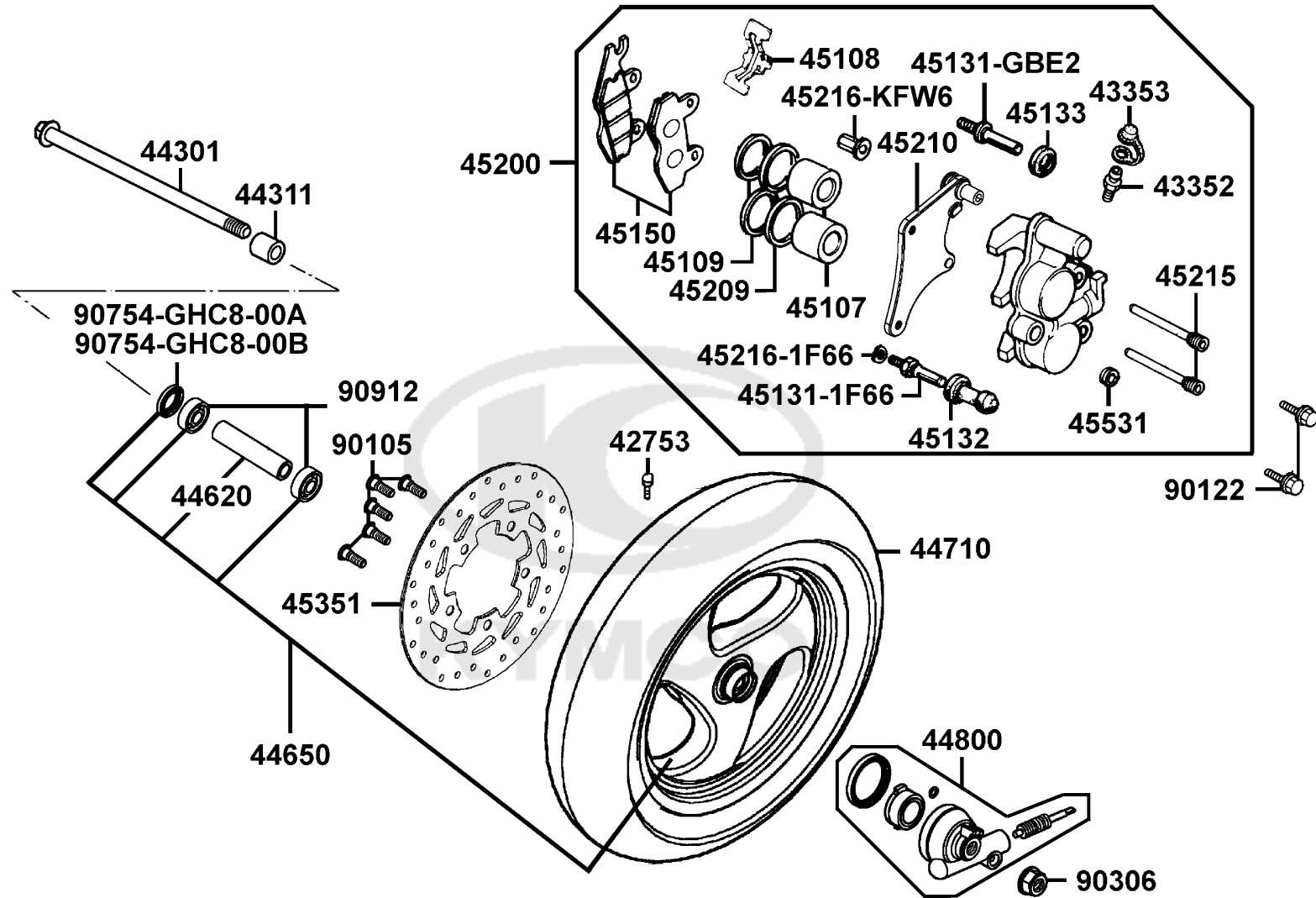
Front Wheel



Sales mark	Ref no	Part no	Description	Reg description	Regd no	F07
	42753	42753-KNBN-90B	VALAE RIM (TR412)	VALAE RIM (TR412)	1	
	43352	43352-5H68-004	SCREW BLEEDER	SCREW BLEEDER	1	
	43353	43353-4A61-77A	CAP BLEEDER	CAP BLEEDER	1	
	44301	44301-KXCX-900	AXLE FR WHEEL	AXLE FR WHEEL	1	
	44311	44311-KEBE-900	COLLAR FR WHEEL SIDE	COLLAR FR WHEEL SIDE	1	
	44620	44620-KHD8-900	COLLAR FR AXLE DISTANCE	COLLAR FR AXLE DISTANCE	1	
**	44650	44650-LEA5-305	WHEEL SET FR	WHEEL SET FR	1	
	44710	44710-LEA5-E00	TIRE ASSY FR /MAXXIS	TIRE ASSY FR /MAXXIS	1	
	44800	44800-LEA5-E00	GEAR BOX ASSY	GEAR BOX ASSY	1	
	45107	45107-MEN5-007	PISTON	PISTON	2	
	45108	45108-MDL4-007	PAD SPG	PAD SPG	1	
	45109	45109-GBE2-007	DUST SEAL	DUST SEAL	2	
	45131-1F66	45131-1F66-017	PIN BOLT	PIN BOLT	1	
	45131-GBE2	45131-GBE2-007	PIN BOLT A	PIN BOLT A	1	
	45132	45132-1F66-017	BUSH BOOT PIN	BUSH BOOT PIN	1	
	45133	45133-MCA3-007	BOOT B	BOOT B	1	
	45150	45150-LLB5-305	PAD COMP	PAD COMP	1	
**	45200	45200-LEA5-E00	CALIPER ASSY FR	CALIPER ASSY FR	1	
	45209	45209-GBE2-007	SEAL PISTON	SEAL PISTON	2	
	45210	45210-LEA5-E00	BRACKET FR	BRACKET FR	1	

F07

Front Wheel

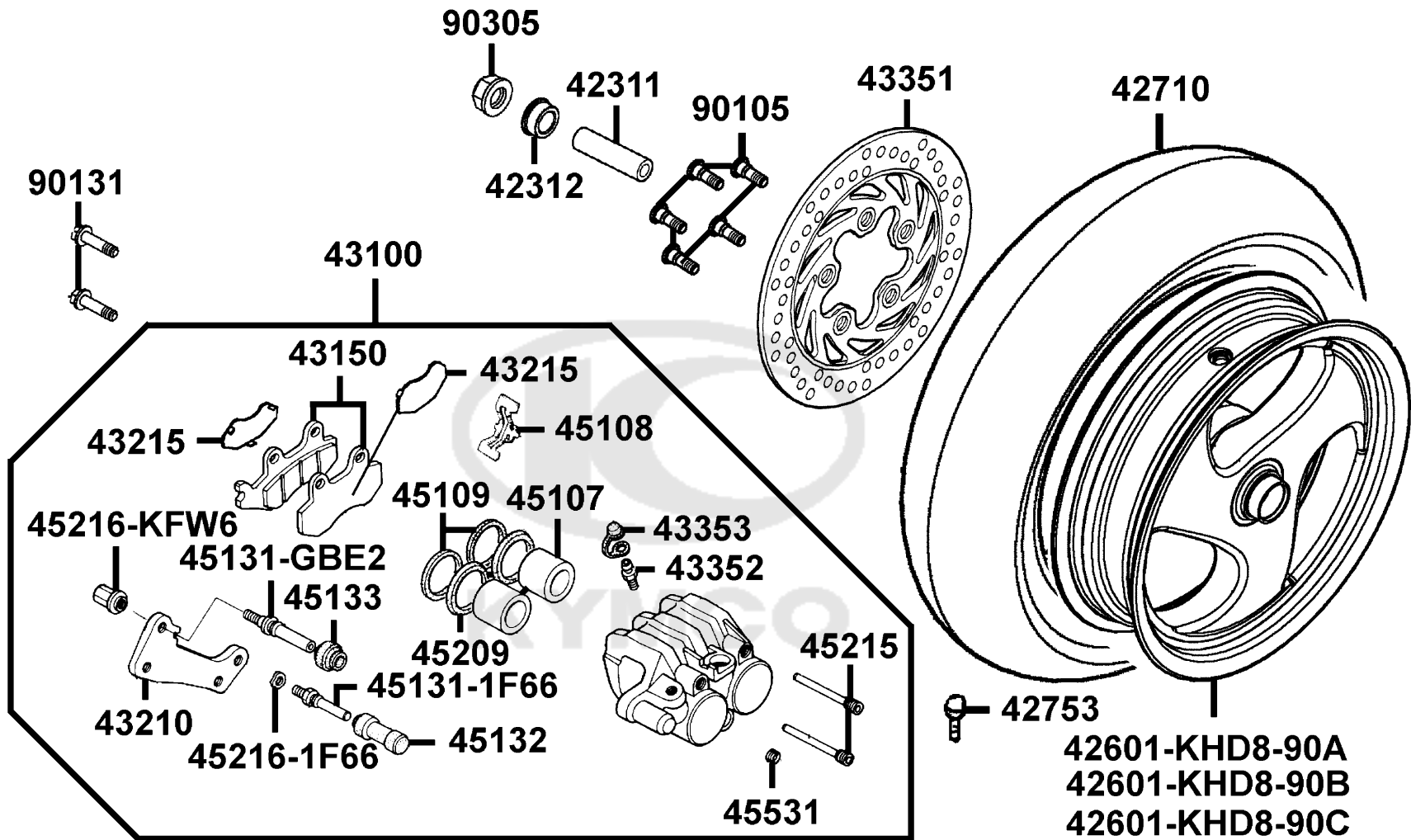




Sales mark	Ref no	Part no	Description	Reg description	Regd no	<b>F07</b>
	45215	45215-KECE-900	PIN HANGER	PIN HANGER	2	
	45216-1F66	45216-1F66-007	WASHER WAVE	WASHER WAVE	1	
	45216-KFW6	45216-KFW6-90A	TORQUE NUT	TORQUE NUT	1	
**	45351	45351-LEA5-E00	DISK FR BRAKE	DISK FR BRAKE	1	
	45531	45531-GAR1-951	PLUG	PLUG	1	
	90105	90105-KCR3-001	BOLT FR DISK 8*24	BOLT FR DISK 8*24	5	
	90122	90122-KEBE-900	BOLT FLANGE 8*32	BOLT FLANGE 8*32	2	
	90306	90306-KLF0-004-SY	NUT FLANGE 12MM	NUT FLANGE 12MM	1	
	90754-GHC8-00A	90754-GHC8-00A	SEAL DUST 20*32*5	SEAL DUST 20*32*5	1	
	90754-GHC8-00B	90754-GHC8-00B	SEAL DUST 20*32*5	SEAL DUST 20*32*5	1	
	90912	90912-KFLF-00A	BEARING 6201 LLU	BEARING 6201 LLU	2	

F08

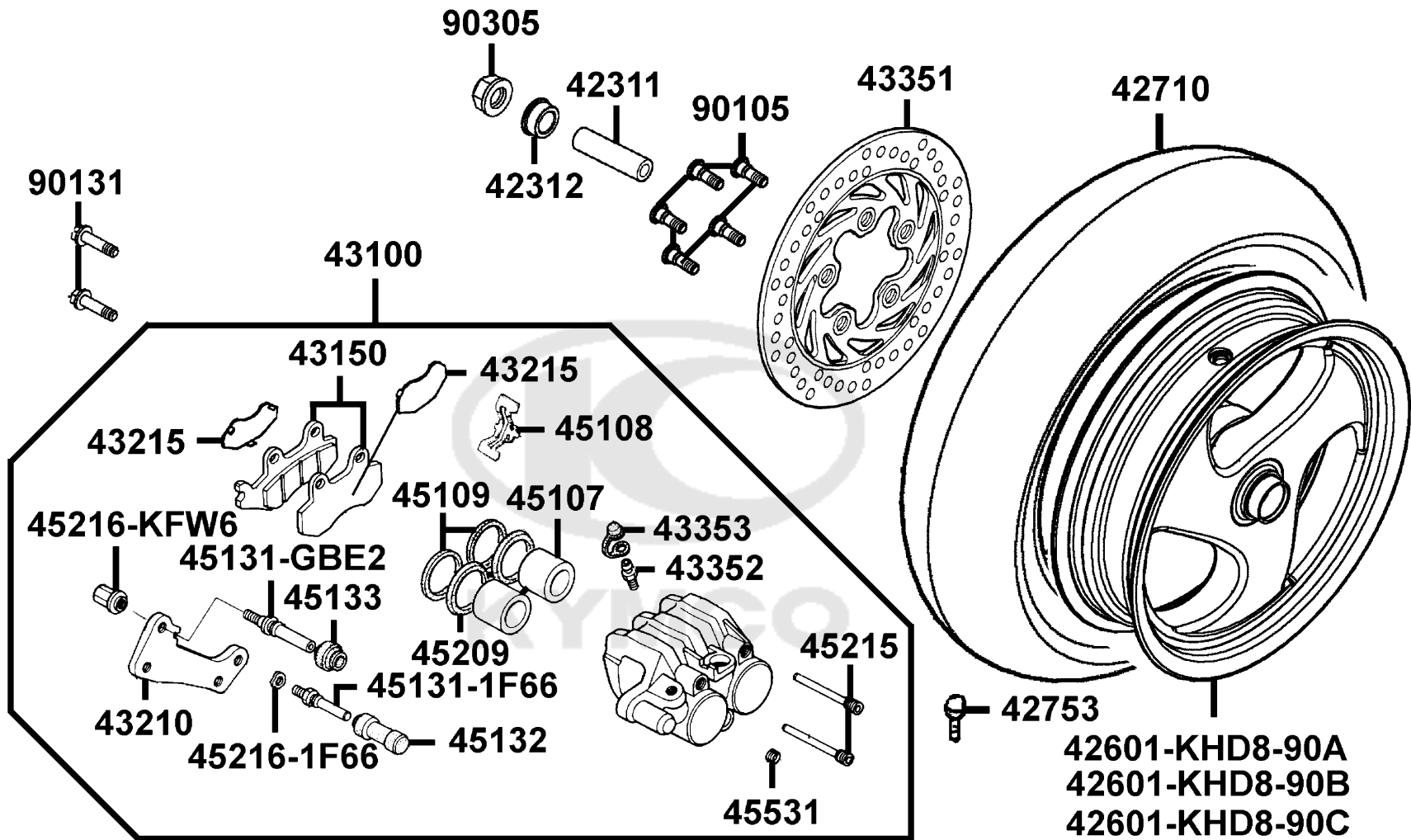
Rear Wheel



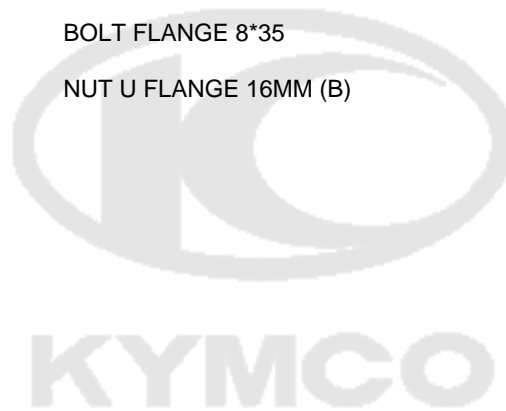
Sales mark	Ref no	Part no	Description	Reg description	Regd no	F08
	42311	42311-LEA5-E00	COLLAR RR AXLE A	COLLAR RR AXLE A	1	
	42312	42312-KEBE-900	COLLAR RR AXLE SIDE	COLLAR RR AXLE SIDE	1	
**	42601-KHD8-90A	42601-KHD8-90A	WHEEL RR CAST	WHEEL RR CAST	1	
**	42601-KHD8-90B	42601-KHD8-90B	WHEEL RR CAST	WHEEL RR CAST	1	
**	42601-KHD8-90C	42601-KHD8-90C	WHEEL RR CAST	WHEEL RR CAST	1	
	42710	42710-KKC2-E00	TIRE ASSY RR (140/70-12) /CHENG SHIN	TIRE ASSY RR (140/70-12) /CHENG SHIN	1	
	42753	42753-KNBN-90B	VALAE RIM (TR412)	VALAE RIM (TR412)	1	
**	43100	43100-LEA5-900	CALIPER ASSY RR	CALIPER ASSY RR	1	
	43150	43150-LEA5-306	PAD COMP	PAD COMP	1	
**	43210	43210-KEBE-900	BRACKET RR	BRACKET RR	1	
	43215	43215-KEBE-900	PAD HANGER	PAD HANGER	2	
	43351	43351-KHE7-E00	DISK RR BRAKE	DISK RR BRAKE	1	
	43352	43352-5H68-004	SCREW BLEEDER	SCREW BLEEDER	1	
	43353	43353-4A61-77A	CAP BLEEDER	CAP BLEEDER	1	
	45107	45107-MEN5-007	PISTON	PISTON	2	
	45108	45108-MDL4-007	PAD SPG	PAD SPG	1	
	45109	45109-GBE2-007	DUST SEAL	DUST SEAL	2	
	45131-1F66	45131-1F66-017	PIN BOLT	PIN BOLT	1	
	45131-GBE2	45131-GBE2-007	PIN BOLT A	PIN BOLT A	1	
	45132	45132-1F66-017	BUSH BOOT PIN	BUSH BOOT PIN	1	

F08

Rear Wheel

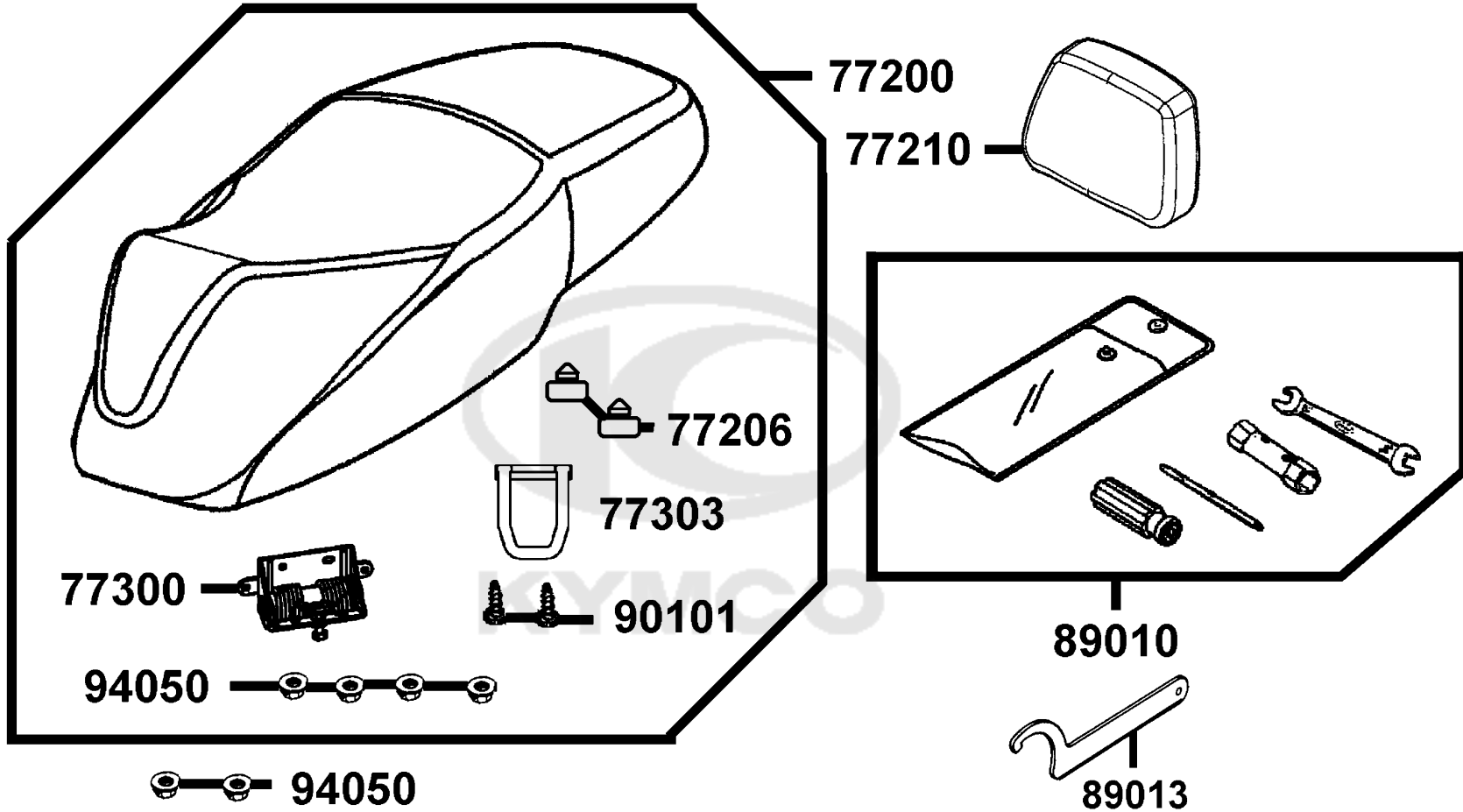


Sales mark	Ref no	Part no	Description	Reg description	Regd no	F08
	45133	45133-MCA3-007	BOOT B	BOOT B	1	
	45209	45209-GBE2-007	SEAL PISTON	SEAL PISTON	2	
	45215	45215-KECE-900	PIN HANGER	PIN HANGER	2	
	45216-1F66	45216-1F66-007	WASHER WAVE	WASHER WAVE	1	
	45216-KFW6	45216-KFW6-90A	TORQUE NUT	TORQUE NUT	1	
	45531	45531-GAR1-951	PLUG	PLUG	1	
	90105	90105-KCR3-001	BOLT FR DISK 8*24	BOLT FR DISK 8*24	5	
	90131	90131-LEA5-E00	BOLT FLANGE 8*35	BOLT FLANGE 8*35	2	
#	90305	90305-KFW6-900	NUT U FLANGE 16MM (B)	NUT U FLANGE 16MM (B)	1	

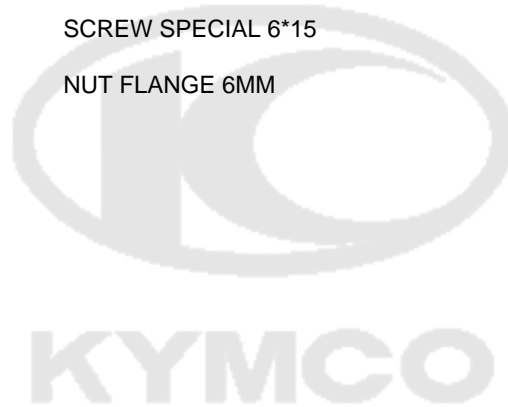


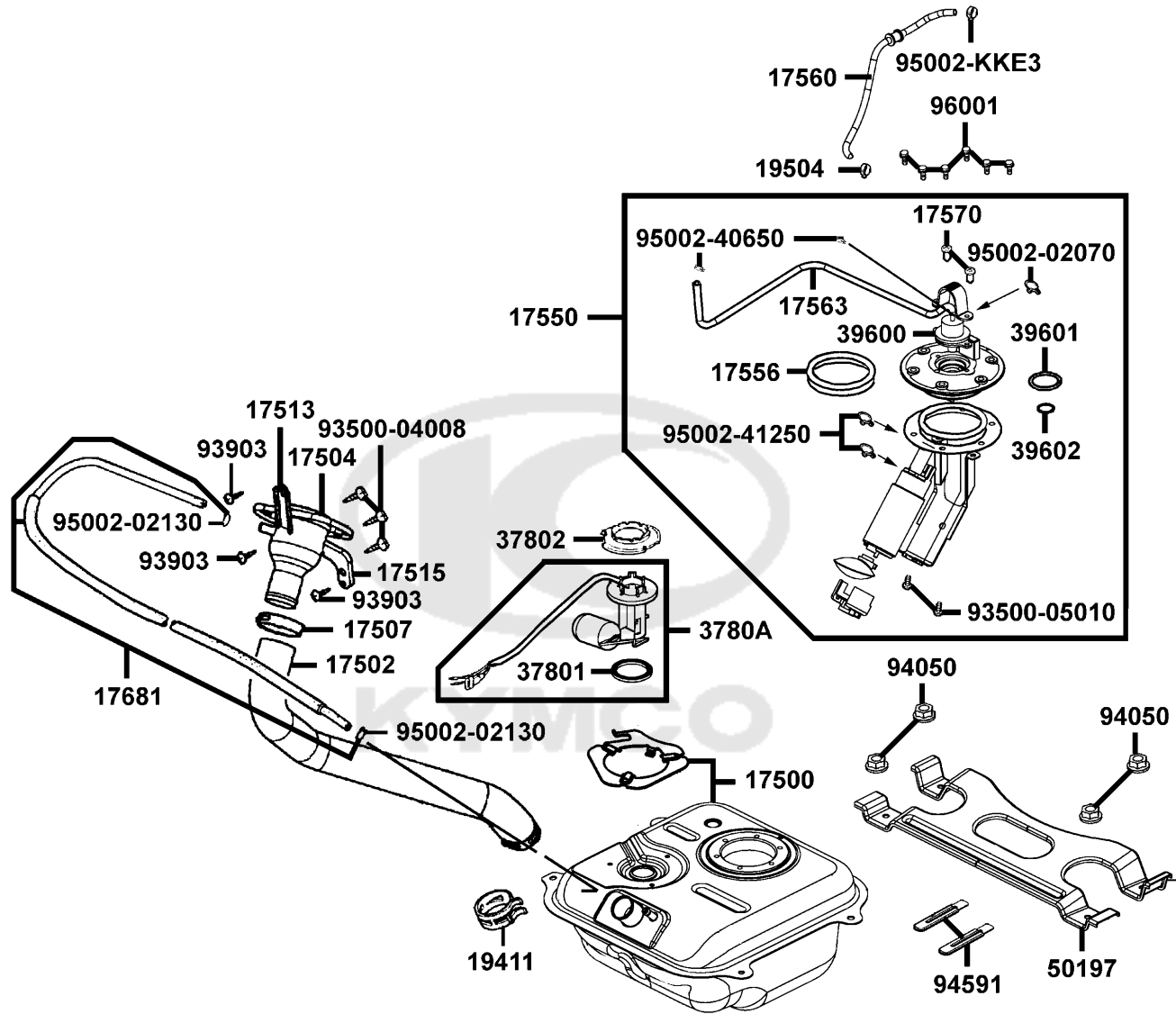
F09

Seat



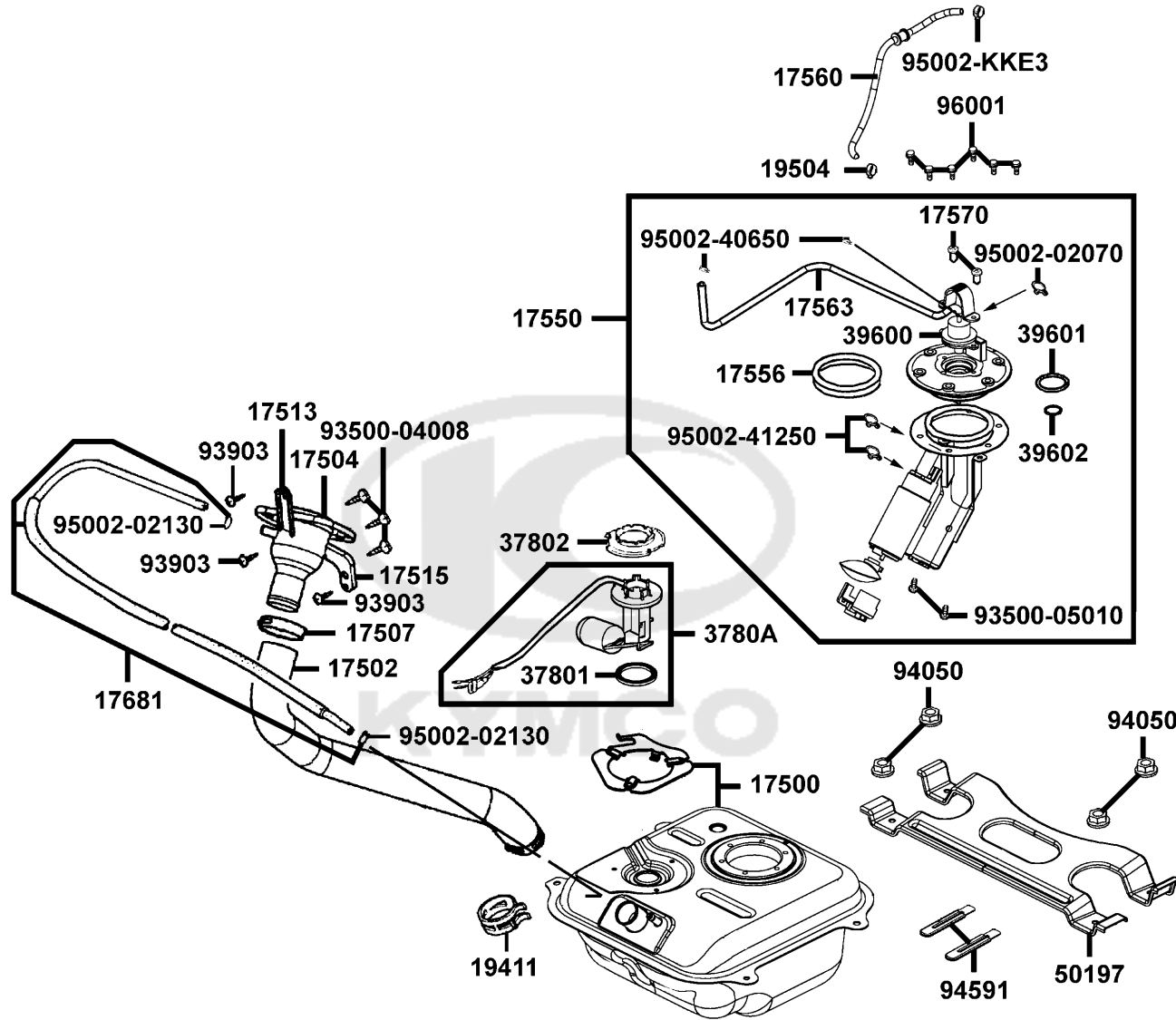
Sales mark	Ref no	Part no	Description	Reg description	Regd no	<b>F09</b>
**	77200	77200-LEA5-305	REPLACEMENT ASSY SEAT	REPLACEMENT ASSY SEAT	1	
	77206	77206-KEB7-900	RUBBER SEAT CUSH	RUBBER SEAT CUSH	2	
**	77210	77210-LEA5-E00	SEAT ASSY BACK	SEAT ASSY BACK	1	
	77300	77300-LEA5-E00	HINGE ASSY SEAT	HINGE ASSY SEAT	1	
	77303	77303-LEA5-E00	HOOK SEAT LOCK	HOOK SEAT LOCK	1	
	89010	89010-LEA5-E00	TOOL SET	TOOL SET	1	
	89013	89013-KFC8-E00	ADJUSTER REAR CUSHION	ADJUSTER REAR CUSHION	1	
	90101	90101-KGC4-E00	SCREW SPECIAL 6*15	SCREW SPECIAL 6*15	2	
	94050	94050-06080	NUT FLANGE 6MM	NUT FLANGE 6MM	6	





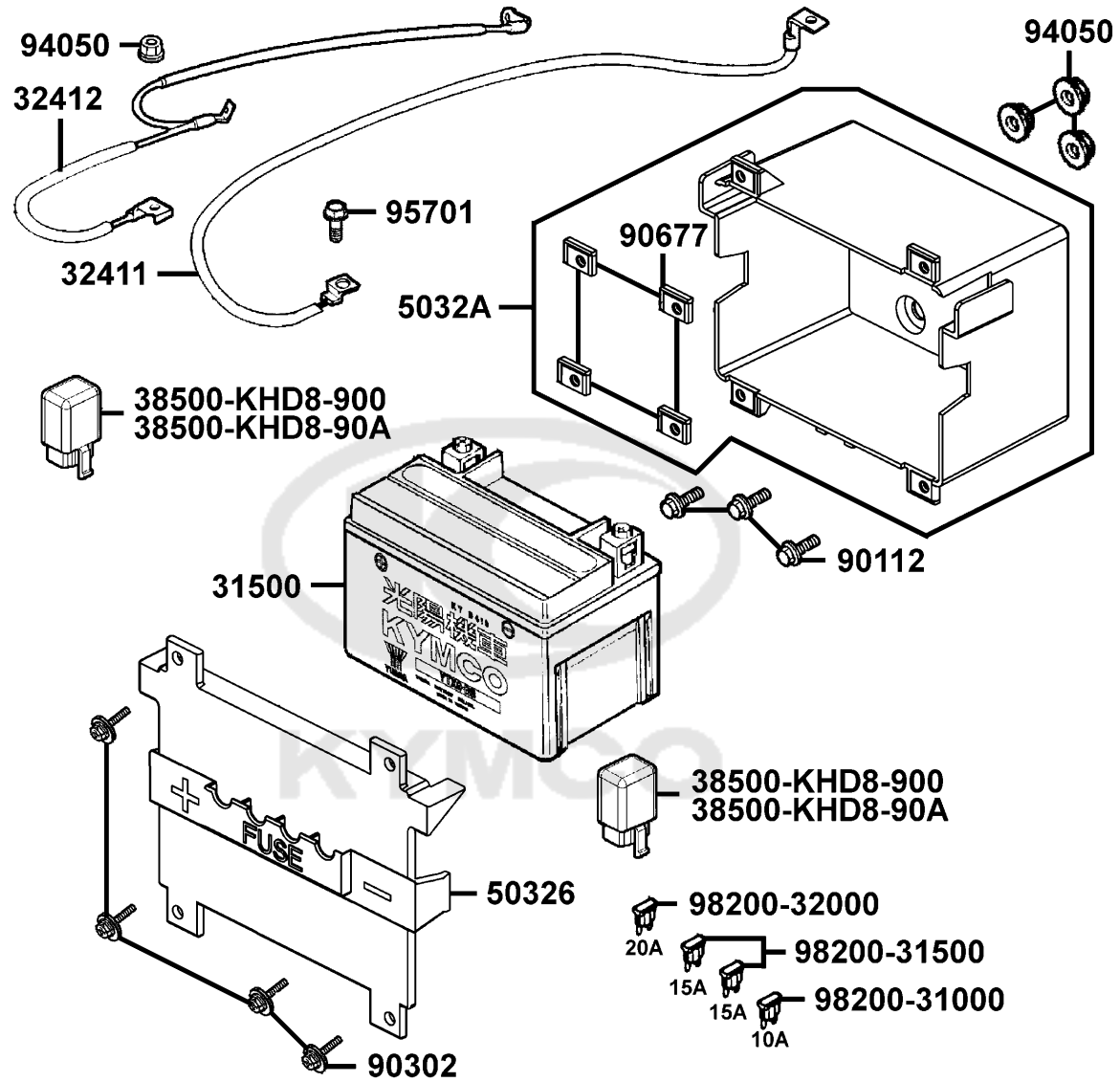


Sales mark	Ref no	Part no	Description	Reg description	Regd no	<b>F10</b>
17500		17500-LEA6-E00	TANK COMP FUEL	TANK COMP FUEL	1	
17502		17502-LEA5-E00	HOSE FUEL	HOSE FUEL	1	
17504		17504-LAB4-900	FUEL FILLER	FUEL FILLER	1	
17507		17507-LAB4-900	BAND FUEL HOSE	BAND FUEL HOSE	1	
17513		17513-LEA5-E00	STAY A FUEL PIPE	STAY A FUEL PIPE	1	
17515		17515-LEA5-E00	STAY B FUEL PIPE	STAY B FUEL PIPE	1	
17550		17550-LEA6-900	FUEL PUMP ASSY	FUEL PUMP ASSY	1	
17556		17556-KKE3-900	O RING	O RING	1	
17560		17560-LEA6-E00	TUBE PUMP INJECTOR	TUBE PUMP INJECTOR	1	
17563		17563-KKE3-900	TUBE FUEL RETURN	TUBE FUEL RETURN	1	
17570		17570-KKE3-900	SCREW BOLT M 4*13	SCREW BOLT M 4*13	2	
17681		17681-LEA5-E00	TUBE A FUEL TANK	TUBE A FUEL TANK	1	
19411		19411-KBCB-900	CLIP HOSE	CLIP HOSE	1	
19504		19504-LBA2-E00	CLAMP D 16.8	CLAMP D 16.8	1	
37801		37801-GGA7-701	PACKING BASE	PACKING BASE	1	
37802		37802-GGA7-701	RET FUEL UNIT	RET FUEL UNIT	1	
3780A		3780A-LEA5-E00	FUEL UNIT ASSY	FUEL UNIT ASSY	1	
39600		39600-KKE3-800	REGULATOR	REGULATOR	1	
39601		39601-KKE3-900	O RING A	O RING A	1	
39602		39602-KKE3-900	O RING B	O RING B	1	

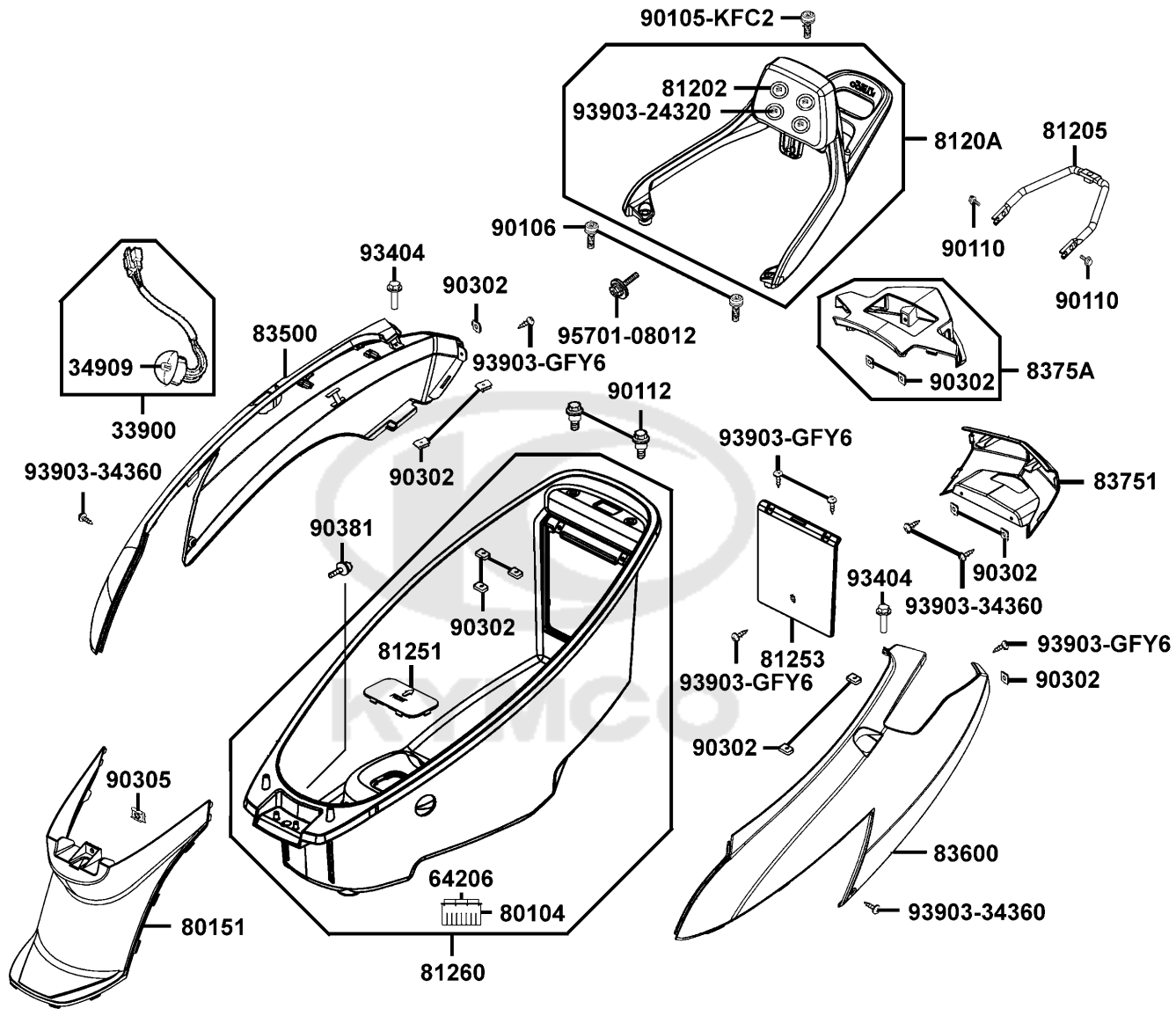


Sales mark	Ref no	Part no	Description	Reg description	Regd no	<b>F10</b>
50197		50197-LEA5-E00	STAY FLOOR	STAY FLOOR	1	
93500-04008		93500-04008-0H	SCREW PAN 4*8	SCREW PAN 4*8	3	
93500-05010		93500-05010-0H	SCREW PAN 5*10	SCREW PAN 5*10	2	
93903		93903-35360	SCREW TAPPING 5*16	SCREW TAPPING 5*16	3	
94050		94050-06080	NUT FLANGE 6MM	NUT FLANGE 6MM	4	
94591		94591-KFBF-900	CLIP 2*70	CLIP 2*70	2	
95002-02070		95002-02070	CLIP B7 TUBE	CLIP B7 TUBE	1	
95002-02130		95002-02130	CLIP B 12.5 TURE	CLIP B13 TUBE	2	
95002-40650		95002-40650-08	CLAMP D6.5 TUBE	CLAMP D6.5 TUBE	2	
95002-41250		95002-41250-08	CLAMP D12.5 TUBE	CLAMP D12.5 TUBE	2	
95002-KKE3		95002-KKE3-900	CLIP SPA 13	CLIP SPA 13	1	
96001		96001-06014-08	BOLT FLANGE 6*14	BOLT FLANGE 6*14	6	

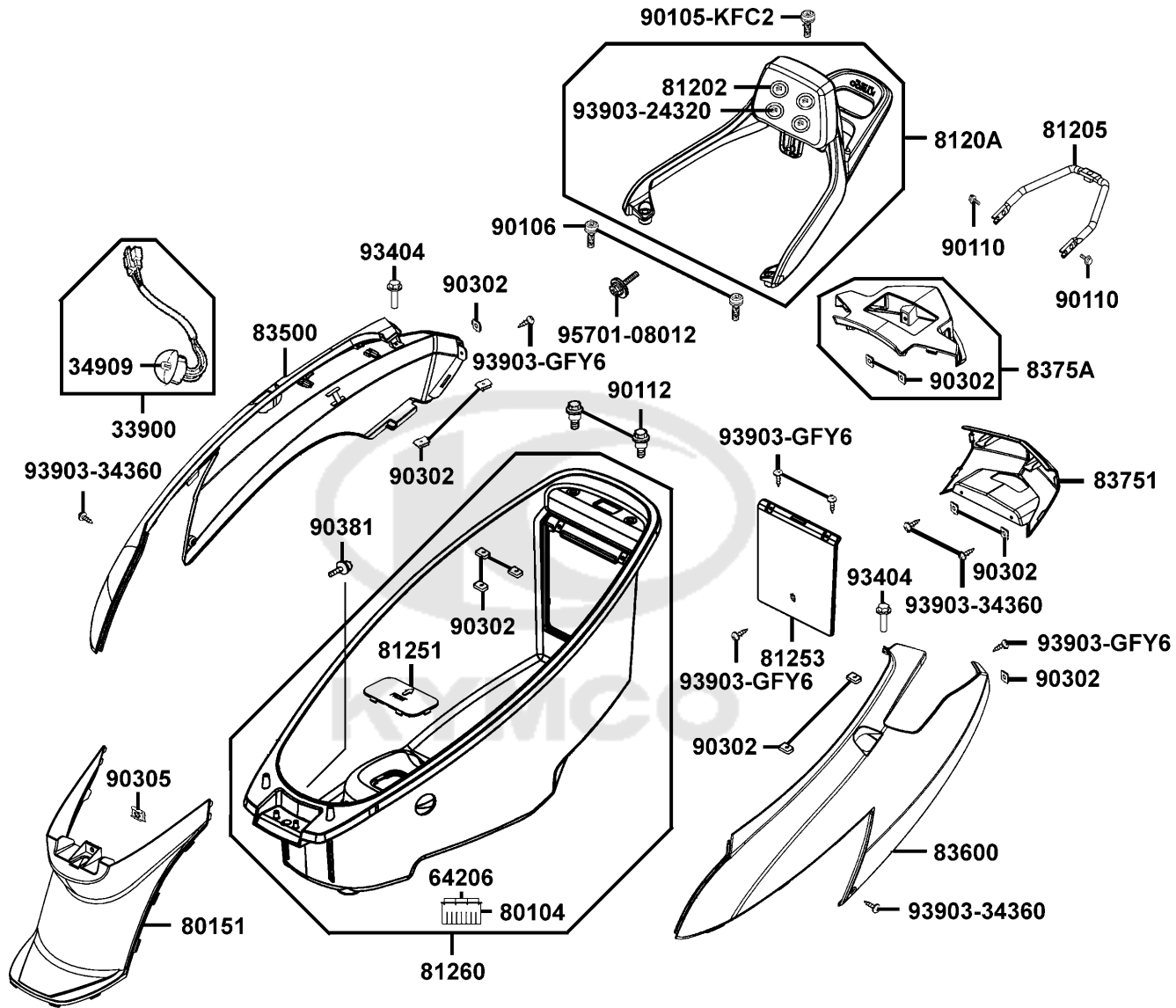
Battery




Sales mark	Ref no	Part no	Description	Reg description	Regd no	F11
	31500	31500-LEA6-900	BATTERY YT12A-BS	BATTERY YT12A-BS	1	
	31500	31500-LEA6-90B	BATTERY 12A-BS	BATTERY GT12A-BS	1	
	32411	32411-LEA5-E00	CABLE BATTERY	CABLE BATTERY	1	
	32412	32412-LEA5-E00	CABLE EARTH	CABLE EARTH	1	
	38500-KHD8-900	38500-KHD8-900	RELAY ASSY LIGHT	RELAY ASSY LIGHT	2	
	38500-KHD8-90A	38500-KHD8-90A	RELAY ASSY LIGHT	RELAY ASSY LIGHT	2	
**	50326	50326-LEA5-E00	COVER BATTERY	COVER BATTERY	1	
	5032A	5032A-LEA5-E00	CASE ASSY BATTERY	CASE ASSY BATTERY	1	
	90112	90112-KNBN-901	BOLT FLANGE 6MM	BOLT FLANGE 6MM	3	
	90302	90302-GFY6-940	BOLT-WASH 5*16	BOLT-WASH 5*16	4	
	90677	90677-GAR1-004	NUT CLIP 5MM	NUT CLIP 5MM	4	
	94050	94050-06080	NUT FLANGE 6MM	NUT FLANGE 6MM	4	
	95701	95701-06012-08	BOLT FLANGE 6*12	BOLT FLANGE 6*12	1	
	98200-31000	98200-31000	BLADE FUSE 10A	BLADE FUSE 10A	1	
	98200-31500	98200-31500	BLADE FUSE 15A	BLADE FUSE 15A	2	
	98200-32000	98200-32000	BLADE FUSE 20A	BLADE FUSE 20A	1	

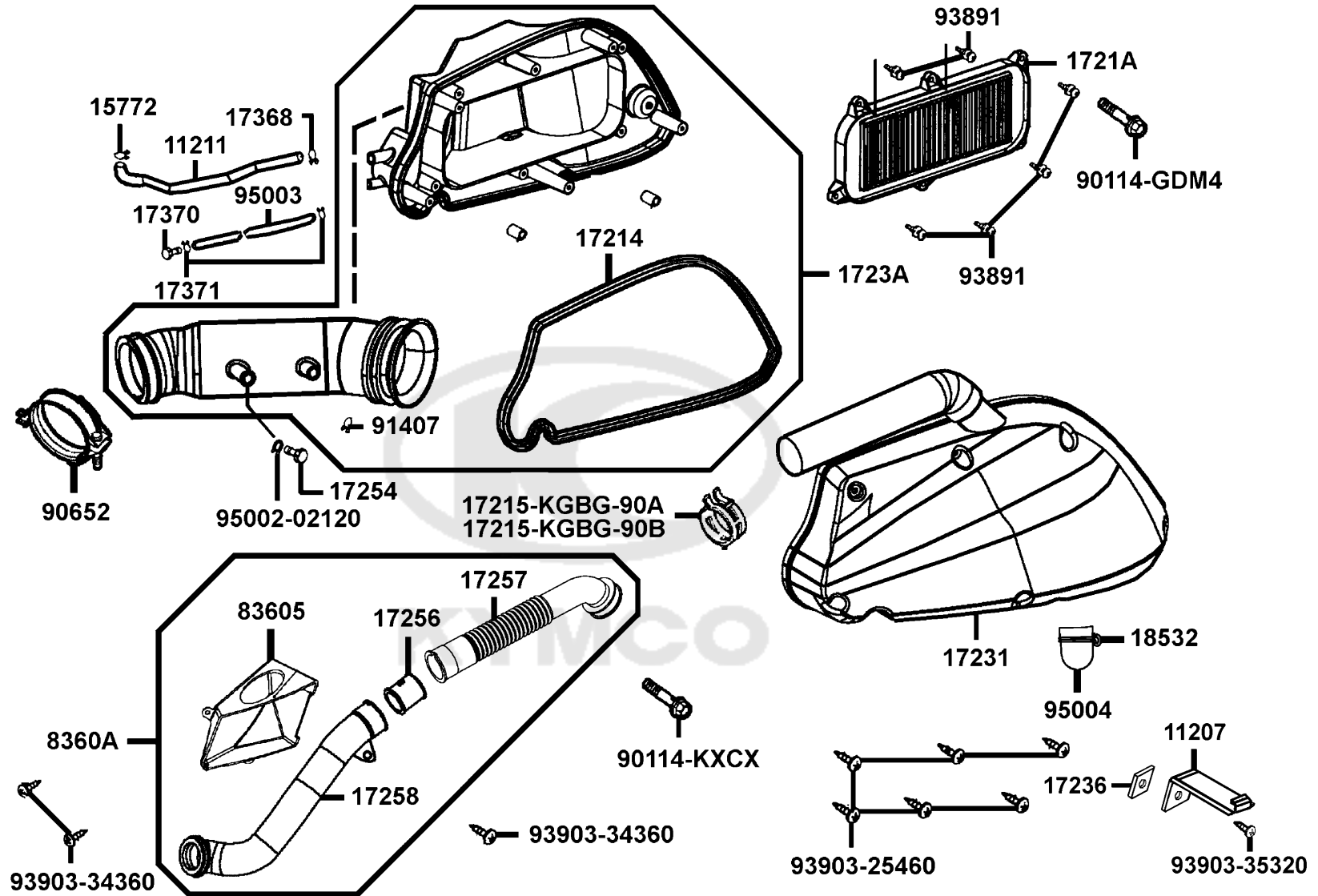


Sales mark	Ref no	Part no	Description	Reg description	Regd no	F12
	33900	33900-KFBF-900	LIGHT ASSY LUGGAGE BOX	LIGHT ASSY LUGGAGE BOX	1	
	34909	34909-KFBF-900	BULB WEDGE BASE	BULB WEDGE BASE	1	
	64206	64206-MLJ0-001	NUT SPEED 4MM	NUT SPEED 4MM	4	
	80104	80104-LBA2-E00	PLATE C SPLASH GUARD	PLATE C SPLASH GUARD	1	
**	80151	80151-LEA5-E00	COVER CENTER	COVER CENTER	1	
	81202	81202-KKC4-900	UNBRELLALIKE CLASP	UNBRELLALIKE CLASP	4	
**	81205	81205-LEA5-E00	BAR-RR CARRIER	BAR-RR CARRIER	1	
**	8120A	8120A-LEA5-E00	CARRIER ASSY RR	CARRIER ASSY RR	1	
	81251	81251-LAB4-900	LID CARB MAINT	LID CARB MAINT	1	
**	81253	81253-LEA5-E00	COVER BATTERY LUGGAGE	COVER BATTERY LUGGAGE	1	
	81260	81260-LEA6-E00	BOX ASSY LUGGAGE	BOX ASSY LUGGAGE	1	
**	83500	83500-LEA5-E00	COVER R BODY	COVER R BODY	1	
**	83600	83600-LEA5-E00	COVER L BODY	COVER L BODY	1	
**	83751	83751-LEA5-E00	MOLDING RR CENTER	MOLDING RR CENTER	1	
**	8375A	8375A-LEA5-E00	COVER RR CENTER	COVER RR CENTER	1	
	90105	90105-KFC2-900	BOLT WASH 8*32	BOLT WASH 8*32	1	
#	90106	90106-KFC2-900	BOLT WASH 8MM	BOLT WASH 8MM	2	
	90110	90110-KED9-900	SCREW PAN 6*18	SCREW PAN 6*18	2	
	90112	90112-KNBN-901	BOLT FLANGE 6MM	BOLT FLANGE 6MM	2	
	90302	90302-SDA4-004	NUT SPRING 4MM	NUT SPRING 4MM	13	

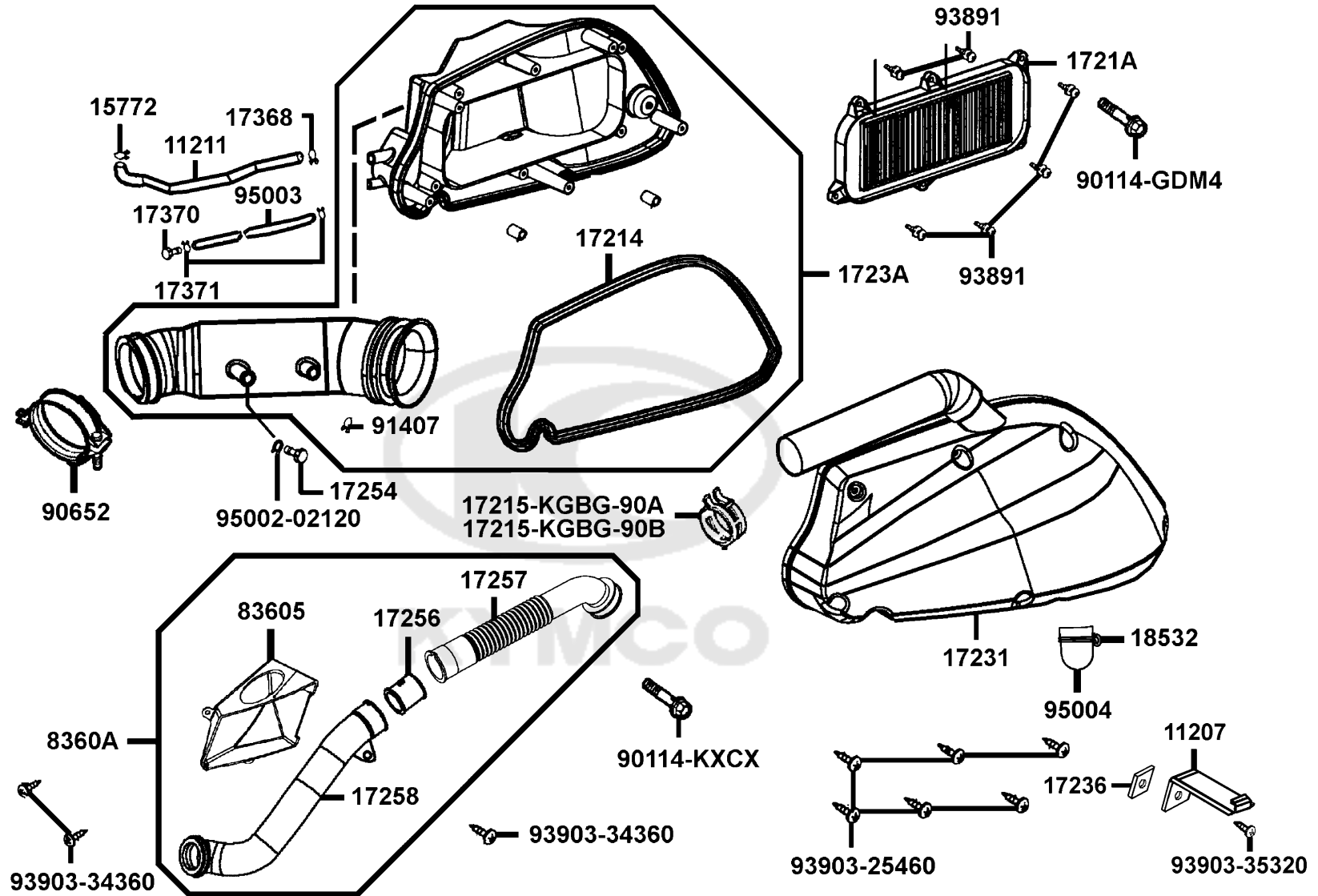




Sales mark	Ref no	Part no	Description	Reg description	Regd no	<b>F12</b>
90305		90305-GHK8-001	NUT CLIP 6MM	NUT CLIP 6MM	1	
90381		90381-GEZ5-001	SCREW SPECIAL 6*17	SCREW SPECIAL 6*17	1	
93404		93404-06016-06	BOLT WASHER 6*16	BOLT WASHER 6*16	2	
93903-24320		93903-24320	SCREW TAPPING 4*12	SCREW TAPPING 4*12	4	
93903-34360		93903-34360	SCREW TAPPING 4*12	SCREW TAPPING 4*12	4	
93903-GFY6		93903-GFY6-900	SCREW TAPPING 4*14	SCREW TAPPING 4*14	5	
95701		95701-08012-06	BOLT FLANGE 8*12	BOLT FLANGE 8*12	1	
						

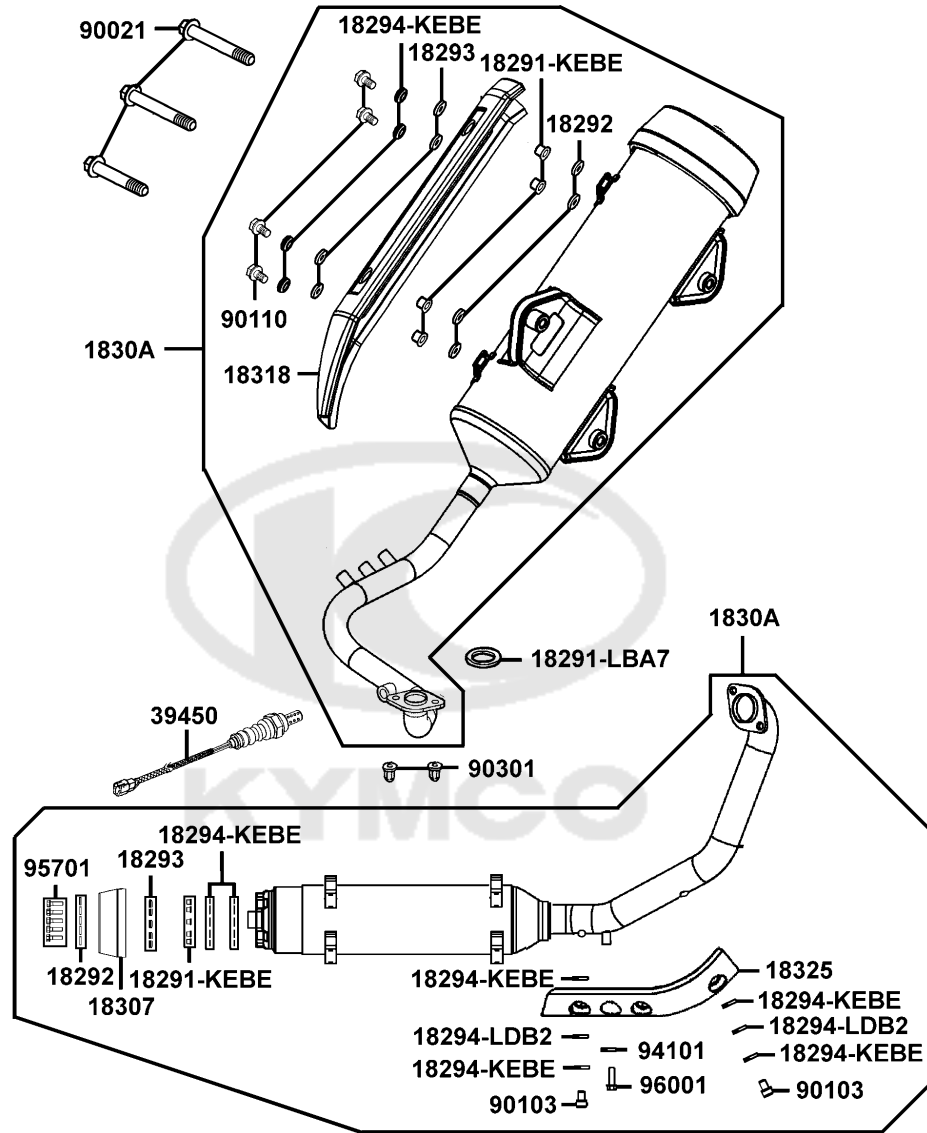


Sales mark	Ref no	Part no	Description	Reg description	Regd no	<b>F13</b>
11207		11207-LEA5-E00	STAY RR FENDER	STAY RR FENDER	1	
11211		11211-LEA5-E00	TUBE MISSION BREATHER	TUBE MISSION BREATHER	1	
15772		15772-5L00-013	CLIP B14.5 TUBE	CLIP B14.5 TUBE	1	
17214		17214-KKC3-900	SEAL AIR/C COVER	SEAL AIR/C COVER	1	
17215-KGBG-90A		17215-KGBG-90A	CLIP ASSY A/C DUCT	CLIP ASSY A/C DUCT	1	
17215-KGBG-90B		17215-KGBG-90B	CLIP ASSY AIR/C DUCT	CLIP ASSY AIR/C DUCT	1	
1721A		1721A-KKC3-900	ELEMENT ASSY AIR/C	ELEMENT ASSY AIR/C	1	
17231		17231-KKC3-900	COVER COMP AIR/C	COVER COMP AIR/C	1	
17236		17236-LEA5-900	BRACKET NUT	BRACKET NUT	1	
1723A		1723A-LEA6-900	CASE ASSY AIR/C	CASE ASSY AIR/C	1	
17254		17254-KACA-P00	JOINT PURGE TUBE	PLUG AIR/C CONN TUBE	1	
17256		17256-KKC4-900	JOINT AIR/C	JOINT AIR/C	1	
17257		17257-LEA5-E00	DUCT AIR/C COVER	DUCT AIR/C COVER	1	
17258		17258-LEA5-E00	DUCT AIR/C CHAMPER	DUCT AIR/C CHAMPER	1	
17368		17368-KDB4-670	CLIP B 14.5 TUBE	CLIP B 14.5 TUBE	1	
17370		17370-4K19-701	PLUG BREATHER TUBE	PLUG BREATHER TUBE	1	
17371		17371-1D74-671	CLIP BREATHER TUBE	PLUG BREATHER TUBE	2	
18532		18532-LEA6-E00	CLIP AIR HOSE 25.4	CLIP AIR HOSE 25.4	1	
83605		83605-LEA5-E00	CHAMPER AIR/C	CHAMPER AIR/C	1	
8360A		8360A-LEA5-E00	CHAMBER ASSY AIR/C	CHAMBER ASSY AIR/C	1	

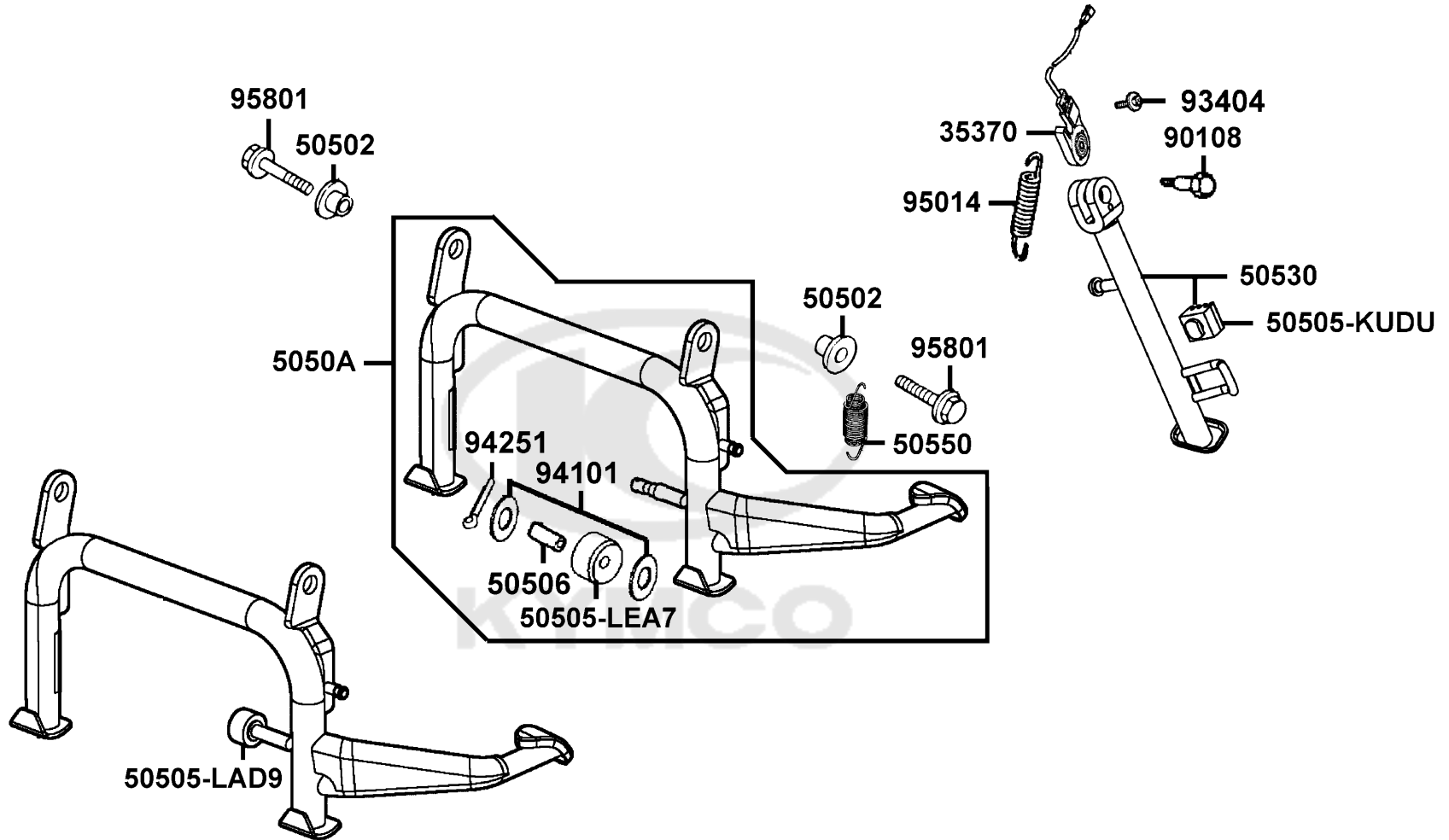


Sales mark	Ref no	Part no	Description	Reg description	Regd no	<b>F13</b>
90114-GDM4		90114-GDM4-011	BOLT FLANGE SH 6*28	BOLT FLANGE SH 6*28	1	
90114-KXCX		90114-KXCX-900	BOLT FLANGE SH 5*20	BOLT FLANGE SH 5*20	1	
90652		90652-GFY6-901	BAND 49 AIR/C CONNECTING TUBE	BAND 49 AIR/C CONNECTING TUBE	1	
91407		91407-SGA7-004	CLAMP 17 FUSE HOSE	CLAMP 17 FUSE HOSE	1	
93891		93891-05016-08	SCREW WASHER 5*16	SCREW WASHER 5*16	6	
93903-25460		93903-25460	SCREW TAPPING 4*12	SCREW TAPPING 4*12	6	
93903-34360		93903-34360	SCREW TAPPING 4*12	SCREW TAPPING 4*12	3	
93903-35320		93903-35320	SCREW TAPPING 5*16	SCREW TAPPING 5*16	1	
95002-02120		95002-02120	CLIP B12 TUBE	CLIP B12 TUBE	1	
95003		95003-23031-60	V TUBE 8*12*310	V TUBE 8*12*310	1	
95004		95004-LEA6-E00	TUBE DRAIN	TUBE DRAIN	1	

Exhaust Muffler

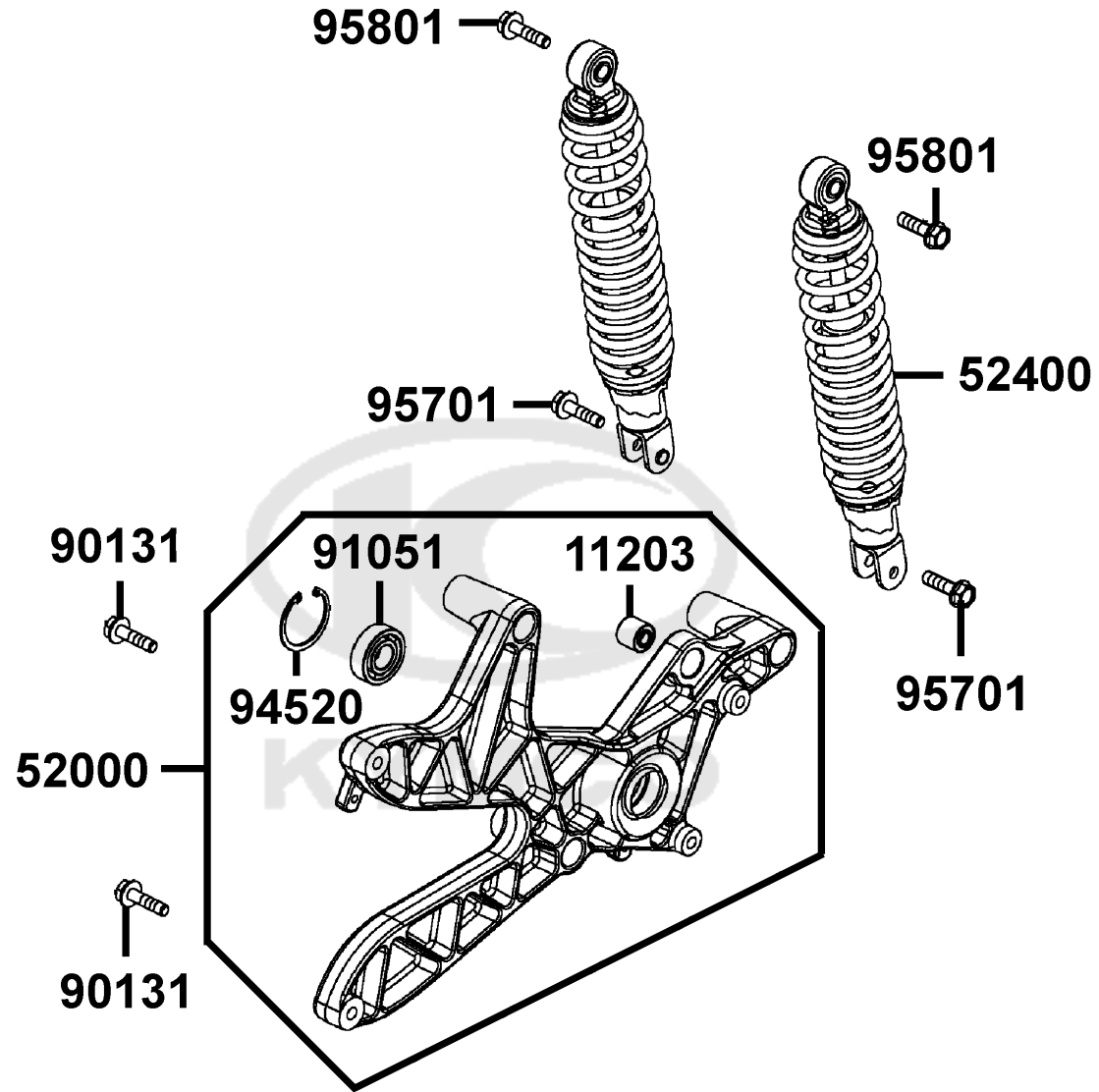


Sales mark	Ref no	Part no	Description	Reg description	Regd no	F14
	18291-KEBE	18291-KEBE-900	COLLAR	COLLAR	9	
	18291-LBA7	18291-LBA7-900	GASKET EXH PIPE	GASKET EXH PIPE	1	
	18292	18292-KEBE-900	PACKING PROTECTOR	PACKING PROTECTOR	9	
	18293	18293-KEBE-900	RUBBER PKG PROTR	RUBBER PKG PROTR	9	
	18294-KEBE	18294-KEBE-900	PACKING PROTECTOR	PACKING PROTECTOR	18	
	18294-LDB2	18294-LDB2-900	PACKING INNER PROTECTOR	PACKING INNER PROTECTOR	2	
**	18307	18307-LDB2-E00	TAIL CAP MUFFLER	TAIL CAP MUFFLER	1	
**	1830A	1830A-LEA6-E01	MUFFLER ASSY	MUFFLER ASSY	1	
**	18318	18318-LEA5-E00	PROTECTOR MUFFLER	PROTECTOR MUFFLER	1	
	18325	18325-LEA5-E00	PROTECTOR EXH PIPE	PROTECTOR EXH PIPE	1	
	39450	39450-LEA6-800	O2 SENSOR	O2 SENSOR	1	
	90021	90021-GFY6-900	BOLT WASHER COMP	BOLT WASHER COMP	3	
	90103	90103-LEA5-E00	SCREW WASHER SPECIAL 6*16	SCREW WASHER SPECIAL 6*16	2	
	90110	90110-KEBE-900	SCREW SPECIAL 6*22	SCREW SPECIAL 6*22	4	
	90301	90301-GFY6-901	NUT (HEX) CAP 8MM	NUT (HEX) CAP 8MM	2	
	94101	94101-06700	WASHER PLAIN 6MM	WASHER PLAIN 6MM	1	
	95701	95701-06022-06	BOLT FLANGE 6*22	BOLT FLANGE 6*22	5	
	96001	96001-06008-07	BOLT FLANGE SH 6*8	BOLT FLANGE SH 6*8 (K)	1	





Sales mark	Ref no	Part no	Description	Reg description	Regd no	F15
	35370	35370-KEC8-E00	SW UNIT SIDE STAND	SW UNIT SIDE STAND	1	
	50502	50502-GFY6-901	COLLAR MAIN STAND	COLLAR MAIN STAND	2	
	50505-KUDU	50505-KUDU-900	STOPPER RUBBER	STOPPER RUBBER	1	
#	50505-LAD9	50505-LAD9-900	STOPPER RUBBER	STOPPER RUBBER	1	
#	50505-LEA7	50505-LEA7-E00	STOPPER RUBBER	STOPPER RUBBER	1	
	50506	50506-KHE7-E00	COLLAR STOPPER RUBBER	COLLAR STOPPER RUBBER	1	
	5050A	5050A-LEA5-E00	STAND ASSY MAIN	STAND ASSY MAIN	1	
	50530	50530-LEA5-E00	BAR SIDE STAND	BAR SIDE STAND	1	
	50550	50550-KEB7-E00	SPG ASSY MAIN STAND	SPG ASSY MAIN STAND	1	
	90108	90108-KKC4-900	SCREW SIDE STAND PIVOT	SCREW SIDE STAND PIVOT	1	
	93404	93404-06016-06	BOLT WASHER 6*16	BOLT WASHER 6*16	1	
	94101	94101-08700	WASHER PLAIN 8MM	WASHER PLAIN 8MM	2	
	94251	94251-08400	PIN LOCK 8MM	PIN LOCK 8MM	1	
	95014	95014-72204	SPG B1 SIDE STAND	SPG B1 SIDE STAND	1	
	95801	95801-10025-08	BOLT FLANGE 10*25	BOLT FLANGE 10*25 (C)	2	

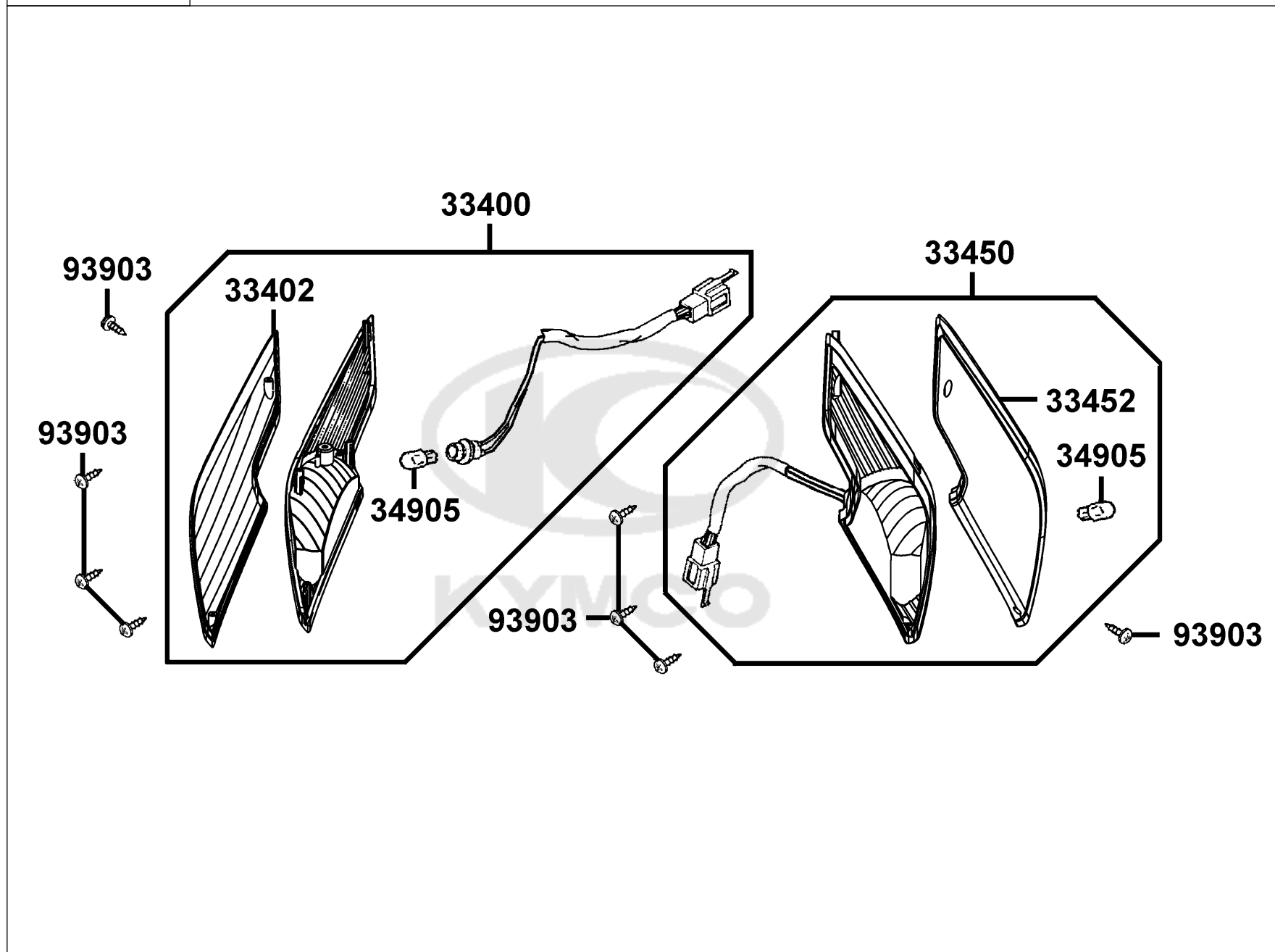


Sales mark	Ref no	Part no	Description	Reg description	Regd no	F16
	11203	11203-GGC7-301	UNDER RUBBER BUSH REAR CUSHION	UNDER RUBBER BUSH REAR CUSHION	1	
**	52000	52000-LEA5-E00	FORK ASSY REAR	FORK ASSY REAR	1	
**	52400	52400-LEA5-E00	CUSHION ASSY R RR	CUSHION ASSY R RR	2	
	90131	90131-KFAF-900	BOLT FLANGE 8*42	BOLT FLANGE 8*42	2	
	91051	91051-KFBF-901	BRG BALL RAKIAL 6203LLU	BRG BALL RAKIAL 6203LLU	1	
	94520	94520-40000	CIR CLIP IN 40	CIR CLIP IN 40	1	
	95701	95701-08030-08	BOLT FLANGE 8*30	BOLT FLANGE 8*30 (C)	2	
	95801	95801-10035-08	BOLT FLANGE 10*35	BOLT FLANGE10*35	2	



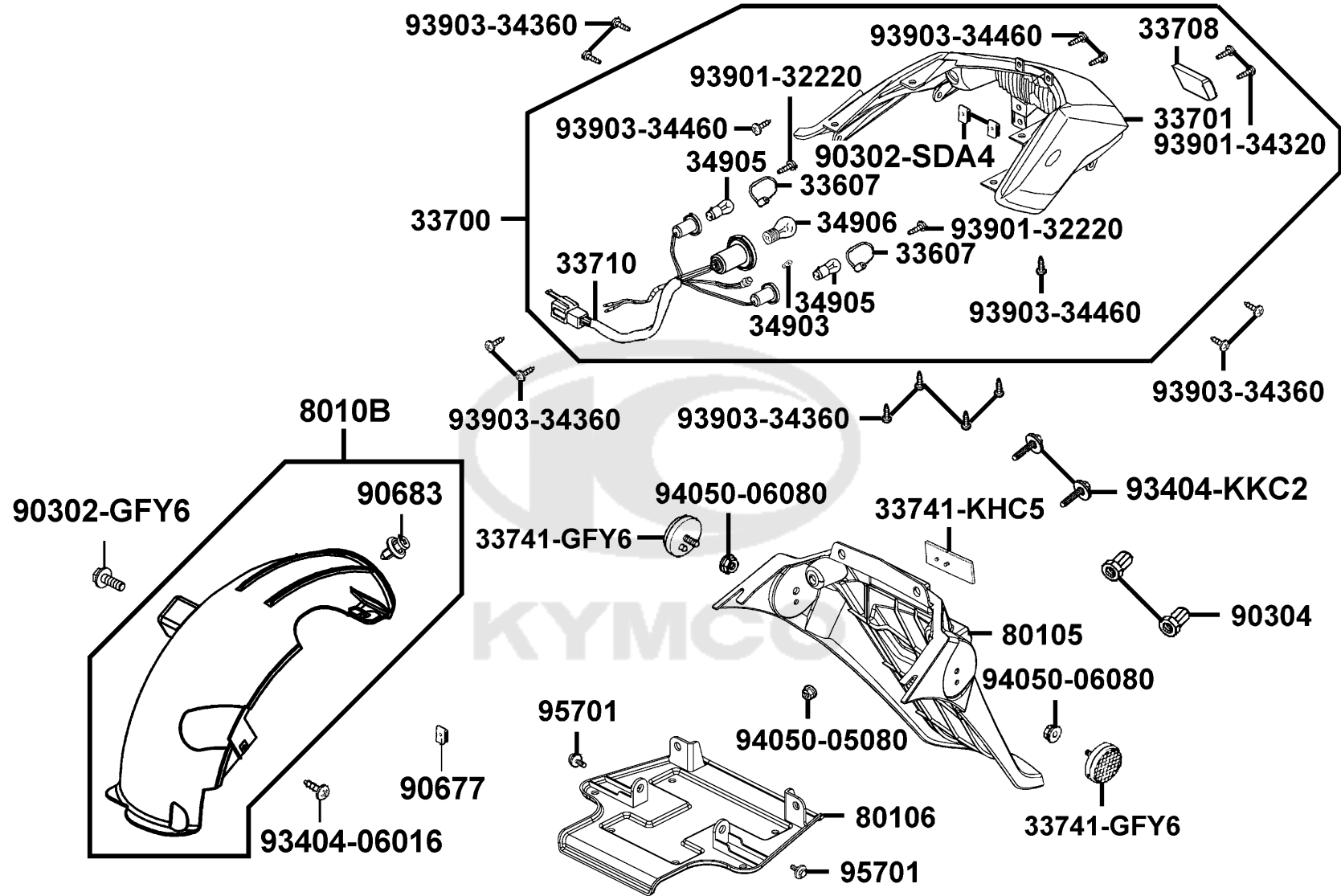
F17

Front Winker

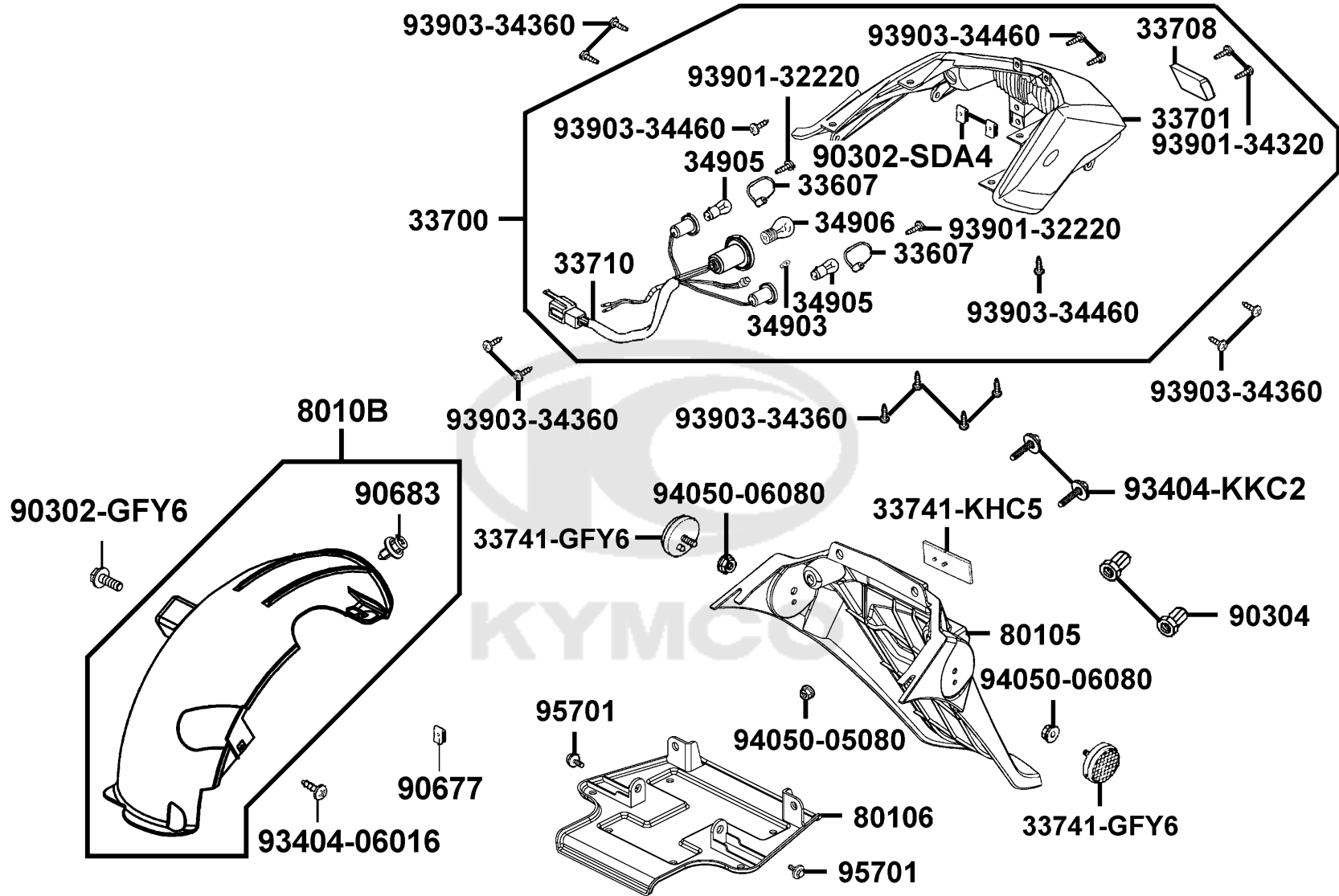


Sales mark	Ref no	Part no	Description	Reg description	Regd no	F17
	33400	33400-LEA5-E00	WINKER ASSY R FR	WINKER ASSY R FR	1	
	33402	33402-LEA5-E00	LENS FR WINKER R	LENS FR WINKER R	1	
	33450	33450-LEA5-E00	WINKER ASSY L FR	WINKER ASSY L FR	1	
	33452	33452-LEA5-E00	LENS L FR WINKER	LENS L FR WINKER	1	
	34905	34905-LBA7-E00	BULB WINKER 12V10W	BULB WINKER 12V10W	2	
	93903	93903-34360	SCREW TAPPING 4*12	SCREW TAPPING 4*12	8	




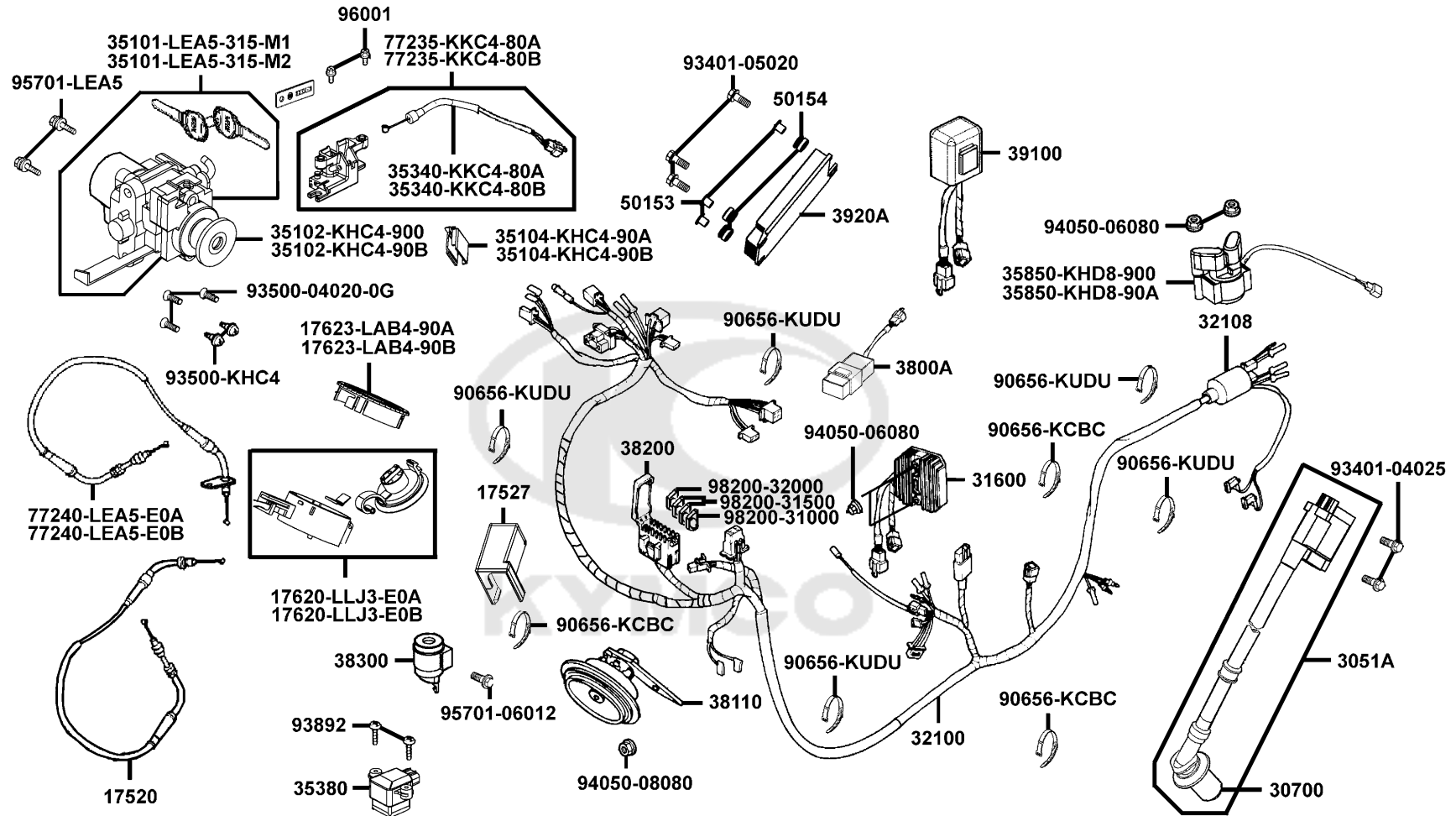


Sales mark	Ref no	Part no	Description	Reg description	Regd no	F18
	33607	33607-KKD7-E00	INNER LENS WINKER	INNER LENS WINKER	2	
	33700	33700-LEA5-E00	LIGHT ASSY RR COMB	LIGHT ASSY RR COMB	1	
	33701	33701-LEA5-E00	LENS COMP TAIL LIGHT	LENS COMP TAIL LIGHT	1	
	33708	33708-KHE7-E00	LENS LICENSE	LENS LICENSE	1	
	33710	33710-LEA5-E00	SOCKET COMP RR COMB	SOCKET COMP RR COMB	1	
	33741-GFY6	33741-GFY6-C30	REFLEX REFLECTOR	REFLEX REFLECTOR	2	
	33741-KHC5	33741-KHC5-M00	REFLEX REFLECTOR	REFLEX REFLECTOR	1	
	34903	34903-KPCP-900	BULB POSITION	BULB POSITION	1	
	34905	34905-KPCP-900	BULB WINKER	BULB WINKER	2	
	34906	34906-KPCP-900	BULB TAIL & STOP 12V21W/5W	BULB TAIL & STOP 12V21W/5W	1	
**	80105	80105-LEA5-E00	FENDER RR	FENDER RR	1	
**	80106	80106-LEA5-E00	FENDER RR INNER	FENDER RR INNER	1	
#	8010B	8010B-LEA5-E00	"FENDER ASSY.,RR TIRE"	"FENDER ASSY.,RR TIRE"	1	
	90302-GFY6	90302-GFY6-940	BOLT-WASH 5*16	BOLT-WASH 5*16	1	
	90302-SDA4	90302-SDA4-004	NUT SPRING 4MM	NUT SPRING 4MM	2	
	90304	90304-4H38-001	NUT HEX CAP 6MM	NUT SPECIAL 6MM	2	
	90677	90677-GAR1-004	NUT CLIP 5MM	NUT CLIP 5MM	1	
	90683	90683-GAR1-004	CLIP BODY COVER	CLIP BODY COVER	1	
	93404-06016	93404-06016-06	BOLT WASHER 6*16	BOLT WASHER 6*16	1	
	93404-KKC2	93404-KKC2-900	BOLT WASH 6*16	BOLT WASH 6*16	2	

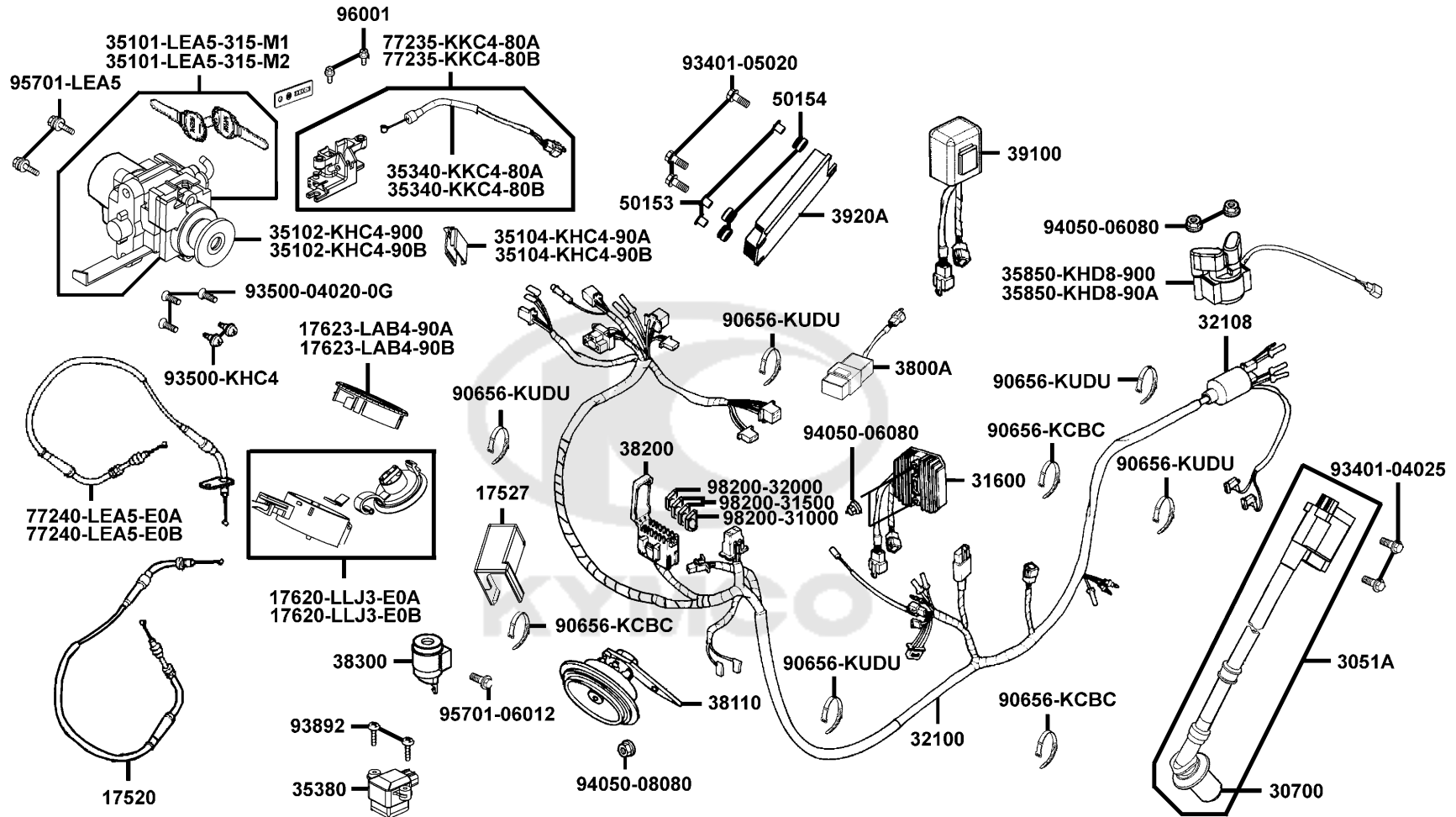




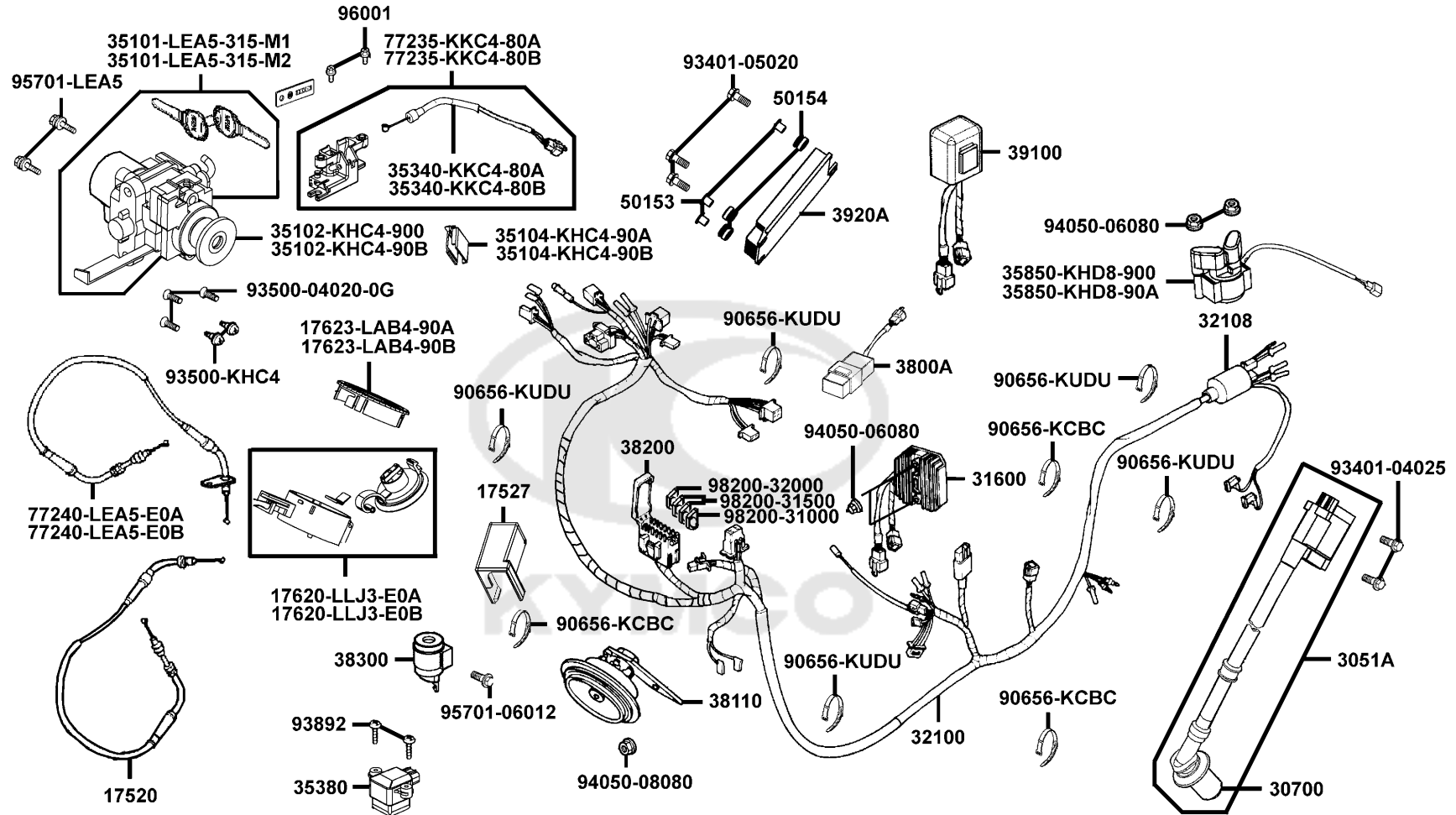
Sales mark	Ref no	Part no	Description	Reg description	Regd no	<b>F18</b>
	93901-32220	93901-32220	SCREW TAPPING 3*10	SCREW TAPPING 3*10	2	
	93901-34320	93901-34320	SCREW TAPPING 4*12	SCREW TAPPING 4*12	2	
	93903-34360	93903-34360	SCREW TAPPING 4*12	SCREW TAPPING 4*12	10	
	93903-34460	93903-34460	SCREW TAPPING 4*16	SCREW TAPPING 4*16	4	
	94050-05080	94050-05080	NUT FLANGE 5MM	NUT FLANGE 5MM	1	
	94050-06080	94050-06080	NUT FLANGE 6MM	NUT FLANGE 6MM	2	
	95701	95701-06012-08	BOLT FLANGE 6*12	BOLT FLANGE 6*12	2	
						



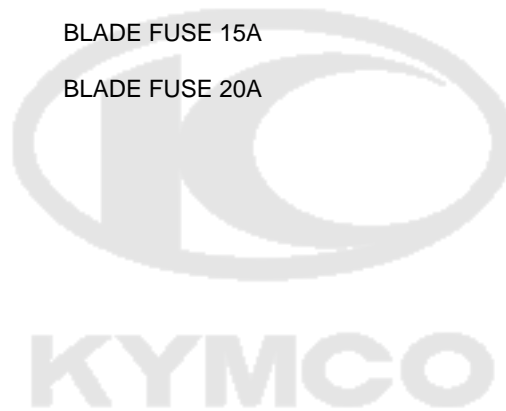
Sales mark	Ref no	Part no	Description	Reg description	Regd no	F19
	17520	17520-LEA5-E0A	CABLE COMP FUEL CAP	CABLE COMP FUEL CAP	1	
	17527	17527-LBA2-900	SLIDE COVER FUEL CAP	SLIDE COVER FUEL CAP	1	
**	17620-LLJ3-E0A	17620-LLJ3-E0A	CAP COMP FUEL FILLER	CAP COMP FUEL FILLER	1	
**	17620-LLJ3-E0B	17620-LLJ3-E0B	CAP COMP FUEL FILLER	CAP COMP FUEL FILLER	1	
	17623-LAB4-90A	17623-LAB4-90A	COLLAR FUEL CAP	COLLAR FUEL CAP	1	
	17623-LAB4-90B	17623-LAB4-90B	COLLAR FUEL CAP	COLLAR FUEL CAP	1	
	3051A	3051A-LEA6-900	COIL COMP IGN	COIL COMP IGN	1	
	30700	30700-LEA6-900	CAP ASSY NOISE SUPPRESSOR	CAP ASSY NOISE SUPPRESSOR	1	
#	31600	31600-LDG7-900	REG REC COMP	REG REC COMP	1	
	32100	32100-LEA6-900	HARNESS WIRE	HARNESS WIRE	1	
	32108	32108-GFY6-901	COVER HARNESS WIRE	COVER HARNESS WIRE	1	
	35101-LEA5-315-M1	35101-LEA5-315-M1	SW SET COMB & LOCK	SW SET COMB & LOCK	1	
	35101-LEA5-315-M2	35101-LEA5-315-M2	SW SET COMB & LOCK	SW SET COMB & LOCK	1	
	35102-KHC4-900	35102-KHC4-900	COLLAR MAIN SWITCH	COLLAR MAIN SWITCH	1	
	35102-KHC4-90B	35102-KHC4-90B	COLLAR MAIN SW	COLLAR MAIN SW	1	
	35104-KHC4-90A	35104-KHC4-90A	PLATE COVER FUEL CAP CABLE	PLATE COVER FUEL CAP CABLE	1	
	35104-KHC4-90B	35104-KHC4-90B	PLATE COVER FUEL CAP CABLE	PLATE COVER FUEL CAP CABLE	1	
	35340-KKC4-80A	35340-KKC4-80A	STOP SWITCH	STOP SWITCH	1	
	35340-KKC4-80B	35340-KKC4-80B	STOP SWITCH	STOP SWITCH	1	
	35380	35380-KKE3-900	SENSOR ANGLE DETECT	SENSOR ANGLE DETECT	1	



Sales mark	Ref no	Part no	Description	Reg description	Regd no	F19
	35850-KHD8-900	35850-KHD8-900	SET START MAG	SET START MAG	1	
	35850-KHD8-90A	35850-KHD8-90A	SET START MAG	SET START MAG	1	
	3800A	3800A-KKC4-900	UNIT ASSY ENG STOP	UNIT ASSY ENG STOP	1	
	38110	38110-LEA5-E00	HORN COMP	HORN COMP	1	
	38200	38200-KHE7-900	BOX COMP FUSE	BOX COMP FUSE	1	
	38300-LEA5-E0A	38300-LEA5-E0A	RELAY ASSY WINKER	RELAY ASSY WINKER	1	
	39100	39100-KHD8-900	EMI FILTER MOTOR	EMI FILTER MOTOR	1	
	3920A	3920A-LEA6-800	ASSY ECU	ASSY ECU	1	
	50153	50153-KKE3-900	RUBBER ECU	RUBBER ECU	1	
	50154	50154-KKE3-900	COLLAR ECU	COLLAR ECU	3	
	77235-KKC4-80A	77235-KKC4-80A	SEAT CATCH	SEAT CATCH	1	
	77235-KKC4-80B	77235-KKC4-80B	SEAT CATCH	SEAT CATCH	1	
	77240-LEA5-E0A	77240-LEA5-E0A	CABLE COMP SEAT LOCK	CABLE COMP SEAT LOCK	1	
	77240-LEA5-E0B	77240-LEA5-E0B	CABLE COMP SEAT LOCK	CABLE COMP SEAT LOCK	1	
	90656-KCBC	90656-KCBC-900	BAND OIL HOSE	BAND OIL HOSE	3	
**	90656-KUDU	90656-KUDU-900	BAND HARNESS WIRE	BAND HARNESS WIRE	5	
	93401-04025	93401-04025-08	BOLT WASHER 4*25	BOLT WASHER 4*25	2	
	93401-05020	93401-05020-08	BOLT WASHER 5*20	BOLT WASHER 5*20	3	
	93500-04020	93500-04020-0G	SCREW PAN 4*20	SCREW PAN 4*20	3	
	93500-KHC4	93500-KHC4-90A	SCREW PAN 5*10	SCREW PAN 5*10	2	

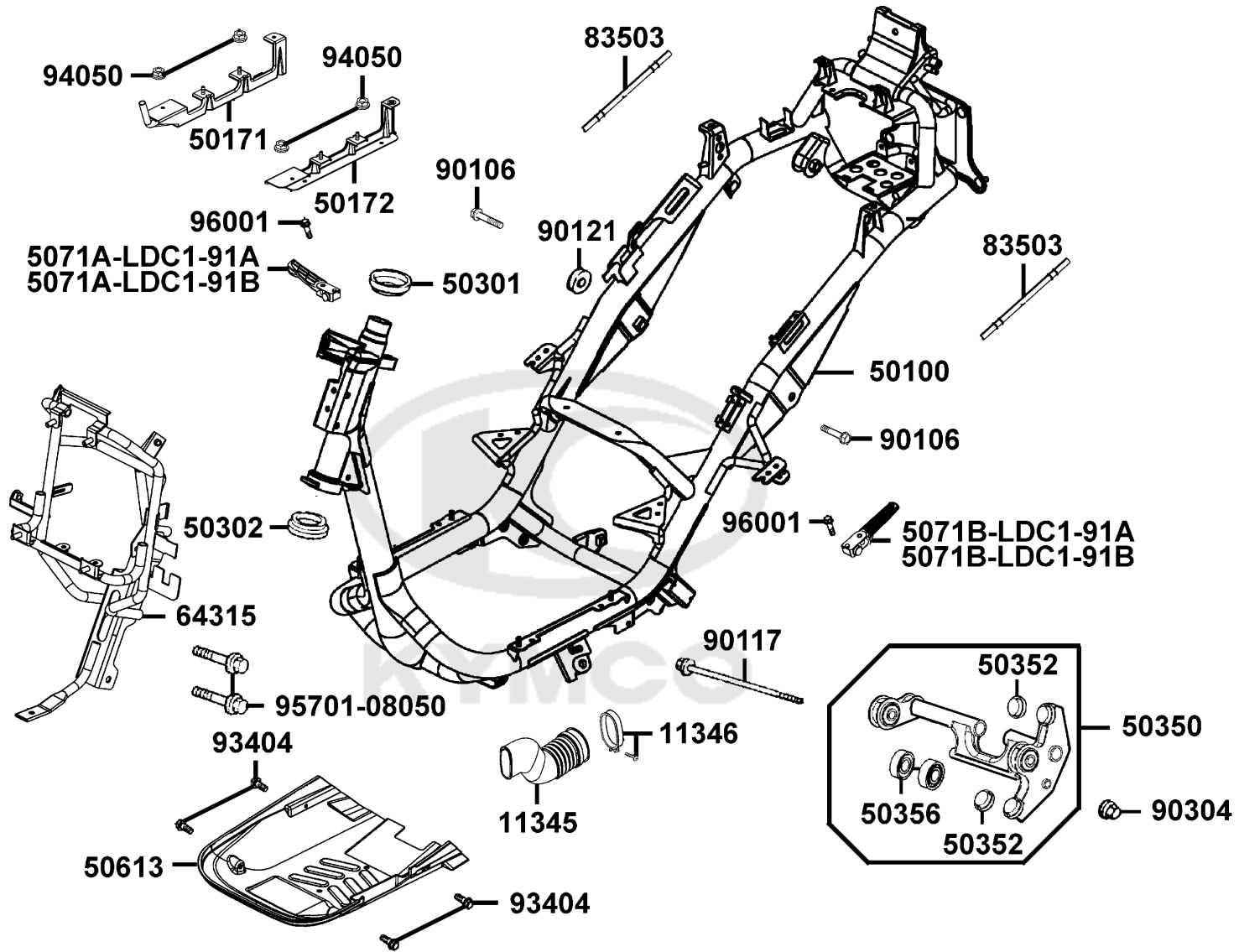


Sales mark	Ref no	Part no	Description	Reg description	Regd no	<b>F19</b>
	93892	93892-04022-08	SCREW WASHER 4*22	SCREW WASHER 4*22	2	
	94050-06080	94050-06080	NUT FLANGE 6MM	NUT FLANGE 6MM	4	
	94050-08080	94050-08080	NUT FLANGE 8MM	NUT FLANGE 8MM	1	
	95701-06012	95701-06012-08	BOLT FLANGE 6*12	BOLT FLANGE 6*12	2	
	95701-LEA5	95701-LEA5-E00	BOLT TORQUE 8*25	BOLT TORQUE 8*25	2	
	96001	96001-06014-08	BOLT FLANGE 6*14	BOLT FLANGE 6*14	2	
	98200-31000	98200-31000	BLADE FUSE 10A	BLADE FUSE 10A	1	
	98200-31500	98200-31500	BLADE FUSE 15A	BLADE FUSE 15A	2	
	98200-32000	98200-32000	BLADE FUSE 20A	BLADE FUSE 20A	1	



F20

Frame Body

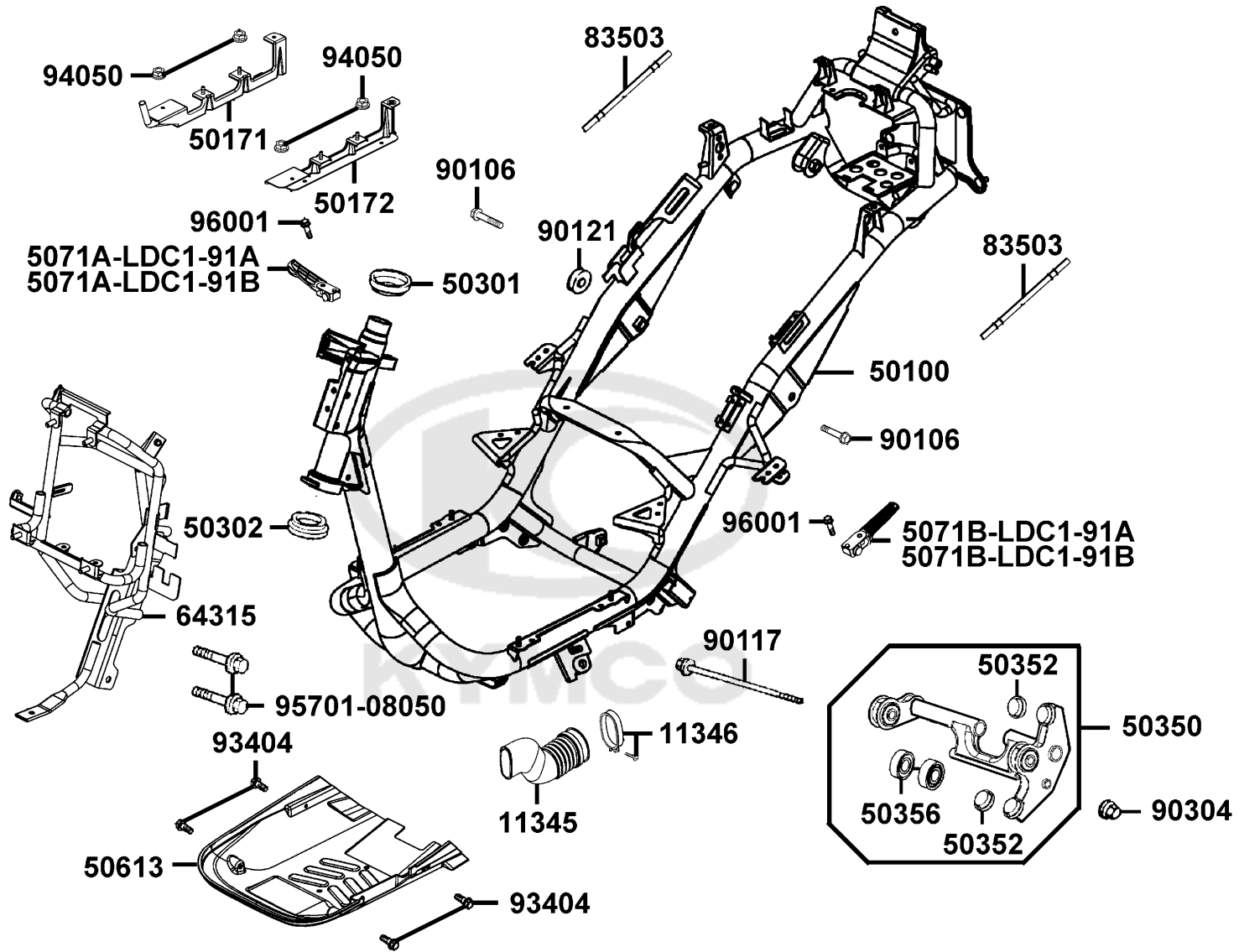




Sales mark	Ref no	Part no	Description	Reg description	Regd no	F20
	11345	11345-LEA5-E00	DUCT L COVER	DUCT L COVER	1	
	11346	11346-KKC3-900	BAND L COVER DUCT	BAND L COVER DUCT	1	
	50100	50100-LEA6-E00	BODY COMP FRAME	BODY COMP FRAME	1	
	50171	50171-LEA5-E00	BRKT COMP R PANEL	BRKT COMP R PANEL	1	
	50172	50172-LEA5-E00	BRKT COMP L PANEL	BRKT COMP L PANEL	1	
	50301	50301-KGN7-671	RACE UP STRG BALL	RACE UP STRG BALL	1	
	50302	50302-2H68-011	RACE STRG BOT BALL	RACE (STRG BOT) BALL	1	
	50350	50350-LEA5-B20	ENG HANGER COMP	ENG HANGER COMP	1	
	50352	50352-GFY6-901	RUBBER STOPPER	RUBBER STOPPER	2	
	50356	50356-KHE7-E00	BUSH SWING LOCK	BUSH SWING LOCK	2	
**	50613	50613-LEA5-E00	COVER UNDER	COVER UNDER	1	
	5071A-LDC1-91A	5071A-LDC1-91A	BAR STEP R ASSY	BAR STEP R ASSY	1	
	5071A-LDC1-91B	5071A-LDC1-91B	BAR STEP R ASSY	BAR STEP R ASSY	1	
	5071B-LDC1-91A	5071B-LDC1-91A	BAR STEP L ASSY	BAR STEP L ASSY	1	
	5071B-LDC1-91B	5071B-LDC1-91B	BAR STEP L ASSY	BAR STEP L ASSY	1	
	64315	64315-LEA6-E00	STAY FR COVER	STAY FR COVER	1	
**	83503	83503-KHD6-900	COVER PROTECT SEAT WIRE FR	COVER PROTECT SEAT WIRE FR	2	
	90106	90106-KHE7-E00	BOLT FLANGE 12*59	BOLT FLANGE 12*59	2	
	90117	90117-KED9-900	BOLT FLANGE 10*265	BOLT FLANGE 10*265	1	
	90121	90121-KHE7-E00	COLLAR DISTANCE	COLLAR DISTANCE	1	

F20

Frame Body

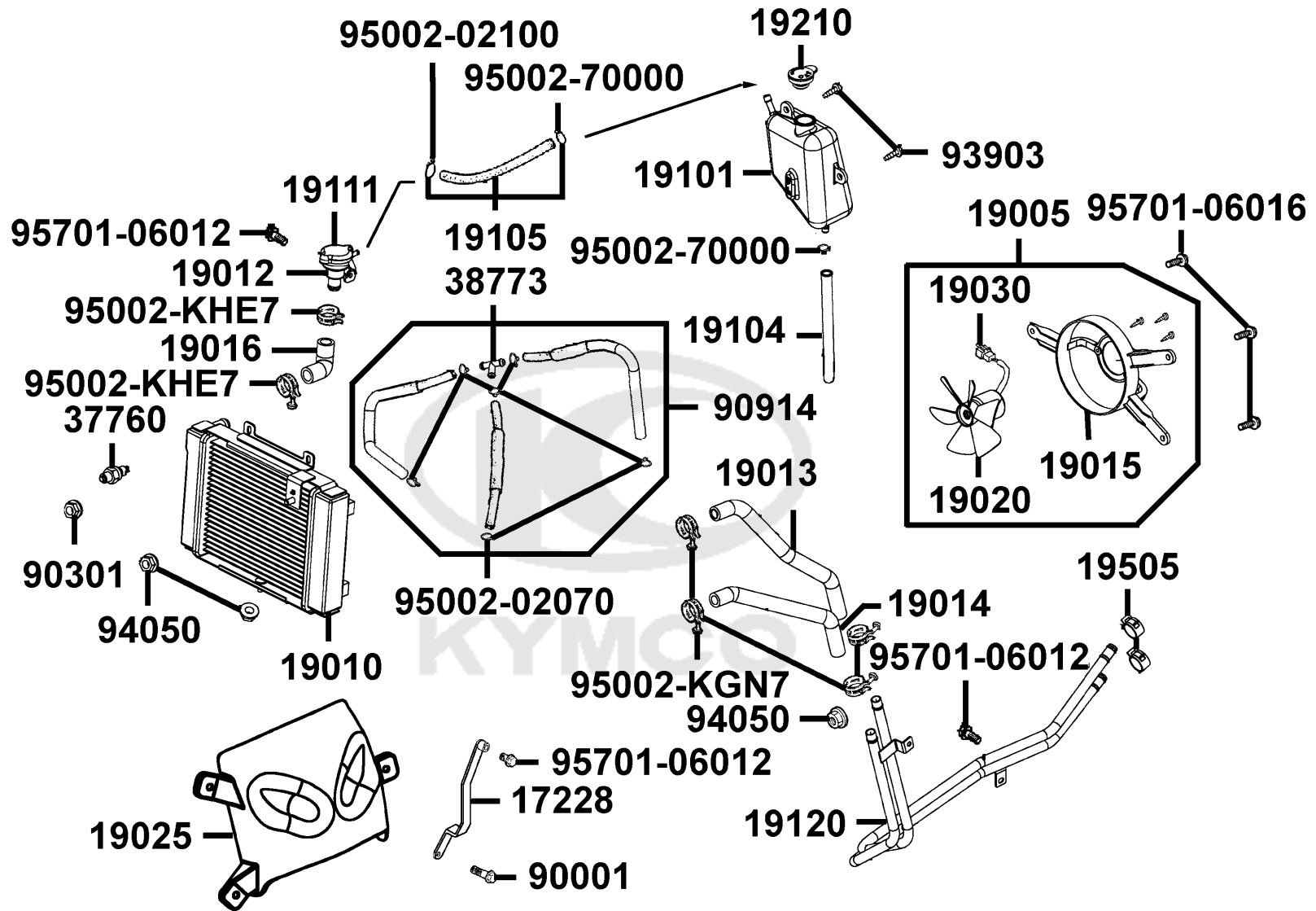


Sales mark	Ref no	Part no	Description	Reg description	Regd no	<b>F20</b>
90304		90304-GHE8-004-SY	NUT U 10MM	NUT U 10MM	1	
93404		93404-KKC2-900	BOLT WASH 6*16	BOLT WASH 6*16	4	
94050		94050-06080	NUT FLANGE 6MM	NUT FLANGE 6MM	4	
95701		95701-08050-08	BOLT FLANGE 8*50	BOLT FLANGE 8*50 (K)	2	
96001		96001-06032-06	BOLT FLANGE 6*32	BOLT FLANGE 6*32	2	

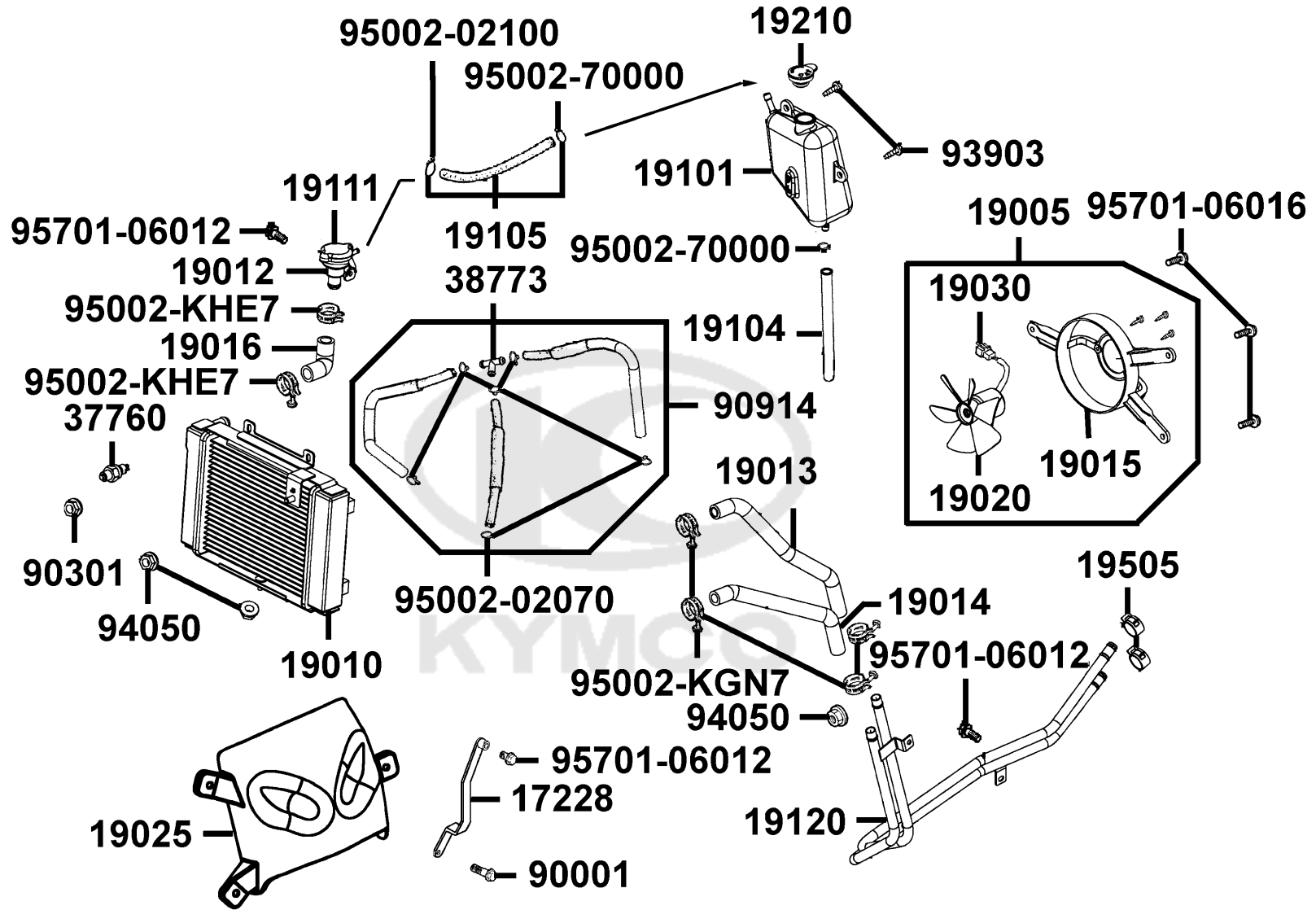


F21

Radiator



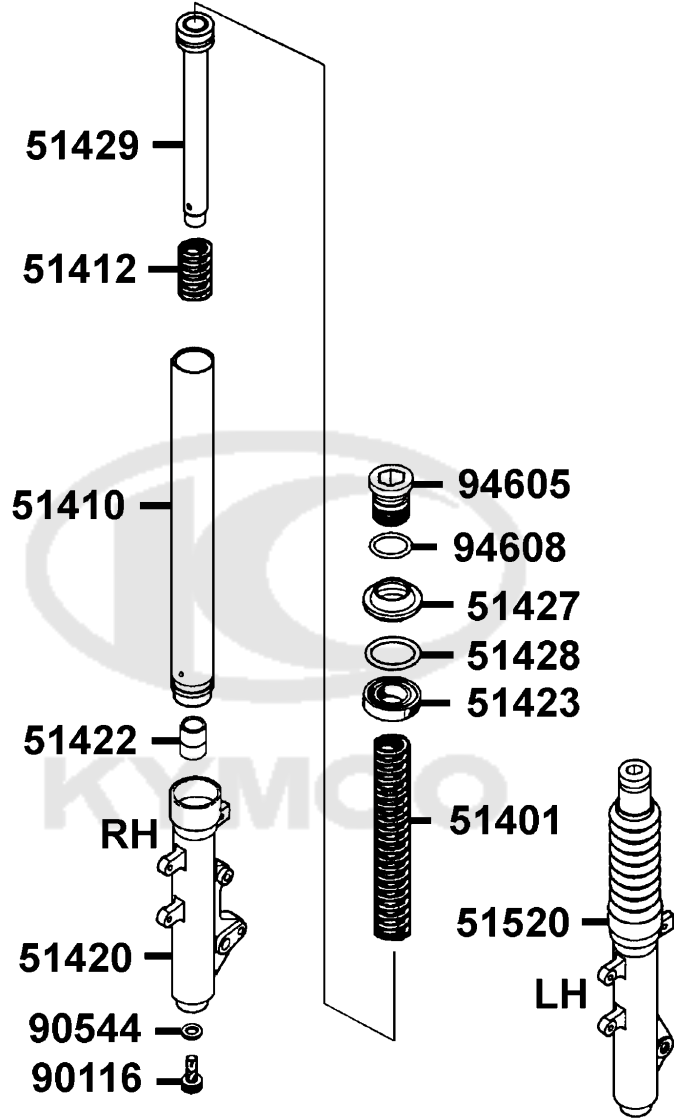
Sales mark	Ref no	Part no	Description	Reg description	Regd no	F21
17228		17228-KKC3-900	STAY A/C	STAY A/C	1	
19005		19005-KKC4-900	SHROUD ASSY	SHROUD ASSY	1	
19010		19010-LEA6-E00	RADIATOR COMP	RADIATOR COMP	1	
19012		19012-KHD8-900	UNIT RADIATOR	UNIT RADIATOR	1	
19013		19013-LEA6-E00	HOSE WATER INLET	HOSE WATER INLET	1	
19014		19014-LEA6-E00	HOSE WATER OUT	HOSE WATER OUT	1	
19015		19015-KKC4-900	SHROUD COMP	SHROUD COMP	1	
19016		19016-LEA6-E00	HOSE WATER-UNIT CAP	HOSE WATER-UNIT CAP	1	
19020		19020-KED9-900	FAN COOLING	FAN COOLING	1	
19025		19025-LEA6-E00	COVER RADIATOR	COVER RADIATOR	1	
19030		19030-KHD8-900	MOTOR ASSY FAN	MOTOR ASSY FAN	1	
19101		19101-LEA5-E00	TANK RESERVE	TANK RESERVE	1	
19104		19104-LBA2-E00	HOSE ASSY DRAIN	HOSE ASSY DRAIN	1	
19105		19105-LBA2-E00	HOSE ASSY RESERVE-COOLER	HOSE ASSY RESERVE-COOLER	1	
19111		19111-GBE2-004	CAP COMP	CAP COMP	1	
19120		19120-LEA5-E00	PIPE COMP WATER	PIPE COMP WATER	1	
19210		19210-KKC4-900	CAP RESERVE TANK	CAP RESERVE TANK	1	
19505		19505-GFY6-940	CLAMP A WATER HOSE	CLAMP A WATER HOSE	2	
37760		37760-KHD8-900	SW ASSY THERMO	SW ASSY THERMO	1	
38773		38773-PKB9-001	JOINT 3 WAY 3.5	JOINT 3 WAY 3.5	1	



Sales mark	Ref no	Part no	Description	Reg description	Regd no	F21
90001		90001-GBHB-661	BOLT FLANGE SH 6*22	BOLT FLANGE SH 6*22	1	
90301		90301-6D34-671	NUT FLANGE 6MM	NUT FLANGE 6MM	1	
90914		90914-LEA6-E00	TUBE ASSY WATER	TUBE ASSY WATER	1	
93903		93903-35220	SCREW TAPPING 5*12	SCREW TAPPING 5*12	2	
94050		94050-06080	NUT FLANGE 6MM	NUT FLANGE 6MM	3	
95002-02070		95002-02070	CLIP B7 TUBE	CLIP B7 TUBE	6	
95002-02100		95002-02100	CLIP B15 TUBE	CLIP B15 TUBE	1	
95002-70000		95002-70000	CLIP C11 TUBE	CLIP C11 TUBE	2	
95002-KGN7		95002-KGN7-910	CLIP TUBE	CLIP TUBE	4	
95002-KHE7		95002-KHE7-900	CLIP WATER HOSE	CLIP WATER HOSE	2	
95701-06012		95701-06012-06	BOLT FLANGE 6*12	BOLT FLANGE 6*12	3	
95701-06016		95701-06016-06	BOLT FLANGE 6*16 (K)	BOLT FLANGE 6*16 (K)	3	

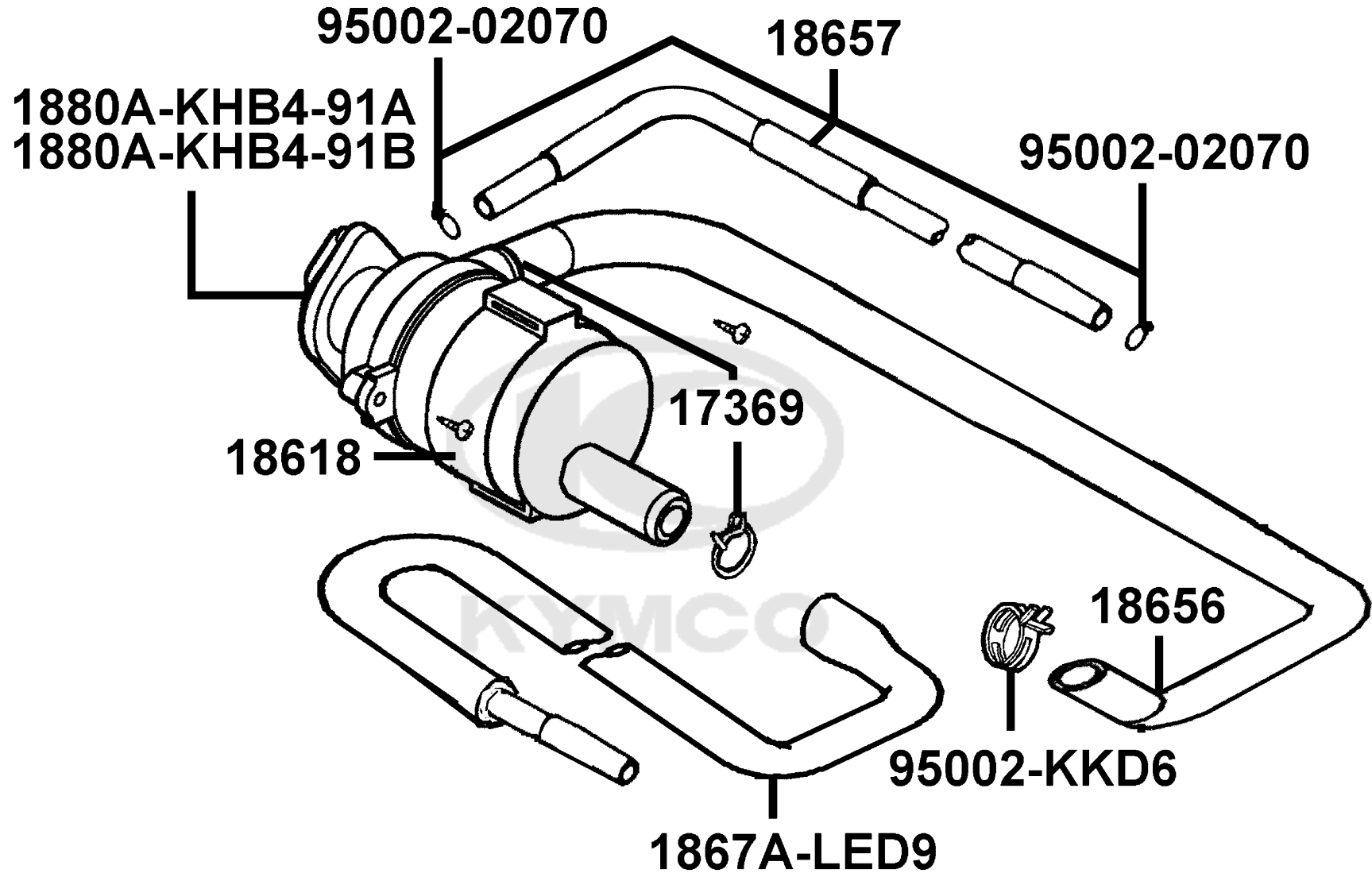
F22

Separated Parts Of Fr Fork

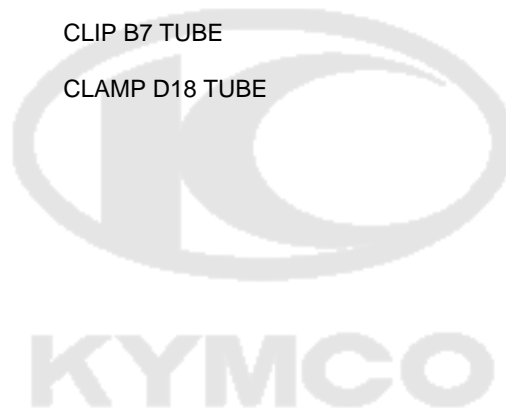




Sales mark	Ref no	Part no	Description	Reg description	Regd no	F22
	51401	51401-LEA5-E00	SPRING	SPRING	2	
	51410	51410-LEA5-E00	FORK PIPE COMP	FORK PIPE COMP	2	
	51412	51412-KHD8-900	REBOUND SPRING	REBOUND SPRING	2	
**	51420	51420-KHD8-900	BOTTOM CASE R	BOTTOM CASE R	1	
	51422	51422-KEC8-900	OIL LOCK PIECE	OIL LOCK PIECE	2	
	51423	51423-KKAK-900	OIL SEAL	OIL SEAL	2	
	51427	51427-KKAK-900	DUST SEAL	DUST SEAL	2	
	51428	51428-KKAK-900	OIL SEAL STOPPER RING	OIL SEAL STOPPER RING	2	
	51429	51429-KHD8-900	PIPE SEAT COMP	PIPE SEAT COMP	2	
**	51520	51520-KHD8-900	BOTTOM CASE L	BOTTOM CASE L	1	
	90116	90116-KHD8-900	BOLT	BOLT	2	
	90544	90544-KEC8-900	PACKING	PACKING	2	
	94605	94605-KHD8-900	FORK BOLT	FORK BOLT	2	
	94608	94608-30000	O-RING	O-RING	2	



Sales mark	Ref no	Part no	Description	Reg description	Regd no	F23
17369		17369-KDB4-671	CLIP BREATHER TUBE	CLIP BREATHER TUBE	2	
18618		18618-KHD6-900	RUBBER AI CLEANER MOUNT	RUBBER AI CLEANER MOUNT	1	
18656		18656-LEA5-E00	DUCT AICV REED VALVE	DUCT AICV REED VALVE	1	
18657		18657-KHB4-900	TUBE ASSY AICV-INLET PIPE	TUBE ASSY AICV-INLET PIPE	1	
1867A		1867A-LED9-900	DUCT AIR AICV	DUCT AIR AICV	1	
1880A-KHB4-91A		1880A-KHB4-91A	AI/C-AICV ASSY	AI/C-AICV ASSY	1	
1880A-KHB4-91B		1880A-KHB4-91B	ASSY AIC-AICV	ASSY AIC-AICV	1	
95002-02070		95002-02070	CLIP B7 TUBE	CLIP B7 TUBE	2	
95002-KKD6		95002-KKD6-E05	CLAMP D18 TUBE	CLAMP D18 TUBE	1	



<ul style="list-style-type: none"> <li>● Be sure to wear a safety helmet when riding.</li> <li>● Do not exceed the speed specified by law when riding.</li> <li>● The exhaust muffler temperature is very high after riding. Be sure to park the motorcycle in a place not easily touched by people.</li> <li>● For riding safety and good performance, do not violate the law to modify the motorcycle.</li> </ul>	<ul style="list-style-type: none"> <li>● Make sure to perform the periodic maintenance and periodic inspection.</li> </ul> <div style="text-align: center; border: 1px solid black; padding: 2px; width: fit-content; margin: 0 auto;"> <b>Periodic Inspection Items</b> </div> <p>Brake Performance, tires, engine oil level, lights, horn, and instrument panel</p> <p style="text-align: center;">KWANG YANG MOTOR CO., LTD.</p>
---	---

● Please read the User's Manual carefully to ensure riding safety.

87560

**CAUTIONS**

Tire Size. :Front 120/70-13	Rear 140/70-12
(One Rider) :Front 1.75kgf/cm <sup>2</sup>	Rear 2.25kgf/cm <sup>2</sup>
(Two Rider) :Front 2.00kgf/cm <sup>2</sup>	Rear 2.50kgf/cm <sup>2</sup>
Load Capacity:Shield 1.5kg Clip assv center 3kg (As per KYMCO standard specification )	
(Note:The tire pressure must not overpass 2.80kgf/cm)	

- Check the motor oil level with the dipstick after refilling motor oil,

● Full Capacity : 1.1 ℓ                      Exchange Capacity : 0.9 ℓ

87505

**CAUTIONS**

Never put any article between the rear side cover and the engine to avoid interference of riding.

GM9-300

87542

MODEL YEAR: 2010

87571

**CAUTIONS**

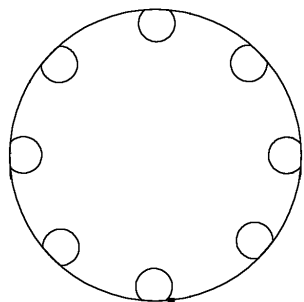
Before starting the engine,the side stand shall be kicked up to secure safety.

87541

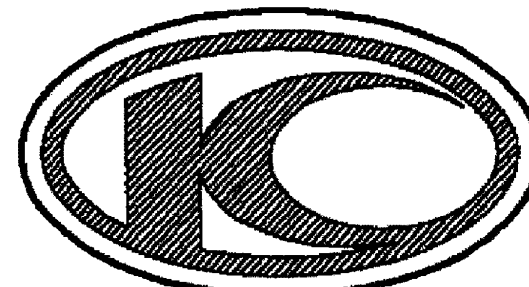
Sales mark	Ref no	Part no	Description	Reg description	Regd no	<b>F24</b>
------------	--------	---------	-------------	-----------------	---------	------------

**	87505	87505-LEA5-E00	LABEL TIRE	LABEL TIRE	1	
**	87541	87541-GAR1-E00	CAUTION SIDE STAND	CAUTION SIDE STAND	1	
**	87542	87542-GAR1-E00	MARK MAINT CAUTION	MARK MAINT CAUTION	1	
**	87560	87560-GFY6-E00	MARK DRIVE CAUTION	MARK DRIVE CAUTION	1	
**	87571	87571-HCKC-B00	MODEL YEAR	MODEL YEAR	1	

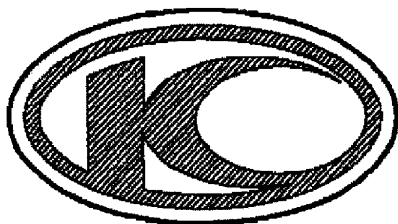




87140-LEA6-900



86102-LCD3



86102-LEA5



87140-LEA6-E00



87140-LDG7



86202

Sales mark	Ref no	Part no	Description	Reg description	Regd no	<b>F25</b>
**	86102-LCD3	86102-LCD3-E00	EMB K-LOGO 38MM	EMB K-LOGO 38MM	1	
**	86102-LEA5	86102-LEA5-E00	EMB K-LOGO 28MM	EMB K-LOGO 28MM	1	
**	86202	86202-LEA5-E00	EMB BODY COVER	EMB BODY COVER	1	
**	87140-LDG7	87140-LDG7-E00	EMB I MARK	EMB I MARK	2	
**	87140-LEA6-900	87140-LEA6-900	EMB ENG COVER	EMB ENG COVER	1	
**	87140-LEA6-E00	87140-LEA6-E00	EMB MARK 200	EMB MARK 200	1	



## PART NO. INDEX

PART NO.	VERSION	PAGE	PART NO.	VERSION	PAGE	PART NO.	VERSION	PAGE	
<b>11000</b>			12200-LEA6-900	5	E02	14510-KEBE-900	0	E03	
			12205-KHE8-301	3	E02	14531-KKJ9-001	0	E03	
			12209-GDB4-68A	0	E02	14550-KDS4-00B	3	E03	
	11100-LEA6-305	0	E01	12209-GDB4-68B	0	E02	14552-KDS4-004	2	E03
	11102-1G87-004	3	E01	1221A-KEBE-900	1	E02	14553-KDS4-004	2	E03
	11192-LEA5-E00	2	E01	12251-LEA6-900	3	E02	14555-LBA2-E00	1	E03
	11200-LEA6-305	0	E01	12310-KEBE-900	5	E02	14610-KKJ9-001	0	E03
	11203-GGC7-301	2	E01	12361-LEA5-E00	1	E04	14711-KEBE-900	1	E02
	11203-GGC7-301	2	F16	12391-KEBE-900	0	E02	14721-KAAA-900	3	E02
	11207-LEA5-E00	0	F13				14751-KKJ9-003	1	E02
	11211-LEA5-E00	2	F13	<b>13000</b>			14761-KKJ9-003	1	E02
	1122A-LEA6-900	1	E05				14771-GDB4-680	2	E02
	11330-KKC3-900	6	E04	13000-LEA6-900	2	E03	14775-MFA6-001	0	E02
	11341-KKC3-900	7	E01	13011-LBF6-E00	1	E03	14781-MFA6-001	0	E02
	11342-LEA6-900	2	E01	13101-LEA6-900	5	E03			
	11345-LEA5-E00	3	F20	13111-KKJ9-001	3	E03	<b>15000</b>		
	11346-KKC3-900	0	F20	13406-LEA6-900	2	E02			
11353-LEA6-900	1	E01				15100-KKC3-900	3	E07	
11383-KUDU-900	0	E01	<b>14000</b>			15133-KAM1-001	1	E07	
11394-LEA5-E00	3	E04				15141-KKJ9-004	0	E07	
11395-LEA5-E00	1	E01	14100-LEA6-910	1	E02	1541A-KKC3-900	1	E01	
<b>12000</b>			14401-KUDU-900	0	E03	15421-1G07-001	1	E04	
			14401-KUDU-90C	0	E03	15421-KKC3-900	1	E01	
			14431-KKC1-900	0	E02	15422-KKC3-900	3	E01	
	12100-LEA6-900	6	E03	14450-KEBE-900	0	E02	15423-KKC3-900	1	E01
	12191-LEA6-900	4	E03	14461-KEBE-900	0	E02	15426-GAE1-921	0	E04



## PART NO. INDEX

PART NO.	VERSION	PAGE	PART NO.	VERSION	PAGE	PART NO.	VERSION	PAGE
1565A-KEBE-900	0	E04				17515-LEA5-E00	1	F10
15711-KKC3-900	1	E07	<b>17000</b>			17520-LEA5-E0A	6	F19
15712-KEBE-900	0	E07				17527-LBA2-900	0	F19
15772-5L00-013	1	F13	1711A-LEA6-900	4	E02	17550-LEA6-900	4	F10
<b>16000</b>			17214-KKC3-900	0	F13	17556-KKE3-900	5	F10
			17215-KGBG-90A	2	F13	17560-LEA6-E00	3	F10
			17215-KGBG-90B	0	F13	17563-KKE3-900	0	F10
16056-KKE3-900	8	E09	1721A-KKC3-900	1	F13	17570-KKE3-900	0	F10
16068-KKE3-900	4	E09	17228-KKC3-900	2	F21	17620-LLJ3-E0A	3	F19
16074-KEC3-900	4	E09	17231-KKC3-900	3	F13	17620-LLJ3-E0B	3	F19
1610K-LEA6-E00	2	E09	17236-LEA5-900	0	F13	17623-LAB4-90A	1	F19
16110-KGC5-900	1	E09	1723A-LEA6-900	5	F13	17623-LAB4-90B	1	F19
16110-KKE3-900	2	E09	17254-KACA-P00	0	F13	17681-LEA5-E00	2	F10
16111-KKE3-900	1	E09	17256-KKC4-900	0	F13	17910-LEA6-E00	2	F03
16112-KKE3-900	1	E09	17256-KKE3-900	1	E02			
16118-KEC3-900	0	E09	17257-LEA5-E00	4	F13	<b>18000</b>		
16122-KEC3-900	0	E09	17258-LEA5-E00	2	F13			
16133-KEC3-900	1	E09	17368-KDB4-670	2	F13	18291-KEBE-900	0	F14
16134-KKE3-900	5	E09	17369-KDB4-671	1	F23	18291-LBA7-900	2	F14
16138-KEC3-900	1	E09	17370-4K19-701	0	F13	18292-KEBE-900	0	F14
16154-KKE3-900	4	E09	17371-1D74-671	0	F13	18293-KEBE-900	0	F14
16160-KKE3-900	1	E09	17500-LEA6-E00	3	F10	18294-KEBE-900	0	F14
16170-KEC3-900	0	E09	17502-LEA5-E00	2	F10	18294-LDB2-900	0	F14
16195-KEC3-900	0	E09	17504-LAB4-900	2	F10	18307-LDB2-E00	0	F14
16201-GFY6-910	1	E02	17507-LAB4-900	2	F10	1830A-LEA6-E01	1	F14
16211-GFY6-901	0	E02	17513-LEA5-E00	1	F10	18318-LEA5-E00	2	F14

## PART NO. INDEX

PART NO.	VERSION	PAGE	PART NO.	VERSION	PAGE	PART NO.	VERSION	PAGE
18325-LEA5-E00	3	F14	19101-LEA5-E00	1	F21	21395-LEA5-E00	2	E05
18532-LEA6-E00	1	F13	19104-LBA2-E00	1	F21			
18601-MAJ1-791	1	E02	19105-LBA2-E00	1	F21	<b>22000</b>		
18612-KEBE-900	0	E02	19111-GBE2-004	1	F21			
18618-KHD6-900	0	F23	19120-LEA5-E00	4	F21	22101-KEBE-900	1	E06
18645-GFY6-941	0	E02	19210-KKC4-900	0	F21	22102-KKC3-900	3	E06
18646-GFY6-941	0	E02	19211-LEA5-E00	4	E08	22105-LEA6-900	1	E06
18647-KEBE-900	0	E02	19215-KKJ9-011	0	E08	22110-KKC3-900	1	E06
18656-LEA5-E00	2	F23	19217-6G57-024	0	E08	22112-KAAA-900	0	E06
18657-KHB4-900	1	F23	19221-KKC3-900	1	E08	22121-LEA5-E00	1	E06
1867A-LED9-900	0	F23	19229-KKC3-900	0	E08	22131-KAAA-900	1	E06
1880A-KHB4-91A	0	F23	19231-LEA5-E00	1	E08	22132-LEA6-900	1	E06
1880A-KHB4-91B	2	F23	19232-LBA2-E00	2	E08	22300-LEA6-900	3	E06
<b>19000</b>			19300-KAE1-004	1	E08	22350-LEA6-900	2	E06
			19310-LEA6-900	1	E08	22361-KGN7-671	1	E06
			19315-LDB2-E00	1	E08	22401-KEB8-900	1	E06
19005-KKC4-900	2	F21	19411-KBCB-900	0	F10	22530-KGN7-671	2	E06
19010-LEA6-E00	2	F21	19501-LEA5-E00	3	E08	22804-GBB2-001	0	E06
19012-KHD8-900	4	F21	19502-KEBE-900	0	E03			
19013-LEA6-E00	3	F21	19503-LEA6-900	1	E08	<b>23000</b>		
19014-LEA6-E00	3	F21	19504-LBA2-E00	3	F10			
19015-KKC4-900	2	F21	19505-GFY6-940	3	F21	2301A-LEA6-900	5	E06
19016-LEA6-E00	1	F21				23100-LEA6-900	1	E06
19020-KED9-900	1	F21	<b>21000</b>			23200-KEBE-900	3	E06
19025-LEA6-E00	1	F21				23220-LEA6-900	2	E06
19030-KHD8-900	2	F21	21201-KFC8-305	0	E05	23225-GHC8-004	0	E06

## PART NO. INDEX

PART NO.	VERSION	PAGE	PART NO.	VERSION	PAGE	PART NO.	VERSION	PAGE
23226-GHC8-004	0	E06				33402-LEA5-E00	0	F17
23233-LEA6-900	1	E06	<b>31000</b>			33450-LEA5-E00	4	F17
23237-KHG8-901	0	E06				33452-LEA5-E00	0	F17
23411-LEA6-E00	0	E05	31110-LEA6-90A	3	E08	33607-KKD7-E00	0	F18
23420-LEA6-E00	0	E05	31110-LEA6-90B	3	E08	33700-LEA5-E00	2	F18
23431-KFC8-900	2	E05	31120-LEA6-90A	2	E08	33701-LEA5-E00	0	F18
23432-LEA6-E00	0	E05	31120-LEA6-90B	2	E08	33708-KHE7-E00	0	F18
			31210-LEA6-900	1	E07	33710-LEA5-E00	0	F18
<b>28000</b>			31500-LEA6-900	3	F11	33741-GFY6-C30	1	F18
			31500-LEA6-90B	1	F11	33741-KHC5-M00	0	F18
28101-KKJ9-011	0	E07	31600-LDG7-900	1	F19	33900-KFBF-900	0	F12
28102-KKJ9-001	0	E07						
28110-LEA6-900	1	E07	<b>32000</b>			<b>34000</b>		
28120-LDB2-E00	0	E07						
28131-KGN7-671	0	E07	32100-LEA6-900	9	F19	34300-KKE3-900	4	E09
28211-KFC8-900	0	E06	32108-GFY6-901	0	F19	34301-KKE3-900	2	E09
			32410-LEA5-E00	2	E07	34901-KED9-900	0	F01
<b>30000</b>			32411-LEA5-E00	2	F11	34903-KPCP-900	0	F01
			32412-LEA5-E00	2	F11	34903-KPCP-900	0	F18
30300-KEBE-900	2	E08				34905-KPCP-900	0	F18
30301-KEBE-90B	0	E08	<b>33000</b>			34905-LBA7-E00	0	F17
3051A-LEA6-900	7	F19				34906-KPCP-900	0	F18
30700-LEA6-900	2	F19	33100-LEA5-E00	4	F01	34909-KFBF-900	0	F12
			33120-LEA5-E00	1	F01			
			33130-LEA5-E00	0	F01			
			33400-LEA5-E00	4	F17			

## PART NO. INDEX

PART NO.	VERSION	PAGE	PART NO.	VERSION	PAGE	PART NO.	VERSION	PAGE			
<b>35000</b>			37750-PAC1-005	0	E08	39500-KKE3-800	4	E02			
			37760-KHD8-900	0	F21	39600-KKE3-800	1	F10			
			37801-GGA7-701	1	F10	39601-KKE3-900	0	F10			
	35101-LEA5-315-M1	0	F19	37802-GGA7-701	2	F10	39602-KKE3-900	0	F10		
	35101-LEA5-315-M2	0	F19	3780A-LEA5-E00	1	F10	39701-KKE3-800	0	E09		
	35102-KHC4-900	2	F19	<b>38000</b>			39702-LEJ8-E00	2	E09		
	35102-KHC4-90B	1	F19		39703-KKE3-900	2	E09				
	35104-KHC4-90A	0	F19		39704-LEA6-900	1	E09				
	35104-KHC4-90B	0	F19		3800A-KKC4-900	1	F19	39705-KKE3-900	2	E09	
	3515A-LBF6-E00	2	F03		38110-LEA5-E00	1	F19	39706-KKE3-900	1	E09	
	3520A-KEBE-900	2	F03		38200-KHE7-900	0	F19	3970A-KKE3-800	3	E09	
	35340-KKC4-80A	0	F19		38300-LEA5-E0A	1	F19	<b>42000</b>			
	35340-KKC4-80B	0	F19		38500-KHD8-900	0	F11		42311-LEA5-E00	1	F08
	35340-KNBN-901	0	F04		38500-KHD8-90A	0	F11		42312-KEBE-900	0	F08
	35350-KNBN-901	0	F04		38773-PKB9-001	0	F21		42601-KHD8-90A	3	F08
	35370-KEC8-E00	3	F15	<b>39000</b>			42601-KHD8-90B		2	F08	
	35380-KKE3-900	2	F19		39100-KHD8-900	0	F19		42601-KHD8-90C	2	F08
35850-KHD8-900	1	F19	3920A-LEA6-800		3	F19	42710-KKC2-E00		2	F08	
35850-KHD8-90A	0	F19	39300-LEA6-800		3	E02	42753-KNBN-90B		1	F07	
<b>37000</b>			39301-LEA6-900		4	E02	42753-KNBN-90B		1	F08	
	37119-LEA5-E0A	0	F02		39302-KKE3-900	2	E02		<b>43000</b>		
	37200-LEA6-E0A	2	F02		39303-LEA6-900	2	E02	43100-LEA5-900		1	F08
	37213-LDA6-900	0	F02		39400-LEA6-800	2	E08				
	37720-KGB5-900	0	E08		39450-LEA6-800	2	F14				

## PART NO. INDEX

PART NO.	VERSION	PAGE	PART NO.	VERSION	PAGE	PART NO.	VERSION	PAGE
43126-LEA5-E00	5	F04				45215-KECE-900	0	F08
43150-LEA5-306	0	F08	<b>45000</b>			45216-1F66-007	0	F07
43156-KKC4-900	1	F04				45216-1F66-007	0	F08
43156-LDB2-900	1	F04	45107-MEN5-007	0	F07	45216-KFW6-90A	0	F07
43156-LEA5-E00	3	E03	45107-MEN5-007	0	F08	45216-KFW6-90A	0	F08
43210-KEBE-900	2	F08	45108-MDL4-007	2	F07	45351-LEA5-E00	2	F07
43215-KEBE-900	0	F08	45108-MDL4-007	2	F08	45513-KHD4-B00	2	F04
43351-KHE7-E00	3	F08	45109-GBE2-007	0	F07	45517-KFAF-910	0	F04
43352-5H68-004	3	F07	45109-GBE2-007	0	F08	45520-GLW0-91A	0	F04
43352-5H68-004	3	F08	45126-LEA5-E00	4	F04	45530-KHD4-305	0	F04
43353-4A61-77A	0	F07	45128-KEBE-900	0	F06	45531-GAR1-951	0	F07
43353-4A61-77A	0	F08	45131-1F66-017	0	F07	45531-GAR1-951	0	F08
43530-KHD4-305	0	F04	45131-1F66-017	0	F08			
			45131-GBE2-007	1	F07	<b>50000</b>		
<b>44000</b>			45131-GBE2-007	1	F08			
			45132-1F66-017	0	F07	50100-LEA6-E00	4	F20
44301-KXCX-900	4	F07	45132-1F66-017	0	F08	50153-KKE3-900	2	F19
44311-KEBE-900	0	F07	45133-MCA3-007	0	F07	50154-KKE3-900	2	F19
44620-KHD8-900	1	F07	45133-MCA3-007	0	F08	50171-LEA5-E00	6	F20
44650-LEA5-305	0	F07	45150-LLB5-305	0	F07	50172-LEA5-E00	6	F20
44710-LEA5-E00	1	F07	45156-KECE-900	2	F06	50197-LEA5-E00	3	F10
44800-LEA5-E00	2	F07	45200-LEA5-E00	1	F07	50301-KGN7-671	2	F20
44830-KGBG-900	3	F02	45209-GBE2-007	0	F07	50302-2H68-011	2	F20
44831-KGBG-900	0	F02	45209-GBE2-007	0	F08	50306-1F96-001	0	F06
			45210-LEA5-E00	0	F07	50326-LEA5-E00	2	F11
			45215-KECE-900	0	F07	5032A-LEA5-E00	3	F11

## PART NO. INDEX

PART NO.	VERSION	PAGE	PART NO.	VERSION	PAGE	PART NO.	VERSION	PAGE
50350-LEA5-B20	1	F20	51423-KKAK-900	0	F22	53211-GFY6-940	1	F06
50352-GFY6-901	0	F20	51427-KKAK-900	0	F22	53212-2L50-011	1	F06
50356-KHE7-E00	0	F20	51428-KKAK-900	0	F22	53214-2L50-001	0	F06
50502-GFY6-901	3	F15	51429-KHD8-900	0	F22	53215-2L50-001	0	F06
50504-LEA5-E01	2	E01	51500-LEA5-E00	2	F06			
50505-KUDU-900	1	F15	51520-KHD8-900	0	F22	<b>61000</b>		
50505-LAD9-900	3	F15						
50505-LEA7-E00	0	F15	<b>52000</b>			61100-LEA5-E00	4	F06
50506-KHE7-E00	0	F15				61113-LEA5-E00	1	F06
5050A-LEA5-E00	6	F15	52000-LEA5-E00	6	F16	61123-LEA5-E00	1	F06
50530-LEA5-E00	4	F15	52400-LEA5-E00	3	F16			
50550-KEB7-E00	1	F15				<b>64000</b>		
50613-LEA5-E00	4	F20	<b>53000</b>					
5071A-LDC1-91A	1	F20				64206-MLJ0-001	1	F12
5071A-LDC1-91B	1	F20	53100-LEA5-E00	4	F03	64210-LEA5-E00	5	F05
5071B-LDC1-91A	1	F20	53102-LEA5-E00	3	F03	64214-LEA5-E00	1	F05
5071B-LDC1-91B	1	F20	53105-LEA5-E00	3	F03	6421B-LEA5-E00	2	F05
<b>51000</b>			53125-GEN5-901	0	F03	64222-KKC4-900	3	F05
			53140-KKC3-900	0	F03	64301-LEA5-E00	2	F05
			53166-KGB5-900	0	F03	64303-LEA5-E00	4	F05
51400-LEA5-E00	2	F06	53175-LEA5-E00	1	F04	64304-LEA5-E00	2	F05
51401-LEA5-E00	0	F22	53178-LEA5-E00	1	F04	64305-LEA5-E00	3	F05
51410-LEA5-E00	0	F22	53200-KKC2-900	2	F06	64306-LEA5-E00	3	F05
51412-KHD8-900	0	F22	53204-LEA5-E00	2	F05	64310-LEA5-E00	3	F05
51420-KHD8-900	0	F22	53205-LEA5-E00	3	F03	64315-LEA6-E00	5	F20
51422-KEC8-900	0	F22	53206-LEA5-E00	3	F03	64316-KHE2-900	1	F05

## PART NO. INDEX

PART NO.	VERSION	PAGE	PART NO.	VERSION	PAGE	PART NO.	VERSION	PAGE
64400-LEA5-E00	2	F05	81142-KUDU-900	1	F05			
			81202-KKC4-900	0	F12	<b>87000</b>		
<b>77000</b>			81205-LEA5-E00	2	F12			
			8120A-LEA5-E00	2	F12	87140-LDG7-E00	2	F25
77200-LEA5-305	0	F09	81251-LAB4-900	3	F12	87140-LEA6-900	1	F25
77206-KEB7-900	0	F09	81253-LEA5-E00	3	F12	87140-LEA6-E00	1	F25
77210-LEA5-E00	2	F09	81260-LEA6-E00	3	F12	87505-LEA5-E00	1	F24
77235-KKC4-80A	0	F19				87541-GAR1-E00	1	F24
77235-KKC4-80B	0	F19	<b>83000</b>			87542-GAR1-E00	2	F24
77240-LEA5-E0A	2	F19				87560-GFY6-E00	3	F24
77240-LEA5-E0B	2	F19	83500-LEA5-E00	2	F12	87571-HCKC-B00	6	F24
77300-LEA5-E00	0	F09	83503-KHD6-900	2	F20			
77303-LEA5-E00	1	F09	83520-LEA5-E00	2	F05	<b>88000</b>		
			83600-LEA5-E00	2	F12			
<b>80000</b>			83605-LEA5-E00	2	F13	88110-LEA6-900	4	F03
			8360A-LEA5-E00	3	F13	88120-LEA6-900	4	F03
80104-LBA2-E00	1	F12	83620-LEA5-E00	2	F05			
80105-LEA5-E00	3	F18	83751-LEA5-E00	3	F12	<b>89000</b>		
80106-LEA5-E00	6	F18	8375A-LEA5-E00	2	F12			
8010B-LEA5-E00	0	F18	8376A-KEBE-900	4	F05	89010-LEA5-E00	1	F09
80151-LEA5-E00	2	F12				89013-KFC8-E00	1	F09
			<b>86000</b>					
<b>81000</b>						<b>90000</b>		
			86102-LCD3-E00	3	F25			
81131-LEA5-E00	3	F05	86102-LEA5-E00	1	F25	90001-GBHB-661	2	F21
81136-LEA5-E00	3	F05	86202-LEA5-E00	1	F25	90012-3C33-001	2	E02

## PART NO. INDEX

PART NO.	VERSION	PAGE	PART NO.	VERSION	PAGE	PART NO.	VERSION	PAGE
90021-GFY6-900	2	F14	90114-KXCX-900	1	F13	90305-GHK8-001	1	F05
90031-KEBE-900	0	E01	90116-KHD8-900	0	F22	90305-GHK8-001	1	F12
90031-LEA6-900	1	E01	90117-KED9-900	1	F20	90305-KFW6-900	1	F08
90032-KEBE-900	0	E01	90121-KHE7-E00	0	F20	90306-KLF0-004-SY	1	F07
90033-GFY6-900	0	E02	90122-KEBE-900	2	F07	90312-LCD3-E01	0	F05
90084-LEA5-001	1	E04	90131-KFAF-900	2	F16	90381-GEZ5-001	1	F12
9008A-LEA5-001	1	E04	90131-LEA5-E00	1	F08	90401-KKJ9-001	0	E08
90101-KGC4-E00	1	F09	90145-MKS9-61A	1	F04	90403-KGN7-671	0	E06
90103-LEA5-E00	1	F14	90201-KHR8-75A	0	E08	90411-KAM1-001	0	E05
90105-KCR3-001	1	F07	90202-KGN7-671	0	E06	90421-KAM1-004	0	E03
90105-KCR3-001	1	F08	90206-0A01-001	1	E02	90423-KKJ9-001	0	E08
90105-KFC2-900	0	F12	90301-6D34-671	1	F21	90428-9H58-001	0	E08
90106-GEN5-901	0	F03	90301-GFY6-901	2	F14	90446-3G57-001	0	E05
90106-KFC2-900	0	F03	90302-GFY6-901	1	F05	90465-MDC4-001	0	E02
90106-KFC2-900	0	F12	90302-GFY6-901	1	F06	90474-3C33-001	1	E05
90106-KHE7-E00	0	F20	90302-GFY6-940	1	F02	90478-7L00-001	0	E03
90108-KKC4-900	1	F15	90302-GFY6-940	1	F11	90478-7L00-001	0	E08
90110-KEB7-900	1	F06	90302-GFY6-940	1	F18	9052A-GFY6-950	3	E01
90110-KEBE-900	0	F14	90302-LLB1-E00	2	F03	90544-KEC8-900	0	F22
90110-KED9-900	2	F05	90302-SDA4-004	2	F05	90545-3L00-001	2	F04
90110-KED9-900	2	F12	90302-SDA4-004	2	F12	90605-1F66-721	0	E06
90110-LCD1-E00	2	F05	90302-SDA4-004	2	F18	90652-GFY6-901	1	F13
90112-KNBN-901	1	F11	90304-4H38-001	2	E02	90652-LCA4-E00	1	F05
90112-KNBN-901	1	F12	90304-4H38-001	2	F18	90656-KCBC-900	0	F19
90114-1F66-007	2	F04	90304-GHE8-004-SY	0	F03	90656-KUDU-900	0	F19
90114-GDM4-011	2	F13	90304-GHE8-004-SY	0	F20	90677-GAR1-004	1	F11



## PART NO. INDEX

PART NO.	VERSION	PAGE	PART NO.	VERSION	PAGE	PART NO.	VERSION	PAGE
90677-GAR1-004	1	F18	91302-5G67-004	0	E04	93500-04008-0H	0	F10
90683-GAR1-004	4	F18	91302-5G67-004	0	E08	93500-04014-06	0	E02
90701-HFB6-011	1	E03	91303-3G77-001	0	E04	93500-04020-0G	0	F19
90754-GHC8-00A	1	F07	91307-0E35-001	0	E04	93500-05010-0H	0	F10
90754-GHC8-00B	1	F07	91384-KEBE-900	0	E06	93500-05016-0H	0	E08
90912-KFLF-00A	0	F07	91407-SGA7-004	0	F13	93500-05016-1B	0	F03
90914-LEA6-E00	2	F21	91981-KGN7-670	0	E07	93500-05025-1B	0	F03
<b>91000</b>			<b>92000</b>			93500-05032-1B	0	F03
91001-GFY6-90A	2	E06	92000-06028-0H	0	E07	93500-05045-1B	0	F03
91002-GGA7-70A	0	E06	92000-LEA6-900	1	E08	93500-KHC4-90A	0	F19
91003-KDS4-004	1	E05	92712-06028-0B	1	E02	93600-04012-1G	0	F04
91009-GLE0-004	1	E05				93700-05018-0H	0	F02
91014-LLJ3-E00	1	F06	<b>93000</b>			93891-05016-08	0	E09
91015-LLJ3-E00	1	F06				93891-05016-08	0	F13
91051-KFBF-901	1	F16	93401-04025-08	0	F19	93892-04022-08	0	F19
91104-KGN7-671	0	E01	93401-05020-08	0	F19	93892-05010-08	0	E09
91105-KGN7-672	0	E05	93404-06016-06	0	F12	93893-04012-18	0	F04
91202-KGB4-C00	1	E08	93404-06016-06	0	F15	93901-32220	0	F18
91202-KKJ9-004	0	E01	93404-06016-06	0	F18	93901-34320	0	F18
91211-KEBE-900	0	E06	93404-06020-06	1	F05	93903-24320	0	F12
91255-GLE0-006	0	E05	93404-KKC2-900	1	F05	93903-24360	0	F01
91261-4E15-004	0	E01	93404-KKC2-900	1	F18	93903-25460	0	F13
91301-KHE7-900	0	E08	93404-KKC2-900	1	F20	93903-34360	0	F03
91302-0A01-021	0	E04	93500-03010-1A	0	E07	93903-34360	0	F05
						93903-34360	0	F12
							0	F13

## PART NO. INDEX

PART NO.	VERSION	PAGE	PART NO.	VERSION	PAGE	PART NO.	VERSION	PAGE	
93903-34360	0	F17	94050-12080	0	E06	<b>95000</b>			
93903-34360	0	F18	94101-06700	0	F14				
93903-34460	0	F01	94101-08700	0	F15				
93903-34460	0	F18	94101-KKE3-900	1	E09		95002-02070	0	F10
93903-35220	0	F21	94111-06800	0	E09		95002-02070	0	F21
93903-35320	0	F02	94251-08400	0	F15		95002-02070	0	F23
93903-35320	0	F13	94301-08140	0	E01		95002-02080	0	E05
93903-35360	0	F10	94301-08140	0	E04		95002-02100	0	F21
93903-GFY6-900	1	F05	94301-08140	0	E05		95002-02120	1	F13
93903-GFY6-900	1	F12	94301-08140	0	E08		95002-02130	0	F10
<b>94000</b>			94301-10160	0	E02	95002-40650-08	0	F10	
			94301-10160	0	E03	95002-41050-08	0	E09	
			94303-04065	0	E07	95002-41200-08	0	E09	
			94510-10000	0	E07	95002-41250-08	0	F10	
94050-05080	0	F18	94510-14000	0	E08	95002-70000	0	F21	
94050-06060	0	F04	94510-20000	0	E05	95002-KGN7-910	1	E03	
94050-06080	0	E09	94520-28000	0	E06	95002-KGN7-910	1	E08	
94050-06080	0	F01	94520-40000	0	F16	95002-KGN7-910	1	F21	
94050-06080	0	F09	94540-50029	0	E09	95002-KHE7-900	0	E08	
94050-06080	0	F10	94591-KFBF-900	2	E08	95002-KHE7-900	0	F21	
94050-06080	0	F11	94591-KFBF-900	2	F10	95002-KKD6-E05	0	F23	
94050-06080	0	F18	94601-15000	0	E03	95002-KKE3-900	2	F10	
94050-06080	0	F19	94601-33000	0	E06	95003-23031-60	0	F13	
94050-06080	0	F20	94605-KHD8-900	0	F22	95004-LEA6-E00	1	F13	
94050-06080	0	F21	94608-30000	0	F22	95014-72204	0	F15	
94050-08080	0	E02				95701-06012-06	1	F06	
94050-08080	0	F19							

## PART NO. INDEX

PART NO.	VERSION	PAGE	PART NO.	VERSION	PAGE	PART NO.	VERSION	PAGE
95701-06012-06	1	F21	96001-06014-08	0	F19	96001-LEA6-900	1	E01
95701-06012-08	0	F11	96001-06016-08	0	E01	96100-62030-00	0	E01
95701-06012-08	0	F18	96001-06016-08	0	E02	96220-60100	0	E07
95701-06012-08	0	F19	96001-06016-08	0	E07	96600-08015-10	1	E07
95701-06016-06	1	F21	96001-06018-08	0	E03			
95701-06020-06	1	F06	96001-06018-08	0	E08	<b>98000</b>		
95701-06022-06	1	F14	96001-06020-08	0	E08			
95701-06025-08	0	E02	96001-06022-06	1	E08	98069-5691R-00	0	E02
95701-08012-06	0	F12	96001-06022-06	1	F04	98200-31000	1	F11
95701-08012-08	0	E01	96001-06022-08	0	E03	98200-31000	1	F19
95701-08012-08	0	E05	96001-06025-08	0	E02	98200-31500	0	F11
95701-08030-08	0	F16	96001-06028-06	0	E08	98200-31500	0	F19
95701-08050-08	0	F20	96001-06032-06	0	F20	98200-32000	0	F11
95701-LEA5-E00	1	F19	96001-06032-08	0	E02	98200-32000	0	F19
95801-08040-06	0	F06	96001-06040-08	0	E01			
95801-10025-08	0	F15	96001-06040-08	0	E04			
95801-10035-08	0	F16	96001-06040-08	0	E05			
<b>96000</b>			96001-06045-08	0	E04			
			96001-06045-08	0	E05			
			96001-06050-08	0	E01			
96001-06008-07	0	F14	96001-06050-08	0	E02			
96001-06010-00	0	E08	96001-06060-08	0	E01			
96001-06012-06	0	F04	96001-06120-08	0	E01			
96001-06014-08	0	E02	96001-06120-08	0	E04			
96001-06014-08	0	E07	96001-06125-08	0	E01			
96001-06014-08	0	F10	96001-GFY6-900	1	E02			