

# PARTS CATALOGUE



## SCOOTERS

KG10BA(FL)



檔車

Motorcycles



速克達

Scooters



全地型車

ATV



代步車

Mobilescooters

Release Date : 2011/01/13  
Print Date : 2011/01/14

## ABOUT THIS PARTS LIST

- This parts list is compiled all service parts for model KG10BA(FL).
- Any difference between color chart and motorcycle will be revised according to motorcycle.
- The Mark:
  1. Marking "\*\*\*" must add color code in the end before ordering parts.
  2. Marking "#" are parts with modification, Please find the details from e-Parts system.
- When modification or additions to this parts list are made a revised edition at an appropriate time.

# CONTENTS

● ABOUT THIS PARTS LIST .....	1
● COLOR CHART OF KG10BA(FL) .....	3
● CONTENTS-ENGINE GROUP .....	7
● CONTENTS-FRAME GROUP .....	8
● ENGINE PARTS LIST .....	11
● FRAME PARTS LIST .....	35
● PART NO. INDEX .....	85

NO	MODEL			COLOR CHART OF KG10BA(FL)			
	PHOTO NO			NO. 1	NO. 2	NO. 3	NO. 4
	BASIC COLOR			Bright Blue	Deep Blue	Dark Gray Metallic	Black
	CODE			Bright Blue	Deep Blue	Dark Gray Metallic	Black
	PARTS NAME	PARTS NO.	VERSION	PB107CA	PB281MA	NH230MA	NH001SA
1	COVER FR	64301-ALA9-E70	0	BAP	CAP	HKP	N1P
2	COVER R BODY	83500-LDF6-B20	0				
3	COVER L BODY	83600-LDF6-B20	0				
4	COVER BATTERY	50326-LCB9-C10	0	N1R			
5	COVER UNDER	50613-LCB9-C10	0				
6	GRIP COMP THROT	53140-KNBN-C00	0				
7	GRIP L HANDLE	53166-KNBN-C00	0				
8	COVER HANDLE RR	53206-LGB5-E10	1				
9	PANEL FLOOR	64310-LCB9-C10	0				
10	PLUG FLOOR	64316-LCB9-C10	0				
11	FENDER RR TIRE	80100-LDC8-E10	0				
12	FENDER RR INNER	80101-LCB9-C10	1				
13	FENDER RR	80105-LDC8-E10	0				
14	FENDER RR LOW	80106-LDC8-E10	0				
15	COVER CENTER	80151-LCB9-C10	0				
16	LEG SHIELD	81131-ALA9-E70	1				
17	LID LEG SHIELD	81132-LCB9-C10	0				
18	BOX LUGGAGE	81250-LCB9-C10	2				
19	LID CARB MAINT	81251-LCB9-C10	0				
20	COVER COMP L SIDE	11340-LBD6-E00	2				
21	WHEEL CAST FR	44601-KEB7-E0E	1	NEP			
22	WHEEL CAST RR	42601-KEB7-E0E	0				
23	COVER HANDLE FR	53205-LGB5-E10	1				
24	FENDER FR	61100-LDC8-E10	0				
25	MIRROR ASSY R BACK	88110-LEB5-C10	1				
DATE OF STARTING-SALES							
DATE OF END-SALES							

NO	MODEL			COLOR CHART OF KG10BA(FL)			
	PHOTO NO			NO. 5	NO. 6	NO. 7	
	BASIC COLOR			Red	Vivid Yellow	Pearly White	
	CODE			Red	Vivid Yellow	Pearly White	
	PARTS NAME	PARTS NO.	VERSION	RR123PA	YR039SA	NH193PA	
1	COVER FR	64301-ALA9-E70	0	R6P	Y3P	NVP	
2	COVER R BODY	83500-LDF6-B20	0				
3	COVER L BODY	83600-LDF6-B20	0				
4	COVER BATTERY	50326-LCB9-C10	0	N1R			
5	COVER UNDER	50613-LCB9-C10	0				
6	GRIP COMP THROT	53140-KNBN-C00	0				
7	GRIP L HANDLE	53166-KNBN-C00	0				
8	COVER HANDLE RR	53206-LGB5-E10	1				
9	PANEL FLOOR	64310-LCB9-C10	0				
10	PLUG FLOOR	64316-LCB9-C10	0				
11	FENDER RR TIRE	80100-LDC8-E10	0				
12	FENDER RR INNER	80101-LCB9-C10	1				
13	FENDER RR	80105-LDC8-E10	0				
14	FENDER RR LOW	80106-LDC8-E10	0				
15	COVER CENTER	80151-LCB9-C10	0				
16	LEG SHIELD	81131-ALA9-E70	1				
17	LID LEG SHIELD	81132-LCB9-C10	0				
18	BOX LUGGAGE	81250-LCB9-C10	2	NEA			
19	LID CARB MAINT	81251-LCB9-C10	0				
20	COVER COMP L SIDE	11340-LBD6-E00	2	NEA			
21	WHEEL CAST FR	44601-KEB7-E0E	1				
22	WHEEL CAST RR	42601-KEB7-E0E	0				
23	COVER HANDLE FR	53205-LGB5-E10	1	NEP			
24	FENDER FR	61100-LDC8-E10	0				
25	MIRROR ASSY R BACK	88110-LEB5-C10	1				
DATE OF STARTING-SALES							
DATE OF END-SALES							



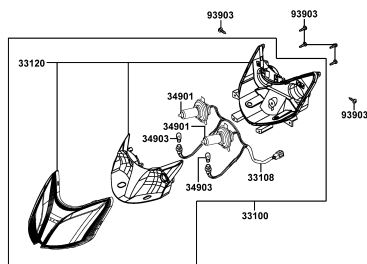




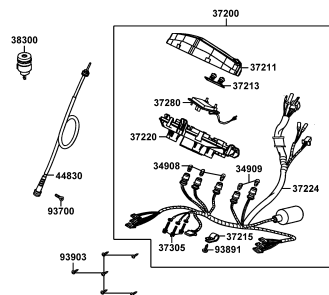


## CONTENTS - FRAME GROUP

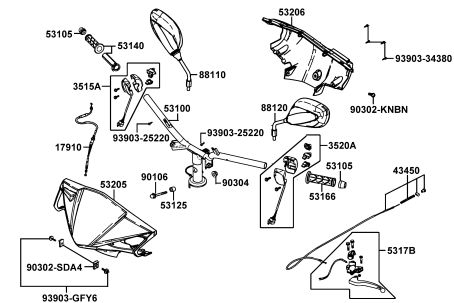
**F01** Head Light



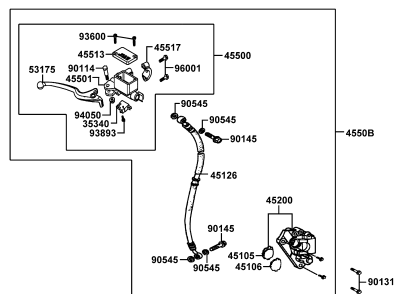
**F02** Speedometer



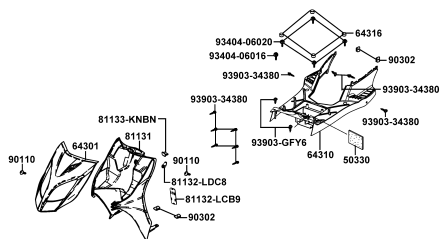
**F03** Handle Steering Handle Cover



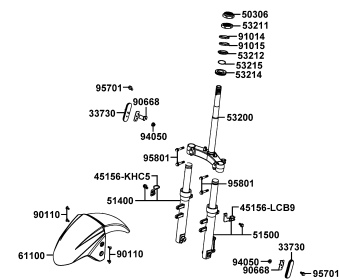
**F04** Brake Master Cylinder



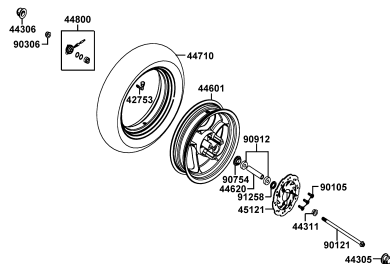
**F05** Front Cover



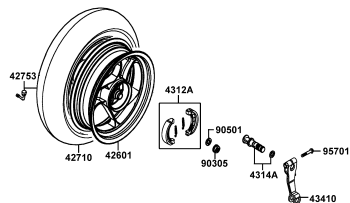
**F06** Stem Steering Front Cushion



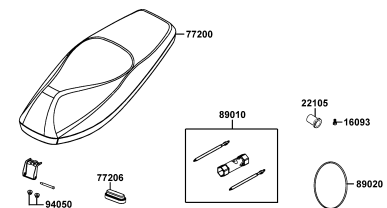
**F07** Front Wheel



**F08** Rear Wheel

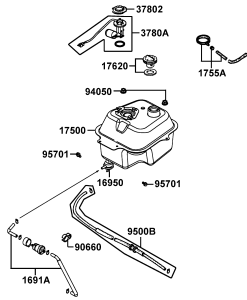


**F09** Seat

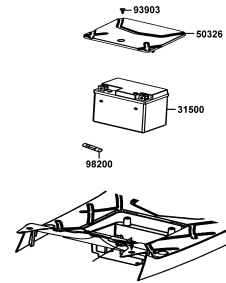


# CONTENTS - FRAME GROUP

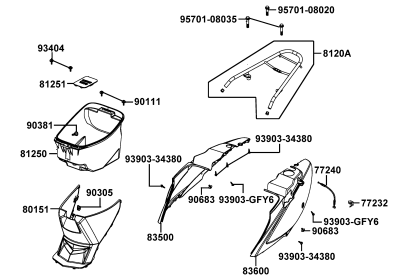
**F10 Fuel Tank**



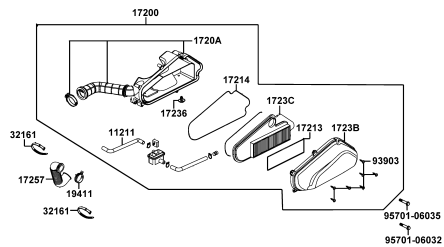
**F11 Battery**



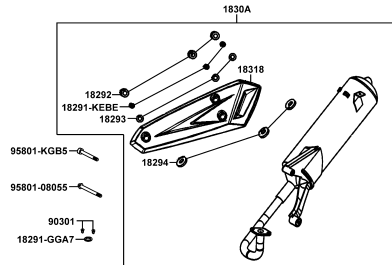
**F12 Body Cover Luggage Box**



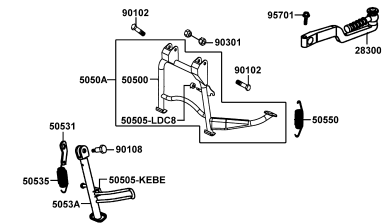
**F13 Air Cleaner**



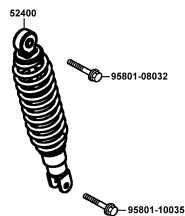
**F14 Exhaust Muffler**



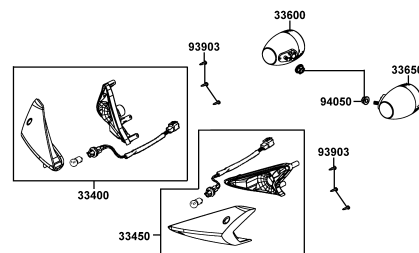
**F15 Stand Kick Starter Arm**



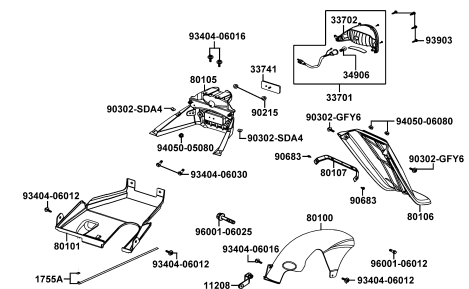
**F16 Rear Cushion**



**F17 Front Winker**

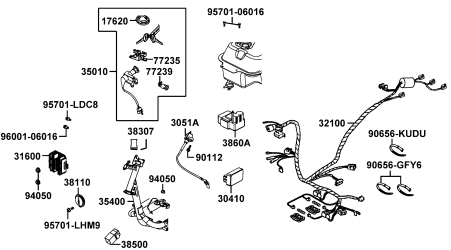


**F18 Tail Light**

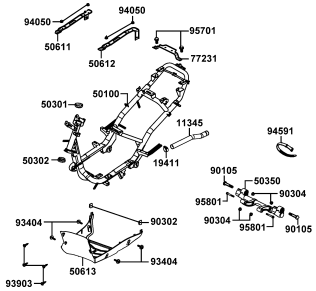


# CONTENTS - FRAME GROUP

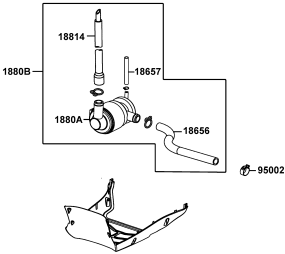
**F19 Wire Harness**



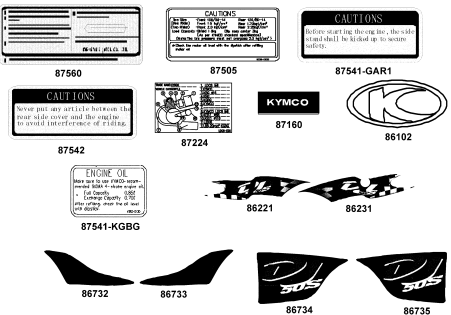
**F20 Frame Body**



**F21 Air Cleaner Two**

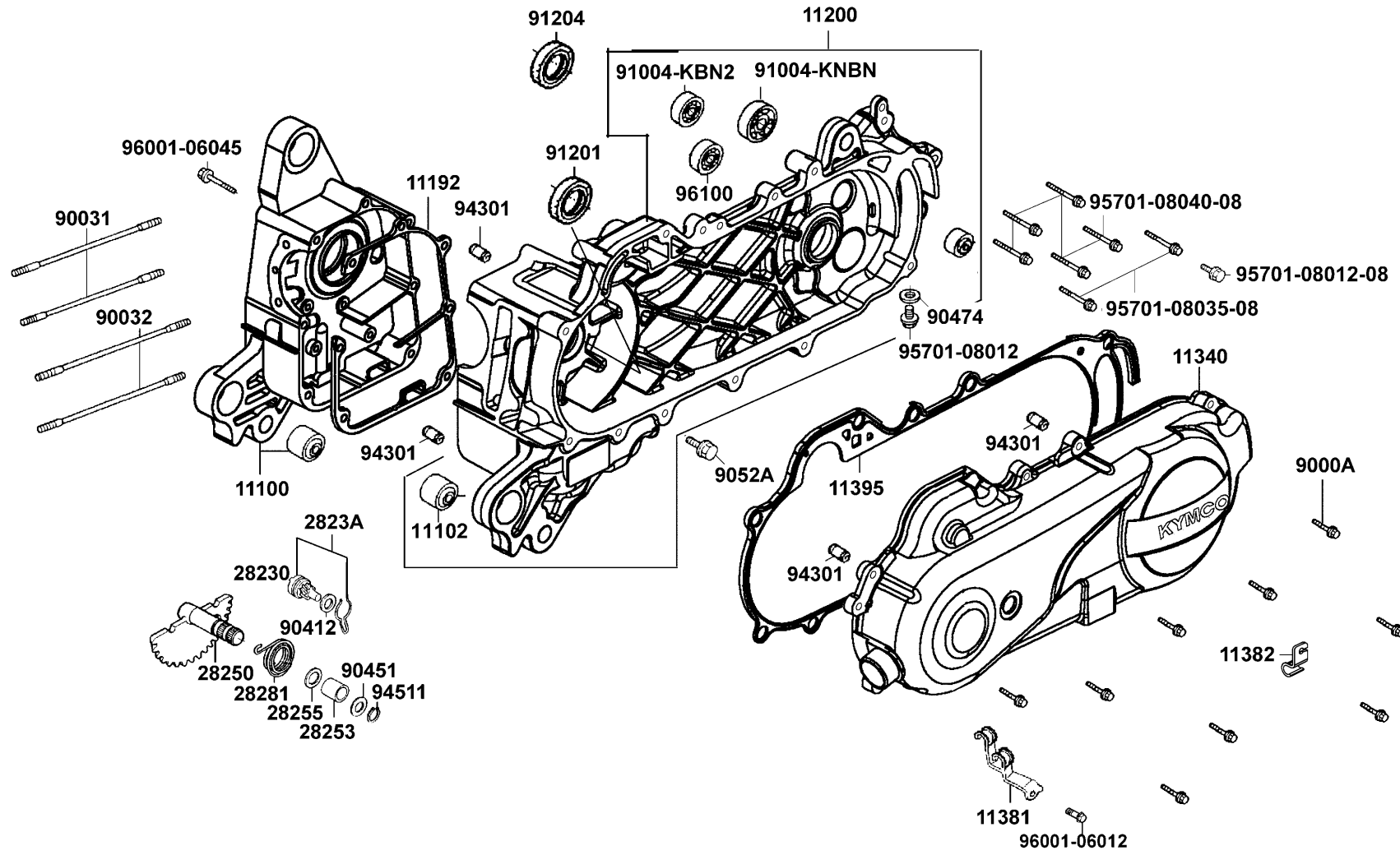


**F22 Emblem Stripe**



E01

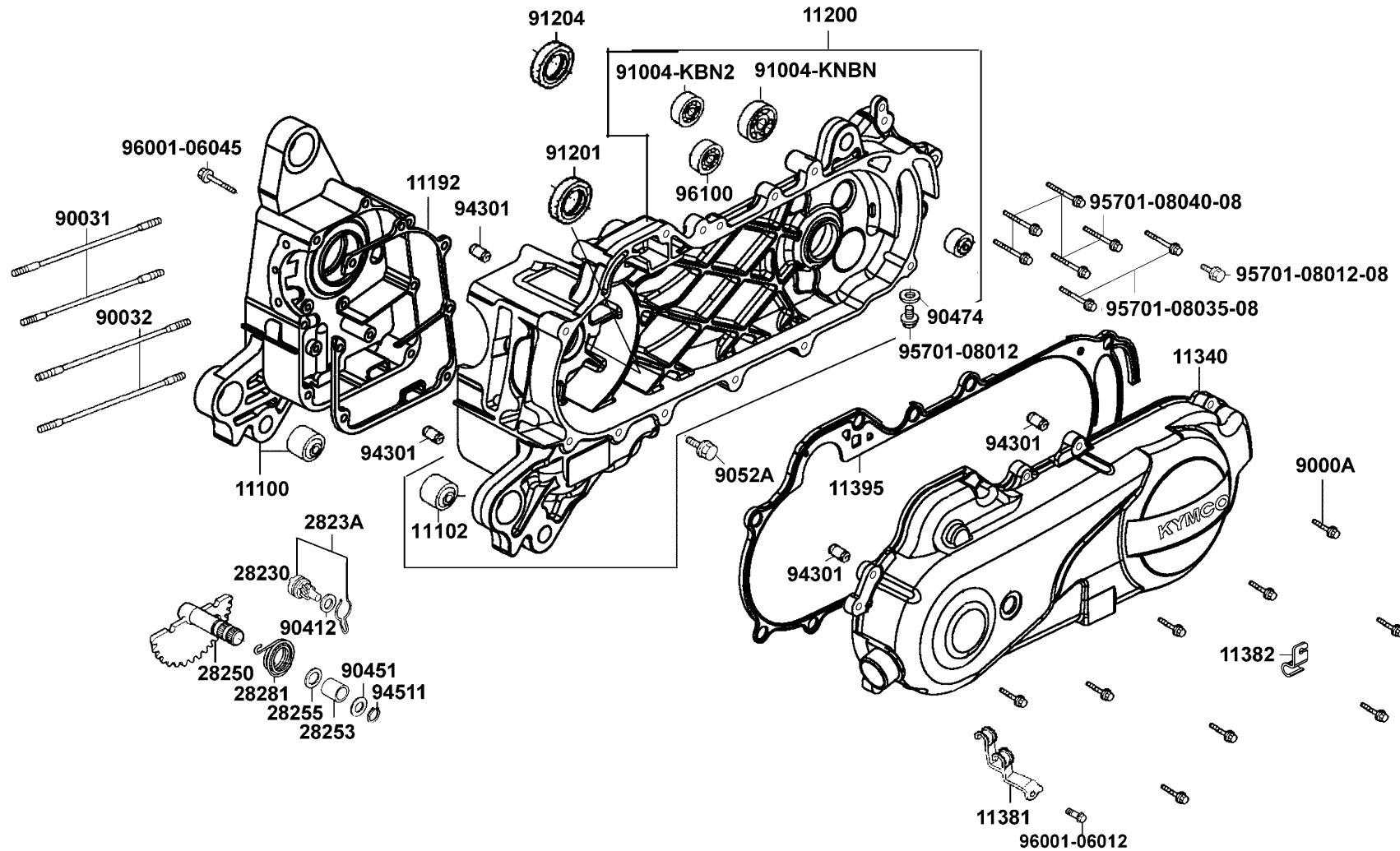
# Crank Case



Sales mark	Ref no	Part no	Description	Reg description	Regd no	<b>E01</b>
	11100	11100-KGBG-C00	CRANK CASE COMP RIGHT	CRANK CASE COMP RIGHT	1	
	11102	11102-1G87-C00	RUB BUSH ENG HANGER	RUB BUSH ENG HANGER	1	
	11192	11192-KGBG-C10	GASKET CRANK CASE@A	GASKET CRANK CASE@A	1	
	11200	11200-LBD6-C00	CRANK CASE COMP LEFT	CRANK CASE COMP LEFT	1	
**	11340	11340-LBD6-E00	COVER COMP L SIDE	COVER COMP L SIDE	1	
	11381	11381-KHC4-C00	CLAMPER THROTTLE CABLE	CLAMPER THROTTLE CABLE	1	
	11382	11382-LBD6-C00	CLAMPER BRAKE CABLE	CLAMPER BRAKE CABLE	1	
	11395	11395-LBD6-C00	GASKET L COVER	GASKET L COVER	1	
	28230	28230-GHAH-7210	GEAR COMP KICK DRIVEN	GEAR COMP KICK DRIVEN	1	
	2823A	2823A-LBD6-C00	GEAR ASSY KICK DRIVEN	GEAR ASSY KICK DRIVEN	1	
	28250	28250-GBN2-C00	SPINDLE COMP KICK STARTER	SPINDLE COMP KICK STARTER	1	
	28253	28253-GBN2-C00	BUSH KICK SPINDLE	BUSH KICK SPINDLE	1	
	28255	28255-GFS6-C00	COLLAR KICK BOSS	COLLAR KICK BOSS	1	
	28281	28281-GBN2-C00	SPRING KICK RETURN	SPRING KICK RETURN	1	
	9000A	9000A-KTDT-C00	BOLT ASSY SPECIAL 6*29.5	BOLT ASSY SPECIAL 6*29.5	1	
	90031	90031-KGBG-C00	BOLT A STUD 7x168	BOLT A STUD 7x168	1	
	90032	90032-KGBG-C00	BOLT B STUD 7*176	BOLT B STUD 7*176	1	
	90412	90412-3K29-C00	WASHER THRUST 10M/M	WASHER THRUST 10M/M	1	
	90451	90451-GBN2-C00	WASHER KICK SPINDLE	WASHER KICK SPINDLE	1	
	90474	90474-3C33-C00	WASHER 8MM(T*2)	WASHER 8MM(T*2)	1	

E01

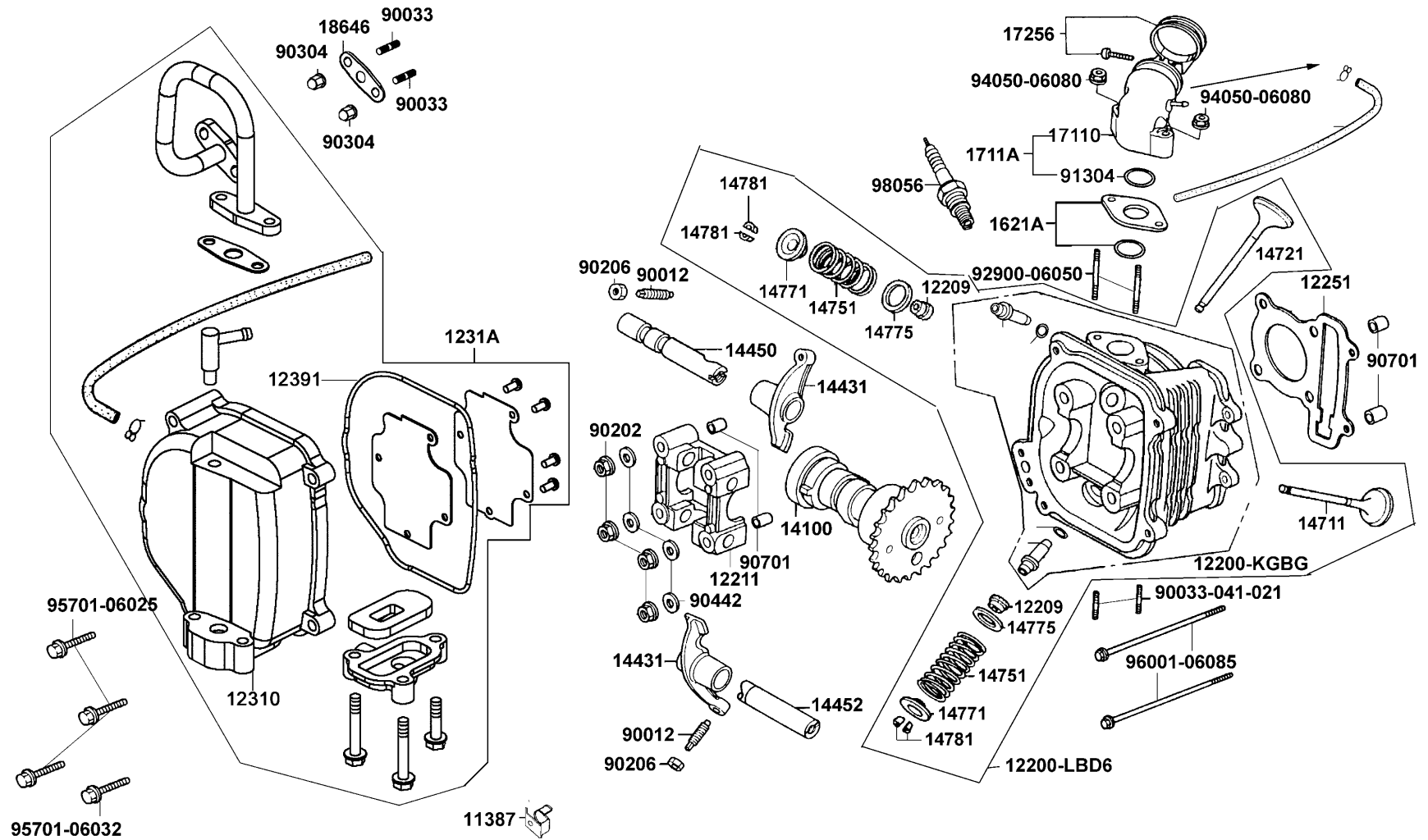
# Crank Case



Sales mark	Ref no	Part no	Description	Reg description	Regd no	<b>E01</b>
9052A		9052A-GFY6-C00	BOLT ASSY DRAIN PLUG	BOLT ASSY DRAIN PLUG	1	
91004-KBN2		91004-KBN2-C00	BRG BALL RADIAL 6201	BRG BALL RADIAL 6201	1	
91004-KNBN		91004-KNBN-C00	BRG BALL RADIAL 6203 SPC	BRG BALL RADIAL 6203 SPC	1	
91201		91201-GFY6-C00	OIL SEAL 19.8*30*5	OIL SEAL 19.8*30*5	1	
91204		91204-KNBN-C00	OIL SEAL 17*30*6	OIL SEAL 17*30*6	1	
94301		94301-08140	DOWEL PIN 8*14	DOWEL PIN 8*14	4	
94511		94511-14000	CIRCLIP EX 14	CIRCLIP EX 14	1	
95701-08012		95701-08012-08	BOLT FLANGE 8*12	BOLT FLANGE 8*12	2	
95701-08035		95701-08035-08	BOLT FLANGE 8*35	BOLT FLANGE 8*35	2	
95701-08040		95701-08040-08	BOLT FLANGE 8*40	BOLT FLANGE 8*40	5	
96001-06012		96001-06012-02	BOLT FLANGE SH 6*12	BOLT FLANGE SH 6*12	1	
96001-06045		96001-06045-08	BOLT FLANGE SH 6*45	BOLT FLANGE SH 6*45	1	
96100		96100-62033-00	BEARING BALL RADIAL 6203	BEARING BALL RADIAL 6203	1	

E02

# Cylinder Head





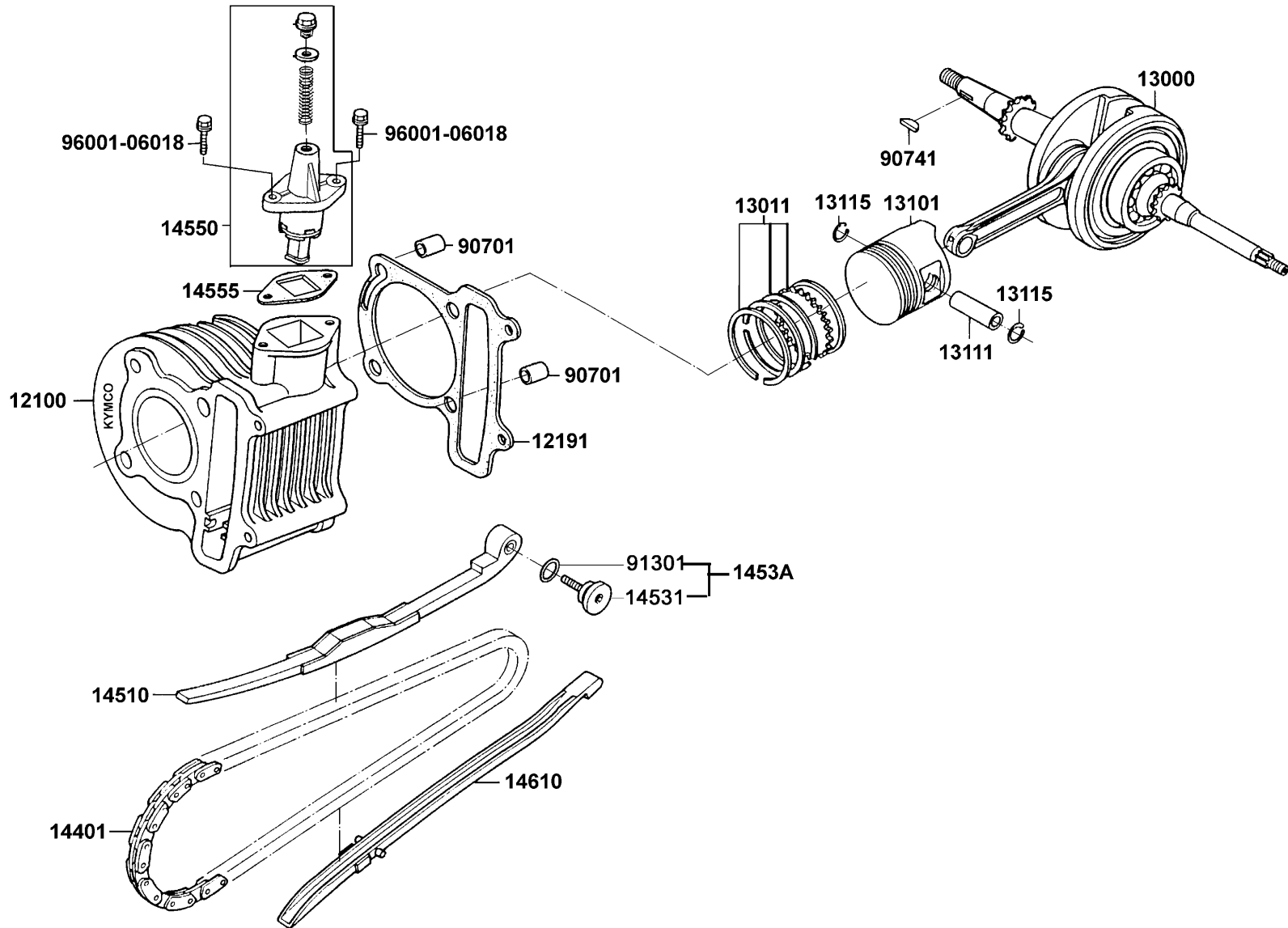
Sales mark	Ref no	Part no	Description	Reg description	Regd no	<b>E02</b>
	11387	11387-KGBG-C00	CLAMPER BREATHER TUBE	CLAMPER BREATHER TUBE	1	
	12200	12200-KGBG-C10	CYLINDER ASSY	CYLINDER ASSY	1	
	12200-LBD6	12200-LBD6-C00	HEAD SET, CYLIN	HEAD SET, CYLIN	1	
	12209	12209-GDB4-68A	SEAL VALVE STEM	SEAL VALVE STEM	2	
	12211	12211-KGBG-C00	HOLDER CAM SHAFT	HOLDER CAM SHAFT	1	
	12251	12251-KGBG-C00	GASKET CYLINDER HEAD	GASKET CYLINDER HEAD	1	
	12310	12310-KHC5-C00	COVER COMP HEAD	COVER COMP HEAD	1	
	1231A	1231A-KHC5-C10	COVER ASSY HEAD	COVER ASSY HEAD	1	
	12391	12391-KEE1-C00	GASKET HEAD COVER	GASKET HEAD COVER	1	
	14100	14100-KGBG-C00	SHAFT COMP CAM	SHAFT COMP CAM	1	
	14431	14431-KGBG-W10	ARM VALVE ROCKER	ARM VALVE ROCKER	2	
	14450	14450-KGBG-W10	SHAFT COMP IN ROCKER ARM	SHAFT COMP IN ROCKER ARM	1	
	14452	14452-KGBG-W10	SHAFT EXH ROCKER ARM	SHAFT EXH ROCKER ARM	1	
	14711	14711-KGBG-C00	VALVE INLET	VALVE INLET	1	
	14721	14721-KGBG-C00	VALVE EXHAUST	VALVE EXHAUST	1	
	14751	14751-KGBG-C00	SPRING VALVE OUTER	SPRING VALVE OUTER	1	
	14771	14771-GDB4-C00	RETAINER VALVE SPRING	RETAINER VALVE SPRING	1	
	14775	14775-MFA6-C00	SEAT VALVE SPG OUTER	SEAT VALVE SPG OUTER	1	
	14781	14781-MFA6-C00	COTTER VALVE	COTTER VALVE	1	
	1621A	1621A-KGBG-C00	INSULATOR CARB ASSY	INSULATOR CARB ASSY	1	



Sales mark	Ref no	Part no	Description	Reg description	Regd no	<b>E02</b>
	17110	17110-KGBG-C00	PIPE COMP INLET	PIPE COMP INLET	1	
	1711A	1711A-LBD6-C00	PIPE ASSY INLET	PIPE ASSY INLET	1	
	17256	17256-KGBG-C00	BAND INSULATOR	BAND INSULATOR	1	
	18646	18646-GFY6-C10	GASKET A/I PIPE	GASKET A/I PIPE	1	
	90012	90012-3C33-C00	SCREW TAPPET ADJUSTING	SCREW TAPPET ADJUSTING	1	
	90033-041	90033-0A41-C00	BOLT STUD 6*32	BOLT STUD 6*32	1	
	90033-GFY6	90033-GFY6-C10	BOLT STUD 6*16	BOLT STUD 6*16	1	
	90202	90202-GFF6-011	NUT FLANGE 7M/M	NUT FLANGE 7M/M	4	
	90206	90206-0A01-001	NUT TAPPET ADJG	NUT TAPPET ADJG	2	
	90304	90304-4H38-C00	NUT HEX CAP 6MM	NUT HEX CAP 6MM	1	
	90442	90442-GFF6-C00	WASHER SEALING 7MM	WASHER SEALING 7MM	1	
	90701	90701-GFF6-C00	PIN DOWEL SPECIAL 8*14	PIN DOWEL SPECIAL 8*14	1	
	91304	91304-KGBG-C00	O-RING 20.6*2.0	O-RING 20.6*2.0	1	
	92900-06050	92900-06050-0B	BOLT STUD 6*50	BOLT STUD 6*50	0	
	94050-06080	94050-06080	NUT FLANGE 6MM	NUT FLANGE 6MM	2	
	95701-06025	95701-06025-08	BOLT FLANGE 6*25	BOLT FLANGE 6*25	3	
	95701-06032	95701-06032-08	BOLT FLANGE 6*32	BOLT FLANGE 6*32	1	
	96001	96001-06085-08	BOLT FLANGE SH 6*85	BOLT FLANGE SH 6*85	2	
	98056	98056-5771R-00-M2	SPARK PLUG (P-RZ9HC)/KD	SPARK PLUG (P-RZ9HC)/KD	1	

E03

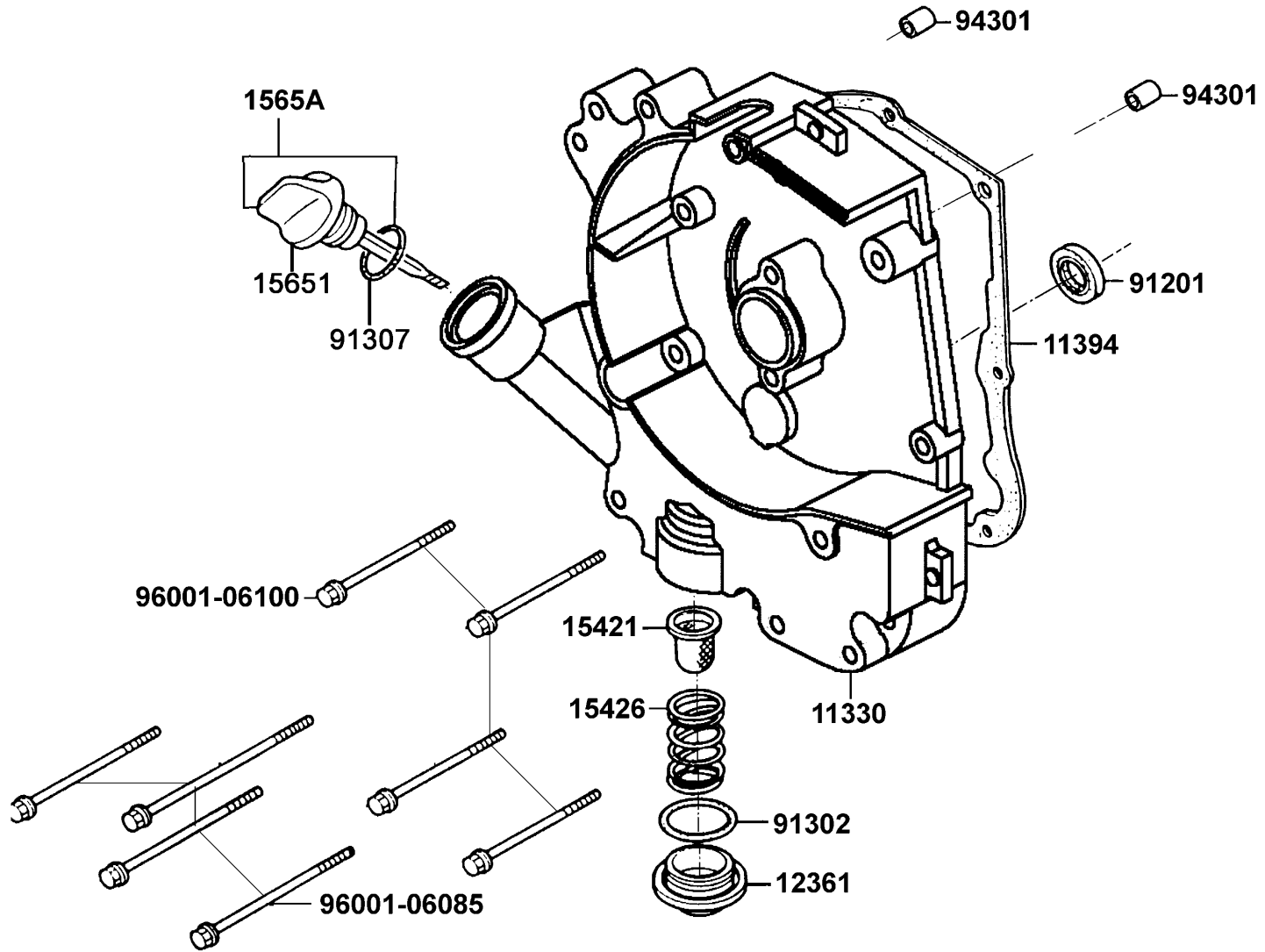
# Cylinder Piston Crankshaft



Sales mark	Ref no	Part no	Description	Reg description	Regd no	<b>E03</b>
12100		12100-KGBG-A60	CYLINDER COMP	CYLINDER COMP	1	
12191		12191-KGBG-C10	GASKET CYLINDER@A	GASKET CYLINDER@A	1	
13000		13000-LDC5-C00	CRANK SHAFT COMP	CRANK SHAFT COMP	1	
13011		13011-KGBG-C00	RING ASSY PISTON	RING ASSY PISTON	1	
13101		13101-LCB9-B20	PISTON	PISTON	1	
13111		13111-KGBG-C00	PIN PISTON	PIN PISTON	1	
13115		13115-0A01-C00	PISTON PIN CLIP	PISTON PIN CLIP	1	
14401		14401-KGBG-900	CHAIN CAM	CHAIN CAM	1	
14510		14510-KGBG-C00	TENSIONER CAM CHAIN	TENSIONER CAM CHAIN	1	
14531		14531-GLR0-W10	PIVOT CAM CHAIN TENSIONER	PIVOT CAM CHAIN TENSIONER	1	
1453A		1453A-GFY6-W10	PIVOT CAM CHAIN SET	PIVOT CAM CHAIN SET	1	
14550		14550-KDS4-C00	ADJUSTER CAM CHAIN	ADJUSTER CAM CHAIN	1	
14555		14555-KKJ9-C10	GASKET CAM CHAIN ADJUSTER	GASKET CAM CHAIN ADJUSTER	1	
14610		14610-KGBG-C00	GUIDE COMP CAM CHAIN	GUIDE COMP CAM CHAIN	1	
90701		90701-GFF6-C00	PIN DOWEL SPECIAL 8*14	PIN DOWEL SPECIAL 8*14	1	
90741		90741-0E35-C00	KEY WOODRUFF	KEY WOODRUFF	1	
91301		91301-GLR0-W10	O-RING 15.2*1.5	O-RING 15.2*1.5	1	
96001		96001-06018-08	BOLT FLANGE SH 6*18	BOLT FLANGE SH 6*18	2	

E04

# Right Crankcase Cover

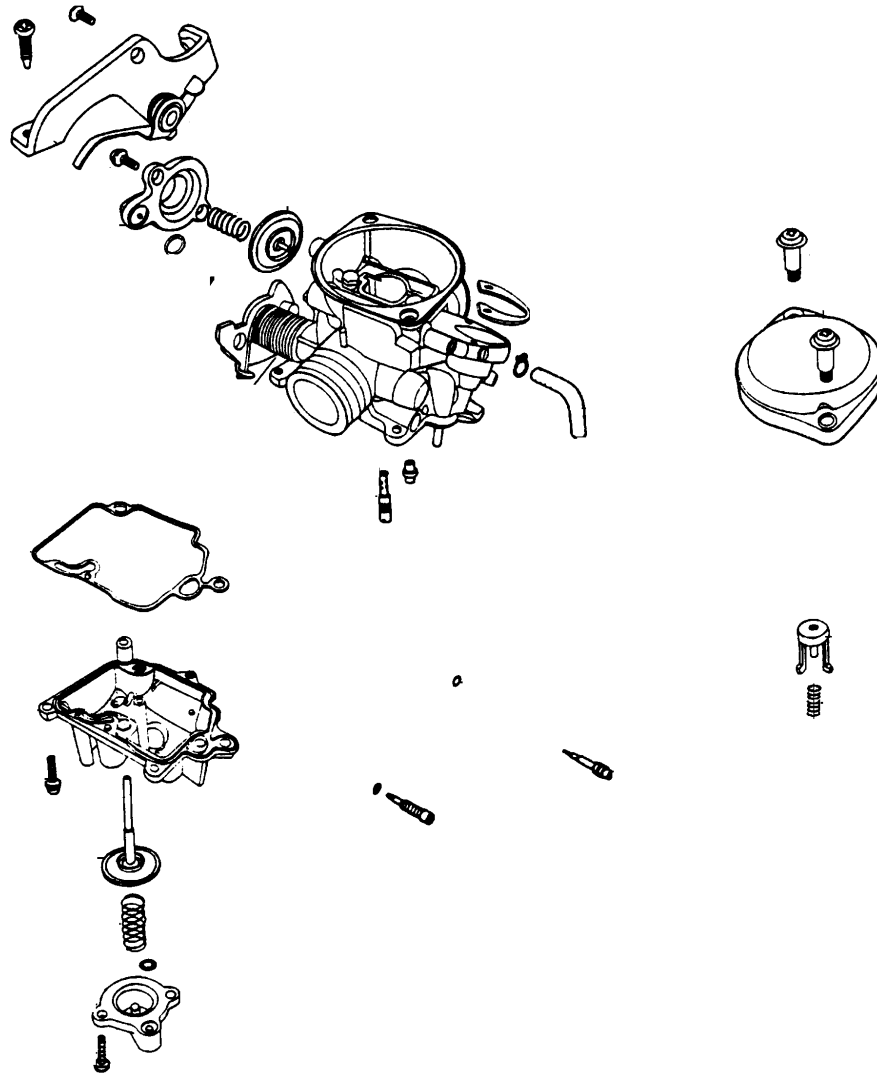


Sales mark	Ref no	Part no	Description	Reg description	Regd no	<b>E04</b>
	11330	11330-LBD6-C00	COVER COMP R CRANK CASE	COVER COMP R CRANK CASE	1	
	11394	11394-KGBG-C11	GASKET R COVER	GASKET R COVER	1	
	12361	12361-GFY6-C00	HOLE CAP TAPPET ADJUSTING	HOLE CAP TAPPET ADJUSTING	1	
	15421	15421-1G07-W10	SCREEN OIL FILTER	SCREEN OIL FILTER	1	
	15426	15426-GAE1-C00	SPG OIL FILTER SCREEN	SPG OIL FILTER SCREEN	1	
	15651	15651-GFY6-C00	GAUGE OIL LEVEL	GAUGE OIL LEVEL	1	
	1565A	1565A-GFY6-W10	GAUGE OIL LEVEL ASSY	GAUGE OIL LEVEL ASSY	1	
	91201	91201-KGBG-C00	OIL SEAL 16.4*30*5	OIL SEAL 16.4*30*5	1	
	91302	91302-0A01-C00	O-RING 30.8MM	O-RING 30.8MM	1	
	91307	91307-0E35-W10	O-RING 18*3	O-RING 18*3	1	
	94301	94301-08140	DOWEL PIN 8*14	DOWEL PIN 8*14	2	
	96001-06085	96001-06085-08	BOLT FLANGE SH 6*85	BOLT FLANGE SH 6*85	4	
	96001-06100	96001-06100-08	BOLT FLANGE SH 6*100	BOLT FLANGE SH 6*100	4	

E05

Carburetor

16100

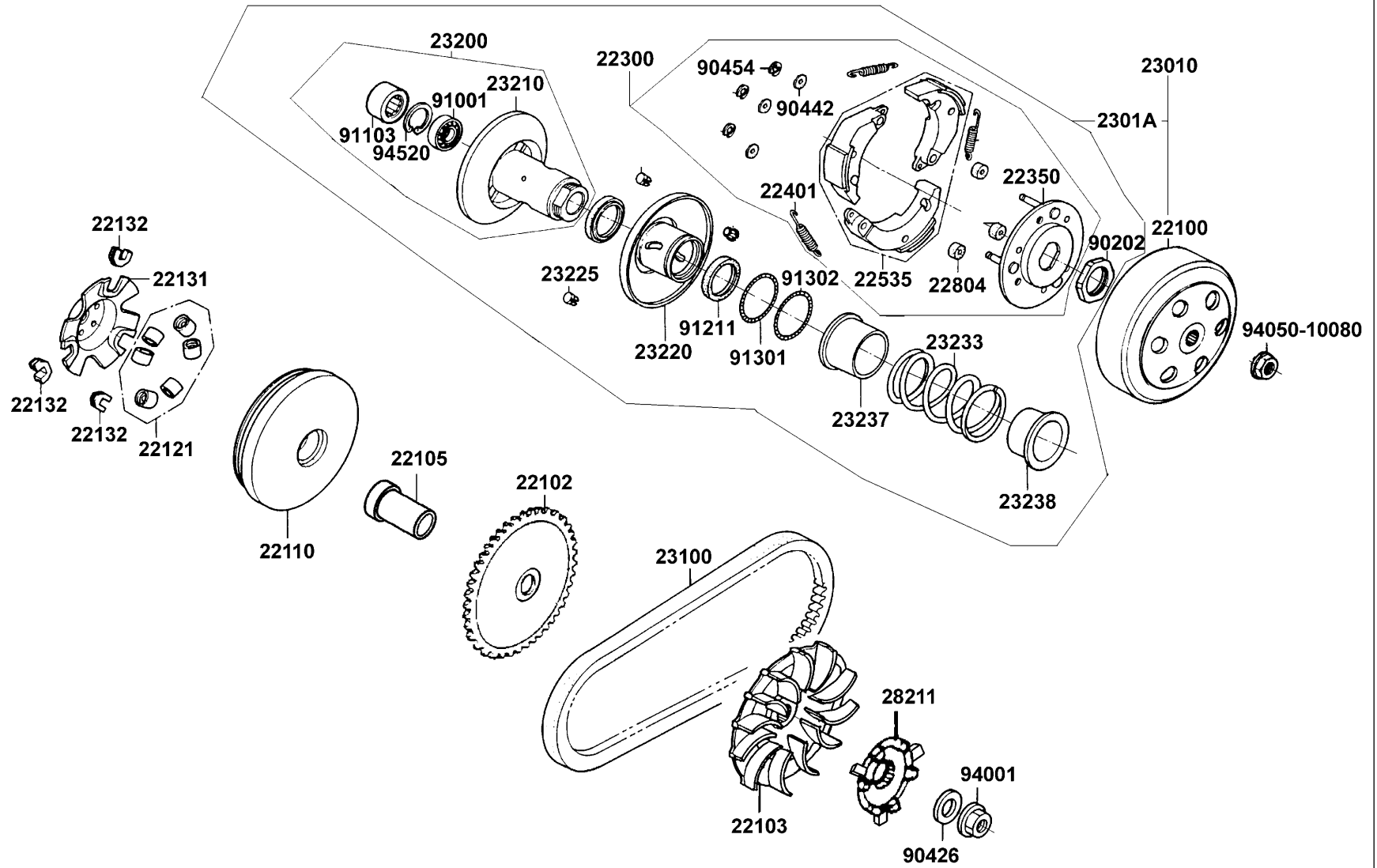




Sales mark	Ref no	Part no	Description	Reg description	Regd no	<b>E05</b>
16100	16100-ALA9-E70	CARBURETOR ASSY	CARBURETOR ASSY	1		

E06

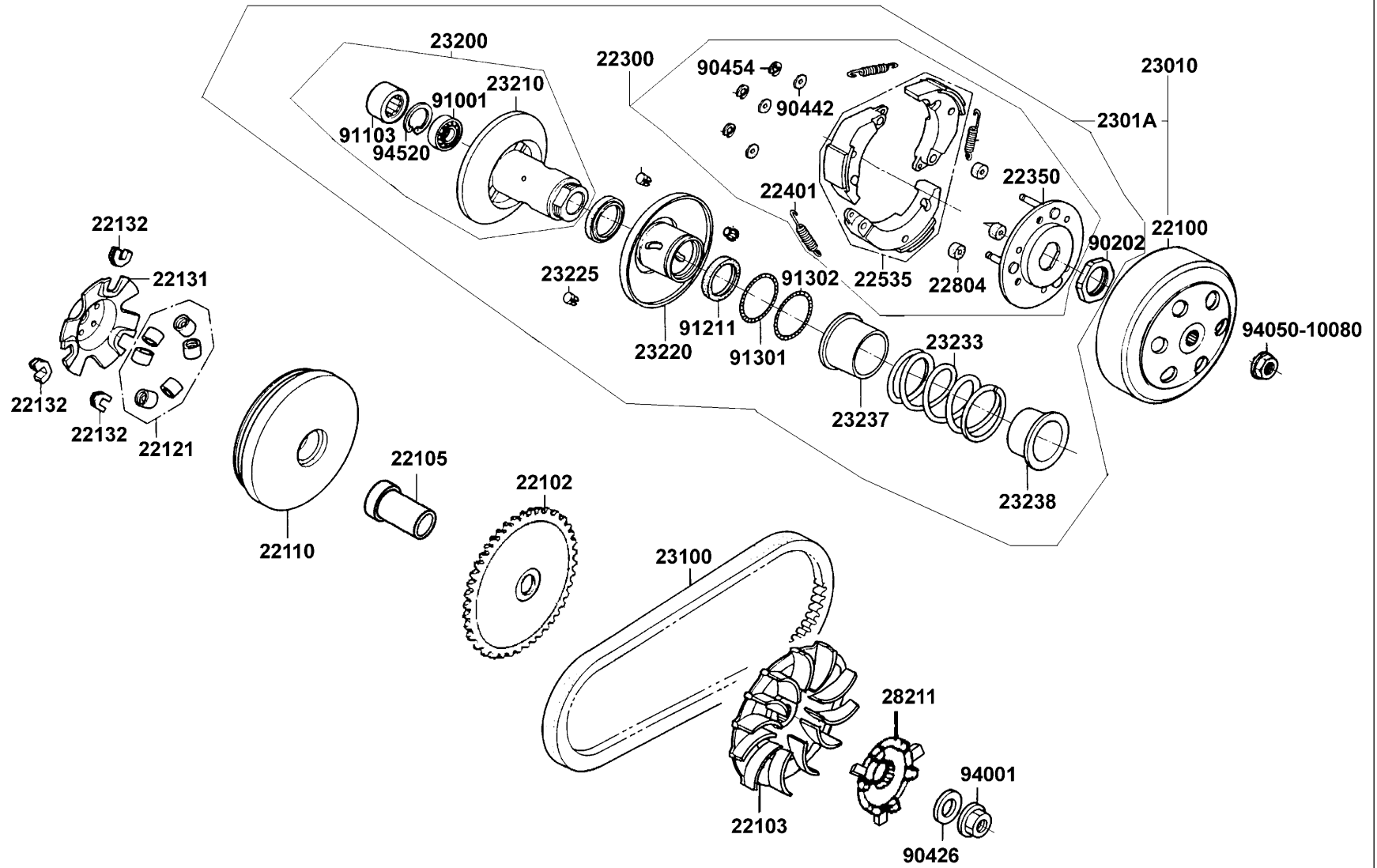
# Driven Pulley



Sales mark	Ref no	Part no	Description	Reg description	Regd no	<b>E06</b>
	22100	22100-LDC8-E10	CLUTCH OUTER	CLUTCH OUTER	1	
	22102	22102-LDC8-E10	FACE DRIVE	FACE DRIVE	1	
	22103	22103-KEB7-C00	FAN CVT COOLING	FAN CVT COOLING	1	
	22105	22105-LBD6-C00	BOSS DRIVE FACE	BOSS DRIVE FACE	1	
	22110	22110-LDC8-E10	FACE COMP MOVABLE DRIVE	FACE COMP MOVABLE DRIVE	1	
	22121	22121-LBD6-C00	ROLLER COMP WEIGHT 6.5g	ROLLER COMP WEIGHT 6.5g	1	
	22131	22131-GHAH-C00	PLATE RAMP	PLATE RAMP	1	
	22132	22132-GLW0-C00	PIECE SLIDE	PIECE SLIDE	1	
	22300	22300-LDC8-E10	PLATE ASSY DRIVE	PLATE ASSY DRIVE	1	
	22350	22350-GKAK-C00	PLATE COMP DRIVE	PLATE COMP DRIVE	1	
	22401	22401-LDC8-C10	SPRING CLUTCH	SPRING CLUTCH	0	
	22535	22535-GKAK-C00	WEIGHT SET CLUTCH	WEIGHT SET CLUTCH	1	
	22804	22804-1H48-C00	RUBBER CLUTCH DUMPER	RUBBER CLUTCH DUMPER	1	
	23010	23010-LDC8-C10	PULLEY ASSY DRIVEN	PULLEY ASSY DRIVEN	1	
	2301A	2301A-LDC8-E10	PULLEY SUB ASSY	PULLEY SUB ASSY	1	
	23100	23100-KEB7-C00	BELT DRIVE	BELT DRIVE	1	
	23200	23200-GAR1-C00	FACE ASSY DRIVEN	FACE ASSY DRIVEN	1	
	23210	23210-GAR1-C00	FACE COMP DRIVEN	FACE COMP DRIVEN	1	
	23220	23220-LDC8-C10	FACE COMP MOVABLE	FACE COMP MOVABLE	1	
	23225	23225-GAR1-C00	PIN GUIDE	PIN GUIDE	1	

E06

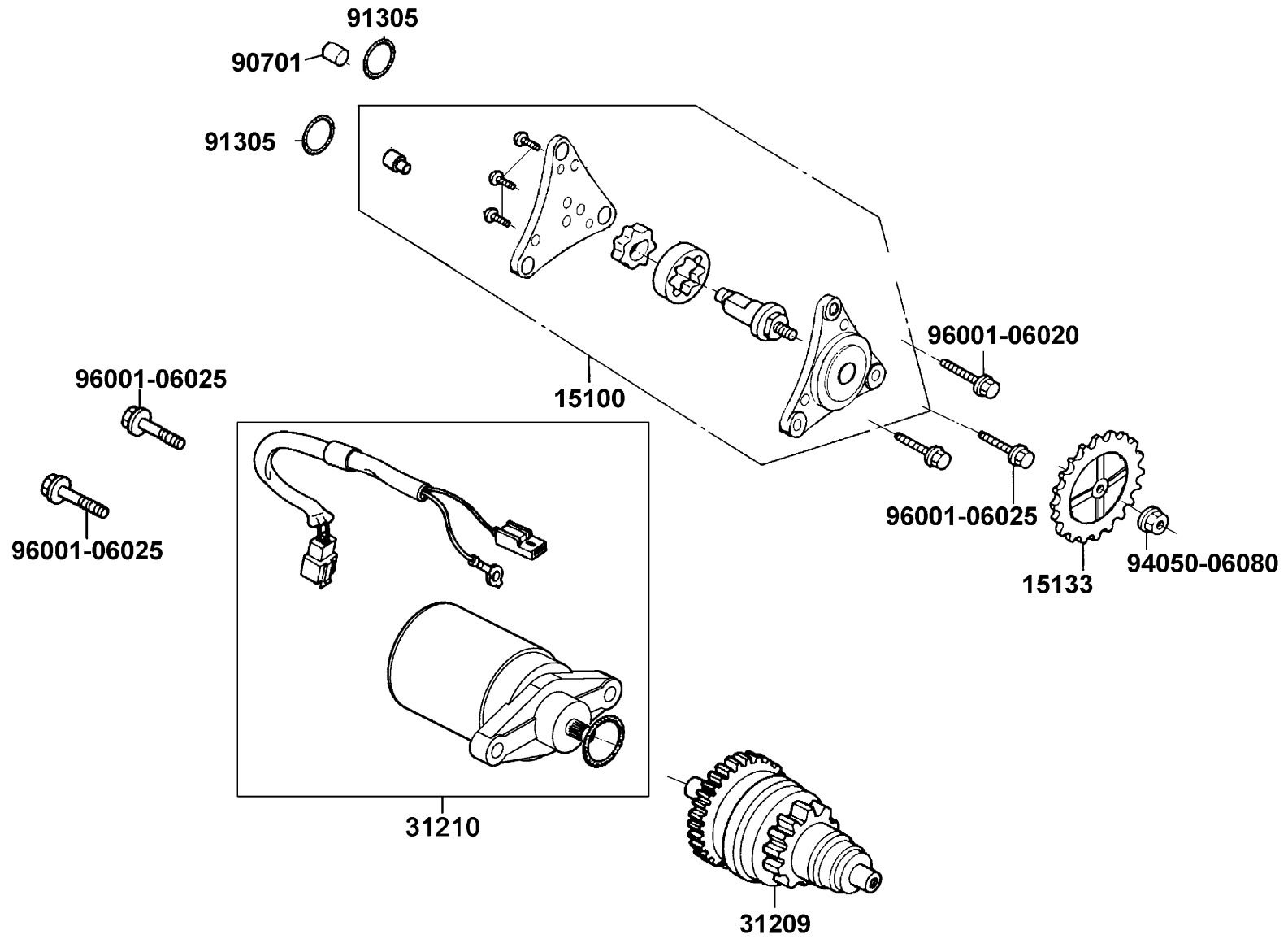
# Driven Pulley



Sales mark	Ref no	Part no	Description	Reg description	Regd no	<b>E06</b>
	23233	23233-KEE1-C00	SPG DRIVEN FACE	SPG DRIVEN FACE	1	
	23237	23237-GAR1-C00	COLLAR SEAL	COLLAR SEAL	1	
	23238	23238-GGS7-C00	COLLAR SPG	COLLAR SPG	1	
	28211	28211-KEB7-W10	RATCHET KICK STARTER	RATCHET KICK STARTER	1	
	90202	90202-1G87-C00	NUT SPECIAL 28MM	NUT SPECIAL 28MM	1	
	90426	90426-KNBN-C00	WASHER SPECIAL 12MM	WASHER SPECIAL 12MM	1	
	90442	90442-0D44-C00	WASHER THRUST 6M/M	WASHER THRUST 6M/M	1	
	90454	90454-GBB2-C00	CIR CLIP 6MM	CIR CLIP 6MM	1	
	91001	91001-GGA7-C00	BRG RADIAL BALL 6901U	BRG RADIAL BALL 6901U	1	
	91103	91103-GAR1-C00	BRG NEEDLE 17*25*18 WS	BRG NEEDLE 17*25*18 WS	1	
	91211	91211-KEE1-C00	OIL SEAL 34*39*3	OIL SEAL 34*39*3	1	
	91301	91301-KEE1-C00	O-RING 36*1.5	O-RING 36*1.5	1	
	91302	91302-KEE1-C00	O-RING 39.8*2.2	O-RING 39.8*2.2	1	
	94001	94001-12280-0S	NUT HEX 12MM	NUT HEX 12MM	1	
	94050	94050-10080	NUT FLANGE 10MM	NUT FLANGE 10MM	1	
	94520	94520-24000	CIR CLIP IN 24	CIR CLIP IN 24	1	

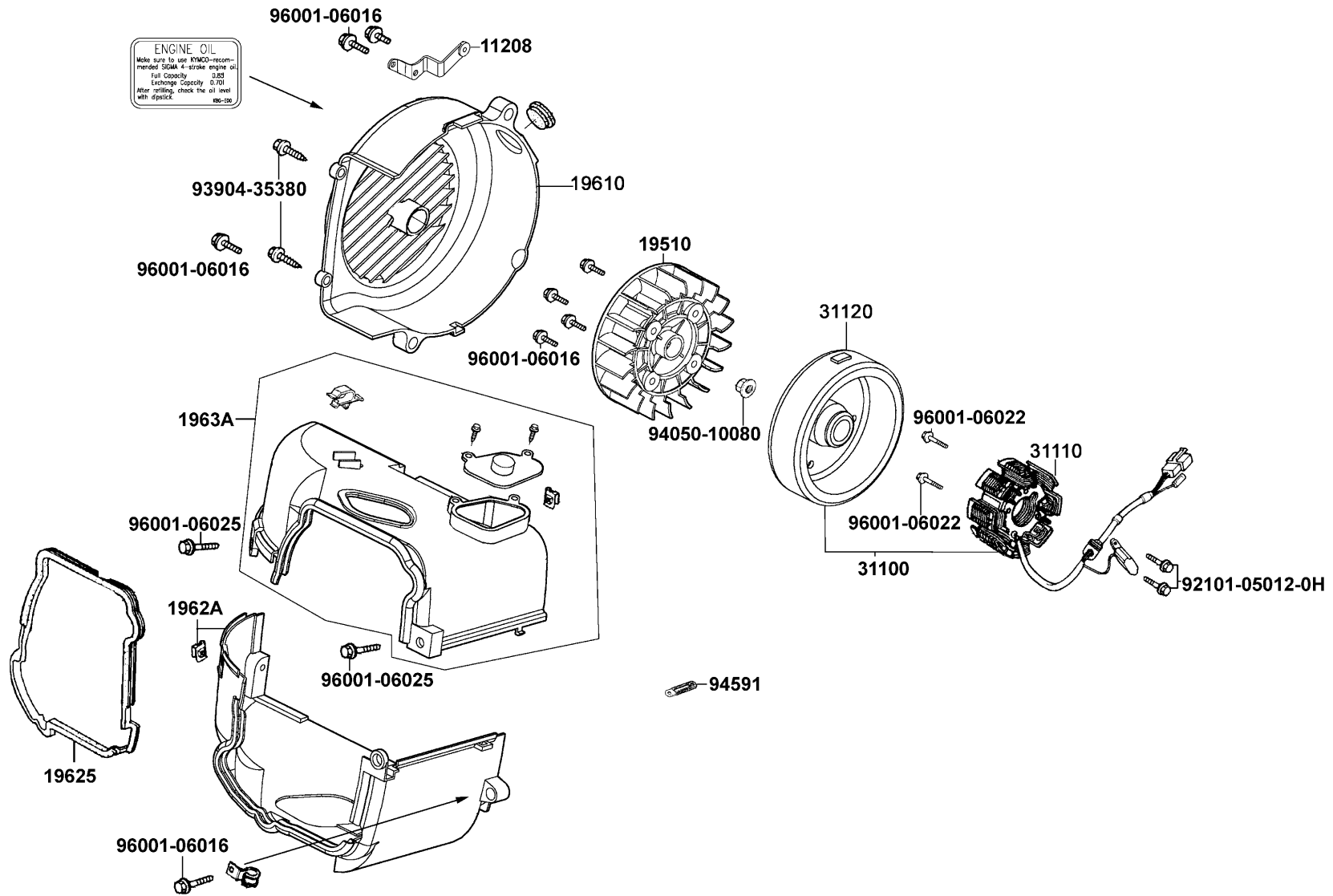
E07

### Starting Motor Oil Pump



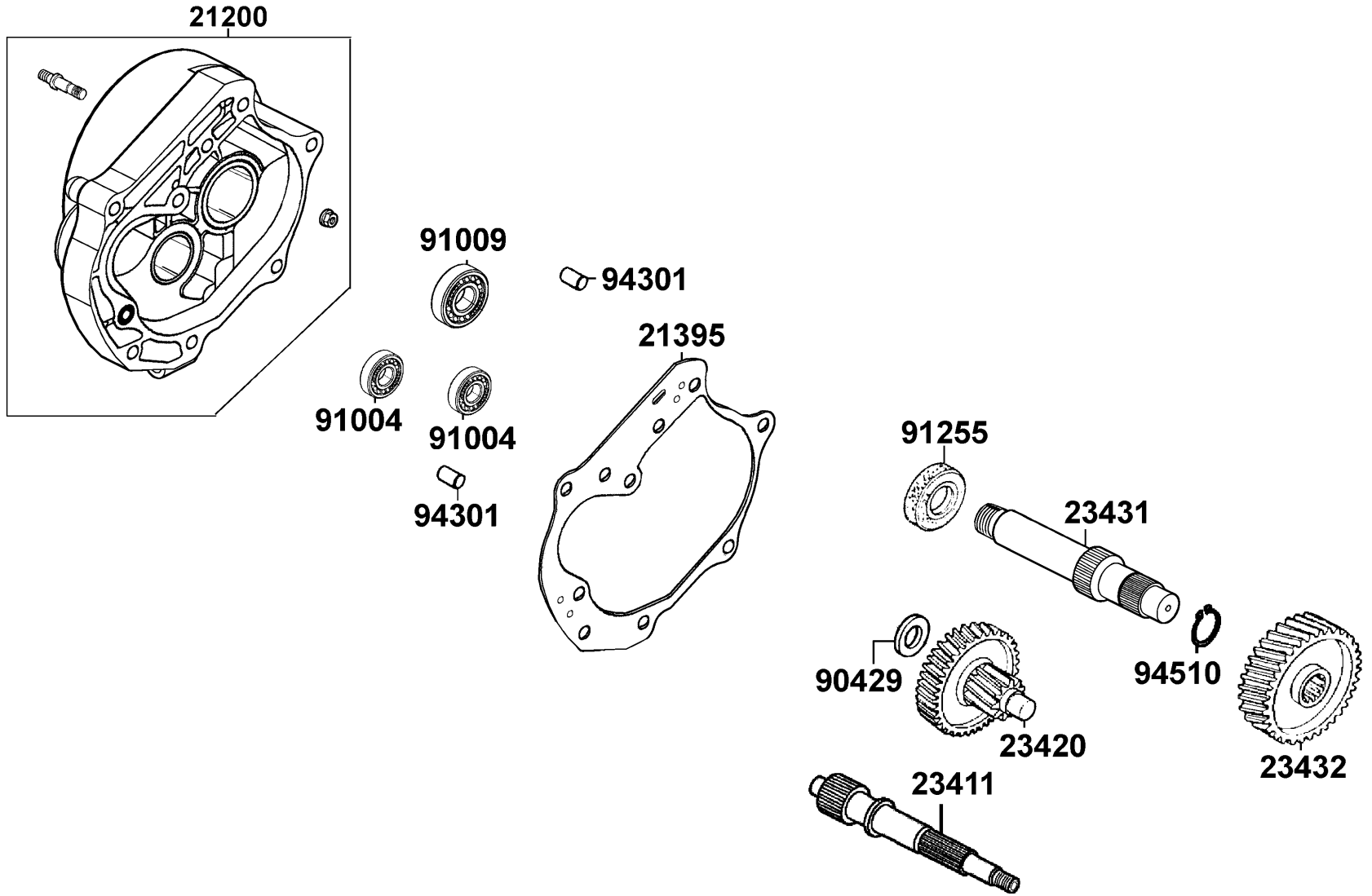
Sales mark	Ref no	Part no	Description	Reg description	Regd no	<b>E07</b>
	15100	15100-LDC5-C00	PUMP ASSY OIL	PUMP ASSY OIL	1	
	15133	15133-LDC5-C00	GEAR OIL PUMP DRIVEN	GEAR OIL PUMP DRIVEN	1	
	31209	31209-KEE1-C00	PINION ASSY STARTER	PINION ASSY STARTER	1	
	31210	31210-KEE1-900	MOTOR UNIT START	MOTOR UNIT START	1	
	90701	90701-HDC4-C00	DOWEL PIN 8*12	DOWEL PIN 8*12	1	
	91305	91305-0H28-C00	O-RING 9*1.6	O-RING 9*1.6	1	
	94050-06080	94050-06080	NUT FLANGE 6MM	NUT FLANGE 6MM	1	
	96001-06020	96001-06020-08	BOLT FLANGE SH 6*20	BOLT FLANGE SH 6*20	2	
	96001-06025	96001-06025-08	BOLT FLANGE SH 6*25	BOLT FLANGE SH 6*25	3	

# Fan Cover Generator





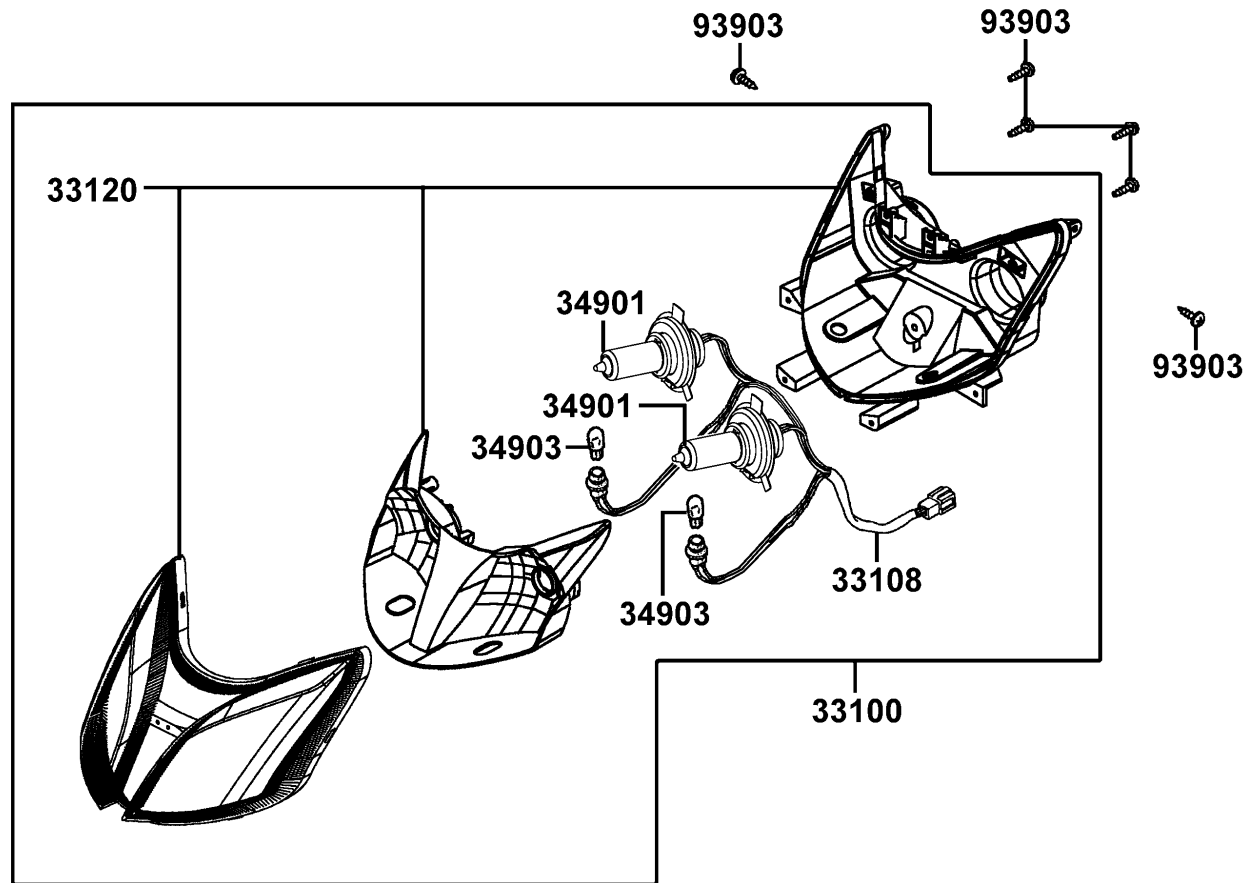
Sales mark	Ref no	Part no	Description	Reg description	Regd no	<b>E08</b>
11208		11208-LBD6-C00	STAY RR TIRE FENDER	STAY RR TIRE FENDER	1	
19510		19510-LDC5-C00	FAN COMP COOLING	FAN COMP COOLING	1	
19610		19610-LFC2-E10	COVER COMP FAN	COVER COMP FAN	1	
19625		19625-KEE1-C00	SEAL SHROUD	SEAL SHROUD	1	
1962A		1962A-KEE1-C00	SHROCD ASSY A	SHROCD ASSY A	1	
1963A		1963A-LDC8-E10	SHROUD ASSY B	SHROUD ASSY B	1	
31100		31100-LEJ2-E11	AC GEN ASSY	AC GEN ASSY	1	
31110		31110-LBD6-C00	FLYWHEEL COMP	FLYWHEEL COMP	1	
31120		31120-LBD6-C00	STATOR COMP	STATOR COMP	1	
92101		92101-05012-0H	BOLT HEX 5*12	BOLT HEX 5*12	2	
93904		93904-35380	SCREW TAPPING 5*16	SCREW TAPPING 5*16	2	
94050		94050-10080	NUT FLANGE 10MM	NUT FLANGE 10MM	1	
94591		94591-LDC8-E10	CLIP BIND	CLIP BIND	1	
96001-06016		96001-06016-08	BOLT FLANGE SH 6*16	BOLT FLANGE SH 6*16	6	
96001-06022		96001-06022-08	BOLT FLANGE SH 6*22	BOLT FLANGE SH 6*22	2	
96001-06025		96001-06025-08	BOLT FLANGE SH 6*25	BOLT FLANGE SH 6*25	2	



Sales mark	Ref no	Part no	Description	Reg description	Regd no	<b>E09</b>
	21200	21200-KFA1-900	CASE COMP MISSION	CASE COMP MISSION	1	
	21395	21395-KNBN-C10	GASKET MISSION CASE@A	GASKET MISSION CASE@A	1	
	23411	23411-LBD6-C00	SHAFT DRIVE	SHAFT DRIVE	1	
	23420	23420-LBD6-C00	SHAFT COMP COUNTER	SHAFT COMP COUNTER	1	
	23432	23432-LBD6-C00	GEAR FINAL	GEAR FINAL	1	
	23431	2343A-KNBN-C00	SHAFT FINAL	SHAFT FINAL	1	
	90429	90429-KNBN-C00	WASHER SIDE 12MM	WASHER SIDE 12MM	1	
	91004	91004-KBN2-C00	BRG BALL RADIAL 6201	BRG BALL RADIAL 6201	1	
	91009	91009-GLE0-C00	BRG BALL RADIAL 6004 UU	BRG BALL RADIAL 6004 UU	1	
	91255	91255-LDC8-E10	OIL SEAL 27*42*7	OIL SEAL 27*42*7	1	
	94301	94301-10200-M2	DOWEL PIN 10*20	DOWEL PIN 10*20	2	
	94510	94510-20000	CIR CLIP EX 20	CIR CLIP EX 20	1	

F01

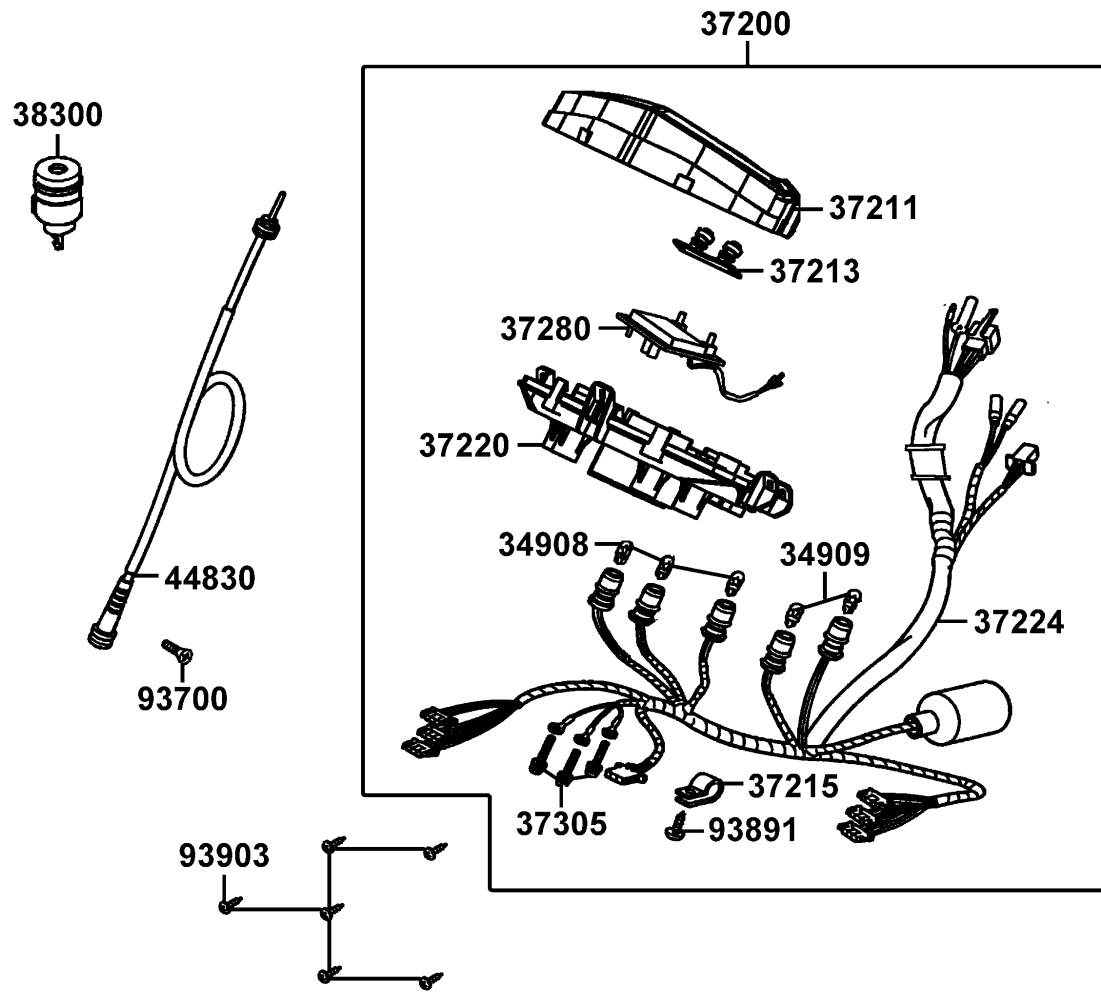
Head Light



Sales mark	Ref no	Part no	Description	Reg description	Regd no	<b>F01</b>
	33100	33100-ALA9-E70	LIGHT ASSY HEAD	LIGHT ASSY HEAD	1	
	33108	33108-LEJ2-E10	SOCKET COMP HEAD LIGHT	SOCKET COMP HEAD LIGHT	1	
	33120	33120-ALA9-E70	UNIT HEAD LIGHT	UNIT HEAD LIGHT	1	
	34901	34901-LDC8-E10	BULB HEAD LIGHT	BULB HEAD LIGHT	2	
	34903	34903-LDC8-E10	BULB POSITION	BULB POSITION	2	
	93903	93903-35220	SCREW TAPPING 5*12	SCREW TAPPING 5*12	6	

F02

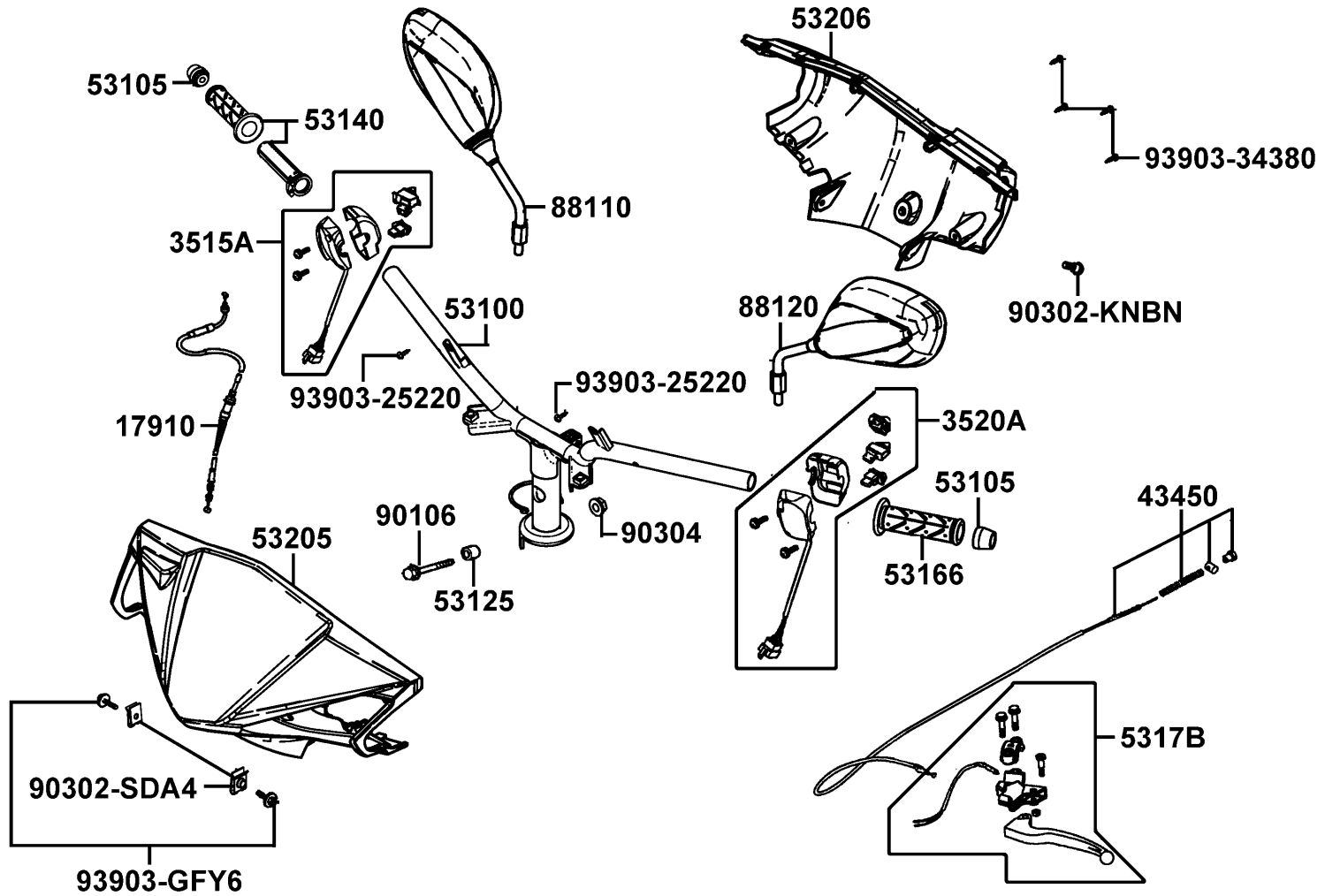
Speedometer



Sales mark	Ref no	Part no	Description	Reg description	Regd no	<b>F02</b>
	34908	34908-LEJ2-E00	BULB WEDGE BASE T10	BULB WEDGE BASE T10	3	
	34909	34909-LEJ2-E00	BULB WEDGE BASE T10	BULB WEDGE BASE T10	2	
	37200	37200-ALA9-E70	METER ASSY SPEED	METER ASSY SPEED	1	
	37211	37211-ALA9-E70	GLASS METER	GLASS METER	1	
	37213	37213-ALA9-E70	PACKING	PACKING	1	
	37215	37215-KAR1-C00	PLATE COSMETIC	PLATE COSMETIC	1	
	37220	37220-ALA9-E70	KNOB TRIP METER	KNOB TRIP METER	1	
	37224	37224-ALA9-E70	SOCKET COMP METER	SOCKET COMP METER	1	
	37280	37280-ALA9-E70	BAT AH INDI ASSY	BAT AH INDI ASSY	1	
	37305	37305-KEE5-008	SCREW WASH 3*22	SCREW WASH 3*22	1	
	38300	38300-KECE-W10	RELAY ASS'Y WINKER	RELAY ASS'Y WINKER	1	
	44830	44830-LDC8-E10	CABLE COMP SPDMT	CABLE COMP SPDMT	1	
	93700	93700-05018-0H	SCREW OVAL 5*18	SCREW OVAL 5*18	1	
	93891	93891-04014-08	SCREW WASHER 4*14 (C)	SCREW WASHER 4*14 (C)	1	
	93903	93903-34380	SCREW TAPPING 4*12	SCREW TAPPING 4*12	6	

F03

# Handle Steering Handle Cover

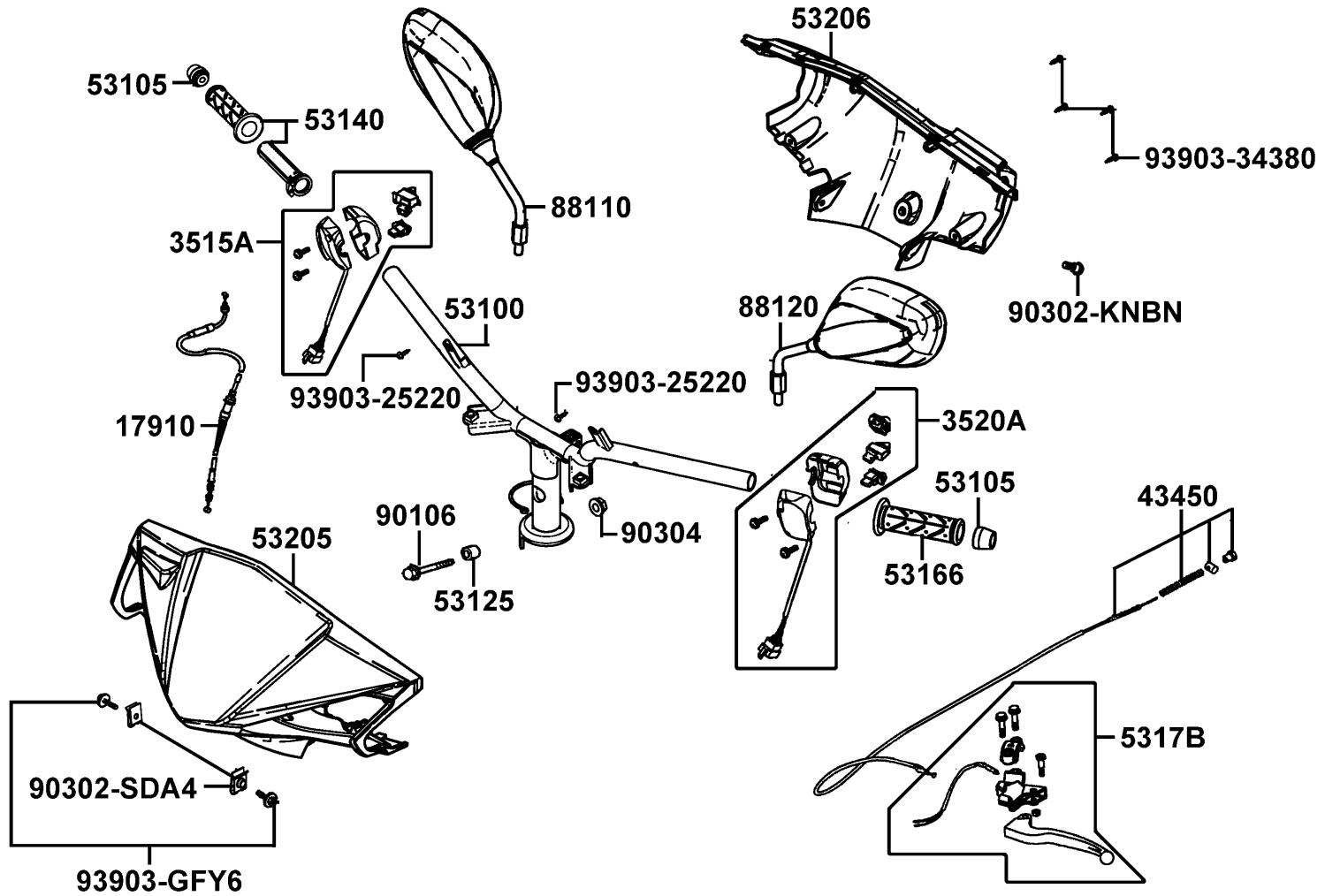




Sales mark	Ref no	Part no	Description	Reg description	Regd no	F03
	17910	17910-LDC8-E10	CABLE COMP THROT	CABLE COMP THROT	1	
	3515A	3515A-LGB5-E10	SW ASSY RH HNDL COMP	SW ASSY RH HNDL COMP	1	
	3520A	3520A-LGB5-E10	SW ASSY LH HANDLE COMP	SW ASSY LH HANDLE COMP	1	
	43450	43450-LDC8-E10	CABLE COMP RR BRK	CABLE COMP RR BRK	1	
	53100	53100-LGB5-E10	HANDLE COMP STRG	HANDLE COMP STRG	1	
	53105	53105-KNBN-C00	END STRG HANDLE	END STRG HANDLE	2	
	53125	53125-GEN5-C00	COLLAR HANDLE SET	COLLAR HANDLE SET	1	
**	53140	53140-KNBN-C00	GRIP COMP THROT	GRIP COMP THROT	1	
**	53166	53166-KNBN-C00	GRIP L HANDLE	GRIP L HANDLE	1	
	5317B	5317B-KFA6-C00	BRKT ASSY HNDL LH	BRKT ASSY HNDL LH	1	
**	53205	53205-LGB5-E10	COVER HANDLE FR	COVER HANDLE FR	1	
**	53206	53206-LGB5-E10	COVER HANDLE RR	COVER HANDLE RR	1	
**	88110	88110-LEB5-C10	MIRROR ASSY R BACK	MIRROR ASSY R BACK	1	
**	88120	88120-LEB5-C10	MIRROR ASSY L BACK	MIRROR ASSY L BACK	1	
	90106	90106-GEN5-901	BOLT FLANGE 10*50	BOLT FLANGE 10*50	1	
	90302-KNBN	90302-KNBN-C00	BOLT PAN 5*10	BOLT PAN 5*10	1	
	90302-SDA4	90302-SDA4-C00	NUT SPRING 4MM	NUT SPRING 4MM	1	
	90304	90304-GHE8-C00	NUT U 10MM(C)	NUT U 10MM(C)	1	
	93903-25220	93903-25220	SCREW TAPPING 5*12	SCREW TAPPING 5*12	2	
	93903-34380	93903-34380	SCREW TAPPING 4*12	SCREW TAPPING 4*12	4	

F03

# Handle Steering Handle Cover

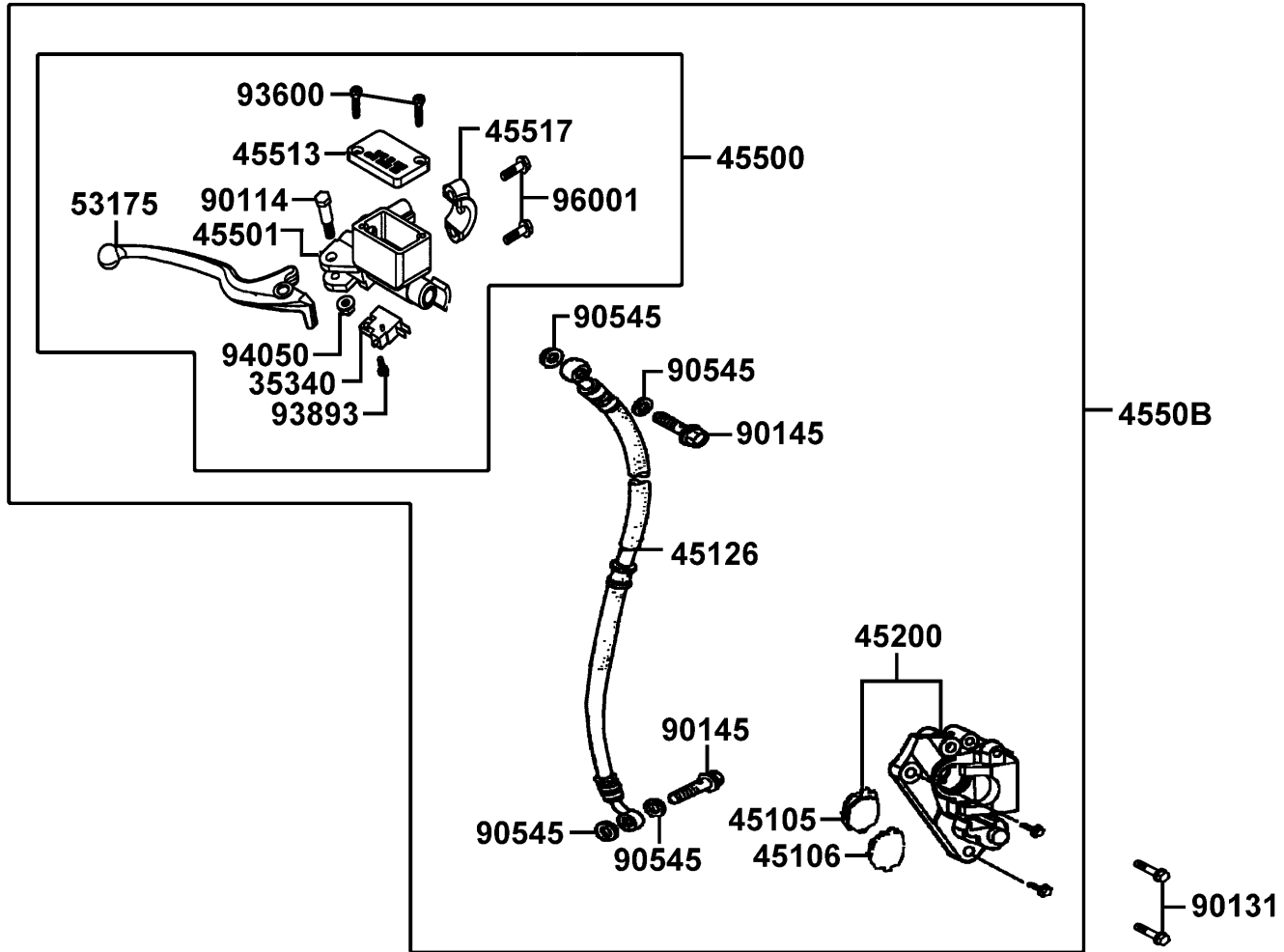


Sales mark	Ref no	Part no	Description	Reg description	Regd no	<b>F03</b>
------------	--------	---------	-------------	-----------------	---------	------------

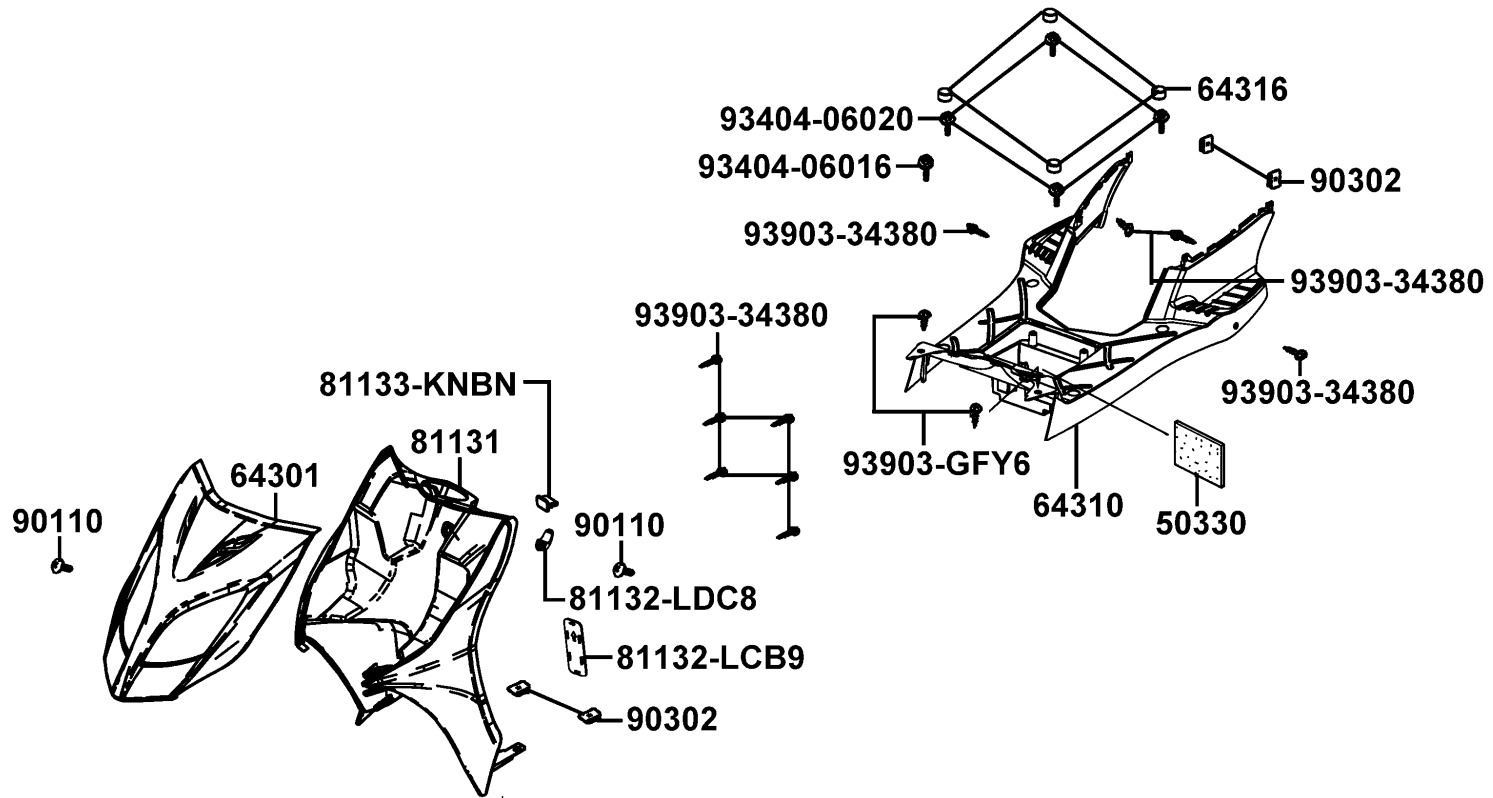
	93903-GFY6	93903-GFY6-C00	SCREW TAPPING 4*14	SCREW TAPPING 4*14	1	
--	------------	----------------	--------------------	--------------------	---	--

F04

Brake Master Cylinder



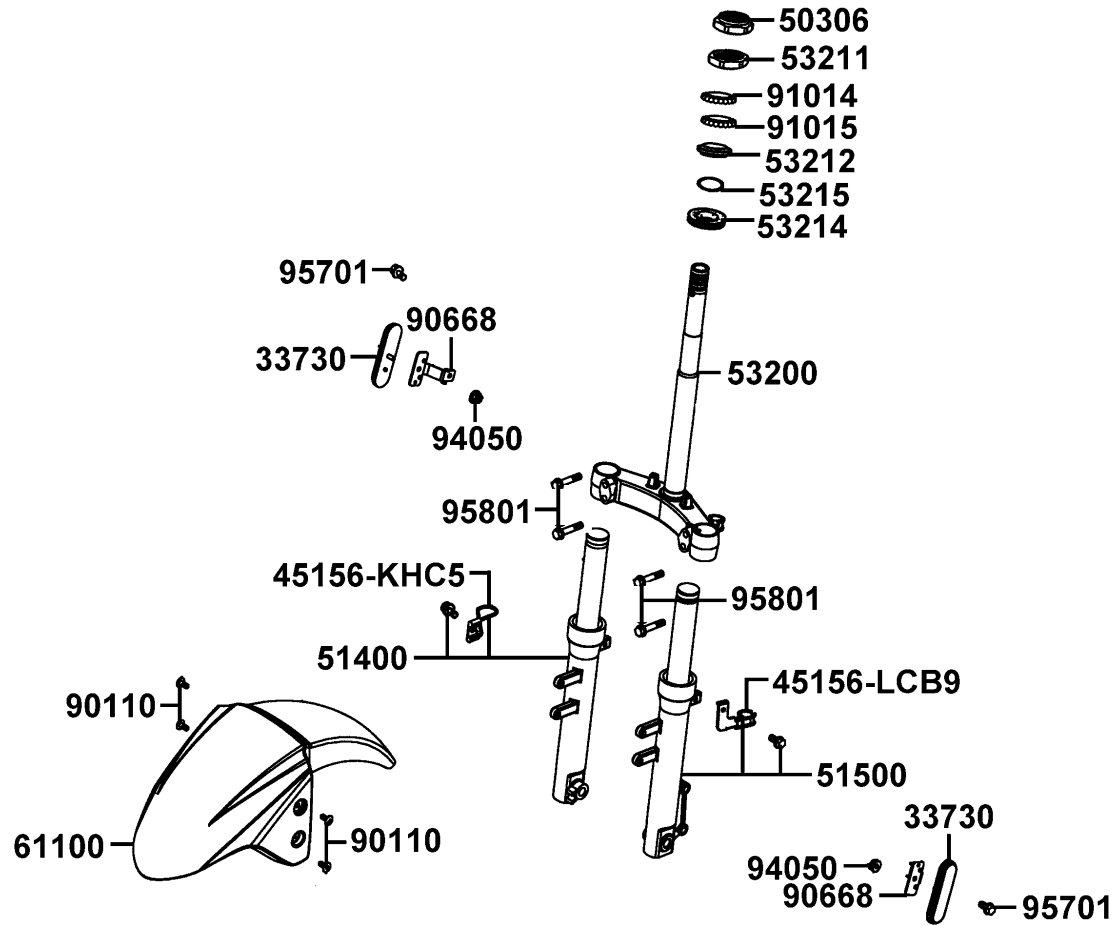
Sales mark	Ref no	Part no	Description	Reg description	Regd no	<b>F04</b>
	35340	35340-KNBN-901	SW ASSY FR STOP	SW ASSY FR STOP	1	
	45105	45105-LFC2-E1B	PAD COMP A	PAD COMP A	1	
	45106	45106-LFC2-E1B	PAD COMP B	PAD COMP B	1	
	45126	45126-ALA9-E70	HOSE ASSY FR BRK	HOSE ASSY FR BRK	1	
**	45200	45200-ALA9-E70	CALIPER ASSY FR BRK	CALIPER ASSY FR BRK	1	
	45500	45500-LDC8-E10	M/C ASSY FR	M/C ASSY FR	1	
	45501	45501-LDC8-E10	BODY M/C	BODY M/C	1	
	4550B	4550B-ALA9-E70	SUB ASSY FR BRK	SUB ASSY FR BRK	1	
	45513	45513-LDC8-E10	CAP CYLN SET MASTER	CAP CYLN SET MASTER	1	
	45517	45517-KFAF-910	HOLDER M/C	HOLDER M/C	1	
	53175	53175-LDC8-E10	LEVER R STRG HNDL	LEVER R STRG HNDL	1	
	90114	90114-1F66-C00	BOLT HANDLE LEVER	BOLT HANDLE LEVER	1	
	90131	90131-GLW0-C00	BOLT FLANGE 8*35	BOLT FLANGE 8*35	1	
	90145	90145-9A61-C00	OIL BOLT 10*22	OIL BOLT 10*22	1	
	90545	90545-3L00-C00	WASHER OIL BOLT	WASHER OIL BOLT	1	
	93600	93600-04012-1G	SCREW FLAT 4*12	SCREW FLAT 4*12	2	
	93893	93893-04012-08	SCREW WASHER 4*12 (C)	SCREW WASHER 4*12 (C)	1	
	94050	94050-06070	NUT FLANGE 6MM (K)	NUT FLANGE 6MM (K)	1	
	96001	96001-06025-00	BOLT FLANGE SH 6*25	BOLT FLANGE SH 6*25	2	



Sales mark	Ref no	Part no	Description	Reg description	Regd no	F05
	50330	50330-KEBE-900	SEAL BATTERY FR	SEAL BATTERY FR	1	
**	64301	64301-ALA9-E70	COVER FR	COVER FR	1	
**	64310	64310-LCB9-C10	PANEL FLOOR	PANEL FLOOR	1	
**	64316	64316-LCB9-C10	PLUG FLOOR	PLUG FLOOR	4	
**	81131	81131-ALA9-E70	LEG SHIELD	LEG SHIELD	1	
**	81132-LCB9	81132-LCB9-C10	Xc	Xc	1	
	81132-LDC8	81132-LDC8-E10	HOOK LUGGAGE	HOOK LUGGAGE	1	
	81133	81133-KNBN-C00	STOPPER LUGGAGE	STOPPER LUGGAGE	1	
	90110	90110-GLW0-C00	SCREW SPECIAL 6*14	SCREW SPECIAL 6*14	1	
	90302	90302-SDA4-C00	NUT SPRING 4MM	NUT SPRING 4MM	1	
	93404-06016	93404-06016-07	BOLT WASHER 6*16 (K)	BOLT WASHER 6*16 (K)	1	
	93404-06020	93404-06020-07	BOLT WASHER 6*20 (K)	BOLT WASHER 6*20 (K)	4	
	93903-34380	93903-34380	SCREW TAPPING 4*12	SCREW TAPPING 4*12	11	
	93903-GFY6	93903-GFY6-C00	SCREW TAPPING 4*14	SCREW TAPPING 4*14	1	

F06

# Stem Steering Front Cushion

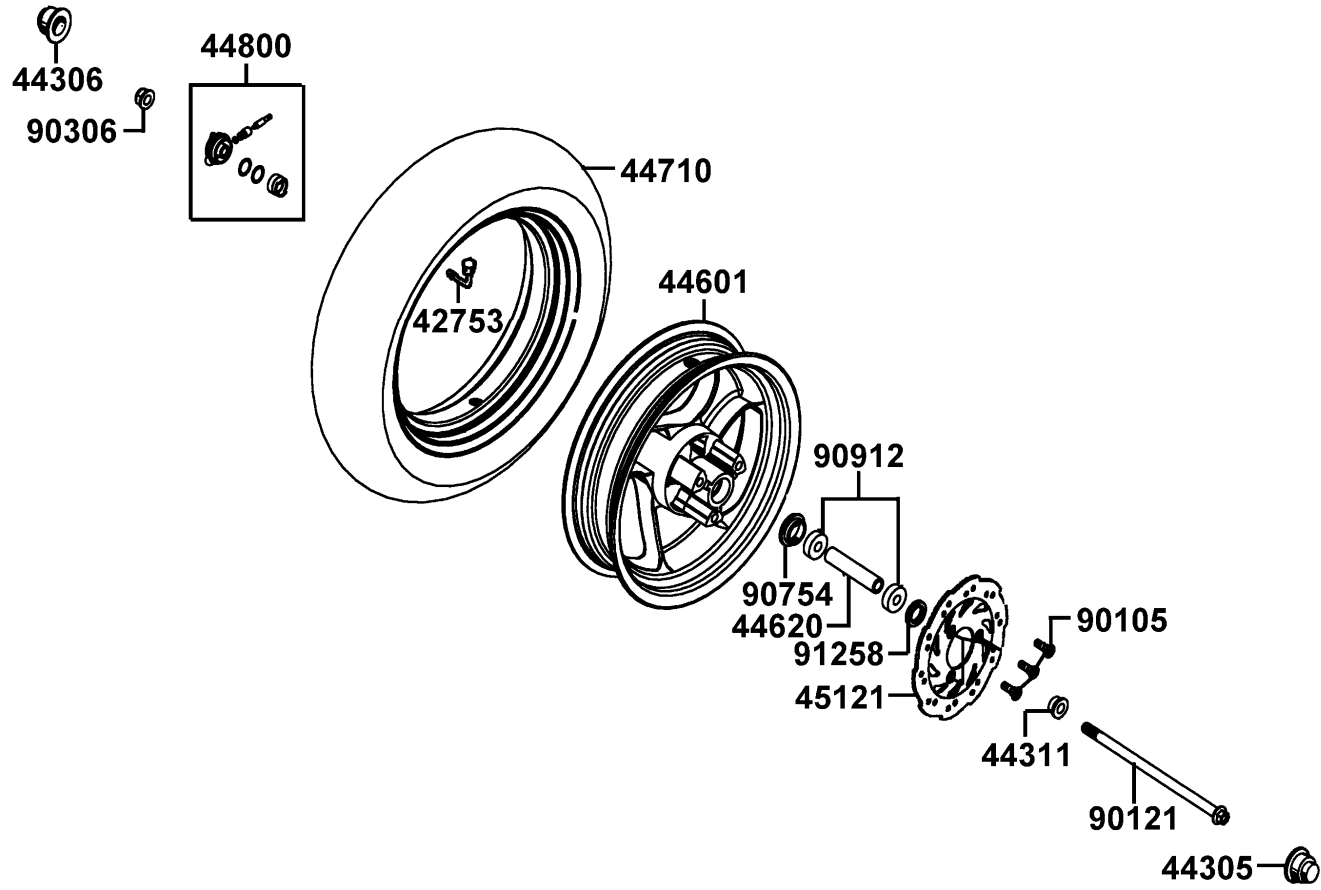




Sales mark	Ref no	Part no	Description	Reg description	Regd no	<b>F06</b>
	33730	33730-LDC8-E10	REFLEX REFLECTOR SIDE	REFLEX REFLECTOR SIDE	2	
	45156-KHC5	45156-KHC5-E10	CLAMPER FR BRAKE HOSE	CLAMPER FR BRAKE HOSE	1	
	45156-LCB9	45156-LCB9-B20	CLAMPER FR SPDMT CABLE	CLAMPER FR SPDMT CABLE	1	
	50306	50306-1F96-001	NUT STRG STEM LOCK	NUT STRG STEM LOCK	1	
**	51400	51400-LDC8-E10	FORK ASSY R FR	FORK ASSY R FR	1	
**	51500	51500-LDC8-E10	FORK ASSY L FR	FORK ASSY L FR	1	
	53200	53200-LDC8-E10	STEM COMP STRG	STEM COMP STRG	1	
	53211	53211-GFY6-C00	RACE STRG TOP CONE	RACE STRG TOP CONE	1	
	53212	53212-2L50-C00	RACE (STRG BOTTOM) CONE	RACE (STRG BOTTOM) CONE	1	
	53214	53214-2L50-C00	DUST SEAL STRG HEAD	DUST SEAL STRG HEAD	1	
	53215	53215-2L50-C00	WASHER STRG HDL DUST-SEAL	WASHER STRG HDL DUST-SEAL	1	
**	61100	61100-LDC8-E10	FENDER FR	FENDER FR	1	
	90110	90110-KEB7-C00	SCREW SPECIAL 6*14	SCREW SPECIAL 6*14	1	
	90668	90668-LDC8-E10	STAY SIDE REFLECTOR	STAY SIDE REFLECTOR	1	
	91014	91014-LLJ3-C00	CAGE STRG TOPP	CAGE STRG TOPP	1	
	91015	91015-LLJ3-C00	CAGE STRG BOT	CAGE STRG BOT	1	
	94050	94050-05080	NUT FLANGE 5MM	NUT FLANGE 5MM	2	
	95701	95701-06012-08	BOLT FLANGE 6*12	BOLT FLANGE 6*12	2	
	95801	95801-08040-08	BOLT FLANGE 8*40	BOLT FLANGE 8*40	4	

F07

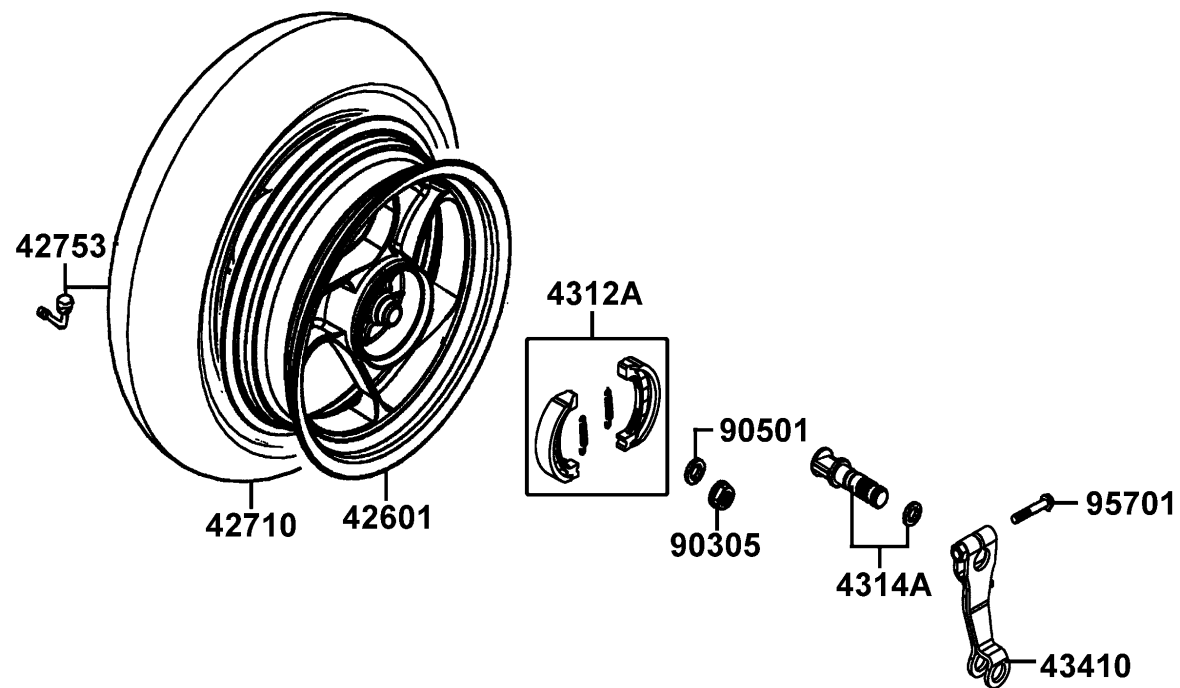
Front Wheel



Sales mark	Ref no	Part no	Description	Reg description	Regd no	<b>F07</b>
	42753	42753-0A01-C00	VALVE (TR 412) & CAP (C)	VALVE (TR 412) & CAP (C)	1	
	44305	44305-KGE2-E00	AXLE PROTECTOR L	AXLE PROTECTOR L	1	
	44306	44306-KGE2-E00	AXLE PROTECTOR R	AXLE PROTECTOR R	1	
	44311	44311-GLW0-W10	COLLAR FR WHEEL SIDE	COLLAR FR WHEEL SIDE	1	
**	44601	44601-KEB7-E0E	WHEEL FR CAST	WHEEL FR CAST	1	
	44620	44620-KEB7-E00	COLLAR FR DIST	COLLAR FR DIST	1	
	44710	44710-LDC8-E1A	TIRE ASSY FR	TIRE ASSY FR	1	
	44800	44800-LDC8-E10	GEAR BOX ASSY SPDMT	GEAR BOX ASSY SPDMT	1	
	45121	45121-LGB5-E80	DISK FR BRAKE	DISK FR BRAKE	1	
	90105	90105-KCR3-001	BOLT FR DISK 8*24	BOLT FR DISK 8*24	3	
	90121	90121-KBE2-C00	BOLT RR FORK PIVOT	BOLT RR FORK PIVOT	1	
	90306	90306-KLF0-C00	NUT FLANGE 12MM	NUT FLANGE 12MM	1	
	90754	90754-GHC8-C00	DUST SEAL 20*32*5	DUST SEAL 20*32*5	1	
	90912	90912-GHC8-C00	BEARING 6201 (U) (NTN)	BEARING 6201 (U) (NTN)	1	
	91258	91258-KAM1-C00	SEAL SPDMT GEAR BOX	SEAL SPDMT GEAR BOX	1	

F08

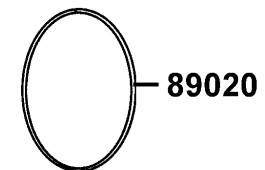
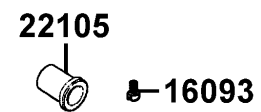
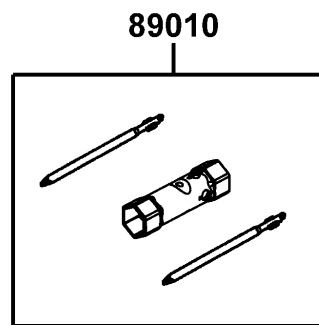
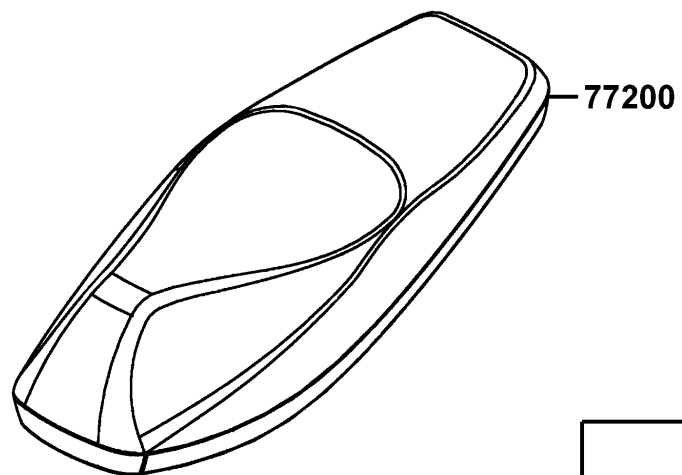
Rear Wheel



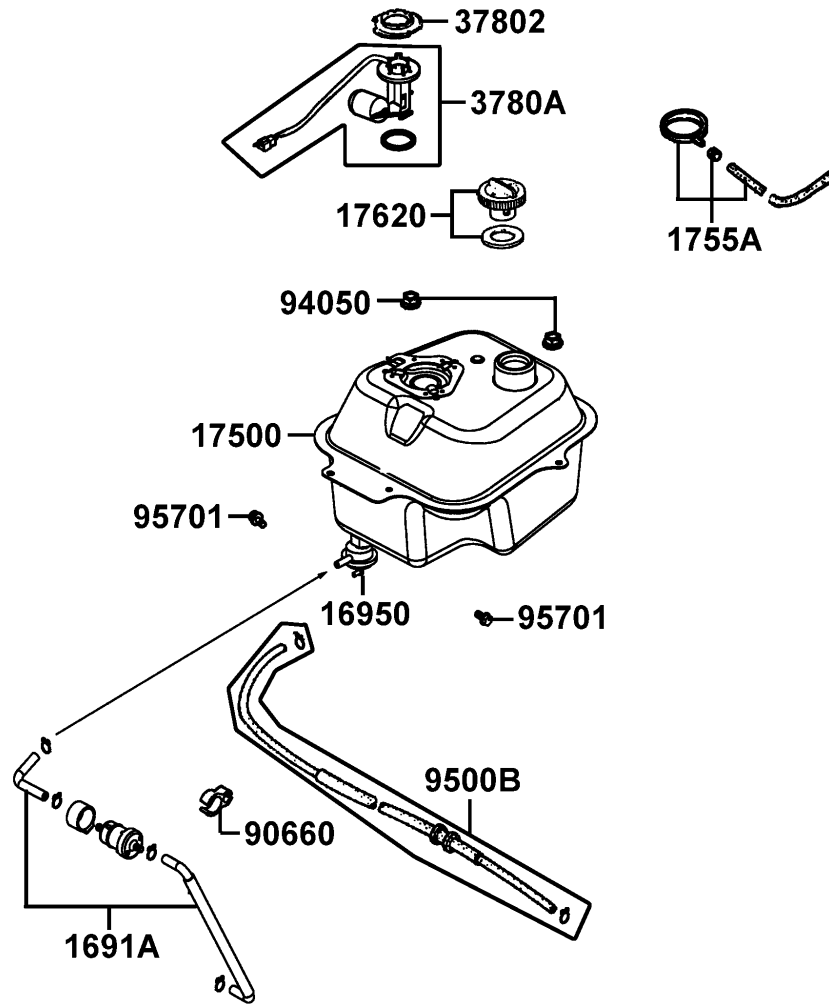
Sales mark	Ref no	Part no	Description	Reg description	Regd no	<b>F08</b>
**	42601	42601-KEB7-E0E	WHEEL CAST RR	WHEEL CAST RR	1	
	42710	42710-LDC8-E1A	TIRE ASSY RR	TIRE ASSY RR	1	
	42753	42753-0A01-C00	VALVE (TR 412) & CAP (C)	VALVE (TR 412) & CAP (C)	1	
	4312A	4312A-KXCX-C00	SHOE ASSY RR BRAKE	SHOE ASSY RR BRAKE	1	
	4314A	4314A-KKD6-E00	CAM ASSY RR BRAKE	CAM ASSY RR BRAKE	1	
	43410	43410-KFA1-900	ARM COMP RR BRAKE	ARM COMP RR BRAKE	1	
	90305	90305-KNBN-C00	NUT U 16MM(C)	NUT U 16MM(C)	1	
	90501	90501-KNBN-C00	WASHER 16MM	WASHER 16MM	1	
	95701	95701-06032-08	BOLT FLANGE 6*32	BOLT FLANGE 6*32	1	

F09

Seat



Sales mark	Ref no	Part no	Description	Reg description	Regd no	<b>F09</b>
	16093	16093-5082-000	JET MAIN	JET MAIN	1	
	22105	22105-KGBG-C00	VBOSS DRIVE FACE	VBOSS DRIVE FACE	1	
**	77200	77200-LDF7-E10	SEAT ASSY	SEAT ASSY	1	
	77206	77206-LCB9-C10	RUBBER SEAT CUSHION	RUBBER SEAT CUSHION	1	
	89010	89010-KGBG-C00	TOOL SET	TOOL SET	1	
	89020	89020-KKC4-900	BAND TOOL SET	BAND TOOL SET	1	
	94050	94050-06080	NUT FLANGE 6MM	NUT FLANGE 6MM	2	

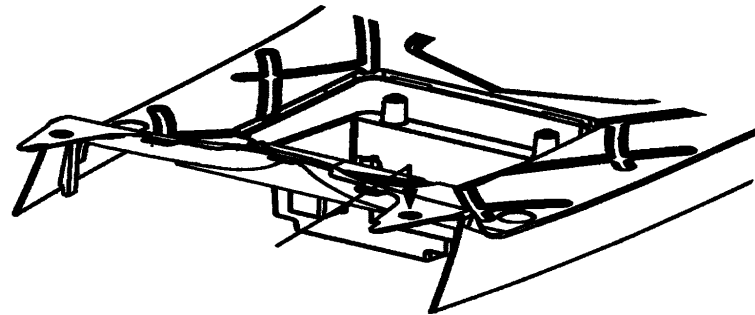
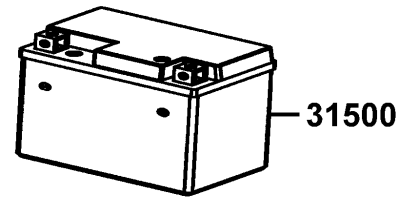
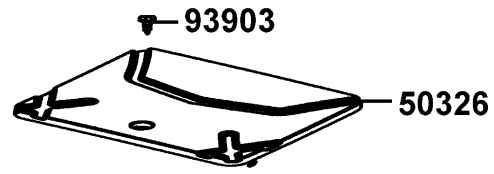




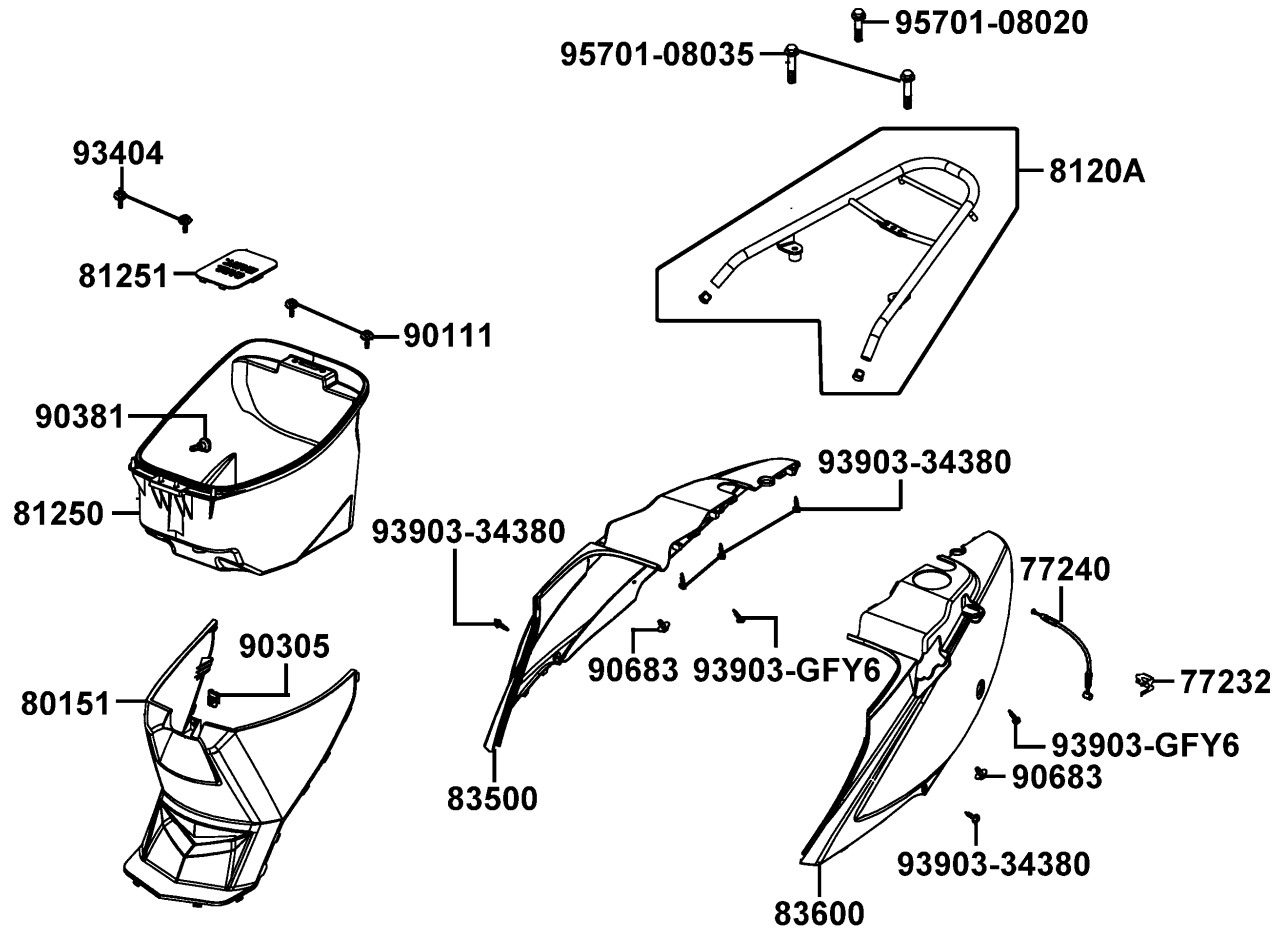
Sales mark	Ref no	Part no	Description	Reg description	Regd no	<b>F10</b>
	1691A	1691A-LDF7-E10	STRAINER ASSY FUEL	STRAINER ASSY FUEL	1	
	16950	16950-KKJ9-C00	AUTO COCK ASSY FUEL	AUTO COCK ASSY FUEL	1	
	17500	17500-LCB9-C10	TANK COMP FUEL	TANK COMP FUEL	1	
	1755A	1755A-KKD5-C10	TRAY ASSY FUEL CAP	TRAY ASSY FUEL CAP	1	
	17620	17620-LDF7-E10	CAP COMP FUEL FILLER	CAP COMP FUEL FILLER	1	
	37802	37802-GGA7-701	RET FUEL UNIT	RET FUEL UNIT	1	
	3780A	3780A-LDC8-E10	FUEL UNIT ASSY	FUEL UNIT ASSY	1	
	90660	90660-KGBG-C00	CLAMPER TUBE	CLAMPER TUBE	1	
	94050	94050-06080	NUT FLANGE 6MM	NUT FLANGE 6MM	2	
	9500B	9500B-LDC8-E10	TUBE ASSY VACUUM	TUBE ASSY VACUUM	1	
	95701	95701-06012-08	BOLT FLANGE 6*12	BOLT FLANGE 6*12	2	

F11

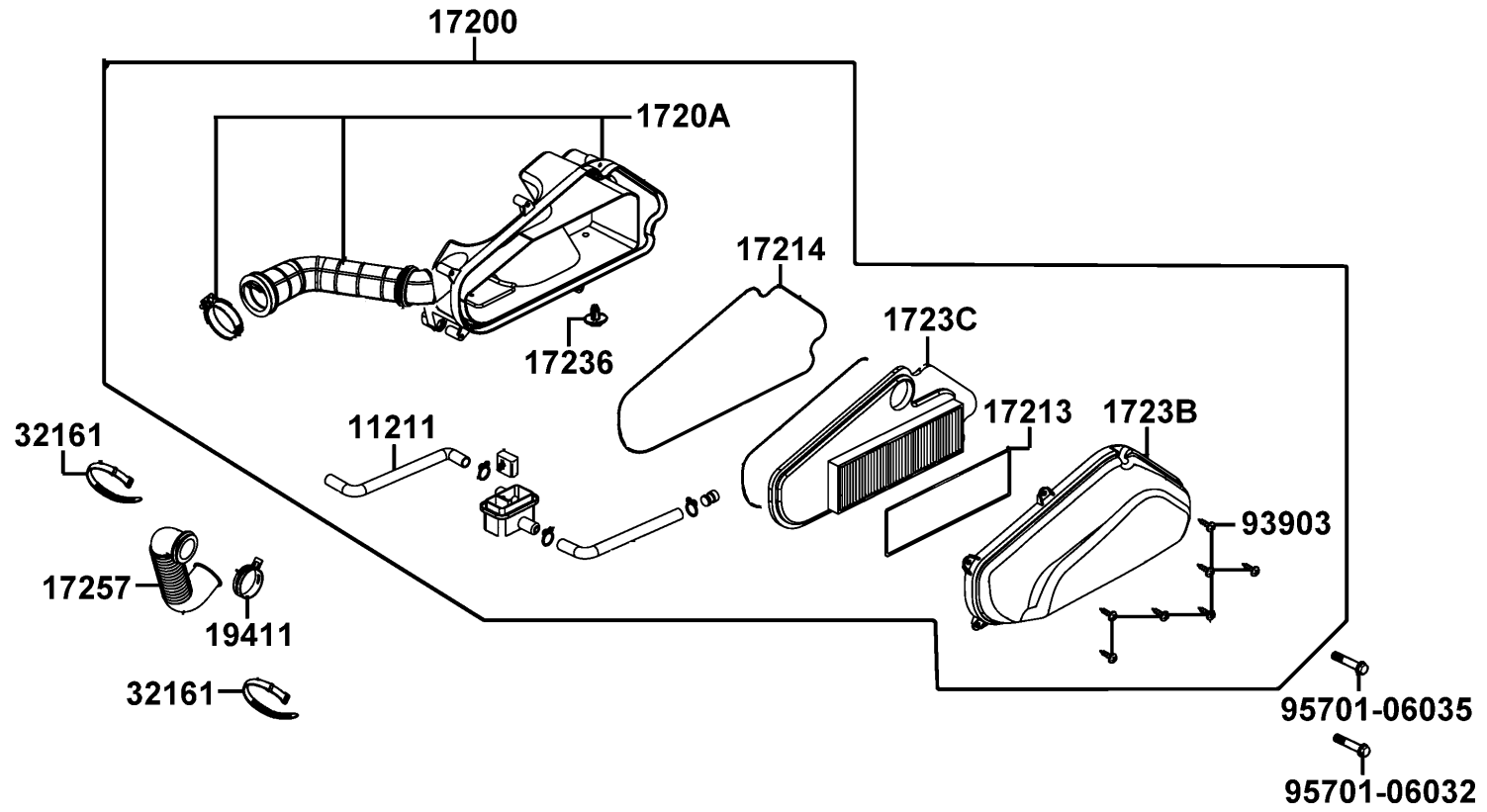
Battery



Sales mark	Ref no	Part no	Description	Reg description	Regd no	<b>F11</b>
	31500	31500-KNBN-C00	BATTERY YTX5L-BS	BATTERY YTX5L-BS	1	
**	50326	50326-LCB9-C10	COVER BATTERY	COVER BATTERY	1	
	93903	93903-35380	SCREW TAPPING 5*16 (K)	SCREW TAPPING 5*16 (K)	1	
	98200	98200-10700	FUSE A7	FUSE A7	1	



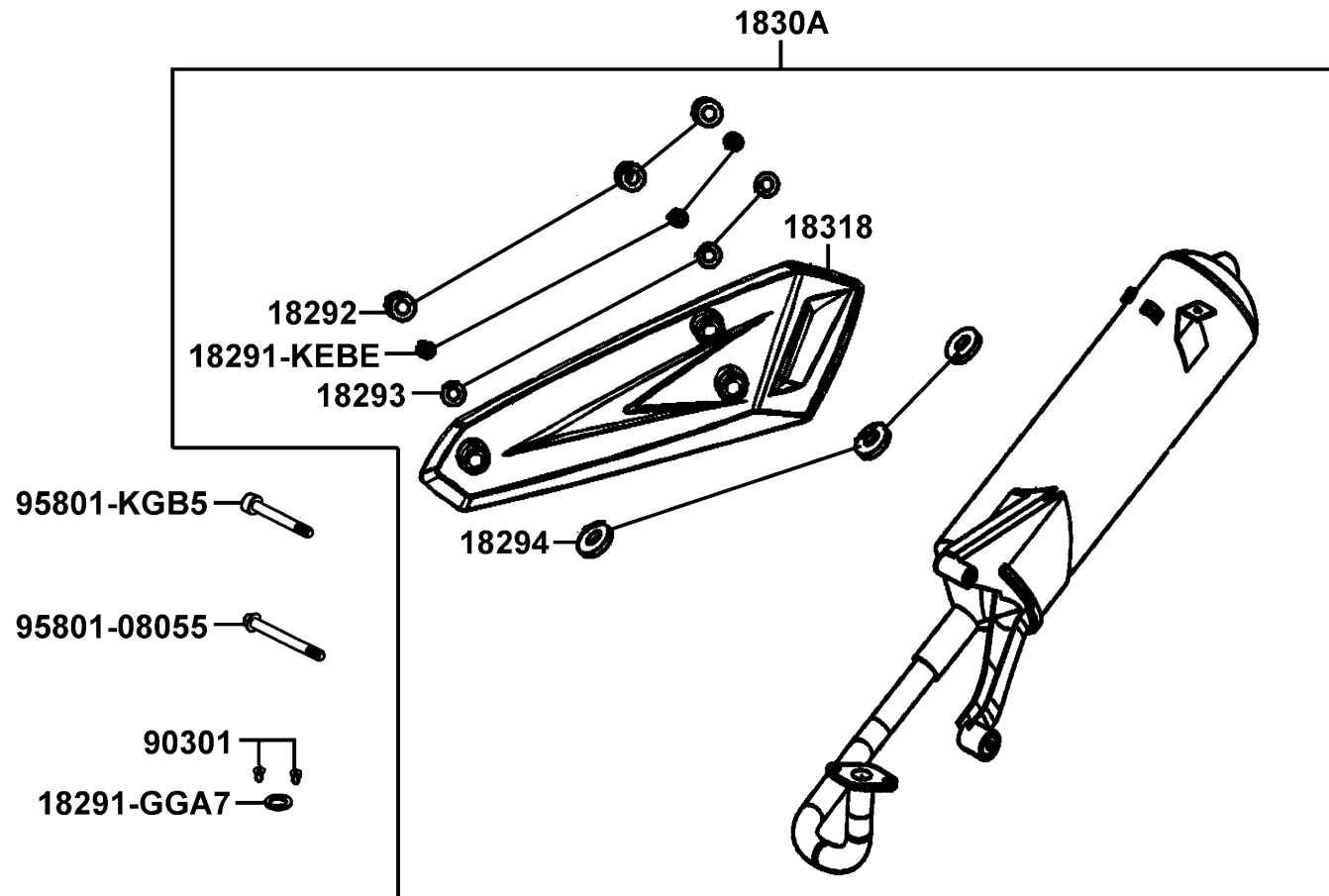
Sales mark	Ref no	Part no	Description	Reg description	Regd no	<b>F12</b>
	77232	77232-KCAC-C00	SET SPG SEAT LOCK	SET SPG SEAT LOCK	1	
	77240	77240-LDC8-E10	CABLE COMP SEAT LOCK	CABLE COMP SEAT LOCK	1	
**	80151	80151-LCB9-C10	COVER CENTER	COVER CENTER	1	
	8120A	8120A-LCB9-C10	CARRIER ASSY LUGGER	CARRIER ASSY LUGGER	1	
**	81250	81250-LCB9-C10	BOX LUGGAGE	BOX LUGGAGE	1	
**	81251	81251-LCB9-C10	LID CARB MAINT	LID CARB MAINT	1	
**	83500	83500-LDF6-B20	COVER R BODY	COVER R BODY	1	
**	83600	83600-LDF6-B20	COVER L BODY	COVER L BODY	1	
	90111	90111-1G87-C00	BOLT FLANGE 6MM	BOLT FLANGE 6MM	1	
	90305	90305-GHK8-C00	NUT CLIP 6MM	NUT CLIP 6MM	1	
	90381	90381-GEZ5-C00	SCREW SPECIAL 6*17	SCREW SPECIAL 6*17	1	
	90683	90683-GAR1-C00	CLIP BODY COVER	CLIP BODY COVER	1	
	93404	93404-06016-07	BOLT WASHER 6*16 (K)	BOLT WASHER 6*16 (K)	2	
	93903-34380	93903-34380	SCREW TAPPING 4*12	SCREW TAPPING 4*12	5	
	93903-GFY6	93903-GFY6-C00	SCREW TAPPING 4*14	SCREW TAPPING 4*14	1	
	95701-08020	95701-08020-07	BOLT FLANGE 8*20 (K)	BOLT FLANGE 8*20 (K)	1	
	95701-08035	95701-08035-07	BOLT FLANGE 8*35	BOLT FLANGE 8*35	2	



Sales mark	Ref no	Part no	Description	Reg description	Regd no	<b>F13</b>
	11211	11211-LBD6-E00	TUBE BREATHER	TUBE BREATHER	1	
	17200	17200-LDC8-E11	AIR/C ASSY.	AIR/C ASSY.	1	
	1720A	1720A-LDC8-E11	CASE ASSY AIR/C	CASE ASSY AIR/C	1	
	17213	17213-LBD6-E00	SEAL AIR/C CASE	SEAL AIR/C CASE	1	
	17214	17214-LBA6-E00	SEAL AIR/C CASE	SEAL AIR/C CASE	1	
	17236	17236-KFBF-C00	PLATE	PLATE	1	
	1723B	1723B-LBD6-E00	COVER ASSY AIR/C	COVER ASSY AIR/C	1	
	1723C	1723C-LBD6-E00	ELEMENT ASSY AIR/C	ELEMENT ASSY AIR/C	1	
	17257	17257-LDC8-E00	DUCT AIR/C COVER	DUCT AIR/C COVER	1	
	19411	19411-KNBN-C10	CLIP HOSE	CLIP HOSE	1	
	32161	32161-4D04-001	BAND BI WIRE	BAND BI WIRE	2	
	93903	93903-25480	SCREW TAPPING 5*20	SCREW TAPPING 5*20	7	
	95701-06032	95701-06032-08	BOLT FLANGE 6*32	BOLT FLANGE 6*32	1	
	95701-06035	95701-06035-08	BOLT FLANGE SH 6*35	BOLT FLANGE SH 6*35	1	

F14

Exhaust Muffler

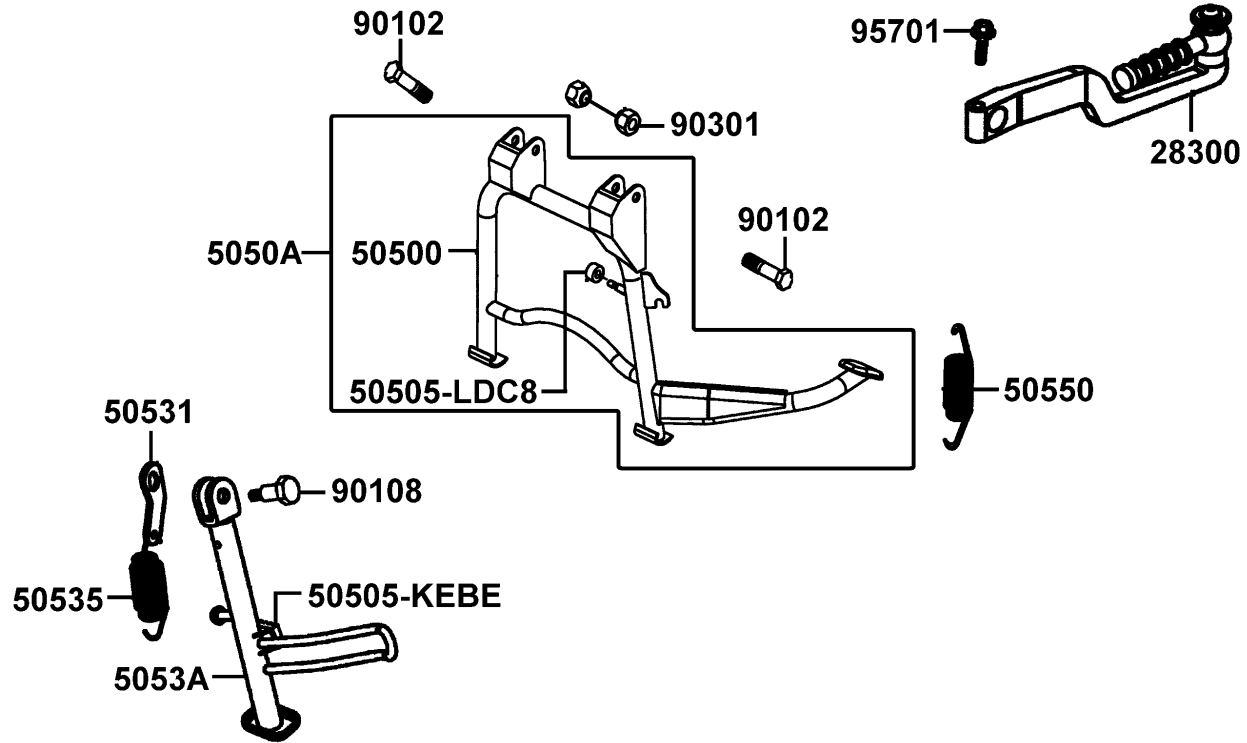




Sales mark	Ref no	Part no	Description	Reg description	Regd no	<b>F14</b>
	18291-GGA7	18291-GGA7-080	GASKET EXH PIPE	GASKET EXH PIPE	1	
	18291-KEBE	18291-KEBE-C00	COLLAR	COLLAR	6	
	18292	18292-KEBE-C00	PACKING PROTECTOR	PACKING PROTECTOR	6	
	18293	18293-KEBE-C00	RUBBER PKG PROTR	RUBBER PKG PROTR	3	
	18294	18294-KEBE-C00	PACKING PROTECTOR	PACKING PROTECTOR	9	
	1830A	1830A-LGB5-E10	MUFFLER ASSY	MUFFLER ASSY	1	
	18318	18318-LDA6-B80	PROTECTOR MUFFLER	PROTECTOR MUFFLER	2	
	90301	90301-KGBG-C00	NUT CAP 6MM	NUT CAP 6MM	1	
	95801-08055	95801-08055-07	BOLT FLANGE 8*55 (K)	BOLT FLANGE 8*55 (K)	1	
	95801-KGB5	95801-KGB5-C00	BOLT TORX M8x60	BOLT TORX M8x60	1	

F15

Stand Kick Starter Arm

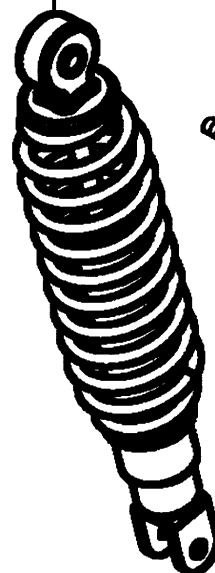


Sales mark	Ref no	Part no	Description	Reg description	Regd no	<b>F15</b>
	28300	28300-KNBN-C00	ARM ASSY KICK STARTER	ARM ASSY KICK STARTER	1	
	50500	50500-LDC8-E10	STAND COMP MAIN	STAND COMP MAIN	1	
	50505-KEBE	50505-KEBE-900	STOPPER RUBBER	STOPPER RUBBER	1	
	50505-LDC8	50505-LDC8-E10	STOPPER RUBBER	STOPPER RUBBER	1	
	5050A	5050A-LDC8-E10	STAND COMP MAIN	STAND COMP MAIN	1	
	50531	50531-KEB7-E00	PLATE SPRING STOPPER	PLATE SPRING STOPPER	1	
	50535	50535-KEB7-W10	SPRING COMP SIDE STAND	SPRING COMP SIDE STAND	1	
	5053A	5053A-LDC8-E10	STAND ASSY SIDE	STAND ASSY SIDE	1	
	50550	50550-KEB7-E00	SPG ASSY MAIN STAND	SPG ASSY MAIN STAND	2	
	90102	90102-GLE0-001	BOLT HINGE PIVOT	BOLT HINGE PIVOT	1	
	90108	90108-KEB7-E00	SCREW SIDE STAND PIVOT	SCREW SIDE STAND PIVOT	2	
	90301	90301-4C73-C00	NUT U 6MM(C)	NUT U 6MM(C)	1	
	95701	95701-06022-07	BOLT FLANGE 6*22 (K)	BOLT FLANGE 6*22 (K)	1	

F16

Rear Cushion

52400



95801-08032

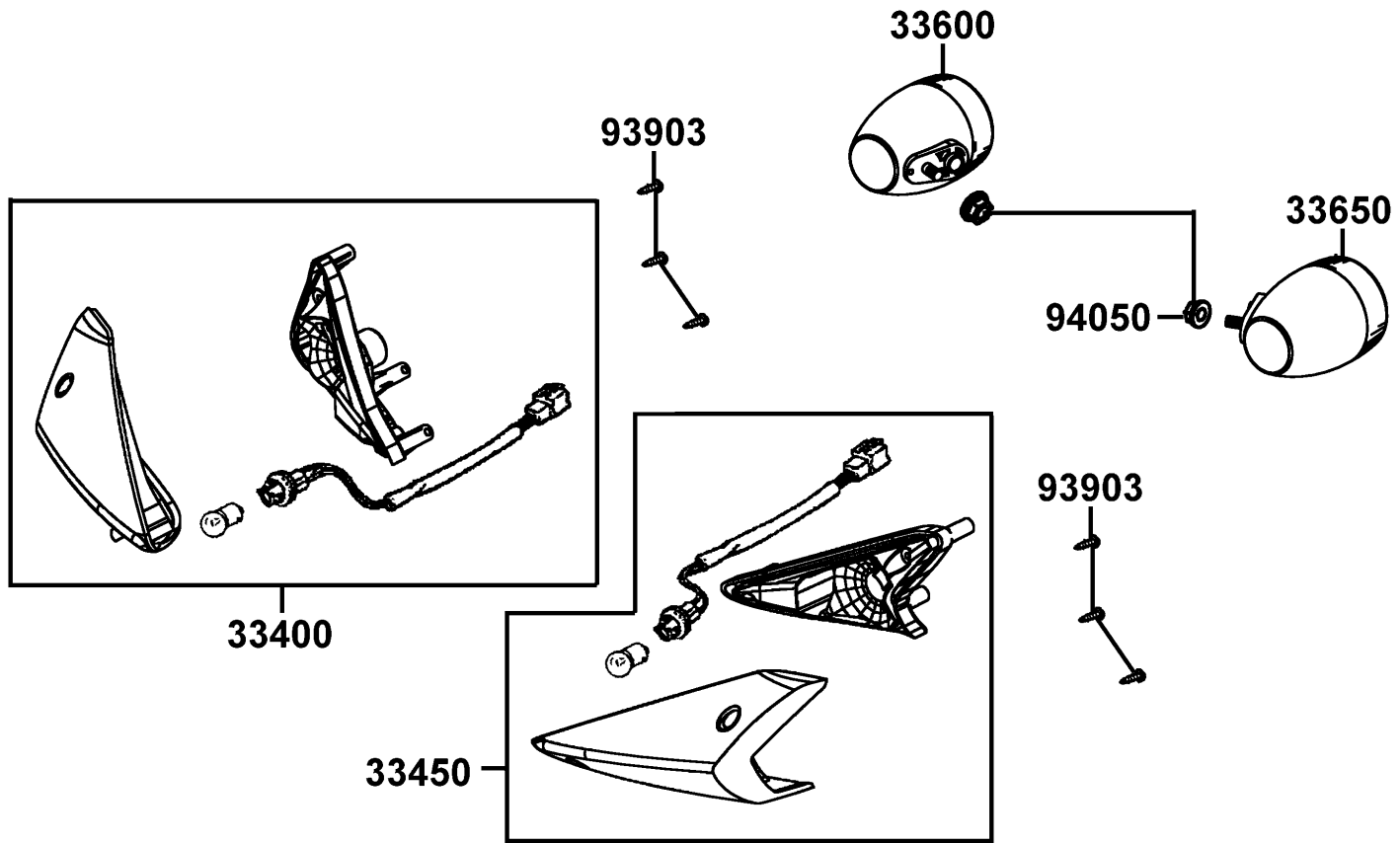


95801-10035

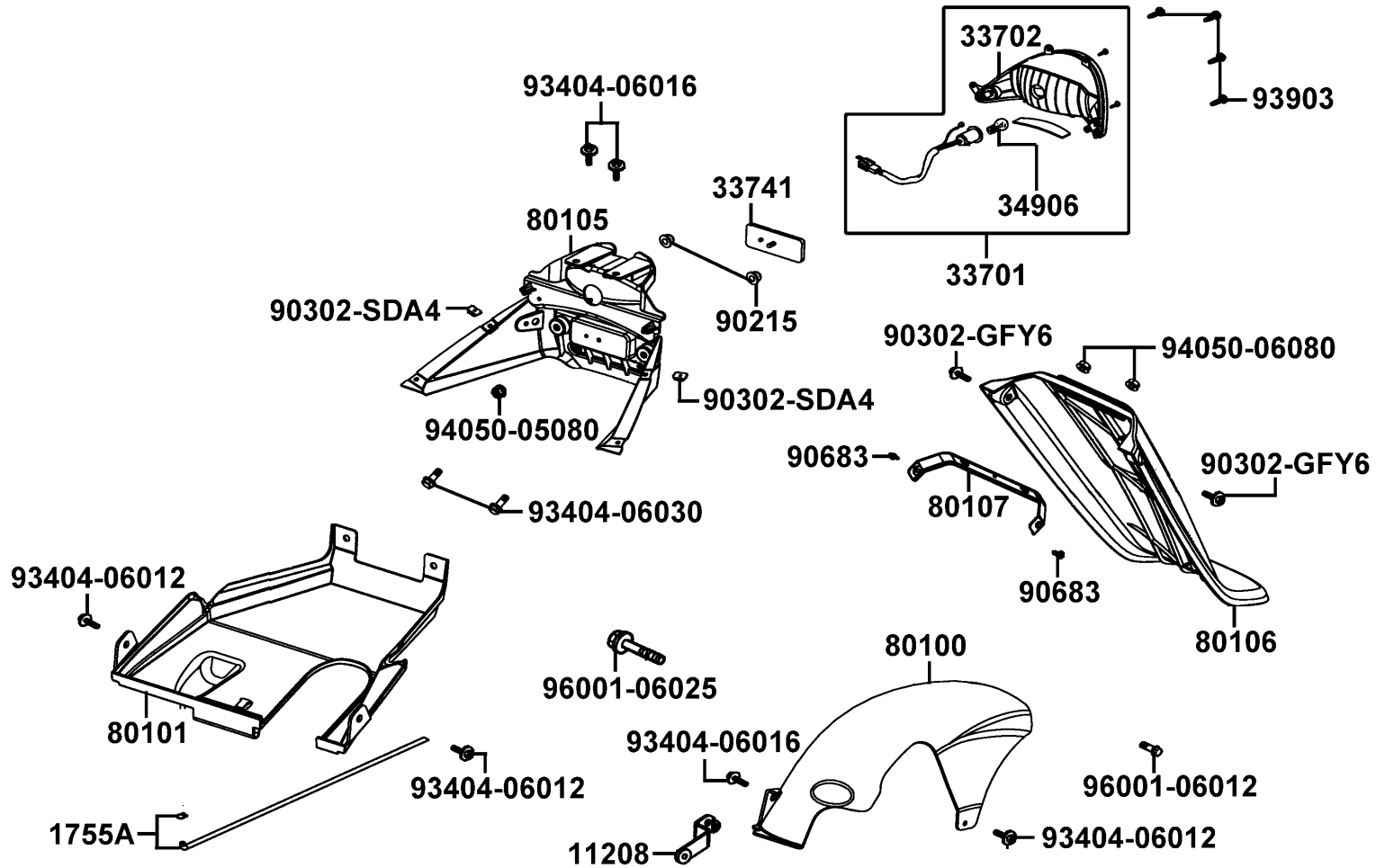
Sales mark	Ref no	Part no	Description	Reg description	Regd no	<b>F16</b>
**	52400	52400-LDC8-E10	CUSHION ASSY RR	CUSHION ASSY RR	1	
	95801-08032	95801-08032-08	BOLT FLANGE 8*32(C)	BOLT FLANGE 8*32(C)	1	
	95801-10035	95801-10035-08	BOLT FLANGE 10*35	BOLT FLANGE 10*35	1	

F17

Front Winker

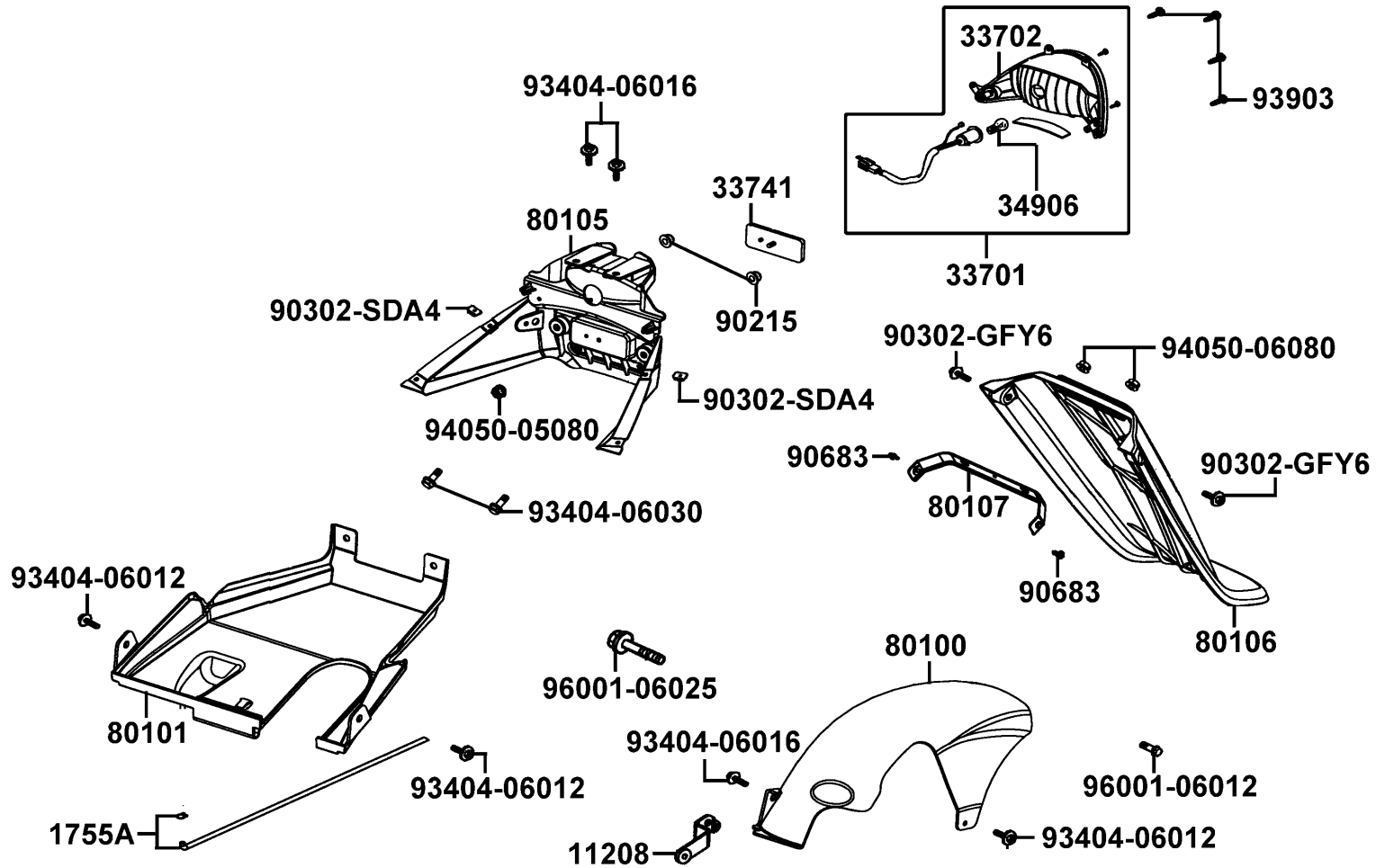


Sales mark	Ref no	Part no	Description	Reg description	Regd no	<b>F17</b>
	33400	33400-LGB5-E10	WINKER ASSY R FR	WINKER ASSY R FR	1	
	33450	33450-LGB5-E10	WINKER ASSY L FR	WINKER ASSY L FR	1	
	33600	33600-LDC8-E10	WINKER ASSY RH RR	WINKER ASSY RH RR	1	
	33650	33650-LDC8-E10	WINKER ASSY LH RR	WINKER ASSY LH RR	1	
	93903	93903-34380	SCREW TAPPING 4*12	SCREW TAPPING 4*12	12	
	94050	94050-05080	NUT FLANGE 5MM	NUT FLANGE 5MM	2	

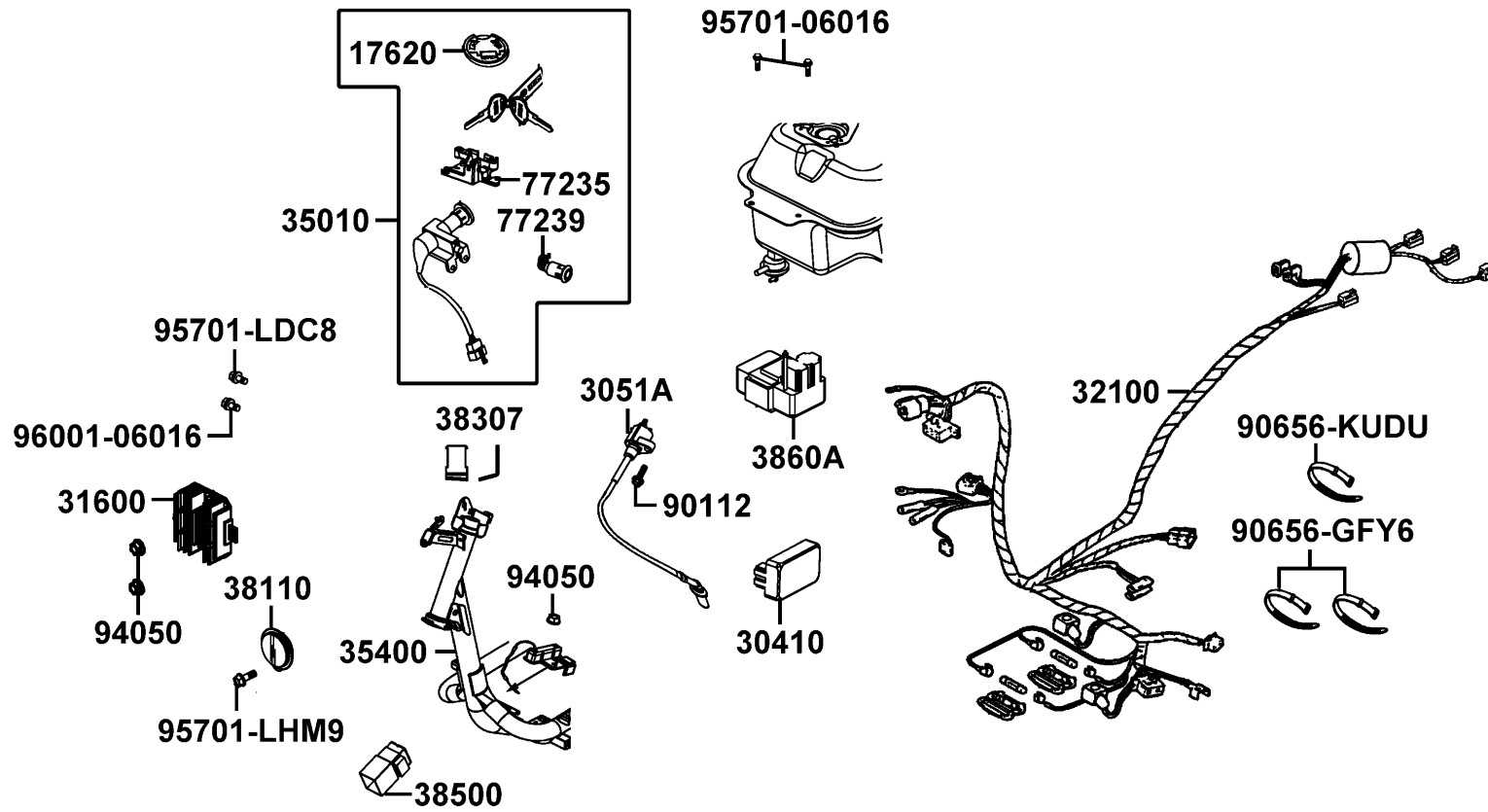




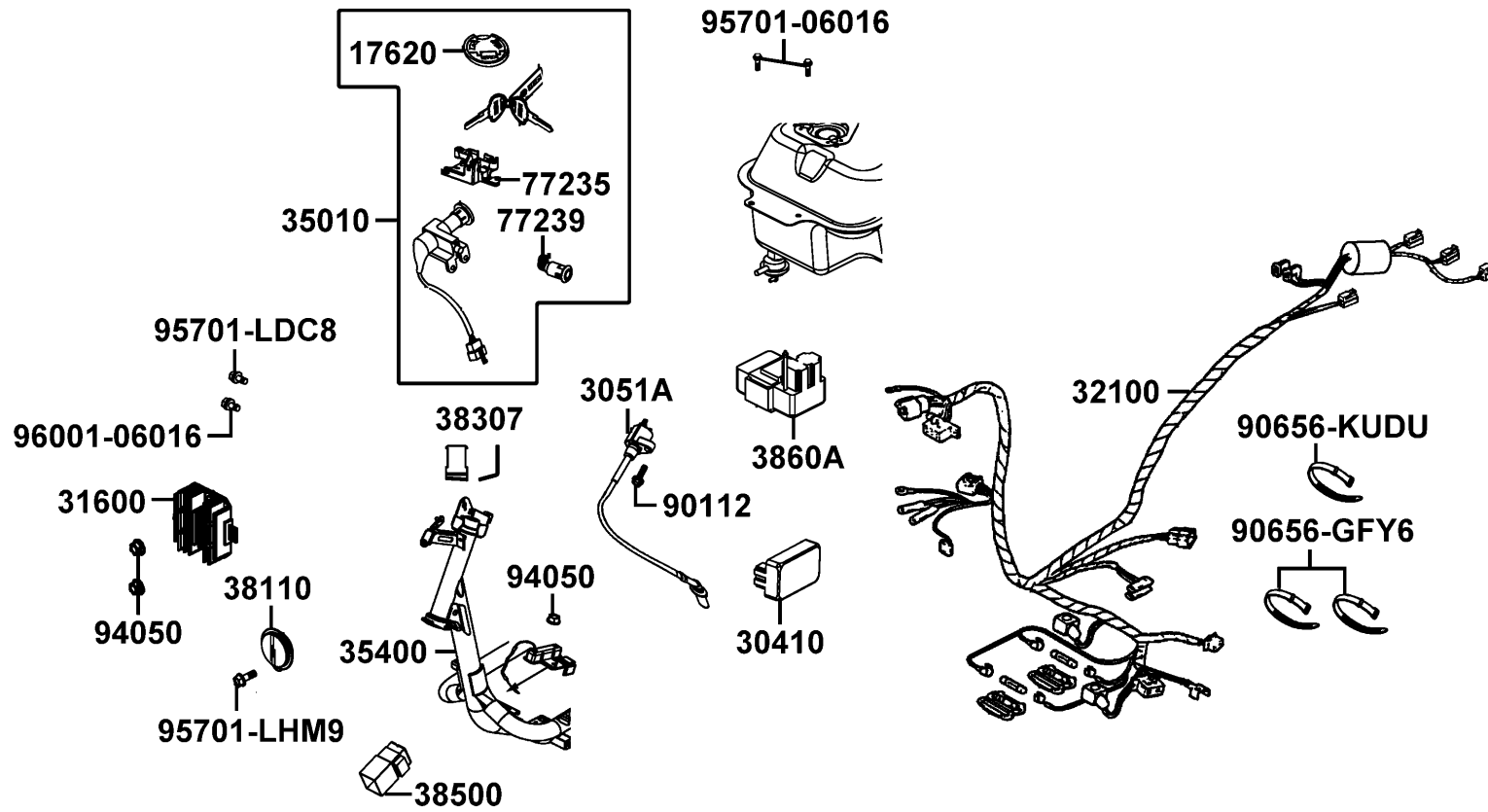
Sales mark	Ref no	Part no	Description	Reg description	Regd no	<b>F18</b>
	11208	11208-LBD6-C00	STAY RR TIRE FENDER	STAY RR TIRE FENDER	1	
	1755A	1755A-LDC8-E10	TUBE ASSY FUEL DRAIN	TUBE ASSY FUEL DRAIN	1	
	33701	33701-LDC8-E10	UNIT TAIL LIGHT	UNIT TAIL LIGHT	1	
	33702	33702-LDC8-E10	LENS TAIL HIGHT	LENS TAIL HIGHT	1	
	33741	33741-KEBE-C00	REFLEX REFLECTOR	REFLEX REFLECTOR	1	
	34906	34906-LBA8-E80	BULB TAIL & STOP	BULB TAIL & STOP	1	
**	80100	80100-LDC8-E10	FENDER RR TIRE	FENDER RR TIRE	1	
**	80101	80101-LCB9-C10	FENDER RR INNER	FENDER RR INNER	1	
**	80105	80105-LDC8-E10	FENDER RR	FENDER RR	1	
**	80106	80106-LDC8-E10	FENDER RR LOW	FENDER RR LOW	1	
	80107	80107-LDC8-E10	STAY RR FENDER	STAY RR FENDER	1	
	90215	90215-KKC4-C00	NUT CAP 6MM	NUT CAP 6MM	1	
	90302-GFY6	90302-GFY6-C10	BOLT-WASH 5*16	BOLT-WASH 5*16	1	
	90302-SDA4	90302-SDA4-C00	NUT SPRING 4MM	NUT SPRING 4MM	1	
	90683	90683-GAR1-C00	CLIP BODY COVER	CLIP BODY COVER	1	
	93404-06012	93404-06012-07	BOLT WASH 6*12	BOLT WASH 6*12	3	
	93404-06016	93404-06016-07	BOLT WASHER 6*16 (K)	BOLT WASHER 6*16 (K)	3	
	93404-06030	93404-06030-07	BOLT WASHER 6*30K	BOLT WASHER 6*30K	2	
	93903	93903-34380	SCREW TAPPING 4*12	SCREW TAPPING 4*12	4	
	94050-05080	94050-05080	NUT FLANGE 5MM	NUT FLANGE 5MM	1	



Sales mark	Ref no	Part no	Description	Reg description	Regd no	<b>F18</b>
	94050-06080	94050-06080	NUT FLANGE 6MM	NUT FLANGE 6MM	2	
	96001-06012	96001-06012-08	BOLT FLANGE 6*12	BOLT FLANGE 6*12	1	
	96001-06025	96001-06025-08	BOLT FLANGE SH 6*25	BOLT FLANGE SH 6*25	1	



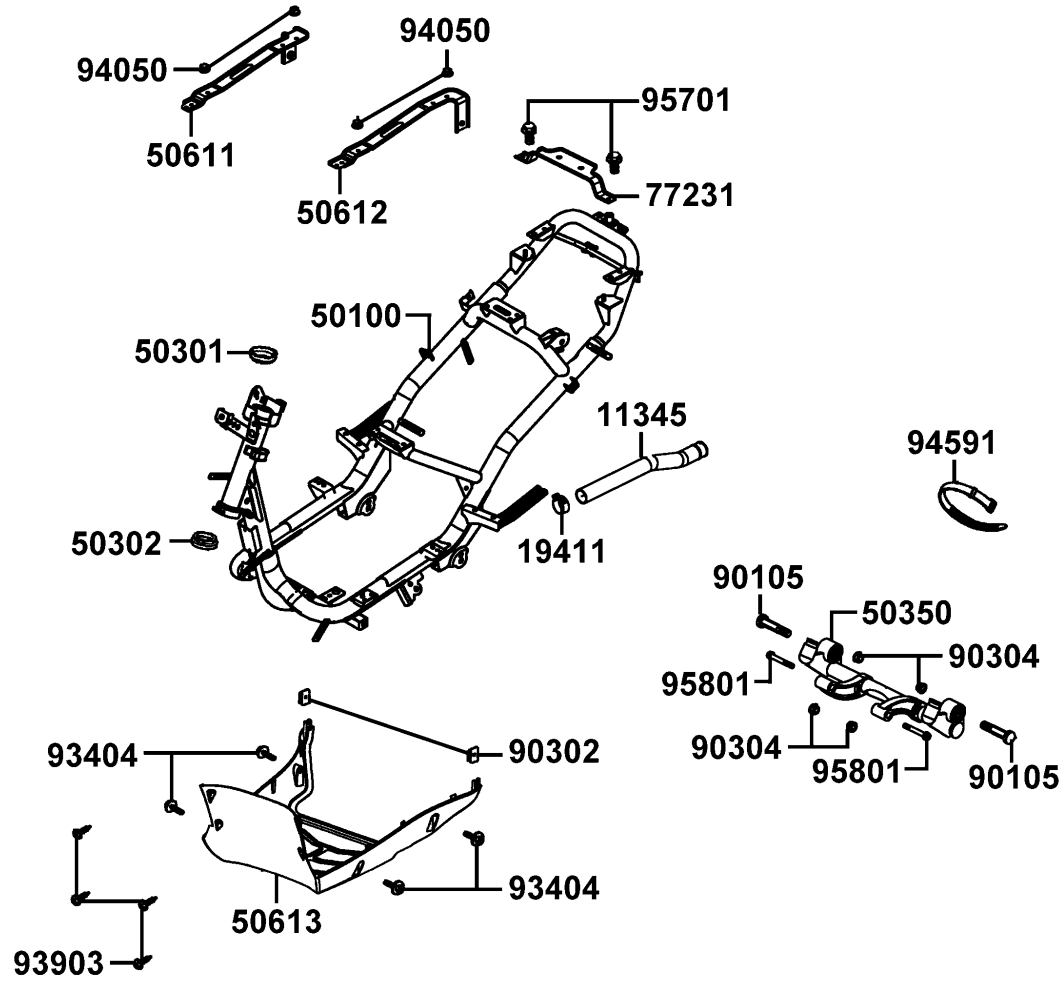
Sales mark	Ref no	Part no	Description	Reg description	Regd no	<b>F19</b>
	17620	17620-LDF7-E10	CAP COMP FUEL FILLER	CAP COMP FUEL FILLER	1	
	30410	30410-LEJ2-E10	UNIT COMP CDI	UNIT COMP CDI	1	
	3051A	3051A-KHC4-C00	COIL ASSY IGN	COIL ASSY IGN	1	
	31600	31600-LCD3-C00	REG REC COMP (DC)	REG REC COMP (DC)	1	
	31600	31605-KBE2-981	STAY REG REC COMP	STAY REG REC COMP	1	
	32100	32100-ALA9-E70	HARNESS WIRE	HARNESS WIRE	1	
	35010	35010-ALA9-E70	KEY SET	KEY SET	1	
	35400	35400-LEJ2-E10	RESISTOR COMP	RESISTOR COMP	1	
	38110	38110-LHM9-E10	HORN COMP	HORN COMP	1	
	38307	38307-LHM9-E60	STAY WINKER RELAY	STAY WINKER RELAY	1	
	38500	38500-KKDK-C00	SET START MAG	SET START MAG	1	
	3860A	3860A-ALA9-E70	CONTROL ASSY LIGHTING	CONTROL ASSY LIGHTING	1	
	77235	77235-KGC4-E0B	SEAT CATCH	SEAT CATCH	1	
	77239	77239-GFY6-C00	KEY SEAT LOCK	KEY SEAT LOCK	1	
	90112	90112-KRDR-C00	BOLT FLANGE 5*22	BOLT FLANGE 5*22	1	
	90656-GFY6	90656-GFY6-911	BAND OIL HOSE	BAND OIL HOSE	2	
	90656-KUDU	90656-KUDU-900	BAND HARNESS WIRE	BAND HARNESS WIRE	1	
	94050	94050-06080	NUT FLANGE 6MM	NUT FLANGE 6MM	3	
	95701-06016	95701-06016-08	BOLT FLANGE 6*16	BOLT FLANGE 6*16	2	
	95701-LDC8	95701-LDC8-E10	BOLT TORQUE 6x16	BOLT TORQUE 6x16	1	



Sales mark	Ref no	Part no	Description	Reg description	Regd no	<b>F19</b>
	95701-LHM9	95701-LHM9-E60	BOLT FLANGE 8*12 (C)	BOLT FLANGE 8*12 (C)	1	
	96001	96001-06016-08	BOLT FLANGE SH 6*16	BOLT FLANGE SH 6*16	1	

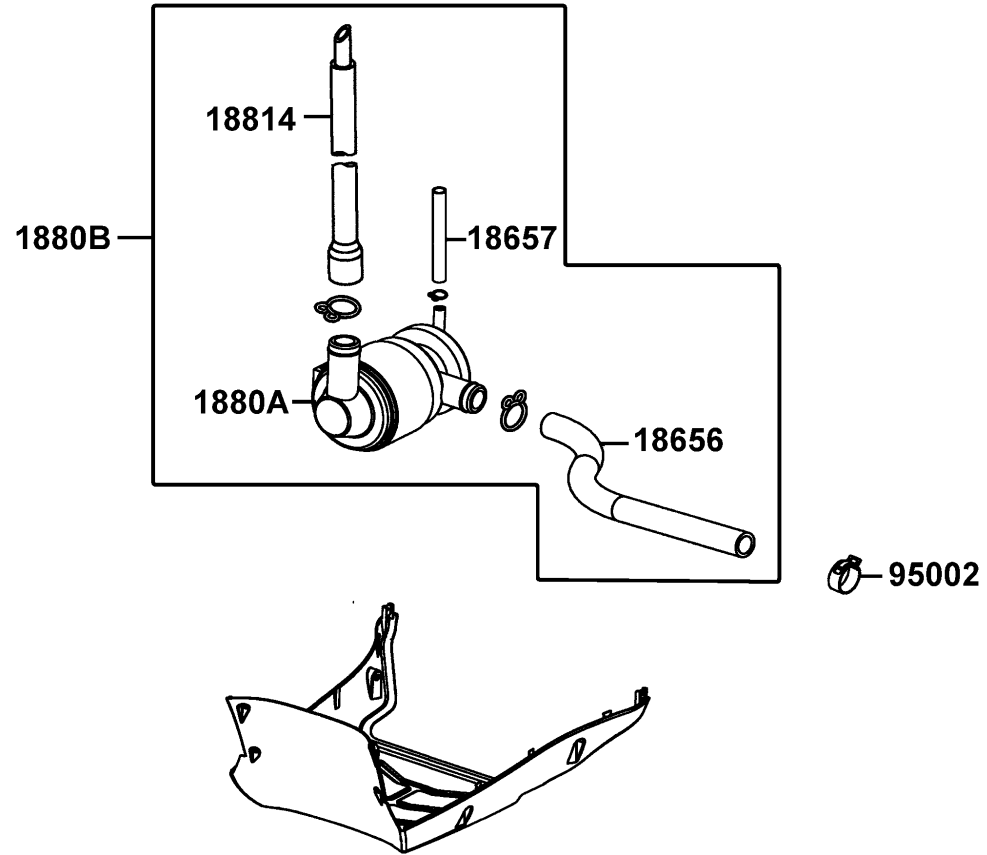
F20

Frame Body

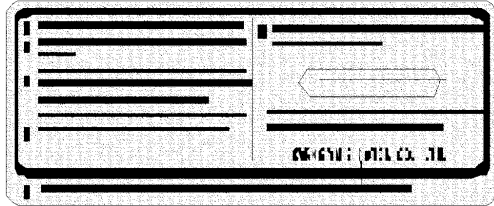




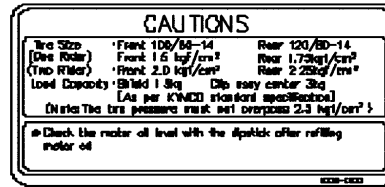
Sales mark	Ref no	Part no	Description	Reg description	Regd no	<b>F20</b>
	11345	11345-LDC8-E10	DUCT L COVER	DUCT L COVER	1	
	19411	19411-KNBN-C10	CLIP HOSE	CLIP HOSE	1	
	50100	50100-ALA9-E70	BODY COMP FRAME	BODY COMP FRAME	1	
	50301	50301-GLM0-C00	RACE UPPER STRG BALL	RACE UPPER STRG BALL	1	
	50302	50302-2H68-011	RACE STRG BOT BALL	RACE STRG BOT BALL	1	
	50350	50350-LDC8-E10	HANGER ASSY ENG	HANGER ASSY ENG	1	
	50611	50611-LCB9-C10	RNFCT R FLOOR	RNFCT R FLOOR	1	
	50612	50612-LCB9-C10	RNFCT L FLOOR	RNFCT L FLOOR	1	
**	50613	50613-LCB9-C10	COVER UNDER	COVER UNDER	1	
	77231	77231-LCB9-C10	STAY SEAT RUBBER	STAY SEAT RUBBER	1	
	90105	90105-LDC8-E10	SQUARE BOLT M10*50	SQUARE BOLT M10*50	2	
	90302	90302-SDA4-C00	NUT SPRING 4MM	NUT SPRING 4MM	1	
	90304	90304-GHE8-C00	NUT U 10MM(C)	NUT U 10MM(C)	1	
	93404	93404-06016-07	BOLT WASHER 6*16 (K)	BOLT WASHER 6*16 (K)	4	
	93903	93903-34380	SCREW TAPPING 4*12	SCREW TAPPING 4*12	4	
	94050	94050-06080	NUT FLANGE 6MM	NUT FLANGE 6MM	4	
	94591	94591-11000	CLIP 1*100	CLIP 1*100	2	
	95701	95701-06012-08	BOLT FLANGE 6*12	BOLT FLANGE 6*12	2	
	95801	95801-10070-08	BOLT FLANGE 10*70	BOLT FLANGE 10*70	1	



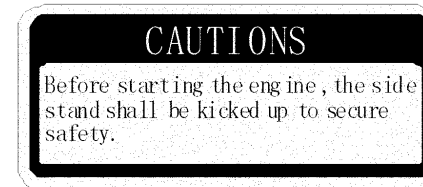
Sales mark	Ref no	Part no	Description	Reg description	Regd no	<b>F21</b>
	18656	18656-LDC8-E10	DUCT ASSY AICV-REED VALVE	DUCT ASSY AICV-REED VALVE	1	
	18657	18657-LDC8-E10	TUBE ASSY AICV-INNET PIPE	TUBE ASSY AICV-INNET PIPE	1	
	1880A	1880A-LDC8-E10	AI/C-AICV ASSY	AI/C-AICV ASSY	1	
	1880B	1880B-LDC8-E10	AI/C-AICV SET	AI/C-AICV SET	1	
	18814	18814-LDC8-E10	DUCT ASSY AIR-AICV	DUCT ASSY AIR-AICV	1	
	95002	95002-KKD6-C00	CLAMP D18 TUBE	CLAMP D18 TUBE	1	



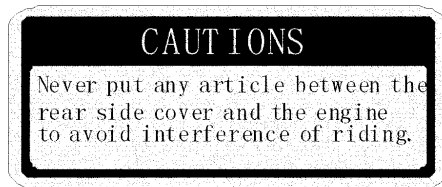
87560



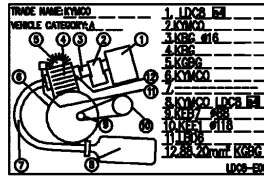
87505



87541-GAR1



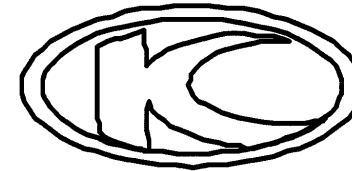
87542



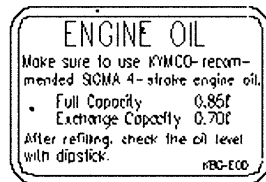
87224



87160



86102



87541-KGBG



86221



86231



86732



86733



86734



86735

Sales mark	Ref no	Part no	Description	Reg description	Regd no	<b>F22</b>
**	86102	86102-KFA6-C10	EMB K-LOGO 30MM	EMB K-LOGO 30MM	1	
**	86221	86221-ALA9-E70	STRIPE R BODY COVER	STRIPE R BODY COVER	1	
**	86231	86231-ALA9-E70	STRIPE L BODY COVER	STRIPE L BODY COVER	1	
**	86732	86732-ALA9-E70	STRIPE R LEG SHIELD	STRIPE R LEG SHIELD	1	
**	86733	86733-ALA9-E70	STRIPE L LEG SHIELD	STRIPE L LEG SHIELD	1	
**	86734	86734-ALA9-E70	STRIPE B R LEG SHIELD	STRIPE B R LEG SHIELD	1	
**	86735	86735-ALA9-E70	STRIPE B L LEG SHIELD	STRIPE B L LEG SHIELD	1	
**	87160	87160-LDC8-E90	STRIPE KYMCO	STRIPE KYMCO	2	
**	87224	87224-ALA9-E70	CAUTION ANTI TAMPERING	CAUTION ANTI TAMPERING	1	
**	87505	87505-LDC8-E10	LABEL TIRE	LABEL TIRE	1	
**	87541-GAR1	87541-GAR1-E01	CAUTION SIDE STAND	CAUTION SIDE STAND	1	
	87541-KGBG	87541-KGBG-E00	LABEL OIL CAP	LABEL OIL CAP	1	
**	87542	87542-GAR1-E01	MARK MAINT CAUTION	MARK MAINT CAUTION	1	
**	87560	87560-GFY6-E01	MARK DRIVE CAUTION	MARK DRIVE CAUTION	1	

## PART NO. INDEX

PART NO.	VERSION	PAGE	PART NO.	VERSION	PAGE	PART NO.	VERSION	PAGE
			12211-KGBG-C00	0	E02	14555-KKJ9-C10	0	E03
			12251-KGBG-C00	0	E02	14610-KGBG-C00	0	E03
			12310-KHC5-C00	0	E02	14711-KGBG-C00	0	E02
11100-KGBG-C00	8	E01	1231A-KHC5-C10	0	E02	14721-KGBG-C00	0	E02
11102-1G87-C00	1	E01	12361-GFY6-C00	1	E04	14751-KGBG-C00	0	E02
11192-KGBG-C10	0	E01	12391-KEE1-C00	0	E02	14771-GDB4-C00	1	E02
11200-LBD6-C00	0	E01				14775-MFA6-C00	1	E02
11208-LBD6-C00	0	E08	<b>13000</b>			14781-MFA6-C00	1	E02
11208-LBD6-C00	0	F18				<b>15000</b>		
11211-LBD6-E00	2	F13	13000-LDC5-C00	6	E03			
11330-LBD6-C00	0	E04	13011-KGBG-C00	0	E03	15100-LDC5-C00	3	E07
11340-LBD6-E00	2	E01	13101-LCB9-B20	2	E03	15133-LDC5-C00	2	E07
11345-LDC8-E10	1	F20	13111-KGBG-C00	0	E03	15421-1G07-W10	1	E04
11381-KHC4-C00	0	E01	13115-0A01-C00	0	E03	15426-GAE1-C00	1	E04
11382-LBD6-C00	0	E01				15651-GFY6-C00	1	E04
11387-KGBG-C00	0	E02	<b>14000</b>			1565A-GFY6-W10	0	E04
11394-KGBG-C11	0	E04						
11395-LBD6-C00	0	E01	14100-KGBG-C00	4	E02			
			14401-KGBG-900	0	E03	<b>16000</b>		
			14431-KGBG-W10	0	E02			
			14450-KGBG-W10	0	E02	16093-5082-000	0	F09
			14452-KGBG-W10	0	E02	16100-ALA9-E70	0	E05
<b>12000</b>			14510-KGBG-C00	0	E03	1621A-KGBG-C00	2	E02
12100-KGBG-A60	3	E03	14531-GLR0-W10	1	E03	1691A-LDF7-E10	1	F10
12191-KGBG-C10	0	E03	1453A-GFY6-W10	0	E03	16950-KKJ9-C00	2	F10
12200-KGBG-C10	0	E02	14550-KDS4-C00	0	E03			
12200-LBD6-C00	0	E02						
12209-GDB4-68A	0	E02						

## PART NO. INDEX

PART NO.	VERSION	PAGE	PART NO.	VERSION	PAGE	PART NO.	VERSION	PAGE
<b>17000</b>			18293-KEBE-C00	0	F14	<b>22000</b>		
17110-KGBG-C00	0	E02	18294-KEBE-C00	0	F14	22100-LDC8-E10	0	E06
1711A-LBD6-C00	0	E02	1830A-LGB5-E10	3	F14	22102-LDC8-E10	0	E06
17200-LDC8-E11	1	F13	18318-LDA6-B80	0	F14	22103-KEB7-C00	0	E06
1720A-LDC8-E11	0	F13	18646-GFY6-C10	1	E02	22105-KGBG-C00	0	F09
17213-LBD6-E00	1	F13	18656-LDC8-E10	1	F21	22105-LBD6-C00	0	E06
17214-LBA6-E00	0	F13	18657-LDC8-E10	1	F21	22110-LDC8-E10	2	E06
17236-KFBF-C00	0	F13	1880A-LDC8-E10	2	F21	22121-LBD6-C00	0	E06
1723B-LBD6-E00	1	F13	1880B-LDC8-E10	2	F21	22131-GHAH-C00	0	E06
1723C-LBD6-E00	0	F13	18814-LDC8-E10	1	F21	22132-GLW0-C00	0	E06
17256-KGBG-C00	0	E02	<b>19000</b>			22300-LDC8-E10	1	E06
17257-LDC8-E00	1	F13	19411-KNBN-C10	1	F13	22350-GKAK-C00	0	E06
17500-LCB9-C10	3	F10	19411-KNBN-C10	1	F20	22401-LDC8-C10	0	E06
1755A-KKD5-C10	1	F10	19510-LDC5-C00	0	E08	22535-GKAK-C00	0	E06
1755A-LDC8-E10	1	F18	19610-LFC2-E10	1	E08	22804-1H48-C00	0	E06
17620-LDF7-E10	0	F10	19625-KEE1-C00	0	E08	<b>23000</b>		
17620-LDF7-E10	0	F19	1962A-KEE1-C00	0	E08	23010-LDC8-C10	0	E06
17910-LDC8-E10	1	F03	1963A-LDC8-E10	1	E08	2301A-LDC8-E10	1	E06
<b>18000</b>			<b>21000</b>			23100-KEB7-C00	0	E06
18291-GGA7-080	1	F14	21200-KFA1-900	2	E09	23200-GAR1-C00	0	E06
18291-KEBE-C00	0	F14	21395-KNBN-C10	0	E09	23210-GAR1-C00	0	E06
18292-KEBE-C00	0	F14				23220-LDC8-C10	0	E06

## PART NO. INDEX

PART NO.	VERSION	PAGE	PART NO.	VERSION	PAGE	PART NO.	VERSION	PAGE
23225-GAR1-C00	0	E06				33702-LDC8-E10	0	F18
23233-KEE1-C00	0	E06	<b>31000</b>			33730-LDC8-E10	2	F06
23237-GAR1-C00	0	E06				33741-KEBE-C00	0	F18
23238-GGS7-C00	0	E06	31100-LEJ2-E11	00	E08			
23411-LBD6-C00	1	E09	31110-LBD6-C00	0	E08	<b>34000</b>		
23420-LBD6-C00	3	E09	31120-LBD6-C00	0	E08			
23432-LBD6-C00	2	E09	31209-KEE1-C00	2	E07	34901-LDC8-E10	1	F01
2343A-KNBN-C00	0	E09	31210-KEE1-900	1	E07	34903-LDC8-E10	1	F01
<b>28000</b>			31500-KNBN-C00	5	F11	34906-LBA8-E80	1	F18
			31600-LCD3-C00	3	F19	34908-LEJ2-E00	0	F02
						34909-LEJ2-E00	0	F02
28211-KEB7-W10	0	E06	<b>32000</b>					
28230-GHAH-7210	0	E01				<b>35000</b>		
2823A-LBD6-C00	2	E01	32100-ALA9-E70	2	F19			
28250-GBN2-C00	0	E01	32161-4D04-001	1	F13	35010-ALA9-E70	0	F19
28253-GBN2-C00	1	E01				3515A-LGB5-E10	3	F03
28255-GFS6-C00	1	E01	<b>33000</b>			3520A-LGB5-E10	3	F03
28281-GBN2-C00	1	E01				35340-KNBN-901	1	F04
28300-KNBN-C00	3	F15	33100-ALA9-E70	1	F01	35400-LEJ2-E10	0	F19
<b>30000</b>			33108-LEJ2-E10	0	F01			
			33120-ALA9-E70	0	F01	<b>37000</b>		
			33400-LGB5-E10	0	F17			
30410-LEJ2-E10	2	F19	33450-LGB5-E10	0	F17	37200-ALA9-E70	0	F02
3051A-KHC4-C00	1	F19	33600-LDC8-E10	3	F17	37211-ALA9-E70	0	F02
			33650-LDC8-E10	1	F17	37213-ALA9-E70	0	F02
			33701-LDC8-E10	2	F18	37215-KAR1-C00	0	F02



## PART NO. INDEX

PART NO.	VERSION	PAGE	PART NO.	VERSION	PAGE	PART NO.	VERSION	PAGE
37220-ALA9-E70	0	F02	43410-KFA1-900	0	F08	4550B-ALA9-E70	0	F04
37224-ALA9-E70	0	F02	43450-LDC8-E10	4	F03	45513-LDC8-E10	0	F04
37280-ALA9-E70	0	F02				45517-KFAF-910	1	F04
37305-KEE5-008	0	F02	<b>44000</b>					
37802-GGA7-701	0	F10				<b>50000</b>		
3780A-LDC8-E10	0	F10	44305-KGE2-E00	9	F07			
			44306-KGE2-E00	9	F07	50100-ALA9-E70	1	F20
<b>38000</b>			44311-GLW0-W10	1	F07	50301-GLM0-C00	1	F20
			44601-KEB7-E0E	0	F07	50302-2H68-011	2	F20
38110-LHM9-E10	0	F19	44601-KEB7-E0E	1	F07	50306-1F96-001	0	F06
38300-KECE-W10	2	F02	44620-KEB7-E00	0	F07	50326-LCB9-C10	0	F11
38307-LHM9-E60	0	F19	44710-LDC8-E1A	0	F07	50330-KEBE-900	0	F05
38500-KKDK-C00	5	F19	44800-LDC8-E10	1	F07	50350-LDC8-E10	3	F20
3860A-ALA9-E70	0	F19	44830-LDC8-E10	3	F02	50500-LDC8-E10	0	F15
						50505-KEBE-900	0	F15
<b>42000</b>			<b>45000</b>			50505-LDC8-E10	0	F15
						5050A-LDC8-E10	0	F15
42601-KEB7-E0E	0	F08	45105-LFC2-E1B	0	F04	50531-KEB7-E00	1	F15
42710-LDC8-E1A	0	F08	45106-LFC2-E1B	0	F04	50535-KEB7-W10	3	F15
42753-0A01-C00	1	F07	45121-LGB5-E80	2	F07	5053A-LDC8-E10	1	F15
42753-0A01-C00	1	F08	45126-ALA9-E70	0	F04	50550-KEB7-E00	1	F15
			45156-KHC5-E10	0	F06	50611-LCB9-C10	1	F20
<b>43000</b>			45156-LCB9-B20	0	F06	50612-LCB9-C10	1	F20
			45200-ALA9-E70	0	F04	50613-LCB9-C10	0	F20
4312A-KXCX-C00	8	F08	45500-LDC8-E10	3	F04			
4314A-KKD6-E00	2	F08	45501-LDC8-E10	2	F04			

## PART NO. INDEX

PART NO.	VERSION	PAGE	PART NO.	VERSION	PAGE	PART NO.	VERSION	PAGE
<b>51000</b>			53212-2L50-C00	1	F06			
			53214-2L50-C00	1	F06	<b>80000</b>		
			53215-2L50-C00	1	F06			
51400-LDC8-E10	0	F06				80100-LDC8-E10	0	F18
51400-LDC8-E10	4	F06	<b>61000</b>			80101-LCB9-C10	0	F18
51500-LDC8-E10	0	F06				80101-LCB9-C10	1	F18
51500-LDC8-E10	4	F06	61100-LDC8-E10	0	F06	80105-LDC8-E10	0	F18
			<b>64000</b>			80106-LDC8-E10	0	F18
<b>52000</b>						80107-LDC8-E10	1	F18
52400-LDC8-E10	0	F16	64301-ALA9-E70	0	F05	80151-LCB9-C10	0	F12
52400-LDC8-E10	2	F16	64310-LCB9-C10	0	F05	<b>81000</b>		
			64316-LCB9-C10	0	F05			
			<b>77000</b>			81131-ALA9-E70	1	F05
<b>53000</b>						81132-LCB9-C10	0	F05
53100-LGB5-E10	2	F03				81132-LDC8-E10	1	F05
53105-KNBN-C00	0	F03	77200-LDF7-E10	0	F09	81133-KNBN-C00	1	F05
53125-GEN5-C00	1	F03	77206-LCB9-C10	0	F09	8120A-LCB9-C10	1	F12
53140-KNBN-C00	0	F03	77231-LCB9-C10	0	F20	81250-LCB9-C10	1	F12
53166-KNBN-C00	0	F03	77232-KCAC-C00	2	F12	81250-LCB9-C10	2	F12
53175-LDC8-E10	1	F04	77235-KGC4-E0B	2	F19	81251-LCB9-C10	0	F12
5317B-KFA6-C00	0	F03	77239-GFY6-C00	0	F19			
53200-LDC8-E10	6	F06	77240-LDC8-E10	1	F12	<b>83000</b>		
53205-LGB5-E10	1	F03						
53206-LGB5-E10	1	F03				83500-LDF6-B20	0	F12
53211-GFY6-C00	1	F06				83600-LDF6-B20	0	F12

## PART NO. INDEX

PART NO.	VERSION	PAGE	PART NO.	VERSION	PAGE	PART NO.	VERSION	PAGE
<b>86000</b>			<b>88000</b>			90111-1G87-C00	1	F12
86102-KFA6-C10	0	F22	88110-LEB5-C10	1	F03	90112-KRDR-C00	1	F19
86221-ALA9-E70	0	F22	88120-LEB5-C10	1	F03	90114-1F66-C00	2	F04
86231-ALA9-E70	0	F22				90121-KBE2-C00	4	F07
86732-ALA9-E70	0	F22	<b>89000</b>			90131-GLW0-C00	0	F04
86733-ALA9-E70	0	F22				90145-9A61-C00	1	F04
86734-ALA9-E70	0	F22	89010-KGBG-C00	1	F09	90202-1G87-C00	0	E06
86735-ALA9-E70	0	F22	89020-KKC4-900	1	F09	90202-GFF6-011	0	E02
<b>87000</b>			<b>90000</b>			90206-0A01-001	1	E02
87160-LDC8-E90	0	F22	9000A-KTDT-C00	1	E01	90215-KKC4-C00	1	F18
87160-LDC8-E90	1	F22	90012-3C33-C00	1	E02	90301-4C73-C00	0	F15
87224-ALA9-E70	0	F22	90031-KGBG-C00	0	E01	90301-KGBG-C00	0	F14
87224-ALA9-E70	3	F22	90032-KGBG-C00	0	E01	90302-GFY6-C10	0	F18
87505-LDC8-E10	2	F22	90033-0A41-C00	0	E02	90302-KNBN-C00	1	F03
87505-LDC8-E10	3	F22	90033-GFY6-C10	0	E02	90302-SDA4-C00	2	F03
87541-GAR1-E01	1	F22	90102-GLE0-001	0	F15	90302-SDA4-C00	2	F05
87541-KGBG-E00	0	F22	90105-KCR3-001	1	F07	90302-SDA4-C00	2	F18
87542-GAR1-E01	2	F22	90105-LDC8-E10	1	F20	90302-SDA4-C00	2	F20
87560-GFY6-E01	3	F22	90106-GEN5-901	1	F03	90304-4H38-C00	0	E02
			90108-KEB7-E00	0	F15	90304-GHE8-C00	1	F03
			90110-GLW0-C00	0	F05	90304-GHE8-C00	1	F20
			90110-KEB7-C00	1	F06	90305-GHK8-C00	1	F12
						90305-KNBN-C00	1	F08
						90306-KLF0-C00	0	F07
						90381-GEZ5-C00	1	F12
						90412-3K29-C00	1	E01

## PART NO. INDEX

PART NO.	VERSION	PAGE	PART NO.	VERSION	PAGE	PART NO.	VERSION	PAGE	
90426-KNBN-C00	1	E06	91004-KBN2-C00	0	E01	<b>93000</b>			
90429-KNBN-C00	0	E09	91004-KBN2-C00	0	E09				
90442-0D44-C00	0	E06	91004-KNBN-C00	0	E01				
90442-GFF6-C00	0	E02	91009-GLE0-C00	1	E09		93404-06012-07	0	F18
90451-GBN2-C00	1	E01	91014-LLJ3-C00	1	F06		93404-06016-07	0	F05
90454-GBB2-C00	0	E06	91015-LLJ3-C00	1	F06		93404-06016-07	0	F12
90474-3C33-C00	1	E01	91103-GAR1-C00	0	E06		93404-06016-07	0	F18
90501-KNBN-C00	1	F08	91201-GFY6-C00	1	E01		93404-06016-07	0	F20
9052A-GFY6-C00	1	E01	91201-KGBG-C00	0	E04		93404-06020-07	0	F05
90545-3L00-C00	2	F04	91204-KNBN-C00	1	E01		93404-06030-07	0	F18
90656-GFY6-911	1	F19	91211-KEE1-C00	0	E06		93600-04012-1G	1	F04
90656-KUDU-900	0	F19	91255-LDC8-E10	4	E09		93700-05018-0H	0	F02
90660-KGBG-C00	0	F10	91258-KAM1-C00	1	F07		93891-04014-08	0	F02
90668-LDC8-E10	1	F06	91301-GLR0-W10	1	E03		93893-04012-08	0	F04
90683-GAR1-C00	4	F12	91301-KEE1-C00	0	E06		93903-25220	1	F03
90683-GAR1-C00	4	F18	91302-0A01-C00	1	E04		93903-25480	1	F13
90701-GFF6-C00	0	E02	91302-KEE1-C00	0	E06		93903-34380	1	F02
90701-GFF6-C00	0	E03	91304-KGBG-C00	0	E02		93903-34380	1	F03
90701-HDC4-C00	1	E07	91305-0H28-C00	0	E07		93903-34380	1	F05
90741-0E35-C00	0	E03	91307-0E35-W10	1	E04	93903-34380	1	F12	
90754-GHC8-C00	1	F07				93903-34380	1	F17	
90912-GHC8-C00	1	F07	<b>92000</b>			93903-34380	1	F18	
<b>91000</b>			92101-05012-0H	1	E08	93903-34380	1	F20	
			92900-06050-0B	1	E02	93903-35220	1	F01	
						93903-35380	1	F11	
91001-GGA7-C00	0	E06				93903-GFY6-C00	1	F03	

## PART NO. INDEX

PART NO.	VERSION	PAGE	PART NO.	VERSION	PAGE	PART NO.	VERSION	PAGE
93903-GFY6-C00	1	F05	94591-11000	0	F20	95801-08055-07	0	F14
93903-GFY6-C00	1	F12	94591-LDC8-E10	1	E08	95801-10035-08	1	F16
93904-35380	0	E08				95801-10070-08	0	F20
<b>94000</b>			<b>95000</b>			95801-KGB5-C00	1	F14
			95002-KKD6-C00	1	F21	<b>96000</b>		
94001-12280-0S	0	E06	9500B-LDC8-E10	3	F10			
94050-05080	0	F06	95701-06012-08	1	F06	96001-06012-02	1	E01
94050-05080	0	F17	95701-06012-08	1	F10	96001-06012-08	1	F18
94050-05080	0	F18	95701-06012-08	1	F20	96001-06016-08	1	E08
94050-06070	0	F04	95701-06016-08	1	F19	96001-06016-08	1	F19
94050-06080	1	E02	95701-06022-07	0	F15	96001-06018-08	1	E03
94050-06080	1	E07	95701-06025-08	1	E02	96001-06020-08	1	E07
94050-06080	1	F09	95701-06032-08	1	E02	96001-06022-08	0	E08
94050-06080	1	F10	95701-06032-08	1	F08	96001-06025-00	0	F04
94050-06080	1	F18	95701-06032-08	1	F13	96001-06025-08	1	E07
94050-06080	1	F19	95701-06035-08	1	F13	96001-06025-08	1	E08
94050-06080	1	F20	95701-08012-08	1	E01	96001-06025-08	1	F18
94050-10080	0	E06	95701-08020-07	0	F12	96001-06045-08	0	E01
94050-10080	0	E08	95701-08035-07	0	F12	96001-06085-08	0	E02
94301-08140	0	E01	95701-08035-08	0	E01	96001-06085-08	0	E04
94301-08140	0	E04	95701-08040-08	3	E01	96001-06100-08	1	E04
94301-10200-M2	1	E09	95701-LDC8-E10	0	F19	96100-62033-00	0	E01
94510-20000	1	E09	95701-LHM9-E60	1	F19			
94511-14000	1	E01	95801-08032-08	0	F16			
94520-24000	1	E06	95801-08040-08	1	F06			

PART NO. INDEX

PART NO.	VERSION	PAGE	PART NO.	VERSION	PAGE	PART NO.	VERSION	PAGE
<b>98000</b>								
98056-5771R-00-M2	1	E02						
98200-10700	1	F11						