

# PARTS CATALOGUE



## SCOOTERS

SH10CC(AT)

B&W 50



Release Date : 2010/08/17  
Print Date : 2012/02/13

## ABOUT THIS PARTS LIST

- This parts list is compiled all service parts for model SH10CC(AT).
- Any difference between color chart and motorcycle will be revised according to motorcycle.
- The Mark:
  1. Marking "\*\*\*" must add color code in the end before ordering parts.
  2. Marking "#" are parts with modification, Please find the details from e-Parts system.
- When modification or additions to this parts list are made a revised edition at an appropriate time.



# CONTENTS

● ABOUT THIS PARTS LIST .....	1
● COLOR CHART OF SH10CC(AT) .....	3
● CONTENTS-ENGINE GROUP .....	9
● CONTENTS-FRAME GROUP .....	11
● ENGINE PARTS LIST .....	14
● FRAME PARTS LIST .....	46
● PART NO. INDEX .....	114

NO	MODEL			COLOR CHART OF SH10CC(AT)			
	PHOTO NO			NO. 1	NO. 2	NO. 3	NO. 4
	BASIC COLOR			Bright Blue	Navy Blue	Bright Silver	Dark Gray Metallic
	CODE			Bright Blue	Navy Blue	Bright Silver	Dark Gray Metallic
	PARTS NAME	PARTS NO.	VERSION	PB107CA	PB183MA	NH045MA	NH124MAB
1	LEVER R STRG HNDL	53175-KFA5-E10	0	M3A			
2	LEVER L STRG HNDL	53178-KFA5-E10	0				
3	COVER FIXED	17623-KEBE-900	1				
4	COVER BATTERY	50326-KHD8-900	2	N1R			
5	COVER UNDER	50621-KEBE-900	5				
6	GRIP COMP THROT	53140-KFC8-900	0				
7	GRIP HANDLE L	53166-KNBN-911	0				
8	COVER HANDLE LOW	53206-KHD8-E00	1				
9	COVER HANDLE RR	53207-KHD8-900	1				
10	FLOOR PANEL	64310-KHD8-900	0				
11	PLUG FLOOR PANEL	64316-KEB7-900	0				
12	MAT R FLOOR	64320-KHD8-900	2				
13	MAT L FLOOR	64321-KHD8-900	2				
14	COVER R GRILL	64351-KHD8-900	0				
15	COVER L GRILL	64361-KHD8-900	0				
16	COWL UNDER	64400-KHD8-900	1				
17	FENDER B REAR	80107-KEB7-900	1				
18	LEG SHIELD	81131-KHD8-900	4				
19	LID LEG SHIELD	81132-KEB7-900	1				
20	LOUVER ASSY L	8113A-KHD8-900	0				
21	LOUVER ASSY R	8114A-KHD8-900	0				
22	PLUG RR CARRIER	81201-KHD8-900	1				
23	GRILL R BODY COVER	83501-KHD8-900	4	N1S			
24	GRILL L BODY COVER	83601-KHD8-900	4				
25	COVER L SIDE	11341-KKD6-900	1	N8A			
DATE OF STARTING-SALES							
DATE OF END-SALES							

NO	MODEL			COLOR CHART OF SH10CC(AT)			
	PHOTO NO			NO. 5	NO. 6	NO. 7	
	BASIC COLOR			Ruby Red	Dark Gray Metallic	Ruby Red	
	CODE			Ruby Red	Dark Gray Metallic	Ruby Red	
	PARTS NAME	PARTS NO.	VERSION	RR004CAB	NH124MAA	RR004CAA	
1	LEVER R STRG HNDL	53175-KFA5-E10	0	M3A			
2	LEVER L STRG HNDL	53178-KFA5-E10	0				
3	COVER FIXED	17623-KEBE-900	1	N1R			
4	COVER BATTERY	50326-KHD8-900	2				
5	COVER UNDER	50621-KEBE-900	5				
6	GRIP COMP THROT	53140-KFC8-900	0				
7	GRIP HANDLE L	53166-KNBN-911	0				
8	COVER HANDLE LOW	53206-KHD8-E00	1				
9	COVER HANDLE RR	53207-KHD8-900	1				
10	FLOOR PANEL	64310-KHD8-900	0				
11	PLUG FLOOR PANEL	64316-KEB7-900	0				
12	MAT R FLOOR	64320-KHD8-900	2				
13	MAT L FLOOR	64321-KHD8-900	2				
14	COVER R GRILL	64351-KHD8-900	0	N1S			
15	COVER L GRILL	64361-KHD8-900	0				
16	COWL UNDER	64400-KHD8-900	1				
17	FENDER B REAR	80107-KEB7-900	1				
18	LEG SHIELD	81131-KHD8-900	4				
19	LID LEG SHIELD	81132-KEB7-900	1				
20	LOUVER ASSY L	8113A-KHD8-900	0				
21	LOUVER ASSY R	8114A-KHD8-900	0				
22	PLUG RR CARRIER	81201-KHD8-900	1	N8A			
23	GRILL R BODY COVER	83501-KHD8-900	4				
24	GRILL L BODY COVER	83601-KHD8-900	4				
25	COVER L SIDE	11341-KKD6-900	1				
DATE OF STARTING-SALES							
DATE OF END-SALES							

NO	MODEL			COLOR CHART OF SH10CC(AT)			
	PHOTO NO			NO. 1	NO. 2	NO. 3	NO. 4
	BASIC COLOR			Bright Blue	Navy Blue	Bright Silver	Dark Gray Metallic
	CODE			Bright Blue	Navy Blue	Bright Silver	Dark Gray Metallic
	PARTS NAME	PARTS NO.	VERSION	PB107CA	PB183MA	NH045MA	NH124MAB
26	CARRIER RR	81200-KHD8-900	1	N8P			
27	SKIRT R SIDE	64305-KHD8-900	0	BAM	BHP	N8P	
28	SKIRT L SIDE	64306-KHD8-900	0				
29	COVER HANDLE UP	53205-KHD8-900	1	BAM	BHP	N8P	NFP
30	PLUG HANDLE UP	53208-KHE6-900	0				
31	FENDER FR	61110-KHD8-900	2				
32	COVER FR	64301-KHE7-900	2				
33	COVER CENTER	80151-KHD8-900	2				
34	COVER R BODY	83500-KHD8-900	3				
35	COVER L BODY	83600-KHD8-900	3				
36	MOLDING FR	64302-KHD8-900	0	BAP	BHP	N8P	NFP
37	MIRROR ASSY R BACK	88110-KHD8-900	2				
38	MIRROR ASSY L BACK	88120-KHD8-900	2				
39	CUSHION ASSY RR	52400-KHE6-E90	1	N8S			
40	COVER R TUNNEL	64331-KHD8-900	0	NFP			
41	COVER L TUNNEL	64341-KHD8-900	0				
42	COVER L TUNNEL	64341-KHE6-900	0				
43	WHEEL COMP RR CAST	42601-KEB7-E0E	2	NJA			
44	WHEEL SET FR	44650-KHD8-30A	3				
45	WHEEL SET FR	44650-KHD8-30C	4				
46	CALIPER ASSY FR	45200-KHD8-E90	2				
47	FORK ASSY R FR	51400-KHD8-900	1				
48	BOTTOM CASE R	51420-KHD8-900	0				
49	FORK SET L FR	5150A-KHD8-900	1				
50	BOTTOM CASE L	51520-KHD8-900	0				
DATE OF STARTING-SALES							
DATE OF END-SALES							

NO	MODEL			COLOR CHART OF SH10CC(AT)			
	PHOTO NO			NO. 5	NO. 6	NO. 7	
	BASIC COLOR			Ruby Red	Dark Gray Metallic	Ruby Red	
	CODE			Ruby Red	Dark Gray Metallic	Ruby Red	
	PARTS NAME	PARTS NO.	VERSION	RR004CAB	NH124MAA	RR004CAA	
26	CARRIER RR	81200-KHD8-900	1	N8P			
27	SKIRT R SIDE	64305-KHD8-900	0	N8P	NFP	R1P	
28	SKIRT L SIDE	64306-KHD8-900	0				
29	COVER HANDLE UP	53205-KHD8-900	1	R1P	NFP	R1P	
30	PLUG HANDLE UP	53208-KHE6-900	0				
31	FENDER FR	61110-KHD8-900	2				
32	COVER FR	64301-KHE7-900	2				
33	COVER CENTER	80151-KHD8-900	2				
34	COVER R BODY	83500-KHD8-900	3				
35	COVER L BODY	83600-KHD8-900	3				
36	MOLDING FR	64302-KHD8-900	0				
37	MIRROR ASSY R BACK	88110-KHD8-900	2				
38	MIRROR ASSY L BACK	88120-KHD8-900	2				
39	CUSHION ASSY RR	52400-KHE6-E90	1	N8S			
40	COVER R TUNNEL	64331-KHD8-900	0	NFP			
41	COVER L TUNNEL	64341-KHD8-900	0				
42	COVER L TUNNEL	64341-KHE6-900	0	NJA			
43	WHEEL COMP RR CAST	42601-KEB7-E0E	2				
44	WHEEL SET FR	44650-KHD8-30A	3				
45	WHEEL SET FR	44650-KHD8-30C	4				
46	CALIPER ASSY FR	45200-KHD8-E90	2				
47	FORK ASSY R FR	51400-KHD8-900	1				
48	BOTTOM CASE R	51420-KHD8-900	0				
49	FORK SET L FR	5150A-KHD8-900	1				
50	BOTTOM CASE L	51520-KHD8-900	0				
DATE OF STARTING-SALES							
DATE OF END-SALES							

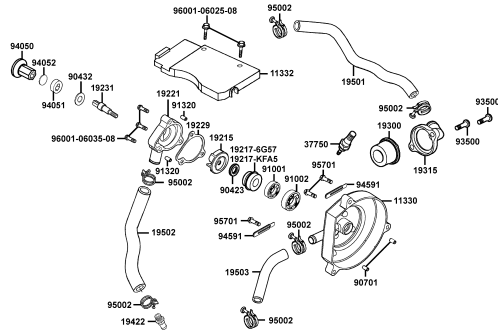




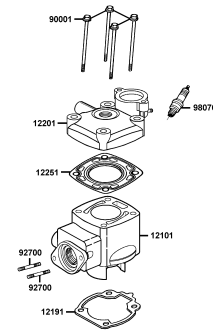
NO	MODEL			COLOR CHART OF SH10CC(AT)			
	PHOTO NO			NO. 5	NO. 6	NO. 7	
	BASIC COLOR			Ruby Red	Dark Gray Metallic	Ruby Red	
	CODE			Ruby Red	Dark Gray Metallic	Ruby Red	
	PARTS NAME	PARTS NO.	VERSION	RR004CAB	NH124MAA	RR004CAA	
51	SEAT ASSY	77200-KHE6-900	1	T01			
52	EMB K-LOGO 30MM	86102-KFA6-E00	2				
53	EMB BODY COVER	86202-KHD8-E00	0				
54	EMB B BODY COVER	87140-KHE6-E00	1				
55	CAUTION ANTI	87224-KHE6-EZ0	0				
56	STRIPE MARK EURO2	87311-KKD6-E00	1				
57	CAUTION USE GAS	87501-KRDR-E00	2				
58	LABLE TIRE	87505-KHD8-E00	0				
59	CAUTION FILTER	87512-KEBE-E00	0				
60	MARK MAINT CAUTION	87542-GAR1-E00	2				
61	MARK DRIVE CAUTION	87560-KNBN-E00	1				
DATE OF STARTING-SALES							
DATE OF END-SALES							

# CONTENTS - ENGINE GROUP

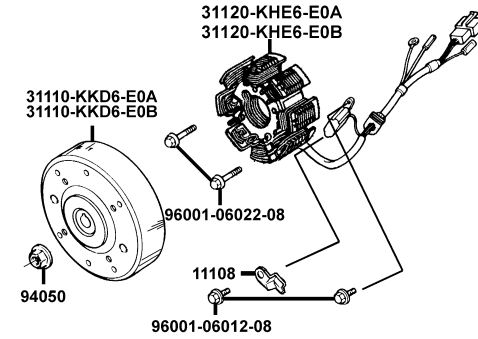
## E01 WATER PUMP



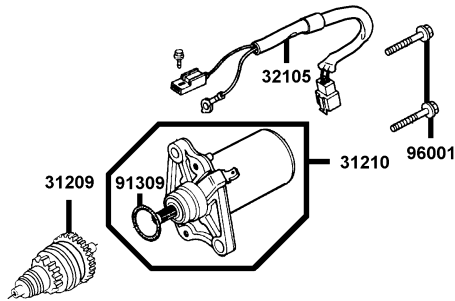
## E02 Cylinder Head Cover Cylinder



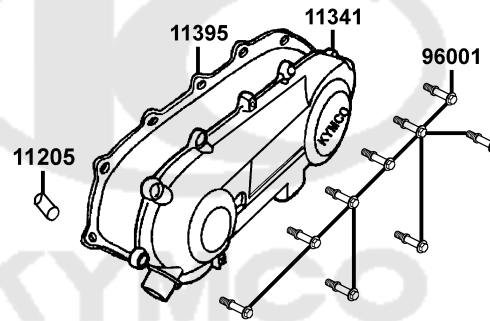
## E03 Generator



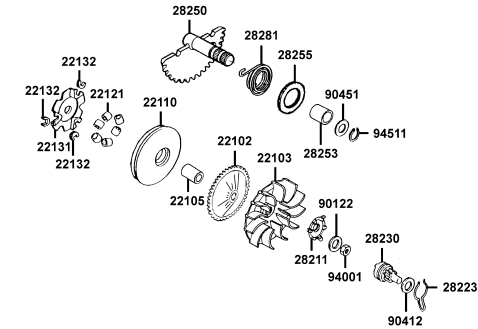
## E04 Starting Motor



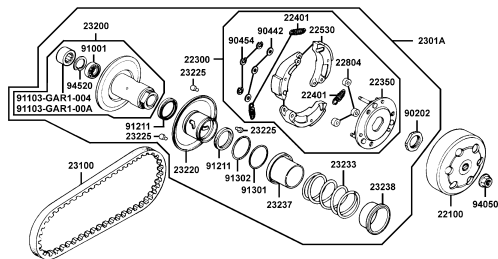
## E05 Left Crankcase Cover



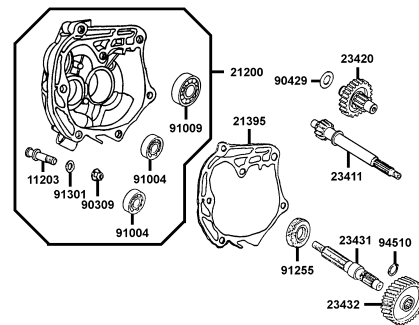
## E06 DRIVE FACE



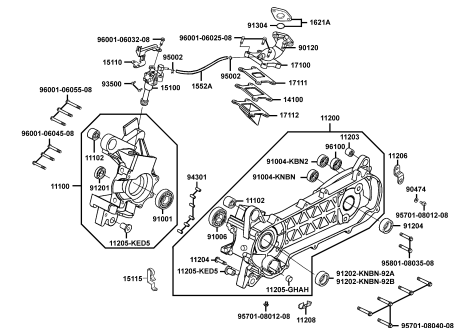
## E07 Driven Pulley



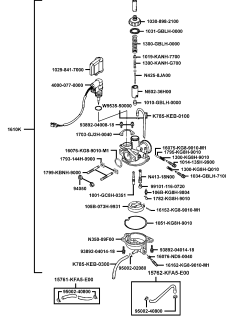

## E08 Transmission



## E09 Crankcase OIL PUMP



## CONTENTS - ENGINE GROUP

<b>E10</b> CrankshaftPiston	<b>E11</b> Carburetor	
		
		



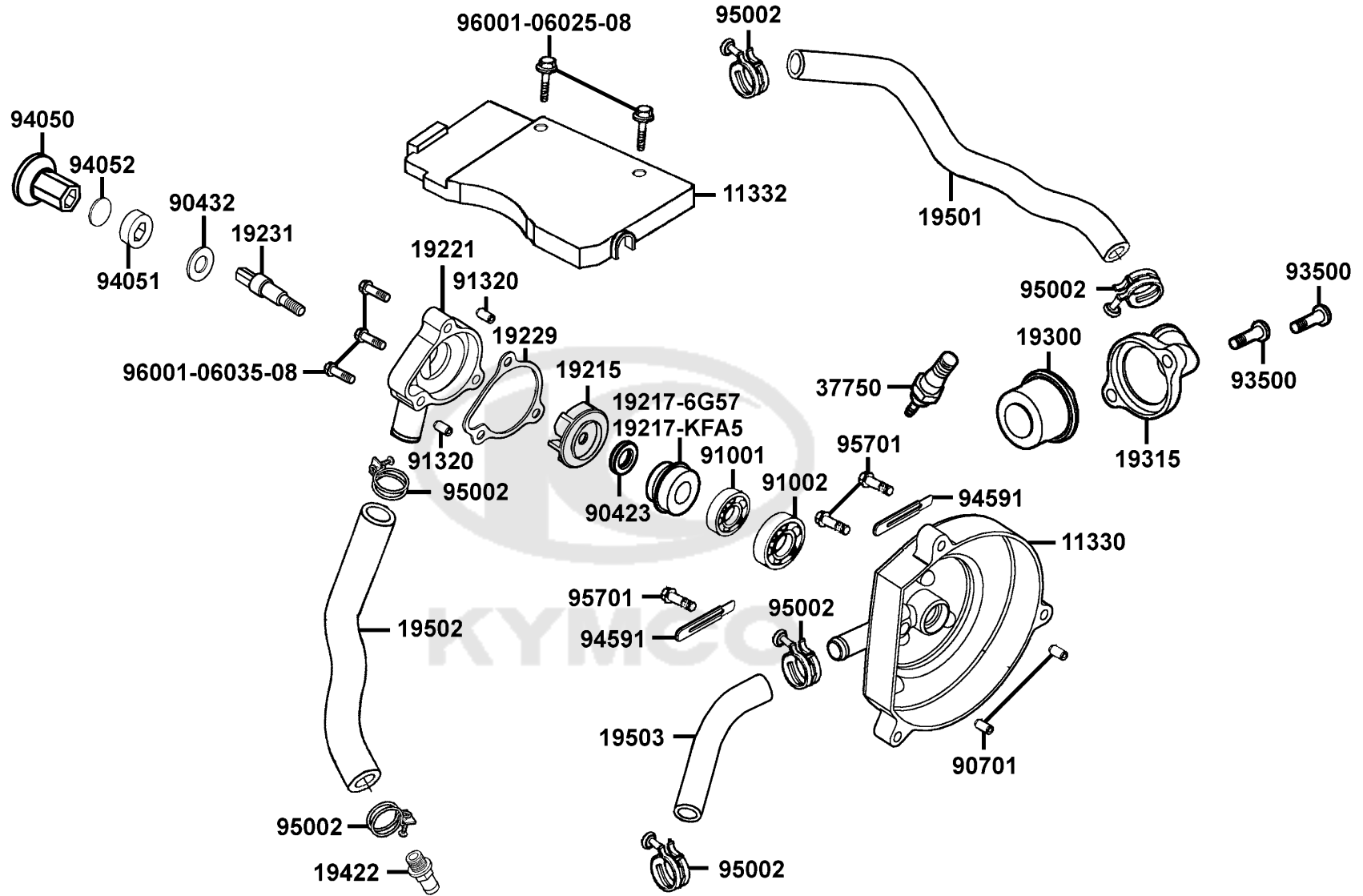


# CONTENTS - FRAME GROUP

F19 Rear LightRear Fender	F20 Wire Harness	F21 Frame Body
F22 Radiator	F23 Separated Parts Of Fr Fork	F24 AIR CLEANER TWO
F25 Caution Label	F26 EmblemStripe	

E01

# WATER PUMP

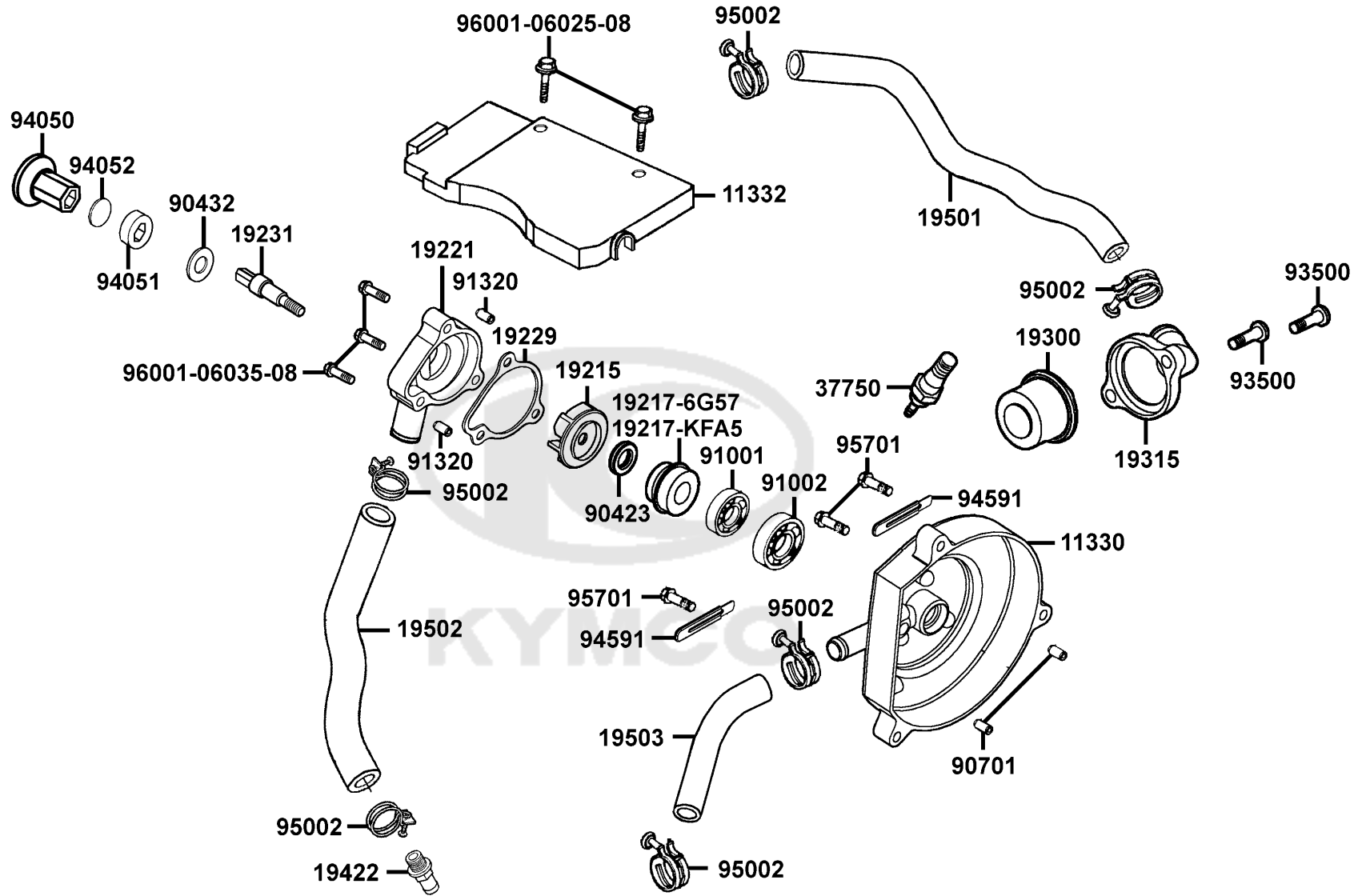


Sales mark	Ref no	Part no	Description	Reg description	Regd no	<b>E01</b>
	11330	11330-KFA5-900	COVER R SIDE	COVER R SIDE	1	
	11332	11332-KFA5-900	COVER ACG TOP	COVER ACG TOP	1	
	19215	19215-KFA5-900	IMPELLER WATER PUMP	IMPELLER WATER PUMP	1	
#	19217-KFA5	19217-KFA5-900	SEAL MECHANICAL	SEAL MECHANICAL	2	
	19221	19221-KFA5-900	COVER WATER PUMP	COVER WATER PUMP	1	
	19229	19229-KFA5-900	GASKET WATER PUMP	GASKET WATER PUMP	1	
	19231	19231-KFA5-900	SHAFT WATER PUMP	SHAFT WATER PUMP	1	
	19300	19300-KAE1-004	THERMOSTAT ASSY	THERMOSTAT ASSY	1	
	19315	19315-KFA5-E00	COVER THERMOSTAT	COVER THERMOSTAT	1	
	19422	19422-KFA5-900	JOINT WATER HOSE	JOINT WATER HOSE	1	
	19501	19501-KHE6-E00	HOSE WATER A	HOSE WATER A	1	
	19502	19502-KFA5-900	HOSE WATER B	HOSE WATER B	1	
	19503	19503-KFA5-900	HOSE WATER C	HOSE WATER C	1	
	37750	37750-PAC1-005	THERMO UNIT ASSY	THERMO UNIT ASSY	1	
	90423	90423-KKJ9-001	WASHER 7.2*13*1.2	WASHER 7.2*13*1.2	1	
	90432	90432-KFA5-900	WASHER LOCK	WASHER LOCK	1	
	90701	90701-6K79-001	PIN DOWEL 8*10	PIN DOWEL 8*10	2	
	91001	91001-KFA5-900	BRG BALL RADIAL 609LLU	BRG BALL RADIAL 609LLU	1	
	91002	91002-KFA5-900	BRG BALL RADIAL 699LLU	BRG BALL RADIAL 699LLU	1	
	91320	91320-KAE1-001	PIN DOWEL SPC 8*7	PIN DOWEL SPC 8*7	2	

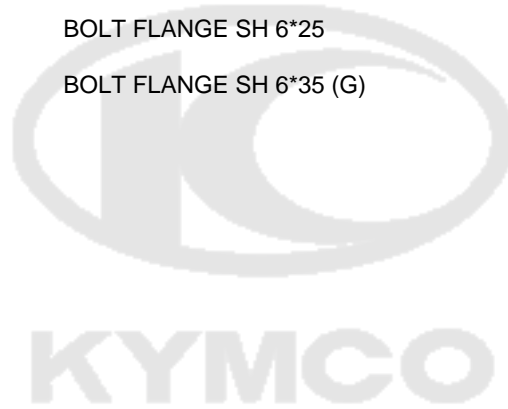


E01

# WATER PUMP

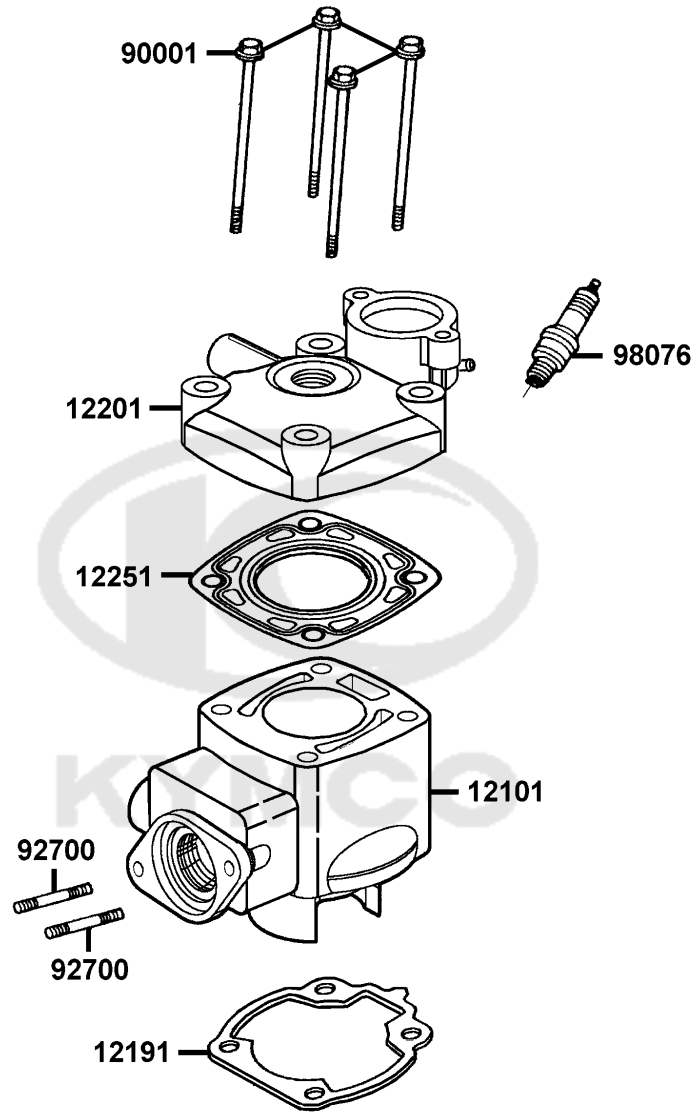


Sales mark	Ref no	Part no	Description	Reg description	Regd no	<b>E01</b>
	93500	93500-05016-0H	SCREW PAN 5*16	SCREW PAN 5*16	2	
	94050	94050-KFA5-900	NUT WATER PUMP SHAFT	NUT WATER PUMP SHAFT	1	
	94051	94051-KFA5-910	DAMPER NUT	DAMPER NUT	1	
	94052	94052-KFA5-900	DAMPER B NUT	DAMPER B NUT	1	
	94591	94591-KFBF-900	CLIP 2*70	CLIP 2*70	2	
	95002	95002-KGN7-910	CLIP TUBE	CLIP TUBE	6	
	95701	95701-06032-08	BOLT FLANGE 6*32	BOLT FLANGE 6*32	3	
	96001-06025-08	96001-06025-08	BOLT FLANGE SH 6*25	BOLT FLANGE SH 6*25	2	
	96001-06035-08	96001-06035-08	BOLT FLANGE SH 6*35 (G)	BOLT FLANGE 6*35	3	



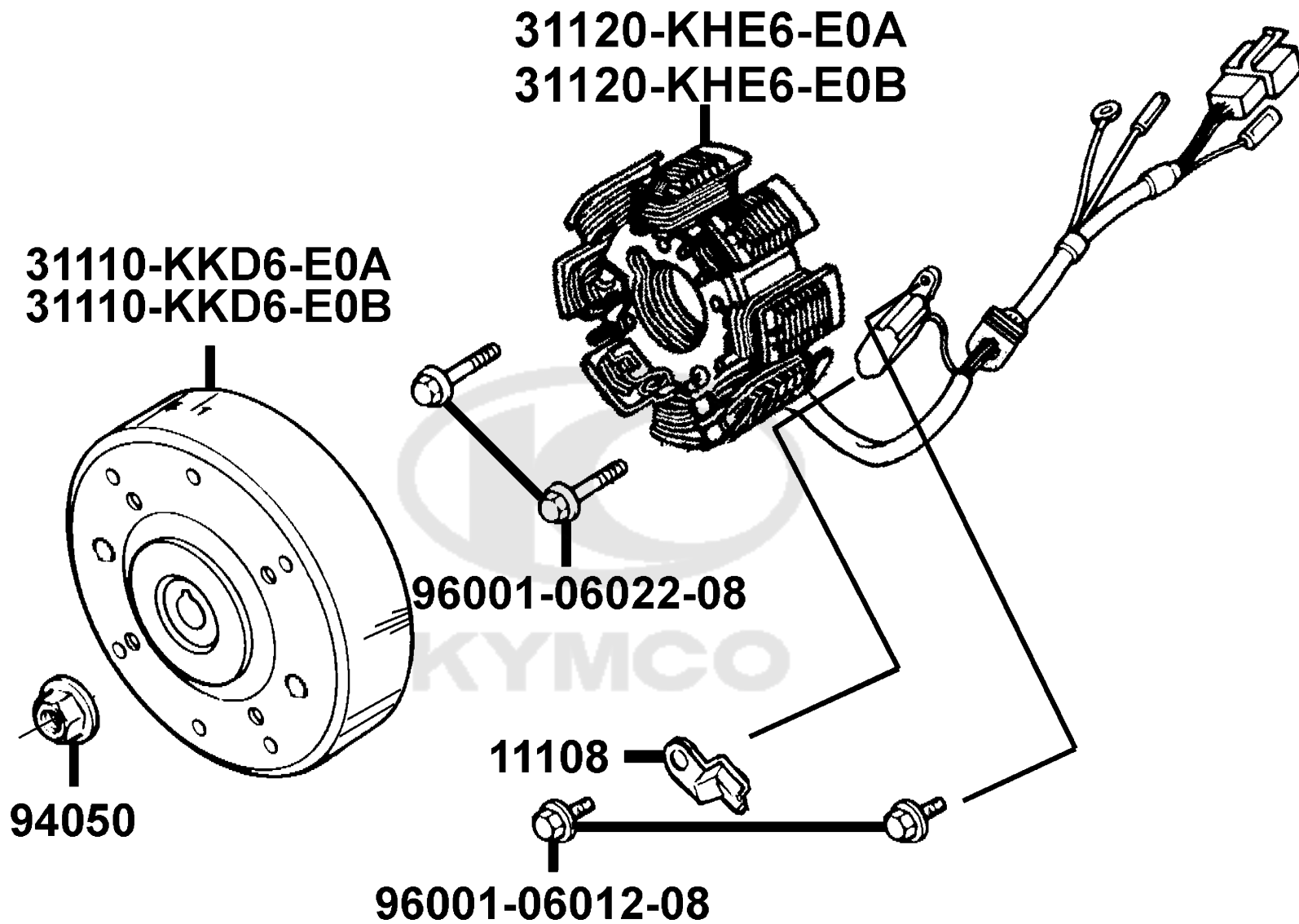
E02

# Cylinder Head Cover Cylinder Head



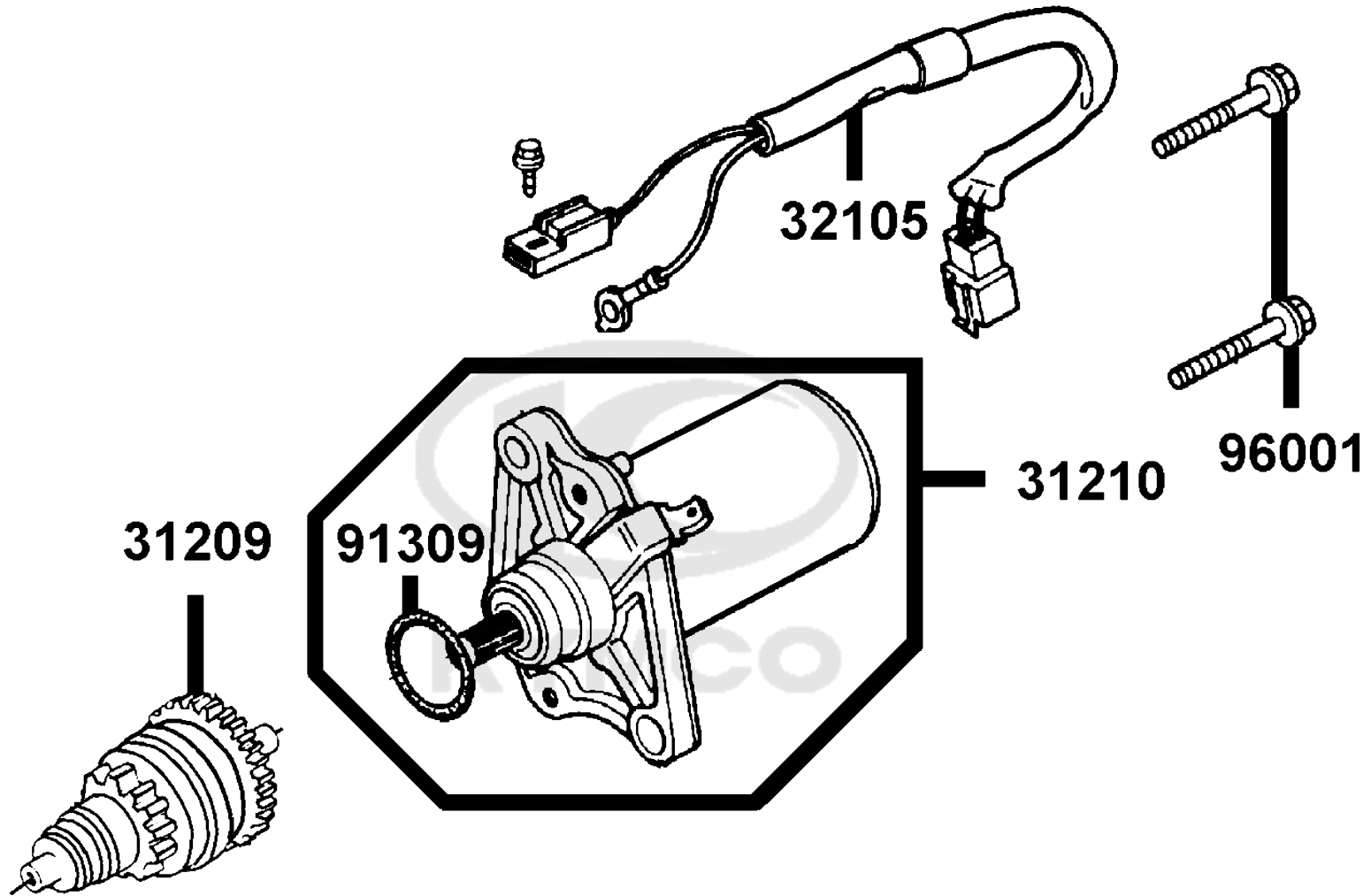
Sales mark	Ref no	Part no	Description	Reg description	Regd no	<b>E02</b>
	12101	12101-KGB5-900	CYLINDER	CYLINDER	1	
	12191	12191-KEB7-900	GASKET CYLINDER A	GASKET CYLINDER A	1	
	12201	12201-KGB5-E00	HEAD CYLINDER	HEAD CYLINDER	1	
	12251	12251-KFA5-900	GASKET CYLINDER HEAD	GASKET CYLINDER HEAD	1	
	90001	90001-GKAK-901	BOLT FLANGE 7*100	BOLT FLANGE 7*100	4	
	92700	92700-06028-1B	BOLT STUD 6*28	BOLT STUD 6*28	2	
	98076	98076-5671G-00	SPARK PLUG (BR6HSA)	SPARK PLUG (BR6HSA)	1	





Sales mark	Ref no	Part no	Description	Reg description	Regd no	<b>E03</b>
	11108	11108-KEB7-900	HOLDER STATOR WIRE	HOLDER STATOR WIRE	1	
	31110-KKD6-E0A	31110-KKD6-E0A	FLYWHEEL COMP /D402	FLYWHEEL COMP /D402	1	
	31110-KKD6-E0B	31110-KKD6-E0B	FLYWHEEL COMP /D406	FLYWHEEL COMP /D406	1	
	31120-KHE6-E0A	31120-KHE6-E0A	STATOR COMP /D402	STATOR COMP /D402	1	
	31120-KHE6-E0B	31120-KHE6-E0B	STATOR COMP /D406	STATOR COMP /D406	1	
	94050	94050-10080	NUT FLANGE 10MM	NUT FLANGE 10MM	1	
	96001-06012-08	96001-06012-08	BOLT FLANGE 6*12	BOLT FLANGE 6*12	2	
	96001-06022-08	96001-06022-08	BOLT FLANGE SH 6*22	BOLT FLANGE SH 6*22	2	





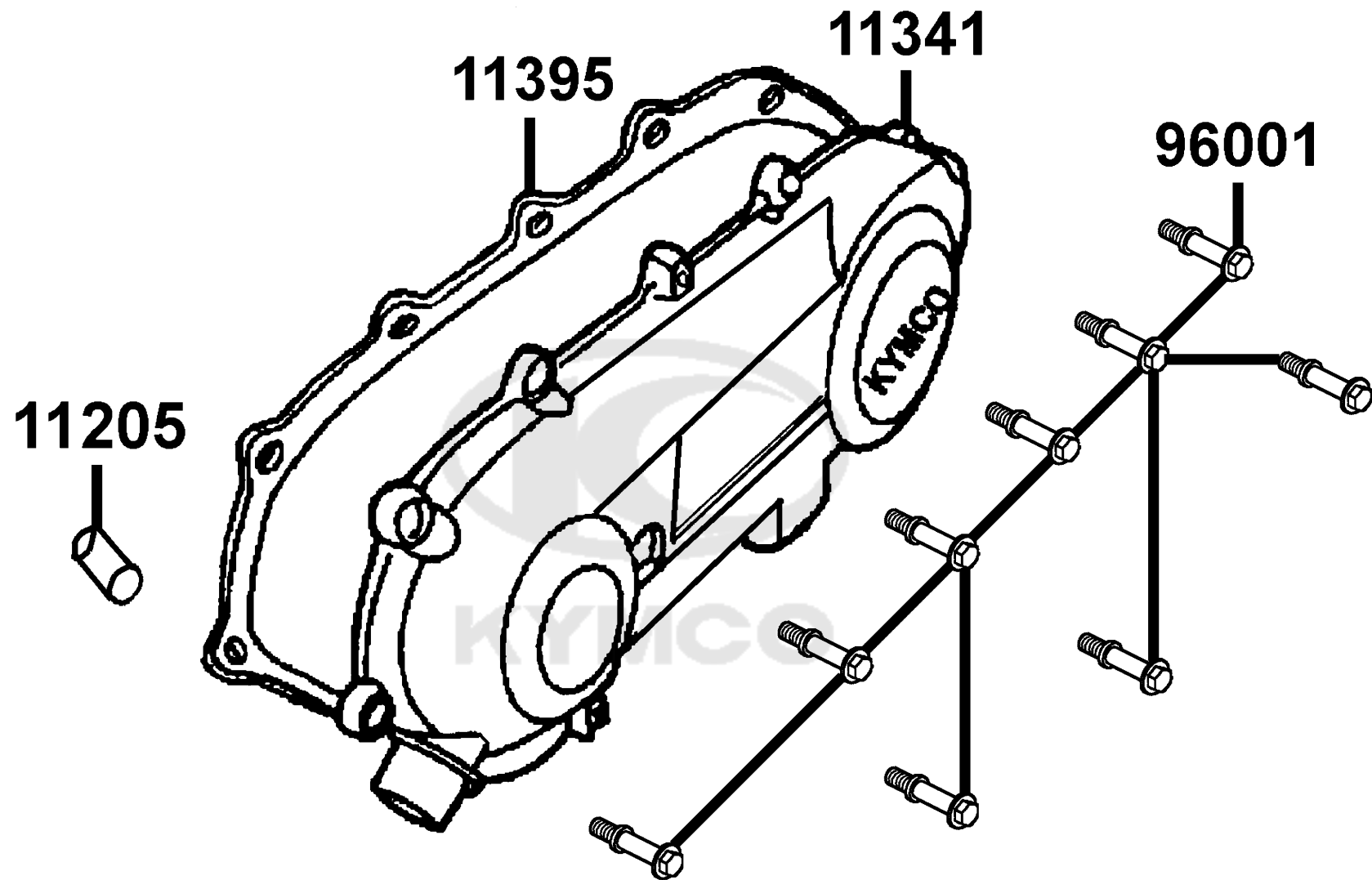
Sales mark	Ref no	Part no	Description	Reg description	Regd no	<b>E04</b>
31209		31209-GKAK-901	PINION ASSY STARTER	PINION ASSY STARTER	1	
31210		31210-GKAK-90C	MOTOR UNIT START	MOTOR UNIT START	1	
32105		32105-KHE6-E00	SUB HARNESS	SUB HARNESS	1	
91309		91309-GKAK-901	O RING	O RING	1	
96001		96001-06025-08	BOLT FLANGE SH 6*25	BOLT FLANGE SH 6*25	2	





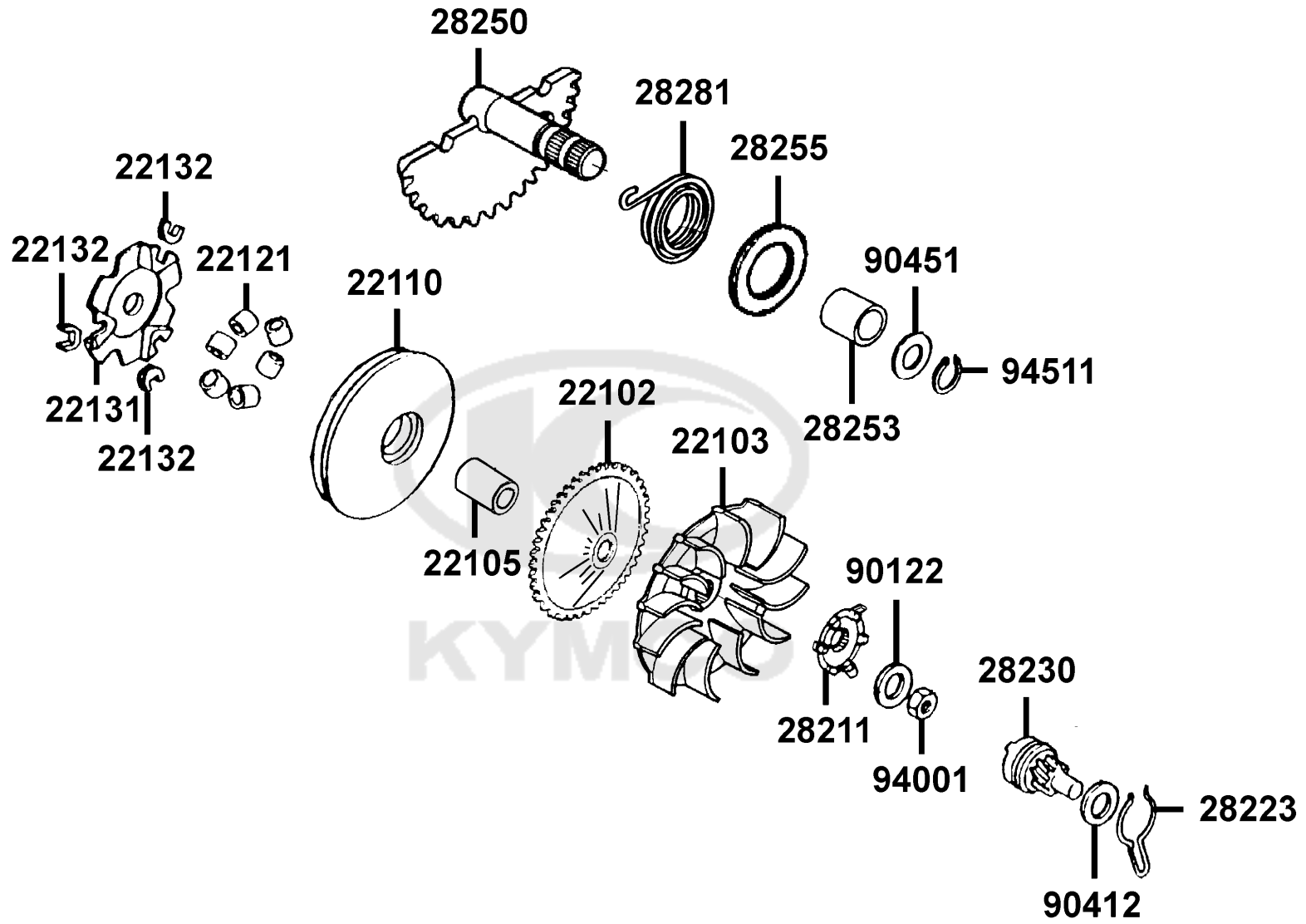
E05

Left Crankcase Cover

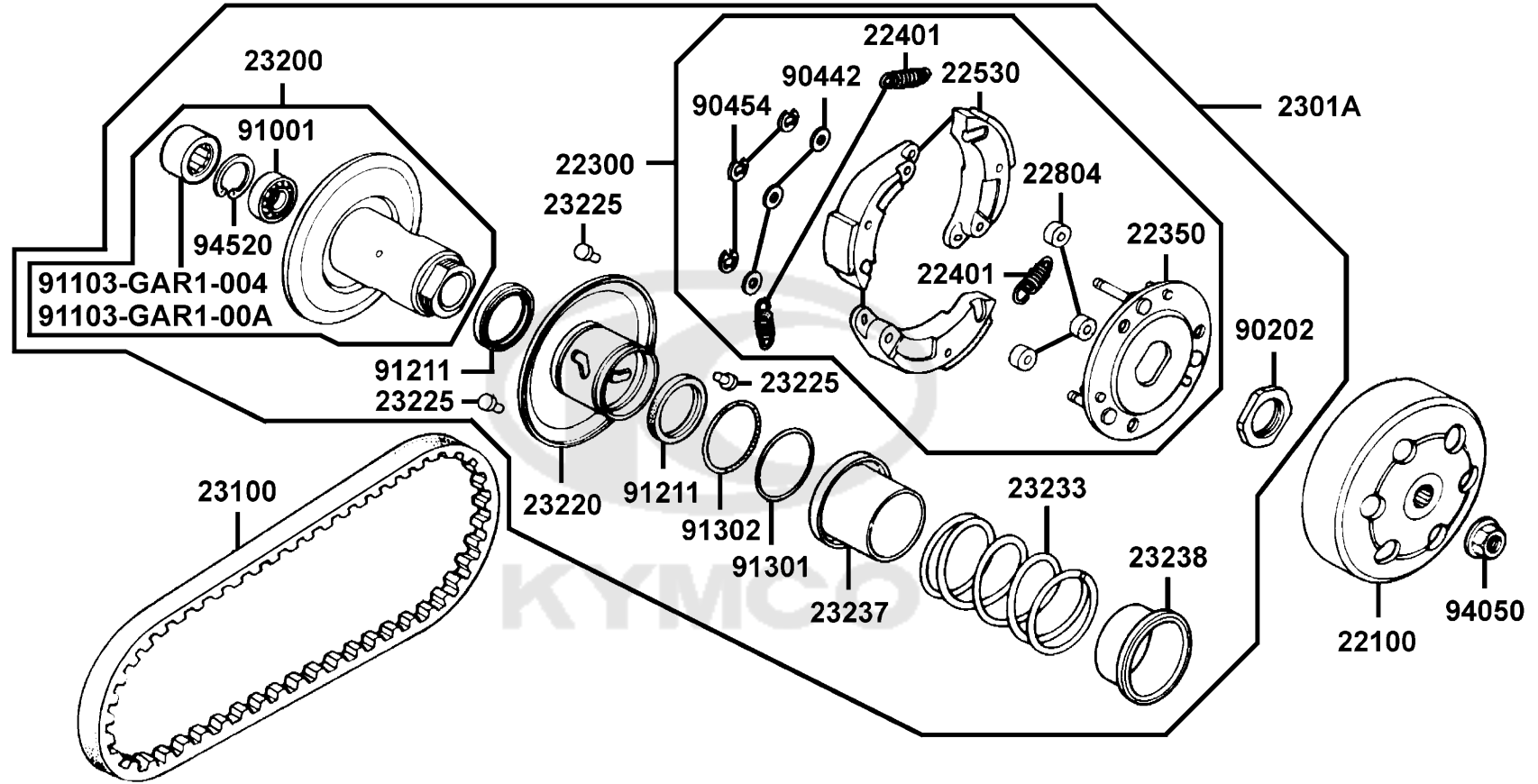


Sales mark	Ref no	Part no	Description	Reg description	Regd no	<b>E05</b>
	11205	11205-GHAH-004	BUSH 8*12*8	BUSH 8*12*8	1	
**	11341	11341-KKD6-900	COVER L SIDE	COVER L SIDE	1	
	11395	11395-KKD6-900	GASKET L COVER @ A	GASKET L COVER @ A	1	
	96001	96001-06025-08	BOLT FLANGE SH 6*25	BOLT FLANGE SH 6*25	9	

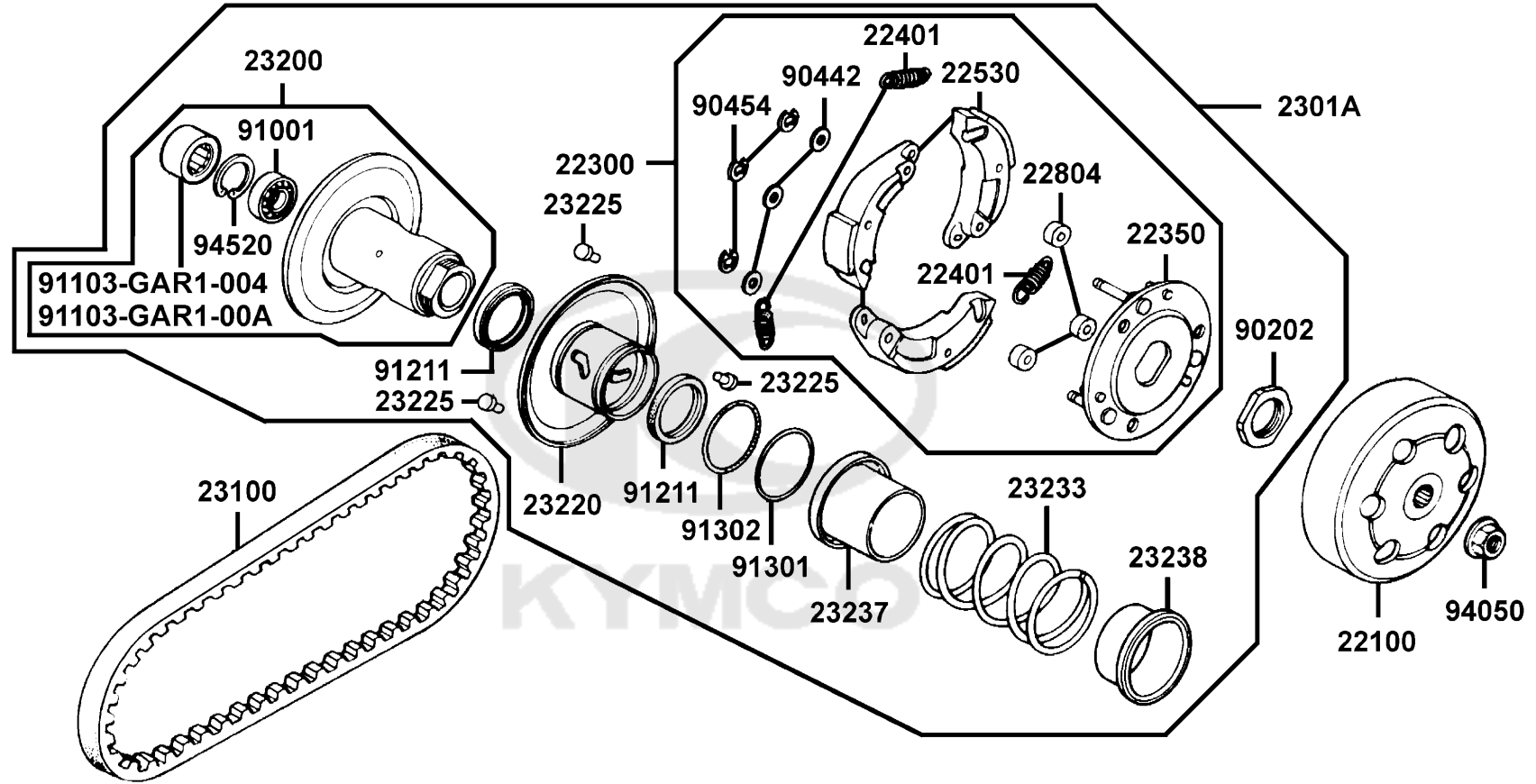




Sales mark	Ref no	Part no	Description	Reg description	Regd no	<b>E06</b>
22102		22102-KEB7-900	FACE DRIVE	FACE DRIVE	1	
22103		22103-KEB7-900	FAN CVT COOLING	FAN CVT COOLING	1	
22105		22105-KEB7-E00	BOSS DRIVE FACE	BOSS DRIVE FACE	1	
22110		22110-KFA1-220	FACE COMP MOVABLE DRIVE	FACE COMP MOVABLE DRIVE	1	
22121		22121-GLW0-901	ROLLER COMP WEIGHT 8.5 gr	ROLLER COMP WEIGHT 8.5 gr	6	
22131		22131-GHAH-781	PLATE RAMP	PLATE RAMP	1	
22132		22132-GLW0-001	PIECE SLIDE	PIECE SLIDE	3	
28211		28211-KEB7-900	RATCHET KICK STARTER	RATCHET KICK STARTER	1	
28223		28223-KNBN-901	SPG KICK DRIVEN GEAR	SPG KICK DRIVEN GEAR	1	
28230		28230-GKAK-921	GEAR COMP KICK DRIVEN	GEAR COMP KICK DRIVEN	1	
28250		28250-KNBN-901	SPINDLE COMP KICK STARTER	SPINDLE COMP KICK STARTER	1	
28253		28253-GBN2-60A	BUSH KICK SPINDLE	BUSH KICK SPINDLE	1	
28255		28255-GFS6-001	COLLAR KICK BOSS	COLLAR KICK BOSS	1	
28281		28281-GBN2-60A	SPRING KICK RETURN	SPRING KICK RETURN	1	
90122		90122-GCS3-001	WASHER 12MM	WASHER 12MM	1	
90412		90412-3K29-001	WASHER THRUST 10M/M	WASHER THRUST10MM	1	
90451		90451-GBN2-601	WASHER KICK SPINDLE	WASHER KICK SPINDLE	1	
94001		94001-12280-0S	NUT HEX 12MM	NUT HEX 12MM	1	
94511		94511-14000	CIR CLIP EX 14	CIRCLIP EX 14	1	



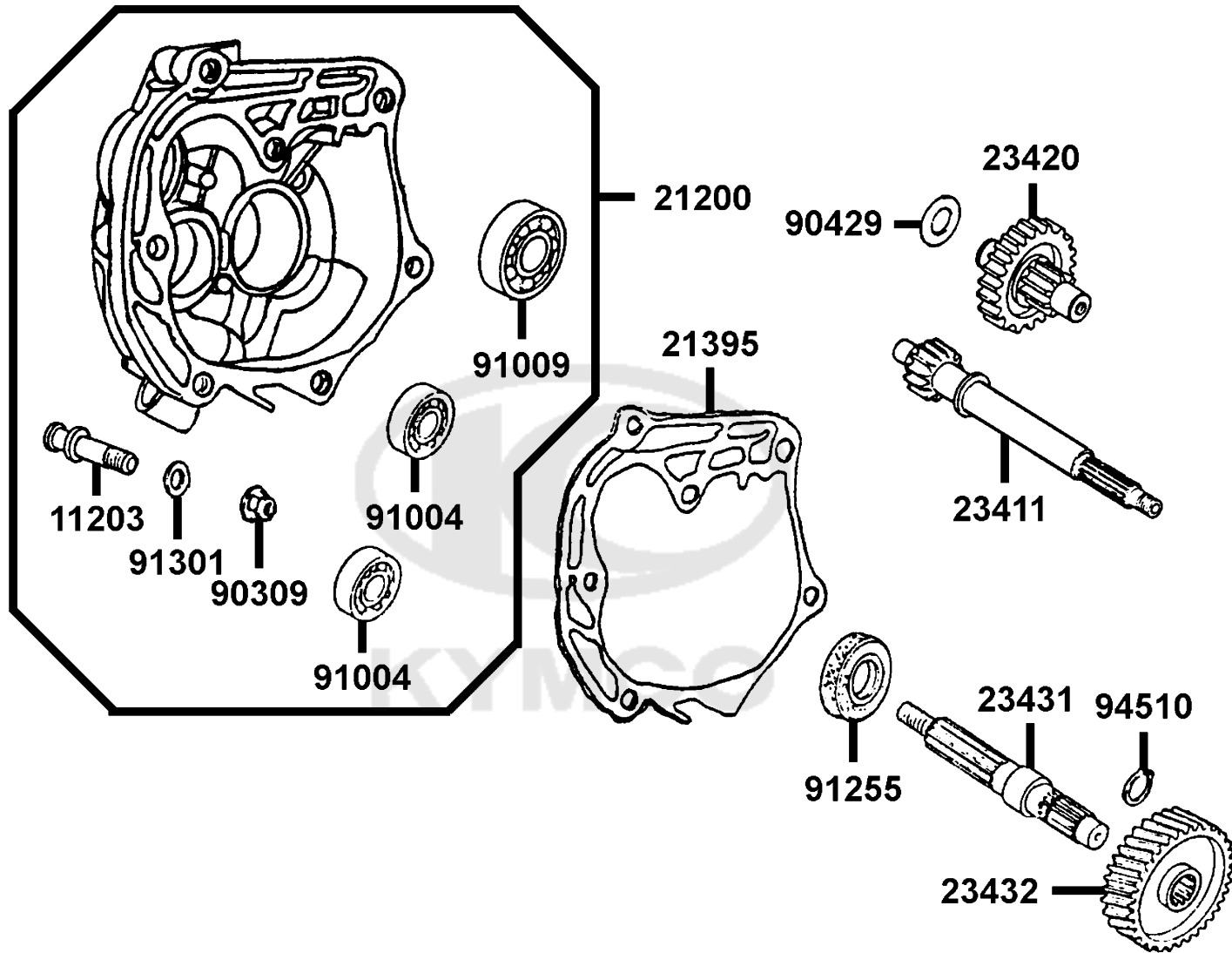
Sales mark	Ref no	Part no	Description	Reg description	Regd no	E07
	22100	22100-GAR1-751	CLUTCH OUTER	CLUTCH OUTER	1	
	22300	22300-KXCX-900	PLATE ASSY DRIVE	PLATE ASSY DRIVE	1	
	22350	22350-GKAK-930	PLATE COMP DRIVE	PLATE COMP DRIVE	1	
	22401	22401-GBG2-900	SPRING CLUTCH	SPRING CLUTCH	3	
	22530	22530-GKAK-930	WEIGHT CLUTCH	WEIGHT CLUTCH	3	
	22804	22804-1H48-001	RUBBER CLUTCH DAMPER	RUBBER CLUTCH DAMPER	3	
	2301A	2301A-KEB7-220	PULLEY SUB ASSY	PULLEY SUB ASSY	1	
	23100	23100-KEB7-900	BELT DRIVE	BELT DRIVE	1	
	23200	23200-GAR1-220	FACE ASSY DRIVEN	FACE ASSY DRIVEN	1	
	23220	23220-GKAK-220	FACE COMP MOVABLE DRIVEN	FACE COMP MOVABLE DRIVEN	1	
	23225	23225-GAR1-751	PIN GUIDE	PIN GUIDE	3	
	23233	23233-GHE8-001	SPG DRIVEN FACE	SPG DRIVEN FACE	1	
	23237	23237-GAR1-220	COLLAR SEAL	COLLAR SEAL	1	
	23238	23238-GFY6-941	COLLAR SPG	COLLAR SPG	1	
	90202	90202-1G87-001	NUT SPECIAL 28MM	NUT SPECIAL 28MM	1	
	90442	90442-0D44-001	WASHER THRUST 6M	6M/M THRUST WASHER	3	
	90454	90454-GBB2-001	CIRCLIP 6MM	CIRCLIP 6MM	3	
	91001	91001-GGA7-70A	BRG RADIAL BALL 6901U	BRG RADIAL BALL 6901U	1	
	91103-GAR1-004	91103-GAR1-004	BRG NEEDLE 17*25*18 WS	BRG NEEDLE 17*25*18 WS	1	
	91103-GAR1-00A	91103-GAR1-00A	BRG NEEDLE 17*25*18 WS	BRG NEEDLE 17*25*18 WS	1	



Sales mark	Ref no	Part no	Description	Reg description	Regd no	<b>E07</b>
91211		91211-GHK8-014	OIL SEAL 34*39*3	OIL SEAL 34*39*3	2	
91301		91301-KEA5-742	O-RING 36*1.5	O-RING 36*1.5	1	
91302		91302-PAK9-004	O-RING 39.8*2.2	O-RING 39.8*2.2	1	
94050		94050-10080	NUT FLANGE 10MM	NUT FLANGE 10MM	1	
94520		94520-24000	CIR CLIP IN 24	CIR CLIP IN 24	1	

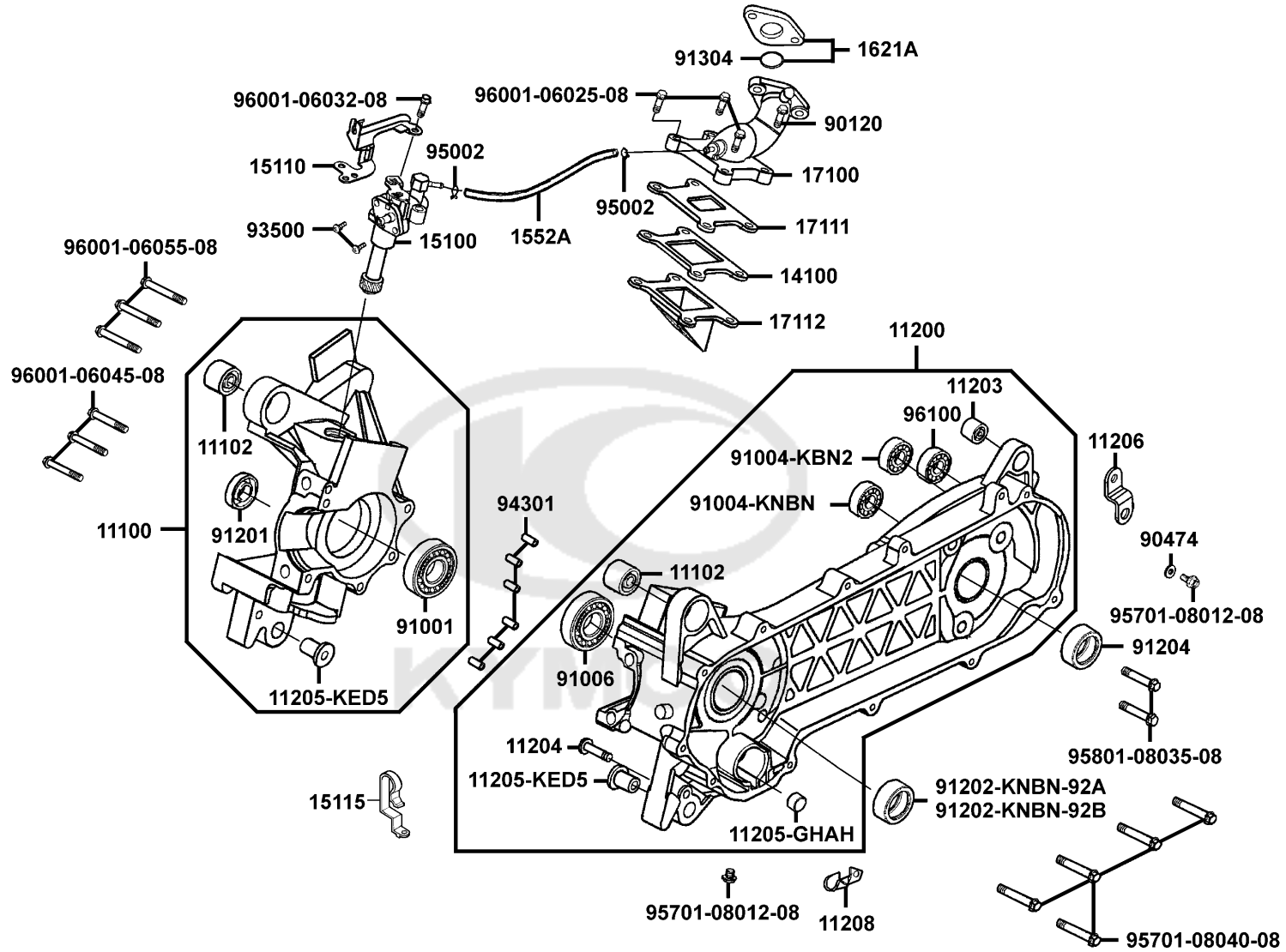






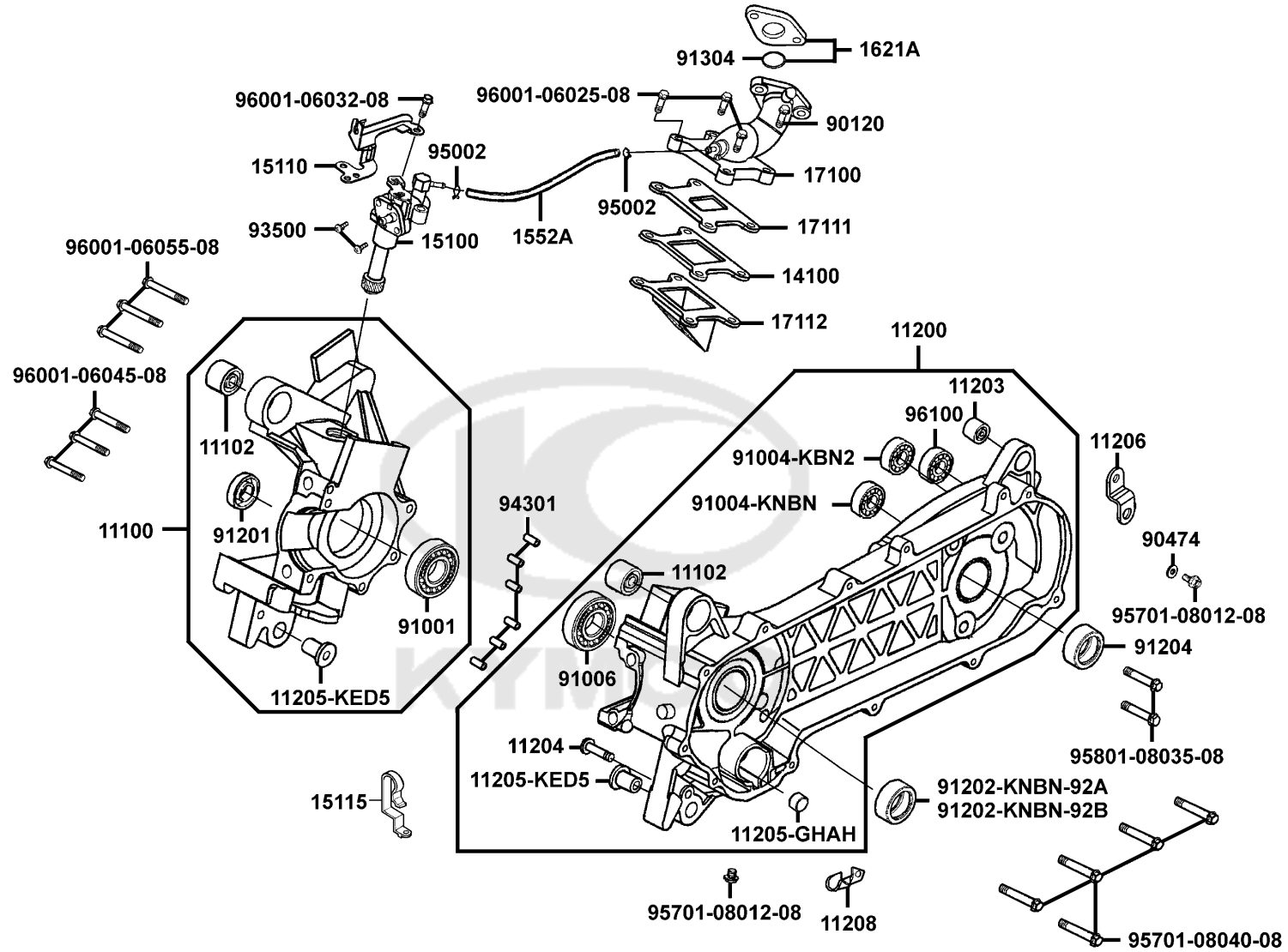
Sales mark	Ref no	Part no	Description	Reg description	Regd no	<b>E08</b>
11203		11203-KHG8-301	PIN BRAKE SHOE ANCHOR	PIN BRAKE SHOE ANCHOR	1	
21200		21200-KFA1-305	CASE SET MISSION	CASE ASSY MISSION	1	
21395		21395-KNBN-901	GASKET MISSION CASE A	GASKET MISSION CASE A	1	
23411		23411-KEB7-900	SHAFT DRIVE	SHAFT DRIVE	1	
23420		23420-KEB7-900	SHAFT COMP COUNTER	SHAFT COMP COUNTER	1	
23431		23431-KNBN-901	SHAFT FINAL	SHAFT FINAL	1	
23432		23432-KEB7-900	GEAR FINAL	GEAR FINAL	1	
90309		90309-KLF0-004-SY	NUT FLANGE 8MM	NUT FLANGE 8MM	1	
90429		90429-KNBN-901	WASHER SIDE 12MM	WASHER SIDE 12MM	1	
91004		91004-KBN2-90A	BRG BALL RADIAL 6201	BRG BALL RADIAL 6201	2	
91009		91009-GLE0-004	BRG BALL RADIAL 6004 UU	BRG BALL RADIAL 6004 UU	1	
91255		91255-GLE0-006	OIL SEAL 27*42*7	OIL SEAL 27*42*7	1	
91301		91301-OC53-001	O RING 7.5*1.5	O RING 7.5*1.5	1	
94510		94510-20000	CIR CLIP EX 20	CIR CLIP EX 20	1	

Crankcase OIL PUMP



Sales mark	Ref no	Part no	Description	Reg description	Regd no	<b>E09</b>
	11100	11100-KFA5-305	CRANK CASE ASSY RIGHT	CRANK CASE ASSY RIGHT	1	
	11102	11102-1G87-004	RUB BUSH ENG HANGER	RUB BUSH ENG HANGER	2	
	11200	11200-KEB7-325	CRANK CASE SET LEFT	CRANK CASE SET LEFT	1	
	11203	11203-GGC7-301	UNDER RUBBER BUSH REAR CUSHION	UNDER RUBBER BUSH REAR CUSHION	1	
	11204	11204-KEB7-900	PIN SPG HOOK	PIN SPG HOOK	1	
	11205-GHAH	11205-GHAH-004	BUSH 8*12*8	BUSH 8*12*8	1	
	11205-KED5	11205-KED5-900	BUSH M STAND	BUSH M STAND	2	
	11206	11206-KHE6-900	STAY RR FENDER	STAY RR FENDER	1	
	11208	11208-GKAK-901	CLAMPER CARB DRAIN	CLAMPER CARB DRAIN	1	
	14100	14100-KEB7-900	VALVE COMP REED	VALVE COMP REED	1	
	15100	15100-KEB7-E00	PUMP ASSY OIL	PUMP ASSY OIL	1	
	15110	15110-KEB7-900	PLATE OIL PUMP SET	PLATE OIL PUMP SET	1	
	15115	15115-KNBN-921	CLAMPER OIL TUBE	CLAMPER OIL TUBE	1	
	1552A	1552A-KEB8-900	TUBE ASSY OIL PASS	TUBE ASSY OIL PASS	1	
	1621A	1621A-KHE6-EZ0	INSULATOR CARB ASSY	INSULATOR CARB ASSY	1	
	17100	17100-KFA5-901	PIPE COMP INLET	PIPE COMP INLET	1	
	17111	17111-KEB7-900	GASKET INLET PIPE A	GASKET INLET PIPE A	1	
	17112	17112-KEB7-900	GASKET INLET PIPE B	GASKET INLET PIPE B	1	
	90120	90120-GAR1-J00	SOCKET BOLT SPECIAL 6*28	SOCKET BOLT SPECIAL 6*28	1	
	90474	90474-3C33-001	WASHER 8MM	WASHER 8MM	1	

CrankcaseOIL PUMP



Sales mark	Ref no	Part no	Description	Reg description	Regd no	E09
91001		91001-GLW0-90A	BRG BALL RADIAL 6204 SPECIAL	BRG BALL RADIAL 6204 SPECIAL	1	
91004-KBN2		91004-KBN2-90A	BRG BALL RADIAL 6201	BRG BALL RADIAL 6201	1	
91004-KNBN		91004-KNBN-92A	BRG BALL RADIAL 6203 SPC 17*40*12	BRG BALL RADIAL 6203	1	
91006		91006-KNBN-901	BRG BALL RADIAL 25*56*12	BRG BALL RADIAL 25*56*12	1	
91201		91201-KNBN-92A	OIL SEAL 15.6*25.5*7	OIL SEAL 15.6*25.5*7	1	
91202-KNBN-92A		91202-KNBN-92A	OIL SEAL 20*31*7	OIL SEAL 20*31*7	1	
91202-KNBN-92B		91202-KNBN-92B	OIL SEAL 20*31*7	OIL SEAL 20*31*7	1	
91204		91204-KNBN-90A	OIL SEAL 17*30*6	OIL SEAL 17*30*6	1	
91304		91304-GLB0-911	O RING 20.6*1.9	O RING 20.6*1.9	1	
93500		93500-05012-0H	SCREW PAN 5*12	SCREW PAN 5*12	2	
94301		94301-10200	DOWEL PIN 10*20	DOWEL PIN 10*20	6	
95002		95002-02650	CLIP B6.5 TUBE	CLIP B6.5 TUBE	2	
95701-08012-08		95701-08012-08	BOLT FLANGE 8*12	BOLT FLANGE 8*12	2	
95701-08040-08		95701-08040-08	BOLT FLANGE 8*40	BOLT FLANGE 8*40	5	
95801-08035-08		95801-08035-08	BOLT FLANGE 8*35	BOLT FLANGE 8*35	2	
96001-06025-08		96001-06025-08	BOLT FLANGE SH 6*25	BOLT FLANGE SH 6*25	3	
96001-06032-08		96001-06032-08	BOLT FLANGE SH 6*32	BOLT FLANGE SH 6*32	1	
96001-06045-08		96001-06045-08	BOLT FLANGE SH 6*45	BOLT FLANGE SH 6*45	3	
96001-06055-08		96001-06055-08	BOLT FLANGE SH 6*55	BOLT FLANGE SH 6*55	3	
96100		96100-62033-00	BEARING BALL RADIAL 6203	BEARING BALL RADIAL 6203	1	

**E10**

**CrankshaftPiston**

[Image not found!]



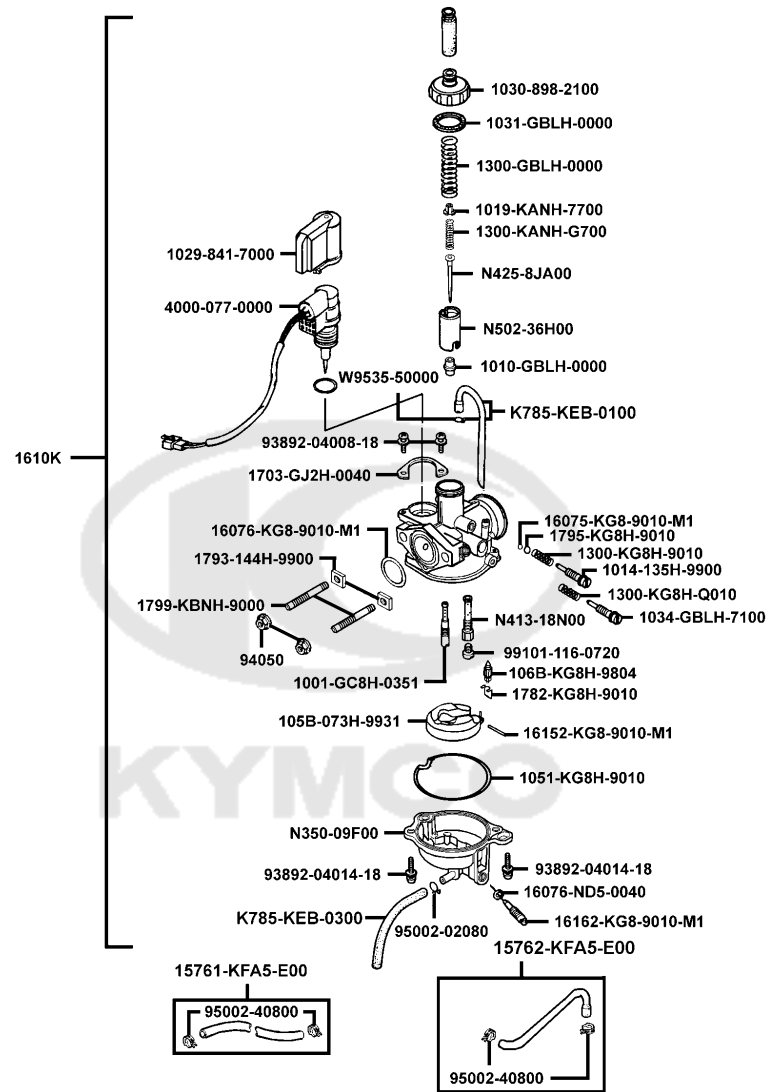
Sales mark	Ref no	Part no	Description	Reg description	Regd no	<b>E10</b>
13000		13000-GKAK-921	CRANK SHAFT COMP	CRANK SHAFT COMP	1	
13011		13011-GKAK-91A	RING SET PISTON	RING SET PISTON	1	
13101		13101-KHE6-E00	PISTON	PISTON	1	
13111		13111-1F66-001	PIN PISTON	PIN PISTON	1	
13115		13115-1F56-001	CLIP PISTON PIN 12MM	CLIP PISTON PIN 12MM	2	
90741		90741-0E35-001	KEY WOODRUFF	KEY WOODRUFF	1	
91102		91102-GLW0-009	BRG CON-ROD S. E.	BRG CON-ROD S. E.	1	





E11

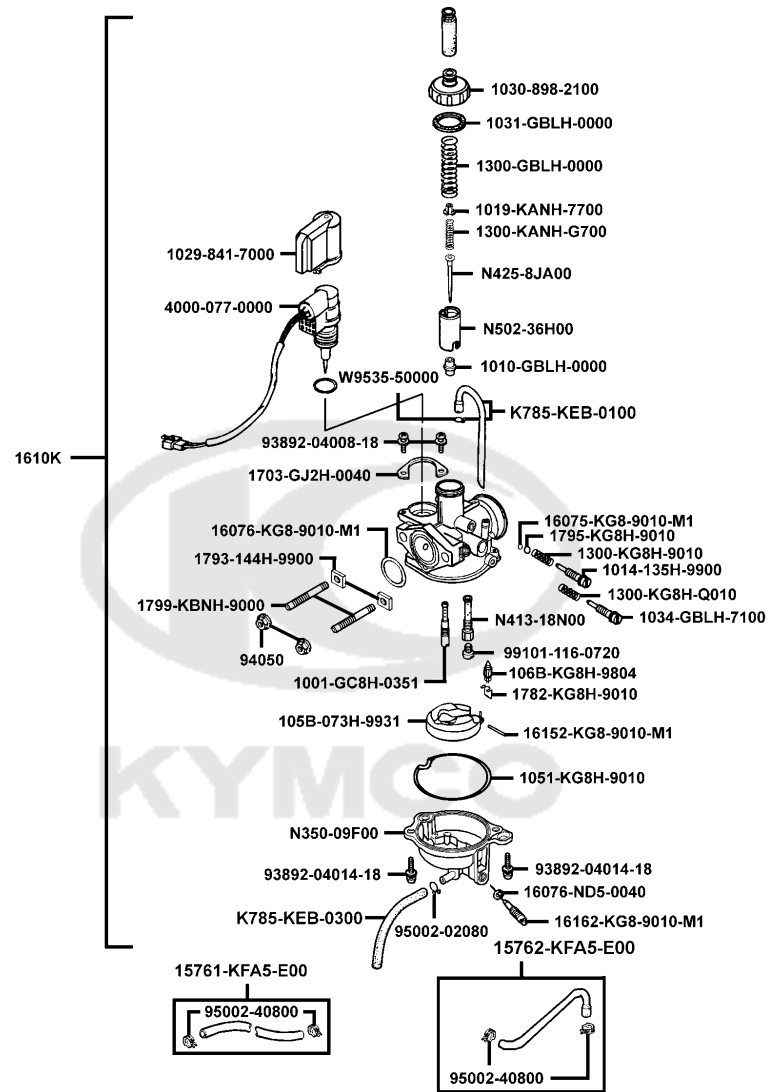
Carburetor



Sales mark	Ref no	Part no	Description	Reg description	Regd no	E11
	1001-GC8H-0351	1001-GC8H-0351	SLOW JET	SLOW JET	1	
	1010-GBLH-0000	1010-GBLH-0000	NEEDLE JET	NEEDLE JET	1	
	1014-135H-9900	1014-135H-9900	SCREW ADJUST	SCREW ADJUST	1	
	1019-KANH-7700	1019-KANH-7700	VALVE PLATE SET	VALVE PLATE SET	1	
	1029-841-7000	1029-841-7000	HOLDER CAP	HOLDER CAP	1	
	1030-898-2100	1030-898-2100	TOP COMP	TOP COMP	1	
	1031-GBLH-0000	1031-GBLH-0000	TOP GASKET	TOP GASKET	1	
	1034-GBLH-7100	1034-GBLH-7100	STOP SCREW	STOP SCREW	1	
	1051-KG8H-9010	1051-KG8H-9010	FLOAT CHAMBER GASKET	FLOAT CHAMBER GASKET	1	
	105B-073H-9931	105B-073H-9931	FLOAT COMP	FLOAT COMP	1	
	106B-KG8H-9804	106B-KG8H-9804	FLOAT VALVE COMP	FLOAT VALVE COMP	1	
	1300-GBLH-0000	1300-GBLH-0000	SPG COMPR	SPG COMPR	1	
	1300-KANH-G700	1300-KANH-G700	COMPR SPG	COMPR SPG	1	
	1300-KG8H-9010	1300-KG8H-9010	COMPR SPG	COMPR SPG	1	
	1300-KG8H-Q010	1300-KG8H-Q010	COMPR SPG	COMPR SPG	1	
	15761-KFA5-E00	15761-KFA5-E00	TUBE WATER IN CARB	TUBE WATER IN CARB	1	
	15762-KFA5-E00	15762-KFA5-E00	TUBE WATER OUT CARB	TUBE WATER OUT CARB	1	
	16075-KG8-9010-M1	16075-KG8-9010-M1	-RING	-RING	1	
	16076-KG8-9010-M1	16076-KG8-9010-M1	O-RING	O-RING	1	
	16076-ND5-0040	16076-ND5-0040	O RING	O RING	1	

E11

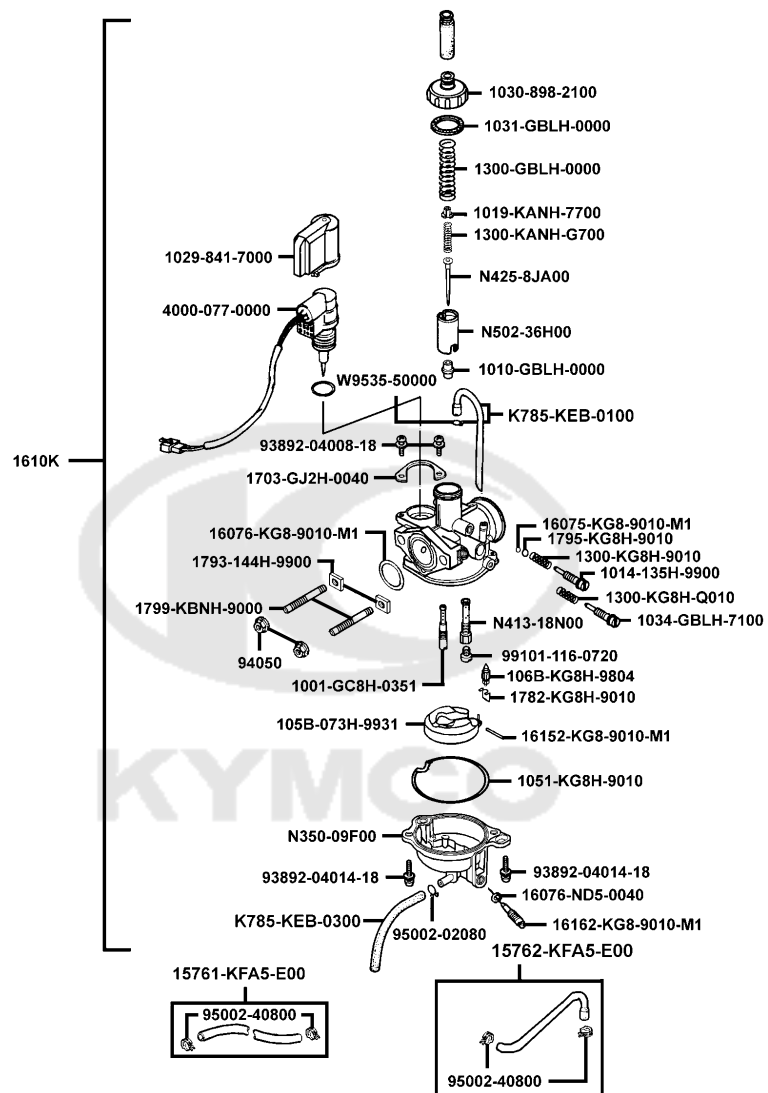
Carburetor



Sales mark	Ref no	Part no	Description	Reg description	Regd no	E11
	1610K	1610K-KHE6-EZ0	CARBURETOR ASSY	CARBURETOR ASSY	1	
	16152-KG8-9010-M1	16152-KG8-9010-M1	ARM PIN	ARM PIN	1	
	16162-KG8-9010-M1	16162-KG8-9010-M1	DRAIN SCREW PAN	DRAIN SCREW PAN	1	
	1703-GJ2H-0040	1703-GJ2H-0040	SET PLATE	SET PLATE	1	
	1782-KG8H-9010	1782-KG8H-9010	CLIP	CLIP	1	
	1793-144H-9900	1793-144H-9900	HEX NUT	HEX NUT	2	
	1795-KG8H-9010	1795-KG8H-9010	WASHER PLAIN	WASHER PLAIN	1	
	1799-KBNH-9000	1799-KBNH-9000	STUD BOLT	STUD BOLT	2	
	4000-077-0000	4000-077-0000	AUTO BYSTARTER SET	AUTO BYSTARTER SET	1	
	93892-04008-18	93892-04008-18	SCREW WASHER 4*8	SCREW WASHER	2	
	93892-04014-18	93892-04014-18	SCREW WASHER	SCREW WASHER	2	
	94050	94050-06080	NUT FLANGE 6MM	NUT FLANGE 6MM	2	
	95002-02080	95002-02080	CLIP B8 TUBE	CLIP B8 TUBE	1	
	95002-40800-08	95002-40800-08	CLAMP D8 TUBE	CLAMP D8 TUBE	4	
	99101-116-0720	99101-116-0720	MAIN JET	MAIN JET	1	
	K785-KEB-0100	K785-KEB-0100	TUBE SET	TUBE SET	1	
	K785-KEB-0300	K785-KEB-0300	TUBE SET (DRAIN)	TUBE SET (DRAIN)	1	
	N350-09F00	N350-09F00	FLOAT CHAMBER BODY COMP	FLOAT CHAMBER BODY COMP	1	
	N413-18N00	N413-18N00	NEEDLE JET HOLDER	NEEDLE JET HOLDER	1	
	N425-8JA00	N425-8JA00	JET NEEDLE COMP	JET NEEDLE COMP	1	

E11

# Carburetor



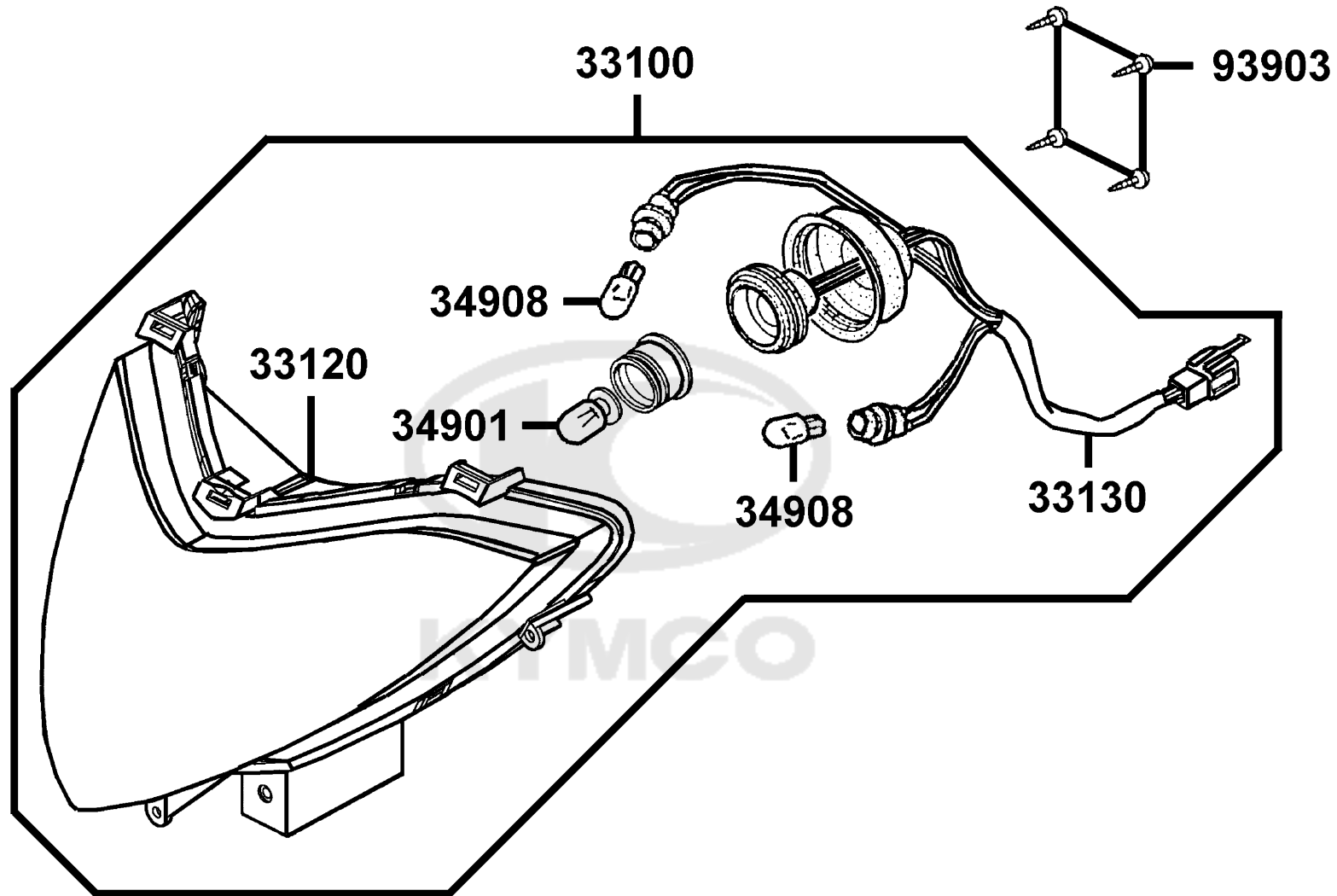
Sales mark	Ref no	Part no	Description	Reg description	Regd no	<b>E11</b>
------------	--------	---------	-------------	-----------------	---------	------------

N502-36H00	N502-36H00	N502-36H00	THROTTLE VALVE	THROTTLE VALVE	1	
W9535-50000	W9535-50000	W9535-50000	TUBE CLIP	TUBE CLIP	1	



F01

Head Light



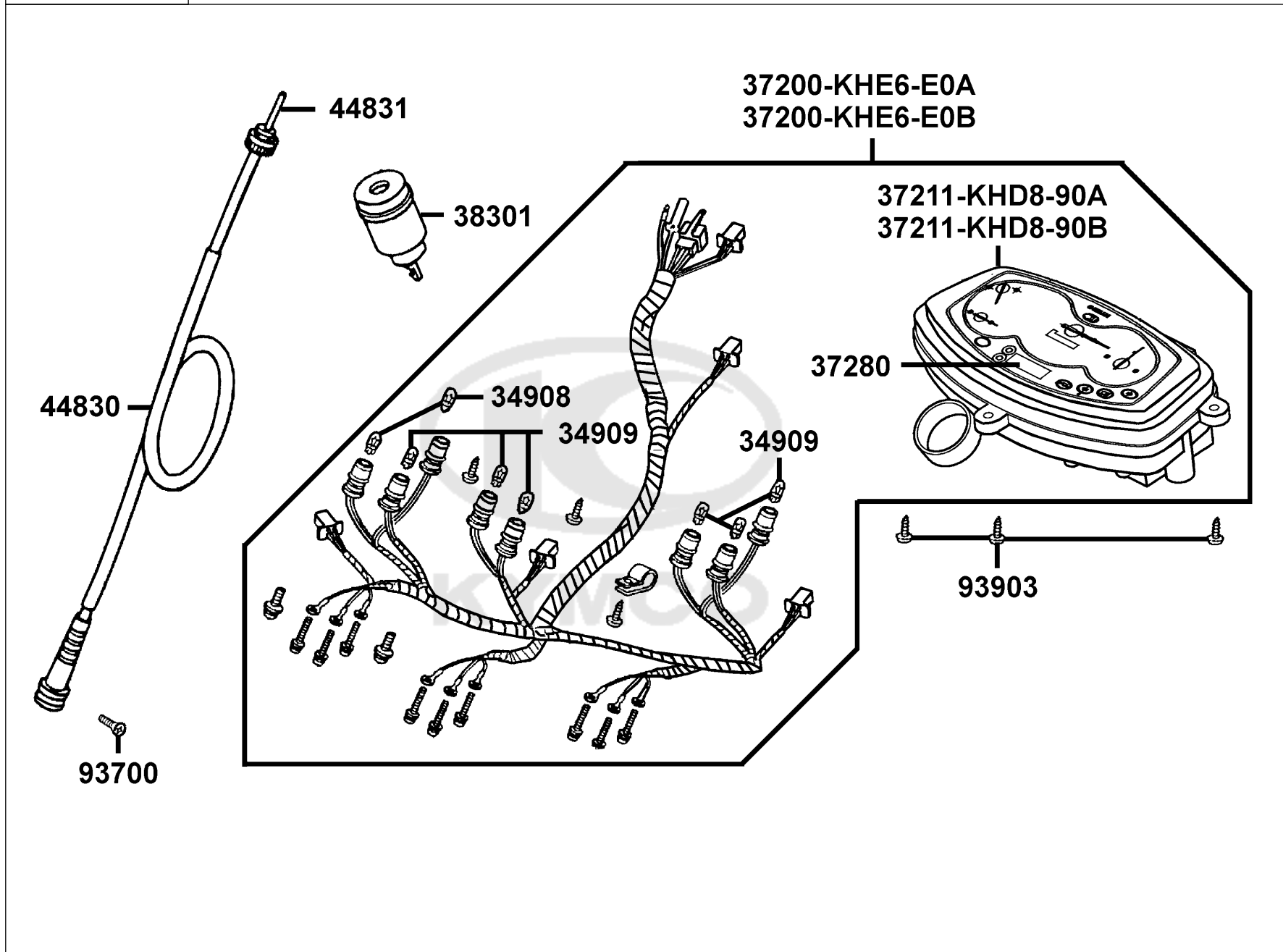
Sales mark	Ref no	Part no	Description	Reg description	Regd no	F01
	33100	33100-KHE7-E00	LIGHT ASSY FR HEAD	LIGHT ASSY FR HEAD	1	
	33120	33120-KHE7-E00	UNIT HEAD LIGHT	UNIT HEAD LIGHT	1	
	33130	33130-KHE7-E00	SOCKET COMP	SOCKET COMP	1	
	34901	34901-KFA6-900	BULB HEAD LIGHT	BULB HEAD LIGHT	1	
	34908	34908-KUCU-900	BULB POSITION LIGHT	BULB POSITION LIGHT	2	
	93903	93903-34360	SCREW TAPPING 4*12 (G)	SCREW TAPPING 4*12	4	





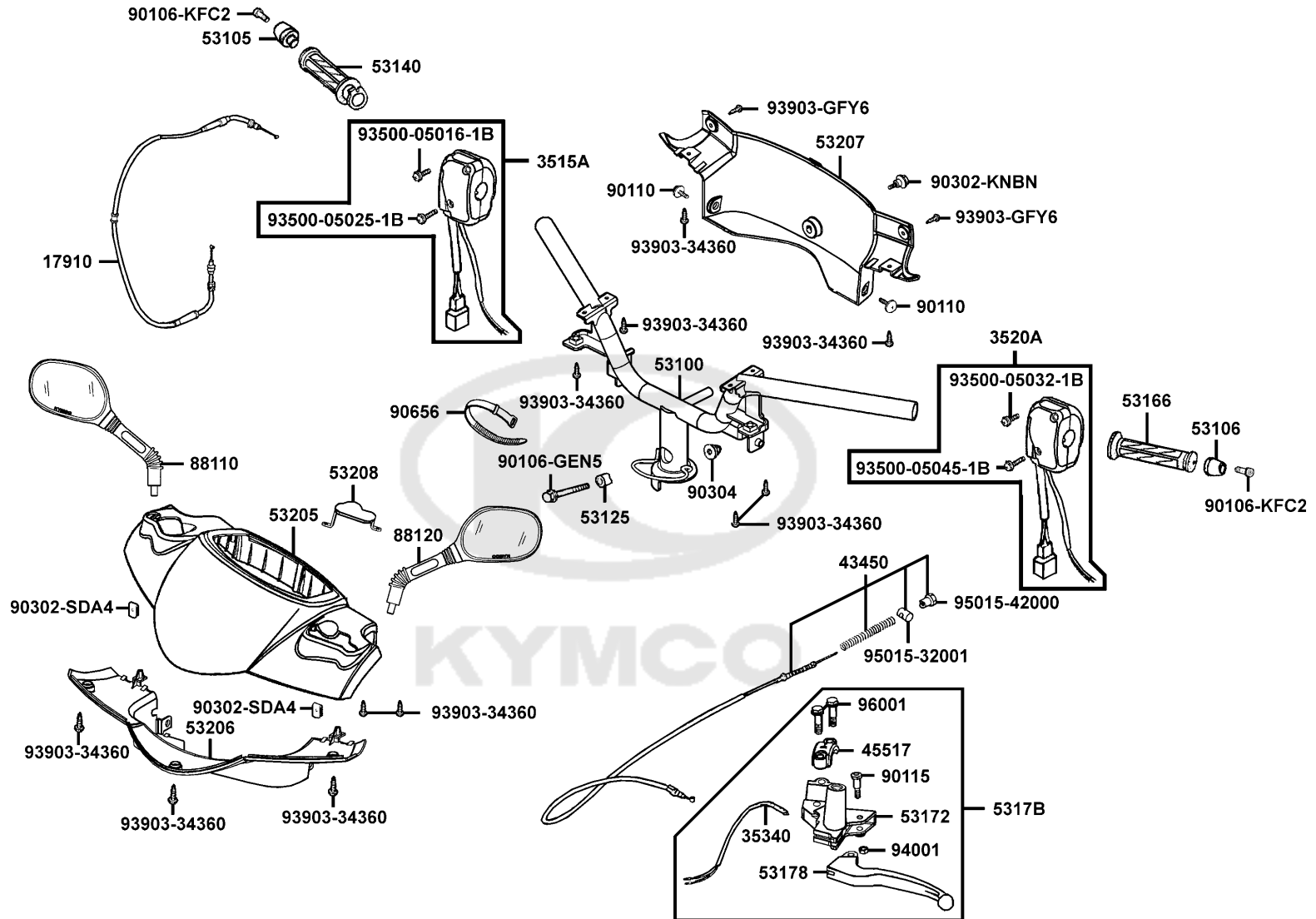
F02

Speedometer



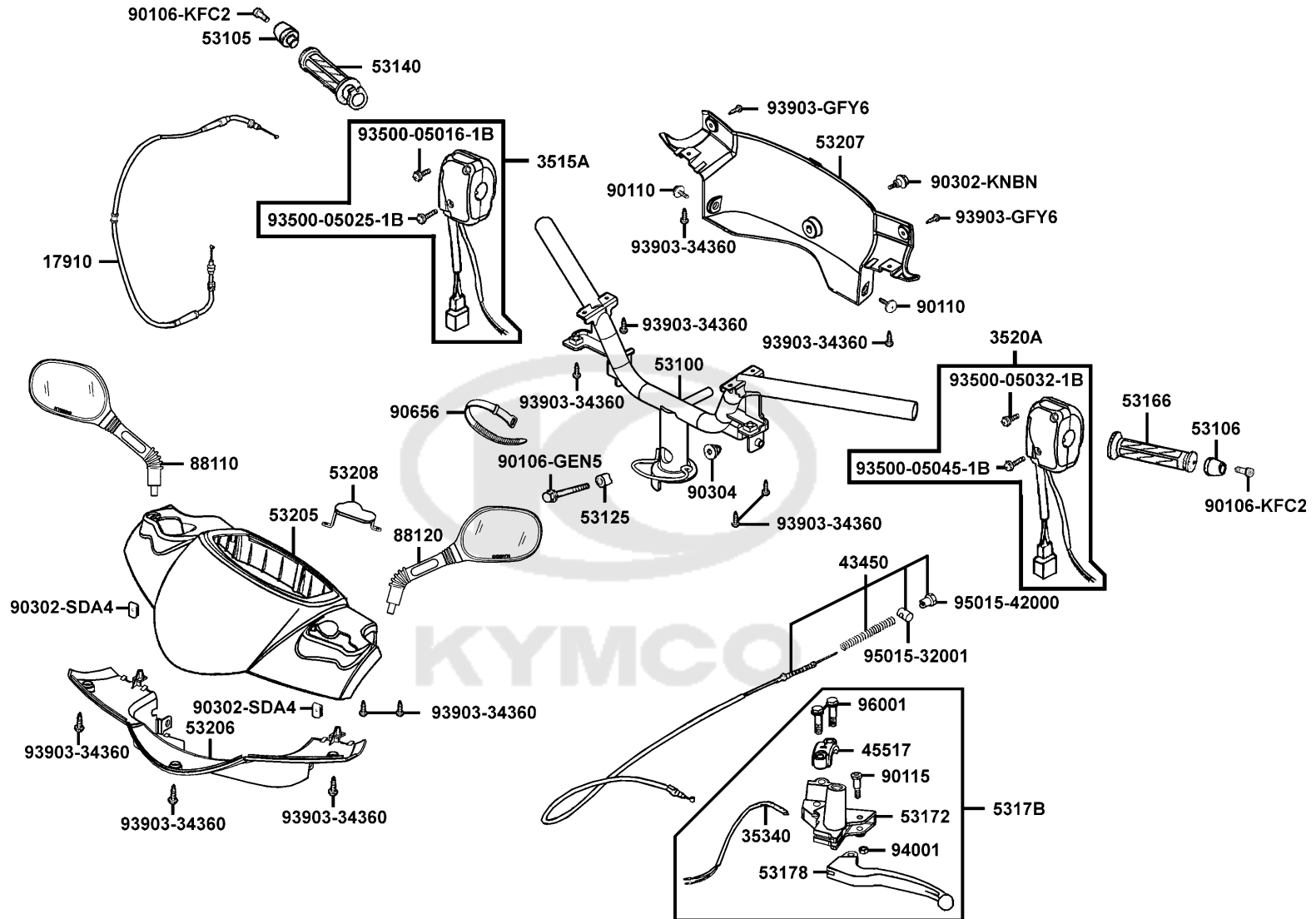
Sales mark	Ref no	Part no	Description	Reg description	Regd no	F02
34908		34908-MKB9-87A	BULB WEDGE BASE	BULB WEDGE BASE	2	
34909		34909-KEBE-900	BULB WEDGE BASE	BULB WEDGE BASE T6.5	6	
37200-KHE6-E0A		37200-KHE6-E0A	METER ASSY SPEED	METER ASSY SPEED	1	
37200-KHE6-E0B		37200-KHE6-E0B	METER ASSY SPEED	METER ASSY SPEED	1	
37211-KHD8-90A		37211-KHD8-90A	LENS ASSY	LENS ASSY	1	
37211-KHD8-90B		37211-KHD8-90B	LENS ASSY	LENS ASSY	1	
37280		37280-KFA6-900	LCD ASSY (LOCK)	LCD ASSY (LOCK)	1	
38301		38301-GGS7-005	RELAY COMP AP WINKER	RELAY COMP AP WINKER	1	
44830		44830-KHD8-900	CABLE COMP SPDMT	CABLE COMP SPDMT	1	
44831		44831-KHD8-900	CABLE INNER	CABLE INNER	1	
93700		93700-05018-0H	SCREW OVAL 5*18	SCREW OVAL 5*18	1	
93903		93903-35320	SCREW TAPPING 5*16	SCREW TAPPING 5*16	3	

# Handle SteeringHandle Cover



Sales mark	Ref no	Part no	Description	Reg description	Regd no	F03
	17910	17910-KHE6-E00	CABLE COMP THROT	CABLE COMP THROT	1	
	3515A	3515A-KHE6-E00	SW ASSY R HNDL COMP	SW ASSY R HNDL COMP	1	
	3520A	3520A-KHE6-E00	SW ASSY L HNDL COMP	SW ASSY L HNDL COMP	1	
	35340	35340-KED1-900	SW ASSY FR STOP	SW ASSY FR STOP	1	
	43450	43450-KHE6-E00	CABLE COMP RR BRAKE	CABLE COMP RR BRAKE	1	
	45517	45517-GFY6-900	HOLDER HNDL BRKT	HOLDER HNDL BRKT	1	
	53100	53100-KHD8-900	HANDLE COMP STRG	HANDLE COMP STRG	1	
	53106	53106-KFC8-900	END L STRG HANDLE	END L STRG HANDLE	1	
	53125	53125-GEN5-901	COLLAR HANDLE SET	COLLAR HANDLE SET	1	
**	53140	53140-KFC8-900	GRIP COMP THROT	GRIP COMP THROT	1	
**	53166	53166-KNBN-911	GRIP L HANDLE	GRIP L HANDLE	1	
	53172	53172-KHE6-E00	BRACKET L HANDLE	BRACKET L HANDLE	1	
**	53178	53178-KFA5-E10	LEVER L STRG HANDLE	LEVER L STRG HANDLE	1	
	5317B	5317B-KHE6-E00	BRKT ASSY HANDLE LH	BRKT ASSY HANDLE LH	1	
**	53205	53205-KHD8-900	COVER HNDL UP	COVER HNDL UP	1	
**	53206	53206-KHD8-E00	COVER HANDLE LOW	COVER HANDLE LOW	1	
**	53207	53207-KHD8-900	COVER HANDLE RR	COVER HANDLE RR	1	
**	53208	53208-KHE6-900	PLUG HANDLE UP	PLUG HANDLE UP	1	
**	88110	88110-KHD8-900	MIRROR ASSY R BACK	MIRROR ASSY R BACK	1	
**	88120	88120-KHD8-900	MIRROR ASSY L BACK	MIRROR ASSY L BACK	1	

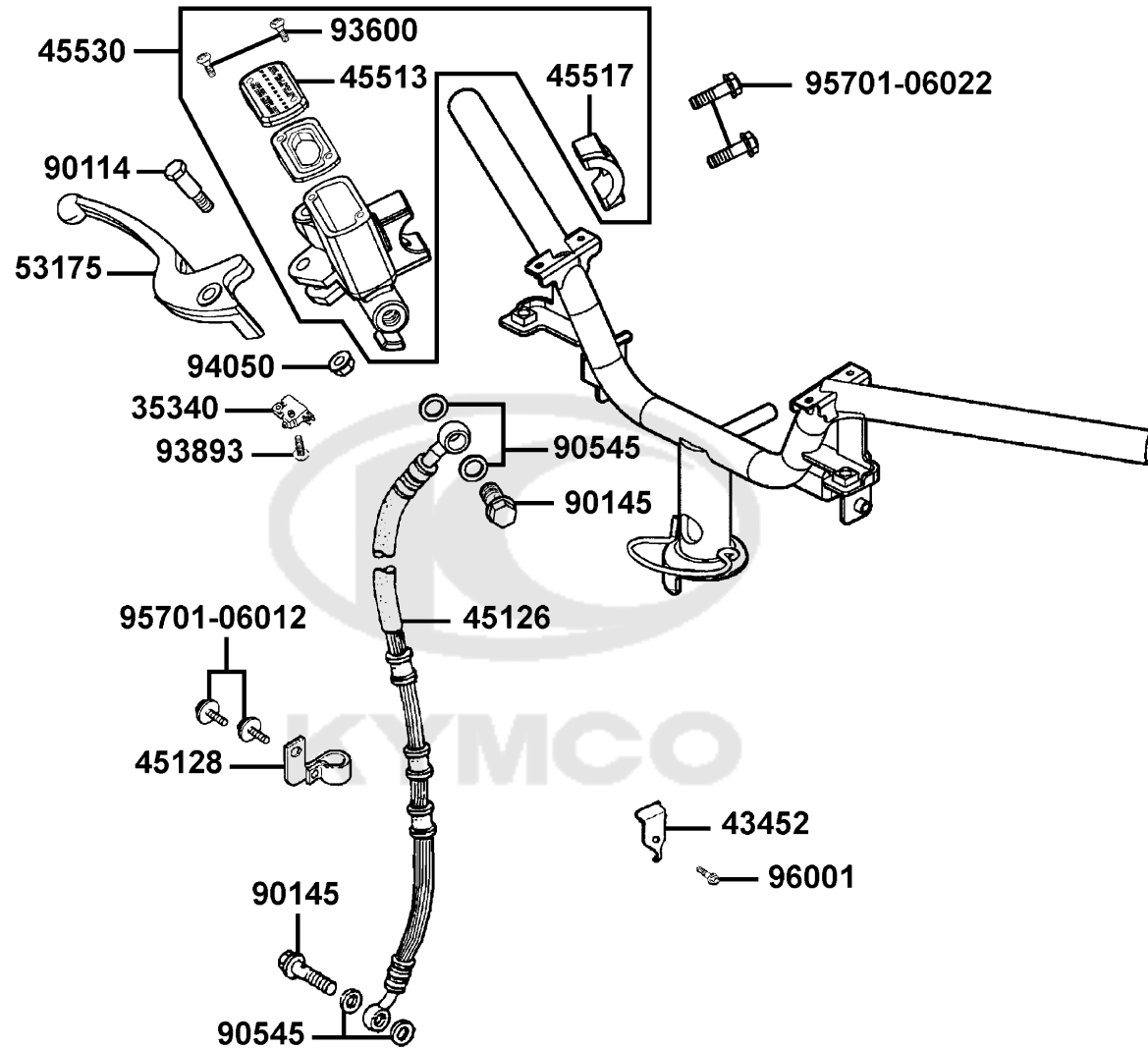
# Handle SteeringHandle Cover



Sales mark	Ref no	Part no	Description	Reg description	Regd no	<b>F03</b>
	90106-GEN5	90106-GEN5-901	BOLT FLANGE 10*50	BOLT FLANGE 10*50	1	
	90106-KFC2	90106-KFC2-900	BOLT SPECIAL 8MM	BOLT WASH 8MM	2	
	90110	90110-KEB7-900	SCREW SPECIAL 6*14	SCREW SPECIAL 6*14	2	
	90115	90115-GLE0-001	BOLT HNDL LEVER PIVOT	BOLT HNDL LEVER PIVOT	1	
	90302-KNBN	90302-KNBN-900	BOLT PAN 5*10	BOLT PAN 5*10	1	
	90302-SDA4	90302-SDA4-004	NUT SPRING 4MM	NUT SPRING 4MM	2	
	90304	90304-GHE8-004	NUT U 10MM	NUT U 10MM	1	
	90656	90656-GFY6-911	BAND OIL HOSE	BAND OIL HOSE	1	
	93500-05016-1B	93500-05016-1B	SCREW PAN 5*16	SCREW PAN 5*16	1	
	93500-05025-1B	93500-05025-1B	SCREW PAN 5*25	SCREW PAN 5*25	1	
	93500-05032-1B	93500-05032-1B	SCREW PAN 5*32	SCREW PAN 5*32	1	
	93500-05045-1B	93500-05045-1B	SCREW PAN 5*45	SCREW PAN 5*45	1	
	93903-34360	93903-34360	SCREW TAPPING 4*12 (G)	SCREW TAPPING 4*12	11	
	93903-GFY6	93903-GFY6-900	SCREW TAPPING 4*14	SCREW TAPPING 4*14	2	
	94001	94001-05080-0S	NUT HEX 5MM	NUT HEX 5MM	1	
	95015-32001	95015-32001	JOINT B BRAKE ARM	JOINT B BRAKE ARM	1	
	95015-42000	95015-42000	NUT B ADJUST	NUT B ADJUST	1	
	96001	96001-06025-06	BOLT FLANGE SH 6*25	BOLT FLANGE 6*25	2	

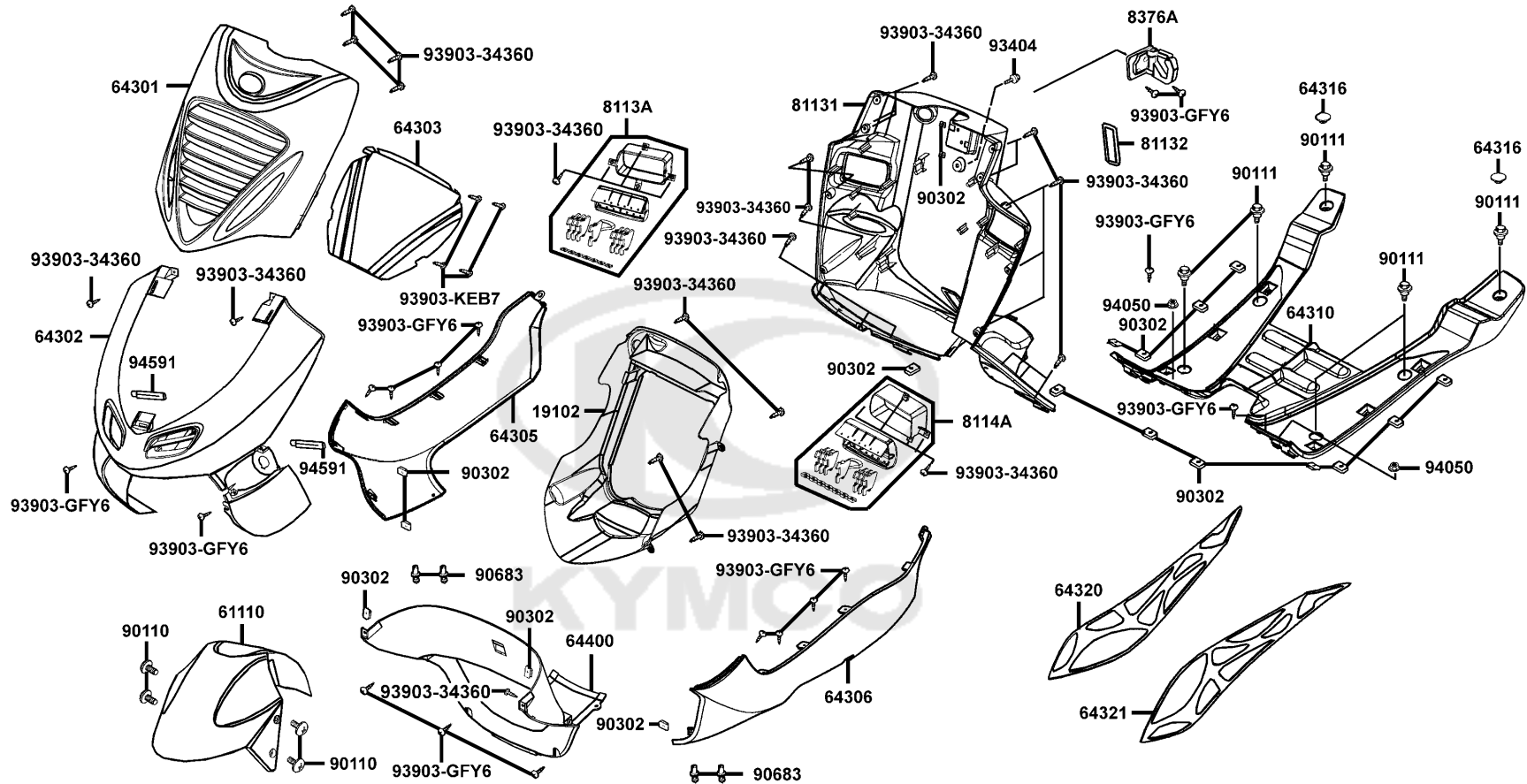
F04

# Brake Master Cylinder

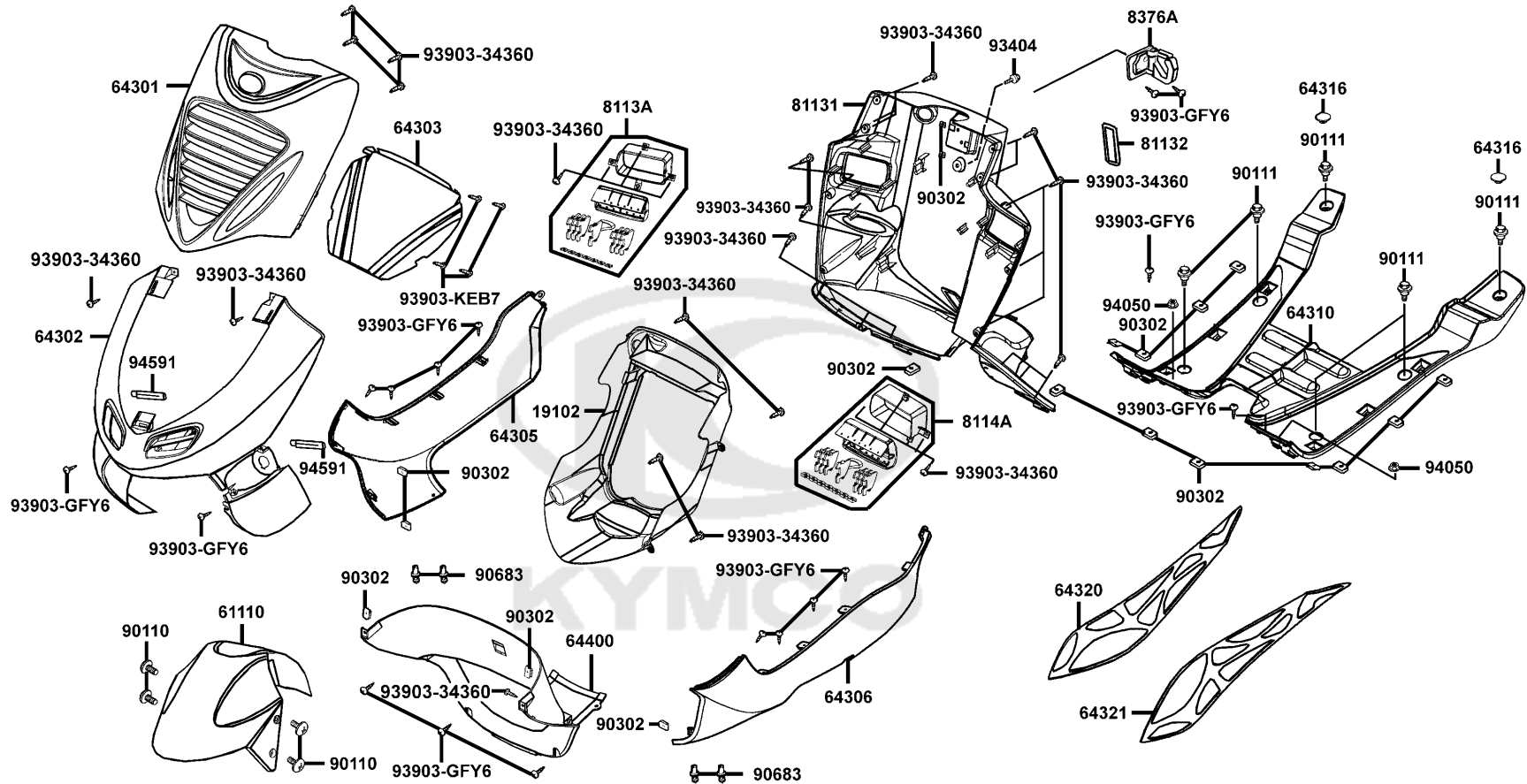


Sales mark	Ref no	Part no	Description	Reg description	Regd no	F04
	35340	35340-KNBN-901	SW ASSY FR STOP	SW ASSY FR STOP	1	
	43452	43452-GKAK-900	CLAMP BRK CABLE	CLAMP BRK CABLE	1	
	45126	45126-KHD8-900	HOSE ASSY FR BRAKE	HOSE ASSY FR BRAKE	1	
	45128	45128-KEBE-900	CLAMPER FR BRAKE HOSE	CLAMPER FR BRAKE HOSE	1	
	45513	45513-GLW0-91A	CAP MASTER CYLINDER	CAP MASTER CYLINDER	1	
	45517	45517-KFAF-910	HOLDER M/C	HOLDER M/C	1	
	45530	45530-KHD8-305	CYLINDER SET FR MASTER	CYLINDER SET FR MASTER	1	
**	53175	53175-KFA5-E10	LEVER R STRG HNDL	LEVER R STRG HNDL	1	
	90114	90114-1F66-007	BOLT HANDLE LEVER	BOLT HANDLE LEVER	1	
	90145	90145-MKS9-61A	OIL BOLT 10*22	OIL BOLT 10*22	2	
	90545	90545-3L00-001	WASHER OIL BOLT	WASHER OIL BOLT	4	
	93600	93600-04012-1G	SCREW FLAT 4*12	SCREW FLAT 4*12	2	
	93893	93893-04012-18	SCREW WASHER 4*12	SCREW WASHER 4*12	1	
	94050	94050-06080	NUT FLANGE 6MM	NUT FLANGE 6MM	1	
	95701-06012	95701-06012-08	BOLT FLANGE 6*12	BOLT FLANGE 6*12	2	
	95701-06022	95701-06022-06	BOLT FLANGE 6*22	BOLT FLANGE 6*22	2	
	96001	96001-06012-08	BOLT FLANGE 6*12	BOLT FLANGE 6*12	1	



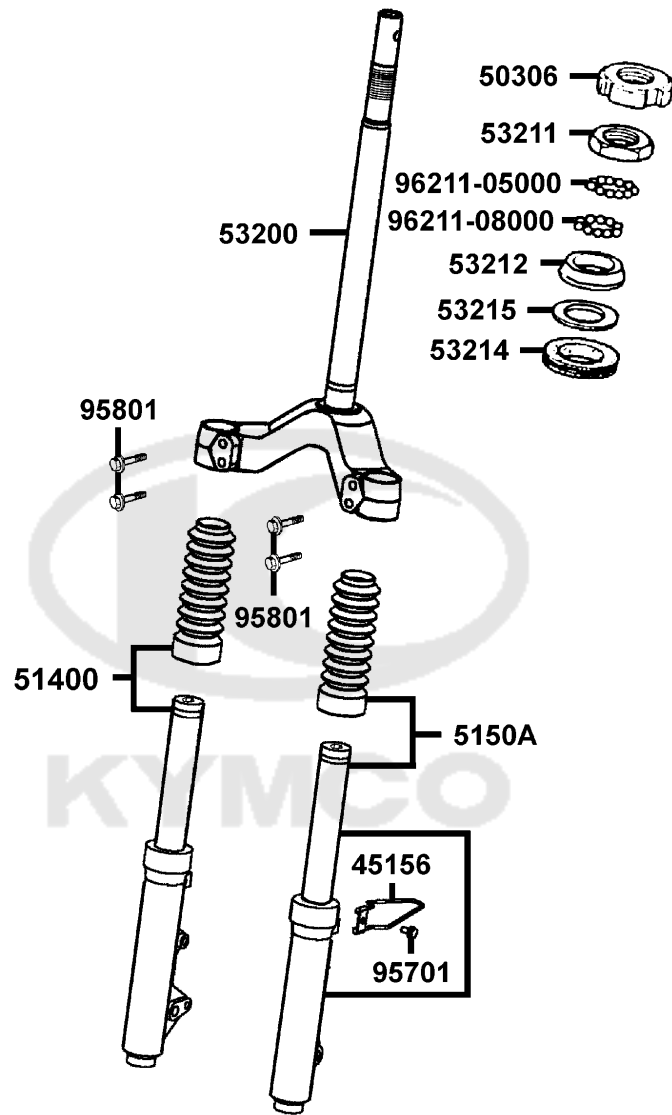


Sales mark	Ref no	Part no	Description	Reg description	Regd no	F05
	19102	19102-KHE7-900	DUCT COOLING AIR	DUCT COOLING AIR	1	
**	61110	61110-KHD8-900	FENDER FR	FENDER FR	1	
**	64301	64301-KHE7-900	COVER FR	COVER FR	1	
**	64302	64302-KHD8-900	MOLDING FR	MOLDING FR	1	
	64303	64303-KHE7-900	GRILL FR COVER	GRILL FR COVER	1	
**	64305	64305-KHD8-900	SKIRT R SIDE	SKIRT R SIDE	1	
**	64306	64306-KHD8-900	SKIRT L SIDE	SKIRT L SIDE	1	
**	64310	64310-KHD8-900	FLOOR PANEL	FLOOR PANEL	1	
**	64316	64316-KEB7-900	PLUG FLOOR PANEL	PLUG FLOOR PANEL	2	
**	64320	64320-KHD8-900	MAT R FLOOR	MAT R FLOOR	1	
**	64321	64321-KHD8-900	MAT L FLOOR	MAT L FLOOR	1	
**	64400	64400-KHD8-900	COWL UNDER	COWL UNDER	1	
**	81131	81131-KHD8-900	LEG SHIELD	LEG SHIELD	1	
**	81132	81132-KEB7-900	LID LEG SHIELD	LID LEG SHIELD	1	
**	8113A	8113A-KHD8-900	LOUVER ASSY R	LOUVER ASSY R	1	
**	8114A	8114A-KHD8-900	LOUVER ASSY L	LOUVER ASSY L	1	
	8376A	8376A-KEBE-900	CLIP ASSY CENTER	CLIP ASSY CENTER	1	
	90110	90110-KEB7-900	SCREW SPECIAL 6*14	SCREW SPECIAL 6*14	4	
	90111	90111-1G87-001	BOLT FLANGE 6MM	BOLT FLANGE 6MM	6	
	90302	90302-SDA4-004	NUT SPRING 4MM	NUT SPRING 4MM	19	



Sales mark	Ref no	Part no	Description	Reg description	Regd no	<b>F05</b>
90683		90683-GAR1-004	CLIP BODY COVER	CLIP BODY COVER	4	
93404		93404-KKC2-900	BOLT WASH 6*16	BOLT WASH 6*16	1	
93903-34360		93903-34360	SCREW TAPPING 4*12 (G)	SCREW TAPPING 4*12	33	
93903-GFY6		93903-GFY6-900	SCREW TAPPING 4*14	SCREW TAPPING 4*14	17	
93903-KEB7		93903-KEB7-900-06	SCREW WASHER 4*12 (G)	SCREW WASHER 4*12 (G)	4	
94050		94050-06080	NUT FLANGE 6MM	NUT FLANGE 6MM	2	
94591		94591-27000	CLIP 2*70	CLIP 2*70	2	

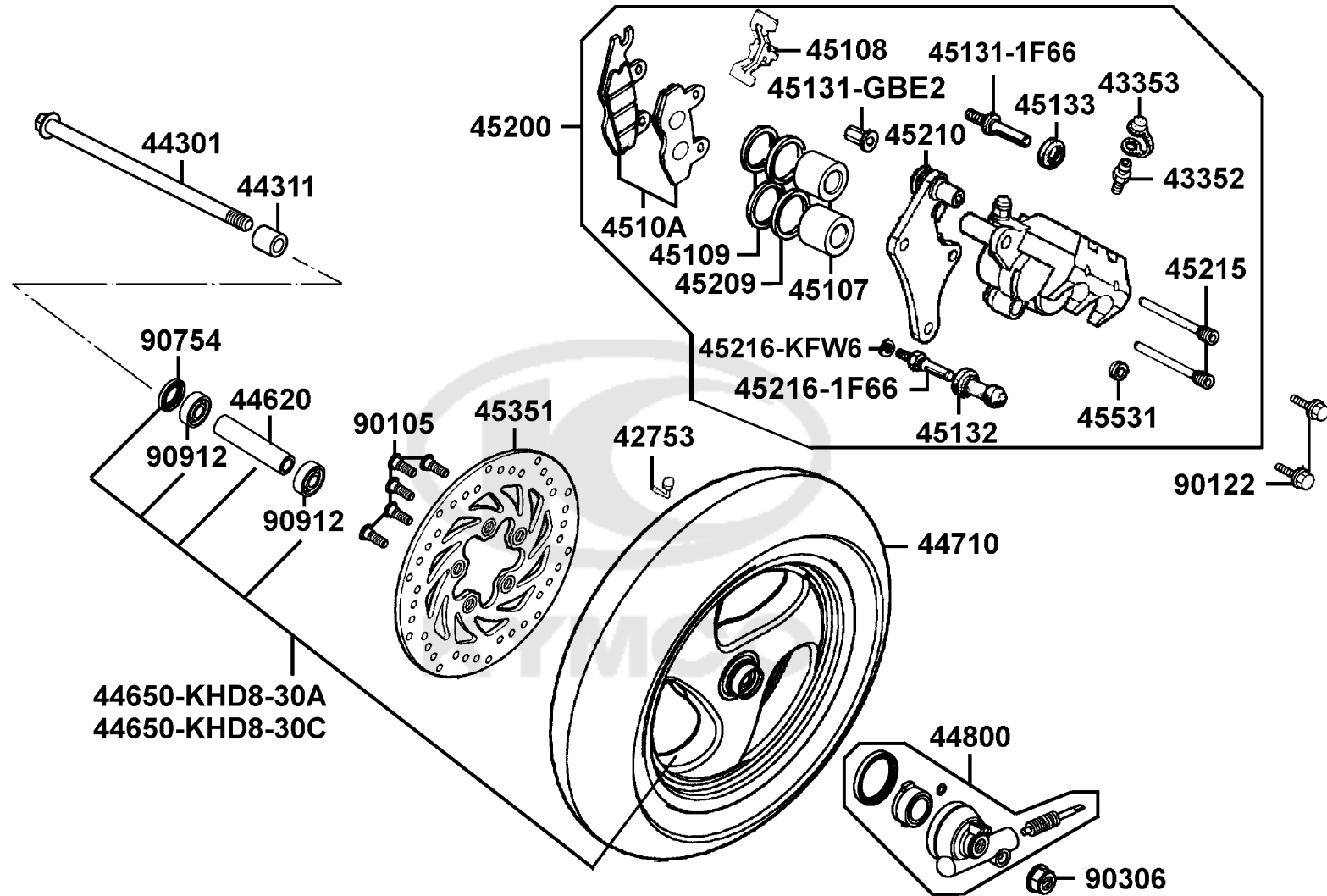




Sales mark	Ref no	Part no	Description	Reg description	Regd no	<b>F06</b>
	45156	45156-KECE-900	CLAMPER FR BRK CABLE	CLAMPER FR BRK CABLE	1	
	50306	50306-1F96-001	NUT STRG STEM LOCK	NUT STRG STEM LOCK	1	
**	51400	51400-KHD8-900	FORK ASSY R FR	FORK ASSY R FR	1	
**	5150A	5150A-KHD8-900	FORK SET L FR	FORK SET L FR	1	
	53200	53200-KHE6-E00	STEM COMP STRG	STEM COMP STRG	1	
	53211	53211-GFY6-940	RACE STRG TOP CONE	RACE STRG TOP CONE	1	
	53212	53212-2L50-011	RACE STRG BOT CONE	RACE STRG BOT CONE	1	
	53214	53214-2L50-001	DUST SEAL STRG(HEAD)	DUST SEAL STRG(HEAD)	1	
	53215	53215-2L50-001	WASH STRG HDL DUST-SEAL	WASH STRG HDL DUST-SEAL	1	
	95701	95701-06012-08	BOLT FLANGE 6*12	BOLT FLANGE 6*12	1	
	95801	95801-08040-08	BOLT FLANGE 8*40	BOLT FLANGE 8*40	4	
	96211-05000	96211-05000	BALL STEEL 5	BALL STEEL 5	26	
	96211-08000	96211-08000	BALL STEEL 8MM	BALL STEEL 8MM	19	

F07

Front Wheel

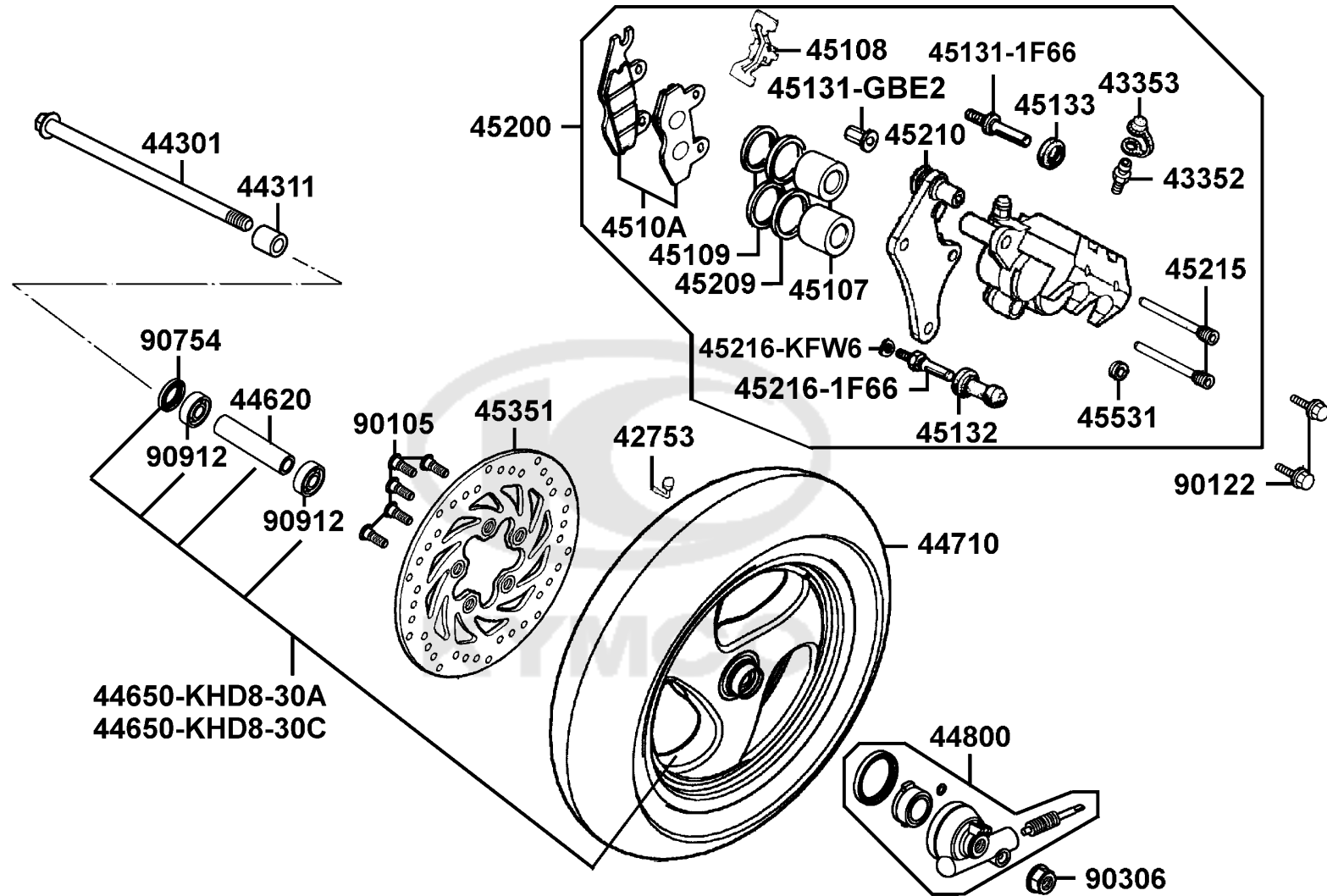


Sales mark	Ref no	Part no	Description	Reg description	Regd no	F07
	42753	42753-KXCX-900	VALVE (PVR-70B) & CAP	VALVE (PVR-70B) & CAP	1	
	43352	43352-KKD6-E90	SCREW BLEEDER	SCREW BLEEDER	1	
	43353	43353-4A61-77A	CAP BLEEDER	CAP BLEEDER	1	
	44301	44301-KXCX-900	AXLE FR WHEEL	AXLE FR WHEEL	1	
	44311	44311-KEBE-900	COLLAR FR WHEEL SIDE	COLLAR FR WHEEL SIDE	1	
	44620	44620-KHD8-900	COLLAR FR AXLE DISTANCE	COLLAR FR AXLE DISTANCE	1	
**	44650-KHD8-30A	44650-KHD8-30A	WHEEL SET FR	WHEEL SET FR	1	
**	44650-KHD8-30C	44650-KHD8-30C	WHEEL SET FR	WHEEL SET FR	1	
	44710	44710-KEB7-E1A	TIRE ASSY FR /CHENG SHIN	TIRE ASSY FR /CHENG SHIN	1	
	44800	44800-KFA5-900	GEAR BOX ASSY	GEAR BOX ASSY	1	
	45107	45107-MEN5-007	PISTON	PISTON	2	
	45108	45108-MDL4-007	PAD SPG	PAD SPG	1	
	45109	45109-GBE2-007	DUST SEAL	DUST SEAL	2	
	4510A	4510A-KFW6-900	PAD SET	PAD SET	1	
	45131-1F66	45131-1F66-017	PIN BOLT	PIN BOLT	1	
	45131-GBE2	45131-GBE2-007	PIN BOLT A	PIN BOLT A	1	
	45132	45132-1F66-017	BUSH BOOT PIN	BUSH BOOT PIN	1	
	45133	45133-MCA3-007	BOOT B	BOOT B	1	
**	45200	45200-KHD8-E90	CALIPER ASSY FR	CALIPER ASSY FR	1	
	45209	45209-GBE2-007	SEAL PISTON	SEAL PISTON	2	



F07

Front Wheel

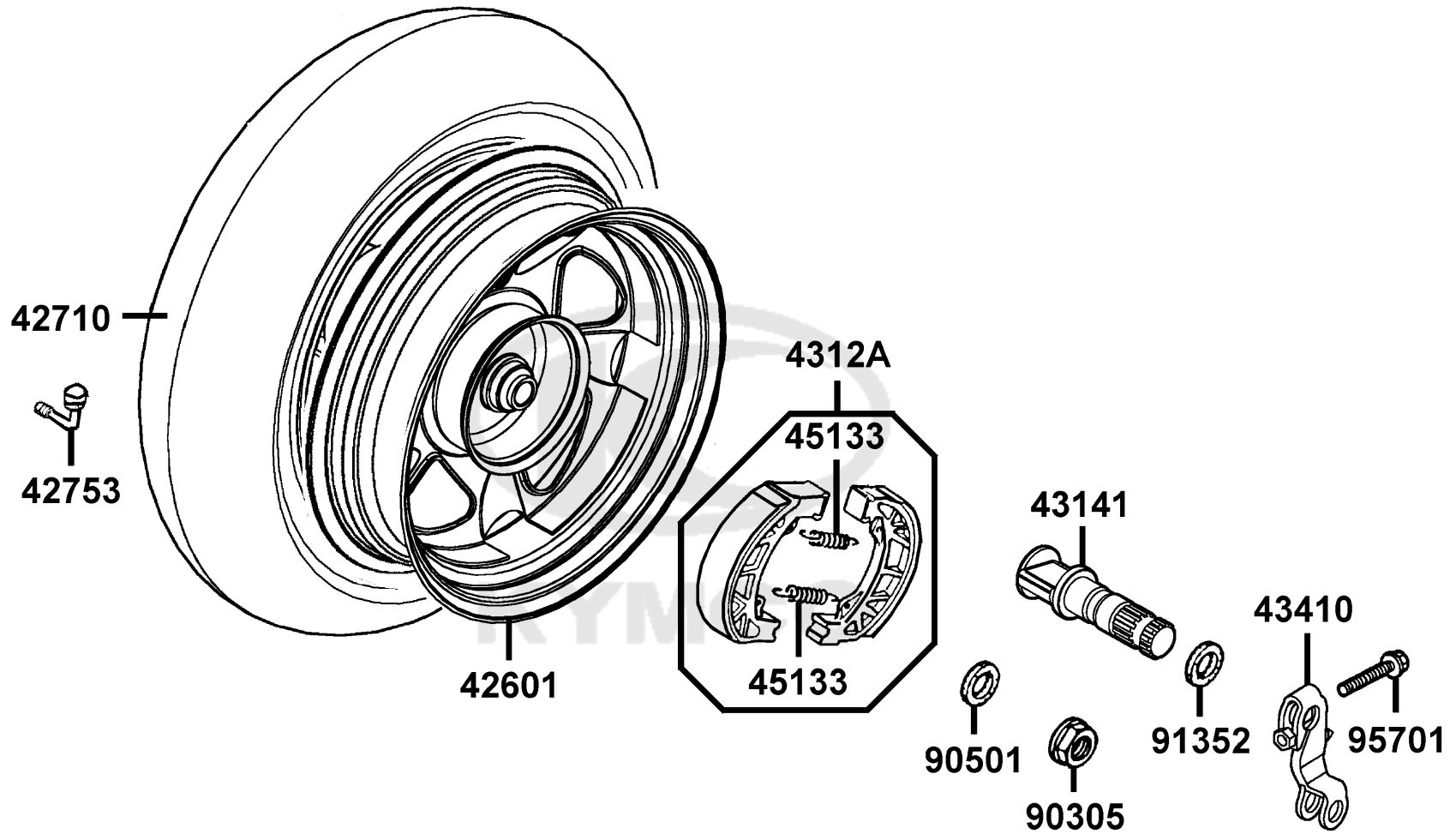


Sales mark	Ref no	Part no	Description	Reg description	Regd no	<b>F07</b>
45210		45210-KHD8-900	BRACKET FR	BRACKET FR	1	
45215		45215-KKD6-E90	PIN HANGER	PIN HANGER	2	
45216-1F66		45216-1F66-007	WASHER WAVE	WASHER WAVE	1	
45216-KFW6		45216-KFW6-90A	TORQUE NUT	TORQUE NUT	1	
45351		45351-KHE7-E00	DISK RR BRAKE	DISK RR BRAKE	1	
45531		45531-GAR1-951	PLUG	PLUG	1	
90105		90105-KCR3-001	BOLT FR DISK 8*24	BOLT FR DISK 8*24	5	
90122		90122-KEBE-900	BOLT FLANGE 8*32	BOLT FLANGE 8*32	2	
90306		90306-KLF0-901	NUT FLANGE 12MM	NUT FLANGE 12MM	1	
90754		90754-GHC8-00A	SEAL DUST 20*32*5	SEAL DUST 20*32*5	1	
90912		90912-KFLF-00A	BEARING 6201 LLU	BEARING 6201 LLU	2	

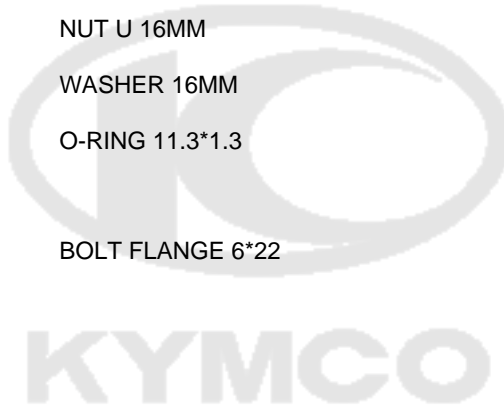


F08

Rear Wheel

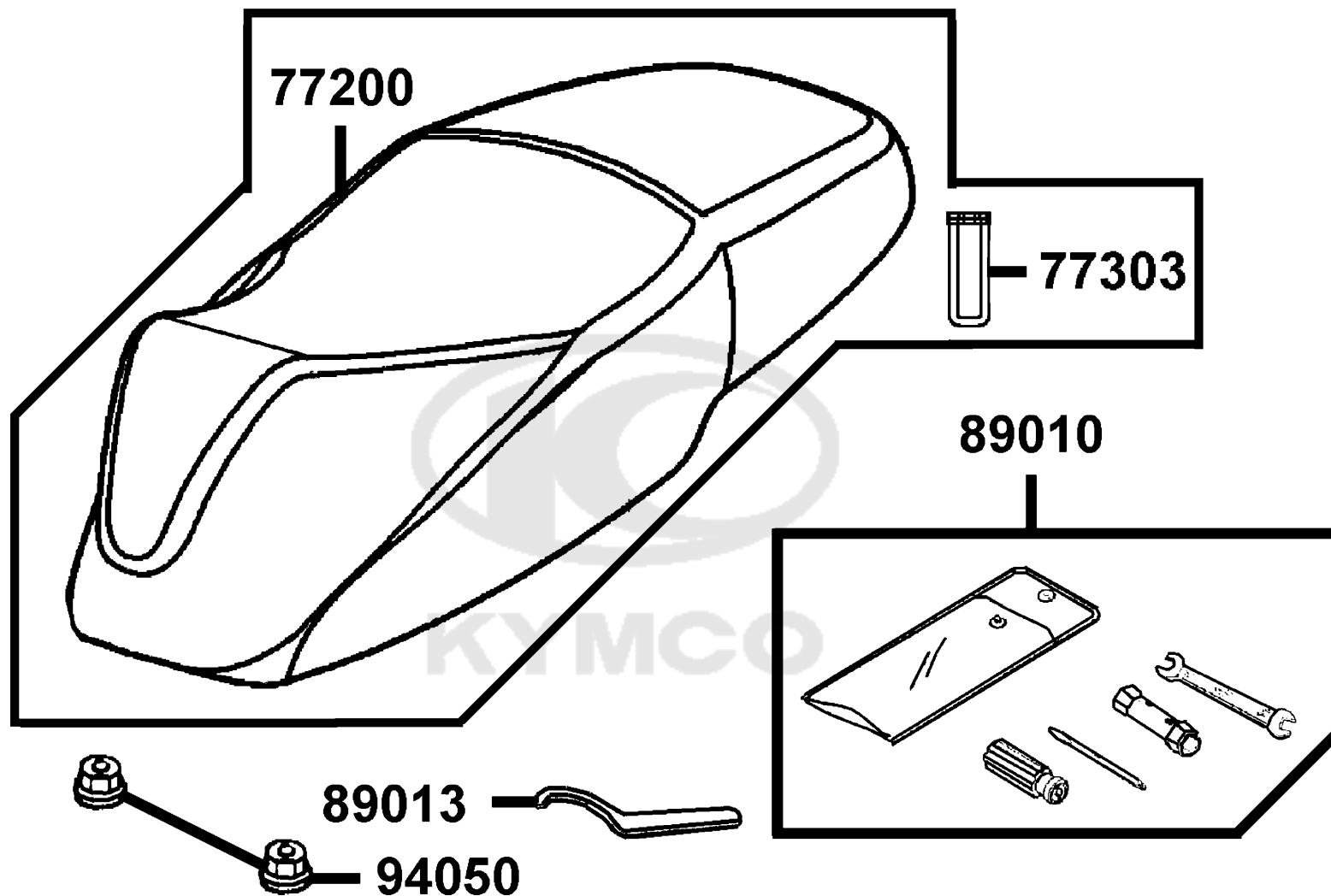


Sales mark	Ref no	Part no	Description	Reg description	Regd no	F08
**	42601	42601-KEB7-E0E	WHEEL COMP RR CAST	WHEEL COMP RR CAST	1	
	42710	42710-KEB7-E1A	TIRE ASSY RR /CHENG SHIN	TIRE ASSY RR /CHENG SHIN	1	
	42753	42753-KXCX-900	VALVE (PVR-70B) & CAP	VALVE (PVR-70B) & CAP	1	
	4312A	4312A-KXCX-900	SHOE ASSY RR BRK	SHOE ASSY RR BRAKE	1	
	43141	43141-KKD6-E00	CAM RR BRK	CAM RR BRK	1	
	43410	43410-KFA1-900	ARM COMP RR BRAKE	ARM COMP RR BRAKE	1	
	45133	45133-0H28-001	SPRING BRAKE SHOE	SPRING BRAKE SHOE	2	
	90305	90305-KNBN-90B	NUT U 16MM	NUT U 16MM	1	
	90501	90501-KNBN-901	WASHER 16MM	WASHER 16MM	1	
	91352	91352-KHG8-83B	O-RING 11.3*1.3	O-RING 11.3*1.3	1	
	95701	95701-06022-08	BOLT FLANGE 6*22	BOLT FLANGE 6*22	1	



F09

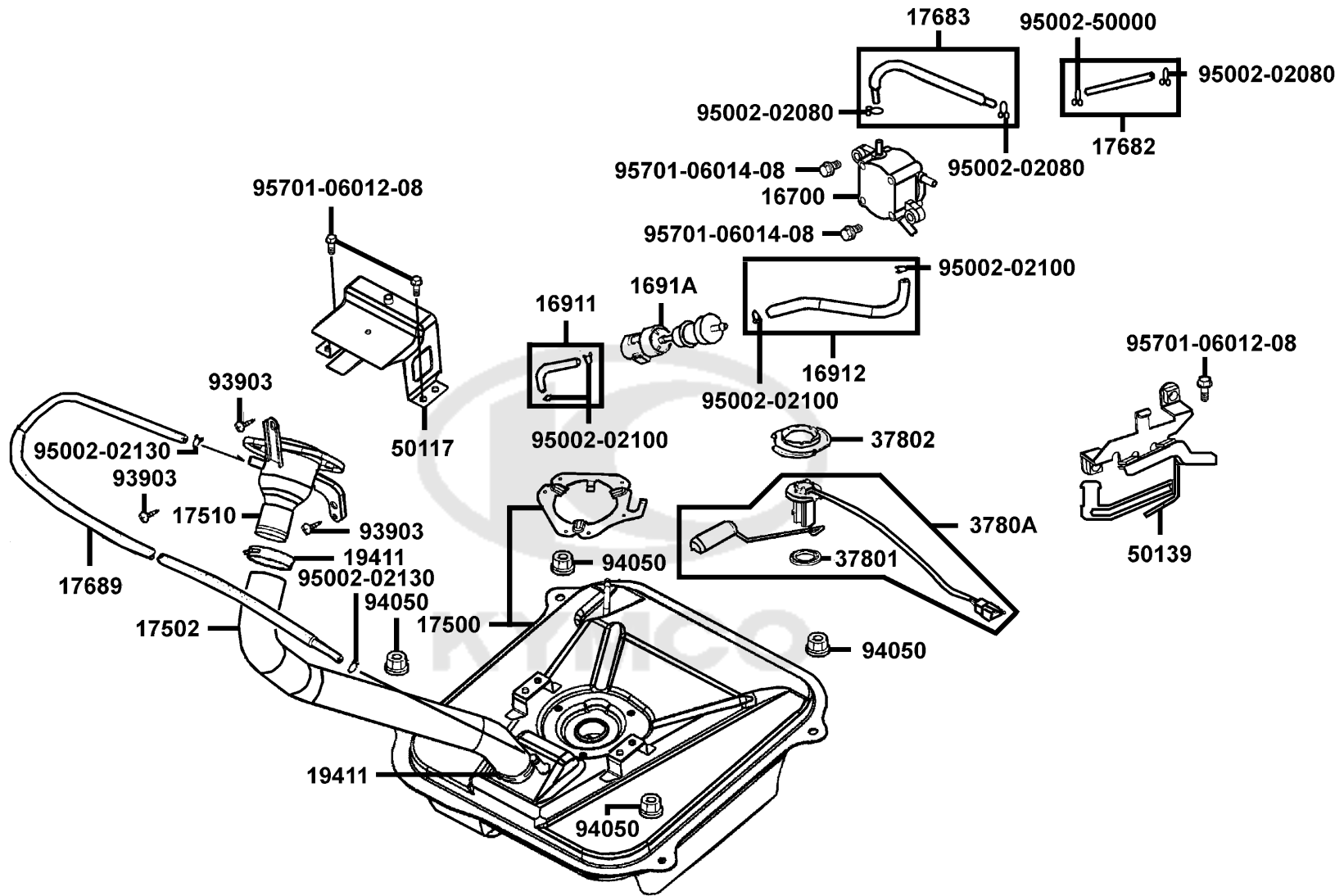
Seat



Sales mark	Ref no	Part no	Description	Reg description	Regd no	<b>F09</b>
------------	--------	---------	-------------	-----------------	---------	------------

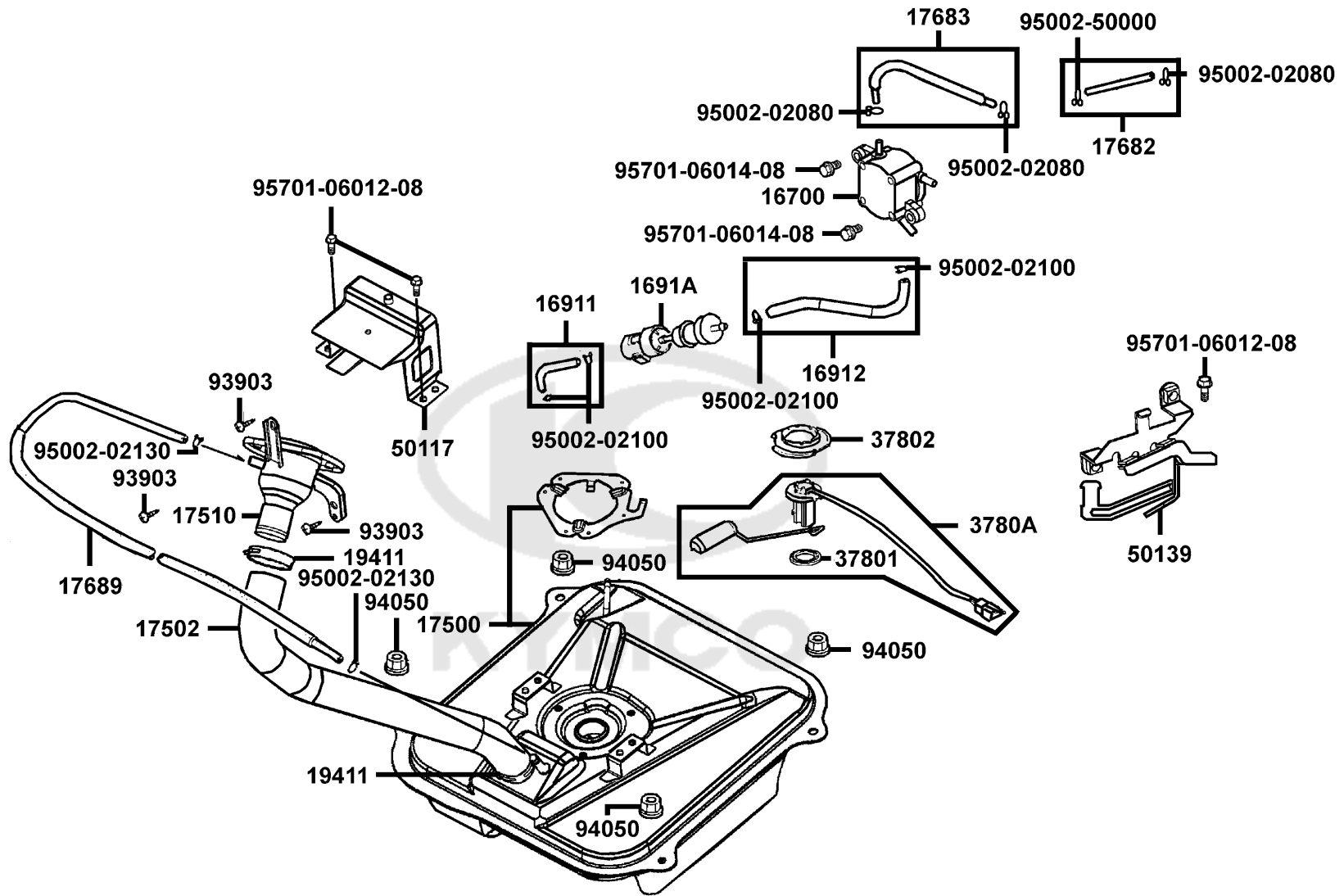
**	77200	77200-KHE6-900	SEAT ASSY	SEAT ASSY	1	
	77303	77303-KEBE-900	HOOK SEAT LOCK	HOOK SEAT LOCK	1	
	89010	89010-KNBN-900	TOOL SET	TOOL SET	1	
	89013	89013-KFC8-E00	ADJUSTER REAR CUSHION	ADJUSTER REAR CUSHION	1	
	94050	94050-06080	NUT FLANGE 6MM	NUT FLANGE 6MM	2	






Sales mark	Ref no	Part no	Description	Reg description	Regd no	F10
	16700	16700-GKAK-220	FUEL PUMP ASSY	FUEL PUMP ASSY	1	
	16911	16911-KEBE-910	TUBE ASSY STRAINER TO TANK	TUBE ASSY STRAINER TO TANK	1	
	16912	16912-KEBE-910	TUBE ASSY STRAINER TO FUEL PUMP	TUBE ASSY STRAINER TO FUEL PUMP	1	
	1691A	1691A-KEC2-E00	STRAINER ASSY FUEL	STRAINER ASSY FUEL	1	
	17500	17500-KHD8-900	TANK COMP FUEL	TANK COMP FUEL	1	
	17502	17502-KHD8-900	TUBE FUEL	TUBE FUEL	1	
	17510	17510-KHD8-900	PIPE ASSY FUEL FILLER	PIPE ASSY FUEL FILLER	1	
	17682	17682-KHE6-900	TUBE ASSY FUEL PUMP TO ACV	TUBE ASSY FUEL PUMP TO ACV	1	
	17683	17683-KHE6-900	TUBE ASSY FUEL PUMP TO-CARB	TUBE ASSY FUEL PUMP TO-CARB	1	
	17689	17689-KEBE-E00	TUBE ASSY TANK-FILLER	TUBE ASSY TANK-FILLER	1	
	19411	19411-KBCB-900	CLIP HOSE	CLIP HOSE	2	
	37801	37801-GGA7-701	PACKING BASE	PACKING BASE	1	
	37802	37802-GGA7-701	RET FUEL UNIT	RET FUEL UNIT	1	
	3780A	3780A-KHD8-900	FUEL UNIT ASSY	FUEL UNIT ASSY	1	
	50117	50117-KHD8-900	BRKT FLOOR PANEL	BRKT FLOOR PANEL	1	
	50139	50139-KEBE-C00	STAY COMP PUMP	STAY COMP PUMP	1	
	93903	93903-35220	SCREW TAPPING 5*12	SCREW TAPPING 5*12	3	
	94050	94050-06080	NUT FLANGE 6MM	NUT FLANGE 6MM	4	
	95002-02080	95002-02080	CLIP B8 TUBE	CLIP B8 TUBE	3	
	95002-02100	95002-02100	CLIP B15 TUBE	CLIP B15 TUBE	4	

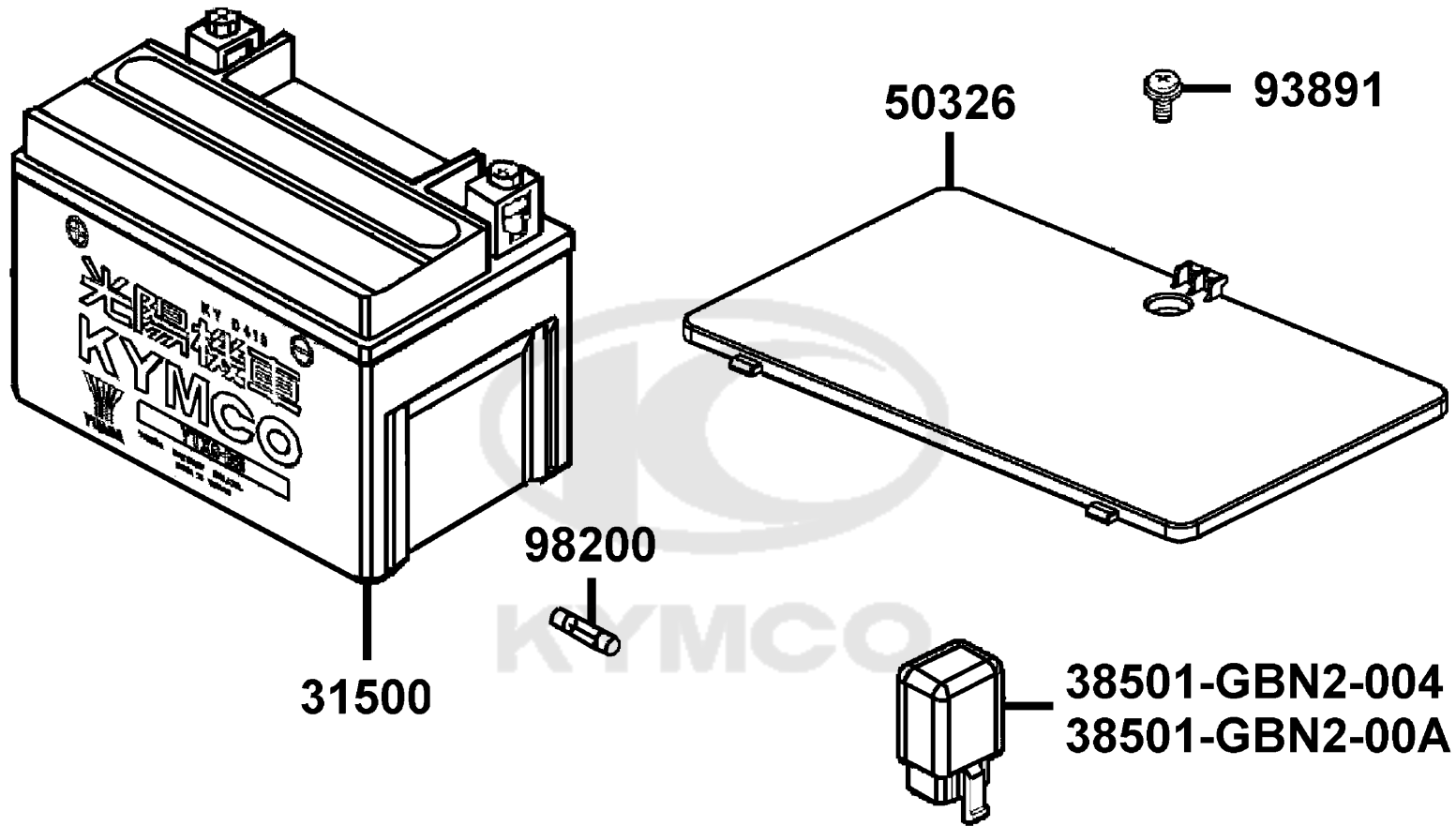




Sales mark	Ref no	Part no	Description	Reg description	Regd no	<b>F10</b>
	95002-02130	95002-02130	CLIP B12.5 TUBE	CLIP B12.5 TUBE	2	
	95002-50000	95002-50000	CLIP C9 TUBE	CLIP C9 TUBE	1	
	95701-06012-08	95701-06012-08	BOLT FLANGE 6*12	BOLT FLANGE 6*12	3	
	95701-06014-08	95701-06014-08	BOLT FLANGE 6*14	BOLT FLANGE 6*14	2	
						

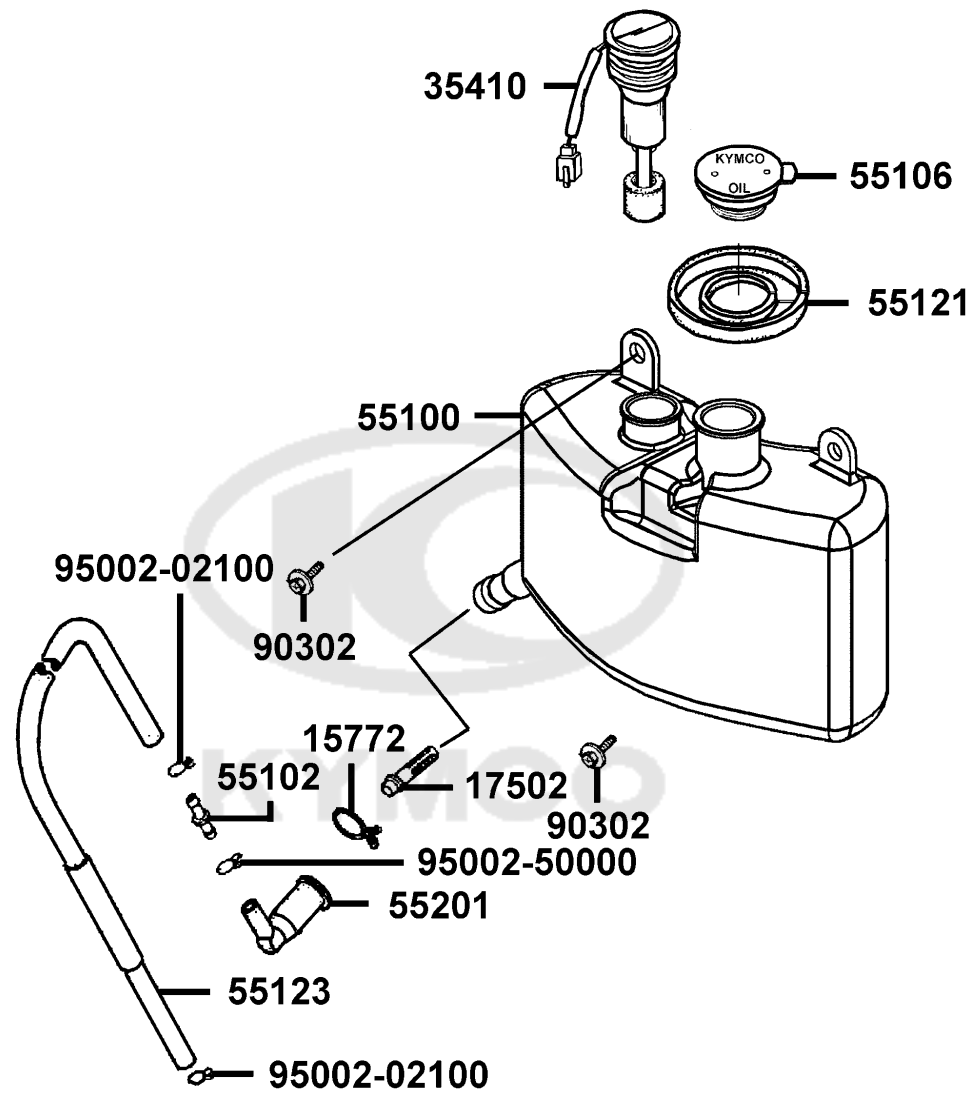
F11

Battery

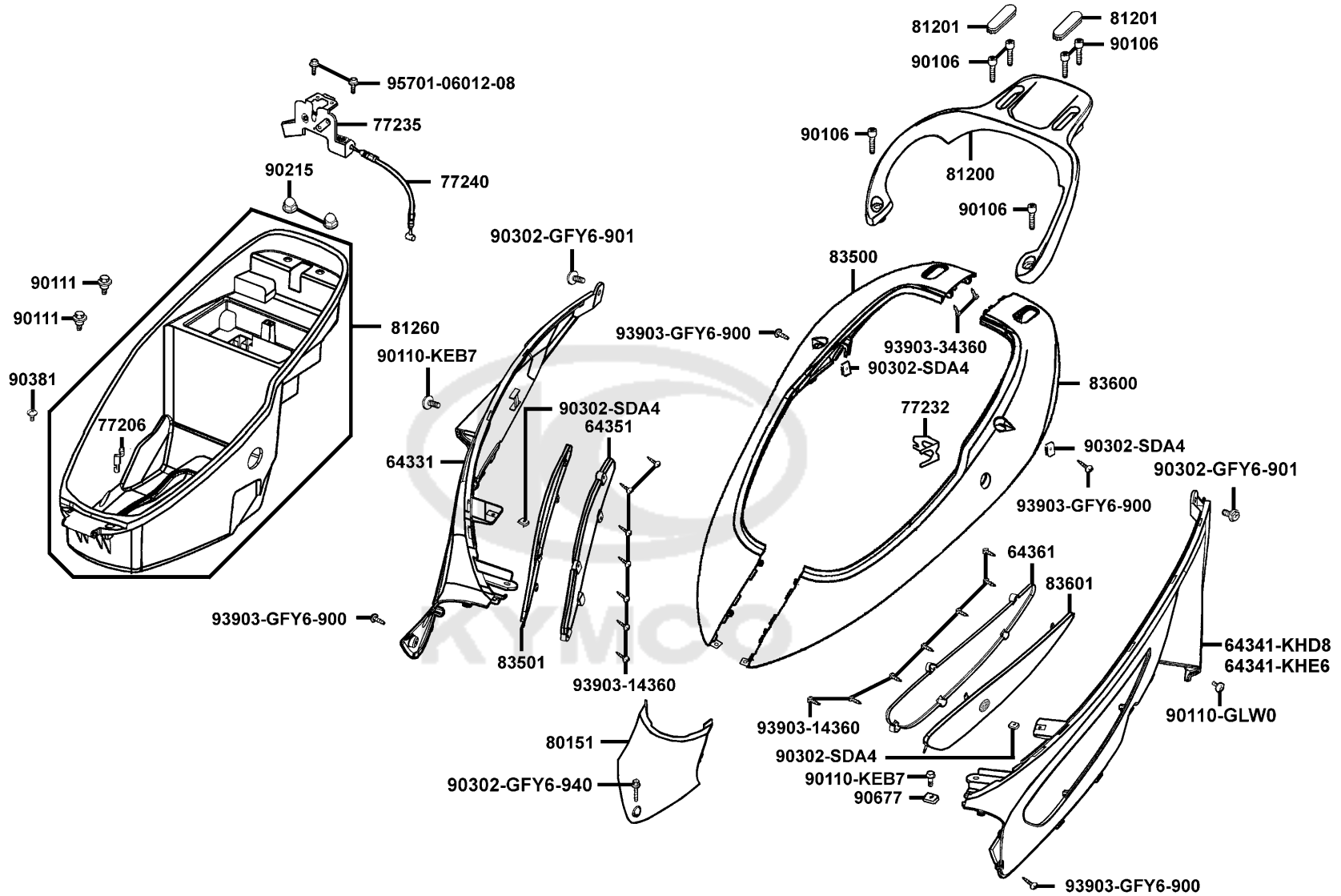


Sales mark	Ref no	Part no	Description	Reg description	Regd no	F11
	31500	31500-KCAC-90A	BATTERY YTX4L-BS	BATTERY YTX7A-BS	1	
	38501-GBN2-004	38501-GBN2-004	RELAY COMP START	RELAY COMP START	1	
	38501-GBN2-00A	38501-GBN2-00A	RELAY COMP START	RELAY COMP START	1	
**	50326	50326-KHD8-900	COVER BATTERY	COVER BATTERY	1	
	93891	93891-05016-06	SCREW WASHER 5* 16	SCREW WASHER 5* 16	1	
	98200	98200-10700	FUSE A7	FUSE A7	1	



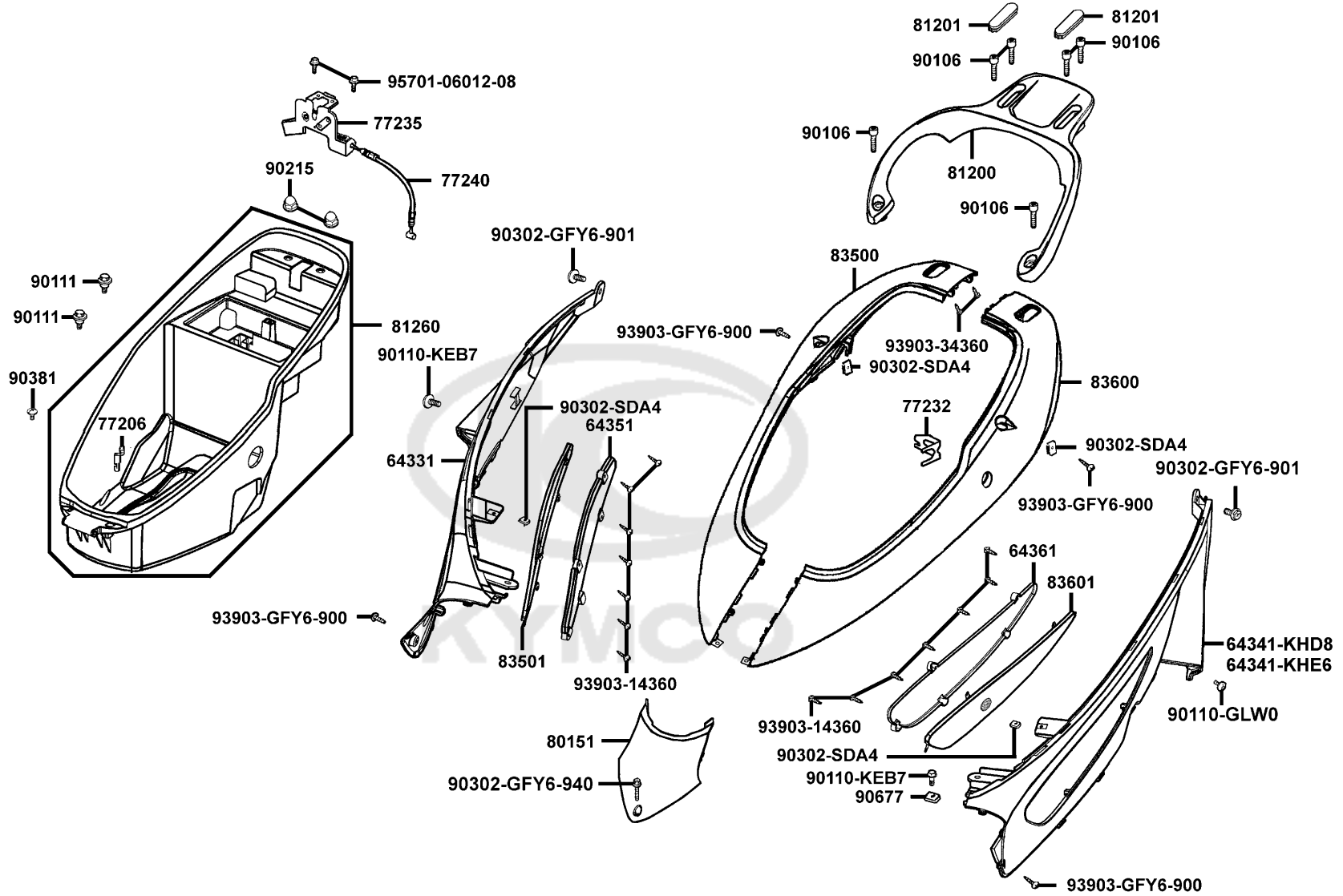


Sales mark	Ref no	Part no	Description	Reg description	Regd no	F12
15772		15772-5A51-001	CLIP BREATHER TUBE	CLIP BREATHER TUBE	1	
17502		17502-1G87-001	OIL STRAINER	OIL STRAINER	1	
35410		35410-KFA5-900	SW COMP OIL LEVEL	SW COMP OIL LEVEL	1	
55100		55100-KHE6-900	TANK OIL	TANK OIL	1	
55102		55102-1F66-001	JOINT OIL TUBE	JOINT OIL TUBE	1	
55106		55106-KEB7-900	CAP ASSY OIL	CAP ASSY OIL	1	
55121		55121-KEB7-900	RUBBER OIL GUIDE	RUBBER OIL GUIDE	1	
55123		55123-KHE6-900	TUBE OIL	TUBE OIL	1	
55201		55201-1G87-001	JOINT OIL STRN	JOINT OIL STRN	1	
90302		90302-GFY6-901	BOLT WASH 5*12	BOLT WASH 5*12	2	
95002-02100		95002-02100	CLIP B15 TUBE	CLIP B15 TUBE	2	
95002-50000		95002-50000	CLIP C9 TUBE	CLIP C9 TUBE	1	



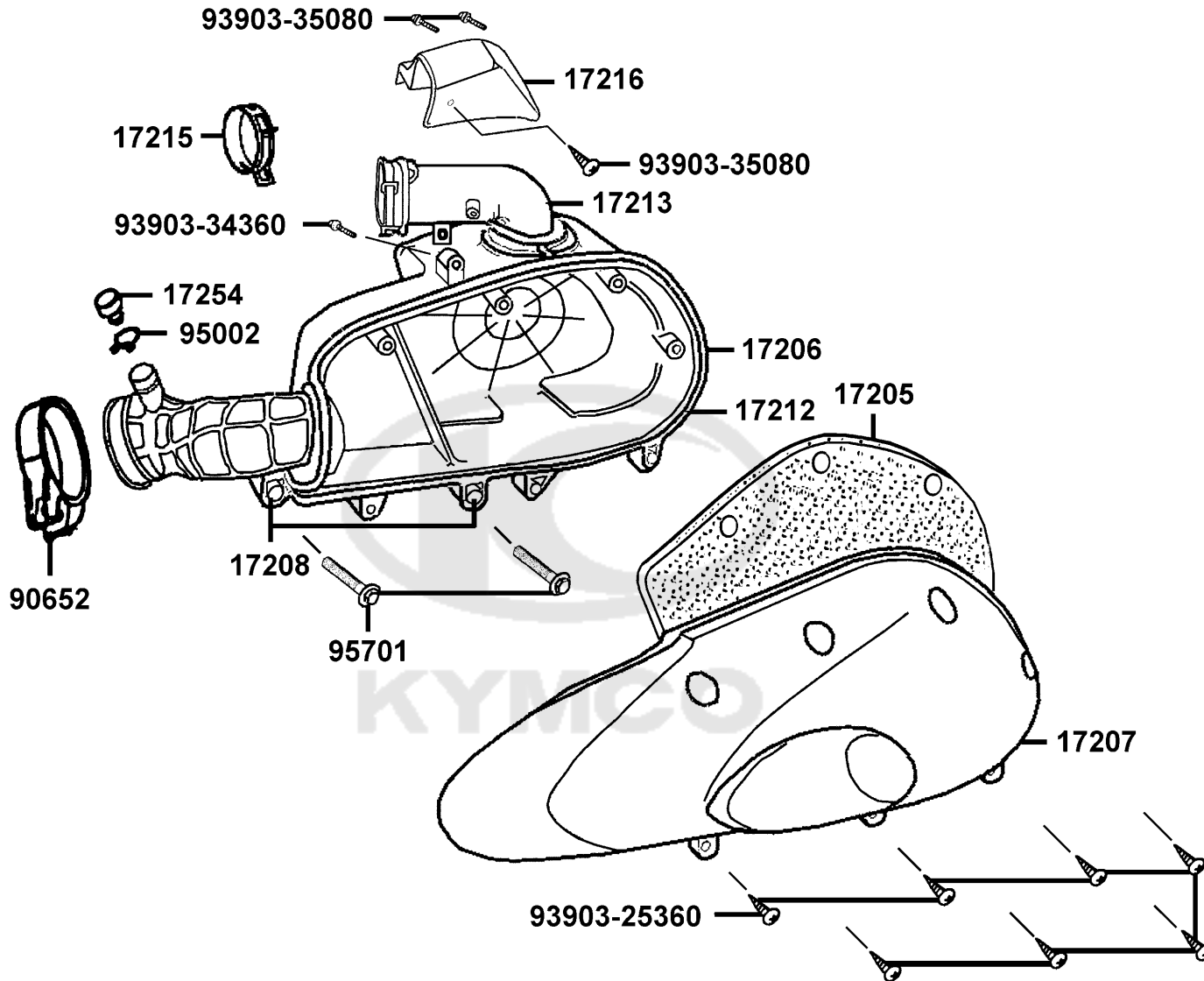
Sales mark	Ref no	Part no	Description	Reg description	Regd no	F13
**	64331	64331-KHD8-900	COVER R TUNNEL	COVER R TUNNEL	1	
**	64341-KHD8	64341-KHD8-900	COVER L TUNNEL	COVER L TUNNEL	1	
**	64341-KHE6	64341-KHE6-900	COVER L TUNNEL	COVER L TUNNEL	1	
**	64351	64351-KHD8-900	COVER R GRILL	COVER R GRILL	1	
**	64361	64361-KHD8-900	COVER L GRILL	COVER L GRILL	1	
	77206	77206-KEC6-900	HOOK HELMET L	HOOK HELMET L	1	
	77232	77232-KCAC-901	SET SPG SEAT LOCK	SET SPG SEAT LOCK	1	
	77235	77235-KFA5-900	CATCH COMP SEAT	CATCH COMP SEAT	1	
	77240	77240-KEBE-900	CABLE SEAT LOCK	CABLE SEAT LOCK	1	
**	80151	80151-KHD8-900	COVER CENTER	COVER CENTER	1	
**	81200	81200-KHD8-900	CARRIER RR	CARRIER RR	1	
**	81201	81201-KHD8-900	PLUG RR CARRIER	PLUG RR CARRIER	2	
	81260	81260-KHE6-900	BOX ASSY LUGGAGE	BOX ASSY LUGGAGE	1	
**	83500	83500-KHD8-900	COVER R BODY	COVER R BODY	1	
**	83501	83501-KHD8-900	GRILL R BODY COVER	GRILL R BODY COVER	1	
**	83600	83600-KHD8-900	COVER L BODY	COVER L BODY	1	
**	83601	83601-KHD8-900	GRILL L BODY COVER	GRILL L BODY COVER	1	
	90106	90106-KFC2-900	BOLT SPECIAL 8MM	BOLT WASH 8MM	6	
	90110-GLW0	90110-GLW0-001	SCREW SPECIAL 6*14	SCREW SPECIAL 6*14	1	
	90110-KEB7	90110-KEB7-900	SCREW SPECIAL 6*14	SCREW SPECIAL 6*14	2	



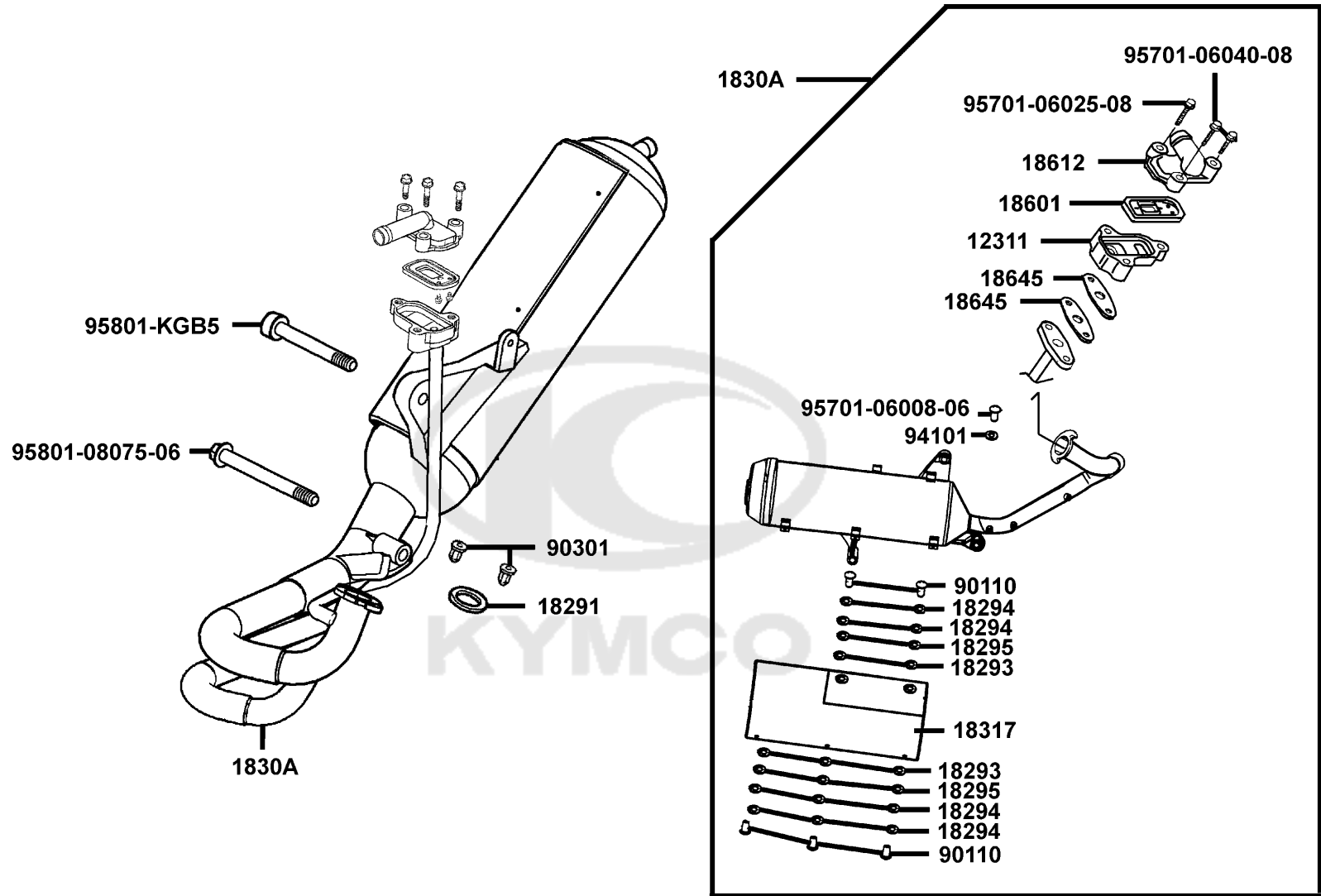


Sales mark	Ref no	Part no	Description	Reg description	Regd no	<b>F13</b>
90111		90111-1G47-001	BOLT FLANGE 6*14	BOLT FLANGE 6*14	2	
90215		90215-KKC4-900	NUT CAP 6MM	NUT CAP 6MM	2	
90302-GFY6-901		90302-GFY6-901	BOLT WASH 5*12	BOLT WASH 5*12	2	
90302-GFY6-940		90302-GFY6-940	BOLT-WASH 5*16	BOLT-WASH 5*16	1	
90302-SDA4		90302-SDA4-004	NUT SPRING 4MM	NUT SPRING 4MM	4	
90381		90381-GEZ5-001	SCREW SPECIAL 6*17	SCREW SPECIAL 6*17	1	
90677		90677-GAR1-004	NUT CLIP 5MM	NUT CLIP 5MM	1	
93903-14360		93903-14360	SCREW TAPPING 4*12	SCREW TAPPING 4*12	14	
93903-34360		93903-34360	SCREW TAPPING 4*12 (G)	SCREW TAPPING 4*12	2	
93903-GFY6-900		93903-GFY6-900	SCREW TAPPING 4*14	SCREW TAPPING 4*14	4	
95701-06012-08		95701-06012-08	BOLT FLANGE 6*12	BOLT FLANGE 6*12	2	

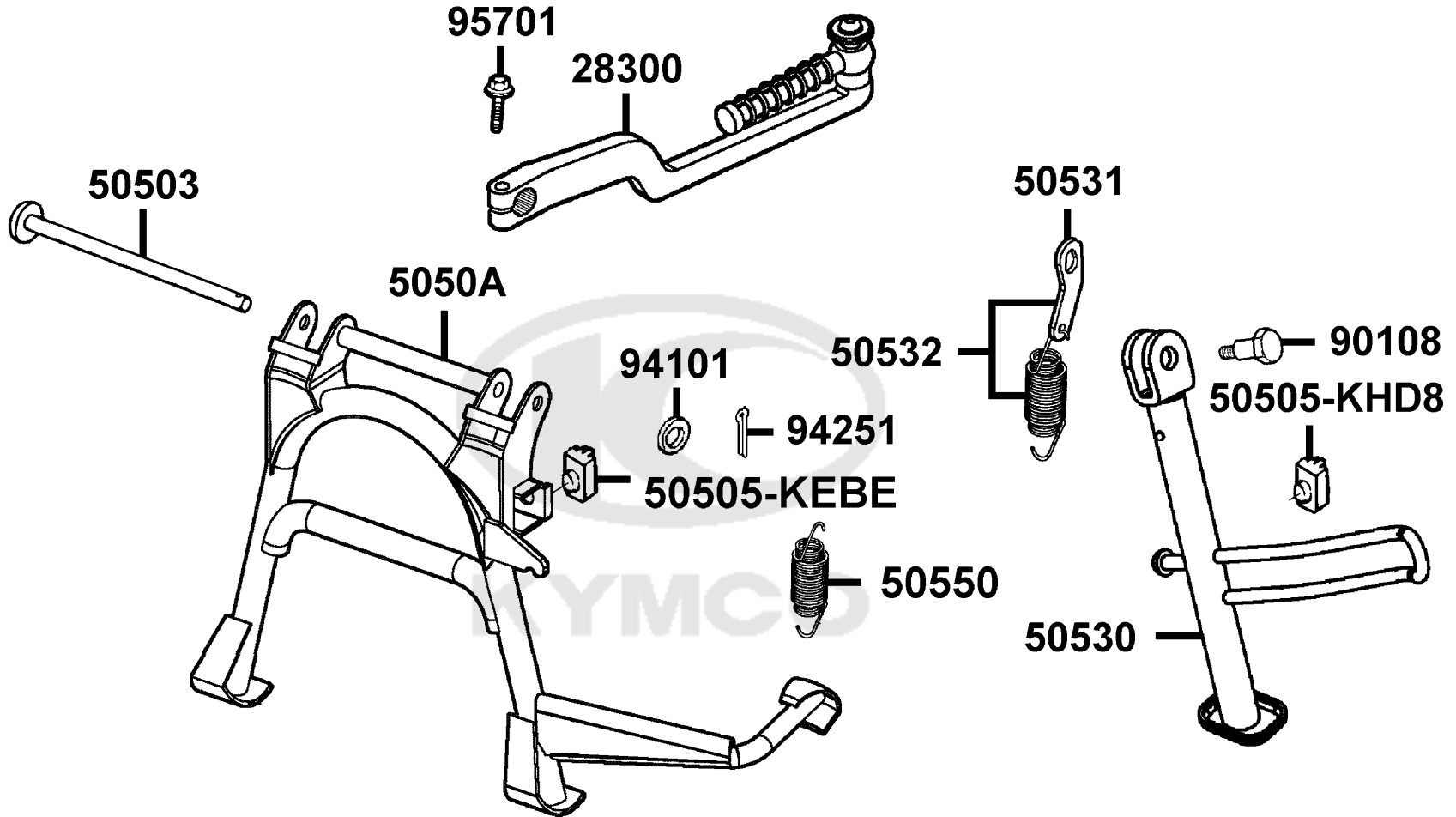




Sales mark	Ref no	Part no	Description	Reg description	Regd no	<b>F14</b>
17205		17205-KEB7-900	ELEMENT AIR/C	ELEMENT AIR/C	1	
17206		17206-KEB7-900	CASE AIR/C	CASE AIR/C	1	
17207		17207-KEB7-900	COVER A/C	COVER A/C	1	
17208		17208-KEB7-900	COLLAR AIR/C SET	COLLAR AIR/C SET	2	
17212		17212-KEB7-900	SEAL AIR/C COVER	SEAL AIR/C COVER	1	
17213		17213-KEB7-900	DUCT AIR/C INLET	DUCT AIR/C INLET	1	
17215		17215-KGBG-90A	CLIP ASSY A/C DUCT	CLIP ASSY A/C DUCT	1	
17216		17216-KEB7-900	COVER JOINT	COVER JOINT	1	
17254		17254-KACA-P00	PLUG AIR/C CONN TUBE	JOINT PURGE TUBE	1	
90652		90652-GBHB-641	BAND 42 AIR/C CONNECTING TUBE	BAND 42 AIR/C CONNECTING TUBE	1	
93903-25360		93903-25360	SCREW TAPPING 5*16	SCREW TAPPING 5*16	7	
93903-34360		93903-34360	SCREW TAPPING 4*12 (G)	SCREW TAPPING 4*12	1	
93903-35080		93903-35080	SCREW TAPPING 5*8	SCREW TAPPING 5*8	3	
95002		95002-02110	CLIP	CLIP	1	
95701		95701-06040-08	BOLT FLANGE 6*40	BOLT FLANGE 6*40	2	



Sales mark	Ref no	Part no	Description	Reg description	Regd no	<b>F15</b>
	12311	12311-KFB5-900	BODY REED VALVE	BODY REED VALVE	1	
	18291	18291-LBA7-900	GASKET EXH PIPE	GASKET EXH PIPE	1	
	18293	18293-KECE-900	RUBBER A PROTECTOR	RUBBER A PROTECTOR	5	
	18294	18294-KEBE-900	PACKING PROTECTOR	PACKING PROTECTOR	10	
	18295	18295-KECE-900	COLLAR 6MM	COLLAR 6MM	5	
	1830A	1830A-KHE6-EZ0	MUFFLER ASSY	MUFFLER ASSY	1	
	18317	18317-KHD8-E00	PROTECTOR MUFFLER	PROTECTOR MUFFLER	1	
	18601	18601-KFB5-900	VALVE COMP REED	VALVE COMP REED	1	
	18612	18612-KFB5-900	COVER REED VALVE	COVER REED VALVE	1	
	18645	18645-KGB5-EZ0	GASKET A/I PIPE	GASKET A/I PIPE	2	
	90110	90110-KHD8-900	SCREW SPECIAL 6*20	SCREW SPECIAL 6*20	5	
	90301	90301-KGBG-900	NUT CAP 6MM	NUT CAP 6MM	2	
	94101	94101-06700	WASHER PLAIN 6MM	WASHER PLAIN 6MM	1	
	95701-06008-06	95701-06008-06	BOLT FLANGE 6*8	BOLT FLANGE 6*8	1	
	95701-06025-08	95701-06025-08	BOLT FLANGE 6*25	BOLT FLANGE 6*25	1	
	95701-06040-08	95701-06040-08	BOLT FLANGE 6*40	BOLT FLANGE 6*40	2	
	95801-08075-06	95801-08075-06	BOLT FLANGE 8*75	BOLT FLANGE 8*75	1	
	95801-KGB5	95801-KGB5-E00	BOLT FLANGE 8*60	BOLT FLANGE 8*60	1	

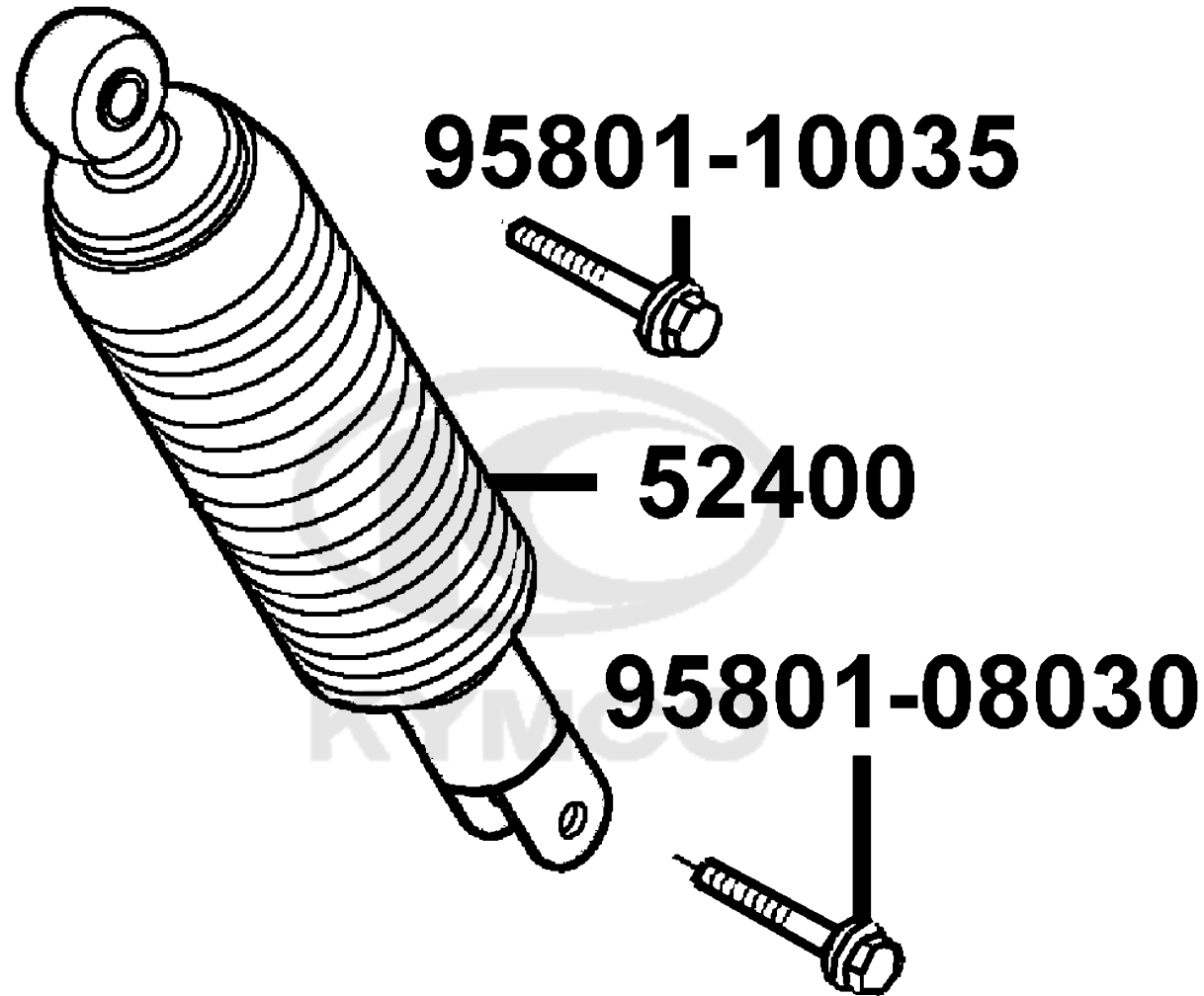


Sales mark	Ref no	Part no	Description	Reg description	Regd no	F16
28300		28300-KGB5-900	ARM ASSY KICK STARTER	ARM ASSY KICK STARTER	1	
50503		50503-KEB7-900	SHAFT MAIN STAND	SHAFT MAIN STAND	1	
50505-KEBE		50505-KEBE-900	STOPPER RUBBER	STOPPER RUBBER	1	
50505-KHD8		50505-KHD8-900	RUBBER SIDE STAND	RUBBER SIDE STAND	1	
5050A		5050A-KHE6-E00	STAND ASSY MAIN	STAND ASSY MAIN	1	
50530		50530-KHE6-E00	BAR SIDE STAND	BAR SIDE STAND	1	
50531		50531-KEB7-E00	PLATE SPRING STOPPER	PLATE SPRING STOPPER	1	
50532		50532-KGBG-E00	SPRING COMP SIDE STAND	SPRING COMP SIDE STAND	1	
50550		50550-KEB7-E00	SPG ASSY MAIN STAND	SPG ASSY MAIN STAND	1	
90108		90108-KFC8-E00	SCREW SIDE STAND PIVOT	SCREW SIDE STAND	1	
94101		94101-08600	WASH PLAIN 8MM	WASH PLAIN 8MM	1	
94251		94251-08400	PIN LOCK 8MM	PIN LOCK 8MM	1	
95701		95701-06022-06	BOLT FLANGE 6*22	BOLT FLANGE 6*22	1	



F17

Rear Cushion



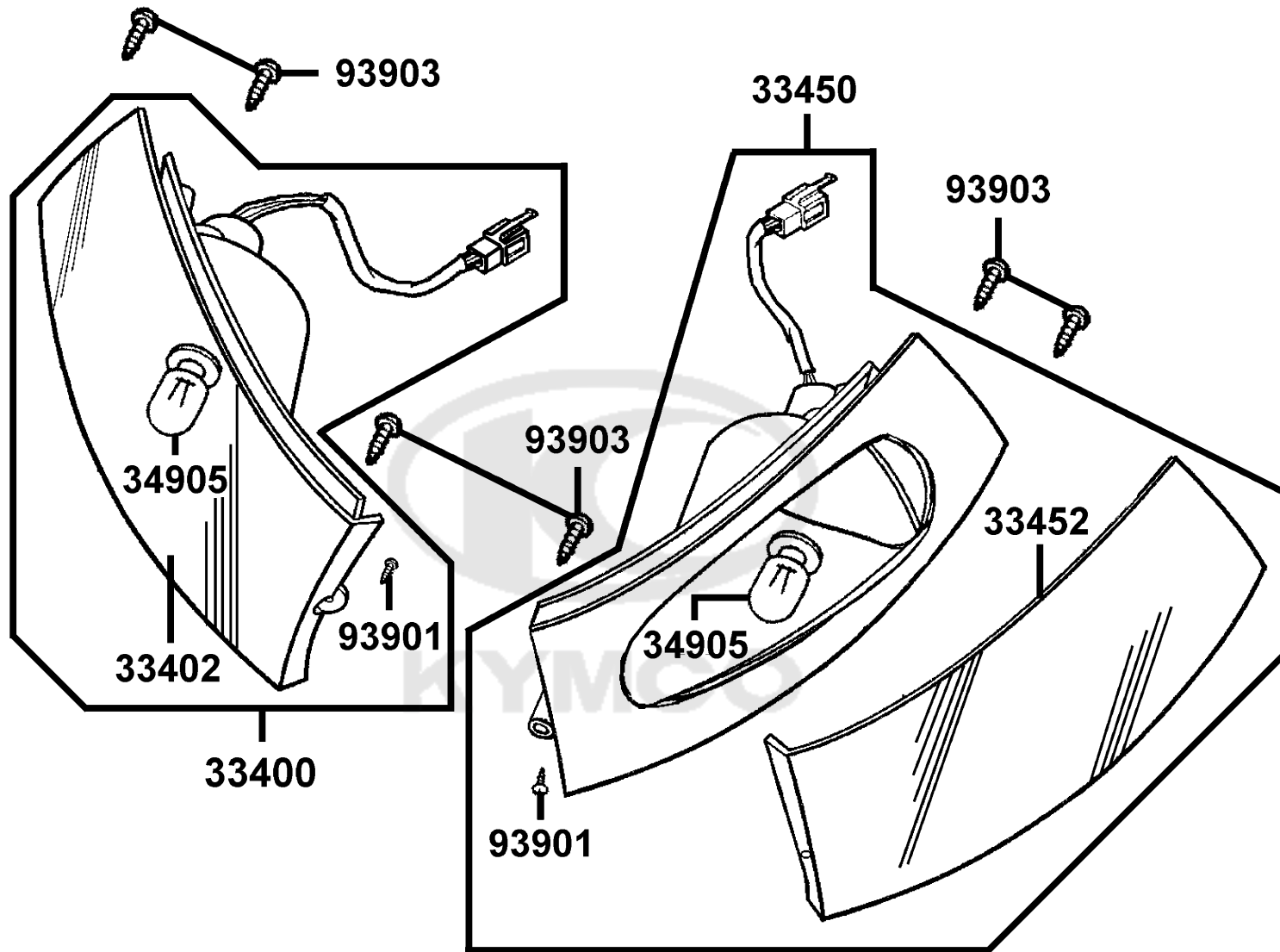
Sales mark	Ref no	Part no	Description	Reg description	Regd no	<b>F17</b>
------------	--------	---------	-------------	-----------------	---------	------------


**	52400	52400-KHE6-E90	CUSHION ASSY RR	CUSHION ASSY RR	1	
	95801-08030	95801-08030-08	BOLT FLANGE 8*30	BOLT FLANGE 8*30	1	
	95801-10035	95801-10035-08	BOLT FLANGE 10*35	BOLT FLANGE 10*35	1	

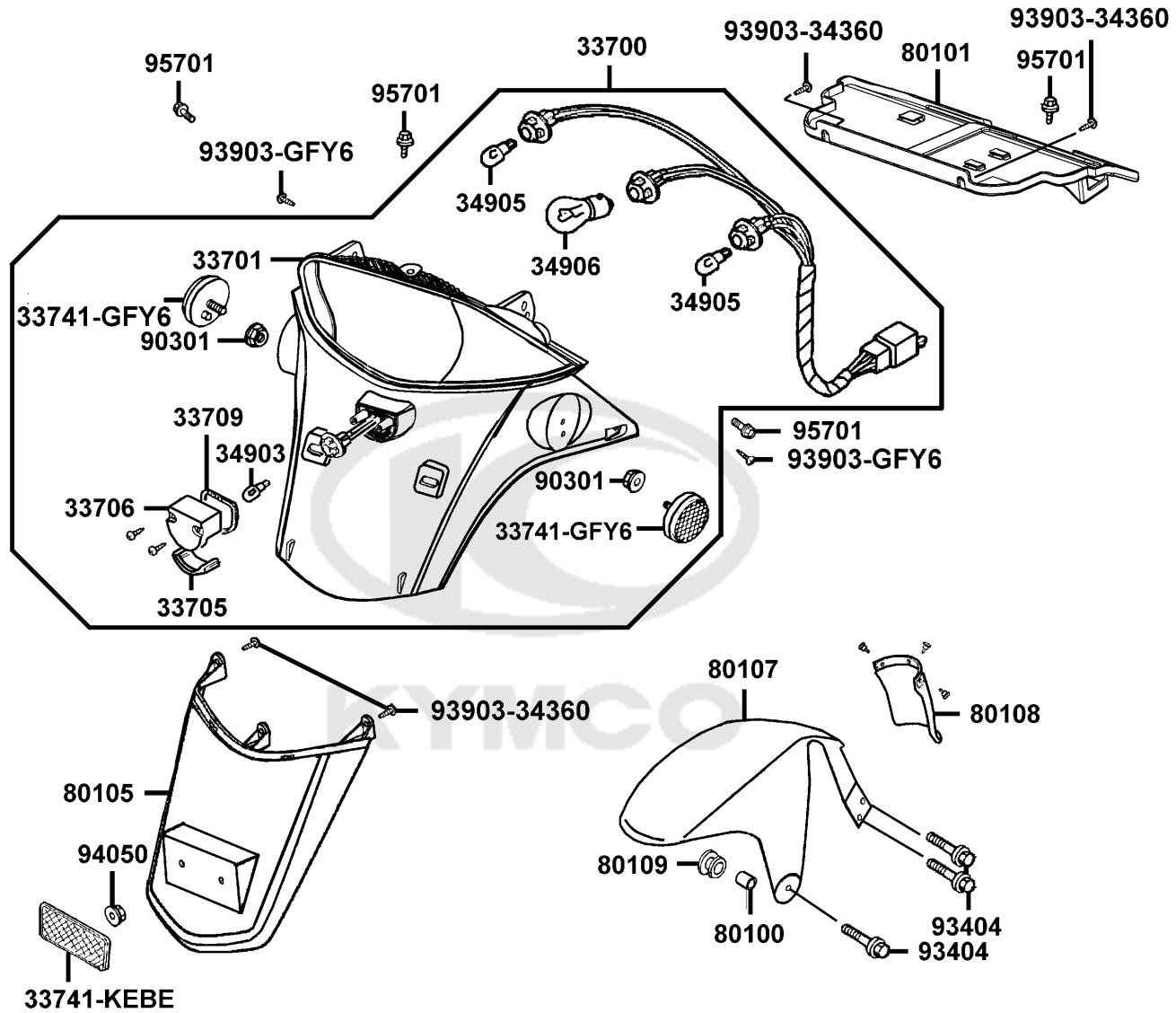


F18

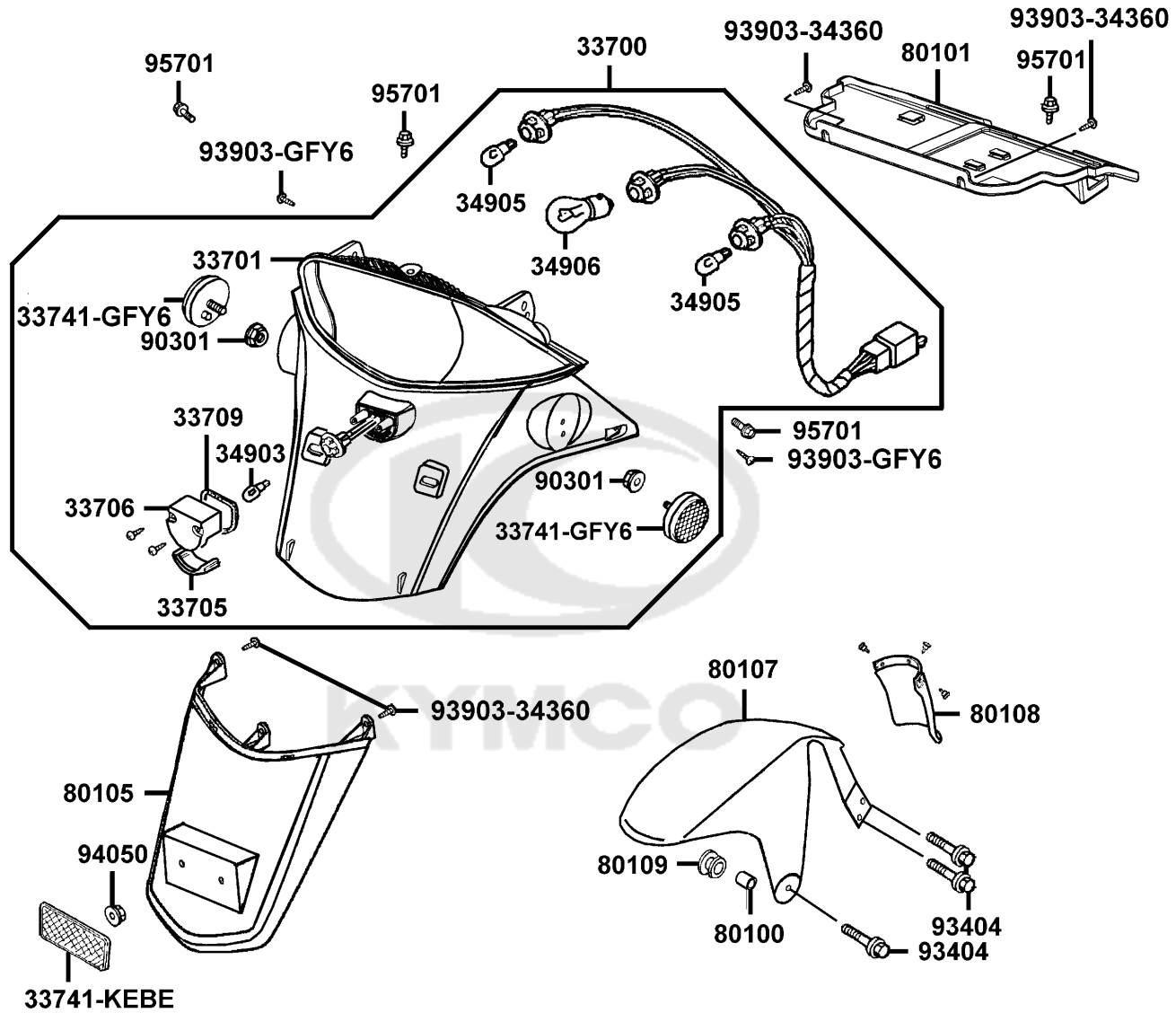
Front Winker



Sales mark	Ref no	Part no	Description	Reg description	Regd no	<b>F18</b>
	33400	33400-KHD8-E00	WINKER ASSY R FR	WINKER ASSY R FR	1	
	33402	33402-KHD8-900	LENS FR WINKER R	LENS FR WINKER R	1	
	33450	33450-KHD8-E00	WINKER ASSY L FR	WINKER ASSY L FR	1	
	33452	33452-KHD8-900	LENS FR WINKER L	LENS FR WINKER L	1	
	34905	34905-KPCP-900	BULB WINKER	BULB WINKER	2	
	93901	93901-32320	SCREW TAPPING 3*12	SCREW TAPPING 3*12	2	
	93903	93903-34360	SCREW TAPPING 4*12 (G)	SCREW TAPPING 4*12	6	
						



Sales mark	Ref no	Part no	Description	Reg description	Regd no	F19
	33700	33700-KHE6-E00	LIGHT ASSY RR COMB	LIGHT ASSY RR COMB	1	
	33701	33701-KHD8-E00	LENS TAIL LIGHT	LENS TAIL LIGHT	1	
	33705	33705-GCN3-67A	LENS LICENSE	LENS LICENSE	1	
	33706	33706-GCN3-67A	COVER LICENSE	COVER LICENSE	1	
	33709	33709-KBAB-003	PACKING LICENSE	PACKING LICENSE	1	
	33741-GFY6	33741-GFY6-C30	REFLEX REFLECTOR	REFLEX REFLECTOR	2	
	33741-KEBE	33741-KEBE-900	REFLEX REFLECTOR	REFLEX REFLECTOR	1	
	34903	34903-KPCP-900	BULB POSITION	BULB POSITION	1	
	34905	34905-KPCP-900	BULB WINKER	BULB WINKER	2	
	34906	34906-KPCP-900	BULB TAIL & STOP 12V21W/5W	BULB TAIL & STOP 12V21W/5W	1	
	80100	80100-KEB7-900	COLLAR RUBBER	COLLAR RUBBER	1	
	80101	80101-KHD8-900	FENDER RR UP	FENDER RR UP	1	
	80105	80105-KHD8-900	FENDER RR	FENDER RR	1	
**	80107	80107-KEB7-900	FENDER B RR	FENDER B RR	1	
	80108	80108-KEB7-900	PLATE SPLASH GUARD	PLATE SPLASH GUARD	1	
	80109	80109-KEB7-900	RUBBER RR FENDER B	RUBBER RR FENDER B	1	
	90301	90301-6D34-671	NUT FLANGE 6MM	NUT FLANGE 6MM	2	
	93404	93404-06016-06	BOLT WASHER 6*16	BOLT WASHER 6*16	3	
	93903-34360	93903-34360	SCREW TAPPING 4*12 (G)	SCREW TAPPING 4*12	4	
	93903-GFY6	93903-GFY6-900	SCREW TAPPING 4*14	SCREW TAPPING 4*14	2	

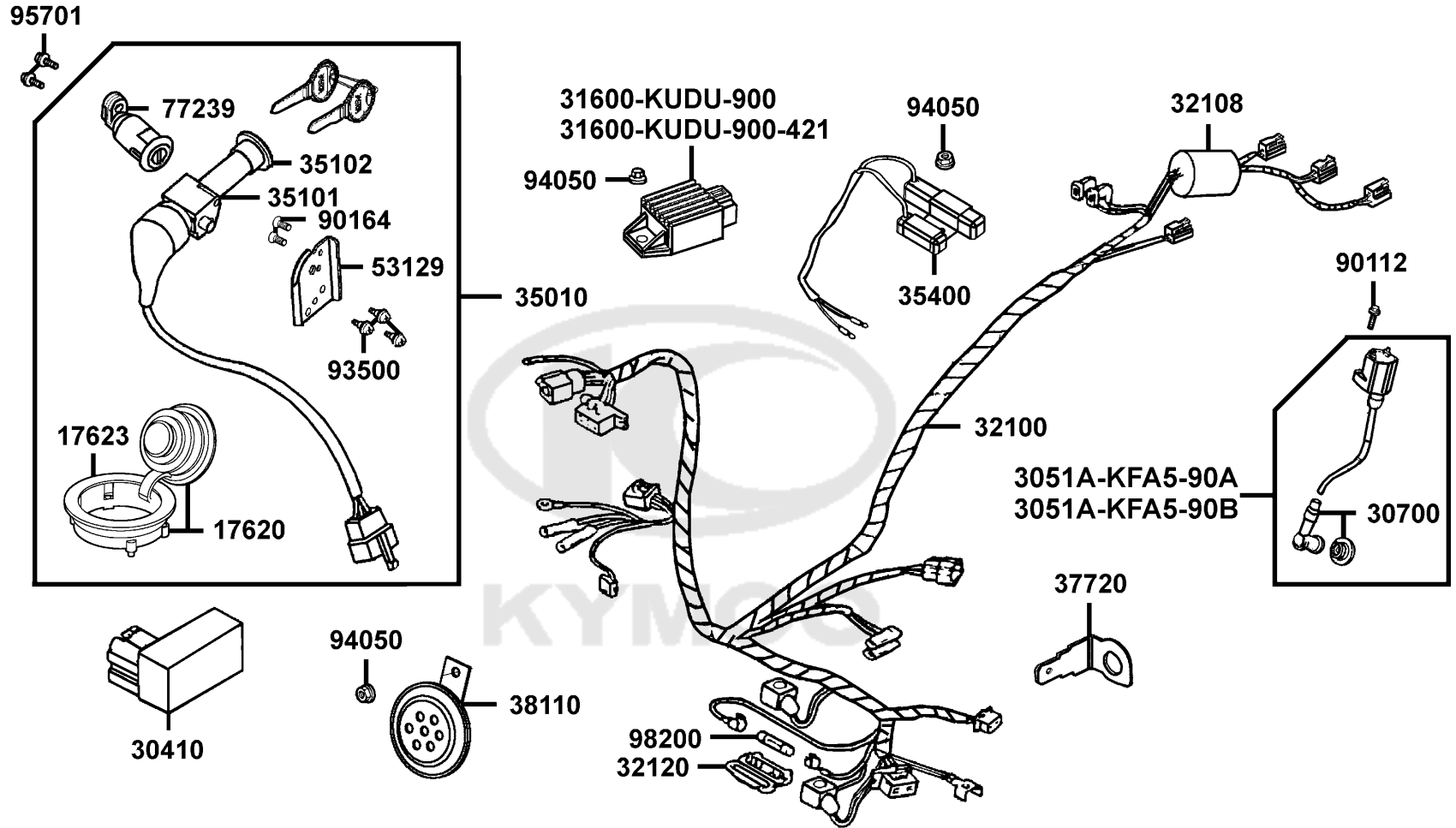


Sales mark	Ref no	Part no	Description	Reg description	Regd no	<b>F19</b>
------------	--------	---------	-------------	-----------------	---------	------------

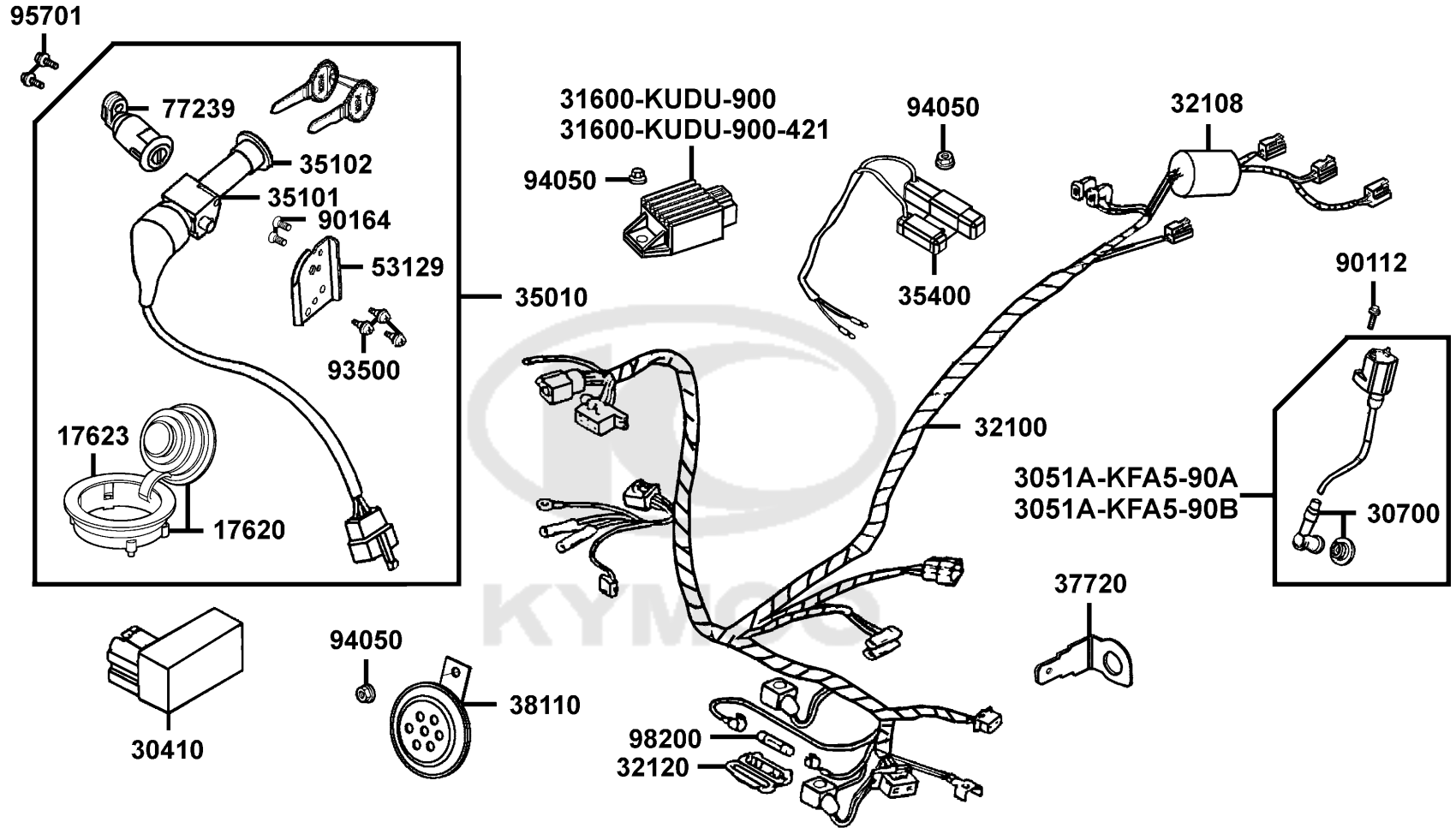
	94050	94050-05080	NUT FLANGE 5MM	NUT FLANGE 5MM	1	
	95701	95701-06012-08	BOLT FLANGE 6*12	BOLT FLANGE 6*12	4	








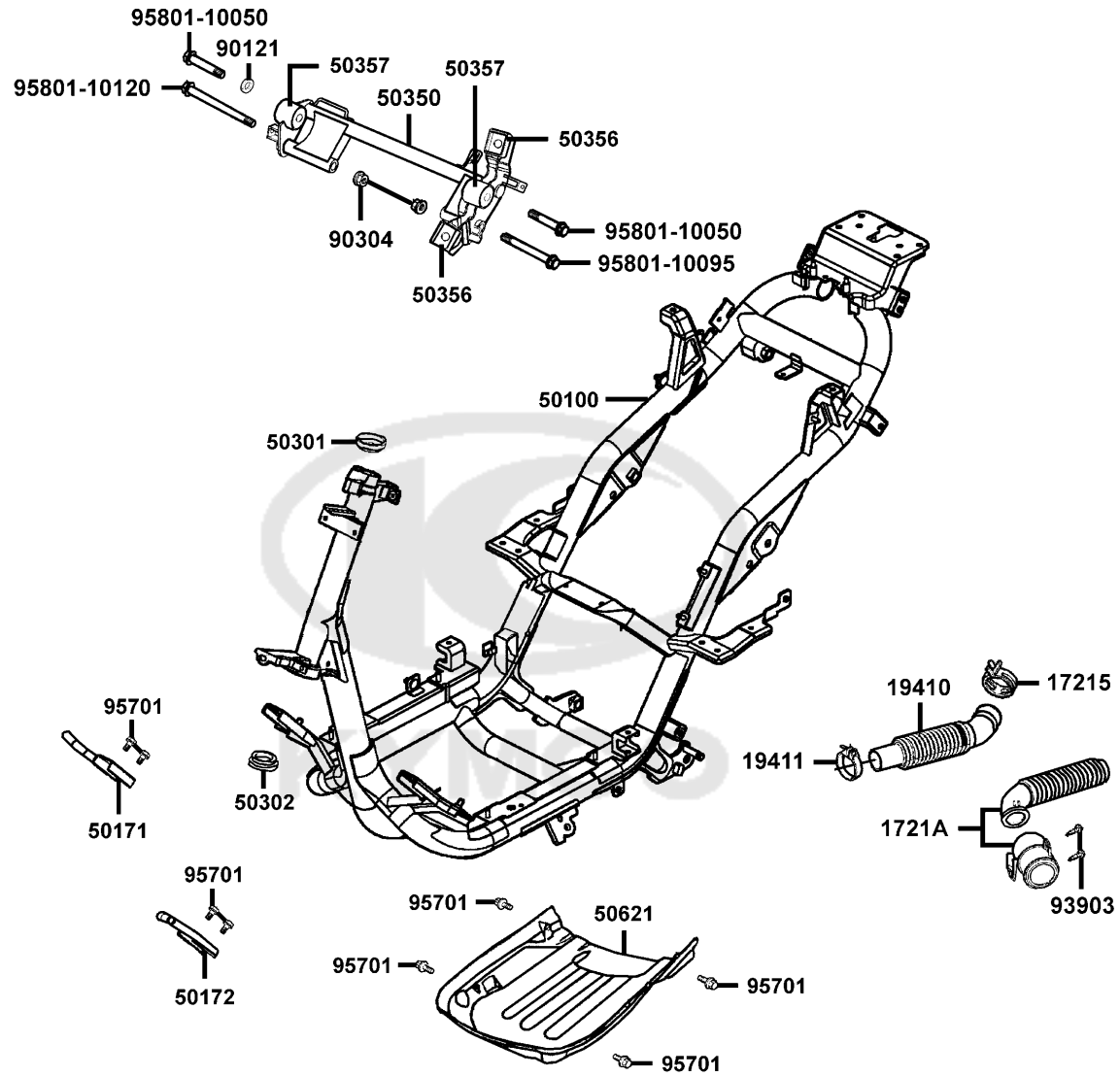
Sales mark	Ref no	Part no	Description	Reg description	Regd no	F20
	17620	17620-KEBE-315-M2	CAP SET FUEL FILLER	CAP SET FUEL FILLER	1	
**	17623	17623-KEBE-900	COLLAR FUEL CAP	COLLAR FUEL CAP	1	
	30410	30410-GBW2-901	UNIT COMP CDI	UNIT COMP CDI	1	
	3051A-KFA5-90A	3051A-KFA5-90A	COIL ASSY IGN	COIL ASSY IGN	1	
	3051A-KFA5-90B	3051A-KFA5-90B	COIL ASSY IGN	COIL ASSY IGN	1	
	30700	30700-KFA5-900	CAP ASSY NOISE SUPPR	CAP ASSY NOISE SUPPR	1	
	31600-KUDU-900	31600-KUDU-900	REG REC COMP	REG REC COMP	2	
	32100	32100-KHE6-E10	HARNESS WIRE	HARNESS WIRE	1	
	32108	32108-GFY6-901	COVER HARNESS WIRE	COVER HARNESS WIRE	1	
	32120	32120-1E55-001	CASE FUSE	CASE FUSE	1	
	35010	35010-KHE6-E00	KEY SET	KEY SET	1	
	35101	35101-KHD8-305	SW SET COMB & LOCK	SW SET COMB & LOCK	1	
	35102	35102-KHE7-900	COLLAR MAIN SW	COLLAR MAIN SW	1	
	35400	35400-KNBN-920	RESISTOR COMP	RESISTOR COMP	1	
	37720	37720-KGBG-E00	EARTH TERMINAL HEATER	HARTH TERMINAL HEATER	1	
	38110	38110-GGS7-E0A	HORN COMP	HORN COMP	1	
	53129	53129-KHE7-900	PLATE HNDL LOCK	PLATE HNDL LOCK	1	
	77239	77239-GFY6-315-M2	KEY SEAT SET	KEY SEAT SET	1	
	90112	90112-KRDR-900	BOLT FLANGE 5*22	BOLT FLANGE 5*22	1	
	90164	90164-0H28-900	SCREW FLAT U LOCK 6*12	SCREW FLAT U LOCK 6*12	2	



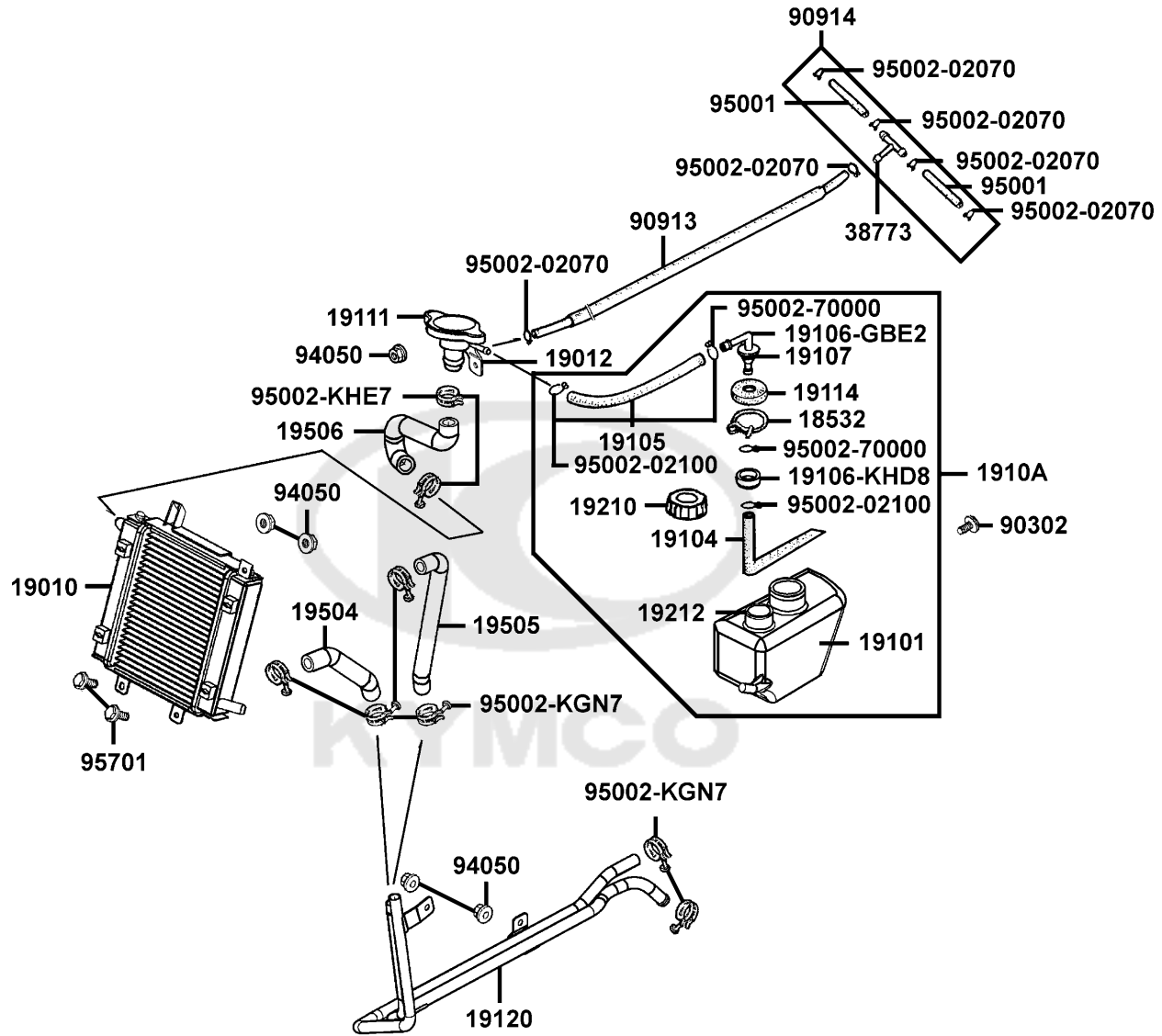
Sales mark	Ref no	Part no	Description	Reg description	Regd no	<b>F20</b>
93500		93500-04025-0H	SCREW PAN 4*25	SCREW PAN 4*25	3	
94050		94050-06080	NUT FLANGE 6MM	NUT FLANGE 6MM	3	
95701		95701-KEBE-E00	BOLT TORQUE 8*16	BOLT TORQUE 8*16	2	
98200		98200-10700	FUSE A7	FUSE A7	1	
						

F21

# Frame Body

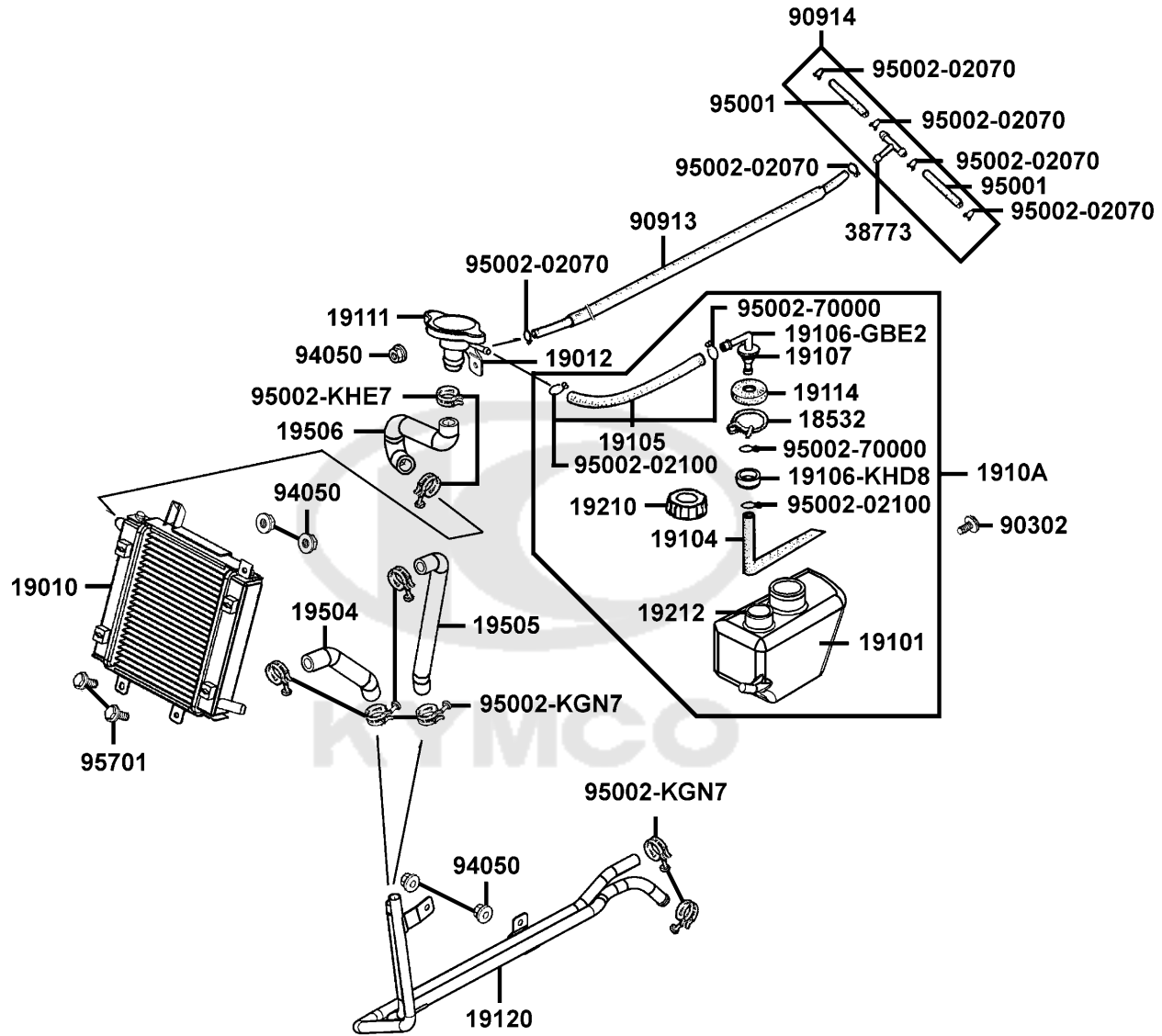


Sales mark	Ref no	Part no	Description	Reg description	Regd no	F21
	17215	17215-KNBN-200	CLIP ASSY AIR/C DUCT	CLIP ASSY AIR/C DUCT	1	
	1721A	1721A-KHE6-E00	DUCT ASSY AIR/C	DUCT ASSY AIR/C	1	
	19410	19410-KEB7-900	DUCT COLLING	DUCT COLLING	1	
	19411	19411-KNBN-900	CLIP HOSE	CLIP HOSE	1	
	50100	50100-KHE6-E00	BODY COMP FRAME	BODY COMP FRAME	1	
	50171	50171-KHD8-900	STAY R LEG SHIELD	STAY R LEG SHIELD	1	
	50172	50172-KHD8-900	STAY L LEG SHIELD	STAY L LEG SHIELD	1	
	50301	50301-KGN7-671	RACE UP STRG BALL	RACE UP STRG BALL	1	
	50302	50302-2H68-011	RACE STRG BOT BALL	RACE STRG BOT BALL	1	
	50350	50350-KHE6-E00	HANGER ASSY ENG	HANGER ASSY ENG	1	
	50356	50356-KNBN-200	RUBBER C ENG HANGE STPR	RUBBER C STOPPER	2	
	50357	50357-KEB7-900	RUBBER BUSH ENG HANGE	RUBBER BUSH ENG HANGE	2	
**	50621	50621-KEBE-900	COVER UNDER	COVER UNDER	1	
	90121	90121-GFY6-901	COLLAR DISTANCE	COLLAR DISTANCE	2	
	90304	90304-GHE8-004	NUT U 10MM	NUT U 10MM	2	
	93903	93903-34360	SCREW TAPPING 4*12 (G)	SCREW TAPPING 4*12	2	
	95701	95701-06012-08	BOLT FLANGE 6*12	BOLT FLANGE 6*12	8	
	95801-10050	95801-10050-06	BOLT FLANGE 10*50	BOLT FLANGE 10*50	2	
	95801-10095	95801-10095-06	BOLT FLANGE 10*95	BOLT FLANGE 10*95	1	
	95801-10120	95801-10120-06	BOLT FLANGE 10*120	BOLT FLANGE 10*120	1	

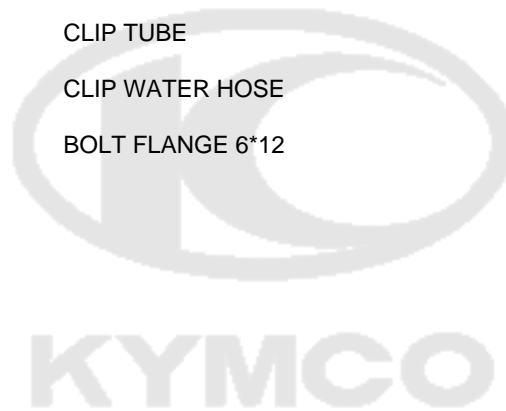


Sales mark	Ref no	Part no	Description	Reg description	Regd no	F22
18532		18532-KEBE-900	CLIP RESERVE TANK CAP	CLIP RESERVE TANK CAP	1	
19010		19010-KHE6-E00	RADIATOR COMP	RADIATOR COMP	1	
19012		19012-KHD8-900	UNIT RADIATOR	UNIT RADIATOR	1	
19101		19101-KHD8-900	TANK RESERVE	TANK RESERVE	1	
19104		19104-KHD8-900	HOSE ASSY RESERVE TANK-WATER	HOSE ASSY RESERVE TANK-WATER	1	
19105		19105-KHD8-900	HOSE ASSY RESERVE TANK-WATER	HOSE ASSY RESERVE TANK-WATER	1	
19106-GBE2		19106-GBE2-001	ADAPTER RESERVE CAP	ADAPTER RESERVE CAP	1	
19106-KHD8		19106-KHD8-900	STOPPER RADIATOR FLUID	STOPPER RADIATOR FLUID	1	
19107		19107-GBE2-001	STOPPER RAD FLUID	STOPPER RAD FLUID	1	
1910A		1910A-KHD8-900	TANK ASSY RESERVE	TANK ASSY RESERVE	1	
19111		19111-GBE2-004	CAP COMP	CAP COMP	1	
19114		19114-KEBE-900	CAP RESERVE TANK	CAP RESERVE TANK	1	
19120		19120-KHD8-900	PIPE COMP WATER	PIPE COMP WATER	1	
19210		19210-HAJ1-900	CAP ASSY RESERVE TANK	CAP ASSY RESERVE TANK	1	
19212		19212-KHD8-900	PACKING RESERVE TANK	PACKING RESERVE TANK	1	
19504		19504-KHD8-900	HOSE WATER D RADIATOR	HOSE WATER D RADIATOR	1	
19505		19505-KHD8-900	HOSE WATER F PIPE	HOSE WATER F PIPE	1	
19506		19506-KHD8-900	HOSE WATER G RADIATOR	HOSE WATER G RADIATOR	1	
38773		38773-PKB9-001	JOINT 3 WAY 3.5	JOINT 3 WAY 3.5	1	
90302		90302-GBR2-001	BOLT WASH 5*16	BOLT-WASH 5*16	1	

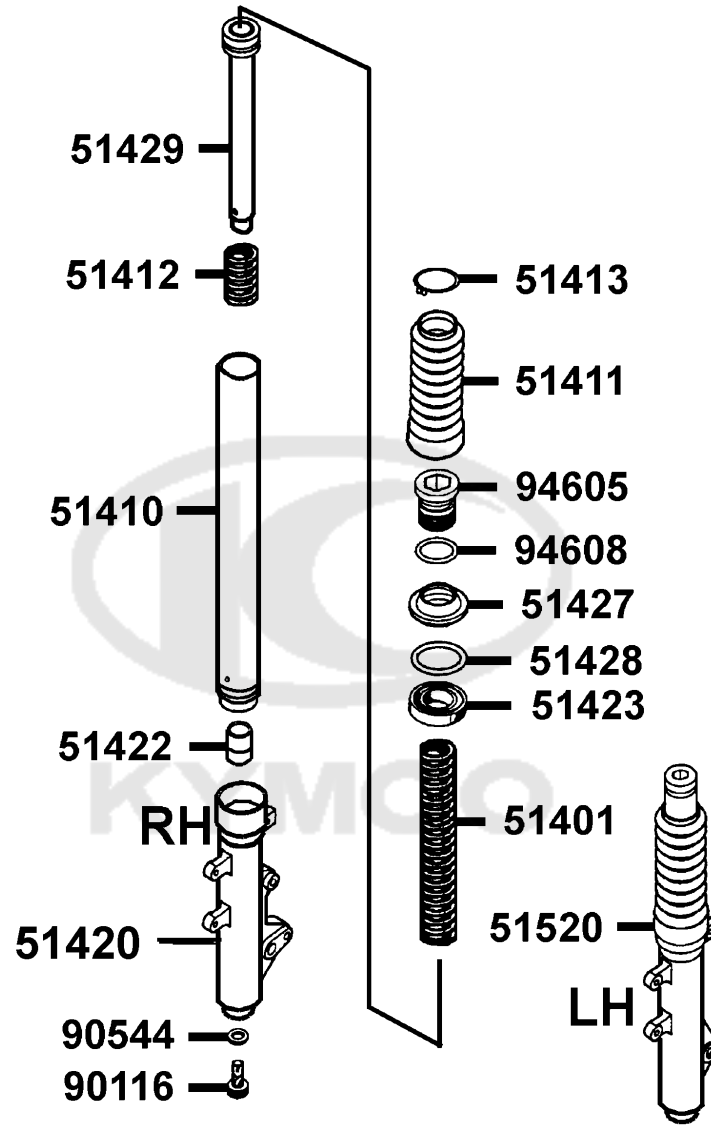




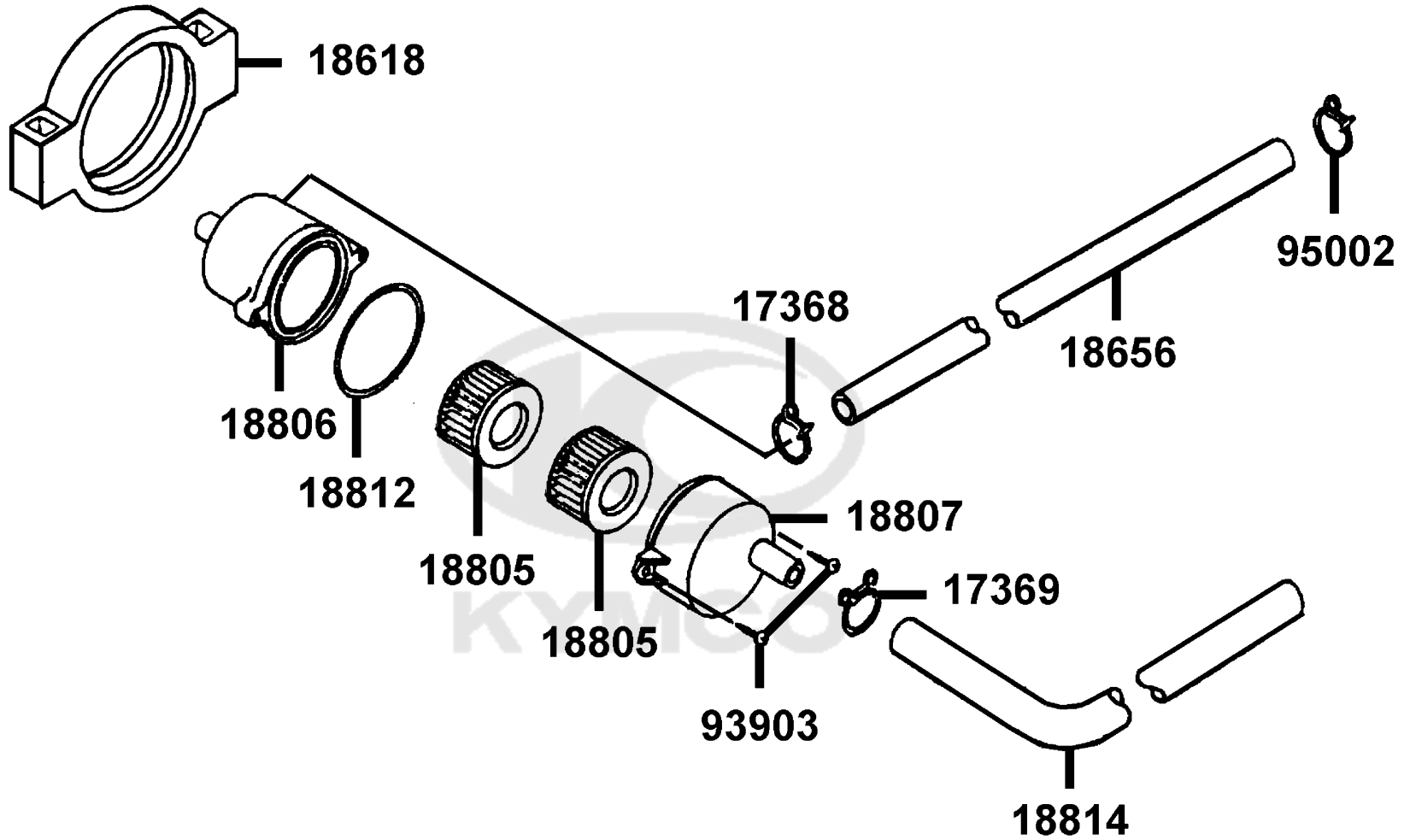
Sales mark	Ref no	Part no	Description	Reg description	Regd no	<b>F22</b>
90913		90913-KHD8-900	TUBE ASSY WATER PUMP	TUBE ASSY WATER PUMP	1	
90914		90914-KHD8-900	TUBE ASSY WATER	TUBE ASSY WATER	1	
94050		94050-06080	NUT FLANGE 6MM	NUT FLANGE 6MM	5	
95001		95001-35135-40	TUBE FUEL 3.5*135	TUBE FUEL 3.5*135	2	
95002-02070		95002-02070	CLIP B7 TUBE	CLIP B7 TUBE	6	
95002-02100		95002-02100	CLIP B15 TUBE	CLIP B15 TUBE	2	
95002-70000		95002-70000	CLIP C11 TUBE	CLIP C11 TUBE	2	
95002-KGN7		95002-KGN7-910	CLIP TUBE	CLIP TUBE	6	
95002-KHE7		95002-KHE7-900	CLIP WATER HOSE	CLIP WATER HOSE	2	
95701		95701-06012-08	BOLT FLANGE 6*12	BOLT FLANGE 6*12	2	



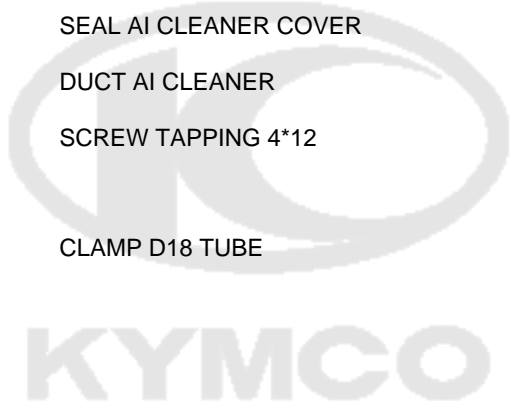
Separated Parts Of Fr Fork



Sales mark	Ref no	Part no	Description	Reg description	Regd no	F23
	51401	51401-KHD8-900	SPRING	SPRING	2	
	51410	51410-KHD8-900	FORK PIPE COMP	FORK PIPE COMP	2	
	51411	51411-KHD8-900	BOOT	BOOT	2	
	51412	51412-KHD8-900	REBOUND SPRING	REBOUND SPRING	2	
	51413	51413-KHD8-900	BOOT BAND	BOOT BAND	2	
**	51420	51420-KHD8-900	BOTTOM CASE R	BOTTOM CASE R	1	
	51422	51422-KEC8-900	OIL LOCK PIECE	OIL LOCK PIECE	2	
	51423	51423-KKAK-900	OIL SEAL	OIL SEAL	2	
	51427	51427-KKAK-900	DUST SEAL	DUST SEAL	2	
	51428	51428-KKAK-900	RING OIL SEAL STOPPER	OIL SEAL STOPPER RING	2	
	51429	51429-KHD8-900	PIPE SEAT COMP	PIPE SEAT COMP	2	
**	51520	51520-KHD8-900	BOTTOM CASE L	BOTTOM CASE L	1	
	90116	90116-KHD8-900	BOLT	BOLT	2	
	90544	90544-KEC8-900	PACKING	PACKING	2	
	94605	94605-KHD8-900	FORK BOLT	FORK BOLT	2	
	94608	94608-30000	O-RING	O-RING	2	



Sales mark	Ref no	Part no	Description	Reg description	Regd no	<b>F24</b>
17368		17368-KDB4-670	CLIP B 14.5 TUBE	CLIP B 14.5 TUBE	1	
17369		17369-KDB4-671	CLIP BREATHER TUBE	CLIP BREATHER TUBE	1	
18618		18618-KEBE-900	RUBBER AI CLEANER MOUNT	RUBBER AI CLEANER MOUNT	1	
18656		18656-KHE6-EZ0	TUBE AI/C REED VALVE	TUBE AI/C REED VALVE	1	
18805		18805-KHB4-910	ELEMENT AI CLEANER	ELEMENT AI CLEANER	2	
18806		18806-KBE2-900	CASE AI CLEANER	CASE AI CLEANER	1	
18807		18807-KBE2-900	COVER AI CLEANER	COVER AI CLEANER	1	
18812		18812-KBE2-900	SEAL AI CLEANER COVER	SEAL AI CLEANER COVER	1	
18814		18814-KHE6-EZ0	DUCT AI CLEANER	DUCT AI CLEANER	1	
93903		93903-34320	SCREW TAPPING 4*12	SCREW TAPPING 4*12 (C)	2	
95002		95002-KKD6-E05	CLAMP D18 TUBE	CLAMP D18 TUBE	1	



Caution Label

● Be sure to wear a safety helmet when riding.  
 ● Do not exceed the speed specified by law when riding.  
 ● The exhaust muffler temperature is very high after riding. Be sure to park the motorcycle in a place not easily touched by people.  
 ● For riding safety and good performance, do not violate the law to modify the motorcycle.  
 ● Make sure to perform the periodic maintenance and provide inspection.

**Periodic Inspection Items**

Brake Performance, tires, engine oil level, lights, horn, and instrument panel  
 KWANG YANG MOTOR CO., LTD.

© Please read the User's Manual carefully to ensure riding safety.

87560

**CAUTIONS**

Never put any article between the rear side cover and the engine to avoid interference of riding.

GMS-300

87542

**CAUTIONS**

Tire Size	:Front 120/70-12	Rear 130/70-12
(One Rider)	:Front 1.75kgf/cm <sup>2</sup>	Rear 2.25kgf/cm <sup>2</sup>
(Two Rider)	:Front 2.00kgf/cm <sup>2</sup>	Rear 2.25kgf/cm <sup>2</sup>
Load Capacity	:Shield 1.5kg	Clip assy center 3kg
(As per KYMCO standard specification)		
(Note: The tire pressure must not overpass 2.50kgf/cm <sup>2</sup> )		

● Check the motor oil level with the dipstick after refilling motor oil.

1006-0000

87505

**CAUTIONS**

Every 5000 km run should exchange the filter.

K02-000

87512

**USE UNLEADED GASOLINE ONLY**

87501

TRADE NAME: KYMCO	1. KYMCO KE87
VEHICLE CATEGORY: A	2. KEHIN KT PB
	3. KYMCO KE87
	4. KYMCO KE85
	5. KYMCO KE85
	6. KYMCO KE87
	7. -----
	8. KYMCO KE86 II
	9. KY GAK #88
	10. KE87 #118.5
	11. KE87 #118.5
	12. KE87 #118.5

Xref: 10004 000-00

87224

Sales mark	Ref no	Part no	Description	Reg description	Regd no	<b>F25</b>
**	87224	87224-KHE6-EZ0	CAUTION ANTI TAMPERING	CAUTION ANTI TAMPERING	1	
**	87501	87501-KRDR-E00	CAUTION USE GAS ONLY	CAUTION USE GAS ONLY	1	
**	87505	87505-KHD8-E00	LABLE TIRE	LABLE TIRE	1	
**	87512	87512-KEBE-E00	CAUTION FILTER	CAUTION FILTER	1	
**	87542	87542-GAR1-E00	MARK MAINT CAUTION	MARK MAINT CAUTION	1	
**	87560	87560-KNBN-E00	MARK DRIVE CAUTION	MARK DRIVE CAUTION	1	



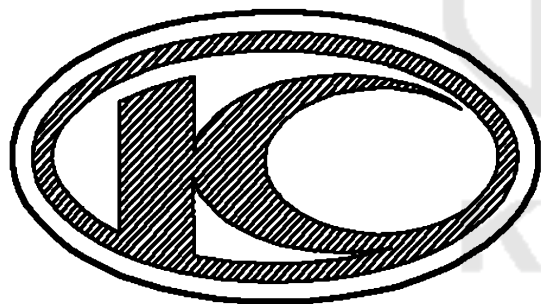




86202



87140



86102



87311

Sales mark	Ref no	Part no	Description	Reg description	Regd no	<b>F26</b>
**	86102	86102-KFA6-E00	EMB K-LOGO 30MM	EMB K-LOGO 30MM	1	
**	86202	86202-KHD8-E00	EMB BODY COVER	EMB BODY COVER	2	
**	87140	87140-KHE6-E00	EMB B BODY COVER	EMB B BODY COVER	2	
**	87311	87311-KKD6-E00	STRIPE MARK EURO 2	STRIPE MARK EURO 2	1	



## PART NO. INDEX

PART NO.	VERSION	PAGE	PART NO.	VERSION	PAGE	PART NO.	VERSION	PAGE
<b>1000</b>			<b>4000</b>			<b>12000</b>		
1001-GC8H-0351	0	E11	4000-077-0000	0	E11	12101-KGB5-900	1	E02
1010-GBLH-0000	0	E11				12191-KEB7-900	0	E02
1014-135H-9900	0	E11	<b>11000</b>			12201-KGB5-E00	0	E02
1019-KANH-7700	0	E11				12251-KFA5-900	1	E02
1029-841-7000	0	E11	11100-KFA5-305	3	E09	12311-KFB5-900	2	F15
1030-898-2100	0	E11	11102-1G87-004	3	E09			
1031-GBLH-0000	0	E11	11108-KEB7-900	0	E03	<b>13000</b>		
1034-GBLH-7100	0	E11	11200-KEB7-325	5	E09	13000-GKAK-921	9	E10
1051-KG8H-9010	0	E11	11203-GGC7-301	2	E09	13011-GKAK-91A	0	E10
105B-073H-9931	0	E11	11203-KHG8-301	2	E08	13101-KHE6-E00	0	E10
106B-KG8H-9804	0	E11	11204-KEB7-900	0	E09	13111-1F66-001	2	E10
1300-GBLH-0000	0	E11	11205-GHAH-004	0	E05	13115-1F56-001	0	E10
1300-KANH-G700	0	E11	11205-GHAH-004	0	E09			
1300-KG8H-9010	0	E11	11205-KED5-900	0	E09	<b>14000</b>		
1300-KG8H-Q010	0	E11	11206-KHE6-900	0	E09	14100-KEB7-900	0	E09
1703-GJ2H-0040	0	E11	11208-GKAK-901	0	E09			
1782-KG8H-9010	0	E11	11330-KFA5-900	8	E01			
1793-144H-9900	0	E11	11332-KFA5-900	0	E01			
1795-KG8H-9010	0	E11	11341-KKD6-900	1	E05	<b>15000</b>		
1799-KBNH-9000	0	E11	11395-KKD6-900	0	E05	15100-KEB7-E00	0	E09
						15110-KEB7-900	0	E09
						15115-KNBN-921	0	E09

## PART NO. INDEX

PART NO.	VERSION	PAGE	PART NO.	VERSION	PAGE	PART NO.	VERSION	PAGE
1552A-KEB8-900	0	E09	17207-KEB7-900	0	F14	18294-KEBE-900	0	F15
15761-KFA5-E00	0	E11	17208-KEB7-900	0	F14	18295-KECE-900	0	F15
15762-KFA5-E00	1	E11	17212-KEB7-900	0	F14	1830A-KHE6-EZ0	3	F15
15772-5A51-001	1	F12	17213-KEB7-900	2	F14	18317-KHD8-E00	1	F15
			17215-KGBG-90A	2	F14	18532-KEBE-900	0	F22
<b>16000</b>			17215-KNBN-200	0	F21	18601-KFB5-900	0	F15
			17216-KEB7-900	0	F14	18612-KFB5-900	1	F15
16075-KG8-9010-M1	0	E11	1721A-KHE6-E00	1	F21	18618-KEBE-900	0	F24
16076-KG8-9010-M1	0	E11	17254-KACA-P00	0	F14	18645-KGB5-EZ0	1	F15
16076-ND5-0040	0	E11	17368-KDB4-670	2	F24	18656-KHE6-EZ0	3	F24
1610K-KHE6-EZ0	0	E11	17369-KDB4-671	1	F24	18805-KHB4-910	0	F24
16152-KG8-9010-M1	0	E11	17500-KHD8-900	3	F10	18806-KBE2-900	1	F24
16162-KG8-9010-M1	0	E11	17502-1G87-001	0	F12	18807-KBE2-900	3	F24
1621A-KHE6-EZ0	1	E09	17502-KHD8-900	0	F10	18812-KBE2-900	0	F24
16700-GKAK-220	1	F10	17510-KHD8-900	1	F10	18814-KHE6-EZ0	1	F24
16911-KEBE-910	0	F10	17620-KEBE-315-M2	0	F20			
16912-KEBE-910	0	F10	17623-KEBE-900	1	F20	<b>19000</b>		
1691A-KEC2-E00	0	F10	17682-KHE6-900	0	F10			
			17683-KHE6-900	0	F10	19010-KHE6-E00	5	F22
<b>17000</b>			17689-KEBE-E00	1	F10	19012-KHD8-900	4	F22
			17910-KHE6-E00	3	F03	19101-KHD8-900	5	F22
17100-KFA5-901	1	E09				19102-KHE7-900	0	F05
17111-KEB7-900	0	E09	<b>18000</b>			19104-KHD8-900	0	F22
17112-KEB7-900	1	E09				19105-KHD8-900	1	F22
17205-KEB7-900	0	F14	18291-LBA7-900	2	F15	19106-GBE2-001	2	F22
17206-KEB7-900	4	F14	18293-KECE-900	0	F15	19106-KHD8-900	0	F22

## PART NO. INDEX

PART NO.	VERSION	PAGE	PART NO.	VERSION	PAGE	PART NO.	VERSION	PAGE
19107-GBE2-001	2	F22				23200-GAR1-220	2	E07
1910A-KHD8-900	8	F22	<b>21000</b>			23220-GKAK-220	1	E07
19111-GBE2-004	1	F22				23225-GAR1-751	0	E07
19114-KEBE-900	1	F22	21200-KFA1-305	3	E08	23233-GHE8-001	2	E07
19120-KHD8-900	4	F22	21395-KNBN-901	1	E08	23237-GAR1-220	0	E07
19210-HAJ1-900	2	F22				23238-GFY6-941	0	E07
19212-KHD8-900	0	F22	<b>22000</b>			23411-KEB7-900	1	E08
19215-KFA5-900	1	E01				23420-KEB7-900	3	E08
19217-KFA5-900	1	E01	22100-GAR1-751	1	E07	23431-KNBN-901	2	E08
19221-KFA5-900	0	E01	22102-KEB7-900	0	E06	23432-KEB7-900	3	E08
19229-KFA5-900	0	E01	22103-KEB7-900	0	E06			
19231-KFA5-900	4	E01	22105-KEB7-E00	1	E06	<b>28000</b>		
19300-KAE1-004	1	E01	22110-KFA1-220	0	E06			
19315-KFA5-E00	1	E01	22121-GLW0-901	2	E06	28211-KEB7-900	1	E06
19410-KEB7-900	2	F21	22131-GHAH-781	0	E06	28223-KNBN-901	0	E06
19411-KBCB-900	0	F10	22132-GLW0-001	2	E06	28230-GKAK-921	0	E06
19411-KNBN-900	1	F21	22300-KXCX-900	2	E07	28250-KNBN-901	1	E06
19422-KFA5-900	0	E01	22350-GKAK-930	1	E07	28253-GBN2-60A	0	E06
19501-KHE6-E00	0	E01	22401-GBG2-900	0	E07	28255-GFS6-001	0	E06
19502-KFA5-900	1	E01	22530-GKAK-930	1	E07	28281-GBN2-60A	1	E06
19503-KFA5-900	0	E01	22804-1H48-001	0	E07	28300-KGB5-900	0	F16
19504-KHD8-900	0	F22						
19505-KHD8-900	0	F22	<b>23000</b>			<b>30000</b>		
19506-KHD8-900	1	F22						
			2301A-KEB7-220	1	E07	30410-GBW2-901	0	F20
			23100-KEB7-900	0	E07	3051A-KFA5-90A	2	F20

## PART NO. INDEX

PART NO.	VERSION	PAGE	PART NO.	VERSION	PAGE	PART NO.	VERSION	PAGE
3051A-KFA5-90B	3	F20	33400-KHD8-E00	3	F18	35101-KHD8-305	0	F20
30700-KFA5-900	2	F20	33402-KHD8-900	0	F18	35102-KHE7-900	0	F20
<b>31000</b>			33450-KHD8-E00	3	F18	3515A-KHE6-E00	3	F03
			33452-KHD8-900	0	F18	3520A-KHE6-E00	2	F03
			33700-KHE6-E00	2	F19	35340-KED1-900	0	F03
31110-KKD6-E0A	1	E03	33701-KHD8-E00	0	F19	35340-KNBN-901	0	F04
31110-KKD6-E0B	1	E03	33705-GCN3-67A	0	F19	35400-KNBN-920	0	F20
31120-KHE6-E0A	2	E03	33706-GCN3-67A	0	F19	35410-KFA5-900	0	F12
31120-KHE6-E0B	2	E03	33709-KBAB-003	0	F19			
31209-GKAK-901	3	E04	33741-GFY6-C30	1	F19	<b>37000</b>		
31210-GKAK-90C	1	E04	33741-KEBE-900	1	F19			
31500-KCAC-90A	8	F11	<b>34000</b>			37200-KHE6-E0A	4	F02
31600-KUDU-900	2	F20				37200-KHE6-E0B	3	F02
<b>32000</b>			34901-KFA6-900	0	F01	37211-KHD8-90A	0	F02
			34903-KPCP-900	0	F19	37211-KHD8-90B	0	F02
			34905-KPCP-900	0	F18	37280-KFA6-900	0	F02
32100-KHE6-E10	1	F20	34905-KPCP-900	0	F19	37720-KGBG-E00	0	F20
32105-KHE6-E00	1	E04	34906-KPCP-900	0	F19	37750-PAC1-005	0	E01
32108-GFY6-901	0	F20	34908-KUCU-900	0	F01	37801-GGA7-701	1	F10
32120-1E55-001	0	F20	34908-MKB9-87A	0	F02	37802-GGA7-701	2	F10
<b>33000</b>			34909-KEBE-900	0	F02	3780A-KHD8-900	1	F10
			<b>35000</b>			<b>38000</b>		
33100-KHE7-E00	2	F01						
33120-KHE7-E00	0	F01				38110-GGS7-E0A	2	F20
33130-KHE7-E00	0	F01	35010-KHE6-E00	1	F20	38301-GGS7-005	3	F02

## PART NO. INDEX

PART NO.	VERSION	PAGE	PART NO.	VERSION	PAGE	PART NO.	VERSION	PAGE
38501-GBN2-004	1	F11	44650-KHD8-30A	3	F07	45216-KFW6-90A	0	F07
38501-GBN2-00A	1	F11	44650-KHD8-30C	4	F07	45351-KHE7-E00	1	F07
38773-PKB9-001	0	F22	44710-KEB7-E1A	3	F07	45513-GLW0-91A	0	F04
<b>42000</b>			44800-KFA5-900	2	F07	45517-GFY6-900	5	F03
			44830-KHD8-900	2	F02	45517-KFAF-910	0	F04
			44831-KHD8-900	0	F02	45530-KHD8-305	0	F04
						45531-GAR1-951	0	F07
42601-KEB7-E0E	2	F08	<b>45000</b>			<b>50000</b>		
42710-KEB7-E1A	3	F08						
42753-KXCX-900	1	F07						
42753-KXCX-900	1	F08						
<b>43000</b>			45107-MEN5-007	0	F07			
			45108-MDL4-007	2	F07	50100-KHE6-E00	7	F21
			45109-GBE2-007	0	F07	50117-KHD8-900	1	F10
			4510A-KFW6-900	2	F07	50139-KEBE-C00	0	F10
4312A-KXCX-900	8	F08	45126-KHD8-900	1	F04	50171-KHD8-900	1	F21
43141-KKD6-E00	1	F08	45128-KEBE-900	0	F04	50172-KHD8-900	1	F21
43352-KKD6-E90	1	F07	45131-1F66-017	0	F07	50301-KGN7-671	2	F21
43353-4A61-77A	0	F07	45131-GBE2-007	1	F07	50302-2H68-011	2	F21
43410-KFA1-900	0	F08	45132-1F66-017	0	F07	50306-1F96-001	0	F06
43450-KHE6-E00	0	F03	45133-0H28-001	1	F08	50326-KHD8-900	2	F11
43452-GKAK-900	0	F04	45133-MCA3-007	0	F07	50350-KHE6-E00	0	F21
<b>44000</b>			45156-KECE-900	2	F06	50356-KNBN-200	1	F21
			45200-KHD8-E90	2	F07	50357-KEB7-900	1	F21
			45209-GBE2-007	0	F07	50503-KEB7-900	1	F16
			45210-KHD8-900	0	F07	50505-KEBE-900	0	F16
44301-KXCX-900	4	F07	45215-KKD6-E90	1	F07	50505-KHD8-900	0	F16
44311-KEBE-900	0	F07	45216-1F66-007	0	F07	5050A-KHE6-E00	1	F16
44620-KHD8-900	1	F07						

## PART NO. INDEX

PART NO.	VERSION	PAGE	PART NO.	VERSION	PAGE	PART NO.	VERSION	PAGE
50530-KHE6-E00	3	F16						
50531-KEB7-E00	1	F16	<b>53000</b>			<b>55000</b>		
50532-KGBG-E00	1	F16						
50550-KEB7-E00	1	F16	53100-KHD8-900	2	F03	55100-KHE6-900	0	F12
50621-KEBE-900	5	F21	53105-KFC8-900	2	F03	55102-1F66-001	0	F12
<b>51000</b>			53106-KFC8-900	2	F03	55106-KEB7-900	2	F12
			53125-GEN5-901	0	F03	55121-KEB7-900	0	F12
			53129-KHE7-900	0	F20	55123-KHE6-900	0	F12
51400-KHD8-900	1	F06	53140-KFC8-900	0	F03	55201-1G87-001	0	F12
51401-KHD8-900	0	F23	53166-KNBN-911	0	F03			
51410-KHD8-900	0	F23	53172-KHE6-E00	1	F03	<b>61000</b>		
51411-KHD8-900	0	F23	53175-KFA5-E10	0	F04			
51412-KHD8-900	0	F23	53178-KFA5-E10	0	F03	61110-KHD8-900	2	F05
51413-KHD8-900	0	F23	5317B-KHE6-E00	2	F03			
51420-KHD8-900	0	F23	53200-KHE6-E00	1	F06	<b>64000</b>		
51422-KEC8-900	0	F23	53205-KHD8-900	1	F03			
51423-KKAK-900	0	F23	53206-KHD8-E00	1	F03	64301-KHE7-900	2	F05
51427-KKAK-900	0	F23	53207-KHD8-900	1	F03	64302-KHD8-900	0	F05
51428-KKAK-900	0	F23	53208-KHE6-900	0	F03	64303-KHE7-900	1	F05
51429-KHD8-900	0	F23	53211-GFY6-940	1	F06	64305-KHD8-900	0	F05
5150A-KHD8-900	1	F06	53212-2L50-011	1	F06	64306-KHD8-900	0	F05
51520-KHD8-900	0	F23	53214-2L50-001	0	F06	64310-KHD8-900	0	F05
<b>52000</b>			53215-2L50-001	0	F06	64316-KEB7-900	0	F05
						64320-KHD8-900	2	F05
						64321-KHD8-900	2	F05
52400-KHE6-E90	1	F17				64331-KHD8-900	0	F13



## PART NO. INDEX

PART NO.	VERSION	PAGE	PART NO.	VERSION	PAGE	PART NO.	VERSION	PAGE
64341-KHD8-900	0	F13						
64341-KHE6-900	0	F13	<b>81000</b>			<b>87000</b>		
64351-KHD8-900	0	F13						
64361-KHD8-900	0	F13	81131-KHD8-900	4	F05	87140-KHE6-E00	1	F26
64400-KHD8-900	1	F05	81132-KEB7-900	1	F05	87224-KHE6-EZ0	0	F25
<b>77000</b>			8113A-KHD8-900	0	F05	87311-KKD6-E00	1	F26
			8114A-KHD8-900	0	F05	87501-KRDR-E00	2	F25
			81200-KHD8-900	1	F13	87505-KHD8-E00	0	F25
77200-KHE6-900	1	F09	81201-KHD8-900	1	F13	87512-KEBE-E00	0	F25
77206-KEC6-900	0	F13	81260-KHE6-900	2	F13	87542-GAR1-E00	2	F25
77232-KCAC-901	2	F13	<b>83000</b>			87560-KNBN-E00	1	F25
77235-KFA5-900	0	F13				<b>88000</b>		
77239-GFY6-315-M2	0	F20						
77240-KEBE-900	0	F13	83500-KHD8-900	3	F13			
77303-KEBE-900	1	F09	83501-KHD8-900	4	F13	88110-KHD8-900	2	F03
<b>80000</b>			83600-KHD8-900	3	F13	88120-KHD8-900	2	F03
			83601-KHD8-900	4	F13			
			8376A-KEBE-900	4	F05	<b>89000</b>		
80100-KEB7-900	0	F19	<b>86000</b>			89010-KNBN-900	0	F09
80101-KHD8-900	1	F19				89013-KFC8-E00	1	F09
80105-KHD8-900	0	F19						
80107-KEB7-900	1	F19	86102-KFA6-E00	2	F26	<b>90000</b>		
80108-KEB7-900	0	F19	86202-KHD8-E00	0	F26			
80109-KEB7-900	0	F19						
80151-KHD8-900	2	F13				90001-GKAK-901	0	E02
						90105-KCR3-001	1	F07

## PART NO. INDEX

PART NO.	VERSION	PAGE	PART NO.	VERSION	PAGE	PART NO.	VERSION	PAGE
90106-GEN5-901	0	F03	90302-GFY6-901	1	F12	90677-GAR1-004	1	F13
90106-KFC2-900	0	F03	90302-GFY6-901	1	F13	90683-GAR1-004	4	F05
90106-KFC2-900	0	F13	90302-GFY6-940	1	F13	90701-6K79-001	0	E01
90108-KFC8-E00	0	F16	90302-KNBN-900	1	F03	90741-0E35-001	0	E10
90110-GLW0-001	0	F13	90302-SDA4-004	2	F03	90754-GHC8-00A	1	F07
90110-KEB7-900	1	F03	90302-SDA4-004	2	F05	90912-KFLF-00A	0	F07
90110-KEB7-900	1	F05	90302-SDA4-004	2	F13	90913-KHD8-900	0	F22
90110-KEB7-900	1	F13	90304-GHE8-004	0	F03	90914-KHD8-900	0	F22
90110-KHD8-900	0	F15	90304-GHE8-004	0	F21			
90111-1G47-001	0	F13	90305-KNBN-90B	0	F08	<b>91000</b>		
90111-1G87-001	1	F05	90306-KLF0-901	0	F07			
90112-KRDR-900	0	F20	90309-KLF0-004-SY	1	E08	91001-GGA7-70A	2	E07
90114-1F66-007	2	F04	90381-GEZ5-001	1	F13	91001-GLW0-90A	6	E09
90115-GLE0-001	0	F03	90412-3K29-001	0	E06	91001-KFA5-900	0	E01
90116-KHD8-900	0	F23	90423-KKJ9-001	0	E01	91002-KFA5-900	0	E01
90120-GAR1-J00	0	E09	90429-KNBN-901	0	E08	91004-KBN2-90A	0	E08
90121-GFY6-901	1	F21	90432-KFA5-900	0	E01	91004-KBN2-90A	0	E09
90122-GCS3-001	0	E06	90442-0D44-001	0	E07	91004-KNBN-92A	0	E09
90122-KEBE-900	2	F07	90451-GBN2-601	0	E06	91006-KNBN-901	5	E09
90145-MKS9-61A	1	F04	90454-GBB2-001	0	E07	91009-GLE0-004	1	E08
90164-0H28-900	2	F20	90474-3C33-001	1	E09	91102-GLW0-009	0	E10
90202-1G87-001	0	E07	90501-KNBN-901	0	F08	91103-GAR1-004	0	E07
90215-KKC4-900	1	F13	90544-KEC8-900	0	F23	91103-GAR1-00A	0	E07
90301-6D34-671	1	F19	90545-3L00-001	2	F04	91201-KNBN-92A	0	E09
90301-KGBG-900	1	F15	90652-GBHB-641	0	F14	91202-KNBN-92A	0	E09
90302-GBR2-001	1	F22	90656-GFY6-911	0	F03	91202-KNBN-92B	0	E09

## PART NO. INDEX

PART NO.	VERSION	PAGE	PART NO.	VERSION	PAGE	PART NO.	VERSION	PAGE
91204-KNBN-90A	1	E09	93600-04012-1G	0	F04			
91211-GHK8-014	1	E07	93700-05018-0H	0	F02	<b>94000</b>		
91255-GLE0-006	0	E08	93891-05016-06	0	F11			
91301-0C53-001	0	E08	93892-04008-18	0	E11	94001-05080-0S	0	F03
91301-KEA5-742	0	E07	93892-04014-18	0	E11	94001-12280-0S	0	E06
91302-PKA9-004	0	E07	93893-04012-18	0	F04	94050-05080	0	F19
91304-GLB0-911	1	E09	93901-32320	0	F18	94050-06080	0	E11
91309-GKAK-901	0	E04	93903-14360	0	F13	94050-06080	0	F04
91320-KAE1-001	0	E01	93903-25360	0	F14	94050-06080	0	F05
91352-KHG8-83B	0	F08	93903-34320	0	F24	94050-06080	0	F09
<b>92000</b>			93903-34360	0	F01	94050-06080	0	F10
			93903-34360	0	F03	94050-06080	0	F20
			93903-34360	0	F05	94050-06080	0	F22
92700-06028-1B	0	E02	93903-34360	0	F13	94050-10080	0	E03
<b>93000</b>			93903-34360	0	F14	94050-10080	0	E07
			93903-34360	0	F18	94050-KFA5-900	4	E01
			93903-34360	0	F19	94051-KFA5-910	0	E01
93404-06016-06	0	F19	93903-34360	0	F21	94052-KFA5-900	0	E01
93404-KKC2-900	1	F05	93903-35080	0	F14	94101-06700	0	F15
93500-04025-0H	0	F20	93903-35220	0	F10	94101-08600	0	F16
93500-05012-0H	0	E09	93903-35320	0	F02	94251-08400	0	F16
93500-05016-0H	0	E01	93903-GFY6-900	1	F03	94301-10200	0	E09
93500-05016-1B	0	F03	93903-GFY6-900	1	F05	94510-20000	0	E08
93500-05025-1B	0	F03	93903-GFY6-900	1	F13	94511-14000	0	E06
93500-05032-1B	0	F03	93903-GFY6-900	1	F19	94520-24000	1	E07
93500-05045-1B	0	F03	93903-KEB7-900-06	1	F05	94591-27000	0	F05

## PART NO. INDEX

PART NO.	VERSION	PAGE	PART NO.	VERSION	PAGE	PART NO.	VERSION	PAGE
94591-KFBF-900	2	E01	95701-06008-06	1	F15	95801-10120-06	0	F21
94605-KHD8-900	0	F23	95701-06012-08	0	F04	95801-KGB5-E00	1	F15
94608-30000	0	F23	95701-06012-08	0	F06			
<b>95000</b>			95701-06012-08	0	F10	<b>96000</b>		
			95701-06012-08	0	F13			
			95701-06012-08	0	F19	96001-06012-08	0	E03
95001-35135-40	0	F22	95701-06012-08	0	F21	96001-06012-08	0	F04
95002-02070	0	F22	95701-06012-08	0	F22	96001-06022-08	0	E03
95002-02080	0	E11	95701-06014-08	0	F10	96001-06025-06	0	F03
95002-02080	0	F10	95701-06022-06	1	F04	96001-06025-08	0	E01
95002-02100	0	F10	95701-06022-06	1	F16	96001-06025-08	0	E04
95002-02100	0	F12	95701-06022-08	0	F08	96001-06025-08	0	E05
95002-02100	0	F22	95701-06025-08	0	F15	96001-06025-08	0	E09
95002-02110	0	F14	95701-06032-08	0	E01	96001-06032-08	0	E09
95002-02130	0	F10	95701-06040-08	0	F14	96001-06035-08	0	E01
95002-02650	0	E09	95701-06040-08	0	F15	96001-06045-08	0	E09
95002-40800-08	0	E11	95701-08012-08	0	E09	96001-06055-08	0	E09
95002-50000	0	F10	95701-08040-08	0	E09	96100-62033-00	0	E09
95002-50000	0	F12	95701-KEBE-E00	1	F20	96211-05000	0	F06
95002-70000	0	F22	95801-08030-08	0	F17	96211-08000	0	F06
95002-KGN7-910	1	E01	95801-08035-08	0	E09			
95002-KGN7-910	1	F22	95801-08040-08	0	F06	<b>98000</b>		
95002-KHE7-900	0	F22	95801-08075-06	0	F15			
95002-KKD6-E05	0	F24	95801-10035-08	0	F17	98076-5671G-00	0	E02
95015-32001	0	F03	95801-10050-06	1	F21	98200-10700	0	F11
95015-42000	0	F03	95801-10095-06	0	F21	98200-10700	0	F20

## PART NO. INDEX

PART NO.	VERSION	PAGE	PART NO.	VERSION	PAGE	PART NO.	VERSION	PAGE
<b>99000</b>								
99101-116-0720	0	E11						
<b>K</b>								
K785-KEB-0100	0	E11						
K785-KEB-0300	0	E11						
<b>N</b>								
N350-09F00	0	E11						
N413-18N00	0	E11						
N425-8JA00	0	E11						
N502-36H00	0	E11						
<b>W</b>								
W9535-50000	0	E11						