

PARTS CATALOGUE



SCOOTERS

KL10BA(PL)

AGILITY CITY 50



Release Date : 2010/01/19
Print Date : 2010/04/20

ABOUT THIS PARTS LIST

- This parts list is compiled all service parts for model KL10BA(PL).
- Any difference between color chart and motorcycle will be revised according to motorcycle.
- The Mark:
 1. Marking "***" must add color code in the end before ordering parts.
 2. Marking "#" are parts with modification, Please find the details from e-Parts system.
- When modification or additions to this parts list are made a revised edition at an appropriate time.

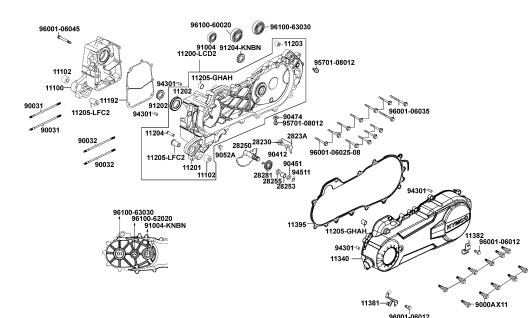
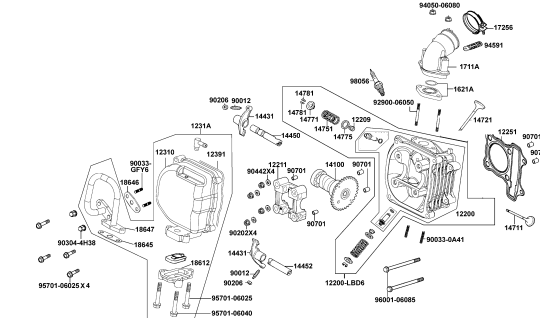
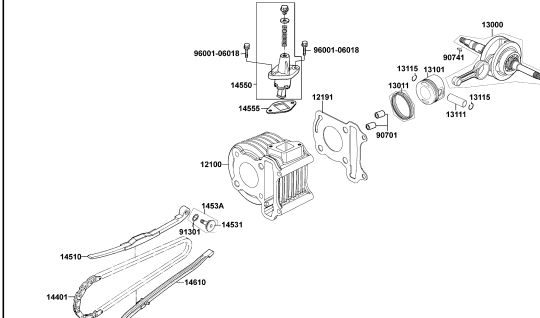
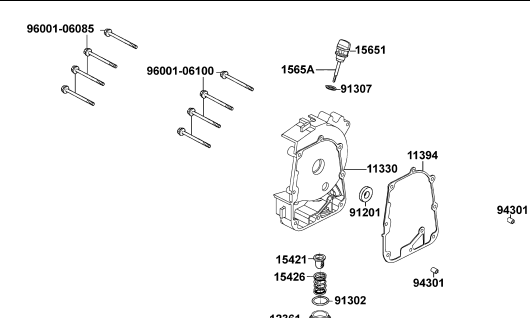
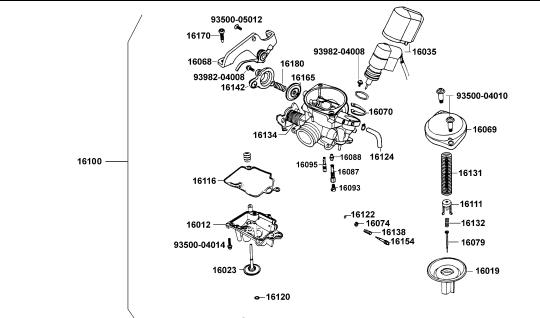
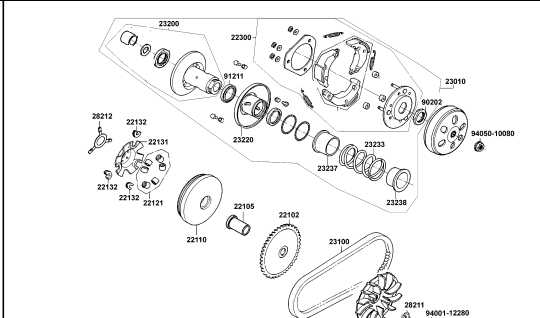
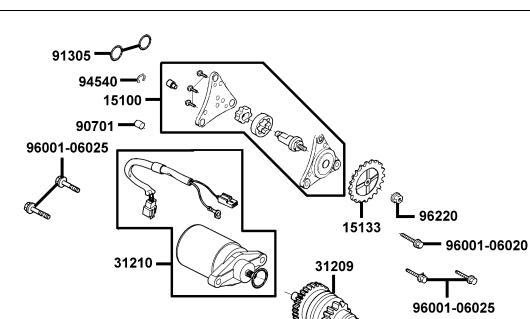
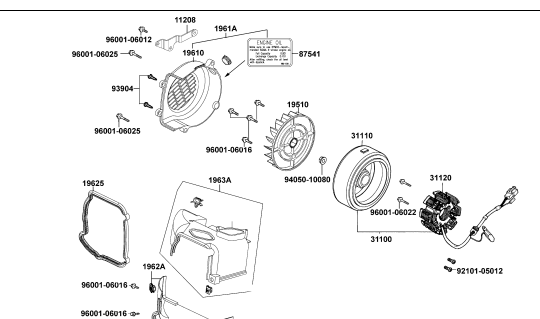
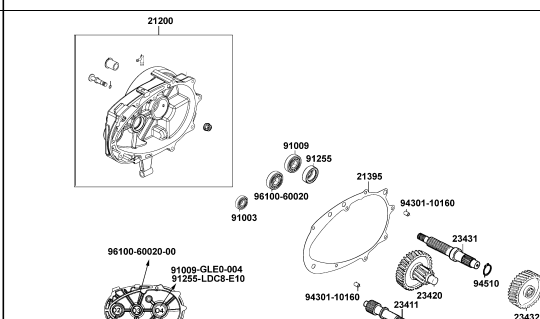
CONTENTS

● ABOUT THIS PARTS LIST	1
● COLOR CHART OF KL10BA(PL)	3
● CONTENTS-ENGINE GROUP	5
● CONTENTS-FRAME GROUP	6
● ENGINE PARTS LIST	9
● FRAME PARTS LIST	37
● PART NO. INDEX	89

NO	MODEL			COLOR CHART OF KL10BA(PL)			
	PHOTO NO			NO. 1	NO. 2	NO. 3	NO. 4
	BASIC COLOR			Deep Blue	Dark Gray Metallic	Black	Pearly White
	CODE			Deep Blue	Dark Gray Metallic	Black	Pearly White
	PARTS NAME	PARTS NO.	VERSION	PB281MA	NH230MA	NH001SA	NH193PA
1	COVER HANDLE FR	53205-LFC2-E10	1	CAP	HKP	N1P	NVP
2	COVER FR	64301-LFC2-E10	1				
3	CAP FR COVER	64303-LFC2-E10	1				
4	COVER R BODY	83500-LFC2-E10	1				
5	COVER L BODY	83600-LFC2-E10	1				
6	COVER RR CENTER	83750-LFC2-E10	1				
7	COVER BATTERY	50326-LFC2-E10	1	N1R			
8	COVER UNDER	50613-LFC2-E10	1				
9	COVER METER	53204-LFC2-E10	1				
10	COVER HANDLE RR	53206-LFC2-E10	1				
11	ASSY METER VISOR	64210-LFC2-E10	1				
12	MOLD FRONT	64302-LFC2-E10	1				
13	SKIRT R SIDE	64305-LFC2-E10	1				
14	SKIRT L SIDE	64306-LFC2-E10	1				
15	GRILLE R FR MOLDING	64307-LFC2-E10	1				
16	GRILLE L FR MOLDING	64308-LFC2-E10	1				
17	FLOOR PANEL	64310-LFC2-E11	0				
18	COVER R STEP	64350-LFC2-E11	0				
19	COVER L STEP	64360-LFC2-E11	0				
20	COVER CENTER	80151-LFC2-E10	1				
21	LEG SHIELD	81131-LFC2-E10	1				
22	CAP LEG SHIELD UP	81132-LFC2-E10	1				
23	LID INNER BOX	81141-LFC2-E10	1				
24	GRILL R SIDE	83510-LFC2-E10	1				
25	GRILL L SIDE	83610-LFC2-E10	1				
DATE OF STARTING-SALES							
DATE OF END-SALES							

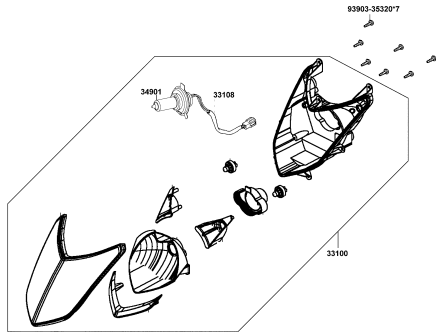
NO	MODEL			COLOR CHART OF KL10BA(PL)			
	PHOTO NO			NO. 1	NO. 2	NO. 3	NO. 4
	BASIC COLOR			Deep Blue	Dark Gray Metallic	Black	Pearly White
	CODE			Deep Blue	Dark Gray Metallic	Black	Pearly White
	PARTS NAME	PARTS NO.	VERSION	PB281MA	NH230MA	NH001SA	NH193PA
26	MIRROR ASSY R BACK	88110-LEB5-C10	1	NEA			
27	MIRROR ASSY L BACK	88120-LEB5-C10	1	NEA			
28	FENDER FR	61100-LFC2-E10	1	NEP			
29	COVER COMP L SIDE	11340-LEJ2-E10	0	NE			
30	HOOK LUGGAGE	81134-KGBG-9000	2	NH268			
31	EMB BODY COVER	86202-LFC2-E10	1	T01			
32	CAUTION ANTI	87224-LEJ2-EZ0	1				
33	LABEL TIRE	87505-LFC2-E10	2				
34	CAUTION SIDE STAND	87541-GAR1-E01	1				
35	LABEL OIL CAP	87541-KGBG-E00	0				
36	MARK MAINT CAUTION	87542-GAR1-E01	2				
37	MARK DRIVE CAUTION	87560-GFY6-E01	3				
38	STRIPE K-LOGO 22MM	86102-LEJ2-E00	2	T03	T01	T03	
DATE OF STARTING-SALES							
DATE OF END-SALES							

CONTENTS - ENGINE GROUP

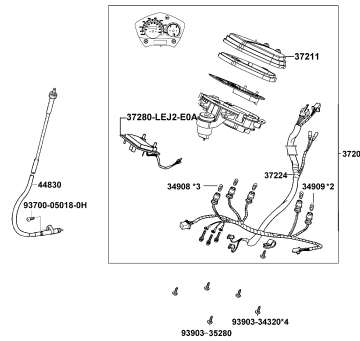
<p>E01 Crank Case</p> 	<p>E02 Cylinder Head</p> 	<p>E03 Cylinder Piston Crankshaft</p> 
<p>E04 Right Crankcase Cover</p> 	<p>E05 Carburetor</p> 	<p>E06 Driven Pulley</p> 
<p>E07 Starting Motor Oil Pump</p> 	<p>E08 Fan Cover Generator</p> 	<p>E09 Transmission</p> 

CONTENTS - FRAME GROUP

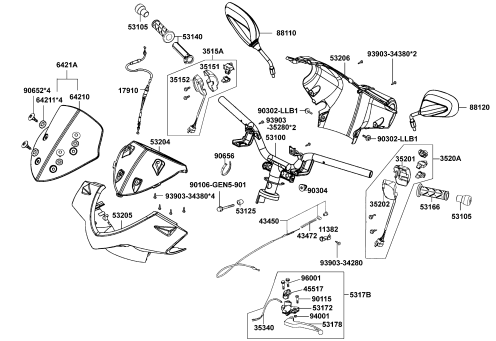
F01 Head Light



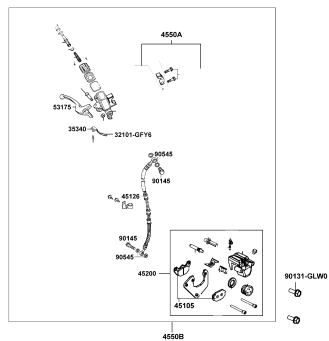
F02 Speedometer



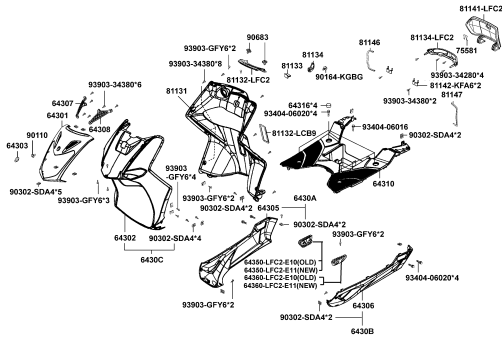
F03 Handle Steering Handle Cover



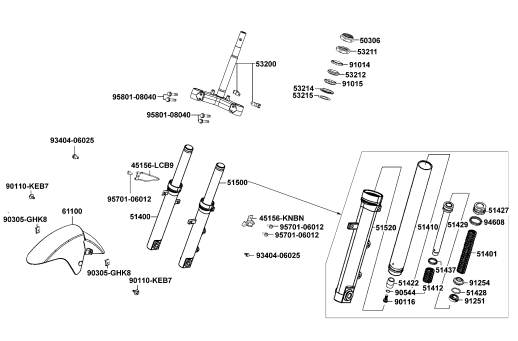
F04 Brake Master Cylinder



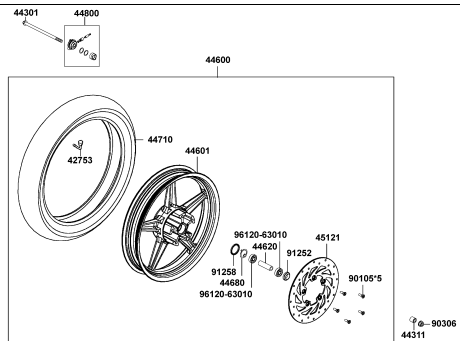
F05 Front Cover Front Fender



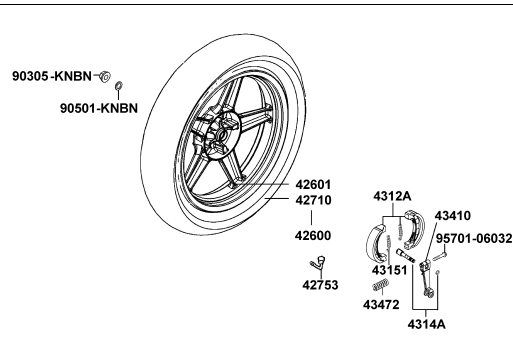
F06 Stem Steering Front Cushion



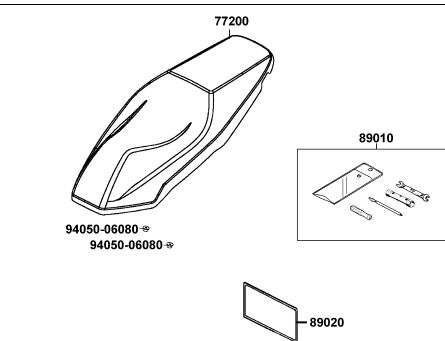
F07 Front Wheel



F08 Rear Wheel

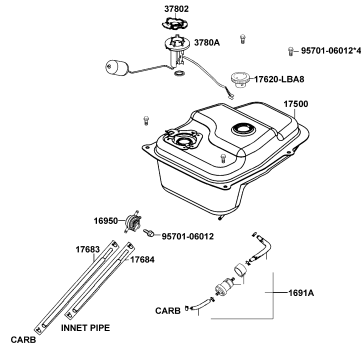


F09 Seat

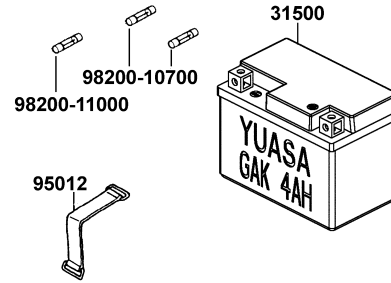


CONTENTS - FRAME GROUP

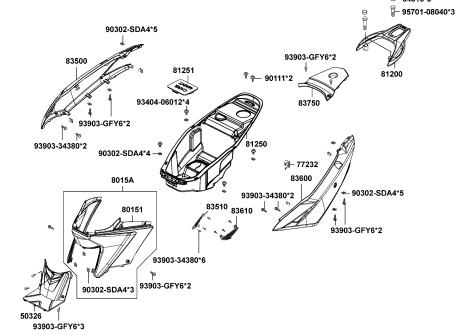
F10 Fuel Tank



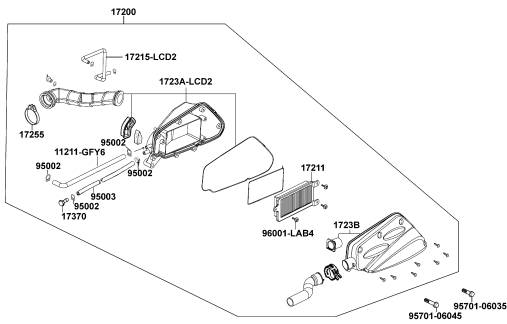
F11 Battery



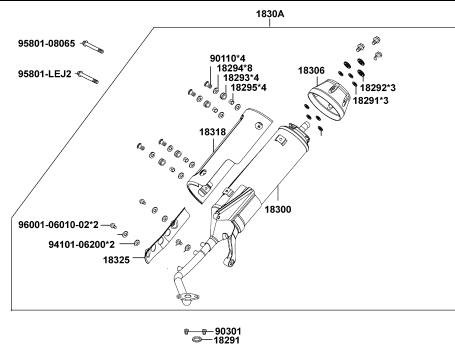
F12 Body Cover Luggage Box



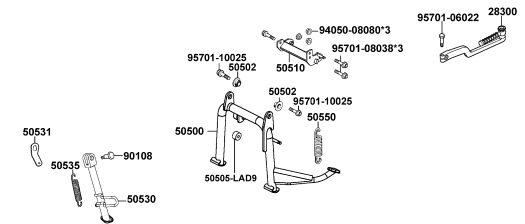
F13 Air Cleaner



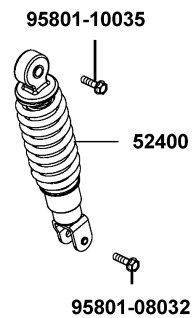
F14 Exhaust Muffler



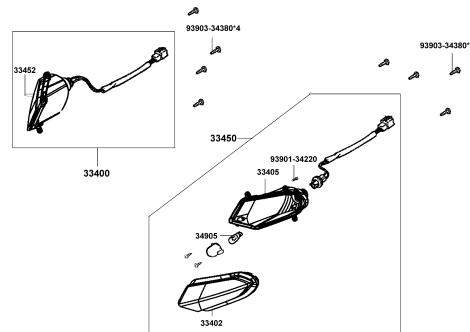
F15 Stand Kick Starter Arm



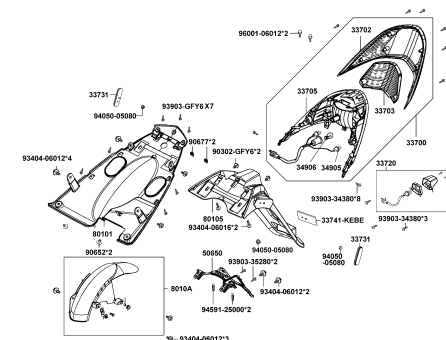
F16 Rear Cushion



F17 Front Winker

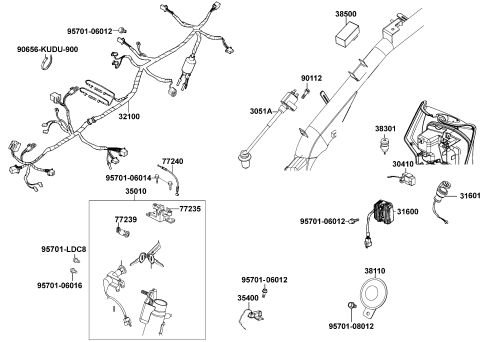


F18 Tail Light

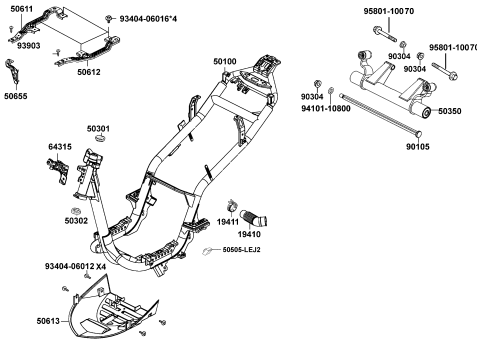


CONTENTS - FRAME GROUP

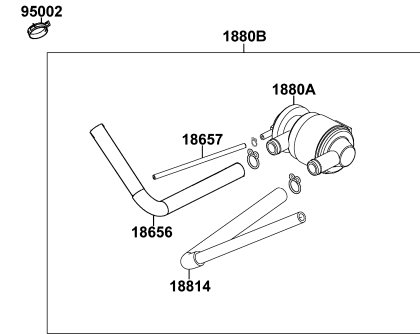
F19 Wire Harness



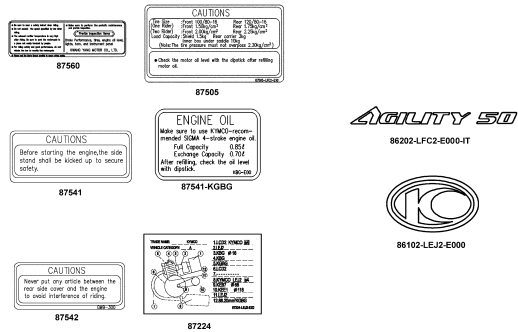
F20 Frame Body



F21 Air Cleaner Two

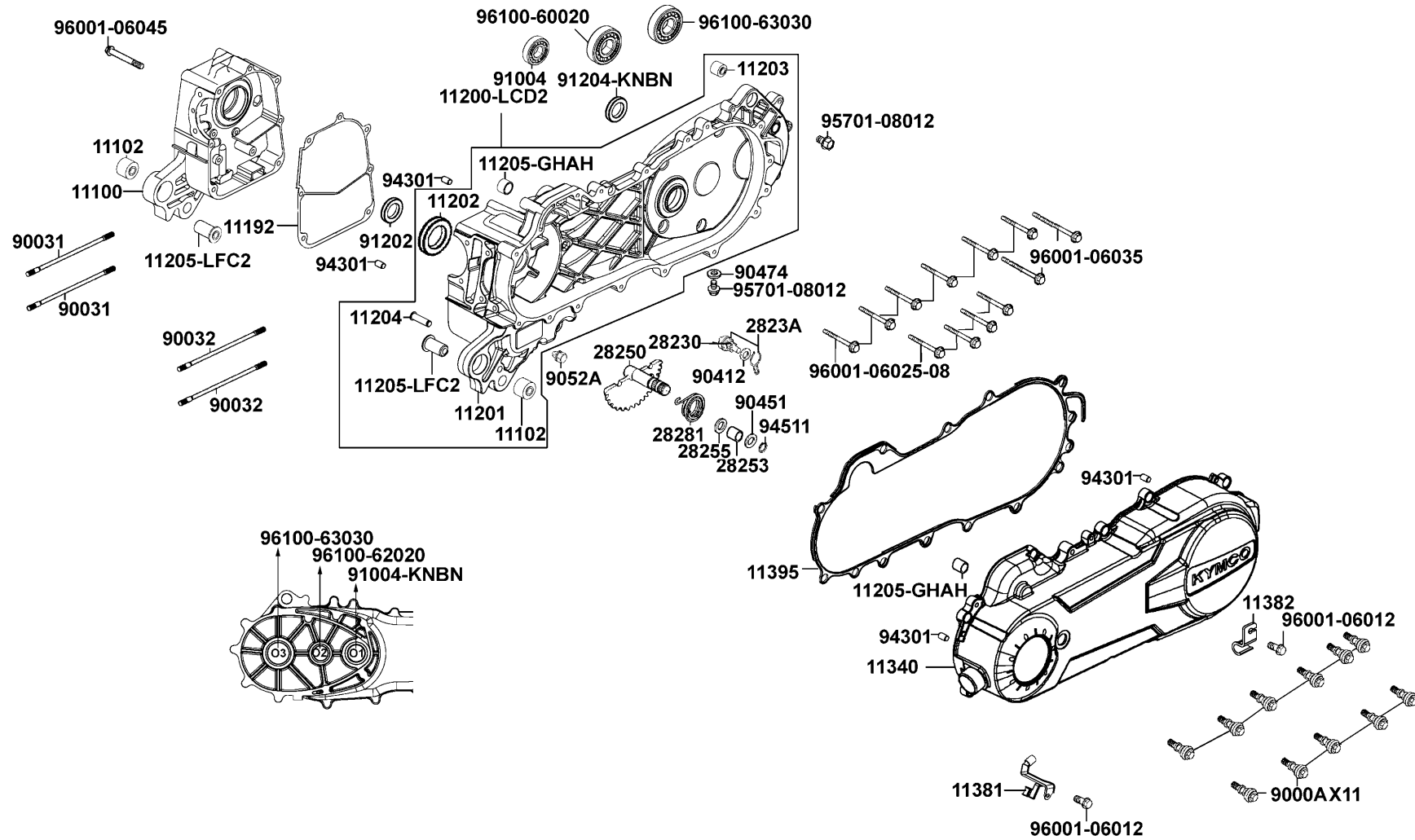


F22 Emblem Stripe



E01

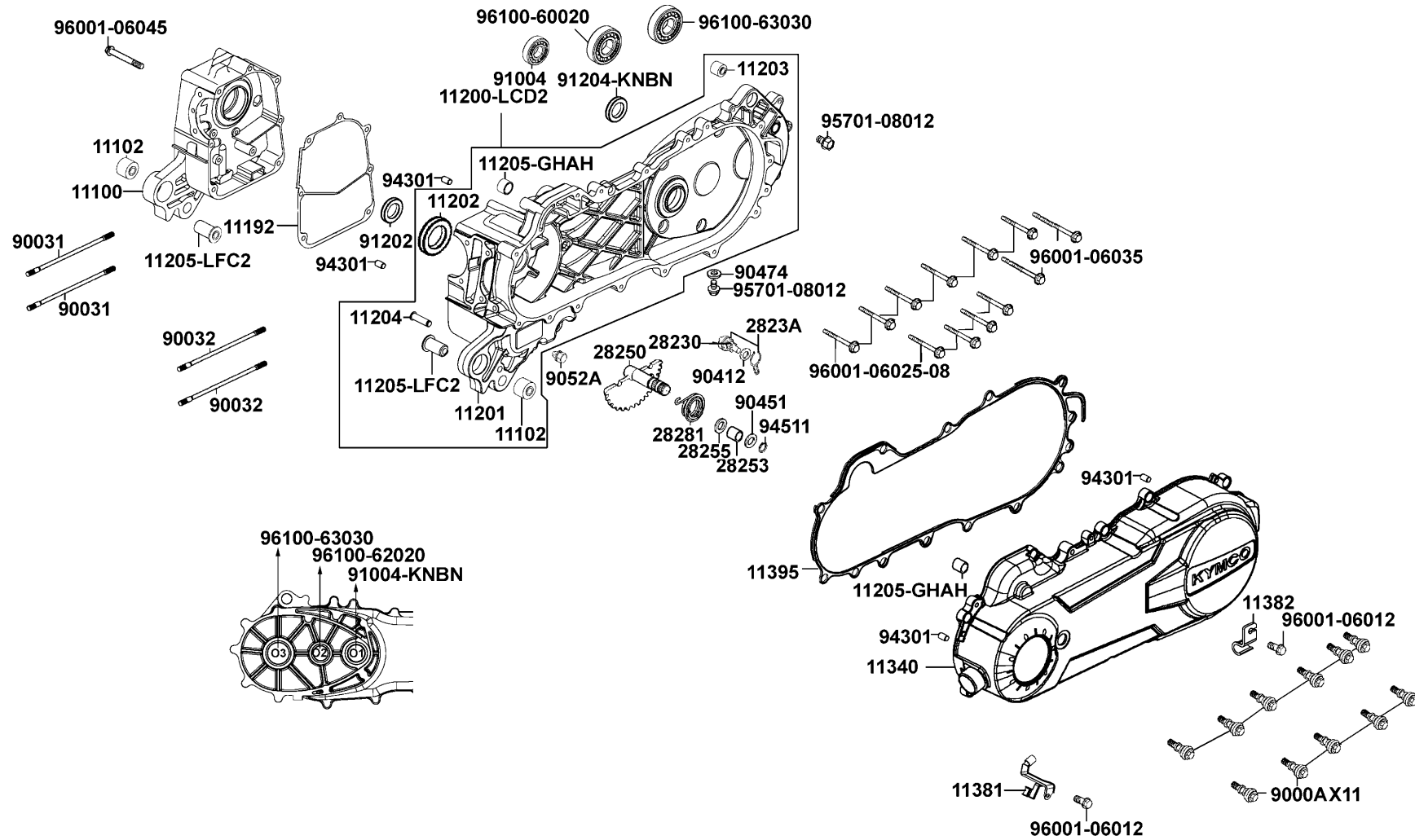
Crank Case



Sales mark	Ref no	Part no	Description	Reg description	Regd no	E01
	11100	11100-LFC2-E10	CRANK CASE COMP RIGHT	CRANK CASE COMP RIGHT	1	
	11102	11102-1G87-0040	RUB BUSH ENG HANGER	RUB BUSH ENG HANGER	2	
	11192	11192-KGBG-C10	"GASKET,CRANK CASE@A"	"GASKET,CRANK CASE@A"	1	
	11200	11200-LFC2-E10	CRANK CASE COMP L	CRANK CASE COMP L	1	
	11201	11201-LCD2-E00	CRANK CASE COMP L	CRANK CASE COMP L	1	
	11202	11202-KGBG-900	BUSH L 47MM	BUSH L 47MM	1	
	11203	11203-GGC7-W10	UNDER RUBBER BUSH REAR CUSHION	UNDER RUBBER BUSH REAR CUSHION	1	
	11204	11204-LEJ2-E10	PIN SPG HOOK	PIN SPG HOOK	1	
	11205-GHAH	11205-GHAH-004	BUSH 8*12*8	BUSH 8*12*8	2	
	11205-LFC2	11205-LFC2-E10	"BUSH, MAIN STAND"	"BUSH, MAIN STAND"	1	
**	11340	11340-LEJ2-E10	COVER COMP L SIDE	COVER COMP L SIDE	1	
	11381	11381-LBC9-900	CLAMPER THROTTLE CABLE	CLAMPER THROTTLE CABLE	1	
	11382	11382-LCD2-E00	CLAMPER BRAKE CABLE	CLAMPER BRAKE CABLE	1	
	11395	11395-LCD2-E00	GASKET L COVER	GASKET L COVER	1	
	28230	28230-GHAH-7210	GEAR COMP KICK DRIVEN	GEAR COMP KICK DRIVEN	1	
	2823A	2823A-LBD6-E00	GEAR ASSY KICK DRIVEN	GEAR ASSY KICK DRIVEN	1	
	28250	28250-LEJ2-E10	"SPINDLE COMP,KICK STARTER"	"SPINDLE COMP,KICK STARTER"	1	
	28253	28253-GBN2-6020	BUSH KICK SPINDLE	BUSH KICK SPINDLE	1	
	28255	28255-GFS6-001	COLLAR KICK BOSS	COLLAR KICK BOSS	1	
	28281	28281-GBN2-6030	SPRING KICK RETURN	SPRING KICK RETURN	1	

E01

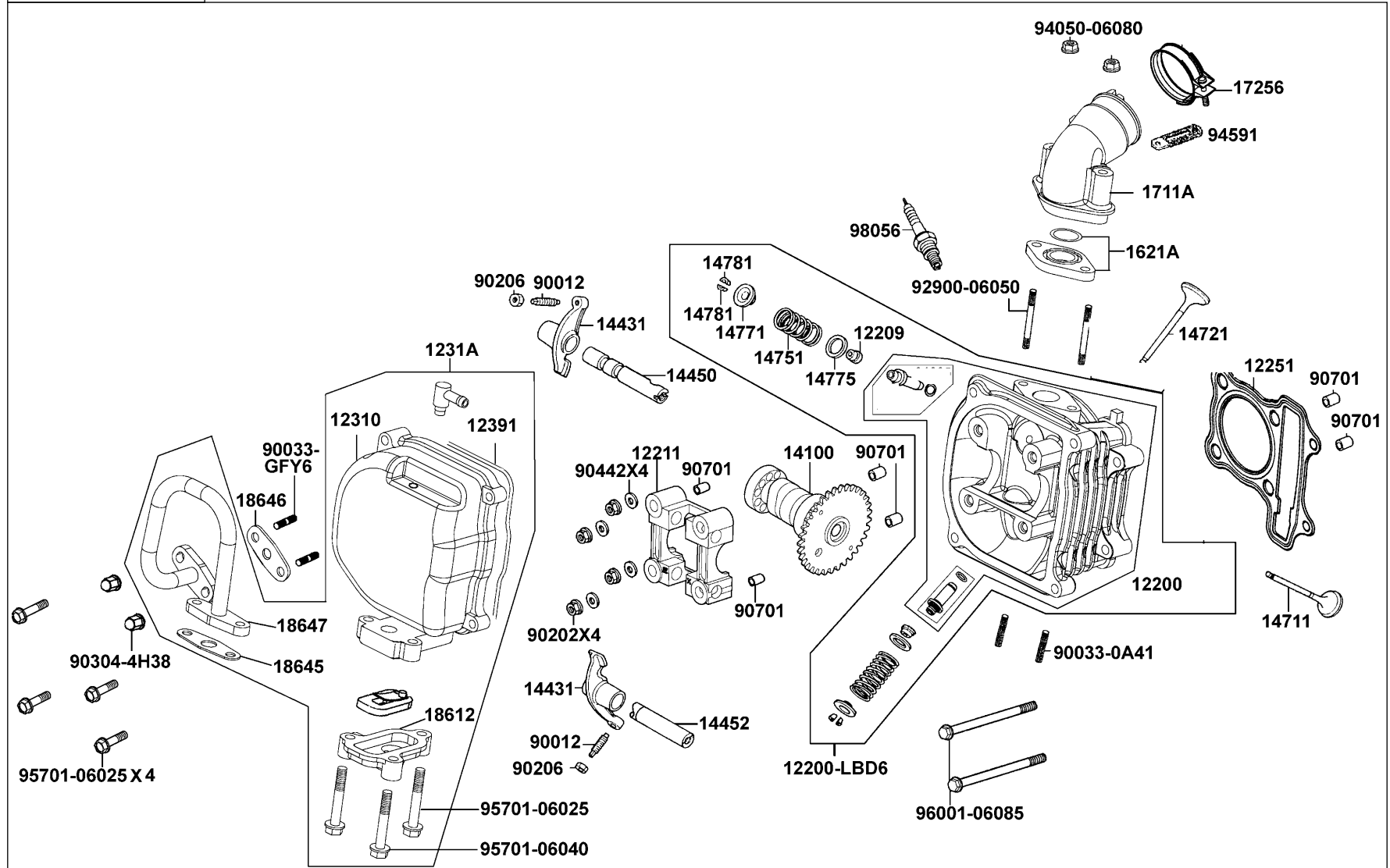
Crank Case



Sales mark	Ref no	Part no	Description	Reg description	Regd no	E01
9000A		9000A-LEJ2-E10	BOLTASSY SPECIAL 6X27	BOLTASSY SPECIAL 6X27	11	
90031		90031-KGBG-910	BOLT A STUD 7*168	BOLT A STUD 7*168	2	
90032		90032-KGBG-910	BOLT B STUD 7*176	BOLT B STUD 7*176	2	
90412		90412-3K29-001	WASHER THRUST10MM	WASHER THRUST 10MM	1	
90451		90451-GBN2-601	WASHER KICK SPINDLE	WASHER KICK SPINDLE	1	
90474		90474-3C33-001	WASHER 8MM	WASHER 8MM	1	
9052A		9052A-GFY6-950	BOLT ASSY DRAIN PLUG	BOLT ASSY DRAIN PLUG	1	
91004		91004-KNBN-92A	BRG BALL RADIAL 6203 SPC 17*40*12	BRG BALL RADIAL 6203	1	
91202		91202-GFY6-90B	OIL SEAL 19.8*30*5	OIL SEAL 19.8*30*5	1	
91204		91204-KNBN-90A	OIL SEAL 17*30*6	OIL SEAL 17*30*6	1	
94301		94301-08140	DOWEL PIN 8*14	DOWEL PIN 8*14	4	
94511		94511-14000	CIRCLIP EX 14	CIR CLIP EX 14	1	
95701		95701-08012-08	BOLT FLANGE 8*12	BOLT FLANGE 8*12	2	
96001-06012		96001-06012-08	BOLT FLANGE 6*12	BOLT FLANGE SH 6*12	2	
96001-06025		96001-06025-08	BOLT FLANGE SH 6*25	BOLT FLANGE 6*25	10	
96001-06035		96001-06035-08	BOLT FLANGE 6*35	BOLT FLANGE SH 6*35	2	
96001-06045		96001-06045-08	BOLT FLANGE SH 6*45	BOLT FLANGE SH 6*45	1	
96100-60020		96100-60020-00	BRG BALL RADIAL 6002	BEARING BALL RADIAL 6002	1	
96100-62020		96100-62020-00	BEARING BALL RADIAL 6202	BEARING BALL RADIAL 6202	1	
96100-63030		96100-63030-00	BEARING BALL RADIAL 6303	BEARING BALL RADIAL 6303	1	

E02

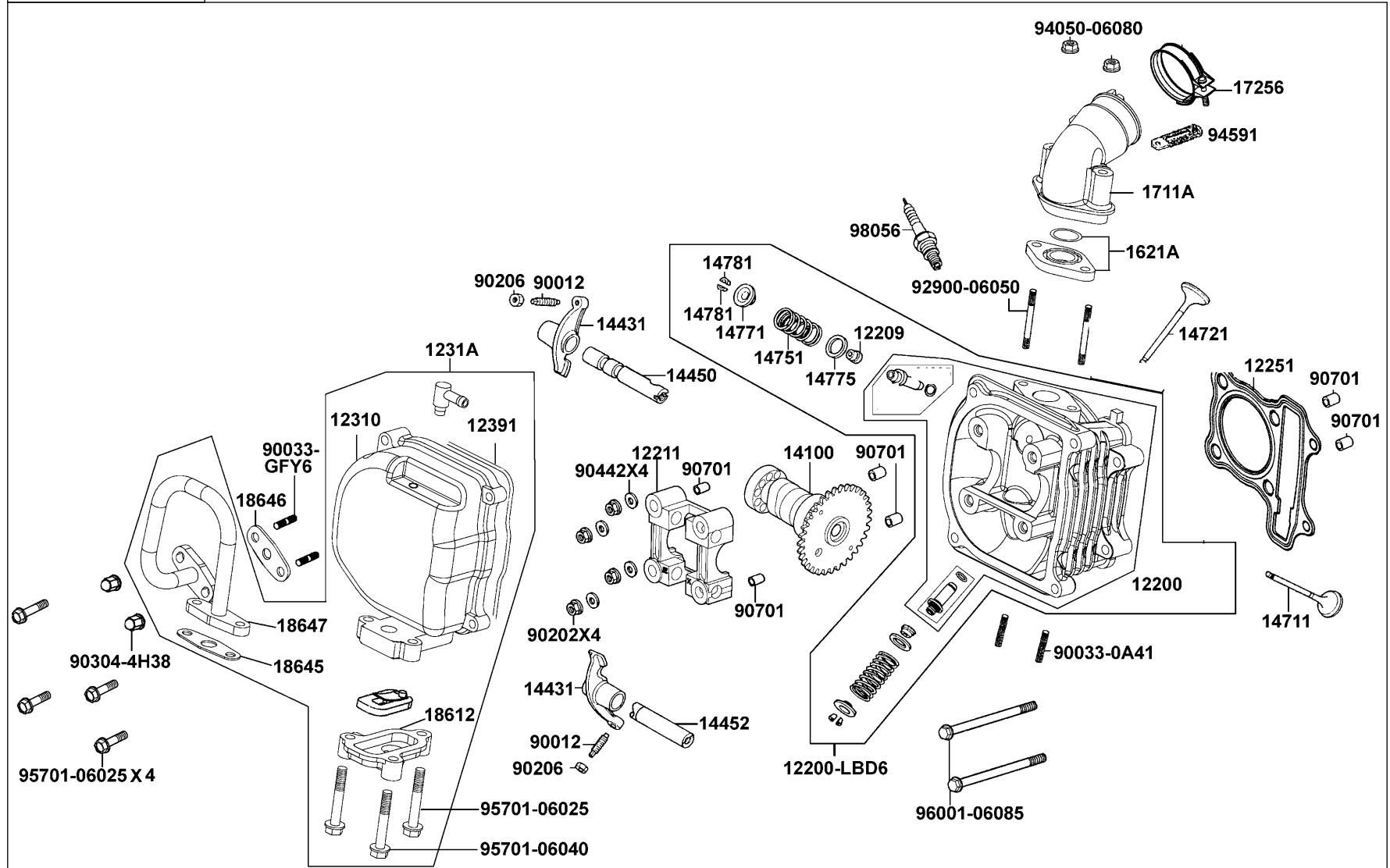
Cylinder Head



Sales mark	Ref no	Part no	Description	Reg description	Regd no	E02
	12200-KGBG	12200-KGBG-9100	HEAD COMP CYLN	HEAD COMP CYLN	0	
	12200	12200-LBD6-405	HEAD SET CYLINDER	HEAD SET CYLINDER	1	
	12209	12209-GDB4-68A	SEAL VALVE STEM	SEAL VALVE STEM	2	
	12211	12211-KGBG-900	HOLDER CAM SHAFT	HOLDER CAM SHAFT COMP	1	
	12251	12251-KGBG-900	GASKET CYLINDER HEAD	GASKET CYLINDER HEAD	1	
	12310	12310-KHC5-900	COVER COMP HEAD	COVER COMP CYLN HEAD	1	
	1231A	1231A-KHC5-900	COVER ASSY HEAD	COVER ASSY HEAD	1	
	12391	12391-KEE1-900	GASKET HEAD COVER	GASKET HEAD COVER	1	
	14100	14100-KGBG-901	SHAFT COMP CAM	SHAFT COMP CAM	1	
	14431	14431-KGBG-W10	ARM VALVE ROCKER	ARM VALVE ROCKER	2	
	14450	14450-KGBG-W10	SHAFT COMP IN ROCKER ARM	SHAFT COMP IN ROCKER ARM	1	
	14452	14452-KGBG-W10	SHAFT EXH ROCKER ARM	SHAFT EXH ROCKER ARM	1	
	14711	14711-KGBG-900	VALVE INLET	VALVE INLET	1	
	14721	14721-KGBG-900	VALVE EXHAUST	VALVE EXHAUST	1	
	14751	14751-GEN5-9000	SPRING VALVE OUTER	SPRING VALVE OUTER	2	
	14771	14771-GDB4-6800	RETAINER VALVE SPRING	RETAINER VALVE SPRING	1	
	14775	14775-MFA6-001	SEAT VALVE SPG OUTER	SEAT VALVE SPG OUTER	1	
	14781	14781-MFA6-0010	COTTER VALVE	COTTER VALVE	4	
	1621A	1621A-KGBG-900	INSULATOR CARB ASSY	INSULATOR CARB ASSY	1	
	1711A	1711A-LEJ2-E10	PIPE ASSYAINLET	PIPE ASSYAINLET	1	

E02

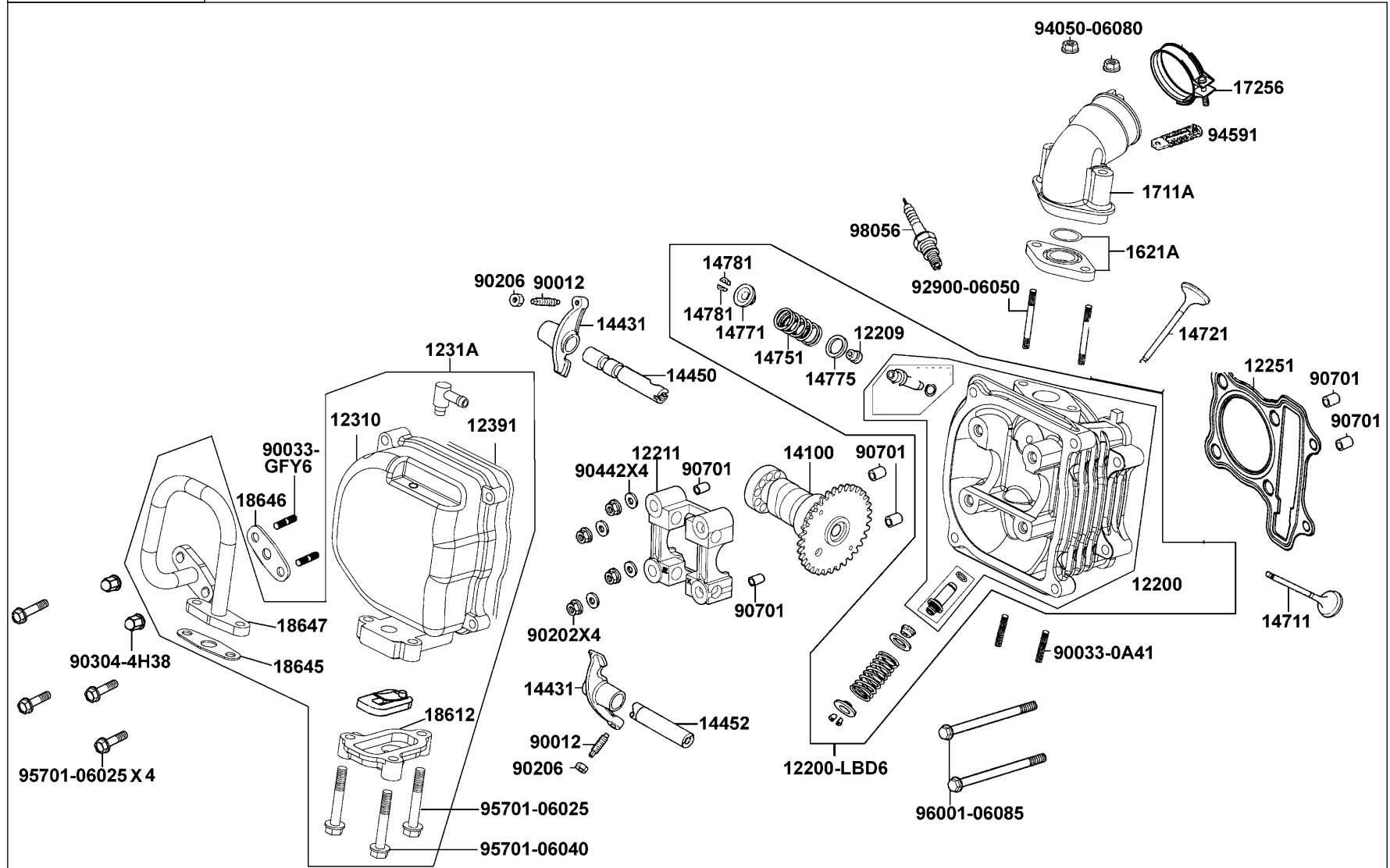
Cylinder Head



Sales mark	Ref no	Part no	Description	Reg description	Regd no	E02
	17256	17256-KGBG-900	BAND INSULATOR	BAND INSULATOR	1	
	18612	18612-GFY6-941	COVER REED VALVE	COVER REED VALVE	1	
	18645	18645-GFY6-941	GSKT A/I PIPE	GASKET A/I PIPE	1	
	18646	18646-LDC8-E10	GASKET A/I PIPE	GASKET A/I PIPE	1	
	18647	18647-GFY6-941	PIPE COMP AIR	PIPE COMP AIR	1	
	90012	90012-3C33-001	SCREW TAPPET ADJUSTING	SCREW TAPPET ADJUSTING	1	
	90033-0A41	90033-0A41-021	BOLT STUD 6*32	BOLT STUD 6*32	2	
	90033-GFY6	90033-GFY6-941	BOLT STUD 6*16	BOLT STUD 6*16	2	
	90202	90202-GFF6-011	NUT FLANGE 7MM	NUT FLANGE 7MM	2	
	90206	90206-0A01-001	NUT TAPPET ADJG	NUT TAPPET ADJG	4	
	90304	90304-4H38-001	NUT HEX CAP 6MM	NUT HEX CAP 6MM	2	
	90442	90442-GFF6-011	WASHER SEALING 7MM	WASHER SEALING 7MM	2	
	90701	90701-GFF6-001	PIN DOWEL SPECIAL 8*14	PIN DOWEL SPECIAL 8*14	4	
	92900	92900-06050-0B	BOLT STUD 6*50	BOLT STUD SH 6*45	4	
	94050	94050-06080	NUT FLANGE 6MM	NUT FLANGE 6MM	2	
	94591	94591-LDC8-E10	CLIP BIND	CLIP BIND	1	
	95701-06025-00	95701-06025-00	BOLT FLANGE 6*25	BOLT FLANGE 6*25	1	
	95701-06025-08	95701-06025-08	BOLT FLANGE 6*25	BOLT FLANGE 6*25	1	
	95701-06040	95701-06040-00	BOLT FLANGE 6*40	BOLT FLANGE 6*40 (B)	2	
	96001	96001-06085-08	BOLT FLANGE SH 6*85	BOLT FLANGE SH 6*85 (C)	2	

E02

Cylinder Head

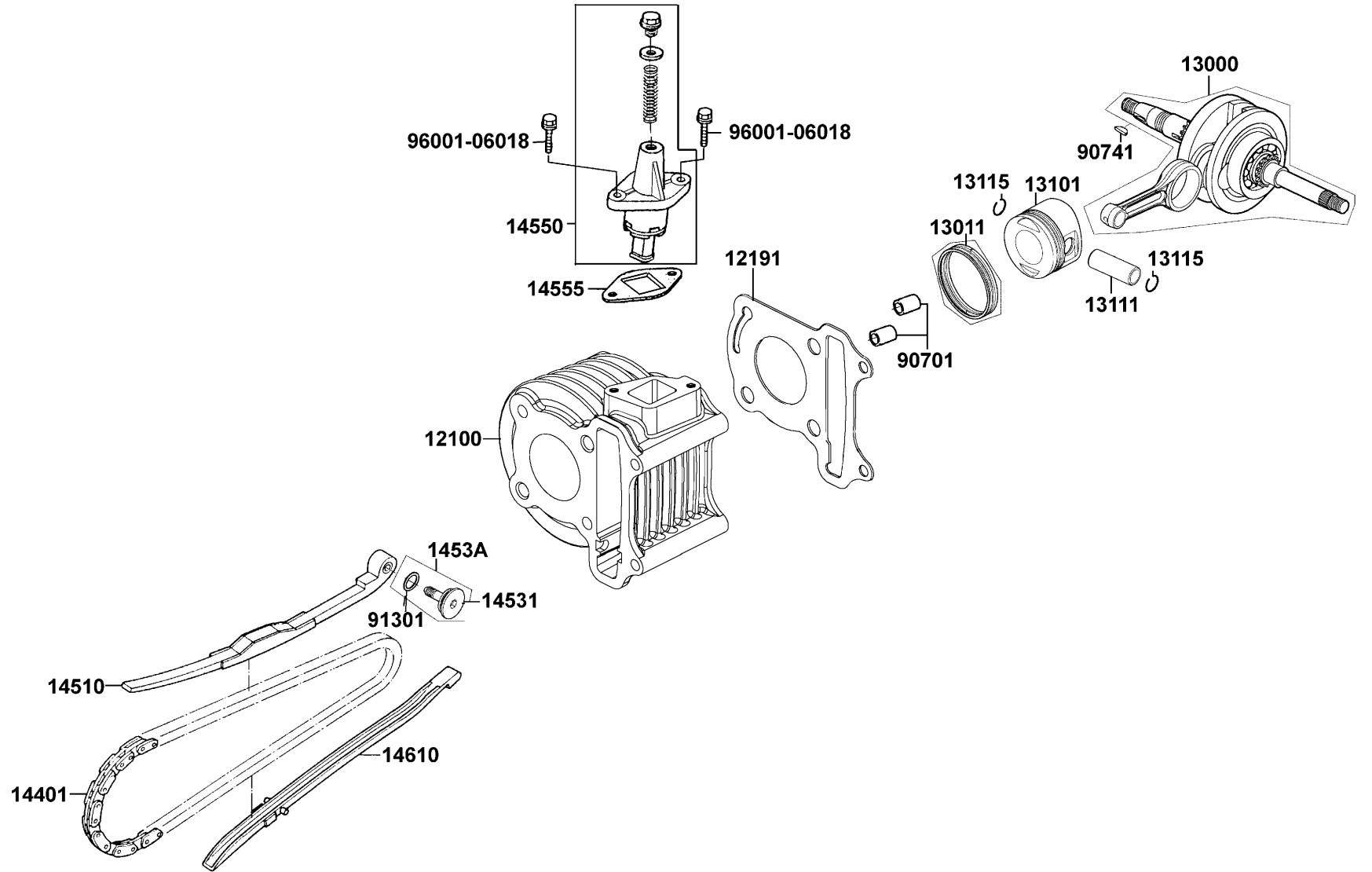


Sales mark	Ref no	Part no	Description	Reg description	Regd no	E02
------------	--------	---------	-------------	-----------------	---------	------------

	98056	98056-5771R-00	SPARK PLUG (CR7HSA)	SPARK PLUG (CR7HAS)	2	
--	-------	----------------	---------------------	---------------------	---	--

E03

Cylinder Piston Crankshaft

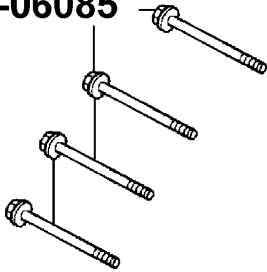


Sales mark	Ref no	Part no	Description	Reg description	Regd no	E03
12100		12100-KGBG-900	CYLINDER COMP	CYLINDER COMP	1	
12191		12191-KGBG-900	GASTET CYLINDER @ A	GASKET CYLINDER	1	
13000		13000-KGBG-900	CRANK SHAFT COMP	CRANK SHAFT COMP	1	
13011		13011-KGBG-9010	RING SET PISTON	RING SET PISTON	1	
13101		13101-LCB9-B20	PISTON	PISTON	1	
13111		13111-KGBG-900	PIN PISTON	PIN PISTON	1	
13115		13115-0A01-001	PISTON PIN CLIP	PISTON PIN CLIP	2	
14401		14401-KGBG-9000	CHAIN CAM	CHAIN CAM	1	
14510		14510-KGBG-9000	TENSIONER CAM CHAIN	TENSIONER CAM CHAIN	1	
14531		14531-GLR0-W10	PIVOT CAM CHAIN TENSIONER	PIVOT CAM CHAIN TENSIONER	1	
1453A		1453A-GFY6-W10	PIVOT CAM CHAIN SET	PIVOT CAM CHAIN SET	1	
14550		14550-LDC8-C10	ADJUSTER CAM CHAIN	ADJUSTER CAM CHAIN	1	
14555		14555-KKJ9-C10	GASKETACAM CHAIN ADJUSTER	GASKETACAM CHAIN ADJUSTER	1	
14610		14610-KGBG-9000	GUIDE COMP CAM CHAIN	GUIDE COMP CAM CHAIN	1	
90701		90701-GFF6-001	PIN DOWEL SPECIAL 8*14	PIN DOWEL SPECIAL 8*14	2	
90741		90741-0E35-001	KEY WOODRUFF	KEY WOODRUFF	1	
91301		91301-GLR0-W10	O-RING 15.2*1.5	O-RING 15.2*1.5	1	
96001		96001-06018-08	BOLT FLANGE SH 6*18	BOLT FLANGE SH 6*18	2	

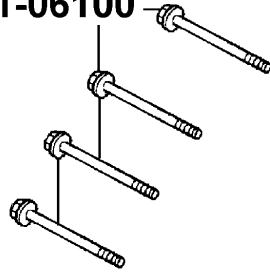
E04

Right Crankcase Cover

96001-06085



96001-06100

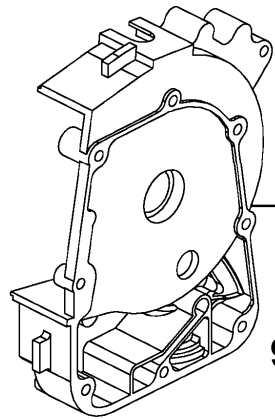


1565A



15651

91307



11330

11394

91201

94301

15421



15426



91302



12361

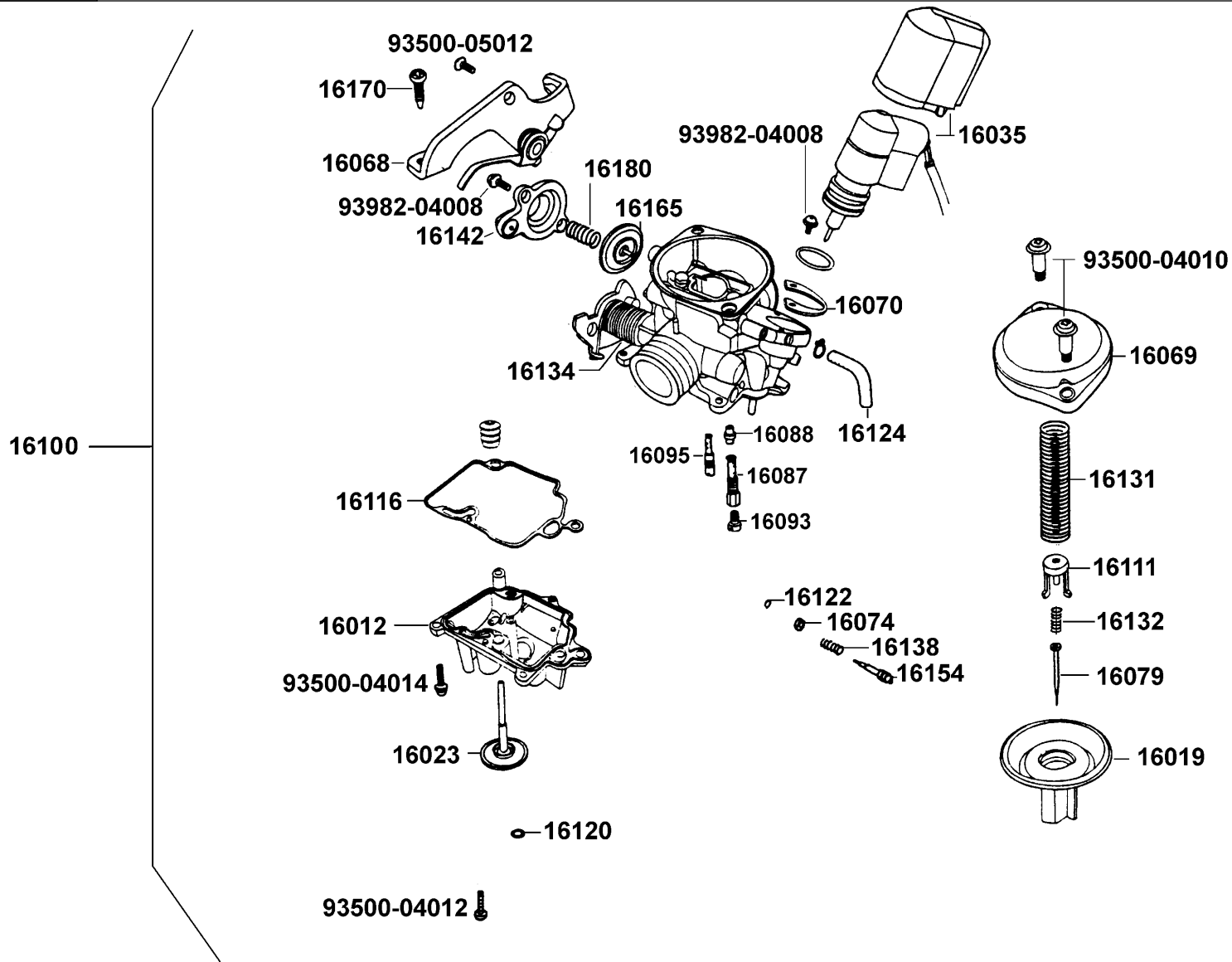


94301

Sales mark	Ref no	Part no	Description	Reg description	Regd no	E04
	11330	11330-LBD6-E00	COVER R CRANK CASE	COVER COMP R CRANK CASE	1	
	11394	11394-KGBG-900	GASTER R COVER @ A	GASKET R COVER	1	
	12361	12361-GFY6-9010	HOLE CAP TAPPET ADJUSTING	HOLE CAP TAPPET ADJUSTING	1	
	15421	15421-1G07-W10	SCREEN OIL FILTER	SCREEN OIL FILTER	1	
	15426	15426-GAE1-921	SPG OIL FILTER SCREEN	SPG OIL FILTER SCREEN	1	
	15651	15651-GFY6-9010	GAUGE OIL LEVEL	GAUGE OIL LEVEL	1	
	1565A	1565A-GFY6-900	GAUGE OIL LEVEL ASSY	GAUGE OIL LEVEL ASSY	1	
	91201	91201-KGBG-9000-M1	OIL SEAL 16.4*30*5	OIL SEAL 16.4*30*5	1	
	91302	91302-0A01-0210	O-RING 30.8MM	O-RING 30.8MM	1	
	91307	91307-0E35-W10	O-RING 18*3	O-RING 18*3	1	
	94301	94301-08140	DOWEL PIN 8*14	DOWEL PIN 8*14	2	
	96001-06085	96001-06085-08	BOLT FLANGE SH 6*85	BOLT FLANGE SH 6*85 (C)	4	
	96001-06100	96001-06100-08	BOLT FLANGE SH 6*100	BOLT FLANGE 6*100	4	

E05

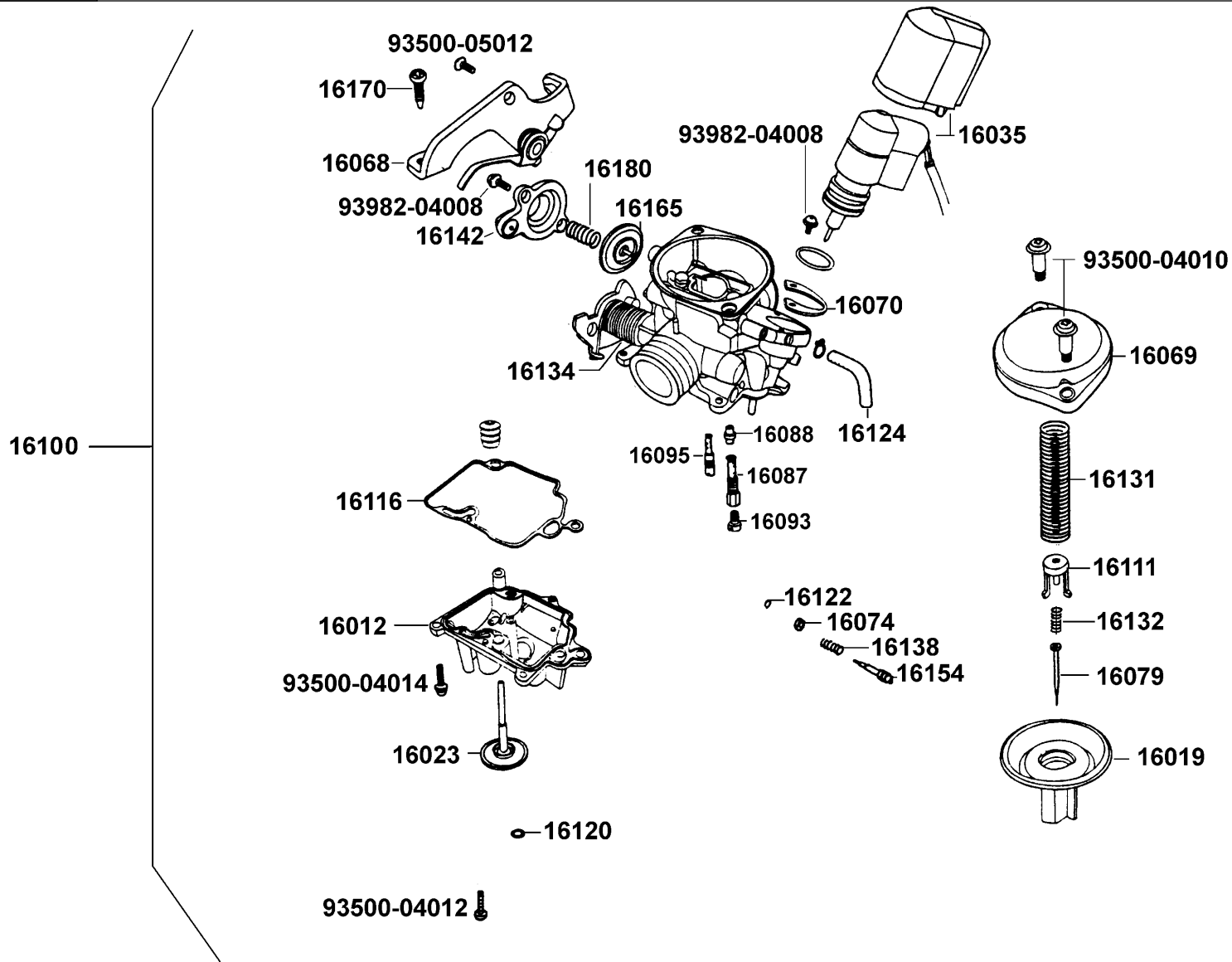
Carburetor



Sales mark	Ref no	Part no	Description	Reg description	Regd no	E05
16012		16012-LDC8-E10	CHAMBER COMPL FLOAT	CHAMBER ASSY FLOAT	1	
16019		16019-LAB4-900	VALVE ASSY PISTON	VALVE ASSY PISTON	1	
16023		16023-KGC5-9000	DIAPHRAGM ASSY ACCP	DIAPHRAGM ASSY ACCP	1	
16035		16035-LDC8-E10	UNIT BY-ST	UNIT,BY-ST	1	
16068		16068-KGC5-900	PLATE WIRE FIXED COMP	PLATE WIRE FIXED	1	
16069		16069-KHC4-900	COVER PISTON VALVE DIAPHRAGM	COVER PISTON VALVE DIAPHRAGM	1	
16070		16070-KEC3-900	STOPPER BY-ST	STOPPER BY-ST	1	
16074		16074-KEC3-900	WASHER IDLE SCREW	WASHER IDLE ADJUST SCREW	1	
16079		16079-KHC4-900	NEEDLE ASSY JET	NEEDLE ASSY JET	1	
16087		16087-LDC8-E10	TUBE MAIN EMULSION	TUBE MAIN EMULSION	1	
16088		16088-KEC5-900	JET NEEDLE	JET NEEDLE	1	
16093		16093-KEC3-9000	JET MAIN	JET MAIN	1	
16095		16095-KEC3-9000	JET SLOW	JET SLOW	1	
16100		16100-LEJ2-E10	CARBURETOR ASSY	CARBURETOR ASSY	0	
16111		16111-KEC3-900	STOPPER JET NEEDLE SPG	STOPPER JET NEEDLE SPG	1	
16116		16116-KGC5-900	PACKING FLOAT CHAMBER	PACKING FLOAT CHAMBER	1	
16120		16120-KEC3-900	O-RING ACCP	O-RING ACCP	1	
16122		16122-KEC3-900	O-RING IDLE SCREW	O RING IDLE SCREW	1	
16124		16124-KEC3-9000	TUBE COMPL 3.5*300	TUBE COMPL 3.5*300	1	
16131		16131-KGC6-900	SPG PISTON VALVE RETURN	SPG PISTON VALVE RETURN	1	

E05

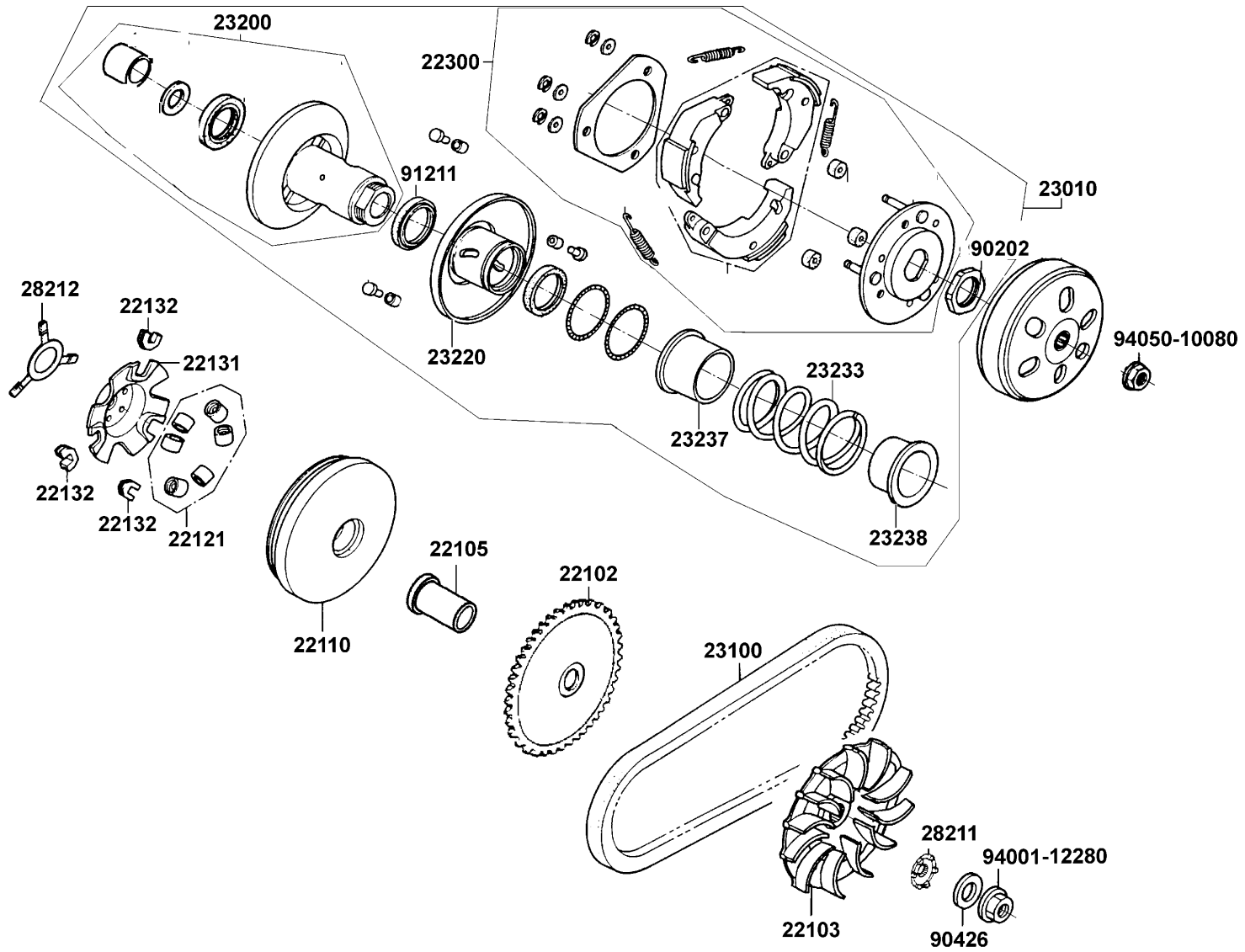
Carburetor



Sales mark	Ref no	Part no	Description	Reg description	Regd no	E05
16132		16132-KEC3-900	SPG JET NEEDLE	SPG JET NEEDLE	1	
16134		16134-KGC5-900	SPG THROTTLE SHAFT	SPG THROTTLE SHAFT	1	
16138		16138-KGC5-900	SPRING IDLE ADJUST SCREW	SPG IDLE ADJ SCREW	1	
16142		16142-KGC5-900	COVER ACV	COVER ACV	1	
16154		16154-KGC5-900	SCREW IDLE ADJUST	SCREW IDLE ADJUST	1	
16165		16165-KGC5-900	DIAPHRAGM	DIAPHRAGM	1	
16170		16170-KGC5-900	SCREW THROTTLE ADJ	SCREW THROTTLE ADJUST	1	
16180		16180-KGC5-900	SPG ACV	SPG ACV	1	
93500-04010		93500-04010-1A	SCREW 4*10	SCREW 4*10	2	
93500-04012		93500-04012-1A	SCREW 4*12	SCREW 4*12	1	
93500-04014		93500-04014-1A	SCREW 4*12	SCREW 4*14	1	
93500-05012		93500-05012-1A	SCREW 5*12	SCREW 5*12	1	
93892		93892-04008-18	SCREW WASHER	SCREW WASHER 4*8	2	

E06

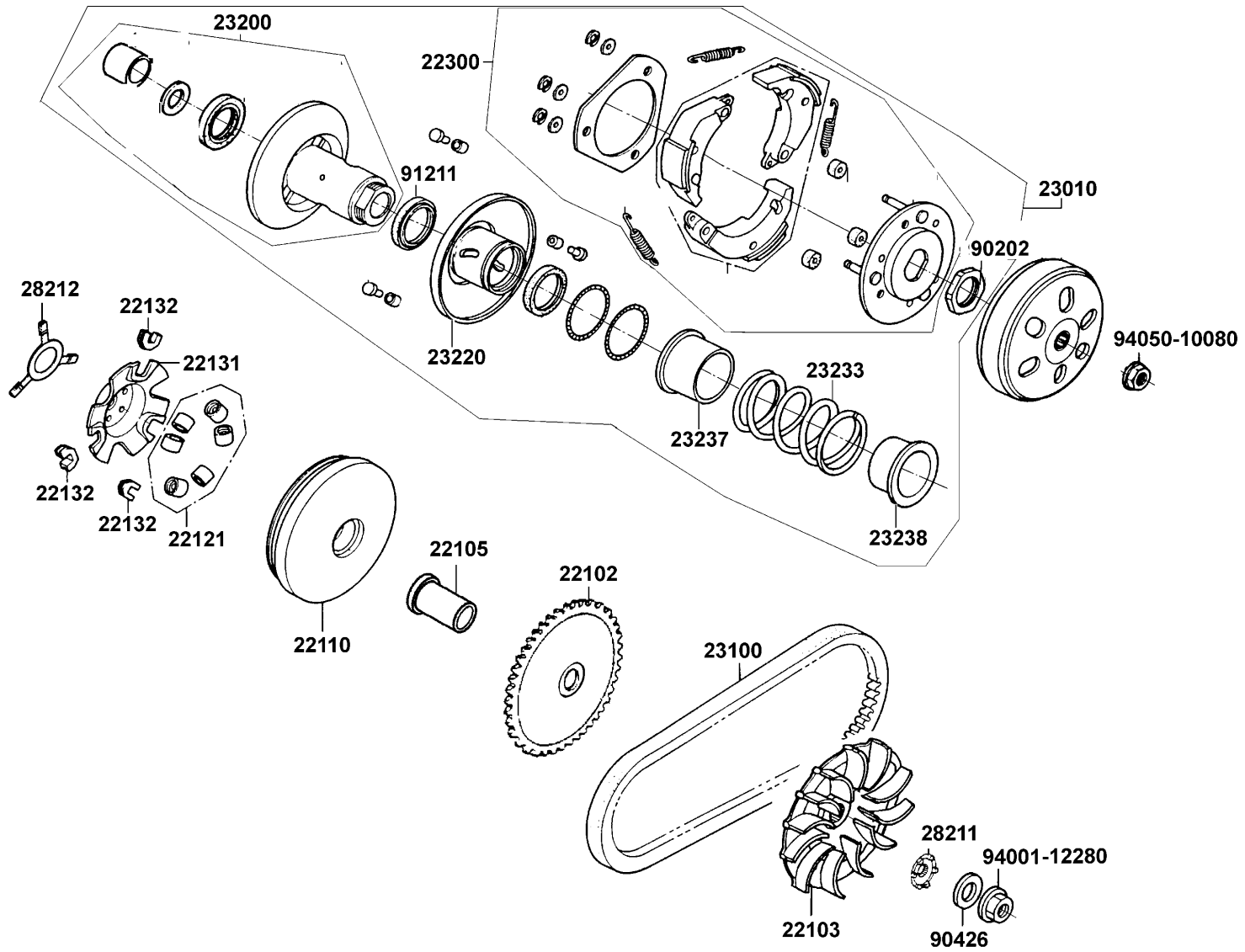
Driven Pulley



Sales mark	Ref no	Part no	Description	Reg description	Regd no	E06
	22102	22102-LDC8-E10	FACE DRIVE	FACE DRIVE	1	
	22103	22103-KEB7-900	FAN CVT COOLING	FAN CVT COOLING	1	
	22105	22105-LCD2-E00	BOSS DRIVE FACE	"BOSS, DRIVE FACE"	1	
	22110	22110-LEJ2-E10	FACE COMP MOVABLE DRIVE	FACE COMP MOVABLE DRIVE	1	
	22121	22121-LBD6-E00	ROLLER COMP WEIGHT 6.5g	ROLLER COMP WEIGHT 13gr	6	
	22131	22131-GHAH-7810	PLATE RAMP	PLATE RAMP	1	
	22132	22132-GLW0-0010	PIECE SLIDE	PIECE SLIDE	3	
	22300	22300-KEE1-9000	PLATE ASSY DRIVE	PLATE ASSY DRIVE	1	
	23010	23010-LDC8-E10	PULLEY ASSY DRIVEN	PULLEY ASSY DRIVEN	1	
	23100	23100-KEB7-900	BELT DRIVE	BELT DRIVE	1	
	23200	23200-GAR1-220	FACE ASSY DRIVEN	FACE ASSY DRIVEN	1	
	23220	23220-LDC8-E10	FACE COMP MOVABLE	FACE COMP MOVABLE	1	
	23233	23233-KEE1-900	SPG DRIVEN FACE	SPG DRIVEN FACE	1	
	23237	23237-GAR1-220	COLLAR SEAL	COLLAR SEAL	1	
	23238	23238-GGS7-0110	COLLAR SPG	COLLAR SPG	1	
	28211	28211-KEB7-W10	RATCHET KICK STARTER	RATCHET KICK STARTER	1	
	28212	28212-LEJ2-E10	"WASHER,KICK STARTER"	"WASHER,KICK STARTER"	1	
	90202	90202-1G87-001	NUT SPECIAL 28MM	NUT SPECIAL 28MM	1	
	90426	90426-KNBN-901	WASHER SPECIAL 12MM	WASHER SPECIAL 12MM	1	
	91211	91211-KEE1-900	OIL SEAL 34*39*3	OIL SEAL 34X39X3	2	

E06

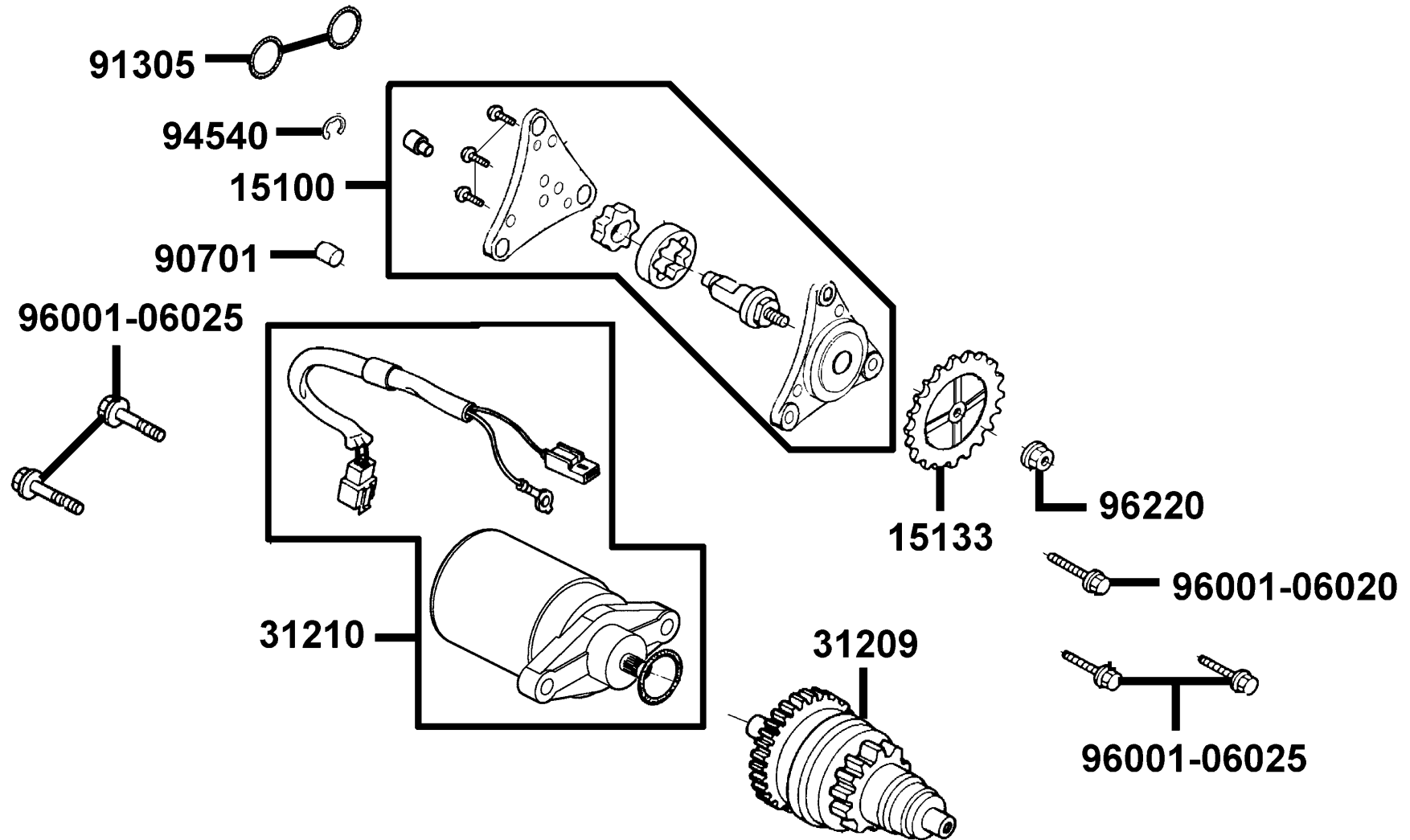
Driven Pulley



Sales mark	Ref no	Part no	Description	Reg description	Regd no	E06
	94001	94001-12280-0S	NUT HEX 12MM	NUT HEX 12MM	1	
	94050	94050-10080	NUT FLANGE 10MM	NUT FLANGE 12MM	1	

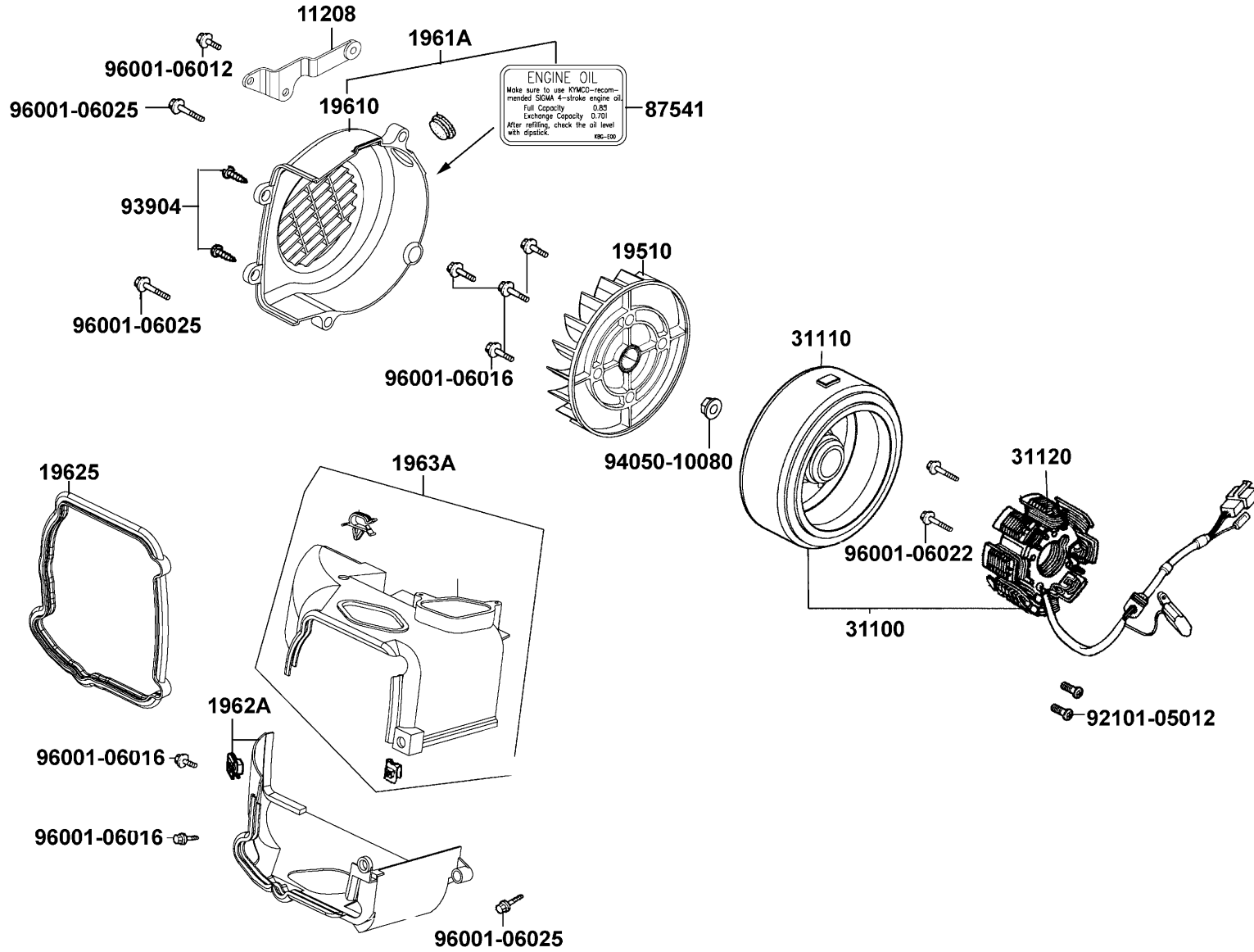
E07

Starting Motor Oil Pump



Sales mark	Ref no	Part no	Description	Reg description	Regd no	E07
#	15100	15100-LDC5-900	PUMP ASSY OIL	PUMP ASSY OIL	1	
#	15133	15133-LDC5-900	GEAR OIL PUMP DRIVEN	GEAR OIL PUMP DRIVEN	1	
	31200	31200-LEJ2-E10	MOTOR ASSY START	MOTOR ASSY START	1	
	31209	31209-KEE1-9000	PINION ASSY STARTER	PINION ASSY STARTER	1	
	90701	90701-HDC4-001	PIN DOWELL 8*12	DOWEL PIN 8*12	1	
	91305	91305-0H28-1590	O-RING 9*1.6	O-RING 9*1.6	2	
	94540	94540-06018	E RING 6	E RING 6	1	
	96001-06020	96001-06020-08	BOLT FLANGE SH 6*20	BOLT FLANGE SH 6*20	2	
	96001-06025	96001-06025-08	BOLT FLANGE SH 6*25	BOLT FLANGE 6*25	3	
	96220	96220-LDC5-900	ROLLER 2*14.8	ROLLER 2*14.8	1	

Fan Cover Generator

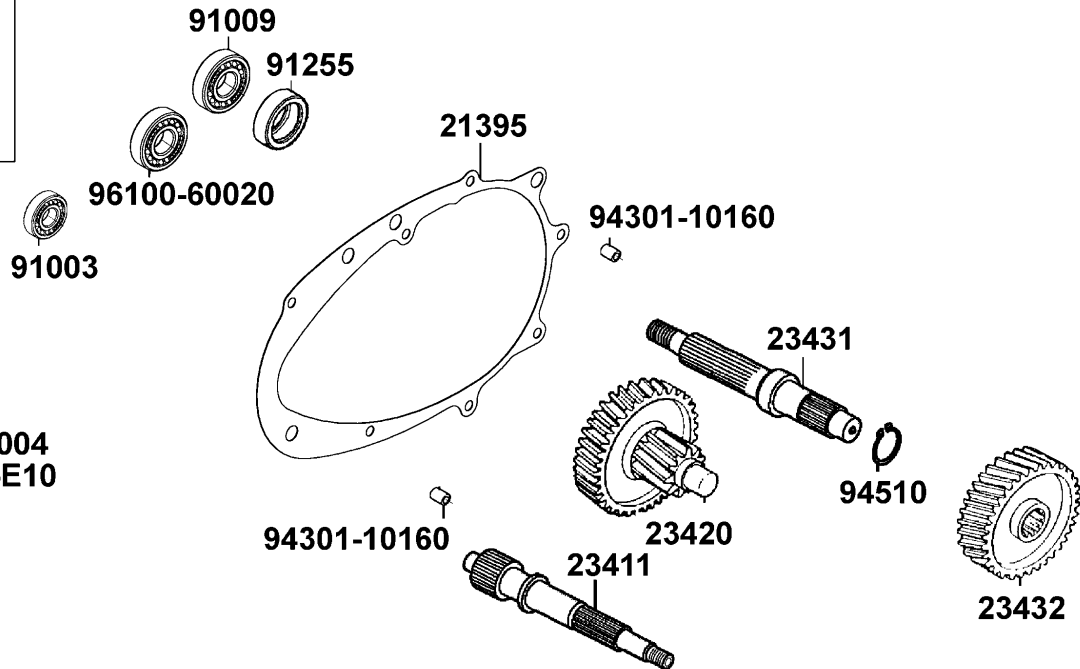
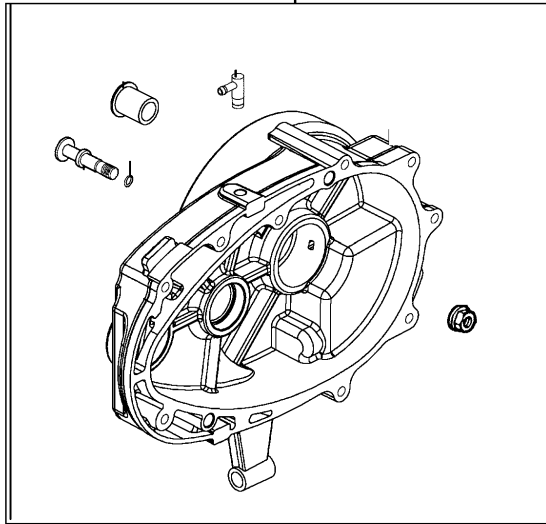


Sales mark	Ref no	Part no	Description	Reg description	Regd no	E08
	11208	11208-LFC2-E10	"STAY,RR TIRE FENDER"	"STAY,RR TIRE FENDER"	1	
	19510	19510-LDC5-900	FAN COMP COOLING	FAN COMP COOLING	1	
	19610	19610-LFC2-E10	COVER COMP FAN	COVER COMP FAN	1	
	1961A	1961A-KGBG-E01	COVER ASSY FAN	COVER ASSY FAN	1	
	19625	19625-KEE1-9000	SEAL SHROUD	SEAL SHROUD	1	
	1962A	1962A-KEE1-900	SHROUD ASSY A	SHROUD ASSY A	1	
	1963A	1963A-LDC8-E10	SHROUD ASSY B	SHROUD ASSY B	1	
	31100	31100-LEJ2-E10	AC GEN ASSY	AC GEN ASSY	1	
	31110	31110-LBD6-E0A	FLYWHEEL COMP	FLYWHEEL COMP	1	
	31120	31120-LEJ2-E10	AC GEN ASSY	AC GEN ASSY	1	
**	87541	87541-KGBG-E00	LABEL OIL CAP	LABEL OIL CAP	1	
	92101	92101-05012-0H	BOLT HEX 5*12	BOLT HEX 5*12	2	
	93904	93904-35380	SCREW TAPPING 5*16	SCREW TAPPING 5*16	2	
	94050	94050-10080	NUT FLANGE 10MM	NUT FLANGE 12MM	1	
	96001-06012	96001-06012-08	BOLT FLANGE 6*12	BOLT FLANGE SH 6*12	1	
	96001-06016	96001-06016-08	BOLT FLANGE SH 6*16	BOLT FLANGE SH 6*16	6	
	96001-06022	96001-06022-08	BOLT FLANGE SH 6*22	BOLT FLANGE SH 6*22	2	
	96001-06025	96001-06025-08	BOLT FLANGE SH 6*25	BOLT FLANGE 6*25	3	

E09

Transmission

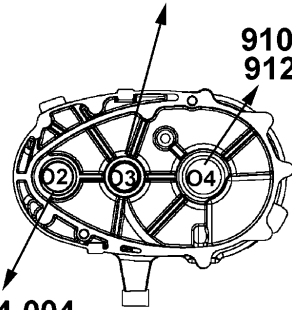
21200



96100-60020-00

91009-GLE0-004
91255-LDC8-E10

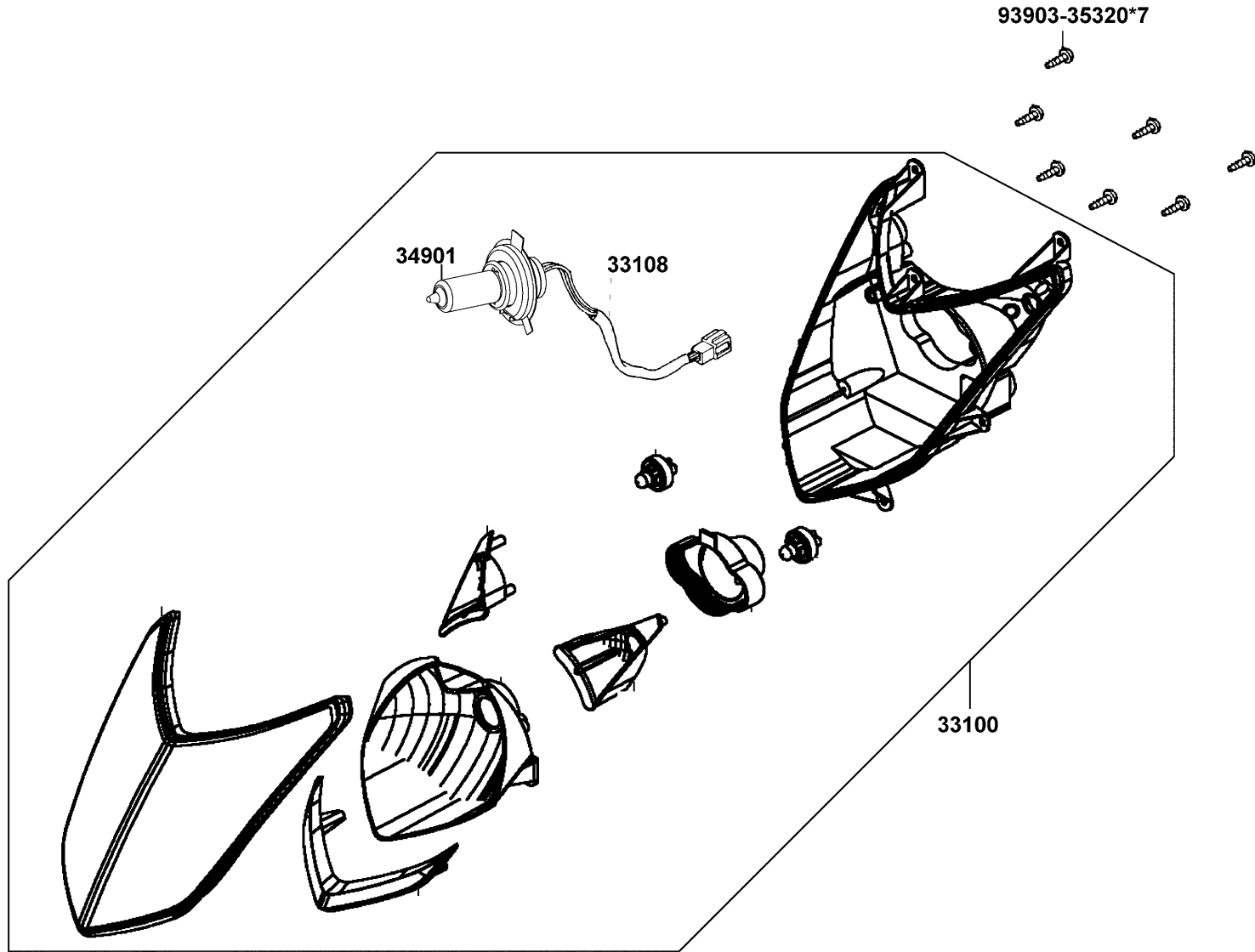
91003-KDS4-004



Sales mark	Ref no	Part no	Description	Reg description	Regd no	E09
	21200	21200-LCD2-E00	CASE SET MISSION	CASE COMP MISSION	1	
	21395	21395-LCD2-E00	GASKET MISSION CASE	GASKET MISSION CASE@A	1	
	23411	23411-LCD2-E00	SHAFT DRIVEN	SHAFT DRIVE	1	
	23420	23420-LCD2-E00	SHAFT COMP COUNTER	SHAFT COMP COUNTER	1	
	23431	23431-LCD2-E00	SHAFT FINAL	SHAFT FINAL	1	
	23432	23432-LCD2-E00	GEAR FINAL	GEAR FINAL	1	
	91003	91003-KDS4-004	BRG BALL RADIAL 6301TMB	BRG BALL RADIAL 6301TMB	1	
	91009	91009-GLE0-0040	BRG BALL RADIAL 6004 UU	BRG BALL RADIAL 6004 UU	1	
	91255	91255-LDC8-E10	OIL SEAL 27*42*7(C)	OIL SEAL 27*42*7(C)	1	
	94301	94301-10160	DOWEL PIN 10*16	DOWEL PIN 10*16	2	
	94510	94510-20000	CIR CLIP EX 20	CIR CLIP EXTERNAL 20MM	1	
	96100	96100-60020-00	BRG BALL RADIAL 6002	BEARING BALL RADIAL 6002	1	

F01

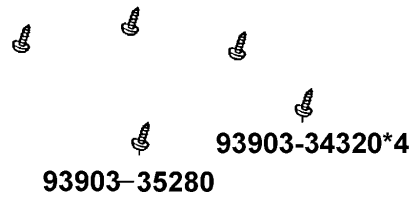
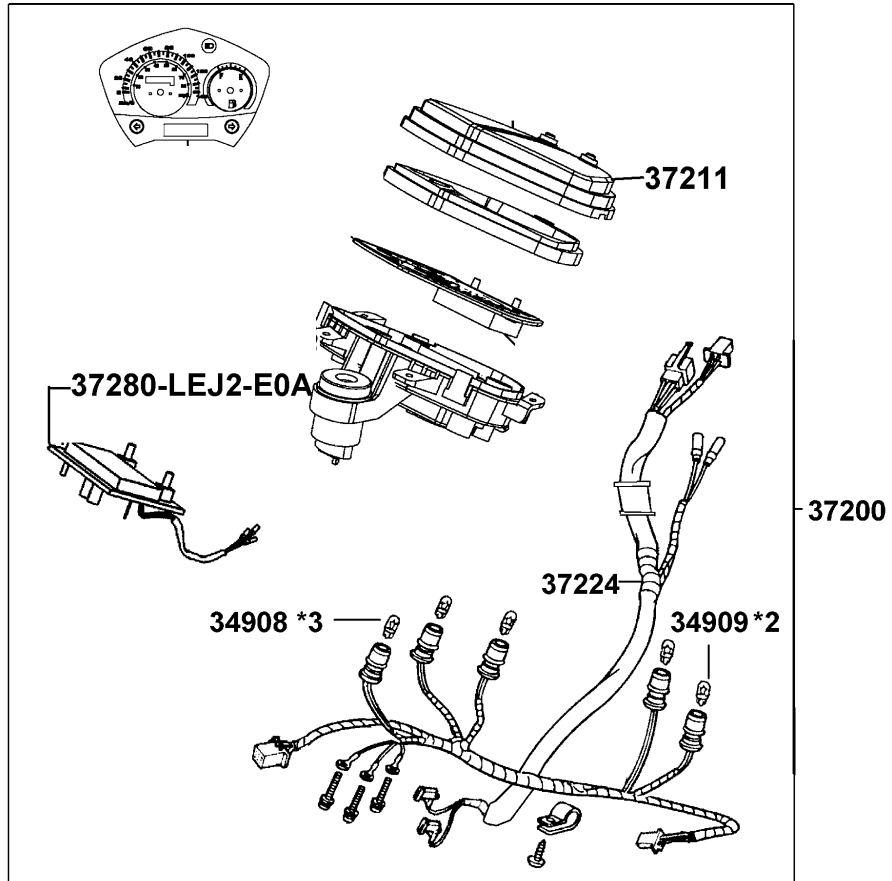
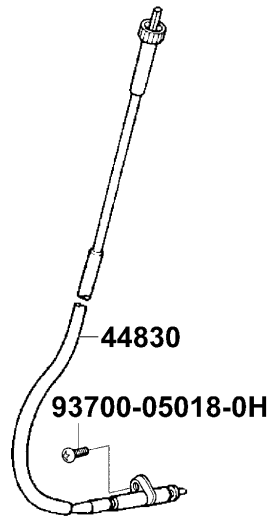
Head Light



Sales mark	Ref no	Part no	Description	Reg description	Regd no	F01
	33100	33100-LFC2-E10	LIGHT ASSY HEAD	LIGHT ASSY HEAD	1	
	33108	33108-LFC2-E10	SOCKET COMP HEAD LIGHT	SOCKET COMP HEAD LIGHT	1	
	34901	34901-LDC8-E10	BULB HEAD LIGHT	BULB HEAD LIGHT	1	
	93903	93903-35320	SCREW TAPPING 5*16	SCREW TAPPING 5.*16	7	

F02

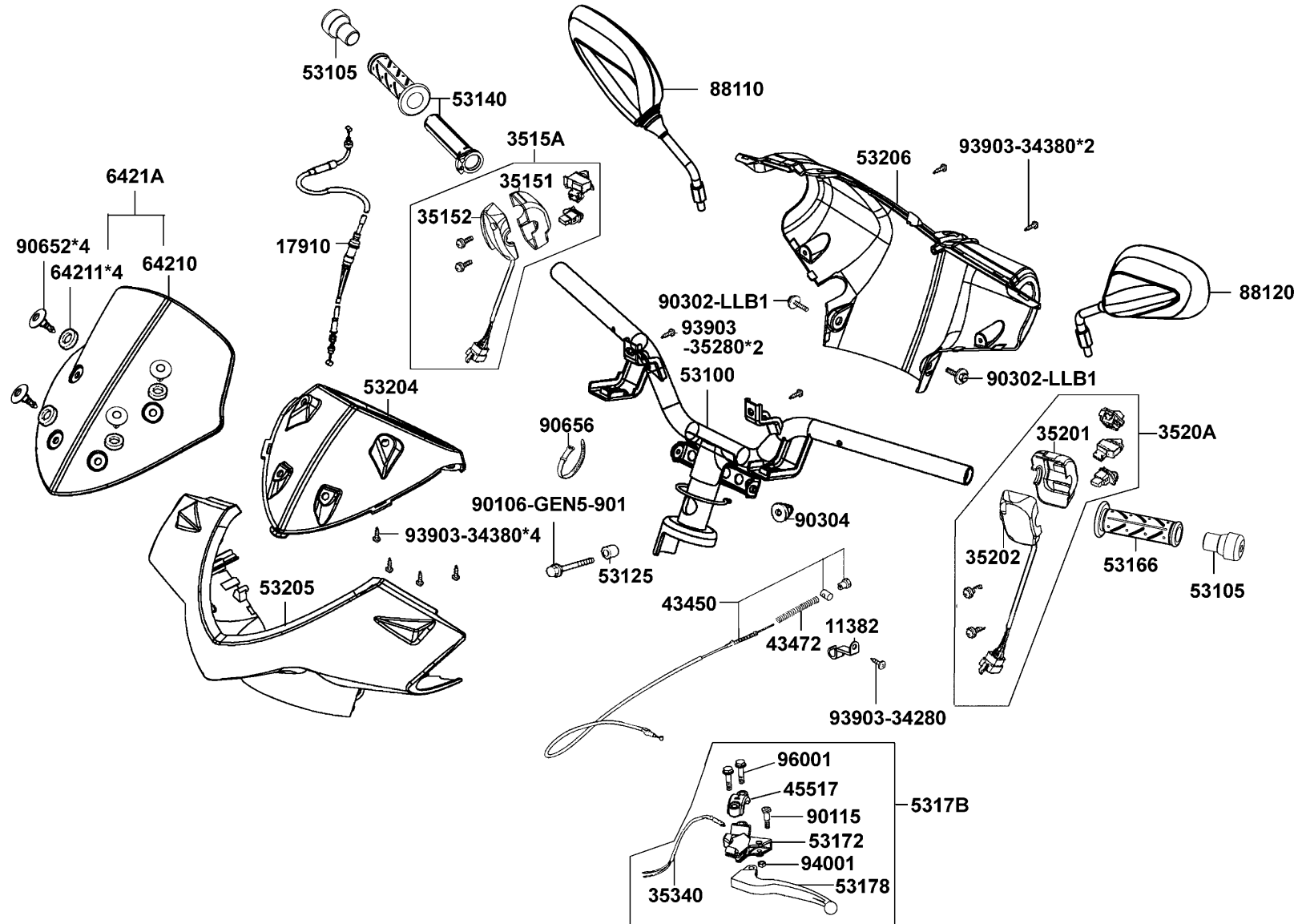
Speedometer



Sales mark	Ref no	Part no	Description	Reg description	Regd no	F02
	34908	34908-LEJ2-E00	BULB WEDGE BASE T10	BULB WEDGE BASE T10	3	
	34909	34909-LEJ2-E00	BULB WEDGE BASE T10	BULB WEDGE BASE T10	2	
	37200	37200-LFC2-E10	METER ASSY SPEED	METER ASSY SPEED	1	
	37211	37211-LFC2-E10	LENS COMP METER	LENS COMP METER	1	
	37224	37224-LFC2-E10	"SOCKET COMP.,METER"	"SOCKET COMP.,METER"	1	
	37280-LEJ2-E0A	37280-LEJ2-E0A	LCD ASSY (LOCK)	LCD ASSY (LOCK)	1	
	44830	44830-LCD3-E00	CABLE COMP SPDMT	CABLE COMP SPDMT	1	
	93700	93700-05018-0H	SCREW OVAL 5*18	SCREW OVAL 5*18	1	
	93903-34320	93903-34320	SCREW TAPPING 4*12	SCREW TAPPING 4*12	4	
	93903-35280	93903-35280	SCREW TAPPING 5*12(K)	SCREW TAPPING 5*12(K)	1	

F03

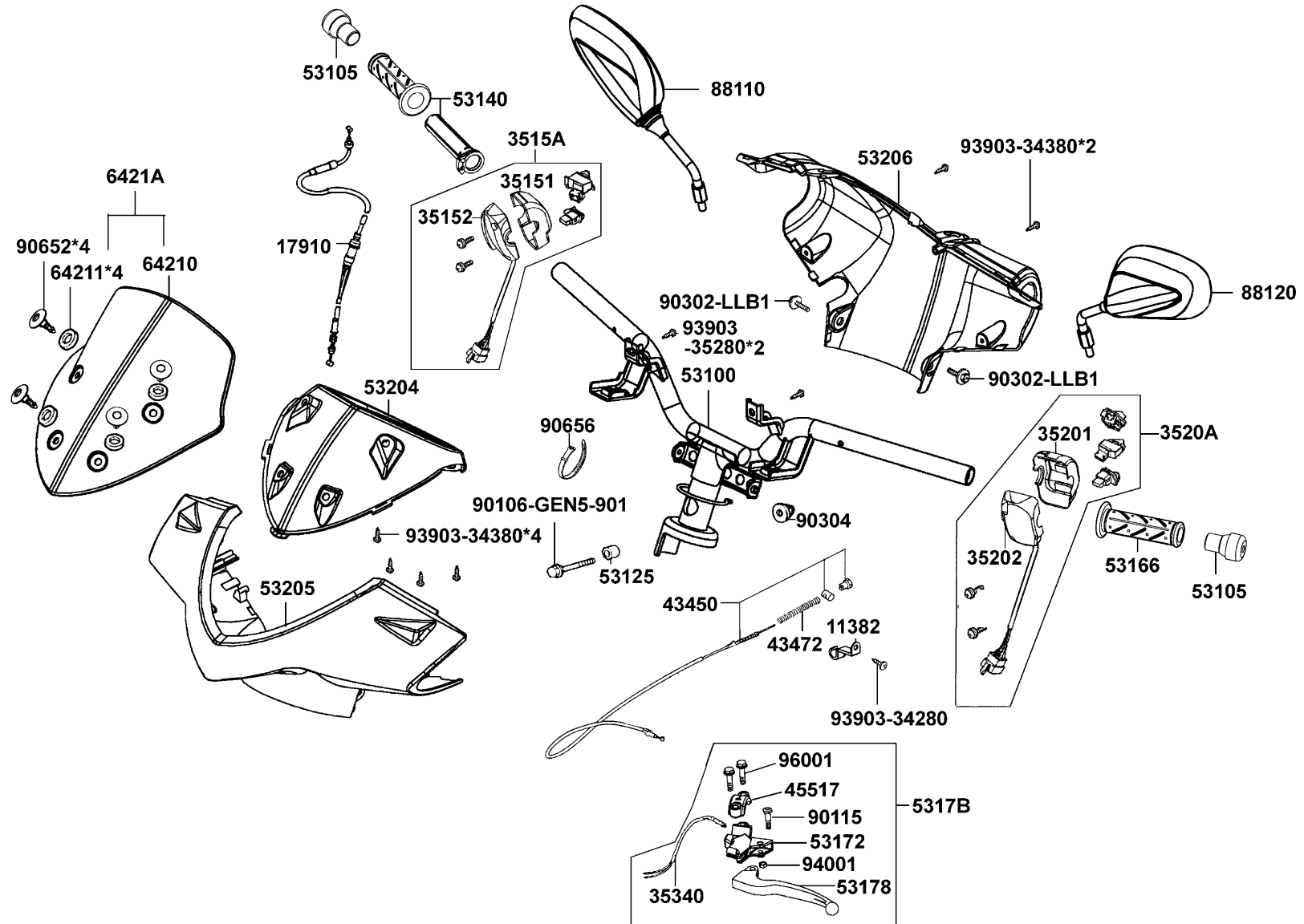
Handle Steering Handle Cover



Sales mark	Ref no	Part no	Description	Reg description	Regd no	F03
	11382	11382-LEJ3-E10	CLAMPERBRAKE CRABLE	CLAMPERBRAKE CRABLE	1	
	17910	17910-LCD2-E00	CABLE COMP THROT	CABLE COMP THROT	1	
	35151	35151-KGBG-910	FR CASE RH HNDL COMP SW	FR CASE RH HNDL COMP SW	1	
	35152	35152-KGBG-900	RR CASE RH HNDL COMP SW	RR CASE RH HNDL COMP SW	1	
	3515A	3515A-KGBG-E00	SW ASSY RH HNDL COMP	SW ASSY RH HNDL COMP	1	
	35201	35201-KGBG-910	FR CASE LH HNDL COMP SW	FR CASE LH HNDL COMP SW	1	
	35202	35202-KGBG-900	RR CASE LH HNDL COMP SW	RR CASE LH HNDL SW COMP	1	
	3520A	3520A-LCD3-E00	SW ASSY LH HNDL COMP	SW ASSY LH HNDL COMP	1	
	35340	35340-KKJ9-010	SW ASSY FR STOP	SW ASSY FR STOP	1	
	43450	43450-LCD2-E10	CABLE COMPARR BRK.	CABLE COMPARR BRK.	1	
	43472	43472-LFC2-E10	SPG. RR BRK CABLE	SPG. RR BRK CABLE	1	
	45517	45517-GFY6-900	HOLDER HNDL BRKT	HOLDER HNDL BRKT	1	
	53100	53100-LFC2-E10	HANDLE COMP STRG	HANDLE COMP STRG	1	
	53105	53105-KNBN-910	END STRG HANDLE	END STRG HANDLE	2	
	53125	53125-GEN5-901	COLLAR HANDLE SET	COLLAR HANDLE SET	1	
	53140	53140-LEJ2-E10	GRIP COMP THROT	GRIP COMP THROT	1	
	53166	53166-LEJ2-E10	GRIP L HANDLE	GRIP L HANDLE	1	
	53172	53172-KTCT-900	BRKT HANDLE L	BRKT HANDLE L	1	
	53178	53178-LFC2-E10	"LEVER L , STRG HANDL"	"LEVER L , STRG HANDL"	1	
	5317B	5317B-LFC2-E10	BRKT ASSY HNDL LH	BRKT ASSY HNDL LH	1	

F03

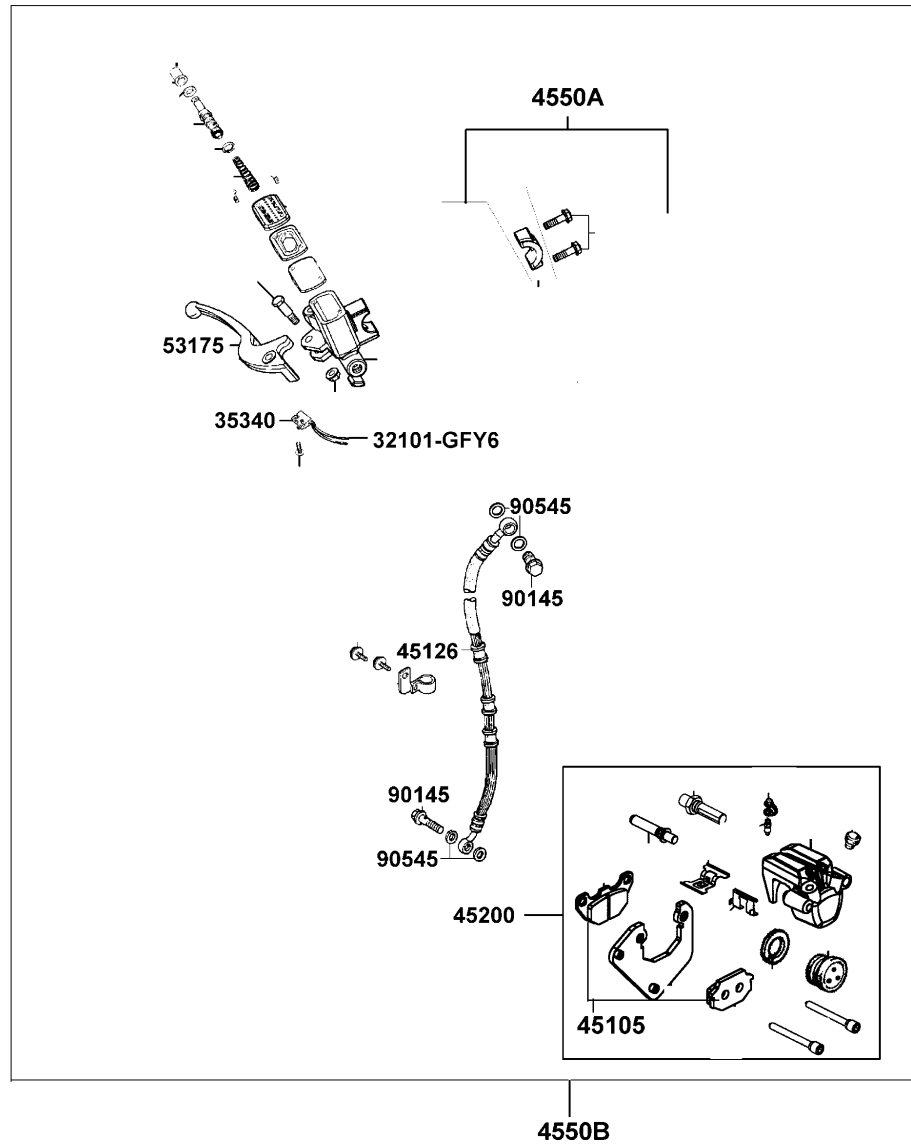
Handle Steering Handle Cover



Sales mark	Ref no	Part no	Description	Reg description	Regd no	F03
**	53204	53204-LFC2-E10	COVER METER	COVER METER	1	
**	53205	53205-LFC2-E10	COVER HANDLE FR	COVER HANDLE FR	1	
**	53206	53206-LFC2-E10	COVER HANDLE RR	COVER HANDLE RR	1	
**	64210	64210-LFC2-E10	ASSY METER VISOR	ASSY METER VISOR	1	
	64211	64211-LFC2-E10	SPONGE VISOR	SPONGE VISOR	4	
	6421A	6421A-LFC2-E10	SPONGE VISOR	SPONGE VISOR	1	
**	88110	88110-LEB5-C10	MIRROR ASSY R BACK	MIRROR ASSY R BACK	1	
**	88120	88120-LEB5-C10	MIRROR ASSY L BACK	MIRROR ASSY L BACK	1	
	90106	90106-GEN5-901	BOLT FLANGE 10*50	BOLT FLANGE 10*50	1	
	90115	90115-GLE0-0010	BOLT HNDL LEVER PIVOT	BOLT 10*184	1	
	90302	90302-LLB1-E00	BOLT-WASHER 5*12	BOLT WASH 5*12	2	
	90304	90304-GHE8-004	NUT U 10MM	NUT U 10MM	1	
	90652	90652-LCA4-E00	CLIP MUDGUARD	CLIP MUDGUARD	4	
	90656	90656-GFY6-911	BAND OIL HOSE	BAND OIL HOSE	1	
	93903-34280	93903-34280	SCREW TAPPING 4*10 (K)	SCREW TAPPING 4*10 (K)	1	
	93903-34380	93903-34380	SCREW TAPPING 4*12	SCREW TAPPING 4*12	6	
	93903-35280	93903-35280	SCREW TAPPING 5*12(K)	SCREW TAPPING 5*12(K)	2	
	94001	94001-05080-0S	NUT HEX 5MM	NUT HEX 5MM	1	
	96001	96001-06025-06	BOLT FLANGE 6*25	BOLT FLANGE 6*25	1	

F04

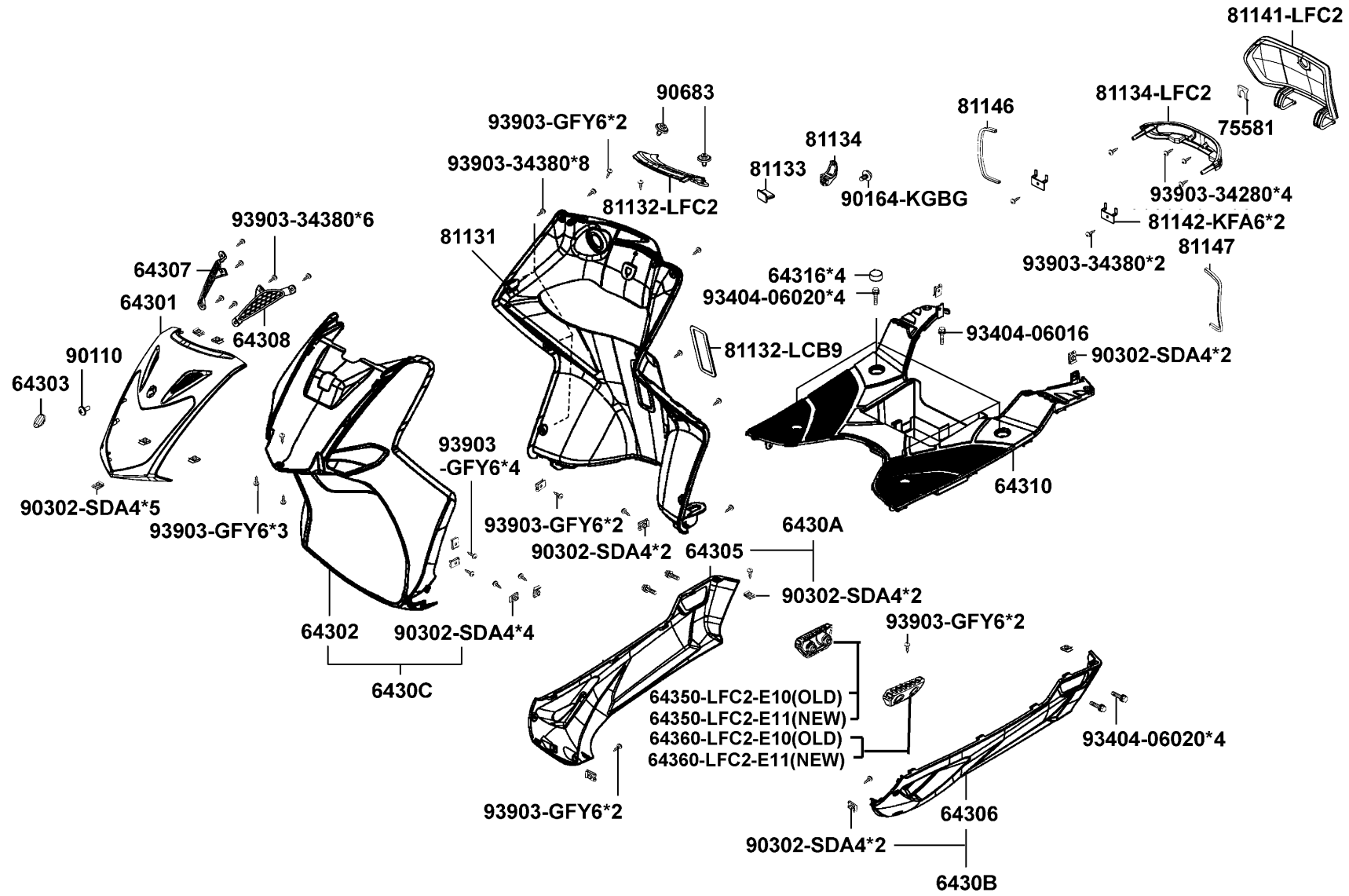
Brake Master Cylinder



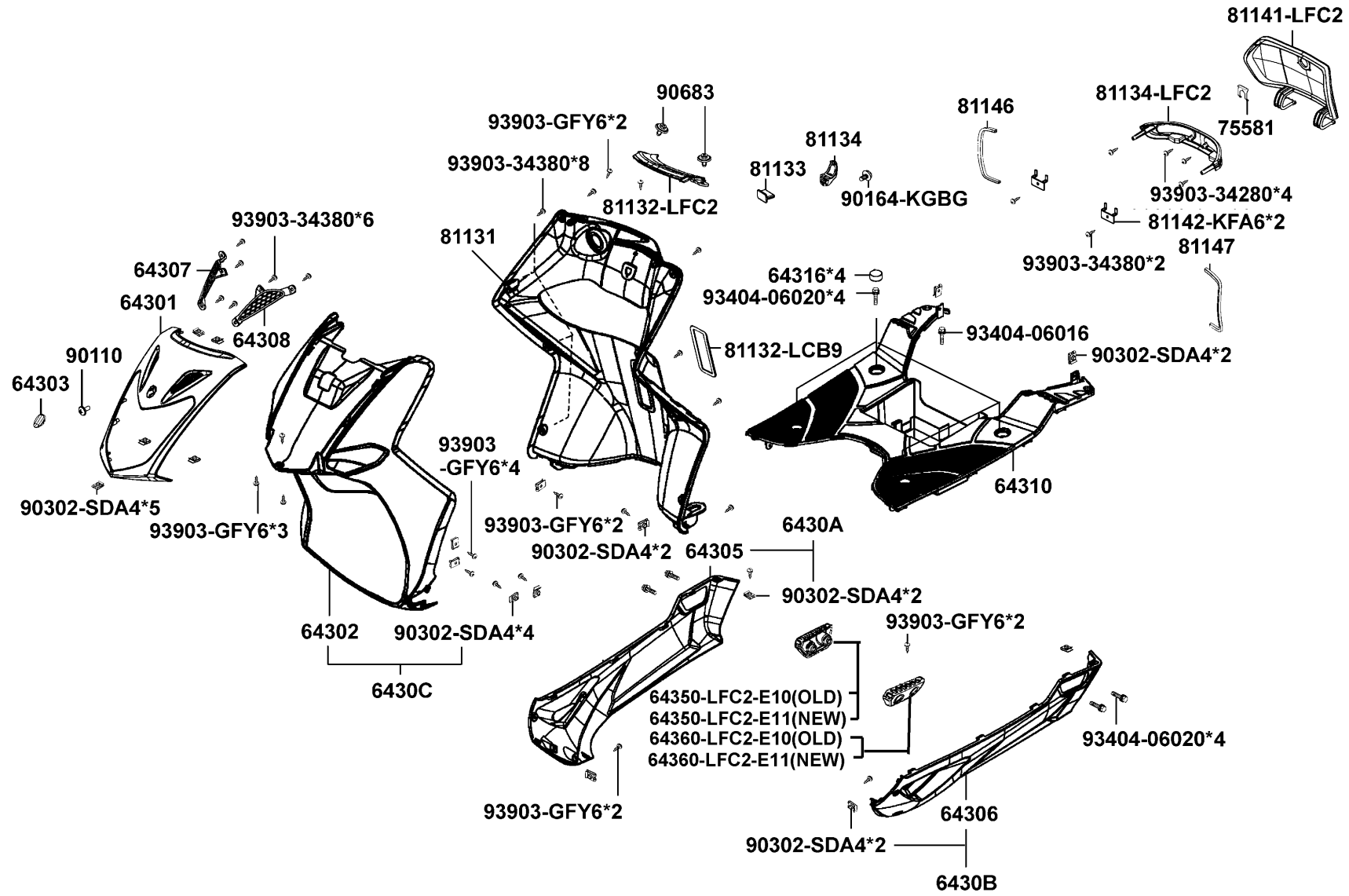
90131-GLW0



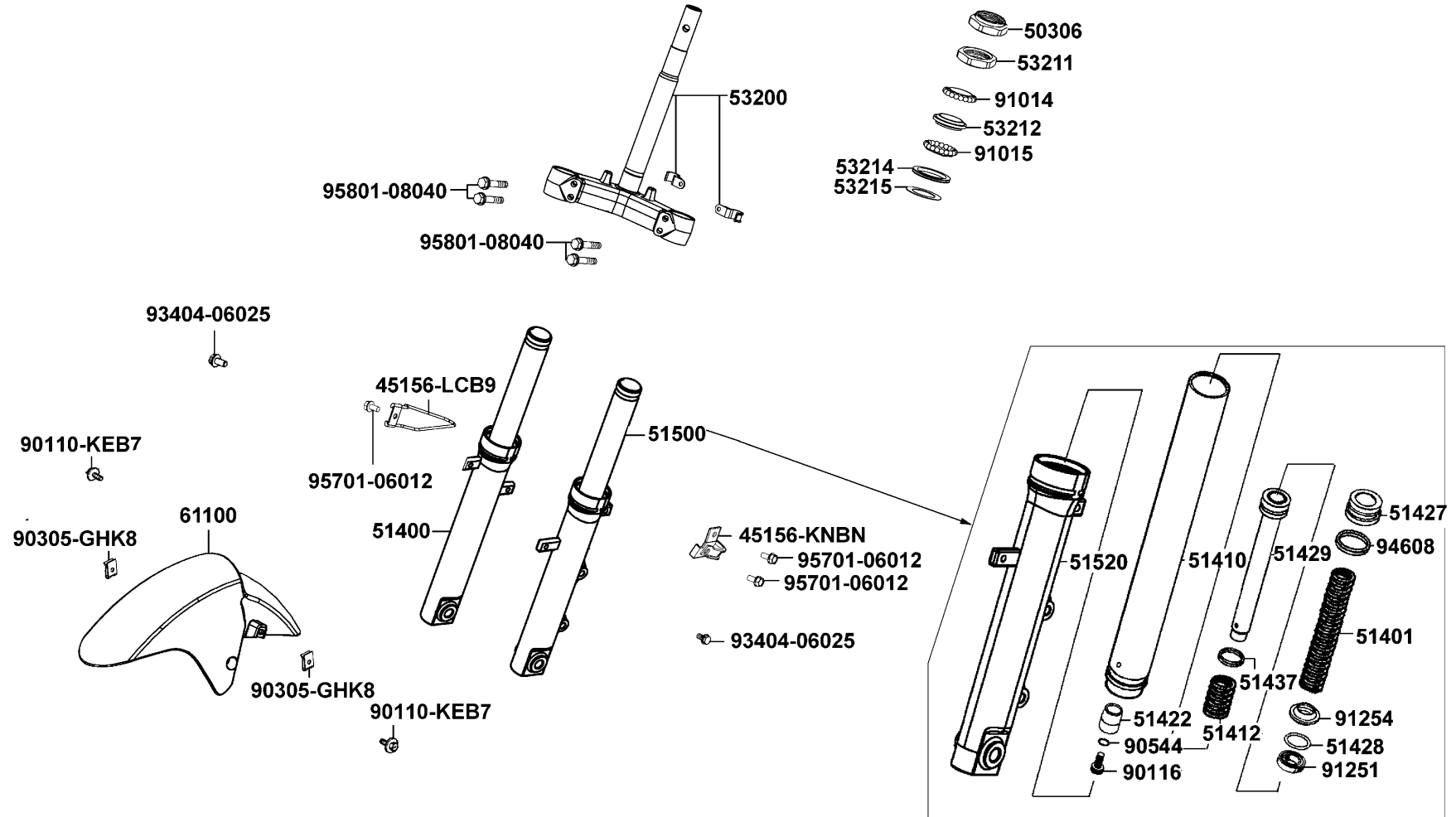
Sales mark	Ref no	Part no	Description	Reg description	Regd no	F04
	32101	32101-GFY6-901	SUB CORD R/H	SUB CORD R/H	1	
	35340	35340-KFA6-900	SW ASSY FR STOP	SW ASSY FR STOP	1	
	45105	45105-LEJ2-305	PAD COMP A&B	PAD COMP A&B	1	
	45126	45126-LFC2-E10	HOSE ASSY FR BRK	HOSE ASSY FR BRK	1	
	45200	45200-LFC2-E10	CALIPER ASSY FR BRK	CALIPER ASSY FR BRK	1	
	4550A	4550A-LFC2-E1A	M/C ASSY FR	M/C ASSY FR	1	
	4550B	4550B-LFC2-E10	SUB ASSY FR BRK	SUB ASSY FR BRK	1	
	53175	53175-KTCT-9000	LEVER R STRG HANDLE	LEVER R STRG HANDLE	0	
	90131	90131-GLW0-9110	BOLT FLANGE 8*35	BOLT FLANGE 8*35	2	
	90145	90145-9A61-9000	OIL BOLT 10*22	OIL BOLT 10*22	2	
	90545	90545-3L00-001	WASHER OIL BOLT	WASHER OIL BOLT	4	



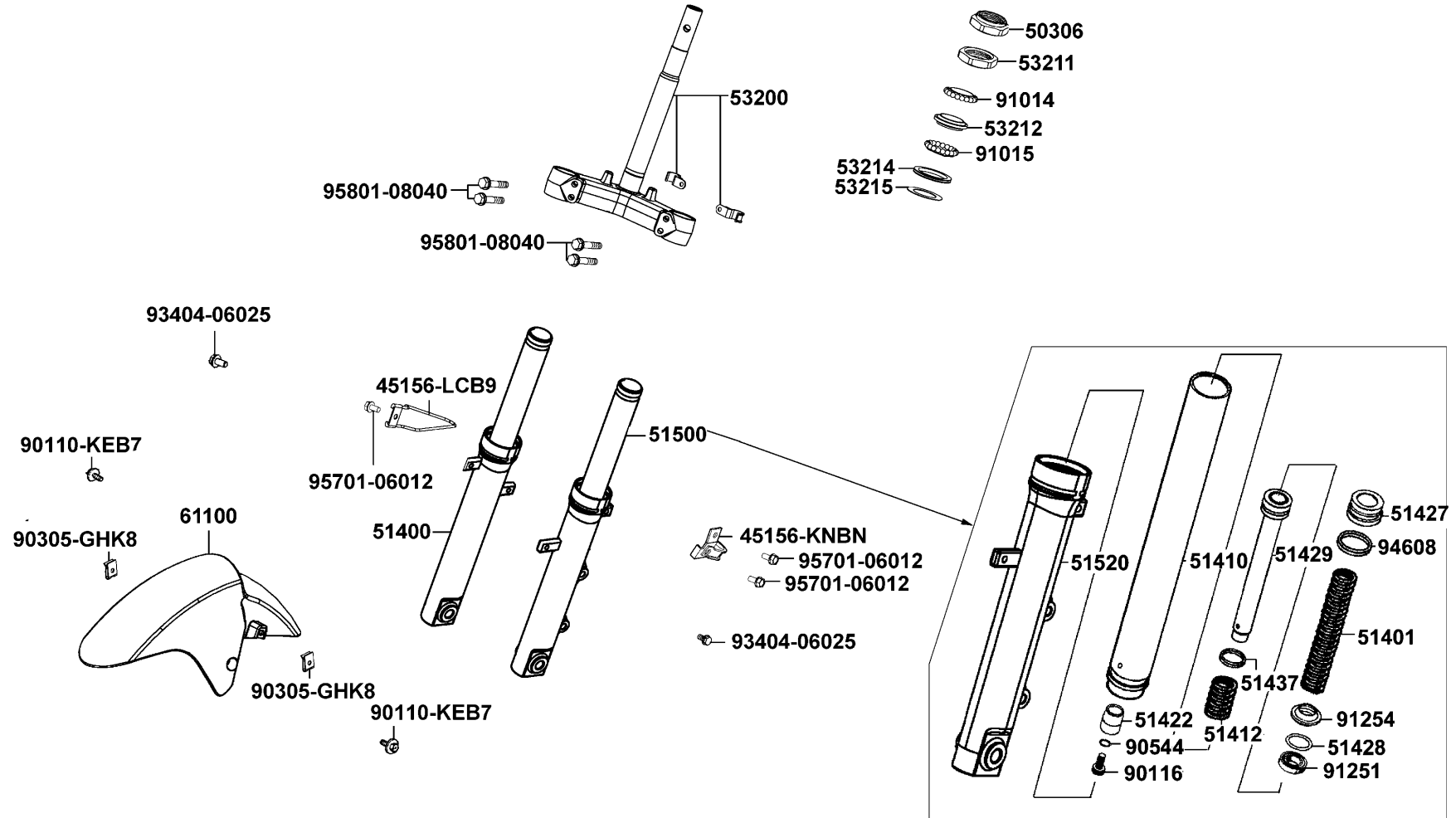
Sales mark	Ref no	Part no	Description	Reg description	Regd no	F05
**	64301	64301-LFC2-E10	COVER FR	COVER FR	1	
**	64302	64302-LFC2-E10	MOLD FRONT	MOLD FRONT	1	
**	64303	64303-LFC2-E10	CAP FR COVER	CAP FR COVER	1	
**	64305	64305-LFC2-E10	SKIRT R SIDE	SKIRT R SIDE	1	
**	64306	64306-LFC2-E10	SKIRT L SIDE	SKIRT L SIDE	1	
**	64307	64307-LFC2-E10	GRILLE R FR MOLDING	GRILLE R FR MOLDING	1	
**	64308	64308-LFC2-E10	GRILLE L FR MOLDING	GRILLE L FR MOLDING	1	
	6430A	6430A-LFC2-E10	SKIRT ASSY R SIDE	SKIRT ASSY R SIDE	1	
	6430B	6430B-LFC2-E10	SKIRT ASSY L SIDE	SKIRT ASSY L SIDE	1	
	6430C	6430C-LFC2-E10	MOLD ASSY FRONT	MOLD ASSY FRONT	1	
**	64310	64310-LFC2-E11	FLOOR PANEL	FLOOR PANEL	1	
	64316	64316-LCB9-C10	PLUG FLOOR	PLUG FLOOR	4	
	64350-LFC2-E10	64350-LFC2-E10	COVER R STEP	COVER R STEP	1	
**	64350-LFC2-E11	64350-LFC2-E11	COVER R STEP	COVER R STEP	1	
	64360-LFC2-E10	64360-LFC2-E10	COVER L STEP	COVER L STEP	1	
**	64360-LFC2-E11	64360-LFC2-E11	COVER L STEP	COVER L STEP	1	
	75581	75581-6C73-001	SET SPG LOCK KEY	SET SPG LOCK KEY	1	
**	81131	81131-LFC2-E10	LEG SHIELD	LEG SHIELD	1	
	81132-LCB9	81132-LCB9-C10	Xc	Xc	1	
**	81132-LFC2	81132-LFC2-E10	CAP LEG SHIELD UP	CAP LEG SHIELD UP	1	



Sales mark	Ref no	Part no	Description	Reg description	Regd no	F05
	81133	81133-KNBN-901	STOPPER LUGGAGE	STOPPER LUGGAGE	1	
**	81134	81134-KGBG-9000	HOOK LUGGAGE	HOOK LUGGAGE	1	
**	81141	81141-LFC2-E10	LID INNER BOX	LID INNER BOX	1	
	81142-KFA6	81142-KFA6-900	STAY LID INNER BOX	STAY LID INNER BOX	2	
	81146	81146-LFC2-E10	SEAL A LID INNER BOX	SEAL A LID INNER BOX	1	
	81147	81147-LFC2-E10	SEAL B LID INNER BOX	SEAL B LID INNER BOX	1	
	90110	90110-GLW0-001	SCREW SPECIAL 6*14	SCREW SPECIAL 6*14	1	
	90164-KGBG	90164-KGBG-900	SCREW SPECIAL 6MM	SCREW SPECIAL 6MM	1	
	90302-SDA4	90302-SDA4-004	NUT SPRING 4MM	NUT SPRING 4MM	17	
	90683	90683-GAR1-004	CLIP BODY COVER	CLIP BODY COVER	2	
	93404-06016	93404-06016-07	BOLT WASHER 6*16 (K)	BOLT WASHER 6*16 (K)	1	
	93404-06020	93404-06020-07	BOLT WASHER 6*20 (K)	BOLT WASHER 6*20 (K)	8	
	93903-34280	93903-34280	SCREW TAPPING 4*10 (K)	SCREW TAPPING 4*10 (K)	4	
	93903-34380	93903-34380	SCREW TAPPING 4*12	SCREW TAPPING 4*12	16	
	93903-GFY6	93903-GFY6-900	SCREW TAPPING 4*14	SCREW TAPPING 4*14	15	



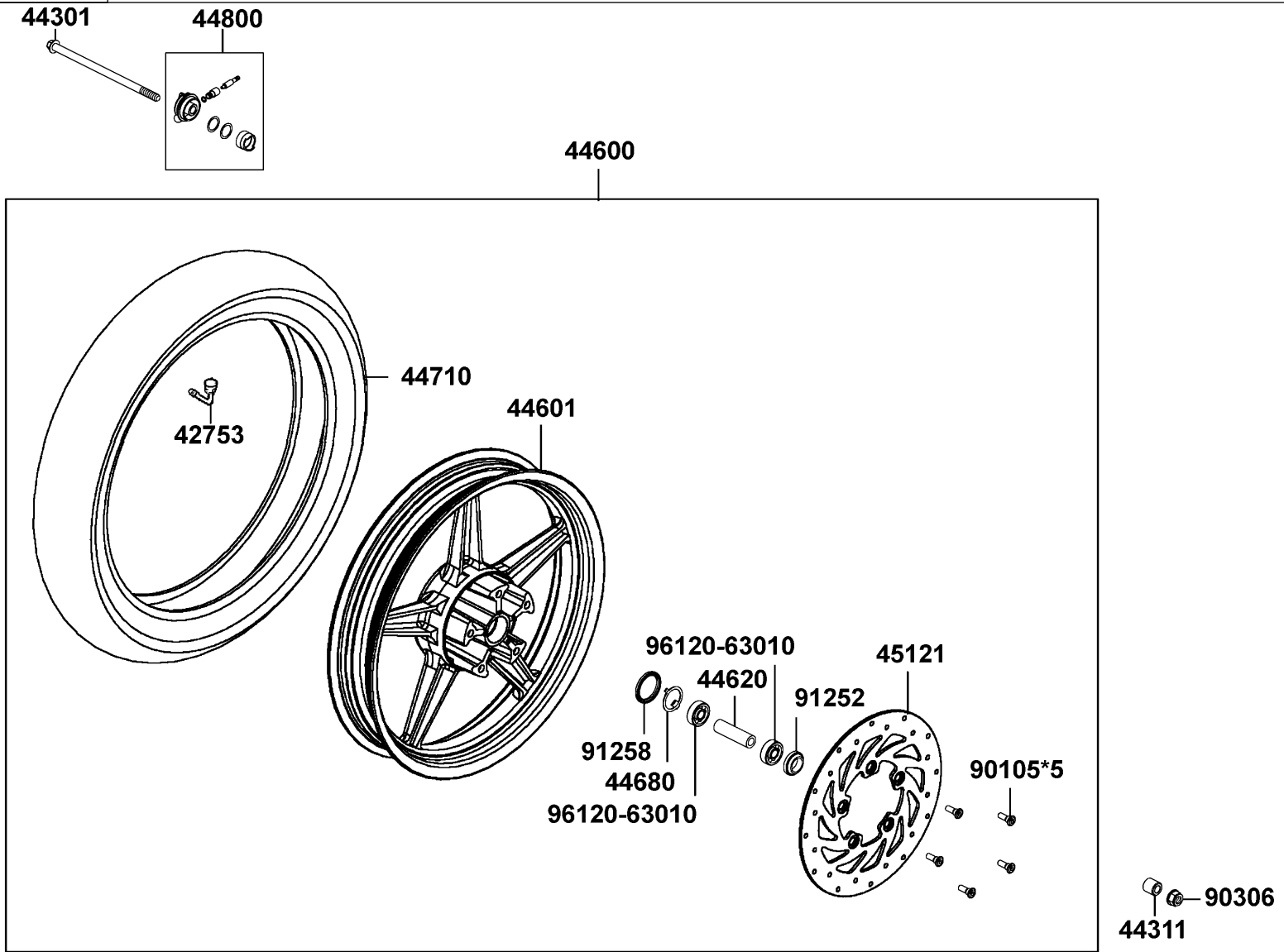
Sales mark	Ref no	Part no	Description	Reg description	Regd no	F06
	45156-KBN	45156-KBN-9010	CLAMPER FR BRAKE HOSE	CLAMPER FR BRAKE HOSE	1	
	45156-LCB9	45156-LCB9-B20	CLAMPER FR SPDMT CABLE	CLAMPER FR SPDMT CABLE	1	
	50306	50306-1F96-0010	NUT STRG STEM LOCK	NUT STRG STEM LOCK	1	
	51400	51400-LFC2-E10	"FORK ASSY, R FR"	"FORK ASSY, R FR"	1	
	51401	51401-LEJ2-E10	SPRING	SPRING	1	
	51410	51410-LEJ2-E10	FORK PIPE COMP	FORK PIPE COMP	1	
	51412	51412-LEJ2-E10	REBOUND SPRING	REBOUND SPRING	1	
	51422	51422-LEJ2-E10	OIL LOCK PIECE	OIL LOCK PIECE	1	
	51427	51427-LEJ2-E10	FORK BOLT	FORK BOLT	1	
	51428	51428-LEJ2-E10	OIL SEAL STOPPER RING	OIL SEAL STOPPER RING	1	
	51429	51429-LEJ2-E10	PIPE SEAT	PIPE SEAT	1	
	51437	51437-LEJ2-E10	PISTON RING	PISTON RING	1	
	51500	51500-LFC2-E10	"FORK ASSY, L FR"	"FORK ASSY, L FR"	1	
	51520	51520-LEJ2-E10	BOTTOM CASE LH	BOTTOM CASE L	1	
	53200	53200-LFC2-E10	STEM ASSY STRG	STEM ASSY STRG	1	
	53211	53211-GFY6-9400	RACE STRG TOP CONE	RACE STRG TOP CONE	1	
	53212	53212-2L50-011	RACE STRG BOT CONE	RACE (STRG BOTTOM) CONE	1	
	53214	53214-2L50-001	DUST SEAL STRG(HEAD)	DUST SEAL STRG (HEAD)	1	
	53215	53215-2L50-001	WASH STRG HDL DUST-SEAL	WASHER STRG HDL DUST-SEAL	1	
**	61100	61100-LFC2-E10	FENDER FR	FENDER FR	1	



Sales mark	Ref no	Part no	Description	Reg description	Regd no	F06
90110		90110-KEB7-900	SCREW SPECIAL 6*14	SCREW SPECIAL 6*14	2	
90116		90116-LEJ2-E10	?? BOLT	?? BOLT	1	
90305		90305-GHK8-001	NUT CLIP 6MM	NUT CLIP 6MM	2	
90544		90544-LEJ2-E10	PACKINGCUB	PACKINGCUB	1	
91014		91014-LLJ3-E00	CAGE STEERING TOP	CASE STEERING TOPP	1	
91015		91015-LLJ3-E00	CAGE STEERING BOT	CASE STEERING BOT	1	
91251		91251-LEJ2-E10	OIL SEAL	OIL SEAL	1	
91254		91254-LEJ2-E10	DUST SEAL	DUST SEAL	1	
93404		93404-06025-07	BOLT WASHER 6*25 (K)	BOLT WASHER 6*25 (K)	2	
94608		94608-LEJ2-E10	O-RING B	O-RING B	1	
95701		95701-06012-08	BOLT FLANGE 6*12	BOLT FLANGE 6*12	3	
95801		95801-08040-08	BOLT FLANGE 8*40	BOLT FLANGE 8*40	4	

F07

Front Wheel



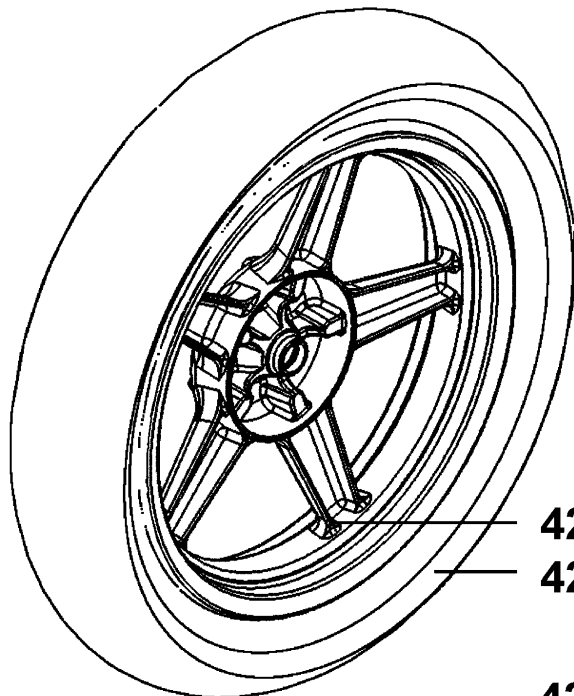
Sales mark	Ref no	Part no	Description	Reg description	Regd no	F07
42753		42753-HHJ1-9000	VALVE (PVR-70) & CAP (E)	VALVE (PVR-70) & CAP (E)	1	
44301		44301-LEJ2-E10	AXLE FR WHEEL	AXLE FR WHEEL	1	
44311		44311-LFC2-E10	COLLAR FR WHEEL SIDE	COLLAR FR WHEEL SIDE	1	
44600		44600-LFC2-E10	WHEEL ASSY FR	WHEEL ASSY FR	1	
44620		44620-KFLF-9300	COLLAR FR DIST	COLLAR FR DIST	1	
44680		44680-4L10-0010	RETAINER GEAR BOX	RETAINER GEAR BOX	1	
44710		44710-LFC2-E1A	TIRE ASSY FR	TIRE ASSY FR	1	
44800		44800-KFA6-900	GEAR BOX ASSY SPDMT	GEAR BOX ASSY SPDMT	1	
45121		45121-LFC2-E80	DISK FR BRK	DISK FR BRK	1	
90105		90105-KCR3-001	BOLT FR DISK 8*24	BOLT FR DISK 8*24	5	
90306		90306-KLF0-0040	NUT FLANGE 12MM	NUT FLANGE 12MM	1	
91252		91252-0L30-004	OIL SEAL WHEEL 23*37*7	OIL SEAL WHEEL 23*37*7	1	
91258		91258-4L10-007	DUST SEAL 40*50*5	DUST SEAL 40*50*5	1	
96120		96120-63010-10	BEARING BALL RADIAL 6301	BEARING BALL RADIAL 6301	2	

F08

Rear Wheel

90305-KNBN

90501-KNBN



42601

42710

42600



42753

4312A

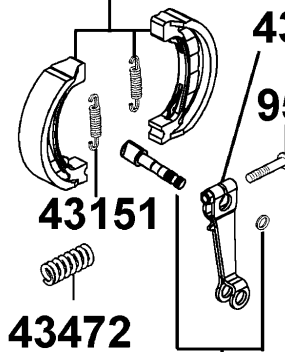
43410

95701-06032

43151

43472

4314A

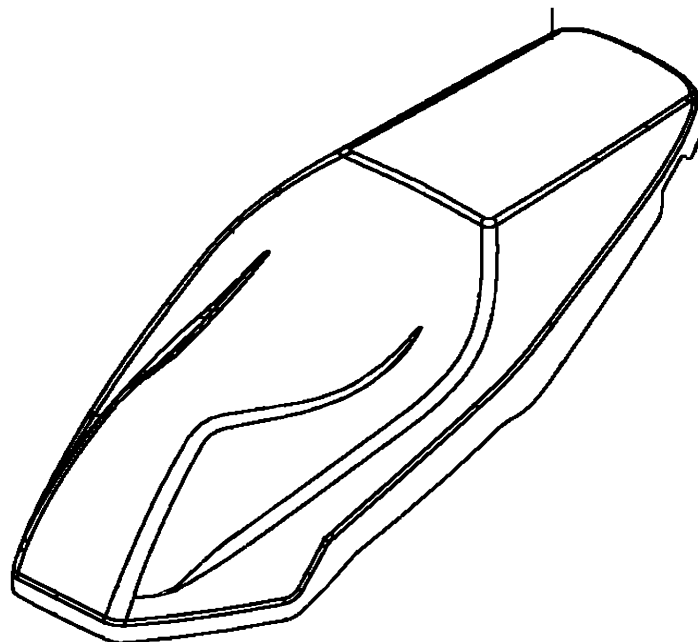



Sales mark	Ref no	Part no	Description	Reg description	Regd no	F08
42600		42600-LFC2-E10	WHEEL ASSY RR	WHEEL ASSY RR	1	
42710		42710-LFC2-E10	TIRE ASSY RR	TIRE ASSY RR	1	
42753		42753-HHJ1-9000	VALVE (PVR-70) & CAP (E)	VALVE (PVR-70) & CAP (E)	1	
4312A		4312A-KUDU-900	SHOE ASSY RR BRAKE	SHOE ASSY RR BRAKE	1	
4314A		4314A-LCD3-E00	CAM ASSY RR BRAKE	CAM ASSY RR BRAKE	1	
43151		43151-KGM7-961	SPRING BRAKE SHOE REAR	SPRING BRAKE SHOE REAR	2	
43410		43410-KFA6-900	ARM RR BRAKE	ARM RR BRAKE	1	
43472		43472-KHG8-001	SPG RR BRK ARM	SPG RR BRK ARM	1	
90305		90305-KNBN-9030-M2	NUT U 16MM(C)	NUT U 16MM(C)	1	
90501		90501-KNBN-901	WASHER 16MM	WASHER 16MM	1	
95701		95701-06032-08	BOLT FLANGE 6*32	BOLT FLANGE 6*32	1	


F09

Seat

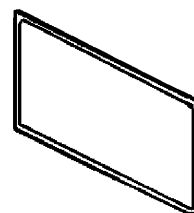
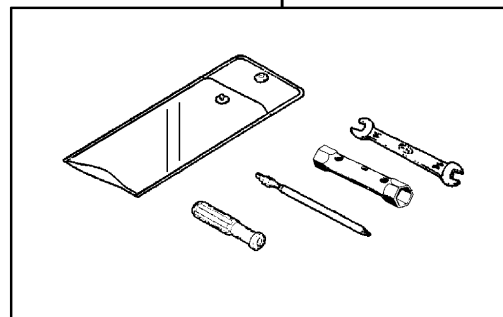
77200



94050-06080 

94050-06080 

89010

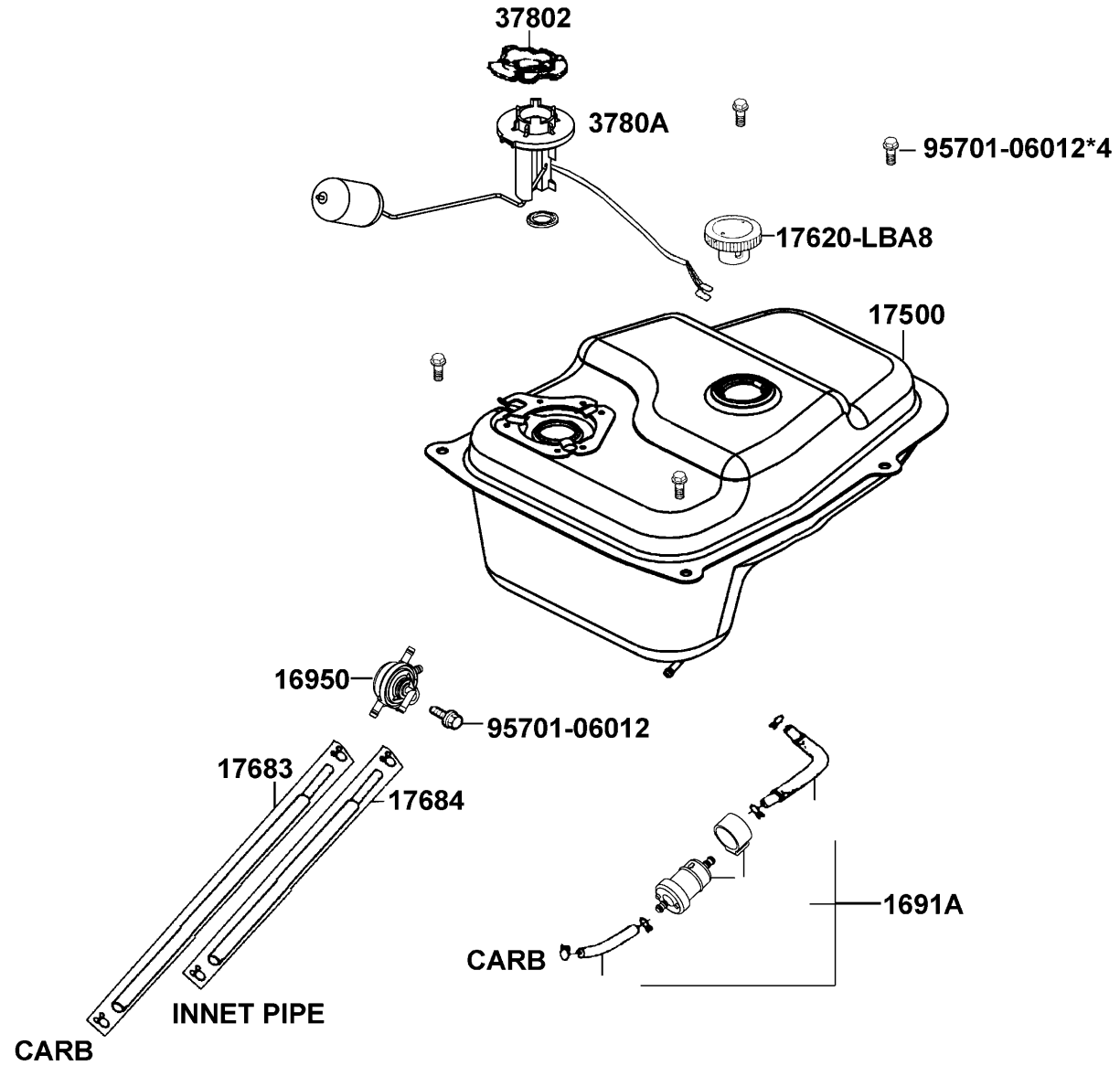


89020

Sales mark	Ref no	Part no	Description	Reg description	Regd no	F09
	77200	77200-LFC2-E11	SEAT ASSY	SEAT ASSY	0	
	89010	89010-KGBG-C00	TOOL SET	TOOL SET	1	
	89020	89020-KKC4-900	BAND TOOL SET	BAND TOOL SET	1	
	94050	94050-06080	NUT FLANGE 6MM	NUT FLANGE 6MM	2	

F10

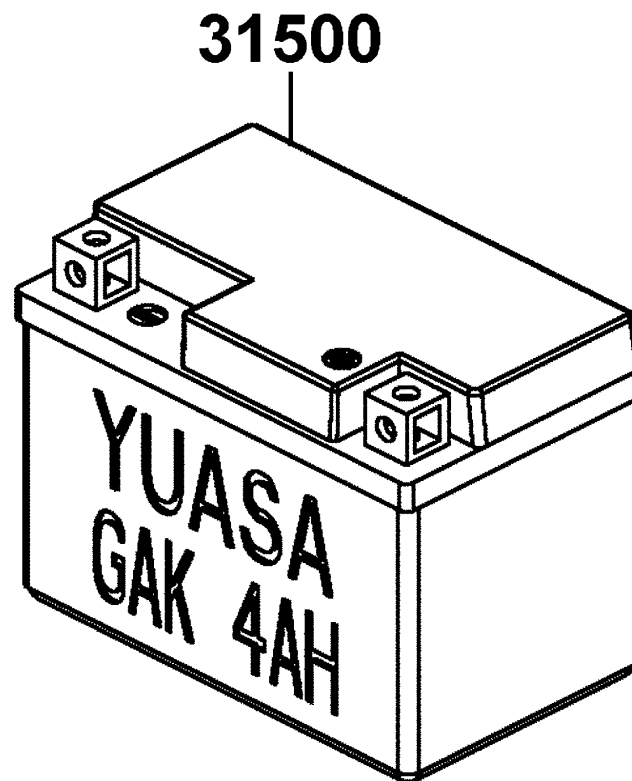
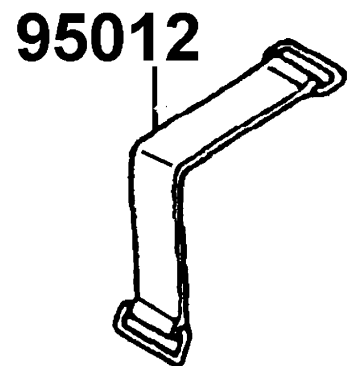
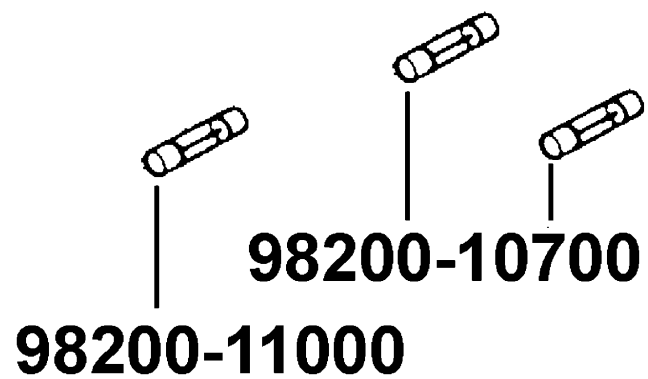
Fuel Tank



Sales mark	Ref no	Part no	Description	Reg description	Regd no	F10
	1691A	1691A-LEJ2-E10	STRAINER ASSY FUEL	STRAINER ASSY FUEL	1	
	16950	16950-LCA3-B50	AUTO COCK ASSY FUEL	AUTO COCK ASSY FUEL	1	
	17500	17500-LEJ2-E10	TANK COMP. FUEL	TANK COMP. FUEL	1	
	17620	17620-LBA8-C10	CAP FUEL FILLER	CAP FUEL FILLER	1	
	17683	17683-LEJ2-E10	TUBE ASSY FUEL	TUBE ASSY FUEL	1	
	17684	17684-LEJ2-E10	TUBE ASSY COCK-INLET PIPE	TUBE ASSY COCK-INLET PIPE	1	
	37802	37802-GGA7-701	RET FUEL UNIT	RET FUEL UNIT	1	
	3780A	3780A-LEJ2-E10	FUEL UNIT ASSY	FUEL UNIT ASSY	0	
	95701	95701-06012-08	BOLT FLANGE 6*12	BOLT FLANGE 6*12	5	

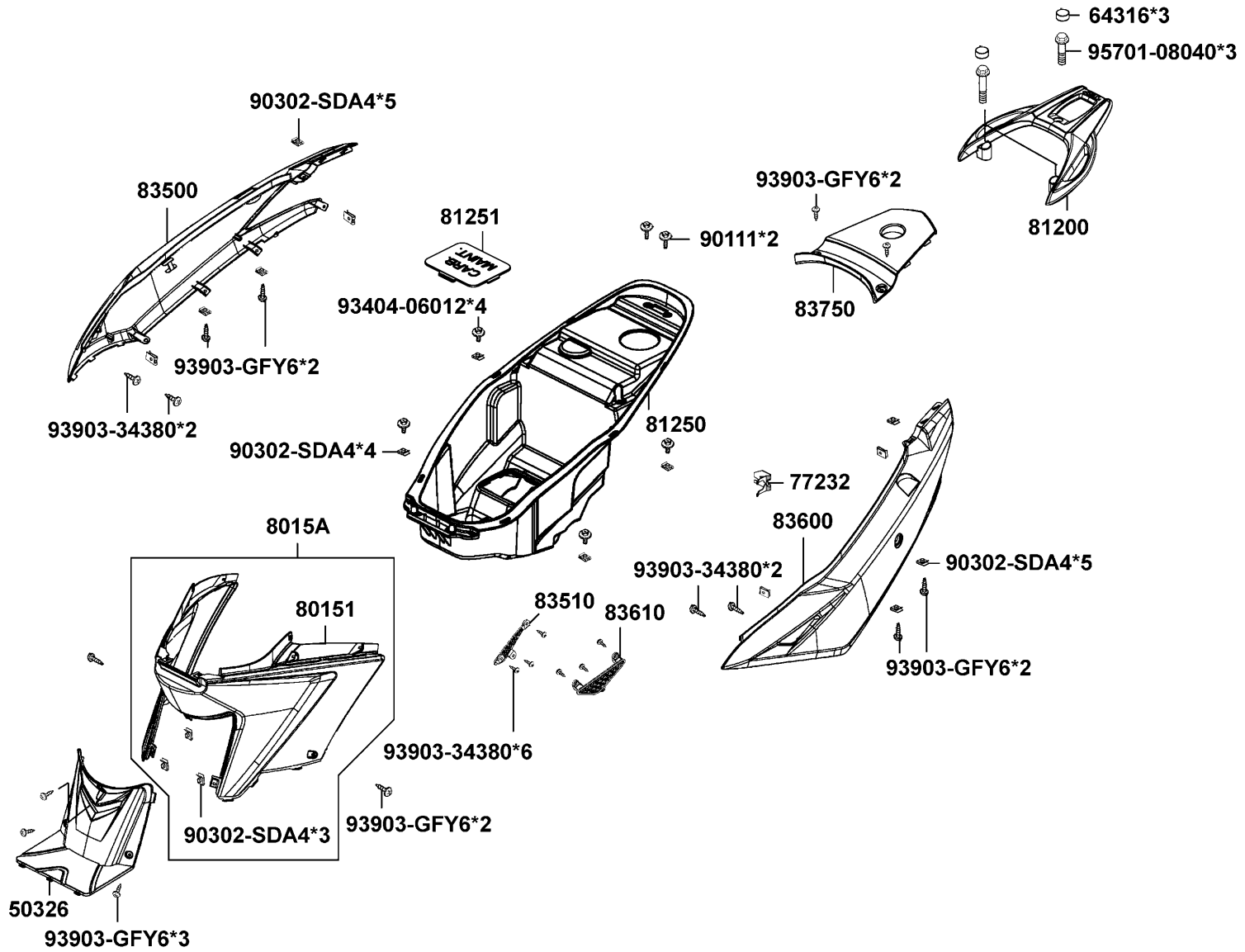
F11

Battery



Sales mark	Ref no	Part no	Description	Reg description	Regd no	F11
	31500	31500-GFY6-E00	GTX7A-BS	GTX7A-BS	1	
	95012	95012-LEJ2-E10	BAND BATTERY	BAND BATTERY	1	
	98200-10700	98200-10700	FUSE A7	BLADE FUSE 7A	2	
	98200-11000	98200-11000	FUSE 10A	FUSE A10	1	

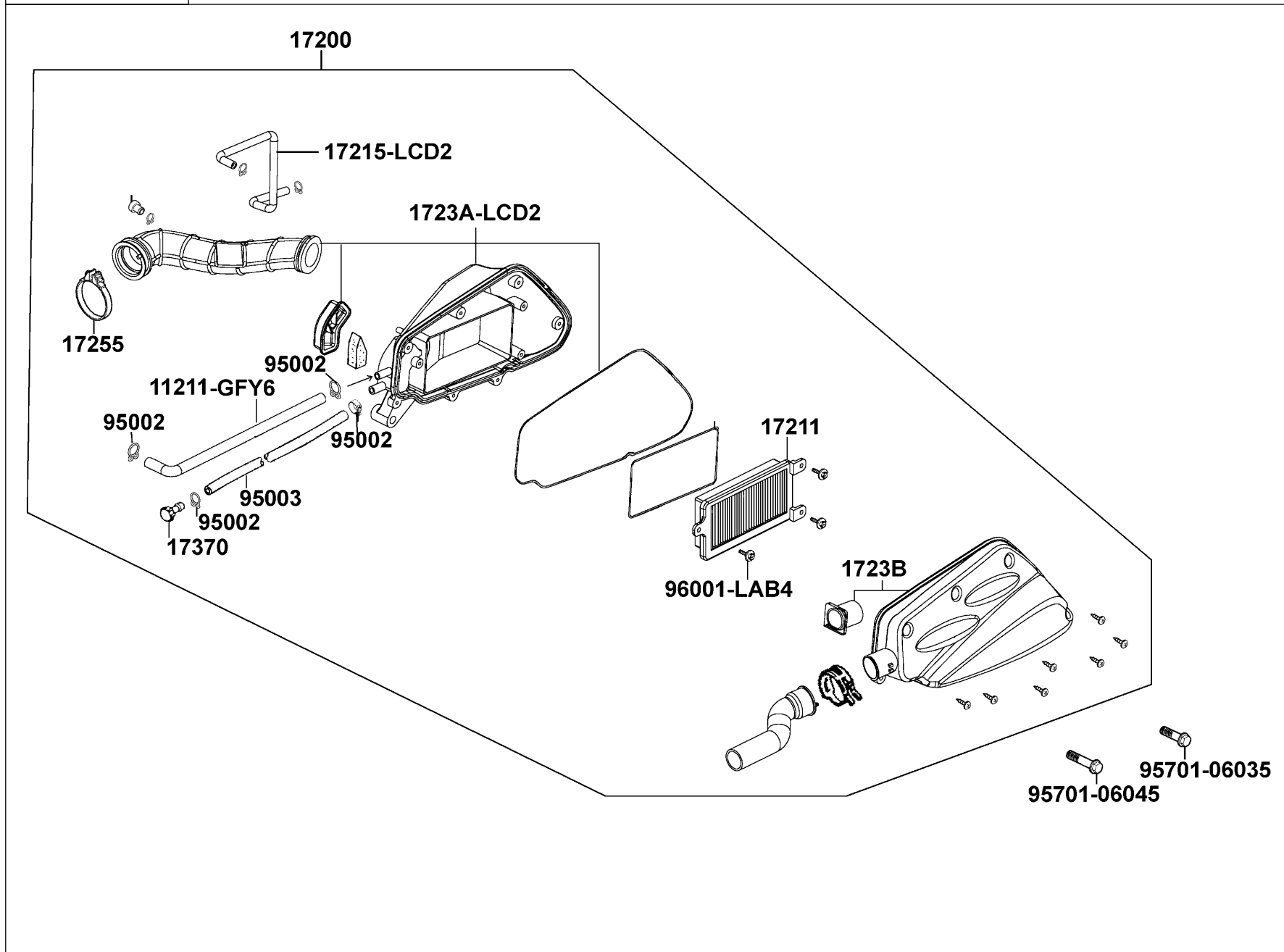
Body Cover Luggage Box



Sales mark	Ref no	Part no	Description	Reg description	Regd no	F12
**	50326	50326-LFC2-E10	COVER BATTERY	COVER BATTERY	1	
	64316	64316-LCB9-C10	PLUG FLOOR	PLUG FLOOR	3	
	77232	77232-KCAC-901	SET SPG SEAT LOCK	SET SPG SEAT LOCK	1	
**	80151	80151-LFC2-E10	COVER CENTER	COVER CENTER	1	
	81250	81250-LFC2-E10	BOX LUGGAGE	BOX LUGGAGE	1	
	81251	81251-LEJ3-E10	COVER CARB MAINT	COVER CARB MAINT	1	
**	83500	83500-LFC2-E10	COVER R BODY	COVER R BODY	1	
**	83510	83510-LFC2-E10	GRILL R SIDE	GRILL R SIDE	1	
**	83600	83600-LFC2-E10	COVER L BODY	COVER L BODY	1	
**	83610	83610-LFC2-E10	GRILL L SIDE	GRILL L SIDE	1	
**	83750	83750-LFC2-E10	COVER RR CENTER	COVER RR CENTER	1	
	90111	90111-1G87-00A	BOLT FLANGE 6MM	BOLT FLANGE 6MM	2	
	90302	90302-SDA4-004	NUT SPRING 4MM	NUT SPRING 4MM	14	
	93404	93404-06012-07	BOLT WASH 6*12	BOLT WASH 6*12	4	
	93903-34380	93903-34380	SCREW TAPPING 4*12	SCREW TAPPING 4*12	10	
	93903-GFY6	93903-GFY6-900	SCREW TAPPING 4*14	SCREW TAPPING 4*14	11	
	95701	95701-08040-08	BOLT FLANGE 8*40	BOLT FLANGE 8*40	3	

F13

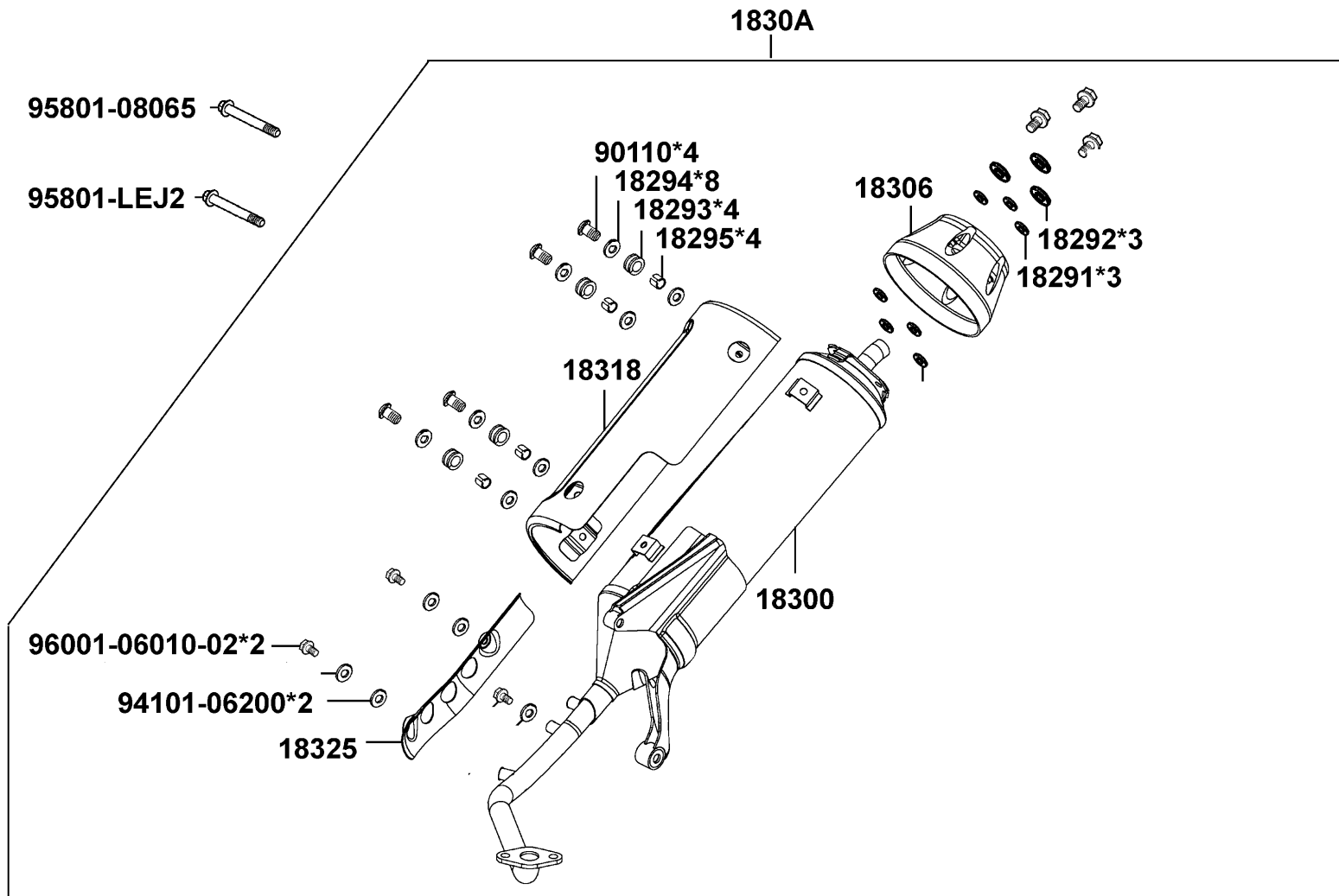
Air Cleaner



Sales mark	Ref no	Part no	Description	Reg description	Regd no	F13
11211		11211-LCD2-E00	TUBE BREATHER	TUBE BREATHER	1	
17200		17200-LEJ2-E10	AIR/C ASSY	AIR/C ASSY	1	
17211		17211-LAB4-900	ELEMENT COMP AIR/C	ELEMENT COMP AIR/C	1	
17215		17215-LCD2-E00	TUBE BREATHER MISSION	CASE COMP AIR/C	1	
1723A		1723A-LCD2-E00	CASE ASSY AIR/C	CASE COMP AIR/C	1	
1723B		1723B-LCD2-E00	COVER ASSY AIR/C	COVER COMP AIR/C	1	
17255		17255-KGBG-900	BAND ASSY AIR/C CONN TUBE	BAND A CONNECTING TUBE	1	
17370		17370-4K19-670	PLUG BREATHER TUBE	PLUG BREATHER TUBE	1	
95002-02080		95002-02080	CLIP B8 TUBE	CLIP B8 TUBE	1	
95002-02120		95002-02120	CLIP B12 TUBE	CLIP B 12 TURE	1	
95002-02130		95002-02130	CLIP B 12.5 TURE	CLIP B12.5 TUBE	2	
95002-41250		95002-41250-00	CLIP D12.5 TUBE	CLAMP D 12.5 TUBE	1	
95003		95003-23036-60	V TUBE 8*12*360	V TUBE 8*12*360	1	
95701-06035		95701-06035-08	BOLT FLANGE SH 6*35	BOLT FLANGE 6*35	1	
95701-06045		95701-06045-08	BOLT FLANGE 6*45	BOLT FLANGE 6*45	1	
96001		96001-GFY6-900	BOLT SPECIAL 5*10	BOLT SPECIAL 5*10	3	

F14

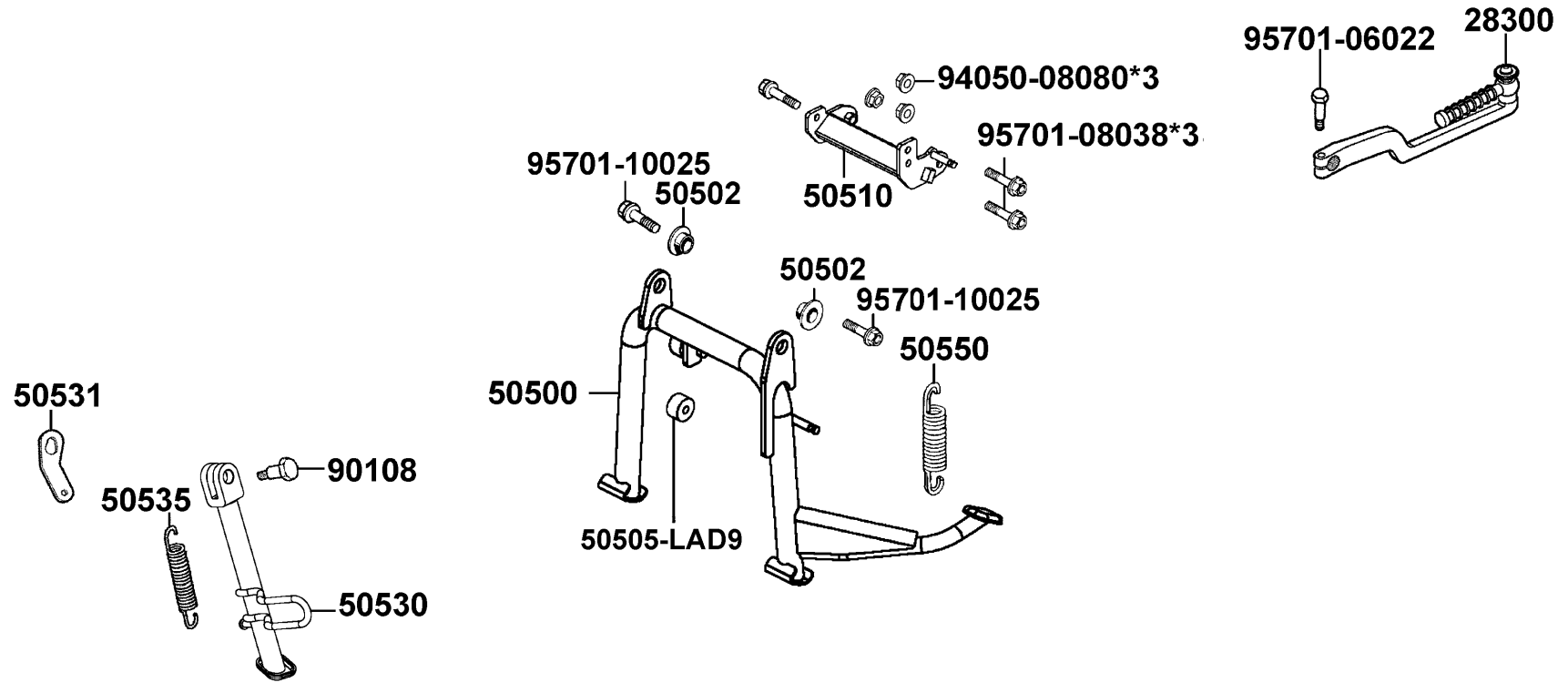
Exhaust Muffler



Sales mark	Ref no	Part no	Description	Reg description	Regd no	F14
	18291	18291-GGA7-001	GASKET EXH PIPE	GASKET EXH PIPE	1	
	18291	18291-KKC4-900	COLLAR	COLLAR	3	
	18292	18292-KEBE-900	PACKING PROTECTOR	PACKING PROTECTOR	3	
	18293	18293-KECE-900	RUBBER A PROTECTOR	RUBBER A PROTR	4	
	18294	18294-KEBE-900	PACKING PROTECTOR	PACKING PROTECTOR	14	
	18295	18295-KECE-900	COLLAR 6MM	COLLAR M6	1	
	18300	18300-LFC2-E10	"MUFFLER COMP,EXH"	"MUFFLER COMP,EXH"	1	
	18306	18306-LAC7-900	TAIL CAP MUFFLER	TAIL CAP MUFFLER	1	
	1830A	1830A-LFC2-E10	MUFFLER ASSY EXHAUST	MUFFLER ASSY EXHAUST	1	
	18318	18318-LCD3-E10	PROTECTOR MUFF	PROTECTOR MUFF	1	
	18325	18325-LFC2-E10	"PROTECTOR,EXH.PIPE"	"PROTECTOR,EXH.PIPE"	1	
	90110	90110-LCD4-E00	SCREW SPECIAL 6*16	SCREW SPECIAL 6X20	4	
	90301	90301-KGBG-900	NUT CAP 6MM	NUT (HEX) CAP 8MM	2	
	94101	94101-06200	WASHER PLAIN 6MM	WASHER PLAIN	5	
	95801-08065	95801-08065-07	BOLT FLANGE 8*65 (C)	BOLT FLANGE 8*65 (C)	1	
	95801-LEJ2	95801-LEJ2-E10	BOLT TORX M8*75	BOLT TORX M8*75	1	
	96001	96001-06010-02	BOLT FLANGE SH 6*10	BOLT FLANGE SH 6*10	2	

F15

Stand Kick Starter Arm

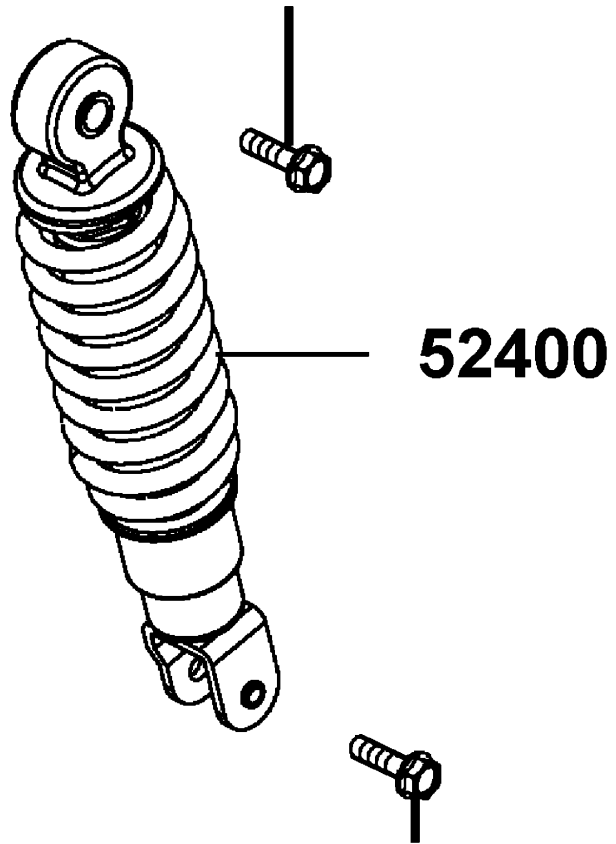


Sales mark	Ref no	Part no	Description	Reg description	Regd no	F15
	28300	28300-KNBN-901	ARM ASSY KICK STARTER	ARM ASSY KICK STARTER	1	
	50500	50500-LFC2-E10	STAND COMP MAIN	STAND COMP MAIN	1	
	50502	50502-LDF7-E10	COLLAR,MAIN STAND	COLLAR,MAIN STAND	2	
	50505-LAD9	50505-LAD9-900	RUBBER STOPPER MAIN	RUBBER STOPPER MAIN	1	
	50510	50510-LFC2-E10	STAY	STAY	1	
	50530	50530-LFC2-E10	BAR SIDE STAND	BAR SIDE STAND	1	
	50531	50531-KEB7-E00	PLATE SPRING STOPPER	PLATE SPRING STOPPER	1	
	50535	50535-KEB7-W10	SPRING COMP SIDE STAND	SPRING COMP SIDE STAND	1	
	50550	50550-KEB7-E00	SPG ASSY MAIN STAND	SPG ASSY MAIN STAND	1	
	90108	90108-KFA6-E00	SCREW SIDE STAND	SCREW SIDE STAND	1	
	94050	94050-08080	NUT FLANGE 8MM	NUT FLANGE 8MM	3	
	95701-06022	95701-06022-07	BOLT FLANGE 6*22 (K)	BOLT FLANGE 6*22 (K)	1	
	95701-08038	95701-08038-08	BOLT FLANGE 8*38 (C)	BOLT FLANGE 8*38 (C)	3	
	95701-10025	95701-10025-08	BOLT FLANGE 10*25	BOLT FLANGE 10*25	2	

F16

Rear Cushion

95801-10035



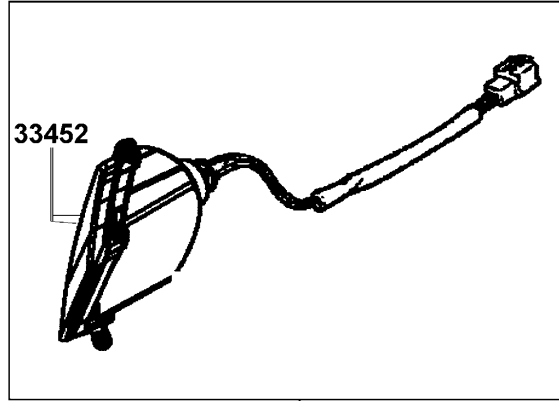
52400

95801-08032

Sales mark	Ref no	Part no	Description	Reg description	Regd no	F16
	52400	52400-LFC2-E10	CUSHION ASSY RR	CUSHION ASSY RR	1	
	95801-08032	95801-08032-08	BOLT FLANGE 8*32(C)	BOLT FLANGE 8*32(C)	1	
	95801-10035	95801-10035-08	BOLT FLANGE 10*35	BOLT FLANGE10*35	1	

F17

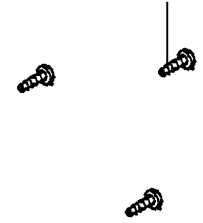
Front Winker



93903-34380*4



93903-34380*4

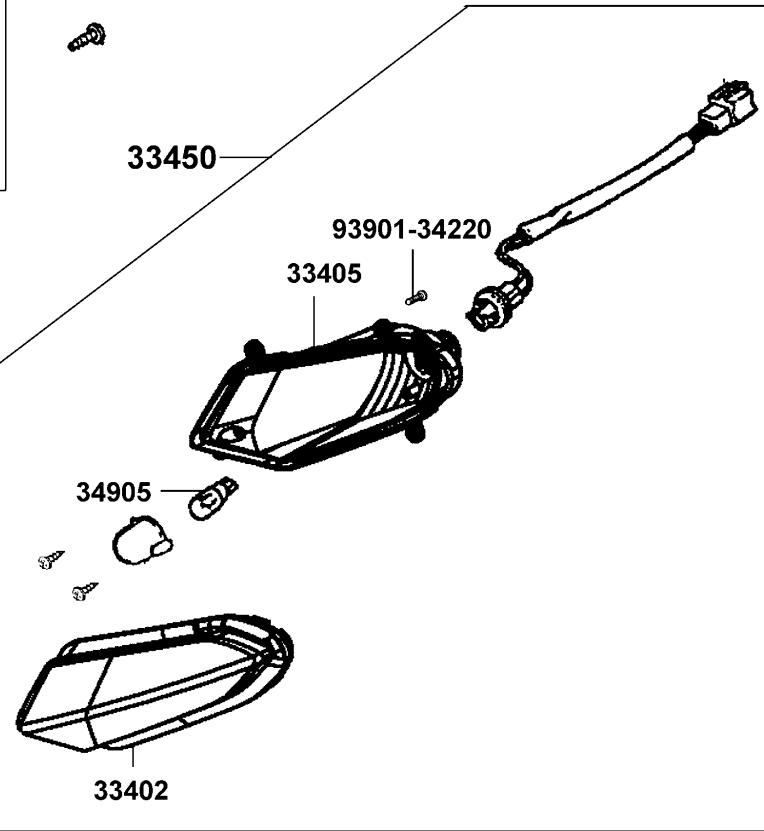


33450

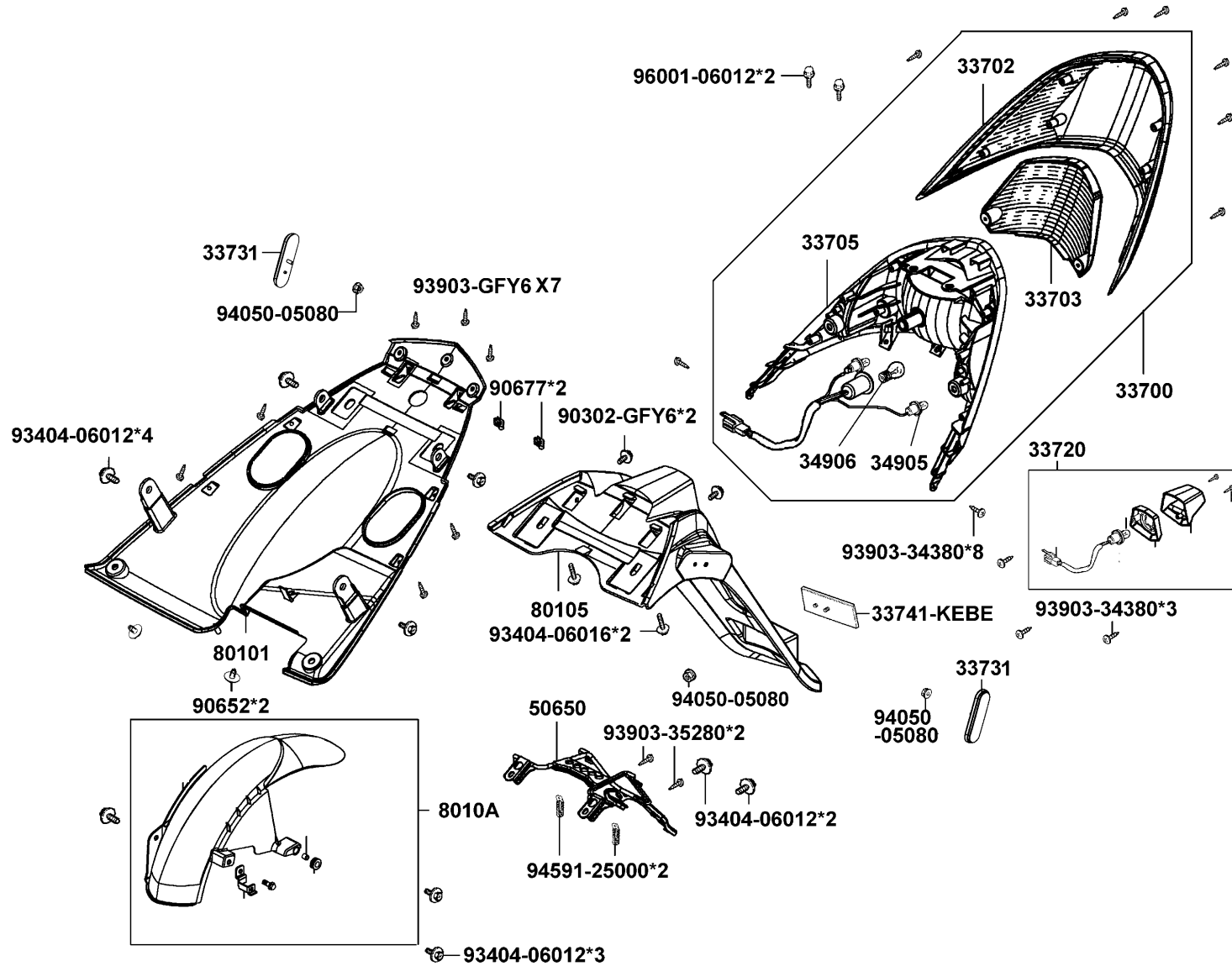
93901-34220

33405

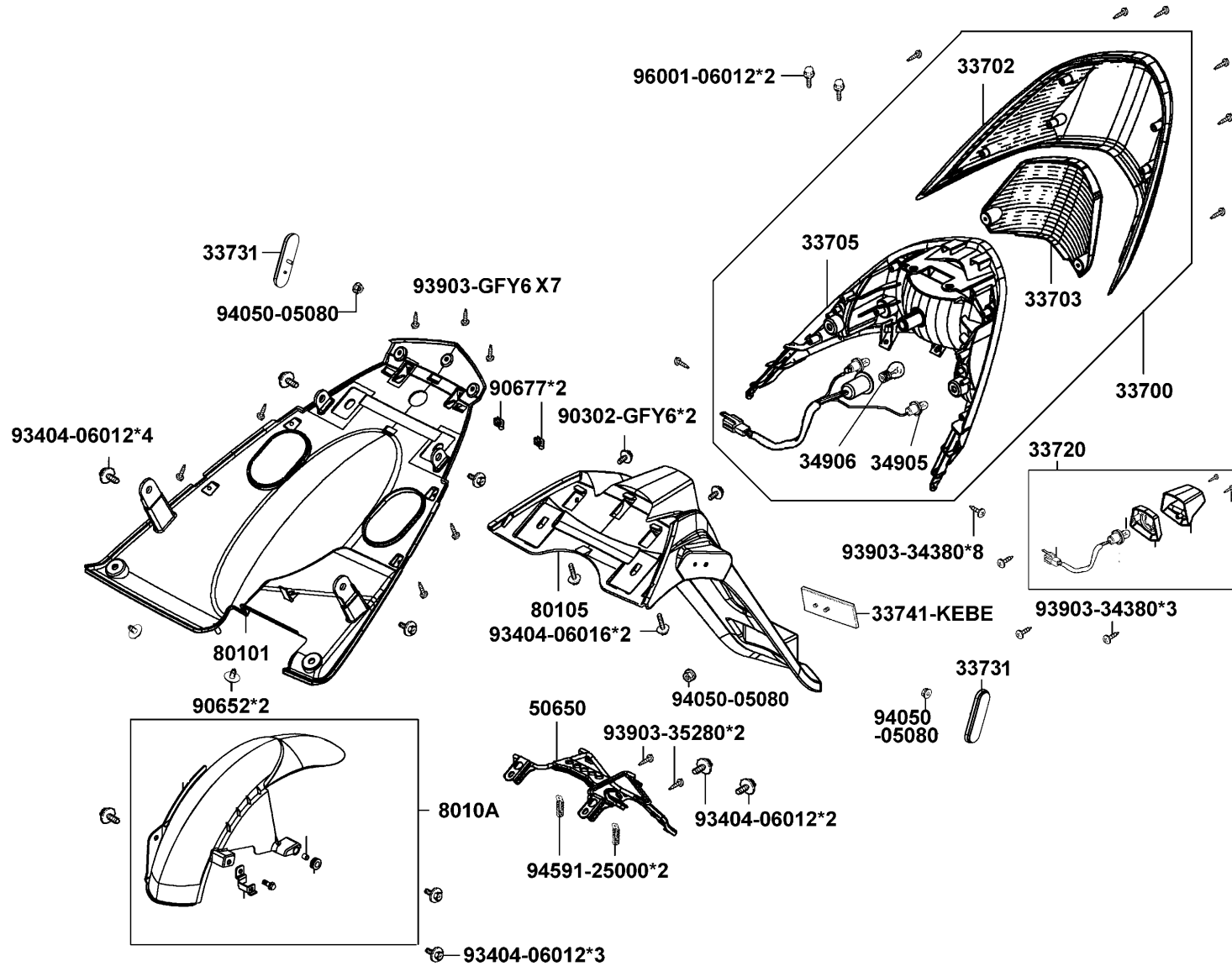
34905



Sales mark	Ref no	Part no	Description	Reg description	Regd no	F17
	33400	33400-LFC2-E10	WINKER ASSY RH FR	WINKER ASSY RH FR	1	
	33402	33402-LFC2-E10	LENS R FR WINKER	LENS R FR WINKER	1	
	33405	33405-LFC2-E10	BASE,R,FR.WINKER	BASE,R,FR.WINKER	1	
	33450	33450-LFC2-E10	WINKER ASSY LH FR	WINKER ASSY LH FR	1	
	33452	33452-LFC2-E10	LENS L FR WINKER	LENS L FR WINKER	1	
	34905	34905-LBA8-E80	BULB WINKER	BULB WINKER	1	
	93901	93901-34220	SCREW TAPPING 4*10	SCREW TAPPING 4*10	1	
	93903	93903-34380	SCREW TAPPING 4*12	SCREW TAPPING 4*12	8	



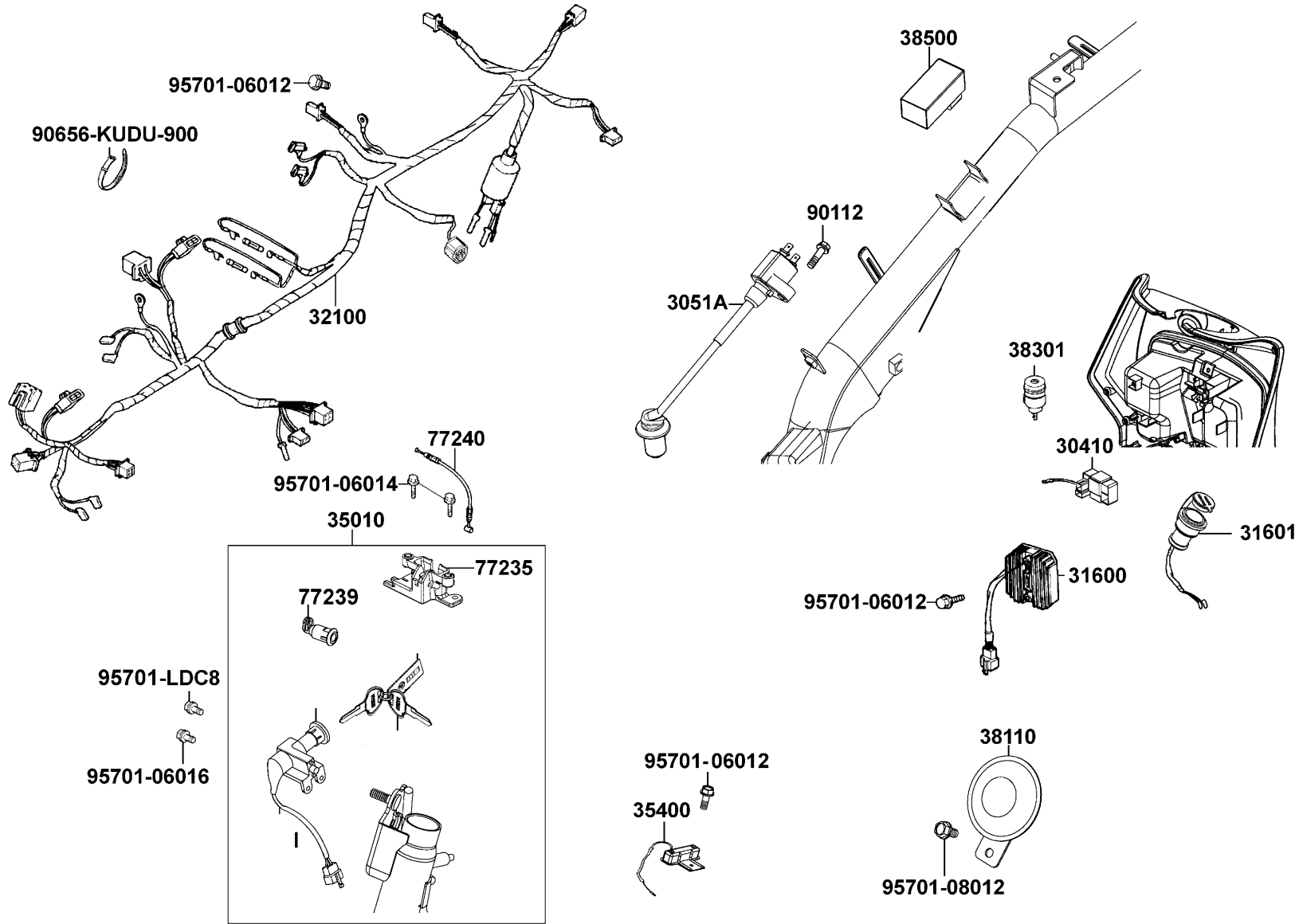
Sales mark	Ref no	Part no	Description	Reg description	Regd no	F18
	33700	33700-LFC2-E10	LIGHT ASSY RR COMB	LIGHT ASSY RR COMB	1	
	33702	33702-LFC2-E10	LENS TAIL LIGHT	LENS TAIL LIGHT	1	
	33703	33703-LFC2-E10	LENS R RR WINKER	LENS R RR WINKER	1	
	33705	33705-LFC2-E10	BASE RR COMP	BASE RR COMP	1	
	33720	33720-LEJ2-E10	LIGHT ASSY LICENSE	LIGHT ASSY LICENSE	1	
	33731	33731-KGB5-900	REFLEX REFLECTOR SIDE	"REFLEX REFLECTOR,SIDE"	2	
	33741	33741-KEBE-900	REFLEX REFLECTOR	REFLEX REFLECTOR	1	
	34905	34905-KPCP-900	BULB WINKER	BULB WINKER	2	
	34906	34906-KPCP-9000	BULB TAIL & STOP	BULB TAIL & STOP	1	
	50650	50650-LFC2-E10	STAY RR. FENDER	STAY RR. FENDER	1	
	80101	80101-LFC2-E10	FENDER RR INNER	FENDER RR INNER	1	
	8010A	8010A-LFC2-E10	FENDER ASSY. RR TIRE	FENDER ASSY. RR TIRE	1	
	90302	90302-GFY6-901	BOLT WASH 5*12	BOLT WASHER 5*12	2	
	90652	90652-LCA4-E00	CLIP MUDGUARD	CLIP MUDGUARD	2	
	90677	90677-GAR1-004	NUT CLIP 5MM	NUT CLIP 5MM	2	
	93404-06012	93404-06012-07	BOLT WASH 6*12	BOLT WASH 6*12	9	
	93404-06016	93404-06016-07	BOLT WASHER 6*16 (K)	BOLT WASHER 6*16 (K)	3	
	93903-34380	93903-34380	SCREW TAPPING 4*12	SCREW TAPPING 4*12	9	
	93903-35280	93903-35280	SCREW TAPPING 5*12(K)	SCREW TAPPING 5*12(K)	2	
	93903-GFY6	93903-GFY6-900	SCREW TAPPING 4*14	SCREW TAPPING 4*14	7	



Sales mark	Ref no	Part no	Description	Reg description	Regd no	F18
	94050	94050-05080	NUT FLANGE 5MM	NUT FLANGE 5MM	3	
	94591	94591-25000	CLIP BIND	CLIP BIND	2	
	96001	96001-06012-08	BOLT FLANGE 6*12	BOLT FLANGE SH 6*12	2	

F19

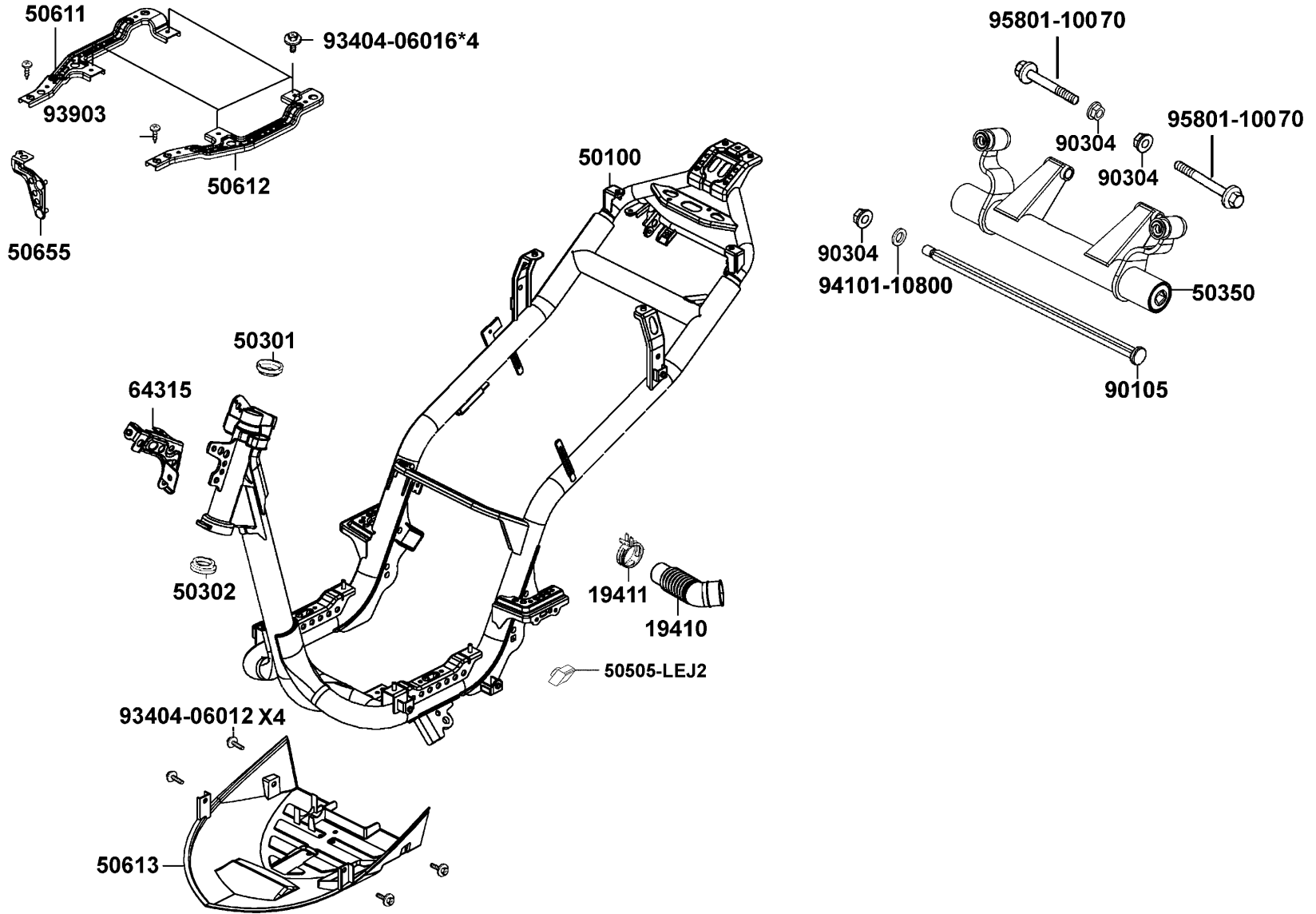
Wire Harness



Sales mark	Ref no	Part no	Description	Reg description	Regd no	F19
	30410	30410-LEJ2-E10	UNIT COMP CDI	UNIT COMP CDI	1	
	3051A	3051A-LLF5-800	COIL ASSY IGN	COIL ASSY IGN	1	
	31600	31600-LFC2-E10	REG REC COMP,(DC)	REG REC COMP,(DC)	1	
	31601	31601-LFC2-E10	"SOCKET COMP.,DC 12V"	"SOCKET COMP.,DC 12V"	1	
	32100	32100-LFC2-E10	HARNESS WIRE	HARNESS WIRE	1	
	35010	35010-LFC2-E10	KEY SET	KEY SET	1	
	35400	35400-LEJ2-E10	RESISTOR COMP	RESISTOR COMP	1	
	38110	38110-KGC4-B50	HORN COMP	HORN COMP	1	
	38301	38301-GGS7-005	RELAY COMP AP WINKER	RELAY COMP AP WINKER	1	
	38500	38500-KKDK-900	RELAY ASSY START	RELAY ASSY START	1	
	77235	77235-KGC4-E0B	SEAT CATCH	SEAT CATCH	1	
	77239	77239-GFY6-901	KEY SEAT LOCK	KEY SEAT LOCK	1	
	77240	77240-LFC2-E10	CABLE,SEAT LOCK	CABLE,SEAT LOCK	1	
	90112	90112-KRDR-900	BOLT FLANGE 5*22	BOLT FLANGE 5*22	1	
	90656	90656-KUDU-900	BAND HARNESS WIRE	BAND HARNESS WIRE	1	
	95701-06012	95701-06012-08	BOLT FLANGE 6*12	BOLT FLANGE 6*12	3	
	95701-06014	95701-06014-08	BOLT FLANGE 6*14	BOLT FLANGE 6*14	2	
	95701-06016	95701-06016-08	BOLT FLANGE 6*16	BOLT FLANGE 6*16	1	
	95701-08012	95701-08012-08	BOLT FLANGE 8*12	BOLT FLANGE 8*12	1	
	95701-LDC8	95701-LDC8-E10	BOLT TORQUE 6x16	BOLT TORQUE 6x16	1	

F20

Frame Body



Sales mark	Ref no	Part no	Description	Reg description	Regd no	F20
	19410	19410-LEJ2-E10	DUCT COOLING	DUCT COOLING	1	
	19411	19411-KNBN-900	CLIP HOSE	CLIP HOSE	2	
	50100	50100-LFC2-E10	BODY COMP FRAME	BODY COMP FRAME	1	
	50301	50301-KGN7-6710	RACE UP STRG BALL	RACE UP STRG BALL	1	
	50302	50302-2H68-011	RACE STRG BOT BALL	RACE (STRG BOT) BALL	1	
	50350	50350-LFC2-E10	HANGER ASSY ENG.	HANGER ASSY ENG.	1	
	50505-LEJ2	50505-LEJ2-E11	STOPPER RUBBER	STOPPER RUBBER	1	
	50611	50611-LFC2-E10	"RNFCT R, FLOOR"	"RNFCT R, FLOOR"	1	
	50612	50612-LFC2-E10	RNFCT L, FLOOR	RNFCT L, FLOOR	1	
**	50613	50613-LFC2-E10	COVER UNDER	COVER UNDER	1	
	50655	50655-LFC2-E10	"STAY, REG. REC."	"STAY, REG. REC."	1	
	64315	64315-LFC2-E10	STAY FR COVER	STAY FR COVER	1	
	90105	90105-LEJ2-E10	SQUARE BOLT	SQUARE BOLT	1	
	90304	90304-GHE8-004	NUT U 10MM	NUT U 10MM	3	
	93404-06012	93404-06012-07	BOLT WASH 6*12	BOLT WASH 6*12	4	
	93404-06016	93404-06016-07	BOLT WASHER 6*16 (K)	BOLT WASHER 6*16 (K)	4	
	93903	93903-35280	SCREW TAPPING 5*12(K)	SCREW TAPPING 5*12(K)	2	
	94101	94101-10800	WASHER PLAIN 10MM	WASHER PLAIN 10MM (C)	1	
	95801	95801-10070-08	BOLT FLANGE 10*70	BOLT FLANGE 10X70	2	

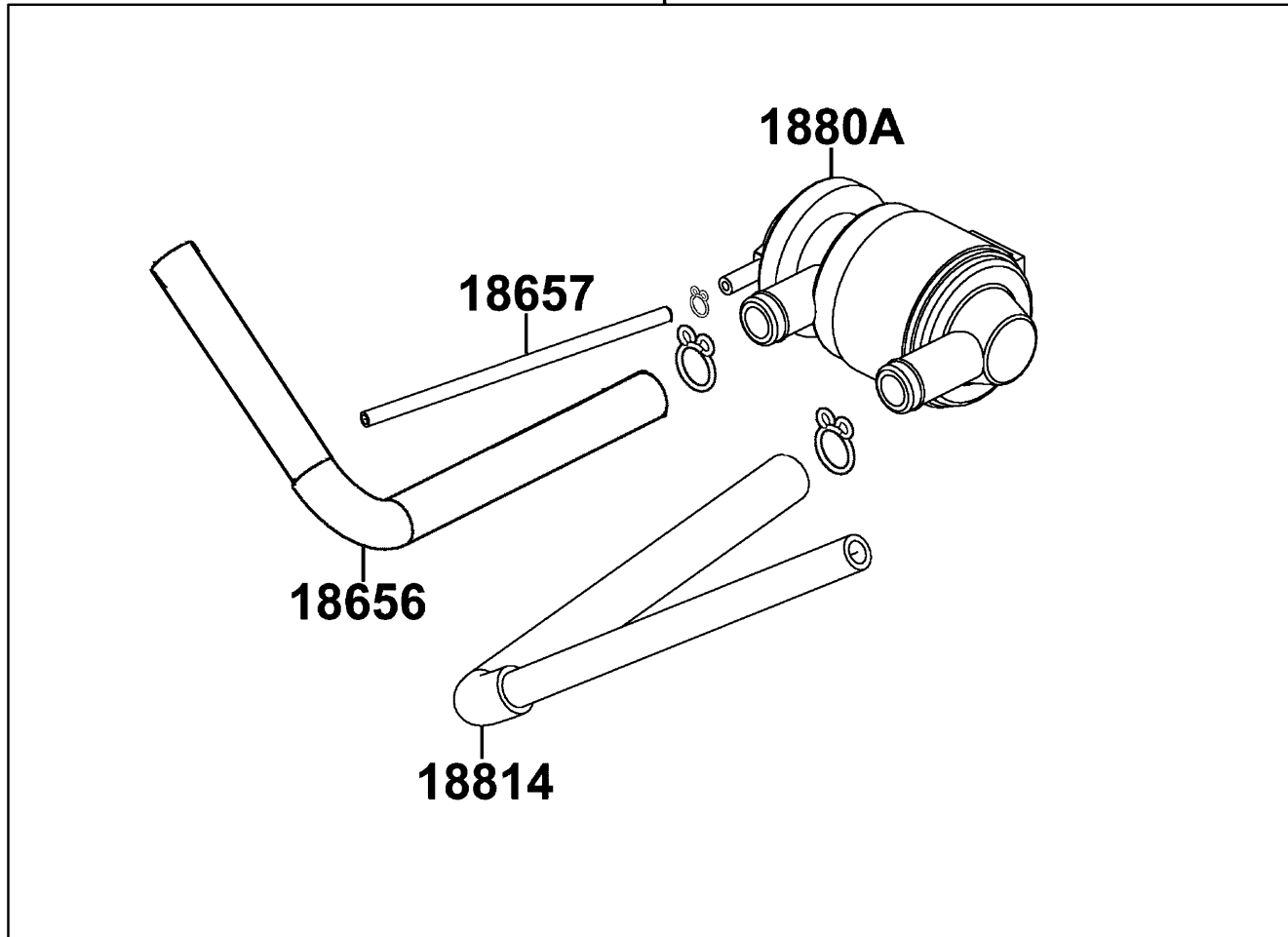
F21

Air Cleaner Two

95002



1880B



1880A

18657

18656

18814

Sales mark	Ref no	Part no	Description	Reg description	Regd no	F21
	18656	18656-LEJ2-E10	TUBE AICV-REED VALVE	TUBE AICV-REED VALVE	1	
	18657	18657-LEJ2-E10	TUBE ASSY INLET PIPE AICV	TUBE ASSY INLET PIPE AICV	1	
	1880A	1880A-LEJ2-E10	AI/CAICV ASSY	AI/CAICV ASSY	1	
	1880B	1880B-LEJ2-E10	AI/C-AICV SET	AI/C-AICV SET	1	
	18814	18814-LEJ2-E10	DUCTAIR-AICV	DUCTAIR-AICV	1	
	95002	95002-02070	CLIP B7 TUBE	CLIP B7 TUBE	1	

F22

Emblem Stripe

• Be sure to wear a safety helmet when riding.
 • Do not exceed the speed specified by law when riding.
 • The ambient weather temperature is very high after riding, be sure to park the motorcycle in a place not easily touched by people.
 • For riding safety and good performance, do not violate the law to modify the motorcycle.
 • Please read the User's Manual carefully to avoid riding risks.

• Make sure to perform the periodic maintenance and periodic inspection.
 Periodic Inspection Items
 Brake Performance, tires, engine oil level, lights, horn, and instrument panel.

KWANG YANG MOTOR CO., LTD.

87560

CAUTIONS

Tire Size : Front 100/80-16 Rear 120/80-16
 (One Rider) : Front 1.50kg/cm² Rear 1.75kg/cm²
 (Two Rider) : Front 2.00kg/cm² Rear 2.25kg/cm²
 Load Capacity: Shield 1.5kg Rear carrier 3kg
 inner box under saddle 10kg
 (Note: The tire pressure must not overpass 2.30kg/cm²)

• Check the motor oil level with the dipstick after refilling motor oil.

87505-LFC2-E10

87505

CAUTIONS

Before starting the engine, the side stand shall be kicked up to secure safety.

87541

ENGINE OIL

Make sure to use KYMCO-recommended SIGMA 4-stroke engine oil.

Full Capacity 0.85ℓ
 Exchange Capacity 0.70ℓ

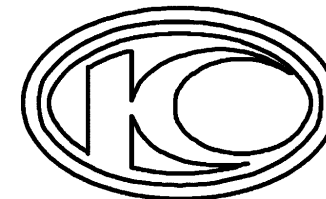
After refilling, check the oil level with dipstick.

K8G-E00

87541-KGBG

AGILITY 50

86202-LFC2-E000-IT



86102-LEJ2-E000

CAUTIONS

Never put any article between the rear side cover and the engine to avoid interference of riding.

GMS-300

87542

TRADE NAME: KYMCO

VEHICLE CATEGORY: A

1. LCD2 KYMCO 64
 2. LEJ2
 3. K8G φ16
 4. K8G
 5. KGBG
 6. LCD2
 7. -----
 8. KYMCO LEJ2 64
 9. KEB7 φ88
 10. KEE1 φ118
 11. LEJ2
 12. 88.20mm KGBG

87224-LEJ2-E20

87224

Sales mark	Ref no	Part no	Description	Reg description	Regd no	F22
**	86102	86102-LEJ2-E00	STRIPE K-LOGO 22MM	STRIPE K-LOGO 22MM	1	
**	86202	86202-LFC2-E10	EMB BOOY COVER	EMB BOOY COVER	2	
**	87224	87224-LEJ2-EZ0	CAUTION ANTI TAMPERING	CAUTION ANTI TAMPERING	1	
**	87505	87505-LFC2-E10	LABEL TIRE	LABEL TIRE	1	
**	87541-GAR1	87541-GAR1-E01	CAUTION SIDE STAND	CAUTION SIDE STAND	1	
**	87541-KGBG	87541-KGBG-E00	LABEL OIL CAP	LABEL OIL CAP	1	
**	87542	87542-GAR1-E01	MARK MAINT CAUTION	MARK MAINT CAUTION	1	
**	87560	87560-GFY6-E01	MARK DRIVE CAUTION	MARK DRIVE CAUTION	1	

PART NO. INDEX

PART NO.	VERSION	PAGE	PART NO.	VERSION	PAGE	PART NO.	VERSION	PAGE	
11000			12191-KGBG-900	0	E03	14510-KGBG-9000	0	E03	
			12200-KGBG-9100	7	E02	14531-GLR0-W10	0	E03	
			12200-LBD6-405	0	E02	1453A-GFY6-W10	0	E03	
	11100-LFC2-E10	7	E01	12209-GDB4-68A	0	E02	14550-LDC8-C10	0	E03
	11102-1G87-0040	1	E01	12211-KGBG-900	2	E02	14555-KKJ9-C10	0	E03
	11192-KGBG-C10	0	E01	12251-KGBG-900	0	E02	14610-KGBG-9000	0	E03
	11200-LFC2-E10	9	E01	12310-KHC5-900	0	E02	14711-KGBG-900	0	E02
	11201-LCD2-E00	0	E01	1231A-KHC5-900	3	E02	14721-KGBG-900	0	E02
	11202-KGBG-900	1	E01	12361-GFY6-9010	1	E04	14751-GEN5-9000	0	E02
	11203-GGC7-W10	2	E01	12391-KEE1-900	0	E02	14771-GDB4-6800	0	E02
	11204-LEJ2-E10	0	E01				14775-MFA6-001	1	E02
	11205-GHAH-004	0	E01	13000			14781-MFA6-0010	1	E02
	11205-LFC2-E10	0	E01				15000		
	11208-LFC2-E10	1	E08	13000-KGBG-900	6	E03			
	11211-LCD2-E00	1	F13	13011-KGBG-9010	1	E03			
	11330-LBD6-E00	3	E04	13101-LCB9-B20	2	E03	15100-LDC5-900	3	E07
	11340-LEJ2-E10	0	E01	13111-KGBG-900	1	E03	15133-LDC5-900	2	E07
	11381-LBC9-900	2	E01	13115-0A01-001	1	E03	15421-1G07-W10	0	E04
11382-LCD2-E00	1	E01				15426-GAE1-921	1	E04	
11382-LEJ3-E10	0	F03	14000			15651-GFY6-9010	1	E04	
11394-KGBG-900	0	E04				1565A-GFY6-900	0	E04	
11395-LCD2-E00	2	E01	14100-KGBG-901	4	E02				
12000			14401-KGBG-9000	0	E03	16000			
			14431-KGBG-W10	0	E02				
			14450-KGBG-W10	0	E02	16012-LDC8-E10	3	E05	
	12100-KGBG-900	3	E03	14452-KGBG-W10	0	E02	16019-LAB4-900	1	E05

PART NO. INDEX

PART NO.	VERSION	PAGE	PART NO.	VERSION	PAGE	PART NO.	VERSION	PAGE
16023-KGC5-9000	0	E05	1621A-KGBG-900	2	E02	18293-KECE-900	4	F14
16035-LDC8-E10	0	E05	1691A-LEJ2-E10	0	F10	18294-KEBE-900	0	F14
16068-KGC5-900	6	E05	16950-LCA3-B50	1	F10	18295-KECE-900	0	F14
16069-KHC4-900	0	E05				18300-LFC2-E10	1	F14
16070-KEC3-900	0	E05	17000			18306-LAC7-900	3	F14
16074-KEC3-900	0	E05				1830A-LFC2-E10	2	F14
16079-KHC4-900	2	E05	1711A-LEJ2-E10	0	E02	18318-LCD3-E10	5	F14
16087-LDC8-E10	1	E05	17200-LEJ2-E10	3	F13	18325-LFC2-E10	1	F14
16088-KEC5-900	0	E05	17211-LAB4-900	1	F13	18612-GFY6-941	0	E02
16093-KEC3-9000	1	E05	17215-LCD2-E00	2	F13	18645-GFY6-941	0	E02
16095-KEC3-9000	2	E05	1723A-LCD2-E00	3	F13	18646-LDC8-E10	0	E02
16100-LEJ2-E10	4	E05	1723B-LCD2-E00	3	F13	18647-GFY6-941	0	E02
16111-KEC3-900	1	E05	17255-KGBG-900	1	F13	18656-LEJ2-E10	0	F21
16116-KGC5-900	0	E05	17256-KGBG-900	0	E02	18657-LEJ2-E10	0	F21
16120-KEC3-900	0	E05	17370-4K19-670	0	F13	1880A-LEJ2-E10	0	F21
16122-KEC3-900	0	E05	17500-LEJ2-E10	5	F10	1880B-LEJ2-E10	0	F21
16124-KEC3-9000	0	E05	17620-LBA8-C10	0	F10	18814-LEJ2-E10	0	F21
16131-KGC6-900	0	E05	17683-LEJ2-E10	0	F10			
16132-KEC3-900	0	E05	17684-LEJ2-E10	0	F10	19000		
16134-KGC5-900	1	E05	17910-LCD2-E00	2	F03			
16138-KGC5-900	0	E05				19410-LEJ2-E10	0	F20
16142-KGC5-900	1	E05	18000			19411-KNBN-900	1	F20
16154-KGC5-900	3	E05				19510-LDC5-900	1	E08
16165-KGC5-900	0	E05	18291-GGA7-001	1	F14	19610-LFC2-E10	0	E08
16170-KGC5-900	2	E05	18291-KKC4-900	3	F14	1961A-KGBG-E01	0	E08
16180-KGC5-900	3	E05	18292-KEBE-900	0	F14	19625-KEE1-9000	0	E08

PART NO. INDEX

PART NO.	VERSION	PAGE	PART NO.	VERSION	PAGE	PART NO.	VERSION	PAGE
1962A-KEE1-900	1	E08	23237-GAR1-220	0	E06			
1963A-LDC8-E10	1	E08	23238-GGS7-0110	0	E06	31000		
21000			23411-LCD2-E00	1	E09			
			23420-LCD2-E00	3	E09	31100-LEJ2-E10	2	E08
21200-LCD2-E00	4	E09	23431-LCD2-E00	4	E09	31110-LBD6-E0A	1	E08
21395-LCD2-E00	3	E09	23432-LCD2-E00	3	E09	31120-LEJ2-E10	2	E08
22000			28000			31200-LEJ2-E10	0	E07
						31209-KEE1-9000	2	E07
			28211-KEB7-W10	0	E06	31500-GFY6-E00	0	F11
22102-LDC8-E10	0	E06	28212-LEJ2-E10	0	E06	31600-LFC2-E10	1	F19
22103-KEB7-900	0	E06	28230-GHAH-7210	0	E01	31601-LFC2-E10	1	F19
22105-LCD2-E00	1	E06	2823A-LBD6-E00	1	E01	32000		
22110-LEJ2-E10	0	E06	28250-LEJ2-E10	1	E01			
22121-LBD6-E00	2	E06	28253-GBN2-6020	0	E01	32100-LFC2-E10	2	F19
22131-GHAH-7810	0	E06	28255-GFS6-001	0	E01	32101-GFY6-901	1	F04
22132-GLW0-0010	2	E06	28281-GBN2-6030	1	E01			
22300-KEE1-9000	0	E06	28300-KNBN-901	3	F15	33000		
23000			30000					
						33100-LFC2-E10	1	F01
						33108-LFC2-E10	0	F01
23010-LDC8-E10	0	E06	30410-LEJ2-E10	2	F19	33400-LFC2-E10	1	F17
23100-KEB7-900	0	E06	3051A-LLF5-800	2	F19	33402-LFC2-E10	1	F17
23200-GAR1-220	1	E06				33405-LFC2-E10	0	F17
23220-LDC8-E10	0	E06				33450-LFC2-E10	1	F17
23233-KEE1-900	0	E06				33452-LFC2-E10	0	F17

PART NO. INDEX

PART NO.	VERSION	PAGE	PART NO.	VERSION	PAGE	PART NO.	VERSION	PAGE
33700-LFC2-E10	1	F18	35340-KFA6-900	0	F04			
33702-LFC2-E10	1	F18	35340-KKJ9-010	5	F03	43000		
33703-LFC2-E10	1	F18	35400-LEJ2-E10	0	F19			
33705-LFC2-E10	1	F18				4312A-KUDU-900	4	F08
33720-LEJ2-E10	0	F18	37000			4314A-LCD3-E00	2	F08
33731-KGB5-900	1	F18				43151-KGM7-961	1	F08
33741-KEBE-900	0	F18	37200-LFC2-E10	0	F02	43410-KFA6-900	1	F08
			37211-LFC2-E10	1	F02	43450-LCD2-E10	0	F03
34000			37224-LFC2-E10	1	F02	43472-KHG8-001	1	F08
			37280-LEJ2-E0A	0	F02	43472-LFC2-E10	1	F03
34901-LDC8-E10	0	F01	37802-GGA7-701	0	F10			
34905-KPCP-900	0	F18	3780A-LEJ2-E10	0	F10	44000		
34905-LBA8-E80	0	F17						
34906-KPCP-9000	0	F18	38000			44301-LEJ2-E10	1	F07
34908-LEJ2-E00	0	F02				44311-LFC2-E10	2	F07
34909-LEJ2-E00	0	F02	38110-KGC4-B50	1	F19	44600-LFC2-E10	2	F07
			38301-GGS7-005	3	F19	44601-LFC2-E10	2	F07
35000			38500-KKDK-900	5	F19	44620-KFLF-9300	1	F07
						44680-4L10-0010	1	F07
35010-LFC2-E10	1	F19	42000			44710-LFC2-E1A	2	F07
35151-KGBG-910	1	F03				44800-KFA6-900	0	F07
35152-KGBG-900	2	F03	42600-LFC2-E10	1	F08	44830-LCD3-E00	4	F02
3515A-KGBG-E00	3	F03	42601-LFC2-E10	1	F08			
35201-KGBG-910	1	F03	42710-LFC2-E10	1	F08	45000		
35202-KGBG-900	3	F03	42753-HHJ1-9000	1	F07			
3520A-LCD3-E00	1	F03	42753-HHJ1-9000	1	F08	45105-LEJ2-305	0	F04

PART NO. INDEX

PART NO.	VERSION	PAGE	PART NO.	VERSION	PAGE	PART NO.	VERSION	PAGE		
45121-LFC2-E80	0	F07	50611-LFC2-E10	2	F20	53000				
45126-LFC2-E10	1	F04	50612-LFC2-E10	1	F20					
45156-KBN-9010	0	F06	50613-LFC2-E10	1	F20					
45156-LCB9-B20	0	F06	50650-LFC2-E10	3	F18		53100-LFC2-E10	2	F03	
45200-LFC2-E10	1	F04	50655-LFC2-E10	2	F20		53105-KNBN-910	1	F03	
4550A-LFC2-E1A	1	F04	51000				53125-GEN5-901	1	F03	
4550B-LFC2-E10	4	F04					53140-LEJ2-E10	0	F03	
45517-GFY6-900	5	F03					53166-LEJ2-E10	0	F03	
50000				51400-LFC2-E10	1		F06	53172-KTCT-900	0	F03
				51401-LEJ2-E10	0		F06	53175-KTCT-9000	0	F04
			51410-LEJ2-E10	0	F06	53178-LFC2-E10	0	F03		
50100-LFC2-E10	3	F20	51412-LEJ2-E10	0	F06	5317B-LFC2-E10	0	F03		
50301-KGN7-6710	2	F20	51422-LEJ2-E10	0	F06	53200-LFC2-E10	1	F06		
50302-2H68-011	2	F20	51427-LEJ2-E10	0	F06	53204-LFC2-E10	1	F03		
50306-1F96-0010	0	F06	51428-LEJ2-E10	0	F06	53205-LFC2-E10	1	F03		
50326-LFC2-E10	1	F12	51429-LEJ2-E10	0	F06	53206-LFC2-E10	1	F03		
50350-LFC2-E10	3	F20	51437-LEJ2-E10	0	F06	53211-GFY6-9400	1	F06		
50500-LFC2-E10	3	F15	51500-LFC2-E10	1	F06	53212-2L50-011	1	F06		
50502-LDF7-E10	0	F15	51520-LEJ2-E10	0	F06	53214-2L50-001	2	F06		
50505-LAD9-900	0	F15	52000			53215-2L50-001	1	F06		
50505-LEJ2-E11	2	F20				61000				
50510-LFC2-E10	2	F15								
50530-LFC2-E10	3	F15		52400-LFC2-E10	2		F16			
50531-KEB7-E00	1	F15						61100-LFC2-E10	1	F06
50535-KEB7-W10	3	F15								
50550-KEB7-E00	1	F15								

PART NO. INDEX

PART NO.	VERSION	PAGE	PART NO.	VERSION	PAGE	PART NO.	VERSION	PAGE
64000			75000			81133-KNBN-901	0	F05
64210-LFC2-E10	1	F03	75581-6C73-001	1	F05	81134-KGBG-9000	2	F05
64211-LFC2-E10	1	F03				81134-LFC2-E10	1	F05
6421A-LFC2-E10	0	F03	77000			81141-LFC2-E10	1	F05
64301-LFC2-E10	1	F05				81142-KFA6-900	0	F05
64302-LFC2-E10	1	F05	77200-LFC2-E11	0	F09	81146-LFC2-E10	1	F05
64303-LFC2-E10	1	F05	77232-KCAC-901	2	F12	81147-LFC2-E10	1	F05
64305-LFC2-E10	1	F05	77235-KGC4-E0B	2	F19	81200-LFC2-E10	1	F12
64306-LFC2-E10	1	F05	77239-GFY6-901	0	F19	81250-LFC2-E10	1	F12
64307-LFC2-E10	1	F05	77240-LFC2-E10	0	F19	81251-LEJ3-E10	0	F12
64308-LFC2-E10	1	F05				83000		
6430A-LFC2-E10	1	F05	80000			83500-LFC2-E10	1	F12
6430B-LFC2-E10	1	F05				83510-LFC2-E10	1	F12
6430C-LFC2-E10	1	F05	80101-LFC2-E10	0	F18	83600-LFC2-E10	1	F12
64310-LFC2-E11	0	F05	80105-LFC2-E10	1	F18	83610-LFC2-E10	1	F12
64315-LFC2-E10	3	F20	8010A-LFC2-E10	0	F18	83750-LFC2-E10	1	F12
64316-LCB9-C10	0	F05	80151-LFC2-E10	1	F12			
64316-LCB9-C10	0	F12	8015A-LFC2-E10	1	F12	86000		
64350-LFC2-E10	1	F05						
64350-LFC2-E11	0	F05	81000			86102-LEJ2-E00	2	F22
64360-LFC2-E10	1	F05				86202-LFC2-E10	1	F22
64360-LFC2-E11	0	F05	81131-LFC2-E10	1	F05			
			81132-LCB9-C10	0	F05			
			81132-LFC2-E10	1	F05			

PART NO. INDEX

PART NO.	VERSION	PAGE	PART NO.	VERSION	PAGE	PART NO.	VERSION	PAGE	
87000			90032-KGBG-910	0	E01	90304-GHE8-004	4	F03	
			90033-0A41-021	0	E02	90304-GHE8-004	4	F20	
			90033-GFY6-941	0	E02	90305-GHK8-001	1	F06	
	87224-LEJ2-EZ0	1	F22	90105-KCR3-001	1	F07	90305-KNBN-9030-M2	0	F08
	87505-LFC2-E10	2	F22	90105-LEJ2-E10	0	F20	90306-KLF0-0040	4	F07
	87541-GAR1-E01	1	F22	90106-GEN5-901	1	F03	90412-3K29-001	0	E01
	87541-KGBG-E00	0	E08	90108-KFA6-E00	1	F15	90426-KNBN-901	0	E06
	87541-KGBG-E00	0	F22	90110-GLW0-001	0	F05	90442-GFF6-011	0	E02
	87542-GAR1-E01	2	F22	90110-KEB7-900	1	F06	90451-GBN2-601	0	E01
	87560-GFY6-E01	3	F22	90110-LCD4-E00	1	F14	90474-3C33-001	1	E01
88000			90111-1G87-00A	1	F12	90501-KNBN-901	0	F08	
			90112-KRDR-900	0	F19	9052A-GFY6-950	X	E01	
			90115-GLE0-0010	0	F03	90544-LEJ2-E10	0	F06	
	88110-LEB5-C10	1	F03	90116-LEJ2-E10	0	F06	90545-3L00-001	2	F04
	88120-LEB5-C10	1	F03	90131-GLW0-9110	0	F04	90652-LCA4-E00	1	F03
				90145-9A61-9000	1	F04	90652-LCA4-E00	1	F18
				90164-KGBG-900	1	F05	90656-GFY6-911	1	F03
				90202-1G87-001	0	E06	90656-KUDU-900	0	F19
	89010-KGBG-C00	0	F09	90202-GFF6-011	0	E02	90677-GAR1-004	0	F18
	89020-KKC4-900	1	F09	90206-0A01-001	1	E02	90683-GAR1-004	4	F05
90000			90301-KGBG-900	1	F14	90701-GFF6-001	1	E02	
			90302-GFY6-901	1	F18	90701-GFF6-001	1	E03	
			90302-LLB1-E00	2	F03	90701-HDC4-001	1	E07	
	9000A-LEJ2-E10	0	E01	90302-SDA4-004	2	F05	90741-0E35-001	1	E03
	90012-3C33-001	1	E02	90302-SDA4-004	2	F12			
	90031-KGBG-910	0	E01	90304-4H38-001	0	E02			

PART NO. INDEX

PART NO.	VERSION	PAGE	PART NO.	VERSION	PAGE	PART NO.	VERSION	PAGE
91000			93000			93903-35280	1	F02
91003-KDS4-004	1	E09	93404-06012-07	0	F12	93903-35280	1	F03
91004-KNBN-92A	0	E01	93404-06012-07	0	F18	93903-35280	1	F18
91009-GLE0-0040	1	E09	93404-06012-07	0	F20	93903-35280	1	F20
91014-LLJ3-E00	1	F06	93404-06016-07	0	F05	93903-35320	0	F01
91015-LLJ3-E00	1	F06	93404-06016-07	0	F18	93903-GFY6-900	2	F05
91201-KGBG-9000-M1	0	E04	93404-06016-07	0	F20	93903-GFY6-900	2	F12
91202-GFY6-90B	0	E01	93404-06020-07	0	F05	93903-GFY6-900	2	F18
91204-KNBN-90A	1	E01	93404-06025-07	0	F06	93904-35380	0	E08
91211-KEE1-900	0	E06	93500-04010-1A	0	E05	94000		
91251-LEJ2-E10	0	F06	93500-04012-1A	0	E05	94001-05080-0S	0	F03
91252-OL30-004	0	F07	93500-04014-1A	0	E05	94001-12280-0S	0	E06
91254-LEJ2-E10	0	F06	93500-05012-1A	0	E05	94050-05080	0	F18
91255-LDC8-E10	4	E09	93700-05018-0H	0	F02	94050-06080	0	E02
91258-4L10-007	1	F07	93892-04008-18	0	E05	94050-06080	0	F09
91301-GLR0-W10	0	E03	93901-34220	0	F17	94050-08080	0	F15
91302-0A01-0210	0	E04	93903-34280	0	F03	94050-10080	0	E06
91305-0H28-1590	0	E07	93903-34280	0	F05	94050-10080	0	E08
91307-0E35-W10	0	E04	93903-34320	0	F02	94101-06200	0	F14
			93903-34380	0	F03	94101-10800	0	F20
92000			93903-34380	0	F05	94301-08140	0	E01
92101-05012-0H	0	E08	93903-34380	0	F17	94301-08140	0	E04
92900-06050-0B	1	E02	93903-34380	0	F18	94301-10160	0	E09
						94510-20000	0	E09

PART NO. INDEX

PART NO.	VERSION	PAGE	PART NO.	VERSION	PAGE	PART NO.	VERSION	PAGE
94511-14000	0	E01	95701-06045-08	0	F13	96001-06025-08	0	E07
94540-06018	2	E07	95701-08012-08	0	E01	96001-06025-08	0	E08
94591-25000	0	F18	95701-08012-08	0	F19	96001-06035-08	0	E01
94591-LDC8-E10	0	E02	95701-08038-08	0	F15	96001-06045-08	0	E01
94608-LEJ2-E10	0	F06	95701-08040-08	3	F12	96001-06085-08	0	E02
			95701-10025-08	0	F15	96001-06085-08	0	E04
95000			95701-LDC8-E10	0	F19	96001-06100-08	0	E04
			95801-08032-08	0	F16	96001-GFY6-900	0	F13
95002-02070	0	F21	95801-08040-08	0	F06	96100-60020-00	0	E01
95002-02080	0	F13	95801-08065-07	0	F14	96100-60020-00	0	E09
95002-02120	1	F13	95801-10035-08	0	F16	96100-62020-00	0	E01
95002-02130	0	F13	95801-10070-08	0	F20	96100-63030-00	0	E01
95002-41250-00	0	F13	95801-LEJ2-E10	0	F14	96120-63010-10	0	F07
95003-23036-60	0	F13				96220-LDC5-900	1	E07
95012-LEJ2-E10	0	F11	96000					
95701-06012-08	0	F06				98000		
95701-06012-08	0	F10	96001-06010-02	0	F14			
95701-06012-08	0	F19	96001-06012-08	0	E01	98056-5771R-00	1	E02
95701-06014-08	0	F19	96001-06012-08	0	E08	98200-10700	0	F11
95701-06016-08	0	F19	96001-06012-08	0	F18	98200-11000	0	F11
95701-06022-07	0	F15	96001-06016-08	0	E08			
95701-06025-00	0	E02	96001-06018-08	0	E03			
95701-06025-08	0	E02	96001-06020-08	0	E07			
95701-06032-08	0	F08	96001-06022-08	0	E08			
95701-06035-08	0	F13	96001-06025-06	0	F03			
95701-06040-00	0	E02	96001-06025-08	0	E01			