

PARTS CATALOGUE



SCOOTERS

KL25BA(TK)

AGILITY 125



Release Date : 2010/11/21
Print Date : 2011/07/07

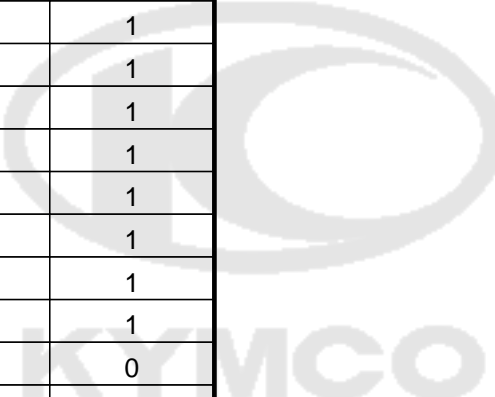
ABOUT THIS PARTS LIST

- This parts list is compiled all service parts for model KL25BA(TK).
- Any difference between color chart and motorcycle will be revised according to motorcycle.
- The Mark:
 1. Marking "***" must add color code in the end before ordering parts.
 2. Marking "#" are parts with modification, Please find the details from e-Parts system.
- When modification or additions to this parts list are made a revised edition at an appropriate time.



CONTENTS

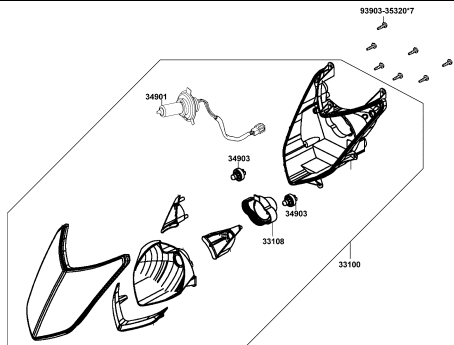
● ABOUT THIS PARTS LIST	1
● COLOR CHART OF KL25BA(TK)	3
● CONTENTS-ENGINE GROUP	5
● CONTENTS-FRAME GROUP	6
● ENGINE PARTS LIST	9
● FRAME PARTS LIST	35
● PART NO. INDEX	91

NO	MODEL			COLOR CHART OF KL25BA(TK)				
	PHOTO NO			NO. 1	NO. 2	NO. 3	NO. 4	
	BASIC COLOR			Deep Blue	Dark Gray Metallic	Black	Pearly White	
	CODE			Deep Blue	Dark Gray Metallic	Black	Pearly White	
	PARTS NAME	PARTS NO.	VERSION	PB281MA	NH230MA	NH001SA	NH193PA	
1	COVER HANDLE FR	53205-LFC2-E10	1	CAP	HKP	N1P	NVP	
2	COVER, FRONT	64301-LFC2-E10	2					
3	CAP FR COVER	64303-LFC2-E10	1					
4	COVER R BODY	83500-LFC2-E10	1					
5	COVER L BODY	83600-LFC2-E10	1					
6	COVER RR CENTER	83750-LFC2-E10	1					
7	COVER BATTERY	50326-LFC2-E10	1					
8	COVER UNDER	50613-LFC2-E10	1					
9	COVER METER	53204-LFC2-E10	1					
10	COVER HANDLE RR	53206-LFC2-E10	1					
11	ASSY METER VISOR	64210-LFC2-E10	1					
12	MOLD FRONT	64302-LFC2-E10	1					
13	SKIRT R SIDE	64305-LFC2-E10	1					
14	SKIRT L SIDE	64306-LFC2-E10	1					
15	GRILLE R FR MOLDING	64307-LFC2-E10	1					
16	GRILLE L FR MOLDING	64308-LFC2-E10	1					N1R
17	FLOOR PANEL	64310-LFC2-E11	0					
18	FENDER RR TIRE	80100-LFC3-E10	1					
19	COVER CENTER	80151-LFC2-E10	1					
20	LEG SHIELD	81131-LFC2-E10	1					
21	CAP LEG SHIELD UP	81132-LFC2-E10	1					
22	PLATE INNER BOX	81134-LFC2-E10	1					
23	LID INNER BOX	81141-LFC2-E10	1					
24	GRILL R SIDE	83510-LFC2-E10	1					
25	GRILL L SIDE	83610-LFC2-E10	1					
DATE OF STARTING-SALES								
DATE OF END-SALES								

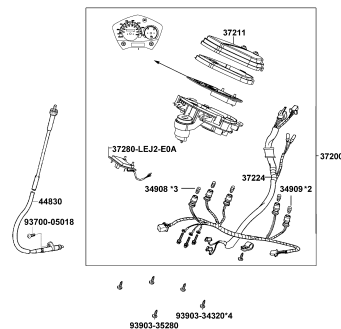
NO	MODEL			COLOR CHART OF KL25BA(TK)			
	PHOTO NO			NO. 1	NO. 2	NO. 3	NO. 4
	BASIC COLOR			Deep Blue	Dark Gray Metallic	Black	Pearly White
	CODE			Deep Blue	Dark Gray Metallic	Black	Pearly White
	PARTS NAME	PARTS NO.	VERSION	PB281MA	NH230MA	NH001SA	NH193PA
26	CUSHION ASSY RR	52400-LFC3-E10	2	N1S			
27	COVER LEFT	11340-LEJ3-E11	0	NEA			
28	WHEEL COMP RR CAST	42601-LFC3-E10	1				
29	LEVER L STRG HANDLE	53178-KNBN-C00	0	NEP			
30	FENDER FR	61100-LFC2-E10	1				
31	MIRROR ASSY R BACK	88110-LEB5-C10	2				
32	MIRROR ASSY L BACK	88120-LEB5-C10	1	NGA			
33	FORK ASSY R FR	51400-LFC3-E10	0				
34	FORK ASSY L FR	51500-LFC3-E10	0	NJA			
35	CARRIER RR	81200-LFC2-E10	1				
36	SEAT ASSY	77200-LFC3-E10	0				
37	EMB BODY COVER	86202-LFC3-E10	1	T01			
38	CAUTION ANTI	87224-LEJ3-EZ0	0				
39	LABEL TIRE	87505-LFC2-E10	2				
40	LABEL OIL CAP	87541-GAR1-C01	1				
41	LABEL OIL CAP	87541-KUDU-E00	1				
42	MARK MAINT CAUTION	87542-GAR1-C01	2				
43	MARK DRIVE CAUTION	87560-GFY6-C01	3				
44	MARK KYMCO	86102-LEJ2-E00	2				
DATE OF STARTING-SALES							
DATE OF END-SALES							

CONTENTS - FRAME GROUP

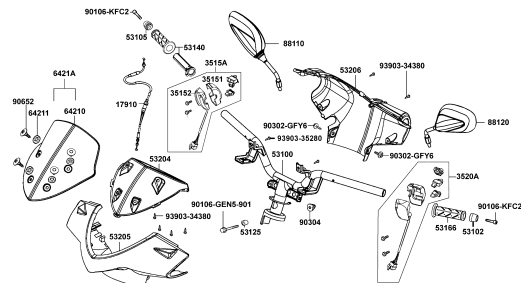
F01 Head Light



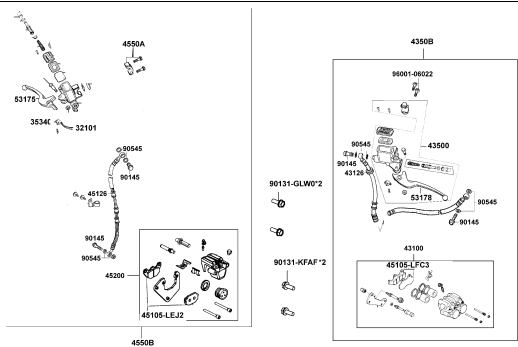
F02 Speedometer



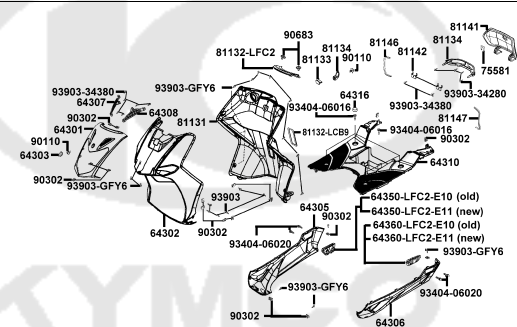
F03 Handle Steering Handle Cover



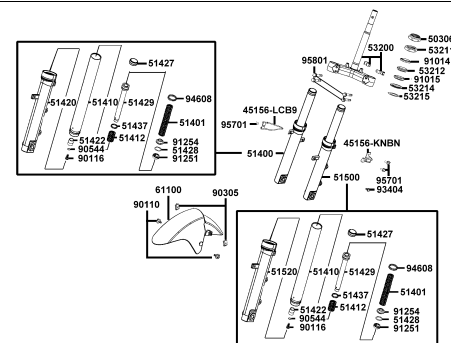
F04 Brake Master Cylinder



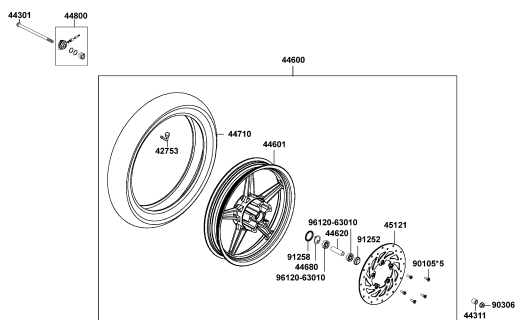
F05 Front Cover Front Fender



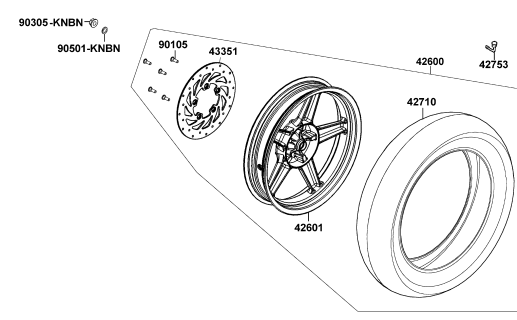
F06 Stem Steering Front Cushion



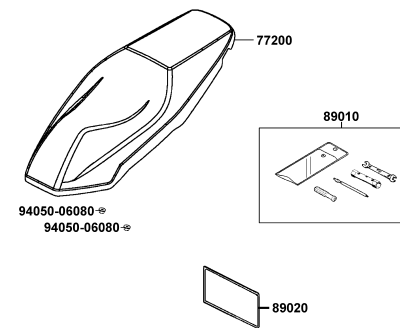
F07 Front Wheel



F08 Rear Wheel

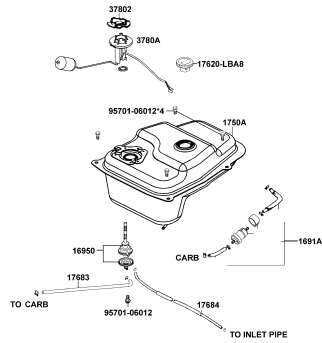


F09 Seat

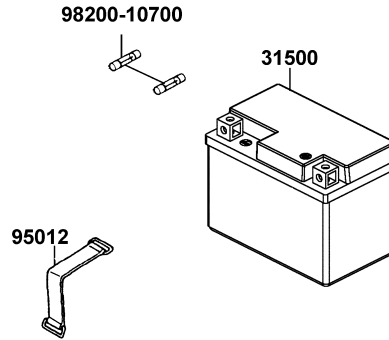


CONTENTS - FRAME GROUP

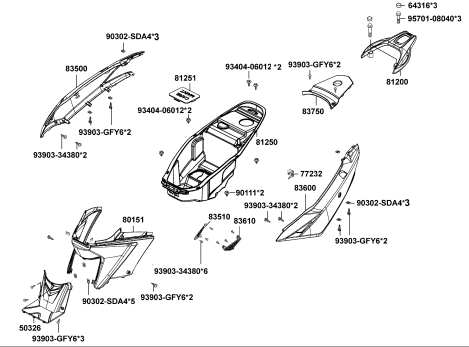
F10 Fuel Tank



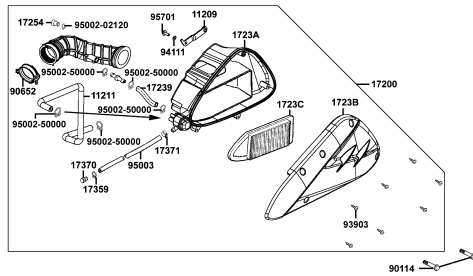
F11 Battery



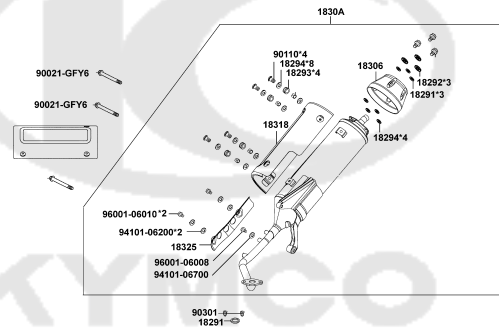
F12 Body Cover Luggage Box



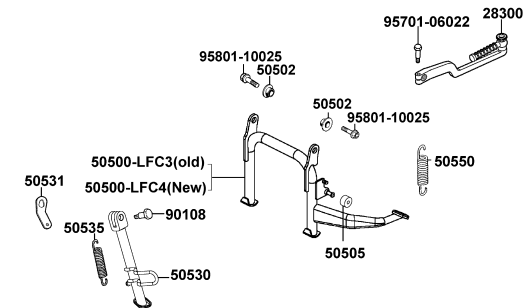
F13 Air Cleaner



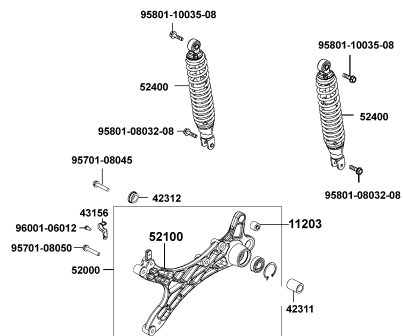
F14 Exhaust Muffler



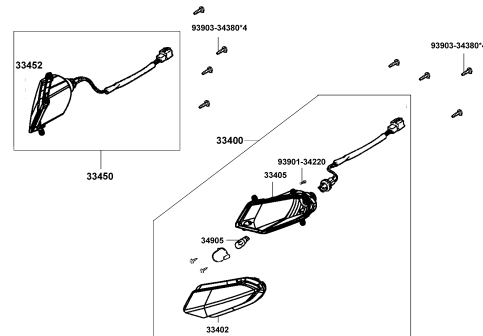
F15 Stand Kick Starter Arm



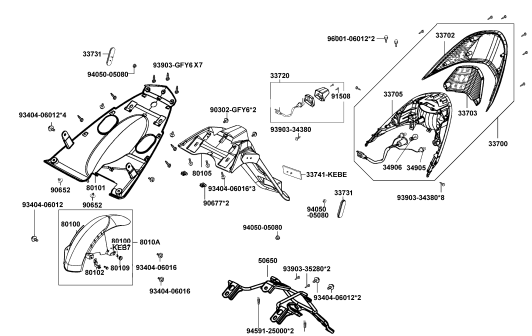
F16 Rear Cushion



F17 Front Winker

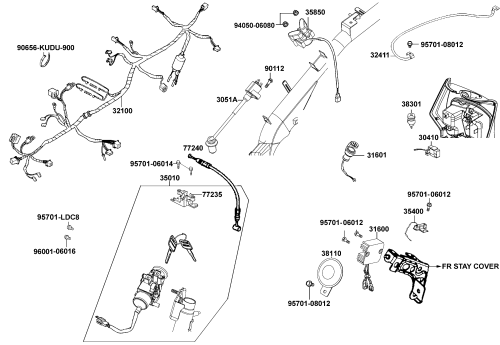


F18 Tail Light

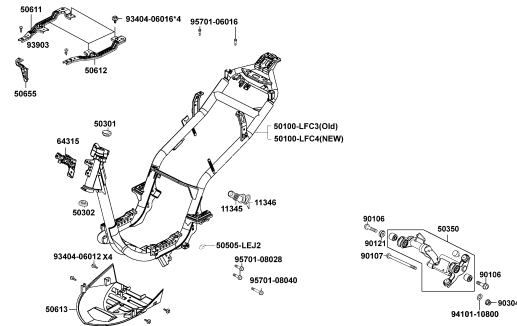


CONTENTS - FRAME GROUP

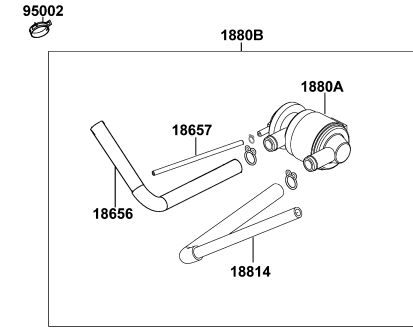
F19 Wire Harness



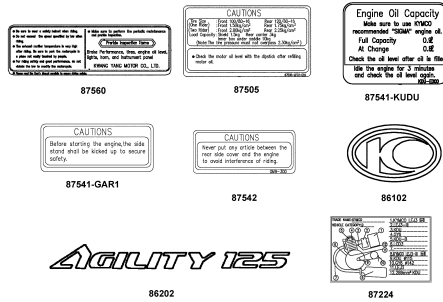
F20 Frame Body



F21 Air Cleaner Two

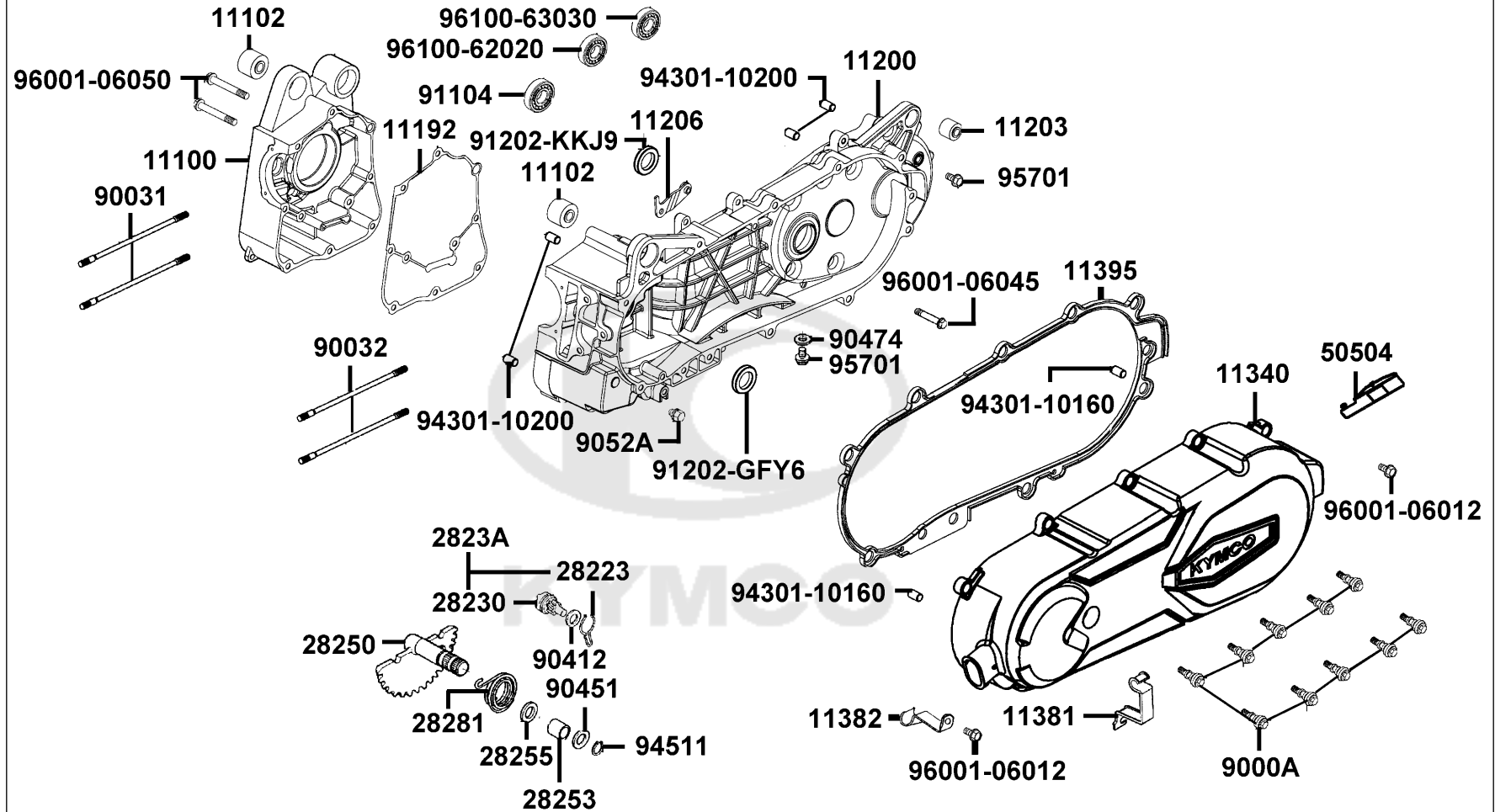


F22 Emblem Stripe



E01

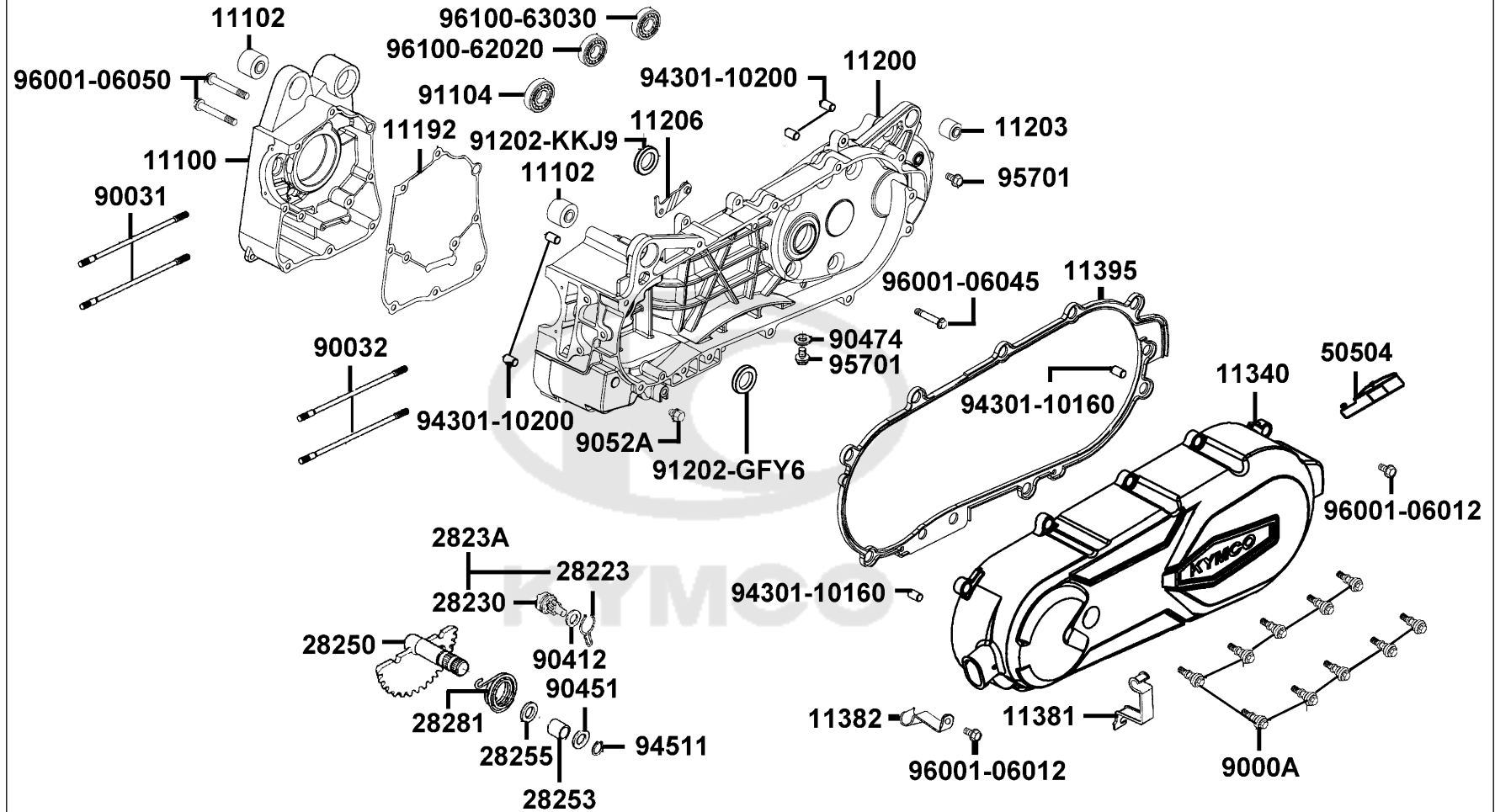
Crank Case



Sales mark	Ref no	Part no	Description	Reg description	Regd no	E01
	11100	11100-KUDU-C00	CRANK CASE COMP R	CRANK CASE COMP R	1	
	11102	11102-1G87-C00	RUB BUSH ENG HANGER	RUB BUSH ENG HANGER	1	
	11192	11192-KUDU-C10	GASKET CRANK CASE @ A	GASKET CRANK CASE @ A	1	
	11200	11200-LCD3-C00	CRANK CASE COMP L	CRANK CASE COMP L	1	
	11203	11203-GGC7-W10	UNDER RUBBER BUSH REAR CUSHION	UNDER RUBBER BUSH REAR CUSHION	1	
	11206	11206-LCD3-C00	STAY A RR FENDER	STAY A RR FENDER	1	
**	11340	11340-LEJ3-E11	COVER LEFT	COVER LEFT	1	
	11381	11381-KHB4-C00	CLAMPER THROTTLE CABLE	CLAMPER THROTTLE CABLE	1	
	11382	11382-LEJ3-E10	CLAMPER BRAKE CRABLE	CLAMPER BRAKE CRABLE	1	
	11395	11395-KHB4-C00	GASKET L COVER @A	GASKET L COVER @A	1	
	28223	28223-KNBN-C00	SPG KICK DRIVEN GEAR	SPG KICK DRIVEN GEAR	1	
	28230	28230-KNBN-9000	GEAR COMP KICK DRIVEN	GEAR COMP KICK DRIVEN	1	
	2823A	2823A-KNBN-C00	GEAR ASSY KICK DRIVEN	GEAR ASSY KICK DRIVEN	1	
	28250	28250-LEJ3-E10	SPINDLE COMP KICK SYARYER	SPINDLE COMP KICK SYARYER	1	
	28253	28253-GBN2-C00	BUSH KICK SPINDLE	BUSH KICK SPINDLE	1	
	28255	28255-GFS6-C00	COLLAR KICK BOSS	COLLAR KICK BOSS	1	
	28281	28281-GBN2-C00	SPRING KICK RETURN	SPRING KICK RETURN	1	
#	50504	50504-LEJ3-E11	STAND MAIN STOPPER	STAND MAIN STOPPER	1	
	9000A	9000A-LEJ2-E10	BOLT ASSY SPECIAL 6X27	BOLT ASSY SPECIAL 6X27	10	
	90031	90031-KUDU-C00	BOLT A STUD 8*200.5	BOLT A STUD 8*200.5	1	

E01

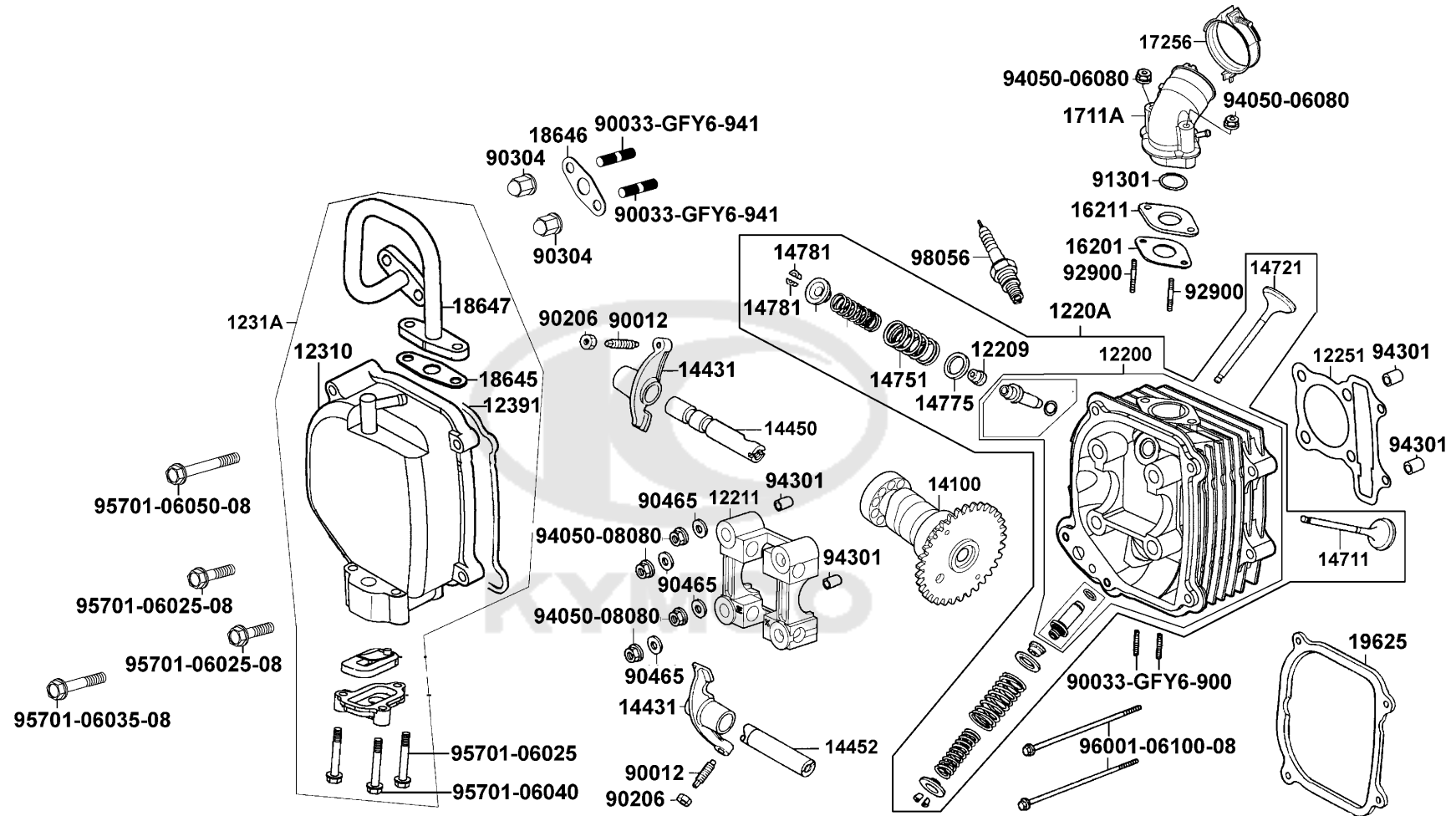
Crank Case



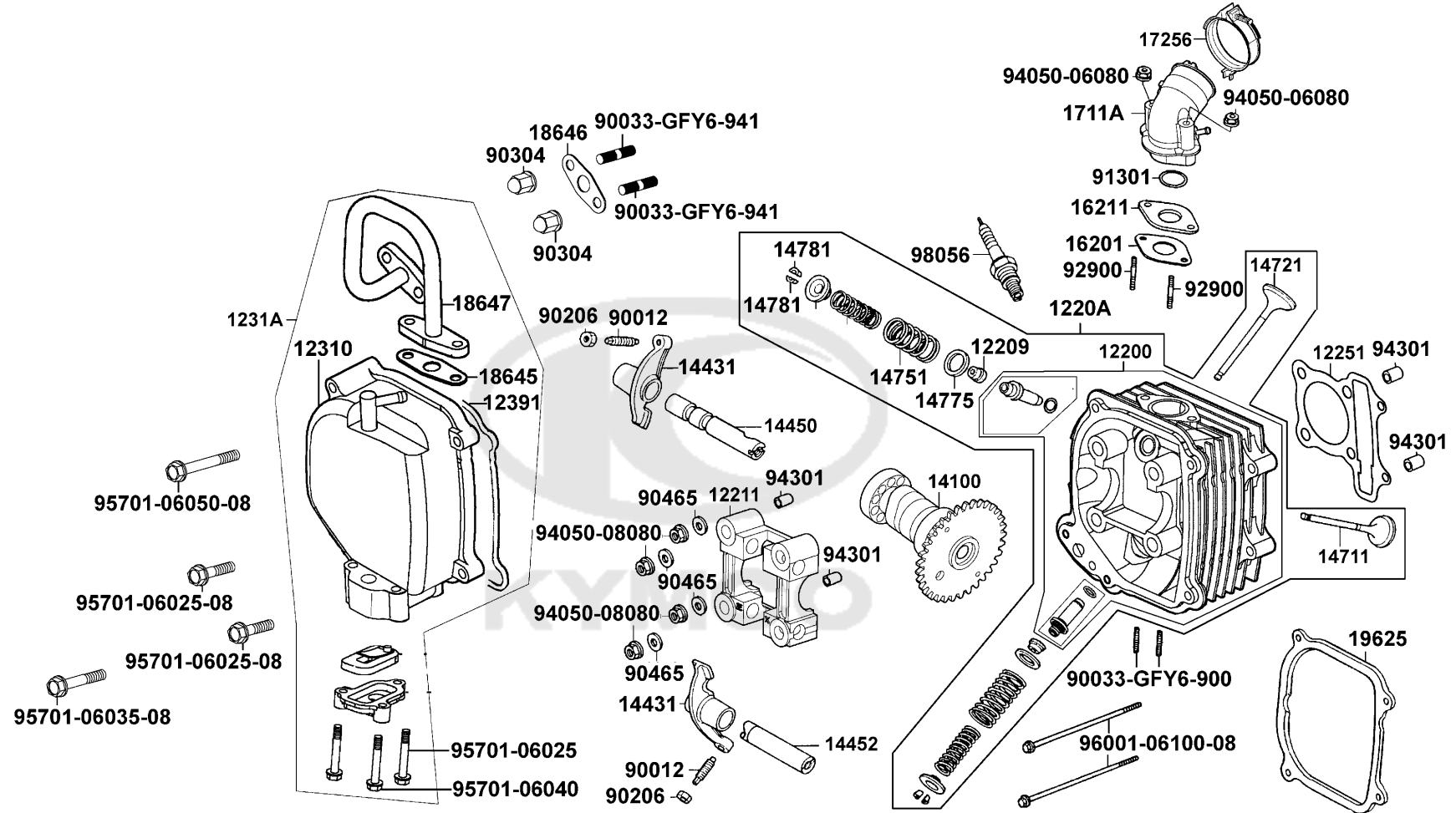
Sales mark	Ref no	Part no	Description	Reg description	Regd no	E01
90032		90032-KUDU-C00	BOLT B STUD 8*208.5	BOLT B STUD 8*208.5	1	
90412		90412-3K29-C00	WASHER THRUST 10M/M	WASHER THRUST 10M/M	1	
90451		90451-GBN2-C00	WASHER KICK SPINDLE	WASHER KICK SPINDLE	1	
90474		90474-3C33-C00	WASHER 8MM(T*2)	WASHER 8MM(T*2)	1	
9052A		9052A-GFY6-C00	BOLT ASSY DRAIN PLUG	BOLT ASSY DRAIN PLUG	1	
91104		91104-KGN7-671	BRG BALL RADIAL 6204	BRG BALL RADIAL 6204	1	
91202-GFY6		91202-GFY6-C00	OIL SEAL 19.8*30*5	OIL SEAL 19.8*30*5	1	
91202-KKJ9		91202-KKJ9-C00	OIL SEAL 20*32*6	OIL SEAL 20*32*6	1	
94301-10160		94301-10160	DOWEL PIN 10*16	DOWEL PIN 10*16	4	
94301-10200		94301-10200	DOWEL PIN 10*20	DOWEL PIN 10*20	1	
94511		94511-14000	CIRCLIP EX 14	CIR CLIP EX 14	1	
95701		95701-08012-08	BOLT FLANGE 8*12	BOLT FLANGE 8*12	2	
96001-06012		96001-06012-08	BOLT FLANGE 6*12	BOLT FLANGE SH 6*12 (C)	2	
96001-06045		96001-06045-08	BOLT FLANGE SH 6*45	BOLT FLANGE SH 6*45	10	
96001-06050		96001-06050-08	BOLT FLANGE 6*50	BOLT FLANGE SH 6*50 (C)	2	
96100-62020		96100-62020-00	BEARING BALL RADIAL 6202	BEARING BALL RADIAL 6202	1	
96100-63030		96100-63030-00	BEARING BALL RADIAL 6303	BEARING BALL RADIAL 6303	1	

E02

Cylinder Head



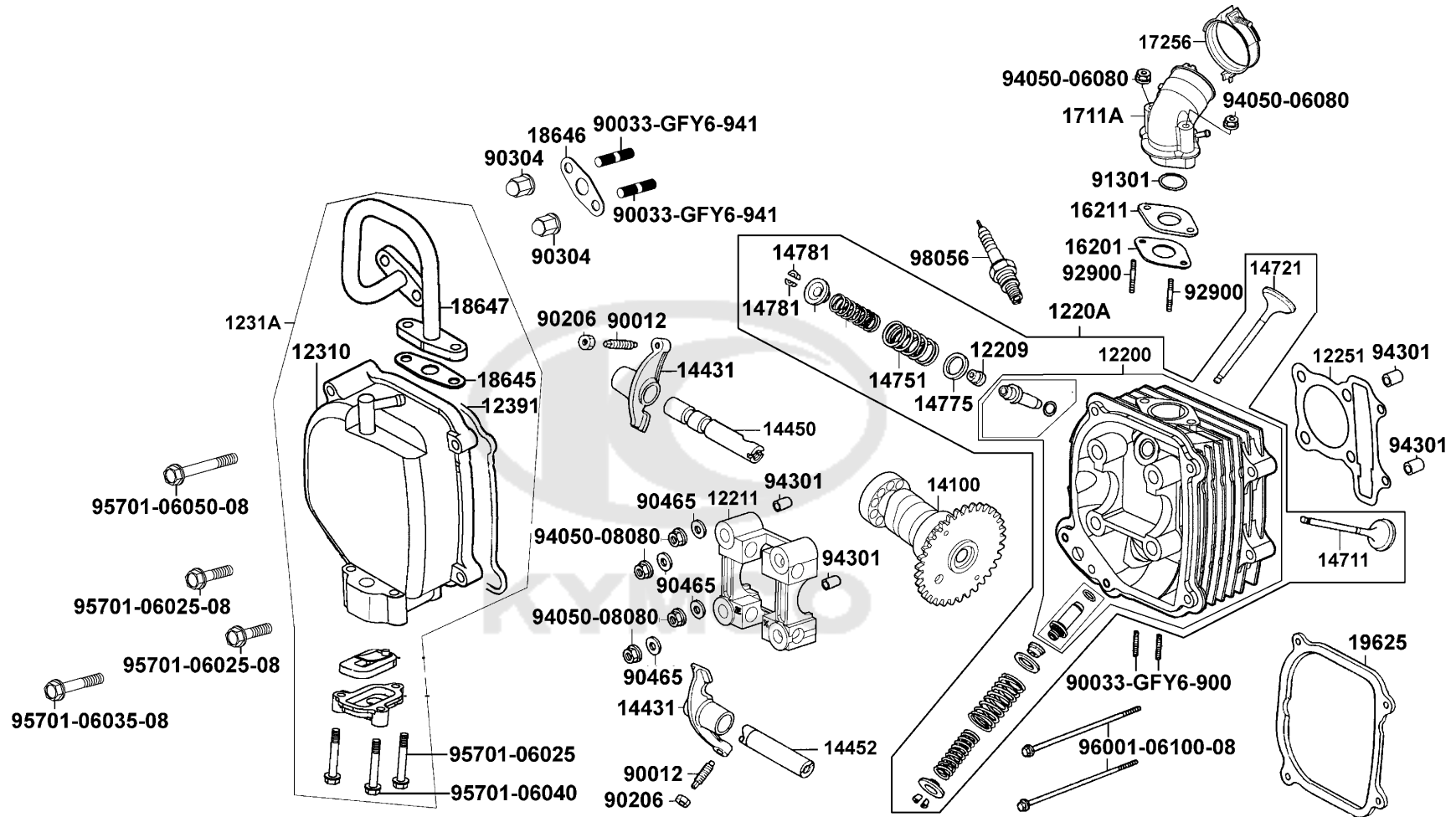
Sales mark	Ref no	Part no	Description	Reg description	Regd no	E02
12200		12200-KUDU-C10	HEAD COMP CYLN	HEAD COMP CYLN	1	
12209		12209-GDB4-C00	SEAL VALVE STEM	SEAL VALVE STEM	1	
1220A		1220A-KUDU-C00	HEAD ASSY CYLINDER	HEAD ASSY CYLINDER	1	
12211		12211-KUDU-W10	HOLDER CAM SHAFT	HOLDER CAM SHAFT	1	
12251		12251-GFY6-C00	GASKET CYLINDER HEAD	GASKET CYLINDER HEAD	1	
12310		12310-KHC4-C11	COVER COMP HEAD	COVER COMP HEAD	1	
1231A		1231A-KHC4-C11	COVER ASSY HEAD	COVER ASSY HEAD	1	
12391		12391-GFY6-C10	GASKET HEAD COVER	GASKET HEAD COVER	1	
14100		14100-LGS6-E10	SHAFT COMP CAM	SHAFT COMP CAM	1	
14431		14431-KUDU-W10	ARM VALVE ROCKER	ARM VALVE ROCKER	2	
14450		14450-GFY6-W10	SHAFT COMP IN ROCKER ARM	SHAFT COMP IN ROCKER ARM	1	
14452		14452-GFY6-W10	SHAFT EXH ROCKER ARM	SHAFT EXH ROCKER ARM	1	
14711		14711-KUDU-C00	VALVE INLET	VALVE INLET	1	
14721		14721-KUDU-C00	VALVE EXHAUST	VALVE EXHAUST	1	
14751		14751-KUDU-C10	SPRING VALVE OUTER	SPRING VALVE OUTER	2	
14775		14775-MFA6-C00	SEAT VALVE SPG OUTER	SEAT VALVE SPG OUTER	1	
14781		14781-MFA6-C00	COTTER VALVE	COTTER VALVE	1	
16201		16201-GFY6-C10	GASKET CARB INSULATOR @A	GASKET CARB INSULATOR @A	1	
16211		16211-GFY6-W10	INSULATOR CARB	INSULATOR CARB	1	
1711A		1711A-LEJ3-E10	PIPE ASSYINLET	PIPE ASSYINLET	1	



Sales mark	Ref no	Part no	Description	Reg description	Regd no	E02
	17256	17256-GFY6-C00	BAND INSULATOR	BAND INSULATOR	1	
	18645	18645-GFY6-C00	GASKET A/I PIPE	GASKET A/I PIPE	1	
	18646	18646-LDC8-E10	GASKET A/I PIPE	GASKET A/I PIPE	1	
	18647	18647-GFY6-C00	PIPE COMP AIR	PIPE COMP AIR	1	
	19625	19625-KUDU-C00	SEAL SHROUD	SEAL SHROUD	1	
	90012	90012-3C33-C00	SCREW TAPPET ADJUSTING	SCREW TAPPET ADJUSTING	1	
	90033	90033-GFY6-C00	BOLT STUD 8*32	BOLT STUD 8*32	1	
	90033	90033-GFY6-C10	BOLT STUD 6*16	BOLT STUD 6*16	1	
	90206	90206-0A01-001	NUT TAPPET ADJG	NUT TAPPET ADJG	2	
	90304	90304-4H38-C00	NUT HEX CAP 6MM	NUT HEX CAP 6MM	1	
	90465	90465-MDC4-C00	WASHER 8MM	WASHER 8MM	1	
	91301	91301-0H28-C00	O-RING 27*2	O-RING 27*2	1	
	92900	92900-06060-0B	BOLT STUD 6*60	BOLT STUD 6*60	2	
	94050-06080	94050-06080	NUT FLANGE 6MM	NUT FLANGE 6MM	2	
	94050-08080	94050-08080	NUT FLANGE 8MM	NUT FLANGE 8MM	4	
	94301	94301-10160	DOWEL PIN 10*16	DOWEL PIN 10*16	4	
	95701-06025	95701-06025-00	BOLT FLANGE 6*25	BOLT HEX FLANGE M6*25	1	
	95701-06025	95701-06025-08	BOLT FLANGE 6*25	BOLT FLANGE 6*25	2	
	95701-06035	95701-06035-08	BOLT FLANGE SH 6*35	BOLT FLANGE 6*35 (C)	1	
	95701-06040	95701-06040-00	BOLT FLANGE 6*40	BOLT FLANGE 6*40 (B)	2	

E02

Cylinder Head



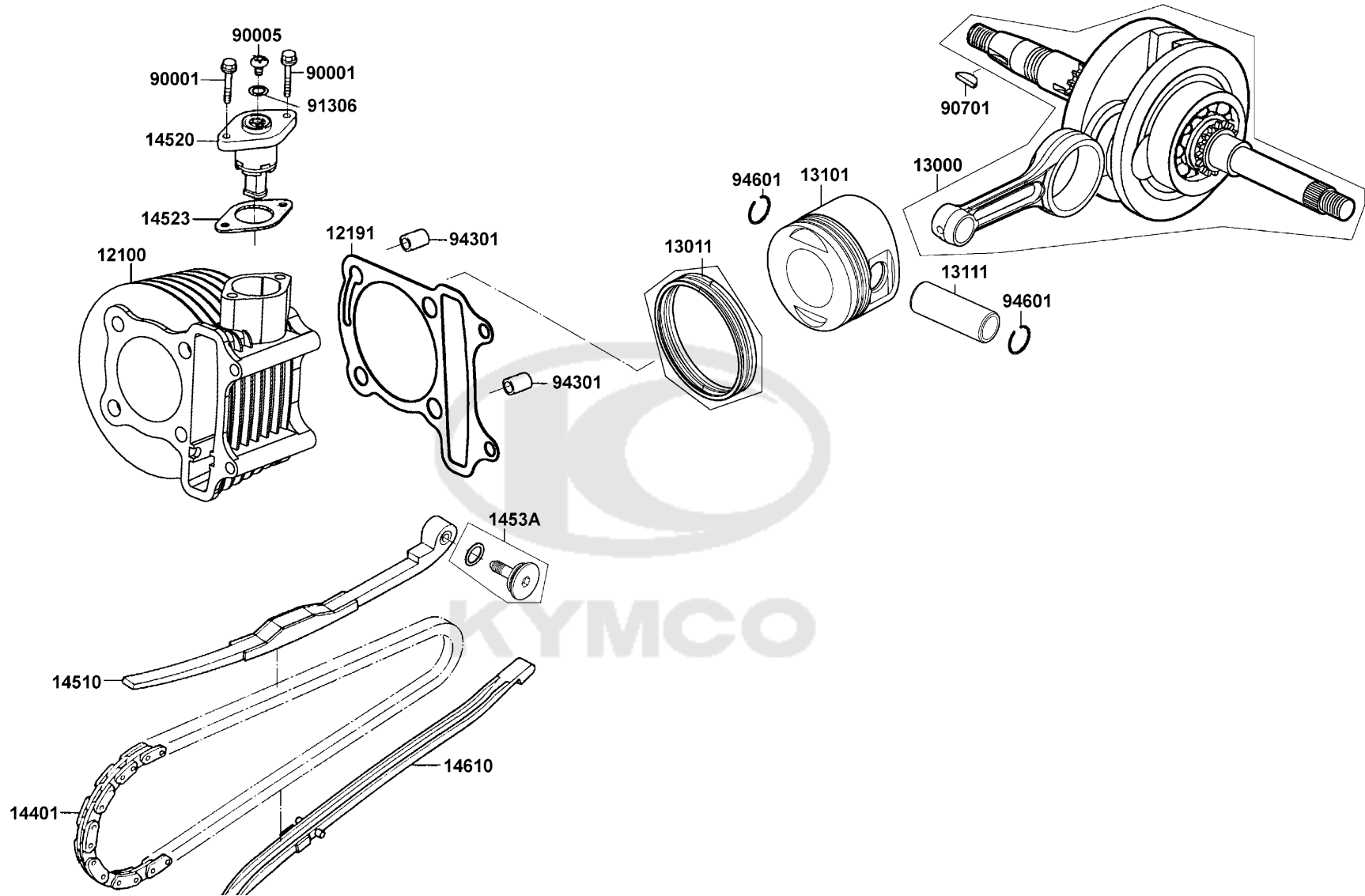
Sales mark	Ref no	Part no	Description	Reg description	Regd no	E02
------------	--------	---------	-------------	-----------------	---------	------------

95701-06050		95701-06050-08	BOLT FLANGE 6*50	BOLT FLANGE 6*50 (C)	1	
96001-06100		96001-06100-08	BOLT FLANGE SH 6*100	BOLT FLANGE 6*100	2	
98056		98056-5771R-00	SPARK PLUG (CR7HSA)	SPARK PLUG (CR7HSA)	1	



E03

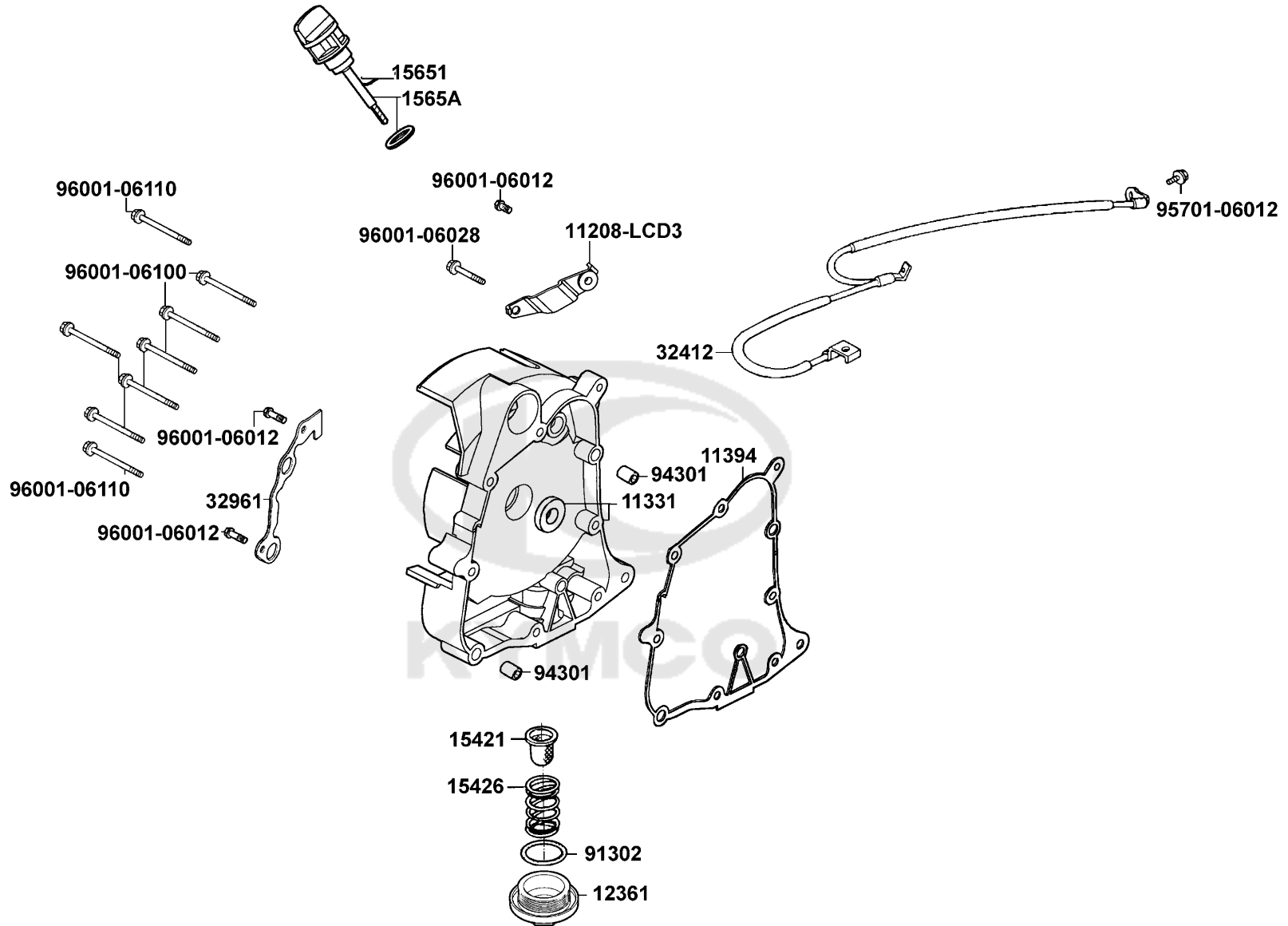
Cylinder Piston Crankshaft



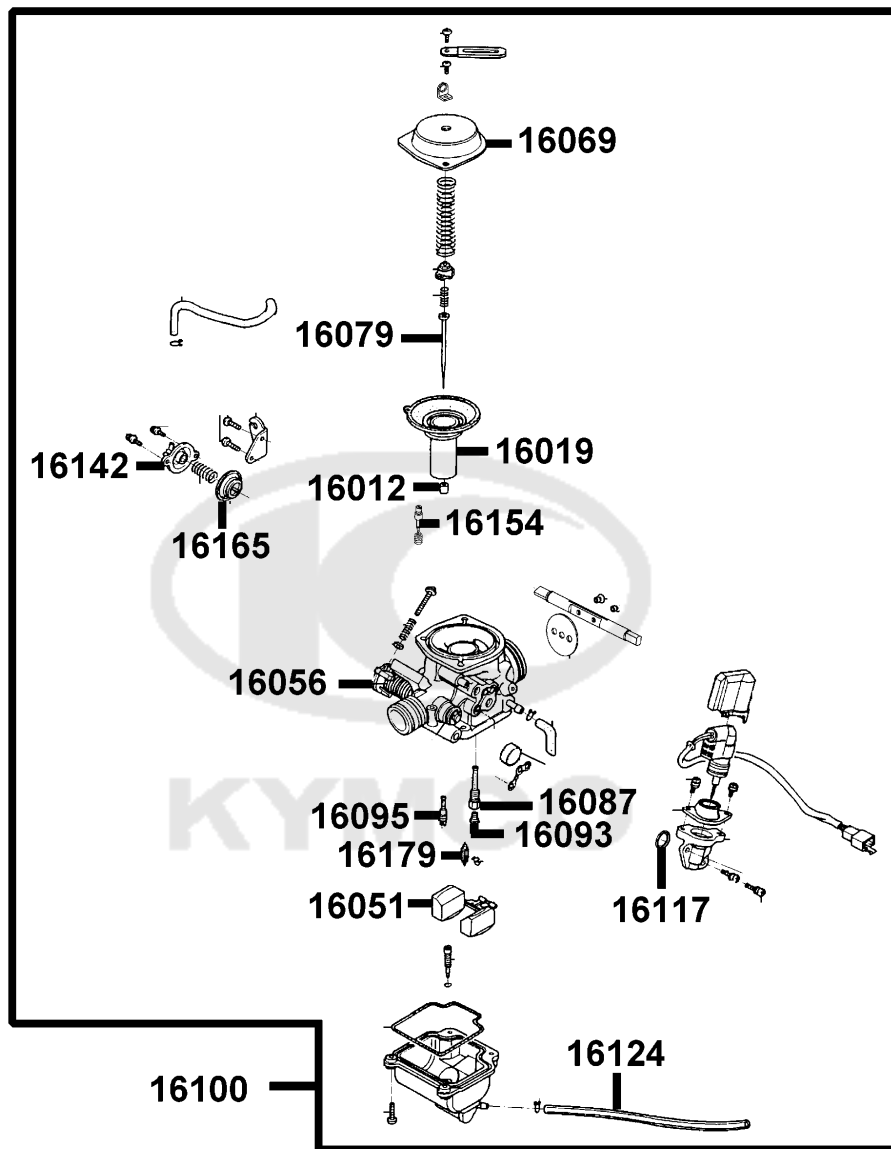
Sales mark	Ref no	Part no	Description	Reg description	Regd no	E03
	12100	12100-GFY6-C00	CYLINDER COMP	CYLINDER COMP	1	
	12191	12191-GFY6-C10	GASKET CYLINDER @A	GASKET CYLINDER @A	1	
	13000	13000-KUDU-C00	CRANK SHAFT COMP	CRANK SHAFT COMP	1	
	13011	13011-GFY6-C00	RING ASSY PISTON	RING ASSY PISTON	1	
	13101	13101-KUDU-C00	PISTON	PISTON	1	
	13111	13111-3D84-C00	PIN PISTON	PIN PISTON	1	
	14401	14401-KUDU-C00	CHAIN CAM	CHAIN CAM	1	
	14510	14510-KUDU-W10	TENSIONER CAM CHAIN	TENSIONER CAM CHAIN	1	
	14520	14520-GFY6-C00	LIFTER ASSY TENSIONER	LIFTER ASSY TENSIONER	1	
	14523	14523-GFY6-C10	GASKET TENSIONER LIFTER @A	GASKET TENSIONER LIFTER @A	1	
	1453A	1453A-GFY6-W10	PIVOT CAM CHAIN SET	PIVOT CAM CHAIN SET	1	
	14610	14610-KUDU-C10	GUIDE COMP CAM CHAIN	GUIDE COMP CAM CHAIN	1	
	90001	90001-GBHB-C00	BOLT FLANGE SHF 6*22 (B)	BOLT FLANGE SHF 6*22 (B)	1	
	90005	90005-KAW1-901	SCREW PAN 6*6	SCREW PAN 6*6	1	
	90701	90701-HFB6-C00	KEY WOODRUFF 25*14*4	KEY WOODRUFF 25*14*4	1	
	91306	91306-1E05-C00	O-RING 1.5*9.5	O-RING 1.5*9.5	1	
	94301	94301-10160	DOWEL PIN 10*16	DOWEL PIN 10*16	2	
	94601	94601-15000	CLIP PISTON PIN 15MM	CLIP PISTON PIN 15MM	2	

E04

Right Crankcase Cover



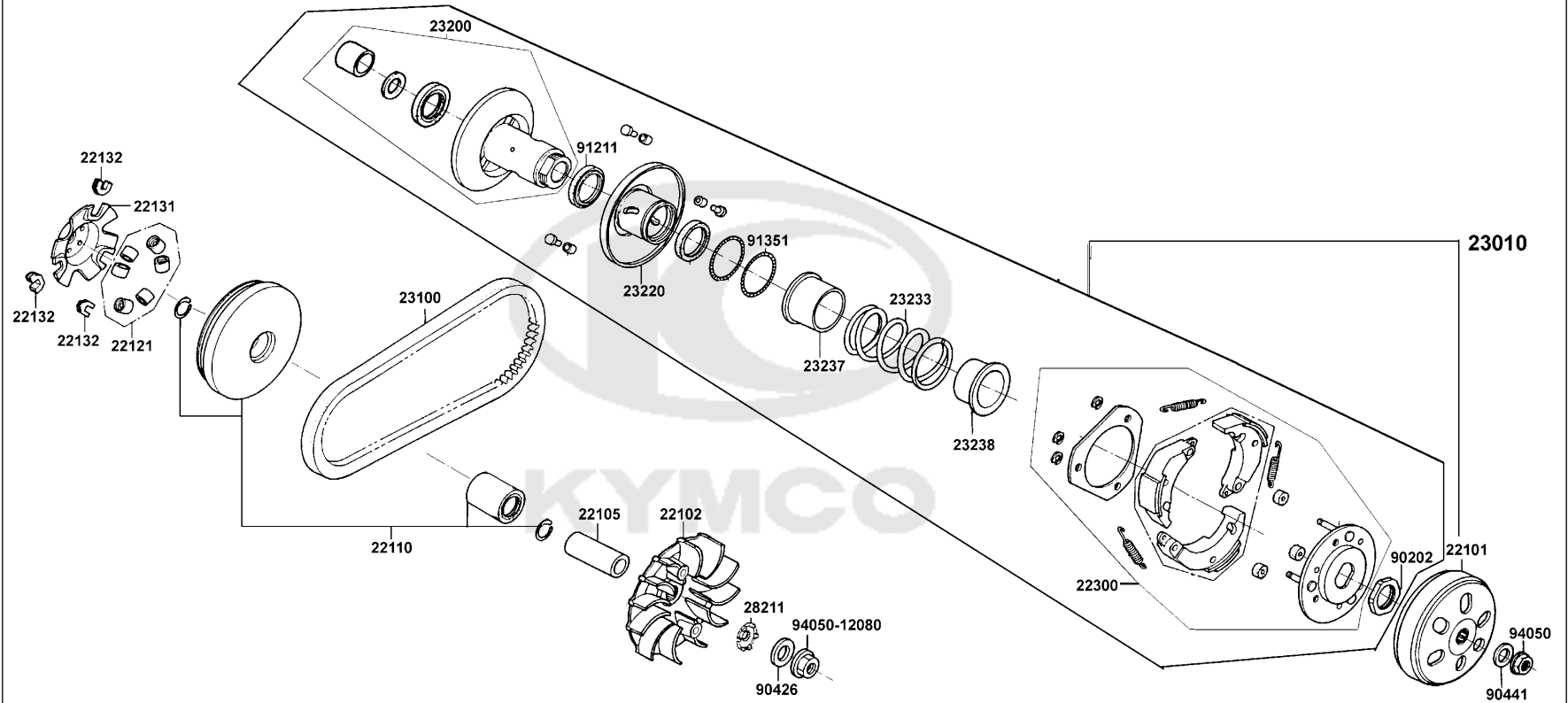
Sales mark	Ref no	Part no	Description	Reg description	Regd no	E04
	11208	11208-LCD3-E00	CLAMP BRAKE WIRE	STAY RR TIRE FENDER	1	
	11331	11331-LCD3-E00	COVER R CRANK CASE	COVER R CRANK CASE	1	
	11394	11394-KUDU-C10	GASKET R COVER	GASKET R COVER	1	
	12361	12361-GFY6-C00	HOLE CAP TAPPET ADJUSTING	HOLE CAP TAPPET ADJUSTING	1	
	15421	15421-1G07-W10	SCREEN OIL FILTER	SCREEN OIL FILTER	1	
	15426	15426-GAE1-C00	SPG OIL FILTER SCREEN	SPG OIL FILTER SCREEN	1	
	15651	15651-KUDU-W10	GUAGE OIL LEVEL	GUAGE OIL LEVEL	1	
	1565A	1565A-KUDU-W10	GAUGE OIL LEVEL ASSY	GAUGE OIL LEVEL ASSY	1	
	32412	32412-LDF7-E10	CABLE EARTH	CABLE EARTH	1	
	32961	32961-KUDU-C00	CLAMPER ACG CORD	CLAMPER ACG CORD	1	
	91302	91302-0A01-C00	O-RING 30.8MM	O-RING 30.8MM	1	
	94301	94301-10160	DOWEL PIN 10*16	DOWEL PIN 10*16	2	
	95701-06012	95701-06012-08	BOLT FLANGE 6*12	BOLT FLANGE 6*12	1	
	96001-06012	96001-06012-08	BOLT FLANGE 6*12	BOLT FLANGE SH 6*12 (C)	3	
	96001-06028	96001-06028-08	BOLT FLANGE SH 6*28	BOLT FLANGE SH 6*28 (C)	1	
	96001-06100	96001-06100-08	BOLT FLANGE SH 6*100	BOLT FLANGE 6*100	6	
	96001-06110	96001-06110-08	BOLT FLANGE SH 6*110	BOLT FLANGE SH 6*110 (C)	2	



Sales mark	Ref no	Part no	Description	Reg description	Regd no	E05
16012		16012-KEC3-800	CHAMBER FLOAT ASSY	CHAMBER COMP FLOAT	1	
16019		16019-KUDU-9000	VALVE ASSY PISTON	VALVE ASSY PISTON	1	
16051		16051-KEC3-90B	BODY FLOAT	BODY FLOAT	1	
16056		16056-KKC8-5000	SHAFT ASSY THROTTLE	SHAFT ASSY THROTTLE	1	
16069		16069-KEC3-9000	COVER PISTON VALVE DIAPHRAGM	COVER PISTON VALVE DIAPHRAGM	1	
16079		16079-LEJ2-E10	NEEDLE ASSY JET	NEEDLE ASSY JET	1	
16087		16087-KEC3-9000	TUBE EMULSION	TUBE EMULSION	1	
16093		16093-KEC3-9000	JET MAIN	JET MAIN	1	
16095		16095-KEC3-9000	JET SLOW	JET SLOW	1	
16100		16100-LEJ3-E10	CARBURETOR ASSY.	CARBURETOR ASSY.	1	
16117		16117-KEC3-9000	PACKING BY-ST	PACKING BY-ST	1	
16124		16124-KEC3-9000	TUBE COMPL 3.5*300	TUBE COMPL 3.5*300	1	
16142		16142-KEC3-9000	COVER ACV	COVER ACV	1	
16154		16154-KEC3-9000	SCREW IDEL ADJUST	SCREW IDEL ADJUST	1	
16165		16165-KEC3-9000	DIAPHRAGM COMP	DIAPHRAGM COMP	1	
16179		16179-KEC3-9000	FLOAT VALEV ASSY	FLOAT VALEV ASSY	1	

E06

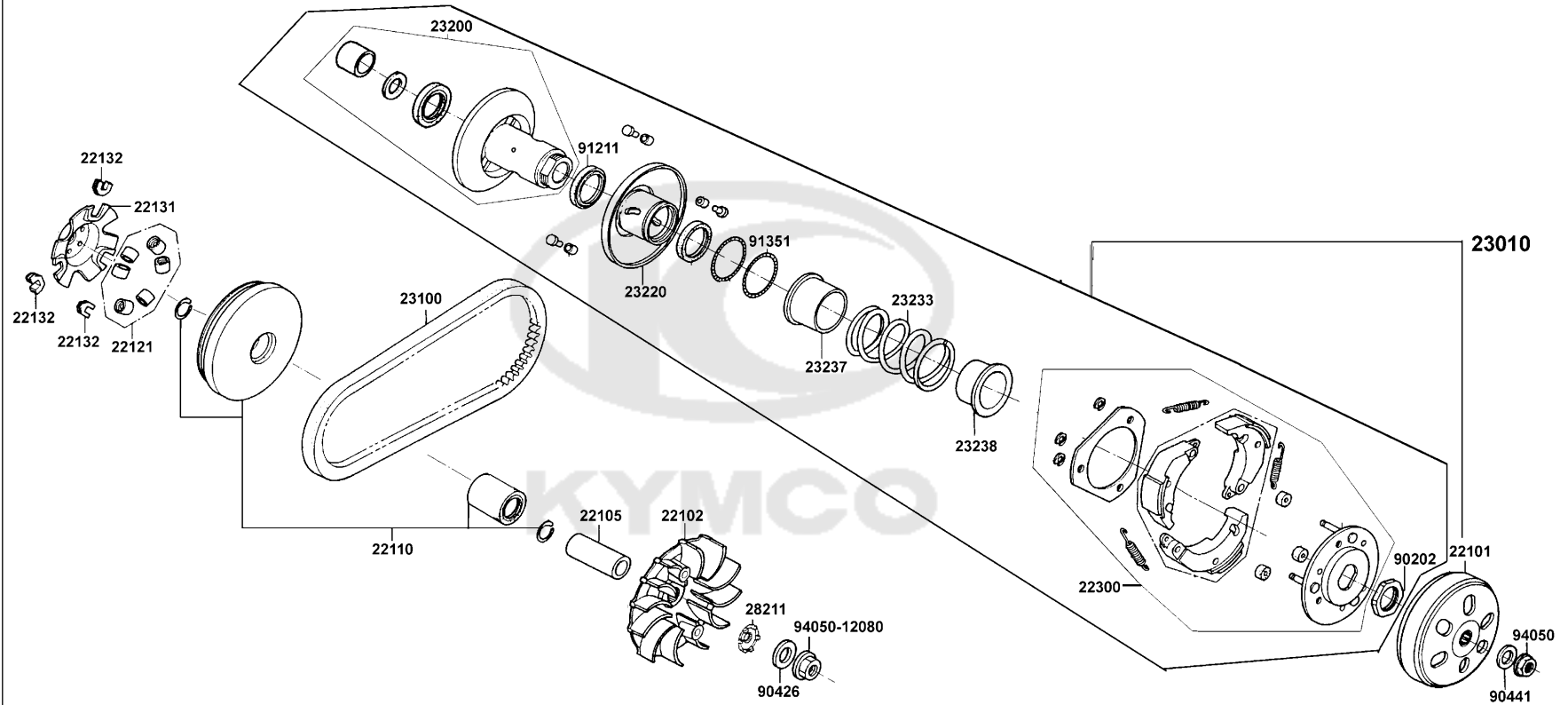
Driven Pulley



Sales mark	Ref no	Part no	Description	Reg description	Regd no	E06
	22101	22101-LCD3-C00	OUTER CLUTCH	OUTER CLUTCH	1	
	22102	22102-KUDU-C00	FACE DRIVE	FACE DRIVE	1	
	22105	22105-GFY6-C00	BOSS DRIVE FACE	BOSS DRIVE FACE	1	
#	22110	22110-KUDU-C00	FACE COMP MOVABLE DRIVE	FACE COMP MOVABLE DRIVE	1	
	22121	22121-GFY6-C00	ROLLER COMP WEIGHT	ROLLER COMP WEIGHT	1	
	22131	22131-GFY6-C00	PLATE RAMP	PLATE RAMP	1	
	22132	22132-KBN2-C00	PIECE SLIDE	PIECE SLIDE	1	
	22300	22300-LCD3-C00	PLATE ASSY DRIVE	PLATE ASSY DRIVE	1	
	23010	23010-LEJ3-E10	"PULLEY ASSY,DRIVEN"	"PULLEY ASSY,DRIVEN"	1	
	23100	23100-KEC4-C00	BELT DRIVE	BELT DRIVE	1	
	23200	23200-LEJ3-E10	"FACE ASSY.,CRIVEN"	"FACE ASSY.,CRIVEN"	1	
	23220	23220-GFY6-C00	FACE COMP MOVABLE DRIVEN	FACE COMP MOVABLE DRIVEN	1	
	23233	23233-LEJ3-E10	"BOSS,DRIVE FACE"	"BOSS,DRIVE FACE"	1	
	23237	23237-GFY6-C00	COLLAR SEAL	COLLAR SEAL	1	
	23238	23238-GFY6-C00	COLLAR SPG	COLLAR SPG	1	
	28211	28211-KUDU-W10	RATCHET KICK STARTER	RATCHET KICK STARTER	1	
	90202	90202-1G87-C00	NUT SPECIAL 28MM	NUT SPECIAL 28MM	1	
	90426	90426-KNBN-C00	WASHER SPECIAL 12MM	WASHER SPECIAL 12MM	1	
	90441	90441-GFY6-C00	WASHER 12.2*29*2.5	WASHER 12.2*29*2.5	1	
	91211	91211-KEBE-C00	SEAL DRIVEN FACE 34*41*4	SEAL DRIVEN FACE 34*41*4	1	

E06

Driven Pulley



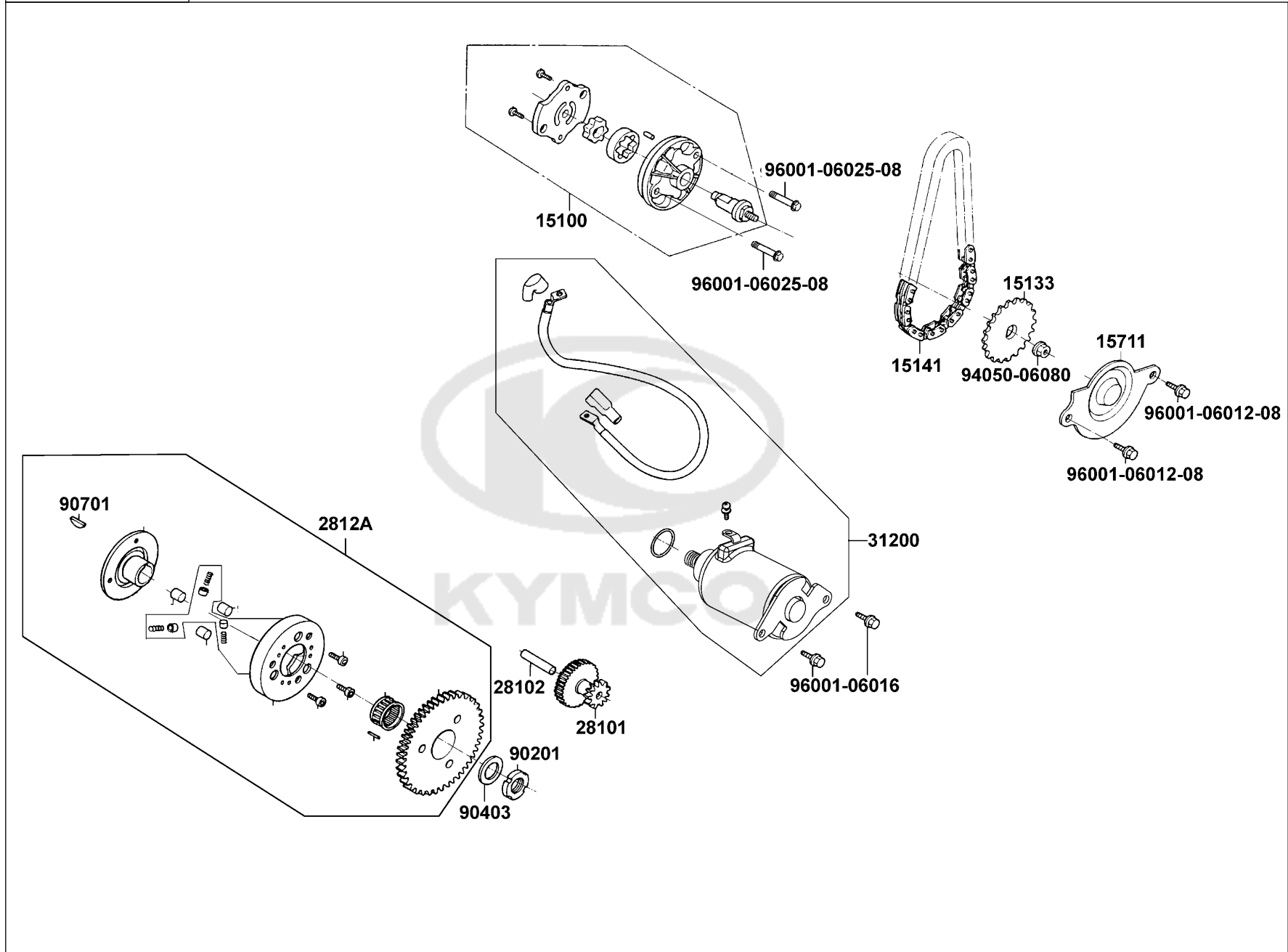
Sales mark	Ref no	Part no	Description	Reg description	Regd no	E06
------------	--------	---------	-------------	-----------------	---------	------------

91351		91351-6B42-C00	O-RING PINION CAP	O-RING PINION CAP	1	
94050		94050-12080	NUT C FLANGE 12MM	NUT FLANGE 12MM (C)	2	



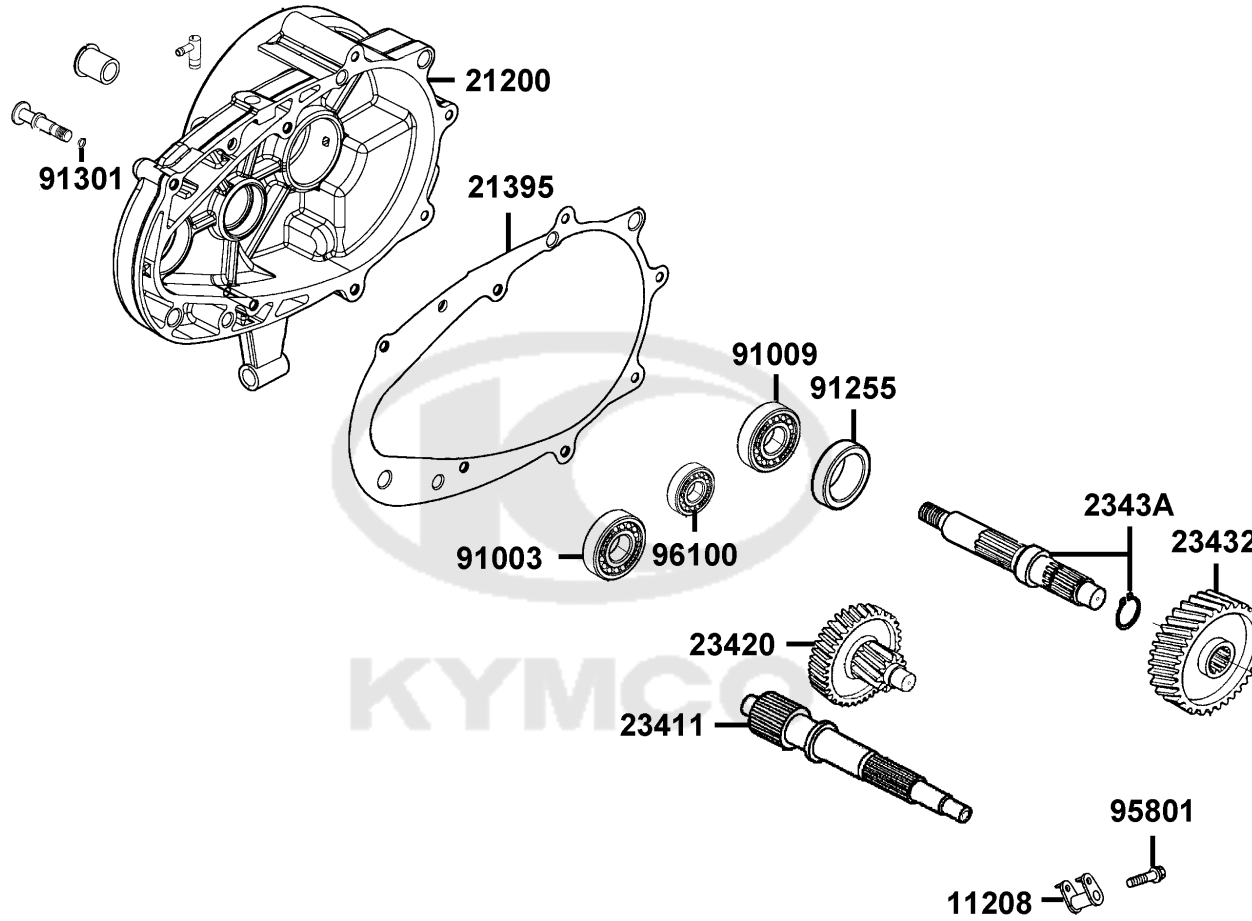
E07

Starting Motor Oil Pump



Sales mark	Ref no	Part no	Description	Reg description	Regd no	E07
15100		15100-KFB7-C00	PUMP ASSY OIL	PUMP ASSY OIL	1	
15133		15133-GFY6-W10	SPROCKET OIL PUMP DRIVE	SPROCKET OIL PUMP DRIVE	1	
15141		15141-GFY6-C00	BOLT FLANGE SH 6*16 (C)	BOLT FLANGE SH 6*16 (C)	1	
15711		15711-KUDU-C00	SEPARATER OIL	SEPARATER OIL	1	
28101		28101-GFY6-C00	GEAR STARTER REDUCTION	GEAR STARTER REDUCTION	1	
28102		28102-GFY6-C00	SHAFT STARTER REDUCTION GEAR	SHAFT STARTER REDUCTION GEAR	1	
2812A		2812A-GFY6-C10	OUTER ASSY START CLUTCH	OUTER ASSY START CLUTCH	1	
31200		31200-KUDU-C00	MOTOR ASSY START	MOTOR ASSY START	1	
90201		90201-GFY6-901	NUT LOCK 22MM	NUT LOCK 22MM	1	
90403		90403-KUDU-900	WASHER THRUST 22.2*39*2.5	WASHER THRUST 22.2*39*2.5	1	
90701		90701-HFB6-C00	KEY WOODRUFF 25*14*4	KEY WOODRUFF 25*14*4	1	
94050		94050-06080	NUT FLANGE 6MM	NUT FLANGE 6MM	1	
96001-06012		96001-06012-08	BOLT FLANGE 6*12	BOLT FLANGE SH 6*12 (C)	2	
96001-06016		96001-06016-08	BOLT FLANGE SH 6*16	BOLT FLANGE SH 6*16	2	
96001-06025		96001-06025-08	BOLT FLANGE SH 6*25	BOLT FLANGE 6*25	2	

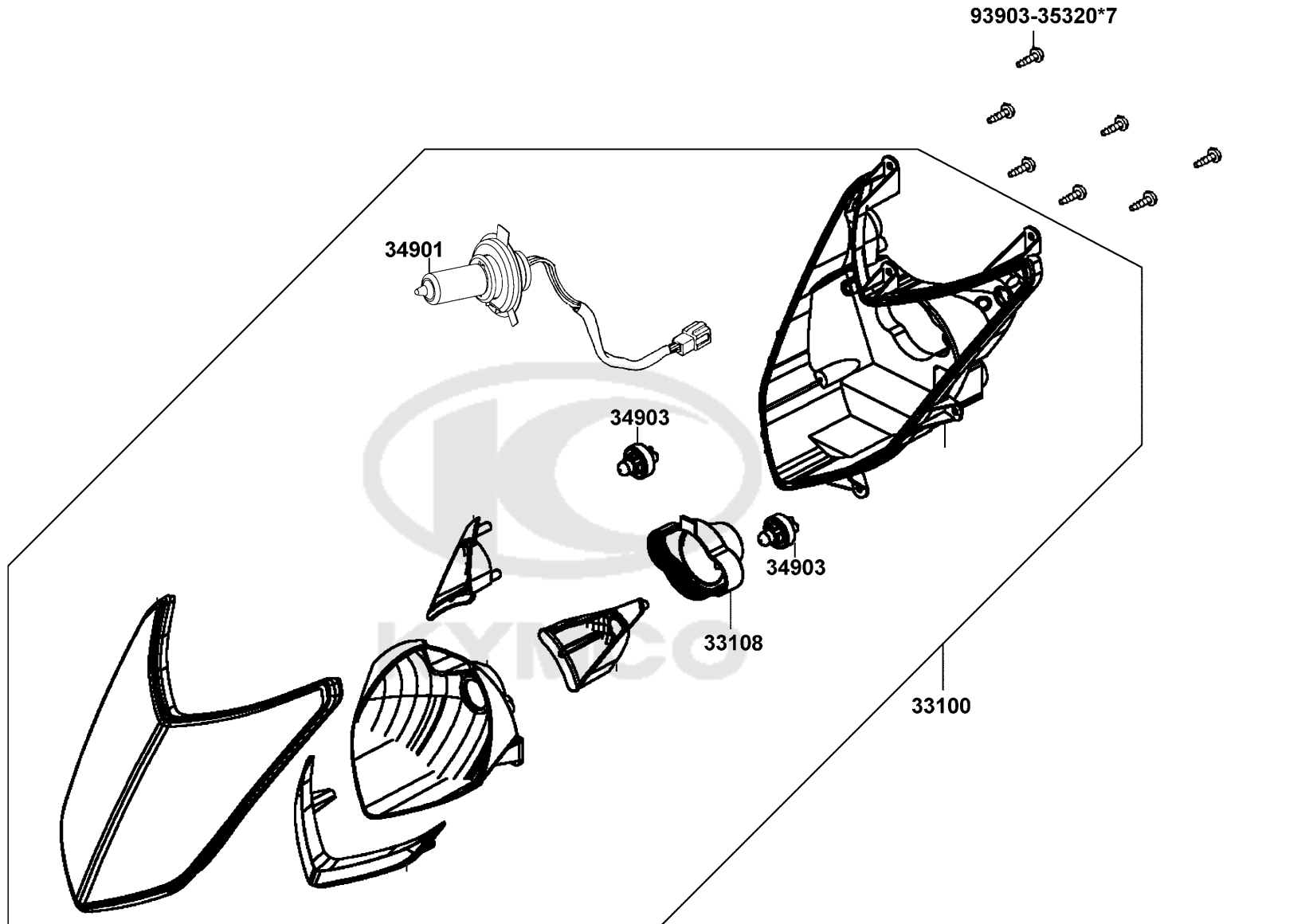
Sales mark	Ref no	Part no	Description	Reg description	Regd no	E08
	19510	19510-KFB7-C00	FAN COMP COOLING	FAN COMP COOLING	1	
	1961A	1961A-KUDU-E10	COVER ASSY FAN	COVER ASSY FAN	1	
	1962A	1962A-KKE3-C00	SHROUD ASSY A	SHROUD ASSY A	1	
#	1963A	1963A-LDF7-E10	SHROUD COMP B	SHROUD COMP B	1	
	31100	31100-LFC3-E10	AC GEN ASSY	AC GEN ASSY	1	
	31110	31110-LAD9-C00	FLYWHEEL COMP	FLYWHEEL COMP	1	
	31120	31120-LFC3-E10	STATOR COMP	STATOR COMP.	1	
	90440	90440-1F66-C00	WASHER PLAIN 12MM	WASHER PLAIN 12MM	1	
	92101	92101-05012-0H	BOLT HEX 5*12	BOLT HEX 5*12	2	
	94050	94050-12080	NUT C FLANGE 12MM	NUT FLANGE 12MM (C)	1	
	96001-06016	96001-06016-08	BOLT FLANGE SH 6*16	BOLT FLANGE SH 6*16	4	
	96001	96001-06018-08	BOLT FLANGE SH 6*18	BOLT FLANGE SH 6*18	4	
	96001-06022	96001-06022-08	BOLT FLANGE SH 6*22	BOLT FLANGE SH 6*22	2	
	96001-06025	96001-06025-08	BOLT FLANGE SH 6*25	BOLT FLANGE 6*25	3	



Sales mark	Ref no	Part no	Description	Reg description	Regd no	E09
11208		11208-KXCX-C00	CLAMP BRAKE WIRE	CLAMP BRAKE WIRE	1	
21200		21200-LEJ8-C00	CASE COMP MISSION	CASE COMP MISSION	1	
21395		21395-LCD3-C00	GASKET MISSION CASE@A	GASKET MISSION CASE@A	1	
23411		23411-KHB4-C00	SHAFT DRIVE	SHAFT DRIVE	1	
23420		23420-LCD3-C00	SHAFT COMP COUNTER	SHAFT COMP COUNTER	1	
23432		23432-LCD3-C00	GEAR FINAL	GEAR FINAL	1	
2343A		2343A-KHB4-C00	SHAFT FINAL ASSY	SHAFT FINAL ASSY	1	
91003		91003-KDS4-C00	BRG BALL RADIAL 6301TMB	BRG BALL RADIAL 6301TMB	1	
91009		91009-GLE0-C00	BRG BALL RADIAL 6004 UU	BRG BALL RADIAL 6004 UU	1	
91255		91255-LDC8-E10	OIL SEAL 27*42*7	OIL SEAL 27*42*7	1	
91301		91301-0C53-W10	O-RING 7.5*1.5	O-RING 7.5*1.5	1	
95801		95801-06040-08	BOLT FLANGE 6*40	BOLT FLANGE 6*40 (C)	1	
96100		96100-60020-00	BRG BALL RADIAL 6002	BEARING BALL RADIAL 6002	1	

F01

Head Light



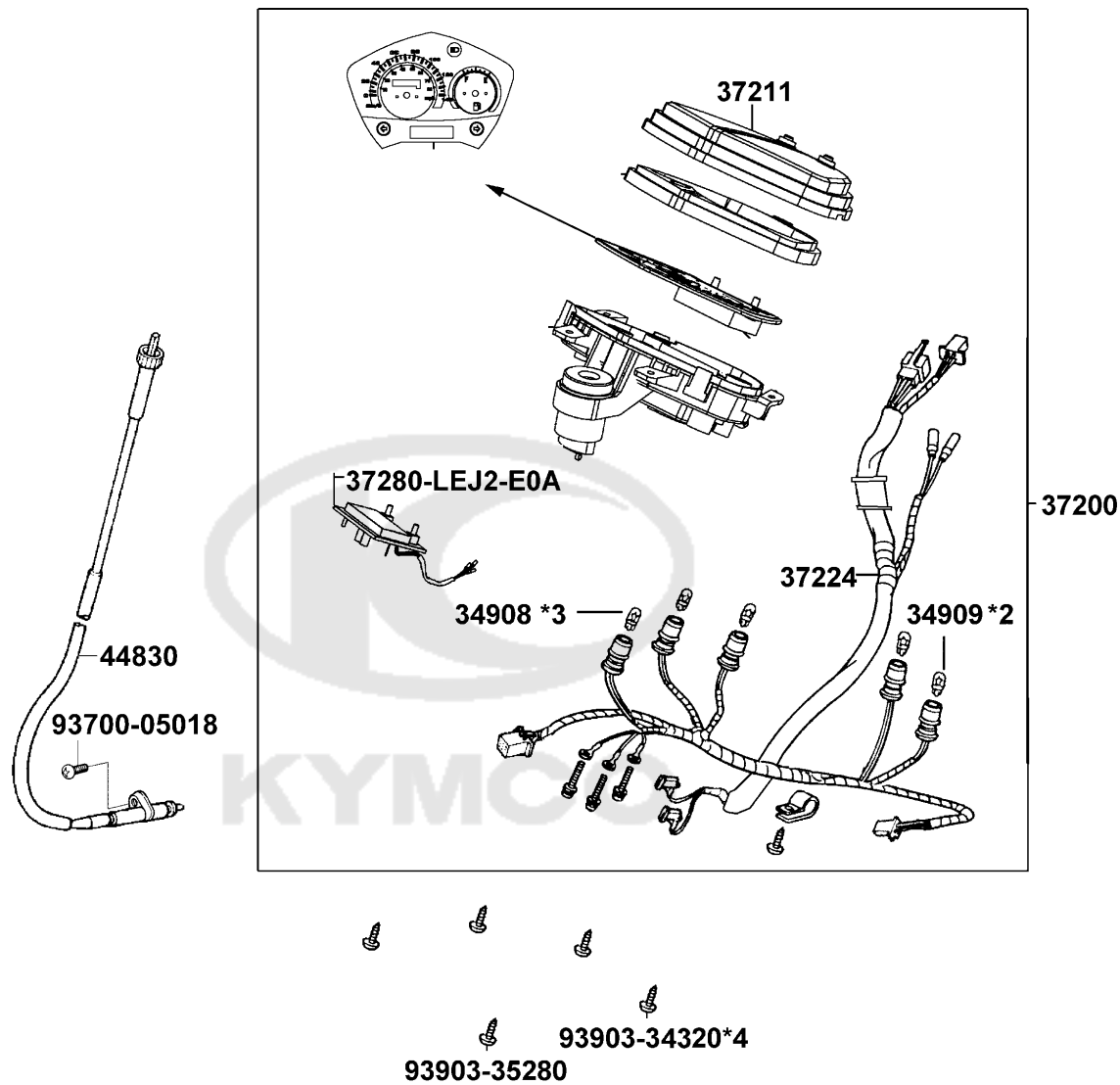
Sales mark	Ref no	Part no	Description	Reg description	Regd no	F01
------------	--------	---------	-------------	-----------------	---------	------------

33100		33100-LFC2-E10	LIGHT ASSY HEAD	LIGHT ASSY HEAD	1	
33108		33108-LFC2-E10	SOCKET COMP HEAD LIGHT	SOCKET COMP HEAD LIGHT	1	
34901		34901-LDC8-E10	BULB HEAD LIGHT	BULB HEAD LIGHT	1	
34903		34903-LDC8-E10	BULB POSITION	BULB POSITION	1	
93903		93903-35320	SCREW TAPPING 5*16	SCREW TAPPING 5*16	7	



F02

Speedometer

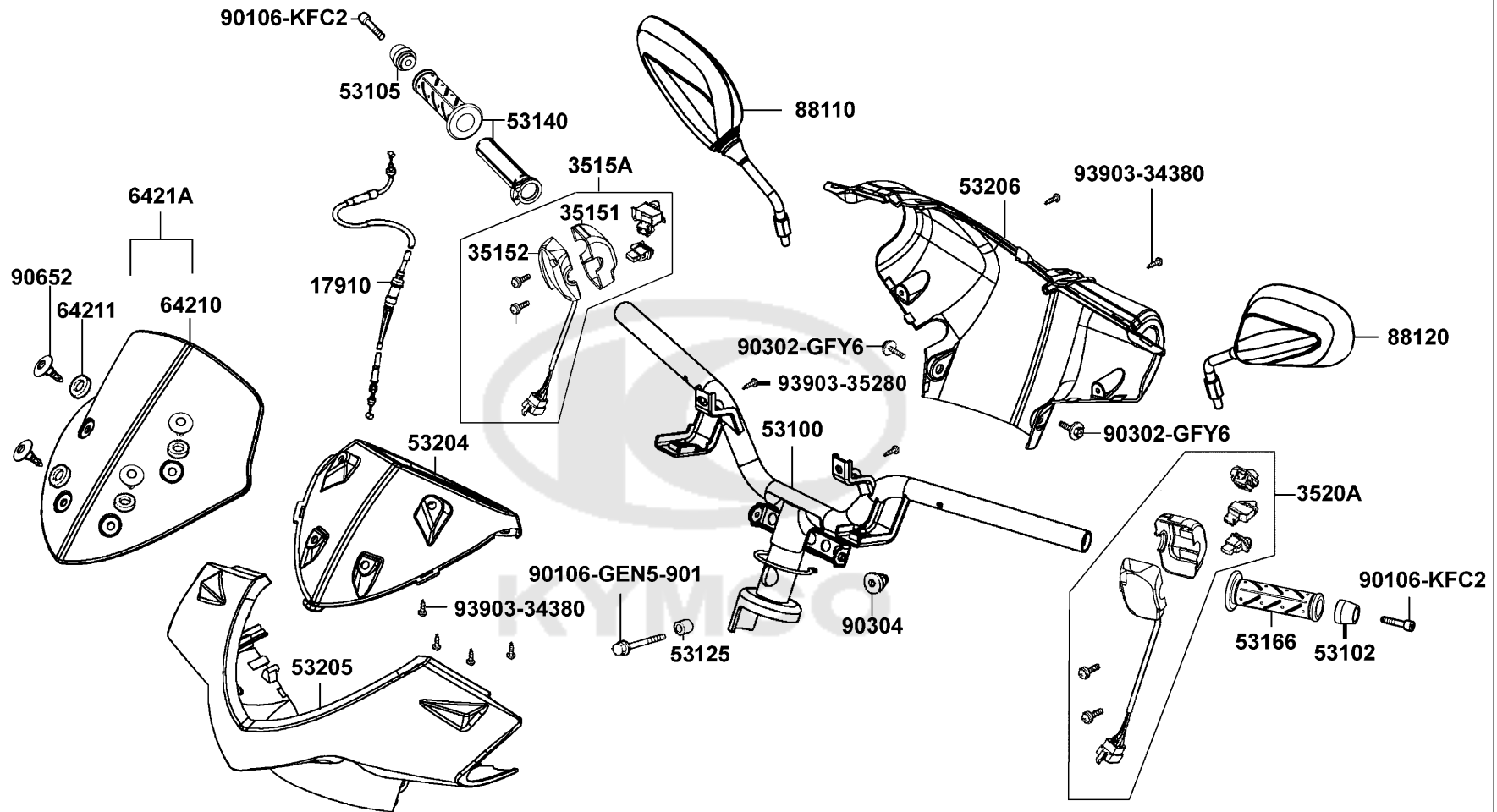


Sales mark	Ref no	Part no	Description	Reg description	Regd no	F02
34908		34908-LEJ2-E00	BULB WEDGE BASE T10	BULB WEDGE BASE T10	3	
34909		34909-LEJ2-E00	BULB WEDGE BASE T10	BULB WEDGE BASE T10	2	
37200		37200-LFC3-E10	METER ASSY SPEED	METER ASSY SPEED	1	
37211		37211-LFC2-E10	LENS COMP METER	LENS COMP METER	1	
37224		37224-LFC2-E10	SOCKET COMP METER	SOCKET COMP METER	1	
37280-LEJ2-E0A		37280-LEJ2-E0A	LCD ASSY (LOCK)	LCD ASSY(LOCK)	1	
44830		44830-LCD3-C00	CABLE COMP SPDMT	CABLE COMP SPDMT	1	
93700-05018		93700-05018-0H	SCREW OVAL 5*18	SCREW OVAL 5*18	1	
93903-34320		93903-34320	SCREW TAPPING 4*12	SCREW TAPPING 4*12 (C)	4	
93903-35280		93903-35280	SCREW TAPPING 5*12(K)	SCREW TAPPING 5*12(K)	1	



F03

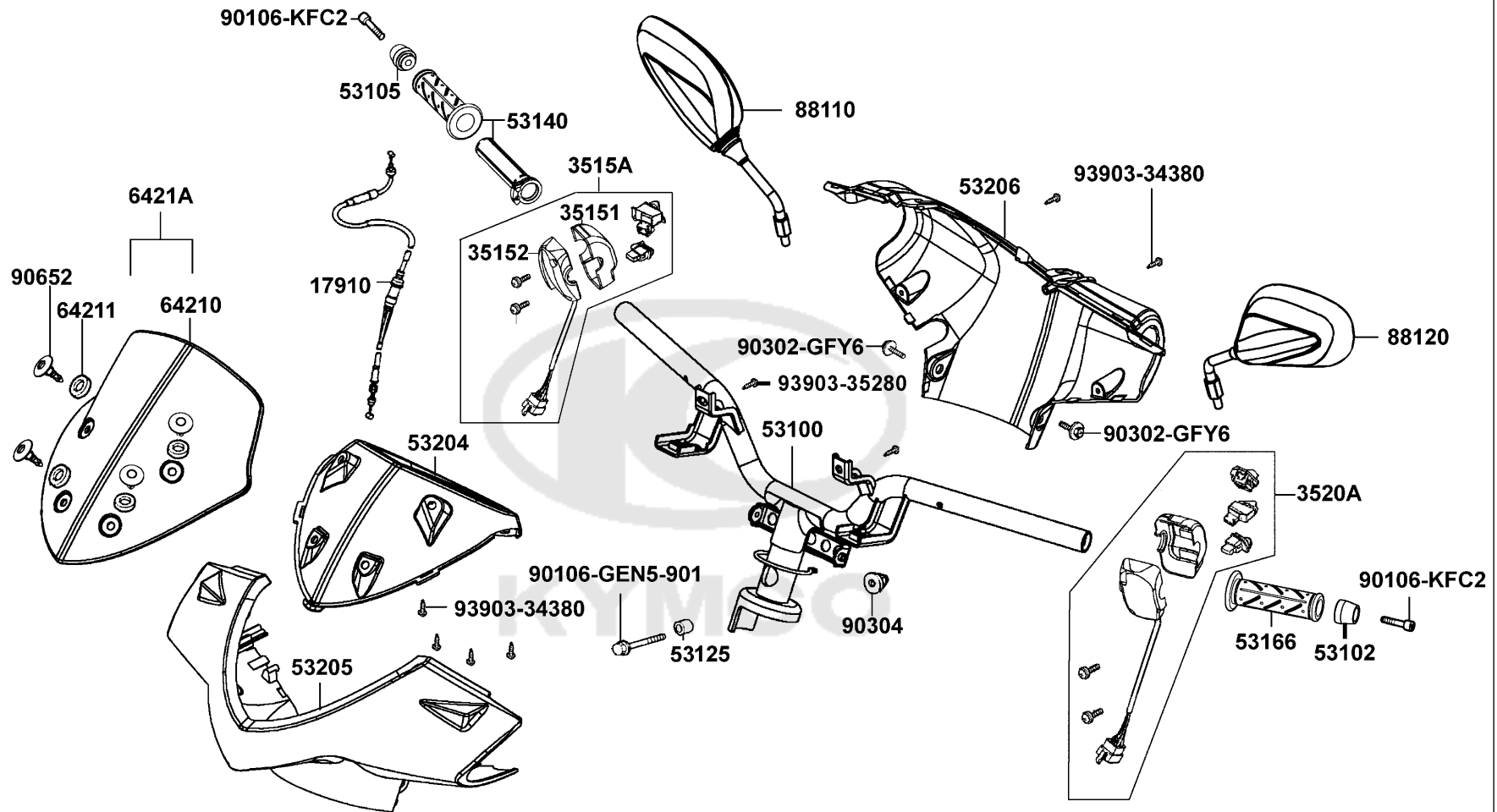
Handle Steering Handle Cover




Sales mark	Ref no	Part no	Description	Reg description	Regd no	F03
	17910	17910-KHD8-C00	CABLE COMP THROT	CABLE COMP THROT	1	
	35151	35151-KGBG-C00	FR CASE RH HNDL COMP SW	FR CASE RH HNDL COMP SW	1	
	35152	35152-LGB5-E10	RR CASE RH HNDL COMP SW	RR CASE RH HNDL COMP SW	1	
#	3515A	3515A-LGB5-E10	SW ASSY RH HNDL COMP	SW ASSY RH HNDL COMP	1	
	3520A	3520A-LCD3-C00	SW ASSY LH HNDL COMP	SW ASSY LH HNDL COMP	1	
	53100	53100-LFC3-E10	HANDLE COMP STRG	HANDLE COMP STRG	1	
	53102	53102-LFC3-E10	END HANDLE	END HANDLE	1	
	53105	53105-LFC3-E10	END,R HANDLE	END,R HANDLE	1	
	53125	53125-GEN5-C00	COLLAR HANDLE SET	COLLAR HANDLE SET	1	
	53140	53140-LEJ2-E10	GRIP COMP THROT	GRIP COMP THROT	1	
	53166	53166-LEJ2-E10	GRIP L HANDLE	GRIP L HANDLE	1	
**	53204	53204-LFC2-E10	COVER METER	COVER METER	1	
**	53205	53205-LFC2-E10	COVER HANDLE FR	COVER HANDLE FR	1	
**	53206	53206-LFC2-E10	COVER HANDLE RR	COVER HANDLE RR	1	
**	64210	64210-LFC2-E10	ASSY METER VISOR	ASSY METER VISOR	1	
	64211	64211-LFC2-E10	SPONGE VISOR	SPONGE VISOR	4	
	6421A	6421A-LFC2-E10	SPONGE VISOR	SPONGE VISOR	1	
**	88110	88110-LEB5-C10	MIRROR ASSY R BACK	MIRROR ASSY R BACK	1	
**	88120	88120-LEB5-C10	MIRROR ASSY L BACK	MIRROR ASSY L BACK	1	
	90106-GEN5	90106-GEN5-901	BOLT FLANGE 10*50	BOLT FLANGE 10*50	1	

F03

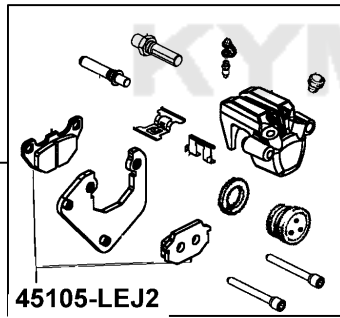
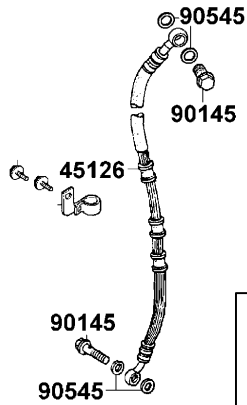
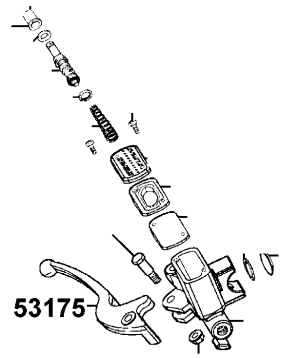
Handle Steering Handle Cover



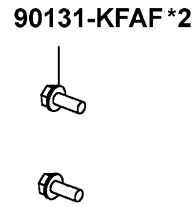
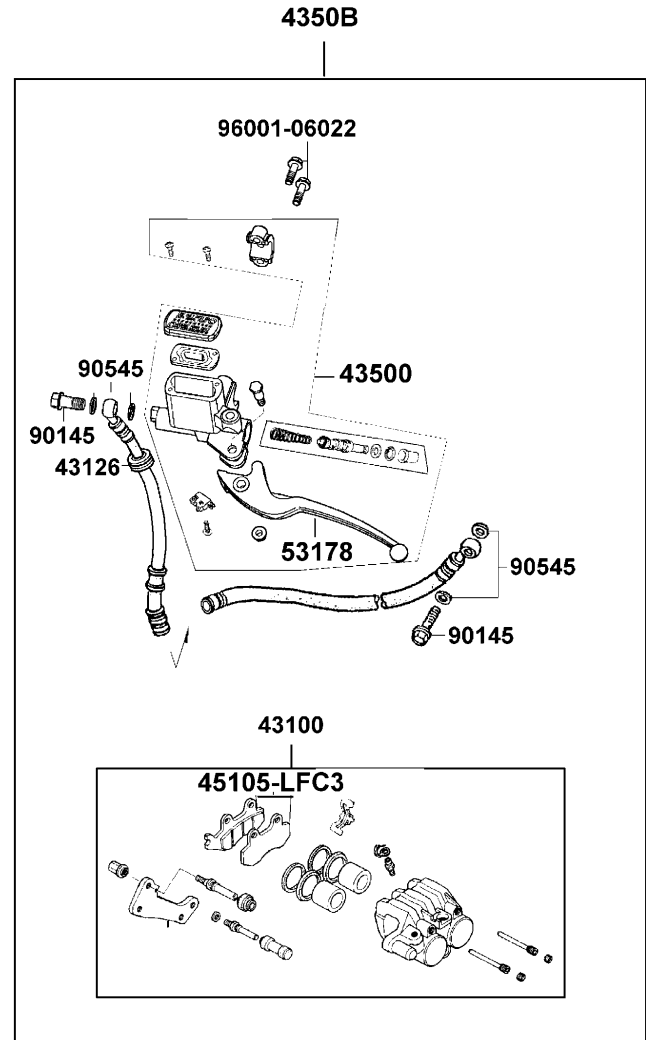
Sales mark	Ref no	Part no	Description	Reg description	Regd no	F03
	90106-KFC2	90106-KFC2-900	BOLT WASH 8MM	BOLT WASH 8MM	2	
	90302	90302-LLB1-C00	BOLT-WASH 5*12	BOLT-WASH 5*12	1	
	90304	90304-GHE8-C00	NUT U 10MM(C)	NUT U 10MM(C)	1	
	90652	90652-LCA4-C10	CLIP MUDGUARD	CLIP MUDGUARD	1	
	93903-34380	93903-34380	SCREW TAPPING 4*12	SCREW TAPPING 4*12	6	
	93903-35280	93903-35280	SCREW TAPPING 5*12(K)	SCREW TAPPING 5*12(K)	2	
						

F04

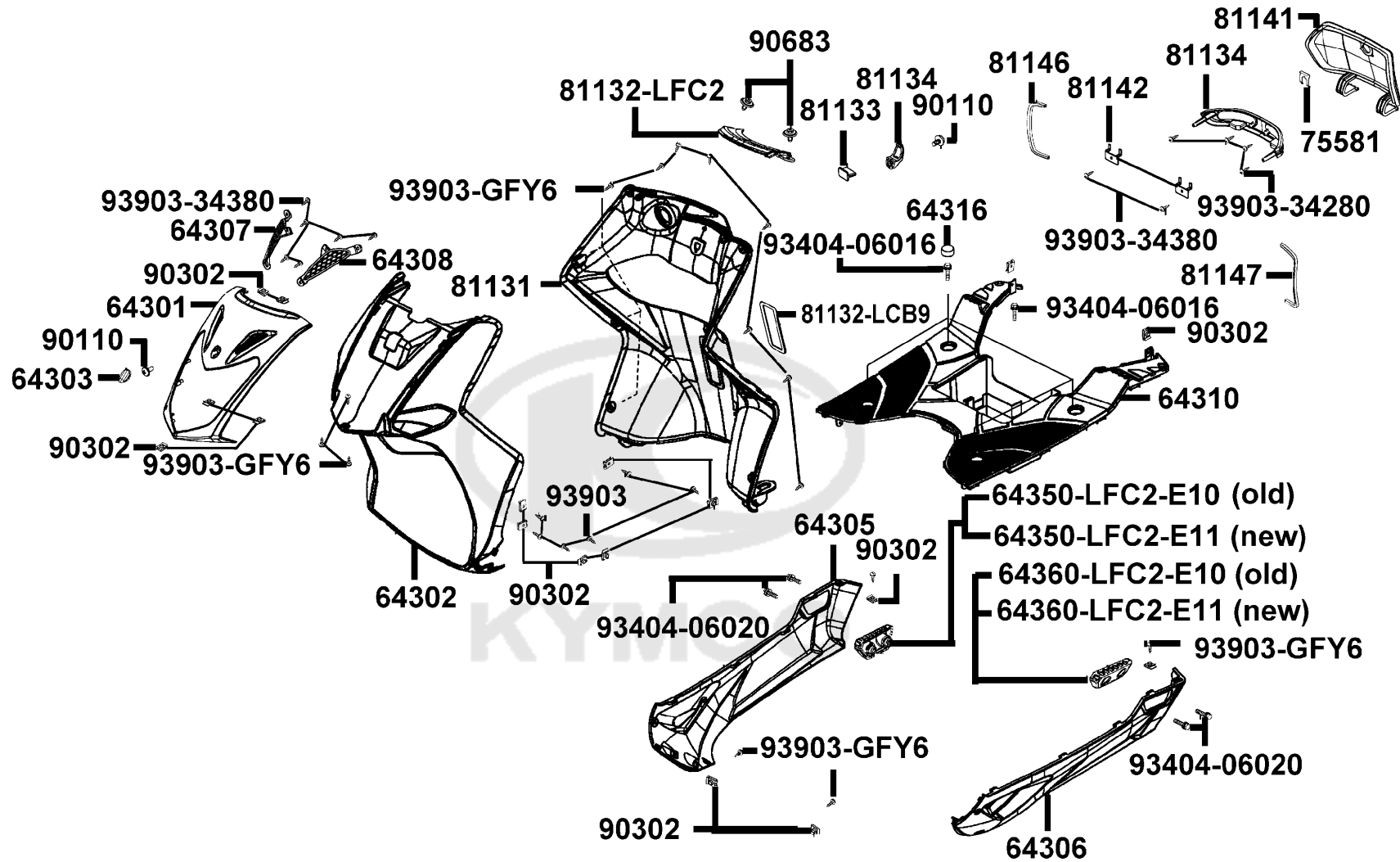
Brake Master Cylinder



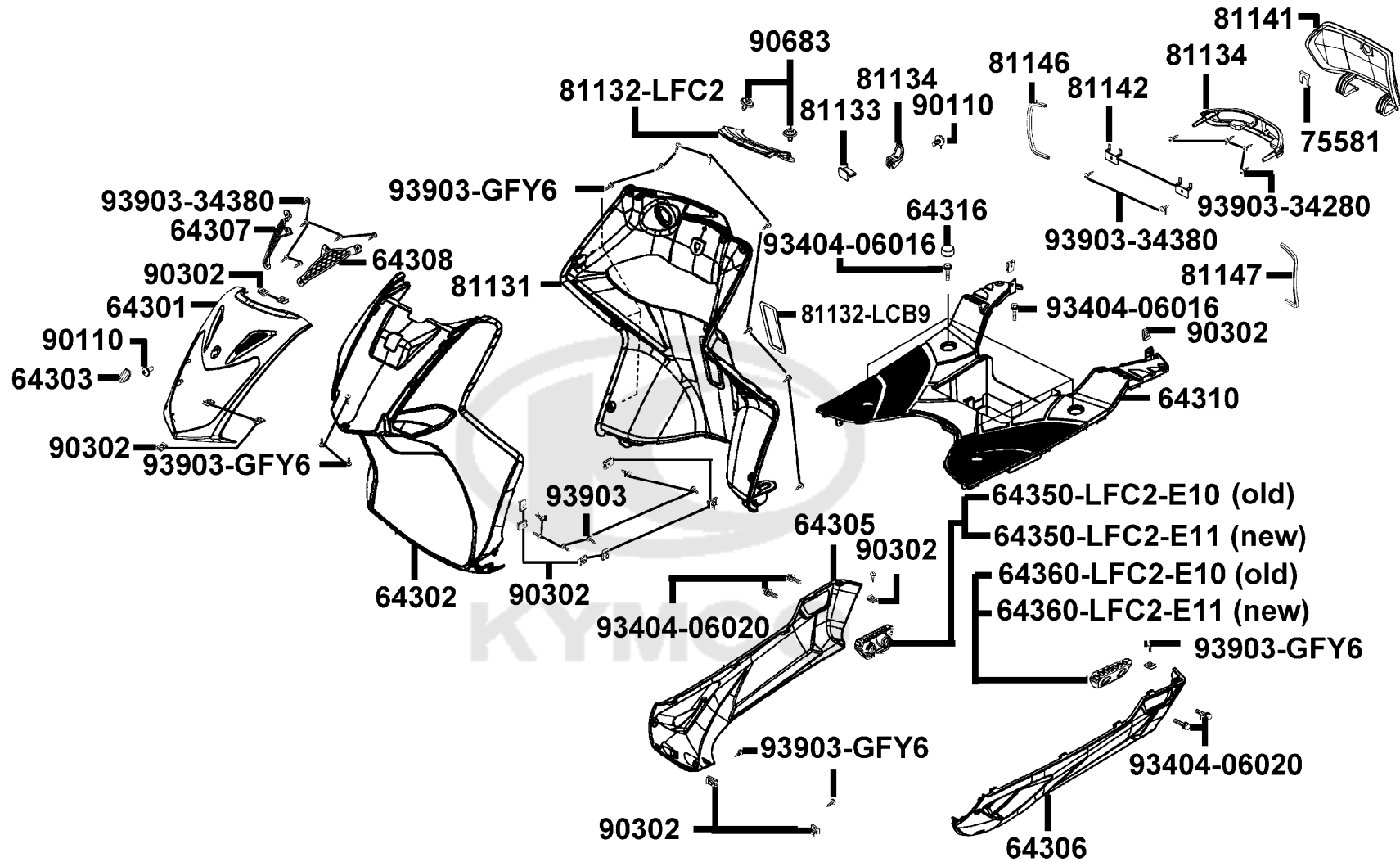
4550B



Sales mark	Ref no	Part no	Description	Reg description	Regd no	F04
	32101	32101-GFY6-C00	SUB CORD R	SUB CORD R	1	
	35340	35340-KNBN-901	SW ASSY FR STOP	SW ASSY FR STOP	1	
	43100	43100-LFC3-E10	CALIPER ASSY RR BRK	CALIPER ASSY RR BRK	1	
	43126	43126-LFC3-E1A	HOSE ASSY RR BRK	HOSE ASSY RR BRK	1	
	43500	43500-LFC3-E10	M/C ASY FR BRK	M/C ASY FR BRK	1	
	4350B	4350B-LFC3-E10	SUB ASSY RR BRK	SUB ASSY RR BRK	1	
	45105-LEJ2	45105-LEJ2-305	PAD COMP A+B	PAD COMP A+B	1	
	45105-LFC3	45105-LFC3-305	PAD COMP A+B	PAD COMP A+B	1	
	45126	45126-LFC2-E10	HOSE ASSY FR BRK	HOSE ASSY FR BRK	1	
	45200	45200-LFC2-E10	CALIPER ASSY FR BRK	CALIPER ASSY FR BRK	1	
	4550A	4550A-LFC2-E1A	M/C ASSY FR	M/C ASSY FR	1	
	4550B	4550B-LFC2-E10	SUB ASSY FR BRK	SUB ASSY FR BRK	1	
	53175	53175-KTCT-C00	LEVER R STRG HNDL	LEVER R STRG HNDL	1	
**	53178	53178-KNBN-C00	LEVER L STRG HANDLE	LEVER L STRG HANDLE	1	
	90131-GLW0	90131-GLW0-C00	BOLT FLANGE 8*35	BOLT FLANGE 8*35	1	
	90131-KFAF	90131-KFAF-C00	BOLT FLANGE 8*42	BOLT FLANGE 8*42	1	
	90145	90145-9A61-C00	OIL BOLT 10*22	OIL BOLT 10*22	1	
	90545	90545-3L00-C00	WASHER OIL BOLT	WASHER OIL BOLT	1	
	96001-06022	96001-06022-08	BOLT FLANGE SH 6*22	BOLT FLANGE SH 6*22	2	



Sales mark	Ref no	Part no	Description	Reg description	Regd no	F05
**	64301	64301-LFC2-E10	COVER FR	COVER FR	1	
**	64302	64302-LFC2-E10	MOLD FRONT	MOLD FRONT	1	
**	64303	64303-LFC2-E10	CAP FR COVER	CAP FR COVER	1	
**	64305	64305-LFC2-E10	SKIRT R SIDE	SKIRT R SIDE	1	
**	64306	64306-LFC2-E10	SKIRT L SIDE	SKIRT L SIDE	1	
**	64307	64307-LFC2-E10	GRILLE R FR MOLDING	GRILLE R FR MOLDING	1	
**	64308	64308-LFC2-E10	GRILLE L FR MOLDING	GRILLE L FR MOLDING	1	
**	64310	64310-LFC2-E11	FLOOR PANEL	FLOOR PANEL	1	
	64316	64316-LCB9-C10	PLUG FLOOR	PLUG FLOOR	4	
	64350-LFC2-E10	64350-LFC2-E10	COVER R STEP	COVER R STEP	1	
	64350-LFC2-E11	64350-LFC2-E11	COVER R STEP	COVER R STEP	1	
	64360-LFC2-E10	64360-LFC2-E10	COVER L STEP	COVER L STEP	1	
	64360-LFC2-E11	64360-LFC2-E11	COVER L STEP	COVER L STEP	1	
	75581	75581-6C73-C00	SET SPG LOCK KET(43°C)	SET SPG LOCK KET(43°C)	1	
**	81131	81131-LFC2-E10	LEG SHIELD	LEG SHIELD	1	
	81132-LCB9	81132-LCB9-C10	Xc	Xc	1	
**	81132-LFC2	81132-LFC2-E10	CAP LEG SHIELD UP	CAP LEG SHIELD UP	1	
	81133	81133-KNBN-C00	STOPPER LUGGAGE	STOPPER LUGGAGE	1	
**	81134	81134-LFC2-E10	PLATE INNER BOX	PLATE INNER BOX	1	
**	81141	81141-LFC2-E10	LID INNER BOX	LID INNER BOX	1	

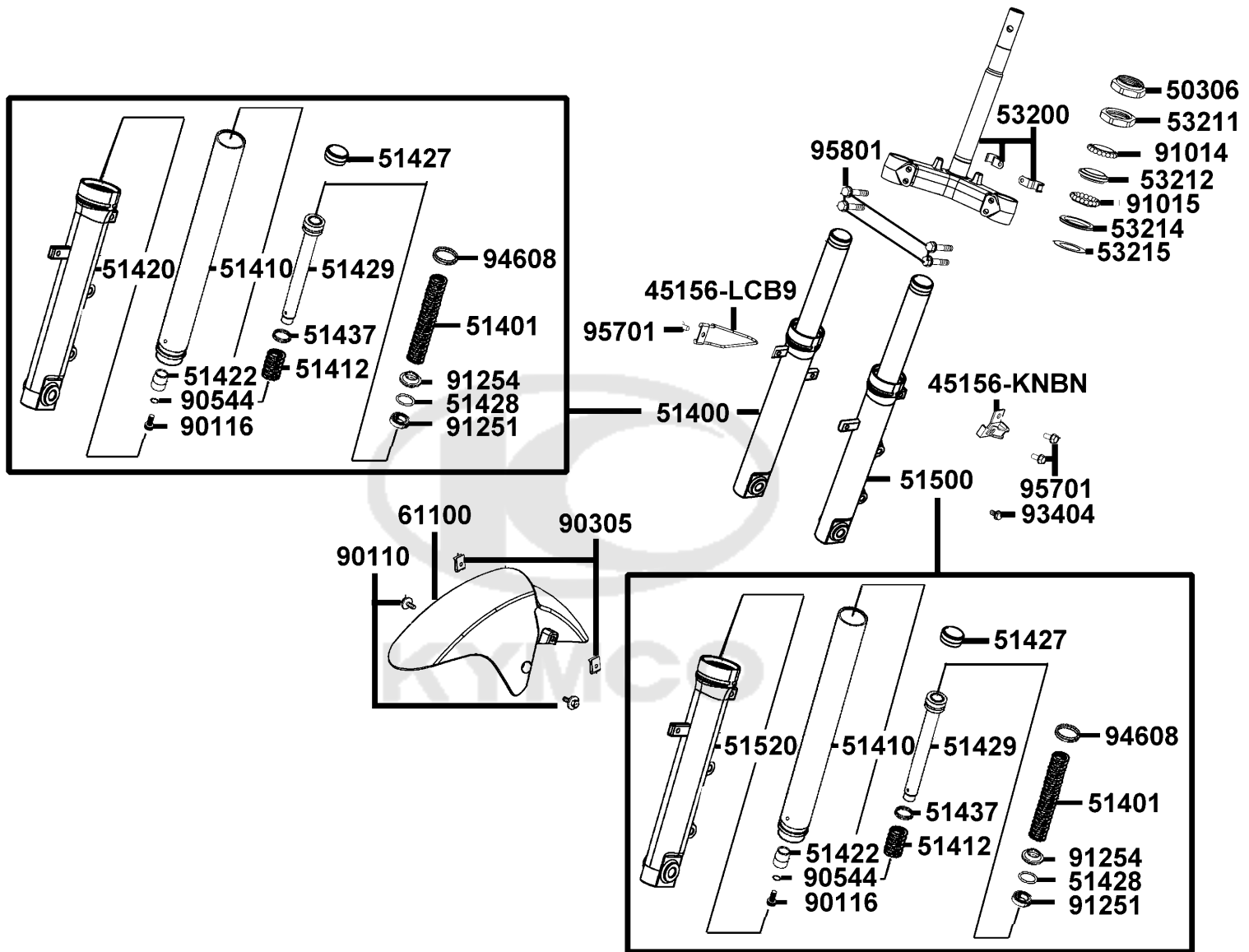


Sales mark	Ref no	Part no	Description	Reg description	Regd no	F05
81142		81142-KFA6-C00	STAY LID INNER BOX	STAY LID INNER BOX	1	
81146		81146-LFC2-E10	SEAL A LID INNER BOX	SEAL A LID INNER BOX	1	
81147		81147-LFC2-E10	SEAL B LID INNER BOX	SEAL B LID INNER BOX	1	
90110		90110-GLW0-C00	SCREW SPECIAL 6*14	SCREW SPECIAL 6*14	1	
90302		90302-SDA4-C00	NUT SPRING 4MM	NUT SPRING 4MM	1	
90683		90683-GAR1-C00	CLIP BODY COVER	CLIP BODY COVER	1	
93404-06016		93404-06016-07	BOLT WASHER 6*16 (K)	BOLT WASHER 6*16 (K)	1	
93404-06020		93404-06020-07	BOLT WASHER 6*20 (K)	BOLT WASHER 6*20 (K)	8	
93903-34280		93903-34280	SCREW TAPPING 4*10 (K)	SCREW TAPPING 4*10 (K)	4	
93903-34380		93903-34380	SCREW TAPPING 4*12	SCREW TAPPING 4*12	16	
93903-GFY6		93903-GFY6-C00	SCREW TAPPING 4*14	SCREW TAPPING 4*14	1	



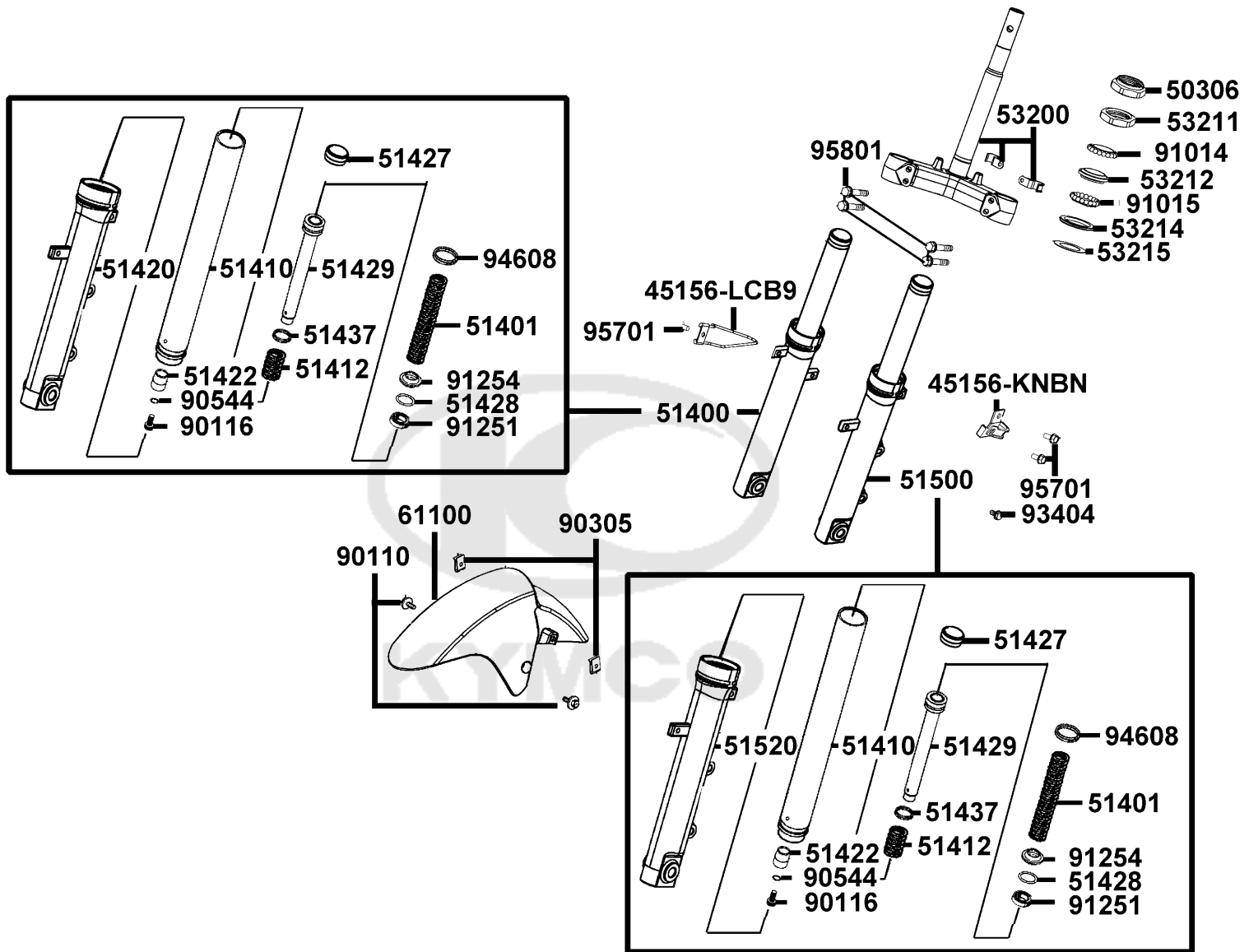
F06

Stem Steering Front Cushion



Sales mark	Ref no	Part no	Description	Reg description	Regd no	F06
	45156-KNBN	45156-KNBN-C00	CLAMPER FR BRAKE HOSE	CLAMPER FR BRAKE HOSE	1	
	45156-LCB9	45156-LCB9-B20	CLAMPER FR SPDMT CABLE	CLAMPER FR SPDMT CABLE	1	
	50306	50306-1F96-C00	NUT STRG STEM LOCK	NUT STRG STEM LOCK	1	
	51400	51400-LFC3-E10	FORK ASSY R FR	FORK ASSY R FR	1	
**		51400-LFC3-E10	FORK ASSY R FR	FORK ASSY R FR	1	
	51401	51401-LEJ2-E10	SPRING	SPRING	2	
	51410	51410-LEJ2-E10	FORK PIPE COMP	FORK PIPE COMP	2	
	51412	51412-LEJ2-E10	REBOUND SPRING	REBOUND SPRING	2	
	51420	51420-LFC2-E10	BOTTOM CASE RH	BOTTOM CASE RH	1	
	51422	51422-LEJ2-E10	OIL LOCK PIECE	OIL LOCK PIECE	2	
	51427	51427-LEJ2-E10	FORK BOLT	FORK BOLT	2	
	51428	51428-LEJ2-E10	OIL SEAL STOPPER RING	OIL SEAL STOPPER RING	2	
	51429	51429-LEJ2-E10	PIPE SEAT	PIPE SEAT	2	
	51437	51437-LEJ2-E10	PISTON RING	PISTON RING	2	
**	51500	51500-LFC3-E10	FORK ASSY L FR	FORK ASSY L FR	1	
	51520	51520-LEJ2-E10	BOTTOM CASE LH	BOTTOM CASE LH	2	
	53200	53200-LFC2-E10	STEM ASSY STRG	STEM ASSY STRG	1	
	53211	53211-GFY6-C00	RACE STRG TOP CONE	RACE STRG TOP CONE	1	
	53212	53212-2L50-C00	RACE (STRG BOTTOM) CONE	RACE (STRG BOTTOM) CONE	1	
	53214	53214-2L50-C00	DUST SEAL STRG HEAD	DUST SEAL STRG HEAD	1	

Stem Steering Front Cushion

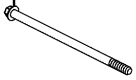


Sales mark	Ref no	Part no	Description	Reg description	Regd no	F06
	53215	53215-2L50-C00	WASHER STRG HDL DUST-SEAL	WASHER STRG HDL DUST-SEAL	1	
**	61100	61100-LFC2-E10	FENDER FR	FENDER FR	1	
	90110	90110-KEB7-C00	SCREW SPECIAL 6*14	SCREW SPECIAL 6*14	1	
	90116	90116-LEJ2-E10	?? BOLT	?? BOLT	2	
	90305	90305-GHK8-C00	NUT CLIP 6MM	NUT CLIP 6MM	1	
	90544	90544-LEJ2-E10	PACKINGCUB	PACKINGCUB	1	
	91014	91014-LLJ3-C00	CAGE STRG TOPP	CAGE STRG TOPP	1	
	91015	91015-LLJ3-C00	CAGE STRG BOT	CAGE STRG BOT	1	
	91251	91251-LEJ2-E10	OIL SEAL	OIL SEAL	1	
	91254	91254-LEJ2-E10	DUST SEAL	DUST SEAL	1	
	93404	93404-06022-07	BOLT WASHER 6*22 (K)	BOLT WASHER 6*22 (K)	2	
	94608	94608-LEJ2-E10	O-RING B	O-RING B	1	
	95701	95701-06012-08	BOLT FLANGE 6*12	BOLT FLANGE 6*12	3	
	95801	95801-08040-08	BOLT FLANGE 8*40	BOLT FLANGE 8*40	4	

F07

Front Wheel

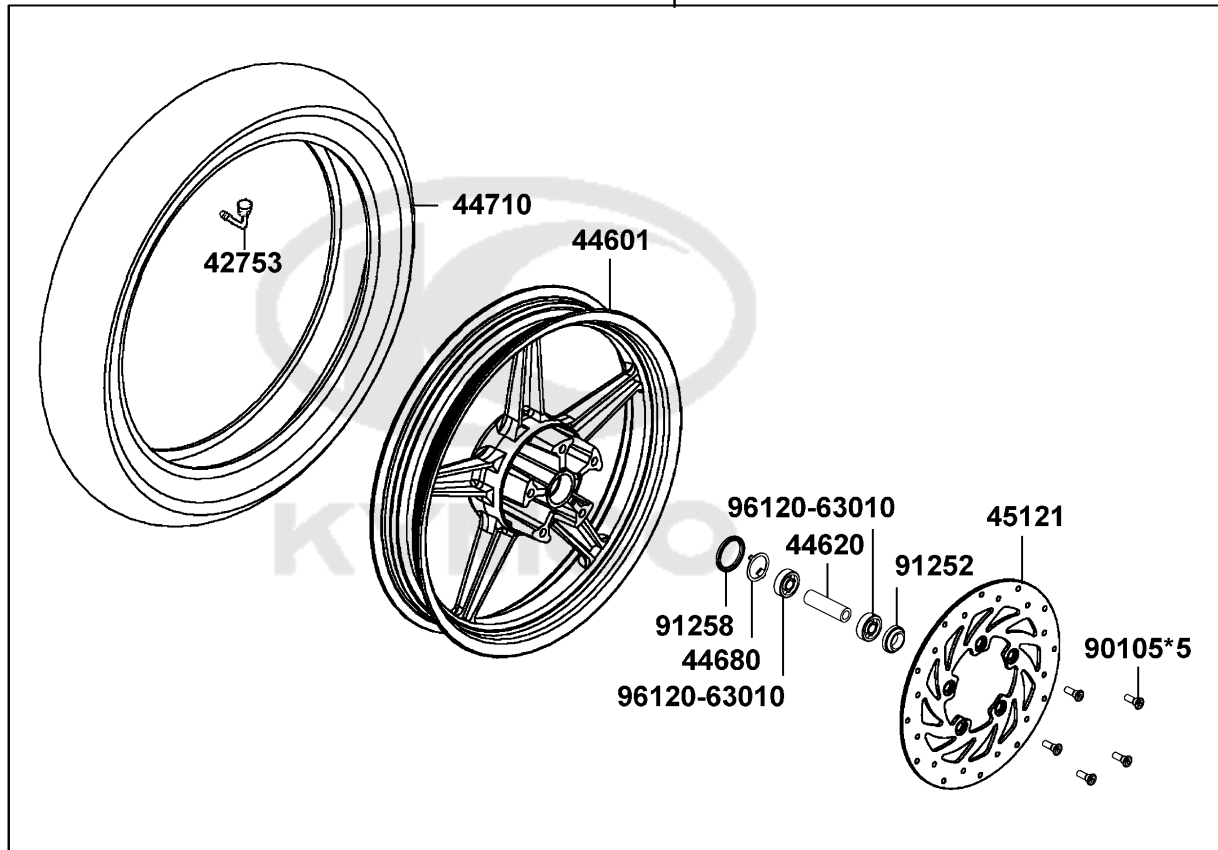
44301



44800



44600



42753

44710

44601

96120-63010

45121

91258

44680

96120-63010

44620

91252

90105*5

90306

44311

Sales mark	Ref no	Part no	Description	Reg description	Regd no	F07
42753		42753-0A01-C00	VALVE (TR 412) & CAP (C)	VALVE (TR 412) & CAP (C)	1	
44301		44301-LEJ2-E10	AXLE FR WHEEL	AXLE FR WHEEL	1	
44311		44311-LFC2-E10	COLLAR FR WHEEL SIDE	COLLAR FR WHEEL SIDE	1	
44600		44600-LFC2-E10	WHEEL ASSY FR	WHEEL ASSY FR	1	
44601		44601-LFC2-E10	WHEEL CAST FR	WHEEL CAST FR	1	
44620		44620-KFLF-C00	COLLAR FR DIST	COLLAR FR DIST	1	
44680		44680-4L10-C00	RETAINER GEAR BOX	RETAINER GEAR BOX	1	
44710		44710-LFC2-E10	TIRE ASSY FR	TIRE ASSY FR	1	
44800		44800-LKD1-E10	GEAR BOX ASSY SPDMT	GEAR BOX ASSY SPDMT	1	
45121		45121-LFC2-E80	DISK,FR BRAKE LH	DISK,FR BRAKE LH	1	
90105		90105-KCR3-001	BOLT FR DISK 8*24	BOLT FR DISK 8*24	5	
90306		90306-KLF0-C00	NUT FLANGE 12MM	NUT FLANGE 12MM	1	
91252		91252-0L30-004	OIL SEAL WHEEL 23*37*7	OIL SEAL WHEEL 23*37*7	1	
91258		91258-4L10-007	DUST SEAL 40*50*5	DUST SEAL 40*50*5	1	
96120		96120-63010-10	BEARING BALL RADIAL 6301	BEARING BALL RADIAL 6301	2	

F08

Rear Wheel

90305-KNBN

90501-KNBN

90105

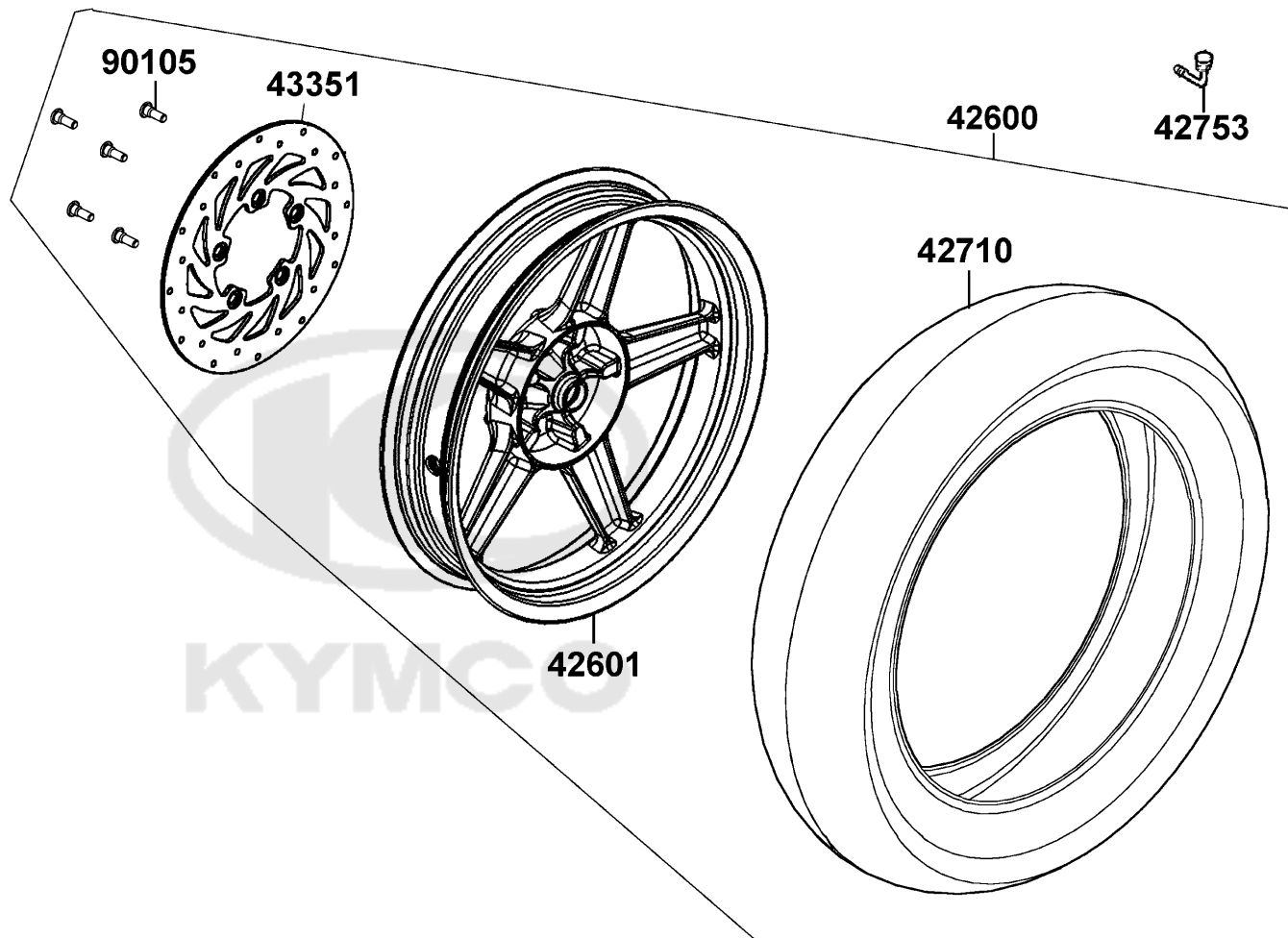
43351

42600

42753

42710

42601

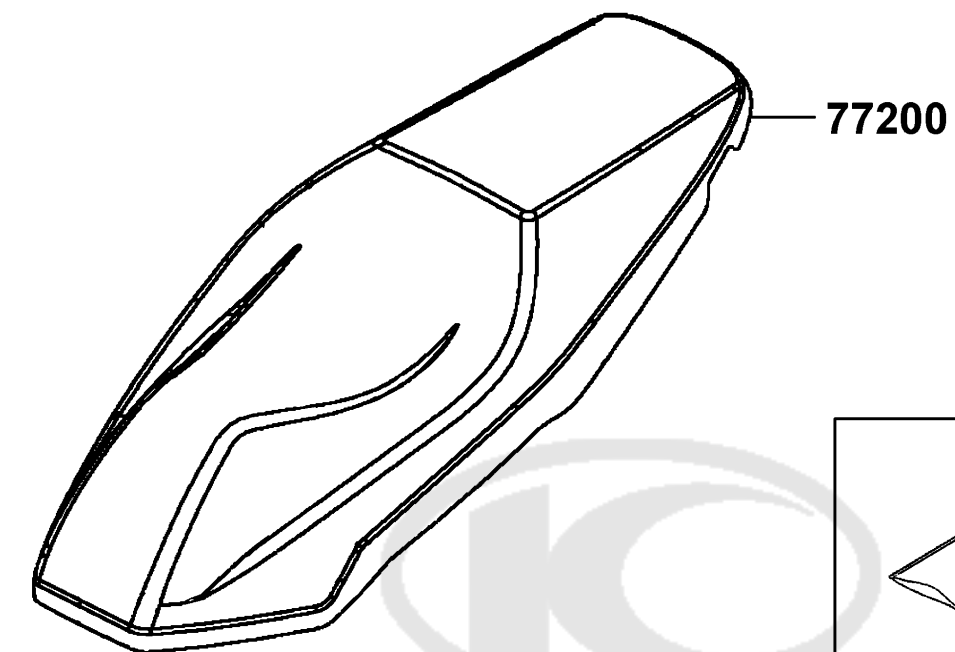


Sales mark	Ref no	Part no	Description	Reg description	Regd no	F08
	42600	42600-LFC3-E10	WHEEL ASSY RR	WHEEL ASSY RR	1	
**	42601	42601-LFC3-E10	WHEEL COMP RR CAST	WHEEL COMP RR CAST	1	
	42710	42710-LFC2-E10	TIRE ASSY RR	TIRE ASSY RR	1	
	42753	42753-0A01-C00	VALVE (TR 412) & CAP (C)	VALVE (TR 412) & CAP (C)	1	
#	43351	43351-LFC3-E80	DISK RR BRK	DISK RR BRAKE	1	
	90105	90105-KCR3-001	BOLT FR DISK 8*24	BOLT FR DISK 8*24	1	
	90305	90305-KNBN-C00	NUT U 16MM(C)	NUT U 16MM(C)	1	
	90501	90501-KNBN-C00	WASHER 16MM	WASHER 16MM	1	



F09

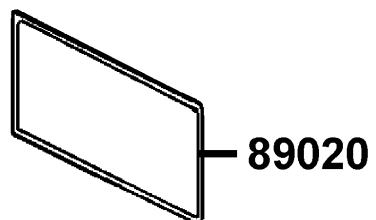
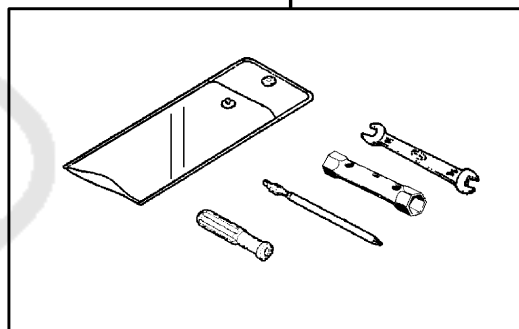
Seat



94050-06080-②

94050-06080-②

89010



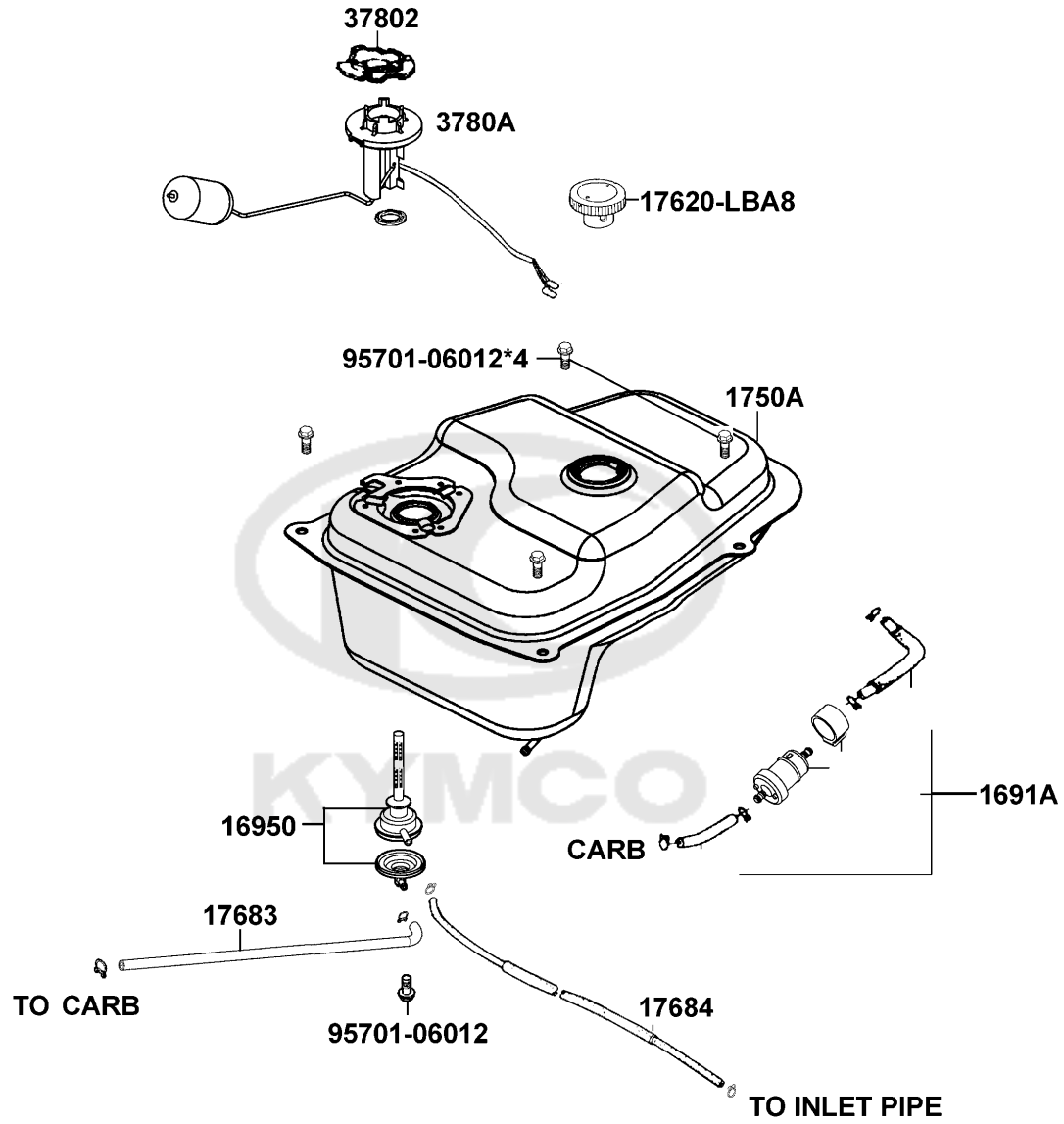
Sales mark	Ref no	Part no	Description	Reg description	Regd no	F09
------------	--------	---------	-------------	-----------------	---------	------------

**	77200	77200-LFC3-E10	SEAT ASSY	SEAT ASSY	1	
	89010	89010-KGBG-C00	TOOL SET	TOOL SET	1	
	89020	89020-KKC4-900	BAND TOOL SET	BAND TOOL SET	1	
	94050-06080	94050-06080	NUT FLANGE 6MM	NUT FLANGE 6MM	2	

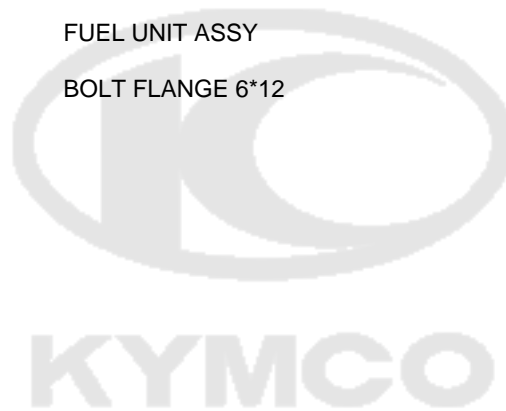


F10

Fuel Tank



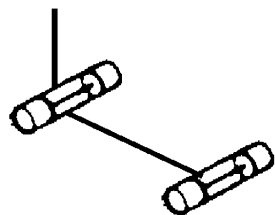
Sales mark	Ref no	Part no	Description	Reg description	Regd no	F10
	1691A	1691A-LEJ2-E10	STRAINER ASSY FUEL	STRAINER ASSY FUEL	1	
	16950	16950-LCA3-B50	AUTO COCK ASSY FUEL	AUTO COCK ASSY FUEL	1	
	1750A	1750A-LEJ2-E10	TANK COMP FUEL	TANK COMP FUEL	1	
	17620	17620-LBA8-C10	CAP FUEL FILLER	CAP FUEL FILLER	1	
	17683	17683-LFC3-E10	TUBE ASSY COCK-CARB	TUBE ASSY COCK-CARB	1	
	17684	17684-LFC3-E10	TUBE ASSY COCK-INLET PIPE	TUBE ASSY COCK-INLET PIPE	1	
	37802	37802-GGA7-C00	RET FUEL UNIT	RET FUEL UNIT	1	
	3780A	3780A-LEJ2-E10	FUEL UNIT ASSY	FUEL UNIT ASSY	1	
	95701	95701-06012-08	BOLT FLANGE 6*12	BOLT FLANGE 6*12	5	



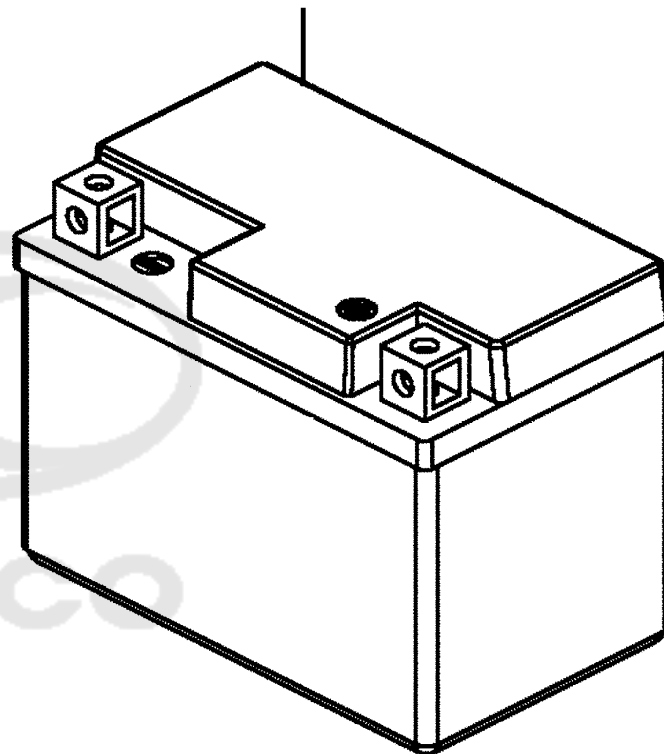
F11

Battery

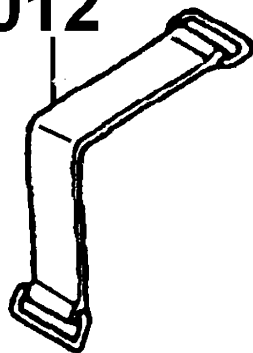
98200-10700



31500



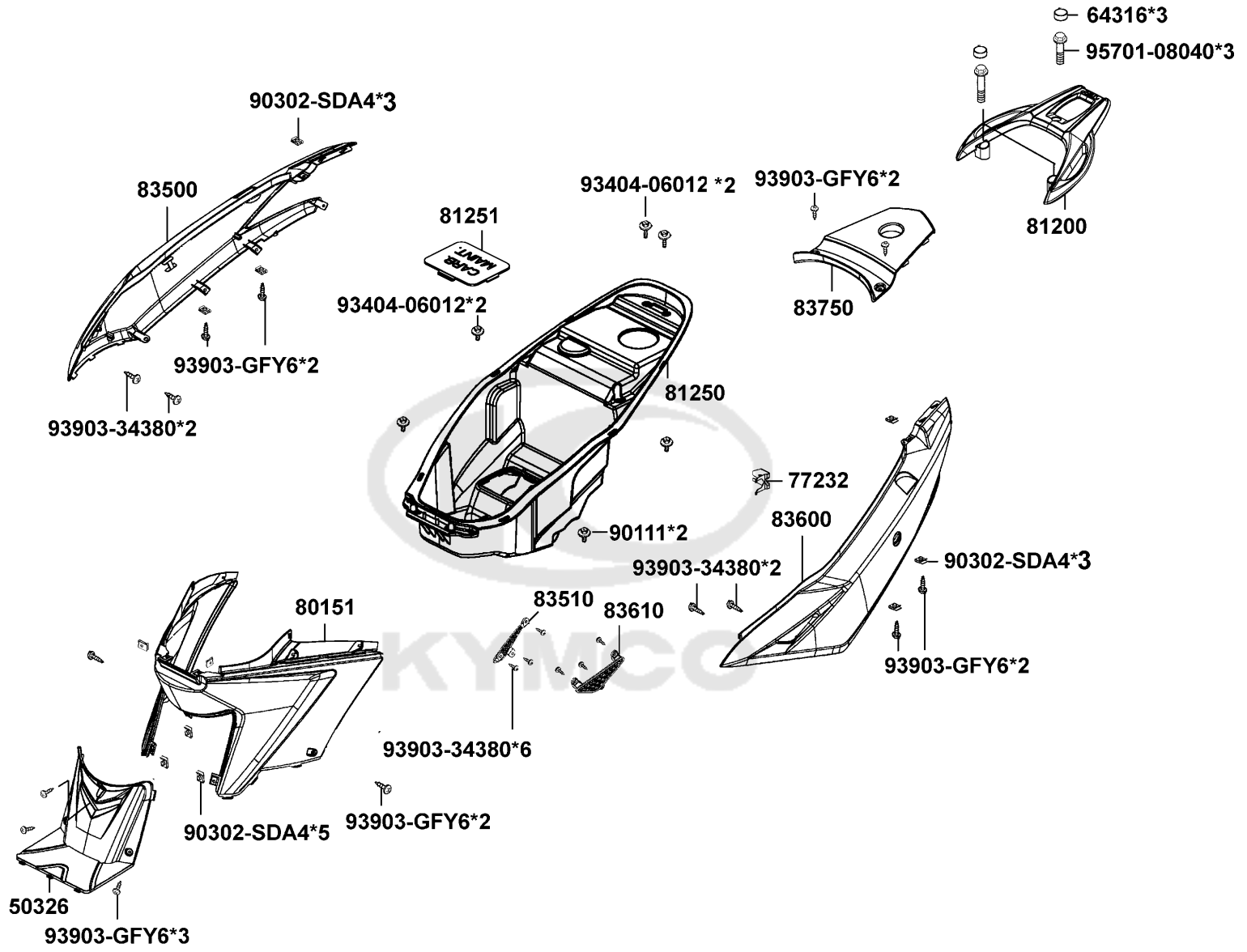
95012



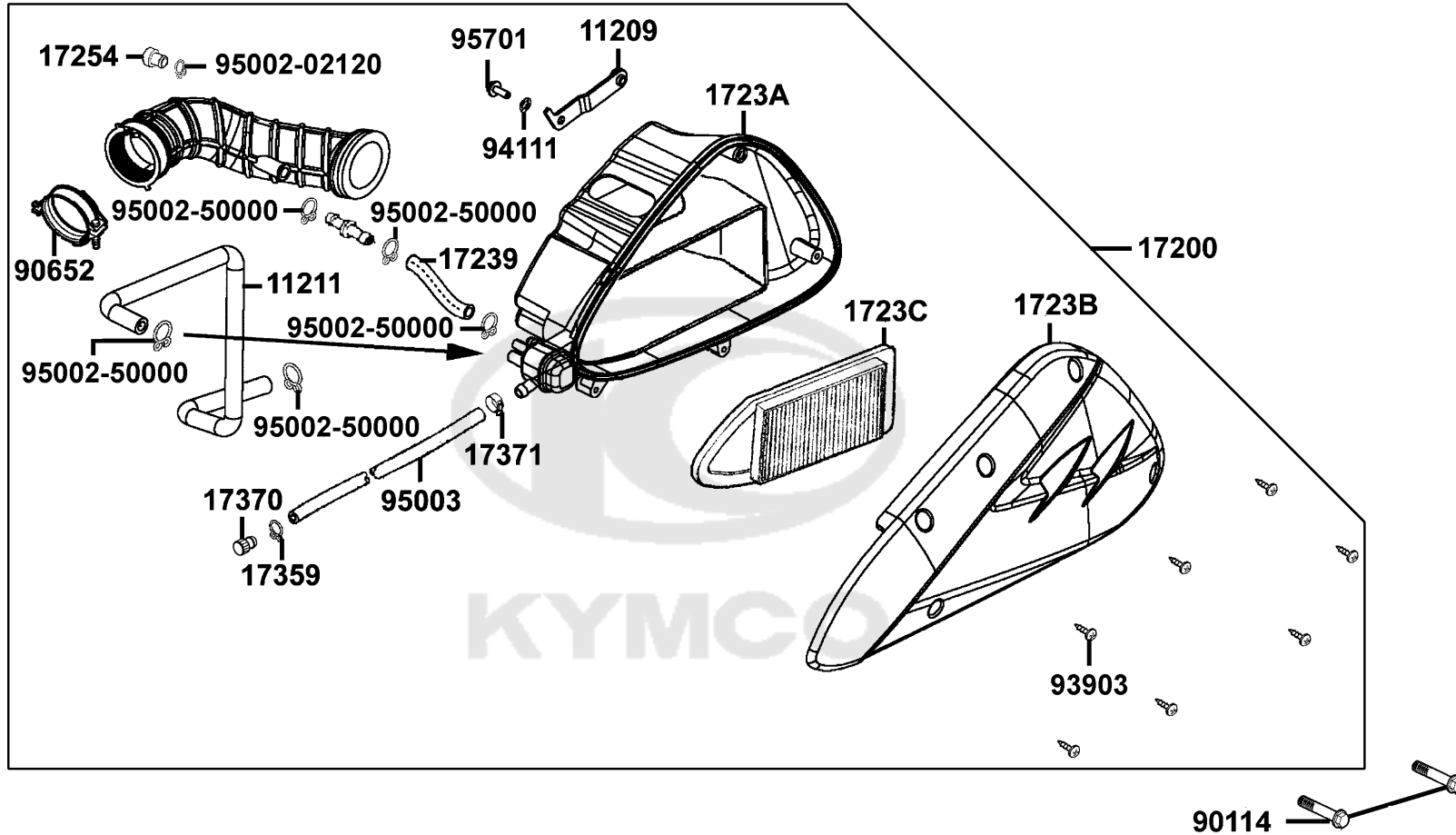
Sales mark	Ref no	Part no	Description	Reg description	Regd no	F11
------------	--------	---------	-------------	-----------------	---------	------------

31500	31500-GFY6-C00	31500-GFY6-C00	BATTERY YTX7A-BS	BATTERY YTX7A-BS	1	
95012	95012-LEJ2-E10	95012-LEJ2-E10	BAND BATTERY	BAND BATTERY	1	
98200	98200-10700	98200-10700	FUSE A7	FUSE A7	2	





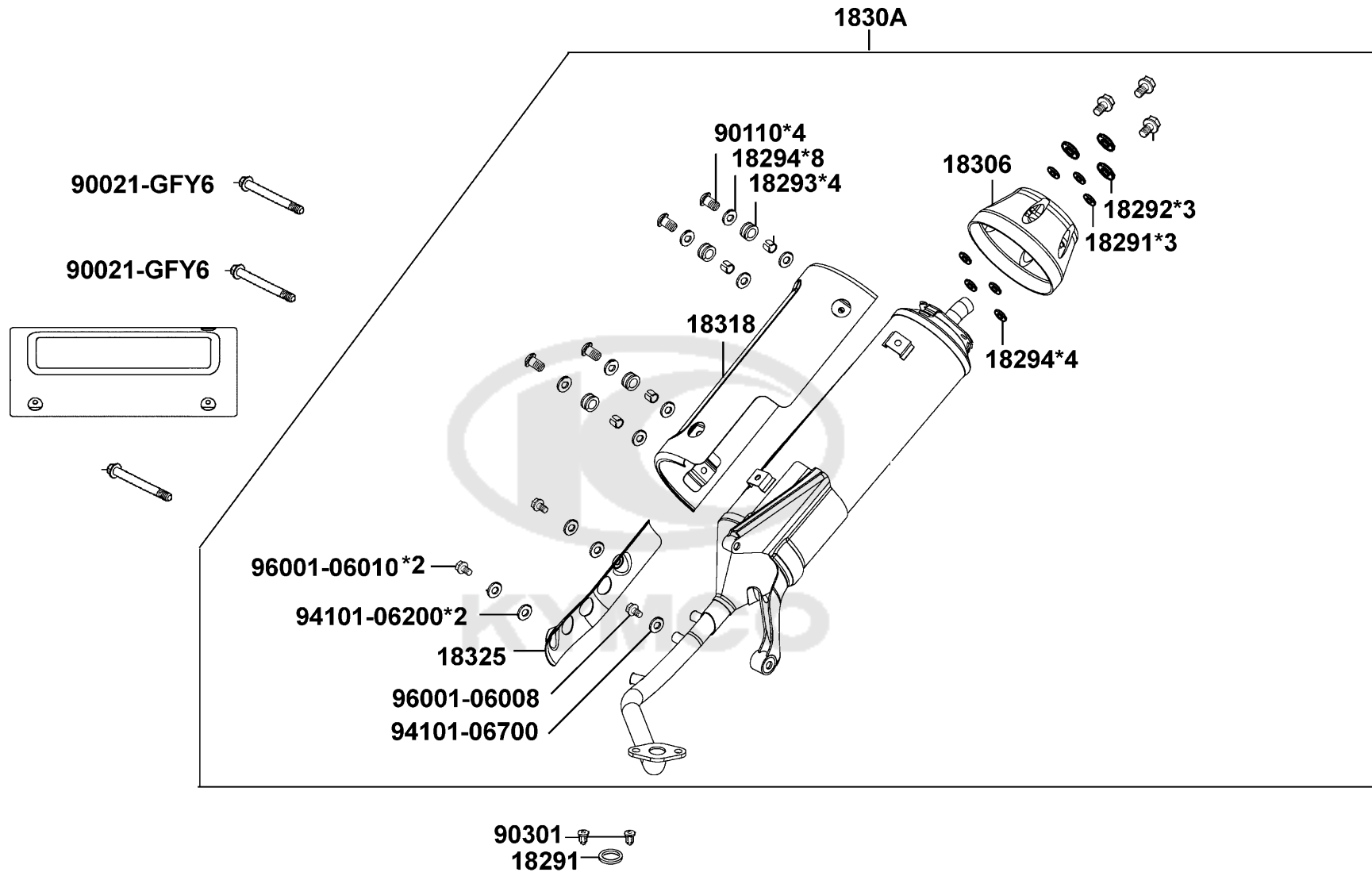
Sales mark	Ref no	Part no	Description	Reg description	Regd no	F12
**	50326	50326-LFC2-E10	COVER BATTERY	COVER BATTERY	1	
	64316	64316-LCB9-C10	PLUG FLOOR	PLUG FLOOR	3	
	77232	77232-KCAC-C00	SET SPG SEAT LOCK	SET SPG SEAT LOCK	1	
**	80151	80151-LFC2-E10	COVER CENTER	COVER CENTER	1	
**	81200	81200-LFC2-E10	CARRIER RR	CARRIER RR	1	
	81250	81250-LFC2-E10	BOX LUGGAGE	BOX LUGGAGE	1	
	81251	81251-LEJ3-E10	COVER CARB MAINT	COVER CARB. MAINT	1	
**	83500	83500-LFC2-E10	COVER R BODY	COVER R BODY	1	
**	83510	83510-LFC2-E10	GRILL R SIDE	GRILL R SIDE	1	
**	83600	83600-LFC2-E10	COVER L BODY	COVER L BODY	1	
**	83610	83610-LFC2-E10	GRILL L SIDE	GRILL L SIDE	1	
**	83750	83750-LFC2-E10	COVER RR CENTER	COVER RR CENTER	1	
	90111	90111-1G87-C00	BOLT FLANGE 6MM	BOLT FLANGE 6MM	1	
	90302	90302-SDA4-C00	NUT SPRING 4MM	NUT SPRING 4MM	1	
	93404	93404-06012-07	BOLT WASH 6*12	BOLT WASH 6*12	4	
	93903-34380	93903-34380	SCREW TAPPING 4*12	SCREW TAPPING 4*12	10	
	93903-GFY6	93903-GFY6-C00	SCREW TAPPING 4*14	SCREW TAPPING 4*14	1	
	95701	95701-08040-08	BOLT FLANGE 8*40	BOLT FLANGE 8*40	3	



Sales mark	Ref no	Part no	Description	Reg description	Regd no	F13
11209		11209-LCD3-E00	STAY B RR FENDER	STAY B RR FENDER	1	
11211		11211-KHB4-C00	TUBE BREATHER	TUBE BREATHER	1	
17200		17200-LEJ3-E10	AIR/C ASSY	AIR/C ASSY	1	
17239		17239-KHB4-C00	TUBE AIR/C BLOW BY	TUBE AIR/C BLOW BY	1	
1723A		1723A-LFC4-E10	CASE ASSY,AIR/C	CASE ASSY., AIR/C	1	
1723B		1723B-LFC4-E10	COVER COMP AIR/C	COVER COMP AIR/C	1	
1723C		1723C-LEJ3-E10	ELEMENT ASSY AIR/C	ELEMENT ASSY AIR/C	2	
17254		17254-KACA-P00	JOINT PURGE TUBE	PLUG AIR/C CONN TUBE	1	
17359		17359-4K19-C00	JOINT BREATHER TUBE	JOINT BREATHER TUBE	1	
17370		17370-4K19-701	PLUG BREATHER TUBE	PLUG BREATHER TUBE	1	
17371		17371-1D74-C00	CLIP BREATHER TUBE	CLIP BREATHER TUBE	1	
90114		90114-GDM4-C00	BOLT M6*28	BOLT M6*28	1	
90652		90652-GFY6-C00	BAND 49 AIR/C CONNECTING TUBE	BAND 49 AIR/C CONNECTING TUBE	1	
93903		93903-25480	SCREW TAPPING 5*20	SCREW TAPPING 5*20 (K)	1	
94111		94111-06800	WASHER SPG 6MM	WASHER SPG 6MM	1	
95002-02120		95002-02120	CLIP B12 TUBE	CLIP B12 TUBE	1	
95002-50000		95002-50000	CLIP C9 TUBE	CLIP C9 TUBE	1	
95003		95003-23029-60	V TUBE 8*12*290	V TUBE 8*12*290	1	
95701		95701-06008-08	BOLT FLANGE 6*8	BOLT FLANGE 6*8 (C)	1	

F14

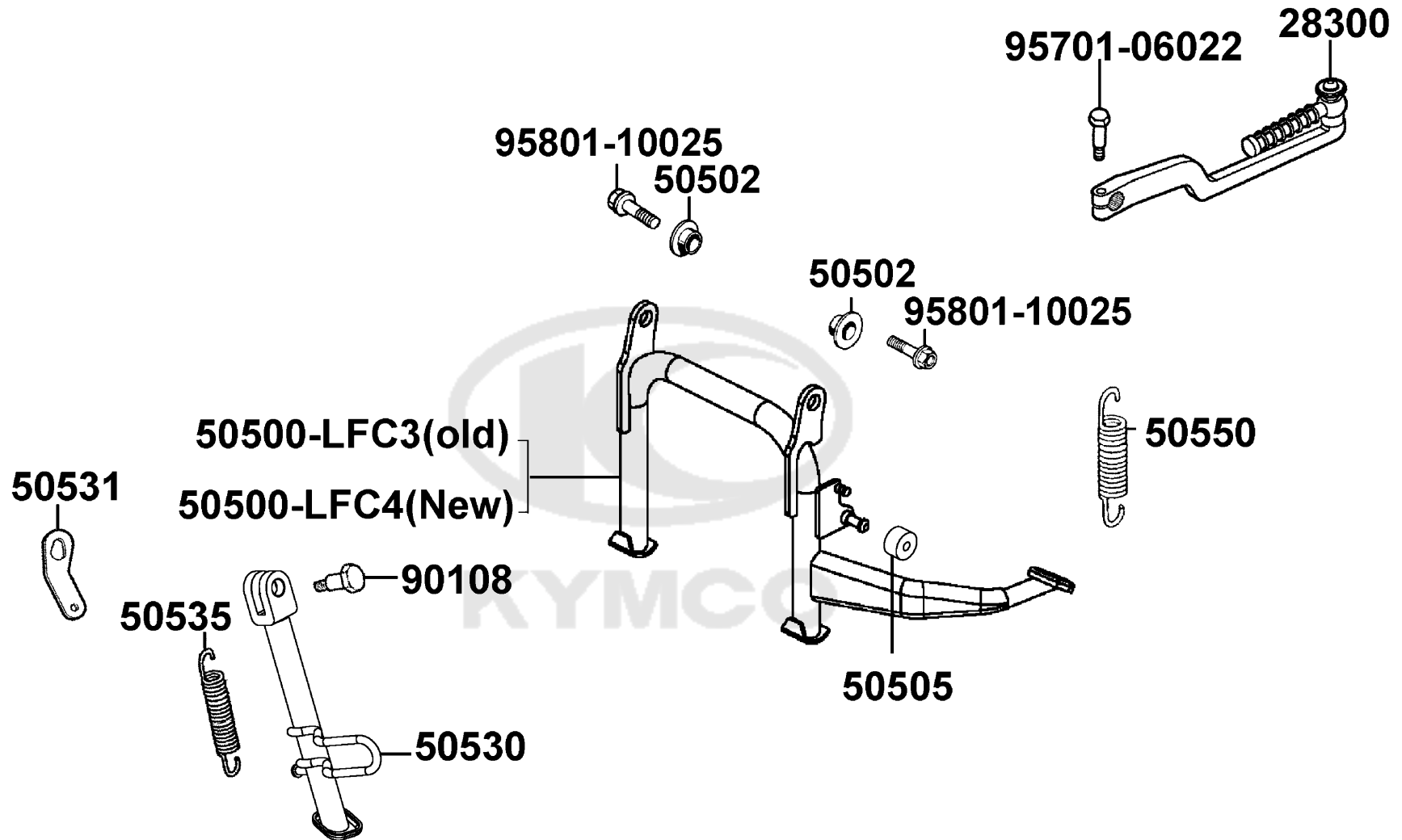
Exhaust Muffler



Sales mark	Ref no	Part no	Description	Reg description	Regd no	F14
	18291-GGA7	18291-GGA7-C00	GASKET EXH PIPE	GASKET EXH PIPE	1	
	18291-KKC4	18291-KKC4-C00	COLLAR	COLLAR	1	
	18292	18292-KEBE-C00	PACKING PROTECTOR	PACKING PROTECTOR	1	
	18293	18293-KECE-C00	RUBBER A PROTR	RUBBER A PROTR	1	
	18294	18294-KEBE-C00	PACKING PROTECTOR	PACKING PROTECTOR	1	
	18306	18306-LEJ2-E10	TAIL CAP MUFFLER	TAIL CAP MUFFLER	1	
	1830A	1830A-LFC3-E10	MUFFLER ASSY EXH	MUFFLER ASSY EXH	1	
	18318	18318-LCD3-E10	PROTECTOR MUFF	PROTECTOR MUFF	1	
	18325	18325-LFC3-E10	PROTECTOR EXH PIPE	PROTECTOR EXH PIPE	1	
	90021	90021-GFY6-C10	BOLT WASHER COMP	BOLT WASHER COMP	1	
	90110	90110-LCD4-E00	SCREW SPECIAL 6*16	SCREW SPECIAL 6X20	4	
	90301	90301-GFY6-C00	NUT (HEX) CAP 8MM	NUT (HEX) CAP 8MM	1	
	94101-06200	94101-06200	WASHER PLAIN 6MM	WASHER PLAIN 6MM	2	
	94101-06700	94101-06700	WASHER PLAIN 6MM	WASHER PLAIN 6MM	1	
	96001-06008	96001-06008-07	BOLT FLANGE SH 6*8	BOLT FLANGE SH 6*8 (K)	1	
	96001-06010	96001-06010-02	BOLT FLANGE SH 6*10	BOLT FLANGE SH 6*10 (Cr)	2	

F15

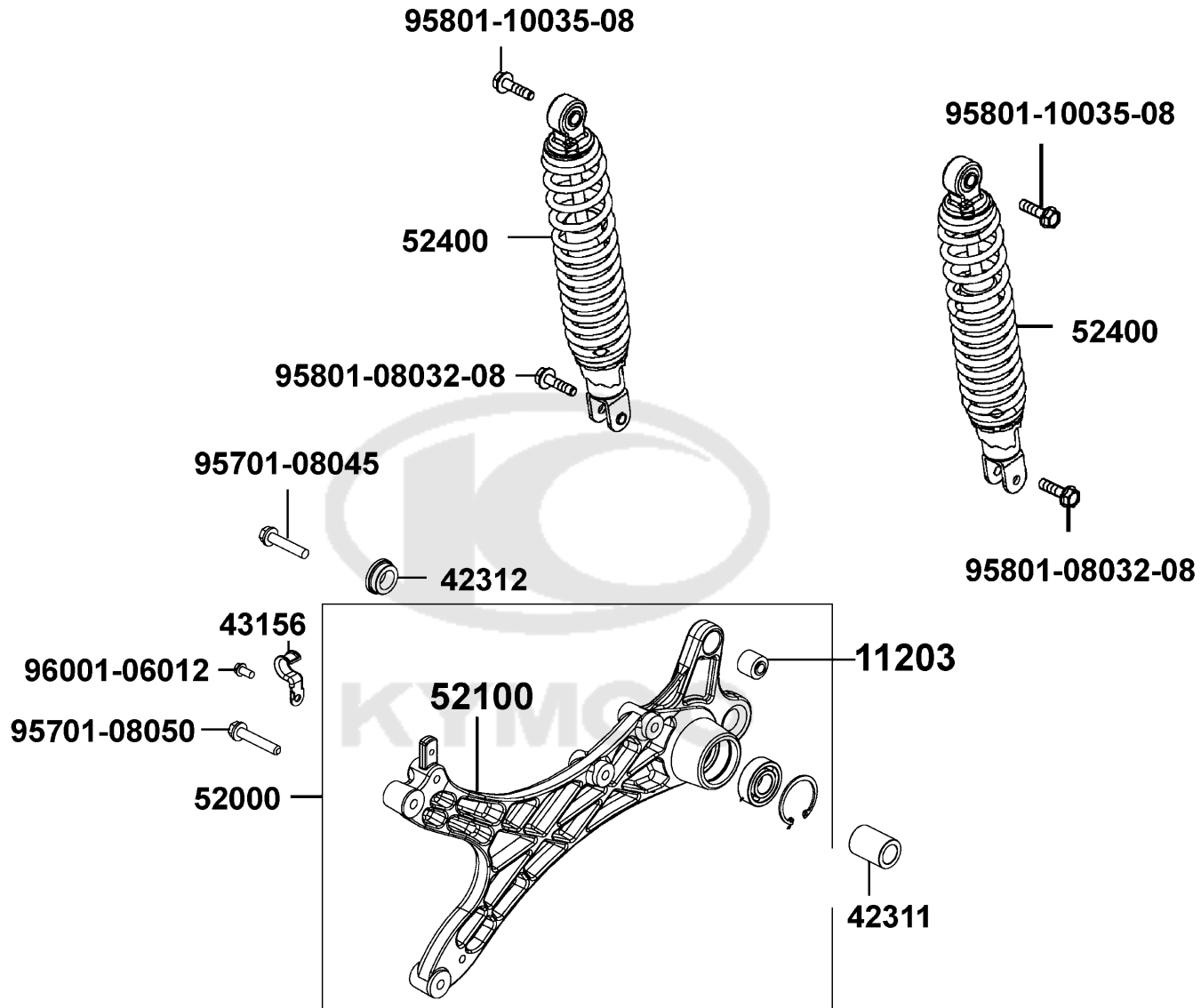
Stand Kick Starter Arm



Sales mark	Ref no	Part no	Description	Reg description	Regd no	F15
	28300	28300-LEJ3-E10	ARM ASSY KICK STARTER	ARM ASSY KICK STARTER	1	
	50500-LFC3	50500-LFC3-E10	STAND COMP MAIN	STAND COMP MAIN	1	
	50500-LFC4	50500-LFC4-E10	STAND COMP MAIN	STAND COMP MAIN	1	
	50502	50502-LDF7-C00	COLLAR,MAIN STAND	COLLAR,MAIN STAND	1	
	50505	50505-LAD9-C00	STOPPER RUBBER	STOPPER RUBBER	1	
	50530	50530-LFC2-E10	BAR SIDE STAND	BAR SIDE STAND	1	
	50531	50531-KEB7-C00	PLATE SPRING STOPPER	PLATE SPRING STOPPER	1	
	50535	50535-KEB7-W10	SPRING COMP SIDE STAND	SPRING COMP SIDE STAND	1	
	50550	50550-KEB7-C00	SPG MAIN STAND COMP	SPG MAIN STAND COMP	1	
	90108	90108-KFA6-E00	SCREW SIDE STAND	SCREW SIDE STAND	1	
	95701-06022	95701-06022-07	BOLT FLANGE 6*22 (K)	BOLT FLANGE 6*22 (K)	1	
	95801-10025	95801-10025-08	BOLT FLANGE 10*25	BOLT FLANGE 10*25 (C)	2	

F16

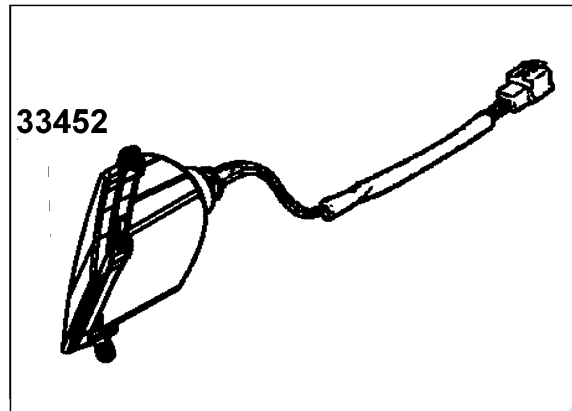
Rear Cushion



Sales mark	Ref no	Part no	Description	Reg description	Regd no	F16
	11203	11203-GGC7-W10	UNDER RUBBER BUSH REAR CUSHION	UNDER RUBBER BUSH REAR CUSHION	1	
	42311	42311-KHB4-C00	COLLAR RR AXLE A	COLLAR RR AXLE A	1	
	42312	42312-LEJ2-E10	COLLAR RR AXLE SIDE	COLLAR RR AXLE SIDE	1	
	43156	43156-LFC3-E10	CLAMPER HOSE RR	CLAMPER HOSE RR	1	
	52000	52000-LFC3-E10	FORK ASSY RR	FORK ASSY RR	1	
	52100	52100-LFC3-E10	FORK COMP RR	FORK COMP RR	1	
**	52400	52400-LFC3-E10	CUSHION ASSSY RR	CUSHION ASSSY RR	1	
	95701-08045	95701-08045-08	BOLT FLANGE 8*45	BOLT FLANGE 8*45 (K)	1	
	95701-08050	95701-08050-08	BOLT FLANGE 8*50	BOLT FLANGE 8*50 (K)	1	
	95801-08032	95801-08032-08	BOLT FLANGE 8*32(C)	BOLT FLANGE 8*32(C)	2	
	95801-10035	95801-10035-08	BOLT FLANGE 10*35	BOLT FLANGE10*35	2	
	96001-06012	96001-06012-00	BOLT FLANGE SH 6*12	BOLT FLANGE SH 6*12 (B)	1	

F17

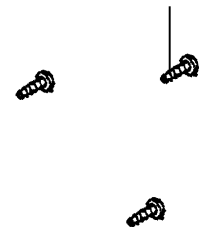
Front Winker



93903-34380*4



93903-34380*4

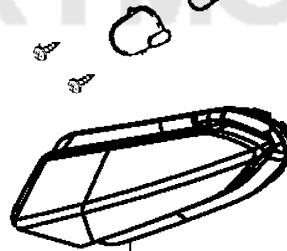


33400

93901-34220

33405

34905



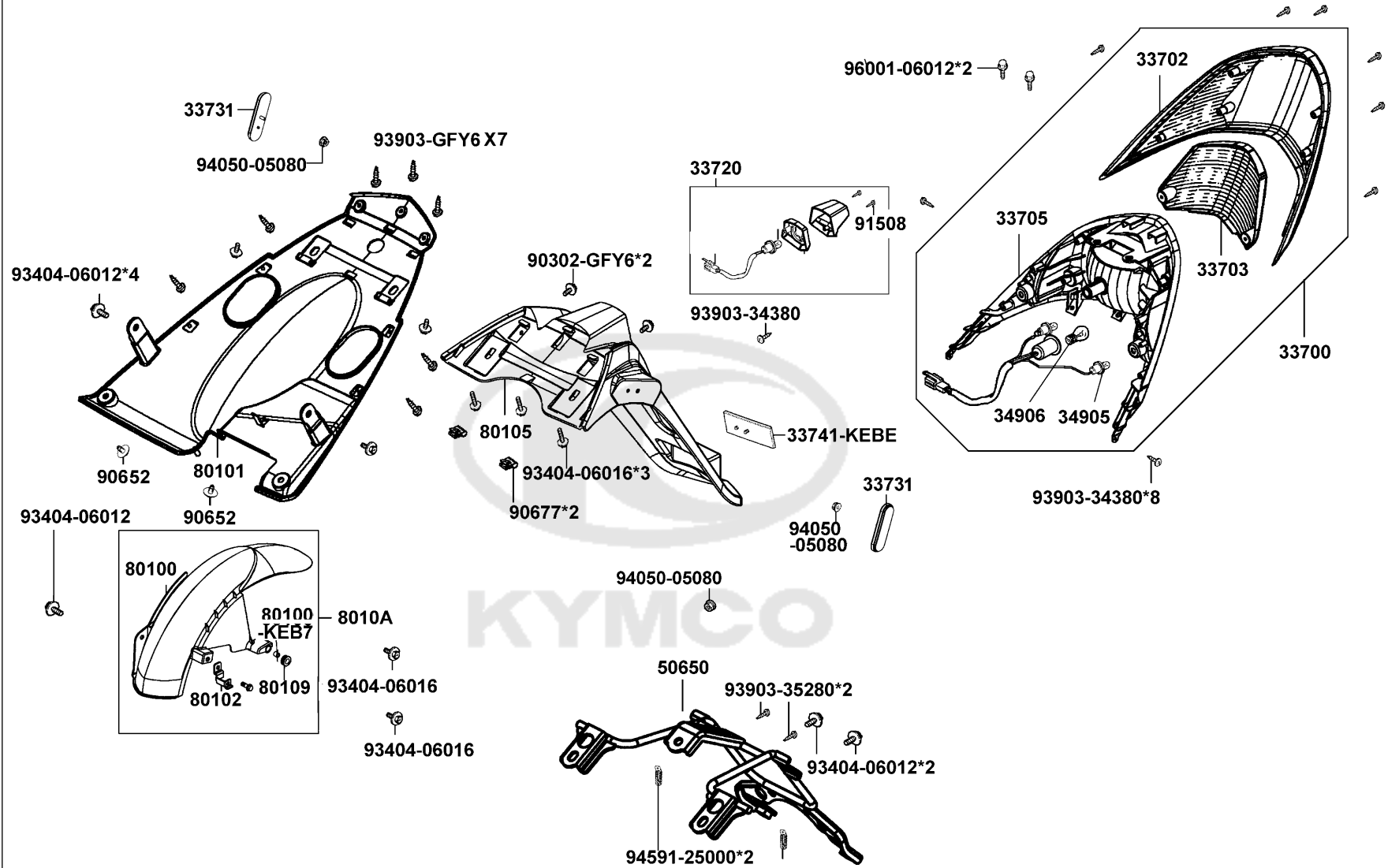
33402

Sales mark	Ref no	Part no	Description	Reg description	Regd no	F17
	33400	33400-LFC2-E10	WINKER ASSY RH FR	WINKER ASSY RH FR	1	
	33402	33402-LFC2-E10	LENS R FR WINKER	LENS R FR WINKER	1	
	33405	33405-LFC2-E10	BASE R FR WINKER	BASE R FR WINKER	1	
	33450	33450-LFC2-E10	WINKER ASSY LH FR	WINKER ASSY LH FR	1	
	33452	33452-LFC2-E10	LENS L FR WINKER	LENS L FR WINKER	1	
	34905	34905-LBA8-E80	BULB WINKER	BULB WINKER	1	
	93901-34220	93901-34220	SCREW TAPPING 4*10	SCREW TAPPING 4*10 (C)	1	
	93903-34380	93903-34380	SCREW TAPPING 4*12	SCREW TAPPING 4*12	8	



F18

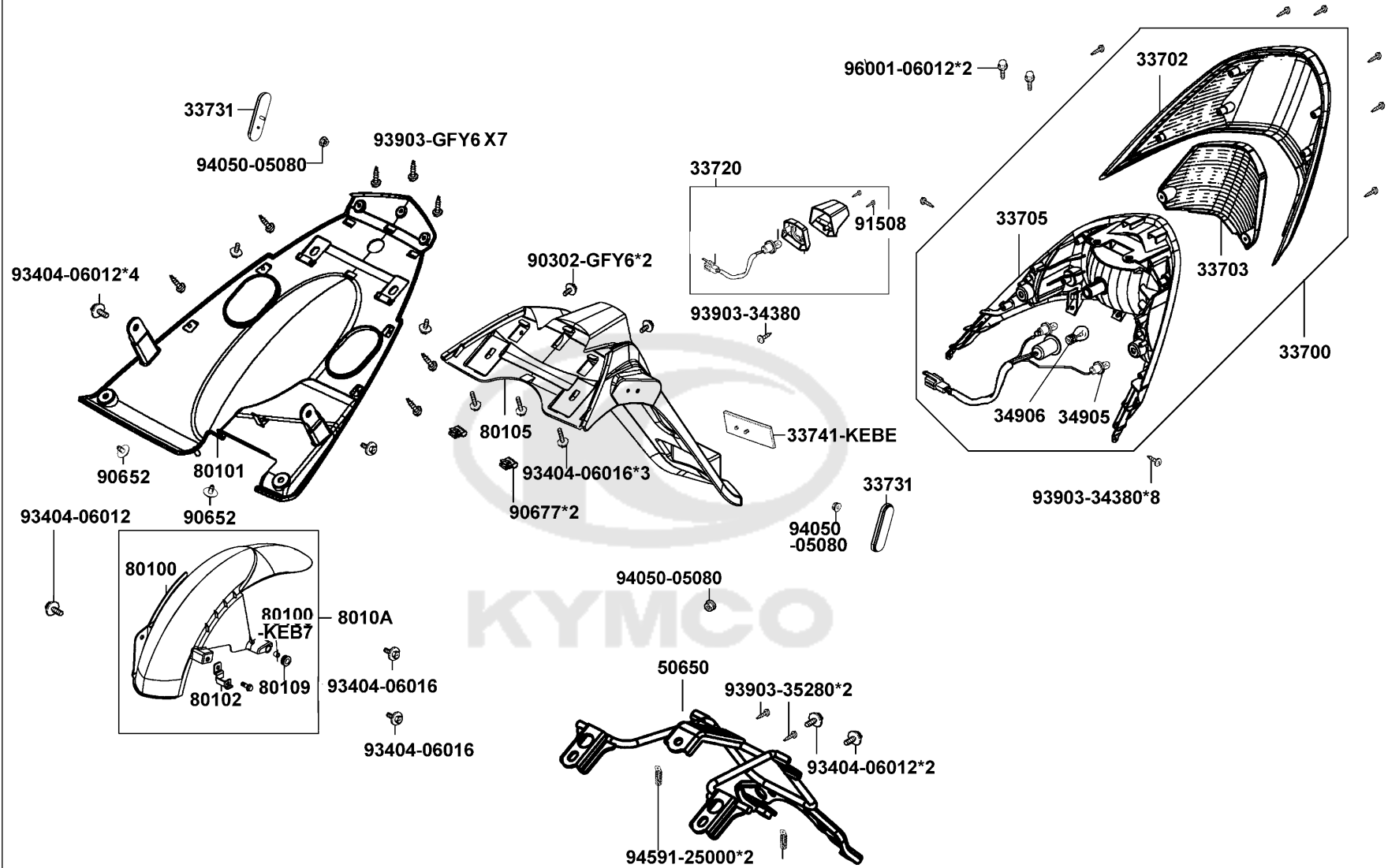
Tail Light



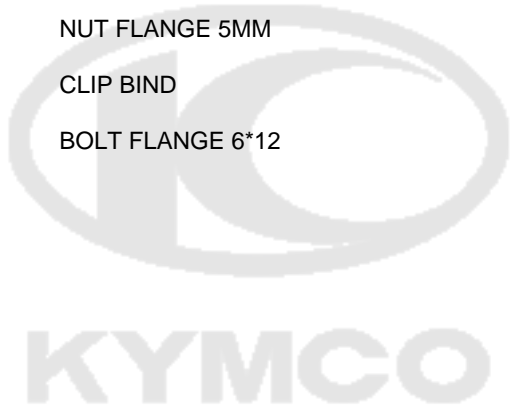
Sales mark	Ref no	Part no	Description	Reg description	Regd no	F18
	33700	33700-LFC2-E10	LIGHT ASSY RR COMB	LIGHT ASSY RR COMB	1	
	33702	33702-LFC2-E10	LENS TAIL LIGHT	LENS TAIL LIGHT	1	
	33703	33703-LFC2-E10	LENS R RR WINKER	LENS R RR WINKER	1	
	33705	33705-LFC2-E10	BASE RR COMP	BASE RR COMP	1	
	33720	33720-LEJ2-E10	LIGHT ASSY LICENSE	LIGHT ASSY LICENSE	1	
	33731	33731-KGB5-C00	REFLEX REFLECTOR,SIDE	REFLEX REFLECTOR,SIDE	1	
	33741	33741-KEBE-C00	REFLEX REFLECTOR	REFLEX REFLECTOR	1	
	34905	34905-KPCP-C00	BULB WINKER	BULB WINKER	1	
	34906	34906-KPCP-900	BULB TAIL & STOP 12V21W/5W	BULB TAIL & STOP 12V21W/5W	1	
	50650	50650-LFC2-E10	STAY RR. FENDER	STAY RR. FENDER	1	
	80100-KEB7	80100-KEB7-C00	COLLAR IN RUBBER	COLLAR IN RUBBER	1	
**	80100-LFC3	80100-LFC3-E10	FENDER RR TIRE	FENDER RR TIRE	1	
	80101	80101-LFC3-E10	FENDER RR INNER	FENDER RR INNER	1	
	80102	80102-LCD2-C00	STAY RR TIRE FENDER	STAY RR TIRE FENDER	1	
	80105	80105-LFC2-E10	FENDER REAR	FENDER REAR	1	
	80109	80109-KEB7-C00	RUBBER RR FENDER B	RUBBER RR FENDER B	1	
	8010A	8010A-LFC3-E10	FENDER ASSY. RR TIRE	FENDER ASSY. RR TIRE	1	
	90302	90302-GFY6-C10	BOLT-WASH 5*16	BOLT-WASH 5*16	1	
	90652	90652-LCA4-C10	CLIP MUDGUARD	CLIP MUDGUARD	1	
	90677	90677-GAR1-C00	NUT CLIP 5MM	NUT CLIP 5MM	1	

F18

Tail Light

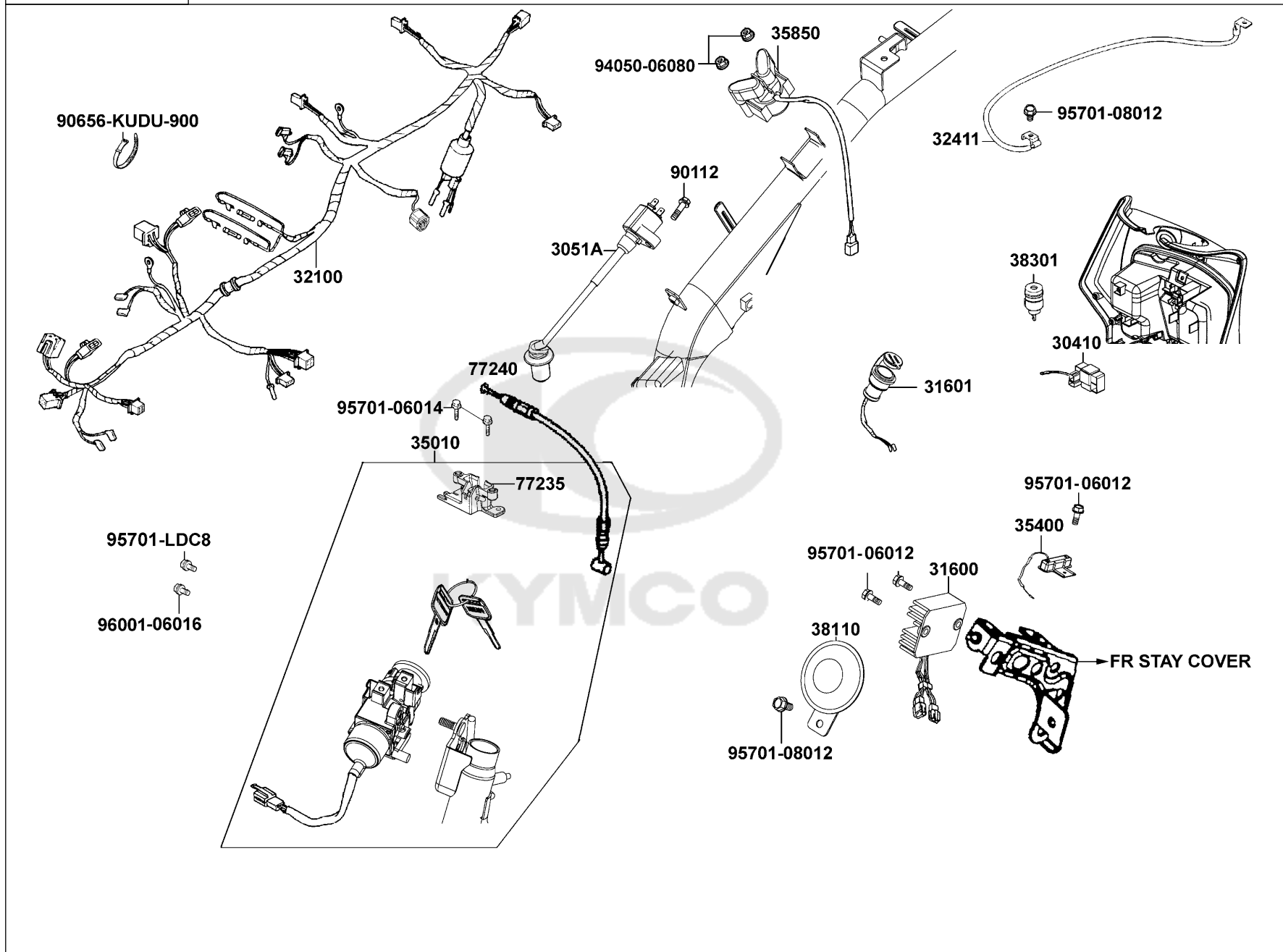


Sales mark	Ref no	Part no	Description	Reg description	Regd no	F18
91508		91508-KGV7-C00	SCREW TAPPING 4*14	SCREW TAPPING 4*14	1	
93404-06012		93404-06012-06	BOLT WASH 6*12	BOLT WASH 6*12	1	
93404-06012		93404-06012-07	BOLT WASH 6*12	BOLT WASH 6*12	7	
93404-06016		93404-06016-07	BOLT WASHER 6*16 (K)	BOLT WASHER 6*16 (K)	5	
93903-34380		93903-34380	SCREW TAPPING 4*12	SCREW TAPPING 4*12	9	
93903-35280		93903-35280	SCREW TAPPING 5*12(K)	SCREW TAPPING 5*12(K)	2	
93903-GFY6		93903-GFY6-C00	SCREW TAPPING 4*14	SCREW TAPPING 4*14	1	
94050		94050-05080	NUT FLANGE 5MM	NUT FLANGE 5MM	3	
94591		94591-25000	CLIP BIND	"CLIP,BIND"	2	
96001-06012		96001-06012-08	BOLT FLANGE 6*12	BOLT FLANGE SH 6*12 (C)	1	



F19

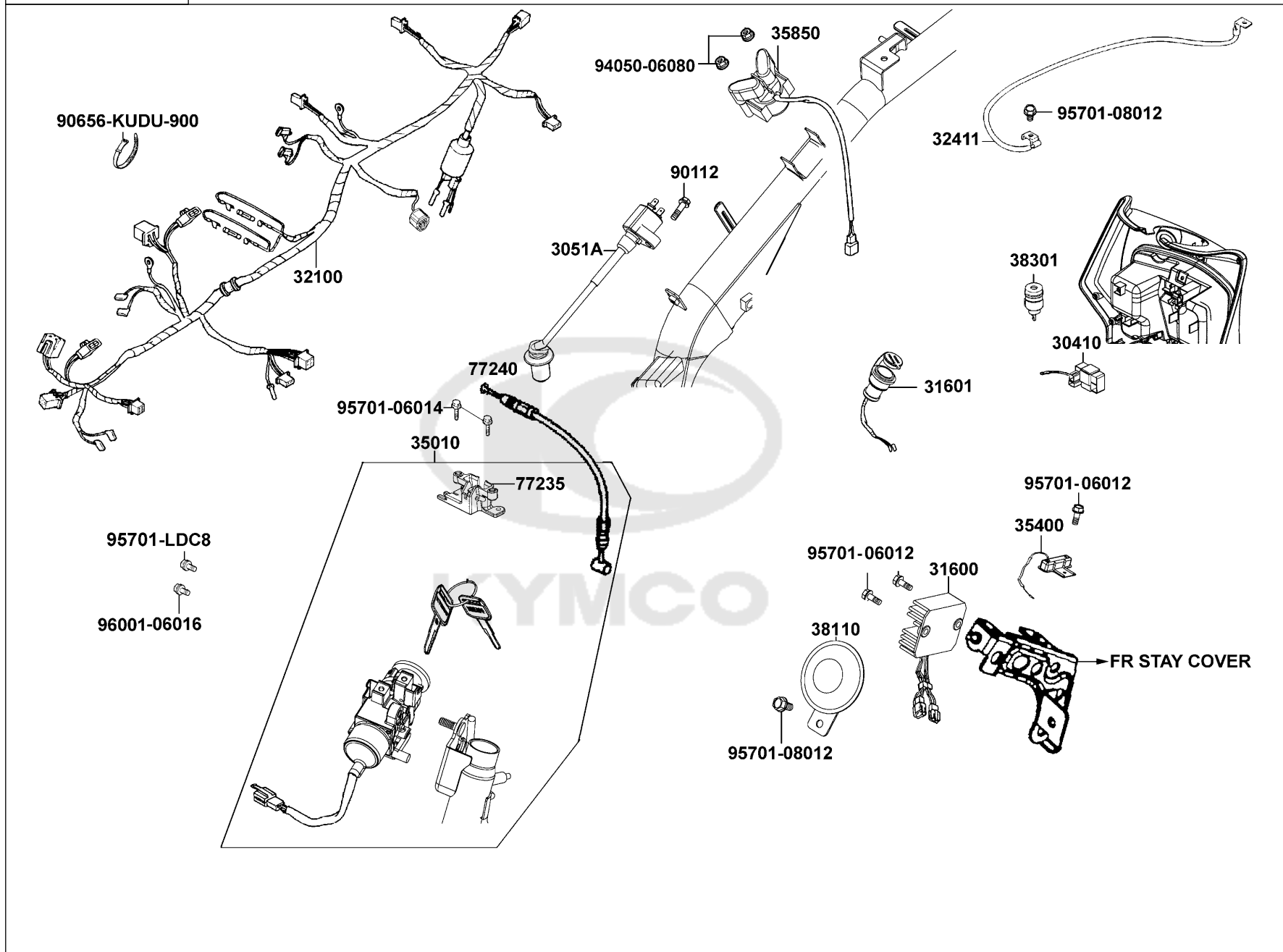
Wire Harness



Sales mark	Ref no	Part no	Description	Reg description	Regd no	F19
	30410	30410-LEJ3-E10	UNIT COMP. C.D.I	UNIT COMP. C.D.I	1	
	3051A	3051A-KHC4-C00	COIL ASSY IGN	COIL ASSY IGN	1	
	31600	31600-LFC2-E10	REG REC COMP (DC)	REG REC COMP (DC)	1	
	31601	31601-LFC2-E10	SOCKET COMP DC 12V	SOCKET COMP DC 12V	1	
	32100	32100-LFC3-E10	HARNESS WIRE	HARNESS WIRE	1	
	32411	32411-LEJ3-E11	CABLE BAT	CABLE BAT	1	
	35010	35010-LFC2-E10	KEY SET	KEY SET	1	
	35400	35400-LEJ3-E10	RESISTOR COMP	RESISTOR COMP	1	
	35850	35850-KHD8-C00	RELAY ASSY START	RELAY ASSY START	1	
	38110	38110-KHB4-E0A	HORN COMP	HORN COMP	1	
	38301	38301-GGS7-C00	RELAY ASSY WINKER	RELAY ASSY WINKER	1	
	77235	77235-KGC4-C00	SEAT CATCH	SEAT CATCH	1	
	77240	77240-LFC2-E10	CABLE SEAT LOCK	CABLE SEAT LOCK	1	
	90112	90112-KRDR-C00	BOLT FLANGE 5*22	BOLT FLANGE 5*22	1	
	90656	90656-KUDU-900	BAND HARNESS WIRE	BAND HARNESS WIRE	1	
	94050	94050-06080	NUT FLANGE 6MM	NUT FLANGE 6MM	2	
	95701-06012	95701-06012-08	BOLT FLANGE 6*12	BOLT FLANGE 6*12	3	
	95701-06014	95701-06014-08	BOLT FLANGE 6*14	BOLT FLANGE 6*14	2	
	95701-08012	95701-08012-08	BOLT FLANGE 8*12	BOLT FLANGE 8*12	2	
	95701-LDC8	95701-LDC8-E10	BOLT TORQUE 6x16	BOLT TORQUE 6x16	1	

F19

Wire Harness



Sales mark	Ref no	Part no	Description	Reg description	Regd no	F19
------------	--------	---------	-------------	-----------------	---------	------------

96001-06016

96001-06016-08

BOLT FLANGE SH 6*16

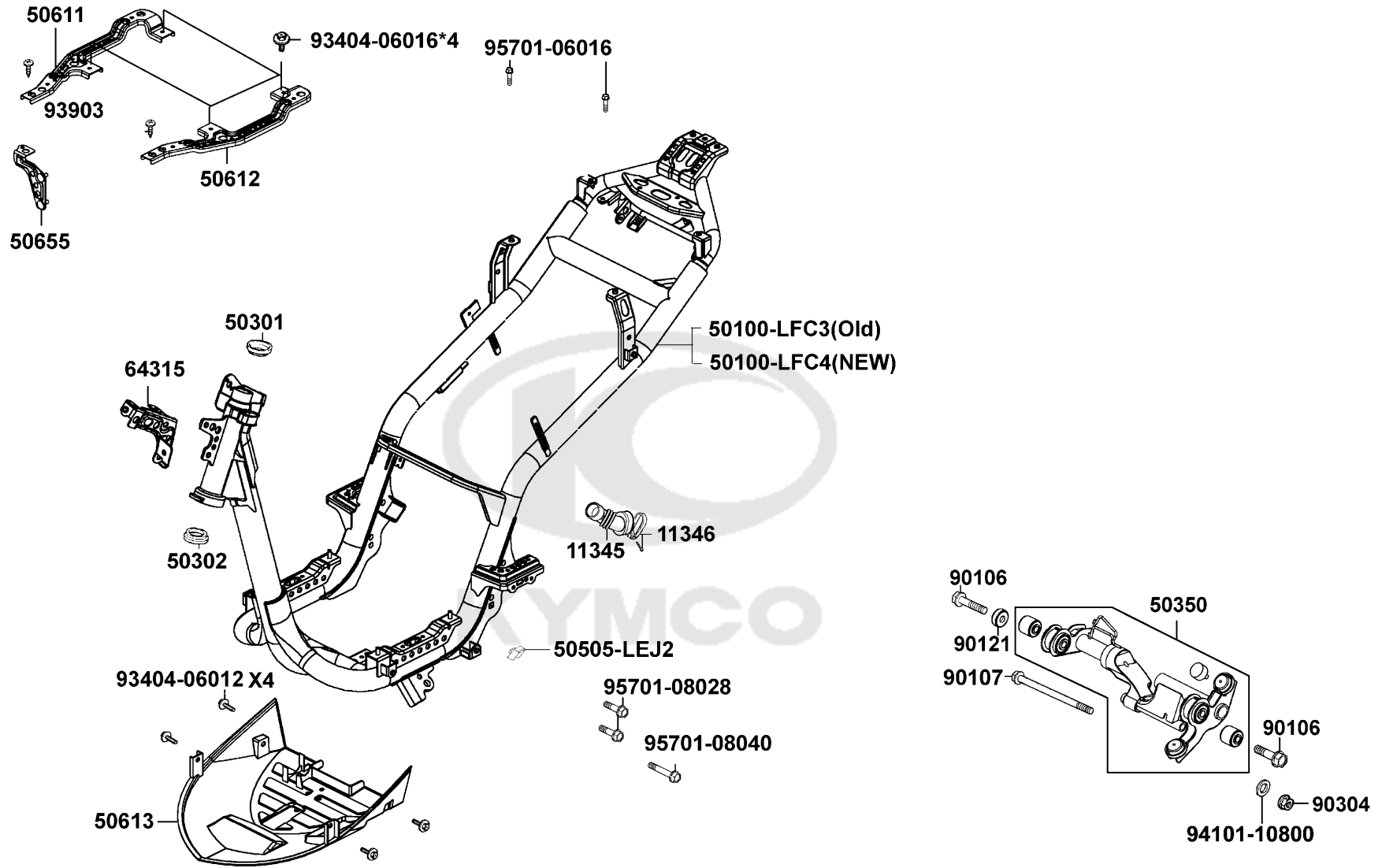
BOLT FLANGE SH 6*16

1



F20

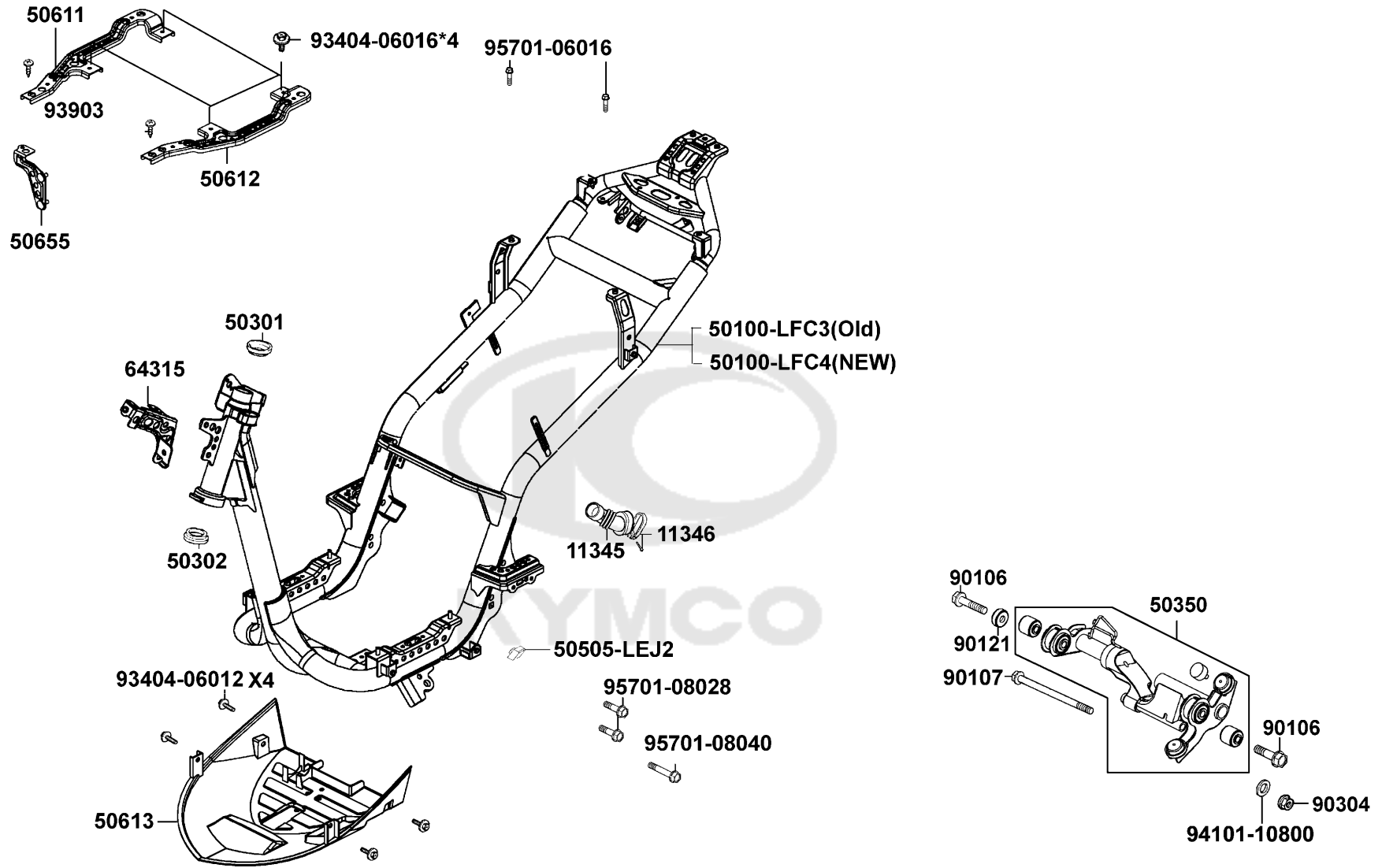
Frame Body




Sales mark	Ref no	Part no	Description	Reg description	Regd no	F20
	11345	11345-LEJ3-E10	DUCTL COVER	DUCTL COVER	1	
	11346	11346-KEBE-C00	BAND L COVER DUCT	BAND L COVER DUCT	1	
	50100-LFC3	50100-LFC3-E10	BODY COMP FRAME	BODY COMP FRAME	1	
	50100-LFC4	50100-LFC4-E10	BODY COMP FRAME	BODY COMP FRAME	1	
	50301	50301-KGN7-C00	RACE UPPER STRG BALL	RACE UPPER STRG BALL	1	
	50302	50302-2H68-C00	RACE (STRG BOT) BALL	RACE (STRG BOT) BALL	1	
	50350	50350-LFC3-B40	ENG HANGER COMP	ENG HANGER COMP	1	
	50505-LEJ2	50505-LEJ2-E11	STOPPER RUBBER	STOPPER RUBBER	1	
	50611	50611-LFC2-E10	RNFCT R FLOOR	RNFCT R FLOOR	1	
	50612	50612-LFC2-E10	RNFCT L FLOOR	RNFCT L FLOOR	1	
**	50613	50613-LFC2-E10	COVER UNDER	COVER UNDER	1	
	50655	50655-LFC2-E10	STAY REG REC	STAY REG REC	1	
	64315	64315-LFC2-E10	STAY FR COVER	STAY FR COVER	1	
	90106	90106-GFY6-901	BOLT FLANGE 10*55	BOLT FLANGE 10*55	2	
	90107	90107-KUDU-900	BOLT FLANGE 10*188	BOLT FLANGE 10*188	1	
	90121	90121-GFY6-C00	COLLAR DISTANCE	COLLAR DISTANCE	1	
	90304	90304-GHE8-C00	NUT U 10MM(C)	NUT U 10MM(C)	1	
	93404-06012	93404-06012-07	BOLT WASH 6*12	BOLT WASH 6*12	4	
	93404-06016	93404-06016-07	BOLT WASHER 6*16 (K)	BOLT WASHER 6*16 (K)	4	
	93903	93903-35280	SCREW TAPPING 5*12(K)	SCREW TAPPING 5*12(K)	2	

F20

Frame Body

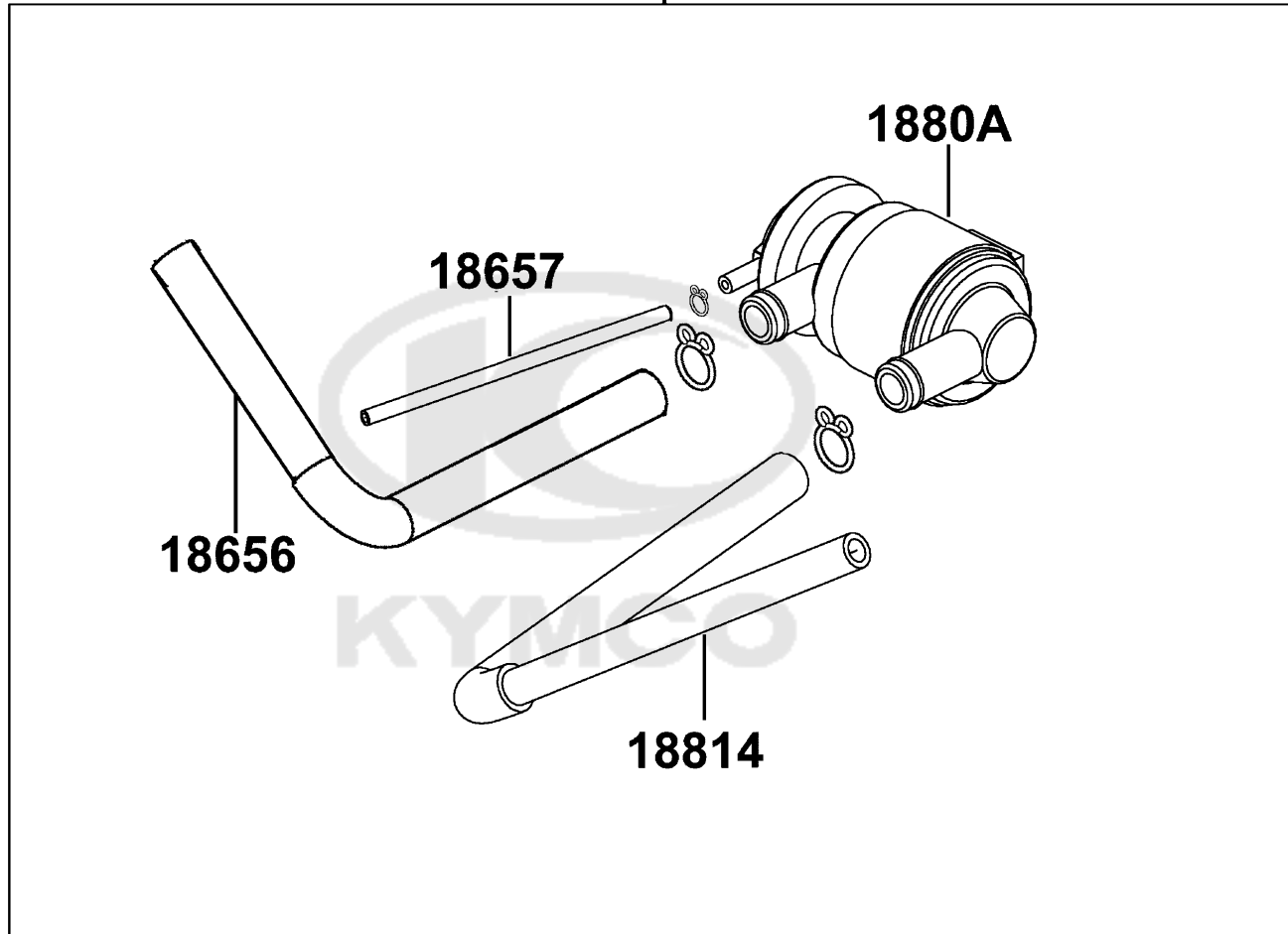


Sales mark	Ref no	Part no	Description	Reg description	Regd no	F20
	94101	94101-10800	WASHER PLAIN 10MM	WASHER PLAIN 10MM	1	
	95701-06016	95701-06016-08	BOLT FLANGE 6*16	BOLT FLANGE 6*16	2	
	95701-08028	95701-08028-08	BOLT FLANGE 8*28 (C)	BOLT FLANGE 8*28 (C)	2	
	95701-08040	95701-08040-08	BOLT FLANGE 8*40	BOLT FLANGE 8*40	1	
						

95002



1880B



Sales mark	Ref no	Part no	Description	Reg description	Regd no	F21
18656	18656-LEJ3-E10	18656-LEJ3-E10	DUCTAICV-REED VALVE	DUCTAICV-REED VALVE	1	
18657	18657-LEJ3-E10	18657-LEJ3-E10	TUBE AICV-INLET PIPE	TUBE AICV-INLET PIPE	1	
1880A	1880A-LEJ3-E10	1880A-LEJ3-E10	AI/C AICV ASSY	AI/C AICV ASSY	1	
1880B	1880B-LEJ3-E10	1880B-LEJ3-E10	AI/C-AICV SET	AI/C-AICV SET	1	
18814	18814-LEJ2-E10	18814-LEJ2-E10	DUCT AIR-AICV	DUCT AIR-AICV	1	
95002	95002-KKD6-C00	95002-KKD6-C00	CLAMP D18 TUBE	CLAMP D18 TUBE	1	



● Be sure to wear a safety helmet when riding.
 ● Do not exceed the speed specified by law when riding.
 ● The exhaust muffler temperature is very high after riding. Be sure to park the motorcycle in a place not easily touched by people.
 ● For riding safety and good performance, do not violate the law to modify the motorcycle.
 ● Please read the User's Manual carefully to ensure riding safety.

● Make sure to perform the periodic maintenance and periodic inspection.

Periodic Inspection Items

Brake Performance, tires, engine oil level, lights, horn, and instrument panel

KWANG YANG MOTOR CO., LTD.

87560

CAUTIONS

Tire Size : Front 100/80-16 Rear 120/80-16
 (One Rider) : Front 1.50kg/cm² Rear 1.75kg/cm²
 (Two Rider) : Front 2.00kg/cm² Rear 2.25kg/cm²
 Load Capacity : Shield 1.5kg Rear carrier 3kg
 inner box under saddle 10kg
 (Note: The tire pressure must not overpass 2.30kg/cm²)

● Check the motor oil level with the dipstick after refilling motor oil.

87560-1F02-610

87505

Engine Oil Capacity

Make sure to use KYMCO
 recommended "SIGMA" engine oil.

Full Capacity 0.9
 At Change 0.8

Check the oil level after oil is filled.
 Idle the engine for 3 minutes
 and check the oil level again.
 KDU-E000

87541-KUDU

CAUTIONS

Before starting the engine, the side stand shall be kicked up to secure safety.

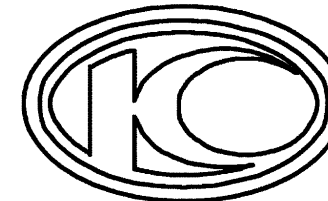
87541-GAR1

CAUTIONS

Never put any article between the rear side cover and the engine to avoid interference of riding.

GM9-300

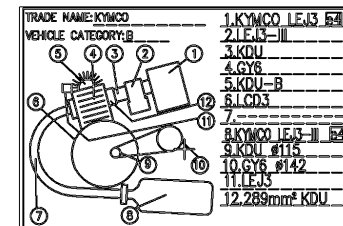
87542



86102

AGILITY 125

86202



87224

Sales mark	Ref no	Part no	Description	Reg description	Regd no	F22
**	86102	86102-LEJ2-E00	STRIPE K-LOGO 22MM	STRIPE K-LOGO 22MM	1	
**	86202	86202-LFC3-E10	EMB BODY COVER	EMB BODY COVER	2	
**	87224	87224-LEJ3-EZ0	CAUTION ANTI TAMPERRING	CAUTION ANTI TAMPERRING	1	
**	87505	87505-LFC2-E10	LABEL TIRE	LABEL TIRE	1	
**	87541-GAR1	87541-GAR1-C01	MARK MAINT CAUTION L	MARK MAINT CAUTION L	1	
**	87541-KUDU	87541-KUDU-E00	LABEL OIL CAP	LABEL OIL CAP	1	
**	87542	87542-GAR1-C01	MARK MAINT CAUTION	MARK MAINT CAUTION	1	
**	87560	87560-GFY6-C01	MARK DRIVE CAUTION	MARK DRIVE CAUTION	1	



PART NO. INDEX

PART NO.	VERSION	PAGE	PART NO.	VERSION	PAGE	PART NO.	VERSION	PAGE
11000			12191-GFY6-C10	1	E03	14520-GFY6-C00	1	E03
11100-KUDU-C00	6	E01	12200-KUDU-C10	1	E02	14523-GFY6-C10	1	E03
11102-1G87-C00	1	E01	12209-GDB4-C00	1	E02	1453A-GFY6-W10	0	E03
11192-KUDU-C10	1	E01	1220A-KUDU-C00	9	E02	14610-KUDU-C10	1	E03
11200-LCD3-C00	0	E01	12211-KUDU-W10	4	E02	14711-KUDU-C00	1	E02
11203-GGC7-W10	2	E01	12251-GFY6-C00	1	E02	14721-KUDU-C00	1	E02
11203-GGC7-W10	2	F16	12310-KHC4-C11	0	E02	14751-KUDU-C10	1	E02
11206-LCD3-C00	0	E01	1231A-KHC4-C11	0	E02	14775-MFA6-C00	2	E02
11208-KXCX-C00	0	E09	12361-GFY6-C00	1	E04	14781-MFA6-C00	4	E02
11208-LCD3-E00	2	E04	12391-GFY6-C10	0	E02	15000		
11209-LCD3-E00	0	F13	13000			15100-KFB7-C00	0	E07
11211-KHB4-C00	0	F13	13000-KUDU-C00	9	E03	15133-GFY6-W10	1	E07
11331-LCD3-E00	4	E04	13011-GFY6-C00	1	E03	15141-GFY6-C00	1	E07
11340-LEJ3-E11	0	E01	13101-KUDU-C00	1	E03	15421-1G07-W10	1	E04
11345-LEJ3-E10	1	F20	13111-3D84-C00	1	E03	15426-GAE1-C00	1	E04
11346-KEBE-C00	1	F20	14000			15651-KUDU-W10	1	E04
11381-KHB4-C00	0	E01	14100-LGS6-E10	1	E02	1565A-KUDU-W10	1	E04
11382-LEJ3-E10	0	E01	14401-KUDU-C00	1	E03	15711-KUDU-C00	1	E07
11394-KUDU-C10	1	E04	14431-KUDU-W10	1	E02	16000		
11395-KHB4-C00	0	E01	14450-GFY6-W10	1	E02	16012-KEC3-800	4	E05
12000			14452-GFY6-W10	1	E02	16019-KUDU-9000	0	E05
12100-GFY6-C00	6	E03	14510-KUDU-W10	1	E03	16051-KEC3-90B	1	E05

PART NO. INDEX

PART NO.	VERSION	PAGE	PART NO.	VERSION	PAGE	PART NO.	VERSION	PAGE
16056-KKC8-5000	1	E05	17254-KACA-P00	1	F13	18657-LEJ3-E10	1	F21
16069-KEC3-9000	0	E05	17256-GFY6-C00	0	E02	1880A-LEJ3-E10	0	F21
16079-LEJ2-E10	3	E05	17359-4K19-C00	0	F13	1880B-LEJ3-E10	3	F21
16087-KEC3-9000	3	E05	17370-4K19-701	1	F13	18814-LEJ2-E10	0	F21
16093-KEC3-9000	1	E05	17371-1D74-C00	1	F13			
16095-KEC3-9000	2	E05	1750A-LEJ2-E10	0	F10	19000		
16100-LEJ3-E10	0	E05	17620-LBA8-C10	0	F10			
16117-KEC3-9000	0	E05	17683-LFC3-E10	1	F10	19510-KFB7-C00	0	E08
16124-KEC3-9000	0	E05	17684-LFC3-E10	1	F10	1961A-KUDU-E10	0	E08
16142-KEC3-9000	1	E05	17910-KHD8-C00	0	F03	19625-KUDU-C00	1	E02
16154-KEC3-9000	0	E05				1962A-KKE3-C00	0	E08
16165-KEC3-9000	0	E05	18000			1963A-LDF7-E10	1	E08
16179-KEC3-9000	1	E05						
16201-GFY6-C10	1	E02	18291-GGA7-C00	0	F14	21000		
16211-GFY6-W10	1	E02	18291-KKC4-C00	0	F14			
1691A-LEJ2-E10	0	F10	18292-KEBE-C00	0	F14	21200-LEJ8-C00	0	E09
16950-LCA3-B50	1	F10	18293-KECE-C00	0	F14	21395-LCD3-C00	0	E09
			18294-KEBE-C00	0	F14			
17000			18306-LEJ2-E10	3	F14	22000		
			1830A-LFC3-E10	3	F14			
1711A-LEJ3-E10	2	E02	18318-LCD3-E10	5	F14	22101-LCD3-C00	3	E06
17200-LEJ3-E10	0	F13	18325-LFC3-E10	2	F14	22102-KUDU-C00	0	E06
17239-KHB4-C00	0	F13	18645-GFY6-C00	1	E02	22105-GFY6-C00	0	E06
1723A-LFC4-E10	1	F13	18646-LDC8-E10	1	E02	22110-KUDU-C00	0	E06
1723B-LFC4-E10	0	F13	18647-GFY6-C00	1	E02	22121-GFY6-C00	0	E06
1723C-LEJ3-E10	0	F13	18656-LEJ3-E10	0	F21	22131-GFY6-C00	3	E06

PART NO. INDEX

PART NO.	VERSION	PAGE	PART NO.	VERSION	PAGE	PART NO.	VERSION	PAGE
22132-KBN2-C00	0	E06	28250-LEJ3-E10	1	E01	32412-LDF7-E10	1	E04
22300-LCD3-C00	0	E06	28253-GBN2-C00	1	E01	32961-KUDU-C00	1	E04
23000			28255-GFS6-C00	1	E01	33000		
23010-LEJ3-E10	1	E06	28281-GBN2-C00	1	E01			
23100-KEC4-C00	1	E06	28300-LEJ3-E10	0	F15	33100-LFC2-E10	1	F01
23200-LEJ3-E10	3	E06	30000			33108-LFC2-E10	0	F01
23220-GFY6-C00	0	E06	30410-LEJ3-E10	1	F19	33400-LFC2-E10	1	F17
23233-LEJ3-E10	0	E06	3051A-KHC4-C00	1	F19	33402-LFC2-E10	1	F17
23237-GFY6-C00	0	E06	31000			33405-LFC2-E10	0	F17
23238-GFY6-C00	0	E06				33450-LFC2-E10	1	F17
23411-KHB4-C00	0	E09	31100-LFC3-E10	1	E08	33452-LFC2-E10	0	F17
23420-LCD3-C00	0	E09	31110-LAD9-C00	0	E08	33700-LFC2-E10	1	F18
23432-LCD3-C00	0	E09	31120-LFC3-E10	0	E08	33702-LFC2-E10	1	F18
2343A-KHB4-C00	0	E09	31200-KUDU-C00	0	E07	33703-LFC2-E10	1	F18
28000			31500-GFY6-C00	0	F11	33705-LFC2-E10	1	F18
28101-GFY6-C00	1	E07	31600-LFC2-E10	1	F19	33720-LEJ2-E10	0	F18
28102-GFY6-C00	1	E07	31601-LFC2-E10	1	F19	33731-KGB5-C00	2	F18
2812A-GFY6-C10	1	E07	32000			33741-KEBE-C00	0	F18
28211-KUDU-W10	4	E06				34000		
28223-KNBN-C00	0	E01	32100-LFC3-E10	1	F19	34901-LDC8-E10	1	F01
28230-KNBN-9000	0	E01	32101-GFY6-C00	1	F04	34903-LDC8-E10	1	F01
2823A-KNBN-C00	1	E01	32411-LEJ3-E11	0	F19	34905-KPCP-C00	1	F18
						34905-LBA8-E80	1	F17

PART NO. INDEX

PART NO.	VERSION	PAGE	PART NO.	VERSION	PAGE	PART NO.	VERSION	PAGE
34906-KPCP-900	0	F18						
34908-LEJ2-E00	0	F02	38000			44000		
34909-LEJ2-E00	0	F02						
35000			38110-KHB4-E0A	0	F19	44301-LEJ2-E10	1	F07
			38301-GGS7-C00	0	F19	44311-LFC2-E10	2	F07
			42000			44600-LFC2-E10	2	F07
35010-LFC2-E10	1	F19				44601-LFC2-E10	2	F07
35151-KGBG-C00	0	F03				44620-KFLF-C00	0	F07
35152-LGB5-E10	0	F03	42311-KHB4-C00	0	F16	44680-4L10-C00	0	F07
3515A-LGB5-E10	3	F03	42312-LEJ2-E10	1	F16	44710-LFC2-E10	1	F07
3520A-LCD3-C00	0	F03	42600-LFC3-E10	1	F08	44800-LKD1-E10	1	F07
35340-KNBN-901	1	F04	42601-LFC3-E10	1	F08	44830-LCD3-C00	0	F02
35400-LEJ3-E10	1	F19	42710-LFC2-E10	1	F08			
35850-KHD8-C00	1	F19	42753-0A01-C00	1	F07	45000		
37000			42753-0A01-C00	1	F08			
			43000			45105-LEJ2-305	0	F04
37200-LFC3-E10	0	F02				45105-LFC3-305	0	F04
37211-LFC2-E10	1	F02	43100-LFC3-E10	0	F04	45121-LFC2-E80	0	F07
37224-LFC2-E10	1	F02	43126-LFC3-E1A	0	F04	45126-LFC2-E10	1	F04
37280-LEJ2-E0A	0	F02	43156-LFC3-E10	2	F16	45156-KNBN-C00	1	F06
37802-GGA7-C00	1	F10	43351-LFC3-E80	2	F08	45156-LCB9-B20	0	F06
3780A-LEJ2-E10	0	F10	43500-LFC3-E10	0	F04	45200-LFC2-E10	1	F04
			4350B-LFC3-E10	2	F04	4550A-LFC2-E1A	1	F04
						4550B-LFC2-E10	4	F04

PART NO. INDEX

PART NO.	VERSION	PAGE	PART NO.	VERSION	PAGE	PART NO.	VERSION	PAGE
50000			51000			53105-LFC3-E10	2	F03
50100-LFC3-E10	2	F20	51400-LFC3-E10	0	F06	53125-GEN5-C00	1	F03
50100-LFC4-E10	0	F20	51401-LEJ2-E10	0	F06	53140-LEJ2-E10	0	F03
50301-KGN7-C00	0	F20	51410-LEJ2-E10	0	F06	53166-LEJ2-E10	0	F03
50302-2H68-C00	2	F20	51412-LEJ2-E10	0	F06	53175-KTCT-C00	0	F04
50306-1F96-C00	1	F06	51420-LFC2-E10	1	F06	53178-KNBN-901	1	F04
50326-LFC2-E10	1	F12	51422-LEJ2-E10	0	F06	53178-KNBN-C00	0	F04
50350-LFC3-B40	1	F20	51427-LEJ2-E10	0	F06	53200-LFC2-E10	1	F06
50500-LFC3-E10	3	F15	51428-LEJ2-E10	0	F06	53204-LFC2-E10	1	F03
50500-LFC4-E10	3	F15	51429-LEJ2-E10	0	F06	53205-LFC2-E10	1	F03
50502-LDF7-C00	1	F15	51437-LEJ2-E10	0	F06	53206-LFC2-E10	1	F03
50504-LEJ3-E11	0	E01	51500-LFC3-E10	0	F06	53211-GFY6-C00	1	F06
50505-LAD9-C00	0	F15	51520-LEJ2-E10	0	F06	53212-2L50-C00	1	F06
50505-LEJ2-E11	2	F20				53214-2L50-C00	1	F06
50530-LFC2-E10	3	F15	52000			53215-2L50-C00	1	F06
50531-KEB7-C00	0	F15				61000		
50535-KEB7-W10	3	F15	52000-LFC3-E10	3	F16	61100-LFC2-E10	1	F06
50550-KEB7-C00	0	F15	52100-LFC3-E10	0	F16			
50611-LFC2-E10	2	F20	52400-LFC3-E10	2	F16	64000		
50612-LFC2-E10	1	F20				64210-LFC2-E10	1	F03
50613-LFC2-E10	1	F20	53000			64211-LFC2-E10	1	F03
50650-LFC2-E10	3	F18				6421A-LFC2-E10	0	F03
50655-LFC2-E10	2	F20	53100-LFC3-E10	1	F03	64301-LFC2-E10	2	F05
			53102-LFC3-E10	2	F03			

PART NO. INDEX

PART NO.	VERSION	PAGE	PART NO.	VERSION	PAGE	PART NO.	VERSION	PAGE
64302-LFC2-E10	1	F05						
64303-LFC2-E10	1	F05	80000			83000		
64305-LFC2-E10	1	F05						
64306-LFC2-E10	1	F05	80100-KEB7-C00	0	F18	83500-LFC2-E10	1	F12
64307-LFC2-E10	1	F05	80100-LFC3-E10	1	F18	83510-LFC2-E10	1	F12
64308-LFC2-E10	1	F05	80101-LFC3-E10	1	F18	83600-LFC2-E10	1	F12
64310-LFC2-E11	0	F05	80102-LCD2-C00	0	F18	83610-LFC2-E10	1	F12
64315-LFC2-E10	3	F20	80105-LFC2-E10	1	F18	83750-LFC2-E10	1	F12
64316-LCB9-C10	4	F05	80109-KEB7-C00	0	F18			
64316-LCB9-C10	4	F12	8010A-LFC3-E10	1	F18	86000		
64350-LFC2-E10	1	F05	80151-LFC2-E10	1	F12			
64350-LFC2-E11	0	F05				86102-LEJ2-E00	2	F22
64360-LFC2-E10	1	F05	81000			86202-LFC3-E10	1	F22
64360-LFC2-E11	0	F05						
75000			81131-LFC2-E10	1	F05	87000		
			81132-LCB9-C10	0	F05			
			81132-LFC2-E10	1	F05	87224-LEJ3-EZ0	0	F22
75581-6C73-C00	1	F05	81133-KNBN-C00	1	F05	87505-LFC2-E10	2	F22
77000			81134-LFC2-E10	1	F05	87541-GAR1-C01	0	F22
			81141-LFC2-E10	1	F05	87541-GAR1-C01	1	F22
			81142-KFA6-C00	1	F05	87541-KUDU-E00	0	F22
77200-LFC3-E10	0	F09	81146-LFC2-E10	1	F05	87541-KUDU-E00	1	F22
77232-KCAC-C00	2	F12	81147-LFC2-E10	1	F05	87542-GAR1-C01	2	F22
77235-KGC4-C00	2	F19	81200-LFC2-E10	1	F12	87560-GFY6-C01	3	F22
77240-LFC2-E10	0	F19	81250-LFC2-E10	1	F12			
			81251-LEJ3-E10	0	F12			

PART NO. INDEX

PART NO.	VERSION	PAGE	PART NO.	VERSION	PAGE	PART NO.	VERSION	PAGE
88000			90106-KFC2-900	1	F03	90305-KNBN-C00	1	F08
			90107-KUDU-900	2	F20	90306-KLF0-C00	0	F07
			90108-KFA6-E00	1	F15	90403-KUDU-900	1	E07
88110-LEB5-C10	2	F03	90110-GLW0-C00	0	F05	90412-3K29-C00	1	E01
88120-LEB5-C10	1	F03	90110-KEB7-C00	1	F06	90426-KNBN-C00	1	E06
89000			90110-LCD4-E00	1	F14	90440-1F66-C00	0	E08
			90111-1G87-C00	1	F12	90441-GFY6-C00	1	E06
			90112-KRDR-C00	1	F19	90451-GBN2-C00	1	E01
89010-KGBG-C00	1	F09	90114-GDM4-C00	0	F13	90465-MDC4-C00	0	E02
89020-KKC4-900	1	F09	90116-LEJ2-E10	0	F06	90474-3C33-C00	1	E01
90000			90121-GFY6-C00	1	F20	90501-KNBN-C00	1	F08
			90131-GLW0-C00	0	F04	9052A-GFY6-C00	1	E01
			90131-KFAF-C00	0	F04	90544-LEJ2-E10	0	F06
90001-GBHB-C00	1	E03	90145-9A61-C00	1	F04	90545-3L00-C00	2	F04
90005-KAW1-901	1	E03	90201-GFY6-901	1	E07	90652-GFY6-C00	0	F13
9000A-LEJ2-E10	0	E01	90202-1G87-C00	0	E06	90652-LCA4-C10	0	F03
90012-3C33-C00	1	E02	90206-0A01-001	2	E02	90652-LCA4-C10	0	F18
90021-GFY6-C10	0	F14	90301-GFY6-C00	2	F14	90656-KUDU-900	0	F19
90031-KUDU-C00	1	E01	90302-GFY6-C10	0	F18	90677-GAR1-C00	1	F18
90032-KUDU-C00	1	E01	90302-LLB1-C00	0	F03	90683-GAR1-C00	4	F05
90033-GFY6-C00	2	E02	90302-SDA4-C00	2	F05	90701-HFB6-C00	0	E03
90033-GFY6-C10	2	E02	90302-SDA4-C00	2	F12	90701-HFB6-C00	0	E07
90105-KCR3-001	3	F07	90304-4H38-C00	0	E02	91000		
90105-KCR3-001	3	F08	90304-GHE8-C00	1	F03			
90106-GEN5-901	1	F03	90304-GHE8-C00	1	F20			
90106-GFY6-901	1	F20	90305-GHK8-C00	1	F06	91003-KDS4-C00	1	E09

PART NO. INDEX

PART NO.	VERSION	PAGE	PART NO.	VERSION	PAGE	PART NO.	VERSION	PAGE
91009-GLE0-C00	1	E09				93903-35320	4	F01
91014-LLJ3-C00	1	F06	93000			93903-GFY6-C00	2	F05
91015-LLJ3-C00	1	F06				93903-GFY6-C00	2	F12
91104-KGN7-671	0	E01	93404-06012-06	1	F18	93903-GFY6-C00	2	F18
91202-GFY6-C00	1	E01	93404-06012-07	5	F12			
91202-KKJ9-C00	1	E01	93404-06012-07	5	F18	94000		
91211-KEBE-C00	0	E06	93404-06012-07	5	F20			
91251-LEJ2-E10	0	F06	93404-06016-07	0	F05	94050-05080	2	F18
91252-0L30-004	0	F07	93404-06016-07	0	F18	94050-06080	2	E02
91254-LEJ2-E10	0	F06	93404-06016-07	0	F20	94050-06080	2	E07
91255-LDC8-E10	4	E09	93404-06020-07	4	F05	94050-06080	2	F09
91258-4L10-007	1	F07	93404-06022-07	0	F06	94050-06080	2	F19
91301-0C53-W10	0	E09	93700-05018-0H	1	F02	94050-08080	4	E02
91301-0H28-C00	1	E02	93901-34220	0	F17	94050-12080	1	E06
91302-0A01-C00	1	E04	93903-25480	1	F13	94050-12080	1	E08
91306-1E05-C00	0	E03	93903-34280	0	F05	94101-06200	1	F14
91351-6B42-C00	0	E06	93903-34320	0	F02	94101-06700	0	F14
91508-KGV7-C00	0	F18	93903-34380	6	F03	94101-10800	1	F20
			93903-34380	6	F05	94111-06800	1	F13
92000			93903-34380	6	F12	94301-10160	4	E01
			93903-34380	6	F17	94301-10160	4	E02
92101-05012-0H	2	E08	93903-34380	6	F18	94301-10160	4	E03
92900-06060-0B	2	E02	93903-35280	1	F02	94301-10160	4	E04
			93903-35280	1	F03	94301-10200	2	E01
			93903-35280	1	F18	94511-14000	1	E01
			93903-35280	1	F20	94591-25000	0	F18

PART NO. INDEX

PART NO.	VERSION	PAGE	PART NO.	VERSION	PAGE	PART NO.	VERSION	PAGE
94601-15000	1	E03	95701-08040-08	3	F12	96001-06025-08	4	E07
94608-LEJ2-E10	0	F06	95701-08040-08	3	F20	96001-06025-08	4	E08
95000			95701-08045-08	1	F16	96001-06028-08	1	E04
			95701-08050-08	1	F16	96001-06045-08	1	E01
			95701-LDC8-E10	0	F19	96001-06050-08	1	E01
			95801-06040-08	0	E09	96001-06100-08	2	E02
95002-02120	1	F13	95801-08032-08	0	F16	96001-06100-08	2	E04
95002-50000	1	F13	95801-08040-08	4	F06	96001-06110-08	1	E04
95002-KKD6-C00	1	F21	95801-10025-08	0	F15	96100-60020-00	1	E09
95003-23029-60	0	F13	95801-10035-08	1	F16	96100-62020-00	1	E01
95012-LEJ2-E10	0	F11	96000			96100-63030-00	0	E01
95701-06008-08	0	F13				96120-63010-10	0	F07
95701-06012-08	3	E04				98000		
95701-06012-08	3	F06						
95701-06012-08	3	F10	96001-06008-07	1	F14			
95701-06012-08	3	F19	96001-06010-02	1	F14			
95701-06014-08	0	F19	96001-06012-00	0	F16	98056-5771R-00	1	E02
95701-06016-08	1	F20	96001-06012-08	3	E01	98200-10700	2	F11
95701-06022-07	1	F15	96001-06012-08	3	E04			
95701-06025-00	0	E02	96001-06012-08	3	E07			
95701-06025-08	2	E02	96001-06012-08	3	F18			
95701-06035-08	1	E02	96001-06016-08	6	E07			
95701-06040-00	0	E02	96001-06016-08	6	E08			
95701-06050-08	1	E02	96001-06016-08	6	F19			
95701-08012-08	2	E01	96001-06018-08	1	E08			
95701-08012-08	2	F19	96001-06022-08	0	E08			
95701-08028-08	0	F20	96001-06022-08	0	F04			