

PARTS CATALOGUE



SCOOTERS

KL25BA(AT)

AGILITY125



Date : 2009/04/28

ABOUT THIS PARTS LIST

- This parts list is compiled all service parts for model KL25BA(AT).
- Any difference between color chart and motorcycle will be revised according to motorcycle.
- The sales mark:
 1. marking "***" must add color code in the end before ordering parts.
- When modification or additions to this parts list are made a revised edition at an appropriate time.

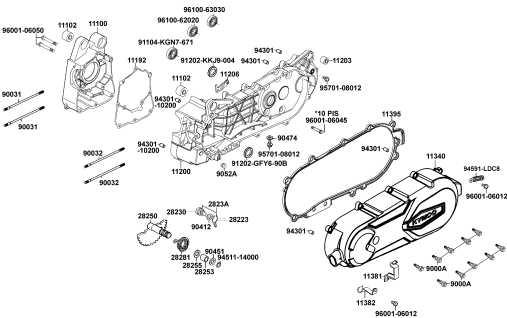
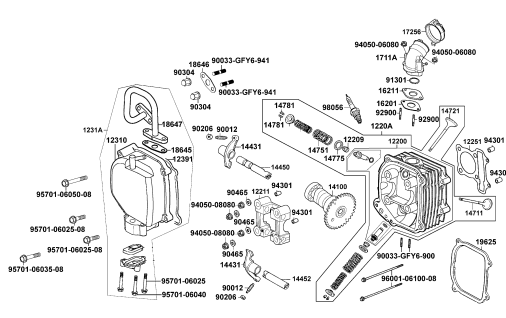
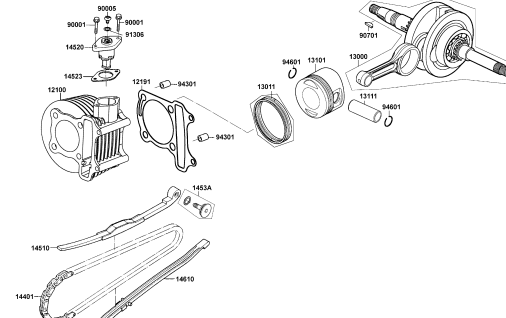
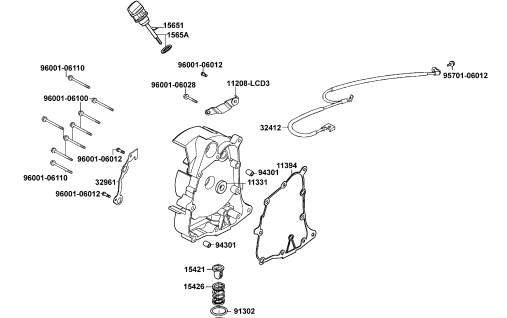
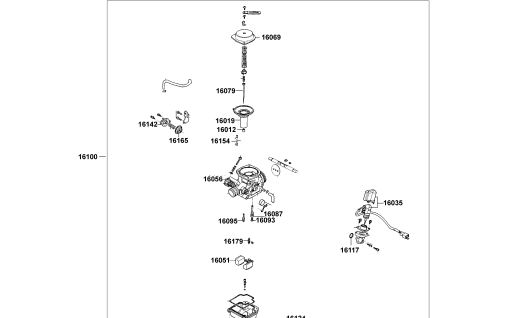
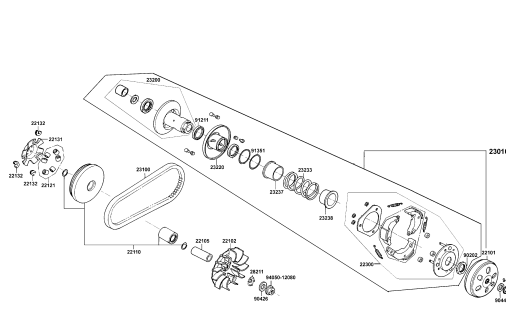
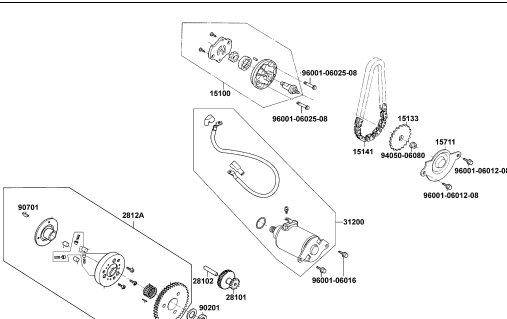
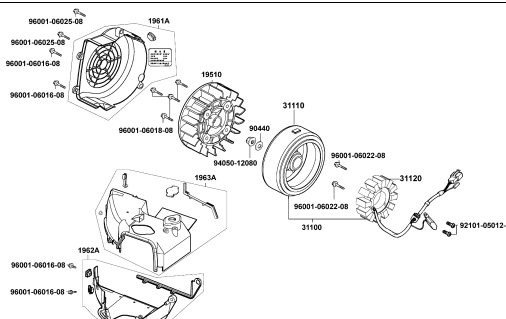
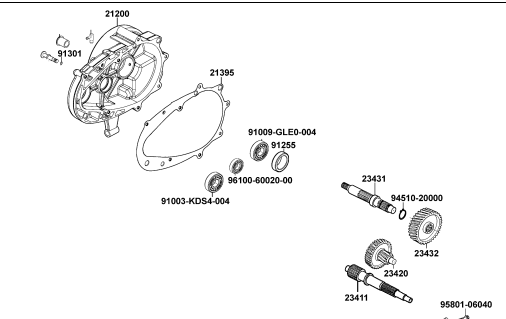
CONTENTS

● ABOUT THIS PARTS LIST	1
● COLOR CHART OF KL25BA(AT)	3
● CONTENTS-ENGINE GROUP	5
● CONTENTS-FRAME GROUP	6
● ENGINE PARTS LIST	9
● FRAME PARTS LIST	35
● PART NO. INDEX	91

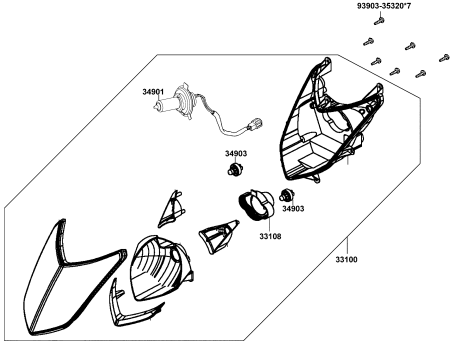
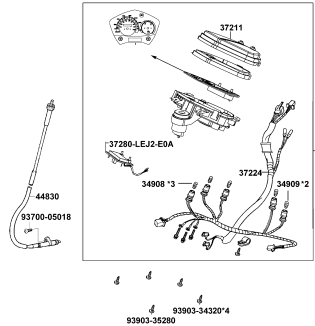
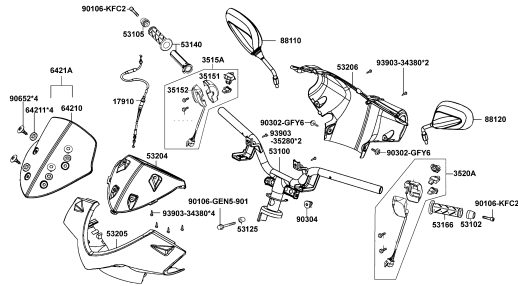
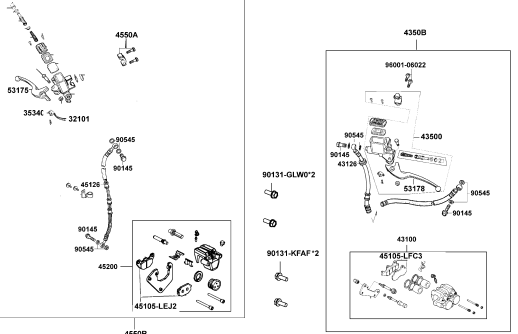
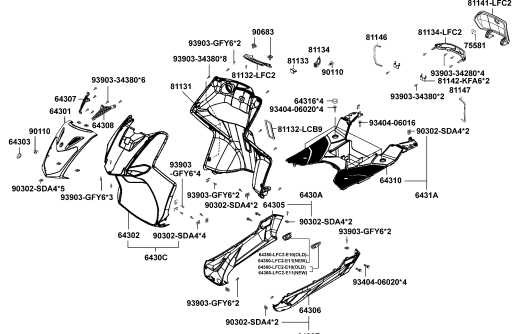
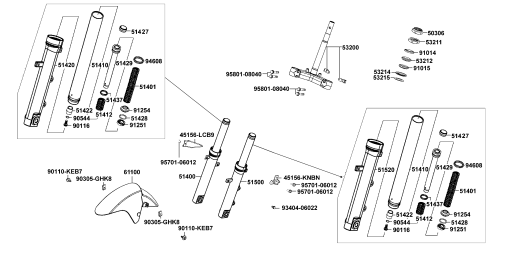
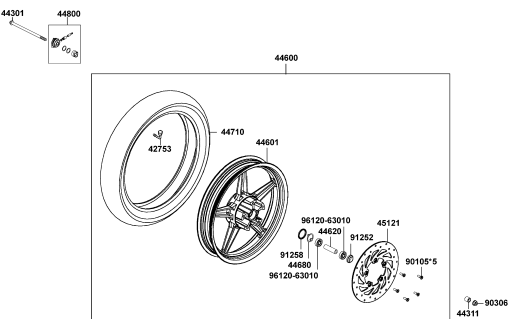
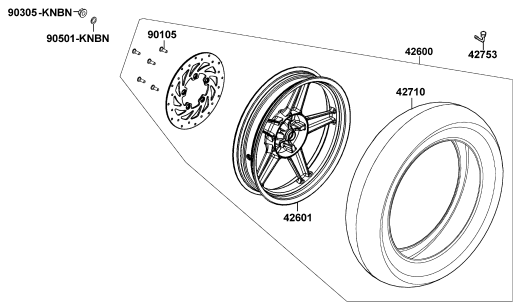
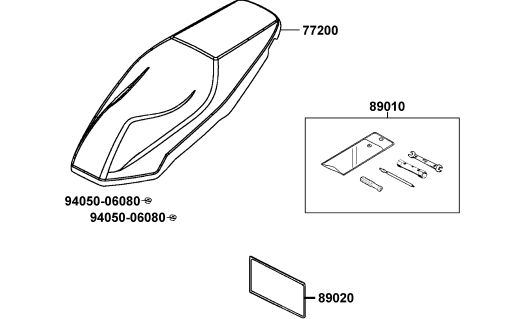
NO	MODEL			KL25BA(AT) COLOR CHART			
	PHOTO NO			NO. 1	NO. 2	NO. 3	NO. 4
	BASIC COLOR			Deep Blue	Dark Gray Metallic	Black	Pearly White
	CODE			Deep Blue	Dark Gray Metallic	Black	Pearly White
	PARTS NAME	PARTS NO.	VERSION	PB281MA	NH230MA	NH001SA	NH193PA
1	COVER HANDLE FR	53205-LFC2-E10	1	CAP	HKP	N1P	NVP
2	COVER FR	64301-LFC2-E10	1				
3	CAP FR COVER	64303-LFC2-E10	1				
4	COVER R BODY	83500-LFC2-E10	1				
5	COVER L BODY	83600-LFC2-E10	1				
6	COVER RR CENTER	83750-LFC2-E10	1				
7	COVER BATTERY	50326-LFC2-E10	1	N1R			
8	COVER UNDER	50613-LFC2-E10	1				
9	COVER METER	53204-LFC2-E10	1				
10	COVER HANDLE RR	53206-LFC2-E10	1				
11	ASSY METER VISOR	64210-LFC2-E10	1				
12	MOLD FRONT	64302-LFC2-E10	1				
13	SKIRT R SIDE	64305-LFC2-E10	1				
14	SKIRT L SIDE	64306-LFC2-E10	1				
15	GRILLE R FR MOLDING	64307-LFC2-E10	1				
16	GRILLE L FR MOLDING	64308-LFC2-E10	1				
17	FLOOR PANEL	64310-LFC2-E10	1				
18	COVER CENTER	80151-LFC2-E10	1				
19	LEG SHIELD	81131-LFC2-E10	1				
20	CAP LEG SHIELD UP	81132-LFC2-E10	1				
21	LID INNER BOX	81141-LFC2-E10	1				
22	GRILL R SIDE	83510-LFC2-E10	1				
23	GRILL L SIDE	83610-LFC2-E10	1				
24	FENDER FR	61100-LFC2-E10	1	NEP			
25	EMB BODY COVER	86202-LFC2-E10	1	T01			
DATE OF STARTING-SALES							
DATE OF END-SALES							

NO	MODEL			KL25BA(AT) COLOR CHART			
	PHOTO NO			NO. 1	NO. 2	NO. 3	NO. 4
	BASIC COLOR			Deep Blue	Dark Gray Metallic	Black	Pearly White
	CODE			Deep Blue	Dark Gray Metallic	Black	Pearly White
	PARTS NAME	PARTS NO.	VERSION	PB281MA	NH230MA	NH001SA	NH193PA
26	CAUTION ANTI	87224-LEJ2-EZ0	1	T01			
27	LABEL TIRE	87505-LFC2-E10	2				
28	MARK MAINT CAUTION	87542-GAR1-E01	2				
29	MARK DRIVE CAUTION	87560-GFY6-E01	3				
30	CAUTION SIDE STAND	87541-GAR1-E01	1	T01		T01	
31	STRIPE K-LOGO 22MM	86102-LEJ2-E00	2	T03		T01	T03
DATE OF STARTING-SALES							
DATE OF END-SALES							

CONTENTS - ENGINE GROUP

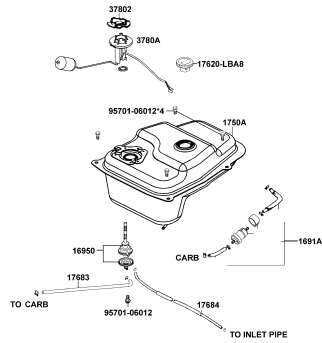
E01 Crank Case	E02 Cylinder Head	E03 Cylinder Piston Crankshaft
		
E04 Right Crankcase Cover	E05 Driven Pulley	E06 Starting Motor Oil Pump
		
E07 Fan Cover Generator	E08 FAN COVERGENERITOR	E09 Carburetor
		

CONTENTS - FRAME GROUP

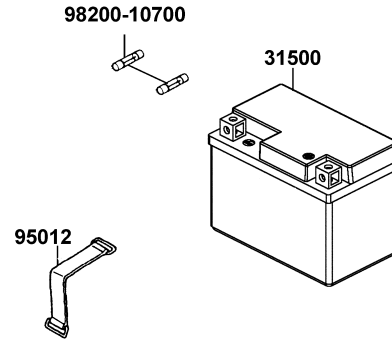
F01 Head Light	F02 Speedometer	F03 Handle Steering Handle Cover
		
<p>F04 Brake Master Cylinder</p> 	<p>F05 Front Cover Front Fender</p> 	<p>F06 Stem Steering Front Cushion</p> 
<p>F07 Front Wheel</p> 	<p>F08 Rear Wheel</p> 	<p>F09 Seat</p> 

CONTENTS - FRAME GROUP

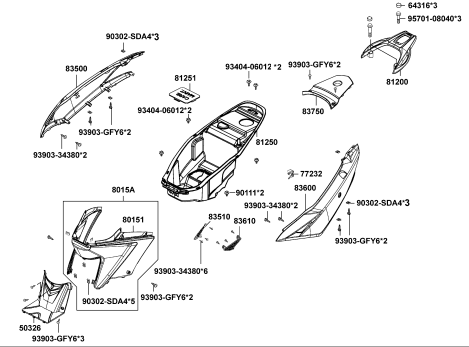
F10 Fuel Tank



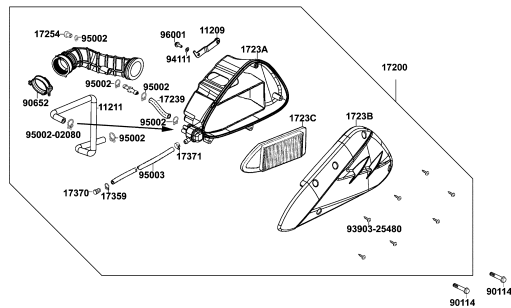
F11 Battery



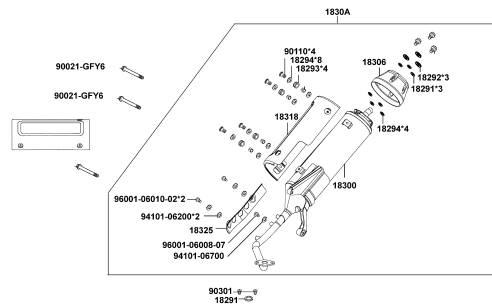
F12 Body Cover Luggage Box



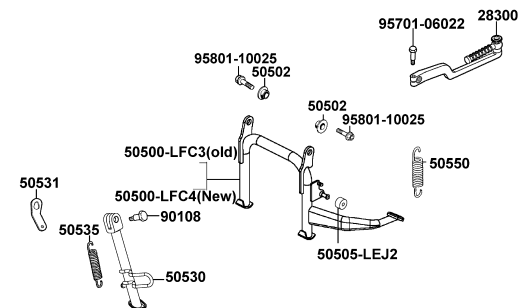
F13 Air Cleaner



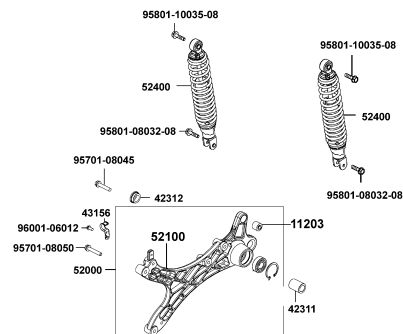
F14 Exhaust Muffler



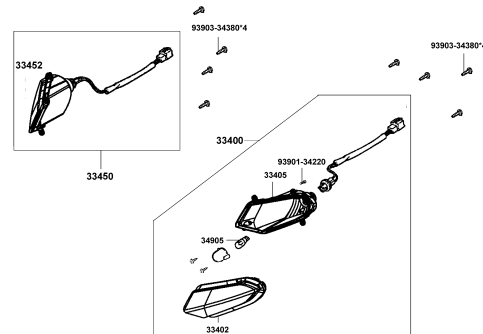
F15 Stand Kick Starter Arm



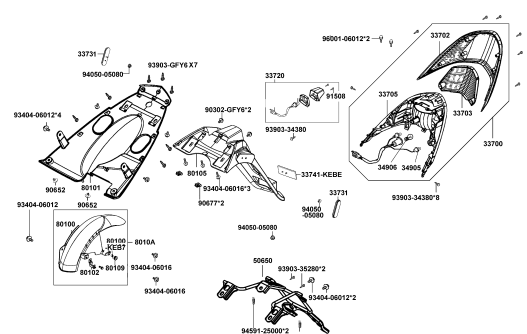
F16 Rear Cushion



F17 Front Winker

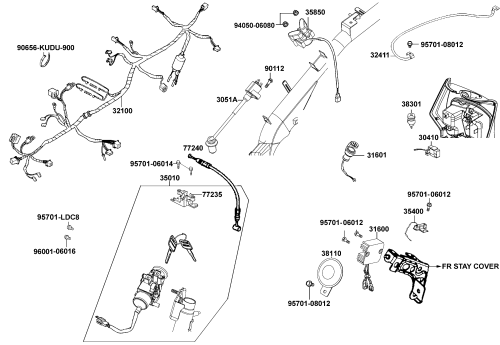


F18 Tail Light

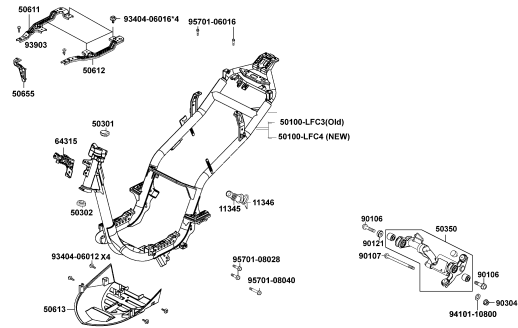


CONTENTS - FRAME GROUP

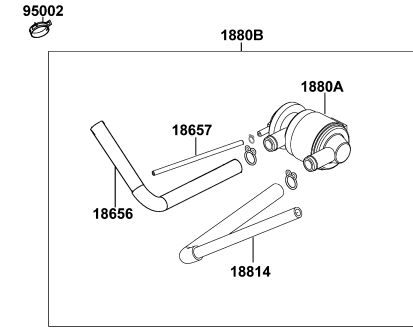
F19 Wire Harness



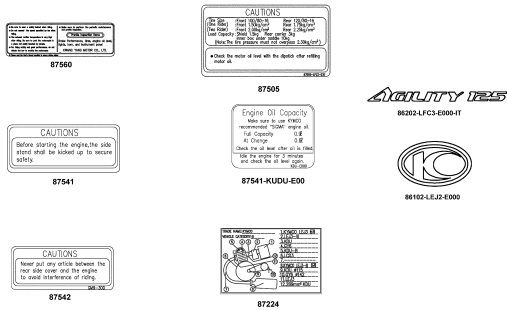
F20 Frame Body



F21 Air Cleaner Two

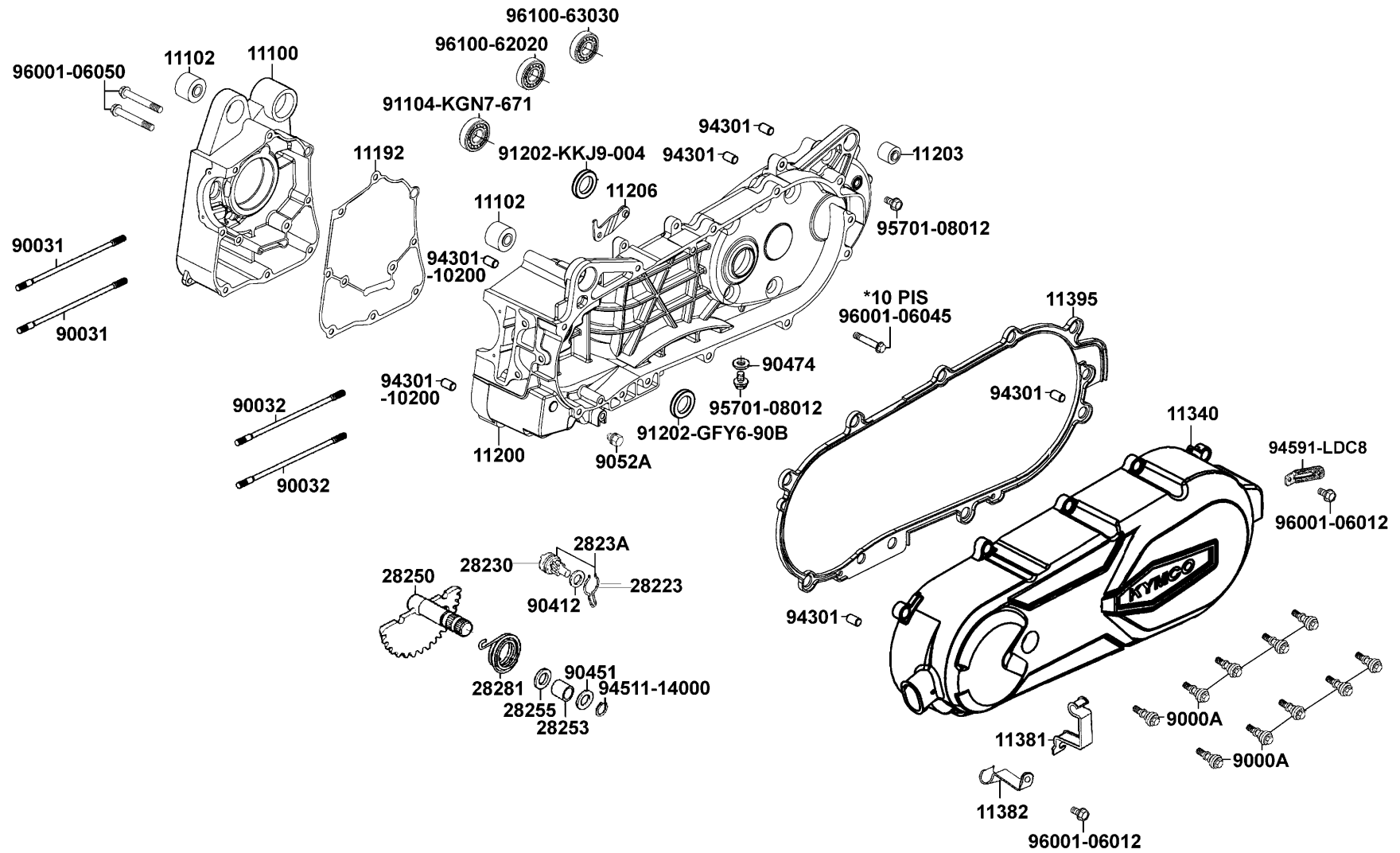


F22 Emblem Stripe



E01

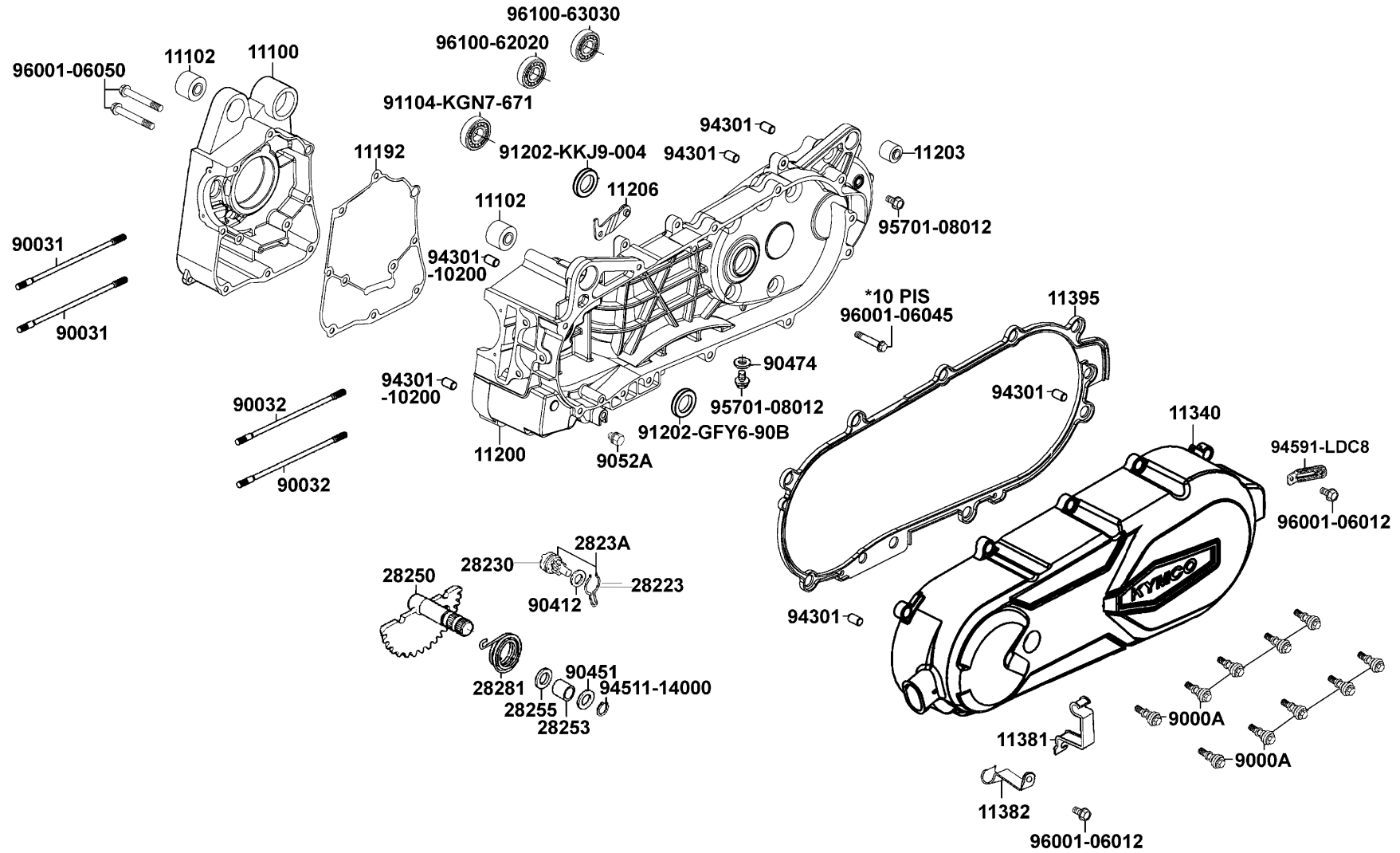
Crank Case



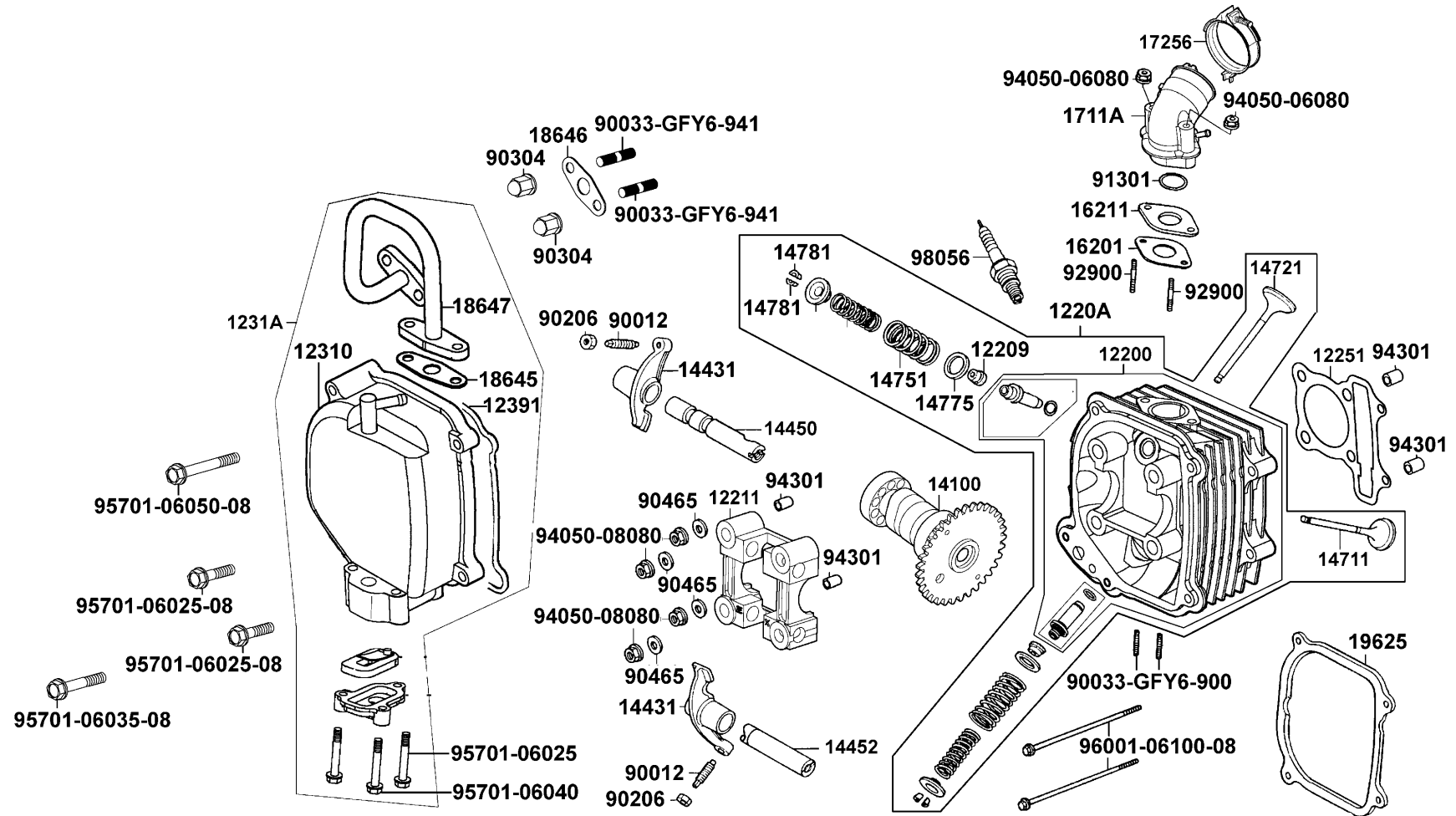
Sales mark	Ref no	Part no	Ver	Description	Reg description	Regd no	E01
	11100	11100-KUDU-900	5	CRANK CASE COMP R	CRANK CASE COMP R	1	
	11102	11102-1G87-0040	1	RUB BUSH ENG HANGER	RUB BUSH ENG HANGER	2	
	11192	11192-KUDU-C10	1	GASKET CRANK CASE @ A	GASKET CRANK CASE @ A	1	
	11200	11200-LCD3-E00	5	CRANKCASE SET L	CRANKCASE SET L	1	
	11203	11203-GGC7-W10	2	UNDER RUBBER BUSH REAR	UNDER RUBBER BUSH REAR	1	
	11206	11206-LCD3-E00	1	STAY A RR FENDER	STAY A RR FENDER	1	
**	11340	11340-LEJ3-E10	1	"COVER COMP,LEFT"	"COVER COMP,LEFT"	1	
	11381	11381-KHB4-900	0	CLAMPER THROTTLE CABLE	CLAMPER THROTTLE CABLE	1	
	11382	11382-LEJ3-E10	0	CLAMPERBRAKE CRABLE	CLAMPERBRAKE CRABLE	1	
	11395	11395-KHB4-900	0	GASKET L COVER @ A	GASKET L COVER @ A	1	
	28223	28223-KNBN-901	0	SPG KICK DRIVEN GEAR	SPG KICK DRIVEN GEAR	1	
	28230	28230-KNBN-9000	0	GEAR COMP KICK DRIVEN	GEAR COMP KICK DRIVEN	1	
	2823A	2823A-KNBN-602	0	GEAR ASSY KICK DRIVEN	GEAR ASSY KICK DRIVEN	1	
	28250	28250-LEJ3-E10	1	"SPINDLE COMP,KICK SYARYER"	"SPINDLE COMP,KICK SYARYER"	1	
	28253	28253-GBN2-6020	0	BUSH KICK SPINDLE	BUSH KICK SPINDLE	1	
	28255	28255-GFS6-001	0	COLLAR KICK BOSS	COLLAR KICK BOSS	1	
	28281	28281-GBN2-6030	1	SPRING KICK RETURN	SPRING KICK RETURN	1	
	9000A	9000A-LEJ2-E10	0	BOLTASSY SPECIAL 6X27	BOLTASSY SPECIAL 6X27	10	
	90031	90031-KUDU-9000	0	BOLT A STUD 8*200.5	BOLT A STUD 8*200.5	2	
	90032	90032-KUDU-9000	0	BOLT B STUD 8*208.5	BOLT B STUD 8*208.5	2	

E01

Crank Case



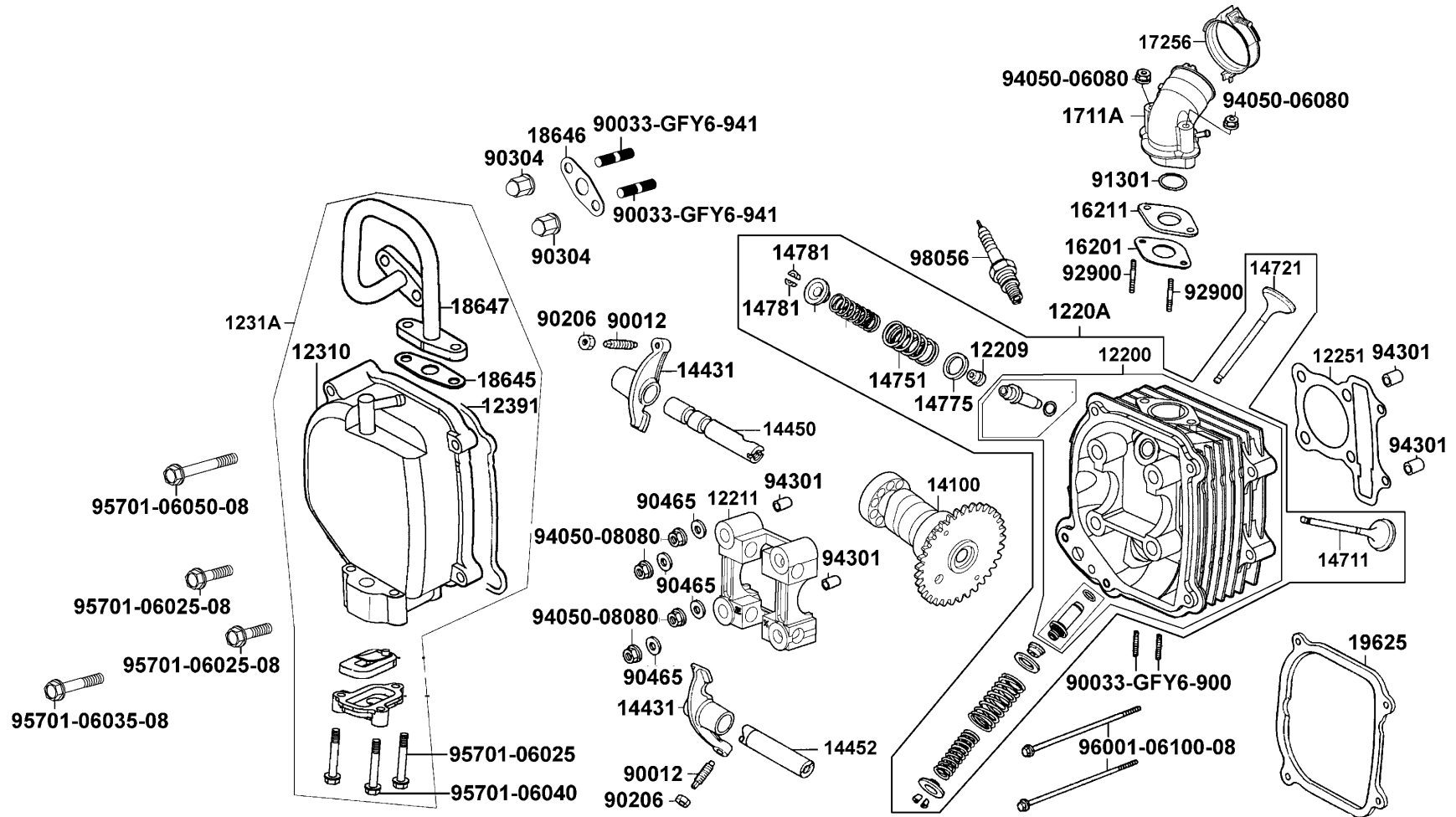
Sales mark	Ref no	Part no	Ver	Description	Reg description	Regd no	E01
	90412	90412-3K29-001	0	WASHER THRUST10MM	WASHER THRUST10MM	1	
	90451	90451-GBN2-601	0	WASHER KICK SPINDLE	WASHER KICK SPINDLE	1	
#	90474	90474-3C33-001	1	WASHER 8MM	WASHER 8MM	1	
	9052A	9052A-GFY6-950	1	BOLT ASSY DRAIN PLUG	BOLT ASSY DRAIN PLUG	1	
	91104	91104-KGN7-671	0	BRG BALL RADIAL 6204	BRG BALL RADIAL 6204	1	
	91202	91202-GFY6-90B	0	OIL SEAL 19.8*30*5	OIL SEAL 19.8*30*5	1	
	91202	91202-KKJ9-0040	0	OIL SEAL 20*32*6	OIL SEAL 20*32*6	1	
	94301-10160	94301-10160	0	DOWEL PIN 10*16	DOWEL PIN 10*16	4	
	94301-10200	94301-10200	0	DOWEL PIN 10*20	DOWEL PIN 10*20	1	
	94511	94511-14000	0	CIRCLIP EX 14	CIRCLIP EX 14	1	
	94591	94591-LDC8-E10	0	CLIP BIND	CLIP BIND	1	
#	95701	95701-08012-08	0	BOLT FLANGE 8*12	BOLT FLANGE 8*12	2	
#	96001-06012	96001-06012-08	0	BOLT FLANGE 6*12	BOLT FLANGE 6*12	2	
	96001-06045	96001-06045-08	0	BOLT FLANGE SH 6*45	BOLT FLANGE SH 6*45	10	
	96001-06050	96001-06050-08	0	BOLT FLANGE 6*50	BOLT FLANGE 6*50	2	
	96100-62020	96100-62020-00	0	BEARING BALL RADIAL 6202	BEARING BALL RADIAL 6202	1	
	96100-63030	96100-63030-00	0	BEARING BALL RADIAL 6303	BEARING BALL RADIAL 6303	1	



Sales mark	Ref no	Part no	Ver	Description	Reg description	Regd no	E02
	12200	12200-KUDU-900	10	HEAD COMP CYLN	HEAD COMP CYLN	1	
	12209	12209-GDB4-6820-M1	0	SEAL VALVE STEM	SEAL VALVE STEM	2	
	1220A	1220A-KUDU-900	9	HEAD ASSY CYLN	HEAD ASSY CYLN	1	
	12211	12211-KUDU-W10	4	HOLDER CAM SHAFT	HOLDER CAM SHAFT	1	
	12251	12251-GFY6-90A	1	GASKET CYLINDER HEAD	GASKET CYLINDER HEAD	1	
	12310	12310-KHC4-C11	0	COVER COMP HEAD	COVER COMP HEAD	1	
	1231A	1231A-KHC4-C11	0	COVER ASSY HEAD	COVER ASSY HEAD	1	
	12391	12391-GFY6-941	0	GASKET HEAD COVER	GASKET HEAD COVER	1	
	14100	14100-KFA9-220	1	SHAFT COMP CAM	SHAFT COMP CAM	1	
	14431	14431-KUDU-W10	0	ARM VALVE ROCKER	ARM VALVE ROCKER	2	
	14450	14450-GFY6-W10	0	SHAFT COMP IN ROCKER ARM	SHAFT COMP IN ROCKER ARM	1	
	14452	14452-GFY6-W10	1	SHAFT EXH ROCKER ARM	SHAFT EXH ROCKER ARM	1	
	14711	14711-KUDU-900	1	VALVE INLET	VALVE INLET	1	
	14721	14721-KUDU-900	0	VALVE EXHAUST	VALVE EXHAUST	1	
	14751	14751-KUDU-C10	1	SPRING VALVE OUTER	SPRING VALVE OUTER	2	
	14775	14775-MFA6-001	0	SEAT VALVE SPG OUTER	SEAT VALVE SPG OUTER	1	
	14781	14781-MFA6-001	0	COTTER VALVE	COTTER VALVE	4	
	16201	16201-GFY6-C10	1	GASKET CARB INSULATOR @A	GASKET CARB INSULATOR @A	1	
	16211	16211-GFY6-W10	0	INSULATOR CARB	INSULATOR CARB	1	
	1711A	1711A-LEJ3-E10	2	PIPE ASSYINLET	PIPE ASSYINLET	1	

E02

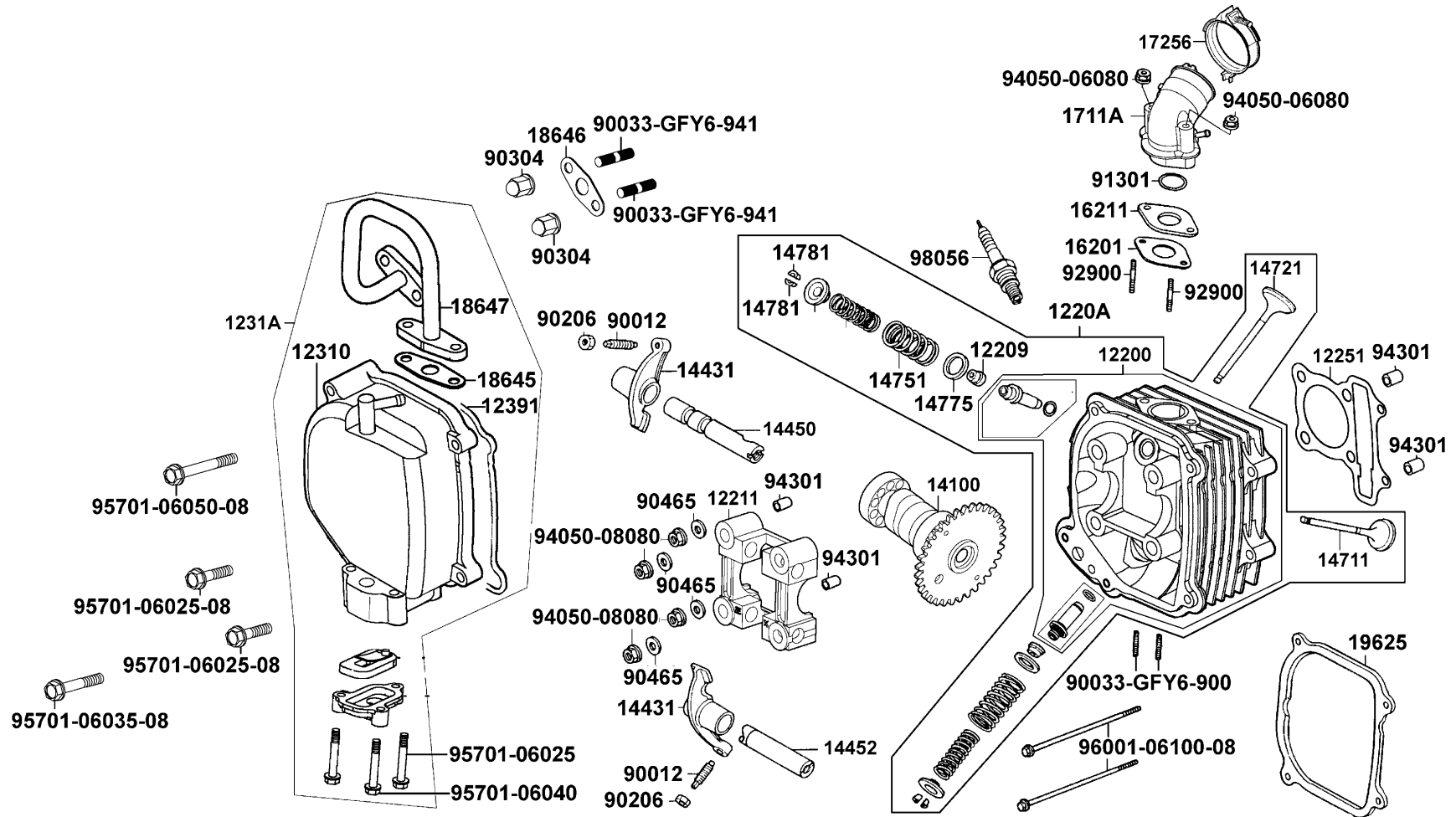
Cylinder Head



Sales mark	Ref no	Part no	Ver	Description	Reg description	Regd no	E02
	17256	17256-GFY6-901	4	BAND INSULATOR	BAND INSULATOR	1	
	18645	18645-GFY6-941	0	GSKT A/I PIPE	GSKT A/I PIPE	1	
	18646	18646-LDC8-E10	0	GASKET A/I PIPE	GASKET A/I PIPE	1	
	18647	18647-GFY6-941	0	PIPE COMP AIR	PIPE COMP AIR	1	
	19625	19625-KUDU-910	0	SEAL SHROUD	SEAL SHROUD	1	
	90012	90012-3C33-0010	1	SCREW TAPPET ADJUSTING	SCREW TAPPET ADJUSTING	2	
#	90033	90033-GFY6-9000	1	BOLT STUD 8*32	BOLT STUD 8*32	2	
#	90033	90033-GFY6-941	0	BOLT STUD 6*16	BOLT STUD 6*16	2	
	90206	90206-0A01-001	1	NUT TAPPET ADJG	NUT TAPPET ADJG	2	
	90304	90304-4H38-001	2	NUT HEX CAP 6MM	NUT HEX CAP 6MM	2	
	90465	90465-MDC4-001	0	WASHER 8MM	WASHER 8MM	4	
	91301	91301-0H28-001	0	O RING 27*2	O RING 27*2	1	
	92900	92900-06060-0B	0	BOLT STUD 6*60	BOLT STUD 6*60	2	
#	94050-06080	94050-06080	0	NUT FLANGE 6MM	NUT FLANGE 6MM	2	
	94050-08080	94050-08080	0	NUT FLANGE 8MM	NUT FLANGE 8MM	4	
	94301	94301-10160	0	DOWEL PIN 10*16	DOWEL PIN 10*16	4	
	95701-06025	95701-06025-00	0	BOLT FLANGE 6*25	BOLT FLANGE 6*25	1	
	95701-06025	95701-06025-08	0	BOLT FLANGE 6*25	BOLT FLANGE 6*25	2	
	95701-06035	95701-06035-08	0	BOLT FLANGE SH 6*35	BOLT FLANGE SH 6*35	1	
	95701-06040	95701-06040-00	0	BOLT FLANGE 6*40	BOLT FLANGE 6*40	2	

E02

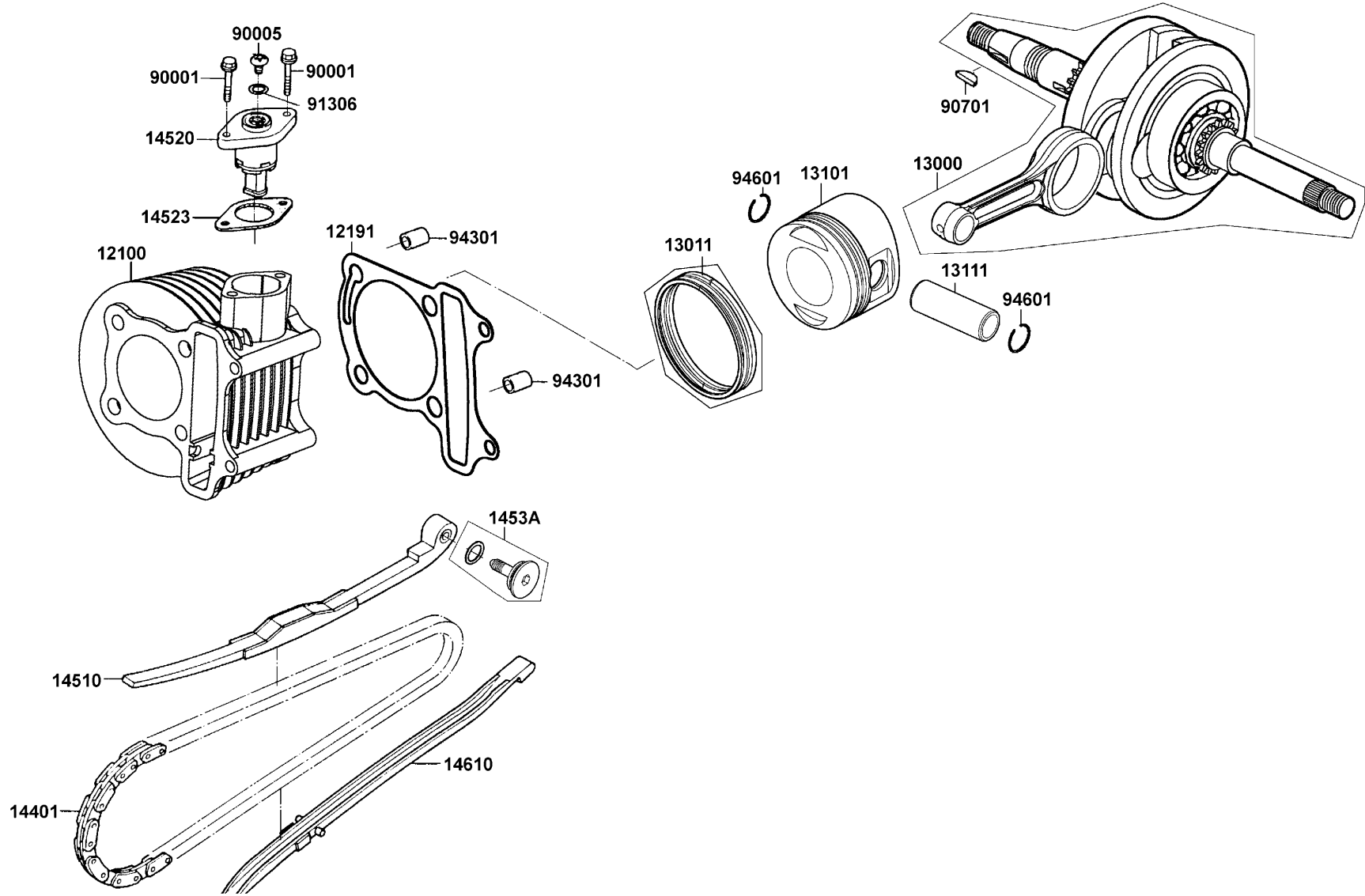
Cylinder Head



Sales mark	Ref no	Part no	Ver	Description	Reg description	Regd no	E02
	95701-06050	95701-06050-08	0	BOLT FLANGE 6*50	BOLT FLANGE 6*50	1	
	96001-06100	96001-06100-08	0	BOLT FLANGE SH 6*100	BOLT FLANGE SH 6*100	2	
	98056	98056-5771R-00	0	SPARK PLUG (CR7HSA)	SPARK PLUG (CR7HSA)	1	

E03

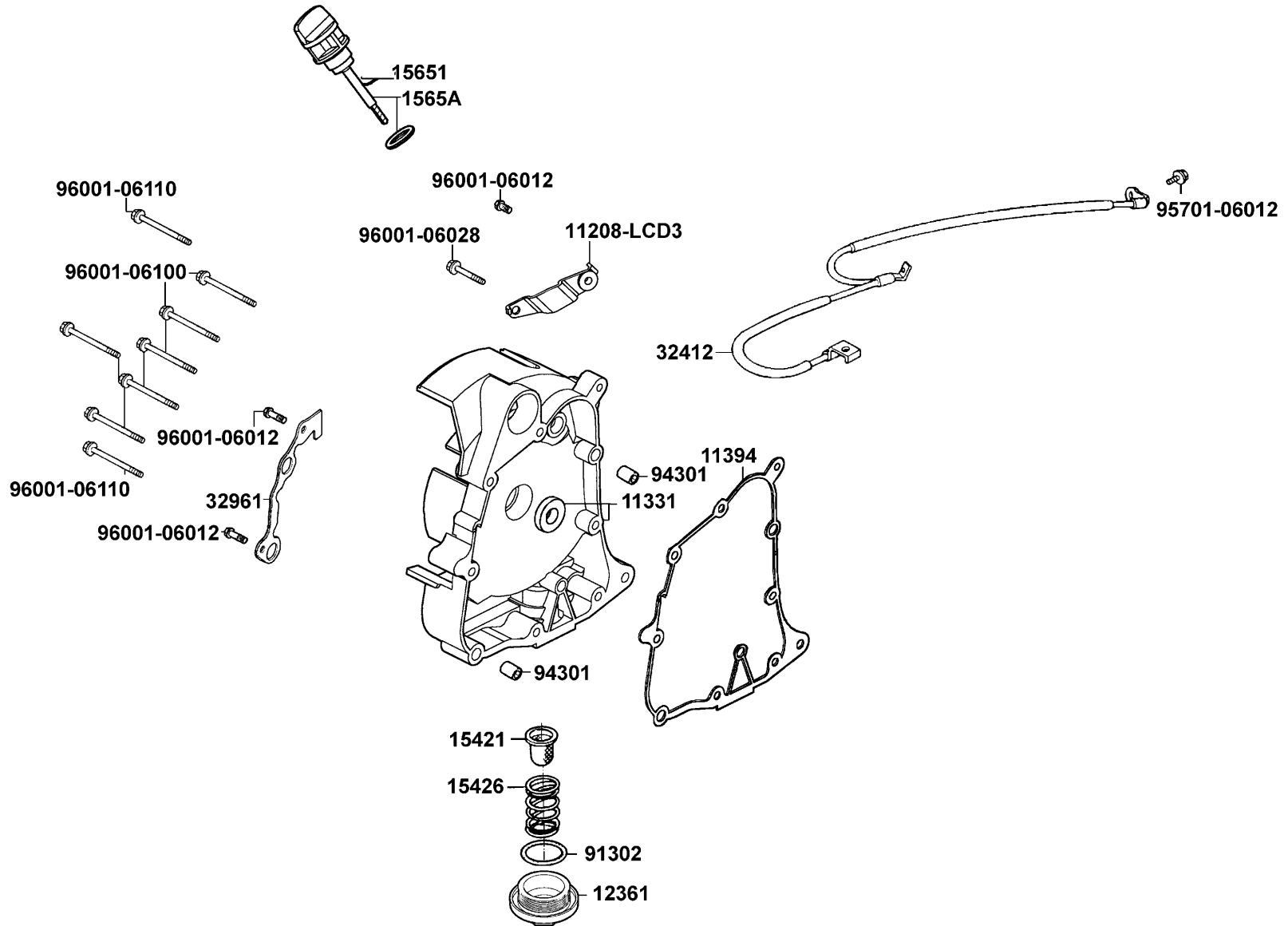
Cylinder Piston Crankshaft



Sales mark	Ref no	Part no	Ver	Description	Reg description	Regd no	E03
	12100	12100-GFY6-C00	6	CYLINDER COMP	CYLINDER COMP	1	
	12191	12191-GFY6-C10	1	GASKET CYLINDER @A	GASKET CYLINDER @A	1	
	13000	13000-KUDU-900	7	CRANK SHAFT COMP	CRANK SHAFT COMP	1	
	13011	13011-GFY6-9020-M1	0	RING ASSY PISTON	RING ASSY PISTON	1	
	13101	13101-KUDU-900	1	PISTON	PISTON	1	
	13111	13111-3D84-001	3	PIN PISTON	PIN PISTON	1	
	14401	14401-KUDU-9000	0	CHAIN CAM	CHAIN CAM	1	
	14510	14510-KUDU-W10	0	TENSIONER CAM CHAIN	TENSIONER CAM CHAIN	1	
	14520	14520-GFY6-9020	1	LIFTER ASSY TENSIONER	LIFTER ASSY TENSIONER	1	
	14523	14523-GFY6-C10	1	GASKET TENSIONER LIFTER @A	GASKET TENSIONER LIFTER @A	1	
	1453A	1453A-GFY6-W10	0	PIVOT CAM CHAIN SET	PIVOT CAM CHAIN SET	1	
	14610	14610-KUDU-C000	0	GUIDE COMP CAM CHAIN	GUIDE COMP CAM CHAIN	1	
	90001	90001-GBHB-661	0	BOLT FLANGE SH 6*22	BOLT FLANGE SH 6*22	2	
	90005	90005-KAW1-901	1	SCREW PAN 6*6	SCREW PAN 6*6	1	
	90701	90701-HFB6-011	1	KEY WOODRUFF 25*14*4	KEY WOODRUFF 25*14*4	1	
	91306	91306-1E05-691	0	O-RING 1.5*9.5	O-RING 1.5*9.5	1	
	94301	94301-10160	0	DOWEL PIN 10*16	DOWEL PIN 10*16	2	
	94601	94601-15000	0	CLIP PISTON PIN 15MM	CLIP PISTON PIN 15MM	2	

E04

Right Crankcase Cover

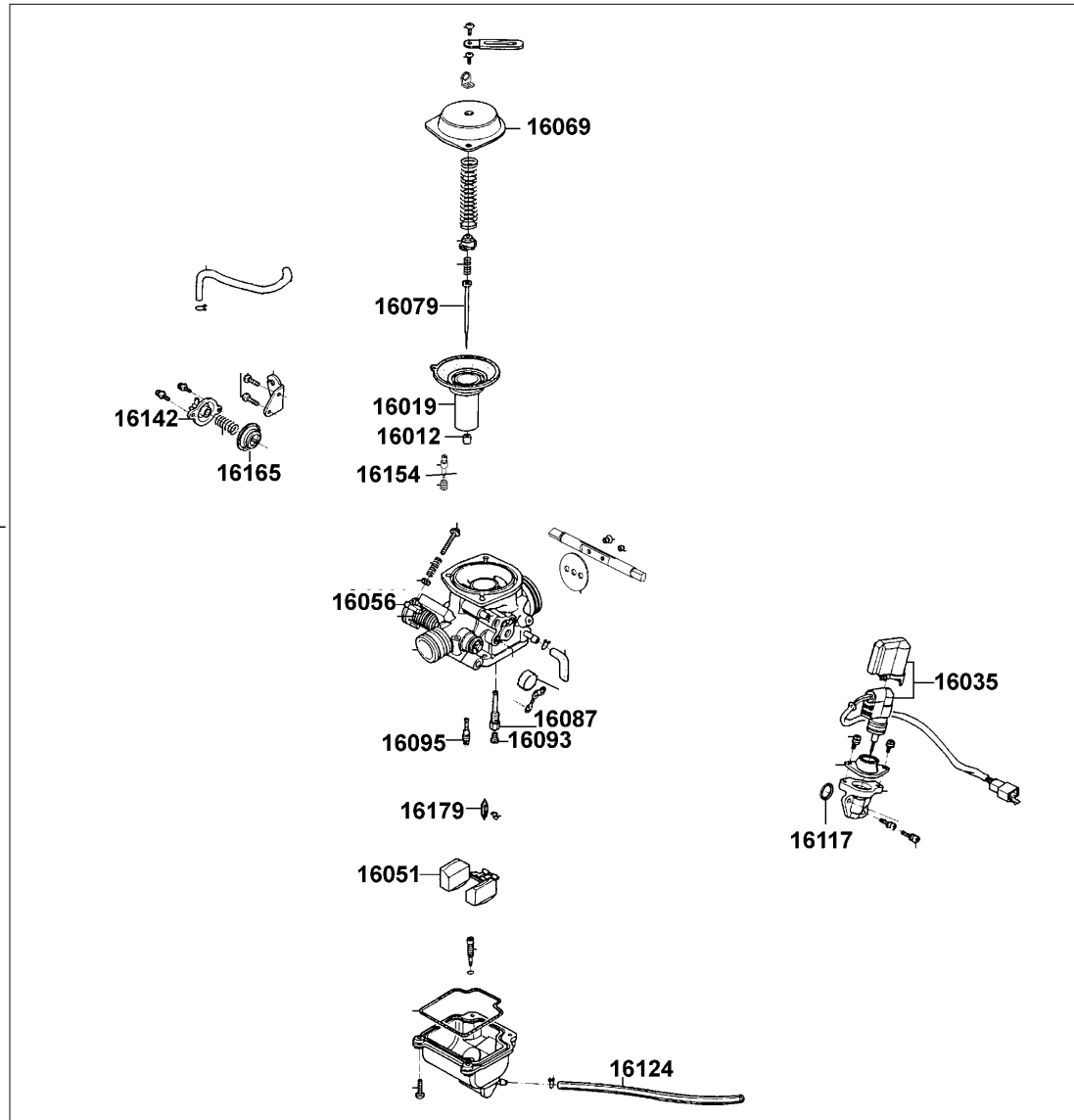


Sales mark	Ref no	Part no	Ver	Description	Reg description	Regd no	E04
	11208	11208-LCD3-E00	2	CLAMP BRAKE WIRE	CLAMP BRAKE WIRE	1	
	11331	11331-LCD3-E00	3	COVER R CRANK CASE	COVER R CRANK CASE	1	
	11394	11394-KUDU-C10	1	GASKET R COVER	GASKET R COVER	1	
	12361	12361-GFY6-9010	1	HOLE CAP TAPPET ADJUSTING	HOLE CAP TAPPET ADJUSTING	1	
	15421	15421-1G07-W10	0	SCREEN OIL FILTER	SCREEN OIL FILTER	1	
	15426	15426-GAE1-921	0	SPG OIL FILTER SCREEN	SPG OIL FILTER SCREEN	1	
	15651	15651-KUDU-W10	0	GUAGE OIL LEVEL	GUAGE OIL LEVEL	1	
	1565A	1565A-KUDU-W10	0	GAUGE OIL LEVEL ASSY	GAUGE OIL LEVEL ASSY	1	
	32412	32412-LDF7-E10	1	CABLE EARTH	CABLE EARTH	1	
	32961	32961-KUDU-9000	0	CLAMPER ACG CORD	CLAMPER ACG CORD	1	
	91302	91302-0A01-0210	0	O-RING 30.8MM	O-RING 30.8MM	1	
	94301	94301-10160	0	DOWEL PIN 10*16	DOWEL PIN 10*16	2	
#	95701-06012	95701-06012-08	0	BOLT FLANGE 6*12	BOLT FLANGE 6*12	1	
#	96001-06012	96001-06012-08	0	BOLT FLANGE 6*12	BOLT FLANGE 6*12	3	
#	96001-06028	96001-06028-08	0	BOLT FLANGE SH 6*28	BOLT FLANGE SH 6*28	1	
	96001-06100	96001-06100-08	0	BOLT FLANGE SH 6*100	BOLT FLANGE SH 6*100	6	
	96001-06110	96001-06110-08	0	BOLT FLANGE SH 6*110	BOLT FLANGE SH 6*110	2	

E05

Driven Pulley

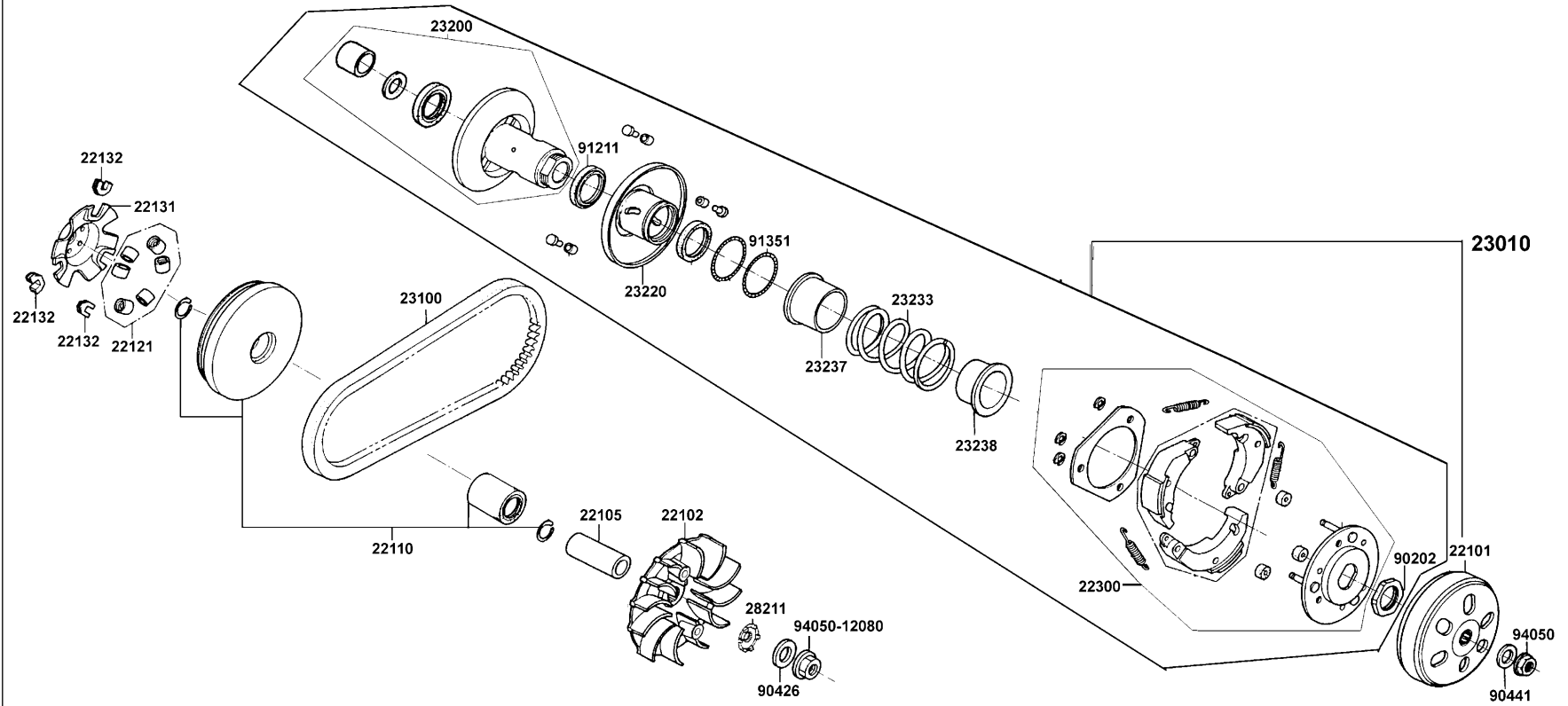
16100



Sales mark	Ref no	Part no	Ver	Description	Reg description	Regd no	E05
	16012	16012-KEC3-800	4	CHAMBER FLOAT ASSY	CHAMBER FLOAT ASSY	1	
	16019	16019-KUDU-9000	0	VALVE ASSY PISTON	VALVE ASSY PISTON	1	
	16035	16035-LEJ3-E10	0	UNIT, BY-ST	UNIT, BY-ST	1	
	16051	16051-KEC3-90B	2	BODY FLOAT	BODY FLOAT	1	
	16056	16056-KKC8-5000	1	SHAFT ASSY THROTTLE	SHAFT ASSY THROTTLE	1	
	16069	16069-KEC3-9000	0	COVER PISTON VALVE DIAPHRAGM	COVER PISTON VALVE	1	
	16079	16079-KEC3-900	3	NEEDLE ASSY JET	NEEDLE ASSY JET	1	
	16087	16087-KEC3-9000	3	TUBE EMULSION	TUBE EMULSION	1	
	16093	16093-KEC3-9000	1	JET MAIN	JET MAIN	1	
	16095	16095-KEC3-9000	2	JET SLOW	JET SLOW	1	
	16100	16100-LEJ3-E10	0	CARBURETOR ASSY.	CARBURETOR ASSY.	1	
	16117	16117-KEC3-9000	0	PACKING BY-ST	PACKING BY-ST	1	
	16124	16124-KEC3-9000	0	TUBE COMPL 3.5*300	TUBE COMPL 3.5*300	1	
	16142	16142-KEC3-9000	1	COVER ACV	COVER ACV	1	
	16154	16154-KEC3-9000	0	SCREW IDEL ADJUST	SCREW IDEL ADJUST	1	
	16165	16165-KEC3-9000	0	DIAPHRAGM COMP	DIAPHRAGM COMP	1	
	16179	16179-KEC3-9000	1	FLOAT VALEV ASSY	FLOAT VALEV ASSY	1	

E06

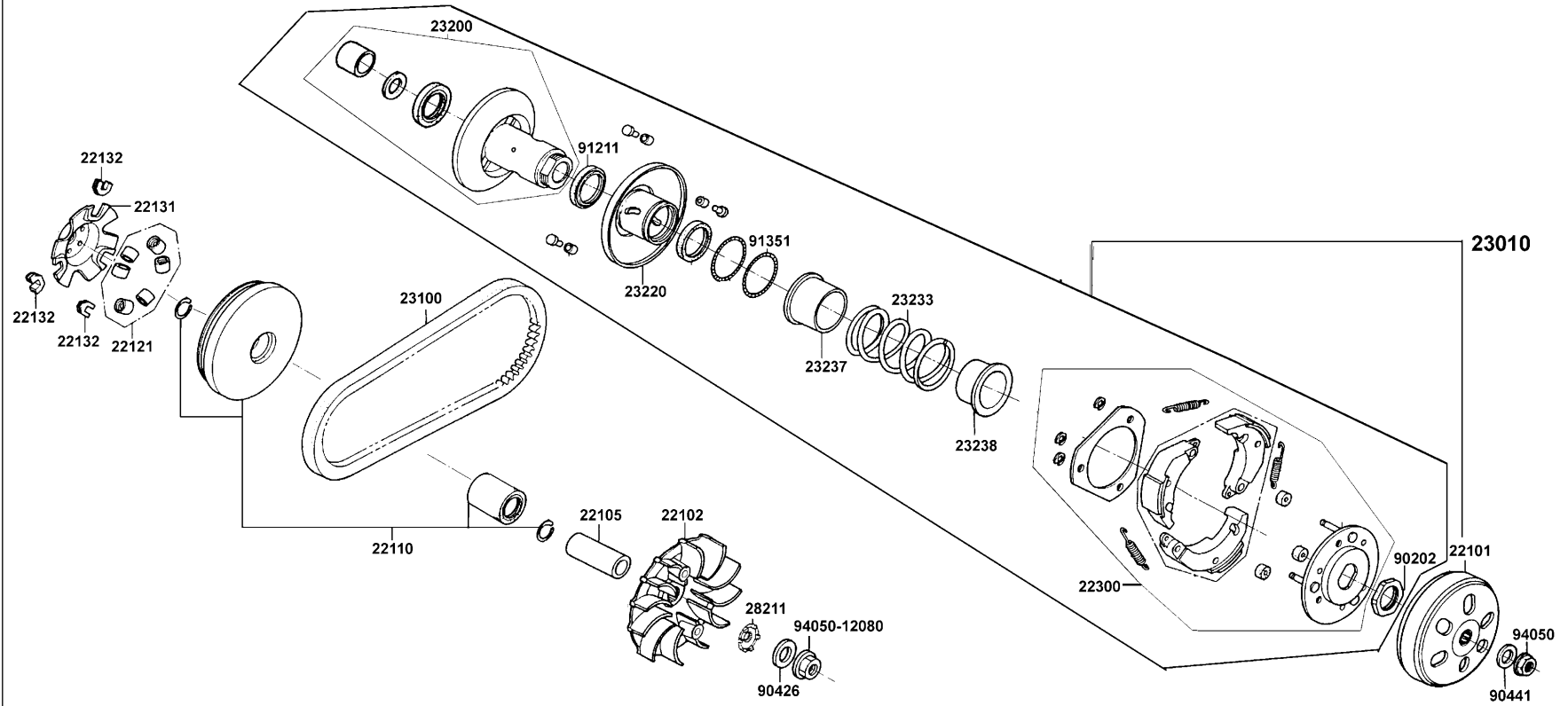
Starting Motor Oil Pump



Sales mark	Ref no	Part no	Ver	Description	Reg description	Regd no	E06
#	22101	22101-LCD3-E00	1	OUTER CLUTCH	OUTER CLUTCH	1	
	22102	22102-KUDU-900	1	FACE DRIVE	FACE DRIVE	1	
	22105	22105-GFY6-2200	1	BOSS DRIVE FACE	BOSS DRIVE FACE	1	
	22110	22110-KUDU-900	4	FACE COMP MOVABLE DRIVE	FACE COMP MOVABLE DRIVE	1	
	22121	22121-GFY6-9200-M1	2	ROLLER COMP WEIGHT 13gr	ROLLER COMP WEIGHT 13gr	6	
	22131	22131-GFY6-9010	3	PLATE RAMP	PLATE RAMP	1	
	22132	22132-KBN2-9010	4	PIECE SLIDE	PIECE SLIDE	3	
	22300	22300-LCD3-E00	1	PLATE ASSY DRIVE	PLATE ASSY DRIVE	1	
	23010	23010-LEJ3-E10	1	"PULLEY ASSY,DRIVEN"	"PULLEY ASSY,DRIVEN"	1	
	23100	23100-KEC4-900	2	BELT DRIVE	BELT DRIVE	1	
	23200	23200-LEJ3-E10	3	"FACE ASSY.,CRIVEN"	"FACE ASSY.,CRIVEN"	1	
	23220	23220-GFY6-9210	1	FACE COMP MOVABLE DRIVEN	FACE COMP MOVABLE DRIVEN	1	
	23233	23233-LEJ3-E10	0	"BOSS,DRIVE FACE"	"BOSS,DRIVE FACE"	1	
	23237	23237-GFY6-9410	0	COLLAR SEAL	COLLAR SEAL	1	
	23238	23238-GFY6-9410	0	COLLAR SPG	COLLAR SPG	1	
	28211	28211-KUDU-9000	3	RATCHET KICK STARTER	RATCHET KICK STARTER	1	
	90202	90202-1G87-001	0	NUT SPECIAL 28MM	NUT SPECIAL 28MM	1	
	90426	90426-KNBN-901	0	WASHER SPECIAL 12MM	WASHER SPECIAL 12MM	1	
#	90441	90441-GFY6-941	0	WASHER 12.2*29*2.5	WASHER 12.2*29*2.5	1	
	91211	91211-KEBE-900	0	SEAL DRIVEN FACE 34*41*4	SEAL DRIVEN FACE 34*41*4	2	

E06

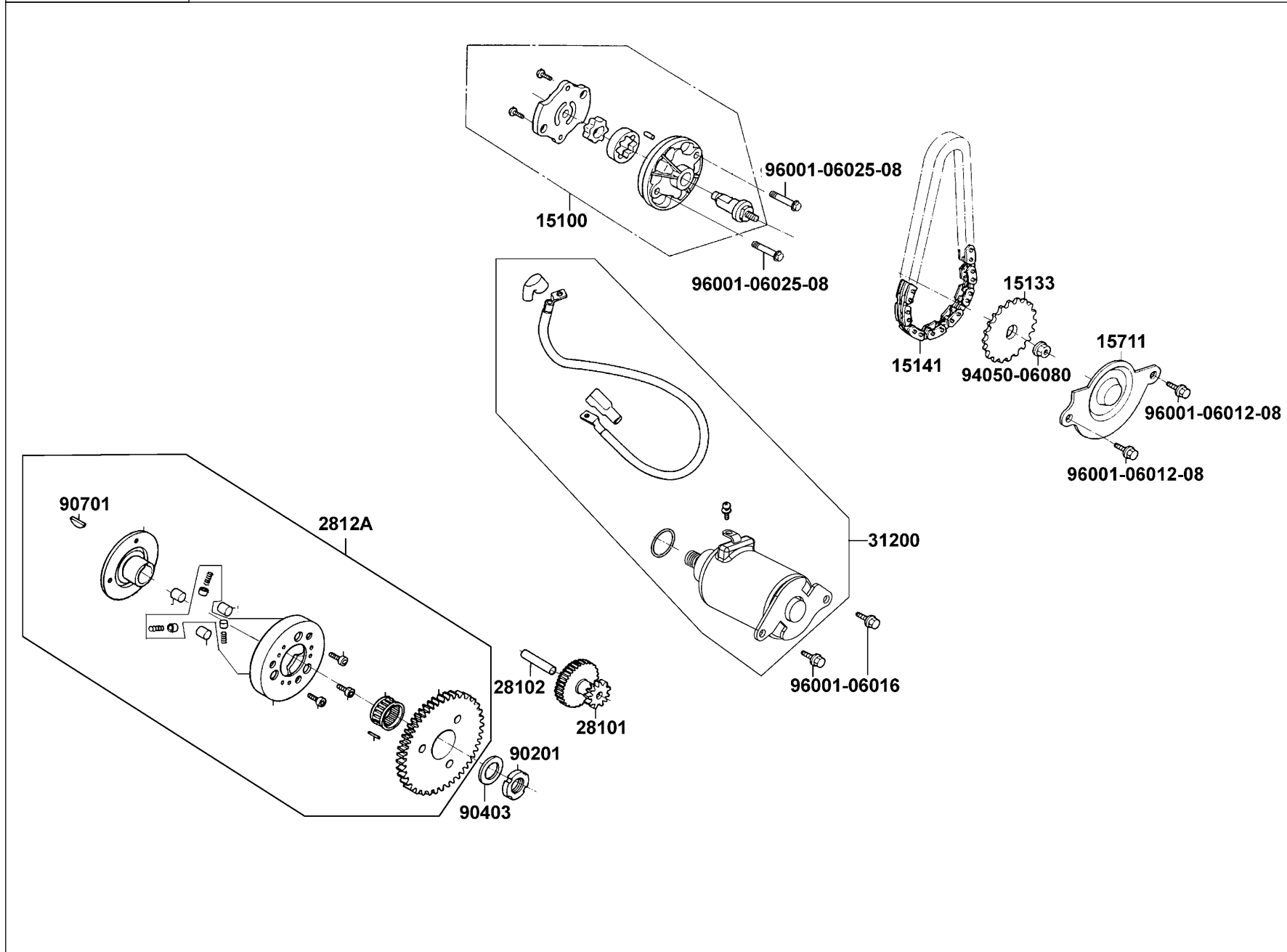
Starting Motor Oil Pump



Sales mark	Ref no	Part no	Ver	Description	Reg description	Regd no	E06
	91351	91351-6B42-000	0	O-RING PINION CAP	O-RING PINION CAP	1	
	94050	94050-12080	0	NUT C FLANGE 12MM	NUT C FLANGE 12MM	2	

E07

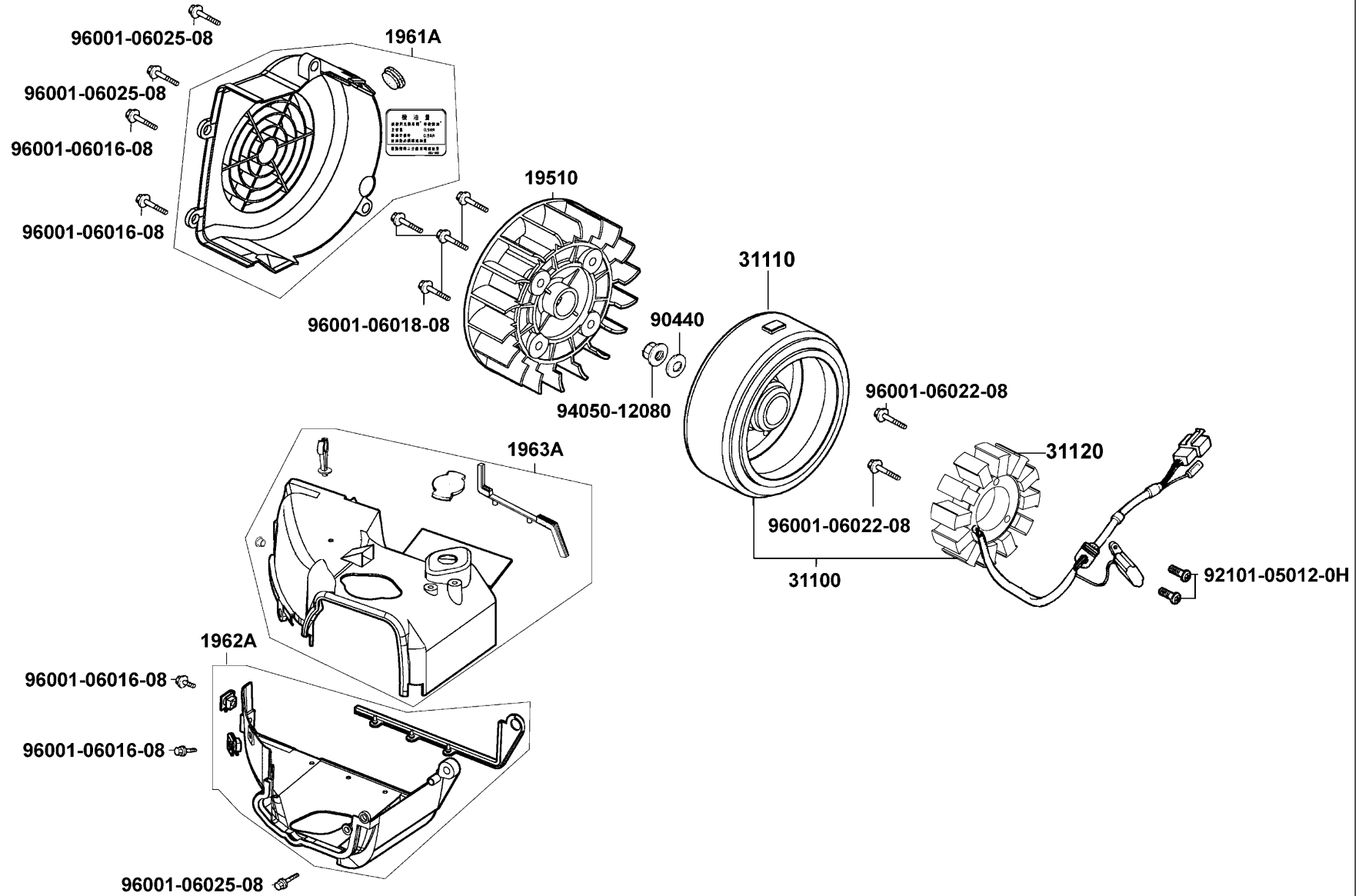
Fan Cover Generator



Sales mark	Ref no	Part no	Ver	Description	Reg description	Regd no	E07
#	15100	15100-KFB7-900	0	PUMP ASSY OIL	PUMP ASSY OIL	1	
	15133	15133-GFY6-W10	1	SPROCKET OIL PUMP DRIVE	SPROCKET OIL PUMP DRIVE	1	
	15141	15141-GFY6-C000	0	CHAIN OIL PUMP	CHAIN OIL PUMP	1	
	15711	15711-KUDU-9000	0	SEPARATER OIL	SEPARATER OIL	1	
	28101	28101-GFY6-901	2	GEAR STARTER REDUCTION	GEAR STARTER REDUCTION	1	
	28102	28102-GFY6-9010	0	SHAFT STARTER REDUCTION GEAR	SHAFT STARTER REDUCTION	1	
	2812A	2812A-GFY6-C10	1	OUTER ASSY START CLUTCH	OUTER ASSY START CLUTCH	1	
	31200	31200-KUDU-9000	4	MOTOR ASSY START	MOTOR ASSY START	1	
	90201	90201-GFY6-901	0	NUT LOCK 22MM	NUT LOCK 22MM	1	
	90403	90403-KUDU-900	0	WASHER THRUST 22.2*39*2.5	WASHER THRUST 22.2*39*2.5	1	
	90701	90701-HFB6-011	1	KEY WOODRUFF 25*14*4	KEY WOODRUFF 25*14*4	1	
#	94050	94050-06080	0	NUT FLANGE 6MM	NUT FLANGE 6MM	1	
#	96001-06012	96001-06012-08	0	BOLT FLANGE 6*12	BOLT FLANGE 6*12	2	
	96001-06016	96001-06016-08	0	BOLT FLANGE SH 6*16	BOLT FLANGE SH 6*16	2	
#	96001-06025	96001-06025-08	0	BOLT FLANGE SH 6*25	BOLT FLANGE SH 6*25	2	

E08

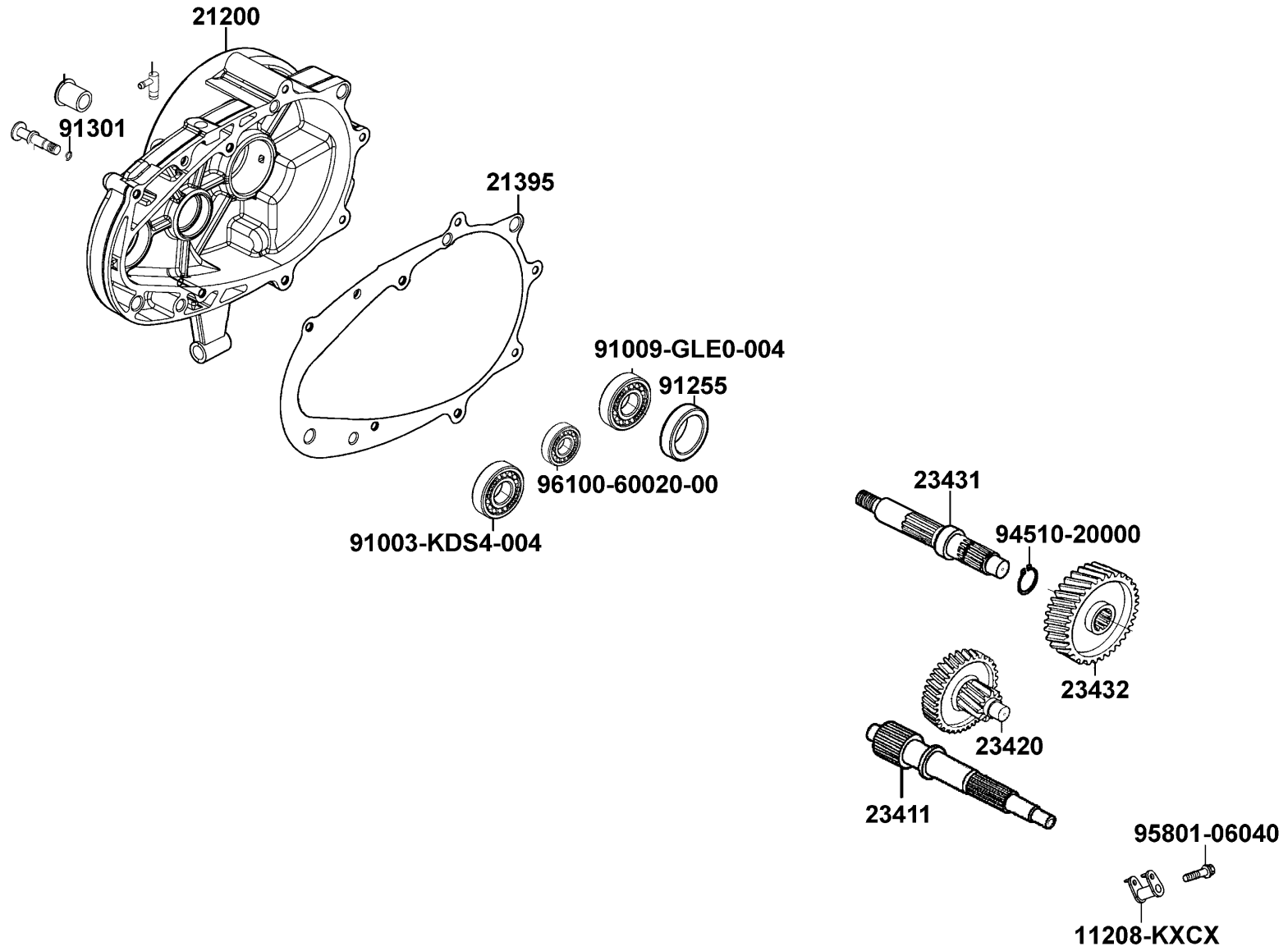
FAN COVERGENERATOR



Sales mark	Ref no	Part no	Ver	Description	Reg description	Regd no	E08
	19510	19510-KFB7-900	0	FAN COMP COOLING	FAN COMP COOLING	1	
	1961A	1961A-KUDU-E10	0	COVER ASSY FAN	COVER ASSY FAN	1	
	1962A	1962A-KKE3-900	2	SHROUD ASSY A	SHROUD ASSY A	1	
	1963A	1963A-KUDU-C00	0	SHROUD ASSY B	SHROUD ASSY B	1	
	31100	31100-LFC3-E10	1	AC GEN ASSY	AC GEN ASSY	1	
	31110	31110-LAD9-900	2	FLYWHEEL COMP	FLYWHEEL COMP	2	
	31120	31120-LFC3-E10	0	STATOR COMP	STATOR COMP	0	
	90440	90440-1F66-001	0	WASHER PLAIN 12MM	WASHER PLAIN 12MM	1	
	92101	92101-05012-0H	0	BOLT HEX 5*12	BOLT HEX 5*12	2	
	94050	94050-12080	0	NUT C FLANGE 12MM	NUT C FLANGE 12MM	1	
	96001-06016	96001-06016-08	0	BOLT FLANGE SH 6*16	BOLT FLANGE SH 6*16	4	
#	96001-06018	96001-06018-08	0	BOLT FLANGE SH 6*18	BOLT FLANGE SH 6*18	4	
#	96001-06022	96001-06022-08	0	BOLT FLANGE SH 6*22	BOLT FLANGE SH 6*22	2	
#	96001-06025	96001-06025-08	0	BOLT FLANGE SH 6*25	BOLT FLANGE SH 6*25	3	

E09

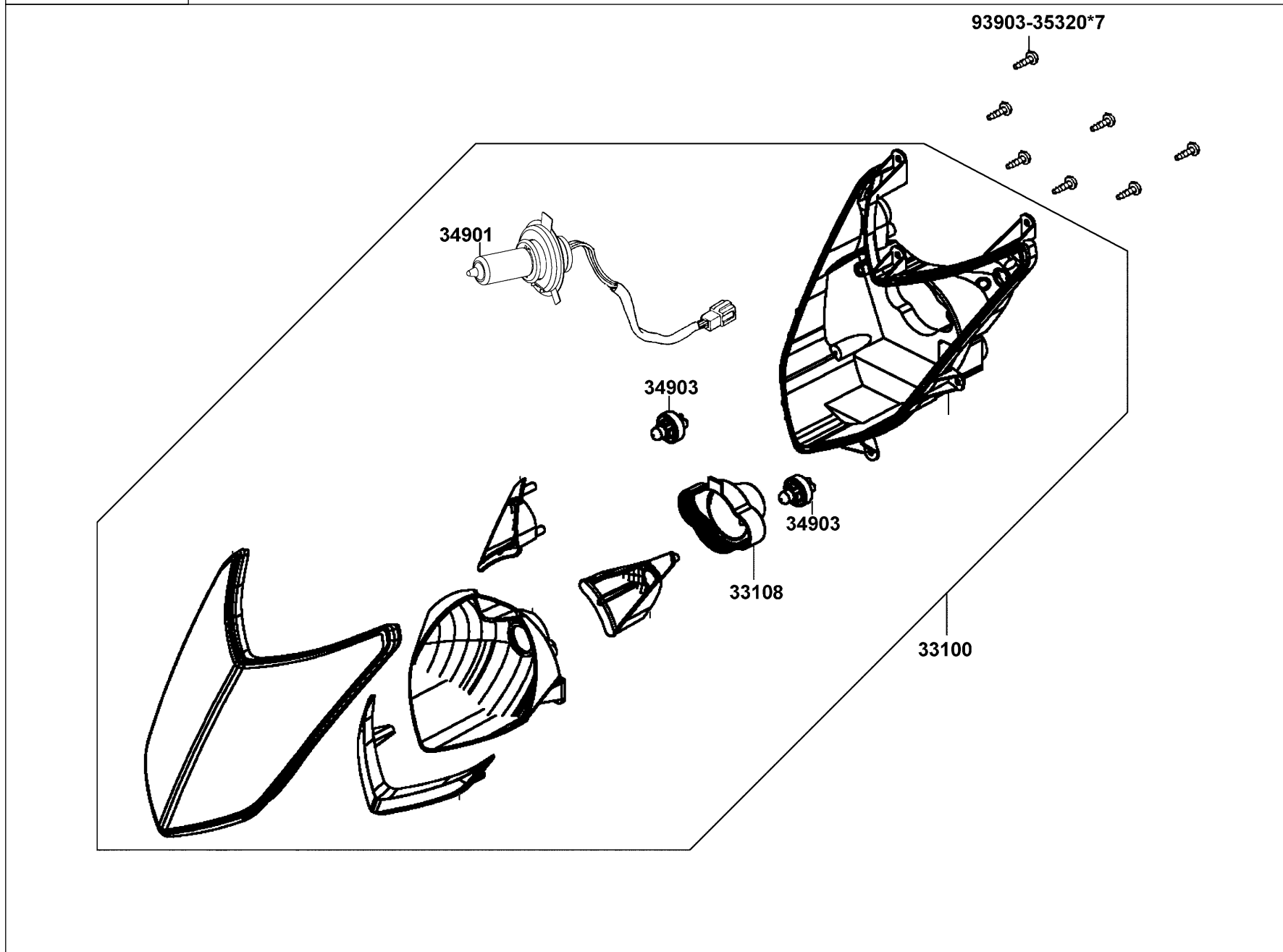
Carburetor



Sales mark	Ref no	Part no	Ver	Description	Reg description	Regd no	E09
	11208	11208-KXCX-901	1	CLAMP BRAKE WIRE	CLAMP BRAKE WIRE	1	
	21200	21200-LEJ3-E00	2	CASE COMP MISSION	CASE COMP MISSION	1	
	21395	21395-LCD3-E0A	1	GASKET MISSION CASE @ A	GASKET MISSION CASE @ A	1	
	23411	23411-KHB4-900	0	SHAFT DRIVEN	SHAFT DRIVEN	1	
	23420	23420-LCD3-E00	1	SHAFT COMP COUNTER	SHAFT COMP COUNTER	1	
	23431	23431-KHB4-900	2	SHAFT FINAL	SHAFT FINAL	1	
	23432	23432-LCD3-E00	1	GEAR FINAL	GEAR FINAL	1	
	91003	91003-KDS4-0040	1	BRG BALL RADIAL 6301TMB	BRG BALL RADIAL 6301TMB	1	
	91009	91009-GLE0-0040	1	BRG BALL RADIAL 6004 UU	BRG BALL RADIAL 6004 UU	1	
	91255	91255-LDC8-E10	4	OIL SEAL 27*42*7	OIL SEAL 27*42*7	1	
	91301	91301-0C53-W10	0	O-RING 7.5*1.5	O-RING 7.5*1.5	1	
	94510	94510-20000	0	CIR CLIP EX 20	CIR CLIP EX 20	1	
	95801	95801-06040-08	0	BOLT FLANGE 6*40	BOLT FLANGE 6*40	1	
	96100	96100-60020-00	0	BRG BALL RADIAL 6002	BRG BALL RADIAL 6002	1	

F01

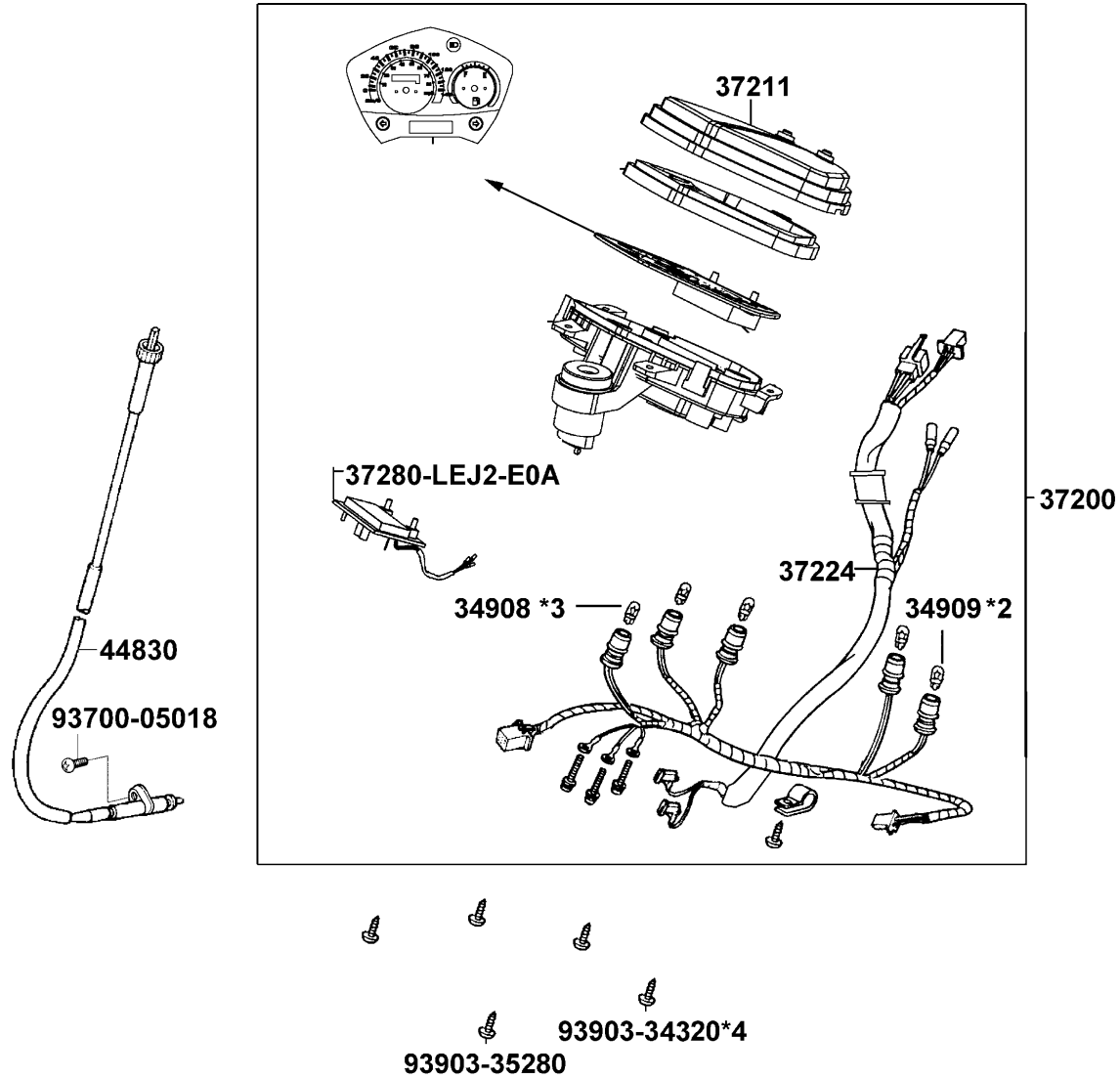
Head Light



Sales mark	Ref no	Part no	Ver	Description	Reg description	Regd no	F01
	33100	33100-LFC2-E10	1	LIGHT ASSY HEAD	LIGHT ASSY HEAD	1	
	33108	33108-LFC2-E10	0	SOCKET COMP HEAD LIGHT	SOCKET COMP HEAD LIGHT	1	
	34901	34901-LDC8-E10	0	BULB HEAD LIGHT	BULB HEAD LIGHT	1	F01
	34903	34903-LDC8-E10	0	BULB POSITION	BULB POSITION	1	
	93903	93903-35320	0	SCREW TAPPING 5*16	SCREW TAPPING 5*16	7	F01

F02

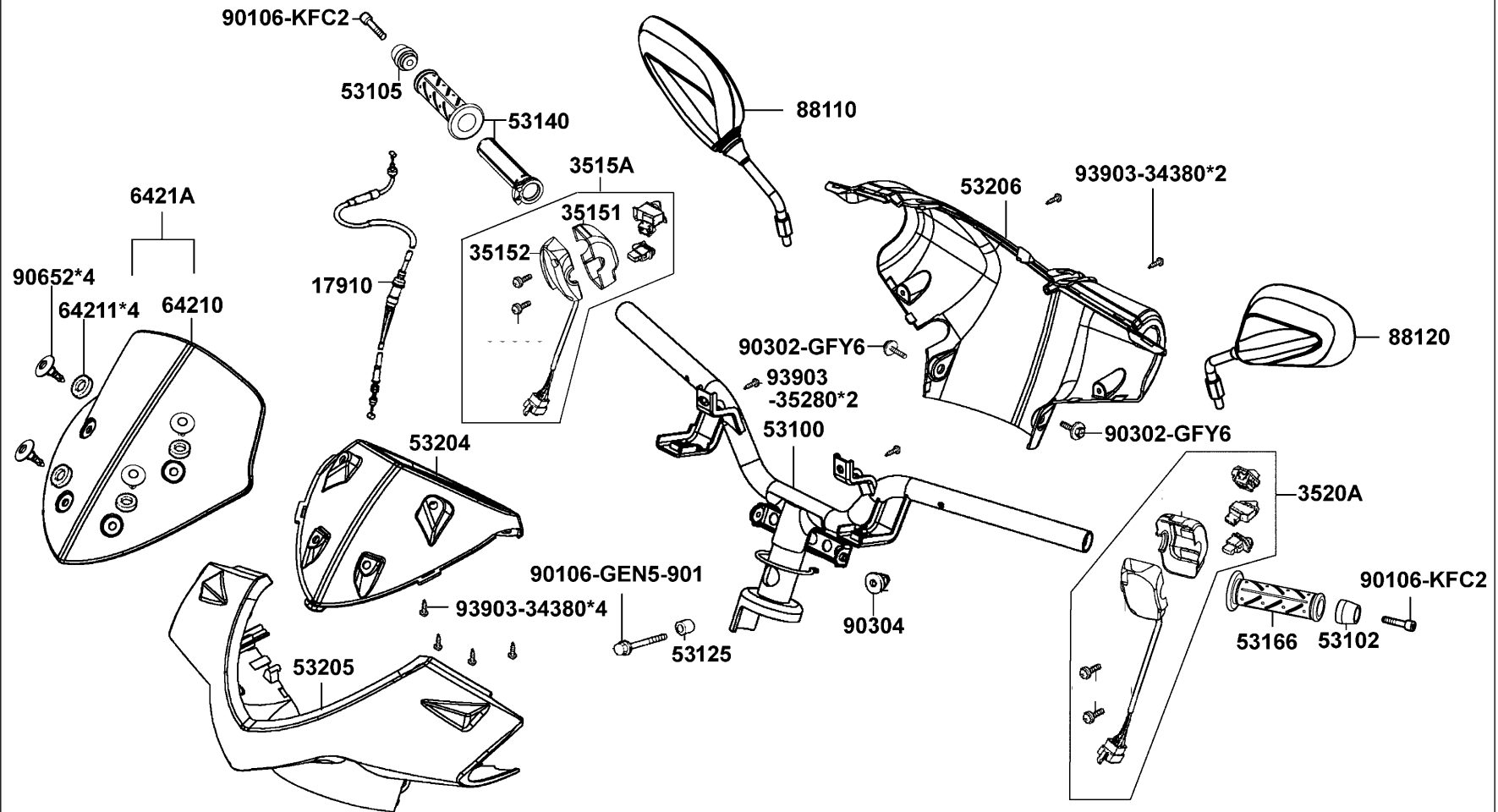
Speedometer



Sales mark	Ref no	Part no	Ver	Description	Reg description	Regd no	F02
	34908	34908-LEJ2-E00	0	BULB WEDGE BASE T10	BULB WEDGE BASE T10	3	
	34909	34909-LEJ2-E00	0	BULB WEDGE BASE T10	BULB WEDGE BASE T10	2	
	37200	37200-LFC3-E10	0	METER ASSY SPEED	METER ASSY SPEED	1	
	37211	37211-LFC2-E10	1	LENS COMP METER	LENS COMP METER	1	
	37224	37224-LFC2-E10	1	"SOCKET COMP.,METER"	"SOCKET COMP.,METER"	1	
	37280-LEJ2-E0A	37280-LEJ2-E0A	0	LCD ASSY (LOCK)	LCD ASSY (LOCK)	1	
	44830	44830-LCD3-E00	4	CABLE COMP SPDMT	CABLE COMP SPDMT	1	
	93700	93700-05018-0H	0	SCREW OVAL 5*18	SCREW OVAL 5*18	1	
	93903-34320	93903-34320	0	SCREW TAPPING 4*12	SCREW TAPPING 4*12	4	
	93903-35280	93903-35280	1	SCREW TAPPING 5*12(K)	SCREW TAPPING 5*12(K)	1	

F03

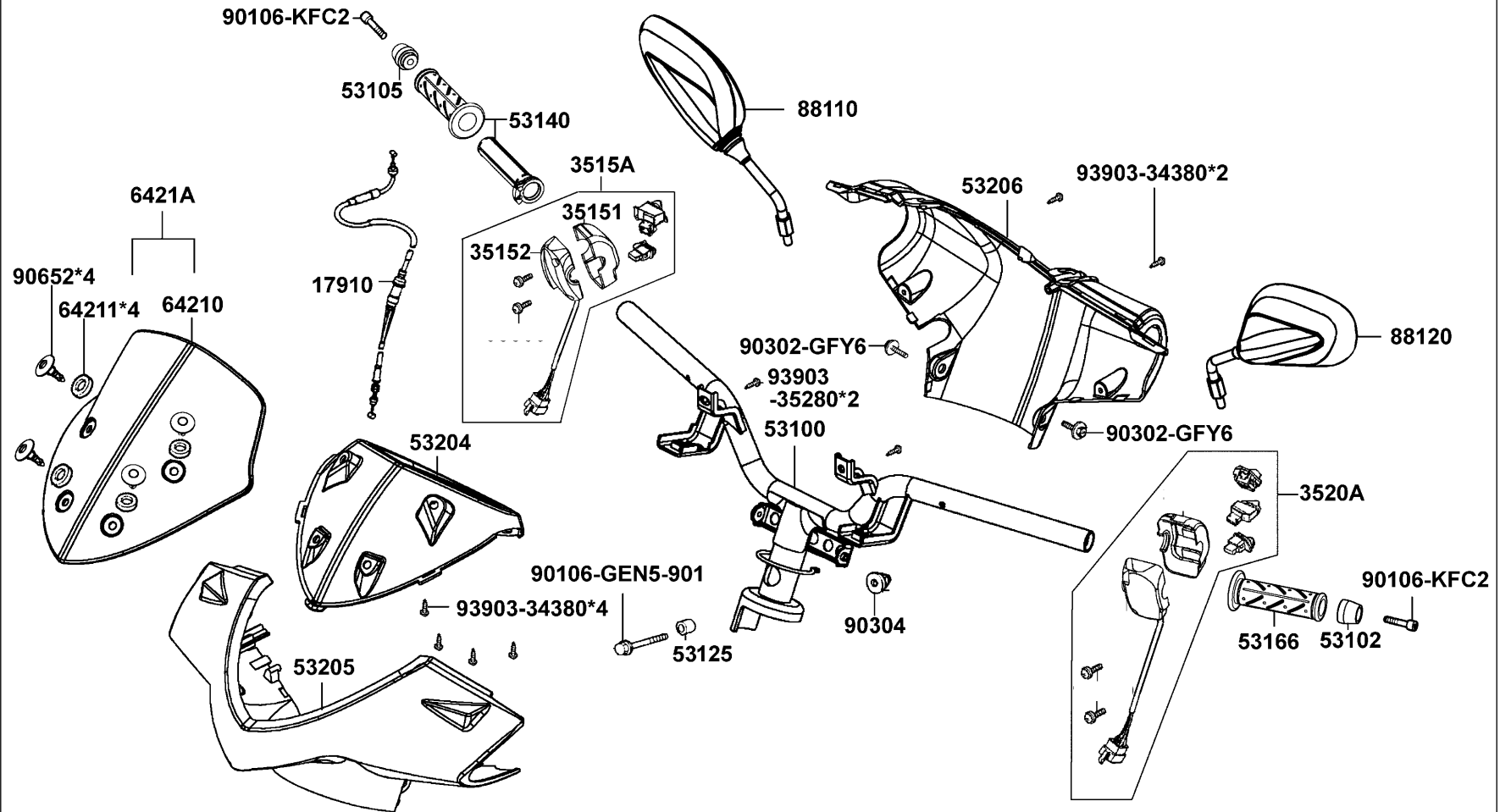
Handle Steering Handle Cover



Sales mark	Ref no	Part no	Ver	Description	Reg description	Regd no	F03
	17910	17910-KHD8-920	1	CABLE COMP THROT	CABLE COMP THROT	1	
	35151	35151-KGBG-910	1	FR CASE RH HNDL COMP SW	FR CASE RH HNDL COMP SW	1	
	35152	35152-KGBG-900	2	RR CASE RH HNDL COMP SW	RR CASE RH HNDL COMP SW	1	
	3515A	3515A-KGBG-E00	3	SW ASSY RH HNDL COMP	SW ASSY RH HNDL COMP	1	
	3520A	3520A-LCD3-E00	1	SW ASSY LH HNDL COMP	SW ASSY LH HNDL COMP	1	
	53100	53100-LFC3-E10	1	HANDLE COMP STRG	HANDLE COMP STRG	1	
	53102	53102-LFC3-E10	1	END HANDLE	END HANDLE	1	
	53105	53105-LFC3-E10	1	END R HANDLE	END R HANDLE	1	
	53125	53125-GEN5-901	0	COLLAR HANDLE SET	COLLAR HANDLE SET	1	
	53140	53140-LEJ2-E10	0	GRIP COMP THROT	GRIP COMP THROT	1	
	53166	53166-LEJ2-E10	0	GRIP L HANDLE	GRIP L HANDLE	1	
**	53204	53204-LFC2-E10	1	COVER METER	COVER METER	1	
**	53205	53205-LFC2-E10	1	COVER HANDLE FR	COVER HANDLE FR	1	
**	53206	53206-LFC2-E10	1	COVER HANDLE RR	COVER HANDLE RR	1	
**	64210	64210-LFC2-E10	1	ASSY METER VISOR	ASSY METER VISOR	1	
	64211	64211-LFC2-E10	1	SPONGE VISOR	SPONGE VISOR	4	
	6421A	6421A-LFC2-E10	0	SPONGE VISOR	SPONGE VISOR	1	
	88110	88110-LEB5-C10	1	MIRROR ASSY R BACK	MIRROR ASSY R BACK	1	
	88120	88120-LEB5-C10	1	MIRROR ASSY L BACK	MIRROR ASSY L BACK	1	
	90106-GEN5	90106-GEN5-901	0	BOLT FLANGE 10*50	BOLT FLANGE 10*50	1	

F03

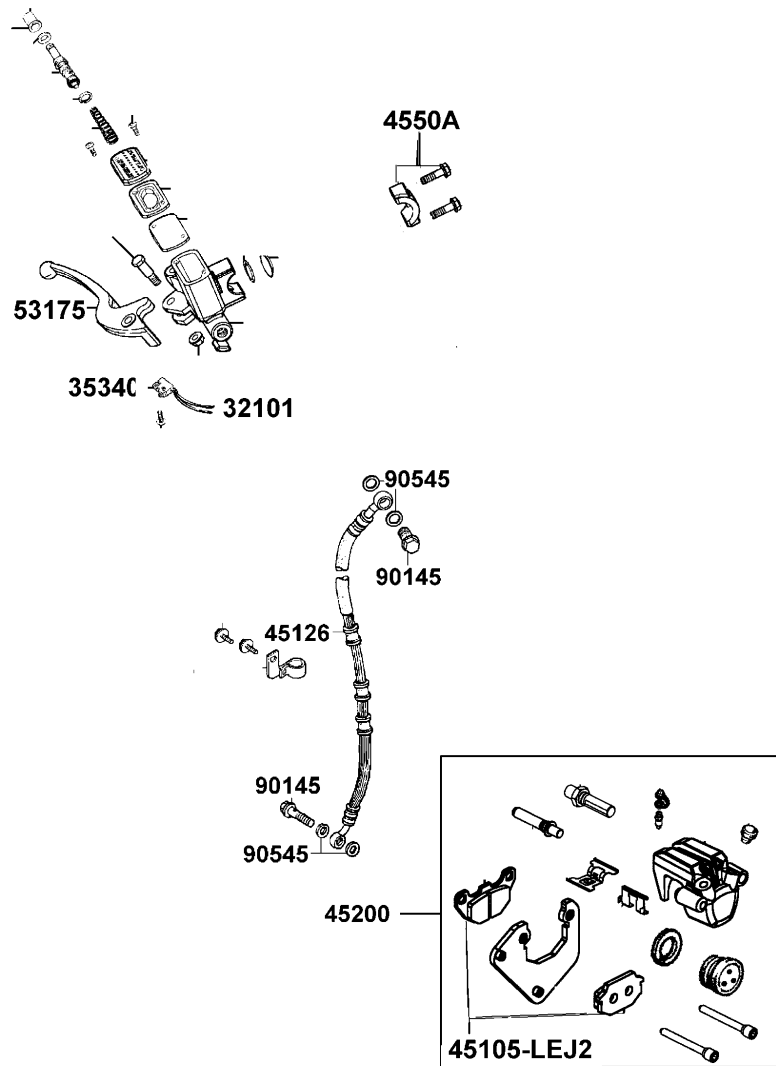
Handle Steering Handle Cover



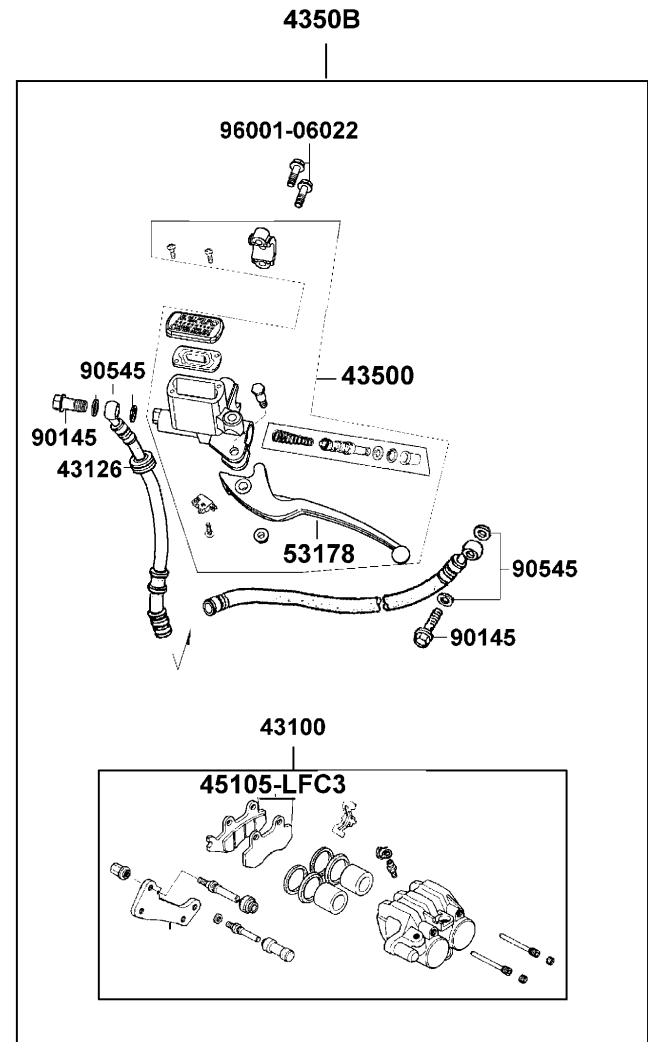
Sales mark	Ref no	Part no	Ver	Description	Reg description	Regd no	F03
	90106-KFC2	90106-KFC2-900	0	BOLT WASH 8MM	BOLT WASH 8MM	2	
	90302	90302-LLB1-E00	2	BOLT-WASHER 5*12	BOLT-WASHER 5*12	2	
#	90304	90304-GHE8-004	0	NUT U 10MM	NUT U 10MM	1	
	90652	90652-LCA4-E00	1	CLIP MUDGUARD	CLIP MUDGUARD	4	
	93903-34380	93903-34380	0	SCREW TAPPING 4*12	SCREW TAPPING 4*12	6	
	93903-35280	93903-35280	1	SCREW TAPPING 5*12(K)	SCREW TAPPING 5*12(K)	2	

F04

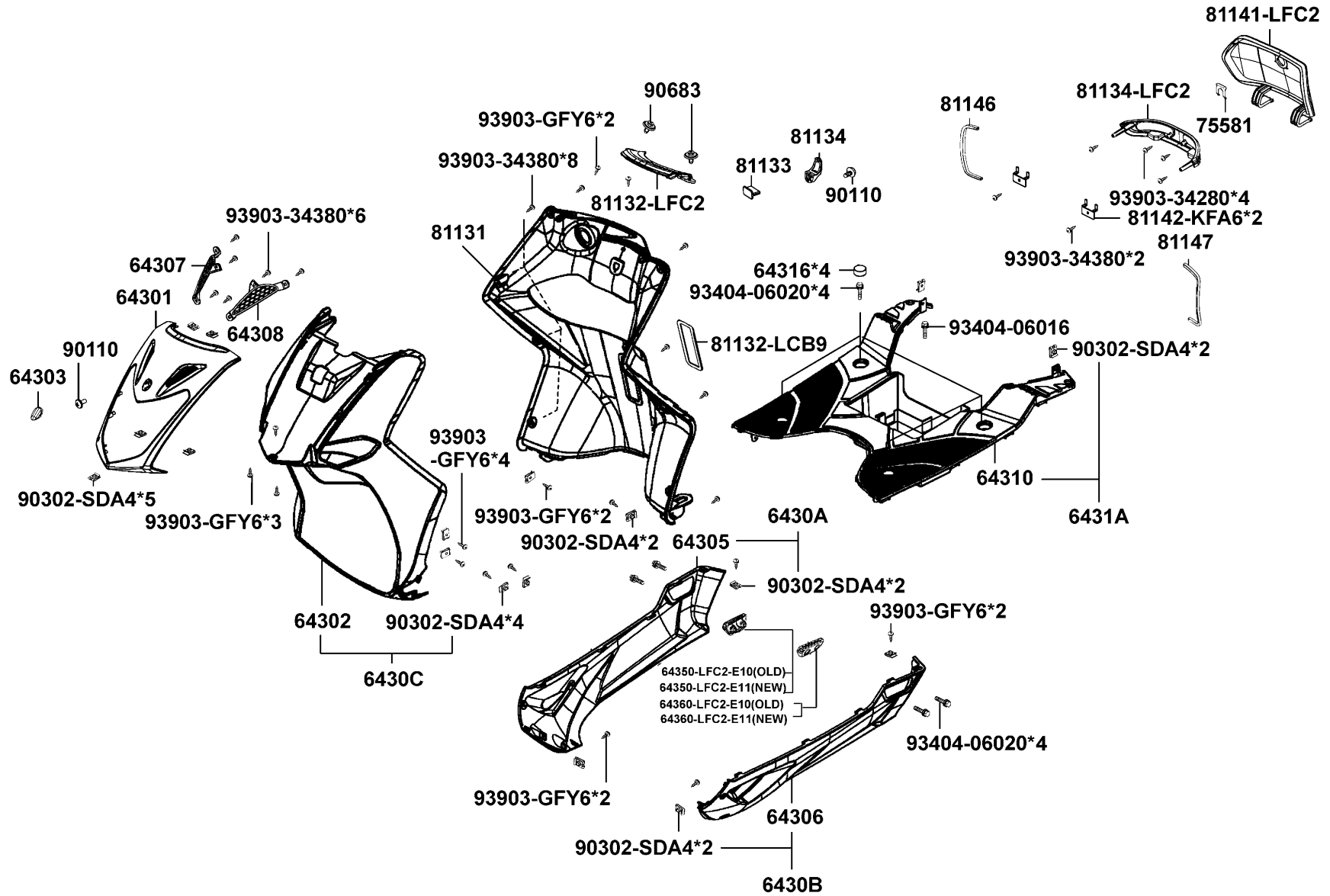
Brake Master Cylinder



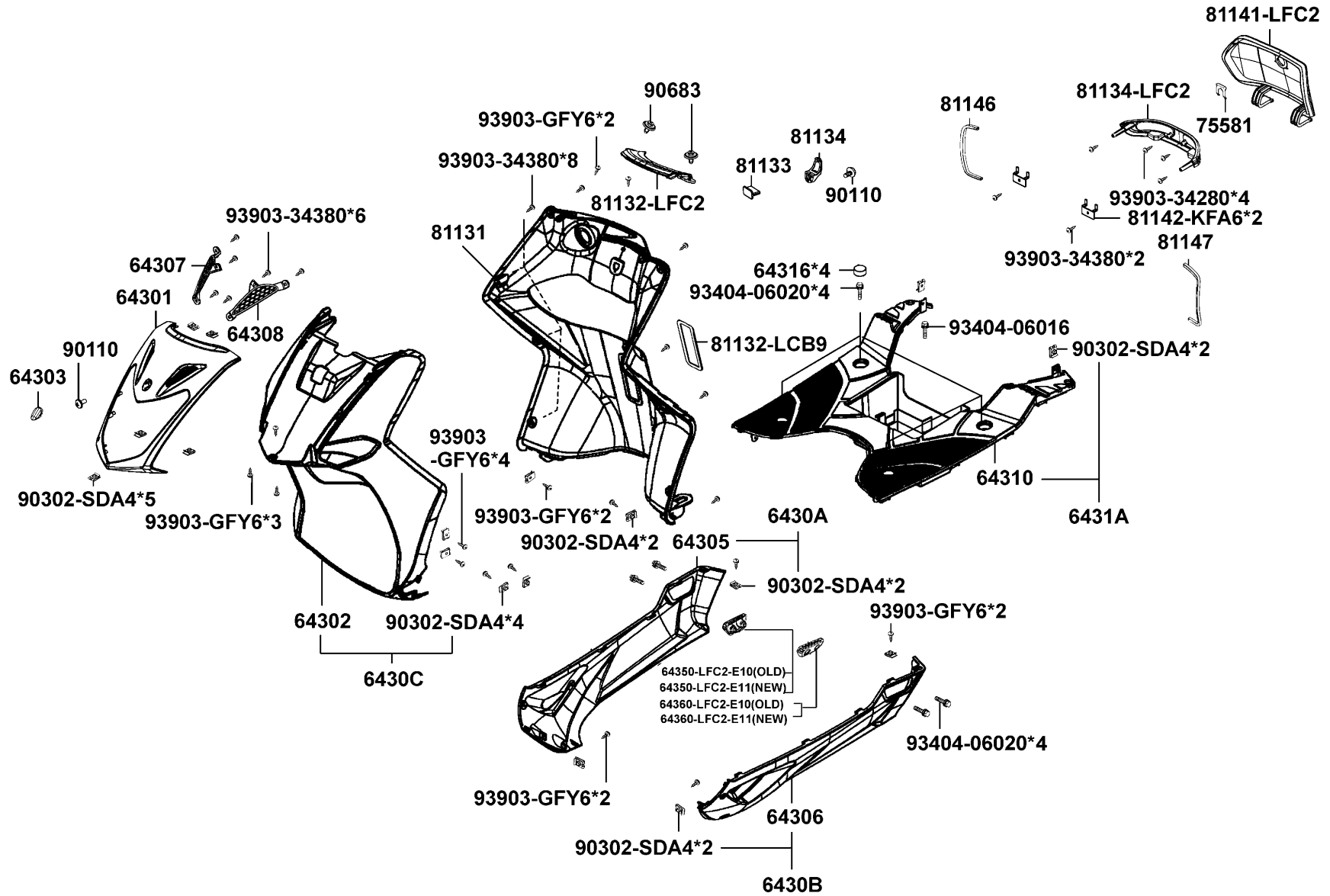
4550B



Sales mark	Ref no	Part no	Ver	Description	Reg description	Regd no	F04
	32101	32101-GFY6-900	0	SUB CORD R/L	SUB CORD R/L	1	
	35340	35340-KFA6-900	0	SW ASSY FR STOP	SW ASSY FR STOP	1	
	43100	43100-LFC3-E10	0	CALIPER ASSY RR BRK	CALIPER ASSY RR BRK	1	
	43126	43126-LFC3-E10	0	HOSE ASSY RR BRK	HOSE ASSY RR BRK	1	
	43500	43500-LFC3-E10	0	M/C ASY FR BRK	M/C ASY FR BRK	0	
	4350B	4350B-LFC3-E10	2	SUB ASSY RR BRK	SUB ASSY RR BRK	1	
	45105-LEJ2	45105-LEJ2-305	0	PAD COMP A&B	PAD COMP A&B	1	
	45105-LFC3	45105-LFC3-305	0	PAD COMP A&B	PAD COMP A&B	1	
	45126	45126-LFC2-E10	1	HOSE ASSY FR BRK	HOSE ASSY FR BRK	1	
	45200	45200-LFC2-E10	1	CALIPER ASSY FR BRK	CALIPER ASSY FR BRK	1	
	4550A	4550A-LFC2-E1A	1	M/C ASSY FR	M/C ASSY FR	1	
	4550B	4550B-LFC2-E10	4	SUB ASSY FR BRK	SUB ASSY FR BRK	1	
	53175	53175-KTCT-9000	0	LEVER R STRG HANDLE	LEVER R STRG HANDLE	0	
	53178	53178-KNBN-901	1	LEVER L STRG HANDLE	LEVER L STRG HANDLE	0	
	90131-GLW0	90131-GLW0-911	0	BOLT FLANGE 8*35	BOLT FLANGE 8*35	2	
	90131-KFAF	90131-KFAF-900	0	BOLT FLANGE 8*42	BOLT FLANGE 8*42	2	
	90145	90145-9A61-9000	1	OIL BOLT 10*22	OIL BOLT 10*22	2	
	90545	90545-3L00-001	2	WASHER OIL BOLT	WASHER OIL BOLT	4	
#	96001-06022	96001-06022-08	0	BOLT FLANGE SH 6*22	BOLT FLANGE SH 6*22	2	



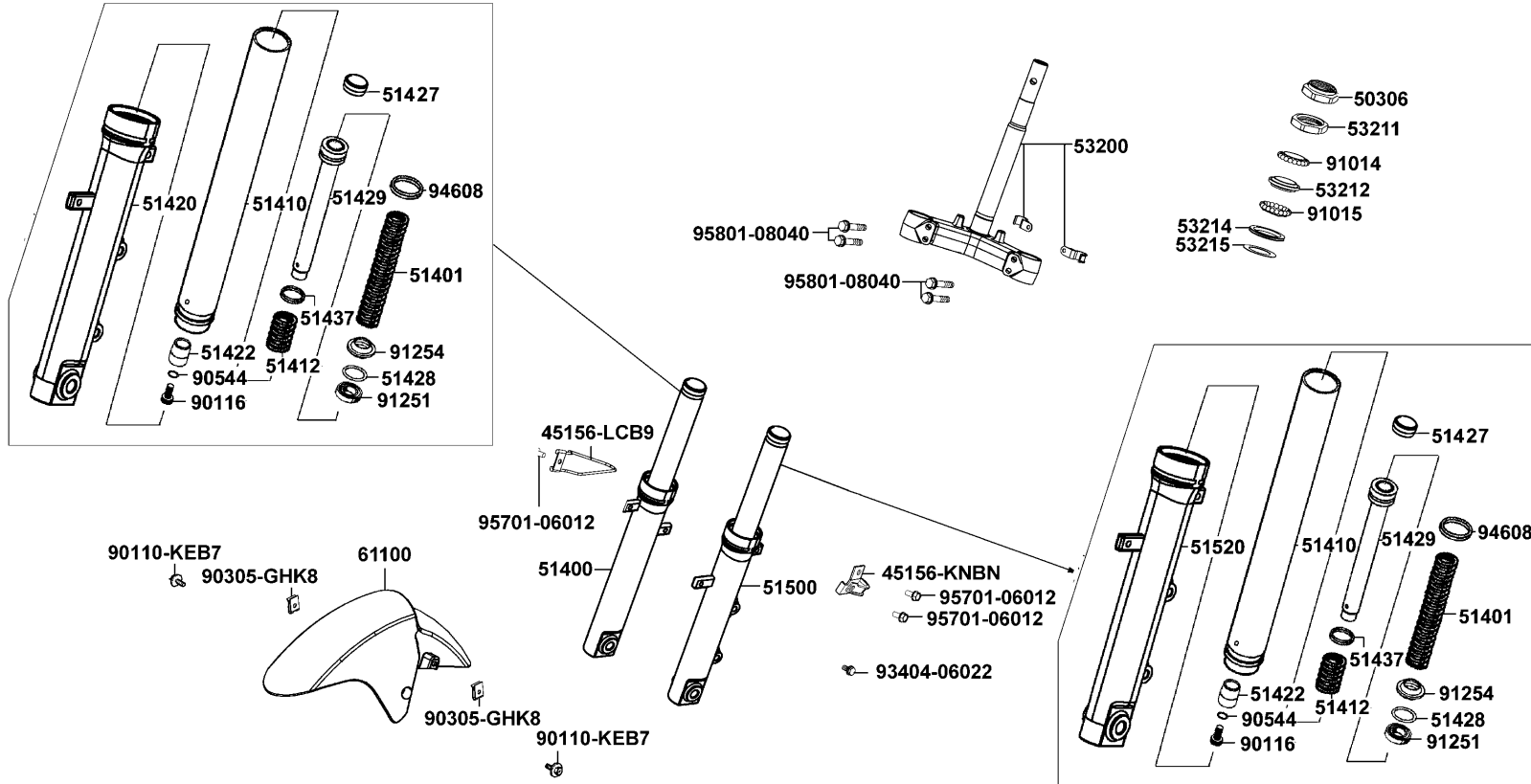
Sales mark	Ref no	Part no	Ver	Description	Reg description	Regd no	F05
**	64301	64301-LFC2-E10	1	COVER FR	COVER FR	1	
**	64302	64302-LFC2-E10	1	MOLD FRONT	MOLD FRONT	1	
**	64303	64303-LFC2-E10	1	CAP FR COVER	CAP FR COVER	1	
**	64305	64305-LFC2-E10	1	SKIRT R SIDE	SKIRT R SIDE	1	
**	64306	64306-LFC2-E10	1	SKIRT L SIDE	SKIRT L SIDE	1	
**	64307	64307-LFC2-E10	1	GRILLE R FR MOLDING	GRILLE R FR MOLDING	1	
**	64308	64308-LFC2-E10	1	GRILLE L FR MOLDING	GRILLE L FR MOLDING	1	
	6430A	6430A-LFC2-E10	1	SKIRT ASSY R SIDE	SKIRT ASSY R SIDE	1	
	6430B	6430B-LFC2-E10	1	SKIRT ASSY L SIDE	SKIRT ASSY L SIDE	1	
	6430C	6430C-LFC2-E10	1	MOLD ASSY FRONT	MOLD ASSY FRONT	1	
**	64310	64310-LFC2-E10	1	FLOOR PANEL	FLOOR PANEL	1	
**	64316	64316-LCB9-C10	0	PLUG FLOOR	PLUG FLOOR	4	
	6431A	6431A-LFC2-E10	1	"FLOOR ASSY., PANEL"	"FLOOR ASSY., PANEL"	1	
	64350-LFC2-E10	64350-LFC2-E10	1	COVER R STEP	COVER R STEP	1	
	64360-LFC2-E10	64360-LFC2-E10	1	COVER L STEP	COVER L STEP	1	
	75581	75581-6C73-0010	1	SET SPG LOCK KET(43*C)	SET SPG LOCK KET(43*C)	1	
**	81131	81131-LFC2-E10	1	LEG SHIELD	LEG SHIELD	1	
	81132-LCB9	81132-LCB9-C10	0	Xc	Xc	1	
**	81132-LFC2	81132-LFC2-E10	1	CAP LEG SHIELD UP	CAP LEG SHIELD UP	1	
	81133	81133-KNBN-901	0	STOPPER LUGGAGE	STOPPER LUGGAGE	1	



Sales mark	Ref no	Part no	Ver	Description	Reg description	Regd no	F05
	81134	81134-LFC2-E10	1	PLATE INNER BOX	PLATE INNER BOX	1	
**	81141	81141-LFC2-E10	1	LID INNER BOX	LID INNER BOX	1	
	81142	81142-KFA6-9000	0	STAY LID INNER BOX	STAY LID INNER BOX	2	
	81146	81146-LFC2-E10	1	SEAL A LID INNER BOX	SEAL A LID INNER BOX	1	
	81147	81147-LFC2-E10	1	SEAL B LID INNER BOX	SEAL B LID INNER BOX	1	
	90110	90110-GLW0-001	0	SCREW SPECIAL 6*14	SCREW SPECIAL 6*14	2	
#	90302-SDA4	90302-SDA4-004	1	NUT SPRING 4MM	NUT SPRING 4MM	2	
	90683	90683-GAR1-004	4	CLIP BODY COVER	CLIP BODY COVER	2	
	93404-06016	93404-06016-07	0	BOLT WASHER 6*16 (K)	BOLT WASHER 6*16 (K)	1	
	93404-06020	93404-06020-07	0	BOLT WASHER 6*20 (K)	BOLT WASHER 6*20 (K)	8	
	93903-34280	93903-34280	0	SCREW TAPPING 4*10 (K)	SCREW TAPPING 4*10 (K)	4	
	93903-34380	93903-34380	0	SCREW TAPPING 4*12	SCREW TAPPING 4*12	16	
	93903-GFY6	93903-GFY6-900	1	SCREW TAPPING 4*14	SCREW TAPPING 4*14	15	

F06

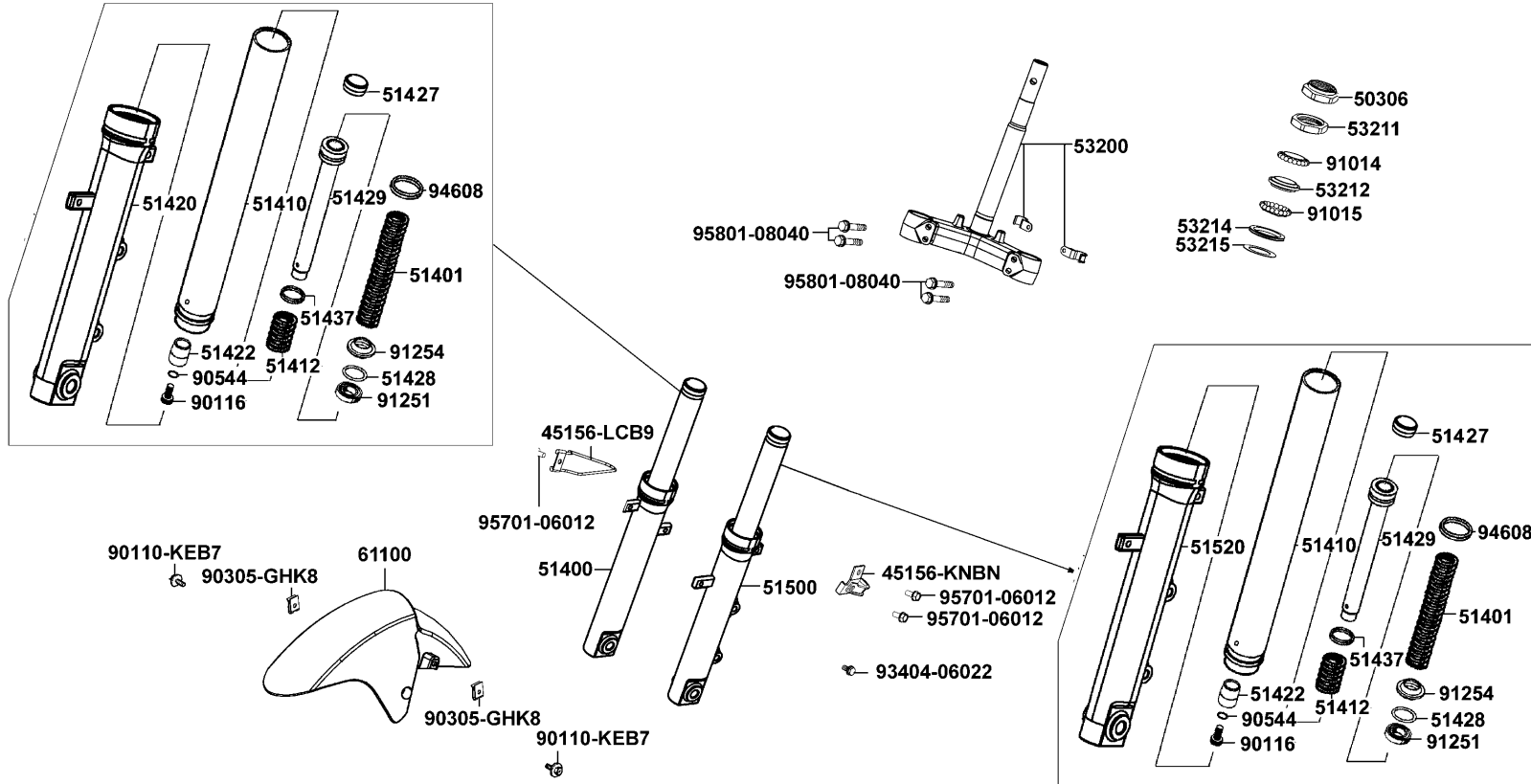
Stem Steering Front Cushion



Sales mark	Ref no	Part no	Ver	Description	Reg description	Regd no	F06
	45156-KNBN	45156-KNBN-902	0	CLAMPER FR BRK HOSE	CLAMPER FR BRK HOSE	1	
	45156-LCB9	45156-LCB9-B20	0	CLAMPER FR SPDMT CABLE	CLAMPER FR SPDMT CABLE	1	
	50306	50306-1F96-001	0	NUT STRG STEM LOCK	NUT STRG STEM LOCK	1	
	51400	51400-LFC3-E10	0	FORK ASSY,R FR	FORK ASSY,R FR	0	
	51401	51401-LEJ2-E10	0	SPRING	SPRING	2	
	51410	51410-LEJ2-E10	0	FORK PIPE COMP	FORK PIPE COMP	2	
	51412	51412-LEJ2-E10	0	REBOUND SPRING	REBOUND SPRING	2	
	51420	51420-LFC2-E10	1	BOTTOM CASE RH	BOTTOM CASE RH	1	
	51422	51422-LEJ2-E10	0	OIL LOCK PIECE	OIL LOCK PIECE	2	
	51427	51427-LEJ2-E10	0	FORK BOLT	FORK BOLT	2	
	51428	51428-LEJ2-E10	0	OIL SEAL STOPPER RING	OIL SEAL STOPPER RING	2	
	51429	51429-LEJ2-E10	0	PIPE SEAT	PIPE SEAT	2	
	51437	51437-LEJ2-E10	0	PISTON RING	PISTON RING	2	
	51500	51500-LFC3-E10	0	FORK ASSY L FR	FORK ASSY L FR	0	
**	51520	51520-LEJ2-E10	0	BOTTOM CASE LH	BOTTOM CASE LH	2	
	53200	53200-LFC2-E10	1	STEM ASSY STRG	STEM ASSY STRG	1	
	53211	53211-GFY6-940	1	RACE STRG TOP CONE	RACE STRG TOP CONE	1	
	53212	53212-2L50-011	1	RACE STRG BOT CONE	RACE STRG BOT CONE	1	
	53214	53214-2L50-001	0	DUST SEAL STRG(HEAD)	DUST SEAL STRG(HEAD)	1	
	53215	53215-2L50-001	0	WASH STRG HDL DUST-SEAL	WASH STRG HDL DUST-SEAL	1	

F06

Stem Steering Front Cushion

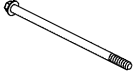


Sales mark	Ref no	Part no	Ver	Description	Reg description	Regd no	F06
**	61100	61100-LFC2-E10	1	FENDER FR	FENDER FR	1	
	90110	90110-KEB7-900	1	SCREW SPECIAL 6*14	SCREW SPECIAL 6*14	2	
	90116	90116-LEJ2-E10	0	?? BOLT	?? BOLT	2	
	90305	90305-GHK8-001	1	NUT CLIP 6MM	NUT CLIP 6MM	2	
	90544	90544-LEJ2-E10	0	PACKINGCUB	PACKINGCUB	1	
	91014	91014-LLJ3-E00	1	CASE STEERING TOPP	CASE STEERING TOPP	1	
	91015	91015-LLJ3-E00	1	CASE STEERING BOT	CASE STEERING BOT	1	
	91251	91251-LEJ2-E10	0	OIL SEAL	OIL SEAL	1	
	91254	91254-LEJ2-E10	0	DUST SEAL	DUST SEAL	1	
	93404	93404-06022-07	0	BOLT WASHER 6*22 (K)	BOLT WASHER 6*22 (K)	2	
	94608	94608-LEJ2-E10	0	O-RING B	O-RING B	1	
#	95701	95701-06012-08	0	BOLT FLANGE 6*12	BOLT FLANGE 6*12	3	
	95801	95801-08040-08	0	BOLT FLANGE 8*40	BOLT FLANGE 8*40	4	

F07

Front Wheel

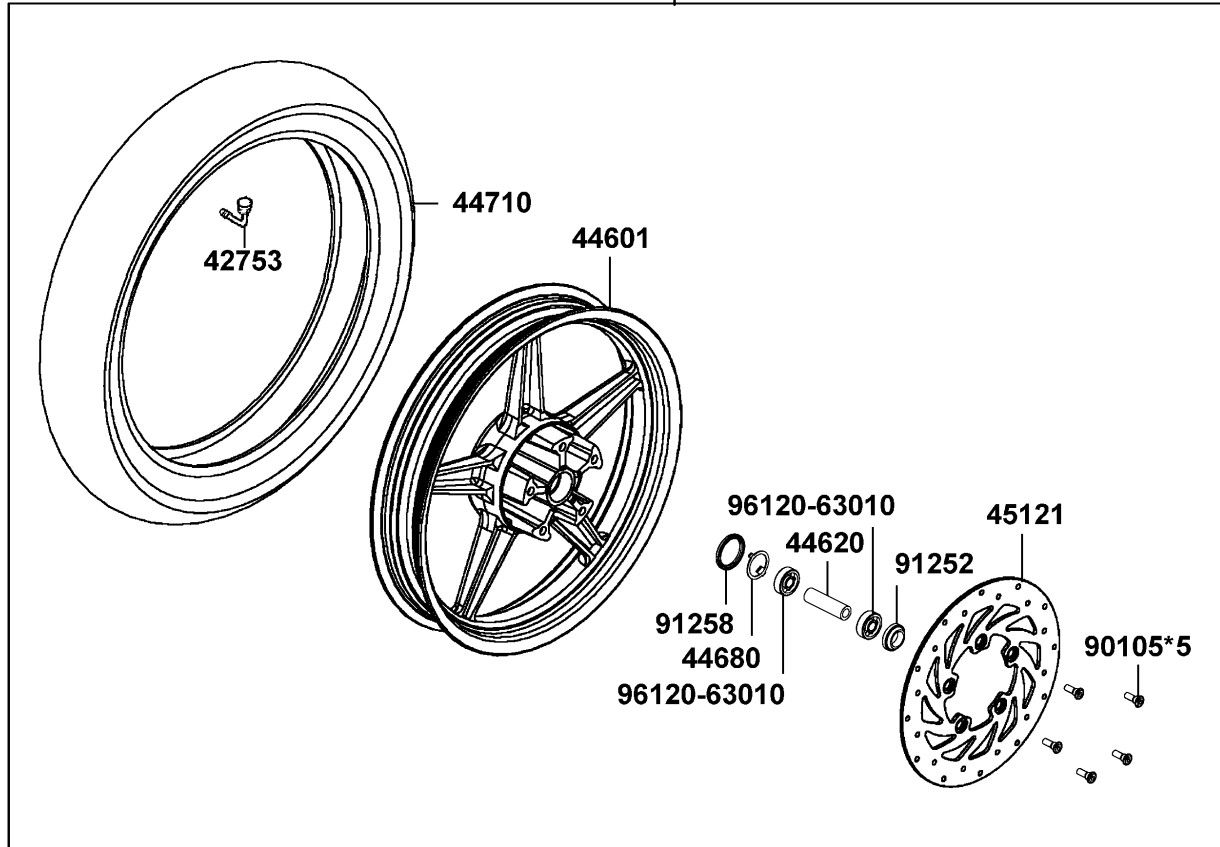
44301



44800



44600



42753

44710

44601

96120-63010

45121

44620

91252

91258

44680

96120-63010

90105*5

90306

44311

Sales mark	Ref no	Part no	Ver	Description	Reg description	Regd no	F07
	42753	42753-0A01-900	1	VALVE (TR 412) & CAP (C)	VALVE (TR 412) & CAP (C)	1	
	44301	44301-LEJ2-E10	1	AXLE FR WHEEL	AXLE FR WHEEL	1	
	44311	44311-LFC2-E10	2	COLLAR FR WHEEL SIDE	COLLAR FR WHEEL SIDE	1	
	44600	44600-LFC2-E10	2	WHEEL ASSY FR	WHEEL ASSY FR	1	
	44601	44601-LFC2-E10	2	WHEEL CAST FR	WHEEL CAST FR	1	
	44620	44620-KFLF-930	1	COLLAR FR DIST	COLLAR FR DIST	1	
	44680	44680-4L10-001	0	RETAINER GEAR BOX	RETAINER GEAR BOX	1	
	44710	44710-LFC2-E10	1	TIRE ASSY FR	TIRE ASSY FR	1	
	44800	44800-KFA6-900	1	GEAR BOX ASSY SPDMT	GEAR BOX ASSY SPDMT	1	
	45121	45121-LCD3-E00	2	DISK FR BRAKE	DISK FR BRAKE	1	
	90105	90105-KCR3-001	1	BOLT FR DISK 8*24	BOLT FR DISK 8*24	5	
	90306	90306-KLF0-004	4	NUT FLANGE 12MM	NUT FLANGE 12MM	1	
	91252	91252-0L30-004	0	OIL SEAL WHEEL 23*37*7	OIL SEAL WHEEL 23*37*7	1	
	91258	91258-4L10-00B	1	SEAL DUST 40*50*5	SEAL DUST 40*50*5	1	
	96120	96120-63010-10	0	BEARING BALL RADIAL 6301	BEARING BALL RADIAL 6301	2	

F08

Rear Wheel

90305-KNBN

90501-KNBN

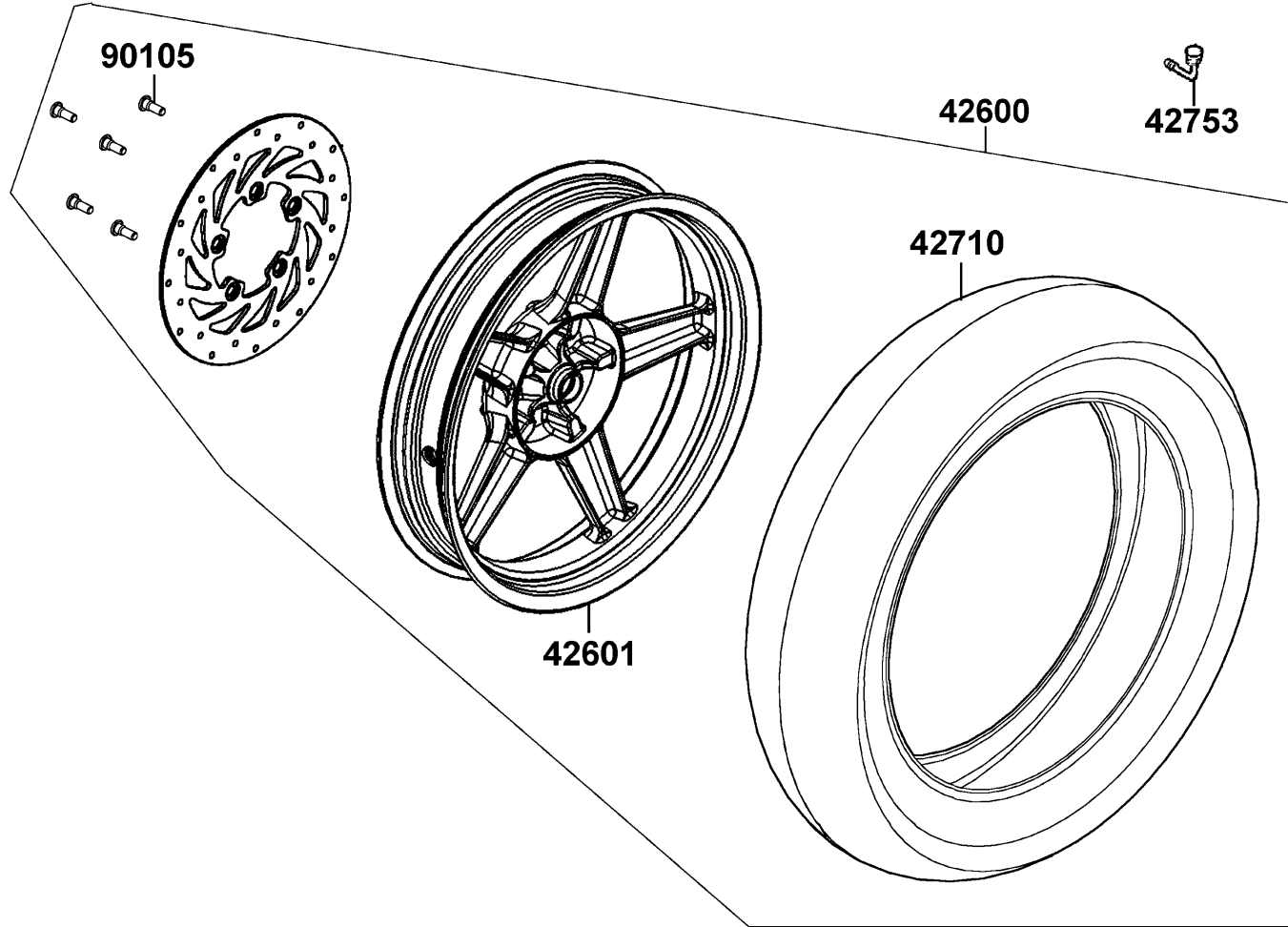
90105

42600

42753

42710

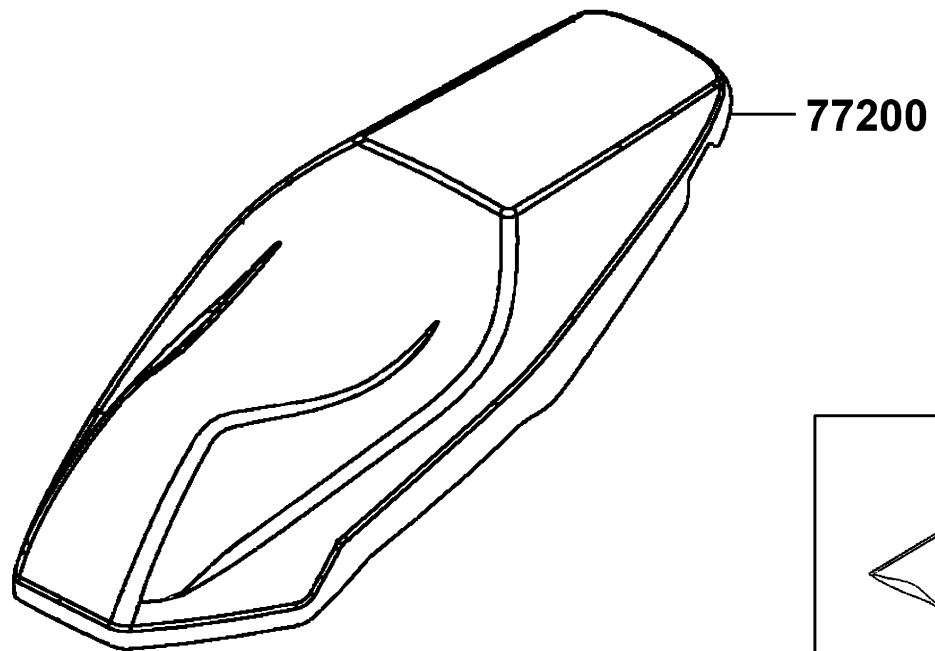
42601



Sales mark	Ref no	Part no	Ver	Description	Reg description	Regd no	F08
	42600	42600-LFC3-E10	1	WHEEL ASSY RR	WHEEL ASSY RR	1	
	42601	42601-LFC3-E10	1	WHEEL COMP RR CAST	WHEEL COMP RR CAST	1	
	42710	42710-LFC2-E10	1	TIRE ASSY RR	TIRE ASSY RR	1	
	42753	42753-0A01-900	1	VALVE (TR 412) & CAP (C)	VALVE (TR 412) & CAP (C)	1	
	90105	90105-KCR3-001	1	BOLT FR DISK 8*24	BOLT FR DISK 8*24	1	
	90305	90305-KNBN-9030-M2	0	NUT U 16MM(C)	NUT U 16MM(C)	1	
	90501	90501-KNBN-901	0	WASHER 16MM	WASHER 16MM	1	

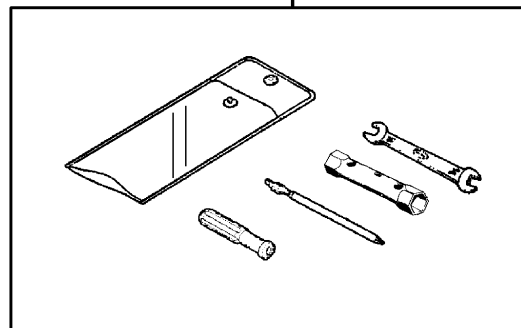
F09

Seat



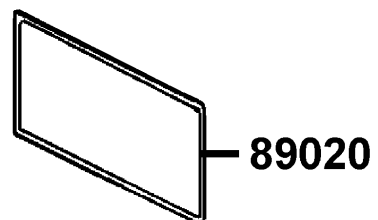
77200

89010



94050-06080-Ⓢ

94050-06080-Ⓢ

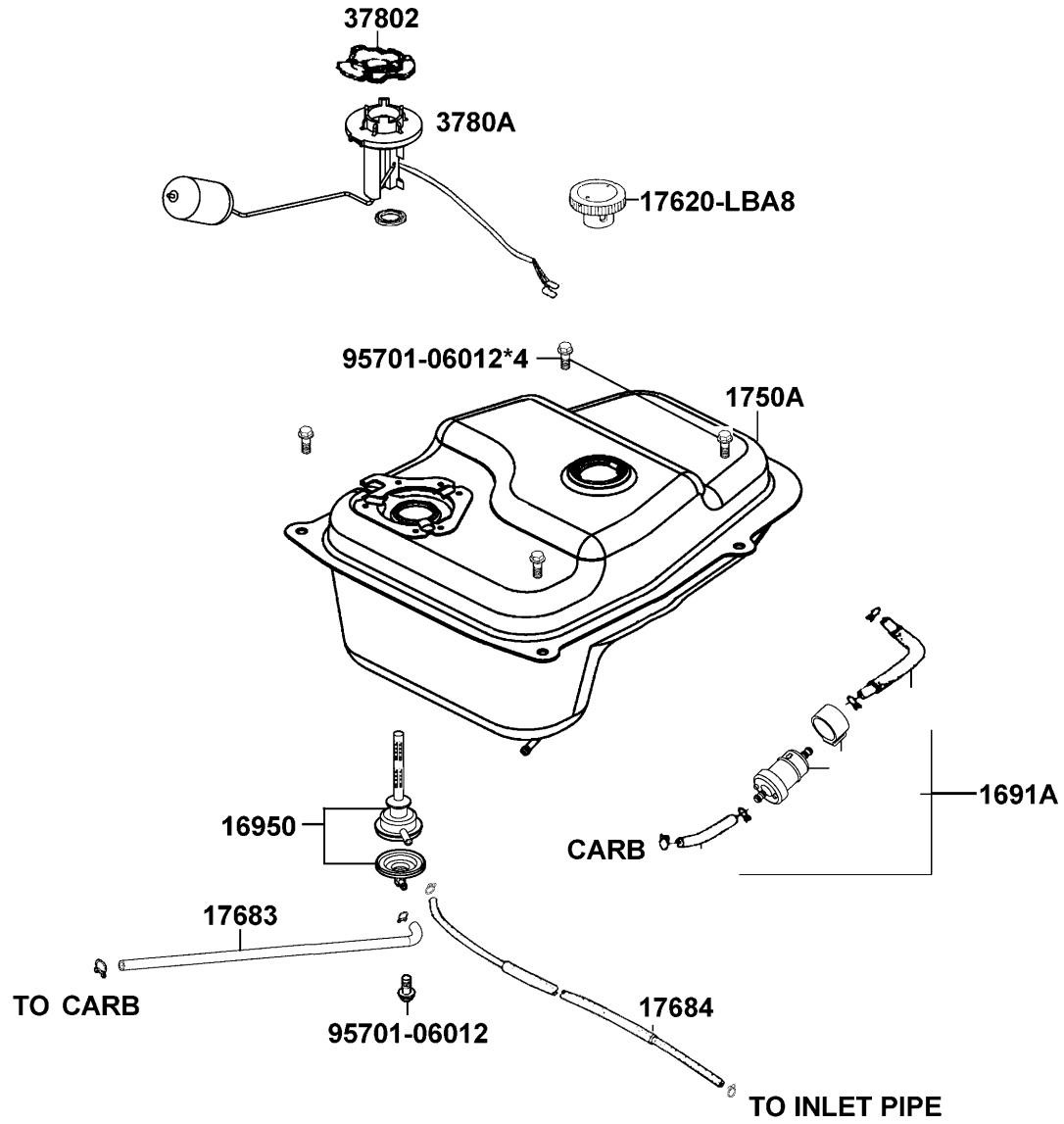


89020

Sales mark	Ref no	Part no	Ver	Description	Reg description	Regd no	F09
	77200	77200-LFC2-E11	0	SEAT ASSY	SEAT ASSY	0	
	89010	89010-KGBG-C00	0	TOOL SET	TOOL SET	1	
	89020	89020-KKC4-900	1	BAND TOOL SET	BAND TOOL SET	1	
#	94050	94050-06080	0	NUT FLANGE 6MM	NUT FLANGE 6MM	2	

F10

Fuel Tank

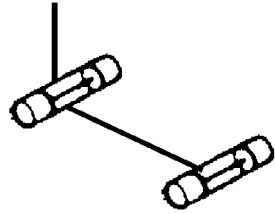


Sales mark	Ref no	Part no	Ver	Description	Reg description	Regd no	F10
	1691A	1691A-LEJ2-E10	0	STRAINER ASSY FUEL	STRAINER ASSY FUEL	1	
	16950	16950-LCA3-B50	0	AUTO COCK ASSY FUEL	AUTO COCK ASSY FUEL	1	
	1750A	1750A-LEJ2-E10	0	TANK COMP FUEL	TANK COMP FUEL	1	
	17620	17620-LBA8-C10	0	CAP FUEL FILLER	CAP FUEL FILLER	1	
	17683	17683-LFC3-E10	1	TUBE ASSY.COCK-CARB	TUBE ASSY.COCK-CARB	1	
	17684	17684-LFC3-E10	1	TUBE ASSY COCK-INLET PIPE	TUBE ASSY COCK-INLET PIPE	1	
	37802	37802-GGA7-701	2	RET FUEL UNIT	RET FUEL UNIT	1	
	3780A	3780A-LEJ2-E10	0	FUEL UNIT ASSY	FUEL UNIT ASSY	1	
#	95701	95701-06012-08	0	BOLT FLANGE 6*12	BOLT FLANGE 6*12	5	

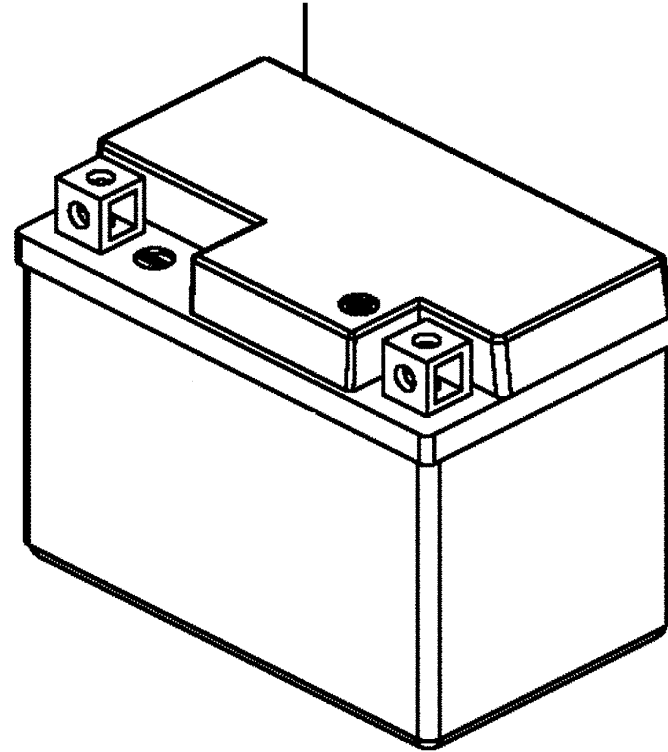
F11

Battery

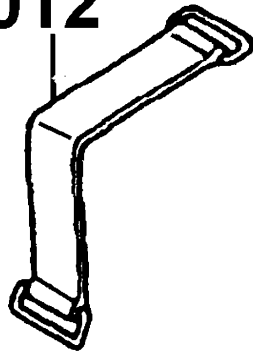
98200-10700



31500



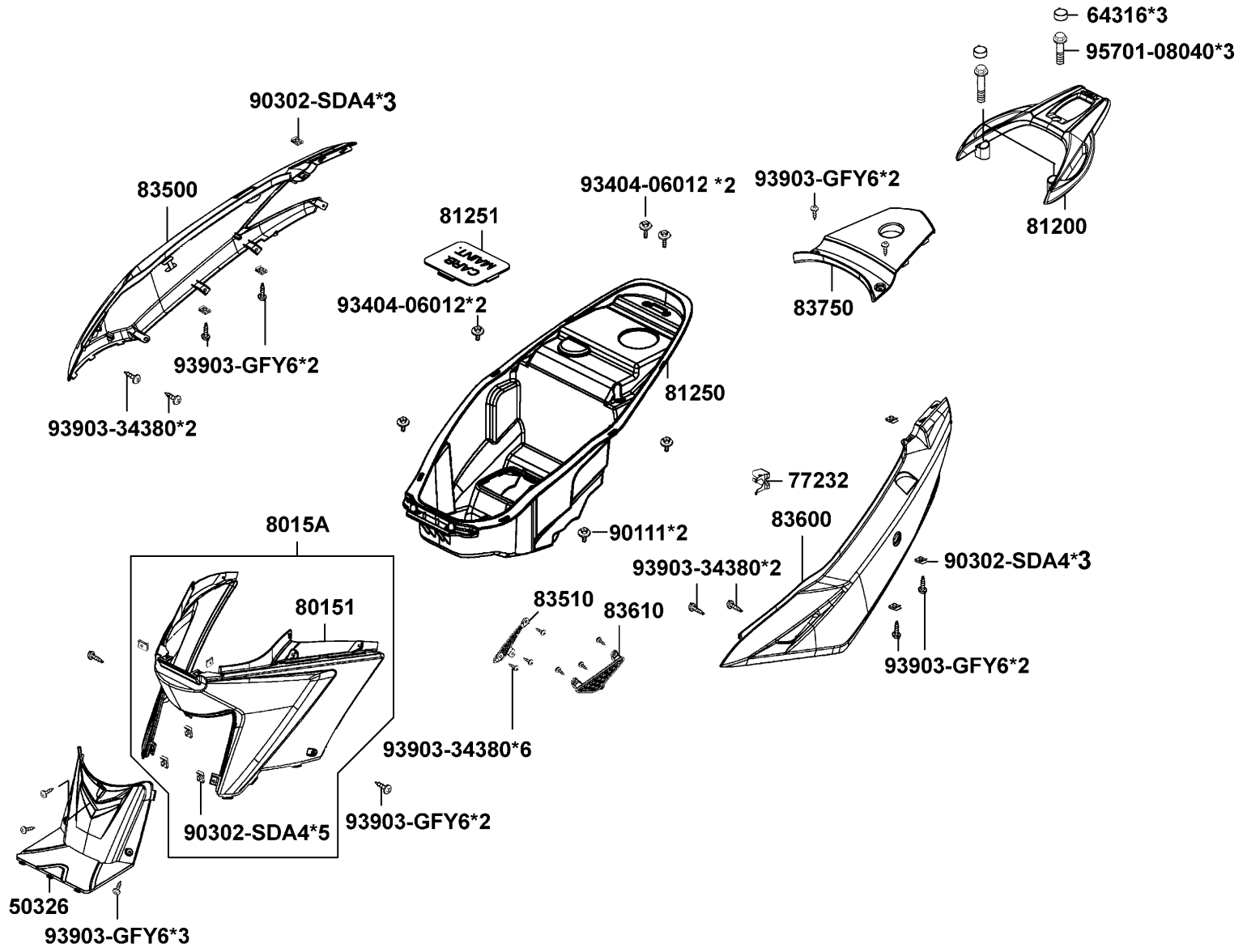
95012



Sales mark	Ref no	Part no	Ver	Description	Reg description	Regd no	F11
	31500	31500-GFY6-9410	3	GTX7A-BS	GTX7A-BS	1	
	95012	95012-LEJ2-E10	0	BAND BATTERY	BAND BATTERY	1	
	98200	98200-10700	0	FUSE A7	FUSE A7	2	

F12

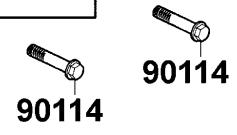
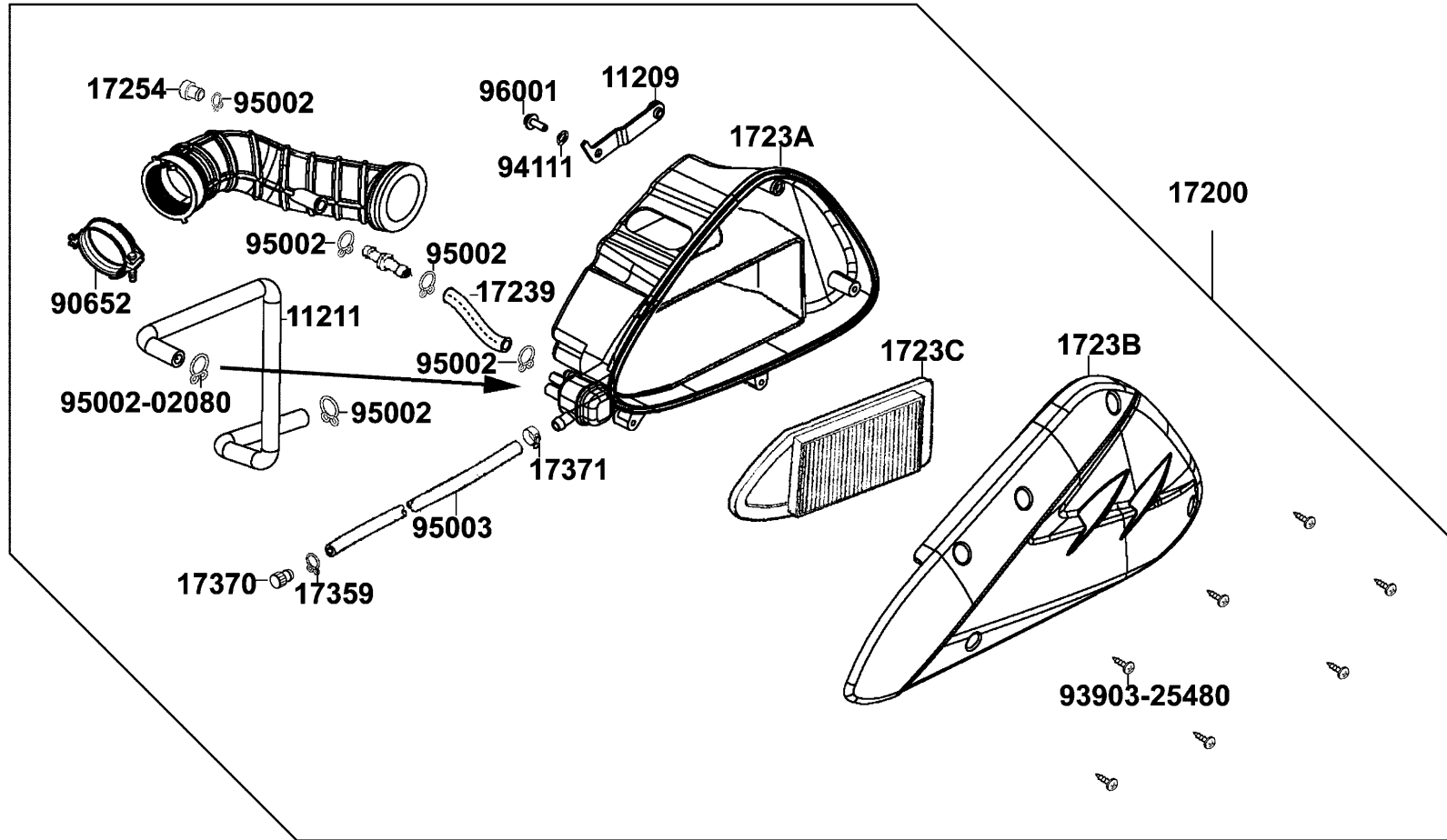
Body Cover Luggage Box



Sales mark	Ref no	Part no	Ver	Description	Reg description	Regd no	F12
**	50326	50326-LFC2-E10	1	COVER BATTERY	COVER BATTERY	1	
**	64316	64316-LCB9-C10	0	PLUG FLOOR	PLUG FLOOR	3	
	77232	77232-KCAC-901	2	SET SPG SEAT LOCK	SET SPG SEAT LOCK	1	
**	80151	80151-LFC2-E10	1	COVER CENTER	COVER CENTER	1	
	8015A	8015A-LFC2-E10	1	COVER ASSY CENTER	COVER ASSY CENTER	1	
	81200	81200-LFC2-E10	1	CARRIER RR	CARRIER RR	1	
	81250	81250-LFC2-E10	1	BOX LUGGAGE	BOX LUGGAGE	1	
	81251	81251-LEJ3-E10	0	COVER CARB MAINT	COVER CARB MAINT	1	
**	83500	83500-LFC2-E10	1	COVER R BODY	COVER R BODY	1	
**	83510	83510-LFC2-E10	1	GRILL R SIDE	GRILL R SIDE	1	
**	83600	83600-LFC2-E10	1	COVER L BODY	COVER L BODY	1	
**	83610	83610-LFC2-E10	1	GRILL L SIDE	GRILL L SIDE	1	
**	83750	83750-LFC2-E10	1	COVER RR CENTER	COVER RR CENTER	1	
	90111	90111-1G87-00A	1	BOLT FLANGE 6MM	BOLT FLANGE 6MM	2	
#	90302	90302-SDA4-004	1	NUT SPRING 4MM	NUT SPRING 4MM	3	
	93404	93404-06012-07	0	BOLT WASH 6*12	BOLT WASH 6*12	4	
	93903-34380	93903-34380	0	SCREW TAPPING 4*12	SCREW TAPPING 4*12	10	
	93903-GFY6	93903-GFY6-900	1	SCREW TAPPING 4*14	SCREW TAPPING 4*14	11	
	95701	95701-08040-08	0	BOLT FLANGE 8*40	BOLT FLANGE 8*40	3	

F13

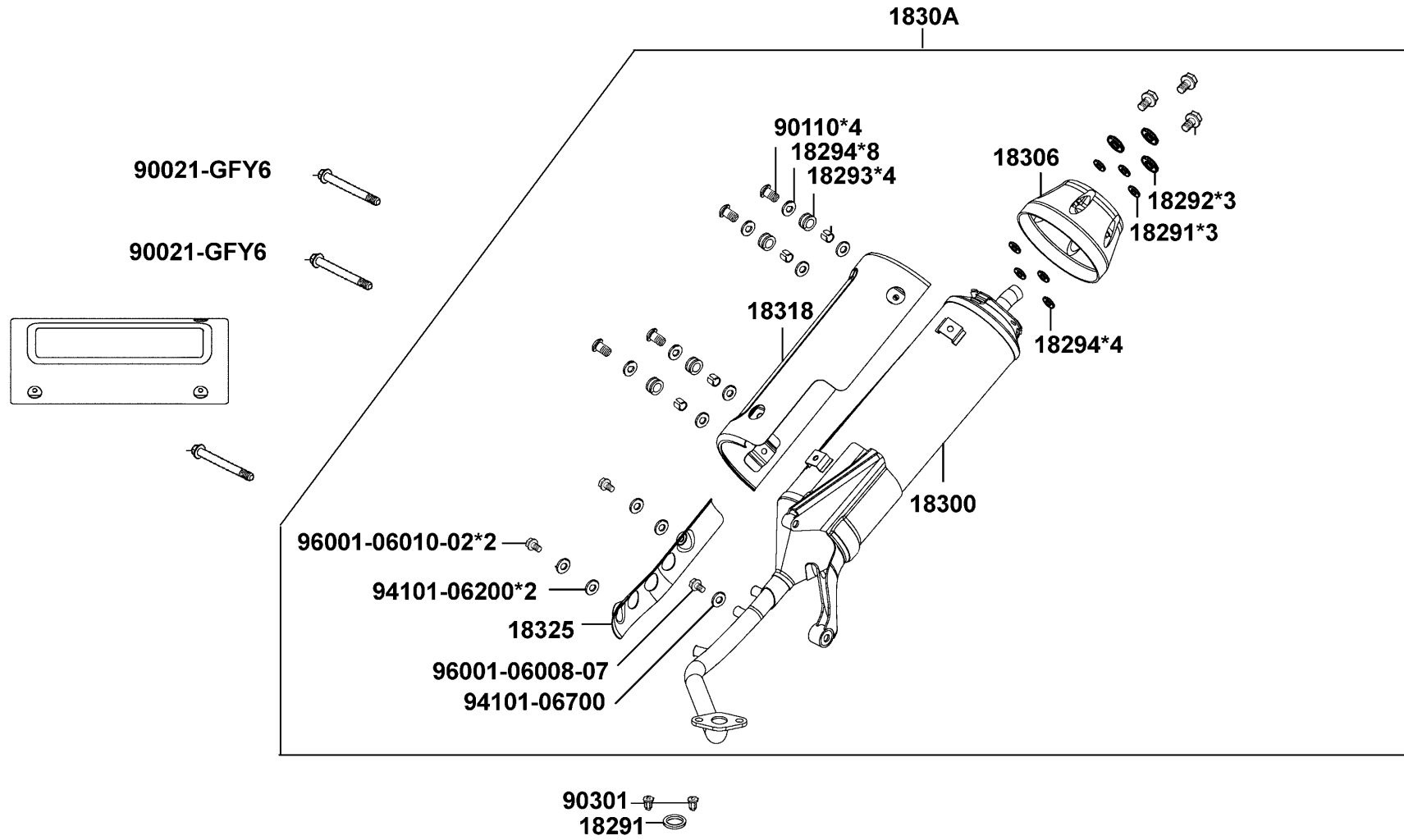
Air Cleaner



Sales mark	Ref no	Part no	Ver	Description	Reg description	Regd no	F13
	11209	11209-LCD3-E00	3	STAY B RR FENDER	STAY B RR FENDER	1	
	11211	11211-KHB4-900	0	TUBE BREATHER	TUBE BREATHER	1	
	17200	17200-LEJ3-E10	0	AIR/C ASSY	AIR/C ASSY	1	
	17239	17239-KHB4-900	0	TUBE AIR/C BLOW BY	TUBE AIR/C BLOW BY	1	
	1723A	1723A-LCD3-E00	1	CASE ASSY AIR/C	CASE ASSY AIR/C	1	
	1723B	1723B-LEJ3-E10	0	COVER ASSY AIR/C	COVER ASSY AIR/C	1	
	1723C	1723C-KHB4-900	0	ELEMENT ASSY AIR/C	ELEMENT ASSY AIR/C	0	
	17254	17254-KACA-P00	0	JOINT PURGE TUBE	JOINT PURGE TUBE	1	
	17359	17359-4K19-671	0	JOINT BREATHER TUBE	JOINT BREATHER TUBE	1	
	17370	17370-4K19-701	0	PLUG BREATHER TUBE	PLUG BREATHER TUBE	1	
	17371	17371-1D74-671	0	CLIP BREATHER TUBE	CLIP BREATHER TUBE	1	
	90114	90114-GDM4-011	1	BOLT FLANGE 6*28	BOLT FLANGE 6*28	2	
	90652	90652-GFY6-901	1	BAND 49 AIR/C CONNECTING TUBE	BAND 49 AIR/C CONNECTING	1	
	93903	93903-25480	0	SCREW TAPPING 5x20 (G)	SCREW TAPPING 5x20 (G)	1	
	94111	94111-06800	0	WASHER SPG 6MM	WASHER SPG 6MM	1	
	95002-02080	95002-02080	0	CLIP B8 TUBE	CLIP B8 TUBE	1	
	95002-02130	95002-02130	0	CLIP B 12.5 TURE	CLIP B 12.5 TURE	5	
	95003	95003-23029-60	0	V TUBE 8*12*290	V TUBE 8*12*290	1	
	96001	96001-GFY6-900	1	BOLT SPECIAL 5*10	BOLT SPECIAL 5*10	1	

F14

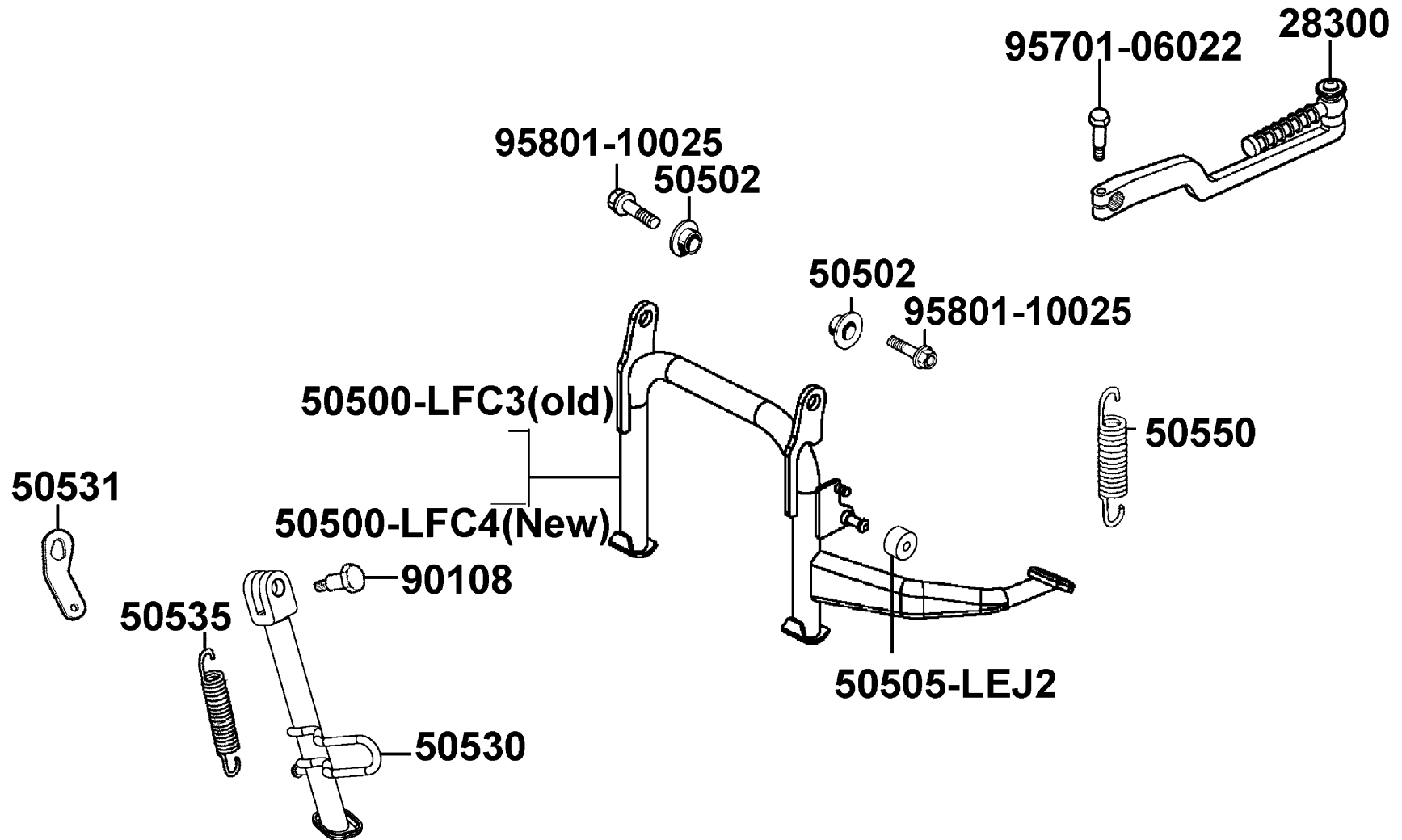
Exhaust Muffler



Sales mark	Ref no	Part no	Ver	Description	Reg description	Regd no	F14
	18291-GGA7	18291-GGA7-001	1	GASKET EXH PIPE	GASKET EXH PIPE	1	
	18291-KKC4	18291-KKC4-900	0	COLLAR	COLLAR	3	
	18292	18292-KEBE-900	0	PACKING PROTECTOR	PACKING PROTECTOR	3	
	18293	18293-KECE-900	0	RUBBER A PROTECTOR	RUBBER A PROTECTOR	4	
	18294	18294-KEBE-900	0	PACKING PROTECTOR	PACKING PROTECTOR	12	
	18300	18300-LFC3-E10	2	MUFFLER COMP EXH	MUFFLER COMP EXH	1	
	18306	18306-LEJ2-900	3	TAIL CAP MUFFLER	TAIL CAP MUFFLER	1	
	1830A	1830A-LFC3-E10	3	MUFFLER ASSY EXH	MUFFLER ASSY EXH	1	
	18318	18318-LCD3-E10	5	PROTECTOR MUFF	PROTECTOR MUFF	1	
	18325	18325-LFC3-E10	2	PROTECTOR EXH PIPE	PROTECTOR EXH PIPE	1	
	90021	90021-GFY6-900	2	BOLT WASHER COMP	BOLT WASHER COMP	3	
	90110	90110-LCD4-E00	0	SCREW SPECIAL 6*16	SCREW SPECIAL 6*16	4	
	90301	90301-GFY6-901	2	NUT (HEX) CAP 8MM	NUT (HEX) CAP 8MM	2	
	94101-06200	94101-06200	0	WASHER PLAIN 6MM	WASHER PLAIN 6MM	2	
	94101-06700	94101-06700	0	WASHER PLAIN 6MM	WASHER PLAIN 6MM	1	
	96001-06008	96001-06008-07	0	BOLT FLANGE SH 6*8	BOLT FLANGE SH 6*8	1	
	96001-06010	96001-06010-02	0	BOLT FLANGE SH 6*10	BOLT FLANGE SH 6*10	2	

F15

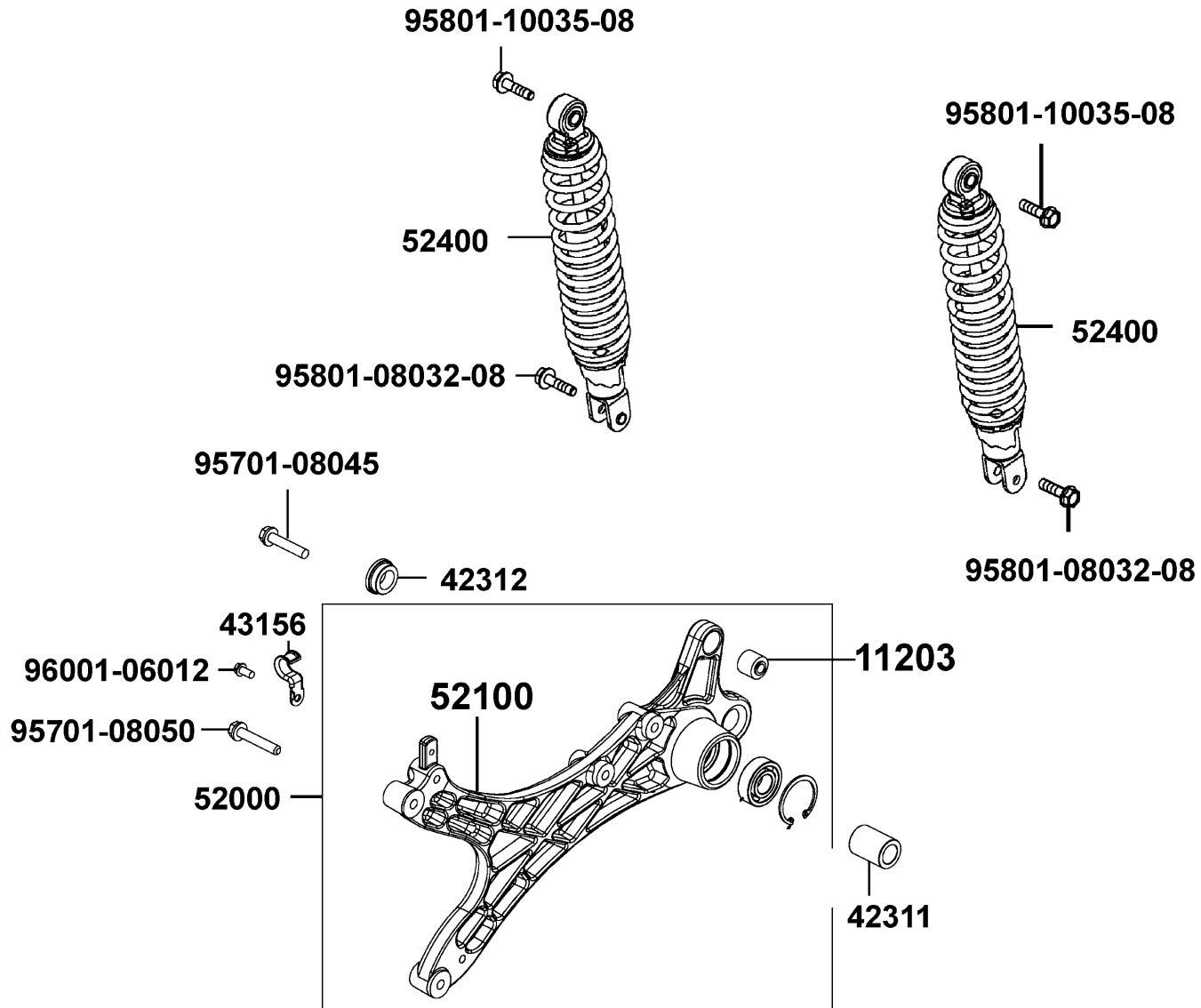
Stand Kick Starter Arm



Sales mark	Ref no	Part no	Ver	Description	Reg description	Regd no	F15
	28300	28300-LEJ3-E10	0	ARM ASSY KICK STARTER	ARM ASSY KICK STARTER	1	
	50500-LFC3	50500-LFC3-E10	3	STAND COMP MAIN	STAND COMP MAIN	1	
	50500-LFC4	50500-LFC4-E10	3	STAND COMP MAIN	STAND COMP MAIN	1	
	50502	50502-LDF7-E10	0	COLLAR,MAIN STAND	COLLAR,MAIN STAND	2	
	50505	50505-LEJ2-E11	2	STOPPER RUBBER	STOPPER RUBBER	1	
	50530	50530-LFC2-E10	3	BAR SIDE STAND	BAR SIDE STAND	1	
	50531	50531-KEB7-E00	1	PLATE SPRING STOPPER	PLATE SPRING STOPPER	1	
	50535	50535-KEB7-W10	3	SPRING COMP SIDE STAND	SPRING COMP SIDE STAND	1	
	50550	50550-KEB7-E00	1	SPG ASSY MAIN STAND	SPG ASSY MAIN STAND	1	
	90108	90108-KFA6-E00	1	SCREW SIDE STAND	SCREW SIDE STAND	1	
	95701	95701-06022-07	0	BOLT FLANGE 6*22 (K)	BOLT FLANGE 6*22 (K)	1	
	95801	95801-10025-08	0	BOLT FLANGE 10*25	BOLT FLANGE 10*25	2	

F16

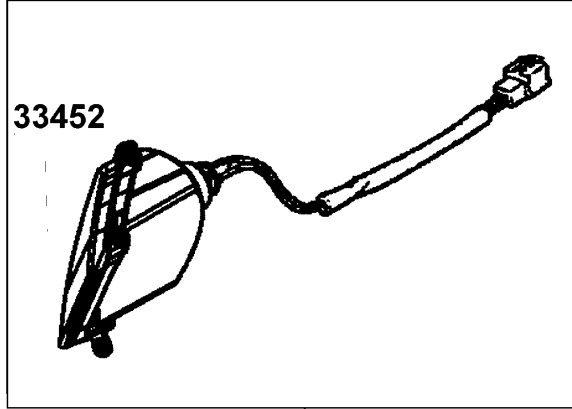
Rear Cushion



Sales mark	Ref no	Part no	Ver	Description	Reg description	Regd no	F16
	11203	11203-GGC7-3010	0	UNDER RUBBER BUSH REAR	UNDER RUBBER BUSH REAR	1	
	42311	42311-KHB4-900	2	COLLAR RR AXLE A	COLLAR RR AXLE A	1	
	42312	42312-LEJ2-E10	0	COLLAR RR AXLE SIDE	COLLAR RR AXLE SIDE	1	
	43156	43156-LFC3-E10	1	CLAMPER HOSE RR	CLAMPER HOSE RR	1	
	52000	52000-LFC3-E10	3	FORK ASSY RR	FORK ASSY RR	1	
	52100	52100-LFC3-E10	0	FORK COMP RR	FORK COMP RR	1	
	52400	52400-LFC3-E10	2	CUSHION ASSSY RR	CUSHION ASSSY RR	2	
	95701-08045	95701-08045-08	0	BOLT FLANGE 8*45	BOLT FLANGE 8*45	1	
	95701-08050	95701-08050-08	0	BOLT FLANGE 8*50	BOLT FLANGE 8*50	1	
	95801-08032	95801-08032-08	0	BOLT FLANGE 8*32(C)	BOLT FLANGE 8*32(C)	2	
	95801-10035	95801-10035-08	0	BOLT FLANGE 10*35	BOLT FLANGE 10*35	2	
	96001-06012	96001-06012-00	0	BOLT FLANGE SH 6*12	BOLT FLANGE SH 6*12	1	

F17

Front Winker

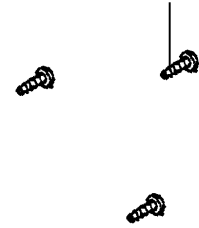


33450

93903-34380*4



93903-34380*4

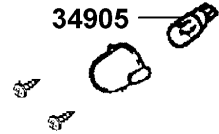


33400

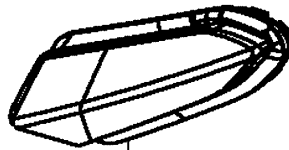
93901-34220

33405

34905



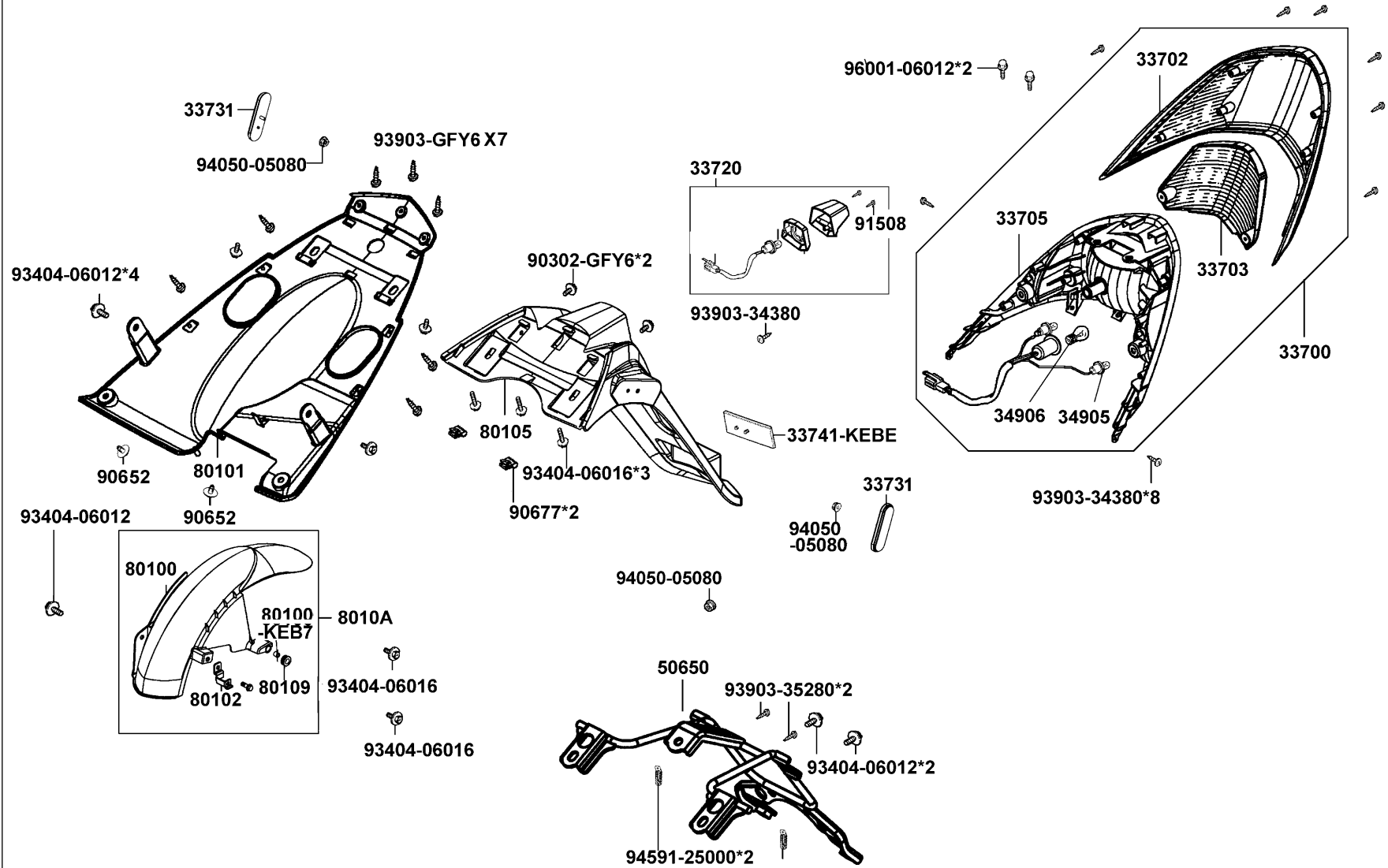
33402



Sales mark	Ref no	Part no	Ver	Description	Reg description	Regd no	F17
	33400	33400-LFC2-E10	1	WINKER ASSY RH FR	WINKER ASSY RH FR	1	
	33402	33402-LFC2-E10	1	LENS R FR WINKER	LENS R FR WINKER	1	
	33405	33405-LFC2-E10	0	BASE,R,FR.WINKER	BASE,R,FR.WINKER	1	
	33450	33450-LFC2-E10	1	WINKER ASSY LH FR	WINKER ASSY LH FR	1	
	33452	33452-LFC2-E10	0	LENS L FR WINKER	LENS L FR WINKER	1	
	34905	34905-LBA8-E80	0	BULB WINKER	BULB WINKER	1	
	93901-34220	93901-34220	0	SCREW TAPPING 4*10	SCREW TAPPING 4*10	1	
	93903-34380	93903-34380	0	SCREW TAPPING 4*12	SCREW TAPPING 4*12	8	

F18

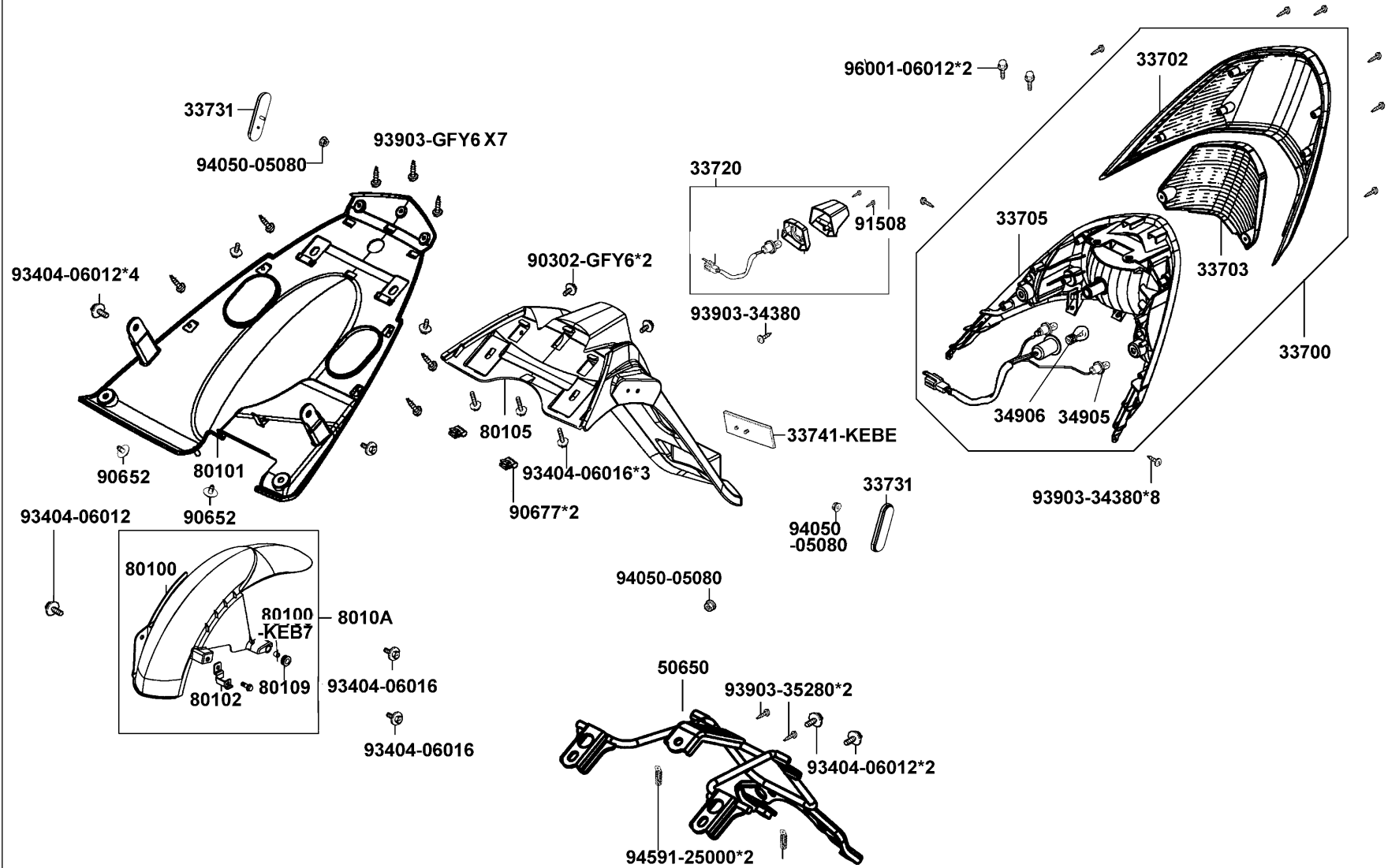
Tail Light



Sales mark	Ref no	Part no	Ver	Description	Reg description	Regd no	F18
	33700	33700-LFC2-E10	1	LIGHT ASSY RR COMB	LIGHT ASSY RR COMB	1	
	33702	33702-LFC2-E10	1	LENS TAIL LIGHT	LENS TAIL LIGHT	1	
	33703	33703-LFC2-E10	1	LENS R RR WINKER	LENS R RR WINKER	1	
	33705	33705-LFC2-E10	1	BASE RR COMP	BASE RR COMP	1	
	33720	33720-LEJ2-E10	0	LIGHT ASSY LICENSE	LIGHT ASSY LICENSE	1	
	33731	33731-KGB5-900	0	REFLEX REFLECTOR SIDE	REFLEX REFLECTOR SIDE	2	
	33741	33741-KEBE-900	0	REFLEX REFLECTOR	REFLEX REFLECTOR	1	
	34905	34905-KPCP-900	0	BULB WINKER	BULB WINKER	2	
	34906	34906-KPCP-900	0	BULB TAIL & STOP 12V21W/5W	BULB TAIL & STOP 12V21W/5W	1	
	50650	50650-LFC2-E10	3	STAY RR. FENDER	STAY RR. FENDER	1	
	80100-KEB7	80100-KEB7-900	0	COLLAR RUBBER	COLLAR RUBBER	1	
	80100-LFC3	80100-LFC3-E10	1	FENDER RR TIRE	FENDER RR TIRE	1	
	80101	80101-LFC3-E10	1	FENDER RR INNER	FENDER RR INNER	1	
	80102	80102-LCD2-E00	1	STAY RR TIRE FENDER	STAY RR TIRE FENDER	1	
	80105	80105-LFC2-E10	1	FENDER REAR	FENDER REAR	1	
	80109	80109-KEB7-900	0	RUBBER RR FENDER B	RUBBER RR FENDER B	1	
	8010A	8010A-LFC3-E10	1	FENDER ASSY. RR TIRE	FENDER ASSY. RR TIRE	1	
	90302	90302-GFY6-901	1	BOLT WASH 5*12	BOLT WASH 5*12	2	
	90652	90652-LCA4-E00	1	CLIP MUDGUARD	CLIP MUDGUARD	2	
	90677	90677-GAR1-004	1	NUT CLIP 5MM	NUT CLIP 5MM	2	

F18

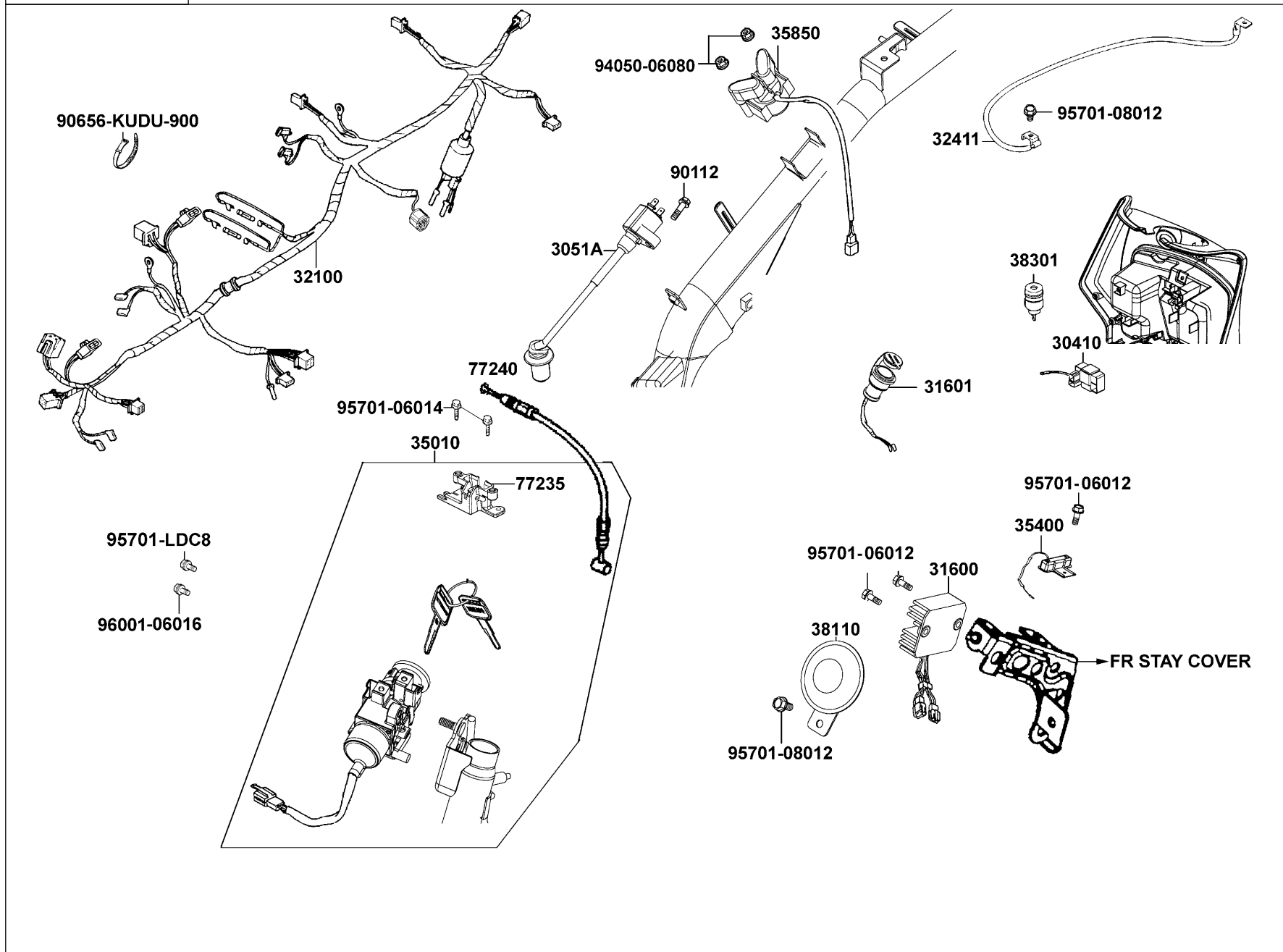
Tail Light



Sales mark	Ref no	Part no	Ver	Description	Reg description	Regd no	F18
	91508	91508-KGV7-67A	0	SCREW TAPPING 4*14	SCREW TAPPING 4*14	2	
	93404-06012	93404-06012-06	0	BOLT WASH 6*12	BOLT WASH 6*12	1	
	93404-06012	93404-06012-07	0	BOLT WASH 6*12	BOLT WASH 6*12	7	
	93404-06016	93404-06016-07	0	BOLT WASHER 6*16 (K)	BOLT WASHER 6*16 (K)	5	
	93903-34380	93903-34380	0	SCREW TAPPING 4*12	SCREW TAPPING 4*12	9	
	93903-35280	93903-35280	1	SCREW TAPPING 5*12(K)	SCREW TAPPING 5*12(K)	2	
	93903-GFY6	93903-GFY6-900	1	SCREW TAPPING 4*14	SCREW TAPPING 4*14	7	
#	94050	94050-05080	0	NUT FLANGE 5MM	NUT FLANGE 5MM	3	
#	94591	94591-25000	0	CLIP BIND	CLIP BIND	2	
#	96001-06012	96001-06012-08	0	BOLT FLANGE 6*12	BOLT FLANGE 6*12	1	

F19

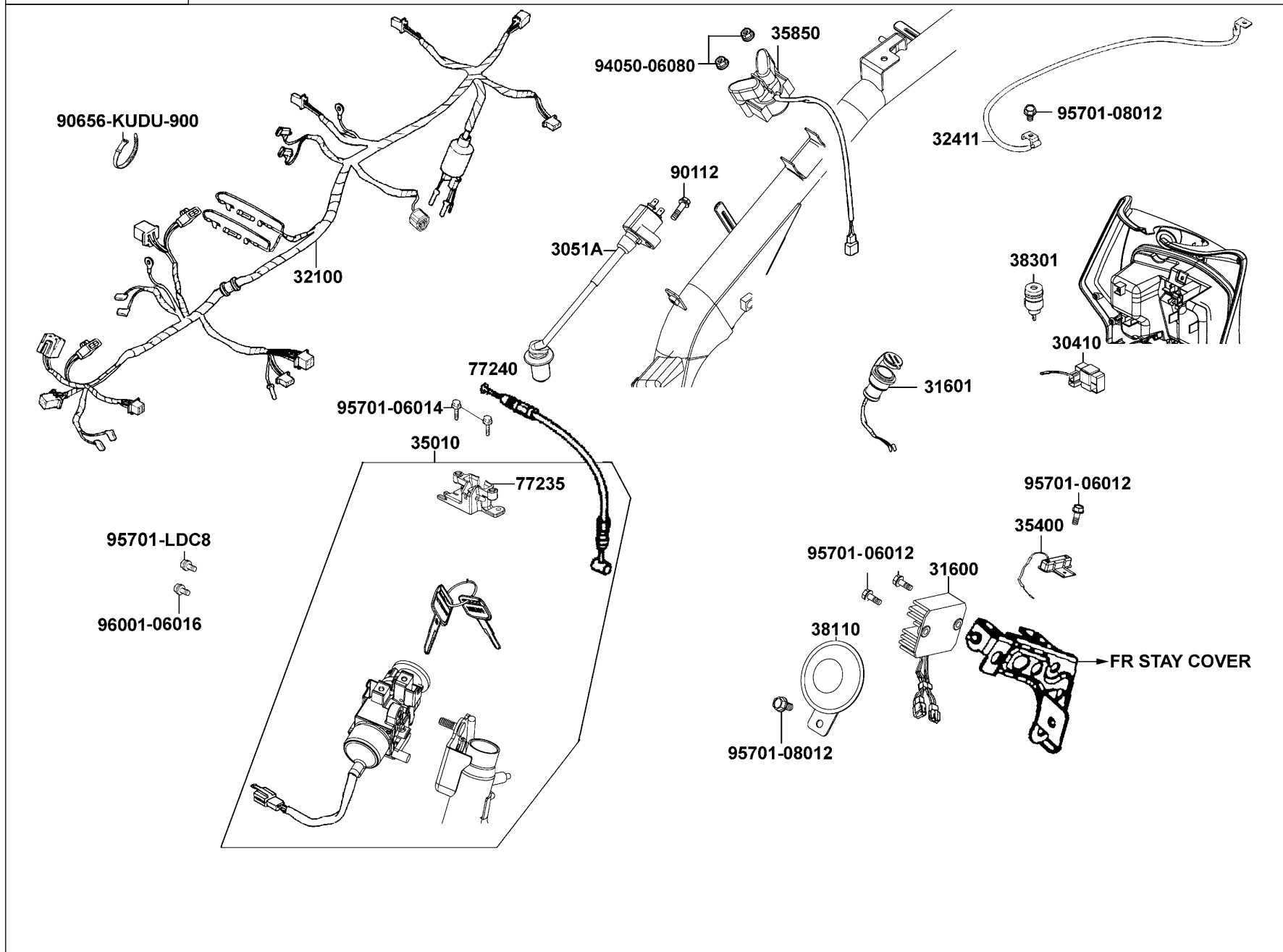
Wire Harness



Sales mark	Ref no	Part no	Ver	Description	Reg description	Regd no	F19
	30410	30410-LEJ3-E10	1	UNIT COMP. C.D.I	UNIT COMP. C.D.I	1	
	3051A	3051A-KHC4-900	1	COIL ASSY IGN	COIL ASSY IGN	1	
	31600	31600-LFC2-E10	1	REG REC COMP,(DC)	REG REC COMP,(DC)	1	
	31601	31601-LFC2-E10	1	"SOCKET COMP.,DC 12V"	"SOCKET COMP.,DC 12V"	1	
	32100	32100-LFC3-E10	1	HARNESS WIRE	HARNESS WIRE	1	
	32411	32411-LEJ3-E10	0	CABLE BAT	CABLE BAT	1	
	35010	35010-LFC2-E10	1	KEY SET	KEY SET	1	
	35400	35400-LEJ3-E10	0	RESISTOR COMP	RESISTOR COMP	1	
	35850	35850-KHD8-90A	0	SET START MAG	SET START MAG	1	
	38110	38110-KHB4-E0A	0	HORN COMP	HORN COMP	1	
	38301	38301-GGS7-0050	3	RELAY COMP AP WINKER	RELAY COMP AP WINKER	1	
	77235	77235-KGC4-E0B	2	SEAT CATCH	SEAT CATCH	1	
	77240	77240-KGC4-E00	0	CABLE SEAT LOCK	CABLE SEAT LOCK	1	
	90112	90112-KRDR-900	0	BOLT FLANGE 5*22	BOLT FLANGE 5*22	1	
#	90656	90656-KUDU-900	0	BAND HARNESS WIRE	BAND HARNESS WIRE	1	
#	94050	94050-06080	0	NUT FLANGE 6MM	NUT FLANGE 6MM	2	
#	95701-06012	95701-06012-08	0	BOLT FLANGE 6*12	BOLT FLANGE 6*12	3	
	95701-06014	95701-06014-08	0	BOLT FLANGE 6*14	BOLT FLANGE 6*14	2	
#	95701-08012	95701-08012-08	0	BOLT FLANGE 8*12	BOLT FLANGE 8*12	2	
	95701-LDC8	95701-LDC8-E10	0	BOLT TORQUE 6x16	BOLT TORQUE 6x16	1	

F19

Wire Harness

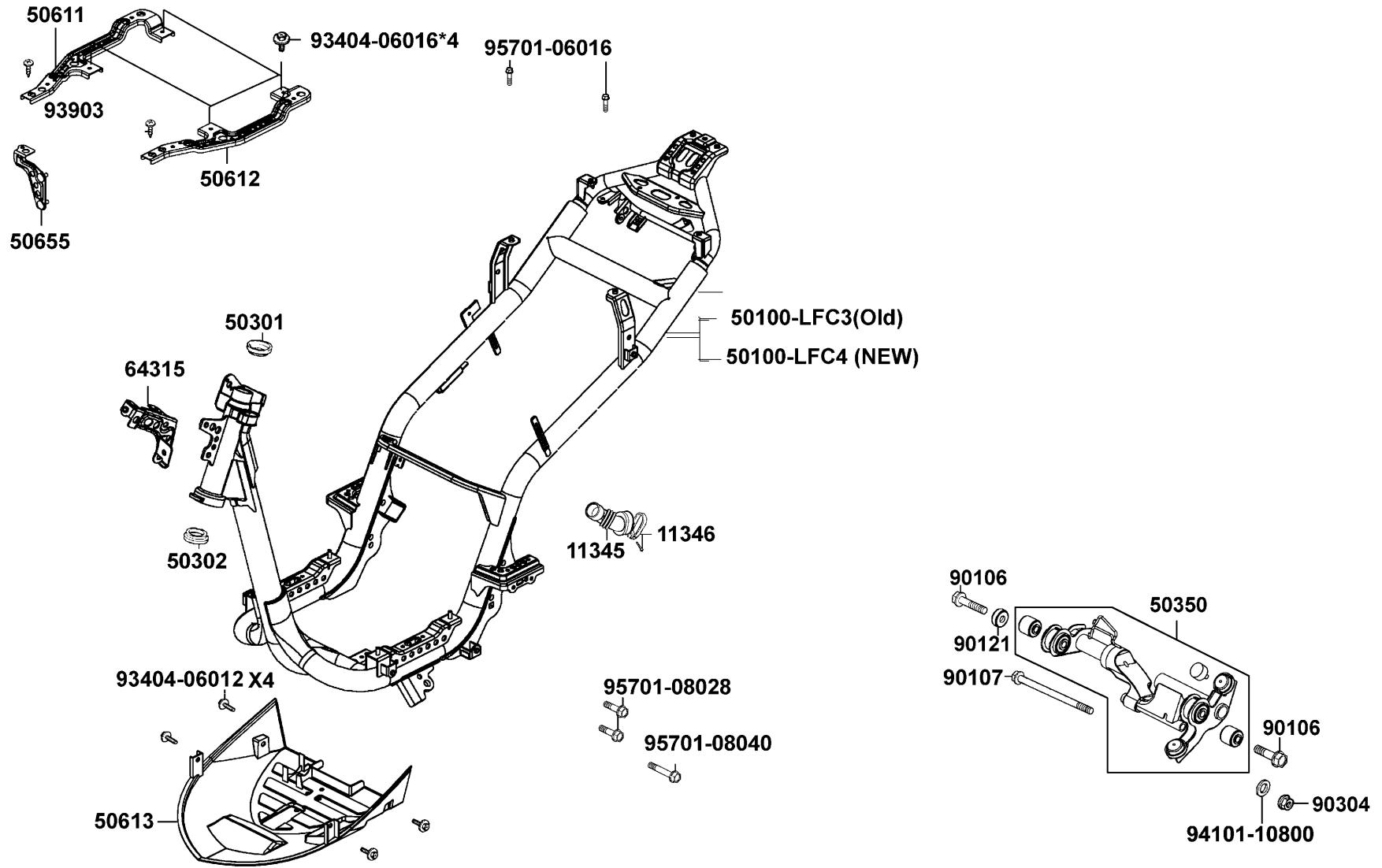


Sales mark	Ref no	Part no	Ver	Description	Reg description	Regd no	F19
------------	--------	---------	-----	-------------	-----------------	---------	------------

	96001-06016	96001-06016-08	0	BOLT FLANGE SH 6*16	BOLT FLANGE SH 6*16	1	
--	-------------	----------------	---	---------------------	---------------------	---	--

F20

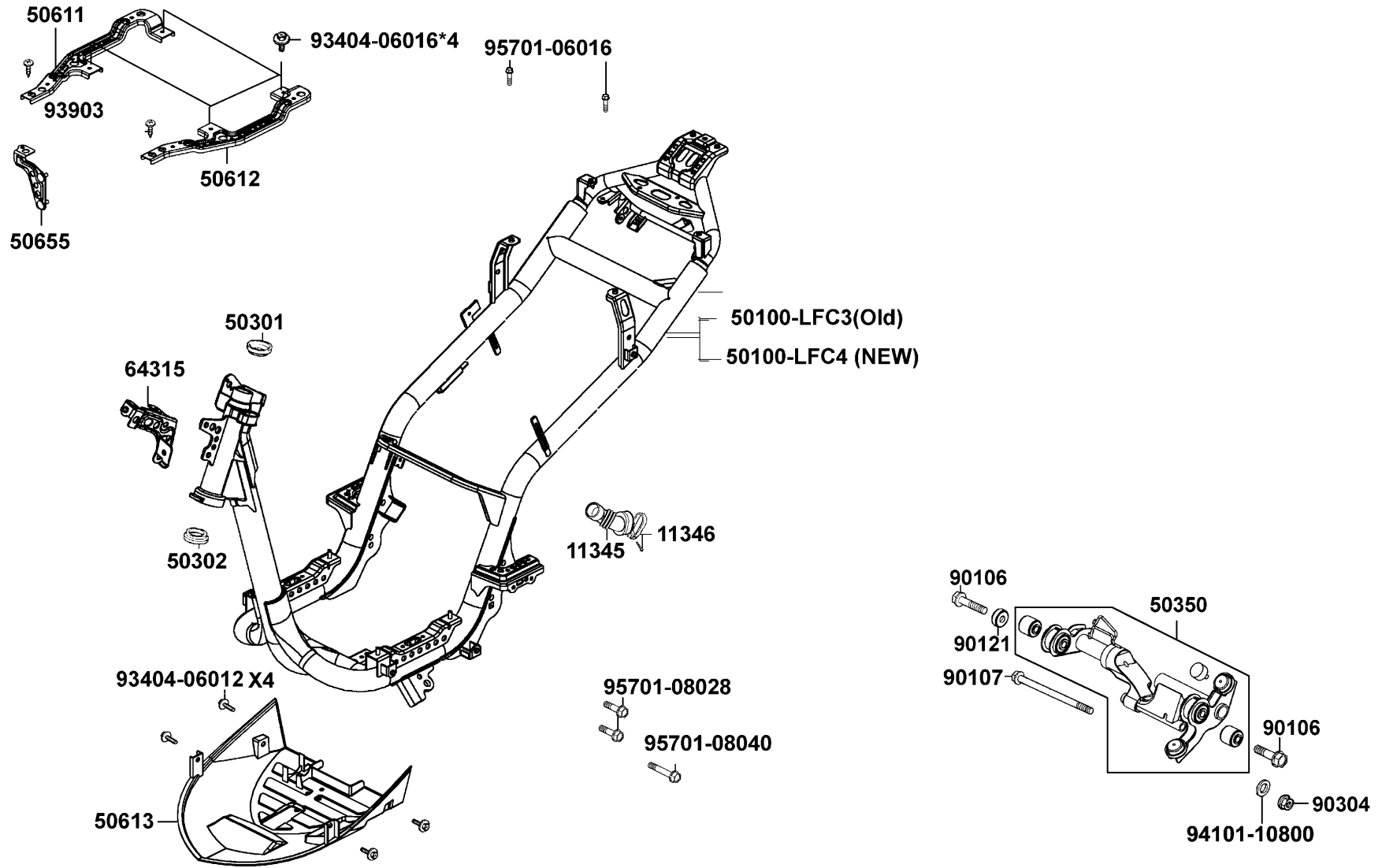
Frame Body



Sales mark	Ref no	Part no	Ver	Description	Reg description	Regd no	F20
	11345	11345-LEJ3-E10	1	DUCTL COVER	DUCTL COVER	1	
	11346	11346-KEBE-900	0	BAND L COVER DUCT	BAND L COVER DUCT	1	
	50100-LFC3	50100-LFC3-E10	2	BODY COMP FRAME	BODY COMP FRAME	1	
	50100-LFC4	50100-LFC4-E10	0	BODY COMP FRAME	BODY COMP FRAME	1	
	50301	50301-KGN7-6710	2	RACE UP STRG BALL	RACE UP STRG BALL	1	
	50302	50302-2H68-011	2	RACE STRG BOT BALL	RACE STRG BOT BALL	1	
	50350	50350-LFC3-E10	2	ENG HANGER COMP	ENG HANGER COMP	1	
	50611	50611-LFC2-E10	2	"RNFCT R, FLOOR"	"RNFCT R, FLOOR"	1	
	50612	50612-LFC2-E10	1	RNFCT L, FLOOR	RNFCT L, FLOOR	1	
**	50613	50613-LFC2-E10	1	COVER UNDER	COVER UNDER	1	
	50655	50655-LFC2-E10	2	"STAY, REG. REC."	"STAY, REG. REC."	1	
	64315	64315-LFC2-E10	3	STAY FR COVER	STAY FR COVER	1	
	90106	90106-GFY6-901	0	BOLT FLANGE 10*55	BOLT FLANGE 10*55	2	
	90107	90107-KUDU-900	2	BOLT FLANGE 10*188	BOLT FLANGE 10*188	1	
	90121	90121-GFY6-901	1	COLLAR DISTANCE	COLLAR DISTANCE	1	
#	90304	90304-GHE8-004	0	NUT U 10MM	NUT U 10MM	1	
	93404-06012	93404-06012-07	0	BOLT WASH 6*12	BOLT WASH 6*12	4	
	93404-06016	93404-06016-07	0	BOLT WASHER 6*16 (K)	BOLT WASHER 6*16 (K)	4	
	93903	93903-35280	1	SCREW TAPPING 5*12(K)	SCREW TAPPING 5*12(K)	2	
	94101	94101-10800	0	WASHER PLAIN 10MM	WASHER PLAIN 10MM	1	

F20

Frame Body



Sales mark	Ref no	Part no	Ver	Description	Reg description	Regd no	F20
	95701-06016	95701-06016-08	0	BOLT FLANGE 6*16	BOLT FLANGE 6*16	2	
	95701-08028	95701-08028-08	0	BOLT FLANGE 8*28 (C)	BOLT FLANGE 8*28 (C)	2	
	95701-08040	95701-08040-08	0	BOLT FLANGE 8*40	BOLT FLANGE 8*40	1	

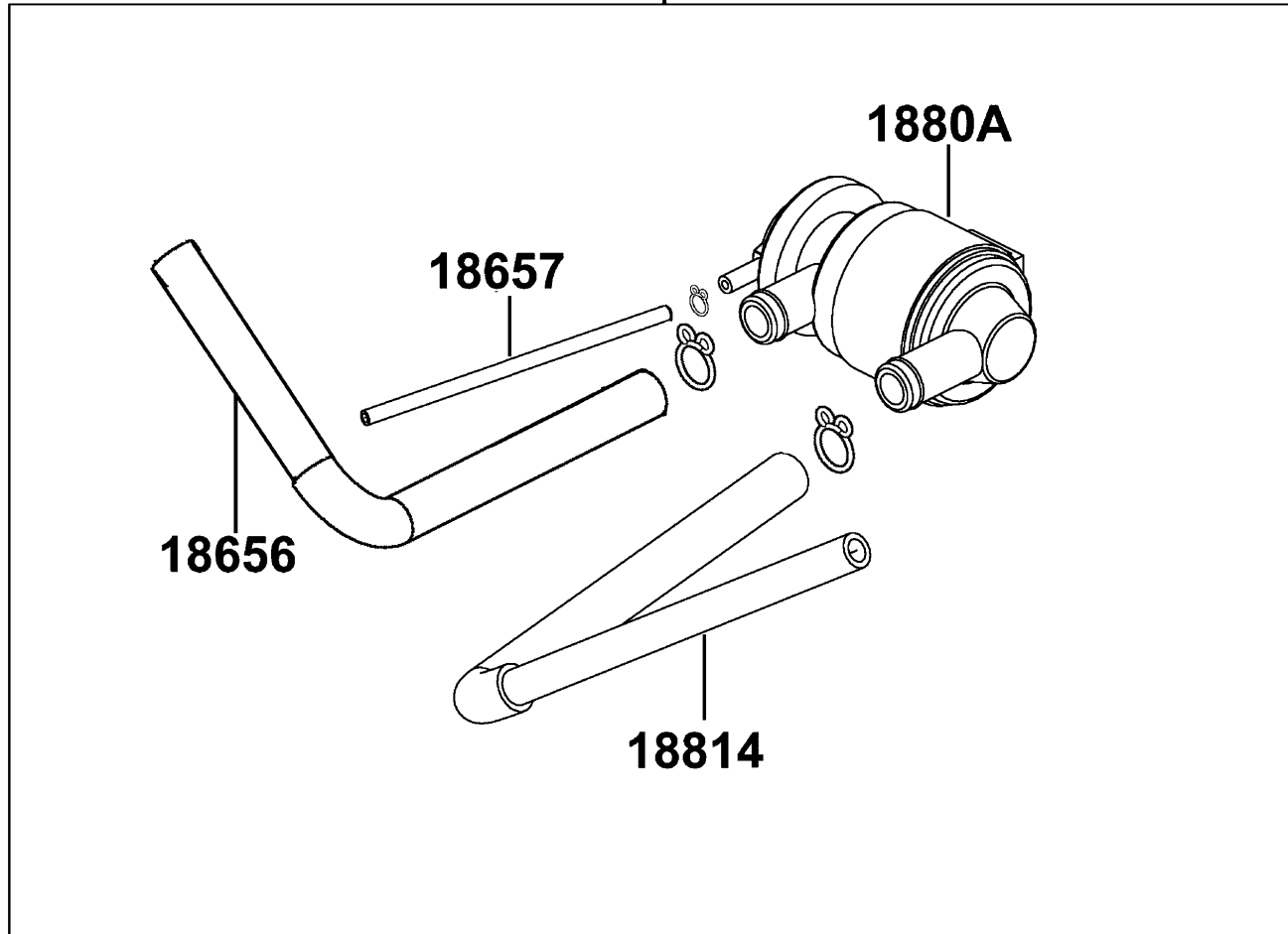
F21

Air Cleaner Two

95002



1880B



1880A

18657

18656

18814

Sales mark	Ref no	Part no	Ver	Description	Reg description	Regd no	F21
	18656	18656-LEJ3-E10	0	DUCTAICV-REED VALVE	DUCTAICV-REED VALVE	1	
	18657	18657-LEJ3-E10	1	TUBEAICV-INLET PIPE	TUBEAICV-INLET PIPE	1	
	1880A	1880A-LEJ3-E10	0	AI/CAICV ASSY	AI/CAICV ASSY	1	
	1880B	1880B-LEJ3-E10	3	AI/C-AICV SET	AI/C-AICV SET	1	
	18814	18814-LEJ2-E10	0	DUCTAIR-AICV	DUCTAIR-AICV	1	
	95002	95002-KKD6-E05	0	CLAMP D18 TUBE	CLAMP D18 TUBE	1	

• Be sure to wear a safety helmet when riding.
 • Do not exceed the speed specified by law when riding.
 • The exhaust muffler temperature is very high after riding. Be sure to park the motorcycle in a place not easily touched by people.
 • For riding safety and good performance, do not violate the law to modify the motorcycle.
 • Please read the User's Manual carefully to ensure riding safety.

• Make sure to perform the periodic maintenance and periodic inspection.
Periodic Inspection Items
 Brake Performance, tires, engine oil level, lights, horn, and instrument panel.

KWANG YANG MOTOR CO., LTD.

87560

CAUTIONS

Tire Size : Front 100/80-16 Rear 120/80-16
 (One Rider) : Front 1.50kg/cm² Rear 1.75kg/cm²
 (Two Rider) : Front 2.00kg/cm² Rear 2.25kg/cm²
 Load Capacity : Shield 1.5kg Rear carrier 3kg
 inner box under saddle 10kg
 (Note: The tire pressure must not overpass 2.30kg/cm²)

• Check the motor oil level with the dipstick after refilling motor oil.

87506-LFC2-E10

87505

CAUTIONS

Before starting the engine, the side stand shall be kicked up to secure safety.

87541

Engine Oil Capacity

Make sure to use KYMCO recommended "SIGMA" engine oil.

Full Capacity 0.9
 At Change 0.8

Check the oil level after oil is filled.

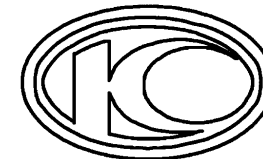
Idle the engine for 3 minutes and check the oil level again.

KDU-E000

87541-KUDU-E00

AGILITY 125

86202-LFC3-E000-IT



86102-LEJ2-E000

CAUTIONS

Never put any article between the rear side cover and the engine to avoid interference of riding.

GM9-300

87542

TRADE NAME: KYMCO

VEHICLE CATEGORY: B

1	KYMCO LEJ3 B4
2	LEJ3-II
3	KDU
4	GY6
5	KDU-B
6	LD3
7	
8	KYMCO LEJ3-II B4
9	KDU #115
10	GY6 #142
11	LEJ3
12	289mm ² KDU

87224

Sales mark	Ref no	Part no	Ver	Description	Reg description	Regd no	F22
**	86102	86102-LEJ2-E00	2	STRIPE K-LOGO 22MM	STRIPE K-LOGO 22MM	1	
**	86202	86202-LFC2-E10	1	EMB BOOY COVER	EMB BOOY COVER	1	
**	86202	86202-LFC3-E10	1	EMB BODY COVER	EMB BODY COVER	2	
**	87224	87224-LEJ2-EZ0	1	CAUTION ANTI TAMPERING	CAUTION ANTI TAMPERING	1	
	87224	87224-LEJ3-EZ0	1	CAUTION ANTI TAMPERING	CAUTION ANTI TAMPERING	1	
**	87505	87505-LFC2-E10	2	LABEL TIRE	LABEL TIRE	1	
**	87541-GAR1	87541-GAR1-E01	1	CAUTION SIDE STAND	CAUTION SIDE STAND	1	
**	87541-KUDU	87541-KUDU-E00	0	LABEL OIL CAP	LABEL OIL CAP	1	
**	87542	87542-GAR1-E01	2	MARK MAINT CAUTION	MARK MAINT CAUTION	1	
**	87560	87560-GFY6-E01	3	MARK DRIVE CAUTION	MARK DRIVE CAUTION	1	

PART NO. INDEX

PART NO.	VERSION	PAGE	PART NO.	VERSION	PAGE	PART NO.	VERSION	PAGE	
11000			12191-GFY6-C10	1	E03	14520-GFY6-9020	1	E03	
			12200-KUDU-900	9	E02	14523-GFY6-C10	1	E03	
			12209-GDB4-6820-M1	0	E02	1453A-GFY6-W10	0	E03	
	11100-KUDU-900	5	E01	1220A-KUDU-900	9	E02	14610-KUDU-C000	0	E03
	11102-1G87-0040	1	E01	12211-KUDU-W10	4	E02	14711-KUDU-900	1	E02
	11192-KUDU-C10	1	E01	12251-GFY6-90A	2	E02	14721-KUDU-900	0	E02
	11200-LCD3-E00	5	E01	12310-KHC4-C11	0	E02	14751-KUDU-C10	1	E02
	11203-GGC7-3010	0	F16	1231A-KHC4-C11	0	E02	14775-MFA6-001	1	E02
	11203-GGC7-W10	2	E01	12361-GFY6-9010	1	E04	14781-MFA6-001	1	E02
	11206-LCD3-E00	1	E01	12391-GFY6-941	0	E02			
	11208-KXCX-901	1	E09						
	11208-LCD3-E00	2	E04	13000			15000		
	11209-LCD3-E00	0	F13				15100-KFB7-900	0	E07
	11211-KHB4-900	0	F13	13000-KUDU-900	7	E03	15133-GFY6-W10	1	E07
	11331-LCD3-E00	4	E04	13011-GFY6-9020-M1	0	E03	15141-GFY6-C000	0	E07
	11340-LEJ3-E10	1	E01	13101-KUDU-900	1	E03	15421-1G07-W10	0	E04
	11345-LEJ3-E10	1	F20	13111-3D84-001	3	E03	15426-GAE1-921	1	E04
	11346-KEBE-900	0	F20				15651-KUDU-W10	0	E04
	11381-KHB4-900	0	E01	14000			1565A-KUDU-W10	0	E04
11382-LEJ3-E10	0	E01				15711-KUDU-9000	0	E07	
11394-KUDU-C10	1	E04	14100-KFA9-220	1	E02				
11395-KHB4-900	0	E01	14401-KUDU-9000	0	E03	16000			
			14431-KUDU-W10	0	E02				
			14450-GFY6-W10	0	E02	16012-KEC3-800	4	E05	
			14452-GFY6-W10	1	E02	16019-KUDU-9000	0	E05	
12000			14510-KUDU-W10	0	E03	16035-LEJ3-E10	0	E05	
12100-GFY6-C00	6	E03							

PART NO. INDEX

PART NO.	VERSION	PAGE	PART NO.	VERSION	PAGE	PART NO.	VERSION	PAGE
16051-KEC3-90B	1	E05	1723C-KHB4-900	0	F13	18647-GFY6-941	0	E02
16056-KKC8-5000	1	E05	17254-KACA-P00	0	F13	18656-LEJ3-E10	0	F21
16069-KEC3-9000	0	E05	17256-GFY6-901	4	E02	18657-LEJ3-E10	1	F21
16079-KEC3-900	3	E05	17359-4K19-671	0	F13	1880A-LEJ3-E10	0	F21
16087-KEC3-9000	3	E05	17370-4K19-701	0	F13	1880B-LEJ3-E10	3	F21
16093-KEC3-9000	1	E05	17371-1D74-671	0	F13	18814-LEJ2-E10	0	F21
16095-KEC3-9000	2	E05	1750A-LEJ2-E10	0	F10			
16100-LEJ3-E10	0	E05	17620-LBA8-C10	0	F10	19000		
16117-KEC3-9000	0	E05	17683-LFC3-E10	1	F10			
16124-KEC3-9000	0	E05	17684-LFC3-E10	1	F10	19510-KFB7-900	0	E08
16142-KEC3-9000	1	E05	17910-KHD8-920	1	F03	1961A-KUDU-E10	0	E08
16154-KEC3-9000	0	E05				19625-KUDU-910	0	E02
16165-KEC3-9000	0	E05	18000			1962A-KKE3-900	2	E08
16179-KEC3-9000	1	E05				1963A-KUDU-C00	0	E08
16201-GFY6-C10	1	E02	18291-GGA7-001	1	F14			
16211-GFY6-W10	0	E02	18291-KKC4-900	3	F14	21000		
1691A-LEJ2-E10	0	F10	18292-KEBE-900	0	F14			
16950-LCA3-B50	0	F10	18293-KECE-900	4	F14	21200-LEJ3-E00	2	E09
			18294-KEBE-900	0	F14	21395-LCD3-E0A	1	E09
17000			18300-LFC3-E10	2	F14			
			18306-LEJ2-900	3	F14	22000		
1711A-LEJ3-E10	2	E02	1830A-LFC3-E10	3	F14			
17200-LEJ3-E10	0	F13	18318-LCD3-E10	5	F14	22101-LCD3-E00	1	E06
17239-KHB4-900	1	F13	18325-LFC3-E10	2	F14	22102-KUDU-900	1	E06
1723A-LCD3-E00	0	F13	18645-GFY6-941	0	E02	22105-GFY6-2200	1	E06
1723B-LEJ3-E10	0	F13	18646-LDC8-E10	0	E02	22110-KUDU-900	4	E06

PART NO. INDEX

PART NO.	VERSION	PAGE	PART NO.	VERSION	PAGE	PART NO.	VERSION	PAGE
22121-GFY6-9200-M1	2	E06	28230-KNBN-9000	0	E01	32101-GFY6-900	0	F04
22131-GFY6-9010	3	E06	2823A-KNBN-602	0	E01	32411-LEJ3-E10	0	F19
22132-KBN2-9010	4	E06	28250-LEJ3-E10	1	E01	32412-LDF7-E10	1	E04
22300-LCD3-E00	1	E06	28253-GBN2-6020	0	E01	32961-KUDU-9000	0	E04
23000			28255-GFS6-001	0	E01	33000		
			28281-GBN2-6030	1	E01			
			28300-LEJ3-E10	0	F15			
23010-LEJ3-E10	1	E06	30000			33100-LFC2-E10	1	F01
23100-KEC4-900	2	E06				33108-LFC2-E10	0	F01
23200-LEJ3-E10	3	E06				33400-LFC2-E10	1	F17
23220-GFY6-9210	1	E06	30410-LEJ3-E10	1	F19	33402-LFC2-E10	1	F17
23233-LEJ3-E10	0	E06	3051A-KHC4-900	1	F19	33405-LFC2-E10	0	F17
23237-GFY6-9410	0	E06	31000			33450-LFC2-E10	1	F17
23238-GFY6-9410	0	E06				33452-LFC2-E10	0	F17
23411-KHB4-900	0	E09				33700-LFC2-E10	1	F18
23420-LCD3-E00	1	E09	31100-LFC3-E10	1	E08	33702-LFC2-E10	1	F18
23431-KHB4-900	0	E09	31110-LAD9-900	2	E08	33703-LFC2-E10	1	F18
23432-LCD3-E00	1	E09	31120-LFC3-E10	0	E08	33705-LFC2-E10	1	F18
28000			31200-KUDU-9000	4	E07	33720-LEJ2-E10	0	F18
			31500-GFY6-9410	3	F11	33731-KGB5-900	1	F18
			31600-LFC2-E10	1	F19	33741-KEBE-900	0	F18
			31601-LFC2-E10	1	F19	34000		
28101-GFY6-901	2	E07	32000					
28102-GFY6-9010	0	E07						
2812A-GFY6-C10	1	E07						
28211-KUDU-9000	3	E06				34901-LDC8-E10	0	F01
28223-KNBN-901	0	E01	32100-LFC3-E10	1	F19	34903-LDC8-E10	0	F01

PART NO. INDEX

PART NO.	VERSION	PAGE	PART NO.	VERSION	PAGE	PART NO.	VERSION	PAGE
34905-KPCP-900	0	F18						
34905-LBA8-E80	0	F17	38000			44000		
34906-KPCP-900	0	F18						
34908-LEJ2-E00	0	F02	38110-KHB4-E0A	0	F19	44301-LEJ2-E10	1	F07
34909-LEJ2-E00	0	F02	38301-GGS7-0050	3	F19	44311-LFC2-E10	2	F07
35000			42000			44600-LFC2-E10	2	F07
35010-LFC2-E10	1	F19	42311-KHB4-900	2	F16	44601-LFC2-E10	2	F07
35151-KGBG-910	1	F03	42312-LEJ2-E10	0	F16	44620-KFLF-930	1	F07
35152-KGBG-900	2	F03	42600-LFC3-E10	1	F08	44680-4L10-001	0	F07
3515A-KGBG-E00	3	F03	42601-LFC3-E10	1	F08	44710-LFC2-E10	1	F07
3520A-LCD3-E00	1	F03	42710-LFC2-E10	1	F08	44800-KFA6-900	0	F07
35340-KFA6-900	0	F04	42753-0A01-900	1	F07	44830-LCD3-E00	4	F02
35400-LEJ3-E10	0	F19	42753-0A01-900	1	F08	45000		
35850-KHD8-90A	0	F19				45105-LEJ2-305	0	F04
37000			43000			45105-LFC3-305	0	F04
			43100-LFC3-E10	0	F04	45121-LCD3-E00	2	F07
37200-LFC3-E10	0	F02	43126-LFC3-E10	0	F04	45126-LFC2-E10	1	F04
37211-LFC2-E10	1	F02	43156-LFC3-E10	1	F16	45156-KNBN-902	1	F06
37224-LFC2-E10	1	F02	43500-LFC3-E10	0	F04	45156-LCB9-B20	0	F06
37280-LEJ2-E0A	0	F02	4350B-LFC3-E10	2	F04	45200-LFC2-E10	1	F04
37802-GGA7-701	0	F10				4550A-LFC2-E1A	1	F04
3780A-LEJ2-E10	0	F10				4550B-LFC2-E10	4	F04

PART NO. INDEX

PART NO.	VERSION	PAGE	PART NO.	VERSION	PAGE	PART NO.	VERSION	PAGE
50000			51000			53105-LFC3-E10	1	F03
50100-LFC3-E10	2	F20	51400-LFC3-E10	0	F06	53125-GEN5-901	1	F03
50100-LFC4-E10	0	F20	51401-LEJ2-E10	0	F06	53140-LEJ2-E10	0	F03
50301-KGN7-6710	2	F20	51410-LEJ2-E10	0	F06	53166-LEJ2-E10	0	F03
50302-2H68-011	2	F20	51412-LEJ2-E10	0	F06	53175-KTCT-9000	0	F04
50306-1F96-001	0	F06	51420-LFC2-E10	1	F06	53178-KNBN-901	1	F04
50326-LFC2-E10	1	F12	51422-LEJ2-E10	0	F06	53200-LFC2-E10	1	F06
50350-LFC3-E10	2	F20	51427-LEJ2-E10	0	F06	53204-LFC2-E10	1	F03
50500-LFC3-E10	3	F15	51428-LEJ2-E10	0	F06	53205-LFC2-E10	1	F03
50500-LFC4-E10	3	F15	51429-LEJ2-E10	0	F06	53206-LFC2-E10	1	F03
50502-LDF7-E10	0	F15	51437-LEJ2-E10	0	F06	53211-GFY6-940	1	F06
50505-LEJ2-E11	2	F15	51500-LFC3-E10	0	F06	53212-2L50-011	1	F06
50530-LFC2-E10	3	F15	51520-LEJ2-E10	0	F06	53214-2L50-001	2	F06
50531-KEB7-E00	1	F15				53215-2L50-001	1	F06
50535-KEB7-W10	3	F15	52000			61000		
50550-KEB7-E00	1	F15				61100-LFC2-E10	1	F06
50611-LFC2-E10	2	F20	52000-LFC3-E10	3	F16	64000		
50612-LFC2-E10	1	F20	52100-LFC3-E10	0	F16			
50613-LFC2-E10	1	F20	52400-LFC3-E10	2	F16			
50650-LFC2-E10	3	F18				64210-LFC2-E10	1	F03
50655-LFC2-E10	2	F20	53000			64211-LFC2-E10	1	F03
						6421A-LFC2-E10	0	F03
			53100-LFC3-E10	1	F03	64301-LFC2-E10	1	F05
			53102-LFC3-E10	1	F03	64302-LFC2-E10	1	F05

PART NO. INDEX

PART NO.	VERSION	PAGE	PART NO.	VERSION	PAGE	PART NO.	VERSION	PAGE
64303-LFC2-E10	1	F05	77235-KGC4-E0B	2	F19	81200-LFC2-E10	1	F12
64305-LFC2-E10	1	F05	77240-KGC4-E00	5	F19	81250-LFC2-E10	1	F12
64306-LFC2-E10	1	F05				81251-LEJ3-E10	0	F12
64307-LFC2-E10	1	F05	80000					
64308-LFC2-E10	1	F05				83000		
6430A-LFC2-E10	1	F05	80100-KEB7-900	0	F18			
6430B-LFC2-E10	1	F05	80100-LFC3-E10	1	F18	83500-LFC2-E10	1	F12
6430C-LFC2-E10	1	F05	80101-LFC3-E10	1	F18	83510-LFC2-E10	1	F12
64310-LFC2-E10	1	F05	80102-LCD2-E00	1	F18	83600-LFC2-E10	1	F12
64315-LFC2-E10	3	F20	80105-LFC2-E10	1	F18	83610-LFC2-E10	1	F12
64316-LCB9-C10	0	F05	80109-KEB7-900	0	F18	83750-LFC2-E10	1	F12
64316-LCB9-C10	0	F12	8010A-LFC3-E10	1	F18			
6431A-LFC2-E10	1	F05	80151-LFC2-E10	1	F12	86000		
64350-LFC2-E10	1	F05	8015A-LFC2-E10	1	F12			
64350-LFC2-E11	0	F05				86102-LEJ2-E00	2	F22
64360-LFC2-E10	1	F05	81000			86202-LFC2-E10	1	F22
64360-LFC2-E11	0	F05				86202-LFC3-E10	1	F22
			81131-LFC2-E10	1	F05			
75000			81132-LCB9-C10	0	F05	87000		
			81132-LFC2-E10	1	F05			
75581-6C73-0010	1	F05	81133-KNBN-901	0	F05	87224-LEJ2-EZ0	1	F22
			81134-LFC2-E10	1	F05	87224-LEJ3-EZ0	1	F22
77000			81141-LFC2-E10	1	F05	87505-LFC2-E10	2	F22
			81142-KFA6-9000	0	F05	87541-GAR1-E01	1	F22
77200-LFC2-E11	0	F09	81146-LFC2-E10	1	F05	87541-KUDU-E00	0	F22
77232-KCAC-901	2	F12	81147-LFC2-E10	1	F05	87542-GAR1-E01	2	F22

PART NO. INDEX

PART NO.	VERSION	PAGE	PART NO.	VERSION	PAGE	PART NO.	VERSION	PAGE
87560-GFY6-E01	3	F22	90106-GFY6-901	0	F20	90305-GHK8-001	1	F06
88000			90106-KFC2-900	0	F03	90305-KNBN-9030-M2	0	F08
			90107-KUDU-900	2	F20	90306-KLF0-004	4	F07
			90108-KFA6-E00	1	F15	90403-KUDU-900	0	E07
88110-LEB5-C10	1	F03	90110-GLW0-001	0	F05	90412-3K29-001	0	E01
88120-LEB5-C10	1	F03	90110-KEB7-900	1	F06	90426-KNBN-901	0	E06
89000			90110-LCD4-E00	1	F14	90440-1F66-001	0	E08
			90111-1G87-00A	1	F12	90441-GFY6-941	1	E06
			90112-KRDR-900	0	F19	90451-GBN2-601	0	E01
89010-KGBG-C00	0	F09	90114-GDM4-011	1	F13	90465-MDC4-001	0	E02
89020-KKC4-900	1	F09	90116-LEJ2-E10	0	F06	90474-3C33-001	1	E01
90000			90121-GFY6-901	1	F20	90501-KNBN-901	0	F08
			90131-GLW0-911	0	F04	9052A-GFY6-950	X	E01
			90131-KFAF-900	0	F04	90544-LEJ2-E10	0	F06
90001-GBHB-661	0	E03	90145-9A61-9000	1	F04	90545-3L00-001	2	F04
90005-KAW1-901	1	E03	90201-GFY6-901	0	E07	90652-GFY6-901	1	F13
9000A-LEJ2-E10	0	E01	90202-1G87-001	0	E06	90652-LCA4-E00	1	F03
90012-3C33-0010	1	E02	90206-0A01-001	1	E02	90652-LCA4-E00	1	F18
90021-GFY6-900	2	F14	90301-GFY6-901	2	F14	90656-KUDU-900	0	F19
90031-KUDU-9000	0	E01	90302-GFY6-901	1	F18	90677-GAR1-004	0	F18
90032-KUDU-9000	0	E01	90302-LLB1-E00	2	F03	90683-GAR1-004	4	F05
90033-GFY6-9000	1	E02	90302-SDA4-004	1	F05	90701-HFB6-011	1	E03
90033-GFY6-941	0	E02	90302-SDA4-004	1	F12	90701-HFB6-011	1	E07
90105-KCR3-001	1	F07	90304-4H38-001	0	E02			
90105-KCR3-001	1	F08	90304-GHE8-004	4	F03			
90106-GEN5-901	1	F03	90304-GHE8-004	4	F20			

PART NO. INDEX

PART NO.	VERSION	PAGE	PART NO.	VERSION	PAGE	PART NO.	VERSION	PAGE			
91000			92900-06060-0B	0	E02	93903-35280	1	F20			
			93000			93903-35320	0	F01			
	91003-KDS4-0040	1		E09			93903-GFY6-900	2	F05		
	91009-GLE0-0040	1		E09	93404-06012-06	0	F18	93903-GFY6-900	2	F12	
	91014-LLJ3-E00	1		F06	93404-06012-07	0	F12	93903-GFY6-900	2	F18	
	91015-LLJ3-E00	1		F06	93404-06012-07	0	F18	94000			
	91104-KGN7-671	0		E01	93404-06012-07	0	F20				
	91202-GFY6-90B	0		E01	93404-06016-07	0	F05		94050-05080	0	F18
	91202-KKJ9-0040	0		E01	93404-06016-07	0	F18		94050-06080	0	E02
	91211-KEBE-900	0		E06	93404-06016-07	0	F20		94050-06080	0	E07
	91251-LEJ2-E10	0		F06	93404-06020-07	0	F05		94050-06080	0	F09
	91252-0L30-004	0	F07	93404-06022-07	0	F06	94050-06080		0	F19	
	91254-LEJ2-E10	0	F06	93700-05018-0H	0	F02	94050-08080		0	E02	
	91255-LDC8-E10	4	E09	93901-34220	0	F17	94050-12080		0	E06	
	91258-4L10-00B	2	F07	93903-25480	0	F13	94050-12080	0	E08		
	91301-0C53-W10	0	E09	93903-34280	0	F05	94101-06200	0	F14		
	91301-0H28-001	0	E02	93903-34320	0	F02	94101-06700	0	F14		
	91302-0A01-0210	0	E04	93903-34380	0	F03	94101-10800	0	F20		
	91306-1E05-691	0	E03	93903-34380	0	F05	94111-06800	0	F13		
91351-6B42-000	0	E06	93903-34380	0	F12	94301-10160	0	E01			
91508-KGV7-67A	0	F18	93903-34380	0	F17	94301-10160	0	E02			
			93903-34380	0	F18	94301-10160	0	E03			
			93903-35280	1	F02	94301-10160	0	E04			
			93903-35280	1	F03	94301-10200	0	E01			
92101-05012-0H	0	E08	93903-35280	1	F18	94510-20000	0	E09			

PART NO. INDEX

PART NO.	VERSION	PAGE	PART NO.	VERSION	PAGE	PART NO.	VERSION	PAGE
94511-14000	0	E01	95701-08012-08	0	F19	96001-06022-08	0	E08
94591-25000	0	F18	95701-08028-08	0	F20	96001-06022-08	0	F04
94591-LDC8-E10	0	E01	95701-08040-08	3	F12	96001-06025-08	0	E07
94601-15000	0	E03	95701-08040-08	3	F20	96001-06025-08	0	E08
94608-LEJ2-E10	0	F06	95701-08045-08	0	F16	96001-06028-08	0	E04
			95701-08050-08	0	F16	96001-06045-08	0	E01
95000			95701-LDC8-E10	0	F19	96001-06050-08	0	E01
			95801-06040-08	0	E09	96001-06100-08	0	E02
95002-02080	0	F13	95801-08032-08	0	F16	96001-06100-08	0	E04
95002-02130	0	F13	95801-08040-08	0	F06	96001-06110-08	0	E04
95002-KKD6-E05	0	F21	95801-10025-08	0	F15	96001-GFY6-900	0	F13
95003-23029-60	0	F13	95801-10035-08	0	F16	96100-60020-00	0	E09
95012-LEJ2-E10	0	F11				96100-62020-00	0	E01
95701-06012-08	0	E04	96000			96100-63030-00	0	E01
95701-06012-08	0	F06				96120-63010-10	0	F07
95701-06012-08	0	F10	96001-06008-07	1	F14			
95701-06012-08	0	F19	96001-06010-02	0	F14	98000		
95701-06014-08	0	F19	96001-06012-00	0	F16			
95701-06016-08	0	F20	96001-06012-08	0	E01	98056-5771R-00	0	E02
95701-06022-07	0	F15	96001-06012-08	0	E04	98200-10700	0	F11
95701-06025-00	0	E02	96001-06012-08	0	E07			
95701-06025-08	0	E02	96001-06012-08	0	F18			
95701-06035-08	0	E02	96001-06016-08	0	E07			
95701-06040-00	0	E02	96001-06016-08	0	E08			
95701-06050-08	0	E02	96001-06016-08	0	F19			
95701-08012-08	0	E01	96001-06018-08	0	E08			