

PARTS CATALOGUE



SCOOTERS

KG10SA(RO)

Agility50



Release Date : 2011/03/28
Print Date : 2012/02/09

ABOUT THIS PARTS LIST

- This parts list is compiled all service parts for model KG10SA(RO).
- Any difference between color chart and motorcycle will be revised according to motorcycle.
- The Mark:
 1. Marking "***" must add color code in the end before ordering parts.
 2. Marking "#" are parts with modification, Please find the details from e-Parts system.
- When modification or additions to this parts list are made a revised edition at an appropriate time.



CONTENTS

● ABOUT THIS PARTS LIST	1
● COLOR CHART OF KG10SA(RO)	3
● CONTENTS-ENGINE GROUP	4
● CONTENTS-FRAME GROUP	5
● ENGINE PARTS LIST	8
● FRAME PARTS LIST	32
● PART NO. INDEX	78

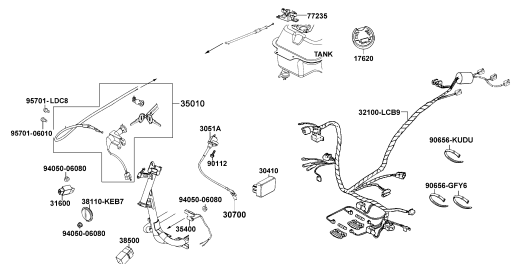
NO	MODEL			COLOR CHART OF KG10SA(RO)			
	PHOTO NO			NO. 1	NO. 2	NO. 3	NO. 4
	BASIC COLOR			Bright Blue	Black	Bright Silver	Ruby Red
	CODE			Bright Blue	Black	Bright Silver	Ruby Red
	PARTS NAME	PARTS NO.	VERSION	PB107CA	NH001SA	NH045MA	RR004CA
1	COVER FR HANDLE	53205-LCB9-C10	0	BAP	N1P	N8P	R1P
2	FENDER FR	61100-LDC8-E10	5				
3	COVER FR	64301-LCB9-C10	0				
4	COVER UNDER	50613-LCB9-C11	0				
5	FENDER RR TIRE	80100-LDC8-E10	0	N1R			
6	FENDER RR	80105-LDC8-E10	0	N8A			
7	COVER COMP L CRANK	11340-LBD6-E00	2	NGA			
8	FORK ASSY FR R	51400-LDC8-E10	4	NJA			
9	FORK ASSY FR L	51500-LDC8-E10	4	NJ			
10	WHEEL ASSY REAR	42600-KEB7-E10	0	R8S			
11	WHEEL CAST RR	42601-KEB7-C00	0	T01			
12	WHEEL ASSY FR	44600-LDC8-E10	0	N1R			
13	CALIPER ASSY L FR	45200-KKD6-C00	1	N1			
14	WHEEL CAST FR	44601-KEB7-E0E	0	BAP			
15	CUSHION ASSY RR	52400-LDC8-E10	2	NH268			
16	AXLE PROTECTOR R	77200-LCB9-C10	0	T02			
17	SEAT ASSY BACK	77210-LCB9-C10	0	T03			
18	BOX LUGGAGE	81250-LCB9-C10	2	T01			
19	CARRIER ASSY	8120A-LCB9-C10	1	N1R			
20	COVER R BODY	83500-LCB9-C10	0	N1			
21	COVER L BODY	83600-LCB9-C10	0	N8P			
22	STOPPER	81133-KNBN-9010	0	R1P			
23	STRIPE R LEG SHIELD	86732-LDC8-E10	0	NH268			
24	STRIPE L LEG SHIELD	86733-LDC8-E10	0	T03			
DATE OF STARTING-SALES							
DATE OF END-SALES							

CONTENTS - FRAME GROUP

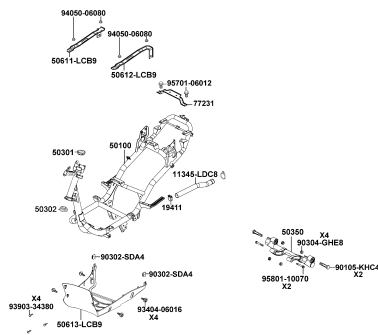
F10 Fuel Tank	F11 Battery	F12 Body Cover Luggage Box

CONTENTS - FRAME GROUP

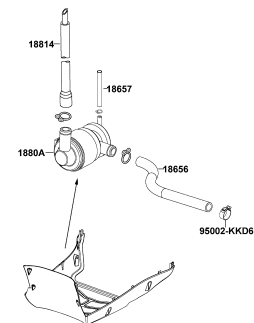
F19 Wire Harness



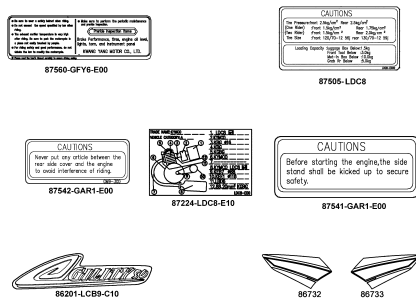
F20 Frame Body



F21 Air Cleaner Two

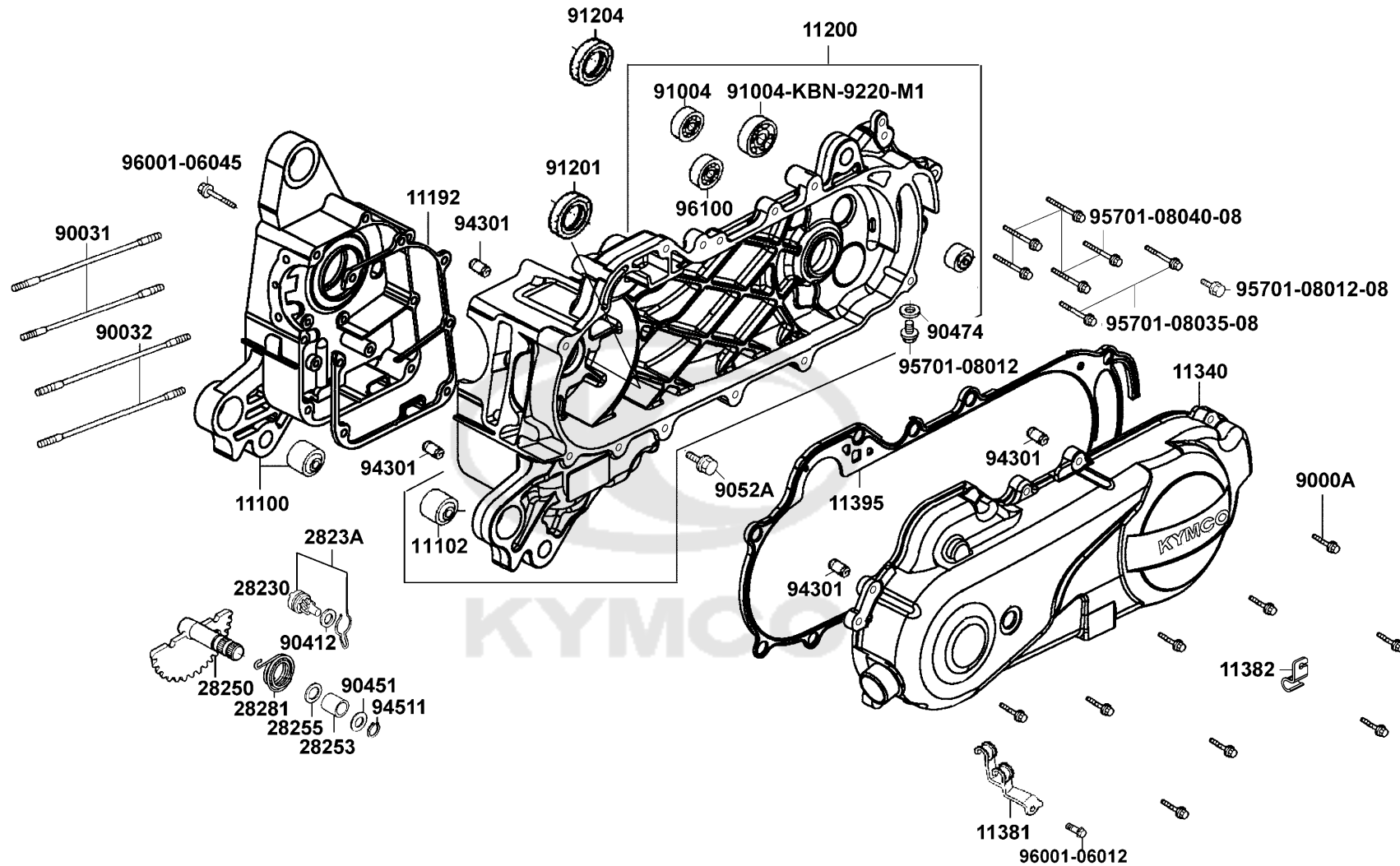


F22 Emblem Stripe



E01

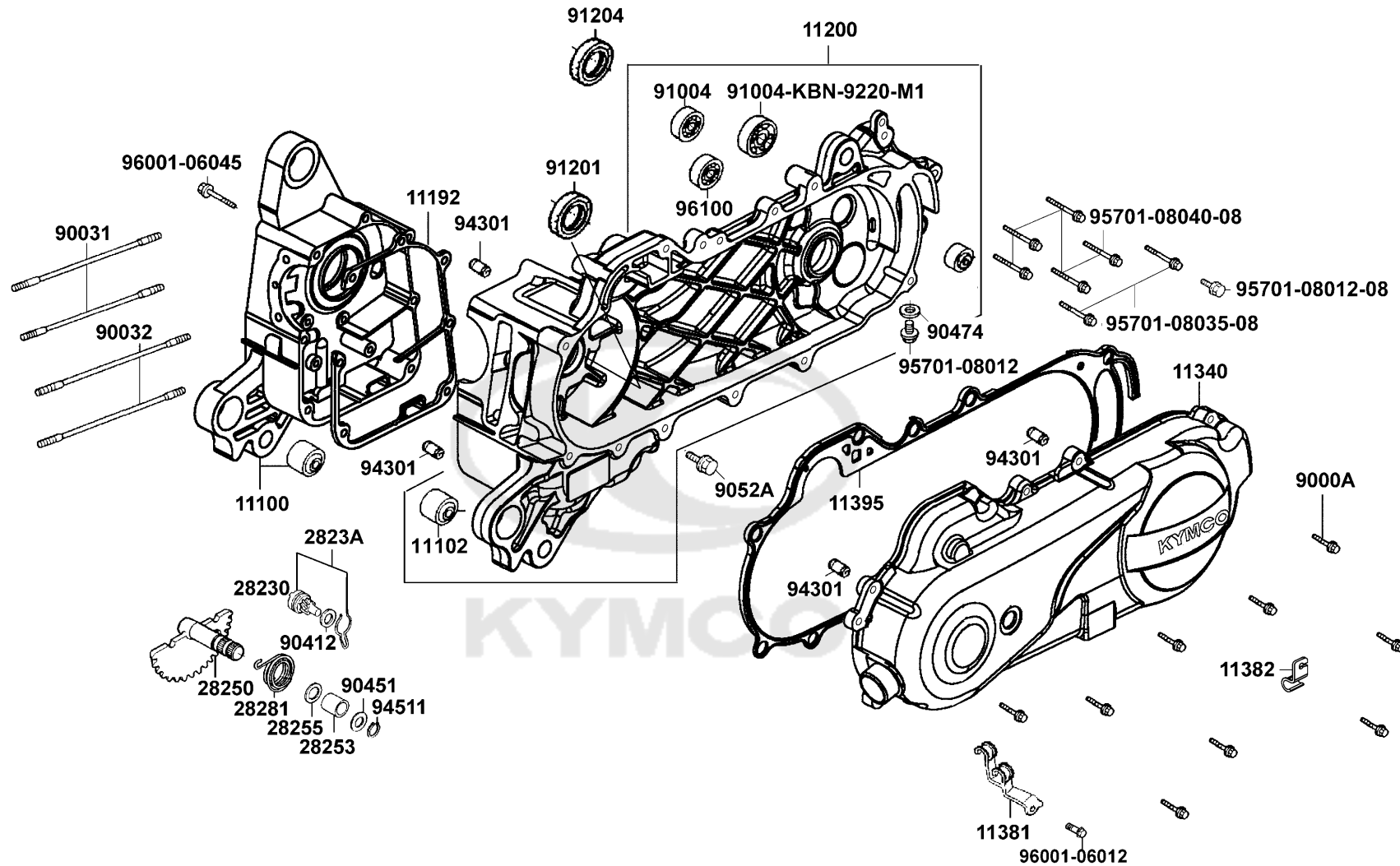
Crank Case



Sales mark	Ref no	Part no	Description	Reg description	Regd no	E01
	11100	11100-KGBG-C00	CRANK CASE COMP RIGHT	CRANK CASE COMP R	1	
	11102	11102-1G87-C00	RUB BUSH ENG HANGER	RUB BUSH ENG HANGER	1	
	11192	11192-KGBG-C10	GASKET CRANK CASE@A	GASKET CRANK CASE@A	1	
	11200	11200-LBD6-C00	CRANK CASE COMP LEFT	CRANK CASE COMP LEFT	1	
**	11340	11340-LBD6-E00	COVER L SIDE	COVER L SIDE	1	
	11381	11381-KHC4-C00	CLAMPER THROTTLE CABLE	CLAMPER THROTTLE CABLE	1	
	11382	11382-LBD6-C00	CLAMPER BRAKE CABLE	CLAMPER BRAKE CABLE	1	
	11395	11395-LBD6-C00	GASKET L COVER	GASKET L COVER	1	
	28230	28230-GHAH-7210	GEAR COMP KICK DRIVEN	GEAR COMP KICK DRIVEN	1	
	2823A	2823A-LBD6-C00	GEAR ASSY KICK DRIVEN	GEAR ASSY KICK DRIVEN	1	
	28250	28250-GBN2-C00	SPINDLE COMP KICK STARTER	SPINDLE COMP KICK STARTER	1	
	28253	28253-GBN2-C00	BUSH KICK SPINDLE	BUSH KICK SPINDLE	1	
	28255	28255-GFS6-C00	COLLAR KICK BOSS	COLLAR KICK BOSS	1	
	28281	28281-GBN2-C00	SPRING KICK RETURN	SPRING KICK RETURN	1	
	9000A	9000A-KTDT-C00	BOLT ASSY SPECIAL 6*29.5	BOLT ASSY SPECIAL 6X27	1	
	90031	90031-KGBG-C00	BOLT A STUD 7x168	BOLT A STUD 7x168	1	
	90032	90032-KGBG-C00	BOLT B STUD 7*176	BOLT B STUD 7*176	1	
	90412	90412-3K29-C00	WASHER THRUST 10MM	WASHER THRUST 10MM	1	
	90451	90451-GBN2-C00	WASHER KICK SPINDLE	WASHER KICK SPINDLE	1	
	90474	90474-3C33-C00	WASHER 8MM(T*2)	WASHER 8MM(T*2)	1	

E01

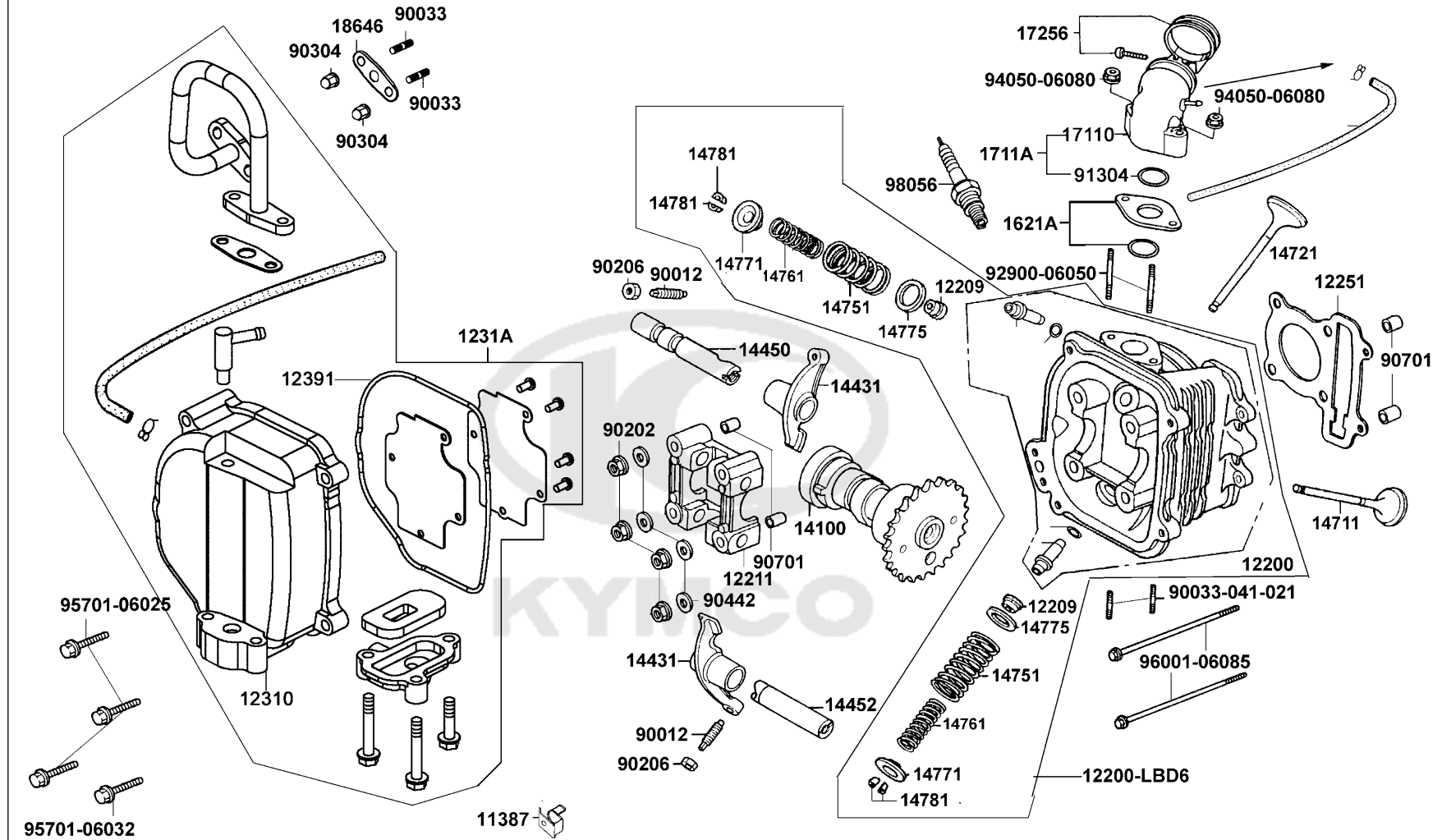
Crank Case



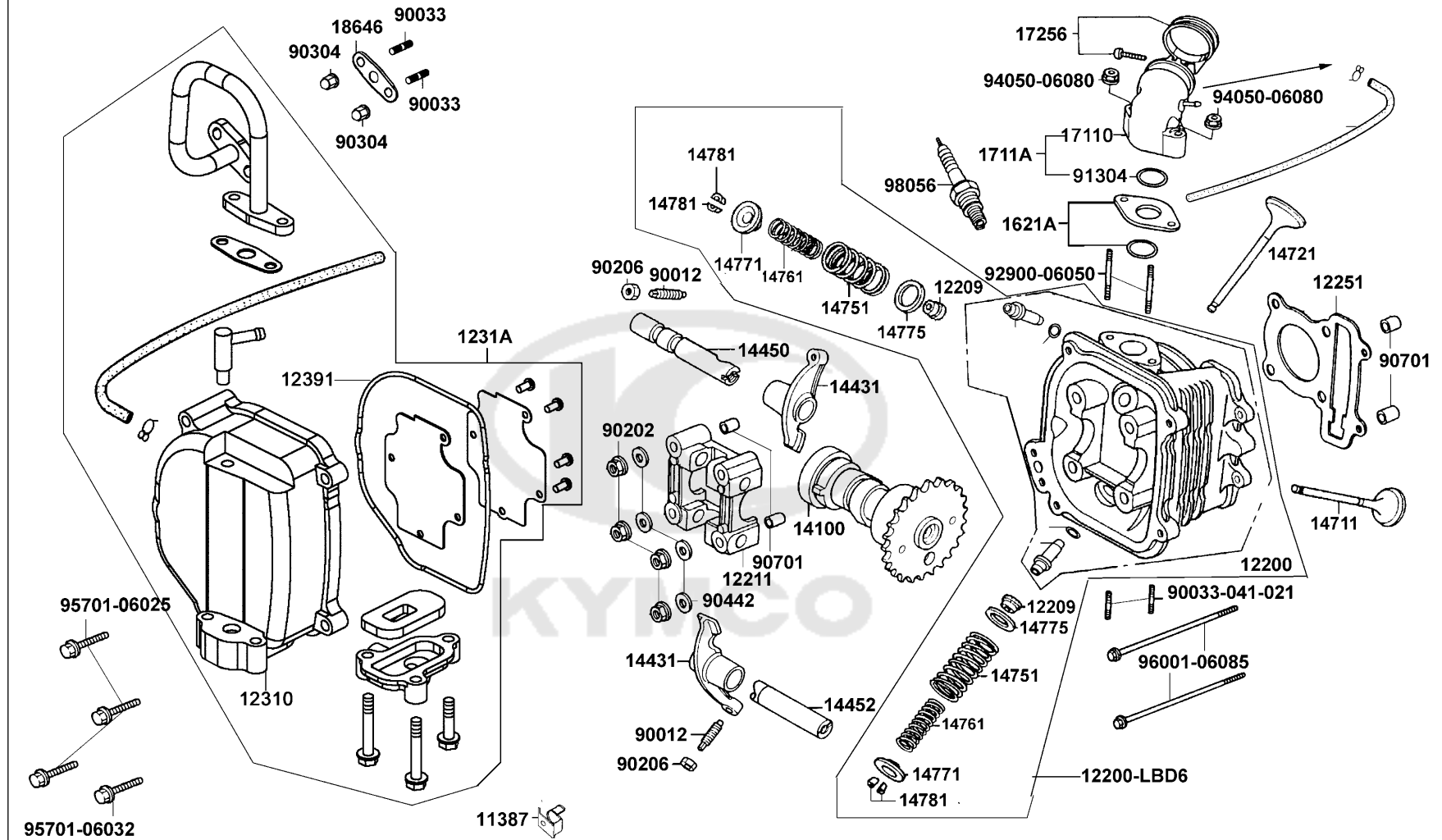
Sales mark	Ref no	Part no	Description	Reg description	Regd no	E01
9052A		9052A-GFY6-C00	BOLT ASSY DRAIN PLUG	BOLT ASSY DRAIN PLUG	1	
91004-KN2		91004-KBN2-C00	BRG BALL RADIAL 6201	BRG BALL RADIAL 6201	1	
91004-KBN		91004-KNBN-C00	BRG BALL RADIAL 6203 SPC	BRG BALL RADIAL 6203 SPC	1	
91201		91201-GFY6-C00	OIL SEAL 19.8*30*5	OIL SEAL 19.8*30*5	1	
91204		91204-KNBN-C00	OIL SEAL 17*30*6	OIL SEAL 17*30*6	1	
94301		94301-08140	DOWEL PIN 8*14	DOWEL PIN 8*14	4	
94511		94511-14000	CIR CLIP EX 14	CIRCLIP EX 14	1	
95701-08012		95701-08012-08	BOLT FLANGE 8*12	BOLT FLANGE 8*12	2	
95701-08035		95701-08035-08	BOLT FLANGE 8*35	BOLT FLANGE 8*35	2	
95701-08040		95701-08040-08	BOLT FLANGE 8*40	BOLT FLANGE 8*40	5	
96001-06012		96001-06012-02	BOLT FLANGE SH 6*12	BOLT FLANGE SH 6*12	1	
96001-06045		96001-06045-08	BOLT FLANGE SH 6*45	BOLT FLANGE SH 6*45	1	
96100		96100-62033-00	BEARING BALL RADIAL 6203	BEARING BALL RADIAL 6203	1	

E02

Cylinder Head



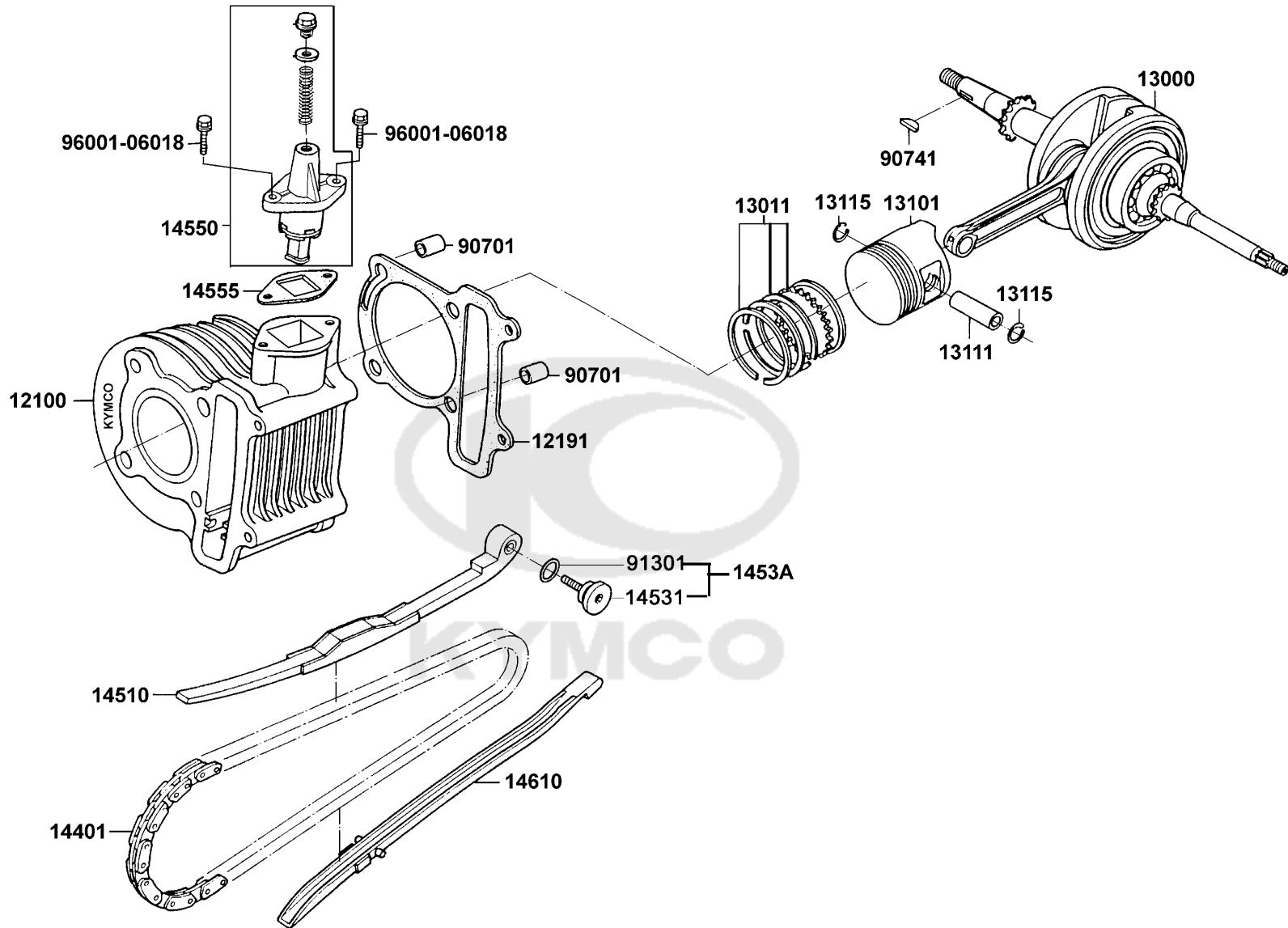
Sales mark	Ref no	Part no	Description	Reg description	Regd no	E02
	11387	11387-KGBG-C00	CLAMPER BREATHER TUBE	CLAMPER BREATHER TUBE	1	
	12200-KGBG	12200-KGBG-C10	CYLINDER ASSY	CYLINDER ASSY	1	
	12200-LBD6	12200-LBD6-C00	HEAD SET, CYLIN	HEAD SET, CYLIN	1	
	12209	12209-GDB4-C00	SEAL VALVE STEM	SEAL VALVE STEM	1	
	12211	12211-KGBG-C00	HOLDER CAM SHAFT	HOLDER CAM SHAFT	1	
	12251	12251-KGBG-C00	GASKET CYLINDER HEAD	GASKET CYLINDER HEAD	1	
	12310	12310-KHC5-C00	COVER COMP HEAD	COVER COMP HEAD	1	
	1231A	1231A-KHC5-C10	COVER ASSY HEAD	COVER ASSY HEAD	1	
	12391	12391-KEE1-C00	GASKET HEAD COVER	GASKET HEAD COVER	1	
	14100	14100-KGBG-900	SHAFT COMP CAM	SHAFT COMP CAM	1	
	14431	14431-KGBG-W10	ARM VALVE ROCKER	ARM VALVE ROCKER	1	
	14450	14450-KGBG-W10	SHAFT COMP IN ROCKER ARM	SHAFT COMP IN ROCKER ARM	1	
	14452	14452-KGBG-W10	SHAFT EXH ROCKER ARM	SHAFT EXH ROCKER ARM	1	
	14711	14711-KGBG-C00	VALVE INLET	VALVE INLET	1	
	14721	14721-KGBG-C00	VALVE EXHAUST	VALVE EXHAUST	1	
	14751	14751-KGBG-C00	SPRING VALVE OUTER	SPRING VALVE OUTER	1	
	14761	14761-KGBG-C00	SPRING VALVE INNER	SPRING VALVE INNER	1	
	14771	14771-GDB4-C00	RETAINER VALVE SPRING	RETAINER VALVE SPRING	1	
	14775	14775-MFA6-C00	SEAT VALVE SPG OUTER	SEAT VALVE SPG OUTER	1	
	14781	14781-MFA6-C00	COTTER VALVE	COTTER VALVE	1	



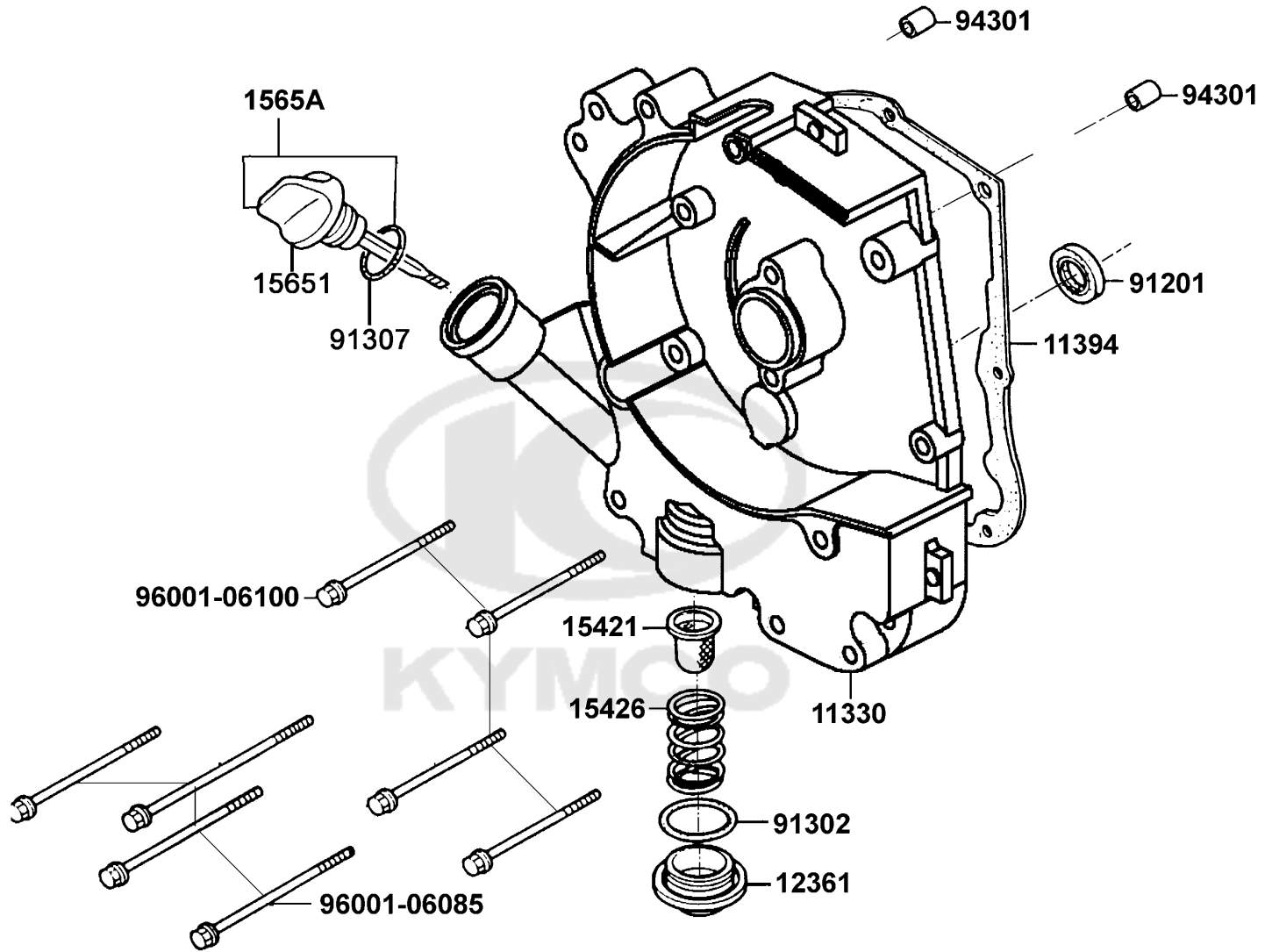
Sales mark	Ref no	Part no	Description	Reg description	Regd no	E02
	1621A	1621A-KGBG-C00	INSULATOR CARB ASSY	INSULATOR CARB ASSY	1	
	17110	17110-KGBG-C00	PIPE COMP INLET	PIPE COMP INLET	1	
#	1711A	1711A-LDC8-E11	PIPE ASSY,INLET	PIPE ASSY INLET	1	
	17256	17256-KGBG-C00	BAND INSULATOR	BAND INSULATOR	1	
	18646	18646-LDC8-E10	GASKET A/I PIPE	GASKET A/I PIPE	1	
	90012	90012-3C33-C00	SCREW TAPPET ADJUSTING	SCREW TAPPET ADJUSTING	1	
	90033-041	90033-0A41-C00	BOLT STUD 6*32	BOLT STUD 6*32	1	
	90033-GFY6	90033-GFY6-C10	BOLT STUD 6*16	BOLT STUD 6*16	1	
	90202	90202-GFF6-011	NUT FLANGE 7MM	NUT FLANGE 7M/M	4	
	90206	90206-0A01-C00	NUT TAPPET ADJG	NUT TAPPET ADJG	1	
	90304	90304-4H38-C00	NUT HEX CAP 6MM	NUT HEX CAP 6MM	1	
	90442	90442-GFF6-C00	WASHER SEALING 7MM	WASHER SEALING 7MM	1	
	90701	90701-GFF6-C00	PIN DOWEL SPECIAL 8*14	PIN DOWEL SPECIAL 8*14	1	
	91304	91304-KGBG-C00	O-RING 20.6*2.0	O-RING 20.6*2.0	1	
	92900	92900-06050-0B	BOLT STUD 6*50	BOLT STUD 6*50	2	
#	94050	94050-06080	NUT FLANGE 6MM	NUT FLANGE 6MM	2	
	95701-06025	95701-06025-08	BOLT FLANGE 6*25	BOLT FLANGE 6*25	3	
	95701-06032	95701-06032-08	BOLT FLANGE 6*32	BOLT FLANGE 6*32	1	
	96001	96001-06085-08	BOLT FLANGE SH 6*85	BOLT FLANGE SH 6*85	2	
	98056	98056-5771R	SPARK PLUG	SPARK PLUG	1	

E03

Cylinder Piston Crankshaft



Sales mark	Ref no	Part no	Description	Reg description	Regd no	E03
	12100	12100-KGBG-A60	CYLINDER COMP	CYLINDER COMP	1	
	12191	12191-KGBG-C10	GASKET CYLINDER@A	GASKET CYLINDER@A	1	
	13000	13000-LDC5-C00	CRANK SHAFT COMP	CRANK SHAFT COMP	1	
#	13011	13011-KGBG-C00	RING ASSY PISTON	RING ASSY PISTON	1	
#	13101	13101-LCB9-B20	PISTON	PISTON	1	
	13111	13111-KGBG-C00	PIN PISTON	PIN PISTON	1	
	13115	13115-0A01-C00	PISTON PIN CLIP	PISTON PIN CLIP	1	
	14401	14401-KGBG-900	CHAIN CAM	CHAIN CAM	1	
	14510	14510-KGBG-C00	TENSIONER CAM CHAIN	TENSIONER CAM CHAIN	1	
	14531	14531-GLR0-W10	PIVOT CAM CHAIN TENSIONER	PIVOT CAM CHAIN TENSIONER	1	
	1453A	1453A-GFY6-W10	PIVOT CAM CHAIN SET	PIVOT CAM CHAIN SET	1	
	14550	14550-KDS4-C00	ADJUSTER CAM CHAIN	ADJUSTER CAM CHAIN	1	
	14555	14555-KKJ9-C10	GASKET CAM CHAIN ADJUSTER	GASKET CAM CHAIN ADJUSTER	1	
	14610	14610-KGBG-C00	GUIDE COMP CAM CHAIN	GUIDE COMP CAM CHAIN	1	
	90701	90701-GFF6-C00	PIN DOWEL SPECIAL 8*14	PIN DOWEL SPECIAL 8*14	1	
	90741	90741-0E35-C00	KEY WOODRUFF	KEY WOODRUFF	1	
	91301	91301-GLR0-W10	O-RING 15.2*1.5	O-RING 15.2*1.5	1	
	96001	96001-06018-08	BOLT FLANGE SH 6*18	BOLT FLANGE SH 6*18	2	

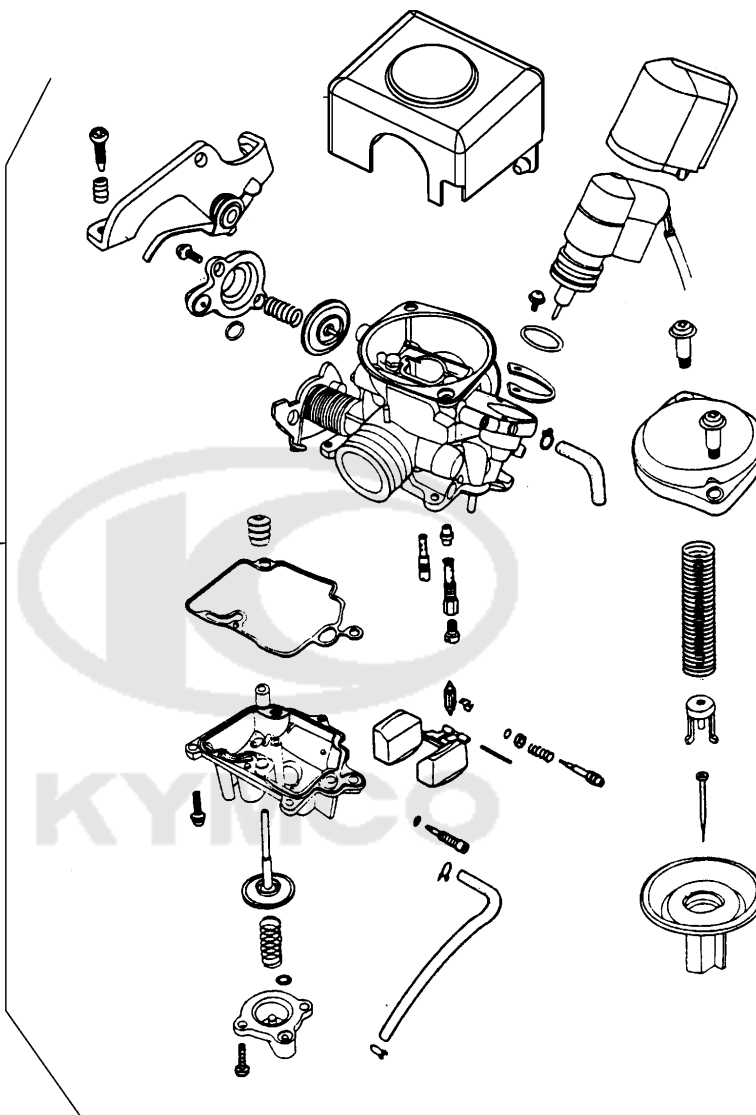


Sales mark	Ref no	Part no	Description	Reg description	Regd no	E04
	11330	11330-LBD6-C00	COVER COMP R CRANK CASE	COVER COMP R CRANK CASE	1	
	11394	11394-KGBG-C11	GASKET R COVER	GASKET R COVER	1	
	12361	12361-GFY6-C00	HOLE CAP TAPPET ADJUSTING	HOLE CAP TAPPET ADJUSTING	1	
	15421	15421-1G07-W10	SCREEN OIL FILTER	SCREEN OIL FILTER	1	
	15426	15426-GAE1-C00	SPG OIL FILTER SCREEN	SPG OIL FILTER SCREEN	1	
#	15651	15651-LDC8-C10	GAUGE OIL LEVEL	GAUGE OIL LEVEL	1	
#	1565A	1565A-LDC8-C10	GAUGE OIL LEVEL	GAUGE OIL LEVEL	1	
	91201	91201-KGBG-C00	OIL SEAL 16.4*30*5	OIL SEAL 16.4*30*5	1	
	91302	91302-0A01-C00	O-RING 30.8MM	O-RING 30.8MM	1	
	91307	91307-0E35-W10	O-RING 18*3	O-RING 18*3	1	
	94301	94301-08140	DOWEL PIN 8*14	DOWEL PIN 8*14	2	
	96001-06085	96001-06085-08	BOLT FLANGE SH 6*85	BOLT FLANGE SH 6*85	4	
	96001-06100	96001-06100-08	BOLT FLANGE SH 6*100	BOLT FLANGE SH 6*100	4	

E05

Carburetor

16100



Sales mark	Ref no	Part no	Description	Reg description	Regd no	E05
------------	--------	---------	-------------	-----------------	---------	------------

16100

16100-LDC8-E11

CARBURETOR ASSY

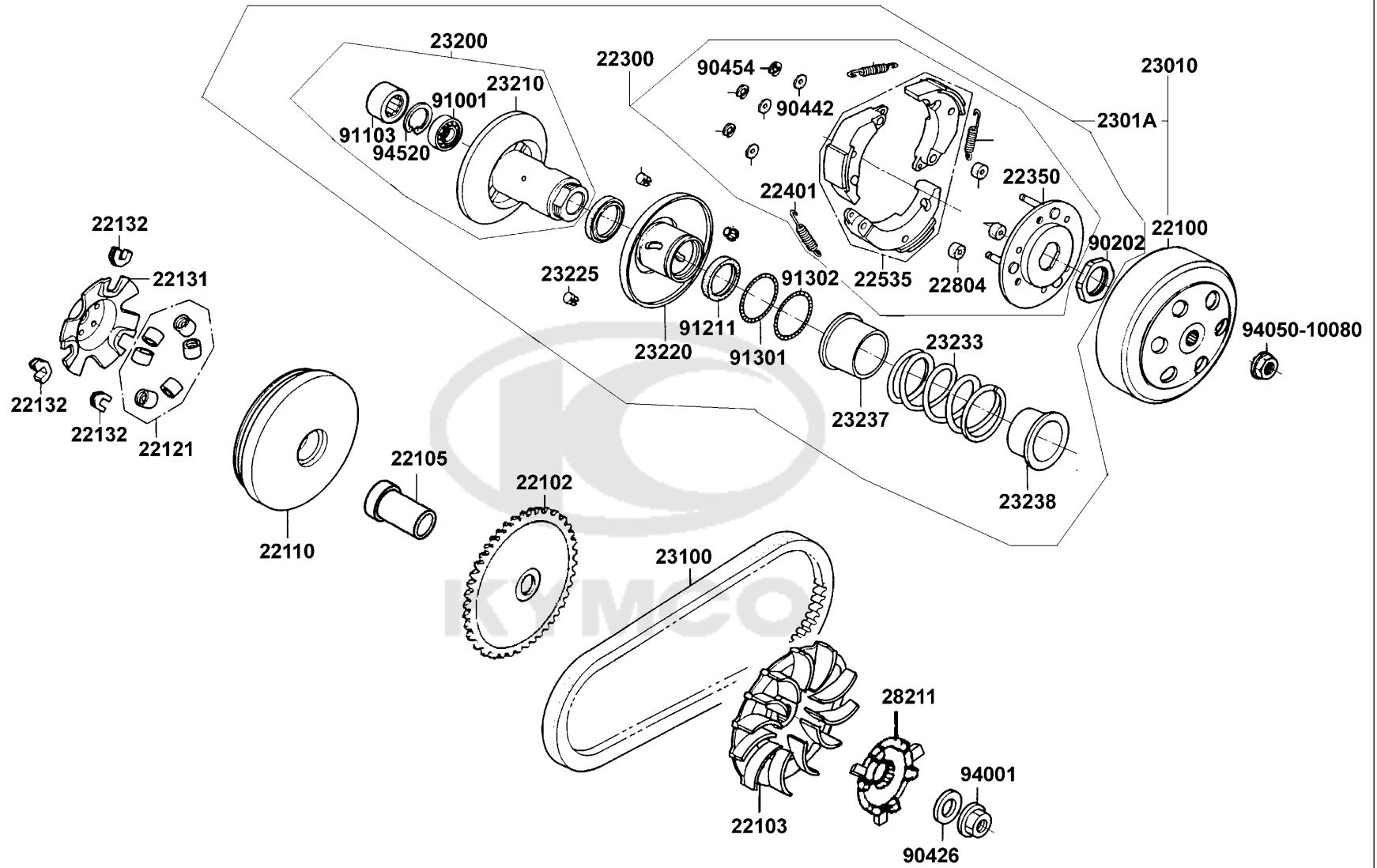
CARBURETOR ASSY

1



E06

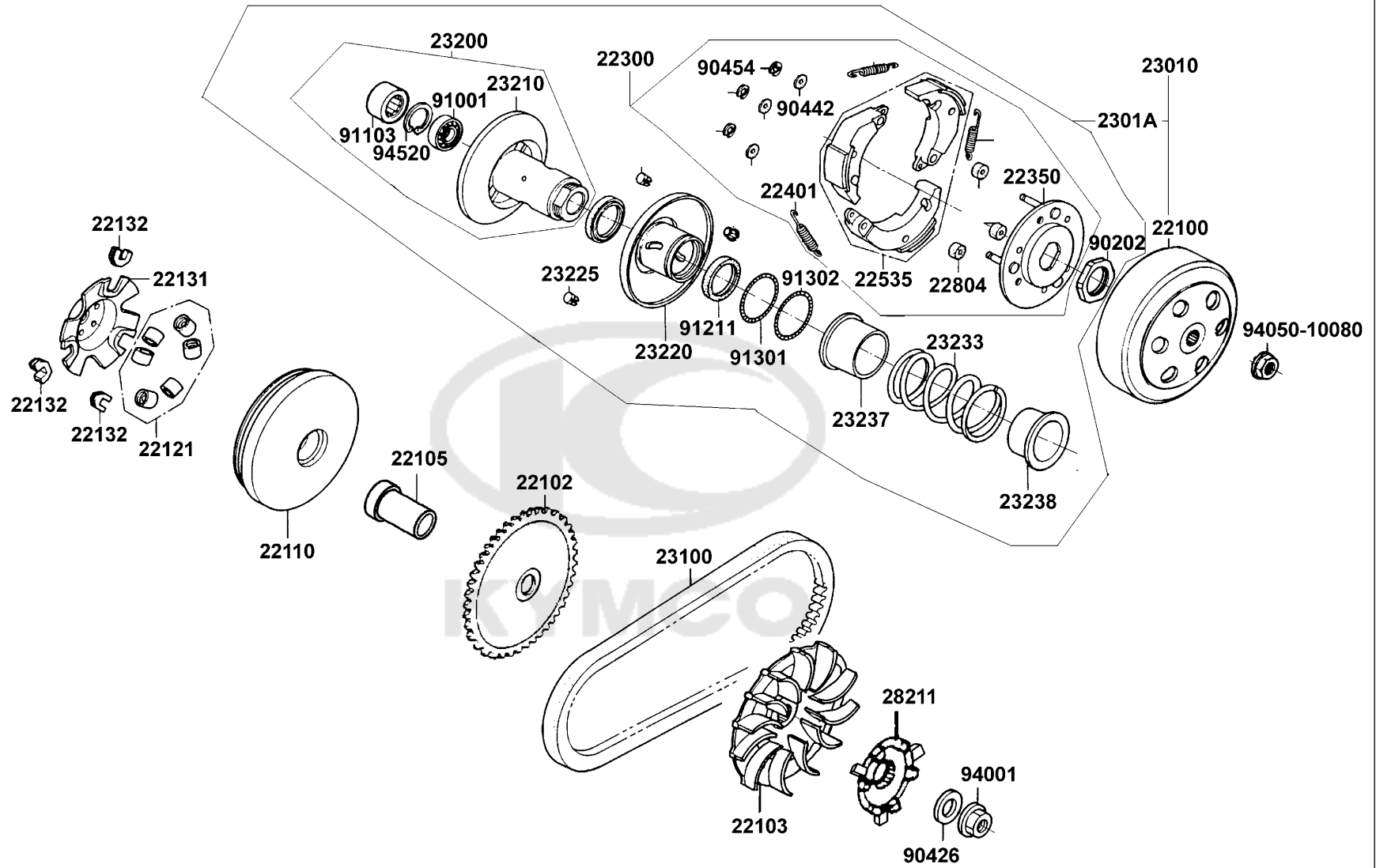
Driven Pulley



Sales mark	Ref no	Part no	Description	Reg description	Regd no	E06
22100		22100-LDC8-E10	CLUTCH OUTER	CLUTCH OUTER	1	
22102		22102-LDC8-E10	FACE DRIVE	FACE DRIVE	1	
22103		22103-KEB7-C00	FAN CVT COOLING	FAN CVT COOLING	1	
22105		22105-LBD6-C00	BOSS DRIVE FACE	BOSS DRIVE FACE	1	
22110		22110-LDC8-E10	FACE COMP MOVABLE DRIVE	FACE COMP MOVABLE DRIVE	1	
22121		22121-LBD6-C00	ROLLER COMP WEIGHT 6.5g	ROLLER COMP WEIGHT 6.5g	1	
22131		22131-GHAH-C00	PLATE RAMP	PLATE RAMP	1	
22132		22132-GLW0-C00	PIECE SLIDE	PIECE SLIDE	1	
22300		22300-LDC8-E10	PLATE ASSY DRIVE	PLATE ASSY DRIVE	1	
22350		22350-GKAK-C00	PLATE COMP DRIVE	PLATE COMP DRIVE	1	
22401		22401-LDC8-E10	SPRING CLUTCH	SPRING CLUTCH	3	
22535		22535-GKAK-C00	WEIGHT SET CLUTCH	WEIGHT SET CLUTCH	1	
22804		22804-1H48-C00	RUBBER CLUTCH DUMPER	RUBBER CLUTCH DUMPER	1	
23010		23010-LDC8-C10	PULLEY ASSY DRIVEN	PULLEY ASSY DRIVEN	1	
2301A		2301A-LDC8-E10	PULLEY SUB ASSY	PULLEY SUB ASSY	1	
23100		23100-KEB7-C00	BELT DRIVE	BELT DRIVE	1	
23200		23200-GAR1-C00	FACE ASSY DRIVEN	FACE ASSY DRIVEN	1	
23210		23210-GAR1-C00	FACE COMP DRIVEN	FACE COMP DRIVEN	1	
23220		23220-LDC8-E10	FACE COMP MOVABLE	FACE COMP MOVABLE	1	
23225		23225-GAR1-C00	PIN GUIDE	PIN GUIDE	1	

E06

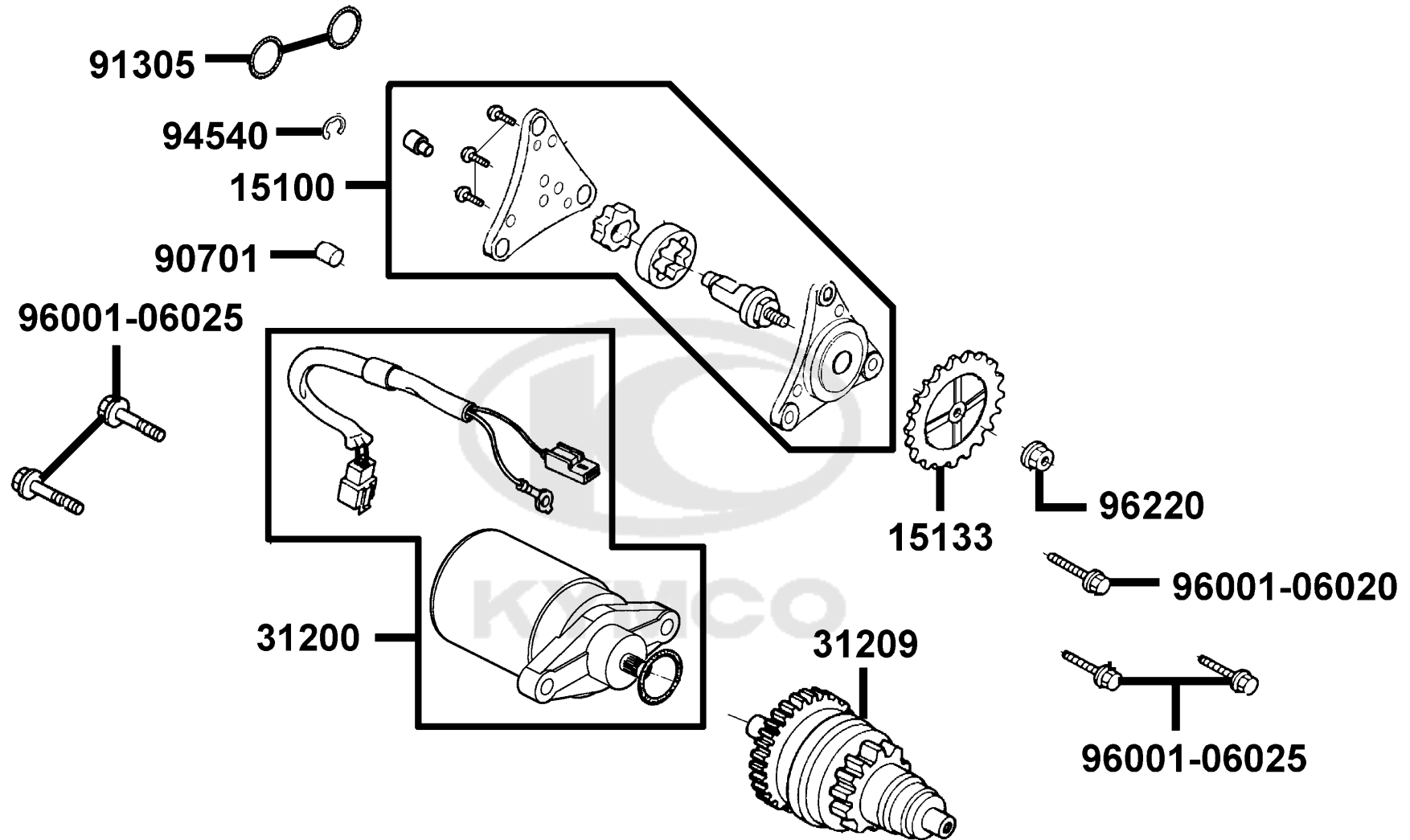
Driven Pulley



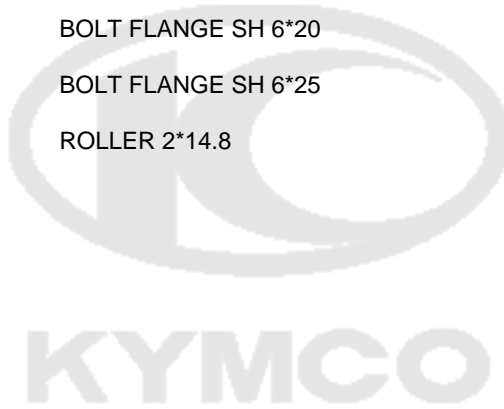
Sales mark	Ref no	Part no	Description	Reg description	Regd no	E06
23233		23233-KEE1-C10	SPG DRIVEN FACE	SPG DRIVEN FACE	1	
23237		23237-GAR1-C00	COLLAR SEAL	COLLAR SEAL	1	
23238		23238-GGS7-C00	COLLAR SPG	COLLAR SPG	1	
28211		28211-KEB7-W10	RATCHET KICK STARTER	RATCHET KICK STARTER	1	
90202		90202-1G87-C00	NUT SPECIAL 28MM	NUT SPECIAL 28MM	1	
90426		90426-KNBN-C00	WASHER SPECIAL 12MM	WASHER SPECIAL 12MM	1	
90442		90442-0D44-C00	WASHER THRUST 6M/M	WASHER THRUST 6M/M	1	
90454		90454-GBB2-C00	CIR CLIP 6MM	CIR CLIP 6MM	1	
91001		91001-GGA7-C00	BRG RADIAL BALL 6901U	BRG RADIAL BALL 6901U	1	
91103		91103-GAR1-C00	BRG NEEDLE 17*25*18 WS	BRG NEEDLE 17x25x18 WS	1	
91211		91211-KEE1-C00	OIL SEAL 34*39*3	OIL SEAL 34*39*3	1	
91301		91301-KEE1-C00	O-RING 36*1.5	O-RING 36*1.5	1	
91302		91302-KEE1-C00	O-RING 39.8*2.2	O-RING 39.8*2.2	1	
94001		94001-12280-0S	NUT HEX 12MM	NUT HEX 12MM	1	
94050		94050-10080	NUT FLANGE 10MM	NUT FLANGE 10MM	1	
94520		94520-24000	CIR CLIP IN 24	CIR CLIP IN 24	1	

E07

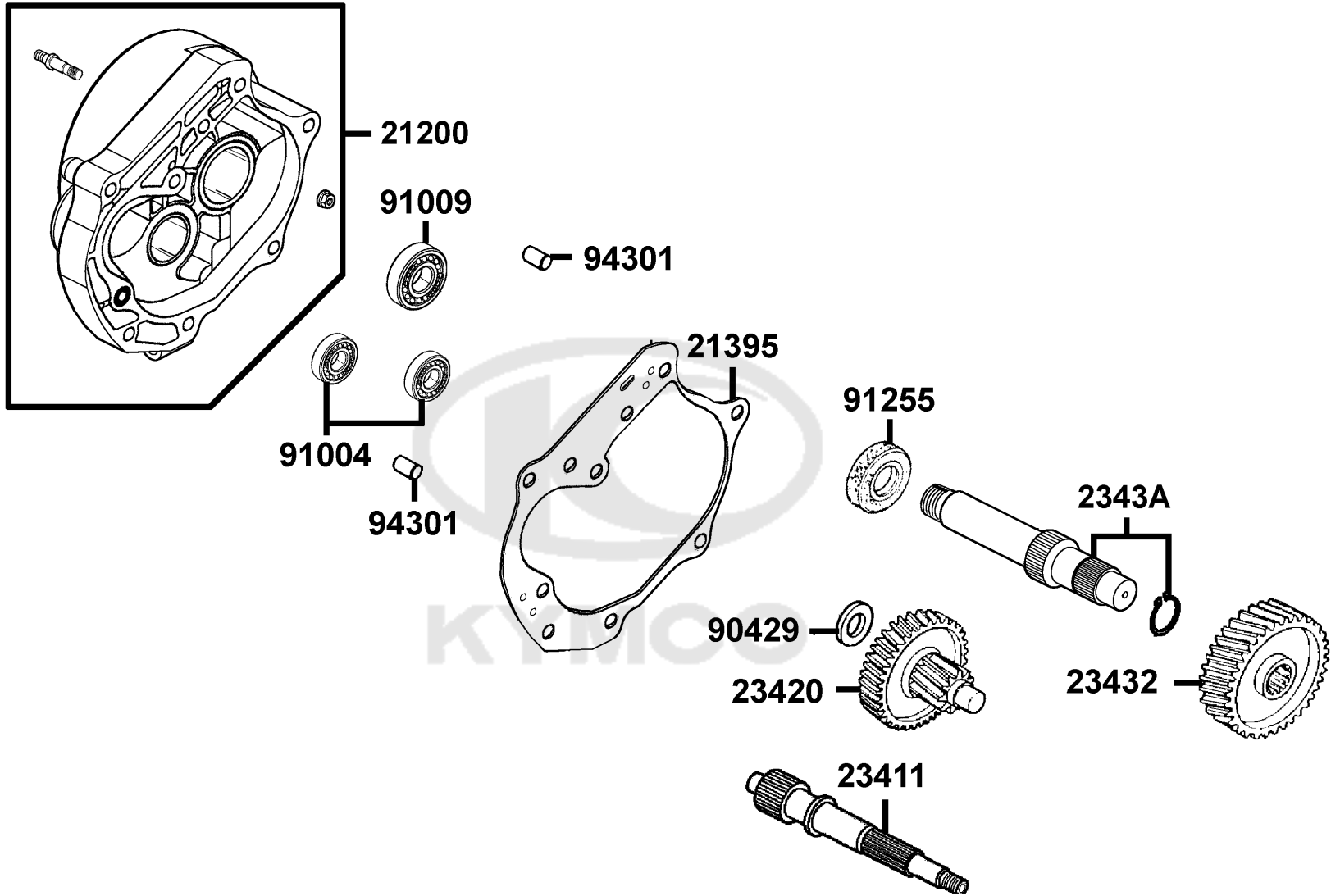
Starting Motor Oil Pump



Sales mark	Ref no	Part no	Description	Reg description	Regd no	E07
	15100	15100-LDC5-C00	PUMP ASSY OIL	PUMP ASSY OIL	1	
	15133	15133-LDC5-C00	GEAR OIL PUMP DRIVEN	GEAR OIL PUMP DRIVEN	1	
	31200	31200-LDC8-E10	MOTOR ASSY START	MOTOR ASSY START	1	
	31209	31209-KEE1-C00	PINION ASSY STARTER	PINION ASSY STARTER	1	
	90701	90701-HDC4-C00	DOWEL PIN 8*12	DOWEL PIN 8*12	1	
	91305	91305-0H28-C00	O-RING 9*1.6	O-RING 9*1.6	1	
#	94540	94540-06018	E RING 6	E RING 6	1	
	96001-06020	96001-06020-08	BOLT FLANGE SH 6*20	BOLT FLANGE SH 6*20	2	
	96001-06025	96001-06025-08	BOLT FLANGE SH 6*25	BOLT FLANGE SH 6*25	3	
	96220	96220-LDC5-C00	ROLLER 2*14.8	ROLLER 2*14.8	1	



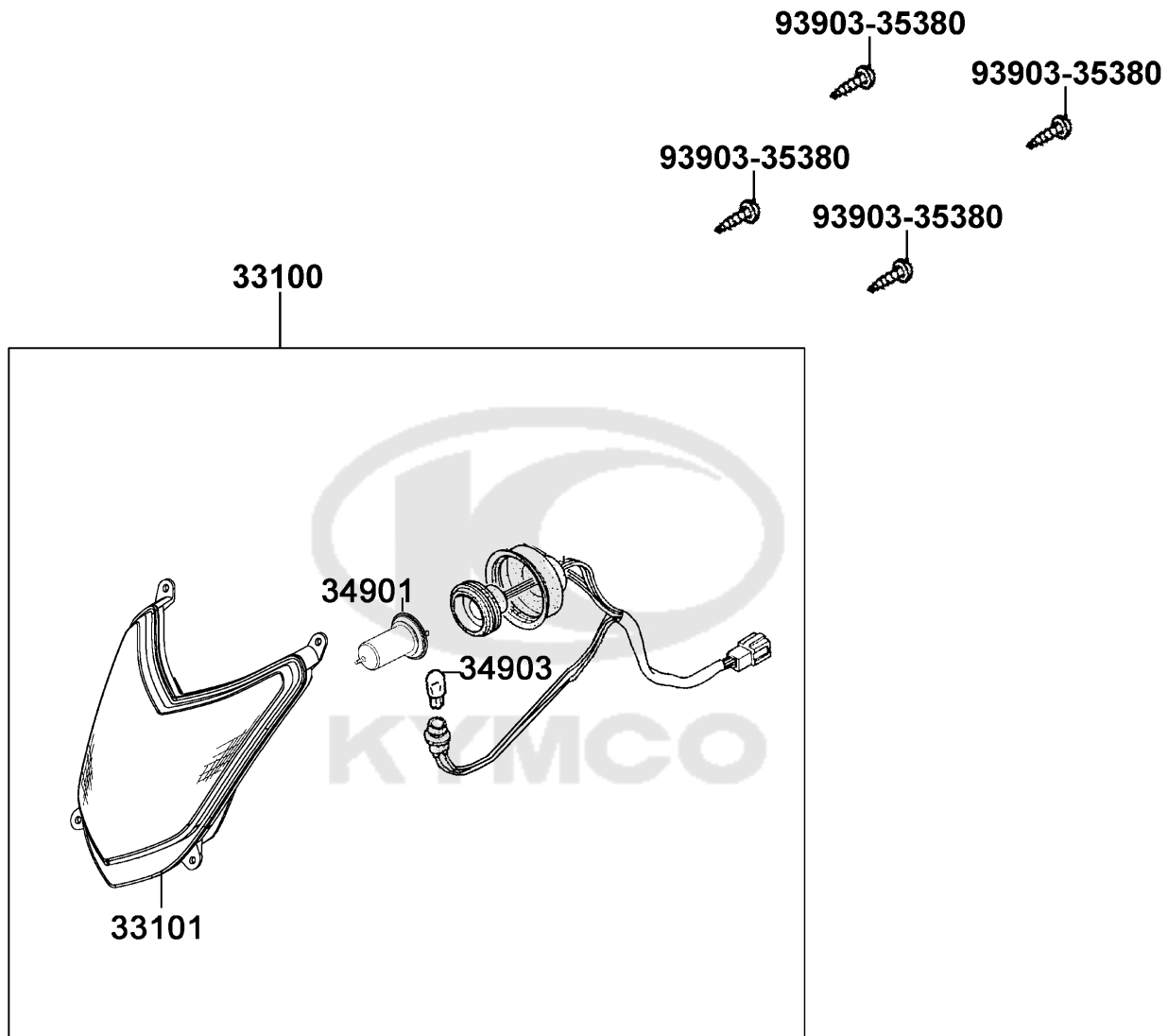
Sales mark	Ref no	Part no	Description	Reg description	Regd no	E08
	11208	11208-LBD6-C00	STAY RR TIRE FENDER	STAY RR TIRE FENDER	1	
#	19510	19510-LDC5-C00	FAN COMP COOLING	FAN COMP COOLING	1	
	19610	19610-KGBG-C00	COVER COMP FAN	COVER COMP FAN	1	
	19625	19625-KEE1-C00	SEAL SHROUND	SEAL SHROUND	1	
	1962A	1962A-KEE1-C00	SHROCD ASSY A	SHROCD ASSY A	1	
#	1963A	1963A-KGBG-C00	SHROUD ASSY B	SHROUD ASSY B	1	
	31100	31100-LBD6-C00	AC GEN ASSY	AC GEN ASSY	1	
	31110	31110-LBD6-C00	FLYWHEEL COMP	FLYWHEEL COMP	1	
	31120	31120-LBD6-C00	STATOR COMP	STATOR COMP	1	
	92101	92101-05012-0H	BOLT HEX 5*12	BOLT HEX 5*12	2	
	93904	93904-35380	SCREW TAPPING 5*16	SCREW TAPPING 5*16	2	
	94050	94050-10080	NUT FLANGE 10MM	NUT FLANGE 10MM	1	
	94591	94591-LDC8-E10	CLIP BIND	CLIP BIND	1	
	96001-06016	96001-06016-08	BOLT FLANGE SH 6*16	BOLT FLANGE SH 6*16	1	
	96001-06022	96001-06022-08	BOLT FLANGE SH 6*22	BOLT FLANGE SH 6*22	2	
	96001-06025	96001-06025-08	BOLT FLANGE SH 6*25	BOLT FLANGE SH 6*25	1	



Sales mark	Ref no	Part no	Description	Reg description	Regd no	E09
21200		21200-KFA1-900	CASE COMP MISSION	CASE COMP MISSION	1	
21395		21395-KNBN-C10	GASKET MISSION CASE A	GASKET MISSION CASE A	1	
23411		23411-LBD6-C00	SHAFT DRIVE	SHAFT DRIVE	1	
23420		23420-LBD6-C00	SHAFT COMP COUNTER	SHAFT COMP COUNTER	1	
23432		23432-LBD6-C00	GEAR FINAL	GEAR FINAL	1	
2343A		2343A-KNBN-C00	SHAFT FINAL	SHAFT FINAL	1	
90429		90429-KNBN-C00	WASHER SIDE 12MM	WASHER SIDE 12MM	1	
91004		91004-KBN2-C00	BRG BALL RADIAL 6201	BRG BALL RADIAL 6201	1	
91009		91009-GLE0-C00	BRG BALL RADIAL 6004 UU	BRG BALL RADIAL 6004 UU	1	
91255		91255-LDC8-E10	OIL SEAL 27*42*7	OIL SEAL 27*42*7	1	
94301		94301-10200-M2	DOWEL PIN 10*20	DOWEL PIN 10*20	2	

F01

Head Light



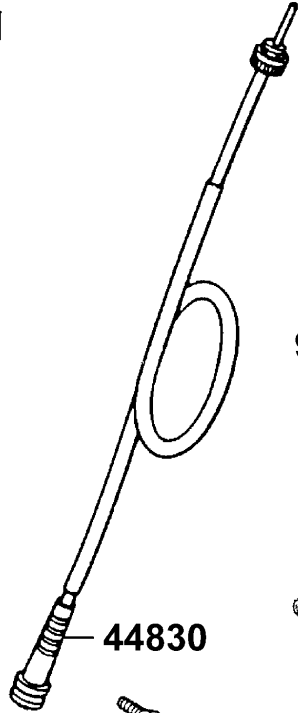
Sales mark	Ref no	Part no	Description	Reg description	Regd no	F01
	33100	33100-LDC8-E10	LIGHT ASSY HEAD	LIGHT ASSY HEAD	1	
	33101	33101-LDC8-E10	LIGHT UNIT HEAD	LIGHT UNIT HEAD	1	
	34901	34901-LDC8-E10	BULB HEAD LIGHT	BULB HEAD LIGHT	1	
	34903	34903-LDC8-E10	BULB POSITION	BULB POSITION	1	
	93903	93903-35380	SCREW TAPPING 5*16	SCREW TAPPING 5*16	4	



F02

Speedometer

38300

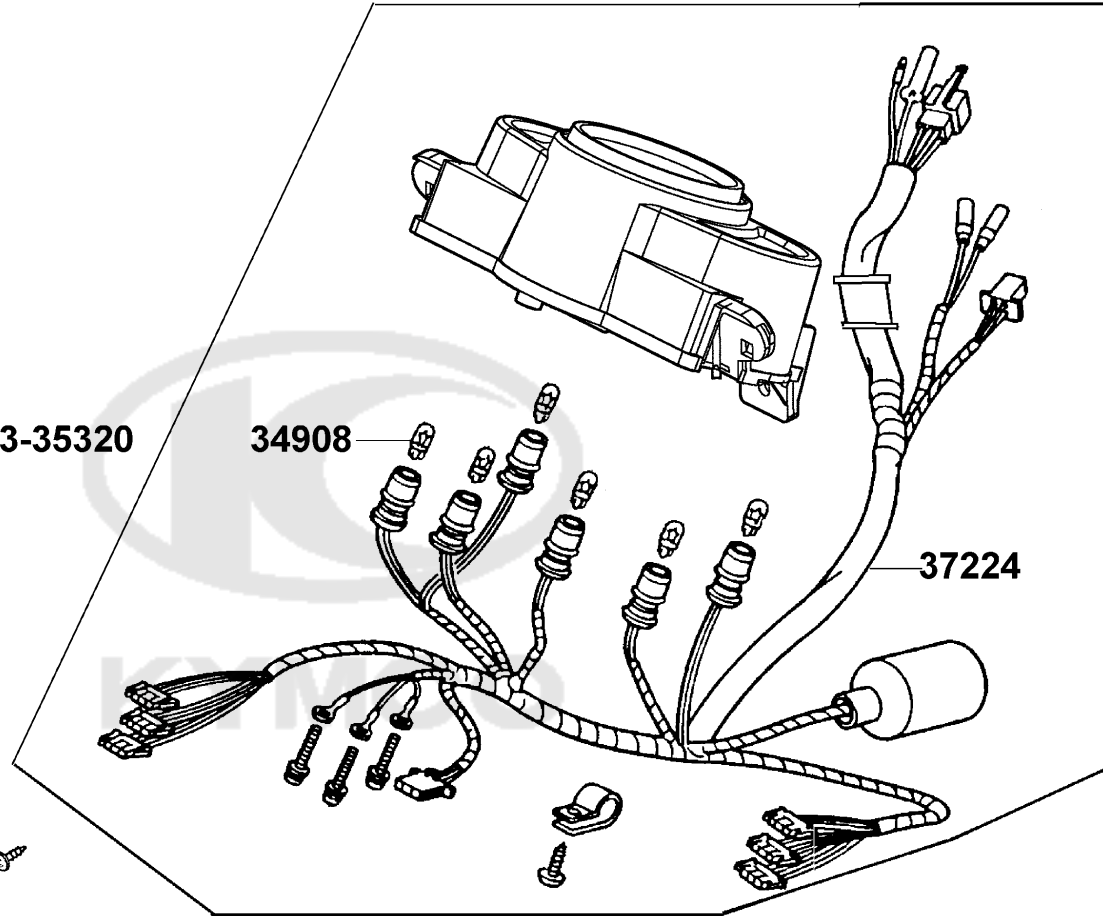


44830

93700-05018-0H

93903-35320

34908



37200

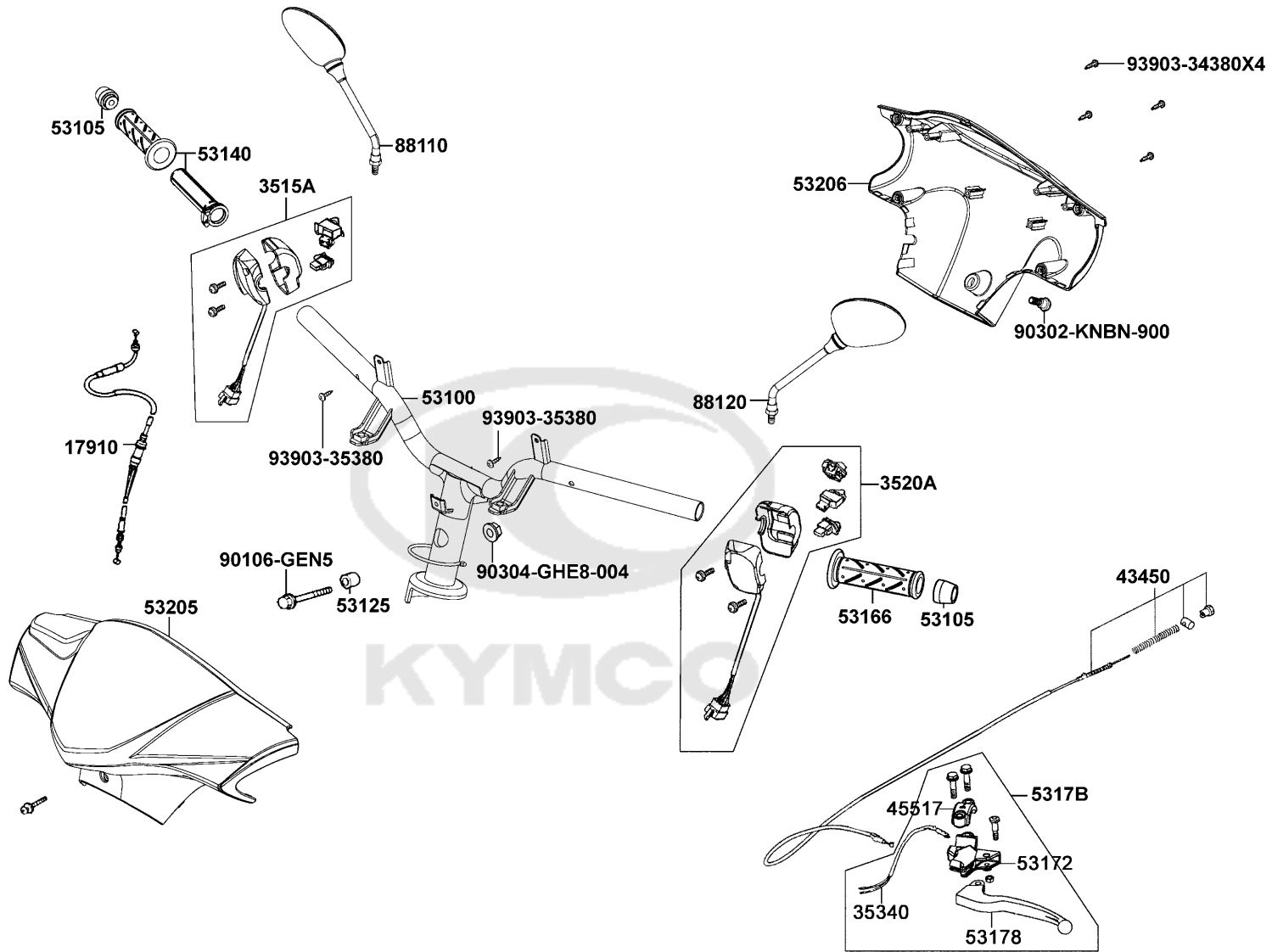
37224

Sales mark	Ref no	Part no	Description	Reg description	Regd no	F02
34908		34908-KKAK-C00	BULB WEDGE BASE T6.5(12V,1.7W)	BULB WEDGE BASE T6.5(12V,1.7W)	1	
37200		37200-LDC8-E10	METER ASSY SPEED	METER ASSY SPEED	1	
37224		37224-LDC8-E10	SOCKET COMP METER	SOCKET COMP METER	1	
38300		38300-KECE-W10	RELAY ASS'Y WINKER	RELAY ASS'Y WINKER	1	
44830		44830-LDC8-E10	CABLE COMP SPDMT	CABLE COMP SPDMT	1	
93700		93700-05018-0H	SCREW OVAL 5*18	SCREW OVAL 5*18	1	
93903		93903-25220	SCREW TAPPING 5*12 (C)	SCREW TAPPING 5*12 (C)	4	



F03

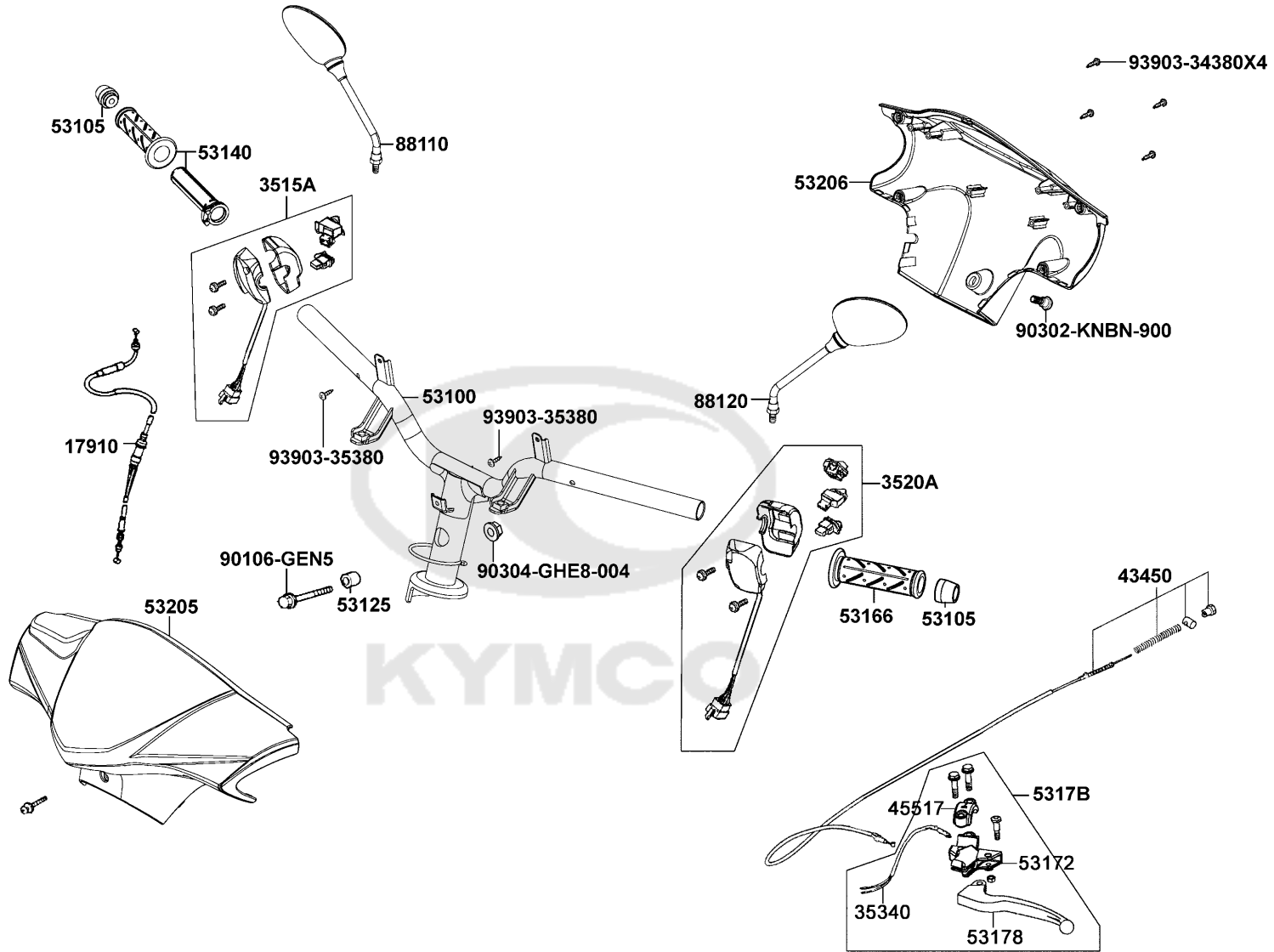
Handle Steering Handle Cover



Sales mark	Ref no	Part no	Description	Reg description	Regd no	F03
	17910	17910-LDC8-E10	CABLE COMP THROT	CABLE COMP THROT	1	
#	3515A	3515A-LGB5-E10	SW ASSY RH HANDLE COMP	SW ASSY RH HANDLE COMP	1	
	3520A	3520A-LGB5-E10	SW ASSY LH HANDLE COMP	SW ASSY LH HANDLE COMP	1	
	35340	35340-KKJ9-C00	SW ASSY FR STOP	SW ASSY FR STOP	1	
	43450	43450-LDC8-C00	CABLE COMP RR BRK	CABLE COMP RR BRK	1	
	45517	45517-GFY6-900	HOLDER HNDL BRKT	HOLDER HNDL BRKT	1	
	53100	53100-LCB9-C10	HANDLE COMP STRG	HANDLE COMP STRG	1	
	53105	53105-KNBN-C00	END STRG HANDLE	END STRG HANDLE	1	
	53125	53125-GEN5-C00	COLLAR HANDLE SET	COLLAR HANDLE SET	1	
	53140	53140-KNBN-960	GRIP COMP THROT	GRIP COMP THROT	1	
	53166	53166-KNBN-9110	GRIP L HANDLE	GRIP L HANDLE	1	
	53172	53172-KTCT-C00	BRKT HNDL L	BRKT HNDL L	1	
	53178	53178-KXCX-C00	LEVER L STRG HANDLE	LEVER L STRG HANDLE	1	
	5317B	5317B-KFA6-C00	BRKT ASSY HNDL LH	BRKT ASSY HNDL LH	1	
**	53205	53205-LCB9-C10	COVER HANDLE FR	COVER HANDLE FR	1	
	53206	53206-LCB9-C10	COVER HANDLE RR	COVER HANDLE RR	1	
	88110	88110-LCB9-C10	MIRROR ASSY R BACK	MIRROR ASSY R BACK	1	
	88120	88120-LCB9-C10	MIRROR ASSY L BACK	MIRROR ASSY L BACK	1	
	90106	90106-GEN5-901	BOLT FLANGE 10*50	BOLT FLANGE 10*50	1	
	90302	90302-KNBN-C00	BOLT PAN 5*10	BOLT PAN 5*10	1	

F03

Handle Steering Handle Cover



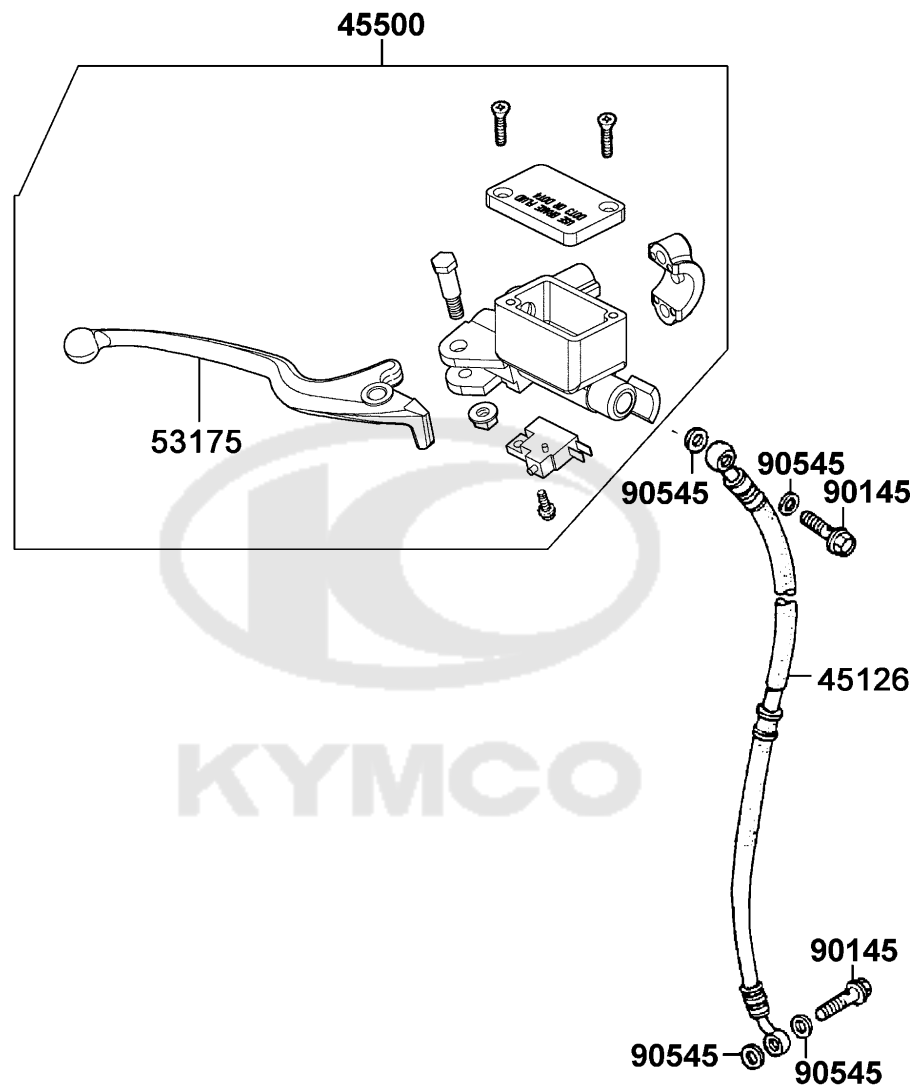
Sales mark	Ref no	Part no	Description	Reg description	Regd no	F03
------------	--------	---------	-------------	-----------------	---------	------------

90304		90304-GHE8-C00	NUT U 10MM(C)	NUT U 10MM(C)	1	
93903-34380		93903-34380	SCREW TAPPING 4*12	SCREW TAPPING 4*12	4	
93903-35380		93903-35380	SCREW TAPPING 5*16	SCREW TAPPING 5*16	2	



F04

Brake Master Cylinder

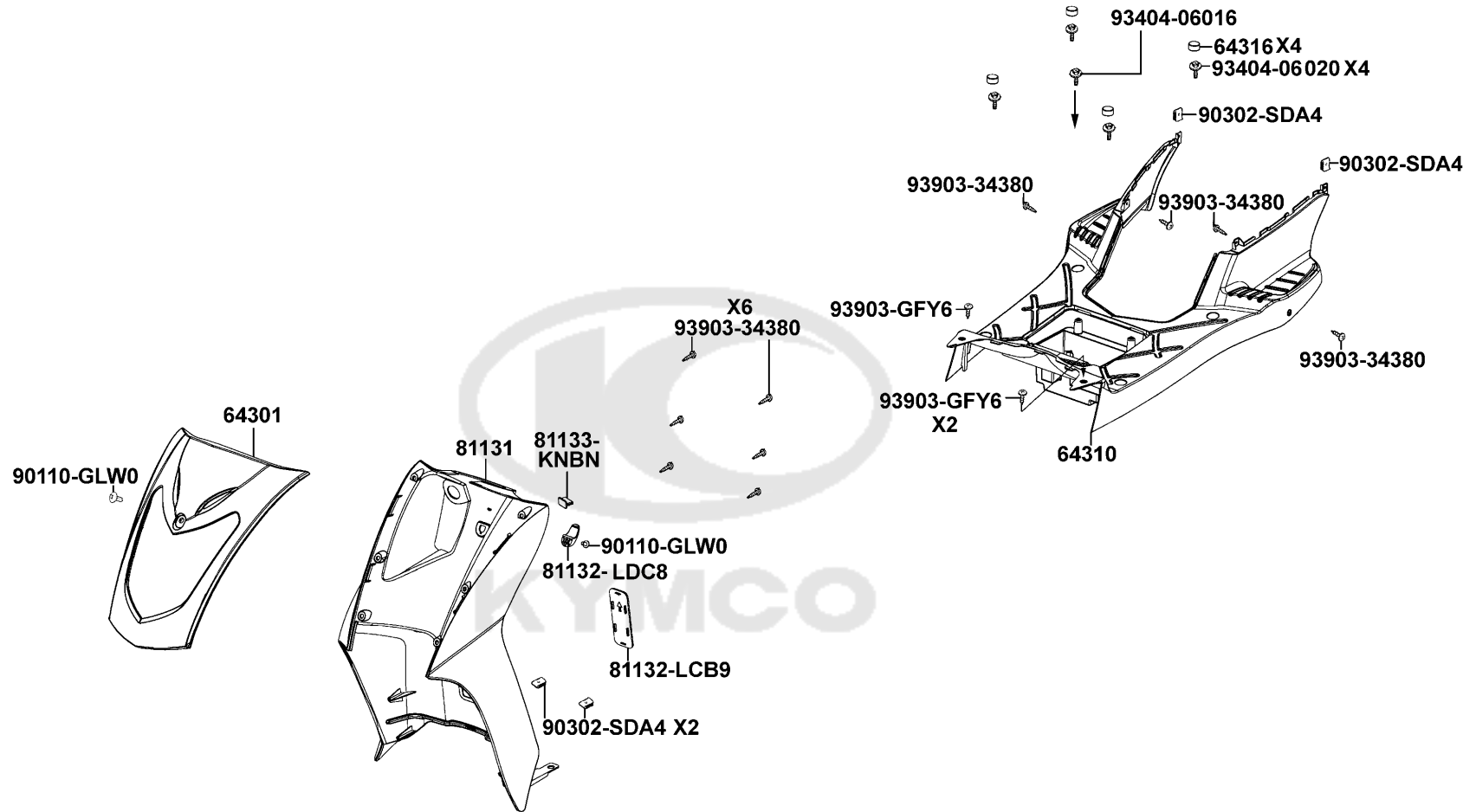


Sales mark	Ref no	Part no	Description	Reg description	Regd no	F04
45126	45126-LDC8-E10	45126-LDC8-E10	HOSE ASSY FR BRAKE	HOSE ASSY FR BRAKE	1	
45500	45500-LDC8-E10	45500-LDC8-E10	M/C ASSY FR	M/C ASSY FR	1	
53175	53175-LDC8-E10	53175-LDC8-E10	LEVER R STRG HNDL	LEVER R STRG HNDL	1	
90145	90145-MKS9-61A	90145-MKS9-61A	OIL BOLT 10*22	OIL BOLT 10*22	2	
90545	90545-3L00-C00	90545-3L00-C00	WASHER OIL BOLT	WASHER OIL BOLT	1	



F05

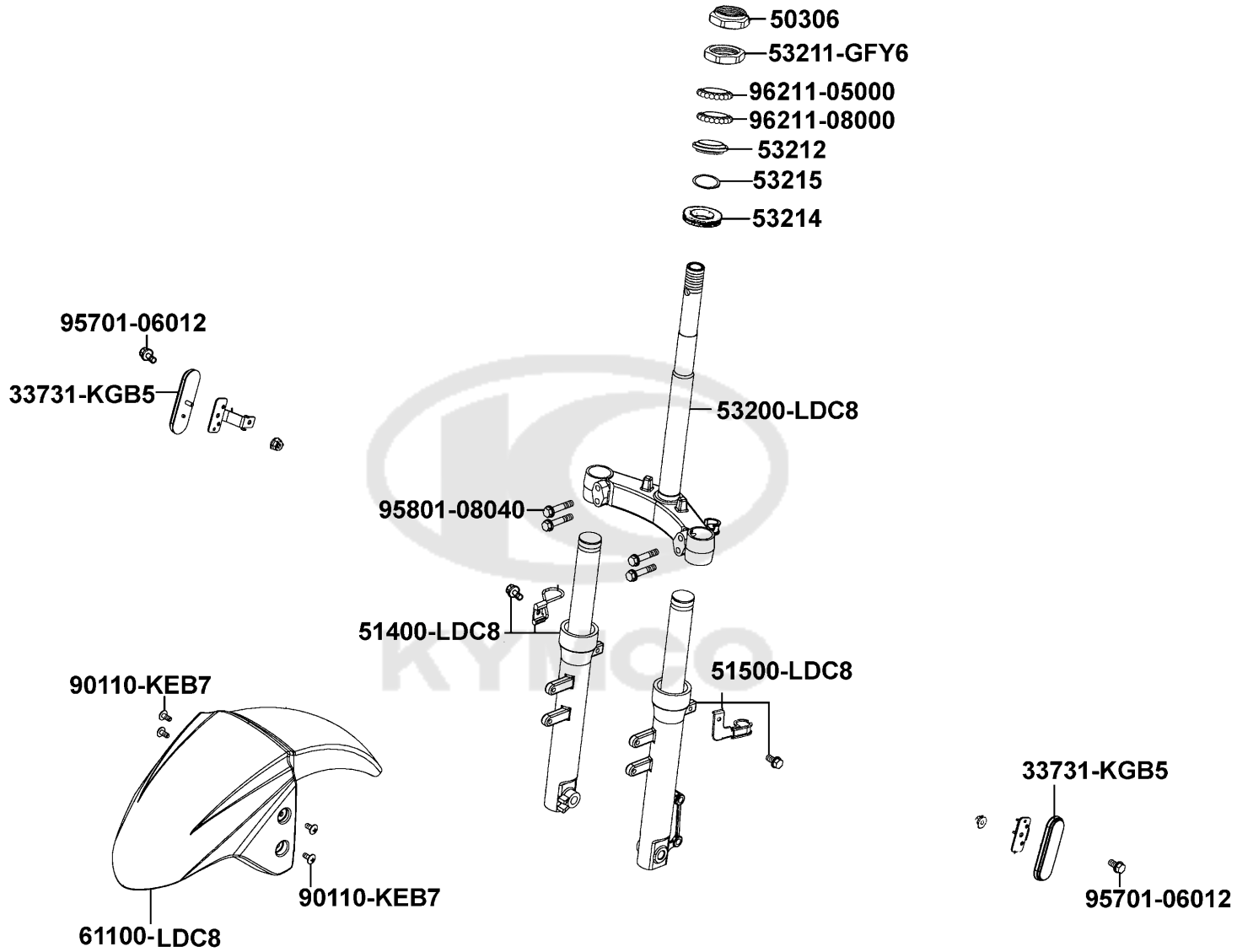
Front Cover Front Fender



Sales mark	Ref no	Part no	Description	Reg description	Regd no	F05
**	64301	64301-LCB9-C10	COVER FR	COVER FR	1	
	64310	64310-LCB9-C10	PANEL FLOOR	PANEL FLOOR	1	
	64316	64316-LCB9-C10	PLUG FLOOR	PLUG FLOOR	4	
	81131	81131-LCB9-C10	LEG SHIELD	LEG SHIELD	1	
	81132-LCB9	81132-LCB9-C10	Xc	Xc	1	
	81132-LDC8	81132-LDC8-E10	HOOK LUGGAGE	HOOK LUGGAGE	1	
	90110	90110-GLW0-C00	SCREW SPECIAL 6*14	SCREW SPECIAL 6*14	1	
	90302	90302-SDA4-C00	NUT SPRING 4MM	NUT SPRING 4MM	1	
	93404-06016	93404-06016-07	BOTL WASHER 6*16	BOTL WASHER 6*16	1	
	93404-06020	93404-06020-07	BOLT WASHER 6*20 (K)	BOLT WASHER 6*20 (K)	4	
	93903-34380	93903-34380	SCREW TAPPING 4*12	SCREW TAPPING 4*12	10	
	93903-GFY6	93903-GFY6-C00	SCREW TAPPING 4*14	SCREW TAPPING 4*14	1	

F06

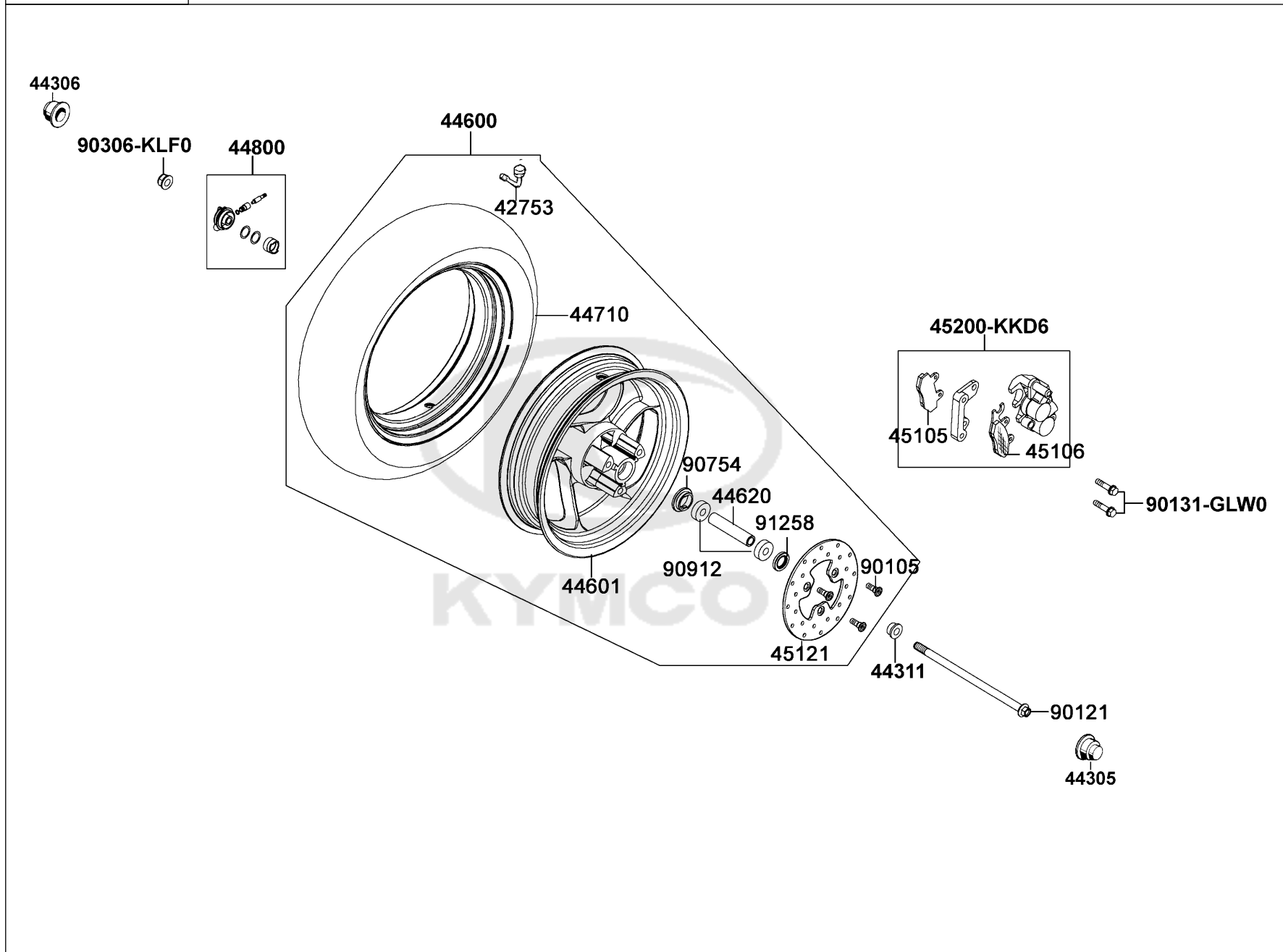
Stem Steering Front Cushion



Sales mark	Ref no	Part no	Description	Reg description	Regd no	F06
	33731	33731-KGB5-C00	REFLEX REFLECTOR,SIDE	REFLEX REFLECTOR,SIDE	1	
	50306	50306-1F96-C00	NUT STRG STEM LOCK	NUT STRG STEM LOCK	1	
**	51400	51400-LDC8-E10	FORK ASSY R FR	FORK ASSY R FR	1	
**	51500	51500-LDC8-E10	FORK ASSY L FR	FORK ASSY L FR	1	
	53200	53200-LDC8-E10	STEM COMP STRG	STEM COMP STRG	1	
	53211	53211-GFY6-C00	RACE STRG TOP CONE	RACE STRG TOP CONE	1	
	53212	53212-2L50-C00	RACE (STRG BOTTOM) CONE	RACE (STRG BOTTOM) CONE	1	
	53214	53214-2L50-C00	DUST SEAL STRG HEAD	DUST SEAL STRG HEAD	1	
	53215	53215-2L50-C00	WASHER STRG HDL DUST-SEAL	WASHER STRG HDL DUST-SEAL	1	
**	61100	61100-LDC8-E10	FENDER FR	FENDER FR	1	
	90110	90110-KEB7-C00	SCREW SPECIAL 6*14	SCREW SPECIAL 6*14	1	
	95701	95701-06012-08	BOLT FLANGE 6*12	BOLT FLANGE 6*12	2	
	95801	95801-08040-08	BOLT FLANGE 8*40	BOLT FLANGE 8*40	4	
	96211-05000	96211-05000	BALL STEEL 5	BALL STEEL 5	26	
	96211-08000	96211-08000	BALL STEEL 8MM	BALL STEEL 8MM	19	

F07

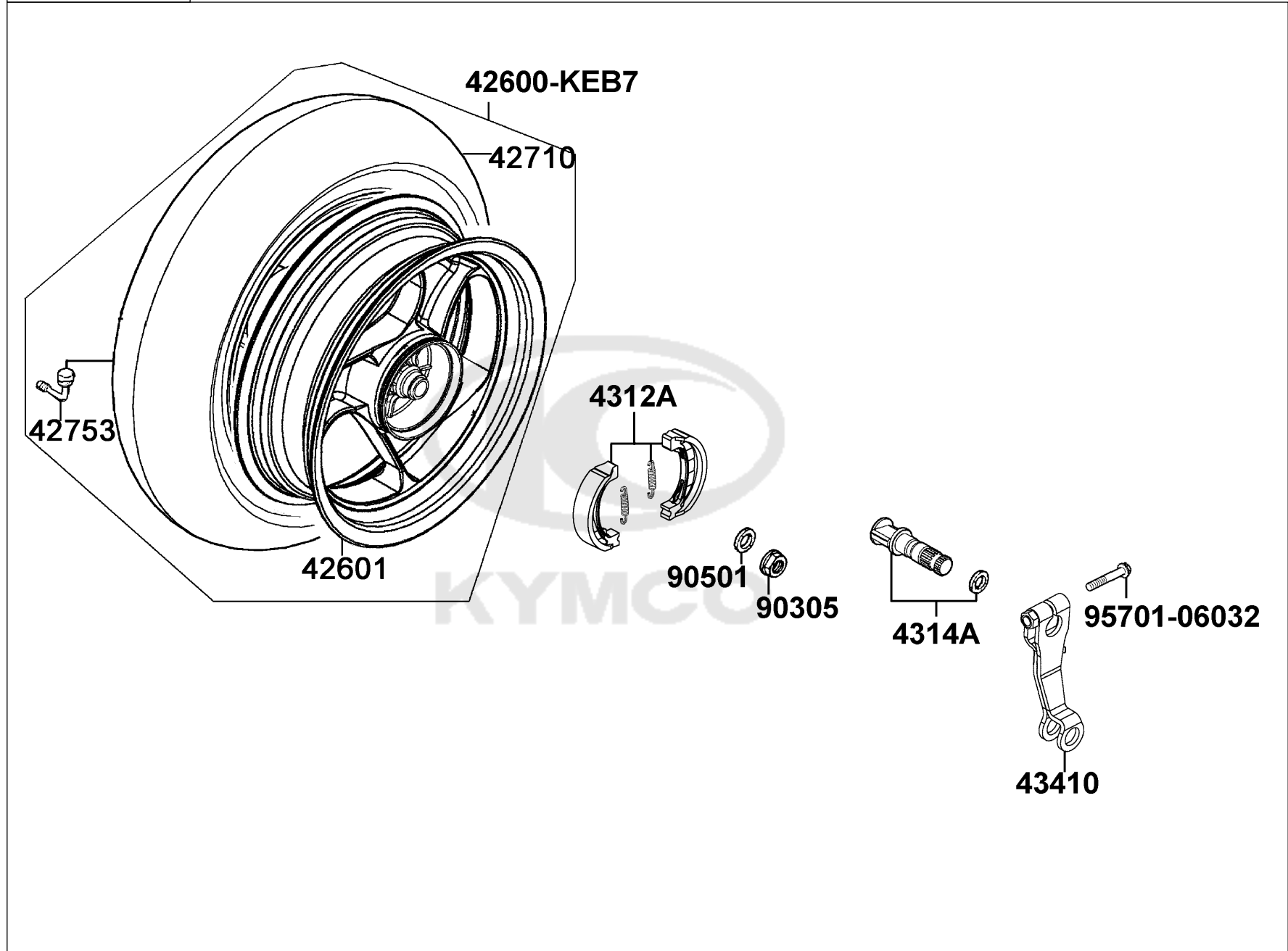
Front Wheel



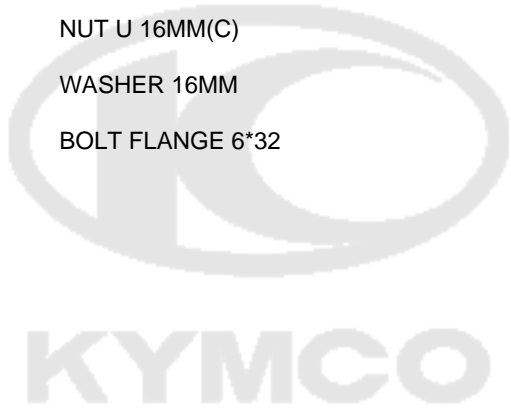
Sales mark	Ref no	Part no	Description	Reg description	Regd no	F07
	42753	42753-HHJ1-C00	CAP VALVE	CAP VALVE	1	
	44305	44305-KGE2-E00	AXLE PROTECTOR L	AXLE PROTECTOR L	1	
	44306	44306-KGE2-E00	AXLE PROTECTOR R	AXLE PROTECTOR R	1	
	44311	44311-GLW0-W10	COLLAR FR WHEEL SIDE	COLLAR FR WHEEL SIDE	1	
**	44600	44600-LDC8-E10	WHEEL ASSY FR	WHEEL ASSY FR	1	
**	44601	44601-KEB7-E0E	WHEEL FR CAST	WHEEL FR CAST	1	
	44620	44620-KEB7-E00	COLLAR FR DIST	"COLLAR,FR DIST"	1	
	44710	44710-LDC8-E10	TIRE ASSY FR	TIRE ASSY FR	1	
	44800	44800-LDC8-E10	GEAR BOX ASSY SPDMT	GEAR BOX ASSY SPDMT	1	
#	45105	45105-KKD6-305	PAD COMP A+B	PAD ASSY	1	
	45121	45121-LBD5-C00	DISK FR BRK	DISK FR BRK	1	
**	45200	45200-KKD6-C00	CALIPER ASSY FR	CALIPER ASSY FR	1	
	90105	90105-KCR3-001	BOLT FR DISK 8*24	BOLT FR DISK 8*24	3	
	90121	90121-KBE2-C00	BOLT RR FORK PIVOT	BOLT RR FORK PIVOT	1	
	90131	90131-GLW0-C00	BOLT FLANGE 8*35	BOLT FLANGE 8*35	1	
	90306	90306-KLF0-C00	NUT FLANGE 12MM	NUT FLANGE 12MM	1	
	90754	90754-GHC8-C00	DUST SEAL 20*32*5	DUST SEAL 20*32*5	1	
	90912	90912-GHC8-C00	BEARING 6201 (U) (NTN)	BEARING 6201 (U) (NTN)	1	
	91258	91258-KAM1-C00	SEAL SPDMT GEAR BOX	SEAL SPDMT GEAR BOX	1	

F08

Rear Wheel

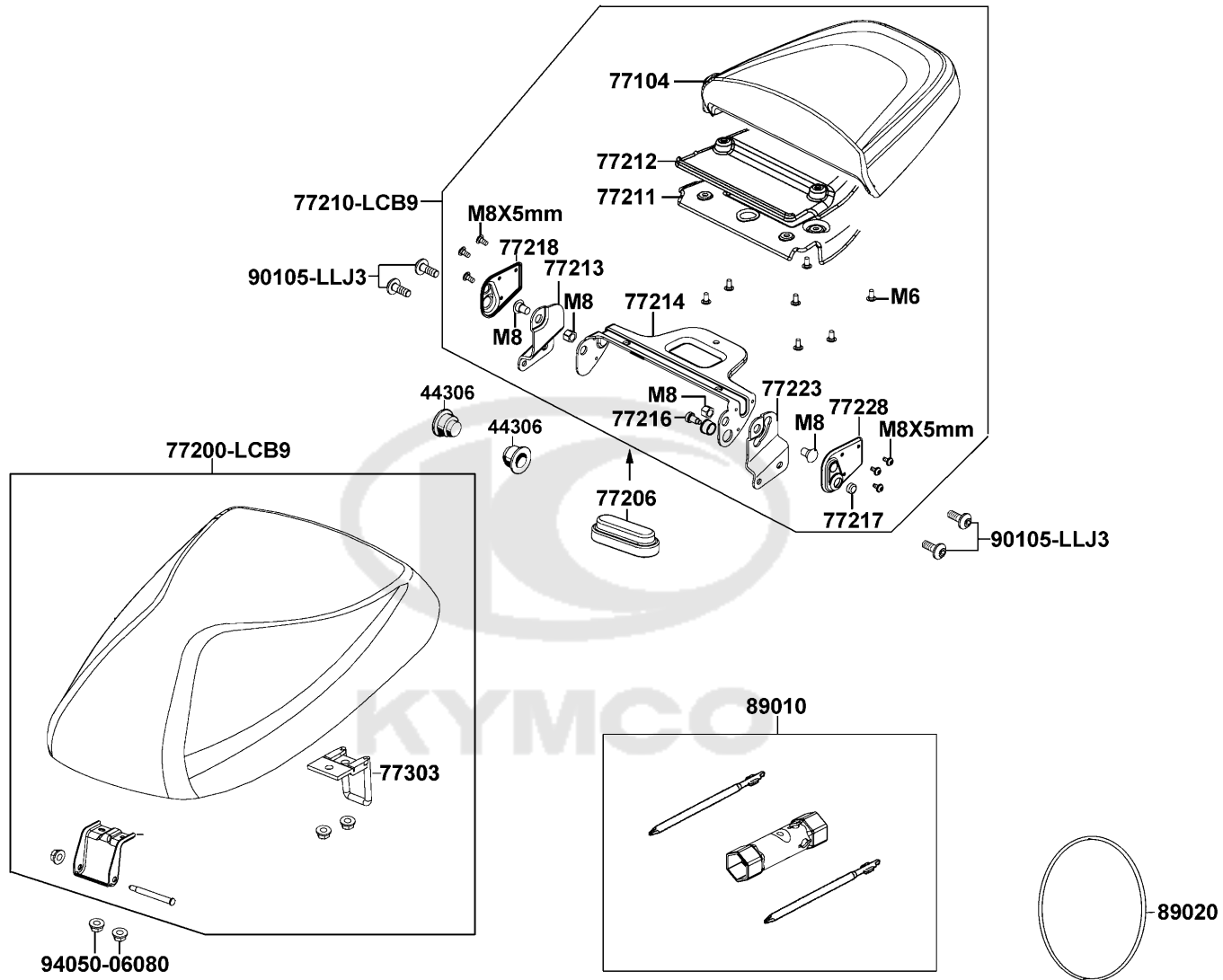


Sales mark	Ref no	Part no	Description	Reg description	Regd no	F08
**	42600	42600-KEB7-E10	WHEEL ASSY REAR	WHEEL ASSY REAR	1	
**	42601	42601-KEB7-C00	WHEEL COMP RR CAST	WHEEL COMP RR CAST	1	
	42710	42710-LDC8-E10	TIRE ASSY RR	TIRE ASSY RR	1	
	42753	42753-HHJ1-C00	CAP VALVE	CAP VALVE	1	
	4312A	4312A-KXCX-C00	SHOE ASSY RR BRAKE	SHOE ASSY RR BRAKE	1	
	4314A	4314A-KKD6-E00	CAM ASSY RR BRAKE	CAM ASSY RR BRAKE	1	
	43410	43410-KFA1-C00	ARM RR BRK	ARM RR BRK	1	
	90305	90305-KNBN-C00	NUT U 16MM(C)	NUT U 16MM(C)	1	
	90501	90501-KNBN-C00	WASHER 16MM	WASHER 16MM	1	
	95701	95701-06032-08	BOLT FLANGE 6*32	BOLT FLANGE 6*32	1	



F09

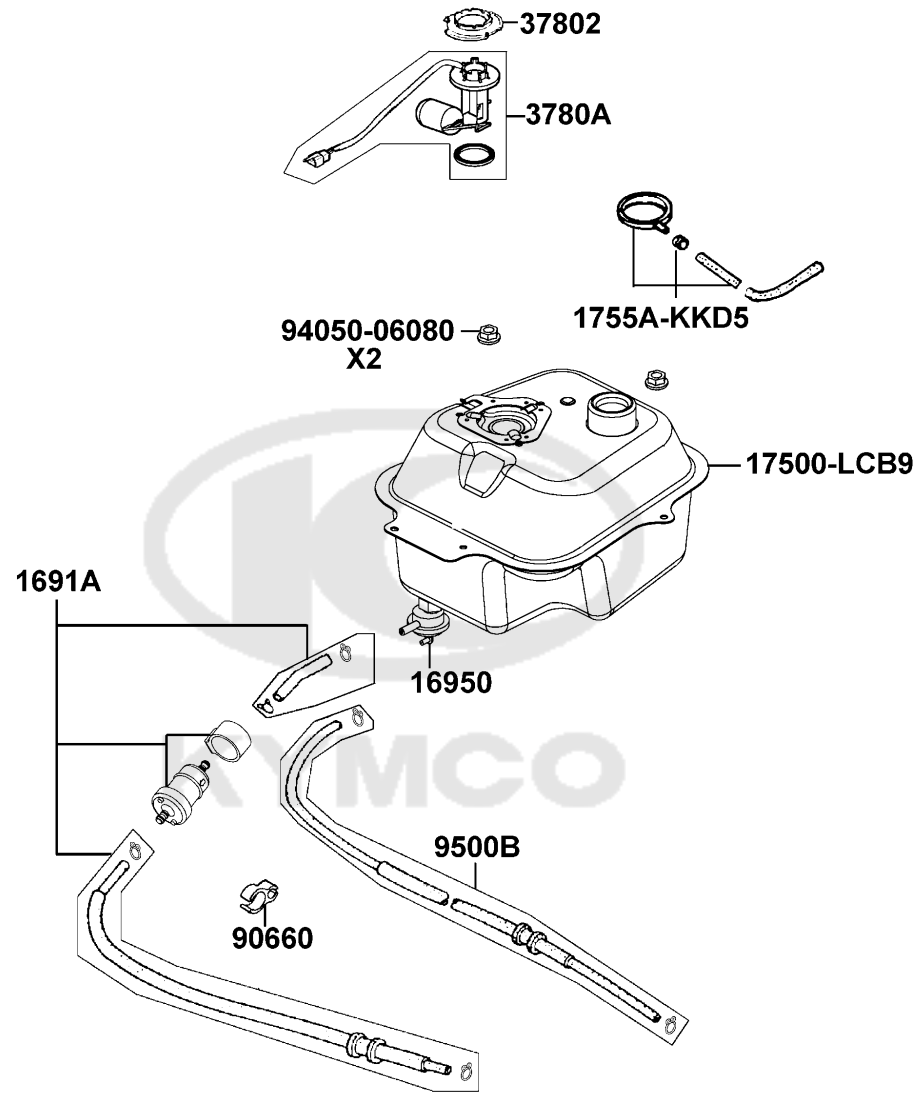
Seat



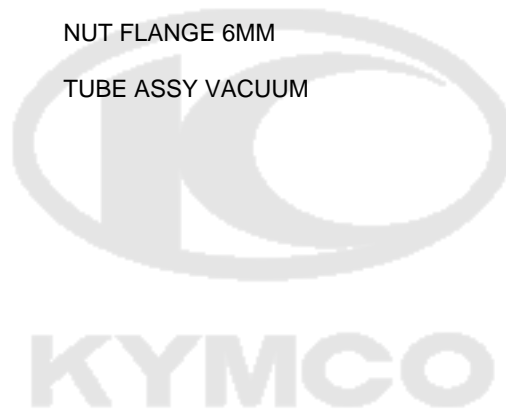
Sales mark	Ref no	Part no	Description	Reg description	Regd no	F09
	44306	44306-KGE2-E00	AXLE PROTECTOR R	AXLE PROTECTOR R	2	
	77104	77104-LCB9-C10	COAT BACK SEAT	COAT BACK SEAT	1	
**	77200	77200-LCB9-C10	SEAT ASSY	SEAT ASSY	1	
	77206	77206-LCB9-C10	RUBBER SEAT CUSHION	RUBBER SEAT CUSHION	1	
**	77210	77210-LCB9-C10	SEAT ASSY BACK	SEAT ASSY BACK	1	
	77211	77211-LCB9-C10	PLATE COMP BACK SEAT	PLATE COMP BACK SEAT	1	
	77212	77212-LCB9-C10	COVER BACK SEAT	COVER BACK SEAT	1	
	77213	77213-LCB9-C10	STAY LOW R HINGE	STAY LOW R HINGE	1	
	77214	77214-LCB9-C10	STAY COMP UP HINGE	STAY COMP UP HINGE	1	
	77216	77216-LCB9-C10	PIN SWITCH	PIN SWITCH	1	
	77217	77217-LCB9-C10	PUSH BUTTOM SWITCH	PUSH BUTTOM SWITCH	1	
	77218	77218-LCB9-C10	GUARD R BACK SEAT	GUARD R BACK SEAT	1	
	77223	77223-LCB9-C10	STAY LOW L HINGE	STAY LOW L HINGE	1	
	77228	77228-LCB9-C10	GUARD L BACK SEAT	GUARD L BACK SEAT	1	
	77303	77303-LCB9-C10	HOOK SEAT LOCK	HOOK SEAT LOCK	1	
	89010	89010-KGBG-C00	TOOL SET	TOOL SET	1	
	89020	89020-KKC4-900	BAND TOOL SET	BAND TOOL SET	1	
	90105	90105-LLJ3-E00	BOLT SPECAL 8MM	BOLT SPECAL 8MM	4	
#	94050	94050-06080	NUT FLANGE 6MM	NUT FLANGE 6MM	2	

F10

Fuel Tank



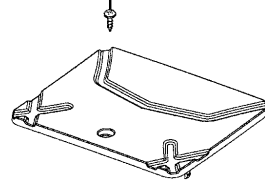
Sales mark	Ref no	Part no	Description	Reg description	Regd no	F10
	1691A	1691A-LDF7-E10	STRAINER ASSY FUEL	STRAINER ASSY FUEL	1	
	16950	16950-KKJ9-C00	AUTO COCK ASSY FUEL	FUEL PUMP ASSY	1	
	17500	17500-LCB9-C10	TANK COMP FUEL	TANK COMP FUEL	1	
	1755A	1755A-KKD5-C10	TRAY ASSY FUEL CAP	TRAY ASSY FUEL CAP	1	
	37802	37802-GGA7-C00	RET FUEL UNIT	RET FUEL UNIT	1	
	3780A	3780A-LDC8-E10	FUEL UNIT ASSY	FUEL UNIT ASSY	1	
	90660	90660-KGBG-C00	CLAMPER TUBE	CLAMPER TUBE	1	
#	94050	94050-06080	NUT FLANGE 6MM	NUT FLANGE 6MM	2	
	9500B	9500B-LDC8-E10	TUBE ASSY VACUUM	TUBE ASSY VACUUM	1	



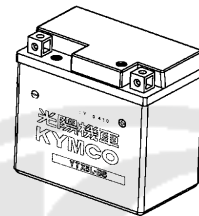
F11

Battery

93903-35380

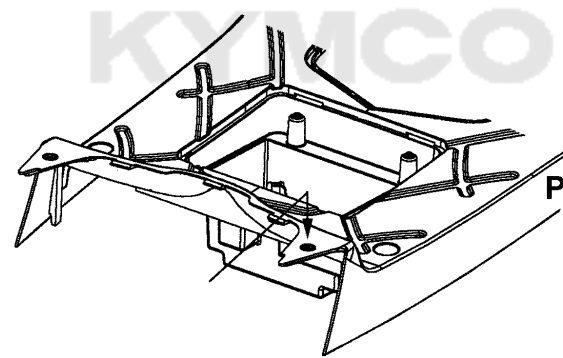


50326-LCB9



31500-KNBN

98200-10700X2



PANEL FLOOR

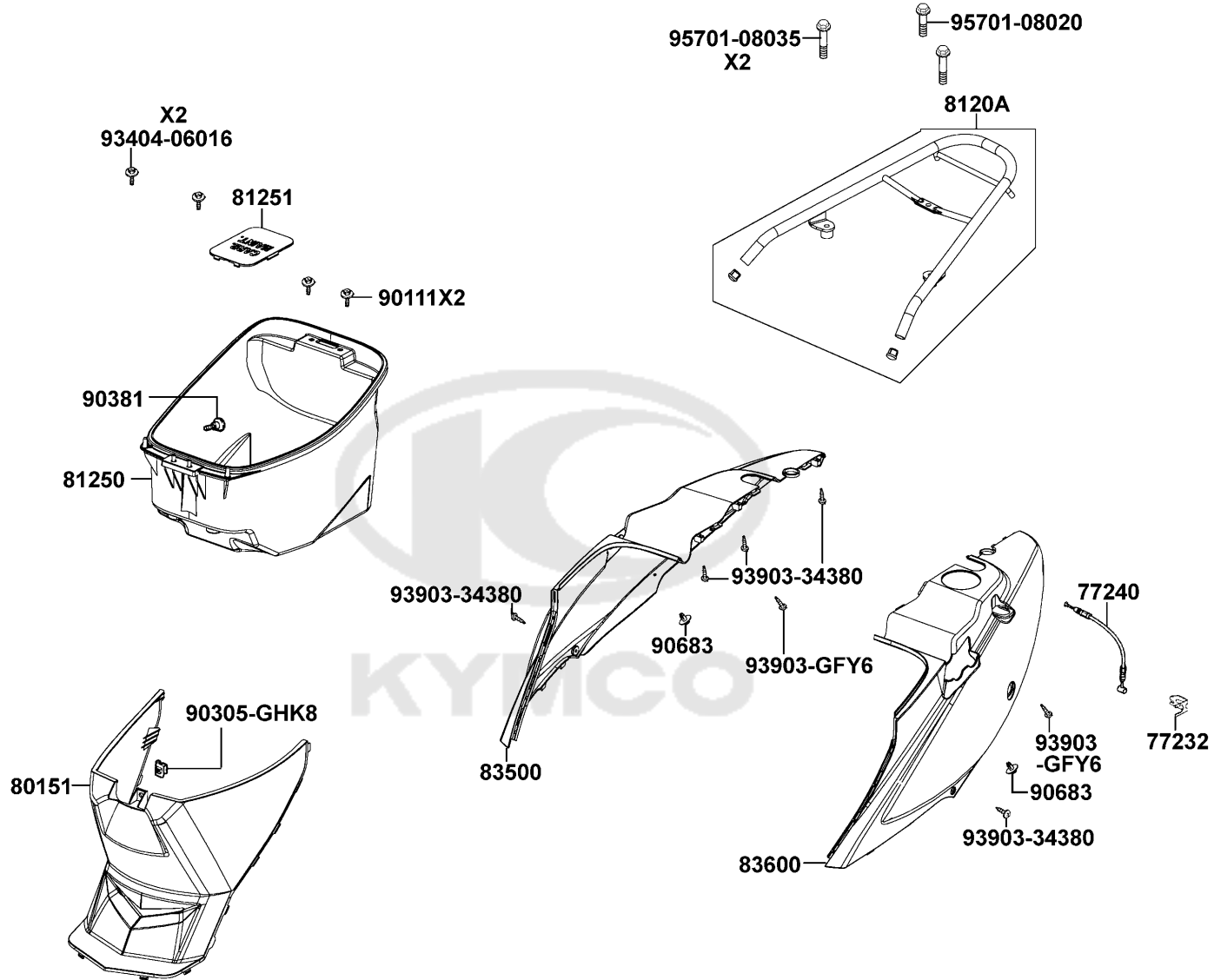
Sales mark	Ref no	Part no	Description	Reg description	Regd no	F11
------------	--------	---------	-------------	-----------------	---------	------------

31500	31500-KNBN-C00	31500-KNBN-C00	BATTERY YTX5L-BS	BATTERY YTX5L-BS	1	
50326	50326-LCB9-C10	50326-LCB9-C10	COVER BATTERY	COVER BATTERY	1	
93903	93903-35380	93903-35380	SCREW TAPPING 5*16	SCREW TAPPING 5*16	1	
98200	98200-10700	98200-10700	FUSE A7	FUSE A7	2	



F12

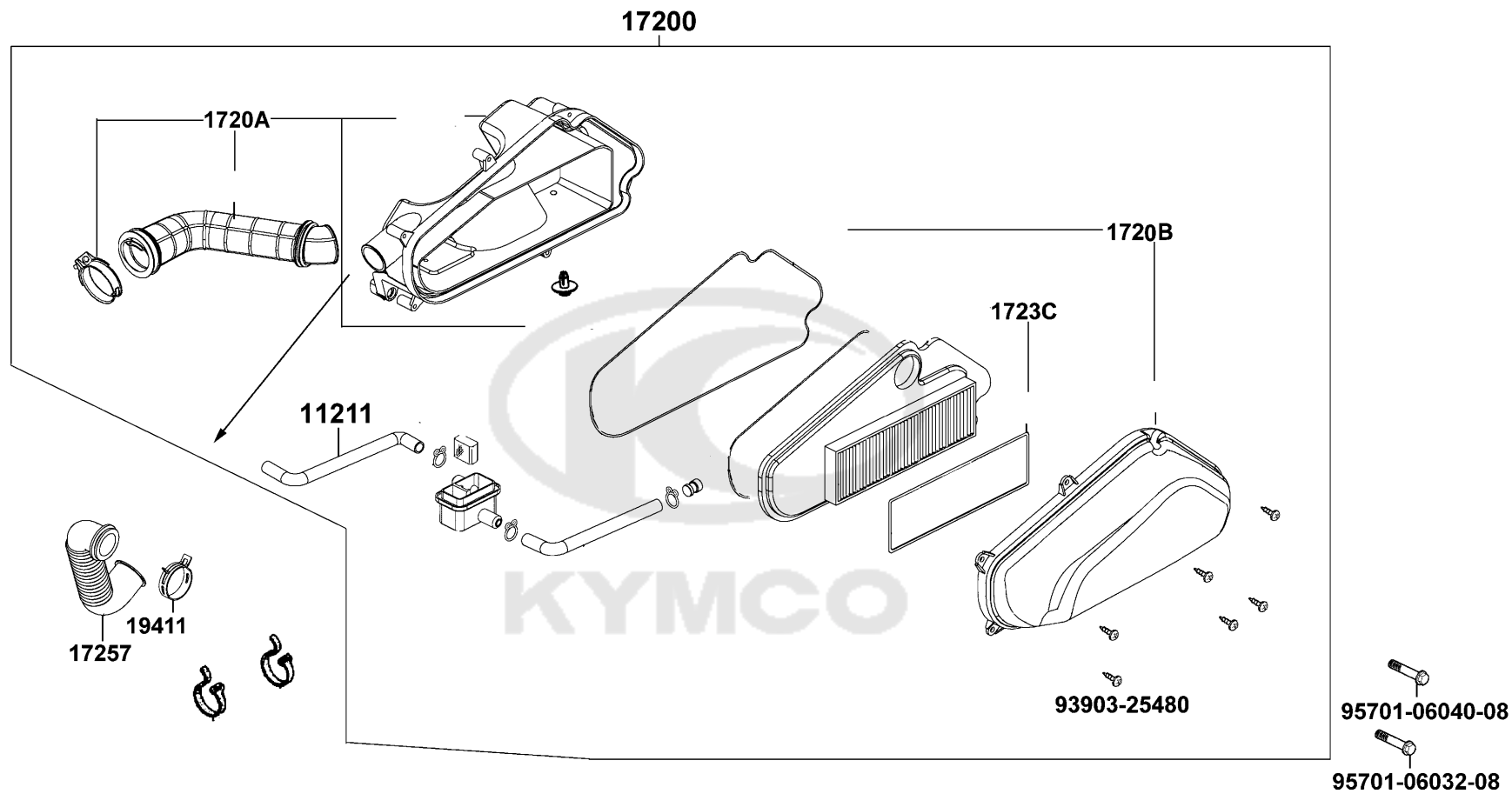
Body Cover Luggage Box



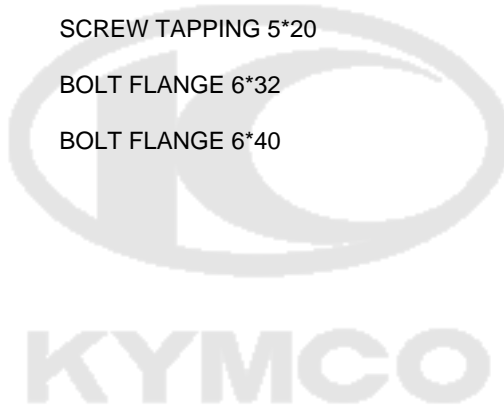
Sales mark	Ref no	Part no	Description	Reg description	Regd no	F12
77232		77232-KCAC-C00	SET SPG SEAT LOCK	SET SPG SEAT LOCK	1	
77240		77240-LDC8-E10	CABLE COMP SEAT LOCK	CABLE COMP SEAT LOCK	1	
80151		80151-LCB9-C10	COVER CENTER	COVER CENTER	1	
81251		81251-LCB9-C10	LID CARB MAINT	LID CARB MAINT	1	
90111		90111-1G87-C00	BOLT FLANGE 6MM	BOLT FLANGE 6MM	1	
90305		90305-GHK8-C00	NUT CLIP 6MM	NUT CLIP 6MM	1	
90381		90381-GEZ5-C00	SCREW SPECIAL 6*17	SCREW SPECIAL 6*17	1	
90683		90683-GAR1-C00	CLIP BODY COVER	CLIP BODY COVER	1	
93404		93404-06016-07	BOTL WASHER 6*16	BOTL WASHER 6*16	2	
93903-34380		93903-34380	SCREW TAPPING 4*12	SCREW TAPPING 4*12	5	
93903-GFY6		93903-GFY6-C00	SCREW TAPPING 4*14	SCREW TAPPING 4*14	1	
95701-08020		95701-08020-07	BOLT FLANGE 8*20 (K)	BOLT FLANGE 8*20 (K)	1	
95701-08035		95701-08035-07	BOLT FLANGE 8*35	BOLT FLANGE 8*35	2	

F13

Air Cleaner

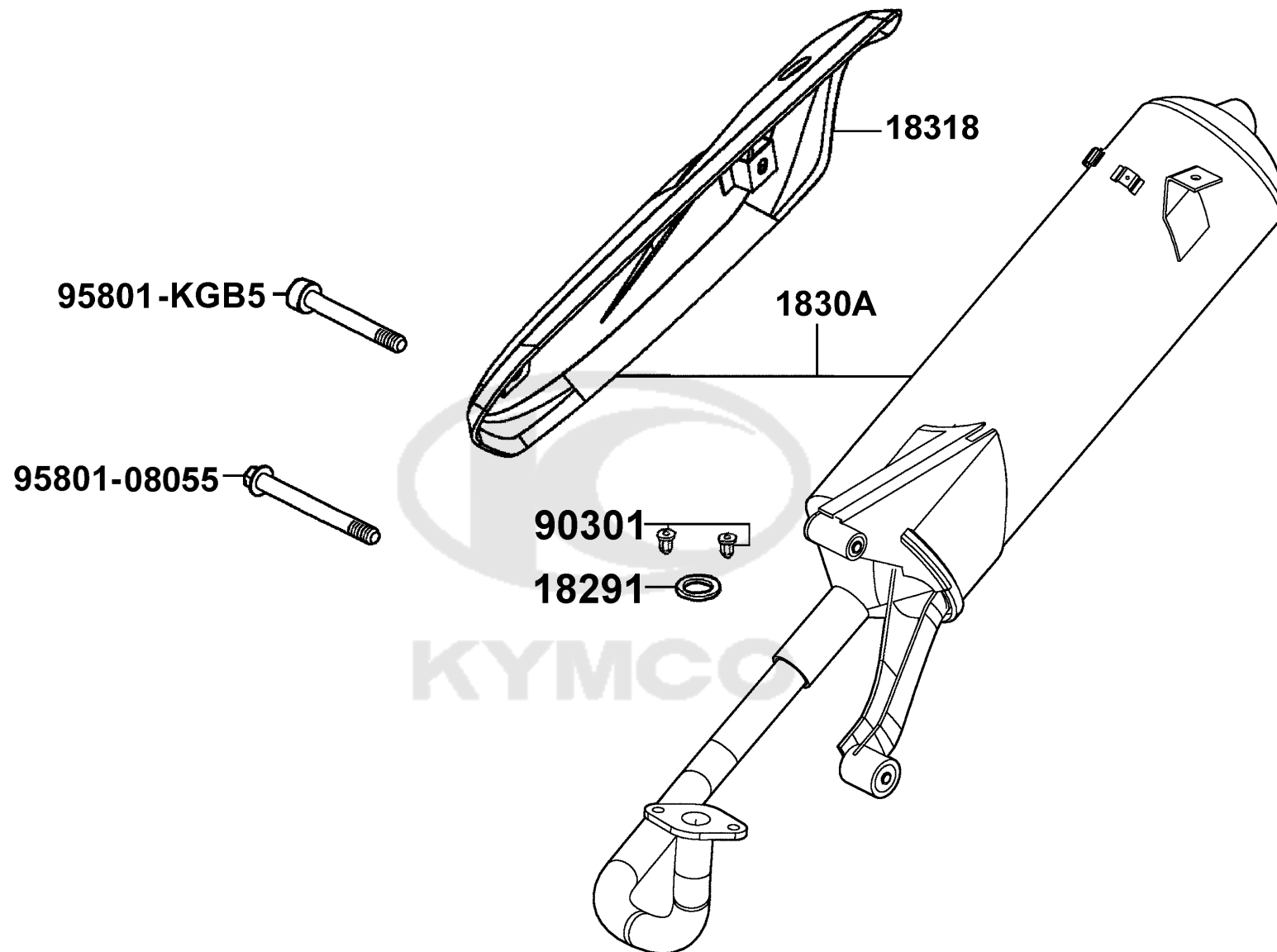


Sales mark	Ref no	Part no	Description	Reg description	Regd no	F13
	11211	11211-LBD6-E00	TUBE BREATHER	TUBE BREATHER	1	
	17200	17200-LBD6-E00	AIR/C ASSY	AIR/C ASSY	1	
	1720A	1720A-LDC8-E10	CASE ASSY AIR/C	CASE ASSY AIR/C	1	
	1720B	1720B-LBD6-E00	COVER COMP AIR/C	COVER COMP AIR/C	1	
	1723C	1723C-LBD6-E00	ELEMENT ASSY AIR/C	ELEMENT ASSY AIR/C	1	
	17257	17257-LDC8-E00	DUCT AIR/C COVER	DUCT AIR/C COVER	1	
	19411	19411-KNBN-C00	CLIP HOSE	CLIP HOSE	1	
	93903	93903-25480	SCREW TAPPING 5*20	SCREW TAPPING 5*20	7	
	95701-06032	95701-06032-08	BOLT FLANGE 6*32	BOLT FLANGE 6*32	1	
	95701-06040	95701-06040-08	BOLT FLANGE 6*40	BOLT FLANGE 6*40	1	



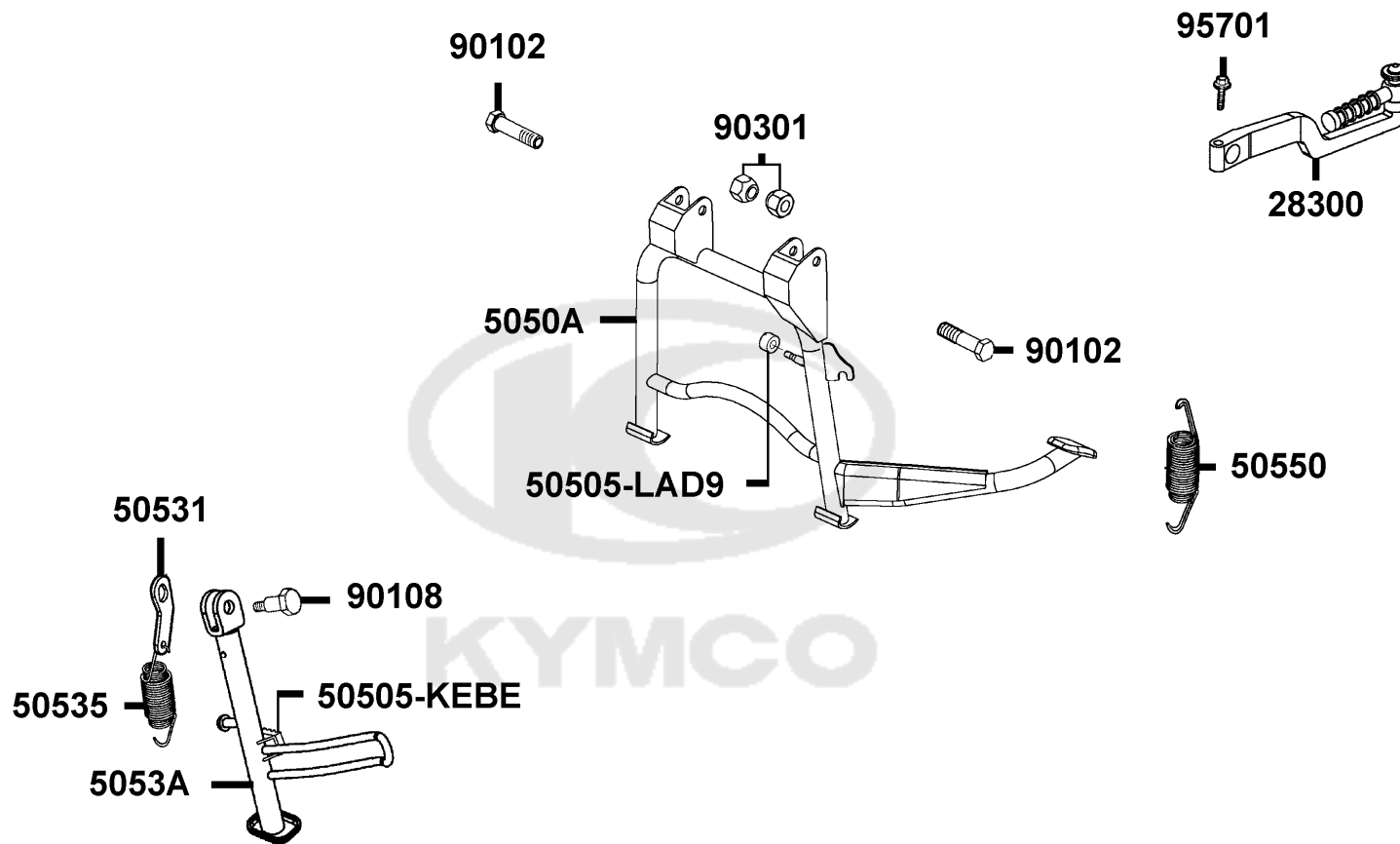
F14

Exhaust Muffler



Sales mark	Ref no	Part no	Description	Reg description	Regd no	F14
	18291	18291-GGA7-080	GASKET EXH PIPE	GASKET EXH PIPE	1	
#	1830A	1830A-LDC8-E11	MUFFLER ASSY EXHAUST	MUFFLER ASSY EXHAUST	1	
	18318	18318-LDF7-E10	PROTECTOR MUFFLER	PROTECTOR MUFFLER	1	
	90301	90301-KGBG-C00	NUT CAP 6MM	NUT CAP 6MM	1	
	95801-08055	95801-08055-07	BOLT FLANGE 8*55 (K)	BOLT FLANGE 8*55 (K)	1	
	95801-KGB5	95801-KGB5-C00	BOLT TORX M8x60	BOLT TORX M8x60	1	



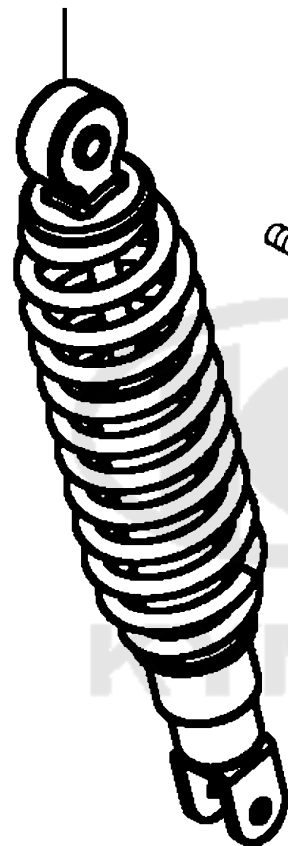


Sales mark	Ref no	Part no	Description	Reg description	Regd no	F15
28300		28300-KFA3-C00	ARM ASSY KICK STARTER	ARM ASSY KICK STARTER	1	
50505-KEBE		50505-KEBE-C00	STOPPER RUBBER	STOPPER RUBBER	1	
50505-LAD9		50505-LAD9-C00	STOPPER RUBBER	STOPPER RUBBER	1	
5050A		5050A-LDC8-E10	STAND COMP MAIN	STAND COMP MAIN	1	
50531		50531-KEB7-C00	PLATE SPRING STOPPER	PLATE SPRING STOPPER	1	
50535		50535-KEB7-W10	SPRING COMP SIDE STAND	SPRING COMP SIDE STAND	1	
5053A		5053A-LDC8-E10	STAND ASSY SIDE	STAND ASSY SIDE	1	
50550		50550-KEB7-C00	SPG MAIN STAND COMP	SPG MAIN STAND COMP	1	
90102		90102-GLE0-001	BOLT HINGE PIVOT	BOLT HINGE PIVOT	2	
90108		90108-KEB7-E00	SCREW SIDE STAND PIVOT	SCREW SIDE STAND PIVOT	1	
90301		90301-4C73-C00	NUT U 6MM(C)	NUT U 6MM(C)	1	
95701		95701-06022-07	BOLT FLANGE 6*22 (K)	BOLT FLANGE 6*22 (K)	1	

F16

Rear Cushion

52400



95801-08035-08



95801-10035-08



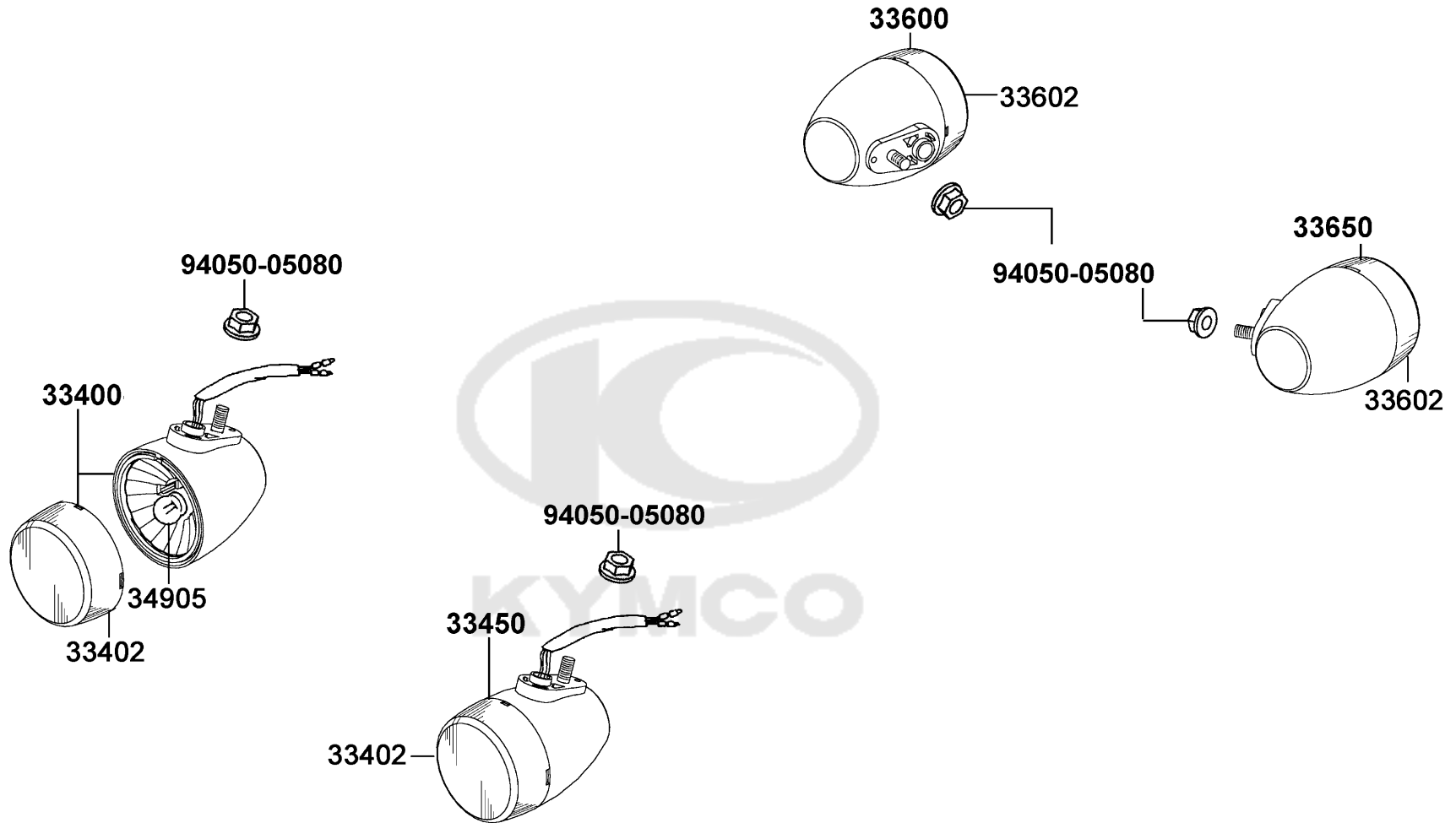
Sales mark	Ref no	Part no	Description	Reg description	Regd no	F16
------------	--------	---------	-------------	-----------------	---------	------------

**	52400	52400-LDC8-E10	CUSHION ASSY RR	CUSHION ASSY RR	1	
	95801-08035	95801-08035-08	BOLT FLANGE 8*35	BOLT FLANGE 8*35	1	
	95801-10035	95801-10035-08	BOLT FLANGE 10*35	BOLT FLANGE 10*35	1	



F17

Front Winker

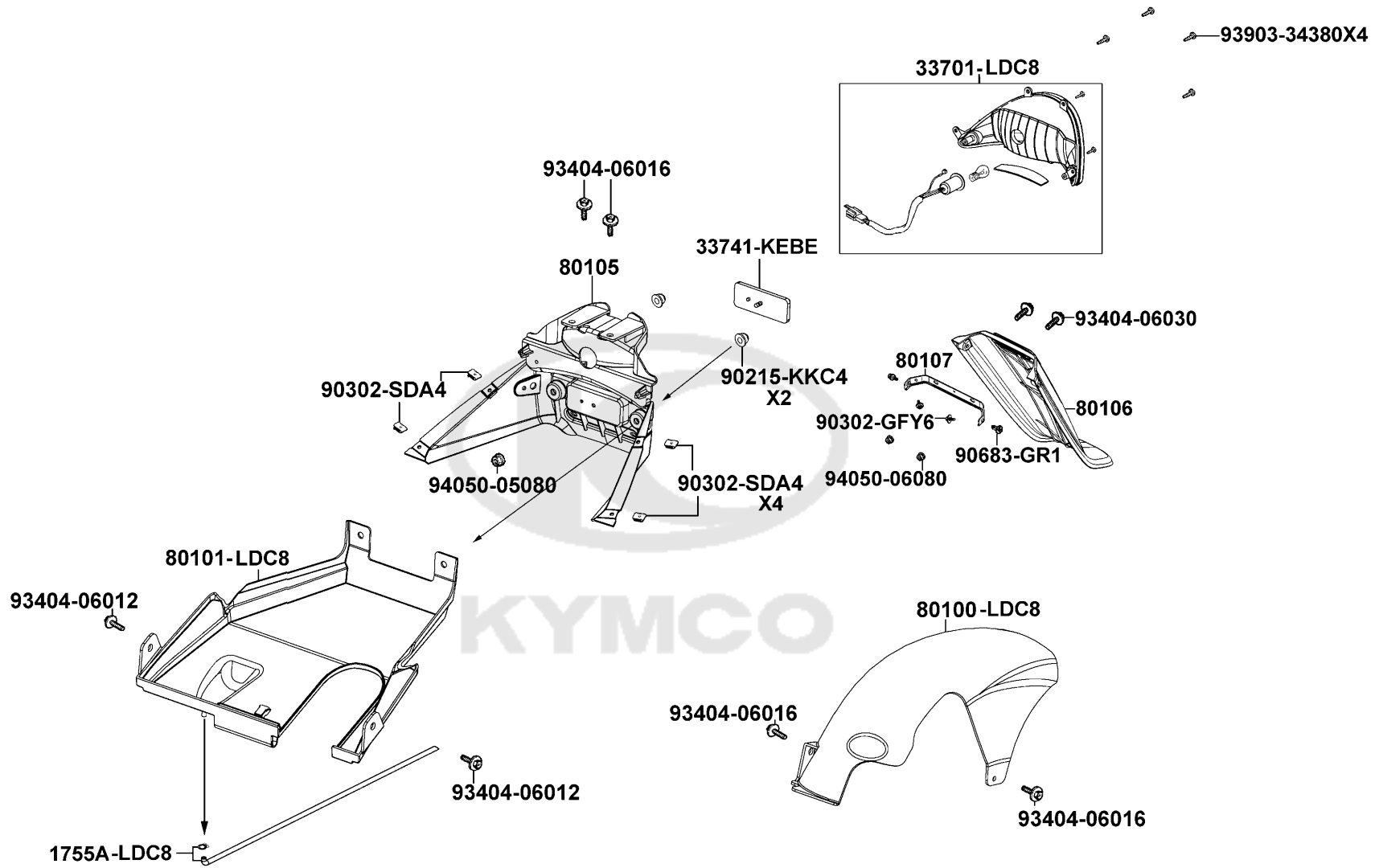


Sales mark	Ref no	Part no	Description	Reg description	Regd no	F17
	33400	33400-LDC8-E10	WINKER ASSY R FR	WINKER ASSY R FR	1	
	33402	33402-LDC8-E10	LENS FR WINKE	LENS FR WINKE	2	
	33450	33450-LDC8-E10	WINKER ASSY L FR	WINKER ASSY L FR	1	
	33600	33600-LDC8-E10	WINKER ASSY RH RR	WINKER ASSY RH RR	1	
	33602	33602-LDC8-E10	LENS RR WINKE	LENS RR WINKE	2	
	33650	33650-LDC8-E10	WINKER ASSY LH RR	WINKER ASSY LH RR	1	
	34905	34905-LCA5-E00	BULB WINKER	BULB WINKER	4	
	94050	94050-05080	NUT FLANGE 5MM	NUT FLANGE 5MM	4	

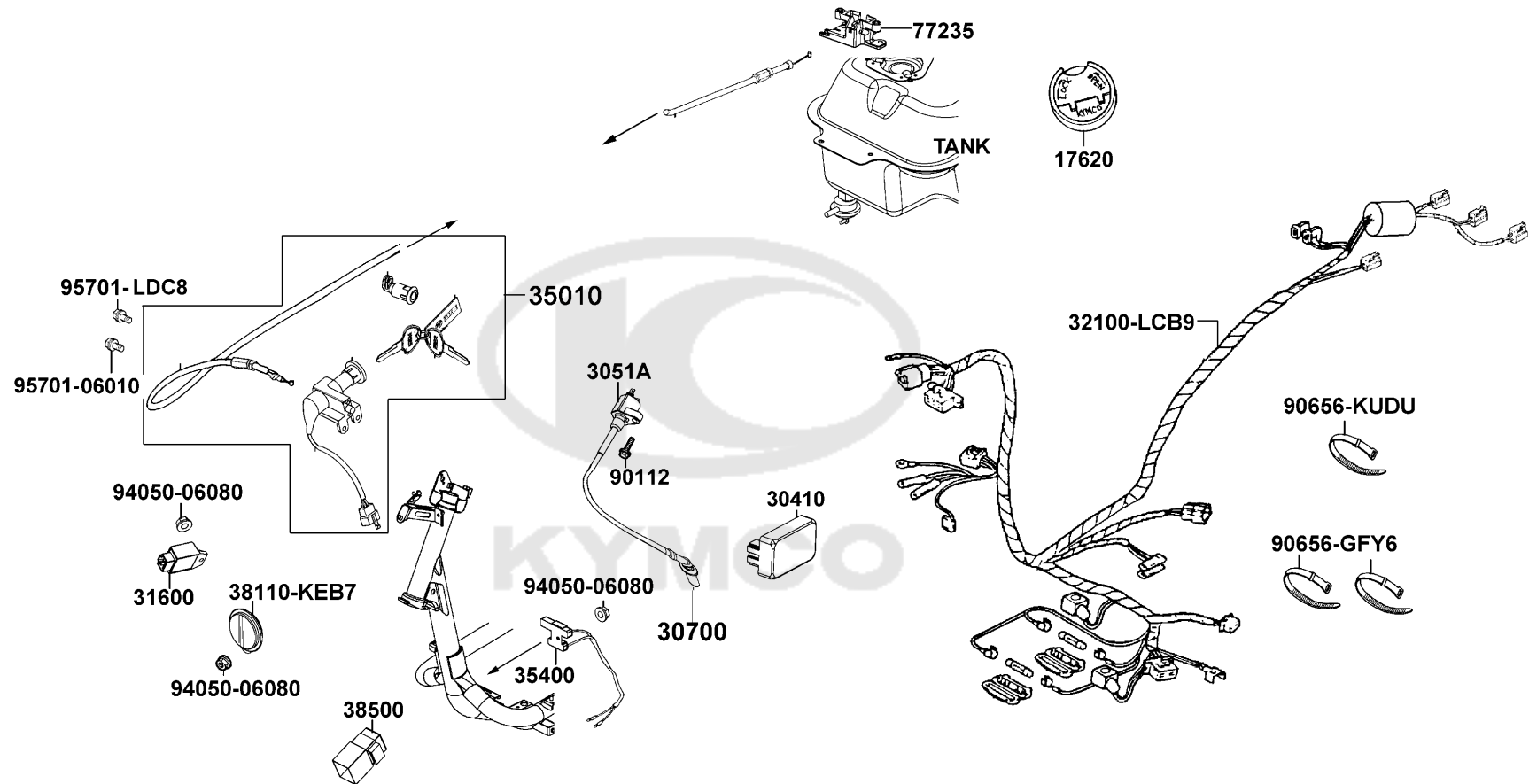


F18

Tail Light



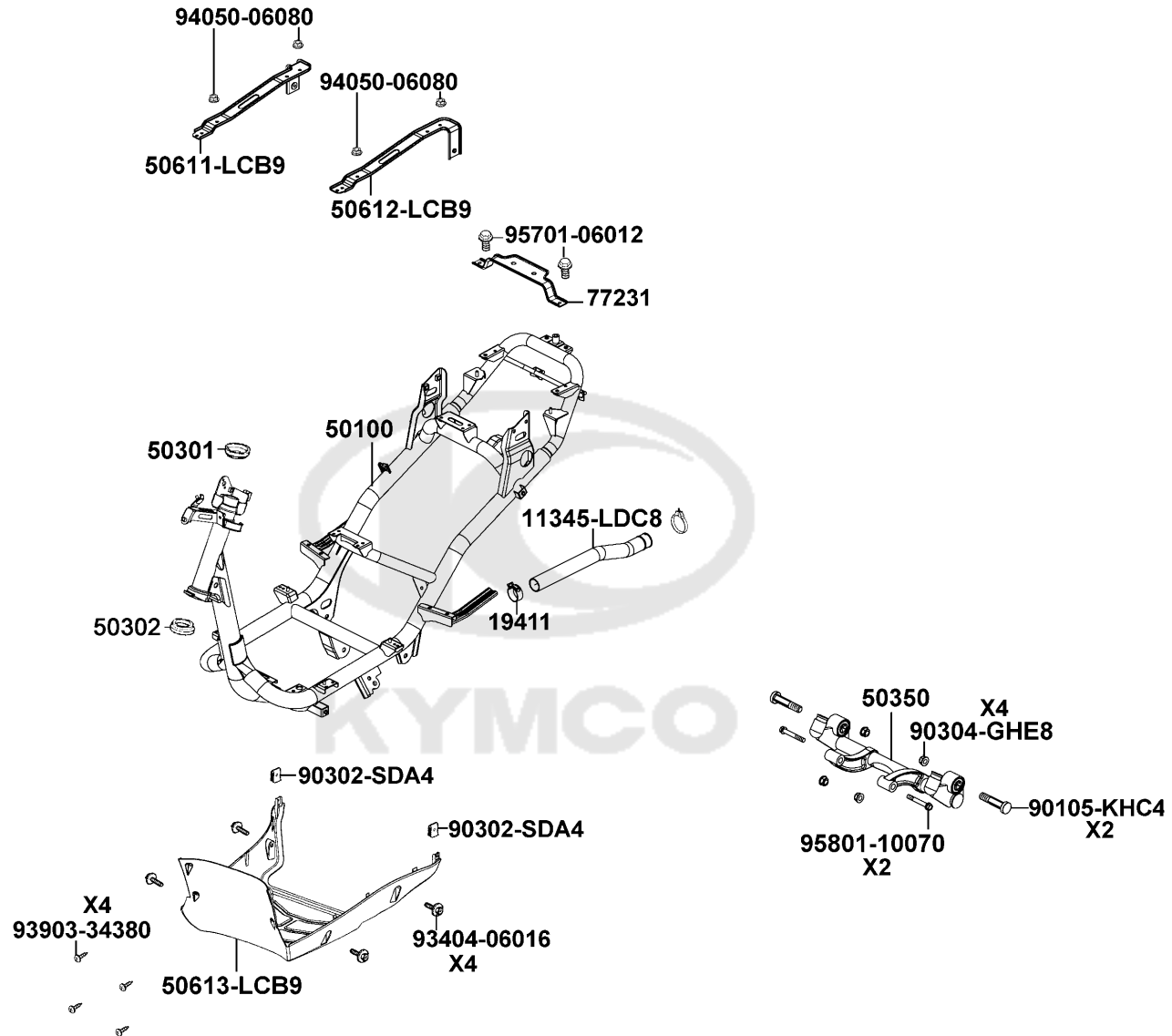
Sales mark	Ref no	Part no	Description	Reg description	Regd no	F18
	1755A	1755A-LDC8-E10	TUBE ASSY FUEL DRAIN	TUBE ASSY FUEL DRAIN	1	
	33701	33701-LDC8-E10	UNIT TAIL LIGHT	UNIT TAIL LIGHT	1	
	33741	33741-KEBE-C00	REFLEX REFLECTOR	REFLEX REFLECTOR	1	
**	80100	80100-LDC8-E10	FENDER RR TIRE	FENDER RR TIRE	1	
	80101	80101-LCB9-C10	FENDER RR INNER	FENDER RR INNER	1	
**	80105	80105-LDC8-E10	FENDER RR	FENDER RR	1	
	80106	80106-LDC8-E10	FENDER RR LOW	FENDER RR LOW	1	
	80107	80107-LDC8-E10	STAY RR FENDER	STAY RR FENDER	1	
	90215	90215-KKC4-C00	NUT CAP 6MM	NUT CAP 6MM	1	
	90302-GFY6	90302-GFY6-C10	BOLT-WASH 5*16	BOLT-WASH 5*16	1	
	90302-SDA4	90302-SDA4-C00	NUT SPRING 4MM	NUT SPRING 4MM	1	
	90683	90683-GAR1-C00	CLIP BODY COVER	CLIP BODY COVER	1	
	93404-06012	93404-06012-07	BOLT WASH 6*12	BOLT WASH 6*12	2	
	93404-06016	93404-06016-07	BOTL WASHER 6*16	BOTL WASHER 6*16	4	
	93404-06030	93404-06030-07	BOLT WASHER 6*30K	BOLT WASHER 6*30K	2	
	93903	93903-34380	SCREW TAPPING 4*12	SCREW TAPPING 4*12	4	
	94050-05080	94050-05080	NUT FLANGE 5MM	NUT FLANGE 5MM	1	
#	94050-06080	94050-06080	NUT FLANGE 6MM	NUT FLANGE 6MM	2	



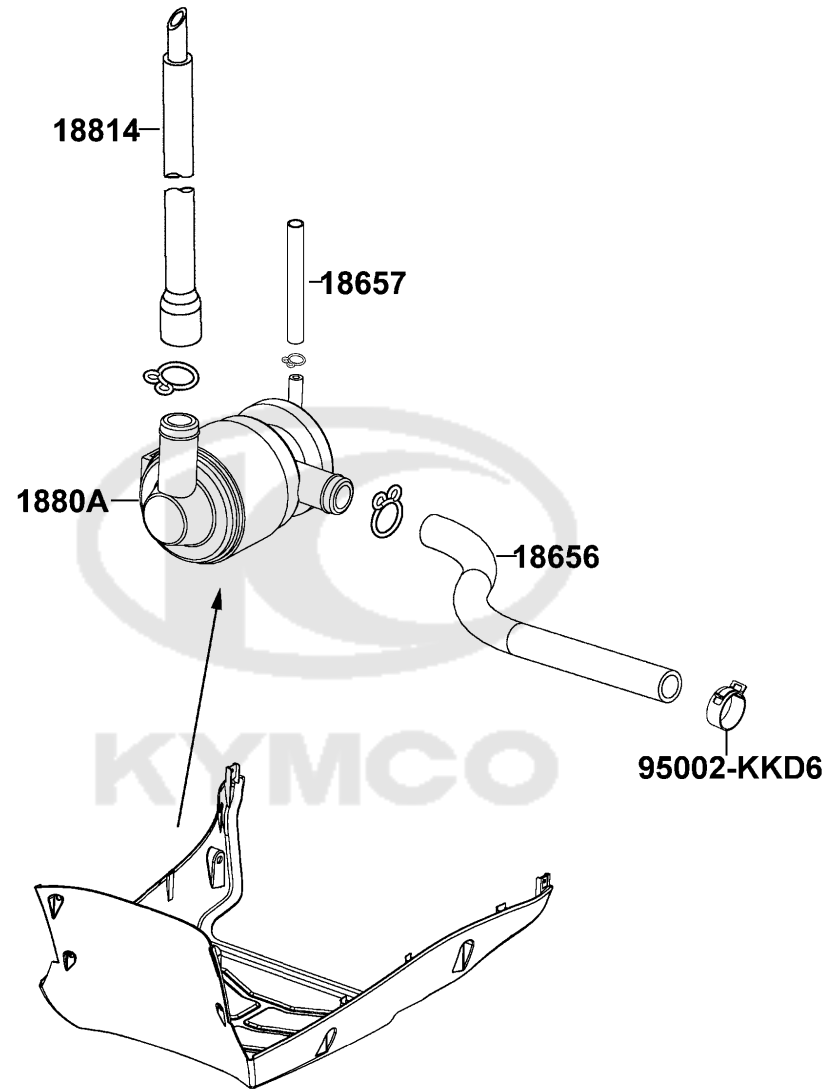
Sales mark	Ref no	Part no	Description	Reg description	Regd no	F19
	17620	17620-KGBG-90A	CAP COMP FUEL FILLER	CAP COMP FUEL FILLER	1	
#	30410	30410-LBD6-C00	UNIT COMP CDI	UNIT COMP CDI	1	
	3051A	3051A-KHC4-C00	COIL ASSY IGN	COIL ASSY IGN	1	
	30700	30700-GFY6-C00	CAP ASSY NOISE SUPPRESOR	CAP ASSY NOISE SUPPRESOR	1	
	31600	31600-KUDU-C00	REG REC COMPDC	REG REC COMPDC	1	
	32100	32100-LCB9-C10	HARNESS WIRE	HARNESS WIRE	1	
	35010	35010-LDC8-E10	KEY SET	KEY SET	1	
	35400	35400-KEE1-W10	RESISTOR COMP	RESISTOR COMP	1	
	38110	38110-KEB7-90A	HORN COMP	HORN COMP	1	
	38500	38500-KKDK-C00	SET START MAG	SET START MAG	1	
	77235	77235-KGC4-C00	SEAT CATCH	SEAT CATCH	1	
	90112	90112-KRDR-C00	BOLT FLANGE 5*22	BOLT FLANGE 5*22	1	
	90656-GFY6	90656-GFY6-911	BAND OIL HOSE	BAND OIL HOSE	2	
	90656-KUDU	90656-KUDU-900	BAND HARNESS WIRE	BAND HARNESS WIRE	1	
#	94050	94050-06080	NUT FLANGE 6MM	NUT FLANGE 6MM	2	
	95701-06010	95701-06010-08	BOLT FLANGE 6*10	BOLT FLANGE 6*10	1	
	95701-LDC8	95701-LDC8-E10	BOLT TORQUE 6x16	BOLT TORQUE 6x16	1	


F20

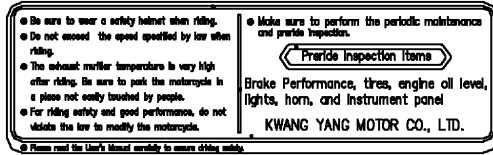
Frame Body



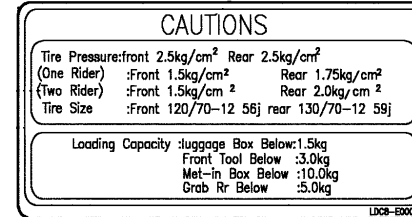
Sales mark	Ref no	Part no	Description	Reg description	Regd no	F20
	11345	11345-LDC8-C10	DUCT L COVER	DUCT L COVER	1	
	19411	19411-KNBN-C00	CLIP HOSE	CLIP HOSE	1	
	50100	50100-LDC8-E10	BODY COMP FRAME	BODY COMP FRAME	1	
	50301	50301-GLM0-C00	RACE UPPER STRG BALL	RACE UPPER STRG BALL	1	
	50302	50302-2H68-C00	RACE (STRG BOT) BALL	RACE (STRG BOT) BALL	1	
	50350	50350-LDC8-E10	HANGER ASSY ENG	HANGER ASSY ENG	1	
	50611	50611-LCB9-C10	RNFCT R FLOOR	RNFCT R FLOOR	1	
	50612	50612-LCB9-C10	RNFCT L FLOOR	RNFCT L FLOOR	1	
# **	50613	50613-LCB9-C11	COVER UNDER	COVER UNDER	1	
	77231	77231-LCB9-C10	STAY SEAT RUBBER	STAY SEAT RUBBER	1	
	90105	90105-KHC4-900	SQUARE BOLT M10X50	SQUARE BOLT M10*50	2	
	90302	90302-SDA4-C00	NUT SPRING 4MM	NUT SPRING 4MM	1	
	90304	90304-GHE8-C00	NUT U 10MM(C)	NUT U 10MM(C)	1	
	93404	93404-06016-07	BOTL WASHER 6*16	BOTL WASHER 6*16	4	
	93903	93903-34380	SCREW TAPPING 4*12	SCREW TAPPING 4*12	4	
#	94050	94050-06080	NUT FLANGE 6MM	NUT FLANGE 6MM	4	
	95701	95701-06012-08	BOLT FLANGE 6*12	BOLT FLANGE 6*12	1	
	95801	95801-10070-08	BOLT FLANGE 10*70	BOLT FLANGE 10X70	2	



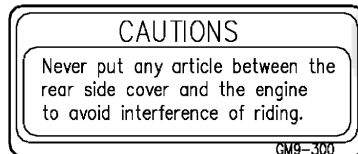
Sales mark	Ref no	Part no	Description	Reg description	Regd no	F21
18656	18656-LDC8-E10	18656-LDC8-E10	DUCT ASSY AICV-REED VALVE	DUCT ASSY AICV-REED VALVE	1	
18657	18657-LDC8-E10	18657-LDC8-E10	TUBE ASSY AICV-INNET PIPE	TUBE ASSY AICV-INNET PIPE	1	
1880A	1880A-LDC8-E10	1880A-LDC8-E10	AI/C-AICV ASSY	AI/C-AICV ASSY	1	
18814	18814-LDC8-E10	18814-LDC8-E10	DUCT ASSY AIR-AICV	DUCT ASSY AIR-AICV	1	
95002	95002-KKD6-C00	95002-KKD6-C00	CLAMP D18 TUBE	CLAMP D18 TUBE	1	
						



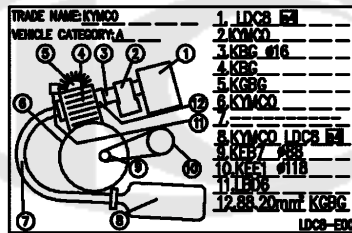
87560-GFY6-E00



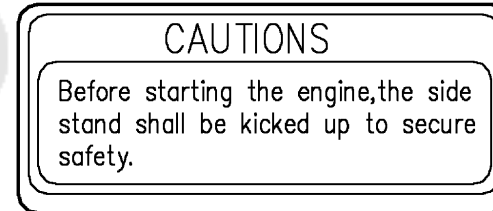
87505-LDC8



87542-GAR1-E00



87224-LDC8-E10



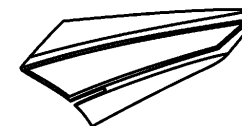
87541-GAR1-E00



86201-LCB9-C10



86732



86733

Sales mark	Ref no	Part no	Description	Reg description	Regd no	F22
86201		86201-LCB9-C10	STRIPE BODY COVER	STRIPE BODY COVER	2	
87224		87224-LDC8-E11	CAUTION ANTI TAMPERING	CAUTION ANTI TAMPERING	1	
87505		87505-LDC8-E11	LABEL TIRE	LABEL TIRE	1	
87541		87541-GAR1-E01	MARK SIDE STAND	LABEL OIL CAP	1	
87542		87542-GAR1-E01	MARK MAINT CAUTION	MARK MAINT CAUTION	1	
87560		87560-GFY6-E01	MARK DRIVE CAUTION	MARK DRIVE CAUTION	1	



PART NO. INDEX

PART NO.	VERSION	PAGE	PART NO.	VERSION	PAGE	PART NO.	VERSION	PAGE
11000			12251-KGBG-C00	0	E02	14610-KGBG-C00	0	E03
11100-KGBG-C00	8	E01	12310-KHC5-C00	0	E02	14711-KGBG-C00	0	E02
11102-1G87-C00	1	E01	1231A-KHC5-C10	0	E02	14721-KGBG-C00	0	E02
11192-KGBG-C10	0	E01	12361-GFY6-C00	1	E04	14751-KGBG-C00	0	E02
11200-LBD6-C00	0	E01	12391-KEE1-C00	0	E02	14761-KGBG-C00	1	E02
11208-LBD6-C00	0	E08	13000			14771-GDB4-C00	2	E02
11211-LBD6-E00	2	F13	13000-LDC5-C00	6	E03	14775-MFA6-C00	2	E02
11330-LBD6-C00	1	E04	13011-KGBG-C00	0	E03	14781-MFA6-C00	4	E02
11340-LBD6-E00	2	E01	13101-LCB9-B20	2	E03	15000		
11345-LDC8-C10	0	F20	13111-KGBG-C00	0	E03	15100-LDC5-C00	3	E07
11381-KHC4-C00	0	E01	13115-0A01-C00	2	E03	15133-LDC5-C00	2	E07
11382-LBD6-C00	0	E01	14000			15421-1G07-W10	1	E04
11387-KGBG-C00	0	E02	14100-KGBG-900	4	E02	15426-GAE1-C00	1	E04
11394-KGBG-C11	0	E04	14401-KGBG-900	0	E03	15651-LDC8-C10	1	E04
11395-LBD6-C00	0	E01	14431-KGBG-W10	0	E02	1565A-LDC8-C10	0	E04
12000			14450-KGBG-W10	0	E02	16000		
12100-KGBG-A60	3	E03	14452-KGBG-W10	0	E02	16100-LDC8-E11	0	E05
12191-KGBG-C10	0	E03	14510-KGBG-C00	0	E03	1621A-KGBG-C00	2	E02
12200-KGBG-C10	0	E02	14531-GLR0-W10	1	E03	1691A-LDF7-E10	1	F10
12200-LBD6-C00	0	E02	1453A-GFY6-W10	0	E03	16950-KKJ9-C00	3	F10
12209-GDB4-C00	1	E02	14550-KDS4-C00	0	E03			
12211-KGBG-C00	0	E02	14555-KKJ9-C10	0	E03			

PART NO. INDEX

PART NO.	VERSION	PAGE	PART NO.	VERSION	PAGE	PART NO.	VERSION	PAGE
17000			18814-LDC8-E10	1	F21	22132-GLW0-C00	0	E06
			19000			22300-LDC8-E10	1	E06
17110-KGBG-C00	0	E02				22350-GKAK-C00	0	E06
1711A-LDC8-E11	2	E02	19411-KNBN-C00	2	F13	22401-LDC8-E10	0	E06
17200-LBD6-E00	1	F13	19411-KNBN-C00	2	F20	22535-GKAK-C00	0	E06
1720A-LDC8-E10	0	F13	19510-LDC5-C00	0	E08	22804-1H48-C00	0	E06
1720B-LBD6-E00	0	F13	19610-KGBG-C00	0	E08	23000		
1723C-LBD6-E00	0	F13	19625-KEE1-C00	0	E08	23010-LDC8-C10	1	E06
17256-KGBG-C00	4	E02	1962A-KEE1-C00	0	E08	2301A-LDC8-E10	1	E06
17257-LDC8-E00	1	F13	1963A-KGBG-C00	1	E08	23100-KEB7-C00	0	E06
17500-LCB9-C10	3	F10	21000			23200-GAR1-C00	0	E06
1755A-KKD5-C10	1	F10				23210-GAR1-C00	0	E06
1755A-LDC8-E10	1	F18	21200-KFA1-900	2	E09	23220-LDC8-E10	0	E06
17620-KGBG-90A	1	F19	21395-KNBN-C10	0	E09	23225-GAR1-C00	0	E06
17910-LDC8-E10	1	F03	22000			23233-KEE1-C10	1	E06
18000						23237-GAR1-C00	0	E06
18291-GGA7-080	1	F14	22100-LDC8-E10	0	E06	23238-GGS7-C00	0	E06
1830A-LDC8-E11	0	F14	22102-LDC8-E10	0	E06	23411-LBD6-C00	1	E09
18318-LDF7-E10	0	F14	22103-KEB7-C00	0	E06	23420-LBD6-C00	3	E09
18646-LDC8-E10	1	E02	22105-LBD6-C00	0	E06	23432-LBD6-C00	2	E09
18656-LDC8-E10	1	F21	22110-LDC8-E10	2	E06	2343A-KNBN-C00	0	E09
18657-LDC8-E10	1	F21	22121-LBD6-C00	2	E06			
1880A-LDC8-E10	2	F21	22131-GHAH-C00	0	E06			

PART NO. INDEX

PART NO.	VERSION	PAGE	PART NO.	VERSION	PAGE	PART NO.	VERSION	PAGE
28000			31600-KUDU-C00	2	F19	35000		
28211-KEB7-W10	0	E06	32000			35010-LDC8-E10	0	F19
28230-GHAH-7210	0	E01	32100-LCB9-C10	0	F19	3515A-LGB5-E10	3	F03
2823A-LBD6-C00	2	E01	33000			3520A-LGB5-E10	3	F03
28250-GBN2-C00	0	E01	33100-LDC8-E10	1	F01	35340-KKJ9-C00	0	F03
28253-GBN2-C00	1	E01	33101-LDC8-E10	0	F01	35400-KEE1-W10	1	F19
28255-GFS6-C00	1	E01	33400-LDC8-E10	3	F17	37000		
28281-GBN2-C00	1	E01	33402-LDC8-E10	0	F17	37200-LDC8-E10	0	F02
28300-KFA3-C00	3	F15	33450-LDC8-E10	1	F17	37224-LDC8-E10	0	F02
30000			33600-LDC8-E10	3	F17	37802-GGA7-C00	1	F10
30410-LBD6-C00	1	F19	33602-LDC8-E10	0	F17	3780A-LDC8-E10	0	F10
3051A-KHC4-C00	1	F19	33650-LDC8-E10	1	F17	38000		
30700-GFY6-C00	0	F19	33701-LDC8-E10	2	F18	38110-KEB7-90A	2	F19
31000			33731-KGB5-C00	2	F06	38300-KECE-W10	2	F02
31100-LBD6-C00	0	E08	33741-KEBE-C00	0	F18	38500-KKDK-C00	5	F19
31110-LBD6-C00	0	E08	34000			42000		
31120-LBD6-C00	0	E08	34901-LDC8-E10	1	F01	42600-KEB7-E10	0	F08
31200-LDC8-E10	1	E07	34903-LDC8-E10	1	F01	42600-KEB7-E10	6	F08
31209-KEE1-C00	2	E07	34905-LCA5-E00	0	F17			
31500-KNBN-C00	5	F11	34908-KKAK-C00	1	F02			

PART NO. INDEX

PART NO.	VERSION	PAGE	PART NO.	VERSION	PAGE	PART NO.	VERSION	PAGE
42601-KEB7-C00	0	F08				50611-LCB9-C10	1	F20
42601-KEB7-E0E	0	F08	45000			50612-LCB9-C10	1	F20
42710-LDC8-E10	3	F08				50613-LCB9-C11	0	F20
42753-HHJ1-C00	0	F07	45105-KKD6-305	1	F07			
42753-HHJ1-C00	0	F08	45121-LBD5-C00	2	F07	51000		
			45126-LDC8-E10	2	F04			
43000			45200-KKD6-C00	1	F07	51400-LDC8-E10	0	F06
			45200-KKD6-E90	2	F07	51400-LDC8-E10	4	F06
4312A-KXCX-C00	8	F08	45500-LDC8-E10	3	F04	51500-LDC8-E10	0	F06
4314A-KKD6-E00	2	F08	45517-GFY6-900	5	F03	51500-LDC8-E10	4	F06
43410-KFA1-C00	8	F08						
43450-LDC8-C00	4	F03	50000			52000		
			50100-LDC8-E10	0	F20	52400-LDC8-E10	0	F16
44000			50301-GLM0-C00	1	F20	52400-LDC8-E10	2	F16
44305-KGE2-E00	9	F07	50302-2H68-C00	2	F20			
44306-KGE2-E00	9	F07	50306-1F96-C00	1	F06	53000		
44306-KGE2-E00	9	F09	50326-LCB9-C10	0	F11			
44311-GLW0-W10	1	F07	50350-LDC8-E10	3	F20	53100-LCB9-C10	2	F03
44600-LDC8-E10	0	F07	50505-KEBE-C00	0	F15	53105-KNBN-C00	2	F03
44601-KEB7-E0E	0	F07	50505-LAD9-C00	0	F15	53125-GEN5-C00	1	F03
44620-KEB7-E00	0	F07	5050A-LDC8-E10	0	F15	53140-KNBN-960	0	F03
44710-LDC8-E10	2	F07	50531-KEB7-C00	1	F15	53166-KNBN-9110	0	F03
44800-LDC8-E10	1	F07	50535-KEB7-W10	3	F15	53172-KTCT-C00	0	F03
44830-LDC8-E10	3	F02	5053A-LDC8-E10	1	F15	53175-LDC8-E10	1	F04
			50550-KEB7-C00	0	F15	53178-KXCX-C00	1	F03

PART NO. INDEX

PART NO.	VERSION	PAGE	PART NO.	VERSION	PAGE	PART NO.	VERSION	PAGE
5317B-KFA6-C00	2	F03	77211-LCB9-C10	0	F09			
53200-LDC8-E10	6	F06	77212-LCB9-C10	0	F09	81000		
53205-LCB9-C10	0	F03	77213-LCB9-C10	0	F09			
53206-LCB9-C10	0	F03	77214-LCB9-C10	0	F09	81131-LCB9-C10	0	F05
53211-GFY6-C00	1	F06	77216-LCB9-C10	0	F09	81132-LCB9-C10	0	F05
53212-2L50-C00	1	F06	77217-LCB9-C10	0	F09	81132-LDC8-E10	1	F05
53214-2L50-C00	1	F06	77218-LCB9-C10	0	F09	81133-KNBN-9010	0	F05
53215-2L50-C00	1	F06	77223-LCB9-C10	0	F09	8120A-LCB9-C10	1	F12
61000			77228-LCB9-C10	0	F09	81250-LCB9-C10	1	F12
			77231-LCB9-C10	0	F20	81250-LCB9-C10	2	F12
			77232-KCAC-C00	2	F12	81251-LCB9-C10	0	F12
61100-LDC8-E10	0	F06	77235-KGC4-C00	2	F19			
61100-LDC8-E10	5	F06	77240-LDC8-E10	1	F12	83000		
64000			77303-LCB9-C10	0	F09			
			80000			83500-LCB9-C10	0	F12
64301-LCB9-C10	0	F05				83600-LCB9-C10	0	F12
64310-LCB9-C10	0	F05	80100-LDC8-E10	0	F18	86000		
64316-LCB9-C10	4	F05	80101-LCB9-C10	0	F18			
77000			80105-LDC8-E10	0	F18	86201-LCB9-C10	0	F22
			80106-LDC8-E10	0	F18	86732-LDC8-E10	0	F22
			80107-LDC8-E10	1	F18	86733-LDC8-E10	0	F22
77104-LCB9-C10	0	F09	80151-LCB9-C10	0	F12			
77200-LCB9-C10	0	F09				87000		
77206-LCB9-C10	0	F09						
77210-LCB9-C10	0	F09				87224-LDC8-E11	0	F22

PART NO. INDEX

PART NO.	VERSION	PAGE	PART NO.	VERSION	PAGE	PART NO.	VERSION	PAGE
87505-LDC8-E11	0	F22	90105-LLJ3-E00	3	F09	90306-KLF0-C00	0	F07
87541-GAR1-E01	1	F22	90106-GEN5-901	1	F03	90381-GEZ5-C00	1	F12
87542-GAR1-E01	2	F22	90108-KEB7-E00	0	F15	90412-3K29-C00	1	E01
87560-GFY6-E01	3	F22	90110-GLW0-C00	0	F05	90426-KNBN-C00	1	E06
			90110-KEB7-C00	1	F06	90429-KNBN-C00	0	E09
88000			90111-1G87-C00	1	F12	90442-0D44-C00	0	E06
			90112-KRDR-C00	1	F19	90442-GFF6-C00	0	E02
88110-LCB9-C10	2	F03	90121-KBE2-C00	4	F07	90451-GBN2-C00	1	E01
88120-LCB9-C10	1	F03	90131-GLW0-C00	0	F07	90454-GBB2-C00	0	E06
			90145-MKS9-61A	1	F04	90474-3C33-C00	1	E01
89000			90202-1G87-C00	0	E06	90501-KNBN-C00	1	F08
			90202-GFF6-011	0	E02	9052A-GFY6-C00	1	E01
89010-KGBG-C00	1	F09	90206-0A01-C00	2	E02	90545-3L00-C00	2	F04
89020-KKC4-900	1	F09	90215-KKC4-C00	1	F18	90656-GFY6-911	1	F19
			90301-4C73-C00	0	F15	90656-KUDU-900	0	F19
90000			90301-KGBG-C00	0	F14	90660-KGBG-C00	0	F10
			90302-GFY6-C10	0	F18	90683-GAR1-C00	4	F12
9000A-KTDT-C00	1	E01	90302-KNBN-C00	1	F03	90683-GAR1-C00	4	F18
90012-3C33-C00	1	E02	90302-SDA4-C00	2	F05	90701-GFF6-C00	0	E02
90031-KGBG-C00	0	E01	90302-SDA4-C00	2	F18	90701-GFF6-C00	0	E03
90032-KGBG-C00	0	E01	90302-SDA4-C00	2	F20	90701-HDC4-C00	1	E07
90033-0A41-C00	0	E02	90304-4H38-C00	0	E02	90741-0E35-C00	0	E03
90033-GFY6-C10	2	E02	90304-GHE8-C00	1	F03	90754-GHC8-C00	1	F07
90102-GLE0-001	0	F15	90304-GHE8-C00	1	F20	90912-GHC8-C00	1	F07
90105-KCR3-001	3	F07	90305-GHK8-C00	1	F12			
90105-KHC4-900	0	F20	90305-KNBN-C00	1	F08			

PART NO. INDEX

PART NO.	VERSION	PAGE	PART NO.	VERSION	PAGE	PART NO.	VERSION	PAGE
91000			92900-06050-0B	1	E02	94000		
91001-GGA7-C00	0	E06	93000			94001-12280-0S	0	E06
91004-KBN2-C00	0	E01	93404-06012-07	5	F18	94050-05080	2	F17
91004-KBN2-C00	0	E09	93404-06016-07	0	F05	94050-05080	2	F18
91004-KNBN-C00	0	E01	93404-06016-07	0	F12	94050-06080	2	E02
91009-GLE0-C00	1	E09	93404-06016-07	0	F18	94050-06080	2	F09
91103-GAR1-C00	0	E06	93404-06016-07	0	F20	94050-06080	2	F10
91201-GFY6-C00	1	E01	93404-06020-07	4	F05	94050-06080	2	F18
91201-KGBG-C00	0	E04	93404-06030-07	2	F18	94050-06080	2	F19
91204-KNBN-C00	1	E01	93700-05018-0H	1	F02	94050-06080	2	F20
91211-KEE1-C00	0	E06	93903-25220	1	F02	94050-10080	1	E06
91255-LDC8-E10	4	E09	93903-25480	1	F13	94050-10080	1	E08
91258-KAM1-C00	1	F07	93903-34380	6	F03	94301-08140	4	E01
91301-GLR0-W10	1	E03	93903-34380	6	F05	94301-08140	4	E04
91301-KEE1-C00	0	E06	93903-34380	6	F12	94301-10200-M2	1	E09
91302-0A01-C00	1	E04	93903-34380	6	F18	94511-14000	1	E01
91302-KEE1-C00	0	E06	93903-34380	6	F20	94520-24000	1	E06
91304-KGBG-C00	0	E02	93903-35380	2	F01	94540-06018	2	E07
91305-0H28-C00	0	E07	93903-35380	2	F03	94591-LDC8-E10	1	E08
91307-0E35-W10	1	E04	93903-35380	2	F11			
			93903-GFY6-C00	2	F05	95000		
92000			93903-GFY6-C00	2	F12			
			93904-35380	2	E08	95002-KKD6-C00	1	F21
92101-05012-0H	2	E08				9500B-LDC8-E10	3	F10

PART NO. INDEX

PART NO.	VERSION	PAGE	PART NO.	VERSION	PAGE	PART NO.	VERSION	PAGE
95701-06010-08	3	F19	96001-06018-08	1	E03			
95701-06012-08	3	F06	96001-06020-08	2	E07			
95701-06012-08	3	F20	96001-06022-08	2	E08			
95701-06022-07	1	F15	96001-06025-08	4	E07			
95701-06025-08	2	E02	96001-06025-08	4	E08			
95701-06032-08	1	E02	96001-06045-08	1	E01			
95701-06032-08	1	F08	96001-06085-08	0	E02			
95701-06032-08	1	F13	96001-06085-08	0	E04			
95701-06040-08	0	F13	96001-06100-08	2	E04			
95701-08012-08	2	E01	96100-62033-00	1	E01			
95701-08020-07	0	F12	96211-05000	26	F06			
95701-08035-07	0	F12	96211-08000	19	F06			
95701-08035-08	1	E01	96220-LDC5-C00	0	E07			
95701-08040-08	3	E01						
95701-LDC8-E10	0	F19	98000					
95801-08035-08	0	F16						
95801-08040-08	4	F06	98056-5771R	0	E02			
95801-08055-07	0	F14	98200-10700	2	F11			
95801-10035-08	1	F16						
95801-10070-08	2	F20						
95801-KGB5-C00	1	F14						
96000								
96001-06012-02	3	E01						
96001-06016-08	6	E08						