

# PARTS CATALOGUE



## SCOOTERS

KG10CH(FL)

Agility 50(2009)



Release Date : 2010/02/21  
Print Date : 2010/04/13

## **ABOUT THIS PARTS LIST**

- This parts list is compiled all service parts for model KG10CH(FL).
- Any difference between color chart and motorcycle will be revised according to motorcycle.
- The Mark:
  1. Marking "\*\*\*" must add color code in the end before ordering parts.
  2. Marking "#" are parts with modification, Please find the details from e-Parts system.
- When modification or additions to this parts list are made a revised edition at an appropriate time.

# CONTENTS

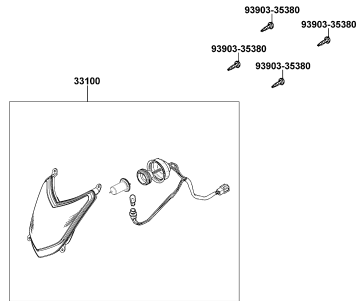
● ABOUT THIS PARTS LIST .....	1
● COLOR CHART OF KG10CH(FL) .....	3
● CONTENTS-ENGINE GROUP .....	4
● CONTENTS-FRAME GROUP .....	5
● ENGINE PARTS LIST .....	8
● FRAME PARTS LIST .....	32
● PART NO. INDEX .....	78



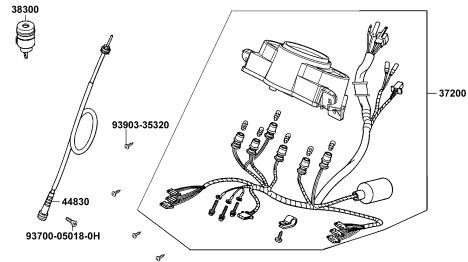


# CONTENTS - FRAME GROUP

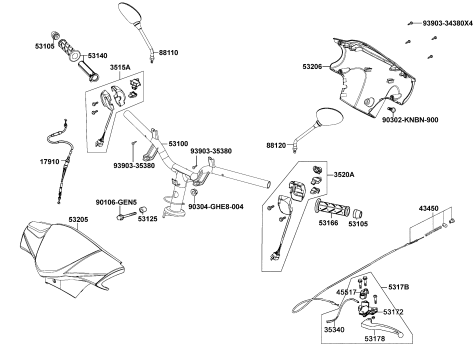
**F01** Head Light



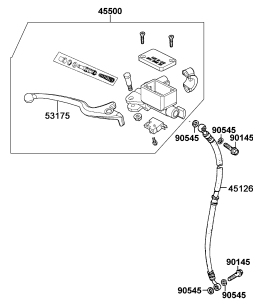
**F02** Speedometer



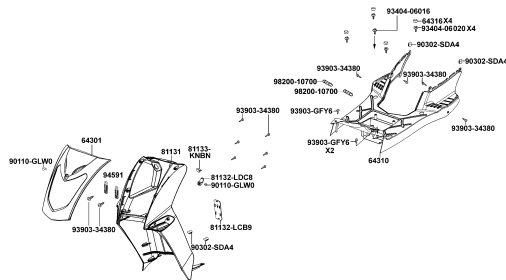
**F03** Handle Steering Handle Cover



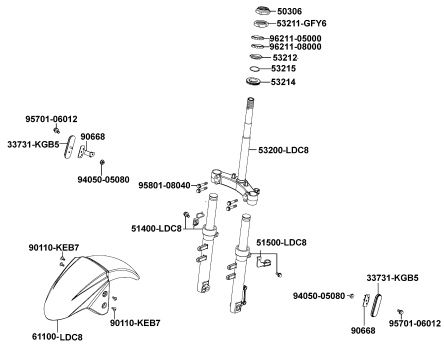
**F04** Brake Master Cylinder



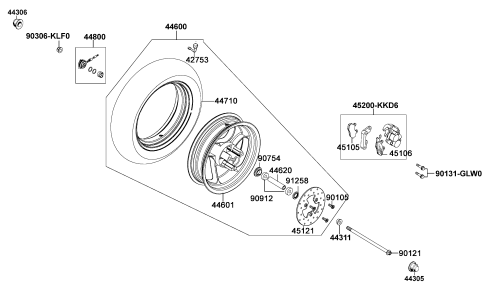
**F05** Front Cover Front Fender



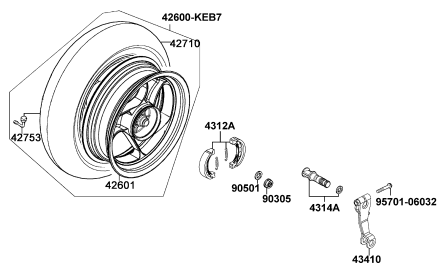
**F06** Stem Steering Front Cushion



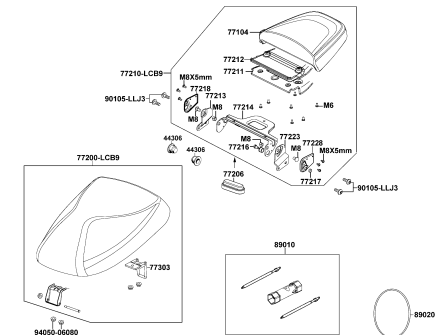
**F07** Front Wheel



**F08** Rear Wheel

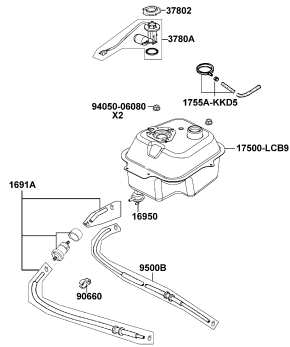


**F09** Seat

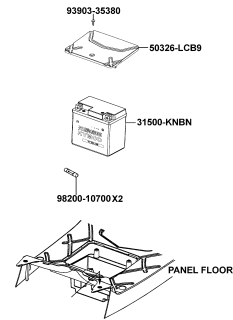


# CONTENTS - FRAME GROUP

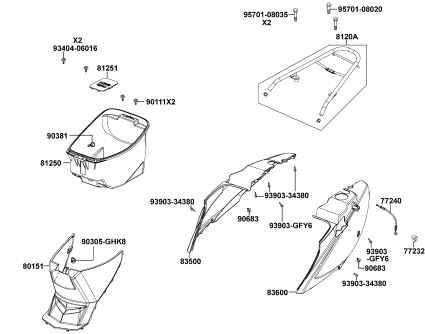
## F10 Fuel Tank



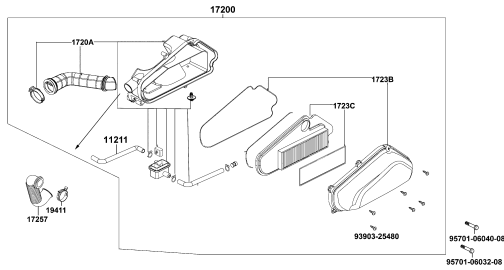
## F11 Battery



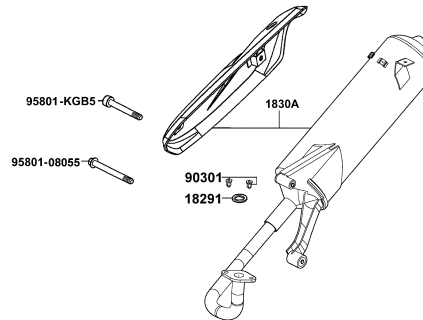
## F12 Body Cover Luggage Box



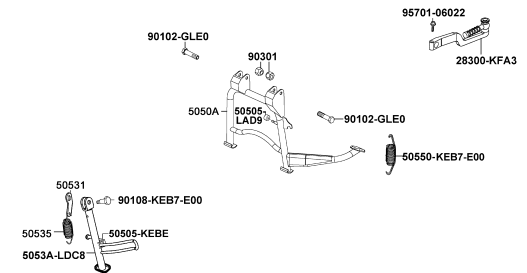
## F13 Air Cleaner



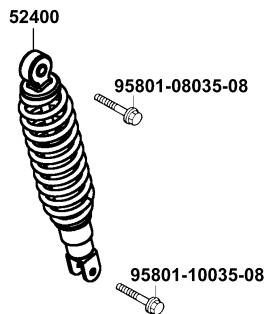
## F14 Exhaust Muffler



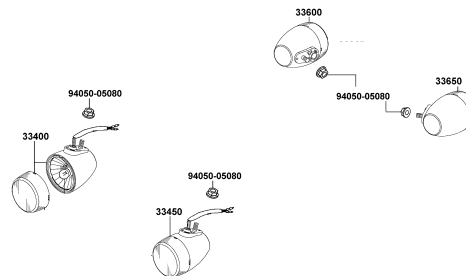
## F15 Stand Kick Starter Arm



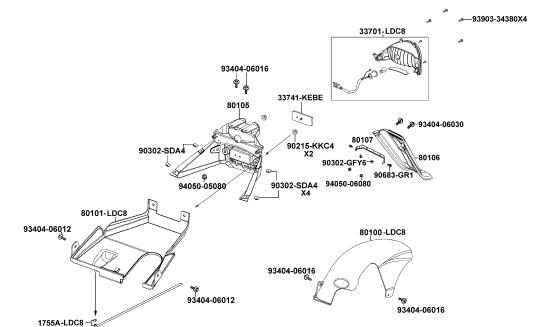
## F16 Rear Cushion



## F17 Front Winker

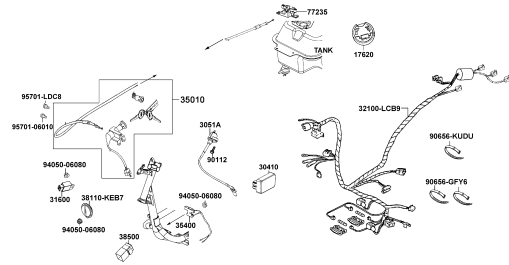


## F18 Tail Light

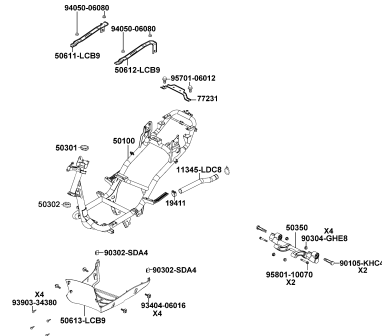


# CONTENTS - FRAME GROUP

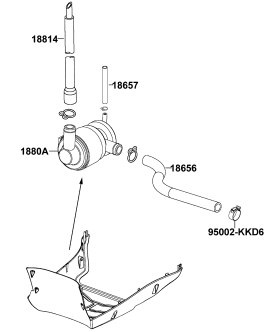
## F19 Wire Harness



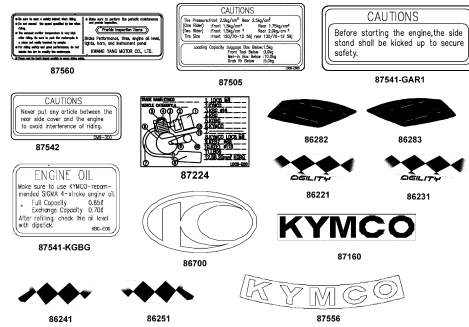
## F20 Frame Body



## F21 Air Cleaner Two



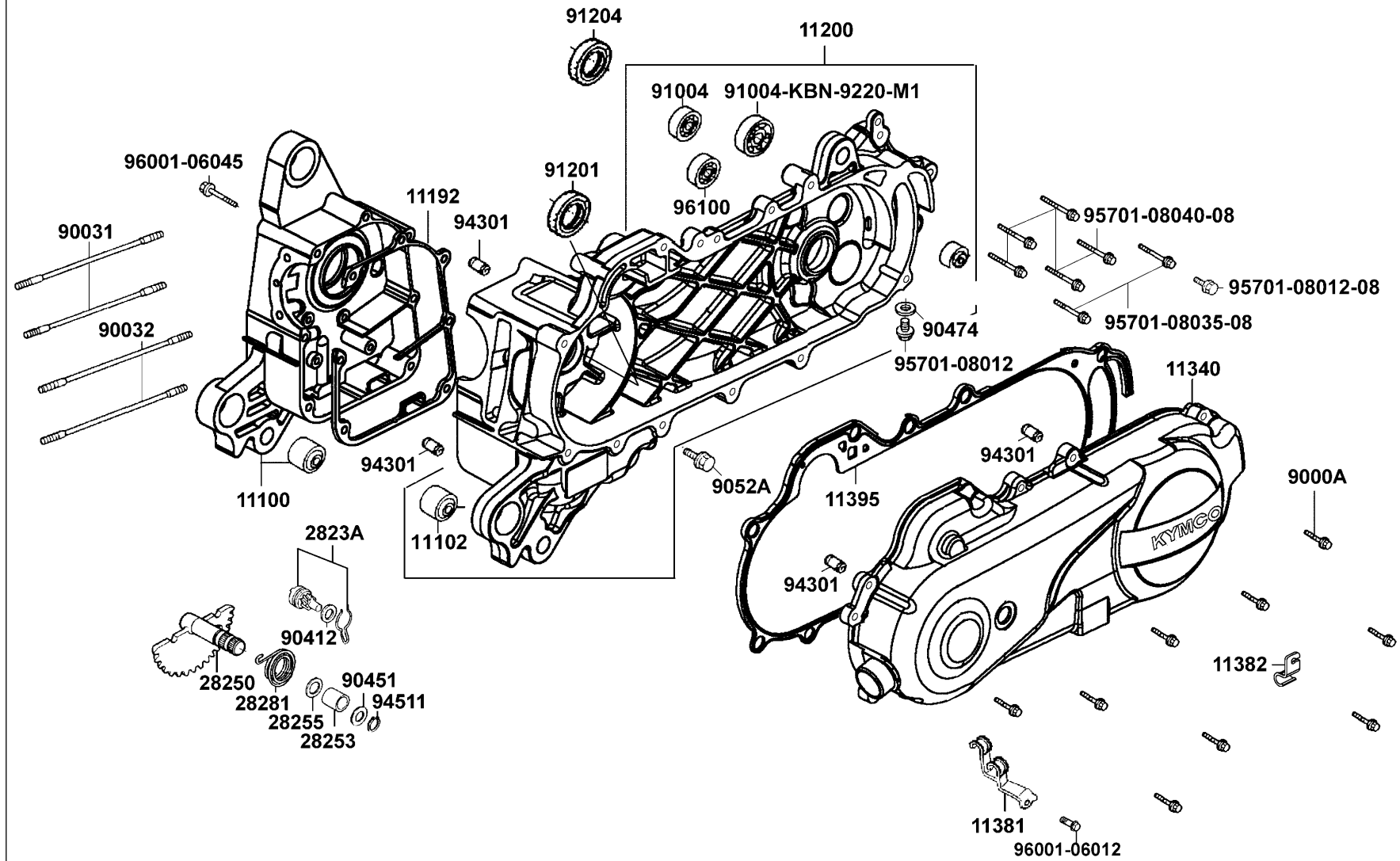
## F22 Emblem Stripe





E01

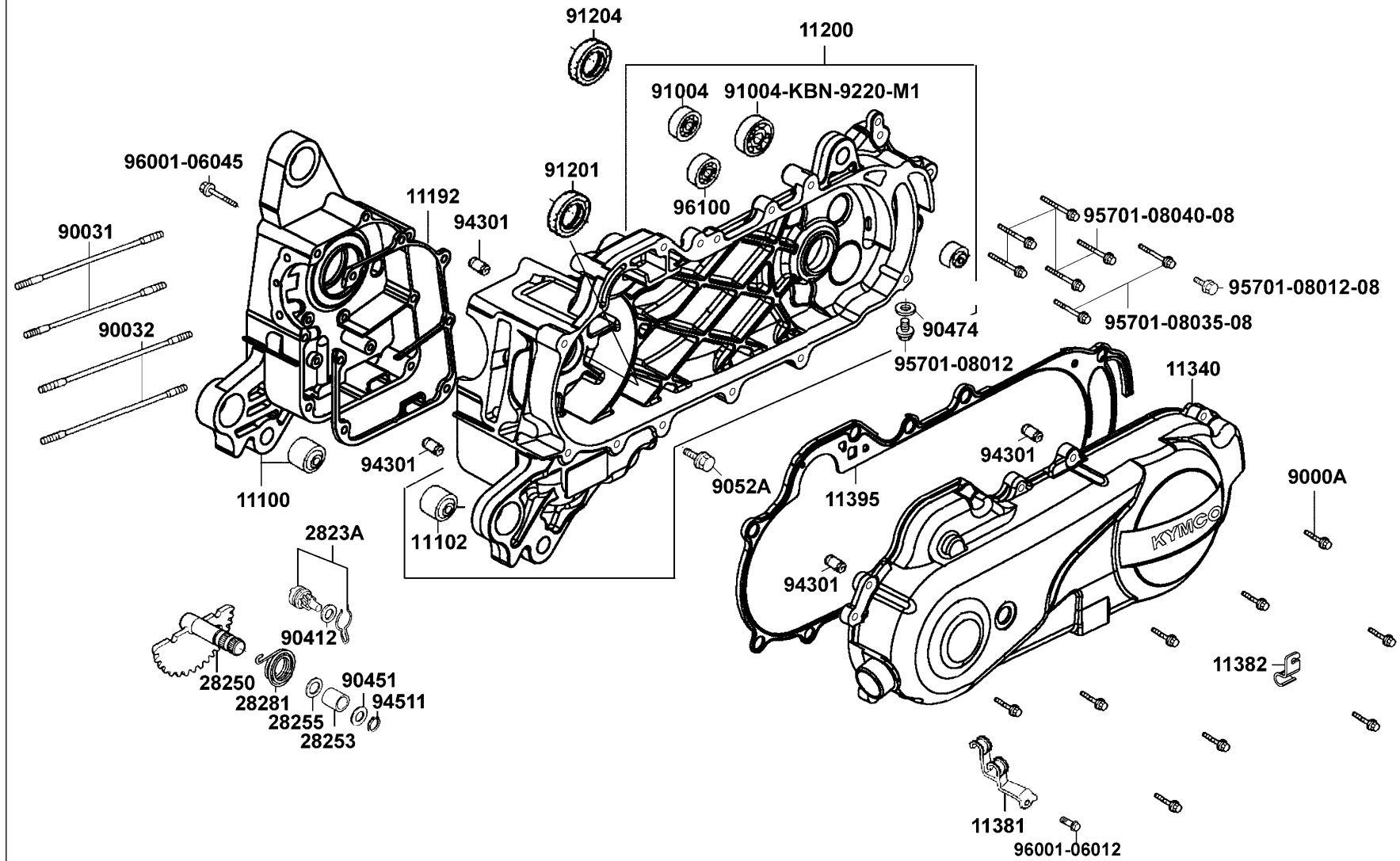
# Crank Case



Sales mark	Ref no	Part no	Description	Reg description	Regd no	<b>E01</b>
	11100	11100-LBD6-E00	CRANK CASE COMP R		1	
	11102	11102-1G87-0040			1	
	11192	11192-KGBG-980	GASTER CRANK CASE @ A	GASKET CRANK CASE @A	1	
	11200	11200-LBD6-E00	CRANK CASE COMP L	CRANK CASE COMP LEFT	1	
	11340	11340-LBD6-E00	COVER COMP L SIDE	COVER COMP L SIDE	1	
	11381	11381-KHC4-900	CLAMPER THROTTLE CABLE	CLAMPER THROTTLE CABLE	1	
	11382	11382-LBD6-E00	CLAMPER BRAKE CABLE	CLAMPER BRAKE CABLE	1	
	11395	11395-LBD6-E00	GASKET L COVER	GASKET L COVER	1	
	2823A	2823A-LBD6-E00	GEAR ASSY KICK DRIVEN	GEAR ASSY KICK DRIVEN	1	
	28250	28250-GBN2-60A	SPINDLE COMP KICK STARTER	SPINDLE COMP KICK STARTER	1	
	28253	28253-GBN2-6020			1	
	28255	28255-GFS6-001	COLLAR KICK BOSS		1	
	28281	28281-GBN2-6030			1	
	9000A	9000A-KTDT-900	BOLT ASSY SPECIAL 6*29.5	BOLT ASSY SPECIAL 6*29.5	9	
	90031	90031-KGBG-9010	BOLT A STUD 7X168		2	
	90032	90032-KGBG-9010	BOLT B STUD 7X176		2	
	90412	90412-3K29-001	WASHER THRUST10MM		1	
	90451	90451-GBN2-601	WASHER KICK SPINDLE		1	
	90474	90474-3C33-001	WASHER 8MM	WASHER 8MM	1	
	9052A	9052A-GFY6-9500			1	

E01

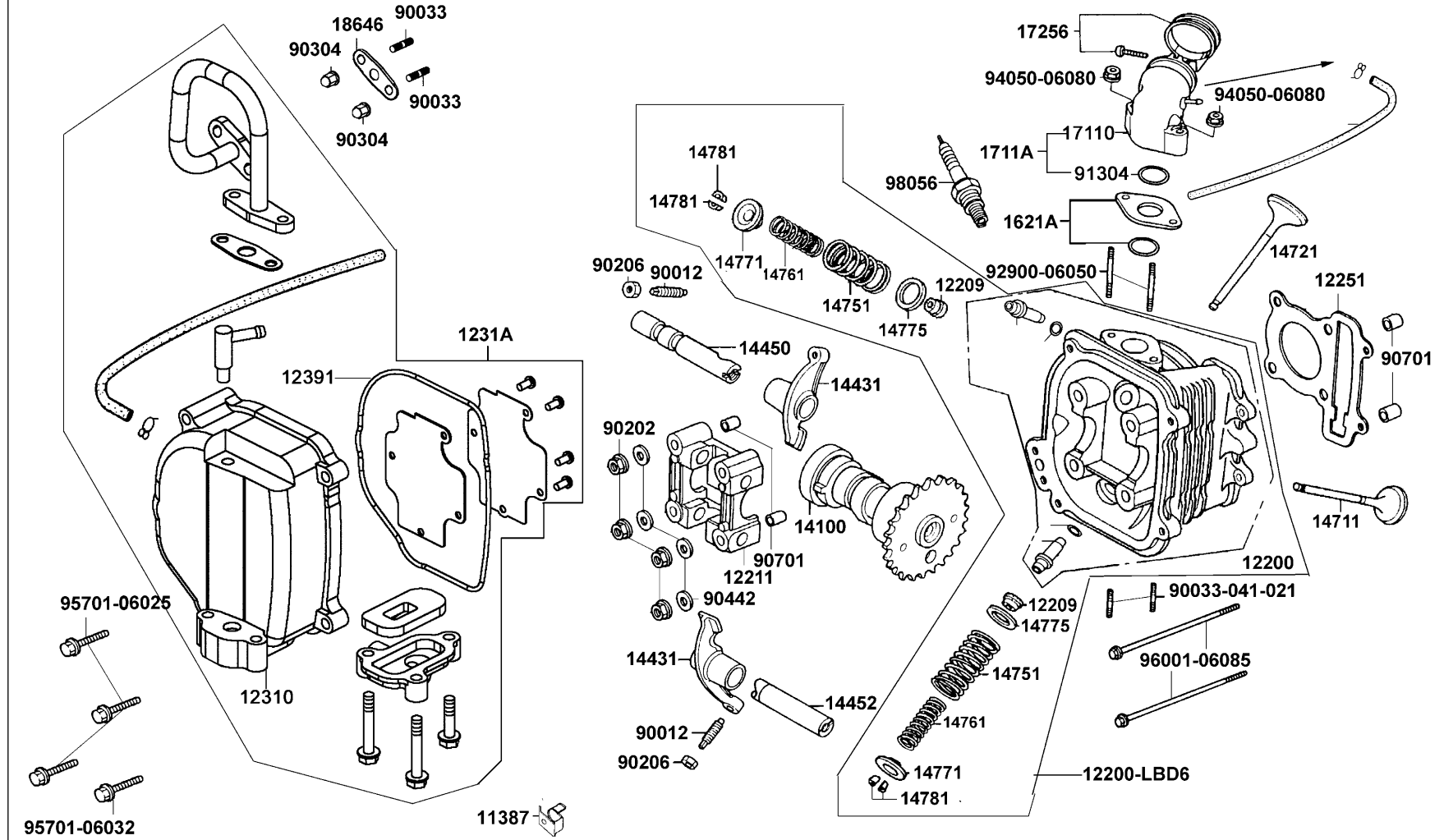
# Crank Case



Sales mark	Ref no	Part no	Description	Reg description	Regd no	<b>E01</b>
	91004-KBN	91004-KBN-9210-M1			1	
	91004-KN2	91004-KN2-9020-M1			1	
	91201	91201-GFY6-9030			1	
	91204	91204-KBN-9010-M1			1	
	94301	94301-08140	DOWEL PIN 8*14	PIN DOWEL 8*14	4	
	94511	94511-14000	CIRCLIP EX 14		1	
	95701-08012	95701-08012-08	BOLT FLANGE 8*12	BOLT FLANGE 8*12	2	
	95701-08035	95701-08035-08	BOLT FLANGE 8*35	BOLT FLANGE 8*35 (C)	2	
	95701-08040	95701-08040-08	BOLT FLANGE 8*40	BOLT FLANGE 8*40	5	
	96001-06012	96001-06012-02	BOLT FLANGE SH 6*12	BOLT FLANGE SH 6*12	1	
	96001-06045	96001-06045-08	BOLT FLANGE SH 6*45	BOLT FLANGE SH 6*45	1	
	96100	96100-62033-00	BEARING BALL RADIAL 6203	BEARING BALL RADIAL 6203	1	

E02

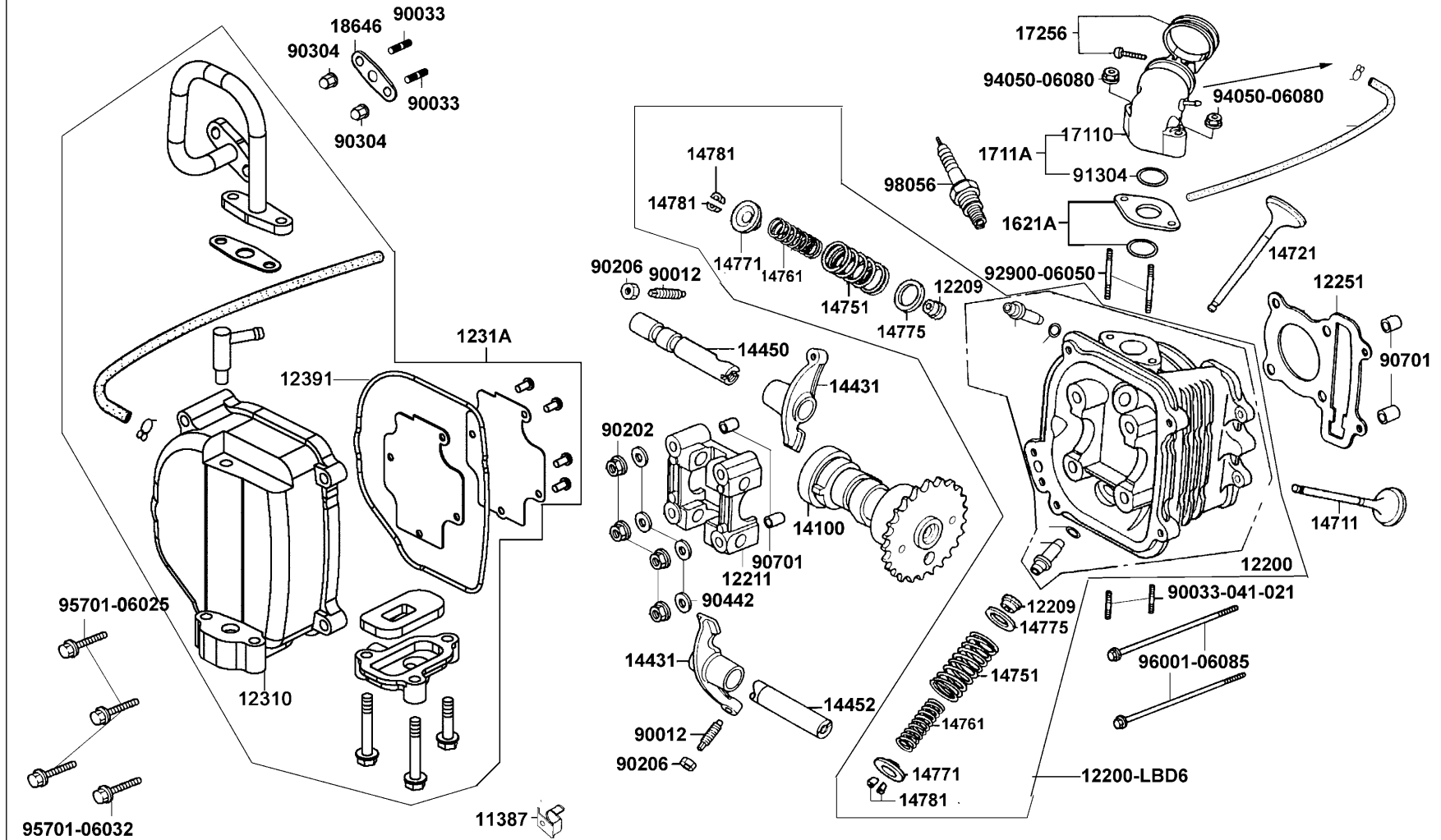
# Cylinder Head



Sales mark	Ref no	Part no	Description	Reg description	Regd no	<b>E02</b>
	11387	11387-KGBG-900			1	
	12200-KGBG	12200-KGBG-910	HEAD COMP CYLINDER	HEAD COMP CYLN	1	
	12200-LBD6	12200-LBD6-405			0	
	12209	12209-GDB4-68A	SEAL VALVE STEM	SEAL VALVE STEM	2	
	12211	12211-KGBG-900	HOLDER CAM SHAFT	HOLDER CAM SHAFT	1	
	12251	12251-KGBG-980	GASKET CYLINDER HEAD	GASKET CYLINDER HEAD	1	
	12310	12310-KHC5-900	COVER COMP HEAD		1	
	1231A	1231A-KHC5-900			1	
	12391	12391-KEE1-900	GASKET HEAD COVER		1	
	14100	14100-KGBG-9000			1	
	14431	14431-KGBG-W10			2	
	14450	14450-KGBG-W10			1	
	14452	14452-KGBG-W10			1	
	14711	14711-KGBG-900	VALVE INLET	VALVE INLET	1	
	14721	14721-KGBG-900	VALVE EXHAUST	VALVE EXHAUST	1	
	14751	14751-KGBG-900	SPRING VALVE OUTER	SPRING VALVE OUTER	1	
	14761	14761-KGBG-900	SPG VALVE INNER		1	
	14771	14771-GDB4-680	RETAINER VALVE SPRING	RETAINER VALVE SPRING	2	
	14775	14775-MFA6-001	SEAT VALVE SPG OUTER	SEAT VALVE SPG OUTER	2	
	14781	14781-MFA6-001	COTTER VALVE	COTTER VALVE	4	

E02

# Cylinder Head

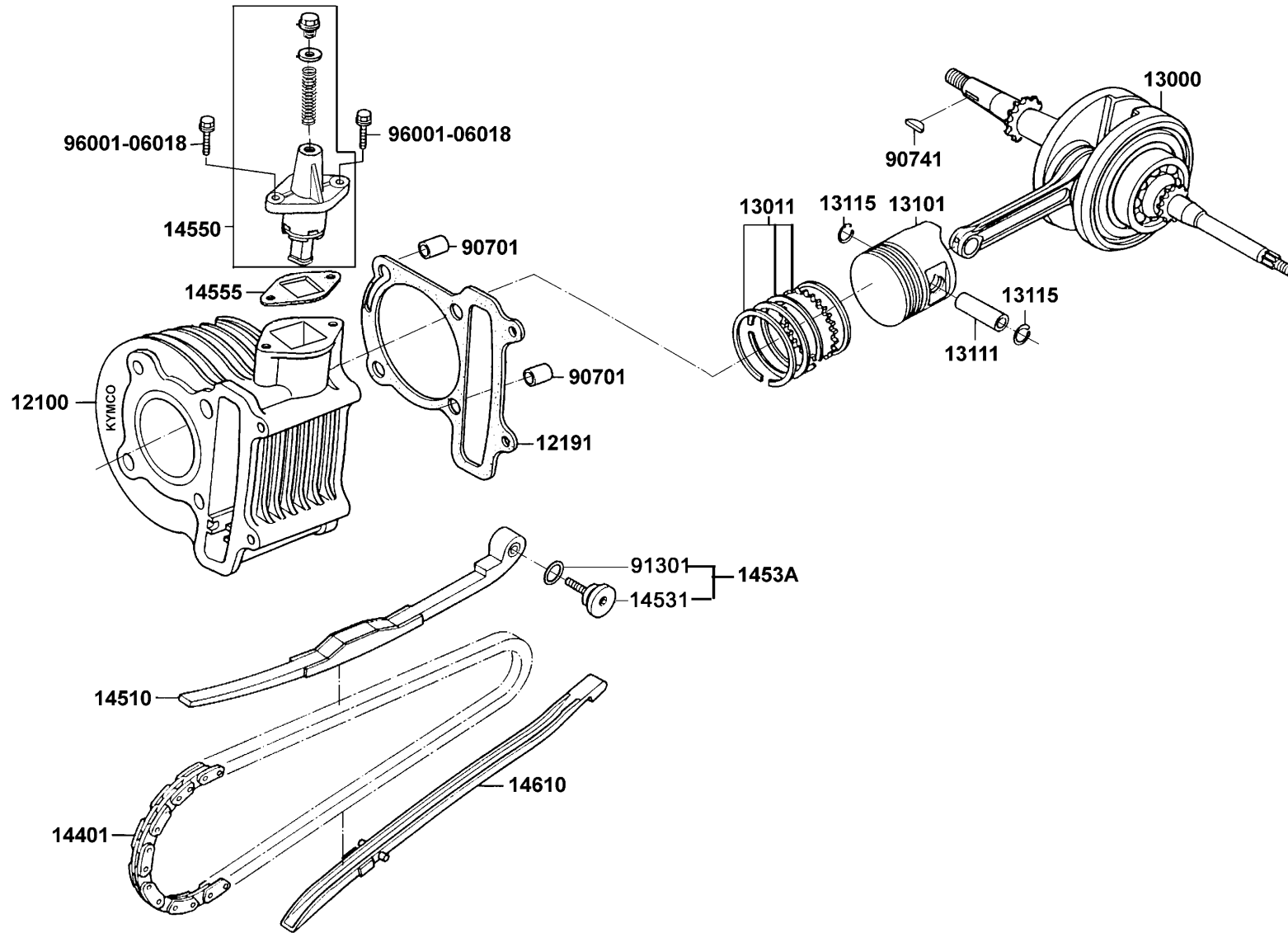


Sales mark	Ref no	Part no	Description	Reg description	Regd no	<b>E02</b>
	1621A	1621A-KGBG-900	INSULATOR CARB ASSY		1	
	17110	17110-KGBG-900	PIPE COMP INLET	PIPE COMP INLET	1	
	1711A	1711A-LBD6-E00	PIPE ASSY INLET	PIPE ASSY INLET	1	
	17256	17256-KGBG-900	BAND INSULATOR		1	
	18646	18646-LDC8-E10			1	
	90012	90012-3C33-0010			2	
	90033-041	90033-041-0210			2	
	90033-GFY6	90033-GFY6-941	BOLT STUD 6*16	BOLT STUD 6*16	2	
	90202	90202-GFF6-011	NUT FLANGE 7MM		4	
	90206	90206-0A01-0010			2	
	90304	90304-4H38-001	NUT HEX CAP 6MM		2	
	90442	90442-GFF6-011	WASHER SEALING 7MM		4	
	90701	90701-GFF6-001	PIN DOWEL SPECIAL 8*14		4	
	91304	91304-KGBG-900	O RING 20.6*2.0	O-RING 20.6*2.0	1	
	92900-06050	92900-06050-0B	BOLT STUD 6*50		2	
	94050-06080	94050-06080	NUT FLANGE 6MM	NUT FLANGE 6MM	2	
	95701-06025	95701-06025-08	BOLT FLANGE 6*25	BOLT FLANGE 6*25	3	
	95701-06032	95701-06032-08	BOLT FLANGE 6*32	BOLT FLANGE 6*32	1	
	96001	96001-06085-08	BOLT FLANGE SH 6*85	BOLT FLANGE SH 6*85 (C)	2	
	98056	98056-5771R-00-M2			1	



E03

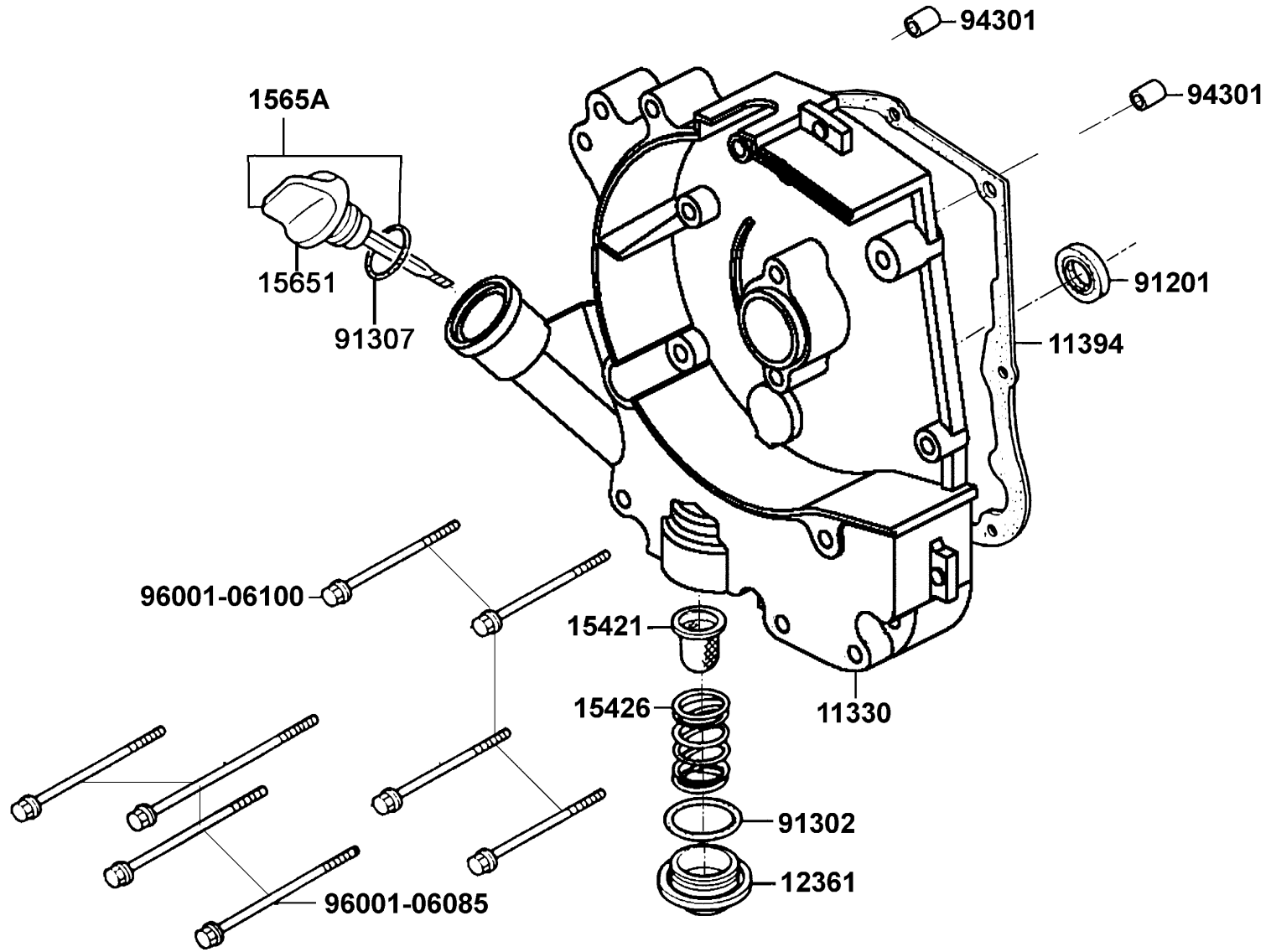
# Cylinder Piston Crankshaft



Sales mark	Ref no	Part no	Description	Reg description	Regd no	<b>E03</b>
	12100	12100-KGBG-900	CYLINDER COMP		1	
	12191	12191-KGBG-980	GASTET CYLINDER @ A	GASKET CYLINDER @ A	1	
	13000	13000-KGBG-900	CRANK SHAFT COMP		1	
	13011	13011-KGBG-9010	RING SET PISTON		1	
	13101	13101-KGBG-901			1	
	13111	13111-KGBG-900	PIN PISTON		1	
	13115	13115-0A01-001	PISTON PIN CLIP		2	
	14401	14401-KGBG-9000			1	
	14510	14510-KGBG-9000			1	
	14531	14531-GLR0-0010	PIVOT CAM CHAIN TENSIONER	PIVOT CAM CHAIN TENSIONER	1	
	1453A	1453A-GFY6-W10			1	
	14550	14550-KDS4-90A			1	
	14555	14555-KKJ9-080	GASKET CAM CHAIN ADJUSTER	GASKET CAM CHAIN ADJUSTER	1	
	14610	14610-KGBG-9000			1	
	90701	90701-GFF6-001	PIN DOWEL SPECIAL 8*14		2	
	90741	90741-0E35-001	KEY WOODRUFF	KEY WOODRUFF	1	
	91301	91301-GLR0-W10	O-RING 15.2*1.5	O-RING 15.2*1.5	1	
	96001	96001-06018-08	BOLT FLANGE SH 6*18	BOLT FLANGE SH 6*18	2	

E04

# Right Crankcase Cover

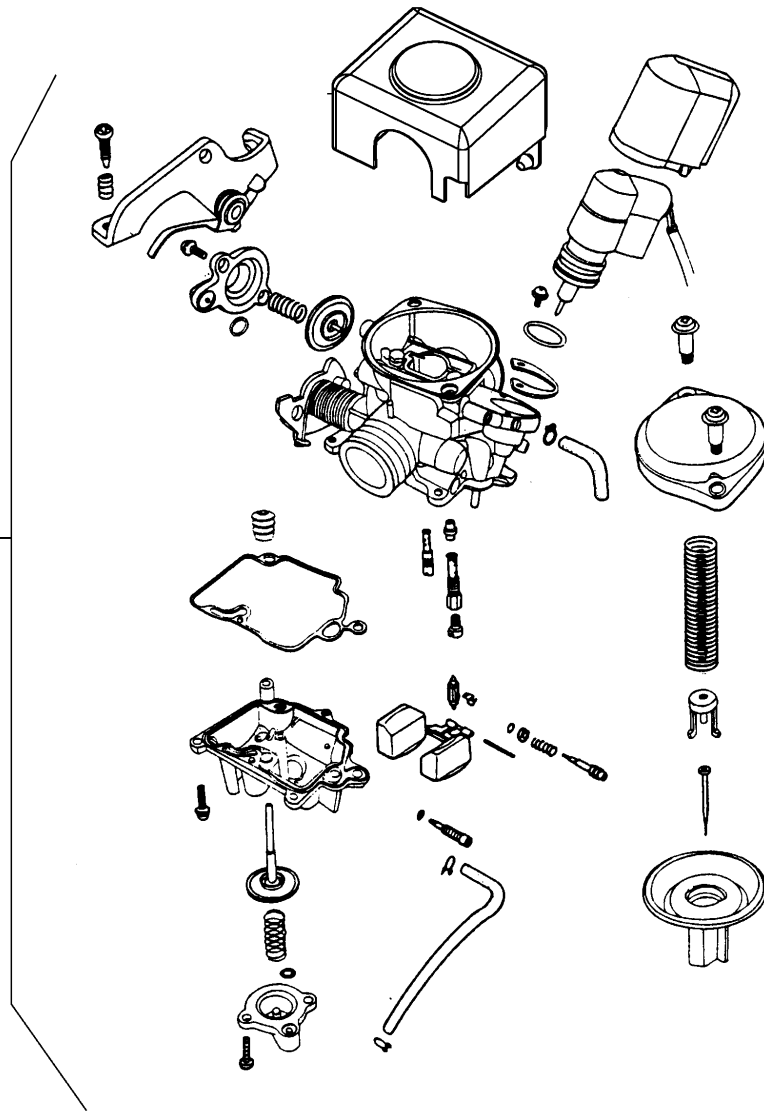


Sales mark	Ref no	Part no	Description	Reg description	Regd no	<b>E04</b>
	11330	11330-LBD6-E00	COVER R CRANK CASE	COVER COMP R CRANK CASE	1	
	11394	11394-KGBG-980	GASTER R COVER @ A	GASKET R COVER @A	1	
	12361	12361-GFY6-9010			1	
	15421	15421-1G07-W10			1	
	15426	15426-GAE1-921	SPG OIL FILTER SCREEN	SPG OIL FILTER SCREW	1	
	15651	15651-GFY6-9010			1	
	1565A	1565A-GFY6-900	GAUGE OIL LEVEL ASSY	GAUGE OIL LEVEL ASSY	1	
	91201	91201-KGBG-9000-M1			1	
	91302	91302-0A01-0210			1	
	91307	91307-0E35-0010	O-RING 18*3	O-RING 18*3	1	
	94301	94301-08140	DOWEL PIN 8*14	PIN DOWEL 8*14	2	
	96001-06085	96001-06085-08	BOLT FLANGE SH 6*85	BOLT FLANGE SH 6*85 (C)	4	
	96001-06100	96001-06100-08	BOLT FLANGE SH 6*100		4	

E05

Carburetor

16100

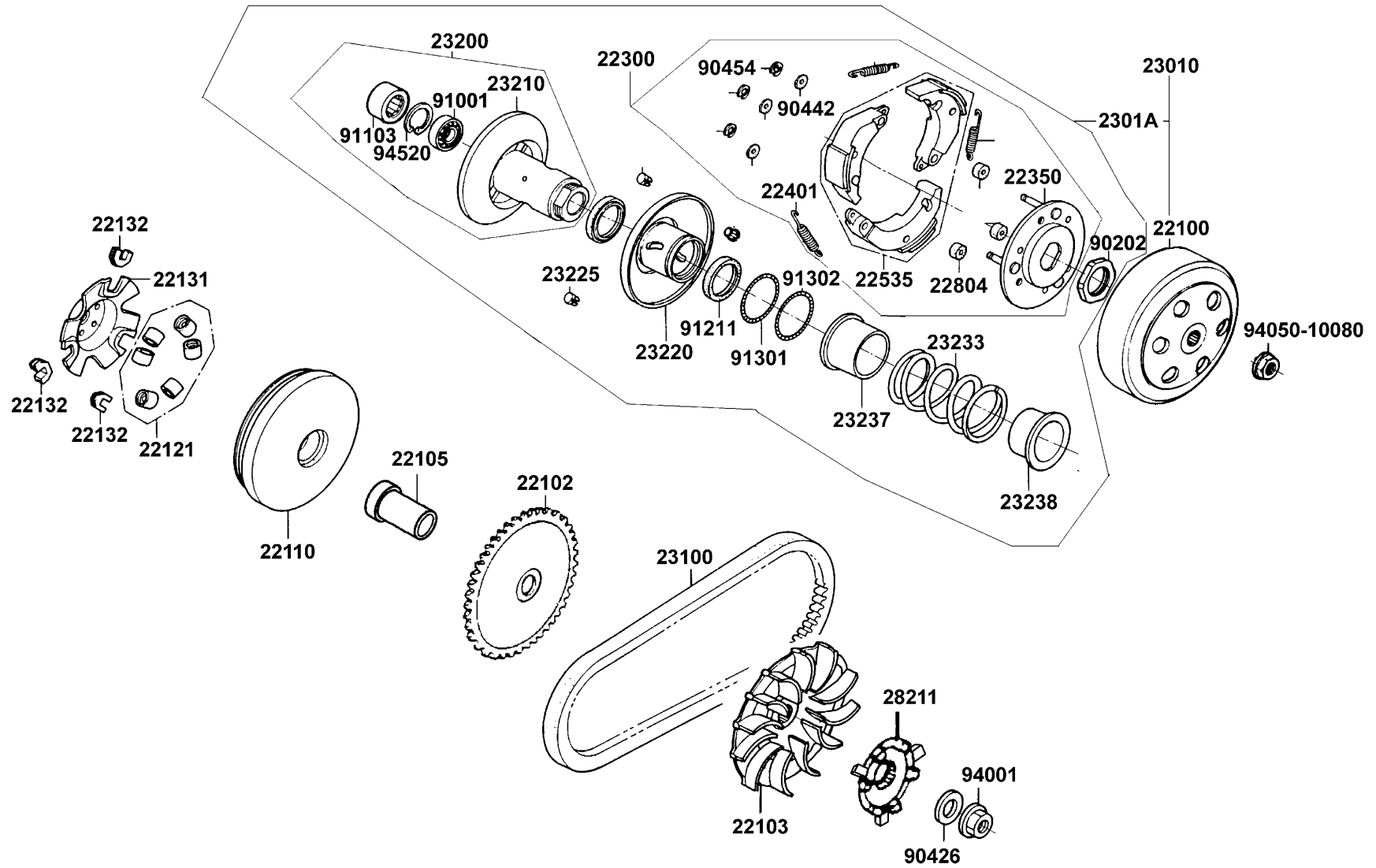


Sales mark	Ref no	Part no	Description	Reg description	Regd no	<b>E05</b>
------------	--------	---------	-------------	-----------------	---------	------------

	16100	16100-LDC8-E10	CARBURETOR ASSY		1	
--	-------	----------------	-----------------	--	---	--

E06

# Driven Pulley

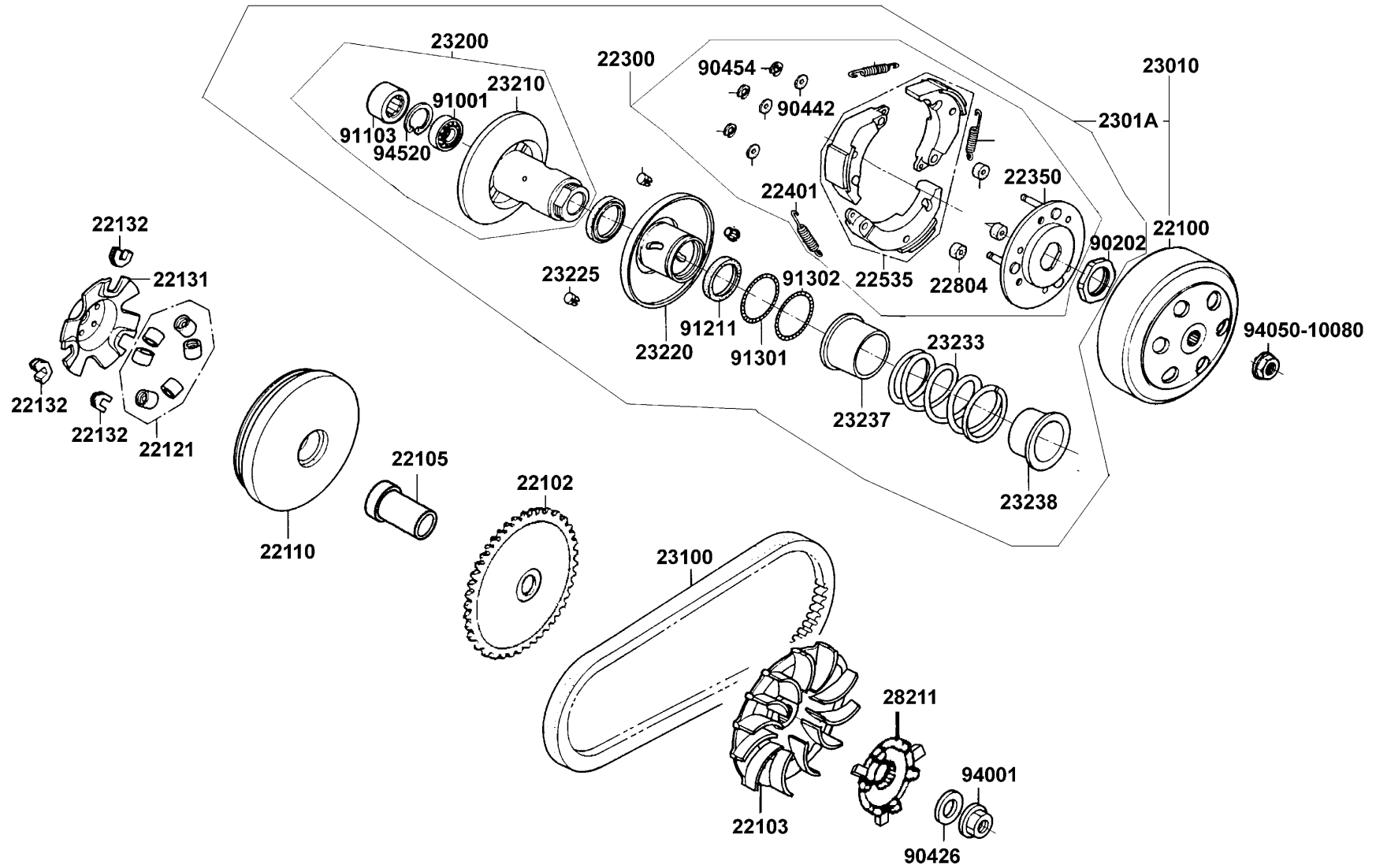


Sales mark	Ref no	Part no	Description	Reg description	Regd no	<b>E06</b>
	22100	22100-LDC8-E10			1	
	22102	22102-LDC8-E10			1	
	22103	22103-KEB7-900	FAN CVT COOLING	FAN CVT COOLING	1	
	22105	22105-LBD6-E00	BOSS DRIVE FACE		1	
	22110	22110-LDC8-E10			1	
	22121	22121-LBD6-E00	ROLLER COMP WEIGHT 6.5g		6	
	22131	22131-GHAH-7810			1	
	22132	22132-GLW0-0010			3	
	22300	22300-LDC8-E10			1	
	22350	22350-GKAK-930	PLATE COMP DRIVE	PLATE COMP DRIVE	1	
	22401	22401-LDC8-E10			3	
	22535	22535-GKAK-930			3	
	22804	22804-1H48-001	RUBBER CLUTCH DUMPER	RUBBER CLUTCH DUMPER	3	
	23010	23010-LDC8-C10	PULLEY ASSY DRIVEN	PULLEY ASSY DRIVEN	1	
	2301A	2301A-LDC8-C10	PULLEY SUB ASSY	PULLEY SUB ASSY	1	
	23100	23100-KEB7-900	BELT DRIVE	BELT DRIVE	1	
	23200	23200-GAR1-220	FACE ASSY DRIVEN	FACE ASSY DRIVEN	1	
	23210	23210-GAR1-220			1	
	23220	23220-LDC8-E10			1	
	23225	23225-GAR1-7510			3	



E06

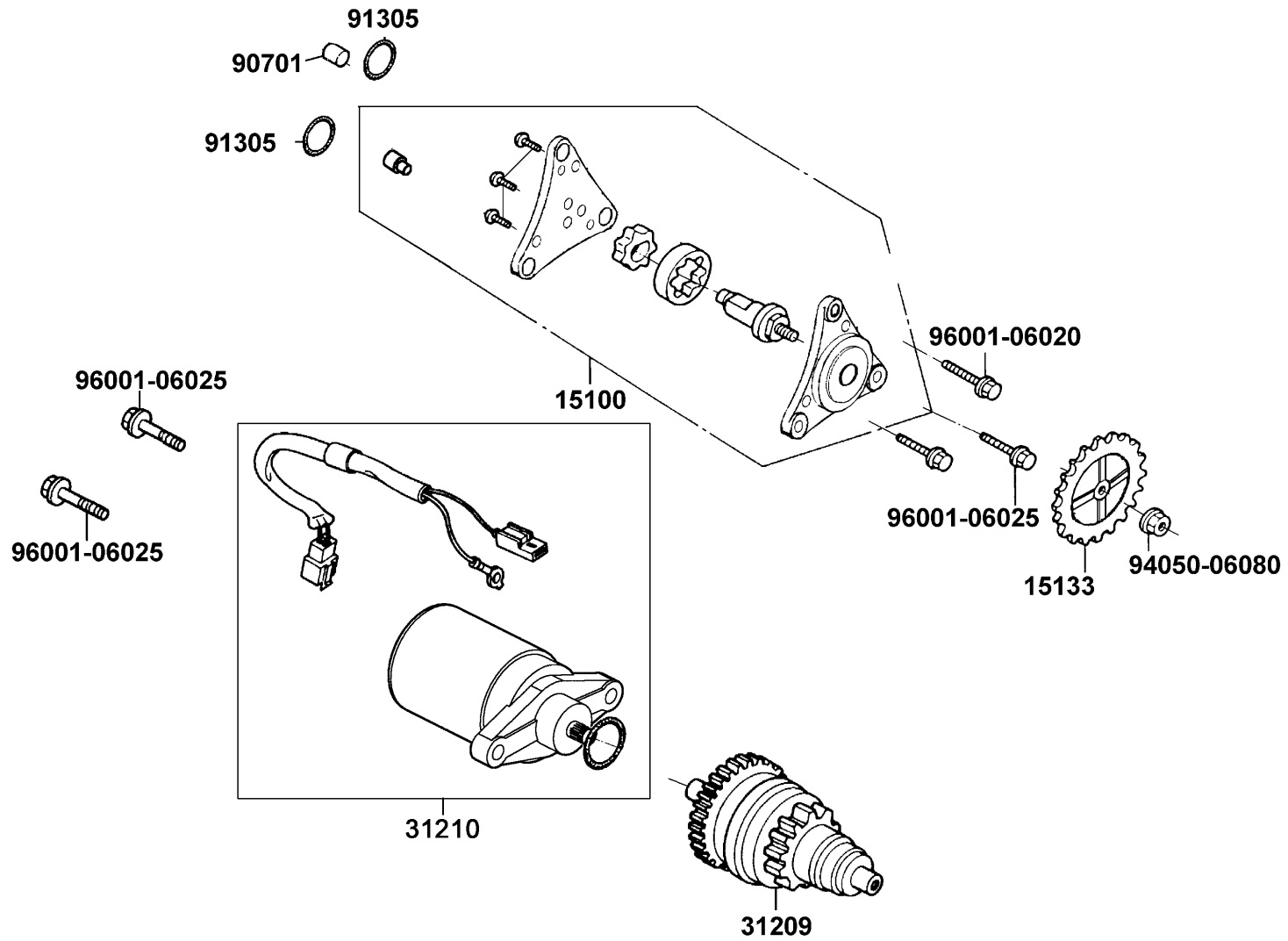
# Driven Pulley



Sales mark	Ref no	Part no	Description	Reg description	Regd no	<b>E06</b>
	23233	23233-KEE1-900	SPG DRIVEN FACE		1	
	23237	23237-GAR1-220	COLLAR SEAL	COLLAR SEAL	1	
	23238	23238-GGS7-0110			1	
	28211	28211-KEB7-W10			1	
	90202	90202-1G87-001	NUT SPECIAL 28MM		1	
	90426	90426-KNBN-901	WASHER SPECIAL 12MM		1	
	90442	90442-0D44-001	6M/M THRUST WASHER	6M/M THRUST WASHER	3	
	90454	90454-GBB2-001	CIRCLIP 6MM	CIRCLIP 6MM	3	
	91001	91001-GA7-7010-M1			1	
	91103	91103-GAR1-004	BRG NEEDLE 17*25*18 WS	BRG NEEDLE 17*25*18 WS	1	
	91211	91211-KEE1-900	OIL SEAL 34*39*3		2	
	91301	91301-KEE1-900	O-RING 36*1.5		1	
	91302	91302-KEE1-900	O-RING 39.8*2.2		1	
	94001	94001-12280-0S	NUT HEX 12MM	NUT HEX 12MM	1	
	94050	94050-10080	NUT FLANGE 10MM	NUT FLANGE 10MM	1	
	94520	94520-24000	CIR CLIP IN 24	CIR CLIP IN 24	1	

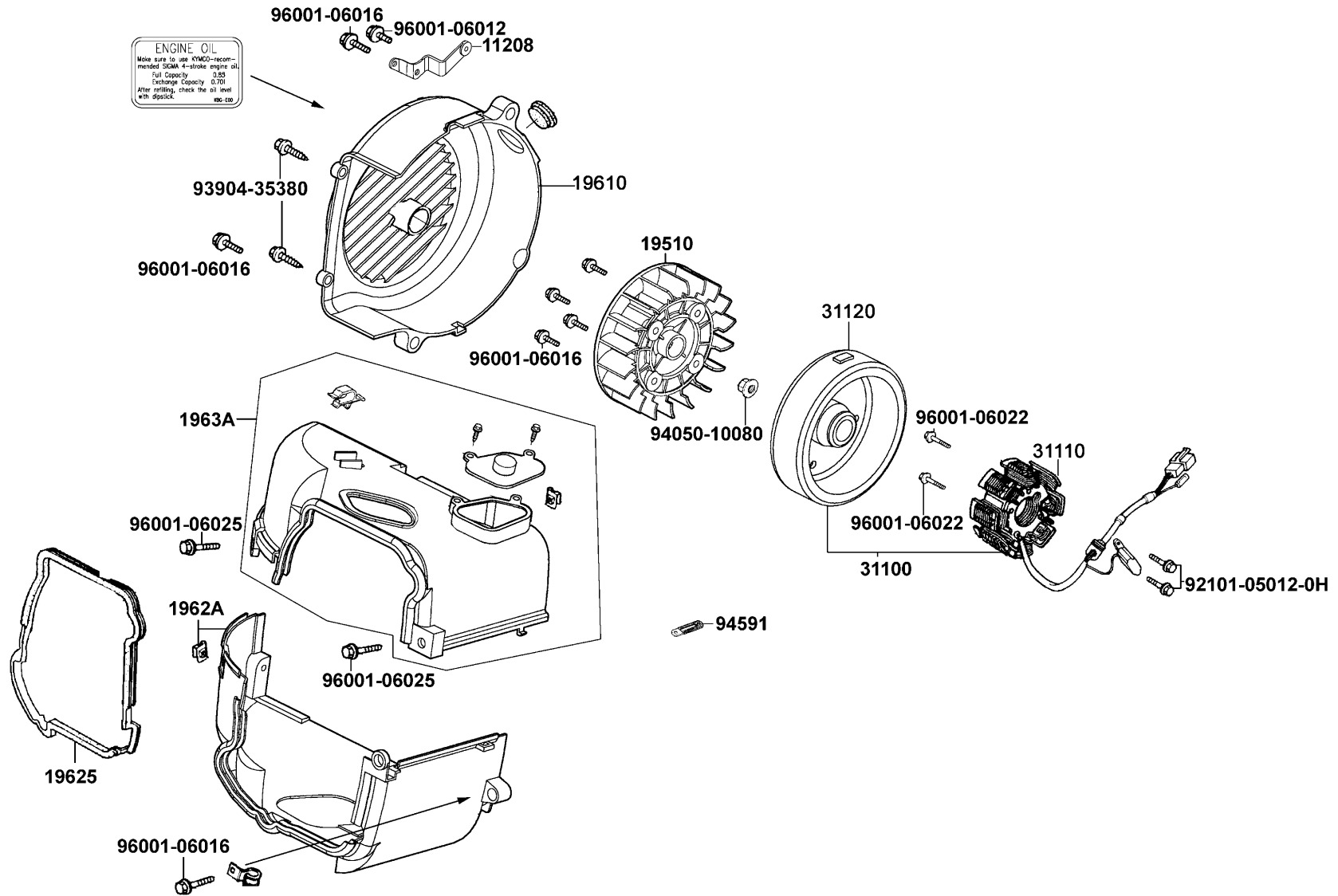
E07

# Starting Motor Oil Pump

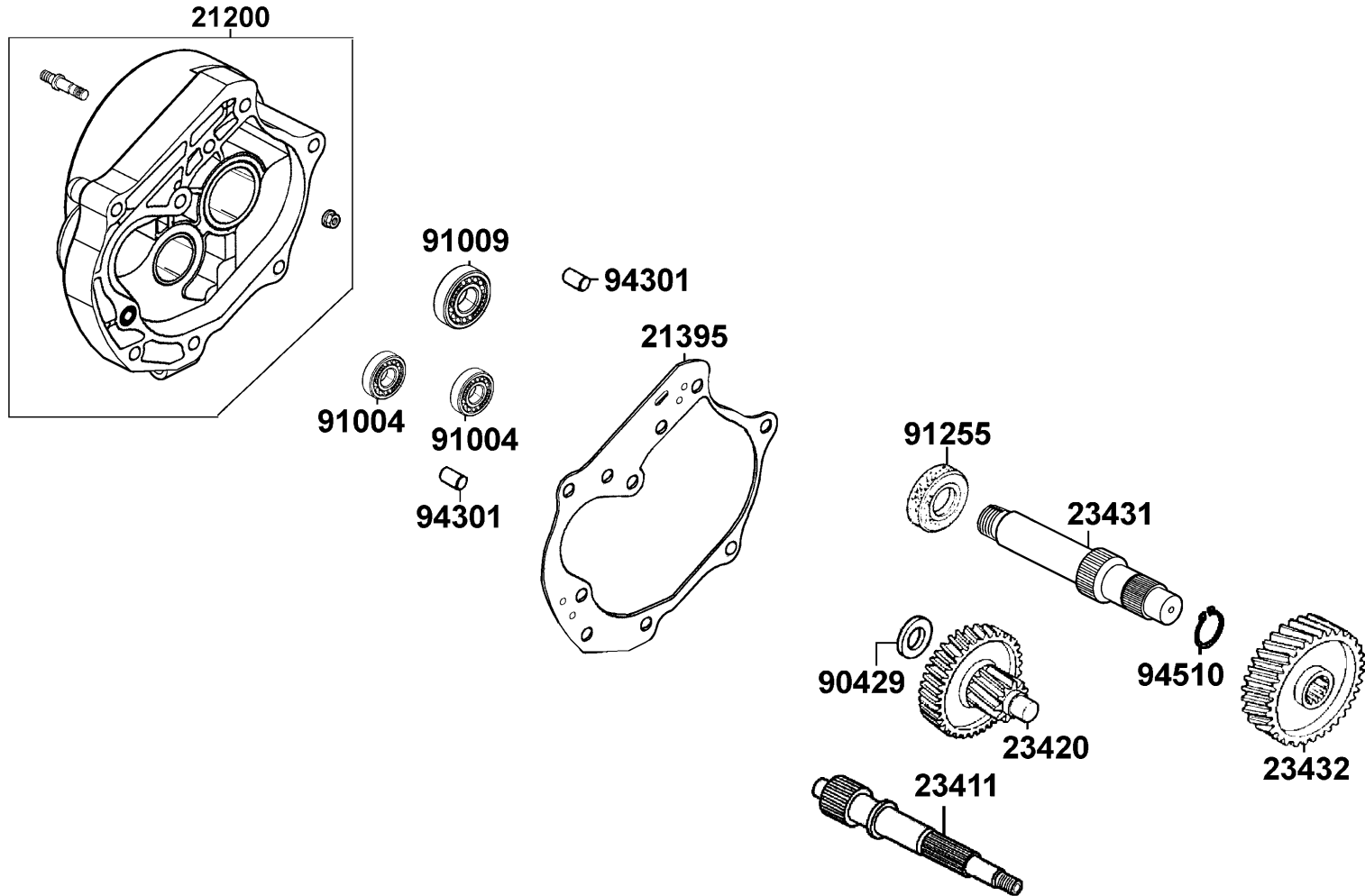


Sales mark	Ref no	Part no	Description	Reg description	Regd no	<b>E07</b>
#	15100	15100-LDC5-900	PUMP ASSY OIL	PUMP ASSY OIL	1	
#	15133	15133-LDC5-900	GEAR OIL PUMP DRIVEN	GEAR OIL PUMP DRIVEN	1	
	31209	31209-KEE1-9000			1	
	31210	31210-KEE1-9000			1	
	90701	90701-HDC4-001	PIN DOWELL 8*12		1	
	91305	91305-0H28-1590	O-RING 9*1.6	O-RING 9*1.6	2	
	94050	94050-06080	NUT FLANGE 6MM	NUT FLANGE 6MM	1	
	96001-06020	96001-06020-08	BOLT FLANGE SH 6*20	BOLT FLANGE SH 6*20	2	
	96001-06025	96001-06025-08	BOLT FLANGE SH 6*25	BOLT FLANGE SH 6*25	3	

# Fan Cover Generator



Sales mark	Ref no	Part no	Description	Reg description	Regd no	<b>E08</b>
	11208	11208-LBD6-E00	STAY RR TIRE FENDER	STAY RR TIRE FENDER	1	
	19510	19510-LDC5-900	FAN COMP COOLING		1	
	19610	19610-KGBG-901			1	
	19625	19625-KEE1-9000	SEAL SHROUD	SEAL SHROUD	1	
	1962A	1962A-KEE1-900	SHROUD ASSY A		1	
	1963A	1963A-LDC8-E30	SHROUD ASSY B	SHROUD ASSY B	1	
	31100	31100-LBD6-E0A			1	
	31110	31110-LBD6-E0A	FLYWHEEL COMP		1	
	31120	31120-LBD6-E0A	STATOR COMP		1	
	92101	92101-05012-0H	BOLT HEX 5*12	BOLT HEX 5*12	2	
	93904	93904-35380	SCREW TAPPING 5*16		2	
	94050	94050-10080	NUT FLANGE 10MM	NUT FLANGE 10MM	1	
	94591	94591-LDC8-E10	CLIP BIND	CLIP BIND	1	
	96001-06012	96001-06012-08	BOLT FLANGE 6*12	BOLT FLANGE SH 6*12	2	
	96001-06016	96001-06016-08	BOLT FLANGE SH 6*16	BOLT FLANGE SH 6*16	6	
	96001-06022	96001-06022-08	BOLT FLANGE SH 6*22	BOLT FLANGE SH 6*22	2	
	96001-06025	96001-06025-08	BOLT FLANGE SH 6*25	BOLT FLANGE SH 6*25	2	

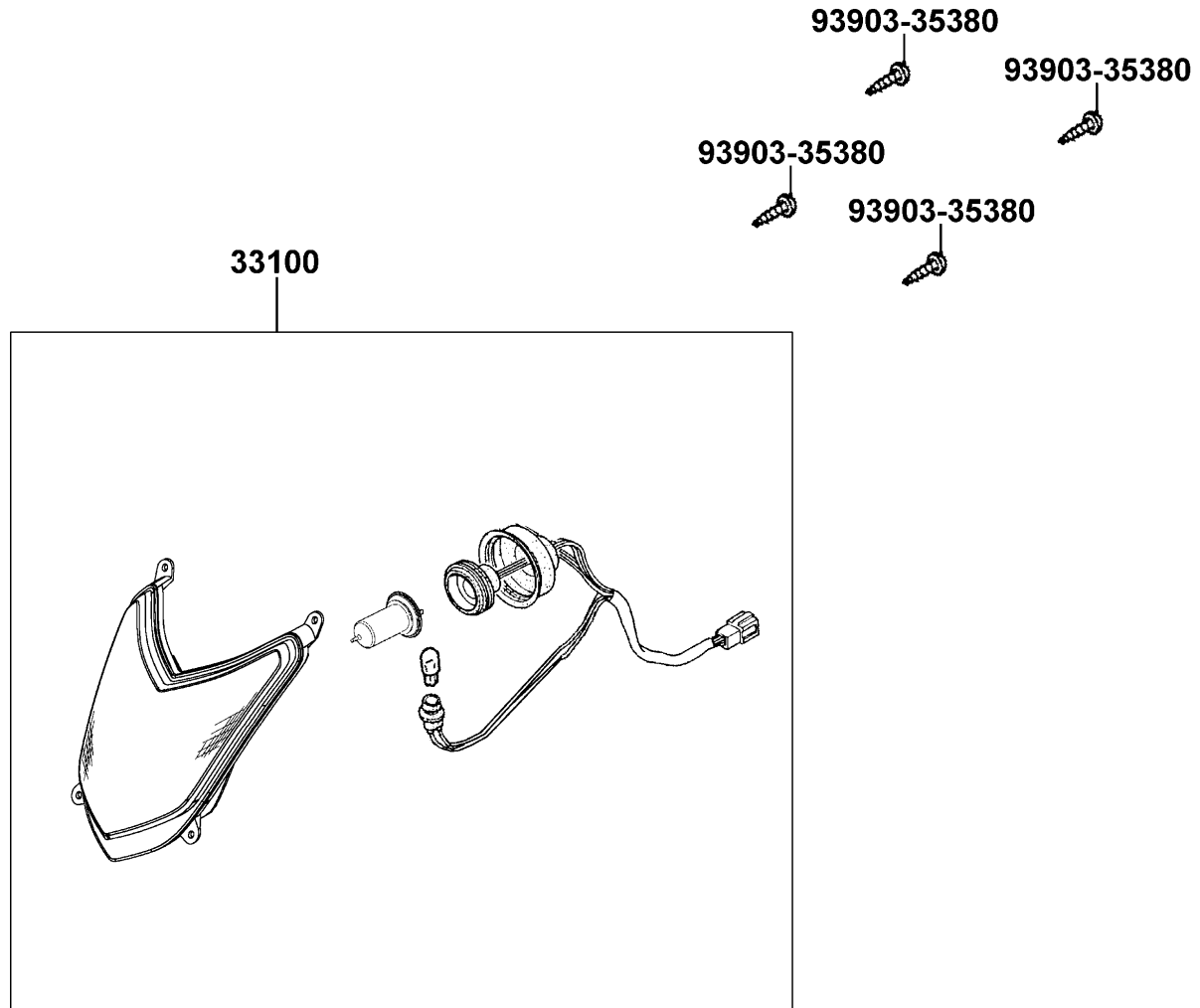


Sales mark	Ref no	Part no	Description	Reg description	Regd no	<b>E09</b>
	21200	21200-KFA1-900	CASE COMP MISSION	CASE COMP MISSION	1	
	21395	21395-KNBN-980	GASKET, MISSION CASE @A	GASKET, MISSION CASE @A	1	
	23411	23411-LBD6-E00	SHAFT DRIVE	SHAFT DRIVE	1	
	23420	23420-LBD6-E00	SHAFT COMP COUNTER	SHAFT COMP COUNTER	1	
	23431	23431-KNBN-90A	SHAFT FINAL	SHAFT FINAL	1	
	23432	23432-LBD6-E00	GEAR FINAL	GEAR FINAL	1	
	90429	90429-KNBN-901	WASHER SIDE 12MM	WASHER SIDE 12MM	1	
	91004	91004-KN2-9020-M1			2	
	91009	91009-GLE0-0040	BRG BALL RADIAL 6004 UU	BRG BALL RADIAL 6004 UU	1	
	91255	91255-LDC8-E10			1	
	94301	94301-10200-M2	DOWEL PIN 10*20	DOWEL PIN 10*20	2	
	94510	94510-20000	CIR CLIP EX 20	CIR CLIP 20MM	1	



F01

Head Light

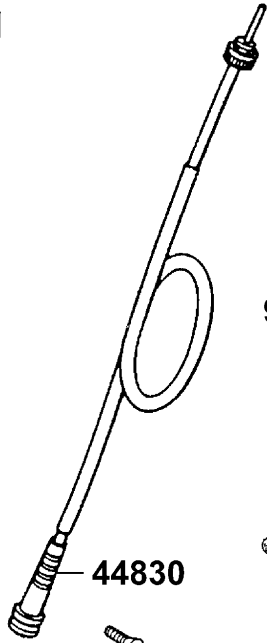


Sales mark	Ref no	Part no	Description	Reg description	Regd no	<b>F01</b>
	33100	33100-LDC8-E10			1	
	93903	93903-35380			4	

F02

Speedometer

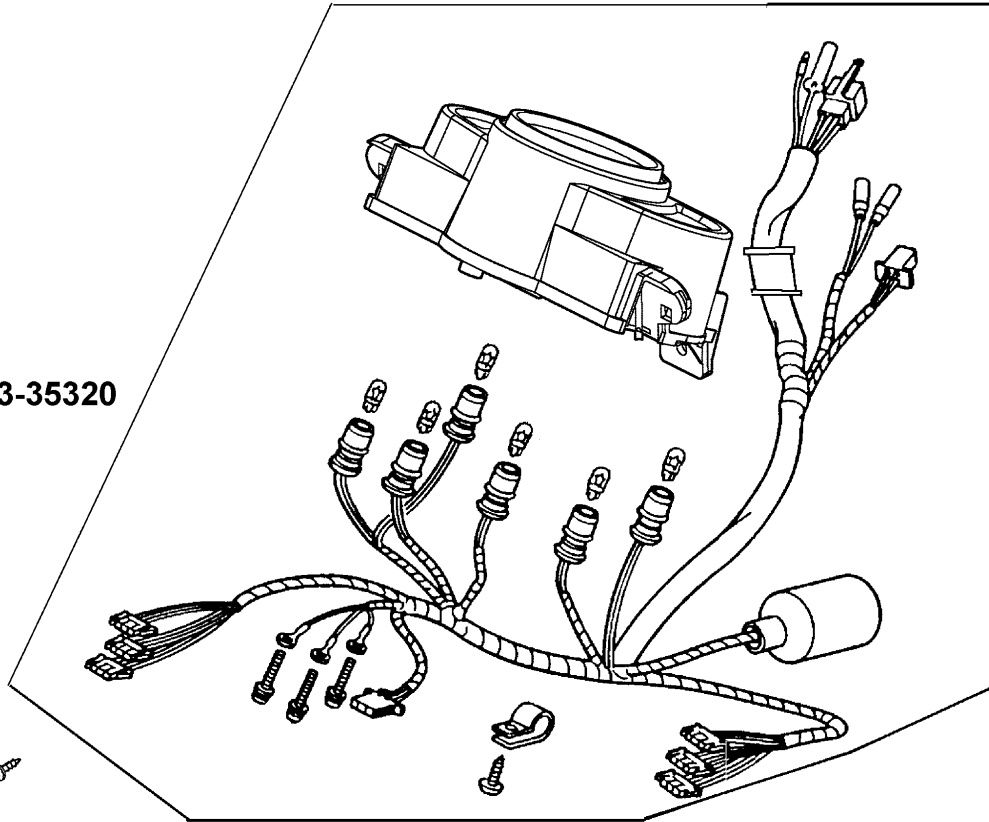
38300



44830

93700-05018-0H

93903-35320

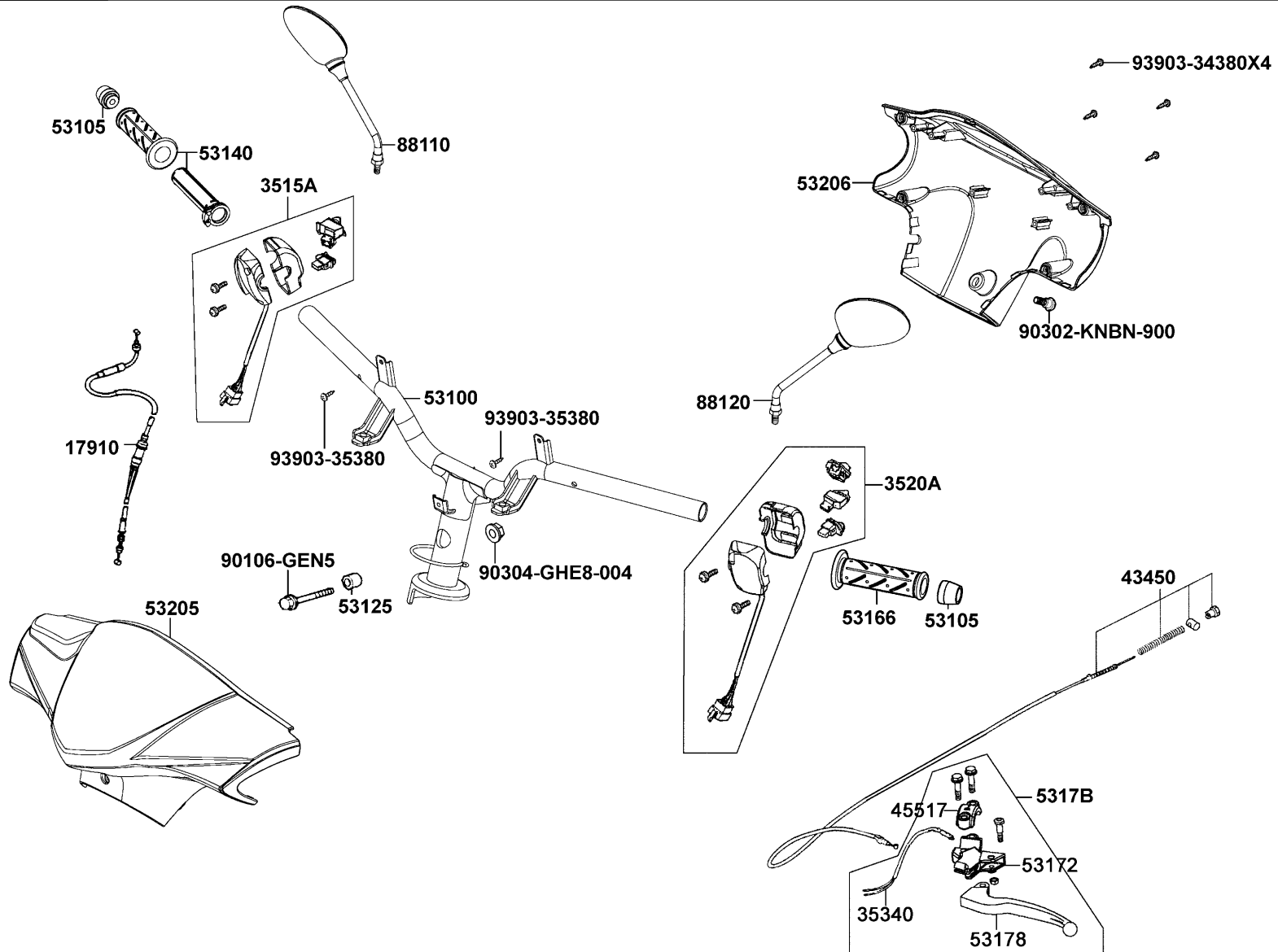


37200

Sales mark	Ref no	Part no	Description	Reg description	Regd no	<b>F02</b>
	37200	37200-LDC8-E40	METER ASSY SPEED	METER ASSY SPEED	1	
	38300	38300-KECE-900	RELAY ASSY WINKER	RELAY ASSY WINKER	1	
	44830	44830-LDC8-E10	CABLE COMP SPDMT	CABLE COMP SPDMT	1	
	93700	93700-05018-0H	SCREW OVAL 5*18		1	
	93903	93903-25220			4	

F03

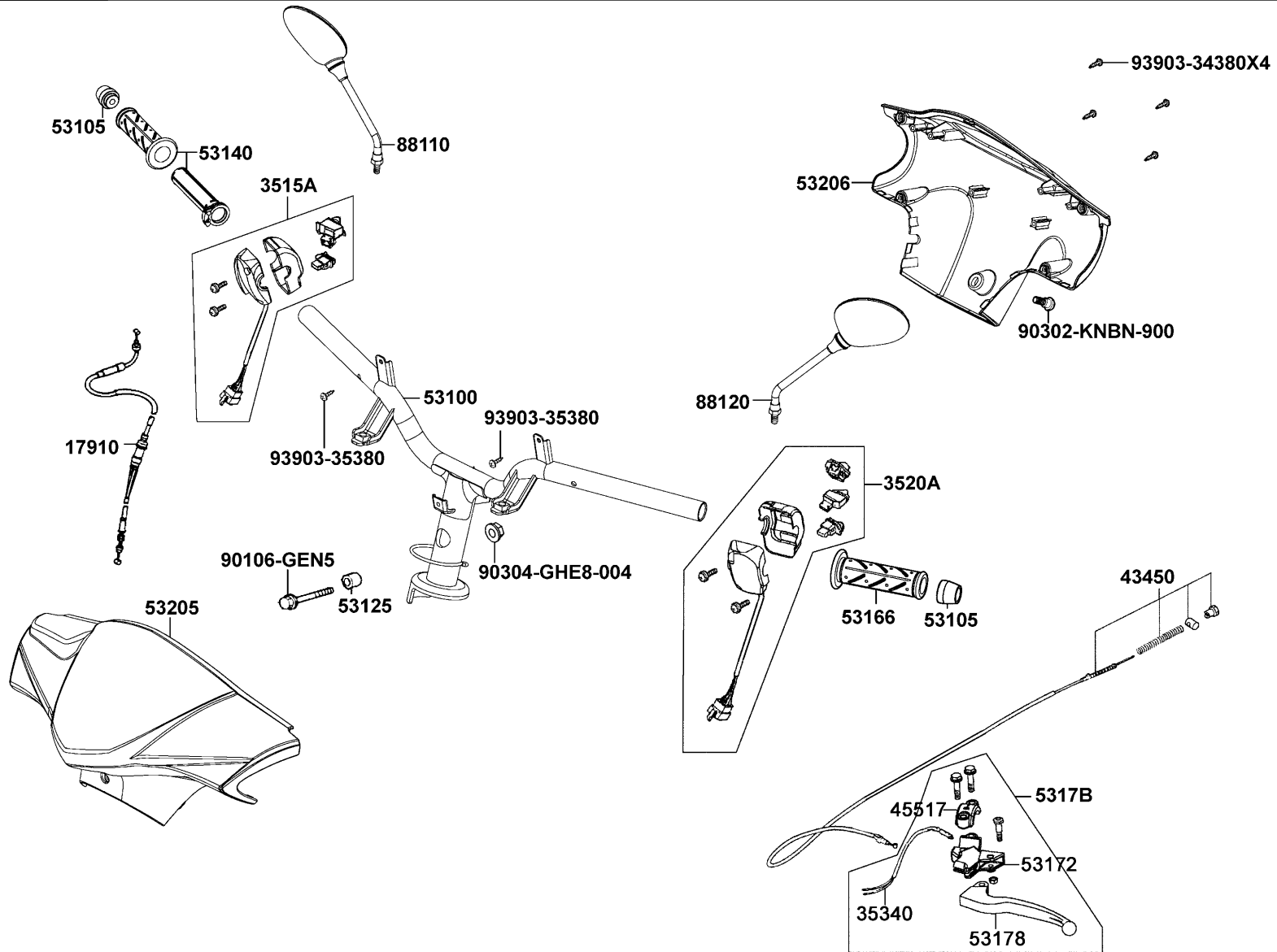
# Handle Steering Handle Cover



Sales mark	Ref no	Part no	Description	Reg description	Regd no	<b>F03</b>
	17910	17910-LDC8-E10	CABLE COMP THROT	CABLE COMP THROT	1	
	3515A	3515A-KGBG-E00	SW ASSY RH HNDL COMP		1	
	3520A	3520A-KGBG-E00	SW ASSY LH HNDL COMP	SW ASSY LH HNDL COMP	1	
	35340	35340-KKJ9-0100			1	
	43450	43450-LDC8-E10	CABLE COMP RR BRK	CABLE COMP RR BRK	1	
	45517	45517-GFY6-9000			1	
	53100	53100-LCB9-C10			1	
	53105	53105-KNBN-9100			2	
	53125	53125-GEN5-901	COLLAR HANDLE SET		1	
	53166	53166-KNBN-9110			1	
	53172	53172-KTCT-900	BRKT HANDLE L	BRKT HANDLE L	1	
	53178	53178-KXCX-E00	LEVER L STRG HNDL	LEVER L STRG HNDL	1	
	5317B	5317B-KFA6-E00	BRKT ASSY HNDL L	BRKT ASSY HNDL LH	1	
**	53205	53205-LEB9-B50	COVER HANDLE FR	COVER HANDLE FR	1	
	53206	53206-LCB9-C10	COVER HANDLE RR	COVER HANDLE RR	1	
	88110	88110-LCB9-C10			1	
	88120	88120-LCB9-C10			1	
	90106	90106-GEN5-901	BOLT FLANGE 10*50		1	
	90302	90302-KNBN-900	BOLT PAN 5*10		1	
	90304	90304-GHE8-004	NUT U 10MM	NUT U 10MM	1	

F03

# Handle Steering Handle Cover

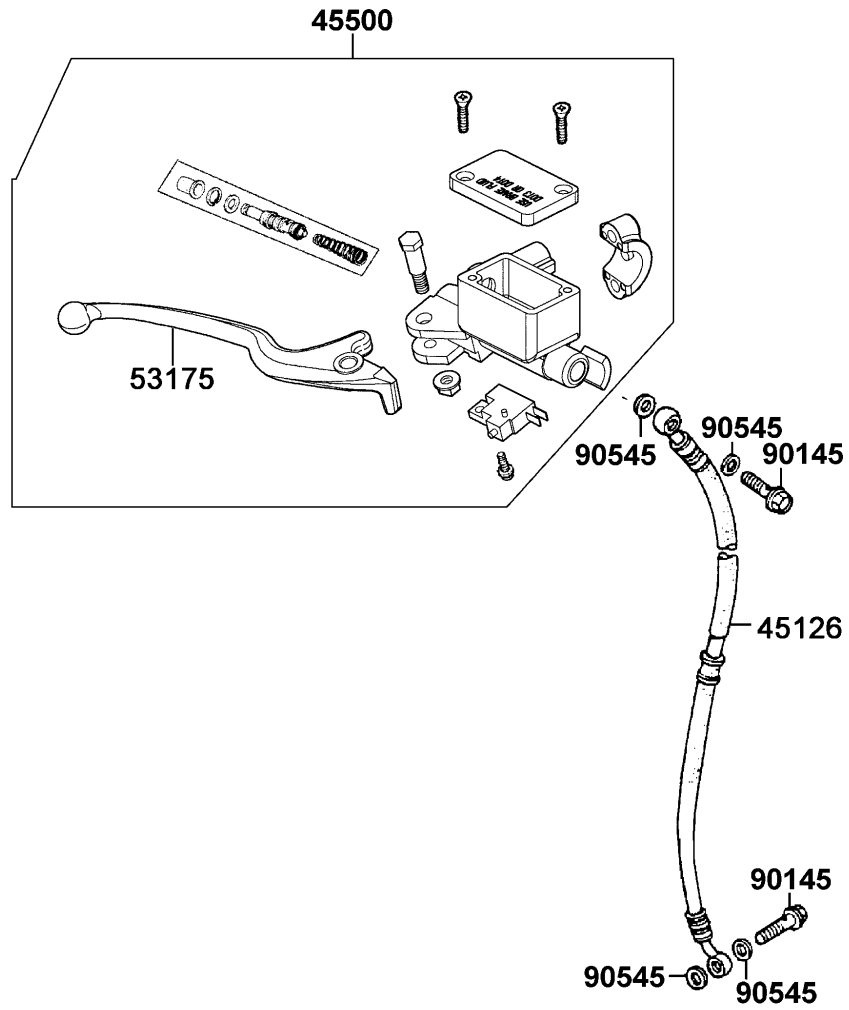


Sales mark	Ref no	Part no	Description	Reg description	Regd no	<b>F03</b>
	93903-34380	93903-34380	SCREW TAPPING 4*12		4	
	93903-35380	93903-35380			2	



F04

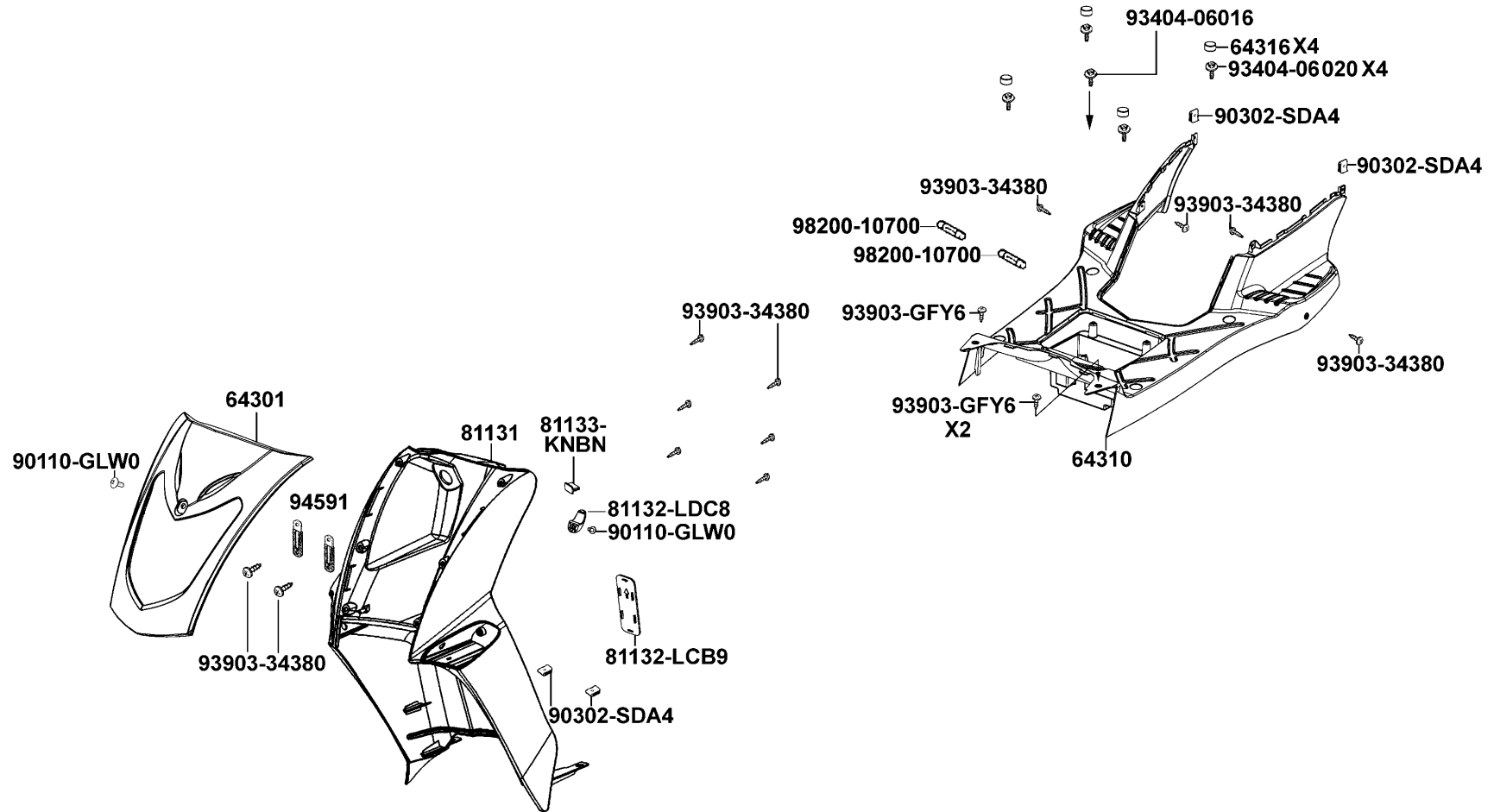
# Brake Master Cylinder



Sales mark	Ref no	Part no	Description	Reg description	Regd no	<b>F04</b>
	45126	45126-LDC8-E10	HOSE ASSY FR BRAKE	HOSE ASSY FR BRAKE	1	
	45500	45500-LDC8-E10	M/C ASSY FR	M/C ASSY FR	1	
	90145	90145-MKS9-61A	OIL BOLT 10*22	OIL BOLT 10*22	2	
	90545	90545-3L00-001	WASHER OIL BOLT	WASHER OIL BOLT	4	

F05

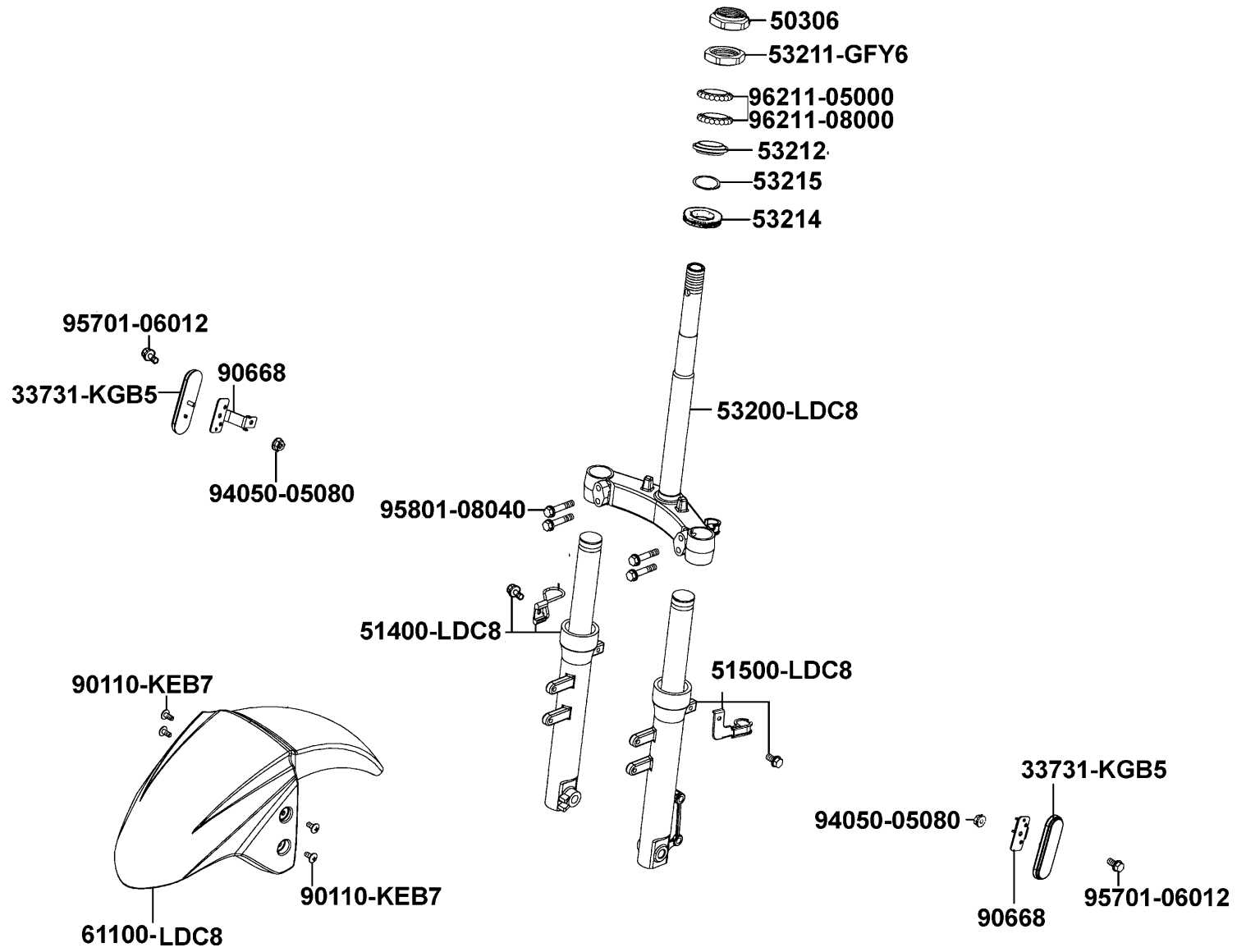
Front Cover Front Fender



Sales mark	Ref no	Part no	Description	Reg description	Regd no	<b>F05</b>
**	64301	64301-LCB9-C10	COVER FR	COVER FR	1	
	64310	64310-LCB9-C10	PANEL FLOOR	PANEL FLOOR	1	
	64316	64316-LCB9-C10			4	
	81131	81131-LEC5-C10	LEG SHIELD	LEG SHIELD	1	
	81132-LCB9	81132-LCB9-C10	Xc	Xc	1	
	81132-LDC8	81132-LDC8-E10			1	
	81133	81133-KNBN-901	STOPPER LUGGAGE	STOPPER LUGGAGE	1	
	90110	90110-GLW0-001	SCREW SPECIAL 6*14		2	
	90302	90302-SDA4-004	NUT SPRING 4MM	NUT SPRING 4MM	4	
	93404-06016	93404-06016-07			1	
	93404-06020	93404-06020-07			4	
	93903-34380	93903-34380	SCREW TAPPING 4*12		12	
	93903-GFY6	93903-GFY6-900	SCREW TAPPING 4*14	SCREW TAPPING 4*14	2	
	94591	94591-25000	CLIP BIND	CLIP BIND	2	
	98200	98200-10700	FUSE A7		2	

F06

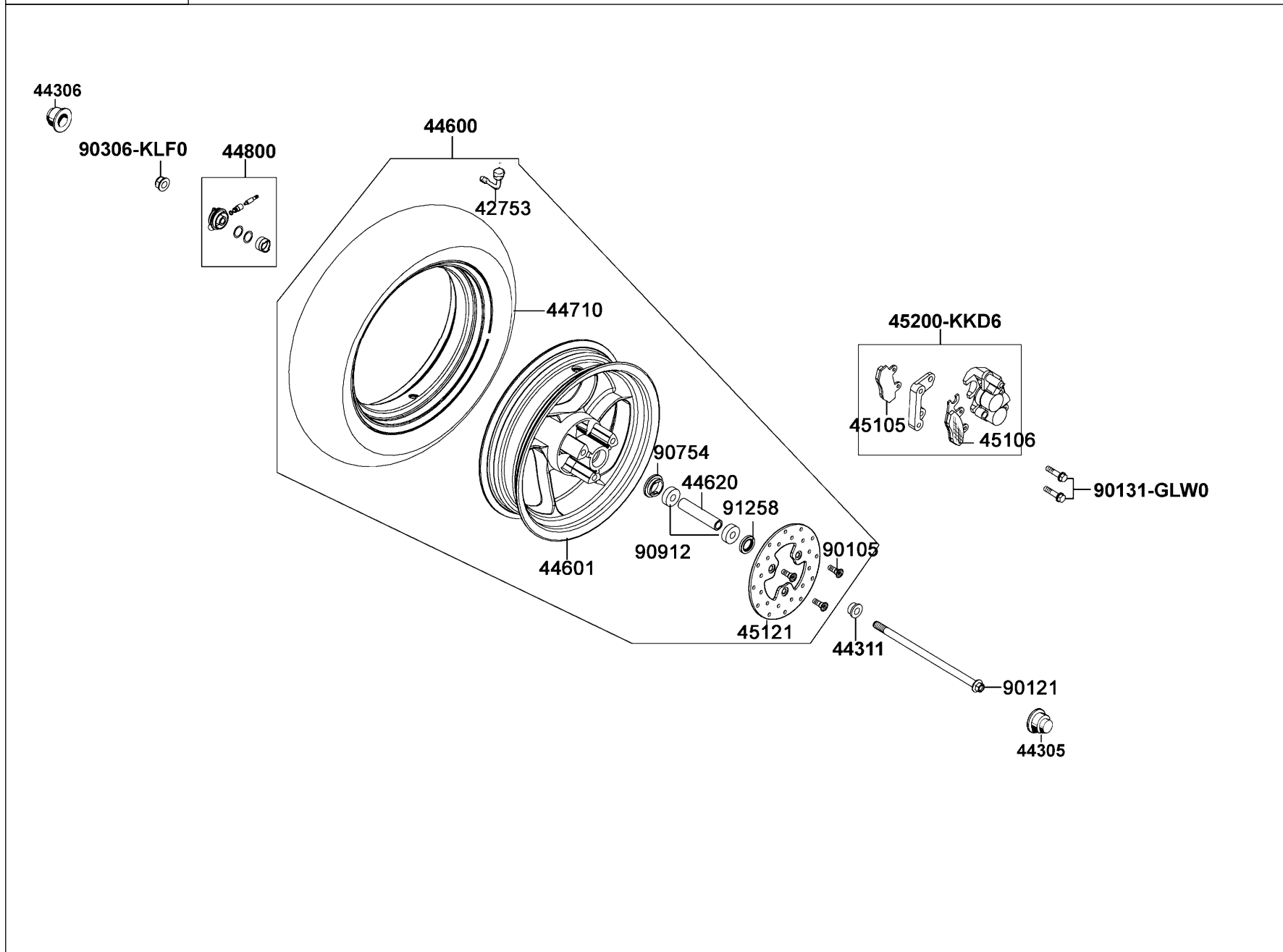
# Stem Steering Front Cushion



Sales mark	Ref no	Part no	Description	Reg description	Regd no	<b>F06</b>
	33731	33731-KGB5-900	REFLEX REFLECTOR SIDE	"REFLEX REFLECTOR,SIDE"	2	
	50306	50306-1F96-0010			1	
	51400	51400-LDC8-E10	FORK ASSY R FR	FORK ASSY R FR	1	
	51500	51500-LDC8-E10	FORK ASSY L FR	FORK ASSY L FR	1	
	53200	53200-LDC8-E10	STEM COMP STRG	STEM COMP STRG	1	
	53211	53211-GFY6-9400			1	
	53212	53212-2L50-011	RACE STRG BOT CONE		1	
	53214	53214-2L50-011	DUST SEAL STRG HEAD	DUST SEAL STRG HEAD	1	
	53215	53215-2L50-011			1	
**	61100	61100-LDC8-E10	FENDER FR	FENDER FR	1	
	90110	90110-KEB7-900	SCREW SPECIAL 6*14		4	
	90668	90668-LDC8-E10	STAY SIDE REFLECTOR	STAY SIDE REFLECTOR	1	
	94050	94050-05080	NUT FLANGE 5MM	NUT FLANGE 5MM	1	
	95701	95701-06012-08	BOLT FLANGE 6*12	BOLT FLANGE 6*12	2	
	95801	95801-08040-08	BOLT FLANGE 8*40		4	
	96211-05000	96211-05000	BALL STEEL 5	BALL STEEL 5	26	
	96211-08000	96211-08000	BALL STEEL 8MM	BALL STEEL 8	19	

F07

Front Wheel

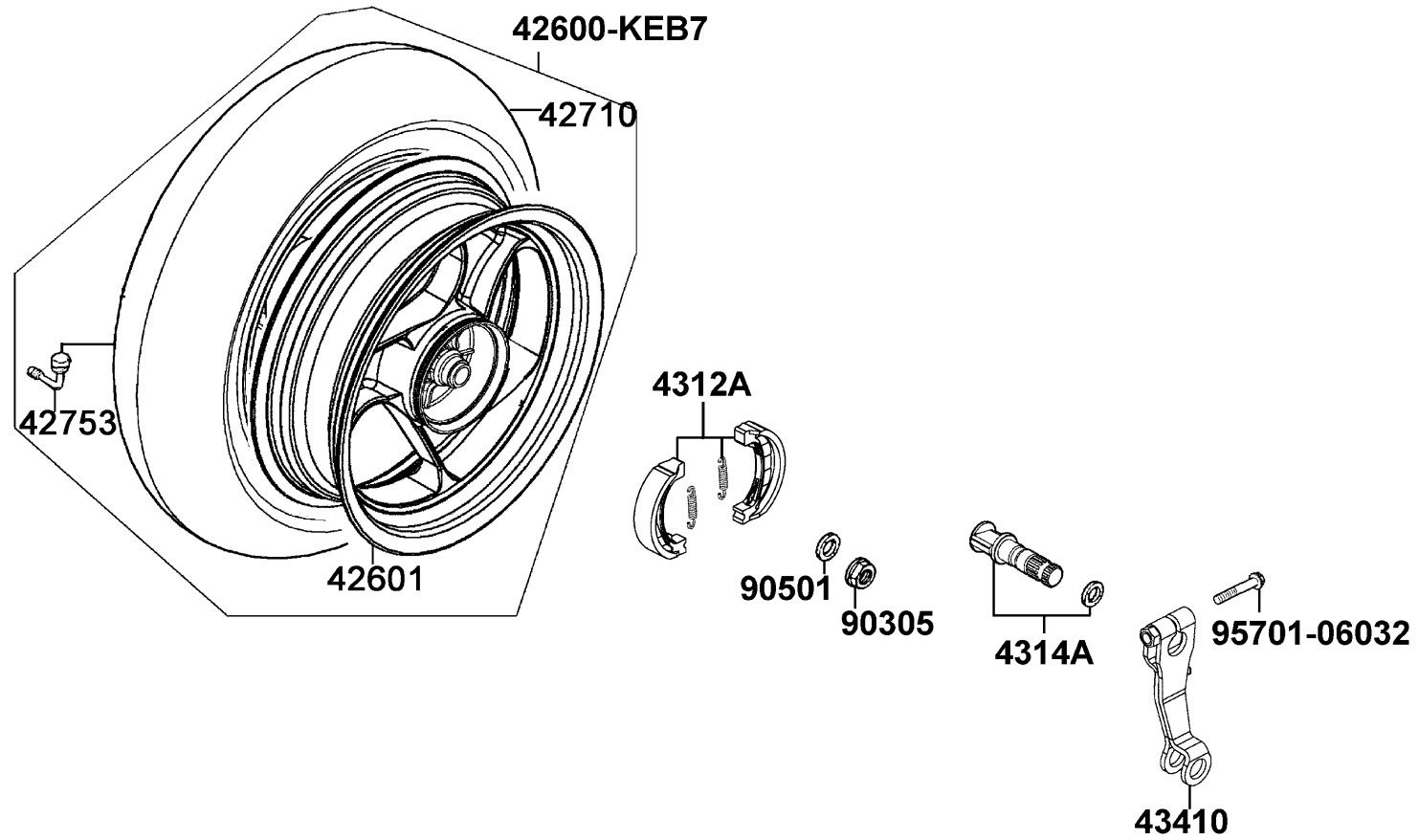


Sales mark	Ref no	Part no	Description	Reg description	Regd no	F07
	42753	42753-HHJ1-9000			1	
	44305	44305-KGE2-E00			1	
	44306	44306-KGE2-E00			1	
	44311	44311-GLW0-W10			1	
	44600	44600-LDC8-E10	WHEEL ASSY FR	WHEEL ASSY FR	1	
**	44601	44601-KEB7-E0E	WHEEL FR CAST	WHEEL FR CAST	1	
	44620	44620-KEB7-E00	COLLAR FR DIST	COLLAR FR DIST	1	
	44710	44710-KEB7-E0A	TIRE ASSY FR	TIRE ASSY FR	1	
	44800	44800-LDC8-E10	GEAR BOX ASSY SPDMT	GEAR BOX ASSY SPDMT	1	
	45105	45105-KKD6-E00	PAD COMP A	PAD COMP A	1	
	45106	45106-KKD6-E00	PAD COMP B	PAD COMP B	1	
	45121	45121-LBD5-E00	DISK FR BRAKE	DISK FR BRK	1	
	45200	45200-KKD6-E90	CALIPER ASSY L FR	CALIPER ASSY L FR	1	
	90105	90105-KCR3-001	BOLT FR DISK 8*24		3	
	90121	90121-KBE2-981	BOLT RR FORK PIVOT	AXLE FR WHEEL	1	
	90131	90131-GLW0-9110	BOLT FLANGE 8*35	BOLT FLANGE 8*35	2	
	90306	90306-KLF0-004			1	
	90754	90754-GHC8-0000-M1	DUST SEAL 20*32*5	DUST SEAL 20*32*5	1	
	90912	90912-GHC8-0000-M1	BEARING 6201 (U) (NTN)	BEARING 6201 (U) (NTN)	2	
	91258	91258-KAM1-00A	SEAL SPDMT GEAR BOX		1	



F08

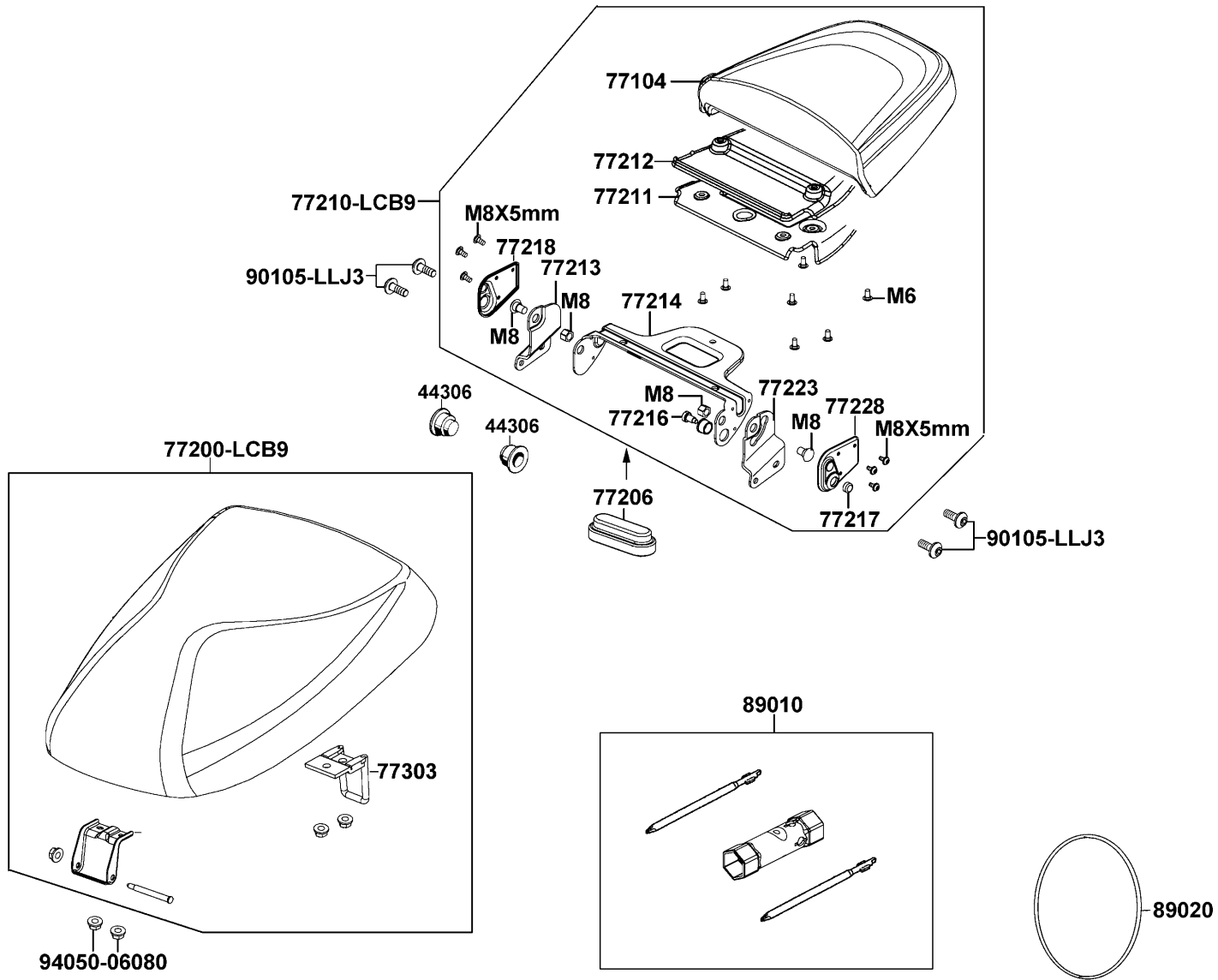
Rear Wheel



Sales mark	Ref no	Part no	Description	Reg description	Regd no	<b>F08</b>
	42600	42600-KEB7-E10	WHEEL ASSY REAR	WHEEL ASSY REAR	1	
	42601	42601-KEB7-E0E	WHEEL COMP RR CAST	WHEEL COMP RR CAST	1	
	42710	42710-KEB7-E1A	TIRE ASSY RR	TIRE ASSY RR	1	
	42753	42753-HHJ1-9000			1	
	4312A	4312A-KXCX-900	SHOE ASSY RR BRAKE	SHOE ASSY RR BRAKE	1	
	4314A	4314A-KKD6-E00			1	
	43410	43410-KFA1-9000	ARM COMP RR BRAKE	ARM COMP RR BRAKE	1	
	90305	90305-KNBN-90B	NUT U 16MM	NUT U 16MM	1	
	90501	90501-KNBN-901	WASHER 16MM	WASHER 16MM	1	
	95701	95701-06032-08	BOLT FLANGE 6*32	BOLT FLANGE 6*32	1	

F09

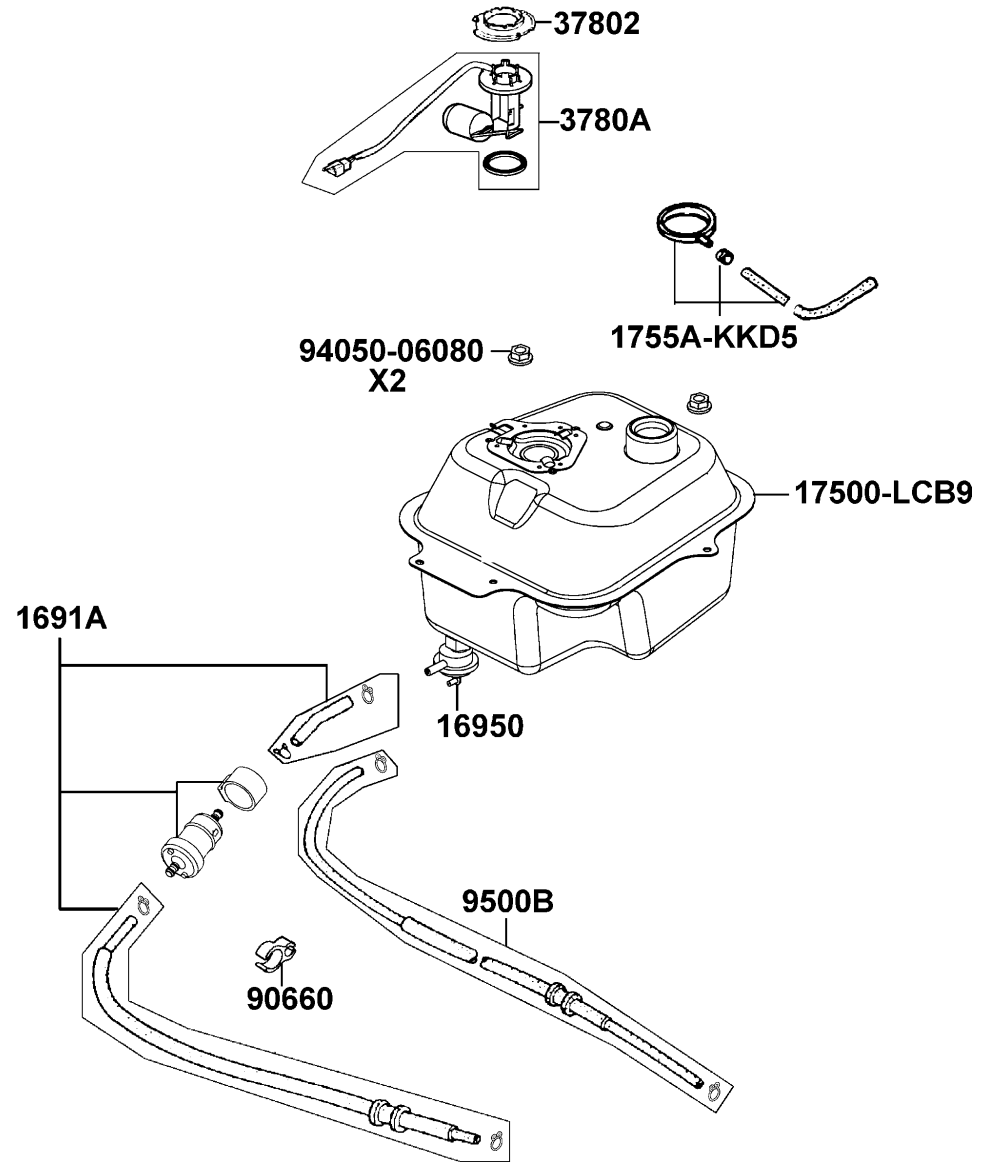
Seat



Sales mark	Ref no	Part no	Description	Reg description	Regd no	<b>F09</b>
	44306	44306-KGE2-E00			2	
	77104	77104-LCB9-C10			1	
	77200	77200-LCB9-C10	SEAT ASSY	SEAT ASSY	1	
	77206	77206-LCB9-C10			1	
	77210	77210-LCB9-C10	SEAT ASSY BACK	SEAT ASSY BACK	1	
	77211	77211-LCB9-C10			1	
	77212	77212-LCB9-C10			1	
	77213	77213-LCB9-C10			1	
	77214	77214-LCB9-C10			1	
	77216	77216-LCB9-C10			1	
	77217	77217-LCB9-C10			1	
	77218	77218-LCB9-C10			1	
	77223	77223-LCB9-C10			1	
	77228	77228-LCB9-C10			1	
	77303	77303-LCB9-C10	HOOK SEAT LOCK	HOOK SEAT LOCK	1	
	89010	89010-KGBG-900	TOOL SET	TOOL SET	1	
	89020	89020-KKC4-900	BAND TOOL SET	BAND TOOL SET	1	
	90105	90105-LLJ3-E00	BOLT SPECAL 8MM	BOLT SPECAL 8MM	4	
	94050	94050-06080	NUT FLANGE 6MM	NUT FLANGE 6MM	2	

F10

Fuel Tank

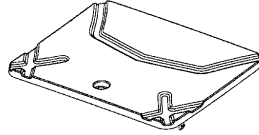
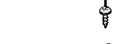


Sales mark	Ref no	Part no	Description	Reg description	Regd no	<b>F10</b>
	1691A	1691A-LDF7-E10			1	
	16950	16950-KJJ9-7520			1	
	17500	17500-LCB9-C10			1	
	1755A	1755A-KKD5-C10	TRAY ASSY FUEL CAP	TRAY ASSY FUEL CAP	1	
	37802	37802-GGA7-7010			1	
	3780A	3780A-LCB9-C10	FUEL UNIT ASSY	FUEL UNIT ASSY	1	
	3780A	3780A-LDC8-E10	FUEL UNIT ASSY		0	
	90660	90660-KGBG-900			1	
	94050	94050-06080	NUT FLANGE 6MM	NUT FLANGE 6MM	2	
	9500B	9500B-LDC8-E10			1	

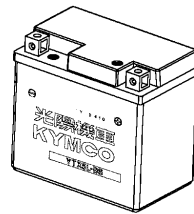
F11

Battery

93903-35380



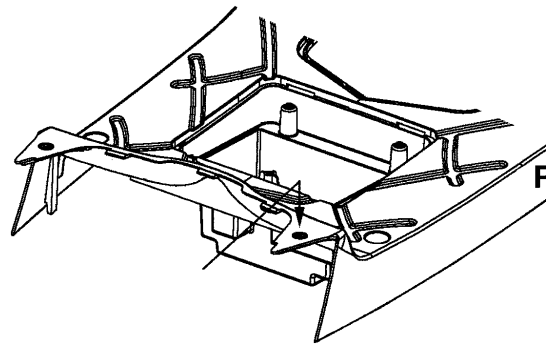
50326-LCB9



31500-KNBN



98200-10700 X2



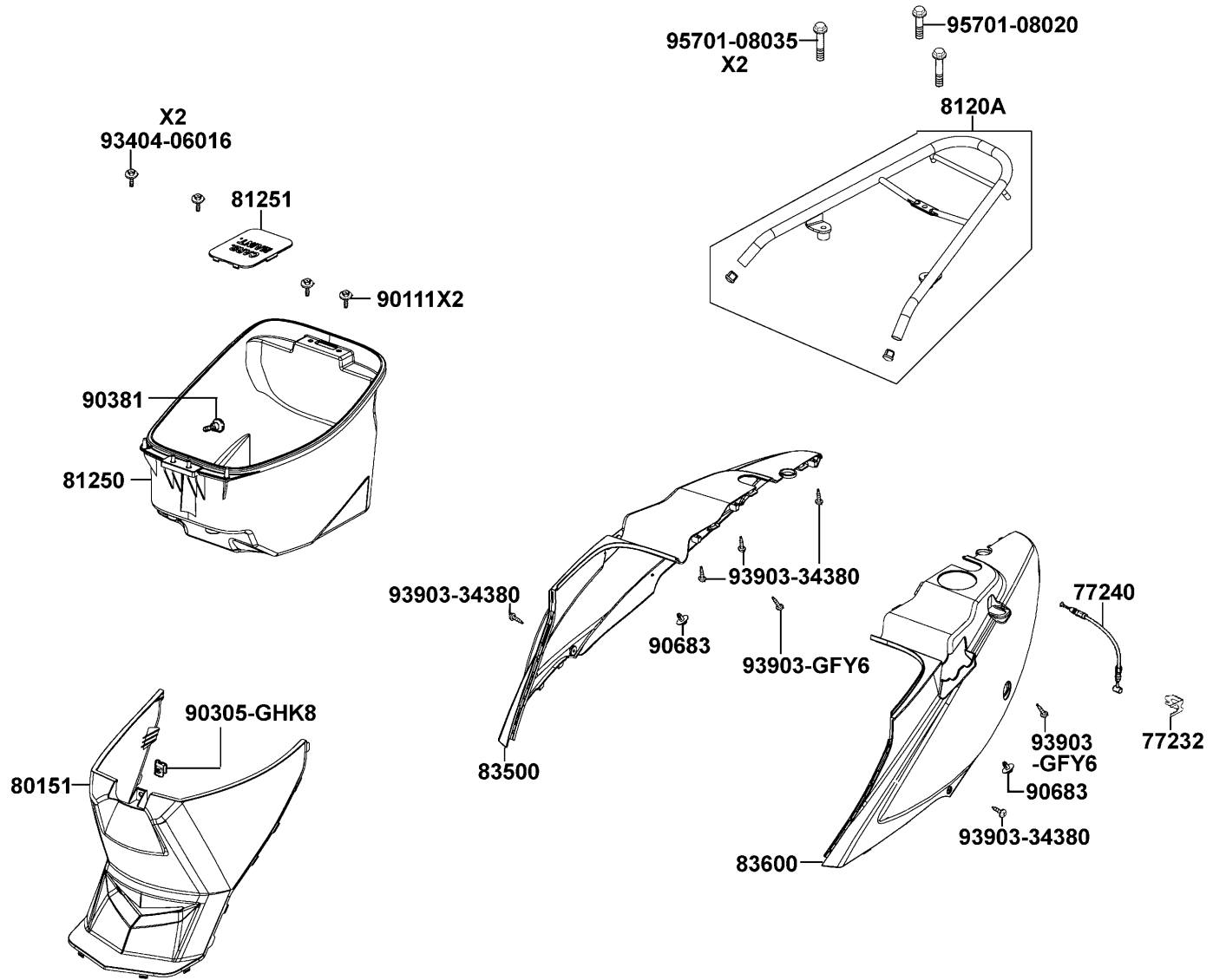
PANEL FLOOR

Sales mark	Ref no	Part no	Description	Reg description	Regd no	<b>F11</b>
	31500	31500-KNBN-92D			1	
	50326	50326-LCB9-C10			1	
	93903	93903-35380			1	
	98200	98200-10700	FUSE A7		2	



F12

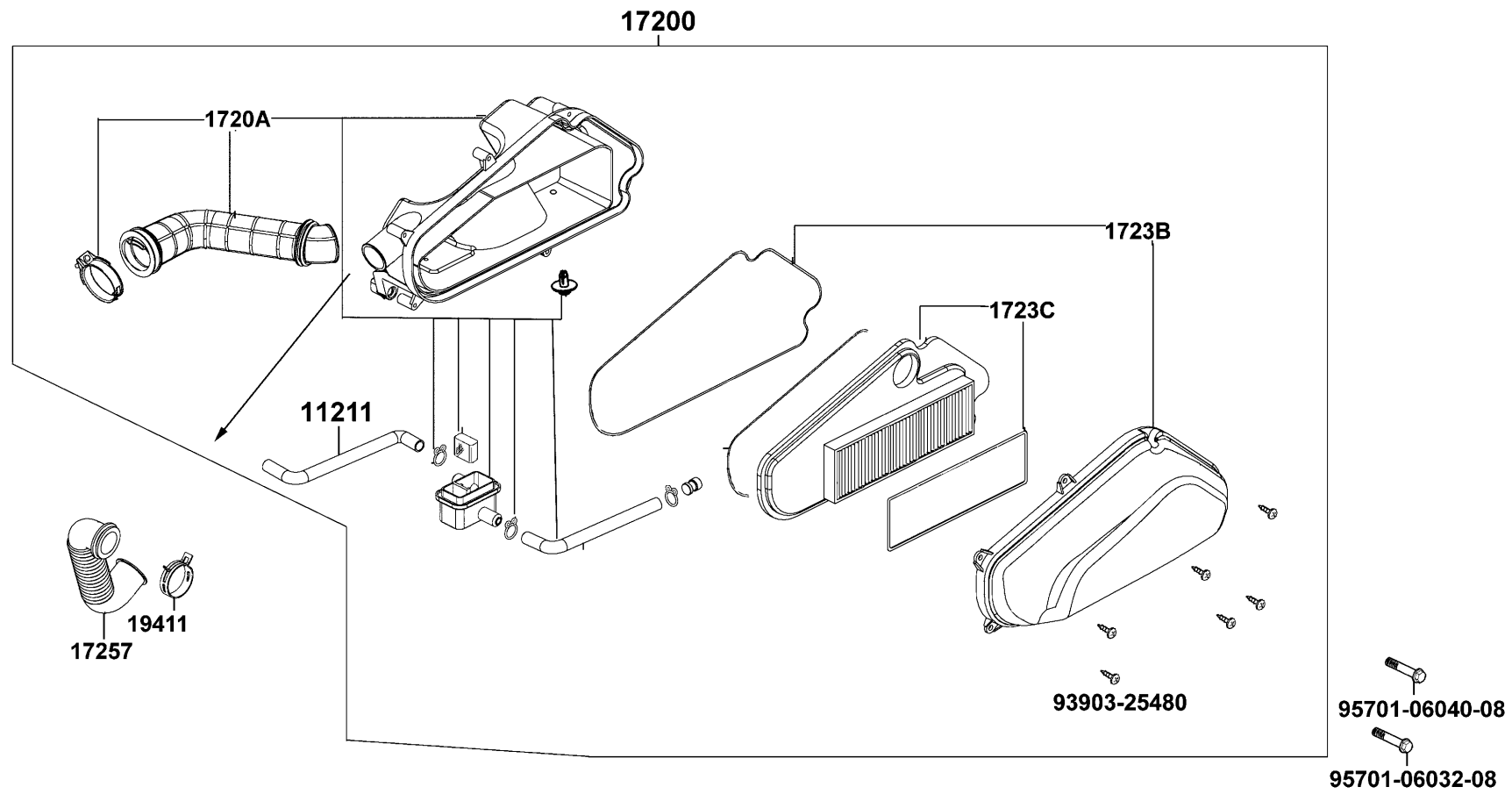
# Body Cover Luggage Box



Sales mark	Ref no	Part no	Description	Reg description	Regd no	<b>F12</b>
	77232	77232-KCAC-9010			1	
	77240	77240-LDC8-E10			1	
	80151	80151-LCB9-C10			1	
	8120A	8120A-LCB9-C10	CARRIER ASSY LUGGER	CARRIER ASSY LUGGER	1	
	81250	81250-LCB9-C10	BOX LUGGAGE	BOX LUGGAGE	1	
	81251	81251-LCB9-C10			1	
**	83500	83500-LCB9-C10	COVER R BODY	COVER R BODY	1	
**	83600	83600-LCB9-C10	COVER L BODY	COVER L BODY	1	
	90111	90111-1G87-00A			2	
	90305	90305-GHK8-001	NUT CLIP 6MM	NUT CLIP 6MM	1	
	90381	90381-GEZ5-001	SCREW SPECIAL 6*17		1	
	90683	90683-GAR1-004	CLIP BODY COVER	CLIP BODY COVER	2	
	93404	93404-06016-07			2	
	93903-34380	93903-34380	SCREW TAPPING 4*12		5	
	93903-GFY6	93903-GFY6-900	SCREW TAPPING 4*14	SCREW TAPPING 4*14	2	
	95701-08020	95701-08020-07			1	
	95701-08035	95701-08035-07			2	

**F13**

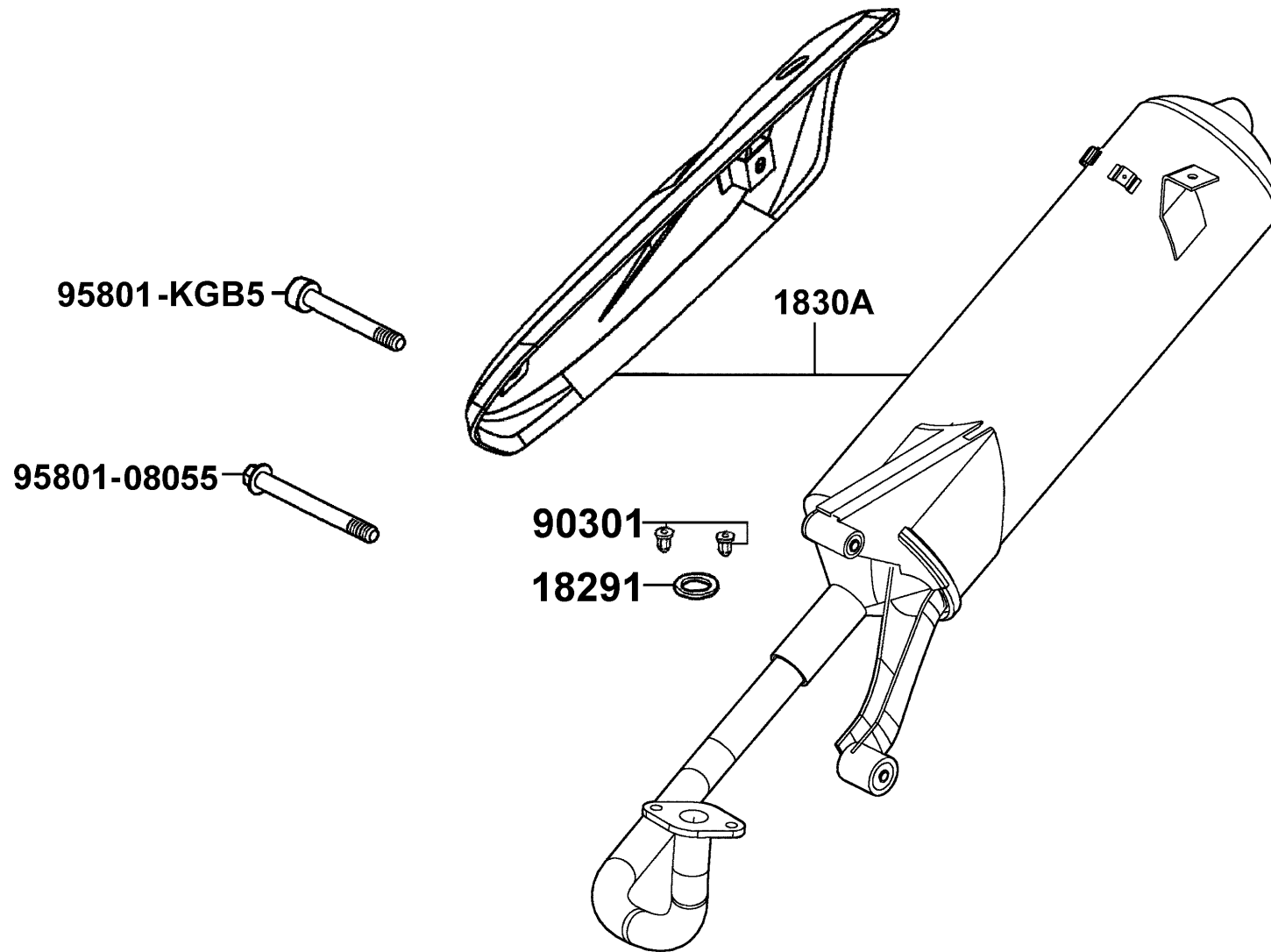
**Air Cleaner**



Sales mark	Ref no	Part no	Description	Reg description	Regd no	<b>F13</b>
	11211	11211-LBD6-E00	TUBE BREATHER	TUBE BREATHER	1	
	17200	17200-LBD6-E00	AIR/C ASSY	AIR/C ASSY	1	
	1720A	1720A-LDC8-E10	CASE ASSY AIR/C	CASE ASSY AIR/C	1	
	1723B	1723B-LBD6-E00	COVER ASSY AIR/C	COVER COMP AIRIC	1	
	1723C	1723C-LBD6-E00	ELEMENT ASSY AIR/C	ELEMENT ASSY AIR/C	1	
	17257	17257-LDC8-E00			1	
	19411	19411-KNBN-900	CLIP HOSE	CLIP HOSE	1	
	93903	93903-25480			7	
	95701-06032	95701-06032-08	BOLT FLANGE 6*32	BOLT FLANGE 6*32	1	
	95701-06040	95701-06040-08	BOLT FLANGE 6*40	BOLT FLANGE 6*40	1	

F14

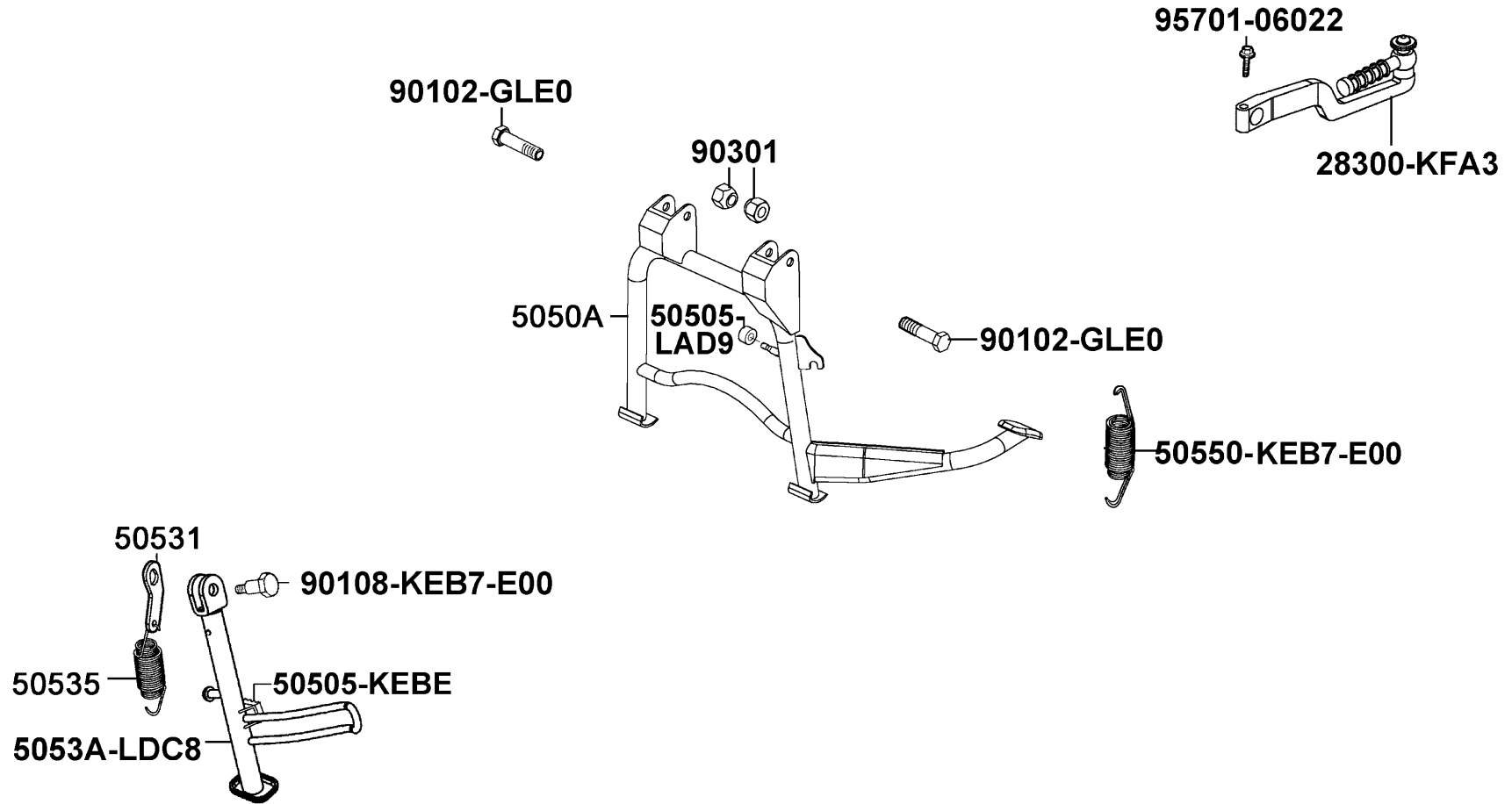
Exhaust Muffler



Sales mark	Ref no	Part no	Description	Reg description	Regd no	<b>F14</b>
	18291	18291-GGA7-080	GASKET EXH PIPE	GASKET EXH PIPE	1	
	1830A	1830A-LDC8-E10	MUFFLER ASSY EXHAUST	MUFFLER ASSY EXHAUST	1	
	90301	90301-KGBG-900	NUT CAP 6MM	NUT CAP 6MM	2	
	95801-08055	95801-08055-07			1	
	95801-KGB5	95801-KGB5-E00	BOLT FLANGE 8*60	BOLT FLANGE 8*60	1	

F15

Stand Kick Starter Arm



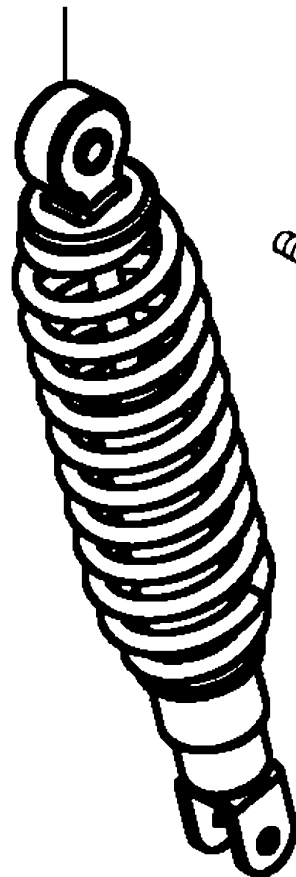
Sales mark	Ref no	Part no	Description	Reg description	Regd no	<b>F15</b>
**	28300	28300-KFA3-S00			1	
	50505-KEBE	50505-KEBE-900	STOPPER RUBBER	STOPPER RUBBER	1	
	50505-LAD9	50505-LAD9-900	RUBBER STOPPER MAIN	RUBBER STOPPER MAIN	1	
	5050A	5050A-LDC8-E10	STAND COMP MAIN	STAND COMP MAIN	1	
	50531	50531-KEB7-E00	PLATE SPRING STOPPER		1	
	50535	50535-KEB7-W10			1	
	5053A	5053A-LDC8-E10	STAND ASSY SIDE	STAND ASSY SIDE	1	
	50550	50550-KEB7-E00	SPG ASSY MAIN STAND		1	
	90102	90102-GLE0-001	BOLT HINGE PIVOT		2	
	90108	90108-KEB7-E00	SCREW SIDE STAND PIVOT		1	
	90301	90301-4C73-0040	NUT U 6MM(K)	NUT U 6MM(K)	2	
	95701	95701-06022-07	BOLT FLANGE 6*22 (K)	BOLT FLANGE 6*22 (K)	1	



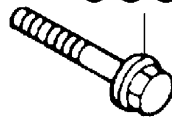
F16

Rear Cushion

52400



95801-08035-08



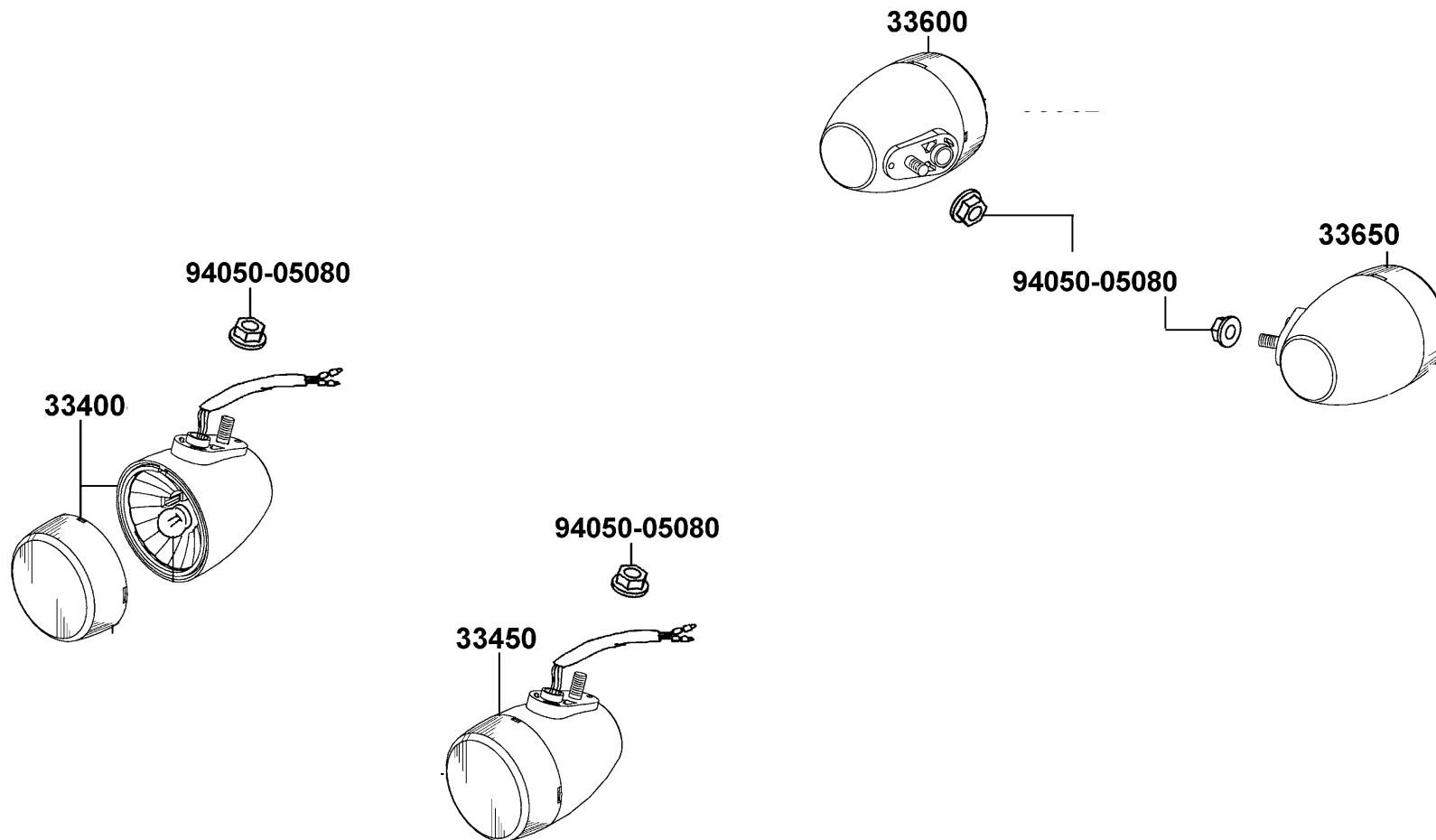
95801-10035-08



Sales mark	Ref no	Part no	Description	Reg description	Regd no	<b>F16</b>
	52400	52400-LDC8-E10	CUSHION ASSY RR	CUSHION ASSY RR	1	
	95801-08035	95801-08035-08	BOLT FLANGE 8*35	BOLT FLANGE 8*35	1	
	95801-10035	95801-10035-08	BOLT FLANGE 10*35	BOLT FLANGE 10*35	1	

**F17**

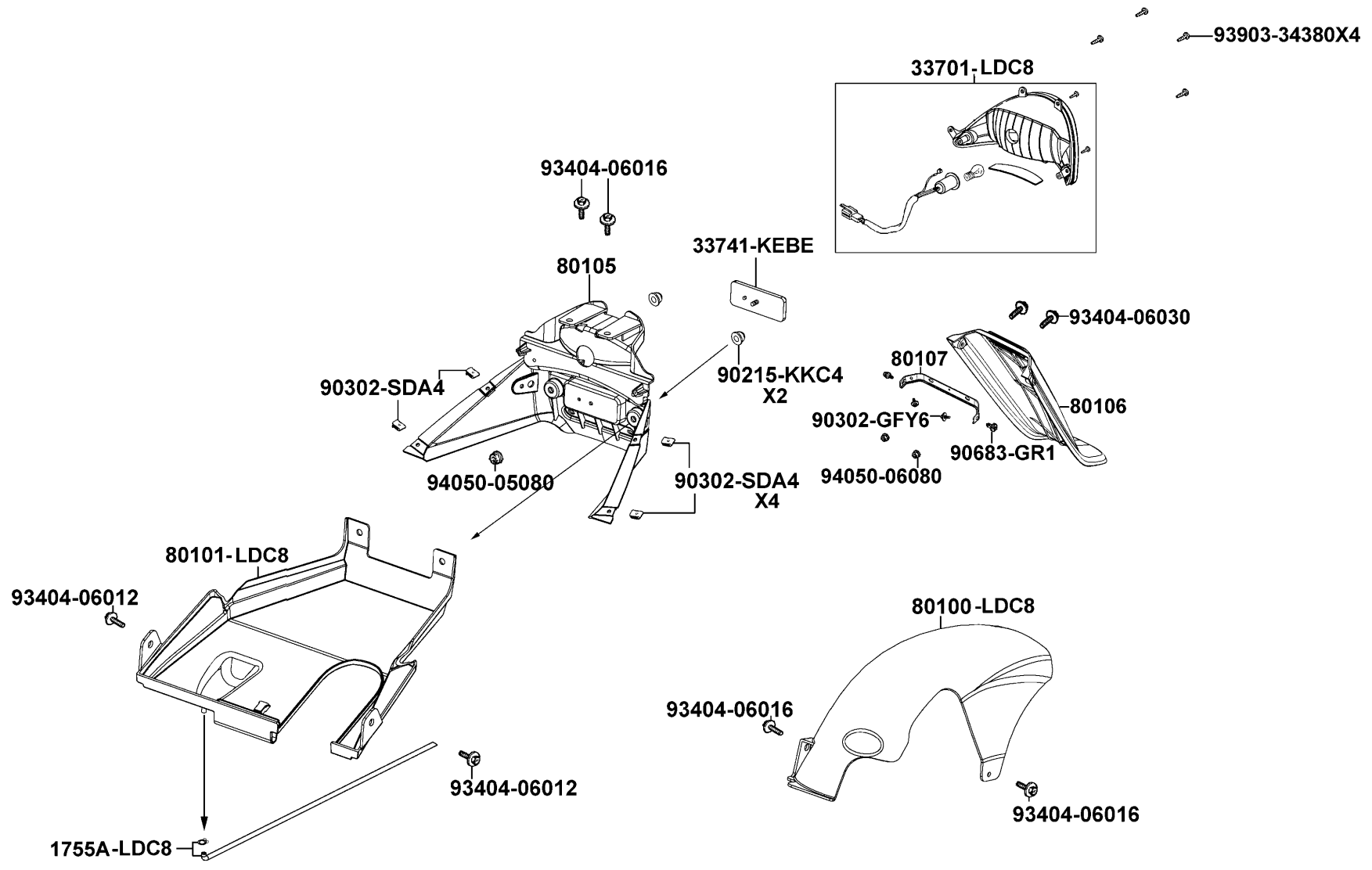
**Front Winker**



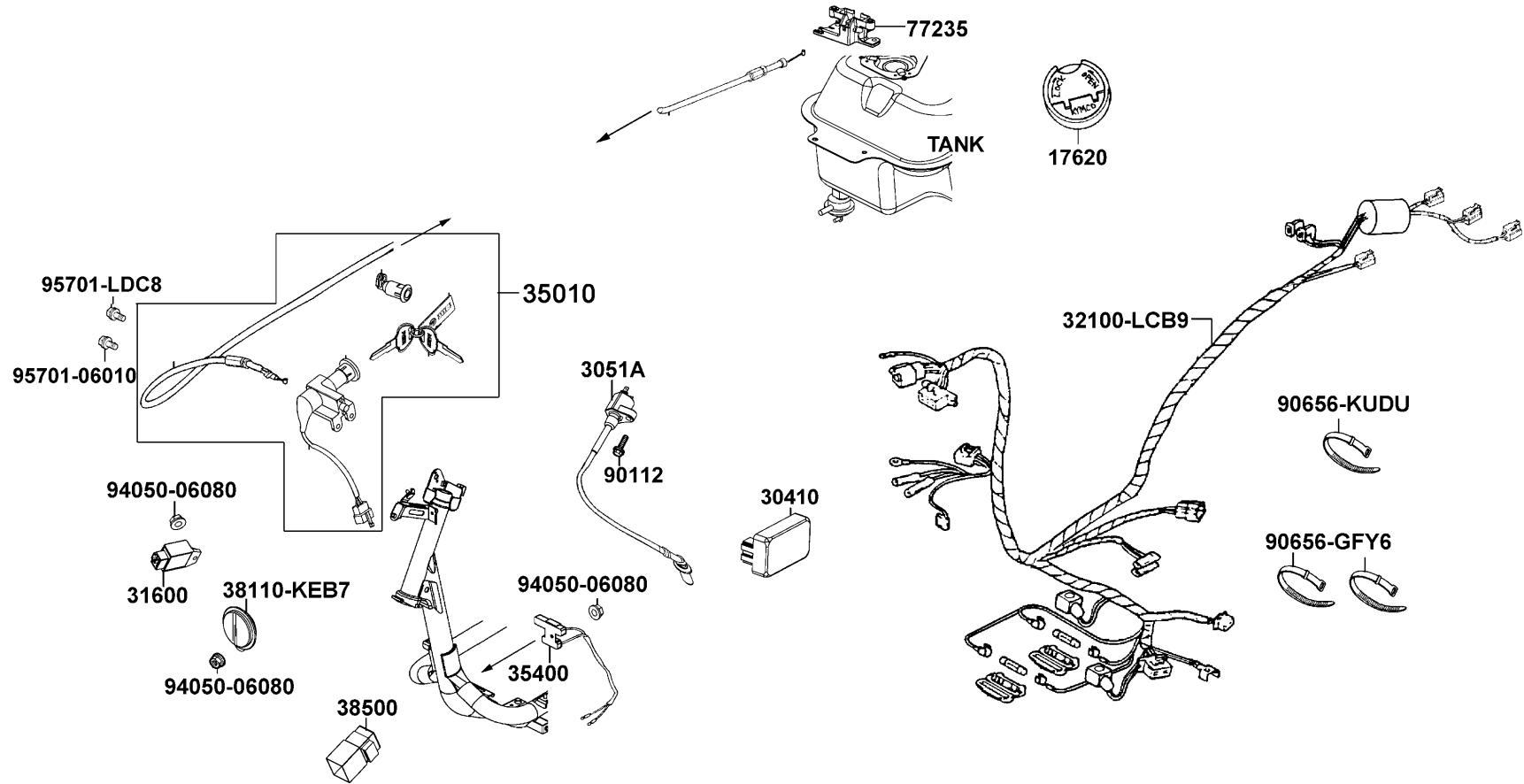
Sales mark	Ref no	Part no	Description	Reg description	Regd no	<b>F17</b>
	33400	33400-LEC5-C10	WINKER ASSY R FR	WINKER ASSY R FR	1	
	33450	33450-LEC5-C10	WINKER ASSY L FR	WINKER ASSY L FR	1	
	33600	33600-LDC8-E10			1	
	33650	33650-LDC8-E10			1	
	94050	94050-05080	NUT FLANGE 5MM	NUT FLANGE 5MM	2	

F18

Tail Light



Sales mark	Ref no	Part no	Description	Reg description	Regd no	<b>F18</b>
	1755A	1755A-LDC8-E10			1	
	33701	33701-LDC8-E10			1	
	33741	33741-KEBE-900	REFLEX REFLECTOR		1	
	80100	80100-LDC8-E10	FENDER RR TIRE	FENDER RR TIRE	1	
	80101	80101-LCB9-C10	FENDER RR INNER	FENDER RR INNER	1	
	80105	80105-LDC8-E10	FENDER RR	FENDER RR	1	
	80106	80106-LDC8-E10	FENDER RR LOW	FENDER RR LOW	1	
	80107	80107-LDC8-E10	STAY RR FENDER	STAY RR FENDER	1	
	90215	90215-KKC4-900	NUT CAP 6MM	NUT CAP 6MM	2	
	90302-GFY6	90302-GFY6-901	BOLT WASH 5*12	BOLT-WASH 5*12 (K)	2	
	90302-SDA4	90302-SDA4-004	NUT SPRING 4MM	NUT SPRING 4MM	2	
	90683	90683-GAR1-004	CLIP BODY COVER	CLIP BODY COVER	2	
	93404-06012	93404-06012-07	BOLT WASH 6*12		2	
	93404-06016	93404-06016-07			4	
	93404-06030	93404-06030-07	BOLT WASHER 6*30K	BOLT WASHER 6*30K	2	
	93903	93903-34380	SCREW TAPPING 4*12		4	
	94050-05080	94050-05080	NUT FLANGE 5MM	NUT FLANGE 5MM	1	
	94050-06080	94050-06080	NUT FLANGE 6MM	NUT FLANGE 6MM	2	

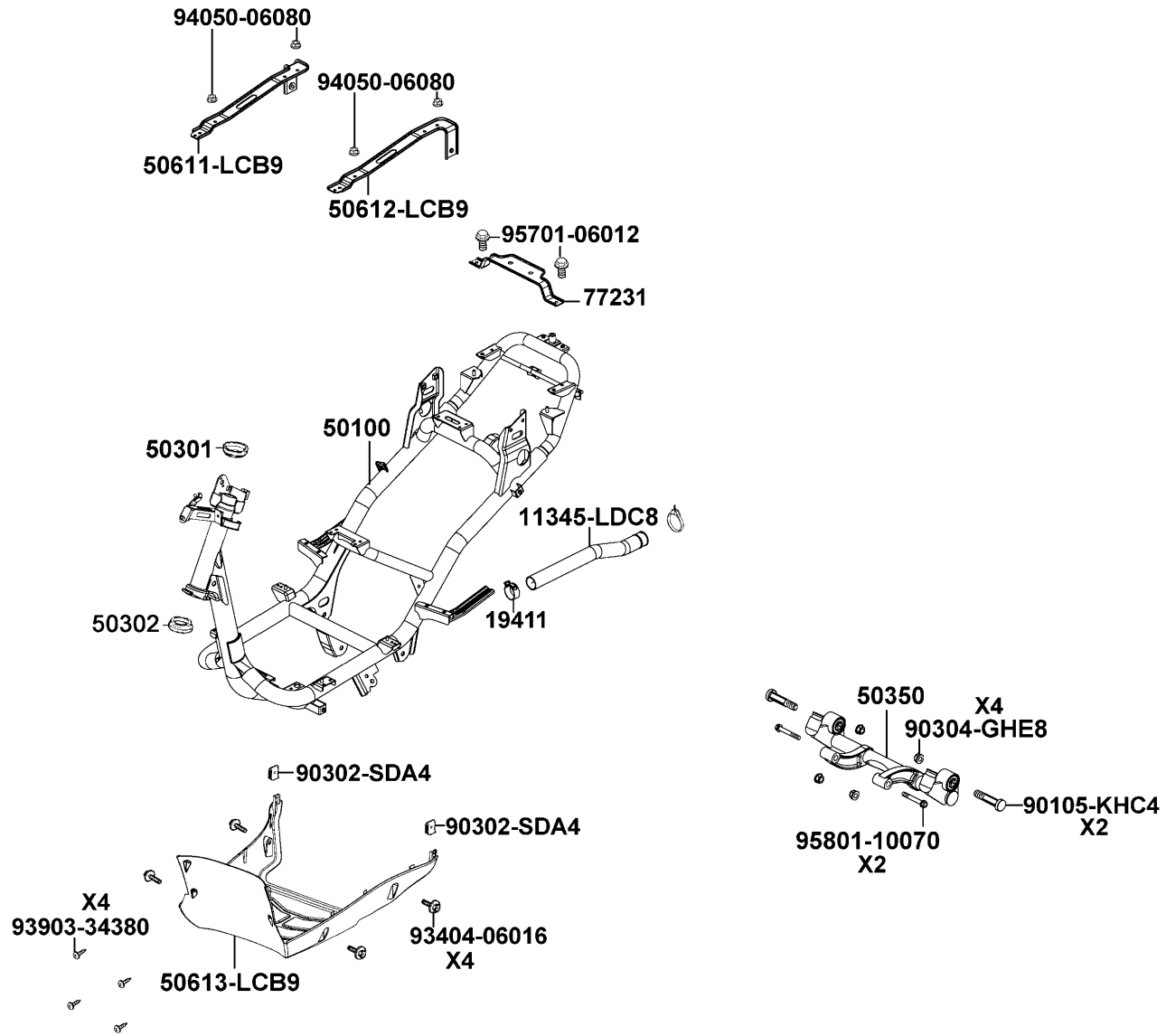


Sales mark	Ref no	Part no	Description	Reg description	Regd no	<b>F19</b>
	17620	17620-KGBG-90A	CAP COMP FUEL FILLER	CAP COMP FUEL FILLER	1	
	30410	30410-LBD6-E00			1	
	3051A	3051A-KHC4-900	COIL ASSY IGN		1	
	31600	31600-KUDU-90B	REG REC COMP	REG REC COMP	1	
	32100	32100-LCB9-C10			1	
	35010	35010-LDC8-E10			1	
	35400	35400-KEE1-90A	RESISTOR COMP	RESISTOR COMP	1	
	38110	38110-KEB7-90A	HORN COMP	HORN COMP	1	
	38500	38500-KKDK-90B	RELAY ASSY START	RELAY ASSY START	1	
	77235	77235-KGC4-E0B	SEAT CATCH	SEAT CATCH	1	
	90112	90112-KRDR-900	BOLT FLANGE 5*22	BOLT FLANGE 5*22	1	
	90656-GFY6	90656-GFY6-911	BAND OIL HOSE		2	
	90656-KUDU	90656-KUDU-900	BAND HARNESS WIRE		1	
	94050	94050-06080	NUT FLANGE 6MM	NUT FLANGE 6MM	2	
	95701-06010	95701-06010-08	BOLT FLANGE 6*10	BOLT FLANGE 6*10 (C)	1	
	95701-LDC8	95701-LDC8-E10	BOLT TORQUE 6x16	BOLT TORQUE 6x16	1	



F20

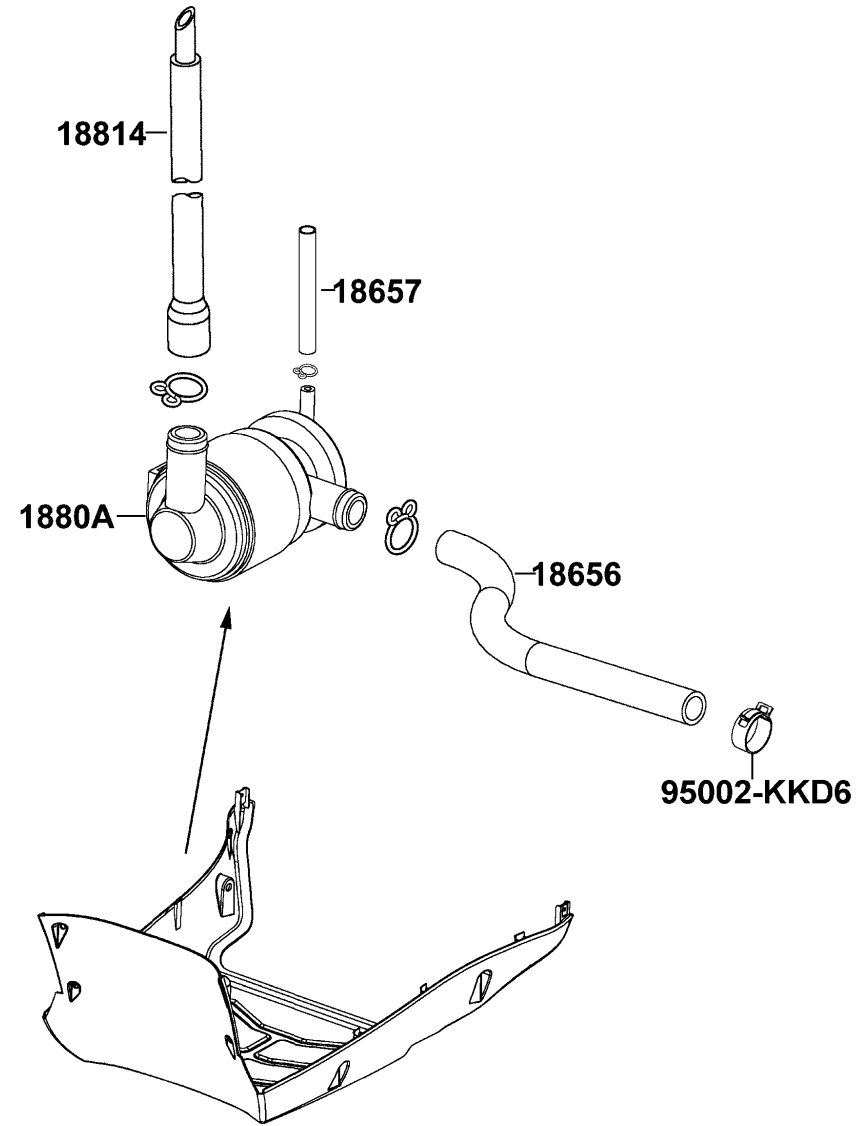
Frame Body



Sales mark	Ref no	Part no	Description	Reg description	Regd no	<b>F20</b>
	11345	11345-LDC8-C10	DUCT L COVER	DUCT L COVER	1	
	19411	19411-KNBN-900	CLIP HOSE	CLIP HOSE	1	
	50100	50100-LDC8-E10	BODY COMP FRAME	BODY COMP FRAME	1	
	50301	50301-GLM0-001	RACE UP STRG BALL	RACE UP STRG BALL	1	
	50302	50302-2H68-011	RACE STRG BOT BALL		1	
	50350	50350-LDC8-E10	HANGER ASSY ENG	HANGER ASSY ENG	1	
	50611	50611-LCB9-C10			1	
	50612	50612-LCB9-C10			1	
	50613	50613-LCB9-C10	COVER UNDER	COVER UNDER	1	
	77231	77231-LCB9-C10			1	
	90105	90105-KHC4-900	SQUARE BOLT M10X50		2	
	90302	90302-SDA4-004	NUT SPRING 4MM	NUT SPRING 4MM	2	
	90304	90304-GHE8-004	NUT U 10MM	NUT U 10MM	4	
	93404	93404-06016-07			4	
	93903	93903-34380	SCREW TAPPING 4*12		4	
	94050	94050-06080	NUT FLANGE 6MM	NUT FLANGE 6MM	4	
	95701	95701-06012-08	BOLT FLANGE 6*12	BOLT FLANGE 6*12	2	
	95801	95801-10070-08	BOLT FLANGE 10*70		2	

F21

Air Cleaner Two



Sales mark	Ref no	Part no	Description	Reg description	Regd no	<b>F21</b>
	18656	18656-LDC8-E10			1	
	18657	18657-LDC8-E10			1	
	1880A	1880A-LDC8-E10			1	
	18814	18814-LDC8-E10			1	
	95002	95002-KKD6-E05	CLAMP D18 TUBE	CLAMP D18 TUBE	1	

● Be sure to wear a safety helmet when riding.  
 ● Do not exceed the speed specified by law when riding.  
 ● The exhaust muffler temperature is very high after riding. Be sure to park the motorcycle in a place not easily touched by people.  
 ● For riding safety and good performance, do not violate the law to modify the motorcycle.

● Make sure to perform the periodic maintenance and provide inspection.

Pre-ride Inspection Items  
 Brake Performance, tires, engine oil level, lights, horn, and instrument panel

KWANG YANG MOTOR CO., LTD.

© Please read the User's Manual carefully to ensure riding safety.

87560

CAUTIONS

Tire Pressure: front 2.5kg/cm<sup>2</sup> Rear 2.5kg/cm<sup>2</sup>  
 (One Rider) :Front 1.5kg/cm<sup>2</sup> Rear 1.75kg/cm<sup>2</sup>  
 (Two Rider) :Front 1.5kg/cm<sup>2</sup> Rear 2.0kg/cm<sup>2</sup>  
 Tire Size :Front 120/70-12 56j rear 130/70-12 59j

Loading Capacity :luggage Box Below:1.5kg  
 Front Tool Below :3.0kg  
 Met-in Box Below :10.0kg  
 Grab Rr Below :5.0kg

LDC8-E000

87505

CAUTIONS

Before starting the engine, the side stand shall be kicked up to secure safety.

87541-GAR1

CAUTIONS

Never put any article between the rear side cover and the engine to avoid interference of riding.

KM9-300

87542

TRADE NAME: KYMCO  
 VEHICLE CATEGORY: A

1	LDC8 64
2	KMCO
3	KBG #16
4	KBG
5	KGBG
6	KYMCO
7	
8	KYMCO LDC8 64
9	KKEE7 #18
10	KKEE #118
11	LDC8
12	88 20mm KGBG

LDC8-E00

87224



86282



86283



86221



86231

ENGINE OIL

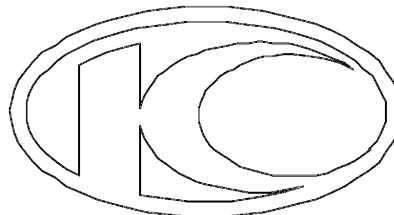
Make sure to use KYMCO-recommended SIGMA 4-stroke engine oil.

Full Capacity 0.85ℓ  
 Exchange Capacity 0.70ℓ

After refilling, check the oil level with dipstick.

KBG-E00

87541-KGBG



86700



87160



86241



86251



87556

Sales mark	Ref no	Part no	Description	Reg description	Regd no	F22
**	86221	86221-LDC8-E70	STRIPE R BODY COVER	STRIPE R BODY COVER	1	
**	86231	86231-LDC8-E70	STRIPE L BODY COVER	STRIPE L BODY COVER	1	
**	86241	86241-LDC8-E70	STRIPE B R BODY COVER	STRIPE B R BODY COVER	1	
**	86251	86251-LDC8-E70	STRIPE B L BODY COVER	STRIPE B L BODY COVER	1	
**	86282	86282-LDC8-E70	STRIPE R FR MOLD	STRIPE R FR MOLD	1	
**	86283	86283-LDC8-E70	STRIPE L FR MOLD	STRIPE L FR MOLD	1	
	86700	86700-LDC8-E70	STRIPE LEG SHIELD	STRIPE LEG SHIELD	1	
	87160	87160-LDC8-E90	STRIPE KYMCO	STRIPE KYMCO	1	
	87224	87224-LDC8-E11	CAUTION ANTI TAMPERING	CAUTION ANTI TAMPERING	0	
**	87505	87505-LDC8-E10	LABEL TIRE	LABEL TIRE	1	
	87541-GAR1	87541-GAR1-E01	MARK SIDE STAND	CAUTION SIDE STAND	1	
	87541-KGBG	87541-KGBG-E00	LABEL OIL CAP	LABEL OIL CAP	1	
	87542	87542-GAR1-E01		MARK MAINT CAUTION	1	
**	87556	87556-KCLC-910	KYMCO/TYPEB	KYMCO/TYPEB	1	
	87560	87560-GFY6-E01	MARK DRIVE CAUTION	COVER RR MARK	1	

## PART NO. INDEX

PART NO.	VERSION	PAGE	PART NO.	VERSION	PAGE	PART NO.	VERSION	PAGE	
<b>11000</b>			12251-KGBG-980	0	E02	14610-KGBG-9000	0	E03	
			12310-KHC5-900	0	E02	14711-KGBG-900	0	E02	
			1231A-KHC5-900	3	E02	14721-KGBG-900	0	E02	
	11100-LBD6-E00	2	E01	12361-GFY6-9010	1	E04	14751-KGBG-900	0	E02
	11102-1G87-0040	1	E01	12391-KEE1-900	0	E02	14761-KGBG-900	0	E02
	11192-KGBG-980	0	E01				14771-GDB4-680	0	E02
	11200-LBD6-E00	3	E01	<b>13000</b>			14775-MFA6-001	1	E02
	11208-LBD6-E00	1	E08				14781-MFA6-001	1	E02
	11211-LBD6-E00	2	F13	13000-KGBG-900	6	E03			
	11330-LBD6-E00	3	E04	13011-KGBG-9010	1	E03	<b>15000</b>		
	11340-LBD6-E00	2	E01	13101-KGBG-901	2	E03			
	11345-LDC8-C10	0	F20	13111-KGBG-900	1	E03	15100-LDC5-900	3	E07
	11381-KHC4-900	0	E01	13115-0A01-001	1	E03	15133-LDC5-900	2	E07
	11382-LBD6-E00	2	E01				15421-1G07-W10	0	E04
11387-KGBG-900	1	E02	<b>14000</b>			15426-GAE1-921	1	E04	
11394-KGBG-980	0	E04				15651-GFY6-9010	1	E04	
11395-LBD6-E00	3	E01	14100-KGBG-9000	4	E02	1565A-GFY6-900	0	E04	
			14401-KGBG-9000	0	E03				
<b>12000</b>			14431-KGBG-W10	0	E02	<b>16000</b>			
			14450-KGBG-W10	0	E02				
	12100-KGBG-900	3	E03	14452-KGBG-W10	0	E02	16100-LDC8-E10	0	E05
	12191-KGBG-980	0	E03	14510-KGBG-9000	0	E03	1621A-KGBG-900	2	E02
	12200-KGBG-910	6	E02	14531-GLR0-0010	0	E03	1691A-LDF7-E10	0	F10
	12200-LBD6-405	0	E02	1453A-GFY6-W10	0	E03	16950-KJJ9-7520	2	F10
	12209-GDB4-68A	0	E02	14550-KDS4-90A	0	E03			
	12211-KGBG-900	2	E02	14555-KKJ9-080	0	E03			

## PART NO. INDEX

PART NO.	VERSION	PAGE	PART NO.	VERSION	PAGE	PART NO.	VERSION	PAGE
<b>17000</b>			<b>19000</b>			22300-LDC8-E10	1	E06
17110-KGBG-900	3	E02	19411-KNBN-900	1	F13	22350-GKAK-930	1	E06
1711A-LBD6-E00	2	E02	19411-KNBN-900	1	F20	22401-LDC8-E10	0	E06
17200-LBD6-E00	1	F13	19510-LDC5-900	1	E08	22535-GKAK-930	1	E06
1720A-LDC8-E10	0	F13	19610-KGBG-901	0	E08	22804-1H48-001	0	E06
1723B-LBD6-E00	0	F13	19625-KEE1-9000	0	E08	<b>23000</b>		
1723C-LBD6-E00	0	F13	1962A-KEE1-900	1	E08	23010-LDC8-C10	0	E06
17256-KGBG-900	0	E02	1963A-LDC8-E30	0	E08	2301A-LDC8-C10	1	E06
17257-LDC8-E00	1	F13	<b>21000</b>			23100-KEB7-900	0	E06
17500-LCB9-C10	0	F10	21200-KFA1-900	2	E09	23200-GAR1-220	1	E06
1755A-KKD5-C10	1	F10	21395-KNBN-980	0	E09	23210-GAR1-220	0	E06
1755A-LDC8-E10	1	F18	<b>22000</b>			23220-LDC8-E10	0	E06
17620-KGBG-90A	1	F19	22100-LDC8-E10	0	E06	23225-GAR1-7510	0	E06
17910-LDC8-E10	1	F03	22102-LDC8-E10	0	E06	23233-KEE1-900	0	E06
<b>18000</b>			22103-KEB7-900	0	E06	23237-GAR1-220	0	E06
18291-GGA7-080	0	F14	22105-LBD6-E00	3	E06	23238-GGS7-0110	0	E06
1830A-LDC8-E10	0	F14	22110-LDC8-E10	0	E06	23411-LBD6-E00	1	E09
18646-LDC8-E10	0	E02	22121-LBD6-E00	2	E06	23420-LBD6-E00	3	E09
18656-LDC8-E10	1	F21	22131-GHAH-7810	0	E06	23431-KNBN-90A	0	E09
18657-LDC8-E10	1	F21	22132-GLW0-0010	2	E06	23432-LBD6-E00	2	E09
1880A-LDC8-E10	0	F21				<b>28000</b>		
18814-LDC8-E10	1	F21				28211-KEB7-W10	0	E06



## PART NO. INDEX

PART NO.	VERSION	PAGE	PART NO.	VERSION	PAGE	PART NO.	VERSION	PAGE
2823A-LBD6-E00	1	E01						
28250-GBN2-60A	0	E01	<b>33000</b>			<b>38000</b>		
28253-GBN2-6020	0	E01						
28255-GFS6-001	0	E01	33100-LDC8-E10	1	F01	38110-KEB7-90A	2	F19
28281-GBN2-6030	1	E01	33400-LEC5-C10	1	F17	38300-KECE-900	2	F02
28300-KFA3-S00	0	F15	33450-LEC5-C10	1	F17	38500-KKDK-90B	3	F19
<b>30000</b>			33600-LDC8-E10	1	F17			
			33650-LDC8-E10	1	F17	<b>42000</b>		
			33701-LDC8-E10	1	F18			
30410-LBD6-E00	1	F19	33731-KGB5-900	1	F06	42600-KEB7-E10	6	F08
3051A-KHC4-900	1	F19	33741-KEBE-900	0	F18	42601-KEB7-E0E	0	F08
<b>31000</b>			<b>35000</b>			42710-KEB7-E1A	3	F08
						42753-HHJ1-9000	1	F07
						42753-HHJ1-9000	1	F08
31100-LBD6-E0A	1	E08	35010-LDC8-E10	0	F19			
31110-LBD6-E0A	1	E08	3515A-KGBG-E00	3	F03	<b>43000</b>		
31120-LBD6-E0A	1	E08	3520A-KGBG-E00	3	F03			
31209-KEE1-9000	2	E07	35340-KKJ9-0100	4	F03	4312A-KXCX-900	8	F08
31210-KEE1-9000	1	E07	35400-KEE1-90A	0	F19	4314A-KKD6-E00	2	F08
31500-KNBN-92D	3	F11				43410-KFA1-9000	0	F08
31600-KUDU-90B	1	F19	<b>37000</b>			43450-LDC8-E10	1	F03
<b>32000</b>								
			37200-LDC8-E40	0	F02	<b>44000</b>		
			37802-GGA7-7010	0	F10			
32100-LCB9-C10	0	F19	3780A-LCB9-C10	0	F10	44305-KGE2-E00	9	F07
			3780A-LDC8-E10	0	F10	44306-KGE2-E00	9	F07

## PART NO. INDEX

PART NO.	VERSION	PAGE	PART NO.	VERSION	PAGE	PART NO.	VERSION	PAGE
44306-KGE2-E00	9	F09	50350-LDC8-E10	0	F20	53140-KNBN-960	0	F03
44311-GLW0-W10	0	F07	50505-KEBE-900	0	F15	53166-KNBN-9110	0	F03
44600-LDC8-E10	0	F07	50505-LAD9-900	0	F15	53172-KTCT-900	0	F03
44601-KEB7-E0E	0	F07	5050A-LDC8-E10	0	F15	53175-LDC8-E10	1	F04
44620-KEB7-E00	0	F07	50531-KEB7-E00	1	F15	53178-KXCX-E00	0	F03
44710-KEB7-E0A	2	F07	50535-KEB7-W10	3	F15	5317B-KFA6-E00	0	F03
44800-LDC8-E10	1	F07	5053A-LDC8-E10	0	F15	53200-LDC8-E10	0	F06
44830-LDC8-E10	3	F02	50550-KEB7-E00	1	F15	53205-LEB9-B50	0	F03
			50611-LCB9-C10	0	F20	53206-LCB9-C10	0	F03
<b>45000</b>			50612-LCB9-C10	0	F20	53211-GFY6-9400	1	F06
			50613-LCB9-C10	0	F20	53212-2L50-011	1	F06
45105-KKD6-E00	0	F07				53214-2L50-011	1	F06
45106-KKD6-E00	0	F07	<b>51000</b>			53215-2L50-011	1	F06
45121-LBD5-E00	2	F07						
45126-LDC8-E10	2	F04	51400-LDC8-E10	0	F06	<b>61000</b>		
45200-KKD6-E90	2	F07	51500-LDC8-E10	0	F06			
45500-LDC8-E10	1	F04				61100-LDC8-E10	0	F06
45517-GFY6-9000	5	F03	<b>52000</b>					
						<b>64000</b>		
<b>50000</b>			52400-LDC8-E10	0	F16	64301-LCB9-C10	0	F05
						64310-LCB9-C10	0	F05
50100-LDC8-E10	0	F20	<b>53000</b>			64316-LCB9-C10	0	F05
50301-GLM0-001	0	F20						
50302-2H68-011	2	F20	53100-LCB9-C10	0	F03			
50306-1F96-0010	0	F06	53105-KNBN-9100	1	F03			
50326-LCB9-C10	0	F11	53125-GEN5-901	1	F03			

## PART NO. INDEX

PART NO.	VERSION	PAGE	PART NO.	VERSION	PAGE	PART NO.	VERSION	PAGE	
<b>77000</b>			80105-LDC8-E10	0	F18	86282-LDC8-E70	0	F22	
			80106-LDC8-E10	0	F18	86283-LDC8-E70	0	F22	
			80107-LDC8-E10	0	F18	86700-LDC8-E70	0	F22	
	77104-LCB9-C10	0	F09	80151-LCB9-C10	0	F12			
	77200-LCB9-C10	0	F09			<b>87000</b>			
	77206-LCB9-C10	0	F09	<b>81000</b>					
	77210-LCB9-C10	0	F09			87160-LDC8-E90	0	F22	
	77211-LCB9-C10	0	F09	81131-LEC5-C10	0	F05	87224-LDC8-E11	0	F22
	77212-LCB9-C10	0	F09	81132-LCB9-C10	0	F05	87505-LDC8-E10	2	F22
	77213-LCB9-C10	0	F09	81132-LDC8-E10	0	F05	87541-GAR1-E01	1	F22
	77214-LCB9-C10	0	F09	81133-KNBN-901	0	F05	87541-KGBG-E00	0	F22
	77216-LCB9-C10	0	F09	8120A-LCB9-C10	0	F12	87542-GAR1-E01	2	F22
	77217-LCB9-C10	0	F09	81250-LCB9-C10	1	F12	87556-KCLC-910	0	F22
	77218-LCB9-C10	0	F09	81251-LCB9-C10	0	F12	87560-GFY6-E01	3	F22
	77223-LCB9-C10	0	F09						
	77228-LCB9-C10	0	F09	<b>83000</b>			<b>88000</b>		
	77231-LCB9-C10	0	F20						
77232-KCAC-9010	2	F12	83500-LCB9-C10	0	F12	88110-LCB9-C10	1	F03	
77235-KGC4-E0B	2	F19	83600-LCB9-C10	0	F12	88120-LCB9-C10	1	F03	
77240-LDC8-E10	0	F12							
77303-LCB9-C10	0	F09	<b>86000</b>			<b>89000</b>			
<b>80000</b>			86221-LDC8-E70	0	F22	89010-KGBG-900	0	F09	
			86231-LDC8-E70	0	F22	89020-KKC4-900	1	F09	
80100-LDC8-E10	0	F18	86241-LDC8-E70	0	F22				
80101-LCB9-C10	0	F18	86251-LDC8-E70	0	F22				

## PART NO. INDEX

PART NO.	VERSION	PAGE	PART NO.	VERSION	PAGE	PART NO.	VERSION	PAGE	
<b>90000</b>			90301-4C73-0040	4	F15	90656-KUDU-900	0	F19	
			90301-KGBG-900	1	F14	90660-KGBG-900	0	F10	
			90302-GFY6-901	1	F18	90668-LDC8-E10	0	F06	
	9000A-KTDT-900	1	E01	90302-KNBN-900	1	F03	90683-GAR1-004	4	F12
	90012-3C33-0010	1	E02	90302-SDA4-004	2	F05	90683-GAR1-004	4	F18
	90031-KGBG-9010	0	E01	90302-SDA4-004	2	F18	90701-GFF6-001	1	E02
	90032-KGBG-9010	0	E01	90302-SDA4-004	2	F20	90701-GFF6-001	1	E03
	90033-041-0210	1	E02	90304-4H38-001	0	E02	90701-HDC4-001	1	E07
	90033-GFY6-941	0	E02	90304-GHE8-004	4	F03	90741-0E35-001	1	E03
	90102-GLE0-001	0	F15	90304-GHE8-004	4	F20	90754-GHC8-0000-M1	1	F07
	90105-KCR3-001	1	F07	90305-GHK8-001	1	F12	90912-GHC8-0000-M1	0	F07
	90105-KHC4-900	0	F20	90305-KNBN-90B	0	F08			
	90105-LLJ3-E00	2	F09	90306-KLF0-004	4	F07	<b>91000</b>		
	90106-GEN5-901	1	F03	90381-GEZ5-001	1	F12			
	90108-KEB7-E00	0	F15	90412-3K29-001	0	E01	91001-GA7-7010-M1	1	E06
	90110-GLW0-001	0	F05	90426-KNBN-901	0	E06	91004-KBN-9210-M1	0	E01
	90110-KEB7-900	1	F06	90429-KNBN-901	0	E09	91004-KN2-9020-M1	0	E01
	90111-1G87-00A	1	F12	90442-0D44-001	0	E06	91004-KN2-9020-M1	0	E09
	90112-KRDR-900	0	F19	90442-GFF6-011	0	E02	91009-GLE0-0040	1	E09
	90121-KBE2-981	4	F07	90451-GBN2-601	0	E01	91103-GAR1-004	0	E06
90131-GLW0-9110	0	F07	90454-GBB2-001	0	E06	91201-GFY6-9030	0	E01	
90145-MKS9-61A	1	F04	90474-3C33-001	1	E01	91201-KGBG-9000-M1	0	E04	
90202-1G87-001	0	E06	90501-KNBN-901	0	F08	91204-KBN-9010-M1	1	E01	
90202-GFF6-011	0	E02	9052A-GFY6-9500	1	E01	91211-KEE1-900	0	E06	
90206-0A01-0010	1	E02	90545-3L00-001	2	F04	91255-LDC8-E10	4	E09	
90215-KKC4-900	1	F18	90656-GFY6-911	1	F19	91258-KAM1-00A	1	F07	

## PART NO. INDEX

PART NO.	VERSION	PAGE	PART NO.	VERSION	PAGE	PART NO.	VERSION	PAGE
91301-GLR0-W10	0	E03	93903-34380	0	F05	94301-08140	0	E01
91301-KEE1-900	0	E06	93903-34380	0	F12	94301-08140	0	E04
91302-0A01-0210	0	E04	93903-34380	0	F18	94301-10200-M2	0	E09
91302-KEE1-900	0	E06	93903-34380	0	F20	94510-20000	0	E09
91304-KGBG-900	2	E02	93903-35380	1	F01	94511-14000	0	E01
91305-0H28-1590	0	E07	93903-35380	1	F03	94520-24000	1	E06
91307-0E35-0010	0	E04	93903-35380	1	F11	94591-25000	0	F05
			93903-GFY6-900	2	F05	94591-LDC8-E10	0	E08
<b>92000</b>			93903-GFY6-900	2	F12			
			93904-35380	0	E08	<b>95000</b>		
92101-05012-0H	0	E08				95002-KKD6-E05	0	F21
92900-06050-0B	1	E02	<b>94000</b>			9500B-LDC8-E10	3	F10
<b>93000</b>			94001-12280-0S	0	E06	95701-06010-08	1	F19
			94050-05080	0	F06	95701-06012-08	0	F06
93404-06012-07	0	F18	94050-05080	0	F17	95701-06012-08	0	F20
93404-06016-07	0	F05	94050-05080	0	F18	95701-06022-07	0	F15
93404-06016-07	0	F12	94050-06080	0	E02	95701-06025-08	0	E02
93404-06016-07	0	F18	94050-06080	0	E07	95701-06032-08	0	E02
93404-06016-07	0	F20	94050-06080	0	F09	95701-06032-08	0	F08
93404-06020-07	0	F05	94050-06080	0	F10	95701-06032-08	0	F13
93404-06030-07	0	F18	94050-06080	0	F18	95701-06040-08	0	F13
93700-05018-0H	0	F02	94050-06080	0	F19	95701-08012-08	0	E01
93903-25220	0	F02	94050-06080	0	F20	95701-08020-07	0	F12
93903-25480	0	F13	94050-10080	0	E06	95701-08035-07	0	F12
93903-34380	0	F03	94050-10080	0	E08	95701-08035-08	0	E01

## PART NO. INDEX

PART NO.	VERSION	PAGE	PART NO.	VERSION	PAGE	PART NO.	VERSION	PAGE
95701-08040-08	3	E01						
95701-LDC8-E10	0	F19	<b>98000</b>					
95801-08035-08	0	F16						
95801-08040-08	0	F06	98056-5771R-00-M2	1	E02			
95801-08055-07	0	F14	98200-10700	0	F05			
95801-10035-08	0	F16	98200-10700	0	F11			
95801-10070-08	0	F20						
95801-KGB5-E00	0	F14						
<b>96000</b>								
96001-06012-02	0	E01						
96001-06012-08	0	E08						
96001-06016-08	0	E08						
96001-06018-08	0	E03						
96001-06020-08	0	E07						
96001-06022-08	0	E08						
96001-06025-08	0	E07						
96001-06025-08	0	E08						
96001-06045-08	0	E01						
96001-06085-08	0	E02						
96001-06085-08	0	E04						
96001-06100-08	0	E04						
96100-62033-00	0	E01						
96211-05000	0	F06						
96211-08000	0	F06						