

PARTS CATALOGUE



SCOOTERS

KN25SA(TK)

AGILITY 125



Release Date : 2011/04/09
Print Date : 2011/07/07

ABOUT THIS PARTS LIST

- This parts list is compiled all service parts for model KN25SA(TK).
- Any difference between color chart and motorcycle will be revised according to motorcycle.
- The Mark:
 1. Marking "***" must add color code in the end before ordering parts.
 2. Marking "#" are parts with modification, Please find the details from e-Parts system.
- When modification or additions to this parts list are made a revised edition at an appropriate time.

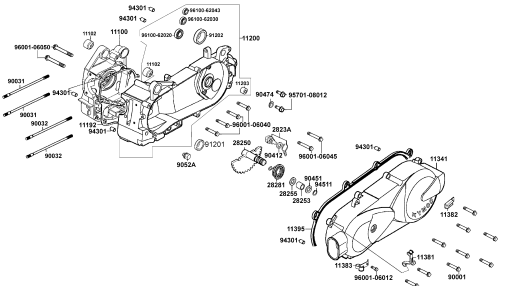
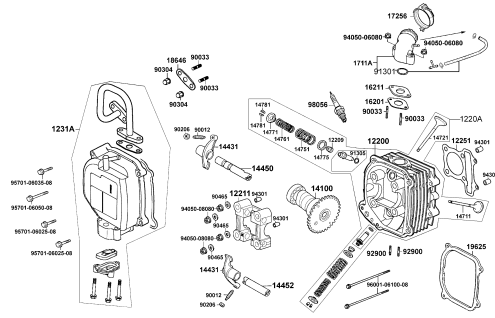
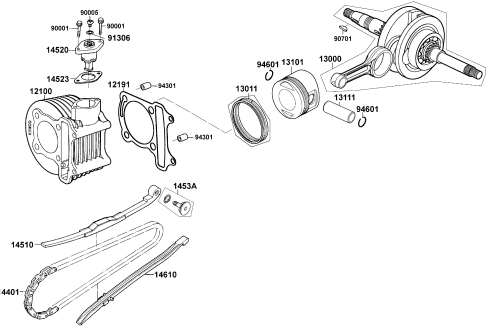
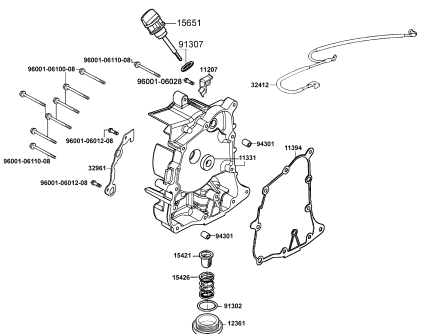

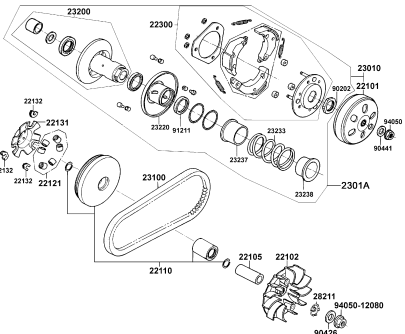
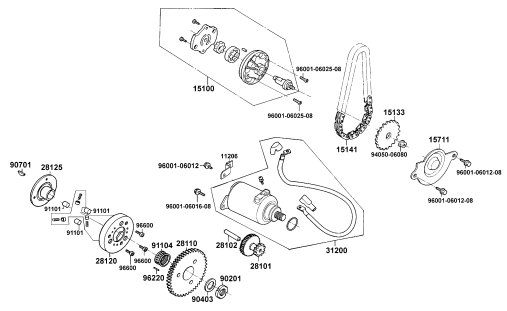
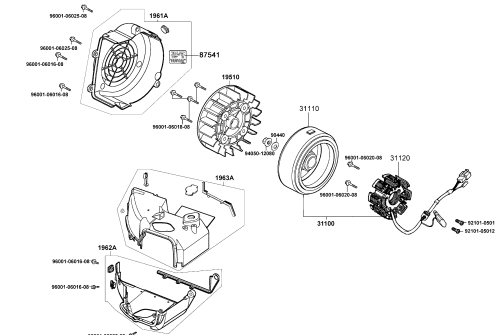
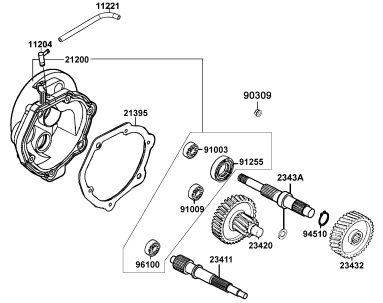


CONTENTS

● ABOUT THIS PARTS LIST	1
● COLOR CHART OF KN25SA(TK)	3
● CONTENTS-ENGINE GROUP	4
● CONTENTS-FRAME GROUP	5
● ENGINE PARTS LIST	8
● FRAME PARTS LIST	34
● PART NO. INDEX	80

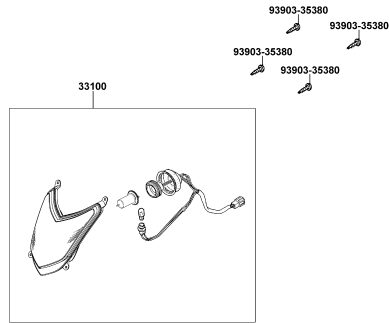
NO	MODEL			COLOR CHART OF KN25SA(TK)			
	PHOTO NO			NO. 1	NO. 2	NO. 3	NO. 4
	BASIC COLOR			Bright Blue	Black	Bright Silver	Ruby Red
	CODE			Bright Blue	Black	Bright Silver	Ruby Red
	PARTS NAME	PARTS NO.	VERSION	PB107	NH001	NH045	RR004
1	COVER FR	64301-LCB9-C10	0	BAP	N1P	N8P	R1P
2	COVER R BODY	83500-LDF7-E10	0				
3	COVER L BODY	83600-LDF7-E10	0				
4	GRIP L HANDLE	53166-KNBN-C00	0				
5	COVER LEFT	11341-KEC4-900	1	N1R			
6	WHEEL ASSY REAR	42600-LDF7-E10	0	NEA			
7	WHEEL COMP RR CAST	42601-LDF7-E10	0				
8	WHEEL ASSY FR	44600-LDC8-E10	0				
9	WHEEL CAST FR	44601-KEB7-E0E	0	NEP			
10	COVER FR HANDLE	53205-LCB9-C10	0				
11	FENDER FR	61100-LDC8-E10	0	NE			
12	ARM ASSY KICK	28300-KFA3-S00	0				
13	STOPPER	81133-KNBN-9010	0	NH268			
14	STRIPE BODY COVER	86201-LDF7-C10	0	T01			
15	LABEL TIRE	87505-LDC8-E11	0				
16	LABEL OIL CAP	87541-GAR1-C01	1				
17	MARK MAINT CAUTION	87542-GAR1-E01	2				
18	MARK DRIVE CAUTION	87560-GFY6-C01	3	T02			
19	STRIPE R LEG SHIELD	86732-LDC8-E10	0				
20	STRIPE L LEG SHIELD	86733-LDC8-E10	0				
DATE OF STARTING-SALES							
DATE OF END-SALES							

CONTENTS - ENGINE GROUP

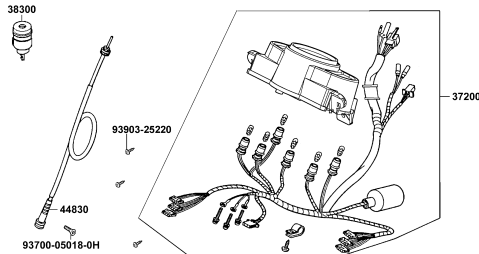
E01 Crank Case	E02 Cylinder Head	E03 Cylinder Piston Crankshaft
		
E04 Right Crankcase Cover	E05 Carburetor	E06 Driven Pulley
		
E07 Starting Motor Oil Pump	E08 Fan Cover Generator	E09 Transmission
		

CONTENTS - FRAME GROUP

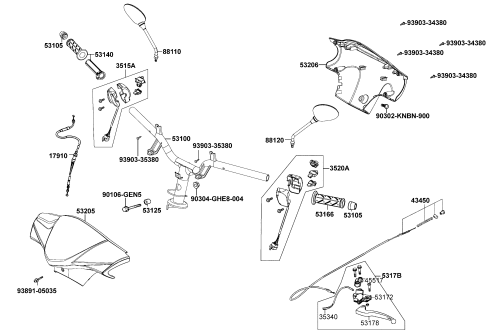
F01 Head Light



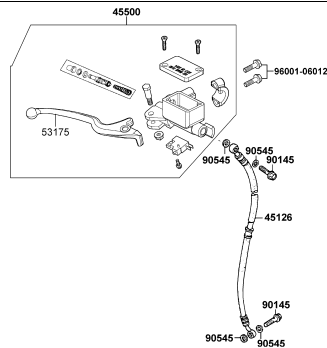
F02 Speedometer



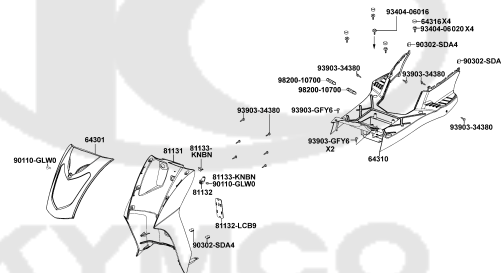
F03 Handle Steering Handle Cover



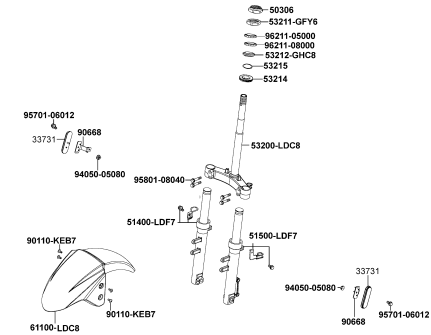
F04 Brake Master Cylinder



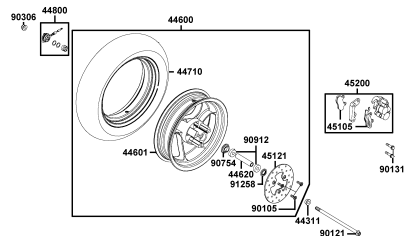
F05 Front Cover Front Fender



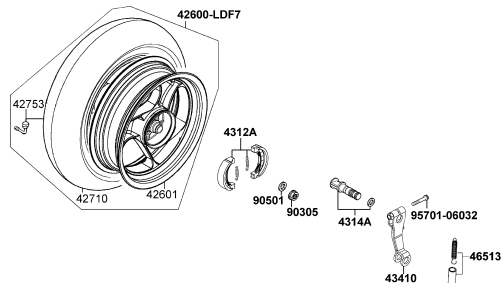
F06 Stem Steering Front Cushion



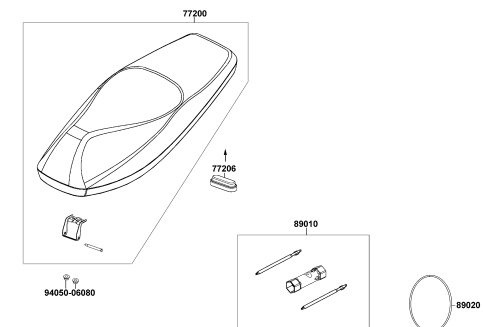
F07 Front Wheel



F08 Rear Wheel



F09 Seat

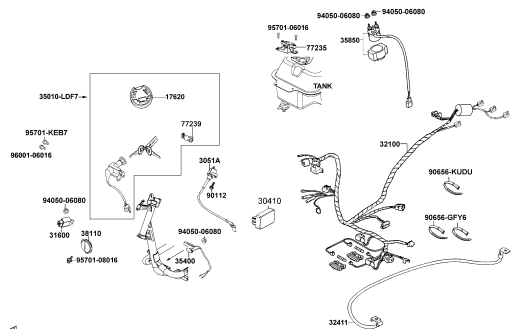


CONTENTS - FRAME GROUP

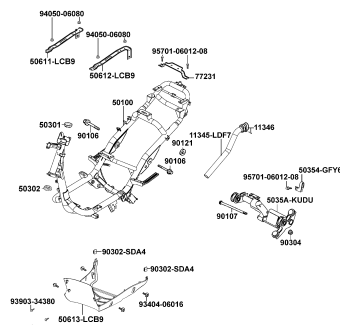
F10 Fuel Tank	F11 Battery	F12 Body Cover Luggage Box
F13 Air Cleaner	F14 Exhaust Muffler	F15 Stand Kick Starter Arm
F16 Rear Cushion	F17 Front Winker	F18 Tail Light

CONTENTS - FRAME GROUP

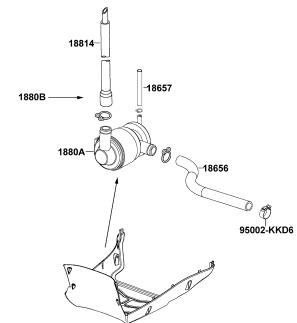
F19 Wire Harness



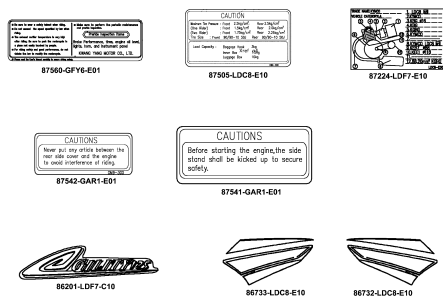
F20 Frame Body



F21 Air Cleaner Two

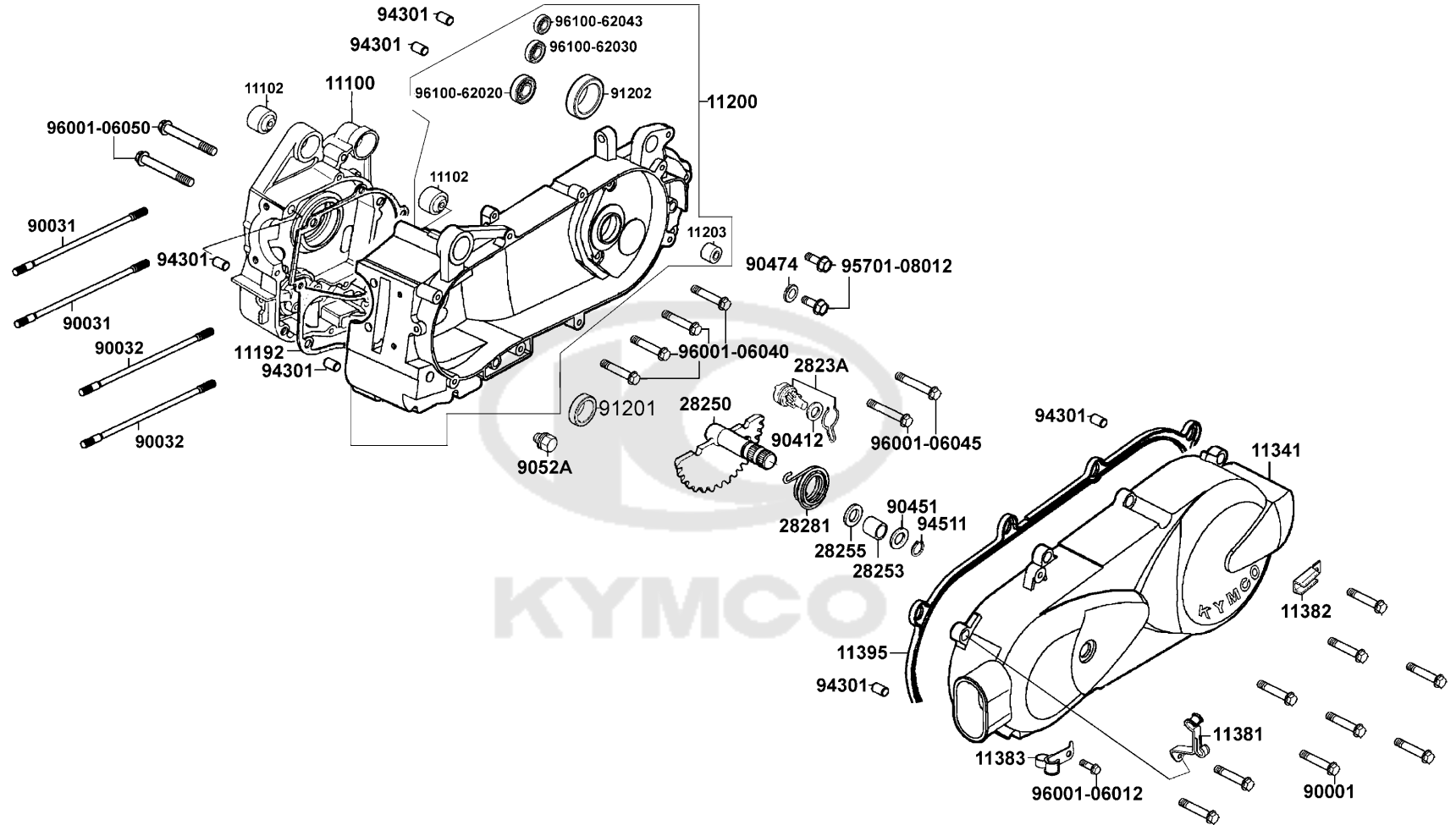


F22 Emblem Stripe



E01

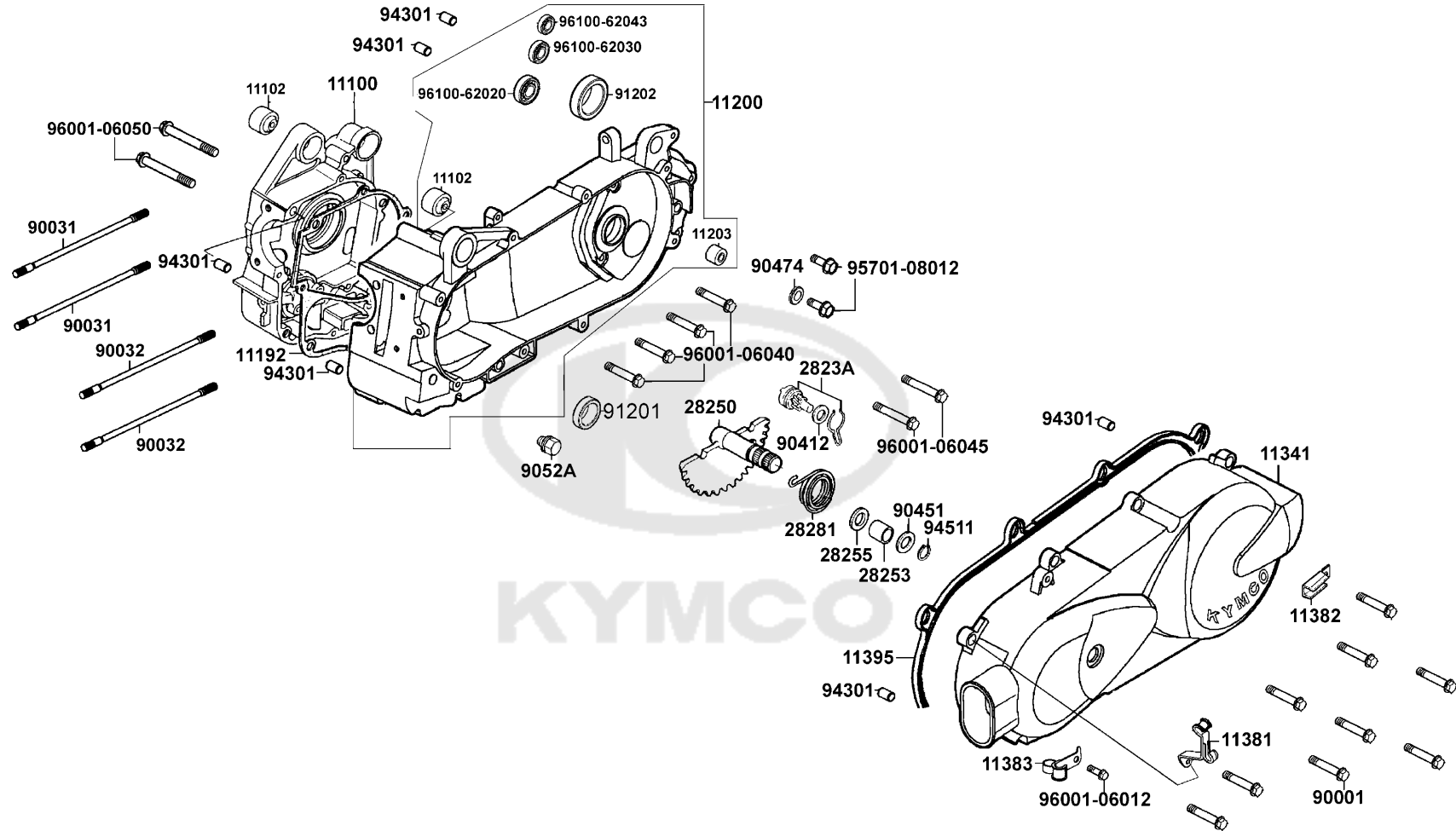
Crank Case



Sales mark	Ref no	Part no	Description	Reg description	Regd no	E01
	11100	11100-KUDU-C00	CRANK CASE COMP R	CRANK CASE COMP R	1	
	11102	11102-1G87-C00	RUB BUSH ENG HANGER	RUB BUSH ENG HANGER	1	
	11192	11192-KUDU-C10	GASKET CRANK CASE @ A	GASKET CRANK CASE @ A	1	
	11200	11200-KEC4-C00	CRANK CASE COMP L	CRANK CASE COMP L	1	
	11203	11203-GGC7-W10	UNDER RUBBER BUSH REAR CUSHION	UNDER RUBBER BUSH REAR CUSHION	1	
**	11341	11341-KEC4-900	COVER LEFT	COVER LEFT	1	
	11381	11381-KUDU-C00	CLAMPER THROTTLE CABLE	CLAMPER THROTTLE CABLE	1	
	11382	11382-KUDU-W10	CLAMPER BRAKE CABLE	CLAMPER BRAKE CABLE	1	
	11383	11383-KUDU-C00	CLAMPER BRTH DRAIN TUBE	CLAMPER BRTH DRAIN TUBE	1	
	11395	11395-KKD7-C10	GASKET L COVER @A	GASKET L COVER @A	1	
	2823A	2823A-GKAK-W10	GEAR ASSY KICK DRIVEN	GEAR ASSY KICK DRIVEN	1	
	28250	28250-KNBN-C00	SPINDLE COMP KICK STARTER	SPINDLE COMP KICK STARTER	1	
	28253	28253-GBN2-C00	BUSH KICK SPINDLE	BUSH KICK SPINDLE	1	
	28255	28255-GFS6-C00	COLLAR KICK BOSS	COLLAR KICK BOSS	1	
	28281	28281-GBN2-C00	SPRING KICK RETURN	SPRING KICK RETURN	1	
	90001	90001-GBHB-C11	BOLT FLANGE SHF 6*40	BOLT FLANGE SHF 6*40	1	
	90031	90031-KUDU-C00	BOLT A STUD 8*200.5	BOLT A STUD 8*200.5	1	
	90032	90032-KUDU-C00	BOLT B STUD 8*208.5	BOLT B STUD 8*208.5	1	
	90412	90412-3K29-C00	WASHER THRUST 10M/M	WASHER THRUST 10M/M	1	
	90451	90451-GBN2-C00	WASHER KICK SPINDLE	WASHER KICK SPINDLE	1	

E01

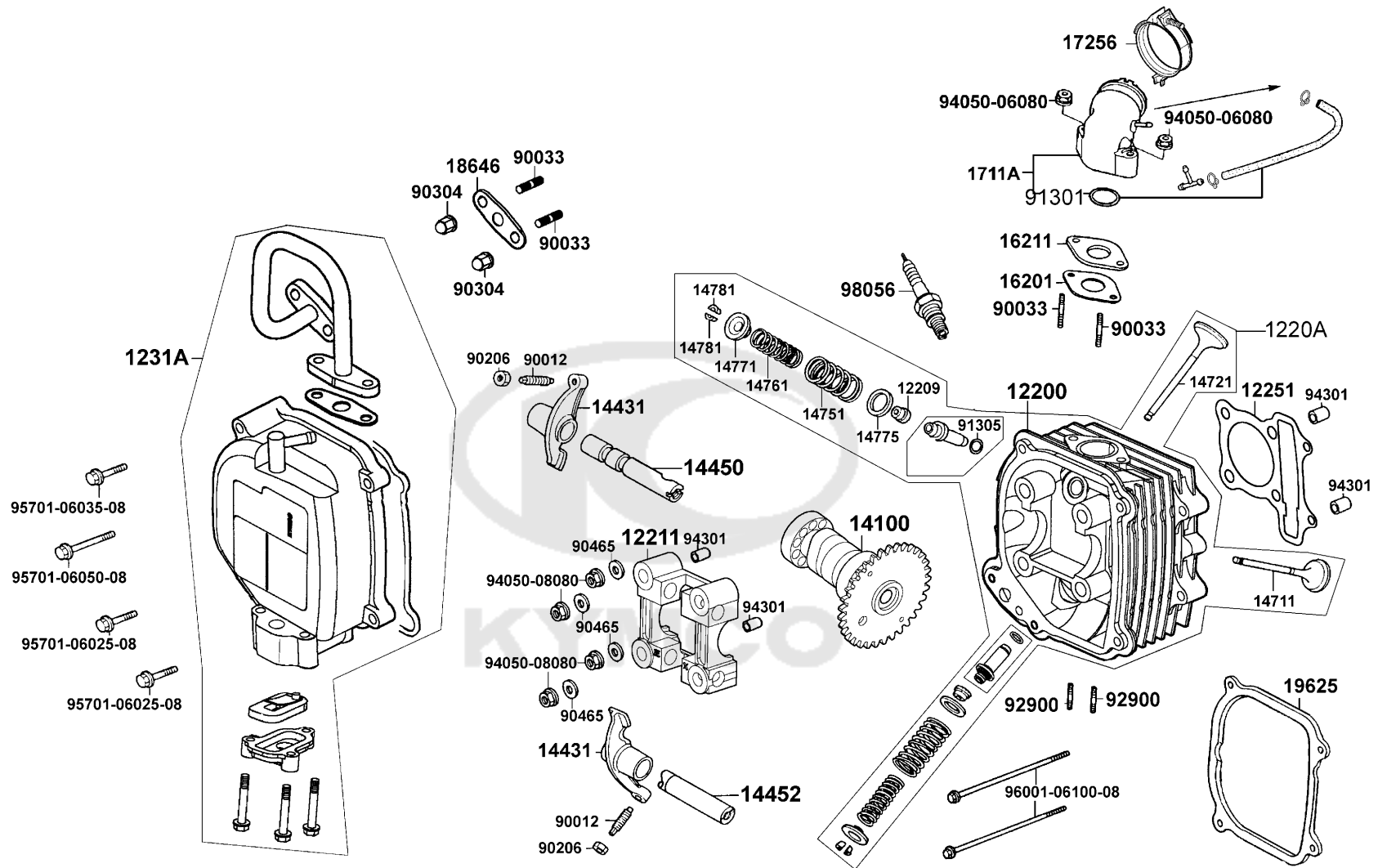
Crank Case



Sales mark	Ref no	Part no	Description	Reg description	Regd no	E01
90474		90474-3C33-C00	WASHER 8MM(T*2)	WASHER 8MM(T*2)	1	
9052A		9052A-GFY6-C00	BOLT ASSY DRAIN PLUG	BOLT ASSY DRAIN PLUG	1	
91201		91201-GFY6-C00	OIL SEAL 19.8*30*5	OIL SEAL 19.8*30*5	1	
91202		91202-KKJ9-C00	OIL SEAL 20*32*6	OIL SEAL 20*32*6	1	
94301		94301-10160	DOWEL PIN 10*16	DOWEL PIN 10*16	6	
94511		94511-14000	CIRCLIP EX 14	CIR CLIP EX 14	1	
95701		95701-08012-08	BOLT FLANGE 8*12	BOLT FLANGE 8*12	2	
96001-06012		96001-06012-08	BOLT FLANGE 6*12	BOLT FLANGE SH 6*12 (C)	1	
96001-06040		96001-06040-08	BOLT FLANGE 6*40	BOLT FLANGE 6*40	4	
96001-06045		96001-06045-08	BOLT FLANGE SH 6*45	BOLT FLANGE SH 6*45	3	
96001-06050		96001-06050-08	BOLT FLANGE 6*50	BOLT FLANGE SH 6*50 (C)	2	
96100-62020		96100-62020-00	BEARING BALL RADIAL 6202	BEARING BALL RADIAL 6202	1	
96100-62030		96100-62030-00	BRG BALL RADIAL 6203	BEARING BALL RADIAL 6203	1	
96100-62043		96100-62043-00	BEARING BALL RADIAL 6204	BEARING BALL RADIAL 6204	1	

E02

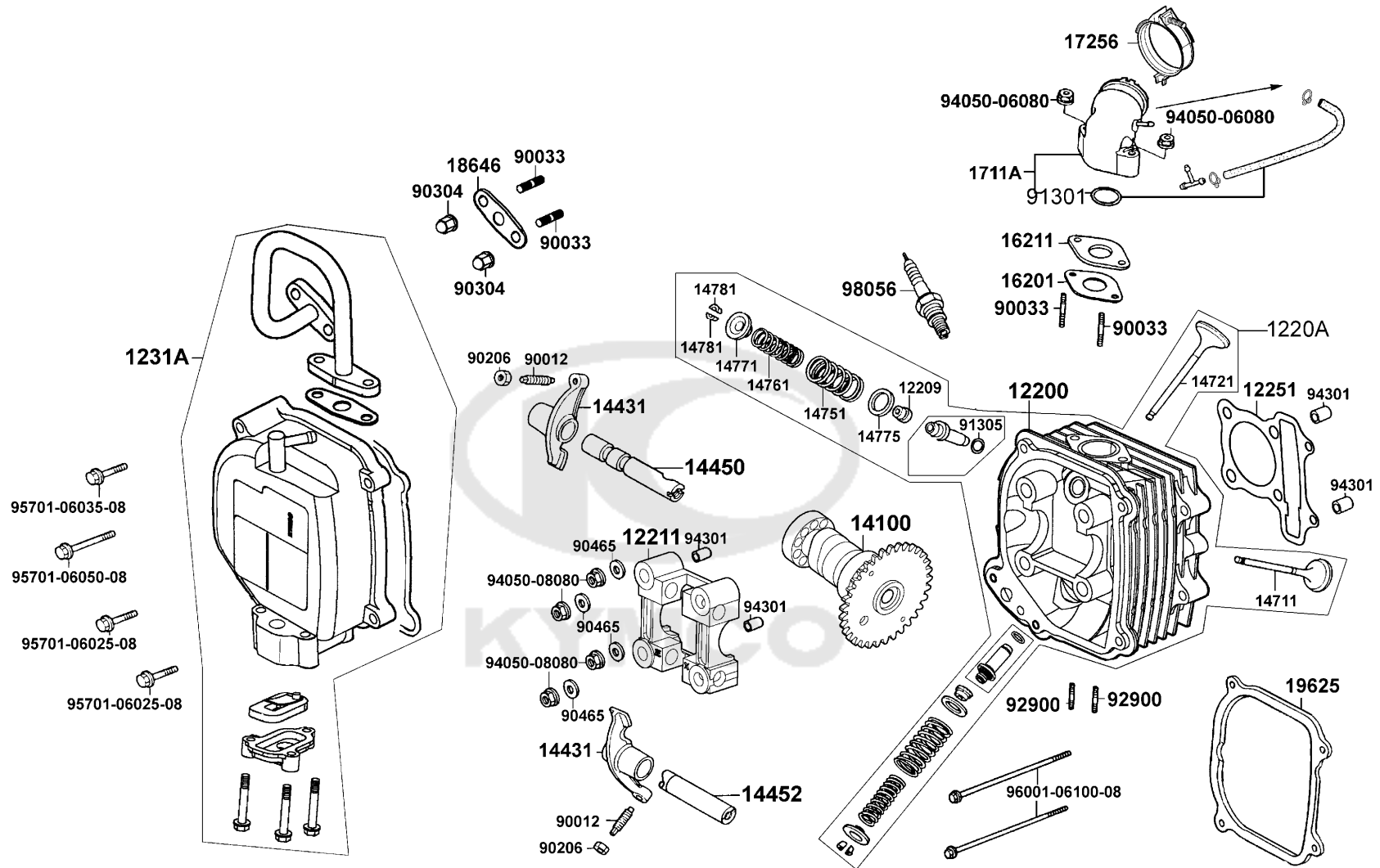
Cylinder Head



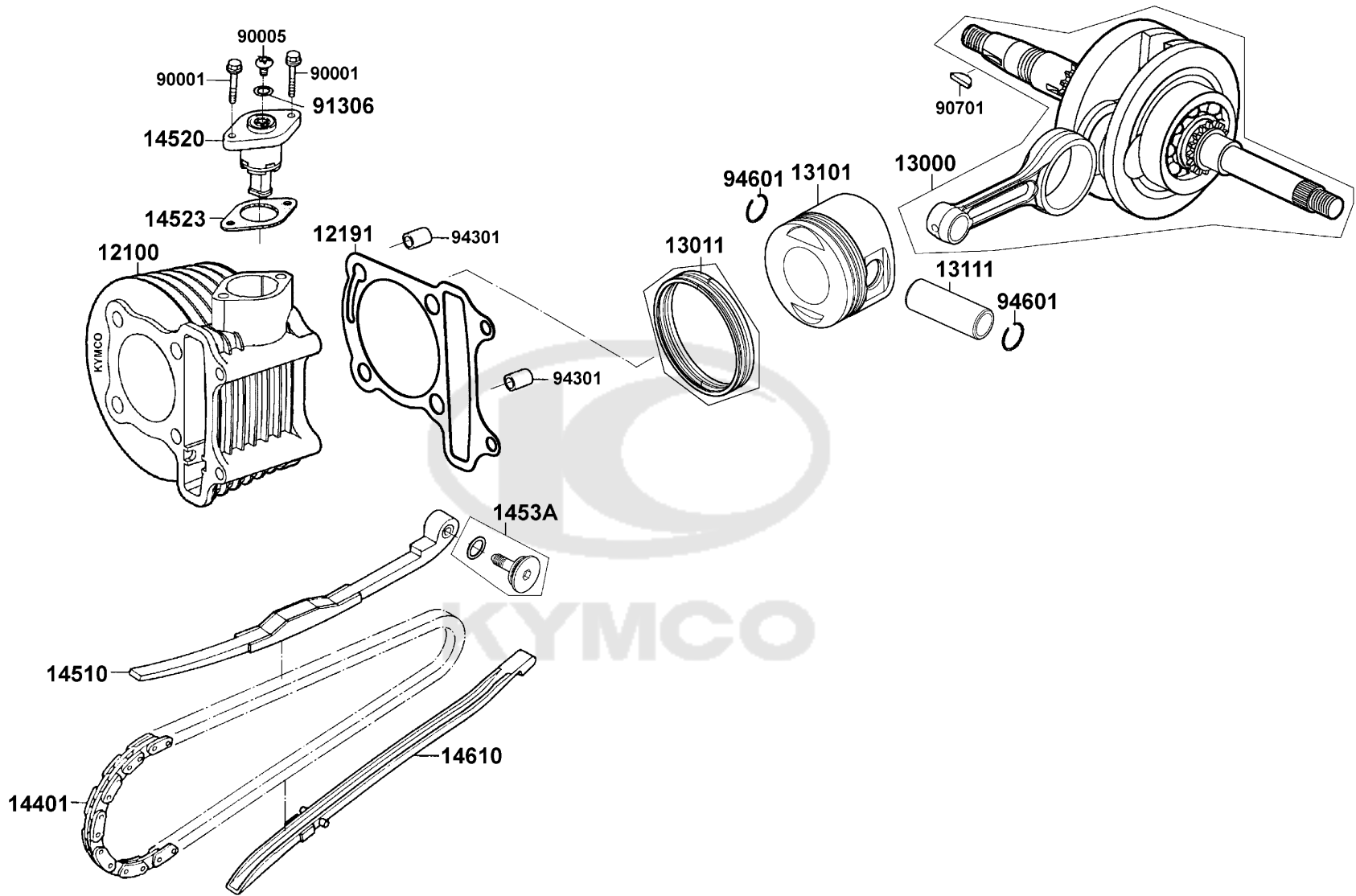
Sales mark	Ref no	Part no	Description	Reg description	Regd no	E02
	12200	12200-KUDU-C10	HEAD COMP CYL N	HEAD COMP CYL N	1	
	12209	12209-GDB4-C00	SEAL VALVE STEM	SEAL VALVE STEM	1	
	1220A	1220A-KUDU-C00	HEAD ASSY CYLINDER	HEAD ASSY CYLINDER	1	
	12211	12211-KUDU-W10	HOLDER CAM SHAFT	HOLDER CAM SHAFT	1	
	12251	12251-GFY6-C00	GASKET CYLINDER HEAD	GASKET CYLINDER HEAD	1	
	1231A	1231A-KUDU-C10	COVER ASSY HEAD	COVER ASSY HEAD	1	
	14100	14100-LGS6-E10	SHAFT COMP CAM	SHAFT COMP CAM	1	
	14431	14431-KUDU-W10	ARM VALVE ROCKER	ARM VALVE ROCKER	2	
	14450	14450-GFY6-W10	SHAFT COMP IN ROCKER ARM	SHAFT COMP IN ROCKER ARM	1	
	14452	14452-GFY6-W10	SHAFT EXH ROCKER ARM	SHAFT EXH ROCKER ARM	1	
	14711	14711-KUDU-C00	VALVE INLET	VALVE INLET	1	
	14721	14721-KUDU-C00	VALVE EXHAUST	VALVE EXHAUST	1	
	14751	14751-KKJ9-C00	SPRING VALVE OUTER	SPRING VALVE OUTER	1	
	14761	14761-KKJ9-C00	SPG VALVE INNER	SPG VALVE INNER	1	
	14771	14771-GDB4-C00	RETAINER VALVE SPRING	RETAINER VALVE SPRING	1	
	14775	14775-MFA6-C00	SEAT VALVE SPG OUTER	SEAT VALVE SPG OUTER	1	
	14781	14781-MFA6-C00	COTTER VALVE	COTTER VALVE	1	
	16201	16201-GFY6-C10	GASKET CARB INSULATOR @A	GASKET CARB INSULATOR @A	1	
	16211	16211-GFY6-W10	INSULATOR CARB	INSULATOR CARB	1	
	1711A	1711A-LDF7-E10	PIPE COMP INLET	PIPE COMP INLET	1	

E02

Cylinder Head



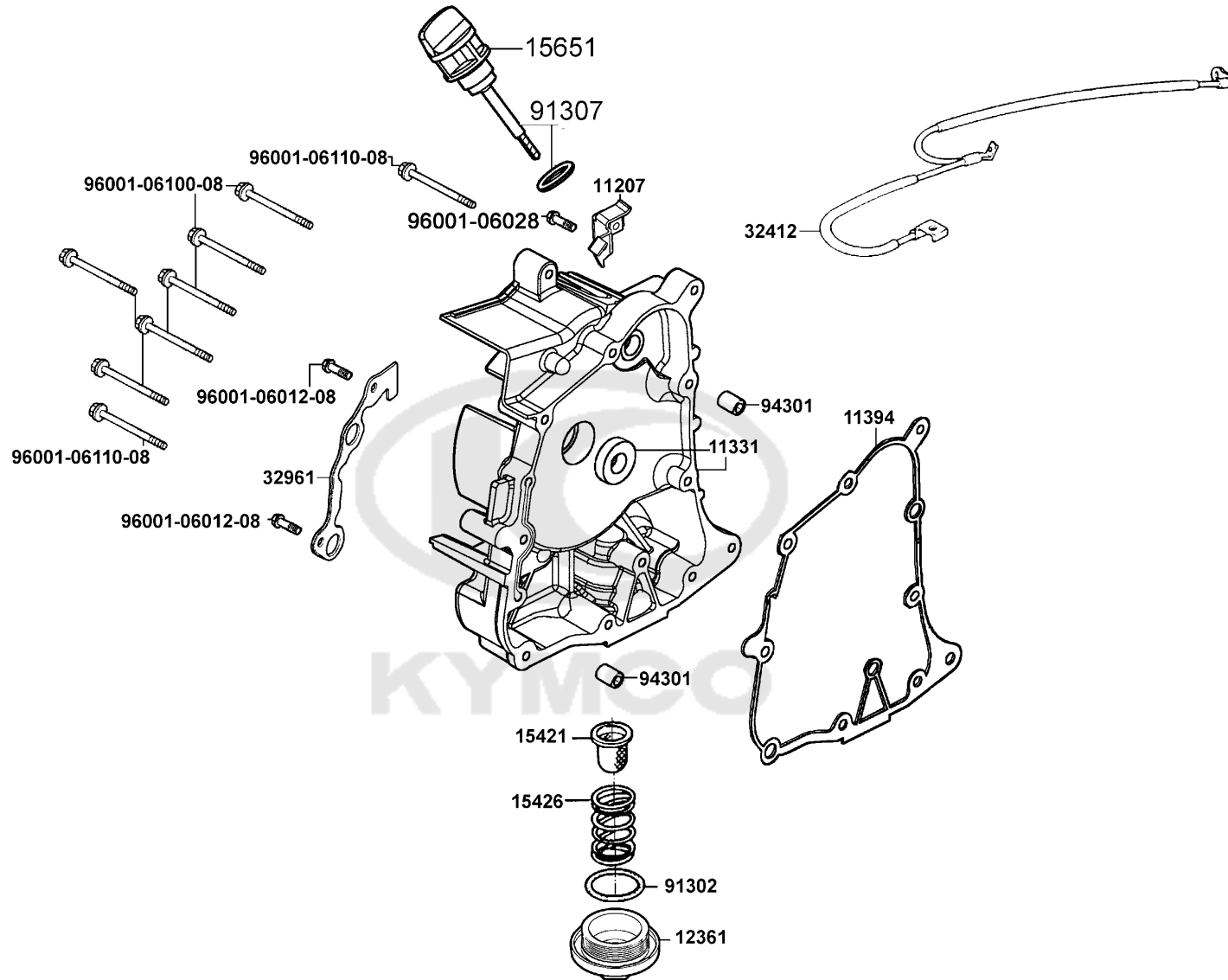
Sales mark	Ref no	Part no	Description	Reg description	Regd no	E02
	17256	17256-GFY6-C00	BAND INSULATOR	BAND INSULATOR	1	
	18646	18646-LDC8-E10	GASKET A/I PIPE	GASKET A/I PIPE	1	
	19625	19625-KUDU-C00	SEAL SHROUD	SEAL SHROUD	1	
	90012	90012-3C33-C00	SCREW TAPPET ADJUSTING	SCREW TAPPET ADJUSTING	1	
	90033-GFY6-9000	90033-GFY6-C00	BOLT STUD 8*32	BOLT STUD 8*32	1	
	90033-GFY6-941	90033-GFY6-C10	BOLT STUD 6*16	BOLT STUD 6*16	1	
	90206	90206-0A01-001	NUT TAPPET ADJG	NUT TAPPET ADJG	1	
	90304	90304-4H38-C00	NUT HEX CAP 6MM	NUT HEX CAP 6MM	1	
	90465	90465-MDC4-C00	WASHER 8MM	WASHER 8MM	1	
	91301	91301-0H28-C00	O-RING 27*2	O-RING 27*2	1	
	91305	91305-0H28-C00	O-RING 9*1.6	O-RING 9*1.6	1	
	92900	92900-06060-0B	BOLT STUD 6*60	BOLT STUD 6*60	2	
	94050-06080	94050-06080	NUT FLANGE 6MM	NUT FLANGE 6MM	2	
	94050-08080	94050-08080	NUT FLANGE 8MM	NUT FLANGE 8MM	4	
	94301	94301-10160	DOWEL PIN 10*16	DOWEL PIN 10*16	4	
	95701-06025	95701-06025-08	BOLT FLANGE 6*25	BOLT FLANGE 6*25	2	
	95701-06035	95701-06035-08	BOLT FLANGE SH 6*35	BOLT FLANGE 6*35 (C)	1	
	95701-06050	95701-06050-08	BOLT FLANGE 6*50	BOLT FLANGE 6*50 (C)	1	
	96001	96001-06100-08	BOLT FLANGE SH 6*100	BOLT FLANGE 6*100	2	
	98056	98056-5771R	SPARK PLUG	SPARK PLUG	1	



Sales mark	Ref no	Part no	Description	Reg description	Regd no	E03
	12100	12100-GFY6-C00	CYLINDER COMP	CYLINDER COMP	1	
	12191	12191-GFY6-C10	GASKET CYLINDER @A	GASKET CYLINDER @A	1	
	13000	13000-KUDU-C00	CRANK SHAFT COMP	CRANK SHAFT COMP	1	
	13011	13011-GFY6-C00	RING ASSY PISTON	RING ASSY PISTON	1	
	13101	13101-KUDU-C00	PISTON	PISTON	1	
	13111	13111-3D84-C00	PIN PISTON	PIN PISTON	1	
	14401	14401-KUDU-C00	CHAIN CAM	CHAIN CAM	1	
	14510	14510-KUDU-W10	TENSIONER CAM CHAIN	TENSIONER CAM CHAIN	1	
	14520	14520-GFY6-C00	LIFTER ASSY TENSIONER	LIFTER ASSY TENSIONER	1	
	14523	14523-GFY6-C10	GASKET TENSIONER LIFTER @A	GASKET TENSIONER LIFTER @A	1	
	1453A	1453A-GFY6-W10	PIVOT CAM CHAIN SET	PIVOT CAM CHAIN SET	1	
	14610	14610-KUDU-C10	GUIDE COMP CAM CHAIN	GUIDE COMP CAM CHAIN	1	
	90001	90001-GBHB-C00	BOLT FLANGE SHF 6*22 (B)	BOLT FLANGE SHF 6*22 (B)	1	
	90005	90005-KAW1-901	SCREW PAN 6*6	SCREW PAN 6*6	1	
	90701	90701-HFB6-C00	KEY WOODRUFF 25*14*4	KEY WOODRUFF 25*14*4	1	
	91306	91306-1E05-C00	O-RING 1.5*9.5	O-RING 1.5*9.5	1	
	94301	94301-10160	DOWEL PIN 10*16	DOWEL PIN 10*16	2	
	94601	94601-15000	CLIP PISTON PIN 15MM	CLIP PISTON PIN 15MM	2	

E04

Right Crankcase Cover

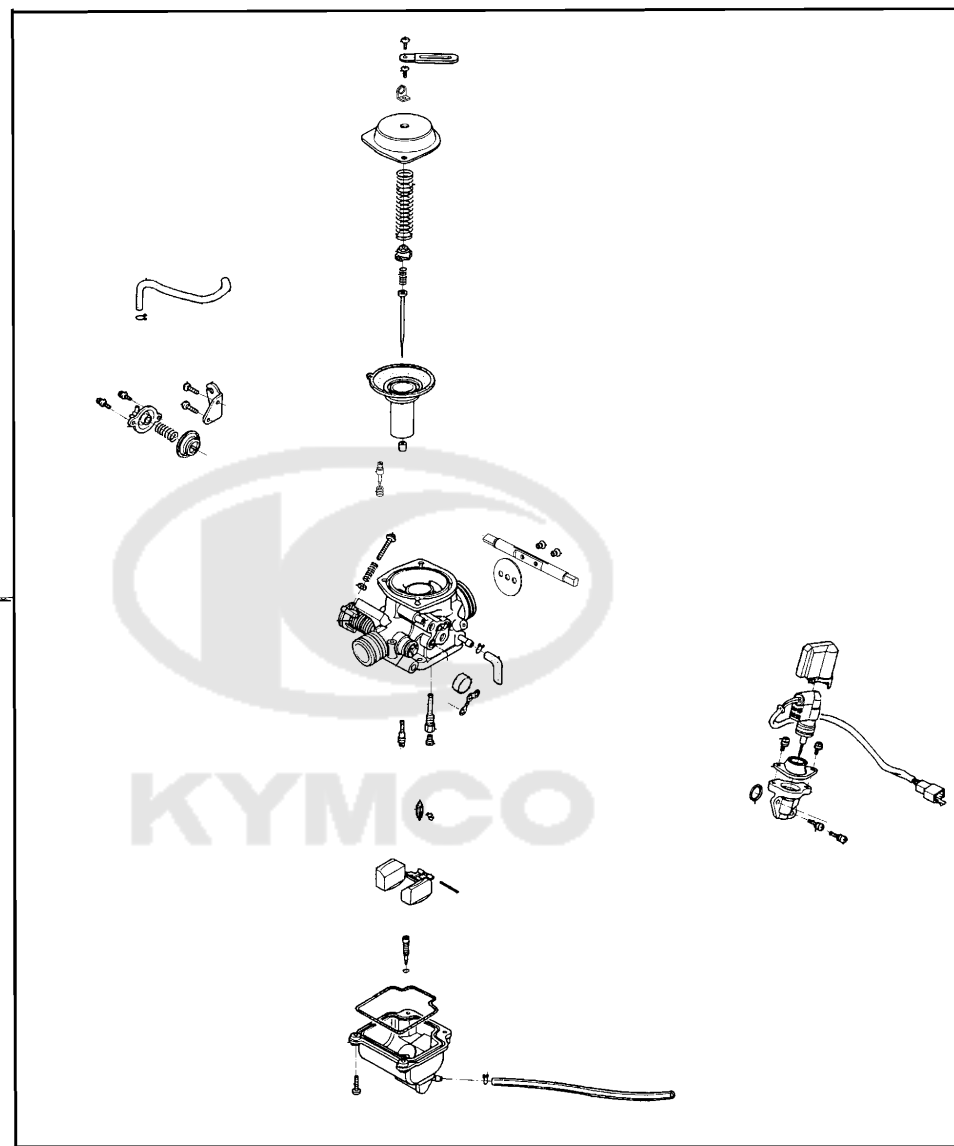


Sales mark	Ref no	Part no	Description	Reg description	Regd no	E04
11207		11207-KKE3-C00	STAY B RR FENDER	STAY B RR FENDER	1	
11331		11331-KUDU-C10	COVER R CRANK CASE	COVER R CRANK CASE	1	
11394		11394-KUDU-C10	GASKET R COVER	GASKET R COVER	1	
12361		12361-GFY6-C00	HOLE CAP TAPPET ADJUSTING	HOLE CAP TAPPET ADJUSTING	1	
15421		15421-1G07-W10	SCREEN OIL FILTER	SCREEN OIL FILTER	1	
15426		15426-GAE1-C00	SPG OIL FILTER SCREEN	SPG OIL FILTER SCREEN	1	
15651		15651-KUDU-W10	GUAGE OIL LEVEL	GUAGE OIL LEVEL	1	
32412		32412-LDF7-E10	CABLE EARTH	CABLE EARTH	1	
32961		32961-KUDU-C00	CLAMPER ACG CORD	CLAMPER ACG CORD	1	
91302		91302-0A01-C00	O-RING 30.8MM	O-RING 30.8MM	1	
91307		91307-0E35-W10	O-RING 18*3	O-RING 18*3	1	
94301		94301-10160	DOWEL PIN 10*16	DOWEL PIN 10*16	2	
96001-06012		96001-06012-08	BOLT FLANGE 6*12	BOLT FLANGE SH 6*12 (C)	2	
96001-06028		96001-06028-08	BOLT FLANGE SH 6*28	BOLT FLANGE SH 6*28 (C)	1	
96001-06100		96001-06100-08	BOLT FLANGE SH 6*100	BOLT FLANGE 6*100	6	
96001-06110		96001-06110-08	BOLT FLANGE SH 6*110	BOLT FLANGE SH 6*110 (C)	2	

E05

Carburetor

16100



Sales mark	Ref no	Part no	Description	Reg description	Regd no	E05
------------	--------	---------	-------------	-----------------	---------	------------

16100

16100-LDF7-E10

CARBURETOR ASSY

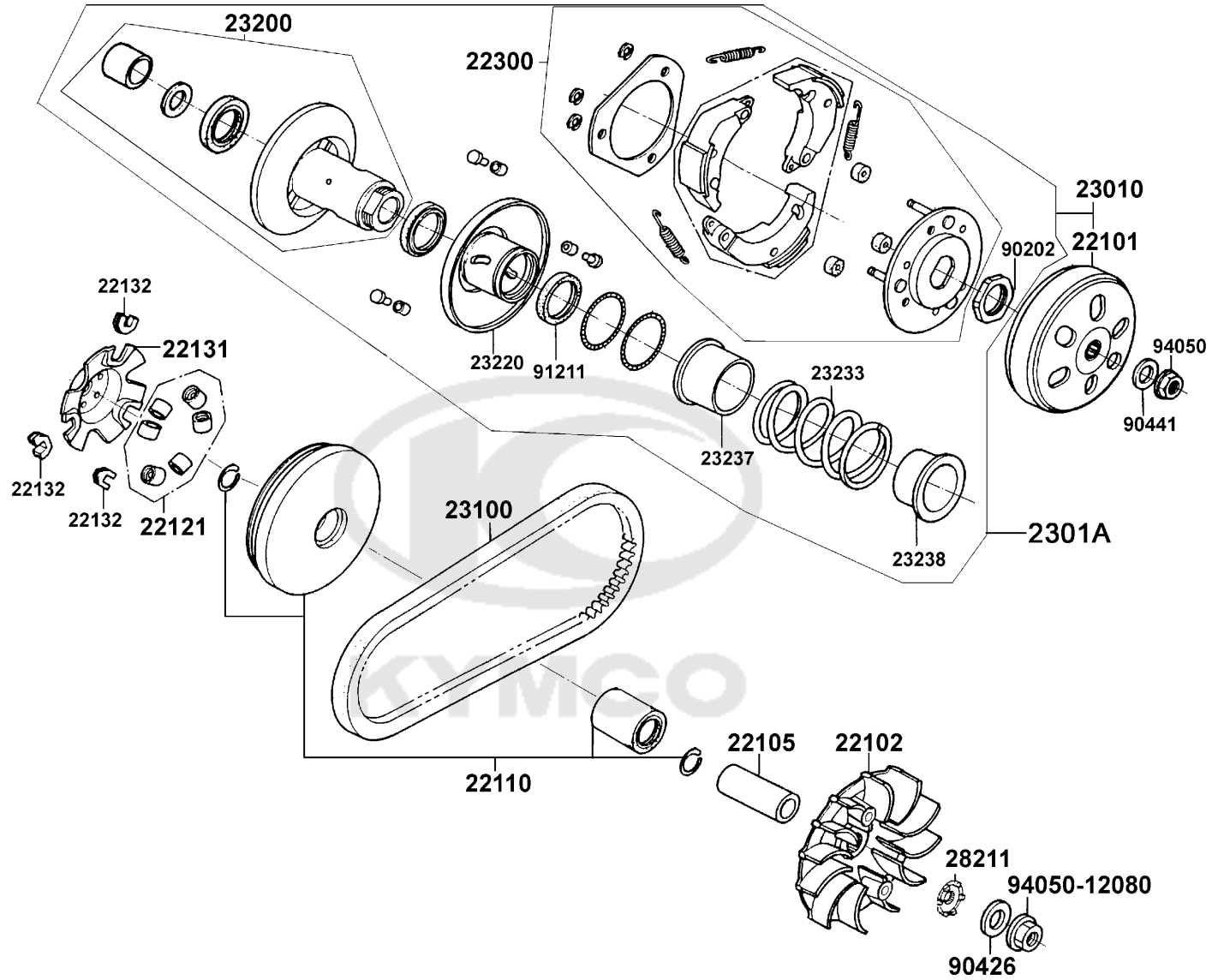
CARBURETOR ASSY

1



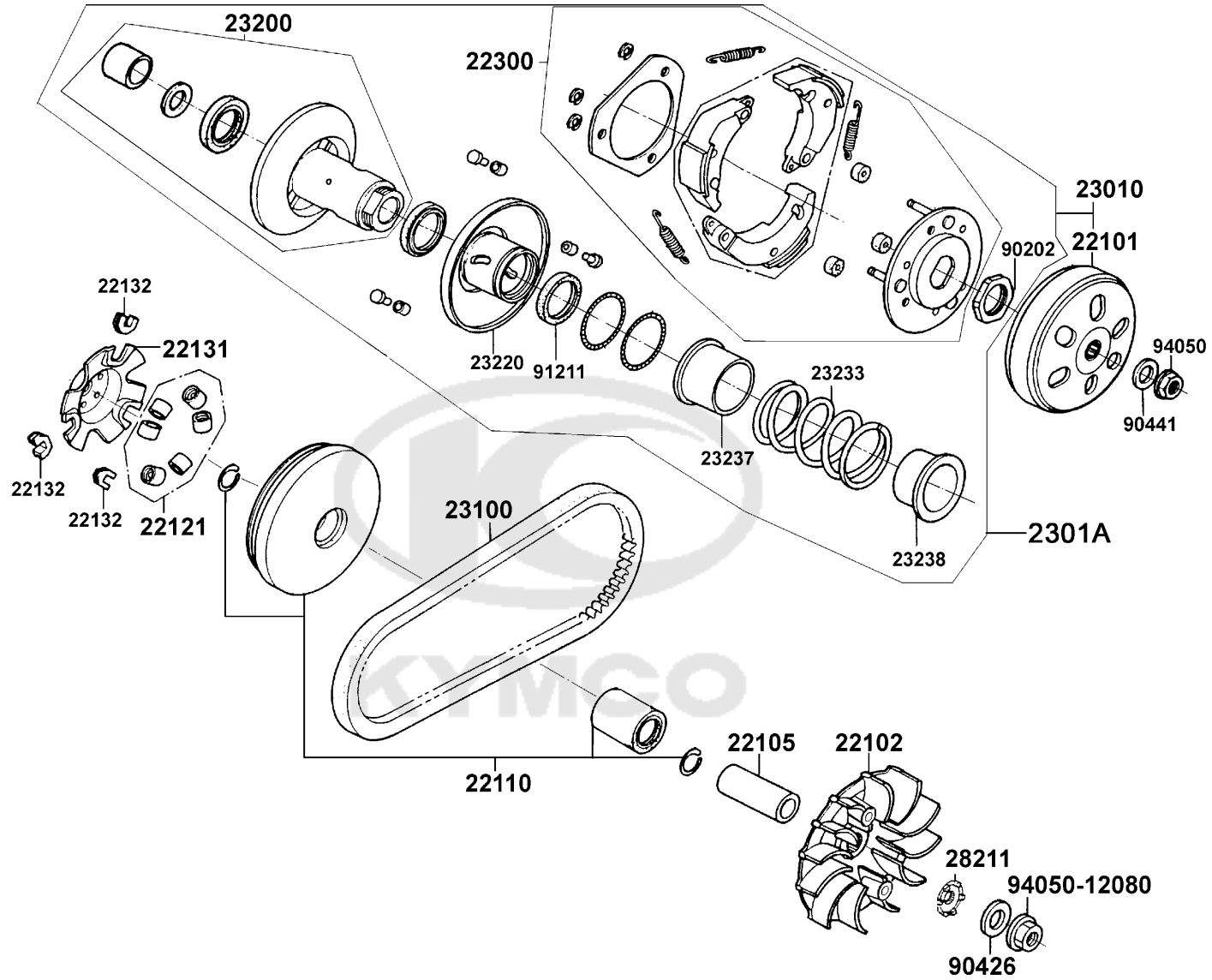
E06

Driven Pulley



Sales mark	Ref no	Part no	Description	Reg description	Regd no	E06
	22101	22101-GFY6-C00	CLUTCH OUTER	CLUTCH OUTER	1	
	22102	22102-KUDU-C00	FACE DRIVE	FACE DRIVE	1	
	22105	22105-GFY6-C00	BOSS DRIVE FACE	BOSS DRIVE FACE	1	
#	22110	22110-KUDU-C00	FACE COMP MOVABLE DRIVE	FACE COMP MOVABLE DRIVE	1	
	22121	22121-KKD7-C00	ROLLER COMP WEIGHT	ROLLER COMP WEIGHT	1	
	22131	22131-GFY6-C00	PLATE RAMP	PLATE RAMP	1	
	22132	22132-KBN2-C00	PIECE SLIDE	PIECE SLIDE	1	
	22300	22300-LDF7-E10	PLATE ASSY DRIVE	PLATE ASSY DRIVE	1	
	23010	23010-LDF7-E10	PULLY ASSY DRIVEN	PULLY ASSY DRIVEN	1	
	2301A	2301A-KEC6-C00	PULLEY SUB ASSY	PULLEY SUB ASSY	1	
	23100	23100-KEC4-C00	BELT DRIVE	BELT DRIVE	1	
	23200	23200-LDF7-E10	FACE ASSY DRIVEN	FACE ASSY DRIVEN	1	
	23220	23220-KFBF-C00	FACE COMP MOVABLE DRIVEN	FACE COMP MOVABLE DRIVEN	1	
	23233	23233-GCW3-C00	SPG DRIVEN FACE	SPG DRIVEN FACE	1	
	23237	23237-GFY6-C00	COLLAR SEAL	COLLAR SEAL	1	
	23238	23238-GFY6-C00	COLLAR SPG	COLLAR SPG	1	
	28211	28211-KUDU-W10	RATCHET KICK STARTER	RATCHET KICK STARTER	1	
	90202	90202-1G87-C00	NUT SPECIAL 28MM	NUT SPECIAL 28MM	1	
	90426	90426-KNBN-C00	WASHER SPECIAL 12MM	WASHER SPECIAL 12MM	1	
	90441	90441-GFY6-C00	WASHER 12.2*29*2.5	WASHER 12.2*29*2.5	1	

Driven Pulley

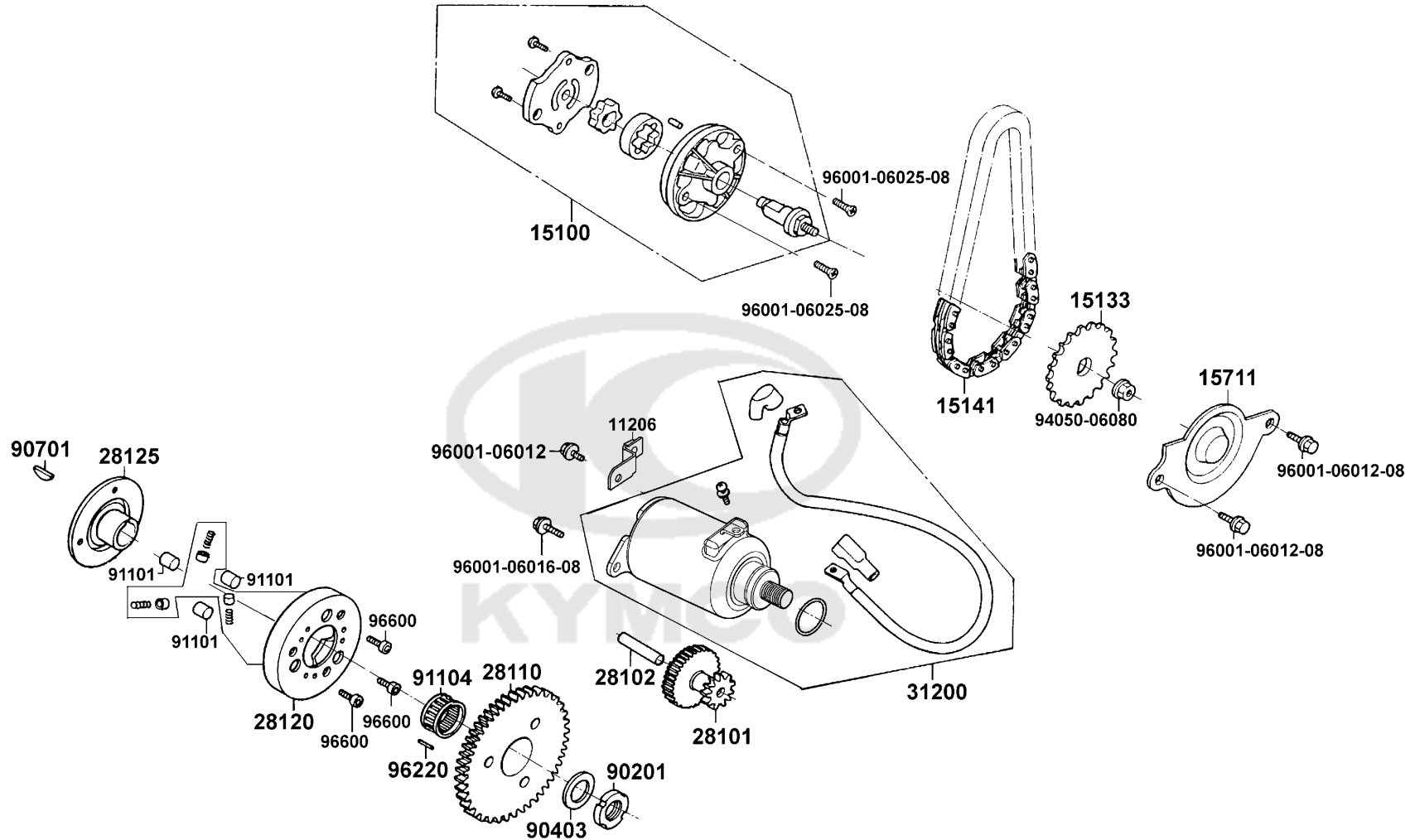


Sales mark	Ref no	Part no	Description	Reg description	Regd no	E06
------------	--------	---------	-------------	-----------------	---------	------------

	91211	91211-KEBE-C00	SEAL DRIVEN FACE 34*41*4	SEAL DRIVEN FACE 34*41*4	1	
	94050	94050-12080	NUT C FLANGE 12MM	NUT FLANGE 12MM (C)	2	

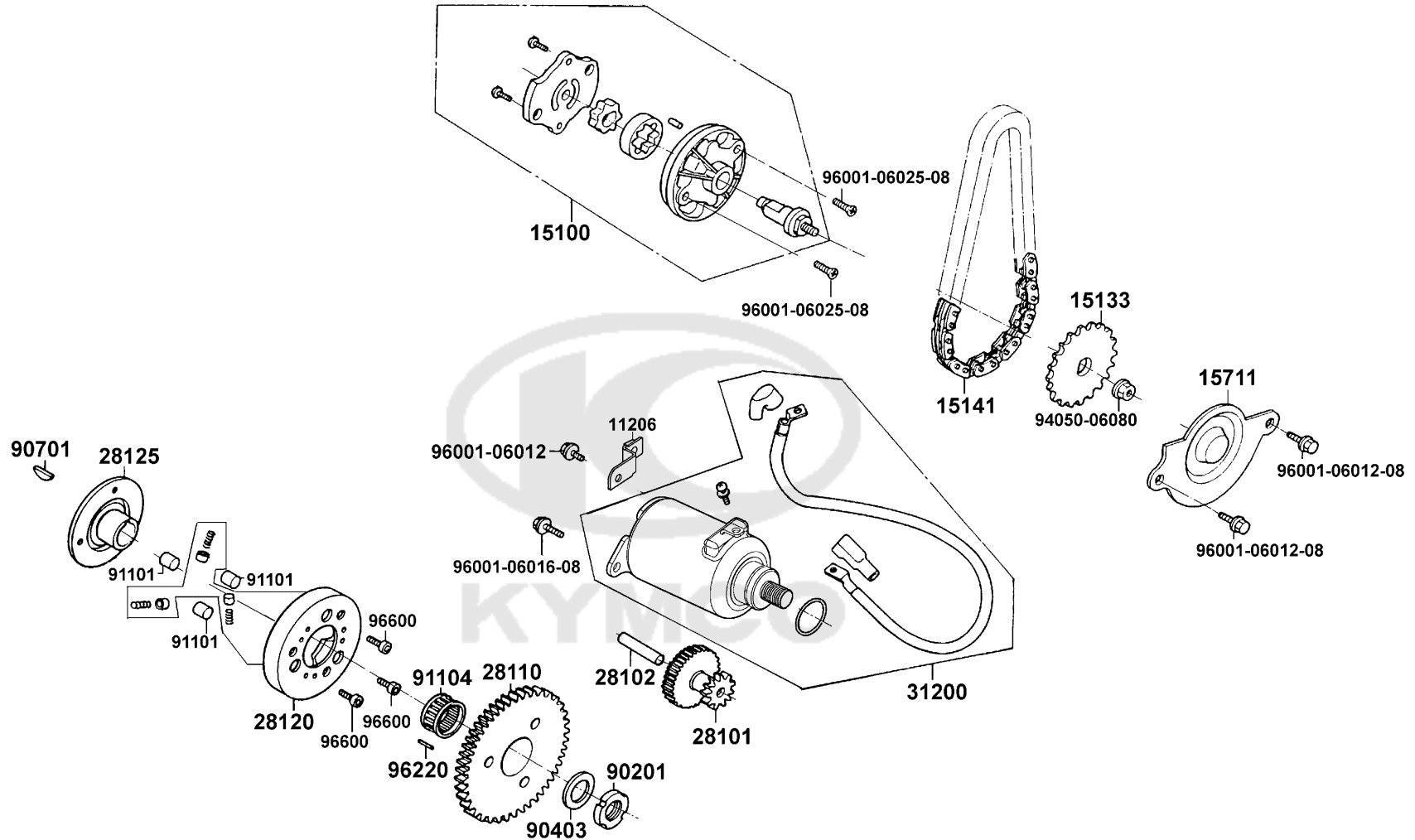


Starting Motor Oil Pump



Sales mark	Ref no	Part no	Description	Reg description	Regd no	E07
	11206	11206-LDF7-E10	STAY A RR FENDER	STAY A RR FENDER	1	
	15100	15100-KUDU-W10	PUMP ASSY OIL	PUMP ASSY OIL	1	
	15133	15133-GFY6-W10	SPROCKET OIL PUMP DRIVE	SPROCKET OIL PUMP DRIVE	1	
	15141	15141-GFY6-C00	BOLT FLANGE SH 6*16 (C)	BOLT FLANGE SH 6*16 (C)	1	
	15711	15711-KUDU-C00	SEPARATER OIL	SEPARATER OIL	1	
	28101	28101-GFY6-C00	GEAR STARTER REDUCTION	GEAR STARTER REDUCTION	1	
	28102	28102-GFY6-C00	SHAFT STARTER REDUCTION GEAR	SHAFT STARTER REDUCTION GEAR	1	
	28110	28110-GFY6-C10	GEAR COMP STARTING CLUTCH	GEAR COMP STARTING CLUTCH	1	
	28120	28120-GFY6-C00	OUTER COMP STARTING CLUTCH	OUTER COMP STARTING CLUTCH	1	
	28125	28125-GFY6-C10	FLANGE STARTING CLUTCH	FLANGE STARTING CLUTCH	1	
	31200	31200-KUDU-C00	MOTOR ASSY START	MOTOR ASSY START	1	
	90201	90201-GFY6-901	NUT LOCK 22MM	NUT LOCK 22MM	1	
	90403	90403-KUDU-900	WASHER THRUST 22.2*39*2.5	WASHER THRUST 22.2*39*2.5	1	
	90701	90701-HFB6-C00	KEY WOODRUFF 25*14*4	KEY WOODRUFF 25*14*4	1	
	91101	91101-1K79-C00	ROLLER 10*10	ROLLER 10*10	1	
	91104	91104-GFY6-C00	BRG NEEDLE 28*32*17	BRG NEEDLE 28*32*17	1	
	94050	94050-06080	NUT FLANGE 6MM	NUT FLANGE 6MM	1	
	96001-06012	96001-06012-08	BOLT FLANGE 6*12	BOLT FLANGE SH 6*12 (C)	3	
	96001-06016	96001-06016-08	BOLT FLANGE SH 6*16	BOLT FLANGE SH 6*16	2	
	96001-06025	96001-06025-08	BOLT FLANGE SH 6*25	BOLT FLANGE 6*25	2	

Starting Motor Oil Pump



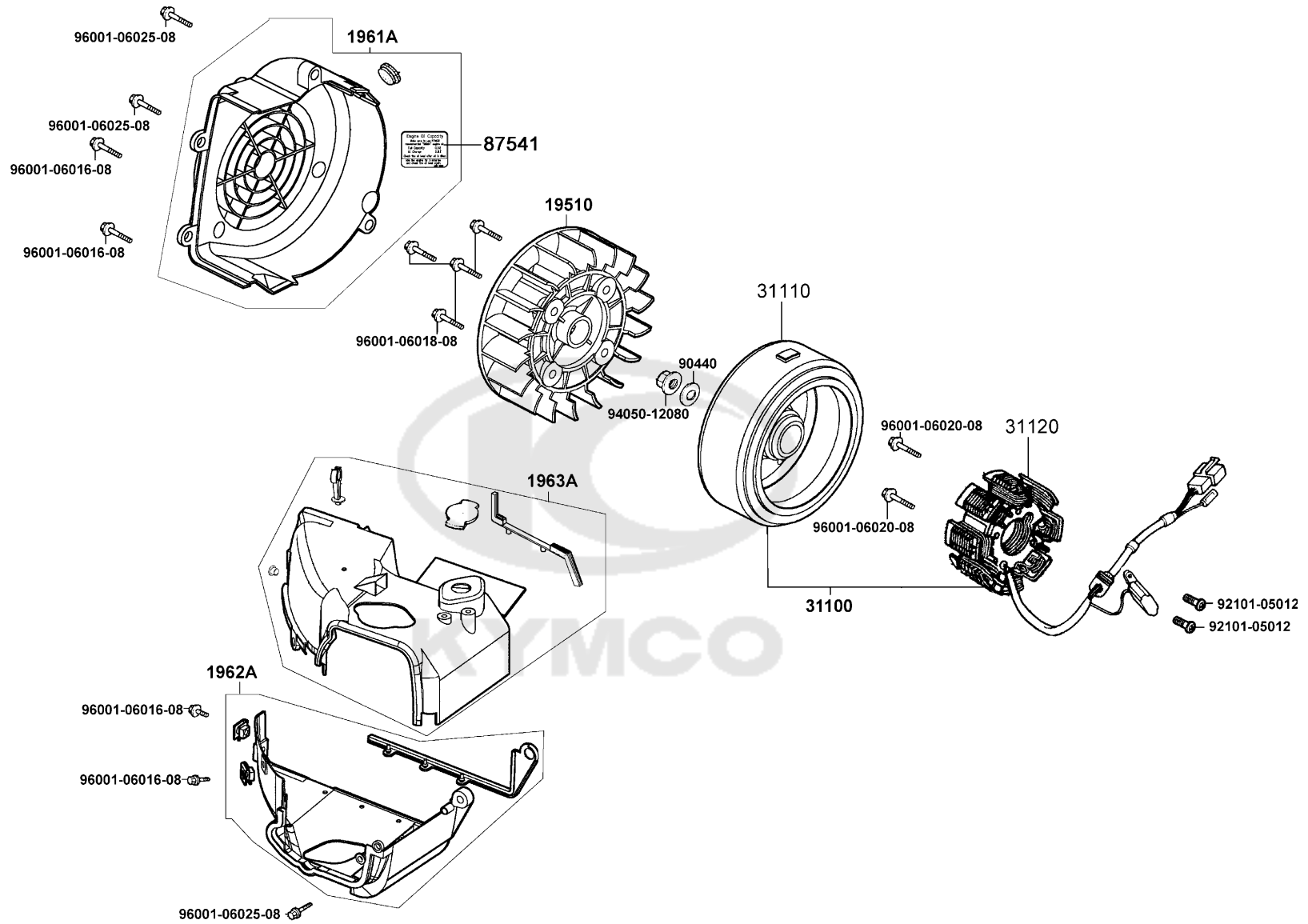
Sales mark	Ref no	Part no	Description	Reg description	Regd no	E07
------------	--------	---------	-------------	-----------------	---------	------------

96220	96220-60100	96220-60100	ROLLER 6*10	ROLLER 6*10	1	
96600	96600-08010-10	96600-08010-10	SOCKET BOLT 8*10	SOCKET BOLT 8*10 (B)	3	

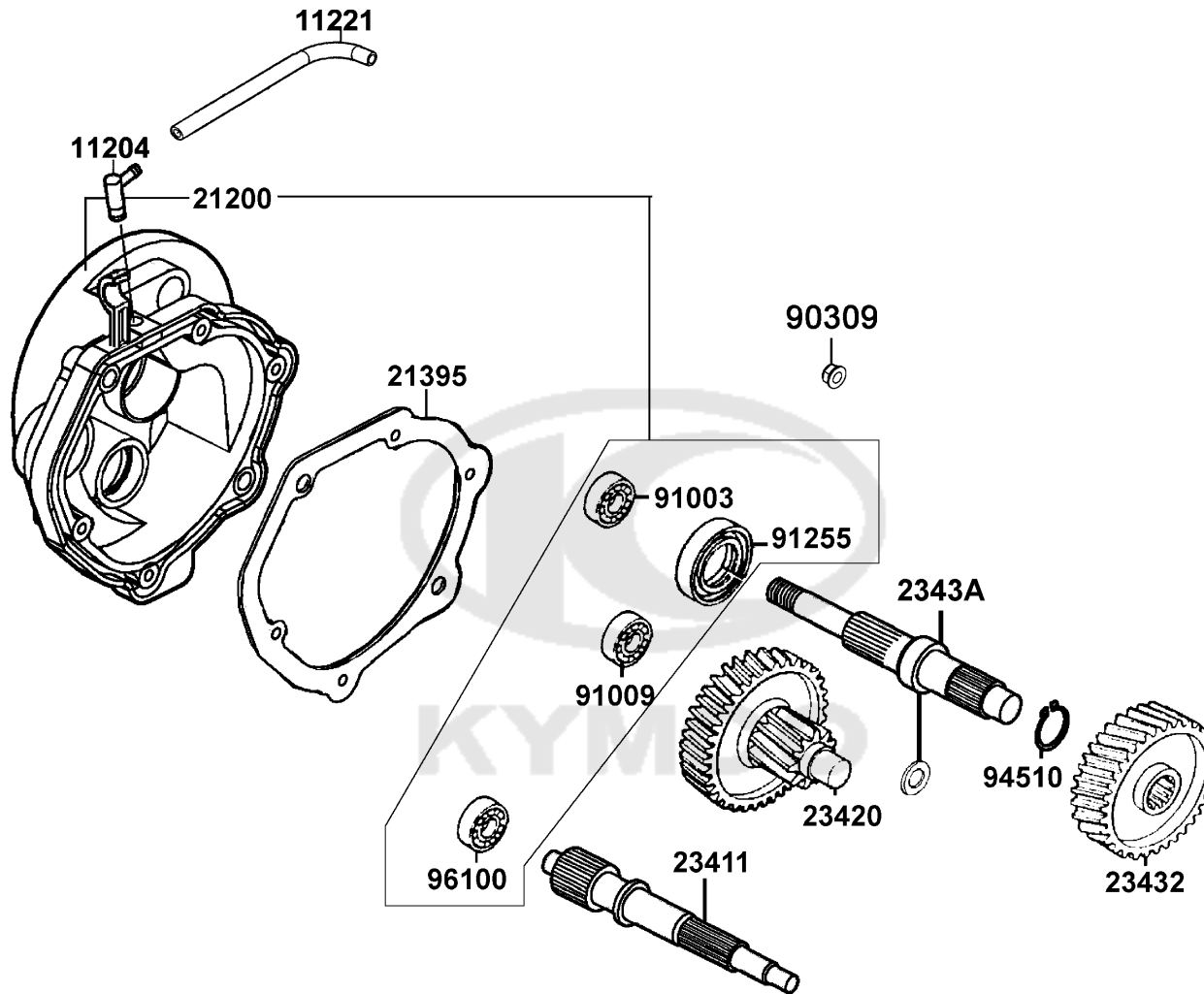


E08

Fan Cover Generator



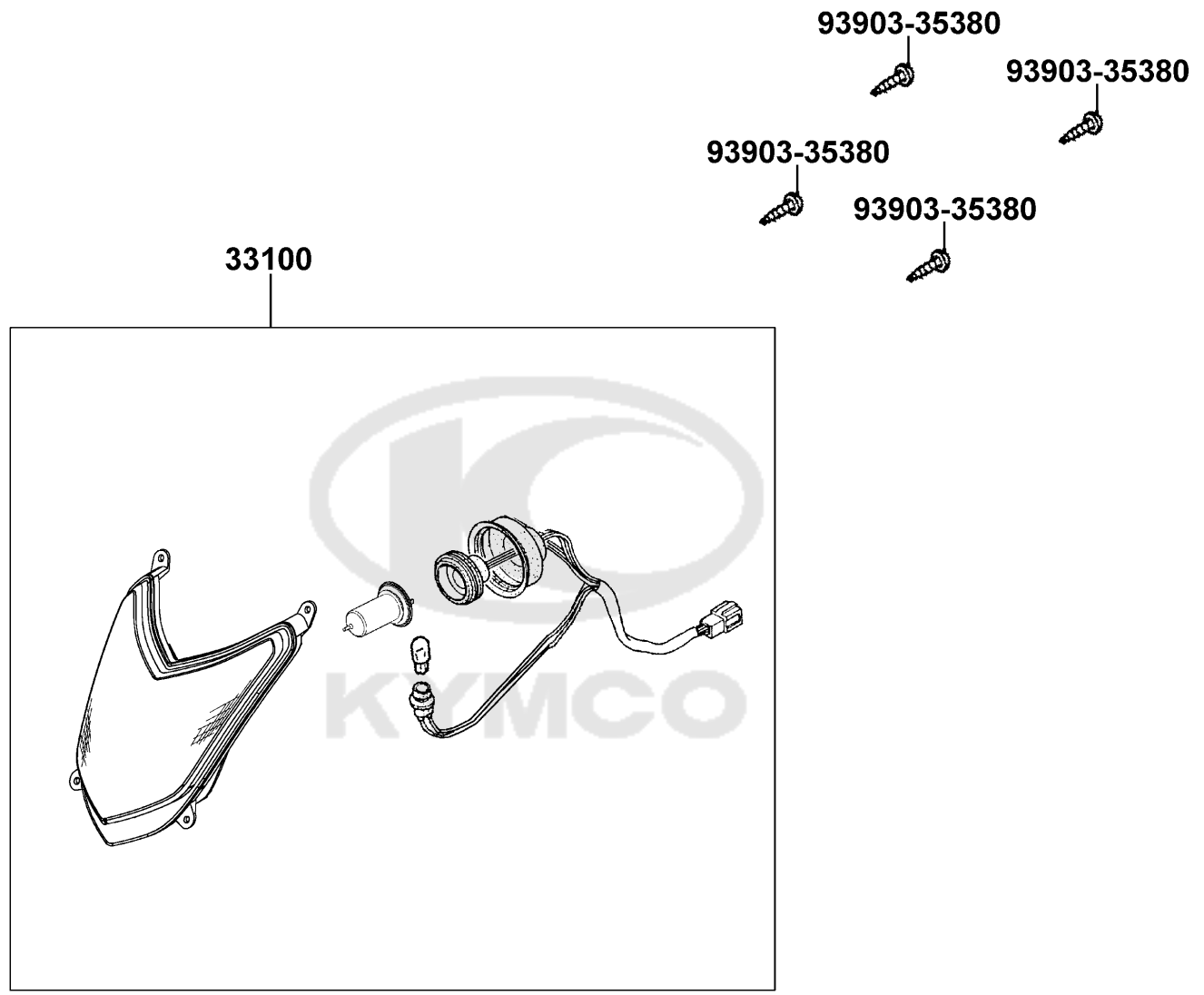
Sales mark	Ref no	Part no	Description	Reg description	Regd no	E08
	19510	19510-GFY6-C00	FAN COMP COOLING	FAN COMP COOLING	1	
	1961A	1961A-KUDU-E10	COVER ASSY FAN	COVER ASSY FAN	1	
	1962A	1962A-KUDU-C00	SHROUD ASSY A	SHROUD ASSY A	1	
#	1963A	1963A-LDF7-E10	SHROUD COMP B	SHROUD COMP B	1	
	31100	31100-KUDU-C00	AC GEN ASSY	AC GEN ASSY	1	
	31110	31110-KUDU-C00	FLYWHEEL COMP	FLYWHEEL COMP	1	
	31120	31120-KUDU-C00	STATOR COMP	STATOR COMP	1	
	87541	87541-KDU-E000	LABEL OIL CAP	LABEL OIL CAP	1	
	90440	90440-1F66-C00	WASHER PLAIN 12MM	WASHER PLAIN 12MM	1	
	92101	92101-05012-0H	BOLT HEX 5*12	BOLT HEX 5*12	2	
	94050	94050-12080	NUT C FLANGE 12MM	NUT FLANGE 12MM (C)	1	
	96001-06016	96001-06016-08	BOLT FLANGE SH 6*16	BOLT FLANGE SH 6*16	4	
	96001-06018	96001-06018-08	BOLT FLANGE SH 6*18	BOLT FLANGE SH 6*18	4	
	96001-06020	96001-06020-08	BOLT FLANGE SH 6*20	BOLT FLANGE SH 6*20	2	
	96001-06025	96001-06025-08	BOLT FLANGE SH 6*25	BOLT FLANGE 6*25	3	



Sales mark	Ref no	Part no	Description	Reg description	Regd no	E09
11204		11204-KUDU-C00	JOINT COMP BREATHER TUBE	JOINT COMP BREATHER TUBE	1	
11221		11221-KKD7-C00	TUBE BREATHER MISSION	TUBE BREATHER MISSION	1	
21200		21200-KEC4-C00	CASE COMP MISSION	CASE COMP MISSION	1	
21395		21395-KEC4-C10	GASKET MISSION CASE	GASKET MISSION CASE	1	
23411		23411-KEC4-C00	SHAFT DRIVE	SHAFT DRIVE	1	
23420		23420-KEC4-C00	SHAFT COMP COUNTER	SHAFT COMP COUNTER	1	
23432		23432-KEC4-C00	GEAR FINAL	GEAR FINAL	1	
2343A		2343A-KUDU-W00	SHAFT FINAL	SHAFT FINAL	1	
90309		90309-KLF0-C00	NUT FLANGE 8MM	NUT FLANGE 8MM	1	
91003		91003-KDS4-C00	BRG BALL RADIAL 6301TMB	BRG BALL RADIAL 6301TMB	1	
91009		91009-GLE0-C00	BRG BALL RADIAL 6004 UU	BRG BALL RADIAL 6004 UU	1	
91255		91255-LDC8-E10	OIL SEAL 27*42*7	OIL SEAL 27*42*7	1	
94510		94510-20000	CIR CLIP EX 20	CIR CLIP EXTERNAL 20MM	1	
96100		96100-60020-00	BRG BALL RADIAL 6002	BEARING BALL RADIAL 6002	1	

F01

Head Light



Sales mark	Ref no	Part no	Description	Reg description	Regd no	F01
------------	--------	---------	-------------	-----------------	---------	------------

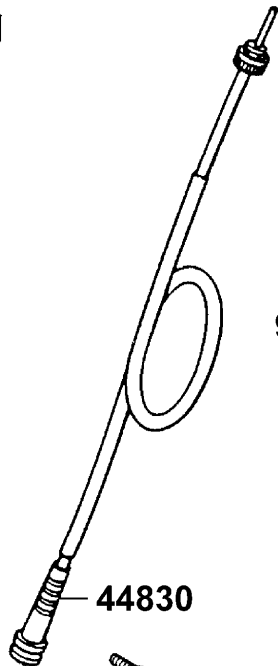
33100		33100-LDC8-E10	LIGHT ASSY HEAD	LIGHT ASSY HEAD	1	
93903		93903-35380	SCREW TAPPING 5*16 (K)	SCREW TAPPING 5*16 (K)	4	



F02

Speedometer

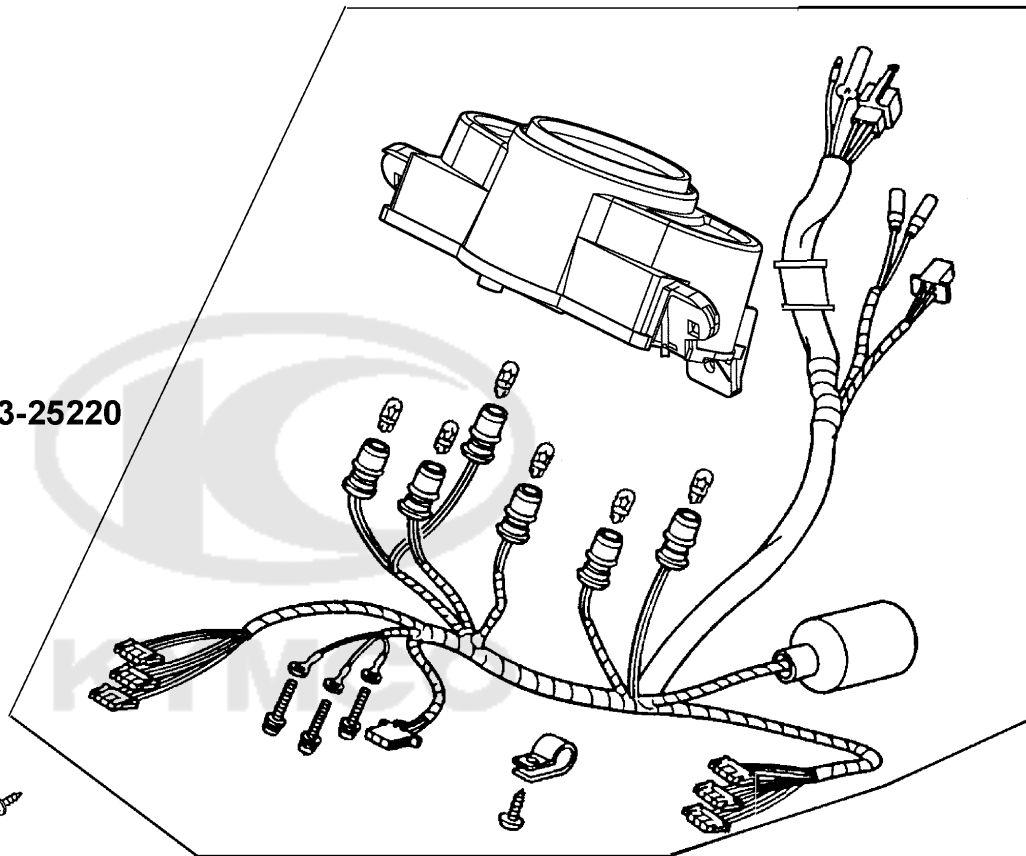
38300



44830

93700-05018-0H

93903-25220



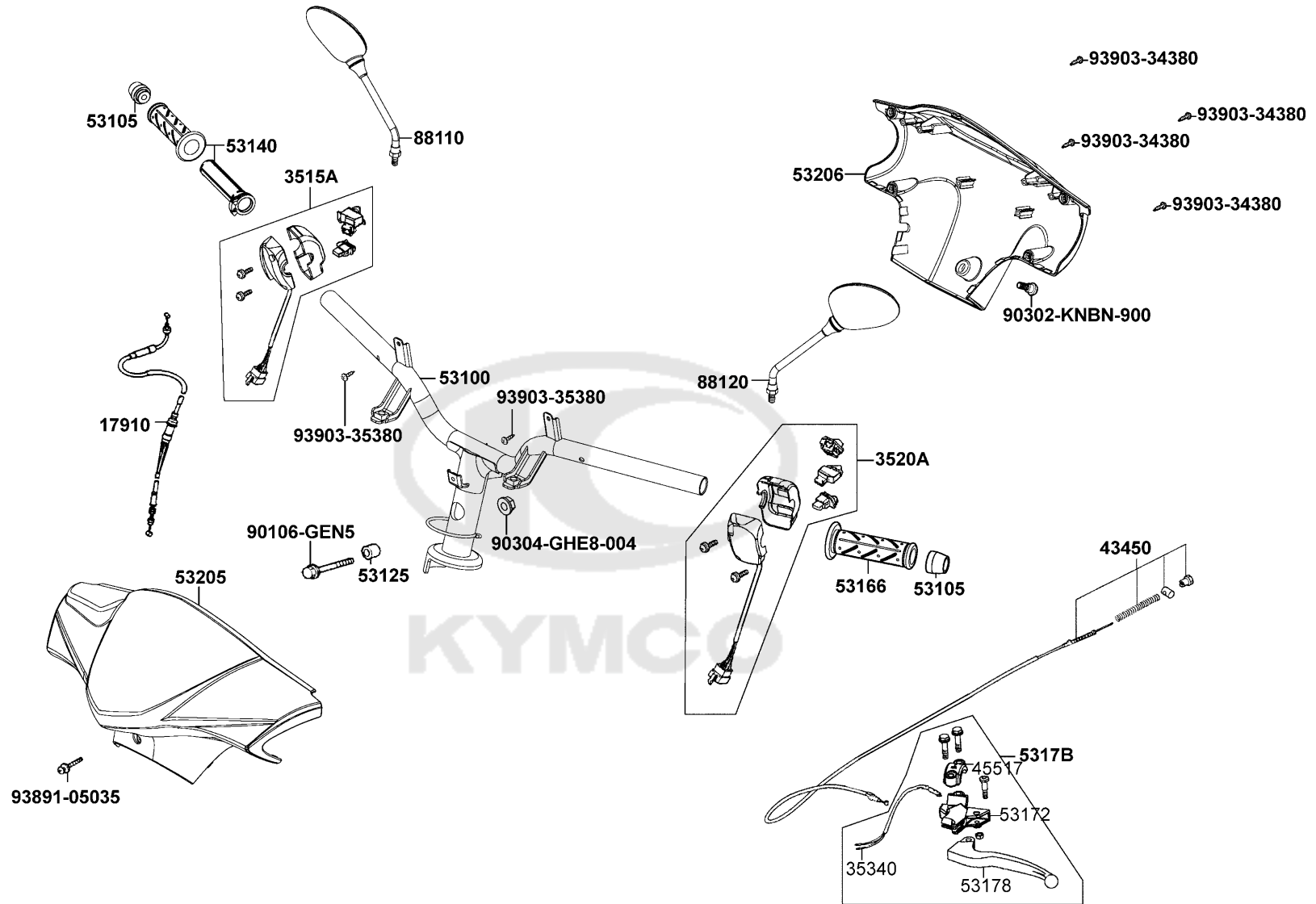
37200

Sales mark	Ref no	Part no	Description	Reg description	Regd no	F02
37200		37200-LDF7-E10	METER ASSY SPEED	METER ASSY SPEED	1	
38300		38300-KECE-W10	RELAY ASS'Y WINKER	RELAY ASS'Y WINKER	1	
44830		44830-LDC8-E10	CABLE COMP SPDMT	CABLE COMP SPDMT	1	
93700		93700-05018-0H	SCREW OVAL 5*18	SCREW OVAL 5*18	1	
93903		93903-35380	SCREW TAPPING 5*16 (K)	SCREW TAPPING 5*16 (K)	4	



F03

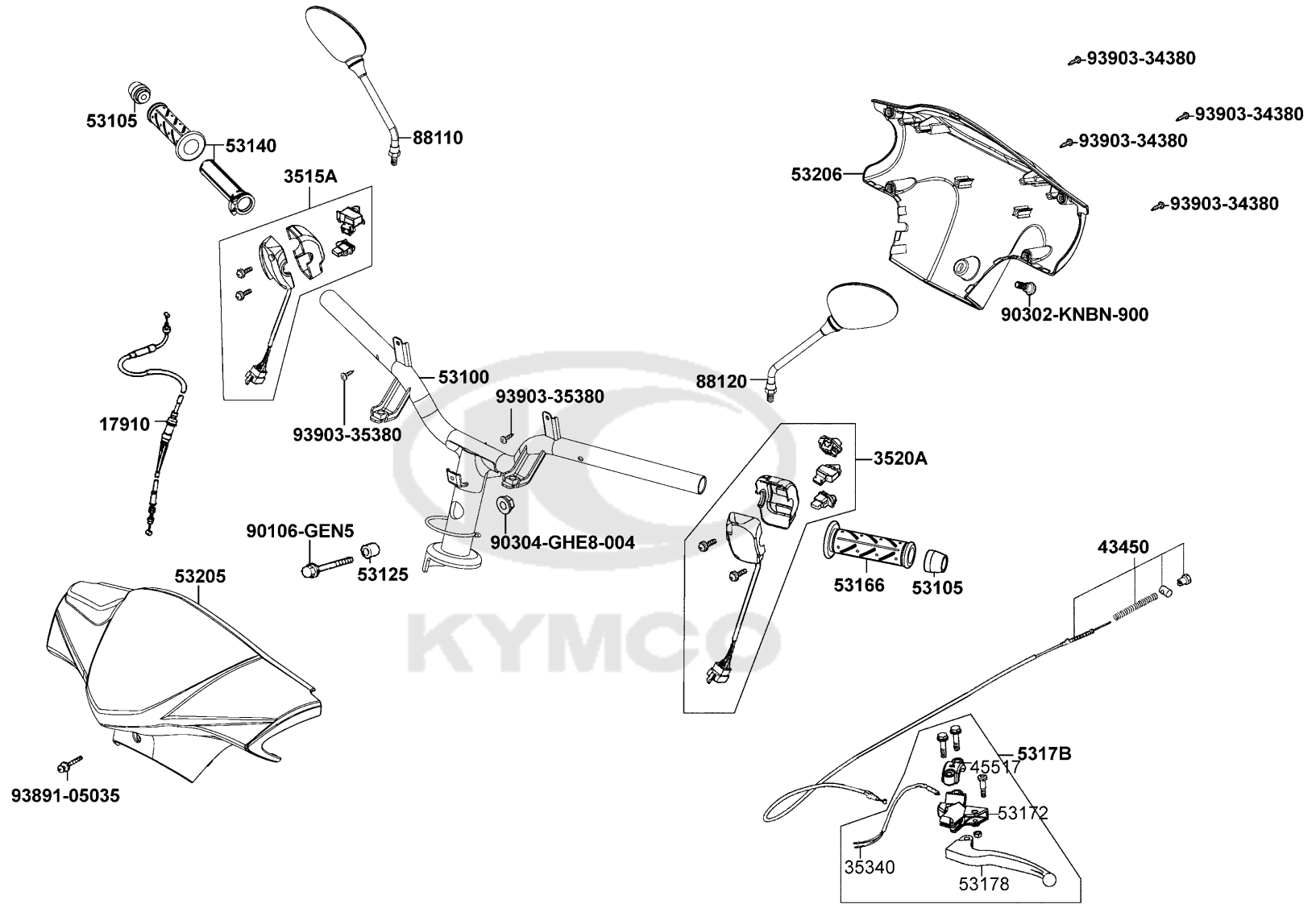
Handle Steering Handle Cover



Sales mark	Ref no	Part no	Description	Reg description	Regd no	F03
	17910	17910-LDF7-E10	CABLE COMP THROT	CABLE COMP THROT	1	
#	3515A	3515A-LGB5-E10	SW ASSY RH HNDL COMP	SW ASSY RH HNDL COMP	1	
	3520A	3520A-LGB5-E10	SW ASSY LH HANDLE COMP	SW ASSY LH HANDLE COMP	1	
	35340	35340-KKJ9-C00	SW ASSY FR STOP	SW ASSY FR STOP	1	
	43450	43450-LDF7-E10	CABLE COMP RR BRK	CABLE COMP RR BRK	1	
	45517	45517-GFY6-900	HOLDER HNDL BRKT	HOLDER HNDL BRKT	1	
	53100	53100-LCB9-C10	HANDLE COMP STRG	HANDLE COMP STRG	1	
	53105	53105-KNBN-C00	END STRG HANDLE	END STRG HANDLE	1	
	53125	53125-GEN5-C00	COLLAR HANDLE SET	COLLAR HANDLE SET	1	
	53140	53140-KNBN-960	GRIP COMP THROT	GRIP COMP THROT	1	
**	53166	53166-KNBN-C00	GRIP L HANDLE	GRIP L HANDLE	1	
	53172	53172-KTCT-C00	BRKT HNDL L	BRKT HNDL L	1	
	53178	53178-KXCX-C00	LEVER L STRG HANDLE	LEVER L STRG HANDLE	1	
	5317B	5317B-KFA6-C00	BRKT ASSY HNDL LH	BRKT ASSY HNDL LH	1	
**	53205	53205-LCB9-C10	COVER HANDLE FR	COVER HANDLE FR	1	
	53206	53206-LCB9-C10	COVER HANDLE RR	COVER HANDLE RR	1	
	88110	88110-LCB9-C10	MIRROR ASSY R BACK	MIRROR ASSY R BACK	1	
	88120	88120-LCB9-C10	MIRROR ASSY L BACK	MIRROR ASSY L BACK	1	
	90106	90106-GEN5-901	BOLT FLANGE 10*50	BOLT FLANGE 10*50	1	
	90302	90302-KNBN-C00	BOLT PAN 5*10	BOLT PAN 5*10	1	

F03

Handle Steering Handle Cover



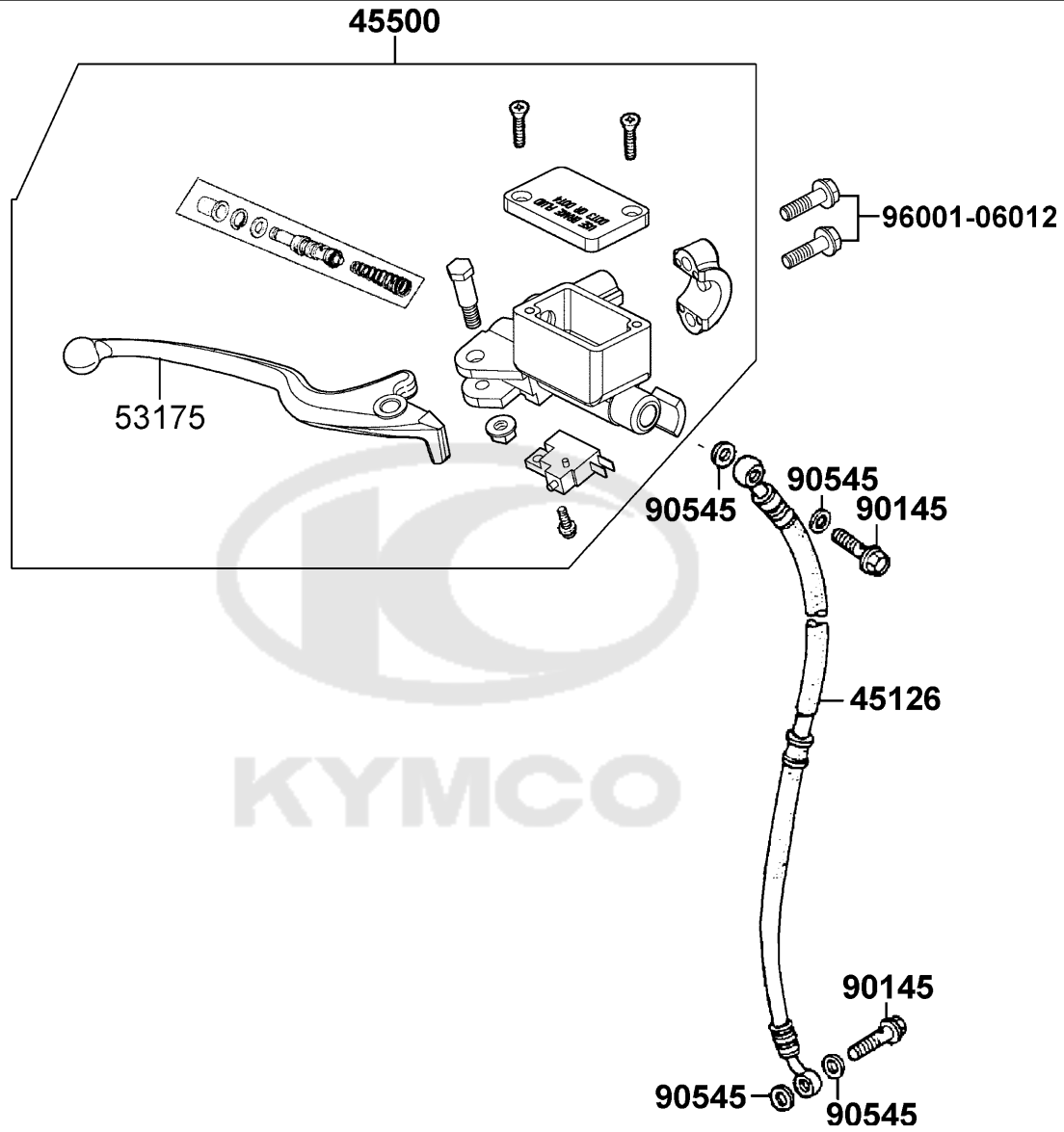
Sales mark	Ref no	Part no	Description	Reg description	Regd no	F03
------------	--------	---------	-------------	-----------------	---------	------------

90304	90304-GHE8-C00	90304-GHE8-C00	NUT U 10MM(C)	NUT U 10MM(C)	1	
93891	93891-05035-07	93891-05035-07	SCREW WASHER 5*35 (K)	SCREW WASHER 5*35 (K)	1	
93903-34380	93903-34380	93903-34380	SCREW TAPPING 4*12	SCREW TAPPING 4*12	4	
93903-35380	93903-35380	93903-35380	SCREW TAPPING 5*16 (K)	SCREW TAPPING 5*16 (K)	2	



F04

Brake Master Cylinder

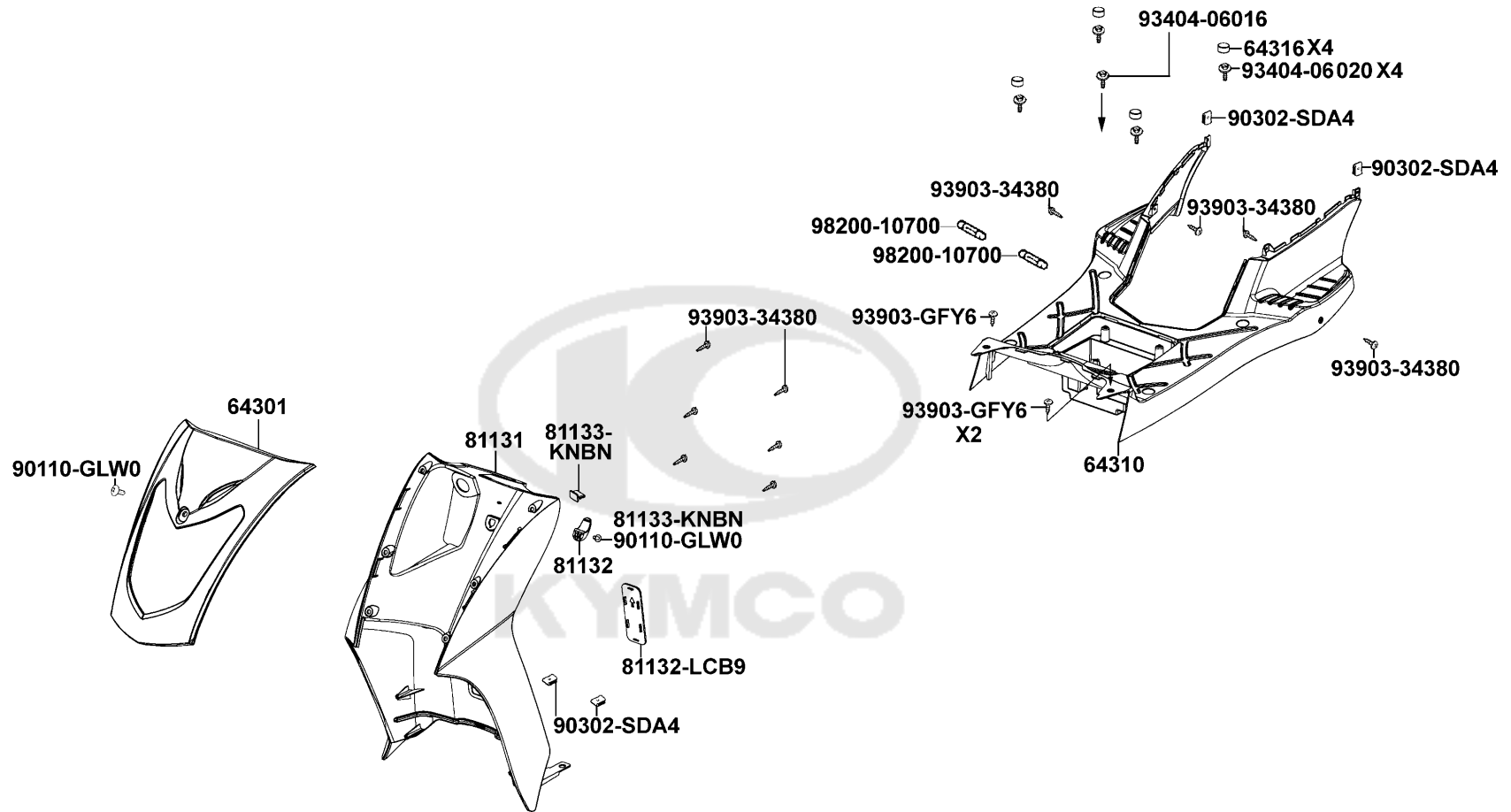


Sales mark	Ref no	Part no	Description	Reg description	Regd no	F04
45126		45126-KKD6-E00	HOSE ASSY FR BRK	HOSE ASSY FR BRAKE	1	
45500		45500-LDC8-E10	M/C ASSY FR	M/C ASSY FR	1	
53175		53175-LDC8-E10	LEVER R STRG HNDL	LEVER R STRG HNDL	1	
90145		90145-MKS9-61A	OIL BOLT 10*22	OIL BOLT 10*22	2	
90545		90545-3L00-C00	WASHER OIL BOLT	WASHER OIL BOLT	1	
96001		96001-06012-07	BOLT FLANGE SH 6*12	BOLT FLANGE SH 6*12 (K)	2	



F05

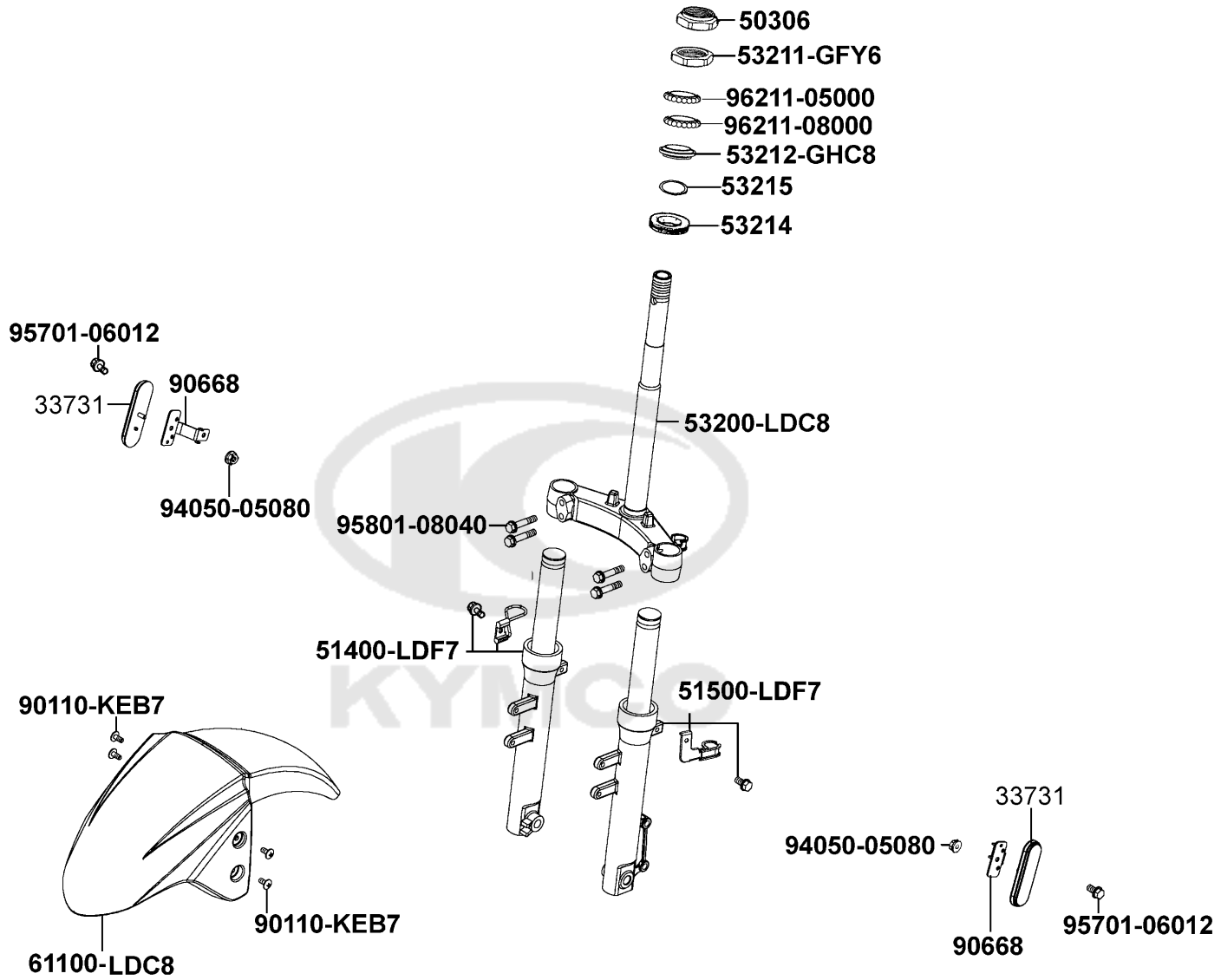
Front Cover Front Fender



Sales mark	Ref no	Part no	Description	Reg description	Regd no	F05
**	64301	64301-LCB9-C10	COVER FR	COVER FR	1	
	64310	64310-LCB9-C10	PANEL FLOOR	PANEL FLOOR	1	
	64316	64316-LCB9-C10	PLUG FLOOR	PLUG FLOOR	4	
	81131	81131-LCB9-C10	LEG SHIELD	LEG SHIELD	1	
	81132-LCB9	81132-LCB9-C10	Xc	Xc	1	
	81132-LDC8	81132-LDC8-E10	HOOK LUGGAGE	HOOK LUGGAGE	1	
**	81133	81133-KNBN-9010	STOPPER LUGGAGE	STOPPER LUGGAGE	1	
	90110	90110-GLW0-C00	SCREW SPECIAL 6*14	SCREW SPECIAL 6*14	1	
	90302	90302-SDA4-C00	NUT SPRING 4MM	NUT SPRING 4MM	1	
	93404-06016	93404-06016-07	BOLT WASHER 6*16 (K)	BOLT WASHER 6*16 (K)	1	
	93404-06020	93404-06020-07	BOLT WASHER 6*20 (K)	BOLT WASHER 6*20 (K)	4	
	93903-34380	93903-34380	SCREW TAPPING 4*12	SCREW TAPPING 4*12	10	
	93903-GFY6	93903-GFY6-C00	SCREW TAPPING 4*14	SCREW TAPPING 4*14	1	
	98200-10700	98200-10700	FUSE A7	FUSE A7	1	

F06

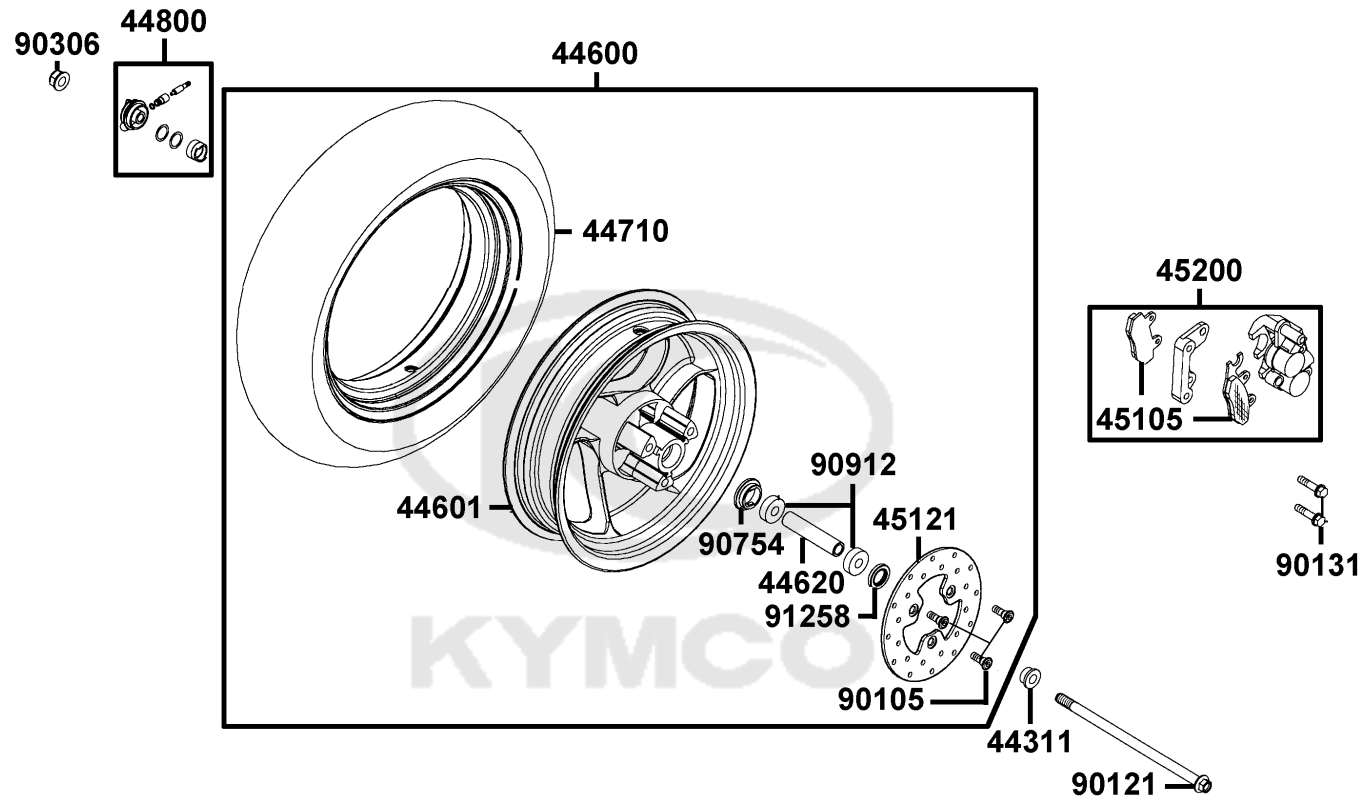
Stem Steering Front Cushion



Sales mark	Ref no	Part no	Description	Reg description	Regd no	F06
	33731	33731-KGB5-C00	REFLEX REFLECTOR,SIDE	REFLEX REFLECTOR,SIDE	1	
	50306	50306-1F96-C00	NUT STRG STEM LOCK	NUT STRG STEM LOCK	1	
	51400	51400-LDF7-E10	FORK ASSY R FR	FORK ASSY R FR	1	
	51500	51500-LDF7-E10	FORK ASSY L FR	FORK ASSY L FR	1	
	53200	53200-LDC8-E10	STEM COMP STRG	STEM COMP STRG	1	
	53211	53211-GFY6-C00	RACE STRG TOP CONE	RACE STRG TOP CONE	1	
	53212	53212-2L50-C00	RACE (STRG BOTTOM) CONE	RACE (STRG BOTTOM) CONE	1	
	53214	53214-2L50-C00	DUST SEAL STRG HEAD	DUST SEAL STRG HEAD	1	
	53215	53215-2L50-C00	WASHER STRG HDL DUST-SEAL	WASHER STRG HDL DUST-SEAL	1	
**	61100	61100-LDC8-E10	FENDER FR	FENDER FR	1	
	90110	90110-KEB7-C00	SCREW SPECIAL 6*14	SCREW SPECIAL 6*14	1	
	90668	90668-LDC8-E10	STAY SIDE REFLECTOR	STAY SIDE REFLECTOR	2	
	94050	94050-05080	NUT FLANGE 5MM	NUT FLANGE 5MM	2	
	95701	95701-06012-08	BOLT FLANGE 6*12	BOLT FLANGE 6*12	2	
	95801	95801-08040-08	BOLT FLANGE 8*40	BOLT FLANGE 8*40	4	
	96211-05000	96211-05000	BALL STEEL 5	BALL STEEL 5	26	
	96211-08000	96211-08000	BALL STEEL 8MM	BALL STEEL ?	19	

F07

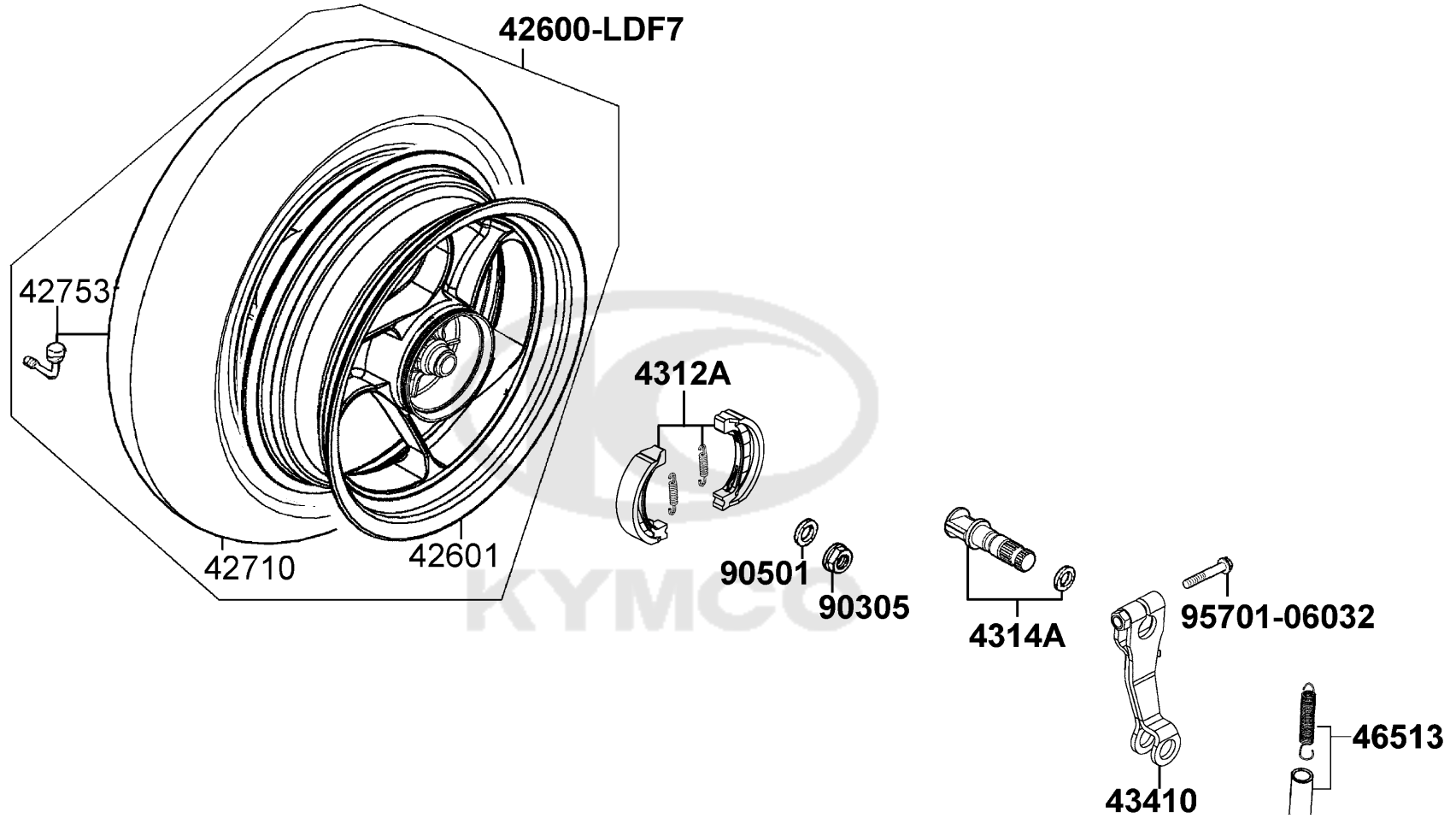
Front Wheel



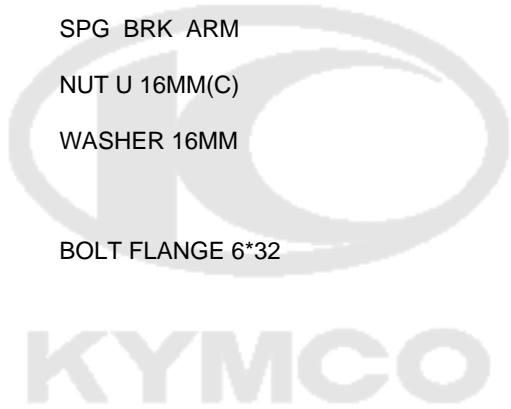
Sales mark	Ref no	Part no	Description	Reg description	Regd no	F07
	44311	44311-GLW0-W10	COLLAR FR WHEEL SIDE	COLLAR FR WHEEL SIDE	1	
**	44600	44600-LDC8-E10	WHEEL ASSY FR	WHEEL ASSY FR	1	
**	44601	44601-KEB7-E0E	WHEEL FR CAST	WHEEL FR CAST	1	
**	44601	44601-KEB7-E0E	WHEEL FR CAST	WHEEL FR CAST	1	
	44620	44620-KEB7-E00	COLLAR FR DIST	COLLAR FR DIST	1	
	44710	44710-LDC8-E10	TIRE ASSY FR	TIRE ASSY FR	1	
	44800	44800-LDC8-E10	GEAR BOX ASSY SPDMT	GEAR BOX ASSY SPDMT	1	
	45105	45105-KKD6-305	PAD COMP A+B	PAD COMP A+B	2	
	45121	45121-LBD5-C00	DISK FR BRK	DISK FR BRK	1	
	45200	45200-KKD6-E90	CALIPER ASSY L FR	CALIPER ASSY L FR	1	
	90105	90105-KCR3-001	BOLT FR DISK 8*24	BOLT FR DISK 8*24	3	
	90121	90121-KBE2-C00	BOLT RR FORK PIVOT	BOLT RR FORK PIVOT	1	
	90131	90131-GLW0-C00	BOLT FLANGE 8*35	BOLT FLANGE 8*35	1	
	90306	90306-KLF0-C00	NUT FLANGE 12MM	NUT FLANGE 12MM	1	
	90754	90754-GHC8-C00	DUST SEAL 20*32*5	DUST SEAL 20*32*5	1	
	90912	90912-GHC8-C00	BEARING 6201 (U) (NTN)	BEARING 6201 (U) (NTN)	1	
	91258	91258-KAM1-C00	SEAL SPDMT GEAR BOX	SEAL SPDMT GEAR BOX	1	

F08

Rear Wheel

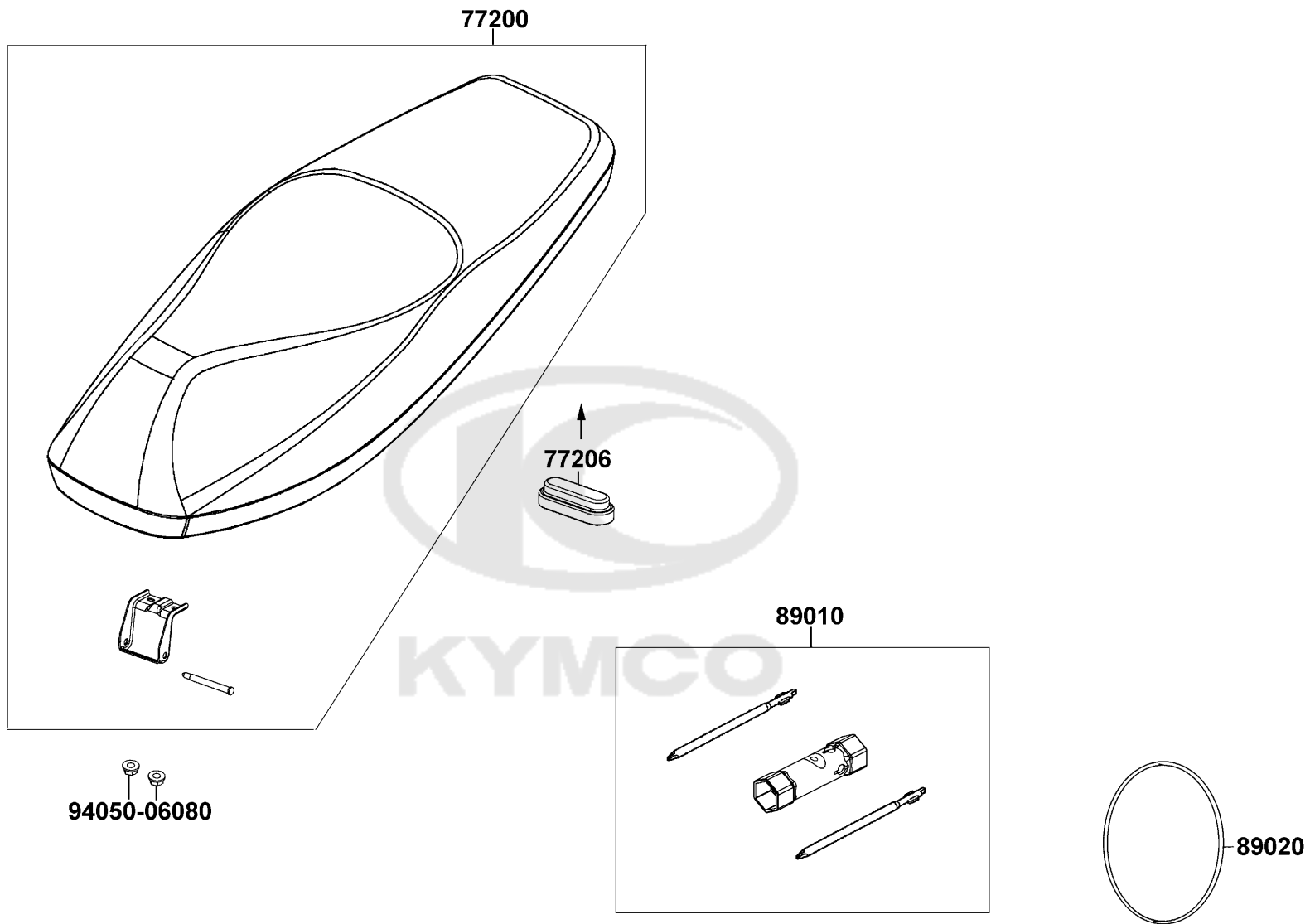


Sales mark	Ref no	Part no	Description	Reg description	Regd no	F08
**	42600	42600-LDF7-E10	WHEEL ASSY REAR	WHEEL ASSY REAR	1	
**	42601	42601-LDF7-E10	WHEEL COMP RR CAST	WHEEL COMP RR CAST	1	
	42710	42710-LDC8-E10	TIRE ASSY RR	TIRE ASSY RR	1	
	42753	42753-HHJ1-C00	CAP VALVE	CAP VALVE	1	
	4312A	4312A-KUDU-C00	SHOE ASSY RR BRAKE	SHOE ASSY RR BRAKE	1	
	4314A	4314A-KKD7-E00	CAM ASSY RR BRAKE	CAM ASSY RR BRAKE	1	
	43410	43410-KEC4-900	ARM COMP RR BRAKE	ARM COMP RR BRAKE	1	
	46513	46513-KUDU-C00	SPG BRK ARM	SPG BRK ARM	1	
	90305	90305-KNBN-C00	NUT U 16MM(C)	NUT U 16MM(C)	1	
	90501	90501-KNBN-C00	WASHER 16MM	WASHER 16MM	1	
	95701	95701-06032-08	BOLT FLANGE 6*32	BOLT FLANGE 6*32	1	



F09

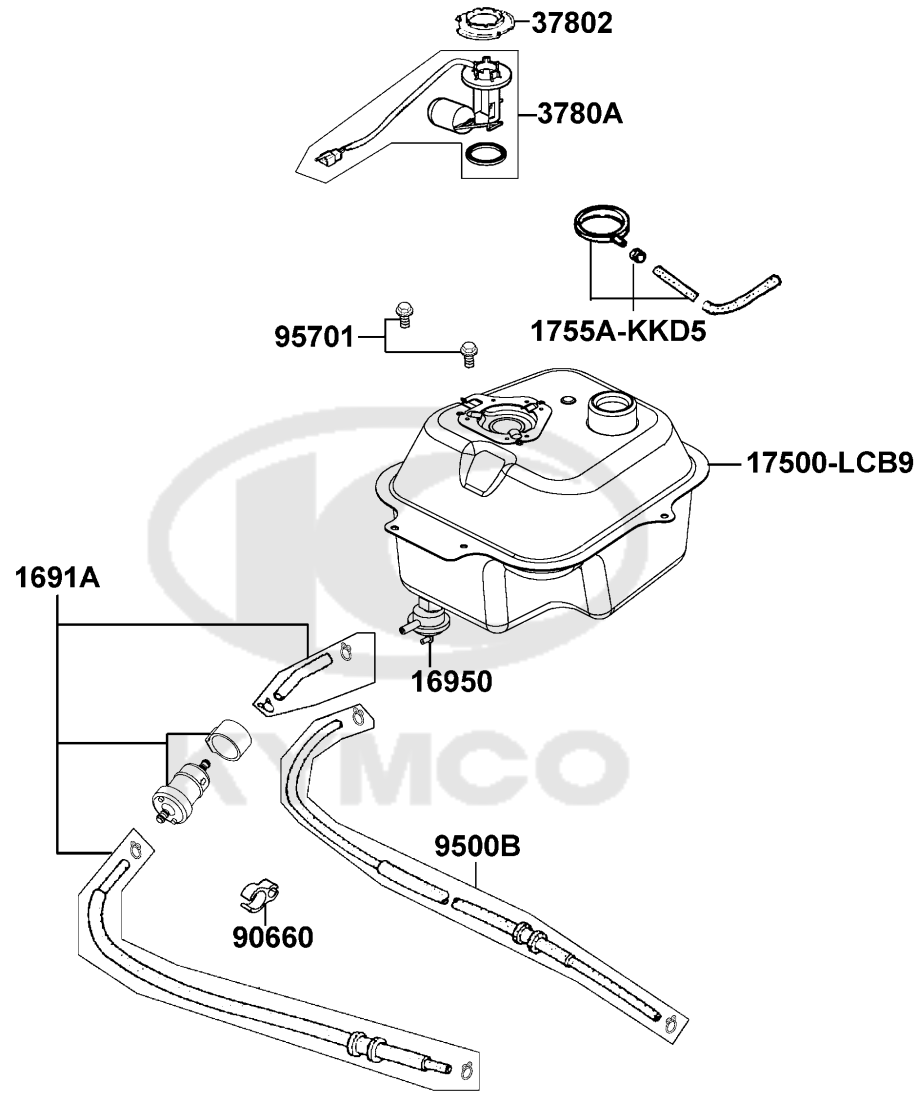
Seat



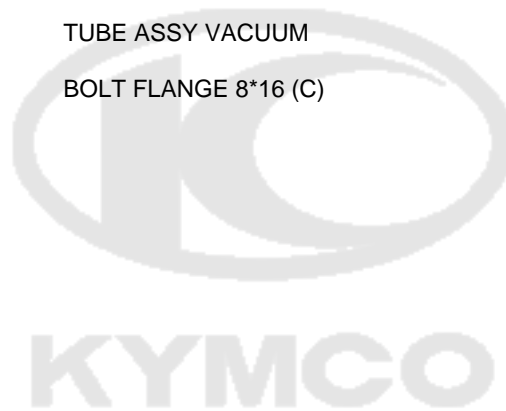
Sales mark	Ref no	Part no	Description	Reg description	Regd no	F09
------------	--------	---------	-------------	-----------------	---------	------------

77200	77200-LDF7-E10	77200-LDF7-E10	SEAT ASSY	SEAT ASSY	1	
77206	77206-LCB9-C10	77206-LCB9-C10	RUBBER SEAT CUSHION	RUBBER SEAT CUSHION	1	
89010	89010-KNBN-900	89010-KNBN-900	TOOL SET	TOOL SET	1	
89020	89020-KKC4-900	89020-KKC4-900	BAND TOOL SET	BAND TOOL SET	1	
94050	94050-06080	94050-06080	NUT FLANGE 6MM	NUT FLANGE 6MM	2	





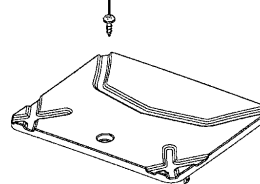
Sales mark	Ref no	Part no	Description	Reg description	Regd no	F10
1691A		1691A-LDF7-E10	STRAINER ASSY FUEL	STRAINER ASSY FUEL	1	
16950		16950-KKJ9-C00	AUTO COCK ASSY FUEL	AUTO COCK ASSY FUEL	1	
17500		17500-LCB9-C10	TANK COMP FUEL	TANK COMP FUEL	1	
1755A		1755A-KKD5-C10	TRAY ASSY FUEL CAP	TRAY ASSY FUEL CAP	1	
37802		37802-GGA7-C00	RET FUEL UNIT	RET FUEL UNIT	1	
3780A		3780A-LDC8-E10	FUEL UNIT ASSY	FUEL UNIT ASSY	1	
90660		90660-KGBG-C00	CLAMPER TUBE	CLAMPER TUBE	1	
9500B		9500B-LDC8-E10	TUBE ASSY VACUUM	TUBE ASSY VACUUM	1	
95701		95701-08016-08	BOLT FLANGE 8*16 (C)	BOLT FLANGE 8*16 (C)	2	



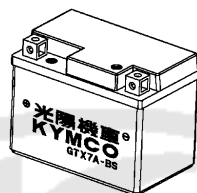
F11

Battery

93903-35380



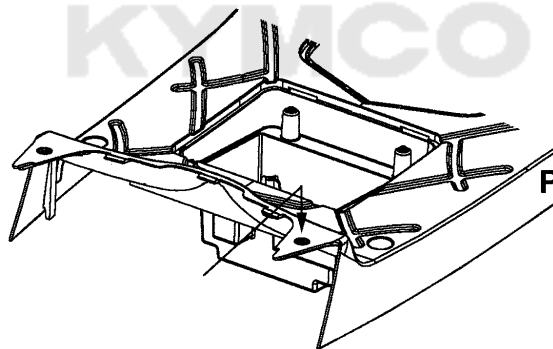
50326-LCB9



31500



98200-10700



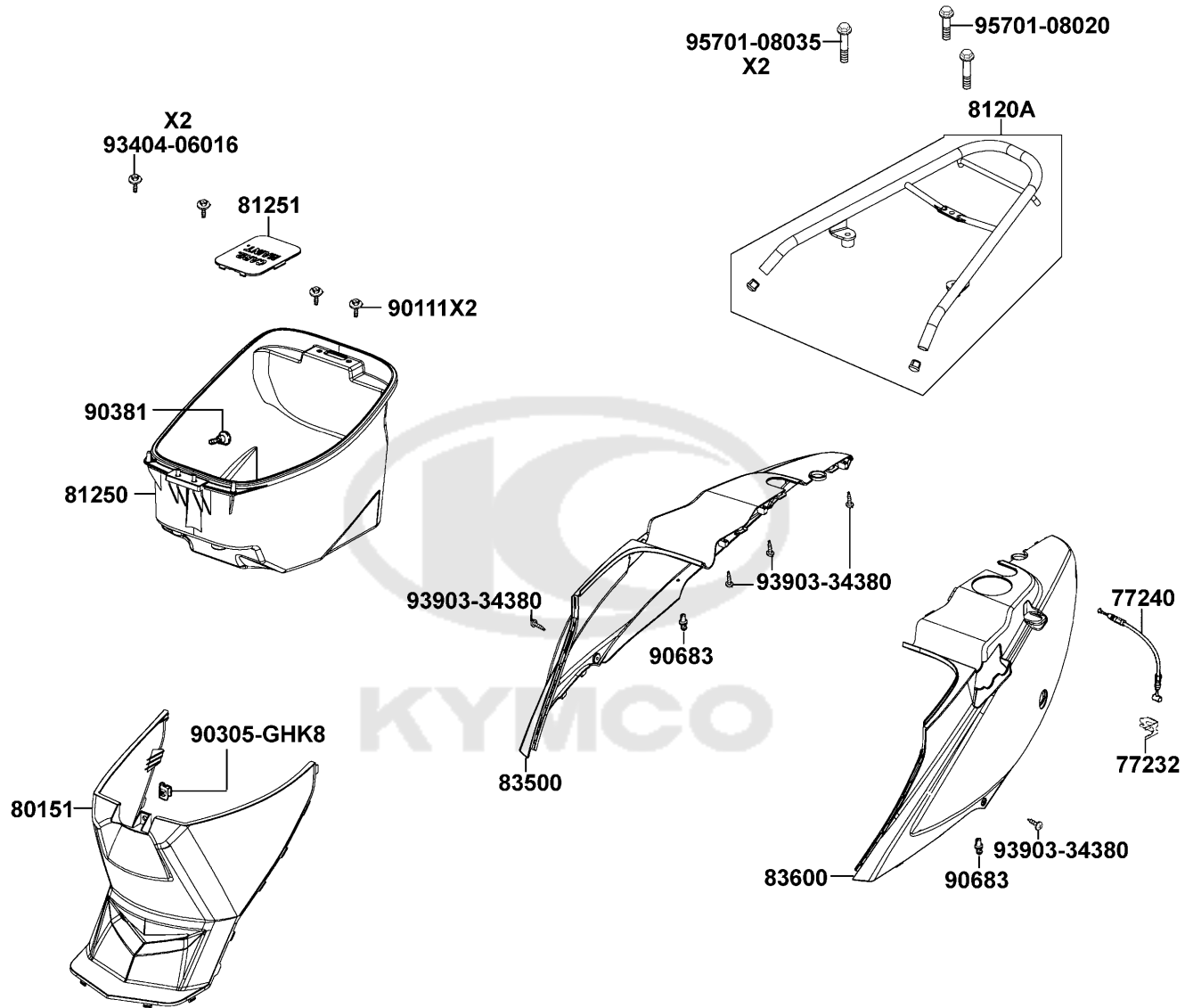
PANEL FLOOR

Sales mark	Ref no	Part no	Description	Reg description	Regd no	F11
31500	31500-GFY6-C00	31500-GFY6-C00	BATTERY YTX7A-BS	BATTERY YTX7A-BS	1	
50326	50326-LCB9-C10	50326-LCB9-C10	COVER BATTERY	COVER BATTERY	1	
93903	93903-35380	93903-35380	SCREW TAPPING 5*16 (K)	SCREW TAPPING 5*16 (K)	1	
98200	98200-10700	98200-10700	FUSE A7	FUSE A7	1	



F12

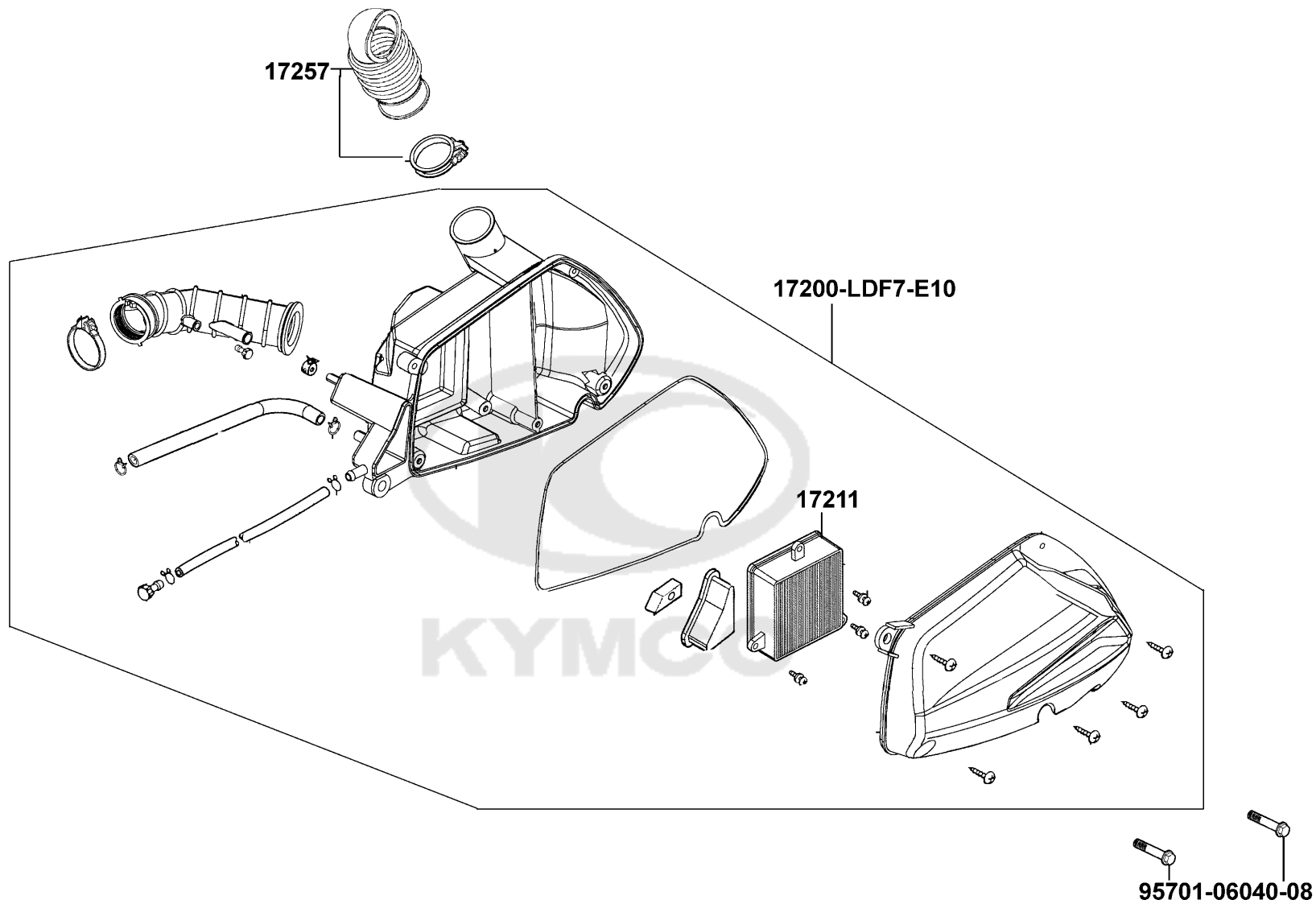
Body Cover Luggage Box



Sales mark	Ref no	Part no	Description	Reg description	Regd no	F12
	77232	77232-KCAC-C00	SET SPG SEAT LOCK	SET SPG SEAT LOCK	1	
	77240	77240-LDC8-E10	CABLE COMP SEAT LOCK	CABLE COMP SEAT LOCK	1	
	80151	80151-LCB9-C10	COVER CENTER	COVER CENTER	1	
	8120A	8120A-LCB9-C10	CARRIER ASSY LUGGER	CARRIER ASSY LUGGER	1	
	81250	81250-LCB9-C10	BOX LUGGAGE	BOX LUGGAGE	1	
	81251	81251-LCB9-C10	LID CARB MAINT	LID CARB MAINT	1	
**	83500	83500-LDF7-E10	COVER R BODY	COVER R BODY	1	
**	83600	83600-LDF7-E10	COVER L BODY	COVER L BODY	1	
	90111	90111-1G87-C00	BOLT FLANGE 6MM	BOLT FLANGE 6MM	1	
	90305	90305-GHK8-C00	NUT CLIP 6MM	NUT CLIP 6MM	1	
	90381	90381-GEZ5-C00	SCREW SPECIAL 6*17	SCREW SPECIAL 6*17	1	
	90683	90683-GAR1-C00	CLIP BODY COVER	CLIP BODY COVER	1	
	93404	93404-06016-07	BOLT WASHER 6*16 (K)	BOLT WASHER 6*16 (K)	2	
	93903	93903-34380	SCREW TAPPING 4*12	SCREW TAPPING 4*12	5	
	95701-08020	95701-08020-07	BOLT FLANGE 8*20 (K)	BOLT FLANGE 8*20 (K)	1	
	95701-08035	95701-08035-07	BOLT FLANGE 8*35	BOLT FLANGE 8*35	2	

F13

Air Cleaner



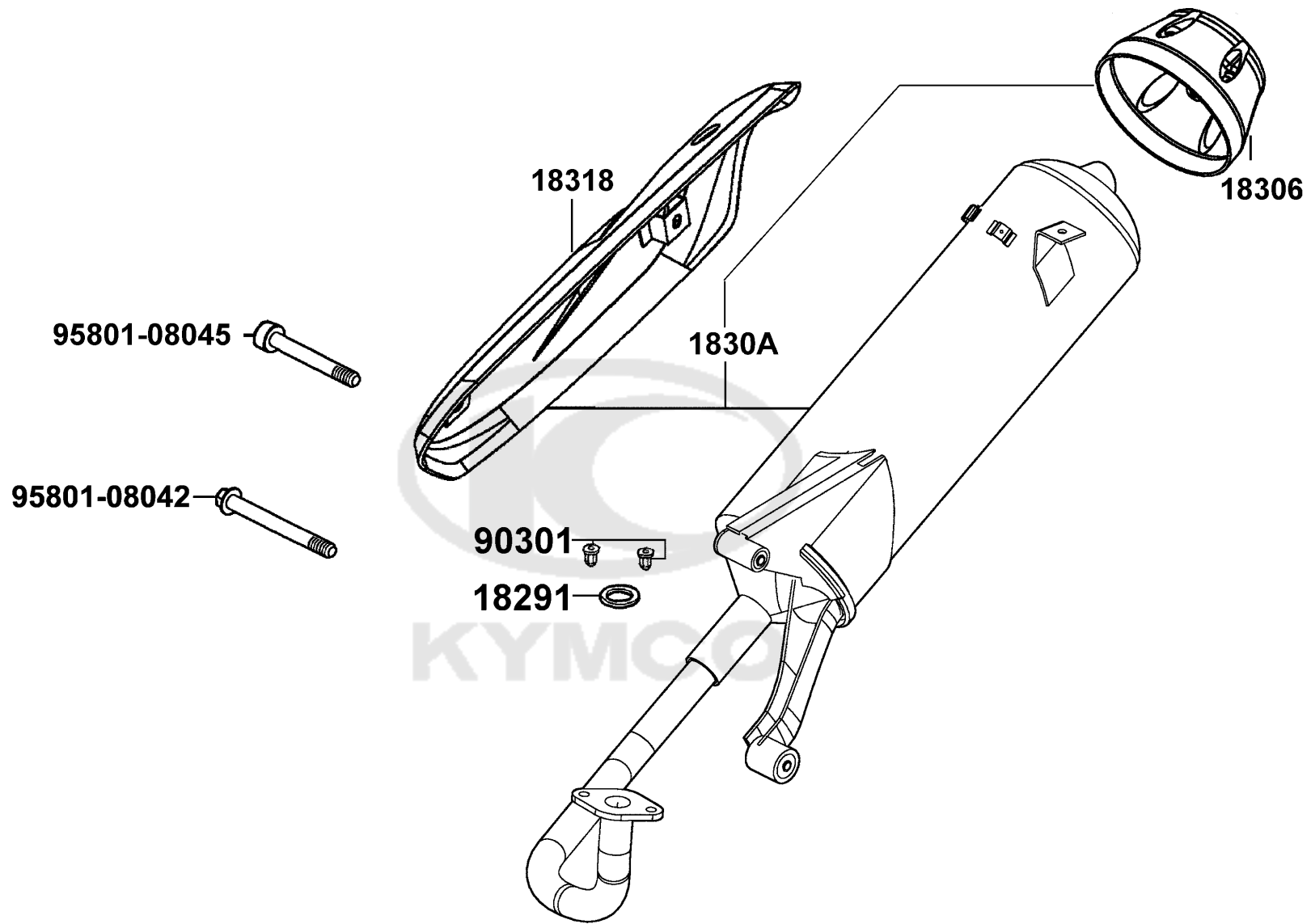
Sales mark	Ref no	Part no	Description	Reg description	Regd no	F13
------------	--------	---------	-------------	-----------------	---------	------------


17200		17200-LDF7-E10	AIR/C ASSY	AIR/C ASSY	1	
17211		17211-LDF7-B000	ELEMENT COMP AIR/C	ELEMENT COMP AIR/C	1	
17257		17257-LDF7-E10	DUCT AIR/C	DUCT AIR/C	1	
95701		95701-06040-08	BOLT FLANGE 6*40	BOLT FLANGE 6X40	2	



F14

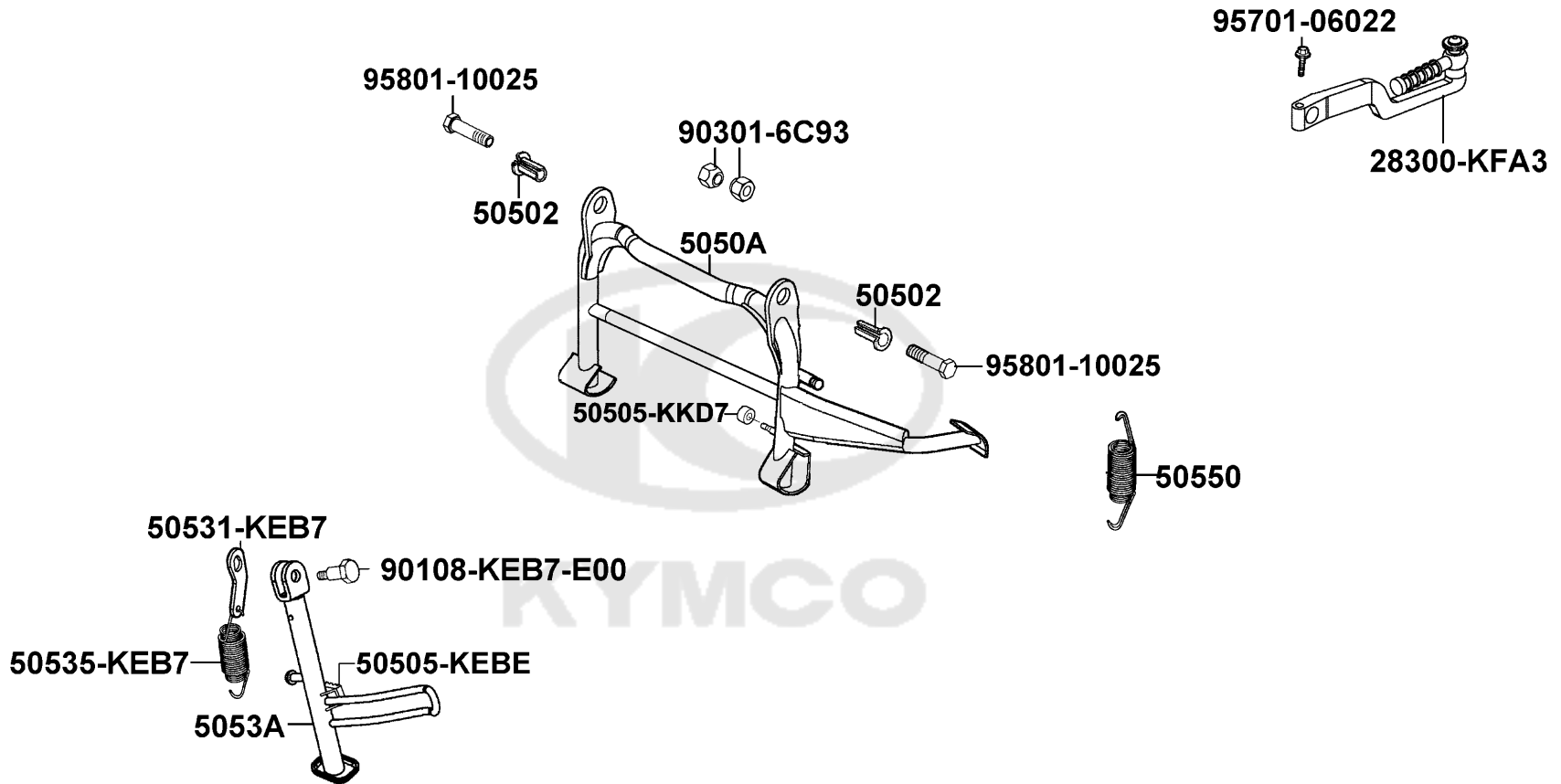
Exhaust Muffler



Sales mark	Ref no	Part no	Description	Reg description	Regd no	F14
	18291	18291-GGA7-080	GASKET EXH PIPE	GASKET EXH PIPE	3	
	18306	18306-LDF7-E10	TAIL CAP MUFFLER	TAIL CAP MUFFLER	1	
	1830A	1830A-LDF7-E10	MUFFLER ASSY EXH	MUFFLER ASSY EXH	1	
	18318	18318-LDF7-E10	PROTECTOR MUFFLER	PROTECTOR MUFFLER	1	
	90301	90301-GFY6-C00	NUT (HEX) CAP 8MM	NUT (HEX) CAP 8MM	1	
	95801	95801-08042-07	BOLT FLANGE8*42 (K)	BOLT FLANGE8*42 (K)	1	
	95801-08045	95801-08045-07	BOLT FLANGE8*45 (K)	BOLT FLANGE8*45 (K)	1	
						

F15

Stand Kick Starter Arm

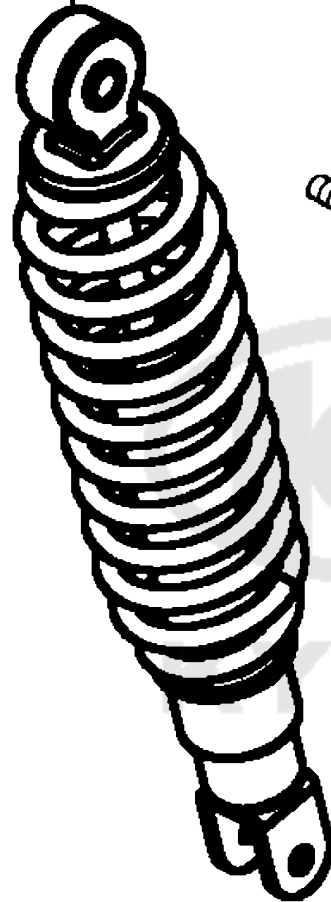


Sales mark	Ref no	Part no	Description	Reg description	Regd no	F15
**	28300	28300-KFA3-S00	ARM ASSY KICK STARTER	ARM ASSY KICK STARTER	1	
	50502	50502-LDF7-C00	COLLAR,MAIN STAND	COLLAR,MAIN STAND	1	
	50505	50505-KEBE-C00	STOPPER RUBBER	STOPPER RUBBER	1	
	5050A	5050A-KKD7-900	STAND ASSY MAIN	STAND ASSY MAIN	1	
	50531	50531-KEB7-C00	PLATE SPRING STOPPER	PLATE SPRING STOPPER	1	
	50535	50535-KEB7-E00	SPRING COMP SIDE STAND	SPRING COMP SIDE STAND	1	
	5053A	5053A-LDF7-E10	STAND ASSY SIDE	STAND ASSY SIDE	1	
	50550	50550-KEB7-C00	SPG MAIN STAND COMP	SPG MAIN STAND COMP	1	
	90108	90108-KEB7-E00	SCREW SIDE STAND PIVOT	SCREW SIDE STAND PIVOT	1	
	90301	90301-6C93-C00	NUT 6MM OPENSTAY	NUT 6MM OPENSTAY	1	
	95701	95701-06022-02	BOLT FLANGE 6*22	BOLT FLANGE 6*22	1	
	95801	95801-10025-08	BOLT FLANGE 10*25	BOLT FLANGE 10*25 (C)	2	

F16

Rear Cushion

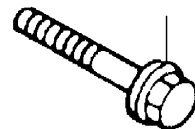
52400



95801-08035-08



95801-10035-08



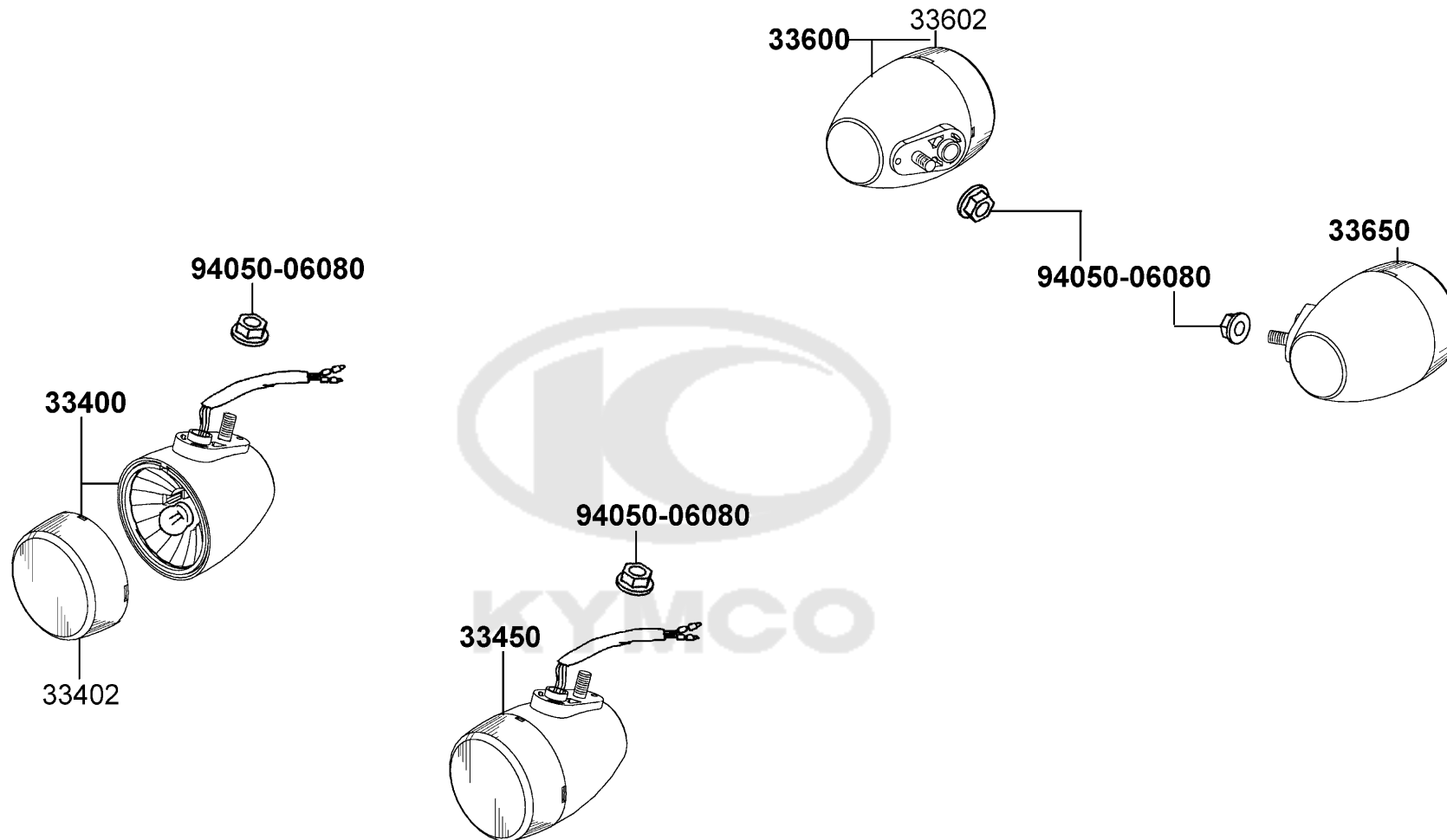
Sales mark	Ref no	Part no	Description	Reg description	Regd no	F16
------------	--------	---------	-------------	-----------------	---------	------------

52400		52400-LDF7-E10	CUSHION ASSY RR	CUSHION ASSY RR	1	
95801-08035		95801-08035-08	BOLT FLANGE 8*35	BOLT FLANGE 8*35	1	
95801-10035		95801-10035-08	BOLT FLANGE 10*35	BOLT FLANGE10*35	1	



F17

Front Winker

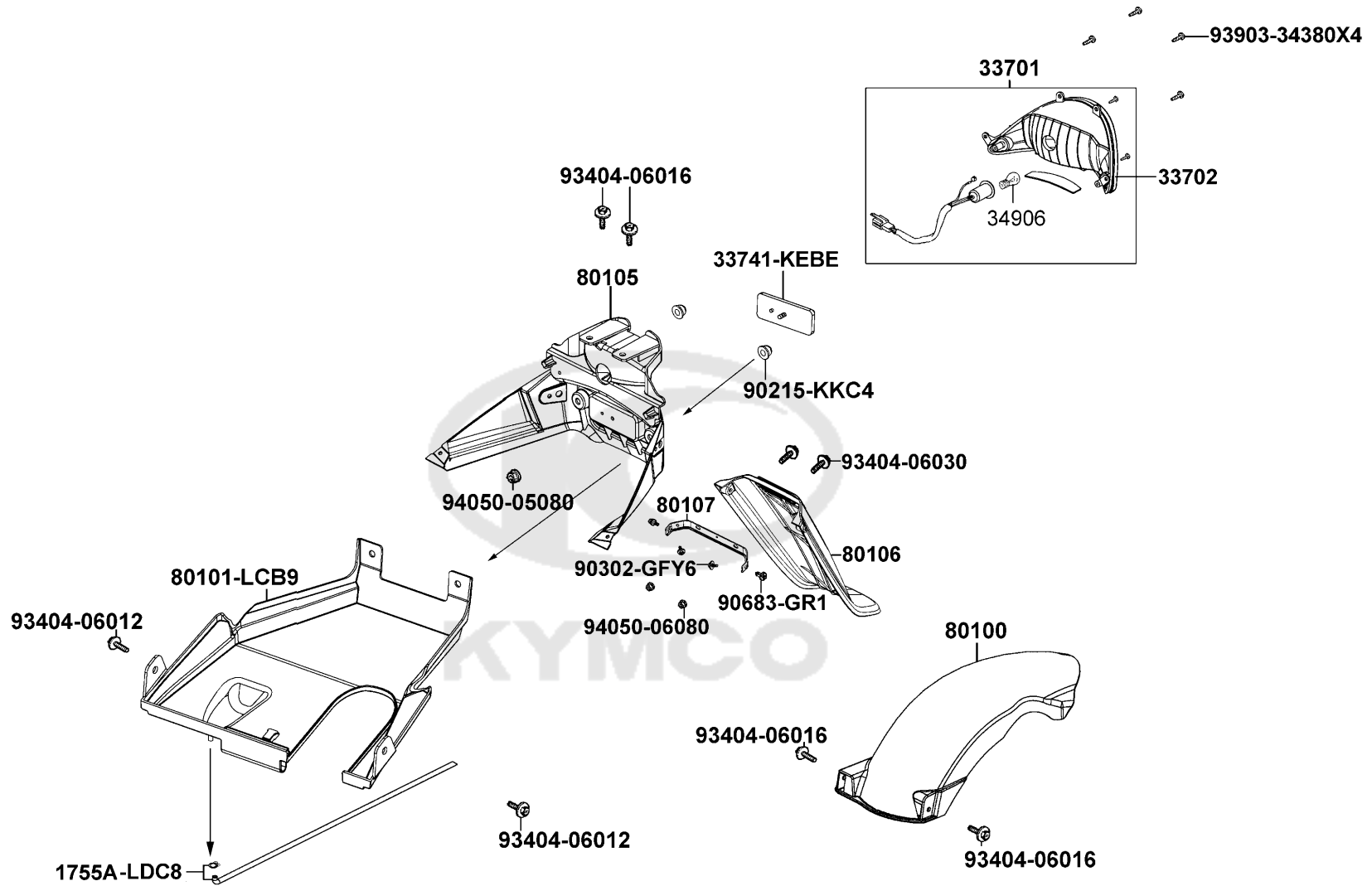


Sales mark	Ref no	Part no	Description	Reg description	Regd no	F17
	33400	33400-LDC8-E10	WINKER ASSY R FR	WINKER ASSY R FR	1	
	33402	33402-LDC8-E10	LENS FR WINKE	LENS FR WINKE	2	
	33450	33450-LDC8-E10	WINKER ASSY L FR	WINKER ASSY L FR	1	
	33600	33600-LDC8-E10	WINKER ASSY RH RR	WINKER ASSY RH RR	1	
	33602	33602-LDC8-E10	LENS RR WINKE	LENS RR WINKE	2	
	33650	33650-LDC8-E10	WINKER ASSY LH RR	WINKER ASSY LH RR	1	
	94050-06080	94050-06080	NUT FLANGE 6MM	NUT FLANGE 6MM	2	



F18

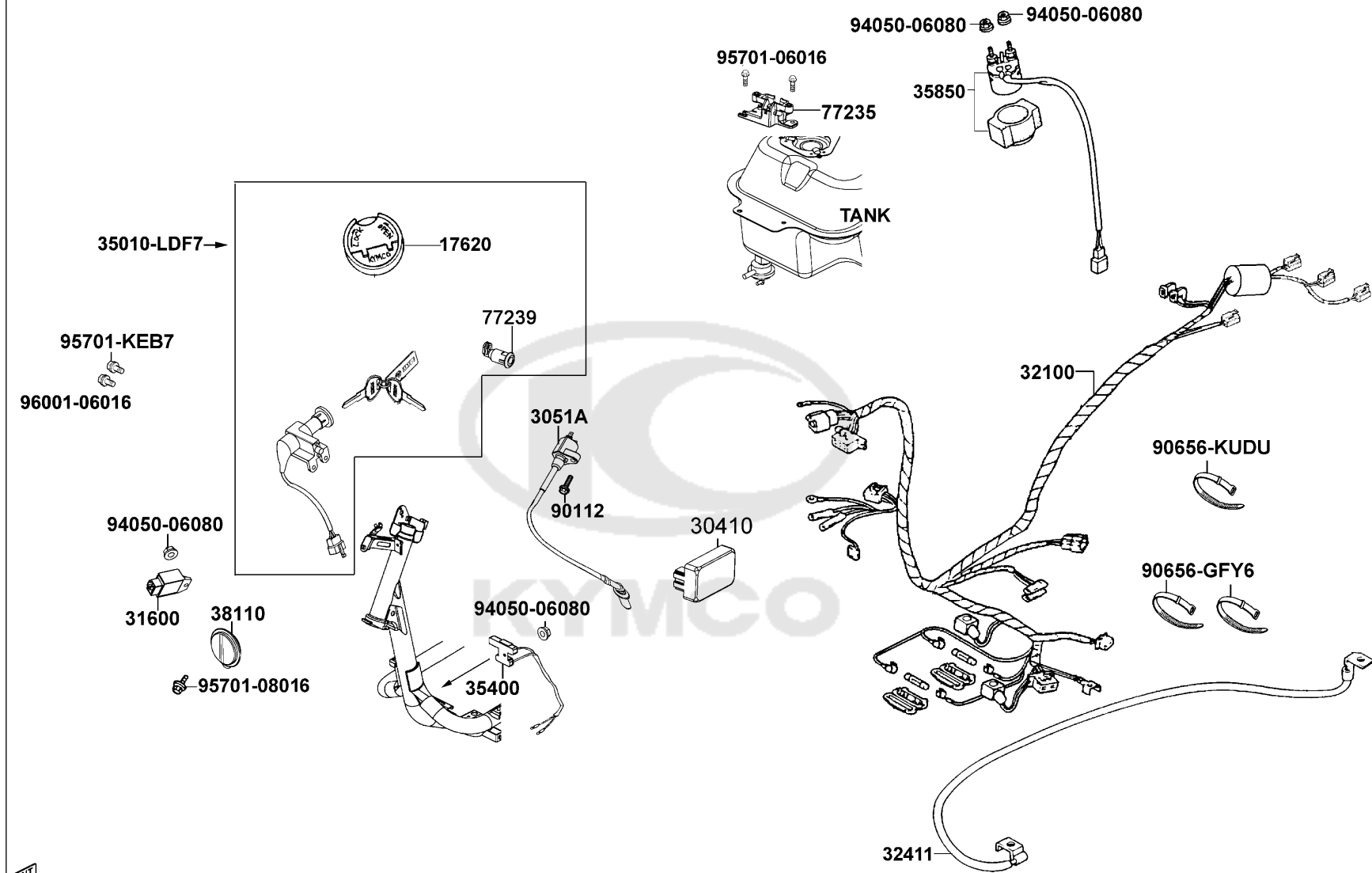
Tail Light



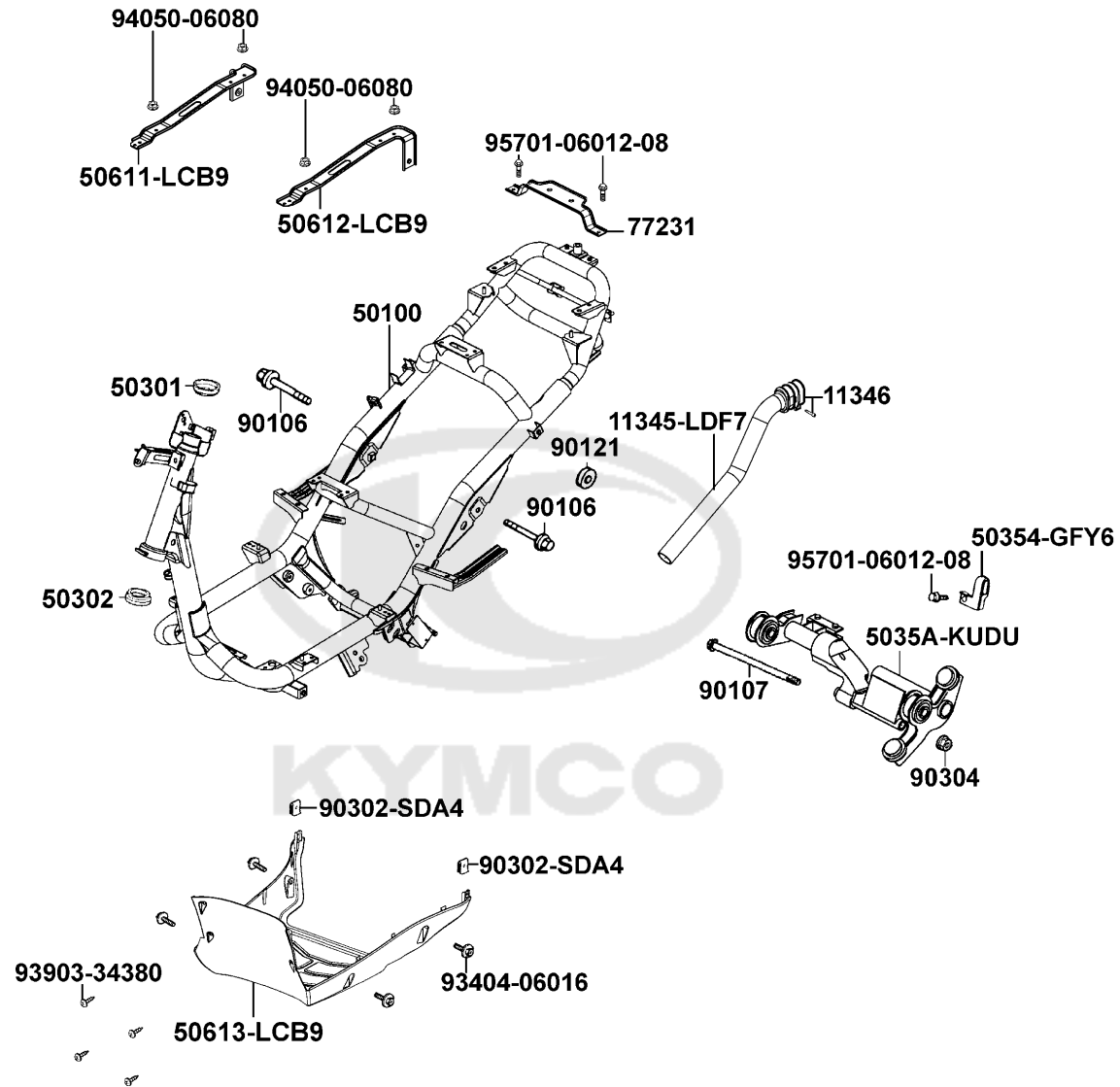
Sales mark	Ref no	Part no	Description	Reg description	Regd no	F18
1755A		1755A-LDC8-E10	TUBE ASSY FUEL DRAIN	TUBE ASSY FUEL DRAIN	1	
33701		33701-LDC8-E10	UNIT TAIL LIGHT	UNIT TAIL LIGHT	1	
33702		33702-LDC8-E10	LENS TAIL HIGHT	LENS TAIL HIGHT	1	
33741		33741-KEBE-C00	REFLEX REFLECTOR	REFLEX REFLECTOR	1	
34906		34906-LBA8-E80	BULB TAIL & STOP	BULB TAIL & STOP	1	
80100		80100-LDF7-E10	FENDER RR TIRE	FENDER RR TIRE	1	
80101		80101-LDF7-E10	FENDER RR INNER	FENDER RR INNER	1	
80105		80105-LDF7-E10	FENDER RR	FENDER RR	1	
80106		80106-LDC8-E10	FENDER RR LOW	FENDER RR LOW	1	
80107		80107-LDC8-E10	STAY RR FENDER	STAY RR FENDER	1	
90215		90215-KKC4-C00	NUT CAP 6MM	NUT CAP 6MM	1	
90302		90302-GFY6-C00	BOLT-WASH 5*12	BOLT-WASH 5*12	1	
90683		90683-GAR1-C00	CLIP BODY COVER	CLIP BODY COVER	1	
93404-06012		93404-06012-07	BOLT WASH 6*12	BOLT WASH 6*12	2	
93404-06016		93404-06016-07	BOLT WASHER 6*16 (K)	BOLT WASHER 6*16 (K)	4	
93404-06030		93404-06030-07	BOLT WASHER 6*30K	BOLT WASHER 6*30K	2	
93903		93903-34380	SCREW TAPPING 4*12	SCREW TAPPING 4*12	4	
94050-05080		94050-05080	NUT FLANGE 5MM	NUT FLANGE 5MM	1	
94050-06080		94050-06080	NUT FLANGE 6MM	NUT FLANGE 6MM	2	

F19

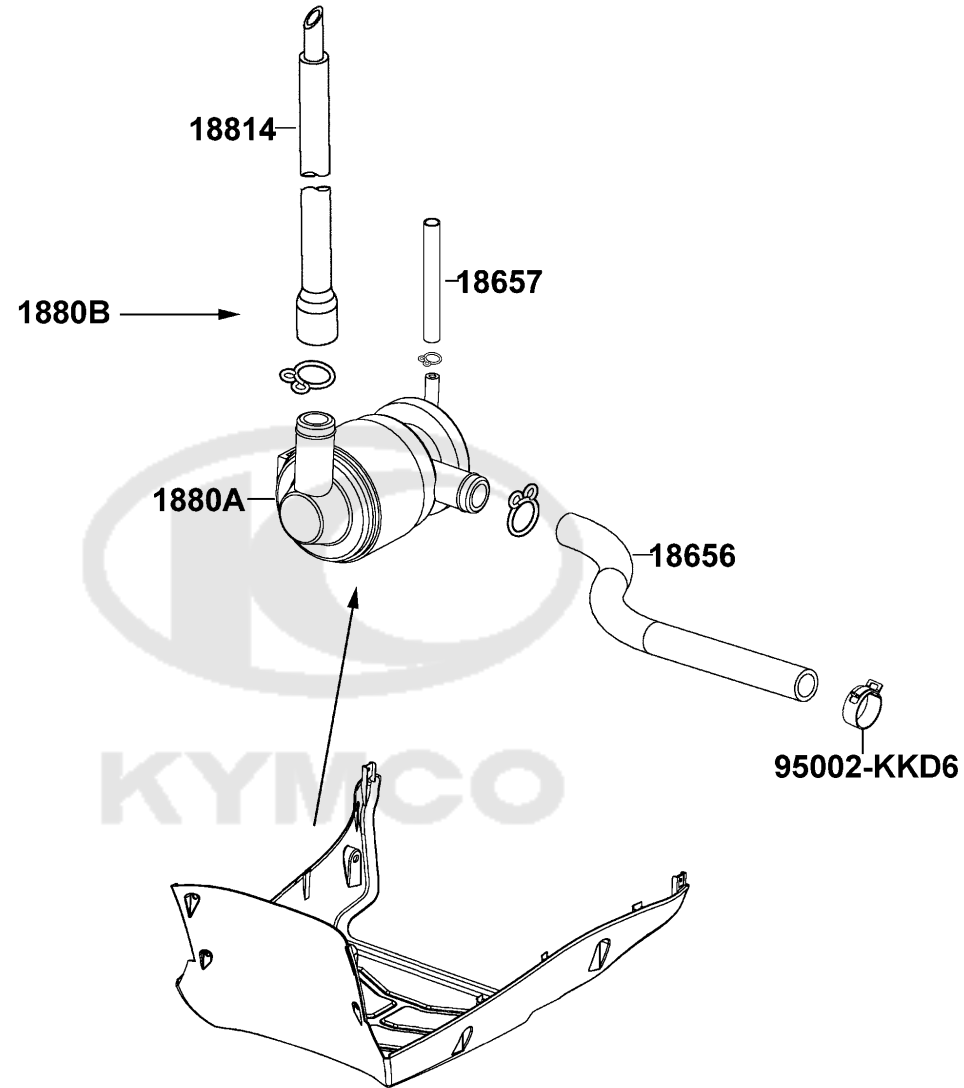
Wire Harness



Sales mark	Ref no	Part no	Description	Reg description	Regd no	F19
	17620	17620-LDF7-E10	CAP COMP FUEL FILLER	CAP COMP FUEL FILLER	1	
	30410	30410-KUDU-C00	UNIT COMP CDI	UNIT COMP CDI	1	
	3051A	3051A-GFY6-C00	COIL ASSY IGN	COIL ASSY IGN	1	
	31600	31600-KUDU-C00	REG REC COMPDC	REG REC COMPDC	1	
	32100	32100-LDF7-E10	HARNESS WIRE	HARNESS WIRE	1	
	32411	32411-LDF7-E10	CABLE BAT	CABLE BAT	1	
	35010	35010-LDF7-E10	KEY SET	KEY SET	1	
	35400	35400-LDF7-E11	RESISTOR COMP	RESISTOR COMP	1	
	35850	35850-KEBE-C00	SET START MAG	SET START MAG	1	
	38110	38110-KHB4-E0A	HORN COMP	HORN COMP	1	
	77235	77235-KGC4-C00	SEAT CATCH	SEAT CATCH	1	
	77239	77239-GFY6-C00	KEY SEAT LOCK	KEY SEAT LOCK	1	
	90112	90112-KRDR-C00	BOLT FLANGE 5*22	BOLT FLANGE 5*22	1	
	90656-GFY6	90656-GFY6-911	BAND OIL HOSE	BAND OIL HOSE	2	
	90656-KUDU	90656-KUDU-900	BAND HARNESS WIRE	BAND HARNESS WIRE	1	
	94050-06080	94050-06080	NUT FLANGE 6MM	NUT FLANGE 6MM	3	
	95701-06016	95701-06016-08	BOLT FLANGE 6*16	BOLT FLANGE 6*16	2	
	95701-08016	95701-08016-08	BOLT FLANGE 8*16 (C)	BOLT FLANGE 8*16 (C)	1	
	95701-KEB7	95701-KEB7-C00	BOLT TORQUE 6*16	BOLT TORQUE 6*16	1	
	96001	96001-06016-08	BOLT FLANGE SH 6*16	BOLT FLANGE SH 6*16	1	

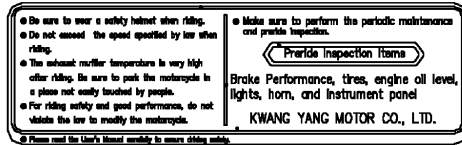


Sales mark	Ref no	Part no	Description	Reg description	Regd no	F20
11345		11345-LDF7-E10	DUCT L COVER	DUCT L COVER	1	
11346		11346-KEBE-C00	BAND L COVER DUCT	BAND L COVER DUCT	1	
50100		50100-LDF7-E10	BODY COMP FRAME	BODY COMP FRAME	1	
50301		50301-GLM0-C00	RACE UPPER STRG BALL	RACE UPPER STRG BALL	1	
50302		50302-2H68-C00	RACE (STRG BOT) BALL	RACE (STRG BOT) BALL	1	
50354		50354-GFY6-901	CLIP FUEL TUBE	CLIP FUEL TUBE	1	
5035A		5035A-KUDU-900	ENG HANGER ASSY	ENG HANGER COMP	1	
50611		50611-LCB9-C10	RNFCT R FLOOR	RNFCT R FLOOR	1	
50612		50612-LCB9-C10	RNFCT L FLOOR	RNFCT L FLOOR	1	
50613		50613-LCB9-C10	COVER UNDER	COVER UNDER	1	
77231		77231-LCB9-C10	STAY SEAT RUBBER	STAY SEAT RUBBER	1	
90106		90106-GFY6-901	BOLT FLANGE 10*55	BOLT FLANGE 10*55	1	
90107		90107-KUDU-900	BOLT FLANGE 10*188	BOLT FLANGE 10*188	1	
90121		90121-GFY6-C00	COLLAR DISTANCE	COLLAR DISTANCE	1	
90302		90302-SDA4-C00	NUT SPRING 4MM	NUT SPRING 4MM	1	
90304		90304-GHE8-C00	NUT U 10MM(C)	NUT U 10MM(C)	1	
93404		93404-06016-07	BOLT WASHER 6*16 (K)	BOLT WASHER 6*16 (K)	4	
93903		93903-34380	SCREW TAPPING 4*12	SCREW TAPPING 4*12	7	
94050		94050-06080	NUT FLANGE 6MM	NUT FLANGE 6MM	4	
95701		95701-06012-08	BOLT FLANGE 6*12	BOLT FLANGE 6*12	3	

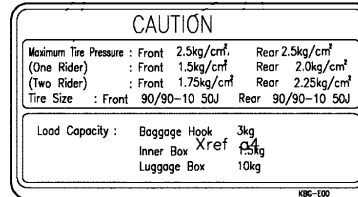


Sales mark	Ref no	Part no	Description	Reg description	Regd no	F21
18656	18656-LDF7-E10	18656-LDF7-E10	DUCT AICV-REED VALVE	DUCT AICV-REED VALVE	1	
18657	18657-LDC8-E10	18657-LDC8-E10	TUBE ASSY AICV-INNET PIPE	TUBE ASSY AICV-INNET PIPE	1	
1880A	1880A-LDF7-E10	1880A-LDF7-E10	AI/C-AICV ASSY	AI/C-AICV ASSY	1	
1880B	1880B-LDF7-E10	1880B-LDF7-E10	AI/C-AICV SET	AI/C-AICV SET	1	
18814	18814-LDC8-E10	18814-LDC8-E10	DUCT ASSY AIR-AICV	DUCT ASSY AIR-AICV	1	
95002	95002-KKD6-C00	95002-KKD6-C00	CLAMP D18 TUBE	CLAMP D18 TUBE	1	

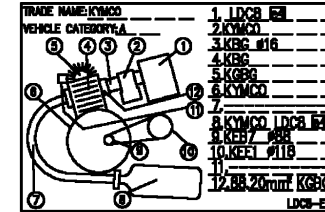




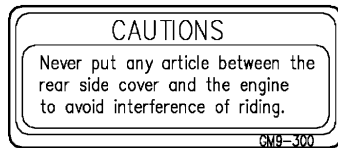
87560-GFY6-E01



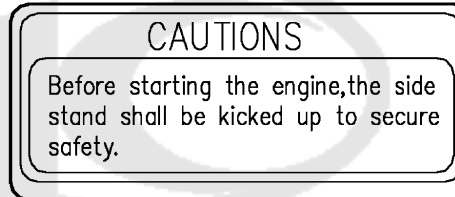
87505-LDC8-E10



87224-LDF7-E10



87542-GAR1-E01

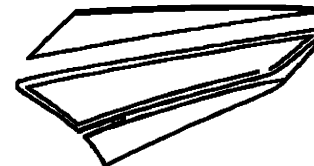


87541-GAR1-E01

KYMCO



86201-LDF7-C10



86733-LDC8-E10



86732-LDC8-E10

Sales mark	Ref no	Part no	Description	Reg description	Regd no	F22
**	86201	86201-LDF7-C10	STRIPE BODY COVER	STRIPE BODY COVER	2	
**	86732	86732-LDC8-E10	STRIPE LEG SHIELD R	STRIPE LEG SHIELD R	1	
**	86733	86733-LDC8-E10	STRIPE LEG SHIELD L	STRIPE LEG SHIELD L	1	
	87224	87224-LDF7-E10	CAUTION ANTI TAMPERING	CAUTION ANTI TAMPERING	1	
**	87505	87505-LDC8-E11	LABEL TIRE	LABEL TIRE	1	
**	87541	87541-GAR1-C01	MARK MAINT CAUTION L	MARK MAINT CAUTION L	1	
**	87542	87542-GAR1-E01	MARK MAINT CAUTION	MARK MAINT CAUTION	1	
**	87560	87560-GFY6-C01	MARK DRIVE CAUTION	MARK DRIVE CAUTION	1	



PART NO. INDEX

PART NO.	VERSION	PAGE	PART NO.	VERSION	PAGE	PART NO.	VERSION	PAGE
11000			12200-KUDU-C10	1	E02	14610-KUDU-C10	1	E03
11100-KUDU-C00	6	E01	12209-GDB4-C00	1	E02	14711-KUDU-C00	1	E02
11102-1G87-C00	1	E01	1220A-KUDU-C00	9	E02	14721-KUDU-C00	1	E02
11192-KUDU-C10	1	E01	12211-KUDU-W10	4	E02	14751-KKJ9-C00	2	E02
11200-KEC4-C00	6	E01	12251-GFY6-C00	1	E02	14761-KKJ9-C00	2	E02
11203-GGC7-W10	2	E01	1231A-KUDU-C10	1	E02	14771-GDB4-C00	2	E02
11204-KUDU-C00	0	E09	12361-GFY6-C00	1	E04	14775-MFA6-C00	2	E02
11206-LDF7-E10	0	E07	13000			14781-MFA6-C00	4	E02
11207-KKE3-C00	6	E04	13000-KUDU-C00	9	E03	15000		
11221-KKD7-C00	0	E09	13011-GFY6-C00	1	E03	15100-KUDU-W10	1	E07
11331-KUDU-C10	0	E04	13101-KUDU-C00	1	E03	15133-GFY6-W10	1	E07
11341-KEC4-900	1	E01	13111-3D84-C00	1	E03	15141-GFY6-C00	1	E07
11345-LDF7-E10	1	F20	14000			15421-1G07-W10	1	E04
11346-KEBE-C00	1	F20	14100-LGS6-E10	1	E02	15426-GAE1-C00	1	E04
11381-KUDU-C00	1	E01	14401-KUDU-C00	1	E03	15651-KUDU-W10	1	E04
11382-KUDU-W10	0	E01	14431-KUDU-W10	1	E02	15711-KUDU-C00	1	E07
11383-KUDU-C00	0	E01	14450-GFY6-W10	1	E02	16000		
11394-KUDU-C10	1	E04	14452-GFY6-W10	1	E02	16100-LDF7-E10	0	E05
11395-KKD7-C10	1	E01	14510-KUDU-W10	1	E03	16201-GFY6-C10	1	E02
12000			14520-GFY6-C00	1	E03	16211-GFY6-W10	1	E02
12100-GFY6-C00	6	E03	14523-GFY6-C10	1	E03	1691A-LDF7-E10	1	F10
12191-GFY6-C10	1	E03	1453A-GFY6-W10	0	E03	16950-KKJ9-C00	2	F10

PART NO. INDEX

PART NO.	VERSION	PAGE	PART NO.	VERSION	PAGE	PART NO.	VERSION	PAGE
17000			19000			23000		
1711A-LDF7-E10	2	E02	19510-GFY6-C00	1	E08	23010-LDF7-E10	0	E06
17200-LDF7-E10	0	F13	1961A-KUDU-E10	0	E08	2301A-KEC6-C00	0	E06
17211-LDF7-B000	0	F13	19625-KUDU-C00	1	E02	23100-KEC4-C00	1	E06
17256-GFY6-C00	0	E02	1962A-KUDU-C00	1	E08	23200-LDF7-E10	0	E06
17257-LDF7-E10	0	F13	1963A-LDF7-E10	1	E08	23220-KFBF-C00	0	E06
17500-LCB9-C10	3	F10				23233-GCW3-C00	0	E06
1755A-KKD5-C10	1	F10	21000			23237-GFY6-C00	0	E06
1755A-LDC8-E10	1	F18				23238-GFY6-C00	0	E06
17620-LDF7-E10	0	F19	21200-KEC4-C00	1	E09	23411-KEC4-C00	1	E09
17910-LDF7-E10	1	F03	21395-KEC4-C10	1	E09	23420-KEC4-C00	1	E09
18000			22000			23432-KEC4-C00	1	E09
18291-GGA7-080	1	F14	22101-GFY6-C00	0	E06	2343A-KUDU-W00	0	E09
18306-LDF7-E10	0	F14	22102-KUDU-C00	0	E06	28000		
1830A-LDF7-E10	0	F14	22105-GFY6-C00	0	E06	28101-GFY6-C00	1	E07
18318-LDF7-E10	0	F14	22110-KUDU-C00	0	E06	28102-GFY6-C00	1	E07
18646-LDC8-E10	1	E02	22121-KKD7-C00	0	E06	28110-GFY6-C10	1	E07
18656-LDF7-E10	1	F21	22131-GFY6-C00	3	E06	28120-GFY6-C00	0	E07
18657-LDC8-E10	1	F21	22132-KBN2-C00	0	E06	28125-GFY6-C10	3	E07
1880A-LDF7-E10	0	F21	22300-LDF7-E10	0	E06	28211-KUDU-W10	4	E06
1880B-LDF7-E10	0	F21				2823A-GKAK-W10	1	E01
18814-LDC8-E10	1	F21				28250-KNBN-C00	1	E01

PART NO. INDEX

PART NO.	VERSION	PAGE	PART NO.	VERSION	PAGE	PART NO.	VERSION	PAGE
28253-GBN2-C00	1	E01				35850-KEBE-C00	0	F19
28255-GFS6-C00	1	E01	33000					
28281-GBN2-C00	1	E01				37000		
28300-KFA3-S00	0	F15	33100-LDC8-E10	1	F01			
30000			33400-LDC8-E10	3	F17	37200-LDF7-E10	0	F02
			33402-LDC8-E10	0	F17	37802-GGA7-C00	1	F10
			33450-LDC8-E10	1	F17	3780A-LDC8-E10	0	F10
30410-KUDU-C00	0	F19	33600-LDC8-E10	3	F17			
3051A-GFY6-C00	0	F19	33602-LDC8-E10	0	F17	38000		
31000			33650-LDC8-E10	1	F17			
			33701-LDC8-E10	2	F18	38110-KHB4-E0A	0	F19
			33702-LDC8-E10	0	F18	38300-KECE-W10	2	F02
31100-KUDU-C00	0	E08	33731-KGB5-C00	2	F06			
31110-KUDU-C00	0	E08	33741-KEBE-C00	0	F18	42000		
31120-KUDU-C00	0	E08						
31200-KUDU-C00	0	E07	34000			42600-LDF7-E10	0	F08
31500-GFY6-C00	0	F11				42601-LDF7-E10	0	F08
31600-KUDU-C00	2	F19	34906-LBA8-E80	1	F18	42710-LDC8-E10	3	F08
32000			35000			42753-HHJ1-C00	0	F08
						43000		
32100-LDF7-E10	0	F19	35010-LDF7-E10	0	F19			
32411-LDF7-E10	1	F19	3515A-LGB5-E10	3	F03	4312A-KUDU-C00	1	F08
32412-LDF7-E10	1	E04	3520A-LGB5-E10	3	F03	4314A-KKD7-E00	0	F08
32961-KUDU-C00	1	E04	35340-KKJ9-C00	0	F03	43410-KEC4-900	1	F08
			35400-LDF7-E11	0	F19	43450-LDF7-E10	0	F03

PART NO. INDEX

PART NO.	VERSION	PAGE	PART NO.	VERSION	PAGE	PART NO.	VERSION	PAGE
44000			50000			52000		
44311-GLW0-W10	1	F07	50100-LDF7-E10	0	F20	52400-LDF7-E10	0	F16
44600-LDC8-E10	0	F07	50301-GLM0-C00	1	F20			
44601-KEB7-E0E	0	F07	50302-2H68-C00	2	F20	53000		
44601-KEB7-E0E	1	F07	50306-1F96-C00	1	F06			
44620-KEB7-E00	0	F07	50326-LCB9-C10	0	F11	53100-LCB9-C10	2	F03
44710-LDC8-E10	2	F07	50354-GFY6-901	0	F20	53105-KNBN-C00	2	F03
44800-LDC8-E10	1	F07	5035A-KUDU-900	1	F20	53125-GEN5-C00	1	F03
44830-LDC8-E10	3	F02	50502-LDF7-C00	1	F15	53140-KNBN-960	0	F03
			50505-KEBE-C00	0	F15	53166-KNBN-C00	0	F03
45000			5050A-KKD7-900	0	F15	53172-KTCT-C00	0	F03
			50531-KEB7-C00	0	F15	53175-LDC8-E10	1	F04
45105-KKD6-305	1	F07	50535-KEB7-E00	3	F15	53178-KXCX-C00	1	F03
45121-LBD5-C00	0	F07	5053A-LDF7-E10	0	F15	5317B-KFA6-C00	0	F03
45126-KKD6-E00	0	F04	50550-KEB7-C00	0	F15	53200-LDC8-E10	6	F06
45200-KKD6-E90	2	F07	50611-LCB9-C10	1	F20	53205-LCB9-C10	0	F03
45500-LDC8-E10	3	F04	50612-LCB9-C10	1	F20	53206-LCB9-C10	0	F03
45517-GFY6-900	5	F03	50613-LCB9-C10	0	F20	53211-GFY6-C00	1	F06
						53212-2L50-C00	1	F06
46000			51000			53214-2L50-C00	1	F06
						53215-2L50-C00	1	F06
46513-KUDU-C00	0	F08	51400-LDF7-E10	0	F06			
			51500-LDF7-E10	0	F06			

PART NO. INDEX

PART NO.	VERSION	PAGE	PART NO.	VERSION	PAGE	PART NO.	VERSION	PAGE
61000			80106-LDC8-E10	0	F18	87000		
61100-LDC8-E10	0	F06	80107-LDC8-E10	1	F18	87224-LDF7-E10	0	F22
64000			80151-LCB9-C10	0	F12	87505-LDC8-E11	0	F22
81000						87541-GAR1-C01	0	F22
64301-LCB9-C10	0	F05	81131-LCB9-C10	0	F05	87541-GAR1-C01	1	F22
64310-LCB9-C10	0	F05	81132-LCB9-C10	0	F05	87541-GAR1-E01	1	F22
64316-LCB9-C10	4	F05	81132-LDC8-E10	1	F05	87541-KDU-E000	0	E08
77000			81133-KNBN-9010	0	F05	87542-GAR1-E01	2	F22
77200-LDF7-E10	0	F09	8120A-LCB9-C10	1	F12	87560-GFY6-C01	3	F22
77206-LCB9-C10	0	F09	81250-LCB9-C10	1	F12	87560-GFY6-E01	3	F22
77231-LCB9-C10	0	F20	81251-LCB9-C10	0	F12	88000		
77232-KCAC-C00	2	F12	83000			88110-LCB9-C10	2	F03
77235-KGC4-C00	2	F19	83500-LDF7-E10	0	F12	88120-LCB9-C10	1	F03
77239-GFY6-C00	0	F19	83600-LDF7-E10	0	F12	89000		
77240-LDC8-E10	1	F12	86000			89010-KNBN-900	0	F09
80000			86201-LDF7-C10	0	F22	89020-KKC4-900	1	F09
80100-LDF7-E10	0	F18	86732-LDC8-E10	0	F22	90000		
80101-LDF7-E10	0	F18	86733-LDC8-E10	0	F22	90001-GBHB-C00	1	E03
80105-LDF7-E10	0	F18						

PART NO. INDEX

PART NO.	VERSION	PAGE	PART NO.	VERSION	PAGE	PART NO.	VERSION	PAGE
90001-GBHB-C11	0	E01	90302-GFY6-C00	1	F18	90668-LDC8-E10	1	F06
90005-KAW1-901	1	E03	90302-KNBN-C00	1	F03	90683-GAR1-C00	4	F12
90012-3C33-C00	1	E02	90302-SDA4-C00	2	F05	90683-GAR1-C00	4	F18
90031-KUDU-C00	1	E01	90302-SDA4-C00	2	F20	90701-HFB6-C00	0	E03
90032-KUDU-C00	1	E01	90304-4H38-C00	0	E02	90701-HFB6-C00	0	E07
90033-GFY6-C00	2	E02	90304-GHE8-C00	1	F03	90754-GHC8-C00	1	F07
90033-GFY6-C10	2	E02	90304-GHE8-C00	1	F20	90912-GHC8-C00	1	F07
90105-KCR3-001	3	F07	90305-GHK8-C00	1	F12			
90106-GEN5-901	1	F03	90305-KNBN-C00	1	F08	91000		
90106-GFY6-901	1	F20	90306-KLF0-C00	0	F07			
90107-KUDU-900	2	F20	90309-KLF0-C00	0	E09	91003-KDS4-C00	1	E09
90108-KEB7-E00	0	F15	90381-GEZ5-C00	1	F12	91009-GLE0-C00	1	E09
90110-GLW0-C00	0	F05	90403-KUDU-900	1	E07	91101-1K79-C00	1	E07
90110-KEB7-C00	1	F06	90412-3K29-C00	1	E01	91104-GFY6-C00	1	E07
90111-1G87-C00	1	F12	90426-KNBN-C00	1	E06	91201-GFY6-C00	1	E01
90112-KRDR-C00	1	F19	90440-1F66-C00	0	E08	91202-KKJ9-C00	1	E01
90121-GFY6-C00	1	F20	90441-GFY6-C00	1	E06	91211-KEBE-C00	0	E06
90121-KBE2-C00	4	F07	90451-GBN2-C00	1	E01	91255-LDC8-E10	4	E09
90131-GLW0-C00	0	F07	90465-MDC4-C00	0	E02	91258-KAM1-C00	1	F07
90145-MKS9-61A	1	F04	90474-3C33-C00	1	E01	91301-0H28-C00	1	E02
90201-GFY6-901	1	E07	90501-KNBN-C00	1	F08	91302-0A01-C00	1	E04
90202-1G87-C00	0	E06	9052A-GFY6-C00	1	E01	91305-0H28-C00	0	E02
90206-0A01-001	2	E02	90545-3L00-C00	2	F04	91306-1E05-C00	0	E03
90215-KKC4-C00	1	F18	90656-GFY6-911	1	F19	91307-0E35-W10	1	E04
90301-6C93-C00	0	F15	90656-KUDU-900	0	F19			
90301-GFY6-C00	2	F14	90660-KGBG-C00	0	F10			

PART NO. INDEX

PART NO.	VERSION	PAGE	PART NO.	VERSION	PAGE	PART NO.	VERSION	PAGE
92000			93903-GFY6-C00	2	F05	95000		
92101-05012-0H	2	E08	94000			95002-KKD6-C00	1	F21
92900-06060-0B	2	E02	94050-05080	2	F06	9500B-LDC8-E10	3	F10
93000			94050-05080	2	F18	95701-06012-08	3	F06
			94050-06080	2	E02	95701-06012-08	3	F20
			94050-06080	2	E07	95701-06016-08	1	F19
93404-06012-07	5	F18	94050-06080	2	F09	95701-06022-02	1	F15
93404-06016-07	0	F05	94050-06080	2	F17	95701-06025-08	2	E02
93404-06016-07	0	F12	94050-06080	2	F18	95701-06032-08	1	F08
93404-06016-07	0	F18	94050-06080	2	F19	95701-06035-08	1	E02
93404-06016-07	0	F20	94050-06080	2	F20	95701-06040-08	0	F13
93404-06020-07	4	F05	94050-08080	4	E02	95701-06050-08	1	E02
93404-06030-07	2	F18	94050-12080	1	E06	95701-08012-08	2	E01
93700-05018-0H	1	F02	94050-12080	1	E08	95701-08016-08	1	F10
93891-05035-07	0	F03	94301-10160	4	E01	95701-08016-08	1	F19
93903-34380	6	F03	94301-10160	4	E02	95701-08020-07	0	F12
93903-34380	6	F05	94301-10160	4	E03	95701-08035-07	0	F12
93903-34380	6	F12	94301-10160	4	E04	95701-KEB7-C00	0	F19
93903-34380	6	F18	94510-20000	1	E09	95801-08035-08	0	F16
93903-34380	6	F20	94511-14000	1	E01	95801-08040-08	4	F06
93903-35380	2	F01	94601-15000	1	E03	95801-08042-07	0	F14
93903-35380	2	F02				95801-08045-07	0	F14
93903-35380	2	F03				95801-10025-08	0	F15
93903-35380	2	F11				95801-10035-08	1	F16

PART NO. INDEX

PART NO.	VERSION	PAGE	PART NO.	VERSION	PAGE	PART NO.	VERSION	PAGE
96000			96211-08000	19	F06			
			96220-60100	1	E07			
			96600-08010-10	0	E07			
96001-06012-07	0	F04	98000					
96001-06012-08	3	E01						
96001-06012-08	3	E04						
96001-06012-08	3	E07	98056-5771R	0	E02			
96001-06016-08	6	E07	98200-10700	2	F05			
96001-06016-08	6	E08	98200-10700	2	F11			
96001-06016-08	6	F19						
96001-06018-08	1	E08						
96001-06020-08	2	E08						
96001-06025-08	4	E07						
96001-06025-08	4	E08						
96001-06028-08	1	E04						
96001-06040-08	0	E01						
96001-06045-08	1	E01						
96001-06050-08	1	E01						
96001-06100-08	2	E02						
96001-06100-08	2	E04						
96001-06110-08	1	E04						
96100-60020-00	1	E09						
96100-62020-00	1	E01						
96100-62030-00	1	E01						
96100-62043-00	1	E01						
96211-05000	26	F06						